



RIGGING-STEERING  
PARTS CATALOGUE  
©2020 by Yamaha Motor Co., Ltd.  
1st edition, October 2020  
All rights reserved.  
Any reprinting or unauthorized use  
without the written permission of  
Yamaha Motor Co., Ltd.  
is expressly prohibited.  
Printed in Japan.



# CONTENTS

BASE HANDLE - ALL.....	1
BASE HANDLE ELECTRICAL 1.....	4
BASE HANDLE ELECTRICAL 2.....	5
TILLER HANDLE KIT 1.....	6
TILLER HANDLE KIT 2.....	9
FITTING KIT 1.....	10
FITTING KIT 2.....	11
FITTING KIT 3.....	12
FITTING KIT 4.....	13
FITTING KIT 5.....	14
STEERING FRICTION 1.....	15
STEERING FRICTION 2.....	16
STEERING FRICTION 3.....	17
STEERING FRICTION 4.....	18
STEERING FRICTION 5.....	19
STEERING FRICTION 6.....	20
STEERING FRICTION 7.....	21
STEERING FRICTION 8.....	22
STEERING FRICTION 9.....	23

## INDEX

NUMERICAL INDEX.....	24
----------------------	----













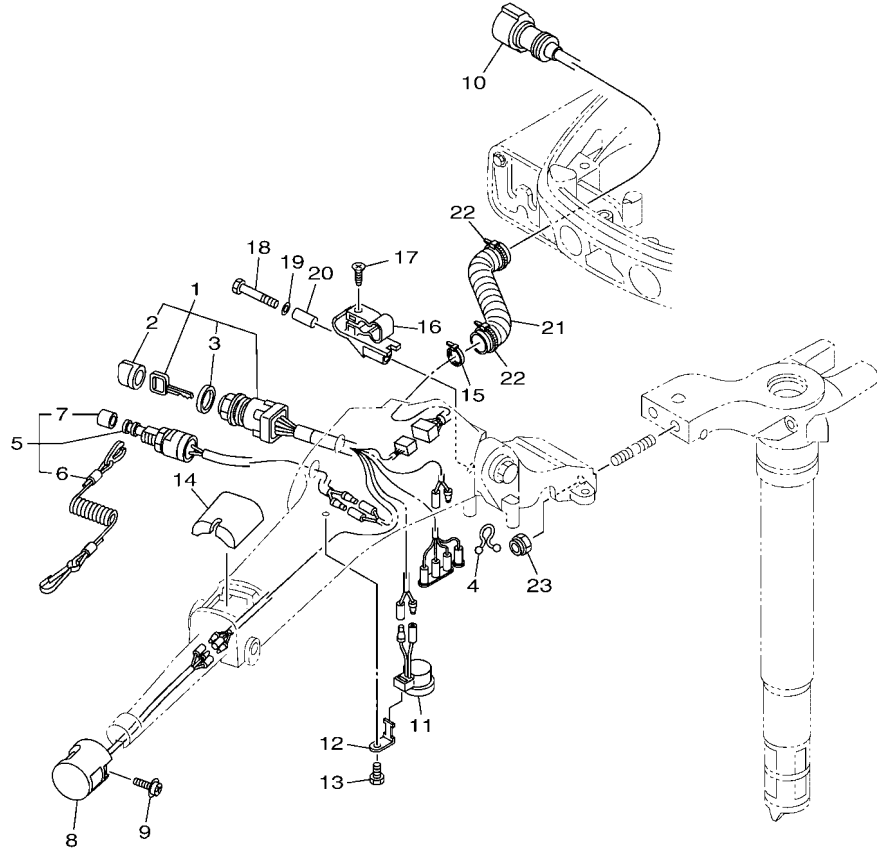








6X4 TILLER HANDLE KIT (F25A)

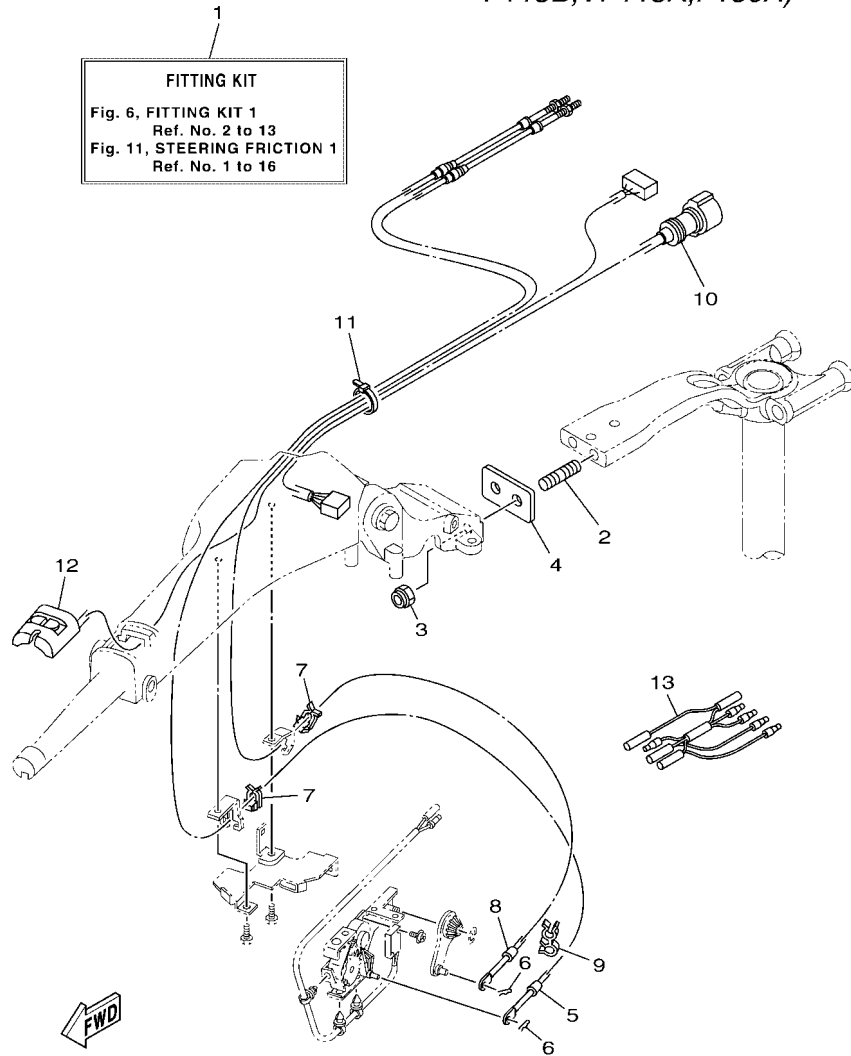


601S10S-T050

FIG. 5 TILLER HANDLE KIT 2

REF. NO.	PART NO.	DESCRIPTION	601S				REMARKS
1	6X4-82510-02	MAIN SWITCH ASSY	1				
2	676-82577-01	.CAP, KEY	1				
3	703-82532-00	.CAP	1				
4	90464-08M07	CLAMP	1				
5	69W-82575-00	ENGINE STOP SWITCH ASSY	1				
6	682-82556-00	.LANYARD, STOP SWITCH	1				
7	689-8257Y-00	.CAP	1				
8	6X4-82563-01	TRIM & TILT SWITCH ASSY	1				
9	97980-06216	SCREW, WITH WASHER	1				
10	6X4-82586-10	EXT., WIRE HARNESS (L:950MM)	1				
11	6X4-83383-00	BUZZER	1				
12	6X4-83386-00	STAY, BUZZER	1				
13	97D95-06014	BOLT, HEXAGON DEEP RECESS	1				
14	6X4-81942-01	COVER	1				
15	90465-13M36	CLAMP	1				
16	62Y-82361-00	CLAMP, CORD	1				
17	90161-06M03	SCREW, TAPPING	1				
18	97D95-06035	BOLT, HEXAGON DEEP RECESS	1				
19	92995-06600	WASHER	1				
20	90387-06M26	COLLAR	1				
21	90447-22006	TUBE	1				
22	90465-13M24	CLAMP	2				
23	90185-10027	NUT, SELF-LOCKING	2				

6X4 TILLER HANDLE FITTING KIT (F75B, VF90A, F90B, F115B, VF115A, F130A)

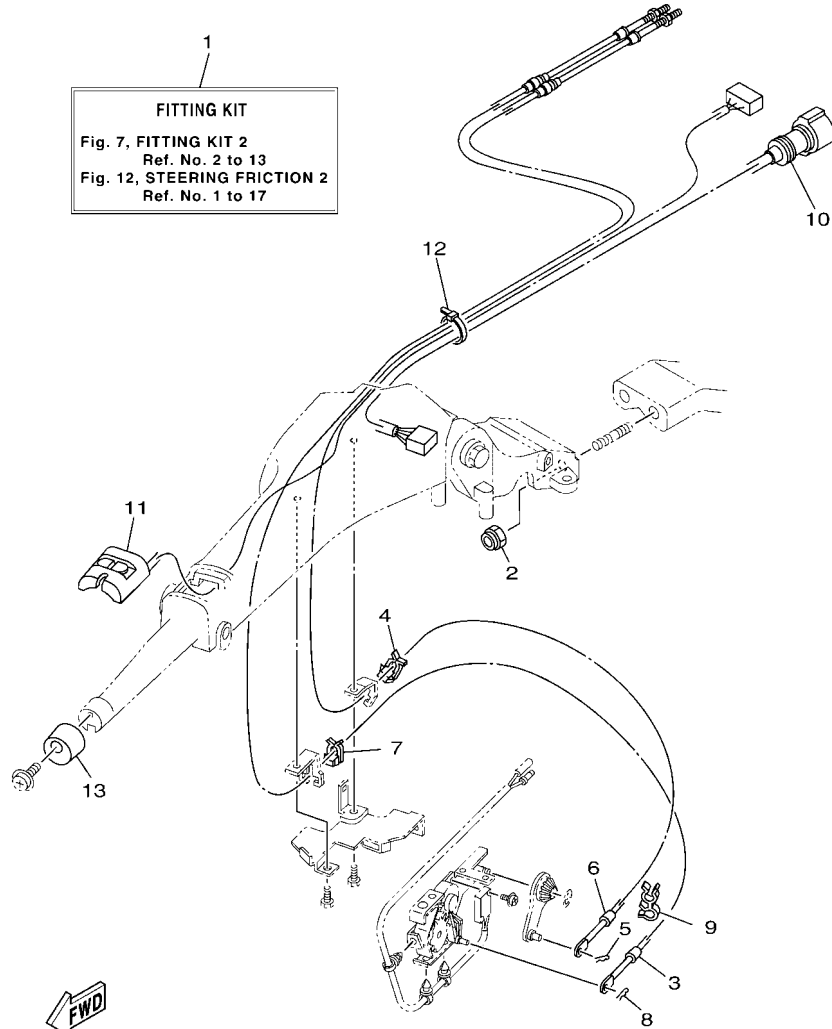


601S10S-T060

FIG. 6 FITTING KIT 1

REF. NO.	PART NO.	DESCRIPTION	601S				REMARKS
1	6X4-42102-H2	FITTING KIT	1				LM FOR USA,CAN
	6X4-42102-J2	FITTING KIT	1				LM FOR USA,CAN
	6X4-42102-C2	FITTING KIT	1				LM FOR EUR,OCE
2	90116-10063	BOLT, STUD	2				
3	90185-10027	NUT, SELF-LOCKING	2				
4	6EK-42121-00	BRACKET	1				
5	6EK-48321-00	CABLE	1				
6	90468-10005	CLIP	2				
7	63D-48538-00	CLAMP, CABLE 1	2				
8	6EK-26301-00	THROTTLE CABLE ASSY	1				FOR 6X4-42102-H2/C2
	6FP-26301-00	THROTTLE CABLE ASSY	1				FOR 6X4-42102-J2
9	90464-09M42	CLAMP	1				
10	6X4-82586-10	EXT., WIRE HARNESS (L:950MM)	1				
11	90465-13M24	CLAMP	1				
12	6X4-81860-00	SWITCH ASSY	1				
13	6X4-82521-00	WIRE, LEAD	1				FOR 6X4-42102-H2/J2

**6X4 TILLER HANDLE FITTING KIT**  
 (F50B,F50H,T50B,FT50J,F60B,F60F,T60B,FT60G,F70A)



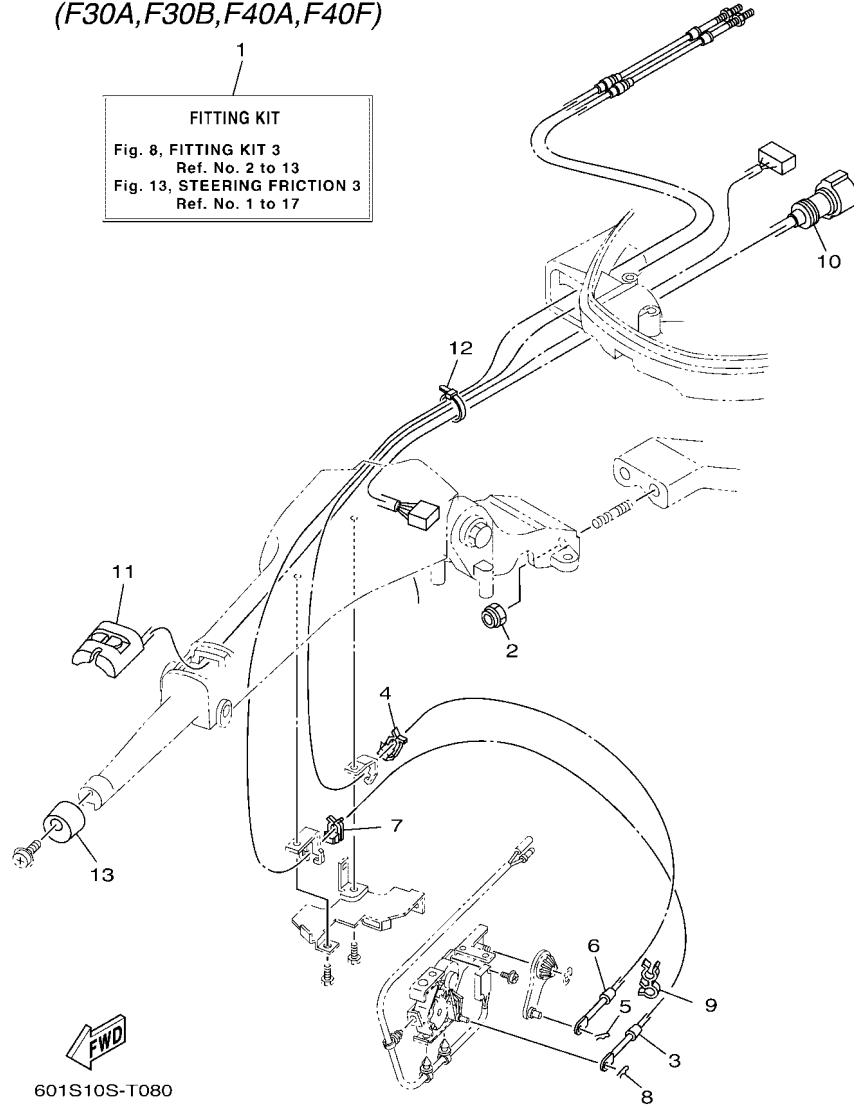
601S10S-T070

**FIG. 7 FITTING KIT 2**

REF. NO.	PART NO.	DESCRIPTION	601S	REMARKS
1	6X4-42102-23	FITTING KIT	1	LM FOR USA,CAN
	6X4-42102-92	FITTING KIT	1	LM FOR EUR,OCE
2	90185-10027	NUT, SELF-LOCKING	2	
3	67C-48321-11	CABLE	1	
4	63D-48538-00	CLAMP, CABLE 1	1	
5	90468-10005	CLIP	1	
6	69W-26301-00	THROTTLE CABLE ASSY	1	
7	63D-48538-00	CLAMP, CABLE 1	1	
8	90468-10005	CLIP	1	
9	90464-09M42	CLAMP	1	
10	6X4-82586-10	EXT., WIRE HARNESS (L:950MM)	1	
11	6X4-81860-00	SWITCH ASSY	1	
12	90465-13M36	CLAMP	1	
13	6X4-42728-00	CAP	1	FOR EUR,OCE



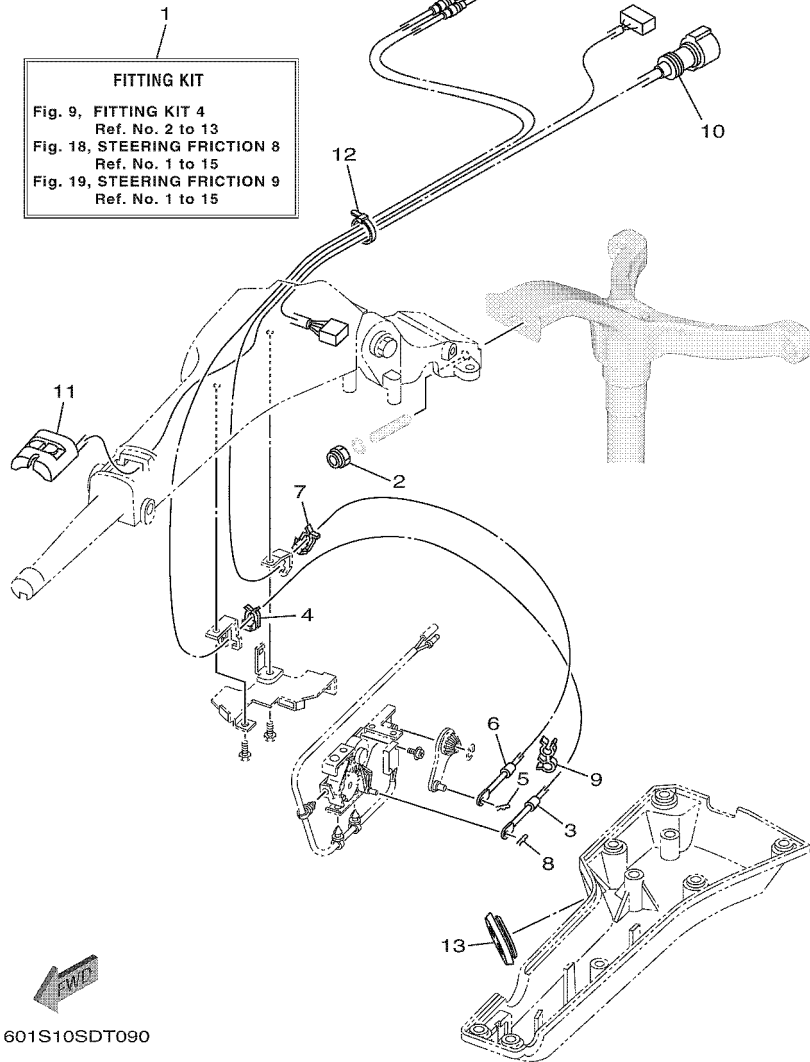
**6X4 TILLER HANDLE FITTING KIT  
(F30A, F30B, F40A, F40F)**



**FIG. 8 FITTING KIT 3**

REF. NO.	PART NO.	DESCRIPTION	601S				REMARKS
1	6X4-42102-71	FITTING KIT	1				LM FOR USA,CAN
	6X4-42102-82	FITTING KIT	1				LM FOR EUR,OCE
2	90185-10027	NUT, SELF-LOCKING	2				
3	67C-48321-11	CABLE	1				
4	63D-48538-00	CLAMP, CABLE 1	1				
5	90468-10005	CLIP	1				
6	69W-26301-00	THROTTLE CABLE ASSY	1				
7	63D-48538-00	CLAMP, CABLE 1	1				
8	90468-10005	CLIP	1				
9	90464-09M42	CLAMP	1				
10	6X4-82586-10	EXT., WIRE HARNESS (L:950MM)	1				
11	6X4-81860-00	SWITCH ASSY	1				
12	90465-13M36	CLAMP	1				
13	6X4-42728-00	CAP	1				FOR EUR,OCE

**6X4 TILLER HANDLE FITTING KIT  
(F20B,F20G,F25C,T25C,F25G)**

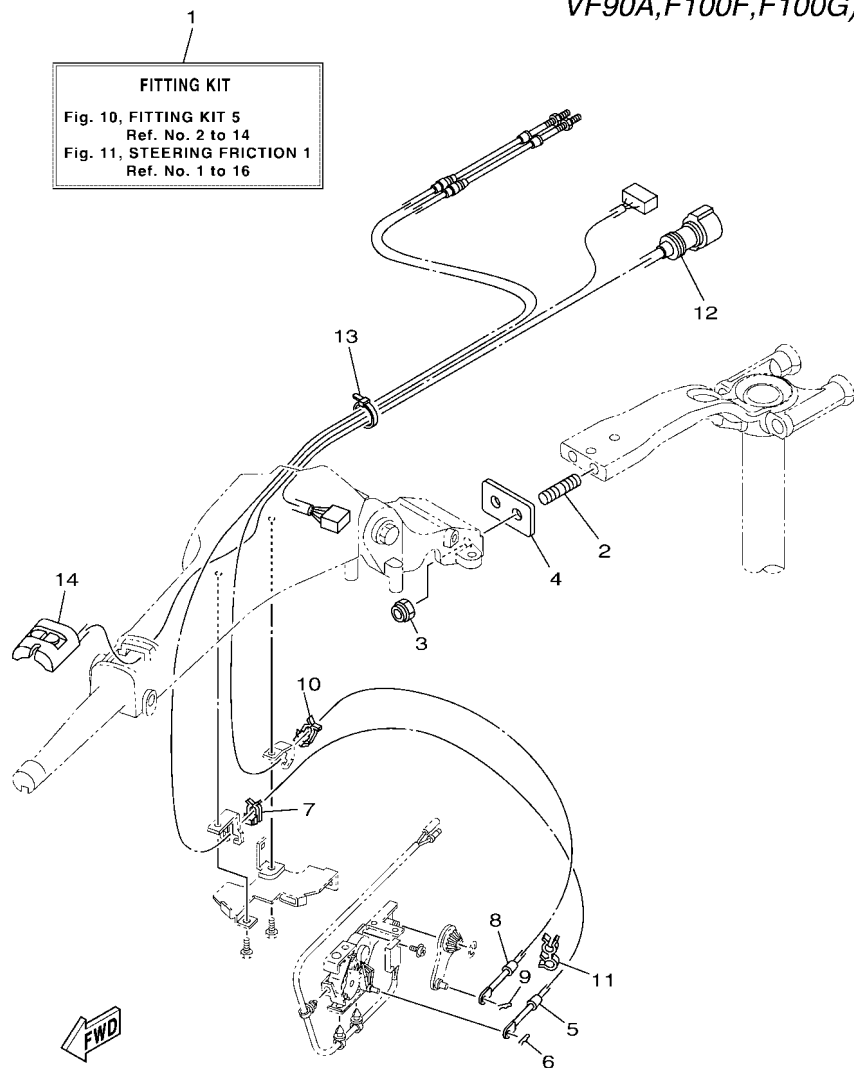


601S10SDT090

**FIG. 9 FITTING KIT 4**

REF. NO.	PART NO.	DESCRIPTION	601S				REMARKS
1	6X4-42102-E1	FITTING KIT	1				LM FOR USA,CAN
	6X4-42102-K1	FITTING KIT	1				LM FOR USA,CAN
	6X4-42102-F1	FITTING KIT	1				LM FOR EUR,OCE
	6X4-42102-L1	FITTING KIT	1				LM FOR EUR,OCE
2	90185-10027	NUT, SELF-LOCKING	2				
3	63D-48321-11	CABLE	1				
4	63D-48538-00	CLAMP, CABLE 1	1				
5	90468-10005	CLIP	1				
6	6FM-26301-10	THROTTLE CABLE ASSY	1				
7	63D-48538-00	CLAMP, CABLE 1	1				
8	90468-10005	CLIP	1				
9	90464-09M42	CLAMP	1				
10	6X4-82586-10	EXT., WIRE HARNESS (L:950MM)	1				
11	6X4-81860-00	SWITCH ASSY	1				
12	90465-13M39	CLAMP	1				
13	6H3-42727-00	GROMMET	1				FOR EUR,OCE

6X4 TILLER HANDLE FITTING KIT (F75B,F75F,F80D,F90B,  
VF90A,F100F,F100G)



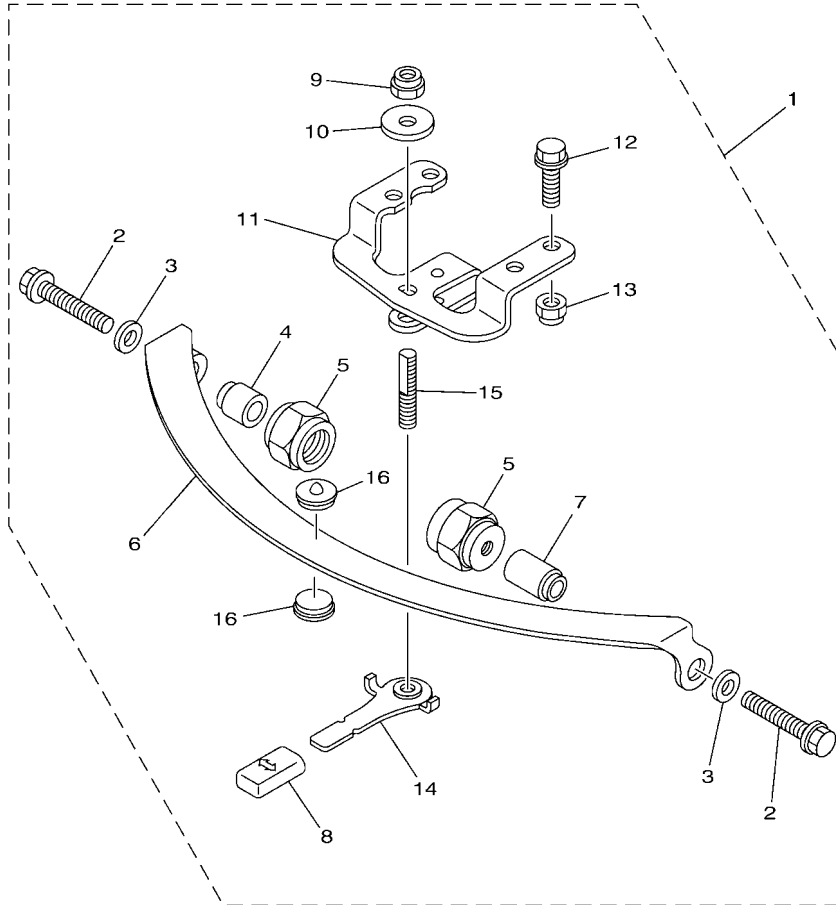
601S10S-U100

FIG. 10 FITTING KIT 5

REF. NO.	PART NO.	DESCRIPTION	601S				REMARKS
1	6X4-42102-G2	FITTING KIT	1				LM FOR EUR,OCE
2	90116-10063	BOLT, STUD	2				
3	90185-10027	NUT, SELF-LOCKING	2				
4	6EK-42121-00	BRACKET	1				
5	6EK-48321-00	CABLE	1				
6	90468-10005	CLIP	1				
7	63D-48538-00	CLAMP, CABLE 1	1				
8	6FP-26301-00	THROTTLE CABLE ASSY	1				
9	90468-10005	CLIP	1				
10	63D-48538-00	CLAMP, CABLE 1	1				
11	90464-09M42	CLAMP	1				
12	6X4-82586-10	EXT., WIRE HARNESS (L:950MM)	1				
13	90465-13M24	CLAMP	1				
14	6X4-81860-00	SWITCH ASSY	1				

### STEERING FRICTION

Part No.	Applicable model
67G-42508-12	F75B, F75F, F80D, VF90A, F90C(F90B), F100G, F115B (F115B), VF115A, F130A (F130A)



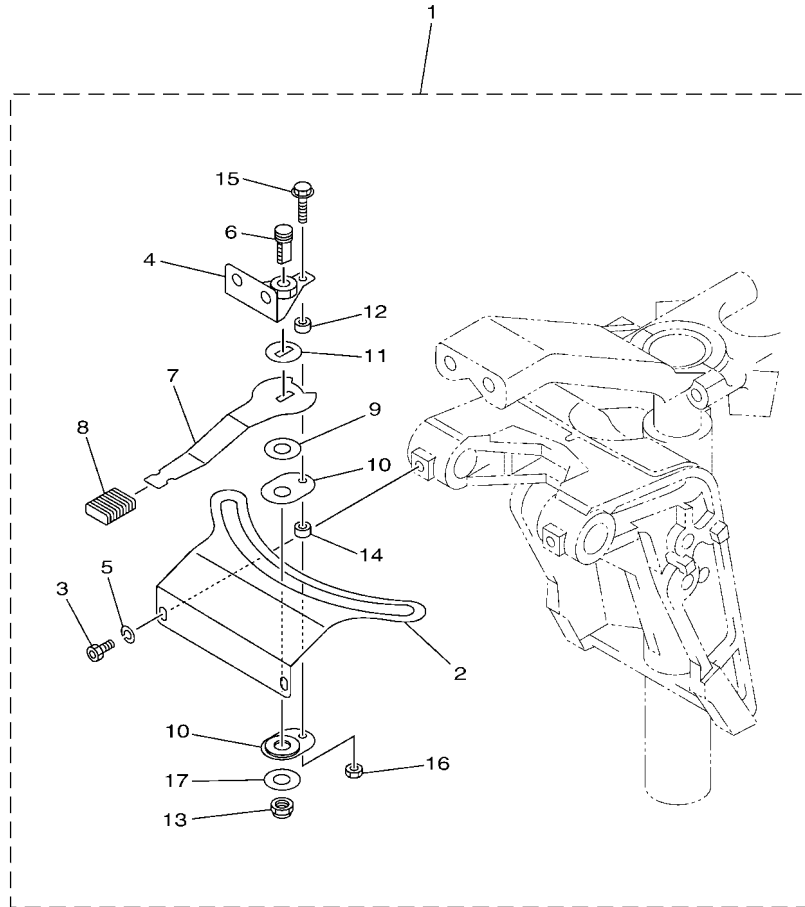
601S10S-U110

**FIG. 11 STEERING FRICTION 1**

REF. NO.	PART NO.	DESCRIPTION	601S				REMARKS
1	67G-42508-12	STEERING FRICTION ASSY	1				
2	90119-08198	.BOLT, WITH WASHER	2				
3	90201-08M01	.WASHER, PLATE	2				
4	67G-42541-00	.PIPE 1	1				
5	67G-42546-00	.NUT	2				
6	63D-42527-00	.PLATE, FRICTION	1				
7	67G-42541-10	.PIPE 1	1				
8	682-43318-01	.COVER	1				
9	90185-10M14	.NUT, SELF-LOCKING	1				
10	90201-10M76	.WASHER, PLATE	1				
11	6X4-42526-00	.PLATE, FRICTION	1				
12	97E95-08525	.BOLT, HEXAGON W/W DEEP RECESS	2				
13	90185-08057	.NUT, SELF-LOCKING	2				
14	67G-42561-00	.KNOB, STEERING LOCK	1				
15	67G-42562-00	.SHAFT, STEERING LOCK	1				
16	63D-42528-00	.PLATE, FRICTION	2				

### STEERING FRICTION

Part No.	Applicable model
6C5-42508-01	F40H, F40G, F50H (F50B), FT50J (T50B), F60F (F60B), FT60G (T60B), F70A(F70A)



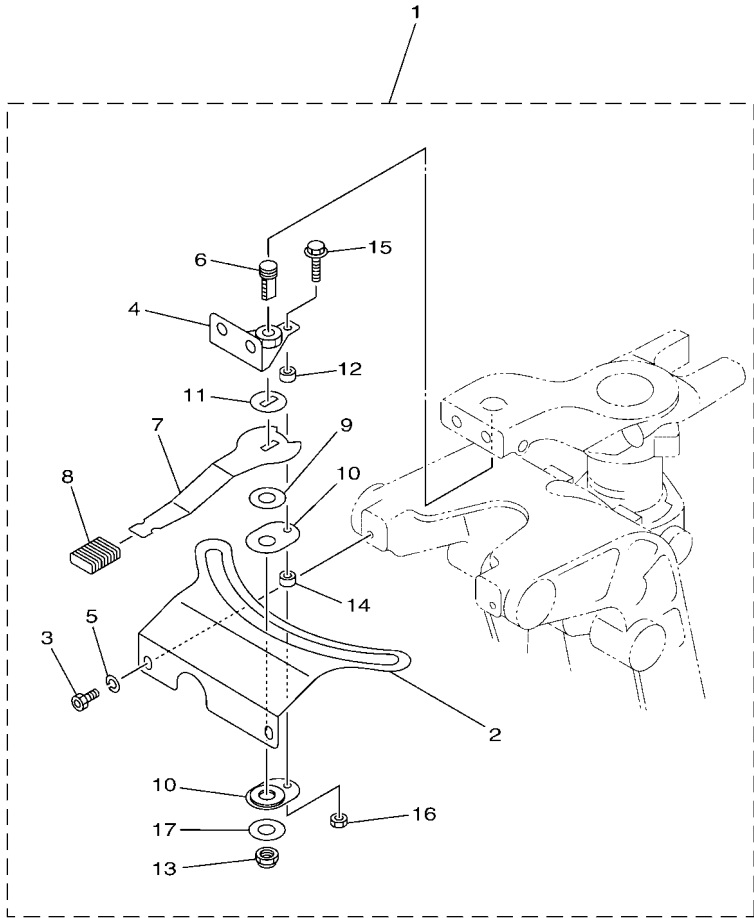
601S10S-T120

FIG. 12 STEERING FRICTION 2

REF. NO.	PART NO.	DESCRIPTION	601S				REMARKS
1	6C5-42508-01	STEERING FRICTION ASSY	1				
2	6C5-42527-00	.PLATE, FRICTION	1				
3	90109-06M88	.BOLT	2				
4	67C-42525-00	.PLATE, FRICTION	1				
5	92990-06100	.WASHER, SPRING	2				
6	67C-42562-A0	.SHAFT, STEERING LOCK	1				
7	67C-42561-00	.KNOB, STEERING LOCK	1				
8	689-43633-00	.COVER, TILT LEVER	1				
9	90202-10M56	.WASHER, PLATE	1				
10	65W-42528-00	.PLATE, FRICTION	2				
11	90209-10M26	.WASHER	1				
12	90387-05053	.COLLAR	1				
13	90185-10M14	.NUT, SELF-LOCKING	1				
14	90387-05054	.COLLAR	1				
15	97595-05520	.BOLT, WITH WASHER	1				
16	95380-05600	.NUT	1				
17	90201-106M5	.WASHER, PLATE	1				

### STEERING FRICTION

Part No.	Applicable model
67C-42508-04	F30B (F30A), F40F (F40A)



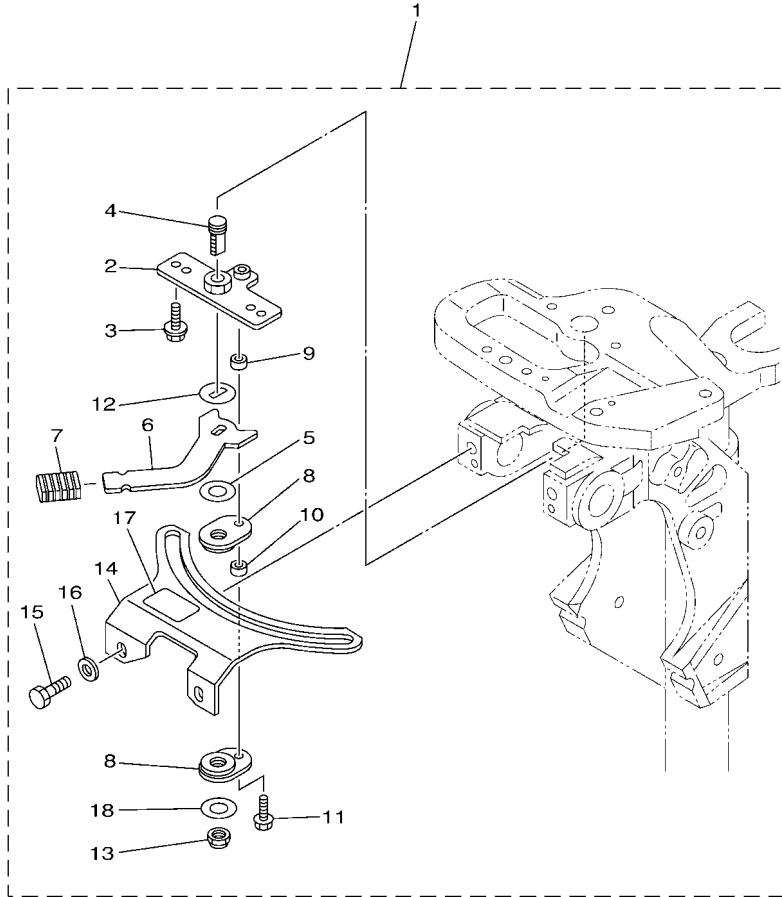
601S10S-T130

**FIG. 13 STEERING FRICTION 3**

REF. NO.	PART NO.	DESCRIPTION	601S				REMARKS
1	67C-42508-04	STEERING FRICTION ASSY	1				
2	67C-42527-03	.PLATE, FRICTION	1				
3	90109-06M88	.BOLT	2				
4	67C-42525-00	.PLATE, FRICTION	1				
5	92990-06100	.WASHER, SPRING	2				
6	67C-42562-A0	.SHAFT, STEERING LOCK	1				
7	67C-42561-00	.KNOB, STEERING LOCK	1				
8	689-43633-00	.COVER, TILT LEVER	1				
9	90202-10M56	.WASHER, PLATE	1				
10	65W-42528-00	.PLATE, FRICTION	2				
11	90209-10M26	.WASHER	1				
12	90387-05053	.COLLAR	1				
13	90185-10M14	.NUT, SELF-LOCKING	1				
14	90387-05054	.COLLAR	1				
15	97595-05520	.BOLT, WITH WASHER	1				
16	95380-05600	.NUT	1				
17	90201-106M5	.WASHER, PLATE	1				

### STEERING FRICTION

Part No.	Applicable model
6AH-42508-02	F8F(F8B), FT8G, F9.9J(F9.9B), F9.9H, FT9.9L(T9.9B), F15C (F15A), F20B (F20A), F20C
6AH-42508-12	FT9.9L(T9.9B), F15C (F15A), F20B (F20A)



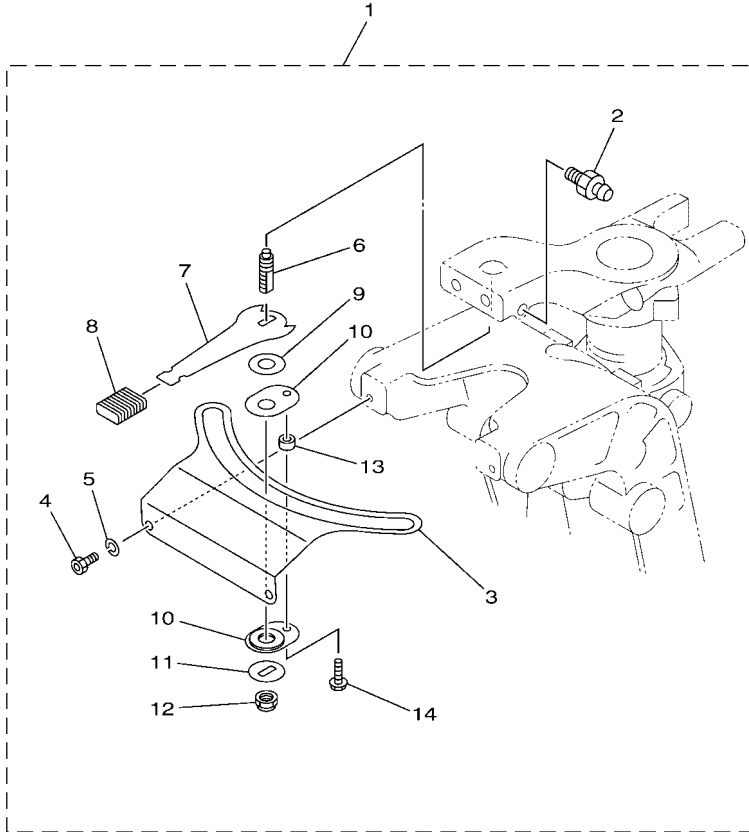
601S10S-U140

**FIG. 14 STEERING FRICTION 4**

REF. NO.	PART NO.	DESCRIPTION	601S				REMARKS
1	6AH-42508-02	STEERING FRICTION ASSY	1				UR
	6AH-42508-12	STEERING FRICTION ASSY	1				UR
2	68T-42525-01	.PLATE, FRICTION	1				
3	90119-05018	.BOLT, WITH WASHER	2				
4	67C-42562-A0	.SHAFT, STEERING LOCK	1				
5	90202-10M56	.WASHER, PLATE	1				
6	68T-42561-00	.KNOB, STEERING LOCK	1				
7	689-43633-00	.COVER, TILT LEVER	1				
8	65W-42528-00	.PLATE, FRICTION	2				
9	90387-05053	.COLLAR	1				
10	90387-05054	.COLLAR	1				
11	97595-05520	.BOLT, WITH WASHER	1				
12	90209-10M26	.WASHER	1				
13	90185-10M14	.NUT, SELF-LOCKING	1				
14	6AH-42527-00	.PLATE, FRICTION	1				
15	90101-08022	.BOLT	2				
16	90201-08065	.WASHER, PLATE	2				
17	68T-43155-00	.MARK 1	1				FOR 6AH-42508-02
18	90201-106M5	.WASHER, PLATE	1				

### STEERING FRICTION

Part No.	Applicable model
65W-42508-00	F25D (F25A), (E)40X



601S10S-T150

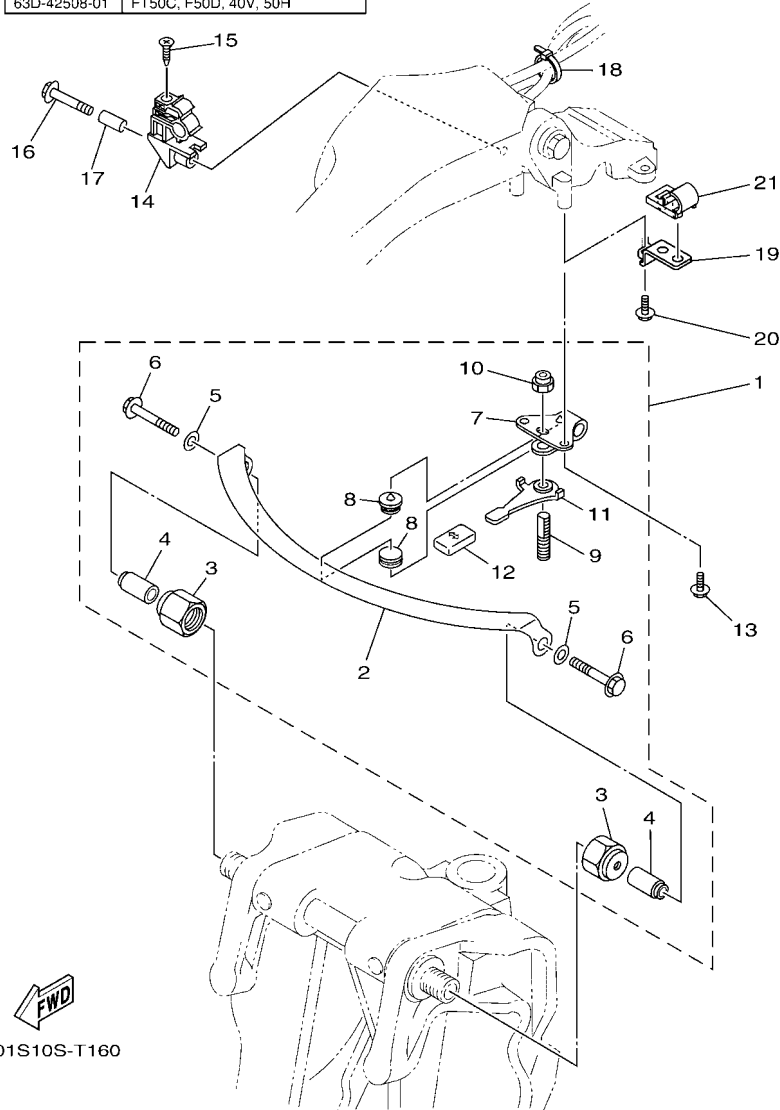
FIG. 15 STEERING FRICTION 5

REF. NO.	PART NO.	DESCRIPTION	601S				REMARKS
1	65W-42508-00	STEERING FRICTION ASSY	1				
2	93700-06M03	.NIPPLE, GREASE	1				
3	65W-42527-00	.PLATE, FRICTION	1				
4	90109-06M88	.BOLT	2				
5	92990-06100	.WASHER, SPRING	2				
6	65W-42562-00	.SHAFT, STEERING LOCK	1				
7	65W-42561-00	.KNOB, STEERING LOCK	1				
8	689-43633-00	.COVER, TILT LEVER	1				
9	90202-10M56	.WASHER, PLATE	1				
10	65W-42528-00	.PLATE, FRICTION	2				
11	90209-10M26	.WASHER	1				
12	90185-10M14	.NUT, SELF-LOCKING	1				
13	90387-05054	.COLLAR	1				
14	90109-05M89	.BOLT	1				



### STEERING FRICTION

Part No.	Applicable model
63D-42508-01	FT50C, F50D, 40V, 50H



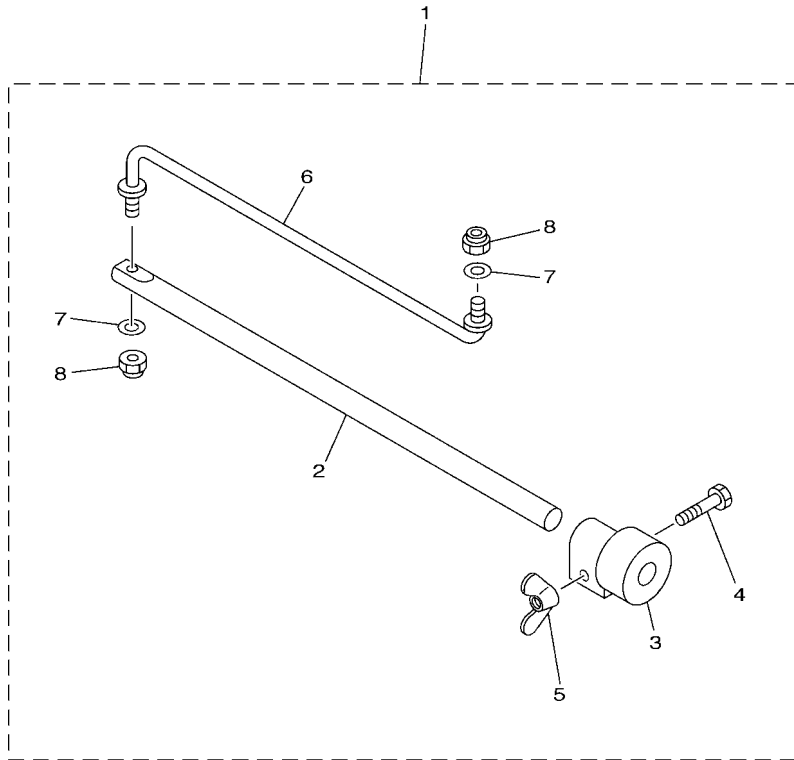
601S10S-T160

**FIG. 16 STEERING FRICTION 6**

REF. NO.	PART NO.	DESCRIPTION	601S				REMARKS
1	63D-42508-01	STEERING FRICTION ASSY	1				
2	63D-42527-00	.PLATE, FRICTION	1				
3	63D-42546-00	.NUT	2				
4	63D-42541-00	.PIPE 1	2				
5	90201-08M01	.WASHER, PLATE	2				
6	97E95-08550	.BOLT, HEXAGON W/W DEEP RECESS	2				
7	63D-42526-00	.PLATE, FRICTION	1				
8	63D-42528-00	.PLATE, FRICTION	2				
9	63D-42562-00	.SHAFT, STEERING LOCK	1				
10	90185-10M01	.NUT, SELF-LOCKING	1				
11	63D-42561-00	.KNOB, STEERING LOCK	1				
12	682-43318-01	.COVER	1				
13	97E95-06516	BOLT, HEXAGON W/W DEEP RECESS	2				
14	63D-82361-00	CLAMP, CORD	1				
15	90161-06M00	SCREW, TAPPING	1				
16	97E95-06535	BOLT, HEXAGON W/W DEEP RECESS	1				
17	90387-06M26	COLLAR	1				
18	90465-13M36	CLAMP	1				
19	63D-24364-10	STAY	1				
20	97E95-06516	BOLT, HEXAGON W/W DEEP RECESS	1				
21	63D-24367-00	CLAMP, FUEL PIPE 2	1				

### STEERING FRICTION

Part No.	Applicable model
692-42508-01	E55D, 60F, 70B



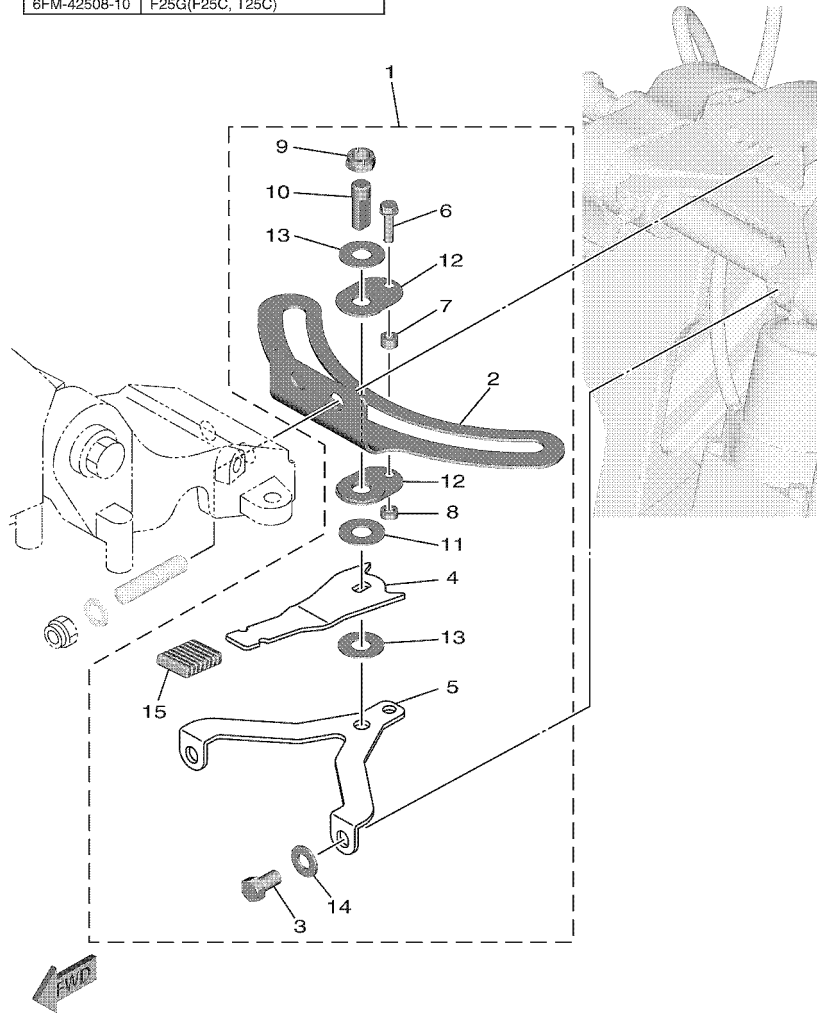
601S10S-T170

**FIG. 17 STEERING FRICTION 7**

REF. NO.	PART NO.	DESCRIPTION	601S				REMARKS
1	692-42508-01	STEERING FRICTION ASSY	1				
2	663-42518-00	.SHAFT, FRICTION	1				
3	663-42528-00	.PLATE, FRICTION	1				
4	97080-06035	.BOLT	1				
5	90175-06003	.NUT, WING	1				
6	692-42515-01	.ROD, STEERING LINK	1				
7	92990-08600	.WASHER, PLATE	2				
8	90185-08057	.NUT, SELF-LOCKING	2				

### STEERING FRICTION

Part No.	Applicable model
6FM-42508-10	F25G(F25C, T25C)

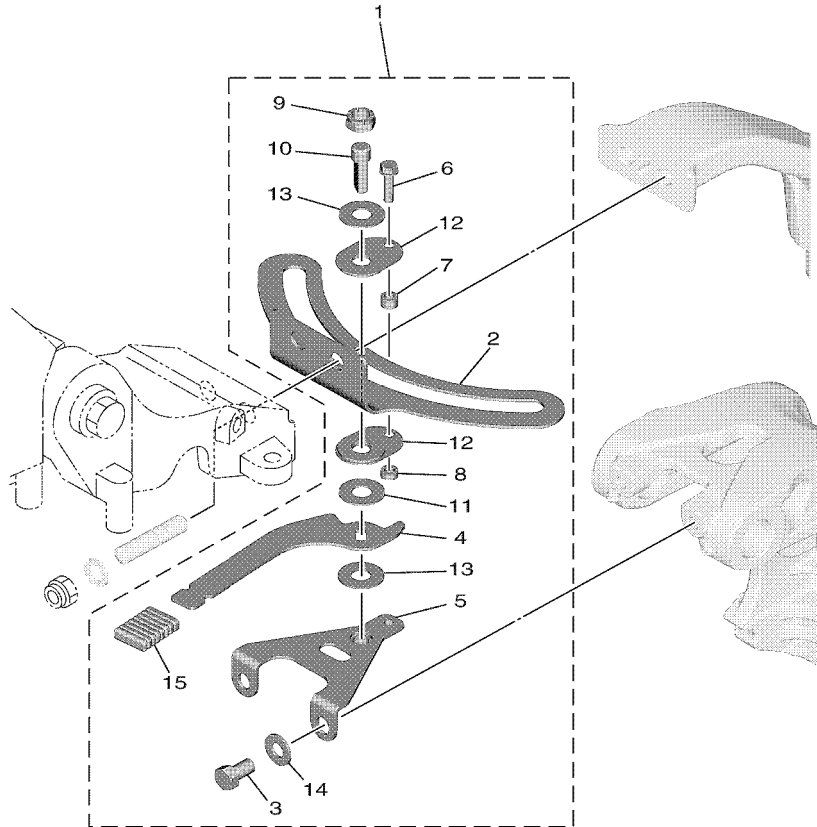


**FIG. 18 STEERING FRICTION 8**

REF. NO.	PART NO.	DESCRIPTION	601S				REMARKS
1	6FM-42508-10	STEERING FRICTION ASSY	1				
2	6FM-42527-00	.PLATE, FRICTION	1				
3	90109-08M91	.BOLT	2				
4	6FM-42561-10	.KNOB, STEERING LOCK	1				
5	6FM-42525-10	.PLATE, FRICTION	1				
6	97595-05520	.BOLT, WITH WASHER	1				
7	90387-05054	.COLLAR	1				
8	90387-05053	.COLLAR	1				
9	90185-10M14	.NUT, SELF-LOCKING	1				
10	67C-42562-A0	.SHAFT, STEERING LOCK	1				
11	90202-10M56	.WASHER, PLATE	1				
12	65W-42528-00	.PLATE, FRICTION	2				
13	90201-106M5	.WASHER, PLATE	2				
14	92995-08200	.WASHER	2				
15	689-43633-00	.COVER, TILT LEVER	1				

### STEERING FRICTION

Part No.	Applicable model
6FM-42508-00	F20G(F20B), F25G(F25C)



**FIG. 19 STEERING FRICTION 9**

REF. NO.	PART NO.	DESCRIPTION	601S				REMARKS
1	6FM-42508-00	STEERING FRICTION ASSY	1				
2	6FM-42527-00	.PLATE, FRICTION	1				
3	90109-08M91	.BOLT	2				
4	6FM-42561-00	.KNOB, STEERING LOCK	1				
5	6FM-42525-00	.PLATE, FRICTION	1				
6	97595-05520	.BOLT, WITH WASHER	1				
7	90387-05054	.COLLAR	1				
8	90387-05053	.COLLAR	1				
9	90185-10M14	.NUT, SELF-LOCKING	1				
10	67C-42562-A0	.SHAFT, STEERING LOCK	1				
11	90202-10M56	.WASHER, PLATE	1				
12	65W-42528-00	.PLATE, FRICTION	2				
13	90201-106M5	.WASHER, PLATE	2				
14	92995-08200	.WASHER	2				
15	689-43633-00	.COVER, TILT LEVER	1				

  
 601S10SDT190

NUMERICAL INDEX

PART NO.	REF. NO.	PART NO.	REF. NO.	PART NO.	REF. NO.	PART NO.	REF. NO.	PART NO.	REF. NO.	PART NO.	REF. NO.
6X4-14137-00	1 - 26	6X4-42137-00	1 - 7	65W-42561-00	15 - 7	6X4-44177-00	4 - 12	6X4-82510-02	5 - 1	90116-10063	6 - 2
	4 - 26		4 - 7	67C-42561-00	12 - 7	6X4-44188-00	1 - 15	6X4-82510-42	3 - 1		10 - 2
63D-24364-10	16 - 19	6X4-42159-00	1 - 39		13 - 7		4 - 15	6X4-82521-00	6 - 13	90119-05018	14 - 3
63D-24367-00	16 - 21		4 - 46	67G-42561-00	11 - 14	6G8-44191-00	1 - 43	703-82532-00	2 - 3	90119-08198	11 - 2
69W-26301-00	7 - 6	6X4-42177-01	1 - 6	68T-42561-00	14 - 6		4 - 50		3 - 3	90152-05007	1 - 10
	8 - 6		4 - 6	6FM-42561-00	19 - 4	6X4-47731-01	1 - 24		5 - 3		4 - 10
6EK-26301-00	6 - 8	65W-42508-00	15 - 1	6FM-42561-10	18 - 4		4 - 24	6X4-82540-00	1 - 28	90161-06M00	16 - 15
6FP-26301-00	6 - 8	6FM-42508-00	19 - 1	63D-42562-00	16 - 9	703-48129-00	1 - 29		4 - 28	90161-06M03	5 - 17
	10 - 8	63D-42508-01	16 - 1	65W-42562-00	15 - 6		4 - 29	682-82556-00	2 - 6	90175-06003	17 - 5
6FM-26301-10	9 - 6	692-42508-01	17 - 1	67G-42562-00	11 - 15	6X4-48154-00	1 - 18		3 - 6	90185-08057	11 - 13
6X4-26367-01	1 - 34	6C5-42508-01	12 - 1	67C-42562-A0	12 - 6		4 - 18		5 - 6		17 - 8
	1 - 37	6AH-42508-02	14 - 1		13 - 6	6X4-48215-00	1 - 4	6X4-82563-01	2 - 8	90185-10027	5 - 23
	4 - 35	67C-42508-04	13 - 1		14 - 4		4 - 4		3 - 8		6 - 3
	4 - 42	6FM-42508-10	18 - 1		18 - 10	6X4-48261-00	1 - 27		5 - 8		7 - 2
6X4-41291-00	1 - 8	67G-42508-12	11 - 1		19 - 10		4 - 27	69W-82575-00	2 - 5		8 - 2
	4 - 8	6AH-42508-12	14 - 1	6X4-42725-01	1 - 47	6EK-48321-00	6 - 5		3 - 5		9 - 2
	7 - 1	692-42515-01	17 - 6		4 - 54		10 - 5		5 - 5		10 - 3
6X4-42102-23	8 - 1	663-42518-00	17 - 2	6H3-42727-00	9 - 13	6H3-48321-02	4 - 40	676-82577-01	2 - 2	90185-10M01	16 - 10
6X4-42102-71	8 - 1	67C-42525-00	12 - 4	6X4-42727-01	3 - 17	63D-48321-11	9 - 3		3 - 2	90185-10M14	11 - 9
6X4-42102-82	8 - 1		13 - 4	6X4-42728-00	7 - 13	67C-48321-11	7 - 3		5 - 2		12 - 13
6X4-42102-92	7 - 1		19 - 5		8 - 13		8 - 3	689-8257Y-00	2 - 7		13 - 13
6X4-42102-C2	6 - 1	6FM-42525-00	14 - 2	6X4-42728-10	1 - 57	6H1-48321-21	4 - 33		3 - 7		14 - 13
6X4-42102-E1	9 - 1	68T-42525-01	18 - 5		4 - 64	63D-48538-00	4 - 38		5 - 7		15 - 12
6X4-42102-F1	9 - 1	6FM-42525-10	16 - 7	6X4-42821-00	1 - 30		4 - 44	6X4-82586-10	5 - 10		18 - 9
6X4-42102-G2	10 - 1	63D-42526-00	11 - 11		4 - 30		6 - 7		6 - 10		19 - 9
6X4-42102-H2	6 - 1	6X4-42526-00	11 - 6	68T-43155-00	14 - 17		7 - 4		7 - 10	90185-12M12	1 - 56
6X4-42102-J2	6 - 1	63D-42527-00	16 - 2	682-43318-01	11 - 8		7 - 7		8 - 10		4 - 63
6X4-42102-K1	9 - 1		15 - 3	689-43633-00	16 - 12		8 - 4		9 - 10	90201-08065	14 - 16
6X4-42102-L1	9 - 1	65W-42527-00	14 - 14		12 - 8		8 - 7		10 - 12	90201-08M01	11 - 3
6X4-42103-OE	4 - 1	6AH-42527-00	12 - 2		13 - 8		9 - 4	6X4-83383-00	2 - 10		16 - 5
6X4-42103-5C	1 - 1	6C5-42527-00	18 - 2		14 - 7		9 - 7		3 - 10	90201-106M5	12 - 17
6X4-42103-6A	1 - 1	6FM-42527-00	19 - 2		15 - 8		10 - 7		5 - 11		13 - 17
6X4-42111-02-4D	4 - 2		13 - 2		18 - 15		10 - 10	6X4-83386-00	2 - 11		14 - 18
6X4-42111-02-8D	1 - 2	67C-42527-03	11 - 16		19 - 15	6X4-48538-00	1 - 33		3 - 11		18 - 13
6X4-42115-00	1 - 22	63D-42528-00	16 - 8	6X4-44100-01	1 - 21		4 - 34		5 - 12		19 - 13
	4 - 22		12 - 10		4 - 21	6X4-48538-10	1 - 36	6H4-83589-00	3 - 18	90201-10M76	11 - 10
6X4-42119-01	1 - 5	65W-42528-00	13 - 10	6X4-44102-00	1 - 23		4 - 41	6X4-83653-20	3 - 13	90201-12035	1 - 53
	4 - 5		14 - 8		4 - 23	6X4-81860-00	6 - 12	6C5-84301-00	3 - 14		4 - 60
6EK-42121-00	6 - 4		15 - 10	6X4-44114-00	3 - 15		7 - 11	6X4-85415-00	3 - 19	90202-10M56	12 - 9
	10 - 4		18 - 12	6X4-44132-00	1 - 25		8 - 11	90101-08022	14 - 15		13 - 9
65W-42121-11-4D	4 - 55		19 - 12		4 - 25		9 - 11	90101-12014	1 - 49		14 - 5
63D-42121-22-8D	1 - 48		17 - 3	6X4-44139-01	1 - 9		10 - 14		4 - 56		15 - 9
63D-42126-00	1 - 17	663-42528-00	16 - 4		4 - 9	6X4-81942-01	2 - 13	90109-05M89	15 - 14		18 - 11
	4 - 17	63D-42541-00	11 - 4	6X4-44159-A0-8D	1 - 40		3 - 20	90109-06M88	12 - 3		19 - 11
6X4-42128-00	1 - 13	67G-42541-00	11 - 7		4 - 47		5 - 14		13 - 3	90206-12M22	1 - 51
	4 - 13	67G-42541-10	16 - 3	6X4-44173-00	1 - 41	62Y-82361-00	5 - 16		15 - 4		4 - 58
6X4-42131-01	1 - 45	63D-42546-00	11 - 5		4 - 48	63D-82361-00	16 - 14	90109-08M91	18 - 3	90209-10M26	12 - 11
	4 - 52	67G-42546-00	16 - 11	6X4-44177-00	1 - 12	6X4-82510-02	2 - 1		19 - 3		13 - 11
6X4-42131-11	1 - 45	63D-42561-00									

NUMERICAL INDEX

PART NO.	REF. NO.	PART NO.	REF. NO.	PART NO.	REF. NO.	PART NO.	REF. NO.	PART NO.	REF. NO.	PART NO.	REF. NO.
90209-10M26	14 - 12	90468-10005	9 - 5	97D95-06014	5 - 13						
	15 - 11		9 - 8	97D95-06035	5 - 18						
90386-08032	1 - 16		10 - 6	97E95-06516	16 - 13						
	4 - 16		10 - 9		16 - 20						
90386-12003	1 - 54	90501-23215	1 - 14	97E95-06530	1 - 32						
	4 - 61		4 - 14		4 - 32						
90386-26MA3	1 - 44	91490-20010	1 - 11	97E95-06535	16 - 16						
	4 - 51		1 - 20	97E95-08525	11 - 12						
90387-05053	12 - 12		4 - 11	97E95-08540	1 - 31						
	13 - 12		4 - 20		4 - 31						
	14 - 9	92990-06100	12 - 5	97E95-08550	16 - 6						
	18 - 8		13 - 5								
	19 - 8		15 - 5								
90387-05054	12 - 14	92990-08600	17 - 7								
	13 - 14	92990-12200	1 - 50								
	14 - 10		4 - 57								
	15 - 13	92990-12600	1 - 55								
	18 - 7		4 - 62								
	19 - 7	92995-06600	5 - 19								
90387-06M26	5 - 20	92995-08200	18 - 14								
	16 - 17		19 - 14								
90387-12M02	1 - 52	93700-06002	1 - 3								
	4 - 59		4 - 3								
90447-22006	5 - 21	93700-06M03	15 - 2								
90464-08M07	2 - 4	95380-05600	12 - 16								
	3 - 4		13 - 16								
	5 - 4	95380-06600	1 - 19								
90464-09M42	4 - 36		4 - 19								
	6 - 9	97080-06035	17 - 4								
	7 - 9	97595-05520	12 - 15								
	8 - 9		13 - 15								
	9 - 9		14 - 11								
	10 - 11		18 - 6								
90465-13M24	5 - 22		19 - 6								
	6 - 11	97780-60620	3 - 16								
	10 - 13	97780-60920	1 - 42								
90465-13M36	5 - 15		4 - 49								
	7 - 12	97980-06216	2 - 9								
	8 - 12		3 - 9								
	16 - 18		5 - 9								
90465-13M39	9 - 12	97985-06216	1 - 46								
90468-10005	4 - 39		4 - 53								
	4 - 45	97D95-06014	1 - 35								
	6 - 6		1 - 38								
	7 - 5		2 - 12								
	7 - 8		3 - 12								
	8 - 5		4 - 37								
	8 - 8		4 - 43								