

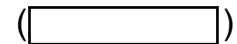


PARTS CATALOGUE

RIGGING-METER



1S601-10MEA



RIGGING-METER
PARTS CATALOGUE
©2018 by Yamaha Motor Co., Ltd.
1st edition, October 2018
All rights reserved.
Any reprinting or unauthorized use
without the written permission of
Yamaha Motor Co., Ltd.
is expressly prohibited.
Printed in Japan.

FOREWORD

This Parts Catalogue is related to the parts for the model(s) on the cover page. When you are ordering replacement parts, please refer to this Parts Catalogue and quote both part numbers and part names correctly.

1. Modifications or additions which have been made after the issue of the Parts Catalogue will be announced in the Parts News.
It is advisable that you make the necessary corrections to the Parts Catalogue according to the Parts News.
2. Abbreviations
The following abbreviations are used in this Parts Catalogue.
“UR” Use specified parts number.
“UN” Use as many as needed.
“AP” Alternate Parts
“LM” Locally Made (Parts need to be ordered locally)
“F#” Frame No. (Applicable machine No.)
“O/S” Over Size
3. The number of components for assembly
 - Parts, which are to be supplied in an assembly, are listed with a dot (.) in front of the part name as shown below.
 - The numeral appearing to the right of each component part indicates the quantity of parts for each assembly unit.

PART NO.	DESCRIPTION	Q'TY	REMARKS
2F5-83310-60	FRONT FLASHER LIGHT ASSY	2	
115-83311-60	.BULB (6V-18W)	1	

4. Applicable colours of graphics are represented in the “REMARKS” as shown below.

PART NO.	DESCRIPTION	Q'TY	REMARKS
2N4-24110-00-X5	FUEL TANK COMP.	2	MXR
3J1-24240-10	.GRAPHIC, FUEL TANK	1	FOR MXR

5. Note that the illustrations for reference in finding parts numbers are not to be used for assembling. When assembling, please use the applicable service manual.

6. The asterisk (*) before a reference number indicates modified items after the first edition.

CONTENTS

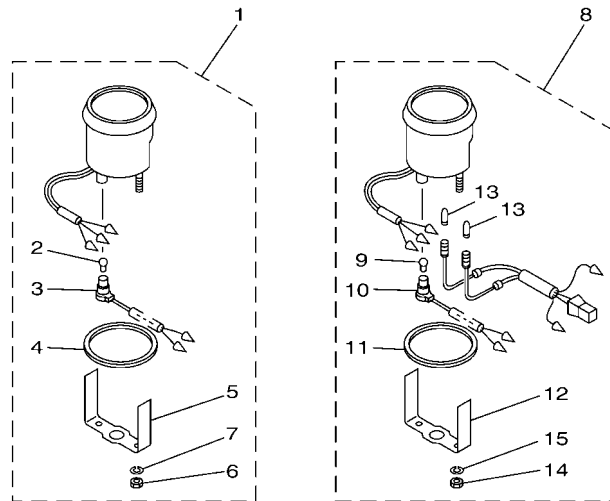
METER 1.....	1
METER 2.....	2
METER 3.....	3
METER 4.....	4
METER 5.....	5
METER 6.....	6
METER 7.....	7
METER 8.....	8
WIRE HARNESS 1.....	9
WIRE HARNESS 2.....	10
ELECTRICAL.....	11
DIGITAL NETWORK GAUGE 1.....	12
DIGITAL NETWORK GAUGE 2.....	13
DIGITAL NETWORK GAUGE 3.....	14
DIGITAL NETWORK GAUGE 4.....	15
DIGITAL NETWORK GAUGE 5.....	16
DIGITAL NETWORK GAUGE 6.....	17
DIGITAL NETWORK GAUGE 7.....	18
6YC MULTIFUNCTION METER.....	19
CL7 DISPLAY 1.....	20
CL7 DISPLAY 2.....	21

INDEX

NUMERICAL INDEX.....	23
----------------------	----

ANALOG TACHOMETER

Ref. No.	Description	Part No.	Applicable model
1	Without indicators BLK panel	6Y7-83540-20	Above 9.9 (Pre-mixed) FT8 (T8),F9.9 -F25 (FT/T25)
	Without indicators WHT panel	6Y7-83540-30	
8	With overheat & oil indicators BLK panel	6Y7-83540-80	Above 40 (3-cyl) w/ oil injection Above F30 [Mechanical RC]
	With overheat & oil indicators WHT panel	6Y7-83540-90	



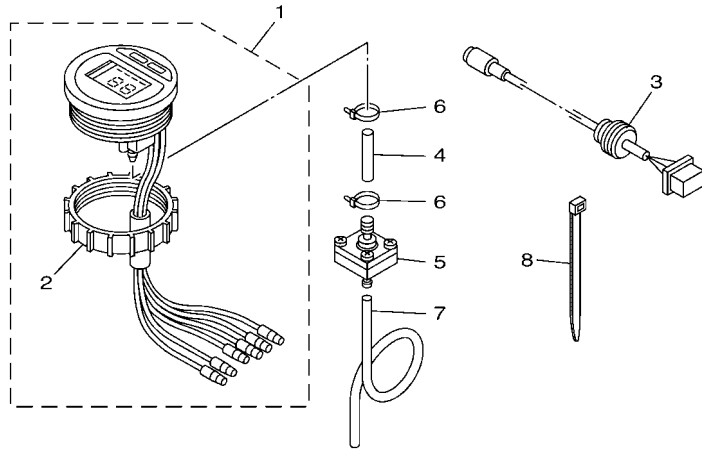
601M10M-P020

FIG. 2 METER 2

REF. NO.	PART NO.	DESCRIPTION	601M	REMARKS
1	6Y7-83540-20	TACHOMETER ASSY	1	UR WITHOUT OIL LAMP
	6Y7-83540-30	TACHOMETER ASSY	1	UR WITHOUT OIL LAMP
2	6Y5-83517-00	.BULB (T10, 12V-1.7W)	1	
3	6Y5-83536-40	.SOCKET, METER	1	FOR 6Y7-83540-20
	6Y5-83536-10	.SOCKET, METER	1	FOR 6Y7-83540-30
4	6Y5-83523-00	.DAMPER	1	
5	6Y5-83514-00	.PLATE, FITTING	1	
6	95380-05600	.NUT	2	
7	92990-05100	.WASHER, SPRING	2	
8	6Y7-83540-80	TACHOMETER ASSY	1	UR WITH OIL/TEMP LAMP
	6Y7-83540-90	TACHOMETER ASSY	1	UR WITH OIL/TEMP LAMP
9	6Y5-83517-00	.BULB (T10, 12V-1.7W)	1	
10	6Y5-83536-40	.SOCKET, METER	1	
11	6Y5-83523-00	.DAMPER	1	
12	6Y5-83514-00	.PLATE, FITTING	1	
13	6Y5-83518-00	.BULB (12V-1.7W T6.5)	2	
14	95380-05600	.NUT	2	
15	92990-05100	.WASHER, SPRING	2	

DIGITAL SPEEDOMETER

Ref. No.	Description	Part No.	Applicable model
1	Digital multifunction	6Y5-83570-A0	Above 40 (3-cyl) Above F30 [Mechanical RC]



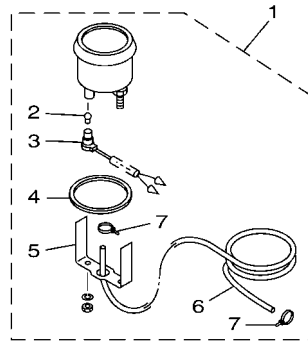
601M10M-R030

FIG. 3 METER 3

REF. NO.	PART NO.	DESCRIPTION	601M	REMARKS
1	6Y5-83570-A0	SPEEDOMETER ASSY	1	
2	6Y8-84383-00	.NUT, RING	1	
3	6Y5-87122-S0	CORD ASSY 1	1	
4	6Y5-83557-31	TUBE	1	
5	6Y5-83728-00	CONNECTOR ASSY	1	
6	90465-11M10	CLAMP	2	
7	6Y5-83557-00	TUBE (6M)	1	
8	90465-11M10	CLAMP	2	

ANALOG SPEEDOMETER

Description	Part No.	Applicable model
Analog, BLK panel 0 - 75 mph (20 - 120 km/h)	6Y7-83510-00	Above 40 (3-cyl) Above F30 [Mechanical RC]
Analog, WHT panel 0 - 75 mph (20 - 120 km/h)	6Y7-83510-10	
Analog, BLK panel 0 - 50 mph (20 - 80 km/h)	6Y7-83510-20	
Analog, WHT panel 0 - 50 mph (20 - 80 km/h)	6Y7-83510-30	
Analog, BLK panel 0 - 120 km/h (15 - 65 knot)	6Y7-83510-40	
Analog, WHT panel 0 - 120 km/h (15 - 65 knot)	6Y7-83510-50	
Analog, BLK panel 0 - 80 km/h (10 - 43 knot)	6Y7-83510-60	
Analog, WHT panel 0 - 80 km/h (10 - 43 knot)	6Y7-83510-70	



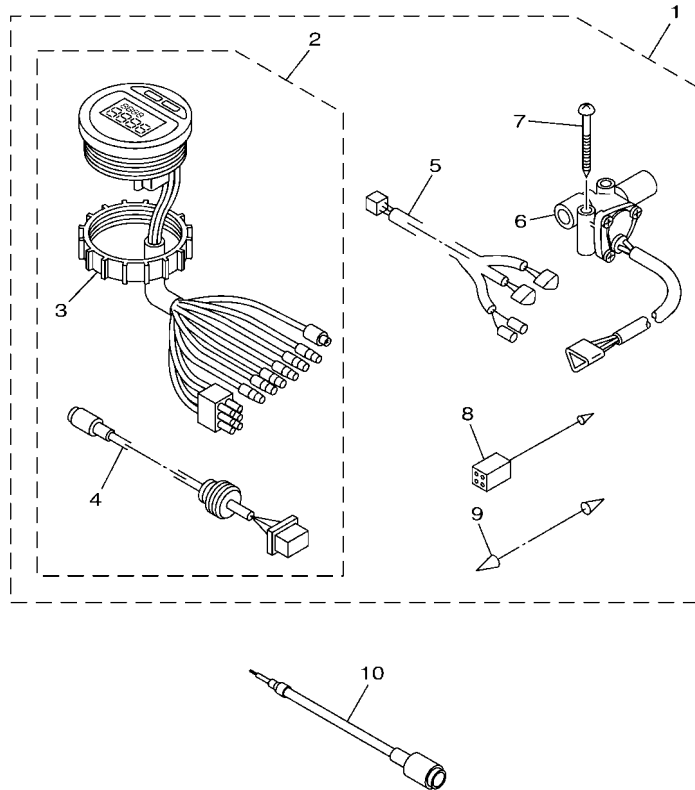
601M10M-K040

FIG. 4 METER 4

REF. NO.	PART NO.	DESCRIPTION	601M				REMARKS
1	6Y7-83510-00	SPEEDOMETER ASSY (75MPH)	1				UR
	6Y7-83510-10	SPEEDOMETER ASSY (75MPH)	1				UR
	6Y7-83510-20	SPEEDOMETER ASSY (50MPH)	1				UR
	6Y7-83510-30	SPEEDOMETER ASSY (50MPH)	1				UR
	6Y7-83510-40	SPEEDOMETER ASSY (120KM/H)	1				UR
	6Y7-83510-50	SPEEDOMETER ASSY (120KM/H)	1				UR
	6Y7-83510-60	SPEEDOMETER ASSY (80KM/H)	1				UR
	6Y7-83510-70	SPEEDOMETER ASSY (80KM/H)	1				UR
2	6Y5-83517-00	.BULB (T10, 12V-1.7W)	1				
3	6Y5-83536-40	.SOCKET, METER	1				
4	6Y5-83523-00	.DAMPER	1				
5	6Y5-83514-00	.PLATE, FITTING	1				
6	688-83557-00	.TUBE	1				
7	90465-11M10	.CLAMP	2				

FUEL MANAGEMENT GAUGE

Ref. No.	Description	Part No.	Applicable model
1	Fuel mgt gauge kit For single-engine	6Y5-W0088-55	Above 115 HP engines
	Fuel mgt gauge kit For twin-engine	6Y5-W0088-66	



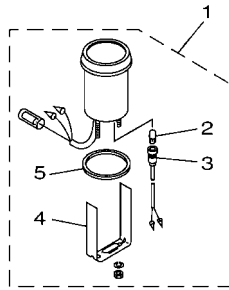
601M10M-R050

FIG. 5 METER 5

REF. NO.	PART NO.	DESCRIPTION	601M				REMARKS
1	6Y5-W0088-55	DIGITAL FUEL METER KIT(SINGLE)	1				UR
	6Y5-W0088-66	DIGITAL FUEL METER KIT (TWIN)	1				UR
2	6Y5-8350F-B0	.FUEL METER MOVEMENT ASSY	1				
3	6Y8-84383-00	..NUT, RING	1				
4	6Y5-87122-S0	..CORD ASSY 1	1				
5	6Y5-83553-F1	..WIRE, LEAD (L=8.0M)	1				
6	6Y5-85752-02	..SENDER UNIT ASSY, FUEL METER	1				FOR 6Y5-W0088-55
	6Y5-85752-02	..SENDER UNIT ASSY, FUEL METER	2				FOR 6Y5-W0088-66
7	90158-06003	..SCREW, WOOD	2				FOR 6Y5-W0088-55
	90158-06003	..SCREW, WOOD	4				FOR 6Y5-W0088-66
8	6Y5-82117-00	..WIRE, LEAD (BLACK) (L300)	1				
9	703-82531-00	..WIRE, LEAD (L70)	1				FOR 6Y5-W0088-66
10	6Y5-85721-F0	WIRE, LEAD	1				AP

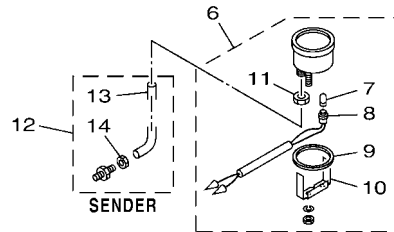
ANALOG TRIM METER

Description	Part No.	Applicable model
4-pin coupler BLK panel	6Y7-83670-00	Pre-mixed w/ PTT
Bullet connector BLK panel	6Y7-83670-40	Above 40 (3-cyl) w/ oil injection & PTT, Above F30 w/ PTT [Mechanical RC], T25 (NOA) Use as a set with tachometer, 6Y7-83540-80
4-pin coupler WHT panel	6Y7-83670-20	Pre-mixed w/ PTT
Bullet connector WHT panel	6Y7-83670-50	Above 40 (3-cyl) w/ oil injection & PTT, Above F30 w/ PTT [Mechanical RC], T25 (NOA) Using as a set with tachometer, 6Y7-83540-90



COOLANT PRESSURE METER

Description	Part No.	Applicable model
kPa, Black panel	6Y7-83660-00	Above 40 [3-cyl]
kPa, White panel	6Y7-83660-20	
psi, Black panel	6Y7-83660-10	Above F25 (FT/T25) [Mechanical RC]
psi, White panel	6Y7-83660-30	



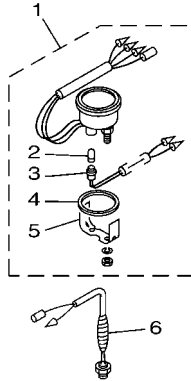
601M10M-Q060

FIG. 6 METER 6

REF. NO.	PART NO.	DESCRIPTION	601M	REMARKS
1	6Y7-83670-00	TRIM METER ASSY.	1	UR
	6Y7-83670-40	TRIM METER ASSY.	1	UR
	6Y7-83670-20	TRIM METER ASSY.	1	UR
	6Y7-83670-50	TRIM METER ASSY.	1	UR
2	6Y5-83518-00	.BULB (12V-1.7W T6.5)	1	
3	6Y5-83536-00	.SOCKET, METER	1	
4	6Y5-83544-00	.PLATE, FITTING	1	
5	688-83664-00	.DAMPER	1	
6	6Y7-83660-00	WATER PRESSURE METER ASSY	1	UR
	6Y7-83660-20	WATER PRESSURE METER ASSY	1	UR
	6Y7-83660-10	WATER PRESSURE METER ASSY	1	UR
	6Y7-83660-30	WATER PRESSURE METER ASSY	1	UR
7	6Y5-83518-00	.BULB (12V-1.7W T6.5)	1	
8	6Y5-83536-00	.SOCKET, METER	1	
9	688-83664-00	.DAMPER	1	
10	688-83665-00	.PLATE, FITTING	1	
11	663-83668-00	.NUT, NIPPLE	1	
12	688-83667-00	SENDER	1	
13	688-83666-00	.TUBE	1	
14	663-83668-00	.NUT, NIPPLE	1	

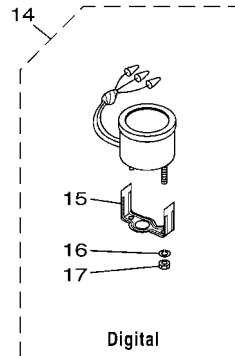
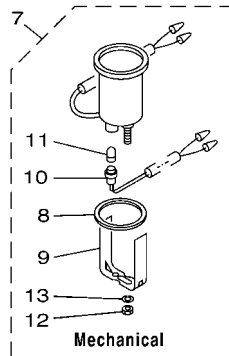
COOLANT TEMP. METER

Description	Part No.	Applicable model
Black panel	6Y7-83590-00	Above 40 [3-cylinder]
White panel	6Y7-83590-10	Above F25 (FT/T25) [Mechanical RC]



HOUR METER

Ref. No.	Description	Part No.	Applicable model
7	Mechanical	6Y5-83504-01	All electrical start models
14	Digital, Black panel	6Y7-83504-00	
	Digital, White panel	6Y7-83504-10	



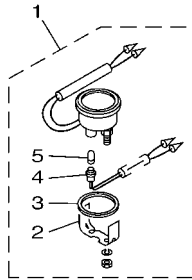
601M10M-K070

FIG. 7 METER 7

REF. NO.	PART NO.	DESCRIPTION	601M	REMARKS
1	6Y7-83590-00	WATER TEMPERATURE ASSY	1	UR
	6Y7-83590-10	WATER TEMPERATURE ASSY	1	UR
2	6Y5-83518-00	.BULB (12V-1.7W T6.5)	1	
3	6Y5-83536-00	.SOCKET, METER	1	
4	688-83664-00	.DAMPER	1	
5	6Y5-83544-00	.PLATE, FITTING	1	
6	688-83591-00	THERMO UNIT	1	
7	6Y5-83504-01	HOUR METER ASSY	1	
8	688-83664-00	.DAMPER	1	
9	6Y5-83577-00	.PLATE, FITTING	1	
10	6Y5-83536-00	.SOCKET, METER	1	
11	6Y5-83518-00	.BULB (12V-1.7W T6.5)	1	
12	95303-04600	.NUT	2	
13	92990-04100	.WASHER, SPRING	2	
14	6Y7-83504-00	HOUR METER ASSY	1	UR
	6Y7-83504-10	HOUR METER ASSY	1	UR
15	6Y5-8355X-H0	.BRACKET, METER 1	1	
16	92990-04100	.WASHER, SPRING	2	
17	95380-04600	.NUT	2	

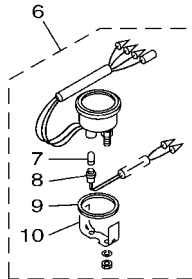
VOLTAGE METER

Description	Part No.	Applicable model
DC 12 volt power supply Black panel	6Y7-83503-00	All electrical start models
DC 12 volt power supply White panel	6Y7-83503-10	



FUEL METER

Description	Part No.	Applicable model
For Yamaha sensor (5 – 105Ω) Black panel	6Y7-85750-00	All electrical start models
For ABYC sensor (30 – 240Ω) Black panel	6Y7-85750-10	
For Yamaha sensor (5 – 105Ω) White panel	6Y7-85750-20	
For ABYC sensor (30 – 240Ω) White panel	6Y7-85750-30	

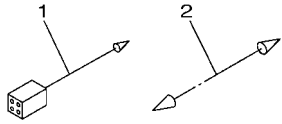


601M10M-P080

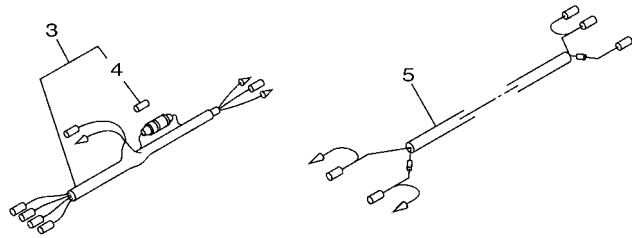
FIG. 8 METER 8

REF. NO.	PART NO.	DESCRIPTION	601M	REMARKS
1	6Y7-83503-00	VOLTMETER ASSY	1	UR
	6Y7-83503-10	VOLTMETER ASSY	1	UR
2	6Y5-83544-00	.PLATE, FITTING	1	
3	688-83664-00	.DAMPER	1	
4	6Y5-83536-00	.SOCKET, METER	1	
5	6Y5-83518-00	.BULB (12V-1.7W T6.5)	1	
6	6Y7-85750-00	FUEL METER ASSY	1	UR
	6Y7-85750-10	FUEL METER ASSY	1	UR
	6Y7-85750-20	FUEL METER ASSY	1	UR
	6Y7-85750-30	FUEL METER ASSY	1	UR
7	6Y5-83518-00	.BULB (12V-1.7W T6.5)	1	
8	6Y5-83536-00	.SOCKET, METER	1	
9	688-83664-00	.DAMPER	1	
10	6Y5-83544-00	.PLATE, FITTING	1	

ACCESSORY LEAD

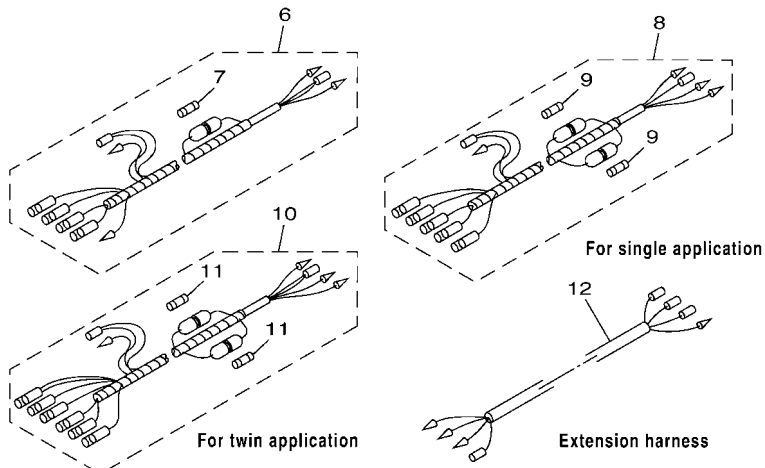


METER HARNESS (For analog meter)



For pre-mixed model

METER HARNESS (For digital meter)

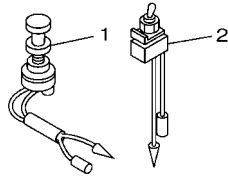


601M10M-Q090

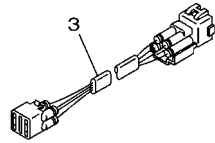
FIG. 9 WIRE HARNESS 1

REF. NO.	PART NO.	DESCRIPTION	601M				REMARKS
1	6Y5-82149-00	WIRE, LEAD (BLUE) (L300)	1				UR
	6Y5-82117-00	WIRE, LEAD (BLACK) (L300)	1				UR
2	703-82531-00	WIRE, LEAD (L70)	1				L/H MODEL
3	6Y5-83553-00	WIRE, LEAD (L=2.5M)	1				
4	1E6-82151-00	.FUSE (10A)	1				
5	6Y5-83553-10	WIRE, LEAD (L=5.0M)	1				
6	6Y5-83553-20	WIRE, LEAD (L=2.5M)	1				L/H MODEL
7	1E6-82151-00	.FUSE (10A)	1				
8	6Y5-83553-M0	WIRE, LEAD (L=2.5M)	1				
9	1E6-82151-00	.FUSE (10A)	2				
10	6Y5-83553-N0	WIRE, LEAD (L=2.5M)	1				
11	1E6-82151-00	.FUSE (10A)	2				
12	6Y5-8356N-00	WIRE, LEAD (L=1.5M)	1				

LAMP SWITCH

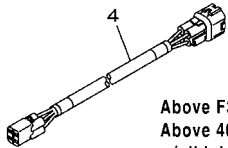


TRIM METER LEAD



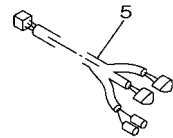
Premixed models W/PTT
(Flat type harness)

TRIM AND OIL LEAD

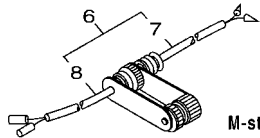


Above F30(Mechanical RC)
Above 40(3-cyl)
w/oil injection
(Unified 4-pin coupler)

FUEL MANAGEMENT GAUGE HARNESS

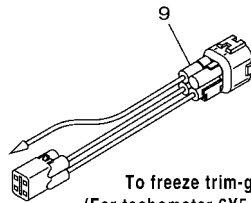


LIGHTING COIL EXTENSION HARNESS



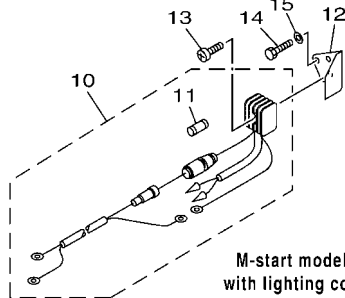
M-start model
with lighting coil

CONVERSION HARNESS 1



To freeze trim-gauge
(For tachometer 6Y5-8350T-E0)
for hydro-tilt model

RECTIFIER KIT



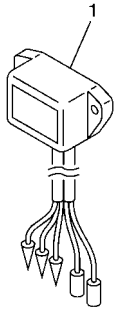
M-start model
with lighting coil

601M10M-R100

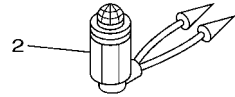
FIG. 10 WIRE HARNESS 2

REF. NO.	PART NO.	DESCRIPTION	601M				REMARKS
1	688-82520-00	LIGHT SWITCH ASSY	1				
2	688-82526-00	SWITCH, LAMP	1				
3	6R3-82553-30	EXTENSION, WIRE LEAD (L=3.0M)	1				UR (4P)
	6R3-82553-50	EXTENSION, WIRE LEAD (L=5.0M)	1				UR (4P)
	6R3-82553-70	EXTENSION, WIRE LEAD (L=7.0M)	1				UR (4P)
	6R3-82553-80	EXTENSION, WIRE LEAD (L=8.0M)	1				UR (4P)
	6R3-82553-90	EXTENSION, WIRE LEAD (L=9.0M)	1				UR (4P)
4	6Y5-83653-00	WIRE, LEAD (L=5.0M)	1				UR 4P,5M
	6Y5-83653-10	WIRE, LEAD (L=6.0M)	1				UR 4P,6M
	6Y5-83653-20	WIRE, LEAD (L=7.0M)	1				UR 4P,7M
	6Y5-83653-30	WIRE, LEAD (L=8.0M)	1				UR 4P,8M
	6Y5-83653-40	WIRE, LEAD (L=9.0M)	1				UR 4P,9M
	6Y5-83653-50	WIRE, LEAD (L=10.5M)	1				UR 4P,10.5M
5	6Y5-83553-F1	WIRE, LEAD (L=8.0M)	1				
6	682-84380-00	CONCENT 2P	1				
7	682-84381-00	.2P CONCENT	1				
8	682-84382-00	.2P CONCENT	1				
9	6Y5-8350U-10	WIRE, LEAD	1				
10	676-81970-01	RECTIFIER ASSY	1				
11	663-82151-00	.FUSE (12V-20A)	1				
12	*	PLATE, RECTIFIER FITTING	1				LM
13	97880-05025	SCREW, PAN HEAD	1				
14	97013-06010	BOLT	2				
15	92903-06600	WASHER, PLATE	2				

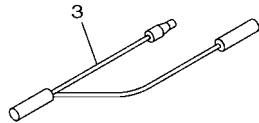
CHARGE WARNING UNIT



All electrical start models with a rectifier/ regulator

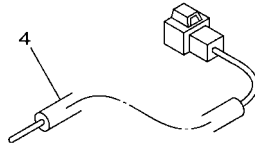


IMMOBILIZER POWER DISTRIBUTION WIRE



For fuel injection four stroke multi-application w/ immobilizer

BATTERY WIRING



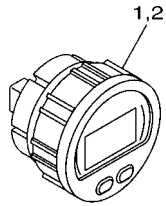
Part No.	Length	Conductor cross-sectional area		Remarks
		AWG	mm ²	
68F-81949-02	2.7 m 9 ft	10	5	4-stroke 150 and larger *Except below offshore engines
69J-81949-02	3.8 m 13 ft	10	5	4-stroke off-shore 225 to 300 (V6-4.2L)
6CE-81949-00	3.8 m 13 ft	5	15	

601M10M-Q110

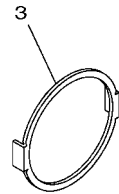
FIG. 11 ELECTRICAL

REF. NO.	PART NO.	DESCRIPTION	601M				REMARKS
1	697-81901-60	CHARGE WARNING UNIT ASSY	1				
2	663-84301-01	PILOT LIGHT ASSY 1	1				12V
3	6H5-81315-00	LEAD WIRE ASSY	1				
4	68F-81949-02	WIRE, LEAD (ISOLATOR, 2.7M)	1				UR
	69J-81949-02	WIRE, LEAD (ISOLATOR, 3.8M)	1				UR
	6CE-81949-00	WIRE, LEAD (ISOLATOR CABLE)	1				UR

MULTIFUNCTION METER

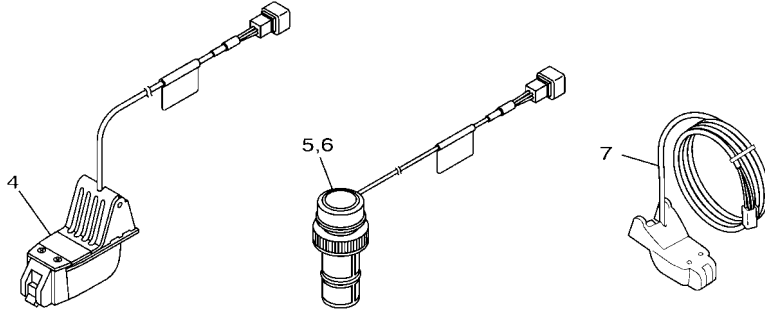


6Y8-83500-20
Requires optional speed sensor,
or NMEA compatible GPS

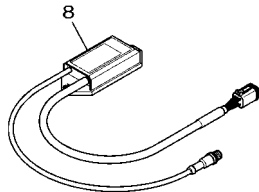


For 6Y8 meters

MULTI-SENSOR

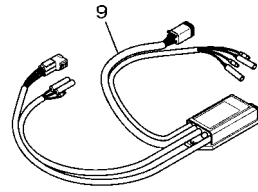


NMEA2000 GATEWAY



Compatible with 6Y8 and 6Y9 protocols

ANALOG GAUGE INTERFACE



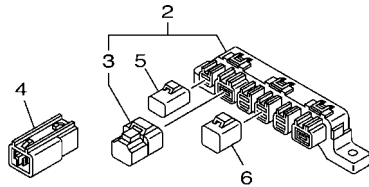
Compatible with 6Y8 and 6Y9 protocols,
Required for each engine.

601M10M-S120

FIG. 12 DIGITAL NETWORK GAUGE 1

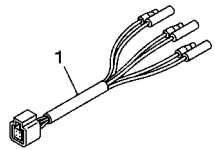
REF. NO.	PART NO.	DESCRIPTION	601M				REMARKS
1	6Y8-8350T-20	TACHOMETER, RD	1				
2	6Y8-83500-20	S & FM METER, RD	1				SPEED & FUEL
3	6Y8-83514-00	PLATE, FITTING	1				UN
4	6Y8-83688-01	TRANSOM MOUNT TRIDUCER	1				
5	6Y8-83688-11	PLASTIC THRU-HULL TRIDUCER	1				PLASTIC BODY
6	6Y8-83688-20	BRONZE THRU-HULL TRIDUCER	1				BRONZE BODY
7	6Y9-83688-00	SENSOR ASSY	1				
8	6Y9-8A2D0-40	INTERFACE UNIT	1				GATEWAY
9	6Y9-8A2D0-30	INTERFACE UNIT	1				ANALOGUE GAUGE

NETWORK HUB



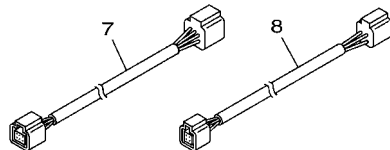
Ref. No.	Description	Part No.	Remarks
2	Multi-hub	6Y8-81920-01	w/ ending resistor cap (P/N: 6Y8-85371-01)
4	Single hub (Inline hub)	6Y8-81920-11	Included ending resistor
5	2P sealing cap, RED	6Y8-82582-01	
6	4P sealing cap, WHT	6Y8-82582-11	Same as bus wire cap of engine wire harness

FUEL TANK / GPS WIRE

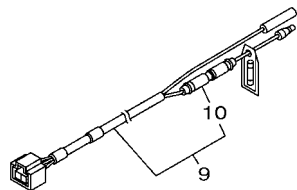


Twin fuel tanks acceptable

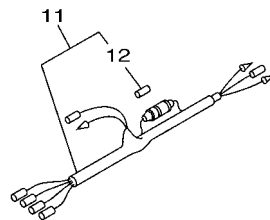
WIRE HARNESSA



WIRE HARNESSA



Shared with 6Y8 network system



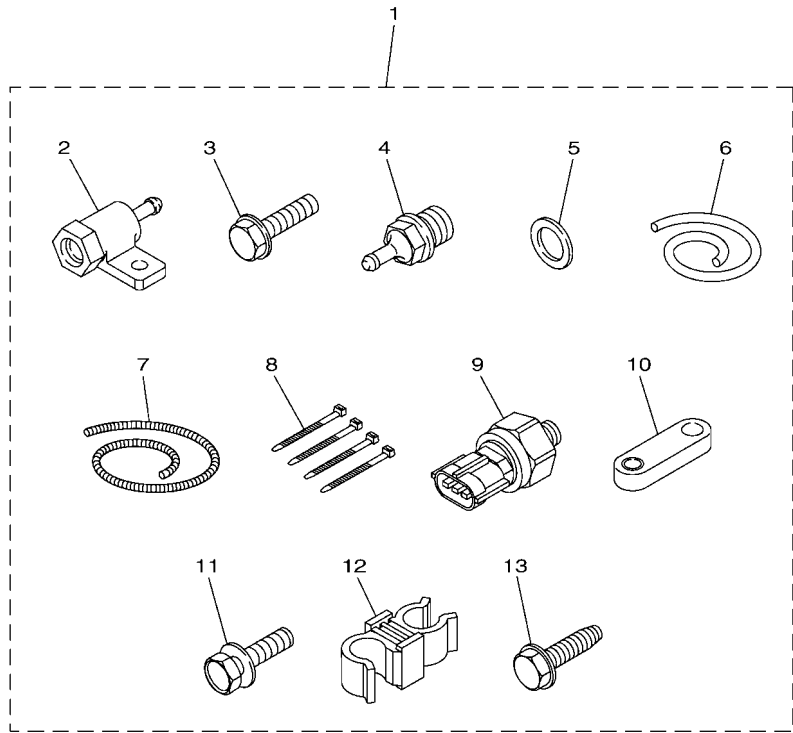
601M10M-S130

FIG. 13 DIGITAL NETWORK GAUGE 2

REF. NO.	PART NO.	DESCRIPTION	601M				REMARKS
1	6Y8-8356N-01	LEAD, FUEL TANK & GPS SENDER	1				
2	6Y8-81920-01	MULTI HUB ASSY	1				UN
3	6Y8-85371-01	.END OF LINE RESISTER	1				
4	6Y8-81920-11	IN-LINE HUB ASSY	1				
5	6Y8-82582-01	CAP 1 (2PIN)	1				UN
6	6Y8-82582-11	CAP 1 (4PIN)	1				UN
7	6Y8-82553-01	1FT MAIN BUS	1				UR
	6Y8-82553-11	15FT MAIN BUS	1				UR
	6Y8-82553-21	20FT MAIN BUS	1				UR
	6Y8-82553-31	25FT MAIN BUS	1				UR
	6Y8-82553-41	30FT MAIN BUS	1				UR
	6Y8-82553-50	10FT MAIN BUS	1				UR
	6Y8-82553-60	EXTENSION, WIRE LEAD	1				UR
8	6Y8-82521-01	1FT PIGTAIL BUS	1				UR
	6Y8-82521-11	2FT PIGTAIL BUS	1				UR
	6Y8-82521-21	3FT PIGTAIL BUS	1				UR
	6Y8-82521-31	6FT PIGTAIL BUS	1				UR
	6Y8-82521-41	9FT PIGTAIL BUS	1				UR
	6Y8-82521-51	12FT PIGTAIL BUS	1				UR
	6Y8-82521-80	WIRE, LEAD	1				UR
9	6Y8-83553-01	8FT POWER WIRE	1				
10	6G1-82151-00	.FUSE (10A)	1				
11	6Y5-83553-00	WIRE, LEAD (L=2.5M)	1				
12	1E6-82151-00	.FUSE (10A)	1				

COOLANT PRESSURE SENSOR

Part No.	Remarks
60V-8A4L0-17	Fuel injected F30-F115 (68V)



601M10M-S140

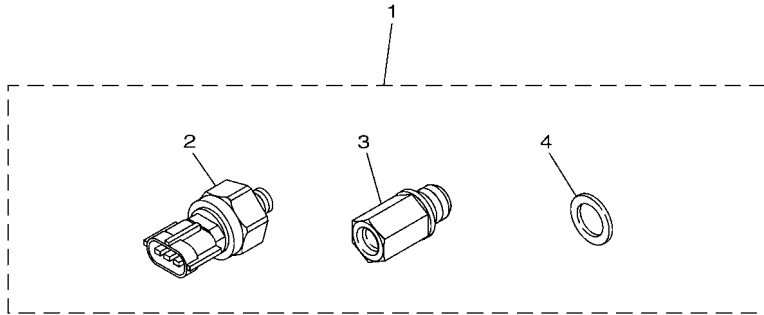
FIG. 14 DIGITAL NETWORK GAUGE 3

REF. NO.	PART NO.	DESCRIPTION	601M				REMARKS
1	60V-8A4L0-17	SENSOR, MODULE	1				
2	60V-8366D-00	.ADAPTOR, INPUT	1				
3	95895-06025	.BOLT, FLANGE	1				
4	60V-83667-00	.SENDER, WATER PRESSURE	1				
5	90430-14115	.GASKET	1				
6	90445-07018	.HOSE (L1400)	1				
7	90447-07015	.HOSE, COVER (L: 1300MM)	1				
8	90465-11M10	.CLAMP	4				
9	6AW-8366B-01	.SENSOR, WATER PRESSURE	1				
10	60V-8257V-00	.PLATE, CONNECTOR	1				
11	97595-06516	.BOLT, WITH WASHER	1				
12	90464-09021	.CLAMP	1				
13	90109-06M81	.BOLT	1				

COOLANT PRESSURE SENSOR

Part No.	Remarks
69J-8A4L0-23	F200-F225 (V6-3.3L)
63P-8A4L0-03	F150-F200 (L4-2.8L), F200-F250 (V6-3.3L, VCT), F225-F300 (V6-4.2L, DEC)

* For F350, factory-installed as standard.



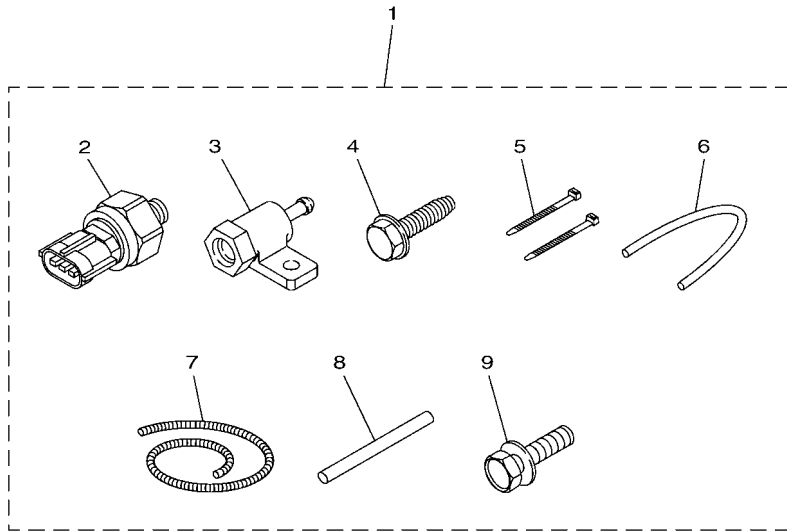
601M10M-S150

FIG. 15 DIGITAL NETWORK GAUGE 4

REF. NO.	PART NO.	DESCRIPTION	601M	REMARKS
1	69J-8A4L0-23	SENSOR, MODULE	1	UR
	63P-8A4L0-03	SENSOR, MODULE	1	UR
2	6AW-8366B-01	.SENSOR, WATER PRESSURE	1	
3	69J-8366C-00	.ADAPTOR, INPUT	1	FOR 69J-8A4L0-23
	63P-8366C-00	.ADAPTOR, INPUT	1	FOR 63P-8A4L0-03
4	90430-14115	.GASKET	1	

SPEED SENSOR

Part No.	Remarks
60V-8A4L1-18	Fuel injected F30-F300 (V6)



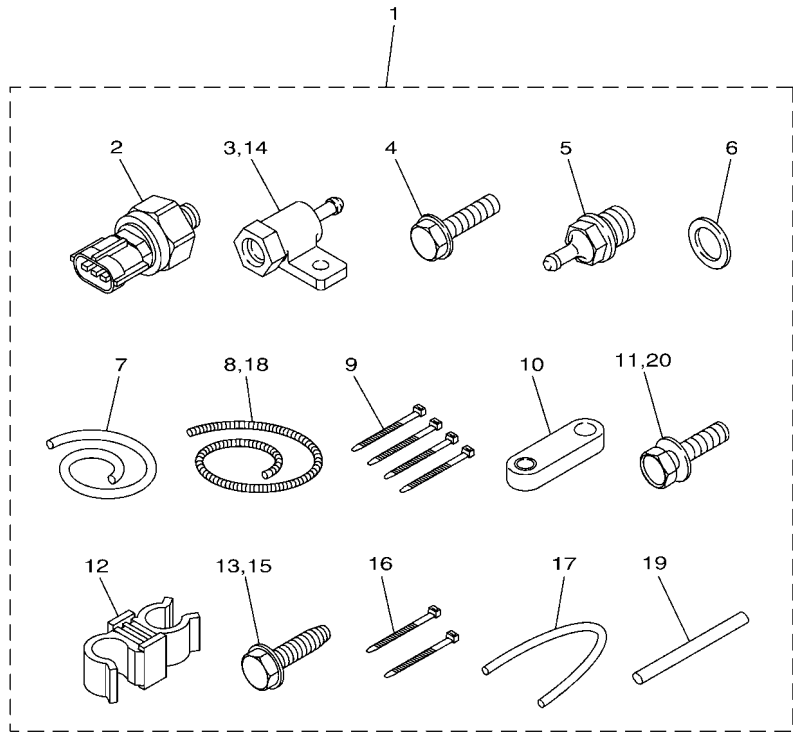
601M10M-S160

FIG. 16 DIGITAL NETWORK GAUGE 5

REF. NO.	PART NO.	DESCRIPTION	601M					REMARKS
1	60V-8A4L1-18	SENSOR, MODULE 1	1					
2	6AW-8366B-01	.SENSOR, WATER PRESSURE	1					
3	60V-8366D-00	.ADAPTOR, INPUT	1					
4	90109-06M81	.BOLT	1					
5	90465-11M10	.CLAMP	2					
6	90445-07017	.HOSE (L: 550MM)	1					
7	90447-07013	.HOSE, COVER (L: 700MM)	1					
8	60V-42629-00	.SEAL	1					
9	97595-06516	.BOLT, WITH WASHER	1					

SPEED/COOLANT PRESSURE SENSOR

Part No.	Remarks
60V-8A4L2-04	F115 (L4-1.7L), F115-F130 (L4-1.8L)



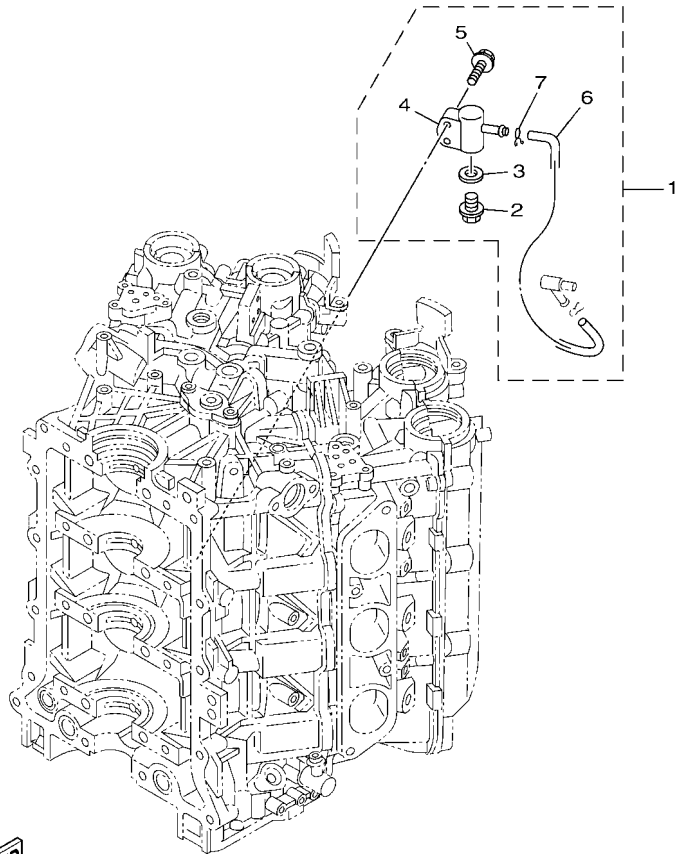
601M10M-S170

FIG. 17 DIGITAL NETWORK GAUGE 6

REF. NO.	PART NO.	DESCRIPTION	601M				REMARKS
1	60V-8A4L2-04	SENSOR, MODULE 2	1				
2	6AW-8366B-01	.SENSOR, WATER PRESSURE	2				
3	60V-8366D-00	.ADAPTOR, INPUT	1				
4	95895-06025	.BOLT, FLANGE	1				
5	60V-83667-00	.SENDER, WATER PRESSURE	1				
6	90430-14115	.GASKET	1				
7	90445-07018	.HOSE (L1400)	1				
8	90447-07015	.HOSE, COVER (L: 1300MM)	1				
9	90465-11M10	.CLAMP	4				
10	60V-8257V-00	.PLATE, CONNECTOR	1				
11	97595-06516	.BOLT, WITH WASHER	1				
12	90464-09021	.CLAMP	1				
13	90109-06M81	.BOLT	1				
14	60V-8366D-00	.ADAPTOR, INPUT	1				
15	90109-06M81	.BOLT	1				
16	90465-11M10	.CLAMP	2				
17	90445-07017	.HOSE (L: 550MM)	1				
18	90447-07013	.HOSE, COVER (L: 700MM)	1				
19	60V-42629-00	.SEAL	1				
20	97595-06516	.BOLT, WITH WASHER	1				

COOLANT PRESSURE SENSOR CONNECTOR

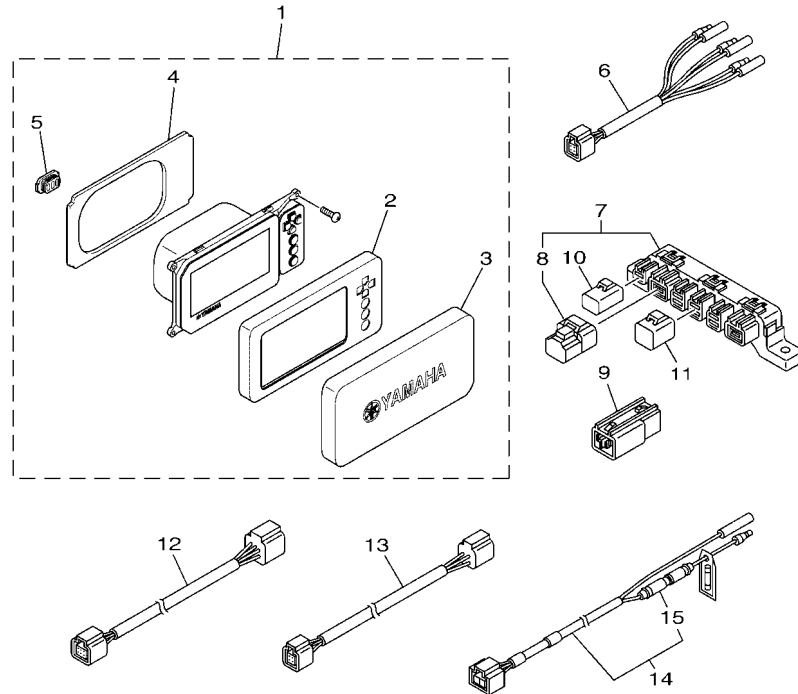
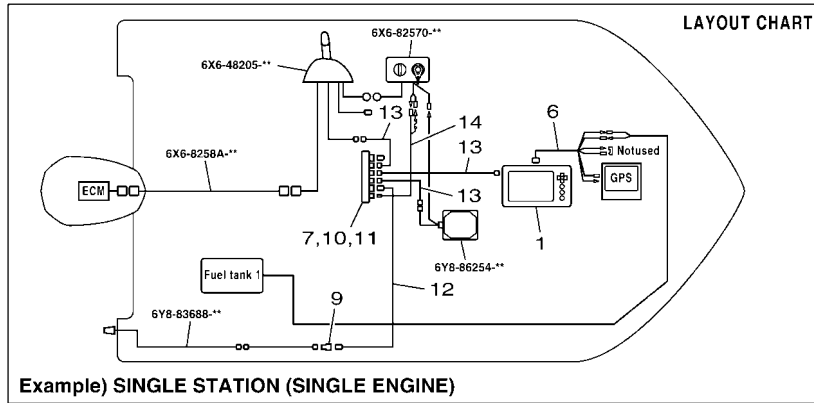
Part No.	Remarks
6P2-83728-00	As a set with COOLANT PRESSURE SENSOR KIT for F200-F250 (V6-3.3L)



601M10M-S180

FIG. 18 DIGITAL NETWORK GAUGE 7

REF. NO.	PART NO.	DESCRIPTION	601M			REMARKS
1	6P2-83728-00	CONNECTOR ASSY	1			NOT FOR SALE
2	90340-14M06	.PLUG, STRAIGHT SCREW	1			
3	90430-14115	.GASKET	1			
4	6P2-83652-00	.CONNECTOR	1			
5	97595-06530	.BOLT, WITH WASHER	2			
6	6H4-24311-00	.PIPE, FUEL 1	1			
7	90467-08M18	.CLIP	1			

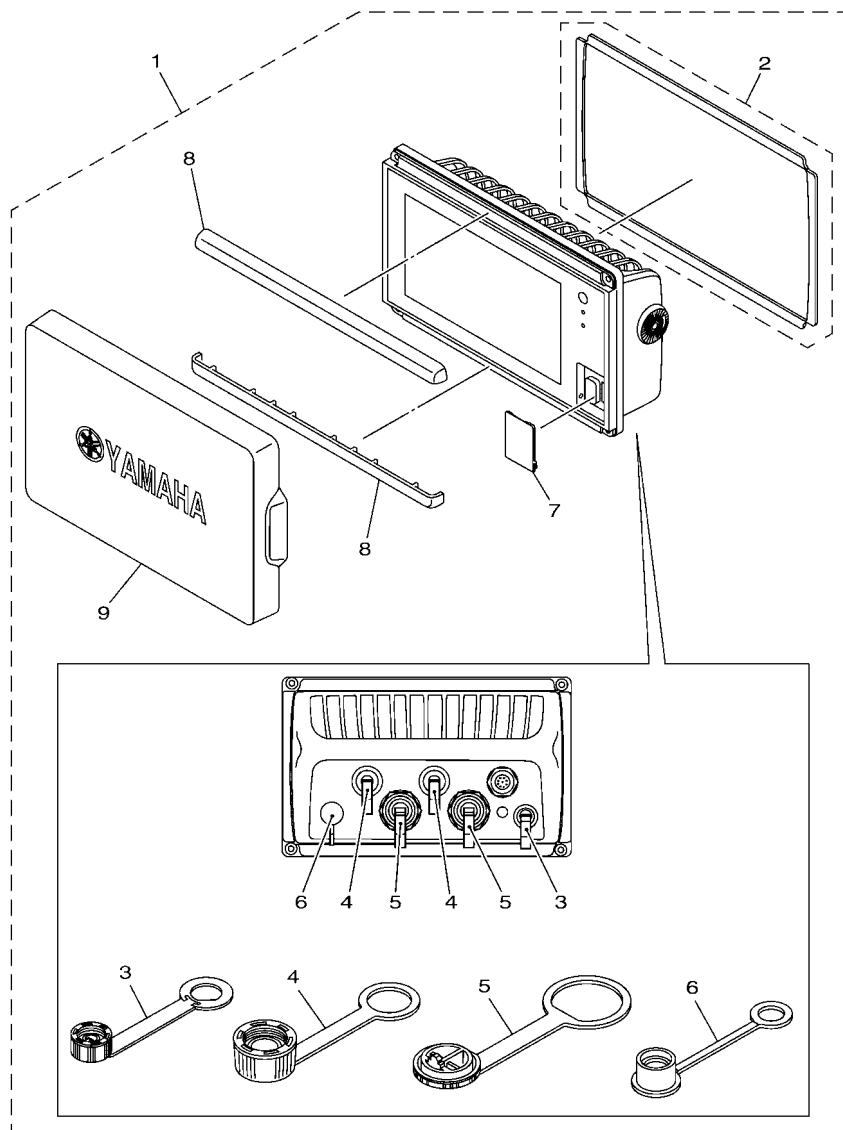


601M10M-P220

FIG. 19 6YC MULTIFUNCTION METER

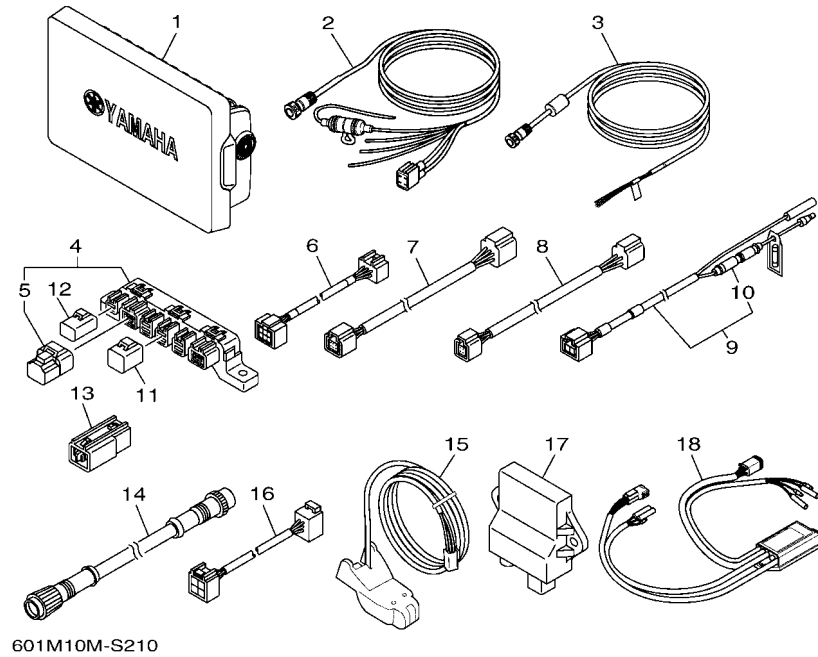
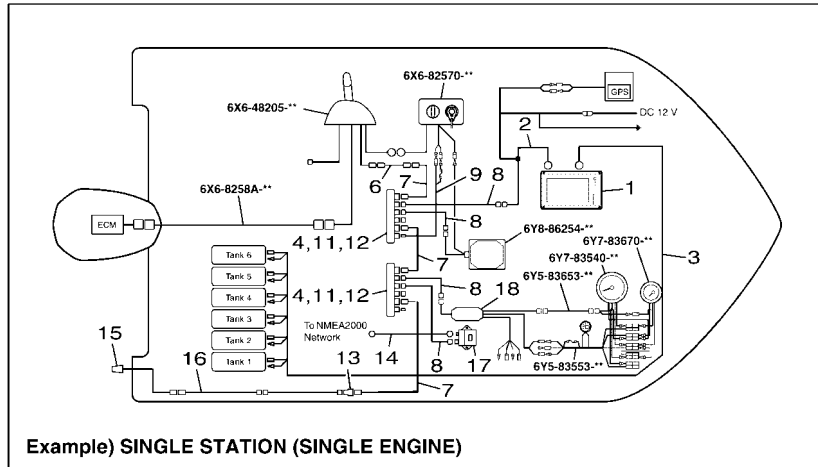
REF. NO.	PART NO.	DESCRIPTION	601M	REMARKS
1	6YC-83710-02	MULTI DISPLAY ASSY	1	
2	6YC-83512-00	.RING, SPEED METER	1	
3	6YC-87278-00	.COVER, METER	1	
4	6YC-12223-00	.SEAL	1	
5	6YC-82532-00	.CAP	1	
6	6Y8-8356N-01	LEAD, FUEL TANK & GPS SENDER	1	
7	6Y8-81920-01	MULTI HUB ASSY	1	
8	6Y8-85371-01	.END OF LINE RESISTER	1	
9	6Y8-81920-11	IN-LINE HUB ASSY	1	
10	6Y8-82582-01	CAP 1 (2PIN)	1	
11	6Y8-82582-11	CAP 1 (4PIN)	1	
12	6Y8-82553-01	1FT MAIN BUS	1	UR
	6Y8-82553-11	15FT MAIN BUS	1	UR
	6Y8-82553-21	20FT MAIN BUS	1	UR
	6Y8-82553-31	25FT MAIN BUS	1	UR
	6Y8-82553-41	30FT MAIN BUS	1	UR
	6Y8-82553-50	10FT MAIN BUS	1	UR
13	6Y8-82521-01	1FT PIGTAIL BUS	1	UR
	6Y8-82521-11	2FT PIGTAIL BUS	1	UR
	6Y8-82521-21	3FT PIGTAIL BUS	1	UR
	6Y8-82521-31	6FT PIGTAIL BUS	1	UR
	6Y8-82521-41	9FT PIGTAIL BUS	1	UR
	6Y8-82521-51	12FT PIGTAIL BUS	1	UR
14	6Y8-83553-01	8FT POWER WIRE	1	
15	6G1-82151-00	.FUSE (10A)	1	

FIG. 20 CL7 DISPLAY 1



6ES3100-R100

REF. NO.	PART NO.	DESCRIPTION	601M			REMARKS
1	6YD-83710-01	CL7 DISPLAY	1			UR
	6YD-83710-11	MULTI DISPLAY ASSY	1			UR
	6YD-83710-21	MULTI DISPLAY ASSY	1			UR
2	6YD-22480-00	.SEAL ASSY	1			
3	6YD-83956-00	.CAP 1	1			
4	6YD-83957-00	.CAP 2	2			
5	6YD-83958-00	.CAP 3	2			
6	6YD-82532-00	.CAP	1			
7	6YD-65722-00	.DOOR	1			
8	6YD-83512-00	.RING, SPEED METER	2			
9	6YD-87278-00	.COVER, METER	1			



601M10M-S210

FIG. 21 CL7 DISPLAY 2

REF. NO.	PART NO.	DESCRIPTION	601M	REMARKS
1	6YD-83710-01	CL7 DISPLAY	1	REFER TO FIG.20
	6YD-83710-11	MULTI DISPLAY ASSY	1	REFER TO FIG.20
	6YD-83710-21	MULTI DISPLAY ASSY	1	REFER TO FIG.20
2	6YD-83553-00	WIRE, LEAD	1	
3	6YD-8356N-00	WIRE, LEAD	1	
4	6Y8-81920-01	MULTI HUB ASSY	1	UR
5	6Y8-85371-01	.END OF LINE RESISTER	1	
6	6Y9-83553-00	WIRE, LEAD	1	
7	6Y8-82553-01	1FT MAIN BUS	1	UR
	6Y8-82553-11	15FT MAIN BUS	1	UR
	6Y8-82553-21	20FT MAIN BUS	1	UR
	6Y8-82553-31	25FT MAIN BUS	1	UR
	6Y8-82553-41	30FT MAIN BUS	1	UR
	6Y8-82553-50	10FT MAIN BUS	1	UR
8	6Y8-82521-01	1FT PIGTAIL BUS	1	UR
	6Y8-82521-11	2FT PIGTAIL BUS	1	UR
	6Y8-82521-21	3FT PIGTAIL BUS	1	UR
	6Y8-82521-31	6FT PIGTAIL BUS	1	UR
	6Y8-82521-41	9FT PIGTAIL BUS	1	UR
	6Y8-82521-51	12FT PIGTAIL BUS	1	UR
9	6Y8-83553-01	8FT POWER WIRE	1	
10	6G1-82151-00	.FUSE (10A)	1	
11	6Y8-82582-11	CAP 1 (4PIN)	1	UR
12	6Y8-82582-01	CAP 1 (2PIN)	1	UR
13	6Y8-81920-11	IN-LINE HUB ASSY	1	
14	6YG-82521-00	WIRE, LEAD	1	
15	6Y9-83688-00	SENSOR ASSY	1	

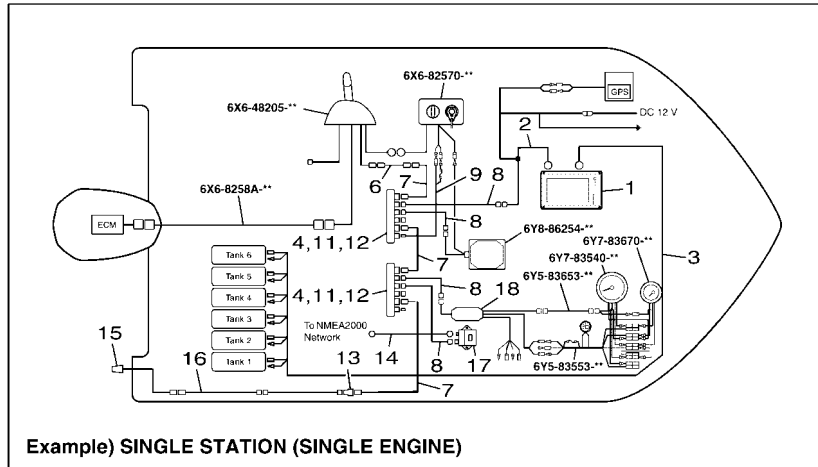
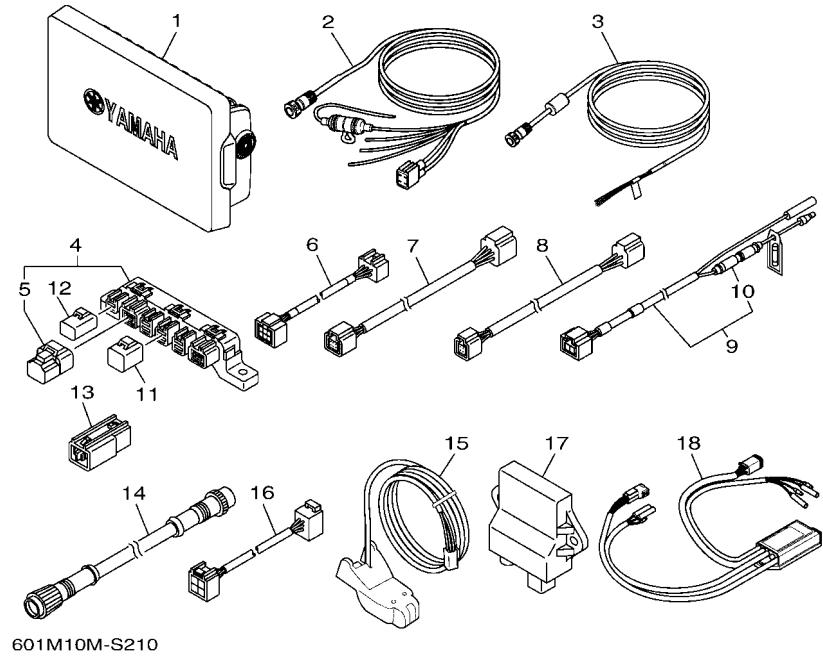


FIG. 21 CL7 DISPLAY 2

REF. NO.	PART NO.	DESCRIPTION	601M		REMARKS
16	6Y9-83553-60	WIRE, LEAD	1		FOR SENSOR ASSY
17	6YG-8A2D0-00	INTERFACE UNIT	1		
18	6Y9-8A2D0-30	INTERFACE UNIT	1		ANALOGUE GAUGE



NUMERICAL INDEX

PART NO.	REF. NO.	PART NO.	REF. NO.	PART NO.	REF. NO.	PART NO.	REF. NO.	PART NO.	REF. NO.	PART NO.	REF. NO.
6YC-12223-00	19 - 4	6Y8-82521-51	19 - 13	6Y5-8350T-E0	1 - 1	6Y5-83553-00	13 - 11	663-83668-00	6 - 11	6Y5-85752-02	5 - 6
6YD-22480-00	20 - 2		21 - 8	6Y5-8350U-10	10 - 9	6Y9-83553-00	21 - 6		6 - 14		5 - 6
6H4-24311-00	18 - 6	6Y8-82521-80	13 - 8	6Y7-83510-00	4 - 1	6YD-83553-00	21 - 2	6AW-8366B-01	14 - 9	6Y5-87122-S0	3 - 3
60V-42629-00	16 - 8	688-82526-00	10 - 2	6Y7-83510-10	4 - 1	6Y8-83553-01	13 - 9		15 - 2		5 - 4
	17 - 19	703-82531-00	5 - 9	6Y7-83510-20	4 - 1		19 - 14		16 - 2	6YC-87278-00	19 - 3
6YD-65722-00	20 - 7		9 - 2	6Y7-83510-30	4 - 1		21 - 9		17 - 2	6YD-87278-00	20 - 9
6H5-81315-00	11 - 3	6YC-82532-00	19 - 5	6Y7-83510-40	4 - 1	6Y5-83553-10	9 - 5	63P-8366C-00	15 - 3	6YG-8A2D0-00	21 - 17
697-81901-60	11 - 1	6YD-82532-00	20 - 6	6Y7-83510-50	4 - 1	6Y5-83553-20	9 - 6	69J-8366C-00	15 - 3	6Y9-8A2D0-30	12 - 9
6Y8-81920-01	13 - 2	6Y8-82553-01	13 - 7	6Y7-83510-60	4 - 1	6Y9-83553-60	21 - 16	60V-8366D-00	14 - 2		21 - 18
	19 - 7		19 - 12	6Y7-83510-70	4 - 1	6Y5-83553-F1	5 - 5		16 - 3	6Y9-8A2D0-40	12 - 8
	21 - 4		21 - 7	6YC-83512-00	19 - 2		10 - 5		17 - 3	63P-8A4L0-03	15 - 1
6Y8-81920-11	13 - 4	6Y8-82553-11	13 - 7	6YD-83512-00	20 - 8	6Y5-83553-M0	9 - 8		17 - 14	60V-8A4L0-17	14 - 1
	19 - 9		19 - 12	6Y5-83514-00	2 - 5	6Y5-83553-N0	9 - 10	6Y7-83670-00	6 - 1	69J-8A4L0-23	15 - 1
	21 - 13		21 - 7		2 - 12	688-83557-00	4 - 6	6Y7-83670-20	6 - 1	60V-8A4L1-18	16 - 1
6CE-81949-00	11 - 4	6Y8-82553-21	13 - 7		4 - 5	6Y5-83557-00	3 - 7	6Y7-83670-40	6 - 1	60V-8A4L2-04	17 - 1
68F-81949-02	11 - 4		19 - 12	6Y8-83514-00	12 - 3	6Y5-83557-31	3 - 4	6Y7-83670-50	6 - 1	6Y5-W0088-55	5 - 1
69J-81949-02	11 - 4		21 - 7	6Y5-83517-00	2 - 2	6Y5-8355X-H0	7 - 15	6Y9-83688-00	12 - 7	6Y5-W0088-66	5 - 1
676-81970-01	10 - 10	6R3-82553-30	10 - 3		2 - 9	6Y5-8356N-00	9 - 12		21 - 15	90109-06M81	14 - 13
6Y5-82117-00	5 - 8	6Y8-82553-31	13 - 7		4 - 2	6YD-8356N-00	21 - 3	6Y8-83688-01	12 - 4		16 - 4
	9 - 1		19 - 12	6Y5-83518-00	2 - 13	6Y8-8356N-01	13 - 1	6Y8-83688-11	12 - 5		17 - 13
6Y5-82149-00	9 - 1		21 - 7		6 - 2		19 - 6	6Y8-83688-20	12 - 6		17 - 15
1E6-82151-00	9 - 4	6Y8-82553-41	13 - 7		6 - 7	6Y5-83570-A0	3 - 1	6YD-83710-01	20 - 1	90158-06003	5 - 7
	9 - 7		19 - 12		7 - 2	6Y5-83577-00	7 - 9		21 - 1		5 - 7
	9 - 9		21 - 7		7 - 11	6Y7-83590-00	7 - 1	6YC-83710-02	19 - 1	90340-14M06	18 - 2
	9 - 11	6R3-82553-50	10 - 3		8 - 5	6Y7-83590-10	7 - 1	6YD-83710-11	20 - 1	90430-14115	14 - 5
	13 - 12	6Y8-82553-50	13 - 7		8 - 7	688-83591-00	7 - 6		21 - 1		15 - 4
663-82151-00	10 - 11		19 - 12	6Y5-83523-00	2 - 4	6P2-83652-00	18 - 4	6YD-83710-21	20 - 1		17 - 6
6G1-82151-00	13 - 10		21 - 7		2 - 11	6Y5-83653-00	10 - 4		21 - 1		18 - 3
	19 - 15	6Y8-82553-60	13 - 7		4 - 4	6Y5-83653-10	10 - 4	6P2-83728-00	18 - 1	90445-07017	16 - 6
	21 - 10	6R3-82553-70	10 - 3	6Y5-83536-00	6 - 3	6Y5-83653-20	10 - 4	6Y5-83728-00	3 - 5		17 - 17
688-82520-00	10 - 1	6R3-82553-80	10 - 3		6 - 8	6Y5-83653-30	10 - 4	6YD-83956-00	20 - 3	90445-07018	14 - 6
6YG-82521-00	21 - 14	6R3-82553-90	10 - 3		7 - 3	6Y5-83653-40	10 - 4	6YD-83957-00	20 - 4		17 - 7
6Y8-82521-01	13 - 8	60V-8257V-00	14 - 10		7 - 10	6Y5-83653-50	10 - 4	6YD-83958-00	20 - 5	90447-07013	16 - 7
	19 - 13		17 - 10		8 - 4	6Y7-83660-00	6 - 6	663-84301-01	11 - 2		17 - 18
	21 - 8	6Y8-82582-01	13 - 5		8 - 8	6Y7-83660-10	6 - 6	682-84380-00	10 - 6	90447-07015	14 - 7
6Y8-82521-11	13 - 8		19 - 10	6Y5-83536-10	2 - 3	6Y7-83660-20	6 - 6	682-84381-00	10 - 7		17 - 8
	19 - 13		21 - 12	6Y5-83536-40	2 - 3	6Y7-83660-30	6 - 6	682-84382-00	10 - 8	90464-09021	14 - 12
	21 - 8	6Y8-82582-11	13 - 6		2 - 10	688-83664-00	6 - 5	6Y8-84383-00	1 - 3		17 - 12
6Y8-82521-21	13 - 8		19 - 11		4 - 3		6 - 9		3 - 2	90465-11M10	3 - 6
	19 - 13		21 - 11	6Y7-83540-20	2 - 1		7 - 4		5 - 3		3 - 8
	21 - 8	6Y8-83500-20	12 - 2	6Y7-83540-30	2 - 1		7 - 8	6Y8-85371-01	13 - 3		4 - 7
6Y8-82521-31	13 - 8	6Y7-83503-00	8 - 1	6Y7-83540-80	2 - 8		8 - 3		19 - 8		14 - 8
	19 - 13	6Y7-83503-10	8 - 1	6Y7-83540-90	2 - 8		8 - 9		21 - 5		16 - 5
	21 - 8	6Y7-83504-00	7 - 14	6Y5-83544-00	6 - 4	688-83665-00	6 - 10	6Y5-85721-F0	5 - 10		17 - 9
6Y8-82521-41	13 - 8	6Y5-83504-01	7 - 7		7 - 5	688-83666-00	6 - 13	6Y7-85750-00	8 - 6		17 - 16
	19 - 13	6Y7-83504-10	7 - 14		8 - 2	60V-83667-00	14 - 4	6Y7-85750-10	8 - 6	90467-08M18	18 - 7
	21 - 8	6Y5-8350F-B0	5 - 2		8 - 10		17 - 5	6Y7-85750-20	8 - 6	92903-06600	10 - 15
6Y8-82521-51	13 - 8	6Y8-8350T-20	12 - 1	6Y5-83553-00	9 - 3	688-83667-00	6 - 12	6Y7-85750-30	8 - 6	92990-04100	7 - 13

NUMERICAL INDEX

PART NO.	REF. NO.	PART NO.	REF. NO.	PART NO.	REF. NO.	PART NO.	REF. NO.	PART NO.	REF. NO.	PART NO.	REF. NO.
92990-04100	7 - 16										
92990-05100	2 - 7										
	2 - 15										
95303-04600	7 - 12										
95380-04600	7 - 17										
95380-05600	2 - 6										
	2 - 14										
95895-06025	14 - 3										
	17 - 4										
97013-06010	10 - 14										
97595-06516	14 - 11										
	16 - 9										
	17 - 11										
	17 - 20										
97595-06530	18 - 5										
97880-05025	10 - 13										
9E450-04533	1 - 2										