



PARTS CATALOGUE

RIGGING-STEERING



1P601-10SE1

()

RIGGING-STEERING
PARTS CATALOGUE
©2015 by Yamaha Motor Co., Ltd.
1st edition, October 2015
All rights reserved.
Any reprinting or unauthorized use
without the written permission of
Yamaha Motor Co., Ltd.
is expressly prohibited.
Printed in Japan.

FOREWORD

This Parts Catalogue is related to the parts for the model(s) on the cover page. When you are ordering replacement parts, please refer to this Parts Catalogue and quote both part numbers and part names correctly.

1. Modifications or additions which have been made after the issue of the Parts Catalogue will be announced in the Parts News.

It is advisable that you make the necessary corrections to the Parts Catalogue according to the Parts News.

2. Abbreviations

The following abbreviations are used in this Parts Catalogue.

“UR” Use specified parts number.

“UN” Use as many as needed.

“AP” Alternate Parts

“LM” Locally Made (Parts need to be ordered locally)

“F#” Frame No. (Applicable machine No.)

“O/S” Over Size

3. The number of components for assembly

- Parts, which are to be supplied in an assembly, are listed with a dot (.) in front of the part name as shown below.
- The numeral appearing to the right of each component part indicates the quantity of parts for each assembly unit.

PART NO.	DESCRIPTION	Q'TY	REMARKS
2F5-83310-60	FRONT FLASHER LIGHT ASSY	2	
115-83311-60	.BULB (6V-18W)	1	

4. Applicable colours of graphics are represented in the “REMARKS” as shown below.

PART NO.	DESCRIPTION	Q'TY	REMARKS
2N4-24110-00-X5	FUEL TANK COMP.	2	MXR
3J1-24240-10	.GRAPHIC, FUEL TANK	1	FOR MXR

5. Note that the illustrations for reference in finding parts numbers are not to be used for assembling. When assembling, please use the applicable service manual.

6. The asterisk (*) before a reference number indicates modified items after the first edition.

CONTENTS

BASE HANDLE - ALL	1
BASE HANDLE ELECTRICAL	4
TILLER HANDLE KIT 1	5
TILLER HANDLE KIT 2	8
FITTING KIT 1	9
FITTING KIT 2	10
FITTING KIT 3	11
STEERING FRICTION 1	12
FITTING KIT 4	13
STEERING FRICTION 2	14
FITTING KIT 5	15
FITTING KIT 6	16
STEERING FRICTION 3	17
FITTING KIT 7	18
STEERING FRICTION 4	19
FITTING KIT 8	20
STEERING FRICTION 5	21
STEERING FRICTION 6	22
STEERING FRICTION 7	23
STEERING FRICTION 8	24
STEERING FRICTION 9	25
STEERING FRICTION 10	26
STEERING FRICTION 11	27
STEERING FRICTION 12	28

INDEX

NUMERICAL INDEX	29
-----------------------	----

6X4 TILLER HANDLE KIT (50-90 & F40-F115)

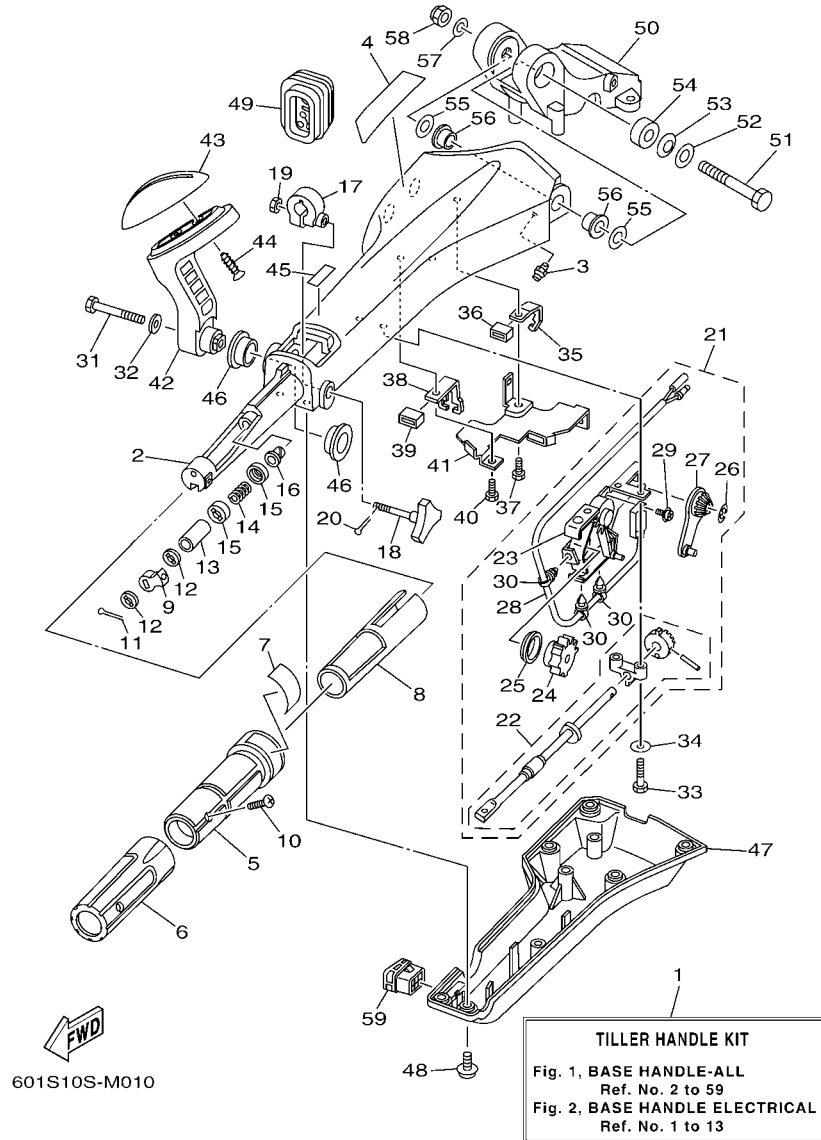


FIG. 1 BASE HANDLE - ALL

REF. NO.	PART NO.	DESCRIPTION	601S				REMARKS
1	6X4-42103-54	TILLER HANDLE KIT	1				LM
2	6X4-42111-02-8D	HANDLE, STEERING	1				
3	93700-06M03	NIPPLE, GREASE	1				
4	6X4-48215-00	GRAPHIC	1				
5	6X4-42119-01	GRIP, STEERING HANDLE	1				
6	6X4-42177-00	RUBBER, HANDLE	1				
7	6X4-42137-00	INDICATOR, THROTTLE	1				
8	6X4-41291-00	BUSHING	1				
9	6X4-44139-01	COLLAR	1				
10	90152-05007	SCREW, COUNTERSUNK	1				
11	91490-20010	PIN. COTTER	1				
12	6X4-44177-00	WASHER	2				
13	6X4-42128-00	COLLAR, DISTANCE 1	1				
14	90501-23215	SPRING, COMPRESSION	1				
15	6X4-44188-00	WASHER	2				
16	90386-08032	BUSH	1				
17	63D-42126-00	FRICION, STEERING HANDLE GRIP	1				
18	6X4-48154-00	KNOB, THROTTLE	1				
19	95380-06600	NUT, HEXAGON	1				
20	91490-20010	PIN. COTTER	1				
21	6X4-44100-01	SHIFT LINK ASSY	1				
22	6X4-42115-00	.SHAFT, STEERING HANDLE	1				
23	6X4-44102-00	.SHIFT ASSIST ASSY.	1				
24	6X4-47731-01	.GEAR, DRIVE	1				
25	6X4-44132-00	.BUSHING	1				
26	6X4-14137-00	.CLIP	1				
27	6X4-48261-00	.ARM, THROTTLE	1				

6X4 TILLER HANDLE KIT (50-90 & F40-F115)

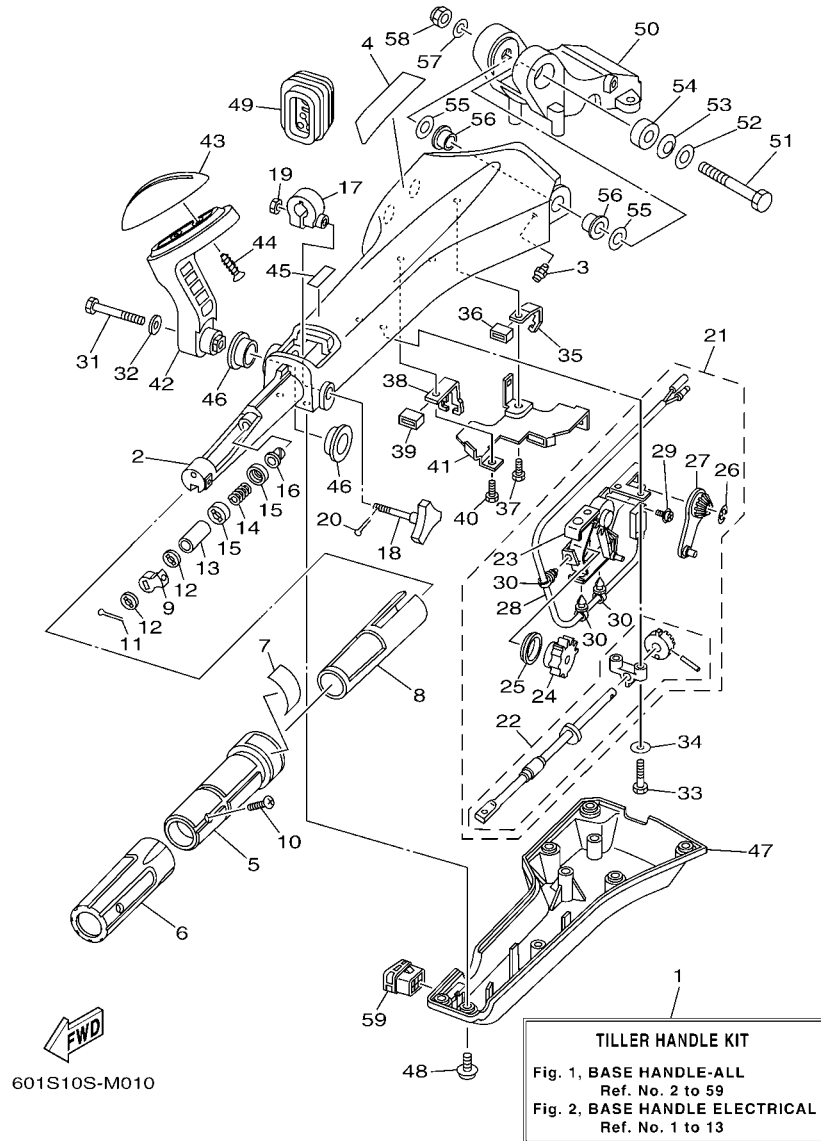


FIG. 1 BASE HANDLE - ALL

REF. NO.	PART NO.	DESCRIPTION	601S				REMARKS
28	6X4-82540-00	.NEUTRAL SWITCH ASSY	1				
29	703-48129-00	.SCREW 3	2				
30	6X4-42821-00	.BAND, CLAMP	3				
31	97095-08040	BOLT	1				
32	92995-08600	WASHER	1				
33	97095-06030	BOLT	2				
34	92995-06600	WASHER	2				
35	6X4-48538-00	CLAMP, CABLE 1	1				
36	6X4-26367-00	PROTECTOR	1				
37	97095-06014	BOLT	1				
38	6X4-48538-10	CLAMP, CABLE 1	1				
39	6X4-26367-00	PROTECTOR	1				
40	97095-06014	BOLT	1				
41	6X4-42159-00	STAY	1				
42	6X4-44159-00-8D	HANDLE, GEAR SHIFT	1				
43	6X4-44173-00	LEVER, SHIFT CONTROL	1				
44	97780-60920	SCREW, TAPPING	2				
45	6G8-44191-00	INDICATOR, SHIFT	1				
46	90386-26MA3	BUSH	2				
47	6X4-42131-01	COVER, HANDLE STEERING	1				
48	97985-06216	SCREW, WITH WASHER	6				
49	6X4-42725-01	GROMMET	1				
50	63D-42121-22-8D	BRACKET	1				
51	90101-12014	BOLT	1				
52	92990-12200	WASHER, PLAIN	1				
53	90206-12M22	WASHER, WAVE	1				
54	90387-12M02	COLLAR	1				

6X4 TILLER HANDLE KIT (F25A)

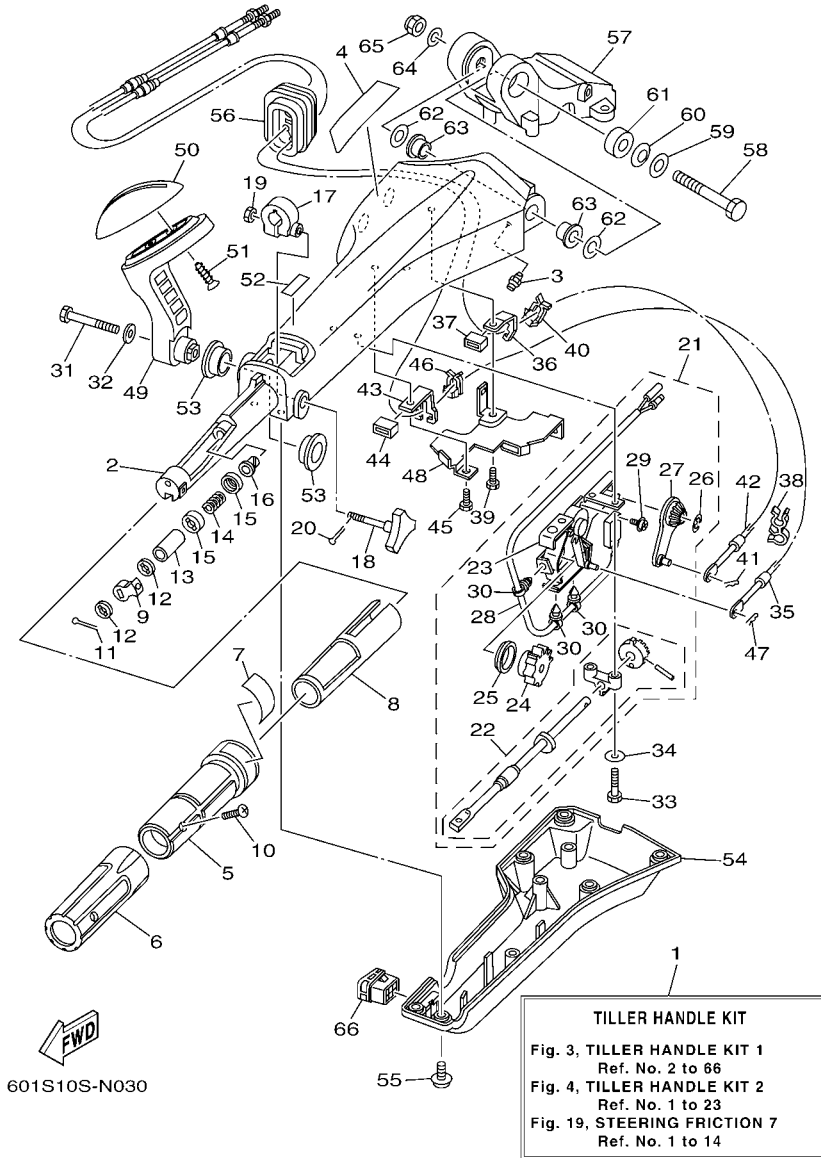
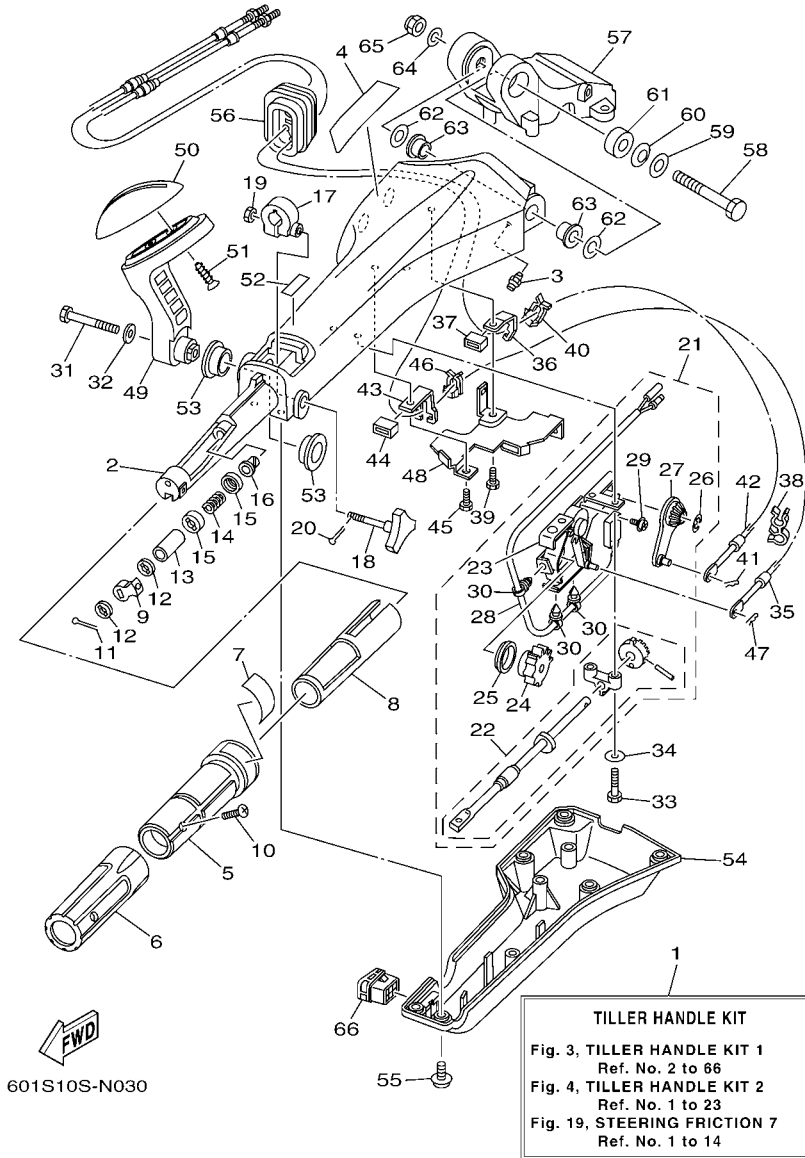


FIG. 3 TILLER HANDLE KIT 1

REF. NO.	PART NO.	DESCRIPTION	601S				REMARKS
1	6X4-42103-09	TILLER HANDLE KIT	1				LM
2	6X4-42111-02-4D	HANDLE, STEERING	1				
3	93700-06M03	NIPPLE, GREASE	1				
4	6X4-48215-00	GRAPHIC	1				
5	6X4-42119-01	GRIP, STEERING HANDLE	1				
6	6X4-42177-00	RUBBER, HANDLE	1				
7	6X4-42137-00	INDICATOR, THROTTLE	1				
8	6X4-41291-00	BUSHING	1				
9	6X4-44139-01	COLLAR	1				
10	90152-05007	SCREW, COUNTERSUNK	1				
11	91490-20010	PIN. COTTER	1				
12	6X4-44177-00	WASHER	2				
13	6X4-42128-00	COLLAR, DISTANCE 1	1				
14	90501-23215	SPRING, COMPRESSION	1				
15	6X4-44188-00	WASHER	2				
16	90386-08032	BUSH	1				
17	63D-42126-00	FRICTION, STEERING HANDLE GRIP	1				
18	6X4-48154-00	KNOB, THROTTLE	1				
19	95380-06600	NUT, HEXAGON	1				
20	91490-20010	PIN. COTTER	1				
21	6X4-44100-01	SHIFT LINK ASSY	1				
22	6X4-42115-00	.SHAFT, STEERING HANDLE	1				
23	6X4-44102-00	.SHIFT ASSIST ASSY.	1				
24	6X4-47731-01	.GEAR, DRIVE	1				
25	6X4-44132-00	.BUSHING	1				
26	6X4-14137-00	.CLIP	1				
27	6X4-48261-00	.ARM, THROTTLE	1				

6X4 TILLER HANDLE KIT (F25A)



601S10S-N030

FIG. 3 TILLER HANDLE KIT 1

REF. NO.	PART NO.	DESCRIPTION	601S				REMARKS
28	6X4-82540-00	.NEUTRAL SWITCH ASSY	1				
29	703-48129-00	.SCREW 3	2				
30	6X4-42821-00	.BAND, CLAMP	3				
31	97095-08040	BOLT	1				
32	92995-08600	WASHER	1				
33	97095-06030	BOLT	2				
34	92995-06600	WASHER	2				
35	6H1-48321-21	CABLE	1				
36	6X4-48538-00	CLAMP, CABLE 1	1				
37	6X4-26367-00	PROTECTOR	1				
38	90464-09M42	CLAMP	1				
39	97095-06014	BOLT	1				
40	63D-48538-00	CLAMP, CABLE 1	1				
41	90468-10005	CLIP	1				
42	6H3-48321-02	CABLE	1				
43	6X4-48538-10	CLAMP, CABLE 1	1				
44	6X4-26367-00	PROTECTOR	1				
45	97095-06014	BOLT	1				
46	63D-48538-00	CLAMP, CABLE 1	1				
47	90468-10005	CLIP	1				
48	6X4-42159-00	STAY	1				
49	6X4-44159-00-4D	HANDLE, GEAR SHIFT	1				
50	6X4-44173-00	LEVER, SHIFT CONTROL	1				
51	97780-60920	SCREW, TAPPING	2				
52	6G8-44191-00	INDICATOR, SHIFT	1				
53	90386-26MA3	BUSH	2				
54	6X4-42131-01	COVER, HANDLE STEERING	1				

6X4 TILLER HANDLE KIT (F25A)

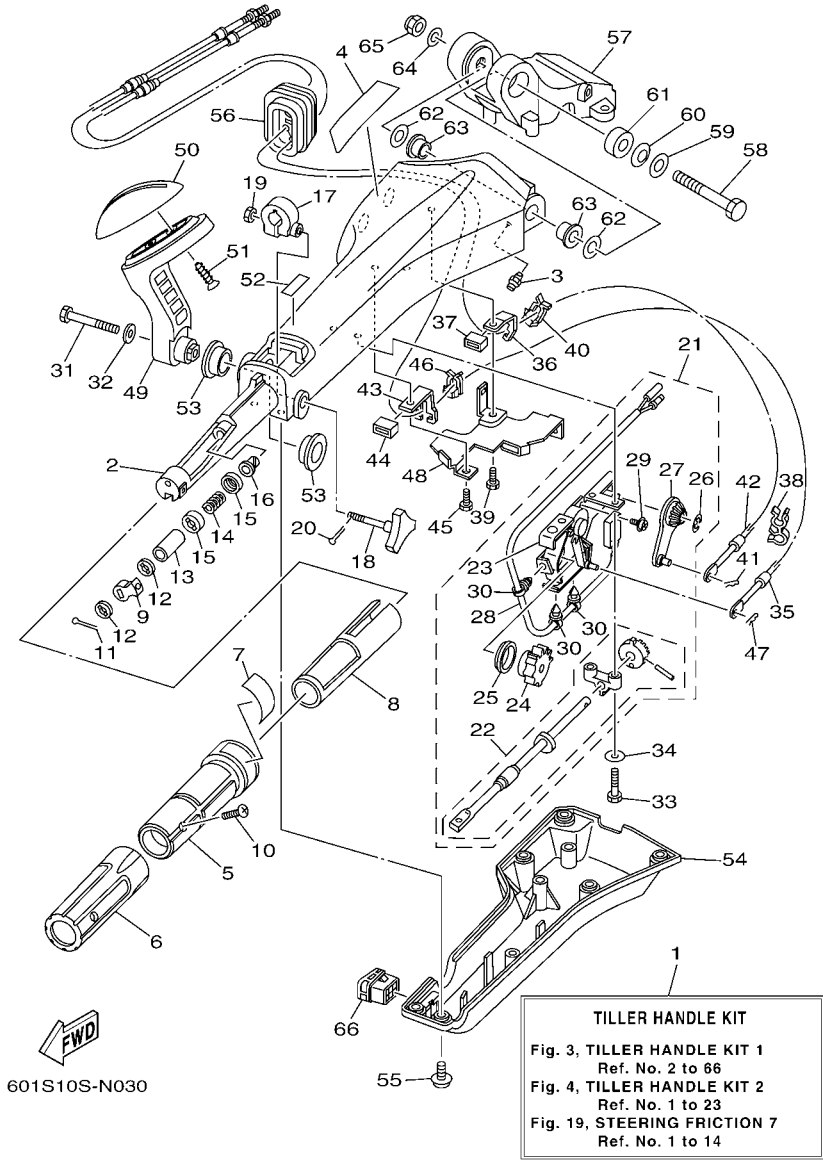
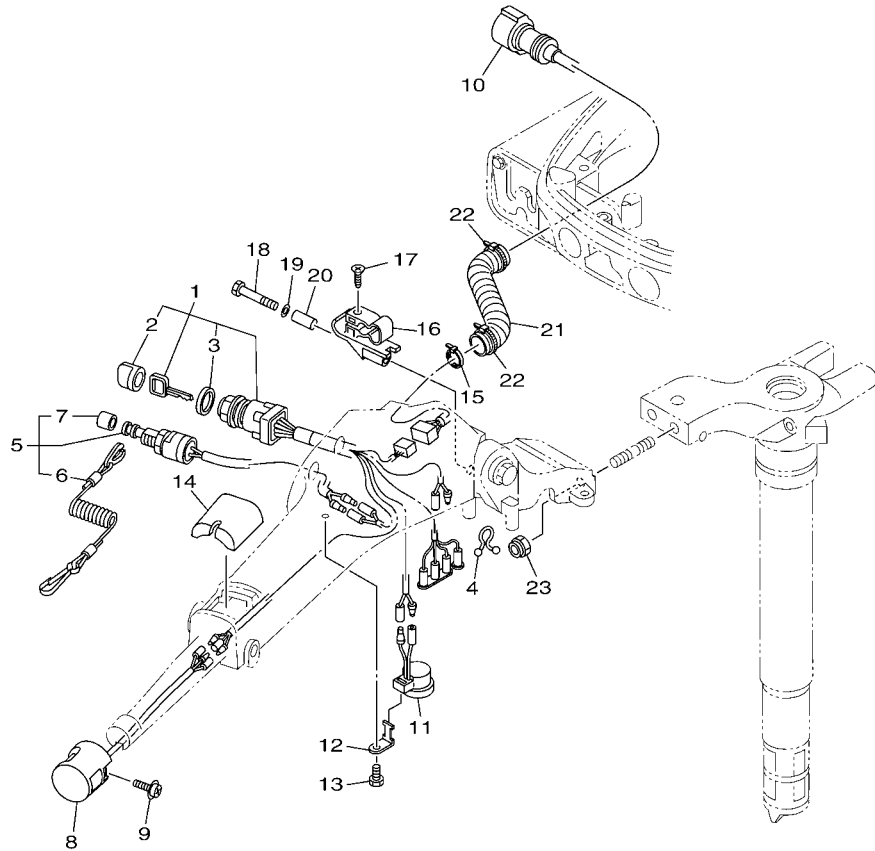


FIG. 3 TILLER HANDLE KIT 1

REF. NO.	PART NO.	DESCRIPTION	601S				REMARKS
55	97985-06216	SCREW, WITH WASHER	6				
56	6X4-42725-01	GROMMET	1				
57	65W-42121-11-4D	BRACKET	1				
58	90101-12014	BOLT	1				
59	92990-12200	WASHER, PLAIN	1				
60	90206-12M22	WASHER, WAVE	1				
61	90387-12M02	COLLAR	1				
62	90201-12035	WASHER, PLATE	2				
63	90386-12003	BUSH	2				
64	92990-12600	WASHER, PLATE	1				
65	90185-12M12	NUT, SELF-LOCKING	1				
66	6X4-42728-10	CAP	1				

6X4 TILLER HANDLE KIT (F25A)




601S10S-M040

FIG. 4 TILLER HANDLE KIT 2

REF. NO.	PART NO.	DESCRIPTION	601S				REMARKS
1	6X4-82510-01	MAIN SWITCH ASSY	1				
2	676-82577-01	.CAP, KEY	1				
3	703-82532-00	.CAP	1				
4	90464-08M07	CLAMP	1				
5	69W-82575-00	ENGINE STOP SWITCH ASSY	1				
6	682-82556-00	.LANYARD, STOP SWITCH	1				
7	689-8257Y-00	.CAP	1				
8	6X4-82563-00	TRIM & TILT SWITCH ASSY	1				
9	97980-06216	SCREW, WITH WASHER	1				
10	6X4-82586-10	EXT., WIRE HARNESS (L:950MM)	1				
11	6X4-83383-00	BUZZER	1				
12	6X4-83386-00	STAY, BUZZER	1				
13	97095-06014	BOLT	1				
14	6X4-81942-01	COVER	1				
15	90465-13M36	CLAMP	1				
16	62Y-82361-00	CLAMP, CORD	1				
17	90161-06M03	SCREW, TAPPING	1				
18	97095-06035	BOLT	1				
19	92995-06600	WASHER	1				
20	90387-06M26	COLLAR	1				
21	90447-22006	TUBE	1				
22	90465-13M24	CLAMP	2				
23	90185-10027	NUT, SELF-LOCKING	2				

6X4 TILLER HANDLE FITTING KIT (F115A)

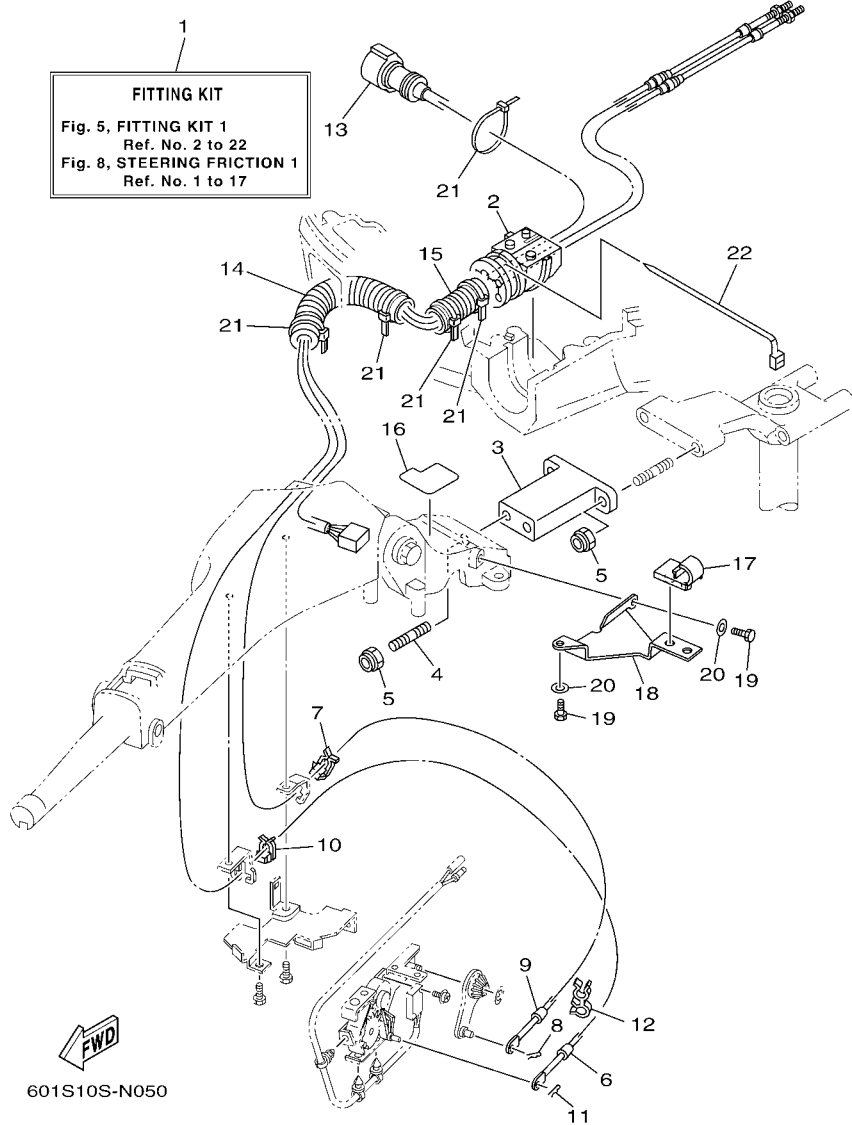
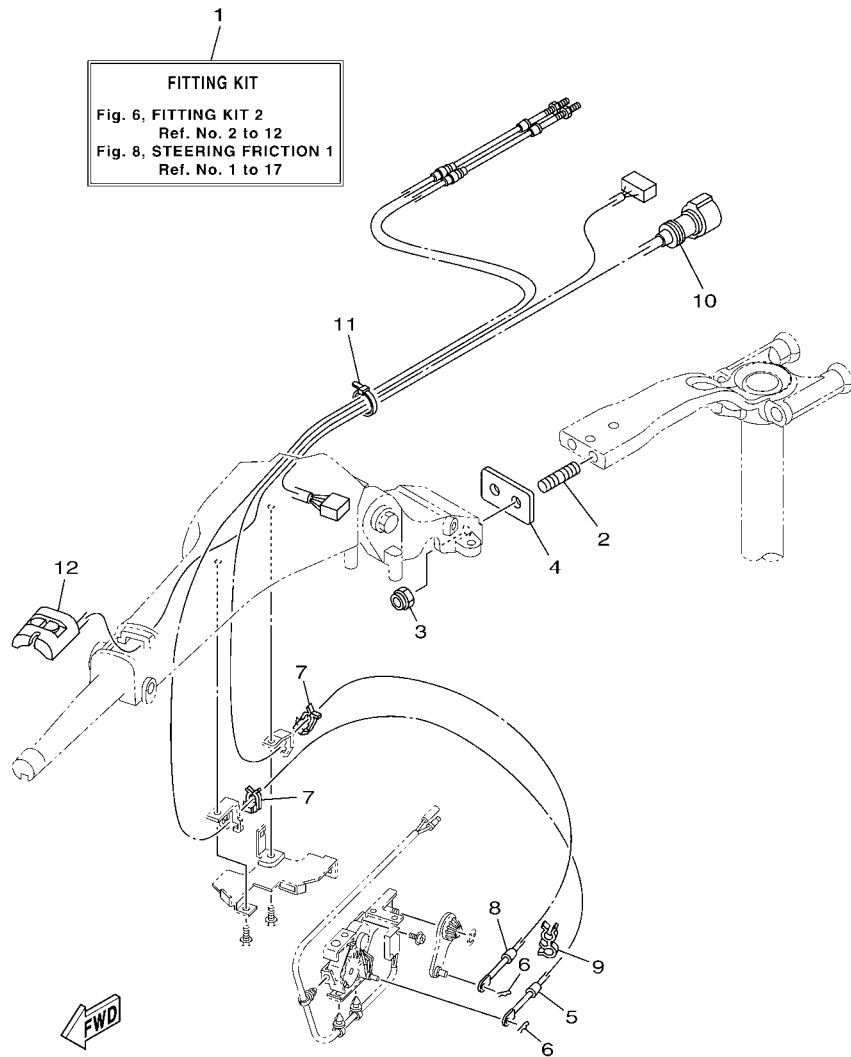


FIG. 5 FITTING KIT 1

REF. NO.	PART NO.	DESCRIPTION	601S				REMARKS
1	6X4-42102-01	FITTING KIT	1				LM
2	68V-42725-10	GROMMET	1				
3	6X4-42121-11-8D	BRACKET	1				
4	90116-10062	BOLT, STUD	2				
5	90185-10027	NUT, SELF-LOCKING	4				
6	67G-48321-20	CABLE	1				
7	63D-48538-00	CLAMP, CABLE 1	1				
8	90468-10005	CLIP	1				
9	67G-26301-10	THROTTLE CABLE ASSY	1				
10	63D-48538-00	CLAMP, CABLE 1	1				
11	90468-10005	CLIP	1				
12	90464-09M42	CLAMP	1				
13	6X4-82586-20	EXT., WIRE HARNESS (L:1.25M)	1				
14	90447-22007	TUBE	1				
15	6G5-83557-00	TUBE	1				
16	6X4-42735-00	PROTECTOR	1				
17	63D-24367-00	CLAMP, FUEL PIPE 2	1				
18	6X4-24364-00	STAY	1				
19	97095-06016	BOLT	2				
20	92995-06600	WASHER	2				
21	90465-13M24	CLAMP	5				
22	90465-13M30	CLAMP	1				

6X4 TILLER HANDLE FITTING KIT (F115B)



601S10S-N060

FIG. 6 FITTING KIT 2

REF. NO.	PART NO.	DESCRIPTION	601S				REMARKS
1	6X4-42102-C0	FITTING KIT	1				LM
2	90116-10063	BOLT, STUD	2				
3	90185-10027	NUT, SELF-LOCKING	2				
4	6EK-42121-00	BRACKET	1				
5	6EK-48321-00	CABLE	1				
6	90468-10005	CLIP	2				
7	63D-48538-00	CLAMP, CABLE 1	2				
8	6EK-26301-00	THROTTLE CABLE ASSY	1				
9	90464-09M42	CLAMP	1				
10	6X4-82586-10	EXT., WIRE HARNESS (L:950MM)	1				
11	90465-13M24	CLAMP	1				
12	6X4-81860-00	SWITCH ASSY	1				

6X4 TILLER HANDLE FITTING KIT (F75A,F90A)

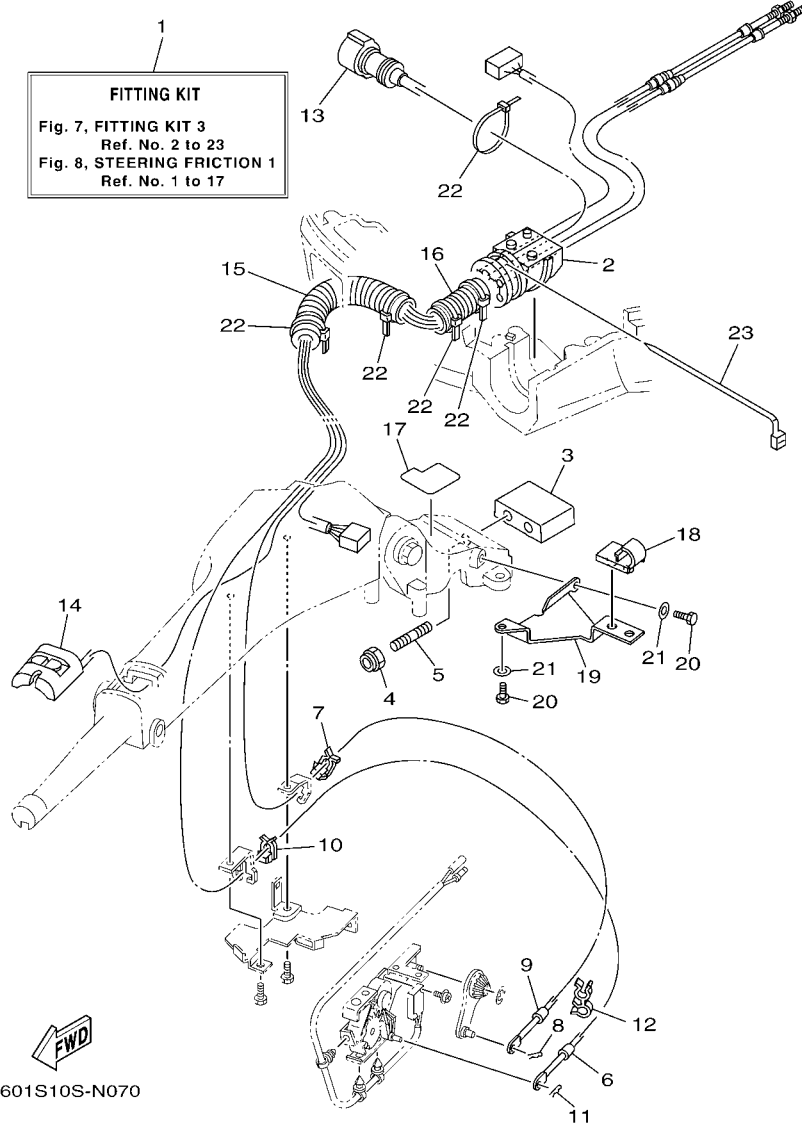
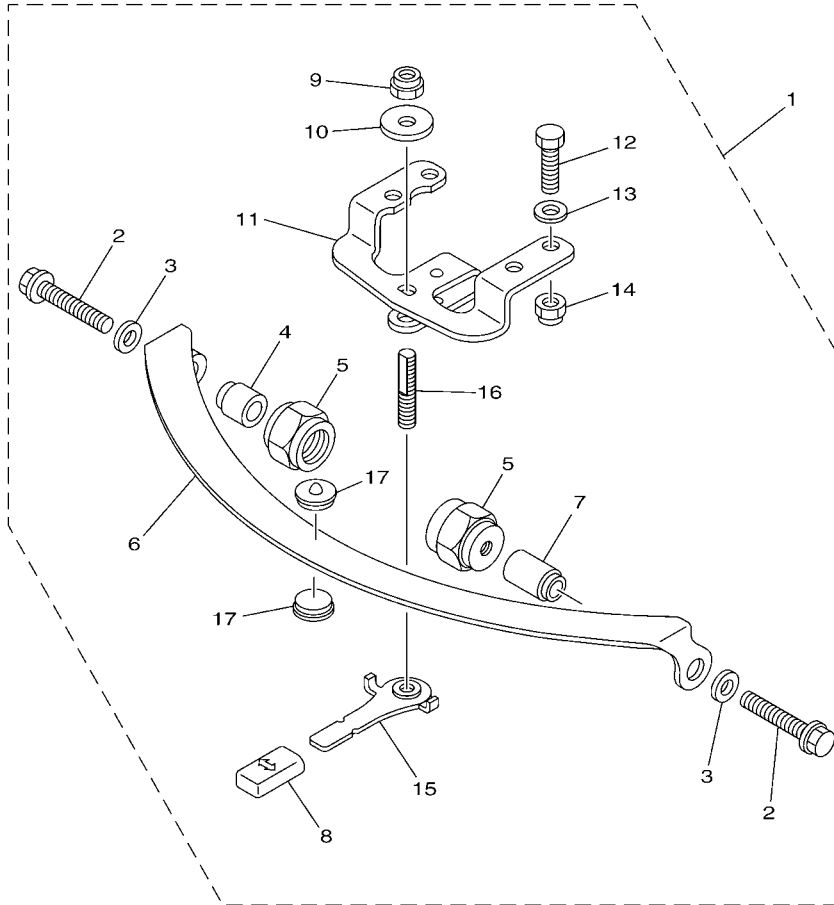


FIG. 7 FITTING KIT 3

REF. NO.	PART NO.	DESCRIPTION	601S				REMARKS
1	6X4-42102-11	FITTING KIT	1				LM
2	68V-42725-10	GROMMET	1				
3	6X4-42121-00-8D	BRACKET	1				
4	90185-10027	NUT, SELF-LOCKING	2				
5	90116-10031	BOLT, STUD	2				
6	67G-48321-20	CABLE	1				
7	63D-48538-00	CLAMP, CABLE 1	1				
8	90468-10005	CLIP	1				
9	67G-26301-10	THROTTLE CABLE ASSY	1				
10	63D-48538-00	CLAMP, CABLE 1	1				
11	90468-10005	CLIP	1				
12	90464-09M42	CLAMP	1				
13	6X4-82586-20	EXT., WIRE HARNESS (L:1.25M)	1				
14	6X4-81860-00	SWITCH ASSY	1				
15	90447-22007	TUBE	1				
16	6K3-83557-00	TUBE	1				
17	6X4-42735-00	PROTECTOR	1				
18	63D-24367-00	CLAMP, FUEL PIPE 2	1				
19	6X4-24364-00	STAY	1				
20	97095-06016	BOLT	2				
21	92995-06600	WASHER	2				
22	90465-13M24	CLAMP	5				
23	90465-13M30	CLAMP	1				

6X4 TILLER HANDLE FITTING KIT
STEERING FRICTION (F75A,F90A,F115A,F115B)

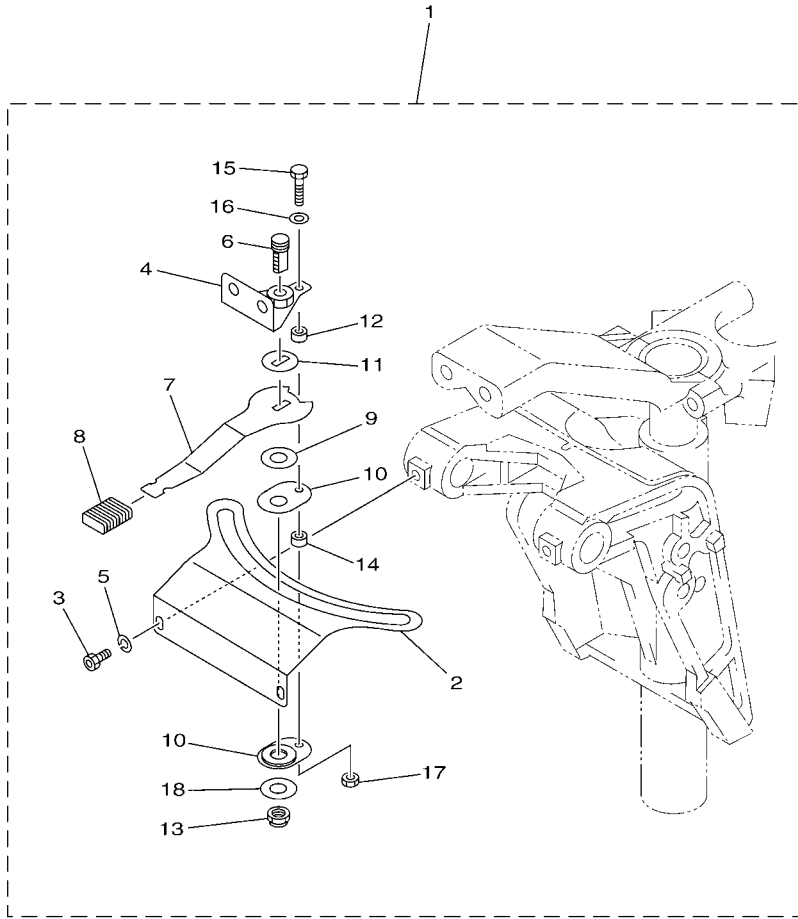



601S10S-N080

FIG. 8 STEERING FRICTION 1

REF. NO.	PART NO.	DESCRIPTION	601S				REMARKS
1	67G-42508-10	STEERING FRICTION ASSY	1				
2	90119-08M74	.BOLT, WITH WASHER	2				
3	90201-08M01	.WASHER, PLATE	2				
4	67G-42541-00	.PIPE 1	1				
5	67G-42546-00	.NUT	2				
6	63D-42527-00	.PLATE, FRICTION	1				
7	67G-42541-10	.PIPE 1	1				
8	682-43318-01	.COVER	1				
9	90185-10M14	.NUT, SELF-LOCKING	1				
10	90201-10M76	.WASHER, PLATE	1				
11	6X4-42526-00	.PLATE, FRICTION	1				
12	97095-08025	.BOLT	2				
13	92995-08600	.WASHER	2				
14	90185-08057	.NUT, SELF-LOCKING	2				
15	67G-42561-00	.KNOB, STEERING LOCK	1				
16	67G-42562-00	.SHAFT, STEERING LOCK	1				
17	63D-42528-00	.PLATE, FRICTION	2				

6X4 TILLER HANDLE FITTING KIT
STEERING FRICTION (F50B,T50B,F60B,T60B,F70A)

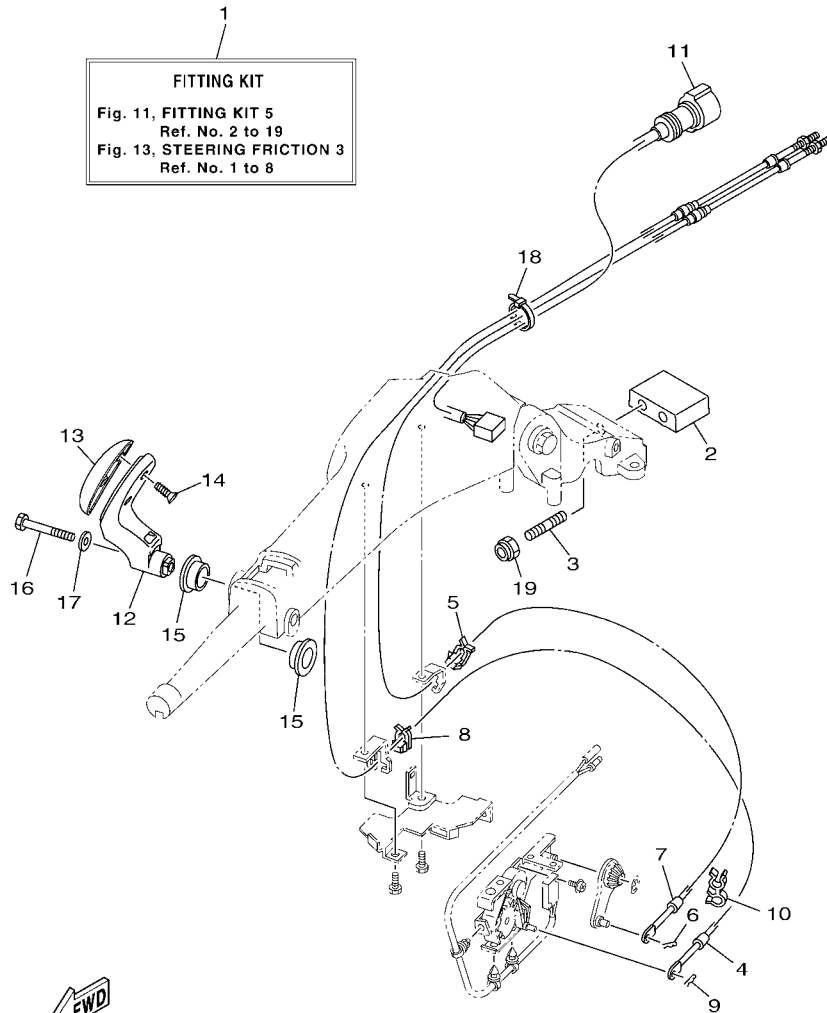


601S10S-M090

FIG. 10 STEERING FRICTION 2

REF. NO.	PART NO.	DESCRIPTION	601S				REMARKS
1	6C5-42508-01	STEERING FRICTION ASSY	1				
2	6C5-42527-00	.PLATE, FRICTION	1				
3	90109-06M88	.BOLT	2				
4	67C-42525-00	.PLATE, FRICTION	1				
5	92990-06100	.WASHER, SPRING	2				
6	67C-42562-00	.SHAFT, STEERING LOCK	1				
7	67C-42561-00	.KNOB, STEERING LOCK	1				
8	689-43633-00	.COVER, TILT LEVER	1				
9	90202-10M56	.WASHER, PLATE	1				
10	65W-42528-00	.PLATE, FRICTION	2				
11	90209-10M26	.WASHER	1				
12	90387-05053	.COLLAR	1				
13	90185-10M14	.NUT, SELF-LOCKING	1				
14	90387-05054	.COLLAR	1				
15	97095-05020	.BOLT	1				
16	92995-05600	.WASHER	1				
17	95380-05600	.NUT	1				
18	90201-106M5	.WASHER, PLATE	1				

6X4 TILLER HANDLE FITTING KIT (90)

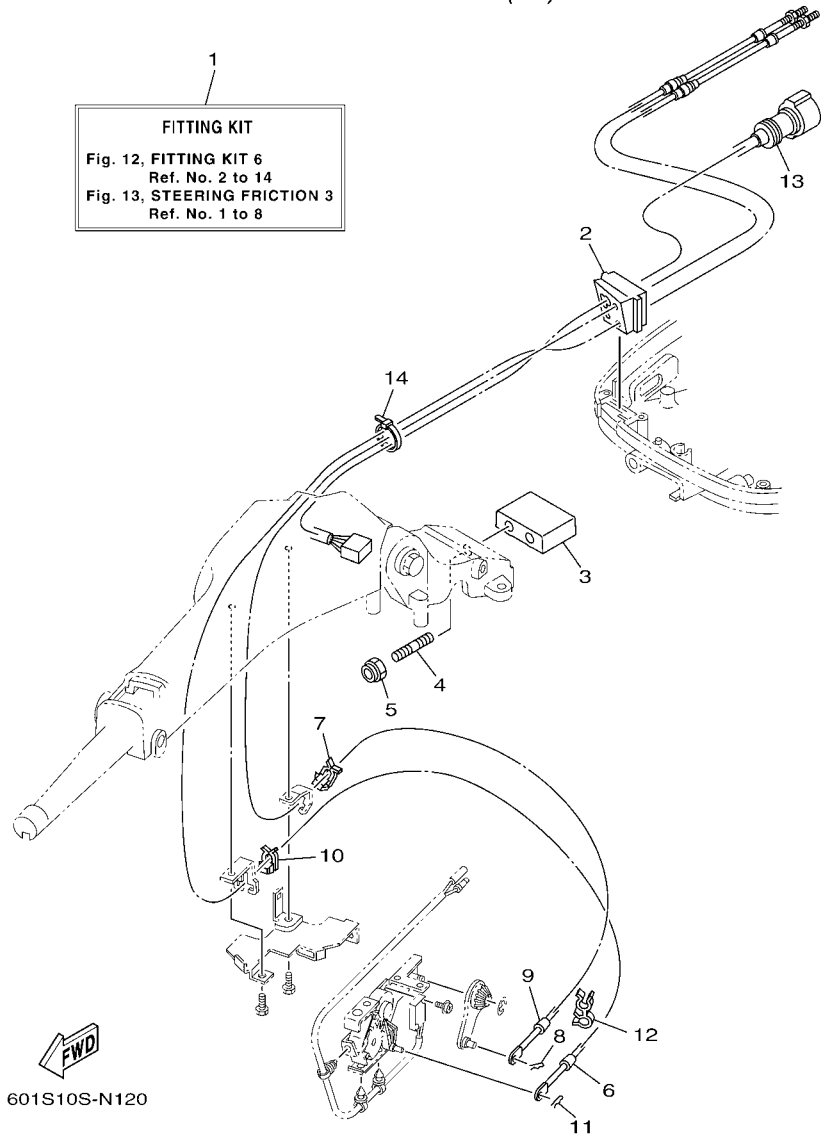


601S10S-N110

FIG. 11 FITTING KIT 5

REF. NO.	PART NO.	DESCRIPTION	601S				REMARKS
1	6X4-42102-41	FITTING KIT	1				LM
2	6X4-42121-00-8D	BRACKET	1				
3	90116-10031	BOLT, STUD	2				
4	6H1-48321-11	CABLE	1				
5	63D-48538-00	CLAMP, CABLE 1	1				
6	90468-10005	CLIP	1				
7	6H1-26301-01	THROTTLE CABLE ASSY	1				
8	63D-48538-00	CLAMP, CABLE 1	1				
9	90468-10005	CLIP	1				
10	90464-09M42	CLAMP	1				
11	6X4-82586-30	EXTENSION, WIRE HARNESS	1				
12	6X4-44159-10-8D	HANDLE, GEAR SHIFT	1				
13	6X4-44173-00	LEVER, SHIFT CONTROL	1				
14	97780-60920	SCREW, TAPPING	2				
15	90386-26MA3	BUSH	1				
16	97095-08040	BOLT	1				
17	92995-08600	WASHER	1				
18	90465-13M36	CLAMP	1				
19	90185-10027	NUT, SELF-LOCKING	2				

6X4 TILLER HANDLE FITTING KIT (70)

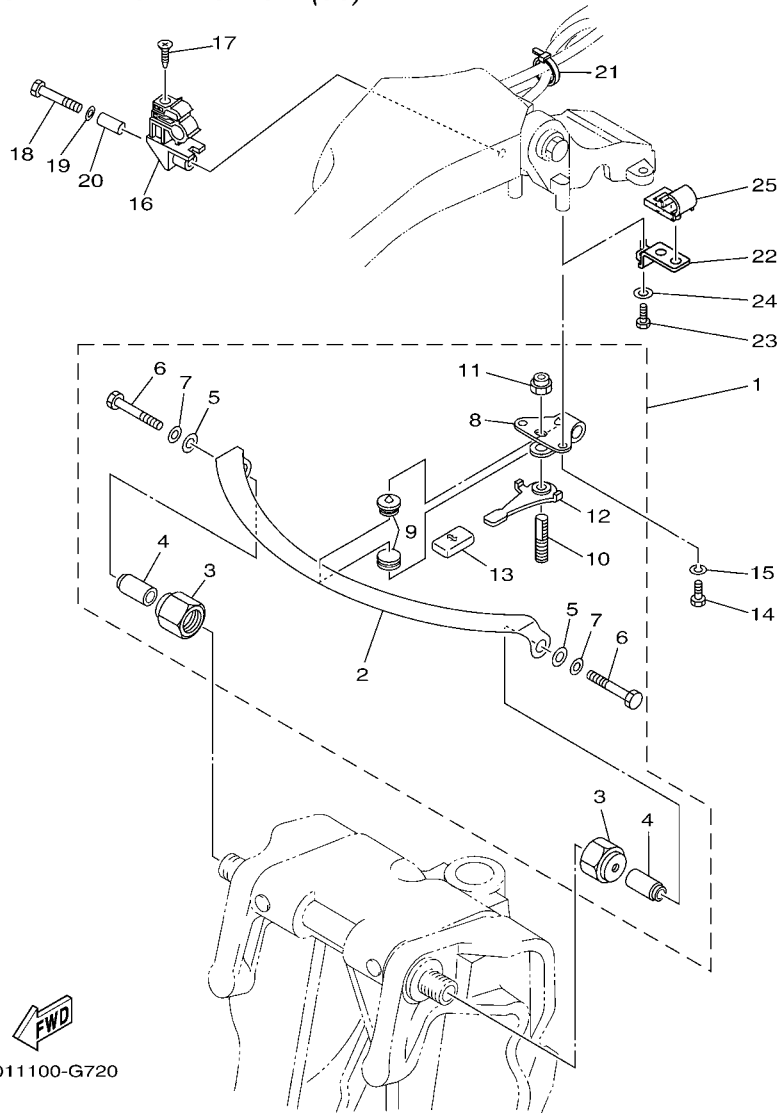


601S10S-N120

FIG. 12 FITTING KIT 6

REF. NO.	PART NO.	DESCRIPTION	601S				REMARKS
1	6X4-42102-52	FITTING KIT	1				LM
2	6H3-42725-30	GROMMET	1				
3	6X4-42121-00-8D	BRACKET	1				
4	90116-10031	BOLT, STUD	2				
5	90185-10027	NUT, SELF-LOCKING	2				
6	6H3-48321-11	CABLE	1				
7	63D-48538-00	CLAMP, CABLE 1	1				
8	90468-10005	CLIP	1				
9	6H3-26301-01	THROTTLE CABLE ASSY	1				
10	63D-48538-00	CLAMP, CABLE 1	1				
11	90468-10005	CLIP	1				
12	90464-09M42	CLAMP	1				
13	6X4-82586-30	EXTENSION, WIRE HARNESS	1				
14	90465-13M36	CLAMP	1				

6X4 TILLER HANDLE FITTING KIT
STEERING FRICTION (50)

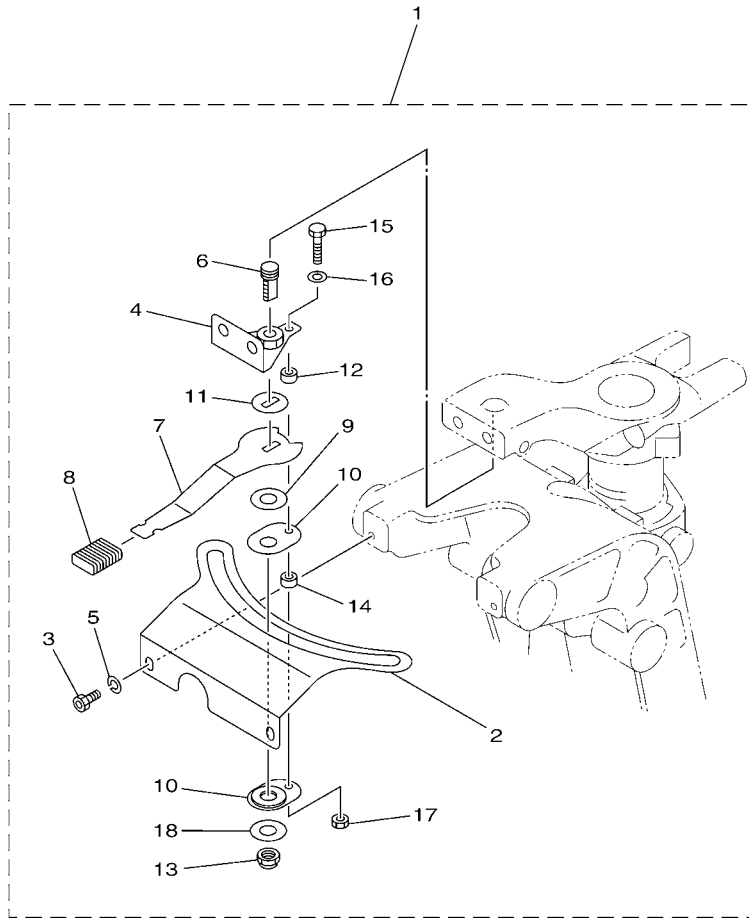


6011100-G720

FIG. 15 STEERING FRICTION 4

REF. NO.	PART NO.	DESCRIPTION	QTY	REMARKS
1	63D-42508-00	STEERING FRICTION ASSY	1	
2	63D-42527-00	.PLATE, FRICTION	1	
3	63D-42546-00	.NUT	2	
4	63D-42541-00	.PIPE 1	2	
5	90201-08M01	.WASHER, PLATE	2	
6	97095-08050	.BOLT	2	
7	92990-08600	.WASHER, PLATE	2	
8	63D-42526-00	.PLATE, FRICTION	1	
9	63D-42528-00	.PLATE, FRICTION	2	
10	63D-42562-00	.SHAFT, STEERING LOCK	1	
11	90185-10M01	.NUT, SELF-LOCKING	1	
12	63D-42561-00	.KNOB, STEERING LOCK	1	
13	682-43318-01	.COVER	1	
14	97095-06016	BOLT	2	
15	92995-06100	WASHER, SPRING	2	
16	63D-82361-00	CLAMP, CORD	1	
17	90161-06M00	SCREW, TAPPING	1	
18	97095-06035	BOLT	1	
19	92995-06600	WASHER	1	
20	90387-06M26	COLLAR	1	
21	90465-13M36	CLAMP	1	
22	63D-24364-10	STAY	1	
23	97095-06016	BOLT	1	
24	92995-06600	WASHER	1	
25	63D-24367-00	CLAMP, FUEL PIPE 2	1	

6X4 TILLER HANDLE FITTING KIT
STEERING FRICTION (F40A-FI)



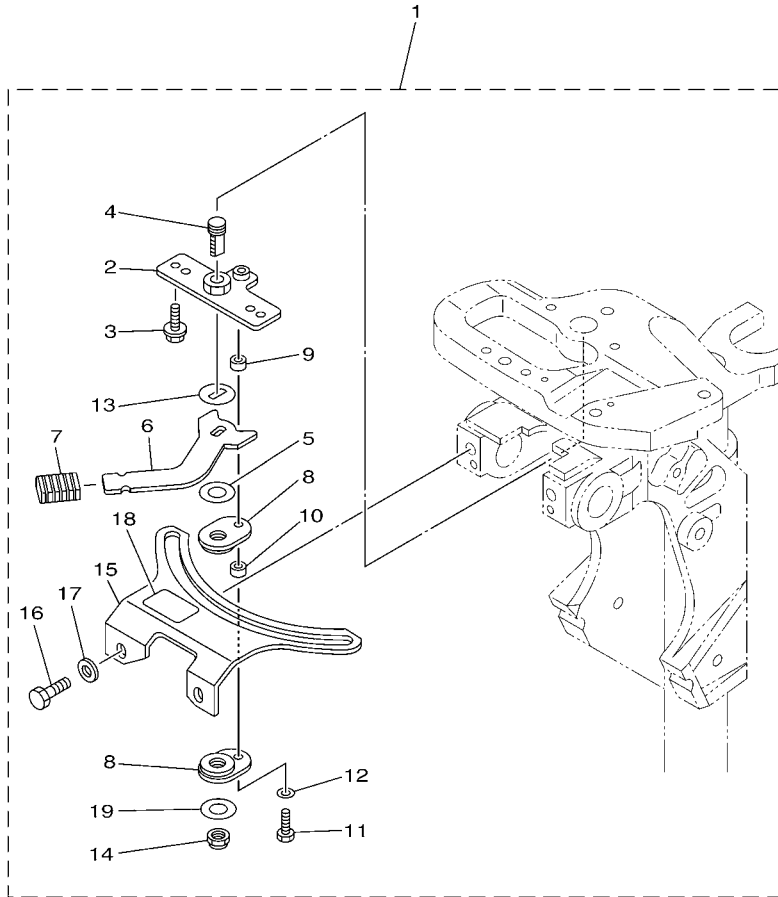

601S10S-M160

FIG. 17 STEERING FRICTION 5

REF. NO.	PART NO.	DESCRIPTION	601S				REMARKS
1	67C-42508-04	STEERING FRICTION ASSY	1				
2	67C-42527-03	.PLATE, FRICTION	1				
3	90109-06M88	.BOLT	2				
4	67C-42525-00	.PLATE, FRICTION	1				
5	92990-06100	.WASHER, SPRING	2				
6	67C-42562-00	.SHAFT, STEERING LOCK	1				
7	67C-42561-00	.KNOB, STEERING LOCK	1				
8	689-43633-00	.COVER, TILT LEVER	1				
9	90202-10M56	.WASHER, PLATE	1				
10	65W-42528-00	.PLATE, FRICTION	2				
11	90209-10M26	.WASHER	1				
12	90387-05053	.COLLAR	1				
13	90185-10M14	.NUT, SELF-LOCKING	1				
14	90387-05054	.COLLAR	1				
15	97095-05020	.BOLT	1				
16	92995-05600	.WASHER	1				
17	95380-05600	.NUT	1				
18	90201-106M5	.WASHER, PLATE	1				

STEERING FRICTION

Part No.	Applicable model
6AH-42508-01	F8F(F8B), FT8G, F9.9J(F9.9B), F9.9H, FT9.9L(T9.9B), F15C (F15A), F20B (F20A), F20C MT
6AH-42508-11	FT9.9L(T9.9B), F15C (F15A), F20B (F20A) PT



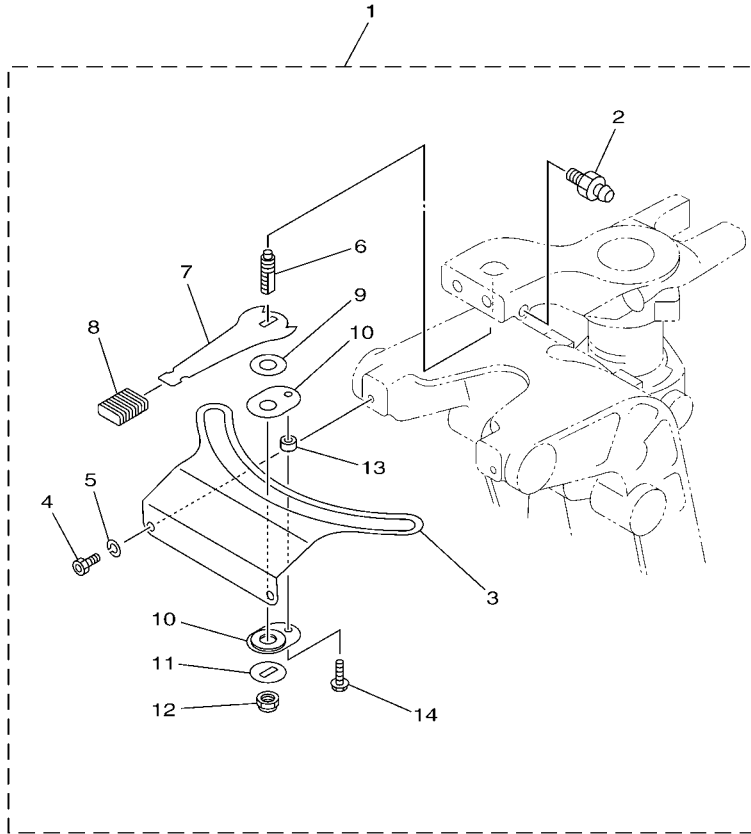
601S10S-P180

FIG. 18 STEERING FRICTION 6

REF. NO.	PART NO.	DESCRIPTION	601S				REMARKS
1	6AH-42508-01	STEERING FRICTION ASSY	1				UR
	6AH-42508-11	STEERING FRICTION ASSY	1				UR
2	68T-42525-01	.PLATE, FRICTION	1				
3	90119-05018	.BOLT, WITH WASHER	2				
4	67C-42562-00	.SHAFT, STEERING LOCK	1				
5	90202-10M56	.WASHER, PLATE	1				
6	68T-42561-00	.KNOB, STEERING LOCK	1				
7	689-43633-00	.COVER, TILT LEVER	1				
8	65W-42528-00	.PLATE, FRICTION	2				
9	90387-05053	.COLLAR	1				
10	90387-05054	.COLLAR	1				
11	97095-05020	.BOLT	1				
12	92995-05600	.WASHER	1				
13	90209-10M26	.WASHER	1				
14	90185-10M14	.NUT, SELF-LOCKING	1				
15	6AH-42527-00	.PLATE, FRICTION	1				
16	90101-08022	.BOLT	2				
17	90201-08065	.WASHER, PLATE	2				
18	68T-43155-00	.MARK 1	1				FOR 6AH-42508-01
19	90201-106M5	.WASHER, PLATE	1				

STEERING FRICTION

Part No.	Applicable model
65W-42508-00	F25D (F25A/F25B), (E)40X



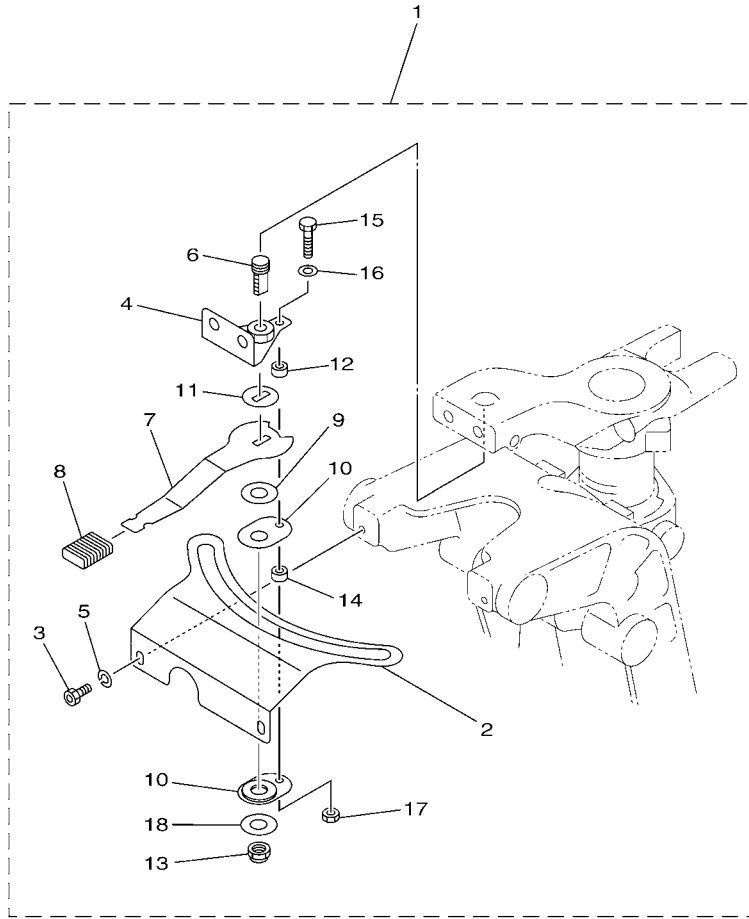
601S10S-M180

FIG. 19 STEERING FRICTION 7

REF. NO.	PART NO.	DESCRIPTION	601S				REMARKS
1	65W-42508-00	STEERING FRICTION ASSY	1				
2	93700-06M03	.NIPPLE, GREASE	1				
3	65W-42527-00	.PLATE, FRICTION	1				
4	90109-06M88	.BOLT	2				
5	92990-06100	.WASHER, SPRING	2				
6	65W-42562-00	.SHAFT, STEERING LOCK	1				
7	65W-42561-00	.KNOB, STEERING LOCK	1				
8	689-43633-00	.COVER, TILT LEVER	1				
9	90202-10M56	.WASHER, PLATE	1				
10	65W-42528-00	.PLATE, FRICTION	2				
11	90209-10M26	.WASHER	1				
12	90185-10M14	.NUT, SELF-LOCKING	1				
13	90387-05054	.COLLAR	1				
14	90109-05M89	.BOLT	1				

STEERING FRICTION

Part No.	Applicable model
67C-42508-04	F30B (F30A), F40F (F40A)



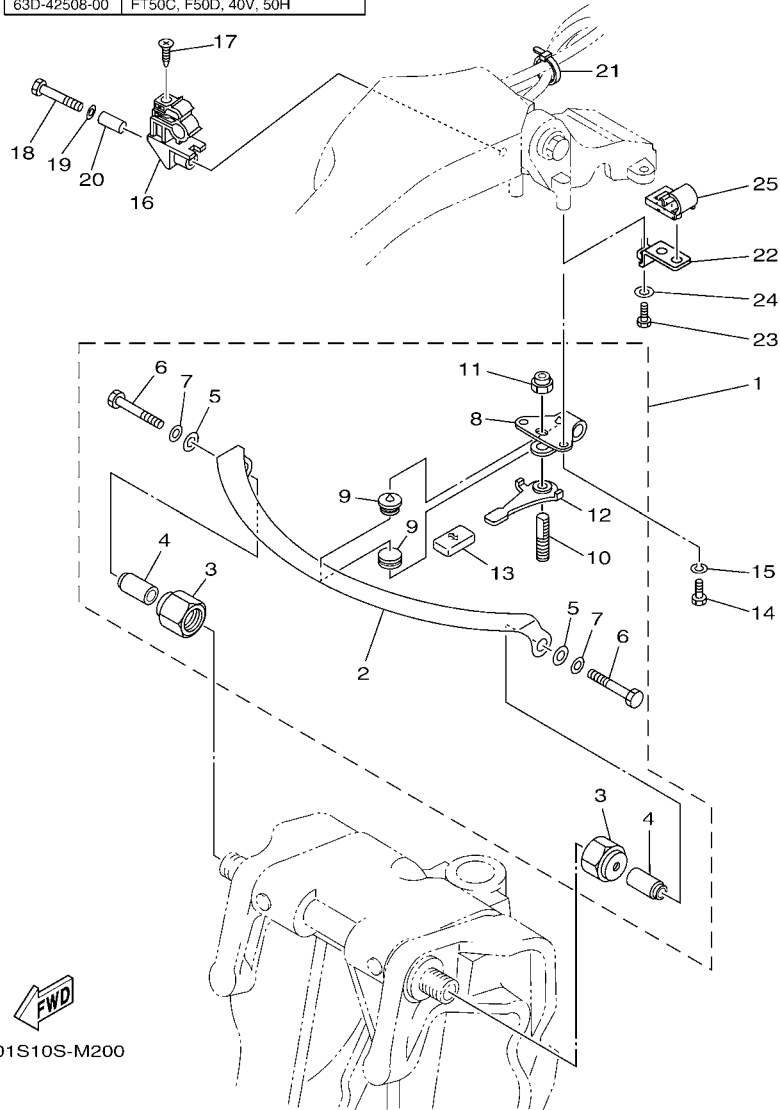
601S10S-L170

FIG. 20 STEERING FRICTION 8

REF. NO.	PART NO.	DESCRIPTION	601S				REMARKS
1	67C-42508-04	STEERING FRICTION ASSY	1				
2	67C-42527-03	.PLATE, FRICTION	1				
3	90109-06M88	.BOLT	2				
4	67C-42525-00	.PLATE, FRICTION	1				
5	92990-06100	.WASHER, SPRING	2				
6	67C-42562-00	.SHAFT, STEERING LOCK	1				
7	67C-42561-00	.KNOB, STEERING LOCK	1				
8	689-43633-00	.COVER, TILT LEVER	1				
9	90202-10M56	.WASHER, PLATE	1				
10	65W-42528-00	.PLATE, FRICTION	2				
11	90209-10M26	.WASHER	1				
12	90387-05053	.COLLAR	1				
13	90185-10M14	.NUT, SELF-LOCKING	1				
14	90387-05054	.COLLAR	1				
15	97095-05020	.BOLT	1				
16	92995-05600	.WASHER	1				
17	95380-05600	.NUT	1				
18	90201-106M5	.WASHER, PLATE	1				

STEERING FRICTION

Part No.	Applicable model
63D-42508-00	FT50C, F50D, 40V, 50H



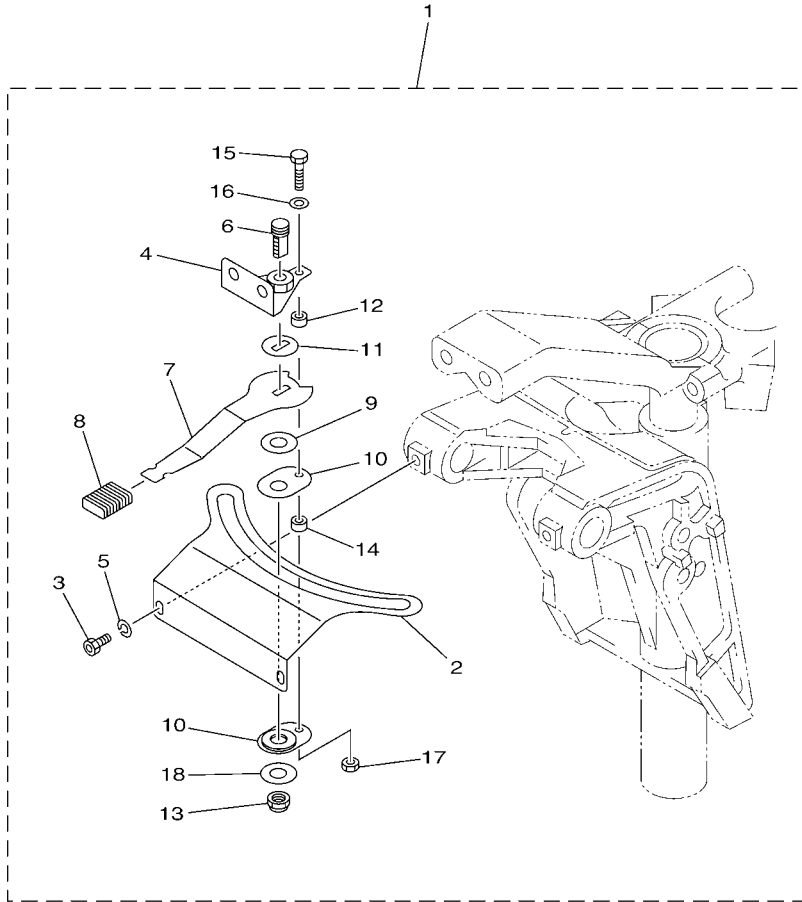
601S10S-M200

FIG. 21 STEERING FRICTION 9

REF. NO.	PART NO.	DESCRIPTION	601S				REMARKS
1	63D-42508-00	STEERING FRICTION ASSY	1				
2	63D-42527-00	.PLATE, FRICTION	1				
3	63D-42546-00	.NUT	2				
4	63D-42541-00	.PIPE 1	2				
5	90201-08M01	.WASHER, PLATE	2				
6	97095-08050	.BOLT	2				
7	92990-08600	.WASHER, PLATE	2				
8	63D-42526-00	.PLATE, FRICTION	1				
9	63D-42528-00	.PLATE, FRICTION	2				
10	63D-42562-00	.SHAFT, STEERING LOCK	1				
11	90185-10M01	.NUT, SELF-LOCKING	1				
12	63D-42561-00	.KNOB, STEERING LOCK	1				
13	682-43318-01	.COVER	1				
14	97095-06016	BOLT	2				
15	92995-06100	WASHER, SPRING	2				
16	63D-82361-00	CLAMP, CORD	1				
17	90161-06M00	SCREW, TAPPING	1				
18	97095-06035	BOLT	1				
19	92995-06600	WASHER	1				
20	90387-06M26	COLLAR	1				
21	90465-13M36	CLAMP	1				
22	63D-24364-10	STAY	1				
23	97095-06016	BOLT	1				
24	92995-06600	WASHER	1				
25	63D-24367-00	CLAMP, FUEL PIPE 2	1				

STEERING FRICTION

Part No.	Applicable model
6C5-42508-01	F50H (F50B), FT50J (T50B), F60F (F60B), FT60G (T60B), F70A (F70A)



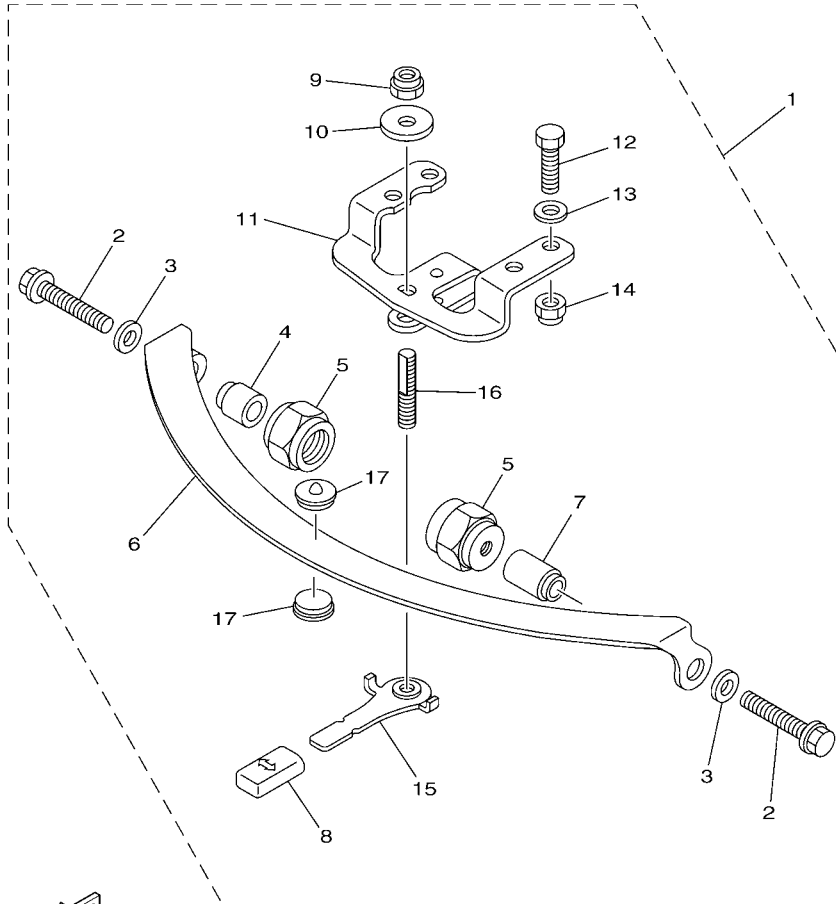
601S10S-M220

FIG. 23 STEERING FRICTION 11

REF. NO.	PART NO.	DESCRIPTION	601S				REMARKS
1	6C5-42508-01	STEERING FRICTION ASSY	1				
2	6C5-42527-00	.PLATE, FRICTION	1				
3	90109-06M88	.BOLT	2				
4	67C-42525-00	.PLATE, FRICTION	1				
5	92990-06100	.WASHER, SPRING	2				
6	67C-42562-00	.SHAFT, STEERING LOCK	1				
7	67C-42561-00	.KNOB, STEERING LOCK	1				
8	689-43633-00	.COVER, TILT LEVER	1				
9	90202-10M56	.WASHER, PLATE	1				
10	65W-42528-00	.PLATE, FRICTION	2				
11	90209-10M26	.WASHER	1				
12	90387-05053	.COLLAR	1				
13	90185-10M14	.NUT, SELF-LOCKING	1				
14	90387-05054	.COLLAR	1				
15	97095-05020	.BOLT	1				
16	92995-05600	.WASHER	1				
17	95380-05600	.NUT	1				
18	90201-106M5	.WASHER, PLATE	1				

STEERING FRICTION

Part No.	Applicable model
67G-42508-10	F75B (F75A), F80B, F90B (F90A), F95A, F100D, F115A (F115A), F115B (F115B), F75C



601S10S-N240

FIG. 24 STEERING FRICTION 12

REF. NO.	PART NO.	DESCRIPTION	601S				REMARKS
1	67G-42508-10	STEERING FRICTION ASSY	1				
2	90119-08M74	.BOLT, WITH WASHER	2				
3	90201-08M01	.WASHER, PLATE	2				
4	67G-42541-00	.PIPE 1	1				
5	67G-42546-00	.NUT	2				
6	63D-42527-00	.PLATE, FRICTION	1				
7	67G-42541-10	.PIPE 1	1				
8	682-43318-01	.COVER	1				
9	90185-10M14	.NUT, SELF-LOCKING	1				
10	90201-10M76	.WASHER, PLATE	1				
11	6X4-42526-00	.PLATE, FRICTION	1				
12	97095-08025	.BOLT	2				
13	92995-08600	.WASHER	2				
14	90185-08057	.NUT, SELF-LOCKING	2				
15	67G-42561-00	.KNOB, STEERING LOCK	1				
16	67G-42562-00	.SHAFT, STEERING LOCK	1				
17	63D-42528-00	.PLATE, FRICTION	2				

NUMERICAL INDEX

PART NO.	REF. NO.	PART NO.	REF. NO.	PART NO.	REF. NO.	PART NO.	REF. NO.	PART NO.	REF. NO.	PART NO.	REF. NO.
6X4-14137-00	1 - 26	63D-42126-00	3 - 17	63D-42528-00	15 - 9	6X4-42728-10	3 - 66	63D-48321-11	14 - 4	69W-82575-00	2 - 5
	3 - 26	6X4-42128-00	1 - 13		21 - 9	6X4-42735-00	5 - 16	67C-48321-11	9 - 3		4 - 5
6X4-24364-00	5 - 18		3 - 13		24 - 17		7 - 17		16 - 3	676-82577-01	2 - 2
	7 - 19	6X4-42131-01	1 - 47	65W-42528-00	10 - 10	6X4-42821-00	1 - 30	6H1-48321-11	11 - 4		4 - 2
63D-24364-10	15 - 22		3 - 54		17 - 10		3 - 30	6H3-48321-11	12 - 6	689-8257Y-00	2 - 7
	21 - 22	6X4-42137-00	1 - 7		18 - 8	68T-43155-00	18 - 18	67G-48321-20	5 - 6		4 - 7
63D-24367-00	5 - 17		3 - 7		19 - 10	682-43318-01	8 - 8		7 - 6	6X4-82586-00	14 - 11
	7 - 18	6X4-42159-00	1 - 41		20 - 10		15 - 13	6H1-48321-21	3 - 35	6X4-82586-10	4 - 10
	15 - 25		3 - 48		23 - 10		21 - 13	63D-48538-00	3 - 40		6 - 10
	21 - 25	6X4-42177-00	1 - 6	663-42528-00	13 - 3		24 - 8		3 - 46		9 - 10
69W-26301-00	9 - 6		3 - 6		22 - 3	689-43633-00	10 - 8		5 - 7		16 - 10
	16 - 6	63D-42508-00	15 - 1	63D-42541-00	15 - 4		17 - 8		5 - 10	6X4-82586-20	5 - 13
6EK-26301-00	6 - 8		21 - 1		21 - 4		18 - 7		6 - 7		7 - 13
63D-26301-01	14 - 7	65W-42508-00	19 - 1	67G-42541-00	8 - 4		19 - 8		7 - 7	6X4-82586-30	11 - 11
6H1-26301-01	11 - 7	692-42508-01	13 - 1		24 - 4		20 - 8		7 - 10		12 - 13
6H3-26301-01	12 - 9		22 - 1	67G-42541-10	8 - 7		23 - 8		9 - 4	6X4-83383-00	2 - 10
67G-26301-10	5 - 9	6AH-42508-01	18 - 1		24 - 7	6X4-44100-01	1 - 21		9 - 7		4 - 11
	7 - 9	6C5-42508-01	10 - 1	63D-42546-00	15 - 3		3 - 21		11 - 5	6X4-83386-00	2 - 11
6X4-26367-00	1 - 36		23 - 1		21 - 3	6X4-44102-00	1 - 23		11 - 8		4 - 12
	1 - 39	67C-42508-04	17 - 1	67G-42546-00	8 - 5		3 - 23		12 - 7	6G5-83557-00	5 - 15
	3 - 37		20 - 1		24 - 5	6X4-44132-00	1 - 25		12 - 10	6K3-83557-00	7 - 16
	3 - 44	67G-42508-10	8 - 1	63D-42561-00	15 - 12		3 - 25		14 - 5	90101-08022	18 - 16
6X4-41291-00	1 - 8		24 - 1		21 - 12	6X4-44139-01	1 - 9		14 - 8	90101-12014	1 - 51
	3 - 8	6AH-42508-11	18 - 1	65W-42561-00	19 - 7		3 - 9		16 - 4		3 - 58
6X4-42102-01	5 - 1	692-42515-01	13 - 6	67C-42561-00	10 - 7	6X4-44159-00-4D	3 - 49		16 - 7	90109-05M89	19 - 14
6X4-42102-11	7 - 1		22 - 6		17 - 7	6X4-44159-00-8D	1 - 42	6X4-48538-00	1 - 35	90109-06M88	10 - 3
6X4-42102-23	9 - 1	663-42518-00	13 - 2		20 - 7	6X4-44159-10-8D	11 - 12		3 - 36		17 - 3
6X4-42102-41	11 - 1		22 - 2		23 - 7	6X4-44173-00	1 - 43	6X4-48538-10	1 - 38		19 - 4
6X4-42102-52	12 - 1	67C-42525-00	10 - 4	67G-42561-00	8 - 15		3 - 50		3 - 43		20 - 3
6X4-42102-63	14 - 1		17 - 4		24 - 15		11 - 13	6X4-81860-00	6 - 12		23 - 3
6X4-42102-71	16 - 1		20 - 4	68T-42561-00	18 - 6	6X4-44177-00	1 - 12		7 - 14	90116-10031	7 - 5
6X4-42102-C0	6 - 1		23 - 4	63D-42562-00	15 - 10		3 - 12		9 - 11		11 - 3
6X4-42103-09	3 - 1	68T-42525-01	18 - 2		21 - 10	6X4-44188-00	1 - 15		16 - 11		12 - 4
6X4-42103-54	1 - 1	63D-42526-00	15 - 8	65W-42562-00	19 - 6		3 - 15	6X4-81942-01	2 - 13	90116-10062	5 - 4
6X4-42111-02-4D	3 - 2		21 - 8	67C-42562-00	10 - 6		1 - 45		4 - 14	90116-10063	6 - 2
6X4-42111-02-8D	1 - 2	6X4-42526-00	8 - 11		17 - 6	6G8-44191-00	3 - 52	62Y-82361-00	4 - 16	90119-05018	18 - 3
6X4-42115-00	1 - 22		24 - 11		18 - 4	6X4-47731-01	1 - 24	63D-82361-00	15 - 16	90119-08M74	8 - 2
	3 - 22	63D-42527-00	8 - 6		20 - 6		3 - 24		21 - 16		24 - 2
6X4-42119-01	1 - 5		15 - 2		23 - 6	703-48129-00	1 - 29	6X4-82510-01	2 - 1	90152-05007	1 - 10
	3 - 5		21 - 2	67G-42562-00	8 - 16		3 - 29		4 - 1		3 - 10
6EK-42121-00	6 - 4		24 - 6		24 - 16	6X4-48154-00	1 - 18	703-82532-00	2 - 3	90161-06M00	15 - 17
6X4-42121-00-8D	7 - 3	65W-42527-00	19 - 3	6H4-42724-20	14 - 2		3 - 18		4 - 3		21 - 17
	11 - 2	6AH-42527-00	18 - 15	6X4-42725-01	1 - 49	6X4-48215-00	1 - 4	6X4-82540-00	1 - 28	90161-06M03	4 - 17
	12 - 3	6C5-42527-00	10 - 2		3 - 56		3 - 4		3 - 28	90175-06003	13 - 5
65W-42121-11-4D	3 - 57		23 - 2	68V-42725-10	5 - 2	6X4-48261-00	1 - 27	682-82556-00	2 - 6		22 - 5
6X4-42121-11-8D	5 - 3	67C-42527-03	17 - 2		7 - 2		3 - 27		4 - 6	90185-08057	8 - 14
63D-42121-22-8D	1 - 50		20 - 2	6H3-42725-30	12 - 2	6EK-48321-00	6 - 5	6X4-82563-00	2 - 8		13 - 8
63D-42126-00	1 - 17	63D-42528-00	8 - 17	6X4-42728-10	1 - 59	6H3-48321-02	3 - 42		4 - 8		22 - 8

NUMERICAL INDEX

PART NO.	REF. NO.	PART NO.	REF. NO.	PART NO.	REF. NO.	PART NO.	REF. NO.	PART NO.	REF. NO.	PART NO.	REF. NO.
90185-08057	24 - 14	90209-10M26	20 - 11	90465-13M36	12 - 14	92995-06600	3 - 34	97095-08040	1 - 31		
90185-10027	4 - 23		23 - 11		15 - 21		4 - 19		3 - 31		
	5 - 5	90386-08032	1 - 16		16 - 12		5 - 20		11 - 16		
	6 - 3		3 - 16		21 - 21		7 - 21	97095-08050	15 - 6		
	7 - 4	90386-12003	1 - 56	90468-10005	3 - 41		15 - 19		21 - 6		
	9 - 2		3 - 63		3 - 47		15 - 24	97780-60920	1 - 44		
	11 - 19	90386-26MA3	1 - 46		5 - 8		21 - 19		3 - 51		
	12 - 5		3 - 53		5 - 11		21 - 24		11 - 14		
	14 - 3		11 - 15		6 - 6	92995-08600	1 - 32	97980-06216	2 - 9		
	16 - 2	90387-05053	10 - 12		7 - 8		3 - 32		4 - 9		
90185-10M01	15 - 11		17 - 12		7 - 11		8 - 13	97985-06216	1 - 48		
	21 - 11		18 - 9		9 - 5		11 - 17		3 - 55		
90185-10M14	8 - 9		20 - 12		9 - 8		24 - 13				
	10 - 13		23 - 12		11 - 6	93700-06M03	1 - 3				
	17 - 13	90387-05054	10 - 14		11 - 9		3 - 3				
	18 - 14		17 - 14		12 - 8		19 - 2				
	19 - 12		18 - 10		12 - 11	95380-05600	10 - 17				
	20 - 13		19 - 13		14 - 6		17 - 17				
	23 - 13		20 - 14		14 - 9		20 - 17				
	24 - 9		23 - 14		16 - 5		23 - 17				
90185-12M12	1 - 58	90387-06M26	4 - 20		16 - 8	95380-06600	1 - 19				
	3 - 65		15 - 20	90501-23215	1 - 14		3 - 19				
90201-08065	18 - 17		21 - 20		3 - 14	97080-06035	13 - 4				
90201-08M01	8 - 3	90387-12M02	1 - 54	91490-20010	1 - 11		22 - 4				
	15 - 5		3 - 61		1 - 20	97095-05020	10 - 15				
	21 - 5	90447-22006	4 - 21		3 - 11		17 - 15				
	24 - 3	90447-22007	5 - 14		3 - 20		18 - 11				
90201-106M5	10 - 18		7 - 15	92990-06100	10 - 5		20 - 15				
	17 - 18	90464-08M07	2 - 4		17 - 5		23 - 15				
	18 - 19		4 - 4		19 - 5	97095-06014	1 - 37				
	20 - 18	90464-09M42	3 - 38		20 - 5		1 - 40				
	23 - 18		5 - 12		23 - 5		2 - 12				
90201-10M76	8 - 10		6 - 9	92990-08600	13 - 7		3 - 39				
	24 - 10		7 - 12		15 - 7		3 - 45				
90201-12035	1 - 55		9 - 9		21 - 7		4 - 13				
	3 - 62		11 - 10		22 - 7	97095-06016	5 - 19				
90202-10M56	10 - 9		12 - 12	92990-12200	1 - 52		7 - 20				
	17 - 9		14 - 10		3 - 59		15 - 14				
	18 - 5		16 - 9	92990-12600	1 - 57		15 - 23				
	19 - 9	90465-13M24	4 - 22		3 - 64		21 - 14				
	20 - 9		5 - 21	92995-05600	10 - 16		21 - 23				
	23 - 9		6 - 11		17 - 16	97095-06030	1 - 33				
90206-12M22	1 - 53		7 - 22		18 - 12		3 - 33				
	3 - 60	90465-13M30	5 - 22		20 - 16	97095-06035	4 - 18				
90209-10M26	10 - 11		7 - 23		23 - 16		15 - 18				
	17 - 11	90465-13M36	4 - 15	92995-06100	15 - 15		21 - 18				
	18 - 13		9 - 12		21 - 15	97095-08025	8 - 12				
	19 - 11		11 - 18	92995-06600	1 - 34		24 - 12				