

# PARTS CATALOGUE

## RIGGING-FUEL TANK

---



1L601-10FE1

( )

RIGGING-FUEL TANK  
PARTS CATALOGUE  
©2012 by Yamaha Motor Co., Ltd.  
1st edition, September 2012  
All rights reserved.  
Any reprinting or unauthorized use  
without the written permission of  
Yamaha Motor Co., Ltd.  
is expressly prohibited.  
Printed in Japan.

# FOREWORD

This Parts Catalogue is related to the parts for the model(s) on the cover page. When you are ordering replacement parts, please refer to this Parts Catalogue and quote both part numbers and part names correctly.

1. Modifications or additions which have been made after the issue of the Parts Catalogue will be announced in the Parts News.

It is advisable that you make the necessary corrections to the Parts Catalogue according to the Parts News.

2. Abbreviations

The following abbreviations are used in this Parts Catalogue.

“UR” Use specified parts number.

“UN” Use as many as needed.

“AP” Alternate Parts

“LM” Locally Made (Parts need to be ordered locally)

“F#” Frame No. (Applicable machine No.)

“O/S” Over Size

3. The number of components for assembly

- Parts, which are to be supplied in an assembly, are listed with a dot (.) in front of the part name as shown below.
- The numeral appearing to the right of each component part indicates the quantity of parts for each assembly unit.

| PART NO.     | DESCRIPTION              | Q'TY | REMARKS |
|--------------|--------------------------|------|---------|
| 2F5-83310-60 | FRONT FLASHER LIGHT ASSY | 2    |         |
| 115-83311-60 | .BULB (6V-18W)           | 1    |         |

4. Applicable colours of graphics are represented in the “REMARKS” as shown below.

| PART NO.        | DESCRIPTION         | Q'TY | REMARKS |
|-----------------|---------------------|------|---------|
| 2N4-24110-00-X5 | FUEL TANK COMP.     | 2    | MXR     |
| 3J1-24240-10    | .GRAPHIC, FUEL TANK | 1    | FOR MXR |

5. Note that the illustrations for reference in finding parts numbers are not to be used for assembling. When assembling, please use the applicable service manual.

6. The asterisk (\*) before a reference number indicates modified items after the first edition.

# CONTENTS

|                   |   |
|-------------------|---|
| FUEL TANK 1 ..... | 1 |
| FUEL TANK 2 ..... | 2 |
| FUEL TANK 3 ..... | 3 |
| FUEL TANK 4 ..... | 4 |
| FUEL TANK 5 ..... | 5 |
| FUEL TANK 6 ..... | 6 |
| FUEL PIPE .....   | 7 |

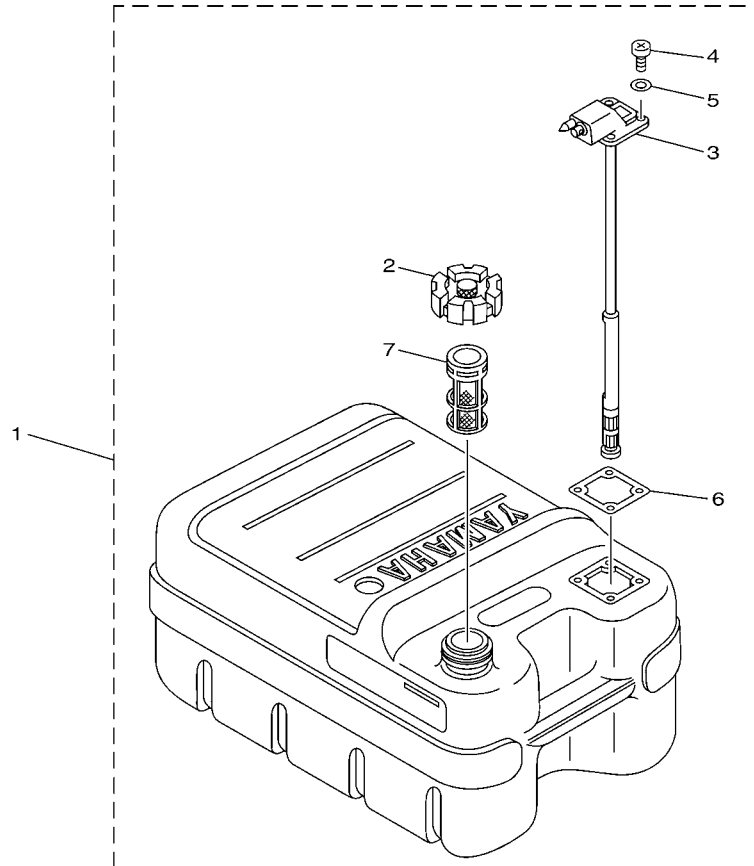
## INDEX

|                       |   |
|-----------------------|---|
| NUMERICAL INDEX ..... | 8 |
|-----------------------|---|



### FUEL TANK (24L)

| Part No.     | Capacity L (US gal) | Material | Description  |
|--------------|---------------------|----------|--|
| 6YJ-24201-00 | 24 (6.3)            | Plastic  | Meeting with EPA regulation                          |
| 6YJ-24201-10 | 24 (6.3)            | Plastic  | With fuel gauge, meeting with EPA regulation         |
| 6YJ-24201-50 | 24 (6.3)            | Plastic  | For CAN. With CSI label, meeting with EPA regulation |



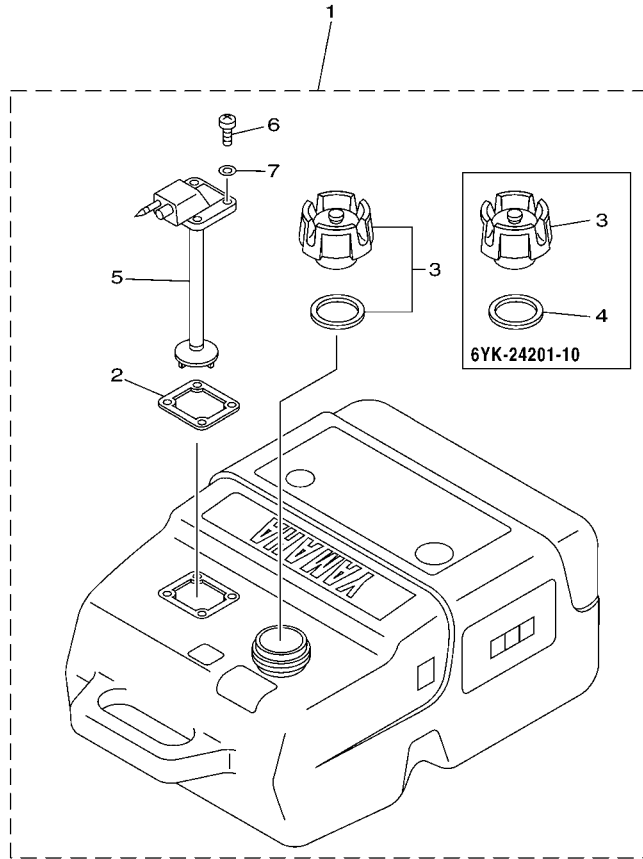
601F10F-J020

FIG. 2 FUEL TANK 2

| REF. NO. | PART NO.     | DESCRIPTION          | 601F |  |  | REMARKS           |
|----------|--------------|----------------------|------|--|--|-------------------|
| 1        | 6YJ-24201-00 | FUEL TANK ASSY (24L) | 1    |  |  | UR                |
|          | 6YJ-24201-10 | FUEL TANK ASSY (24L) | 1    |  |  | UR WITH INDICATOR |
|          | 6YJ-24201-50 | FUEL TANK ASSY (24L) | 1    |  |  | UR WITH INDICATOR |
| 2        | 6YJ-24610-01 | .CAP ASSY            | 1    |  |  |                   |
| 3        | 6YJ-24260-00 | .FUEL METER ASSY     | 1    |  |  | UR                |
|          | 6Y1-24260-12 | .FUEL METER ASSY     | 1    |  |  | UR WITH INDICATOR |
| 4        | 90157-05M19  | .SCREW, PAN HEAD     | 4    |  |  |                   |
| 5        | 6Y1-24329-00 | .SEAL                | 4    |  |  |                   |
| 6        | 6Y1-24268-00 | .GASKET, FUEL METER  | 1    |  |  |                   |
| 7        | 6YJ-24167-00 | .STRAINER            | 1    |  |  |                   |

### FUEL TANK (25L)

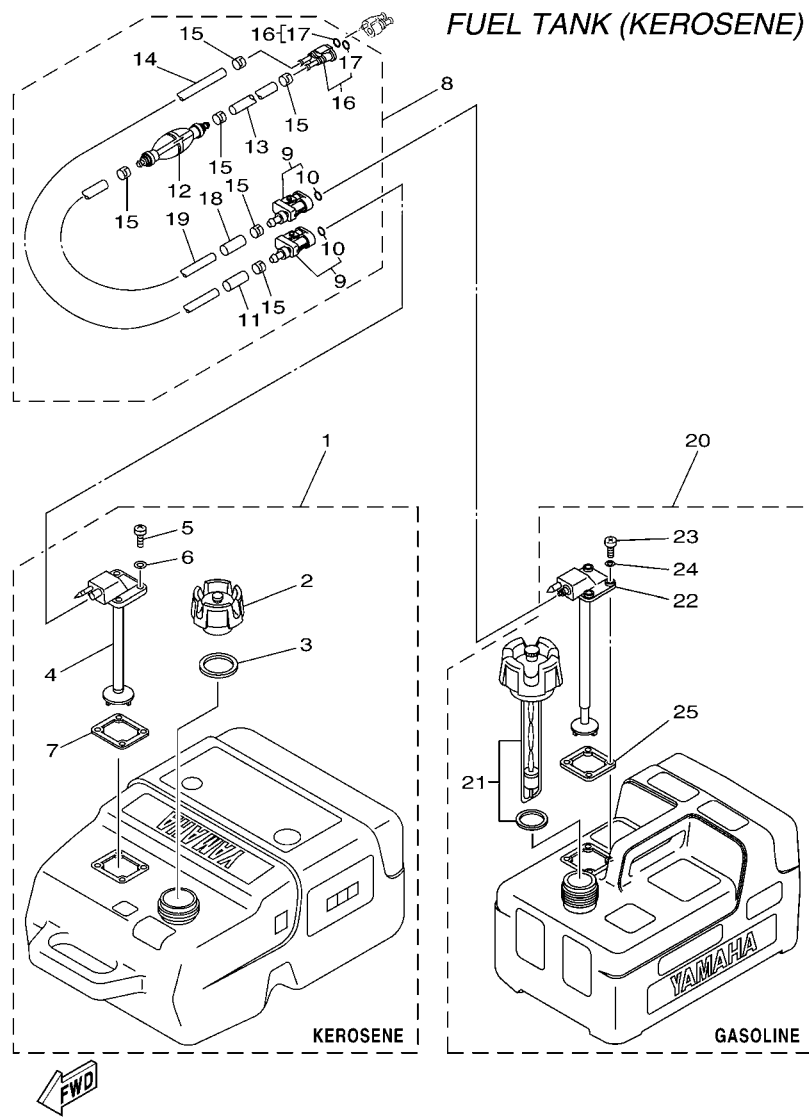
| Part No.     | Capacity L (US gal) | Material | Description  |
|--------------|---------------------|----------|--|
| 6YK-24201-03 | 25 (6.6)            | Plastic  | With fuel gauge  |
| 6YK-24201-10 | 25 (6.6)            | Plastic  | With label and exclusive filler structure banning use of leaded fuel |



601F10F-J030

FIG. 3 FUEL TANK 3

| REF. NO. | PART NO.     | DESCRIPTION          | 601F |  |  | REMARKS          |
|----------|--------------|----------------------|------|--|--|------------------|
| 1        | 6YK-24201-03 | FUEL TANK ASSY (25L) | 1    |  |  | UR               |
|          | 6YK-24201-10 | FUEL TANK ASSY (25L) | 1    |  |  | UR               |
| 2        | 6YL-24268-01 | .GASKET, FUEL METER  | 1    |  |  |                  |
| 3        | 6YK-24610-01 | .CAP ASSY            | 1    |  |  | FOR 6YK-24201-03 |
|          | 6YK-24610-10 | .CAP ASSY            | 1    |  |  | FOR 6YK-24201-10 |
| 4        | 6YL-24641-00 | .GASKET, CAP 1       | 1    |  |  | FOR 6YK-24201-10 |
| 5        | 6YK-24260-01 | .FUEL METER ASSY     | 1    |  |  |                  |
| 6        | 90157-05M16  | .SCREW, PAN HEAD     | 4    |  |  |                  |
| 7        | 6YL-24329-00 | .SEAL                | 4    |  |  |                  |



6011100-G980

**FIG. 4 FUEL TANK 4**

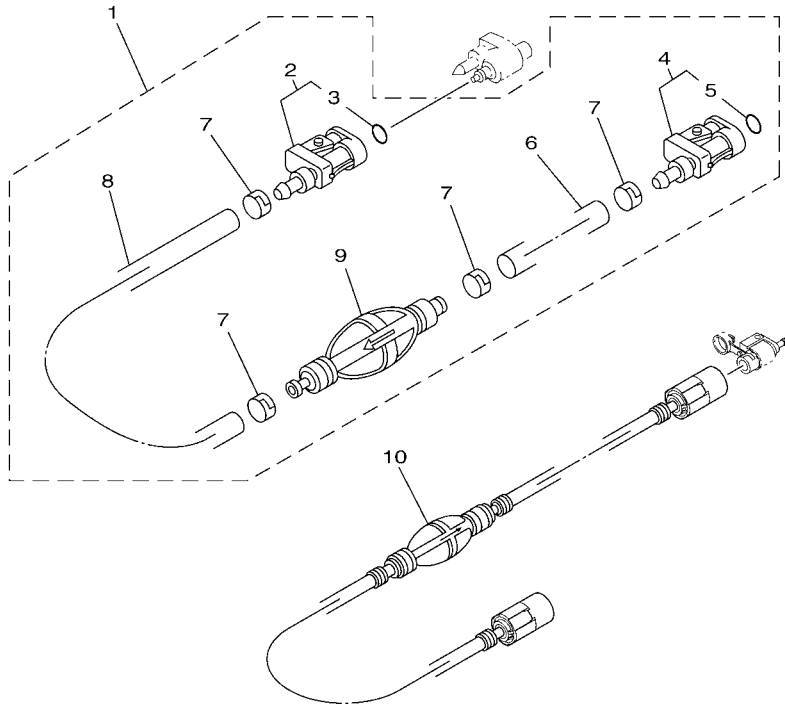
| REF. NO. | PART NO.     | DESCRIPTION                   | 601F |  |  |  | REMARKS           |
|----------|--------------|-------------------------------|------|--|--|--|-------------------|
| 1        | 6YK-24201-21 | FUEL TANK ASSY (25L,KEROSENE) | 1    |  |  |  | KEROSENE          |
| 2        | 6YK-24610-10 | .CAP ASSY                     | 1    |  |  |  | WITHOUT INDICATOR |
| 3        | 6YL-24641-00 | .GASKET, CAP 1                | 1    |  |  |  |                   |
| 4        | 6YK-24260-01 | .FUEL METER ASSY              | 1    |  |  |  |                   |
| 5        | 90157-05M16  | .SCREW, PAN HEAD              | 4    |  |  |  |                   |
| 6        | 6YL-24329-00 | .SEAL                         | 4    |  |  |  |                   |
| 7        | 6YL-24268-01 | .GASKET, FUEL METER           | 1    |  |  |  |                   |
| 8        | 6YK-24306-04 | FUEL PIPE COMP. 1             | 1    |  |  |  |                   |
| 9        | 6Y1-24305-06 | .FUEL PIPE JOINT COMP. 2      | 2    |  |  |  |                   |
| 10       | 93210-08287  | ..O-RING                      | 1    |  |  |  |                   |
| 11       | 6Y1-24397-10 | .COLLAR (KEROSENE)            | 1    |  |  |  |                   |
| 12       | 61J-24360-00 | .PRIMER PUMP ASSY             | 1    |  |  |  |                   |
| 13       | 90445-11M05  | .HOSE (L850)                  | 1    |  |  |  |                   |
| 14       | 90445-11M81  | .HOSE (L3000)                 | 1    |  |  |  |                   |
| 15       | 650-24351-51 | .BAND 1                       | 6    |  |  |  |                   |
| 16       | 680-24305-01 | .FUEL PIPE JOINT COMP. 2      | 1    |  |  |  |                   |
| 17       | 93210-08287  | ..O-RING                      | 2    |  |  |  |                   |
| 18       | 6Y1-24397-00 | .COLLAR (GASOLINE)            | 1    |  |  |  |                   |
| 19       | 90445-11M06  | .HOSE (L2050)                 | 1    |  |  |  |                   |
| 20       | 6YL-24201-05 | FUEL TANK ASSY (12L)          | 1    |  |  |  | GASOLINE          |
| 21       | 6YL-24610-01 | .CAP ASSY                     | 1    |  |  |  |                   |
| 22       | 6YL-24260-01 | .FUEL METER ASSY              | 1    |  |  |  |                   |
| 23       | 90157-05M16  | .SCREW, PAN HEAD              | 4    |  |  |  |                   |
| 24       | 6YL-24329-00 | .SEAL                         | 4    |  |  |  |                   |
| 25       | 6YL-24268-01 | .GASKET, FUEL METER           | 1    |  |  |  |                   |



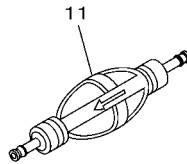




FUEL PIPE



PRIMARY PUMP



601F10F-L070

FIG. 7 FUEL PIPE

| REF. NO. | PART NO.     | DESCRIPTION              | 601F |  |  |  | REMARKS |
|----------|--------------|--------------------------|------|--|--|--|---------|
| 1        | 6Y1-24306-55 | FUEL PIPE COMP. 1        | 1    |  |  |  |         |
| 2        | 6G1-24305-05 | .FUEL PIPE JOINT COMP. 2 | 1    |  |  |  |         |
| 3        | 93210-08287  | ..O-RING                 | 1    |  |  |  |         |
| 4        | 6Y1-24305-06 | .FUEL PIPE JOINT COMP. 2 | 1    |  |  |  |         |
| 5        | 93210-08287  | ..O-RING                 | 1    |  |  |  |         |
| 6        | 90445-11M06  | .HOSE (L2050)            | 1    |  |  |  |         |
| 7        | 650-24351-51 | .BAND 1                  | 4    |  |  |  |         |
| 8        | 90445-11M05  | .HOSE (L850)             | 1    |  |  |  |         |
| 9        | 6Y1-24360-52 | .PRIMER PUMP ASSY        | 1    |  |  |  |         |
| 10       | 6YK-24306-71 | FUEL PIPE COMP. 1        | 1    |  |  |  | UR      |
|          | 6YL-24306-71 | FUEL PIPE COMP. 1        | 1    |  |  |  | UR      |
| 11       | 6YK-24360-71 | PRIMER PUMP ASSY         | 1    |  |  |  | UR      |
|          | 6YL-24360-51 | PRIMER PUMP ASSY         | 1    |  |  |  | UR      |

NUMERICAL INDEX

| PART NO.     | REF. NO. | PART NO.     | REF. NO. | PART NO. | REF. NO. | PART NO. | REF. NO. | PART NO. | REF. NO. | PART NO. | REF. NO. |
|--------------|----------|--------------|----------|----------|----------|----------|----------|----------|----------|----------|----------|
| 6YJ-24167-00 | 2 - 7    | 6YL-24610-01 | 4 - 21   |          |          |          |          |          |          |          |          |
| 6YJ-24201-00 | 2 - 1    | 6YK-24610-10 | 3 - 3    |          |          |          |          |          |          |          |          |
| 6YK-24201-03 | 3 - 1    |              | 4 - 2    |          |          |          |          |          |          |          |          |
| 6YL-24201-05 | 1 - 1    | 6YL-24610-10 | 5 - 2    |          |          |          |          |          |          |          |          |
|              | 4 - 20   |              | 6 - 2    |          |          |          |          |          |          |          |          |
| 6YJ-24201-10 | 2 - 1    | 6YL-24629-00 | 5 - 5    |          |          |          |          |          |          |          |          |
| 6YK-24201-10 | 3 - 1    |              | 6 - 5    |          |          |          |          |          |          |          |          |
| 6YK-24201-21 | 4 - 1    | 6YL-24641-00 | 3 - 4    |          |          |          |          |          |          |          |          |
| 6YL-24201-21 | 5 - 1    |              | 4 - 3    |          |          |          |          |          |          |          |          |
| 6YK-24201-41 | 6 - 1    | 6YL-24641-10 | 5 - 3    |          |          |          |          |          |          |          |          |
| 6YJ-24201-50 | 2 - 1    |              | 6 - 3    |          |          |          |          |          |          |          |          |
| 6YJ-24260-00 | 2 - 3    | 90157-05M16  | 1 - 4    |          |          |          |          |          |          |          |          |
| 6YK-24260-01 | 3 - 5    |              | 3 - 6    |          |          |          |          |          |          |          |          |
|              | 4 - 4    |              | 4 - 5    |          |          |          |          |          |          |          |          |
| 6YL-24260-01 | 1 - 3    |              | 4 - 23   |          |          |          |          |          |          |          |          |
|              | 4 - 22   | 90157-05M19  | 2 - 4    |          |          |          |          |          |          |          |          |
| 6Y1-24260-12 | 2 - 3    | 90445-11M05  | 4 - 13   |          |          |          |          |          |          |          |          |
| 6Y1-24268-00 | 2 - 6    |              | 7 - 8    |          |          |          |          |          |          |          |          |
| 6YL-24268-01 | 1 - 6    | 90445-11M06  | 4 - 19   |          |          |          |          |          |          |          |          |
|              | 3 - 2    |              | 7 - 6    |          |          |          |          |          |          |          |          |
|              | 4 - 7    | 90445-11M81  | 4 - 14   |          |          |          |          |          |          |          |          |
|              | 4 - 25   | 93210-08287  | 4 - 10   |          |          |          |          |          |          |          |          |
| 680-24305-01 | 4 - 16   |              | 4 - 17   |          |          |          |          |          |          |          |          |
| 6G1-24305-05 | 7 - 2    |              | 7 - 3    |          |          |          |          |          |          |          |          |
| 6Y1-24305-06 | 4 - 9    |              | 7 - 5    |          |          |          |          |          |          |          |          |
|              | 7 - 4    |              |          |          |          |          |          |          |          |          |          |
| 6YK-24306-04 | 4 - 8    |              |          |          |          |          |          |          |          |          |          |
| 6Y1-24306-55 | 7 - 1    |              |          |          |          |          |          |          |          |          |          |
| 6YK-24306-71 | 7 - 10   |              |          |          |          |          |          |          |          |          |          |
| 6YL-24306-71 | 7 - 10   |              |          |          |          |          |          |          |          |          |          |
| 6Y1-24329-00 | 2 - 5    |              |          |          |          |          |          |          |          |          |          |
| 6YL-24329-00 | 1 - 5    |              |          |          |          |          |          |          |          |          |          |
|              | 3 - 7    |              |          |          |          |          |          |          |          |          |          |
|              | 4 - 6    |              |          |          |          |          |          |          |          |          |          |
|              | 4 - 24   |              |          |          |          |          |          |          |          |          |          |
| 650-24351-51 | 4 - 15   |              |          |          |          |          |          |          |          |          |          |
|              | 7 - 7    |              |          |          |          |          |          |          |          |          |          |
| 61J-24360-00 | 4 - 12   |              |          |          |          |          |          |          |          |          |          |
| 6YL-24360-51 | 7 - 11   |              |          |          |          |          |          |          |          |          |          |
| 6Y1-24360-52 | 7 - 9    |              |          |          |          |          |          |          |          |          |          |
| 6YK-24360-71 | 7 - 11   |              |          |          |          |          |          |          |          |          |          |
| 6YL-24377-00 | 5 - 4    |              |          |          |          |          |          |          |          |          |          |
|              | 6 - 4    |              |          |          |          |          |          |          |          |          |          |
| 6Y1-24397-00 | 4 - 18   |              |          |          |          |          |          |          |          |          |          |
| 6Y1-24397-10 | 4 - 11   |              |          |          |          |          |          |          |          |          |          |
| 6YJ-24610-01 | 2 - 2    |              |          |          |          |          |          |          |          |          |          |
| 6YK-24610-01 | 3 - 3    |              |          |          |          |          |          |          |          |          |          |
| 6YL-24610-01 | 1 - 2    |              |          |          |          |          |          |          |          |          |          |