

RIGGING-METER
PARTS CATALOGUE
©2010 by Yamaha Motor Co., Ltd.
1st edition, April 2010
All rights reserved.
Any reprinting or unauthorized use
without the written permission of
Yamaha Motor Co., Ltd.
is expressly prohibited.
Printed in Japan.

CONTENTS

METER 1	1
METER 2	2
METER 3	4
METER 4	5
METER 5	6
METER 6	7
METER 7	8
METER 8	9
WIRE HARNESS 1	10
WIRE HARNESS 2	11
ELECTRICAL	13
DIGITAL NETWORK GAUGE 1	14
DIGITAL NETWORK GAUGE 2	15
DIGITAL NETWORK GAUGE 3	17
DIGITAL NETWORK GAUGE 4	18
DIGITAL NETWORK GAUGE 5	19
DIGITAL NETWORK GAUGE 6	20
DIGITAL NETWORK GAUGE 7	21

INDEX

NUMERICAL INDEX	22
-----------------------	----

CHAPTER 2

METER & SWITCH PANEL EQUIPMENT

MODEL APPLICATION

1/2CYL.

DEVICE NAME	MODEL	2 (6F8)	3 (6L5)	4 (6E0)	5 (6E3)	5 (6E4)	6(MBK) (6M8)	8(MBK) (6N0)	9.9 (63V)	15 (63W)	15(BRAZIL) (65D)
DIGITAL TACHOMETER		*	*	*	*	*	*	*	*	*	*
FUEL MGT GAUGE KIT (For single-engine)		*	*	*	*	*	*	*	*	*	*
FUEL MGT GAUGE KIT (For twin-engine)		*	*	*	*	*	*	*	*	*	*
FUEL MGT GAUGE (With speedometer)		*	*	*	*	*	*	*	*	*	*
ANALOG TACHOMETER *1		*	*	*	*	*	*	*	*	*	*
ANALOG TACHOMETER *2		*	*	*	*	*	*	*	*	*	*
ANALOG TACHOMETER *3		*	*	*	*	*	*	*	*	*	*
ANALOG TACHOMETER *4		*	*	*	*	*	*	*	*	*	*
ANALOG TACHOMETER *5		*	*	*	*	*	*	*	*	*	*
ANALOG TACHOMETER *6		*	*	*	*	*	*	*	*	*	*
SPEEDOMETER *7		*	*	*	*	*	*	*	*	*	*
SPEEDOMETER *8		*	*	*	*	*	*	*	*	*	*
SPEEDOMETER *9		*	*	*	*	*	*	*	*	*	*
SPEEDOMETER *10		*	*	*	*	*	*	*	*	*	*
SPEEDOMETER *11		*	*	*	*	*	*	*	*	*	*
SPEEDOMETER *12		*	*	*	*	*	*	*	*	*	*
SPEEDOMETER *13		*	*	*	*	*	*	*	*	*	*
SPEEDOMETER *14		*	*	*	*	*	*	*	*	*	*
SPEEDOMETER *15		*	*	*	*	*	*	*	*	*	*
TRIM METER (4pin coupler BLK panel)		*	*	*	*	*	*	*	*	*	*
TRIM METER (Bullet connector BLK panel)		*	*	*	*	*	*	*	*	*	*
TRIM METER (4pin coupler WHT panel)		*	*	*	*	*	*	*	*	*	*
TRIM METER (Bullet connector WHT panel)		*	*	*	*	*	*	*	*	*	*
WATER PRESSURE METER *16		*	*	*	*	*	*	*	*	*	*
WATER PRESSURE METER *17		*	*	*	*	*	*	*	*	*	*
WATER PRESSURE METER *18		*	*	*	*	*	*	*	*	*	*
WATER PRESSURE METER *19		*	*	*	*	*	*	*	*	*	*
WATER TEMP. METER (Black panel)		*	*	*	*	*	*	*	*	*	*
WATER TEMP. METER (White panel)		*	*	*	*	*	*	*	*	*	*
HOURLY METER (Mechanical)		*	*	*	*	*	*	*	*	*	*
HOURLY METER (Digital, Black panel)		*	*	*	*	*	*	*	*	*	*
HOURLY METER (Digital, White panel)		*	*	*	*	*	*	*	*	*	*
VOLTAGE METER (Black panel)		*	*	*	*	*	*	*	*	*	*
VOLTAGE METER (White panel)		*	*	*	*	*	*	*	*	*	*
FUEL METER (Yamaha sender 5-105Ω)Black panel		*	*	*	*	*	*	*	*	*	*
FUEL METER (ABYC sender 30-240Ω)Black panel		*	*	*	*	*	*	*	*	*	*
FUEL METER (Yamaha sender 5-105Ω)White panel		*	*	*	*	*	*	*	*	*	*
FUEL METER (ABYC sender 30-240Ω)White panel		*	*	*	*	*	*	*	*	*	*

* NOT EQUIPED

*1 Pre-mixed 9.9-250 with E-start/F9.9-F25, and FT8(T8) with E-start (Without indicators BLK panel)

*2 Pre-mixed 9.9-250 with E-start/F9.9-F25, and FT8(T8) with E-start (Without indicators WHT panel)

*3 US, CAN : NA/ Othrs: 250G, L250G(With 3 oil indicators BLK panel)

*4 US, CAN : NA/ Othrs: 250G, L250G(With 3 oil indicators WHT panel)

*5 With overheat & oil indicators BLK panel

*6 With overheat & oil indicators WHT panel

*7 Digital multifunction

*8 Analog, BLK panel 0-75 mph (20-120 km/h)

*9 Analog, WHT panel 0-75 mph (20-120 km/h)

*10 Analog, BLK panel 0-50 mph (20-80 km/h)

*11 Analog, WHT panel 0-50 mph (20-80 km/h)

*12 Analog, BLK panel 0-120 km/h (15-65 knot)

*13 Analog, WHT panel 0-120 km/h (15-65 knot)

*14 Analog, BLK panel 0-80 km/h (10-43 knot)

*15 Analog, WHT panel 0-80 km/h (10-43 knot)

*16 kPa, Black panel

*17 kPa, White panel

*18 psi, Black panel

*19 psi, White panel

CHAPTER 2

METER & SWITCH PANEL EQUIPMENT

MODEL APPLICATION

KEROSENE

DEVICE NAME	MODEL	EK8 (680)	EK9.9 (6B7)	EK9.9 (6B9)	EK15 (6B8)	EK15 (6C0)	EK25 (69T)	EK25 (6S6)	EK40 (6F5)	EK40 (6H9)
DIGITAL TACHOMETER		*	*	*	*	*	*	*	*	*
FUEL MGT GAUGE KIT (For single-engine)		*	*	*	*	*	*	*	*	*
FUEL MGT GAUGE KIT (For twin-engine)		*	*	*	*	*	*	*	*	*
FUEL MGT GAUGE (With speedometer)		*	*	*	*	*	*	*	*	*
ANALOG TACHOMETER *1		*	*	*	*	*	*	*	*	*
ANALOG TACHOMETER *2		*	*	*	*	*	*	*	*	*
ANALOG TACHOMETER *3		*	*	*	*	*	*	*	*	*
ANALOG TACHOMETER *4		*	*	*	*	*	*	*	*	*
ANALOG TACHOMETER *5		*	*	*	*	*	*	*	*	*
ANALOG TACHOMETER *6		*	*	*	*	*	*	*	*	*
SPEEDOMETER *7		*	*	*	*	*	*	*	*	*
SPEEDOMETER *8		*	*	*	*	*	*	*	*	*
SPEEDOMETER *9		*	*	*	*	*	*	*	*	*
SPEEDOMETER *10		*	*	*	*	*	*	*	*	*
SPEEDOMETER *11		*	*	*	*	*	*	*	*	*
SPEEDOMETER *12		*	*	*	*	*	*	*	*	*
SPEEDOMETER *13		*	*	*	*	*	*	*	*	*
SPEEDOMETER *14		*	*	*	*	*	*	*	*	*
SPEEDOMETER *15		*	*	*	*	*	*	*	*	*
TRIM METER (4pin coupler BLK panel)		*	*	*	*	*	*	*	*	*
TRIM METER (Bullet connector BLK panel)		*	*	*	*	*	*	*	*	*
TRIM METER (4pin coupler WHT panel)		*	*	*	*	*	*	*	*	*
TRIM METER (Bullet connector WHT panel)		*	*	*	*	*	*	*	*	*
WATER PRESSURE METER *16		*	*	*	*	*	*	*	*	*
WATER PRESSURE METER *17		*	*	*	*	*	*	*	*	*
WATER PRESSURE METER *18		*	*	*	*	*	*	*	*	*
WATER PRESSURE METER *19		*	*	*	*	*	*	*	*	*
WATER TEMP. METER (Black panel)		*	*	*	*	*	*	*	*	*
WATER TEMP. METER (White panel)		*	*	*	*	*	*	*	*	*
HOURLY METER (Mechanical)		*	*	*	*	*	*	*	*	*
HOURLY METER (Digital, Black panel)		*	*	*	*	*	*	*	*	*
HOURLY METER (Digital, White panel)		*	*	*	*	*	*	*	*	*
VOLTAGE METER (Black panel)		*	*	*	*	*	*	*	*	*
VOLTAGE METER (White panel)		*	*	*	*	*	*	*	*	*
FUEL METER (Yamaha sender 5-105Ω)Black panel		*	*	*	*	*	*	*	*	*
FUEL METER (ABYC sender 30-240Ω)Black panel		*	*	*	*	*	*	*	*	*
FUEL METER (Yamaha sender 5-105Ω)White panel		*	*	*	*	*	*	*	*	*
FUEL METER (ABYC sender 30-240Ω)White panel		*	*	*	*	*	*	*	*	*

* NOT EQUIPED

*1 Pre-mixed 9.9-250 with E-start/F9.9-F25, and FT8(T8) with E-start (Without indicators BLK panel)

*2 Pre-mixed 9.9-250 with E-start/F9.9-F25, and FT8(T8) with E-start (Without indicators WHT panel)

*3 US, CAN : NA/ Othrs: 250G, L250G(With 3 oil indicators BLK panel)

*4 US, CAN : NA/ Othrs: 250G, L250G(With 3 oil indicators WHT panel)

*5 With overheat & oil indicators BLK panel

*6 With overheat & oil indicators WHT panel

*7 Digital multifunction

*8 Analog, BLK panel 0-75 mph (20-120 km/h)

*9 Analog, WHT panel 0-75 mph (20-120 km/h)

*10 Analog, BLK panel 0-50 mph (20-80 km/h)

*11 Analog, WHT panel 0-50 mph (20-80 km/h)

*12 Analog, BLK panel 0-120 km/h (15-65 knot)

*13 Analog, WHT panel 0-120 km/h (15-65 knot)

*14 Analog, BLK panel 0-80 km/h (10-43 knot)

*15 Analog, WHT panel 0-80 km/h (10-43 knot)

*16 kPa, Black panel

*17 kPa, White panel

*18 psi, Black panel

*19 psi, White panel

CHAPTER 2

METER & SWITCH PANEL EQUIPMENT

MODEL APPLICATION

4 CYCLE

DEVICE NAME	MODEL	FL150 (6BN)	F200 (60L)	F200 (6S1)	F200 (6AL)	F200 (6CD)	FL200 (60M)	FL200 (6S2)	FL200 (6AM)	F225 (69J)	F225 (6AS)
DIGITAL TACHOMETER		6Y5-8350T-90	6Y5-8350T-90	6Y5-8350T-90	6Y5-8350T-90	6Y5-8350T-90	6Y5-8350T-90	6Y5-8350T-90	6Y5-8350T-90	6Y5-8350T-90	6Y5-8350T-90
FUEL MGT GAUGE KIT (For single-engine)		6Y5-W0088-54	6Y5-W0088-54	6Y5-W0088-54	6Y5-W0088-54	6Y5-W0088-54	6Y5-W0088-54	6Y5-W0088-54	6Y5-W0088-54	6Y5-W0088-54	6Y5-W0088-54
FUEL MGT GAUGE KIT (For twin-engine)		6Y5-W0088-65	6Y5-W0088-65	6Y5-W0088-65	6Y5-W0088-65	6Y5-W0088-65	6Y5-W0088-65	6Y5-W0088-65	6Y5-W0088-65	6Y5-W0088-65	6Y5-W0088-65
FUEL MGT GAUGE (With speedometer)		6Y5-83500-40	6Y5-83500-40	6Y5-83500-40	6Y5-83500-40	6Y5-83500-40	6Y5-83500-40	6Y5-83500-40	6Y5-83500-40	6Y5-83500-40	6Y5-83500-40
ANALOG TACHOMETER *1		*	*	*	*	*	*	*	*	*	*
ANALOG TACHOMETER *2		*	*	*	*	*	*	*	*	*	*
ANALOG TACHOMETER *3		*	*	*	*	*	*	*	*	*	*
ANALOG TACHOMETER *4		*	*	*	*	*	*	*	*	*	*
ANALOG TACHOMETER *5		6Y7-83540-80	6Y7-83540-80	6Y7-83540-80	6Y7-83540-80	6Y7-83540-80	6Y7-83540-80	6Y7-83540-80	6Y7-83540-80	6Y7-83540-80	6Y7-83540-80
ANALOG TACHOMETER *6		6Y7-83540-90	6Y7-83540-90	6Y7-83540-90	6Y7-83540-90	6Y7-83540-90	6Y7-83540-90	6Y7-83540-90	6Y7-83540-90	6Y7-83540-90	6Y7-83540-90
SPEEDOMETER *7		6Y5-83570-S5	6Y5-83570-S5	6Y5-83570-S5	6Y5-83570-S5	6Y5-83570-S5	6Y5-83570-S5	6Y5-83570-S5	6Y5-83570-S5	6Y5-83570-S5	6Y5-83570-S5
SPEEDOMETER *8		6Y7-83510-00	6Y7-83510-00	6Y7-83510-00	6Y7-83510-00	6Y7-83510-00	6Y7-83510-00	6Y7-83510-00	6Y7-83510-00	6Y7-83510-00	6Y7-83510-00
SPEEDOMETER *9		6Y7-83510-10	6Y7-83510-10	6Y7-83510-10	6Y7-83510-10	6Y7-83510-10	6Y7-83510-10	6Y7-83510-10	6Y7-83510-10	6Y7-83510-10	6Y7-83510-10
SPEEDOMETER *10		6Y7-83510-20	6Y7-83510-20	6Y7-83510-20	6Y7-83510-20	6Y7-83510-20	6Y7-83510-20	6Y7-83510-20	6Y7-83510-20	6Y7-83510-20	6Y7-83510-20
SPEEDOMETER *11		6Y7-83510-30	6Y7-83510-30	6Y7-83510-30	6Y7-83510-30	6Y7-83510-30	6Y7-83510-30	6Y7-83510-30	6Y7-83510-30	6Y7-83510-30	6Y7-83510-30
SPEEDOMETER *12		6Y7-83510-40	6Y7-83510-40	6Y7-83510-40	6Y7-83510-40	6Y7-83510-40	6Y7-83510-40	6Y7-83510-40	6Y7-83510-40	6Y7-83510-40	6Y7-83510-40
SPEEDOMETER *13		6Y7-83510-50	6Y7-83510-50	6Y7-83510-50	6Y7-83510-50	6Y7-83510-50	6Y7-83510-50	6Y7-83510-50	6Y7-83510-50	6Y7-83510-50	6Y7-83510-50
SPEEDOMETER *14		6Y7-83510-60	6Y7-83510-60	6Y7-83510-60	6Y7-83510-60	6Y7-83510-60	6Y7-83510-60	6Y7-83510-60	6Y7-83510-60	6Y7-83510-60	6Y7-83510-60
SPEEDOMETER *15		6Y7-83510-70	6Y7-83510-70	6Y7-83510-70	6Y7-83510-70	6Y7-83510-70	6Y7-83510-70	6Y7-83510-70	6Y7-83510-70	6Y7-83510-70	6Y7-83510-70
TRIM METER (4pin coupler BLK panel)		*	*	*	*	*	*	*	*	*	*
TRIM METER (Bullet connector BLK panel)		6Y7-83670-40	6Y7-83670-40	6Y7-83670-40	6Y7-83670-40	6Y7-83670-40	6Y7-83670-40	6Y7-83670-40	6Y7-83670-40	6Y7-83670-40	6Y7-83670-40
TRIM METER (4pin coupler WHT panel)		*	*	*	*	*	*	*	*	*	*
TRIM METER (Bullet connector WHT panel)		6Y7-83670-50	6Y7-83670-50	6Y7-83670-50	6Y7-83670-50	6Y7-83670-50	6Y7-83670-50	6Y7-83670-50	6Y7-83670-50	6Y7-83670-50	6Y7-83670-50
WATER PRESSURE METER *16		6Y7-83660-00	6Y7-83660-00	6Y7-83660-00	6Y7-83660-00	6Y7-83660-00	6Y7-83660-00	6Y7-83660-00	6Y7-83660-00	6Y7-83660-00	6Y7-83660-00
WATER PRESSURE METER *17		6Y7-83660-20	6Y7-83660-20	6Y7-83660-20	6Y7-83660-20	6Y7-83660-20	6Y7-83660-20	6Y7-83660-20	6Y7-83660-20	6Y7-83660-20	6Y7-83660-20
WATER PRESSURE METER *18		6Y7-83660-10	6Y7-83660-10	6Y7-83660-10	6Y7-83660-10	6Y7-83660-10	6Y7-83660-10	6Y7-83660-10	6Y7-83660-10	6Y7-83660-10	6Y7-83660-10
WATER PRESSURE METER *19		6Y7-83660-30	6Y7-83660-30	6Y7-83660-30	6Y7-83660-31	6Y7-83660-31	6Y7-83660-32	6Y7-83660-33	6Y7-83660-34	6Y7-83660-35	6Y7-83660-36
WATER TEMP. METER (Black panel)		6Y7-83590-00	6Y7-83590-00	6Y7-83590-00	6Y7-83590-00	6Y7-83590-00	6Y7-83590-00	6Y7-83590-00	6Y7-83590-00	6Y7-83590-00	6Y7-83590-00
WATER TEMP. METER (White panel)		6Y7-83590-10	6Y7-83590-10	6Y7-83590-10	6Y7-83590-10	6Y7-83590-10	6Y7-83590-10	6Y7-83590-10	6Y7-83590-10	6Y7-83590-10	6Y7-83590-10
HOURLY METER (Mechanical)		6Y5-83504-01	6Y5-83504-01	6Y5-83504-01	6Y5-83504-01	6Y5-83504-01	6Y5-83504-01	6Y5-83504-01	6Y5-83504-01	6Y5-83504-01	6Y5-83504-01
HOURLY METER (Digital, Black panel)		6Y7-83504-00	6Y7-83504-00	6Y7-83504-00	6Y7-83504-00	6Y7-83504-00	6Y7-83504-00	6Y7-83504-00	6Y7-83504-00	6Y7-83504-00	6Y7-83504-00
HOURLY METER (Digital, White panel)		6Y7-83504-10	6Y7-83504-10	6Y7-83504-10	6Y7-83504-10	6Y7-83504-10	6Y7-83504-10	6Y7-83504-10	6Y7-83504-10	6Y7-83504-10	6Y7-83504-10
VOLTAGE METER (Black panel)		6Y7-83503-00	6Y7-83503-00	6Y7-83503-00	6Y7-83503-00	6Y7-83503-00	6Y7-83503-00	6Y7-83503-00	6Y7-83503-00	6Y7-83503-00	6Y7-83503-00
VOLTAGE METER (White panel)		6Y7-83503-10	6Y7-83503-10	6Y7-83503-10	6Y7-83503-10	6Y7-83503-10	6Y7-83503-10	6Y7-83503-10	6Y7-83503-10	6Y7-83503-10	6Y7-83503-10
FUEL METER (Yamaha sender 5-105Ω)Black panel		6Y7-85750-00	6Y7-85750-00	6Y7-85750-00	6Y7-85750-00	6Y7-85750-00	6Y7-85750-00	6Y7-85750-00	6Y7-85750-00	6Y7-85750-00	6Y7-85750-00
FUEL METER (ABYC sender 30-240Ω)Black panel		6Y7-85750-10	6Y7-85750-10	6Y7-85750-10	6Y7-85750-10	6Y7-85750-10	6Y7-85750-10	6Y7-85750-10	6Y7-85750-10	6Y7-85750-10	6Y7-85750-10
FUEL METER (Yamaha sender 5-105Ω)White panel		6Y7-85750-20	6Y7-85750-20	6Y7-85750-20	6Y7-85750-20	6Y7-85750-20	6Y7-85750-20	6Y7-85750-20	6Y7-85750-20	6Y7-85750-20	6Y7-85750-20
FUEL METER (ABYC sender 30-240Ω)White panel		6Y7-85750-30	6Y7-85750-30	6Y7-85750-30	6Y7-85750-30	6Y7-85750-30	6Y7-85750-30	6Y7-85750-30	6Y7-85750-30	6Y7-85750-30	6Y7-85750-30

* NOT EQUIPED

*1 Pre-mixed 9.9-250 with E-start/F9.9-F25, and FT8(T8) with E-start (Without indicators BLK panel)

*2 Pre-mixed 9.9-250 with E-start/F9.9-F25, and FT8(T8) with E-start (Without indicators WHT panel)

*3 US, CAN : NA/ Othrs: 250G, L250G(With 3 oil indicators BLK panel)

*4 US, CAN : NA/ Othrs: 250G, L250G(With 3 oil indicators WHT panel)

*5 With overheat & oil indicators BLK panel

*6 With overheat & oil indicators WHT panel

*7 Digital multifunction

*8 Analog, BLK panel 0-75 mph (20-120 km/h)

*9 Analog, WHT panel 0-75 mph (20-120 km/h)

*10 Analog, BLK panel 0-50 mph (20-80 km/h)

*11 Analog, WHT panel 0-50 mph (20-80 km/h)

*12 Analog, BLK panel 0-120 km/h (15-65 knot)

*13 Analog, WHT panel 0-120 km/h (15-65 knot)

*14 Analog, BLK panel 0-80 km/h (10-43 knot)

*15 Analog, WHT panel 0-80 km/h (10-43 knot)

*16 kPa, Black panel

*17 kPa, White panel

*18 psi, Black panel

*19 psi, White panel

CHAPTER 2

METER & SWITCH PANEL EQUIPMENT

MODEL APPLICATION

4 CYCLE

DEVICE NAME	MODEL	F225 (6BB)	F225 (6CC)	FL225 (69K)	FL225 (6AT)	F250 (6P2)	F250 (6BR)	F225 (6CB)	FL250 (6P3)	FL250 (6BS)	F300 (6BJ)
DIGITAL TACHOMETER		6Y5-8350T-90	6Y5-8350T-90	6Y5-8350T-90	6Y5-8350T-90	6Y5-8350T-90	6Y5-8350T-90	6Y5-8350T-90	6Y5-8350T-90	6Y5-8350T-90	*
FUEL MGT GAUGE KIT (For single-engine)		6Y5-W0088-54	6Y5-W0088-54	6Y5-W0088-54	6Y5-W0088-54	6Y5-W0088-54	6Y5-W0088-54	6Y5-W0088-54	6Y5-W0088-54	6Y5-W0088-54	*
FUEL MGT GAUGE KIT (For twin-engine)		6Y5-W0088-65	6Y5-W0088-65	6Y5-W0088-65	6Y5-W0088-65	6Y5-W0088-65	6Y5-W0088-65	6Y5-W0088-65	6Y5-W0088-65	6Y5-W0088-65	*
FUEL MGT GAUGE (With speedometer)		6Y5-83500-40	6Y5-83500-40	6Y5-83500-40	6Y5-83500-40	6Y5-83500-40	6Y5-83500-40	6Y5-83500-40	6Y5-83500-40	6Y5-83500-40	*
ANALOG TACHOMETER *1		*	*	*	*	*	*	*	*	*	*
ANALOG TACHOMETER *2		*	*	*	*	*	*	*	*	*	*
ANALOG TACHOMETER *3		*	*	*	*	*	*	*	*	*	*
ANALOG TACHOMETER *4		*	*	*	*	*	*	*	*	*	*
ANALOG TACHOMETER *5		6Y7-83540-80	6Y7-83540-80	6Y7-83540-80	6Y7-83540-80	6Y7-83540-80	6Y7-83540-80	6Y7-83540-80	6Y7-83540-80	6Y7-83540-80	*
ANALOG TACHOMETER *6		6Y7-83540-90	6Y7-83540-90	6Y7-83540-90	6Y7-83540-90	6Y7-83540-90	6Y7-83540-90	6Y7-83540-90	6Y7-83540-90	6Y7-83540-90	*
SPEEDOMETER *7		6Y5-83570-S5	6Y5-83570-S5	6Y5-83570-S5	6Y5-83570-S5	6Y5-83570-S5	6Y5-83570-S5	6Y5-83570-S5	6Y5-83570-S5	6Y5-83570-S5	*
SPEEDOMETER *8		6Y7-83510-00	6Y7-83510-00	6Y7-83510-00	6Y7-83510-00	6Y7-83510-00	6Y7-83510-00	6Y7-83510-00	6Y7-83510-00	6Y7-83510-00	*
SPEEDOMETER *9		6Y7-83510-10	6Y7-83510-10	6Y7-83510-10	6Y7-83510-10	6Y7-83510-10	6Y7-83510-10	6Y7-83510-10	6Y7-83510-10	6Y7-83510-10	*
SPEEDOMETER *10		6Y7-83510-20	6Y7-83510-20	6Y7-83510-20	6Y7-83510-20	6Y7-83510-20	6Y7-83510-20	6Y7-83510-20	6Y7-83510-20	6Y7-83510-20	*
SPEEDOMETER *11		6Y7-83510-30	6Y7-83510-30	6Y7-83510-30	6Y7-83510-30	6Y7-83510-30	6Y7-83510-30	6Y7-83510-30	6Y7-83510-30	6Y7-83510-30	*
SPEEDOMETER *12		6Y7-83510-40	6Y7-83510-40	6Y7-83510-40	6Y7-83510-40	6Y7-83510-40	6Y7-83510-40	6Y7-83510-40	6Y7-83510-40	6Y7-83510-40	*
SPEEDOMETER *13		6Y7-83510-50	6Y7-83510-50	6Y7-83510-50	6Y7-83510-50	6Y7-83510-50	6Y7-83510-50	6Y7-83510-50	6Y7-83510-50	6Y7-83510-50	*
SPEEDOMETER *14		6Y7-83510-60	6Y7-83510-60	6Y7-83510-60	6Y7-83510-60	6Y7-83510-60	6Y7-83510-60	6Y7-83510-60	6Y7-83510-60	6Y7-83510-60	*
SPEEDOMETER *15		6Y7-83510-70	6Y7-83510-70	6Y7-83510-70	6Y7-83510-70	6Y7-83510-70	6Y7-83510-70	6Y7-83510-70	6Y7-83510-70	6Y7-83510-70	*
TRIM METER (4pin coupler BLK panel)		*	*	*	*	*	*	*	*	*	*
TRIM METER (Bullet connector BLK panel)		6Y7-83670-40	6Y7-83670-40	6Y7-83670-40	6Y7-83670-40	6Y7-83670-40	6Y7-83670-40	6Y7-83670-40	6Y7-83670-40	6Y7-83670-40	*
TRIM METER (4pin coupler WHT panel)		*	*	*	*	*	*	*	*	*	*
TRIM METER (Bullet connector WHT panel)		6Y7-83670-50	6Y7-83670-50	6Y7-83670-50	6Y7-83670-50	6Y7-83670-50	6Y7-83670-50	6Y7-83670-50	6Y7-83670-50	6Y7-83670-50	*
WATER PRESSURE METER *16		6Y7-83660-00	6Y7-83660-00	6Y7-83660-00	6Y7-83660-00	6Y7-83660-00	6Y7-83660-00	6Y7-83660-00	6Y7-83660-00	6Y7-83660-00	*
WATER PRESSURE METER *17		6Y7-83660-20	6Y7-83660-20	6Y7-83660-20	6Y7-83660-20	6Y7-83660-20	6Y7-83660-20	6Y7-83660-20	6Y7-83660-20	6Y7-83660-20	*
WATER PRESSURE METER *18		6Y7-83660-10	6Y7-83660-10	6Y7-83660-10	6Y7-83660-10	6Y7-83660-10	6Y7-83660-10	6Y7-83660-10	6Y7-83660-10	6Y7-83660-10	*
WATER PRESSURE METER *19		6Y7-83660-36	6Y7-83660-36	6Y7-83660-37	6Y7-83660-38	6Y7-83660-39	6Y7-83660-36	6Y7-83660-36	6Y7-83660-36	6Y7-83660-36	*
WATER TEMP. METER (Black panel)		6Y7-83590-00	6Y7-83590-00	6Y7-83590-00	6Y7-83590-00	6Y7-83590-00	6Y7-83590-00	6Y7-83590-00	6Y7-83590-00	6Y7-83590-00	*
WATER TEMP. METER (White panel)		6Y7-83590-10	6Y7-83590-10	6Y7-83590-10	6Y7-83590-10	6Y7-83590-10	6Y7-83590-10	6Y7-83590-10	6Y7-83590-10	6Y7-83590-10	*
HOURLY METER (Mechanical)		6Y5-83504-01	6Y5-83504-01	6Y5-83504-01	6Y5-83504-01	6Y5-83504-01	6Y5-83504-01	6Y5-83504-01	6Y5-83504-01	6Y5-83504-01	*
HOURLY METER (Digital, Black panel)		6Y7-83504-00	6Y7-83504-00	6Y7-83504-00	6Y7-83504-00	6Y7-83504-00	6Y7-83504-00	6Y7-83504-00	6Y7-83504-00	6Y7-83504-00	*
HOURLY METER (Digital, White panel)		6Y7-83504-10	6Y7-83504-10	6Y7-83504-10	6Y7-83504-10	6Y7-83504-10	6Y7-83504-10	6Y7-83504-10	6Y7-83504-10	6Y7-83504-10	*
VOLTAGE METER (Black panel)		6Y7-83503-00	6Y7-83503-00	6Y7-83503-00	6Y7-83503-00	6Y7-83503-00	6Y7-83503-00	6Y7-83503-00	6Y7-83503-00	6Y7-83503-00	*
VOLTAGE METER (White panel)		6Y7-83503-10	6Y7-83503-10	6Y7-83503-10	6Y7-83503-10	6Y7-83503-10	6Y7-83503-10	6Y7-83503-10	6Y7-83503-10	6Y7-83503-10	*
FUEL METER (Yamaha sender 5-105Ω)Black panel		6Y7-85750-00	6Y7-85750-00	6Y7-85750-00	6Y7-85750-00	6Y7-85750-00	6Y7-85750-00	6Y7-85750-00	6Y7-85750-00	6Y7-85750-00	*
FUEL METER (ABYC sender 30-240Ω)Black panel		6Y7-85750-10	6Y7-85750-10	6Y7-85750-10	6Y7-85750-10	6Y7-85750-10	6Y7-85750-10	6Y7-85750-10	6Y7-85750-10	6Y7-85750-10	*
FUEL METER (Yamaha sender 5-105Ω)White panel		6Y7-85750-20	6Y7-85750-20	6Y7-85750-20	6Y7-85750-20	6Y7-85750-20	6Y7-85750-20	6Y7-85750-20	6Y7-85750-20	6Y7-85750-20	*
FUEL METER (ABYC sender 30-240Ω)White panel		6Y7-85750-30	6Y7-85750-30	6Y7-85750-30	6Y7-85750-30	6Y7-85750-30	6Y7-85750-30	6Y7-85750-30	6Y7-85750-30	6Y7-85750-30	*

* NOT EQUIPED

*1 Pre-mixed 9.9-250 with E-start/F9.9-F25, and FT8(T8) with E-start (Without indicators BLK panel)

*2 Pre-mixed 9.9-250 with E-start/F9.9-F25, and FT8(T8) with E-start (Without indicators WHT panel)

*3 US, CAN : NA/ Othrs: 250G, L250G(With 3 oil indicators BLK panel)

*4 US, CAN : NA/ Othrs: 250G, L250G(With 3 oil indicators WHT panel)

*5 With overheat & oil indicators BLK panel

*6 With overheat & oil indicators WHT panel

*7 Digital multifunction

*8 Analog, BLK panel 0-75 mph (20-120 km/h)

*9 Analog, WHT panel 0-75 mph (20-120 km/h)

*10 Analog, BLK panel 0-50 mph (20-80 km/h)

*11 Analog, WHT panel 0-50 mph (20-80 km/h)

*12 Analog, BLK panel 0-120 km/h (15-65 knot)

*13 Analog, WHT panel 0-120 km/h (15-65 knot)

*14 Analog, BLK panel 0-80 km/h (10-43 knot)

*15 Analog, WHT panel 0-80 km/h (10-43 knot)

*16 kPa, Black panel

*17 kPa, White panel

*18 psi, Black panel

*19 psi, White panel

CHAPTER 2

METER & SWITCH PANEL EQUIPMENT

MODEL APPLICATION

4 CYCLE

DEVICE NAME	MODEL	FL300 (6BK)	F350 (6AW)	FL350 (6AX)
DIGITAL TACHOMETER		*	*	*
FUEL MGT GAUGE KIT (For single-engine)		*	*	*
FUEL MGT GAUGE KIT (For twin-engine)		*	*	*
FUEL MGT GAUGE (With speedometer)		*	*	*
ANALOG TACHOMETER *1		*	*	*
ANALOG TACHOMETER *2		*	*	*
ANALOG TACHOMETER *3		*	*	*
ANALOG TACHOMETER *4		*	*	*
ANALOG TACHOMETER *5		*	*	*
ANALOG TACHOMETER *6		*	*	*
SPEEDOMETER *7		*	*	*
SPEEDOMETER *8		*	*	*
SPEEDOMETER *9		*	*	*
SPEEDOMETER *10		*	*	*
SPEEDOMETER *11		*	*	*
SPEEDOMETER *12		*	*	*
SPEEDOMETER *13		*	*	*
SPEEDOMETER *14		*	*	*
SPEEDOMETER *15		*	*	*
TRIM METER (4pin coupler BLK panel)		*	*	*
TRIM METER (Bullet connector BLK panel)		*	*	*
TRIM METER (4pin coupler WHT panel)		*	*	*
TRIM METER (Bullet connector WHT panel)		*	*	*
WATER PRESSURE METER *16		*	*	*
WATER PRESSURE METER *17		*	*	*
WATER PRESSURE METER *18		*	*	*
WATER PRESSURE METER *19		*	*	*
WATER TEMP. METER (Black panel)		*	*	*
WATER TEMP. METER (White panel)		*	*	*
HOUR METER (Mechanical)		*	*	*
HOUR METER (Digital, Black panel)		*	*	*
HOUR METER (Digital, White panel)		*	*	*
VOLTAGE METER (Black panel)		*	*	*
VOLTAGE METER (White panel)		*	*	*
FUEL METER (Yamaha sender 5-105Ω)Black panel		*	*	*
FUEL METER (ABYC sender 30-240Ω)Black panel		*	*	*
FUEL METER (Yamaha sender 5-105Ω)White panel		*	*	*
FUEL METER (ABYC sender 30-240Ω)White panel		*	*	*

* NOT EQUIPED

*1 Pre-mixed 9.9-250 with E-start/F9.9-F25, and FT8(T8) with E-start (Without indicators BLK panel)

*2 Pre-mixed 9.9-250 with E-start/F9.9-F25, and FT8(T8) with E-start (Without indicators WHT panel)

*3 US, CAN : NA/ Othrs: 250G, L250G(With 3 oil indicators BLK panel)

*4 US, CAN : NA/ Othrs: 250G, L250G(With 3 oil indicators WHT panel)

*5 With overheat & oil indicators BLK panel

*6 With overheat & oil indicators WHT panel

*7 Digital multifunction

*8 Analog, BLK panel 0-75 mph (20-120 km/h)

*9 Analog, WHT panel 0-75 mph (20-120 km/h)

*10 Analog, BLK panel 0-50 mph (20-80 km/h)

*11 Analog, WHT panel 0-50 mph (20-80 km/h)

*12 Analog, BLK panel 0-120 km/h (15-65 knot)

*13 Analog, WHT panel 0-120 km/h (15-65 knot)

*14 Analog, BLK panel 0-80 km/h (10-43 knot)

*15 Analog, WHT panel 0-80 km/h (10-43 knot)

*16 kPa, Black panel

*17 kPa, White panel

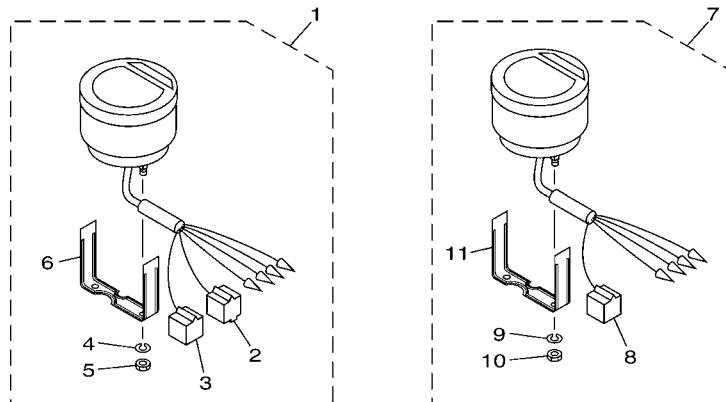
*18 psi, Black panel

*19 psi, White panel

DIGITAL TACHOMETER

Ref. No.	Description	Part No.	Applicable model
1	Multifunction	6Y5-8350T-03	250G,L250G
7	Multifunction w/o "Check engine" and "Water in fuel" indicators	6Y5-8350T-90	40 (3-cyl)-300 w/ oil injection, PTT (except 250G/L250G), F30-F250 (*1)w/ PTT

(*1) Mechanical RC



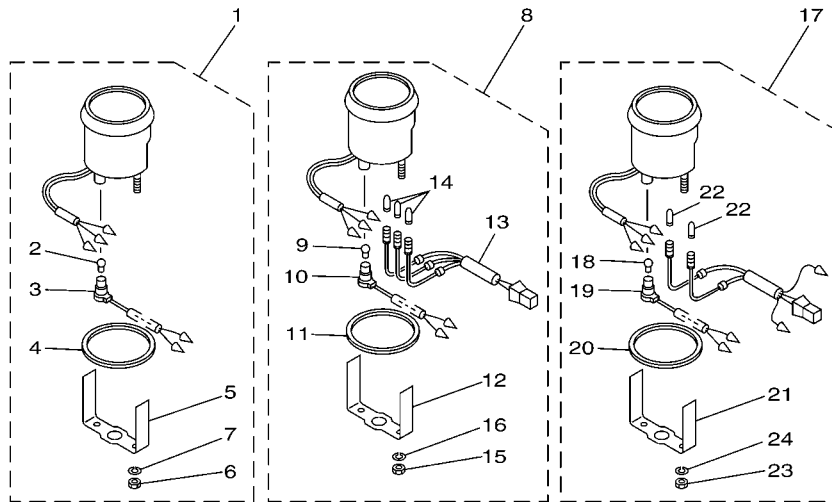
601M10M-J010

FIG. 1 METER 1

REF. NO.	PART NO.	DESCRIPTION	601M				REMARKS
1	6Y5-8350T-03	DIGITAL TACHOMETER ASSY	1				
2	9E450-04433	.CONNECTOR	1				M-4-W
3	9E450-04533	.CONNECTOR	1				F-4-W
4	92990-04100	.WASHER, SPRING	2				
5	95380-04600	.NUT	2				
6	6Y5-8355X-T1	.BRACKET, METER 1	1				
7	6Y5-8350T-90	DIGITAL TACHOMETER ASSY	1				
8	9E450-04533	.CONNECTOR	1				F-4-W
9	92990-04100	.WASHER, SPRING	2				
10	95380-04600	.NUT	2				
11	6Y5-8355X-T1	.BRACKET, METER 1	1				

ANALOG TACHOMETER

Ref. No.	Description	Part No.	Applicable model
1	Without indicators BLK panel	6Y7-83540-20	Pre-mixed 9.9-225 F9.9-F25(FT/T25), and FT8 (T8)
	Without indicators WHT panel	6Y7-83540-30	
8	With 3 oil indicators BLK panel	6Y7-83540-00	250G, L250G
	With 3 oil indicators WHT panel	6Y7-83540-10	
17	With overheat & oil indicators BLK panel	6Y7-83540-80	40 (3-cyl)-300 w/ oil injection (except 250G/ L250G) F30-F250 [Mechanical RC]
	With overheat & oil indicators WHT panel	6Y7-83540-90	



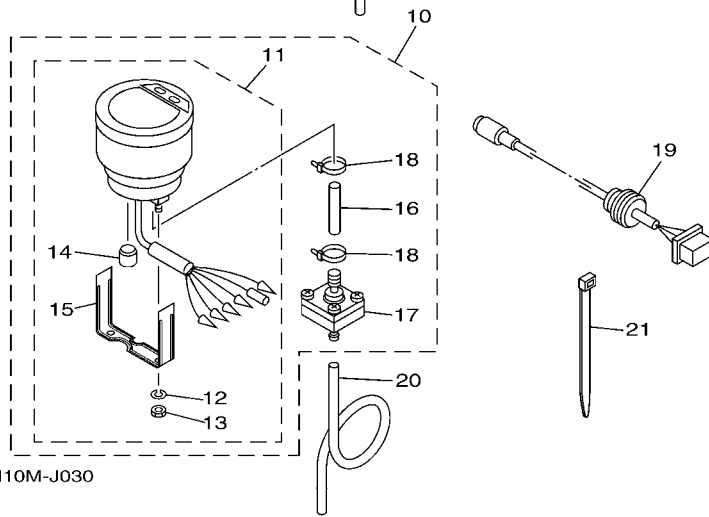
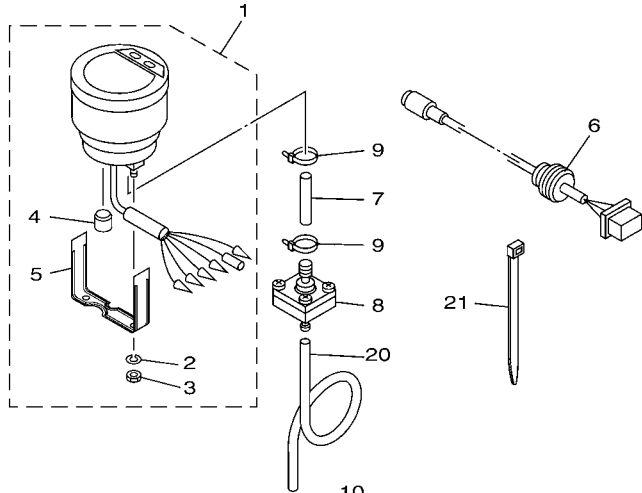
601M10M-J020

FIG. 2 METER 2

REF. NO.	PART NO.	DESCRIPTION	601M			REMARKS
1	6Y7-83540-20	TACHOMETER ASSY	1			UR WITHOUT OIL LAMP
	6Y7-83540-30	TACHOMETER ASSY	1			UR WITHOUT OIL LAMP
2	6Y5-83517-00	.BULB (T10, 12V-1.7W)	1			
3	6Y5-83536-40	.SOCKET, METER	1			FOR 6Y7-83540-20
	6Y5-83536-10	.SOCKET, METER	1			FOR 6Y7-83540-30
4	6Y5-83523-00	.DAMPER	1			
5	6Y5-83514-00	.PLATE, FITTING	1			
6	95380-05600	.NUT	2			
7	92990-05100	.WASHER, SPRING	2			
8	6Y7-83540-00	TACHOMETER ASSY	1			UR WITH OIL LAMP
	6Y7-83540-10	TACHOMETER ASSY	1			UR WITH OIL LAMP
9	6Y5-83517-00	.BULB (T10, 12V-1.7W)	1			
10	6Y5-83536-40	.SOCKET, METER	1			
11	6Y5-83523-00	.DAMPER	1			
12	6Y5-83514-00	.PLATE, FITTING	1			
13	6Y5-83509-03	.SOCKET CORD ASSY	1			
14	6Y5-83518-00	.BULB (12V-1.7W T6.5)	3			
15	95303-05600	.NUT	2			
16	92903-05100	.WASHER, SPRING	2			
17	6Y7-83540-80	TACHOMETER ASSY	1			UR WITH OIL/TEMP LAMP
	6Y7-83540-90	TACHOMETER ASSY	1			UR WITH OIL/TEMP LAMP
18	6Y5-83517-00	.BULB (T10, 12V-1.7W)	1			
19	6Y5-83536-40	.SOCKET, METER	1			
20	6Y5-83523-00	.DAMPER	1			
21	6Y5-83514-00	.PLATE, FITTING	1			
22	6Y5-83518-00	.BULB (12V-1.7W T6.5)	2			
23	95380-05600	.NUT	2			

DIGITAL SPEEDOMETER

Ref. No.	Description	Part No.	Applicable model
1	Digital multifunction	6Y5-83570-S5	40 (3-cyl)-300 F30-F250 [Mechanical RC]
10		6Y5-83500-30	For Yamaha manufactured boats (Japan)



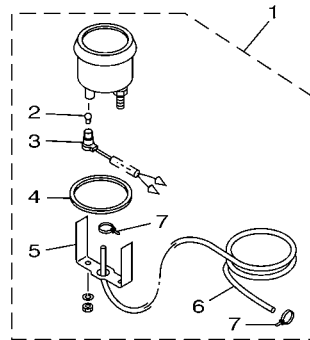
601M10M-J030

FIG. 3 METER 3

REF. NO.	PART NO.	DESCRIPTION	601M				REMARKS
1	6Y5-83570-S5	SPEEDOMETER ASSY	1				
2	92990-04100	.WASHER, SPRING	2				
3	95380-04600	.NUT	2				
4	6Y5-83533-T2	.GROMMET	1				
5	6Y5-8355X-T1	.BRACKET, METER 1	1				
6	6Y5-87122-S0	CORD ASSY 1	1				AP
7	6Y5-83557-31	TUBE	1				
8	6Y5-83728-00	CONNECTOR ASSY	1				
9	90465-11M10	CLAMP	2				
10	6Y5-83500-30	METER ASSY	1				
11	6Y5-83570-30	.SPEEDOMETER ASSY	1				
12	92990-04100	..WASHER, SPRING	2				
13	95380-04600	..NUT	2				
14	6Y5-83533-T2	..GROMMET	1				
15	6Y5-8355X-T1	..BRACKET, METER 1	1				
16	6Y5-83557-31	.TUBE	1				
17	6Y5-83728-00	.CONNECTOR ASSY	1				
18	90465-11M10	.CLAMP	2				
19	6Y5-87122-S0	CORD ASSY 1	1				AP
20	6Y5-83557-00	TUBE (6M)	1				
21	90465-11M10	CLAMP	2				

ANALOG SPEEDOMETER

Description	Part No.	Applicable model
Analog, BLK panel 0 – 75 mph (20 – 120 km/h)	6Y7-83510-00	40 (3-cyl)-300 F30-F250 [Mechanical RC]
Analog, WHT panel 0 – 75 mph (20 – 120 km/h)	6Y7-83510-10	
Analog, BLK panel 0 – 50 mph (20 – 80 km/h)	6Y7-83510-20	
Analog, WHT panel 0 – 50 mph (20 – 80 km/h)	6Y7-83510-30	
Analog, BLK panel 0 – 120 km/h (15 – 65 knot)	6Y7-83510-40	
Analog, WHT panel 0 – 120 km/h (15 – 65 knot)	6Y7-83510-50	
Analog, BLK panel 0 – 80 km/h (10 – 43 knot)	6Y7-83510-60	
Analog, WHT panel 0 – 80 km/h (10 – 43 knot)	6Y7-83510-70	



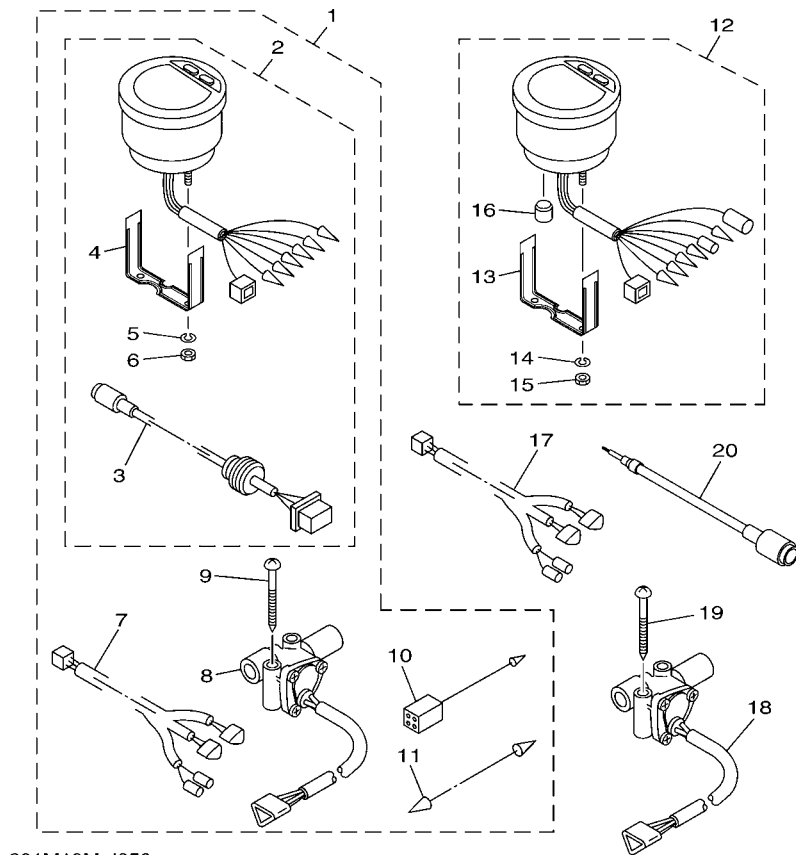
601M10M-J040

FIG. 4 METER 4

REF. NO.	PART NO.	DESCRIPTION	601M				REMARKS
1	6Y7-83510-00	SPEEDOMETER ASSY (75MPH)	1				UR
	6Y7-83510-10	SPEEDOMETER ASSY (75MPH)	1				UR
	6Y7-83510-20	SPEEDOMETER ASSY (50MPH)	1				UR
	6Y7-83510-30	SPEEDOMETER ASSY (50MPH)	1				UR
	6Y7-83510-40	SPEEDOMETER ASSY (120KM/H)	1				UR
	6Y7-83510-50	SPEEDOMETER ASSY (120KM/H)	1				UR
	6Y7-83510-60	SPEEDOMETER ASSY (80KM/H)	1				UR
	6Y7-83510-70	SPEEDOMETER ASSY (80KM/H)	1				UR
2	6Y5-83517-00	.BULB (T10, 12V-1.7W)	1				
3	6Y5-83536-40	.SOCKET, METER	1				
4	6Y5-83523-00	.DAMPER	1				
5	6Y5-83514-00	.PLATE, FITTING	1				
6	688-83557-00	.TUBE	1				
7	90465-11M10	.CLAMP	2				

FUEL MANAGEMENT GAUGE

Ref. No.	Description	Part No.	Applicable model
1	Fuel mgt gauge kit 1 For single-engine	6Y5-W0088-54	115-300 F115-F250 [Mechanical RC]
	Fuel mgt gauge kit 2 For twin-engine	6Y5-W0088-65	
12	Fuel mgt gauge with speedometer	6Y5-83500-40	



601M10M-J050

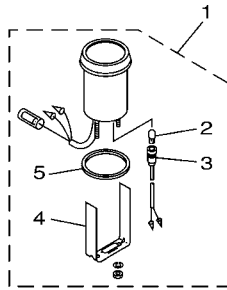
FIG. 5 METER 5

REF. NO.	PART NO.	DESCRIPTION	601M				REMARKS
1	6Y5-W0088-54	DIGITAL FUEL METER KIT(SINGLE)	1				UR
	6Y5-W0088-65	DIGITAL FUEL METER KIT (TWIN)	1				UR
2	6Y5-83500-F2	.FUEL MANAGEMENT METER	1				
3	6Y5-87122-S0	..CORD ASSY 1	1				
4	6Y5-8355X-T1	..BRACKET, METER 1	1				
5	92990-04100	..WASHER, SPRING	2				
6	95380-04600	..NUT	2				
7	6Y5-83553-F1	.WIRE, LEAD (L=8.0M)	1				
8	6Y5-85752-02	.SENDER UNIT ASSY, FUEL METER	1				FOR 6Y5-W0088-54
	6Y5-85752-02	.SENDER UNIT ASSY, FUEL METER	2				FOR 6Y5-W0088-65
9	90158-06003	.SCREW, WOOD	2				FOR 6Y5-W0088-54
	90158-06003	.SCREW, WOOD	4				FOR 6Y5-W0088-65
10	6Y5-82117-00	.WIRE, LEAD (BLACK) (L300)	1				
11	703-82531-00	.WIRE, LEAD (L70)	1				FOR 6Y5-W0088-65
12	6Y5-83500-40	METER ASSY	1				
13	6Y5-8355X-T1	.BRACKET, METER 1	1				
14	92990-04100	.WASHER, SPRING	2				
15	95380-04600	.NUT	2				
16	6Y5-83533-T2	.GROMMET	1				
17	6Y5-83553-F1	WIRE, LEAD (L=8.0M)	1				FOR 6Y5-83500-40
18	6Y5-85752-02	SENDER UNIT ASSY, FUEL METER	1				FOR 6Y5-83500-40
19	90158-06003	SCREW, WOOD	2				FOR 6Y5-83500-40
20	6Y5-85721-F0	WIRE, LEAD	1				AP

ANALOG TRIM METER

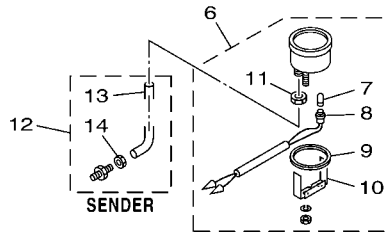
Description	Part No.	Applicable model
4-pin coupler BLK panel	6Y7-83670-00	Premixed 40 (3-cyl)-225 w/ PTT, 250G, L250G
Bullet connector BLK panel	6Y7-83670-40	40 (3-cyl)-300 w/ oil injection, PTT (except 250G & L250G), F30-F250 (*1) w/ PTT, T25(*2) Using as a set with tachometer, 6Y7-83540-80
4-pin coupler WHT panel	6Y7-83670-20	Premixed 40 (3-cyl)-225 w/ PTT, 250G, L250G
Bullet connector WHT panel	6Y7-83670-50	40 (3-cyl)-300 w/ oil injection, PTT (except 250G & L250G), F30-F250 (*1) w/ PTT, T25(*2) Using as a set with tachometer, 6Y7-83540-90

(*1) Mechanical RC
(*2) T25 for US



COOLANT PRESSURE METER

Description	Part No.	Applicable model
kPa, Black panel	6Y7-83660-00	40 [3-cyl] - 300 F25(F/T/T25) - F250 [Mechanical RC]
kPa, White panel	6Y7-83660-20	
psi, Black panel	6Y7-83660-10	
psi, White panel	6Y7-83660-30	



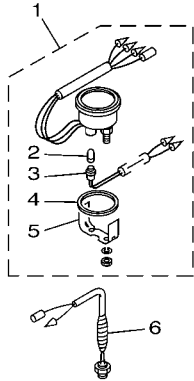
601M10M-J060

FIG. 6 METER 6

REF. NO.	PART NO.	DESCRIPTION	601M	REMARKS
1	6Y7-83670-00	TRIM METER ASSY.	1	UR
	6Y7-83670-40	TRIM METER ASSY.	1	UR
	6Y7-83670-20	TRIM METER ASSY.	1	UR
	6Y7-83670-50	TRIM METER ASSY.	1	UR
2	6Y5-83518-00	.BULB (12V-1.7W T6.5)	1	
3	6Y5-83536-00	.SOCKET, METER	1	
4	6Y5-83544-00	.PLATE, FITTING	1	
5	688-83664-00	.DAMPER	1	
6	6Y7-83660-00	WATER PRESSURE METER ASSY	1	UR
	6Y7-83660-20	WATER PRESSURE METER ASSY	1	UR
	6Y7-83660-10	WATER PRESSURE METER ASSY	1	UR
	6Y7-83660-30	WATER PRESSURE METER ASSY	1	UR
7	6Y5-83518-00	.BULB (12V-1.7W T6.5)	1	
8	6Y5-83536-00	.SOCKET, METER	1	
9	688-83664-00	.DAMPER	1	
10	688-83665-00	.PLATE, FITTING	1	
11	663-83668-00	.NUT, NIPPLE	1	
12	688-83667-00	SENDER	1	
13	688-83666-00	.TUBE	1	
14	663-83668-00	.NUT, NIPPLE	1	

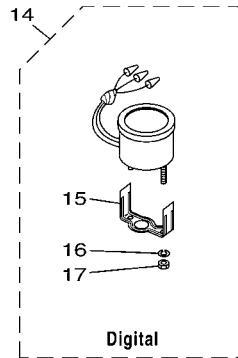
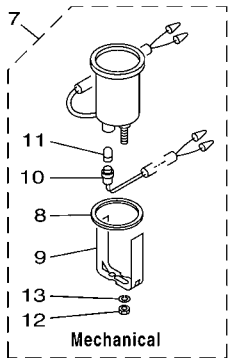
COOLANT TEMP. METER

Description	Part No.	Applicable model
Black panel	6Y7-83590-00	40 [3-cylinder] - 300
White panel	6Y7-83590-10	F25(F1/T25) - F250 [Mechanical RC]



HOUR METER

Ref. No.	Description	Part No.	Applicable model
7	Mechanical	6Y5-83504-01	All electrical start models
14	Digital, Black panel	6Y7-83504-00	
	Digital, White panel	6Y7-83504-10	



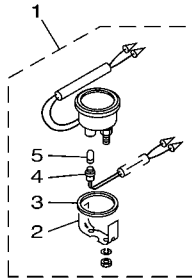
601M10M-J070

FIG. 7 METER 7

REF. NO.	PART NO.	DESCRIPTION	601M				REMARKS
1	6Y7-83590-00	WATER TEMPERATURE ASSY	1				UR
	6Y7-83590-10	WATER TEMPERATURE ASSY	1				UR
2	6Y5-83518-00	.BULB (12V-1.7W T6.5)	1				
3	6Y5-83536-00	.SOCKET, METER	1				
4	688-83664-00	.DAMPER	1				
5	6Y5-83544-00	.PLATE, FITTING	1				
6	688-83591-00	THERMO UNIT	1				
7	6Y5-83504-01	HOUR METER ASSY	1				
8	688-83664-00	.DAMPER	1				
9	6Y5-83577-00	.PLATE, FITTING	1				
10	6Y5-83536-00	.SOCKET, METER	1				
11	6Y5-83518-00	.BULB (12V-1.7W T6.5)	1				
12	95303-04600	.NUT	2				
13	92990-04100	.WASHER, SPRING	2				
14	6Y7-83504-00	HOUR METER ASSY	1				UR
	6Y7-83504-10	HOUR METER ASSY	1				UR
15	6Y5-8355X-H0	.BRACKET, METER 1	1				
16	92990-04100	.WASHER, SPRING	2				
17	95380-04600	.NUT	2				

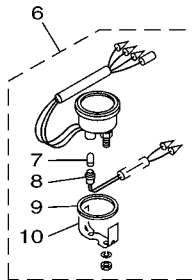
VOLTAGE METER

Description	Part No.	Applicable model
DC 12 volts power supply Black panel	6Y7-83503-00	All electrical start models
DC 12 volts power supply White panel	6Y7-83503-10	



FUEL METER

Description	Part No.	Applicable model
For Yamaha sensor (5 – 105 Ω) Black panel	6Y7-85750-00	All electrical start models
For ABYC sensor (30 – 240 Ω) Black panel	6Y7-85750-10	
For Yamaha sensor (5 – 105 Ω) White panel	6Y7-85750-20	
For ABYC sensor (30 – 240 Ω) White panel	6Y7-85750-30	

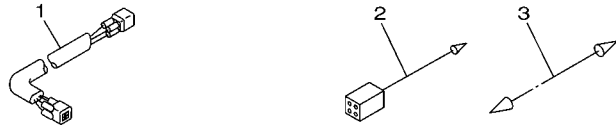


601M10M-J080

FIG. 8 METER 8

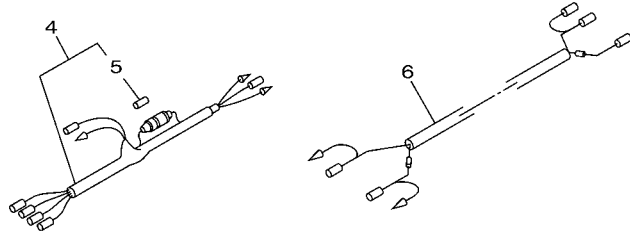
REF. NO.	PART NO.	DESCRIPTION	601M				REMARKS
1	6Y7-83503-00	VOLTMETER ASSY	1				UR
	6Y7-83503-10	VOLTMETER ASSY	1				UR
2	6Y5-83544-00	.PLATE, FITTING	1				
3	688-83664-00	.DAMPER	1				
4	6Y5-83536-00	.SOCKET, METER	1				
5	6Y5-83518-00	.BULB (12V-1.7W T6.5)	1				
6	6Y7-85750-00	FUEL METER ASSY	1				UR
	6Y7-85750-10	FUEL METER ASSY	1				UR
	6Y7-85750-20	FUEL METER ASSY	1				UR
	6Y7-85750-30	FUEL METER ASSY	1				UR
7	6Y5-83518-00	.BULB (12V-1.7W T6.5)	1				
8	6Y5-83536-00	.SOCKET, METER	1				
9	688-83664-00	.DAMPER	1				
10	6Y5-83544-00	.PLATE, FITTING	1				

REMOTE-OIL TANK HARNESS ACCESSORY LEAD



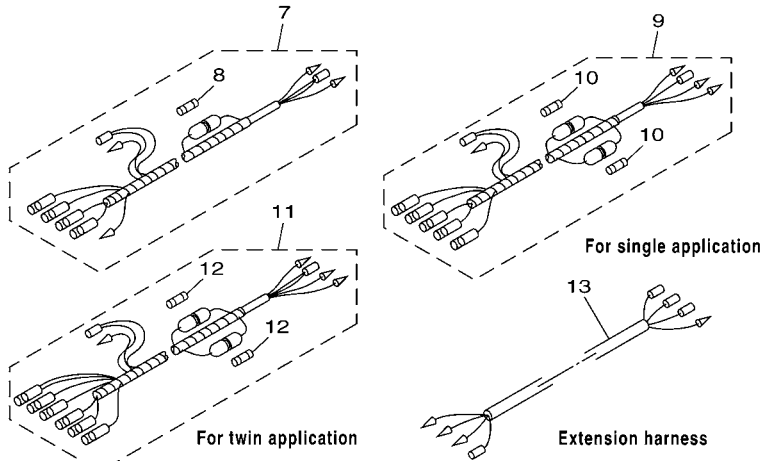
For V4, V6 oil injection model

METER HARNESS (For analog meter)



For pre-mixed model

METER HARNESS (For digital meter)



For twin application

For single application

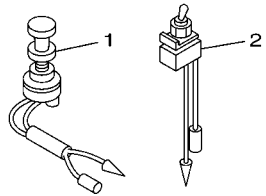
Extension harness

601M10M-J090

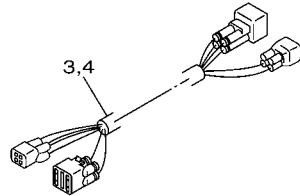
FIG. 9 WIRE HARNESS 1

REF. NO.	PART NO.	DESCRIPTION	601M				REMARKS
1	6R3-85721-30	WIRE, LEAD (L=3.0M)	1				UR (4P)
	6R3-85721-50	WIRE, LEAD (L=5.0M)	1				UR (4P)
	6R3-85721-80	WIRE, LEAD (L=8.0M)	1				UR (4P)
2	6Y5-82149-00	WIRE, LEAD (BLUE) (L300)	1				UR
	6Y5-82117-00	WIRE, LEAD (BLACK) (L300)	1				UR
3	703-82531-00	WIRE, LEAD (L=70)	1				L/H MODEL
4	6Y5-83553-00	WIRE, LEAD (L=2.5M)	1				
5	1E6-82151-00	.FUSE (10A)	1				
6	6Y5-83553-10	WIRE, LEAD (L=5.0M)	1				
7	6Y5-83553-20	WIRE, LEAD (L=2.5M)	1				L/H MODEL
8	1E6-82151-00	.FUSE (10A)	1				
9	6Y5-83553-M0	WIRE, LEAD (L=2.5M)	1				
10	1E6-82151-00	.FUSE (10A)	2				
11	6Y5-83553-N0	WIRE, LEAD (L=2.5M)	1				
12	1E6-82151-00	.FUSE (10A)	2				
13	6Y5-8356N-00	WIRE, LEAD (L=1.5M)	1				

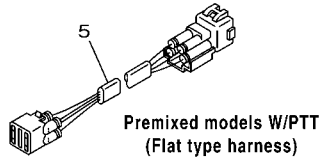
LAMP SWITCH



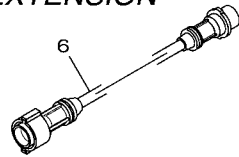
COMBINATION TRIM AND OIL LEAD



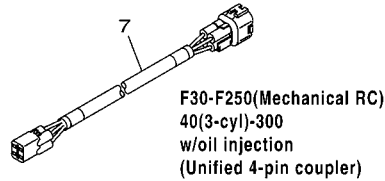
TRIM METER LEAD



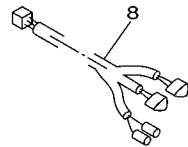
PT/T SWITCH LEAD EXTENSION



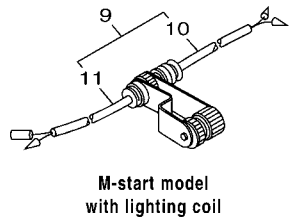
TRIM AND OIL LEAD



FUEL MANAGEMENT GAUGE HARNESS



LIGHTING COIL EXTENSION HARNESS



601M10M-J100

RECTIFIER KIT

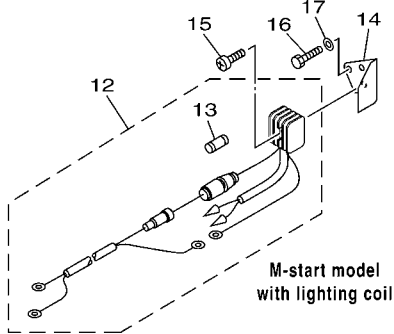
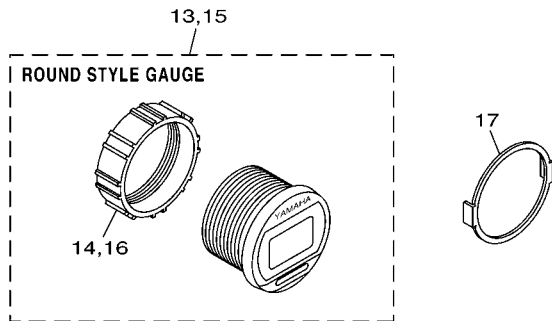
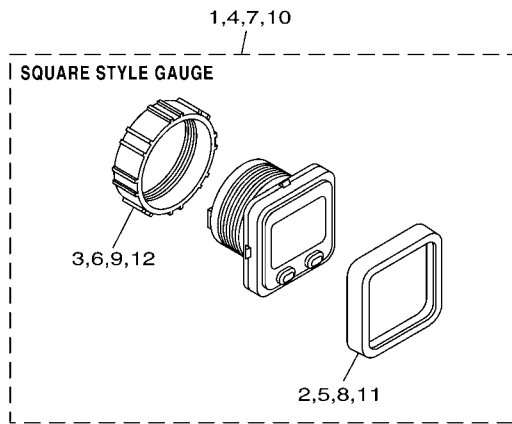
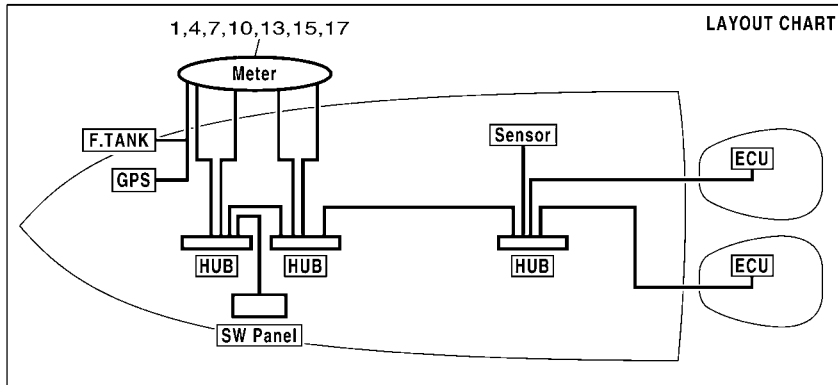


FIG. 10 WIRE HARNESS 2

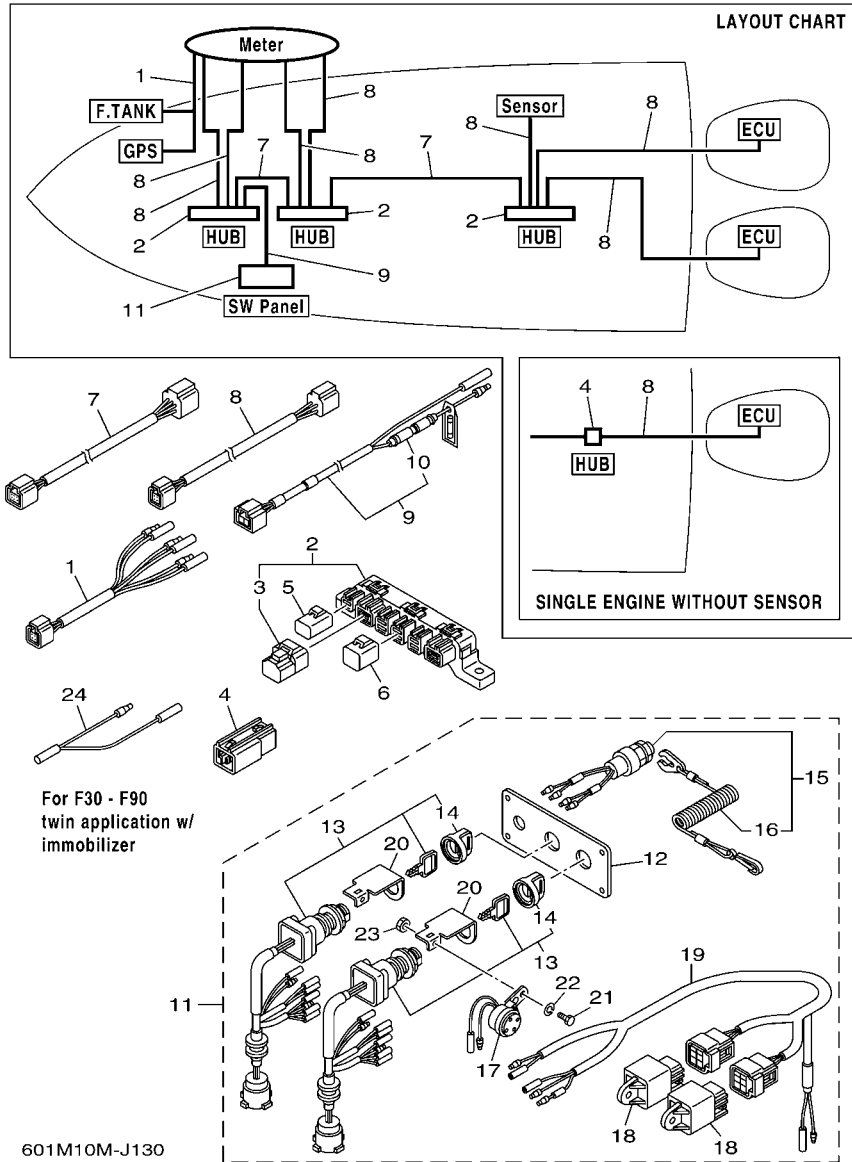
REF. NO.	PART NO.	DESCRIPTION	601M				REMARKS
1	688-82520-00	LIGHT SWITCH ASSY	1				
2	688-82526-00	SWITCH, LAMP	1				
3	64D-82553-50	EXTENSION, WIRE LEAD (L=5.0M)	1				UR FOR (L)250G
	64D-82553-70	EXTENSION, WIRE LEAD (L=7.0M)	1				UR FOR (L)250G
	64D-82553-80	EXTENSION, WIRE LEAD (L=8.0M)	1				UR FOR (L)250G
	64D-82553-90	EXTENSION, WIRE LEAD (L=9.5M)	1				UR FOR (L)250G
4	68F-82553-50	EXTENSION, WIRE LEAD (L=5.0M)	1				UR FOR (L)250G
	68F-82553-70	EXTENSION, WIRE LEAD (L=7.0M)	1				UR FOR (L)250G
	68F-82553-80	EXTENSION, WIRE LEAD (L=8.0M)	1				UR FOR (L)250G
	68F-82553-90	EXTENSION, WIRE LEAD (L=9.5M)	1				UR FOR (L)250G
	68F-82553-A0	EXTENSION, WIRE LEAD (L=10.5M)	1				UR FOR (L)250G
5	6R3-82553-30	EXTENSION, WIRE LEAD (L=3.0M)	1				UR (4P)
	6R3-82553-50	EXTENSION, WIRE LEAD (L=5.0M)	1				UR (4P)
	6R3-82553-70	EXTENSION, WIRE LEAD (L=7.0M)	1				UR (4P)
	6R3-82553-80	EXTENSION, WIRE LEAD (L=8.0M)	1				UR (4P)
	6R3-82553-90	EXTENSION, WIRE LEAD (L=9.0M)	1				UR (4P)
6	688-82586-11	EXTENSION, WIRE HARNESS (2.0M)	1				L:2M(7P)
7	6Y5-83653-00	WIRE, LEAD (L=5.0M)	1				UR 4P,5M
	6Y5-83653-10	WIRE, LEAD (L=6.0M)	1				UR 4P,6M
	6Y5-83653-20	WIRE, LEAD (L=7.0M)	1				UR 4P,7M
	6Y5-83653-30	WIRE, LEAD (L=8.0M)	1				UR 4P,8M
	6Y5-83653-40	WIRE, LEAD (L=9.0M)	1				UR 4P,9M
	6Y5-83653-50	WIRE, LEAD (L=10.5M)	1				UR 4P,10.5M
8	6Y5-83553-F1	WIRE, LEAD (L=8.0M)	1				
9	682-84380-00	CONCENT 2P	1				
10	682-84381-00	.2P CONCENT	1				
11	682-84382-00	.2P CONCENT	1				



6011100-G880

FIG. 12 DIGITAL NETWORK GAUGE 1

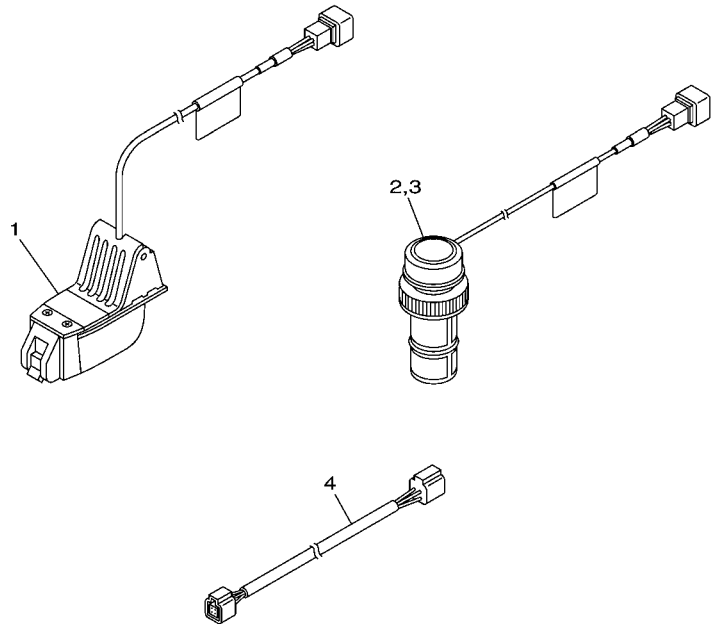
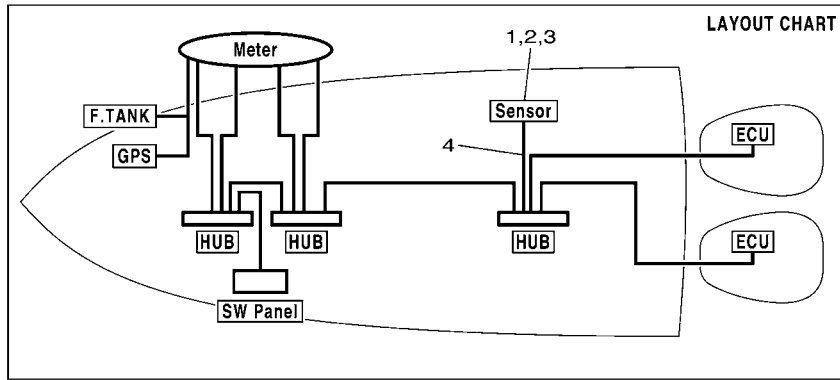
REF. NO.	PART NO.	DESCRIPTION	601M				REMARKS
1	6Y8-8350T-01	TACHOMETER, SQ	1				
2	6Y8-83363-00	.BEZEL, SQUARE	1				
3	6Y8-84383-00	.NUT, RING	1				
4	6Y8-8350S-01	SPEEDOMETER, SQ	1				
5	6Y8-83363-00	.BEZEL, SQUARE	1				
6	6Y8-84383-00	.NUT, RING	1				
7	6Y8-8350F-01	FL MGT METER, SQ	1				FUEL MANAGEMENT
8	6Y8-83363-00	.BEZEL, SQUARE	1				
9	6Y8-84383-00	.NUT, RING	1				
10	6Y8-83500-01	S&FM METER, SQ	1				SPEED & FUEL
11	6Y8-83363-00	.BEZEL, SQUARE	1				
12	6Y8-84383-00	.NUT, RING	1				
13	6Y8-8350T-11	TACHOMETER, RD	1				
14	6Y8-84383-00	.NUT, RING	1				
15	6Y8-83500-11	S&FM METER, RD	1				SPEED & FUEL
16	6Y8-84383-00	.NUT, RING	1				
17	6Y8-83514-00	PLATE, FITTING	1				UN



601M10M-J130

FIG. 13 DIGITAL NETWORK GAUGE 2

REF. NO.	PART NO.	DESCRIPTION	601M				REMARKS
1	6Y8-8356N-01	LEAD, FUEL TANK & GPS SENDER	1				
2	6Y8-81920-01	MULTI HUB ASSY	1				UN
3	6Y8-85371-01	.END OF LINE RESISTER	1				
4	6Y8-81920-11	IN-LINE HUB ASSY	1				
5	6Y8-82582-01	CAP 1 (2PIN)	1				UN
6	6Y8-82582-11	CAP 1 (4PIN)	1				UN
7	6Y8-82553-01	1FT MAIN BUS	1				UR
	6Y8-82553-11	15FT MAIN BUS	1				UR
	6Y8-82553-21	20FT MAIN BUS	1				UR
	6Y8-82553-31	25FT MAIN BUS	1				UR
	6Y8-82553-41	30FT MAIN BUS	1				UR
8	6Y8-82521-01	1FT PIGTAIL BUS	1				UR
	6Y8-82521-11	2FT PIGTAIL BUS	1				UR
	6Y8-82521-21	3FT PIGTAIL BUS	1				UR
	6Y8-82521-31	6FT PIGTAIL BUS	1				UR
	6Y8-82521-41	9FT PIGTAIL BUS	1				UR
	6Y8-82521-51	12FT PIGTAIL BUS	1				UR
9	6Y8-83553-01	8FT POWER WIRE	1				
10	6G1-82151-00	.FUSE (10A)	1				
11	6Y8-82570-02	PANEL SW., TWIN	1				
12	6Y8-82571-01	.PLATE, PANEL SWITCH	1				
13	6Y8-82510-02	.MAIN SWITCH ASSY	2				
14	676-82577-00	..CAP, KEY	1				
15	6K1-82575-00	.ENGINE STOP SWITCH ASSY	1				
16	682-82556-00	..LANYARD, STOP SWITCH	1				
17	6R5-83383-00	.BUZZER	2				



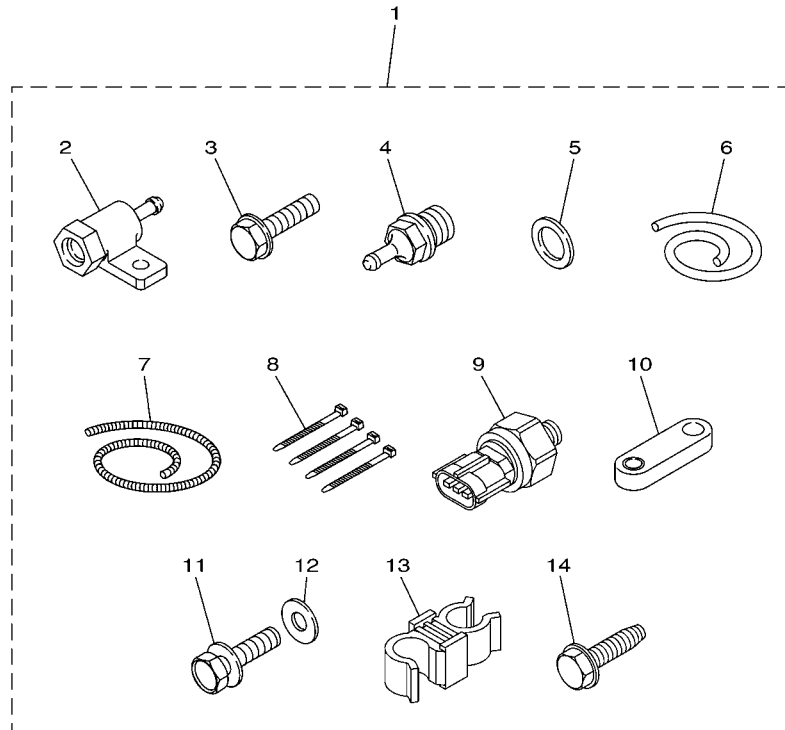
6Y82110-E030

FIG. 14 DIGITAL NETWORK GAUGE 3

REF. NO.	PART NO.	DESCRIPTION	601M				REMARKS
1	6Y8-83688-01	TRANSOM MOUNT TRIDUCER	1				
2	6Y8-83688-11	PLASTIC THRU-HULL TRIDUCER	1				PLASTIC BODY
3	6Y8-83688-20	BRONZE THRU-HULL TRIDUCER	1				BRONZE BODY
4	6Y8-82521-01	1FT PIGTAIL BUS	1				UR
	6Y8-82521-11	2FT PIGTAIL BUS	1				UR
	6Y8-82521-21	3FT PIGTAIL BUS	1				UR
	6Y8-82521-31	6FT PIGTAIL BUS	1				UR
	6Y8-82521-41	9FT PIGTAIL BUS	1				UR
	6Y8-82521-51	12FT PIGTAIL BUS	1				UR

Cooling water pressure sensor

Part No.	Remarks
60V-8A4L0-12	Fuel injected F30-F115, HPDI



601M10M-J150

FIG. 15 DIGITAL NETWORK GAUGE 4

REF. NO.	PART NO.	DESCRIPTION	601M				REMARKS
1	60V-8A4L0-12	SENSOR, MODULE	1				
2	60V-8366D-00	.ADAPTOR, INPUT	1				
3	95895-06025	.BOLT, FLANGE	1				
4	60V-83667-00	.SENDER, WATER PRESSURE	1				
5	90430-14115	.GASKET	1				
6	90445-07018	.HOSE (L1400)	1				
7	90447-07015	.HOSE, COVER (L: 1300MM)	1				
8	90465-11M10	.CLAMP	4				
9	6AW-8366B-00	.SENSOR, WATER PRESSURE	1				
10	60V-8257V-00	.PLATE, CONNECTOR	1				
11	97095-06016	.BOLT	1				
12	92995-06600	.WASHER	1				
13	90464-09021	.CLAMP	1				
14	90109-06M81	.BOLT	1				

NUMERICAL INDEX

PART NO.	REF. NO.	PART NO.	REF. NO.	PART NO.	REF. NO.	PART NO.	REF. NO.	PART NO.	REF. NO.	PART NO.	REF. NO.
60V-42629-00	17 - 8	68F-82553-70	10 - 4	6Y7-83510-70	4 - 1	6Y5-83553-10	9 - 6	6AW-8366B-00	15 - 9	6Y5-W0088-65	5 - 1
6H5-81315-00	13 - 24	6R3-82553-70	10 - 5	6Y5-83514-00	2 - 5	6Y5-83553-20	9 - 7		16 - 2	90109-06M81	15 - 14
697-81901-60	11 - 1	64D-82553-80	10 - 3		2 - 12	6Y5-83553-F1	5 - 7		17 - 2		17 - 4
6Y8-81920-01	13 - 2	68F-82553-80	10 - 4		2 - 21		5 - 17		18 - 9	90158-06003	5 - 9
6Y8-81920-11	13 - 4	6R3-82553-80	10 - 5		4 - 5		10 - 8	63P-8366C-00	16 - 4		5 - 9
68F-81949-02	11 - 3	64D-82553-90	10 - 3	6Y8-83514-00	12 - 17	6Y5-83553-M0	9 - 9	69J-8366C-00	16 - 3		5 - 19
69J-81949-02	11 - 3	68F-82553-90	10 - 4	6Y5-83517-00	2 - 2	6Y5-83553-N0	9 - 11	60V-8366D-00	15 - 2	90430-14115	15 - 5
68V-81950-00	13 - 18	6R3-82553-90	10 - 5		2 - 9	688-83557-00	4 - 6		17 - 3		16 - 5
676-81970-01	10 - 12	68F-82553-A0	10 - 4		2 - 18	6Y5-83557-00	3 - 20		18 - 8	90445-07017	17 - 6
677-81975-00	10 - 14	682-82556-00	13 - 16		4 - 2	6Y5-83557-31	3 - 7	6Y7-83670-00	6 - 1	90445-07018	15 - 6
6Y5-82117-00	5 - 10	6Y8-82570-02	13 - 11	6Y5-83518-00	2 - 14		3 - 16	6Y7-83670-20	6 - 1		18 - 5
	9 - 2	6Y8-82571-01	13 - 12		2 - 22	6Y5-8355X-H0	7 - 15	6Y7-83670-40	6 - 1	90447-07013	17 - 7
6Y5-82149-00	9 - 2	6K1-82575-00	13 - 15		6 - 2	6Y5-8355X-T1	1 - 6	6Y7-83670-50	6 - 1	90447-07015	15 - 7
1E6-82151-00	9 - 5	676-82577-00	13 - 14		6 - 7		1 - 11	6Y8-83688-01	14 - 1		18 - 4
	9 - 8	60V-8257V-00	15 - 10		7 - 2		3 - 5	6Y8-83688-11	14 - 2	90464-09021	15 - 13
	9 - 10	64D-82581-00	13 - 20		7 - 11		3 - 15	6Y8-83688-20	14 - 3	90465-06M86	18 - 2
	9 - 12	6Y8-82582-01	13 - 5		8 - 5		5 - 4	6Y5-83728-00	3 - 8	90465-11M10	3 - 9
663-82151-00	10 - 13	6Y8-82582-11	13 - 6		8 - 7		5 - 13		3 - 17		3 - 18
6G1-82151-00	13 - 10	688-82586-11	10 - 6	6Y5-83523-00	2 - 4	6Y5-8356N-00	9 - 13	663-84301-01	11 - 2		3 - 21
6Y8-82507-00	13 - 19	6Y8-83363-00	12 - 2		2 - 11	6Y8-8356N-01	13 - 1	682-84380-00	10 - 9		4 - 7
6Y8-82510-02	13 - 13		12 - 5		2 - 20	6Y5-83570-30	3 - 11	682-84381-00	10 - 10		15 - 8
688-82520-00	10 - 1		12 - 8		4 - 4	6Y5-83570-S5	3 - 1	682-84382-00	10 - 11		17 - 5
6Y8-82521-01	13 - 8		12 - 11	6Y5-83533-T2	3 - 4	6Y5-83577-00	7 - 9	6Y8-84383-00	12 - 3	90465-14M66	18 - 3
	14 - 4	6R5-83383-00	13 - 17		3 - 14	6Y7-83590-00	7 - 1		12 - 6	92903-05100	2 - 16
6Y8-82521-11	13 - 8	6Y8-83500-01	12 - 10		5 - 16	6Y7-83590-10	7 - 1		12 - 9		13 - 22
	14 - 4	6Y8-83500-11	12 - 15	6Y5-83536-00	6 - 3	688-83591-00	7 - 6		12 - 12	92903-06600	10 - 17
6Y8-82521-21	13 - 8	6Y5-83500-30	3 - 10		6 - 8	6Y5-83653-00	10 - 7		12 - 14	92990-04100	1 - 4
	14 - 4	6Y5-83500-40	5 - 12		7 - 3	6Y5-83653-10	10 - 7		12 - 16		1 - 9
6Y8-82521-31	13 - 8	6Y5-83500-F2	5 - 2		7 - 10	6Y5-83653-20	10 - 7	6Y8-85371-01	13 - 3		3 - 2
	14 - 4	6Y7-83503-00	8 - 1		8 - 4	6Y5-83653-30	10 - 7	6R3-85721-30	9 - 1		3 - 12
6Y8-82521-41	13 - 8	6Y7-83503-10	8 - 1		8 - 8	6Y5-83653-40	10 - 7	6R3-85721-50	9 - 1		5 - 5
	14 - 4	6Y7-83504-00	7 - 14	6Y5-83536-10	2 - 3	6Y5-83653-50	10 - 7	6R3-85721-80	9 - 1		5 - 14
6Y8-82521-51	13 - 8	6Y5-83504-01	7 - 7	6Y5-83536-40	2 - 3	6Y7-83660-00	6 - 6	6Y5-85721-F0	5 - 20		7 - 13
	14 - 4	6Y7-83504-10	7 - 14		2 - 10	6Y7-83660-10	6 - 6	6Y7-85750-00	8 - 6		7 - 16
688-82526-00	10 - 2	6Y5-83509-03	2 - 13		2 - 19	6Y7-83660-20	6 - 6	6Y7-85750-10	8 - 6	92990-05100	2 - 7
703-82531-00	5 - 11	6Y8-8350F-01	12 - 7		4 - 3	6Y7-83660-30	6 - 6	6Y7-85750-20	8 - 6		2 - 24
	9 - 3	6Y8-8350S-01	12 - 4	6Y7-83540-00	2 - 8	688-83664-00	6 - 5	6Y7-85750-30	8 - 6	92995-06600	15 - 12
6Y8-82553-01	13 - 7	6Y8-8350T-01	12 - 1	6Y7-83540-10	2 - 8		6 - 9	6Y5-85752-02	5 - 8		17 - 10
6Y8-82553-11	13 - 7	6Y5-8350T-03	1 - 1	6Y7-83540-20	2 - 1		7 - 4		5 - 8		18 - 7
6Y8-82553-21	13 - 7	6Y8-8350T-11	12 - 13	6Y7-83540-30	2 - 1		7 - 8		5 - 18	95303-04600	7 - 12
6R3-82553-30	10 - 5	6Y5-8350T-90	1 - 7	6Y7-83540-80	2 - 17		8 - 3	6Y5-87122-S0	3 - 6	95303-05600	2 - 15
6Y8-82553-31	13 - 7	6Y7-83510-00	4 - 1	6Y7-83540-90	2 - 17		8 - 9		3 - 19	95303-05700	13 - 23
6Y8-82553-41	13 - 7	6Y7-83510-10	4 - 1	6Y5-83544-00	6 - 4	688-83665-00	6 - 10		5 - 3	95380-04600	1 - 5
64D-82553-50	10 - 3	6Y7-83510-20	4 - 1		7 - 5	688-83666-00	6 - 13	69J-8A4L0-11	16 - 1		1 - 10
68F-82553-50	10 - 4	6Y7-83510-30	4 - 1		8 - 2	60V-83667-00	15 - 4	60V-8A4L0-12	15 - 1		3 - 3
6R3-82553-50	10 - 5	6Y7-83510-40	4 - 1		8 - 10	688-83667-00	6 - 12	6AW-8A4L1-01	18 - 1		3 - 13
6Y8-82553-50	13 - 7	6Y7-83510-50	4 - 1	6Y5-83553-00	9 - 4	663-83668-00	6 - 11	60V-8A4L1-11	17 - 1		5 - 6
64D-82553-70	10 - 3	6Y7-83510-60	4 - 1	6Y8-83553-01	13 - 9		6 - 14	6Y5-W0088-54	5 - 1		5 - 15

NUMERICAL INDEX

PART NO.	REF. NO.	PART NO.	REF. NO.	PART NO.	REF. NO.	PART NO.	REF. NO.	PART NO.	REF. NO.
95380-04600	7 - 17								
95380-05600	2 - 6								
	2 - 23								
95895-06025	15 - 3								
97013-06010	10 - 16								
97095-06016	15 - 11								
	17 - 9								
	18 - 6								
97303-05012	13 - 21								
97880-05025	10 - 15								
9E450-04433	1 - 2								
9E450-04533	1 - 3								
	1 - 8								