

PARTS CATALOGUE CATALOGUE DE PIÈCES DÉTACHÉES

F20G



1S6FM-300FA

()

2020/2/10

| NEWS NO. | DATE | COMMENT |
|---------------|--------------|--|
| PE0-OM-190030 | Aug.,28,2019 | MOD:FIG.18 ELECTRICAL 4 LIST/ILLUSTRATION REVISION |
| PE0-OM-200007 | Jan.,28,2020 | MOD:F25G(6FM) CRANKSHAFT & PISTON LIST REVISION |
| PE0-OM-200010 | Feb.,3,2020 | MOD:F25G(6FM) INTAKE 1 LIST REVISION |

F25G
PARTS CATALOGUE
©2018 by Yamaha Motor Co., Ltd.
1st edition, June 2018
All rights reserved.
Any reprinting or unauthorized use
without the written permission of
Yamaha Motor Co., Ltd.
is expressly prohibited.
Printed in Japan.

F25G
CATALOGUE DE PIÈCES DÉTACHÉES
©2018 par Yamaha Motor Co., Ltd.
1^{re} édition, juin 2018
Tous droits réservés
Toute réimpression ou utilisation
non autorisée sans la permission écrite
de la Yamaha Motor Co., Ltd.
est formellement interdite.
Imprimé au Japon

FOREWORD

This Parts Catalogue is related to the parts for the model(s) on the cover page. When you are ordering replacement parts, please refer to this Parts Catalogue and quote both part numbers and part names correctly.

1. Modifications or additions which have been made after the issue of the Parts Catalogue will be announced in the Parts News. It is advisable that you make the necessary corrections to the Parts Catalogue according to the Parts News.

2. Abbreviations

The following abbreviations are used in this Parts Catalogue.

“UR” Use specified parts number.

“UN” Use as many as needed.

“AP” Alternate Parts

“LM” Locally Made (Parts need to be ordered locally)

“F#” Frame No. (Applicable machine No.)

“O/S” Over Size

3. The number of components for assembly

- Parts, which are to be supplied in an assembly, are listed with a dot (.) in front of the part name as shown below.
- The numeral appearing to the right of each component part indicates the quantity of parts for each assembly unit.

| PART NO. | DESCRIPTION | Q'TY | REMARKS |
|--------------|--------------------------|------|---------|
| 2F5-83310-60 | FRONT FLASHER LIGHT ASSY | 2 | |
| 115-83311-60 | .BULB (6V-18W) | 1 | |

4. Applicable colours of graphics are represented in the “REMARKS” as shown below.

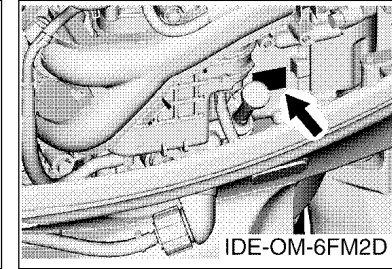
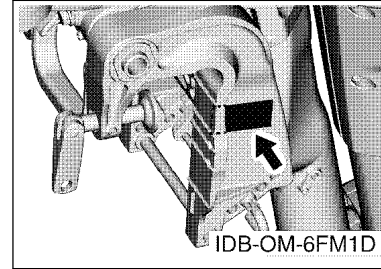
| PART NO. | DESCRIPTION | Q'TY | REMARKS |
|-----------------|---------------------|------|---------|
| 2N4-24110-00-X5 | FUEL TANK COMP. | 2 | MXR |
| 3J1-24240-10 | .GRAPHIC, FUEL TANK | 1 | FOR MXR |

5. Note that the illustrations for reference in finding parts numbers are not to be used for assembling. When assembling, please use the applicable service manual.

6. The asterisk (*) before a reference number indicates modified items after the first edition.

7. Applicable Serial No.

Engine Serial No.



8. Applicable Engine Starting Serial No.

| Model | Serial No. | Model | Serial No. |
|-------|--------------|-------|------------|
| F25G | 6FMK-1012591 | | |
| | | | |
| | | | |
| | | | |

9. Applicable Colour Code

| Abbreviation | Colour Name | Colour Code |
|--------------|--------------------|-------------|
| DBN1 | DARK BLUISH GRAY 1 | 008D |

10. Quantity Column Information

| Column No. | Name Of Q'ty Column | Applicable Model |
|------------|---------------------|------------------|
| 1 | MH | F25GMH |
| 2 | WH | F25GWH |
| 3 | E | F25GE |
| 4 | ET | F25GET |
| | | |

AVANT-PROPOS

Ce catalogue de pièces détachées concerne les pièces pour le(s) modèle(s) indiqué(s) sur la page de couverture. Lorsque vous commandez des pièces de rechange, veuillez vous référer à ce catalogue de pièces détachées et indiquer clairement les numéros et les noms des pièces détachées.

- Les modifications ou ajouts ayant été effectués après la parution du catalogue de pièces détachées seront décrits dans les Bulletins d'information concernant les pièces détachées. Il est recommandé que vous apportiez les corrections nécessaires au catalogue des pièces détachées en vous référant aux Bulletins d'information.

2. Abréviations

Dans ce catalogue, les abréviations suivantes sont utilisées:

- “UR” Utiliser le numéro de pièces spécifié.
- “UN” Utiliser autant que nécessaire.
- “AP” Pièces de substitution
- “LM” Fabrication locale (les pièces doivent être commandées localement.)
- “F#” N° de cadre (applicable au N° de série)
- “O/S” Surdimensionné

3. Nombre de pièces d'un assemblage

- Les pièces fournies comme composants d'un assemblage sont précédées d'un point (.) de la manière indiquée ci-dessous.
- Le chiffre apparaissant à la droite de chaque composant indique la quantité de pièces pour chaque unité d'assemblage.

| N° PIECES | DESCRIPTION | QTE | REMARQUES |
|--------------|-----------------------|-----|-----------|
| 2F5-83310-60 | ENS. CLIGNOTANT AVANT | 2 | |
| 115-83311-60 | .AMPOULE (6V-18W) | 1 | |

- Les couleurs concernant les graphiques sont indiquées dans la colonne “REMARQUES”, comme indiqué ci-dessous.

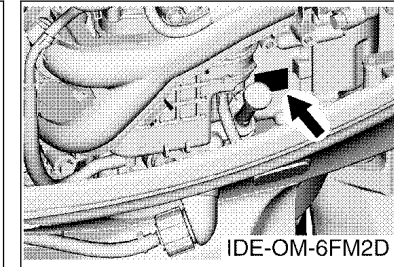
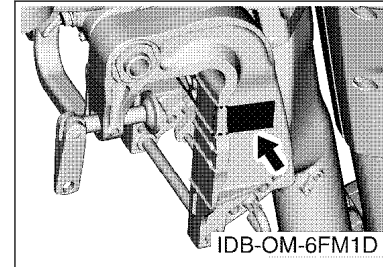
| N° PIECES | DESCRIPTION | QTE | REMARQUES |
|-----------------|----------------------|-----|-----------|
| 2N4-24110-00-X5 | RESERVOIR A ESSENCE. | 2 | MXR |
| 3J1-24240-10 | .GRAPHIQUE | 1 | POUR MXR |

- Veuillez noter que les illustrations sont indiquées à titre de référence pour trouver les numéros de pièces, non pour être utilisées lors de l'assemblage. Lors de l'assemblage, veuillez utiliser le manuel d'entretien adéquat.

- L'astérisque (*) placé devant un numéro de référence indique des éléments qui ont été modifiés après la première édition.

7. N° de série applicable

N° de Série du moteur



8. N° de série initial du moteur applicable

| Modèle | N° de série | Modèle | N° de série |
|--------|--------------|--------|-------------|
| F25G | 6FMK-1012591 | | |
| | | | |
| | | | |
| | | | |

9. Code couleur applicable

| Abréviation | Nom de la couleur | Code couleur |
|-------------|--------------------|--------------|
| DBN1 | DARK BLUISH GRAY 1 | 008D |

10. Informations relatives à la colonne Quantité

| N° de la colonne | Nom de la colonne Qté | Modèle applicable |
|------------------|-----------------------|-------------------|
| 1 | MH | F25GMH |
| 2 | WH | F25GWH |
| 3 | E | F25GE |
| 4 | ET | F25GET |
| | | |

| | |
|------------------------------|----|
| SCHEDULED SERVICE PARTS..... | 1 |
| TOP COWLING..... | 2 |
| CYLINDER & CRANKCASE 1..... | 3 |
| CRANKSHAFT & PISTON..... | 4 |
| CYLINDER & CRANKCASE 2..... | 5 |
| VALVE..... | 6 |
| INTAKE 1..... | 7 |
| INTAKE 2..... | 8 |
| FUEL INJECTION PUMP..... | 10 |
| OIL PUMP..... | 12 |
| FUEL 1..... | 13 |
| FUEL 2..... | 15 |
| STARTER..... | 17 |
| GENERATOR..... | 19 |
| ELECTRICAL 1..... | 20 |
| ELECTRICAL 2..... | 21 |
| ELECTRICAL 3..... | 22 |
| ELECTRICAL 4..... | 23 |
| ELECTRICAL 5..... | 24 |
| ELECTRICAL 6..... | 25 |
| STARTING MOTOR..... | 26 |
| BOTTOM COWLING..... | 27 |
| STEERING..... | 29 |
| STEERING FRICTION..... | 31 |
| CONTROL 1..... | 32 |
| CONTROL 2..... | 33 |
| REMO CON ATTACHMENT..... | 35 |
| BRACKET 1..... | 36 |
| BRACKET 2..... | 38 |
| BRACKET 3..... | 40 |
| POWER TRIM & TILT ASSY..... | 42 |
| UPPER CASING..... | 45 |
| OIL PAN..... | 46 |
| LOWER CASING & DRIVE 1..... | 47 |
| LOWER CASING & DRIVE 2..... | 50 |
| FUEL TANK 1..... | 51 |
| FUEL TANK 2..... | 52 |
| STEERING GUIDE..... | 53 |
| REMOTE CONTROL BOX..... | 54 |
| REMOTE CONTROL ASSY..... | 55 |

CONTENTS

| | |
|-----------------------|----|
| OPTIONAL PARTS 1..... | 58 |
| OPTIONAL PARTS 2..... | 60 |
| OPTIONAL PARTS 3..... | 61 |
| OPTIONAL PARTS 4..... | 64 |
| OPTIONAL PARTS 5..... | 65 |
| OPTIONAL PARTS 6..... | 66 |
| OPTIONAL PARTS 7..... | 67 |
| REPAIR KIT 1..... | 68 |
| REPAIR KIT 2..... | 69 |

INDEX

| | |
|----------------------|----|
| NUMERICAL INDEX..... | 70 |
|----------------------|----|

TABLE DES MATIERES

| | |
|-------------------------------------|----|
| PIECES MAINTENANCE PERIODIQUE..... | 1 |
| CAPOT SUPERIEUR..... | 2 |
| CYLINDRE & CARTER 1..... | 3 |
| VILEBREQUIN & PISTON..... | 4 |
| CYLINDRE & CARTER 2..... | 5 |
| SOUPAPE..... | 6 |
| ADMISSION 1..... | 7 |
| ADMISSION 2..... | 8 |
| FUEL INJECTION PUMP..... | 10 |
| POMPE A HUILE..... | 12 |
| CARBURANT 1..... | 13 |
| CARBURANT 2..... | 15 |
| DEMARREUR..... | 17 |
| GENERATRICE..... | 19 |
| PARTIE ELECTRIQUE 1..... | 20 |
| PARTIE ELECTRIQUE 2..... | 21 |
| PARTIE ELECTRIQUE 3..... | 22 |
| PARTIE ELECTRIQUE 4..... | 23 |
| PARTIE ELECTRIQUE 5..... | 24 |
| PARTIE ELECTRIQUE 6..... | 25 |
| DEMARREUR ELECTRIQUE..... | 26 |
| CAPOT INFERIEUR..... | 27 |
| DIRECTION..... | 29 |
| CUVETTE POIGNEE DE DIRECTION..... | 31 |
| COMMANDE 1..... | 32 |
| COMMANDE 2..... | 33 |
| COMMANDE A DISTANCE..... | 35 |
| SUPPORT 1..... | 36 |
| SUPPORT 2..... | 38 |
| SUPPORT 3..... | 40 |
| PUISSANCE PARER ET INCLINER..... | 42 |
| FOURREAU..... | 45 |
| VENTILATEUR D'HUILE..... | 46 |
| BOITIER D'HELICE TRANSMISSION1..... | 47 |
| BOITIER D'HELICE TRANSMISSION2..... | 50 |
| RESERVOIR A CARBURANT 1..... | 51 |
| RESERVOIR A CARBURANT 2..... | 52 |
| FIXATION DE DIRECTION..... | 53 |
| BOITIER DE COMMANDE A DISTANCE..... | 54 |
| BOITIER DE COMMANDE A DISTANCE..... | 55 |

| | |
|----------------------------|----|
| PIECES OPTIONNELLES 1..... | 58 |
| PIECES OPTIONNELLES 2..... | 60 |
| PIECES OPTIONNELLES 3..... | 61 |
| PIECES OPTIONNELLES 4..... | 64 |
| PIECES OPTIONNELLES 5..... | 65 |
| PIECES OPTIONNELLES 6..... | 66 |
| PIECES OPTIONNELLES 7..... | 67 |
| KITS DE REPARATION 1..... | 68 |
| KITS DE REPARATION 2..... | 69 |

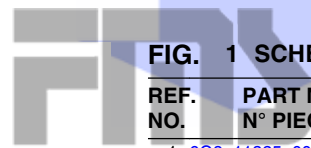
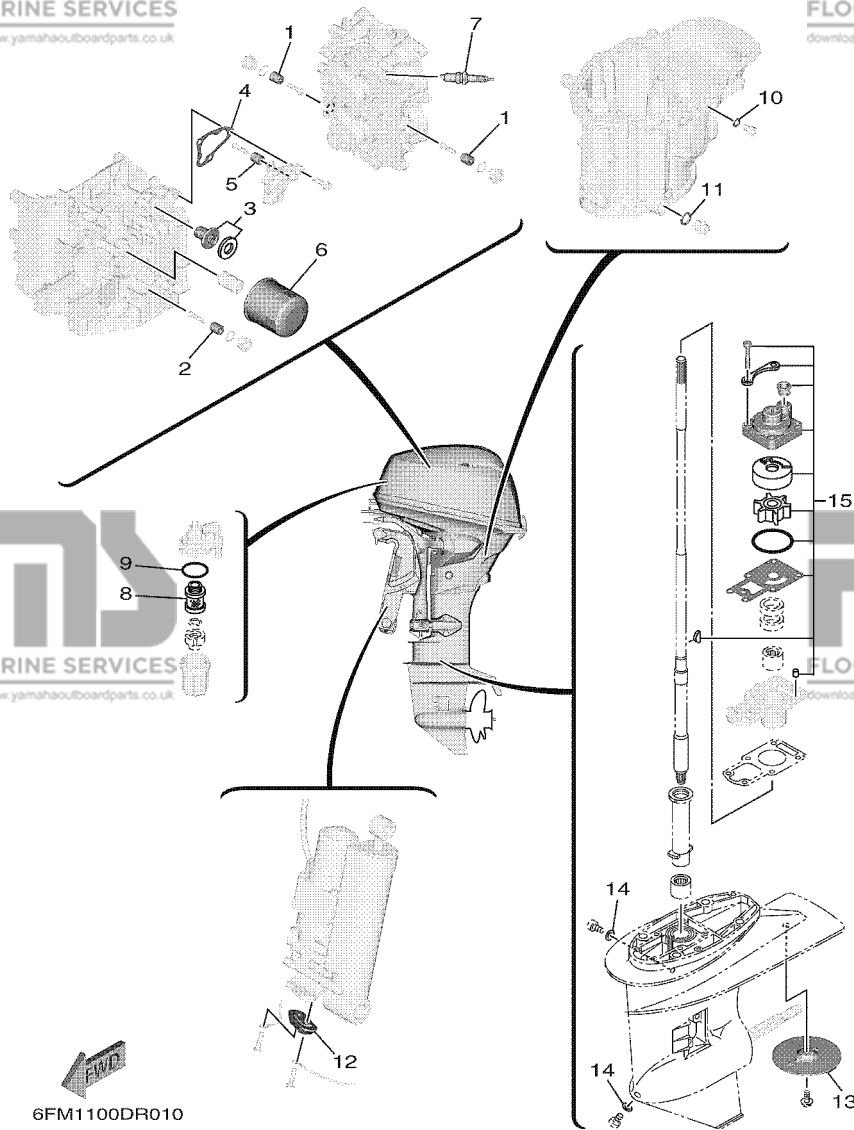
INDEX

| | |
|----------------------|----|
| INDEX NUMERIQUE..... | 70 |
|----------------------|----|



FLOOD MARINE SERVICES

downloaded from www.yamahaoutboardparts.co.uk



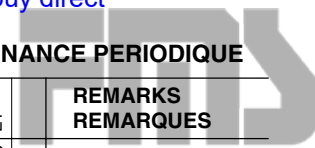
FLOOD MARINE SERVICES

downloaded from www.yamahaoutboardparts.co.uk

FIG. 1 SCHEDULED SERVICE PARTS

PIECES MAINTENANCE PERIODIQUE

| REF. NO. | PART NO. N° PIECES | DESCRIPTION DESCRIPTION | MH | WH | E | ET | REMARKS REMARQUES |
|----------|--------------------|-------------------------------|----|----|---|----|-------------------|
| 1 | 6G8-11325-00 | ANODE | 2 | 2 | 2 | 2 | |
| 2 | 6G8-11325-00 | ANODE | 1 | 1 | 1 | 1 | |
| 3 | 6FM-12411-00 | THERMOSTAT | 1 | 1 | 1 | 1 | |
| 4 | 6FM-12414-00 | GASKET, COVER | 1 | 1 | 1 | 1 | |
| 5 | 6G8-11325-00 | ANODE | 1 | 1 | 1 | 1 | |
| 6 | 5GH-13440-60 | ELEMENT ASSY, OIL CLEANER | 1 | 1 | 1 | 1 | |
| 7 | 94702-00418 | PLUG, SPARK (NGK DPR6EB-9) | 2 | 2 | 2 | 2 | |
| 8 | 6D8-24563-00 | ELEMENT, FILTER | 1 | 1 | 1 | 1 | |
| 9 | 6D8-24564-00 | GASKET | 1 | 1 | 1 | 1 | |
| 10 | 90430-08143 | GASKET | 1 | 1 | 1 | 1 | |
| 11 | 90430-14M09 | GASKET | 1 | 1 | 1 | 1 | |
| 12 | 65W-45251-00 | ANODE | | | | 1 | |
| 13 | 664-45371-01 | TAB-TRIM | 1 | 1 | 1 | 1 | |
| 14 | 90430-08003 | GASKET | 2 | 2 | 2 | 2 | |
| 15 | 6FM-W0078-00 | WATER PUMP REPAIR KIT | 1 | 1 | 1 | 1 | |
| | | KIT DE REPARATION DE LA POMPE | | | | | |



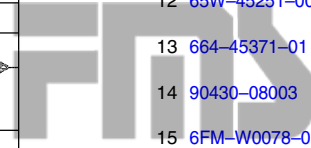
FLOOD MARINE SERVICES

downloaded from www.yamahaoutboardparts.co.uk



FLOOD MARINE SERVICES

downloaded from www.yamahaoutboardparts.co.uk



FLOOD MARINE SERVICES

downloaded from www.yamahaoutboardparts.co.uk



FLOOD MARINE SERVICES

downloaded from www.yamahaoutboardparts.co.uk



FLOOD MARINE SERVICES

downloaded from www.yamahaoutboardparts.co.uk



FLOOD MARINE SERVICES

downloaded from www.yamahaoutboardparts.co.uk

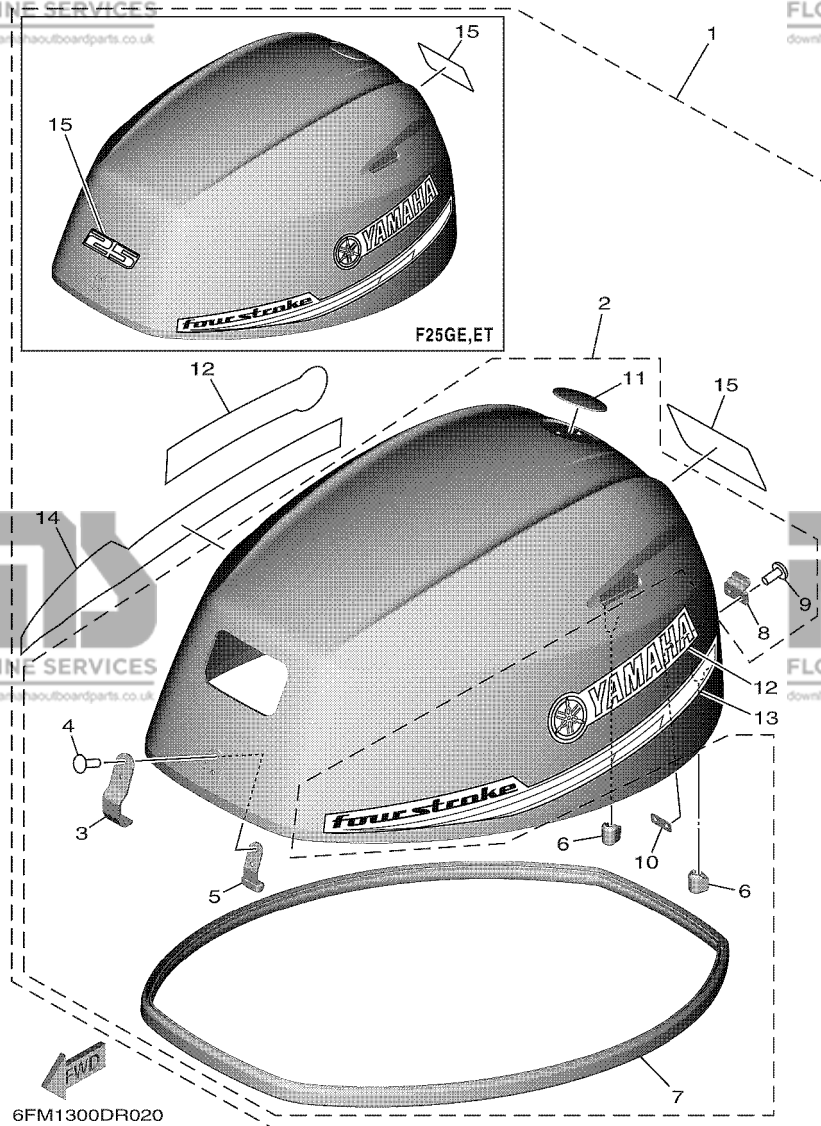


FLOOD MARINE SERVICES

downloaded from www.yamahaoutboardparts.co.uk

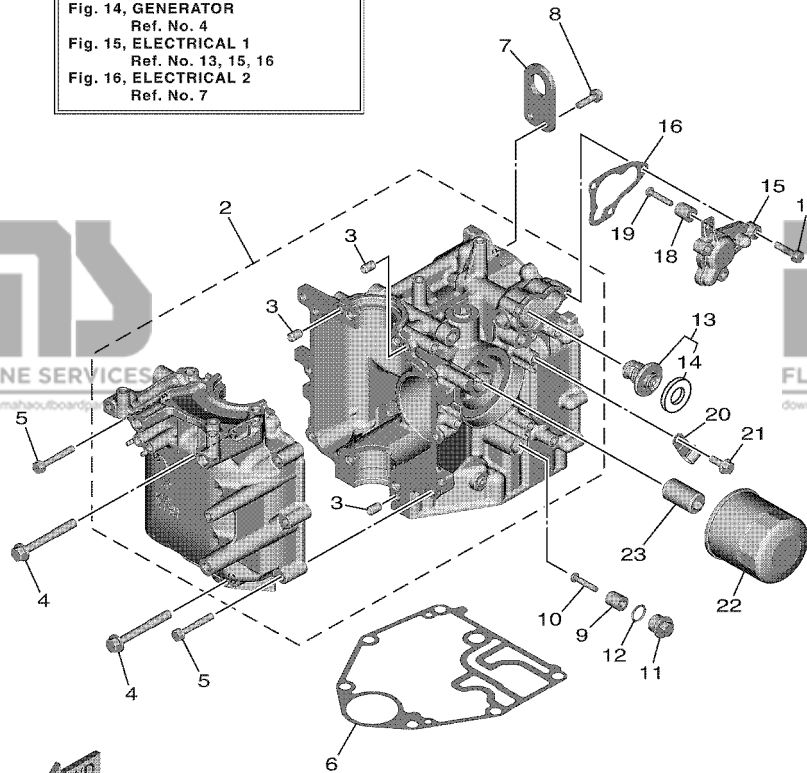
FIG. 2 TOP COWLING

CAPOT SUPERIEUR



| REF. NO. | PART NO. N° PIECES | DESCRIPTION DESCRIPTION | MH | WH | E | ET | REMARKS REMARQUES |
|----------|------------------------------|--|----|----|---|----|-------------------|
| 1 | 6FM-42610-00 | TOP COWLING ASSY CAPOT (ENS.) | 1 | 1 | | | |
| | 6FM-42610-10 | TOP COWLING ASSY CAPOT (ENS.) | | | 1 | 1 | |
| 2 | 6FM-4261A-00 | .TOP COWLING W/O GRAPHICS .CAPOT SUPERIEUR SANS GRAPHIQUE | 1 | 1 | | | |
| | 6FM-4261A-10 | .TOP COWLING W/O GRAPHICS .CAPOT SUPERIEUR SANS GRAPHIQUE | | | 1 | 1 | |
| 3 | 6FM-42651-00 | .HOOK .CROCHET | 1 | 1 | 1 | 1 | |
| 4 | 90266-04M01 | .RIVET .RIVET | 2 | 2 | 2 | 2 | |
| 5 | 6FM-42649-00 | .HOLDER, CLAMP BAND .SUPPORT, SANDOW DE SERRAGE | 1 | 1 | 1 | 1 | |
| 6 | 6BG-42662-00 | .DAMPER .AMORTISSEUR | 2 | 2 | 2 | 2 | |
| 7 | 6FM-42615-00 | .SEAL .JOINT | 1 | 1 | 1 | 1 | |
| 8 | 6FM-42652-00 | .HOOK .CROCHET | 1 | 1 | 1 | 1 | |
| 9 | 90266-04M01 | .RIVET .RIVET | 2 | 2 | 2 | 2 | |
| 10 | 6FM-42647-00 | .HOLDER, CLAMP BAND .SUPPORT, SANDOW DE SERRAGE | 1 | 1 | 1 | 1 | |
| 11 | 6AH-42697-10 | .TUNING FORK MARK .MARQUE, YAMAHA | 1 | 1 | 1 | 1 | |
| 12 | 6FM-42681-00 | .MARK, COWLING .ADHESIF, CAPOT | 2 | 2 | 2 | 2 | |
| 13 | 6FM-42675-00 | .GRAPHIC, SIDE 1 .EMBLEME | 1 | 1 | 1 | 1 | |
| 14 | 6FM-42676-00 | .GRAPHIC, SIDE 2 .EMBLEME | 1 | 1 | 1 | 1 | |
| 15 | 6BP-42677-10 | .GRAPHIC, FRONT .ADHESIF, AVANT | 1 | 1 | | | |
| | 6BP-42677-10 | .GRAPHIC, FRONT .ADHESIF, AVANT | | | 2 | 2 | |

1
CYLINDER BLOCK ASSY
Fig. 3, CYLINDER & CRANKCASE 1
Ref. No. 2 to 23
Fig. 4, CRANKSHAFT & PISTON
Ref. No. 1 to 10
Fig. 5, CYLINDER & CRANKCASE 2
Ref. No. 4, 18, 19
Fig. 10, OIL PUMP
Ref. No. 6 to 9
Fig. 14, GENERATOR
Ref. No. 4
Fig. 15, ELECTRICAL 1
Ref. No. 13, 15, 16
Fig. 16, ELECTRICAL 2
Ref. No. 7



6FM1100DR030

FIG. 3 CYLINDER & CRANKCASE 1

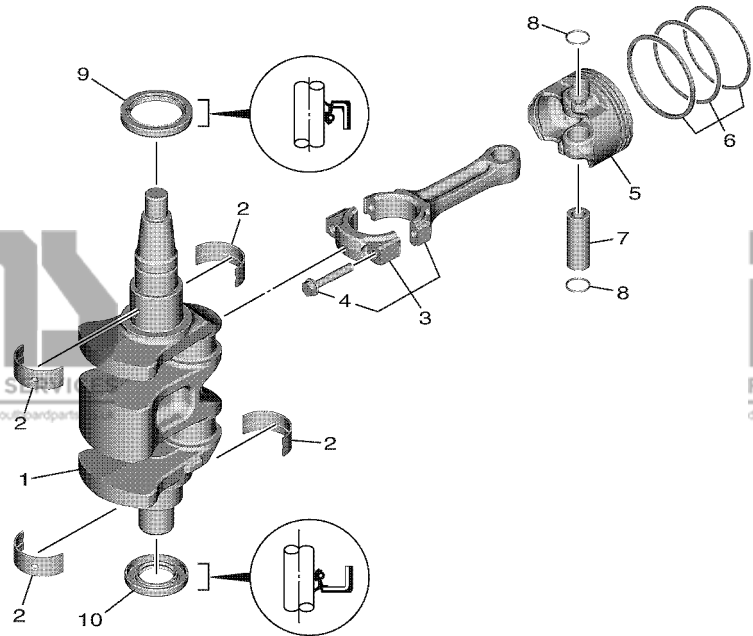
CYLINDRE & CARTER 1

| REF. NO. | PART NO. N° PIECES | DESCRIPTION DESCRIPTION | MH | WH | LE | LT | REMARKS REMARQUES |
|----------|--------------------|--|----|----|----|----|-------------------|
| 1 | 6FM-W009B-00-1S | CYLINDER BLOCK ASSY CYLINDRE GROUPE (ENS.) | 1 | 1 | 1 | 1 | |
| 2 | 6FM-15100-00 | CRANKCASE ASSY CARTER DE MOTEUR COMPLET | 1 | 1 | 1 | 1 | |
| 3 | 99530-08012 | .PIN, DOWEL .GOUJON, D'ASSEMBLAGE | 3 | 3 | 3 | 3 | |
| 4 | 90119-08093 | BOLT, WITH WASHER BOULON, AVEC RONDELLE | 4 | 4 | 4 | 4 | |
| 5 | 97513-06540 | BOLT, WITH WASHER VIS HEXAGONAL AVEC RONDELLE | 6 | 6 | 6 | 6 | |
| 6 | 6FM-11351-00 | GASKET, CYLINDER JOINT, D'EMBASE | 1 | 1 | 1 | 1 | |
| 7 | 6FM-11119-00 | HANGER, ENGINE ANNEAU, LEVAGE | 1 | 1 | 1 | 1 | |
| 8 | 90105-06M07 | BOLT, FLANGE BOULON, A COLLERETTE | 2 | 2 | 2 | 2 | |
| 9 | 6G8-11325-00 | ANODE ANODE | 1 | 1 | 1 | 1 | |
| 10 | 98980-05025 | SCREW, BIND VIS, DE PRESSION | 1 | 1 | 1 | 1 | |
| 11 | 6G8-11197-A0 | PLUG, BLIND PLOT, BORGNE | 1 | 1 | 1 | 1 | |
| 12 | 93210-13M63 | O-RING JOINT TORIQUE | 1 | 1 | 1 | 1 | |
| 13 | 6FM-12411-00 | THERMOSTAT THERMOSTAT | 1 | 1 | 1 | 1 | |
| 14 | 6FM-12412-00 | .SEAL, THERMOSTAT .JOINT, THERMOSTAT | 1 | 1 | 1 | 1 | |
| 15 | 6FM-12413-00-1S | COVER, THERMOSTAT COUVERCLE, THERMOSTAT | 1 | 1 | 1 | 1 | |
| 16 | 6FM-12414-00 | GASKET, COVER JOINT, COUVERCLE | 1 | 1 | 1 | 1 | |
| 17 | 90119-06MA3 | BOLT, WITH WASHER BOULON, AVEC RONDELLE | 3 | 3 | 3 | 3 | |
| 18 | 6G8-11325-00 | ANODE ANODE | 1 | 1 | 1 | 1 | |
| 19 | 98980-05025 | SCREW, BIND VIS, DE PRESSION | 1 | 1 | 1 | 1 | |
| 20 | 90465-08M83 | CLAMP BRIDE | 1 | 1 | 1 | 1 | |
| 21 | 95895-06016 | BOLT, FLANGE BOULON | 1 | 1 | 1 | 1 | |
| 22 | 5GH-13440-60 | ELEMENT ASSY, OIL CLEANER ELEMENT, FILTRE A HUILE | 1 | 1 | 1 | 1 | |
| 23 | 6C5-12858-00 | BOLT, UNION BOULON, RACCORD | 1 | 1 | 1 | 1 | |

FIG. 4 CRANKSHAFT & PISTON

VILEBREQUIN & PISTON

| REF. NO. | PART NO. N° PIECES | DESCRIPTION DESCRIPTION | MH | WH | W | LT | REMARKS REMARQUES |
|----------|------------------------------|---|----|----|---|----|-------------------|
| 1 | 6FM-11411-00 | CRANKSHAFT VILEBREQUIN COMPLET | 1 | 1 | 1 | 1 | |
| 2 | 6AH-11416-00 | PLANE BEARING, CRANKSHAFT 1 COUSSINET DE VILEBREQUIN 1 | 4 | 4 | 4 | 4 | UR BROWN |
| | 6AH-11416-10 | PLANE BEARING, CRANKSHAFT 1 COUSSINET DE VILEBREQUIN 1 | 4 | 4 | 4 | 4 | UR BLACK |
| | 6AH-11416-20 | PLANE BEARING, CRANKSHAFT 1 COUSSINET DE VILEBREQUIN 1 | 4 | 4 | 4 | 4 | UR BLUE |
| 3 | 6FM-11650-00 | CONNECTING ROD ASSY BIELLE COMPLETE | 2 | 2 | 2 | 2 | |
| 4 | 6AH-11654-00 | .BOLT, CONNECTING ROD .BOULON, BIELLE | 2 | 2 | 2 | 2 | |
| 5 | 6FM-11631-00 | PISTON (STD) PISTON (STD) | 2 | 2 | 2 | 2 | |
| | 6FM-11635-00 | PISTON (0.25MM O/S) | 2 | 2 | 2 | 2 | AP |
| | 6FM-11636-00 | PISTON (0.50MM O/S) | 2 | 2 | 2 | 2 | AP |
| 6 | 67C-11603-00 | PISTON RING SET (STD) JEU DE SEGMENTS (STD) | 2 | 2 | 2 | 2 | |
| | 67C-11604-00 | PISTON RING SET (0.25MM O/S) JEU DE SEGMENTS (0.25MM O/S) | 2 | 2 | 2 | 2 | AP |
| | 67C-11605-00 | PISTON RING SET (0.50MM O/S) JEU DE SEGMENTS (0.50MM O/S) | 2 | 2 | 2 | 2 | AP |
| 7 | 6FM-11633-00 | PIN, PISTON AXE, PISTON | 2 | 2 | 2 | 2 | |
| 8 | 93450-17129 | CIRCLIP CIRCLIP | 4 | 4 | 4 | 4 | |
| 9 | 93102-37004 | OIL SEAL JOINT SPY | 1 | 1 | 1 | 1 | |
| 10 | 93102-25014 | OIL SEAL JOINT SPY | 1 | 1 | 1 | 1 | |

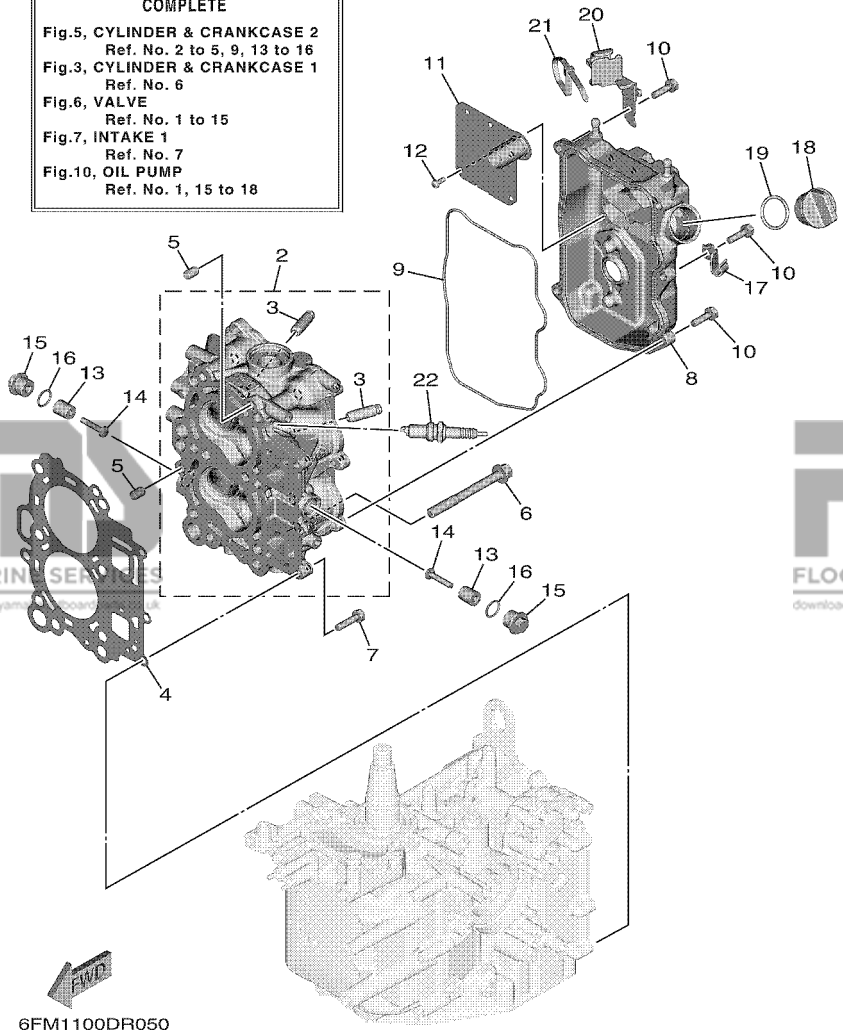


← FMS
6FM1100DR040

FIG. 5 CYLINDER & CRANKCASE 2

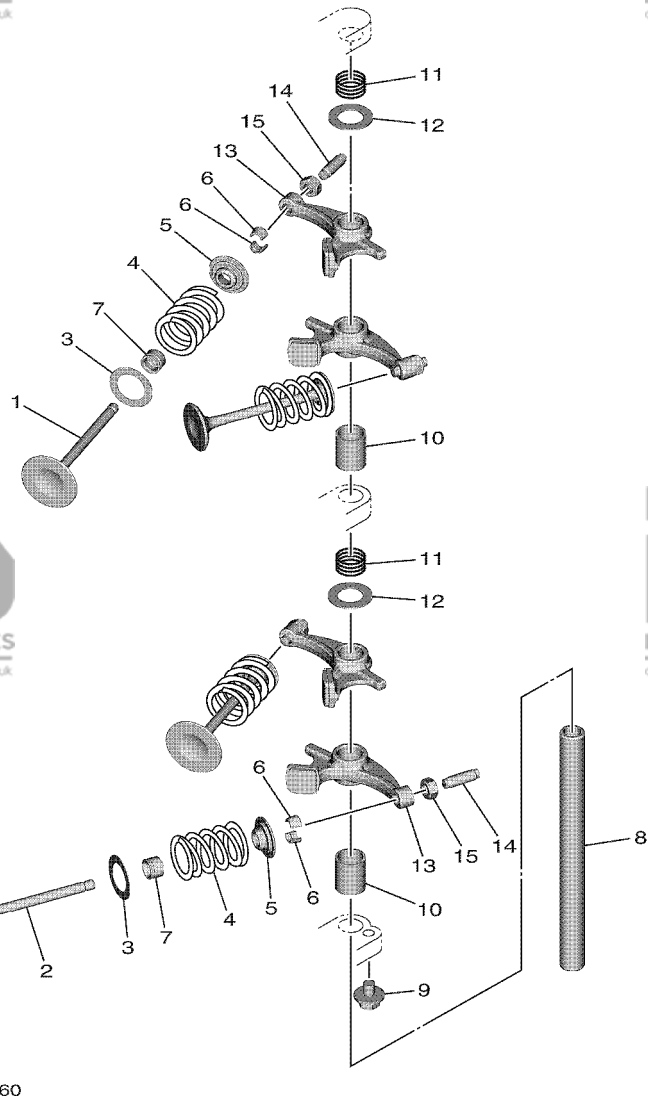
CYLINDRE & CARTER 2

CYLINDER HEAD COMPLETE
Fig.5, CYLINDER & CRANKCASE 2
Ref. No. 2 to 5, 9, 13 to 16
Fig.3, CYLINDER & CRANKCASE 1
Ref. No. 6
Fig.6, VALVE
Ref. No. 1 to 15
Fig.7, INTAKE 1
Ref. No. 7
Fig.10, OIL PUMP
Ref. No. 1, 15 to 18



6FM1100DR050

| REF. NO. | PART NO. N° PIECES | DESCRIPTION DESCRIPTION | M/H | WH | W | L | REMARKS REMARQUES |
|----------|--------------------|--|-----|----|---|---|-------------------|
| 1 | 6FM-W009A-00-1S | CYLINDER HEAD COMPLETE CULASSE (ENS.) | 1 | 1 | 1 | 1 | |
| 2 | 6FM-11111-00-1S | HEAD, CYLINDER 1 CULASSE, 1 | 1 | 1 | 1 | 1 | |
| 3 | 6AH-11133-10 | .GUIDE, VALVE 1 .GUIDE, SOUPAPE 1 | 4 | 4 | 4 | 4 | |
| 4 | 6FM-11181-00 | GASKET, CYLINDER HEAD 1 JOINT, DE CULASSE 1 | 1 | 1 | 1 | 1 | |
| 5 | 99530-08012 | PIN, DOWEL GOUJON, D'ASSEMBLAGE | 2 | 2 | 2 | 2 | |
| 6 | 90105-09010 | BOLT, FLANGE BOULON, A COLLERETTE | 6 | 6 | 6 | 6 | |
| 7 | 90119-06MA3 | BOLT, WITH WASHER BOULON, AVEC RONDELLE | 3 | 3 | 3 | 3 | |
| 8 | 6FM-11191-00 | COVER, CYLINDER HEAD 1 COUVERCLE, CULASSE 1 | 1 | 1 | 1 | 1 | |
| 9 | 6FM-11356-00 | SEAL, CYLINDER 2 JOINT, SPY CYLINDRE | 1 | 1 | 1 | 1 | |
| 10 | 90105-06M07 | BOLT, FLANGE BOULON, A COLLERETTE | 5 | 5 | 5 | 5 | |
| 11 | 6FM-11168-00 | COVER, BREATHER COUVERCLE, RENIFLARD | 1 | 1 | 1 | 1 | |
| 12 | 97607-04210 | SCREW, WITH WASHER VIS, AVEC RONDELLE | 5 | 5 | 5 | 5 | |
| 13 | 6G8-11325-00 | ANODE ANODE | 2 | 2 | 2 | 2 | |
| 14 | 98980-05025 | SCREW, BIND VIS, DE PRESSION | 2 | 2 | 2 | 2 | |
| 15 | 6G8-11197-A0 | PLUG, BLIND PLOT, BORGNE | 2 | 2 | 2 | 2 | |
| 16 | 93210-13M63 | O-RING JOINT TORIQUE | 2 | 2 | 2 | 2 | |
| 17 | 90465-08059 | CLAMP BRIDE | 1 | 1 | 1 | 1 | |
| 18 | 6G8-15363-00 | PLUG, OIL PLOT, HUILE | 1 | 1 | 1 | 1 | |
| 19 | 93210-24M79 | O-RING JOINT TORIQUE | 1 | 1 | 1 | 1 | |
| 20 | 6FM-2475H-00 | BRACKET, SEAT LEVER 1 SUPPORT, LEVIER DE SELLE 1 | 1 | 1 | 1 | 1 | |
| 21 | 90465-13M18 | CLAMP BRIDE | 1 | 1 | 1 | 1 | |
| 22 | 94702-00418 | PLUG, SPARK (NGK DPR6EB-9) BOUGIE D,ALLUMAGE (NGK DPR6EB- | 2 | 2 | 2 | 2 | |



6FM1100DR060

FIG. 6 VALVE

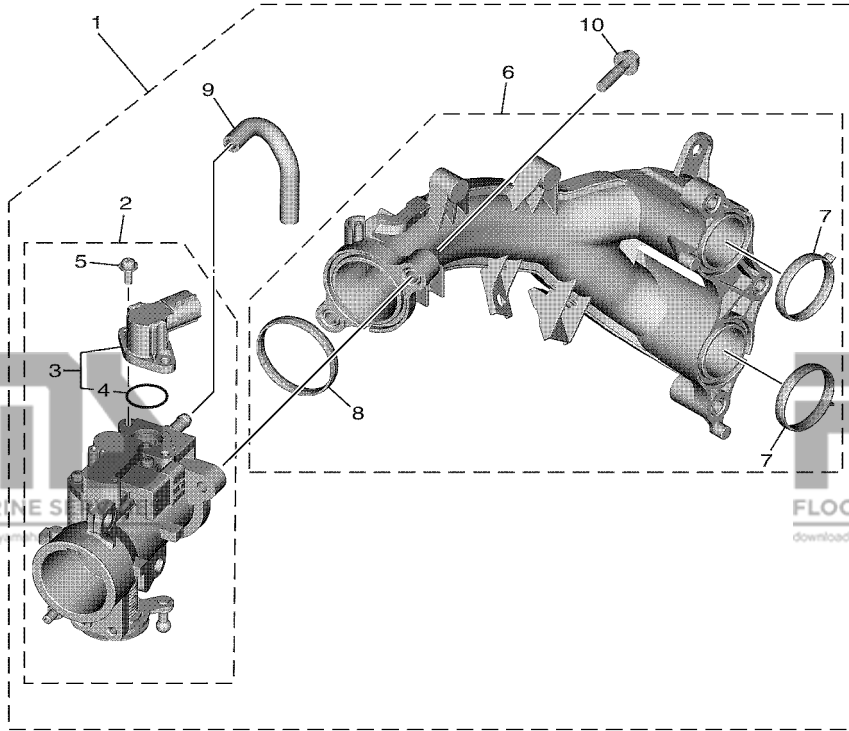
SOUPAPE

| REF. NO. | PART NO. N° PIECES | DESCRIPTION DESCRIPTION | M/H | WH | LE | LT | REMARKS REMARQUES |
|----------|------------------------------|---|-----|----|----|----|-------------------|
| 1 | 6FM-12111-00 | VALVE, INTAKE SOUPAPE, ADMISSION | 2 | 2 | 2 | 2 | |
| 2 | 6FM-12121-00 | VALVE, EXHAUST SOUPAPE, ECHAPPEMENT | 2 | 2 | 2 | 2 | |
| 3 | 62Y-12116-00 | SEAT, VALVE SPRING SIEGE, RESSORT DE SOUPAPE | 4 | 4 | 4 | 4 | |
| 4 | 3YF-12113-00 | SPRING, VALVE INNER RESSORT DE SOUPAPE, INTERNE | 4 | 4 | 4 | 4 | |
| 5 | 30X-12117-00 | RETAINER, VALVE SPRING BUTEE DE RESSORT DE SOUPAPE | 4 | 4 | 4 | 4 | |
| 6 | 30X-12118-00 | LOCK, VALVE SPRING RETAINER FRAISE, SOUPAPE | 8 | 8 | 8 | 8 | |
| 7 | 51Y-12119-00 | SEAL, VALVE STEM JOINT, QUEUE DE SOUPAPE | 4 | 4 | 4 | 4 | |
| 8 | 66M-12146-00 | SHAFT, ROCKER AXE, CULBUTEUR | 1 | 1 | 1 | 1 | |
| 9 | 90119-06054 | BOLT, WITH WASHER BOULON, AVEC RONDELLE | 1 | 1 | 1 | 1 | |
| 10 | 90387-13006 | COLLAR COLLERETTE | 2 | 2 | 2 | 2 | |
| 11 | 90501-120A5 | SPRING, COMPRESSION RESSORT, COMPRESSION | 2 | 2 | 2 | 2 | |
| 12 | 90201-13013 | WASHER, PLATE RONDELLE, PLATE | 2 | 2 | 2 | 2 | |
| 13 | 6AH-12151-00 | ARM, VALVE ROCKER CULBUTEUR | 4 | 4 | 4 | 4 | |
| 14 | 64J-12159-00 | SCREW, VALVE ADJUSTING VIS, REGLAGE DE SOUPAPE | 4 | 4 | 4 | 4 | |
| 15 | 62Y-12158-00 | NUT, LOCK CONTRE-ECROU | 4 | 4 | 4 | 4 | |

FIG. 7 INTAKE 1

ADMISSION 1

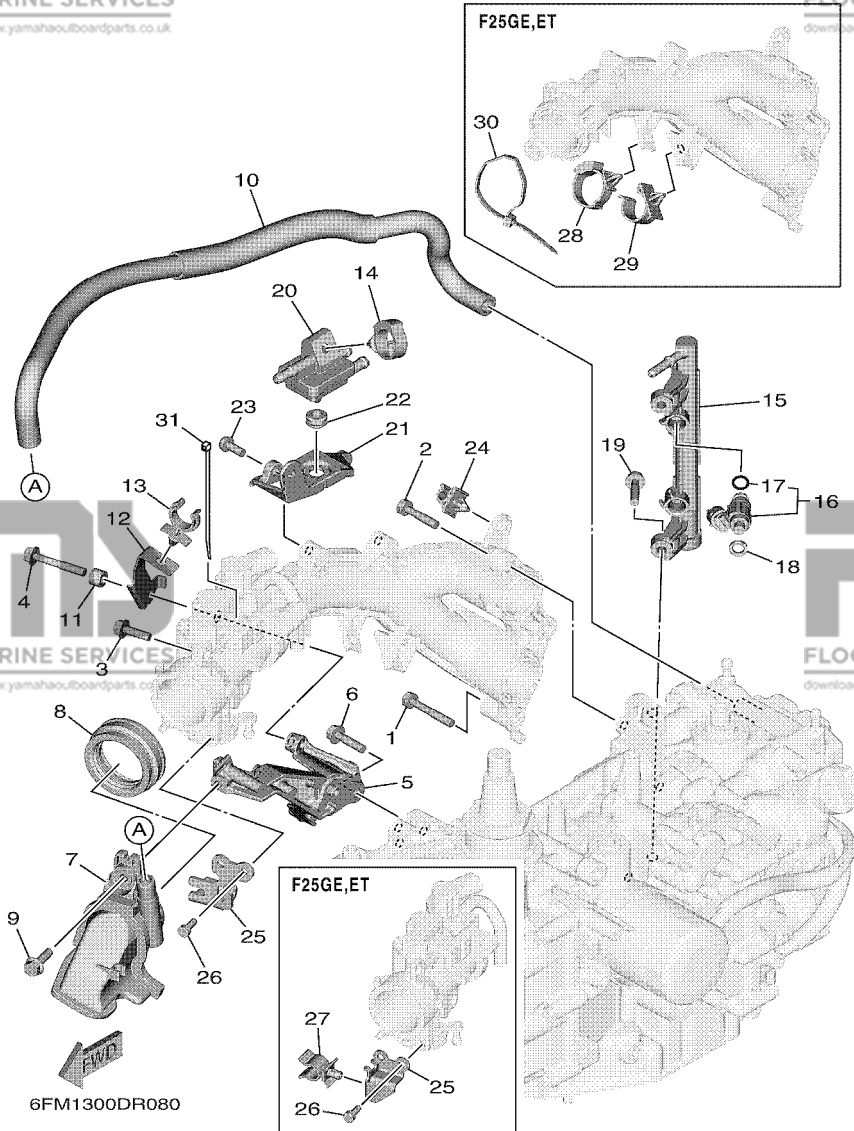
| REF. NO. | PART NO. N° PIECES | DESCRIPTION DESCRIPTION | MH | WH | E | ET | REMARKS REMARQUES |
|----------|------------------------------|---|----|----|---|----|-------------------|
| 1 | 6FM-14200-00 | INTAKE ASSY ADMISSION (ENS.) | 1 | 1 | 1 | 1 | |
| 2 | 6FM-13750-00 | .THROTTLE BODY ASSY .CARTER D'ACCELERATEUR COMPLET | 1 | 1 | 1 | 1 | |
| 3 | 6FM-1410H-00 | ..SOLENOID VALVE ..SOLENOID SOUPAPE | 1 | 1 | 1 | 1 | |
| 4 | 1ST-1416A-00 | ...O-RING ...JOINT TORIQUE | 1 | 1 | 1 | 1 | |
| 5 | 68V-14216-00 | ..SCREW ..VIS | 2 | 2 | 2 | 2 | |
| 6 | 6FM-13641-00 | ..MANIFOLD, INTAKE 1 ..TUBULURE, ADMISSION 1 | 1 | 1 | 1 | 1 | |
| 7 | 6FM-13645-00 | ..GASKET, MANIFOLD 1 ..JOINT, TUBULURE 1 | 2 | 2 | 2 | 2 | |
| 8 | 6FM-13646-00 | ..GASKET, MANIFOLD 2 ..JOINT, TUBULURE 2 | 1 | 1 | 1 | 1 | |
| 9 | 6FM-13543-00 | ..HOSE, AIR ..DURITE, A AIR | 1 | 1 | 1 | 1 | |
| 10 | 6P2-14446-00 | ..BOLT ..BOULON | 2 | 2 | 2 | 2 | |




6FM1100DR070

FIG. 8 INTAKE 2

ADMISSION 2

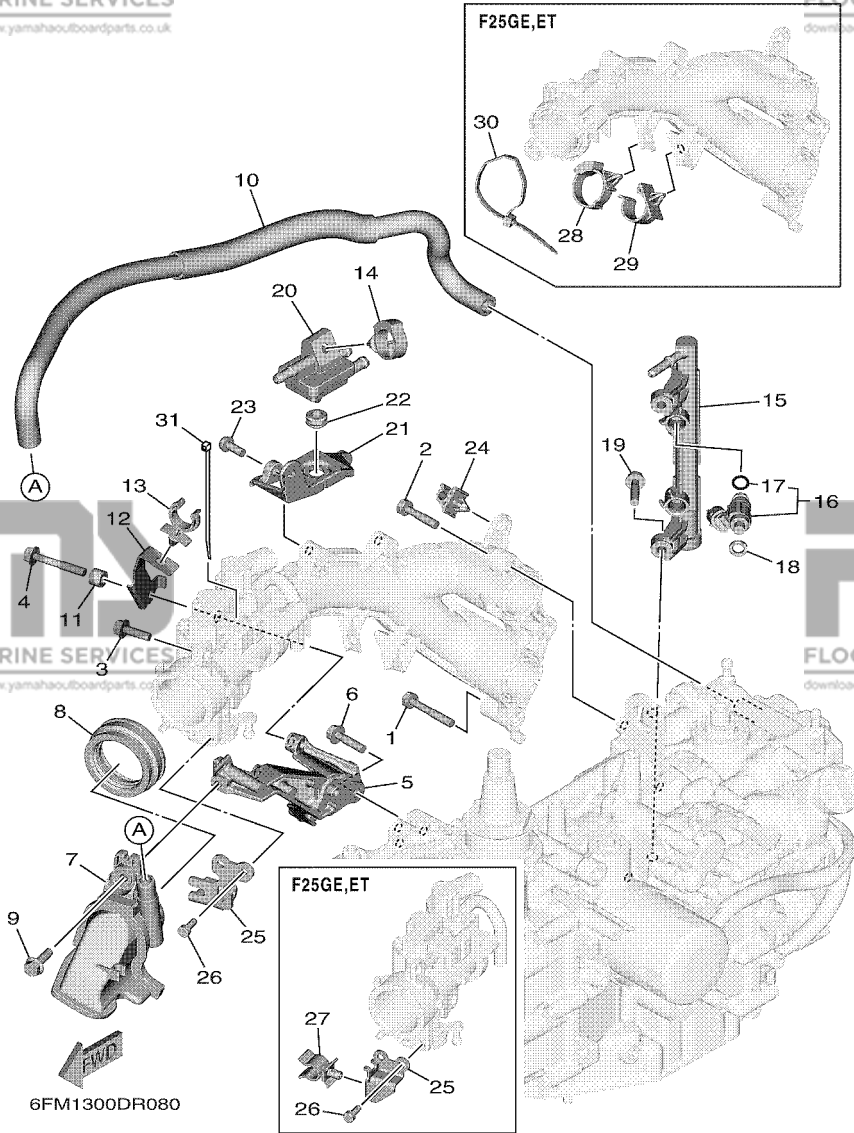


| REF. NO. | PART NO. N° PIECES | DESCRIPTION DESCRIPTION | MH | WH | L | LT | REMARKS REMARQUES |
|----------|--------------------|--|----|----|---|----|-------------------|
| 1 | 90119-06MA6 | BOLT, WITH WASHER BOULON, AVEC RONDELLE | 1 | 1 | 1 | 1 | |
| 2 | 90119-06MA4 | BOLT, WITH WASHER BOULON, AVEC RONDELLE | 2 | 2 | 2 | 2 | |
| 3 | 95895-06020 | BOLT, FLANGE BOULON | 2 | 2 | 2 | 2 | |
| 4 | 95895-06040 | BOLT, FLANGE BOULON | 1 | 1 | 1 | 1 | |
| 5 | 6FM-13152-00 | STAY 2 SUPPORT2 | 1 | 1 | 1 | 1 | |
| 6 | 95895-06025 | BOLT, FLANGE BOULON | 3 | 3 | 3 | 3 | |
| 7 | 6FM-14440-00 | SILENCER ASSY, INTAKE SIENCIEUX D'ADMISSION | 1 | 1 | 1 | 1 | |
| 8 | 6FM-1441J-00 | PIPE, SILENCER DURITE, DE SILENCIEUX | 1 | 1 | 1 | 1 | |
| 9 | 95895-06020 | BOLT, FLANGE BOULON | 1 | 1 | 1 | 1 | |
| 10 | 6FM-15373-00 | PIPE, BREATHER DURITE DE RENIFLARD | 1 | 1 | 1 | 1 | |
| 11 | 90387-06318 | COLLAR COLLERETTE | 1 | 1 | 1 | 1 | |
| 12 | 6FM-13782-00 | STAY SUPPORT | 1 | 1 | 1 | 1 | |
| 13 | 90464-16240 | CLAMP BRIDE | 1 | 1 | 1 | 1 | |
| 14 | 90464-20181 | CLAMP BRIDE | 1 | 1 | 1 | 1 | |
| 15 | 6FM-13161-00 | PIPE, DELIVERY 1 DURITE REFOULEMENT 1 | 1 | 1 | 1 | 1 | |
| 16 | 6FM-13761-00 | INJECTOR INJECTEUR | 2 | 2 | 2 | 2 | |
| 17 | 68V-1416A-00 | .O-RING .JOINT TORIQUE | 1 | 1 | 1 | 1 | |
| 18 | 6FM-13766-00 | RUBBER, INJECTOR RONDELLE CAOUTCHOUC | 2 | 2 | 2 | 2 | |
| 19 | 95895-06025 | BOLT, FLANGE BOULON | 2 | 2 | 2 | 2 | |
| 20 | 6FM-2417F-00 | SEPARATOR SEPARATEUR | 1 | 1 | 1 | 1 | |
| 21 | 6FM-2419F-00 | BRACKET, CANISTOR SUPPORT | 1 | 1 | 1 | 1 | |
| 22 | 90480-13M24 | GROMMET PASSE-FIL | 1 | 1 | 1 | 1 | |
| 23 | 97980-06216 | SCREW, WITH WASHER VIS, AVEC RONDELLE | 2 | 2 | 2 | 2 | |
| 24 | 90464-07259 | CLAMP BRIDE | 1 | 1 | 1 | 1 | |
| 25 | 6FM-14497-00 | STAY, THROTTLE WIRE SUPPORT DE BOISSEAU | 1 | 1 | | | |
| | 6FM-82389-00 | PLATE 2 PLAQUETTE 2 | | | 1 | 1 | |
| 26 | 91380-05012 | BOLT BOULON | 2 | 2 | 2 | 2 | |

FIG. 8 INTAKE 2

ADMISSION 2

| REF. NO. | PART NO. N° PIECES | DESCRIPTION DESCRIPTION | MH | WH | E | ET | REMARKS REMARQUES |
|----------|-----------------------------|-------------------------|----|----|---|----|-------------------|
| 27 | 90464-12015 | CLAMP BRIDE | | | 1 | 1 | |
| 28 | 90464-12183 | CLAMP BRIDE | | | 1 | 1 | |
| 29 | 90464-20006 | CLAMP BRIDE | | | 1 | 1 | |
| 30 | 90465-15011 | CLAMP BRIDE | | | 1 | 1 | |
| 31 | 90465-11M59 | CLAMP BRIDE | 1 | 1 | 1 | 1 | |



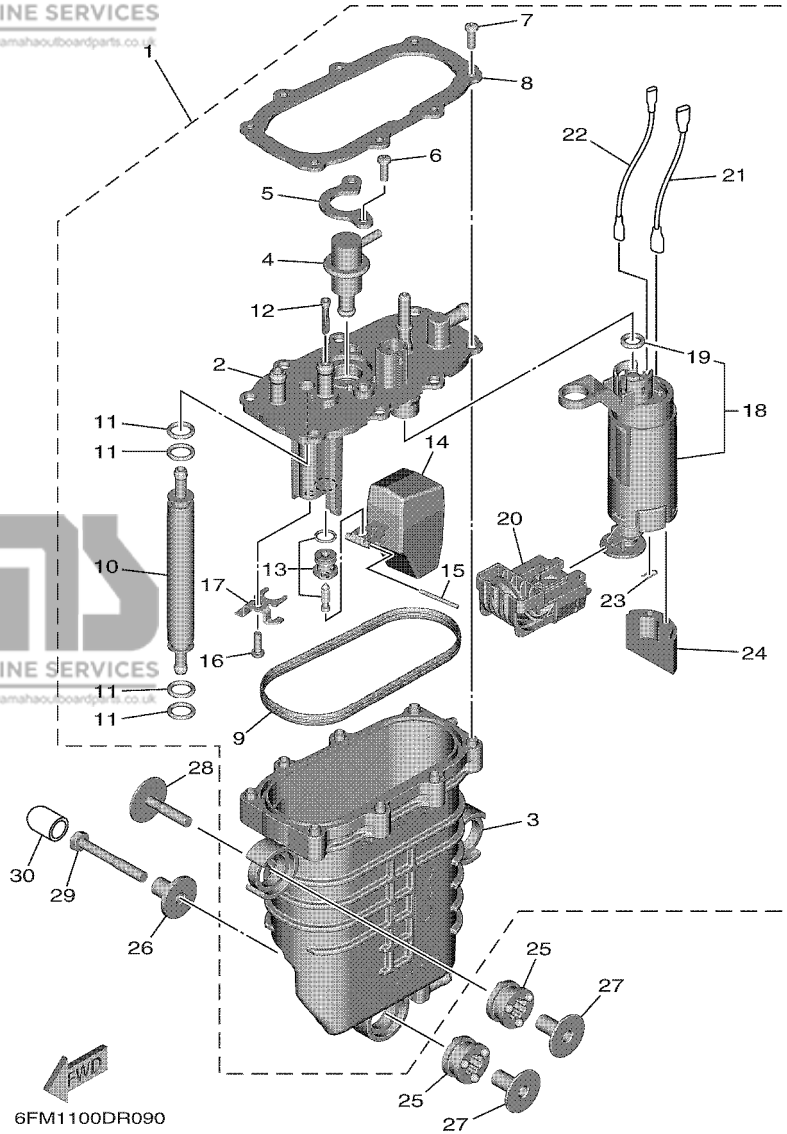


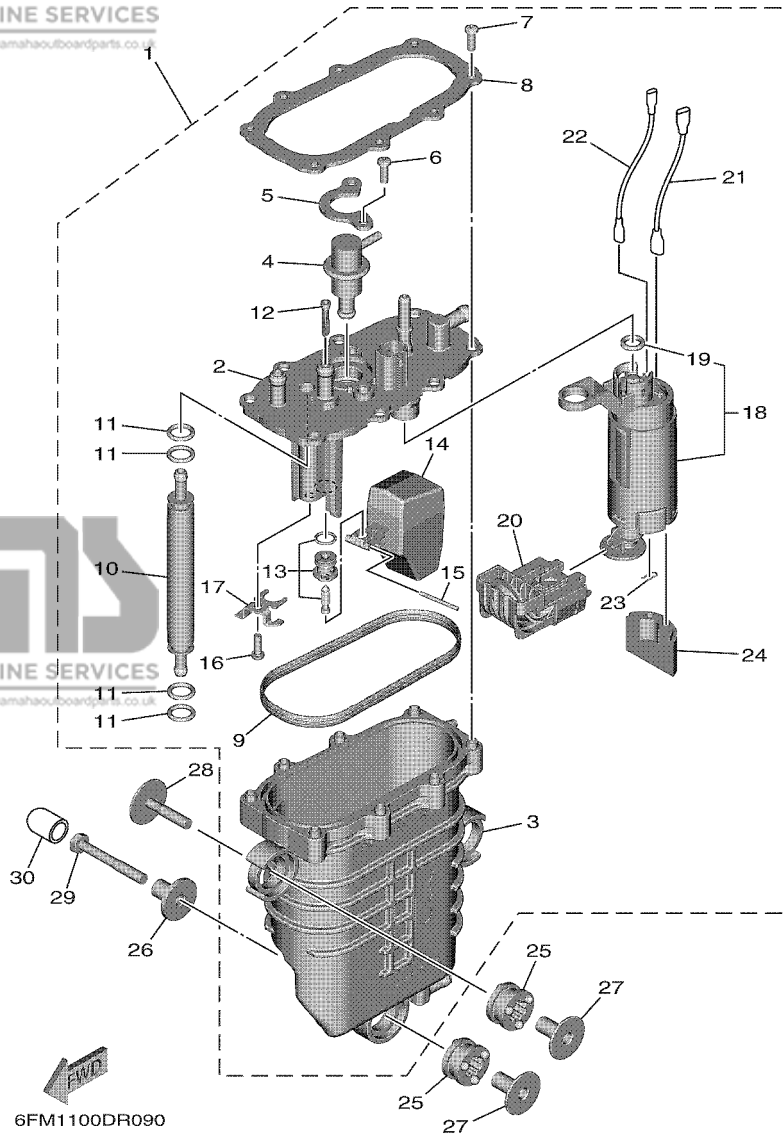
FIG. 9 FUEL INJECTION PUMP

FUEL INJECTION PUMP

| REF. NO. | PART NO. N° PIECES | DESCRIPTION DESCRIPTION | MH | WH | E | ET | REMARKS REMARQUES |
|----------|------------------------------|---|----|----|---|----|-------------------|
| 1 | 6FM-14180-00 | FLOAT CHAMBER ASSY CUVE DE FLOTTEUR | 1 | 1 | 1 | 1 | |
| 2 | 6FM-14182-00 | .COVER, FLOAT CHAMBER .COUVERCLE, CUVE DE FLOTTEUR | 1 | 1 | 1 | 1 | |
| 3 | 6FM-14181-00 | .BODY, FLOAT CHAMBER 1 .CORPS, CUVE DE FLOTTEUR 1 | 1 | 1 | 1 | 1 | |
| 4 | 6FM-13906-00 | .REGULATOR, PRESSURE .REGULATEUR DE PRESSION | 1 | 1 | 1 | 1 | |
| 5 | 6FM-14146-00 | .PLATE .PLAQUE | 1 | 1 | 1 | 1 | |
| 6 | 6FM-14565-00 | .SCREW .VIS | 2 | 2 | 2 | 2 | |
| 7 | 6FM-14567-00 | .SCREW .VIS | 8 | 8 | 8 | 8 | |
| 8 | 6FM-14243-00 | .PLATE .PLAQUE | 1 | 1 | 1 | 1 | |
| 9 | 6FM-14984-00 | .GASKET, FLOAT CHAMBER .JOINT, CUVE DE FLOTTEUR | 1 | 1 | 1 | 1 | |
| 10 | 6FM-21841-00 | .COOLER .RADIATEUR | 1 | 1 | 1 | 1 | |
| 11 | 6FM-14562-00 | .O-RING .JOINT TORIQUE | 4 | 4 | 4 | 4 | |
| 12 | 6FM-24251-00 | .STRAINER 1 .FILTRE 1 | 1 | 1 | 1 | 1 | |
| 13 | 6FM-14546-00 | .VALVE, NEEDLE .POINTEAU | 1 | 1 | 1 | 1 | |
| 14 | 68V-14985-00 | .FLOAT .FLOTTEUR | 1 | 1 | 1 | 1 | |
| 15 | 6FM-14386-00 | .PIN, FLOAT .AXE, FLOTTEUR | 1 | 1 | 1 | 1 | |
| 16 | 6FM-14565-00 | .SCREW .VIS | 1 | 1 | 1 | 1 | |
| 17 | 6FM-14674-00 | .VALVE, PLATE .CLAPET, PLAQUE | 1 | 1 | 1 | 1 | |
| 18 | 6FM-13910-00 | .FUEL PUMP ASSY .POMPE A ESSENCE COMPLET | 1 | 1 | 1 | 1 | |
| 19 | 6FM-14561-00 | .O-RING .JOINT TORIQUE | 1 | 1 | 1 | 1 | |
| 20 | 6FM-13915-00 | .FILTER .FILTRE | 1 | 1 | 1 | 1 | |
| 21 | 6FM-1469M-00 | .WIRE 1 .FIL 1 | 1 | 1 | 1 | 1 | |
| 22 | 6FM-1469N-00 | .WIRE 2 .FIL 2 | 1 | 1 | 1 | 1 | |
| 23 | 6FM-14137-00 | .CLIP .JONC | 1 | 1 | 1 | 1 | |
| 24 | 6FM-13781-00 | .DAMPER, PUMP .AMORTISSEUR, POMPE | 1 | 1 | 1 | 1 | |
| 25 | 6FM-13593-00 | DAMPER AMORTISSEUR | 3 | 3 | 3 | 3 | |
| 26 | 90387-06M69 | COLLAR COLLERETTE | 1 | 1 | 1 | 1 | |
| 27 | 90387-06176 | COLLAR COLLERETTE | 3 | 3 | 3 | 3 | |

FIG. 9 FUEL INJECTION PUMP

FUEL INJECTION PUMP



| REF. NO. | PART NO. N° PIECES | DESCRIPTION DESCRIPTION | M/H | WH | E | ET | REMARKS REMARQUES |
|----------|------------------------------|--|-----|----|---|----|-------------------|
| 28 | 90119-06M61 | BOLT, WITH WASHER BOULON, AVEC RONDELLE | 2 | 2 | 2 | 2 | |
| 29 | 90101-06032 | BOLT BOULON | 1 | 1 | 1 | 1 | |
| 30 | 67F-13448-00 | CAP CAPUCHON | 1 | 1 | 1 | 1 | |

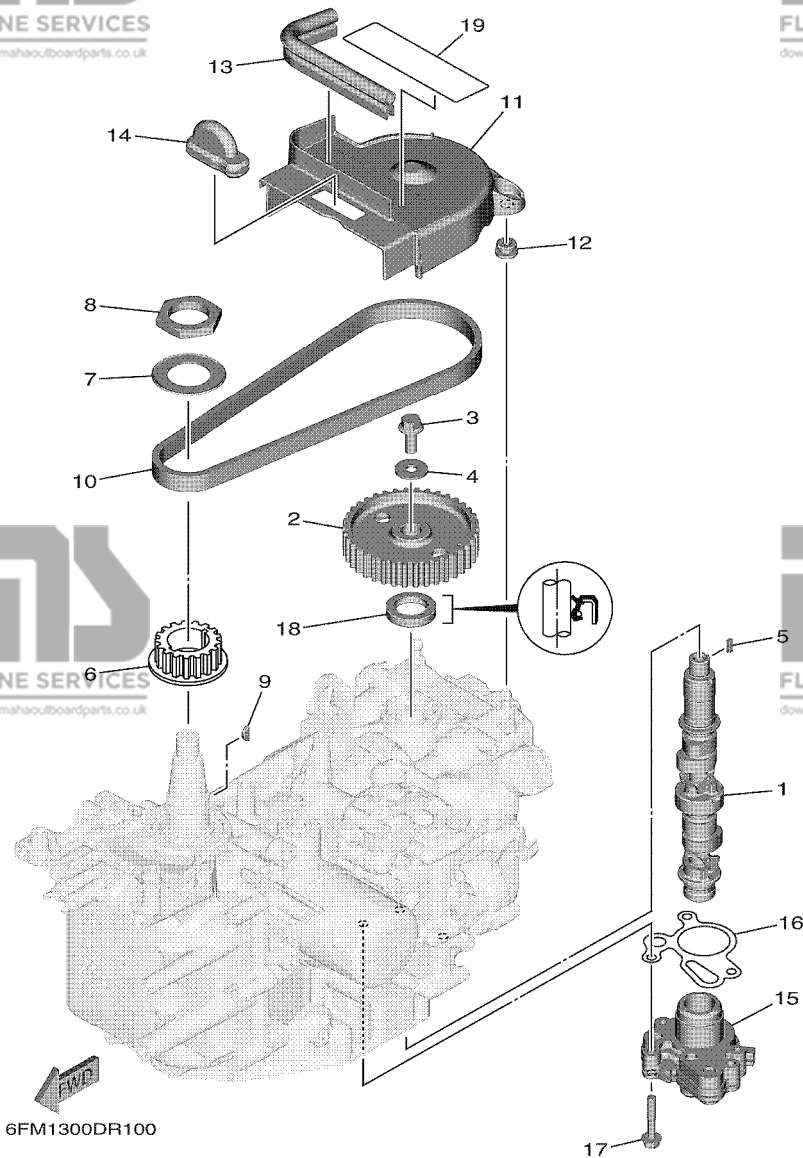


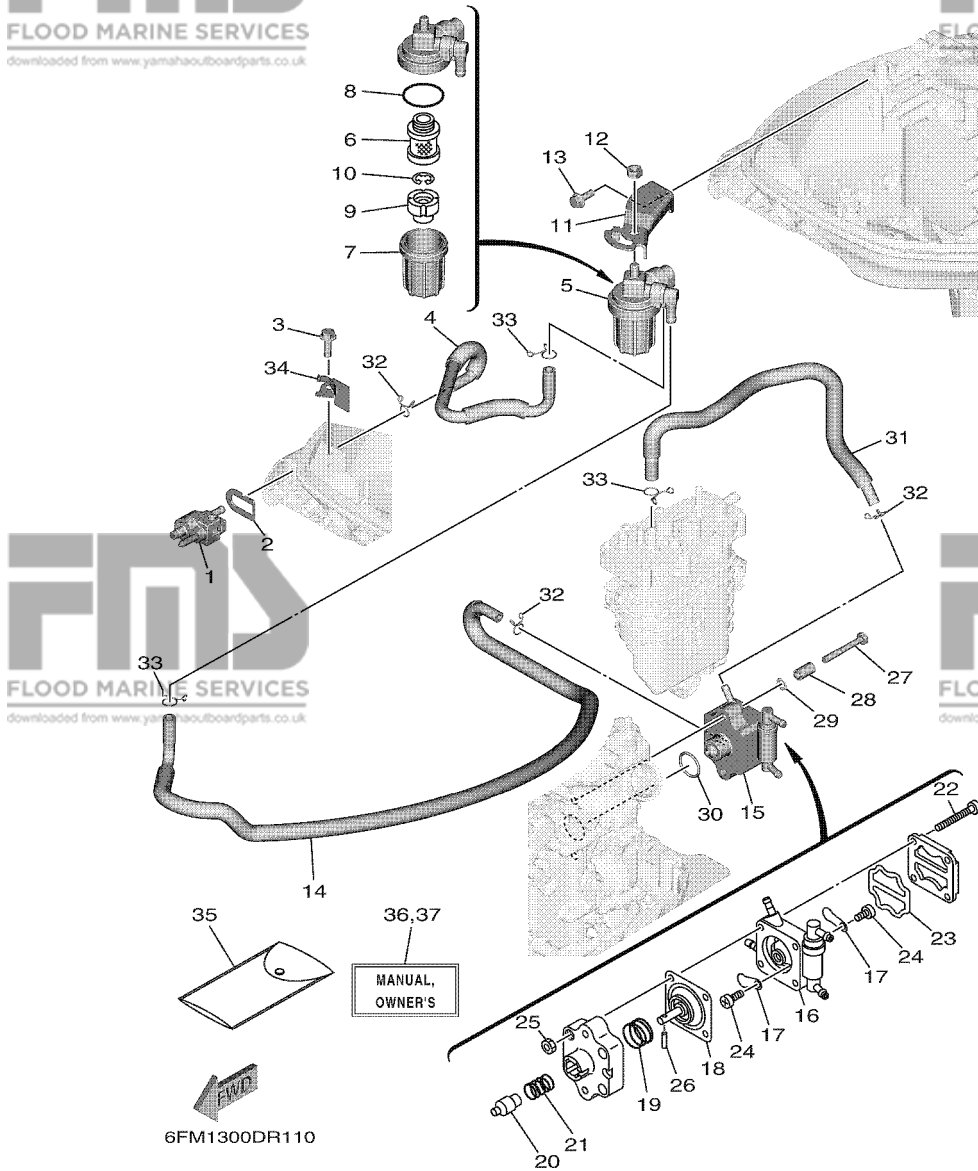
FIG. 10 OIL PUMP

POMPE A HUILE

| REF. NO. | PART NO. N° PIECES | DESCRIPTION DESCRIPTION | MH | WH | U | ET | REMARKS REMARQUES |
|----------|------------------------------|---|----|----|---|----|-------------------|
| 1 | 6FM-12170-00 | CAMSHAFT ASSY 1 ENS ARBRE A CAMES 1 | 1 | 1 | 1 | 1 | |
| 2 | 6AH-11537-00 | GEAR, DRIVEN PIGNON SECONDAIRE | 1 | 1 | 1 | 1 | |
| 3 | 90105-08074 | BOLT, FLANGE BOULON, A COLLERETTE | 1 | 1 | 1 | 1 | |
| 4 | 90201-08784 | WASHER, PLATE RONDELLE, PLATE | 1 | 1 | 1 | 1 | |
| 5 | 90282-05012 | KEY, STRAIGHT CLAVETTE, DROITE | 1 | 1 | 1 | 1 | |
| 6 | 6AH-11536-00 | GEAR, DRIVE ENGRENAGE, MENANT | 1 | 1 | 1 | 1 | |
| 7 | 6AH-11557-00 | WASHER 1 RONDELLE 1 | 1 | 1 | 1 | 1 | |
| 8 | 90170-30003 | NUT ECROU | 1 | 1 | 1 | 1 | |
| 9 | 90280-03M01 | KEY, WOODRUFF CLAVETTE, DEMI-LUNE | 1 | 1 | 1 | 1 | |
| 10 | 6FM-46241-00 | BELT COURROIE | 1 | 1 | 1 | 1 | |
| 11 | 6FM-46297-00 | COVER, DUST COUVERCLE, POUSSIERE | 1 | 1 | 1 | 1 | |
| 12 | 90480-10627 | GROMMET PASSE-FIL | 2 | 2 | 2 | 2 | |
| 13 | 6FM-42617-00 | DAMPER, FORM BOURRELET, CAOUTCHOUC | 1 | 1 | 1 | 1 | |
| 14 | 6FM-81639-00 | COVER COUVERCLE | 1 | 1 | 1 | 1 | |
| 15 | 6AH-13300-00 | OIL PUMP ASSY POMPE A HUILE COMPLETE | 1 | 1 | 1 | 1 | |
| 16 | 6AH-13329-10 | GASKET, PUMP COVER JOINT, COUVERCLE DE POMPE | 1 | 1 | 1 | 1 | |
| 17 | 90105-06035 | BOLT, FLANGE BOULON, A COLLERETTE | 3 | 3 | 3 | 3 | |
| 18 | 93102-22010 | OIL SEAL JOINT SPY | 1 | 1 | 1 | 1 | |
| 19 | 6FM-13437-61 | MARK, CAUTION MAKER | 1 | 1 | 1 | 1 | |

CARBURANT 1

FIG. 11 FUEL 1

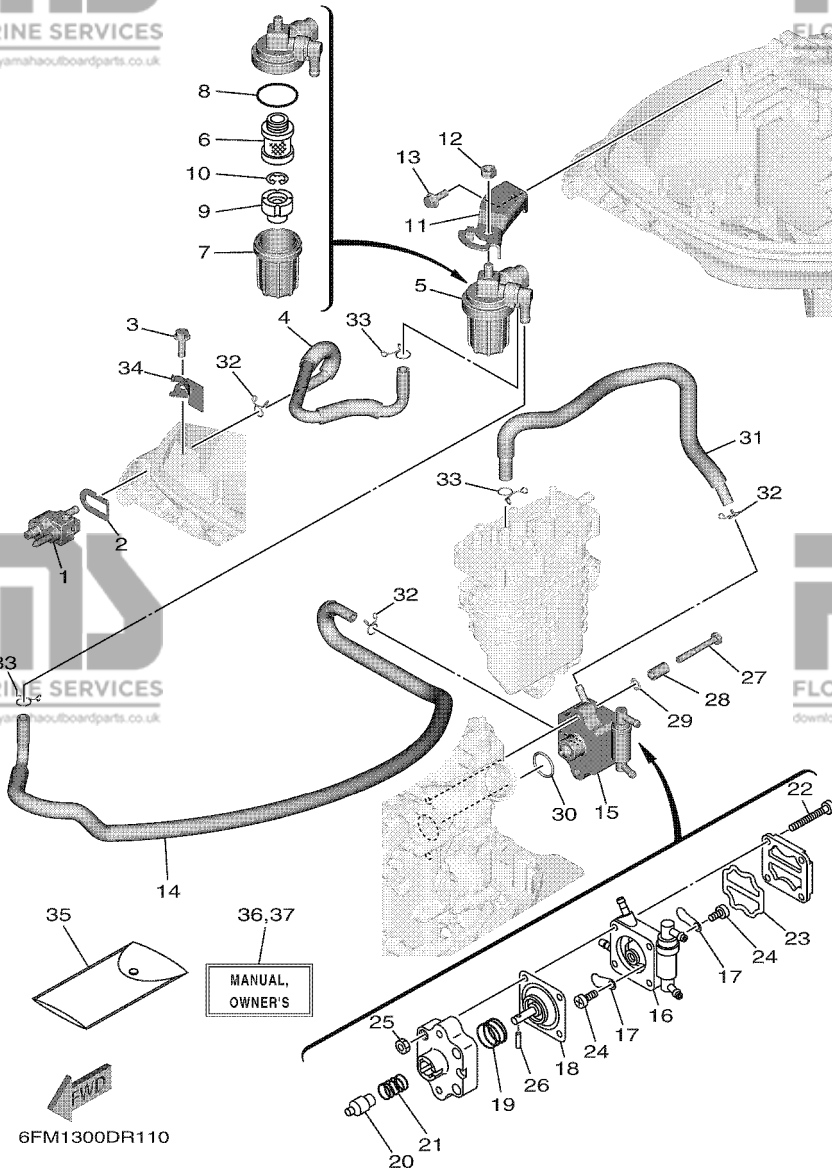


| REF. NO. | PART NO. N° PIECES | DESCRIPTION DESCRIPTION | MH | WH | E | ET | REMARKS REMARQUES |
|----------|--------------------|---|----|----|---|----|-------------------|
| 1 | 6G1-24304-10 | FUEL PIPE JOINT COMP. 1 DURITE RACCORDEMT. A ESSENCE | 1 | 1 | 1 | 1 | |
| 2 | 61N-24329-00 | SEAL JOINT | 1 | 1 | 1 | 1 | |
| 3 | 95895-06020 | BOLT, FLANGE BOULON | 1 | 1 | 1 | 1 | |
| 4 | 6FM-24311-10 | PIPE, FUEL 1 DURITE A ESSENCE | 1 | 1 | 1 | 1 | |
| 5 | 6FM-24560-00 | FILTER ASSY ENS FILTRE | 1 | 1 | 1 | 1 | |
| 6 | 6D8-24563-00 | .ELEMENT, FILTER .ELEMENT, FILTRE | 1 | 1 | 1 | 1 | |
| 7 | 6FM-24521-00 | .CUP, FILTER .CUVETTE, FILTRE | 1 | 1 | 1 | 1 | |
| 8 | 6D8-24564-00 | .GASKET .JOINT | 1 | 1 | 1 | 1 | |
| 9 | 6D8-24469-00 | .FLOAT, WATER LEVEL .FLOTTEUR | 1 | 1 | 1 | 1 | |
| 10 | 6D8-24519-00 | .CLIP .JONC | 1 | 1 | 1 | 1 | |
| 11 | 6FM-24566-00 | BRACKET, FILTER SUPPORT, FILTRE | 1 | 1 | 1 | 1 | |
| 12 | 95380-08600 | NUT ECROU | 1 | 1 | 1 | 1 | |
| 13 | 95875-06016 | BOLT, FLANGE BOULON, A COLLERETTE | 1 | 1 | 1 | 1 | |
| 14 | 6FM-24312-10 | PIPE 2 DURITE 2 | 1 | 1 | 1 | 1 | |
| 15 | 6AH-24410-70 | FUEL PUMP ASSY POMPE A ESSENCE | 1 | 1 | 1 | 1 | |
| 16 | 6AH-24413-70 | .BODY 2 .CORPS 2 | 1 | 1 | 1 | 1 | |
| 17 | 6A0-24421-01 | .VALVE, CHECK .SOUPAPE, RETENUE | 2 | 2 | 2 | 2 | |
| 18 | 66M-24411-11 | .DIAPHRAGM .DIAPHRAGME | 1 | 1 | 1 | 1 | |
| 19 | 66M-24423-00 | .SPRING, DIAPHRAGM .RESSORT, DIAPHRAGME | 1 | 1 | 1 | 1 | |
| 20 | 66M-13131-10 | .PLUNGER .PLONGEUR | 1 | 1 | 1 | 1 | |
| 21 | 66M-24454-00 | .SPRING .RESSORT | 1 | 1 | 1 | 1 | |
| 22 | 66M-24444-00 | .SCREW .VIS | 4 | 4 | 4 | 4 | |
| 23 | 66M-24471-01 | .DIAPHRAGM .DIAPHRAGME | 1 | 1 | 1 | 1 | |
| 24 | 6E7-14325-00 | .SCREW, PAN HEAD .VIS TETE CONIQUE | 2 | 2 | 2 | 2 | |
| 25 | 95380-04600 | .NUT .ECROU | 4 | 4 | 4 | 4 | |
| 26 | 66M-24374-00 | .PIN .GOUPILLE | 1 | 1 | 1 | 1 | |
| 27 | 90101-06032 | BOLT BOULON | 2 | 2 | 2 | 2 | |

FIG. 11 FUEL 1

CARBURANT 1

| REF. NO. | PART NO. N° PIECES | DESCRIPTION DESCRIPTION | M/F | W/H | L | ET | REMARKS REMARQUES |
|----------|--------------------|--------------------------------------|-----|-----|---|----|--------------------|
| 28 | 90387-06320 | COLLAR COLLERETTE | 2 | 2 | 2 | 2 | |
| 29 | 90201-06016 | WASHER, PLATE RONDELLE, PLATE | 2 | 2 | 2 | 2 | |
| 30 | 93210-20M65 | O-RING JOINT TORIQUE | 1 | 1 | 1 | 1 | |
| 31 | 6FM-24313-10 | PIPE 3 DURITE 3 | 1 | 1 | 1 | 1 | |
| 32 | 90467-09M17 | CLIP JONC | 3 | 3 | 3 | 3 | |
| 33 | 90467-10M04 | CLIP JONC | 3 | 3 | 3 | 3 | |
| 34 | 6FM-24396-00 | PLATE PLAQUE | 1 | 1 | 1 | 1 | |
| 35 | 62Y-28100-00 | TOOL KIT TROUSSE A OUTILS | 1 | 1 | 1 | 1 | AP AP |
| 36 | 6FM-28199-72-E0 | MANUAL, OWNER'S MANUEL D'UTILISATION | 1 | 1 | 1 | 1 | UR (E) UR (E) |
| | 6FM-28199-72-F0 | MANUAL, OWNER'S MANUEL D'UTILISATION | 1 | 1 | 1 | 1 | UR (F) UR (F) |
| | 6FM-28199-72-S0 | MANUAL, OWNER'S MANUEL D'UTILISATION | 1 | 1 | 1 | 1 | UR (ES) UR (ES) |
| | 6FM-28199-72-G0 | MANUAL, OWNER'S MANUEL D'UTILISATION | 1 | 1 | 1 | 1 | UR (D) UR (D) |
| | 6FM-28199-72-D0 | MANUAL, OWNER'S MANUEL D'UTILISATION | 1 | 1 | 1 | 1 | UR (NL) UR (NL) |
| | 6FM-28199-72-H0 | MANUAL, OWNER'S MANUEL D'UTILISATION | 1 | 1 | 1 | 1 | UR (I) UR (I) |
| 37 | 6FM-28199-82-K0 | MANUAL, OWNER'S MANUEL D'UTILISATION | 1 | 1 | 1 | 1 | UR (DK) UR (DK) |
| | 6FM-28199-82-R0 | MANUAL, OWNER'S MANUEL D'UTILISATION | 1 | 1 | 1 | 1 | UR (GR) UR (GR) |
| | 6FM-28199-82-P0 | MANUAL, OWNER'S MANUEL D'UTILISATION | 1 | 1 | 1 | 1 | UR (P) UR (P) |
| | 6FM-28199-82-N0 | MANUAL, OWNER'S MANUEL D'UTILISATION | 1 | 1 | 1 | 1 | UR (N) UR (N) |
| | 6FM-28199-82-M0 | MANUAL, OWNER'S MANUEL D'UTILISATION | 1 | 1 | 1 | 1 | UR (S) UR (S) |
| | 6FM-28199-82-L0 | MANUAL, OWNER'S MANUEL D'UTILISATION | 1 | 1 | 1 | 1 | UR (SF) UR (SF) |



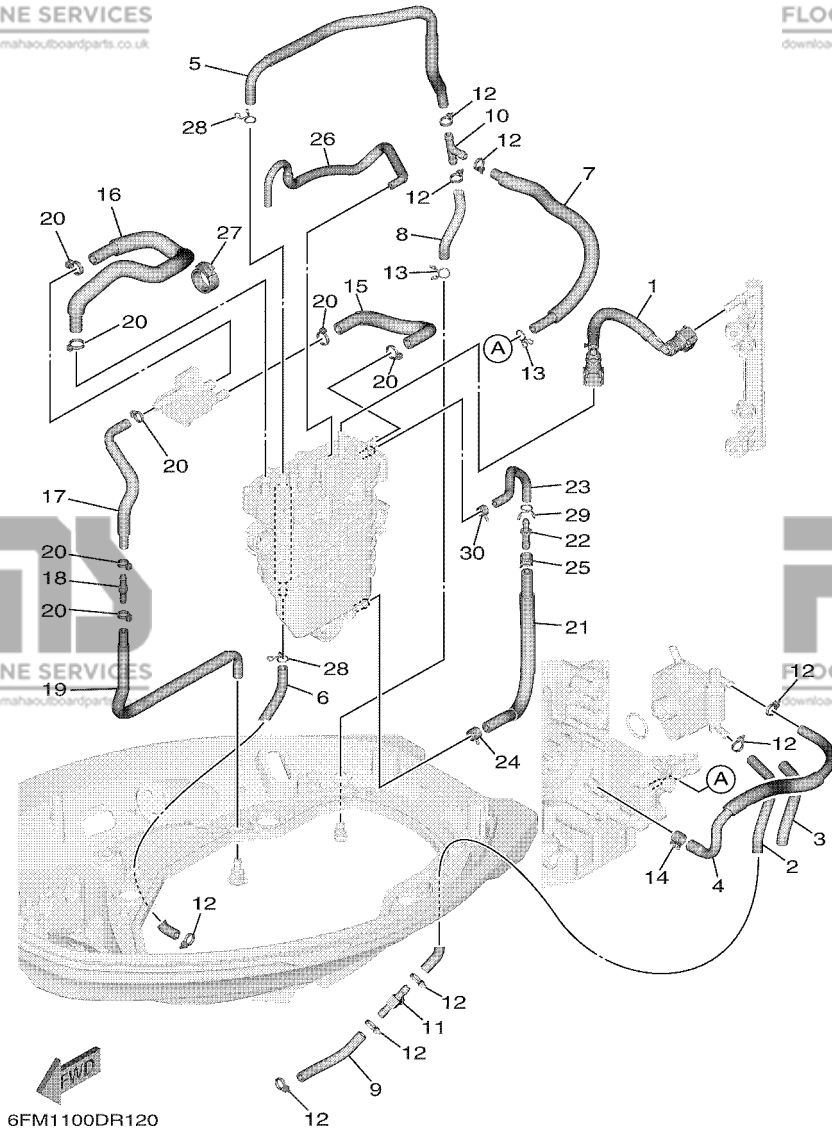


FIG. 12 FUEL 2

CARBURANT 2

| REF. NO. | PART NO. N° PIECES | DESCRIPTION DESCRIPTION | MH | WH | W | LT | REMARKS REMARQUES |
|----------|------------------------------|--|----|----|---|----|-------------------|
| 1 | 6FM-24310-00 | FUEL PIPE ASSY DURITE A ESSENCE | 1 | 1 | 1 | 1 | |
| 2 | 90445-09091 | HOSE (L135) DURITE (L135) | 1 | 1 | 1 | 1 | |
| 3 | 6FM-12498-00 | PROTECTOR PROTECTEUR | 1 | 1 | 1 | 1 | |
| 4 | 6FM-12482-00 | PIPE 2 DURITE 2 | 1 | 1 | 1 | 1 | |
| 5 | 6FM-12483-00 | PIPE 3 DURITE 3 | 1 | 1 | 1 | 1 | |
| 6 | 6FM-12484-00 | PIPE 4 DURITE 4 | 1 | 1 | 1 | 1 | |
| 7 | 6FM-12485-00 | PIPE 5 DURITE 5 | 1 | 1 | 1 | 1 | |
| 8 | 90445-09063 | HOSE (L80) DURITE (L80) | 1 | 1 | 1 | 1 | |
| 9 | 90445-09012 | HOSE (L70) DURITE (L70) | 1 | 1 | 1 | 1 | |
| 10 | 688-24378-00 | PIPE, JOINT 3 DURITE RACCORDEMENT 3 | 1 | 1 | 1 | 1 | |
| 11 | 6C5-24378-00 | PIPE, JOINT 3 DURITE RACCORDEMENT 3 | 1 | 1 | 1 | 1 | |
| 12 | 90465-11M10 | CLAMP BRIDE | 9 | 9 | 9 | 9 | |
| 13 | 90467-08M10 | CLIP JONC | 2 | 2 | 2 | 2 | |
| 14 | 90467-110A1 | CLIP JONC | 1 | 1 | 1 | 1 | |
| 15 | 6FM-1475A-00 | PIPE 1 DURITE 1 | 1 | 1 | 1 | 1 | |
| 16 | 6FM-1475E-01 | PIPE 2 DURITE | 1 | 1 | 1 | 1 | |
| 17 | 6FM-1475F-00 | PIPE 3 DURITE 3 | 1 | 1 | 1 | 1 | |
| 18 | 6E5-21744-00 | BREATHER RENIFLARD | 1 | 1 | 1 | 1 | |
| 19 | 6FM-1475G-00 | PIPE 4 DURITE 4 | 1 | 1 | 1 | 1 | |
| 20 | 90465-11M10 | CLAMP BRIDE | 7 | 7 | 7 | 7 | |
| 21 | 6FM-1243K-00 | PIPE, DRAIN TUBE, VIDANGE | 1 | 1 | 1 | 1 | |
| 22 | 6FM-14191-00 | PLUG, DRAIN PLOT, VIDANGE | 1 | 1 | 1 | 1 | |
| 23 | 6FM-1443G-00 | PIPE, DRAIN 2 TUBE, VIDANGE 2 | 1 | 1 | 1 | 1 | |
| 24 | 90467-110A1 | CLIP JONC | 1 | 1 | 1 | 1 | |
| 25 | 90467-090A4 | CLIP JONC | 1 | 1 | 1 | 1 | |
| 26 | 6FM-13542-00 | HOSE, VACUUM SENSING 1 DURITE, SOUS VIDE DETECTION 1 | 1 | 1 | 1 | 1 | |
| 27 | 90464-16001 | CLAMP BRIDE | 1 | 1 | 1 | 1 | |

FIG. 12 FUEL 2

CARBURANT 2

| REF. NO. | PART NO. N° PIECES | DESCRIPTION DESCRIPTION | MH | WH | E | ET | REMARKS REMARQUES |
|----------|-----------------------------|-------------------------|----|----|---|----|-------------------|
| 28 | 90467-08M10 | CLIP JONC | 2 | 2 | 2 | 2 | |
| 29 | 90467-08M10 | CLIP JONC | 1 | 1 | 1 | 1 | |
| 30 | 90467-08092 | CLIP JONC | 1 | 1 | 1 | 1 | |

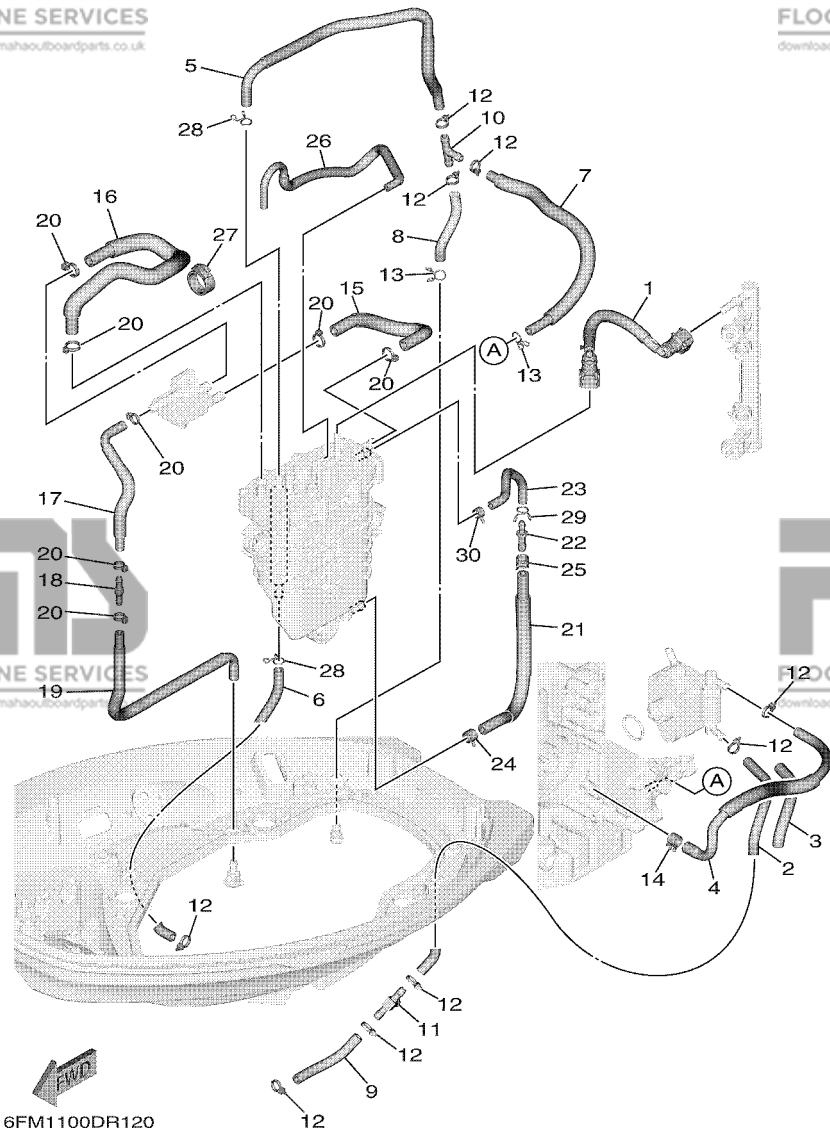
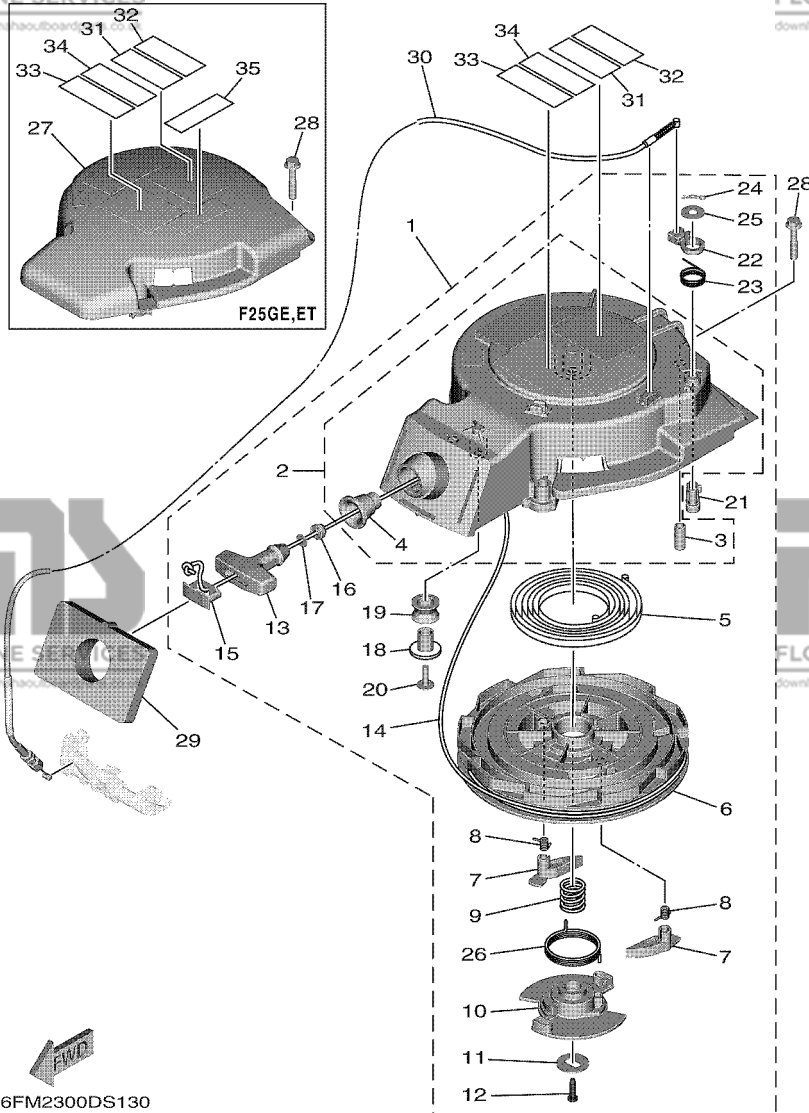


FIG. 13 STARTER

DEMARREUR



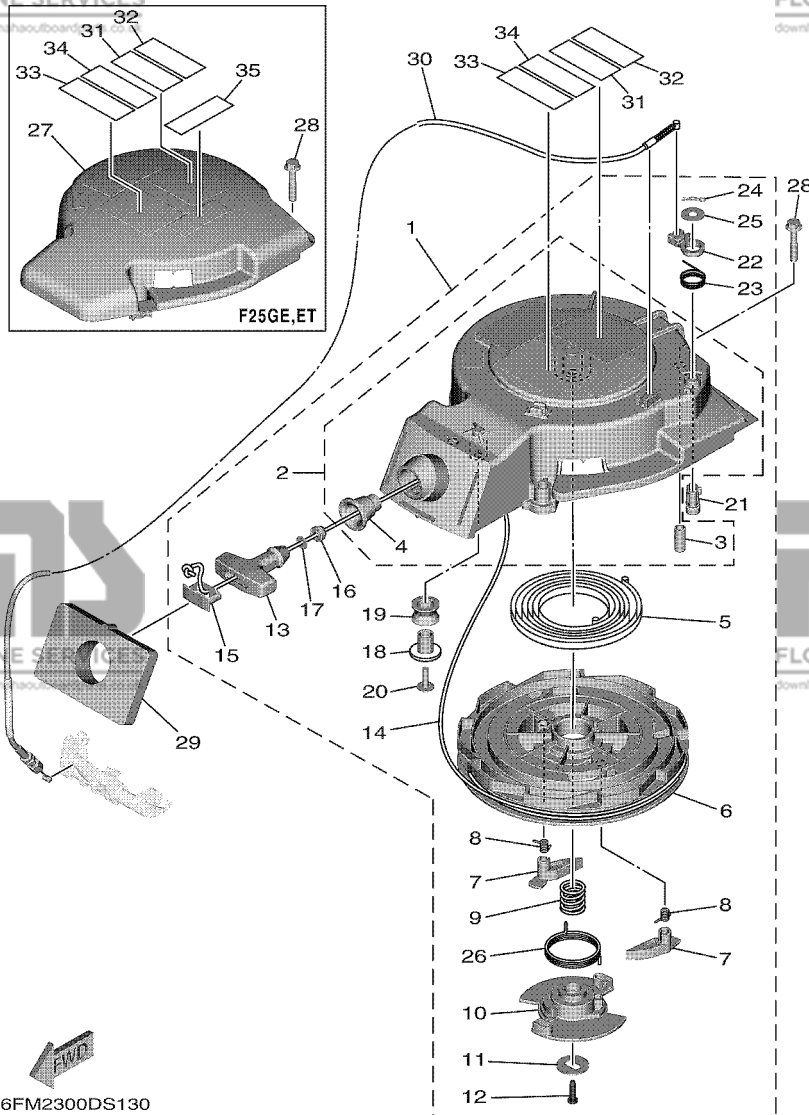
6FM2300DS130

*1: CUT FROM 50M ROLLS (PART NO. 90790-48193), CUTTING LENGTH: 1.95M
 *1: A PRELEVER SUR BOBINE 50M ,(REFERENCE 90790-48193),
 LONGUEUR DE COUPE: 1.95M

| REF. NO. | PART NO. N° PIECES | DESCRIPTION DESCRIPTION | MH | WH | E | ET | REMARKS REMARQUES |
|----------|--------------------|---|----|----|---|----|-------------------|
| 1 | 6FM-15710-02 | STARTER ASSY DEMARREUR COMPLET | 1 | 1 | | | |
| 2 | 6FM-15711-01 | .CASE, STARTER .CARTER DE DEMARREUR | 1 | 1 | | | |
| 3 | 6FM-15764-00 | .COLLAR 1 .COLLERETTE 1 | 3 | 3 | | | |
| 4 | 6AH-15795-00 | .GUIDE, ROPE .GUIDE DE CABLE | 1 | 1 | | | |
| 5 | 63V-15713-00 | .SPRING, STARTER .RESSORT DE DEMARREUR | 1 | 1 | | | |
| 6 | 6FM-15714-01 | .DRUM, SHEAVE .TAMBOUR, POULIE | 1 | 1 | | | |
| 7 | 6FM-15741-00 | .PAWL, DRIVE .CLIQUET, ENTRAINEMENT | 2 | 2 | | | |
| 8 | 6FM-15734-00 | .SPRING, RETURN .RESSORT, RAPPEL | 2 | 2 | | | |
| 9 | 6FM-15705-00 | .SPRING, DRIVE PAWL .RESSORT DE CLIQUET | 1 | 1 | | | |
| 10 | 6FM-15735-01 | .GUIDE, CAM .COULISSEAU | 1 | 1 | | | |
| 11 | 6FM-15726-00 | .WASHER, FLAT .RONDELLE, PLATE | 1 | 1 | | | |
| 12 | 6FM-15793-00 | .SCREW .VIS | 1 | 1 | | | |
| 13 | 6G1-15755-00 | .HANDLE, STARTER .POIGNEE, DE DEMARREUR | 1 | 1 | | | |
| 14 | * | .WIRE, STARTER (L:1950MM) .CABLE DE DEMARREUR (L:1950MM) | 1 | 1 | | | *1 *1 |
| 15 | 6G1-15779-00 | .COVER .COUVERCLE | 1 | 1 | | | |
| 16 | 6A0-15789-00 | .DAMPER .AMORTISSEUR | 1 | 1 | | | |
| 17 | 6FM-15721-00 | .SHIM .CALE | 1 | 1 | | | |
| 18 | 6FM-15753-00 | .BUSH .CHARBON | 1 | 1 | | | |
| 19 | 6FM-15752-00 | .ROLLER, WIRE .GALET, CABLE | 1 | 1 | | | |
| 20 | 6FM-15768-00 | .BOLT .BOULON | 1 | 1 | | | |
| 21 | 63V-15794-00 | .STOPPER .BUTEE | 1 | 1 | | | |
| 22 | 6FM-15748-00 | .PLUNGER, STARTER STOP .PLONGEUR, BOUTE DE DEMAR | 1 | 1 | | | |
| 23 | 63V-15734-00 | .SPRING, RETURN .RESSORT, RAPPEL | 1 | 1 | | | |
| 24 | 6FM-15799-01 | .CLIP .JONC | 1 | 1 | | | |
| 25 | 63V-15726-00 | .WASHER, FLAT .RONDELLE, PLATE | 1 | 1 | | | |
| 26 | 6FM-15767-00 | .SPRING .RESSORT | 1 | 1 | | | |
| 27 | 6FM-81337-00 | COVER, FLYWHEEL COUVERCLE, VOLANT | | | 1 | 1 | |

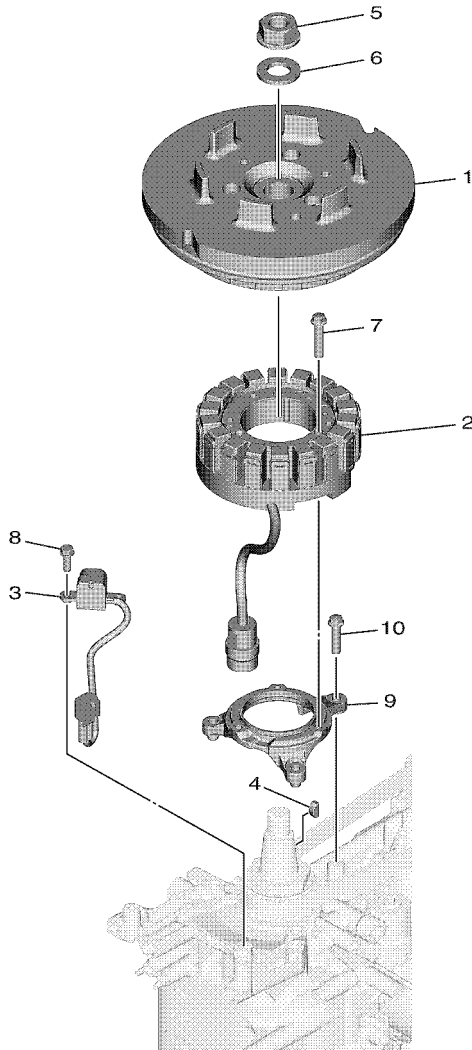
FIG. 13 STARTER

DEMARREUR



*1: CUT FROM 50M ROLLS (PART NO. 90790-48193), CUTTING LENGTH: 1.95M
 *1:A PRELEVER SUR BOBINE 50M ,(REFERENCE 90790-48193),
 LONGUEUR DE COUPE: 1.95M

| REF. NO. | PART NO. N° PIECES | DESCRIPTION DESCRIPTION | MH | WH | E | ET | REMARKS REMARQUES |
|----------|------------------------------|--|----|----|---|----|-------------------|
| 28 | 90105-06035 | BOLT, FLANGE BOULON, A COLLERETTE | 3 | 3 | | | |
| | 97595-06520 | BOLT, WITH WASHER VIS HEXAGONAL AVC RONDELLE | | | 3 | 3 | |
| 29 | 6FM-15762-00 | SEAL, RUBBER 2 JOINT CAOUTCHOUC 2 | 1 | 1 | | | |
| 30 | 6FM-15770-08 | CABLE COMP., STARTER STOP CABLE, BUTEE DE DEMAR | 1 | 1 | | | |
| 31 | 6EE-81995-40 | LABEL, WARNING ETIQUETTE, AVERTISSEMENT | 1 | 1 | 1 | 1 | |
| 32 | 6EE-81995-50 | LABEL, WARNING ETIQUETTE, AVERTISSEMENT | 1 | 1 | 1 | 1 | |
| 33 | 6EE-81994-40 | LABEL, SAFETY ETIQUETTE, SECURITE | 1 | 1 | 1 | 1 | |
| 34 | 6EE-81994-50 | LABEL, SAFETY ETIQUETTE, SECURITE | 1 | 1 | 1 | 1 | |
| 35 | 6AG-81996-00 | MARK MARQUE | | | 1 | 1 | |



6FM1100DR140

FIG. 14 GENERATOR

GENERATRICE

| REF. NO. | PART NO. N° PIECES | DESCRIPTION DESCRIPTION | MH | WH | E | ET | REMARKS REMARQUES |
|----------|------------------------------|---|----|----|---|----|-------------------|
| 1 | 6FM-81450-00 | ROTOR ASSY ROTOR COMPLET | 1 | | | | |
| | 6FM-81450-10 | ROTOR ASSY ROTOR COMPLET | | 1 | 1 | 1 | |
| 2 | 6FM-81410-00 | STATOR ASSY STATOR COMPLET | 1 | 1 | 1 | 1 | |
| 3 | 6CB-85580-00 | COIL, PULSER BOBINE, PULSEUR | 1 | 1 | 1 | 1 | |
| 4 | 90280-05013 | KEY, WOODRUFF CLAVETTE, DEMI-LUNE | 1 | 1 | 1 | 1 | |
| 5 | 90179-16M05 | NUT ECROU | 1 | 1 | 1 | 1 | |
| 6 | 90201-16M44 | WASHER, PLATE RONDELLE, PLATE | 1 | 1 | 1 | 1 | |
| 7 | 95023-06030 | BOLT BOULON, A COLLERETTE | 3 | 3 | 3 | 3 | |
| 8 | 97595-05516 | BOLT, WITH WASHER VIS HEXAGONAL AVC RONDELLE | 2 | 2 | 2 | 2 | |
| 9 | 6FM-85561-00 | BASE, MAGNETO BASE, MAGNETO | 1 | 1 | 1 | 1 | |
| 10 | 95023-06025 | BOLT BOULON, A COLLERETTE | 3 | 3 | 3 | 3 | |

FIG. 15 ELECTRICAL 1

PARTIE ELECTRIQUE 1

| REF. NO. | PART NO. N° PIECES | DESCRIPTION DESCRIPTION | MH | WH | E | ET | REMARKS REMARQUES |
|----------|------------------------------|--|----|----|---|----|-------------------|
| 1 | 6FM-8591A-01 | ENGINE CONTROL UNIT ASSY BLOC DE CONTROL | 1 | 1 | 1 | 1 | |
| 2 | 6FM-85546-00 | BAND COLLIER | 1 | 1 | 1 | 1 | |
| 3 | 6FM-81948-00 | BRACKET SUPPORT | 1 | 1 | 1 | 1 | |
| 4 | 64J-85516-00 | SPACER ENTRETOISE | 3 | 3 | 3 | 3 | |
| 5 | 69M-42758-01 | COLLAR ENTRETOISE | 3 | 3 | 3 | 3 | |
| 6 | 90119-06M56 | BOLT, WITH WASHER BOULON, AVEC RONDELLE | 3 | 3 | 3 | 3 | |
| 7 | 68V-85548-01 | HOLDER SUPPORT | 1 | 1 | 1 | 1 | |
| 8 | 97780-60620 | SCREW, TAPPING VIS, TETE BOMBEE | 1 | 1 | 1 | 1 | |
| 9 | 90464-20181 | CLAMP BRIDE | 1 | 1 | 1 | 1 | |
| 10 | 90465-13M18 | CLAMP BRIDE | 1 | 1 | 1 | 1 | |
| 11 | 90465-13M11 | CLAMP BRIDE | 3 | 3 | 3 | 3 | |
| 12 | 6FM-81965-00 | CONDENSER, SMOOTHING CONDENSATEUR | 1 | 1 | | | |
| 13 | 64J-82504-00 | OIL PRESSURE SWITCH ASSY CONTACTEUR DE PRESSION D'HUILE | 1 | 1 | 1 | 1 | |
| 14 | 68V-81315-00 | LEAD WIRE ASSY FIL | 1 | 1 | 1 | 1 | |
| 15 | 6CJ-85790-00 | THERMOSENSOR ASSY SENSITOMETRE | 1 | 1 | 1 | 1 | |
| 16 | 90430-14115 | GASKET JOINT | 1 | 1 | 1 | 1 | |

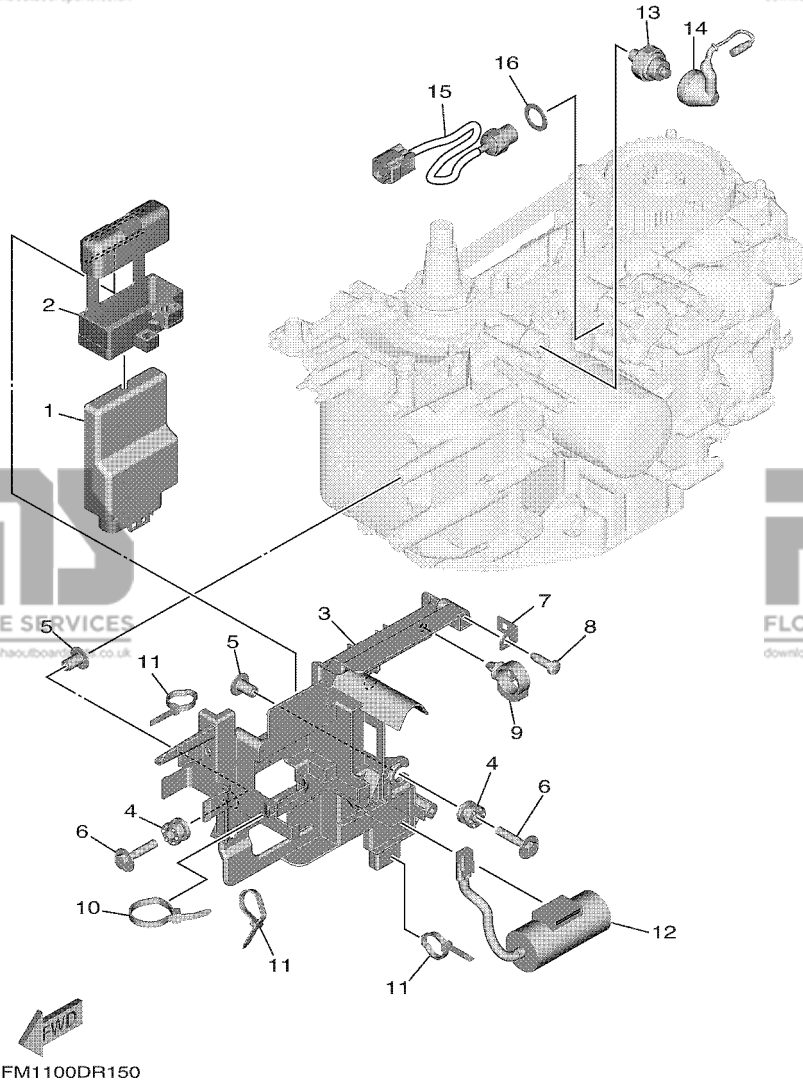


FIG. 16 ELECTRICAL 2

PARTIE ELECTRIQUE 2

| REF. NO. | PART NO. N° PIECES | DESCRIPTION DESCRIPTION | MH | WH | U | LT | REMARKS REMARQUES |
|----------|--|--|----|----|---|----|-------------------|
| 1 | 6F5-85570-13 | IGNITION COIL ASSY BOBINE D'ALLUMAGE (ENS.) | 1 | 1 | 1 | 1 | |
| 2 | 6AH-82370-00 | PLUG CAP ASSY ANTIPARASITE | 2 | 2 | 2 | 2 | |
| 3 | 90480-25003 | GROMMET PASSE-FIL | 3 | 3 | 3 | 3 | |
| 4 | 90464-07M41 | CLAMP BRIDE | 1 | 1 | 1 | 1 | |
| 5 | 67F-82361-00 | CLAMP, CORD COLLIER, CORDON | 1 | 1 | 1 | 1 | |
| 6 | 90464-09018 | CLAMP BRIDE | 1 | 1 | 1 | 1 | |
| 7 | 90464-11121 | CLAMP BRIDE | 1 | 1 | 1 | 1 | |
| 8 | 95895-06020 | BOLT, FLANGE BOULON | 2 | 2 | 2 | 2 | |
| 9 | 6FM-82316-00 | BRACKET, IGNITION COIL SUPPORT, BOBINE D'ALLUMAGE | 1 | 1 | 1 | 1 | |
| 10 | 6FM-81539-00 | PLATE, COIL PLAQUE, BOBINE | 1 | 1 | 1 | 1 | |
| 11 | 90464-11121 | CLAMP BRIDE | 1 | 1 | 1 | 1 | |
| 12 | 95895-06016 | BOLT, FLANGE BOULON | 2 | 2 | 2 | 2 | |
| 13 | 6FM-81960-00 6FM-81960-10 | RECTIFIER & REGULATOR ASSY REDRESSEUR REGULATEUR CPLT | 1 | 1 | 1 | 1 | |
| 14 | 95895-06020 | BOLT, FLANGE BOULON | 2 | 2 | 2 | 2 | |
| 15 | 6FM-8711E-00 | STAY, RECTIFIER SUPPORT, REDRESSEUR | 1 | 1 | 1 | 1 | |
| 16 | 90465-11M10 | CLAMP BRIDE | 1 | 1 | 1 | 1 | |
| 17 | 6FM-82535-00 | GROMMET RONDELLE CAOUTCHOUC | 3 | 3 | 3 | 3 | |
| 18 | 6FM-82545-00 | GROMMET PASSE-FIL | 3 | 3 | 3 | 3 | |
| 19 | 90387-06289 | COLLAR COLLERETTE | 3 | 3 | 3 | 3 | |
| 20 | 90119-06M88 | BOLT, WITH WASHER BOULON, AVEC RONDELLE | 3 | 3 | 3 | 3 | |

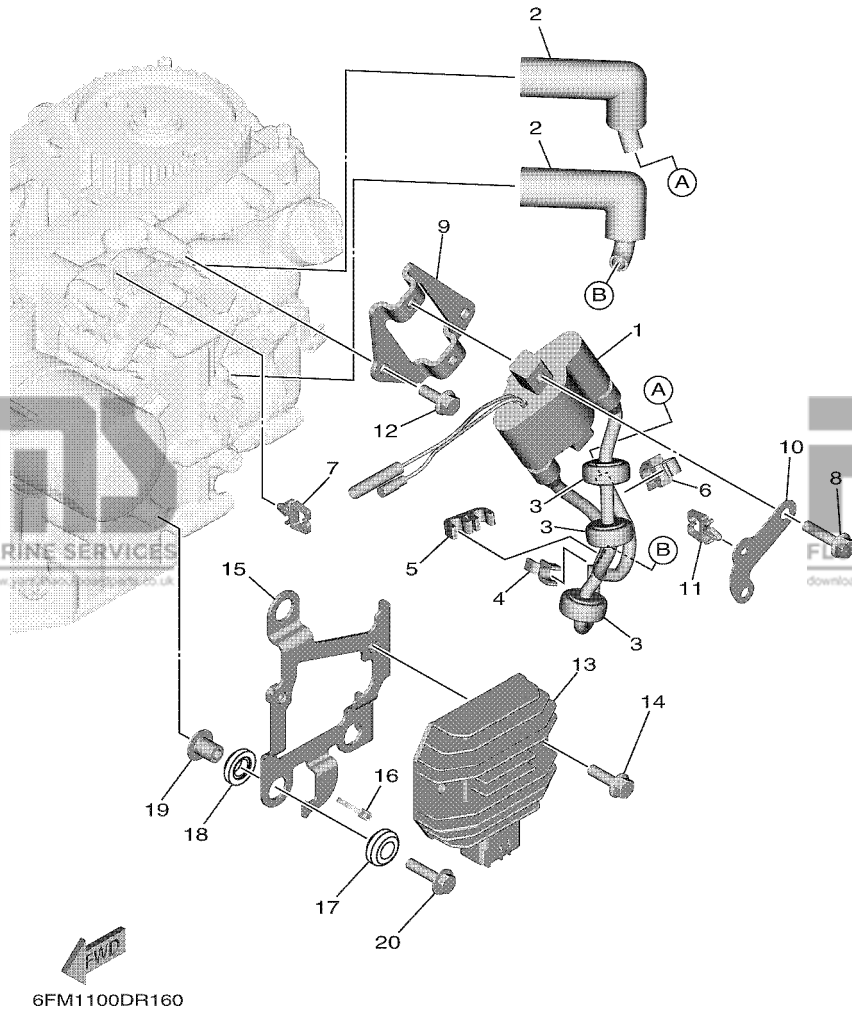
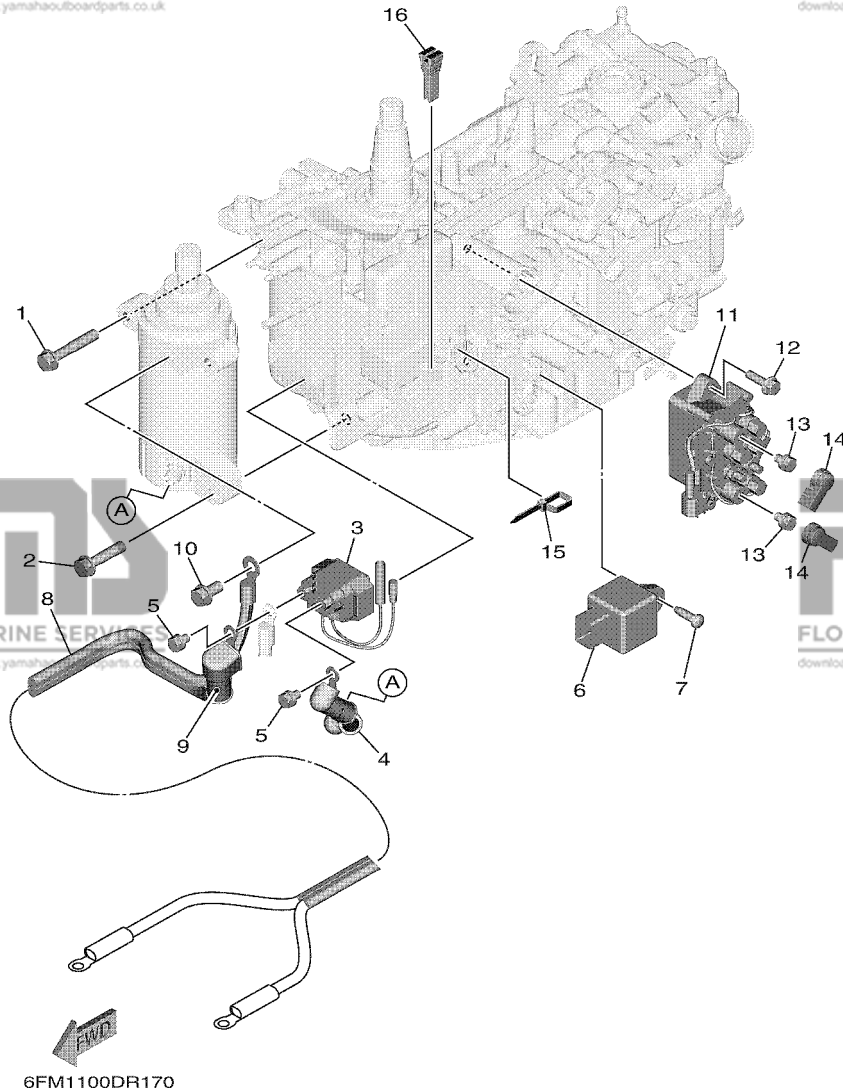


FIG. 17 ELECTRICAL 3

PARTIE ELECTRIQUE 3

| REF. NO. | PART NO. N° PIECES | DESCRIPTION DESCRIPTION | M/H | WH | LE | LT | REMARKS REMARQUES |
|----------|--------------------|--|-----|----|----|----|-------------------|
| 1 | 97513-08545 | BOLT, WITH WASHER VIS HEXAGONAL AVC RONDELLE | | 2 | 2 | 2 | |
| 2 | 97513-08535 | BOLT, WITH WASHER VIS HEXAGONAL AVC RONDELLE | | 1 | 1 | 1 | |
| 3 | 6FM-81940-00 | STARTER RELAY ASSY LANCEUR RELAIS (ENS.) | | 1 | 1 | 1 | |
| 4 | 6AH-82117-00 | WIRE, LEAD FIL | | 1 | 1 | 1 | |
| 5 | 97595-06610 | BOLT, WITH WASHER VIS HEXAGONAL AVC RONDELLE | | 2 | 2 | 2 | |
| 6 | 68V-81950-00 | RELAY ASSY RELAIS COMPLET | | | 1 | 1 | |
| 7 | 97780-60620 | SCREW, TAPPING VIS, TETE BOMBEE | | | 1 | 1 | |
| 8 | 6FM-82105-00 | BATTERY CABLE (L: 2.0M) CABLE DE BATTERIE (L: 2.0M) | | 1 | 1 | 1 | |
| 9 | 6P2-82119-00 | COVER, LEAD WIRE GARNITURE, FIL | | 1 | 1 | 1 | |
| 10 | 97595-08516 | BOLT, WITH WASHER VIS HEXAGONAL AVC RONDELLE | | 1 | 1 | 1 | |
| 11 | 63P-81950-00 | RELAY ASSY RELAIS COMPLET | | | | 1 | |
| 12 | 95895-06020 | BOLT, FLANGE BOULON | | | 2 | | |
| 13 | 97595-06610 | BOLT, WITH WASHER VIS HEXAGONAL AVC RONDELLE | | | 2 | | |
| 14 | 6P2-8183X-00 | CAP, TERMINAL COUVERCLE, BORNE | | | 2 | | |
| 15 | 90465-13M11 | CLAMP BRIDE | | | | 1 | |
| 16 | 67F-2812A-00 | PULLER, FUSE TENDEUR, FUSIBLE | | 1 | 1 | 1 | |



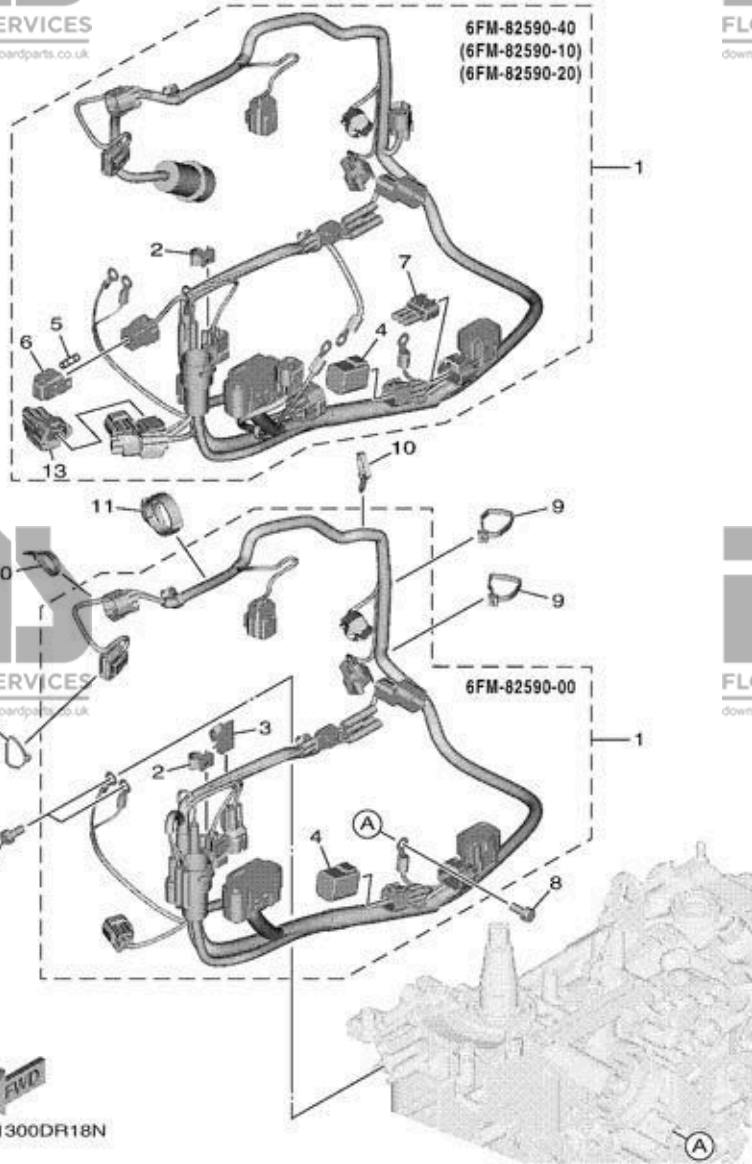


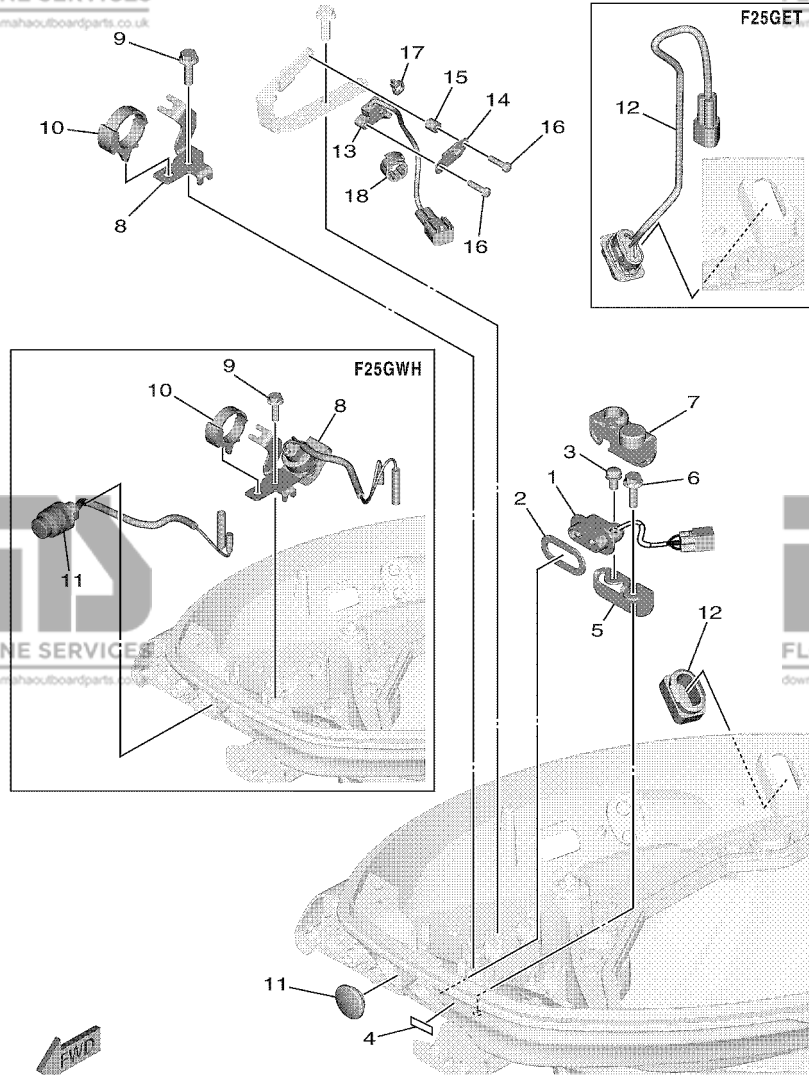
FIG. 18 ELECTRICAL 4

PARTIE ELECTRIQUE 4

| REF. NO. | PART NO. N° PIECES | DESCRIPTION DESCRIPTION | MH | WH | E | ET | REMARKS REMARQUES |
|----------|--------------------|---|----|----|---|----|-------------------|
| 1 | 6FM-82590-00 | WIRE HARNESS ASSY FAISCEAU DE FILS COMPLET | 1 | | | | |
| | 6FM-82590-10 | WIRE HARNESS ASSY FAISCEAU DE FILS COMPLET | | 1 | | | |
| | 6FM-82590-20 | WIRE HARNESS ASSY FAISCEAU DE FILS COMPLET | | | 1 | | |
| | 6FM-82590-40 | WIRE HARNESS ASSY FAISCEAU DE FILS COMPLET | | | | 1 | |
| 2 | 90464-09M47 | .CLAMP .BRIDE | 1 | 1 | 1 | 1 | |
| 3 | 90464-12002 | .CLAMP .BRIDE | 1 | 1 | | | |
| 4 | 6Y8-82582-11 | .CAP 1 (4PIN) .COUVERCLE 1 | 1 | 1 | 1 | 1 | |
| 5 | 67F-82151-00 | .FUSE (20A) .FUSIBLE (20A) | | 2 | 2 | 2 | |
| 6 | 67F-8215B-10 | .CAP (YELLOW) .BOUCHON (YELLOW) | | 1 | 1 | 1 | |
| 7 | 6FM-82582-00 | .CAP 1 (3P) .COUVERCLE 1 (3P) | | | | 1 | |
| 8 | 97595-06516 | BOLT, WITH WASHER VIS HEXAGONAL AVC RONDELLE | 3 | 3 | 3 | 3 | |
| 9 | 90465-11M52 | CLAMP BRIDE | 2 | 2 | 2 | 2 | |
| 10 | 90465-13M11 | CLAMP BRIDE | 2 | 2 | 2 | 2 | |
| 11 | 90464-28003 | CLAMP BRIDE | 1 | 1 | 1 | 1 | |
| 12 | 90465-11M59 | CLAMP BRIDE | 1 | 1 | 1 | 1 | |
| 13 | 6FM-81980-00 | .DIODE ASSY .REDRESSEUR 2 | | | | 1 | |

FIG. 19 ELECTRICAL 5

PARTIE ELECTRIQUE 5



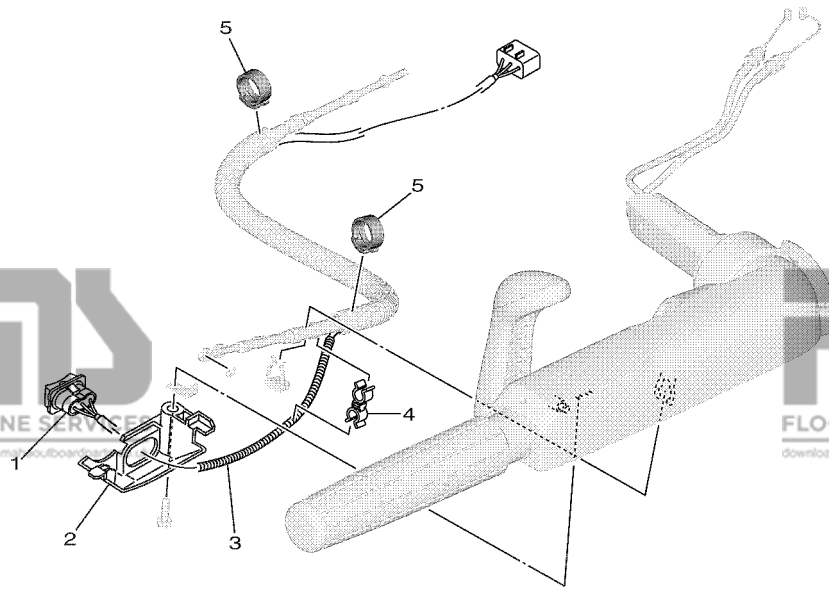
6FM1300DR190

| REF. NO. | PART NO. N° PIECES | DESCRIPTION DESCRIPTION | MH | WH | E | ET | REMARKS REMARQUES |
|----------|--------------------|--|----|----|---|----|-------------------|
| 1 | 62Y-84301-00 | PILOT LIGHT ASSY 1 LAMPE-TEMOIN 1 | 1 | 1 | 1 | 1 | |
| 2 | 6FM-83589-00 | GASKET GARNITURE | 1 | 1 | 1 | 1 | |
| 3 | 97985-06212 | SCREW, WITH WASHER VIS, AVEC RONDELLE | 1 | 1 | 1 | 1 | |
| 4 | 67C-85415-00 | MARK, SIGNAL LAMP ETIQUETTE | 1 | 1 | 1 | 1 | |
| 5 | 6FM-82388-00 | PLATE PLAQUETTE | 1 | 1 | 1 | 1 | |
| 6 | 90109-06M86 | BOLT BOULON | 1 | 1 | 1 | 1 | |
| 7 | 6FM-82355-00 | GROMMET JOINT | 1 | 1 | 1 | 1 | |
| 8 | 6FM-15774-00 | STAY 4 SUPPORT 4 | 1 | | 1 | 1 | |
| | 6FM-82540-00 | NEUTRAL SWITCH ASSY CONTACTEUR DE POINT-MORT | | 1 | | | |
| 9 | 90109-06M86 | BOLT BOULON | 1 | 1 | 1 | 1 | |
| 10 | 90464-12183 | CLAMP BRIDE | 1 | 1 | 1 | 1 | |
| 11 | 6G1-42725-00 | GROMMET PASSE-FIL | 1 | | 1 | 1 | |
| | 65W-81870-00 | STARTING SWITCH ASSY CONTACT A CLEF | | 1 | | | |
| 12 | 6FM-42723-00 | COVER, BOTTOM COUVERCLE | 1 | 1 | 1 | | |
| | 6FM-82563-01 | TRIM & TILT SWITCH ASSY INCLINER ET PARER COMMUTATEUR | | | | 1 | |
| 13 | 60V-8259F-00 | SWITCH ASSY COMMUTATEUR | 1 | 1 | 1 | 1 | |
| 14 | 6FM-82588-00 | PLATE PLAQUE | 1 | 1 | 1 | 1 | |
| 15 | 90387-04001 | COLLAR COLLERETTE | 1 | 1 | 1 | 1 | |
| 16 | 97985-04116 | SCREW, WITH WASHER VIS, AVEC RONDELLE | 2 | 2 | 2 | 2 | |
| 17 | 90465-11M10 | CLAMP BRIDE | 1 | 1 | 1 | 1 | |
| 18 | 90464-13227 | CLAMP BRIDE | 1 | 1 | 1 | 1 | |

FIG. 20 ELECTRICAL 6

PARTIE ELECTRIQUE 6

| REF. NO. | PART NO. N° PIECES | DESCRIPTION DESCRIPTION | MH | WH | E | ET | REMARKS REMARQUES |
|----------|------------------------------|----------------------------------|----|----|---|----|-------------------|
| 1 | 6FM-81860-01 | SWITCH ASSY COMMUTEUR COMPLET | 1 | 1 | | | |
| 2 | 6FM-42176-00 | STAY 2 SUPPORT 2 | 1 | 1 | | | |
| 3 | 90446-10M82 | HOSE (L90) DURITE (L90) | 1 | 1 | | | |
| 4 | 90464-10M59 | CLAMP BRIDE | 1 | 1 | | | |
| 5 | 90464-16001 | CLAMP BRIDE | 2 | 2 | | | |

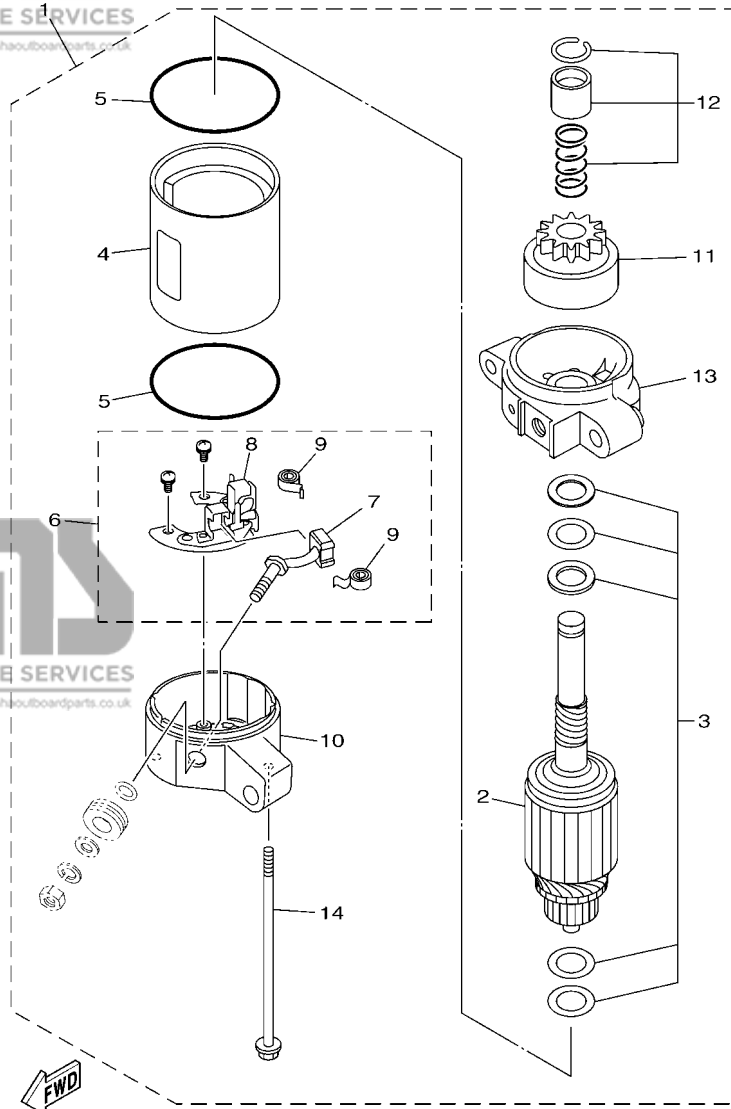



6FM1100DR200

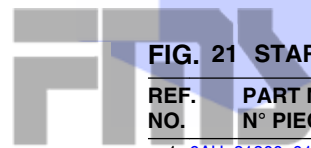


FLOOD MARINE SERVICES

downloaded from www.yamahaoutboardparts.co.uk



6FM1100-R210



FLOOD MARINE SERVICES

downloaded from www.yamahaoutboardparts.co.uk

FIG. 21 STARTING MOTOR

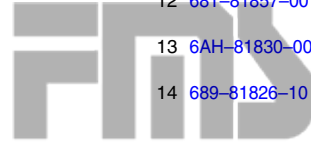
DEMARREUR ELECTRIQUE

| REF. NO. | PART NO. N° PIECES | DESCRIPTION DESCRIPTION | M/H | WH | E | ET | REMARKS REMARQUES |
|----------|--------------------|---|-----|----|---|----|-------------------|
| 1 | 6AH-81800-01 | STARTING MOTOR ASSY DEMARREUR ELECTRIQUE COMPLET | | 1 | 1 | 1 | |
| 2 | 689-81850-11 | .ARMATURE ASSY .INDUIT | | 1 | 1 | 1 | |
| 3 | 689-81809-11 | .WASHER KIT .JEU DE RONDELLES | | 1 | 1 | 1 | |
| 4 | 689-81810-11 | .STATOR ASSY .STATOR COMPLET | | 1 | 1 | 1 | |
| 5 | 689-81847-11 | .O-RING .JOINT TORIQUE | | 2 | 2 | 2 | |
| 6 | 689-81840-11 | .BRUSH HOLDER ASSY .SUPPORT DE CHARBON | | 1 | 1 | 1 | |
| 7 | 689-81811-11 | .BRUSH 1 .CHARBON 1 | | 1 | 1 | 1 | |
| 8 | 689-81812-11 | .BRUSH 2 .CHARBON 2 | | 1 | 1 | 1 | |
| 9 | 689-81813-10 | .SPRING, BRUSH .RESSORT, DE CHARBON | | 2 | 2 | 2 | |
| 10 | 6AH-81820-01 | .REAR BRACKET ASSY .SUPPORT ARRIERE COMPLET | | 1 | 1 | 1 | |
| 11 | 689-81807-12 | .GEAR ASSY, STARTING MOTOR .PIGNON, DEMARREUR ELECTRIQUE | | 1 | 1 | 1 | |
| 12 | 68T-81857-00 | .PINION STOPPER SET .BUTEE PIGNON | | 1 | 1 | 1 | |
| 13 | 6AH-81830-00 | .FRONT BRACKET ASSY .SUPPORT AVANT | | 1 | 1 | 1 | |
| 14 | 689-81826-10 | .BOLT .BOULON | | 2 | 2 | 2 | |



FLOOD MARINE SERVICES

downloaded from www.yamahaoutboardparts.co.uk



FLOOD MARINE SERVICES

downloaded from www.yamahaoutboardparts.co.uk



FLOOD MARINE SERVICES

downloaded from www.yamahaoutboardparts.co.uk



FLOOD MARINE SERVICES

downloaded from www.yamahaoutboardparts.co.uk



FLOOD MARINE SERVICES

downloaded from www.yamahaoutboardparts.co.uk



FLOOD MARINE SERVICES

downloaded from www.yamahaoutboardparts.co.uk

FIG. 22 BOTTOM COWLING

CAPOT INFERIEUR

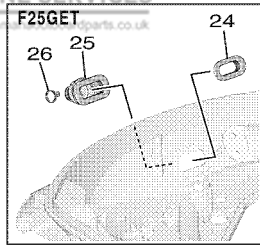
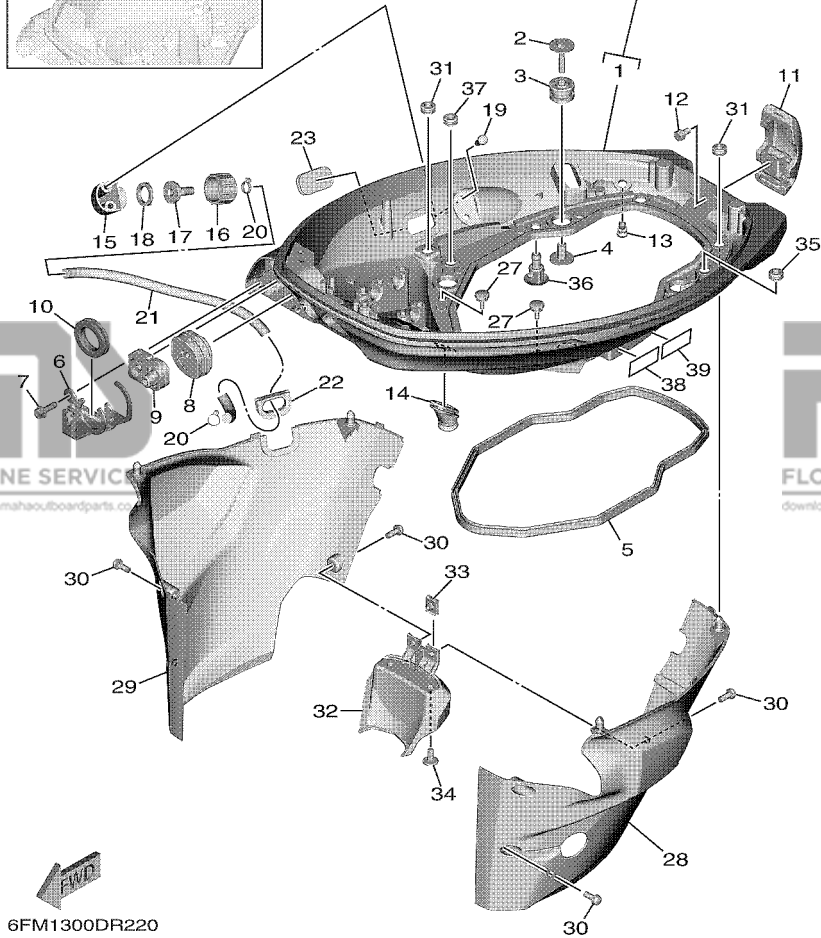


Fig. 22, **BOTTOM COWLING**
Ref. No. 7
Fig. 19, **ELECTRICAL 5**
Ref. No. 6, 9
Fig. 25, **CONTROL 1**
Ref. No. 6, 8, 11
Fig. 26, **CONTROL 2**
Ref. No. 6, 8, 11



| REF. NO. | PART NO. N° PIECES | DESCRIPTION DESCRIPTION | MH | WH | W | LT | REMARKS REMARQUES |
|----------|--------------------|---|----|----|---|----|-------------------|
| 1 | 6FM-42710-00-8D | BOTTOM COWLING ASSY ENS. EMBASE | 1 | 1 | 1 | 1 | |
| 2 | 68F-85119-00 | BOLT BOULON | 4 | 4 | 4 | 4 | |
| 3 | 90480-21M82 | GROMMET PASSE-FIL | 4 | 4 | 4 | 4 | |
| 4 | 90387-06176 | COLLAR COLLERETTE | 4 | 4 | 4 | 4 | |
| 5 | 6FM-42716-00 | RUBBER SEAL 1 JOINT EN CAOUTCHOUC 1 | 1 | 1 | 1 | 1 | |
| 6 | 6FM-42761-00 | STOPPER PLAQUETTE | 1 | 1 | | | |
| | 6FM-42761-10 | STOPPER PLAQUETTE | | | 1 | 1 | |
| 7 | 90109-06316 | BOLT BOULON | 2 | 2 | 2 | 2 | |
| 8 | 6FM-42724-00 | GROMMET PASSE-FIL | 1 | 1 | | | |
| | 6FM-42724-10 | GROMMET PASSE-FIL | | | 1 | 1 | |
| 9 | 6FM-42725-00 | GROMMET PASSE-FIL | 1 | 1 | 1 | 1 | |
| 10 | 6FM-42726-10 | GROMMET PASSE-FIL | 1 | 1 | 1 | 1 | |
| 11 | 6FM-42801-00 | COWLING CLAMP COMP. BRIDE DE CAPOT COMP. | 1 | 1 | 1 | 1 | |
| 12 | 97595-06512 | BOLT, WITH WASHER VIS HEXAGONAL AVC RONDELLE | 1 | 1 | 1 | 1 | |
| 13 | 6BL-44391-00 | NIPPLE, HOSE RACCORD D'ESSENCE | 1 | 1 | 1 | 1 | |
| 14 | 6AH-42727-00 | GROMMET PASSE-FIL | 1 | 1 | 1 | 1 | |
| 15 | 6DR-12572-00 | ADAPTER ADAPTATEUR | 1 | 1 | 1 | 1 | |
| 16 | 6R3-12581-00 | JOINT, HOSE 1 JOINT DE TUYAU | 1 | 1 | 1 | 1 | |
| 17 | 6R3-12582-00 | JOINT, HOSE 2 RACCORD DE TUYAU 1 | 1 | 1 | 1 | 1 | |
| 18 | 6R3-12583-00 | GASKET, HOSE JOINT JOINT | 1 | 1 | 1 | 1 | |
| 19 | 97780-60520 | SCREW, TAPPING VIS, TETE BOMBEE | 2 | 2 | 2 | 2 | |
| 20 | 90465-11M10 | CLAMP BRIDE | 2 | 2 | 2 | 2 | |
| 21 | 90445-11182 | HOSE (L300) DURITE (L300) | 1 | 1 | 1 | 1 | |
| 22 | 6AH-42726-00 | GROMMET PASSE-FIL | 1 | 1 | 1 | 1 | |
| 23 | 6H4-42726-00 | GROMMET PASSE-FIL | 1 | 1 | 1 | | |
| 24 | 6BG-42384-00 | SEAL, CAP JOINT, CAPUCHON | | | | 1 | |
| 25 | 6BG-42724-00 | GROMMET PASSE-FIL | | | | 1 | |

FIG. 22 BOTTOM COWLING

CAPOT INFERIEUR

| REF. NO. | PART NO. N° PIECES | DESCRIPTION DESCRIPTION | M/H | WH | L | LT | REMARKS REMARQUES |
|----------|--------------------|---|-----|----|---|----|-------------------|
| 26 | 90465-11M10 | CLAMP BRIDE | | | | 1 | |
| 27 | 6H4-42748-00 | GROMMET PASSE-FIL | 2 | 2 | 2 | 2 | |
| 28 | 6FM-42741-00 | APRON CAPOT LATERAL | 1 | 1 | 1 | 1 | |
| 29 | 6FM-42771-00 | APRON CAPOT LATERAL | 1 | 1 | 1 | 1 | |
| 30 | 90159-06M11 | SCREW, WITH WASHER VIS, AVEC RONDELLE | 6 | 6 | 6 | 6 | |
| 31 | 90480-13M24 | GROMMET PASSE-FIL | 4 | 4 | 4 | 4 | |
| 32 | 6FM-42735-00 | PROTECTOR PROTECTEUR | 1 | 1 | 1 | 1 | |
| 33 | 90183-061A8 | NUT, SPRING ECROU, RESSORT | 2 | 2 | 2 | 2 | |
| 34 | 90111-06144 | BOLT, HEX. SOCKET BUTTON BOULON | 2 | 2 | 2 | 2 | |
| 35 | 90480-13M24 | GROMMET PASSE-FIL | 1 | 1 | 1 | 1 | |
| 36 | 6P2-44391-00 | NIPPLE, HOSE RACCORD D'ESSENCE | 1 | 1 | 1 | 1 | |
| 37 | 90480-13M24 | GROMMET PASSE-FIL | 1 | 1 | 1 | 1 | |
| 38 | 6EE-42794-40 | LABEL, WARNING (GENERAL) ETIQUETTE, AVERTISSEMENT | 1 | 1 | 1 | 1 | |
| 39 | 6EE-42794-50 | LABEL, WARNING (GENERAL) ETIQUETTE, AVERTISSEMENT | 1 | 1 | 1 | 1 | |

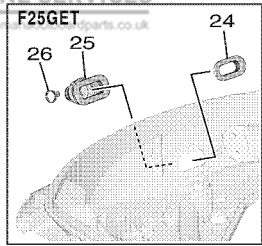
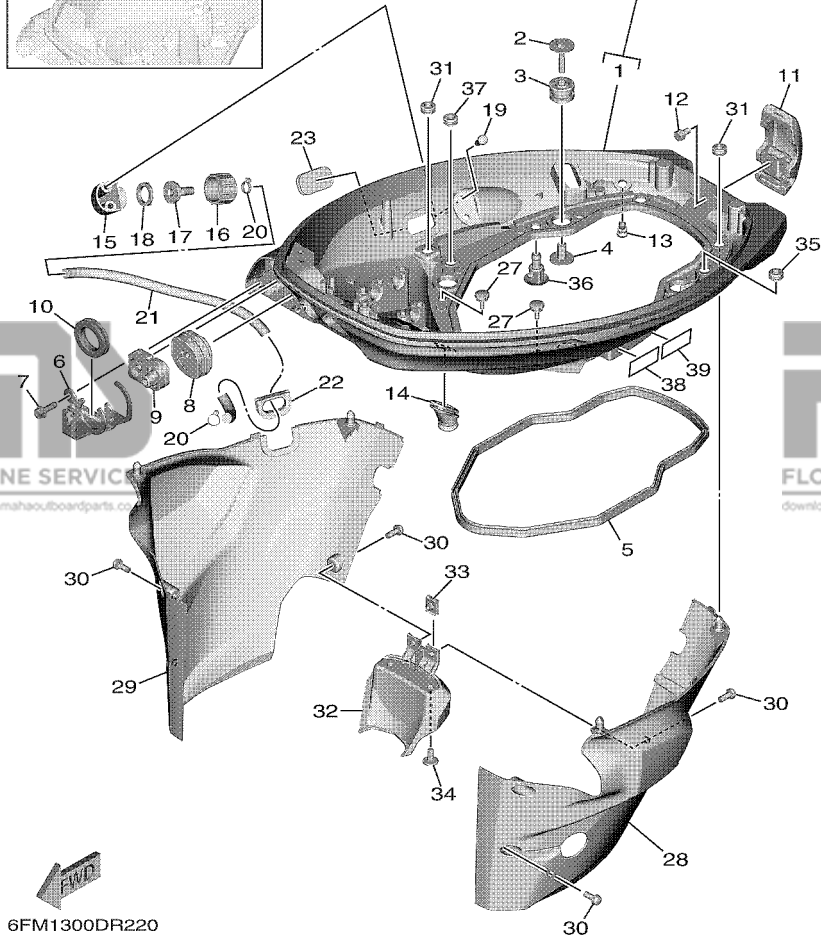


Fig. 22, BOTTOM COWLING
Ref. No. 7
Fig. 19, ELECTRICAL 5
Ref. No. 6, 9
Fig. 25, CONTROL 1
Ref. No. 6, 8, 11
Fig. 26, CONTROL 2
Ref. No. 6, 8, 11



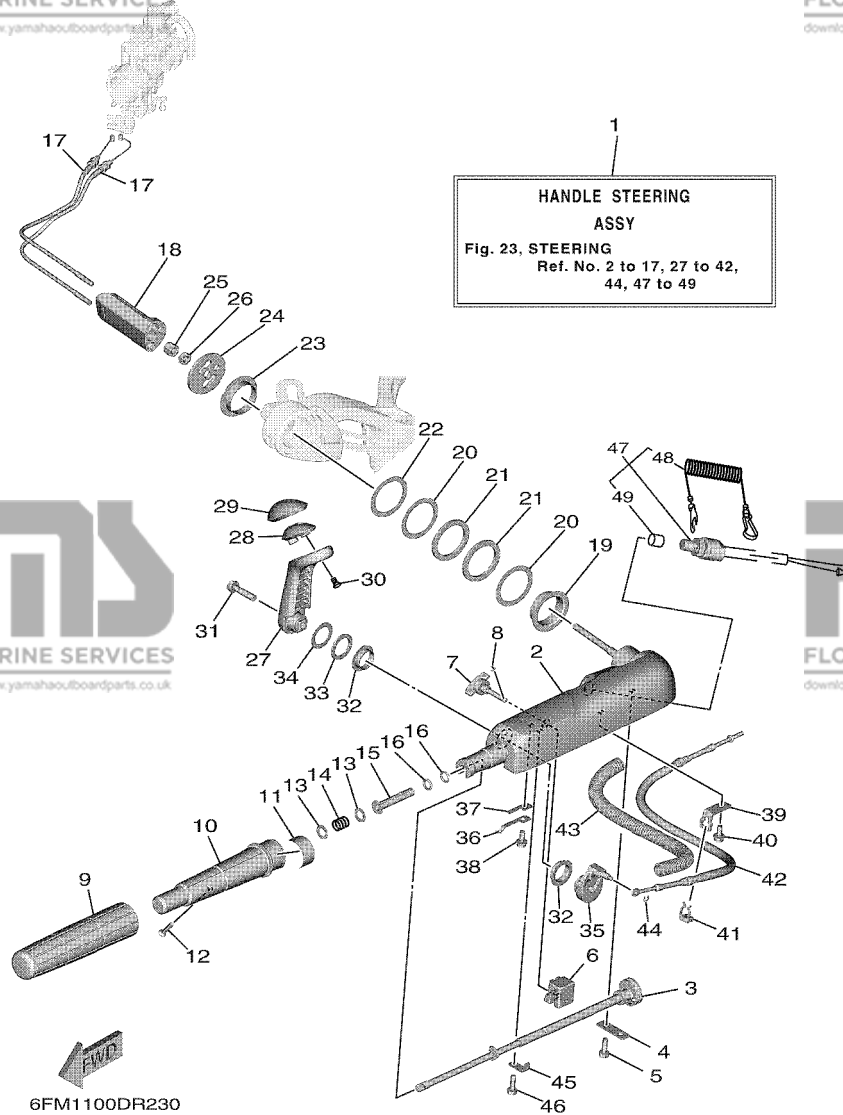


FIG. 23 STEERING

DIRECTION

| REF. NO. | PART NO. N° PIECES | DESCRIPTION DESCRIPTION | MH | WH | E | ET | REMARKS REMARQUES |
|----------|--------------------|--|----|----|---|----|-------------------|
| 1 | 6FM-W0084-00-8D | HANDLE STEERING ASSY BARRE FRANCHE (ENS.) | 1 | 1 | | | |
| 2 | 6FM-42111-00-8D | HANDLE, STEERING POIGNEE | 1 | 1 | | | |
| 3 | 6DR-42138-01 | LEVER, THROTTLE LEVIER, ACCELERATEUR | 1 | 1 | | | |
| 4 | 65W-42159-00 | STAY SUPPORT | 1 | 1 | | | |
| 5 | 90105-06M07 | BOLT, FLANGE BOULON, A COLLERETTE | 1 | 1 | | | |
| 6 | 6DR-42126-00 | FRICITION, STEERING HANDLE GRIP CUVETTE, POIGNEE DE DIRECTION | 1 | 1 | | | |
| 7 | 65W-42125-00 | BOLT, FRICTION ADJUSTING BOULON | 1 | 1 | | | |
| 8 | 91490-16010 | PIN. COTTER GOUPILLE | 1 | 1 | | | |
| 9 | 67D-42177-00 | RUBBER, HANDLE CAOUTCHOUC, POIGNEE | 1 | 1 | | | |
| 10 | 67D-42119-01 | GRIP, STEERING HANDLE POIGNEE, BARRE FRANCHE | 1 | 1 | | | |
| 11 | 6FM-42137-00 | INDICATOR, THROTTLE INDICATEUR, ACCELERATION | 1 | 1 | | | |
| 12 | 90152-05011 | SCREW, COUNTERSUNK VIS, TETE NOYEE | 1 | 1 | | | |
| 13 | 90201-10M02 | WASHER, PLATE RONDELLE, PLATE | 2 | 2 | | | |
| 14 | 90501-23215 | SPRING, COMPRESSION RESSORT, COMPRESSION | 1 | 1 | | | |
| 15 | 6FM-42171-00 | BUSHING COUSSINET | 1 | 1 | | | |
| 16 | 93210-10010 | O-RING JOINT TORIQUE | 2 | 2 | | | |
| 17 | 6FM-26301-00 | THROTTLE CABLE ASSY CABLE D'ACCELERATEUR | 2 | 2 | | | |
| 18 | 6FM-26316-00 | BOOT, THROTTLE CABLE SOUFFLET, CABLE D'ACCELERATEUR | 1 | 1 | | | |
| 19 | 66R-42171-00 | BUSHING COUSSINET | 1 | 1 | | | |
| 20 | 90201-43M00 | WASHER, PLATE RONDELLE, PLATE | 2 | 2 | | | |
| 21 | 90206-43M22 | WASHER, WAVE RONDELLE, ONDULEE | 2 | 2 | | | |
| 22 | 90202-43M57 | WASHER, PLATE RONDELLE, PLATE | 1 | 1 | | | |
| 23 | 90386-40M99 | BUSH DOUILLE | 1 | 1 | | | |
| 24 | 65W-42131-01 | COVER, HANDLE STEERING COUVERCLE | 1 | 1 | | | |
| 25 | 95780-10300 | NUT, FLANGE ECROU | 1 | 1 | | | |
| 26 | 95380-10700 | NUT ECROU | 1 | 1 | | | |
| 27 | 6DR-44111-00-8D | HANDLE, GEAR SHIFT POIGNEE, LEVIER D'EMBRAYAGE | 1 | 1 | | | |

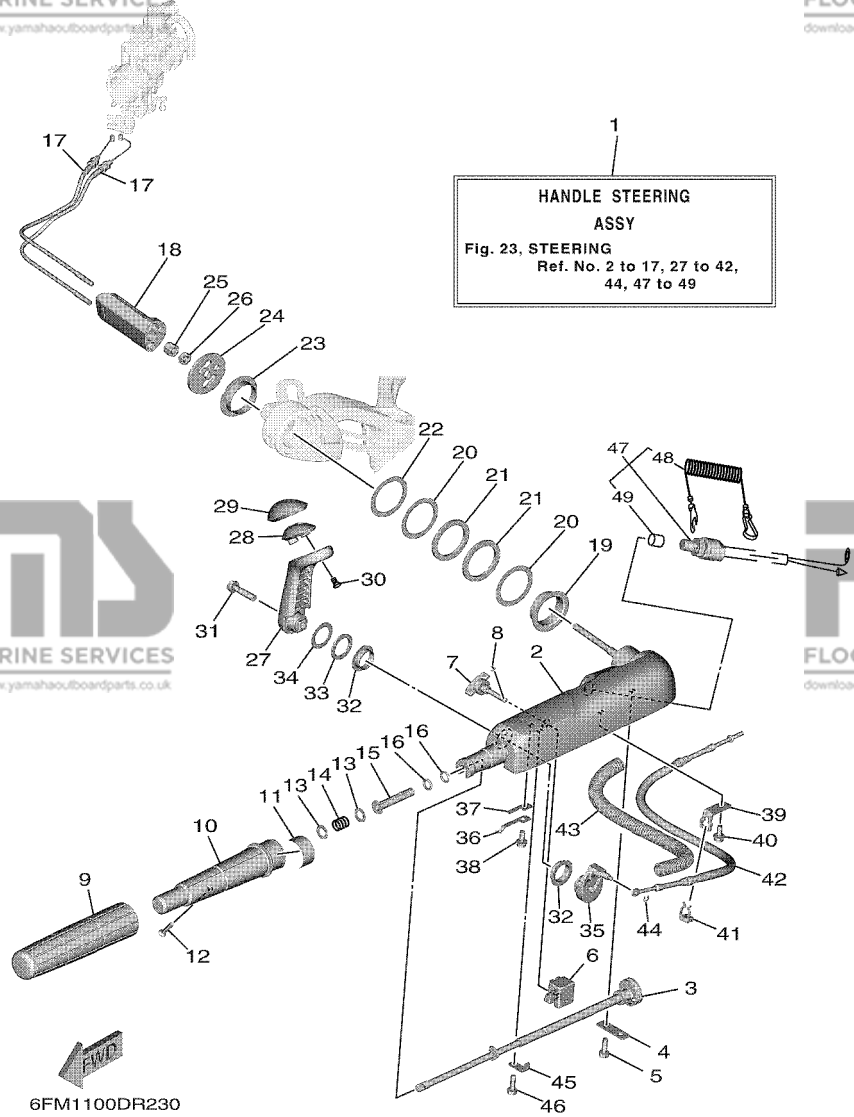


FIG. 23 STEERING

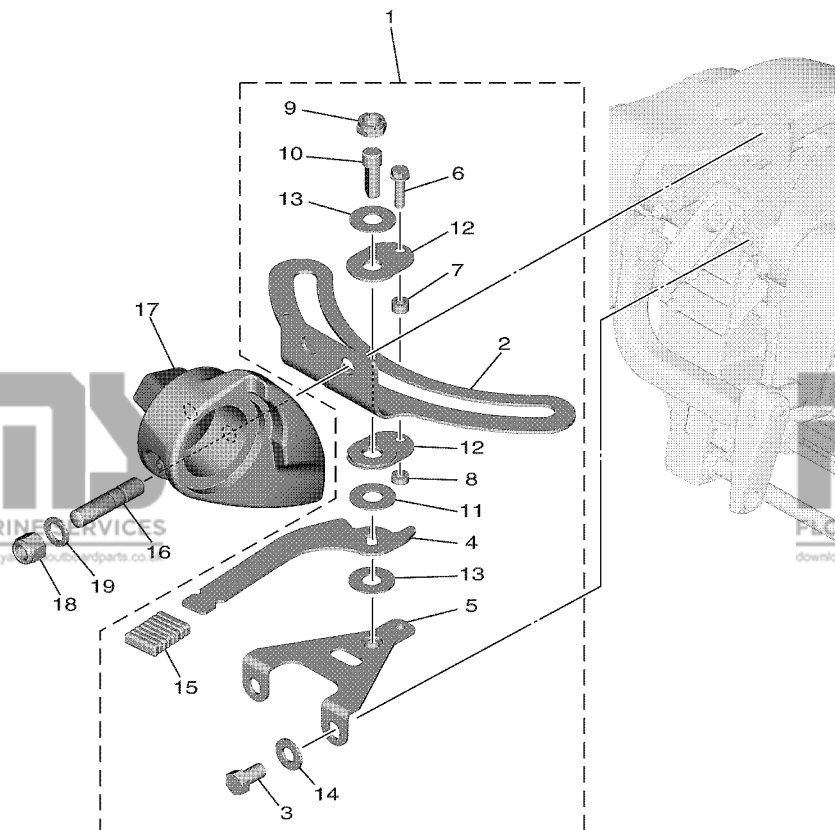
DIRECTION

| REF. NO. | PART NO. N° PIECES | DESCRIPTION DESCRIPTION | M/H | WH | E | ET | REMARKS REMARQUES |
|----------|--------------------|---|-----|----|---|----|-------------------|
| 28 | 6DR-44173-00 | LEVER, SHIFT CONTROL POIGNEE, INVERSION | 1 | 1 | | | |
| 29 | 6DR-42129-00 | BUSHING, RUBBER DOUILLE, CAOUTCHOUC | 1 | 1 | | | |
| 30 | 97780-60920 | SCREW, TAPPING VIS, TETE BOMBEE | 2 | 2 | | | |
| 31 | 97595-08535 | BOLT, WITH WASHER VIS HEXAGONAL AVC RONDELLE | 1 | 1 | | | |
| 32 | 90386-26MA3 | BUSH DOUILLE | 2 | 2 | | | |
| 33 | 90206-26M25 | WASHER, WAVE RONDELLE, ONDULEE | 1 | 1 | | | |
| 34 | 90202-26M59 | WASHER, PLATE RONDELLE, PLATE | 1 | 1 | | | |
| 35 | 6DR-44113-A0 | CAM PLATE, HANDLE CAME, VERROUILLAGE | 1 | 1 | | | |
| 36 | 6DR-44116-00 | SPRING RESSORT | 1 | 1 | | | |
| 37 | 66R-44118-00 | BRACKET SUPPORT | 1 | 1 | | | |
| 38 | 95895-06014 | BOLT, FLANGE BOULON | 1 | 1 | | | |
| 39 | 66R-48538-00 | CLAMP, CABLE 1 COLLIER | 1 | 1 | | | |
| 40 | 95895-06014 | BOLT, FLANGE BOULON | 1 | 1 | | | |
| 41 | 63D-48538-00 | CLAMP, CABLE 1 COLLIER | 1 | 1 | | | |
| 42 | 6DR-48321-00 | CABLE CABLE | 1 | 1 | | | |
| 43 | 90446-20MF5 | HOSE (L320) DURITE (L320) | 1 | 1 | | | |
| 44 | 99080-04600 | CIRCLIP CIRCLIP | 1 | 1 | | | |
| 45 | 6DR-44114-00 | STOPPER PLAQUETTE | 1 | 1 | | | |
| 46 | 97980-06225 | SCREW, WITH WASHER VIS, AVEC RONDELLE | 1 | 1 | | | |
| 47 | 6FM-82575-00 | ENGINE STOP SWITCH ASSY COUPE CIRCUIT CPLT | 1 | 1 | | | |
| 48 | 682-82556-00 | .LANYARD, STOP SWITCH .CORDON DU COUPE CIRCUIT | 1 | 1 | | | |
| 49 | 689-8257Y-00 | .CAP .COUVERCLE | 1 | 1 | | | |

FIG. 24 STEERING FRICTION

CUVETTE POIGNEE DE DIRECTION

| REF. NO. | PART NO. N° PIECES | DESCRIPTION DESCRIPTION | MH | WH | E | ET | REMARKS REMARQUES |
|----------|---------------------------------|--|----|----|---|----|-------------------|
| 1 | 6FM-42508-00 | STEERING FRICTION ASSY DIRECTION FRICTION (ENS.) | 1 | 1 | | | |
| 2 | 6FM-42527-00 | .PLATE, FRICTION .PLAQUE, FRICTION | 1 | 1 | | | |
| 3 | 90109-08M91 | .BOLT .BOULON | 2 | 2 | | | |
| 4 | 6FM-42561-00 | .KNOB, STEERING LOCK .BOUTON | 1 | 1 | | | |
| 5 | 6FM-42525-00 | .PLATE, FRICTION .PLAQUE, FRICTION | 1 | 1 | | | |
| 6 | 97595-05520 | .BOLT, WITH WASHER .VIS HEXAGONAL AVC RONDELLE | 1 | 1 | | | |
| 7 | 90387-05054 | .COLLAR .COLLERETTE | 1 | 1 | | | |
| 8 | 90387-05053 | .COLLAR .COLLERETTE | 1 | 1 | | | |
| 9 | 90185-10M14 | .NUT, SELF-LOCKING .ECROU,AUTO-BLOQUANT | 1 | 1 | | | |
| 10 | 67C-42562-00 | .SHAFT, STEERING LOCK .ARBRE,ANTIVOL DE DIRECTION | 1 | 1 | | | |
| 11 | 90202-10M56 | .WASHER, PLATE .RONDELLE, PLATE | 1 | 1 | | | |
| 12 | 65W-42528-00 | .PLATE, FRICTION .PLAQUE, FRICTION | 2 | 2 | | | |
| 13 | 90201-106M5 | .WASHER, PLATE .RONDELLE, PLATE | 2 | 2 | | | |
| 14 | 92995-08200 | .WASHER .RONDELLE | 2 | 2 | | | |
| 15 | 689-43633-00 | .COVER, TILT LEVER .COUVERCLE | 1 | 1 | | | |
| 16 | 90116-10064 | BOLT, STUD GOUJON | 2 | 2 | | | |
| 17 | 6FM-42121-01-8D | BRACKET SUPPORT | 1 | 1 | | | |
| 18 | 90185-10027 | NUT, SELF-LOCKING ECROU,AUTO-BLOQUANT | 2 | 2 | | | |
| 19 | 90201-10049 | WASHER, PLATE RONDELLE, PLATE | 2 | 2 | | | |

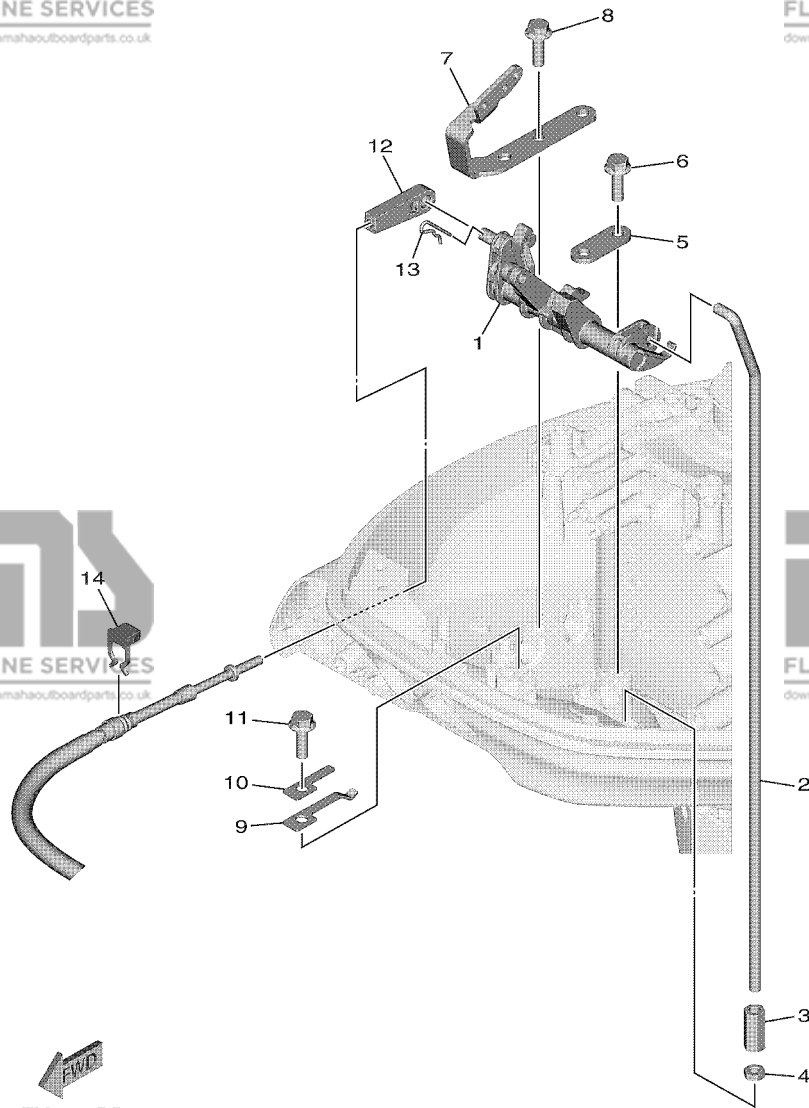


← END
6FM2010DS240

FIG. 25 CONTROL 1

COMMANDE 1

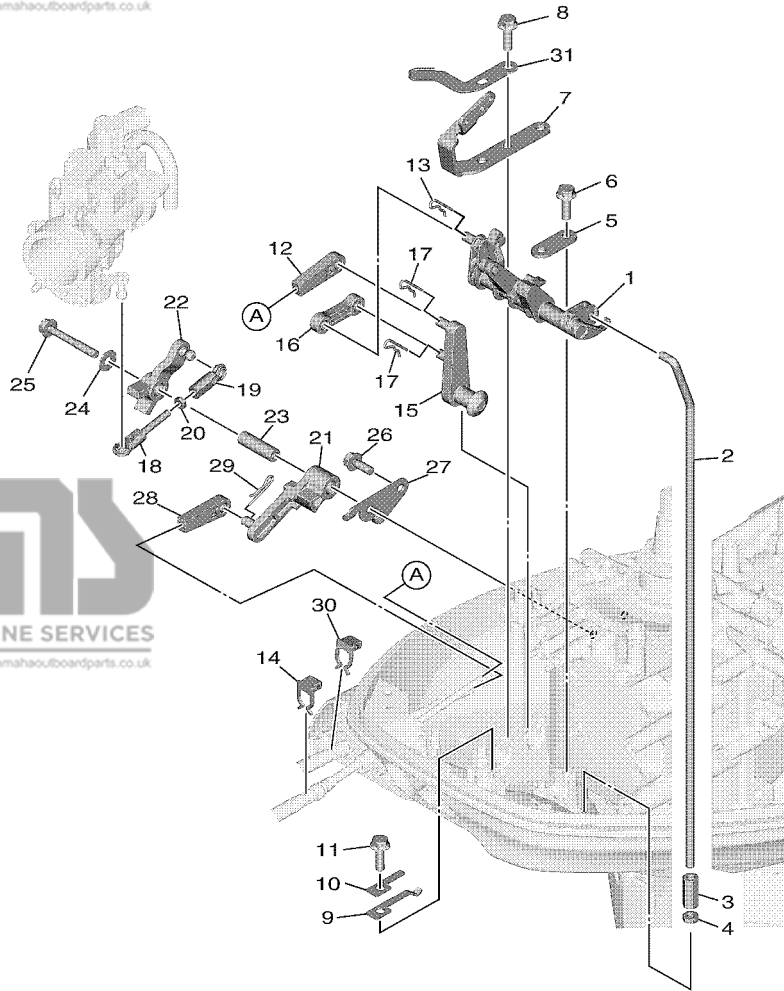
| REF. NO. | PART NO. N° PIECES | DESCRIPTION DESCRIPTION | MH | WH | E | ET | REMARKS REMARQUES |
|----------|------------------------------|--|----|----|---|----|----------------------|
| 1 | 6FM-44121-00 | LEVER, SHIFT ROD LEVIER, TIGE D'INVERSION | 1 | 1 | | | |
| 2 | 6FM-44143-00 | ROD, SHIFT 1 TIGE D'EMBAYAGE 1 | 1 | 1 | | | S(16.7") S(16.7") |
| | 6FM-44143-10 | ROD, SHIFT 1 TIGE D'EMBAYAGE 1 | 1 | 1 | | | L(21.7") L(21.7") |
| 3 | 90170-06015 | NUT ECROU | 1 | 1 | | | |
| 4 | 95380-06700 | NUT ECROU | 1 | 1 | | | |
| 5 | 6FM-41661-00 | BRACKET 1 SUPPORT 1 | 1 | 1 | | | |
| 6 | 90109-06M86 | BOLT BOULON | 1 | 1 | | | |
| 7 | 6FM-41662-00 | BRACKET 2 SUPPORT 2 | 1 | 1 | | | |
| 8 | 90109-06M86 | BOLT BOULON | 1 | 1 | | | |
| 9 | 66R-44116-00 | SPRING RESSORT | 1 | 1 | | | |
| 10 | 66R-44118-00 | BRACKET SUPPORT | 1 | 1 | | | |
| 11 | 90109-06M86 | BOLT BOULON | 1 | 1 | | | |
| 12 | 6FM-48344-00 | CABLE END, REMOTE CONTROL CHAPE CABLE | 1 | 1 | | | |
| 13 | 90468-18008 | CLIP JONC | 1 | 1 | | | |
| 14 | 63D-48538-00 | CLAMP, CABLE 1 COLLIER | 1 | 1 | | | |



← FWD
6FM1100DR250

FIG. 26 CONTROL 2

COMMANDE 2



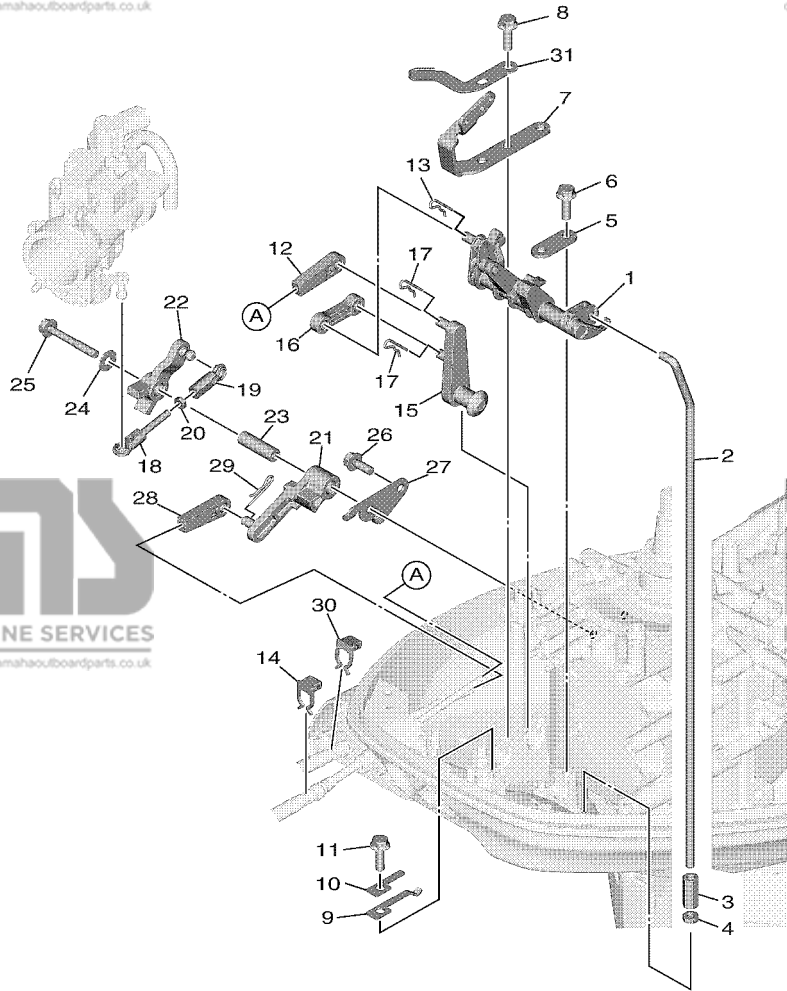
| REF. NO. | PART NO. N° PIECES | DESCRIPTION DESCRIPTION | M/H | WH | E | ET | REMARKS REMARQUES |
|----------|------------------------------|--|-----|----|---|----|----------------------|
| 1 | 6FM-44121-00 | LEVER, SHIFT ROD LEVIER, TIGE D'INVERSION | | | 1 | 1 | |
| 2 | 6FM-44143-00 | ROD, SHIFT 1 TIGE D'EMBAYAGE 1 | | | 1 | 1 | S(16.7") S(16.7") |
| | 6FM-44143-10 | ROD, SHIFT 1 TIGE D'EMBAYAGE 1 | | | 1 | 1 | L(21.7") L(21.7") |
| 3 | 90170-06015 | NUT ECROU | | | 1 | 1 | |
| 4 | 95380-06700 | NUT ECROU | | | 1 | 1 | |
| 5 | 6FM-41661-00 | BRACKET 1 SUPPORT 1 | | | 1 | 1 | |
| 6 | 90109-06M86 | BOLT BOULON | | | 1 | 1 | |
| 7 | 6FM-41662-00 | BRACKET 2 SUPPORT 2 | | | 1 | 1 | |
| 8 | 90109-06M86 | BOLT BOULON | | | 1 | 1 | |
| 9 | 66R-44116-00 | SPRING RESSORT | | | 1 | 1 | |
| 10 | 66R-44118-00 | BRACKET SUPPORT | | | 1 | 1 | |
| 11 | 90109-06M86 | BOLT BOULON | | | 1 | 1 | |
| 12 | 6FM-48344-00 | CABLE END, REMOTE CONTROL CHAPE CABLE | | | 1 | 1 | |
| 13 | 90468-18008 | CLIP JONC | | | 1 | 1 | |
| 14 | 63D-48538-00 | CLAMP, CABLE 1 COLLIER | | | 1 | 1 | |
| 15 | 6FM-44125-00 | LEVER, SHIFT ROD LEVIER, TIGE D'INVERSION | | | 1 | 1 | |
| 16 | 6FM-44192-00 | LINK, SHIFT ROD BIELLETTE | | | 1 | 1 | |
| 17 | 90468-18008 | CLIP JONC | | | 2 | 2 | |
| 18 | 682-41237-50 | JOINT, LINK RACCORD | | | 1 | 1 | |
| 19 | 6H4-41237-00 | JOINT, LINK RACCORD | | | 1 | 1 | |
| 20 | 95380-05700 | NUT ECROU | | | 1 | 1 | |
| 21 | 6FM-42157-00 | LEVER, THROTTLE LEVIER DE AVANCE | | | 1 | 1 | |
| 22 | 6FM-41283-00 | LEVER, FREE ACCEL. LEVIER | | | 1 | 1 | |
| 23 | 90387-06M59 | COLLAR COLLERETTE | | | 1 | 1 | |
| 24 | 90201-06M62 | WASHER, PLATE RONDELLE, PLATE | | | 1 | 1 | |
| 25 | 95895-06045 | BOLT, FLANGE BOULON | | | 1 | 1 | |
| 26 | 95895-06016 | BOLT, FLANGE BOULON | | | 1 | 1 | |


6FM1100DR260

FIG. 26 CONTROL 2

COMMANDE 2

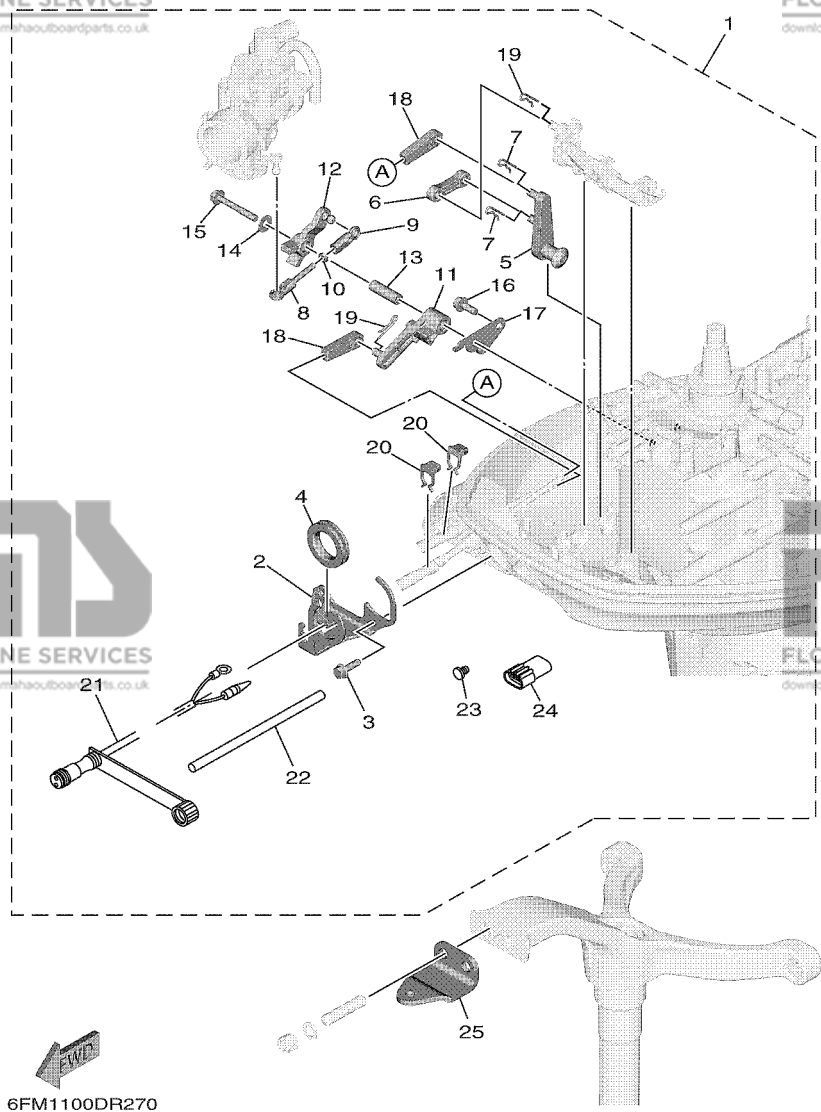
| REF. NO. | PART NO. N° PIECES | DESCRIPTION DESCRIPTION | M/H | W/H | E | ET | REMARKS REMARQUES |
|----------|------------------------------|---|-----|-----|---|----|-------------------|
| 27 | 6FM-14571-00 | BRACKET, THROTTLE SUPPORT, ACCELERATEUR | | | 1 | 1 | |
| 28 | 6FM-48344-00 | CABLE END, REMOTE CONTROL CHAPE CABLE | | | 1 | 1 | |
| 29 | 90468-18008 | CLIP JONC | | | 1 | 1 | |
| 30 | 63D-48538-00 | CLAMP, CABLE 1 COLLIER | | | 1 | 1 | |
| 31 | 6FM-82398-00 | PLATE 3 PLAQUETTE 3 | | | | 1 | |



6FM1100DR260

FIG. 27 REMO CON ATTACHMENT

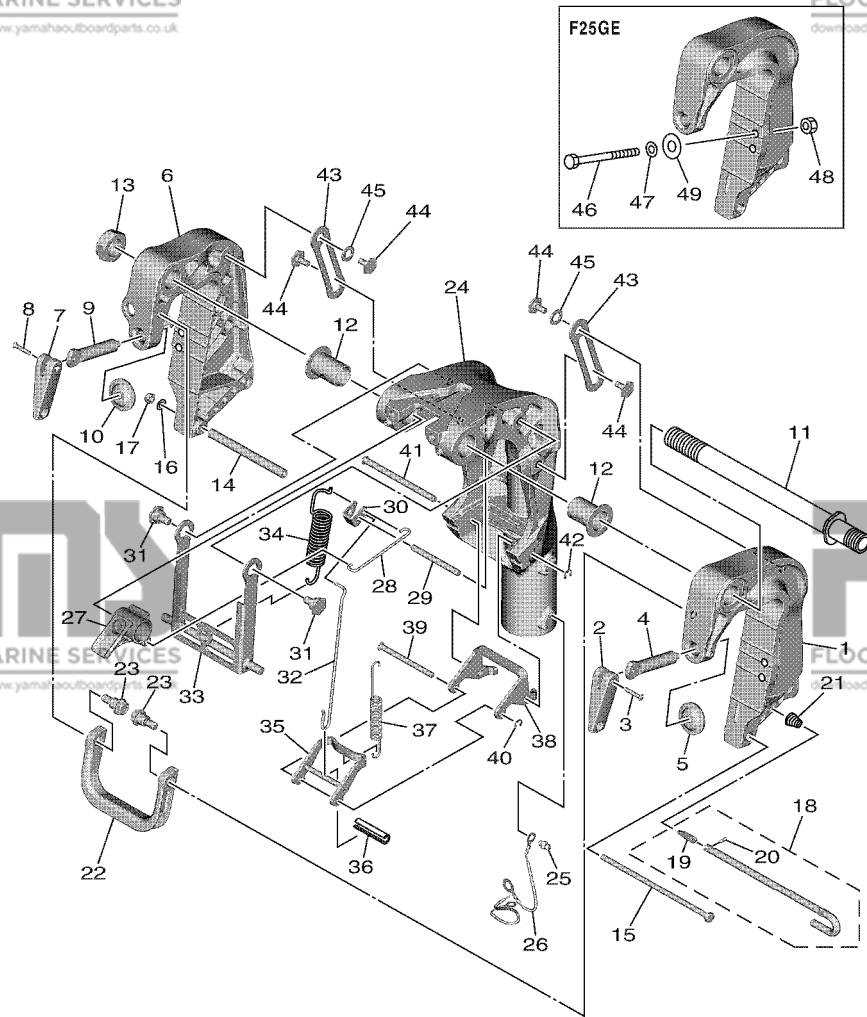
COMMANDE A DISTANCE



| REF. NO. | PART NO. N° PIECES | DESCRIPTION DESCRIPTION | M/H | WH | E | ET | REMARKS REMARQUES |
|----------|--------------------|--|-----|----|---|----|-------------------|
| 1 | 6FM-48501-00 | REMOTE CONT. ATTACHMENT ASSY. COMMANDE A DISTANCE (KIT) | 1 | 1 | | | AP AP |
| 2 | 6FM-42761-10 | .STOPPER .PLAQUETTE | 1 | 1 | | | |
| 3 | 90109-06316 | .BOLT .BOULON | 2 | 2 | | | |
| 4 | 6FM-42726-10 | .GROMMET .PASSE-FIL | 1 | 1 | | | |
| 5 | 6FM-44125-00 | .LEVER, SHIFT ROD .LEVIER, TIGE D'INVERSION | 1 | 1 | | | |
| 6 | 6FM-44192-00 | .LINK, SHIFT ROD .BIELLETTE | 1 | 1 | | | |
| 7 | 90468-18008 | .CLIP .JONC | 2 | 2 | | | |
| 8 | 682-41237-50 | .JOINT, LINK .RACCORD | 1 | 1 | | | |
| 9 | 6H4-41237-00 | .JOINT, LINK .RACCORD | 1 | 1 | | | |
| 10 | 95380-05700 | .NUT .ECROU | 1 | 1 | | | |
| 11 | 6FM-42157-00 | .LEVER, THROTTLE .LEVIER DE AVANCE | 1 | 1 | | | |
| 12 | 6FM-41283-00 | .LEVER, FREE ACCEL. .LEVIER | 1 | 1 | | | |
| 13 | 90387-06M59 | .COLLAR .COLLERETTE | 1 | 1 | | | |
| 14 | 90201-06M62 | .WASHER, PLATE .RONDELLE, PLATE | 1 | 1 | | | |
| 15 | 95895-06045 | .BOLT, FLANGE .BOULON | 1 | 1 | | | |
| 16 | 95895-06016 | .BOLT, FLANGE .BOULON | 1 | 1 | | | |
| 17 | 6FM-14571-00 | .BRACKET, THROTTLE .SUPPORT, ACCELERATEUR | 1 | 1 | | | |
| 18 | 6FM-48344-00 | .CABLE END, REMOTE CONTROL .CHAPE CABLE | 2 | 2 | | | |
| 19 | 90468-18008 | .CLIP .JONC | 2 | 2 | | | |
| 20 | 63D-48538-00 | .CLAMP, CABLE 1 .COLLIER | 2 | 2 | | | |
| 21 | 6D5-84340-00 | .SOCKET CORD ASSY 1 .DOUILLE | 1 | 1 | | | |
| 22 | 90446-09M42 | .HOSE (L160) .DURITE (L160) | 1 | 1 | | | |
| 23 | 703-82119-00 | .COVER, LEAD WIRE .GARNITURE, FIL | 1 | 1 | | | |
| 24 | 6FM-82582-00 | .CAP 1 (3P) .COUVERCLE 1 (3P) | 1 | 1 | | | |
| 25 | 65W-48511-01 | HOOK, STEERING ATTACHE, DIRECTION | 1 | 1 | | | AP AP |

FIG. 28 BRACKET 1

SUPPORT 1

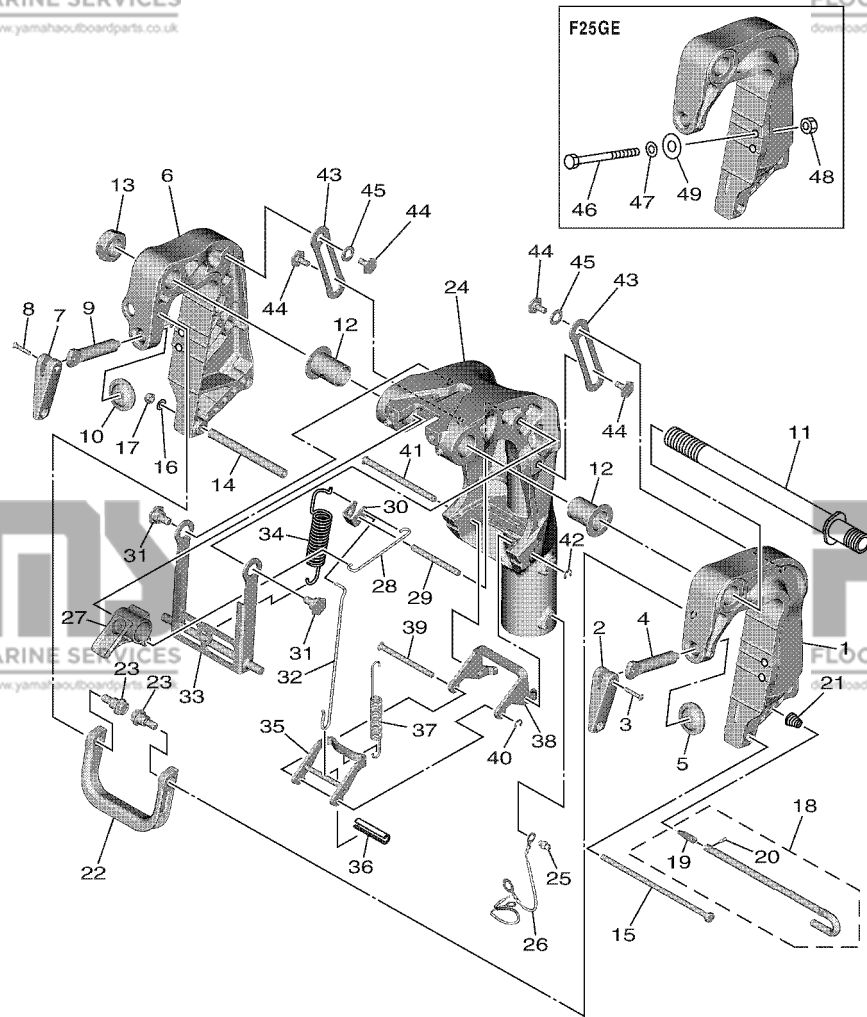


| REF. NO. | PART NO. N° PIECES | DESCRIPTION DESCRIPTION | MH | WH | E | ET | REMARKS REMARQUES |
|----------|--------------------|--|----|----|---|----|----------------------|
| 1 | 6FM-43111-00-8D | BRACKET, CLAMP 1 PRESSE 1 | 1 | 1 | 1 | | |
| 2 | 6E0-43118-01 | HANDLE, TRANSOM CLAMP POIGNEE DE VIS DE PRESSE | 1 | 1 | 1 | | |
| 3 | 90243-04M01 | PIN GOUPILLE | 1 | 1 | 1 | | |
| 4 | 6E7-43116-00 | SCREW, TRANSOM CLAMP VIS DE PRESSE | 1 | 1 | 1 | | |
| 5 | 648-43114-01 | PAD, TRANSOM CLAMP RONDELLE D'APPUI | 1 | 1 | 1 | | |
| 6 | 6FM-43112-00-8D | BRACKET, CLAMP 2 PRESSE 2 | 1 | 1 | 1 | | |
| 7 | 6E0-43118-01 | HANDLE, TRANSOM CLAMP POIGNEE DE VIS DE PRESSE | 1 | 1 | 1 | | |
| 8 | 90243-04M01 | PIN GOUPILLE | 1 | 1 | 1 | | |
| 9 | 6E7-43116-00 | SCREW, TRANSOM CLAMP VIS DE PRESSE | 1 | 1 | 1 | | |
| 10 | 648-43114-01 | PAD, TRANSOM CLAMP RONDELLE D'APPUI | 1 | 1 | 1 | | |
| 11 | 6FM-43131-10 | BOLT, CLAMP BRACKET BOULON, PRESSE | 1 | 1 | 1 | | |
| 12 | 90386-22MA4 | BUSH DOUILLE | 2 | 2 | 2 | | |
| 13 | 90185-22043 | NUT, SELF-LOCKING ECROU, AUTO-BLOQUANT | 1 | 1 | 1 | | |
| 14 | 90387-06M13 | COLLAR COLLERETTE | 1 | 1 | 1 | | |
| 15 | 90101-06M18 | BOLT BOULON | 1 | 1 | 1 | | |
| 16 | 92995-06600 | WASHER RONDELLE | 1 | 1 | 1 | | |
| 17 | 95380-06700 | NUT ECROU | 1 | 1 | 1 | | |
| 18 | 6L2-43160-01 | TILT ROD ASSY BROCHE D'INCLINAISON (ENS.) | 1 | 1 | 1 | | |
| 19 | 689-43165-00 | .PLATE, TILT LOCK .TAQUET, BROCHE INCLINAISON | 1 | 1 | 1 | | |
| 20 | 91690-30008 | .PIN, SPRING .AGRAFFE | 1 | 1 | 1 | | |
| 21 | 90502-10M07 | SPRING, CONICAL RESSORT, CONIQUE | 1 | 1 | 1 | | |
| 22 | 6FM-42731-00 | CARRYING HANDLE POIGNEE DE PORTAGE | 1 | 1 | 1 | | |
| 23 | 90109-08043 | BOLT BOULON | 2 | 2 | 2 | | |
| 24 | 6FM-43311-00-8D | BRACKET, SWIVEL 1 SUPPORT, PIVOT 1 | 1 | 1 | 1 | | S(16.7") S(16.7") |
| | 6FM-43311-10-8D | BRACKET, SWIVEL 1 SUPPORT, PIVOT 1 | 1 | 1 | 1 | | L(21.7") L(21.7") |
| 25 | 93700-06M03 | NIPPLE, GREASE PION | 1 | 1 | 1 | | |
| 26 | 6AH-82127-00 | WIRE, LEAD 2 FIL 2 | 1 | 1 | 1 | | |

6FM1300DR280

FIG. 28 BRACKET 1

SUPPORT 1

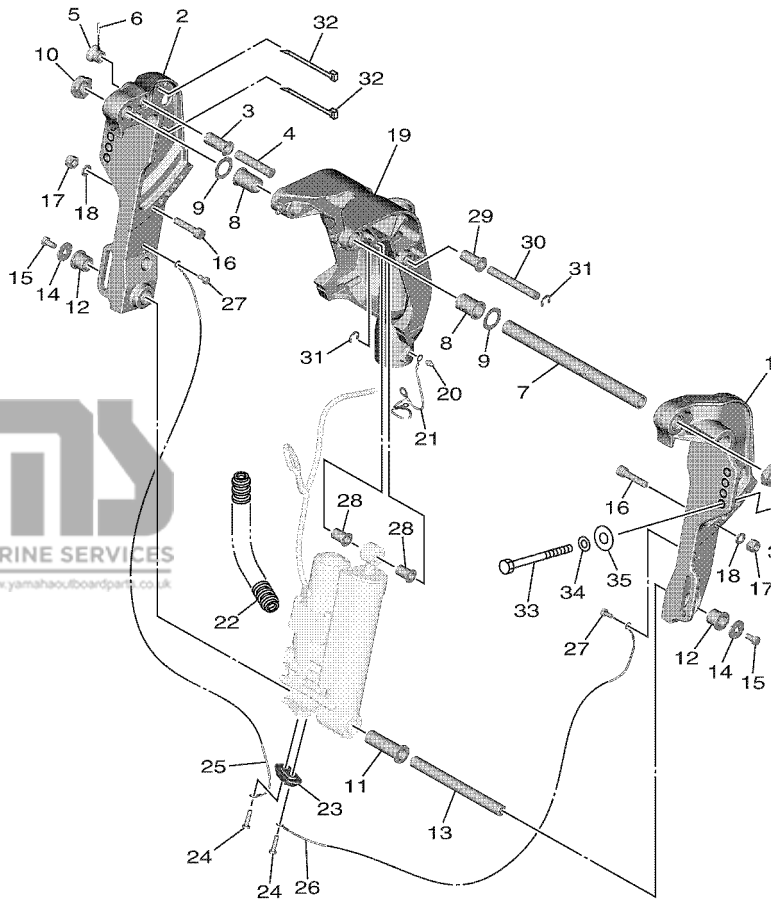


| REF. NO. | PART NO. N° PIECES | DESCRIPTION DESCRIPTION | MH | WH | E | ET | REMARKS REMARQUES |
|----------|------------------------------|--|----|----|---|----|-------------------|
| 27 | 6FM-43631-00 | LEVER, TILT LEVIER, INCLINAISON | 1 | 1 | 1 | | |
| 28 | 6FM-43616-00 | ROD, TILT LOCK TIGE | 1 | 1 | 1 | | |
| 29 | 6FM-43646-00 | SHAFT, LEVER AXE, LEIVER | 1 | 1 | 1 | | |
| 30 | 6FM-43641-00 | LEVER, TILT LEVIER, INCLINAISON | 1 | 1 | 1 | | |
| 31 | 90109-08M87 | BOLT BOULON | 2 | 2 | 2 | | |
| 32 | 6FM-43617-00 | ROD, TILT LOCK TIGE | 1 | 1 | 1 | | |
| 33 | 6FM-43350-00 | RECEIVER ASSY RECEIVER ASSY | 1 | 1 | 1 | | |
| 34 | 6FM-43656-00 | SPRING, REVERSE LOCK 1 RESSORT | 1 | 1 | 1 | | |
| 35 | 6FM-43624-00 | PLATE, TILT ROCK ETRIER, VERROUILLAGE MARCHÉ AR | 1 | 1 | 1 | | |
| 36 | 90387-06321 | COLLAR COLLERETTE | 1 | 1 | 1 | | |
| 37 | 6FM-43656-10 | SPRING, REVERSE LOCK 1 RESSORT | 1 | 1 | 1 | | |
| 38 | 6FM-43613-00 | ARM, TILT LOCK GUIDE | 1 | 1 | 1 | | |
| 39 | 6L2-43336-10 | PIN CLAVETTE | 1 | 1 | 1 | | |
| 40 | 99080-05600 | CIRCLIP CIRCLIP | 1 | 1 | 1 | | |
| 41 | 6J8-43611-01 | SHAFT, TILT LOCK AXE, VERROUILLAGE MARCHÉ AR | 1 | 1 | 1 | | |
| 42 | 99080-05600 | CIRCLIP CIRCLIP | 1 | 1 | 1 | | |
| 43 | 6FM-43627-00 | STOPPER PLAQUETTE | 2 | 2 | 2 | | |
| 44 | 90109-06M84 | BOLT BOULON | 4 | 4 | 4 | | |
| 45 | 90206-10M24 | WASHER, WAVE RONDELLE, ONDULEE | 2 | 2 | 2 | | |
| 46 | 90101-08M88 | BOLT BOULON | | | 2 | | |
| 47 | 92990-08600 | WASHER, PLATE RONDELLE, PLATE | | | 2 | | |
| 48 | 90185-08057 | NUT, SELF-LOCKING ECROU, AUTO-BLOQUANT | | | 2 | | |
| 49 | 90201-08MA4 | WASHER, PLATE RONDELLE, PLATE | | | 2 | | |

6FM1300DR280

FIG. 29 BRACKET 2

SUPPORT 2

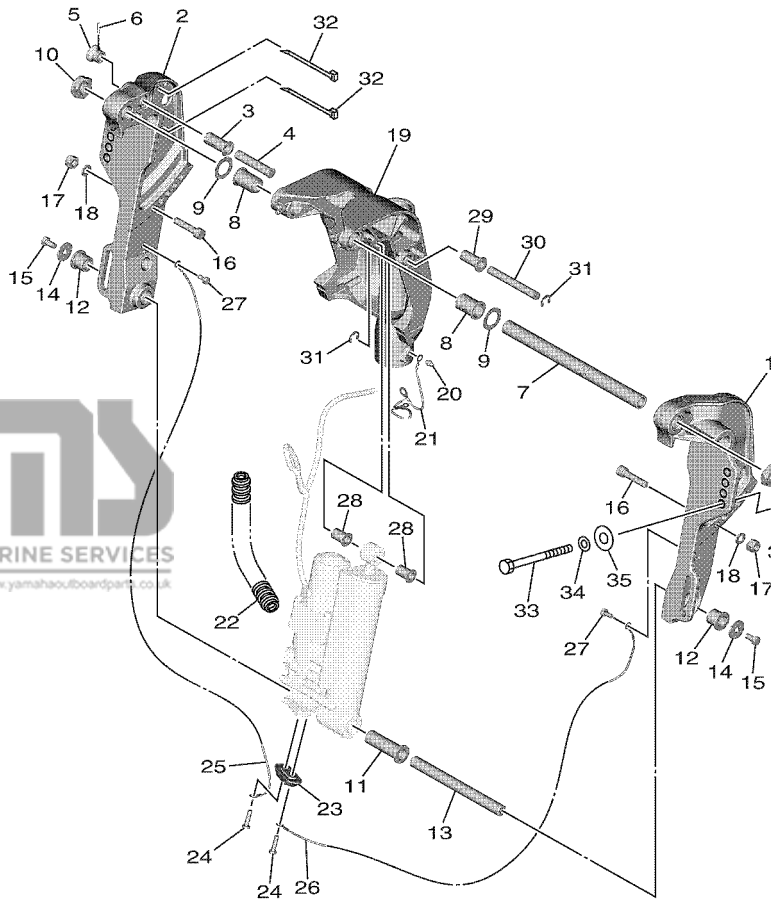


6FM1100DR290

| REF. NO. | PART NO. N° PIECES | DESCRIPTION DESCRIPTION | M/H | WH | E | LT | REMARKS REMARQUES |
|----------|--------------------|--|-----|----|---|----|-------------------|
| 1 | 65W-43111-10-8D | BRACKET, CLAMP 1 PRESSE 1 | | | | 1 | |
| 2 | 65W-43112-10-8D | BRACKET, CLAMP 2 PRESSE 2 | | | | 1 | |
| 3 | 90386-14MA1 | BUSH DOUILLE | | | | 1 | |
| 4 | 65W-43191-00 | SHAFT, STOPPER AXE, BUTEE | | | | 1 | |
| 5 | 65W-43192-00 | KNOB, STOPPER BOUTON, BUTEE DE RELEVAGE | | | | 1 | |
| 6 | 91690-30018 | PIN, SPRING AGRAFFE | | | | 1 | |
| 7 | 63D-43131-01 | BOLT, CLAMP BRACKET BOULON, PRESSE | | | | 1 | |
| 8 | 90386-22M15 | BUSH DOUILLE | | | | 2 | |
| 9 | 90201-22M03 | WASHER, PLATE RONDELLE, PLATE | | | | 2 | |
| 10 | 90185-22043 | NUT, SELF-LOCKING ECROU, AUTO-BLOQUANT | | | | 2 | |
| 11 | 90386-18MA0 | BUSH DOUILLE | | | | 1 | |
| 12 | 90386-18M44 | BUSH DOUILLE | | | | 2 | |
| 13 | 90249-18M35 | PIN GOUPILLE | | | | 1 | |
| 14 | 90201-08M00 | WASHER, PLATE RONDELLE, PLATE | | | | 2 | |
| 15 | 97080-08016 | BOLT BOULON | | | | 2 | |
| 16 | 90110-10M02 | BOLT, HEXAGON SOCKET HEAD BOULON, TETE HEXAGONALE CREUSE | | | | 2 | |
| 17 | 90185-10M13 | NUT, SELF-LOCKING ECROU, AUTO-BLOQUANT | | | | 2 | |
| 18 | 92995-10600 | WASHER RONDELLE | | | | 2 | |
| 19 | 6FM-43311-20-8D | BRACKET, SWIVEL 1 SUPPORT, PIVOT 1 | | | | 1 | |
| 20 | 93700-06M03 | NIPPLE, GREASE PION | | | | 1 | |
| 21 | 6AH-82127-00 | WIRE, LEAD 2 FIL 2 | | | | 1 | |
| 22 | 90447-10010 | TUBE DURITE | | | | 1 | |
| 23 | 65W-45251-00 | ANODE ANODE | | | | 1 | |
| 24 | 90101-06020 | BOLT BOULON | | | | 2 | |
| 25 | 6H1-82148-00 | WIRE, LEAD 4 FIL 4 | | | | 1 | |
| 26 | 6U0-82127-00 | WIRE, LEAD 2 FIL 2 | | | | 1 | |
| 27 | 97595-06514 | BOLT, WITH WASHER VIS HEXAGONAL AVC RONDELLE | | | | 2 | |

FIG. 29 BRACKET 2

SUPPORT 2

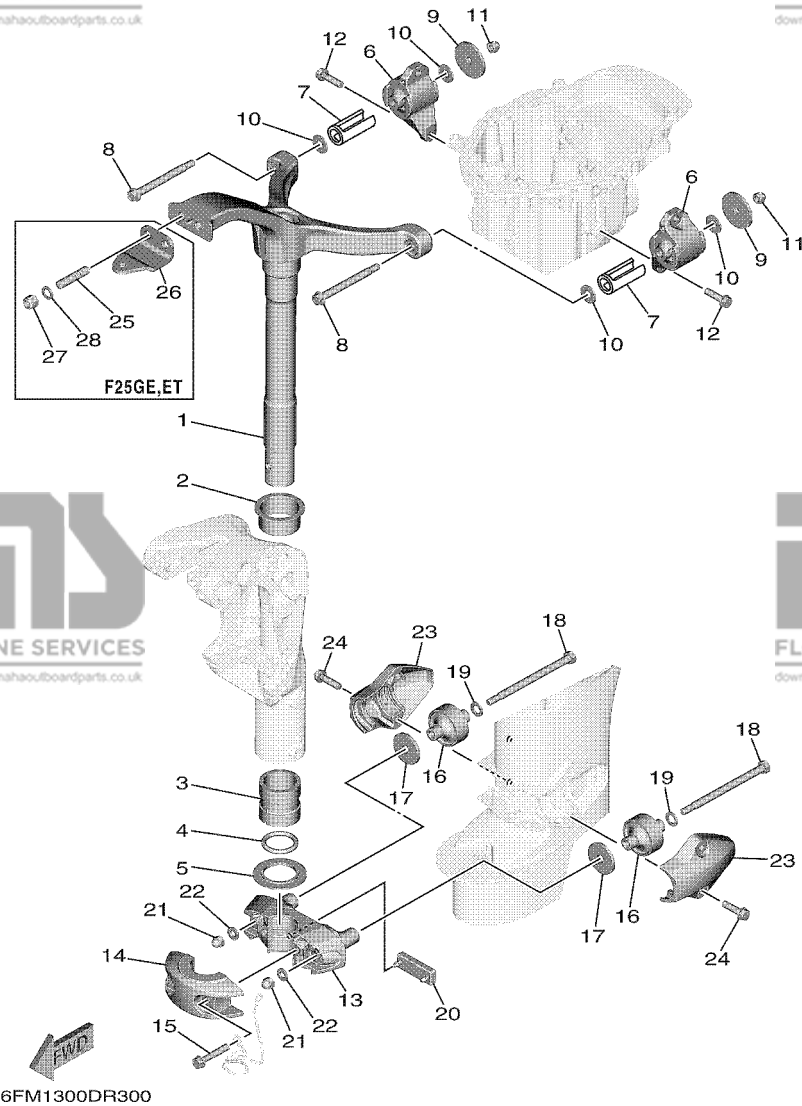


| REF. NO. | PART NO. N° PIECES | DESCRIPTION DESCRIPTION | MH | WH | E | LT | REMARKS REMARQUES |
|----------|--------------------|----------------------------------|----|----|---|----|-------------------|
| 28 | 90381-12M11 | BUSH, SOLID DOUILLE, SOLIDE | | | | 2 | |
| 29 | 90386-12M98 | BUSH DOUILLE | | | | 1 | |
| 30 | 90249-12M38 | PIN GOUILLE | | | | 1 | |
| 31 | 99080-10600 | CIRCLIP CIRCLIP | | | | 2 | |
| 32 | 90465-13M11 | CLAMP BRIDE | | | | 3 | |
| 33 | 90101-12M65 | BOLT BOULON | | | | 4 | |
| 34 | 90201-12062 | WASHER, PLATE RONDELLE, PLATE | | | | 8 | |
| 35 | 90201-12426 | WASHER, PLATE RONDELLE, PLATE | | | | 4 | |
| 36 | 95380-12600 | NUT ECROU | | | | 8 | |

6FM1100DR290

FIG. 30 BRACKET 3

SUPPORT 3

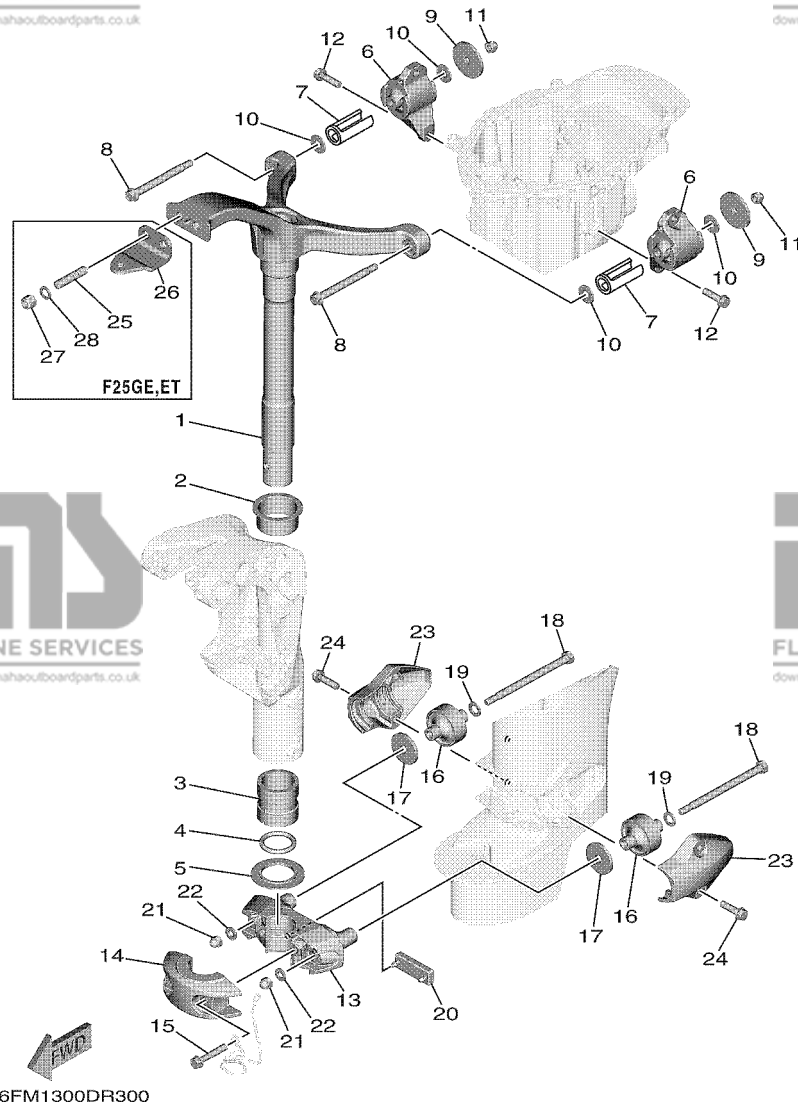


| REF. NO. | PART NO. N° PIECES | DESCRIPTION DESCRIPTION | MH | WH | W | LT | REMARKS REMARQUES |
|----------|---------------------------------|--|----|----|---|----|----------------------|
| 1 | 6FM-42511-00-8D | BRACKET, STEERING CADRE, DIRECTION | 1 | 1 | 1 | | S(16.7") S(16.7") |
| | 6FM-42511-10-8D | BRACKET, STEERING CADRE, DIRECTION | 1 | 1 | 1 | 1 | L(21.7") L(21.7") |
| 2 | 90381-45001 | BUSH, SOLID DOUILLE, SOLIDE | 1 | 1 | 1 | 1 | |
| 3 | 90386-38M32 | BUSH DOUILLE | 1 | 1 | 1 | 1 | |
| 4 | 93210-37MH7 | O-RING JOINT TORIQUE | 1 | 1 | 1 | 1 | |
| 5 | 90386-38002 | BUSH DOUILLE | 1 | 1 | 1 | 1 | |
| 6 | 6FM-44514-00-8D | MOUNT DAMPER, UPPER SIDE SILENT-BLOC, SUPERIEUR LATERAL | 2 | 2 | 2 | 2 | |
| 7 | 6FM-44532-00 | STOPPER, UPPER MOUNT PLAQUETTE | 2 | 2 | 2 | 2 | |
| 8 | 90109-08241 | BOLT BOULON | 2 | 2 | 2 | 2 | |
| 9 | 90201-08120 | WASHER, PLATE RONDELLE, PLATE | 2 | 2 | 2 | 2 | |
| 10 | 90201-09014 | WASHER, PLATE RONDELLE, PLATE | 4 | 4 | 4 | 4 | |
| 11 | 95380-08800 | NUT, CROWN ECROU, BORGNE | 2 | 2 | 2 | 2 | |
| 12 | 97575-08530 | BOLT, WITH WASHER VIS HEXAGONAL AVC RONDELLE | 4 | 4 | 4 | 4 | |
| 13 | 6FM-44551-00-8D | HOUSING, LOWER MOUNT RUBBER 1 BOITIER, SILENT-BLOC INFERIEUR | 1 | 1 | 1 | 1 | |
| 14 | 6FM-44552-00-8D | HOUSING, LOWER MOUNT RUBBER 2 BOITIER, SILENT-BLOC INFERIEUR | 1 | 1 | 1 | 1 | |
| 15 | 97575-08545 | BOLT, WITH WASHER VIS HEXAGONAL AVC RONDELLE | 2 | 2 | 2 | 2 | |
| 16 | 6FM-44555-00 | MOUNT DAMPER, LOWER SIDE SILENT-BLOC, INFERIEUR LATERAL | 2 | 2 | 2 | | S(16.7") S(16.7") |
| | 6FM-44555-10 | MOUNT DAMPER, LOWER SIDE SILENT-BLOC, INFERIEUR LATERAL | 2 | 2 | 2 | 2 | L(21.7") L(21.7") |
| 17 | 90201-10077 | WASHER, PLATE RONDELLE, PLATE | 2 | 2 | 2 | 2 | |
| 18 | 90101-08M02 | BOLT BOULON | 2 | 2 | 2 | 2 | |
| 19 | 92995-10600 | WASHER RONDELLE | 2 | 2 | 2 | 2 | |
| 20 | 6FM-44575-00 | DAMPER, LOWER MOUNT RUBBER SILENT-BLOC, INFERIEUR | 1 | 1 | 1 | | S(16.7") S(16.7") |
| | 6E5-44575-00 | DAMPER, LOWER MOUNT RUBBER SILENT-BLOC, INFERIEUR | 1 | 1 | 1 | 1 | L(21.7") L(21.7") |
| 21 | 95380-08800 | NUT, CROWN ECROU, BORGNE | 2 | 2 | 2 | 2 | |
| 22 | 90201-08M08 | WASHER, PLATE RONDELLE, PLATE | 2 | 2 | 2 | 2 | |
| 23 | 6FM-44553-00-8D | COVER, LOWER MOUNT COUVERCLE, SUSPENSION INFERIEUR | 2 | 2 | 2 | 2 | |
| 24 | 97575-08530 | BOLT, WITH WASHER VIS HEXAGONAL AVC RONDELLE | 4 | 4 | 4 | 4 | |

FIG. 30 BRACKET 3

SUPPORT 3

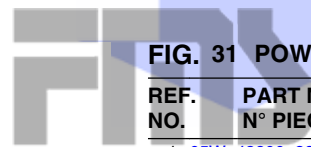
| REF. NO. | PART NO. N° PIECES | DESCRIPTION DESCRIPTION | M/H | W/H | L | L1 | REMARKS REMARQUES |
|----------|------------------------------|---|-----|-----|---|----|-------------------|
| 25 | 90116-10064 | BOLT, STUD GOUJON | | | 2 | 2 | |
| 26 | 65W-48511-01 | HOOK, STEERING ATTACHE, DIRECTION | | | 1 | 1 | |
| 27 | 90185-10027 | NUT, SELF-LOCKING ECROU, AUTO-BLOQUANT | | | 2 | 2 | |
| 28 | 90201-10049 | WASHER, PLATE RONDELLE, PLATE | | | 2 | 2 | |





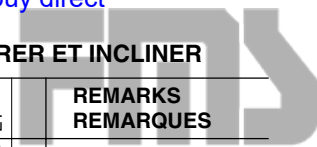
FLOOD MARINE SERVICES

downloaded from www.yamahaoutboardparts.co.uk



FLOOD MARINE SERVICES

downloaded from www.yamahaoutboardparts.co.uk

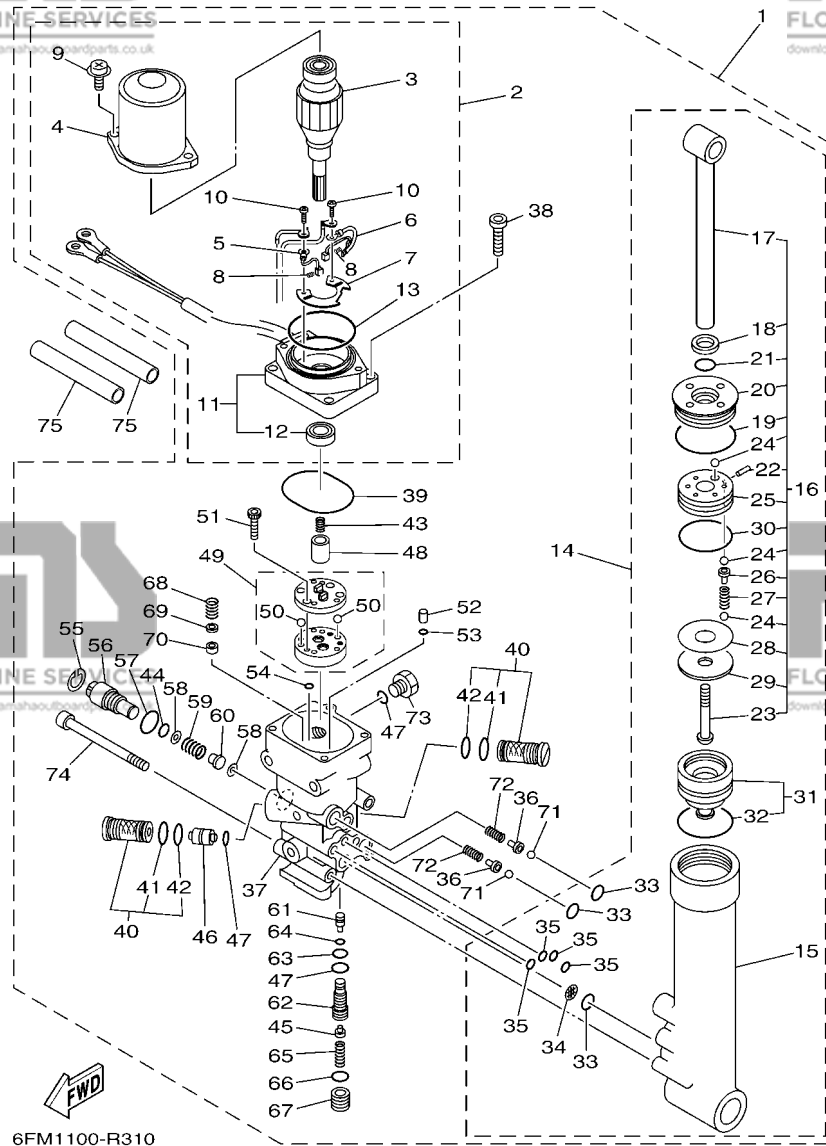


FLOOD MARINE SERVICES

downloaded from www.yamahaoutboardparts.co.uk

FIG. 31 POWER TRIM & TILT ASSY

PUISSANCE PAREE ET INCLINER



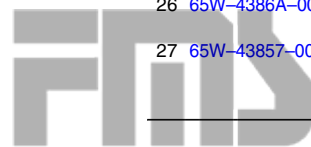
6FM1100-R310

| REF. NO. | PART NO. N° PIECES | DESCRIPTION DESCRIPTION | M/H | WH | E | ET | REMARKS REMARQUES |
|----------|--------------------|---|-----|----|---|----|-------------------|
| 1 | 65W-43800-23-8D | POWER TRIM & TILT ASSY PUISSANCE PAREE ET INCLINER (E) | | | | 1 | |
| 2 | 65W-43880-21 | .MOTOR ASSY .MOTEUR (ENS.) | | | | 1 | |
| 3 | 67C-43805-10 | .ARMATURE ASSY .INDUIT (ENS.) | | | | 1 | |
| 4 | 67C-43804-10 | .STATOR ASSY .STATOR (ENS.) | | | | 1 | |
| 5 | 67C-43892-10 | .BRUSH 2 .BALAI 2 | | | | 1 | |
| 6 | 67C-82181-10 | .CIRCUIT BREAKER COMP. .RUPTEUR COMPLET | | | | 1 | |
| 7 | 67C-4380F-10 | .PLATE, BRUSH HOLDER .PLAQUE | | | | 1 | |
| 8 | 67C-4386K-10 | .SPRING, BRUSH .RESSORT, BALAI | | | | 2 | |
| 9 | 67C-43879-10 | .SCREW, WITH WASHER .VIS, AVEC RONDELLE | | | | 2 | |
| 10 | 97602-04316 | .SCREW, PAN HEAD WITH WASHER .VIS, AVEC RONDELLE | | | | 2 | |
| 11 | 65W-43881-21 | .FRAME, END .BATI | | | | 1 | |
| 12 | 67C-43882-10 | .OIL SEAL .JOINT SPI | | | | 1 | |
| 13 | 67C-43862-10 | .O-RING .JOINT TORIQUE | | | | 1 | |
| 14 | 65W-43840-01 | .POWER TILT ASSY .PUISSANCE INCLINER (ENS.) | | | | 1 | |
| 15 | 65W-4380K-00 | .CYLINDER, TILT SUB ASSY .CYLINDRE | | | | 1 | |
| 16 | 65W-43810-01 | .TILT PISTON SUB ASSY .INCLINER PISTON AUXILIAIRE(ENS) | | | | 1 | |
| 17 | 65W-43801-01 | .ROD .TIGE | | | | 1 | |
| 18 | 65W-43812-00 | .SEAL, DUST .JOINT | | | | 1 | |
| 19 | 65W-43865-00 | .O-RING .JOINT TORIQUE | | | | 1 | |
| 20 | 65W-43811-01 | .SCREW, CYLINDER END .VIS, CYLINDRE RACCORD | | | | 1 | |
| 21 | 67C-43867-00 | .O-RING .JOINT TORIQUE | | | | 1 | |
| 22 | 91609-16012 | .PIN, SPRING .AXE DE RESSORT | | | | 1 | |
| 23 | 92012-10040 | .BOLT, BUTTON HEAD .BOULON, TETE BOUTON | | | | 1 | |
| 24 | 93505-32038 | .BALL .BILLE | | | | 11 | |
| 25 | 65W-4385A-01 | .PISTON, TILT .PISTON | | | | 1 | |
| 26 | 65W-4386A-00 | .PIN, ABSORBER VALVE .GOUPILLE, SOUPE | | | | 5 | |
| 27 | 65W-43857-00 | .SPRING, ABSORBER VALVE .RESSORT | | | | 5 | |



FLOOD MARINE SERVICES

downloaded from www.yamahaoutboardparts.co.uk



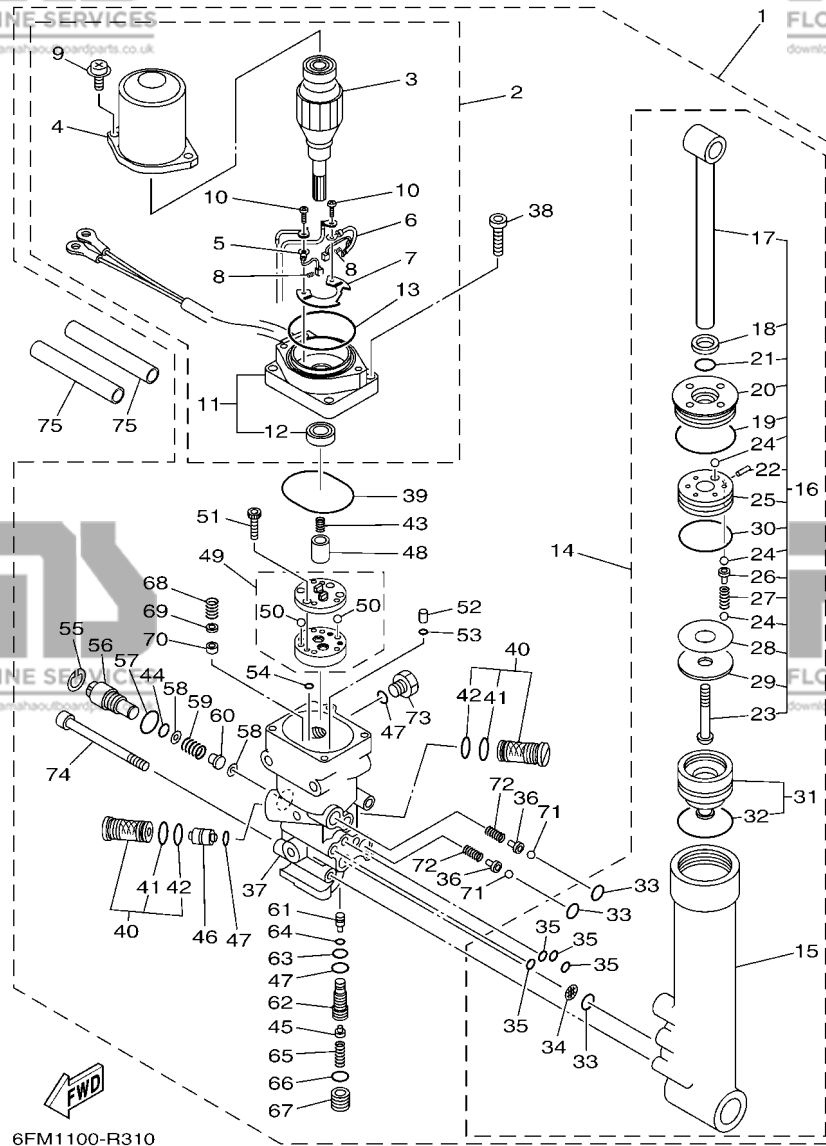
FLOOD MARINE SERVICES

downloaded from www.yamahaoutboardparts.co.uk



FLOOD MARINE SERVICES

downloaded from www.yamahaoutboardparts.co.uk



6FM1100-R310

FIG. 31 POWER TRIM & TILT ASSY

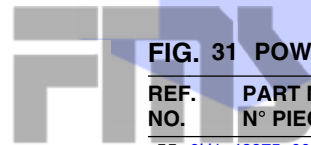
PUISSANCE PARE ET INCLINER

| REF. NO. | PART NO. N° PIECES | DESCRIPTION DESCRIPTION | M/H | WH | E | LT | REMARKS REMARQUES |
|----------|--------------------|--|-----|----|---|----|-------------------|
| 28 | 15A-22442-00 | ...SHIM ...CALE | | | | 1 | UN UN |
| 29 | 90201-10038 | ...WASHER, PLATE ...RONDELLE, PLATE | | | | 1 | |
| 30 | 6H1-43862-00 | ...O-RING ...JOINT TORIQUE | | | | 1 | |
| 31 | 65W-4381B-00 | ..FREE PISTON SUB ASSY ..PISTON AUXILIAIRE (ENS.) | | | | 1 | |
| 32 | 6H1-43861-10 | ...O-RING ...JOINT TORIQUE | | | | 1 | |
| 33 | 93210-11368 | ..O-RING ..JOINT TORIQUE | | | | 3 | |
| 34 | 69J-4381C-00 | ..FILTER 3 ..FILTRE 3 | | | | 1 | |
| 35 | 93210-064A5 | ..O-RING ..JOINT TORIQUE | | | | 4 | |
| 36 | 65W-4386A-00 | ..PIN, ABSORBER VALVE ..GOUPILLE, SOUPAPE | | | | 2 | |
| 37 | 65W-4380L-04 | ..HOUSING, TRIM & TILT SUB ASSY ..CARTER | | | | 1 | |
| 38 | 91380-06020 | ..BOLT ..BOULON | | | | 4 | |
| 39 | 93210-50768 | ..O-RING ..JOINT TORIQUE | | | | 1 | |
| 40 | 67F-43802-00 | ..VALVE SUB ASSY ..CLAPET AUXILIAIRE (ENS.) | | | | 2 | |
| 41 | 6H1-43866-01 | ..O-RING ..JOINT TORIQUE | | | | 1 | |
| 42 | 93210-12N52 | ..O-RING ..JOINT TORIQUE | | | | 1 | |
| 43 | 6T4-43853-00 | ..SPRING, MAIN VALVE ..RESSORT | | | | 1 | |
| 44 | 93210-10M74 | ..O-RING ..JOINT TORIQUE | | | | 1 | |
| 45 | 6T4-43808-00 | ..SEAT VALVE COMP. 1 ..SIEGE VALVE COMP. 1 | | | | 1 | |
| 46 | 62X-43841-00 | ..PISTON, SHUTTLE ..PISTON | | | | 1 | |
| 47 | 93210-09165 | ..O-RING ..JOINT TORIQUE | | | | 3 | |
| 48 | 65W-43831-00 | ..CONNECTOR, SHAFT ..RACCORD | | | | 1 | |
| 49 | 65W-43830-00 | ..GEAR PUMP ASSY ..POMPE A PIGNON (ENS.) | | | | 1 | |
| 50 | 93505-32038 | ..BALL ..BILLE | | | | 2 | |
| 51 | 91318-04025 | ..BOLT ..BOULON | | | | 4 | |
| 52 | 65W-43817-00 | ..FILTER 2 ..FILTRE 2 | | | | 2 | |
| 53 | 93210-04N50 | ..O-RING ..JOINT TORIQUE | | | | 2 | |
| 54 | 93210-04N51 | ..O-RING ..JOINT TORIQUE | | | | 2 | |



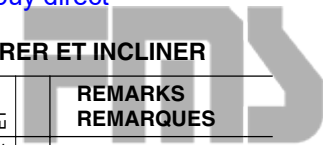
FLOOD MARINE SERVICES

downloaded from www.yamahaoutboardparts.co.uk



FLOOD MARINE SERVICES

downloaded from www.yamahaoutboardparts.co.uk

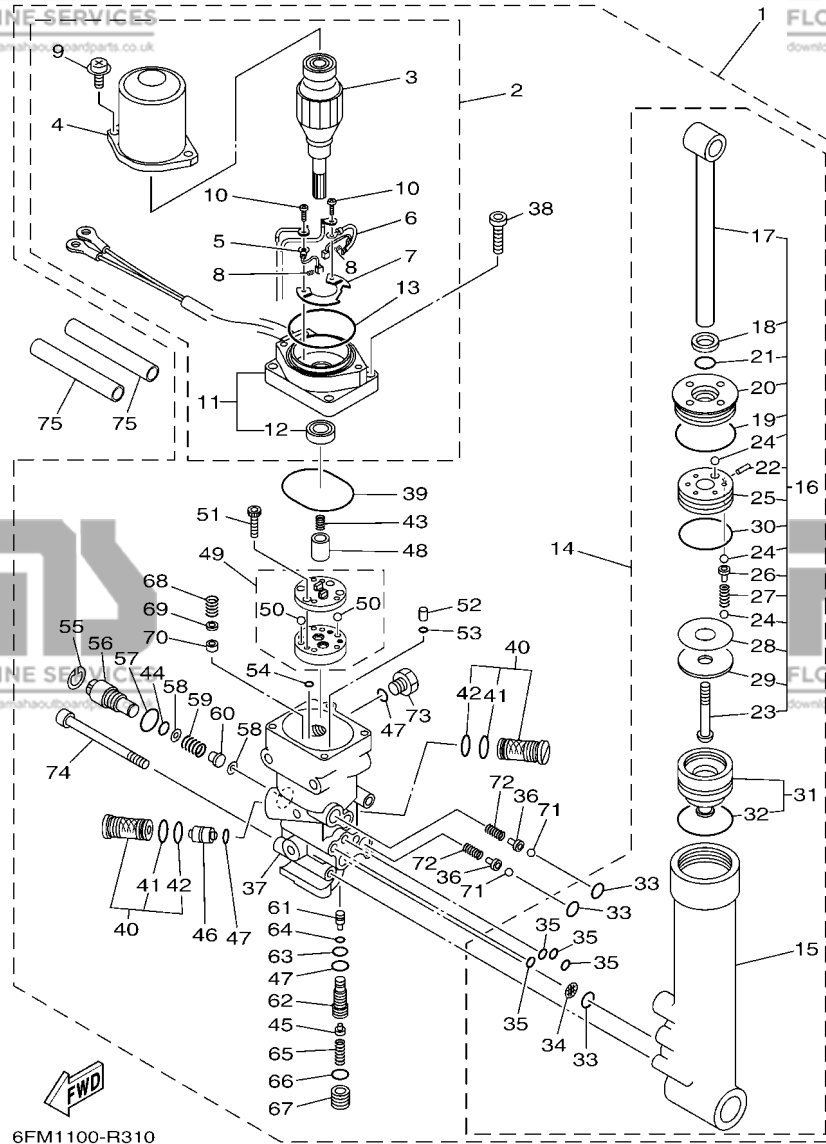


FLOOD MARINE SERVICES

downloaded from www.yamahaoutboardparts.co.uk

FIG. 31 POWER TRIM & TILT ASSY

PUISSANCE PARE ET INCLINER



6FM1100-R310

| REF. NO. | PART NO. N° PIECES | DESCRIPTION DESCRIPTION | M/H | W/H | E | ET | REMARKS REMARQUES |
|----------|--------------------|-------------------------|-----|-----|---|----|-------------------|
| 55 | 6H1-43875-00 | .RING, SNAP | | | | 1 | |
| | | .RESSORT | | | | | |
| 56 | 6H1-43845-00 | .SCREW, MANUAL RELEASE | | | | 1 | |
| | | .VIS | | | | | |
| 57 | 6D8-43863-00 | .O-RING | | | | 1 | |
| | | .JOINT TORIQUE | | | | | |
| 58 | 6H1-43847-00 | .SEAT, MANUAL VALVE | | | | 2 | |
| | | .SIEGE | | | | | |
| 59 | 65W-43854-00 | .SPRING, MANUAL RELEASE | | | | 1 | |
| | | .RESSORT | | | | | |
| 60 | 65W-4382A-00 | .ADAPTOR 1 | | | | 1 | |
| | | .ADAPTEUR 1 | | | | | |
| 61 | 65W-43844-00 | .PIN, VALVE SUPPORT | | | | 1 | |
| | | .GOUPILLE | | | | | |
| 62 | 65W-43851-00 | .SEAT, RELIEF VALVE | | | | 1 | |
| | | .SIEGE | | | | | |
| 63 | 93210-08006 | .O-RING | | | | 1 | |
| | | .JOINT TORIQUE | | | | | |
| 64 | 93210-03478 | .O-RING | | | | 1 | |
| | | .JOINT TORIQUE | | | | | |
| 65 | 65W-43855-00 | .SPRING, UP RELIEF | | | | 1 | |
| | | .RESSORT | | | | | |
| 66 | 93210-11073 | .O-RING | | | | 1 | |
| | | .JOINT TORIQUE | | | | | |
| 67 | 65W-43843-00 | .SCREW, VALVE LOCK | | | | 1 | |
| | | .VIS | | | | | |
| 68 | 6H1-43856-10 | .SPRING, DOWN RELIEF | | | | 1 | |
| | | .RESSORT | | | | | |
| 69 | 6H1-43844-10 | .PIN, VALVE SUPPORT | | | | 1 | |
| | | .GOUPILLE | | | | | |
| 70 | 6H1-4384F-10 | .SEAL, MAIN VALVE | | | | 1 | |
| | | .JOINT | | | | | |
| 71 | 93501-08001 | .BALL | | | | 2 | |
| | | .BILLE | | | | | |
| 72 | 65W-43853-00 | .SPRING, MAIN VALVE | | | | 2 | |
| | | .RESSORT | | | | | |
| 73 | 6H1-43829-00 | .PLUG, RESERVOIR | | | | 1 | |
| | | .BOUCHON | | | | | |
| 74 | 62X-43878-01 | .BOLT, SOCKET | | | | 3 | |
| | | .BOULON | | | | | |
| 75 | 90446-15003 | HOSE (L100) | | | | 2 | |
| | | DURITE (L100) | | | | | |



FLOOD MARINE SERVICES

downloaded from www.yamahaoutboardparts.co.uk



FLOOD MARINE SERVICES

downloaded from www.yamahaoutboardparts.co.uk

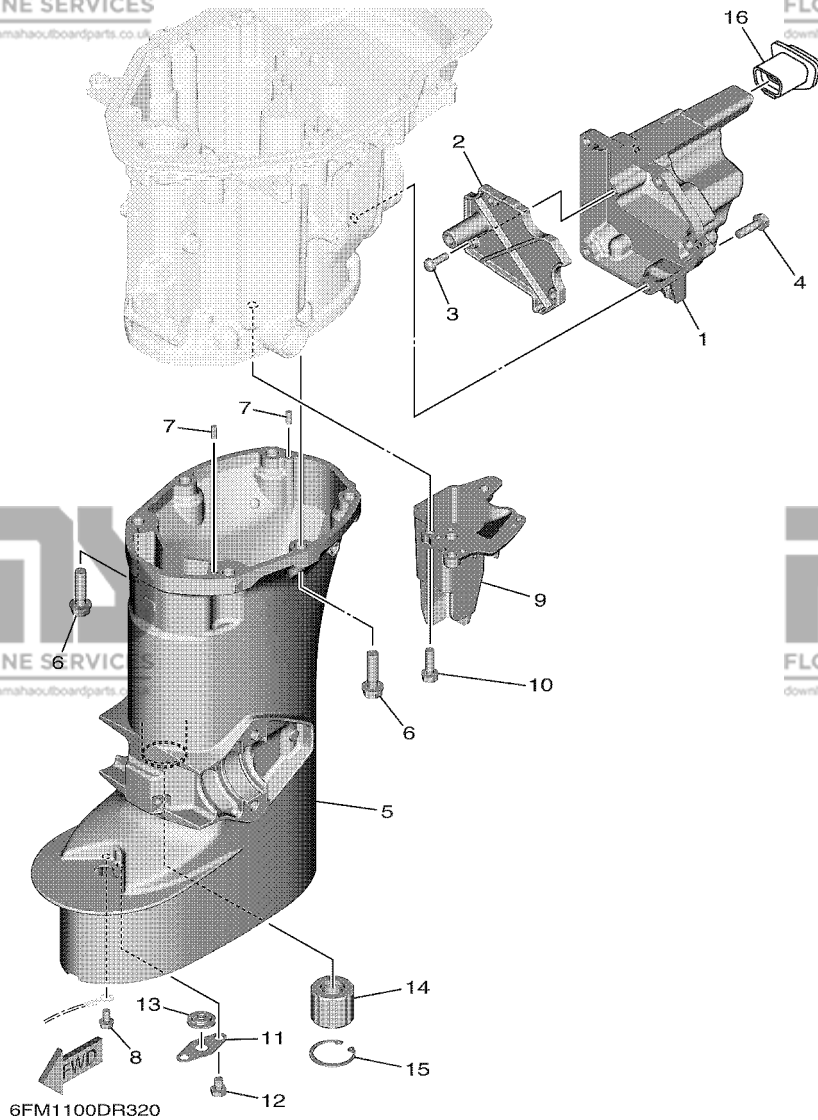


FLOOD MARINE SERVICES

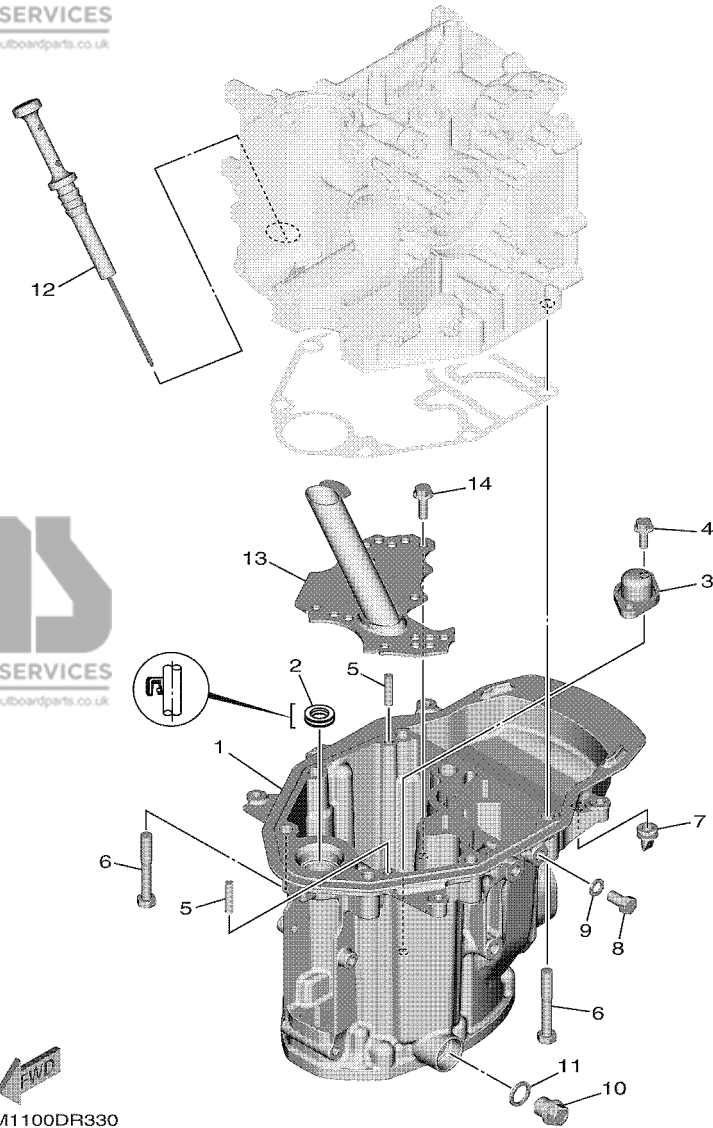
downloaded from www.yamahaoutboardparts.co.uk

FIG. 32 UPPER CASING

FOURREAU



| REF. NO. | PART NO. N° PIECES | DESCRIPTION DESCRIPTION | MH | WH | E | ET | REMARKS REMARQUES |
|----------|---------------------------------|---|----|----|---|----|----------------------|
| 1 | 6FM-14731-00-8D | CHAMBER 1 CHAMBRE 1 | 1 | 1 | 1 | 1 | |
| 2 | 6FM-45126-00 | PLATE, SEAL DAMPER PLAQUETTE | 1 | 1 | 1 | 1 | |
| 3 | 97980-05216 | SCREW, WITH WASHER VIS, AVEC RONDELLE | 3 | 3 | 3 | 3 | |
| 4 | 90105-06M07 | BOLT, FLANGE BOULON, A COLLERETTE | 5 | 5 | 5 | 5 | |
| 5 | 6FM-45111-00-8D | CASING, UPPER FOURREAU | 1 | 1 | 1 | | S(16.7") S(16.7") |
| | 6FM-45111-10-8D | CASING, UPPER FOURREAU | 1 | 1 | 1 | 1 | L(21.7") L(21.7") |
| 6 | 97575-08530 | BOLT, WITH WASHER VIS HEXAGONAL AVC RONDELLE | 6 | 6 | 6 | 6 | |
| 7 | 93604-10M03 | PIN, DOWEL CLAVETTE | 2 | 2 | 2 | 2 | |
| 8 | 97595-05510 | BOLT HEX. HEAD VIS HEXAGONAL AVC RONDELLE | 1 | 1 | 1 | 1 | |
| 9 | 6FM-14711-00-CA | MUFFLER 1 POT D'ECHAPPEMENT 1 | 1 | 1 | 1 | 1 | |
| 10 | 90105-06M07 | BOLT, FLANGÉ BOULON, A COLLERETTE | 3 | 3 | 3 | 3 | |
| 11 | 68T-45321-00 | PLATE PLAQUETTE | 1 | 1 | 1 | 1 | L(21.7") L(21.7") |
| 12 | 97095-06008 | BOLT BOULON | 1 | 1 | 1 | 1 | L(21.7") L(21.7") |
| 13 | 90480-14M54 | GROMMET PASSE-FIL | 1 | 1 | 1 | 1 | L(21.7") L(21.7") |
| 14 | 6L2-45318-00 | BUSHING, DRIVE SHAFT DOUILLE, ARBRE MOTEUR | 1 | 1 | 1 | 1 | L(21.7") L(21.7") |
| 15 | 93420-30042 | CIRCLIP CIRCLIP, TYPE S | 1 | 1 | 1 | 1 | L(21.7") L(21.7") |
| 16 | 6FM-42769-00 | SEAL, RUBBER BOURRELET, CAOUTCHOUC | 1 | 1 | 1 | 1 | |



6FM1100DR330

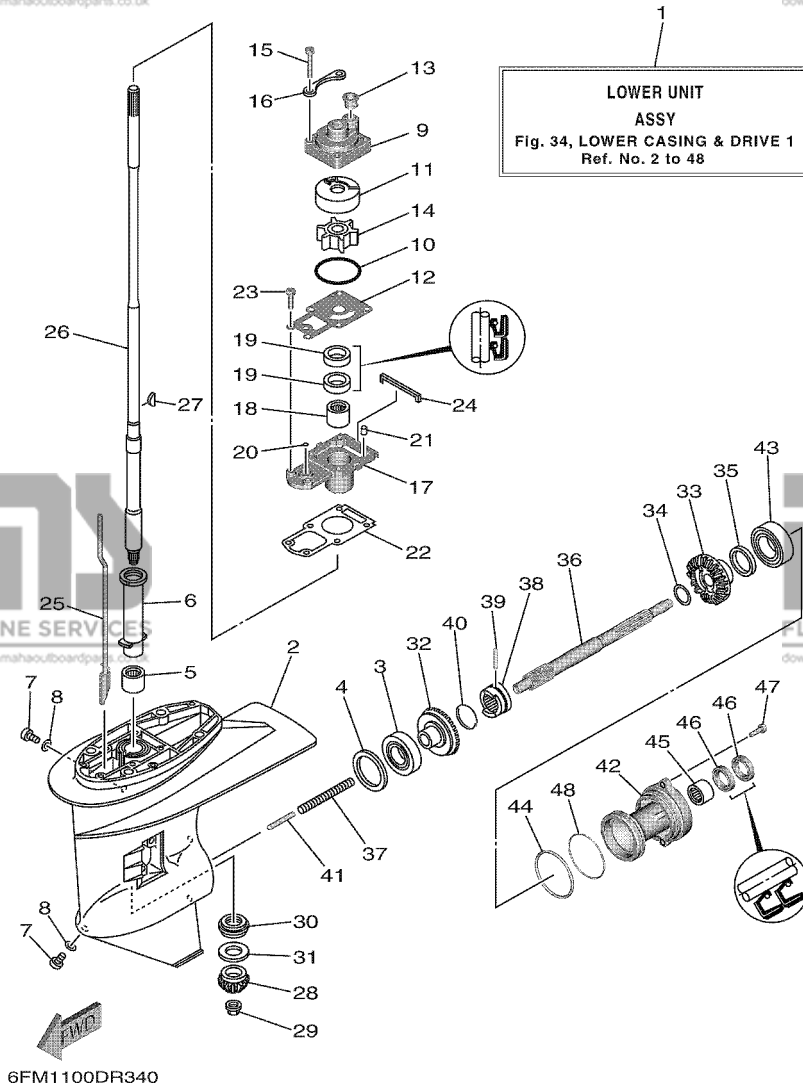
FIG. 33 OIL PAN

VENTILATEUR D'HUILE

| REF. NO. | PART NO. N° PIECES | DESCRIPTION DESCRIPTION | MH | WH | E | ET | REMARKS REMARQUES |
|----------|---------------------------------|---|----|----|---|----|-------------------|
| 1 | 6FM-15311-00-8D | OIL PAN VENTILATEUR D'HUILE | 1 | 1 | 1 | 1 | |
| 2 | 93101-13001 | OIL SEAL JOINT SPY | 1 | 1 | 1 | 1 | |
| 3 | 6FM-13411-00 | STRAINER, OIL FILTRE, HUILE | 1 | 1 | 1 | 1 | |
| 4 | 95822-06016 | BOLT, FLANGE BOULON, A COLLERETTE | 2 | 2 | 2 | 2 | |
| 5 | 93606-25M00 | PIN, DOWEL GOUPILLE | 2 | 2 | 2 | 2 | |
| 6 | 97575-08555 | BOLT, WITH WASHER VIS HEXAGONAL AVC RONDELLE | 6 | 6 | 6 | 6 | |
| 7 | 65W-42717-00 | RUBBER, SEAL 2 JOINT EN CAOUTCHOUC 2 | 1 | 1 | 1 | 1 | |
| 8 | 97095-08014 | BOLT BOULON | 1 | 1 | 1 | 1 | |
| 9 | 90430-08143 | GASKET JOINT | 1 | 1 | 1 | 1 | |
| 10 | 90340-14M06 | PLUG, STRAIGHT SCREW PLOT, FILETE DROIT | 1 | 1 | 1 | 1 | |
| 11 | 90430-14M09 | GASKET JOINT | 1 | 1 | 1 | 1 | |
| 12 | 6FM-15362-00 | PLUG, OIL LEVEL PLOT, NIVEAU D'HUILE | 1 | 1 | 1 | 1 | |
| 13 | 6FM-13317-00 | PLATE, BAFFLE SEPARATEUR | 1 | 1 | 1 | 1 | |
| 14 | 95822-06020 | BOLT, FLANGE BOULON, A COLLERETTE | 3 | 3 | 3 | 3 | |

FIG. 34 LOWER CASING & DRIVE 1

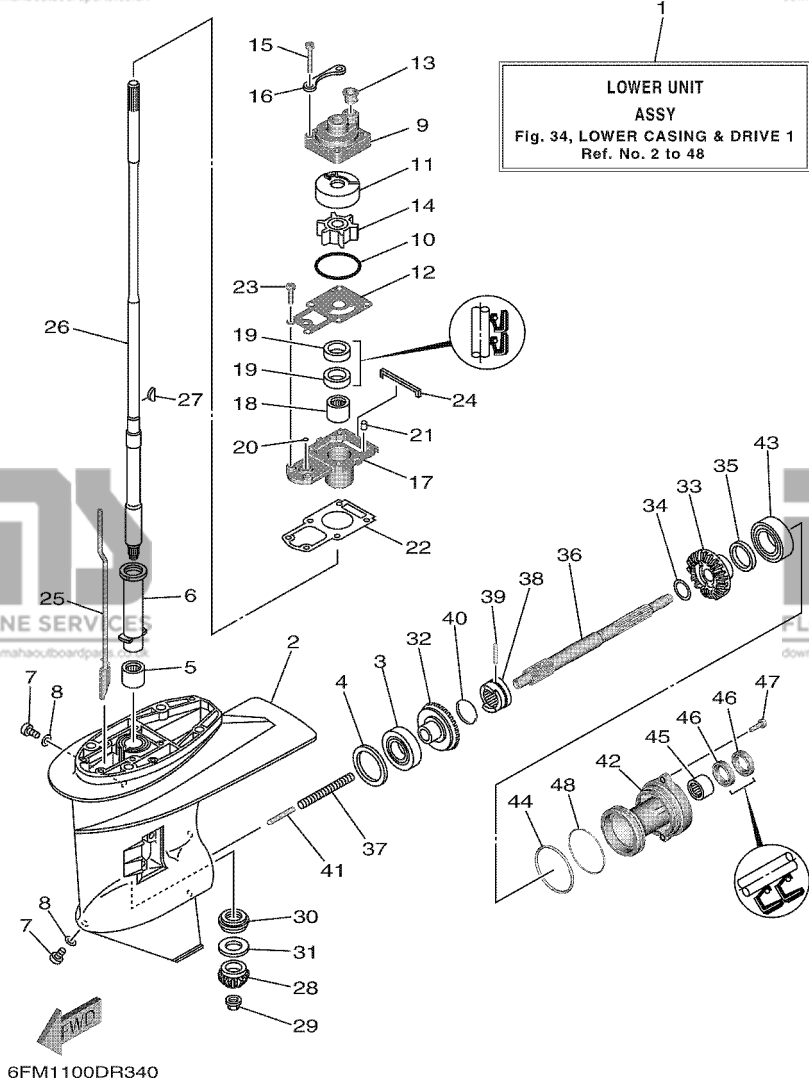
BOITIER D'HELICE TRANSMISSION1



| REF. NO. | PART NO. N° PIECES | DESCRIPTION DESCRIPTION | M/H | WH | U | ET | REMARKS REMARQUES |
|----------|--------------------|--|-----|----|---|----|----------------------|
| 1 | 6FM-45300-00-8D | LOWER UNIT ASSY UNITE INFERIEURE (ENS.) | 1 | 1 | 1 | | S(16.7") S(16.7") |
| | 6FM-45300-10-8D | LOWER UNIT ASSY UNITE INFERIEURE (ENS.) | 1 | 1 | 1 | 1 | L(21.7") L(21.7") |
| 2 | 6L2-45311-02-8D | CASING, LOWER BOITIER D'HELICE | 1 | 1 | 1 | 1 | |
| 3 | 93332-00005 | BEARING ROULEMENT | 1 | 1 | 1 | 1 | |
| 4 | 6L2-45567-00 | SHIM (T:1.0MM) CALE (T:1.0MM) | 1 | 1 | 1 | 1 | UR UR |
| | 6L2-45567-10 | SHIM (T:1.1MM) CALE (T:1.1MM) | 1 | 1 | 1 | 1 | UR UR |
| | 6L2-45567-20 | SHIM (T:1.2MM) CALE (T:1.2MM) | 1 | 1 | 1 | 1 | UR UR |
| | 6L2-45567-30 | SHIM (T:1.3MM) CALE (T:1.3MM) | 1 | 1 | 1 | 1 | UR UR |
| | 6L2-45567-40 | SHIM (T:1.4MM) CALE (T:1.4MM) | 1 | 1 | 1 | 1 | UR UR |
| 5 | 93315-220V9 | BEARING ROULEMENT | 1 | 1 | 1 | 1 | |
| 6 | 6L2-45536-00 | SLEÈVE, DRIVE SHAFT MANCHON, ARBRE MOTEUR | 1 | 1 | 1 | 1 | |
| 7 | 90340-08002 | PLUG, STRAIGHT SCREW PLOT, FILETE DROIT | 2 | 2 | 2 | 2 | |
| 8 | 90430-08003 | GASKET JOINT | 2 | 2 | 2 | 2 | |
| 9 | 6L2-44311-01 | HOUSING, WATER PUMP CORPS, POMPE A EAU | 1 | 1 | 1 | 1 | |
| 10 | 93210-45161 | O-RING JOINT TORIQUE | 1 | 1 | 1 | 1 | |
| 11 | 6L2-44322-00 | INSERT, CARTRIDGE CUVETTE | 1 | 1 | 1 | 1 | |
| 12 | 6FM-44323-01 | OUTER PLATE, CARTRIDGE PLAQUE EXTERIEURE | 1 | 1 | 1 | 1 | |
| 13 | 6L2-44367-10 | DAMPER, WATER SEAL 3 JOINT TUBE D'EAU 3 | 1 | 1 | 1 | 1 | |
| 14 | 6L2-44352-00 | IMPELLER TURBINE | 1 | 1 | 1 | 1 | |
| 15 | 97595-06540 | BOLT, WITH WASHER VIS HEXAGONAL AVC RONDELLE | 4 | 4 | 4 | 4 | |
| 16 | 6L2-44328-00 | PLATE PLAQUETTE | 2 | 2 | 2 | 2 | |
| 17 | 6FM-45331-00-CA | HOUSING, BEARING FLASQUE, ROULEMENT | 1 | 1 | 1 | 1 | |
| 18 | 93315-22004 | BEARING ROULEMENT | 1 | 1 | 1 | 1 | |
| 19 | 93101-20048 | OIL SEAL JOINT SPY | 2 | 2 | 2 | 2 | |
| 20 | 93210-06ME6 | O-RING JOINT TORIQUE | 1 | 1 | 1 | 1 | |
| 21 | 93604-12M07 | PIN, DOWEL CLAVETTE | 2 | 2 | 2 | 2 | |
| 22 | 6L2-45315-A0 | PACKING, LOWER CASING JOINT, BOITIER D'HELICE | 1 | 1 | 1 | 1 | |

FIG. 34 LOWER CASING & DRIVE 1

BOITIER D'HELICE TRANSMISSION1



| REF. NO. | PART NO. N° PIECES | DESCRIPTION DESCRIPTION | M/H | WH | L | LT | REMARKS REMARQUES |
|----------|--------------------|---|-----|----|---|----|----------------------|
| 23 | 97080-06020 | BOLT BOULON | 2 | 2 | 2 | 2 | |
| 24 | 6L2-45375-00 | DAMPER, SEAL BOURRELET, CAOUTCHOUC | 1 | 1 | 1 | 1 | |
| 25 | 6FM-44150-00 | SHIFT CAM ASSY CAME D'INVERSION | 1 | 1 | 1 | | S(16.7") S(16.7") |
| | 6FM-44150-10 | SHIFT CAM ASSY CAME D'INVERSION | 1 | 1 | 1 | 1 | L(21.7") L(21.7") |
| 26 | 6FM-45510-00 | DRIVE SHAFT ASSY ARBRE MOTEUR (ENS.) | 1 | 1 | 1 | | S(16.7") S(16.7") |
| | 6FM-45510-10 | DRIVE SHAFT ASSY ARBRE MOTEUR (ENS.) | 1 | 1 | 1 | 1 | L(21.7") L(21.7") |
| 27 | 90280-03024 | KEY, WOODRUFF CLAVETTE, DEMI-LUNE | 1 | 1 | 1 | 1 | |
| 28 | 6L2-45551-01 | PINION (13T) PIGNON D'ATTAQUE (13D) | 1 | 1 | 1 | 1 | |
| 29 | 90179-10M14 | NUT ECROU | 1 | 1 | 1 | 1 | |
| 30 | 93341-320U0 | BEARING CERVEAUX DE DIRECTION | 1 | 1 | 1 | 1 | |
| 31 | 6L2-45587-00 | SHIM (T:1.5MM) CALE (T:1.5MM) | 1 | 1 | 1 | 1 | UR |
| | 6L2-45587-10 | SHIM (T:1.6MM) CALE (T:1.6MM) | 1 | 1 | 1 | 1 | UR |
| 32 | 6FM-45560-00 | GEAR 1 (27T) PIGNON 1 (27T) | 1 | 1 | 1 | 1 | |
| 33 | 6FM-45571-00 | GEAR 2 (27T) PIGNON 2 (27T) | 1 | 1 | 1 | 1 | |
| 34 | 90201-20417 | WASHER, PLATE RONDELLE, PLATE | 1 | 1 | 1 | 1 | |
| 35 | 6L2-45577-00 | SHIM (T:1.0MM) CALE (T:1.0MM) | 1 | 1 | 1 | 1 | UR |
| | 6L2-45577-10 | SHIM (T:1.1MM) CALE (T:1.1MM) | 1 | 1 | 1 | 1 | UR |
| | 6L2-45577-20 | SHIM (T:1.2MM) CALE (T:1.2MM) | 1 | 1 | 1 | 1 | UR |
| | 6L2-45577-30 | SHIM (T:1.3MM) CALE (T:1.3MM) | 1 | 1 | 1 | 1 | UR |
| 36 | 65W-45611-00 | SHAFT, PROPELLER ARBRE, HELICE | 1 | 1 | 1 | 1 | |
| 37 | 90501-10065 | SPRING, COMPRESSION RESSORT, COMPRESSION | 1 | 1 | 1 | 1 | |
| 38 | 6FM-45631-00 | CLUTCH, DOG CRABOT | 1 | 1 | 1 | 1 | |
| 39 | 90250-05010 | PIN, STRAIGHT GOUPILLE, DROITE | 1 | 1 | 1 | 1 | |
| 40 | 648-45633-11 | RING, CROSS PIN JONC, GOUPILLE CRABOT | 1 | 1 | 1 | 1 | |
| 41 | 648-45635-00 | PLUNGER, SHIFT POUSSOIR D'EMBAYAGE | 1 | 1 | 1 | 1 | |
| 42 | 6L2-45361-03-8D | CAP, LOWER CASING COUVERCLE, BOITIER D'HELICE | 1 | 1 | 1 | 1 | |
| 43 | 93306-00612 | BEARING ROULEMENT | 1 | 1 | 1 | 1 | |

FIG. 34 LOWER CASING & DRIVE 1

BOITIER D'HELICE TRANSMISSION1

| REF. NO. | PART NO. N° PIECES | DESCRIPTION DESCRIPTION | M/H | WH | E | ET | REMARKS REMARQUES |
|----------|-----------------------------|---|-----|----|---|----|-------------------|
| 44 | 93210-60MA3 | O-RING JOINT TORIQUE | 1 | 1 | 1 | 1 | |
| 45 | 93315-22004 | BEARING ROULEMENT | 1 | 1 | 1 | 1 | |
| 46 | 93101-20M07 | OIL SEAL JOINT SPY | 2 | 2 | 2 | 2 | |
| 47 | 97595-06520 | BOLT, WITH WASHER VIS HEXAGONAL AVC RONDELLE | 2 | 2 | 2 | 2 | |
| 48 | 93210-60M99 | O-RING JOINT TORIQUE | 1 | 1 | 1 | 1 | |

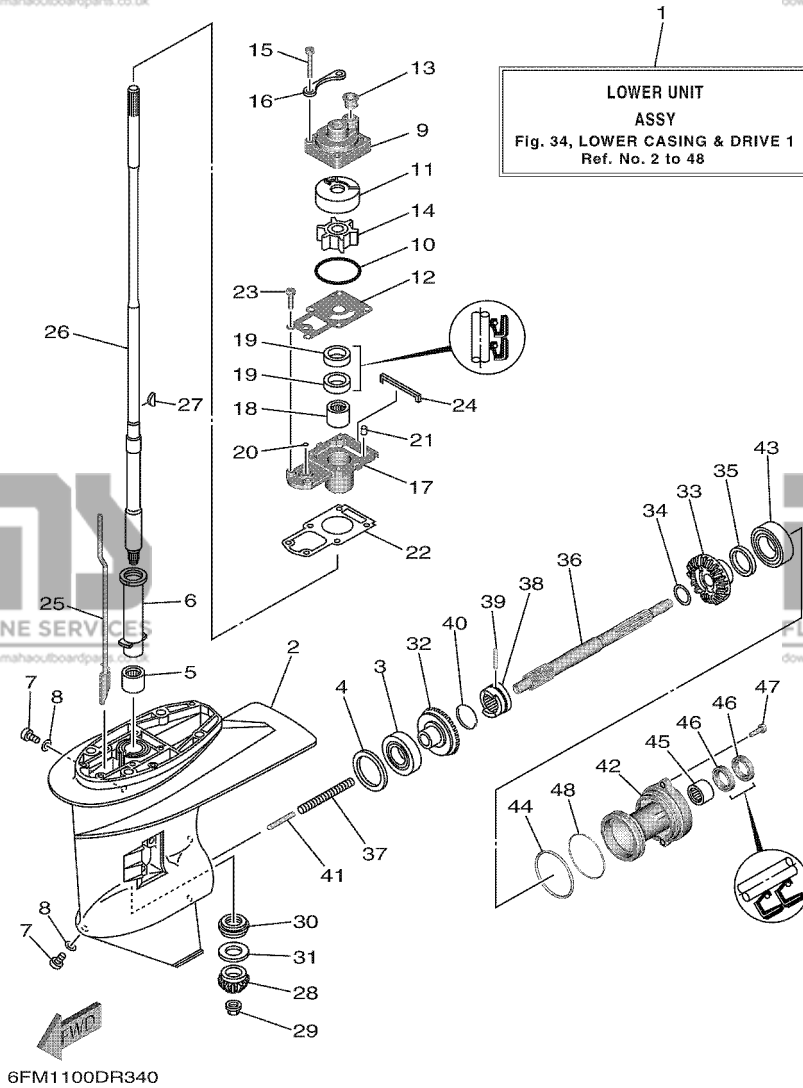
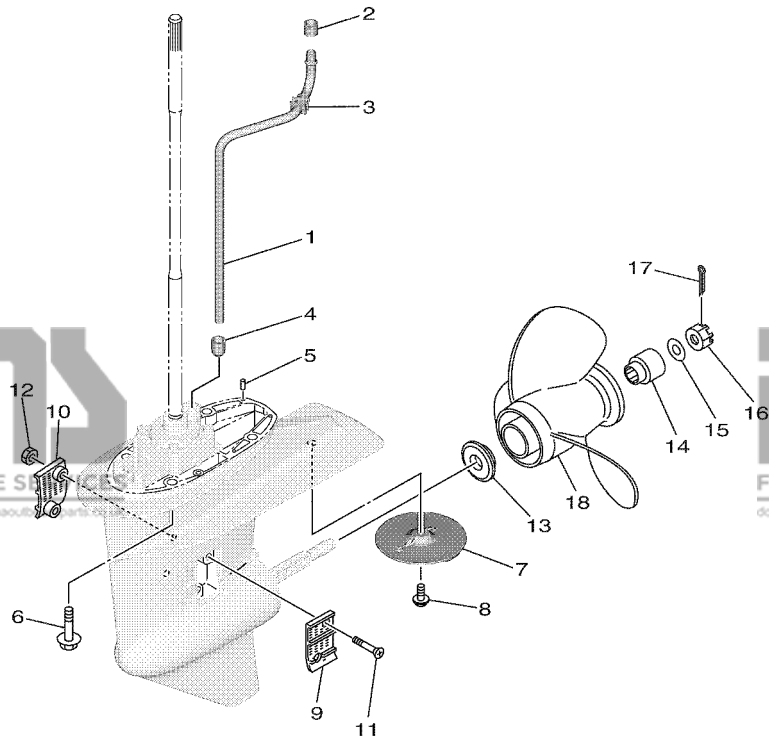


FIG. 35 LOWER CASING & DRIVE 2

BOITIER D'HELICE TRANSMISSION2

| REF. NO. | PART NO. N° PIECES | DESCRIPTION DESCRIPTION | MH | WH | W | LT | REMARKS REMARQUES |
|----------|------------------------------|---|----|----|---|----|----------------------|
| 1 | 6FM-44361-00 | TUBE, WATER 1 TUBE D'EAU 1 | 1 | 1 | 1 | 1 | S(16.7") S(16.7") |
| | 6FM-44361-10 | TUBE, WATER 1 TUBE D'EAU 1 | 1 | 1 | 1 | 1 | L(21.7") L(21.7") |
| 2 | 682-44365-00 | DAMPER, WATER SEAL 1 JOINT, TUBE D'EAU 1 | 1 | 1 | 1 | 1 | |
| 3 | 6AH-44365-00 | DAMPER, WATER SEAL 1 JOINT, TUBE D'EAU 1 | 1 | 1 | 1 | 1 | |
| 4 | 6L2-44368-00 | RUBBER, WATER SEAL 4 JOINT, TUBEDEAU | 1 | 1 | 1 | 1 | |
| 5 | 93604-12M07 | PIN, DOWEL CLAVETTE | 2 | 2 | 2 | 2 | |
| 6 | 90105-10M12 | BOLT, FLANGE BOULON, A COLLERETTE | 4 | 4 | 4 | 4 | |
| 7 | 664-45371-01 | TAB-TRIM ANODE DERIVE | 1 | 1 | 1 | 1 | |
| 8 | 90105-08M02 | BOLT, FLANGE BOULON, A COLLERETTE | 1 | 1 | 1 | 1 | |
| 9 | 6L2-45214-00 | COVER, WATER INLET 1 GRILLE, ENTREE D'EAU 1 | 1 | 1 | 1 | 1 | |
| 10 | 6L2-45215-00 | COVER, WATER INLET 2 GRILLE, ENTREE D'EAU 2 | 1 | 1 | 1 | 1 | |
| 11 | 90151-05M05 | SCREW, COUNTERSUNK VIS, TETE NOYEE | 2 | 2 | 2 | 2 | |
| 12 | 90185-05002 | NUT, NYLON ECROU, AUTO-BLOQUANT | 2 | 2 | 2 | 2 | |
| 13 | 6L2-45987-01 | SPACER 1 ENTRETOISE 1 | 1 | 1 | 1 | 1 | |
| 14 | 689-45997-00 | SPACER 2 ENTRETOISE 2 | 1 | 1 | 1 | 1 | |
| 15 | 92990-14200 | WASHER, PLAIN RONDELLE, PLATE | 1 | 1 | 1 | 1 | |
| 16 | 90171-14013 | NUT, CASTLE ECROU, CRENELE | 1 | 1 | 1 | 1 | |
| 17 | 91490-30022 | PIN, COTTER GOUPILLE | 1 | 1 | 1 | 1 | |
| 18 | 664-45943-01 | PROPELLER (3X9-7/8"X8"-F) HELICE (3X9-7/8"X8"-F) | 1 | 1 | 1 | 1 | UR |
| | 664-45941-01 | PROPELLER (3X9-7/8"X9"-F) HELICE (3X9-7/8"X9"-F) | 1 | 1 | 1 | 1 | UR |
| | 664-45945-00 | PROPELLER (3X9-7/8"X10-1/2"-F) HELICE (3X9-7/8"X10-1/2"-F) | 1 | 1 | 1 | 1 | UR |
| | 664-45947-01 | PROPELLER (3X9-7/8"X11-1/4"-F) HELICE (3X9-7/8"X11-1/4"-F) | 1 | 1 | 1 | 1 | UR |
| | 664-45954-01 | PROPELLER (3X9-7/8"X12"-F) HELICE (3X9-7/8"X12"-F) | 1 | 1 | 1 | 1 | UR |
| | 664-45972-00 | PROPELLER (3X9-1/8"X12"-F) HELICE (3X9-1/8"X12"-F) | 1 | 1 | 1 | 1 | UR |
| | 664-45949-02 | PROPELLER (3X9-7/8"X13"-F) HELICE (3X9-7/8"X13"-F) | 1 | 1 | 1 | 1 | UR |
| | 664-45970-00 | PROPELLER (3X9-1/8"X13"-F) HELICE (3X9-1/8"X13"-F) | 1 | 1 | 1 | 1 | UR |
| | 664-45952-00 | PROPELLER (3X9-7/8"X14"-F) HELICE (3X9-7/8"X14"-F) | 1 | 1 | 1 | 1 | UR |

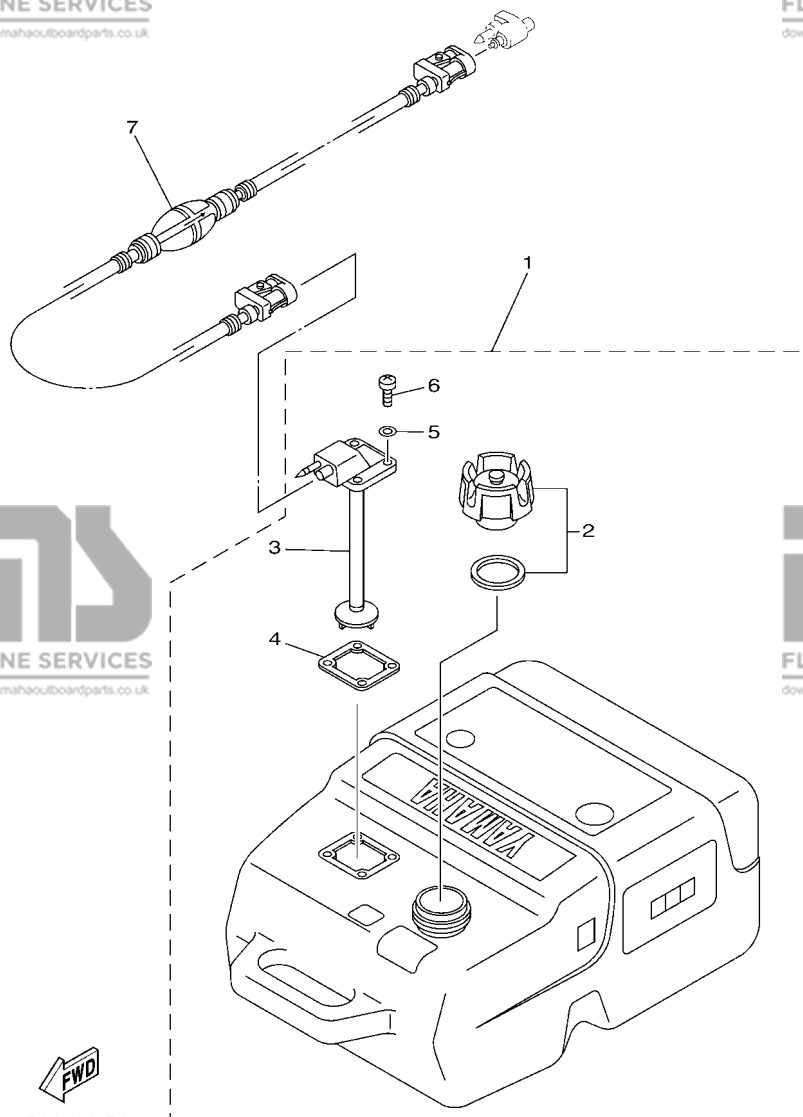


FMS
6FM1100DR350

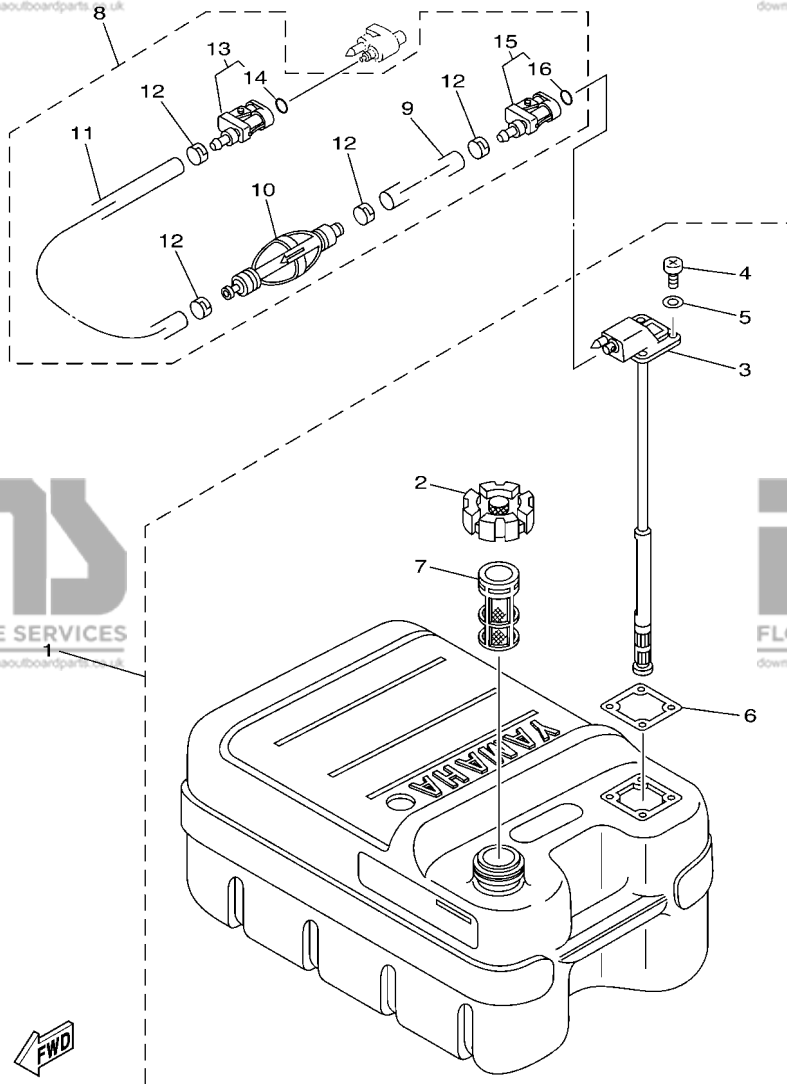
FIG. 36 FUEL TANK 1

RESERVOIR A CARBURANT 1

| REF. NO. | PART NO. N° PIECES | DESCRIPTION DESCRIPTION | MH | WH | E | ET | REMARKS REMARQUES |
|----------|------------------------------|--|----|----|---|----|--|
| 1 | 6YK-24201-04 | FUEL TANK ASSY (25L) RESERVOIR A ESSENCE (ENS.) 25L | 1 | 1 | 1 | 1 | AP EXCEPT FOR RUS AP EXCEPT FOR RUS |
| 2 | 6YK-24610-02 | .CAP ASSY .BOUCHON | 1 | 1 | 1 | 1 | |
| 3 | 6YK-24260-10 | .FUEL METER ASSY .INDICATEUR DE CARBURANT | 1 | 1 | 1 | 1 | |
| 4 | 6YL-24268-01 | .GASKET, FUEL METER .JOINT, JAUGE A CARBURANT | 1 | 1 | 1 | 1 | |
| 5 | 6YL-24329-00 | .SEAL .JOINT | 4 | 4 | 4 | 4 | |
| 6 | 90157-05M16 | .SCREW, PAN HEAD .VIS, TETE TRONCONIQUE | 4 | 4 | 4 | 4 | |
| 7 | 6YL-24306-54 | FUEL PIPE COMP. 1 DURITE A ESSENCE 1 | 1 | 1 | 1 | 1 | AP EXCEPT FOR RUS AP EXCEPT FOR RUS |



6CA8300-P280



68U3100-C240

FIG. 37 FUEL TANK 2

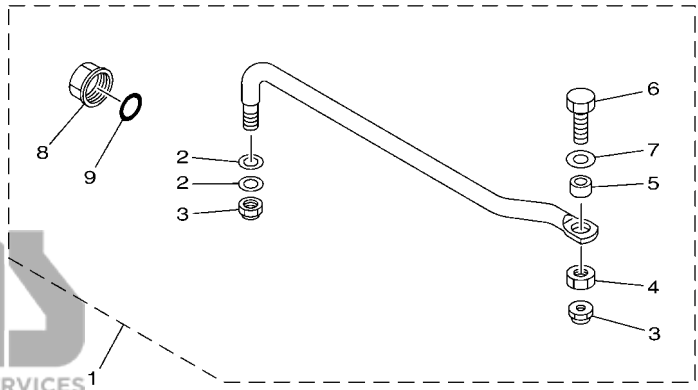
RESERVOIR A CARBURANT 2

| REF. NO. | PART NO. N° PIECES | DESCRIPTION DESCRIPTION | M/H | WH | E | ET | REMARKS REMARQUES |
|----------|--------------------|---|-----|----|---|----|--------------------------|
| 1 | 6YJ-24201-20 | FUEL TANK ASSY (24L) RESERVOIR A ESSENCE (ENS.):24L | 1 | | 1 | | AP FOR RUS AP FOR RUS |
| 2 | 6YJ-24610-01 | .CAP ASSY .BOUCHON | 1 | | 1 | | |
| 3 | 6YJ-24260-10 | .FUEL METER ASSY .INDICATEUR DE CARBURANT | 1 | | 1 | | |
| 4 | 90157-05M19 | .SCREW, PAN HEAD .VIS, TETE TRONCONIQUE | 4 | | 4 | | |
| 5 | 6Y1-24329-00 | .SEAL .JOINT | 4 | | 4 | | |
| 6 | 6Y1-24268-00 | .GASKET, FUEL METER .JOINT, JAUGE A CARBURANT | 1 | | 1 | | |
| 7 | 6YJ-24167-00 | .STRAINER .FILTRE | 1 | | 1 | | |
| 8 | 61J-24306-04 | FUEL PIPE COMP. 1 DURITE A ESSENCE 1 | 1 | | 1 | | AP FOR RUS AP FOR RUS |
| 9 | 90445-11M06 | .HOSE (L2050) .DURITE (L2050) | 1 | | 1 | | |
| 10 | 61J-24360-00 | .PRIMER PUMP ASSY .POMPE D'AMORCAGE | 1 | | 1 | | |
| 11 | 90445-11M05 | .HOSE (L850) .DURITE (L850) | 1 | | 1 | | |
| 12 | 650-24351-51 | .BAND 1 .COLLIER 1 | 4 | | 4 | | |
| 13 | 6G1-24305-05 | .FUEL PIPE JOINT COMP. 2 .DURITE RACCORDEMT. A ESSENCE | 1 | | 1 | | |
| 14 | 93210-08287 | .O-RING ..JOINT TORIQUE | 1 | | 1 | | |
| 15 | 6Y1-24305-06 | .FUEL PIPE JOINT COMP. 2 .DURITE RACCORDEMT. A ESSENCE | 1 | | 1 | | |
| 16 | 93210-08287 | .O-RING ..JOINT TORIQUE | 1 | | 1 | | |

FIG. 38 STEERING GUIDE

FIXATION DE DIRECTION

| REF. NO. | PART NO. N° PIECES | DESCRIPTION DESCRIPTION | MH | WH | E | ET | REMARKS REMARQUES |
|----------|------------------------------|---|----|----|---|----|-------------------|
| 1 | 6FM-61350-00 | STEERING GUIDE ATTACHMENT KIT FIXATIONS DE DIRECTION | 1 | 1 | 1 | 1 | AP AP |
| 2 | 90201-10M20 | .WASHER, PLATE .RONDELLE, PLATE | 2 | 2 | 2 | 2 | |
| 3 | 90185-09M01 | .NUT, SELF-LOCKING .ECROU, AUTO-BLOQUANT | 2 | 2 | 2 | 2 | |
| 4 | 90170-09M03 | .NUT .ECROU | 1 | 1 | 1 | 1 | |
| 5 | 90387-10M42 | .COLLAR .COLLERETTE | 1 | 1 | 1 | 1 | |
| 6 | 90101-09M01 | .BOLT .BOULON | 1 | 1 | 1 | 1 | |
| 7 | 90201-10M63 | .WASHER, PLATE .RONDELLE, PLATE | 1 | 1 | 1 | 1 | |
| 8 | 6E5-43145-01 | .CAP, CLAMP BRACKET .CAPUCHON, PRESSE | 1 | 1 | 1 | 1 | |
| 9 | 93210-16275 | .O-RING .JOINT TORIQUE | 1 | 1 | 1 | 1 | |

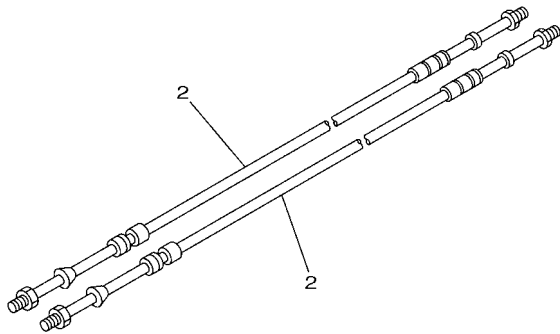
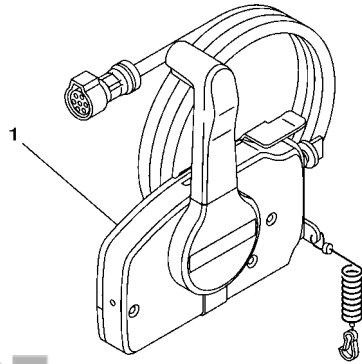


6FM1100-R380

FIG. 39 REMOTE CONTROL BOX

BOITIER DE COMMANDE A DISTANCE

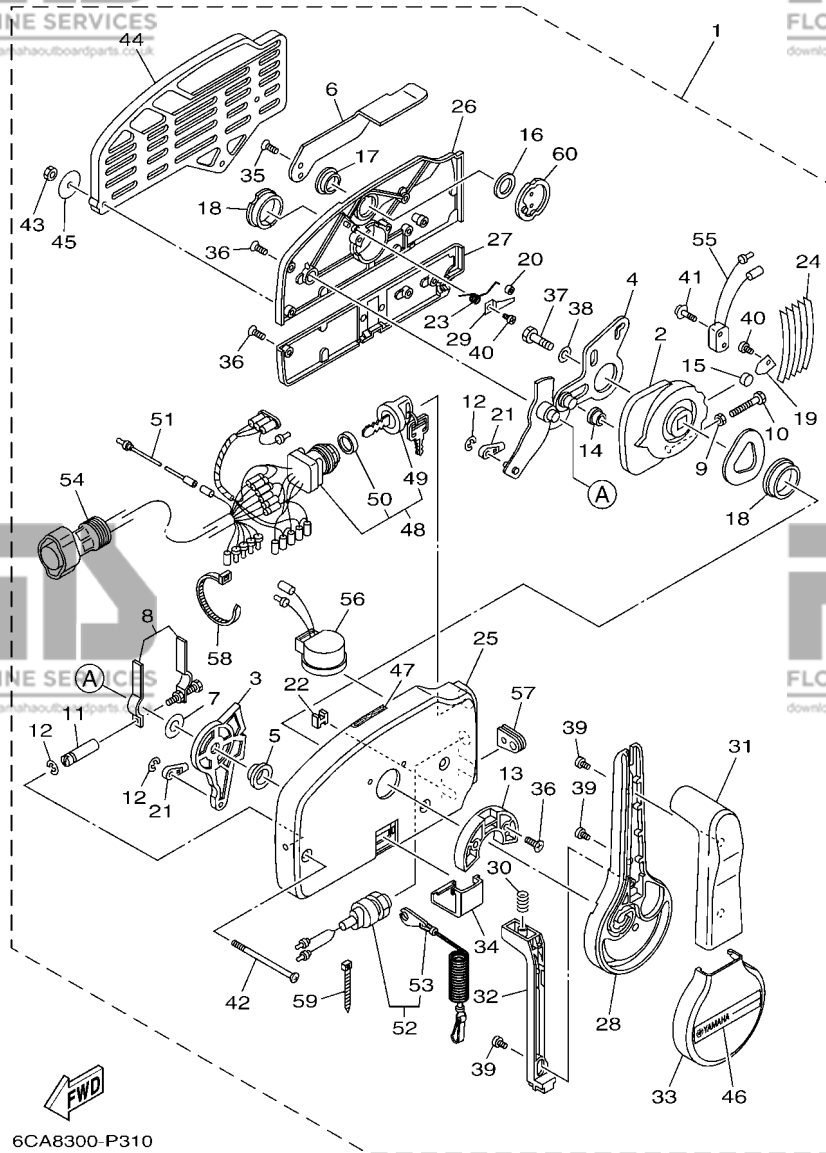
| REF. NO. | PART NO. N° PIECES | DESCRIPTION DESCRIPTION | M/H | W/H | E | ET | REMARKS REMARQUES |
|----------|------------------------------|---|-----|-----|---|----|--|
| 1 | 703-48201-B1 | REMOTE CONTROL ASSY (10P) BOITIER DE COMMANDE A DISTANCE | | | 1 | | AP BUS WITHOUT PT/T SW. AP BUS WITHOUT PT/T SW. |
| 2 | 701-48320-50 | CABLE, REMOTE CONTROL L=15F CABLE, COMMANDE A DISTANCE:15F | | | 2 | | UR |
| | 701-48320-60 | CABLE, REMOTE CONTROL L=16F CABLE, COMMANDE A DISTANCE:16F | | | 2 | | UR |
| | 701-48320-80 | CABLE, REMOTE CONTROL L=17F CABLE, COMMANDE A DISTANCE:17F | | | 2 | | UR |
| | 701-48350-00 | CABLE, REMOTE CONTROL L=21F CABLE, COMMANDE A DISTANCE:21F | | | 2 | | UR |
| | 701-48350-20 | CABLE, REMOTE CONTROL L=23F CABLE, COMMANDE A DISTANCE:23F | | | 2 | | UR |



6DR3300-P300

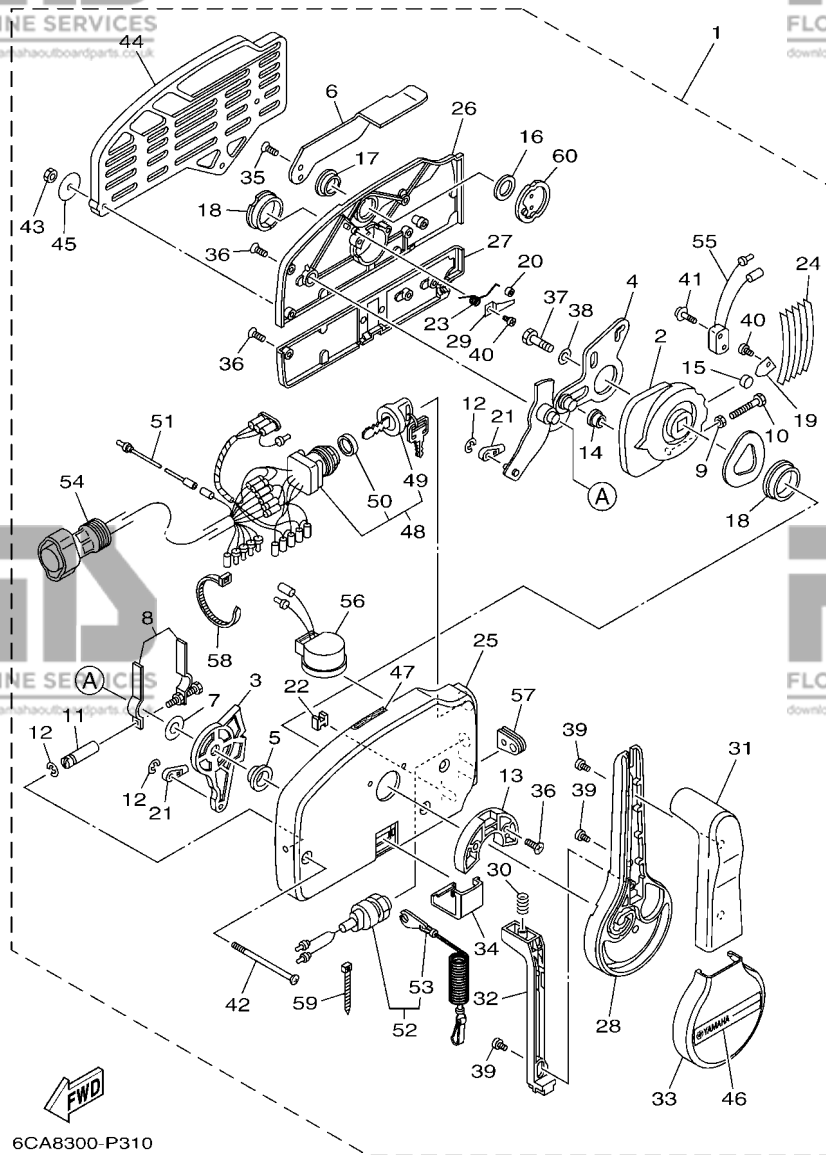
FIG. 40 REMOTE CONTROL ASSY

BOITIER DE COMMANDE A DISTANCE



6CA8300-P310

| REF. NO. | PART NO. N° PIECES | DESCRIPTION DESCRIPTION | M/H | WH | E | ET | REMARKS REMARQUES |
|----------|--------------------|---|-----|----|---|----|--|
| 1 | 703-48201-B1 | REMOTE CONTROL ASSY (10P) BOITIER DE COMMANDE A DISTANCE | | | | 1 | AP RUS WITHOUT PT/T SW. AP RUS WITHOUT PT/T SW. |
| 2 | 703-48232-00 | .GEAR .PIGNON | | | | 1 | |
| 3 | 703-48271-00 | .ARM, SHIFT .BRAS | | | | 1 | |
| 4 | 703-48261-01 | .ARM, THROTTLE .BRAS, ACCELERATION | | | | 1 | |
| 5 | 703-48235-00 | .BUSHING .COUSSINET | | | | 1 | |
| 6 | 703-48152-10 | .KNOB, FREE ACCEL. .BOUTON | | | | 1 | |
| 7 | 703-48268-00 | .SPACER .ENTRETOISE | | | | 1 | |
| 8 | 703-48264-00 | .FRICTION, THROTTLE .FRICTION, ACCELERATION | | | | 1 | |
| 9 | 95380-05600 | .NUT .ECROU | | | | 1 | |
| 10 | 97380-05025 | .BOLT .BOULON, HEXAGONAL | | | | 1 | |
| 11 | 703-48265-10 | .SHAFT, FRICTION .AXE, COPILOTE | | | | 1 | |
| 12 | 93430-06024 | .CIRCLIP .CLIPS | | | | 3 | |
| 13 | 703-48245-00 | .PLATE, LOCK .PLAQUE, VERROU | | | | 1 | |
| 14 | 703-48252-00 | .ROLLER, CAM .POULIE | | | | 1 | |
| 15 | 701-48248-00 | .ROLLER, FREE ACCEL. .POULIE | | | | 1 | |
| 16 | 703-48198-00 | .WASHER, WAVE .RONDELLE, ELASTIQUE ONDULEE | | | | 1 | |
| 17 | 703-48243-00 | .BUSHING .COUSSINET | | | | 1 | |
| 18 | 703-48236-00 | .BUSHING 1 .POULIE | | | | 2 | |
| 19 | 703-48189-00 | .RETAINER .FLASQUE | | | | 1 | |
| 20 | 703-48234-00 | .ROLLER, DETENT .POULIE | | | | 1 | |
| 21 | 703-48345-01 | .CABLE END, REMOTE CONTROL 2 .CHAPE CABLE | | | | 2 | |
| 22 | 703-48358-00 | .ANCHOR, CABLE .COLLIER | | | | 1 | |
| 23 | 703-48244-00 | .SPRING, FREE ACCEL. .RESSORT | | | | 1 | |
| 24 | 703-48238-00 | .SPRING, DETENT .RESSORT | | | | 5 | |
| 25 | 703-48211-10 | .HOUSING, 1 .CORPS | | | | 1 | |
| 26 | 703-48212-10 | .BACK PLATE 1 .PLAQUETTE 1 | | | | 1 | |
| 27 | 703-48213-10 | .BACK PLATE 2 .PLAQUETTE 2 | | | | 1 | |



6CA8300-P310

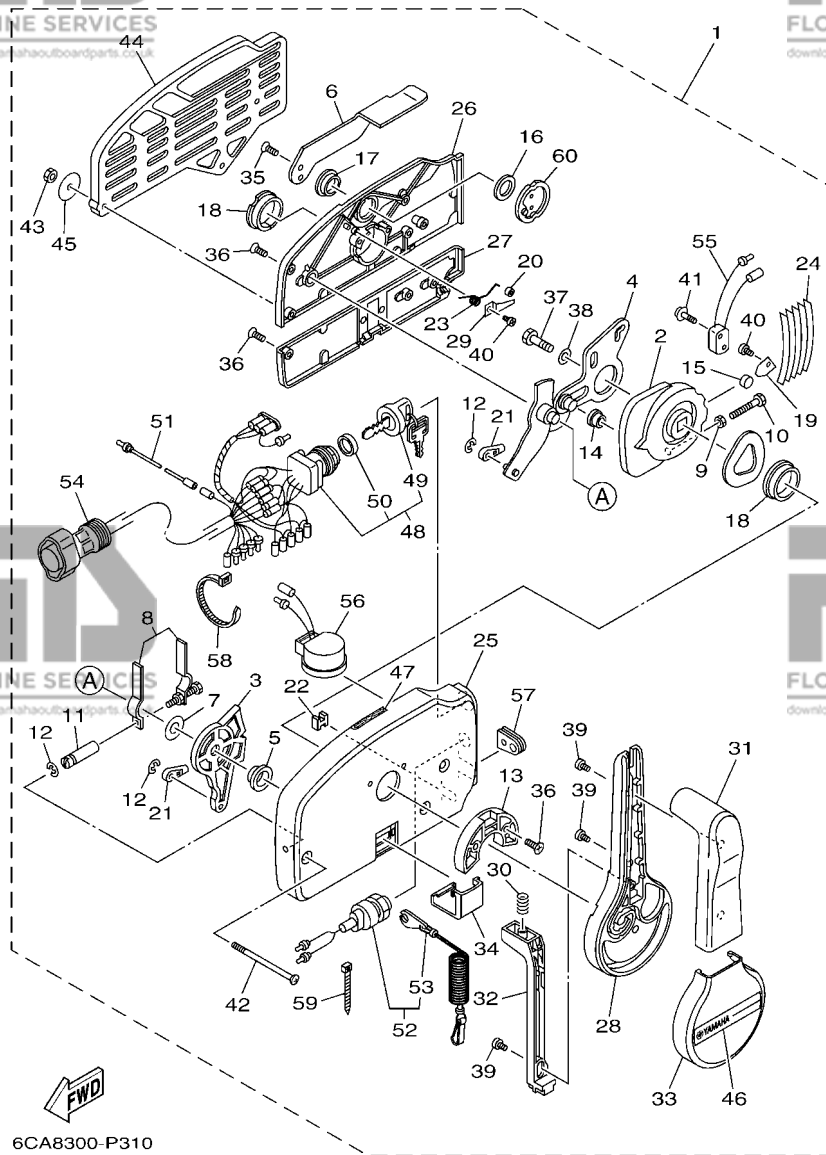
FIG. 40 REMOTE CONTROL ASSY

BOITIER DE COMMANDE A DISTANCE

| REF. NO. | PART NO. N° PIECES | DESCRIPTION DESCRIPTION | M/H | WH | E | ET | REMARKS REMARQUES |
|----------|--------------------|--|-----|----|---|----|----------------------------|
| 28 | 703-48221-10 | .LEVER, CONTROL .LEVIER, COMMANDE | | | | 1 | |
| 29 | 703-48246-00 | .SPACER .ENTRETOISE | | | | 1 | |
| 30 | 703-48227-00 | .SPRING, NEUTRAL LOCK .RESSORT | | | | 1 | |
| 31 | 703-48222-30 | .GRIP, CONTROL LEVER .POIGNEE, COMMANDE LEVIER | | | | 1 | SINGLE SINGLE |
| 32 | 703-48223-10 | .LOCK, NEUTRAL .VERROU, NEUTRAL | | | | 1 | |
| 33 | 703-48225-10 | .COVER .COUVERCLE | | | | 1 | |
| 34 | 703-48219-10 | .COVER, LEAD .COUVERCLE | | | | 1 | |
| 35 | 703-48281-00 | .SCREW .VIS | | | | 2 | |
| 36 | 703-44189-20 | .SCREW .VIS | | | | 7 | |
| 37 | 97380-08030 | .BOLT .BOULON, HEXAGONAL | | | | 1 | |
| 38 | 92990-08600 | .WASHER, PLATE .RONDELLE, PLATE | | | | 1 | |
| 39 | 703-48128-10 | .SCREW 2 .VIS 2 | | | | 3 | |
| 40 | 98580-04006 | .SCREW, PAN HEAD .VIS | | | | 2 | |
| 41 | 703-48129-00 | .SCREW 3 .VIS 3 | | | | 2 | |
| 42 | 703-44189-30 | .SCREW .VIS | | | | 3 | |
| 43 | 95380-06600 | .NUT, HEXAGON .ECROU | | | | 3 | |
| 44 | 703-48293-10 | .SPACER, REMOTE CONTROL .ENTRETOISE | | | | 1 | SINGLE SINGLE |
| 45 | 701-48287-00 | .WASHER .RONDELLE | | | | 3 | |
| 46 | 703-48215-10 | .GRAPHIC .ADHESIF | | | | 1 | |
| 47 | 6X3-44191-00 | .INDICATOR, SHIFT .ETIQUETTE, EMBRAYAGE | | | | 1 | |
| 48 | 703-82510-13 | .MAIN SWITCH ASSY .CONTACTEUR A CLEF COMPLET | | | | 1 | PRIME START PRIME START |
| 49 | 676-82577-01 | .CAP, KEY .CABOCHON | | | | 1 | |
| 50 | 703-82532-00 | .CAP .COUVERCLE | | | | 1 | |
| 51 | 703-82531-00 | .WIRE, LEAD (L70) .FIL (L70) | | | | 1 | |
| 52 | 688-82575-02 | .ENGINE STOP SWITCH ASSY .COUPE CIRCUIT CPLT | | | | 1 | |
| 53 | 682-82556-00 | .LANYARD, STOP SWITCH .CORDON DU COUPE CIRCUIT | | | | 1 | |
| 54 | 688-8258A-20 | .EXTENSION, WIRE HARNESS (4.9M) .EXTENSION, FAISCEAU DE FILS (4 | | | | 1 | (10P) (10P) |

FIG. 40 REMOTE CONTROL ASSY

BOITIER DE COMMANDE A DISTANCE



6CA8300-P310

| REF. NO. | PART NO. N° PIECES | DESCRIPTION DESCRIPTION | M/H | W/H | E | ET | REMARKS REMARQUES |
|----------|------------------------------|---|-----|-----|---|----|-------------------|
| 55 | 703-82540-00 | .NEUTRAL SWITCH ASSY .CONTACTEUR DE POINT-MORT | | | | 1 | |
| 56 | 703-83383-11 | .BUZZER .RONFLEUR | | | | 1 | |
| 57 | 703-48284-00 | .GROMMET .PASSE-FIL | | | | 1 | |
| 58 | 703-82591-00 | .BAND .COLLIER | | | | 1 | |
| 59 | 703-82592-00 | .BAND .COLLIER | | | | 1 | |
| 60 | 703-48153-00 | .SHAFT, FREE ACCEL. .AXE | | | | 1 | |

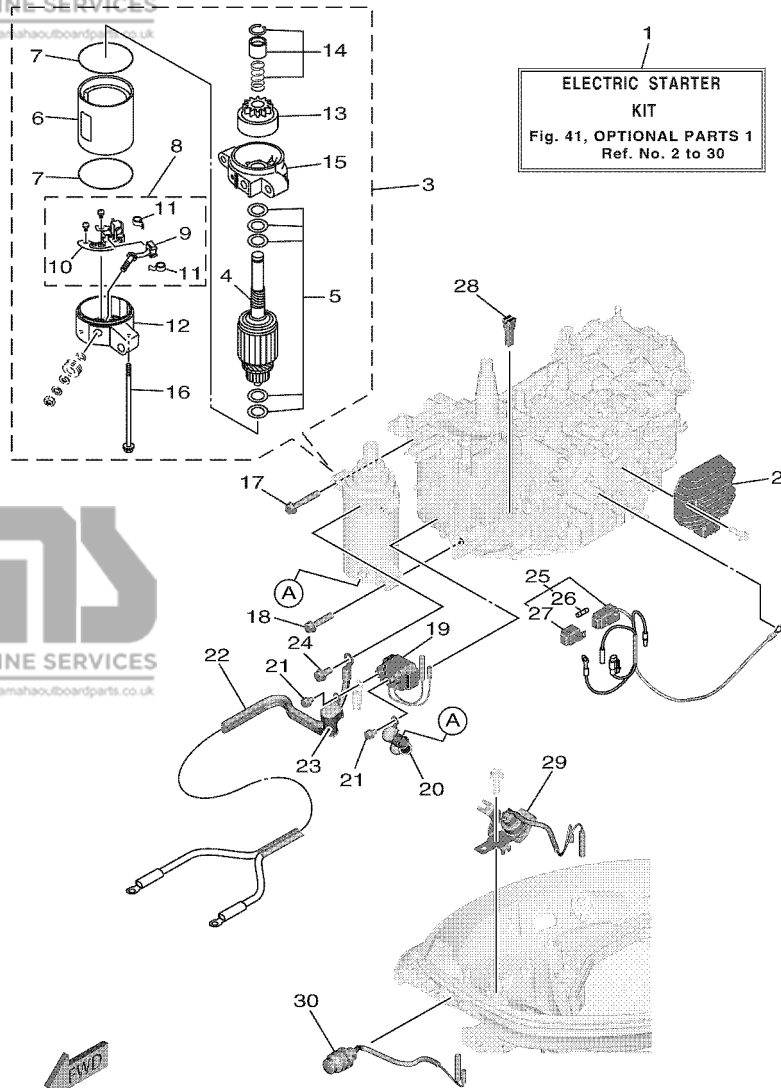


FIG. 41 OPTIONAL PARTS 1

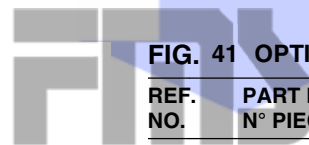
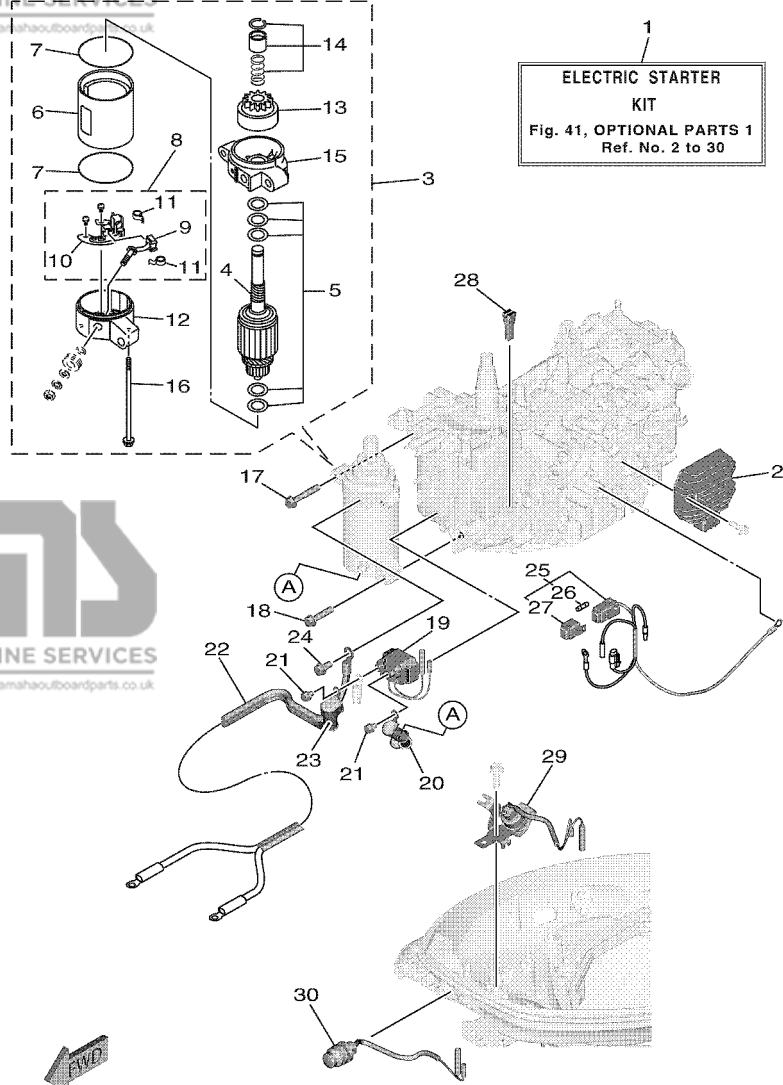
PIECES OPTIONNELLES 1

| REF. NO. | PART NO. N° PIECES | DESCRIPTION DESCRIPTION | MH | WH | E | ET | REMARKS REMARQUES |
|----------|--------------------|---|----|----|---|----|-------------------|
| 1 | 6FM-W8180-00 | ELECTRIC STARTER KIT KIT DEMARREUR ELECTRIQUE | 1 | | | | |
| 2 | 6FM-81960-10 | RECTIFIER & REGULATOR ASSY REDRESSEUR REGULATEUR CPLT | 1 | | | | |
| 3 | 6AH-81800-01 | STARTING MOTOR ASSY DEMARREUR ELECTRIQUE COMPLET | 1 | | | | |
| 4 | 689-81850-11 | .ARMATURE ASSY .INDUIT | 1 | | | | |
| 5 | 689-81809-11 | .WASHER KIT .JEU DE RONDELLES | 1 | | | | |
| 6 | 689-81810-11 | .STATOR ASSY .STATOR COMPLET | 1 | | | | |
| 7 | 689-81847-11 | .O-RING .JOINT TORIQUE | 2 | | | | |
| 8 | 689-81840-11 | .BRUSH HOLDER ASSY .SUPPORT DE CHARBON | 1 | | | | |
| 9 | 689-81811-11 | ..BRUSH 1 ..CHARBON 1 | 1 | | | | |
| 10 | 689-81812-11 | ..BRUSH 2 ..CHARBON 2 | 1 | | | | |
| 11 | 689-81813-10 | ..SPRING, BRUSH ..RESSORT, DE CHARBON | 2 | | | | |
| 12 | 6AH-81820-01 | .REAR BRACKET ASSY .SUPPORT ARRIERE COMPLET | 1 | | | | |
| 13 | 689-81807-12 | .GEAR ASSY, STARTING MOTOR .PIGNON, DEMARREUR ELECTRIQUE | 1 | | | | |
| 14 | 68T-81857-00 | .PINION STOPPER SET .BUTEE PIGNON | 1 | | | | |
| 15 | 6AH-81830-00 | .FRONT BRACKET ASSY .SUPPORT AVANT | 1 | | | | |
| 16 | 689-81826-10 | .BOLT .BOULON | 2 | | | | |
| 17 | 97513-08545 | BOLT, WITH WASHER VIS HEXAGONAL AVC RONDELLE | 2 | | | | |
| 18 | 97513-08535 | BOLT, WITH WASHER VIS HEXAGONAL AVC RONDELLE | 1 | | | | |
| 19 | 6FM-81940-00 | STARTER RELAY ASSY LANCEUR RELAIS (ENS.) | 1 | | | | |
| 20 | 6AH-82117-00 | WIRE, LEAD FIL | 1 | | | | |
| 21 | 97595-06610 | BOLT, WITH WASHER VIS HEXAGONAL AVC RONDELLE | 2 | | | | |
| 22 | 6FM-82105-00 | BATTERY CABLE (L: 2.0M) CABLE DE BATTERIE (L: 2.0M) | 1 | | | | |
| 23 | 6P2-82119-00 | COVER, LEAD WIRE GARNITURE, FIL | 1 | | | | |
| 24 | 97595-08516 | BOLT, WITH WASHER VIS HEXAGONAL AVC RONDELLE | 1 | | | | |
| 25 | 6FM-81971-00 | WIRE, LEAD FIL | 1 | | | | |
| 26 | 67F-82151-00 | .FUSE (20A) .FUSIBLE (20A) | 2 | | | | |
| 27 | 67F-8215B-10 | .CAP (YELLOW) .BOUCHON (YELLOW) | 1 | | | | |



FLOOD MARINE SERVICES

downloaded from www.yamahaoutboardparts.co.uk



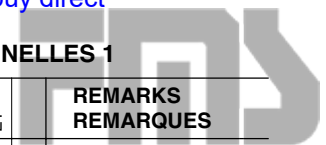
FLOOD MARINE SERVICES

downloaded from www.yamahaoutboardparts.co.uk

FIG. 41 OPTIONAL PARTS 1

PIECES OPTIONNELLES 1

| REF. NO. | PART NO. N° PIECES | DESCRIPTION DESCRIPTION | M/H | WH | E | ET | REMARKS REMARQUES |
|----------|------------------------------|---|-----|----|---|----|-------------------|
| 28 | 67F-2812A-00 | PULLER, FUSE TENDEUR, FUSIBLE | 1 | | | | |
| 29 | 6FM-82540-00 | NEUTRAL SWITCH ASSY CONTACTEUR DE POINT-MORT | 1 | | | | |
| 30 | 65W-81870-00 | STARTING SWITCH ASSY CONTACT A CLEF | 1 | | | | |



FLOOD MARINE SERVICES

downloaded from www.yamahaoutboardparts.co.uk



FLOOD MARINE SERVICES

downloaded from www.yamahaoutboardparts.co.uk



FLOOD MARINE SERVICES

downloaded from www.yamahaoutboardparts.co.uk



FLOOD MARINE SERVICES

downloaded from www.yamahaoutboardparts.co.uk



FLOOD MARINE SERVICES

downloaded from www.yamahaoutboardparts.co.uk



FLOOD MARINE SERVICES

downloaded from www.yamahaoutboardparts.co.uk



FLOOD MARINE SERVICES

downloaded from www.yamahaoutboardparts.co.uk

FIG. 42 OPTIONAL PARTS 2

PIECES OPTIONNELLES 2

| REF. NO. | PART NO. N° PIECES | DESCRIPTION DESCRIPTION | MH | WH | E | ET | REMARKS REMARQUES |
|----------|------------------------------|--|----|----|---|----|-------------------|
| 1 | 6FM-81960-10 | RECTIFIER & REGULATOR ASSY REDRESSEUR REGULATEUR CPLT | 1 | | | | |
| 2 | 6FM-81949-00 | WIRE, LEAD FIL | 1 | | | | |
| 3 | 67F-82151-00 | .FUSE (20A) .FUSIBLE (20A) | 2 | | | | |
| 4 | 67F-8215B-10 | .CAP (YELLOW) .BOUCHON (YELLOW) | 1 | | | | |
| 5 | 67F-2812A-00 | PULLER, FUSE TENDEUR, FUSIBLE | 1 | | | | |

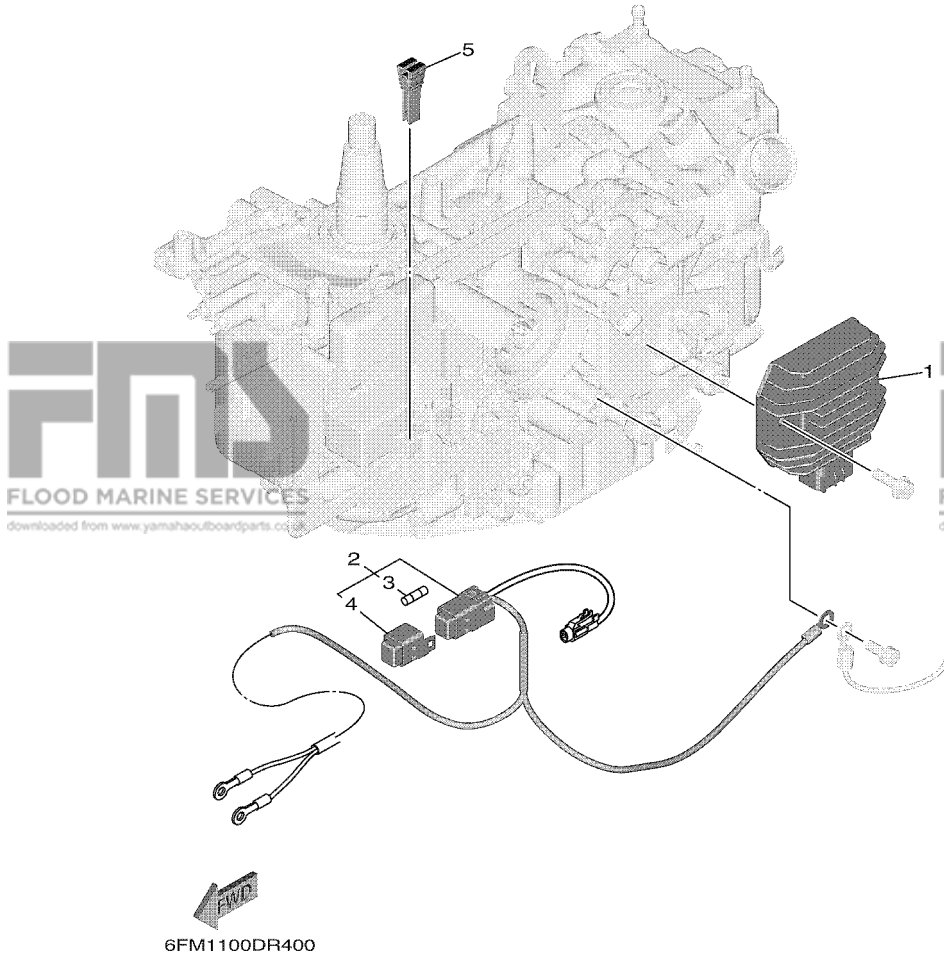
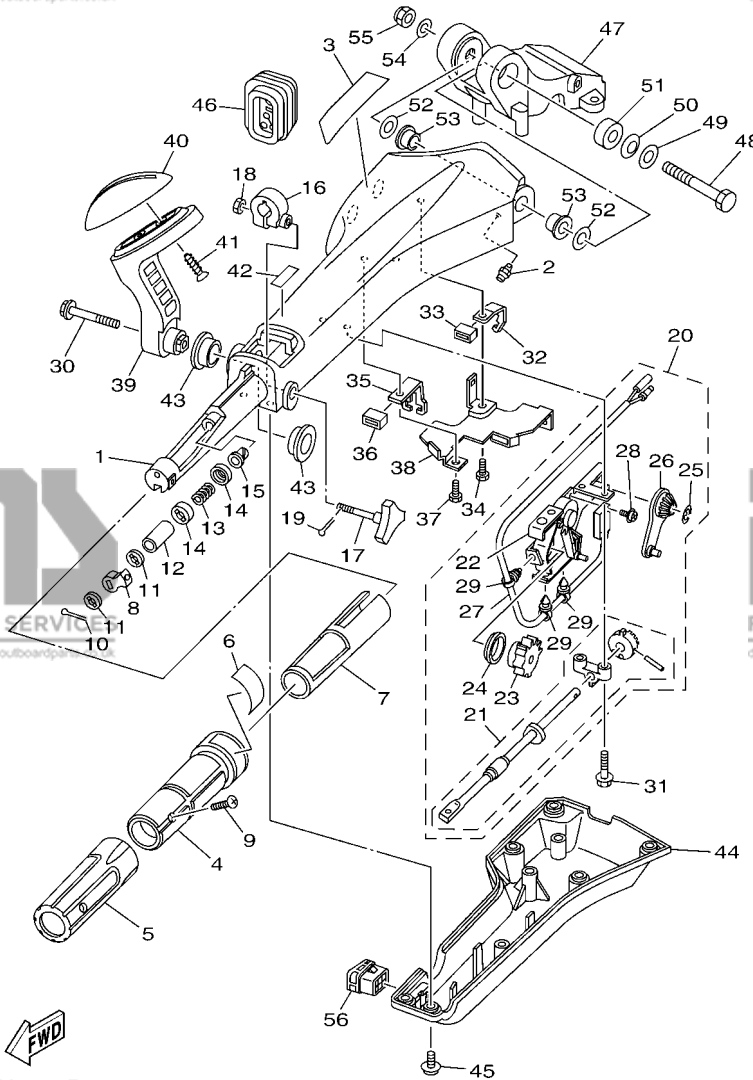


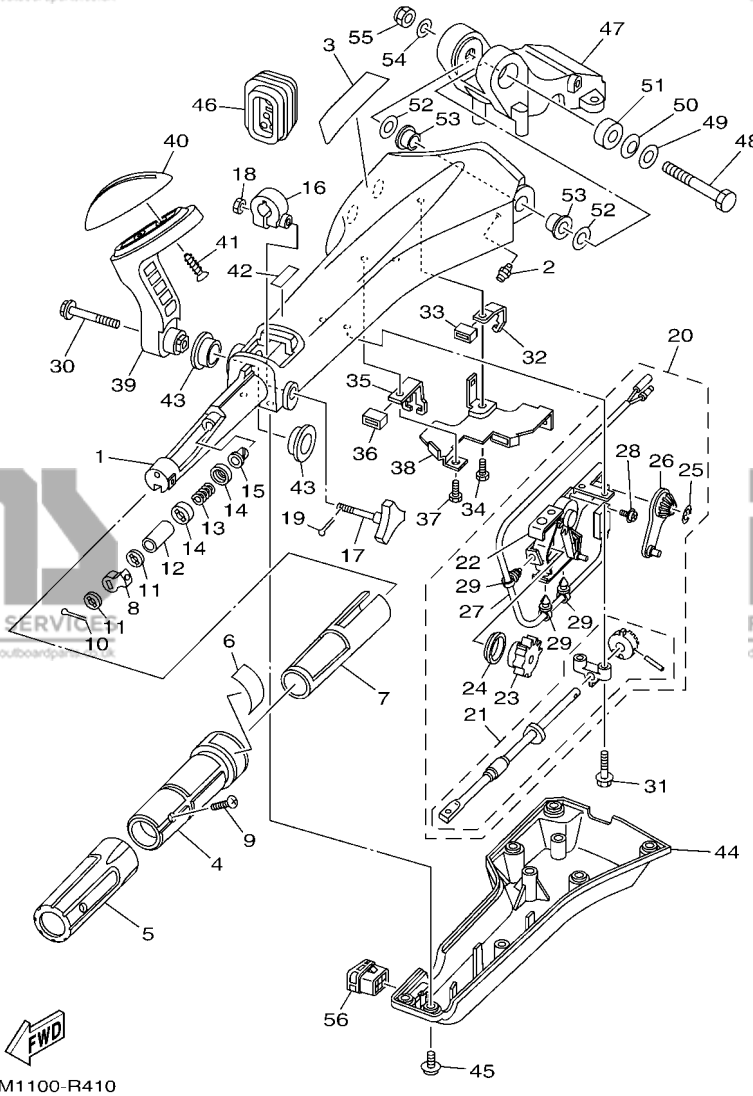
FIG. 43 OPTIONAL PARTS 3

PIECES OPTIONNELLES 3



6FM1100-R410

| REF. NO. | PART NO. N° PIECES | DESCRIPTION DESCRIPTION | M/H | WH | E | ET | REMARKS REMARQUES |
|----------|--------------------|--|-----|----|---|----|-------------------|
| 1 | 6X4-42111-02-8D | HANDLE, STEERING POIGNEE | | | | 1 | |
| 2 | 93700-06M03 | NIPPLE, GREASE PION | | | | 1 | |
| 3 | 6X4-48215-00 | GRAPHIC ADHESIF | | | | 1 | |
| 4 | 6X4-42119-01 | GRIP, STEERING HANDLE POIGNEE, BARRE FRANCHE | | | | 1 | |
| 5 | 6X4-42177-00 | RUBBER, HANDLE CAOUTCHOUC, POIGNEE | | | | 1 | |
| 6 | 6X4-42137-00 | INDICATOR, THROTTLE INDICATEUR, ACCELERATION | | | | 1 | |
| 7 | 6X4-41291-00 | BUSHING COUSSINET | | | | 1 | |
| 8 | 6X4-44139-01 | COLLAR COLLIER | | | | 1 | |
| 9 | 90152-05007 | SCREW, COUNTERSUNK VIS, TETE NOYEE | | | | 1 | |
| 10 | 91490-20010 | PIN, COTTER GOUPILLE | | | | 1 | |
| 11 | 6X4-44177-00 | WASHER RONDELLE | | | | 2 | |
| 12 | 6X4-42128-00 | COLLAR, DISTANCE 1 COLLIER, D'ENTRETOISE 1 | | | | 1 | |
| 13 | 90501-23215 | SPRING, COMPRESSION RESSORT, COMPRESSION | | | | 1 | |
| 14 | 6X4-44188-00 | WASHER RONDELLE | | | | 2 | |
| 15 | 90386-08032 | BUSH DOUILLE | | | | 1 | |
| 16 | 63D-42126-00 | FRICITION, STEERING HANDLE GRIP CUVETTE, POIGNEE DE DIRECTION | | | | 1 | |
| 17 | 6X4-48154-00 | KNOB, THROTTLE BOUTON, ACCELERATEUR | | | | 1 | |
| 18 | 95380-06600 | NUT, HEXAGON ECROU | | | | 1 | |
| 19 | 91490-20010 | PIN, COTTER GOUPILLE | | | | 1 | |
| 20 | 6X4-44100-01 | SHIFT LINK ASSY MAILLON DE SELECTEUR | | | | 1 | |
| 21 | 6X4-42115-00 | .SHAFT, STEERING HANDLE .AXE, BARRE FRANCHE | | | | 1 | |
| 22 | 6X4-44102-00 | .SHIFT ASSIST ASSY. .SELECTEUR DE MAINTIEN | | | | 1 | |
| 23 | 6X4-47731-01 | .GEAR, DRIVE .PIGNON D'ENTRAINEMENT | | | | 1 | |
| 24 | 6X4-44132-00 | .BUSHING .COUSSINET | | | | 1 | |
| 25 | 6X4-14137-00 | .CLIP .JONC | | | | 1 | |
| 26 | 6X4-48261-00 | .ARM, THROTTLE .BRAS, ACCELERATION | | | | 1 | |
| 27 | 6X4-82540-00 | .NEUTRAL SWITCH ASSY .CONTACTEUR DE POINT-MORT | | | | 1 | |



6FM1100-R410

FIG. 43 OPTIONAL PARTS 3

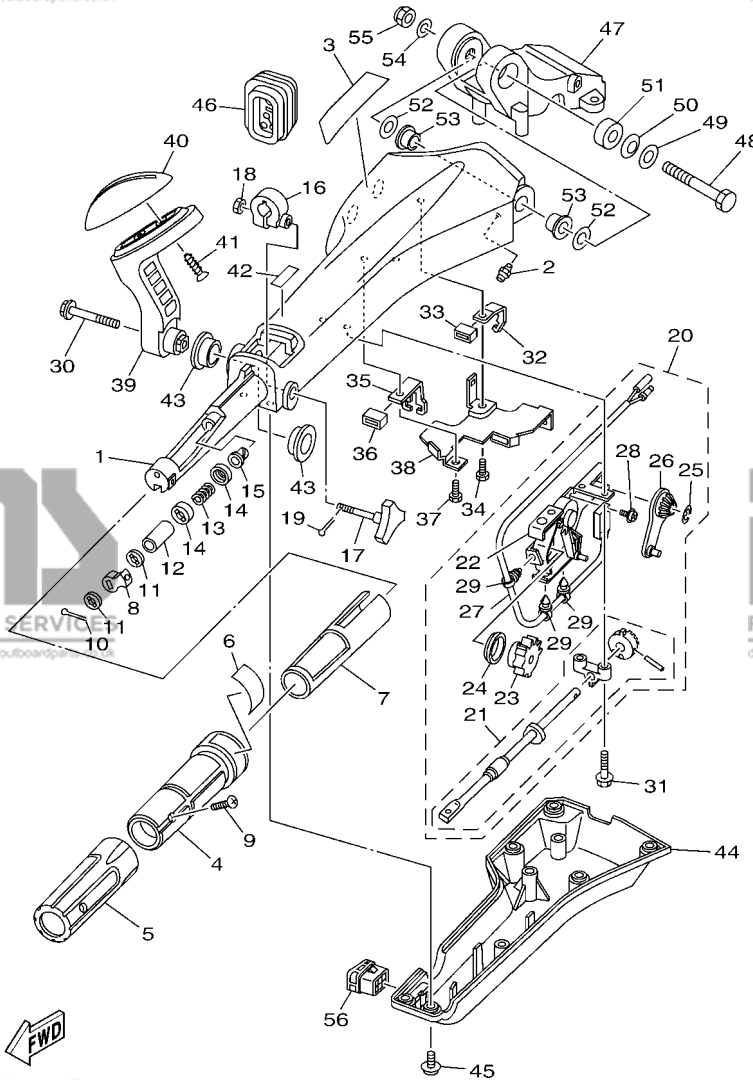
PIECES OPTIONNELLES 3

| REF. NO. | PART NO. N° PIECES | DESCRIPTION DESCRIPTION | M/H | WH | E | LT | REMARKS REMARQUES |
|----------|--------------------|---|-----|----|---|----|-------------------|
| 28 | 703-48129-00 | .SCREW 3 .VIS 3 | | | | 2 | |
| 29 | 6X4-42821-00 | .BAND, CLAMP .BRIDE, COLLIER | | | | 3 | |
| 30 | 97595-08540 | BOLT, WITH WASHER VIS HEXAGONAL AVC RONDELLE | | | | 1 | |
| 31 | 97595-06530 | BOLT, WITH WASHER VIS HEXAGONAL AVC RONDELLE | | | | 2 | |
| 32 | 6X4-48538-00 | CLAMP, CABLE 1 COLLIER | | | | 1 | |
| 33 | 6X4-26367-00 | PROTECTOR PROTECTEUR | | | | 1 | |
| 34 | 97095-06014 | BOLT BOULON | | | | 1 | |
| 35 | 6X4-48538-10 | CLAMP, CABLE 1 COLLIER | | | | 1 | |
| 36 | 6X4-26367-00 | PROTECTOR PROTECTEUR | | | | 1 | |
| 37 | 97095-06014 | BOLT BOULON | | | | 1 | |
| 38 | 6X4-42159-00 | STAY SUPPORT | | | | 1 | |
| 39 | 6X4-44159-00-8D | HANDLE, GEAR SHIFT POIGNEE, LEVIER D'EMBRAYAGE | | | | 1 | |
| 40 | 6X4-44173-00 | LEVER, SHIFT CONTROL POIGNEE, INVERSION | | | | 1 | |
| 41 | 97780-60920 | SCREW, TAPPING VIS, TETE BOMBEE | | | | 2 | |
| 42 | 6X3-44191-00 | INDICATOR, SHIFT ETIQUETTE, EMBRAYAGE | | | | 1 | |
| 43 | 90386-26MA3 | BUSH DOUILLE | | | | 2 | |
| 44 | 6X4-42131-11 | COVER, HANDLE STEERING COUVERCLE | | | | 1 | |
| 45 | 97985-06216 | SCREW, WITH WASHER VIS, AVEC RONDELLE | | | | 6 | |
| 46 | 6X4-42725-01 | GROMMET PASSE-FIL | | | | 1 | |
| 47 | 63D-42121-22-8D | BRACKET SUPPORT | | | | 1 | |
| 48 | 90101-12014 | BOLT BOULON | | | | 1 | |
| 49 | 92990-12200 | WASHER, PLAIN RONDELLE, PLATE | | | | 1 | |
| 50 | 90206-12M22 | WASHER, WAVE RONDELLE, ONDULEE | | | | 1 | |
| 51 | 90387-12M02 | COLLAR COLLERETTE | | | | 1 | |
| 52 | 90201-12035 | WASHER, PLATE RONDELLE, PLATE | | | | 2 | |
| 53 | 90386-12003 | BUSH DOUILLE | | | | 2 | |
| 54 | 92990-12600 | WASHER, PLATE RONDELLE, PLATE | | | | 1 | |

FIG. 43 OPTIONAL PARTS 3

PIECES OPTIONNELLES 3

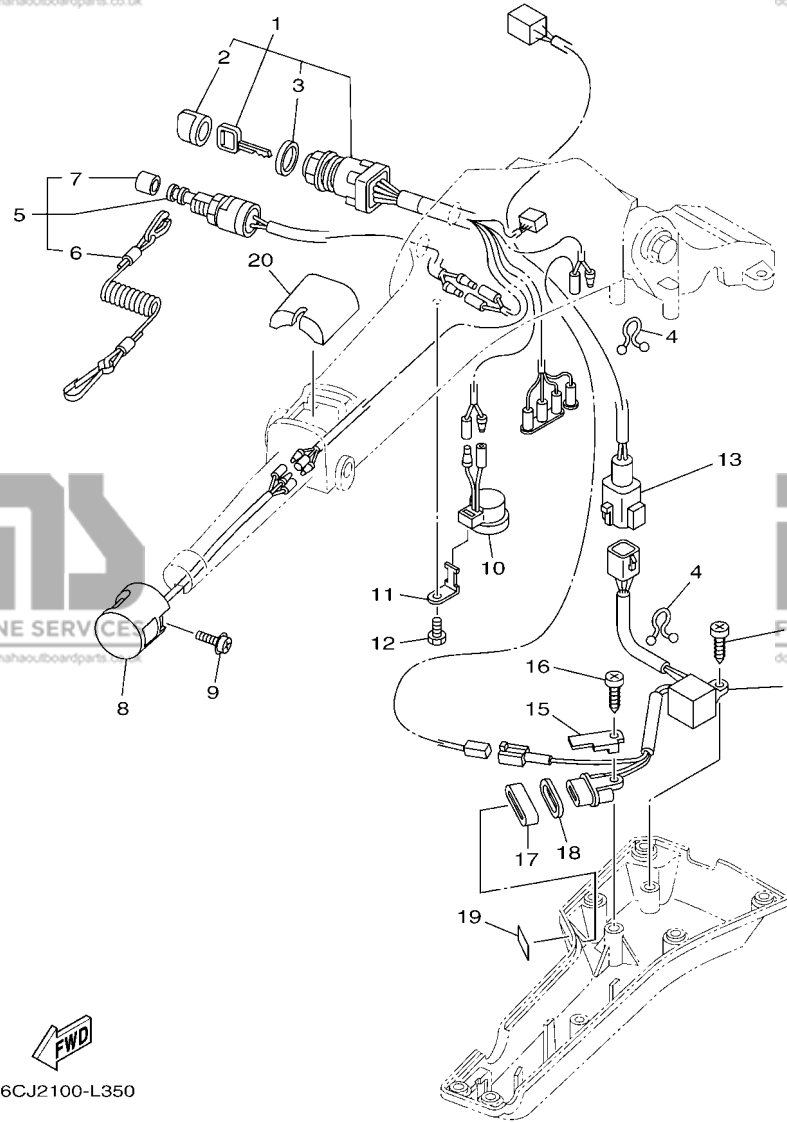
| REF. NO. | PART NO. N° PIECES | DESCRIPTION DESCRIPTION | M/H | W/H | E | ET | REMARKS REMARQUES |
|----------|------------------------------|--|-----|-----|---|----|-------------------|
| 55 | 90185-12M12 | NUT, SELF-LOCKING ECROU,AUTO-BLOQUANT | | | | 1 | |
| 56 | 6X4-42728-10 | CAP CAPUCHON | | | | 1 | |



6FM1100-R410

FIG. 44 OPTIONAL PARTS 4

PIECES OPTIONNELLES 4



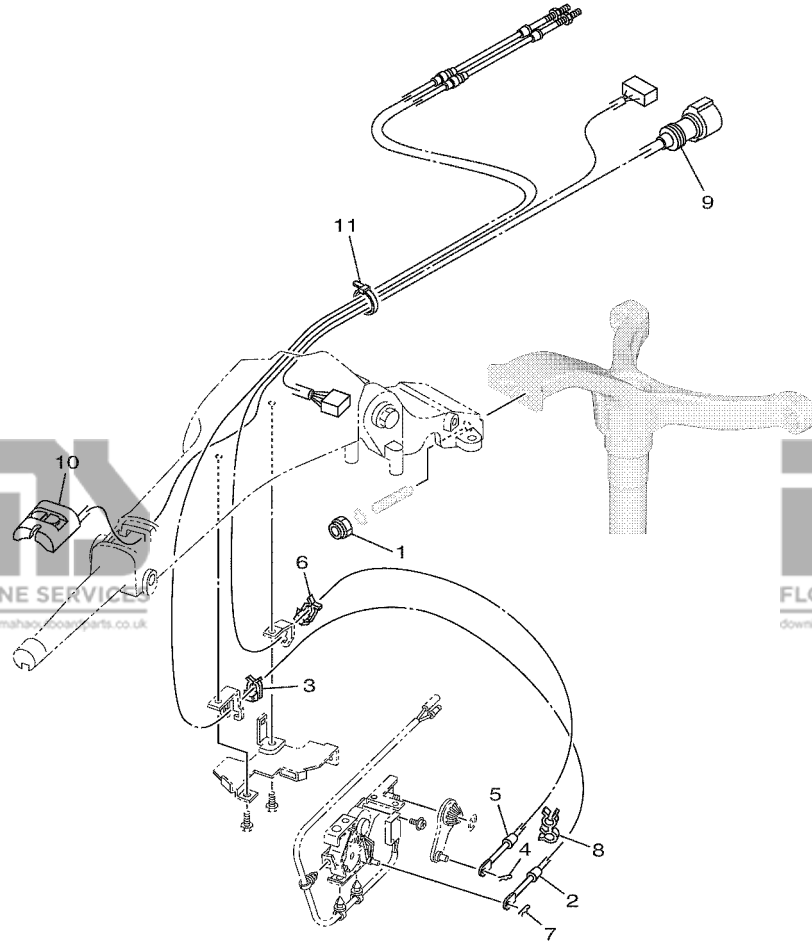
| REF. NO. | PART NO. N° PIECES | DESCRIPTION DESCRIPTION | M/H | WH | E | ET | REMARKS REMARQUES |
|----------|--------------------|--|-----|----|---|----|-------------------|
| 1 | 6X4-82510-41 | MAIN SWITCH ASSY CONTACTEUR A CLEF COMPLET | | | | 1 | |
| 2 | 676-82577-01 | .CAP, KEY .CABOCHON | | | | 1 | |
| 3 | 703-82532-00 | .CAP .COUVERCLE | | | | 1 | |
| 4 | 90464-08M07 | CLAMP BRIDE | | | | 2 | |
| 5 | 69W-82575-00 | ENGINE STOP SWITCH ASSY COUPE CIRCUIT CPLT | | | | 1 | |
| 6 | 682-82556-00 | .LANYARD, STOP SWITCH .CORDON DU COUPE CIRCUIT | | | | 1 | |
| 7 | 689-8257Y-00 | .CAP .COUVERCLE | | | | 1 | |
| 8 | 6X4-82563-01 | TRIM & TILT SWITCH ASSY INCLINER ET PARER COMMUTATEUR | | | | 1 | |
| 9 | 97980-06216 | SCREW, WITH WASHER VIS, AVEC RONDELLE | | | | 1 | |
| 10 | 6X4-83383-00 | BUZZER RONFLEUR | | | | 1 | |
| 11 | 6X4-83386-00 | STAY, BUZZER SUPPOR, RONFLEUR | | | | 1 | |
| 12 | 97095-06014 | BOLT BOULON | | | | 1 | |
| 13 | 6X4-83653-20 | WIRE, LEAD (L:700MM) FIL (L:700MM) | | | | 1 | |
| 14 | 6C5-84301-00 | PILOT LIGHT ASSY 1 LAMPE-TEMOIN 1 | | | | 1 | |
| 15 | 6X4-44114-00 | STOPPER PLAQUETTE | | | | 1 | |
| 16 | 97780-60620 | SCREW, TAPPING VIS, TETE BOMBEE | | | | 2 | |
| 17 | 6X4-42727-00 | GROMMET PASSE-FIL | | | | 1 | |
| 18 | 6FM-83589-00 | GASKET GARNITURE | | | | 1 | |
| 19 | 6X4-85415-00 | MARK, SIGNAL LAMP ETIQUETTE | | | | 1 | |
| 20 | 6X4-81942-01 | COVER COUVERCLE | | | | 1 | |

FWD
6CJ2100-L350

FIG. 45 OPTIONAL PARTS 5

PIECES OPTIONNELLES 5

| REF. NO. | PART NO. N° PIECES | DESCRIPTION DESCRIPTION | MH | WH | E | ET | REMARKS REMARQUES |
|----------|------------------------------|---|----|----|---|----|-------------------|
| 1 | 90185-10027 | NUT, SELF-LOCKING ECROU,AUTO-BLOQUANT | | | | 2 | |
| 2 | 63D-48321-11 | CABLE CABLE | | | | 1 | |
| 3 | 63D-48538-00 | CLAMP, CABLE 1 COLLIER | | | | 1 | |
| 4 | 90468-10005 | CLIP JONC | | | | 1 | |
| 5 | 6FM-26301-10 | THROTTLE CABLE ASSY CABLE D'ACCELERATEUR | | | | 1 | |
| 6 | 63D-48538-00 | CLAMP, CABLE 1 COLLIER | | | | 1 | |
| 7 | 90468-10005 | CLIP JONC | | | | 1 | |
| 8 | 90464-09M42 | CLAMP BRIDE | | | | 1 | |
| 9 | 6X4-82586-10 | EXT., WIRE HARNESS (L:950MM) EXT, FAISCEAU DE FILS (L:950MM) | | | | 1 | |
| 10 | 6X4-81860-00 | SWITCH ASSY COMMUTATEUR COMPLET | | | | 1 | |
| 11 | 90465-13M39 | CLAMP BRIDE | | | | 1 | |

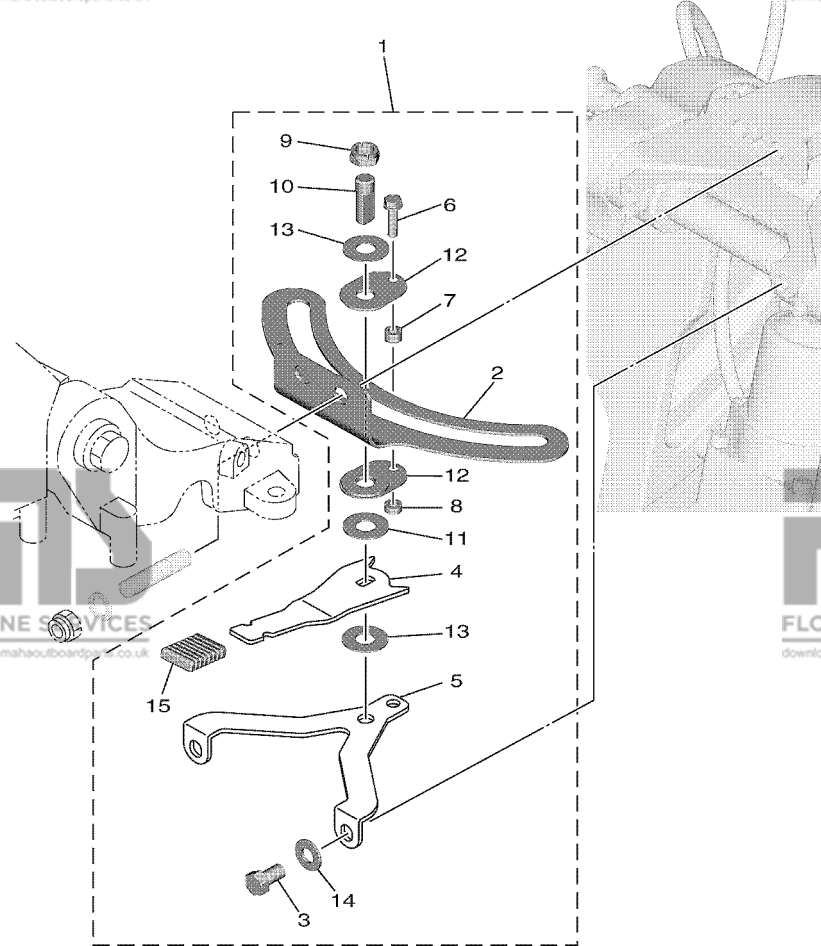


6FM1100DR440

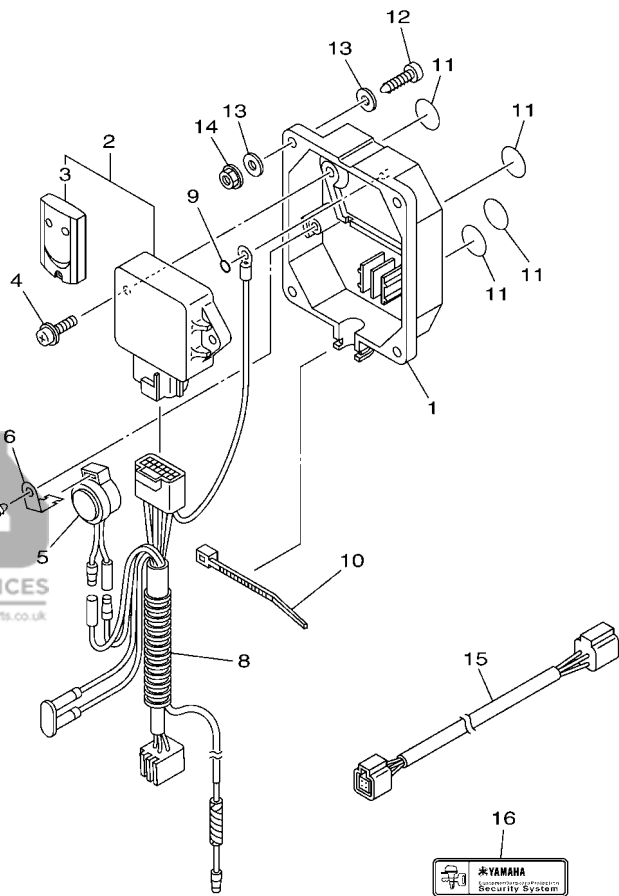
FIG. 46 OPTIONAL PARTS 6

PIECES OPTIONNELLES 6

| REF. NO. | PART NO. N° PIECES | DESCRIPTION DESCRIPTION | M/H | W/H | E | L | REMARKS REMARQUES |
|----------|--------------------|--|-----|-----|---|---|-------------------|
| 1 | 6FM-42508-10 | STEERING FRICTION ASSY DIRECTION FRICTION (ENS.) | | | | 1 | |
| 2 | 6FM-42527-00 | .PLATE, FRICTION .PLAQUE, FRICTION | | | | 1 | |
| 3 | 90109-08M91 | .BOLT .BOULON | | | | 2 | |
| 4 | 6FM-42561-10 | .KNOB, STEERING LOCK .BOUTON | | | | 1 | |
| 5 | 6FM-42525-10 | .PLATE, FRICTION .PLAQUE, FRICTION | | | | 1 | |
| 6 | 97595-05520 | .BOLT, WITH WASHER .VIS HEXAGONAL AVC RONDELLE | | | | 1 | |
| 7 | 90387-05054 | .COLLAR .COLLERETTE | | | | 1 | |
| 8 | 90387-05053 | .COLLAR .COLLERETTE | | | | 1 | |
| 9 | 90185-10M14 | .NUT, SELF-LOCKING .ECROU,AUTO-BLOQUANT | | | | 1 | |
| 10 | 67C-42562-00 | .SHAFT, STEERING LOCK .ARBRE,ANTIVOL DE DIRECTION | | | | 1 | |
| 11 | 90202-10M56 | .WASHER, PLATE .RONDELLE, PLATE | | | | 1 | |
| 12 | 65W-42528-00 | .PLATE, FRICTION .PLAQUE, FRICTION | | | | 2 | |
| 13 | 90201-106M5 | .WASHER, PLATE .RONDELLE, PLATE | | | | 2 | |
| 14 | 92995-08200 | .WASHER .RONDELLE | | | | 2 | |
| 15 | 689-43633-00 | .COVER, TILT LEVER .COUVERCLE | | | | 1 | |



← FMS
6FM1100DR450



6CJ1100-K370

FIG. 47 OPTIONAL PARTS 7

PIECES OPTIONNELLES 7

| REF. NO. | PART NO. N° PIECES | DESCRIPTION DESCRIPTION | M/H | W/H | L | L | REMARKS REMARQUES |
|----------|------------------------------|--|-----|-----|---|---|-------------------|
| 1 | 6Y8-86267-00 | CASE COMPLETE 1 CARTER (ENS.) 1 | | | 1 | 1 | |
| 2 | 6Y8-86260-03 | REMOTE CONTROL UNIT ASSY UNITE DE TELECOMMANDE (ENS.) | | | 1 | 1 | |
| 3 | 6AA-86261-01 | .XMTR. COMP. .XMTR. COMP. | | | 2 | 2 | |
| 4 | 97980-06216 | SCREW, WITH WASHER VIS, AVEC RONDELLE | | | 2 | 2 | |
| 5 | 6X4-83383-00 | BUZZER RONFLEUR | | | 1 | 1 | |
| 6 | 6X4-83386-00 | STAY, BUZZER SUPPOR, RONFLEUR | | | 1 | 1 | |
| 7 | 97780-60620 | SCREW, TAPPING VIS, TETE BOMBEE | | | 1 | 1 | |
| 8 | 6Y8-82509-10 | WIRE, SUB LEAD FIL, SECONDAIRE | | | 1 | 1 | |
| 9 | 93210-04279 | O-RING JOINT TORIQUE | | | 1 | 1 | |
| 10 | 90465-11M10 | CLAMP BRIDE | | | 1 | 1 | |
| 11 | 6Y8-8454G-00 | PATCH 1 TAMPON 1 | | | 4 | 4 | |
| 12 | 90167-06M00 | SCREW, TAPPING VIS, TETE FRAISEE | | | 4 | 4 | UR |
| | 97880-06035 | SCREW, PAN HEAD VIS, TETE TRONCONIQUE | | | 4 | 4 | UR |
| 13 | 90201-06M30 | WASHER, PLATE RONDELLE, PLATE | | | 8 | 8 | UR |
| 14 | 95780-06300 | NUT, FLANGE ECROU | | | 4 | 4 | |
| 15 | 6Y8-82521-11 | 2FT PIGTAIL BUS FAISCEAU (L: 2FT.) | | | 1 | 1 | |
| 16 | 6Y8-48277-00 | STICKER 1 ETIQUETTE 1 | | | 4 | 4 | |

FIG. 48 REPAIR KIT 1

KITS DE REPARATION 1

| REF. NO. | PART NO. N° PIECES | DESCRIPTION DESCRIPTION | MH | WH | E | ET | REMARKS REMARQUES |
|----------|------------------------------|---|----|----|---|----|-------------------|
| 1 | 6FM-W0001-00 | POWER HEAD GASKET KIT POCHETTE DE JINTS TETE MOTRICE | 1 | 1 | 1 | 1 | |
| 2 | 93102-22010 | .OIL SEAL .JOINT SPY | 1 | 1 | 1 | 1 | |
| 3 | 6FM-11181-00 | .GASKET, CYLINDER HEAD 1 .JOINT, DE CULASSE 1 | 1 | 1 | 1 | 1 | |
| 4 | 6FM-11356-00 | .SEAL, CYLINDER 2 .JOINT, SPY CYLINDRE | 1 | 1 | 1 | 1 | |
| 5 | 93210-13M63 | .O-RING .JOINT TORIQUE | 2 | 2 | 2 | 2 | |
| 6 | 93102-37004 | .OIL SEAL .JOINT SPY | 1 | 1 | 1 | 1 | |
| 7 | 93102-25014 | .OIL SEAL .JOINT SPY | 1 | 1 | 1 | 1 | |
| 8 | 6FM-11351-00 | .GASKET, CYLINDER .JOINT, D'EMBASE | 1 | 1 | 1 | 1 | |
| 9 | 93210-13M63 | .O-RING .JOINT TORIQUE | 1 | 1 | 1 | 1 | |
| 10 | 6FM-12414-00 | .GASKET, COVER .JOINT, COUVERCLE | 1 | 1 | 1 | 1 | |
| 11 | 6FM-13645-00 | .GASKET, MANIFOLD 1 .JOINT, TUBULURE 1 | 2 | 2 | 2 | 2 | |
| 12 | 6FM-13646-00 | .GASKET, MANIFOLD 2 .JOINT, TUBULURE 2 | 1 | 1 | 1 | 1 | |
| 13 | 1ST-1416A-00 | .O-RING .JOINT TORIQUE | 1 | 1 | 1 | 1 | |
| 14 | 6AH-13329-10 | .GASKET, PUMP COVER .JOINT, COUVERCLE DE POMPE | 1 | 1 | 1 | 1 | |
| 15 | 93210-24M79 | .O-RING .JOINT TORIQUE | 1 | 1 | 1 | 1 | |
| 16 | 93210-20M65 | .O-RING .JOINT TORIQUE | 1 | 1 | 1 | 1 | |

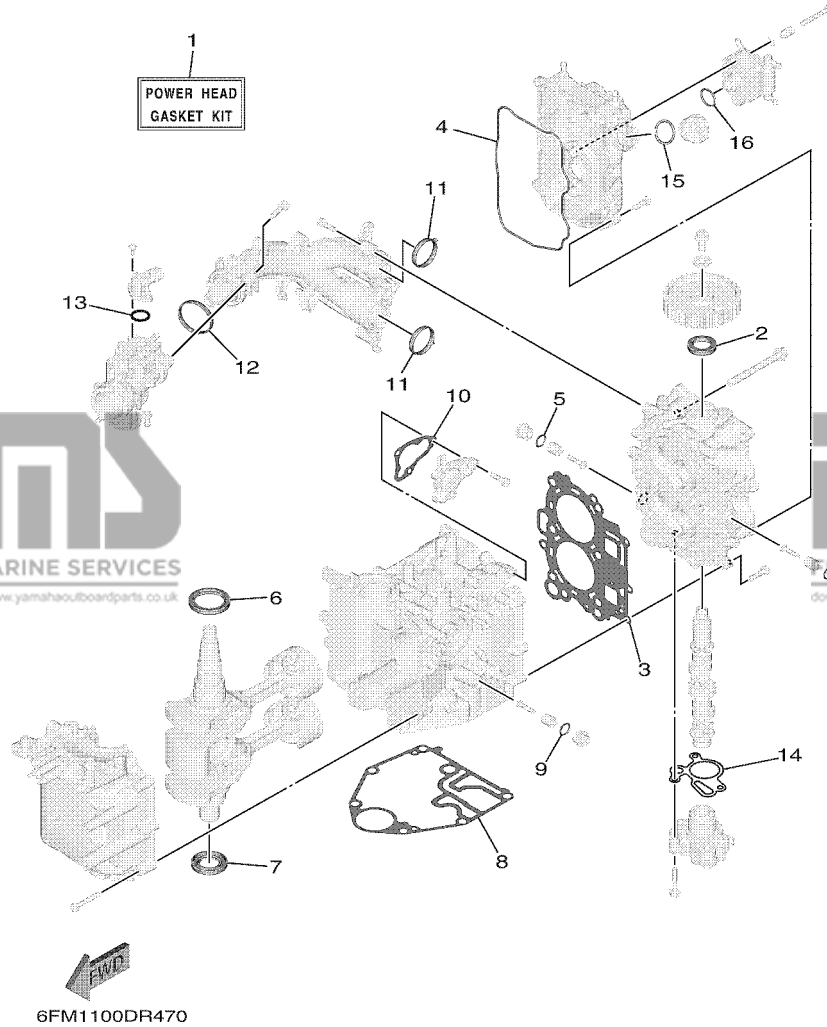
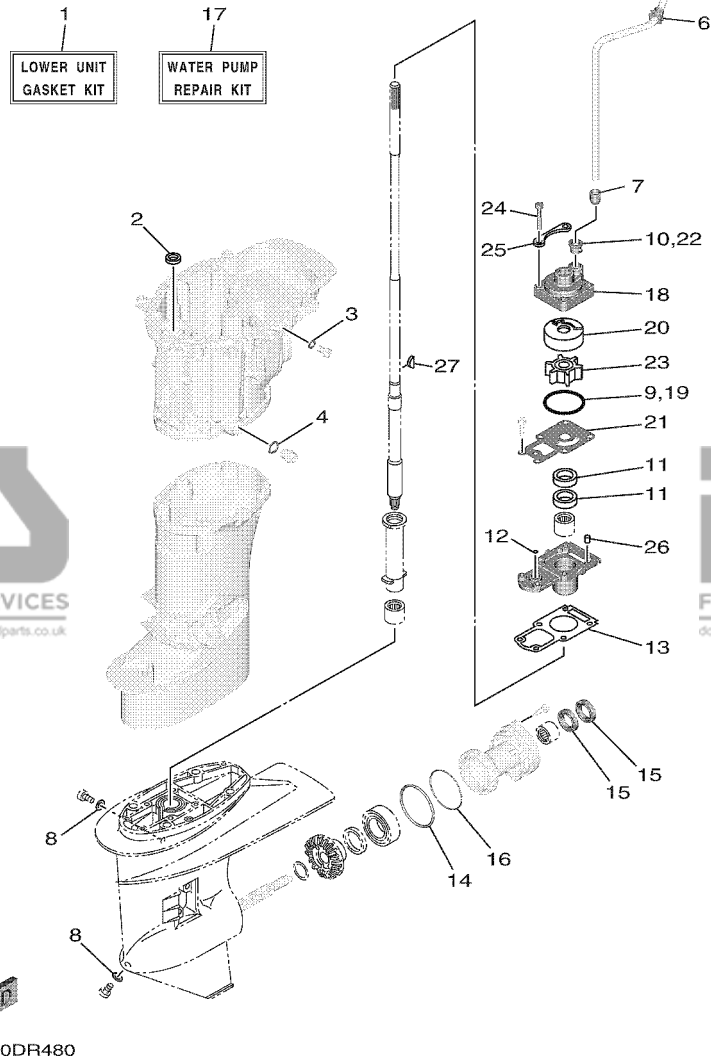


FIG. 49 REPAIR KIT 2

KITS DE REPARATION 2



| REF. NO. | PART NO. N° PIECES | DESCRIPTION DESCRIPTION | MH | WH | U | LT | REMARKS REMARQUES |
|----------|--------------------|--|----|----|---|----|-------------------|
| 1 | 6FM-W0001-20 | LOWER UNIT GASKET KIT POCHETTE DE JOINTS EMBASE | 1 | 1 | 1 | 1 | |
| 2 | 93101-13001 | .OIL SEAL .JOINT SPY | 1 | 1 | 1 | 1 | |
| 3 | 90430-08143 | .GASKET .JOINT | 1 | 1 | 1 | 1 | |
| 4 | 90430-14M09 | .GASKET .JOINT | 1 | 1 | 1 | 1 | |
| 5 | 682-44365-00 | .DAMPER, WATER SEAL 1 .JOINT, TUBE D'EAU 1 | 1 | 1 | 1 | 1 | |
| 6 | 6AH-44365-00 | .DAMPER, WATER SEAL 1 .JOINT, TUBE D'EAU 1 | 1 | 1 | 1 | 1 | |
| 7 | 6L2-44368-00 | .RUBBER, WATER SEAL 4 .JOINT, TUBEDEAU | 1 | 1 | 1 | 1 | |
| 8 | 90430-08003 | .GASKET .JOINT | 2 | 2 | 2 | 2 | |
| 9 | 93210-45161 | .O-RING .JOINT TORIQUE | 1 | 1 | 1 | 1 | |
| 10 | 6L2-44367-10 | .DAMPER, WATER SEAL 3 .JOINT TUBE D'EAU 3 | 1 | 1 | 1 | 1 | |
| 11 | 93101-20048 | .OIL SEAL .JOINT SPY | 2 | 2 | 2 | 2 | |
| 12 | 93210-06ME6 | .O-RING .JOINT TORIQUE | 1 | 1 | 1 | 1 | |
| 13 | 6L2-45315-A0 | .PACKING, LOWER CASING .JOINT, BOITIER D'HELICE | 1 | 1 | 1 | 1 | |
| 14 | 93210-60MA3 | .O-RING .JOINT TORIQUE | 1 | 1 | 1 | 1 | |
| 15 | 93101-20M07 | .OIL SEAL .JOINT SPY | 2 | 2 | 2 | 2 | |
| 16 | 93210-60M99 | .O-RING .JOINT TORIQUE | 1 | 1 | 1 | 1 | |
| 17 | 6FM-W0078-00 | WATER PUMP REPAIR KIT KIT DE REPARATION DE LA POMPE | 1 | 1 | 1 | 1 | |
| 18 | 6L2-44311-01 | .HOUSING, WATER PUMP .CORPS, POMPE A EAU | 1 | 1 | 1 | 1 | |
| 19 | 93210-45161 | .O-RING .JOINT TORIQUE | 1 | 1 | 1 | 1 | |
| 20 | 6L2-44322-00 | .INSERT, CARTRIDGE .CUVETTE | 1 | 1 | 1 | 1 | |
| 21 | 6FM-44323-01 | .OUTER PLATE, CARTRIDGE .PLAQUE EXTERIEURE | 1 | 1 | 1 | 1 | |
| 22 | 6L2-44367-10 | .DAMPER, WATER SEAL 3 .JOINT TUBE D'EAU 3 | 1 | 1 | 1 | 1 | |
| 23 | 6L2-44352-00 | .IMPELLER .TURBINE | 1 | 1 | 1 | 1 | |
| 24 | 97595-06540 | .BOLT, WITH WASHER .VIS HEXAGONAL AVC RONDELLE | 4 | 4 | 4 | 4 | |
| 25 | 6L2-44328-00 | .PLATE .PLAQUETTE | 2 | 2 | 2 | 2 | |
| 26 | 93604-12M07 | .PIN, DOWEL .CLAVETTE | 2 | 2 | 2 | 2 | |
| 27 | 90280-03024 | .KEY, WOODRUFF .CLAVETTE, DEMI-LUNE | 1 | 1 | 1 | 1 | |