

**PARTS
CATALOGUE
CATALOGUE
DE PIÈCES DÉTACHÉES**

F4BMH'21 (6EC8)
F5AMH'21 (6ED8)
F6CMH'21 (6EE8)

F4BMH
F5AMH/F6CMH
PARTS CATALOGUE
©2021 by Yamaha Motor Co., Ltd.
1st edition, May 2021
All rights reserved.
Any reprinting or unauthorized use
without the written permission of
Yamaha Motor Co., Ltd.
is expressly prohibited.
Printed in Japan.

F4BMH
F5AMH/F6CMH
CATALOGUE DE PIÉCES DÉTACHÉES
©2021 par Yamaha Motor Co., Ltd.
1^{re} édition, mai 2021
Tous droits réservés
Toute réimpression ou utilisation
non autorisée sans la permission écrite
de la Yamaha Motor Co., Ltd.
est formellement interdite.
Imprimé au Japon

FOREWORD

This Parts Catalogue is related to the parts for the model(s) on the cover page. When you are ordering replacement parts, please refer to this Parts Catalogue and quote both part numbers and part names correctly.

1. Modifications or additions which have been made after the issue of the Parts Catalogue will be announced in the Parts News.
It is advisable that you make the necessary corrections to the Parts Catalogue according to the Parts News.

2. Abbreviations

The following abbreviations are used in this Parts Catalogue.

“UR” Use specified parts number.

“UN” Use as many as needed.

“AP” Alternate Parts

“LM” Locally Made (Parts need to be ordered locally)

“F#” Frame No. (Applicable machine No.)

“O/S” Over Size

3. The number of components for assembly

- Parts, which are to be supplied in an assembly, are listed with a dot (.) in front of the part name as shown below.
- The numeral appearing to the right of each component part indicates the quantity of parts for each assembly unit.

| PART NO. | DESCRIPTION | Q'TY | REMARKS |
|--------------|--------------------------|------|---------|
| 2F5-83310-60 | FRONT FLASHER LIGHT ASSY | 2 | |
| 115-83311-60 | .BULB (6V-18W) | 1 | |

4. Applicable colours of graphics are represented in the “REMARKS” as shown below.

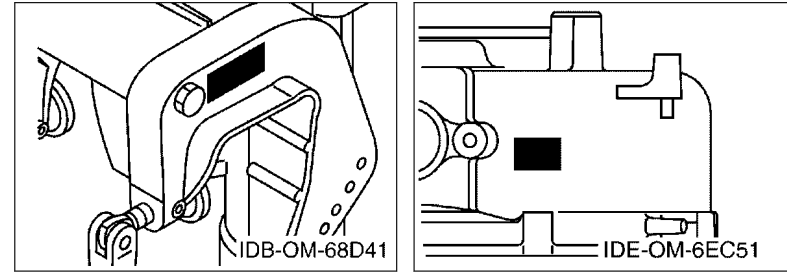
| PART NO. | DESCRIPTION | Q'TY | REMARKS |
|-----------------|---------------------|------|---------|
| 2N4-24110-00-X5 | FUEL TANK COMP. | 2 | MXR |
| 3J1-24240-10 | .GRAPHIC, FUEL TANK | 1 | FOR MXR |

5. Note that the illustrations for reference in finding parts numbers are not to be used for assembling. When assembling, please use the applicable service manual.

6. The asterisk (*) before a reference number indicates modified items after the first edition.

7. Applicable Serial No.

Engine Serial No.



8. Applicable Engine Starting Serial No.

| Model | Serial No. | Model | Serial No. |
|-------|-------------|-------|-------------|
| F4B | 6EC-1022722 | F5A | 6ED-1019131 |
| F6C | 6EE-1054259 | | |
| | | | |
| | | | |

9. Applicable Colour Code

| Abbreviation | Colour Name | Colour Code |
|--------------|--------------------|-------------|
| DBN1 | DARK BLUISH GRAY 1 | 008D |

10. Quantity Column Information

| Column No. | Name Of Q'ty Column | Applicable Model |
|------------|---------------------|------------------|
| 1 | 6EC8 | F4BMH |
| 2 | 6ED8 | F5AMH |
| 3 | 6EE8 | F6CMH |
| | | |
| | | |

AVANT-PROPOS

Ce catalogue de pièces détachées concerne les pièces pour le(s) modèle(s) indiqué(s) sur la page de couverture. Lorsque vous commandez des pièces de rechange, veuillez vous référer à ce catalogue de pièces détachées et indiquer clairement les numéros et les noms des pièces détachées.

1. Les modifications ou ajouts ayant été effectués après la parution du catalogue de pièces détachées seront décrits dans les Bulletins d'information concernant les pièces détachées.

Il est recommandé que vous apportiez les corrections nécessaires au catalogue des pièces détachées en vous référant aux Bulletins d'information.

2. Abréviations

Dans ce catalogue, les abréviations suivantes sont utilisées:

“UR” Utiliser le numéro de pièces spécifié.

“UN” Utiliser autant que nécessaire.

“AP” Pièces de substitution

“LM” Fabrication locale (les pièces doivent être commandées localement.)

“F#” N° de cadre (applicable au N° de série)

“O/S” Surdimensionné

3. Nombre de pièces d'un assemblage

- Les pièces fournies comme composants d'un assemblage sont précédées d'un point (.) de la manière indiquée ci-dessous.
- Le chiffre apparaissant à la droite de chaque composant indique la quantité de pièces pour chaque unité d'assemblage.

| N° PIECES | DESCRIPTION | QTE | REMARQUES |
|--------------|-----------------------|-----|-----------|
| 2F5-83310-60 | ENS. CLIGNOTANT AVANT | 2 | |
| 115-83311-60 | .AMPOULE (6V-18W) | 1 | |

4. Les couleurs concernant les graphiques sont indiquées dans la colonne “REMARQUES”, comme indiqué ci-dessous.

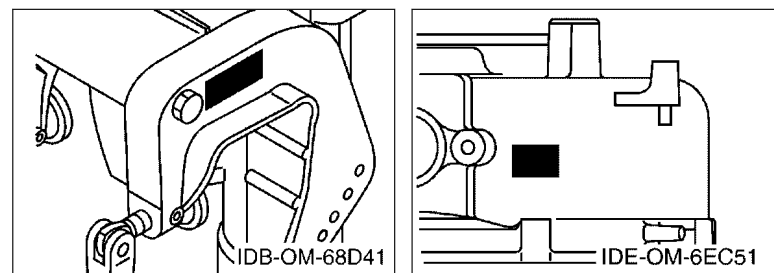
| N° PIECES | DESCRIPTION | QTE | REMARQUES |
|-----------------|----------------------|-----|-----------|
| 2N4-24110-00-X5 | RESERVOIR A ESSENCE. | 2 | MXR |
| 3J1-24240-10 | .GRAPHIQUE | 1 | POUR MXR |

5. Veuillez noter que les illustrations sont indiquées à titre de référence pour trouver les numéros de pièces, non pour être utilisées lors de l'assemblage. Lors de l'assemblage, veuillez utiliser le manuel d'entretien adéquat.

6. L'astérisque (*) placé devant un numéro de référence indique des éléments qui ont été modifiés après la première édition.

7. N° de série applicable

N° de Série du moteur



8. N° de série initial du moteur applicable

| Modèle | N° de série | Modèle | N° de série |
|--------|-------------|--------|-------------|
| F4B | 6EC-1022722 | F5A | 6ED-1019131 |
| F6C | 6EE-1054259 | | |
| | | | |
| | | | |

9. Code couleur applicable

| Abréviation | Nom de la couleur | Code couleur |
|-------------|--------------------|--------------|
| DBN1 | DARK BLUISH GRAY 1 | 008D |

10. Informations relatives à la colonne Quantité

| N° de la colonne | Nom de la colonne Qté | Modèle applicable |
|------------------|-----------------------|-------------------|
| 1 | 6EC8 | F4BMH |
| 2 | 6ED8 | F5AMH |
| 3 | 6EE8 | F6CMH |
| | | |
| | | |

CONTENTS

| | |
|------------------------------|----|
| SCHEDULED SERVICE PARTS..... | 1 |
| TOP COWLING..... | 2 |
| CYLINDER & CRANKCASE 1..... | 3 |
| CRANKSHAFT & PISTON..... | 4 |
| CYLINDER & CRANKCASE 2..... | 5 |
| VALVE..... | 7 |
| INTAKE..... | 8 |
| CARBURETOR..... | 9 |
| FUEL 1..... | 10 |
| FUEL 2..... | 11 |
| STARTER..... | 14 |
| GENERATOR..... | 16 |
| ELECTRICAL..... | 17 |
| BOTTOM COWLING..... | 18 |
| STEERING..... | 19 |
| CONTROL..... | 21 |
| BRACKET..... | 22 |
| UPPER CASING..... | 24 |
| LOWER CASING & DRIVE 1..... | 25 |
| LOWER CASING & DRIVE 2..... | 27 |
| FUEL TANK..... | 28 |
| OPTIONAL PARTS..... | 29 |
| REPAIR KIT 1..... | 30 |
| REPAIR KIT 2..... | 31 |
| REPAIR KIT 3..... | 32 |

INDEX

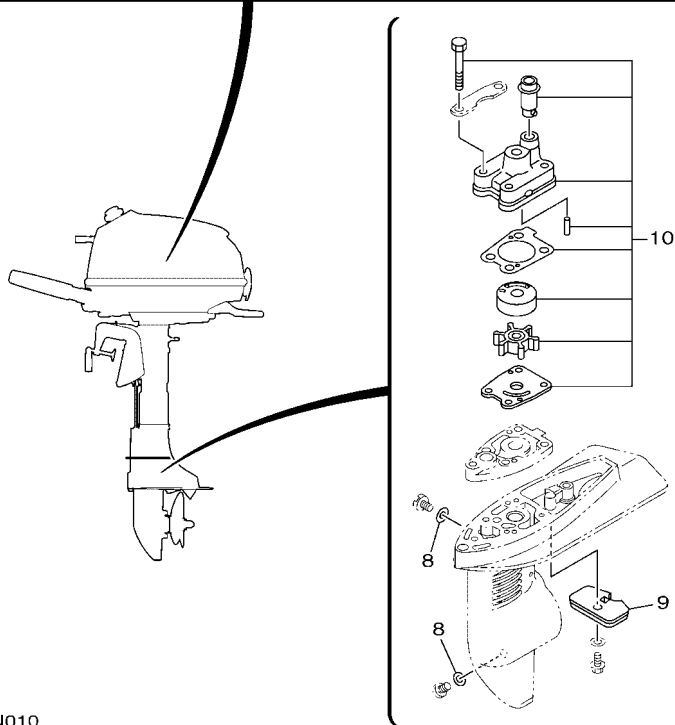
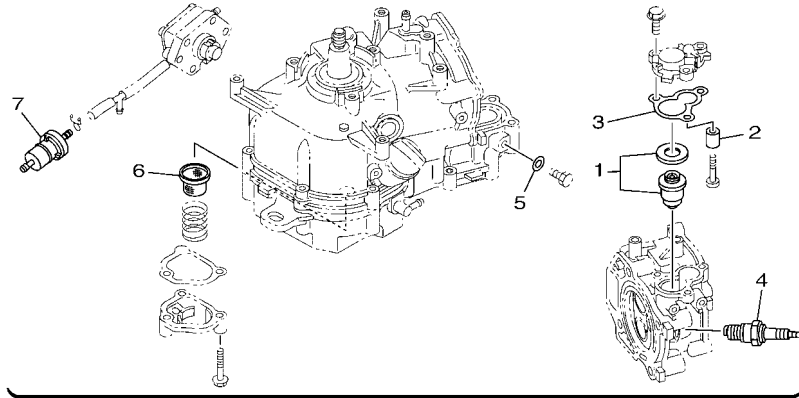
| | |
|----------------------|----|
| NUMERICAL INDEX..... | 33 |
|----------------------|----|

TABLE DES MATIERES

| | |
|-------------------------------------|----|
| PIECES MAINTENANCE PERIODIQUE..... | 1 |
| CAPOT SUPERIEUR..... | 2 |
| CYLINDRE & CARTER 1..... | 3 |
| VILEBREQUIN & PISTON..... | 4 |
| CYLINDRE & CARTER 2..... | 5 |
| SOUPAPE..... | 7 |
| ADMISSION..... | 8 |
| CARBURATEUR..... | 9 |
| CARBURANT 1..... | 10 |
| CARBURANT 2..... | 11 |
| DEMARREUR..... | 14 |
| GENERATRICE..... | 16 |
| ELECTRIQUE..... | 17 |
| CAPOT INFERIEUR..... | 18 |
| DIRECTION..... | 19 |
| COMMANDE..... | 21 |
| SUPPORT..... | 22 |
| FOURREAU..... | 24 |
| BOITIER D'HELICE TRANSMISSION1..... | 25 |
| BOITIER D'HELICE TRANSMISSION2..... | 27 |
| RESERVOIR A CARBURANT..... | 28 |
| PIECES OPTIONNELLES..... | 29 |
| KITS DE REPARATION 1..... | 30 |
| KITS DE REPARATION 2..... | 31 |
| KITS DE REPARATION 3..... | 32 |

INDEX

| | |
|----------------------|----|
| INDEX NUMERIQUE..... | 33 |
|----------------------|----|

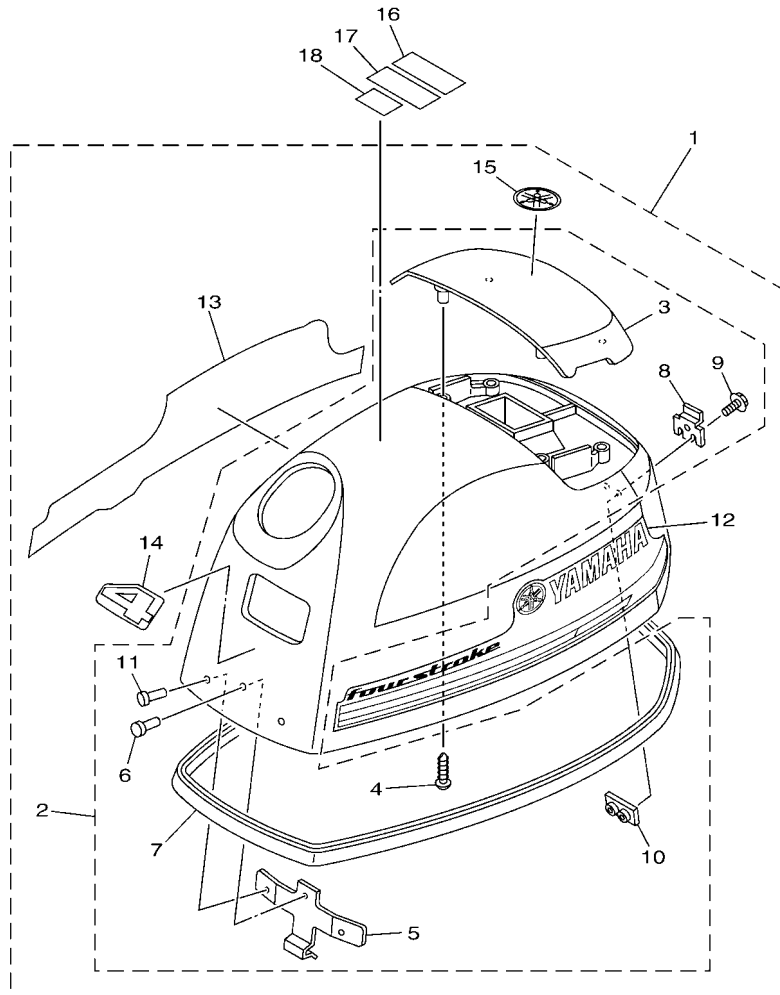


6EC1100-N010

FIG. 1 SCHEDULED SERVICE PARTS

PIECES MAINTENANCE PERIODIQUE

| REF. NO. | PART NO. N° PIECES | DESCRIPTION DESCRIPTION | 6EC8 | 6ED8 | 6EE8 | REMARKS REMARQUES |
|----------|--------------------|--|------|------|------|-------------------|
| 1 | 66M-12411-01 | THERMOSTAT THERMOSTAT | 1 | 1 | 1 | |
| 2 | 6G8-11325-00 | ANODE ANODE | 1 | 1 | 1 | |
| 3 | 67D-12414-A0 | GASKET, COVER JOINT, COUVERCLE | 1 | 1 | 1 | |
| 4 | 94702-00372 | PLUG, SPARK (NGK CR6HSB) BOUGIE D, ALLUMAGE | 1 | 1 | 1 | |
| 5 | 90430-08143 | GASKET JOINT | 1 | 1 | 1 | |
| 6 | 5YP-E3411-00 | STRAINER, OIL FILTRE, HUILE | 1 | 1 | 1 | |
| 7 | 6EE-F4251-00 | STRAINER 1 FILTRE 1 | 1 | 1 | 1 | |
| 8 | 90430-08003 | GASKET JOINT | 3 | 3 | 3 | |
| 9 | 6L5-45251-03 | ANODE ANODE | 1 | 1 | 1 | |
| 10 | 6EE-W0078-02 | WATER PUMP REPAIR KIT KIT DE REPARATION DE LA POMPE | 1 | 1 | 1 | |

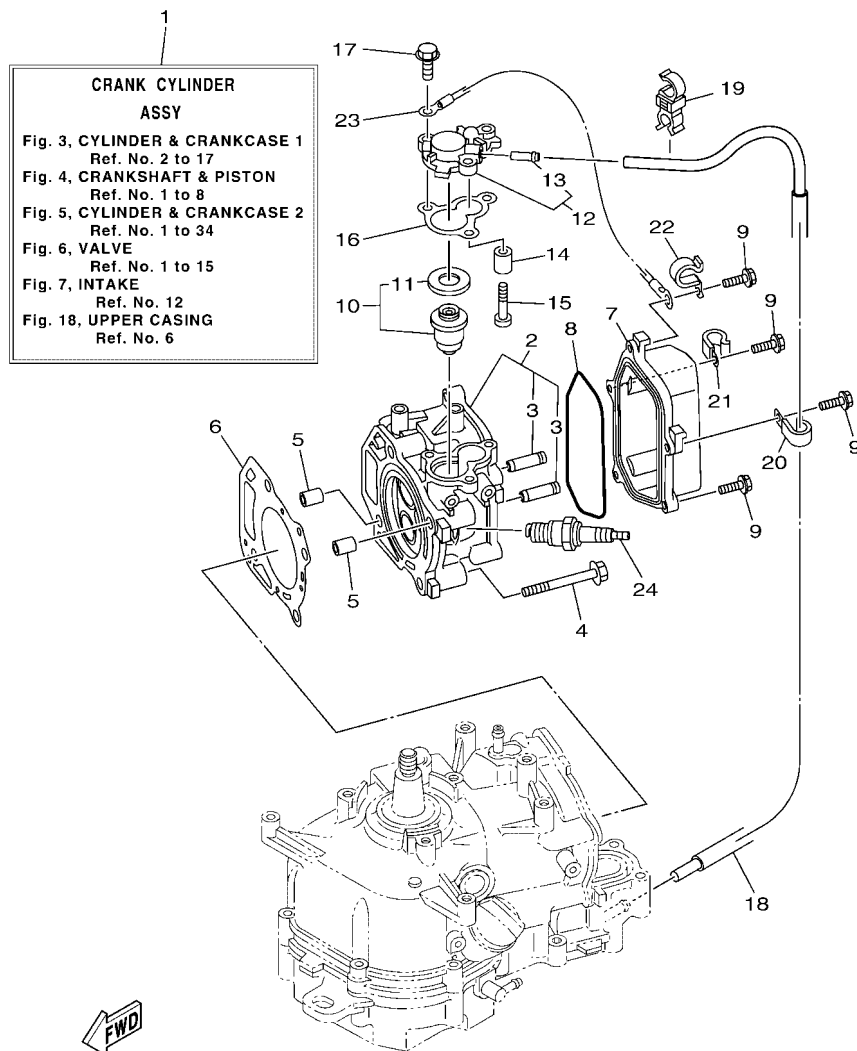


6EC6300-T020

FIG. 2 TOP COWLING

CAPOT SUPERIEUR

| REF. NO. | PART NO. N° PIECES | DESCRIPTION DESCRIPTION | 6EC8 | 6ED8 | 6EE8 | REMARKS REMARQUES |
|----------|--------------------|--|------|------|------|----------------------------------|
| 1 | 6EC-G2610-01 | TOP COWLING ASSY CAPOT (ENS.) | 1 | | | |
| | 6ED-G2610-01 | TOP COWLING ASSY CAPOT (ENS.) | | 1 | | |
| | 6EE-G2610-01 | TOP COWLING ASSY CAPOT (ENS.) | | | 1 | |
| 2 | 6EC-G261A-01 | .TOP COWLING W/O GRAPHICS .CAPOT SUPERIEUR SANS GRAPHIQUE | 1 | 1 | 1 | |
| 3 | 6EE-G2613-01 | .MOLDING, AIR DUCT .MANCHON A AIR | 1 | 1 | 1 | |
| 4 | 97780-40012 | .SCREW, TAPPING .VIS, TETE BOMBEE | 4 | 4 | 4 | |
| 5 | 6EE-G2651-00 | .HOOK .CROCHET | 1 | 1 | 1 | |
| 6 | 90266-04M04 | .RIVET .RIVET | 1 | 1 | 1 | |
| 7 | 6BX-42615-00 | .SEAL .JOINT | 1 | 1 | 1 | |
| 8 | 6EE-G2652-00 | .HOOK .CROCHET | 1 | 1 | 1 | |
| 9 | 97595-05514 | .BOLT, WITH WASHER .VIS HEXAGONAL AVC RONDELLE | 2 | 2 | 2 | |
| 10 | 6EE-G2649-00 | .HOLDER, CLAMP BAND .SUPPORT, SANDOW DE SERRAGE | 1 | 1 | 1 | |
| 11 | 90266-04M00 | .RIVET .RIVET | 2 | 2 | 2 | |
| 12 | 6EE-G2675-00 | .GRAPHIC, SIDE 1 .EMBLEME | 1 | 1 | 1 | |
| 13 | 6EE-G2676-00 | .GRAPHIC, SIDE 2 .EMBLEME | 1 | 1 | 1 | |
| 14 | 6EC-G2677-00 | .GRAPHIC, FRONT .ADHESIF, AVANT | 1 | | | |
| | 6ED-G2677-00 | .GRAPHIC, FRONT .ADHESIF, AVANT | | 1 | | |
| | 6EE-G2677-00 | .GRAPHIC, FRONT .ADHESIF, AVANT | | | 1 | |
| 15 | 6EE-G2697-00 | .TUNING FORK MARK .MARQUE, YAMAHA | 1 | 1 | 1 | |
| 16 | 6EE-G2698-40 | LABEL, WARNING (FUEL) ETIQUETTE, AVERTISSEMENT | 1 | 1 | 1 | |
| 17 | 6EE-G2698-50 | LABEL, WARNING (FUEL) ETIQUETTE, AVERTISSEMENT | 1 | 1 | 1 | |
| 18 | BB8-F817K-30 | LABEL, FUEL ETIQUETTE ESSENCE | 1 | 1 | 1 | EXCEPT FOR RUS EXCEPT FOR RUS |



6EC4100-R030

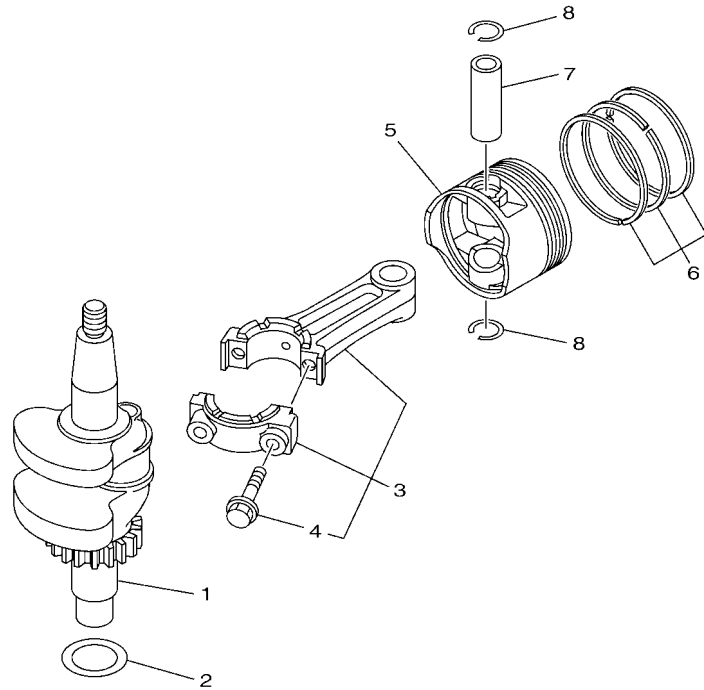
FIG. 3 CYLINDER & CRANKCASE 1

CYLINDRE & CARTER 1

| REF. NO. | PART NO. N° PIECES | DESCRIPTION DESCRIPTION | 6EC8 | 6ED8 | 6EE8 | REMARKS REMARQUES |
|----------|--------------------|---|------|------|------|-------------------|
| 1 | 6EE-WE090-01-1S | CRANK CYLINDER ASSY EMBIELLAGE CYLINDRE (ENS.) | 1 | 1 | 1 | |
| 2 | 6EE-E1111-00-1S | HEAD, CYLINDER 1 CULASSE, 1 | 1 | 1 | 1 | |
| 3 | 6EE-E1133-10 | .GUIDE, VALVE 1 .GUIDE, SOUPAPE 1 | 2 | 2 | 2 | |
| 4 | 90105-08M36 | BOLT, FLANGE BOULON, A COLLERETTE | 4 | 4 | 4 | |
| 5 | 99530-10114 | PIN, DOWEL GOUJON, D'ASSEMBLAGE | 2 | 2 | 2 | |
| 6 | 6BX-11181-00 | GASKET, CYLINDER HEAD 1 JOINT, DE CULASSE 1 | 1 | 1 | 1 | |
| 7 | 6EE-E1191-00 | COVER, CYLINDER HEAD 1 COUVERCLE, CULASSE 1 | 1 | 1 | 1 | |
| 8 | 6EE-E1356-00 | SEAL, CYLINDER 2 JOINT, SPY CYLINDRE | 1 | 1 | 1 | |
| 9 | 97E95-06520 | BOLT, HEXAGON W/W DEEP RECESS VIS HEXAGONAL AVC RONDELLE | 5 | 5 | 5 | |
| 10 | 66M-12411-01 | THERMOSTAT THERMOSTAT | 1 | 1 | 1 | |
| 11 | 688-12412-00 | .SEAL, THERMOSTAT .JOINT, THERMOSTAT | 1 | 1 | 1 | |
| 12 | 6EE-E2413-00-1S | COVER, THERMOSTAT COUVERCLE, THERMOSTAT | 1 | 1 | 1 | |
| 13 | 6EE-F4377-00 | .PIPE, JOINT 2 .DURITE RACCORDEMENT 2 | 1 | 1 | 1 | |
| 14 | 6G8-11325-00 | ANODE ANODE | 1 | 1 | 1 | |
| 15 | 97880-05025 | SCREW, PAN HEAD VIS, TETE TRONCONIQUE | 1 | 1 | 1 | |
| 16 | 67D-12414-A0 | GASKET, COVER JOINT, COUVERCLE | 1 | 1 | 1 | |
| 17 | 90119-06MA2 | BOLT, WITH WASHER BOULON, AVEC RONDELLE | 3 | 3 | 3 | |
| 18 | 6EE-F4323-00 | PIPE 12 DURITE 12 | 1 | 1 | 1 | |
| 19 | 90464-09021 | CLAMP BRIDE | 1 | 1 | 1 | |
| 20 | 90465-06M86 | CLAMP BRIDE | 1 | 1 | 1 | |
| 21 | 90465-06M86 | CLAMP BRIDE | 1 | 1 | 1 | |
| 22 | 90465-08371 | CLAMP BRIDE | 1 | 1 | 1 | |
| 23 | 6EE-H2519-00 | WIRE, EARTH LEAD FIL, MASSE | 1 | 1 | 1 | |
| 24 | 94702-00372 | PLUG, SPARK (NGK CR6HSB) BOUGIE D, ALLUMAGE | 1 | 1 | 1 | |

FIG. 4 CRANKSHAFT & PISTON

VILEBREQUIN & PISTON



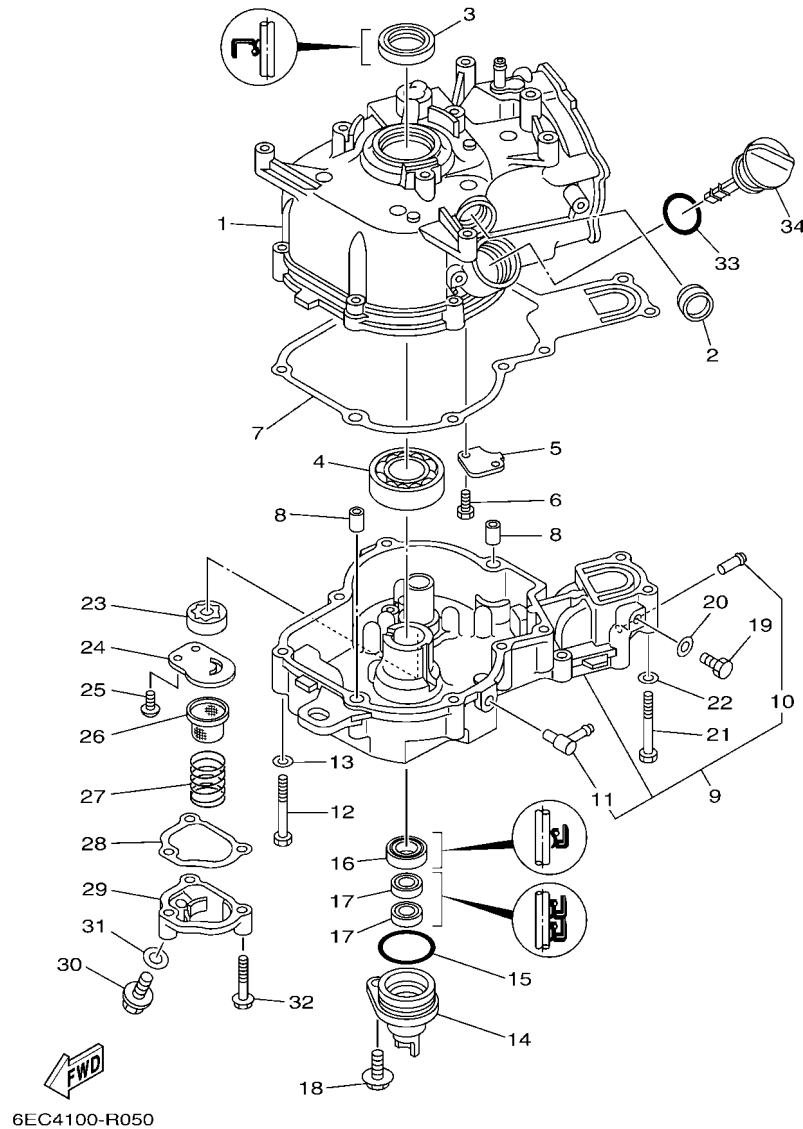
| REF. NO. | PART NO. N° PIECES | DESCRIPTION DESCRIPTION | 6EC8 | 6ED8 | 6EE8 | REMARKS REMARQUES |
|--------------|--|--|------|------|------|-------------------|
| 1 | 6BX-E1410-00 | CRANKSHAFT VILEBREQUIN COMPLET | 1 | 1 | 1 | |
| 2 | 90201-266P2 | WASHER, PLATE RONDELLE, PLATE | 1 | 1 | 1 | |
| 3 | 6EE-E1650-00 | CONNECTING ROD ASSY BIELLE COMPLETE | 1 | 1 | 1 | |
| 4 | 7CN-E1654-00 | .BOLT, CONNECTING ROD .BOULON, BIELLE | 2 | 2 | 2 | |
| 5 | 6EE-E1631-00-96 | PISTON (STD) PISTON (STD) | 1 | 1 | 1 | |
| 6EE-E1635-00 | PISTON (0.25MM O/S) PISTON (0.25MM O/S) | | 1 | 1 | 1 | AP AP |
| 6EE-E1636-00 | PISTON (0.50MM O/S) PISTON (0.50MM O/S) | | 1 | 1 | 1 | AP AP |
| 6 | 6EE-E1603-00 | PISTON RING SET (STD) JEU DE SEGMENTS (STD) | 1 | 1 | 1 | |
| 6EE-E1604-00 | PISTON RING SET (0.25MM O/S) JEU DE SEGMENTS (0.25MM O/S) | | 1 | 1 | 1 | AP AP |
| 6EE-E1605-00 | PISTON RING SET (0.50MM O/S) JEU DE SEGMENTS (0.50MM O/S) | | 1 | 1 | 1 | AP AP |
| 7 | 6EE-E1633-00 | PIN, PISTON AXE, PISTON | 1 | 1 | 1 | |
| 8 | 93450-16068 | CIRCLIP CIRCLIP | 2 | 2 | 2 | |



6BV1100-J030

FIG. 5 CYLINDER & CRANKCASE 2

CYLINDRE & CARTER 2

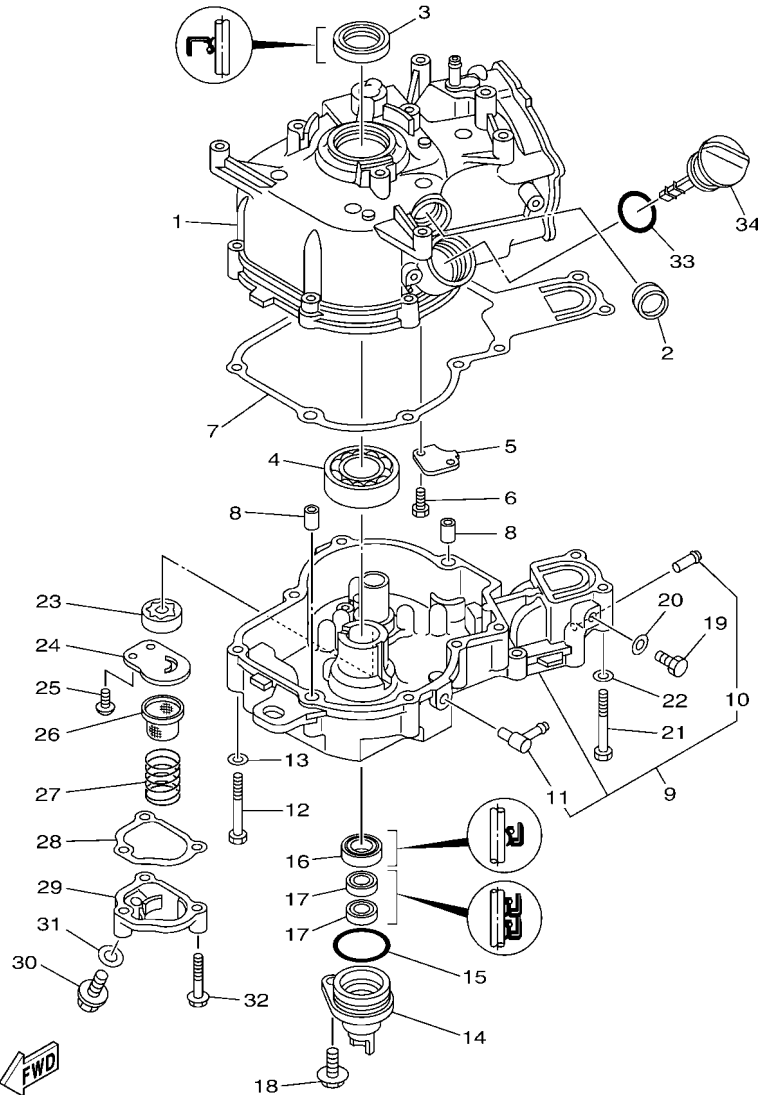


| REF. NO. | PART NO. N° PIECES | DESCRIPTION DESCRIPTION | 6EC8 | 6ED8 | 6EE8 | REMARKS REMARQUES |
|----------|--------------------|---|------|------|------|-------------------|
| 1 | 6EE-E1311-00-1S | CYLINDER 1 CYLINDRE 1 | 1 | 1 | 1 | |
| 2 | 3Y6-15361-00 | GAUGE, LEVEL JAUGE A HUILE | 1 | 1 | 1 | |
| 3 | 93102-25821 | OIL SEAL JOINT SPY | 1 | 1 | 1 | |
| 4 | 93306-255X0 | BEARING ROULEMENT | 1 | 1 | 1 | |
| 5 | 6EE-E1168-00 | COVER, BREATHER COUVERCLE, RENIFLARD | 1 | 1 | 1 | |
| 6 | 97013-05010 | BOLT BOULON | 2 | 2 | 2 | |
| 7 | 6BX-11351-00 | GASKET, CYLINDER JOINT, D'EMBASE | 1 | 1 | 1 | |
| 8 | 99530-10114 | PIN, DOWEL GOIJON, D'ASSEMBLAGE | 2 | 2 | 2 | |
| 9 | 6EE-E5111-00-1S | CRANKCASE 1 CARTER DE MOTEUR | 1 | 1 | 1 | |
| 10 | 6EE-F4377-00 | .PIPE, JOINT 2 .DURITE RACCORDEMENT 2 | 1 | 1 | 1 | |
| 11 | 676-11372-00 | .NIPPLE, HOSE .RACCORD, TUYAU | 1 | 1 | 1 | |
| 12 | 97013-06050 | BOLT BOULON | 8 | 8 | 8 | |
| 13 | 92903-06600 | WASHER, PLATE RONDELLE, PLATE | 8 | 8 | 8 | |
| 14 | 6EE-E5396-00-CA | HOUSING, OIL SEAL LOGEMENT DE JOINT SPY | 1 | 1 | 1 | |
| 15 | 93210-35803 | O-RING JOINT TORIQUE | 1 | 1 | 1 | |
| 16 | 93102-20814 | OIL SEAL JOINT SPY | 1 | 1 | 1 | |
| 17 | 93102-10800 | OIL SEAL JOINT SPY | 2 | 2 | 2 | |
| 18 | 97E95-08520 | BOLT, HEXAGON W/W DEEP RECESS VIS HEXAGONAL AVC RONDELLE | 1 | 1 | 1 | |
| 19 | 97D95-08014 | BOLT, HEXAGON DEEP RECESS VIS HEXAGONAL | 1 | 1 | 1 | |
| 20 | 90430-08143 | GASKET JOINT | 1 | 1 | 1 | |
| 21 | 97013-06050 | BOLT BOULON | 2 | 2 | 2 | |
| 22 | 92903-06600 | WASHER, PLATE RONDELLE, PLATE | 2 | 2 | 2 | |
| 23 | 6BX-E3310-00 | ROTOR ASSY 1 ROTOR COMPLET | 1 | 1 | 1 | |
| 24 | 6EE-E3316-00 | COVER, PUMP COUVERCLE DE POMPE | 1 | 1 | 1 | |
| 25 | 98517-06012 | SCREW, PAN HEAD VIS, TETE TRONCONIQUE | 2 | 2 | 2 | |
| 26 | 5YP-E3411-00 | STRAINER, OIL FILTRE, HUILE | 1 | 1 | 1 | |
| 27 | 90501-18576 | SPRING, COMPRESSION RESSORT, COMPRESSION | 1 | 1 | 1 | |

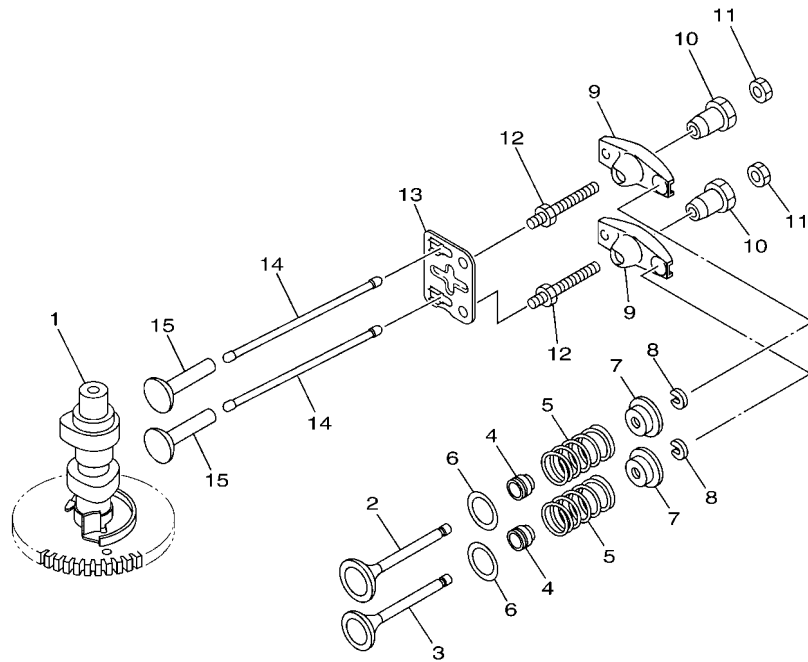
FIG. 5 CYLINDER & CRANKCASE 2

CYLINDRE & CARTER 2

| REF. NO. | PART NO. N° PIECES | DESCRIPTION DESCRIPTION | 6EC8 | 6ED8 | 6EE8 | REMARKS REMARQUES |
|----------|--------------------|--|------|------|------|-------------------|
| 28 | 6EE-E3475-00 | GASKET JOINT | 1 | 1 | 1 | |
| 29 | 6EE-E3417-00-1S | COVER, STRAINER COUVERCLE, FILTRE | 1 | 1 | 1 | |
| 30 | 90105-08M76 | BOLT, FLANGE BOULON, A COLLERETTE | 1 | 1 | 1 | |
| 31 | 90201-08818 | WASHER, PLATE RONDELLE, PLATE | 1 | 1 | 1 | |
| 32 | 97E75-06535 | BOLT, HEXAGON W/W DEEP RECESS VIS HEXAGONAL AVC RONDELLE | 3 | 3 | 3 | |
| 33 | 93210-24800 | O-RING JOINT TORIQUE | 1 | 1 | 1 | |
| 34 | 6EE-E5362-00 | PLUG, OIL LEVEL PLOT, NIVEAU D'HUILE | 1 | 1 | 1 | |



6EC4100-R050

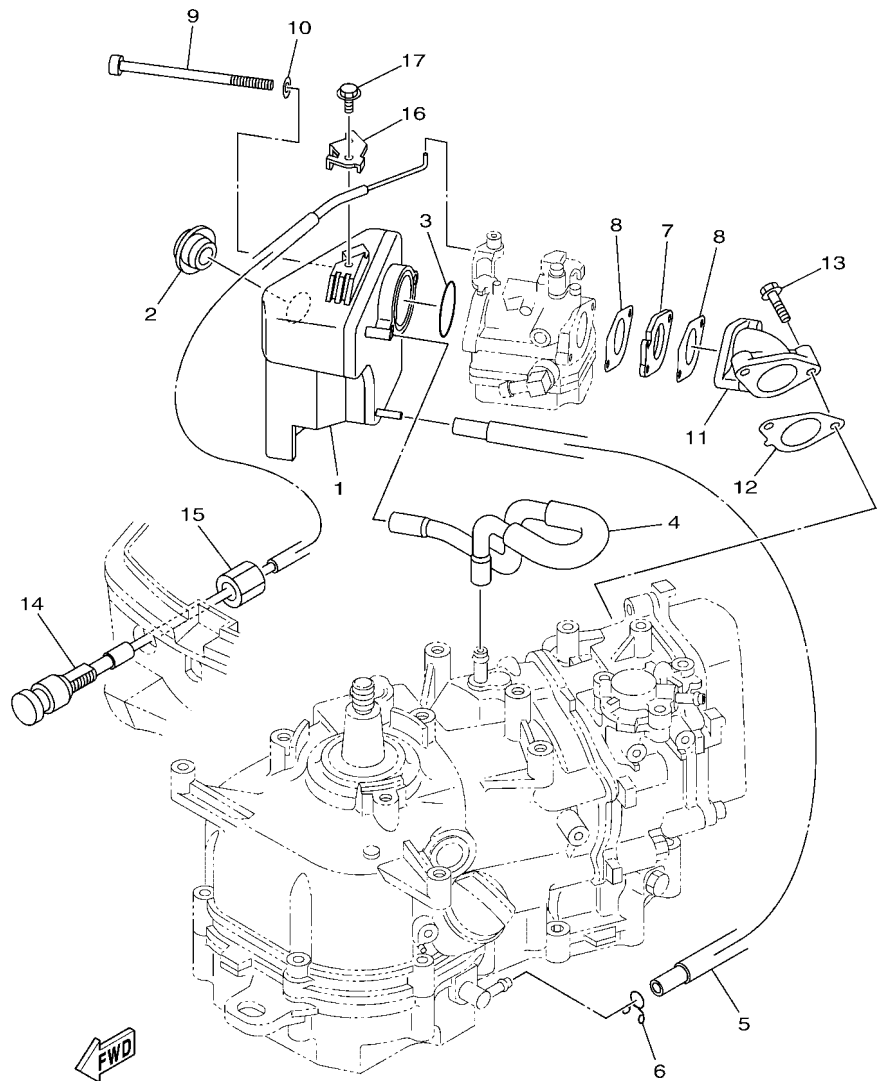



 6EC1100-N060

FIG. 6 VALVE

SOUPAPE

| REF. NO. | PART NO. N° PIECES | DESCRIPTION DESCRIPTION | 6EC8 | 6ED8 | 6EE8 | REMARKS REMARQUES |
|----------|--------------------|---|------|------|------|-------------------|
| 1 | 6EE-E2170-00 | CAMSHAFT ASSY 1 ENS ARBRE A CAMES 1 | 1 | 1 | 1 | |
| 2 | 6EE-E2111-00 | VALVE, INTAKE SOUPAPE, ADMISSION | 1 | 1 | 1 | |
| 3 | 6EE-E2121-00 | VALVE, EXHAUST SOUPAPE, ECHAPPEMENT | 1 | 1 | 1 | |
| 4 | 6EE-E2119-00 | SEAL, VALVE STEM JOINT, QUEUE DE SOUPAPE | 2 | 2 | 2 | |
| 5 | 6EE-E2113-00 | SPRING, VALVE INNER RESSORT DE SOUPAPE, INTERNE | 2 | 2 | 2 | |
| 6 | 6EE-E2116-00 | SEAT, VALVE SPRING SIEGE, RESSORT DE SOUPAPE | 2 | 2 | 2 | |
| 7 | 7NJ-12117-00 | RETAINER, VALVE SPRING BUTEE DE RESSORT DE SOUPAPE | 2 | 2 | 2 | |
| 8 | 7NJ-12118-00 | LOCK, VALVE SPRING RETAINER FRAISE, SOUPAPE | 2 | 2 | 2 | |
| 9 | 67D-12151-00 | ARM, VALVE ROCKER CULBUTEUR | 2 | 2 | 2 | |
| 10 | 6EE-E2165-00 | PIVOT, ROCKER ARM PIVOT, CULBUTEUR | 2 | 2 | 2 | |
| 11 | 6EE-E2158-00 | NUT, LOCK CONTRE-ECROU | 2 | 2 | 2 | |
| 12 | 67D-12157-00 | BOLT BOULON | 2 | 2 | 2 | |
| 13 | 6EE-E2155-00 | GUIDE, PUSH ROD GUIDE, TIGE-POUSSOIR | 1 | 1 | 1 | |
| 14 | 6EE-E2154-00 | ROD, VALVE PUSH TIGE DE LEVE-SOUPAPE | 2 | 2 | 2 | |
| 15 | 6EE-E2153-00 | LIFTER, VALVE LEVE-SOUPAPE | 2 | 2 | 2 | |

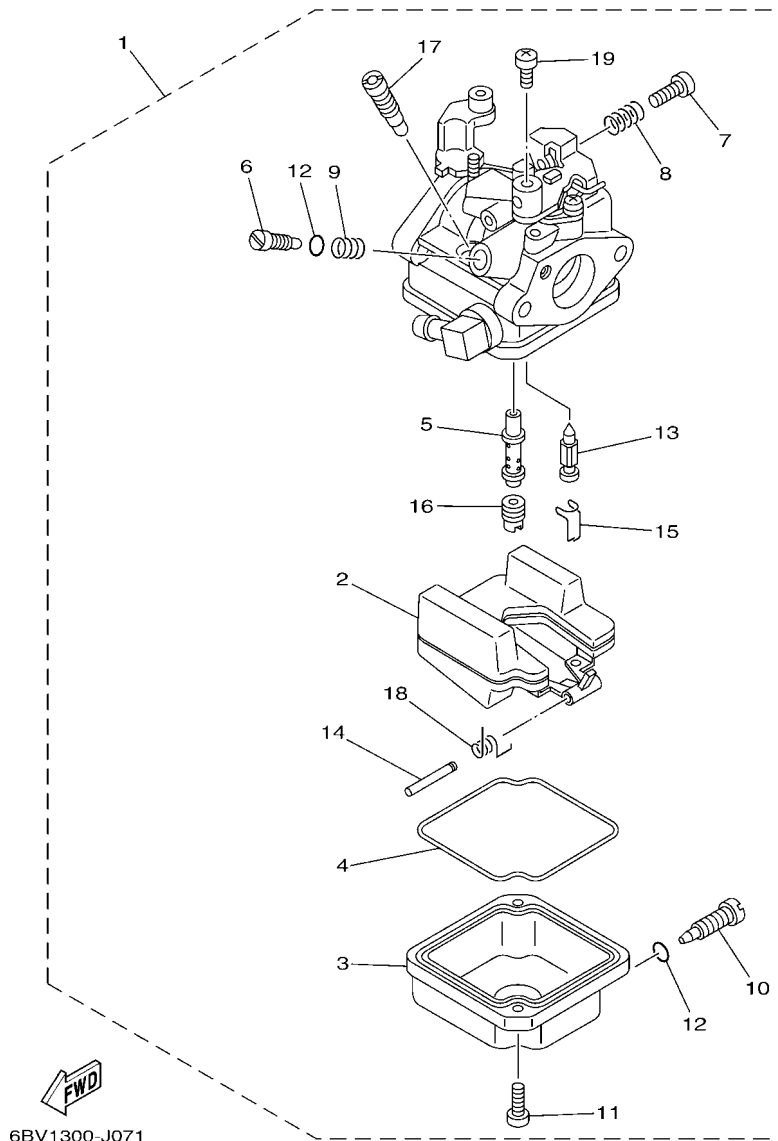


6EC4100-R070

FIG. 7 INTAKE

ADMISSION

| REF. NO. | PART NO. N° PIECES | DESCRIPTION DESCRIPTION | 6EC8 | 6ED8 | 6EE8 | REMARKS REMARQUES |
|----------|--------------------|---|------|------|------|-------------------|
| 1 | 6BX-14440-00 | SILENCER ASSY, INTAKE SIENCIEUX D'ADMISSION | 1 | 1 | 1 | |
| 2 | 90480-18M74 | GROMMET PASSE-FIL | 1 | 1 | 1 | |
| 3 | 93210-32817 | O-RING JOINT TORIQUE | 1 | 1 | 1 | |
| 4 | 6EE-F4314-00 | PIPE 4 DURITE 4 | 1 | 1 | 1 | |
| 5 | 6EE-E316F-00 | HOSE, OIL 1 DURITE A HUILE 1 | 1 | 1 | 1 | |
| 6 | 90467-09M09 | CLIP JONC | 1 | 1 | 1 | |
| 7 | 6EE-E3647-00 | GASKET, MANIFOLD 3 JOINT, TUBULURE 3 | 1 | 1 | 1 | |
| 8 | 6EE-E3646-00 | GASKET, MANIFOLD 2 JOINT, TUBULURE 2 | 2 | 2 | 2 | |
| 9 | 90110-06350 | BOLT, HEXAGON SOCKET HEAD BOULON, TETE HEXAGONALE CREUSE | 2 | 2 | 2 | |
| 10 | 90201-06106 | WASHER, PLATE RONDELLE, PLATE | 2 | 2 | 2 | |
| 11 | 6BX-E3641-10 | MANIFOLD, INTAKE 1 TUBULURE, ADMISSION 1 | 1 | 1 | 1 | |
| 12 | 6EE-E3645-00 | GASKET, MANIFOLD 1 JOINT, TUBULURE 1 | 1 | 1 | 1 | |
| 13 | 90119-06MA3 | BOLT, WITH WASHER BOULON, AVEC RONDELLE | 2 | 2 | 2 | |
| 14 | 6EE-F6330-00 | STARTER CABLE ASSY CABLE DE STARTER | 1 | 1 | 1 | |
| 15 | 90179-11001 | NUT ECROU | 1 | 1 | 1 | |
| 16 | 6EE-E3151-00 | STAY SUPPORT | 1 | 1 | 1 | |
| 17 | 97595-05510 | BOLT HEX. HEAD VIS HEXAGONAL AVC RONDELLE | 1 | 1 | 1 | |

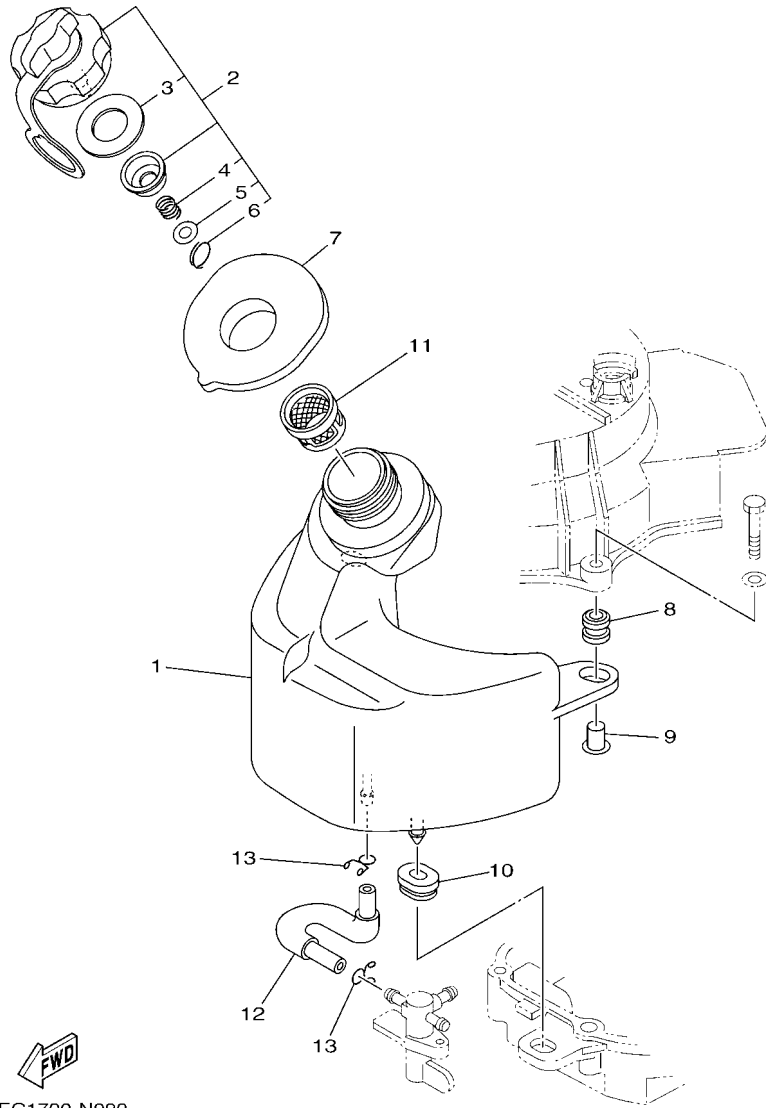


6BV1300-J071

FIG. 8 CARBURETOR

CARBURATEUR

| REF. NO. | PART NO. N° PIECES | DESCRIPTION DESCRIPTION | 6EC8 | 6ED8 | 6EE8 | REMARKS REMARQUES |
|----------|--------------------|--|------|------|------|-------------------|
| 1 | 6BV-14301-01 | CARBURETOR ASSY 1 CARBURATEUR COMPLET 1 | 1 | | | |
| | 6BW-14301-01 | CARBURETOR ASSY 1 CARBURATEUR COMPLET 1 | | 1 | | |
| | 6BX-14301-00 | CARBURETOR ASSY 1 CARBURATEUR COMPLET 1 | | | 1 | |
| 2 | 6BX-14985-00 | .FLOAT .FLOTTEUR | 1 | 1 | 1 | |
| 3 | 6BX-14980-00 | .BODY, FLOAT CHAMBER .CORPS, CUVE DE FLOTTEUR | 1 | 1 | 1 | |
| 4 | 6BX-14984-00 | .GASKET, FLOAT CHAMBER .JOINT, CUVE DE FLOTTEUR | 1 | 1 | 1 | |
| 5 | 6BV-14947-00 | .JET, NEEDLE .GICLEUR DE STARTER | 1 | | | |
| | 6BW-14947-00 | .JET, NEEDLE .GICLEUR DE STARTER | | 1 | | |
| | 6BX-14947-00 | .JET, NEEDLE .GICLEUR DE STARTER | | | 1 | |
| 6 | 6BW-14923-20 | .SCREW, PILOT .VIS, RALENTI | 1 | 1 | | |
| | 6BX-14923-20 | .SCREW, PILOT .VIS, RALENTI | | | 1 | |
| 7 | 6BX-14523-00 | .SCREW, STOP .VIS, BUTEE | 1 | 1 | 1 | |
| 8 | 6BX-14555-00 | .SPRING .RESSORT | 1 | 1 | 1 | |
| 9 | 6BX-14935-00 | .SPRING .RESSORT | 1 | 1 | 1 | |
| 10 | 6BX-14991-00 | .SCREW .VIS | 1 | 1 | 1 | |
| 11 | 6BX-14592-00 | .SCREW .VIS | 2 | 2 | 2 | |
| 12 | 4JH-14562-00 | .O-RING .JOINT TORIQUE | 2 | 2 | 2 | |
| 13 | 6BX-14546-00 | .VALVE, NEEDLE .POINTEAU | 1 | 1 | 1 | |
| 14 | 6BX-14548-00 | .PIN, FLOAT ARM .AXE, BRAS DE FLOTTEUR | 1 | 1 | 1 | |
| 15 | 6BX-14937-00 | .CLIP .JONC | 1 | 1 | 1 | |
| 16 | 6BV-14943-11 | .JET, MAIN (#60) .GICLEUR, PRINCIPAL (#60) | 1 | | | |
| | 6BW-14943-15 | .JET, MAIN (#70) .GICLEUR, PRINCIPAL (#70) | | 1 | | |
| | 6BX-14943-17 | .JET, MAIN (#75) .GICLEUR, PRINCIPAL (#75) | | | 1 | |
| 17 | 6BV-14948-01 | .JET (#35) .GICLEUR (#35) | 1 | 1 | | |
| | 6BX-14948-04 | .JET (#42) .GICLEUR (#42) | | | 1 | |
| 18 | 6BX-14556-00 | .SPRING .RESSORT | 1 | 1 | 1 | |
| 19 | 98580-04006 | .SCREW, PAN HEAD .VIS | 1 | 1 | 1 | |



6EC1700-N090

FIG. 9 FUEL 1

CARBURANT 1

| REF. NO. | PART NO. N° PIECES | DESCRIPTION DESCRIPTION | 6EC8 | 6ED8 | 6EE8 | REMARKS REMARQUES |
|----------|--------------------|--|------|------|------|-------------------|
| 1 | 6EE-F4111-01 | TANK, FUEL RESERVOIR, A ESSENCE | 1 | 1 | 1 | |
| 2 | 6BX-24610-02 | CAP ASSY BOUCHON | 1 | 1 | 1 | |
| 3 | 68D-24612-01 | .PACKING, CAP .JOINT, BOUCHON | 1 | 1 | 1 | |
| 4 | 90501-100A5 | .SPRING, COMPRESSION .RESSORT, COMPRESSION | 1 | 1 | 1 | |
| 5 | 92990-04200 | .WASHER, PLAIN .RONDELLE, PLATE | 1 | 1 | 1 | |
| 6 | 90468-100A0 | .CLIP .JONC | 1 | 1 | 1 | |
| 7 | 6BX-24641-00 | GASKET, CAP 1 JOINT 1, BOUCHON | 1 | 1 | 1 | |
| 8 | 6A0-82317-01 | DAMPER, IGNITION COIL AMORTISSEUR, BOBINE D'ALLUM | 2 | 2 | 2 | |
| 9 | 90387-06119 | COLLAR COLLERETTE | 2 | 2 | 2 | |
| 10 | 90480-01559 | GROMMET PASSE-FIL | 1 | 1 | 1 | |
| 11 | 6EE-F4167-00 | STRAINER FILTRE | 1 | 1 | 1 | |
| 12 | 6EE-F4311-00 | PIPE, FUEL 1 DURITE A ESSENCE | 1 | 1 | 1 | |
| 13 | 90467-09M09 | CLIP JONC | 2 | 2 | 2 | |

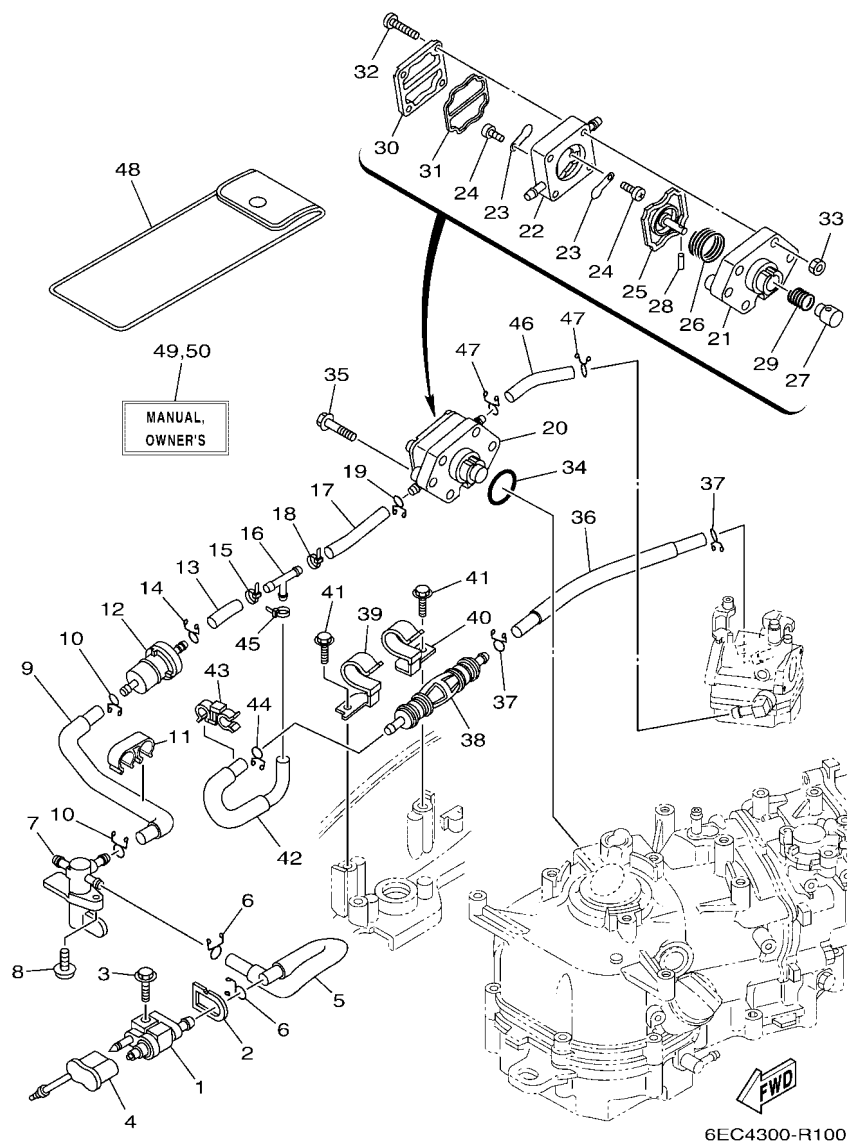


FIG. 10 FUEL 2

CARBURANT 2

| REF. NO. | PART NO. N° PIECES | DESCRIPTION DESCRIPTION | 6EC8 | 6ED8 | 6EE8 | REMARKS REMARQUES |
|----------|--------------------|---|------|------|------|-------------------|
| 1 | 6G1-24304-10 | FUEL PIPE JOINT COMP. 1 DURITE RACCORDEMT. A ESSENCE | 1 | 1 | 1 | |
| 2 | 6EE-F4329-01 | SEAL JOINT | 1 | 1 | 1 | |
| 3 | 97E95-06525 | BOLT, HEXAGON W/W DEEP RECESS VIS HEXAGONAL AVC RONDELLE | 1 | 1 | 1 | |
| 4 | 6BX-2476U-00 | PROTECTOR 1 PROTECTEUR 1 | 1 | 1 | 1 | |
| 5 | 6EE-F4312-00 | PIPE 2 DURITE 2 | 1 | 1 | 1 | |
| 6 | 90467-09M09 | CLIP JONC | 2 | 2 | 2 | |
| 7 | 6EE-F4500-00 | FUEL COCK ASSY 1 ROBINET A ESSENCE COMPLETE 1 | 1 | 1 | 1 | |
| 8 | 97985-06212 | SCREW, WITH WASHER VIS, AVEC RONDELLE | 1 | 1 | 1 | |
| 9 | 6EE-F4313-00 | PIPE 3 DURITE 3 | 1 | 1 | 1 | |
| 10 | 90467-09M09 | CLIP JONC | 2 | 2 | 2 | |
| 11 | 90464-12016 | CLAMP BRIDE | 1 | 1 | 1 | |
| 12 | 6EE-F4251-00 | STRAINER 1 FILTRE 1 | 1 | 1 | 1 | |
| 13 | 6EE-F247C-00 | HOSE 3 DURITE 3 | 1 | 1 | 1 | |
| 14 | 90467-09M09 | CLIP JONC | 1 | 1 | 1 | |
| 15 | 90465-11M10 | CLAMP BRIDE | 1 | 1 | 1 | |
| 16 | 688-24378-00 | PIPE, JOINT 3 DURITE RACCORDEMENT 3 | 1 | 1 | 1 | |
| 17 | 6EE-F247D-00 | HOSE 4 DURITE 4 | 1 | 1 | 1 | |
| 18 | 90465-11M10 | CLAMP BRIDE | 1 | 1 | 1 | |
| 19 | 90467-09M09 | CLIP JONC | 1 | 1 | 1 | |
| 20 | 6BX-24410-01 | FUEL PUMP ASSY POMPE A ESSENCE | 1 | 1 | 1 | |
| 21 | 67D-24412-00 | .BODY 1 .CORPS 1 | 1 | 1 | 1 | |
| 22 | 67D-24413-02 | .BODY 2 .CORPS 2 | 1 | 1 | 1 | |
| 23 | 6A0-24421-01 | .VALVE, CHECK .SOUPAPE, RETENUE | 2 | 2 | 2 | |
| 24 | 6E7-14325-00 | .SCREW, PAN HEAD .VIS TETE CONIQUE | 2 | 2 | 2 | |
| 25 | 6BX-24411-01 | .DIAPHRAGM .DIAPHRAGME | 1 | 1 | 1 | |
| 26 | 67D-24423-00 | .SPRING, DIAPHRAGM .RESSORT, DIAPHRAGME | 1 | 1 | 1 | |
| 27 | 6BX-13131-00 | .PLUNGER .PLONGEUR | 1 | 1 | 1 | |

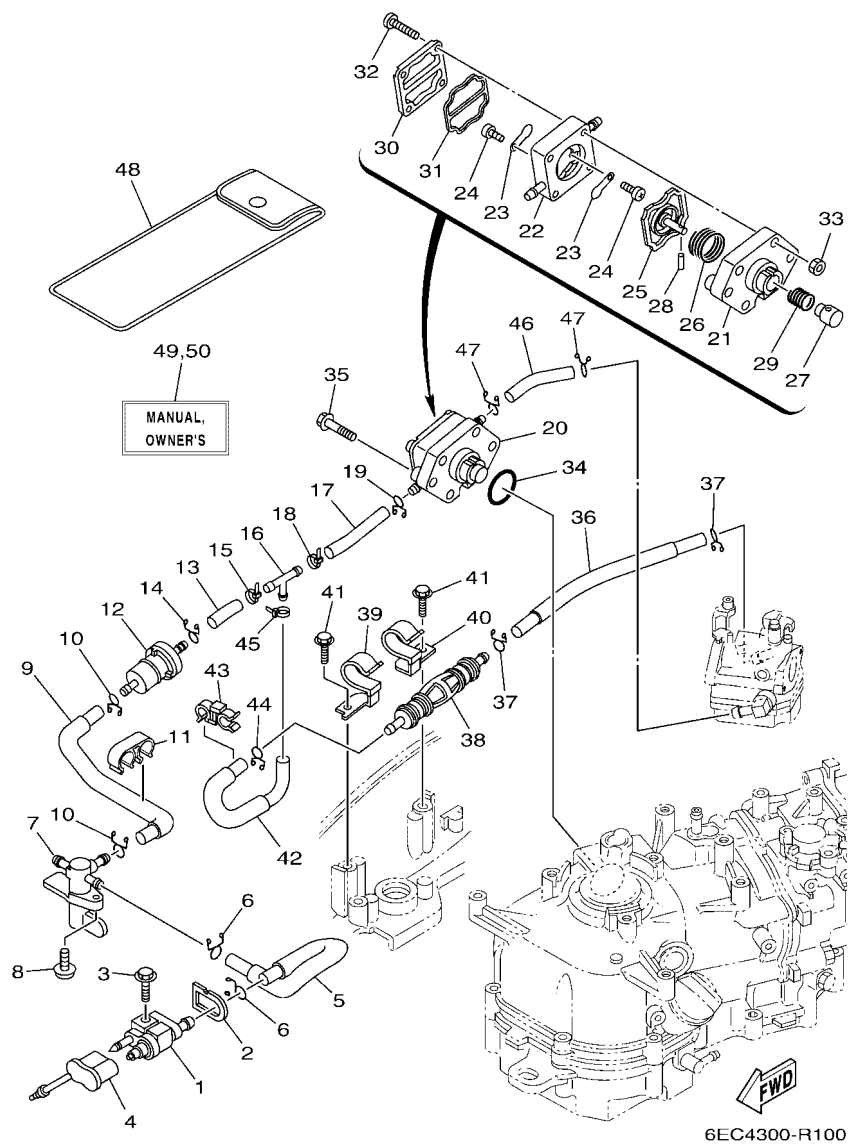


FIG. 10 FUEL 2

CARBURANT 2

| REF. NO. | PART NO. N° PIECES | DESCRIPTION DESCRIPTION | 6EC8 | 6ED8 | 6EE8 | REMARKS REMARQUES |
|----------|--------------------|---|------|------|------|--------------------|
| 28 | 66M-24374-00 | .PIN .GOUPILLE | 1 | 1 | 1 | |
| 29 | 6BX-24454-00 | .SPRING .RESSORT | 1 | 1 | 1 | |
| 30 | 67D-24414-01 | .BODY 3 .CORPS 3 | 1 | 1 | 1 | |
| 31 | 66M-24471-02 | .DIAPHRAGM .DIAPHRAGME | 1 | 1 | 1 | |
| 32 | 67D-24444-00 | .SCREW .VIS | 4 | 4 | 4 | |
| 33 | 95380-04600 | .NUT .ECROU | 4 | 4 | 4 | |
| 34 | 93210-27806 | O-RING JOINT TORIQUE | 1 | 1 | 1 | |
| 35 | 97E95-06630 | BOLT, HEXAGON W/W DEEP RECESS VIS HEXAGONAL AVC RONDELLE | 2 | 2 | 2 | |
| 36 | 6EE-F247B-00 | HOSE 2 DURITE 2 | 1 | 1 | 1 | |
| 37 | 90467-09M09 | CLIP JONC | 2 | 2 | 2 | |
| 38 | 6BX-24360-00 | PRIMER PUMP ASSY POMPE D'AMORCAGE | 1 | 1 | 1 | |
| 39 | 6EE-F4135-00 | CLAMP 1 COLLIER 1 | 1 | 1 | 1 | |
| 40 | 6EE-F4136-00 | CLAMP 2 COLLIER 2 | 1 | 1 | 1 | |
| 41 | 90109-06M80 | BOLT BOULON | 2 | 2 | 2 | |
| 42 | 6EE-F247A-00 | HOSE 1 DURITE 1 | 1 | 1 | 1 | |
| 43 | 90464-09021 | CLAMP BRIDE | 1 | 1 | 1 | |
| 44 | 90467-09M09 | CLIP JONC | 1 | 1 | 1 | |
| 45 | 90465-11M10 | CLAMP BRIDE | 1 | 1 | 1 | |
| 46 | 6EE-E3971-00 | PIPE, FUEL 1 TUBE 1, CARBURANT | 1 | 1 | 1 | |
| 47 | 90467-09M09 | CLIP JONC | 2 | 2 | 2 | |
| 48 | 6EE-F8100-00 | TOOL KIT TROUSSE A OUTILS | 1 | 1 | 1 | AP AP |
| 49 | 6EC-F8199-76-E0 | MANUAL, OWNER'S MANUEL D'UTILISATION | 1 | 1 | 1 | UR (E) UR (E) |
| | 6EC-F8199-76-F0 | MANUAL, OWNER'S MANUEL D'UTILISATION | 1 | 1 | 1 | UR (F) UR (F) |
| | 6EC-F8199-76-S0 | MANUAL, OWNER'S MANUEL D'UTILISATION | 1 | 1 | 1 | UR (ES) UR (ES) |
| | 6EC-F8199-76-G0 | MANUAL, OWNER'S MANUEL D'UTILISATION | 1 | 1 | 1 | UR (D) UR (D) |
| | 6EC-F8199-76-D0 | MANUAL, OWNER'S MANUEL D'UTILISATION | 1 | 1 | 1 | UR (NL) UR (NL) |
| | 6EC-F8199-76-H0 | MANUAL, OWNER'S MANUEL D'UTILISATION | 1 | 1 | 1 | UR (I) UR (I) |

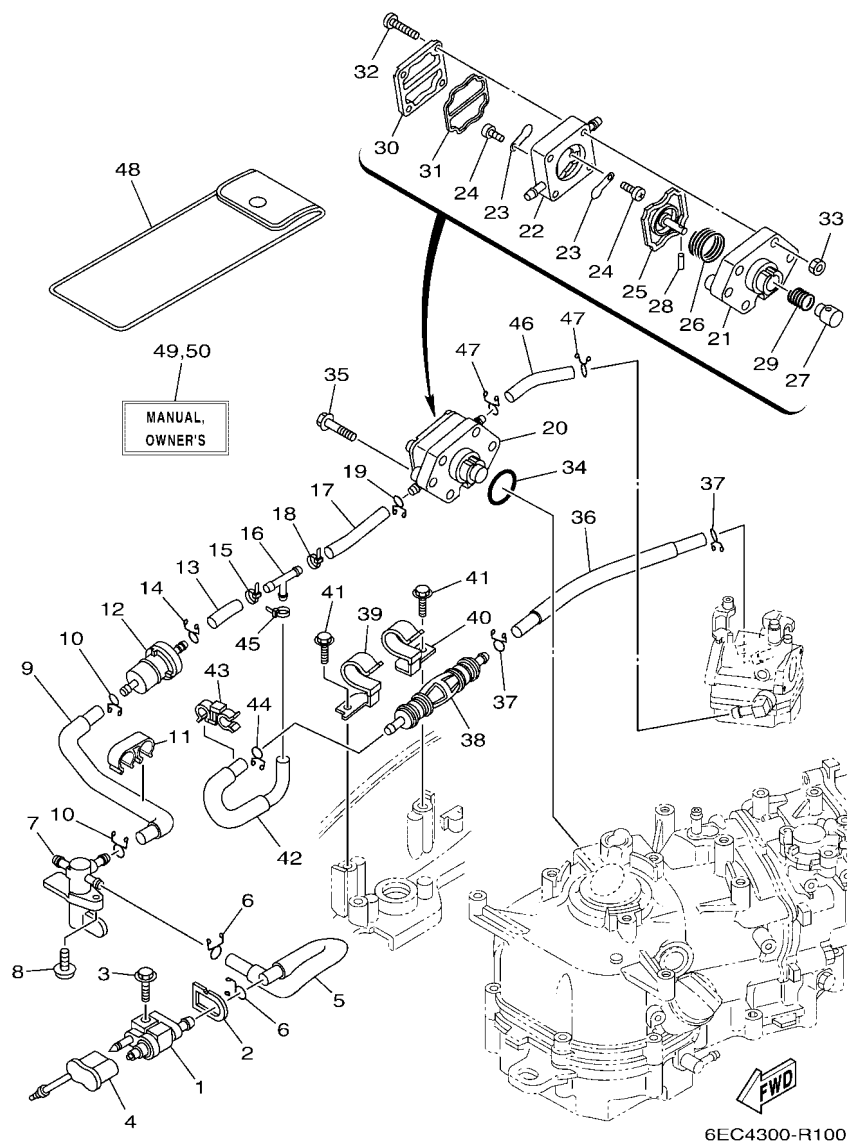
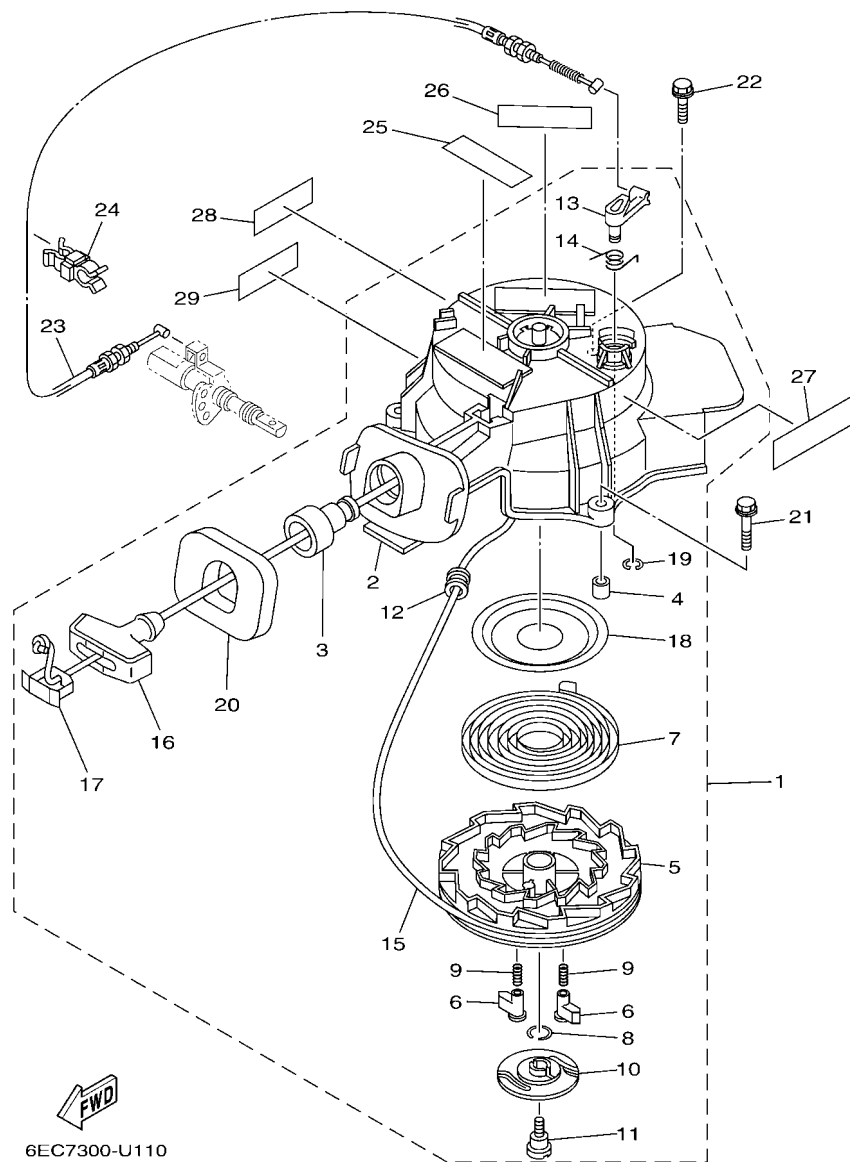


FIG. 10 FUEL 2

CARBURANT 2

| REF. NO. | PART NO. N° PIECES | DESCRIPTION DESCRIPTION | 6EC8 | 6ED8 | 6EE8 | REMARKS REMARQUES |
|----------|--------------------|--|------|------|------|--------------------|
| 50 | 6EC-F8199-86-K0 | MANUAL,OWNER'S MANUEL D'UTILISATION | 1 | 1 | 1 | UR (DK) |
| | 6EC-F8199-86-R0 | MANUAL,OWNER'S MANUEL D'UTILISATION | 1 | 1 | 1 | UR (DK) UR (GR) |
| | 6EC-F8199-86-P0 | MANUAL,OWNER'S MANUEL D'UTILISATION | 1 | 1 | 1 | UR (GR) UR (P) |
| | 6EC-F8199-86-N0 | MANUAL,OWNER'S MANUEL D'UTILISATION | 1 | 1 | 1 | UR (P) UR (N) |
| | 6EC-F8199-86-M0 | MANUAL,OWNER'S MANUEL D'UTILISATION | 1 | 1 | 1 | UR (N) UR (S) |
| | 6EC-F8199-86-L0 | MANUAL,OWNER'S MANUEL D'UTILISATION | 1 | 1 | 1 | UR (S) UR (SF) |
| <hr/> | | | | | | |
| <hr/> | | | | | | |
| <hr/> | | | | | | |
| <hr/> | | | | | | |
| <hr/> | | | | | | |
| <hr/> | | | | | | |
| <hr/> | | | | | | |
| <hr/> | | | | | | |



6EC7300-U110

*1: CUT FROM 50M ROLLS, PART NO. 90790-48192, CUTTING LENGTH 1.8M

*1: A PRELEVER SUR BOBINE 50M, REFERENCE 90790-48192, LONGUEUR DE COUPE 1.8M

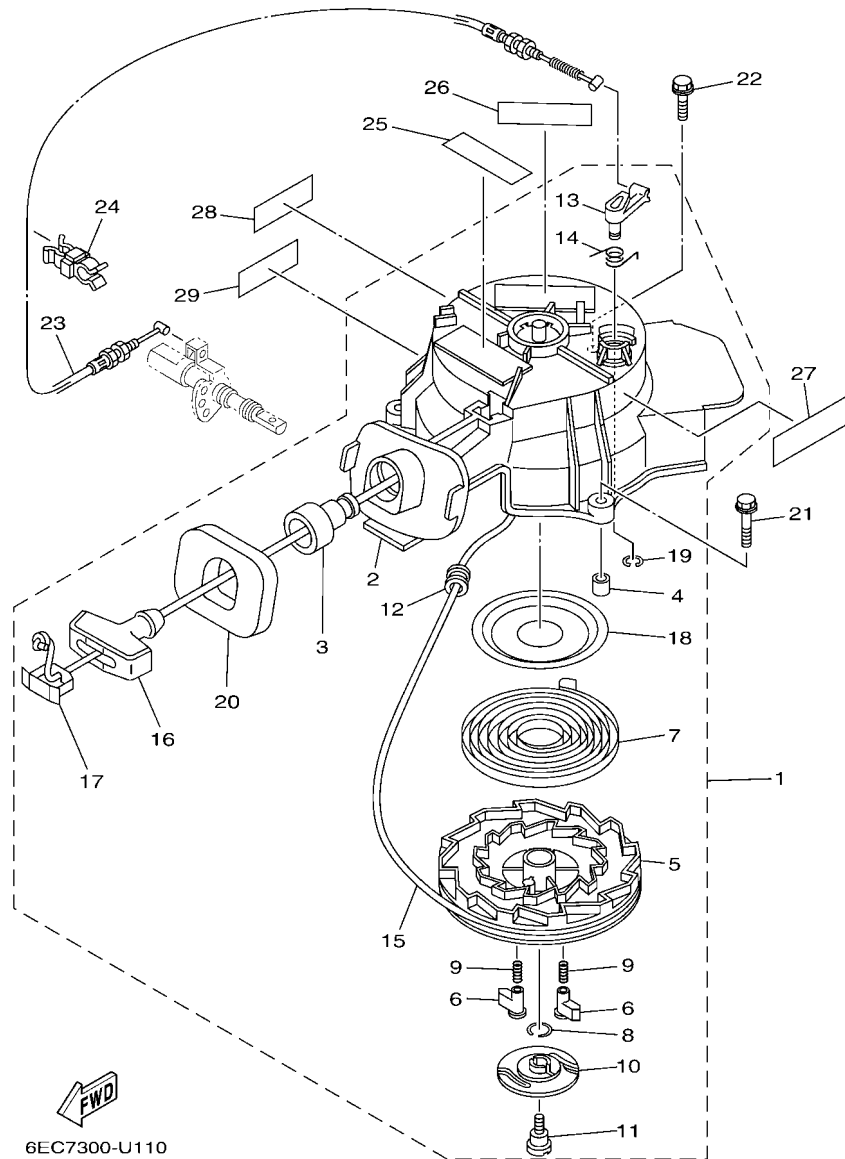
FIG. 11 STARTER

DEMARREUR

| REF. NO. | PART NO. N° PIECES | DESCRIPTION DESCRIPTION | 6EC8 | 6ED8 | 6EB8 | REMARKS REMARQUES |
|----------|--------------------|---|------|------|------|-------------------|
| 1 | 6EE-E5710-00 | STARTER ASSY DEMARREUR COMPLET | 1 | 1 | 1 | |
| 2 | 6EE-E5711-00 | .CASE, STARTER .CARTER DE DEMARREUR | 1 | 1 | 1 | |
| 3 | 63V-15795-01 | .GUIDE, ROPE .GUIDE DE CABLE | 1 | 1 | 1 | |
| 4 | 67D-15764-00 | .COLLAR 1 .COLLERETTE 1 | 3 | 3 | 3 | |
| 5 | 6EE-E5714-00 | .DRUM, SHEAVE .TAMBOUR, POULIE | 1 | 1 | 1 | |
| 6 | 67D-15741-00 | .PAWL, DRIVE .CLIQUET, ENTRAINEMENT | 2 | 2 | 2 | |
| 7 | 67D-15713-00 | .SPRING, STARTER .RESSORT DE DEMARREUR | 1 | 1 | 1 | |
| 8 | 6BX-15705-00 | .SPRING, DRIVE PAWL .RESSORT DE CLIQUET | 1 | 1 | 1 | |
| 9 | 67D-15767-00 | .SPRING .RESSORT | 2 | 2 | 2 | |
| 10 | 67D-15735-00 | .GUIDE, CAM .COULISSEAU | 1 | 1 | 1 | |
| 11 | 67D-15793-00 | .SCREW .VIS | 1 | 1 | 1 | |
| 12 | 68T-15764-00 | .COLLAR 1 .COLLERETTE 1 | 1 | 1 | 1 | |
| 13 | 67D-15794-01 | .STOPPER .BUTEE | 1 | 1 | 1 | |
| 14 | 67D-15734-00 | .SPRING, RETURN .RESSORT, RAPPEL | 1 | 1 | 1 | |
| 15 | * | .WIRE, STARTER (L:1800MM) .CABLE DE DEMARREUR (L:1800MM) | 1 | 1 | 1 | *1 *1 |
| 16 | 6G1-15755-00 | .HANDLE, STARTER .POIGNEE, DE DEMARREUR | 1 | 1 | 1 | |
| 17 | 6G1-15779-00 | .COVER .COUVERCLE | 1 | 1 | 1 | |
| 18 | 67D-15739-00 | .WASHER, THRUST .RONDELLE, DE BUTEE | 1 | 1 | 1 | |
| 19 | 67D-15744-00 | .CIRCLIP .CIRCLIP | 1 | 1 | 1 | |
| 20 | 6BX-15762-00 | .SEAL, RUBBER 2 .JOINT CAOUTCHOUC 2 | 1 | 1 | 1 | |
| 21 | 97E95-06535 | BOLT, HEXAGON W/W DEEP RECESS VIS HEXAGONAL AVC RONDELLE | 2 | 2 | 2 | |
| 22 | 97E95-06520 | BOLT, HEXAGON W/W DEEP RECESS VIS HEXAGONAL AVC RONDELLE | 1 | 1 | 1 | |
| 23 | 6BX-E5770-00 | CABLE COMP., STARTER STOP CABLE, BUTEE DE DEMAR | 1 | 1 | 1 | |
| 24 | 90464-07008 | CLAMP BRIDE | 1 | 1 | 1 | |
| 25 | 6EE-H1995-40 | LABEL, WARNING ETIQUETTE, AVERTISSEMENT | 1 | 1 | 1 | |
| 26 | 6EE-H1995-50 | LABEL, WARNING ETIQUETTE, AVERTISSEMENT | 1 | 1 | 1 | |
| 27 | 6EE-E4427-60 | LABEL, INSTRUCTION ETIQUETTE, INSTRUCTION | 1 | 1 | 1 | |

FIG. 11 STARTER

DEMARREUR

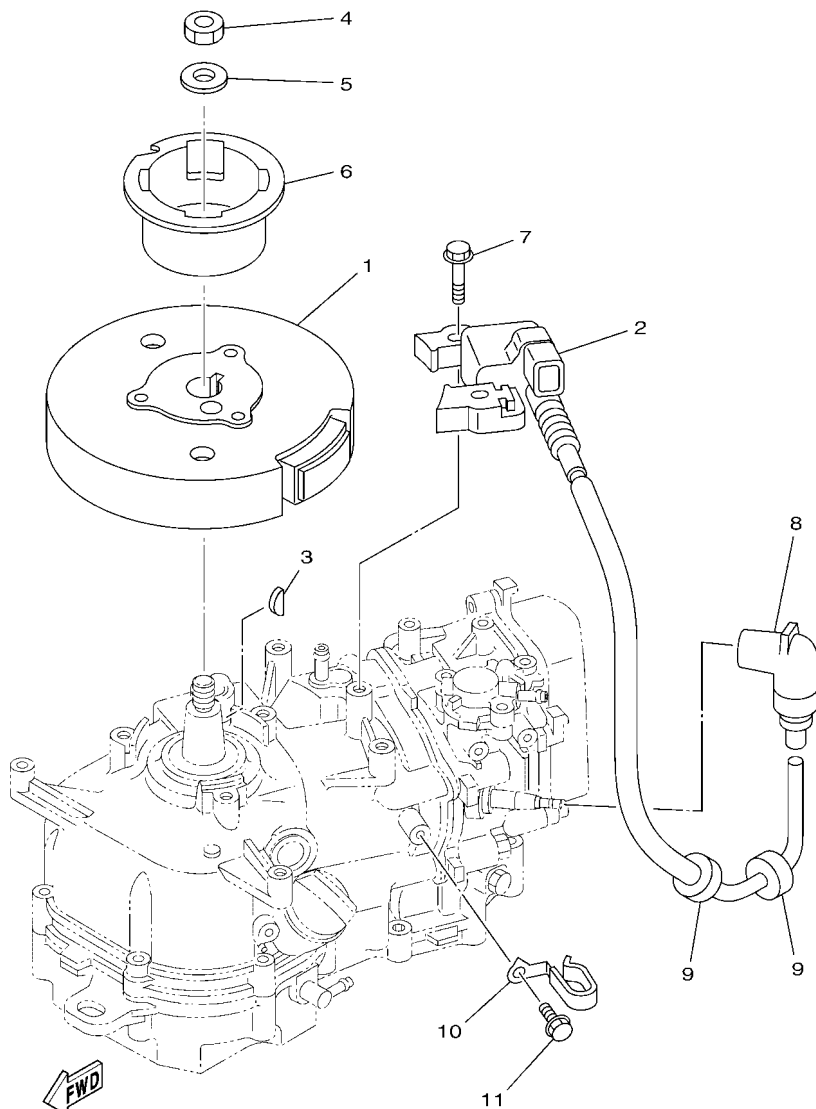


6EC7300-U110

*1: CUT FROM 50M ROLLS, PART NO. 90790-48192, CUTTING LENGTH 1.8M

*1:A PRELEVER SUR BOBINE 50M ,REFERENCE 90790-48192, LONGUEUR DE COUPE 1.8M

| REF. NO. | PART NO. N° PIECES | DESCRIPTION DESCRIPTION | 6EC8 | 6ED8 | 6EE8 | REMARKS REMARQUES |
|----------|--------------------|--------------------------------------|------|------|------|-------------------|
| 28 | 6EE-H1994-40 | LABEL, SAFETY ETIQUETTE, SECURITE | 1 | 1 | 1 | |
| 29 | 6EE-H1994-50 | LABEL, SAFETY ETIQUETTE, SECURITE | 1 | 1 | 1 | |
| | | | | | | |
| | | | | | | |
| | | | | | | |
| | | | | | | |
| | | | | | | |
| | | | | | | |
| | | | | | | |
| | | | | | | |



6EC1100-N120

FIG. 12 GENERATOR

GENERATRICE

| REF. NO. | PART NO. N° PIECES | DESCRIPTION DESCRIPTION | 6EC8 | 6ED8 | 6EE8 | REMARKS REMARQUES |
|----------|--------------------|--|------|------|------|-------------------|
| 1 | 6BX-85550-00 | ROTOR ASSY ROTOR CPLT | 1 | 1 | 1 | |
| 2 | 6BV-85571-01 | IGNITION COIL WITH CDI UNIT BOBINE D'ALLUMAGE AVEC CDI | 1 | | | |
| | 6BW-85571-01 | IGNITION COIL WITH CDI UNIT BOBINE D'ALLUMAGE AVEC CDI | | 1 | | |
| | 6BX-85571-00 | IGNITION COIL WITH CDI UNIT BOBINE D'ALLUMAGE AVEC CDI | | | 1 | |
| 3 | 90280-04M06 | KEY, WOODRUFF CLAVETTE, DEMI-LUNE | 1 | 1 | 1 | |
| 4 | 90170-12066 | NUT ECROU | 1 | 1 | 1 | |
| 5 | 90201-12472 | WASHER, PLATE RONDELLE, PLATE | 1 | 1 | 1 | |
| 6 | 6BX-15723-00 | PULLEY, STARTER POULIE DE DEMARREUR | 1 | 1 | 1 | |
| 7 | 90105-06037 | BOLT, FLANGE BOULON, A COLLERETTE | 2 | 2 | 2 | |
| 8 | 6BX-82370-00 | PLUG CAP ASSY ANTIPARASITE | 1 | 1 | 1 | |
| 9 | 90480-25161 | GROMMET PASSE-FIL | 2 | 2 | 2 | |
| 10 | 90465-08361 | CLAMP BRIDE | 1 | 1 | 1 | |
| 11 | 97E95-06512 | BOLT, HEXAGON W/W DEEP RECESS VIS HEXAGONAL AVEC RONDELLE | 1 | 1 | 1 | |

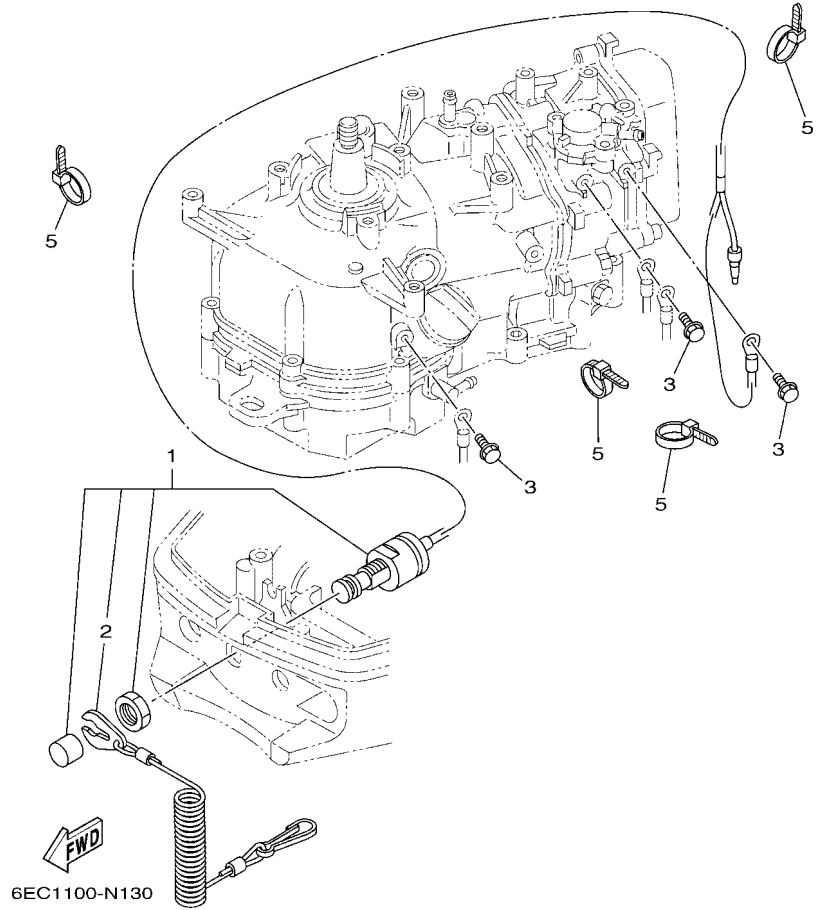
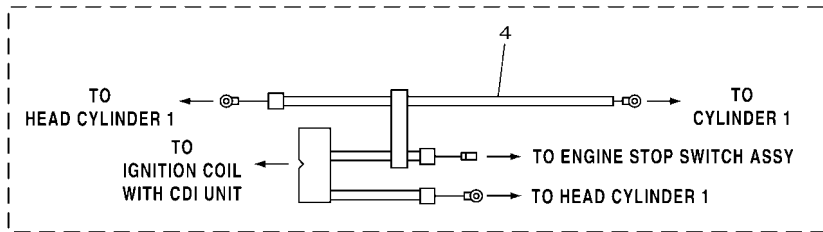


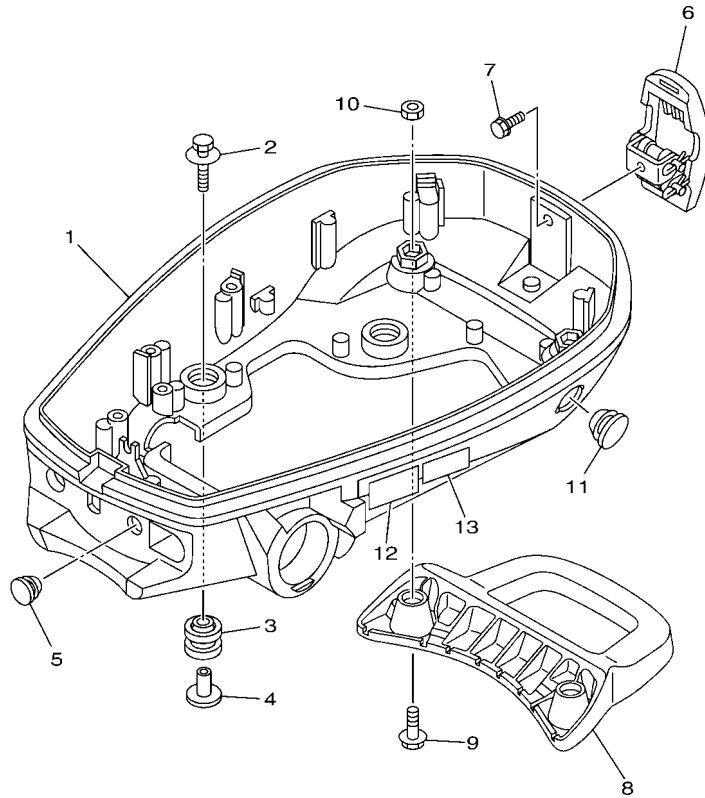
FIG. 13 ELECTRICAL

ELECTRIQUE

| REF. NO. | PART NO. N° PIECES | DESCRIPTION DESCRIPTION | 6EC8 | 6ED8 | 6EE8 | REMARKS REMARQUES |
|----------|--------------------|---|------|------|------|-------------------|
| | | | | | | |
| 1 | 6EE-H2575-01 | ENGINE STOP SWITCH ASSY COUPE CIRCUIT CPLT | 1 | 1 | 1 | |
| 2 | 6EE-H2556-00 | .LANYARD, STOP SWITCH .CORDON DU COUPE CIRCUIT | 1 | 1 | 1 | |
| 3 | 97E95-06512 | BOLT, HEXAGON W/W DEEP RECESS VIS HEXAGONAL AVC RONDELLE | 3 | 3 | 3 | |
| 4 | 6EE-H2531-00 | WIRE, LEAD FIL | 1 | 1 | 1 | |
| 5 | 90465-13M97 | CLAMP BRIDE | 4 | 4 | 4 | |
| | | | | | | |
| | | | | | | |
| | | | | | | |
| | | | | | | |
| | | | | | | |
| | | | | | | |
| | | | | | | |

FIG. 14 BOTTOM COWLING

CAPOT INFERIEUR



| REF. NO. | PART NO. N° PIECES | DESCRIPTION DESCRIPTION | 6EC8 | 6ED8 | 6EE8 | REMARKS REMARQUES |
|----------|--------------------|---|------|------|------|-------------------|
| 1 | 6EE-G2711-00-8D | COWLING, BOTTOM 1 CUVETTE 1 | 1 | 1 | 1 | |
| 2 | 90119-06300 | BOLT, WITH WASHER BOULON, AVEC RONDELLE | 4 | 4 | 4 | |
| 3 | 90480-21M82 | GROMMET PASSE-FIL | 4 | 4 | 4 | |
| 4 | 90387-06176 | COLLAR COLLERETTE | 4 | 4 | 4 | |
| 5 | 90480-14M14 | GROMMET PASSE-FIL | 1 | 1 | 1 | |
| 6 | 68T-42801-00 | COWLING CLAMP COMP. BRIDE DE CAPOT COMP. | 1 | 1 | 1 | |
| 7 | 97E95-06512 | BOLT, HEXAGON W/W DEEP RECESS VIS HEXAGONAL AVC RONDELLE | 1 | 1 | 1 | |
| 8 | 6EE-G2731-00 | CARRYING HANDLE POIGNEE DE PORTAGE | 1 | 1 | 1 | |
| 9 | 97E95-08520 | BOLT, HEXAGON W/W DEEP RECESS VIS HEXAGONAL AVC RONDELLE | 2 | 2 | 2 | |
| 10 | 95380-08600 | NUT ECROU | 2 | 2 | 2 | |
| 11 | 90480-22M72 | GROMMET PASSE-FIL | 1 | 1 | 1 | |
| 12 | 6EE-G2794-50 | LABEL, WARNING (GENERAL) ETIQUETTE, AVERTISSEMENT | 1 | 1 | 1 | |
| 13 | 6EE-E3437-61 | MARK, CAUTION MAKER | 1 | 1 | 1 | |



6EC4100-R140

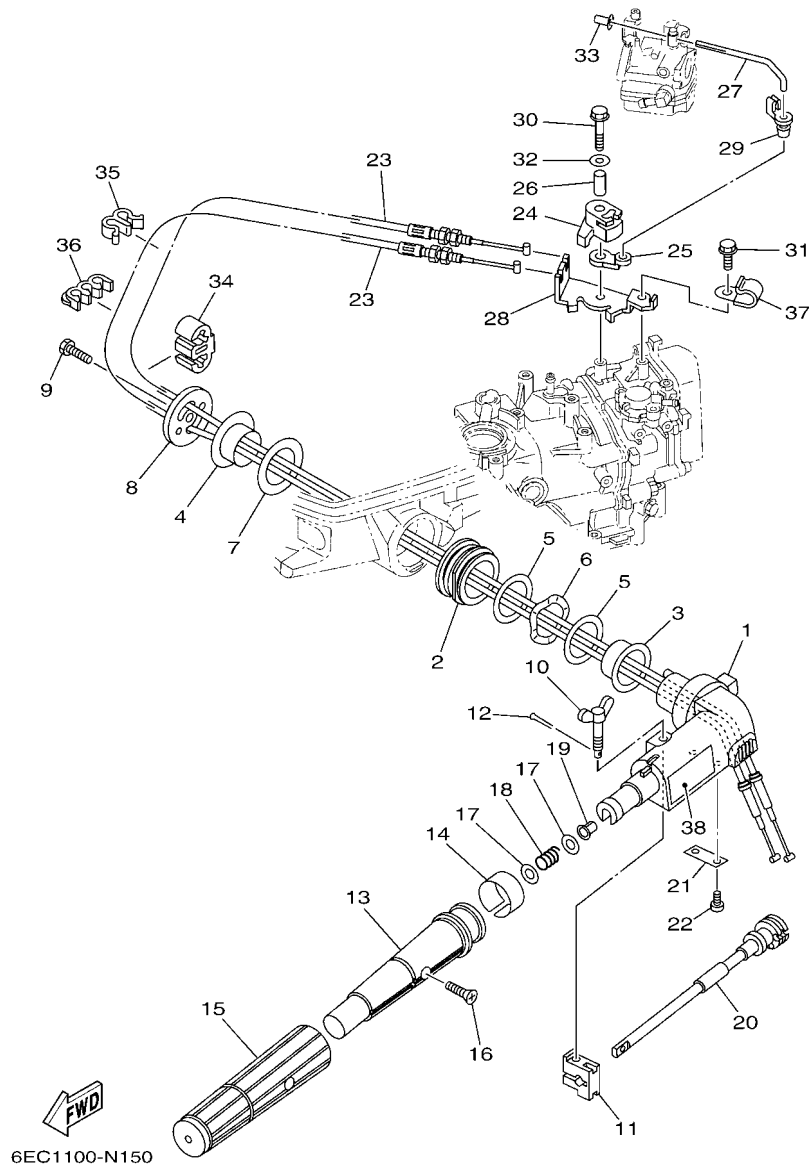


FIG. 15 STEERING

DIRECTION

| REF. NO. | PART NO. N° PIECES | DESCRIPTION DESCRIPTION | DIRECTION | | | REMARKS REMARQUES |
|----------|--------------------|---|-----------|------|------|-------------------|
| | | | 6EC8 | 6ED8 | 6EE8 | |
| 1 | 6EE-G2111-00-8D | HANDLE, STEERING POIGNEE | 1 | 1 | 1 | |
| 2 | 6BX-42129-00 | BUSHING, RUBBER DOUILLE, CAOUTCHOUC | 1 | 1 | 1 | |
| 3 | 6EE-G2171-00 | BUSHING COUSSINET | 1 | 1 | 1 | |
| 4 | 6EE-G2172-00 | BUSHING 2 DOUILLE 2 | 1 | 1 | 1 | |
| 5 | 6EE-G2181-00 | WASHER RONDELLE | 2 | 2 | 2 | |
| 6 | 6EE-G2188-00 | WASHER, WAVE RONDELLE, ONDULEE | 1 | 1 | 1 | |
| 7 | 6EE-G2182-00 | WASHER 2 RONDELLE 2 | 1 | 1 | 1 | |
| 8 | 6EE-G2131-00 | COVER, HANDLE STEERING COUVERCLE | 1 | 1 | 1 | |
| 9 | 97D75-08025 | BOLT, HEXAGON DEEP RECESS VIS HEXAGONAL | 1 | 1 | 1 | |
| 10 | 6G1-42125-01 | BOLT, FRICTION ADJUSTING BOULON | 1 | 1 | 1 | |
| 11 | 6EE-G2126-00 | FRICTION, STEERING HANDLE GRIP CUVETTE, POIGNEE DE DIRECTION | 1 | 1 | 1 | |
| 12 | 91490-16010 | PIN. COTTER GOUILLE | 1 | 1 | 1 | |
| 13 | 6EE-G2119-00 | GRIP, STEERING HANDLE POIGNEE, BARRE FRANCHE | 1 | 1 | 1 | |
| 14 | 6EE-G2137-00 | INDICATOR, THROTTLE INDICATEUR, ACCELERATION | 1 | 1 | 1 | |
| 15 | 6EE-G2177-01 | RUBBER, HANDLE CAOUTCHOUC, POIGNEE | 1 | 1 | 1 | |
| 16 | 90152-05011 | SCREW, COUNTERSUNK VIS, TETE NOYEE | 1 | 1 | 1 | |
| 17 | 90201-10M02 | WASHER, PLATE RONDELLE, PLATE | 2 | 2 | 2 | |
| 18 | 90501-23215 | SPRING, COMPRESSION RESSORT, COMPRESSION | 1 | 1 | 1 | |
| 19 | 90386-08032 | BUSH DOUILLE | 1 | 1 | 1 | |
| 20 | 6EE-G2138-00 | LEVER, THROTTLE LEVIER, ACCELERATEUR | 1 | 1 | 1 | |
| 21 | 6EE-G2159-00 | STAY SUPPORT | 1 | 1 | 1 | |
| 22 | 97885-05012 | SCREW, PAN HEAD VIS, A ENCOCHE | 2 | 2 | 2 | |
| 23 | 6EE-F6301-00 | THROTTLE CABLE ASSY CABLE D'ACCELERATEUR | 2 | 2 | 2 | |
| 24 | 6EE-G1638-00 | PULLEY POULIE | 1 | 1 | 1 | |
| 25 | 6EE-G1283-00 | LEVER, FREE ACCEL. LEVIER | 1 | 1 | 1 | |
| 26 | 90387-06252 | COLLAR COLLERETTE | 1 | 1 | 1 | |
| 27 | 6EE-G1211-00 | LINK, ACCEL. BIELLETTTE, ACCELERATION | 1 | 1 | 1 | |

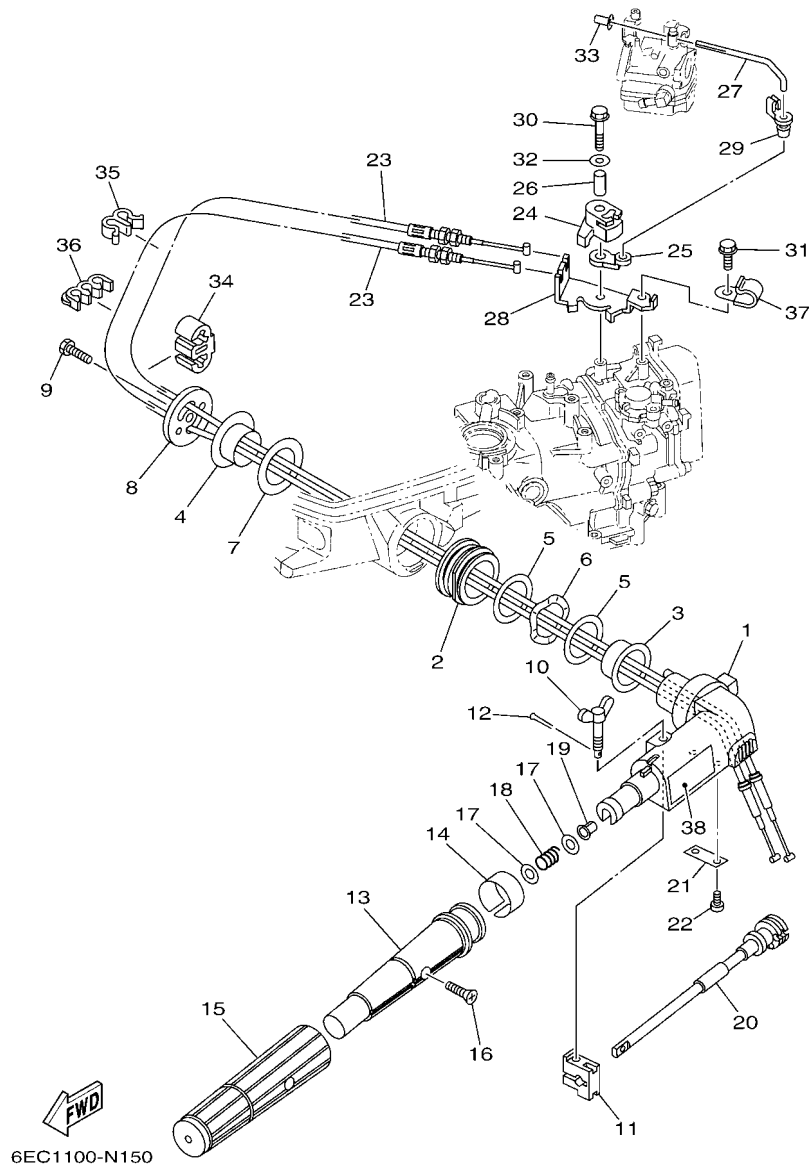


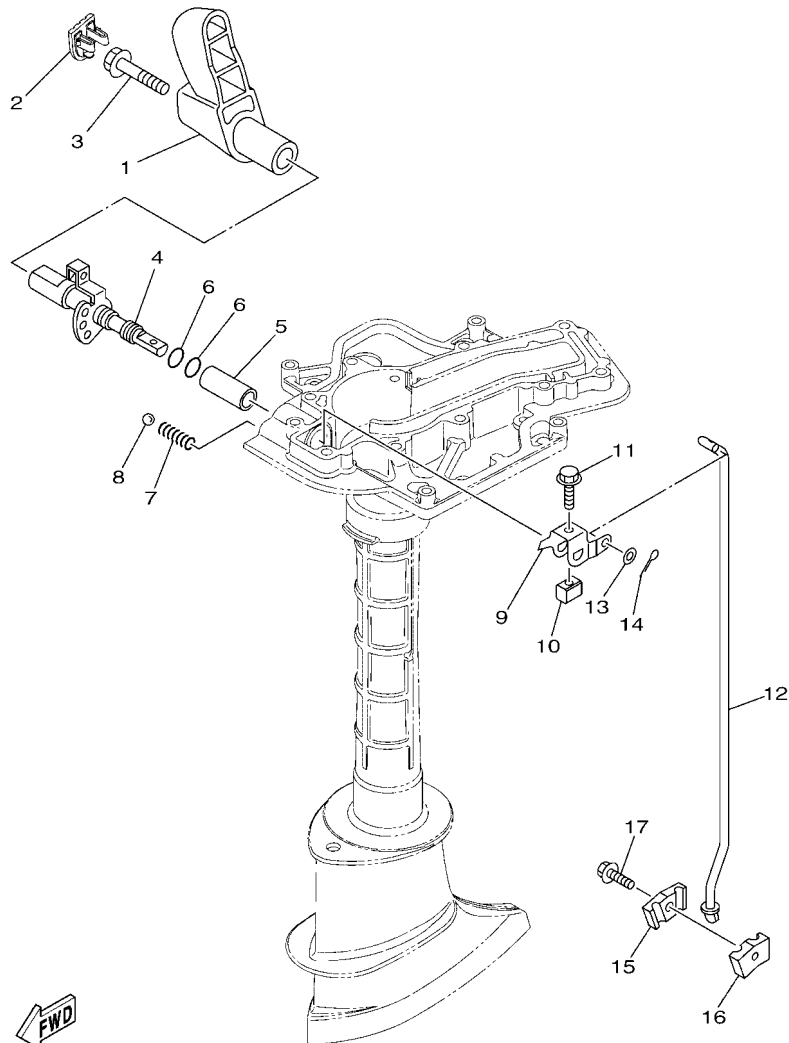
FIG. 15 STEERING

DIRECTION

| REF. NO. | PART NO. N° PIECES | DESCRIPTION DESCRIPTION | DIRECTION | | | REMARKS REMARQUES |
|----------|--------------------|---|-----------|------|------|-------------------|
| | | | 6EC8 | 6ED8 | 6EE8 | |
| 28 | 6EE-E4497-00 | STAY, THROTTLE WIRE SUPPORT DE BOISSEAU | 1 | 1 | 1 | |
| 29 | 661-41262-02 | JOINT, CHOKE LEVER RACCORD, LEVIER DE STARTER | 1 | 1 | 1 | |
| 30 | 97E95-06535 | BOLT, HEXAGON W/W DEEP RECESS VIS HEXAGONAL AVC RONDELLE | 1 | 1 | 1 | |
| 31 | 97E95-06512 | BOLT, HEXAGON W/W DEEP RECESS VIS HEXAGONAL AVC RONDELLE | 1 | 1 | 1 | |
| 32 | 90201-06M62 | WASHER, PLATE RONDELLE, PLATE | 1 | 1 | 1 | |
| 33 | 647-14395-61 | CAP, OVERFLOW PIPE COUVRE DE DURITE REFOULEMENT | 1 | 1 | 1 | |
| 34 | 90464-06006 | CLAMP BRIDE | 2 | 2 | 2 | |
| 35 | 90464-07M20 | CLAMP BRIDE | 1 | 1 | 1 | |
| 36 | 90464-07M05 | CLAMP BRIDE | 1 | 1 | 1 | |
| 37 | 90465-08395 | CLAMP BRIDE | 1 | 1 | 1 | |
| 38 | 6EE-G2794-40 | LABEL, WARNING (GENERAL) ETIQUETTE, AVERTISSEMENT | 1 | 1 | 1 | |

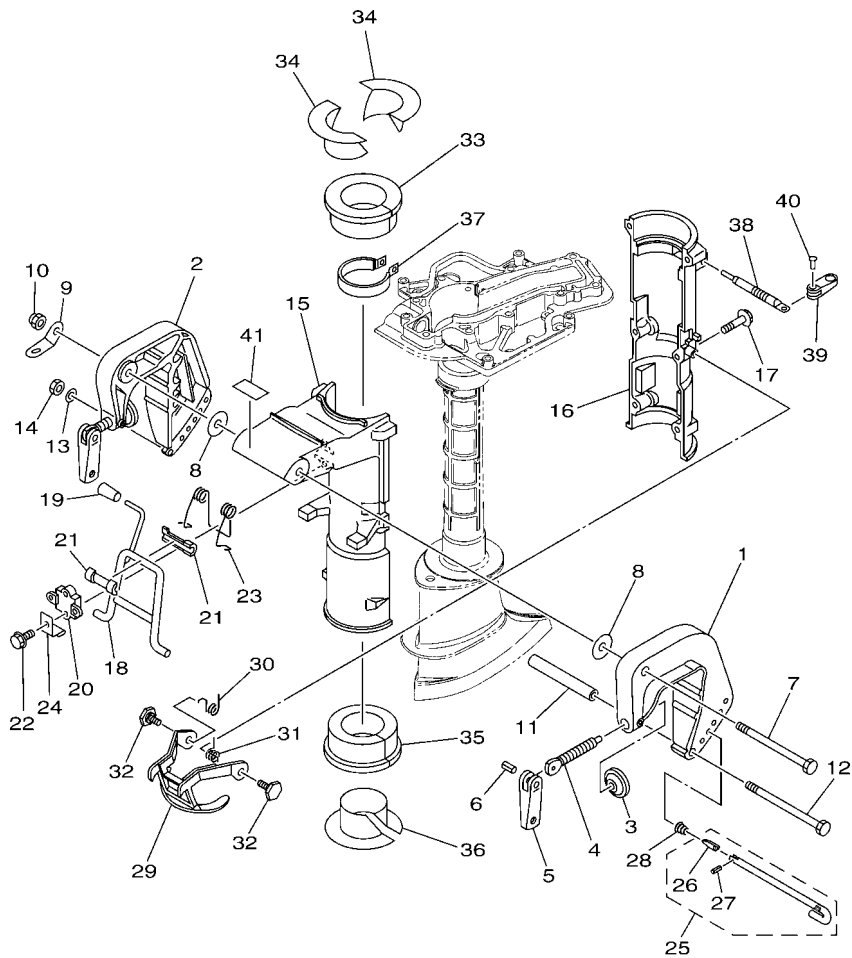
FIG. 16 CONTROL

COMMANDE



6EC1100-N160

| REF. NO. | PART NO. N° PIECES | DESCRIPTION DESCRIPTION | 6EC8 | 6ED8 | 6EE8 | REMARKS REMARQUES |
|----------|--------------------|--|------|------|------|-------------------|
| 1 | 6EE-G4111-00 | HANDLE, GEAR SHIFT POIGNEE, LEVIER D'EMBRAYAGE | 1 | 1 | 1 | |
| 2 | 6EE-G3679-00 | COVER COUVERCLE | 1 | 1 | 1 | |
| 3 | 90105-08046 | BOLT, FLANGE BOULON, A COLLERETTE | 1 | 1 | 1 | |
| 4 | 6EE-G4119-00-8D | SHAFT, CHANGE ARBRE, SELECTION | 1 | 1 | 1 | |
| 5 | 6EE-G4122-00 | BUSHING, SHIFT ROD LEVER DOUILLE, LEVIER D'EMBRAYAGE | 1 | 1 | 1 | |
| 6 | 93210-09811 | O-RING JOINT TORIQUE | 2 | 2 | 2 | |
| 7 | 90501-12802 | SPRING, COMPRESSION RESSORT, COMPRESSION | 1 | 1 | 1 | |
| 8 | 93505-16024 | BALL BILLE | 1 | 1 | 1 | |
| 9 | 6EE-G4121-00 | LEVER, SHIFT ROD LEVIER, TIGE D'INVERSION | 1 | 1 | 1 | |
| 10 | 6EE-E8175-00 | SPACER ENTRETOISE | 1 | 1 | 1 | |
| 11 | 90119-05M04 | BOLT, WITH WASHER BOULON, AVEC RONDELLE | 1 | 1 | 1 | |
| 12 | 6EE-G4143-00 | ROD, SHIFT 1 TIGE D'EMBRAYAGE 1 | 1 | 1 | 1 | |
| 13 | 92990-05600 | WASHER, PLATE RONDELLE, PLATE | 1 | 1 | 1 | |
| 14 | 91490-16010 | PIN. COTTER GOUPILLE | 1 | 1 | 1 | |
| 15 | 68D-G4145-00 | CONNECTOR, SHIFT ROD 1 CONNECTEUR, TIGE D'INVERSION 1 | 1 | 1 | 1 | |
| 16 | 68D-G4146-00 | CONNECTOR, SHIFT ROD 2 CONNECTEUR, TIGE D'INVERSION 2 | 1 | 1 | 1 | |
| 17 | 90119-06256 | BOLT, WITH WASHER BOULON, AVEC RONDELLE | 1 | 1 | 1 | |



6EC1100-N170

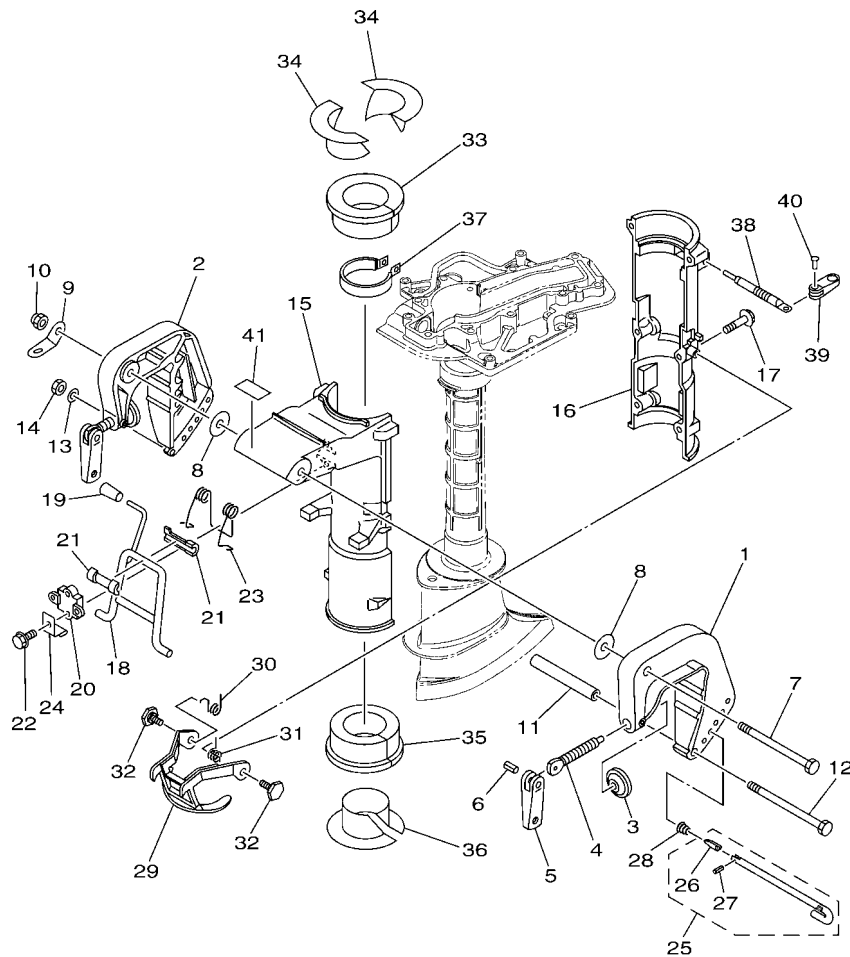
FIG. 17 BRACKET

SUPPORT

| REF. NO. | PART NO. N° PIECES | DESCRIPTION DESCRIPTION | 6EC8 | 6ED8 | 6EE8 | REMARKS REMARQUES |
|----------|--------------------|---|------|------|------|-------------------|
| 1 | 6EE-G3111-00-8D | BRACKET, CLAMP 1 PRESSE 1 | 1 | 1 | 1 | |
| 2 | 6EE-G3112-00-8D | BRACKET, CLAMP 2 PRESSE 2 | 1 | 1 | 1 | |
| 3 | 648-43114-01 | PAD, TRANSOM CLAMP RONDELLE D'APPUI | 2 | 2 | 2 | |
| 4 | 6E0-43116-01 | SCREW, TRANSOM CLAMP VIS DE PRESSE | 2 | 2 | 2 | |
| 5 | 6EE-G3118-00 | HANDLE, TRANSOM CLAMP POIGNEE DE VIS DE PRESSE | 2 | 2 | 2 | |
| 6 | 90243-04M01 | PIN GOUPILLE | 2 | 2 | 2 | |
| 7 | 90101-08M07 | BOLT BOULON | 1 | 1 | 1 | |
| 8 | 90202-08M58 | WASHER, PLATE RONDELLE, PLATE | 2 | 2 | 2 | |
| 9 | 6EE-G3113-00 | PLATE, CLAMP BRACKET PLAQUETTE, PRESSE | 1 | 1 | 1 | |
| 10 | 90185-08057 | NUT, SELF-LOCKING ECROU, AUTO-BLOQUANT | 1 | 1 | 1 | |
| 11 | 6EE-G3122-00 | COLLAR, CLAMP BRACKET COLLERETTE, SUPPORT | 1 | 1 | 1 | |
| 12 | 90101-06335 | BOLT BOULON | 1 | 1 | 1 | |
| 13 | 92990-06600 | WASHER, PLATE RONDELLE, PLATE | 1 | 1 | 1 | |
| 14 | 95380-06600 | NUT, HEXAGON ECROU | 1 | 1 | 1 | |
| 15 | 6EE-G3311-00-8D | BRACKET, SWIVEL 1 SUPPORT, PIVOT 1 | 1 | 1 | 1 | |
| 16 | 6EE-G3312-00-8D | BRACKET, SWIVEL 2 SUPPORT, PIVOT 2 | 1 | 1 | 1 | |
| 17 | 95D95-06035 | BOLT, FLANGE DEEP RECESS BOULON FIXATION | 6 | 6 | 6 | |
| 18 | 6EE-G3181-00-8D | LEVER, TILT STOP 1 LEVIER VERROUILLAGE RELEVAGE 1 | 1 | 1 | 1 | |
| 19 | 6E0-43632-00 | KNOB, TILT POIGNEE, LEVIER DE RELEVAGE | 1 | 1 | 1 | |
| 20 | 6EE-G3313-01-8D | BRACKET, SWIVEL 3 SUPPORT, PIVOT 3 | 1 | 1 | 1 | |
| 21 | 620-43189-00 | BUSHING COUSSINET | 2 | 2 | 2 | |
| 22 | 95D95-06020 | BOLT, FLANGE DEEP RECESS BOULON FIXATION | 2 | 2 | 2 | |
| 23 | 6EE-G8561-00 | SPRING 1 RESSORT 1 | 1 | 1 | 1 | |
| 24 | 6EE-G3319-00 | PLATE PLAQUE | 1 | 1 | 1 | |
| 25 | 6EE-G3160-00 | TILT ROD ASSY BROCHE D'INCLINAISON (ENS.) | 1 | 1 | 1 | |
| 26 | 6EE-G3165-00 | .PLATE, TILT LOCK .TAQUET, BROCHE INCLINAISON | 1 | 1 | 1 | |
| 27 | 91690-30006 | .PIN, SPRING .AGRAFFE | 1 | 1 | 1 | |

FIG. 17 BRACKET

SUPPORT

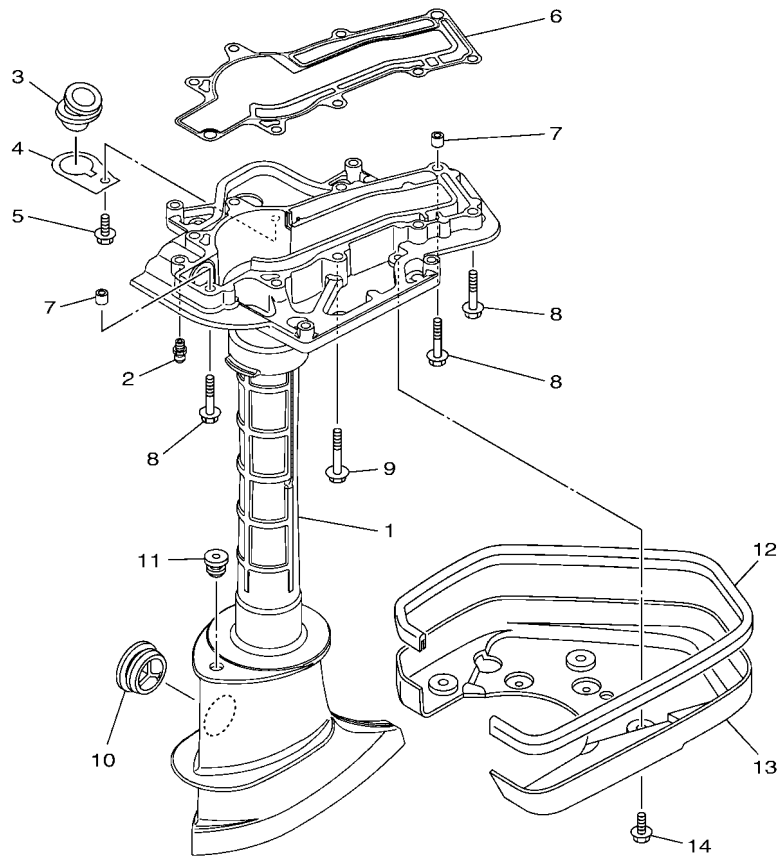


6EC1100-N170

| REF. NO. | PART NO. N° PIECES | DESCRIPTION DESCRIPTION | 6EC8 | 6ED8 | 6EE8 | REMARKS REMARQUES |
|----------|--------------------|--|------|------|------|-------------------|
| 28 | 90502-08M05 | SPRING, CONICAL RESSORT, CONIQUE | 1 | 1 | 1 | |
| 29 | 6EE-G3614-00 | PLATE, TILT LOCK ETRIER, VERROUILLAGE MARCHE AR | 1 | 1 | 1 | |
| 30 | 6EE-G3188-00 | SPRING RESSORT | 1 | 1 | 1 | |
| 31 | 6EE-G3198-00 | SPRING 2 RESSORT 2 | 1 | 1 | 1 | |
| 32 | 90109-06M84 | BOLT BOULON | 2 | 2 | 2 | |
| 33 | 6EE-G2537-00 | BUSHING, PIVOT SHAFT COUSSINET | 1 | 1 | 1 | |
| 34 | 6EE-G2539-00 | BUSHING, PIVOT SHAFT COUSSINET | 2 | 2 | 2 | |
| 35 | 6EE-G2538-00 | BUSHING, PIVOT SHAFT COUSSINET | 1 | 1 | 1 | |
| 36 | 6EE-G2549-00 | BUSHING, PIVOT SHAFT COUSSINET | 1 | 1 | 1 | |
| 37 | 6E0-42528-04 | PLATE, FRICTION PLAQUE, FRICTION | 1 | 1 | 1 | |
| 38 | 6L5-42529-01 | SCREW, FRICTION PIECE VIS, PIECE DE FRICTION | 1 | 1 | 1 | |
| 39 | 6EE-G2561-00 | KNOB, STEERING LOCK BOUTON | 1 | 1 | 1 | |
| 40 | 90266-04M05 | RIVET RIVET | 1 | 1 | 1 | |
| 41 | 6EE-F4591-00 | EMBLEM, FUEL COCK ADHESIF | 1 | 1 | 1 | |

FIG. 18 UPPER CASING

FOURREAU



| REF. NO. | PART NO. N° PIECES | DESCRIPTION DESCRIPTION | 6EC8 | 6ED8 | 6EE8 | REMARKS REMARQUES |
|----------|--------------------|--|------|------|------|-------------------|
| 1 | 6EE-G5111-01-8D | CASING, UPPER FOURREAU | 1 | 1 | 1 | |
| 2 | 93700-06M03 | NIPPLE, GREASE PION | 1 | 1 | 1 | |
| 3 | 6EE-E5316-01 | DAMPER 1 AMORTISSEUR 1 | 1 | 1 | 1 | |
| 4 | 6EE-G5181-00 | PLATE PLAQUETTE | 1 | 1 | 1 | |
| 5 | 97E95-06514 | BOLT, HEXAGON W/W DEEP RECESS VIS HEXAGONAL AVC RONDELLE | 1 | 1 | 1 | |
| 6 | 6EE-45113-00 | GASKET, UPPER CASING JOINT, TUBE D'ARBRE | 1 | 1 | 1 | |
| 7 | 90387-06M14 | COLLAR COLLERETTE | 2 | 2 | 2 | |
| 8 | 97E75-06540 | BOLT, HEXAGON W/W DEEP RECESS VIS HEXAGONAL AVC RONDELLE | 5 | 5 | 5 | |
| 9 | 97E75-06550 | BOLT, HEXAGON W/W DEEP RECESS VIS HEXAGONAL AVC RONDELLE | 4 | 4 | 4 | |
| 10 | 647-45151-02 | COVER, UPPER CASING CAPUCHON, FOURREAU | 2 | 2 | 2 | |
| 11 | 90480-10M13 | GROMMET PASSE-FIL | 1 | 1 | 1 | |
| 12 | 6EE-G2716-00 | RUBBER SEAL 1 JOINT EN CAOUTCHOUC 1 | 1 | 1 | 1 | |
| 13 | 6EE-G2723-00 | COVER, BOTTOM COUVERCLE | 1 | 1 | 1 | |
| 14 | 97E95-06514 | BOLT, HEXAGON W/W DEEP RECESS VIS HEXAGONAL AVC RONDELLE | 4 | 4 | 4 | |

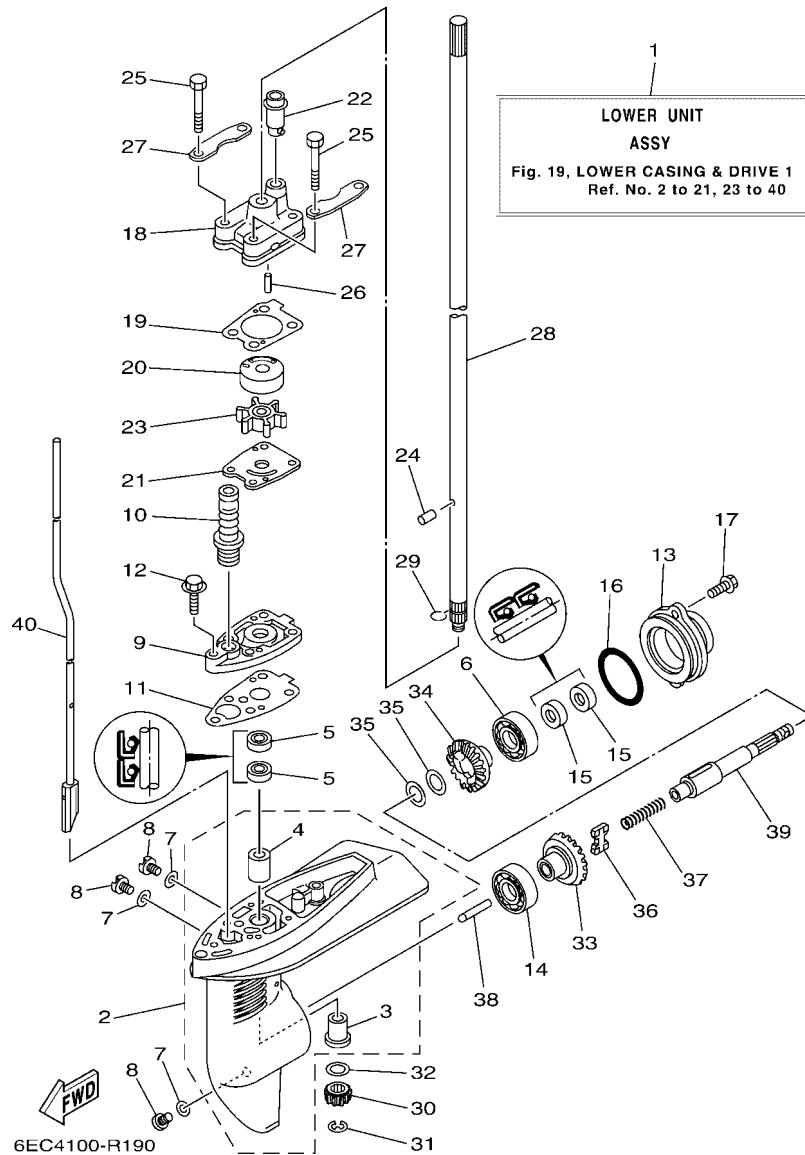


FIG. 19 LOWER CASING & DRIVE 1

BOITIER D'HELICE TRANSMISSION1

| REF. NO. | PART NO. N° PIECES | DESCRIPTION DESCRIPTION | 6EC8 | 6ED8 | 6EE8 | REMARKS REMARQUES |
|----------|--------------------|---|------|------|------|----------------------|
| 1 | 6EE-G5300-01-8D | LOWER UNIT ASSY UNITE INFERIEURE (ENS.) | 1 | 1 | 1 | S(17.2") S(17.2") |
| | 6EE-G5300-11-8D | LOWER UNIT ASSY UNITE INFERIEURE (ENS.) | 1 | 1 | 1 | L(22.2") L(22.2") |
| 2 | 6EE-G5311-00-8D | CASING, LOWER BOITIER D'HELICE | 1 | 1 | 1 | |
| 3 | 6E0-45317-09 | .BUSHING, DRIVE SHAFT .DOUILLE, ARBRE MOTEUR | 1 | 1 | 1 | |
| 4 | 6E0-45316-09 | .BUSHING, DRIVE SHAFT .DOUILLE, ARBRE MOTEUR | 1 | 1 | 1 | |
| 5 | 93101-10811 | OIL SEAL JOINT SPY | 2 | 2 | 2 | |
| 6 | 93306-054YU | BEARING ROULEMENT | 1 | 1 | 1 | |
| 7 | 90430-08003 | GASKET JOINT | 3 | 3 | 3 | |
| 8 | 90340-08002 | PLUG, STRAIGHT SCREW PLOT, FILETE DROIT | 3 | 3 | 3 | |
| 9 | 6EE-G5321-00-CA | PLATE PLAQUETTE | 1 | 1 | 1 | |
| 10 | 6EE-G4147-00 | BOOT, SHIFT ROD SOUFFLET, TIGE D'INVERSION | 1 | 1 | 1 | |
| 11 | 6EE-G5315-00 | PACKING, LOWER CASING JOINT, BOITIER D'HELICE | 1 | 1 | 1 | |
| 12 | 97E95-06525 | BOLT, HEXAGON W/W DEEP RECESS VIS HEXAGONAL AVC RONDELLE | 1 | 1 | 1 | |
| 13 | 6EE-G5361-00-8D | CAP, LOWER CASING COUVERCLE, BOITIER D'HELICE | 1 | 1 | 1 | |
| 14 | 93306-054YU | BEARING ROULEMENT | 1 | 1 | 1 | |
| 15 | 93101-13800 | OIL SEAL JOINT SPY | 2 | 2 | 2 | |
| 16 | 93210-48800 | O-RING JOINT TORIQUE | 1 | 1 | 1 | |
| 17 | 95D95-06016 | BOLT, FLANGE DEEP RECESS BOULON FIXATION | 2 | 2 | 2 | |
| 18 | 6EE-G4311-00 | HOUSING, WATER PUMP CORPS, POMPE A EAU | 1 | 1 | 1 | |
| 19 | 6EE-G4315-00 | GASKET, WATER PUMP JOINT, POMPE A EAU | 1 | 1 | 1 | |
| 20 | 6EE-G4322-00 | INSERT, CARTRIDGE CUVETTE | 1 | 1 | 1 | |
| 21 | 6EE-G4323-00 | OUTER PLATE, CARTRIDGE PLAQUE EXTERIEURE | 1 | 1 | 1 | |
| 22 | 6EE-G4366-01 | DAMPER, WATER SEAL 2 JOINT, TUBE D'EAU 2 | 1 | 1 | 1 | |
| 23 | 6E0-44352-00 | IMPELLER TURBINE | 1 | 1 | 1 | |
| 24 | 93604-09066 | PIN, DOWEL CLAVETTE | 1 | 1 | 1 | |
| 25 | 97D95-06045 | BOLT, HEXAGON DEEP RECESS VIS HEXAGONAL | 4 | 4 | 4 | |
| 26 | 93604-18080 | PIN, DOWEL CLAVETTE | 2 | 2 | 2 | |

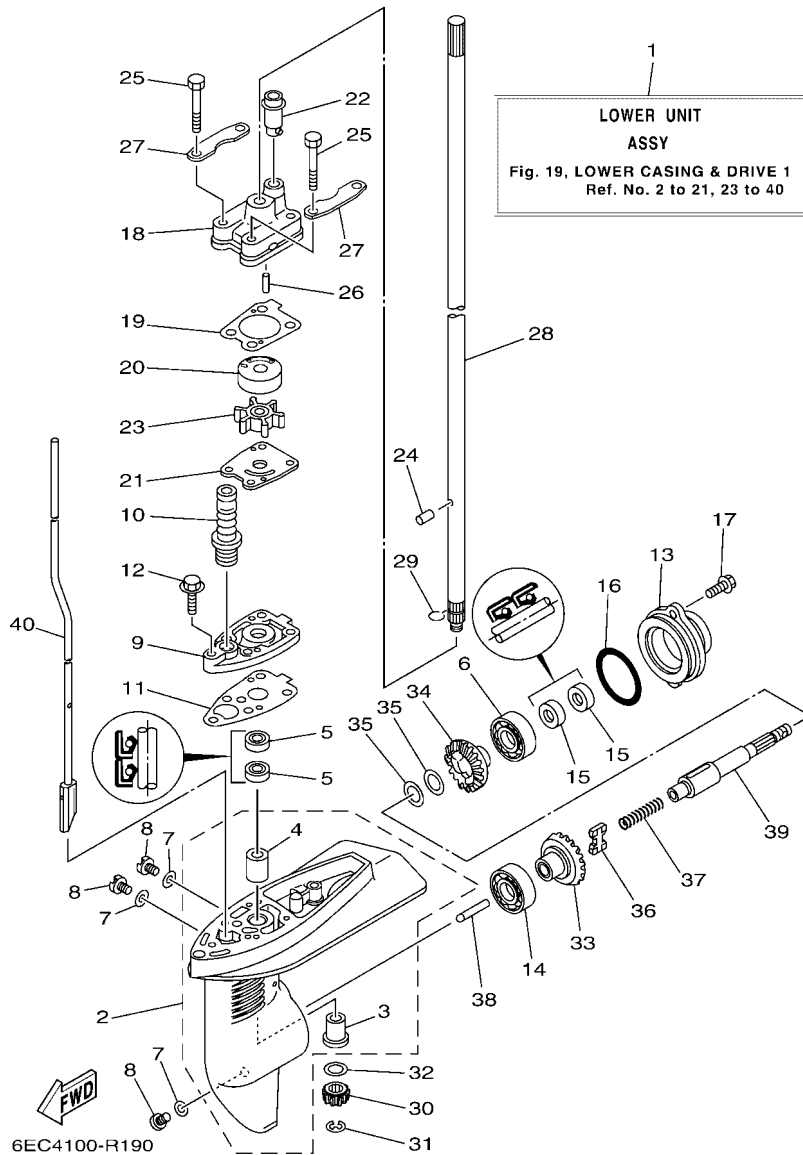


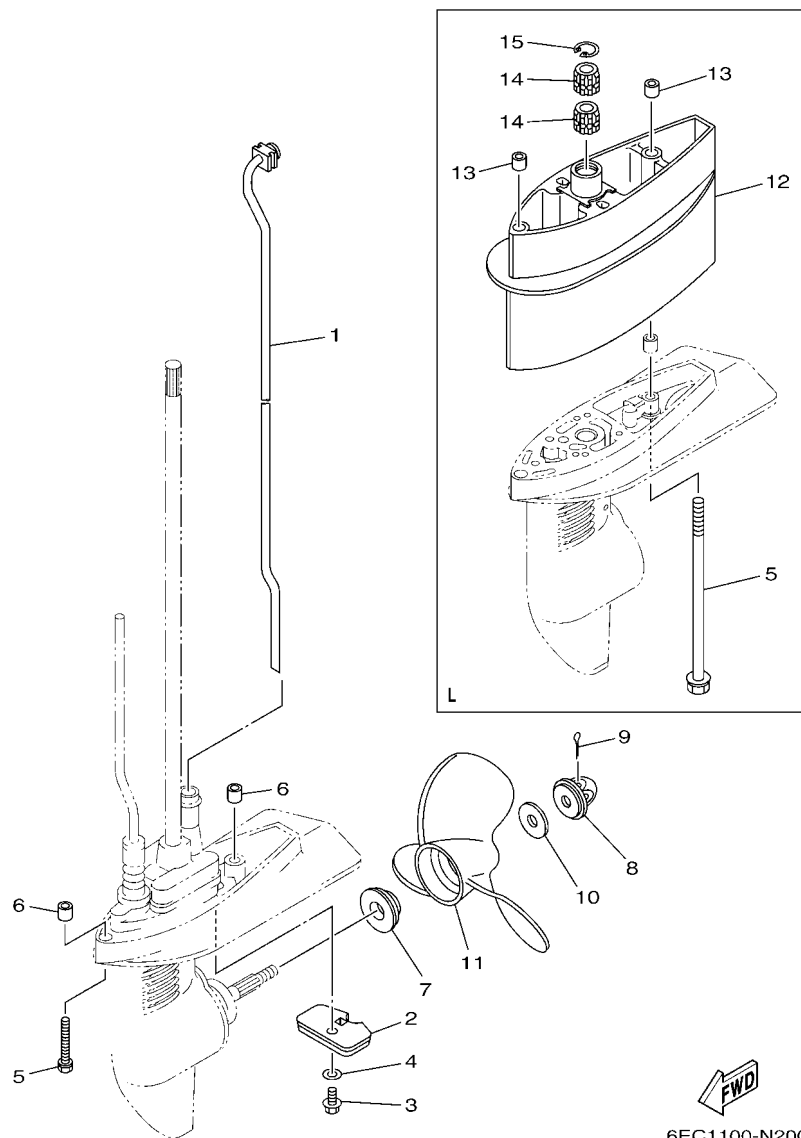
FIG. 19 LOWER CASING & DRIVE 1

BOITIER D'HELICE TRANSMISSION1

| REF. NO. | PART NO. N° PIECES | DESCRIPTION DESCRIPTION | 6EC8 | 6ED8 | 6EE8 | REMARKS REMARQUES |
|----------|--------------------|--|------|------|------|----------------------|
| 27 | 6EE-G4328-00 | PLATE PLAQUETTE | 2 | 2 | 2 | |
| 28 | 6E0-45511-01 | SHAFT, DRIVE ARBRE, MOTEUR | 1 | 1 | 1 | S(17.2") S(17.2") |
| | 6E0-45511-11 | SHAFT, DRIVE ARBRE, MOTEUR | 1 | 1 | 1 | L(22.2") L(22.2") |
| 29 | 90467-08M01 | CLIP JONC | 1 | 1 | 1 | |
| 30 | 6BX-45551-00 | PINION (13T) PIGNON D'ATTAQUE (13D) | 1 | 1 | 1 | |
| 31 | 99001-06600 | CIRCLIP CIRCLIP | 1 | 1 | 1 | |
| 32 | 90201-11M49 | WASHER, PLATE RONDELLE, PLATE | 1 | 1 | 1 | |
| 33 | 67D-45560-00 | GEAR 1 (27T) PIGNON 1 (27T) | 1 | 1 | 1 | |
| 34 | 67D-45570-00 | GEAR 2 (27T) PIGNON 2 (27T) | 1 | 1 | 1 | |
| 35 | 6EE-G5576-00 | WASHER, THRUST 2 RONDELLE DE CALAGE 2 | 2 | 2 | 2 | |
| 36 | 67D-45631-01 | CLUTCH, DOG CRABOT | 1 | 1 | 1 | |
| 37 | 90501-120A9 | SPRING, COMPRESSION RESSORT, COMPRESSION | 1 | 1 | 1 | |
| 38 | 6EE-G5635-00 | PLUNGER, SHIFT POUSSOIR D'EMBRAYAGE | 1 | 1 | 1 | |
| 39 | 6EE-G5611-00 | SHAFT, PROPELLER ARBRE, HELICE | 1 | 1 | 1 | |
| 40 | 6EE-G4150-00 | SHIFT CAM ASSY CAME D'INVERSION | 1 | 1 | 1 | S(17.2") S(17.2") |
| | 6EE-G4150-10 | SHIFT CAM ASSY CAME D'INVERSION | 1 | 1 | 1 | L(22.2") L(22.2") |

FIG. 20 LOWER CASING & DRIVE 2

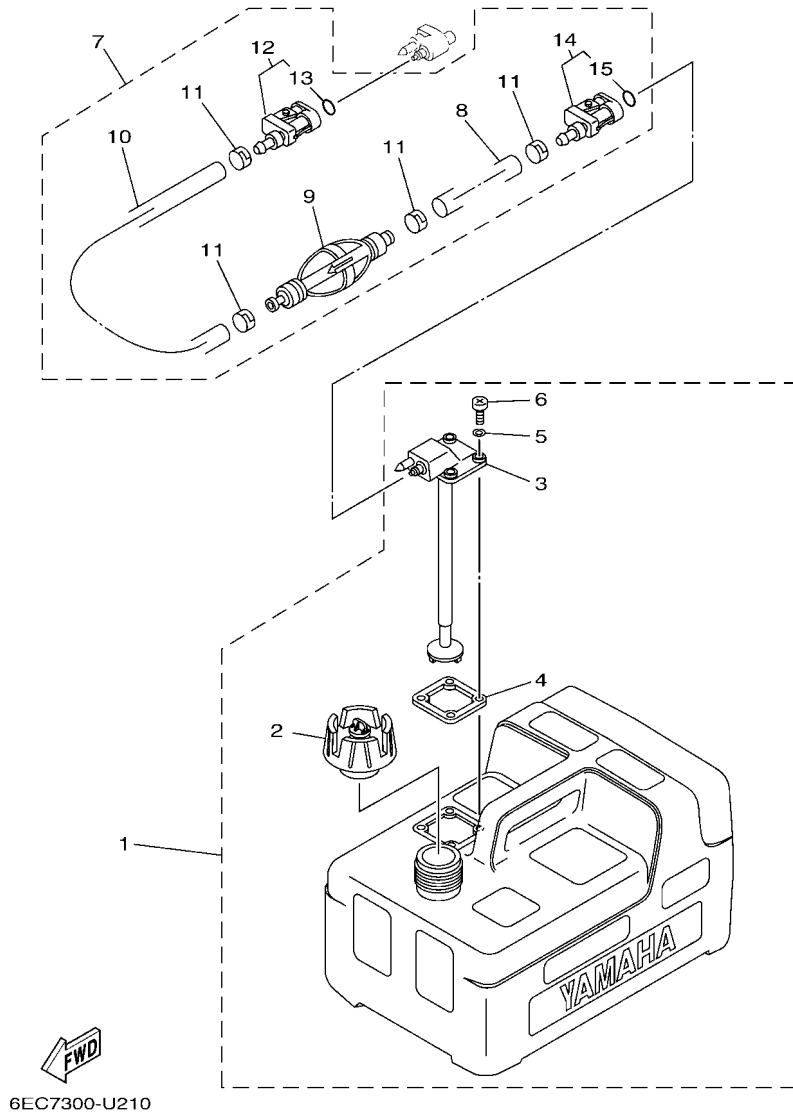
BOITIER D'HELICE TRANSMISSION2



| REF. NO. | PART NO. N° PIECES | DESCRIPTION DESCRIPTION | 6EC8 | 6ED8 | 6EE8 | REMARKS REMARQUES |
|----------|--------------------|---|------|------|------|----------------------|
| 1 | 6EE-G4360-00 | WATER TUBE ASSY TUYAU,EAU | 1 | 1 | 1 | S(17.2") S(17.2") |
| | 6EE-G4360-10 | WATER TUBE ASSY TUYAU,EAU | 1 | 1 | 1 | L(22.2") L(22.2") |
| 2 | 6L5-45251-03 | ANODE ANODE | 1 | 1 | 1 | |
| 3 | 95D95-06012 | BOLT, FLANGE DEEP RECESS BOULON FIXATION | 1 | 1 | 1 | |
| 4 | 92990-06300 | WASHER, INTERNAL TOOTH RONDELLE, DENTURE INTERNE | 1 | 1 | 1 | |
| 5 | 90119-06253 | BOLT, WITH WASHER BOULON, AVEC RONDELLE | 2 | 2 | 2 | S(17.2") S(17.2") |
| | 90119-06254 | BOLT, WITH WASHER BOULON, AVEC RONDELLE | 2 | 2 | 2 | L(22.2") L(22.2") |
| 6 | 90387-06M14 | COLLAR COLLERETTE | 2 | 2 | 2 | |
| 7 | 6EE-G5987-00 | SPACER 1 ENTRETOISE 1 | 1 | 1 | 1 | |
| 8 | 6EE-G5616-00 | NUT, PROPELLER CONE, HELICE | 1 | 1 | 1 | |
| 9 | 91490-25030 | PIN. COTTER GOUPILLE | 1 | 1 | 1 | |
| 10 | 90201-08M54 | WASHER, PLATE RONDELLE, PLATE | 1 | 1 | 1 | |
| 11 | 6E0-45949-00 | PROPELLER (3X7-1/4"X6-1/2"-BA) HELICE (3X7-1/4"X6-1/2"-BA) | 1 | 1 | 1 | UR UR |
| | 6E0-45943-01 | PROPELLER (3X7-1/2"X7"-BA) HELICE (3X7-1/2"X7"-BA) | 1 | 1 | 1 | UR UR |
| | 6E0-45941-01 | PROPELLER (3X7-1/2"X8"-BA) HELICE (3X7-1/2"X8"-BA) | 1 | 1 | 1 | UR UR |
| | 6E0-45952-00 | PROPELLER (3X7-1/4"X8-1/4"-BA) HELICE (3X7-1/4"X8-1/4"-BA) | 1 | 1 | 1 | UR UR |
| | 6E0-45954-00 | PROPELLER (3X7-1/2"X9"-BA) HELICE (3X7-1/2"X9"-BA) | 1 | 1 | 1 | UR UR |
| 12 | 6EE-G5211-00-8D | EXTENSION EXTENSION | 1 | 1 | 1 | L(22.2") L(22.2") |
| 13 | 90387-06M14 | COLLAR COLLERETTE | 2 | 2 | 2 | L(22.2") L(22.2") |
| 14 | 6BX-45318-01 | BUSHING, DRIVE SHAFT DOUILLE, ARBRE MOTEUR | 2 | 2 | 2 | L(22.2") L(22.2") |
| 15 | 93420-22M03 | CIRCLIP CIRCLIP, TYPE S | 1 | 1 | 1 | L(22.2") L(22.2") |

FIG. 21 FUEL TANK

RESERVOIR A CARBURANT



| REF. NO. | PART NO. N° PIECES | DESCRIPTION DESCRIPTION | 6EC8 | 6ED8 | 6EE8 | REMARKS REMARQUES |
|----------|--------------------|---|------|------|------|--|
| 1 | 6YL-24201-07 | FUEL TANK ASSY (12L) RESERVOIR A ESSENCE (ENS.) 12L | 1 | 1 | 1 | AP EXCEPT FOR RUS AP EXCEPT FOR RUS WITHOUT INDICATOR WITHOUT INDICATOR |
| 2 | 6YK-24610-10 | .CAP ASSY .BOUCHON | 1 | 1 | 1 | |
| 3 | 6YL-24260-10 | .FUEL METER ASSY .INDICATEUR DE CARBURANT | 1 | 1 | 1 | |
| 4 | 6YL-24268-01 | .GASKET, FUEL METER .JOINT, JAUGE A CARBURANT | 1 | 1 | 1 | |
| 5 | 6YL-24329-00 | .SEAL .JOINT | 4 | 4 | 4 | |
| 6 | 90157-05M16 | .SCREW, PAN HEAD .VIS, TETE TRONCONIQUE | 4 | 4 | 4 | |
| 7 | 61J-24306-04 | FUEL PIPE COMP. 1 DURITE A ESSENCE 1 | 1 | 1 | 1 | AP EXCEPT FOR RUS AP EXCEPT FOR RUS |
| 8 | 90445-11M06 | .HOSE (L2050) .DURITE (L2050) | 1 | 1 | 1 | |
| 9 | 61J-24360-00 | .PRIMER PUMP ASSY .POMPE D'AMORCAGE | 1 | 1 | 1 | |
| 10 | 90445-11M05 | .HOSE (L850) .DURITE (L850) | 1 | 1 | 1 | |
| 11 | 650-24351-51 | .BAND 1 .COLLIER 1 | 4 | 4 | 4 | |
| 12 | 6G1-24305-05 | .FUEL PIPE JOINT COMP. 2 .DURITE RACCORDEMT. A ESSENCE | 1 | 1 | 1 | |
| 13 | 93210-08287 | ..O-RING ..JOINT TORIQUE | 1 | 1 | 1 | |
| 14 | 6Y1-24305-06 | .FUEL PIPE JOINT COMP. 2 .DURITE RACCORDEMT. A ESSENCE | 1 | 1 | 1 | |
| 15 | 93210-08287 | ..O-RING ..JOINT TORIQUE | 1 | 1 | 1 | |

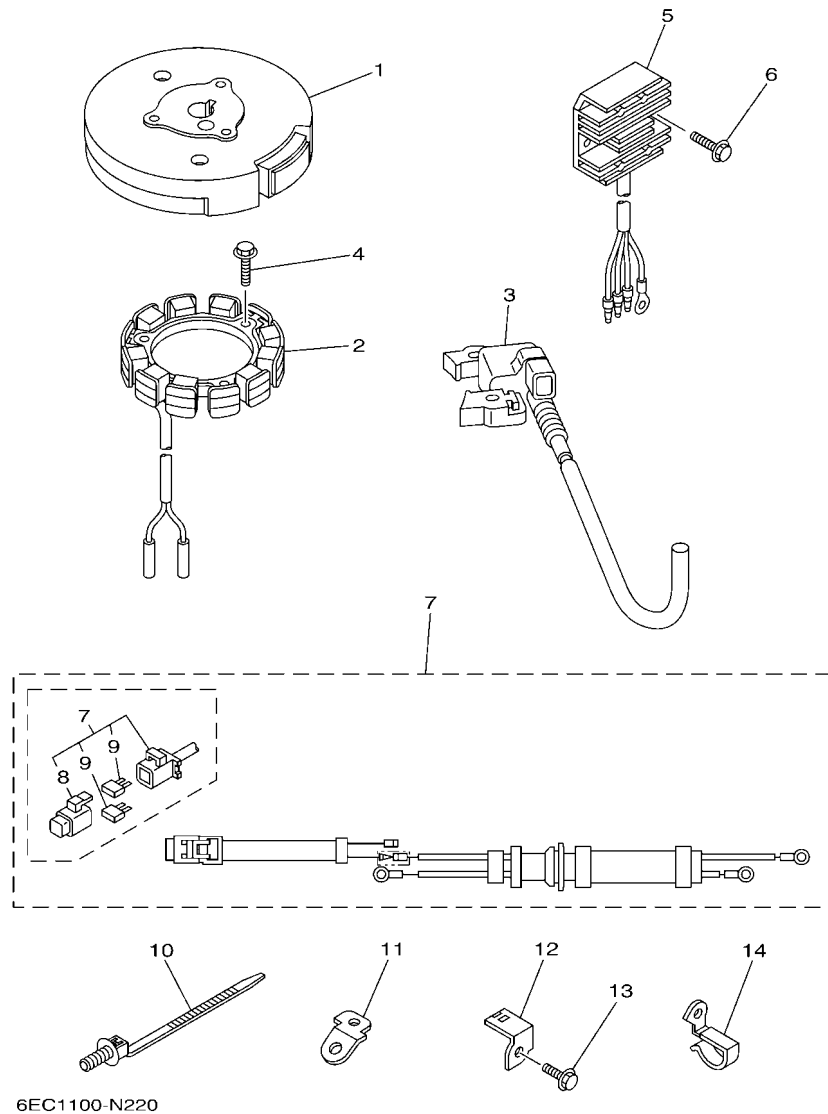


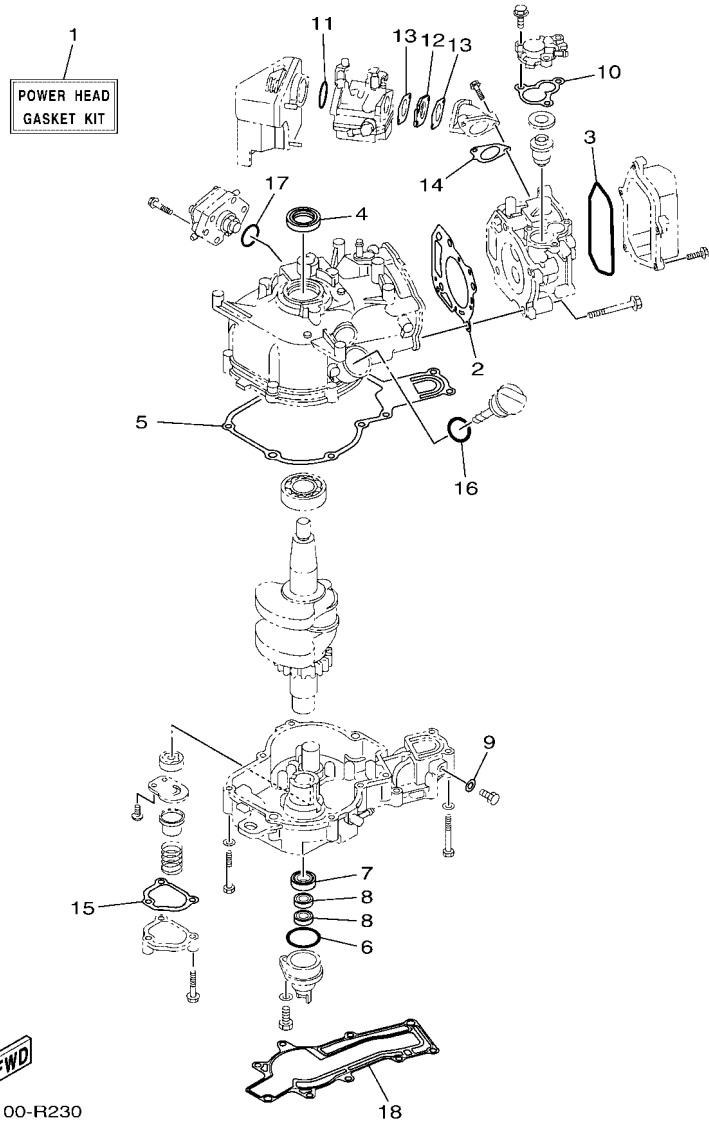
FIG. 22 OPTIONAL PARTS

PIECES OPTIONNELLES

| REF. NO. | PART NO. N° PIECES | DESCRIPTION DESCRIPTION | 6EC8 | 6ED8 | 6EE8 | REMARKS REMARQUES |
|----------|--------------------|---|------|------|------|----------------------------------|
| 1 | 6BX-85550-A0 | ROTOR ASSY ROTOR CPLT | 1 | 1 | 1 | EXCEPT FOR RUS EXCEPT FOR RUS |
| 2 | 6BX-85510-A0 | LIGHTING COIL ASSY BOBINE D'ECLAIRAGE | 1 | 1 | 1 | EXCEPT FOR RUS EXCEPT FOR RUS |
| 3 | 6BV-85571-01 | IGNITION COIL WITH CDI UNIT BOBINE D'ALLUMAGE AVEC CDI | 1 | | | EXCEPT FOR RUS EXCEPT FOR RUS |
| | 6BW-85571-01 | IGNITION COIL WITH CDI UNIT BOBINE D'ALLUMAGE AVEC CDI | | 1 | | EXCEPT FOR RUS EXCEPT FOR RUS |
| | 6BX-85571-00 | IGNITION COIL WITH CDI UNIT BOBINE D'ALLUMAGE AVEC CDI | | | 1 | EXCEPT FOR RUS EXCEPT FOR RUS |
| 4 | 97E95-06520 | BOLT, HEXAGON W/W DEEP RECESS VIS HEXAGONAL AVC RONDELLE | 3 | 3 | 3 | EXCEPT FOR RUS EXCEPT FOR RUS |
| 5 | 6BX-81960-00 | RECTIFIER & REGULATOR ASSY REDRESSEUR REGULATEUR CPLT | 1 | 1 | 1 | EXCEPT FOR RUS EXCEPT FOR RUS |
| 6 | 97E95-06516 | BOLT, HEXAGON W/W DEEP RECESS VIS HEXAGONAL AVC RONDELLE | 2 | 2 | 2 | EXCEPT FOR RUS EXCEPT FOR RUS |
| 7 | 6BX-81949-00 | WIRE, LEAD FIL | 1 | 1 | 1 | EXCEPT FOR RUS EXCEPT FOR RUS |
| 8 | 67F-8215B-00 | .CAP (BLACK) .BOUCHON (NOIR) | 1 | 1 | 1 | |
| 9 | 67F-82151-00 | .FUSE (20A) .FUSIBLE (20A) | 2 | 2 | 2 | |
| 10 | 90464-30009 | CLAMP BRIDE | 1 | 1 | 1 | EXCEPT FOR RUS EXCEPT FOR RUS |
| 11 | 6BX-82581-00 | STAY, CORD CLAMP SUPPORT, COLLIER DE CORDON | 1 | 1 | 1 | EXCEPT FOR RUS EXCEPT FOR RUS |
| 12 | 6BX-82388-00 | PLATE PLAQUETTE | 1 | 1 | 1 | EXCEPT FOR RUS EXCEPT FOR RUS |
| 13 | 90109-06M80 | BOLT BOULON | 1 | 1 | 1 | EXCEPT FOR RUS EXCEPT FOR RUS |
| 14 | 90465-08371 | CLAMP BRIDE | 1 | 1 | 1 | EXCEPT FOR RUS EXCEPT FOR RUS |

FIG. 23 REPAIR KIT 1

KITS DE REPARATION 1

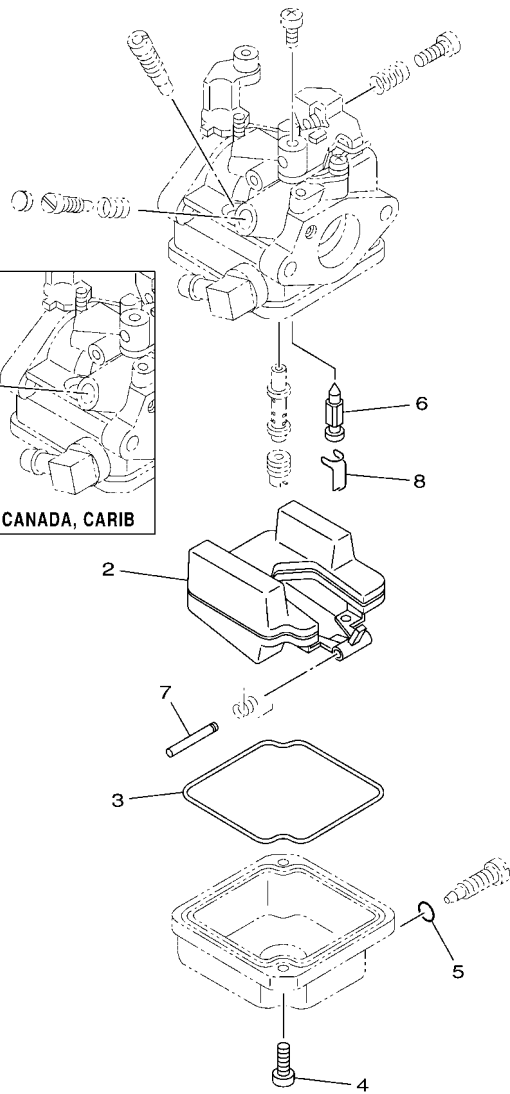


6EC4100-R230

| REF. NO. | PART NO. N° PIECES | DESCRIPTION DESCRIPTION | 6EC8 | 6ED8 | 6EE8 | REMARKS REMARQUES |
|----------|--------------------|---|------|------|------|-------------------|
| 1 | 6EE-W0001-00 | POWER HEAD GASKET KIT POCHETTE DE JINTS TETE MOTRICE | 1 | 1 | 1 | |
| 2 | 6BX-11181-00 | .GASKET, CYLINDER HEAD 1 .JOINT, DE CULASSE 1 | 1 | 1 | 1 | |
| 3 | 6EE-E1356-00 | .SEAL, CYLINDER 2 .JOINT, SPY CYLINDRE | 1 | 1 | 1 | |
| 4 | 93102-25821 | .OIL SEAL .JOINT SPY | 1 | 1 | 1 | |
| 5 | 6BX-11351-00 | .GASKET, CYLINDER .JOINT, D'EMBASE | 1 | 1 | 1 | |
| 6 | 93210-35803 | .O-RING .JOINT TORIQUE | 1 | 1 | 1 | |
| 7 | 93102-20814 | .OIL SEAL .JOINT SPY | 1 | 1 | 1 | |
| 8 | 93102-10800 | .OIL SEAL .JOINT SPY | 2 | 2 | 2 | |
| 9 | 90430-08143 | .GASKET .JOINT | 1 | 1 | 1 | |
| 10 | 67D-12414-A0 | .GASKET, COVER .JOINT, COUVERCLE | 1 | 1 | 1 | |
| 11 | 93210-32817 | .O-RING .JOINT TORIQUE | 1 | 1 | 1 | |
| 12 | 6EE-E3647-00 | .GASKET, MANIFOLD 3 .JOINT, TUBULURE 3 | 1 | 1 | 1 | |
| 13 | 6EE-E3646-00 | .GASKET, MANIFOLD 2 .JOINT, TUBULURE 2 | 2 | 2 | 2 | |
| 14 | 6EE-E3645-00 | .GASKET, MANIFOLD 1 .JOINT, TUBULURE 1 | 1 | 1 | 1 | |
| 15 | 6EE-E3475-00 | .GASKET .JOINT | 1 | 1 | 1 | |
| 16 | 93210-24800 | .O-RING .JOINT TORIQUE | 1 | 1 | 1 | |
| 17 | 93210-27806 | .O-RING .JOINT TORIQUE | 1 | 1 | 1 | |
| 18 | 6EE-45113-00 | .GASKET, UPPER CASING .JOINT, TUBE D'ARBRE | 1 | 1 | 1 | |

1
**CARBURETOR
 REPAIR KIT**

5
 EXCEPT FOR USA, CANADA, CARIB



6BV1100-J231

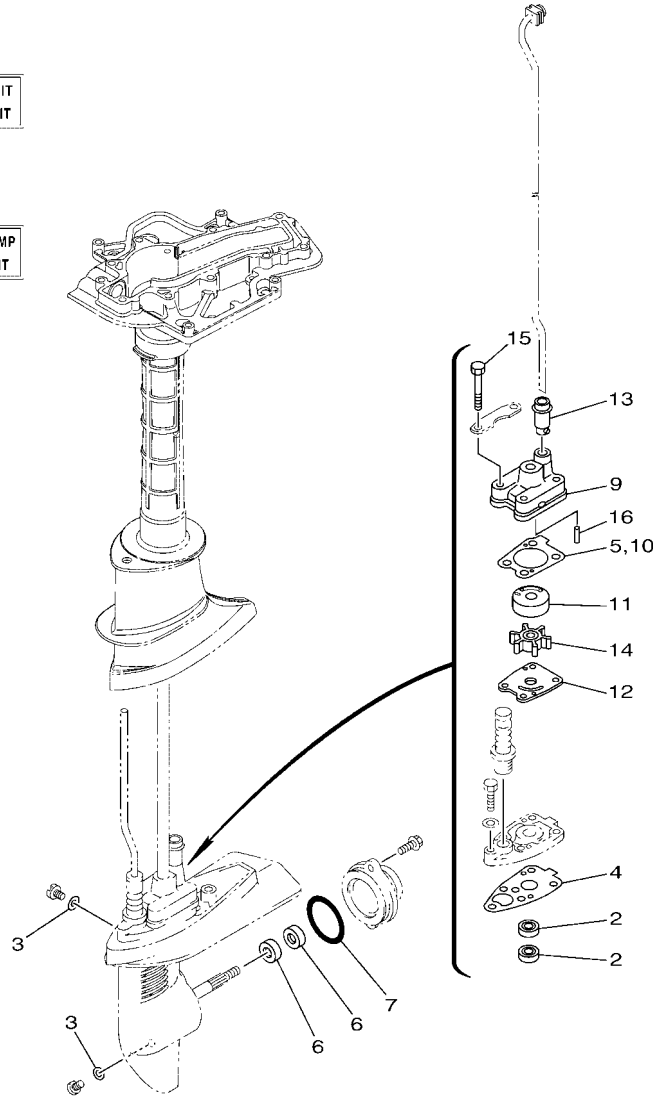
FIG. 24 REPAIR KIT 2

KITS DE REPARATION 2

| REF. NO. | PART NO. N° PIECES | DESCRIPTION DESCRIPTION | 6EC8 | 6ED8 | 6EE8 | REMARKS REMARQUES |
|----------|--------------------|--|------|------|------|-------------------|
| 1 | 6BX-W0093-00 | CARBURETOR REPAIR KIT KIT DE REPARATION CARBURATEUR | 1 | 1 | 1 | |
| 2 | 6BX-14985-00 | .FLOAT .FLOTTEUR | 1 | 1 | 1 | |
| 3 | 6BX-14984-00 | .GASKET, FLOAT CHAMBER .JOINT, CUVE DE FLOTTEUR | 1 | 1 | 1 | |
| 4 | 6BX-14592-00 | .SCREW .VIS | 2 | 2 | 2 | |
| 5 | 4JH-14562-00 | .O-RING .JOINT TORIQUE | 2 | 2 | 2 | |
| 6 | 6BX-14546-00 | .VALVE, NEEDLE .POINTEAU | 1 | 1 | 1 | |
| 7 | 6BX-14548-00 | .PIN, FLOAT ARM .AXE, BRAS DE FLOTTEUR | 1 | 1 | 1 | |
| 8 | 6BX-14937-00 | .CLIP .JONC | 1 | 1 | 1 | |
| | | | | | | |
| | | | | | | |
| | | | | | | |
| | | | | | | |
| | | | | | | |
| | | | | | | |
| | | | | | | |
| | | | | | | |
| | | | | | | |
| | | | | | | |
| | | | | | | |
| | | | | | | |

1
LOWER UNIT
GASKET KIT

8
WATER PUMP
REPAIR KIT



6EC1100-N250

FIG. 25 REPAIR KIT 3

KITS DE PEPARATION 3

| REF. NO. | PART NO. N° PIECES | DESCRIPTION DESCRIPTION | 6EC8 | 6ED8 | 6EE8 | REMARKS REMARQUES |
|----------|--------------------|--|------|------|------|-------------------|
| 1 | 6EE-W0001-20 | LOWER UNIT GASKET KIT POCHETTE DE JOINTS EMBASE | 1 | 1 | 1 | |
| 2 | 93101-10811 | .OIL SEAL .JOINT SPY | 2 | 2 | 2 | |
| 3 | 90430-08003 | .GASKET .JOINT | 3 | 3 | 3 | |
| 4 | 6EE-G5315-00 | .PACKING, LOWER CASING .JOINT, BOITIER D'HELICE | 1 | 1 | 1 | |
| 5 | 6EE-G4315-00 | .GASKET, WATER PUMP .JOINT, POMPE A EAU | 1 | 1 | 1 | |
| 6 | 93101-13800 | .OIL SEAL .JOINT SPY | 2 | 2 | 2 | |
| 7 | 93210-48800 | .O-RING .JOINT TORIQUE | 1 | 1 | 1 | |
| 8 | 6EE-W0078-02 | WATER PUMP REPAIR KIT KIT DE REPARATION DE LA POMPE | 1 | 1 | 1 | |
| 9 | 6EE-G4311-00 | .HOUSING, WATER PUMP .CORPS, POMPE A EAU | 1 | 1 | 1 | |
| 10 | 6EE-G4315-00 | .GASKET, WATER PUMP .JOINT, POMPE A EAU | 1 | 1 | 1 | |
| 11 | 6EE-G4322-00 | .INSERT, CARTRIDGE .CUVETTE | 1 | 1 | 1 | |
| 12 | 6EE-G4323-00 | .OUTER PLATE, CARTRIDGE .PLAQUE EXTERIEURE | 1 | 1 | 1 | |
| 13 | 6EE-G4366-01 | .DAMPER, WATER SEAL 2 .JOINT, TUBE D'EAU 2 | 1 | 1 | 1 | |
| 14 | 6E0-44352-00 | .IMPELLER .TURBINE | 1 | 1 | 1 | |
| 15 | 97D95-06045 | .BOLT, HEXAGON DEEP RECESS .VIS HEXAGONAL | 4 | 4 | 4 | |
| 16 | 93604-18080 | .PIN, DOWEL .CLAVETTE | 2 | 2 | 2 | |

NUMERICAL INDEX
INDEX NUMERIQUE

| PART NO. N° PIECES | REF. NO. | PART NO. N° PIECES | REF. NO. | PART NO. N° PIECES | REF. NO. | PART NO. N° PIECES | REF. NO. | PART NO. N° PIECES | REF. NO. | PART NO. N° PIECES | REF. NO. |
|-----------------------|-------------|-----------------------|-------------|-----------------------|-------------|-----------------------|-------------|-----------------------|-------------|-----------------------|-------------|
| 6BX-11181-00 | 3 - 6 | 6BX-14980-00 | 8 - 3 | 6YK-24610-10 | 21 - 2 | 6BX-85571-00 | 22 - 3 | 6EE-E3646-00 | 23 - 13 | 6EC-F8199-86-N0 | 10 - 50 |
| | 23 - 2 | 6BX-14984-00 | 8 - 4 | 68D-24612-01 | 9 - 3 | 6BV-85571-01 | 12 - 2 | 6EE-E3647-00 | 7 - 7 | 6EC-F8199-86-P0 | 10 - 50 |
| 6G8-11325-00 | 1 - 2 | | 24 - 3 | 6BX-24641-00 | 9 - 7 | | 22 - 3 | | 23 - 12 | 6EC-F8199-86-R0 | 10 - 50 |
| | 3 - 14 | 6BX-14985-00 | 8 - 2 | 6BX-2476U-00 | 10 - 4 | 6BW-85571-01 | 12 - 2 | 6EE-E3971-00 | 10 - 46 | 6EE-G1211-00 | 15 - 27 |
| 6BX-11351-00 | 5 - 7 | | 24 - 2 | 661-41262-02 | 15 - 29 | | 22 - 3 | 6EE-E4427-60 | 11 - 27 | 6EE-G1283-00 | 15 - 25 |
| | 23 - 5 | 6BX-14991-00 | 8 - 10 | 6G1-42125-01 | 15 - 10 | 6EE-E1111-00-1S | 3 - 2 | 6EE-E4497-00 | 15 - 28 | 6EE-G1638-00 | 15 - 24 |
| 676-11372-00 | 5 - 11 | 3Y6-15361-00 | 5 - 2 | 6BX-42129-00 | 15 - 2 | 6EE-E1133-10 | 3 - 3 | 6EE-E5111-00-1S | 5 - 9 | 6EE-G2111-00-8D | 15 - 1 |
| 7NJ-12117-00 | 6 - 7 | 6BX-15705-00 | 11 - 8 | 6E0-42528-04 | 17 - 37 | 6EE-E1168-00 | 5 - 5 | 6EE-E5316-01 | 18 - 3 | 6EE-G2119-00 | 15 - 13 |
| 7NJ-12118-00 | 6 - 8 | 67D-15713-00 | 11 - 7 | 6L5-42529-01 | 17 - 38 | 6EE-E1191-00 | 3 - 7 | 6EE-E5362-00 | 5 - 34 | 6EE-G2126-00 | 15 - 11 |
| 67D-12151-00 | 6 - 9 | 6BX-15723-00 | 12 - 6 | 6BX-42615-00 | 2 - 7 | 6EE-E1311-00-1S | 5 - 1 | 6EE-E5396-00-CA | 5 - 14 | 6EE-G2131-00 | 15 - 8 |
| 67D-12157-00 | 6 - 12 | 67D-15734-00 | 11 - 14 | 68T-42801-00 | 14 - 6 | 6EE-E1356-00 | 3 - 8 | 6EE-E5710-00 | 11 - 1 | 6EE-G2137-00 | 15 - 14 |
| 66M-12411-01 | 1 - 1 | 67D-15735-00 | 11 - 10 | 648-43114-01 | 17 - 3 | | 23 - 3 | 6EE-E5711-00 | 11 - 2 | 6EE-G2138-00 | 15 - 20 |
| | 3 - 10 | 67D-15739-00 | 11 - 18 | 6E0-43116-01 | 17 - 4 | 6BX-E1410-00 | 4 - 1 | 6EE-E5714-00 | 11 - 5 | 6EE-G2159-00 | 15 - 21 |
| 688-12412-00 | 3 - 11 | 67D-15741-00 | 11 - 6 | 620-43189-00 | 17 - 21 | 6EE-E1603-00 | 4 - 6 | 6BX-E5770-00 | 11 - 23 | 6EE-G2171-00 | 15 - 3 |
| 67D-12414-A0 | 1 - 3 | 67D-15744-00 | 11 - 19 | 6E0-43632-00 | 17 - 19 | 6EE-E1604-00 | 4 - 6 | 6EE-E8175-00 | 16 - 10 | 6EE-G2172-00 | 15 - 4 |
| | 3 - 16 | 6G1-15755-00 | 11 - 16 | 6E0-44352-00 | 19 - 23 | 6EE-E1605-00 | 4 - 6 | 6EE-F247A-00 | 10 - 42 | 6EE-G2177-01 | 15 - 15 |
| | 23 - 10 | 6BX-15762-00 | 11 - 20 | | 25 - 14 | 6EE-E1631-00-96 | 4 - 5 | 6EE-F247B-00 | 10 - 36 | 6EE-G2181-00 | 15 - 5 |
| 6BX-13131-00 | 10 - 27 | 67D-15764-00 | 11 - 4 | 6EE-45113-00 | 18 - 6 | 6EE-E1633-00 | 4 - 7 | 6EE-F247C-00 | 10 - 13 | 6EE-G2182-00 | 15 - 7 |
| 6BX-14301-00 | 8 - 1 | 68T-15764-00 | 11 - 12 | | 23 - 18 | 6EE-E1635-00 | 4 - 5 | 6EE-F247D-00 | 10 - 17 | 6EE-G2188-00 | 15 - 6 |
| 6BV-14301-01 | 8 - 1 | 67D-15767-00 | 11 - 9 | 647-45151-02 | 18 - 10 | 6EE-E1636-00 | 4 - 5 | 6EE-F4111-01 | 9 - 1 | 6EE-G2537-00 | 17 - 33 |
| 6BW-14301-01 | 8 - 1 | 6G1-15779-00 | 11 - 17 | 6L5-45251-03 | 1 - 9 | 6EE-E1650-00 | 4 - 3 | 6EE-F4135-00 | 10 - 39 | 6EE-G2538-00 | 17 - 35 |
| 6E7-14325-00 | 10 - 24 | 67D-15793-00 | 11 - 11 | | 20 - 2 | 7CN-E1654-00 | 4 - 4 | 6EE-F4136-00 | 10 - 40 | 6EE-G2539-00 | 17 - 34 |
| 647-14395-61 | 15 - 33 | 67D-15794-01 | 11 - 13 | 6E0-45316-09 | 19 - 4 | 6EE-E2111-00 | 6 - 2 | 6EE-F4167-00 | 9 - 11 | 6EE-G2549-00 | 17 - 36 |
| 6BX-14440-00 | 7 - 1 | 63V-15795-01 | 11 - 3 | 6E0-45317-09 | 19 - 3 | 6EE-E2113-00 | 6 - 5 | 6EE-F4251-00 | 1 - 7 | 6EE-G2561-00 | 17 - 39 |
| 6BX-14523-00 | 8 - 7 | 6YL-24201-07 | 21 - 1 | 6BX-45318-01 | 20 - 14 | 6EE-E2116-00 | 6 - 6 | | 10 - 12 | 6EC-G2610-01 | 2 - 1 |
| 6BX-14546-00 | 8 - 13 | 6YL-24260-10 | 21 - 3 | 6E0-45511-01 | 19 - 28 | 6EE-E2119-00 | 6 - 4 | 6EE-F4311-00 | 9 - 12 | 6ED-G2610-01 | 2 - 1 |
| | 24 - 6 | 6YL-24268-01 | 21 - 4 | 6E0-45511-11 | 19 - 28 | 6EE-E2121-00 | 6 - 3 | 6EE-F4312-00 | 10 - 5 | 6EE-G2610-01 | 2 - 1 |
| 6BX-14548-00 | 8 - 14 | 6G1-24304-10 | 10 - 1 | 6BX-45551-00 | 19 - 30 | 6EE-E2153-00 | 6 - 15 | 6EE-F4313-00 | 10 - 9 | 6EE-G2613-01 | 2 - 3 |
| | 24 - 7 | 6G1-24305-05 | 21 - 12 | 67D-45560-00 | 19 - 33 | 6EE-E2154-00 | 6 - 14 | 6EE-F4314-00 | 7 - 4 | 6EC-G261A-01 | 2 - 2 |
| 6BX-14555-00 | 8 - 8 | 6Y1-24305-06 | 21 - 14 | 67D-45570-00 | 19 - 34 | 6EE-E2155-00 | 6 - 13 | 6EE-F4323-00 | 3 - 18 | 6EE-G2649-00 | 2 - 10 |
| 6BX-14556-00 | 8 - 18 | 61J-24306-04 | 21 - 7 | 67D-45631-01 | 19 - 36 | 6EE-E2158-00 | 6 - 11 | 6EE-F4329-01 | 10 - 2 | 6EE-G2651-00 | 2 - 5 |
| 4JH-14562-00 | 8 - 12 | 6YL-24329-00 | 21 - 5 | 6E0-45941-01 | 20 - 11 | 6EE-E2165-00 | 6 - 10 | 6EE-F4377-00 | 3 - 13 | 6EE-G2652-00 | 2 - 8 |
| | 24 - 5 | 650-24351-51 | 21 - 11 | 6E0-45943-01 | 20 - 11 | 6EE-E2170-00 | 6 - 1 | | 5 - 10 | 6EE-G2675-00 | 2 - 12 |
| 6BX-14592-00 | 8 - 11 | 61J-24360-00 | 21 - 9 | 6E0-45949-00 | 20 - 11 | 6EE-E2413-00-1S | 3 - 12 | 6EE-F4500-00 | 10 - 7 | 6EE-G2676-00 | 2 - 13 |
| | 24 - 4 | 6BX-24360-00 | 10 - 38 | 6E0-45952-00 | 20 - 11 | 6EE-E3151-00 | 7 - 16 | 6EE-F4591-00 | 17 - 41 | 6EC-G2677-00 | 2 - 14 |
| 6BW-14923-20 | 8 - 6 | 66M-24374-00 | 10 - 28 | 6E0-45954-00 | 20 - 11 | 6EE-E316F-00 | 7 - 5 | 6EE-F6301-00 | 15 - 23 | 6ED-G2677-00 | 2 - 14 |
| 6BX-14923-20 | 8 - 6 | 688-24378-00 | 10 - 16 | 6BX-81949-00 | 22 - 7 | 6BX-E3310-00 | 5 - 23 | 6EE-F6330-00 | 7 - 14 | 6EE-G2677-00 | 2 - 14 |
| 6BX-14935-00 | 8 - 9 | 6BX-24410-01 | 10 - 20 | 6BX-81960-00 | 22 - 5 | 6EE-E3316-00 | 5 - 24 | 6EE-F8100-00 | 10 - 48 | 6EE-G2697-00 | 2 - 15 |
| 6BX-14937-00 | 8 - 15 | 6BX-24411-01 | 10 - 25 | 67F-82151-00 | 22 - 9 | 5YP-E3411-00 | 1 - 6 | BB8-F817K-30 | 2 - 18 | 6EE-G2698-40 | 2 - 16 |
| | 24 - 8 | 67D-24412-00 | 10 - 21 | 67F-8215B-00 | 22 - 8 | | 5 - 26 | 6EC-F8199-76-D0 | 10 - 49 | 6EE-G2698-50 | 2 - 17 |
| 6BV-14943-11 | 8 - 16 | 67D-24413-02 | 10 - 22 | 6A0-82317-01 | 9 - 8 | 6EE-E3417-00-1S | 5 - 29 | 6EC-F8199-76-E0 | 10 - 49 | 6EE-G2711-00-8D | 14 - 1 |
| 6BW-14943-15 | 8 - 16 | 67D-24414-01 | 10 - 30 | 6BX-82370-00 | 12 - 8 | 6EE-E3437-61 | 14 - 13 | 6EC-F8199-76-F0 | 10 - 49 | 6EE-G2716-00 | 18 - 12 |
| 6BX-14943-17 | 8 - 16 | 6A0-24421-01 | 10 - 23 | 6BX-82388-00 | 22 - 12 | 6EE-E3475-00 | 5 - 28 | 6EC-F8199-76-G0 | 10 - 49 | 6EE-G2723-00 | 18 - 13 |
| 6BV-14947-00 | 8 - 5 | 67D-24423-00 | 10 - 26 | 6BX-82581-00 | 22 - 11 | | 23 - 15 | 6EC-F8199-76-H0 | 10 - 49 | 6EE-G2731-00 | 14 - 8 |
| 6BW-14947-00 | 8 - 5 | 67D-24444-00 | 10 - 32 | 6BX-85510-A0 | 22 - 2 | 6BX-E3641-10 | 7 - 11 | 6EC-F8199-76-S0 | 10 - 49 | 6EE-G2794-40 | 15 - 38 |
| 6BX-14947-00 | 8 - 5 | 6BX-24454-00 | 10 - 29 | 6BX-85550-00 | 12 - 1 | 6EE-E3645-00 | 7 - 12 | 6EC-F8199-86-K0 | 10 - 50 | 6EE-G2794-50 | 14 - 12 |
| 6BV-14948-01 | 8 - 17 | 66M-24471-02 | 10 - 31 | 6BX-85550-A0 | 22 - 1 | | 23 - 14 | 6EC-F8199-86-L0 | 10 - 50 | 6EE-G3111-00-8D | 17 - 1 |
| 6BX-14948-04 | 8 - 17 | 6BX-24610-02 | 9 - 2 | 6BX-85571-00 | 12 - 2 | 6EE-E3646-00 | 7 - 8 | 6EC-F8199-86-M0 | 10 - 50 | 6EE-G3112-00-8D | 17 - 2 |

NUMERICAL INDEX
INDEX NUMERIQUE

| PART NO. N° PIECES | REF. NO. | PART NO. N° PIECES | REF. NO. | PART NO. N° PIECES | REF. NO. | PART NO. N° PIECES | REF. NO. | PART NO. N° PIECES | REF. NO. | PART NO. N° PIECES | REF. NO. |
|-----------------------|-------------|-----------------------|-------------|-----------------------|-------------|-----------------------|-------------|-----------------------|-------------|-----------------------|-------------|
| 6EE-G3113-00 | 17 - 9 | 6EE-G5576-00 | 19 - 35 | 90201-12472 | 12 - 5 | 90467-09M09 | 10 - 19 | 93210-35803 | 23 - 6 | 97E95-06525 | 10 - 3 |
| 6EE-G3118-00 | 17 - 5 | 6EE-G5611-00 | 19 - 39 | 90201-266P2 | 4 - 2 | | 10 - 37 | 93210-48800 | 19 - 16 | | 19 - 12 |
| 6EE-G3122-00 | 17 - 11 | 6EE-G5616-00 | 20 - 8 | 90202-08M58 | 17 - 8 | | 10 - 44 | | 25 - 7 | 97E95-06535 | 11 - 21 |
| 6EE-G3160-00 | 17 - 25 | 6EE-G5635-00 | 19 - 38 | 90243-04M01 | 17 - 6 | | 10 - 47 | 93306-054YU | 19 - 6 | | 15 - 30 |
| 6EE-G3165-00 | 17 - 26 | 6EE-G5987-00 | 20 - 7 | 90266-04M00 | 2 - 11 | 90468-100A0 | 9 - 6 | | 19 - 14 | 97E95-06630 | 10 - 35 |
| 6EE-G3181-00-8D | 17 - 18 | 6EE-G8561-00 | 17 - 23 | 90266-04M04 | 2 - 6 | 90480-01559 | 9 - 10 | 93306-255X0 | 5 - 4 | 97E95-08520 | 5 - 18 |
| 6EE-G3188-00 | 17 - 30 | 6EE-H1994-40 | 11 - 28 | 90266-04M05 | 17 - 40 | 90480-10M13 | 18 - 11 | 93420-22M03 | 20 - 15 | | 14 - 9 |
| 6EE-G3198-00 | 17 - 31 | 6EE-H1994-50 | 11 - 29 | 90280-04M06 | 12 - 3 | 90480-14M14 | 14 - 5 | 93450-16068 | 4 - 8 | 98517-06012 | 5 - 25 |
| 6EE-G3311-00-8D | 17 - 15 | 6EE-H1995-40 | 11 - 25 | 90340-08002 | 19 - 8 | 90480-18M74 | 7 - 2 | 93505-16024 | 16 - 8 | 98580-04006 | 8 - 19 |
| 6EE-G3312-00-8D | 17 - 16 | 6EE-H1995-50 | 11 - 26 | 90386-08032 | 15 - 19 | 90480-21M82 | 14 - 3 | 93604-09066 | 19 - 24 | 99001-06600 | 19 - 31 |
| 6EE-G3313-01-8D | 17 - 20 | 6EE-H2519-00 | 3 - 23 | 90387-06119 | 9 - 9 | 90480-22M72 | 14 - 11 | 93604-18080 | 19 - 26 | 99530-10114 | 3 - 5 |
| 6EE-G3319-00 | 17 - 24 | 6EE-H2531-00 | 13 - 4 | 90387-06176 | 14 - 4 | 90480-25161 | 12 - 9 | | 25 - 16 | | 5 - 8 |
| 6EE-G3614-00 | 17 - 29 | 6EE-H2556-00 | 13 - 2 | 90387-06252 | 15 - 26 | 90501-100A5 | 9 - 4 | 93700-06M03 | 18 - 2 | | |
| 6EE-G3679-00 | 16 - 2 | 6EE-H2575-01 | 13 - 1 | 90387-06M14 | 18 - 7 | 90501-120A9 | 19 - 37 | 94702-00372 | 1 - 4 | | |
| 6EE-G4111-00 | 16 - 1 | 6EE-W0001-00 | 23 - 1 | | 20 - 6 | 90501-12802 | 16 - 7 | | 3 - 24 | | |
| 6EE-G4119-00-8D | 16 - 4 | 6EE-W0001-20 | 25 - 1 | | 20 - 13 | 90501-18576 | 5 - 27 | 95380-04600 | 10 - 33 | | |
| 6EE-G4121-00 | 16 - 9 | 6EE-W0078-02 | 1 - 10 | 90430-08003 | 1 - 8 | 90501-23215 | 15 - 18 | 95380-06600 | 17 - 14 | | |
| 6EE-G4122-00 | 16 - 5 | | 25 - 8 | | 19 - 7 | 90502-08M05 | 17 - 28 | 95380-08600 | 14 - 10 | | |
| 6EE-G4143-00 | 16 - 12 | 6BX-W0093-00 | 24 - 1 | | 25 - 3 | 91490-16010 | 15 - 12 | 95D95-06012 | 20 - 3 | | |
| 68D-G4145-00 | 16 - 15 | 6EE-WE090-01-1S | 3 - 1 | 90430-08143 | 1 - 5 | | 16 - 14 | 95D95-06016 | 19 - 17 | | |
| 68D-G4146-00 | 16 - 16 | 90101-06335 | 17 - 12 | | 5 - 20 | 91490-25030 | 20 - 9 | 95D95-06020 | 17 - 22 | | |
| 6EE-G4147-00 | 19 - 10 | 90101-08M07 | 17 - 7 | | 23 - 9 | 91690-30006 | 17 - 27 | 95D95-06035 | 17 - 17 | | |
| 6EE-G4150-00 | 19 - 40 | 90105-06037 | 12 - 7 | 90445-11M05 | 21 - 10 | 92903-06600 | 5 - 13 | 97013-05010 | 5 - 6 | | |
| 6EE-G4150-10 | 19 - 40 | 90105-08046 | 16 - 3 | 90445-11M06 | 21 - 8 | | 5 - 22 | 97013-06050 | 5 - 12 | | |
| 6EE-G4311-00 | 19 - 18 | 90105-08M36 | 3 - 4 | 90464-06006 | 15 - 34 | 92990-04200 | 9 - 5 | | 5 - 21 | | |
| | 25 - 9 | 90105-08M76 | 5 - 30 | 90464-07008 | 11 - 24 | 92990-05600 | 16 - 13 | 97595-05510 | 7 - 17 | | |
| 6EE-G4315-00 | 19 - 19 | 90109-06M80 | 10 - 41 | 90464-07M05 | 15 - 36 | 92990-06300 | 20 - 4 | 97595-05514 | 2 - 9 | | |
| | 25 - 5 | | 22 - 13 | 90464-07M20 | 15 - 35 | 92990-06600 | 17 - 13 | 97780-40012 | 2 - 4 | | |
| | 25 - 10 | 90109-06M84 | 17 - 32 | 90464-09021 | 3 - 19 | 93101-10811 | 19 - 5 | 97880-05025 | 3 - 15 | | |
| 6EE-G4322-00 | 19 - 20 | 90110-06350 | 7 - 9 | | 10 - 43 | | 25 - 2 | 97885-05012 | 15 - 22 | | |
| | 25 - 11 | 90119-05M04 | 16 - 11 | 90464-12016 | 10 - 11 | 93101-13800 | 19 - 15 | 97985-06212 | 10 - 8 | | |
| 6EE-G4323-00 | 19 - 21 | 90119-06253 | 20 - 5 | 90464-30009 | 22 - 10 | | 25 - 6 | 97D75-08025 | 15 - 9 | | |
| | 25 - 12 | 90119-06254 | 20 - 5 | 90465-06M86 | 3 - 20 | 93102-10800 | 5 - 17 | 97D95-06045 | 19 - 25 | | |
| 6EE-G4328-00 | 19 - 27 | 90119-06256 | 16 - 17 | | 3 - 21 | | 23 - 8 | | 25 - 15 | | |
| 6EE-G4360-00 | 20 - 1 | 90119-06300 | 14 - 2 | 90465-08361 | 12 - 10 | 93102-20814 | 5 - 16 | 97D95-08014 | 5 - 19 | | |
| 6EE-G4360-10 | 20 - 1 | 90119-06MA2 | 3 - 17 | 90465-08371 | 3 - 22 | | 23 - 7 | 97E75-06535 | 5 - 32 | | |
| 6EE-G4366-01 | 19 - 22 | 90119-06MA3 | 7 - 13 | | 22 - 14 | 93102-25821 | 5 - 3 | 97E75-06540 | 18 - 8 | | |
| | 25 - 13 | 90152-05011 | 15 - 16 | 90465-08395 | 15 - 37 | | 23 - 4 | 97E75-06550 | 18 - 9 | | |
| 6EE-G5111-01-8D | 18 - 1 | 90157-05M16 | 21 - 6 | 90465-11M10 | 10 - 15 | 93210-08287 | 21 - 13 | 97E95-06512 | 12 - 11 | | |
| 6EE-G5181-00 | 18 - 4 | 90170-12066 | 12 - 4 | | 10 - 18 | | 21 - 15 | | 13 - 3 | | |
| 6EE-G5211-00-8D | 20 - 12 | 90179-11001 | 7 - 15 | | 10 - 45 | 93210-09811 | 16 - 6 | | 14 - 7 | | |
| 6EE-G5300-01-8D | 19 - 1 | 90185-08057 | 17 - 10 | 90465-13M97 | 13 - 5 | 93210-24800 | 5 - 33 | | 15 - 31 | | |
| 6EE-G5300-11-8D | 19 - 1 | 90201-06106 | 7 - 10 | 90467-08M01 | 19 - 29 | | 23 - 16 | 97E95-06514 | 18 - 5 | | |
| 6EE-G5311-00-8D | 19 - 2 | 90201-06M62 | 15 - 32 | 90467-09M09 | 7 - 6 | 93210-27806 | 10 - 34 | | 18 - 14 | | |
| 6EE-G5315-00 | 19 - 11 | 90201-08818 | 5 - 31 | | 9 - 13 | | 23 - 17 | 97E95-06516 | 22 - 6 | | |
| | 25 - 4 | 90201-08M54 | 20 - 10 | | 10 - 6 | 93210-32817 | 7 - 3 | 97E95-06520 | 3 - 9 | | |
| 6EE-G5321-00-CA | 19 - 9 | 90201-10M02 | 15 - 17 | | 10 - 10 | | 23 - 11 | | 11 - 22 | | |
| 6EE-G5361-00-8D | 19 - 13 | 90201-11M49 | 19 - 32 | | 10 - 14 | 93210-35803 | 5 - 15 | | 22 - 4 | | |