

**PARTS
CATALOGUE
CATALOGUE
DE PIÈCES DÉTACHÉES**

F250SB-2021 (6KD1)
F300SB-2021 (6KA1)

F250SB/F300SB
PARTS CATALOGUE
©2021 by Yamaha Motor Co., Ltd.
1st edition, January 2021
All rights reserved.
Any reprinting or unauthorized use
without the written permission of
Yamaha Motor Co., Ltd.
is expressly prohibited.
Printed in Japan.

F250SB/F300SB
CATALOGUE DE PIECES DETACHEES
©2021 par Yamaha Motor Co., Ltd.
1^{re} édition, janvier 2021
Tous droits réservés
Toute réimpression ou utilisation
non autorisée sans la permission écrite
de la Yamaha Motor Co., Ltd.
est formellement interdite.
Imprimé au Japon

FOREWORD

This Parts Catalogue is related to the parts for the model(s) on the cover page. When you are ordering replacement parts, please refer to this Parts Catalogue and quote both part numbers and part names correctly.

1. Modifications or additions which have been made after the issue of the Parts Catalogue will be announced in the Parts News.
It is advisable that you make the necessary corrections to the Parts Catalogue according to the Parts News.

2. Abbreviations

The following abbreviations are used in this Parts Catalogue.

“UR” Use specified parts number.

“UN” Use as many as needed.

“AP” Alternate Parts

“LM” Locally Made (Parts need to be ordered locally)

“F#” Frame No. (Applicable machine No.)

“O/S” Over Size

3. The number of components for assembly

- Parts, which are to be supplied in an assembly, are listed with a dot (.) in front of the part name as shown below.
- The numeral appearing to the right of each component part indicates the quantity of parts for each assembly unit.

| PART NO. | DESCRIPTION | Q'TY | REMARKS |
|--------------|--------------------------|------|---------|
| 2F5-83310-60 | FRONT FLASHER LIGHT ASSY | 2 | |
| 115-83311-60 | .BULB (6V-18W) | 1 | |

4. Applicable colours of graphics are represented in the “REMARKS” as shown below.

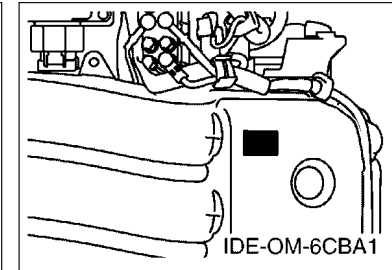
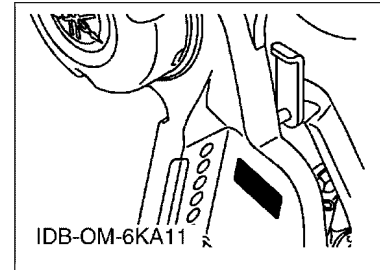
| PART NO. | DESCRIPTION | Q'TY | REMARKS |
|-----------------|---------------------|------|---------|
| 2N4-24110-00-X5 | FUEL TANK COMP. | 2 | MXR |
| 3J1-24240-10 | .GRAPHIC, FUEL TANK | 1 | FOR MXR |

5. Note that the illustrations for reference in finding parts numbers are not to be used for assembling. When assembling, please use the applicable service manual.

6. The asterisk (*) before a reference number indicates modified items after the first edition.

7. Applicable Serial No.

Engine Serial No.



8. Applicable Engine Starting Serial No.

| Model | Serial No. | Model | Serial No. |
|--------|-------------|--------|-------------|
| F300SB | 6KA-1000001 | F250SB | 6KD-1000001 |
| | | | |
| | | | |
| | | | |

9. Applicable Colour Code

| Abbreviation | Colour Name | Colour Code |
|--------------|--------------------|-------------|
| DBN1 | DARK BLUISH GRAY 1 | 008D |

10. Quantity Column Information

| Column No. | Name Of Q'ty Column | Applicable Model |
|------------|---------------------|-------------------|
| 1 | 6KA1 | F300NSB, F300NSB2 |
| 2 | 6KD1 | F250NSB, F250NSB2 |
| | | |
| | | |

AVANT-PROPOS

Ce catalogue de pièces détachées concerne les pièces pour le(s) modèle(s) indiqué(s) sur la page de couverture. Lorsque vous commandez des pièces de rechange, veuillez vous référer à ce catalogue de pièces détachées et indiquer clairement les numéros et les noms des pièces détachées.

1. Les modifications ou ajouts ayant été effectués après la parution du catalogue de pièces détachées seront décrits dans les Bulletins d'information concernant les pièces détachées.

Il est recommandé que vous apportiez les corrections nécessaires au catalogue des pièces détachées en vous référant aux Bulletins d'information.

2. Abréviations

Dans ce catalogue, les abréviations suivantes sont utilisées:

“UR” Utiliser le numéro de pièces spécifié.

“UN” Utiliser autant que nécessaire.

“AP” Pièces de substitution

“LM” Fabrication locale (les pièces doivent être commandées localement.)

“F#” N° de cadre (applicable au N° de série)

“O/S” Surdimensionné

3. Nombre de pièces d'un assemblage

- Les pièces fournies comme composants d'un assemblage sont précédées d'un point (.) de la manière indiquée ci-dessous.
- Le chiffre apparaissant à la droite de chaque composant indique la quantité de pièces pour chaque unité d'assemblage.

| N° PIECES | DESCRIPTION | QTE | REMARQUES |
|--------------|-----------------------|-----|-----------|
| 2F5-83310-60 | ENS. CLIGNOTANT AVANT | 2 | |
| 115-83311-60 | .AMPOULE (6V-18W) | 1 | |

4. Les couleurs concernant les graphiques sont indiquées dans la colonne “REMARQUES”, comme indiqué ci-dessous.

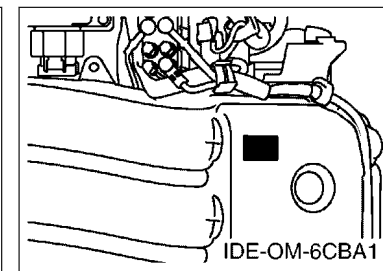
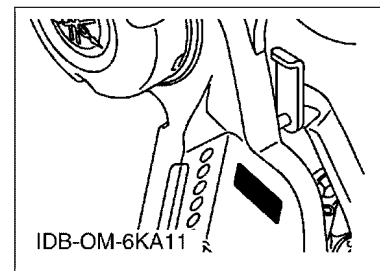
| N° PIECES | DESCRIPTION | QTE | REMARQUES |
|-----------------|----------------------|-----|-----------|
| 2N4-24110-00-X5 | RESERVOIR A ESSENCE. | 2 | MXR |
| 3J1-24240-10 | .GRAPHIQUE | 1 | POUR MXR |

5. Veuillez noter que les illustrations sont indiquées à titre de référence pour trouver les numéros de pièces, non pour être utilisées lors de l'assemblage. Lors de l'assemblage, veuillez utiliser le manuel d'entretien adéquat.

6. L'astérisque (*) placé devant un numéro de référence indique des éléments qui ont été modifiés après la première édition.

7. N° de série applicable

N° de Série du moteur



8. N° de série initial du moteur applicable

| Modèle | N° de série | Modèle | N° de série |
|--------|-------------|--------|-------------|
| F300SB | 6KA-1000001 | F250SB | 6KD-1000001 |
| | | | |
| | | | |
| | | | |

9. Code couleur applicable

| Abréviation | Nom de la couleur | Code couleur |
|-------------|--------------------|--------------|
| DBN1 | DARK BLuish GRAY 1 | 008D |

10. Informations relatives à la colonne Quantité

| N° de la colonne | Nom de la colonne Qté | Modèle applicable |
|------------------|-----------------------|-------------------|
| 1 | 6KA1 | F300NSB, F300NSB2 |
| 2 | 6KD1 | F250NSB, F250NSB2 |
| | | |
| | | |

CONTENTS

| | |
|-------------------------------|----|
| SCHEDULED SERVICE PARTS..... | 1 |
| TOP COWLING..... | 2 |
| CYLINDER & CRANKCASE 1..... | 4 |
| CRANKSHAFT & PISTON..... | 6 |
| CYLINDER & CRANKCASE 2..... | 7 |
| CYLINDER & CRANKCASE 3..... | 9 |
| CYLINDER & CRANKCASE 4..... | 10 |
| VALVE..... | 11 |
| INTAKE 1..... | 14 |
| INTAKE 2..... | 15 |
| THROTTLE BODY ASSY 1..... | 17 |
| THROTTLE BODY ASSY 2..... | 18 |
| FUEL INJECTION PUMP 1..... | 19 |
| FUEL INJECTION PUMP 2..... | 21 |
| FUEL 1..... | 22 |
| FUEL 2..... | 24 |
| GENERATOR..... | 25 |
| ELECTRICAL 1..... | 26 |
| ELECTRICAL 2..... | 28 |
| ELECTRICAL 3..... | 29 |
| ELECTRICAL 4..... | 31 |
| ELECTRICAL 5..... | 33 |
| STARTING MOTOR..... | 34 |
| BOTTOM COWLING 1..... | 35 |
| BOTTOM COWLING 2..... | 37 |
| BOTTOM COWLING 3..... | 39 |
| BOTTOM COWLING 4..... | 40 |
| CONTROL..... | 41 |
| BRACKET 1..... | 43 |
| BRACKET 2..... | 45 |
| BRACKET 3..... | 46 |
| BRACKET 4..... | 47 |
| POWER TRIM & TILT ASSY 1..... | 49 |
| POWER TRIM & TILT ASSY 2..... | 53 |
| UPPER CASING..... | 54 |
| OIL PAN..... | 56 |
| OPTIONAL PARTS 1..... | 57 |
| OPTIONAL PARTS 2..... | 58 |
| OPTIONAL PARTS 3..... | 59 |
| OPTIONAL PARTS 4..... | 64 |

| | |
|-----------------------|----|
| OPTIONAL PARTS 5..... | 68 |
| OPTIONAL PARTS 6..... | 70 |
| OPTIONAL PARTS 7..... | 72 |
| REPAIR KIT 1..... | 73 |
| REPAIR KIT 2..... | 74 |

INDEX

| | |
|----------------------|----|
| NUMERICAL INDEX..... | 76 |
|----------------------|----|

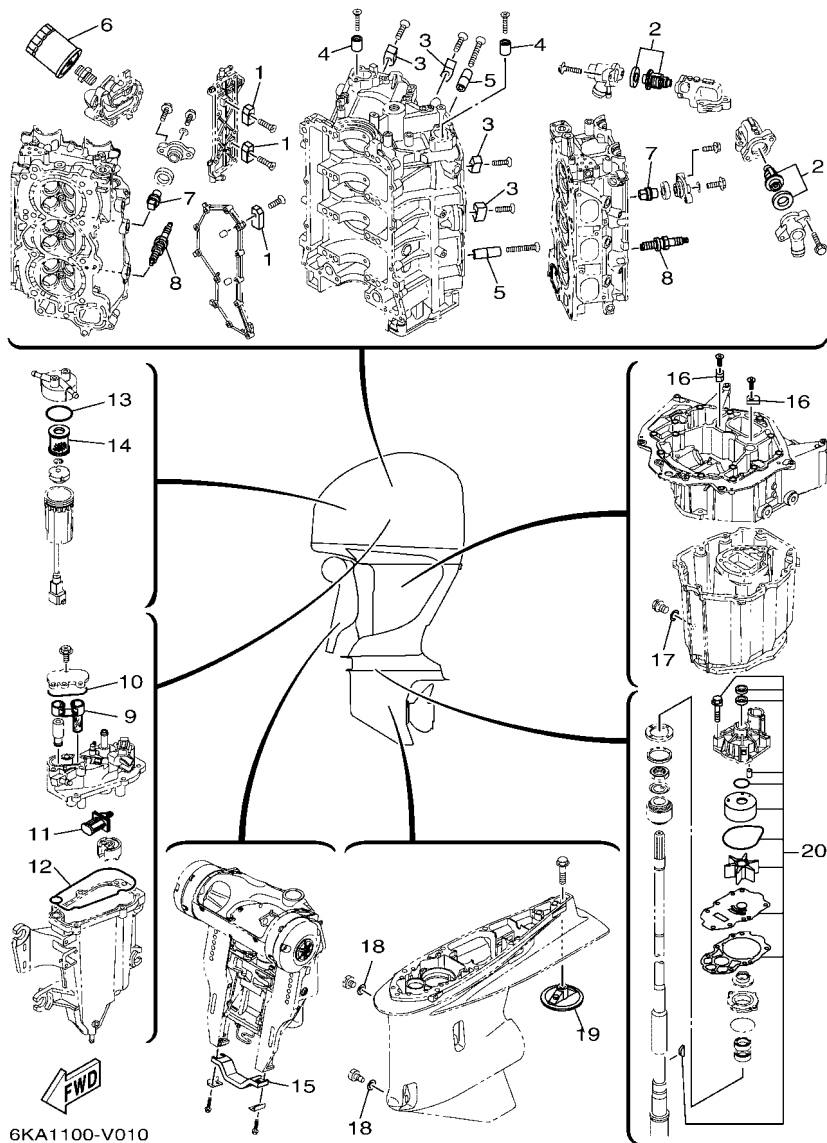
TABLE DES MATIERES

| | |
|------------------------------------|----|
| PIECES MAINTENANCE PERIODIQUE..... | 1 |
| CAPOT SUPERIEUR..... | 2 |
| CYLINDRE & CARTER 1..... | 4 |
| VILEBREQUIN & PISTON..... | 6 |
| CYLINDRE & CARTER 2..... | 7 |
| CYLINDRE & CARTER 3..... | 9 |
| CYLINDRE & CARTER 4..... | 10 |
| SOUPAPE..... | 11 |
| ADMISSION 1..... | 14 |
| ADMISSION 2..... | 15 |
| CARTER D'ACCELERATEUR 1..... | 17 |
| CARTER D'ACCELERATEUR 2..... | 18 |
| POMPE A INJECTEUR 1..... | 19 |
| POMPE A INJECTEUR 2..... | 21 |
| CARBURANT 1..... | 22 |
| CARBURANT 2..... | 24 |
| GENERATRICE..... | 25 |
| PARTIE ELECTRIQUE 1..... | 26 |
| PARTIE ELECTRIQUE 2..... | 28 |
| PARTIE ELECTRIQUE 3..... | 29 |
| PARTIE ELECTRIQUE 4..... | 31 |
| PARTIE ELECTRIQUE 5..... | 33 |
| DEMARREUR ELECTRIQUE..... | 34 |
| CAPOT INFERIEUR 1..... | 35 |
| CAPOT INFERIEUR 2..... | 37 |
| CAPOT INFERIEUR 3..... | 39 |
| CAPOT INFERIEUR 4..... | 40 |
| COMMANDE..... | 41 |
| SUPPORT 1..... | 43 |
| SUPPORT 2..... | 45 |
| SUPPORT 3..... | 46 |
| SUPPORT 4..... | 47 |
| PUISSANCE PARER ET INCLINER 1..... | 49 |
| PUISSANCE PARER ET INCLINER 2..... | 53 |
| FOURREAU..... | 54 |
| VENTILATEUR D'HUILE..... | 56 |
| PIECES OPTIONNELLES 1..... | 57 |
| PIECES OPTIONNELLES 2..... | 58 |
| PIECES OPTIONNELLES 3..... | 59 |
| PIECES OPTIONNELLES 4..... | 64 |

| | |
|----------------------------|----|
| PIECES OPTIONNELLES 5..... | 68 |
| PIECES OPTIONNELLES 6..... | 70 |
| PIECES OPTIONNELLES 7..... | 72 |
| KITS DE REPARATION 1..... | 73 |
| KITS DE REPARATION 2..... | 74 |

INDEX

| | |
|----------------------|----|
| INDEX NUMERIQUE..... | 76 |
|----------------------|----|



6KA1100-V010

FIG. 1 SCHEDULED SERVICE PARTS

PIECES MAINTENANCE PERIODIQUE

| REF. NO. | PART NO. N° PIECES | DESCRIPTION DESCRIPTION | 6KA1 | 6KD1 | REMARKS REMARQUES |
|----------|--------------------|---|------|------|-------------------|
| 1 | 63P-11325-01 | ANODE ANODE | 4 | 4 | |
| 2 | 6CE-12411-00 | THERMOSTAT THERMOSTAT | 2 | 2 | |
| 3 | 6AW-1132P-00 | ANODE 5 ANODE 5 | 4 | 4 | |
| 4 | 68T-11325-00 | ANODE ANODE | 2 | 2 | |
| 5 | 6AW-1132N-01 | ANODE 4 ANODE 4 | 2 | 2 | |
| 6 | N26-13440-03 | ELEMENT ASSY, OIL CLEANER ELEMENT, FILTRE A HUILE | 1 | 1 | |
| 7 | 67F-11325-01 | ANODE ANODE | 8 | 8 | |
| 8 | 94702-00400 | PLUG, SPARK (NGK LFR6A-11) BOUGIE D'ALLUMAGE(NGK LFR6A-11) | 6 | 6 | |
| 9 | 6CB-24501-01 | FILTER, FUEL FILTRE | 1 | 1 | |
| 10 | 6CB-13016-00 | O-RING JOINT TORIQUE | 1 | 1 | |
| 11 | 63P-13915-00 | FILTER FILTRE | 1 | 1 | |
| 12 | 6CB-14984-00 | GASKET, FLOAT CHAMBER JOINT, CUVE DE FLOTTEUR | 1 | 1 | |
| 13 | 6P3-24564-00 | GASKET JOINT | 1 | 1 | |
| 14 | 6P3-24563-01 | ELEMENT, FILTER ELEMENT, FILTRE | 1 | 1 | |
| 15 | 6G5-45251-02 | ANODE ANODE | 1 | 1 | |
| 16 | 63P-11325-11 | ANODE ANODE | 2 | 2 | |
| 17 | 90430-14M09 | GASKET JOINT | 1 | 1 | |
| 18 | 90430-08003 | GASKET JOINT | 2 | 2 | |
| 19 | 6CE-45373-00 | ANODE ANODE | 1 | 1 | |
| 20 | 6CE-W0078-02 | WATER PUMP REPAIR KIT KIT DE REPARATION DE LA POMPE | 1 | 1 | |

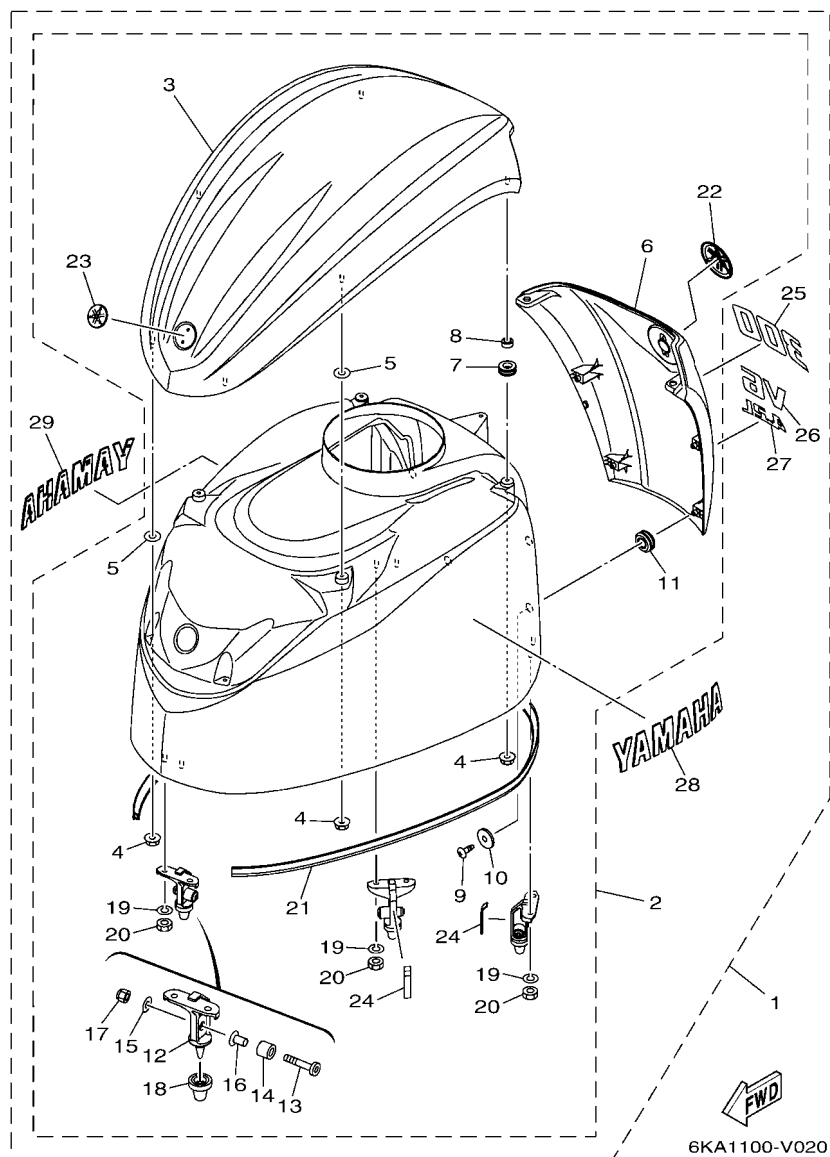


FIG. 2 TOP COWLING

CAPOT SUPERIEUR

| REF. NO. | PART NO. N° PIECES | DESCRIPTION DESCRIPTION | 6KA1 | 6KD1 | REMARKS REMARQUES |
|----------|--------------------|--|------|------|----------------------|
| 1 | 6KA-42610-00-8D | TOP COWLING ASSY CAPOT (ENS.) | 1 | | UR GRAY UR GRAY |
| | 6KA-42610-00-CE | TOP COWLING ASSY CAPOT (ENS.) | 1 | | UR WHITE UR WHITE |
| | 6KD-42610-00-8D | TOP COWLING ASSY CAPOT (ENS.) | | 1 | UR GRAY UR GRAY |
| | 6KD-42610-00-CE | TOP COWLING ASSY CAPOT (ENS.) | | 1 | UR WHITE UR WHITE |
| 2 | 6KA-4261A-00-8D | TOP COWLING W/O GRAPHICS CAPOT SUPERIEUR SANS GRAPHIQUE | 1 | 1 | UR GRAY UR GRAY |
| | 6KA-4261A-00-CE | TOP COWLING W/O GRAPHICS CAPOT SUPERIEUR SANS GRAPHIQUE | 1 | 1 | UR WHITE UR WHITE |
| 3 | 6KA-42613-00-8D | MOLDING, AIR DUCT MANCHON A AIR | 1 | 1 | UR GRAY UR GRAY |
| | 6KA-42613-00-CE | MOLDING, AIR DUCT MANCHON A AIR | 1 | 1 | UR WHITE UR WHITE |
| 4 | 90179-06M28 | NUT ECROU | 7 | 7 | |
| 5 | 6CB-42545-00 | WASHER, PLAIN RONDELLE, PLATE | 4 | 4 | |
| 6 | 6KA-42625-00-8D | PANEL, REAR PANNEAU | 1 | 1 | UR GRAY UR GRAY |
| | 6KA-42625-00-CE | PANEL, REAR PANNEAU | 1 | 1 | UR WHITE UR WHITE |
| 7 | 90480-13004 | GROMMET PASSE-FIL | 2 | 2 | |
| 8 | 90387-07054 | COLLAR COLLERETTE | 2 | 2 | |
| 9 | 97780-50016 | SCREW, TAPPING VIS, TETE BOMBEE | 4 | 4 | |
| 10 | 90201-053R1 | WASHER, PLATE RONDELLE, PLATE | 4 | 4 | |
| 11 | 90480-16009 | GROMMET PASSE-FIL | 4 | 4 | |
| 12 | 6CB-42647-A0 | HOLDER, CLAMP BAND SUPPORT, SANDOW DE SERRAGE | 3 | 3 | |
| 13 | 90111-08078 | BOLT, HEX. SOCKET BUTTON BOULON | 3 | 3 | |
| 14 | 90387-10094 | COLLAR COLLERETTE | 3 | 3 | |
| 15 | 92990-08600 | WASHER, PLATE RONDELLE, PLATE | 3 | 3 | |
| 16 | 90387-08M45 | COLLAR COLLERETTE | 3 | 3 | |
| 17 | 95780-08300 | NUT, FLANGE ECROU | 3 | 3 | |
| 18 | 6AW-42663-01 | DAMPER 2 AMORTISSEUR 2 | 3 | 3 | |
| 19 | 92990-06100 | WASHER, SPRING RONDELLE, GROWER | 6 | 6 | |
| 20 | 95380-06600 | NUT, HEXAGON ECROU | 6 | 6 | |
| 21 | 6CB-42628-00 | SEAL JOINT | 1 | 1 | |

- 1
- LONG BLOCK ASSY**
- Fig. 3, CYLINDER & CRANKCASE 1
Ref. No. 2 to 45
- Fig. 4, CRANKSHAFT & PISTON
Ref. No. 1 to 15
- Fig. 5, CYLINDER & CRANKCASE 2
Ref. No. 2 to 10, 12 to 46
- Fig. 6, CYLINDER & CRANKCASE 3
Ref. No. 1 to 11
- Fig. 7, CYLINDER & CRANKCASE 4
Ref. No. 1 to 16
- Fig. 8, VALVE
Ref. No. 1 to 32
- Fig. 9, INTAKE 1
Ref. No. 6, 7
- Fig. 10, INTAKE 2
Ref. No. 7 to 9, 14, 35
- Fig. 12, THROTTLE BODY ASSY 2
Ref. No. 1 to 9
- Fig. 17, GENERATOR
Ref. No. 2
- Fig. 18, ELECTRICAL 1
Ref. No. 17, 21 to 34
- Fig. 19, ELECTRICAL 2
Ref. No. 5, 6, 8
- Fig. 21, ELECTRICAL 4
Ref. No. 21 to 24
- Fig. 25, BOTTOM COWLING 2
Ref. No. 7 to 13, 20 to 23
- Fig. 35, UPPER CASING
Ref. No. 14, 16, 17, 19, 23,
24, 26
- Fig. 36, OIL PAN
Ref. No. 5 to 7, 9 to 17, 20

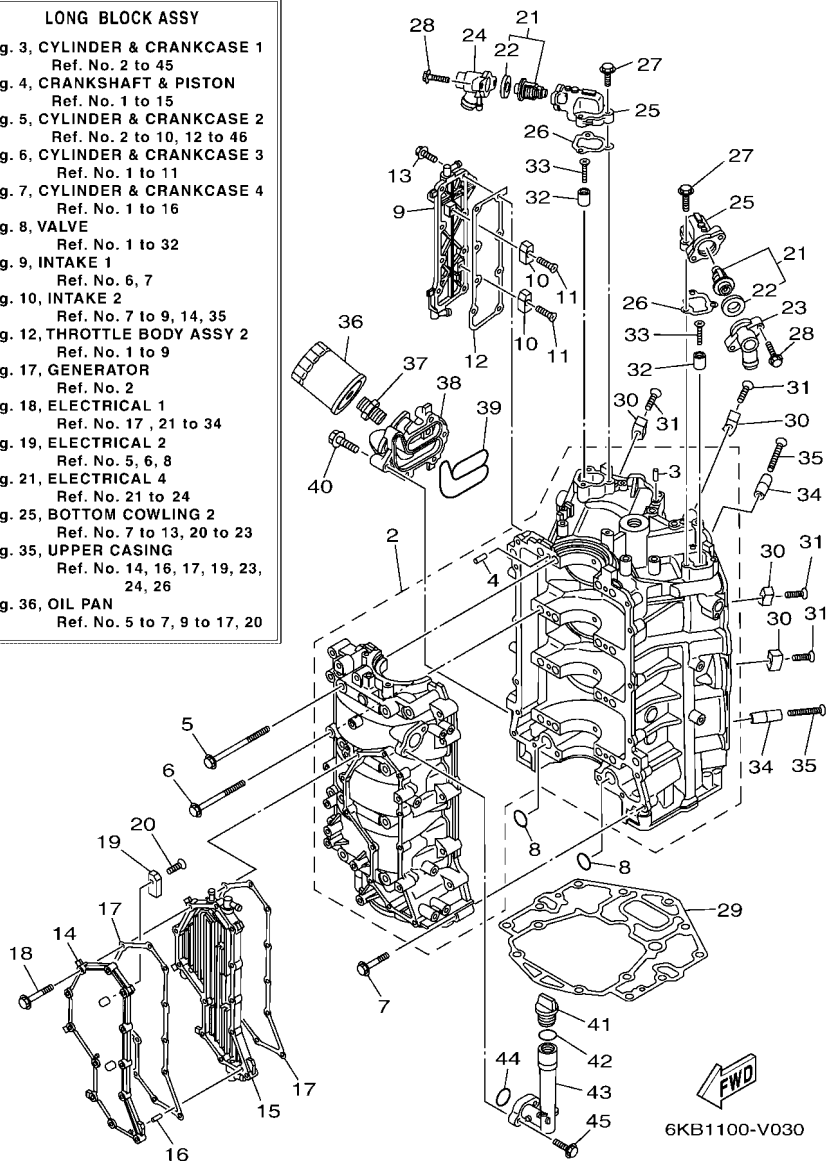


FIG. 3 CYLINDER & CRANKCASE 1

CYLINDRE & CARTER 1

| REF. NO. | PART NO. N° PIECES | DESCRIPTION DESCRIPTION | 6KA1 | 6KD1 | REMARKS REMARQUES |
|----------|--------------------|---|------|------|-------------------|
| 1 | 6KA-11000-00 | LONG BLOCK ASSY SOUS-ASSEMBLEE DU MOTEUR | 1 | 1 | |
| 2 | 6CE-15100-10 | CRANKCASE ASSY CARTER DE MOTEUR COMPLET | 1 | 1 | |
| 3 | 93606-12019 | .PIN, DOWEL .GOUPILLE | 3 | 3 | |
| 4 | 93606-12019 | .PIN, DOWEL .GOUPILLE | 8 | 8 | |
| 5 | 6CB-15187-00 | BOLT BOULON | 8 | 8 | |
| 6 | 6CB-15481-00 | BOLT 1 BOULON 1 | 8 | 8 | |
| 7 | 90105-08175 | BOLT, FLANGE BOULON, A COLLERETTE | 16 | 16 | |
| 8 | 93210-26658 | O-RING JOINT TORIQUE | 2 | 2 | |
| 9 | 6CE-1131C-00-9S | COVER, JOINT COUVERCLE, RACCORDEMENT | 1 | 1 | |
| 10 | 63P-11325-01 | ANODE ANODE | 2 | 2 | |
| 11 | 90151-06M02 | SCREW, COUNTERSUNK VIS, TETE NOYEE | 2 | 2 | |
| 12 | 6CB-1131B-00 | GASKET, COVER JOINT, COUVERCLE | 1 | 1 | |
| 13 | 90105-06M07 | BOLT, FLANGE BOULON, A COLLERETTE | 8 | 8 | |
| 14 | 6CE-15411-00-9S | COVER, CRANKCASE 1 COUVERCLE 1, CARTER MOTEUR | 1 | 1 | |
| 15 | 6CE-15421-10-9S | COVER, CRANKCASE 2 COUVERCLE 2, CARTER MOTEUR | 1 | 1 | |
| 16 | 91690-40010 | PIN, SPRING AGRAFFE | 1 | 1 | |
| 17 | 6CB-15451-01 | GASKET, CRANKCASE COVER 1 JOINT, COUVERCLE DE CARTER 1 | 2 | 2 | |
| 18 | 90105-06151 | BOLT, FLANGE BOULON, A COLLERETTE | 12 | 12 | |
| 19 | 63P-11325-01 | ANODE ANODE | 2 | 2 | |
| 20 | 90151-06M02 | SCREW, COUNTERSUNK VIS, TETE NOYEE | 2 | 2 | |
| 21 | 6CE-12411-00 | THERMOSTAT THERMOSTAT | 2 | 2 | |
| 22 | 67F-12412-00 | .SEAL, THERMOSTAT .JOINT, THERMOSTAT | 1 | 1 | |
| 23 | 6CE-12413-B0-9S | COVER, THERMOSTAT COUVERCLE, THERMOSTAT | 1 | 1 | |
| 24 | 6CE-12413-A0-9S | COVER, THERMOSTAT COUVERCLE, THERMOSTAT | 1 | 1 | |
| 25 | 6CB-12422-10-9S | COVER, HOUSING COUVERCLE DE CARTER DE POMPE | 2 | 2 | |
| 26 | 6CB-12427-11 | GASKET, HOUSING COVER 1 JOINT, COUVERCLE DE CARTER 1 | 2 | 2 | |
| 27 | 95027-06025 | BOLT, FLANGE BOULON, A COLLERETTE | 6 | 6 | |

- 1
- LONG BLOCK ASSY**
- Fig. 3, CYLINDER & CRANKCASE 1
Ref. No. 2 to 45
 - Fig. 4, CRANKSHAFT & PISTON
Ref. No. 1 to 15
 - Fig. 5, CYLINDER & CRANKCASE 2
Ref. No. 2 to 10, 12 to 46
 - Fig. 6, CYLINDER & CRANKCASE 3
Ref. No. 1 to 11
 - Fig. 7, CYLINDER & CRANKCASE 4
Ref. No. 1 to 16
 - Fig. 8, VALVE
Ref. No. 1 to 32
 - Fig. 9, INTAKE 1
Ref. No. 6, 7
 - Fig. 10, INTAKE 2
Ref. No. 7 to 9, 14, 35
 - Fig. 12, THROTTLE BODY ASSY 2
Ref. No. 1 to 9
 - Fig. 17, GENERATOR
Ref. No. 2
 - Fig. 18, ELECTRICAL 1
Ref. No. 17, 21 to 34
 - Fig. 19, ELECTRICAL 2
Ref. No. 5, 6, 8
 - Fig. 21, ELECTRICAL 4
Ref. No. 21 to 24
 - Fig. 25, BOTTOM COWLING 2
Ref. No. 7 to 13, 20 to 23
 - Fig. 35, UPPER CASING
Ref. No. 14, 16, 17, 19, 23,
24, 26
 - Fig. 36, OIL PAN
Ref. No. 5 to 7, 9 to 17, 20

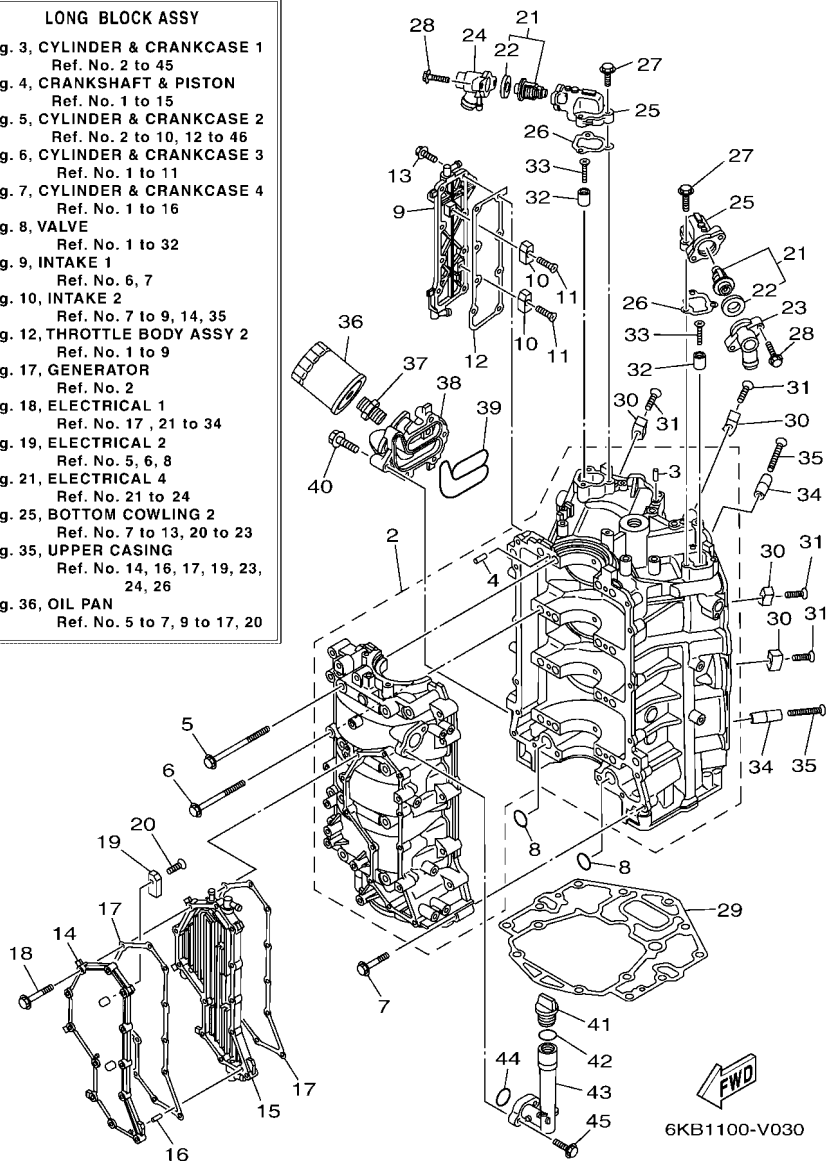


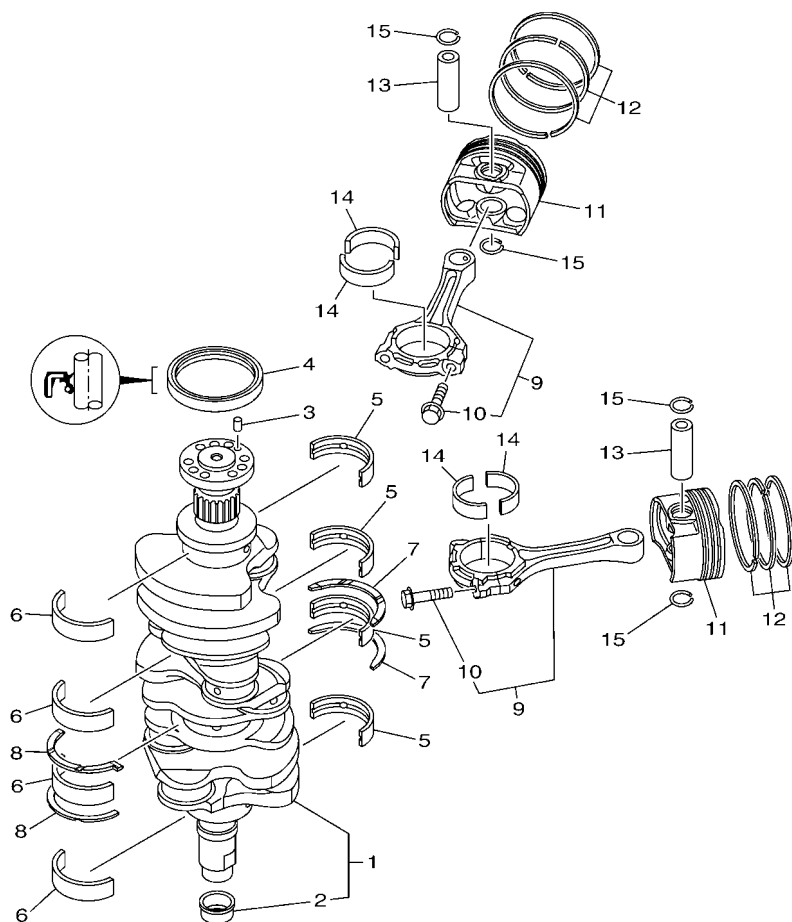
FIG. 3 CYLINDER & CRANKCASE 1

CYLINDRE & CARTER 1

| REF. NO. | PART NO. N° PIECES | DESCRIPTION DESCRIPTION | 6KA1 | 6KD1 | REMARKS REMARQUES |
|----------|--------------------|--|------|------|-------------------|
| 28 | 90105-06037 | BOLT, FLANGE BOULON, A COLLERETTE | 4 | 4 | |
| 29 | 6CB-11351-00 | GASKET, CYLINDER JOINT, D'EMBASE | 1 | 1 | |
| 30 | 6AW-1132P-00 | ANODE 5 ANODE 5 | 4 | 4 | |
| 31 | 98780-06530 | SCREW, FLAT HEAD VIS A TETE FRAISEE | 4 | 4 | |
| 32 | 68T-11325-00 | ANODE ANODE | 2 | 2 | |
| 33 | 90151-05M05 | SCREW, COUNTERSUNK VIS, TETE NOYEE | 2 | 2 | |
| 34 | 6AW-1132N-01 | ANODE 4 ANODE 4 | 2 | 2 | |
| 35 | 98780-06550 | SCREW, FLAT HEAD VIS A TETE FRAISEE | 2 | 2 | |
| 36 | N26-13440-03 | ELEMENT ASSY, OIL CLEANER ELEMENT, FILTRE A HUILE | 1 | 1 | |
| 37 | 90401-19001 | BOLT, UNION BOULON, RACCORD | 1 | 1 | |
| 38 | 6CE-13446-10-9S | CONNECTOR CONNECTEUR | 1 | 1 | |
| 39 | 6CB-13477-00 | GASKET JOINT | 1 | 1 | |
| 40 | 90105-06151 | BOLT, FLANGE BOULON, A COLLERETTE | 5 | 5 | |
| 41 | 6G8-15363-00 | PLUG, OIL PLOT, HUILE | 1 | 1 | |
| 42 | 93210-24M79 | O-RING JOINT TORIQUE | 1 | 1 | |
| 43 | 6CB-15319-00 | JOINT JOINT | 1 | 1 | |
| 44 | 93210-27370 | O-RING JOINT TORIQUE | 1 | 1 | |
| 45 | 90105-06037 | BOLT, FLANGE BOULON, A COLLERETTE | 2 | 2 | |

FIG. 4 CRANKSHAFT & PISTON

VILEBREQUIN & PISTON



6CB3110-L030

| REF. NO. | PART NO. N° PIECES | DESCRIPTION DESCRIPTION | 6KA1 | 6KD1 | REMARKS REMARQUES |
|----------|--------------------|---|------|------|------------------------|
| 1 | 6CB-11410-00 | CRANKSHAFT VILEBREQUIN COMPLET | 1 | 1 | |
| 2 | 6CB-11478-00 | .COLLAR .COLLERETTE | 1 | 1 | |
| 3 | 93606-12019 | PIN, DOWEL GOUILLE | 1 | 1 | |
| 4 | 93102-85008 | OIL SEAL JOINT SPY | 1 | 1 | |
| 5 | 6CB-11416-00 | PLANE BEARING, CRANKSHAFT 1 COUSSINET DE VILEBREQUIN 1 | 4 | 4 | UR PURPLE UR PURPLE |
| 6 | 6CB-11416-10 | PLANE BEARING, CRANKSHAFT 1 COUSSINET DE VILEBREQUIN 1 | 4 | 4 | UR YELLOW UR YELLOW |
| 6 | 6CB-11416-20 | PLANE BEARING, CRANKSHAFT 1 COUSSINET DE VILEBREQUIN 1 | 4 | 4 | UR RED UR RED |
| 6 | 6CB-11416-30 | PLANE BEARING, CRANKSHAFT 1 COUSSINET DE VILEBREQUIN 1 | 4 | 4 | UR GREEN UR GREEN |
| 6 | 6CB-11416-40 | PLANE BEARING, CRANKSHAFT 1 COUSSINET DE VILEBREQUIN 1 | 4 | 4 | UR BROWN UR BROWN |
| 6 | 6CB-11417-00 | PLANE BEARING, CRANKSHAFT 2 COUSSINET DE VILEBREQUIN 2 | 4 | 4 | UR PURPLE UR PURPLE |
| 6 | 6CB-11417-10 | PLANE BEARING, CRANKSHAFT 2 COUSSINET DE VILEBREQUIN 2 | 4 | 4 | UR YELLOW UR YELLOW |
| 6 | 6CB-11417-20 | PLANE BEARING, CRANKSHAFT 2 COUSSINET DE VILEBREQUIN 2 | 4 | 4 | UR RED UR RED |
| 6 | 6CB-11417-30 | PLANE BEARING, CRANKSHAFT 2 COUSSINET DE VILEBREQUIN 2 | 4 | 4 | UR GREEN UR GREEN |
| 6 | 6CB-11417-40 | PLANE BEARING, CRANKSHAFT 2 COUSSINET DE VILEBREQUIN 2 | 4 | 4 | UR BROWN UR BROWN |
| 7 | 6CB-11426-03 | BEARING, THRUST 1 ROULEMENT DE BUTEE 1 | 2 | 2 | |
| 8 | 6CB-11427-03 | BEARING, THRUST 2 ROULEMENT DE BUTEE 2 | 2 | 2 | |
| 9 | 6CB-W1165-10 | CONNECTING ROD ASSY BIELLE COMPLETE | 6 | 6 | |
| 10 | 63P-11654-10 | .BOLT, CONNECTING ROD .BOULON, BIELLE | 2 | 2 | |
| 11 | 6CE-11631-02 | PISTON (STD) PISTON (STD) | 6 | 6 | |
| 12 | 6CB-11603-00 | PISTON RING SET (STD) JEU DE SEGMENTS (STD) | 6 | 6 | |
| 13 | 6CB-11633-00 | PIN, PISTON AXE, PISTON | 6 | 6 | |
| 14 | 6JD-11656-00 | PLANE BEARING, CONNECTING ROD ROULEMENT DE BIELLE | 12 | 12 | UR BLACK UR BLACK |
| 14 | 6JD-11656-10 | PLANE BEARING, CONNECTING ROD ROULEMENT DE BIELLE | 12 | 12 | UR PINK UR PINK |
| 14 | 6JD-11656-20 | PLANE BEARING, CONNECTING ROD ROULEMENT DE BIELLE | 12 | 12 | UR RED UR RED |
| 15 | K0F-A3233-00 | RING,HOLE SNAP JONC | 12 | 12 | |

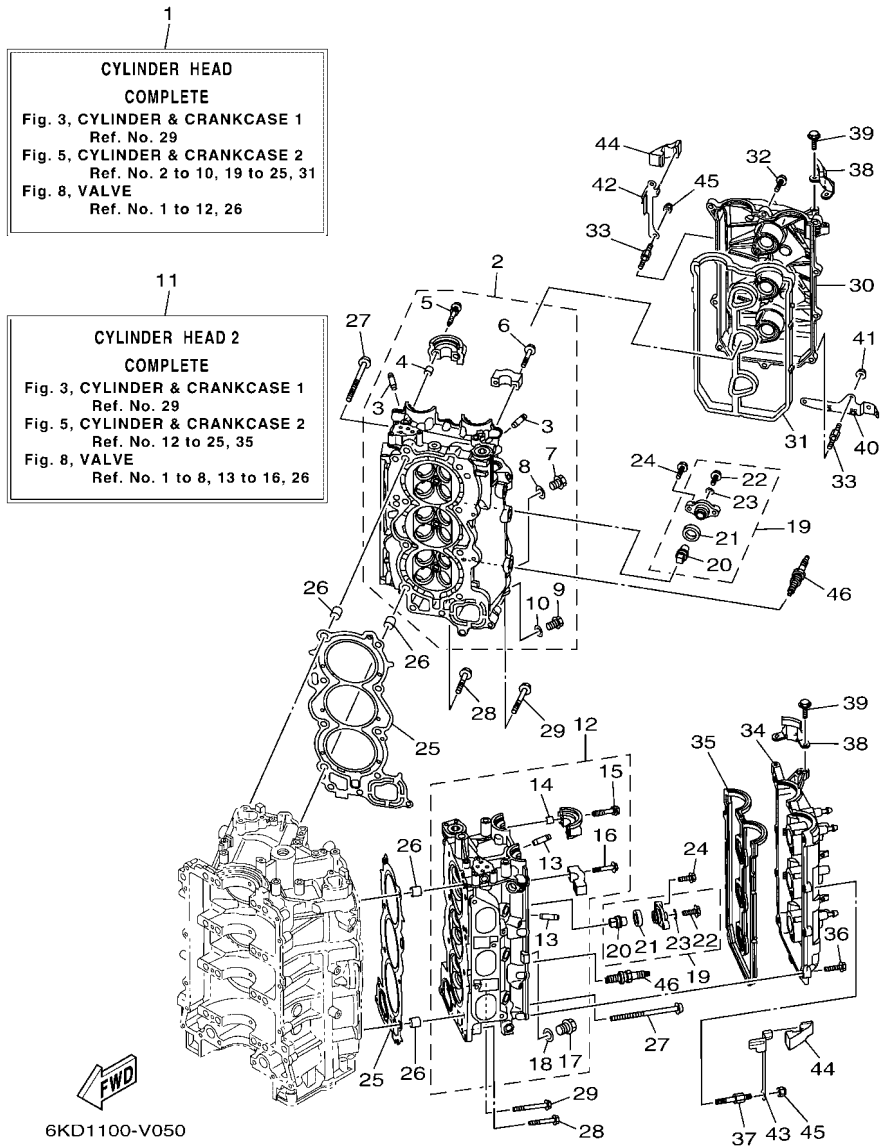


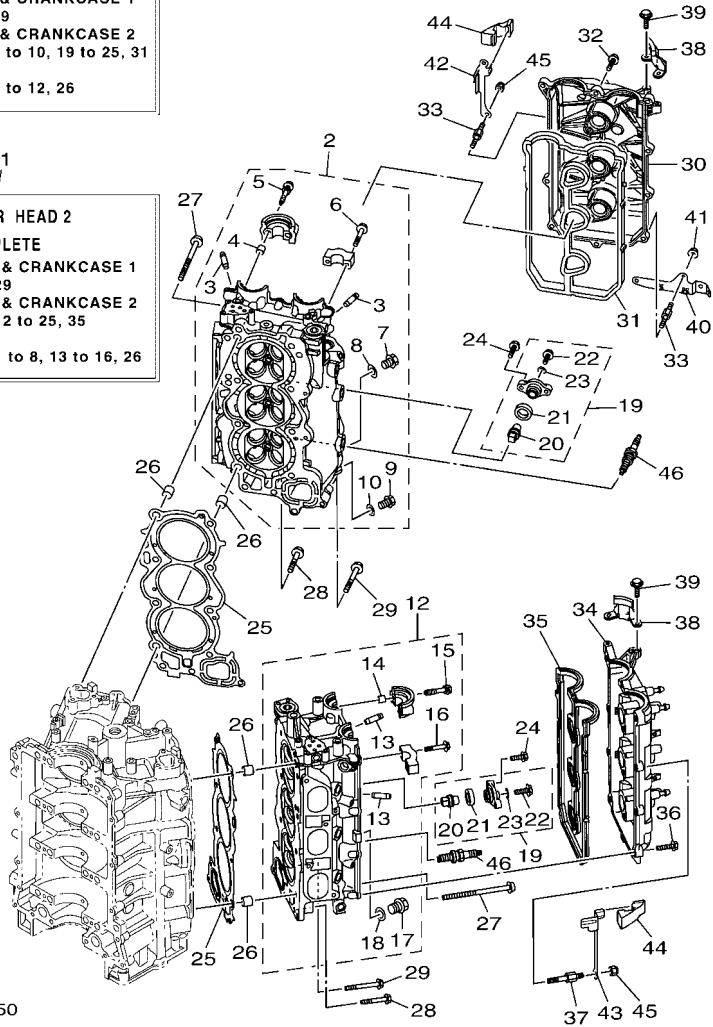
FIG. 5 CYLINDER & CRANKCASE 2

CYLINDRE & CARTER 2

| REF. NO. | PART NO. N° PIECES | DESCRIPTION DESCRIPTION | 6KA1 | 6KD1 | REMARKS REMARQUES |
|----------|--------------------|--|------|------|-------------------|
| 1 | 6KA-W009A-00-9S | CYLINDER HEAD COMPLETE CULASSE (ENS.) | 1 | 1 | |
| 2 | 6CE-11110-12-9S | CYLINDER HEAD ASSY JEU DE CULASSE | 1 | 1 | |
| 3 | 6S5-11133-10 | .GUIDE, VALVE 1 .GUIDE, SOUPEPE 1 | 12 | 12 | |
| 4 | 91809-08006 | .PIN, DOWEL .GOUJON, D'ASSEMBLAGE | 4 | 4 | |
| 5 | 90119-07001 | .BOLT, WITH WASHER .BOULON, AVEC RONDELLE | 4 | 4 | |
| 6 | 90119-07234 | .BOLT, WITH WASHER .BOULON, AVEC RONDELLE | 12 | 12 | |
| 7 | 90340-18M09 | .PLUG, STRAIGHT SCREW .PLOT, FILETE DROIT | 1 | 1 | |
| 8 | 90201-186F1 | .WASHER, PLATE .RONDELLE, PLATE | 1 | 1 | |
| 9 | 90340-14M06 | .PLUG, STRAIGHT SCREW .PLOT, FILETE DROIT | 1 | 1 | |
| 10 | 90430-14115 | .GASKET .JOINT | 1 | 1 | |
| 11 | 6KA-W009C-00-9S | CYLINDER HEAD 2 COMPLETE CULASSE 2 | 1 | 1 | |
| 12 | 6CE-11120-12-9S | CYLINDER HEAD ASSY 2 CULASSE 2 | 1 | 1 | |
| 13 | 6S5-11133-10 | .GUIDE, VALVE 1 .GUIDE, SOUPEPE 1 | 12 | 12 | |
| 14 | 91809-08006 | .PIN, DOWEL .GOUJON, D'ASSEMBLAGE | 4 | 4 | |
| 15 | 90119-07001 | .BOLT, WITH WASHER .BOULON, AVEC RONDELLE | 4 | 4 | |
| 16 | 90119-07234 | .BOLT, WITH WASHER .BOULON, AVEC RONDELLE | 12 | 12 | |
| 17 | 90340-18M09 | .PLUG, STRAIGHT SCREW .PLOT, FILETE DROIT | 1 | 1 | |
| 18 | 90201-186F1 | .WASHER, PLATE .RONDELLE, PLATE | 1 | 1 | |
| 19 | 67F-11301-01 | ANODE COVER ASSY COUVERCLE ANODE (ENS.) | 8 | 8 | |
| 20 | 67F-11325-01 | .ANODE .ANODE | 1 | 1 | |
| 21 | 67F-11328-01 | .GROMMET, ANODE .PASSE-FIL | 1 | 1 | |
| 22 | 90105-06M07 | .BOLT, FLANGE .BOULON, A COLLERETTE | 1 | 1 | |
| 23 | 90430-06M03 | .GASKET .JOINT | 1 | 1 | |
| 24 | 95D95-08025 | BOLT, FLANGE DEEP RECESS BOULON FIXATION | 16 | 16 | |
| 25 | 6CB-11181-00 | GASKET, CYLINDER HEAD 1 JOINT, DE CULASSE 1 | 2 | 2 | |
| 26 | 90387-11005 | COLLAR COLLERETTE | 4 | 4 | |
| 27 | 90149-11001 | SCREW VIS | 16 | 16 | |

1
**CYLINDER HEAD
 COMPLETE**
 Fig. 3, CYLINDER & CRANKCASE 1
 Ref. No. 29
 Fig. 5, CYLINDER & CRANKCASE 2
 Ref. No. 2 to 10, 19 to 25, 31
 Fig. 8, VALVE
 Ref. No. 1 to 12, 26

11
**CYLINDER HEAD 2
 COMPLETE**
 Fig. 3, CYLINDER & CRANKCASE 1
 Ref. No. 29
 Fig. 5, CYLINDER & CRANKCASE 2
 Ref. No. 12 to 25, 35
 Fig. 8, VALVE
 Ref. No. 1 to 8, 13 to 16, 26



6KD1100-V050

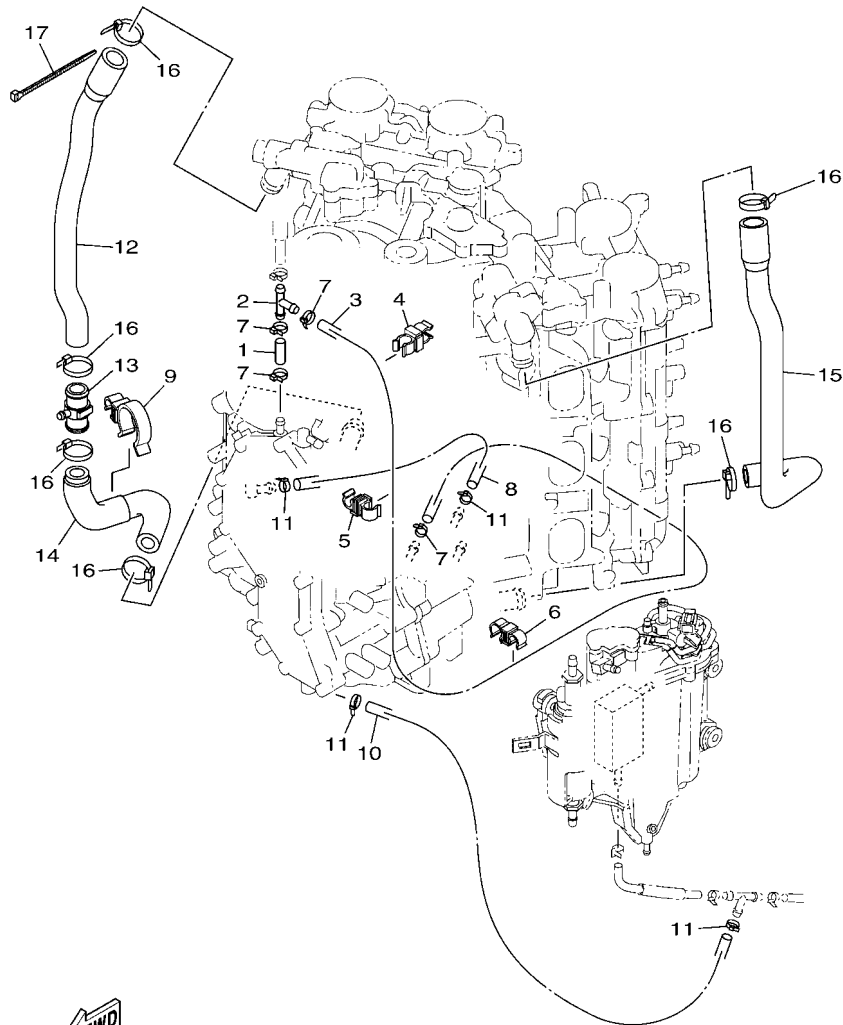
FIG. 5 CYLINDER & CRANKCASE 2

CYLINDRE & CARTER 2

| REF. NO. | PART NO. N° PIECES | DESCRIPTION DESCRIPTION | 6KA1 | 6KD1 | REMARKS REMARQUES |
|----------|--------------------|---|------|------|-------------------|
| 28 | 90105-08175 | BOLT, FLANGE BOULON, A COLLERETTE | 4 | 4 | |
| 29 | 90105-08220 | BOLT, FLANGE BOULON, A COLLERETTE | 2 | 2 | |
| 30 | 6CB-11191-02 | COVER, CYLINDER HEAD 1 COUVERCLE, CULASSE 1 | 1 | 1 | |
| 31 | 6CB-11193-00 | GASKET, HEAD COVER 1 JOINT, COUVERCLE DE CULASSE 1 | 1 | 1 | |
| 32 | 95D95-06030 | BOLT, FLANGE DEEP RECESS BOULON FIXATION | 9 | 9 | |
| 33 | 90109-06277 | BOLT BOULON | 4 | 4 | |
| 34 | 6CB-11192-02 | COVER, CYLINDER HEAD 2 COUVERCLE, CULASSE 2 | 1 | 1 | |
| 35 | 6CB-11194-00 | GASKET, HEAD COVER 2 JOINT, COUVERCLE DE CULASSE 2 | 1 | 1 | |
| 36 | 95D95-06030 | BOLT, FLANGE DEEP RECESS BOULON FIXATION | 11 | 11 | |
| 37 | 90109-06277 | BOLT BOULON | 2 | 2 | |
| 38 | 6AW-15142-00 | GUIDE 1 GUIDE 1 | 2 | 2 | |
| 39 | 95D95-06014 | BOLT, FLANGE DEEP RECESS BOULON FIXATION | 4 | 4 | |
| 40 | 6KA-2134V-00 | BRACKET SUPPORT | 1 | 1 | |
| 41 | 90179-06M28 | NUT ECROU | 2 | 2 | |
| 42 | 6CB-11998-10 | BRACKET 1 SUPPORT 1 | 1 | 1 | |
| 43 | 6CB-11999-10 | BRACKET 2 SUPPORT 2 | 1 | 1 | |
| 44 | 6CB-42662-02 | DAMPER AMORTISSEUR | 2 | 2 | |
| 45 | 90185-06M07 | NUT, SELF-LOCKING ECROU,AUTO-BLOQUANT | 4 | 4 | |
| 46 | 94702-00400 | PLUG, SPARK (NGK LFR6A-11) BOUGIE D'ALLUMAGE(NGK LFR6A-11) | 6 | 6 | |

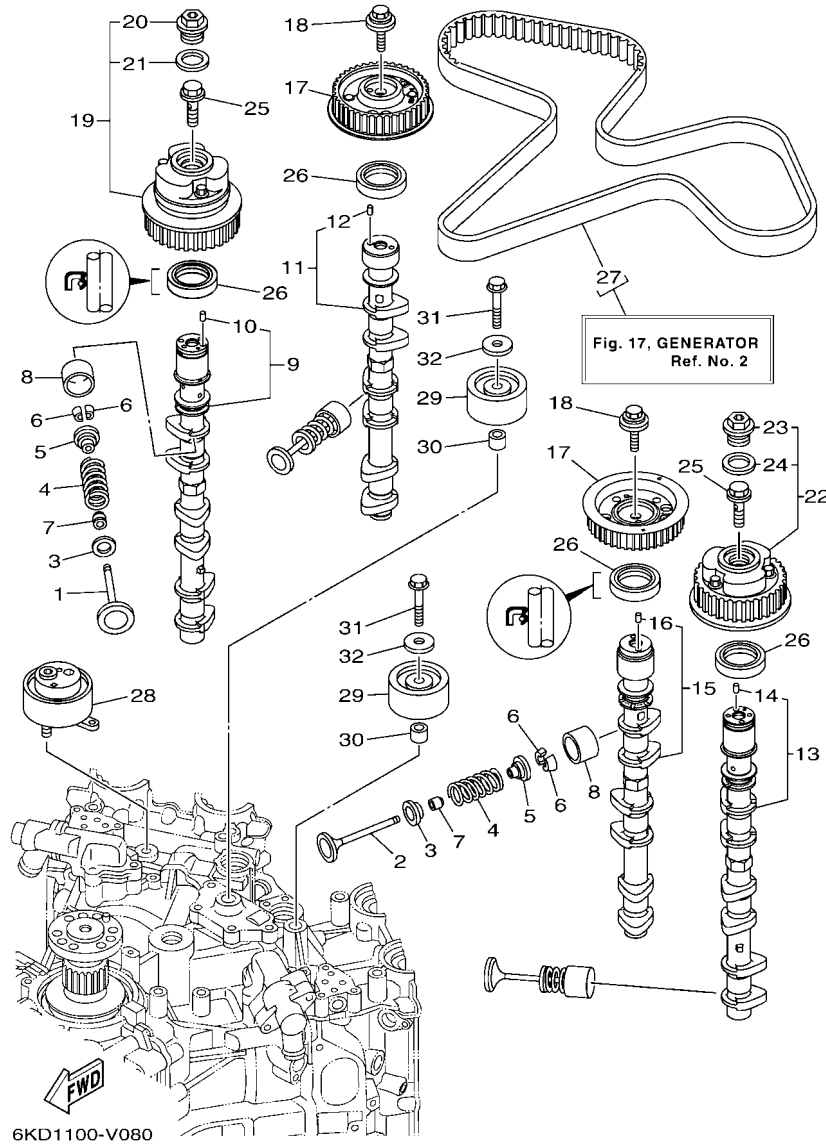
FIG. 7 CYLINDER & CRANKCASE 4

CYLINDRE & CARTER 4



6JD1200-T070

| REF. NO. | PART NO. N° PIECES | DESCRIPTION DESCRIPTION | 6KA1 | 6KD1 | REMARKS REMARQUES |
|----------|--------------------|--|------|------|-------------------|
| 1 | 90445-09220 | HOSE (L30) DURITE (L30) | 1 | 1 | |
| 2 | 688-24378-00 | PIPE, JOINT 3 DURITE RACCORDEMENT 3 | 1 | 1 | |
| 3 | 6KA-12576-00 | HOSE 1 TUYAU 1 | 1 | 1 | |
| 4 | 90464-10M59 | CLAMP BRIDE | 1 | 1 | |
| 5 | 90464-09013 | CLAMP BRIDE | 1 | 1 | |
| 6 | 90464-12010 | CLAMP BRIDE | 1 | 1 | |
| 7 | 90465-11M10 | CLAMP BRIDE | 4 | 4 | |
| 8 | 6CB-12577-00 | HOSE 2 TUYAU 2 | 1 | 1 | |
| 9 | 90464-26002 | CLAMP BRIDE | 1 | 1 | |
| 10 | 90445-096H2 | HOSE (L280) DURITE (L280) | 1 | 1 | |
| 11 | 90465-11M10 | CLAMP BRIDE | 4 | 4 | |
| 12 | 6CE-1244G-00 | HOSE, 4 DURITE 4 | 1 | 1 | |
| 13 | 6CE-24378-00 | PIPE, JOINT 3 DURITE RACCORDEMENT 3 | 1 | 1 | |
| 14 | 6CE-1244H-00 | HOSE 5 DURITE 5 | 1 | 1 | |
| 15 | 6CB-1243E-00 | HOSE 2 DURITE 2 | 1 | 1 | |
| 16 | 90465-11M59 | CLAMP BRIDE | 6 | 6 | |
| 17 | 90465-14M66 | CLAMP BRIDE | 1 | 1 | |

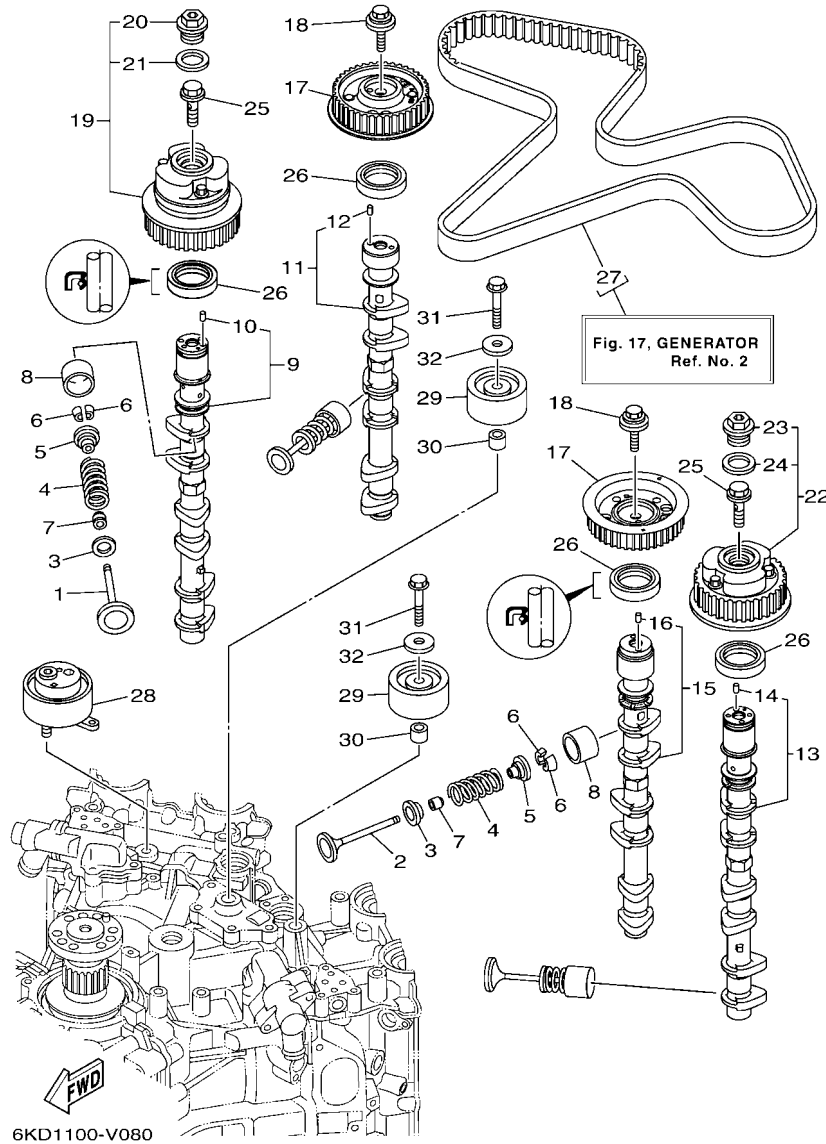


6KD1100-V080

FIG. 8 VALVE

SOUPAPE

| REF. NO. | PART NO. N° PIECES | DESCRIPTION DESCRIPTION | 6KA1 | 6KD1 | REMARKS REMARQUES |
|----------|--------------------|---|------|------|-------------------|
| 1 | 6CB-12111-00 | VALVE, INTAKE SOUPAPE, ADMISSION | 12 | 12 | |
| 2 | 6DA-12121-00 | VALVE, EXHAUST SOUPAPE, ECHAPPEMENT | 12 | 12 | |
| 3 | K0F-A3743-00 | SEAT, VALVE SPRING SIEGE, RESSORT DE SOUPAPE | 24 | 24 | |
| 4 | 6CB-12113-00 | SPRING, VALVE INNER RESSORT DE SOUPAPE, INTERNE | 24 | 24 | |
| 5 | K0F-A3741-00 | RETAINER, VALVE SPRING BUTEE DE RESSORT DE SOUPAPA | 24 | 24 | |
| 6 | K0F-A3742-00 | LOCK, VALVE SPRING RETAINER FRAISE, SOUPAPE | 48 | 48 | |
| 7 | 51Y-12119-00 | SEAL, VALVE STEM JOINT, QUEUE DE SOUPAPE | 24 | 24 | |
| 8 | K0F-A3751-00 | LIFTER, VALVE (3.000) LEVE-SOUPAPE (3.000) | 24 | 24 | UR |
| | K0F-A3751-10 | LIFTER, VALVE (3.025) LEVE-SOUPAPE (3.025) | 24 | 24 | UR |
| | K0F-A3751-20 | LIFTER, VALVE (3.050) LEVE-SOUPAPE (3.050) | 24 | 24 | UR |
| | K0F-A3751-30 | LIFTER, VALVE (3.075) LEVE-SOUPAPE (3.075) | 24 | 24 | UR |
| | K0F-A3751-40 | LIFTER, VALVE (3.100) LEVE-SOUPAPE (3.100) | 24 | 24 | UR |
| | K0F-A3751-50 | LIFTER, VALVE (3.122) LEVE-SOUPAPE (3.122) | 24 | 24 | UR |
| | K0F-A3751-60 | LIFTER, VALVE (3.142) LEVE-SOUPAPE (3.142) | 24 | 24 | UR |
| | K0F-A3751-70 | LIFTER, VALVE (3.162) LEVE-SOUPAPE (3.162) | 24 | 24 | UR |
| | K0F-A3751-80 | LIFTER, VALVE (3.182) LEVE-SOUPAPE (3.182) | 24 | 24 | UR |
| | K0F-A3751-90 | LIFTER, VALVE (3.202) LEVE-SOUPAPE (3.202) | 24 | 24 | UR |
| | K0F-A3751-A0 | LIFTER, VALVE (3.222) LEVE-SOUPAPE (3.222) | 24 | 24 | UR |
| | K0F-A3751-B0 | LIFTER, VALVE (3.242) LEVE-SOUPAPE (3.242) | 24 | 24 | UR |
| | K0F-A3751-C0 | LIFTER, VALVE (3.262) LEVE-SOUPAPE (3.262) | 24 | 24 | UR |
| | K0F-A3751-D0 | LIFTER, VALVE (3.282) LEVE-SOUPAPE (3.282) | 24 | 24 | UR |
| | K0F-A3751-E0 | LIFTER, VALVE (3.302) LEVE-SOUPAPE (3.302) | 24 | 24 | UR |
| | K0F-A3751-F0 | LIFTER, VALVE (3.322) LEVE-SOUPAPE (3.322) | 24 | 24 | UR |
| | K0F-A3751-G0 | LIFTER, VALVE (3.342) LEVE-SOUPAPE (3.342) | 24 | 24 | UR |
| | K0F-A3751-H0 | LIFTER, VALVE (3.362) LEVE-SOUPAPE (3.362) | 24 | 24 | UR |
| | K0F-A3751-J0 | LIFTER, VALVE (3.382) LEVE-SOUPAPE (3.382) | 24 | 24 | UR |
| | K0F-A3751-K0 | LIFTER, VALVE (3.402) LEVE-SOUPAPE (3.402) | 24 | 24 | UR |

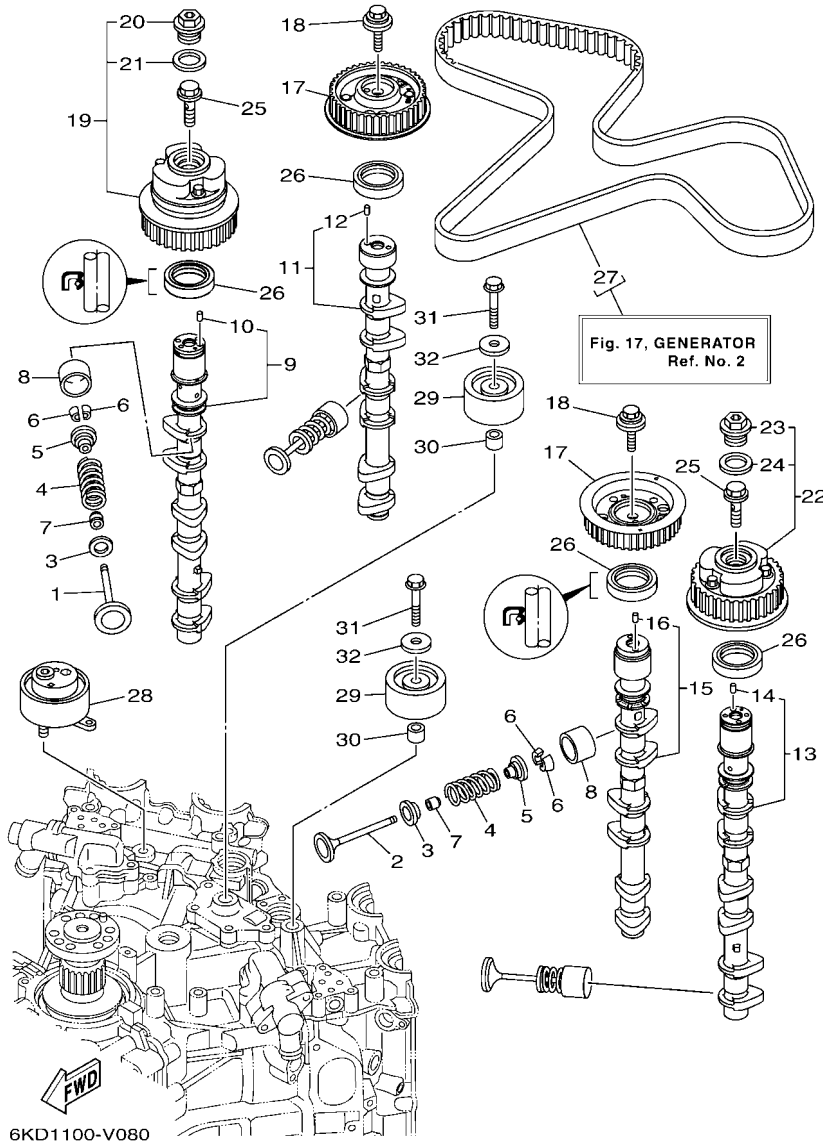


6KD1100-V080

FIG. 8 VALVE

SOUPAPE

| REF. NO. | PART NO. N° PIECES | DESCRIPTION DESCRIPTION | 6KA1 | 6KD1 | REMARKS REMARQUES |
|----------|--------------------|---|------|------|-------------------|
| 8 | K0F-A3751-L0 | LIFTER, VALVE (3.422) LEVE-SOUPAPE (3.422) | 24 | 24 | UR |
| | K0F-A3751-M0 | LIFTER, VALVE (3.442) LEVE-SOUPAPE (3.442) | 24 | 24 | UR |
| | K0F-A3751-N0 | LIFTER, VALVE (3.462) LEVE-SOUPAPE (3.462) | 24 | 24 | UR |
| | K0F-A3751-P0 | LIFTER, VALVE (3.482) LEVE-SOUPAPE (3.482) | 24 | 24 | UR |
| | K0F-A3751-R0 | LIFTER, VALVE (3.502) LEVE-SOUPAPE (3.502) | 24 | 24 | UR |
| | K0F-A3751-S0 | LIFTER, VALVE (3.522) LEVE-SOUPAPE (3.522) | 24 | 24 | UR |
| | K0F-A3751-T0 | LIFTER, VALVE (3.542) LEVE-SOUPAPE (3.542) | 24 | 24 | UR |
| | K0F-A3753-00 | LIFTER, VALVE (3.562) LEVE-SOUPAPE (3.562) | 24 | 24 | UR |
| | K0F-A3753-10 | LIFTER, VALVE (3.582) LEVE-SOUPAPE (3.582) | 24 | 24 | UR |
| | K0F-A3753-20 | LIFTER, VALVE (3.602) LEVE-SOUPAPE (3.602) | 24 | 24 | UR |
| | K0F-A3753-30 | LIFTER, VALVE (3.625) LEVE-SOUPAPE (3.625) | 24 | 24 | UR |
| | K0F-A3753-40 | LIFTER, VALVE (3.650) LEVE-SOUPAPE (3.650) | 24 | 24 | UR |
| | K0F-A3753-50 | LIFTER, VALVE (3.675) LEVE-SOUPAPE (3.675) | 24 | 24 | UR |
| | K0F-A3753-60 | LIFTER, VALVE (3.700) LEVE-SOUPAPE (3.700) | 24 | 24 | UR |
| | K0F-A3753-70 | LIFTER, VALVE (3.725) LEVE-SOUPAPE (3.725) | 24 | 24 | UR |
| 9 | 6KA-12171-00 | CAMSHAFT 1 ARBRE A CAMES 1 | 1 | 1 | |
| 10 | 93605-10108 | .PIN, DOWEL .AXE | 1 | 1 | |
| 11 | 6KA-12181-00 | CAMSHAFT 2 ARBRE A CAMES 2 | 1 | 1 | |
| 12 | 93605-10108 | .PIN, DOWEL .AXE | 1 | 1 | |
| 13 | 6KA-12172-00 | CAMSHAFT 3 ARBRE A CAMES 3 | 1 | 1 | |
| 14 | 93605-10108 | .PIN, DOWEL .AXE | 1 | 1 | |
| 15 | 6KA-12182-00 | CAMSHAFT 4 ARBRE A CAMES 4 | 1 | 1 | |
| 16 | 93605-10108 | .PIN, DOWEL .AXE | 1 | 1 | |
| 17 | 6KA-11567-00 | GEAR, DRIVEN 2 PIGNON SECONDAIRE 2 | 2 | 2 | |
| 18 | 90119-10050 | BOLT, WITH WASHER BOULON, AVEC RONDELLE | 2 | 2 | |
| 19 | 6CB-12645-01 | PULLEY ASSY 1 POULIE COMPLET 1 | 1 | 1 | |
| 20 | 6P2-12623-00 | .BOLT .BOULON | 1 | 1 | |



6KD1100-V080

FIG. 8 VALVE

SOUPAPE

| REF. NO. | PART NO. N° PIECES | DESCRIPTION DESCRIPTION | 6KA1 | 6KD1 | REMARKS REMARQUES |
|----------|--------------------|---|------|------|-------------------|
| 21 | 6P2-12663-00 | .GASKET .JOINT | 1 | 1 | |
| 22 | 6CB-1264A-01 | PULLEY ASSY 2 POULIE COMPLET 2 | 1 | 1 | |
| 23 | 6P2-12623-00 | .BOLT .BOULON | 1 | 1 | |
| 24 | 6P2-12663-00 | .GASKET .JOINT | 1 | 1 | |
| 25 | 6P2-12615-00 | BOLT BOULON | 2 | 2 | |
| 26 | 93102-38008 | OIL SEAL JOINT SPY | 4 | 4 | |
| 27 | 6CB-W4624-00 | BELT (WITH ROTOR BOLTS) COURROIE (AVEC BOULON) | 1 | 1 | |
| 28 | 6CB-11590-02 | TENSIONER ASSY TENDEUR (ENS.) | 1 | 1 | |
| 29 | 6CB-15512-00 | GEAR, IDLER 1 PIGNON, INTERMEDIAIRE 1 | 2 | 2 | |
| 30 | 99530-14016 | PIN, DOWEL GOIJON, D'ASSEMBLAGE | 2 | 2 | |
| 31 | 90119-10M07 | BOLT, WITH WASHER BOULON, AVEC RONDELLE | 2 | 2 | |
| 32 | 90201-10M01 | WASHER, PLATE RONDELLE, PLATE | 2 | 2 | |

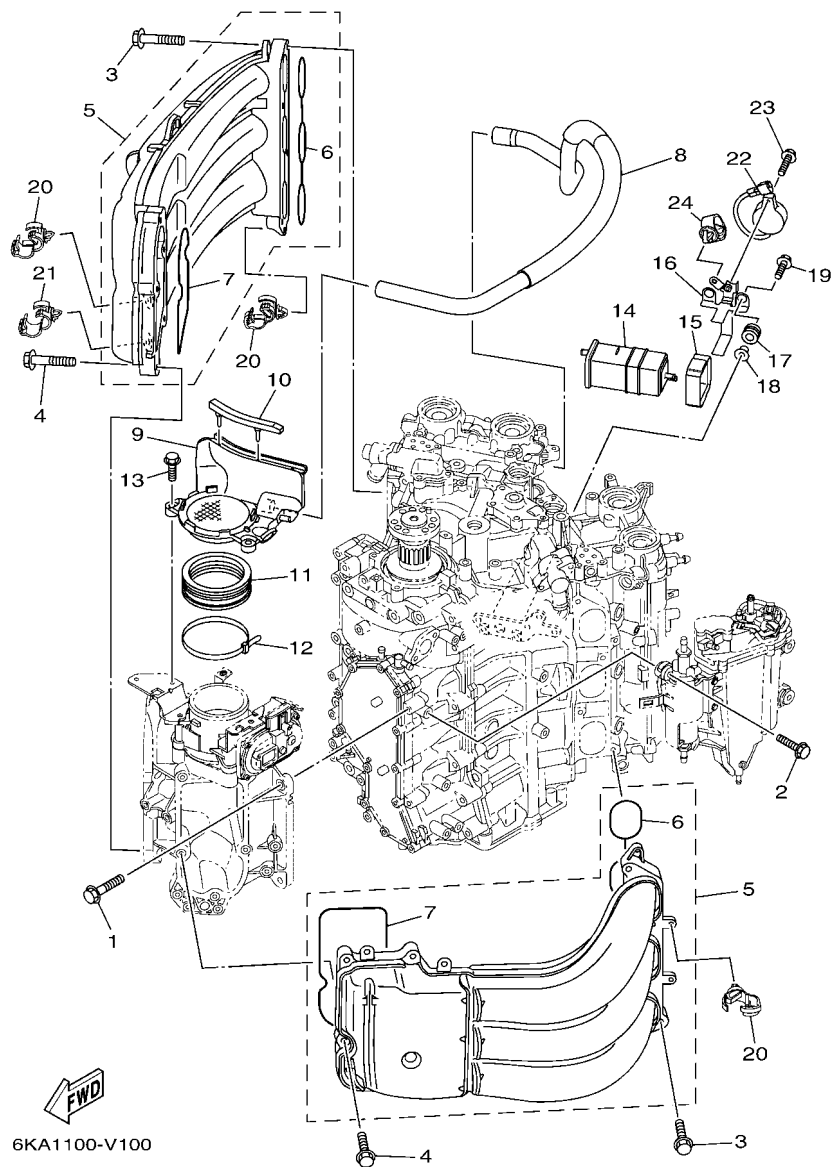


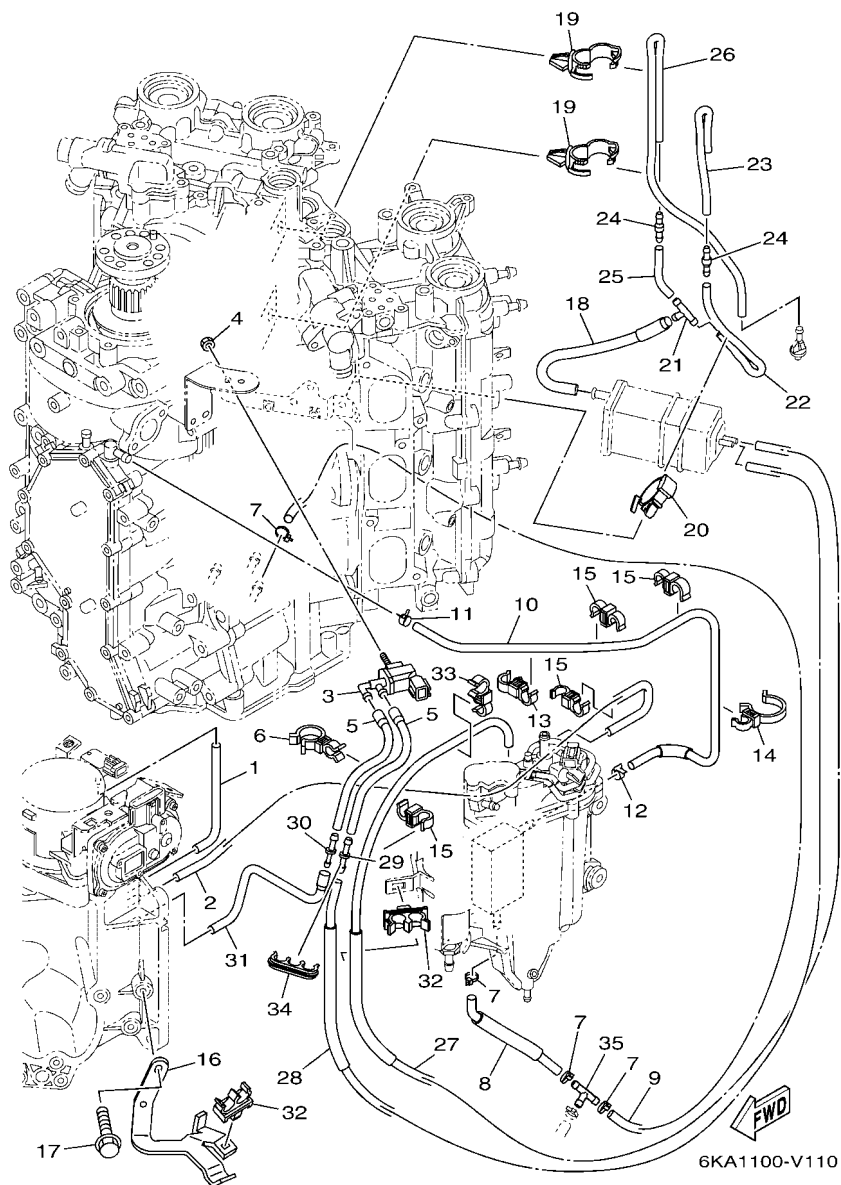
FIG. 9 INTAKE 1

ADMISSION 1

| REF. NO. | PART NO. N° PIECES | DESCRIPTION DESCRIPTION | 6KA1 | 6KD1 | REMARKS REMARQUES |
|----------|--------------------|--|------|------|-------------------|
| 1 | 95D75-08030 | BOLT, FLANGE DEEP RECESS BOULON FIXATION | 4 | 4 | |
| 2 | 90119-06299 | BOLT, WITH WASHER BOULON, AVEC RONDELLE | 4 | 4 | |
| 3 | 90119-08020 | BOLT, WITH WASHER BOULON, AVEC RONDELLE | 8 | 8 | |
| 4 | 90105-06035 | BOLT, FLANGE BOULON, A COLLERETTE | 10 | 10 | |
| 5 | 6CE-13641-00 | MANIFOLD, INTAKE 1 TUBULURE, ADMISSION 1 | 2 | 2 | |
| 6 | 6CB-13645-00 | .GASKET, MANIFOLD 1 .JOINT, TUBULURE 1 | 1 | 1 | |
| 7 | 6CB-13646-00 | .GASKET, MANIFOLD 2 .JOINT, TUBULURE 2 | 1 | 1 | |
| 8 | 6CB-15373-01 | PIPE, BREATHER DURITE DE RENIFLARD | 1 | 1 | |
| 9 | 6CB-14440-01 | SILENCER ASSY, INTAKE SIENCIEUX D'ADMISSION | 1 | 1 | |
| 10 | 6CB-85547-00 | DAMPER AMORTISSEUR | 1 | 1 | |
| 11 | 6AW-1441J-01 | PIPE, SILENCER DURITE, DE SILENCIEUX | 1 | 1 | |
| 12 | 90464-99004 | CLAMP BRIDE | 1 | 1 | |
| 13 | 95D95-06025 | BOLT, FLANGE DEEP RECESS BOULON FIXATION | 2 | 2 | |
| 14 | 69J-24170-00 | CANISTER ASSY BANDE, RASERVOIR A ESSENCE | 1 | 1 | |
| 15 | 6FP-2419E-01 | COVER, CANISTER COUVERCLE | 1 | 1 | |
| 16 | 6KA-2134X-00 | BRACKET, CANISTER SUPPORT | 1 | 1 | |
| 17 | 90480-10M23 | GROMMET PASSE-FIL | 2 | 2 | |
| 18 | 90387-06289 | COLLAR COLLERETTE | 2 | 2 | |
| 19 | 90119-06309 | BOLT, WITH WASHER BOULON, AVEC RONDELLE | 2 | 2 | |
| 20 | 90464-13249 | CLAMP BRIDE | 8 | 8 | |
| 21 | 90464-20181 | CLAMP BRIDE | 1 | 1 | |
| 22 | 6KA-83383-01 | BUZZER RONFLEUR | 1 | 1 | |
| 23 | 90119-05M04 | BOLT, WITH WASHER BOULON, AVEC RONDELLE | 1 | 1 | |
| 24 | 90464-13249 | CLAMP BRIDE | 1 | 1 | |

FIG. 10 INTAKE 2

ADMISSION 2



| REF. NO. | PART NO. N° PIECES | DESCRIPTION DESCRIPTION | 6KA1 | 6KD1 | REMARKS REMARQUES |
|----------|--------------------|---|------|------|-------------------|
| 1 | 6CB-13533-00 | HOSE, VACUUM SENSING 4 DURITE 4 | 1 | 1 | |
| 2 | 6CB-13532-10 | HOSE, VACUUM SENSING 3 DURITE 3 | 1 | 1 | |
| 3 | 6C5-86120-00 | SOLENOID VALVE ASSY SOLENOIDE | 1 | 1 | |
| 4 | 95380-06600 | NUT, HEXAGON ECROU | 1 | 1 | |
| 5 | 6CB-2416A-00 | HOSE DURITE | 2 | 2 | |
| 6 | 90464-23001 | CLAMP BRIDE | 2 | 2 | |
| 7 | 90465-11M10 | CLAMP BRIDE | 4 | 4 | |
| 8 | 6CE-12482-10 | PIPE 2 DURITE 2 | 1 | 1 | |
| 9 | 90445-09120 | HOSE (L600) DURITE (L600) | 1 | 1 | |
| 10 | 6CB-12484-00 | PIPE 4 DURITE 4 | 1 | 1 | |
| 11 | 90467-090A0 | CLIP JONC | 1 | 1 | |
| 12 | 90465-11M10 | CLAMP BRIDE | 1 | 1 | |
| 13 | 90464-12010 | CLAMP BRIDE | 1 | 1 | |
| 14 | 90464-26002 | CLAMP BRIDE | 1 | 1 | |
| 15 | 90464-09013 | CLAMP BRIDE | 4 | 4 | |
| 16 | 6CB-13782-00 | STAY SUPPORT | 1 | 1 | |
| 17 | 95D95-06016 | BOLT, FLANGE DEEP RECESS BOULON FIXATION | 2 | 2 | |
| 18 | 6CB-13545-00 | HOSE 1 DURITE 1 | 1 | 1 | |
| 19 | 90464-20181 | CLAMP BRIDE | 2 | 2 | |
| 20 | 90464-07209 | CLAMP BRIDE | 1 | 1 | |
| 21 | 688-24378-00 | PIPE, JOINT 3 DURITE RACCORDEMENT 3 | 1 | 1 | |
| 22 | 6CB-13546-01 | HOSE 2 DURITE 2 | 1 | 1 | |
| 23 | 6CB-13547-00 | HOSE 3 DURITE 3 | 1 | 1 | |
| 24 | 6E5-21744-00 | BREATHER RENIFLARD | 2 | 2 | |
| 25 | 6CB-13548-00 | HOSE, AIR 4 DURITE, A AIR 4 | 1 | 1 | |
| 26 | 6KA-12483-00 | PIPE 3 DURITE 3 | 1 | 1 | |
| 27 | 6KA-1475A-00 | PIPE 1 DURITE 1 | 1 | 1 | |

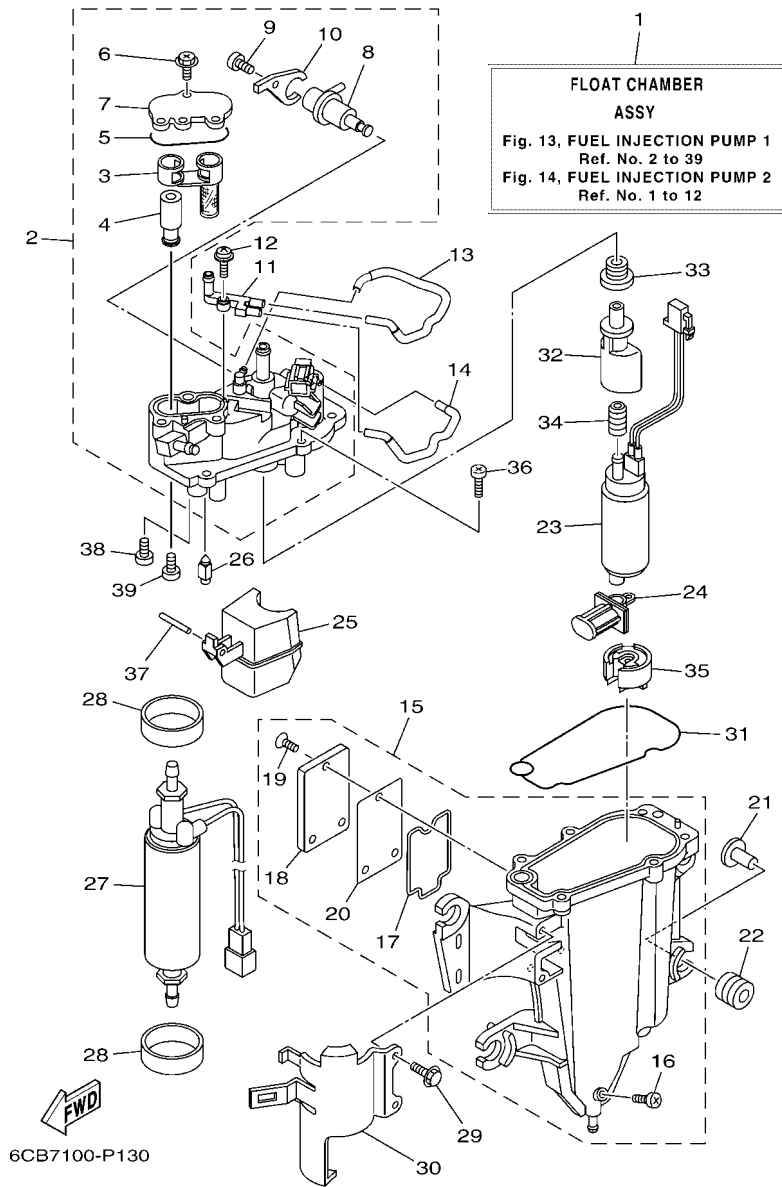


FIG. 13 FUEL INJECTION PUMP 1

POMPE A INJECTEUR 1

| REF. NO. | PART NO. N° PIECES | DESCRIPTION DESCRIPTION | 6KA1 | 6KD1 | | | REMARKS REMARQUES |
|----------|--------------------|---|------|------|--|--|-------------------|
| 1 | 6CB-14180-12 | FLOAT CHAMBER ASSY CUVE DE FLOTTEUR | 1 | 1 | | | |
| 2 | 6CB-14182-02 | COVER, FLOAT CHAMBER COUVERCLE, CUVE DE FLOTTEUR | 1 | 1 | | | |
| 3 | 6CB-24501-01 | .FILTER, FUEL .FILTRE | 1 | 1 | | | |
| 4 | 6CB-24460-00 | .RELIEF VALVE ASSY .SOUPAPE DE SECURITE COMPLET | 1 | 1 | | | |
| 5 | 6CB-13016-00 | .O-RING .JOINT TORIQUE | 1 | 1 | | | |
| 6 | 6CB-14216-00 | .SCREW .VIS | 3 | 3 | | | |
| 7 | 6CB-24217-00 | .COVER .COUVERCLE | 1 | 1 | | | |
| 8 | 6CB-13906-01 | .REGULATOR, PRESSURE .REGULATEUR DE PRESSION | 1 | 1 | | | |
| 9 | 6CB-14564-00 | .SCREW .VIS | 1 | 1 | | | |
| 10 | 6CB-14146-00 | .PLATE .PLAQUE | 1 | 1 | | | |
| 11 | 68V-24379-10 | PIPE, JOINT 4 DURITE RACCORDEMENT 4 | 1 | 1 | | | |
| 12 | 68V-14216-00 | SCREW VIS | 1 | 1 | | | |
| 13 | 6CB-1475H-00 | PIPE 5 DURITE 5 | 1 | 1 | | | |
| 14 | 6CB-1475J-00 | PIPE 6 DURITE 6 | 1 | 1 | | | |
| 15 | 6CB-14181-01 | BODY, FLOAT CHAMBER 1 CORPS, CUVE DE FLOTTEUR 1 | 1 | 1 | | | |
| 16 | 6P2-14191-00 | .PLUG, DRAIN .PLOT, VIDANGE | 1 | 1 | | | |
| 17 | 6CB-14239-00 | .SEAL .JOINT | 1 | 1 | | | |
| 18 | 6CB-24452-10 | .COVER .COUVERCLE | 1 | 1 | | | |
| 19 | 6CB-14429-01 | .SCREW .VIS | 3 | 3 | | | |
| 20 | 6CB-24482-00 | .GASKET 1 .JOINT 1 | 1 | 1 | | | |
| 21 | 63P-13716-00 | COLLAR COLLERETTE | 4 | 4 | | | |
| 22 | 6CB-13593-00 | DAMPER AMORTISSEUR | 4 | 4 | | | |
| 23 | 6CB-13907-11 | FUEL PUMP COMP. POMPE A CARBURANT COMP. | 1 | 1 | | | |
| 24 | 63P-13915-00 | FILTER FILTRE | 1 | 1 | | | |
| 25 | 6CB-14985-00 | FLOAT FLOTTEUR | 1 | 1 | | | |
| 26 | 6CB-14546-00 | VALVE, NEEDLE POINTEAU | 1 | 1 | | | |
| 27 | 6CB-24410-01 | FUEL PUMP ASSY POMPE A ESSENCE | 1 | 1 | | | |

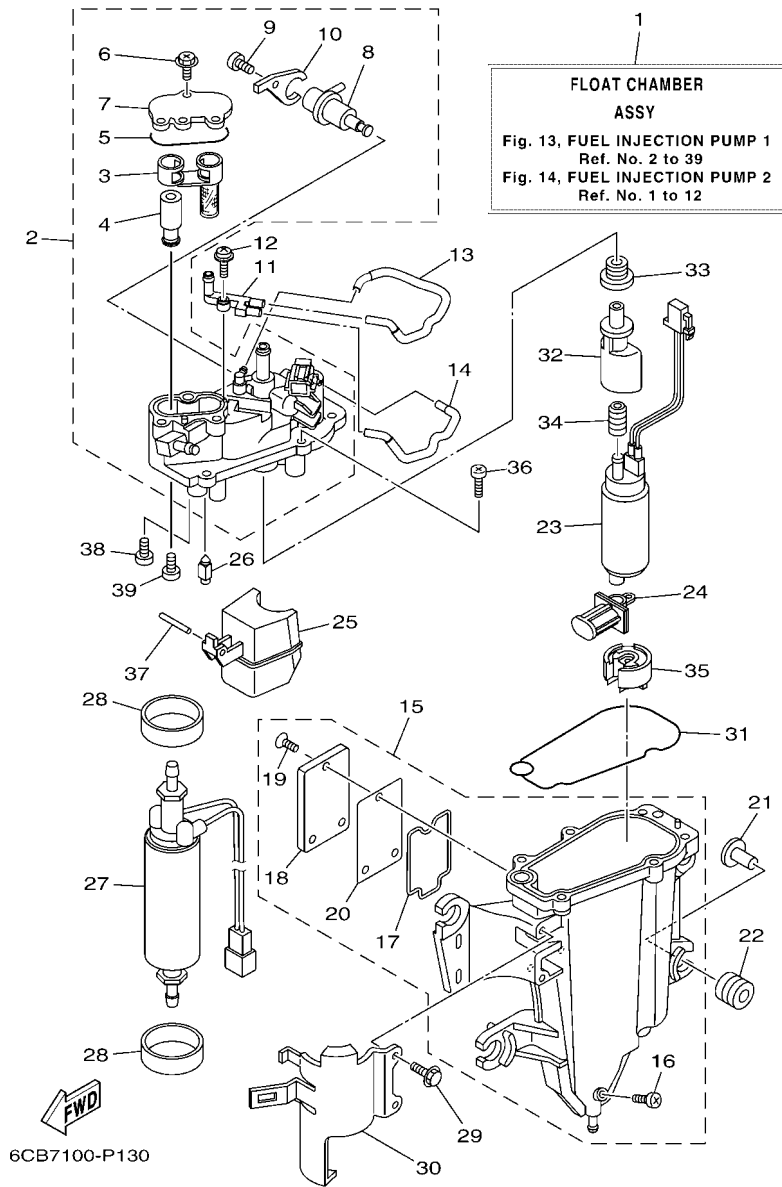


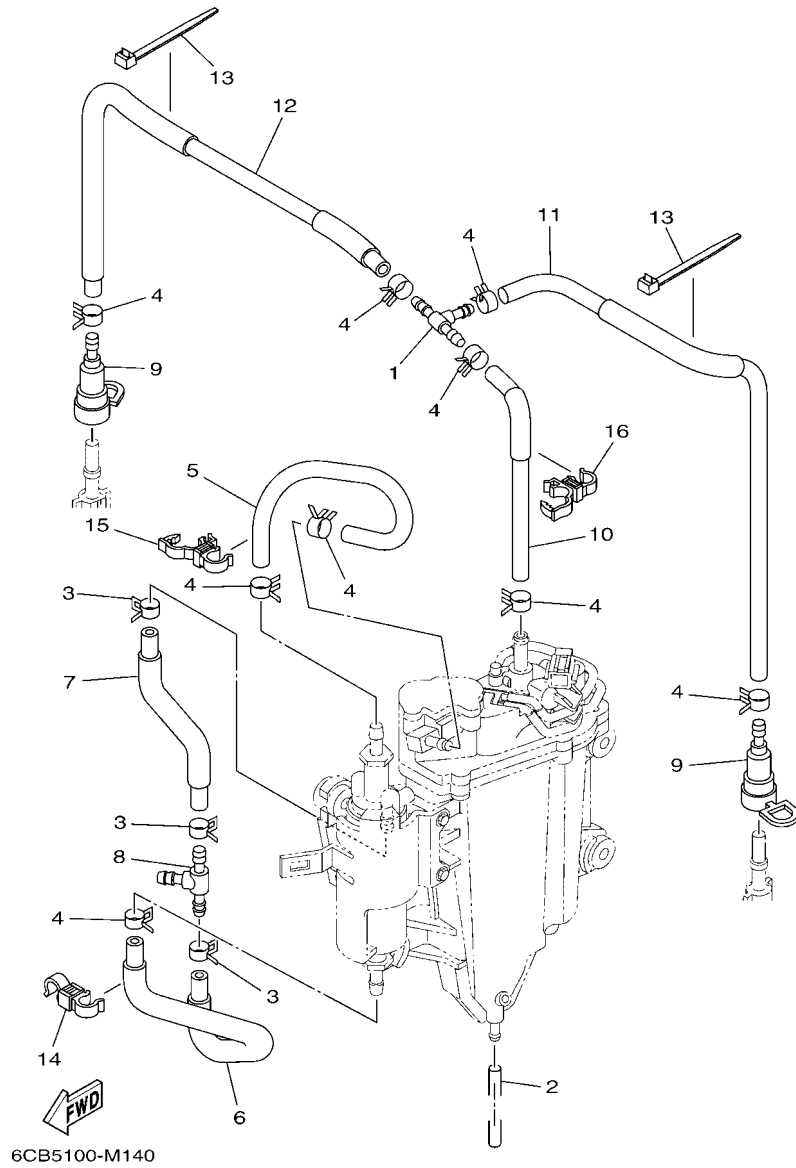
FIG. 13 FUEL INJECTION PUMP 1

POMPE A INJECTEUR 1

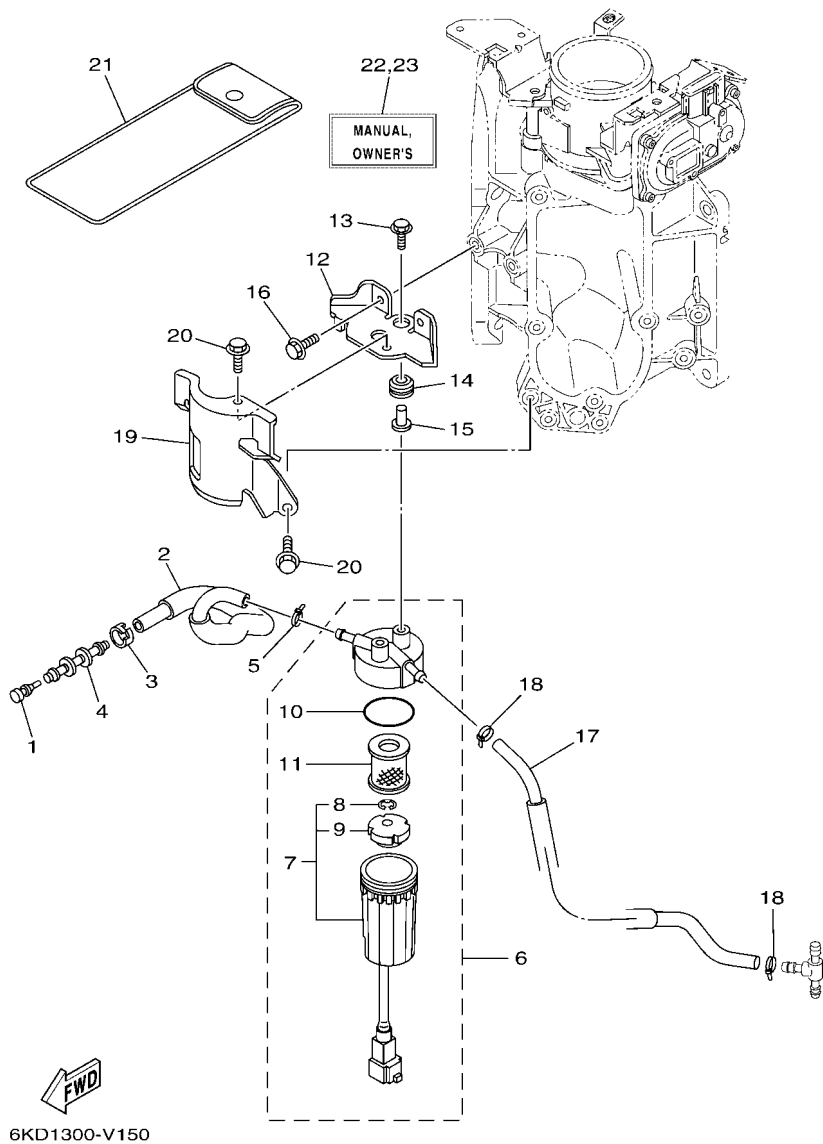
| REF. NO. | PART NO. N° PIECES | DESCRIPTION DESCRIPTION | 6KA1 | 6KD1 | | REMARKS REMARQUES |
|----------|--------------------|---|------|------|--|-------------------|
| 28 | 6CB-24492-00 | BUSH, FUEL PUMP BAGUE | 2 | 2 | | |
| 29 | 6CB-24592-00 | BOLT BOLTE | 2 | 2 | | |
| 30 | 6CB-24491-00 | BRACKET, FUEL PUMP SUPPORT, POMPE A ESSENCE | 1 | 1 | | |
| 31 | 6CB-14984-00 | GASKET, FLOAT CHAMBER JOINT, CUVE DE FLOTTEUR | 1 | 1 | | |
| 32 | 6AW-13132-00 | JOINT RACCORD | 1 | 1 | | |
| 33 | 6CB-1447B-00 | BUSH 1 DOUILLE 1 | 1 | 1 | | |
| 34 | 6AW-13781-00 | DAMPER, PUMP AMORTISSEUR, POMPE | 1 | 1 | | |
| 35 | 6AW-13784-00 | COVER, PUMP COUVERCLE, POMPE | 1 | 1 | | |
| 36 | 63P-14567-00 | SCREW VIS | 6 | 6 | | |
| 37 | 6P2-14386-00 | PIN, FLOAT AXE, FLOTTEUR | 1 | 1 | | |
| 38 | 4SV-24453-00 | SCREW VIS | 1 | 1 | | |
| 39 | 98507-04008 | SCREW, PAN HEAD VIS, TETE TRONCONIQUE | 1 | 1 | | |

FIG. 14 FUEL INJECTION PUMP 2

POMPE A INJECTEUR 2



| REF. NO. | PART NO. N° PIECES | DESCRIPTION DESCRIPTION | 6KA1 | 6KD1 | REMARKS REMARQUES |
|----------|--------------------|---|------|------|-------------------|
| 1 | 6CB-24461-00 | PIPE, JOINT DURITE, RACCORDEMENT | 1 | 1 | |
| 2 | 6P2-14149-00 | PIPE DURITE | 1 | 1 | |
| 3 | 69J-14137-00 | CLIP JONC | 3 | 3 | |
| 4 | 68V-13577-00 | CLIP AGRAFE | 9 | 9 | |
| 5 | 6CB-24324-00 | PIPE 13 DURITE 13 | 1 | 1 | |
| 6 | 6CB-24317-00 | PIPE 7 DURITE 7 | 1 | 1 | |
| 7 | 6CB-24323-00 | PIPE 12 DURITE 12 | 1 | 1 | |
| 8 | 6E5-24378-00 | PIPE, JOINT 3 DURITE, RACCORDEMENT 3 | 1 | 1 | |
| 9 | 60E-24300-01 | FUEL PIPE JOINT DURITE RACCORDEMT. A ESSENCE | 2 | 2 | |
| 10 | 6CB-13971-01 | PIPE, FUEL 1 TUBE 1, CARBURANT | 1 | 1 | |
| 11 | 6CB-13974-01 | PIPE, FUEL 4 TUBE 4, CARBURANT | 1 | 1 | |
| 12 | 6CB-13972-00 | PIPE, FUEL 2 TUBE 2, CARBURANT | 1 | 1 | |
| 13 | 90465-14M66 | CLAMP BRIDE | 2 | 2 | |
| 14 | 90464-12009 | CLAMP BRIDE | 1 | 1 | |
| 15 | 90464-12012 | CLAMP BRIDE | 1 | 1 | |
| 16 | 90464-12012 | CLAMP BRIDE | 1 | 1 | |

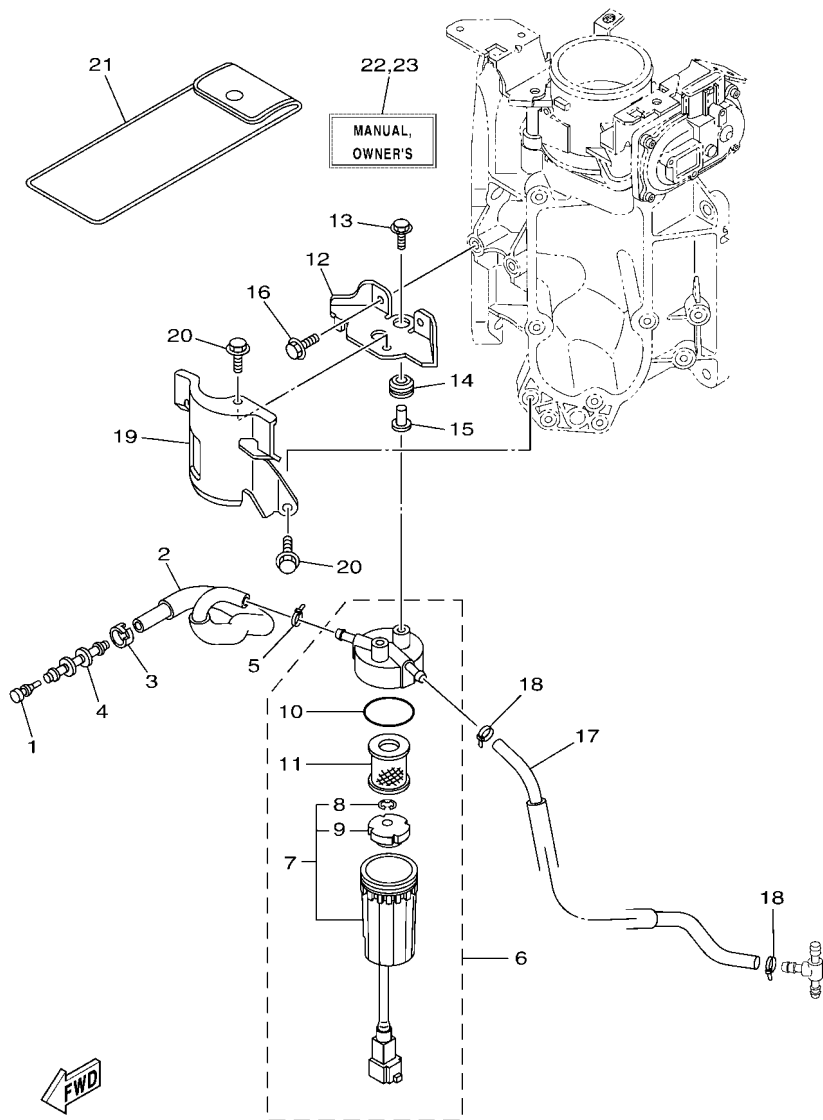


6KD1300-V150

FIG. 15 FUEL 1

CARBURANT 1

| REF. NO. | PART NO. N° PIECES | DESCRIPTION DESCRIPTION | 6KA1 | 6KD1 | REMARKS REMARQUES |
|----------|--------------------|--|------|------|--------------------|
| 1 | 689-85547-01 | DAMPER AMORTISSEUR | 1 | 1 | |
| 2 | 6KA-24314-10 | PIPE 4 DURITE 4 | 1 | 1 | |
| 3 | 6E5-24351-51 | BAND 1 COLLIER 1 | 1 | 1 | |
| 4 | 6AW-24377-01 | PIPE, JOINT 2 DURITE RACCORDEMENT 2 | 1 | 1 | |
| 5 | 90465-11M10 | CLAMP BRIDE | 1 | 1 | |
| 6 | 6P3-24560-23 | FILTER ASSY ENS FILTRE | 1 | 1 | |
| 7 | 6P3-24562-21 | .CUP, FILTER .CUVETTE, FILTRE | 1 | 1 | |
| 8 | 6P3-24519-00 | ..CLIP ..JONC | 1 | 1 | |
| 9 | 6P3-24469-00 | ..FLOAT, WATER LEVEL ..FLOTTEUR | 1 | 1 | |
| 10 | 6P3-24564-00 | .GASKET .JOINT | 1 | 1 | |
| 11 | 6P3-24563-02 | .ELEMENT, FILTER .ELEMENT, FILTRE | 1 | 1 | |
| 12 | 6CB-24566-00 | BRACKET, FILTER SUPPORT, FILTRE | 1 | 1 | |
| 13 | 90119-06309 | BOLT, WITH WASHER BOULON, AVEC RONDELLE | 2 | 2 | |
| 14 | 90480-10M23 | GROMMET PASSE-FIL | 2 | 2 | |
| 15 | 90387-06289 | COLLAR COLLERETTE | 2 | 2 | |
| 16 | 95D95-06016 | BOLT, FLANGE DEEP RECESS BOULON FIXATION | 2 | 2 | |
| 17 | 6CB-24313-10 | PIPE 3 DURITE 3 | 1 | 1 | |
| 18 | 90465-11M10 | CLAMP BRIDE | 2 | 2 | |
| 19 | 6CB-24596-01 | COVER COUVERCLE | 1 | 1 | |
| 20 | 95D95-06014 | BOLT, FLANGE DEEP RECESS BOULON FIXATION | 2 | 2 | |
| 21 | 6GR-28100-11 | TOOL KIT TROUSSE A OUTILS | 1 | 1 | |
| 22 | 6KA-28199-70-E0 | MANUAL, OWNER'S MANUEL D'UTILISATION | 1 | 1 | UR (E) UR (E) |
| | 6KA-28199-70-F0 | MANUAL, OWNER'S MANUEL D'UTILISATION | 1 | 1 | UR (F) UR (F) |
| | 6KA-28199-70-S0 | MANUAL, OWNER'S MANUEL D'UTILISATION | 1 | 1 | UR (ES) UR (ES) |
| | 6KA-28199-70-G0 | MANUAL, OWNER'S MANUEL D'UTILISATION | 1 | 1 | UR (D) UR (D) |
| | 6KA-28199-70-D0 | MANUAL, OWNER'S MANUEL D'UTILISATION | 1 | 1 | UR (NL) UR (NL) |
| | 6KA-28199-70-H0 | MANUAL, OWNER'S MANUEL D'UTILISATION | 1 | 1 | UR (I) UR (I) |



6KD1300-V150

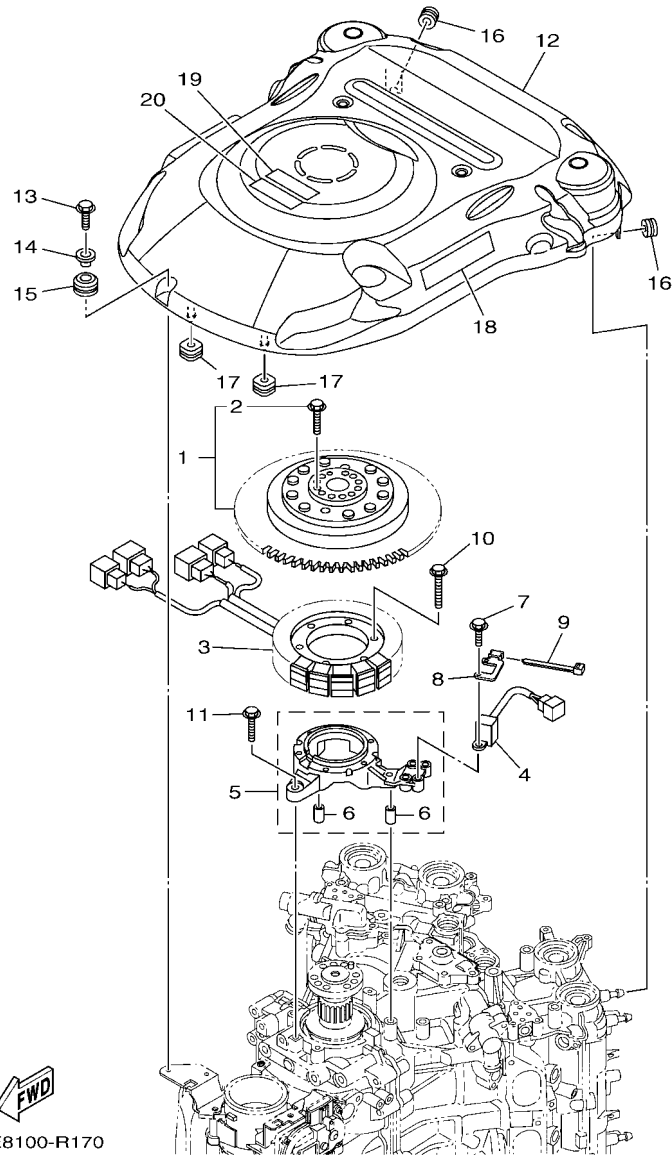
FIG. 15 FUEL 1

CARBURANT 1

| REF. NO. | PART NO. N° PIECES | DESCRIPTION DESCRIPTION | | | REMARKS REMARQUES |
|----------|--------------------|---|------|------|--------------------|
| | | | 6KA1 | 6KD1 | |
| 23 | 6KA-28199-80-K0 | MANUAL, OWNER'S MANUEL D'UTILISATION | 1 | 1 | UR (DK) UR (DK) |
| | 6KA-28199-80-R0 | MANUAL, OWNER'S MANUEL D'UTILISATION | 1 | 1 | UR (GR) UR (GR) |
| | 6KA-28199-80-P0 | MANUAL, OWNER'S MANUEL D'UTILISATION | 1 | 1 | UR (P) UR (P) |
| | 6KA-28199-80-N0 | MANUAL, OWNER'S MANUEL D'UTILISATION | 1 | 1 | UR (N) UR (N) |
| | 6KA-28199-80-M0 | MANUAL, OWNER'S MANUEL D'UTILISATION | 1 | 1 | UR (S) UR (S) |
| | 6KA-28199-80-L0 | MANUAL, OWNER'S MANUEL D'UTILISATION | 1 | 1 | UR (SF) UR (SF) |
| ----- | | | | | |
| ----- | | | | | |
| ----- | | | | | |
| ----- | | | | | |
| ----- | | | | | |
| ----- | | | | | |
| ----- | | | | | |
| ----- | | | | | |
| ----- | | | | | |
| ----- | | | | | |

FIG. 17 GENERATOR

GENERATRICE



6CE8100-R170

| REF. NO. | PART NO. N° PIECES | DESCRIPTION DESCRIPTION | 6KA1 | 6KD1 | REMARKS REMARQUES |
|----------|--------------------|--|------|------|-------------------|
| 1 | 6CE-W8145-01 | ROTOR ASSY WITH BOLTS ROTOR COMPLET AVEC BOULON | 1 | 1 | |
| 2 | 6EK-W9010-00 | .BOLT SET .BOULON ENS. | 1 | 1 | |
| 3 | 6CE-81410-00 | STATOR ASSY STATOR COMPLET | 1 | 1 | |
| 4 | 6CB-85580-00 | COIL, PULSER BOBINE, PULSEUR | 1 | 1 | |
| 5 | 6CB-85561-00 | BASE, MAGNETO BASE, MAGNETO | 1 | 1 | |
| 6 | 99530-08012 | .PIN, DOWEL .GOUJON, D'ASSEMBLAGE | 2 | 2 | |
| 7 | 97595-05520 | BOLT, WITH WASHER VIS HEXAGONAL AVC RONDELLE | 2 | 2 | |
| 8 | 6CE-85592-00 | STAY, PULSER SUPPORT, PULSATION BOBINE | 1 | 1 | |
| 9 | 90465-11M10 | CLAMP BRIDE | 1 | 1 | |
| 10 | 95022-06035 | BOLT, FLANGE BOULON, A COLLERETTE | 6 | 6 | |
| 11 | 95D95-06030 | BOLT, FLANGE DEEP RECESS BOULON FIXATION | 4 | 4 | |
| 12 | 6CE-81337-01 | COVER, FLYWHEEL COUVERCLE, VOLANT | 1 | 1 | |
| 13 | 95D95-06025 | BOLT, FLANGE DEEP RECESS BOULON FIXATION | 1 | 1 | |
| 14 | 90387-06285 | COLLAR COLLERETTE | 1 | 1 | |
| 15 | 90480-15M31 | GROMMET PASSE-FIL | 1 | 1 | |
| 16 | 90480-12314 | GROMMET PASSE-FIL | 2 | 2 | |
| 17 | 6CB-85516-01 | SPACER ENTRETOISE | 2 | 2 | |
| 18 | 6CE-13437-61 | MARK, CAUTION MAKER | 1 | 1 | |
| 19 | 6EE-81994-40 | LABEL, SAFETY ETIQUETTE, SECURITE | 1 | 1 | |
| 20 | 6EE-81994-50 | LABEL, SAFETY ETIQUETTE, SECURITE | 1 | 1 | |

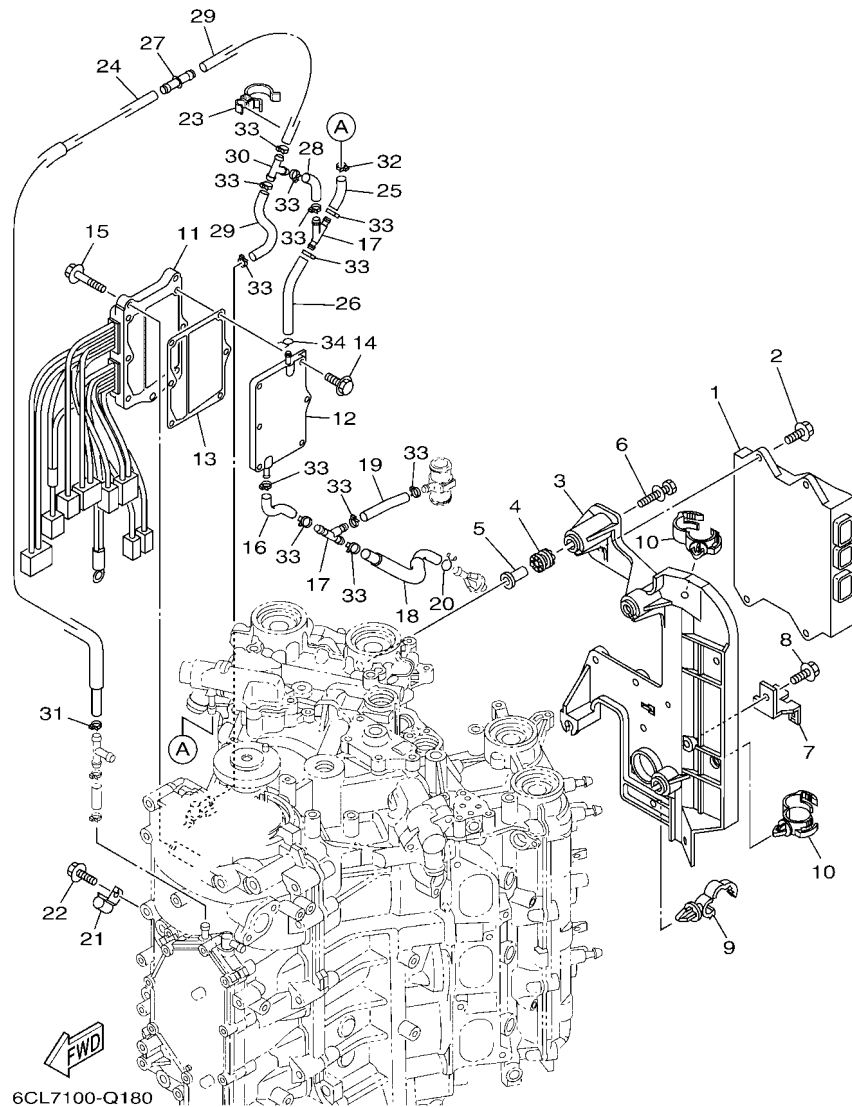


FIG. 18 ELECTRICAL 1

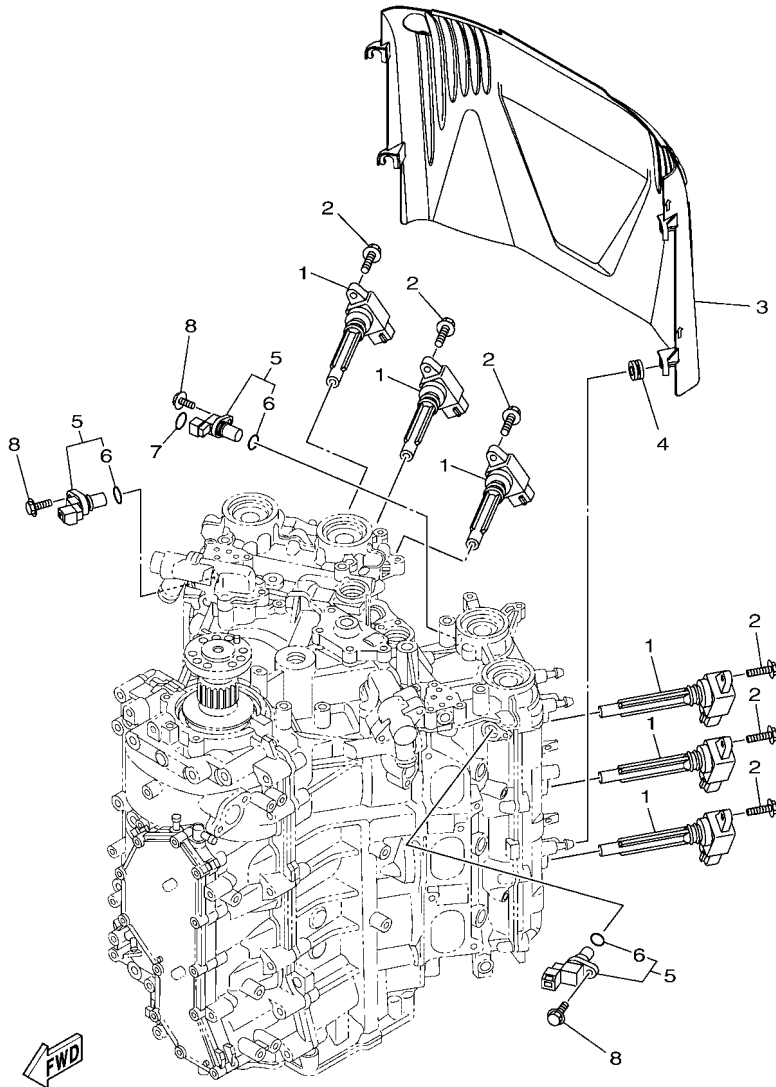
PARTIE ELECTRIQUE 1

| REF. NO. | PART NO. N° PIECES | DESCRIPTION DESCRIPTION | 6KA1 | 6KD1 | REMARKS REMARQUES |
|----------|--------------------|----------------------------|------|------|-------------------|
| 1 | 6KA-8591A-00 | ENGINE CONTROL UNIT ASSY | 1 | | |
| | 6KD-8591A-00 | ENGINE CONTROL UNIT ASSY | | 1 | |
| 2 | 95D95-06020 | BOLT, FLANGE DEEP RECESS | 4 | 4 | |
| 3 | 6CB-82316-01 | BRACKET, IGNITION COIL | 1 | 1 | |
| 4 | 64J-85516-01 | SUPPORT, BOBINE D'ALLUMAGE | 4 | 4 | |
| 5 | 69M-42758-01 | SPACER | 4 | 4 | |
| 6 | 90119-06293 | ENTRETOISE | 4 | 4 | |
| 7 | 6BR-81845-00 | BOLT, WITH WASHER | 1 | 1 | |
| 8 | 95D95-06012 | BOULON, AVEC RONDELLE | 1 | 1 | |
| 9 | 90464-13249 | CLAMP | 1 | 1 | |
| 10 | 90464-20181 | BRIDE | 2 | 2 | |
| 11 | 6CE-81960-10 | RECTIFIER & REGULATOR ASSY | 1 | 1 | |
| 12 | 6CE-81972-00-9S | REDRESSEUR REGULATEUR CPLT | 1 | 1 | |
| 13 | 6CE-81975-00 | COVER, RECTIFIER | 1 | 1 | |
| 14 | 90119-06MA3 | COUVERCLE, REDRESSEUR | 1 | 1 | |
| 15 | 95D95-06025 | PLATE, RECTIFIER FITTING | 6 | 6 | |
| 16 | 6CE-1248A-00 | BOULON, AVEC RONDELLE | 3 | 3 | |
| 17 | 6CE-24377-00 | PIPE 8 | 1 | 1 | |
| 18 | 6CE-12483-00 | DURITE 8 | 2 | 2 | |
| 19 | 90445-107A5 | PIPE, JOINT 2 | 1 | 1 | |
| 20 | 90467-09M09 | DURITE RACCORDEMENT 2 | 1 | 1 | |
| 21 | 90462-06013 | PIPE 3 | 1 | 1 | |
| 22 | 95023-06012 | DURITE 3 | 1 | 1 | |
| 23 | 90464-26002 | HOSE (L30) | 1 | 1 | |
| 24 | 6CE-12481-10 | DURITE (L30) | 1 | 1 | |
| 25 | 6CE-14872-00 | CLIP | 1 | 1 | |
| 26 | 6CE-12485-00 | JONC | 1 | 1 | |
| | | CLAMP | 1 | 1 | |
| | | BRIDE | 1 | 1 | |
| | | BOLT | 1 | 1 | |
| | | BOULON, A COLLERETTE | 1 | 1 | |
| | | CLAMP | 1 | 1 | |
| | | BRIDE | 1 | 1 | |
| | | PIPE 1 | 1 | 1 | |
| | | DURITE 1 | 1 | 1 | |
| | | PIPE 2 | 1 | 1 | |
| | | DURITE 2 | 1 | 1 | |
| | | PIPE 5 | 1 | 1 | |
| | | DURITE 5 | 1 | 1 | |

FIG. 19 ELECTRICAL 2

PARTIE ELECTRIQUE 2

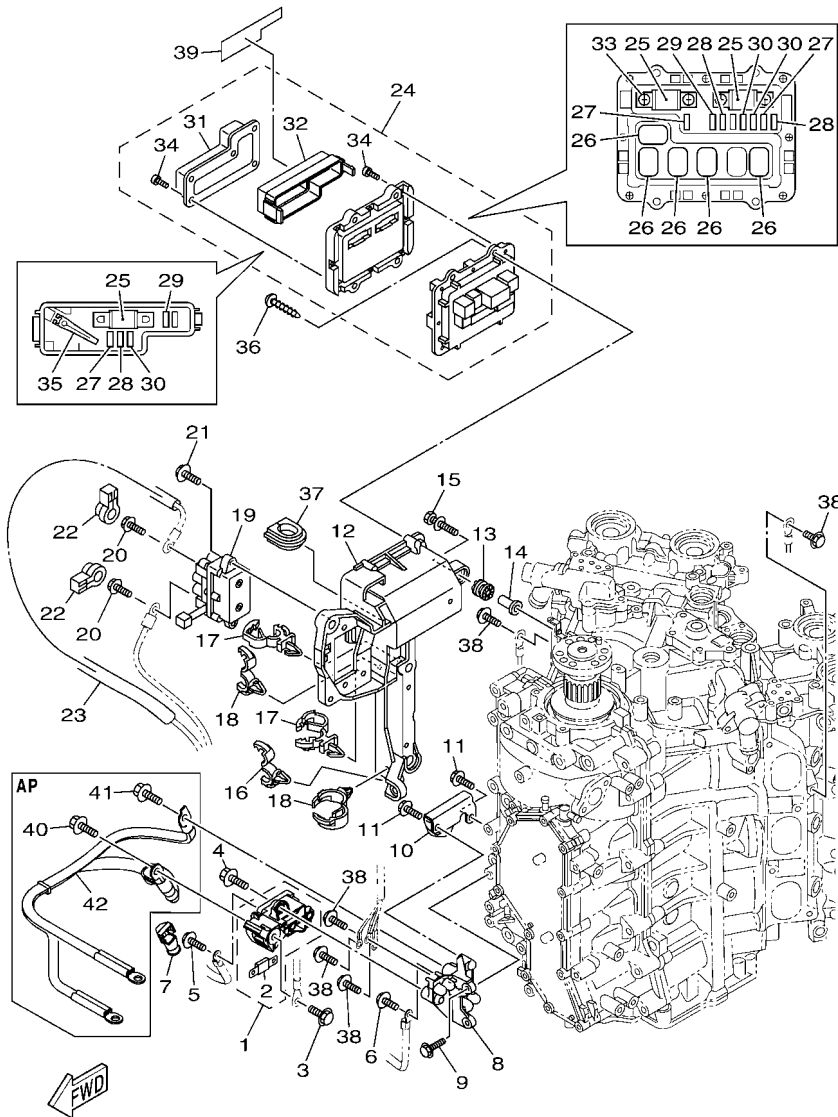
| REF. NO. | PART NO. N° PIECES | DESCRIPTION DESCRIPTION | 6KA1 | 6KD1 | REMARKS REMARQUES |
|----------|--------------------|---|------|------|-------------------|
| 1 | 6CB-82310-00 | IGNITION COIL ASSY BOBINE D'ALLUMAGE | 6 | 6 | |
| 2 | 95D95-06025 | BOLT, FLANGE DEEP RECESS BOULON FIXATION | 6 | 6 | |
| 3 | 6CB-82314-00 | COVER, IGNITION COIL COUVERCLE, BOBINE D'ALLUMAGE | 1 | 1 | |
| 4 | 90480-12314 | GROMMET PASSE-FIL | 4 | 4 | |
| 5 | 6P2-85896-00 | SENSOR, CAM POSITION SONDE DE CAME | 3 | 3 | |
| 6 | 6P2-85075-00 | O-RING JOINT TORIQUE | 1 | 1 | |
| 7 | 93210-11001 | O-RING JOINT TORIQUE | 1 | 1 | |
| 8 | 97E95-06520 | BOLT, HEXAGON W/W DEEP RECESS VIS HEXAGONAL AVC RONDELLE | 3 | 3 | |



6KA1100-V200

FIG. 20 ELECTRICAL 3

PARTIE ELECTRIQUE 3

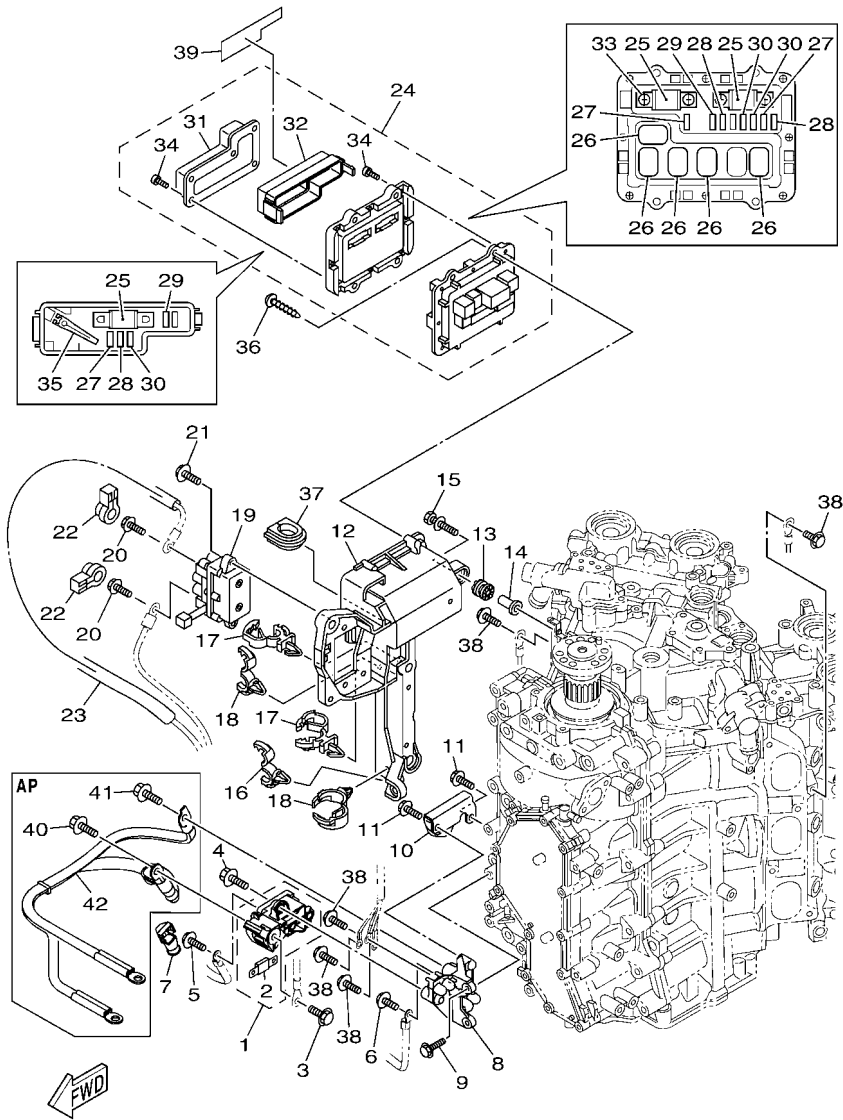


6KA1100-V210

| REF. NO. | PART NO. N° PIECES | DESCRIPTION DESCRIPTION | 6KA1 | 6KD1 | REMARKS REMARQUES |
|----------|--------------------|---|------|------|-------------------|
| 1 | 6KA-81920-00 | TERMINAL ASSY BORNE | 1 | 1 | |
| 2 | 6GR-82151-00 | .FUSE (100A) .FUSIBLE (100A) | 2 | 2 | |
| 3 | 95D95-08016 | BOLT, FLANGE DEEP RECESS BOULON FIXATION | 1 | 1 | |
| 4 | 95D95-08020 | BOLT, FLANGE DEEP RECESS BOULON FIXATION | 2 | 2 | |
| 5 | 97E95-06516 | BOLT, HEXAGON W/W DEEP RECESS VIS HEXAGONAL AVC RONDELLE | 1 | 1 | |
| 6 | 97E95-06516 | BOLT, HEXAGON W/W DEEP RECESS VIS HEXAGONAL AVC RONDELLE | 1 | 1 | |
| 7 | 6GR-82119-00 | COVER, LEAD WIRE GARNITURE, FIL | 1 | 1 | |
| 8 | 6KA-81929-00 | BRACKET, TERMINAL SUPPORT | 1 | 1 | |
| 9 | 95D95-06020 | BOLT, FLANGE DEEP RECESS BOULON FIXATION | 2 | 2 | |
| 10 | 6KA-82588-00 | PLATE PLAQUE | 1 | 1 | |
| 11 | 95D95-06016 | BOLT, FLANGE DEEP RECESS BOULON FIXATION | 2 | 2 | |
| 12 | 6CB-81948-02 | BRACKET SUPPORT | 1 | 1 | |
| 13 | 64J-85516-01 | SPACER ENTRETOISE | 5 | 5 | |
| 14 | 69M-42758-01 | COLLAR ENTRETOISE | 5 | 5 | |
| 15 | 90119-06293 | BOLT, WITH WASHER BOULON, AVEC RONDELLE | 5 | 5 | |
| 16 | 90464-13249 | CLAMP BRIDE | 1 | 1 | |
| 17 | 90464-12183 | CLAMP BRIDE | 2 | 2 | |
| 18 | 90464-20181 | CLAMP BRIDE | 2 | 2 | |
| 19 | 6AW-81950-00 | RELAY ASSY RELAIS COMPLET | 1 | 1 | |
| 20 | 97E95-06610 | BOLT, HEXAGON W/W DEEP RECESS VIS HEXAGONAL AVC RONDELLE | 2 | 2 | |
| 21 | 97513-06520 | BOLT, WITH WASHER VIS HEXAGONAL AVC RONDELLE | 2 | 2 | |
| 22 | 6P2-8183X-00 | CAP, TERMINAL COUVERCLE, BORNE | 2 | 2 | |
| 23 | 90446-15003 | HOSE (L100) DURITE (L100) | 1 | 1 | |
| 24 | 6CE-82170-11 | FUSE BOX ASSY BOITE A FUSIBLES | 1 | 1 | |
| 25 | 6CE-82151-00 | .FUSE (100A) .FUSIBLE (100A) | 3 | 3 | |
| 26 | 6AW-8195A-00 | .RELAY ASSY .RELAIS COMPLET | 5 | 5 | |
| 27 | 67F-82151-40 | .FUSE (10A) .FUSIBLE (10A) | 3 | 3 | |

FIG. 20 ELECTRICAL 3

PARTIE ELECTRIQUE 3

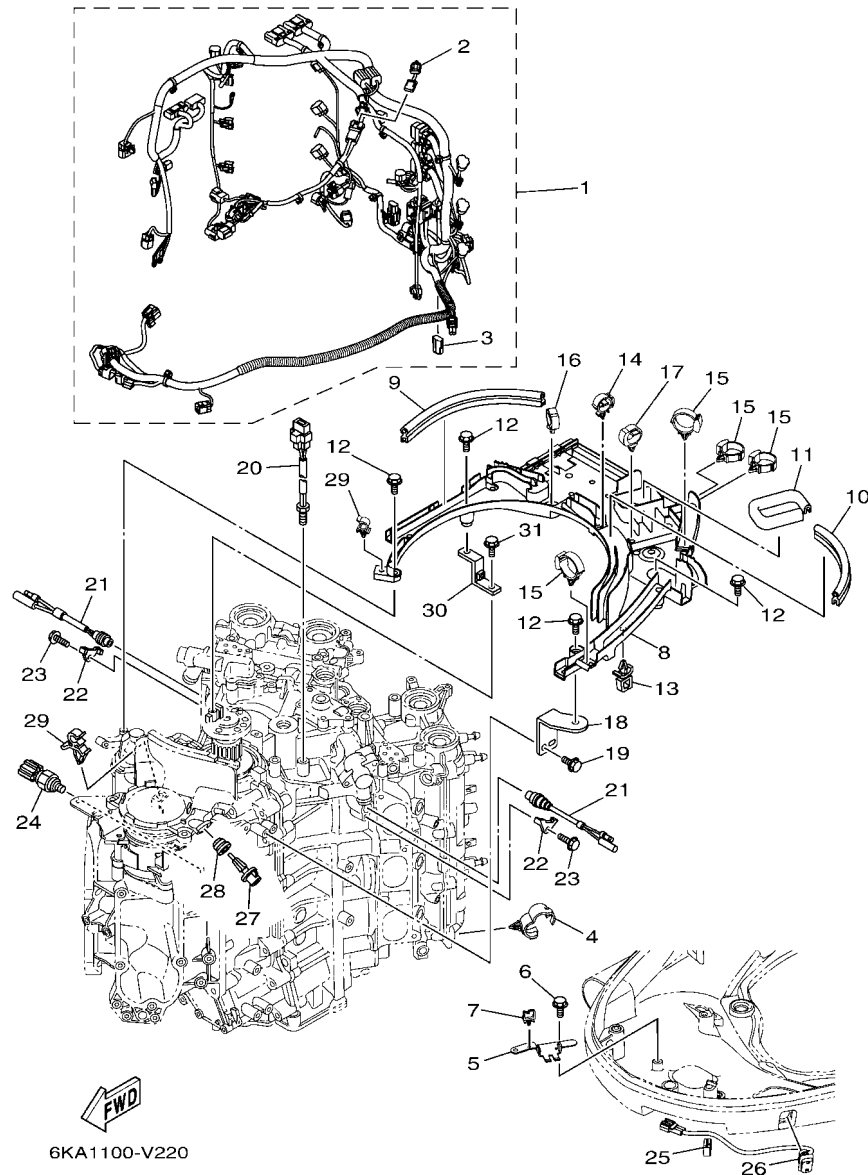


6KA1100-V210

| REF. NO. | PART NO. N° PIECES | DESCRIPTION DESCRIPTION | 6KA1 | 6KD1 | REMARKS REMARQUES |
|----------|--------------------|---|------|------|-------------------|
| 28 | 67F-82151-50 | .FUSE (15A) .FUSIBLE (15A) | 3 | 3 | |
| 29 | 67F-82151-00 | .FUSE (20A) .FUSIBLE (20A) | 2 | 2 | |
| 30 | 67F-82151-10 | .FUSE (30A) .FUSIBLE (30A) | 3 | 3 | |
| 31 | 6CB-81639-10 | .COVER .COUVERCLE | 1 | 1 | |
| 32 | 6CB-85544-00 | .CASE .BOITIER | 1 | 1 | |
| 33 | 68F-82846-00 | .SCREW, PAN HEAD (M5) .VIS, TETE TRONCONIQUE (M5) | 4 | 4 | |
| 34 | 6P2-82113-00 | .SCREW (M3) .VIS (M3) | 13 | 13 | |
| 35 | 67F-2812A-00 | .PULLER, FUSE .TENDEUR, FUSIBLE | 1 | 1 | |
| 36 | 97780-50620 | SCREW, TAPPING VIS, TETE BOMBEE | 4 | 4 | |
| 37 | 6P2-81336-01 | GROMMET OEILLET CAOUTCHOUC | 1 | 1 | |
| 38 | 97E95-06516 | BOLT, HEXAGON W/W DEEP RECESS VIS HEXAGONAL AVC RONDELLE | 5 | 5 | |
| 39 | 6CE-81919-21 | GRAPHIC, REGULATOR ADHESIF, REGULATEUR | 1 | 1 | |
| 40 | 97E95-08516 | BOLT, HEXAGON W/W DEEP RECESS VIS HEXAGONAL AVC RONDELLE | 1 | 1 | AP |
| 41 | 97E95-08516 | BOLT, HEXAGON W/W DEEP RECESS VIS HEXAGONAL AVC RONDELLE | 1 | 1 | AP |
| 42 | 6KA-82105-00 | WIRE HARNESS FAISCEAU DE FILS | 1 | 1 | AP |

FIG. 21 ELECTRICAL 4

PARTIE ELECTRIQUE 4

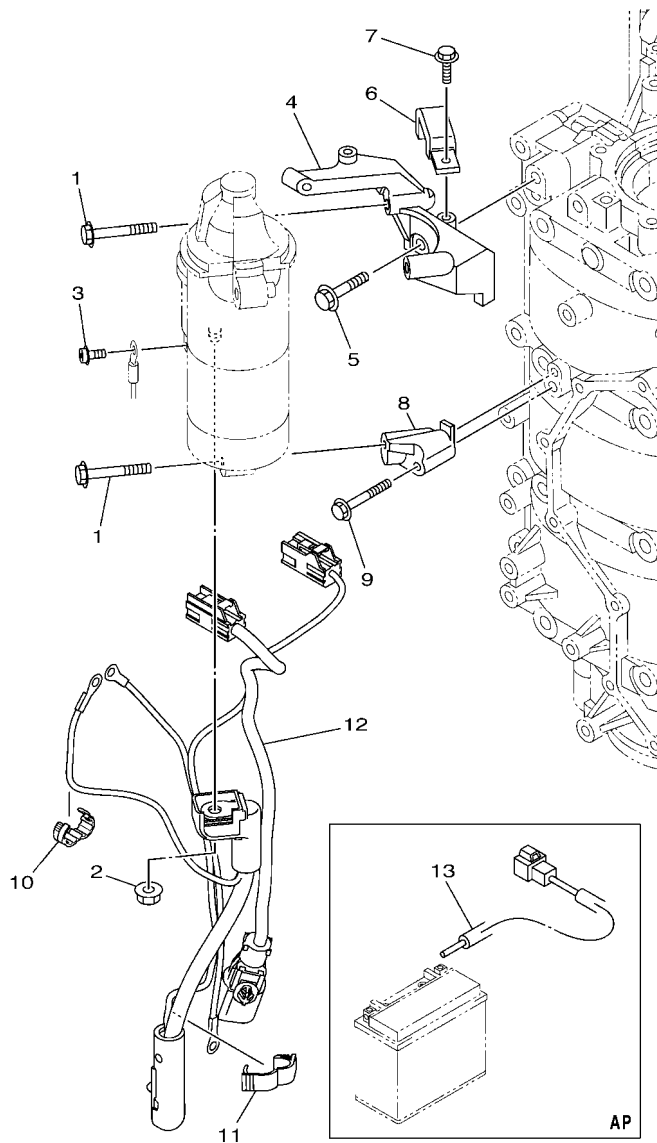


6KA1100-V220

| REF. NO. | PART NO. N° PIECES | DESCRIPTION DESCRIPTION | 6KA1 | 6KD1 | REMARKS REMARQUES |
|----------|--------------------|--|------|------|-------------------|
| 1 | 6KA-82590-00 | WIRE HARNESS ASSY FAISCEAU DE FILS COMPLET | 1 | 1 | |
| 2 | 6CE-81980-00 | .DIODE ASSY .REDRESSEUR 2 | 1 | 1 | |
| 3 | 68V-82582-10 | .CAP 1 (2P) .COUVERCLE 1 (2P) | 1 | 1 | |
| 4 | 90464-20181 | CLAMP BRIDE | 4 | 4 | |
| 5 | 6KA-82594-00 | CLAMP BRIDE | 1 | 1 | |
| 6 | 95D95-06012 | BOLT, FLANGE DEEP RECESS BOULON FIXATION | 2 | 2 | |
| 7 | 90464-08004 | CLAMP BRIDE | 1 | 1 | |
| 8 | 6CB-82589-01 | PROTECTOR, WIRE HARNESS PROTECTEUR, FAISCEAU DE FILS | 1 | 1 | |
| 9 | 6BG-42617-00 | DAMPER, FORM BOURRELET, CAOUTCHOUC | 1 | 1 | |
| 10 | 6CB-42617-00 | DAMPER, FORM BOURRELET, CAOUTCHOUC | 1 | 1 | |
| 11 | 6CB-42629-00 | SEAL JOINT | 1 | 1 | |
| 12 | 95D95-06020 | BOLT, FLANGE DEEP RECESS BOULON FIXATION | 5 | 5 | |
| 13 | 90464-11121 | CLAMP BRIDE | 1 | 1 | |
| 14 | 90464-18246 | CLAMP BRIDE | 1 | 1 | |
| 15 | 90464-12183 | CLAMP BRIDE | 4 | 4 | |
| 16 | 90464-20181 | CLAMP BRIDE | 1 | 1 | |
| 17 | 90464-20181 | CLAMP BRIDE | 1 | 1 | |
| 18 | 6CB-82388-00 | PLATE PLAQUETTE | 1 | 1 | |
| 19 | 95D95-06016 | BOLT, FLANGE DEEP RECESS BOULON FIXATION | 2 | 2 | |
| 20 | 6CB-85790-00 | THERMOSENSOR ASSY SENSITOMETRE | 1 | 1 | |
| 21 | 6P2-82560-01 | THERMO SWITCH ASSY THERMO-CONTACT COMPLET | 2 | 2 | |
| 22 | 6E9-82588-00 | PLATE PLAQUE | 2 | 2 | |
| 23 | 95D95-06012 | BOLT, FLANGE DEEP RECESS BOULON FIXATION | 2 | 2 | |
| 24 | 6AW-83651-00 | SENDER, OIL PRESSURE RACCORD, PRESSION D'HUILE | 1 | 1 | |
| 25 | 90464-16001 | CLAMP BRIDE | 1 | 1 | |
| 26 | 6GR-82563-00 | TRIM & TILT SWITCH ASSY INCLINER ET PARER COMMUTATEUR | 1 | 1 | |
| 27 | 63P-85886-00 | SENSOR, AIR TEMPERATURE SONDE | 1 | 1 | |

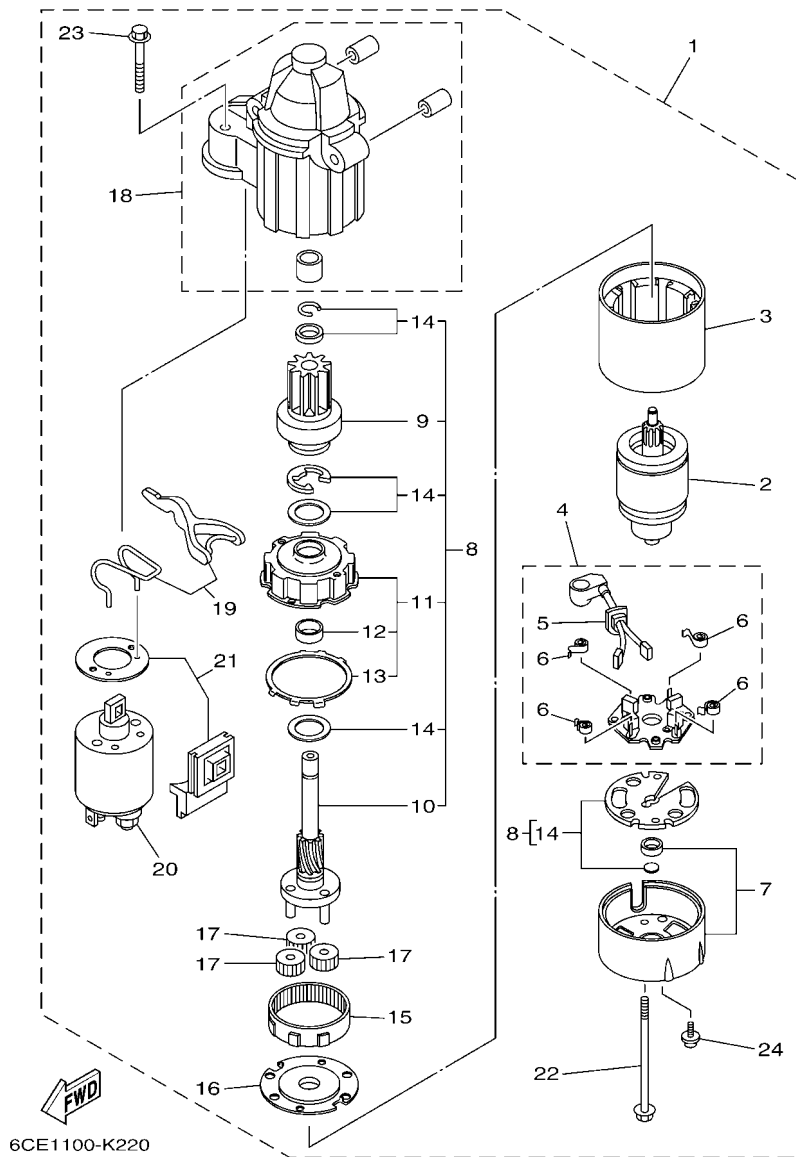
FIG. 22 ELECTRICAL 5

PARTIE ELECTRIQUE 5



6KA1100-V230

| REF. NO. | PART NO. N° PIECES | DESCRIPTION DESCRIPTION | 6KA1 | 6KD1 | REMARKS REMARQUES |
|----------|--------------------|--|------|------|-------------------|
| 1 | 97513-08545 | BOLT, WITH WASHER VIS HEXAGONAL AVC RONDELLE | 3 | 3 | |
| 2 | 90179-08003 | NUT ECROU | 1 | 1 | |
| 3 | 97985-04308 | SCREW, WITH WASHER VIS, AVEC RONDELLE | 1 | 1 | |
| 4 | 6CB-81822-02 | BRACKET, STARTING MOTOR SUPPORT, DEMARREUR ELECTRIQUE | 1 | 1 | |
| 5 | 90105-08M87 | BOLT, FLANGE BOULON, A COLLERETTE | 2 | 2 | |
| 6 | 6CB-81443-00 | CLAMP, LEAD 1 BRIDE, FIL 1 | 1 | 1 | |
| 7 | 95D95-06016 | BOLT, FLANGE DEEP RECESS BOULON FIXATION | 1 | 1 | |
| 8 | 6CB-81823-A0 | STAY, STARTING MOTOR SUPPORT | 1 | 1 | |
| 9 | 90105-06151 | BOLT, FLANGE BOULON, A COLLERETTE | 1 | 1 | |
| 10 | 90464-13227 | CLAMP BRIDE | 1 | 1 | |
| 11 | 90464-18004 | CLAMP BRIDE | 1 | 1 | |
| 12 | 6KA-8259M-00 | WIRE HARNESS ASSY 2 FAISCEAU DE FILS | 1 | 1 | |
| 13 | 6KW-81949-00 | WIRE, LEAD FIL | 1 | 1 | AP AP |



6CE1100-K220

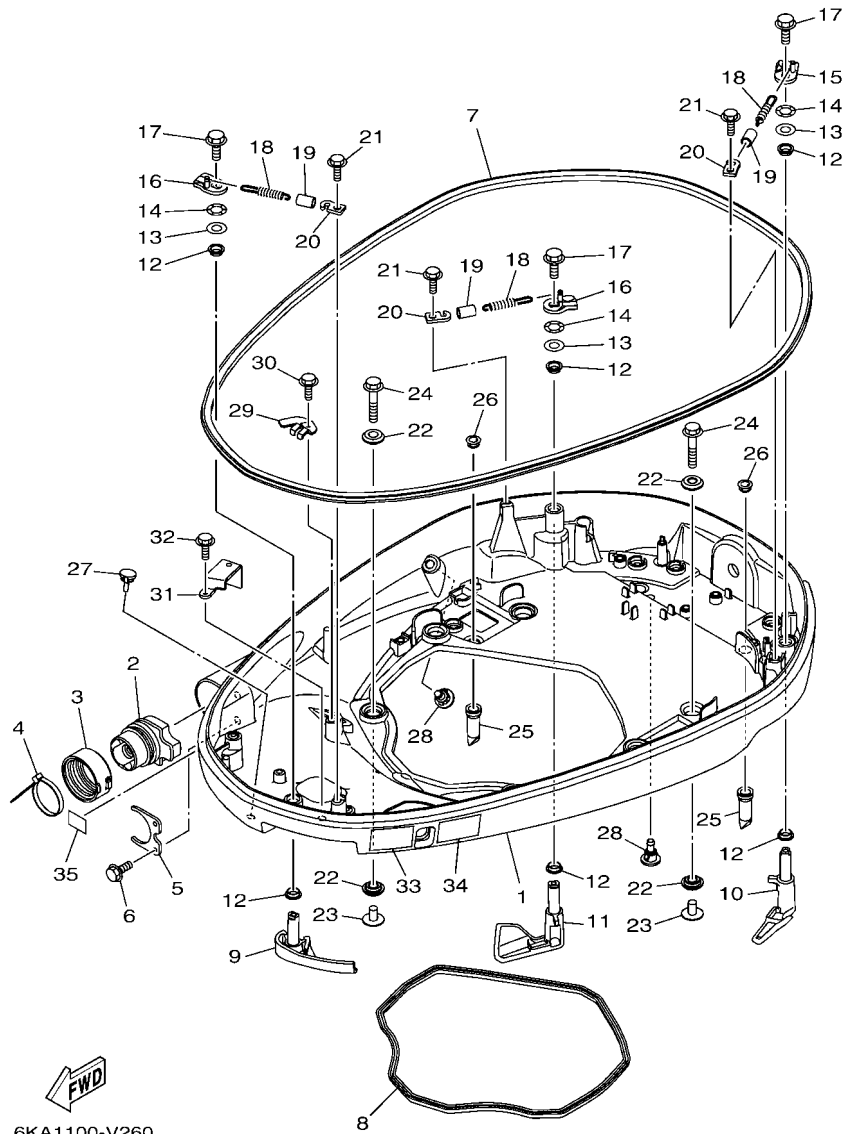
FIG. 23 STARTING MOTOR

DEMARREUR ELECTRIQUE

| REF. NO. | PART NO. N° PIECES | DESCRIPTION DESCRIPTION | 6KA1 | 6KD1 | REMARKS REMARQUES |
|----------|--------------------|---|------|------|--|
| 1 | 6CE-81800-01 | STARTING MOTOR ASSY DEMARREUR ELECTRIQUE COMPLET | 1 | 1 | |
| 2 | 6CE-81850-00 | .ARMATURE ASSY .INDUIT | 1 | 1 | |
| 3 | 6CE-81810-00 | .STATOR ASSY .STATOR COMPLET | 1 | 1 | |
| 4 | 6CE-81840-01 | .BRUSH HOLDER ASSY .SUPPORT DE CHARBON | 1 | 1 | |
| 5 | 6CE-81801-01 | .BRUSH SET ..JEU DE BROSE | 1 | 1 | |
| 6 | 67F-81813-00 | ..SPRING, BRUSH ..RESSORT, DE CHARBON | 4 | 4 | |
| 7 | 6CE-81820-00 | .REAR BRACKET ASSY .SUPPORT ARRIERE COMPLET | 1 | 1 | |
| 8 | 6CE-81807-00 | .GEAR ASSY, STARTING MOTOR .PIGNON, DEMARREUR ELECTRIQUE | 1 | 1 | |
| 9 | 6CB-81832-00 | ..CLUTCH, OVER RUN ..EMBRAYAGE, ROUE LIBRE | 1 | 1 | |
| 10 | 6CB-81836-00 | ..SHAFT, PINION ..AXE, PIGNON | 1 | 1 | |
| 11 | 6CE-81821-00 | ..BRACKET, CENTER 1 ..SUPPORT, CENTRE 1 | 1 | 1 | |
| 12 | 67F-81841-00 | ...BEARING ...ROULEMENT | 1 | 1 | |
| 13 | 67F-8183R-00 | ...GASKET ...JOINT | 1 | 1 | |
| 14 | 6CB-81809-00 | ..WASHER KIT ..JEU DE RONDELLES | 1 | 1 | |
| 15 | 67F-81891-00 | .GEAR, RING .ROUE DENTEE | 1 | 1 | WITH 67F-8183R-00 WITH 67F-8183R-00 |
| 16 | 6CE-81830-00 | .BRACKET, CENTER 2 ..SUPPORT, CENTRE 2 | 1 | 1 | |
| 17 | 60V-8183T-00 | .GEAR, IDLER .PIGNON, INTERMEDIAIRE | 3 | 3 | |
| 18 | 6CE-81842-00 | .COVER .COUVERCLE | 1 | 1 | |
| 19 | 6CE-81839-00 | .LEVER ASSY .LEVIER COMPLET | 1 | 1 | |
| 20 | 6C5-81941-00 | .STARTER RELAY ASSY .LANCEUR RELAIS (ENS.) | 1 | 1 | |
| 21 | 6CE-81869-00 | .COVER, DUST ..COUVERCLE, POUSSIERE | 1 | 1 | |
| 22 | 6CB-81826-00 | .BOLT .BOULON | 2 | 2 | |
| 23 | 69J-81828-00 | .BOLT 2 .BOULON 2 | 2 | 2 | |
| 24 | 67F-81846-00 | .SCREW ..VIS | 2 | 2 | |

FIG. 24 BOTTOM COWLING 1

CAPOT INFERIEUR 1

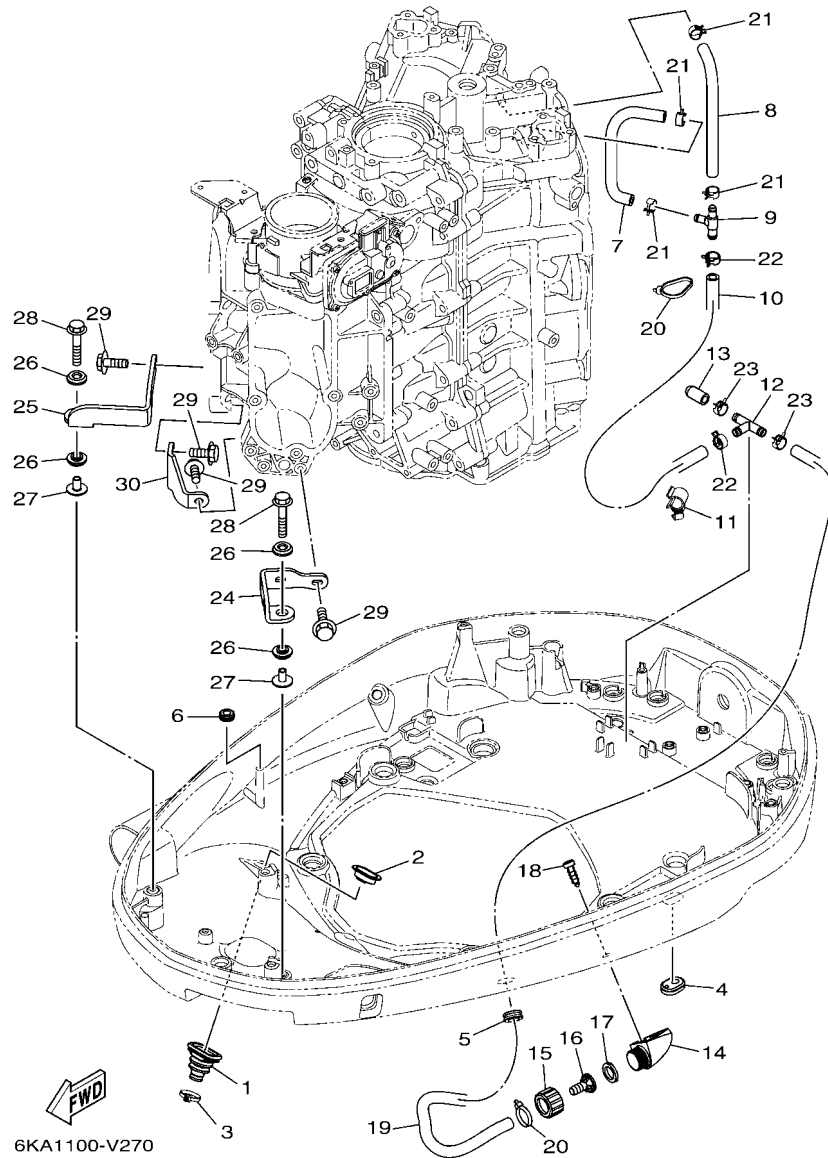


6KA1100-V260

| REF. NO. | PART NO. N° PIECES | DESCRIPTION DESCRIPTION | 6KA1 | 6KD1 | REMARKS REMARQUES |
|----------|--------------------|---|------|------|---------------------------------|
| 1 | 6KA-42710-00-8D | BOTTOM COWLING ASSY ENS. EMBASE | 1 | 1 | UR GRAY |
| | 6KA-42710-00-CE | BOTTOM COWLING ASSY ENS. EMBASE | 1 | 1 | UR GRAY UR WHITE UR WHITE |
| 2 | 6KA-42725-00 | GROMMET PASSE-FIL | 1 | 1 | |
| 3 | 68F-42753-00 | FASTNER ATTACHE | 1 | 1 | AP AP |
| 4 | 90464-20258 | CLAMP BRIDE | 1 | 1 | AP AP |
| 5 | 6CB-42761-00 | STOPPER PLAQUETTE | 1 | 1 | |
| 6 | 95D95-06014 | BOLT, FLANGE DEEP RECESS BOULON FIXATION | 2 | 2 | |
| 7 | 6KA-42615-00 | SEAL JOINT | 1 | 1 | |
| 8 | 6CB-42716-01 | RUBBER SEAL 1 JOINT EN CAOUTCHOUC 1 | 1 | 1 | |
| 9 | 6KA-42815-00-8D | LEVER, CLAMP 1 LEVIER, PRESSE 1 | 1 | 1 | UR GRAY UR GRAY |
| | 6KA-42815-00-CE | LEVER, CLAMP 1 LEVIER, PRESSE 1 | 1 | 1 | UR WHITE UR WHITE |
| 10 | 6KA-42816-00-8D | LEVER, CLAMP 2 LEVIER, PRESSE 2 | 1 | 1 | UR GRAY UR GRAY |
| | 6KA-42816-00-CE | LEVER, CLAMP 2 LEVIER, PRESSE 2 | 1 | 1 | UR WHITE UR WHITE |
| 11 | 6KA-42817-00-8D | LEVER, CLAMP 3 LEVIER, PRESSE 3 | 1 | 1 | UR GRAY UR GRAY |
| | 6KA-42817-00-CE | LEVER, CLAMP 3 LEVIER, PRESSE 3 | 1 | 1 | UR WHITE UR WHITE |
| 12 | 90386-15M73 | BUSH DOUILLE | 6 | 6 | |
| 13 | 90201-156J2 | WASHER, PLATE RONDELLE, PLATE | 3 | 3 | |
| 14 | 90206-15M18 | WASHER, WAVE RONDELLE, ONDULEE | 3 | 3 | |
| 15 | 6CB-42818-00 | LEVER, CLAMP 4 LEVIER, PRESSE 4 | 1 | 1 | |
| 16 | 6CB-42819-00 | LEVER, CLAMP 5 LEVIER, PRESSE 5 | 2 | 2 | |
| 17 | 95D95-08012 | BOLT, FLANGE DEEP RECESS BOULON FIXATION | 3 | 3 | |
| 18 | 90506-22001 | SPRING, TENSION RESSORT, TENSION | 3 | 3 | |
| 19 | 90445-15M03 | HOSE (L23) DURITE (L23) | 3 | 3 | |
| 20 | 66T-43144-00 | HOOK, SPRING CROCHET | 3 | 3 | |
| 21 | 95D95-06012 | BOLT, FLANGE DEEP RECESS BOULON FIXATION | 3 | 3 | |
| 22 | 90480-22M81 | GROMMET PASSE-FIL | 12 | 12 | |
| 23 | 90387-08M37 | COLLAR COLLETTTE | 6 | 6 | |

FIG. 25 BOTTOM COWLING 2

CAPOT INFERIEUR 2

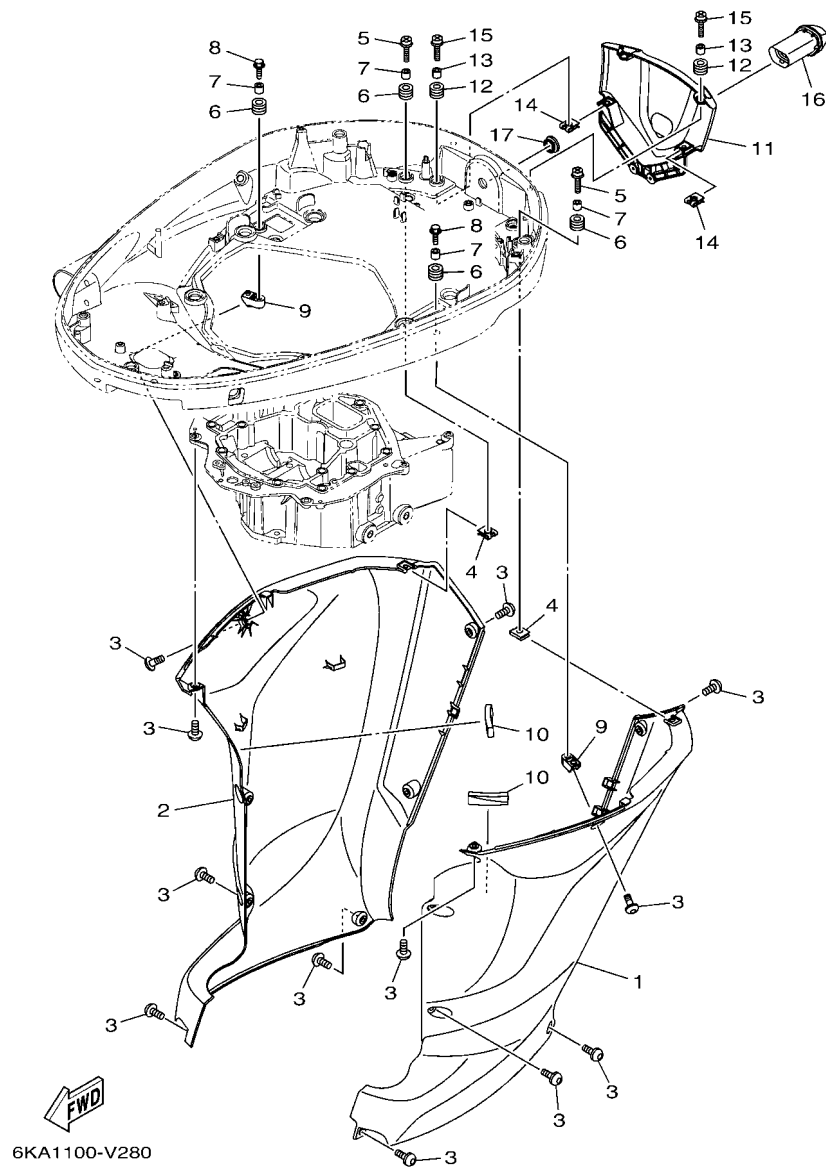


6KA1100-V270

| REF. NO. | PART NO. N° PIECES | DESCRIPTION DESCRIPTION | 6KA1 | 6KD1 | | REMARKS REMARQUES |
|----------|--------------------|----------------------------------|------|------|--|-------------------|
| 1 | 6BG-42724-01 | GROMMET PASSE-FIL | 1 | 1 | | |
| 2 | 6BG-42384-00 | SEAL, CAP JOINT, CAPUCHON | 1 | 1 | | |
| 3 | 90465-11M10 | CLAMP BRIDE | 1 | 1 | | |
| 4 | 6KA-42727-00 | GROMMET PASSE-FIL | 1 | 1 | | |
| 5 | 90480-19031 | GROMMET PASSE-FIL | 1 | 1 | | |
| 6 | 90480-13163 | GROMMET PASSE-FIL | 1 | 1 | | |
| 7 | 6CB-24315-00 | PIPE 5 DURITE 5 | 1 | 1 | | |
| 8 | 90445-14021 | HOSE (L185) DURITE (L185) | 1 | 1 | | |
| 9 | 6AW-42169-00 | JOINT AXE | 1 | 1 | | |
| 10 | 6KA-13582-00 | PIPE DURITE | 1 | 1 | | |
| 11 | 90464-16017 | CLAMP BRIDE | 1 | 1 | | |
| 12 | 90413-10001 | WAY 3 RAINURE 3 | 1 | 1 | | |
| 13 | 6KA-13587-00 | CAP, JOINT JOINT DE COUVERCLE | 1 | 1 | | |
| 14 | 6AW-12572-00 | ADAPTER ADAPTATEUR | 1 | 1 | | |
| 15 | 6R3-12581-00 | JOINT, HOSE 1 JOINT DE TUYAU | 1 | 1 | | |
| 16 | 6AW-12582-00 | JOINT, HOSE 2 RACCORD DE TUYAU 1 | 1 | 1 | | |
| 17 | 6R3-12583-00 | GASKET, HOSE JOINT JOINT | 1 | 1 | | |
| 18 | 97780-60520 | SCREW, TAPPING VIS, TETE BOMBEE | 2 | 2 | | |
| 19 | 6KA-42541-00 | PIPE 1 TUYAU 1 | 1 | 1 | | |
| 20 | 90465-11M10 | CLAMP BRIDE | 2 | 2 | | |
| 21 | 90467-130A5 | CLIP JONC | 4 | 4 | | |
| 22 | 90467-140A8 | CLIP JONC | 2 | 2 | | |
| 23 | 90467-140A9 | CLIP JONC | 2 | 2 | | |
| 24 | 6CB-42643-00 | PLATE, CLAMP PLAQUE, PRESSE | 1 | 1 | | |
| 25 | 6CB-42644-00 | PLATE, CLAMP 2 PLAQUE, PRESSE 2 | 1 | 1 | | |
| 26 | 90480-14029 | GROMMET PASSE-FIL | 4 | 4 | | |
| 27 | 90387-06M03 | COLLAR COLLERETTE | 2 | 2 | | |

FIG. 26 BOTTOM COWLING 3

CAPOT INFERIEUR 3

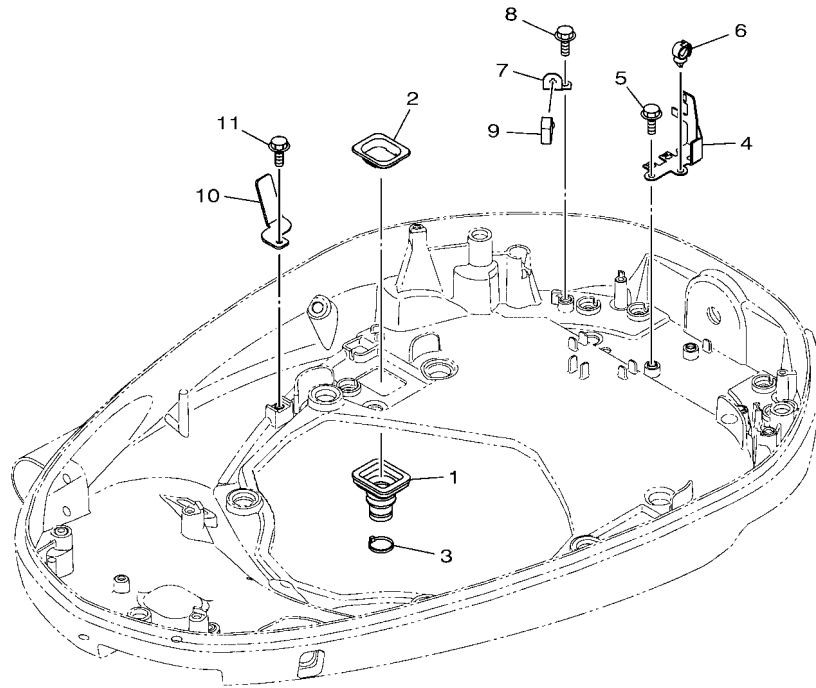


6KA1100-V280

| REF. NO. | PART NO. N° PIECES | DESCRIPTION DESCRIPTION | 6KA1 | 6KD1 | REMARKS REMARQUES |
|----------|--------------------|---------------------------------------|------|------|-------------------|
| 1 | 6KA-42740-00-8D | APRON COMPLETE 1 | 1 | 1 | UR GRAY |
| | 6KA-42740-00-CE | CAPOT LATERAL COMPLETE 1 | 1 | 1 | UR GRAY |
| | | APRON COMPLETE 1 | 1 | 1 | UR WHITE |
| | | CAPOT LATERAL COMPLETE 1 | 1 | 1 | UR WHITE |
| 2 | 6KA-42770-00-8D | APRON COMPLETE 2 | 1 | 1 | UR GRAY |
| | | CAPOT LATERAL COMPLETE 2 | 1 | 1 | UR GRAY |
| | 6KA-42770-00-CE | APRON COMPLETE 2 | 1 | 1 | UR WHITE |
| | | CAPOT LATERAL COMPLETE 2 | 1 | 1 | UR WHITE |
| 3 | 90111-06144 | BOLT,HEX. SOCKET BUTTON BOULON | 16 | 16 | |
| 4 | 90183-061A8 | NUT, SPRING ECROU, RESSORT | 2 | 2 | |
| 5 | 90159-06053 | SCREW, WITH WASHER VIS, AVEC RONDELLE | 2 | 2 | |
| 6 | 90480-13M24 | GROMMET PASSE-FIL | 4 | 4 | |
| 7 | 90387-06M43 | COLLAR COLLERETTE | 4 | 4 | |
| 8 | 90109-06M80 | BOLT BOULON | 2 | 2 | |
| 9 | 6CE-42774-A0 | STAY, APRON 1 COUSSINET | 2 | 2 | |
| 10 | 5GJ-21717-00 | DAMPER AMORTISSEUR | 2 | 2 | |
| 11 | 6KA-42723-00-8D | COVER, BOTTOM COUVERCLE | 1 | 1 | UR GRAY |
| | 6KA-42723-00-CE | COVER, BOTTOM COUVERCLE | 1 | 1 | UR WHITE |
| | | COVER, BOTTOM COUVERCLE | 1 | 1 | UR WHITE |
| 12 | 90480-13M24 | GROMMET PASSE-FIL | 4 | 4 | |
| 13 | 90387-06M43 | COLLAR COLLERETTE | 4 | 4 | |
| 14 | 90183-061A8 | NUT, SPRING ECROU, RESSORT | 2 | 2 | |
| 15 | 90159-06053 | SCREW, WITH WASHER VIS, AVEC RONDELLE | 4 | 4 | |
| 16 | 6KA-42769-00 | SEAL, RUBBER BOURRELET, CAOUTCHOUC | 1 | 1 | |
| 17 | 676-42726-00 | GROMMET PASSE-FIL | 1 | 1 | |

FIG. 27 BOTTOM COWLING 4

CAPOT INFERIEUR 4



| REF. NO. | PART NO. N° PIECES | DESCRIPTION DESCRIPTION | 6KA1 | 6KD1 | REMARKS REMARQUES |
|----------|--------------------|--|------|------|-------------------|
| 1 | 6GR-42724-01 | GROMMET PASSE-FIL | 1 | 1 | |
| 2 | 6GR-42384-00 | SEAL, CAP JOINT, CAPUCHON | 1 | 1 | |
| 3 | 90465-11M59 | CLAMP BRIDE | 1 | 1 | |
| 4 | 6KA-8257V-00 | PLATE, CONNECTOR PLAQUE, CONNECTEUR | 1 | 1 | |
| 5 | 95D95-06012 | BOLT, FLANGE DEEP RECESS BOULON FIXATION | 2 | 2 | |
| 6 | 90464-13249 | CLAMP BRIDE | 1 | 1 | |
| 7 | 63P-42756-00 | STAY, CLAMP SUPPORT, COLLIER | 1 | 1 | |
| 8 | 95D95-06012 | BOLT, FLANGE DEEP RECESS BOULON FIXATION | 1 | 1 | |
| 9 | 90464-20181 | CLAMP BRIDE | 1 | 1 | |
| 10 | 6KA-42811-00 | STAY SUPPORT | 1 | 1 | |
| 11 | 95D95-06012 | BOLT, FLANGE DEEP RECESS BOULON FIXATION | 1 | 1 | |



6KA1100-V290

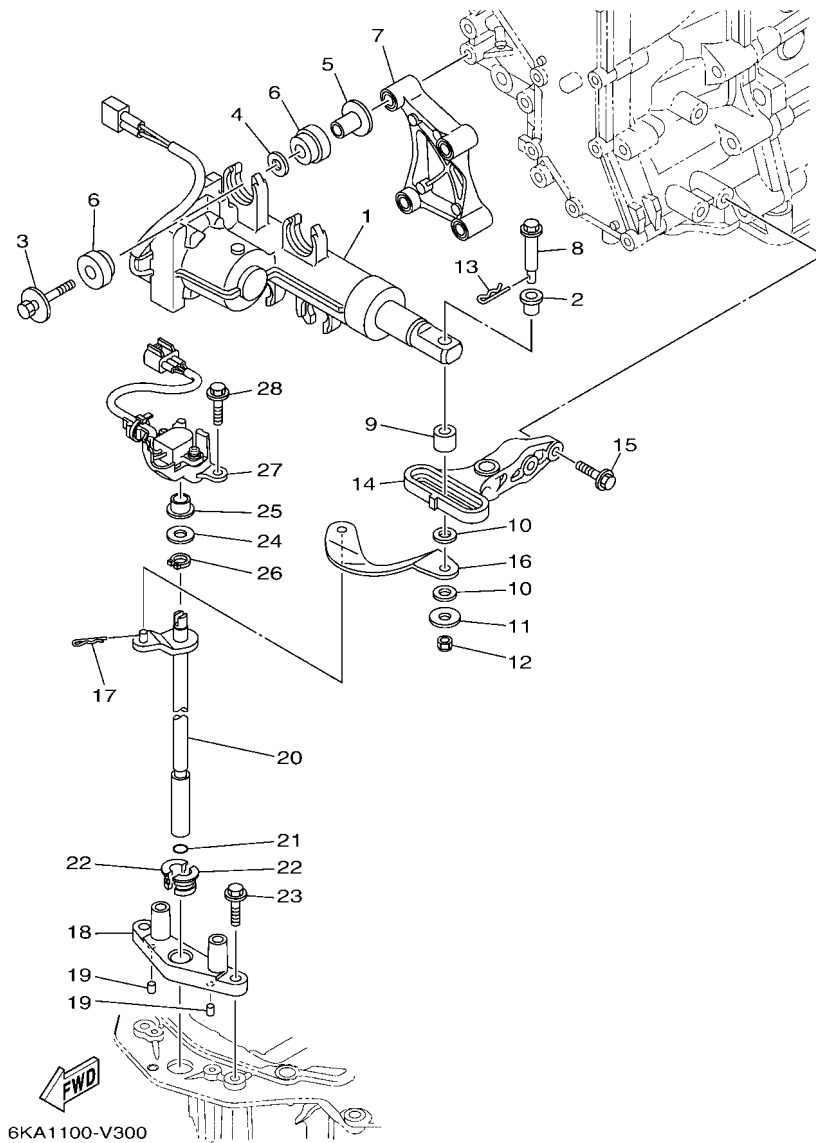
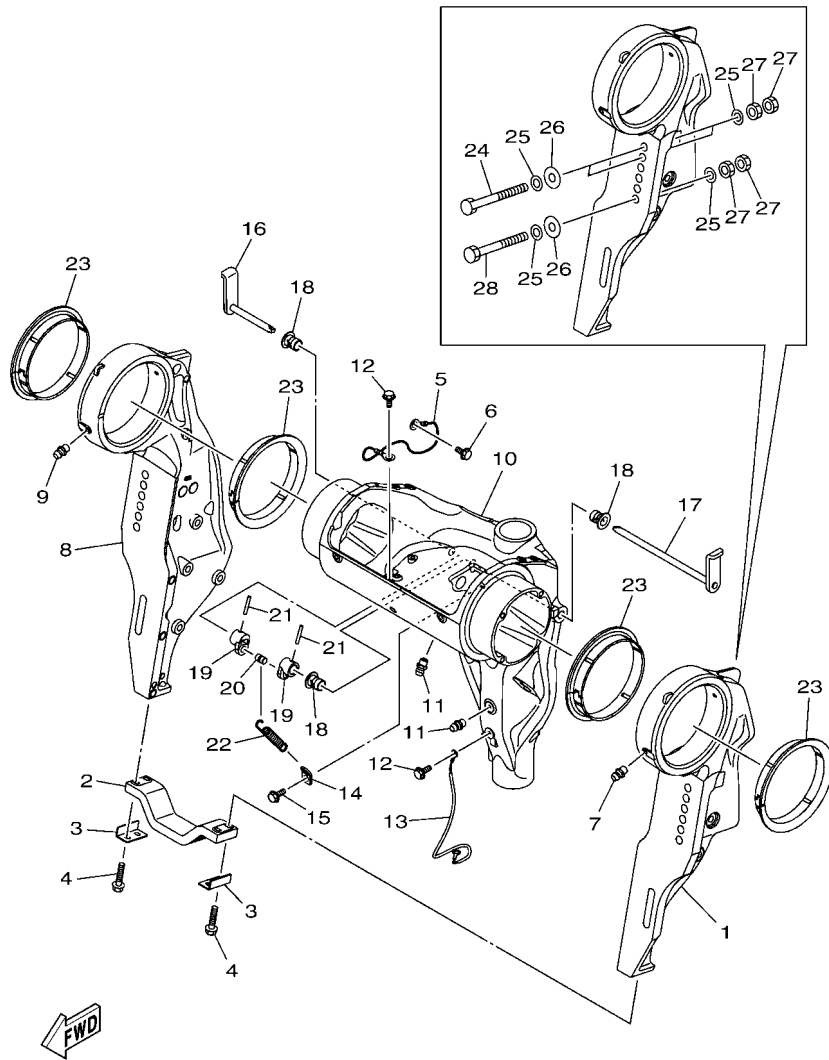


FIG. 28 CONTROL

COMMANDE

| REF. NO. | PART NO. N° PIECES | DESCRIPTION DESCRIPTION | 6KA1 | 6KD1 | REMARKS REMARQUES |
|----------|--------------------|---|------|------|-------------------|
| 1 | 6DV-4820A-01 | ACTUATOR UNIT ACTUATEUR UNIT | 1 | 1 | |
| 2 | 90386-08008 | BUSH DOUILLE | 1 | 1 | |
| 3 | 90119-08168 | BOLT, WITH WASHER BOULON, AVEC RONDELLE | 4 | 4 | |
| 4 | 90201-12064 | WASHER, PLATE RONDELLE, PLATE | 4 | 4 | |
| 5 | 90387-08104 | COLLAR COLLERETTE | 4 | 4 | |
| 6 | 6CE-85564-00 | GROMMET RONDELLE CAOUTCHOUC | 8 | 8 | |
| 7 | 6CE-44142-20 | JOINT AXE | 1 | 1 | |
| 8 | 6CE-42195-10 | PIN, JOINT 1 GOUPILLE | 1 | 1 | |
| 9 | 6CE-44122-20 | BUSHING, SHIFT ROD LEVER DOUILLE, LEVIER D'EMBRAYAGE | 1 | 1 | |
| 10 | 90202-08M41 | WASHER, PLATE RONDELLE, PLATE | 2 | 2 | |
| 11 | 90201-06068 | WASHER, PLATE RONDELLE, PLATE | 1 | 1 | |
| 12 | 90185-06M07 | NUT, SELF-LOCKING ECROU, AUTO-BLOQUANT | 1 | 1 | |
| 13 | 90468-18008 | CLIP JONC | 1 | 1 | |
| 14 | 6CE-44117-10 | BRACKET SUPPORT | 1 | 1 | |
| 15 | 97E75-06525 | BOLT, HEXAGON W/W DEEP RECESS VIS HEXAGONAL AVC RONDELLE | 2 | 2 | |
| 16 | 6CE-44121-10 | LEVER, SHIFT ROD LEVIER, TIGE D'INVERSION | 1 | 1 | |
| 17 | 90468-18008 | CLIP JONC | 1 | 1 | |
| 18 | 6CE-44118-A0 | BRACKET SUPPORT | 1 | 1 | |
| 19 | 93604-07M13 | PIN, DOWEL CLAVETTE | 2 | 2 | |
| 20 | 6KA-44120-00 | HANDLE GEAR SHIFT ASSY LEVIER D'EMBRAYAGE | 1 | 1 | |
| 21 | 93210-09165 | O-RING JOINT TORIQUE | 1 | 1 | |
| 22 | 90386-11001 | BUSH DOUILLE | 2 | 2 | |
| 23 | 95D75-06025 | BOLT, FLANGE DEEP RECESS BOULON FIXATION | 2 | 2 | |
| 24 | 90201-11008 | WASHER, PLATE RONDELLE, PLATE | 1 | 1 | |
| 25 | 90386-10001 | BUSH DOUILLE | 1 | 1 | |
| 26 | 93410-10082 | CIRCLIP CIRCLIP | 1 | 1 | |
| 27 | 6CE-68303-00 | SENSOR ASSY SONDE (ENS.) | 1 | 1 | |



6KA1100-V310

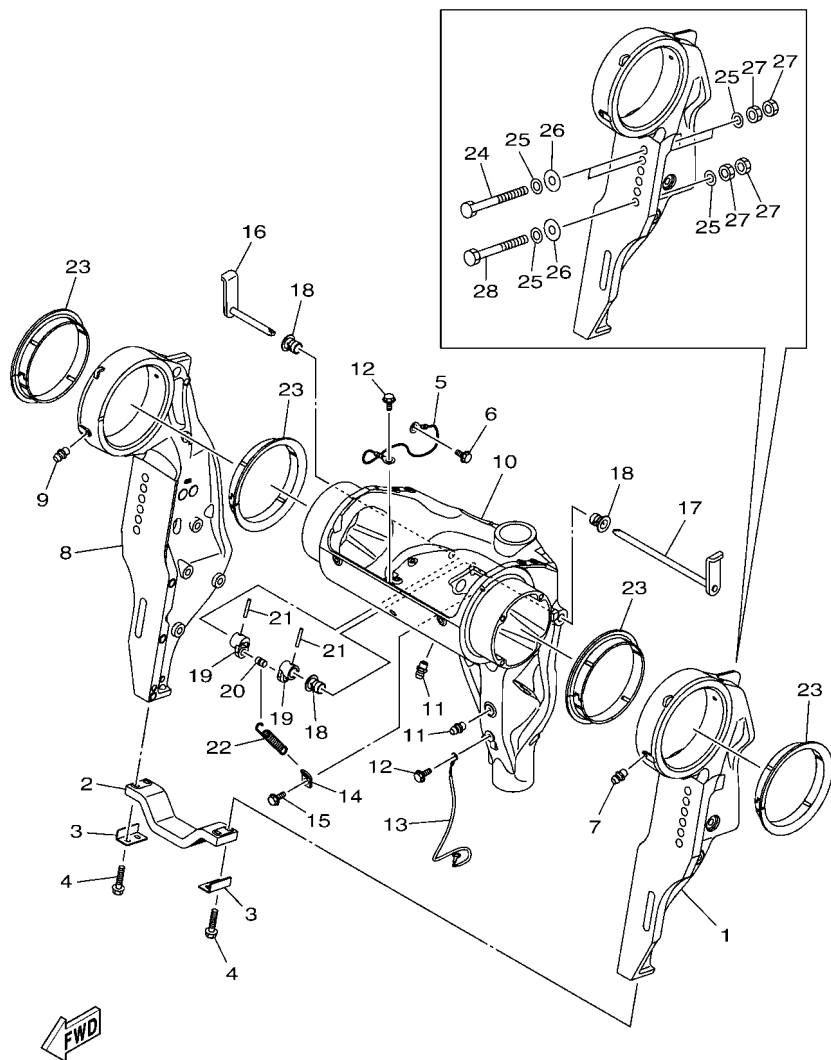
FIG. 29 BRACKET 1

SUPPORT 1

| REF. NO. | PART NO. N° PIECES | DESCRIPTION DESCRIPTION | 6KA1 | 6KD1 | REMARKS REMARQUES |
|----------|--------------------|--|------|------|---------------------------------|
| 1 | 6KA-43111-00-8D | BRACKET, CLAMP 1 PRESSE 1 | 1 | 1 | UR GRAY |
| | 6KA-43111-00-CE | BRACKET, CLAMP 1 PRESSE 1 | 1 | 1 | UR GRAY UR WHITE UR WHITE |
| 2 | 6G5-45251-02 | ANODE ANODE | 1 | 1 | |
| 3 | 6G5-44526-00 | PLATE PLAQUE | 2 | 2 | |
| 4 | 97E95-06525 | BOLT, HEXAGON W/W DEEP RECESS VIS HEXAGONAL AVC RONDELLE | 4 | 4 | |
| 5 | 6U0-82127-00 | WIRE, LEAD 2 FIL 2 | 1 | 1 | |
| 6 | 97E95-06510 | BOLT, HEXAGON W/W DEEP RECESS VIS HEXAGONAL AVC RONDELLE | 1 | 1 | |
| 7 | 93700-06002 | NIPPLE, GREASE PION | 1 | 1 | |
| 8 | 6KA-43112-00-8D | BRACKET, CLAMP 2 PRESSE 2 | 1 | 1 | UR GRAY |
| | 6KA-43112-00-CE | BRACKET, CLAMP 2 PRESSE 2 | 1 | 1 | UR GRAY UR WHITE UR WHITE |
| 9 | 93700-06002 | NIPPLE, GREASE PION | 1 | 1 | |
| 10 | 6KA-43311-00-8D | BRACKET, SWIVEL 1 SUPPORT, PIVOT 1 | 1 | 1 | UR GRAY |
| | 6KA-43311-00-CE | BRACKET, SWIVEL 1 SUPPORT, PIVOT 1 | 1 | 1 | UR GRAY UR WHITE UR WHITE |
| 11 | 93700-06002 | NIPPLE, GREASE PION | 3 | 3 | |
| 12 | 97E95-06510 | BOLT, HEXAGON W/W DEEP RECESS VIS HEXAGONAL AVC RONDELLE | 2 | 2 | |
| 13 | 6KA-82147-00 | WIRE, LEAD 5 FIL 5 | 1 | 1 | |
| 14 | 6G5-43144-00 | HOOK, SPRING CROCHET | 1 | 1 | |
| 15 | 97D95-06010 | BOLT, HEXAGON DEEP RECESS VIS HEXAGONAL | 1 | 1 | |
| 16 | 6KA-43181-00 | LEVER, TILT STOP 1 LEVIER VERROUILLAGE RELEVAGE 1 | 1 | 1 | |
| 17 | 6KA-43185-00 | LEVER, TILT STOP 2 LEVIER VERROUILLAGE RELEVAGE 2 | 1 | 1 | |
| 18 | 90386-10M16 | BUSH DOUILLE | 3 | 3 | |
| 19 | 6G5-43148-00 | COLLAR, DISTANCE ENTRETOISE | 2 | 2 | |
| 20 | 90249-06M19 | PIN GOUPILLE | 1 | 1 | |
| 21 | 91690-30020 | PIN, SPRING AGRAFFE | 2 | 2 | |
| 22 | 90506-16010 | SPRING, TENSION RESSORT, TENSION | 1 | 1 | |
| 23 | 6GR-43333-00 | BUSH, SWIVEL BRACKET BUISSON, SUPPORT PIVOTANT | 4 | 4 | |
| 24 | 90101-12068 | BOLT (170MM) BOULON (170MM) | 4 | 4 | |

FIG. 29 BRACKET 1

SUPPORT 1

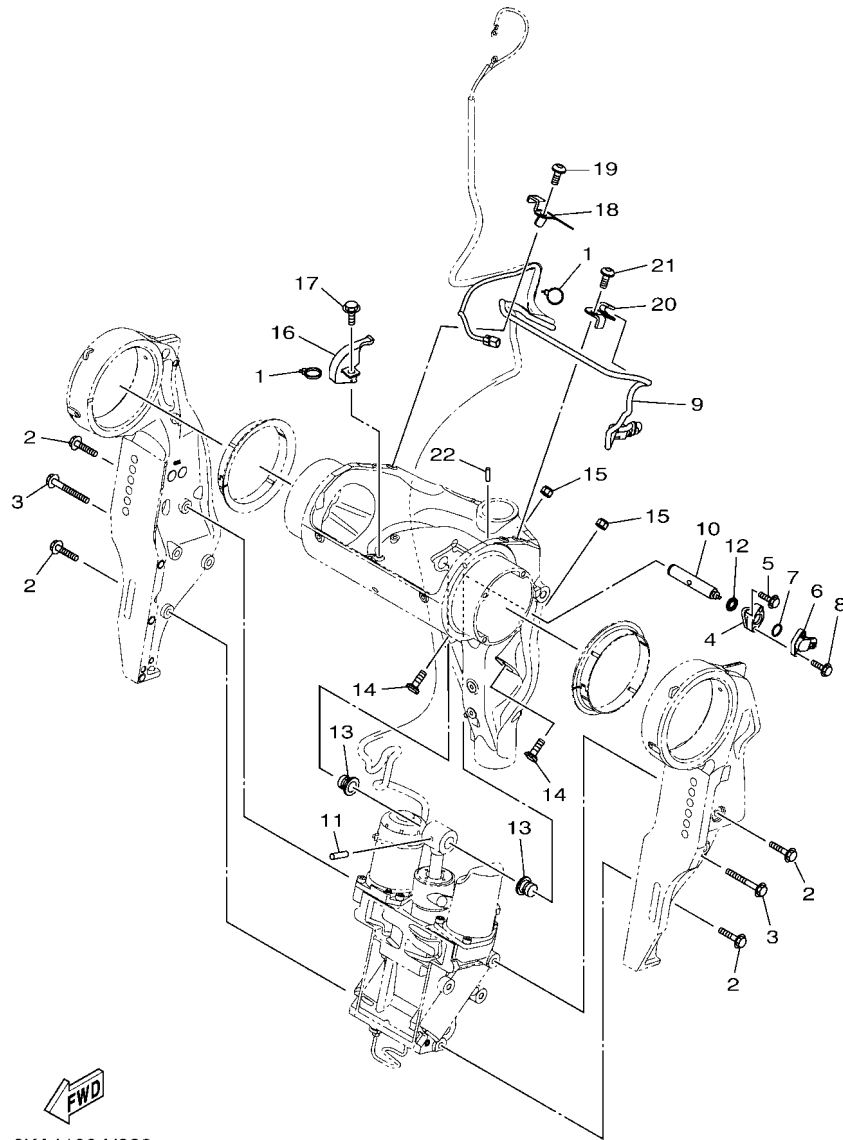


6KA1100-V310

| REF. NO. | PART NO. N° PIECES | DESCRIPTION DESCRIPTION | 6KA1 | 6KD1 | REMARKS REMARQUES |
|----------|--------------------|----------------------------------|------|------|-------------------|
| 25 | 90201-13M01 | WASHER, PLATE RONDELLE, PLATE | 12 | 12 | |
| 26 | 90201-12426 | WASHER, PLATE RONDELLE, PLATE | 6 | 6 | |
| 27 | 95380-12600 | NUT ECROU | 12 | 12 | |
| 28 | 90101-12067 | BOLT (150MM) BOULON (150MM) | 2 | 2 | |
| ----- | | | | | |
| ----- | | | | | |
| ----- | | | | | |
| ----- | | | | | |
| ----- | | | | | |
| ----- | | | | | |
| ----- | | | | | |
| ----- | | | | | |
| ----- | | | | | |
| ----- | | | | | |

FIG. 30 BRACKET 2

SUPPORT 2

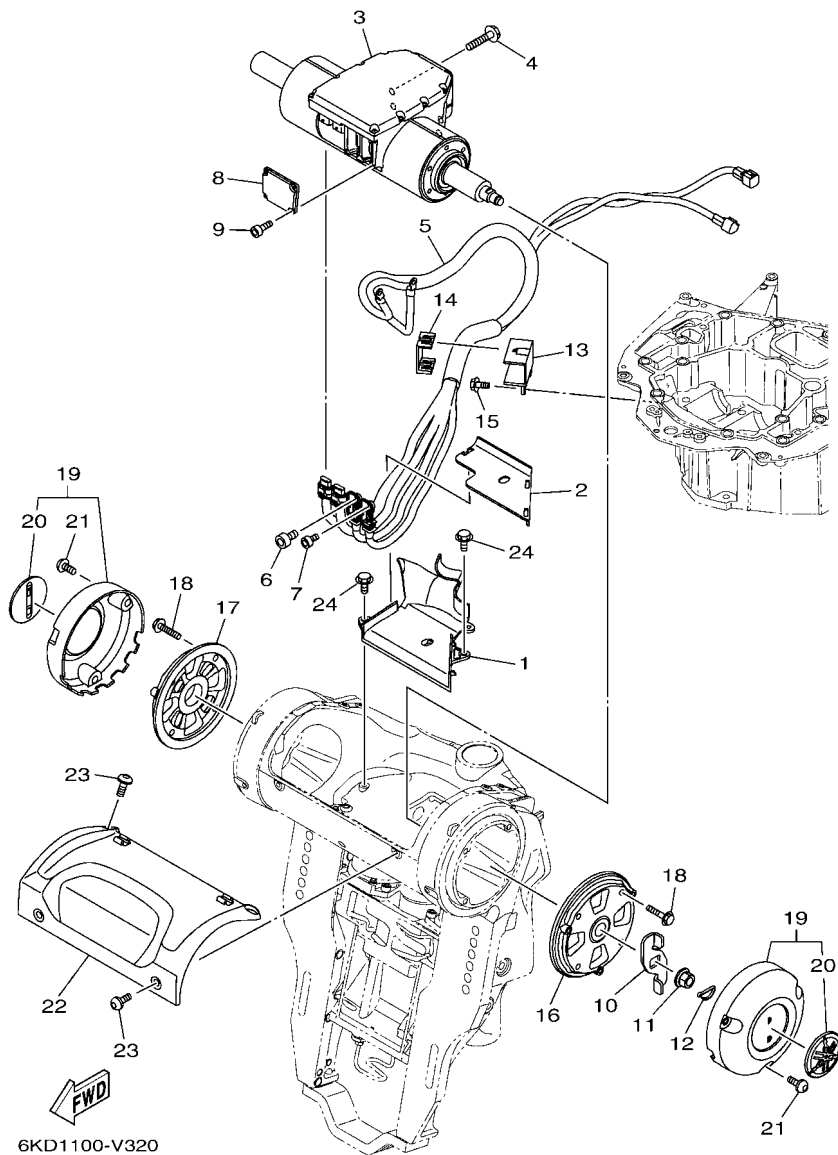


6KA1100-V320

| REF. NO. | PART NO. N° PIECES | DESCRIPTION DESCRIPTION | 6KA1 | 6KD1 | REMARKS REMARQUES |
|----------|--------------------|---|------|------|-------------------|
| 1 | 90465-11M10 | CLAMP BRIDE | 2 | 2 | |
| 2 | 90119-10024 | BOLT, WITH WASHER BOULON, AVEC RONDELLE | 6 | 6 | |
| 3 | 90119-10064 | BOLT, WITH WASHER BOULON, AVEC RONDELLE | 2 | 2 | |
| 4 | 6KA-4382A-00 | ADAPTOR 1 ADAPTEUR 1 | 1 | 1 | |
| 5 | 97595-05516 | BOLT, WITH WASHER VIS HEXAGONAL AVC RONDELLE | 2 | 2 | |
| 6 | 6GR-85887-00 | SENSOR ANGLE CAPTEUR DE COUPLE | 1 | 1 | |
| 7 | 93210-17MF9 | O-RING JOINT TORIQUE | 1 | 1 | |
| 8 | 97595-05516 | BOLT, WITH WASHER VIS HEXAGONAL AVC RONDELLE | 2 | 2 | |
| 9 | 6KA-82553-00 | EXTENSION, WIRE LEAD EXTENSION, FAISCEAU | 1 | 1 | |
| 10 | 6KA-43126-00 | PIN, UPPER SHOCK MOUNT AXE, SUPERIEUR AMORTISSEUR | 1 | 1 | |
| 11 | 91690-60022 | PIN, SPRING AGRASSE | 1 | 1 | |
| 12 | 93210-06ME6 | O-RING JOINT TORIQUE | 1 | 1 | |
| 13 | 90386-18M14 | BUSH DOUILLE | 2 | 2 | |
| 14 | 6AW-43376-00 | BOLT, THRUST RECEIVER BOULON | 2 | 2 | |
| 15 | 95780-10300 | NUT, FLANGE ECROU | 2 | 2 | |
| 16 | 6KA-47651-00 | PROTECTOR PROTECTEUR | 1 | 1 | |
| 17 | 95D95-06012 | BOLT, FLANGE DEEP RECESS BOULON FIXATION | 1 | 1 | |
| 18 | 6KA-4381E-00 | BRACKET SUPPORT | 1 | 1 | |
| 19 | 90111-06144 | BOLT, HEX. SOCKET BUTTON BOULON | 1 | 1 | |
| 20 | 6KA-4381F-00 | BRACKET SUPPORT | 1 | 1 | |
| 21 | 90111-06144 | BOLT, HEX. SOCKET BUTTON BOULON | 1 | 1 | |
| 22 | 91690-60022 | PIN, SPRING AGRASSE | 1 | 1 | |

FIG. 31 BRACKET 3

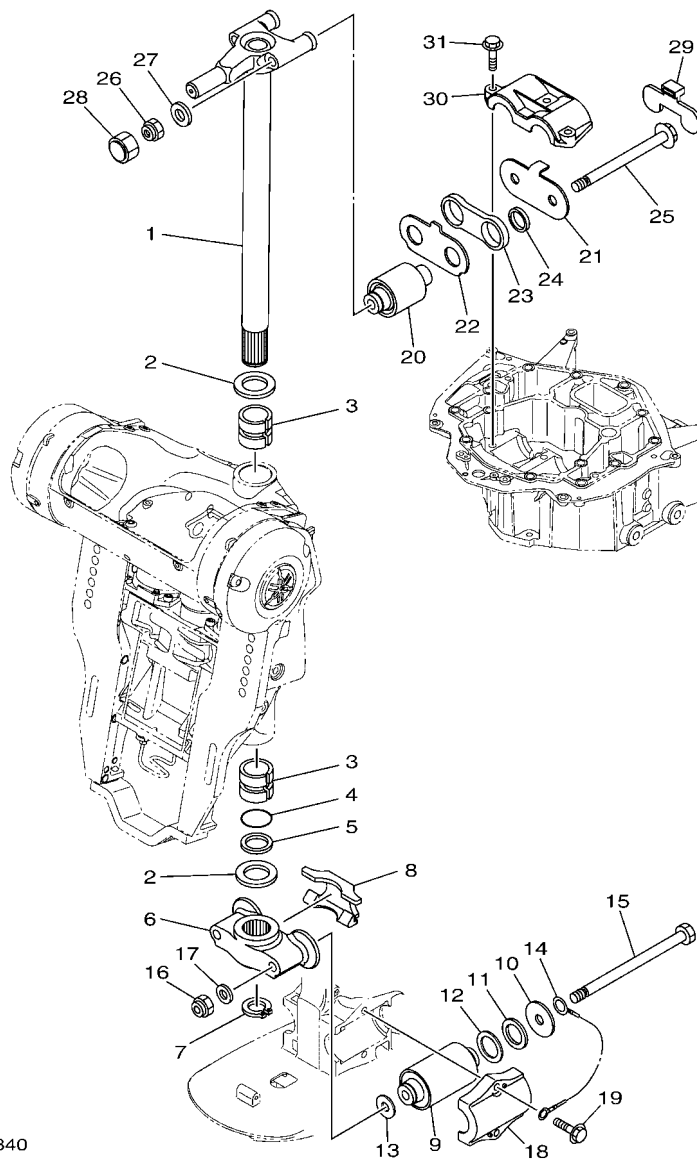
SUPPORT 3



| REF. NO. | PART NO. N° PIECES | DESCRIPTION DESCRIPTION | 6KA1 | 6KD1 | REMARKS REMARQUES |
|----------|--------------------|---|------|------|----------------------|
| 1 | 6KA-87228-00 | COVER HARNESS HARNAIS DE COUVERCLE | 1 | 1 | |
| 2 | 6KA-8722G-00 | COVER HARNESS 2 HARNAIS DE COUVERCLE 2 | 1 | 1 | |
| 3 | 6KA-42401-00 | POWER STEERING CYLINDER ASSY CYLINDRE, DIRECTION ASSISTEE | 1 | 1 | |
| 4 | 97580-08535 | BOLT, WITH WASHER VIS HEXAGONAL AVC RONDELLE | 4 | 4 | |
| 5 | 6KA-438A0-00 | STEERING, WIRE HARNESS ASSY DIRECTION, FAISCEAU DE FILS CO | 1 | 1 | |
| 6 | 6GR-44331-00 | BOLT, 1 BOULON, 1 | 1 | 1 | |
| 7 | 6GR-44332-00 | BOLT, 2 BOULON, 2 | 1 | 1 | |
| 8 | 6GR-42134-00 | COVER CAPOT | 1 | 1 | |
| 9 | 91380-04010 | BOLT BOULON | 4 | 4 | |
| 10 | 6GR-43378-10 | WASHER RONDELLE | 1 | 1 | |
| 11 | 90179-14009 | NUT ECROU | 1 | 1 | |
| 12 | 91490-20025 | PIN, COTTER GOUPILLE | 1 | 1 | |
| 13 | 6KA-43121-00 | PROTECTOR PROTECTEUR | 1 | 1 | |
| 14 | 6KA-47445-00 | PROTECTOR PROTECTEUR | 1 | 1 | |
| 15 | 95D95-06012 | BOLT, FLANGE DEEP RECESS BOULON FIXATION | 2 | 2 | |
| 16 | 6KA-43341-00 | COVER, SWIVEL SODE 1 COUVERCLE, PIVOTANT COTE 1 | 1 | 1 | |
| 17 | 6KA-43342-00 | COVER, SWIVEL SODE 2 COUVERCLE, PIVOTANT COTE 2 | 1 | 1 | |
| 18 | 90119-08176 | BOLT, WITH WASHER BOULON, AVEC RONDELLE | 8 | 8 | |
| 19 | 6GR-W436G-00-8D | SBW SIDE COVER ASSY SBW COUVERCLE LATERAL ASSEMBLE | 2 | 2 | UR GRAY UR GRAY |
| | 6GR-W436G-00-CE | SBW SIDE COVER ASSY SBW COUVERCLE LATERAL ASSEMBLE | 2 | 2 | UR WHITE UR WHITE |
| 20 | 6DA-42697-00 | TUNING FORK MARK .MARQUE, YAMAHA | 1 | 1 | |
| 21 | 90111-06144 | BOLT, HEX. SOCKET BUTTON BOULON | 6 | 6 | |
| 22 | 6KA-43318-00-8D | COVER CAPUCHON | 1 | 1 | UR GRAY UR GRAY |
| | 6KA-43318-00-CE | COVER CAPUCHON | 1 | 1 | UR WHITE UR WHITE |
| 23 | 90111-06144 | BOLT, HEX. SOCKET BUTTON BOULON | 4 | 4 | |
| 24 | 95D95-06012 | BOLT, FLANGE DEEP RECESS BOULON FIXATION | 2 | 2 | |

FIG. 32 BRACKET 4

SUPPORT 4



6KA1100-V340

| REF. NO. | PART NO. N° PIECES | DESCRIPTION DESCRIPTION | 6KA1 | 6KD1 | REMARKS REMARQUES |
|----------|--------------------|---|------|------|--|
| 1 | 6KA-42510-00-8D | STEERING BRACKET ASSY DIRECTION SUPPORT (ENS.) | 1 | 1 | UR GRAY UR GRAY UR WHITE UR WHITE |
| | 6KA-42510-00-CE | STEERING BRACKET ASSY DIRECTION SUPPORT (ENS.) | 1 | 1 | |
| 2 | 90201-40M00 | WASHER, PLATE RONDELLE, PLATE | 2 | 2 | |
| 3 | 90386-39M89 | BUSH DOUILLE | 2 | 2 | |
| 4 | 93210-35321 | O-RING JOINT TORIQUE | 1 | 1 | |
| 5 | 90202-40M47 | WASHER, PLATE RONDELLE, PLATE | 1 | 1 | |
| 6 | 6CE-44551-00-CA | HOUSING, LOWER MOUNT RUBBER 1 BOITIER, SILENT-BLOC INFÉRIEUR | 1 | 1 | |
| 7 | 93410-37M04 | CIRCLIP CIRCLIP | 1 | 1 | |
| 8 | 6CE-44574-00 | STOPPER, LOWER MOUNT RUBBER BUTÉE | 1 | 1 | |
| 9 | 6KA-44555-00 | MOUNT DAMPER, LOWER SIDE SILENT-BLOC, INFÉRIEUR LATÉRAL | 2 | 2 | |
| 10 | 90201-16032 | WASHER, PLATE RONDELLE, PLATE | 2 | 2 | |
| 11 | 90202-32M19 | WASHER, PLATE RONDELLE, PLATE | 2 | 2 | |
| 12 | 90201-35008 | WASHER, PLATE RONDELLE, PLATE | 2 | 2 | |
| 13 | 90201-15M58 | WASHER, PLATE RONDELLE, PLATE | 2 | 2 | |
| 14 | 6AW-82149-00 | WIRE, LEAD 3 FIL 3 | 1 | 1 | |
| 15 | 90101-14004 | BOLT BOULON | 2 | 2 | |
| 16 | 90185-14M00 | NUT, SELF-LOCKING ECROU,AUTO-BLOQUANT | 2 | 2 | |
| 17 | 92995-14600 | WASHER RONDELLE | 2 | 2 | |
| 18 | 6AW-44552-00-CA | HOUSING, LOWER MOUNT RUBBER 2 BOITIER, SILENT-BLOC INFÉRIEUR | 2 | 2 | |
| 19 | 90119-10024 | BOLT, WITH WASHER BOULON, AVEC RONDELLE | 4 | 4 | |
| 20 | 6CE-44514-00 | MOUNT DAMPER, UPPER SIDE SILENT-BLOC, SUPÉRIEUR LATÉRAL | 2 | 2 | |
| 21 | 6CE-44526-00 | PLATE PLAQUE | 1 | 1 | |
| 22 | 6CE-44536-00 | PLATE 2 PLAQUETTE 2 | 1 | 1 | |
| 23 | 6CE-44532-01 | STOPPER, UPPER MOUNT PLAQUETTE | 1 | 1 | |
| 24 | 90387-28013 | COLLAR COLLERETTE | 2 | 2 | |
| 25 | 90105-14005 | BOLT, FLANGE BOULON, A COLLERETTE | 2 | 2 | |
| 26 | 90185-14M00 | NUT, SELF-LOCKING ECROU,AUTO-BLOQUANT | 2 | 2 | |

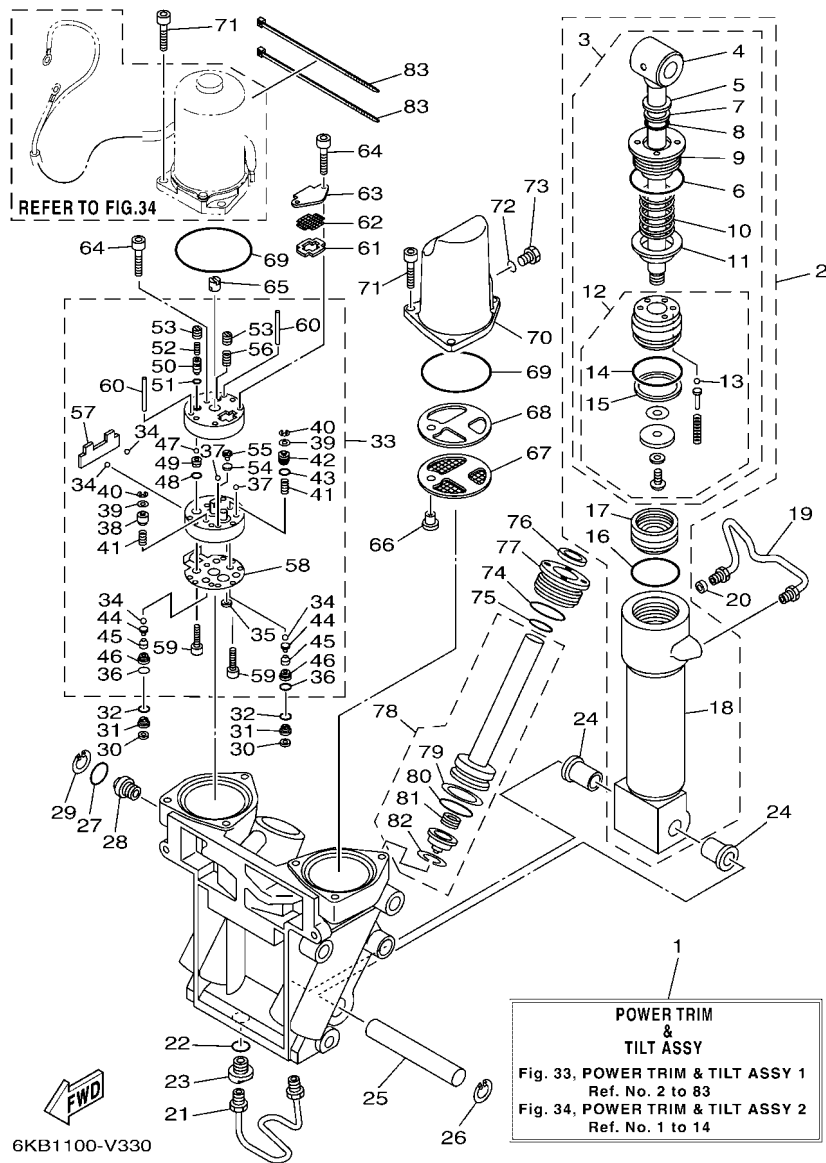


FIG. 33 POWER TRIM & TILT ASSY 1

PUISSANCE PARER ET INCLINER 1

| REF. NO. | PART NO. N° PIECES | DESCRIPTION DESCRIPTION | 6KA1 | 6KD1 | REMARKS REMARQUES |
|----------|--------------------|--|------|------|--|
| 1 | 6KA-W4380-00-8D | POWER TRIM & TILT ASSY | 1 | 1 | UR GRAY UR GRAY UR WHITE UR WHITE |
| | 6KA-W4380-00-CE | POWER TRIM & TILT ASSY | 1 | 1 | |
| 2 | 6KA-43840-00 | POWER TILT ASSY | 1 | 1 | |
| 3 | 6KA-43810-00 | .TILT PISTON SUB ASSY | 1 | 1 | |
| 4 | 6KA-43801-00 | .ROD .TIGE | 1 | 1 | |
| 5 | 93106-19001 | .OIL SEAL .JOINT SPY | 1 | 1 | |
| 6 | 63P-43861-20 | .O-RING .JOINT TORIQUE | 1 | 1 | |
| 7 | 6H1-43872-00 | .RING, BACK UP .RESSORT | 1 | 1 | |
| 8 | 61A-4389H-01 | .O-RING .JOINT TORIQUE | 1 | 1 | |
| 9 | 61A-43811-00 | .SCREW, CYLINDER END .VIS, CYLINDRE RACCORD | 1 | 1 | |
| 10 | 69J-4384H-00 | .SPRING .RESSORT | 1 | 1 | |
| 11 | 69J-4382E-00 | .ADAPTOR 2 .ADAPTEUR 2 | 1 | 1 | |
| 12 | 6CE-4380P-00 | .PISTON SUB ASSY .PISTON AUXILIAIRE (ENS.) | 1 | 1 | |
| 13 | 93505-32038 | .BALL .BILLE | 5 | 5 | |
| 14 | 61A-43861-00 | .O-RING .JOINT TORIQUE | 1 | 1 | |
| 15 | 61A-43871-00 | .RING, BACK UP .SEGMENT | 1 | 1 | |
| 16 | 61A-43861-00 | O-RING .JOINT TORIQUE | 1 | 1 | |
| 17 | 6H1-43814-11 | .PISTON, FREE .PISTON | 1 | 1 | |
| 18 | 61A-43813-02 | .CYLINDER, TILT .CYLINDRE | 1 | 1 | |
| 19 | 69J-43835-10 | PIPE TUYAU | 1 | 1 | |
| 20 | 69J-4388J-00 | PLUG 2 BOUCHON 2 | 1 | 1 | |
| 21 | 69J-43833-02 | PIPE TUYAU | 1 | 1 | |
| 22 | 93210-17239 | O-RING JOINT TORIQUE | 1 | 1 | |
| 23 | 69J-4388E-01 | BOLT ,SCREW VIS | 1 | 1 | |
| 24 | 90386-18M14 | BUSH DOUILLE | 2 | 2 | |
| 25 | 61A-43818-00 | PIN, LOWER SHOCK MOUNT AXE, INFERIEUR AMORTISSEUR | 1 | 1 | |
| 26 | 61A-43876-01 | RING, SNAP RESSORT | 1 | 1 | |

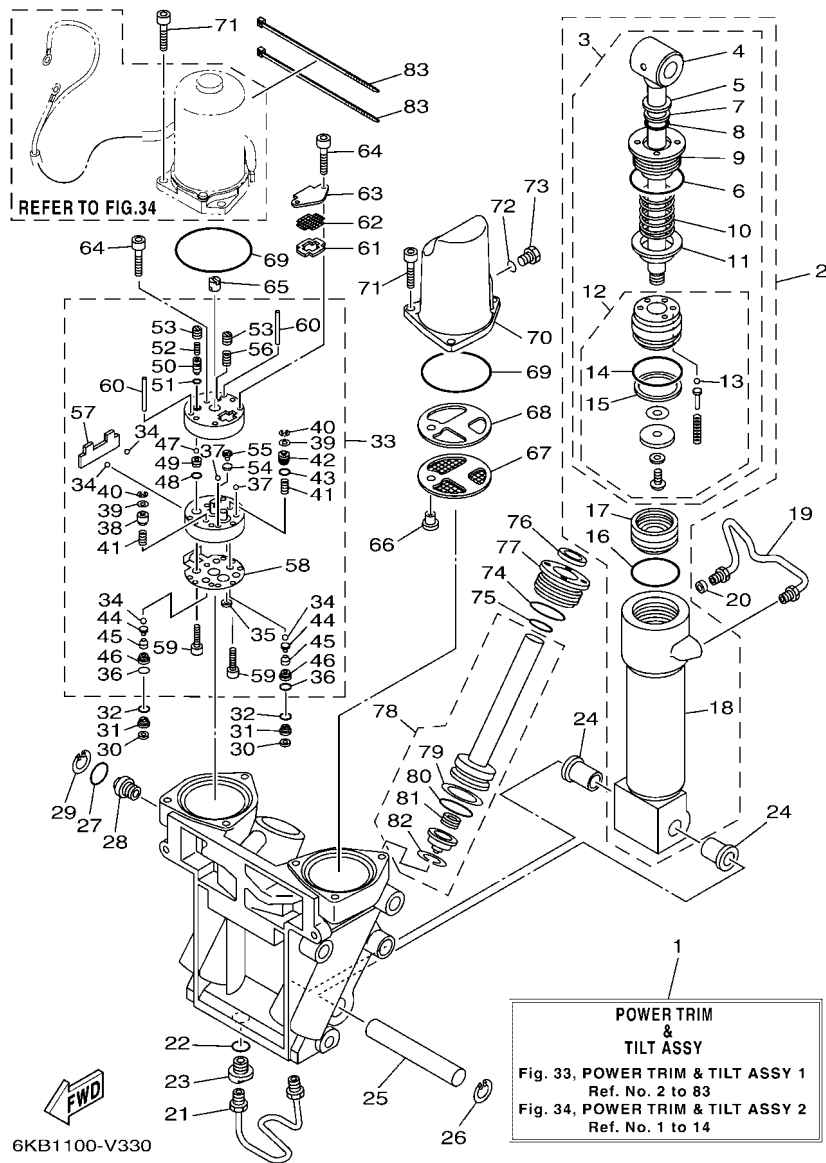


FIG. 33 POWER TRIM & TILT ASSY 1

PUISSANCE PARER ET INCLINER 1

| REF. NO. | PART NO. N° PIECES | DESCRIPTION DESCRIPTION | 6KA1 | 6KD1 | REMARKS REMARQUES |
|----------|--------------------|--|------|------|-------------------|
| 27 | 6D8-43863-00 | O-RING JOINT TORIQUE | 1 | 1 | |
| 28 | 69J-43845-00 | SCREW, MANUAL RELEASE VIS | 1 | 1 | |
| 29 | 6H1-43875-00 | RING, SNAP RESSORT | 1 | 1 | |
| 30 | 69J-4381C-00 | FILTER 3 FILTRE 3 | 2 | 2 | |
| 31 | 69J-43899-01 | PLATE STOPPER PLAQUETTE | 2 | 2 | |
| 32 | 69J-4389J-00 | O-RING JOINT TORIQUE | 2 | 2 | |
| 33 | 69J-43830-01 | GEAR PUMP ASSY POMPE A PIGNON (ENS.) | 1 | 1 | |
| 34 | 93505-32038 | .BALL .BILLE | 4 | 4 | |
| 35 | 69J-4381C-00 | .FILTER 3 .FILTRE 3 | 1 | 1 | |
| 36 | 69J-4389J-00 | .O-RING .JOINT TORIQUE | 2 | 2 | |
| 37 | 93503-16003 | .BALL .BILLES | 2 | 2 | |
| 38 | 6CJ-4384M-00 | .PISTON, SHUTTLE 2 .PISTON 2 | 1 | 1 | |
| 39 | 69A-4384F-00 | .SEAL, MAIN VALVE .JOINT | 2 | 2 | |
| 40 | 99002-03600 | .CIRCLIP .CIRCLIP | 2 | 2 | |
| 41 | 69J-43894-00 | .SPRING, SHUTTLE RETURN .RESSORT | 2 | 2 | |
| 42 | 6CJ-43841-00 | .PISTON, SHUTTLE .PISTON | 1 | 1 | |
| 43 | 6H1-43883-00 | .O-RING .JOINT TORIQUE | 1 | 1 | |
| 44 | 60V-4386A-00 | .PIN, ABSORBER VALVE .GOUPILLE, SOUPAPE | 2 | 2 | |
| 45 | 69J-43853-00 | .SPRING, MAIN VALVE .RESSORT | 2 | 2 | |
| 46 | 6CJ-43893-00 | .WASHER .RONDELLE | 2 | 2 | |
| 47 | 93501-08001 | .BALL .BILLE | 2 | 2 | |
| 48 | 93210-08391 | .O-RING .JOINT TORIQUE | 1 | 1 | |
| 49 | 69J-43851-00 | .SEAT, RELIEF VALVE .SIEGE | 1 | 1 | |
| 50 | 63P-43844-20 | .PIN, VALVE SUPPORT .GOUPILLE | 1 | 1 | |
| 51 | 93210-064A5 | .O-RING .JOINT TORIQUE | 1 | 1 | |
| 52 | 69J-43855-00 | .SPRING, UP RELIEF .RESSORT | 1 | 1 | |
| 53 | 6CJ-43843-00 | .SCREW, VALVE LOCK .VIS | 2 | 2 | |

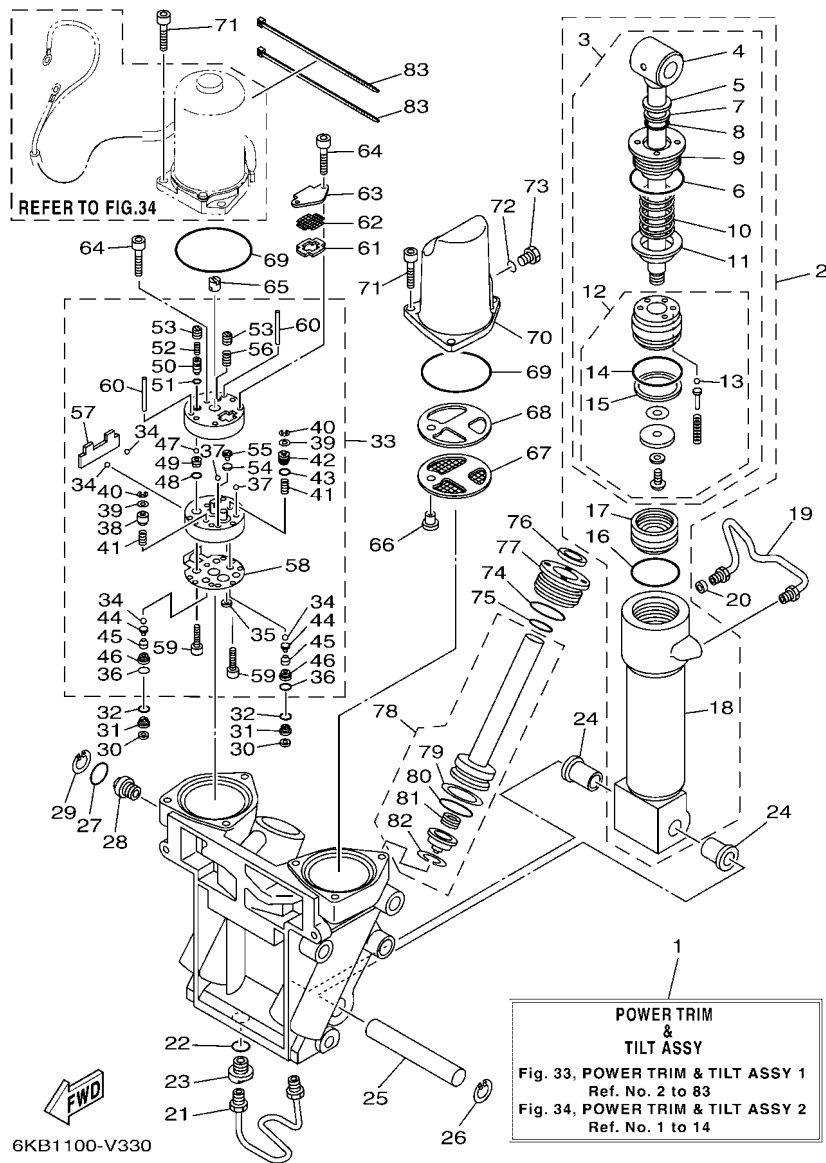


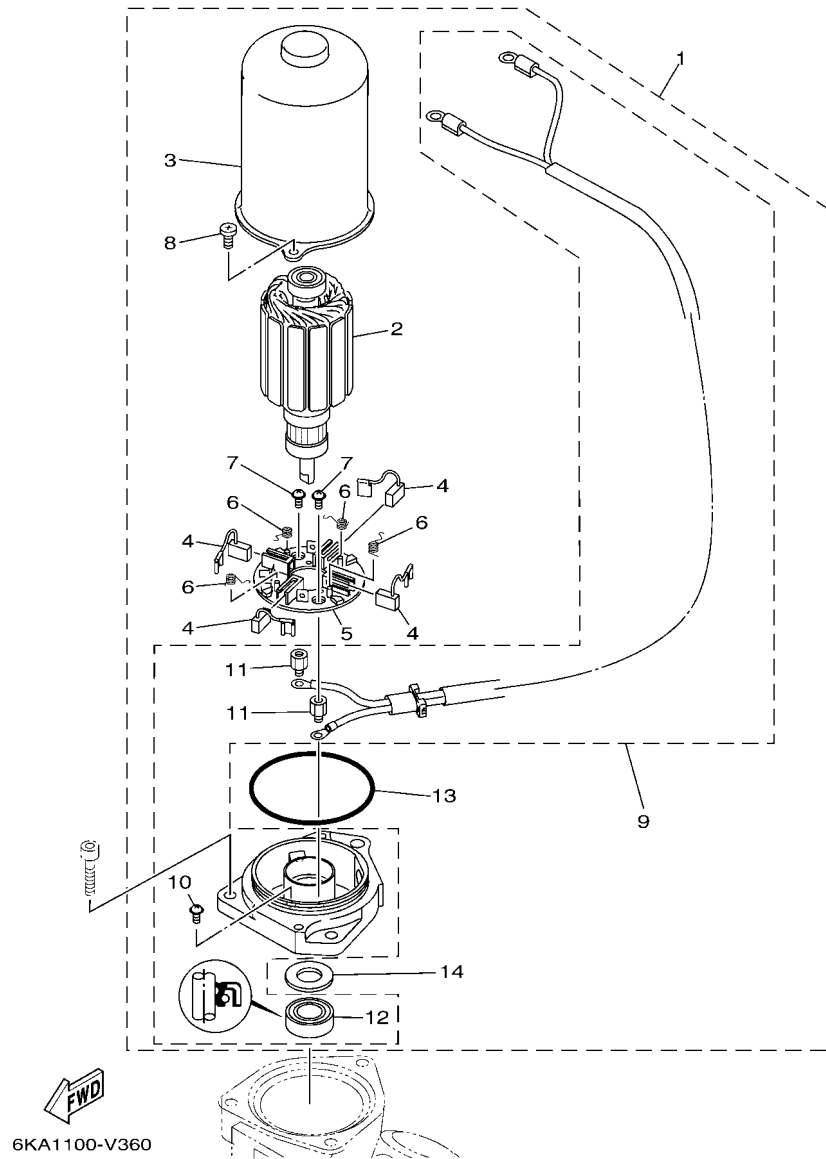
FIG. 33 POWER TRIM & TILT ASSY 1

PUISSANCE PARER ET INCLINER 1

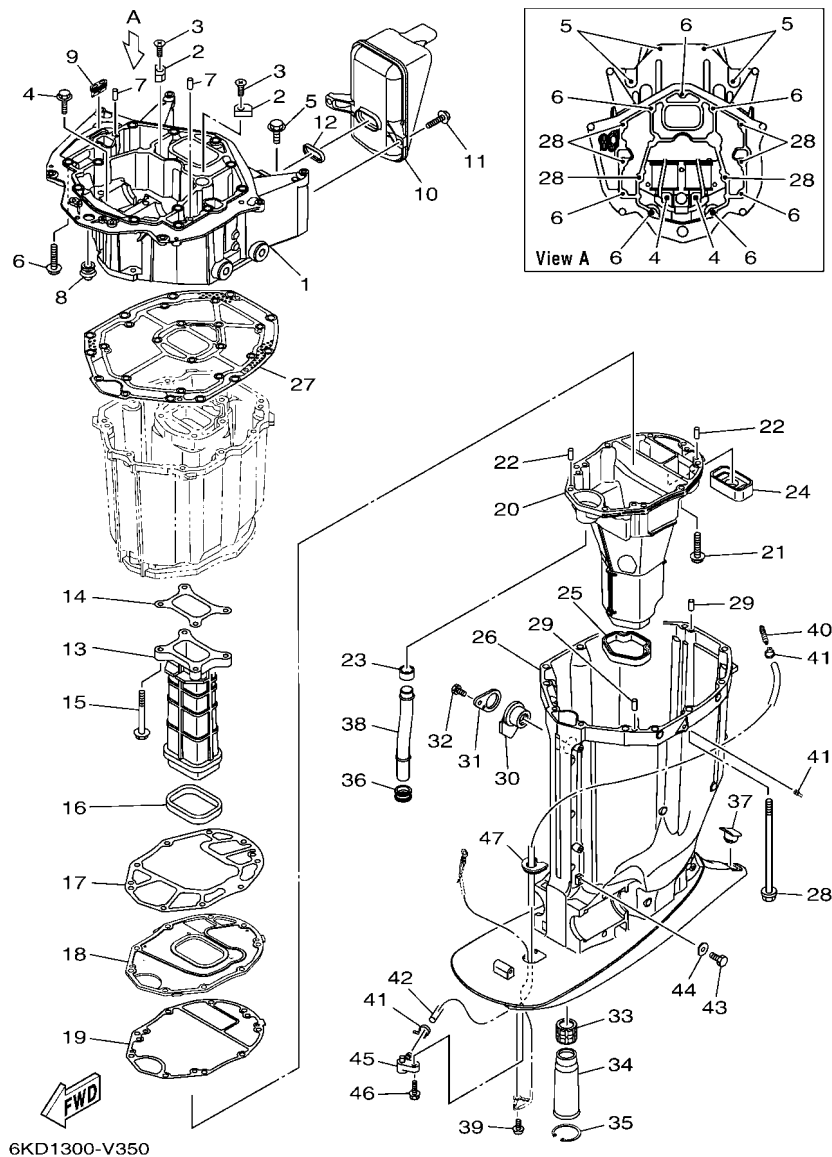
| REF. NO. | PART NO. N° PIECES | DESCRIPTION DESCRIPTION | 6KA1 | 6KD1 | REMARKS REMARQUES |
|----------|--------------------|--|------|------|-------------------|
| 54 | 6H1-4384G-11 | .SEAL, RELIEF VALVE .JOINT | 1 | 1 | |
| 55 | 6H1-43844-10 | .PIN, VALVE SUPPORT .GOUPILLE | 1 | 1 | |
| 56 | 6H1-43856-10 | .SPRING, DOWN RELIEF .RESSORT | 1 | 1 | |
| 57 | 69J-43854-00 | .SPRING, MANUAL RELEASE .RESSORT | 1 | 1 | |
| 58 | 69J-4384G-00 | .SEAL, RELIEF VALVE .JOINT | 1 | 1 | |
| 59 | 91318-05025 | .BOLT .BOULON | 2 | 2 | |
| 60 | 93604-35236 | .PIN, DOWEL .CLAVETTE | 2 | 2 | |
| 61 | 69J-43871-00 | RING, BACK UP SEGMENT | 1 | 1 | |
| 62 | 69J-43816-00 | FILTER 1 FILTRE 1 | 1 | 1 | |
| 63 | 69J-4381J-00 | PLATE PLAQUE | 1 | 1 | |
| 64 | 91318-05040 | BOLT BOULON | 3 | 3 | |
| 65 | 69J-43831-00 | CONNECTOR, SHAFT RACCORD | 1 | 1 | |
| 66 | 69J-4388H-00 | PLUG BOUCHON | 1 | 1 | |
| 67 | 69J-43817-00 | FILTER 2 FILTRE 2 | 1 | 1 | |
| 68 | 69J-4388F-00 | SPACER ENTRETOISE | 1 | 1 | |
| 69 | 93210-66001 | O-RING JOINT TORIQUE | 2 | 2 | |
| 70 | 6KA-43828-00 | BODY, RESERVOIR CORPS | 1 | 1 | |
| 71 | 69J-43888-00 | BOLT, SOCKET BOULON | 6 | 6 | |
| 72 | 93210-09165 | O-RING JOINT TORIQUE | 1 | 1 | |
| 73 | 6H1-43829-00 | PLUG, RESERVOIR BOUCHON | 1 | 1 | |
| 74 | 61A-43861-00 | O-RING JOINT TORIQUE | 2 | 2 | |
| 75 | 6D8-43863-00 | O-RING JOINT TORIQUE | 2 | 2 | |
| 76 | 63P-43812-20 | SEAL, DUST JOINT | 2 | 2 | |
| 77 | 61A-43821-02 | SCREW, TRIM CYLINDER END VIS | 2 | 2 | |
| 78 | 69J-43820-01 | TRIM PISTON SUB ASSY PARER PISTON AUXILIAIRE (ENS.) | 2 | 2 | |
| 79 | 61A-43874-00 | .RING, BACK UP .RESSORT | 1 | 1 | |
| 80 | 61A-43864-00 | O-RING JOINT TORIQUE | 1 | 1 | |

FIG. 34 POWER TRIM & TILT ASSY 2

PUISSANCE PARER ET INCLINER 2



| REF. NO. | PART NO. N° PIECES | DESCRIPTION DESCRIPTION | 6KA1 | 6KD1 | REMARKS REMARQUES |
|----------|--------------------|---|------|------|-------------------|
| 1 | 6KA-43880-00 | MOTOR ASSY .MOTEUR (ENS.) | 1 | 1 | |
| 2 | 6KA-43805-00 | .ARMATURE ASSY .INDUIT (ENS.) | 1 | 1 | |
| 3 | 6KA-43804-00 | .STATOR ASSY .STATOR (ENS.) | 1 | 1 | |
| 4 | 6KA-43892-00 | .BRUSH 2 .BALAI 2 | 4 | 4 | |
| 5 | 6KA-43806-00 | .BRUSH HOLDER ASSY .PORTE-BALAI (ENS.) | 1 | 1 | |
| 6 | 6KA-4386K-00 | .SPRING, BRUSH .RESSORT, BALAI | 4 | 4 | |
| 7 | 97602-04306 | .SCREW, PAN HEAD WITH WASHER .VIS, AVEC RONDELLE | 2 | 2 | |
| 8 | 6KA-43879-00 | .SCREW, WITH WASHER .VIS, AVEC RONDELLE | 2 | 2 | |
| 9 | 6KA-43881-00 | .FRAME, END .BATI | 1 | 1 | |
| 10 | 97602-04308 | .SCREW, PAN HEAD WITH WASHER .VIS, AVEC RONDELLE | 1 | 1 | |
| 11 | 6KA-4388F-00 | .SPACER .ENTRETOISE | 2 | 2 | |
| 12 | 6KA-43882-00 | .OIL SEAL .JOINT SPI | 1 | 1 | |
| 13 | 6KA-43862-00 | .O-RING .JOINT TORIQUE | 1 | 1 | |
| 14 | 6KA-4387G-00 | .WASHER .RONDELLE | 1 | 1 | |

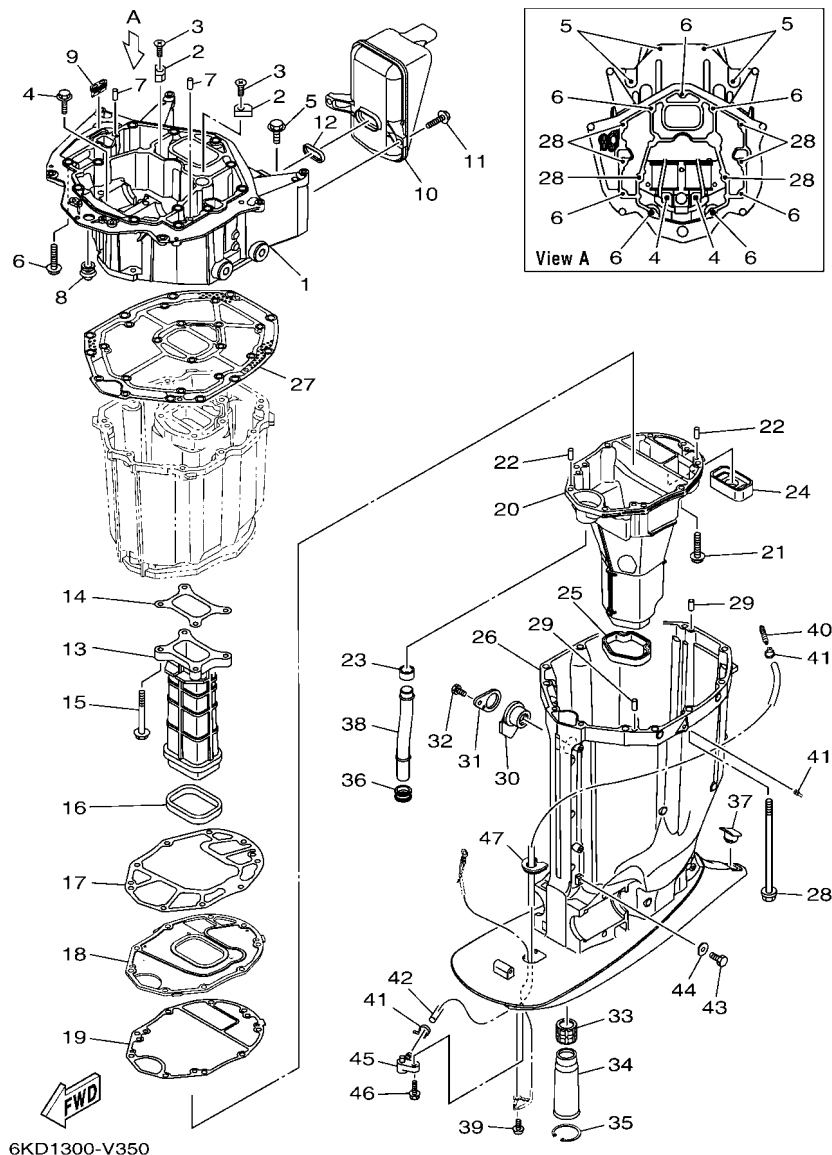


6KD1300-V350

FIG. 35 UPPER CASING

FOURREAU

| REF. NO. | PART NO. N° PIECES | DESCRIPTION DESCRIPTION | 6KA1 | 6KD1 | REMARKS REMARQUES |
|----------|--------------------|---|------|------|---------------------------------|
| 1 | 6KA-41137-00 | GUIDE, EXHAUST COLLECTEUR D'ÉCHAPPEMENT | 1 | 1 | |
| 2 | 63P-11325-11 | ANODE ANODE | 2 | 2 | |
| 3 | 90151-06M02 | SCREW, COUNTERSUNK VIS, TÊTE NOYÉE | 2 | 2 | |
| 4 | 90119-08182 | BOLT, WITH WASHER BOULON, AVEC RONDELLE | 2 | 2 | |
| 5 | 97E75-10545 | BOLT, HEXAGON W/W DEEP RECESS VIS HEXAGONAL AVEC RONDELLE | 4 | 4 | |
| 6 | 97E75-10535 | BOLT, HEXAGON W/W DEEP RECESS VIS HEXAGONAL AVEC RONDELLE | 7 | 7 | |
| 7 | 93608-16M16 | PIN, DOWEL AXE | 2 | 2 | |
| 8 | 6E5-42724-01 | GROMMET PASSE-FIL | 1 | 1 | |
| 9 | 67F-42717-00 | RUBBER, SEAL 2 JOINT EN CAOUTCHOUC 2 | 1 | 1 | |
| 10 | 6KA-14750-00 | SILENCER ASSY SILENCIEUX | 1 | 1 | |
| 11 | 95D95-06020 | BOLT, FLANGE DEEP RECESS BOULON FIXATION | 2 | 2 | |
| 12 | 6CB-14755-01 | GASKET, SILENCER JOINT, SILENCIEUX | 1 | 1 | |
| 13 | 6CB-41132-01 | MANIFOLD, EXHAUST PIPE D'ÉCHAPPEMENT | 1 | 1 | |
| 14 | 6CB-41134-00 | GASKET, EXHAUST MANIFOLD JOINT, PIPE D'ÉCHAPPEMENT | 1 | 1 | |
| 15 | 97E75-08560 | BOLT, HEXAGON W/W DEEP RECESS VIS HEXAGONAL AVEC RONDELLE | 4 | 4 | |
| 16 | 6CB-41138-00 | SEAL, EXT. 1 JOINT DE GROUPE 1 | 1 | 1 | |
| 17 | 6CB-41135-00 | GASKET, EXHAUST MANIFOLD JOINT, PIPE D'ÉCHAPPEMENT | 1 | 1 | |
| 18 | 6KA-45181-00 | PLATE PLAQUETTE | 1 | 1 | |
| 19 | 6CE-41136-00 | GASKET, EXHAUST MANIFOLD 4 JOINT, PIPE D'ÉCHAPPEMENT 4 | 1 | 1 | |
| 20 | 6KA-14711-00 | MUFFLER 1 POT D'ÉCHAPPEMENT 1 | 1 | 1 | |
| 21 | 97E75-08535 | BOLT, HEXAGON W/W DEEP RECESS VIS HEXAGONAL AVEC RONDELLE | 9 | 9 | |
| 22 | 93606-19M23 | PIN, DOWEL GOUPILLE | 2 | 2 | |
| 23 | 6AW-44365-01 | DAMPER, WATER SEAL 1 JOINT, TUBE D'EAU 1 | 1 | 1 | |
| 24 | 6CE-45127-00 | SEAL JOINT | 1 | 1 | |
| 25 | 6CE-45123-00 | GASKET, MUFFLER JOINT, POT DE DÉTENTE | 1 | 1 | |
| 26 | 6KA-45111-00-8D | CASING, UPPER FOURREAU | 1 | 1 | UR GRAY |
| | 6KA-45111-00-CE | CASING, UPPER FOURREAU | 1 | 1 | UR GRAY UR WHITE UR WHITE |



6KD1300-V350

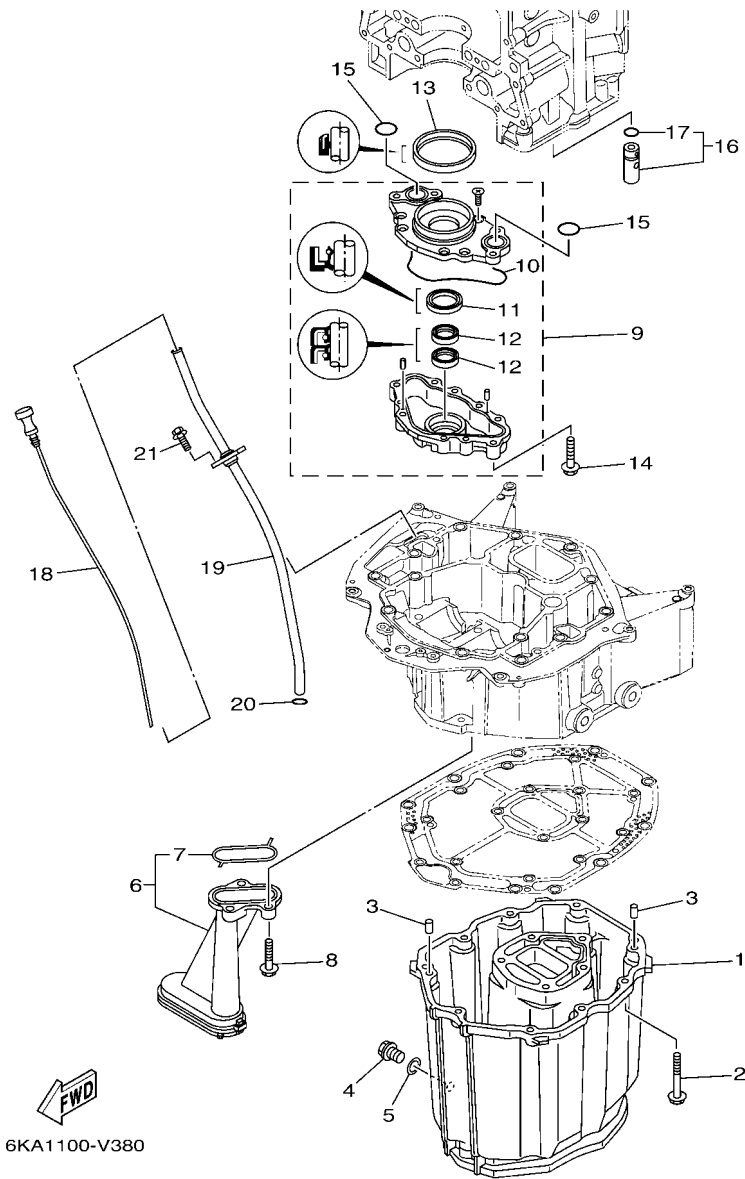
FIG. 35 UPPER CASING

FOURREAU

| REF. NO. | PART NO. N° PIECES | DESCRIPTION DESCRIPTION | 6KA1 | 6KD1 | REMARKS REMARQUES |
|----------|--------------------|---|------|------|-------------------|
| 27 | 6CB-45113-10 | GASKET, UPPER CASING JOINT, TUBE D'ARBRE | 1 | 1 | |
| 28 | 90119-10070 | BOLT, WITH WASHER BOULON, AVEC RONDELLE | 6 | 6 | |
| 29 | 93608-16M16 | PIN, DOWEL AXE | 2 | 2 | |
| 30 | 6BB-15316-01 | DAMPER 1 AMORTISSEUR 1 | 1 | 1 | |
| 31 | 6BB-45152-01 | COVER, UPPER CASING 2 CAPUCHON FOURREAU | 1 | 1 | |
| 32 | 97D95-06012 | BOLT, HEXAGON DEEP RECESS VIS HEXAGONAL | 1 | 1 | |
| 33 | 69J-45318-01 | BUSHING, DRIVE SHAFT DOUILLE, ARBRE MOTEUR | 1 | 1 | |
| 34 | 6KA-46153-00 | COLLAR, GUIDE COLLIER DE GUIDE | 1 | 1 | |
| 35 | 93420-50093 | CIRCLIP CIRCLIP, TYPE S | 1 | 1 | |
| 36 | 6AW-44366-01 | DAMPER, WATER SEAL 2 JOINT, TUBE D'EAU 2 | 1 | 1 | |
| 37 | 61A-45155-01 | CAP CAPUCHON | 1 | 1 | |
| 38 | 6CE-44361-00 | TUBE, WATER 1 TUBE D'EAU 1 | 1 | 1 | |
| 39 | 95D95-06010 | BOLT, FLANGE DEEP RECESS BOULON FIXATION | 1 | 1 | |
| 40 | 6E5-83558-00 | END, NIPPLE RACCORD DE NIPPLE | 1 | 1 | |
| 41 | 90465-11M10 | CLAMP BRIDE | 3 | 3 | |
| 42 | 6KA-46894-00 | HOSE DURITE | 1 | 1 | |
| 43 | 97D95-06010 | BOLT, HEXAGON DEEP RECESS VIS HEXAGONAL | 1 | 1 | |
| 44 | 90201-06M02 | WASHER, PLATE RONDELLE, PLATE | 1 | 1 | |
| 45 | 63P-45379-00 | NIPPLE, HOSE RACCORD D'ESSENCE | 1 | 1 | |
| 46 | 90119-06287 | BOLT, WITH WASHER BOULON, AVEC RONDELLE | 1 | 1 | |
| 47 | 6KA-44521-00 | SEAL JOINT | 1 | 1 | |

FIG. 36 OIL PAN

VENTILATEUR D'HUILE



6KA1100-V380

| REF. NO. | PART NO. N° PIECES | DESCRIPTION DESCRIPTION | 6KA1 | 6KD1 | REMARKS REMARQUES |
|----------|--------------------|---|------|------|-------------------|
| 1 | 6CB-15311-01 | OIL PAN VENTILATEUR D'HUILE | 1 | 1 | |
| 2 | 97E75-08535 | BOLT, HEXAGON W/W DEEP RECESS VIS HEXAGONAL AVC RONDELLE | 10 | 10 | |
| 3 | 93608-16M16 | PIN, DOWEL AXE | 2 | 2 | |
| 4 | 90340-14M06 | PLUG, STRAIGHT SCREW PLOT, FILETE DROIT | 1 | 1 | |
| 5 | 90430-14M09 | GASKET JOINT | 1 | 1 | |
| 6 | 6CB-13411-00 | STRAINER, OIL FILTRE, HUILE | 1 | 1 | |
| 7 | 6AW-13415-00 | .SEAL, OIL STRAINER .JOINT, FILTRE A HUILE | 1 | 1 | |
| 8 | 95812-06025 | BOLT, FLANGE BOULON | 3 | 3 | |
| 9 | 6CB-13300-00 | OIL PUMP ASSY POMPE A HUILE COMPLETE | 1 | 1 | |
| 10 | 6CB-13329-00 | .GASKET, PUMP COVER .JOINT, COUVERCLE DE POMPE | 1 | 1 | |
| 11 | 6AW-13119-00 | .OIL SEAL .JOINT SPY | 1 | 1 | |
| 12 | 69J-13631-00 | .OIL SEAL .JOINT SPY | 2 | 2 | |
| 13 | 6CB-11355-00 | SEAL, CYLINDER 1 JOINT, SPY CYLINDRE | 1 | 1 | |
| 14 | 95D75-06040 | BOLT, FLANGE DEEP RECESS BOULON FIXATION | 4 | 4 | |
| 15 | 93210-26658 | O-RING JOINT TORIQUE | 2 | 2 | |
| 16 | 6CB-13490-00 | RELIEF VALVE ASSY SOUPAPE DE SECURITE COMPLET | 1 | 1 | |
| 17 | 6CB-13473-00 | .O-RING .JOINT TORIQUE | 1 | 1 | |
| 18 | 6KA-15362-00 | PLUG, OIL LEVEL PLOT, NIVEAU D'HUILE | 1 | 1 | |
| 19 | 6KA-15377-00 | GUIDE, INLET GUIDE D'ADMISSION | 1 | 1 | |
| 20 | 93210-19MJ3 | O-RING JOINT TORIQUE | 1 | 1 | |
| 21 | 95D95-06016 | BOLT, FLANGE DEEP RECESS BOULON FIXATION | 2 | 2 | |

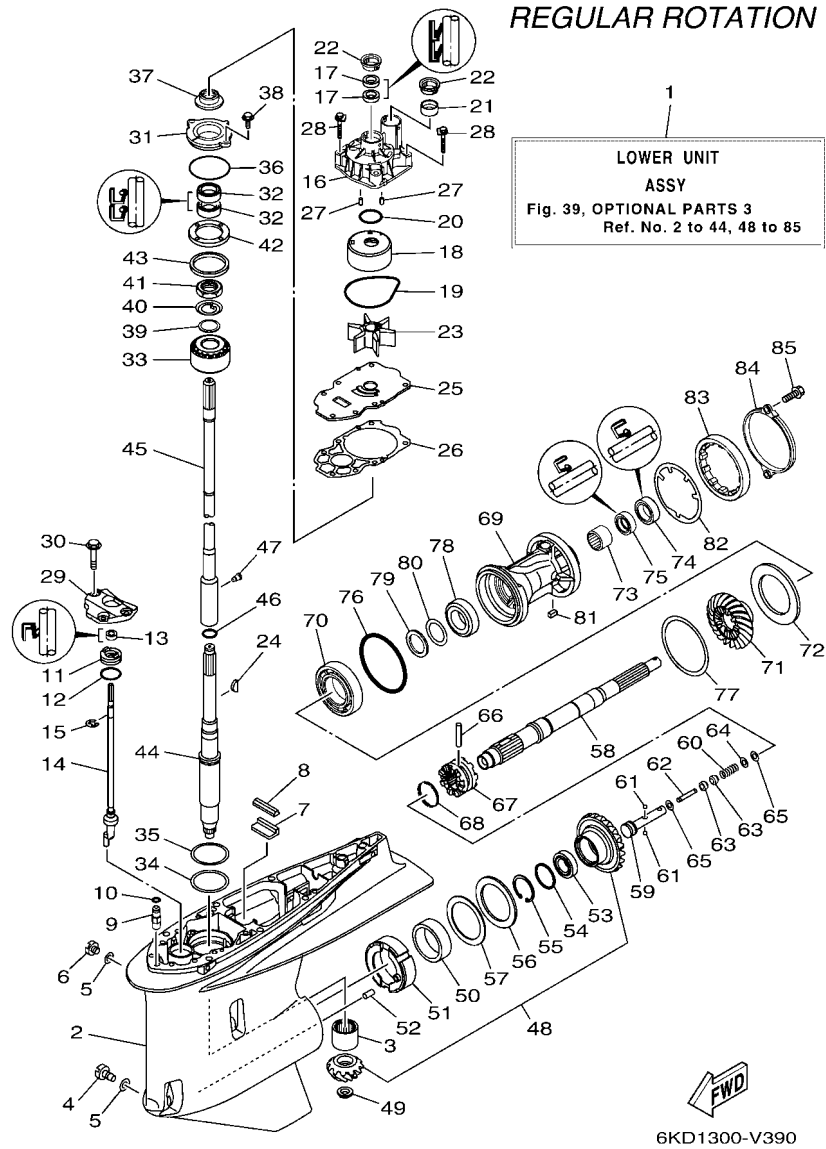
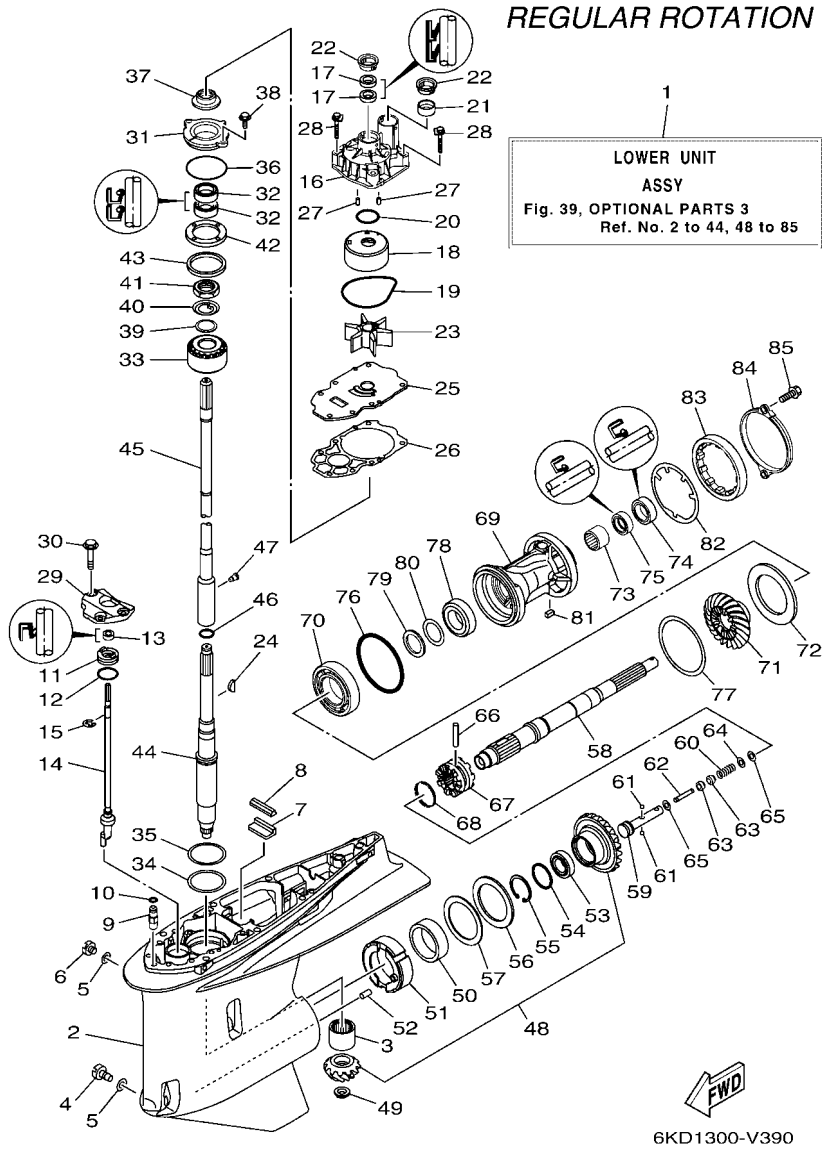


FIG. 39 OPTIONAL PARTS 3

PIECES OPTIONNELLES 3

| REF. NO. | PART NO. N° PIECES | DESCRIPTION DESCRIPTION | 6KA1 | 6KD1 | REMARKS REMARQUES |
|----------|--------------------|---|------|------|-------------------|
| 1 | 6KA-45300-00-8D | LOWER UNIT ASSY UNITE INFÉRIEURE (ENS.) | 1 | 1 | UR GRAY, RH |
| | 6KA-45300-00-CE | LOWER UNIT ASSY UNITE INFÉRIEURE (ENS.) | 1 | 1 | UR WHITE, RH |
| 2 | 6KA-45301-00-8D | CASING, LOWER BEQUILLE | 1 | 1 | UR GRAY |
| | 6KA-45301-00-CE | CASING, LOWER BEQUILLE | 1 | 1 | UR WHITE |
| 3 | 93311-83280 | BEARING ROULEMENT | 1 | 1 | |
| 4 | 688-45341-10 | PLUG, DRAIN BOUCHON DE VIDANGE | 1 | 1 | |
| 5 | 90430-08003 | GASKET JOINT | 2 | 2 | |
| 6 | 90340-08002 | PLUG, STRAIGHT SCREW PLOT, FILETE DROIT | 1 | 1 | |
| 7 | 663-45376-00 | GUIDE, SEAL DAMPER BUTÉE, JOINT CAOUTCHOUC | 1 | 1 | |
| 8 | 6CE-45375-00 | DAMPER, SEAL BOURRELET, CAOUTCHOUC | 1 | 1 | |
| 9 | 63P-45378-00 | NIPPLE, HOSE RACCORD, TUYAU | 1 | 1 | |
| 10 | 93210-07003 | O-RING JOINT TORIQUE | 1 | 1 | |
| 11 | 6CE-45321-20 | PLATE PLAQUETTE | 1 | 1 | |
| 12 | 93210-33M49 | O-RING JOINT TORIQUE | 1 | 1 | |
| 13 | 93106-10001 | OIL SEAL JOINT SPY | 1 | 1 | |
| 14 | 6KA-44150-00 | SHIFT CAM ASSY CAME D'INVERSION | 1 | 1 | |
| 15 | 99001-09600 | CIRCLIP CIRCLIP | 1 | 1 | |
| 16 | 6CE-44311-01 | HOUSING, WATER PUMP CORPS, POMPE A EAU | 1 | 1 | |
| 17 | 93104-22M07 | OIL SEAL JOINT SPY | 2 | 2 | |
| 18 | 6AW-44322-00 | INSERT, CARTRIDGE CUVETTE | 1 | 1 | |
| 19 | 93210-94003 | O-RING JOINT TORIQUE | 1 | 1 | |
| 20 | 93210-37160 | O-RING JOINT TORIQUE | 1 | 1 | |
| 21 | 6AW-44365-01 | DAMPER, WATER SEAL 1 JOINT, TUBE D'EAU 1 | 1 | 1 | |
| 22 | 6AW-44312-00 | COVER, WATER PUMP HOUSING COUVERCLE | 2 | 2 | |
| 23 | 6CE-44352-00 | IMPELLER TURBINE | 1 | 1 | |
| 24 | 90280-04002 | KEY, WOODRUFF CLAVETTE, DEMI-LUNE | 1 | 1 | |
| 25 | 6CE-44323-01 | OUTER PLATE, CARTRIDGE PLAQUE EXTERIEURE | 1 | 1 | |



6KD1300-V390

FIG. 39 OPTIONAL PARTS 3

PIECES OPTIONNELLES 3

| REF. NO. | PART NO. N° PIECES | DESCRIPTION DESCRIPTION | 6KA1 | 6KD1 | REMARKS REMARQUES |
|----------|--------------------|--|------|------|----------------------------|
| 26 | 6CE-44315-00 | GASKET, WATER PUMP JOINT, POMPE A EAU | 1 | 1 | |
| 27 | 93606-12019 | PIN, DOWEL GOUPILLE | 2 | 2 | |
| 28 | 90119-08191 | BOLT, WITH WASHER BOULON, AVEC RONDELLE | 4 | 4 | |
| 29 | 6CB-44312-00 | COVER, WATER PUMP HOUSING COUVERCLE | 1 | 1 | |
| 30 | 90119-08180 | BOLT, WITH WASHER BOULON, AVEC RONDELLE | 3 | 3 | |
| 31 | 6AW-45335-00-CA | HOUSING, OIL SEAL LOGEMENT DE JOINT SPY | 1 | 1 | |
| 32 | 93101-28019 | OIL SEAL JOINT SPY | 2 | 2 | |
| 33 | 93399-99962 | BEARING ROULEMENT | 1 | 1 | |
| 34 | 90201-68008 | WASHER, PLATE RONDELLE, PLATE | 1 | 1 | |
| 35 | 6AW-45587-00 | SHIM (T:0.10MM) CALE (T:0.10MM) | 1 | 1 | UR UR |
| | 6AW-45587-10 | SHIM (T:0.12MM) CALE (T:0.12MM) | 1 | 1 | UR UR |
| | 6AW-45587-20 | SHIM (T:0.15MM) CALE (T:0.15MM) | 1 | 1 | UR UR |
| | 6AW-45587-30 | SHIM (T:0.18MM) CALE (T:0.18MM) | 1 | 1 | UR UR |
| | 6AW-45587-40 | SHIM (T:0.30MM) CALE (T:0.30MM) | 1 | 1 | UR UR |
| | 6AW-45587-50 | SHIM (T:0.40MM) CALE (T:0.40MM) | 1 | 1 | UR UR |
| | 6AW-45587-60 | SHIM (T:0.50MM) CALE (T:0.50MM) | 1 | 1 | UR UR |
| 36 | 93210-69MG6 | O-RING JOINT TORIQUE | 1 | 1 | |
| 37 | 6KA-45344-00 | COVER, OIL SEAL FLASQE, JOINT D'HUILE | 1 | 1 | |
| 38 | 97E95-08520 | BOLT, HEXAGON W/W DEEP RECESS VIS HEXAGONAL AVC RONDELLE | 2 | 2 | |
| 39 | 90201-301U7 | WASHER, PLATE RONDELLE, PLATE | 1 | 1 | |
| 40 | 90214-30003 | WASHER, CLAW RONDELLE, A GRIFFES | 1 | 1 | |
| 41 | 90170-30M18 | NUT ECROU | 1 | 1 | |
| 42 | 6AW-45244-00 | NUT ECROU | 1 | 1 | |
| 43 | 6T5-45539-00 | SPACER 2 ENTRETOISE 2 | 1 | 1 | |
| 44 | 6KA-45501-00 | DRIVE SHAFT COMP. ARBRE MOTEUR COMP. | 1 | 1 | |
| 45 | 6KA-45802-00 | INTERMEDI. DRIVE SHAFT COMP. INTERMEDI. ARBRE MOTEUR COMP | 1 | 1 | UR X(25.2") UR X(25.2") |
| | 6KA-45802-10 | INTERMEDI. DRIVE SHAFT COMP. INTERMEDI. ARBRE MOTEUR COMP | 1 | 1 | UR U(30.2") UR U(30.2") |

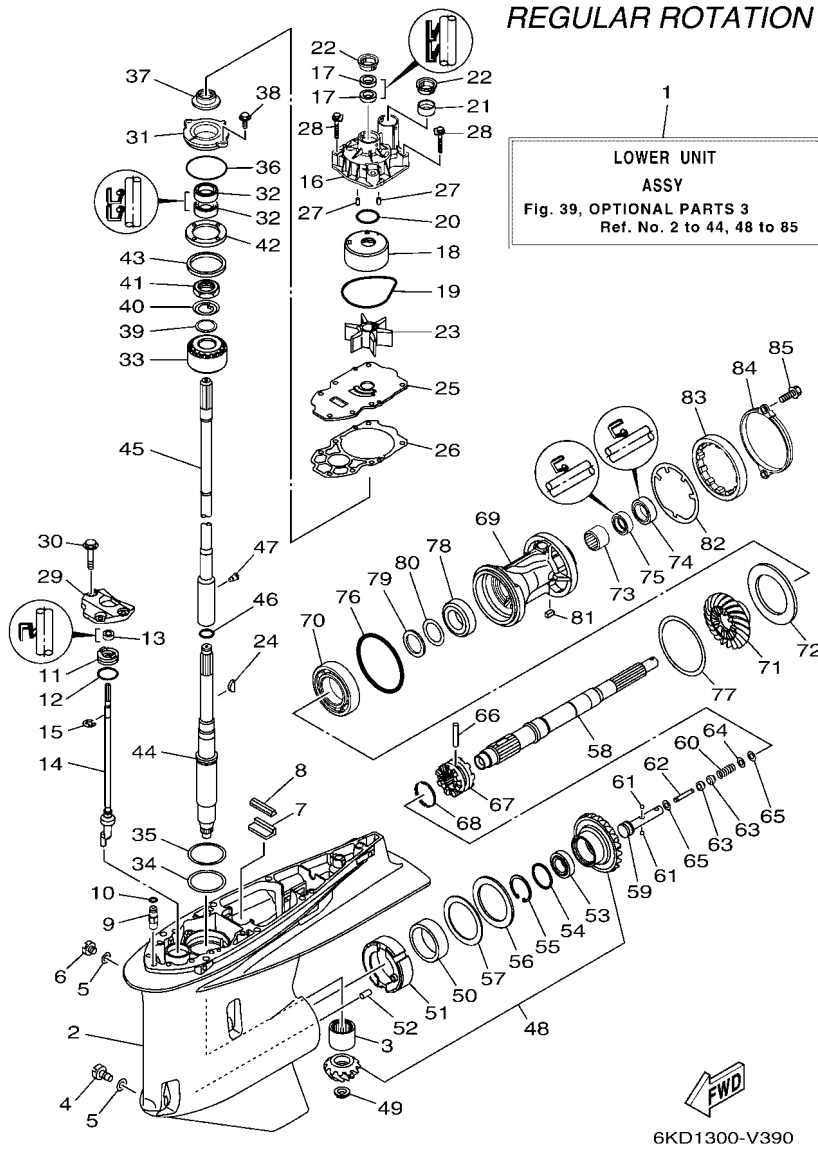


FIG. 39 OPTIONAL PARTS 3

PIECES OPTIONNELLES 3

| REF. NO. | PART NO. N° PIECES | DESCRIPTION DESCRIPTION | 6KA1 | 6KD1 | REMARKS REMARQUES |
|----------|--------------------|--|------|------|----------------------------|
| 45 | 6KA-45802-20 | INTERMEDI. DRIVE SHAFT COMP. INTERMEDI. ARBRE MOTEUR COMP | 1 | 1 | UR E(35.2") UR E(35.2") |
| 46 | 93210-22MF1 | O-RING JOINT TORIQUE | 1 | 1 | |
| 47 | 90149-05048 | SCREW VIS | 1 | 1 | |
| 48 | 6KA-45550-00 | GEAR SET KIT, PIGNON | 1 | 1 | |
| 49 | 90179-16017 | NUT ECROU | 1 | 1 | |
| 50 | 93311-85894 | BEARING ROULEMENT | 1 | 1 | |
| 51 | 6CB-45824-00 | ADAPTER ADAPTATEUR | 1 | 1 | |
| 52 | 93608-16M16 | PIN, DOWEL AXE | 1 | 1 | |
| 53 | 93332-000A4 | BEARING ROULEMENT | 1 | 1 | |
| 54 | 90201-41008 | WASHER, PLATE RONDELLE, PLATE | 1 | 1 | |
| 55 | 99009-47500 | CIRCLIP CIRCLIP | 1 | 1 | |
| 56 | 93340-67011 | BEARING CERVEAUX DE DIRECTION | 1 | 1 | |
| 57 | 6CB-45567-00 | SHIM (T:2.00MM) CALE (T:2.00MM) | 1 | 1 | UR UR |
| | 6CB-45567-10 | SHIM (T:2.03MM) CALE (T:2.03MM) | 1 | 1 | UR UR |
| | 6CB-45567-20 | SHIM (T:2.06MM) CALE (T:2.06MM) | 1 | 1 | UR UR |
| | 6CB-45567-30 | SHIM (T:2.09MM) CALE (T:2.09MM) | 1 | 1 | UR UR |
| | 6CB-45567-40 | SHIM (T:2.12MM) CALE (T:2.12MM) | 1 | 1 | UR UR |
| | 6CB-45567-50 | SHIM (T:2.15MM) CALE (T:2.15MM) | 1 | 1 | UR UR |
| 58 | 6CB-45611-00 | SHAFT, PROPELLER ARBRE, HELICE | 1 | 1 | |
| 59 | 6CB-45634-00 | SLIDE, SHIFT CONTRE-POUSSOIR | 1 | 1 | |
| 60 | 90501-10M77 | SPRING, COMPRESSION RESSORT, COMPRESSION | 1 | 1 | |
| 61 | 93501-04011 | BALL BILLE | 2 | 2 | |
| 62 | 6H1-45668-00 | SHAFT, FREE 1 AXE 1 | 1 | 1 | |
| 63 | 61A-45635-00 | PLUNGER, SHIFT POUSSOIR D'EMBRAYAGE | 2 | 2 | |
| 64 | 90201-02M00 | WASHER, PLATE RONDELLE, PLATE | 1 | 1 | |
| 65 | 90183-02M03 | NUT, SPRING ECROU, RESSORT | 2 | 2 | |
| 66 | 90250-08M07 | PIN, STRAIGHT GOUILLE, DROITE | 1 | 1 | |

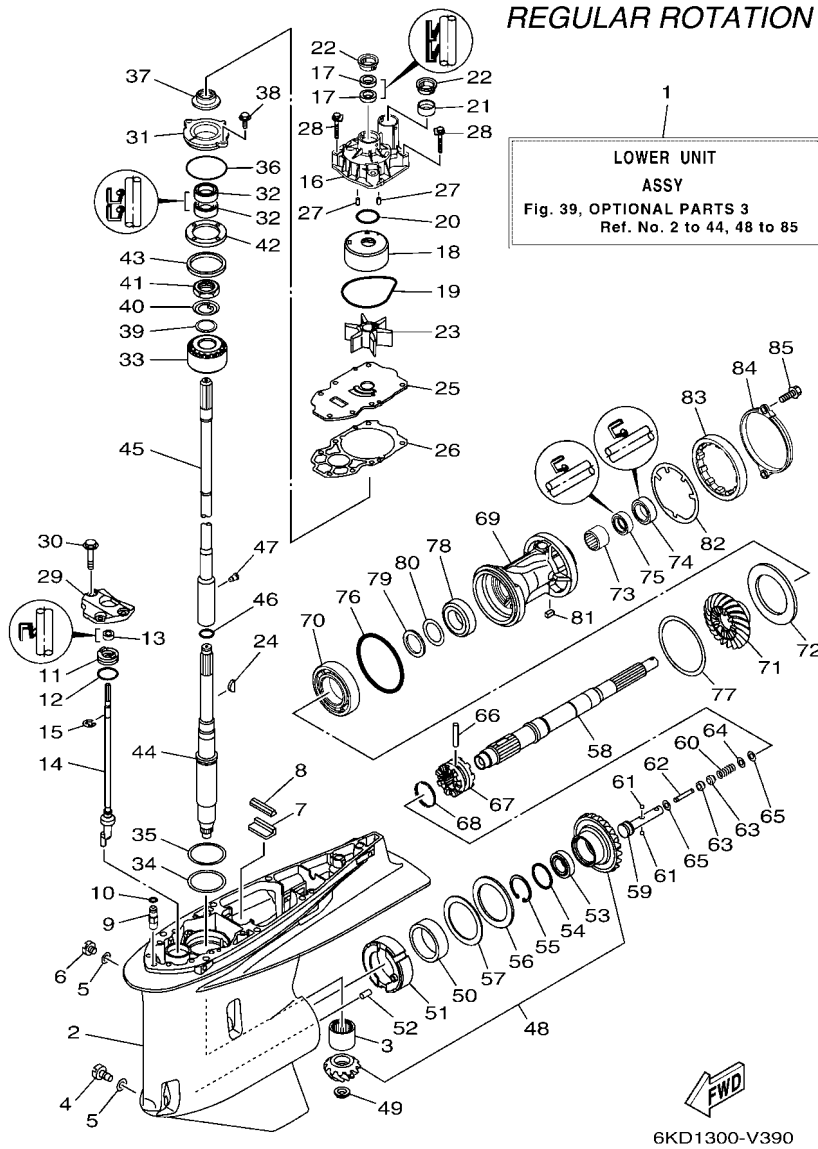


FIG. 39 OPTIONAL PARTS 3

PIECES OPTIONNELLES 3

| REF. NO. | PART NO. N° PIECES | DESCRIPTION DESCRIPTION | 6KA1 | 6KD1 | REMARKS REMARQUES |
|----------|--------------------|--|------|------|-------------------|
| 67 | 6KA-45631-00 | CLUTCH, DOG CRABOT | 1 | 1 | |
| 68 | 6E5-45633-01 | RING, CROSS PIN JONC, GOUPILLE CRABOT | 1 | 1 | |
| 69 | 6CE-45332-00-CA | HOUSING, BEARING FLASQUE, ROUEMENT | 1 | 1 | |
| 70 | 93306-209U0 | BEARING ROUEMENT | 1 | 1 | |
| 71 | 6KA-45571-00 | GEAR 2 (21T) PIGNON 2 (21T) | 1 | 1 | |
| 72 | 6CB-45576-00 | WASHER, THRUST 2 RONDELLE DE CALAGE 2 | 1 | 1 | |
| 73 | 93315-43061 | BEARING ROUEMENT | 1 | 1 | |
| 74 | 93101-30030 | OIL SEAL JOINT SPY | 1 | 1 | |
| 75 | 93101-30019 | OIL SEAL JOINT SPY | 1 | 1 | |
| 76 | 93211-02001 | O-RING JOINT TORIQUE | 1 | 1 | |
| 77 | 6CB-45577-00 | SHIM (T:0.10MM) CALE (T:0.10MM) | 1 | 1 | UR |
| | 6CB-45577-10 | SHIM (T:0.12MM) CALE (T:0.12MM) | 1 | 1 | UR |
| | 6CB-45577-20 | SHIM (T:0.15MM) CALE (T:0.15MM) | 1 | 1 | UR |
| | 6CB-45577-30 | SHIM (T:0.18MM) CALE (T:0.18MM) | 1 | 1 | UR |
| | 6CB-45577-40 | SHIM (T:0.30MM) CALE (T:0.30MM) | 1 | 1 | UR |
| | 6CB-45577-50 | SHIM (T:0.40MM) CALE (T:0.40MM) | 1 | 1 | UR |
| | 6CB-45577-60 | SHIM (T:0.50MM) CALE (T:0.50MM) | 1 | 1 | UR |
| 78 | 93332-000A5 | BEARING ROUEMENT | 1 | 1 | |
| 79 | 90201-32008 | WASHER, PLATE RONDELLE, PLATE | 1 | 1 | |
| 80 | 676-45567-00 | SHIM (T:0.7MM) CALE | 1 | 1 | UR |
| | 676-45567-10 | SHIM (T:0.8MM) CALE | 1 | 1 | UR |
| | 676-45567-20 | SHIM (T:0.9MM) CALE | 1 | 1 | UR |
| | 676-45567-30 | SHIM (T:1.0MM) CALE | 1 | 1 | UR |
| | 676-45567-40 | SHIM (T:1.1MM) CALE | 1 | 1 | UR |
| | 676-45567-50 | SHIM (T:1.2MM) CALE | 1 | 1 | UR |
| 81 | 90282-05008 | KEY, STRAIGHT CLAVETTE, DROITE | 1 | 1 | |
| 82 | 6CB-45383-00 | WASHER, CLAW FREIN D'ECROU | 1 | 1 | |

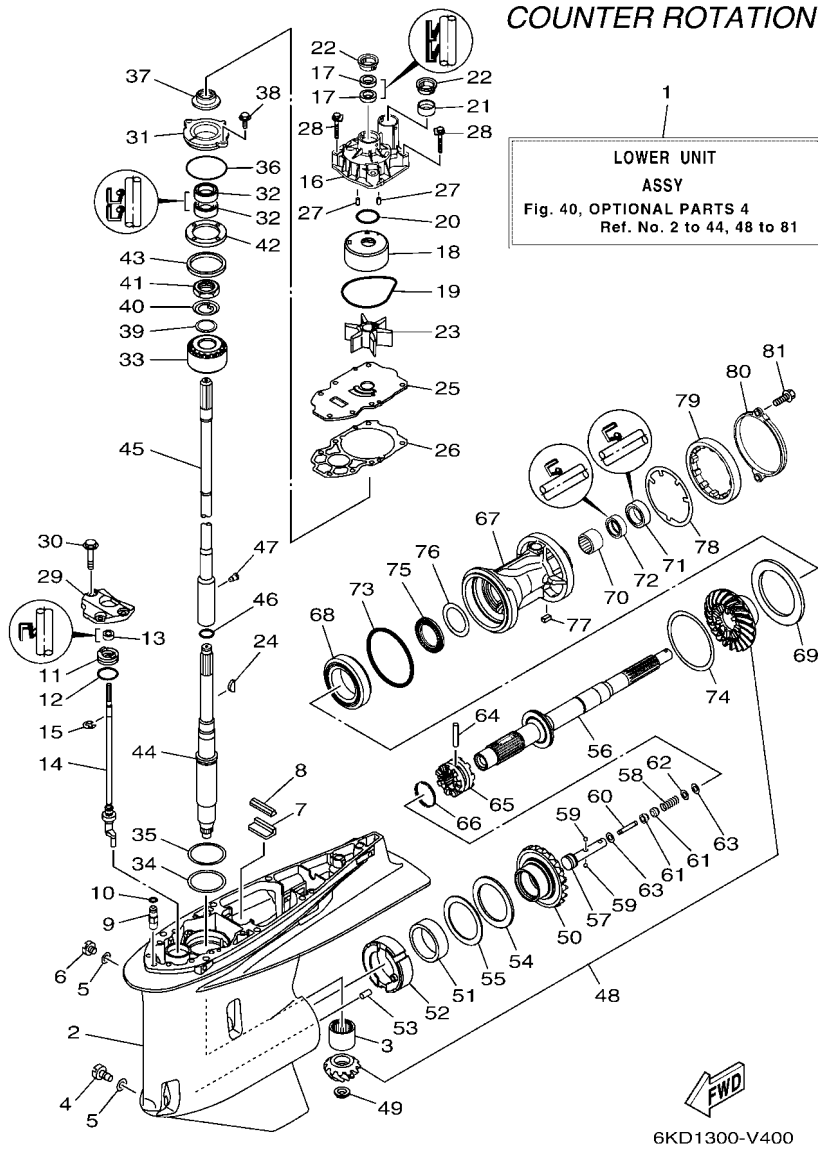


FIG. 40 OPTIONAL PARTS 4

PIECES OPTIONNELLES 4

| REF. NO. | PART NO. N° PIECES | DESCRIPTION DESCRIPTION | 6KA1 | 6KD1 | REMARKS REMARQUES |
|----------|--------------------|---|------|------|-------------------|
| 1 | 6KB-45300-00-8D | LOWER UNIT ASSY UNITE INFERIEURE (ENS.) | 1 | 1 | UR GRAY, LH |
| | 6KB-45300-00-CE | LOWER UNIT ASSY UNITE INFERIEURE (ENS.) | 1 | 1 | UR WHITE, LH |
| 2 | 6KA-45301-00-8D | CASING, LOWER BEQUILLE | 1 | 1 | UR GRAY |
| | 6KA-45301-00-CE | CASING, LOWER BEQUILLE | 1 | 1 | UR WHITE |
| 3 | 93311-83280 | BEARING ROULEMENT | 1 | 1 | |
| 4 | 688-45341-10 | PLUG, DRAIN BOUCHON DE VIDANGE | 1 | 1 | |
| 5 | 90430-08003 | GASKET JOINT | 2 | 2 | |
| 6 | 90340-08002 | PLUG, STRAIGHT SCREW PLOT, FILETE DROIT | 1 | 1 | |
| 7 | 663-45376-00 | GUIDE, SEAL DAMPER BUTEE, JOINT CAOUTCHOUC | 1 | 1 | |
| 8 | 6CE-45375-00 | DAMPER, SEAL BOURRELET, CAOUTCHOUC | 1 | 1 | |
| 9 | 63P-45378-00 | NIPPLE, HOSE RACCORD, TUYAU | 1 | 1 | |
| 10 | 93210-07003 | O-RING JOINT TORIQUE | 1 | 1 | |
| 11 | 6CE-45321-20 | PLATE PLAQUETTE | 1 | 1 | |
| 12 | 93210-33M49 | O-RING JOINT TORIQUE | 1 | 1 | |
| 13 | 93106-10001 | OIL SEAL JOINT SPY | 1 | 1 | |
| 14 | 6KB-44150-00 | SHIFT CAM ASSY CAME D'INVERSION | 1 | 1 | |
| 15 | 99001-09600 | CIRCLIP CIRCLIP | 1 | 1 | |
| 16 | 6CE-44311-01 | HOUSING, WATER PUMP CORPS, POMPE A EAU | 1 | 1 | |
| 17 | 93104-22M07 | OIL SEAL JOINT SPY | 2 | 2 | |
| 18 | 6AW-44322-00 | INSERT, CARTRIDGE CUVETTE | 1 | 1 | |
| 19 | 93210-94003 | O-RING JOINT TORIQUE | 1 | 1 | |
| 20 | 93210-37160 | O-RING JOINT TORIQUE | 1 | 1 | |
| 21 | 6AW-44365-01 | DAMPER, WATER SEAL 1 JOINT, TUBE D'EAU 1 | 1 | 1 | |
| 22 | 6AW-44312-00 | COVER, WATER PUMP HOUSING COUVERCLE | 2 | 2 | |
| 23 | 6CE-44352-00 | IMPELLER TURBINE | 1 | 1 | |
| 24 | 90280-04002 | KEY, WOODRUFF CLAVETTE, DEMI-LUNE | 1 | 1 | |
| 25 | 6CE-44323-01 | OUTER PLATE, CARTRIDGE PLAQUE EXTERIEURE | 1 | 1 | |

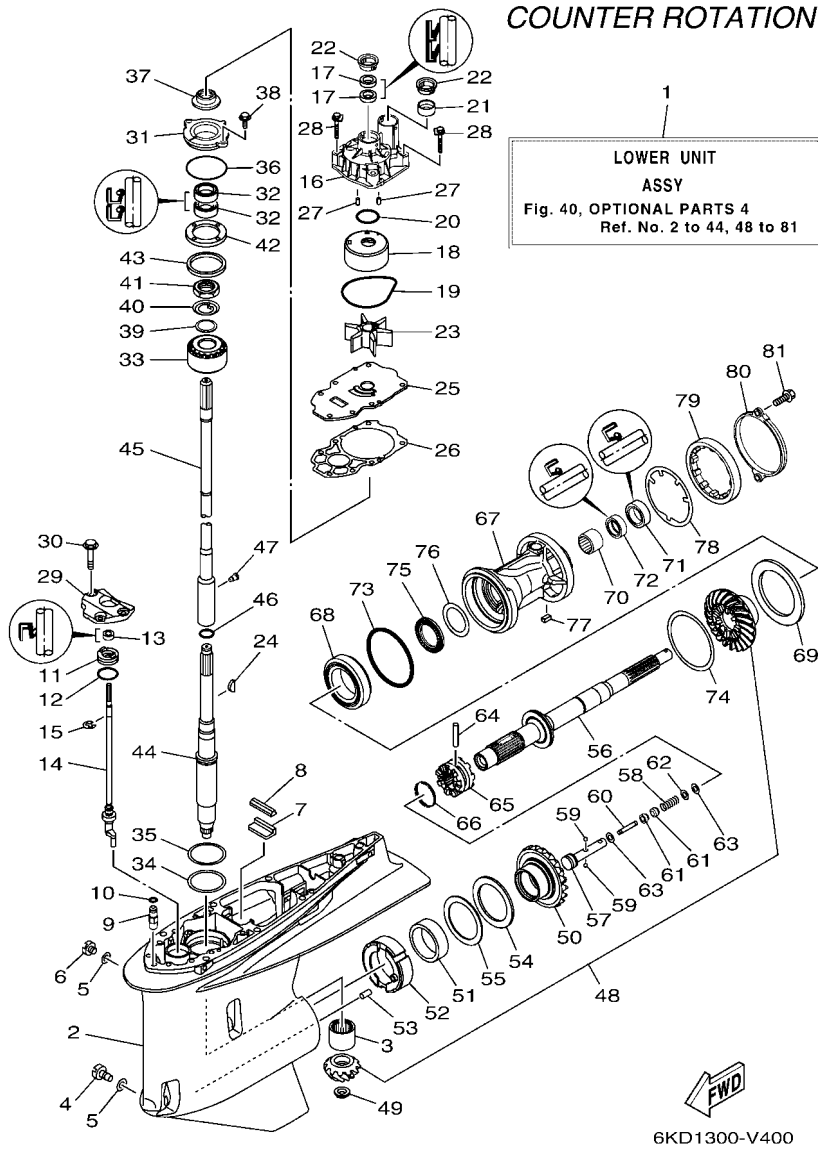


FIG. 40 OPTIONAL PARTS 4

PIECES OPTIONNELLES 4

| REF. NO. | PART NO. N° PIECES | DESCRIPTION DESCRIPTION | 6KA1 | 6KD1 | REMARKS REMARQUES |
|----------|--------------------|--|------|------|----------------------------|
| 26 | 6CE-44315-00 | GASKET, WATER PUMP JOINT, POMPE A EAU | 1 | 1 | |
| 27 | 93606-12019 | PIN, DOWEL GOUPILLE | 2 | 2 | |
| 28 | 90119-08191 | BOLT, WITH WASHER BOULON, AVEC RONDELLE | 4 | 4 | |
| 29 | 6CB-44312-00 | COVER, WATER PUMP HOUSING COUVERCLE | 1 | 1 | |
| 30 | 90119-08180 | BOLT, WITH WASHER BOULON, AVEC RONDELLE | 3 | 3 | |
| 31 | 6AW-45335-00-CA | HOUSING, OIL SEAL LOGEMENT DE JOINT SPY | 1 | 1 | |
| 32 | 93101-28019 | OIL SEAL JOINT SPY | 2 | 2 | |
| 33 | 93399-99962 | BEARING ROULEMENT | 1 | 1 | |
| 34 | 90201-68008 | WASHER, PLATE RONDELLE, PLATE | 1 | 1 | |
| 35 | 6AW-45587-00 | SHIM (T:0.10MM) CALE (T:0.10MM) | 1 | 1 | UR UR |
| | 6AW-45587-10 | SHIM (T:0.12MM) CALE (T:0.12MM) | 1 | 1 | UR UR |
| | 6AW-45587-20 | SHIM (T:0.15MM) CALE (T:0.15MM) | 1 | 1 | UR UR |
| | 6AW-45587-30 | SHIM (T:0.18MM) CALE (T:0.18MM) | 1 | 1 | UR UR |
| | 6AW-45587-40 | SHIM (T:0.30MM) CALE (T:0.30MM) | 1 | 1 | UR UR |
| | 6AW-45587-50 | SHIM (T:0.40MM) CALE (T:0.40MM) | 1 | 1 | UR UR |
| | 6AW-45587-60 | SHIM (T:0.50MM) CALE (T:0.50MM) | 1 | 1 | UR UR |
| 36 | 93210-69MG6 | O-RING JOINT TORIQUE | 1 | 1 | |
| 37 | 6KA-45344-00 | COVER, OIL SEAL FLASQUE, JOINT D'HUILE | 1 | 1 | |
| 38 | 97E95-08520 | BOLT, HEXAGON W/W DEEP RECESS VIS HEXAGONAL AVC RONDELLE | 2 | 2 | |
| 39 | 90201-301U7 | WASHER, PLATE RONDELLE, PLATE | 1 | 1 | |
| 40 | 90214-30003 | WASHER, CLAW RONDELLE, A GRIFFES | 1 | 1 | |
| 41 | 90170-30M18 | NUT ECROU | 1 | 1 | |
| 42 | 6AW-45244-00 | NUT ECROU | 1 | 1 | |
| 43 | 6T5-45539-00 | SPACER 2 ENTRETOISE 2 | 1 | 1 | |
| 44 | 6KA-45501-00 | DRIVE SHAFT COMP. ARBRE MOTEUR COMP. | 1 | 1 | |
| 45 | 6KA-45802-00 | INTERMEDI. DRIVE SHAFT COMP. INTERMEDI. ARBRE MOTEUR COMP | 1 | 1 | UR X(25.2") UR X(25.2") |
| | 6KA-45802-10 | INTERMEDI. DRIVE SHAFT COMP. INTERMEDI. ARBRE MOTEUR COMP | 1 | 1 | UR U(30.2") UR U(30.2") |

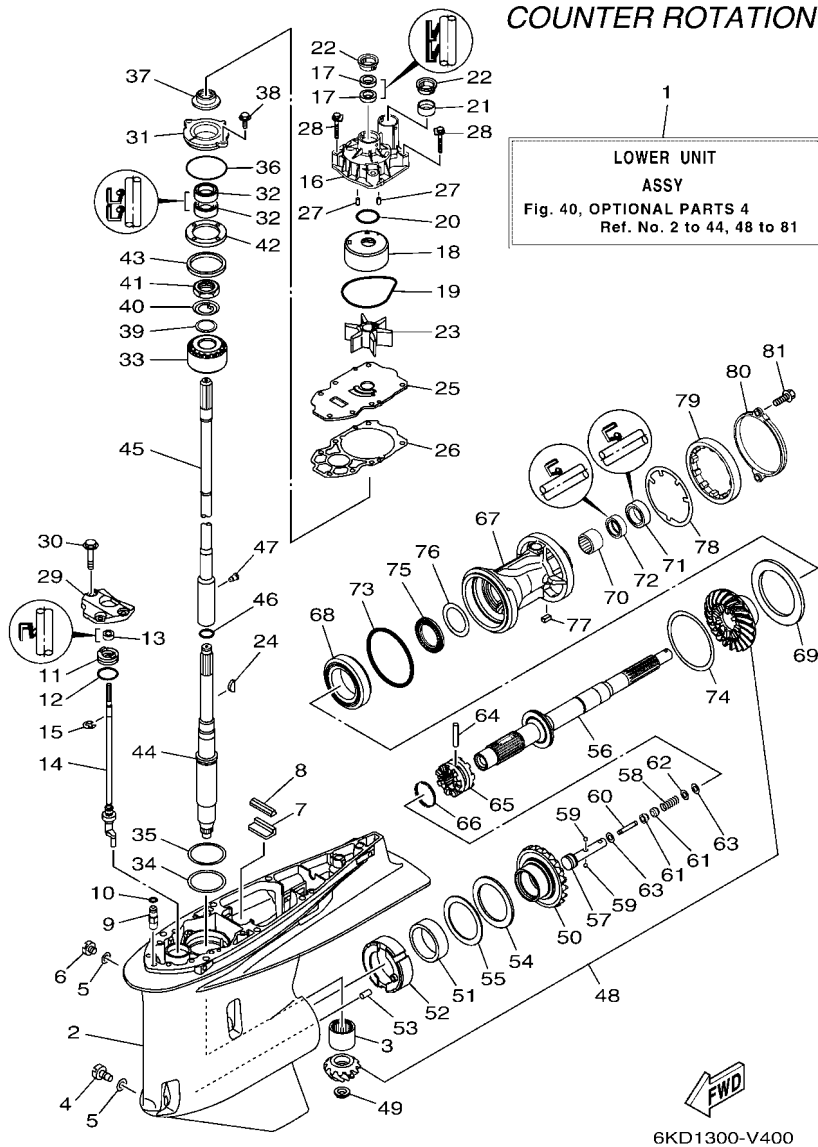


FIG. 40 OPTIONAL PARTS 4

PIECES OPTIONNELLES 4

| REF. NO. | PART NO. N° PIECES | DESCRIPTION DESCRIPTION | 6KA1 | 6KD1 | REMARKS REMARQUES |
|----------|--------------------|--|------|------|----------------------------|
| 45 | 6KA-45802-20 | INTERMEDI. DRIVE SHAFT COMP. INTERMEDI. ARBRE MOTEUR COMP | 1 | 1 | UR E(35.2") UR E(35.2") |
| 46 | 93210-22MF1 | O-RING JOINT TORIQUE | 1 | 1 | |
| 47 | 90149-05048 | SCREW VIS | 1 | 1 | |
| 48 | 6KB-45550-00 | GEAR SET KIT, PIGNON | 1 | 1 | |
| 49 | 90179-16017 | NUT ECROU | 1 | 1 | |
| 50 | 6KB-45560-00 | GEAR 1 (21T) PIGNON 1 (21T) | 1 | 1 | |
| 51 | 93311-85894 | BEARING ROULEMENT | 1 | 1 | |
| 52 | 6CB-45824-00 | ADAPTER ADAPTATEUR | 1 | 1 | |
| 53 | 93608-16M16 | PIN, DOWEL AXE | 1 | 1 | |
| 54 | 93340-67011 | BEARING CERVEAUX DE DIRECTION | 1 | 1 | |
| 55 | 6CB-45567-00 | SHIM (T:2.00MM) CALE (T:2.00MM) | 1 | 1 | UR UR |
| | 6CB-45567-10 | SHIM (T:2.03MM) CALE (T:2.03MM) | 1 | 1 | UR UR |
| | 6CB-45567-20 | SHIM (T:2.06MM) CALE (T:2.06MM) | 1 | 1 | UR UR |
| | 6CB-45567-30 | SHIM (T:2.09MM) CALE (T:2.09MM) | 1 | 1 | UR UR |
| | 6CB-45567-40 | SHIM (T:2.12MM) CALE (T:2.12MM) | 1 | 1 | UR UR |
| | 6CB-45567-50 | SHIM (T:2.15MM) CALE (T:2.15MM) | 1 | 1 | UR UR |
| 56 | 6KB-45611-00 | SHAFT, PROPELLER ARBRE, HELICE | 1 | 1 | |
| 57 | 6CB-45634-00 | SLIDE, SHIFT CONTRE-POUSSOIR | 1 | 1 | |
| 58 | 90501-10M77 | SPRING, COMPRESSION RESSORT, COMPRESSION | 1 | 1 | |
| 59 | 93501-04011 | BALL BILLE | 2 | 2 | |
| 60 | 6H1-45668-00 | SHAFT, FREE 1 AXE 1 | 1 | 1 | |
| 61 | 61A-45635-00 | PLUNGER, SHIFT POUSSOIR D'EMBRAYAGE | 2 | 2 | |
| 62 | 90201-02M00 | WASHER, PLATE RONDELLE, PLATE | 1 | 1 | |
| 63 | 90183-02M03 | NUT, SPRING ECROU, RESSORT | 2 | 2 | |
| 64 | 90250-08M07 | PIN, STRAIGHT GOUPILLE, DROITE | 1 | 1 | |
| 65 | 6KA-45631-00 | CLUTCH, DOG CRABOT | 1 | 1 | |
| 66 | 6E5-45633-01 | RING, CROSS PIN JONC, GOUPILLE CRABOT | 1 | 1 | |

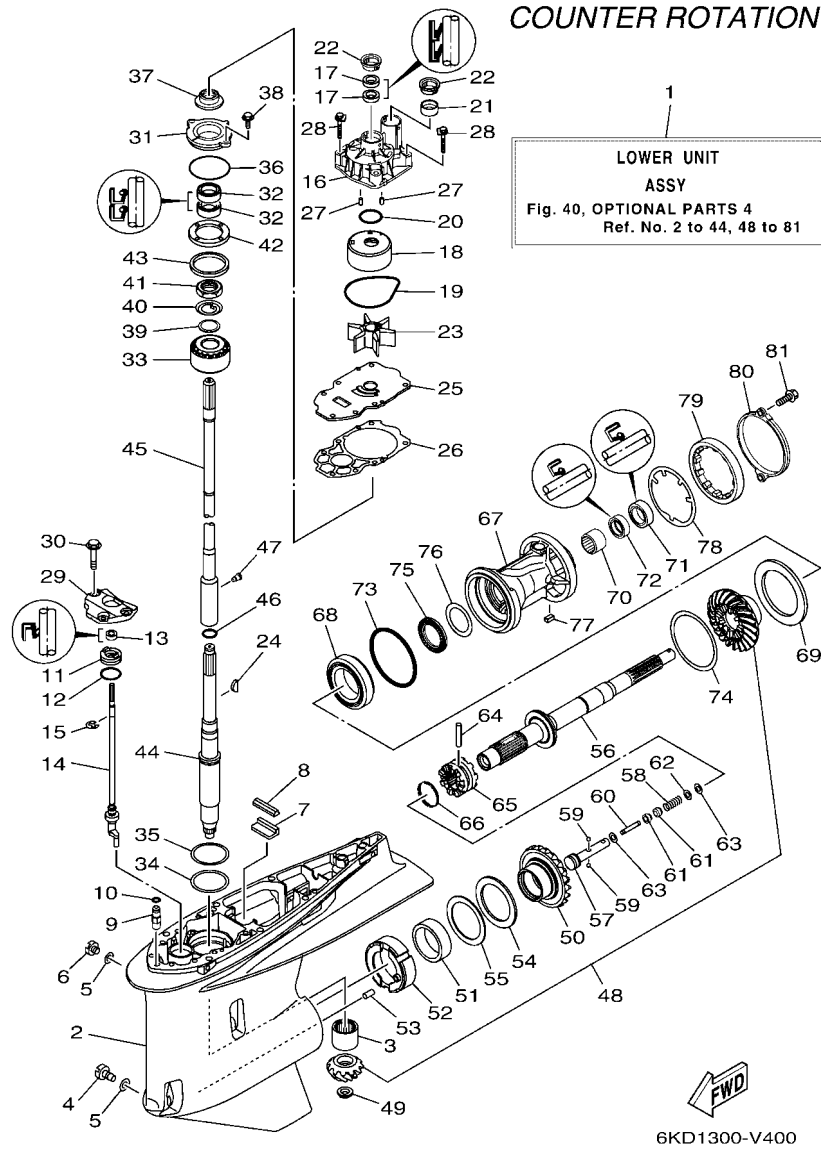


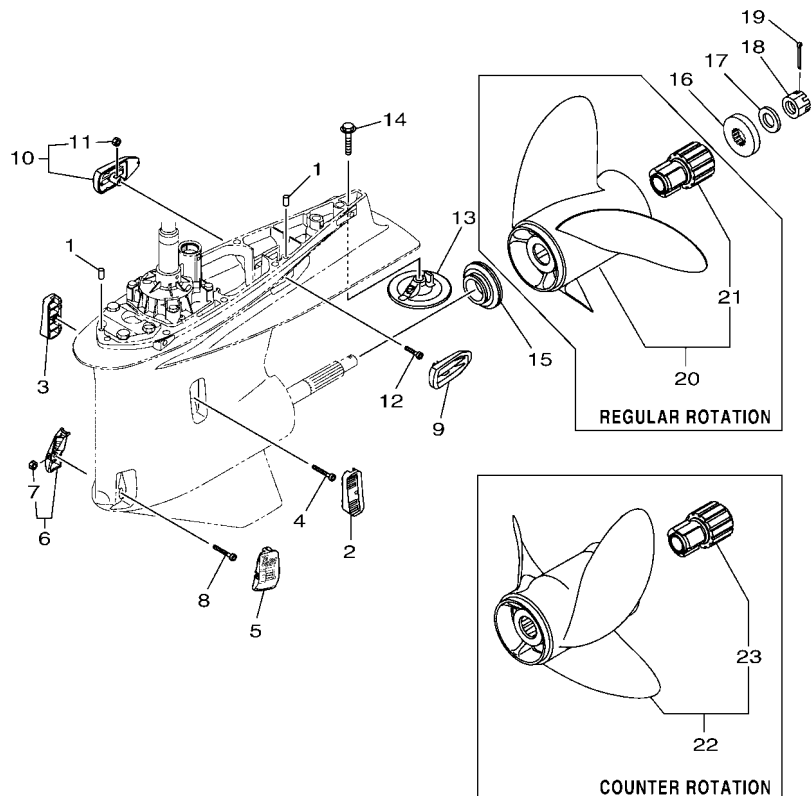
FIG. 40 OPTIONAL PARTS 4

PIECES OPTIONNELLES 4

| REF. NO. | PART NO. N° PIECES | DESCRIPTION DESCRIPTION | 6KA1 | 6KD1 | REMARKS REMARQUES |
|----------|--------------------|--|------|------|-------------------|
| 67 | 6CF-45332-01-CA | HOUSING, BEARING FLASQUE, ROULEMENT | 1 | 1 | |
| 68 | 93332-00048 | BEARING ROULEMENT | 1 | 1 | |
| 69 | 6CF-45576-00 | WASHER, THRUST 2 RONDELLE DE CALAGE 2 | 1 | 1 | |
| 70 | 93315-43061 | BEARING ROULEMENT | 1 | 1 | |
| 71 | 93101-30030 | OIL SEAL JOINT SPY | 1 | 1 | |
| 72 | 93101-30019 | OIL SEAL JOINT SPY | 1 | 1 | |
| 73 | 93211-02001 | O-RING JOINT TORIQUE | 1 | 1 | |
| 74 | 6CB-45577-00 | SHIM (T:0.10MM) CALE (T:0.10MM) | 1 | 1 | UR |
| | 6CB-45577-10 | SHIM (T:0.12MM) CALE (T:0.12MM) | 1 | 1 | UR |
| | 6CB-45577-20 | SHIM (T:0.15MM) CALE (T:0.15MM) | 1 | 1 | UR |
| | 6CB-45577-30 | SHIM (T:0.18MM) CALE (T:0.18MM) | 1 | 1 | UR |
| | 6CB-45577-40 | SHIM (T:0.30MM) CALE (T:0.30MM) | 1 | 1 | UR |
| | 6CB-45577-50 | SHIM (T:0.40MM) CALE (T:0.40MM) | 1 | 1 | UR |
| | 6CB-45577-60 | SHIM (T:0.50MM) CALE (T:0.50MM) | 1 | 1 | UR |
| 75 | 93341-440U5 | BEARING CERVEAUX DE DIRECTION | 1 | 1 | |
| 76 | 6K1-45578-01 | SHIM (T:0.10MM) CALE (T:0.10MM) | 1 | 1 | UR |
| | 6K1-45578-10 | SHIM (T:0.12MM) CALE (T:0.12MM) | 1 | 1 | UR |
| | 6K1-45578-20 | SHIM (T:0.15MM) CALE (T:0.15MM) | 1 | 1 | UR |
| | 6K1-45578-30 | SHIM (T:0.18MM) CALE (T:0.18MM) | 1 | 1 | UR |
| | 6K1-45578-40 | SHIM (T:0.30MM) CALE (T:0.30MM) | 1 | 1 | UR |
| | 6K1-45578-50 | SHIM (T:0.40MM) CALE (T:0.40MM) | 1 | 1 | UR |
| | 6K1-45578-60 | SHIM (T:0.50MM) CALE (T:0.50MM) | 1 | 1 | UR |
| 77 | 90282-05008 | KEY, STRAIGHT CLAVETTE, DROITE | 1 | 1 | |
| 78 | 6CB-45383-00 | WASHER, CLAW FREIN D'ECROU | 1 | 1 | |
| 79 | 6CB-45384-00 | NUT ECROU | 1 | 1 | |
| 80 | 6CE-45361-10 | CAP, LOWER CASING COUVERCLE, BOITIER D'HELICE | 1 | 1 | |
| 81 | 90105-08M61 | BOLT, FLANGE BOULON, A COLLERETTE | 2 | 2 | |

FIG. 41 OPTIONAL PARTS 5

PIECES OPTIONNELLES 5

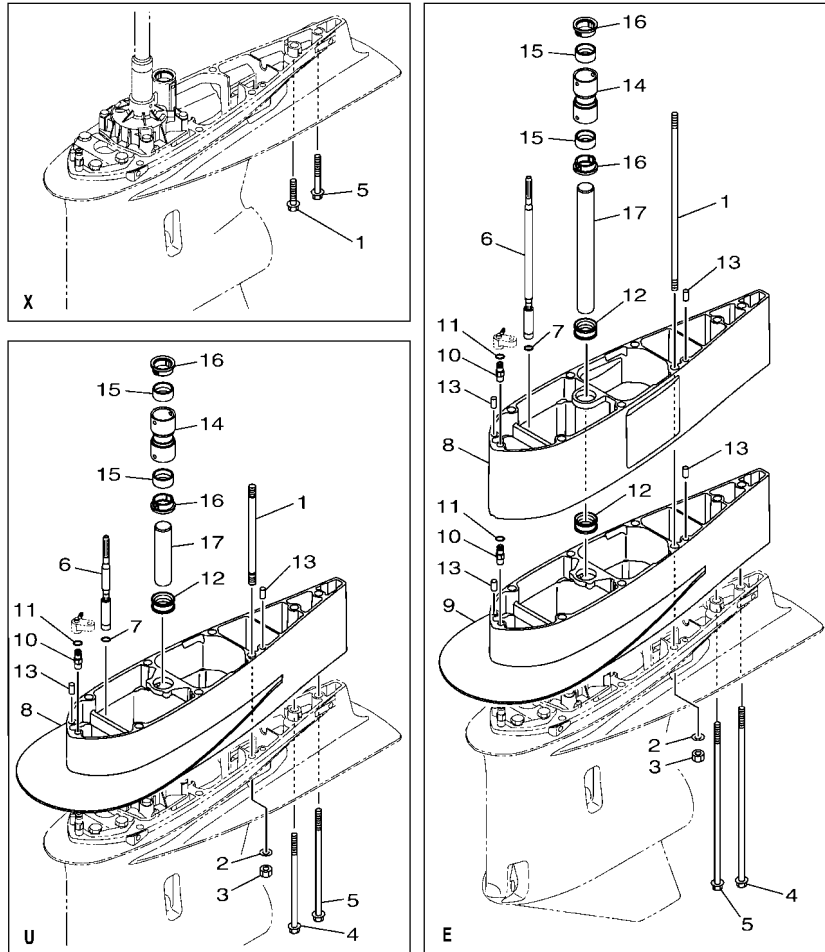



6KA1100-V450

| REF. NO. | PART NO. N° PIECES | DESCRIPTION DESCRIPTION | 6KA1 | 6KD1 | REMARKS REMARQUES |
|--------------|--|--|------|----------------|-------------------|
| 1 | 93608-16M16 | PIN, DOWEL AXE | 2 | 2 | |
| 2 | 6KA-45214-00 | COVER, WATER INLET 1 GRILLE, ENTREE D'EAU 1 | 1 | 1 | |
| 3 | 6KA-45215-00 | COVER, WATER INLET 2 GRILLE, ENTREE D'EAU 2 | 1 | 1 | |
| 4 | 90110-05039 | BOLT, HEXAGON SOCKET HEAD BOULON, TETE HEXAGONALE CREUSE | 1 | 1 | |
| 5 | 6CE-45224-00 | COVER, WATER INLET 3 GRILLE, ENTREE D'EAU 3 | 1 | 1 | |
| 6 | 6CE-45225-00 | COVER, WATER INLET 4 GRILLE, ENTREE D'EAU 4 | 1 | 1 | |
| 7 | 90185-05002 | .NUT, NYLON .ECROU,AUTO-BLOQUANT | 1 | 1 | |
| 8 | 90110-05039 | BOLT, HEXAGON SOCKET HEAD BOULON, TETE HEXAGONALE CREUSE | 1 | 1 | |
| 9 | 6KA-45254-00 | COVER, OUTLET 1 COUVERCLE, SORTIE 1 | 1 | 1 | |
| 10 | 6KA-45255-00 | COVER, OUTLET 2 COUVERCLE, SORTIE 2 | 1 | 1 | |
| 11 | 90185-05002 | .NUT, NYLON .ECROU,AUTO-BLOQUANT | 1 | 1 | |
| 12 | 91380-05020 | BOLT BOULON | 1 | 1 | |
| 13 | 6CE-45373-00 | ANODE ANODE | 1 | 1 | |
| 14 | 90105-10M00 | BOLT, FLANGE BOULON, A COLLERETTE | 1 | 1 | |
| 15 | 69J-45987-00 | SPACER 1 ENTRETOISE 1 | 1 | 1 | |
| 16 | 688-45997-01 | SPACER 2 ENTRETOISE 2 | 1 | 1 | |
| 17 | 92990-18200 | WASHER RONDELLE, PLATE | 1 | 1 | |
| 18 | 90171-18M04 | NUT, CASTLE ECROU, CRENELE | 1 | 1 | |
| 19 | 91490-40030 | PIN, COTTER GOUPILLE | 1 | 1 | |
| 20 | 6KA-45970-00 | PROPELLER (3X15-1/4"X18"-T) HELICE (3X15-1/4"X18"-T) | 1 | 1 | UR RH UR RH |
| 6KA-45972-00 | PROPELLER (3X15-1/4"X19"-T) HELICE (3X15-1/4"X19"-T) | 1 | 1 | UR RH UR RH | |
| 6KA-45974-00 | PROPELLER (3X15"X20"-T) HELICE (3X15"X20"-T) | 1 | 1 | UR RH UR RH | |
| 6KA-45976-00 | PROPELLER (3X15"X21"-T) HELICE (3X15"X21"-T) | 1 | 1 | UR RH UR RH | |
| 21 | 6CE-45C81-10 | .DAMPER RUBBER, PROPELLER 1 .AMORTISSEUR HELICE 1 | 1 | 1 | |
| 22 | 6KB-45970-00 | PROPELLER (3X15-1/4"X18"-TL) HELICE (3X15-1/4"X18"-TL) | 1 | 1 | UR LH UR LH |
| 6KB-45972-00 | PROPELLER (3X15-1/4"X19"-TL) HELICE (3X15-1/4"X19"-TL) | 1 | 1 | UR LH UR LH | |
| 6KB-45974-00 | PROPELLER (3X15"X20"-TL) HELICE (3X15"X20"-TL) | 1 | 1 | UR LH UR LH | |

FIG. 42 OPTIONAL PARTS 6

PIECES OPTIONNELLES 6

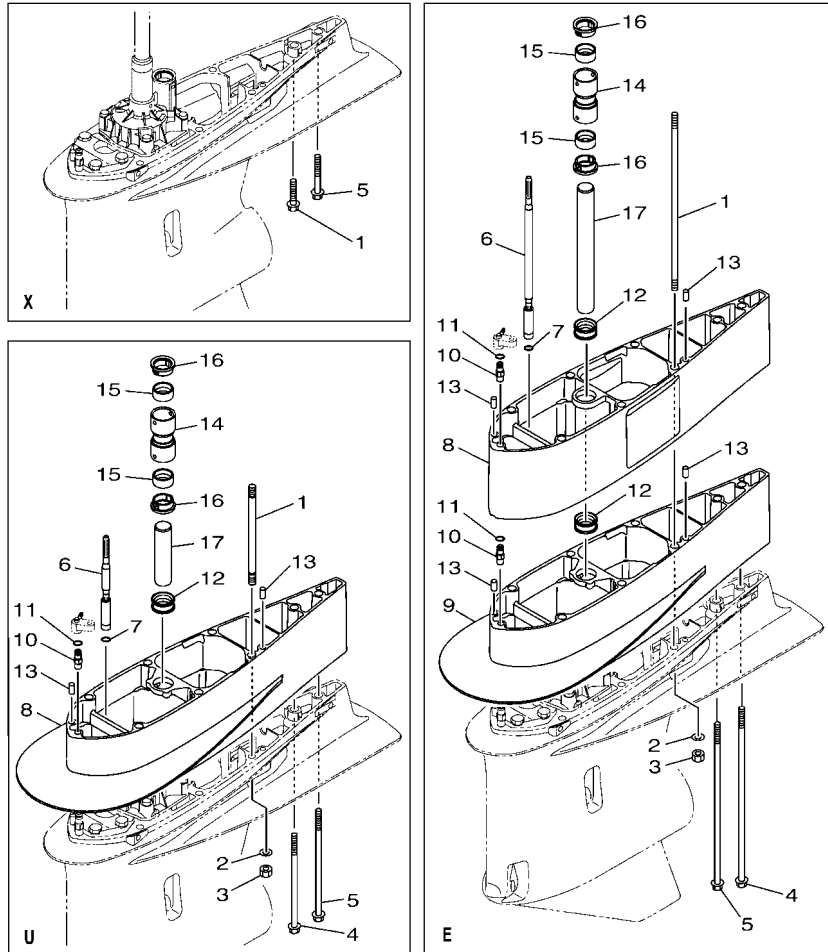



6KA1100-V460

| REF. NO. | PART NO. N° PIECES | DESCRIPTION DESCRIPTION | 6KA1 | 6KD1 | REMARKS REMARQUES |
|----------|--------------------|---|------|------|--|
| 1 | 90119-10024 | BOLT, WITH WASHER BOULON, AVEC RONDELLE | 7 | 7 | UR X(25.2") UR X(25.2") |
| | 90116-10067 | BOLT, STUD GOUJON | 6 | 6 | UR U(30.2") UR U(30.2") |
| | 90116-10066 | BOLT, STUD GOUJON | 6 | 6 | UR E(35.2") UR E(35.2") |
| 2 | 92995-10600 | WASHER RONDELLE | 6 | 6 | U(30.2"),E(35.2") U(30.2"),E(35.2") |
| 3 | 95380-10600 | NUT ECROU | 6 | 6 | U(30.2"),E(35.2") U(30.2"),E(35.2") |
| 4 | 90119-10009 | BOLT, WITH WASHER BOULON, AVEC RONDELLE | 1 | 1 | UR U(30.2") UR U(30.2") |
| | 90119-10061 | BOLT, WITH WASHER BOULON, AVEC RONDELLE | 1 | 1 | UR E(35.2") UR E(35.2") |
| 5 | 97E75-10570 | BOLT, HEXAGON W/W DEEP RECESS VIS HEXAGONAL AVC RONDELLE | 1 | 1 | UR X(25.2") UR X(25.2") |
| | 90119-10008 | BOLT, WITH WASHER BOULON, AVEC RONDELLE | 1 | 1 | UR U(30.2") UR U(30.2") |
| | 90119-10060 | BOLT, WITH WASHER BOULON, AVEC RONDELLE | 1 | 1 | UR E(35.2") UR E(35.2") |
| 6 | 6KA-44190-00 | JT. SHIFT ROD COMP. JOINT, TRINGLE DE SELECTEUR CO | 1 | 1 | UR U(30.2") UR U(30.2") |
| | 6KA-44190-10 | JT. SHIFT ROD COMP. JOINT, TRINGLE DE SELECTEUR CO | 1 | 1 | UR E(35.2") UR E(35.2") |
| 7 | 93210-09165 | O-RING JOINT TORIQUE | 1 | 1 | U(30.2"),E(35.2") U(30.2"),E(35.2") |
| 8 | 6KA-45211-00-8D | EXTENSION EXTENSION | 1 | 1 | UR GRAY, U(30.2") UR GRAY, U(30.2") |
| | 6KA-45211-00-CE | EXTENSION EXTENSION | 1 | 1 | UR WHITE,U(30.2") UR WHITE,U(30.2") |
| | 6CE-45211-10-8D | EXTENSION EXTENSION | 1 | 1 | UR GRAY, E(35.2") UR GRAY, E(35.2") |
| | 6CE-45211-10-CE | EXTENSION EXTENSION | 1 | 1 | UR WHITE,E(35.2") UR WHITE,E(35.2") |
| 9 | 6KA-45211-00-8D | EXTENSION EXTENSION | 1 | 1 | UR GRAY, E(35.2") UR GRAY, E(35.2") |
| | 6KA-45211-00-CE | EXTENSION EXTENSION | 1 | 1 | UR WHITE,E(35.2") UR WHITE,E(35.2") |
| 10 | 63P-45378-00 | NIPPLE, HOSE RACCORD, TUYAU | 1 | 1 | UR U(30.2") UR U(30.2") |
| | 63P-45378-00 | NIPPLE, HOSE RACCORD, TUYAU | 2 | 2 | UR E(35.2") UR E(35.2") |
| 11 | 93210-07003 | O-RING JOINT TORIQUE | 1 | 1 | UR U(30.2") UR U(30.2") |
| | 93210-07003 | O-RING JOINT TORIQUE | 2 | 2 | UR E(35.2") UR E(35.2") |
| 12 | 6AW-44366-01 | DAMPER, WATER SEAL 2 JOINT, TUBE D'EAU 2 | 1 | 1 | UR U(30.2") UR U(30.2") |
| | 6AW-44366-01 | DAMPER, WATER SEAL 2 JOINT, TUBE D'EAU 2 | 2 | 2 | UR E(35.2") UR E(35.2") |
| 13 | 93608-16M16 | PIN, DOWEL AXE | 2 | 2 | UR U(30.2") UR U(30.2") |
| | 93608-16M16 | PIN, DOWEL AXE | 4 | 4 | UR E(35.2") UR E(35.2") |

FIG. 42 OPTIONAL PARTS 6

PIECES OPTIONNELLES 6

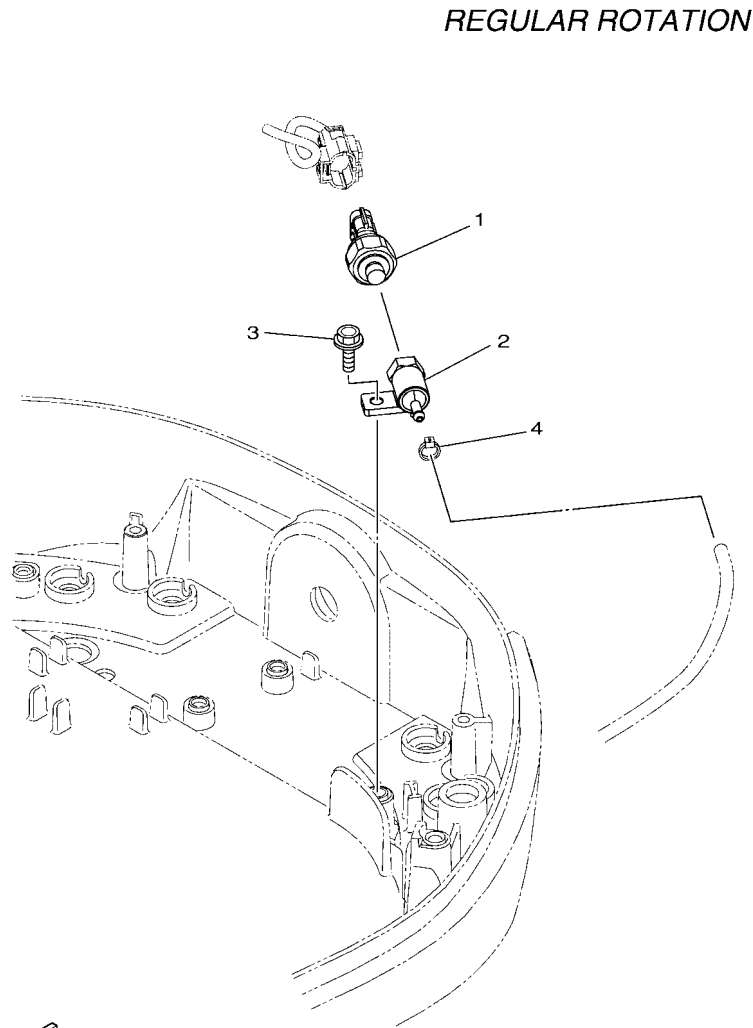


| REF. NO. | PART NO. N° PIECES | DESCRIPTION DESCRIPTION | 6KA1 | 6KD1 | REMARKS REMARQUES |
|----------|--------------------|---|------|------|--|
| 14 | 6CE-44362-00 | TUBE, WATER 2 TUBE D'EAU 2 | 1 | 1 | U(30.2"),E(35.2") U(30.2"),E(35.2") |
| 15 | 6AW-44365-01 | DAMPER, WATER SEAL 1 JOINT, TUBE D'EAU 1 | 2 | 2 | U(30.2"),E(35.2") U(30.2"),E(35.2") |
| 16 | 6AW-44312-00 | COVER, WATER PUMP HOUSING COUVERCLE | 2 | 2 | U(30.2"),E(35.2") U(30.2"),E(35.2") |
| 17 | 6AW-44363-00 | TUBE, WATER 3 TUBE D'EAU 3 | 1 | 1 | UR U(30.2") UR U(30.2") |
| | 6CE-44363-00 | TUBE, WATER 3 TUBE D'EAU 3 | 1 | 1 | UR E(35.2") UR E(35.2") |


6KA1100-V460

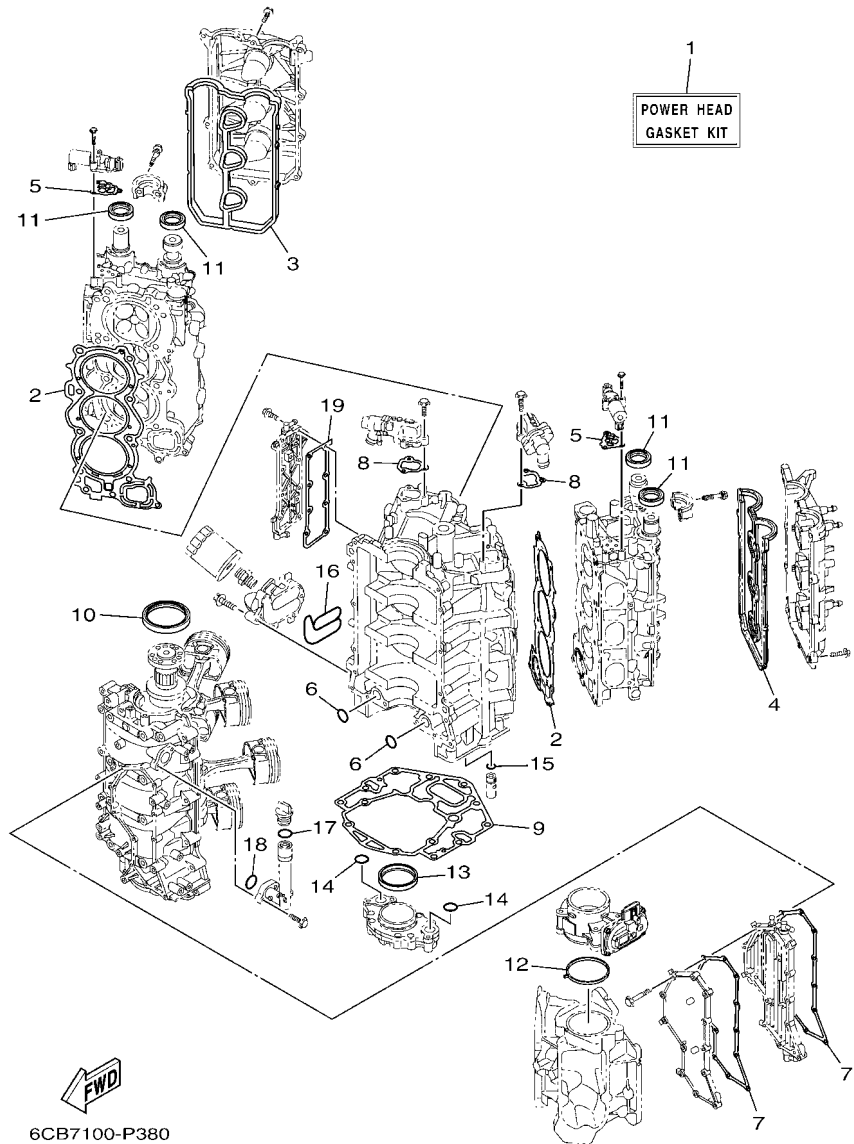
FIG. 43 OPTIONAL PARTS 7

PIECES OPTIONNELLES 7



6KA1100-V470

| REF. NO. | PART NO. N° PIECES | DESCRIPTION DESCRIPTION | 6KA1 | 6KD1 | REMARKS REMARQUES |
|----------|--------------------|---|------|------|----------------------------|
| 1 | 6AW-8366B-01 | SENSOR, WATER PRESSURE SONDE DE PRESSION D'EAU | 1 | 1 | |
| 2 | 60V-8366D-00 | ADAPTOR, INPUT CONNECTEUR 3 | 1 | 1 | |
| 3 | 90465-11M10 | CLAMP BRIDE | 1 | 1 | UR X(25.2") UR X(25.2") |
| | 90465-11M10 | CLAMP BRIDE | 2 | 2 | UR U(30.2") UR U(30.2") |
| | 90465-11M10 | CLAMP BRIDE | 2 | 2 | UR E(35.2") UR E(35.2") |
| 4 | 97E95-06516 | BOLT, HEXAGON W/W DEEP RECESS VIS HEXAGONAL AVC RONDELLE | 1 | 1 | |



6CB7100-P380

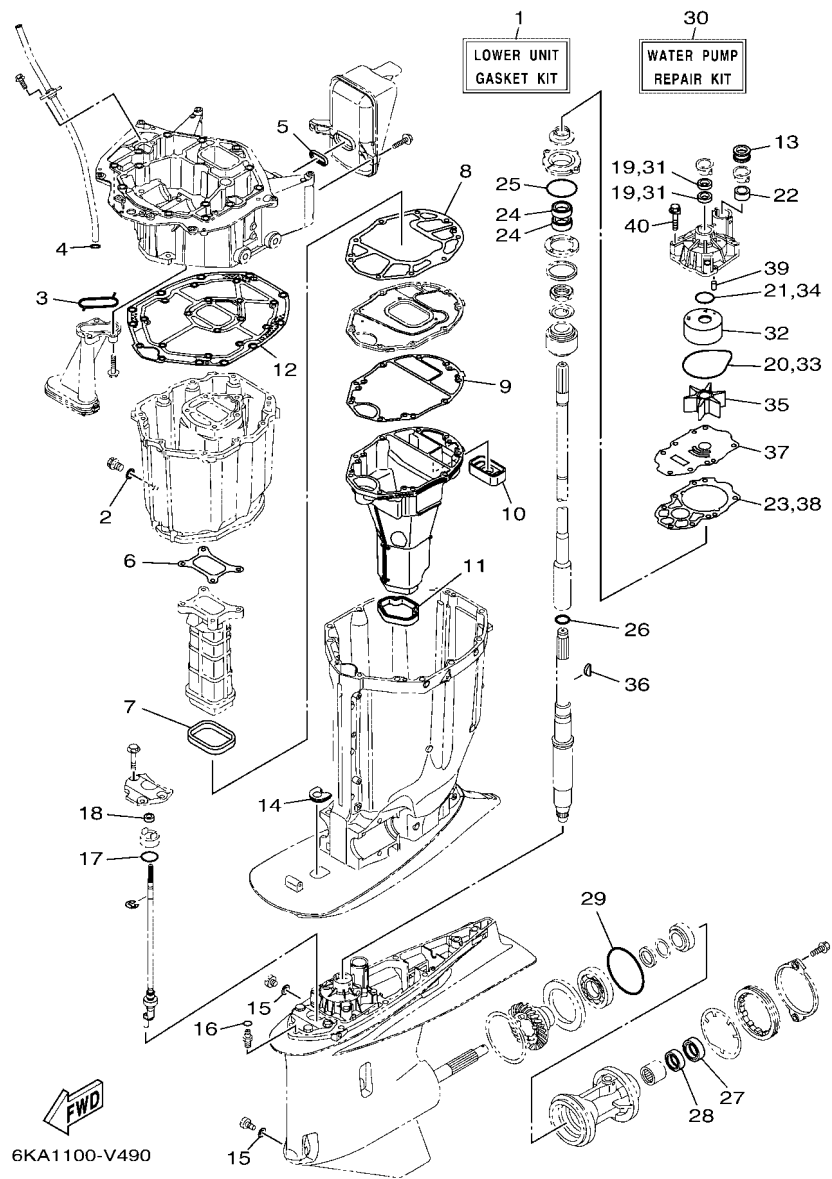
FIG. 44 REPAIR KIT 1

KITS DE REPARATION 1

| REF. NO. | PART NO. N° PIECES | DESCRIPTION DESCRIPTION | 6KA1 | 6KD1 | REMARKS REMARQUES |
|----------|--------------------|---|------|------|-------------------|
| 1 | 6CB-W0001-03 | POWER HEAD GASKET KIT POCHETTE DE JINTS TETE MOTRICE | 1 | 1 | |
| 2 | 6CB-11181-00 | .GASKET, CYLINDER HEAD 1 .JOINT, DE CULASSE 1 | 2 | 2 | |
| 3 | 6CB-11193-00 | .GASKET, HEAD COVER 1 .JOINT, COUVERCLE DE CULASSE 1 | 1 | 1 | |
| 4 | 6CB-11194-00 | .GASKET, HEAD COVER 2 .JOINT, COUVERCLE DE CULASSE 2 | 1 | 1 | |
| 5 | 6CB-1242F-00 | .GASKET, FILTER .JOINT, FILTRE | 2 | 2 | |
| 6 | 93210-26658 | .O-RING .JOINT TORIQUE | 2 | 2 | |
| 7 | 6CB-15451-01 | .GASKET, CRANKCASE COVER 1 .JOINT, COUVERCLE DE CARTER 1 | 2 | 2 | |
| 8 | 6CB-12427-11 | .GASKET, HOUSING COVER 1 .JOINT, COUVERCLE DE CARTER 1 | 2 | 2 | |
| 9 | 6CB-11351-00 | .GASKET, CYLINDER .JOINT, D'EMBASE | 1 | 1 | |
| 10 | 93102-85008 | .OIL SEAL .JOINT SPY | 1 | 1 | |
| 11 | 93102-38008 | .OIL SEAL .JOINT SPY | 4 | 4 | |
| 12 | 6CB-13556-00 | .GASKET, MANIFOLD .JOINT, TUBULURE | 1 | 1 | |
| 13 | 6CB-11355-00 | .SEAL, CYLINDER 1 .JOINT, SPY CYLINDRE | 1 | 1 | |
| 14 | 93210-26658 | .O-RING .JOINT TORIQUE | 2 | 2 | |
| 15 | 6CB-13473-00 | .O-RING .JOINT TORIQUE | 1 | 1 | |
| 16 | 6CB-13477-00 | .GASKET .JOINT | 1 | 1 | |
| 17 | 93210-24M79 | .O-RING .JOINT TORIQUE | 1 | 1 | |
| 18 | 93210-27370 | .O-RING .JOINT TORIQUE | 1 | 1 | |
| 19 | 6CB-1131B-00 | .GASKET, COVER .JOINT, COUVERCLE | 1 | 1 | |

FIG. 45 REPAIR KIT 2

KITS DE REPARATION 2



| REF. NO. | PART NO. N° PIECES | DESCRIPTION DESCRIPTION | 6KA1 | 6KD1 | REMARKS REMARQUES |
|----------|--------------------|---|------|------|-------------------|
| 1 | 6KA-W0001-20 | LOWER UNIT GASKET KIT POCHETTE DE JOINTS EMBASE | 1 | 1 | |
| 2 | 90430-14M09 | .GASKET .JOINT | 1 | 1 | |
| 3 | 6AW-13415-00 | .SEAL, OIL STRAINER .JOINT, FILTRE A HUILE | 1 | 1 | |
| 4 | 93210-19MJ3 | .O-RING .JOINT TORIQUE | 1 | 1 | |
| 5 | 6CB-14755-01 | .GASKET, SILENCER .JOINT, SILENCIEUX | 1 | 1 | |
| 6 | 6CB-41134-00 | .GASKET, EXHAUST MANIFOLD .JOINT, PIPE D'ECHAPPEMENT | 1 | 1 | |
| 7 | 6CB-41138-00 | .SEAL, EXT. 1 .JOINT DE GROUPE 1 | 1 | 1 | |
| 8 | 6CB-41135-00 | .GASKET, EXHAUST MANIFOLD .JOINT, PIPE D'ECHAPPEMENT | 1 | 1 | |
| 9 | 6CE-41136-00 | .GASKET, EXHAUST MANIFOLD 4 .JOINT, PIPE D'ECHAPPEMENT 4 | 1 | 1 | |
| 10 | 6CE-45127-00 | .SEAL .JOINT | 1 | 1 | |
| 11 | 6CE-45123-00 | .GASKET, MUFFLER .JOINT, POT DE DETENTE | 1 | 1 | |
| 12 | 6CB-45113-10 | .GASKET, UPPER CASING .JOINT, TUBE D'ARBRE | 1 | 1 | |
| 13 | 6AW-44366-01 | .DAMPER, WATER SEAL 2 .JOINT, TUBE D'EAU 2 | 1 | 1 | |
| 14 | 6KA-44521-00 | .SEAL .JOINT | 1 | 1 | |
| 15 | 90430-08003 | .GASKET .JOINT | 2 | 2 | |
| 16 | 93210-07003 | .O-RING .JOINT TORIQUE | 1 | 1 | |
| 17 | 93210-33M49 | .O-RING .JOINT TORIQUE | 1 | 1 | |
| 18 | 93106-10001 | .OIL SEAL .JOINT SPY | 1 | 1 | |
| 19 | 93104-22M07 | .OIL SEAL .JOINT SPY | 2 | 2 | |
| 20 | 93210-94003 | .O-RING .JOINT TORIQUE | 1 | 1 | |
| 21 | 93210-37160 | .O-RING .JOINT TORIQUE | 1 | 1 | |
| 22 | 6AW-44365-01 | .DAMPER, WATER SEAL 1 .JOINT, TUBE D'EAU 1 | 1 | 1 | |
| 23 | 6CE-44315-00 | .GASKET, WATER PUMP .JOINT, POMPE A EAU | 1 | 1 | |
| 24 | 93101-28019 | .OIL SEAL .JOINT SPY | 2 | 2 | |
| 25 | 93210-69MG6 | .O-RING .JOINT TORIQUE | 1 | 1 | |
| 26 | 93210-22MF1 | .O-RING .JOINT TORIQUE | 1 | 1 | |
| 27 | 93101-30030 | .OIL SEAL .JOINT SPY | 1 | 1 | |

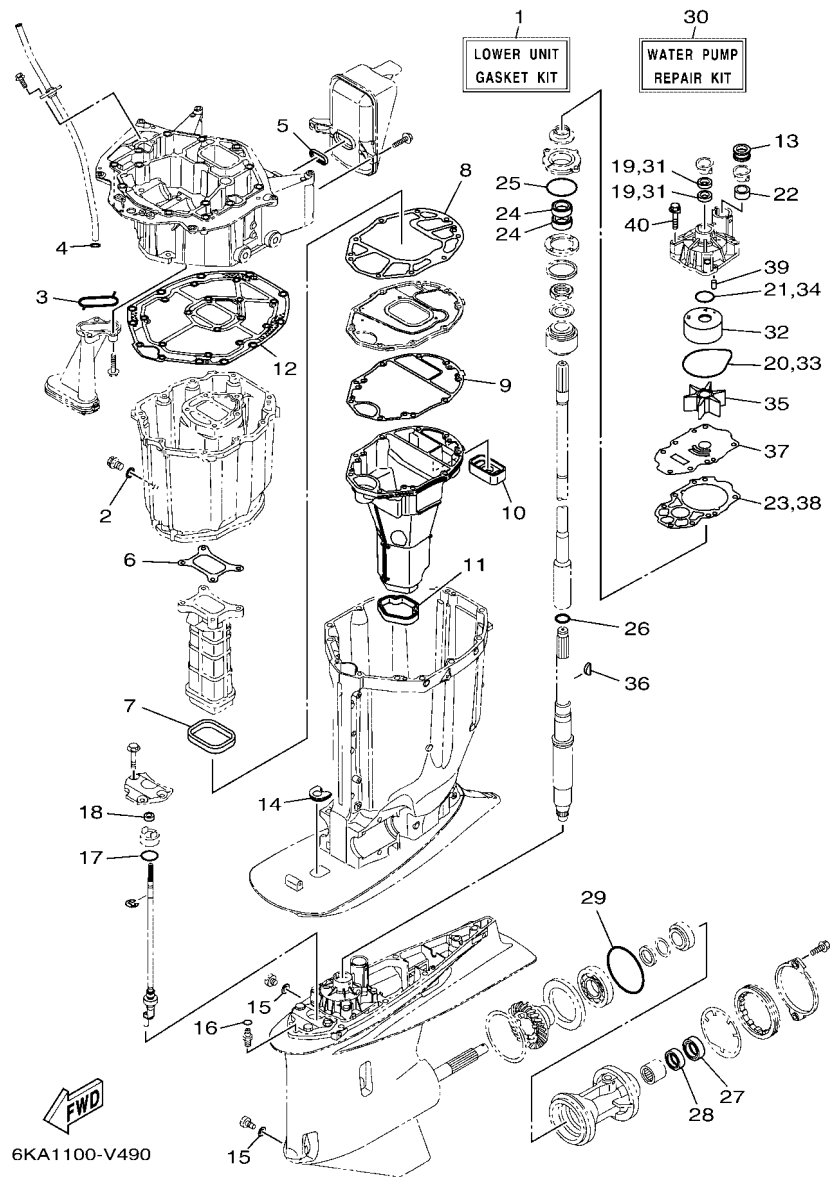


FIG. 45 REPAIR KIT 2

KITS DE REPARATION 2

| REF. NO. | PART NO. N° PIECES | DESCRIPTION DESCRIPTION | 6KA1 | 6KD1 | REMARKS REMARQUES |
|----------|--------------------|--|------|------|-------------------|
| 28 | 93101-30019 | .OIL SEAL .JOINT SPY | 1 | 1 | |
| 29 | 93211-02001 | .O-RING .JOINT TORIQUE | 1 | 1 | |
| 30 | 6CE-W0078-02 | WATER PUMP REPAIR KIT KIT DE REPARATION DE LA POMPE | 1 | 1 | |
| 31 | 93104-22M07 | .OIL SEAL .JOINT SPY | 2 | 2 | |
| 32 | 6AW-44322-00 | .INSERT, CARTRIDGE .CUVETTE | 1 | 1 | |
| 33 | 93210-94003 | .O-RING .JOINT TORIQUE | 1 | 1 | |
| 34 | 93210-37160 | .O-RING .JOINT TORIQUE | 1 | 1 | |
| 35 | 6CE-44352-00 | .IMPELLER .TURBINE | 1 | 1 | |
| 36 | 90280-04002 | .KEY, WOODRUFF .CLAVETTE, DEMI-LUNE | 1 | 1 | |
| 37 | 6CE-44323-01 | .OUTER PLATE, CARTRIDGE .PLAQUE EXTERIEURE | 1 | 1 | |
| 38 | 6CE-44315-00 | .GASKET, WATER PUMP .JOINT, POMPE A EAU | 1 | 1 | |
| 39 | 93606-12019 | .PIN, DOWEL .GOUPILLE | 2 | 2 | |
| 40 | 90119-08191 | .BOLT, WITH WASHER .BOULON, AVEC RONDELLE | 4 | 4 | |

NUMERICAL INDEX
INDEX NUMERIQUE

| PART NO. N° PIECES | REF. NO. | PART NO. N° PIECES | REF. NO. | PART NO. N° PIECES | REF. NO. | PART NO. N° PIECES | REF. NO. | PART NO. N° PIECES | REF. NO. | PART NO. N° PIECES | REF. NO. |
|-----------------------|-------------|-----------------------|-------------|-----------------------|-------------|-----------------------|-------------|-----------------------|-------------|-----------------------|-------------|
| 6KA-11000-00 | 3 - 1 | 6CB-11427-03 | 4 - 8 | 6P2-12615-00 | 8 - 25 | 6AW-13761-00 | 12 - 2 | 6CB-14985-00 | 13 - 25 | 6E5-24378-00 | 14 - 8 |
| 6CE-11110-12-9S | 5 - 2 | 6CB-11478-00 | 4 - 2 | 6P2-12623-00 | 8 - 20 | | 12 - 6 | 6EK-14989-00 | 10 - 30 | 68V-24379-10 | 13 - 11 |
| 6CE-11120-12-9S | 5 - 12 | 6CB-1149A-00 | 6 - 10 | | 8 - 23 | 6AW-13781-00 | 13 - 34 | 6CE-15100-10 | 3 - 2 | 6CB-24410-01 | 13 - 27 |
| 6S5-11133-10 | 5 - 3 | 6KA-11567-00 | 8 - 17 | 6CB-12645-01 | 8 - 19 | 6CB-13782-00 | 10 - 16 | 6AW-15142-00 | 5 - 38 | 6CB-24452-10 | 13 - 18 |
| | 5 - 13 | 6CB-11590-02 | 8 - 28 | 6CB-1264A-01 | 8 - 22 | 6AW-13784-00 | 13 - 35 | 6CB-15142-00 | 6 - 8 | 4SV-24453-00 | 13 - 38 |
| 6CB-11181-00 | 5 - 25 | 6CB-11603-00 | 4 - 12 | 6P2-12663-00 | 8 - 21 | 6KA-13898-00 | 11 - 7 | 6CB-15187-00 | 3 - 5 | 6CB-24460-00 | 13 - 4 |
| | 44 - 2 | 6CE-11631-02 | 4 - 11 | | 8 - 24 | 6CB-13898-11 | 11 - 8 | 6CB-15311-01 | 36 - 1 | 6CB-24461-00 | 14 - 1 |
| 6CB-11191-02 | 5 - 30 | 6CB-11633-00 | 4 - 13 | 6CB-13016-00 | 1 - 10 | 6CB-13906-01 | 13 - 8 | 6BB-15316-01 | 35 - 30 | 6P3-24469-00 | 15 - 9 |
| 6CB-11192-02 | 5 - 34 | 63P-11654-10 | 4 - 10 | | 13 - 5 | 6CB-13907-11 | 13 - 23 | 6CB-15319-00 | 3 - 43 | 6CB-24482-00 | 13 - 20 |
| 6CB-11193-00 | 5 - 31 | 6JD-11656-00 | 4 - 14 | 6AW-13119-00 | 36 - 11 | 63P-13915-00 | 1 - 11 | 6KA-15362-00 | 36 - 18 | 6CB-24491-00 | 13 - 30 |
| | 44 - 3 | 6JD-11656-10 | 4 - 14 | 6AW-13132-00 | 13 - 32 | | 13 - 24 | 6G8-15363-00 | 3 - 41 | 6CB-24492-00 | 13 - 28 |
| 6CB-11194-00 | 5 - 35 | 6JD-11656-20 | 4 - 14 | 6CB-13161-10 | 12 - 1 | 6CB-13971-01 | 14 - 10 | 6CB-15373-01 | 9 - 8 | 6CB-24501-01 | 1 - 9 |
| | 44 - 4 | 6CB-11998-10 | 5 - 42 | 6CB-13171-10 | 12 - 5 | 6CB-13972-00 | 14 - 12 | 6KA-15377-00 | 36 - 19 | | 13 - 3 |
| 67F-11301-01 | 5 - 19 | 6CB-11999-10 | 5 - 43 | 6CB-13300-00 | 36 - 9 | 6CB-13974-01 | 14 - 11 | 6CE-15411-00-9S | 3 - 14 | 6P3-24519-00 | 15 - 8 |
| 6CB-1131B-00 | 3 - 12 | 6CB-12111-00 | 8 - 1 | 6CB-13329-00 | 36 - 10 | 6AW-1410B-00 | 12 - 3 | 6CE-15421-10-9S | 3 - 15 | 6P3-24560-23 | 15 - 6 |
| | 44 - 19 | 6CB-12113-00 | 8 - 4 | 6CB-13411-00 | 36 - 6 | | 12 - 7 | 6CB-15451-01 | 3 - 17 | 6P3-24562-21 | 15 - 7 |
| 6CE-1131C-00-9S | 3 - 9 | 51Y-12119-00 | 8 - 7 | 6AW-13415-00 | 36 - 7 | 69J-14137-00 | 14 - 3 | | 44 - 7 | 6P3-24563-01 | 1 - 14 |
| 68T-11325-00 | 1 - 4 | 6DA-12121-00 | 8 - 2 | | 45 - 3 | 6CB-14146-00 | 13 - 10 | 6CB-15481-00 | 3 - 6 | 6P3-24563-02 | 15 - 11 |
| | 3 - 32 | 6KA-12171-00 | 8 - 9 | 6CE-13437-61 | 17 - 18 | 6P2-14149-00 | 14 - 2 | 6CB-15512-00 | 8 - 29 | 6P3-24564-00 | 1 - 13 |
| 63P-11325-01 | 1 - 1 | 6KA-12172-00 | 8 - 13 | N26-13440-03 | 1 - 6 | 6CB-14180-12 | 13 - 1 | 6CB-15544-00 | 6 - 4 | | 15 - 10 |
| | 3 - 10 | 6KA-12181-00 | 8 - 11 | | 3 - 36 | 6CB-14181-01 | 13 - 15 | 6KA-2134V-00 | 5 - 40 | 6CB-24566-00 | 15 - 12 |
| | 3 - 19 | 6KA-12182-00 | 8 - 15 | 6CE-13446-10-9S | 3 - 38 | 6CB-14182-02 | 13 - 2 | 6KA-2134X-00 | 9 - 16 | 6CB-24592-00 | 13 - 29 |
| 67F-11325-01 | 1 - 7 | 6CE-12411-00 | 1 - 2 | 6CB-13473-00 | 36 - 17 | 6P2-14191-00 | 13 - 16 | 6KA-2153A-00 | 2 - 28 | 6CB-24596-01 | 15 - 19 |
| | 5 - 20 | | 3 - 21 | | 44 - 15 | 68V-14216-00 | 13 - 12 | 6GR-28100-11 | 2 - 29 | 6GR-28100-11 | 15 - 21 |
| 63P-11325-11 | 1 - 16 | 67F-12412-00 | 3 - 22 | 6CB-13477-00 | 3 - 39 | 6CB-14216-00 | 13 - 6 | 5GJ-21717-00 | 26 - 10 | 67F-2812A-00 | 20 - 35 |
| | 35 - 2 | 6CE-12413-A0-9S | 3 - 24 | | 44 - 16 | 6CB-14239-00 | 13 - 17 | 6E5-21744-00 | 10 - 24 | 6KA-28199-70-D0 | 15 - 22 |
| 67F-11328-01 | 5 - 21 | 6CE-12413-B0-9S | 3 - 23 | 6CB-13490-00 | 36 - 16 | 6P2-14386-00 | 13 - 37 | 6CB-2416A-00 | 10 - 5 | 6KA-28199-70-E0 | 15 - 22 |
| 6AW-1132N-01 | 1 - 5 | 6CB-12422-10-9S | 3 - 25 | 6CB-13532-10 | 10 - 2 | 6AW-1441J-01 | 9 - 11 | 69J-24170-00 | 9 - 14 | 6KA-28199-70-F0 | 15 - 22 |
| | 3 - 34 | 6CB-12427-11 | 3 - 26 | 6CB-13533-00 | 10 - 1 | 6CB-14429-01 | 13 - 19 | 6FP-2419E-01 | 9 - 15 | 6KA-28199-70-G0 | 15 - 22 |
| 6AW-1132P-00 | 1 - 3 | | 44 - 8 | 6CB-13545-00 | 10 - 18 | 6CE-14435-00 | 21 - 28 | 6CB-24217-00 | 13 - 7 | 6KA-28199-70-H0 | 15 - 22 |
| | 3 - 30 | 6CB-1242F-00 | 6 - 2 | 6CB-13546-01 | 10 - 22 | 6CB-14440-01 | 9 - 9 | 60E-24300-01 | 14 - 9 | 6KA-28199-70-S0 | 15 - 22 |
| 6CB-11351-00 | 3 - 29 | | 44 - 5 | 6CB-13547-00 | 10 - 23 | 6CB-1447B-00 | 13 - 33 | 6CB-24313-10 | 15 - 17 | 6KA-28199-80-K0 | 15 - 23 |
| | 44 - 9 | 6CB-1243E-00 | 7 - 15 | 6CB-13548-00 | 10 - 25 | 6CB-14546-00 | 13 - 26 | 6KA-24314-10 | 15 - 2 | 6KA-28199-80-L0 | 15 - 23 |
| 6CB-11355-00 | 36 - 13 | 6CE-1244G-00 | 7 - 12 | 6CB-13556-00 | 11 - 3 | 6CB-14564-00 | 13 - 9 | 6CB-24315-00 | 25 - 7 | 6KA-28199-80-M0 | 15 - 23 |
| | 44 - 13 | 6CE-1244H-00 | 7 - 14 | | 44 - 12 | 63P-14567-00 | 13 - 36 | 6CB-24317-00 | 14 - 6 | 6KA-28199-80-N0 | 15 - 23 |
| 6CB-1135A-00 | 6 - 6 | 6CE-12481-10 | 18 - 24 | 68V-13577-00 | 14 - 4 | 6KA-14711-00 | 35 - 20 | 6CB-24323-00 | 14 - 7 | 6KA-28199-80-P0 | 15 - 23 |
| 6CB-11410-00 | 4 - 1 | 6CE-12482-10 | 10 - 8 | 6CB-13577-00 | 12 - 4 | 6KA-14750-00 | 35 - 10 | 6CB-24324-00 | 14 - 5 | 6KA-28199-80-R0 | 15 - 23 |
| 6CB-11416-00 | 4 - 5 | 6CE-12483-00 | 18 - 18 | | 12 - 8 | 6CB-14755-01 | 35 - 12 | 6E5-24351-51 | 15 - 3 | 6CB-41132-01 | 35 - 13 |
| 6CB-11416-10 | 4 - 5 | 6KA-12483-00 | 10 - 26 | 6KA-13582-00 | 25 - 10 | | 45 - 5 | 6AW-24360-02 | 16 - 1 | 6CB-41134-00 | 35 - 14 |
| 6CB-11416-20 | 4 - 5 | 6CB-12484-00 | 10 - 10 | 6KA-13587-00 | 25 - 13 | 6KA-1475A-00 | 10 - 27 | 6G8-24376-00 | 10 - 29 | | 45 - 6 |
| 6CB-11416-30 | 4 - 5 | 6CE-12485-00 | 18 - 26 | 6CB-13593-00 | 13 - 22 | 6KA-1475F-00 | 10 - 28 | 6CE-24376-01 | 18 - 27 | 6CB-41135-00 | 35 - 17 |
| 6CB-11416-40 | 4 - 5 | 6CE-1248A-00 | 18 - 16 | 69J-13631-00 | 36 - 12 | 6CB-1475G-10 | 10 - 31 | 6CE-24377-00 | 18 - 17 | | 45 - 8 |
| 6CB-11417-00 | 4 - 6 | 6AW-12572-00 | 25 - 14 | 6CE-13641-00 | 9 - 5 | 6CB-1475H-00 | 13 - 13 | 6AW-24377-01 | 15 - 4 | 6CE-41136-00 | 35 - 19 |
| 6CB-11417-10 | 4 - 6 | 6KA-12576-00 | 7 - 3 | 6CB-13645-00 | 9 - 6 | 6CB-1475J-00 | 13 - 14 | 688-24378-00 | 7 - 2 | | 45 - 9 |
| 6CB-11417-20 | 4 - 6 | 6CB-12577-00 | 7 - 8 | 6CB-13646-00 | 9 - 7 | 6CE-14872-00 | 18 - 25 | | 10 - 21 | 6KA-41137-00 | 35 - 1 |
| 6CB-11417-30 | 4 - 6 | 6R3-12581-00 | 25 - 15 | 6CB-13711-00 | 11 - 2 | | 18 - 28 | | 10 - 35 | 6CB-41138-00 | 35 - 16 |
| 6CB-11417-40 | 4 - 6 | 6AW-12582-00 | 25 - 16 | 63P-13716-00 | 13 - 21 | 6CB-14984-00 | 1 - 12 | | 18 - 30 | | 45 - 7 |
| 6CB-11426-03 | 4 - 7 | 6R3-12583-00 | 25 - 17 | 6CB-13751-10 | 11 - 1 | | 13 - 31 | 6CE-24378-00 | 7 - 13 | 6GR-42134-00 | 31 - 8 |

NUMERICAL INDEX
INDEX NUMERIQUE

| PART NO. N° PIECES | REF. NO. | PART NO. N° PIECES | REF. NO. | PART NO. N° PIECES | REF. NO. | PART NO. N° PIECES | REF. NO. | PART NO. N° PIECES | REF. NO. | PART NO. N° PIECES | REF. NO. |
|-----------------------|-------------|-----------------------|-------------|-----------------------|-------------|-----------------------|-------------|-----------------------|-------------|-----------------------|-------------|
| 6CB-42134-01 | 2 - 24 | 6GR-42724-01 | 27 - 1 | 6AW-43376-00 | 30 - 14 | 61A-43861-00 | 33 - 16 | 6CE-44311-01 | 40 - 16 | 6CE-44574-00 | 32 - 8 |
| 6AW-42169-00 | 25 - 9 | 6KA-42725-00 | 24 - 2 | 6GR-43378-10 | 31 - 10 | 6GR-43378-10 | 33 - 74 | 6AW-44312-00 | 39 - 22 | 6KA-45111-00-8D | 35 - 26 |
| 6CE-42195-10 | 28 - 8 | 676-42726-00 | 26 - 17 | 6KA-43801-00 | 33 - 4 | 63P-43861-20 | 33 - 6 | | 40 - 22 | 6KA-45111-00-CE | 35 - 26 |
| 6BG-42384-00 | 25 - 2 | 6KA-42727-00 | 25 - 4 | 6KA-43804-00 | 34 - 3 | 6KA-43862-00 | 34 - 13 | | 42 - 16 | 6CB-45113-10 | 35 - 27 |
| 6DA-42384-00 | 24 - 26 | 6KA-42740-00-8D | 26 - 1 | 6KA-43805-00 | 34 - 2 | 6D8-43863-00 | 33 - 27 | 6CB-44312-00 | 39 - 29 | | 45 - 12 |
| 6GR-42384-00 | 27 - 2 | 6KA-42740-00-CE | 26 - 1 | 6KA-43806-00 | 34 - 5 | | 33 - 75 | | 40 - 29 | 6CE-45123-00 | 35 - 25 |
| 6KA-42401-00 | 31 - 3 | 6CB-42744-00 | 25 - 30 | 6CE-4380P-00 | 33 - 12 | 61A-43864-00 | 33 - 80 | 6CE-44315-00 | 39 - 26 | | 45 - 11 |
| 6KA-42510-00-8D | 32 - 1 | 6H4-42748-01 | 24 - 27 | 6KA-43810-00 | 33 - 3 | 60V-4386A-00 | 33 - 44 | | 40 - 26 | 6CE-45127-00 | 35 - 24 |
| 6KA-42510-00-CE | 32 - 1 | 68F-42753-00 | 24 - 3 | 61A-43811-00 | 33 - 9 | 6KA-4386K-00 | 34 - 6 | | 45 - 23 | | 45 - 10 |
| 6KA-42541-00 | 25 - 19 | 63P-42756-00 | 27 - 7 | 63P-43812-20 | 33 - 76 | 61A-43871-00 | 33 - 15 | | 45 - 38 | 6BB-45152-01 | 35 - 31 |
| 6CB-42545-00 | 2 - 5 | 6CB-42756-00 | 24 - 31 | 61A-43813-02 | 33 - 18 | 69J-43871-00 | 33 - 61 | 6AW-44322-00 | 39 - 18 | 61A-45155-01 | 35 - 37 |
| 6KA-42610-00-8D | 2 - 1 | 69M-42758-01 | 18 - 5 | 6H1-43814-11 | 33 - 17 | 6H1-43872-00 | 33 - 7 | | 40 - 18 | 6KA-45181-00 | 35 - 18 |
| 6KD-42610-00-8D | 2 - 1 | | 20 - 14 | 69J-43816-00 | 33 - 62 | 61A-43874-00 | 33 - 79 | | 45 - 32 | 6KA-45211-00-8D | 42 - 8 |
| 6KA-42610-00-CE | 2 - 1 | 6CB-42761-00 | 24 - 5 | 69J-43817-00 | 33 - 67 | 6H1-43875-00 | 33 - 29 | 6CE-44323-01 | 39 - 25 | | 42 - 9 |
| 6KD-42610-00-CE | 2 - 1 | 6KA-42766-00 | 24 - 29 | 61A-43818-00 | 33 - 25 | 61A-43875-10 | 33 - 82 | | 40 - 25 | 6KA-45211-00-CE | 42 - 8 |
| 6KA-42613-00-8D | 2 - 3 | 6KA-42769-00 | 26 - 16 | 69J-4381C-00 | 33 - 30 | 61A-43876-01 | 33 - 26 | | 45 - 37 | | 42 - 9 |
| 6KA-42613-00-CE | 2 - 3 | 6KA-42770-00-8D | 26 - 2 | | 33 - 35 | 6KA-43879-00 | 34 - 8 | 6GR-44331-00 | 31 - 6 | 6CE-45211-10-8D | 42 - 8 |
| 6KA-42615-00 | 24 - 7 | 6KA-42770-00-CE | 26 - 2 | 6KA-4381E-00 | 30 - 18 | 6KA-4387G-00 | 34 - 14 | 6GR-44332-00 | 31 - 7 | 6CE-45211-10-CE | 42 - 8 |
| 6BG-42617-00 | 21 - 9 | 6CE-42774-A0 | 26 - 9 | 6KA-4381F-00 | 30 - 20 | 6KA-43880-00 | 34 - 1 | 6CE-44352-00 | 39 - 23 | 6KA-45214-00 | 41 - 2 |
| 6CB-42617-00 | 21 - 10 | 6EE-42794-40 | 24 - 33 | 69J-4381J-00 | 33 - 63 | 6KA-43881-00 | 34 - 9 | | 40 - 23 | 6KA-45215-00 | 41 - 3 |
| 6KA-4261A-00-8D | 2 - 2 | 6EE-42794-50 | 24 - 34 | 69J-43820-01 | 33 - 78 | 6KA-43882-00 | 34 - 12 | | 45 - 35 | 6CE-45224-00 | 41 - 5 |
| 6KA-4261A-00-CE | 2 - 2 | 6KA-42811-00 | 27 - 10 | 61A-43821-02 | 33 - 77 | 6H1-43883-00 | 33 - 43 | 6CE-44361-00 | 35 - 38 | 6CE-45225-00 | 41 - 6 |
| 6KA-42625-00-8D | 2 - 6 | 6KA-42815-00-8D | 24 - 9 | 6KA-43828-00 | 33 - 70 | 69J-43888-00 | 33 - 71 | 6CE-44362-00 | 42 - 14 | 6AW-45244-00 | 39 - 42 |
| 6KA-42625-00-CE | 2 - 6 | 6KA-42815-00-CE | 24 - 9 | 6H1-43829-00 | 33 - 73 | 69J-43888-01 | 33 - 23 | 6AW-44363-00 | 42 - 17 | | 40 - 42 |
| 6CB-42628-00 | 2 - 21 | 6KA-42816-00-8D | 24 - 10 | 6KA-4382A-00 | 30 - 4 | 69J-4388F-00 | 33 - 68 | 6CE-44363-00 | 42 - 17 | 6G5-45251-02 | 1 - 15 |
| 6CB-42629-00 | 21 - 11 | 6KA-42816-00-CE | 24 - 10 | 69J-4382E-00 | 33 - 11 | 6KA-4388F-00 | 34 - 11 | 6AW-44365-01 | 35 - 23 | | 29 - 2 |
| 6CB-42643-00 | 25 - 24 | 6KA-42817-00-8D | 24 - 11 | 69J-43830-01 | 33 - 33 | 69J-4388H-00 | 33 - 66 | | 39 - 21 | 6KA-45254-00 | 41 - 9 |
| 6CB-42644-00 | 25 - 25 | 6KA-42817-00-CE | 24 - 11 | 69J-43831-00 | 33 - 65 | 69J-4388J-00 | 33 - 20 | | 40 - 21 | 6KA-45255-00 | 41 - 10 |
| 6CB-42647-A0 | 2 - 12 | 6CB-42818-00 | 24 - 15 | 69J-43833-02 | 33 - 21 | 6KA-43892-00 | 34 - 4 | | 42 - 15 | 6KA-45300-00-8D | 39 - 1 |
| 6CB-42662-02 | 5 - 44 | 6CB-42819-00 | 24 - 16 | 69J-43835-10 | 33 - 19 | 6CJ-43893-00 | 33 - 46 | | 45 - 22 | 6KB-45300-00-8D | 40 - 1 |
| 6AW-42663-01 | 2 - 18 | 6KA-43111-00-8D | 29 - 1 | 6KA-43840-00 | 33 - 2 | 69J-43894-00 | 33 - 41 | 6AW-44366-01 | 35 - 36 | 6KA-45300-00-CE | 39 - 1 |
| 6KA-42678-00 | 2 - 25 | 6KA-43111-00-CE | 29 - 1 | 6CJ-43841-00 | 33 - 42 | 69J-43899-01 | 33 - 31 | | 42 - 12 | 6KB-45300-00-CE | 40 - 1 |
| 6KD-42678-00 | 2 - 25 | 6KA-43112-00-8D | 29 - 8 | 6CJ-43843-00 | 33 - 53 | 61A-4389H-01 | 33 - 8 | | 42 - 12 | 6KA-45301-00-8D | 39 - 2 |
| 6KA-4267A-00 | 2 - 26 | 6KA-43112-00-CE | 29 - 8 | 6H1-43844-10 | 33 - 55 | 69J-4389J-00 | 33 - 32 | | 45 - 13 | | 40 - 2 |
| 6KA-42682-00 | 2 - 27 | 6KA-43121-00 | 31 - 13 | 63P-43844-20 | 33 - 50 | | 33 - 36 | 6KA-44385-00 | 37 - 1 | 6KA-45301-00-CE | 39 - 2 |
| 6DA-42697-00 | 31 - 20 | 6KA-43126-00 | 30 - 10 | 69J-43845-00 | 33 - 28 | 6KA-438A0-00 | 31 - 5 | 6P2-44391-00 | 24 - 28 | | 40 - 2 |
| 6AW-42697-10 | 2 - 22 | 66T-43144-00 | 24 - 20 | 69A-4384F-00 | 33 - 39 | 6CE-44117-10 | 28 - 14 | 6CE-44511-00 | 32 - 30 | 69J-45318-01 | 35 - 33 |
| 6KA-42710-00-8D | 24 - 1 | 6G5-43144-00 | 29 - 14 | 69J-4384G-00 | 33 - 58 | 6CE-44118-A0 | 28 - 18 | 6CE-44514-00 | 32 - 20 | 6CE-45321-20 | 39 - 11 |
| 6KA-42710-00-CE | 24 - 1 | 6G5-43148-00 | 29 - 19 | 6H1-4384G-11 | 33 - 54 | 6KA-44120-00 | 28 - 20 | 6KA-44521-00 | 35 - 47 | | 40 - 11 |
| 6CB-42716-01 | 24 - 8 | 6KA-43181-00 | 29 - 16 | 69J-4384H-00 | 33 - 10 | 6CE-44121-10 | 28 - 16 | | 45 - 14 | 6CE-45332-00-CA | 39 - 69 |
| 67F-42717-00 | 35 - 9 | 6KA-43185-00 | 29 - 17 | 61A-4384H-10 | 33 - 81 | 6CE-44122-20 | 28 - 9 | 6CE-44526-00 | 32 - 21 | 6CF-45332-01-CA | 40 - 67 |
| 6DA-42717-01 | 24 - 25 | 6KA-43311-00-8D | 29 - 10 | 6CJ-4384M-00 | 33 - 38 | 6CE-44142-20 | 28 - 7 | 6G5-44526-00 | 29 - 3 | 6AW-45335-00-CA | 39 - 31 |
| 6KA-42723-00-8D | 26 - 11 | 6KA-43311-00-CE | 29 - 10 | 69J-43851-00 | 33 - 49 | 6KA-44150-00 | 39 - 14 | 6CE-44532-01 | 32 - 23 | | 40 - 31 |
| 6KA-42723-00-CE | 26 - 11 | 6KA-43318-00-8D | 31 - 22 | 69J-43853-00 | 33 - 45 | 6KB-44150-00 | 40 - 14 | 6CE-44533-00 | 32 - 29 | 688-45341-10 | 39 - 4 |
| 6KA-42723-10-8D | 38 - 1 | 6KA-43318-00-CE | 31 - 22 | 69J-43854-00 | 33 - 57 | 6KA-44190-00 | 42 - 6 | 6CE-44536-00 | 32 - 22 | | 40 - 4 |
| 6KA-42723-10-CE | 38 - 1 | 6GR-43333-00 | 29 - 23 | 69J-43855-00 | 33 - 52 | 6KA-44190-10 | 42 - 6 | 6CE-44551-00-CA | 32 - 6 | 6KA-45344-00 | 39 - 37 |
| 6BG-42724-01 | 25 - 1 | 6KA-43341-00 | 31 - 16 | 6H1-43856-10 | 33 - 56 | 6CE-44194-01 | 32 - 28 | 6AW-44552-00-CA | 32 - 18 | | 40 - 37 |
| 6E5-42724-01 | 35 - 8 | 6KA-43342-00 | 31 - 17 | 61A-43861-00 | 33 - 14 | 6CE-44311-01 | 39 - 16 | 6KA-44555-00 | 32 - 9 | 6CE-45361-10 | 39 - 84 |

NUMERICAL INDEX
INDEX NUMERIQUE

| PART NO. N° PIECES | REF. NO. | PART NO. N° PIECES | REF. NO. | PART NO. N° PIECES | REF. NO. | PART NO. N° PIECES | REF. NO. | PART NO. N° PIECES | REF. NO. | PART NO. N° PIECES | REF. NO. |
|-----------------------|-------------|-----------------------|-------------|-----------------------|-------------|-----------------------|-------------|-----------------------|-------------|-----------------------|-------------|
| 6CE-45361-10 | 40 - 80 | 6CB-45577-20 | 39 - 77 | 6KA-45802-20 | 40 - 45 | 6CE-81842-00 | 23 - 18 | 6KA-82590-00 | 21 - 1 | K0F-A3751-B0 | 8 - 8 |
| 6CE-45373-00 | 1 - 19 | | 40 - 74 | 6CB-45824-00 | 39 - 51 | 6BR-81845-00 | 18 - 7 | 6KA-82594-00 | 21 - 5 | K0F-A3751-C0 | 8 - 8 |
| | 41 - 13 | 6CB-45577-30 | 39 - 77 | | 40 - 52 | 67F-81846-00 | 23 - 24 | 6KA-8259M-00 | 22 - 12 | K0F-A3751-D0 | 8 - 8 |
| 6CE-45375-00 | 39 - 8 | | 40 - 74 | 6KA-45970-00 | 41 - 20 | 6CE-81850-00 | 23 - 2 | 68F-82846-00 | 20 - 33 | K0F-A3751-E0 | 8 - 8 |
| | 40 - 8 | 6CB-45577-40 | 39 - 77 | 6KB-45970-00 | 41 - 22 | 6CE-81869-00 | 23 - 21 | 6KA-83383-01 | 9 - 22 | K0F-A3751-F0 | 8 - 8 |
| 663-45376-00 | 39 - 7 | | 40 - 74 | 6KA-45972-00 | 41 - 20 | 67F-81891-00 | 23 - 15 | 6E5-83558-00 | 35 - 40 | K0F-A3751-G0 | 8 - 8 |
| | 40 - 7 | 6CB-45577-50 | 39 - 77 | 6KB-45972-00 | 41 - 22 | 6CE-81919-21 | 20 - 39 | 6AW-83651-00 | 21 - 24 | K0F-A3751-H0 | 8 - 8 |
| 63P-45378-00 | 39 - 9 | | 40 - 74 | 6KA-45974-00 | 41 - 20 | 6KA-81920-00 | 20 - 1 | 6AW-8366B-01 | 43 - 1 | K0F-A3751-J0 | 8 - 8 |
| | 40 - 9 | 6CB-45577-60 | 39 - 77 | 6KA-45974-00 | 41 - 22 | 6KA-81929-00 | 20 - 8 | 60V-8366D-00 | 43 - 2 | K0F-A3751-K0 | 8 - 8 |
| | 42 - 10 | | 40 - 74 | 6KA-45976-00 | 41 - 20 | 6C5-81941-00 | 23 - 20 | 6KA-83720-00 | 38 - 3 | K0F-A3751-L0 | 8 - 8 |
| | 42 - 10 | 6K1-45578-01 | 40 - 76 | 6KB-45976-00 | 41 - 22 | 6CB-81948-02 | 20 - 12 | 6KA-84516-00 | 38 - 4 | K0F-A3751-M0 | 8 - 8 |
| 63P-45379-00 | 35 - 45 | 6K1-45578-10 | 40 - 76 | 69J-45987-00 | 41 - 15 | 6KW-81949-00 | 22 - 13 | 6P2-85075-00 | 19 - 6 | K0F-A3751-N0 | 8 - 8 |
| 6CB-45383-00 | 39 - 82 | 6K1-45578-20 | 40 - 76 | 688-45997-01 | 41 - 16 | 6AW-81950-00 | 20 - 19 | 64J-85516-01 | 18 - 4 | K0F-A3751-P0 | 8 - 8 |
| | 40 - 78 | 6K1-45578-30 | 40 - 76 | 6CE-45C81-10 | 41 - 21 | 6CB-81952-00 | 21 - 30 | | 20 - 13 | K0F-A3751-R0 | 8 - 8 |
| 6CB-45384-00 | 39 - 83 | 6K1-45578-40 | 40 - 76 | | 41 - 23 | 6AW-8195A-00 | 20 - 26 | 6CB-85516-01 | 17 - 17 | K0F-A3751-S0 | 8 - 8 |
| | 40 - 79 | 6K1-45578-50 | 40 - 76 | 6KA-46153-00 | 35 - 34 | 6CE-81960-10 | 18 - 11 | 6CB-85544-00 | 20 - 32 | K0F-A3751-T0 | 8 - 8 |
| 6KA-45501-00 | 39 - 44 | 6K1-45578-60 | 40 - 76 | 6KA-46894-00 | 35 - 42 | 6CE-81972-00-9S | 18 - 12 | 6CB-85547-00 | 9 - 10 | K0F-A3753-00 | 8 - 8 |
| | 40 - 44 | 6AW-45587-00 | 39 - 35 | 6KA-47445-00 | 31 - 14 | 6CE-81975-00 | 18 - 13 | 689-85547-01 | 15 - 1 | K0F-A3753-10 | 8 - 8 |
| 6T5-45539-00 | 39 - 43 | | 40 - 35 | 6KA-47651-00 | 30 - 16 | 6CE-81980-00 | 21 - 2 | 6CB-85561-00 | 17 - 5 | K0F-A3753-20 | 8 - 8 |
| | 40 - 43 | 6AW-45587-10 | 39 - 35 | 6DV-4820A-01 | 28 - 1 | 6EE-81994-40 | 17 - 19 | 6CE-85564-00 | 28 - 6 | K0F-A3753-30 | 8 - 8 |
| 6KA-45550-00 | 39 - 48 | | 40 - 35 | F2S-6411H-00 | 2 - 23 | 6EE-81994-50 | 17 - 20 | 6CB-85580-00 | 17 - 4 | K0F-A3753-40 | 8 - 8 |
| 6KB-45550-00 | 40 - 48 | 6AW-45587-20 | 39 - 35 | 6CE-68303-00 | 28 - 27 | 6AH-81996-00 | 24 - 35 | 6CE-85592-00 | 17 - 8 | K0F-A3753-50 | 8 - 8 |
| 6KB-45560-00 | 40 - 50 | | 40 - 35 | 6P2-81336-01 | 20 - 37 | 6KA-82105-00 | 20 - 42 | 6P2-85780-00 | 6 - 11 | K0F-A3753-60 | 8 - 8 |
| 676-45567-00 | 39 - 80 | 6AW-45587-30 | 39 - 35 | 6P2-81337-01 | 17 - 12 | 6P2-82113-00 | 20 - 34 | 6CB-85790-00 | 21 - 20 | K0F-A3753-70 | 8 - 8 |
| 6CB-45567-00 | 39 - 57 | | 40 - 35 | 6CE-81410-00 | 17 - 3 | 6GR-82119-00 | 20 - 7 | 63P-85886-00 | 21 - 27 | 6CB-W0001-03 | 44 - 1 |
| | 40 - 55 | 6AW-45587-40 | 39 - 35 | 6CB-81443-00 | 22 - 6 | 6UO-82127-00 | 29 - 5 | 6GR-85887-00 | 30 - 6 | 6KA-W0001-20 | 45 - 1 |
| 676-45567-10 | 39 - 80 | | 40 - 35 | 6CB-81639-10 | 20 - 31 | 6KA-82147-00 | 29 - 13 | 6P2-85896-00 | 19 - 5 | 6CE-W0078-02 | 1 - 20 |
| 6CB-45567-10 | 39 - 57 | 6AW-45587-50 | 39 - 35 | 6CE-81800-01 | 23 - 1 | 6AW-82149-00 | 32 - 14 | 6KA-8591A-00 | 18 - 1 | | 45 - 30 |
| | 40 - 55 | | 40 - 35 | 6CE-81801-01 | 23 - 5 | 67F-82151-00 | 20 - 29 | 6KD-8591A-00 | 18 - 1 | 6KA-W009A-00-9S | 5 - 1 |
| 676-45567-20 | 39 - 80 | 6AW-45587-60 | 39 - 35 | 6CE-81807-00 | 23 - 8 | 6CE-82151-00 | 20 - 25 | 6C5-86120-00 | 10 - 3 | 6KA-W009C-00-9S | 5 - 11 |
| 6CB-45567-20 | 39 - 57 | | 40 - 35 | 6CB-81809-00 | 23 - 14 | 6GR-82151-00 | 20 - 2 | 6CB-86120-00 | 6 - 1 | 6CB-W1165-10 | 4 - 9 |
| | 40 - 55 | 6CB-45611-00 | 39 - 58 | 6CE-81810-00 | 23 - 3 | 67F-82151-10 | 20 - 30 | 6KA-87228-00 | 31 - 1 | 6GR-W436G-00-8D | 31 - 19 |
| 676-45567-30 | 39 - 80 | 6KB-45611-00 | 40 - 56 | 67F-81813-00 | 23 - 6 | 67F-82151-40 | 20 - 27 | 6KA-8722G-00 | 31 - 2 | 6GR-W436G-00-CE | 31 - 19 |
| 6CB-45567-30 | 39 - 57 | 6KA-45631-00 | 39 - 67 | 6CE-81820-00 | 23 - 7 | 67F-82151-50 | 20 - 28 | K0F-A3233-00 | 4 - 15 | 6KA-W4380-00-8D | 33 - 1 |
| | 40 - 55 | | 40 - 65 | 6CE-81821-00 | 23 - 11 | 6CE-82170-11 | 20 - 24 | K0F-A3741-00 | 8 - 5 | 6KA-W4380-00-CE | 33 - 1 |
| 676-45567-40 | 39 - 80 | 6E5-45633-01 | 39 - 68 | 6CB-81822-02 | 22 - 4 | 6CB-82310-00 | 19 - 1 | K0F-A3742-00 | 8 - 6 | 6CB-W4624-00 | 8 - 27 |
| 6CB-45567-40 | 39 - 57 | | 40 - 66 | 6CB-81823-A0 | 22 - 8 | 6CB-82314-00 | 19 - 3 | K0F-A3743-00 | 8 - 3 | 6CE-W8145-01 | 17 - 1 |
| | 40 - 55 | 6CB-45634-00 | 39 - 59 | 6CB-81826-00 | 23 - 22 | 6CB-82316-01 | 18 - 3 | K0F-A3751-00 | 8 - 8 | 6EK-W9010-00 | 17 - 2 |
| 676-45567-50 | 39 - 80 | | 40 - 57 | 69J-81828-00 | 23 - 23 | 6P2-82380-00 | 11 - 5 | K0F-A3751-10 | 8 - 8 | 90101-12067 | 29 - 28 |
| 6CB-45567-50 | 39 - 57 | 61A-45635-00 | 39 - 63 | 6CE-81830-00 | 23 - 16 | 6CB-82388-00 | 21 - 18 | K0F-A3751-20 | 8 - 8 | 90101-12068 | 29 - 24 |
| | 40 - 55 | | 40 - 61 | 6CB-81832-00 | 23 - 9 | 6KA-82553-00 | 30 - 9 | K0F-A3751-30 | 8 - 8 | 90101-14004 | 32 - 15 |
| 6KA-45571-00 | 39 - 71 | 6H1-45668-00 | 39 - 62 | 6CB-81836-00 | 23 - 10 | 6P2-82560-01 | 21 - 21 | K0F-A3751-40 | 8 - 8 | 90105-06035 | 6 - 3 |
| 6CB-45576-00 | 39 - 72 | | 40 - 60 | 6CE-81839-00 | 23 - 19 | 6GR-82563-00 | 21 - 26 | K0F-A3751-50 | 8 - 8 | | 9 - 4 |
| 6CF-45576-00 | 40 - 69 | 6KA-45802-00 | 39 - 45 | 67F-8183R-00 | 23 - 13 | 6KA-8257V-00 | 27 - 4 | K0F-A3751-60 | 8 - 8 | 90105-06037 | 3 - 28 |
| 6CB-45577-00 | 39 - 77 | | 40 - 45 | 60V-8183T-00 | 23 - 17 | 68V-82582-10 | 21 - 3 | K0F-A3751-70 | 8 - 8 | | 3 - 45 |
| | 40 - 74 | 6KA-45802-10 | 39 - 45 | 6P2-8183X-00 | 20 - 22 | 6E9-82588-00 | 21 - 22 | K0F-A3751-80 | 8 - 8 | | 6 - 7 |
| 6CB-45577-10 | 39 - 77 | | 40 - 45 | 6CE-81840-01 | 23 - 4 | 6KA-82588-00 | 20 - 10 | K0F-A3751-90 | 8 - 8 | 90105-06039 | 25 - 29 |
| | 40 - 74 | 6KA-45802-20 | 39 - 45 | 67F-81841-00 | 23 - 12 | 6CB-82589-01 | 21 - 8 | K0F-A3751-A0 | 8 - 8 | 90105-06151 | 3 - 18 |

NUMERICAL INDEX
INDEX NUMERIQUE

| PART NO. N° PIECES | REF. NO. | PART NO. N° PIECES | REF. NO. | PART NO. N° PIECES | REF. NO. | PART NO. N° PIECES | REF. NO. | PART NO. N° PIECES | REF. NO. | PART NO. N° PIECES | REF. NO. |
|-----------------------|-------------|-----------------------|-------------|-----------------------|-------------|-----------------------|-------------|-----------------------|-------------|-----------------------|-------------|
| 90105-06151 | 3 - 40 | 90119-08191 | 40 - 28 | 90201-11008 | 28 - 24 | 90387-06M03 | 25 - 27 | 90464-13227 | 22 - 10 | 90467-09M09 | 18 - 20 |
| | 22 - 9 | | 45 - 40 | 90201-12064 | 28 - 4 | 90387-06M43 | 26 - 7 | 90464-13249 | 9 - 20 | 90467-130A5 | 25 - 21 |
| 90105-06M07 | 3 - 13 | 90119-10008 | 42 - 5 | 90201-12426 | 29 - 26 | | 26 - 13 | | 9 - 24 | 90467-140A8 | 25 - 22 |
| | 5 - 22 | 90119-10009 | 42 - 4 | 90201-13M01 | 29 - 25 | 90387-07054 | 2 - 8 | | 18 - 9 | 90467-140A9 | 25 - 23 |
| 90105-06M08 | 12 - 9 | 90119-10024 | 30 - 2 | 90201-156J2 | 24 - 13 | 90387-08104 | 28 - 5 | | 20 - 16 | 90468-18008 | 28 - 13 |
| 90105-08175 | 3 - 7 | | 32 - 19 | 90201-15M58 | 32 - 13 | 90387-08M37 | 24 - 23 | | 27 - 6 | | 28 - 17 |
| | 5 - 28 | | 32 - 31 | 90201-16032 | 32 - 10 | 90387-08M45 | 2 - 16 | 90464-16001 | 21 - 25 | 90480-10M23 | 9 - 17 |
| 90105-08178 | 6 - 5 | | 42 - 1 | 90201-186F1 | 5 - 8 | 90387-10094 | 2 - 14 | 90464-16017 | 25 - 11 | | 15 - 14 |
| 90105-08220 | 5 - 29 | 90119-10050 | 8 - 18 | | 5 - 18 | 90387-11005 | 5 - 26 | 90464-18004 | 22 - 11 | 90480-12314 | 17 - 16 |
| 90105-08M61 | 39 - 85 | 90119-10060 | 42 - 5 | 90201-301U7 | 39 - 39 | 90387-28013 | 32 - 24 | 90464-18246 | 21 - 14 | | 19 - 4 |
| | 40 - 81 | 90119-10061 | 42 - 4 | | 40 - 39 | 90401-19001 | 3 - 37 | 90464-20181 | 9 - 21 | 90480-13004 | 2 - 7 |
| 90105-08M87 | 22 - 5 | 90119-10064 | 30 - 3 | 90201-32008 | 39 - 79 | 90413-10001 | 25 - 12 | | 10 - 19 | 90480-13163 | 25 - 6 |
| 90105-10M00 | 41 - 14 | 90119-10070 | 35 - 28 | 90201-35008 | 32 - 12 | 90430-06M03 | 5 - 23 | | 18 - 10 | 90480-13M24 | 26 - 6 |
| 90105-14005 | 32 - 25 | 90119-10M07 | 8 - 31 | 90201-40M00 | 32 - 2 | 90430-08003 | 1 - 18 | | 20 - 18 | | 26 - 12 |
| 90109-06277 | 5 - 33 | 90149-05048 | 39 - 47 | 90201-41008 | 39 - 54 | | 39 - 5 | | 21 - 4 | 90480-14029 | 25 - 26 |
| | 5 - 37 | | 40 - 47 | 90201-68008 | 39 - 34 | | 40 - 5 | | 21 - 16 | 90480-15M31 | 17 - 15 |
| 90109-06M80 | 26 - 8 | 90149-11001 | 5 - 27 | | 40 - 34 | | 45 - 15 | | 21 - 17 | 90480-16009 | 2 - 11 |
| 90110-05039 | 41 - 4 | 90151-05M05 | 3 - 33 | 90202-08M41 | 28 - 10 | 90430-14115 | 5 - 10 | | 27 - 9 | 90480-19031 | 25 - 5 |
| | 41 - 8 | 90151-06M02 | 3 - 11 | 90202-32M19 | 32 - 11 | 90430-14M09 | 1 - 17 | 90464-20258 | 24 - 4 | 90480-20006 | 38 - 2 |
| 90111-06144 | 26 - 3 | | 3 - 20 | 90202-40M47 | 32 - 5 | | 36 - 5 | 90464-23001 | 10 - 6 | 90480-22M81 | 24 - 22 |
| | 30 - 19 | | 35 - 3 | 90206-15M18 | 24 - 14 | | 45 - 2 | 90464-26002 | 7 - 9 | 90501-10M77 | 39 - 60 |
| | 30 - 21 | 90159-06053 | 26 - 5 | 90214-30003 | 39 - 40 | 90445-09068 | 18 - 29 | | 10 - 14 | | 40 - 58 |
| | 31 - 21 | | 26 - 15 | | 40 - 40 | 90445-09120 | 10 - 9 | | 18 - 23 | 90506-16010 | 29 - 22 |
| | 31 - 23 | 90170-30M18 | 39 - 41 | 90249-06M19 | 29 - 20 | 90445-09220 | 7 - 1 | 90464-99004 | 9 - 12 | 90506-22001 | 24 - 18 |
| 90111-08078 | 2 - 13 | | 40 - 41 | 90250-08M07 | 39 - 66 | 90445-096H2 | 7 - 10 | | 33 - 83 | 91318-05025 | 33 - 59 |
| 90116-10066 | 42 - 1 | 90171-18M04 | 41 - 18 | | 40 - 64 | 90445-107A5 | 18 - 19 | 90465-11M10 | 7 - 7 | 91318-05040 | 33 - 64 |
| 90116-10067 | 42 - 1 | 90179-06M28 | 2 - 4 | 90280-04002 | 39 - 24 | 90445-14021 | 25 - 8 | | 7 - 11 | 91380-04010 | 31 - 9 |
| 90119-05M04 | 9 - 23 | | 5 - 41 | | 40 - 24 | 90445-15M03 | 24 - 19 | | 10 - 7 | 91380-05020 | 41 - 12 |
| 90119-06287 | 35 - 46 | 90179-08003 | 22 - 2 | | 45 - 36 | 90446-15003 | 20 - 23 | | 10 - 12 | 91490-20025 | 31 - 12 |
| 90119-06291 | 25 - 28 | 90179-14009 | 31 - 11 | 90282-05008 | 39 - 81 | 90462-06013 | 18 - 21 | | 15 - 5 | 91490-40030 | 41 - 19 |
| 90119-06293 | 18 - 6 | 90179-16017 | 39 - 49 | | 40 - 77 | 90464-07209 | 10 - 20 | | 15 - 18 | 91690-30020 | 29 - 21 |
| | 20 - 15 | | 40 - 49 | 90340-08002 | 39 - 6 | 90464-08004 | 11 - 9 | | 17 - 9 | 91690-40010 | 3 - 16 |
| 90119-06299 | 9 - 2 | 90183-02M03 | 39 - 65 | | 40 - 6 | | 21 - 7 | | 18 - 31 | 91690-60022 | 30 - 11 |
| 90119-06309 | 9 - 19 | | 40 - 63 | 90340-14M06 | 5 - 9 | 90464-09013 | 7 - 5 | | 18 - 32 | | 30 - 22 |
| | 15 - 13 | 90183-061A6 | 26 - 4 | | 36 - 4 | | 10 - 15 | | 18 - 33 | 91809-08006 | 5 - 4 |
| 90119-06MA3 | 18 - 14 | | 26 - 14 | 90340-18M09 | 5 - 7 | 90464-09129 | 21 - 29 | | 25 - 3 | | 5 - 14 |
| 90119-07001 | 5 - 5 | 90185-05002 | 41 - 7 | | 5 - 17 | 90464-10011 | 10 - 34 | | 25 - 20 | 92990-06100 | 2 - 19 |
| | 5 - 15 | | 41 - 11 | 90386-08008 | 28 - 2 | 90464-10M59 | 7 - 4 | | 30 - 1 | 92990-08600 | 2 - 15 |
| 90119-07234 | 5 - 6 | 90185-06M07 | 5 - 45 | 90386-10001 | 28 - 25 | 90464-11012 | 10 - 32 | | 35 - 41 | 92990-18200 | 41 - 17 |
| | 5 - 16 | | 28 - 12 | 90386-10M16 | 29 - 18 | 90464-11121 | 21 - 13 | | 43 - 3 | 92995-10600 | 42 - 2 |
| 90119-08020 | 9 - 3 | 90185-14M00 | 32 - 16 | 90386-11001 | 28 - 22 | 90464-12009 | 14 - 14 | | 43 - 3 | 92995-14600 | 32 - 17 |
| 90119-08168 | 28 - 3 | | 32 - 26 | 90386-15M73 | 24 - 12 | 90464-12010 | 7 - 6 | | 43 - 3 | | 32 - 27 |
| 90119-08176 | 31 - 18 | 90201-02M00 | 39 - 64 | 90386-18M14 | 30 - 13 | | 10 - 13 | 90465-11M59 | 7 - 16 | 93101-28019 | 39 - 32 |
| 90119-08180 | 39 - 30 | | 40 - 62 | | 33 - 24 | | 10 - 33 | | 27 - 3 | | 40 - 32 |
| | 40 - 30 | 90201-053R1 | 2 - 10 | 90386-39M89 | 32 - 3 | 90464-12012 | 14 - 15 | 90465-14M66 | 7 - 17 | | 45 - 24 |
| 90119-08182 | 35 - 4 | 90201-06068 | 28 - 11 | 90387-06285 | 17 - 14 | | 14 - 16 | | 14 - 13 | 93101-30019 | 39 - 75 |
| 90119-08187 | 24 - 24 | 90201-06M02 | 35 - 44 | 90387-06289 | 9 - 18 | 90464-12183 | 20 - 17 | 90467-08004 | 18 - 34 | | 40 - 72 |
| 90119-08191 | 39 - 28 | 90201-10M01 | 8 - 32 | | 15 - 15 | | 21 - 15 | 90467-090A0 | 10 - 11 | | 45 - 28 |

NUMERICAL INDEX
INDEX NUMERIQUE

| PART NO. N° PIECES | REF. NO. | PART NO. N° PIECES | REF. NO. | PART NO. N° PIECES | REF. NO. | PART NO. N° PIECES | REF. NO. | PART NO. N° PIECES | REF. NO. | PART NO. N° PIECES | REF. NO. |
|-----------------------|-------------|-----------------------|-------------|-----------------------|-------------|-----------------------|-------------|-----------------------|-------------|-----------------------|-------------|
| 93101-30030 | 39 - 74 | 93210-37160 | 45 - 21 | 93606-12019 | 45 - 39 | 95D95-06016 | 15 - 16 | 97E95-06516 | 20 - 6 | | |
| | 40 - 71 | | 45 - 34 | 93606-19M23 | 35 - 22 | | 20 - 11 | | 20 - 38 | | |
| | 45 - 27 | 93210-66001 | 33 - 69 | 93608-16M16 | 35 - 7 | | 21 - 19 | | 43 - 4 | | |
| 93102-38008 | 8 - 26 | 93210-69MG6 | 39 - 36 | | 35 - 29 | | 21 - 31 | 97E95-06520 | 19 - 8 | | |
| | 44 - 11 | | 40 - 36 | | 36 - 3 | | 22 - 7 | 97E95-06525 | 29 - 4 | | |
| 93102-85008 | 4 - 4 | | 45 - 25 | | 39 - 52 | | 36 - 21 | 97E95-06610 | 20 - 20 | | |
| | 44 - 10 | 93210-94003 | 39 - 19 | | 40 - 53 | 95D95-06020 | 18 - 2 | 97E95-08516 | 20 - 40 | | |
| 93104-22M07 | 39 - 17 | | 40 - 19 | | 41 - 1 | | 20 - 9 | | 20 - 41 | | |
| | 40 - 17 | | 45 - 20 | | 42 - 13 | | 21 - 12 | 97E95-08520 | 39 - 38 | | |
| | 45 - 19 | | 45 - 33 | | 42 - 13 | | 35 - 11 | | 40 - 38 | | |
| | 45 - 31 | 93211-02001 | 39 - 76 | 93700-06002 | 29 - 7 | 95D95-06025 | 9 - 13 | 98507-04008 | 13 - 39 | | |
| 93106-10001 | 39 - 13 | | 40 - 73 | | 29 - 9 | | 17 - 13 | 98780-06530 | 3 - 31 | | |
| | 40 - 13 | | 45 - 29 | | 29 - 11 | | 18 - 15 | 98780-06550 | 3 - 35 | | |
| | 45 - 18 | 93306-209U0 | 39 - 70 | 94702-00400 | 1 - 8 | | 19 - 2 | 99001-09600 | 39 - 15 | | |
| 93106-19001 | 33 - 5 | 93311-83280 | 39 - 3 | | 5 - 46 | 95D95-06030 | 5 - 32 | | 40 - 15 | | |
| 93210-064A5 | 33 - 51 | | 40 - 3 | 95022-06035 | 17 - 10 | | 5 - 36 | 99002-03600 | 33 - 40 | | |
| 93210-06ME6 | 30 - 12 | 93311-85894 | 39 - 50 | 95023-06012 | 18 - 22 | | 17 - 11 | 99009-47500 | 39 - 55 | | |
| 93210-07003 | 39 - 10 | | 40 - 51 | 95027-06025 | 3 - 27 | 95D95-08012 | 24 - 17 | 99530-08012 | 17 - 6 | | |
| | 40 - 10 | 93315-43061 | 39 - 73 | 95380-06600 | 2 - 20 | 95D95-08016 | 20 - 3 | 99530-14016 | 8 - 30 | | |
| | 42 - 11 | | 40 - 70 | | 10 - 4 | 95D95-08020 | 20 - 4 | | | | |
| | 42 - 11 | 93332-00048 | 40 - 68 | 95380-10600 | 42 - 3 | 95D95-08025 | 5 - 24 | | | | |
| | 45 - 16 | 93332-000A4 | 39 - 53 | 95380-12600 | 29 - 27 | 97513-06520 | 20 - 21 | | | | |
| 93210-08391 | 33 - 48 | 93332-000A5 | 39 - 78 | 95780-08300 | 2 - 17 | 97513-08545 | 22 - 1 | | | | |
| 93210-09165 | 28 - 21 | 93340-67011 | 39 - 56 | 95780-10300 | 30 - 15 | 97580-08535 | 31 - 4 | | | | |
| | 33 - 72 | | 40 - 54 | 95812-06025 | 36 - 8 | 97595-05516 | 30 - 5 | | | | |
| | 42 - 7 | 93341-440U5 | 40 - 75 | 95D75-06025 | 28 - 23 | | 30 - 8 | | | | |
| 93210-11001 | 19 - 7 | 93399-99962 | 39 - 33 | | 28 - 28 | 97595-05520 | 17 - 7 | | | | |
| 93210-17239 | 33 - 22 | | 40 - 33 | 95D75-06040 | 36 - 14 | 97602-04306 | 34 - 7 | | | | |
| 93210-17MF9 | 30 - 7 | 93410-10082 | 28 - 26 | 95D75-08030 | 9 - 1 | 97602-04308 | 34 - 10 | | | | |
| 93210-19MJ3 | 36 - 20 | 93410-37M04 | 32 - 7 | 95D75-08060 | 11 - 4 | 97780-40112 | 38 - 5 | | | | |
| | 45 - 4 | 93420-50093 | 35 - 35 | 95D95-06010 | 35 - 39 | 97780-50016 | 2 - 9 | | | | |
| 93210-22MF1 | 39 - 46 | 93501-04011 | 39 - 61 | 95D95-06012 | 18 - 8 | 97780-50620 | 20 - 36 | | | | |
| | 40 - 46 | | 40 - 59 | | 21 - 6 | 97780-60520 | 25 - 18 | | | | |
| | 45 - 26 | 93501-08001 | 33 - 47 | | 21 - 23 | 97985-04308 | 22 - 3 | | | | |
| 93210-24M79 | 3 - 42 | 93503-16003 | 33 - 37 | | 24 - 21 | 97D95-06010 | 29 - 15 | | | | |
| | 44 - 17 | 93505-32038 | 33 - 13 | | 24 - 30 | | 35 - 43 | | | | |
| 93210-26658 | 3 - 8 | | 33 - 34 | | 24 - 32 | 97D95-06012 | 35 - 32 | | | | |
| | 36 - 15 | 93604-07M13 | 28 - 19 | | 27 - 5 | 97E75-06525 | 28 - 15 | | | | |
| | 44 - 6 | 93604-35236 | 33 - 60 | | 27 - 8 | 97E75-06620 | 11 - 6 | | | | |
| | 44 - 14 | 93605-10108 | 8 - 10 | | 27 - 11 | 97E75-08535 | 35 - 21 | | | | |
| 93210-27370 | 3 - 44 | | 8 - 12 | | 30 - 17 | | 36 - 2 | | | | |
| | 44 - 18 | | 8 - 14 | | 31 - 15 | 97E75-08560 | 35 - 15 | | | | |
| 93210-33M49 | 39 - 12 | | 8 - 16 | | 31 - 24 | 97E75-10535 | 35 - 6 | | | | |
| | 40 - 12 | 93606-12019 | 3 - 3 | 95D95-06014 | 5 - 39 | 97E75-10545 | 35 - 5 | | | | |
| | 45 - 17 | | 3 - 4 | | 15 - 20 | 97E75-10570 | 42 - 5 | | | | |
| 93210-35321 | 32 - 4 | | 4 - 3 | | 24 - 6 | 97E95-06510 | 29 - 6 | | | | |
| 93210-37160 | 39 - 20 | | 39 - 27 | 95D95-06016 | 6 - 9 | | 29 - 12 | | | | |
| | 40 - 20 | | 40 - 27 | | 10 - 17 | 97E95-06516 | 20 - 5 | | | | |