

**PARTS
CATALOGUE
CATALOGUE
DE PIÉCES DÉTACHÉES**

F200CA-2021 (6DV9)
LF200CA-2021 (6DW9)



1V6DV-300FA

()

2022/2/21

| NEWS NO. | DATE | COMMENT |
|---------------|--------------|------------------------------------|
| PE0-OM-220003 | Jan.,28,2022 | MOD:BOTTOM COWLING 2 LIST REVISION |

F200CA/LF200CA
PARTS CATALOGUE
©2021 by Yamaha Motor Co., Ltd.
1st edition, May 2021
All rights reserved.
Any reprinting or unauthorized use
without the written permission of
Yamaha Motor Co., Ltd.
is expressly prohibited.
Printed in Japan.

F200CA/LF200CA
CATALOGUE DE PIECES DETACHEES
©2021 par Yamaha Motor Co., Ltd.
1^{re} édition, mai 2021
Tous droits réservés
Toute réimpression ou utilisation
non autorisée sans la permission écrite
de la Yamaha Motor Co., Ltd.
est formellement interdite.
Imprimé au Japon

FOREWORD

This Parts Catalogue is related to the parts for the model(s) on the cover page. When you are ordering replacement parts, please refer to this Parts Catalogue and quote both part numbers and part names correctly.

1. Modifications or additions which have been made after the issue of the Parts Catalogue will be announced in the Parts News.
It is advisable that you make the necessary corrections to the Parts Catalogue according to the Parts News.

2. Abbreviations

The following abbreviations are used in this Parts Catalogue.

“UR” Use specified parts number.

“UN” Use as many as needed.

“AP” Alternate Parts

“LM” Locally Made (Parts need to be ordered locally)

“F#” Frame No. (Applicable machine No.)

“O/S” Over Size

3. The number of components for assembly

- Parts, which are to be supplied in an assembly, are listed with a dot (.) in front of the part name as shown below.
- The numeral appearing to the right of each component part indicates the quantity of parts for each assembly unit.

| PART NO. | DESCRIPTION | Q'TY | REMARKS |
|--------------|--------------------------|------|---------|
| 2F5-83310-60 | FRONT FLASHER LIGHT ASSY | 2 | |
| 115-83311-60 | .BULB (6V-18W) | 1 | |

4. Applicable colours of graphics are represented in the “REMARKS” as shown below.

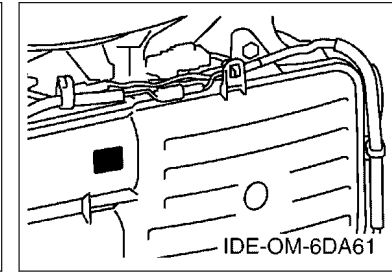
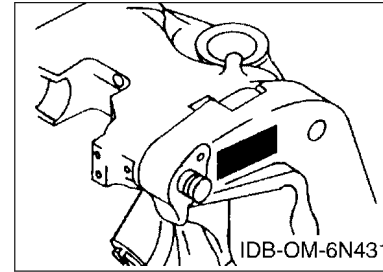
| PART NO. | DESCRIPTION | Q'TY | REMARKS |
|-----------------|---------------------|------|---------|
| 2N4-24110-00-X5 | FUEL TANK COMP. | 2 | MXR |
| 3J1-24240-10 | .GRAPHIC, FUEL TANK | 1 | FOR MXR |

5. Note that the illustrations for reference in finding parts numbers are not to be used for assembling. When assembling, please use the applicable service manual.

6. The asterisk (*) before a reference number indicates modified items after the first edition.

7. Applicable Serial No.

Engine Serial No.



8. Applicable Engine Starting Serial No.

| Model | Serial No. | Model | Serial No. |
|--------|-------------|---------|-------------|
| F200CA | 6DV-1016781 | LF200CA | 6DW-1009603 |
| | | | |
| | | | |
| | | | |

9. Applicable Colour Code

| Abbreviation | Colour Name | Colour Code |
|--------------|--------------------|-------------|
| DBN1 | DARK BLUISH GRAY 1 | 008D |

10. Quantity Column Information

| Column No. | Name Of Q'ty Column | Applicable Model |
|------------|---------------------|------------------|
| 1 | 6DV9 | F200CA |
| 2 | 6DW9 | LF200CA |
| | | |
| | | |

AVANT-PROPOS

Ce catalogue de pièces détachées concerne les pièces pour le(s) modèle(s) indiqué(s) sur la page de couverture. Lorsque vous commandez des pièces de rechange, veuillez vous référer à ce catalogue de pièces détachées et indiquer clairement les numéros et les noms des pièces détachées.

1. Les modifications ou ajouts ayant été effectués après la parution du catalogue de pièces détachées seront décrits dans les Bulletins d'information concernant les pièces détachées.

Il est recommandé que vous apportiez les corrections nécessaires au catalogue des pièces détachées en vous référant aux Bulletins d'information.

2. Abréviations

Dans ce catalogue, les abréviations suivantes sont utilisées:

“UR” Utiliser le numéro de pièces spécifié.

“UN” Utiliser autant que nécessaire.

“AP” Pièces de substitution

“LM” Fabrication locale (les pièces doivent être commandées localement.)

“F#” N° de cadre (applicable au N° de série)

“O/S” Surdimensionné

3. Nombre de pièces d'un assemblage

- Les pièces fournies comme composants d'un assemblage sont précédées d'un point (.) de la manière indiquée ci-dessous.
- Le chiffre apparaissant à la droite de chaque composant indique la quantité de pièces pour chaque unité d'assemblage.

| N° PIECES | DESCRIPTION | QTE | REMARQUES |
|--------------|-----------------------|-----|-----------|
| 2F5-83310-60 | ENS. CLIGNOTANT AVANT | 2 | |
| 115-83311-60 | .AMPOULE (6V-18W) | 1 | |

4. Les couleurs concernant les graphiques sont indiquées dans la colonne “REMARQUES”, comme indiqué ci-dessous.

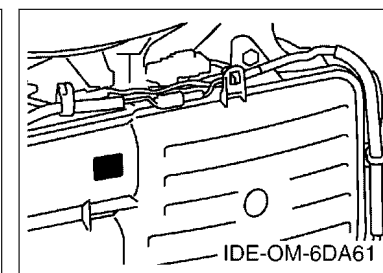
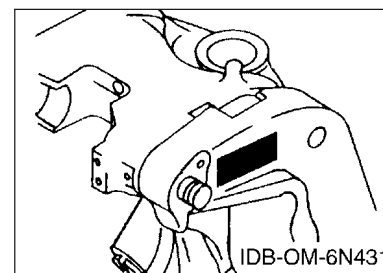
| N° PIECES | DESCRIPTION | QTE | REMARQUES |
|-----------------|----------------------|-----|-----------|
| 2N4-24110-00-X5 | RESERVOIR A ESSENCE. | 2 | MXR |
| 3J1-24240-10 | .GRAPHIQUE | 1 | POUR MXR |

5. Veuillez noter que les illustrations sont indiquées à titre de référence pour trouver les numéros de pièces, non pour être utilisées lors de l'assemblage. Lors de l'assemblage, veuillez utiliser le manuel d'entretien adéquat.

6. L'astérisque (*) placé devant un numéro de référence indique des éléments qui ont été modifiés après la première édition.

7. N° de série applicable

N° de Série du moteur



8. N° de série initial du moteur applicable

| Modèle | N° de série | Modèle | N° de série |
|--------|-------------|---------|-------------|
| F200CA | 6DV-1016781 | LF200CA | 6DW-1009603 |
| | | | |
| | | | |
| | | | |

9. Code couleur applicable

| Abréviation | Nom de la couleur | Code couleur |
|-------------|--------------------|--------------|
| DBN1 | DARK BLUISH GRAY 1 | 008D |

10. Informations relatives à la colonne Quantité

| N° de la colonne | Nom de la colonne Qté | Modèle applicable |
|------------------|-----------------------|-------------------|
| 1 | 6DV9 | F200CA |
| 2 | 6DW9 | LF200CA |
| | | |
| | | |

CONTENTS

| | |
|----------------------------------|----|
| SCHEDULED SERVICE PARTS..... | 1 |
| TOP COWLING..... | 2 |
| CYLINDER & CRANKCASE 1..... | 3 |
| CRANKSHAFT & PISTON..... | 5 |
| CYLINDER & CRANKCASE 2..... | 6 |
| CYLINDER & CRANKCASE 3..... | 7 |
| CYLINDER & CRANKCASE 4..... | 9 |
| VALVE..... | 10 |
| INTAKE 1..... | 13 |
| INTAKE 2..... | 14 |
| INTAKE 3..... | 16 |
| FUEL INJECTION PUMP 1..... | 17 |
| FUEL INJECTION PUMP 2..... | 19 |
| FUEL 1..... | 20 |
| FUEL 2..... | 22 |
| GENERATOR..... | 23 |
| ELECTRICAL 1..... | 25 |
| ELECTRICAL 2..... | 27 |
| ELECTRICAL 3..... | 28 |
| ELECTRICAL 4..... | 29 |
| ELECTRICAL 5..... | 30 |
| ELECTRICAL 6..... | 31 |
| STARTING MOTOR..... | 32 |
| BOTTOM COWLING 1..... | 33 |
| BOTTOM COWLING 2..... | 35 |
| BOTTOM COWLING 3..... | 36 |
| CONTROL..... | 37 |
| BRACKET 1..... | 39 |
| BRACKET 2..... | 41 |
| POWER TRIM & TILT ASSY 1..... | 43 |
| POWER TRIM & TILT ASSY 2..... | 46 |
| UPPER CASING..... | 47 |
| OIL PAN..... | 49 |
| LOWER CASING & DRIVE 1..... | 50 |
| LOWER CASING & DRIVE 2..... | 54 |
| LOWER CASING & DRIVE 3..... | 55 |
| LOWER CASING & DRIVE 4..... | 59 |
| STEERING GUIDE ATTACHMENT 1..... | 60 |
| STEERING GUIDE ATTACHMENT 2..... | 61 |
| OPTIONAL PARTS 1..... | 62 |

| | |
|-----------------------|----|
| OPTIONAL PARTS 2..... | 63 |
| REPAIR KIT 1..... | 64 |
| REPAIR KIT 2..... | 65 |

INDEX

| | |
|----------------------|----|
| NUMERICAL INDEX..... | 67 |
|----------------------|----|

TABLE DES MATIERES

| | |
|-------------------------------------|----|
| PIECES MAINTENANCE PERIODIQUE..... | 1 |
| CAPOT SUPERIEUR..... | 2 |
| CYLINDRE & CARTER 1..... | 3 |
| VILEBREQUIN & PISTON..... | 5 |
| CYLINDRE & CARTER 2..... | 6 |
| CYLINDRE & CARTER 3..... | 7 |
| CYLINDRE & CARTER 4..... | 9 |
| SOUPAPE..... | 10 |
| ADMISSION 1..... | 13 |
| ADMISSION 2..... | 14 |
| ADMISSION 3..... | 16 |
| POMPE A INJECTEUR 1..... | 17 |
| POMPE A INJECTEUR 2..... | 19 |
| CARBURANT 1..... | 20 |
| CARBURANT 2..... | 22 |
| GENERATRICE..... | 23 |
| PARTIE ELECTRIQUE 1..... | 25 |
| PARTIE ELECTRIQUE 2..... | 27 |
| PARTIE ELECTRIQUE 3..... | 28 |
| PARTIE ELECTRIQUE 4..... | 29 |
| PARTIE ELECTRIQUE 5..... | 30 |
| PARTIE ELECTRIQUE 6..... | 31 |
| DEMARREUR ELECTRIQUE..... | 32 |
| CAPOT INFERIEUR 1..... | 33 |
| CAPOT INFERIEUR 2..... | 35 |
| CAPOT INFERIEUR 3..... | 36 |
| COMMANDE..... | 37 |
| SUPPORT 1..... | 39 |
| SUPPORT 2..... | 41 |
| PUISSANCE PARER ET INCLINER 1..... | 43 |
| PUISSANCE PARER ET INCLINER 2..... | 46 |
| FOURREAU..... | 47 |
| VENTILATEUR D'HUILE..... | 49 |
| BOITIER D'HELICE TRANSMISSION1..... | 50 |
| BOITIER D'HELICE TRANSMISSION2..... | 54 |
| BOITIER D'HELICE TRANSMISSION3..... | 55 |
| BOITIER D'HELICE TRANSMISSION4..... | 59 |
| DIRECTION GUIDE ACCESSOIRE 1..... | 60 |
| DIRECTION GUIDE ACCESSOIRE 2..... | 61 |
| PIECES OPTIONNELLES 1..... | 62 |

| | |
|----------------------------|----|
| PIECES OPTIONNELLES 2..... | 63 |
| KITS DE REPARATION 1..... | 64 |
| KITS DE REPARATION 2..... | 65 |

INDEX

| | |
|----------------------|----|
| INDEX NUMERIQUE..... | 67 |
|----------------------|----|

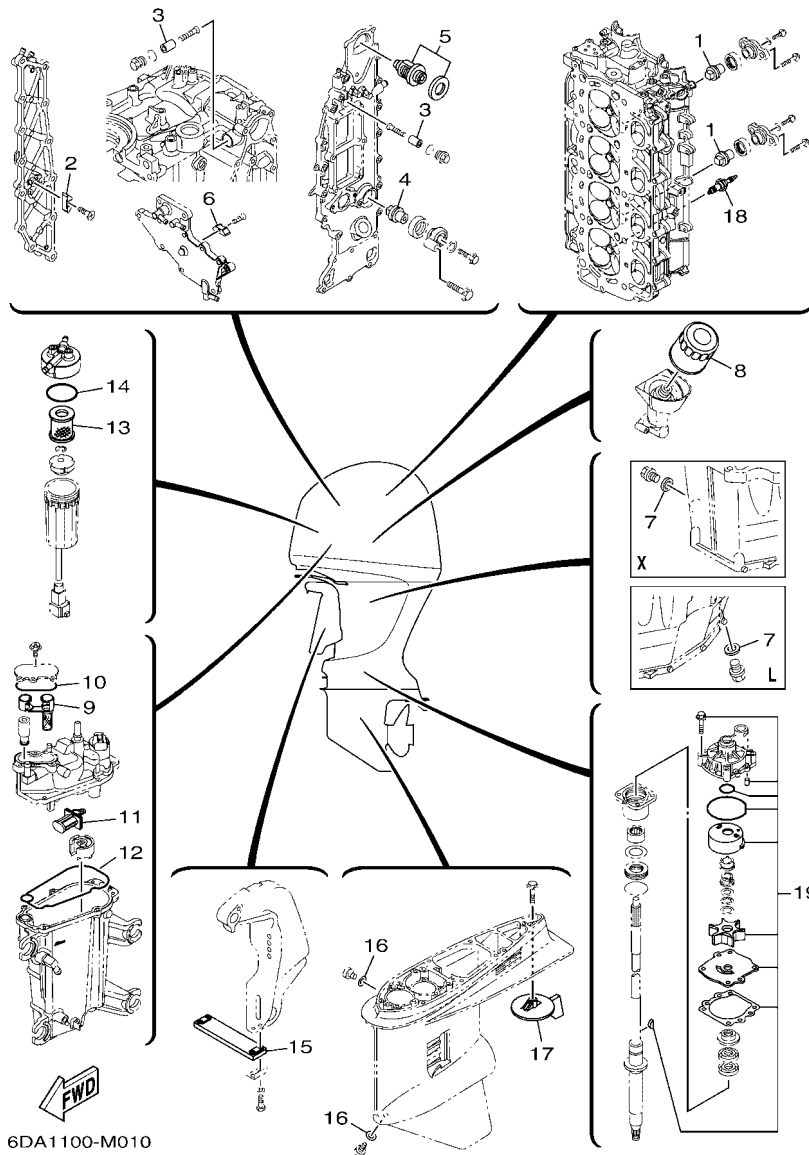
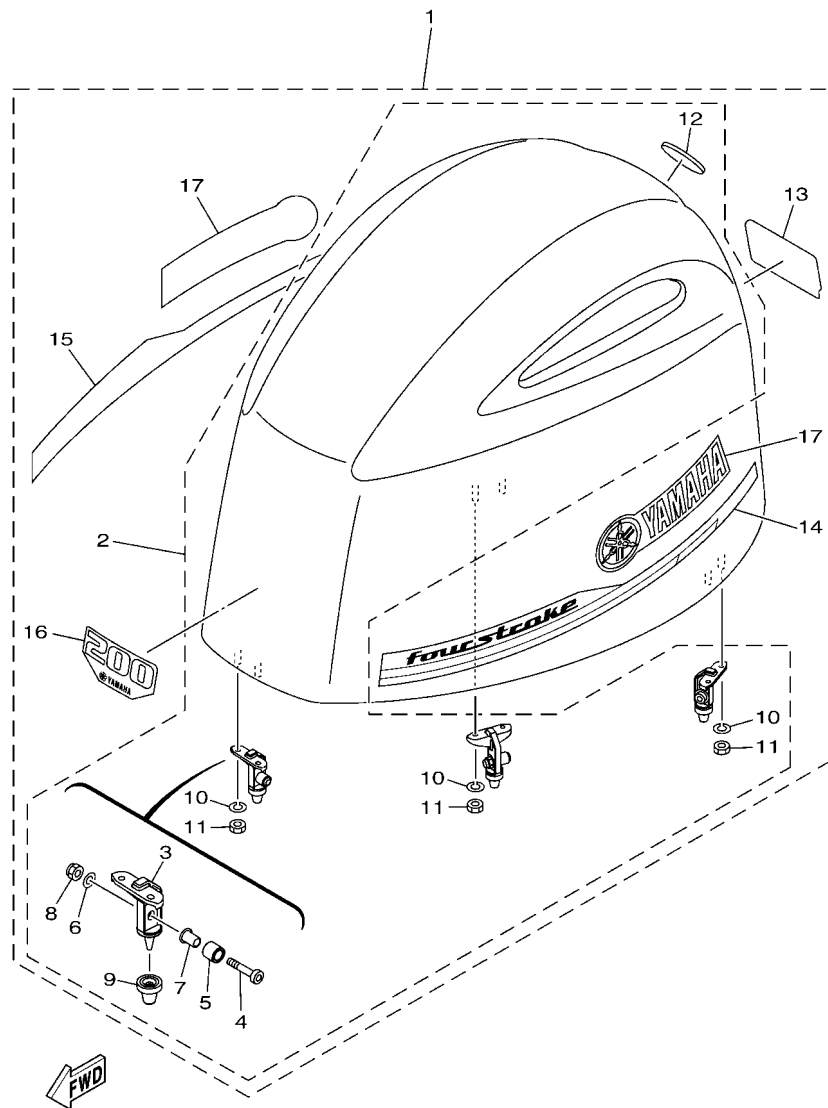


FIG. 1 SCHEDULED SERVICE PARTS

PIECES MAINTENANCE PERIODIQUE

| REF. NO. | PART NO. N° PIECES | DESCRIPTION DESCRIPTION | 6DV9 | 6DW9 | REMARKS REMARQUES |
|----------|--------------------|----------------------------|------|------|-------------------|
| 1 | 67F-11325-01 | ANODE | 2 | 2 | |
| 2 | 6E5-11325-00 | ANODE | 1 | 1 | |
| 3 | 68T-11325-00 | ANODE | 2 | 2 | |
| 4 | 67F-11325-01 | ANODE | 1 | 1 | |
| 5 | 6DA-12411-01 | THERMOSTAT | 1 | 1 | |
| 6 | 6E5-11325-00 | ANODE | 1 | 1 | |
| 7 | 90430-14M09 | GASKET | 1 | 1 | |
| 8 | 69J-13440-04 | ELEMENT ASSY, OIL CLEANER | 1 | 1 | |
| 9 | 6CB-24501-01 | FILTER, FUEL | 1 | 1 | |
| 10 | 6CB-13016-00 | O-RING | 1 | 1 | |
| 11 | 63P-13915-00 | FILTER | 1 | 1 | |
| 12 | 6CB-14984-00 | GASKET, FLOAT CHAMBER | 1 | 1 | |
| 13 | 6P3-24563-02 | ELEMENT, FILTER | 1 | 1 | |
| 14 | 6P3-24564-00 | GASKET | 1 | 1 | |
| 15 | 6AW-45251-00 | ANODE | 1 | 1 | |
| 16 | 90430-08003 | GASKET | 2 | 2 | |
| 17 | 6J9-45371-01 | TAB-TRIM | 1 | | |
| | 6K1-45371-02 | ANODE DERIVE | | 1 | |
| 18 | 94702-00400 | PLUG, SPARK (NGK LFR6A-11) | 4 | 4 | |
| 19 | 61A-W0078-A4 | WATER PUMP REPAIR KIT | 1 | 1 | |



6DA5100-R020

FIG. 2 TOP COWLING

CAPOT SUPERIEUR

| REF. NO. | PART NO. N° PIECES | DESCRIPTION DESCRIPTION | 6DV6 | 6DW6 | REMARKS REMARQUES |
|----------|--------------------|--|------|------|--|
| 1 | 6DA-42610-02 | TOP COWLING ASSY CAPOT (ENS.) | 1 | 1 | |
| | 6DA-42610-10-CE | TOP COWLING ASSY CAPOT (ENS.) | 1 | 1 | WHITE WHITE |
| 2 | 6DA-4261A-02 | .TOP COWLING W/O GRAPHICS .CAPOT SUPERIEUR SANS GRAPHIQUE | 1 | 1 | |
| | 6DA-4261A-02-CE | .TOP COWLING W/O GRAPHICS .CAPOT SUPERIEUR SANS GRAPHIQUE | 1 | 1 | WHITE WHITE |
| 3 | 6CB-42647-A0 | .HOLDER, CLAMP BAND .SUPPORT, SANDOW DE SERRAGE | 3 | 3 | |
| 4 | 90111-08078 | .BOLT, HEX. SOCKET BUTTON .BOULON | 3 | 3 | |
| 5 | 90387-10094 | .COLLAR .COLLERETTE | 3 | 3 | |
| 6 | 92990-08600 | .WASHER, PLATE .RONDELLE, PLATE | 3 | 3 | |
| 7 | 90387-08M45 | .COLLAR .COLLERETTE | 3 | 3 | |
| 8 | 95780-08300 | .NUT, FLANGE .ECROU | 3 | 3 | |
| 9 | 6AW-42663-01 | .DAMPER 2 .AMORTISSEUR 2 | 3 | 3 | |
| 10 | 92990-06100 | .WASHER, SPRING .RONDELLE, GROWER | 6 | 6 | |
| 11 | 95380-06600 | .NUT, HEXAGON .ECROU | 6 | 6 | |
| 12 | 6DA-42697-00 | .TUNING FORK MARK .MARQUE, YAMAHA | 1 | 1 | |
| 13 | 6DA-42678-00 | .GRAPHIC, REAR .ADHESIF, ARRIERE | 1 | 1 | |
| | 6DA-42678-10 | .GRAPHIC, REAR .ADHESIF, ARRIERE | 1 | 1 | FOR WHITE COWLING FOR WHITE COWLING |
| 14 | 6DA-42675-00 | .GRAPHIC, SIDE 1 .EMBLEME | 1 | 1 | |
| | 6DA-42675-10 | .GRAPHIC, SIDE 1 .EMBLEME | 1 | 1 | FOR WHITE COWLING FOR WHITE COWLING |
| 15 | 6DA-42676-00 | .GRAPHIC, SIDE 2 .EMBLEME | 1 | 1 | |
| | 6DA-42676-10 | .GRAPHIC, SIDE 2 .EMBLEME | 1 | 1 | FOR WHITE COWLING FOR WHITE COWLING |
| 16 | 6DA-42677-00 | .GRAPHIC, FRONT .ADHESIF, AVANT | 1 | 1 | |
| | 6DA-42677-10 | .GRAPHIC, FRONT .ADHESIF, AVANT | 1 | 1 | FOR WHITE COWLING FOR WHITE COWLING |
| 17 | 63P-42681-20 | .MARK, COWLING .ADHESIF, CAPOT | 2 | 2 | |
| | 63P-42681-30 | .MARK, COWLING .ADHESIF, CAPOT | 2 | 2 | FOR WHITE COWLING FOR WHITE COWLING |

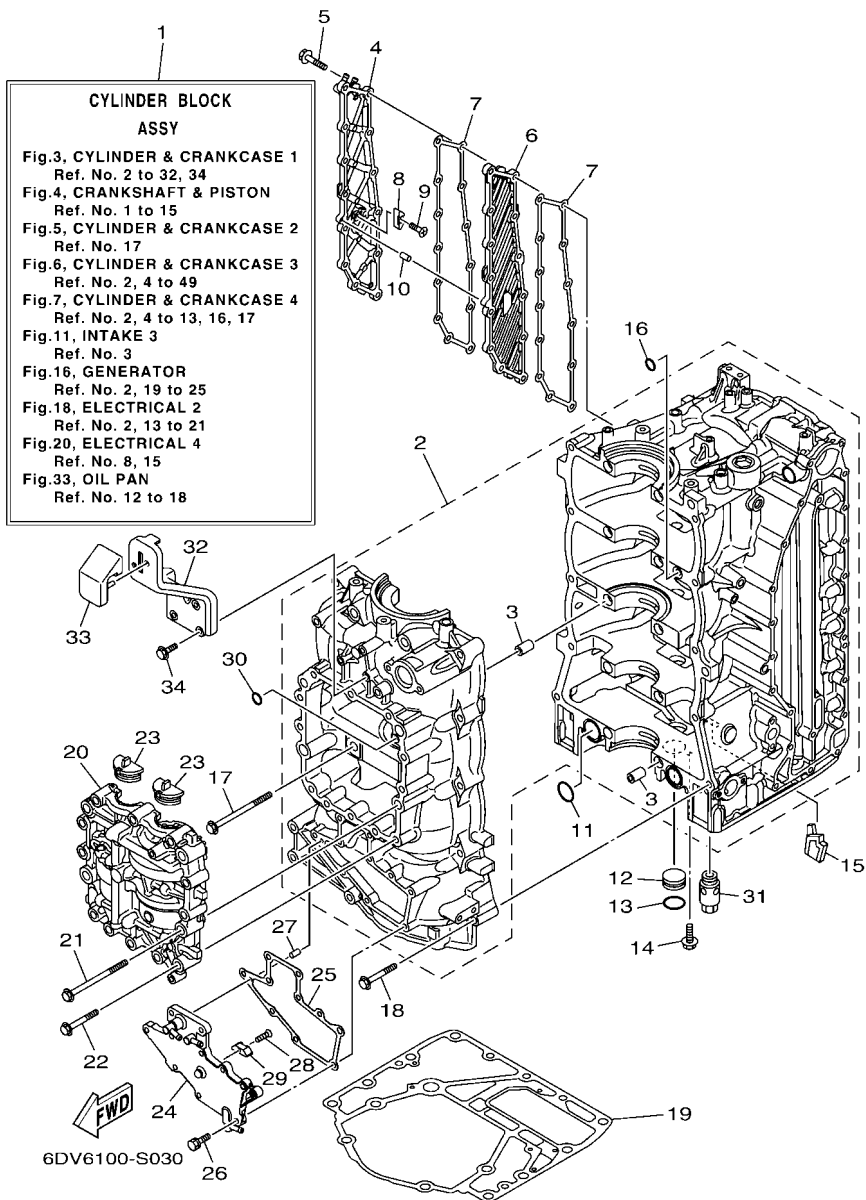


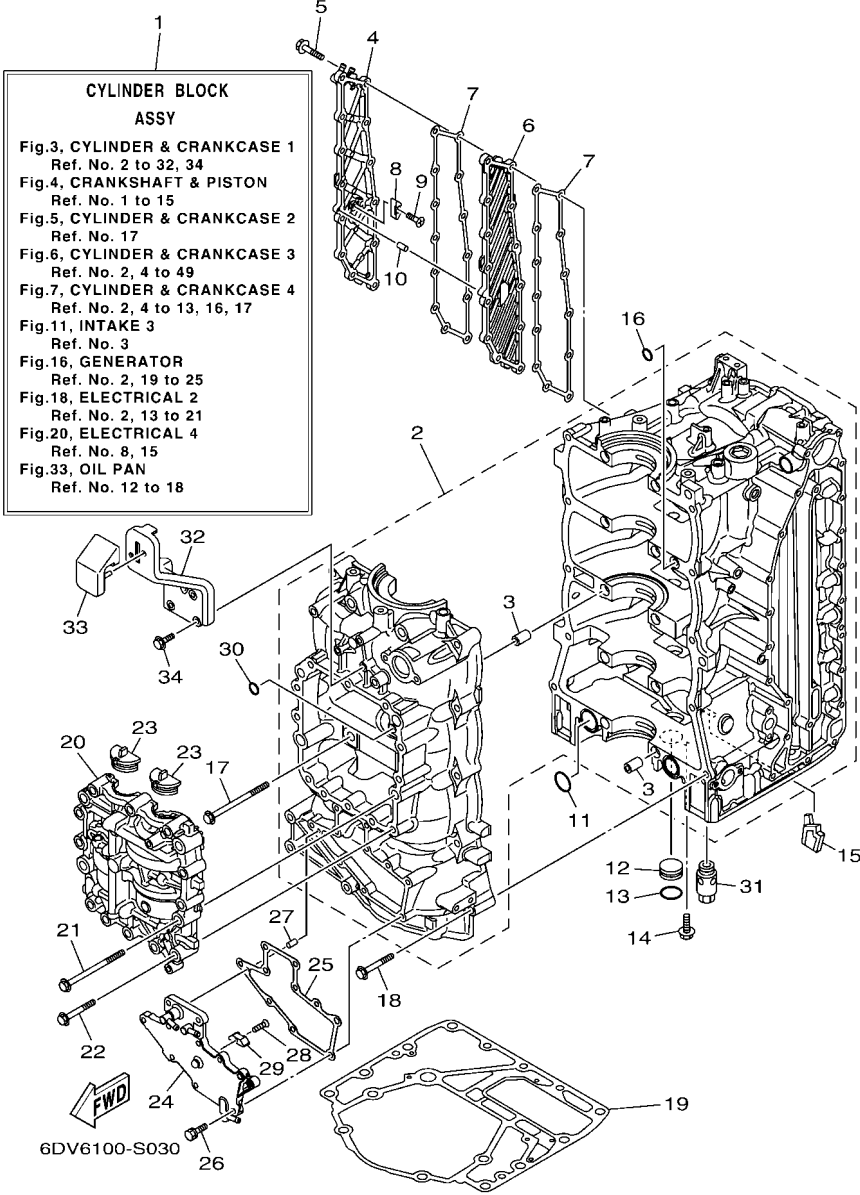
FIG. 3 CYLINDER & CRANKCASE 1

CYLINDRE & CARTER 1

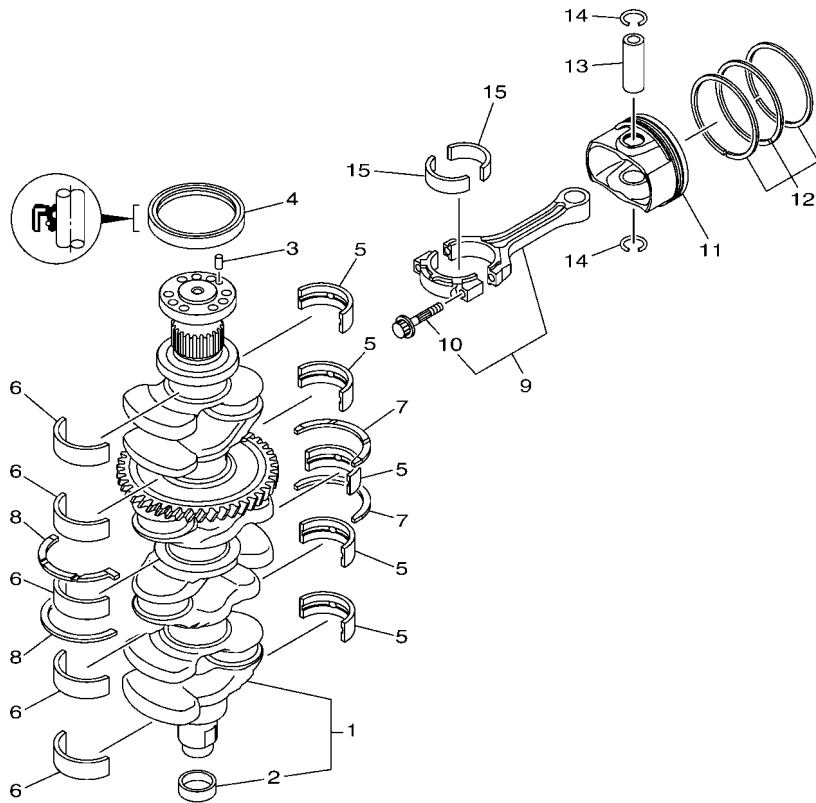
| REF. NO. | PART NO. N° PIECES | DESCRIPTION DESCRIPTION | 6DV6 | 6DW6 | REMARKS REMARQUES |
|----------|--------------------|---|------|------|-------------------|
| 1 | 6DA-W009B-13-9S | CYLINDER BLOCK ASSY CYLINDRE GROUPE (ENS.) | 1 | 1 | |
| 2 | 6DA-15109-01-9S | CRANKCASE ASSY CARTER DE MOTEUR COMPLET | 1 | 1 | |
| 3 | 91814-18002 | .PIN, DOWEL .GOUJON, D'ASSEMBLAGE | 10 | 10 | |
| 4 | 6DA-15414-00-9S | COVER 1 COUVERCLE 1 | 1 | 1 | |
| 5 | 90105-06028 | BOLT, FLANGE BOULON, A COLLERETTE | 13 | 13 | |
| 6 | 6DA-15423-00-9S | COVER 2 COUVERCLE 2 | 1 | 1 | |
| 7 | 6DA-15353-01 | GASKET, DRAIN JOINT, PLOT DE VIDANGE | 2 | 2 | |
| 8 | 6E5-11325-00 | ANODE ANODE | 1 | 1 | |
| 9 | 98780-04016 | SCREW, FLAT HEAD VIS A TETE FRAISEE | 1 | 1 | |
| 10 | 91690-40010 | PIN, SPRING AGRAFFE | 1 | 1 | |
| 11 | 93210-25552 | O-RING JOINT TORIQUE | 2 | 2 | |
| 12 | 90338-25004 | PLUG PLOT | 1 | 1 | |
| 13 | 93210-25647 | O-RING JOINT TORIQUE | 1 | 1 | |
| 14 | 90119-06276 | BOLT, WITH WASHER BOULON, AVEC RONDELLE | 1 | 1 | |
| 15 | 6DA-14664-01 | GROMMET, WATER SHUT PASSE-FIL | 1 | 1 | |
| 16 | 93210-12648 | O-RING JOINT TORIQUE | 1 | 1 | |
| 17 | 90105-10406 | BOLT, FLANGE BOULON, A COLLERETTE | 10 | 10 | |
| 18 | 90119-08M66 | BOLT, WITH WASHER BOULON, AVEC RONDELLE | 10 | 10 | |
| 19 | 63P-11351-03 | GASKET, CYLINDER JOINT, D'EMBASE | 1 | 1 | |
| 20 | 6DA-11500-00 | BALANCER ASSY ARBRE D'EQUILIBRAGE COMPLET | 1 | 1 | |
| 21 | 90105-10406 | BOLT, FLANGE BOULON, A COLLERETTE | 4 | 4 | |
| 22 | 90105-08175 | BOLT, FLANGE BOULON, A COLLERETTE | 12 | 12 | |
| 23 | 63P-11512-00 | SEAL, CRANK COVER JOINT, COUV DE VILEBREQUIN | 2 | 2 | |
| 24 | 6DA-15411-00-9S | COVER, CRANKCASE 1 COUVERCLE 1, CARTER MOTEUR | 1 | 1 | |
| 25 | 6DA-15451-01 | GASKET, CRANKCASE COVER 1 JOINT, COUVERCLE DE CARTER 1 | 1 | 1 | |
| 26 | 90119-06MA3 | BOLT, WITH WASHER BOULON, AVEC RONDELLE | 10 | 10 | |
| 27 | 91690-40010 | PIN, SPRING AGRAFFE | 1 | 1 | |

FIG. 3 CYLINDER & CRANKCASE 1

CYLINDRE & CARTER 1



| REF. NO. | PART NO. N° PIECES | DESCRIPTION DESCRIPTION | 6DV/6 | 6DW/6 | REMARKS REMARQUES |
|----------|--------------------|--|-------|-------|-------------------|
| 28 | 98780-04016 | SCREW, FLAT HEAD VIS A TETE FRAISEE | 1 | 1 | |
| 29 | 6E5-11325-00 | ANODE ANODE | 1 | 1 | |
| 30 | 93210-08001 | O-RING JOINT TORIQUE | 1 | 1 | |
| 31 | 63P-13490-00 | RELIEF VALVE ASSY SOUPAPE DE SECURITE COMPLET | 1 | 1 | |
| 32 | 6DA-42744-00 | STAY SUPPORT | 1 | 1 | |
| 33 | 6DA-42662-01 | DAMPER AMORTISSEUR | 1 | 1 | |
| 34 | 90105-06196 | BOLT, FLANGE BOULON, A COLLERETTE | 3 | 3 | |
| | | | | | |
| | | | | | |
| | | | | | |
| | | | | | |
| | | | | | |




6EH8100-U040

FIG. 4 CRANKSHAFT & PISTON

VILEBREQUIN & PISTON

| REF. NO. | PART NO. N° PIECES | DESCRIPTION DESCRIPTION | 6DV6 | 6DW6 | | REMARKS REMARQUES |
|----------|--------------------|--|------|------|--|------------------------|
| 1 | 6DA-11410-00 | CRANKSHAFT VILEBREQUIN COMPLET | 1 | 1 | | |
| 2 | 6CB-11478-00 | .COLLAR .COLLERETTE | 1 | 1 | | |
| 3 | 93606-12019 | PIN, DOWEL GOUPILLE | 1 | 1 | | |
| 4 | 93102-85008 | OIL SEAL JOINT SPY | 1 | 1 | | |
| 5 | 6DA-11416-00 | PLANE BEARING, CRANKSHAFT 1 COUSSINET DE VILEBREQUIN 1 | 5 | 5 | | UR YELLOW UR YELLOW |
| 6 | 6DA-11416-10 | PLANE BEARING, CRANKSHAFT 1 COUSSINET DE VILEBREQUIN 1 | 5 | 5 | | UR GREEN UR GREEN |
| 6 | 6DA-11416-20 | PLANE BEARING, CRANKSHAFT 1 COUSSINET DE VILEBREQUIN 1 | 5 | 5 | | UR BLUE UR BLUE |
| 6 | 6DA-11417-00 | PLANE BEARING, CRANKSHAFT 2 COUSSINET DE VILEBREQUIN 2 | 5 | 5 | | UR YELLOW UR YELLOW |
| 6 | 6DA-11417-10 | PLANE BEARING, CRANKSHAFT 2 COUSSINET DE VILEBREQUIN 2 | 5 | 5 | | UR GREEN UR GREEN |
| 6 | 6DA-11417-20 | PLANE BEARING, CRANKSHAFT 2 COUSSINET DE VILEBREQUIN 2 | 5 | 5 | | UR BLUE UR BLUE |
| 7 | 6DA-11426-00 | BEARING, THRUST 1 ROULEMENT DE BUTEE 1 | 2 | 2 | | |
| 8 | 6DA-11427-00 | BEARING, THRUST 2 ROULEMENT DE BUTEE 2 | 2 | 2 | | |
| 9 | 6CB-W1165-10 | CONNECTING ROD ASSY BIELLE COMPLETE | 4 | 4 | | |
| 10 | 63P-11654-10 | .BOLT, CONNECTING ROD .BOULON, BIELLE | 2 | 2 | | |
| 11 | 6DA-11631-20-94 | PISTON (STD) PISTON (STD) | 4 | 4 | | |
| 12 | 6CB-11603-00 | PISTON RING SET (STD) JEU DE SEGMENTS (STD) | 4 | 4 | | |
| 13 | 6CB-11633-00 | PIN, PISTON AXE, PISTON | 4 | 4 | | |
| 14 | K0F-A3233-00 | RING, HOLE SNAP JONC | 8 | 8 | | |
| 15 | 6JD-11656-00 | PLANE BEARING, CONNECTING ROD ROULEMENT DE BIELLE | 8 | 8 | | UR BLACK UR BLACK |
| | 6JD-11656-10 | PLANE BEARING, CONNECTING ROD ROULEMENT DE BIELLE | 8 | 8 | | UR PINK UR PINK |
| | 6JD-11656-20 | PLANE BEARING, CONNECTING ROD ROULEMENT DE BIELLE | 8 | 8 | | UR RED UR RED |

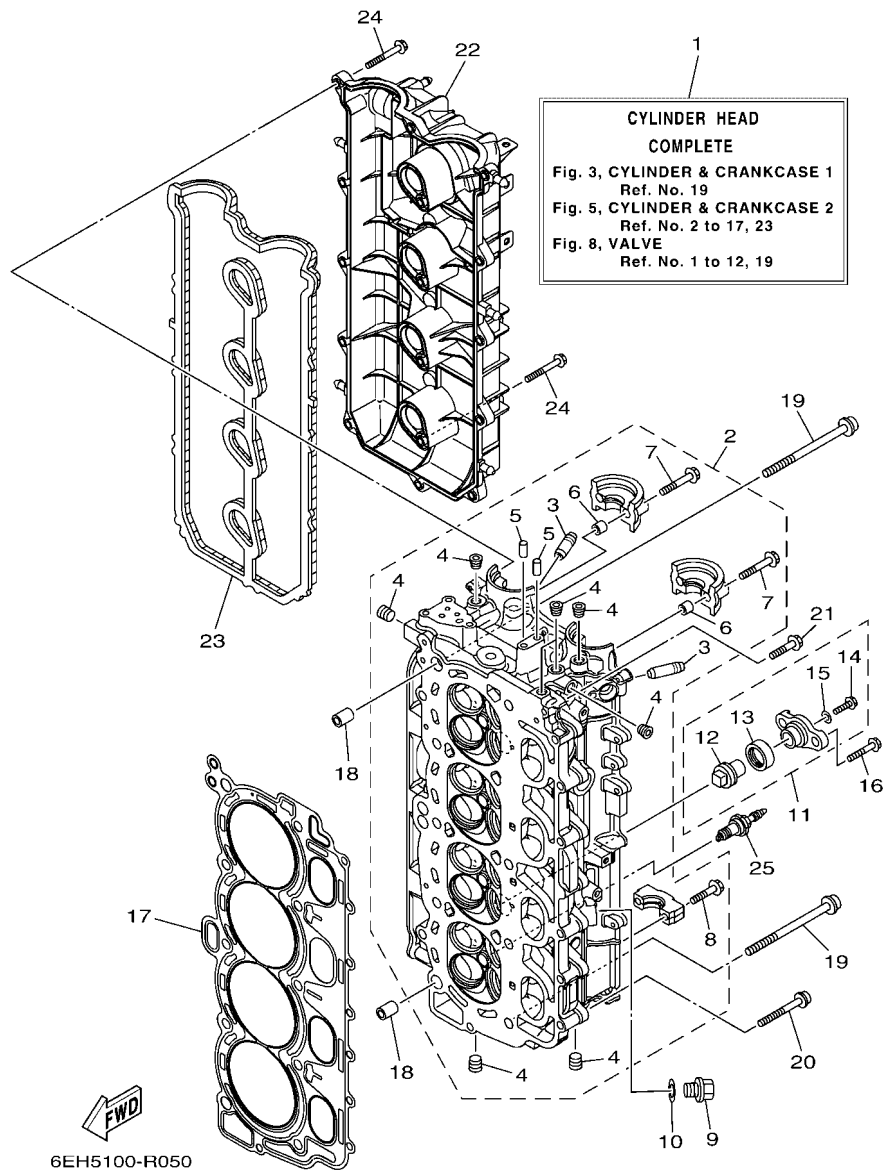


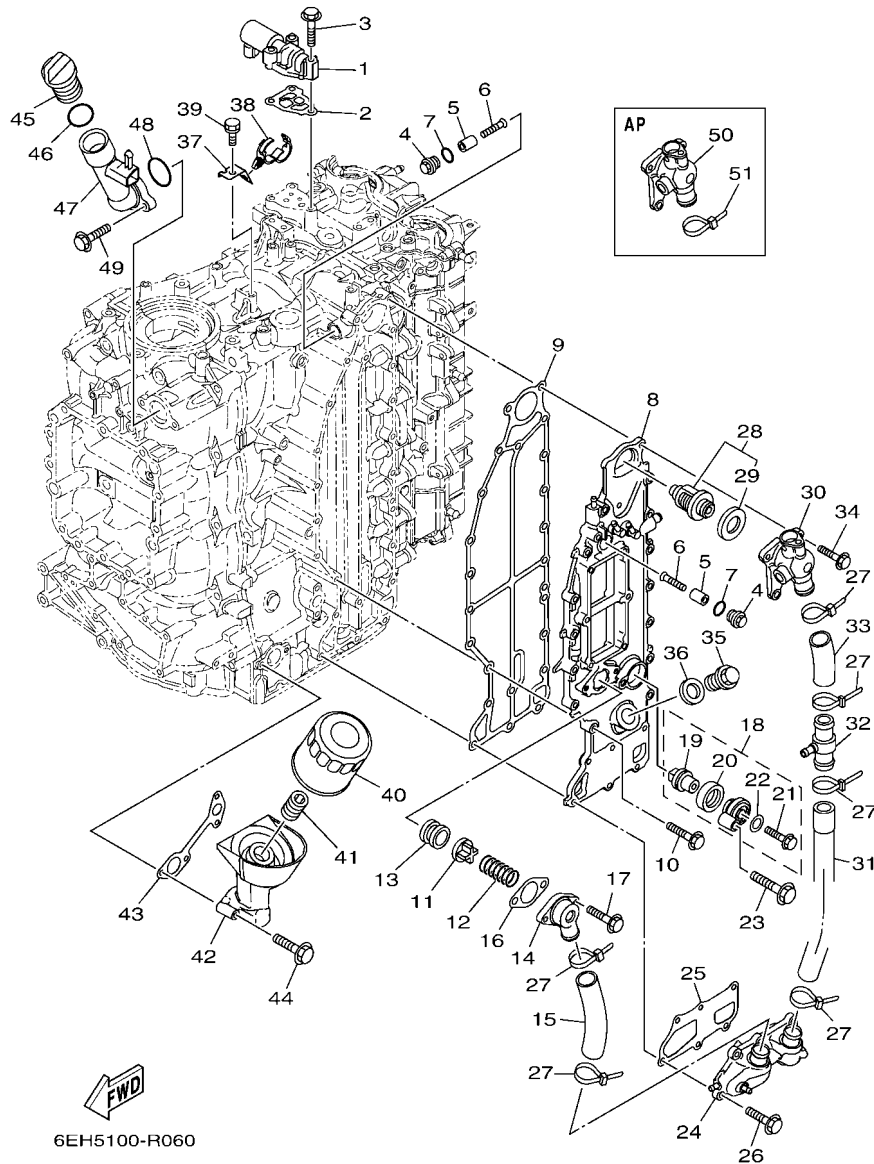
FIG. 5 CYLINDER & CRANKCASE 2

CYLINDRE & CARTER 2

| REF. NO. | PART NO. N° PIECES | DESCRIPTION DESCRIPTION | 6DV6 | 6DW6 | REMARKS REMARQUES |
|----------|--------------------|---|------|------|-------------------|
| 1 | 6DA-W009A-03-9S | CYLINDER HEAD COMPLETE CULASSE (ENS.) | 1 | 1 | |
| 2 | 6DA-11110-02-9S | CYLINDER HEAD ASSY JEU DE CULASSE | 1 | 1 | |
| 3 | 6DA-11133-10 | .GUIDE, VALVE 1 .GUIDE, SOUPAPE 1 | 16 | 16 | |
| 4 | 90344-51019 | .PLUG, TAPER SCREW .PLOT, FILETE CONIQUE | 8 | 8 | |
| 5 | 93606-12019 | .PIN, DOWEL .GOUPILLE | 2 | 2 | |
| 6 | 91809-08006 | .PIN, DOWEL .GOUJON, D'ASSEMBLAGE | 4 | 4 | |
| 7 | 90119-07001 | .BOLT, WITH WASHER .BOULON, AVEC RONDELLE | 4 | 4 | |
| 8 | 90119-07234 | .BOLT, WITH WASHER .BOULON, AVEC RONDELLE | 16 | 16 | |
| 9 | 90340-14M06 | PLUG, STRAIGHT SCREW PLOT, FILETE DROIT | 1 | 1 | |
| 10 | 90430-14115 | GASKET JOINT | 1 | 1 | |
| 11 | 67F-11301-01 | ANODE COVER ASSY COUVERCLE ANODE (ENS.) | 2 | 2 | |
| 12 | 67F-11325-01 | .ANODE .ANODE | 1 | 1 | |
| 13 | 67F-11328-01 | .GROMMET, ANODE .PASSE-FIL | 1 | 1 | |
| 14 | 90105-06M07 | .BOLT, FLANGE .BOULON, A COLLERETTE | 1 | 1 | |
| 15 | 90430-06M03 | .GASKET JOINT | 1 | 1 | |
| 16 | 95D95-08025 | BOLT, FLANGE DEEP RECESS BOULON FIXATION | 4 | 4 | |
| 17 | 6DA-11181-00 | GASKET, CYLINDER HEAD 1 JOINT, DE CULASSE 1 | 1 | 1 | |
| 18 | 90387-11005 | COLLAR COLLERETTE | 2 | 2 | |
| 19 | 90149-11001 | SCREW VIS | 10 | 10 | |
| 20 | 90105-08175 | BOLT, FLANGE BOULON, A COLLERETTE | 8 | 8 | |
| 21 | 90105-06151 | BOLT, FLANGE BOULON, A COLLERETTE | 1 | 1 | |
| 22 | 6DA-11191-00 | COVER, CYLINDER HEAD 1 COUVERCLE, CULASSE 1 | 1 | 1 | |
| 23 | 6DA-11193-00 | GASKET, HEAD COVER 1 JOINT, COUVERCLE DE CULASSE 1 | 1 | 1 | |
| 24 | 95D95-06030 | BOLT, FLANGE DEEP RECESS BOULON FIXATION | 16 | 16 | |
| 25 | 94702-00400 | PLUG, SPARK (NGK LFR6A-11) BOUGIE D'ALLUMAGE(NGK LFR6A-11) | 4 | 4 | |

FIG. 6 CYLINDER & CRANKCASE 3

CYLINDRE & CARTER 3

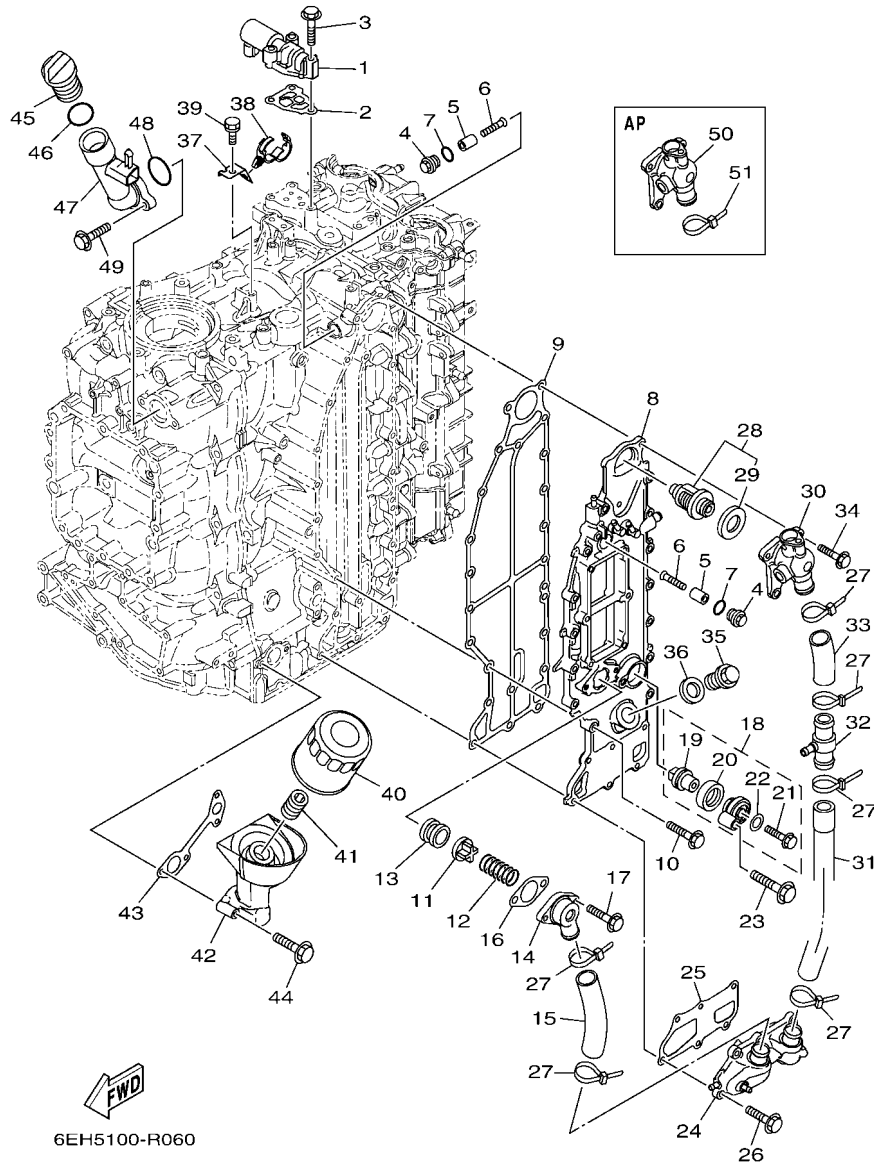


6EH5100-R060

| REF. NO. | PART NO. N° PIECES | DESCRIPTION DESCRIPTION | 6DV/6 | 6DW/6 | REMARKS REMARQUES |
|----------|--------------------|---|-------|-------|-------------------|
| 1 | 6CB-86120-00 | SOLENOID VALVE ASSY SOLENOIDE | 1 | 1 | |
| 2 | 6CB-1242F-00 | GASKET, FILTER JOINT, FILTRE | 1 | 1 | |
| 3 | 90105-06035 | BOLT, FLANGE BOULON, A COLLERETTE | 3 | 3 | |
| 4 | 6G8-11197-A0 | PLUG, BLIND PLOT, BORGNE | 2 | 2 | |
| 5 | 68T-11325-00 | ANODE ANODE | 2 | 2 | |
| 6 | 90151-05M05 | SCREW, COUNTERSUNK VIS, TETE NOYEE | 2 | 2 | |
| 7 | 93210-13M63 | O-RING JOINT TORIQUE | 2 | 2 | |
| 8 | 6DA-41113-00-9S | OUTER COVER, EXHAUST COUVERCLE, ECHAPPEMENT | 1 | 1 | |
| 9 | 6DA-41114-01 | GASKET, EXHAUST OUTER COVER JOINT, COUVERCLE D'ECHAPPEMENT | 1 | 1 | |
| 10 | 90105-06028 | BOLT, FLANGE BOULON, A COLLERETTE | 14 | 14 | |
| 11 | 60H-12416-00 | VALVE, PRESSURE CONTROL SOUPAPE DE CONTROLEUR PRESS | 1 | 1 | |
| 12 | 90501-16M11 | SPRING, COMPRESSION RESSORT, COMPRESSION | 1 | 1 | |
| 13 | 90480-20M05 | GROMMET PASSE-FIL | 1 | 1 | |
| 14 | 6G5-11372-00 | COVER, BYPASS 2 CONVERCLE | 1 | 1 | |
| 15 | 6DA-1243A-00 | HOSE 1 DURITE 1 | 1 | 1 | |
| 16 | 60V-11382-A0 | GASKET 2 JOINT 2 | 1 | 1 | |
| 17 | 90119-06MA3 | BOLT, WITH WASHER BOULON, AVEC RONDELLE | 2 | 2 | |
| 18 | 69J-11301-01 | ANODE COVER ASSY COUVERCLE ANODE (ENS.) | 1 | 1 | |
| 19 | 67F-11325-01 | .ANODE .ANODE | 1 | 1 | |
| 20 | 67F-11328-01 | .GROMMET, ANODE .PASSE-FIL | 1 | 1 | |
| 21 | 90105-06M07 | .BOLT, FLANGE .BOULON, A COLLERETTE | 1 | 1 | |
| 22 | 90430-06M03 | .GASKET .JOINT | 1 | 1 | |
| 23 | 97E75-08540 | BOLT, HEXAGON W/W DEEP RECESS VIS HEXAGONAL AVC RONDELLE | 1 | 1 | |
| 24 | 6DA-12527-00-9S | COVER, WATER BY-PASS CACHE, DERIVATHION D'EAU | 1 | 1 | |
| 25 | 6DA-11381-01 | GASKET 1 JOINT 1 | 1 | 1 | |
| 26 | 90105-06028 | BOLT, FLANGE BOULON, A COLLERETTE | 6 | 6 | |
| 27 | 90465-11M59 | CLAMP BRIDE | 6 | 6 | |

FIG. 6 CYLINDER & CRANKCASE 3

CYLINDRE & CARTER 3

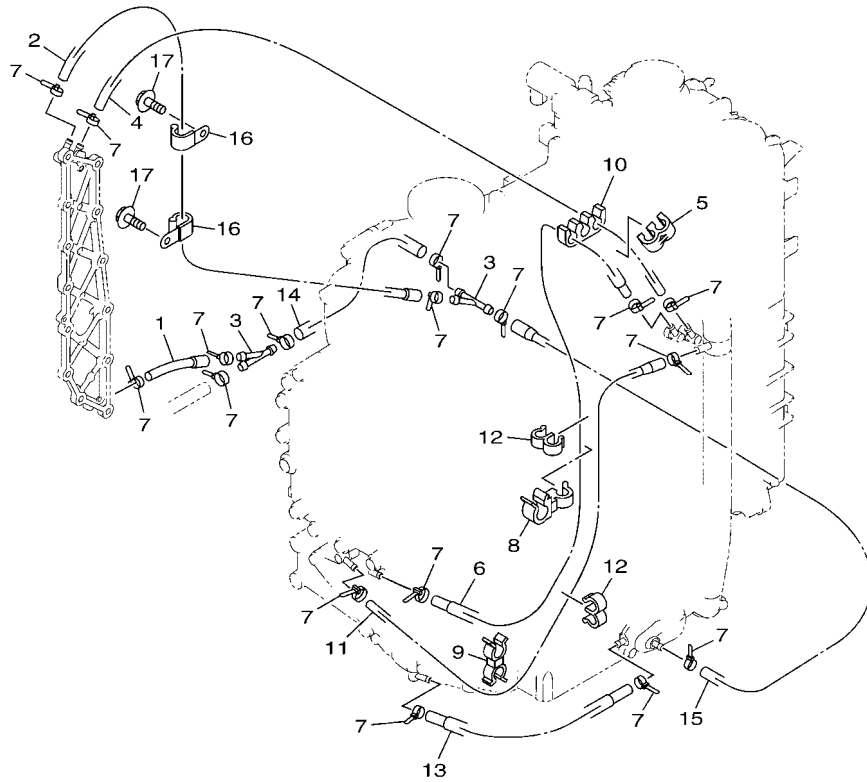


6EH5100-R060

| REF. NO. | PART NO. N° PIECES | DESCRIPTION DESCRIPTION | 6DV6 | 6DW6 | REMARKS REMARQUES |
|----------|--------------------|--|------|------|--|
| 28 | 6DA-12411-01 | THERMOSTAT THERMOSTAT | 1 | 1 | |
| 29 | 6AW-12412-00 | .SEAL, THERMOSTAT .JOINT, THERMOSTAT | 1 | 1 | |
| 30 | 6DA-12413-A0-9S | COVER, THERMOSTAT COUVERCLE, THERMOSTAT | 1 | 1 | |
| 31 | 6DA-1243E-00 | HOSE 2 DURITE 2 | 1 | 1 | |
| 32 | 6CE-24378-00 | PIPE, JOINT 3 DURITE RACCORDEMENT 3 | 1 | 1 | |
| 33 | 6DA-1244H-00 | HOSE 5 DURITE 5 | 1 | 1 | |
| 34 | 90105-06028 | BOLT, FLANGE BOULON, A COLLERETTE | 3 | 3 | |
| 35 | 90340-18M09 | PLUG, STRAIGHT SCREW PLOT, FILETE DROIT | 1 | 1 | |
| 36 | 90201-186F1 | WASHER, PLATE RONDELLE, PLATE | 1 | 1 | |
| 37 | 6DA-12491-00 | CLAMP 1 COLLIER 1 | 1 | 1 | |
| 38 | 90464-20181 | CLAMP BRIDE | 1 | 1 | |
| 39 | 90119-06078 | BOLT, WITH WASHER BOULON, AVEC RONDELLE | 1 | 1 | |
| 40 | 69J-13440-04 | ELEMENT ASSY, OIL CLEANER ELEMENT, FILTRE A HUILE | 1 | 1 | |
| 41 | 6S5-12858-00 | BOLT, UNION BOULON, RACCORD | 1 | 1 | |
| 42 | 6DA-13446-01 | CONNECTOR CONNECTEUR | 1 | 1 | |
| 43 | 6DA-13475-00 | GASKET JOINT | 1 | 1 | |
| 44 | 90105-06151 | BOLT, FLANGE BOULON, A COLLERETTE | 4 | 4 | |
| 45 | 6G8-15363-00 | PLUG, OIL PLOT, HUILE | 1 | 1 | |
| 46 | 93210-24M79 | O-RING JOINT TORIQUE | 1 | 1 | |
| 47 | 6DA-15319-00 | JOINT JOINT | 1 | 1 | |
| 48 | 93210-357A3 | O-RING JOINT TORIQUE | 1 | 1 | |
| 49 | 90105-06037 | BOLT, FLANGE BOULON, A COLLERETTE | 2 | 2 | |
| 50 | 6DA-1241B-A0-9S | COVER, THERMOSTAT 2 COUVERCLE, THERMOSTAT 2 | 1 | 1 | AP WATER TEMP SENSOR AP WATER TEMP SENSOR |
| 51 | 90465-11M59 | CLAMP BRIDE | 1 | 1 | AP WATER TEMP SENSOR AP WATER TEMP SENSOR |

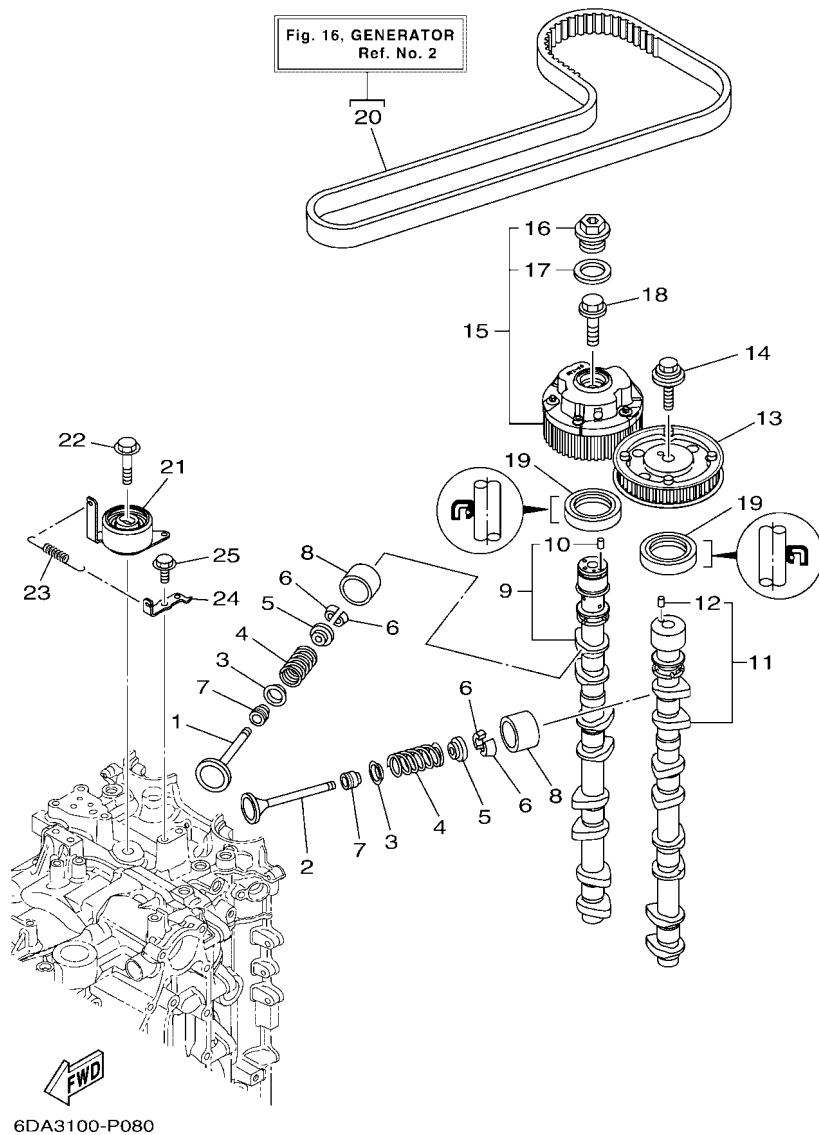
FIG. 7 CYLINDER & CRANKCASE 4

CYLINDRE & CARTER 4



FWD
6EH5100-R070

| REF. NO. | PART NO. N° PIECES | DESCRIPTION DESCRIPTION | 6DV/6 | 6DW/6 | REMARKS REMARQUES |
|----------|--------------------|---|-------|-------|-------------------|
| 1 | 6DA-12576-00 | HOSE 1 TUYAU 1 | 1 | 1 | |
| 2 | 6DA-12589-00 | HOSE 6 TUYAU 6 | 1 | 1 | |
| 3 | 6CE-24377-00 | PIPE, JOINT 2 DURITE RACCORDEMENT 2 | 2 | 2 | |
| 4 | 90445-09008 | HOSE (L470) DURITE (L470) | 1 | 1 | |
| 5 | 90464-09M21 | CLAMP BRIDE | 1 | 1 | |
| 6 | 6DA-12578-00 | HOSE 3 TUYAU 3 | 1 | 1 | |
| 7 | 90465-11M10 | CLAMP BRIDE | 17 | 17 | |
| 8 | 90464-12010 | CLAMP BRIDE | 1 | 1 | |
| 9 | 90464-09142 | CLAMP BRIDE | 1 | 1 | |
| 10 | 90464-09020 | CLAMP BRIDE | 1 | 1 | |
| 11 | 6DA-12579-00 | HOSE 4 TUYAU 4 | 1 | 1 | |
| 12 | 90464-09M31 | CLAMP BRIDE | 2 | 2 | |
| 13 | 6DA-12552-00 | HOSE 8 DURITE 8 | 1 | 1 | |
| 14 | 90445-10057 | HOSE (L170) DURITE (L170) | 1 | 1 | |
| 15 | 6DA-12589-00 | HOSE 6 TUYAU 6 | 1 | 1 | |
| 16 | 90465-08M83 | CLAMP BRIDE | 2 | 2 | |
| 17 | 95D95-06012 | BOLT, FLANGE DEEP RECESS BOULON FIXATION | 2 | 2 | |



6DA3100-P080

FIG. 8 VALVE

SOUPAPE

| REF. NO. | PART NO. N° PIECES | DESCRIPTION DESCRIPTION | 6DV6 | 6DW9 | REMARKS REMARQUES |
|----------|--------------------|---|------|------|-------------------|
| 1 | 6CB-12111-00 | VALVE, INTAKE SOUPAPE, ADMISSION | 8 | 8 | |
| 2 | 6DA-12121-00 | VALVE, EXHAUST SOUPAPE, ECHAPPEMENT | 8 | 8 | |
| 3 | K0F-A3743-00 | SEAT, VALVE SPRING SIEGE, RESSORT DE SOUPAPE | 16 | 16 | |
| 4 | 6CB-12113-00 | SPRING, VALVE INNER RESSORT DE SOUPAPE, INTERNE | 16 | 16 | |
| 5 | K0F-A3741-00 | RETAINER, VALVE SPRING BUTEE DE RESSORT DE SOUPAPA | 16 | 16 | |
| 6 | K0F-A3742-00 | LOCK, VALVE SPRING RETAINER FRAISE, SOUPAPE | 32 | 32 | |
| 7 | 51Y-12119-00 | SEAL, VALVE STEM JOINT, QUEUE DE SOUPAPE | 16 | 16 | |
| 8 | K0F-A3751-00 | LIFTER, VALVE (3.000) LEVE-SOUPAPE (3.000) | 16 | 16 | UR |
| | K0F-A3751-10 | LIFTER, VALVE (3.025) LEVE-SOUPAPE (3.025) | 16 | 16 | UR |
| | K0F-A3751-20 | LIFTER, VALVE (3.050) LEVE-SOUPAPE (3.050) | 16 | 16 | UR |
| | K0F-A3751-30 | LIFTER, VALVE (3.075) LEVE-SOUPAPE (3.075) | 16 | 16 | UR |
| | K0F-A3751-40 | LIFTER, VALVE (3.100) LEVE-SOUPAPE (3.100) | 16 | 16 | UR |
| | K0F-A3751-50 | LIFTER, VALVE (3.122) LEVE-SOUPAPE (3.122) | 16 | 16 | UR |
| | K0F-A3751-60 | LIFTER, VALVE (3.142) LEVE-SOUPAPE (3.142) | 16 | 16 | UR |
| | K0F-A3751-70 | LIFTER, VALVE (3.162) LEVE-SOUPAPE (3.162) | 16 | 16 | UR |
| | K0F-A3751-80 | LIFTER, VALVE (3.182) LEVE-SOUPAPE (3.182) | 16 | 16 | UR |
| | K0F-A3751-90 | LIFTER, VALVE (3.202) LEVE-SOUPAPE (3.202) | 16 | 16 | UR |
| | K0F-A3751-A0 | LIFTER, VALVE (3.222) LEVE-SOUPAPE (3.222) | 16 | 16 | UR |
| | K0F-A3751-B0 | LIFTER, VALVE (3.242) LEVE-SOUPAPE (3.242) | 16 | 16 | UR |
| | K0F-A3751-C0 | LIFTER, VALVE (3.262) LEVE-SOUPAPE (3.262) | 16 | 16 | UR |
| | K0F-A3751-D0 | LIFTER, VALVE (3.282) LEVE-SOUPAPE (3.282) | 16 | 16 | UR |
| | K0F-A3751-E0 | LIFTER, VALVE (3.302) LEVE-SOUPAPE (3.302) | 16 | 16 | UR |
| | K0F-A3751-F0 | LIFTER, VALVE (3.322) LEVE-SOUPAPE (3.322) | 16 | 16 | UR |
| | K0F-A3751-G0 | LIFTER, VALVE (3.342) LEVE-SOUPAPE (3.342) | 16 | 16 | UR |
| | K0F-A3751-H0 | LIFTER, VALVE (3.362) LEVE-SOUPAPE (3.362) | 16 | 16 | UR |
| | K0F-A3751-J0 | LIFTER, VALVE (3.382) LEVE-SOUPAPE (3.382) | 16 | 16 | UR |
| | K0F-A3751-K0 | LIFTER, VALVE (3.402) LEVE-SOUPAPE (3.402) | 16 | 16 | UR |

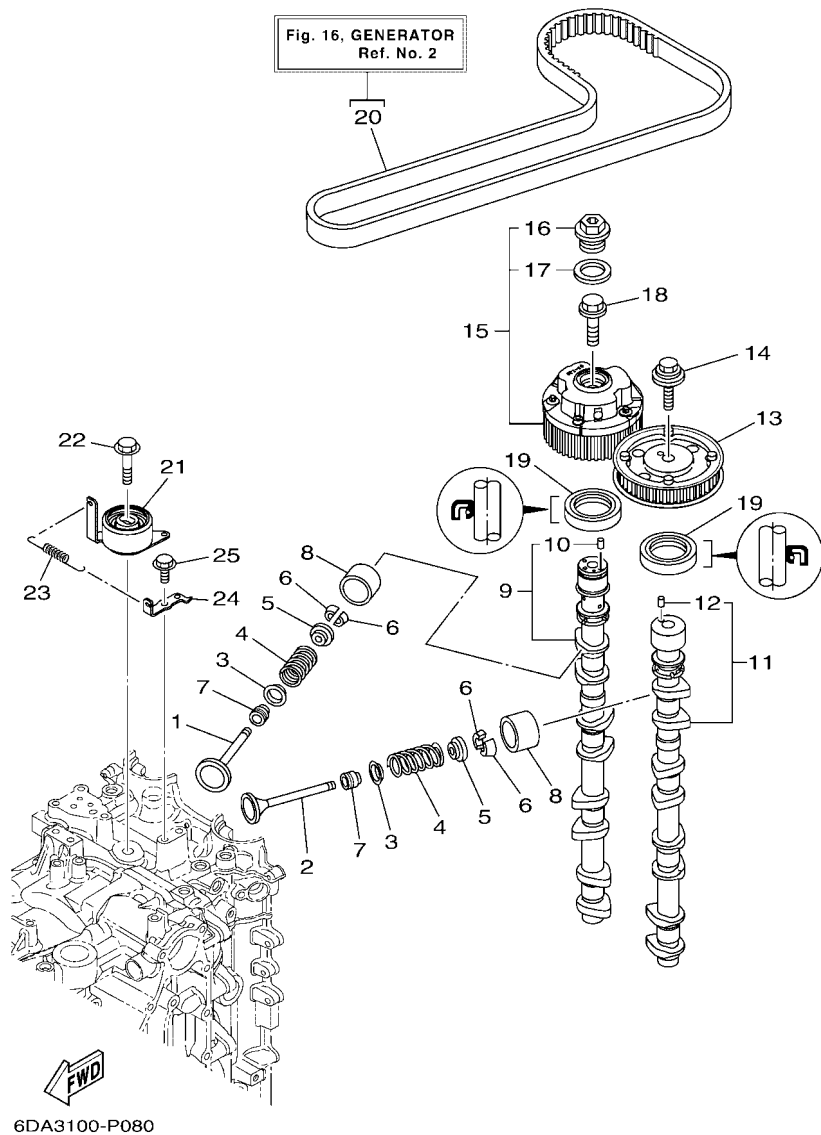
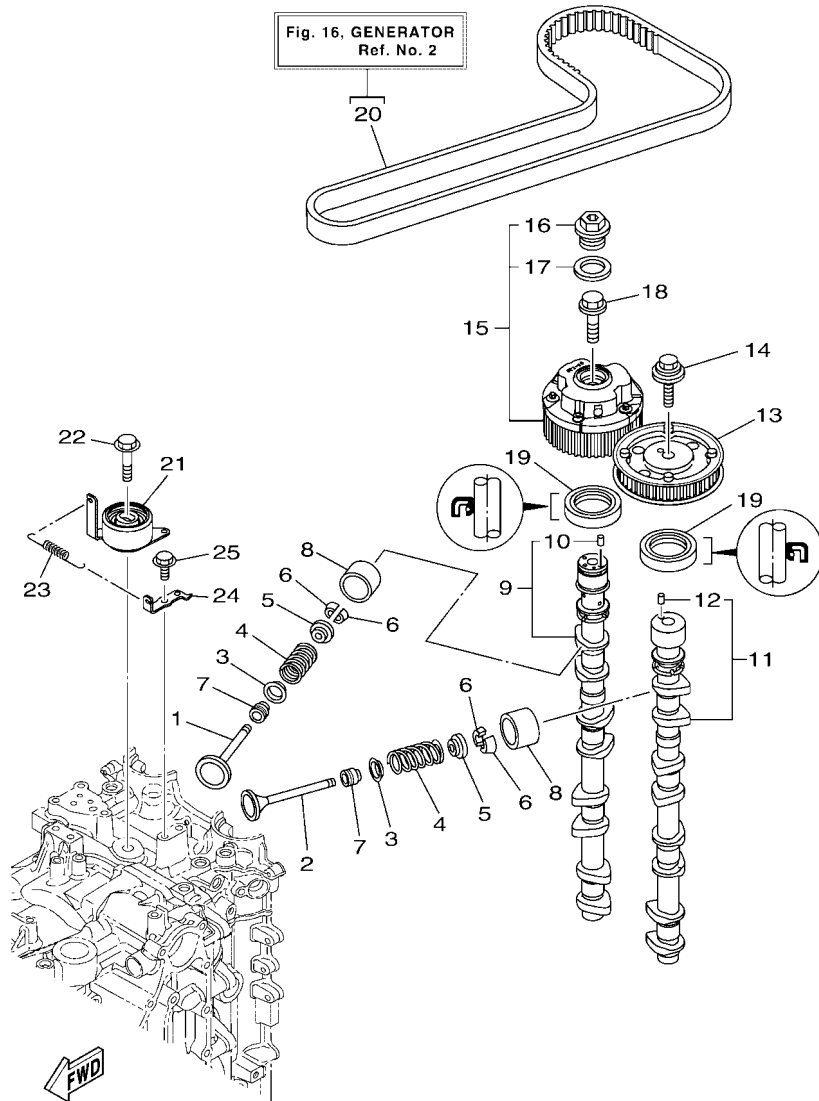


FIG. 8 VALVE

SOUPAPE

| REF. NO. | PART NO. N° PIECES | DESCRIPTION DESCRIPTION | 6DV/6 | 6DW/9 | REMARKS REMARQUES |
|----------|--------------------|---|-------|-------|-------------------|
| 8 | K0F-A3751-L0 | LIFTER, VALVE (3.422) LEVE-SOUPAPE (3.422) | 16 | 16 | UR |
| | K0F-A3751-M0 | LIFTER, VALVE (3.442) LEVE-SOUPAPE (3.442) | 16 | 16 | UR |
| | K0F-A3751-N0 | LIFTER, VALVE (3.462) LEVE-SOUPAPE (3.462) | 16 | 16 | UR |
| | K0F-A3751-P0 | LIFTER, VALVE (3.482) LEVE-SOUPAPE (3.482) | 16 | 16 | UR |
| | K0F-A3751-R0 | LIFTER, VALVE (3.502) LEVE-SOUPAPE (3.502) | 16 | 16 | UR |
| | K0F-A3751-S0 | LIFTER, VALVE (3.522) LEVE-SOUPAPE (3.522) | 16 | 16 | UR |
| | K0F-A3751-T0 | LIFTER, VALVE (3.542) LEVE-SOUPAPE (3.542) | 16 | 16 | UR |
| | K0F-A3753-00 | LIFTER, VALVE (3.562) LEVE-SOUPAPE (3.562) | 16 | 16 | UR |
| | K0F-A3753-10 | LIFTER, VALVE (3.582) LEVE-SOUPAPE (3.582) | 16 | 16 | UR |
| | K0F-A3753-20 | LIFTER, VALVE (3.602) LEVE-SOUPAPE (3.602) | 16 | 16 | UR |
| | K0F-A3753-30 | LIFTER, VALVE (3.625) LEVE-SOUPAPE (3.625) | 16 | 16 | UR |
| | K0F-A3753-40 | LIFTER, VALVE (3.650) LEVE-SOUPAPE (3.650) | 16 | 16 | UR |
| | K0F-A3753-50 | LIFTER, VALVE (3.675) LEVE-SOUPAPE (3.675) | 16 | 16 | UR |
| | K0F-A3753-60 | LIFTER, VALVE (3.700) LEVE-SOUPAPE (3.700) | 16 | 16 | UR |
| | K0F-A3753-70 | LIFTER, VALVE (3.725) LEVE-SOUPAPE (3.725) | 16 | 16 | UR |
| 9 | 6DA-12171-01 | CAMSHAFT 1 ARBRE A CAMES 1 | 1 | 1 | |
| 10 | 93605-10108 | .PIN, DOWEL .AXE | 1 | 1 | |
| 11 | 6DA-12181-01 | CAMSHAFT 2 ARBRE A CAMES 2 | 1 | 1 | |
| 12 | 93605-10108 | .PIN, DOWEL .AXE | 1 | 1 | |
| 13 | 6FA-115A0-00 | DRIVEN GEAR ASSY CLOCHE D'EMBAYAGE | 1 | 1 | |
| 14 | 90119-10050 | BOLT, WITH WASHER BOULON, AVEC RONDELLE | 1 | 1 | |
| 15 | 6P2-12645-22 | PULLEY ASSY 1 POULIE COMPLET 1 | 1 | 1 | |
| 16 | 6P2-12623-00 | .BOLT .BOULON | 1 | 1 | |
| 17 | 6P2-12663-00 | .GASKET .JOINT | 1 | 1 | |
| 18 | 6P2-12615-00 | BOLT BOULON | 1 | 1 | |
| 19 | 93102-38008 | OIL SEAL JOINT SPY | 2 | 2 | |
| 20 | 6DA-W4624-00 | BELT (WITH ROTOR BOLTS) COURROIE (AVEC BOULON) | 1 | 1 | |



6DA3100-P080

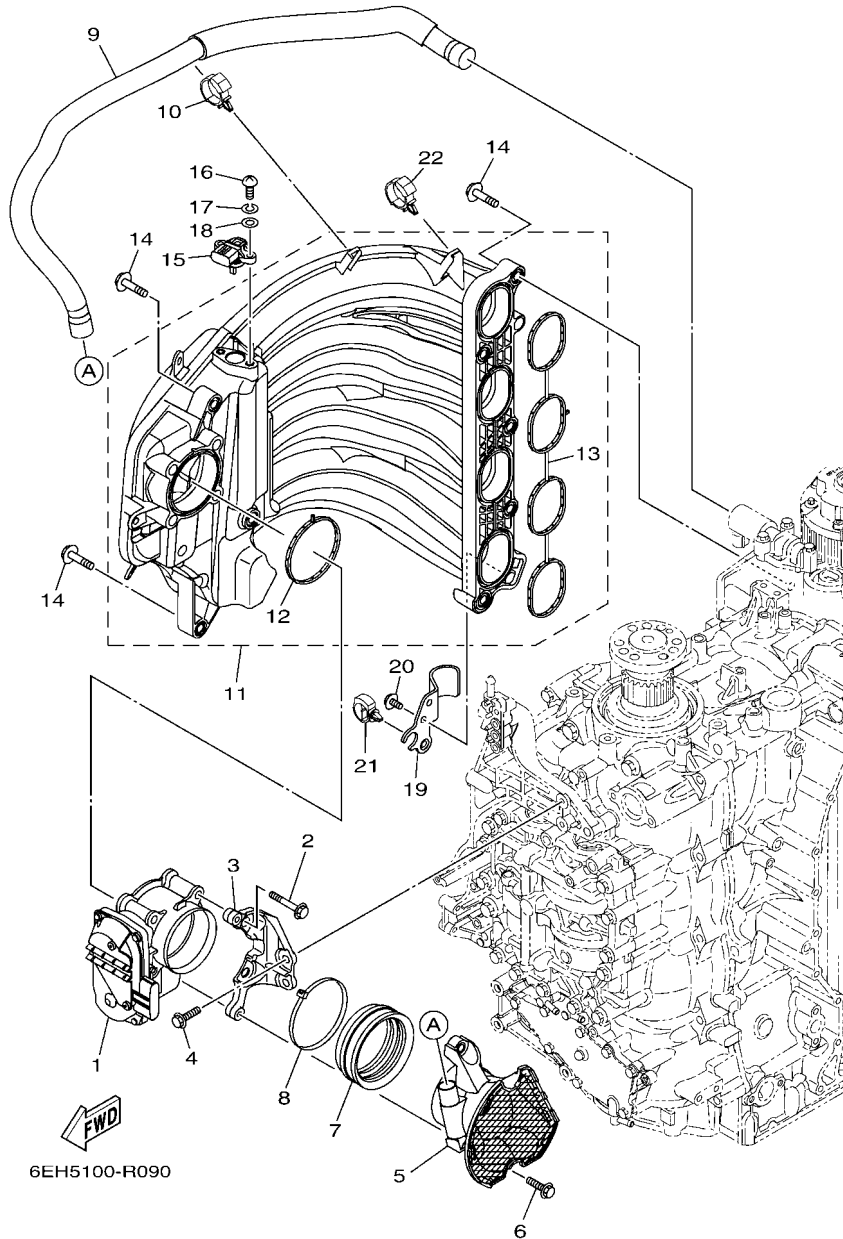
FIG. 8 VALVE

SOUPAPE

| REF. NO. | PART NO. N° PIECES | DESCRIPTION DESCRIPTION | 6DV/6 | 6DW/9 | REMARKS REMARQUES |
|----------|--------------------|---|-------|-------|-------------------|
| 21 | 6DA-11590-00 | TENSIONER ASSY TENDEUR (ENS.) | 1 | 1 | |
| 22 | 90119-10M07 | BOLT, WITH WASHER BOULON, AVEC RONDELLE | 1 | 1 | |
| 23 | 90506-18025 | SPRING, TENSION RESSORT, TENSION | 1 | 1 | |
| 24 | 6DA-11595-00 | PLATE, VALVE PLAQUE DE SOUPAPE | 1 | 1 | |
| 25 | 97E75-06516 | BOLT, HEXAGON W/W DEEP RECESS VIS HEXAGONAL AVC RONDELLE | 1 | 1 | |
| | | | | | |
| | | | | | |
| | | | | | |
| | | | | | |
| | | | | | |
| | | | | | |
| | | | | | |
| | | | | | |
| | | | | | |
| | | | | | |
| | | | | | |

FIG. 9 INTAKE 1

ADMISSION 1

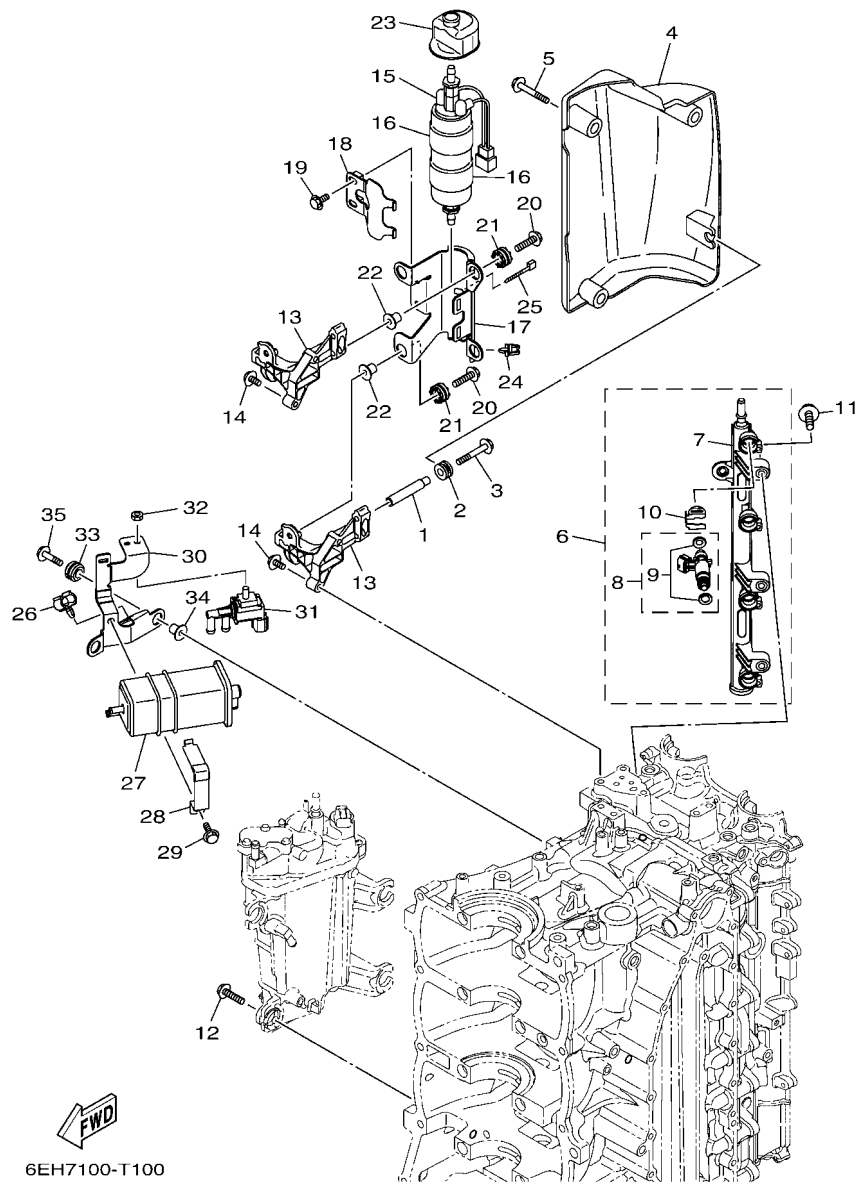


6EH5100-R090

| REF. NO. | PART NO. N° PIECES | DESCRIPTION DESCRIPTION | 6DV/6 | 6DW/9 | REMARKS REMARQUES |
|----------|--------------------|---|-------|-------|-------------------|
| 1 | 6DA-13751-01 | BODY, THROTTLE 1 CARTER 1 | 1 | 1 | |
| 2 | 97E75-08560 | BOLT, HEXAGON W/W DEEP RECESS VIS HEXAGONAL AVC RONDELLE | 4 | 4 | |
| 3 | 6DA-13152-00 | STAY 2 SUPPORT2 | 1 | 1 | |
| 4 | 95D75-06025 | BOLT, FLANGE DEEP RECESS BOULON FIXATION | 2 | 2 | |
| 5 | 6DA-14440-00 | SILENCER ASSY, INTAKE SIENCIEUX D'ADMISSION | 1 | 1 | |
| 6 | 95D75-06025 | BOLT, FLANGE DEEP RECESS BOULON FIXATION | 2 | 2 | |
| 7 | 6P2-1441J-01 | PIPE, SILENCER DURITE, DE SILENCIEUX | 1 | 1 | |
| 8 | 90464-99004 | CLAMP BRIDE | 1 | 1 | |
| 9 | 6DA-15373-00 | PIPE, BREATHER DURITE DE RENIFLARD | 1 | 1 | |
| 10 | 90464-12183 | CLAMP BRIDE | 1 | 1 | |
| 11 | 6DA-13641-00 | MANIFOLD, INTAKE 1 TUBULURE, ADMISSION 1 | 1 | 1 | |
| 12 | 6DA-13646-00 | .GASKET, MANIFOLD 2 .JOINT, TUBULURE 2 | 1 | 1 | |
| 13 | 6DA-13645-00 | .GASKET, MANIFOLD 1 .JOINT, TUBULURE 1 | 1 | 1 | |
| 14 | 90119-08020 | BOLT, WITH WASHER BOULON, AVEC RONDELLE | 9 | 9 | |
| 15 | 68F-83688-10 | SENSOR ASSY SONDE (ENS.) | 1 | 1 | |
| 16 | 97885-05016 | SCREW, PAN HEAD VIS, A ENCOCHE | 2 | 2 | |
| 17 | 92995-05100 | WASHER RONDELLE | 2 | 2 | |
| 18 | 92995-05600 | WASHER RONDELLE | 2 | 2 | |
| 19 | 6DA-13881-00 | COVER 1 COUVERCLE 1 | 1 | 1 | |
| 20 | 95D95-06012 | BOLT, FLANGE DEEP RECESS BOULON FIXATION | 2 | 2 | |
| 21 | 90464-20181 | CLAMP BRIDE | 1 | 1 | |
| 22 | 90464-12183 | CLAMP BRIDE | 1 | 1 | |

FIG. 10 INTAKE 2

ADMISSION 2



6EH7100-T100

| REF. NO. | PART NO. N° PIECES | DESCRIPTION DESCRIPTION | 6DV/6 | 6DW/9 | REMARKS REMARQUES |
|----------|--------------------|--|-------|-------|-------------------|
| 1 | 90387-06283 | COLLAR COLLERETTE | 1 | 1 | |
| 2 | 90480-12314 | GROMMET PASSE-FIL | 1 | 1 | |
| 3 | 90105-06054 | BOLT, FLANGE BOULON, A COLLERETTE | 1 | 1 | |
| 4 | 6DA-13564-00 | COVER, MANIFOLD COUVERCLE, TUBULURE | 1 | 1 | |
| 5 | 95D95-06020 | BOLT, FLANGE DEEP RECESS BOULON FIXATION | 3 | 3 | |
| 6 | 6DA-13160-01 | DELIVERY PIPE ASSY 1 ENS. TUBE DE REFOULEMENT 1 | 1 | 1 | |
| 7 | 6DA-13161-01 | .PIPE, DELIVERY 1 .DURITE REFOULEMENT 1 | 1 | 1 | |
| 8 | 6DA-13761-00 | .INJECTOR .INJECTEUR | 4 | 4 | |
| 9 | 6AW-1410B-00 | ..PACKING KIT ..POCHETTE DE JOINTS | 1 | 1 | |
| 10 | 6AW-13577-10 | .CLIP .AGRAFE | 4 | 4 | |
| 11 | 90105-06M08 | BOLT, FLANGE BOULON, A COLLERETTE | 3 | 3 | |
| 12 | 90119-06299 | BOLT, WITH WASHER BOULON, AVEC RONDELLE | 4 | 4 | |
| 13 | 6DA-24425-00 | BRACKET, FUEL PUMP 1 SUPPORT, POMPE A ESSENCE 1 | 2 | 2 | |
| 14 | 90105-06M08 | BOLT, FLANGE BOULON, A COLLERETTE | 4 | 4 | |
| 15 | 6GR-24410-01 | FUEL PUMP ASSY POMPE A ESSENCE | 1 | 1 | |
| 16 | 6DA-24492-01 | BUSH, FUEL PUMP BAGUE | 2 | 2 | |
| 17 | 6DA-24491-00 | BRACKET, FUEL PUMP SUPPORT, POMPE A ESSENCE | 1 | 1 | |
| 18 | 6DA-24426-00 | BRACKET, FUEL PUMP 2 SUPPORT, POMPE A ESSENCE 2 | 1 | 1 | |
| 19 | 95D95-06012 | BOLT, FLANGE DEEP RECESS BOULON FIXATION | 2 | 2 | |
| 20 | 90119-06309 | BOLT, WITH WASHER BOULON, AVEC RONDELLE | 4 | 4 | |
| 21 | 60V-85516-00 | SPACER ENTRETOISE | 4 | 4 | |
| 22 | 90387-06289 | COLLAR COLLERETTE | 4 | 4 | |
| 23 | 6DA-24462-00 | CAP, BLIND COUVERCLE, BORGNE | 1 | 1 | |
| 24 | 90464-11121 | CLAMP BRIDE | 1 | 1 | |
| 25 | 90465-11M10 | CLAMP BRIDE | 1 | 1 | |
| 26 | 90464-09130 | CLAMP BRIDE | 1 | 1 | |
| 27 | 6P2-24170-00 | CANISTER ASSY BANDE, RASERVOIR A ESSENCE | 1 | 1 | |

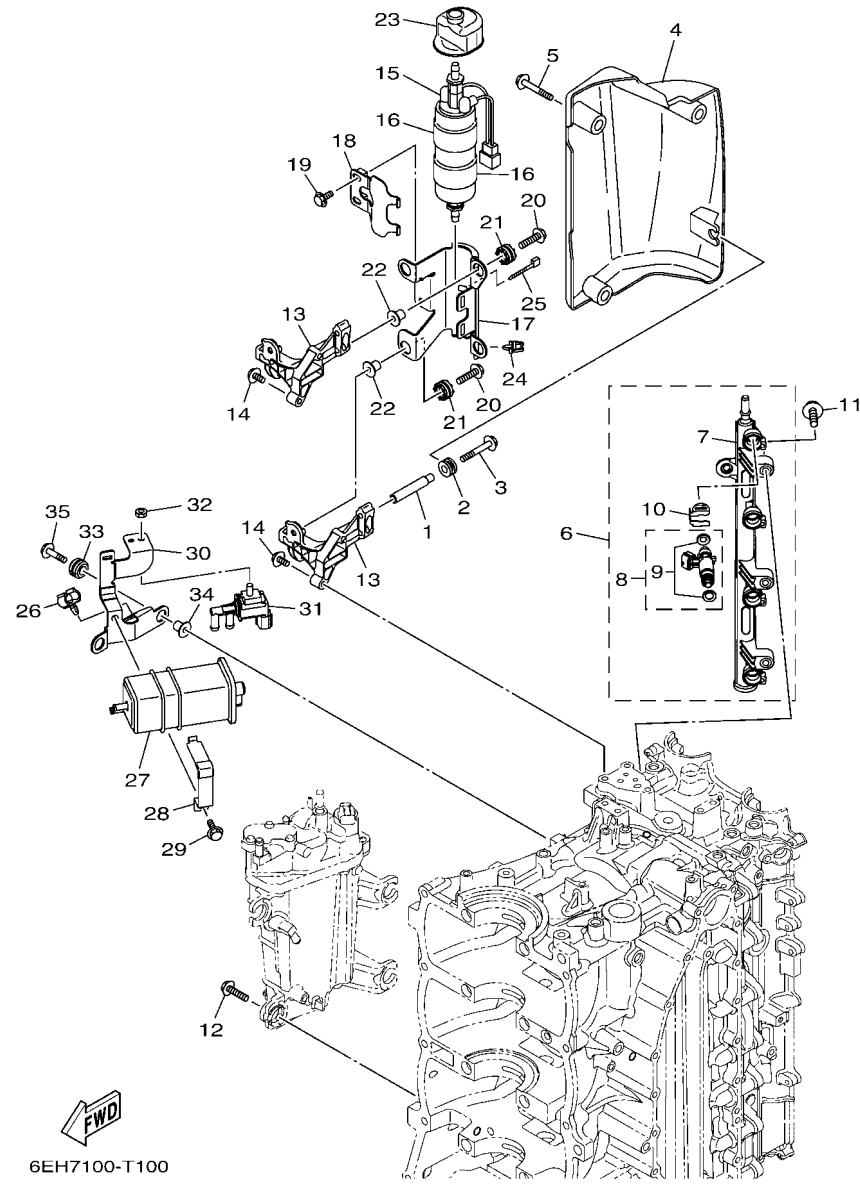


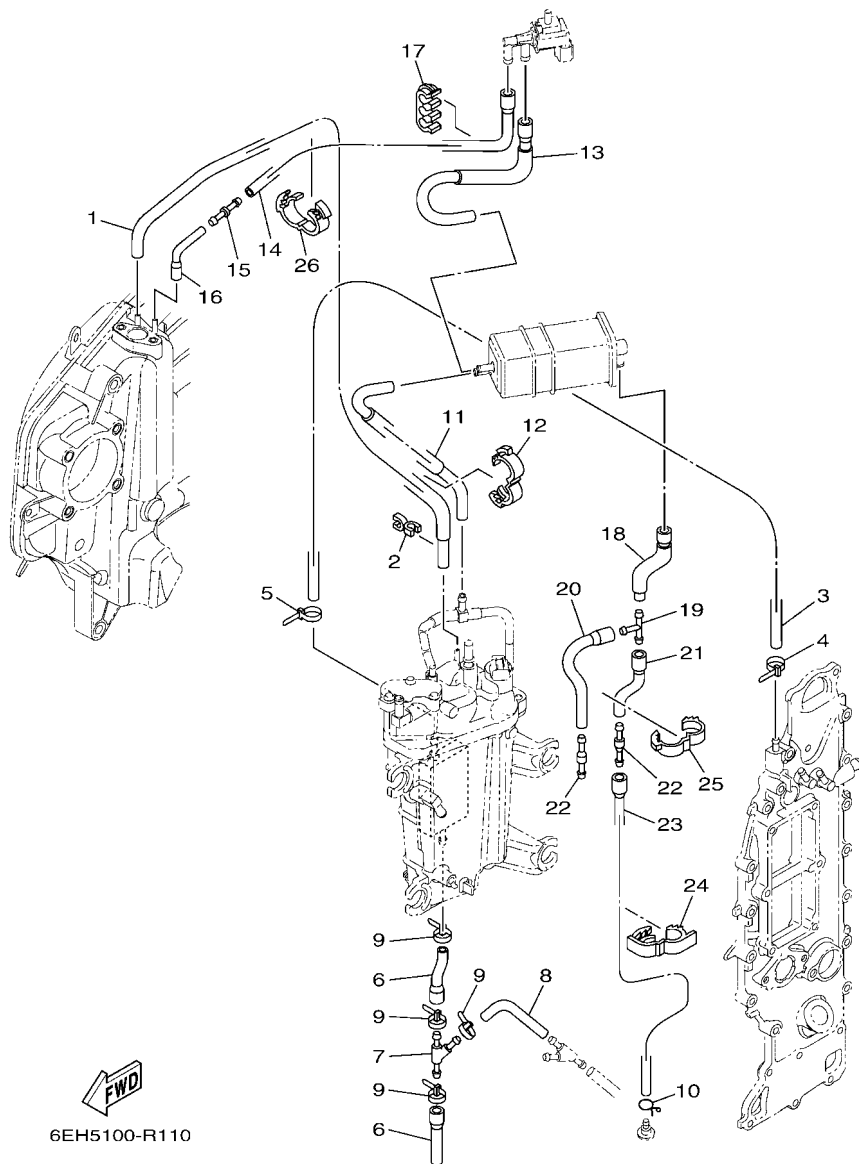
FIG. 10 INTAKE 2

ADMISSION 2

| REF. NO. | PART NO. N° PIECES | DESCRIPTION DESCRIPTION | 6DV/6 | 6DW/9 | REMARKS REMARQUES |
|----------|--------------------|--|-------|-------|-------------------|
| 28 | 63P-2419A-01 | HOLDER SUPPORT | 1 | 1 | |
| 29 | 95D95-06016 | BOLT, FLANGE DEEP RECESS BOULON FIXATION | 1 | 1 | |
| 30 | 6DA-2134X-00 | BRACKET, CANISTER SUPPORT | 1 | 1 | |
| 31 | 6C5-86120-00 | SOLENOID VALVE ASSY SOLENOIDE | 1 | 1 | |
| 32 | 95380-06600 | NUT, HEXAGON ECROU | 1 | 1 | |
| 33 | 90480-14031 | GROMMET PASSE-FIL | 2 | 2 | |
| 34 | 90387-06289 | COLLAR COLLERETTE | 2 | 2 | |
| 35 | 90119-06309 | BOLT, WITH WASHER BOULON, AVEC RONDELLE | 2 | 2 | |
| | | | | | |
| | | | | | |
| | | | | | |
| | | | | | |
| | | | | | |
| | | | | | |

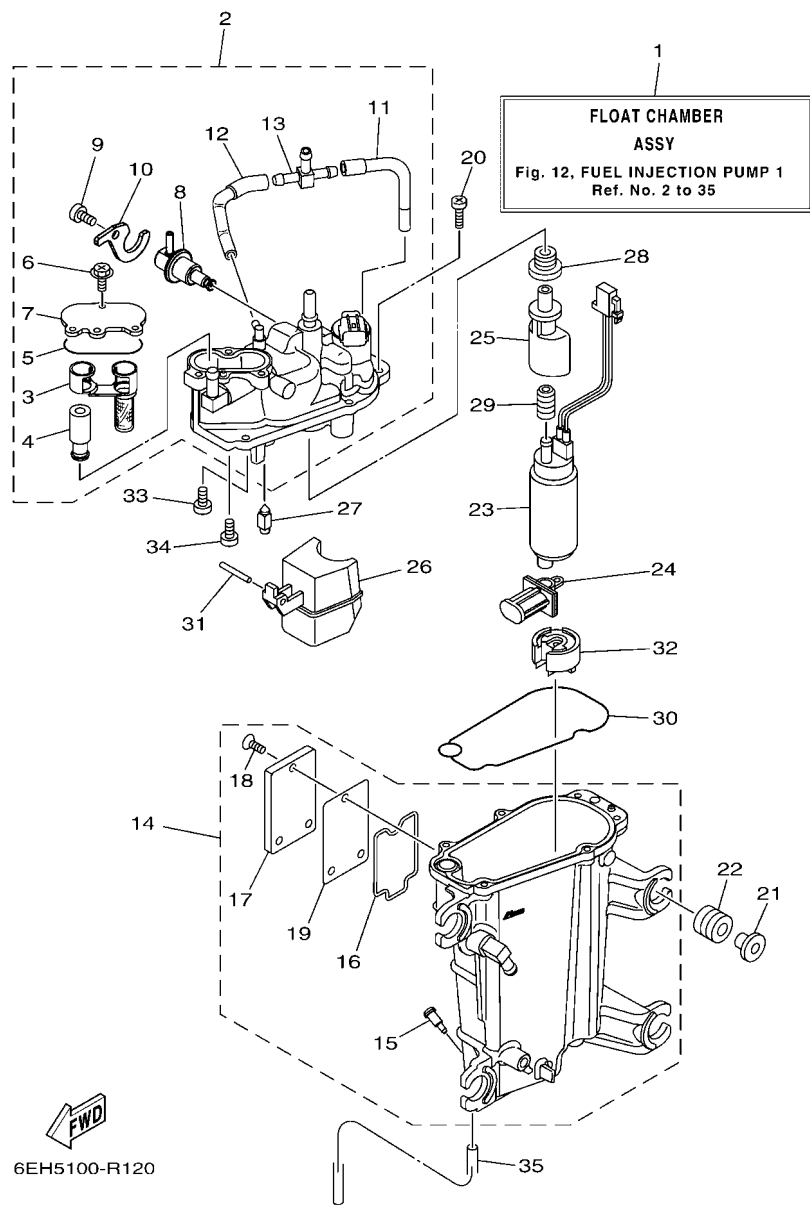
FIG. 11 INTAKE 3

ADMISSION 3



6EH5100-R110

| REF. NO. | PART NO. N° PIECES | DESCRIPTION DESCRIPTION | 6DV9 | 6DW9 | REMARKS REMARQUES |
|----------|--------------------|--|------|------|-------------------|
| 1 | 6DA-13532-00 | HOSE, VACUUM SENSING 3 DURITE 3 | 1 | 1 | |
| 2 | 90464-07M41 | CLAMP BRIDE | 1 | 1 | |
| 3 | 90445-09120 | HOSE (L600) DURITE (L600) | 1 | 1 | |
| 4 | 90465-11M10 | CLAMP BRIDE | 1 | 1 | |
| 5 | 90465-11M10 | CLAMP BRIDE | 1 | 1 | |
| 6 | 6DA-12576-00 | HOSE 1 TUYAU 1 | 2 | 2 | |
| 7 | 6CE-24377-00 | PIPE, JOINT 2 DURITE RACCORDEMENT 2 | 1 | 1 | |
| 8 | 90445-10056 | HOSE (L85) DURITE (L85) | 1 | 1 | |
| 9 | 90465-11M10 | CLAMP BRIDE | 4 | 4 | |
| 10 | 90467-09M09 | CLIP JONC | 1 | 1 | |
| 11 | 6DA-1475A-00 | PIPE 1 DURITE 1 | 1 | 1 | |
| 12 | 90464-16001 | CLAMP BRIDE | 1 | 1 | |
| 13 | 6DA-1475F-00 | PIPE 3 DURITE 3 | 1 | 1 | |
| 14 | 6DA-2416A-00 | HOSE DURITE | 1 | 1 | |
| 15 | 6CB-14989-00 | ORIFICE, AIR VENT ORIFICE | 1 | 1 | |
| 16 | 6DA-1475G-00 | PIPE 4 DURITE 4 | 1 | 1 | |
| 17 | 90464-10011 | CLAMP BRIDE | 1 | 1 | |
| 18 | 6DA-13545-00 | HOSE 1 DURITE 1 | 1 | 1 | |
| 19 | 688-24378-00 | PIPE, JOINT 3 DURITE RACCORDEMENT 3 | 1 | 1 | |
| 20 | 68V-13546-10 | HOSE 2 DURITE 2 | 1 | 1 | |
| 21 | 6DA-13548-00 | HOSE, AIR 4 DURITE, A AIR 4 | 1 | 1 | |
| 22 | 6E5-21744-00 | BREATHER RENIFLARD | 2 | 2 | |
| 23 | 6DA-13547-00 | HOSE 3 DURITE 3 | 1 | 1 | |
| 24 | 90464-18004 | CLAMP BRIDE | 1 | 1 | |
| 25 | 90464-16001 | CLAMP BRIDE | 1 | 1 | |
| 26 | 90464-16001 | CLAMP BRIDE | 1 | 1 | |

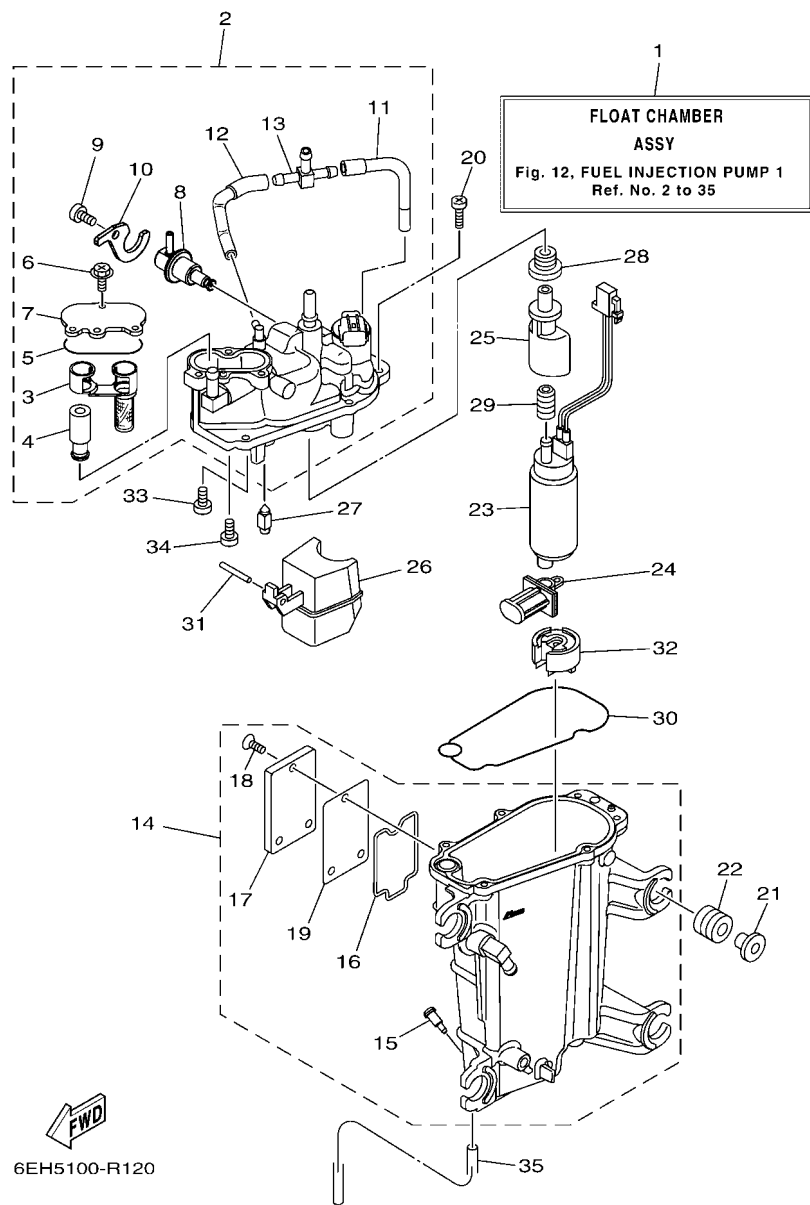


6EH5100-R120

FIG. 12 FUEL INJECTION PUMP 1

POMPE A INJECTEUR 1

| REF. NO. | PART NO. N° PIECES | DESCRIPTION DESCRIPTION | 6DV/6 | 6DW/9 | REMARKS REMARQUES |
|----------|--------------------|---|-------|-------|-------------------|
| 1 | 6DA-14180-02 | FLOAT CHAMBER ASSY CUVE DE FLOTTEUR | 1 | 1 | |
| 2 | 6DA-14182-00 | COVER, FLOAT CHAMBER COUVERCLE, CUVE DE FLOTTEUR | 1 | 1 | |
| 3 | 6CB-24501-01 | .FILTER, FUEL .FILTRE | 1 | 1 | |
| 4 | 6CB-24460-00 | .RELIEF VALVE ASSY .SOUPAPE DE SECURITE COMPLET | 1 | 1 | |
| 5 | 6CB-13016-00 | .O-RING .JOINT TORIQUE | 1 | 1 | |
| 6 | 6CB-14216-00 | .SCREW .VIS | 3 | 3 | |
| 7 | 6CB-24217-00 | .COVER .COUVERCLE | 1 | 1 | |
| 8 | 6CB-13906-01 | .REGULATOR, PRESSURE .REGULATEUR DE PRESSION | 1 | 1 | |
| 9 | 6CB-14564-00 | .SCREW .VIS | 1 | 1 | |
| 10 | 6DA-14146-00 | .PLATE .PLAQUE | 1 | 1 | |
| 11 | 6DA-13892-00 | .HOSE, AIR 2 .DURITE, A AIR 2 | 1 | 1 | |
| 12 | 6DA-13893-00 | .HOSE, AIR 3 .DURITE, A AIR 3 | 1 | 1 | |
| 13 | 69J-24379-00 | .PIPE, JOINT 4 .DURITE RACCORDEMENT 4 | 1 | 1 | |
| 14 | 6DA-14181-00 | BODY, FLOAT CHAMBER 1 CORPS, CUVE DE FLOTTEUR 1 | 1 | 1 | |
| 15 | 6P2-14191-00 | .PLUG, DRAIN .PLOT, VIDANGE | 1 | 1 | |
| 16 | 6CB-14239-00 | .SEAL .JOINT | 1 | 1 | |
| 17 | 6CB-24452-10 | .COVER .COUVERCLE | 1 | 1 | |
| 18 | 6CB-14429-01 | .SCREW .VIS | 3 | 3 | |
| 19 | 6CB-24482-00 | .GASKET 1 .JOINT 1 | 1 | 1 | |
| 20 | 63P-14567-00 | SCREW VIS | 6 | 6 | |
| 21 | 63P-13716-00 | COLLAR COLLERETTE | 4 | 4 | |
| 22 | 6CB-13593-00 | DAMPER AMORTISSEUR | 4 | 4 | |
| 23 | 6P2-13907-21 | FUEL PUMP COMP. POMPE A CARBURANT COMP. | 1 | 1 | |
| 24 | 63P-13915-00 | FILTER FILTRE | 1 | 1 | |
| 25 | 6AW-13132-00 | JOINT RACCORD | 1 | 1 | |
| 26 | 6CB-14985-00 | FLOAT FLOTTEUR | 1 | 1 | |
| 27 | 6CB-14546-00 | VALVE, NEEDLE POINTEAU | 1 | 1 | |



6EH5100-R120

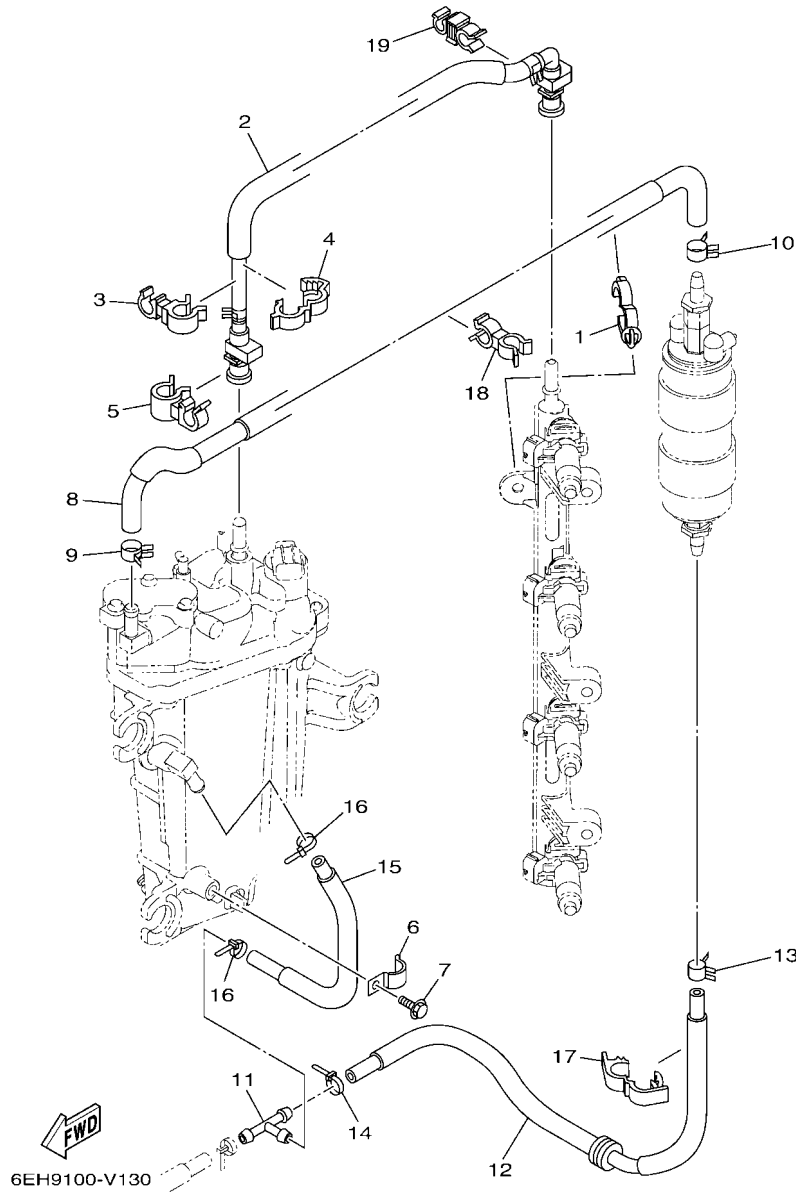
FIG. 12 FUEL INJECTION PUMP 1

POMPE A INJECTEUR 1

| REF. NO. | PART NO. N° PIECES | DESCRIPTION DESCRIPTION | 6DV/6 | 6DW/9 | REMARKS REMARQUES |
|----------|--------------------|--|-------|-------|-------------------|
| 28 | 6CB-1447B-00 | BUSH 1 DOUILLE 1 | 1 | 1 | |
| 29 | 6AW-13781-00 | DAMPER, PUMP AMORTISSEUR, POMPE | 1 | 1 | |
| 30 | 6CB-14984-00 | GASKET, FLOAT CHAMBER JOINT, CUVE DE FLOTTEUR | 1 | 1 | |
| 31 | 6P2-14386-00 | PIN, FLOAT AXE, FLOTTEUR | 1 | 1 | |
| 32 | 6AW-13784-00 | COVER, PUMP COUVERCLE, POMPE | 1 | 1 | |
| 33 | 4SV-24453-00 | SCREW VIS | 1 | 1 | |
| 34 | 98507-04008 | SCREW, PAN HEAD VIS, TETE TRONCONIQUE | 1 | 1 | |
| 35 | 6P2-14149-00 | PIPE DURITE | 1 | 1 | |

FIG. 13 FUEL INJECTION PUMP 2

POMPE A INJECTEUR 2



| REF. NO. | PART NO. N° PIECES | DESCRIPTION DESCRIPTION | 6DV9 | 6DW9 | REMARKS REMARQUES |
|----------|--------------------|--|------|------|-------------------|
| 1 | 90464-20181 | CLAMP BRIDE | 1 | 1 | |
| 2 | 6DA-24310-01 | FUEL PIPE ASSY DURITE A ESSENCE | 1 | 1 | |
| 3 | 90464-12010 | CLAMP BRIDE | 1 | 1 | |
| 4 | 90464-16003 | CLAMP BRIDE | 1 | 1 | |
| 5 | 90464-15007 | CLAMP BRIDE | 1 | 1 | |
| 6 | 90465-08M63 | CLAMP BRIDE | 1 | 1 | |
| 7 | 95D95-06010 | BOLT, FLANGE DEEP RECESS BOULON FIXATION | 1 | 1 | |
| 8 | 6DA-24324-00 | PIPE 13 DURITE 13 | 1 | 1 | |
| 9 | 90467-120A7 | CLIP JONC | 1 | 1 | |
| 10 | 90467-140A9 | CLIP JONC | 1 | 1 | |
| 11 | 6E5-24378-00 | PIPE, JOINT 3 DURITE, RACCORDEMENT 3 | 1 | 1 | |
| 12 | 6DA-24317-00 | PIPE 7 DURITE 7 | 1 | 1 | |
| 13 | 90467-141A2 | CLIP JONC | 1 | 1 | |
| 14 | 90465-11M10 | CLAMP BRIDE | 1 | 1 | |
| 15 | 6DA-24323-00 | PIPE 12 DURITE 12 | 1 | 1 | |
| 16 | 90465-11M10 | CLAMP BRIDE | 2 | 2 | |
| 17 | 90464-18004 | CLAMP BRIDE | 1 | 1 | |
| 18 | 90464-13260 | CLAMP BRIDE | 1 | 1 | |
| 19 | 90464-13013 | CLAMP BRIDE | 1 | 1 | |

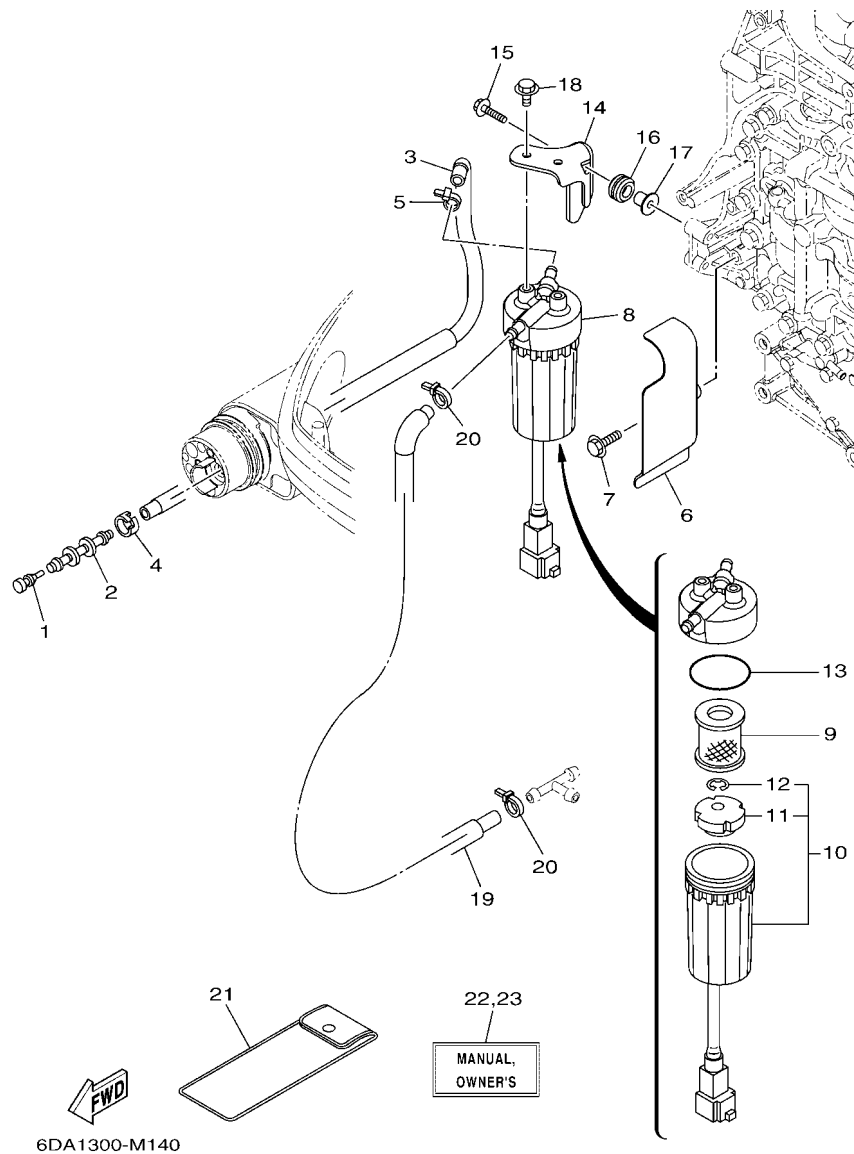


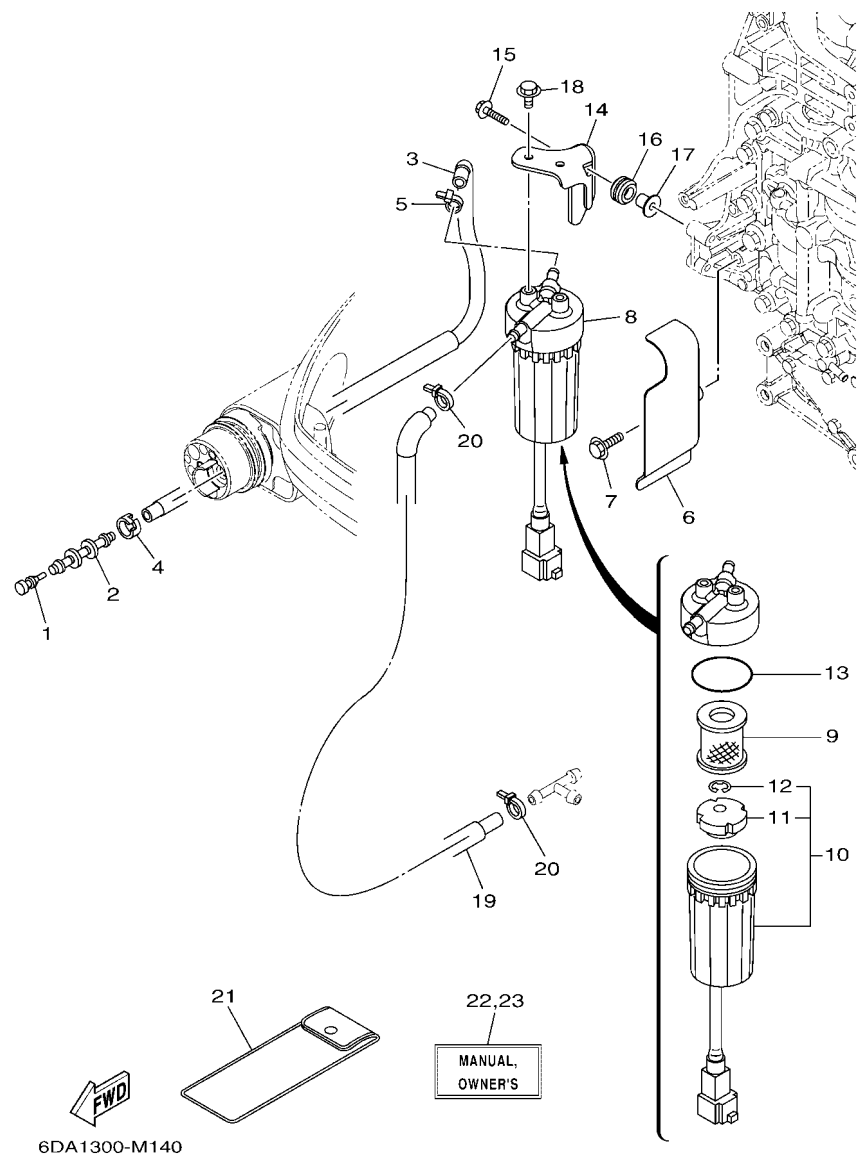
FIG. 14 FUEL 1

CARBURANT 1

| REF. NO. | PART NO. N° PIECES | DESCRIPTION DESCRIPTION | 6DV/6 | 6DW/9 | REMARKS REMARQUES |
|----------|--------------------|--|-------|-------|-------------------|
| 1 | 689-85547-01 | DAMPER AMORTISSEUR | 1 | 1 | |
| 2 | 6AW-24377-01 | PIPE, JOINT 2 DURITE RACCORDEMENT 2 | 1 | 1 | |
| 3 | 6DA-24314-00 | PIPE 4 DURITE 4 | 1 | 1 | |
| 4 | 6E5-24351-51 | BAND 1 COLLIER 1 | 1 | 1 | |
| 5 | 90465-11M10 | CLAMP BRIDE | 1 | 1 | |
| 6 | 6DA-24596-00 | COVER COUVERCLE | 1 | 1 | |
| 7 | 95D95-06025 | BOLT, FLANGE DEEP RECESS BOULON FIXATION | 2 | 2 | |
| 8 | 6P3-24560-04 | FILTER ASSY ENS FILTRE | 1 | 1 | |
| 9 | 6P3-24563-02 | .ELEMENT, FILTER .ELEMENT, FILTRE | 1 | 1 | |
| 10 | 6P3-24562-03 | .CUP, FILTER .CUVETTE, FILTRE | 1 | 1 | |
| 11 | 6P3-24469-00 | ..FLOAT, WATER LEVEL ..FLOTTEUR | 1 | 1 | |
| 12 | 6P3-24519-00 | ..CLIP ..JONC | 1 | 1 | |
| 13 | 6P3-24564-00 | ..GASKET ..JOINT | 1 | 1 | |
| 14 | 6DA-24566-00 | BRACKET, FILTER SUPPORT, FILTRE | 1 | 1 | |
| 15 | 90119-06309 | BOLT, WITH WASHER BOULON, AVEC RONDELLE | 2 | 2 | |
| 16 | 90480-15013 | GROMMET PASSE-FIL | 2 | 2 | |
| 17 | 90387-06289 | COLLAR COLLERETTE | 2 | 2 | |
| 18 | 95D95-06012 | BOLT, FLANGE DEEP RECESS BOULON FIXATION | 2 | 2 | |
| 19 | 6DA-24313-00 | PIPE 3 DURITE 3 | 1 | 1 | |
| 20 | 90465-11M10 | CLAMP BRIDE | 2 | 2 | |
| 21 | 69J-28100-03 | TOOL KIT TROUSSE A OUTILS | 1 | 1 | AP AP |
| 22 | 6DV-28199-78-E0 | MANUAL, OWNER'S MANUEL D'UTILISATION | 1 | 1 | UR (E) UR (E) |
| | 6DV-28199-78-F0 | MANUAL, OWNER'S MANUEL D'UTILISATION | 1 | 1 | UR (F) UR (F) |
| | 6DV-28199-78-S0 | MANUAL, OWNER'S MANUEL D'UTILISATION | 1 | 1 | UR (ES) UR (ES) |
| | 6DV-28199-78-G0 | MANUAL, OWNER'S MANUEL D'UTILISATION | 1 | 1 | UR (D) UR (D) |
| | 6DV-28199-78-D0 | MANUAL, OWNER'S MANUEL D'UTILISATION | 1 | 1 | UR (NL) UR (NL) |
| | 6DV-28199-78-H0 | MANUAL, OWNER'S MANUEL D'UTILISATION | 1 | 1 | UR (I) UR (I) |

FIG. 14 FUEL 1

CARBURANT 1



6DA1300-M140

| REF. NO. | PART NO. N° PIECES | DESCRIPTION DESCRIPTION | 6DV/9 | 6DW/9 | REMARKS REMARQUES |
|----------|--------------------|--|-------|-------|--------------------|
| 23 | 6DV-28199-88-K0 | MANUAL,OWNER'S MANUEL D'UTILISATION | 1 | 1 | UR (DK) UR (DK) |
| | 6DV-28199-88-R0 | MANUAL,OWNER'S MANUEL D'UTILISATION | 1 | 1 | UR (GR) UR (GR) |
| | 6DV-28199-88-P0 | MANUAL,OWNER'S MANUEL D'UTILISATION | 1 | 1 | UR (P) UR (P) |
| | 6DV-28199-88-N0 | MANUAL,OWNER'S MANUEL D'UTILISATION | 1 | 1 | UR (N) UR (N) |
| | 6DV-28199-88-M0 | MANUAL,OWNER'S MANUEL D'UTILISATION | 1 | 1 | UR (S) UR (S) |
| | 6DV-28199-88-L0 | MANUAL,OWNER'S MANUEL D'UTILISATION | 1 | 1 | UR (SF) UR (SF) |
| | | | | | |
| | | | | | |
| | | | | | |
| | | | | | |
| | | | | | |
| | | | | | |
| | | | | | |
| | | | | | |

FIG. 15 FUEL 2

CARBURANT 2

| REF. NO. | PART NO. N° PIECES | DESCRIPTION DESCRIPTION | 6DV/6 | 6DW/6 | | | | REMARKS REMARQUES |
|----------|--------------------|--------------------------------------|-------|-------|--|--|--|-------------------|
| 1 | 6AW-24360-02 | PRIMER PUMP ASSY POMPE D'AMORCAGE | 1 | 1 | | | | AP AP |
| ----- | | | | | | | | |
| ----- | | | | | | | | |
| ----- | | | | | | | | |
| ----- | | | | | | | | |
| ----- | | | | | | | | |
| ----- | | | | | | | | |
| ----- | | | | | | | | |
| ----- | | | | | | | | |
| ----- | | | | | | | | |
| ----- | | | | | | | | |

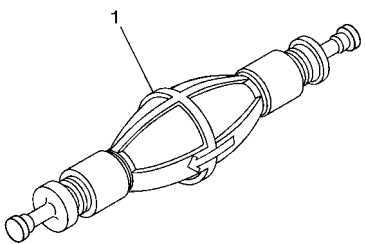
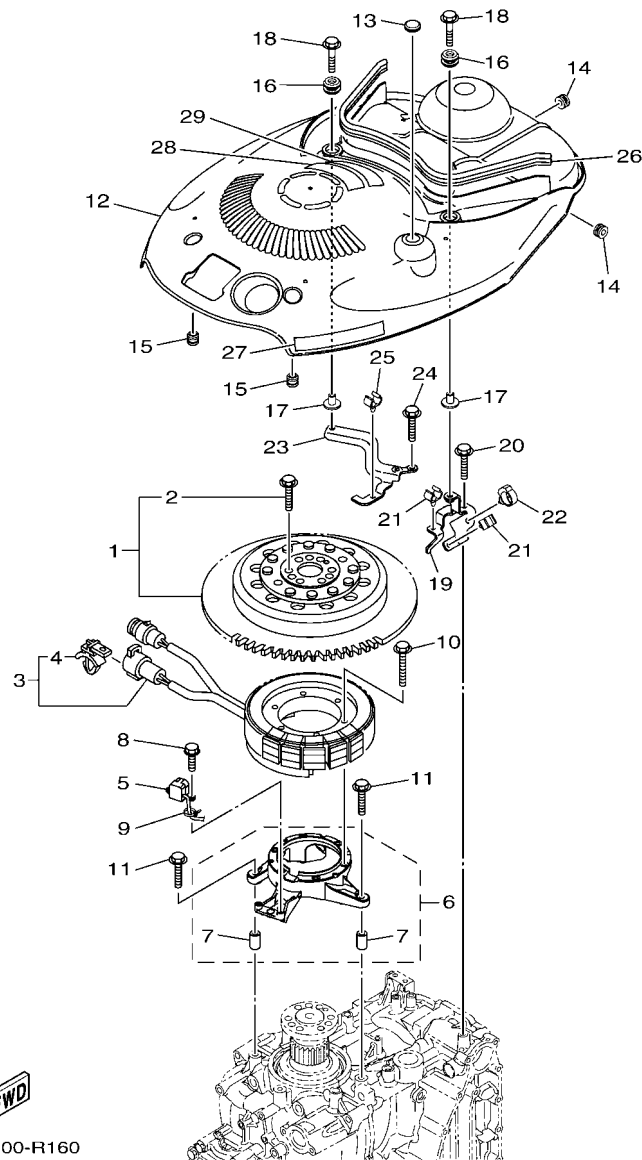


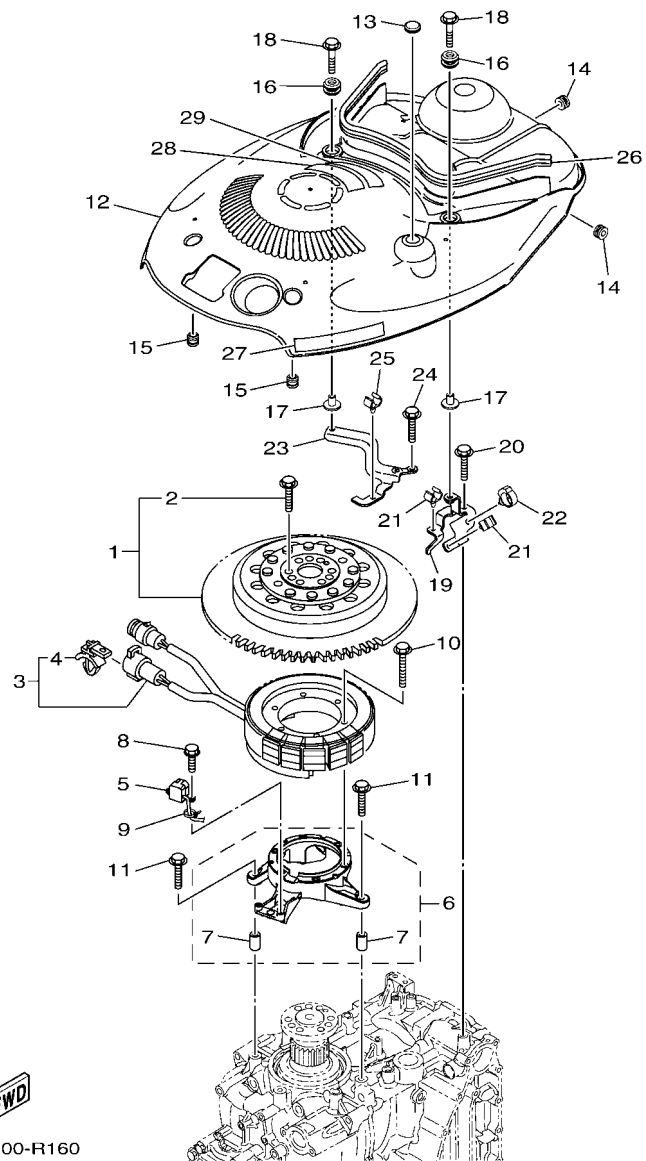
FIG. 16 GENERATOR

GENERATRICE



6DA5100-R160

| REF. NO. | PART NO. N° PIECES | DESCRIPTION DESCRIPTION | 6DV/6 | 6DW/6 | REMARKS REMARQUES |
|----------|--------------------|--|-------|-------|-------------------|
| 1 | 6DA-W8145-00 | ROTOR ASSY WITH BOLTS ROTOR COMPLET AVEC BOULON | 1 | 1 | |
| 2 | 6EK-W9010-00 | .BOLT SET .BOULON ENS. | 1 | 1 | |
| 3 | 6DA-81410-00 | STATOR ASSY STATOR COMPLET | 1 | 1 | |
| 4 | 90464-12002 | .CLAMP .BRIDE | 1 | 1 | |
| 5 | 6CB-85580-00 | COIL, PULSER BOBINE, PULSEUR | 1 | 1 | |
| 6 | 6DA-85561-00 | BASE, MAGNETO BASE, MAGNETO | 1 | 1 | |
| 7 | 99530-08012 | .PIN, DOWEL .GOUJON, D'ASSEMBLAGE | 2 | 2 | |
| 8 | 97595-05520 | BOLT, WITH WASHER VIS HEXAGONAL AVC RONDELLE | 2 | 2 | |
| 9 | 90465-13M97 | CLAMP BRIDE | 1 | 1 | |
| 10 | 95022-06035 | BOLT, FLANGE BOULON, A COLLERETTE | 6 | 6 | |
| 11 | 95D95-06030 | BOLT, FLANGE DEEP RECESS BOULON FIXATION | 4 | 4 | |
| 12 | 6DA-81337-00 | COVER, FLYWHEEL COUVERCLE, VOLANT | 1 | 1 | |
| 13 | 90480-16025 | GROMMET PASSE-FIL | 1 | 1 | |
| 14 | 90480-12314 | GROMMET PASSE-FIL | 2 | 2 | |
| 15 | 6A0-82317-01 | DAMPER, IGNITION COIL AMORTISSEUR, BOBINE D'ALLUM | 2 | 2 | |
| 16 | 6BG-42748-01 | GROMMET PASSE-FIL | 2 | 2 | |
| 17 | 90387-06M69 | COLLAR COLLERETTE | 2 | 2 | |
| 18 | 90119-06291 | BOLT, WITH WASHER BOULON, AVEC RONDELLE | 2 | 2 | |
| 19 | 6DA-8132G-01 | PLATE PLAQUE | 1 | 1 | |
| 20 | 95D95-06016 | BOLT, FLANGE DEEP RECESS BOULON FIXATION | 1 | 1 | |
| 21 | 90464-09130 | CLAMP BRIDE | 2 | 2 | |
| 22 | 90464-20181 | CLAMP BRIDE | 1 | 1 | |
| 23 | 6DA-82398-01 | PLATE 3 PLAQUETTE 3 | 1 | 1 | |
| 24 | 95D95-06016 | BOLT, FLANGE DEEP RECESS BOULON FIXATION | 2 | 2 | |
| 25 | 90464-09130 | CLAMP BRIDE | 1 | 1 | |
| 26 | 6DA-42617-00 | DAMPER, FORM BOURRELET, CAOUTCHOUC | 1 | 1 | |
| 27 | 63P-13437-63 | MARK, CAUTION MAKER | 1 | 1 | |



6DA5100-R160

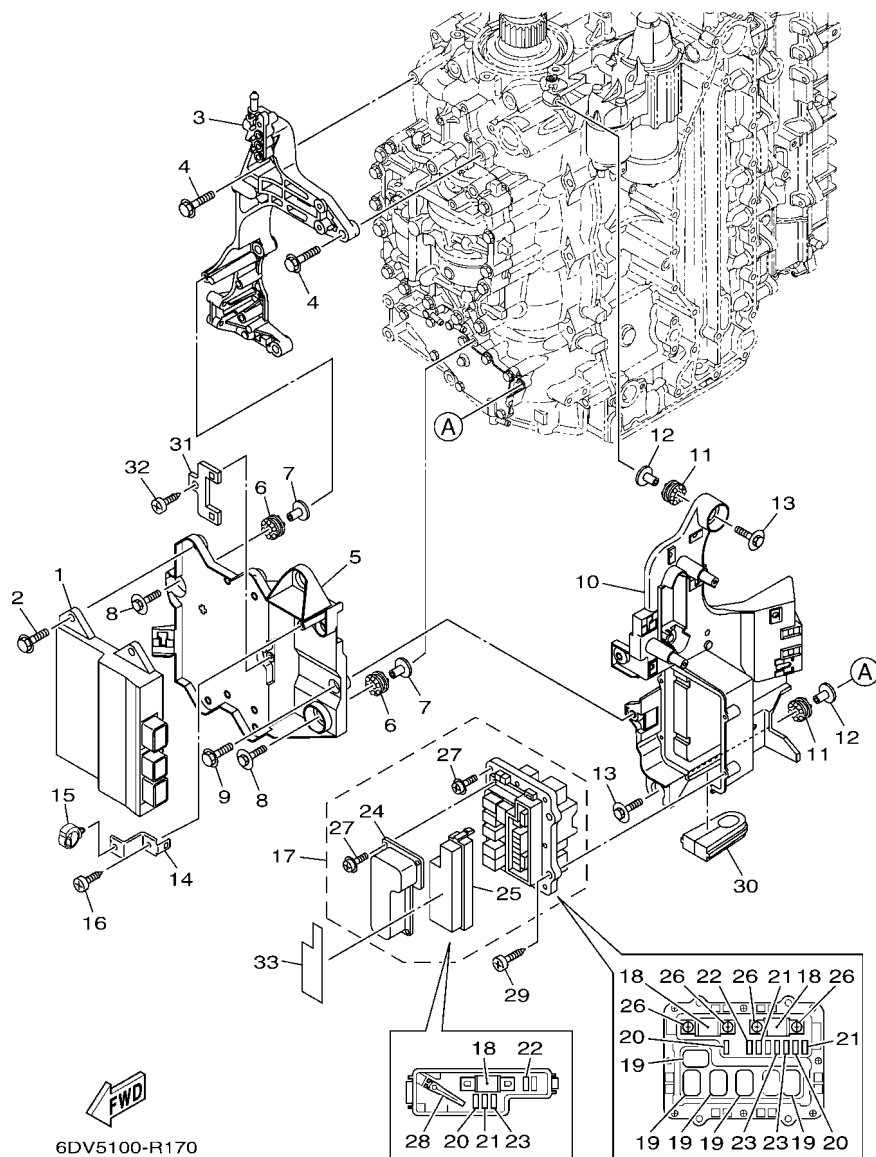
FIG. 16 GENERATOR

GENERATRICE

| REF. NO. | PART NO. N° PIECES | DESCRIPTION DESCRIPTION | 6DV/6 | 6DW/6 | REMARKS REMARQUES |
|----------|--------------------|--------------------------------------|-------|-------|-------------------|
| 28 | 6EE-81994-40 | LABEL, SAFETY ETIQUETTE, SECURITE | 1 | 1 | |
| 29 | 6EE-81994-50 | LABEL, SAFETY ETIQUETTE, SECURITE | 1 | 1 | |
| ----- | | | | | |
| ----- | | | | | |
| ----- | | | | | |
| ----- | | | | | |
| ----- | | | | | |
| ----- | | | | | |
| ----- | | | | | |
| ----- | | | | | |
| ----- | | | | | |
| ----- | | | | | |

FIG. 17 ELECTRICAL 1

PARTIE ELECTRIQUE 1

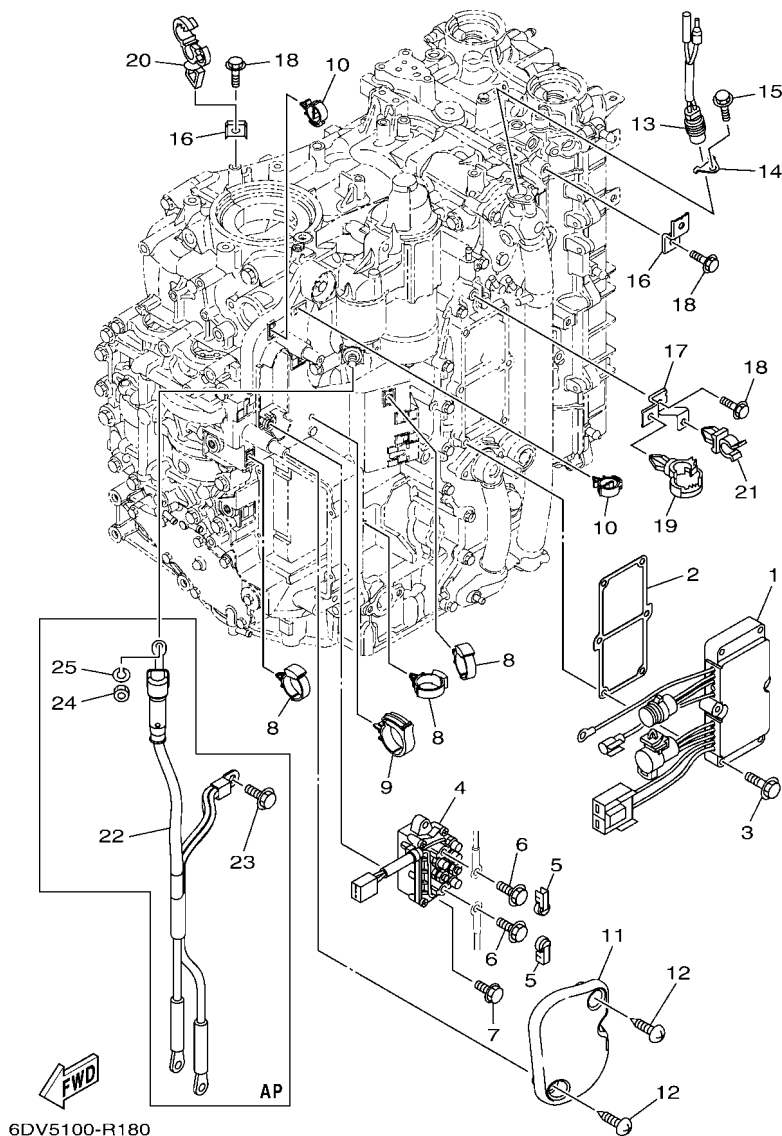


6DV5100-R170

| REF. NO. | PART NO. N° PIECES | DESCRIPTION DESCRIPTION | 6DV/6 | 6DW/9 | REMARKS REMARQUES |
|----------|--------------------|--|-------|-------|-------------------|
| 1 | 6DV-8591A-21 | ENGINE CONTROL UNIT ASSY BLOC DE CONTROL | 1 | 1 | |
| 2 | 95D95-06020 | BOLT, FLANGE DEEP RECESS BOULON FIXATION | 4 | 4 | |
| 3 | 6DA-85991-00 | BRACKET, UNIT SUPPORT COMPLET | 1 | 1 | |
| 4 | 95D75-08035 | BOLT, FLANGE DEEP RECESS BOULON FIXATION | 4 | 4 | |
| 5 | 6DA-81948-01 | BRACKET SUPPORT | 1 | 1 | |
| 6 | 68F-85516-01 | SPACER ENTRETOISE | 3 | 3 | |
| 7 | 90387-06176 | COLLAR COLLERETTE | 3 | 3 | |
| 8 | 68F-85119-00 | BOLT BOULON | 3 | 3 | |
| 9 | 95D95-06016 | BOLT, FLANGE DEEP RECESS BOULON FIXATION | 2 | 2 | |
| 10 | 6DA-81952-01 | HOLDER, RELAY SUPPORT, RELAIS | 1 | 1 | |
| 11 | 68F-85516-01 | SPACER ENTRETOISE | 3 | 3 | |
| 12 | 90387-06176 | COLLAR COLLERETTE | 3 | 3 | |
| 13 | 68F-85119-00 | BOLT BOULON | 3 | 3 | |
| 14 | 6DA-85548-01 | HOLDER SUPPORT | 1 | 1 | |
| 15 | 90464-20181 | CLAMP BRIDE | 1 | 1 | |
| 16 | 97780-60620 | SCREW, TAPPING VIS, TETE BOMBEE | 1 | 1 | |
| 17 | 6DV-82170-11 | FUSE BOX ASSY BOITE A FUSIBLES | 1 | 1 | |
| 18 | 6P2-82151-00 | .FUSE (60A) .FUSIBLE (60A) | 3 | 3 | |
| 19 | 6AW-8195A-00 | .RELAY ASSY .RELAIS COMPLET | 5 | 5 | |
| 20 | 67F-82151-40 | .FUSE (10A) .FUSIBLE (10A) | 3 | 3 | |
| 21 | 67F-82151-50 | .FUSE (15A) .FUSIBLE (15A) | 3 | 3 | |
| 22 | 67F-82151-00 | .FUSE (20A) .FUSIBLE (20A) | 2 | 2 | |
| 23 | 67F-82151-10 | .FUSE (30A) .FUSIBLE (30A) | 3 | 3 | |
| 24 | 6CB-81639-10 | .COVER .COUVERCLE | 1 | 1 | |
| 25 | 6CB-85544-00 | .CASE .BOITIER | 1 | 1 | |
| 26 | 68F-82846-00 | .SCREW, PAN HEAD (M5) .VIS, TETE TRONCONIQUE (M5) | 4 | 4 | |
| 27 | 6P2-82113-00 | .SCREW (M3) .VIS (M3) | 13 | 13 | |

FIG. 18 ELECTRICAL 2

PARTIE ELECTRIQUE 2

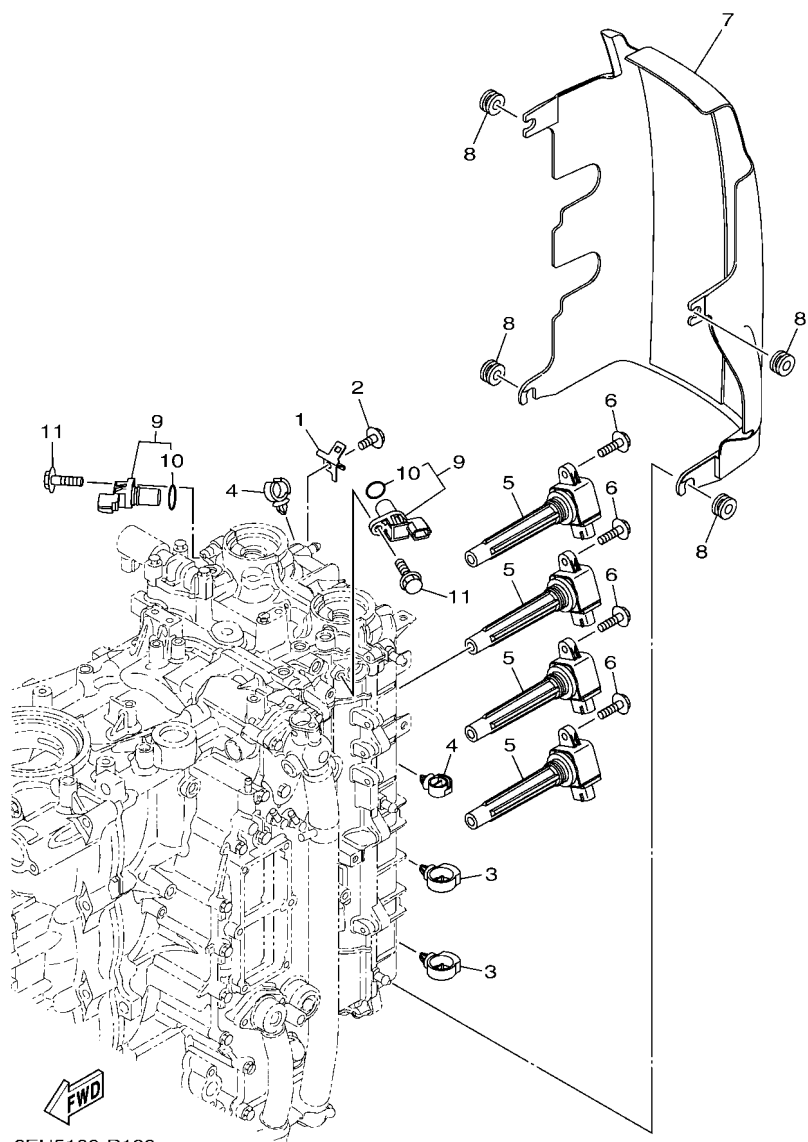


6DV5100-R180

| REF. NO. | PART NO. N° PIECES | DESCRIPTION DESCRIPTION | 6DV/6 | 6DW/9 | REMARKS REMARQUES |
|----------|--------------------|---|-------|-------|-------------------|
| 1 | 6DV-81960-00 | RECTIFIER & REGULATOR ASSY REDRESSEUR REGULATEUR CPLT | 1 | 1 | |
| 2 | 6DA-81975-01 | PLATE, RECTIFIER FITTING PLAQUE, FIXATION DU REDRESSEUR | 1 | 1 | |
| 3 | 97E95-06535 | BOLT, HEXAGON W/W DEEP RECESS VIS HEXAGONAL AVC RONDELLE | 6 | 6 | |
| 4 | 6AW-81950-00 | RELAY ASSY RELAIS COMPLET | 1 | 1 | |
| 5 | 6P2-8183X-00 | CAP, TERMINAL COUVERCLE, BORNE | 2 | 2 | |
| 6 | 97E95-06610 | BOLT, HEXAGON W/W DEEP RECESS VIS HEXAGONAL AVC RONDELLE | 2 | 2 | |
| 7 | 97E95-06520 | BOLT, HEXAGON W/W DEEP RECESS VIS HEXAGONAL AVC RONDELLE | 2 | 2 | |
| 8 | 90464-12183 | CLAMP BRIDE | 3 | 3 | |
| 9 | 90464-32002 | CLAMP BRIDE | 1 | 1 | |
| 10 | 90464-18246 | CLAMP BRIDE | 2 | 2 | |
| 11 | 6DA-81942-00 | COVER COUVERCLE | 1 | 1 | |
| 12 | 90169-05M00 | SCREW, TRUSS HEAD TAPPING VIS, TETE FRAISEE | 2 | 2 | |
| 13 | 6P2-82560-01 | THERMO SWITCH ASSY THERMO-CONTACT COMPLET | 1 | 1 | |
| 14 | 6E9-82588-00 | PLATE PLAQUE | 1 | 1 | |
| 15 | 95D95-06012 | BOLT, FLANGE DEEP RECESS BOULON FIXATION | 1 | 1 | |
| 16 | 6DA-82388-00 | PLATE PLAQUETTE | 2 | 2 | |
| 17 | 6DA-82389-00 | PLATE 2 PLAQUETTE 2 | 1 | 1 | |
| 18 | 95D95-06016 | BOLT, FLANGE DEEP RECESS BOULON FIXATION | 3 | 3 | |
| 19 | 90464-20181 | CLAMP BRIDE | 1 | 1 | |
| 20 | 90464-13249 | CLAMP BRIDE | 1 | 1 | |
| 21 | 90464-09008 | CLAMP BRIDE | 1 | 1 | |
| 22 | 6DA-82105-02 | BATTERY CABLE CABLE DE BATTERIE | 1 | 1 | AP AP |
| 23 | 95D95-08016 | BOLT, FLANGE DEEP RECESS BOULON FIXATION | 1 | 1 | AP AP |
| 24 | 95333-08600 | NUT ECROU | 1 | 1 | AP AP |
| 25 | 92903-08100 | WASHER, SPRING RONDELLE, GROWER | 1 | 1 | AP AP |

FIG. 19 ELECTRICAL 3

PARTIE ELECTRIQUE 3

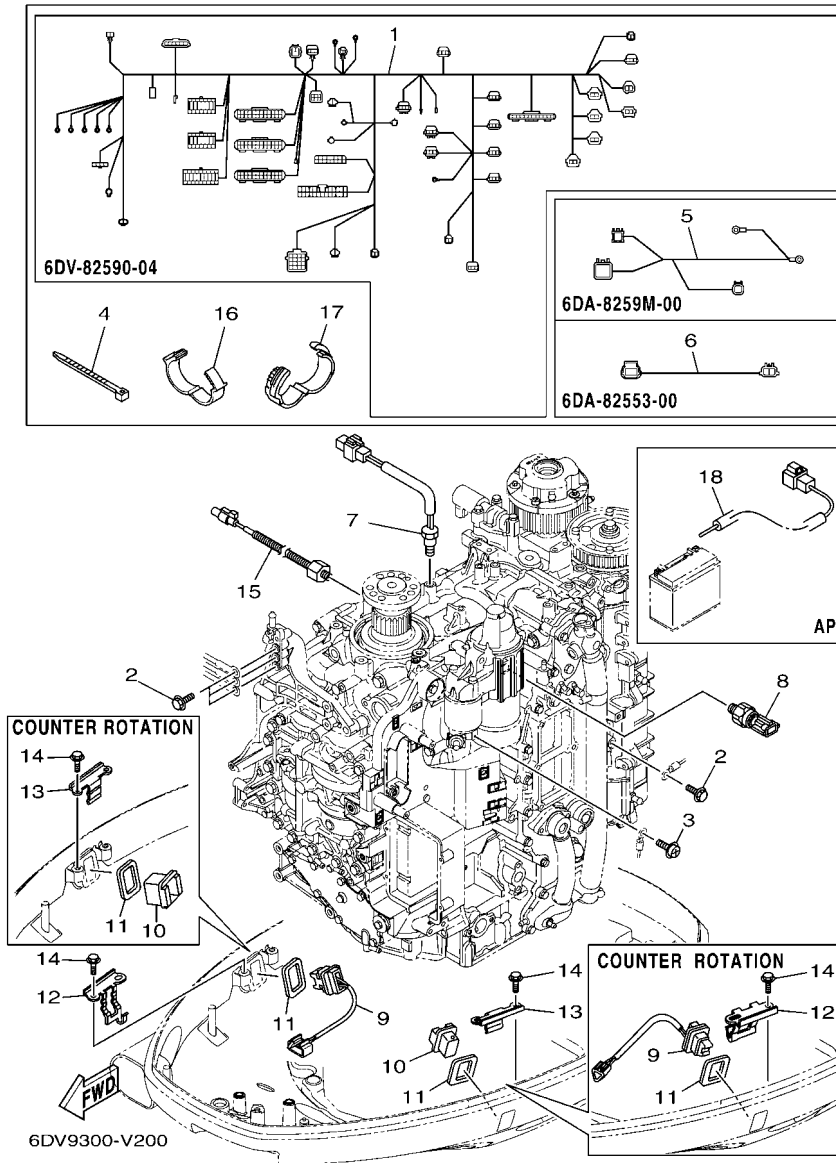


6EH5100-R190

| REF. NO. | PART NO. N° PIECES | DESCRIPTION DESCRIPTION | 6DV9 | 6DW9 | REMARKS REMARQUES |
|----------|--------------------|---|------|------|-------------------|
| 1 | 6D8-82389-01 | PLATE 2 PLAQUETTE 2 | 1 | 1 | |
| 2 | 95D95-06012 | BOLT, FLANGE DEEP RECESS BOULON FIXATION | 1 | 1 | |
| 3 | 90464-20181 | CLAMP BRIDE | 2 | 2 | |
| 4 | 90464-13249 | CLAMP BRIDE | 2 | 2 | |
| 5 | 6CB-82310-00 | IGNITION COIL ASSY BOBINE D'ALLUMAGE | 4 | 4 | |
| 6 | 95D95-06025 | BOLT, FLANGE DEEP RECESS BOULON FIXATION | 4 | 4 | |
| 7 | 6DA-82314-00 | COVER, IGNITION COIL COUVERCLE, BOBINE D'ALLUMAGE | 1 | 1 | |
| 8 | 90480-12314 | GROMMET PASSE-FIL | 4 | 4 | |
| 9 | 6P2-85896-00 | SENSOR, CAM POSITION SONDE DE CAME | 2 | 2 | |
| 10 | 6P2-85075-00 | .O-RING .JOINT TORIQUE | 1 | 1 | |
| 11 | 97E95-06520 | BOLT, HEXAGON W/W DEEP RECESS VIS HEXAGONAL AVC RONDELLE | 2 | 2 | |
| | | | | | |
| | | | | | |
| | | | | | |
| | | | | | |
| | | | | | |

FIG. 20 ELECTRICAL 4

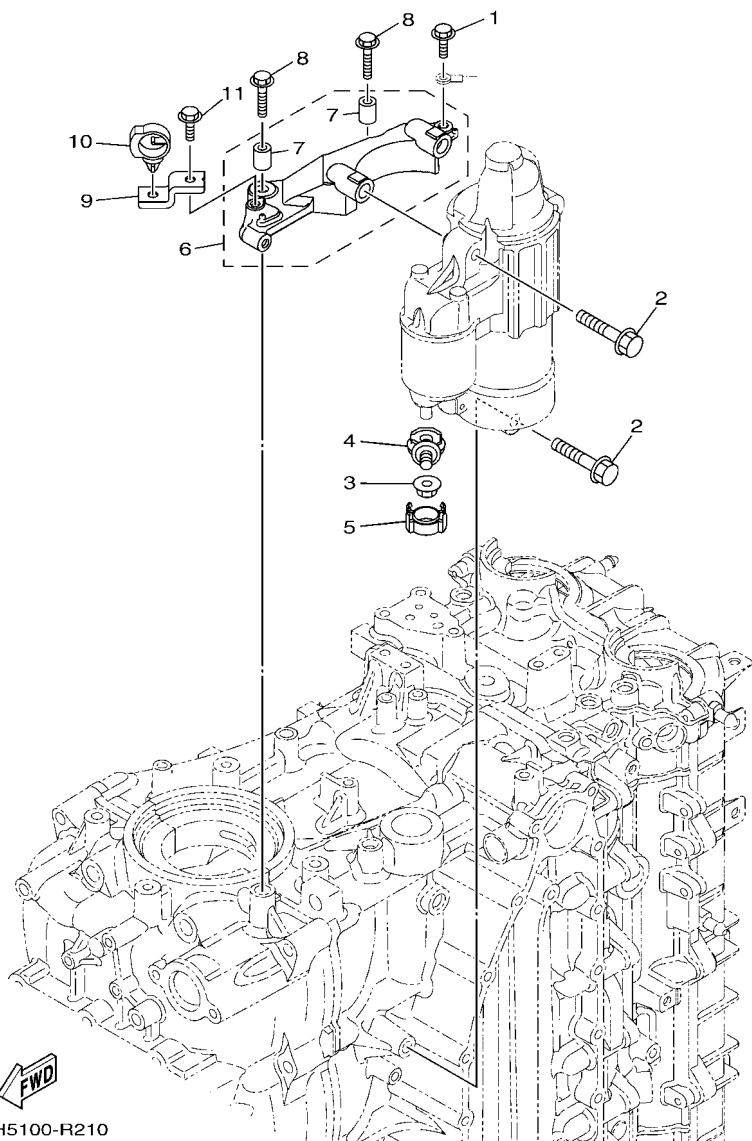
PARTIE ELECTRIQUE 4



| REF. NO. | PART NO. N° PIECES | DESCRIPTION DESCRIPTION | 6DV/6 | 6DW/9 | REMARKS REMARQUES |
|----------|--------------------|---|-------|-------|-------------------|
| 1 | 6DV-82590-04 | WIRE HARNESS ASSY FAISCEAU DE FILS COMPLET | 1 | 1 | |
| 2 | 97E95-06516 | BOLT, HEXAGON W/W DEEP RECESS VIS HEXAGONAL AVC RONDELLE | 4 | 4 | |
| 3 | 97985-04308 | SCREW, WITH WASHER VIS, AVEC RONDELLE | 1 | 1 | |
| 4 | 90465-11M59 | CLAMP BRIDE | 1 | 1 | |
| 5 | 6DA-8259M-00 | WIRE HARNESS ASSY 2 FAISCEAU DE FILS | 1 | 1 | |
| 6 | 6DA-82553-00 | EXTENSION, WIRE LEAD EXTENSION, FAISCEAU | 1 | 1 | |
| 7 | 6CB-85790-00 | THERMOSENSOR ASSY SENSITOMETRE | 1 | 1 | |
| 8 | 6AW-83651-00 | SENDER, OIL PRESSURE RACCORD, PRESSION D'HUILE | 1 | 1 | |
| 9 | 6BR-82563-01 | TRIM & TILT SWITCH ASSY INCLINER ET PAREE COMMUTATEUR | 1 | 1 | |
| 10 | 69J-42723-01 | COVER, BOTTOM COUVERCLE | 1 | 1 | |
| 11 | 69J-82587-01 | GASKET JOINT | 2 | 2 | |
| 12 | 63P-83614-01 | BRACKET SUPPORT | 1 | 1 | |
| 13 | 6DA-83614-00 | BRACKET SUPPORT | 1 | 1 | |
| 14 | 95D95-06012 | BOLT, FLANGE DEEP RECESS BOULON FIXATION | 4 | 4 | |
| 15 | 6CJ-85780-00 | SENSOR, KNOCK SONDE DE COGNEMENT | 1 | 1 | |
| 16 | 90464-26001 | CLAMP BRIDE | 5 | 5 | |
| 17 | 90464-28003 | CLAMP BRIDE | 3 | 3 | |
| 18 | 69J-81949-03 | WIRE, LEAD (ISOLATOR, 3.8M) FIL (ISOLATOR, 3.8M) | 1 | 1 | AP AP |

FIG. 21 ELECTRICAL 5

PARTIE ELECTRIQUE 5

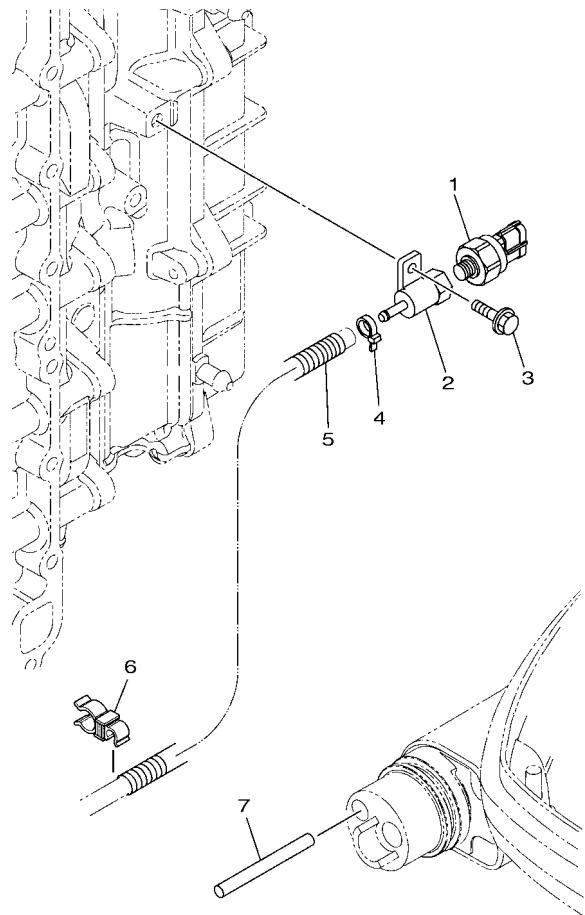


6EH5100-R210

| REF. NO. | PART NO. N° PIECES | DESCRIPTION DESCRIPTION | 6DV/6 | 6DW/6 | REMARKS REMARQUES |
|----------|--------------------|---|-------|-------|-------------------|
| 1 | 97E95-06516 | BOLT, HEXAGON W/W DEEP RECESS VIS HEXAGONAL AVC RONDELLE | 1 | 1 | |
| 2 | 97513-08545 | BOLT, WITH WASHER VIS HEXAGONAL AVC RONDELLE | 3 | 3 | |
| 3 | 90179-08003 | NUT ECROU | 1 | 1 | |
| 4 | 60V-81925-00 | TERMINAL BORNE | 1 | 1 | |
| 5 | 68F-82582-00 | CAP,1 COUVERCLE 1 | 1 | 1 | |
| 6 | 6DA-81822-00 | BRACKET, STARTING MOTOR SUPPORT, DEMARREUR ELECTRIQUE | 1 | 1 | |
| 7 | 99590-10114 | .PIN, DOWEL .GOUJON, D'ASSEMBLAGE | 2 | 2 | |
| 8 | 90105-08M87 | BOLT, FLANGE BOULON, A COLLERETTE | 2 | 2 | |
| 9 | 6DA-82388-00 | PLATE PLAQUETTE | 1 | 1 | |
| 10 | 90464-20181 | CLAMP BRIDE | 1 | 1 | |
| 11 | 95D95-06016 | BOLT, FLANGE DEEP RECESS BOULON FIXATION | 1 | 1 | |
| | | | | | |
| | | | | | |
| | | | | | |
| | | | | | |
| | | | | | |

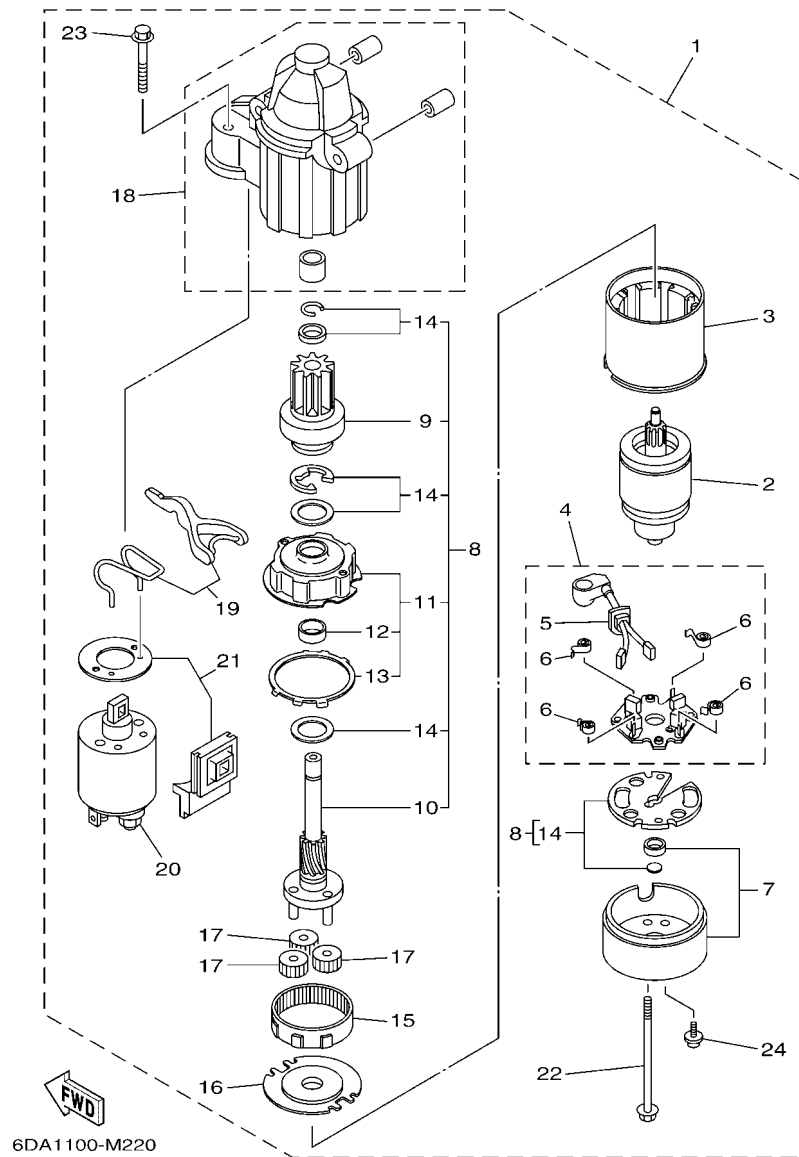
FIG. 22 ELECTRICAL 6

PARTIE ELECTRIQUE 6



| REF. NO. | PART NO. N° PIECES | DESCRIPTION DESCRIPTION | 6DV/6 | 6DW/6 | REMARKS REMARQUES |
|----------|--------------------|---|-------|-------|--|
| 1 | 6AW-8366B-01 | SENSOR, WATER PRESSURE SONDE DE PRESSION D'EAU | 1 | | FOR LAN SPEED FOR LAN SPEED |
| 2 | 60V-8366D-00 | ADAPTOR, INPUT CONNECTEUR 3 | 1 | | FOR LAN SPEED FOR LAN SPEED |
| 3 | 95D95-06016 | BOLT, FLANGE DEEP RECESS BOULON FIXATION | 1 | | FOR LAN SPEED FOR LAN SPEED |
| 4 | 90465-11M10 | CLAMP BRIDE | 1 | | FOR LAN SPEED FOR LAN SPEED |
| 5 | 90447-07008 | HOSE, WITH SPRING (L200) DURITE | 1 | | FOR LAN SPEED FOR LAN SPEED |
| 6 | 90464-13013 | CLAMP BRIDE | 1 | | FOR LAN SPEED FOR LAN SPEED |
| 7 | 60V-42629-01 | SEAL JOINT | 1 | | L(20.3")-FOR LAN SPEED L(20.3")-FOR LAN SPEED |
| | | | | | |
| | | | | | |
| | | | | | |
| | | | | | |
| | | | | | |
| | | | | | |
| | | | | | |
| | | | | | |


6DV5300-R220



6DA1100-M220

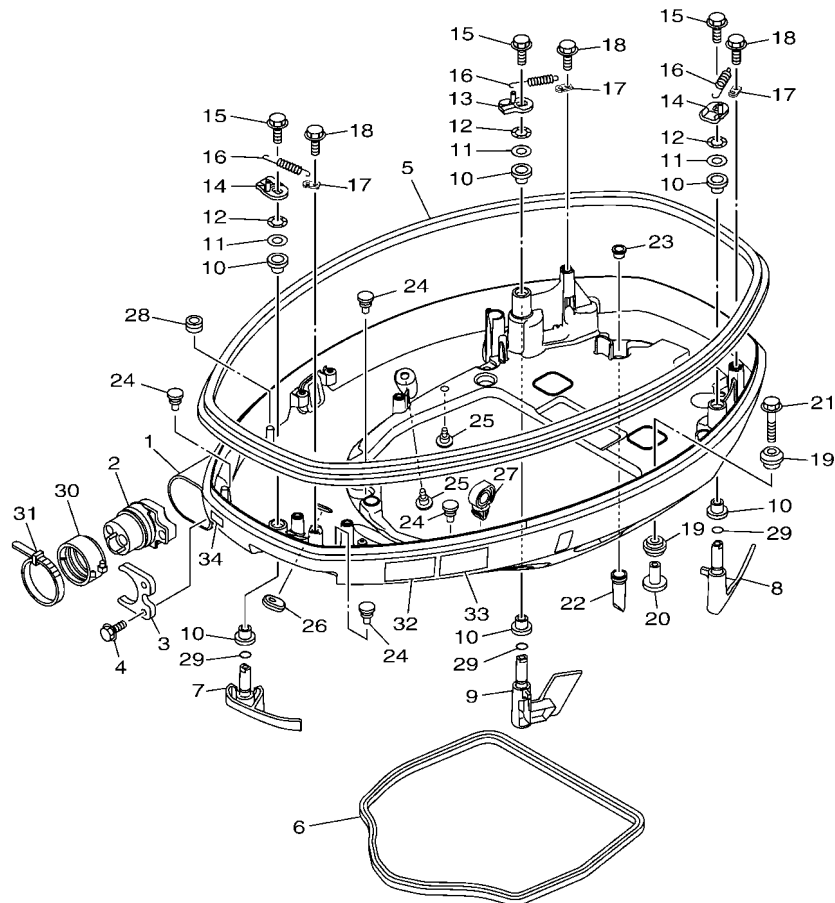
FIG. 23 STARTING MOTOR

DEMARREUR ELECTRIQUE

| REF. NO. | PART NO. N° PIECES | DESCRIPTION DESCRIPTION | 6DV/6 | 6DW/6 | REMARKS REMARQUES |
|----------|--------------------|---|-------|-------|--|
| 1 | 6CB-81800-01 | STARTING MOTOR ASSY DEMARREUR ELECTRIQUE COMPLET | 1 | 1 | |
| 2 | 67F-81850-00 | .ARMATURE ASSY .INDUIT | 1 | 1 | |
| 3 | 67F-81810-00 | .STATOR ASSY .STATOR COMPLET | 1 | 1 | |
| 4 | 69J-81840-11 | .BRUSH HOLDER ASSY .SUPPORT DE CHARBON | 1 | 1 | |
| 5 | 69J-81801-11 | .BRUSH SET ..JEU DE BROSE | 1 | 1 | |
| 6 | 67F-81813-00 | ..SPRING, BRUSH ..RESSORT, DE CHARBON | 4 | 4 | |
| 7 | 6CB-81820-00 | .REAR BRACKET ASSY .SUPPORT ARRIERE COMPLET | 1 | 1 | |
| 8 | 6CB-81807-00 | .GEAR ASSY, STARTING MOTOR .PIGNON, DEMARREUR ELECTRIQUE | 1 | 1 | |
| 9 | 6CB-81832-00 | ..CLUTCH, OVER RUN ..EMBRAYAGE, ROUE LIBRE | 1 | 1 | |
| 10 | 6CB-81836-00 | ..SHAFT, PINION ..AXE, PIGNON | 1 | 1 | |
| 11 | 67F-81821-00 | ..BRACKET, CENTER 1 ..SUPPORT, CENTRE 1 | 1 | 1 | |
| 12 | 67F-81841-00 | ...BEARING ...ROULEMENT | 1 | 1 | |
| 13 | 67F-8183R-00 | ...GASKET ...JOINT | 1 | 1 | |
| 14 | 6CB-81809-00 | ..WASHER KIT ..JEU DE RONDELLES | 1 | 1 | |
| 15 | 67F-81891-00 | .GEAR, RING .ROUE DENTEE | 1 | 1 | WITH 67F-8183R-00 WITH 67F-8183R-00 |
| 16 | 67F-81830-00 | .BRACKET, CENTER 2 ..SUPPORT, CENTRE 2 | 1 | 1 | |
| 17 | 60V-8183T-00 | .GEAR, IDLER .PIGNON, INTERMEDIAIRE | 3 | 3 | |
| 18 | 6CB-81842-00 | .COVER .COUVERCLE | 1 | 1 | |
| 19 | 6C5-81839-00 | .LEVER ASSY .LEVIER COMPLET | 1 | 1 | |
| 20 | 6C5-81941-00 | .STARTER RELAY ASSY .LANCEUR RELAIS (ENS.) | 1 | 1 | |
| 21 | 6C5-81869-00 | .COVER, DUST .COUVERCLE, POUSSIERE | 1 | 1 | |
| 22 | 6CB-81826-00 | .BOLT .BOULON | 2 | 2 | |
| 23 | 69J-81828-00 | .BOLT 2 .BOULON 2 | 2 | 2 | |
| 24 | 67F-81846-00 | .SCREW ..VIS | 2 | 2 | |

FIG. 24 BOTTOM COWLING 1

CAPOT INFERIEUR 1

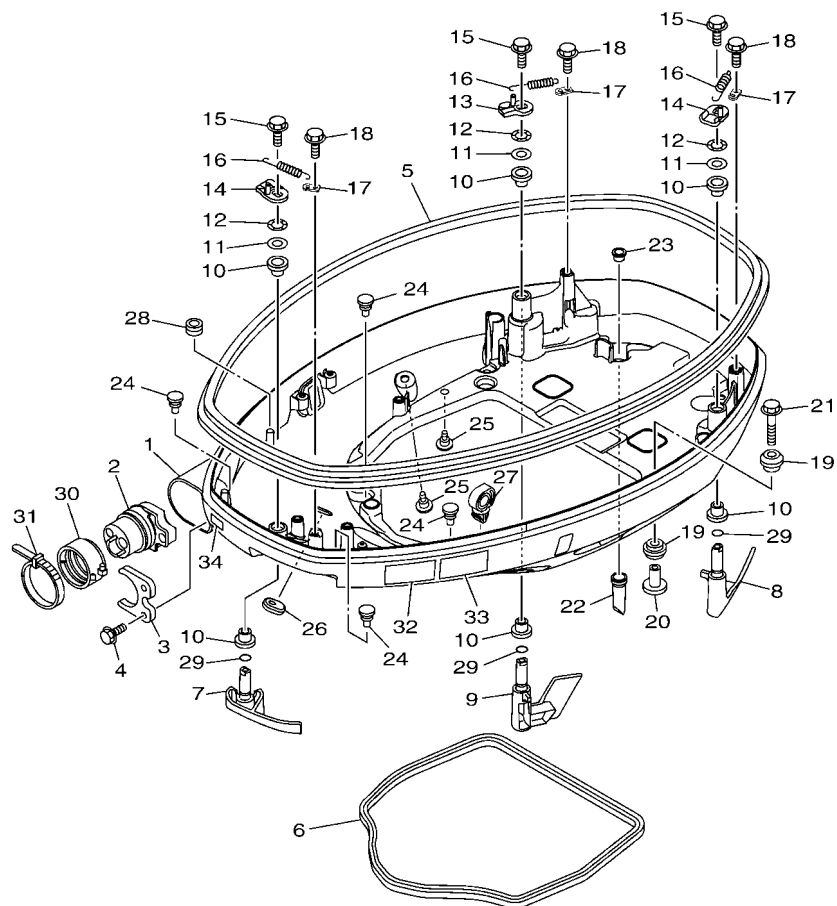


6DV5100-R240

| REF. NO. | PART NO. N° PIECES | DESCRIPTION DESCRIPTION | 6DV/6 | 6DW/9 | REMARKS REMARQUES |
|----------|--------------------|---|-------|-------|------------------------|
| 1 | 6DA-42710-00-8D | BOTTOM COWLING ASSY ENS. EMBASE | 1 | 1 | GRAY |
| | 6DA-42710-00-CE | BOTTOM COWLING ASSY ENS. EMBASE | 1 | 1 | GRAY WHITE WHITE |
| 2 | 6CE-42725-03 | GROMMET PASSE-FIL | 1 | 1 | |
| 3 | 6CB-42761-00 | STOPPER PLAQUETTE | 1 | 1 | |
| 4 | 95D95-06014 | BOLT, FLANGE DEEP RECESS BOULON FIXATION | 2 | 2 | |
| 5 | 6DA-42615-00 | SEAL JOINT | 1 | 1 | |
| 6 | 63P-42716-01 | RUBBER SEAL 1 JOINT EN CAOUTCHOUC 1 | 1 | 1 | |
| 7 | 6DA-42815-01-8D | LEVER, CLAMP 1 LEVIER, PRESSE 1 | 1 | 1 | GRAY |
| | 6DA-42815-01-CE | LEVER, CLAMP 1 LEVIER, PRESSE 1 | 1 | 1 | GRAY WHITE WHITE |
| 8 | 6DA-42816-02-8D | LEVER, CLAMP 2 LEVIER, PRESSE 2 | 1 | 1 | GRAY GRAY |
| | 6DA-42816-02-CE | LEVER, CLAMP 2 LEVIER, PRESSE 2 | 1 | 1 | WHITE WHITE |
| 9 | 6DA-42817-02-8D | LEVER, CLAMP 3 LEVIER, PRESSE 3 | 1 | 1 | GRAY |
| | 6DA-42817-02-CE | LEVER, CLAMP 3 LEVIER, PRESSE 3 | 1 | 1 | GRAY WHITE WHITE |
| 10 | 90386-15M73 | BUSH DOUILLE | 6 | 6 | |
| 11 | 90201-156J2 | WASHER, PLATE RONDELLE, PLATE | 3 | 3 | |
| 12 | 90206-15M18 | WASHER, WAVE RONDELLE, ONDULEE | 3 | 3 | |
| 13 | 6CB-42818-00 | LEVER, CLAMP 4 LEVIER, PRESSE 4 | 1 | 1 | |
| 14 | 6CB-42819-00 | LEVER, CLAMP 5 LEVIER, PRESSE 5 | 2 | 2 | |
| 15 | 95D95-08012 | BOLT, FLANGE DEEP RECESS BOULON FIXATION | 3 | 3 | |
| 16 | 90506-22001 | SPRING, TENSION RESSORT, TENSION | 3 | 3 | |
| 17 | 66T-43144-00 | HOOK, SPRING CROCHET | 3 | 3 | |
| 18 | 95D95-06012 | BOLT, FLANGE DEEP RECESS BOULON FIXATION | 3 | 3 | |
| 19 | 90480-22M81 | GROMMET PASSE-FIL | 8 | 8 | |
| 20 | 90387-08M37 | COLLAR COLLERETTE | 4 | 4 | |
| 21 | 90119-08187 | BOLT, WITH WASHER BOULON, AVEC RONDELLE | 4 | 4 | |
| 22 | 6DA-42717-01 | RUBBER, SEAL 2 JOINT EN CAOUTCHOUC 2 | 4 | 4 | |
| 23 | 6DA-42384-00 | SEAL, CAP JOINT, CAPUCHON | 4 | 4 | |

FIG. 24 BOTTOM COWLING 1

CAPOT INFERIEUR 1

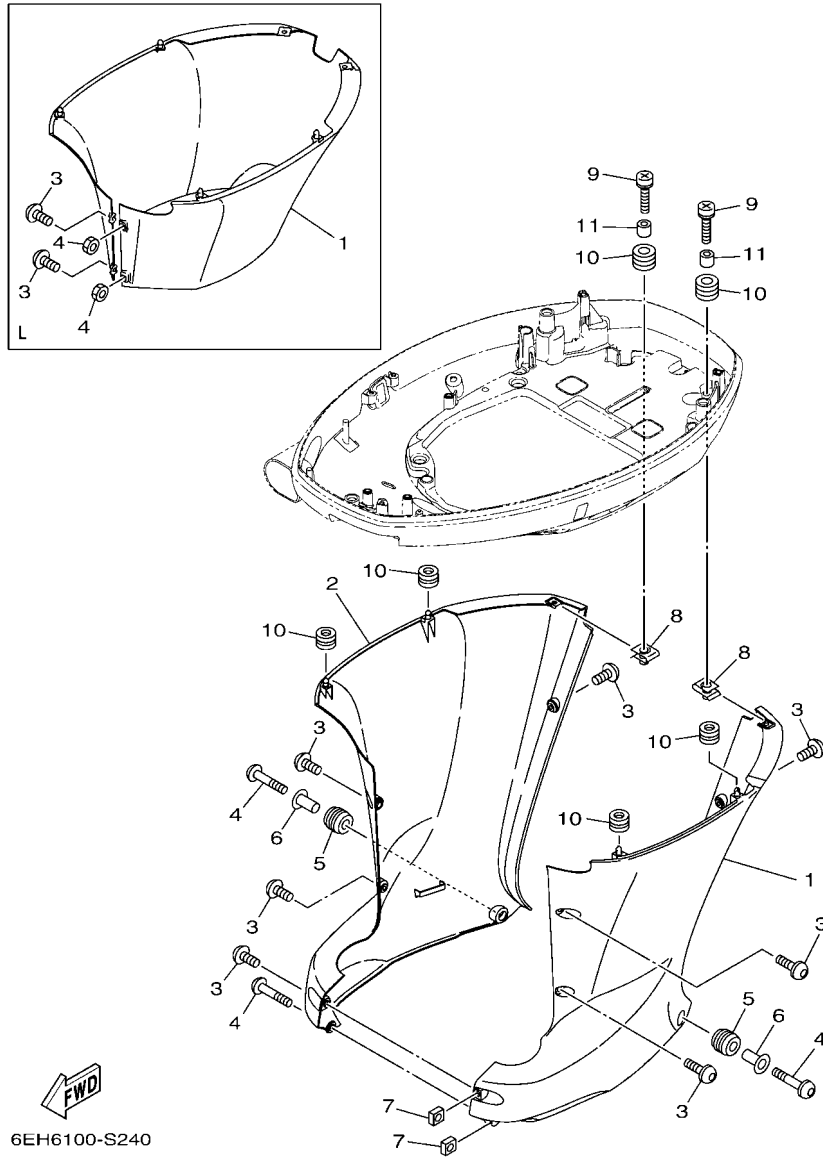


6DV5100-R240

| REF. NO. | PART NO. N° PIECES | DESCRIPTION DESCRIPTION | 6DV9 | 6DW9 | REMARKS REMARQUES |
|----------|--------------------|---|------|------|-------------------|
| 24 | 6H4-42748-01 | GROMMET PASSE-FIL | 4 | 4 | |
| 25 | 6P2-44391-00 | NIPPLE, HOSE RACCORD D'ESSENCE | 2 | 2 | |
| 26 | 61A-42727-01 | GROMMET PASSE-FIL | 1 | 1 | |
| 27 | 90464-13249 | CLAMP BRIDE | 1 | 1 | |
| 28 | 90480-13163 | GROMMET PASSE-FIL | 1 | 1 | |
| 29 | 93210-13M63 | O-RING JOINT TORIQUE | 3 | 3 | |
| 30 | 68F-42753-00 | FASTNER ATTACHE | 1 | 1 | AP |
| 31 | 90464-20258 | CLAMP BRIDE | 1 | 1 | AP |
| 32 | 6EE-42794-40 | LABEL, WARNING (GENERAL) ETIQUETTE, AVERTISSEMENT | 1 | 1 | AP |
| 33 | 6EE-42794-50 | LABEL, WARNING (GENERAL) ETIQUETTE, AVERTISSEMENT | 1 | 1 | AP |
| 34 | 6AH-81996-00 | MARK MARQUE | 1 | 1 | |

FIG. 25 BOTTOM COWLING 2

CAPOT INFERIEUR 2

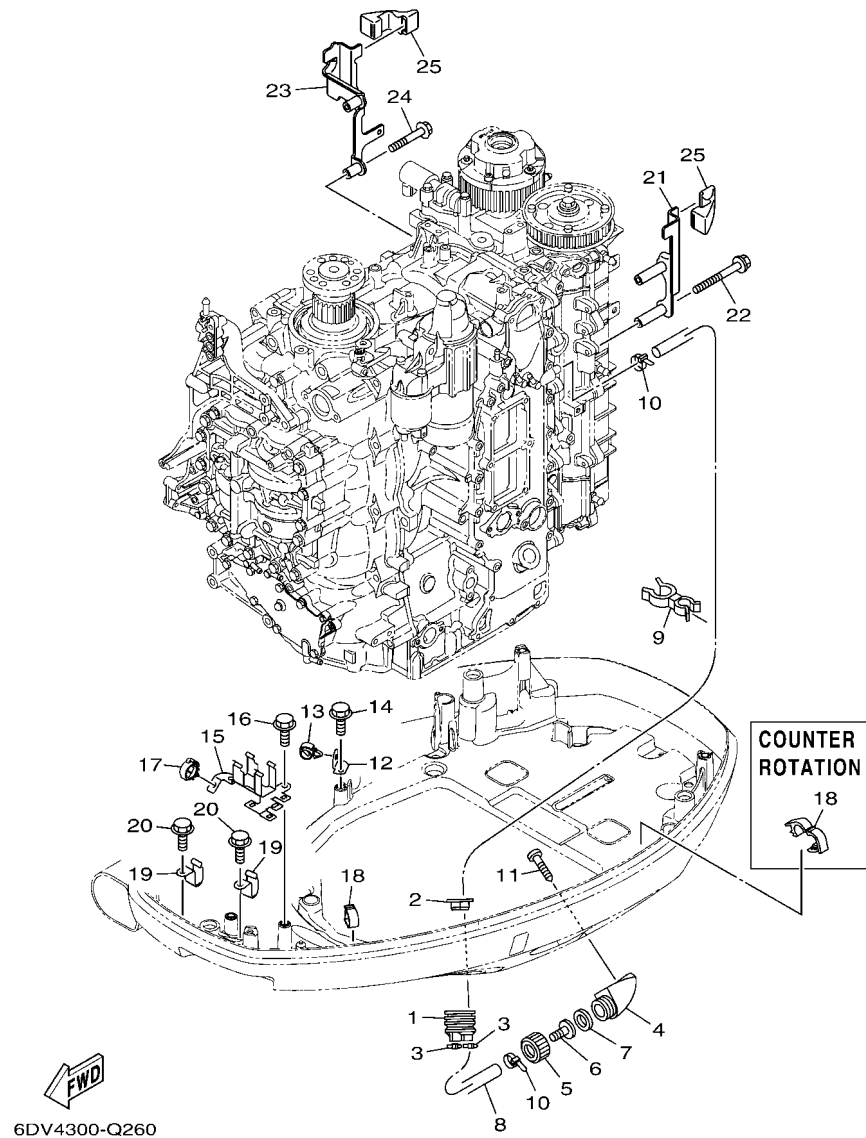


6EH6100-S240

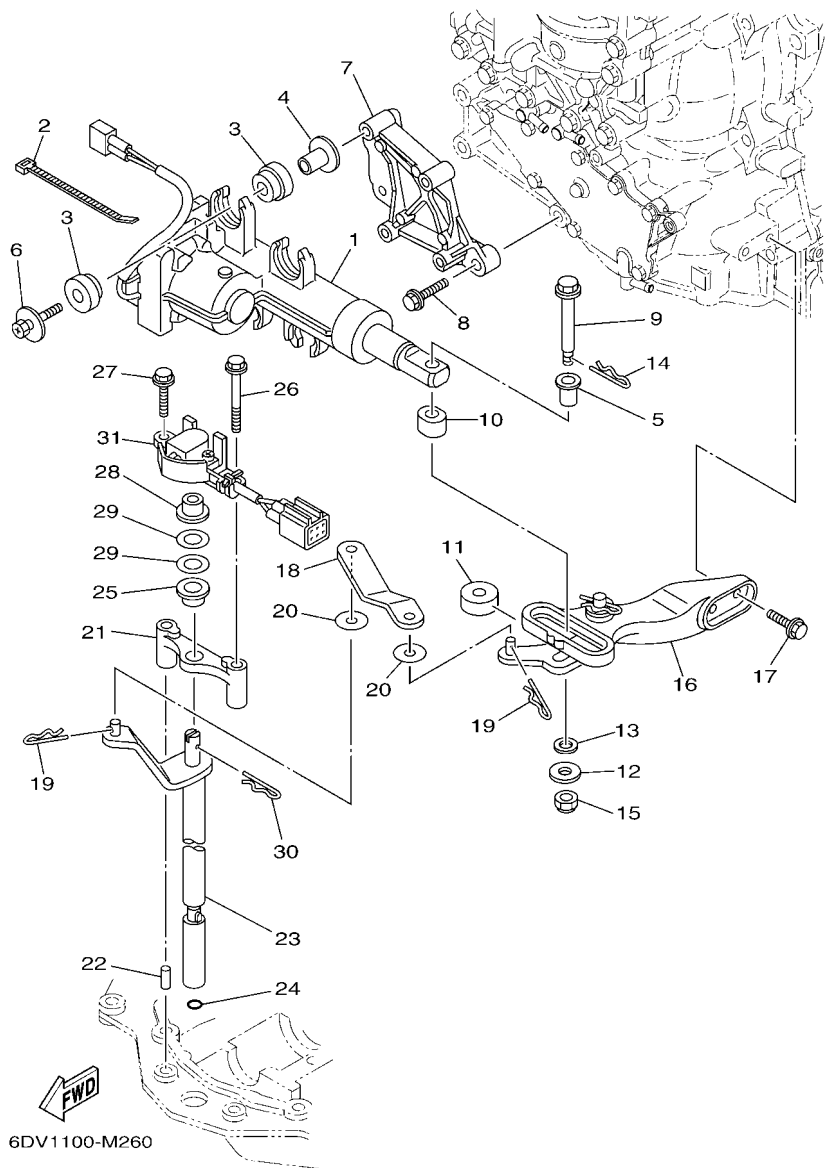
| REF. NO. | PART NO. N° PIECES | DESCRIPTION DESCRIPTION | 6DV/6 | 6DW/9 | REMARKS REMARQUES |
|----------|--------------------|--|-------|-------|----------------------------------|
| 1 | 6DA-42740-01 | APRON COMPLETE 1 CAPOT LATERAL COMPLETE 1 | 1 | 1 | GRAY X(25.3") GRAY X(25.3") |
| | 6DA-42740-01-CE | APRON COMPLETE 1 CAPOT LATERAL COMPLETE 1 | 1 | 1 | WHITE X(25.3") WHITE X(25.3") |
| | 6DA-42741-11-8D | APRON CAPOT LATERAL | 1 | | GRAY L(20.3") GRAY L(20.3") |
| | 6DA-42741-11-CE | APRON CAPOT LATERAL | 1 | | WHITE L(20.3") WHITE L(20.3") |
| 2 | 6DA-42770-01 | APRON COMPLETE 2 CAPOT LATERAL COMPLETE 2 | 1 | 1 | GRAY X(25.3") GRAY X(25.3") |
| | 6DA-42770-01-CE | APRON COMPLETE 2 CAPOT LATERAL COMPLETE 2 | 1 | 1 | WHITE X(25.3") WHITE X(25.3") |
| 3 | 90111-06144 | BOLT,HEX. SOCKET BUTTON BOULON | 7 | 7 | X(25.3") X(25.3") |
| | 90159-06M28 | SCREW, WITH WASHER VIS, AVEC RONDELLE | 2 | | L(20.3") L(20.3") |
| 4 | 90111-06142 | BOLT,HEX. SOCKET BUTTON BOULON | 3 | 3 | X(25.3") X(25.3") |
| | 95380-06600 | NUT, HEXAGON ECROU | 2 | | L(20.3") L(20.3") |
| 5 | 90480-16009 | GROMMET PASSE-FIL | 2 | 2 | X(25.3") X(25.3") |
| 6 | 90387-07028 | COLLAR COLLERETTE | 2 | 2 | X(25.3") X(25.3") |
| 7 | 90173-06001 | NUT, SQUARE ECROU, CARRE | 2 | 2 | X(25.3") X(25.3") |
| 8 | 90183-061A8 | NUT, SPRING ECROU, RESSORT | 2 | 2 | |
| 9 | 90159-06053 | SCREW, WITH WASHER VIS, AVEC RONDELLE | 2 | 2 | |
| 10 | 90480-13M24 | GROMMET PASSE-FIL | 6 | 6 | |
| 11 | 90387-06M43 | COLLAR COLLERETTE | 2 | 2 | |

FIG. 26 BOTTOM COWLING 3

CAPOT INFERIEUR 3



| REF. NO. | PART NO. N° PIECES | DESCRIPTION DESCRIPTION | 6DV/6 | 6DW/9 | REMARKS REMARQUES |
|----------|--------------------|--|-------|-------|-------------------|
| 1 | 6H1-42726-22 | GROMMET PASSE-FIL | 1 | 1 | |
| 2 | 6BG-42384-00 | SEAL, CAP JOINT, CAPUCHON | 1 | 1 | |
| 3 | 90465-11M10 | CLAMP BRIDE | 2 | 2 | |
| 4 | 6AW-12572-00 | ADAPTER ADAPTATEUR | 1 | 1 | |
| 5 | 6R3-12581-00 | JOINT, HOSE 1 JOINT DE TUYAU | 1 | 1 | |
| 6 | 6AW-12582-00 | JOINT, HOSE 2 RACCORD DE TUYAU 1 | 1 | 1 | |
| 7 | 6R3-12583-00 | GASKET, HOSE JOINT JOINT | 1 | 1 | |
| 8 | 6DA-42541-00 | PIPE 1 TUYAU 1 | 1 | 1 | |
| 9 | 90464-21256 | CLAMP BRIDE | 1 | 1 | |
| 10 | 90465-11M10 | CLAMP BRIDE | 2 | 2 | |
| 11 | 97780-60520 | SCREW, TAPPING VIS, TETE BOMBEE | 2 | 2 | |
| 12 | 63P-42756-00 | STAY, CLAMP SUPPORT, COLLIER | 1 | | |
| 13 | 90464-13249 | CLAMP BRIDE | 1 | | |
| 14 | 95D95-06012 | BOLT, FLANGE DEEP RECESS BOULON FIXATION | 1 | | |
| 15 | 6DV-8366G-00 | BRACKET 3 SUPPORT 3 | 1 | 1 | |
| 16 | 95D95-06012 | BOLT, FLANGE DEEP RECESS BOULON FIXATION | 2 | 2 | |
| 17 | 90464-18246 | CLAMP BRIDE | 1 | 1 | |
| 18 | 90464-18004 | CLAMP BRIDE | 1 | | |
| | 90464-18004 | CLAMP BRIDE | | 2 | |
| 19 | 90462-12013 | CLAMP BRIDE | 2 | 2 | |
| 20 | 95D95-06012 | BOLT, FLANGE DEEP RECESS BOULON FIXATION | 2 | 2 | |
| 21 | 6DA-11998-00 | BRACKET 1 SUPPORT 1 | 1 | 1 | |
| 22 | 95D95-06065 | BOLT, FLANGE DEEP RECESS BOULON FIXATION | 2 | 2 | |
| 23 | 6DA-11999-00 | BRACKET 2 SUPPORT 2 | 1 | 1 | |
| 24 | 95D95-06040 | BOLT, FLANGE DEEP RECESS BOULON FIXATION | 2 | 2 | |
| 25 | 6CB-42662-02 | DAMPER AMORTISSEUR | 2 | 2 | |



6DV1100-M260

FIG. 27 CONTROL

COMMANDE

| REF. NO. | PART NO. N° PIECES | DESCRIPTION DESCRIPTION | 6DV/6 | 6DW/9 | REMARKS REMARQUES |
|----------|--------------------|---|-------|-------|----------------------|
| 1 | 6DV-4820A-01 | ACTUATOR UNIT ACTUATOR UNIT | 1 | 1 | |
| 2 | 90465-11M10 | CLAMP BRIDE | 1 | 1 | |
| 3 | 6DV-85564-00 | GROMMET RONDELLE CAOUTCHOUC | 8 | 8 | |
| 4 | 90387-06176 | COLLAR COLLERETTE | 4 | 4 | |
| 5 | 90386-08008 | BUSH DOUILLE | 1 | 1 | |
| 6 | 68F-85119-00 | BOLT BOULON | 4 | 4 | |
| 7 | 6DV-44142-00 | JOINT AXE | 1 | 1 | |
| 8 | 95D75-08030 | BOLT, FLANGE DEEP RECESS BOULON FIXATION | 3 | 3 | |
| 9 | 6DV-42195-00 | PIN, JOINT 1 GOUILLE | 1 | 1 | |
| 10 | 6DV-44122-00 | BUSHING, SHIFT ROD LEVER DOUILLE, LEVIER D'EMBRAYAGE | 1 | 1 | |
| 11 | 6DV-44132-00 | BUSHING COUSSINET | 1 | 1 | |
| 12 | 90201-06068 | WASHER, PLATE RONDELLE, PLATE | 1 | 1 | |
| 13 | 90202-08M41 | WASHER, PLATE RONDELLE, PLATE | 1 | 1 | |
| 14 | 90468-18008 | CLIP JONC | 1 | 1 | |
| 15 | 90185-06M07 | NUT, SELF-LOCKING ECROU,AUTO-BLOQUANT | 1 | 1 | |
| 16 | 6DV-44100-00 | SHIFT LINK ASSY MAILLON DE SELECTEUR | 1 | 1 | |
| 17 | 97E75-06520 | BOLT, HEXAGON W/W DEEP RECESS VIS HEXAGONAL AVC RONDELLE | 2 | 2 | |
| 18 | 6DV-44121-00 | LEVER, SHIFT ROD LEVIER, TIGE D'INVERSION | 1 | 1 | |
| 19 | 90468-18008 | CLIP JONC | 2 | 2 | |
| 20 | 90202-06015 | WASHER, PLATE RONDELLE, PLATE | 2 | 2 | |
| 21 | 6DV-44118-00 | BRACKET SUPPORT | 1 | 1 | |
| 22 | 93604-09066 | PIN, DOWEL CLAVETTE | 1 | 1 | |
| 23 | 6DV-44120-02 | HANDLE GEAR SHIFT ASSY LEVIER D'EMBRAYAGE | 1 | 1 | X(25.3") X(25.3") |
| | 6DV-44120-11 | HANDLE GEAR SHIFT ASSY LEVIER D'EMBRAYAGE | 1 | | L(20.3") L(20.3") |
| 24 | 93210-09165 | O-RING JOINT TORIQUE | 1 | 1 | |
| 25 | 90386-10001 | BUSH DOUILLE | 1 | 1 | |
| 26 | 97E95-06550 | BOLT, HEXAGON W/W DEEP RECESS VIS HEXAGONAL AVC RONDELLE | 1 | 1 | |

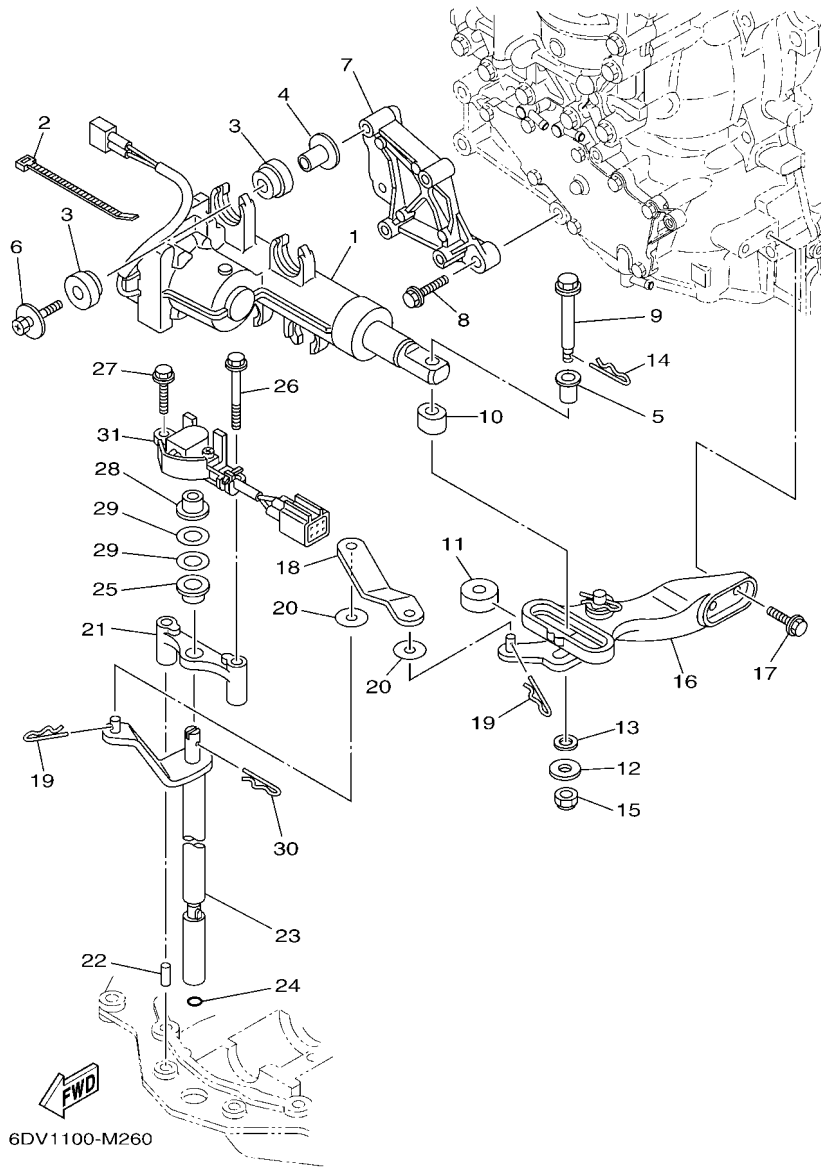
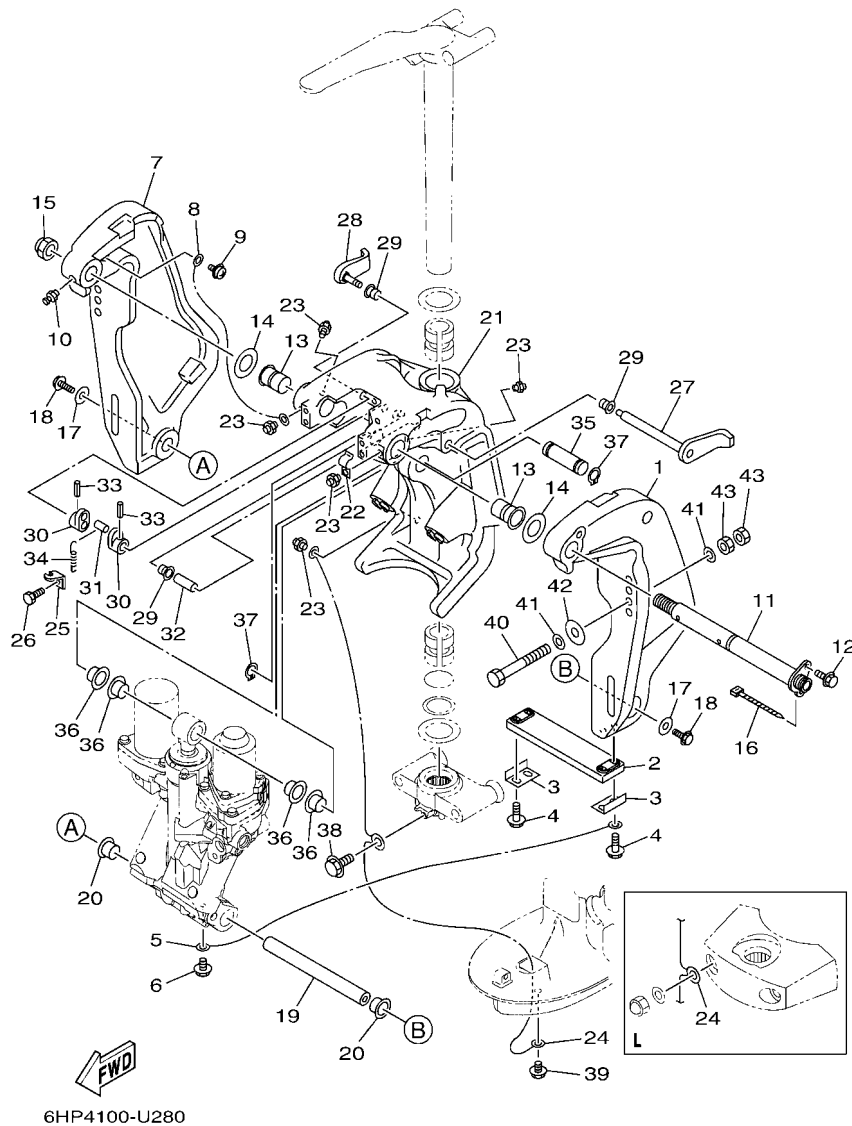


FIG. 27 CONTROL

COMMANDE

| REF. NO. | PART NO. N° PIECES | DESCRIPTION DESCRIPTION | 6DV/6 | 6DW/9 | REMARKS REMARQUES |
|----------|--------------------|---|-------|-------|-------------------|
| 27 | 97E75-06520 | BOLT, HEXAGON W/W DEEP RECESS VIS HEXAGONAL AVC RONDELLE | 1 | 1 | |
| 28 | 90386-10001 | BUSH DOUILLE | 1 | 1 | |
| 29 | 90201-11008 | WASHER, PLATE RONDELLE, PLATE | 2 | 2 | |
| 30 | 90468-180A0 | CLIP JONC | 1 | 1 | |
| 31 | 6DV-68303-00 | SENSOR ASSY SONDE (ENS.) | 1 | 1 | |
| ----- | | | | | |
| ----- | | | | | |
| ----- | | | | | |
| ----- | | | | | |
| ----- | | | | | |
| ----- | | | | | |
| ----- | | | | | |
| ----- | | | | | |
| ----- | | | | | |
| ----- | | | | | |



6HP4100-U280

FIG. 28 BRACKET 1

SUPPORT 1

| REF. NO. | PART NO. N° PIECES | DESCRIPTION DESCRIPTION | 6DV/6 | 6DW/9 | REMARKS REMARQUES |
|----------|--------------------|--|-------|-------|---|
| 1 | 64E-43111-02-8D | BRACKET, CLAMP 1 PRESSE 1 | 1 | 1 | GRAY |
| | 64E-43111-02-CE | BRACKET, CLAMP 1 PRESSE 1 | 1 | 1 | GRAY WHITE WHITE |
| 2 | 6AW-45251-00 | ANODE ANODE | 1 | 1 | |
| 3 | 6G5-44526-00 | PLATE PLAQUE | 2 | 2 | |
| 4 | 97E95-06530 | BOLT, HEXAGON W/W DEEP RECESS VIS HEXAGONAL AVC RONDELLE | 4 | 4 | |
| 5 | 6E5-82148-00 | WIRE, LEAD 4 FIL 4 | 1 | 1 | |
| 6 | 97E95-06510 | BOLT, HEXAGON W/W DEEP RECESS VIS HEXAGONAL AVC RONDELLE | 1 | 1 | |
| 7 | 64E-43112-02-8D | BRACKET, CLAMP 2 PRESSE 2 | 1 | 1 | GRAY |
| | 64E-43112-02-CE | BRACKET, CLAMP 2 PRESSE 2 | 1 | 1 | GRAY WHITE WHITE |
| 8 | 6E5-82148-00 | WIRE, LEAD 4 FIL 4 | 1 | 1 | |
| 9 | 97985-06212 | SCREW, WITH WASHER VIS, AVEC RONDELLE | 1 | 1 | |
| 10 | 93700-06002 | NIPPLE, GREASE PION | 1 | 1 | |
| 11 | 64E-43131-30 | BOLT, CLAMP BRACKET BOULON, PRESSE | 1 | 1 | |
| 12 | 97E95-08520 | BOLT, HEXAGON W/W DEEP RECESS VIS HEXAGONAL AVC RONDELLE | 1 | 1 | |
| 13 | 90386-25M31 | BUSH DOUILLE | 2 | 2 | |
| 14 | 90201-26M59 | WASHER, PLATE RONDELLE, PLATE | 2 | 2 | |
| 15 | 90185-22M11 | NUT, SELF-LOCKING ECROU, AUTO-BLOQUANT | 1 | 1 | |
| 16 | 90465-11M10 | CLAMP BRIDE | 1 | 1 | |
| 17 | 90201-10060 | WASHER, PLATE RONDELLE, PLATE | 2 | 2 | |
| 18 | 90119-10054 | BOLT, WITH WASHER BOULON, AVEC RONDELLE | 2 | 2 | |
| 19 | 6BC-43818-00 | PIN, LOWER SHOCK MOUNT AXE, INFÉRIEUR AMORTISSEUR | 1 | 1 | |
| 20 | 90386-22M98 | BUSH DOUILLE | 2 | 2 | |
| 21 | 64E-43311-20-8D | BRACKET, SWIVEL 1 SUPPORT, PIVOT 1 | 1 | 1 | GRAY X(25.3") |
| | 64E-43311-20-CE | BRACKET, SWIVEL 1 SUPPORT, PIVOT 1 | 1 | 1 | GRAY X(25.3") WHITE X(25.3") WHITE X(25.3") |
| | 64E-43311-10-8D | BRACKET, SWIVEL 1 SUPPORT, PIVOT 1 | 1 | | GRAY L(20.3") GRAY L(20.3") |
| | 64E-43311-10-CE | BRACKET, SWIVEL 1 SUPPORT, PIVOT 1 | 1 | | WHITE L(20.3") WHITE L(20.3") |
| 22 | 90465-08M63 | CLAMP BRIDE | 1 | 1 | |

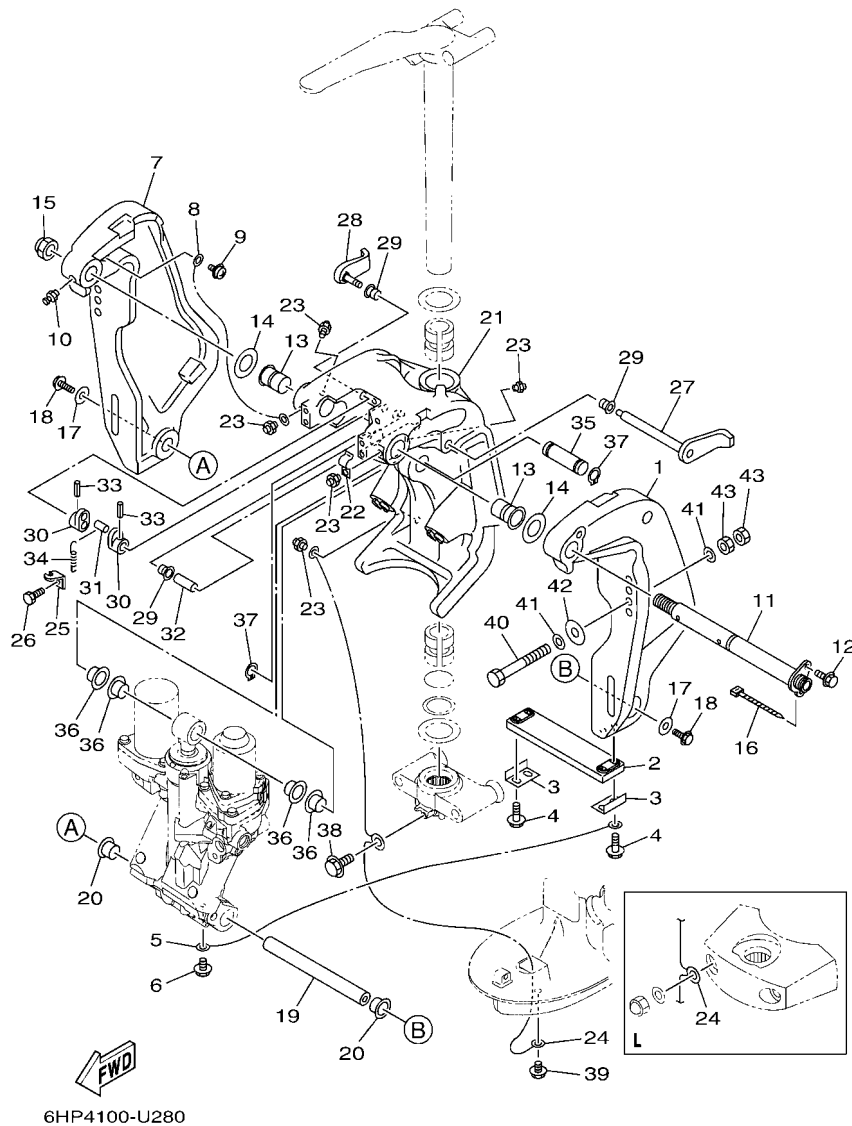


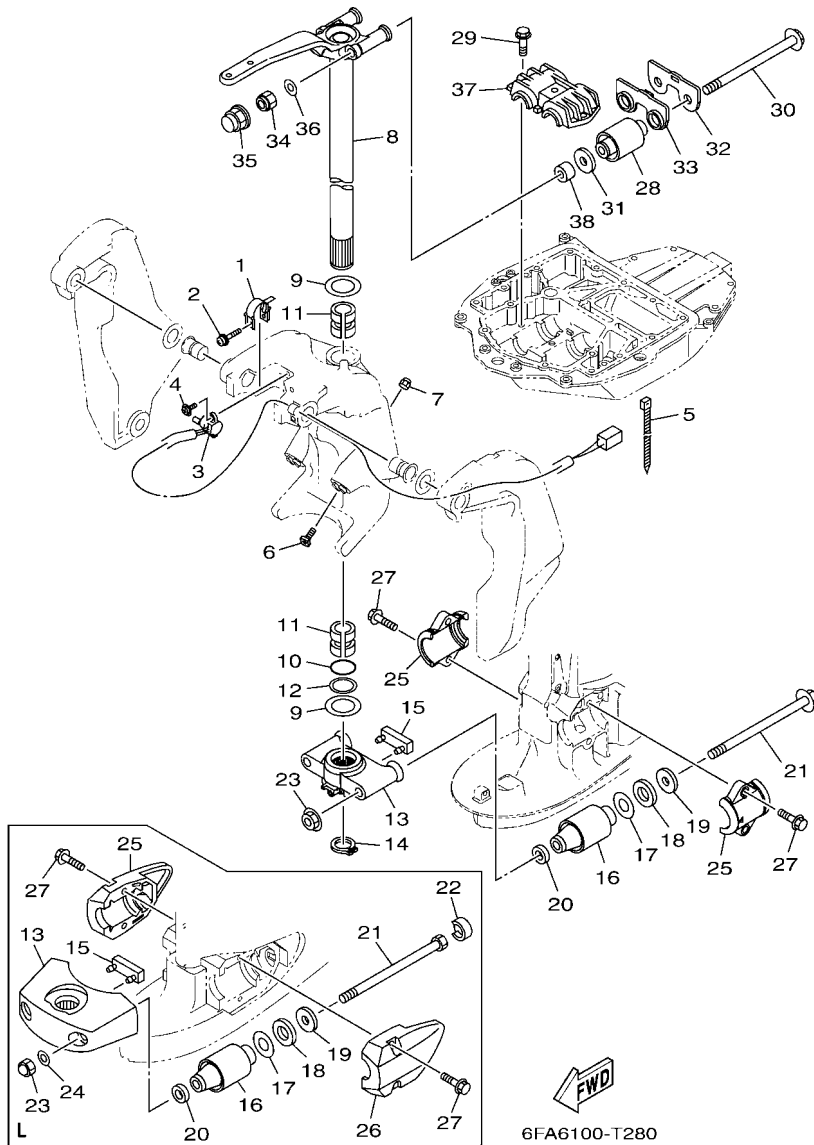
FIG. 28 BRACKET 1

SUPPORT 1

| REF. NO. | PART NO. N° PIECES | DESCRIPTION DESCRIPTION | 6DV6 | 6DW9 | REMARKS REMARQUES |
|----------|--------------------|---|------|------|----------------------------|
| 23 | 93700-06002 | NIPPLE, GREASE PION | 5 | 5 | |
| 24 | 6DA-82149-00 | WIRE, LEAD 3 FIL 3 | 1 | 1 | X(25.3") X(25.3") |
| | 66K-82149-00 | WIRE, LEAD 3 FIL 3 | 1 | | L(20.3") L(20.3") |
| 25 | 6G5-43144-00 | HOOK, SPRING CROCHET | 1 | 1 | |
| 26 | 97D95-06010 | BOLT, HEXAGON DEEP RECESS VIS HEXAGONAL | 1 | 1 | |
| 27 | 6G5-43181-02 | LEVER, TILT STOP 1 LEVIER VERROUILLAGE RELEVAGE 1 | 1 | 1 | |
| 28 | 6G5-43185-02 | LEVER, TILT STOP 2 LEVIER VERROUILLAGE RELEVAGE 2 | 1 | 1 | |
| 29 | 90386-10M16 | BUSH DOUILLE | 3 | 3 | |
| 30 | 6G5-43148-00 | COLLAR, DISTANCE ENTRETOISE | 2 | 2 | |
| 31 | 90249-06M19 | PIN GOUPILLE | 1 | 1 | |
| 32 | 90387-10M05 | COLLAR COLLERETTE | 1 | 1 | |
| 33 | 91690-30020 | PIN, SPRING AGRAFFE | 2 | 2 | |
| 34 | 90506-16003 | SPRING, TENSION RESSORT, TENSION | 1 | 1 | |
| 35 | 64E-43126-10 | PIN, UPPER SHOCK MOUNT AXE, SUPERIEUR AMORTISSEUR | 1 | 1 | |
| 36 | 90386-22M98 | BUSH DOUILLE | 4 | 4 | |
| 37 | 93410-22M11 | CIRCLIP CIRCLIP | 2 | 2 | |
| 38 | 95D95-06010 | BOLT, FLANGE DEEP RECESS BOULON FIXATION | 1 | 1 | X(25.3") X(25.3") |
| 39 | 95D95-06010 | BOLT, FLANGE DEEP RECESS BOULON FIXATION | 1 | 1 | |
| 40 | 90101-12065 | BOLT (L:130MM) BOULON (L:130MM) | 2 | 2 | UR X(25.3") UR X(25.3") |
| | 90101-12065 | BOLT (L:130MM) BOULON (L:130MM) | 4 | | UR L(20.3") UR L(20.3") |
| | 90101-12066 | BOLT (L:150MM) BOULON (L:150MM) | 2 | 2 | UR UR |
| 41 | 90201-13M01 | WASHER, PLATE RONDELLE, PLATE | 8 | 8 | |
| 42 | 90201-12426 | WASHER, PLATE RONDELLE, PLATE | 4 | 4 | |
| 43 | 95380-12600 | NUT ECROU | 8 | 8 | |

FIG. 29 BRACKET 2

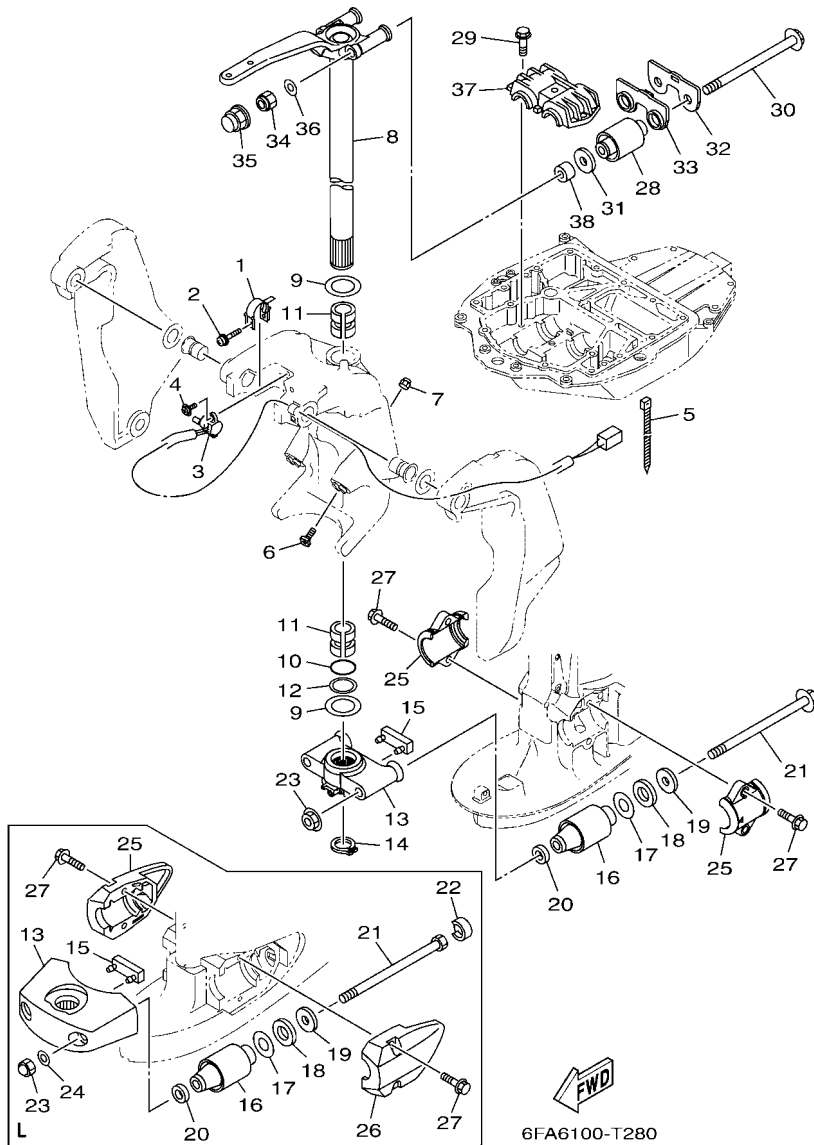
SUPPORT 2



| REF. NO. | PART NO. N° PIECES | DESCRIPTION DESCRIPTION | 6DV/6 | 6DW/9 | REMARKS REMARQUES |
|----------|--------------------|--|-------|-------|----------------------------------|
| 1 | 64E-43139-11 | CAM, TRIM SENDER VILEBREQVIN TRUM | 1 | 1 | |
| 2 | 90159-05059 | SCREW, WITH WASHER VIS, AVEC RONDELLE | 1 | 1 | |
| 3 | 67H-83672-02 | TRIM SENDER INCLINER RACCORD | 1 | 1 | |
| 4 | 97985-06216 | SCREW, WITH WASHER VIS, AVEC RONDELLE | 2 | 2 | |
| 5 | 90465-11M10 | CLAMP BRIDE | 3 | 3 | |
| 6 | 61A-43376-00 | BOLT, THRUST RECEIVER BOULON | 2 | 2 | |
| 7 | 95780-10300 | NUT, FLANGE ECROU | 2 | 2 | |
| 8 | 6DA-42510-00-8D | STEERING BRACKET ASSY DIRECTION SUPPORT (ENS.) | 1 | 1 | GRAY X(25.3") GRAY X(25.3") |
| | 6DA-42510-00-CE | STEERING BRACKET ASSY DIRECTION SUPPORT (ENS.) | 1 | 1 | WHITE X(25.3") WHITE X(25.3") |
| | 6DA-42510-10-8D | STEERING BRACKET ASSY DIRECTION SUPPORT (ENS.) | 1 | | GRAY L(20.3") GRAY L(20.3") |
| | 6DA-42510-10-CE | STEERING BRACKET ASSY DIRECTION SUPPORT (ENS.) | 1 | | WHITE L(20.3") WHITE L(20.3") |
| 9 | 90201-38M60 | WASHER, PLATE RONDELLE, PLATE | 2 | 2 | |
| 10 | 93210-37MH7 | O-RING JOINT TORIQUE | 1 | 1 | |
| 11 | 90386-38M32 | BUSH DOUILLE | 2 | 2 | |
| 12 | 90202-40M47 | WASHER, PLATE RONDELLE, PLATE | 1 | 1 | |
| 13 | 6DA-44551-00-CA | HOUSING, LOWER MOUNT RUBBER 1 BOITIER, SILENT-BLOC INFERIEUR | 1 | 1 | GRAY X(25.3") GRAY X(25.3") |
| | 68V-44551-00-8D | HOUSING, LOWER MOUNT RUBBER 1 BOITIER, SILENT-BLOC INFERIEUR | 1 | | GRAY L(20.3") GRAY L(20.3") |
| | 68V-44551-00-CE | HOUSING, LOWER MOUNT RUBBER 1 BOITIER, SILENT-BLOC INFERIEUR | 1 | | WHITE L(20.3") WHITE L(20.3") |
| 14 | 93410-37M04 | CIRCLIP CIRCLIP | 1 | 1 | |
| 15 | 6DA-44575-00 | DAMPER, LOWER MOUNT RUBBER SILENT-BLOC, INFERIEUR | 1 | 1 | X(25.3") X(25.3") |
| | 61A-44575-01 | DAMPER, LOWER MOUNT RUBBER SILENT-BLOC, INFERIEUR | 1 | | L(20.3") L(20.3") |
| 16 | 63P-44555-00 | MOUNT DAMPER, LOWER SIDE SILENT-BLOC, INFERIEUR LATERAL | 2 | 2 | X(25.3") X(25.3") |
| | 60V-44555-00 | MOUNT DAMPER, LOWER SIDE SILENT-BLOC, INFERIEUR LATERAL | 2 | | L(20.3") L(20.3") |
| 17 | 90201-35008 | WASHER, PLATE RONDELLE, PLATE | 2 | 2 | |
| 18 | 90202-32M19 | WASHER, PLATE RONDELLE, PLATE | 2 | 2 | |
| 19 | 90201-16M55 | WASHER, PLATE RONDELLE, PLATE | 2 | 2 | |
| 20 | 90201-15M58 | WASHER, PLATE RONDELLE, PLATE | 2 | 2 | |

FIG. 29 BRACKET 2

SUPPORT 2



| REF. NO. | PART NO. N° PIECES | DESCRIPTION DESCRIPTION | 6DV/6 | 6DW/6 | REMARKS REMARQUES |
|----------|--------------------|---|-------|-------|----------------------------------|
| 21 | 90105-14012 | BOLT, FLANGE BOULON, A COLLERETTE | 2 | 2 | X(25.3") X(25.3") |
| | 90101-14005 | BOLT BOULON | 2 | | L(20.3") L(20.3") |
| 22 | 69J-44533-00 | DAMPER, UPPER MOUNT RUBBER COUVERCLE, SUSPENSION INFERIEU | 2 | | L(20.3") L(20.3") |
| 23 | 95604-14200 | NUT, SELF-LOCKING ECROU, AUTO-BLOCANT | 2 | 2 | X(25.3") X(25.3") |
| | 90176-14002 | NUT, CROWN ECROU BORGNE | 2 | | L(20.3") L(20.3") |
| 24 | 92995-14600 | WASHER RONDELLE | 2 | | L(20.3") L(20.3") |
| 25 | 6DA-44552-00-CA | HOUSING, LOWER MOUNT RUBBER 2 BOITIER, SILENT-BLOC INFERIEUR | 2 | 2 | GRAY X(25.3") GRAY X(25.3") |
| | 63P-44553-00-8D | COVER, LOWER MOUNT COUVERCLE, SUSPENSION INFERIEU | 1 | | GRAY L(20.3") GRAY L(20.3") |
| | 63P-44553-00-CE | COVER, LOWER MOUNT COUVERCLE, SUSPENSION INFERIEU | 1 | | WHITE L(20.3") WHITE L(20.3") |
| 26 | 63P-44556-00-8D | COVER, LOWER MOUNT 2 COUVERCLE, SUSPENSION INFERIEU | 1 | | GRAY L(20.3") GRAY L(20.3") |
| | 63P-44556-00-CE | COVER, LOWER MOUNT 2 COUVERCLE, SUSPENSION INFERIEU | 1 | | WHITE L(20.3") WHITE L(20.3") |
| 27 | 90119-10058 | BOLT, WITH WASHER BOULON, AVEC RONDELLE | 4 | 4 | |
| 28 | 6DA-44514-00 | MOUNT DAMPER, UPPER SIDE SILENT-BLOC, SUPERIEUR LATERAL | 2 | 2 | |
| 29 | 90119-10024 | BOLT, WITH WASHER BOULON, AVEC RONDELLE | 3 | 3 | |
| 30 | 90105-14009 | BOLT, FLANGE BOULON, A COLLERETTE | 2 | 2 | |
| 31 | 90201-16M01 | WASHER, PLATE RONDELLE, PLATE | 2 | 2 | |
| 32 | 6DA-44526-00 | PLATE PLAQUE | 1 | 1 | |
| 33 | 6DA-44532-00 | STOPPER, UPPER MOUNT PLAQUETTE | 1 | 1 | |
| 34 | 90185-14M00 | NUT, SELF-LOCKING ECROU, AUTO-BLOQUANT | 2 | 2 | |
| 35 | 6DA-44194-00 | CAP CAPUCHON | 2 | 2 | |
| 36 | 92995-14600 | WASHER RONDELLE | 2 | 2 | |
| 37 | 63P-44511-00 | COVER, UPPER MOUNT COUVERCLE, SUSPENSION SUPERIEU | 1 | 1 | |
| 38 | 90387-14004 | COLLAR COLLERETTE | 2 | 2 | |

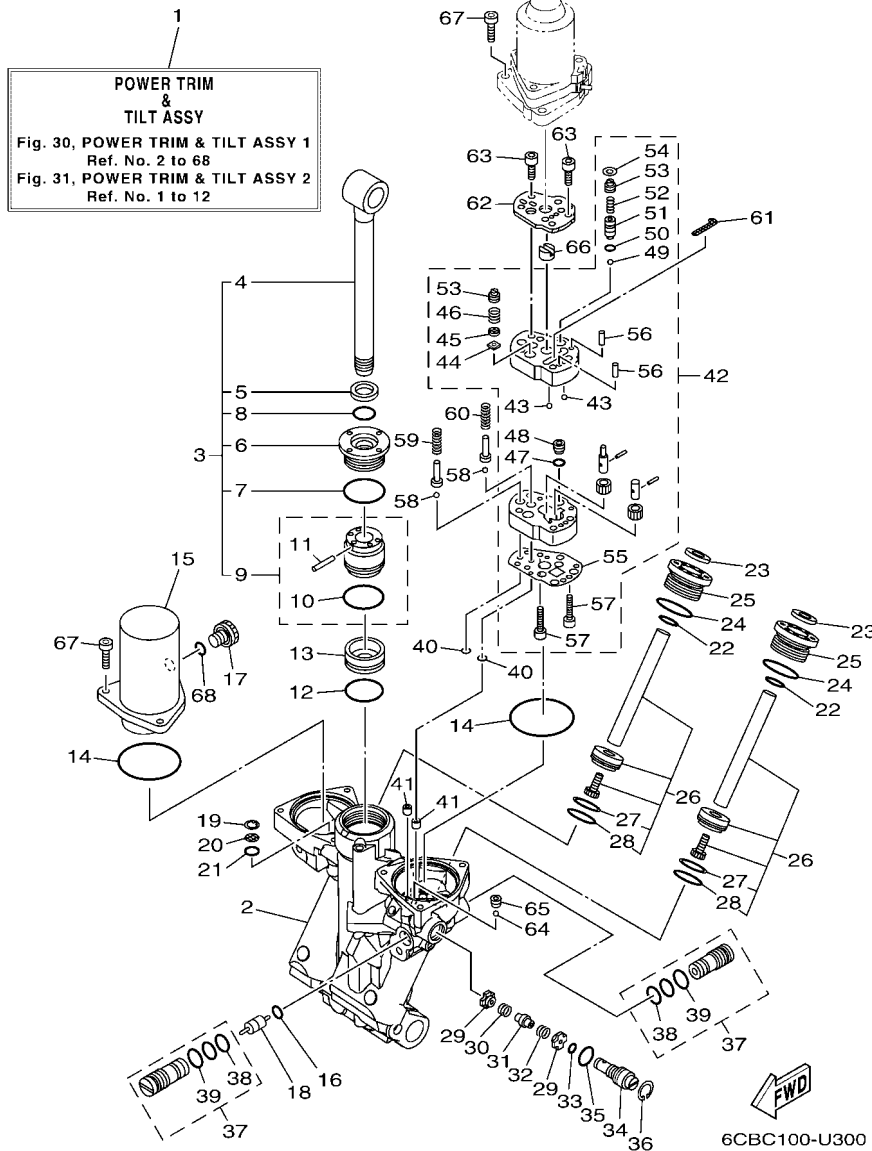


FIG. 30 POWER TRIM & TILT ASSY 1

PUISSANCE PARER ET INCLINER 1

| REF. NO. | PART NO. N° PIECES | DESCRIPTION DESCRIPTION | 6DV/6 | 6DW/9 | REMARKS REMARQUES |
|----------|--------------------|---|-------|-------|-------------------|
| 1 | 63P-43800-21 | POWER TRIM & TILT ASSY PUISSANCE PARER ET INCLINER (E) | 1 | 1 | |
| 2 | 63P-4380L-21 | HOUSING, TRIM & TILT SUB ASSY CARTER | 1 | 1 | |
| 3 | 63P-43810-21 | TILT PISTON SUB ASSY INCLINER PISTON AUXILIAIRE(ENS) | 1 | 1 | |
| 4 | 63P-43801-10 | .ROD .TIGE | 1 | 1 | |
| 5 | 93106-19001 | .OIL SEAL .JOINT SPY | 1 | 1 | |
| 6 | 63P-43811-20 | .SCREW, CYLINDER END .VIS, CYLINDRE RACCORD | 1 | 1 | |
| 7 | 63P-43861-20 | .O-RING .JOINT TORIQUE | 1 | 1 | |
| 8 | 63P-43863-10 | .O-RING .JOINT TORIQUE | 1 | 1 | |
| 9 | 63P-4380P-20 | .PISTON SUB ASSY .PISTON AUXILIAIRE (ENS.) | 1 | 1 | |
| 10 | 6H1-43862-00 | .O-RING .JOINT TORIQUE | 1 | 1 | |
| 11 | 91609-16010 | .PIN, SPRING .AXE DE RESSORT | 1 | 1 | |
| 12 | 6H1-43862-00 | O-RING JOINT TORIQUE | 1 | 1 | |
| 13 | 63P-43814-20 | PISTON, FREE PISTON | 1 | 1 | |
| 14 | 93210-68N50 | O-RING JOINT TORIQUE | 2 | 2 | |
| 15 | 63P-4382C-20 | BODY, RESERVOIR 2 CORPS 2 | 1 | 1 | |
| 16 | 93210-09165 | O-RING JOINT TORIQUE | 1 | 1 | |
| 17 | 6CJ-43829-10 | PLUG, RESERVOIR BOUCHON | 1 | 1 | |
| 18 | 6H1-43841-11 | PISTON, SHUTTLE PISTON | 1 | 1 | |
| 19 | 63P-43876-10 | RING, SNAP RESSORT | 1 | 1 | |
| 20 | 63P-43816-10 | FILTER 1 FILTRE 1 | 1 | 1 | |
| 21 | 93210-11N52 | O-RING JOINT TORIQUE | 1 | 1 | |
| 22 | 6D8-43863-00 | O-RING JOINT TORIQUE | 2 | 2 | |
| 23 | 63P-43812-20 | SEAL, DUST JOINT | 2 | 2 | |
| 24 | 63P-43862-10 | O-RING JOINT TORIQUE | 2 | 2 | |
| 25 | 63P-43821-21 | SCREW, TRIM CYLINDER END VIS | 2 | 2 | |
| 26 | 63P-43820-20 | TRIM PISTON SUB ASSY PARER PISTON AUXILIAIRE (ENS.) | 2 | 2 | |
| 27 | 62X-43871-00 | .RING, BACK UP .SEGMENT | 1 | 1 | |

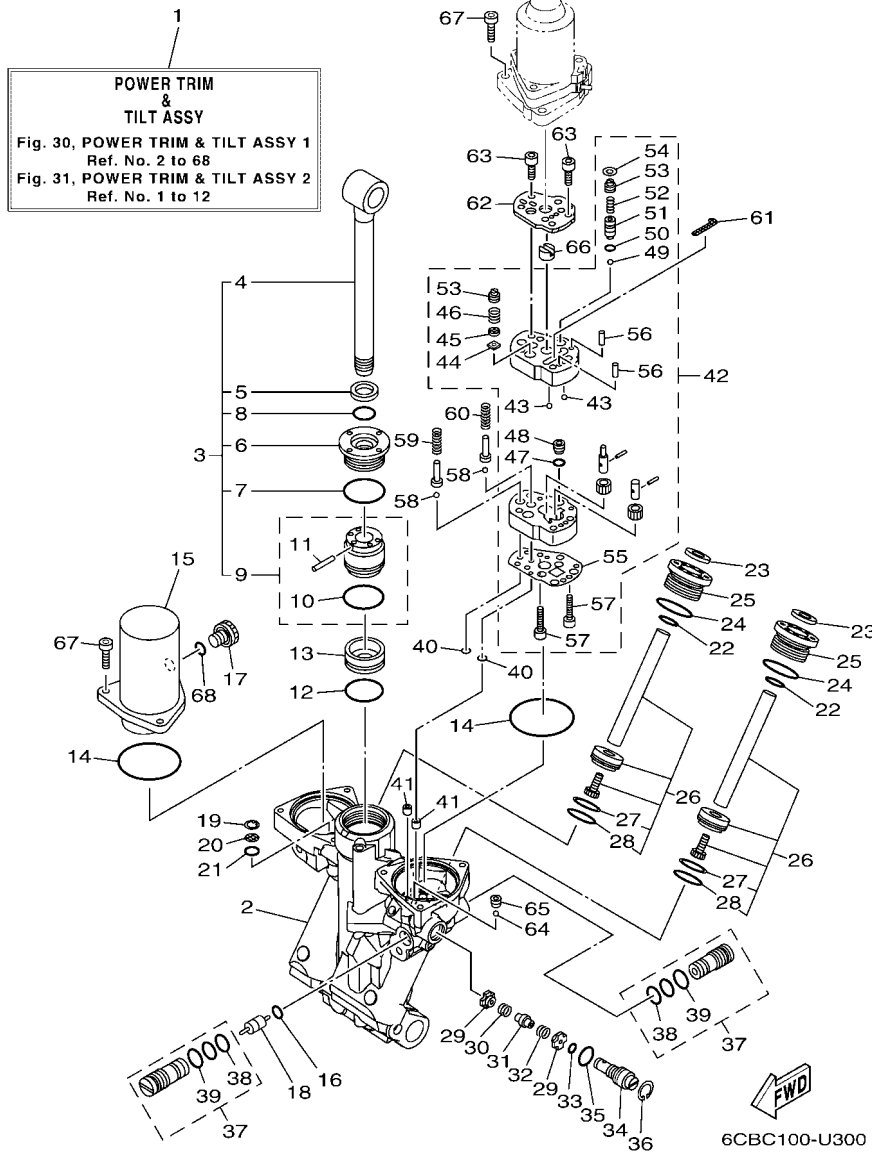


FIG. 30 POWER TRIM & TILT ASSY 1

PUISSANCE PARER ET INCLINER 1

| REF. NO. | PART NO. N° PIECES | DESCRIPTION DESCRIPTION | 6DV/6 | 6DW/9 | REMARKS REMARQUES |
|----------|--------------------|--|-------|-------|-------------------|
| 28 | 93210-29375 | .O-RING .JOINT TORIQUE | 1 | 1 | |
| 29 | 63P-43847-10 | SEAT, MANUAL VALVE SIEGE | 2 | 2 | |
| 30 | 63P-43854-10 | SPRING, MANUAL RELEASE RESSORT | 1 | 1 | |
| 31 | 63P-4382A-10 | ADAPTOR 1 ADAPTEUR 1 | 1 | 1 | |
| 32 | 63P-4384H-10 | SPRING RESSORT | 1 | 1 | |
| 33 | 69J-4389J-00 | O-RING JOINT TORIQUE | 1 | 1 | |
| 34 | 63P-43845-20 | SCREW, MANUAL RELEASE VIS | 1 | 1 | |
| 35 | 93210-12327 | O-RING JOINT TORIQUE | 1 | 1 | |
| 36 | 61A-43876-01 | RING, SNAP RESSORT | 1 | 1 | |
| 37 | 63P-43802-20 | VALVE SUB ASSY CLAPET AUXILIAIRE (ENS.) | 2 | 2 | |
| 38 | 93210-12N52 | .O-RING .JOINT TORIQUE | 1 | 1 | |
| 39 | 6H1-43866-01 | .O-RING .JOINT TORIQUE | 1 | 1 | |
| 40 | 93210-064A5 | O-RING JOINT TORIQUE | 2 | 2 | |
| 41 | 63P-4381C-20 | FILTER 3 FILTRE 3 | 2 | 2 | |
| 42 | 63P-43830-20 | GEAR PUMP ASSY POMPE A PIGNON (ENS.) | 1 | 1 | |
| 43 | 93503-16003 | .BALL .BILLES | 2 | 2 | |
| 44 | 6H1-4384G-11 | .SEAL, RELIEF VALVE .JOINT | 1 | 1 | |
| 45 | 6H1-43844-10 | .PIN, VALVE SUPPORT .GOUPILLE | 1 | 1 | |
| 46 | 6H1-43856-10 | .SPRING, DOWN RELIEF .RESSORT | 1 | 1 | |
| 47 | 93210-07N51 | .O-RING .JOINT TORIQUE | 1 | 1 | |
| 48 | 63P-43851-20 | .SEAT, RELIEF VALVE SIEGE | 1 | 1 | |
| 49 | 93501-08001 | .BALL .BILLE | 1 | 1 | |
| 50 | 93210-064A5 | .O-RING .JOINT TORIQUE | 1 | 1 | |
| 51 | 63P-43844-20 | .PIN, VALVE SUPPORT .GOUPILLE | 1 | 1 | |
| 52 | 69J-43855-00 | .SPRING, UP RELIEF .RESSORT | 1 | 1 | |
| 53 | 63P-43843-10 | .SCREW, VALVE LOCK .VIS | 2 | 2 | |
| 54 | 63P-43338-10 | .WASHER, WAVE .RONDELLE, ONDULEE | 1 | 1 | |

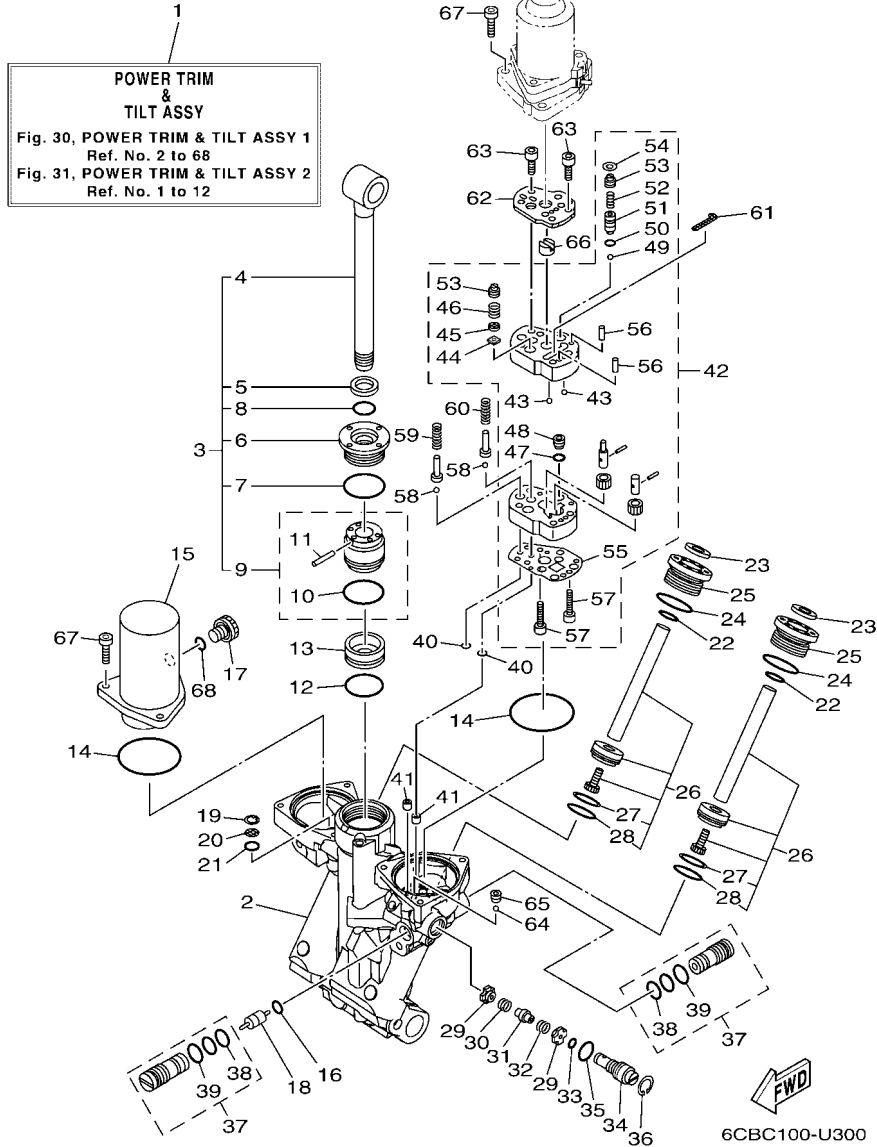


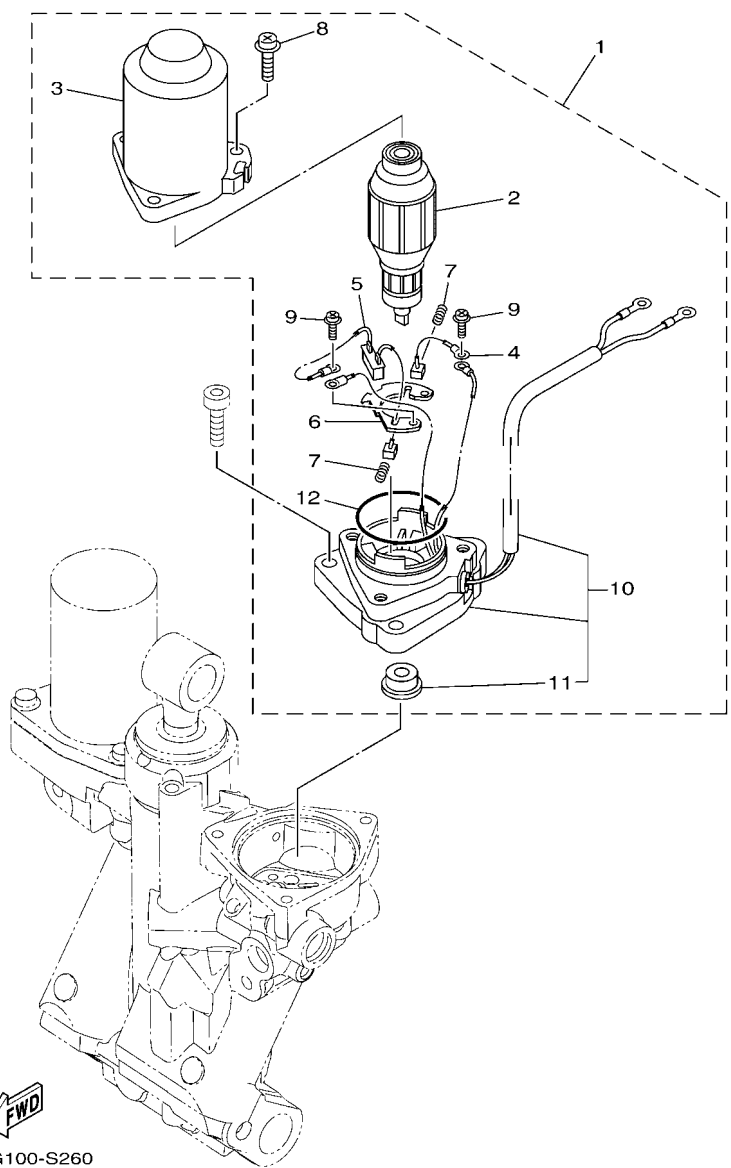
FIG. 30 POWER TRIM & TILT ASSY 1

PUISSANCE PARER ET INCLINER 1

| REF. NO. | PART NO. N° PIECES | DESCRIPTION DESCRIPTION | 6DV/6 | 6DW/9 | REMARKS REMARQUES |
|----------|--------------------|---|-------|-------|-------------------|
| 55 | 63P-4384G-20 | .SEAL, RELIEF VALVE .JOINT | 1 | 1 | |
| 56 | 93604-10011 | .PIN, DOWEL .CLAVETTE | 2 | 2 | |
| 57 | 91312-04020 | .BOLT, HEXAGON SOCKET HEAD .BOULON, TETE HEXAGONALE CREUSE | 2 | 2 | |
| 58 | 93501-08001 | BALL BILLE | 2 | 2 | |
| 59 | 63P-43857-10 | SPRING, ABSORBER VALVE RESSORT | 1 | 1 | |
| 60 | 63P-4385H-10 | SPRING, SEAL RESSORT | 1 | 1 | |
| 61 | 6CJ-43816-00 | FILTER 1 FILTRE 1 | 1 | 1 | |
| 62 | 63P-4381J-10 | PLATE PLAQUE | 1 | 1 | |
| 63 | 91312-05035 | BOLT, HEXAGON SOCKET HEAD BOULON, TETE HEXAGONALE CREUSE | 4 | 4 | |
| 64 | 93505-32038 | BALL BILLE | 1 | 1 | |
| 65 | 61A-43878-00 | BOLT, SOCKET BOULON | 1 | 1 | |
| 66 | 69J-43831-00 | CONNECTOR, SHAFT RACCORD | 1 | 1 | |
| 67 | 91380-06025 | BOLT BOULON | 6 | 6 | |
| 68 | 6CJ-43861-10 | O-RING JOINT TORIQUE | 1 | 1 | |

FIG. 31 POWER TRIM & TILT ASSY 2

PUISSANCE PARER ET INCLINER 2



63PG100-S260

| REF. NO. | PART NO. N° PIECES | DESCRIPTION DESCRIPTION | 6DV/6 | 6DW/9 | REMARKS REMARQUES |
|----------|--------------------|---|-------|-------|-------------------|
| 1 | 63P-43880-22 | MOTOR ASSY MOTEUR (ENS.) | 1 | 1 | |
| 2 | 6EK-43805-01 | .ARMATURE ASSY .INDUIT (ENS.) | 1 | 1 | |
| 3 | 6EK-43804-11 | .STATOR ASSY .STATOR (ENS.) | 1 | 1 | |
| 4 | 6EK-43892-00 | .BRUSH 2 .BALAI 2 | 1 | 1 | |
| 5 | 63P-82181-20 | .CIRCUIT BREAKER COMP. .RUPTEUR COMPLET | 1 | 1 | |
| 6 | 6EK-4380F-00 | .PLATE, BRUSH HOLDER .PLAQUE | 1 | 1 | |
| 7 | 62X-4386K-00 | .SPRING, BRUSH .RESSORT, BALAI | 2 | 2 | |
| 8 | 63P-43879-10 | .SCREW, WITH WASHER .VIS, AVEC RONDELLE | 3 | 3 | |
| 9 | 97602-04316 | .SCREW, PAN HEAD WITH WASHER .VIS, AVEC RONDELLE | 2 | 2 | |
| 10 | 63P-43881-21 | .FRAME, END .BATI | 1 | 1 | |
| 11 | 6EK-43882-00 | .OIL SEAL ..JOINT SPI | 1 | 1 | |
| 12 | 6EK-43862-00 | .O-RING .JOINT TORIQUE | 1 | 1 | |

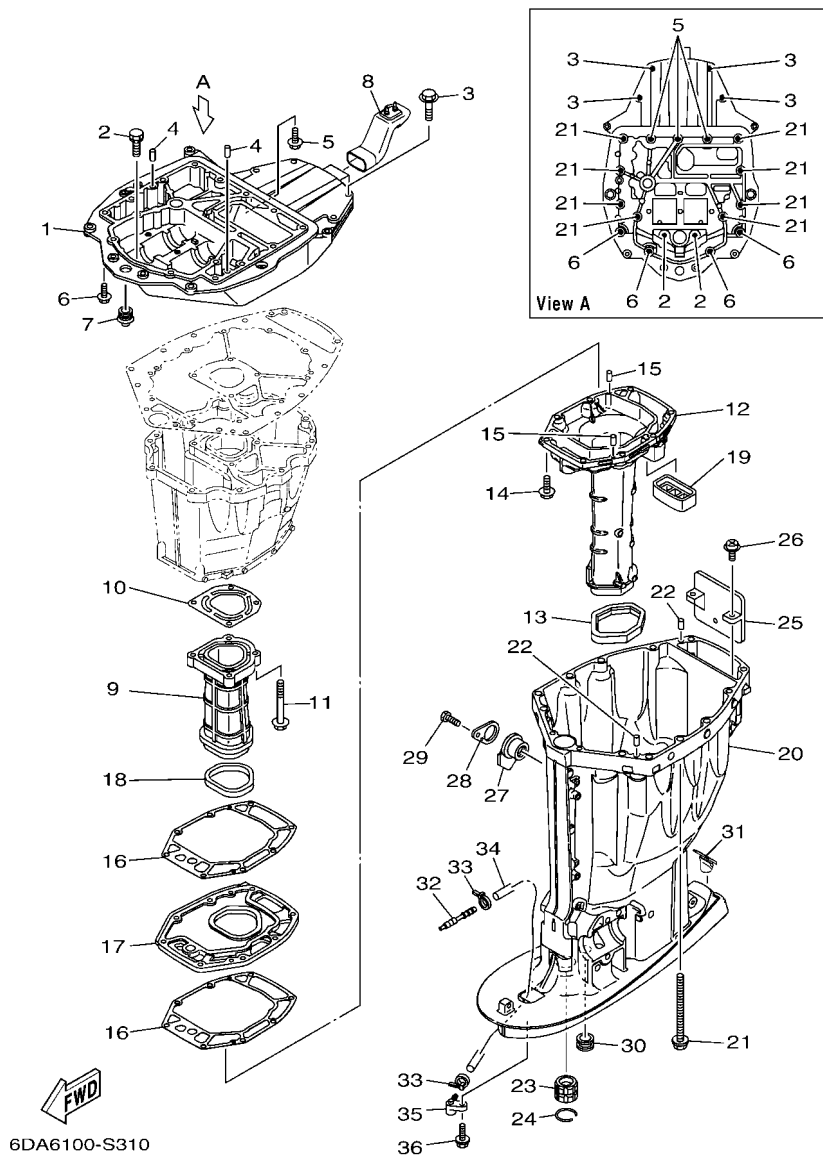


FIG. 32 UPPER CASING

FOURREAU

| REF. NO. | PART NO. N° PIECES | DESCRIPTION DESCRIPTION | 6DV/6 | 6DW/9 | REMARKS REMARQUES |
|----------|--------------------|--|-------|-------|----------------------------------|
| 1 | 63P-41137-05 | GUIDE, EXHAUST COLLECTEUR D'ÉCHAPPEMENT | 1 | 1 | |
| 2 | 90119-08182 | BOLT, WITH WASHER BOULON, AVEC RONDELLE | 2 | 2 | |
| 3 | 97E75-10545 | BOLT, HEXAGON W/W DEEP RECESS VIS HEXAGONAL AVC RONDELLE | 4 | 4 | |
| 4 | 93608-16M16 | PIN, DOWEL AXE | 2 | 2 | |
| 5 | 90119-08189 | BOLT, WITH WASHER BOULON, AVEC RONDELLE | 3 | 3 | |
| 6 | 97E75-10535 | BOLT, HEXAGON W/W DEEP RECESS VIS HEXAGONAL AVC RONDELLE | 4 | 4 | |
| 7 | 6E5-42724-01 | GROMMET PASSE-FIL | 1 | 1 | |
| 8 | 6DA-42769-01 | SEAL, RUBBER BOURRELET, CAOUTCHOUC | 1 | 1 | |
| 9 | 63P-41131-02 | MANIFOLD, EXT. 1 PIPE D'ÉCHAPPEMENT | 1 | 1 | |
| 10 | 63P-41133-A0 | GASKET, EXHAUST MANIFOLD 1 JOINT, PIPE D'ÉCHAPPEMENT | 1 | 1 | |
| 11 | 97E75-08560 | BOLT, HEXAGON W/W DEEP RECESS VIS HEXAGONAL AVC RONDELLE | 4 | 4 | |
| 12 | 6DA-14711-01 | MUFFLER 1 POT D'ÉCHAPPEMENT 1 | 1 | 1 | X(25.3") |
| | 6DA-14711-11 | MUFFLER 1 POT D'ÉCHAPPEMENT 1 | 1 | 1 | X(25.3") L(20.3") L(20.3") |
| 13 | 69J-45123-00 | GASKET, MUFFLER JOINT, POT DE DETENTE | 1 | 1 | |
| 14 | 97E75-08535 | BOLT, HEXAGON W/W DEEP RECESS VIS HEXAGONAL AVC RONDELLE | 8 | 8 | |
| 15 | 93606-19M23 | PIN, DOWEL GOUPILLE | 2 | 2 | |
| 16 | 63P-41134-A1 | GASKET, EXHAUST MANIFOLD JOINT, PIPE D'ÉCHAPPEMENT | 2 | 2 | |
| 17 | 63P-45181-02 | PLATE PLAQUETTE | 1 | 1 | |
| 18 | 63P-41138-00 | SEAL, EXT. 1 JOINT DE GROUPE 1 | 1 | 1 | |
| 19 | 69J-45127-01 | SEAL JOINT | 1 | 1 | |
| 20 | 6DA-45111-00-8D | CASING, UPPER FOURREAU | 1 | 1 | GRAY X(25.3") GRAY X(25.3") |
| | 6DA-45111-00-CE | CASING, UPPER FOURREAU | 1 | 1 | WHITE X(25.3") WHITE X(25.3") |
| | 6DA-45111-10-8D | CASING, UPPER FOURREAU | 1 | 1 | GRAY L(20.3") GRAY L(20.3") |
| | 6DA-45111-10-CE | CASING, UPPER FOURREAU | 1 | 1 | WHITE L(20.3") WHITE L(20.3") |
| 21 | 90119-10007 | BOLT, WITH WASHER BOULON, AVEC RONDELLE | 8 | 8 | |
| 22 | 93608-16M16 | PIN, DOWEL AXE | 2 | 2 | |
| 23 | 6E5-45318-00 | BUSHING, DRIVE SHAFT DOUILLE, ARBRE MOTEUR | 1 | 1 | |

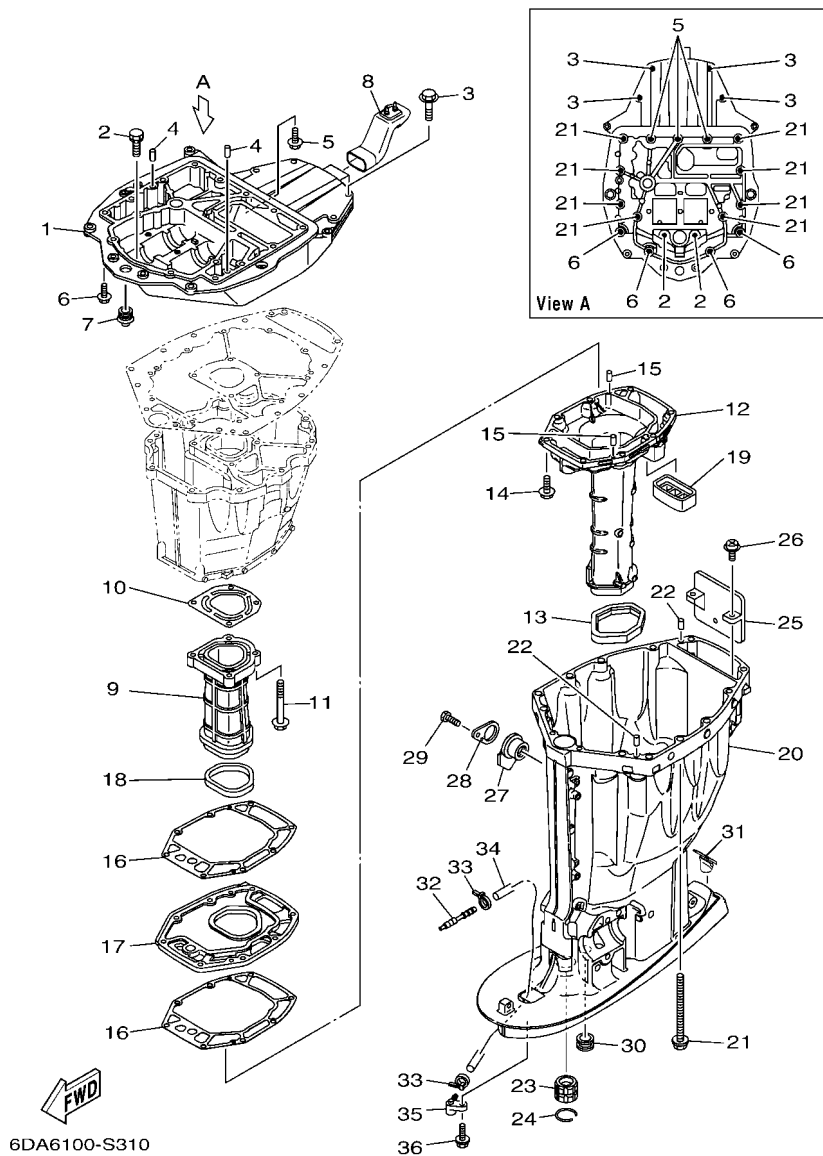
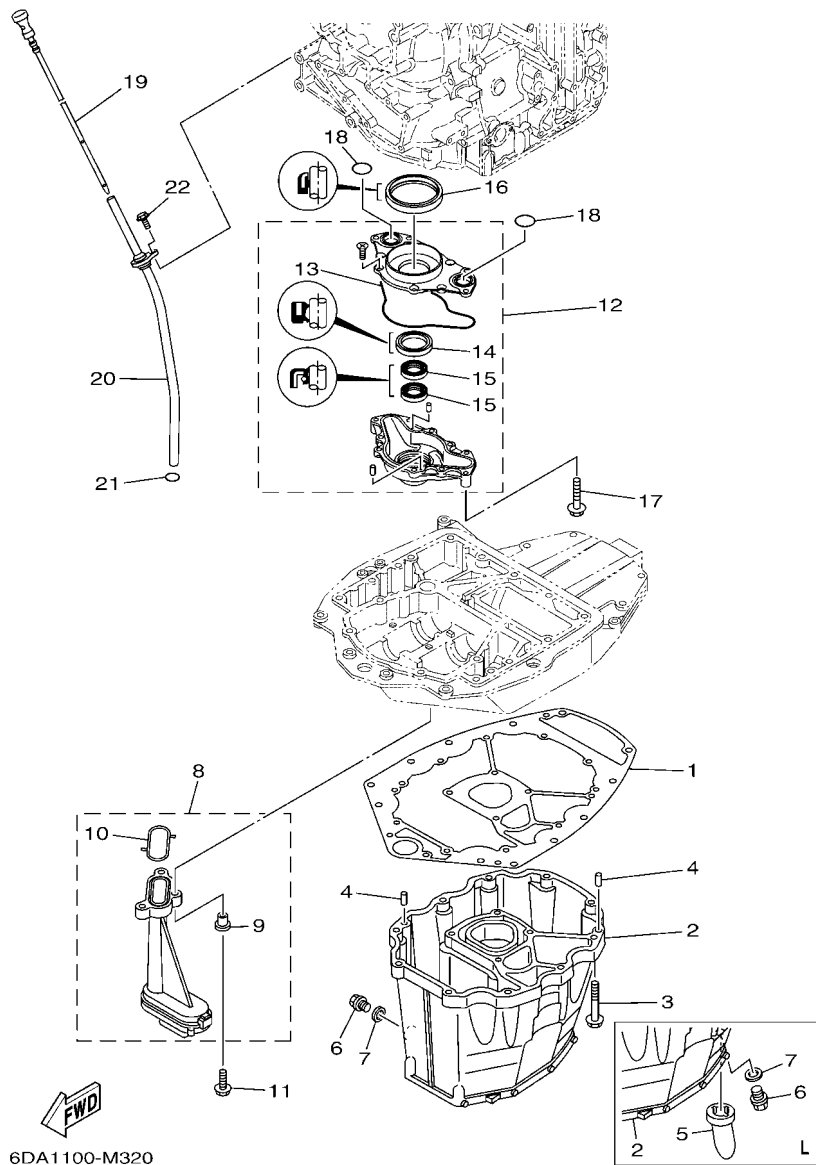


FIG. 32 UPPER CASING

FOURREAU

| REF. NO. | PART NO. N° PIECES | DESCRIPTION DESCRIPTION | 6DV/6 | 6DW/6 | REMARKS REMARQUES |
|----------|--------------------|---|-------|-------|--|
| 24 | 93420-36M01 | CIRCLIP CIRCLIP, TYPE S | 1 | 1 | |
| 25 | 69J-14624-01 | COVER, EXHAUST CACHE D'ECHAPPEMENT | 1 | 1 | |
| 26 | 97980-06216 | SCREW, WITH WASHER VIS, AVEC RONDELLE | 2 | 2 | |
| 27 | 6BB-15316-01 | DAMPER 1 AMORTISSEUR 1 | 1 | 1 | X(25.3") X(25.3") |
| 28 | 6BB-45152-01 | COVER, UPPER CASING 2 CAPUCHON FOURREAU | 1 | 1 | X(25.3") X(25.3") |
| 29 | 97D95-06012 | BOLT, HEXAGON DEEP RECESS VIS HEXAGONAL | 1 | 1 | X(25.3") X(25.3") |
| 30 | 6E5-44366-01 | DAMPER, WATER SEAL 2 JOINT, TUBE D'EAU 2 | 1 | 1 | |
| 31 | 6DA-45155-01 | CAP CAPUCHON | 1 | 1 | X(25.3") X(25.3") |
| | 6C5-45155-01 | CAP CAPUCHON | 1 | | L(20.3") L(20.3") |
| 32 | 6E5-83558-00 | END, NIPPLE RACCORD DE NIPPLE | | 1 | EXCEPT LAN SPEED EXCEPT LAN SPEED |
| 33 | 90465-11M10 | CLAMP BRIDE | 1 | | FOR LAN SPEED FOR LAN SPEED |
| | 90465-11M10 | CLAMP BRIDE | | 2 | EXCEPT LAN SPEED EXCEPT LAN SPEED |
| 34 | 90445-07044 | HOSE (L1800) DURITE (L1800) | 1 | | X(25.3")-FOR LAN SPEED X(25.3")-FOR LAN SPEED |
| | 90445-07045 | HOSE (L1680) DURITE (L1680) | 1 | | L(20.3")-FOR LAN SPEED L(20.3")-FOR LAN SPEED |
| | 90445-07018 | HOSE (L1400) DURITE (L1400) | | 1 | X(25.3") X(25.3") |
| 35 | 63P-45379-00 | NIPPLE, HOSE RACCORD D'ESSENCE | 1 | 1 | |
| 36 | 90119-06287 | BOLT, WITH WASHER BOULON, AVEC RONDELLE | 1 | 1 | |



6DA1100-M320

FIG. 33 OIL PAN

VENTILATEUR D'HUILE

| REF. NO. | PART NO. N° PIECES | DESCRIPTION DESCRIPTION | 6DV6 | 6DW9 | REMARKS REMARQUES |
|----------|--------------------|---|------|------|----------------------|
| 1 | 63P-15312-02 | GASKET, OIL PAN JOINT DE VENTILATEUR D'HUILE | 1 | 1 | |
| 2 | 6DA-15311-01 | OIL PAN VENTILATEUR D'HUILE | 1 | 1 | X(25.3") X(25.3") |
| | 63P-15311-03 | OIL PAN VENTILATEUR D'HUILE | 1 | | L(20.3") L(20.3") |
| 3 | 97E75-08535 | BOLT, HEXAGON W/W DEEP RECESS VIS HEXAGONAL AVC RONDELLE | 10 | 10 | |
| 4 | 93608-16M16 | PIN, DOWEL AXE | 2 | 2 | |
| 5 | 63P-15316-01 | DAMPER 1 AMORTISSEUR 1 | 1 | | L(20.3") L(20.3") |
| 6 | 90340-14M06 | PLUG, STRAIGHT SCREW PLOT, FILETE DROIT | 1 | 1 | |
| 7 | 90430-14M09 | GASKET JOINT | 1 | 1 | |
| 8 | 63P-13411-00 | STRAINER, OIL FILTRE, HUILE | 1 | 1 | |
| 9 | 90387-06263 | .COLLAR .COLLERETTE | 3 | 3 | |
| 10 | 63P-13415-00 | .SEAL, OIL STRAINER .JOINT, FILTRE A HUILE | 1 | 1 | |
| 11 | 95812-06025 | BOLT, FLANGE BOULON | 3 | 3 | |
| 12 | 6DA-13300-00 | OIL PUMP ASSY POMPE A HUILE COMPLETE | 1 | 1 | |
| 13 | 6DA-13329-00 | .GASKET, PUMP COVER .JOINT, COUVERCLE DE POMPE | 1 | 1 | |
| 14 | 6AW-13119-00 | .OIL SEAL .JOINT SPY | 1 | 1 | |
| 15 | 69J-13631-00 | .OIL SEAL .JOINT SPY | 2 | 2 | |
| 16 | 6CB-11355-00 | SEAL, CYLINDER 1 JOINT, SPY CYLINDRE | 1 | 1 | |
| 17 | 97E75-06540 | BOLT, HEXAGON W/W DEEP RECESS VIS HEXAGONAL AVC RONDELLE | 4 | 4 | |
| 18 | 93210-25552 | O-RING JOINT TORIQUE | 2 | 2 | |
| 19 | 6DA-15362-00 | PLUG, OIL LEVEL PLOT, NIVEAU D'HUILE | 1 | 1 | |
| 20 | 6DA-15377-00 | GUIDE, INLET GUIDE D'ADMISSION | 1 | 1 | |
| 21 | 93210-19MJ3 | O-RING JOINT TORIQUE | 1 | 1 | |
| 22 | 95D95-06016 | BOLT, FLANGE DEEP RECESS BOULON FIXATION | 1 | 1 | |

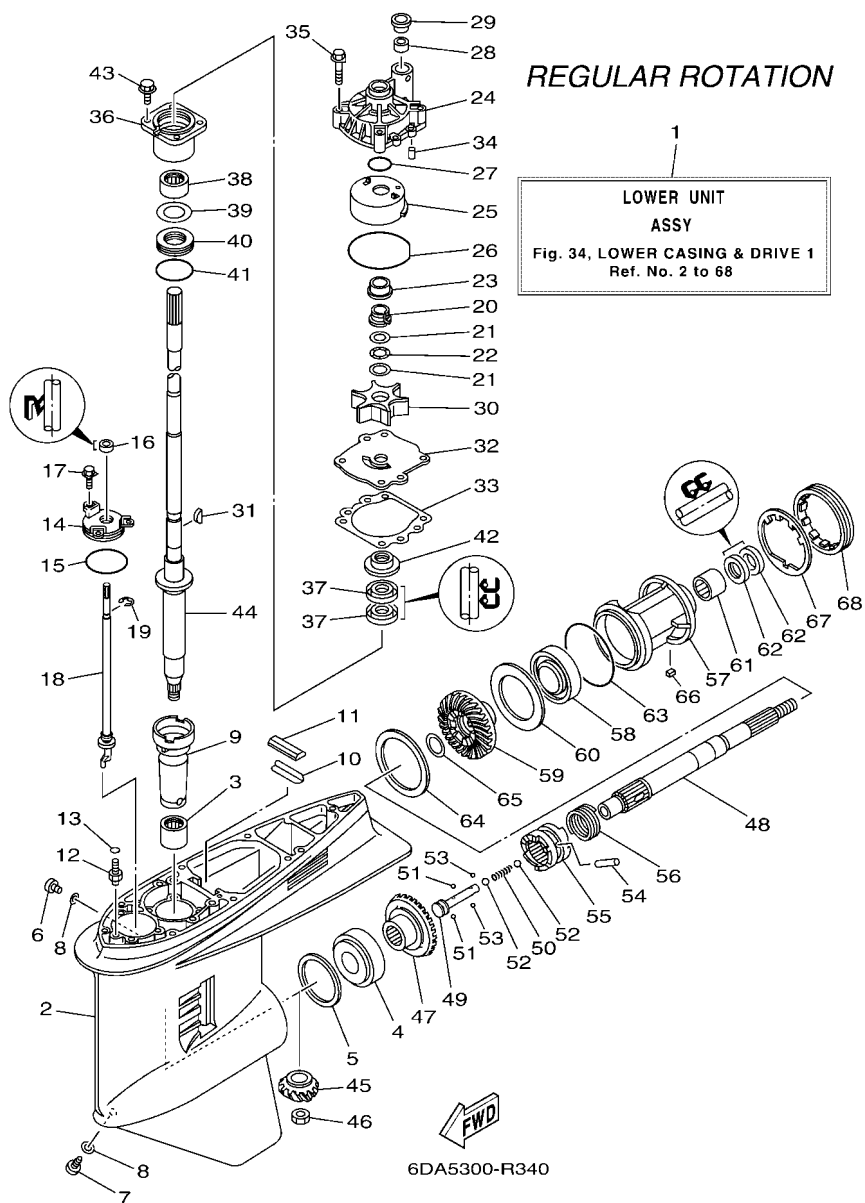


FIG. 34 LOWER CASING & DRIVE 1

BOITIER D'HELICE TRANSMISSION1

| REF. NO. | PART NO. N° PIECES | DESCRIPTION DESCRIPTION | 6DV/6 | 6DW/6 | REMARKS REMARQUES |
|----------|--------------------|---|-------|-------|-------------------|
| 1 | 6DA-45300-14-8D | LOWER UNIT ASSY UNITE INFERIEURE (ENS.) | 1 | | GRAY X(25.3"),RH |
| | 6DA-45300-14-CE | LOWER UNIT ASSY UNITE INFERIEURE (ENS.) | 1 | | WHITE X(25.3"),RH |
| | 6DA-45300-03-8D | LOWER UNIT ASSY UNITE INFERIEURE (ENS.) | 1 | | GRAY L(20.3"),RH |
| | 6DA-45300-03-CE | LOWER UNIT ASSY UNITE INFERIEURE (ENS.) | 1 | | GRAY L(20.3"),RH |
| | 6DA-45300-03-CE | LOWER UNIT ASSY UNITE INFERIEURE (ENS.) | 1 | | WHITE L(20.3"),RH |
| | 6DA-45300-03-CE | LOWER UNIT ASSY UNITE INFERIEURE (ENS.) | 1 | | WHITE X(25.3"),RH |
| 2 | 6J9-45301-07-8D | CASING, LOWER BEQUILLE | 1 | | GRAY GRAY |
| | 6J9-45301-07-CE | CASING, LOWER BEQUILLE | 1 | | WHITE WHITE |
| 3 | 93311-928U5 | BEARING ROULEMENT | 1 | | |
| 4 | 93332-000V3 | BEARING ROULEMENT | 1 | | |
| 5 | 6G5-45567-01 | SHIM (T:0.10MM) CALE (T:0.10MM) | 1 | | UR |
| | 6G5-45567-10 | SHIM (T:0.12MM) CALE (T:0.12MM) | 1 | | UR |
| | 6G5-45567-20 | SHIM (T:0.15MM) CALE (T:0.15MM) | 1 | | UR |
| | 6G5-45567-30 | SHIM (T:0.18MM) CALE (T:0.18MM) | 1 | | UR |
| | 6G5-45567-40 | SHIM (T:0.30MM) CALE (T:0.30MM) | 1 | | UR |
| | 6G5-45567-50 | SHIM (T:0.40MM) CALE (T:0.40MM) | 1 | | UR |
| | 6G5-45567-60 | SHIM (T:0.50MM) CALE (T:0.50MM) | 1 | | UR |
| 6 | 90340-08002 | PLUG, STRAIGHT SCREW PLOT, FILETE DROIT | 1 | | |
| 7 | 688-45341-10 | PLUG, DRAIN BOUCHON DE VIDANGE | 1 | | |
| 8 | 90430-08003 | GASKET JOINT | 2 | | |
| 9 | 6G5-45536-01 | SLEEVE, DRIVE SHAFT MANCHON, ARBRE MOTEUR | 1 | | |
| 10 | 663-45376-00 | GUIDE, SEAL DAMPER BUTEE, JOINT CAOUTCHOUC | 1 | | |
| 11 | 688-45375-00 | DAMPER, SEAL BOURRELET, CAOUTCHOUC | 1 | | |
| 12 | 63P-45378-00 | NIPPLE, HOSE RACCORD, TUYAU | 1 | | |
| 13 | 93210-07003 | O-RING JOINT TORIQUE | 1 | | |
| 14 | 6E5-45321-00 | PLATE PLAQUETTE | 1 | | |
| 15 | 93210-58144 | O-RING JOINT TORIQUE | 1 | | |
| 16 | 93106-09014 | OIL SEAL JOINT SPY | 1 | | |
| 17 | 90119-06286 | BOLT, WITH WASHER BOULON, AVEC RONDELLE | 3 | | |

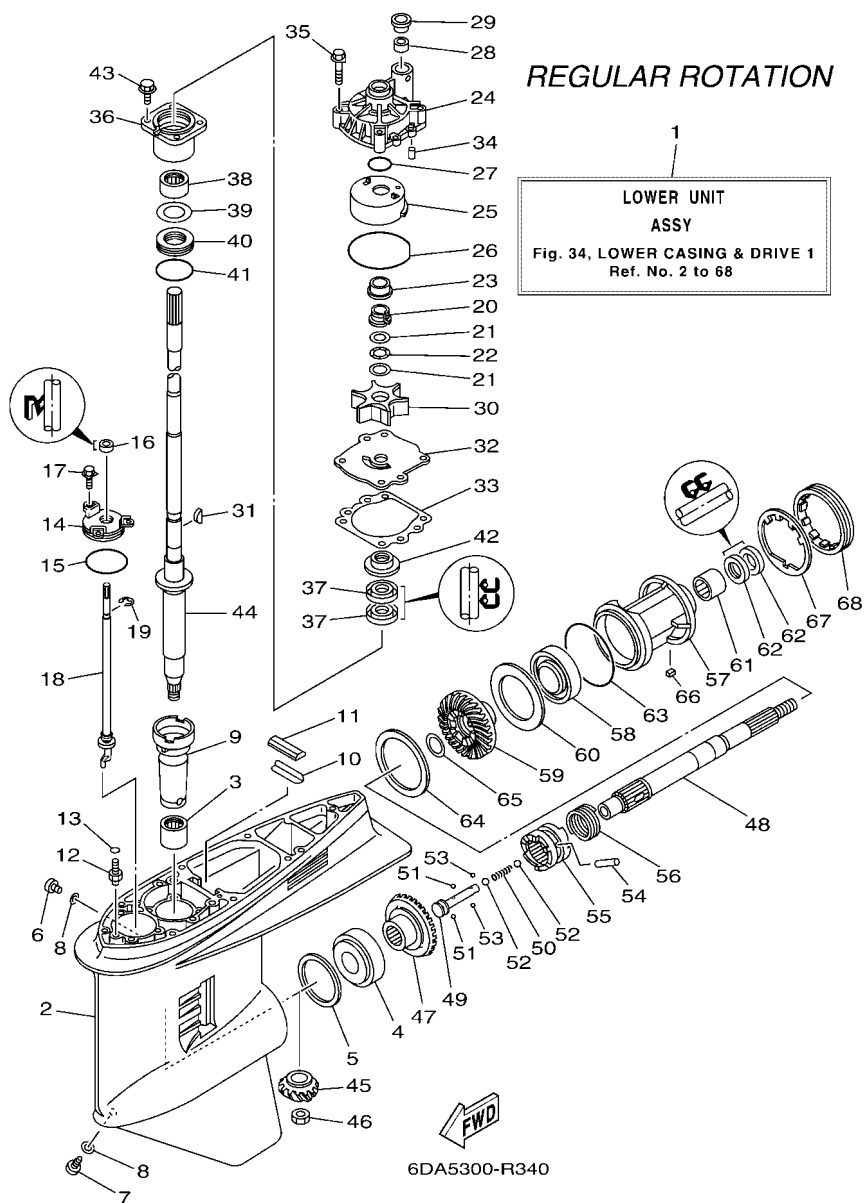


FIG. 34 LOWER CASING & DRIVE 1

BOITIER D'HELICE TRANSMISSION1

| REF. NO. | PART NO. N° PIECES | DESCRIPTION DESCRIPTION | 6DV/6 | 6DW/6 | REMARKS REMARQUES |
|----------|--------------------|---|-------|-------|-------------------|
| 18 | 63P-44150-01 | SHIFT CAM ASSY CAME D'INVERSION | 1 | | |
| 19 | 99001-08600 | CIRCLIP CIRCLIP | 1 | | |
| 20 | 61A-45538-00 | SPACER 1 ENTRETOISE | 1 | | |
| 21 | 90201-22M01 | WASHER, PLATE RONDELLE, PLATE | 2 | | |
| 22 | 90206-22M19 | WASHER, WAVE RONDELLE, ONDULEE | 1 | | |
| 23 | 61A-45527-00 | COLLAR, DRIVE SHAFT ENTRETOISE | 1 | | |
| 24 | 61A-44311-01 | HOUSING, WATER PUMP CORPS, POMPE A EAU | 1 | | |
| 25 | 61A-44322-02 | INSERT, CARTRIDGE CUVETTE | 1 | | |
| 26 | 93210-86M38 | O-RING JOINT TORIQUE | 1 | | |
| 27 | 93210-37160 | O-RING JOINT TORIQUE | 1 | | |
| 28 | 6E5-44365-01 | DAMPER, WATER SEAL 1 JOINT, TUBE D'EAU 1 | 1 | | |
| 29 | 6E5-44312-00 | COVER, WATER PUMP HOUSING COUVERCLE | 1 | | |
| 30 | 6E5-44352-01 | IMPELLER TURBINE | 1 | | |
| 31 | 90280-04M05 | KEY, WOODRUFF CLAVETTE, DEMI-LUNE | 1 | | |
| 32 | 6G5-44323-01 | OUTER PLATE, CARTRIDGE PLAQUE EXTERIEURE | 1 | | |
| 33 | 6E5-44315-A0 | GASKET, WATER PUMP JOINT, POMPE A EAU | 1 | | |
| 34 | 93606-12019 | PIN, DOWEL GOUPILLE | 2 | | |
| 35 | 90119-08191 | BOLT, WITH WASHER BOULON, AVEC RONDELLE | 4 | | |
| 36 | 6E5-45331-00-9S | HOUSING, BEARING FLASQUE, ROULEMENT | 1 | | |
| 37 | 93101-28M16 | OIL SEAL JOINT SPY | 2 | | |
| 38 | 93317-330U2 | BEARING ROULEMENT | 1 | | |
| 39 | 6E5-45587-01 | SHIM (T:0.10MM) CALE (T:0.10MM) | 1 | | UR |
| | 6E5-45587-10 | SHIM (T:0.12MM) CALE (T:0.12MM) | 1 | | UR |
| | 6E5-45587-20 | SHIM (T:0.15MM) CALE (T:0.15MM) | 1 | | UR |
| | 6E5-45587-30 | SHIM (T:0.18MM) CALE (T:0.18MM) | 1 | | UR |
| | 6E5-45587-40 | SHIM (T:0.30MM) CALE (T:0.30MM) | 1 | | UR |
| | 6E5-45587-50 | SHIM (T:0.40MM) CALE (T:0.40MM) | 1 | | UR |

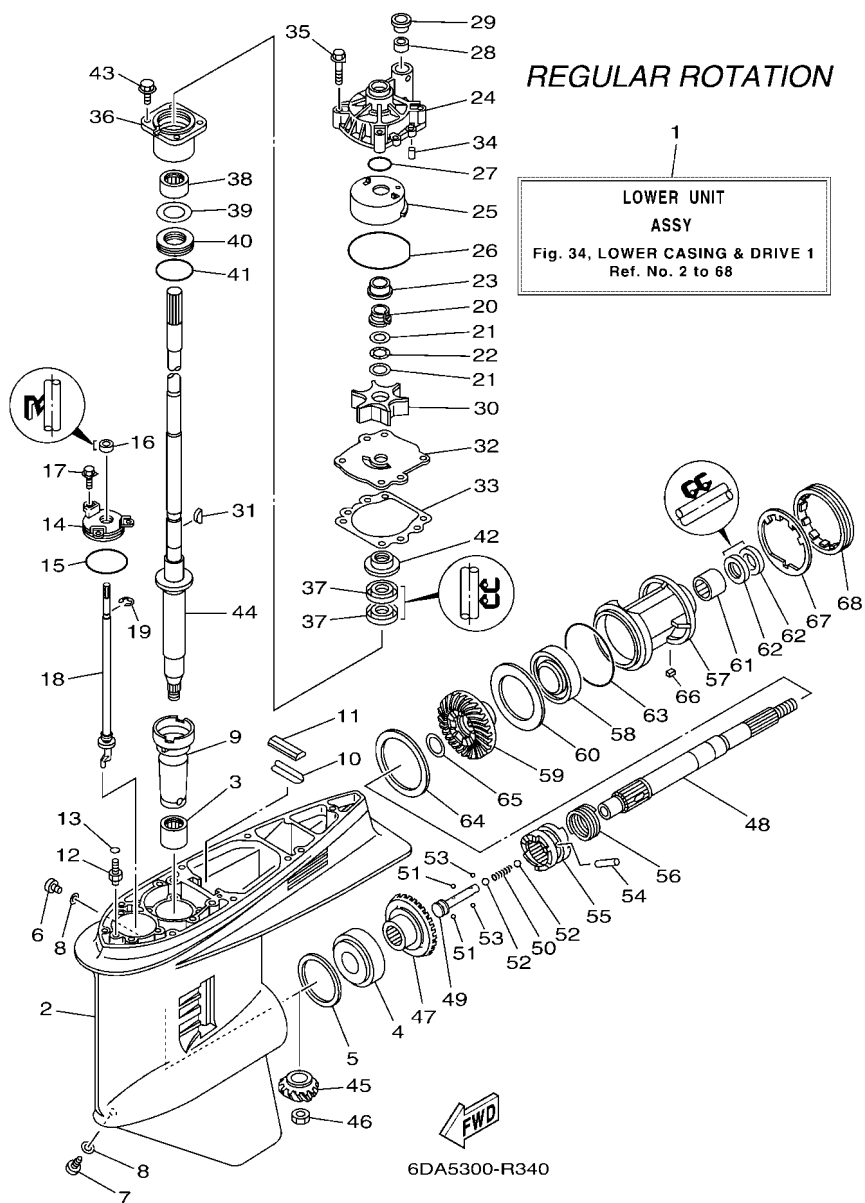


FIG. 34 LOWER CASING & DRIVE 1

BOITIER D'HELICE TRANSMISSION1

| REF. NO. | PART NO. N° PIECES | DESCRIPTION DESCRIPTION | 6DV/6 | 6DW/6 | REMARKS REMARQUES |
|----------|--------------------|---|-------|-------|----------------------|
| 39 | 6E5-45587-60 | SHIM (T:0.50MM) CALE (T:0.50MM) | 1 | | UR UR |
| 40 | 93341-930V2 | BEARING CERVEAUX DE DIRECTION | 1 | | |
| 41 | 93210-55M14 | O-RING JOINT TORIQUE | 1 | | |
| 42 | 6E5-45344-00 | COVER, OIL SEAL FLASQUE, JOINT D'HUILE | 1 | | |
| 43 | 97E95-08525 | BOLT, HEXAGON W/W DEEP RECESS VIS HEXAGONAL AVC RONDELLE | 4 | | |
| 44 | 6DA-45501-10 | DRIVE SHAFT COMP. ARBRE MOTEUR COMP. | 1 | | X(25.3") X(25.3") |
| | 63P-45501-01 | DRIVE SHAFT COMP. ARBRE MOTEUR COMP. | 1 | | L(20.3") L(20.3") |
| 45 | 6DA-45551-00 | PINION (14T) PIGNON D'ATTAQUE (14D) | 1 | | |
| 46 | 90170-16M01 | NUT ECROU | 1 | | |
| 47 | 6DA-45560-00 | GEAR 1 (26T) PIGNON 1 (26T) | 1 | | |
| 48 | 6J9-45611-01 | SHAFT, PROPELLER ARBRE, HELICE | 1 | | |
| 49 | 6E5-45634-02 | SLIDE, SHIFT CONTRE-POUSSOIR | 1 | | |
| 50 | 90501-16M37 | SPRING, COMPRESSION RESSORT, COMPRESSION | 1 | | |
| 51 | 93507-32009 | BALL BILLE | 2 | | |
| 52 | 93511-32017 | BALL BILLES | 2 | | |
| 53 | 93503-16003 | BALL BILLES | 2 | | |
| 54 | 90250-08M07 | PIN, STRAIGHT GOUILLE, DROITE | 1 | | |
| 55 | 6DA-45631-01 | CLUTCH, DOG CRABOT | 1 | | |
| 56 | 6E5-45633-01 | RING, CROSS PIN JONC, GOUILLE CRABOT | 1 | | |
| 57 | 6J9-45332-00-CA | HOUSING, BEARING FLASQUE, ROULEMENT | 1 | | |
| 58 | 93306-209U0 | BEARING ROULEMENT | 1 | | |
| 59 | 6DA-45571-00 | GEAR 2 (26T) PIGNON 2 (26T) | 1 | | |
| 60 | 6G5-45576-10 | WASHER, THRUST 2 RONDELLE DE CALAGE 2 | 1 | | |
| 61 | 93315-43061 | BEARING ROULEMENT | 1 | | |
| 62 | 93101-30M17 | OIL SEAL JOINT SPY | 2 | | |
| 63 | 93210-97M55 | O-RING JOINT TORIQUE | 1 | | |
| 64 | 6G5-45577-02 | SHIM (T:0.10MM) CALE (T:0.10MM) | 1 | | UR UR |

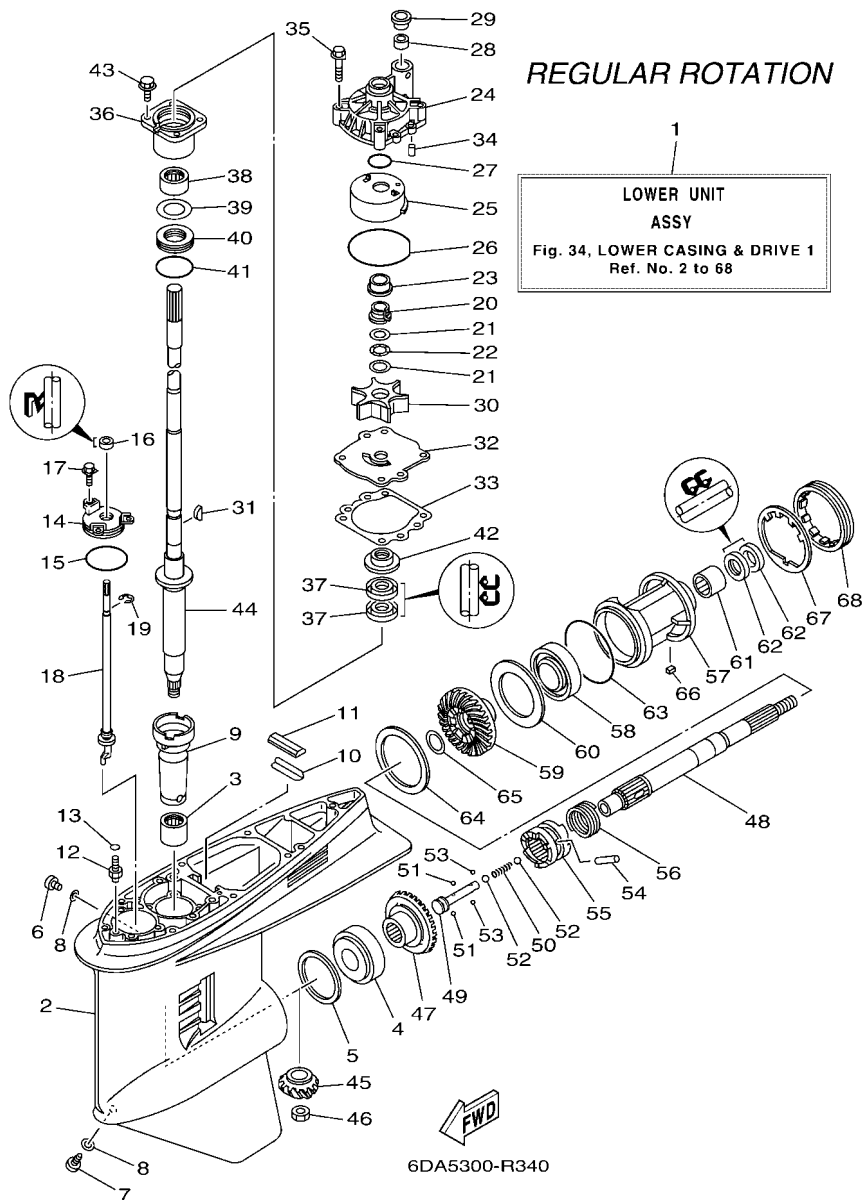
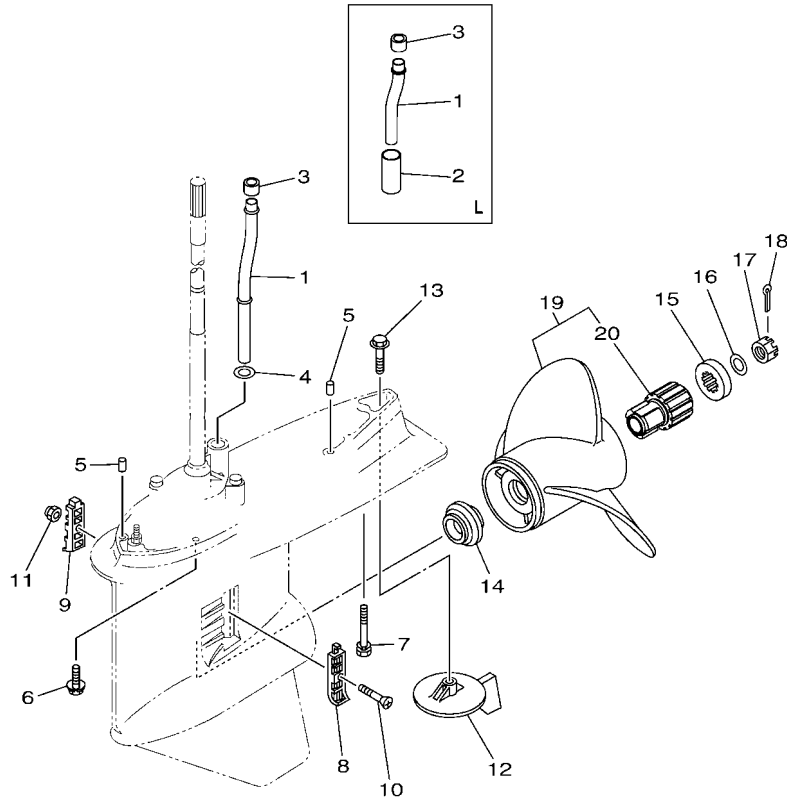


FIG. 34 LOWER CASING & DRIVE 1

BOITIER D'HELICE TRANSMISSION1

| REF. NO. | PART NO. N° PIECES | DESCRIPTION DESCRIPTION | 6DV/6 | 6DW/6 | REMARKS REMARQUES |
|----------|--------------------|-------------------------|-------|-------|-------------------|
| 64 | 6G5-45577-10 | SHIM (T:0.12MM) | 1 | | UR |
| | | CALE (T:0.12MM) | | | UR |
| | 6G5-45577-20 | SHIM (T:0.15MM) | 1 | | UR |
| | | CALE (T:0.15MM) | | | UR |
| | 6G5-45577-30 | SHIM (T:0.18MM) | 1 | | UR |
| | | CALE (T:0.18MM) | | | UR |
| | 6G5-45577-40 | SHIM (T:0.30MM) | 1 | | UR |
| | | CALE (T:0.30MM) | | | UR |
| | 6G5-45577-50 | SHIM (T:0.40MM) | 1 | | UR |
| | | CALE (T:0.40MM) | | | UR |
| | 6G5-45577-60 | SHIM (T:0.50MM) | 1 | | UR |
| | | CALE (T:0.50MM) | | | UR |
| 65 | 90201-30M92 | WASHER, PLATE | 1 | | |
| | | RONDELLE, PLATE | | | |
| 66 | 90282-04M00 | KEY, STRAIGHT | 1 | | |
| | | CLAVETTE, DROITE | | | |
| 67 | 6G5-45383-01 | WASHER, CLAW | 1 | | |
| | | FREIN D'ECROU | | | |
| 68 | 6G5-45384-02 | NUT | 1 | | |
| | | ECROU | | | |

REGULAR ROTATION



6DA5100-R340

FIG. 35 LOWER CASING & DRIVE 2

BOITIER D HELICE TRANSMISSION2

| REF. NO. | PART NO. N° PIECES | DESCRIPTION DESCRIPTION | 6DV/6 | 6DW/6 | REMARKS REMARQUES |
|----------|--------------------|---|-------|-------|------------------------------|
| 1 | 6DA-44361-00 | TUBE, WATER 1 TUBE D'EAU 1 | 1 | | X(25.3") X(25.3") |
| | 6DA-44361-10 | TUBE, WATER 1 TUBE D'EAU 1 | 1 | | L(20.3") L(20.3") |
| 2 | 90445-23002 | HOSE (L59) DURITE (L59) | 1 | | L(20.3") L(20.3") |
| 3 | 6E5-44365-01 | DAMPER, WATER SEAL 1 JOINT, TUBE D'EAU 1 | 1 | | |
| 4 | 90202-16061 | WASHER, PLATE RONDELLE, PLATE | 1 | | X(25.3") X(25.3") |
| 5 | 93608-16M16 | PIN, DOWEL AXE | 2 | | |
| 6 | 97E95-10645 | BOLT, HEXAGON W/W DEEP RECESS VIS HEXAGONAL AVC RONDELLE | 6 | | |
| 7 | 90119-10072 | BOLT, WITH WASHER BOULON, AVEC RONDELLE | 1 | | |
| 8 | 6J9-45214-00 | COVER, WATER INLET 1 GRILLE, ENTREE D'EAU 1 | 1 | | |
| 9 | 6J9-45215-00 | COVER, WATER INLET 2 GRILLE, ENTREE D'EAU 2 | 1 | | |
| 10 | 90152-05M08 | SCREW, COUNTERSUNK VIS, TETE NOYEE | 1 | | |
| 11 | 90185-05002 | NUT, NYLON ECROU, AUTO-BLOQUANT | 1 | | |
| 12 | 6J9-45371-01 | TAB-TRIM ANODE DERIVE | 1 | | |
| 13 | 90105-10M00 | BOLT, FLANGE BOULON, A COLLERETTE | 1 | | |
| 14 | 63P-45987-00 | SPACER 1 ENTRETOISE 1 | 1 | | |
| 15 | 688-45997-01 | SPACER 2 ENTRETOISE 2 | 1 | | |
| 16 | 92990-18200 | WASHER RONDELLE, PLATE | 1 | | |
| 17 | 90171-18M04 | NUT, CASTLE ECROU, CRENELE | 1 | | |
| 18 | 91490-40030 | PIN, COTTER GOUPILLE | 1 | | |
| 19 | 68F-45932-20 | PROPELLER (3X14-1/2"X13"-M) HELICE (3X14-1/2"X13"-M) | 1 | | UR SDS PROP. UR SDS PROP. |
| | 68F-45930-20 | PROPELLER (3X14-1/2"X14"-M) HELICE (3X14-1/2"X14"-M) | 1 | | UR SDS PROP. UR SDS PROP. |
| | 68F-45970-20 | PROPELLER (3X14-1/2"X15"-M) HELICE (3X14-1/2"X15"-M) | 1 | | UR SDS PROP. UR SDS PROP. |
| | 68F-45972-20 | PROPELLER (3X14-1/4"X17"-M) HELICE (3X14-1/4"X17"-M) | 1 | | UR SDS PROP. UR SDS PROP. |
| | 68F-45978-20 | PROPELLER (3X14-1/4"X18"-M) HELICE (3X14-1/4"X18"-M) | 1 | | UR SDS PROP. UR SDS PROP. |
| | 68F-45974-20 | PROPELLER (3X13-3/4"X19"-M) HELICE (3X13-3/4"X19"-M) | 1 | | UR SDS PROP. UR SDS PROP. |
| | 68F-45976-20 | PROPELLER (3X13-3/4"X21"-M) HELICE (3X13-3/4"X21"-M) | 1 | | UR SDS PROP. UR SDS PROP. |
| 20 | 6CE-45C81-10 | .DAMPER RUBBER, PROPELLER 1 .AMORTISSEUR HELICE 1 | 1 | | |

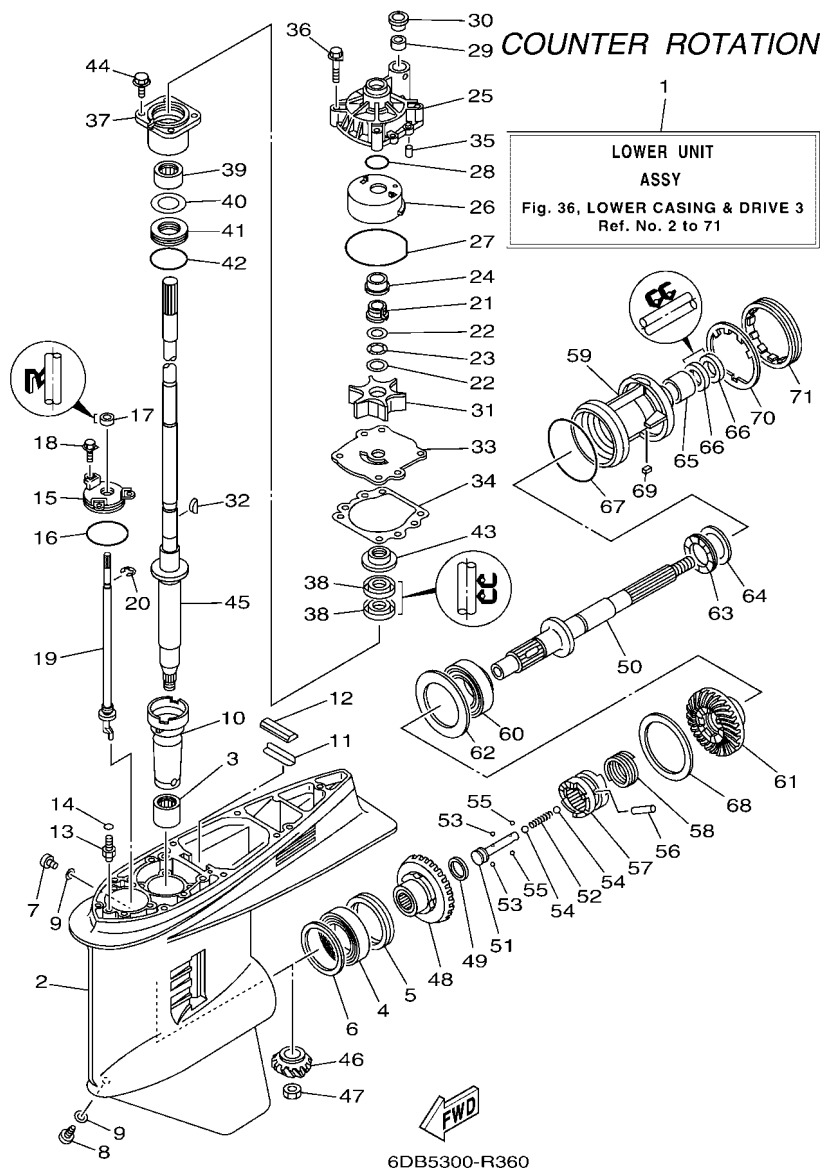


FIG. 36 LOWER CASING & DRIVE 3

BOITIER D'HELICE TRANSMISSION3

| REF. NO. | PART NO. N° PIECES | DESCRIPTION DESCRIPTION | 6DV/6 | 6DW | REMARKS REMARQUES |
|----------|--------------------|---|-------|-----|-------------------|
| 1 | 6DB-45300-14-8D | LOWER UNIT ASSY UNITE INFERIEURE (ENS.) | | 1 | GRAY X(25.3"),LH |
| | 6DB-45300-14-CE | LOWER UNIT ASSY UNITE INFERIEURE (ENS.) | | 1 | WHITE X(25.3"),LH |
| 2 | 6J9-45301-07-8D | CASING, LOWER BEQUILLE | | 1 | GRAY |
| | 6J9-45301-07-CE | CASING, LOWER BEQUILLE | | 1 | WHITE |
| 3 | 93311-928U5 | BEARING ROULEMENT | | 1 | WHITE |
| 4 | 93390-000U2 | BEARING ROULEMENT | | 1 | |
| 5 | 93341-465U4 | BEARING CERVEAUX DE DIRECTION | | 1 | |
| 6 | 6G5-45567-01 | SHIM (T:0.10MM) CALE (T:0.10MM) | | 1 | UR |
| | 6G5-45567-10 | SHIM (T:0.12MM) CALE (T:0.12MM) | | 1 | UR |
| | 6G5-45567-20 | SHIM (T:0.15MM) CALE (T:0.15MM) | | 1 | UR |
| | 6G5-45567-30 | SHIM (T:0.18MM) CALE (T:0.18MM) | | 1 | UR |
| | 6G5-45567-40 | SHIM (T:0.30MM) CALE (T:0.30MM) | | 1 | UR |
| | 6G5-45567-50 | SHIM (T:0.40MM) CALE (T:0.40MM) | | 1 | UR |
| | 6G5-45567-60 | SHIM (T:0.50MM) CALE (T:0.50MM) | | 1 | UR |
| 7 | 90340-08002 | PLUG, STRAIGHT SCREW PLOT, FILETE DROIT | | 1 | |
| 8 | 688-45341-10 | PLUG, DRAIN BOUCHON DE VIDANGE | | 1 | |
| 9 | 90430-08003 | GASKET JOINT | | 2 | |
| 10 | 6G5-45536-01 | SLEEVE, DRIVE SHAFT MANCHON, ARBRE MOTEUR | | 1 | |
| 11 | 663-45376-00 | GUIDE, SEAL DAMPER BUTEE, JOINT CAOUTCHOUC | | 1 | |
| 12 | 688-45375-00 | DAMPER, SEAL BOURRELET, CAOUTCHOUC | | 1 | |
| 13 | 63P-45378-00 | NIPPLE, HOSE RACCORD, TUYAU | | 1 | |
| 14 | 93210-07003 | O-RING JOINT TORIQUE | | 1 | |
| 15 | 6E5-45321-00 | PLATE PLAQUETTE | | 1 | |
| 16 | 93210-58144 | O-RING JOINT TORIQUE | | 1 | |
| 17 | 93106-09014 | OIL SEAL JOINT SPY | | 1 | |
| 18 | 90119-06286 | BOLT, WITH WASHER BOULON, AVEC RONDELLE | | 3 | |
| 19 | 64P-44150-01 | SHIFT CAM ASSY CAME D'INVERSION | | 1 | |

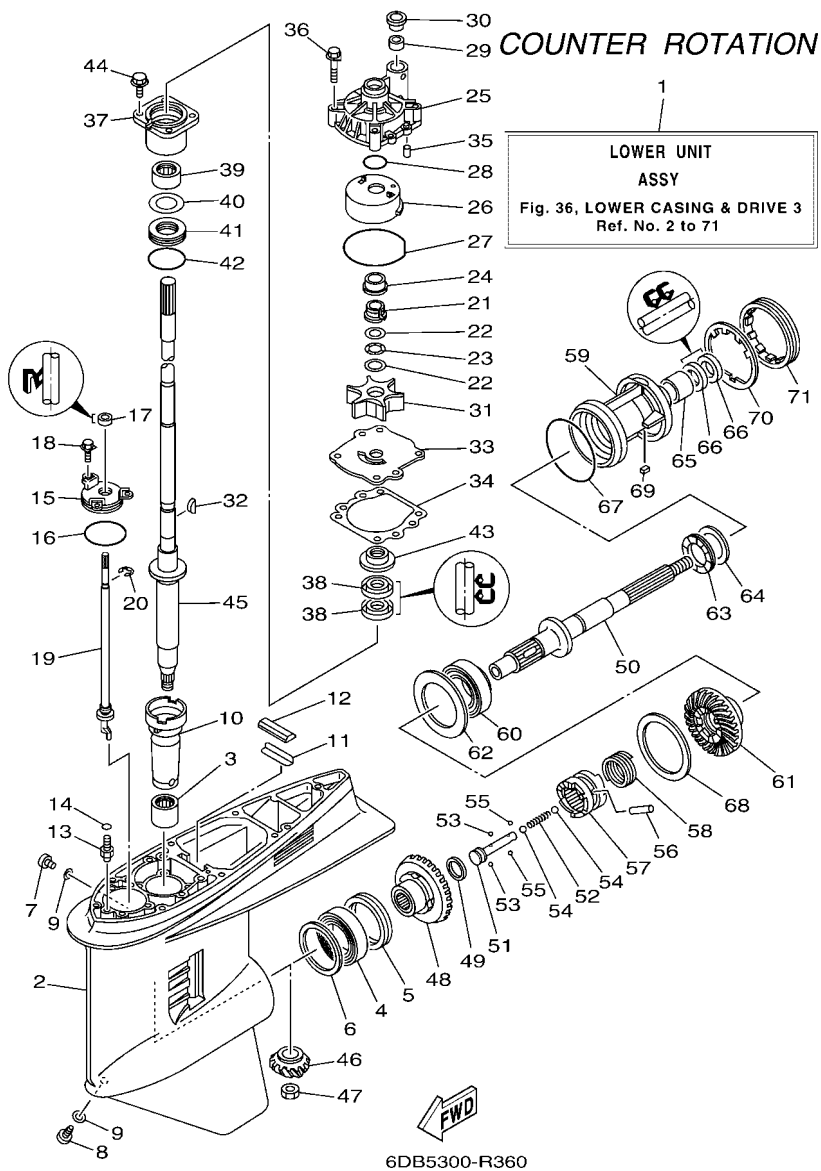


FIG. 36 LOWER CASING & DRIVE 3

BOITIER D'HELICE TRANSMISSION3

| REF. NO. | PART NO. N° PIECES | DESCRIPTION DESCRIPTION | 6DV/6 | 6DW/6 | REMARKS REMARQUES |
|----------|--------------------|---|-------|-------|-------------------|
| 20 | 99001-08600 | CIRCLIP CIRCLIP | | 1 | |
| 21 | 61A-45538-00 | SPACER 1 ENTRETOISE | | 1 | |
| 22 | 90201-22M01 | WASHER, PLATE RONDELLE, PLATE | | 2 | |
| 23 | 90206-22M19 | WASHER, WAVE RONDELLE, ONDULEE | | 1 | |
| 24 | 61A-45527-00 | COLLAR, DRIVE SHAFT ENTRETOISE | | 1 | |
| 25 | 61A-44311-01 | HOUSING, WATER PUMP CORPS, POMPE A EAU | | 1 | |
| 26 | 61A-44322-02 | INSERT, CARTRIDGE CUVETTE | | 1 | |
| 27 | 93210-86M38 | O-RING JOINT TORIQUE | | 1 | |
| 28 | 93210-37160 | O-RING JOINT TORIQUE | | 1 | |
| 29 | 6E5-44365-01 | DAMPER, WATER SEAL 1 JOINT, TUBE D'EAU 1 | | 1 | |
| 30 | 6E5-44312-00 | COVER, WATER PUMP HOUSING COUVERCLE | | 1 | |
| 31 | 6E5-44352-01 | IMPELLER TURBINE | | 1 | |
| 32 | 90280-04M05 | KEY, WOODRUFF CLAVETTE, DEMI-LUNE | | 1 | |
| 33 | 6G5-44323-01 | OUTER PLATE, CARTRIDGE PLAQUE EXTERIEURE | | 1 | |
| 34 | 6E5-44315-A0 | GASKET, WATER PUMP JOINT, POMPE A EAU | | 1 | |
| 35 | 93606-12019 | PIN, DOWEL GOUILLE | | 2 | |
| 36 | 90119-08191 | BOLT, WITH WASHER BOULON, AVEC RONDELLE | | 4 | |
| 37 | 6E5-45331-00-9S | HOUSING, BEARING FLASQUE, ROULEMENT | | 1 | |
| 38 | 93101-28M16 | OIL SEAL JOINT SPY | | 2 | |
| 39 | 93317-330U2 | BEARING ROULEMENT | | 1 | |
| 40 | 6E5-45587-01 | SHIM (T:0.10MM) CALE (T:0.10MM) | | 1 | UR |
| | 6E5-45587-10 | SHIM (T:0.12MM) CALE (T:0.12MM) | | 1 | UR |
| | 6E5-45587-20 | SHIM (T:0.15MM) CALE (T:0.15MM) | | 1 | UR |
| | 6E5-45587-30 | SHIM (T:0.18MM) CALE (T:0.18MM) | | 1 | UR |
| | 6E5-45587-40 | SHIM (T:0.30MM) CALE (T:0.30MM) | | 1 | UR |
| | 6E5-45587-50 | SHIM (T:0.40MM) CALE (T:0.40MM) | | 1 | UR |
| | 6E5-45587-60 | SHIM (T:0.50MM) CALE (T:0.50MM) | | 1 | UR |

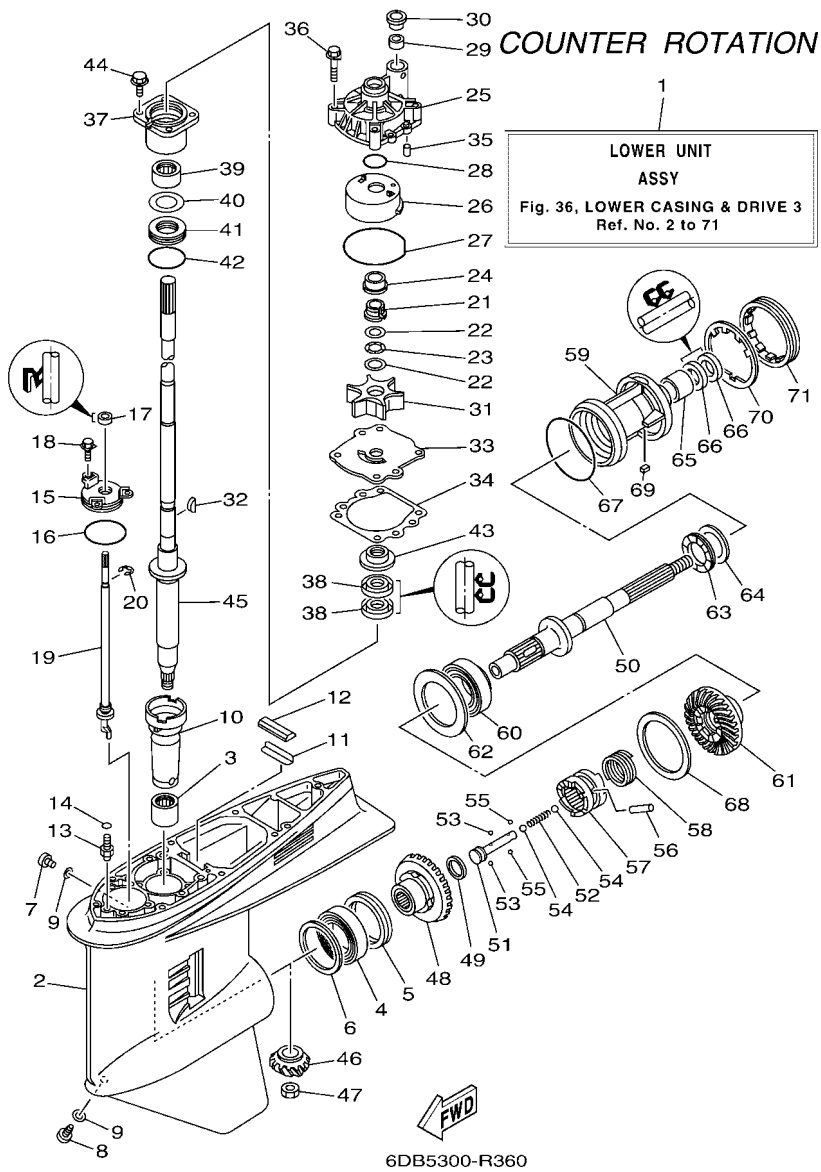


FIG. 36 LOWER CASING & DRIVE 3

BOITIER D'HELICE TRANSMISSION3

| REF. NO. | PART NO. N° PIECES | DESCRIPTION DESCRIPTION | 6DV/6 | 6DW/6 | REMARKS REMARQUES |
|----------|--------------------|---|-------|-------|----------------------|
| 41 | 93341-930V2 | BEARING CERVEAUX DE DIRECTION | | 1 | |
| 42 | 93210-55M14 | O-RING JOINT TORIQUE | | 1 | |
| 43 | 6E5-45344-00 | COVER, OIL SEAL FLASQUE, JOINT D'HUILE | | 1 | |
| 44 | 97E95-08525 | BOLT, HEXAGON W/W DEEP RECESS VIS HEXAGONAL AVC RONDELLE | | 4 | |
| 45 | 6DA-45501-10 | DRIVE SHAFT COMP. ARBRE MOTEUR COMP. | | 1 | X(25.3") X(25.3") |
| 46 | 6DA-45551-00 | PINION (14T) PIGNON D'ATTAQUE (14D) | | 1 | |
| 47 | 90170-16M01 | NUT ECROU | | 1 | |
| 48 | 6DB-45560-00 | GEAR 1 (26T) PIGNON 1 (26T) | | 1 | |
| 49 | 90201-26015 | WASHER, PLATE RONDELLE, PLATE | | 1 | |
| 50 | 6K1-45611-11 | SHAFT, PROPELLER ARBRE, HELICE | | 1 | |
| 51 | 6E5-45634-02 | SLIDE, SHIFT CONTRE-POUSOIR | | 1 | |
| 52 | 90501-16M37 | SPRING, COMPRESSION RESSORT, COMPRESSION | | 1 | |
| 53 | 93507-32009 | BALL BILLE | | 2 | |
| 54 | 93511-32017 | BALL BILLES | | 2 | |
| 55 | 93503-16003 | BALL BILLES | | 2 | |
| 56 | 90250-08M07 | PIN, STRAIGHT GOUPILLE, DROITE | | 1 | |
| 57 | 6DA-45631-01 | CLUTCH, DOG CRABOT | | 1 | |
| 58 | 6E5-45633-01 | RING, CROSS PIN JONC, GOUPILLE CRABOT | | 1 | |
| 59 | 6K1-45332-01-CA | HOUSING, BEARING FLASQUE, ROULEMENT | | 1 | |
| 60 | 93332-00048 | BEARING ROULEMENT | | 1 | |
| 61 | 6DB-45570-00 | GEAR 2 (26T) PIGNON 2 (26T) | | 1 | |
| 62 | 6K1-45576-00 | WASHER, THRUST 2 RONDELLE DE CALAGE 2 | | 1 | |
| 63 | 93341-440U5 | BEARING CERVEAUX DE DIRECTION | | 1 | |
| 64 | 6K1-45578-01 | SHIM (T:0.10MM) CALE (T:0.10MM) | | 1 | UR |
| | 6K1-45578-10 | SHIM (T:0.12MM) CALE (T:0.12MM) | | 1 | UR |
| | 6K1-45578-20 | SHIM (T:0.15MM) CALE (T:0.15MM) | | 1 | UR |
| | 6K1-45578-30 | SHIM (T:0.18MM) CALE (T:0.18MM) | | 1 | UR |

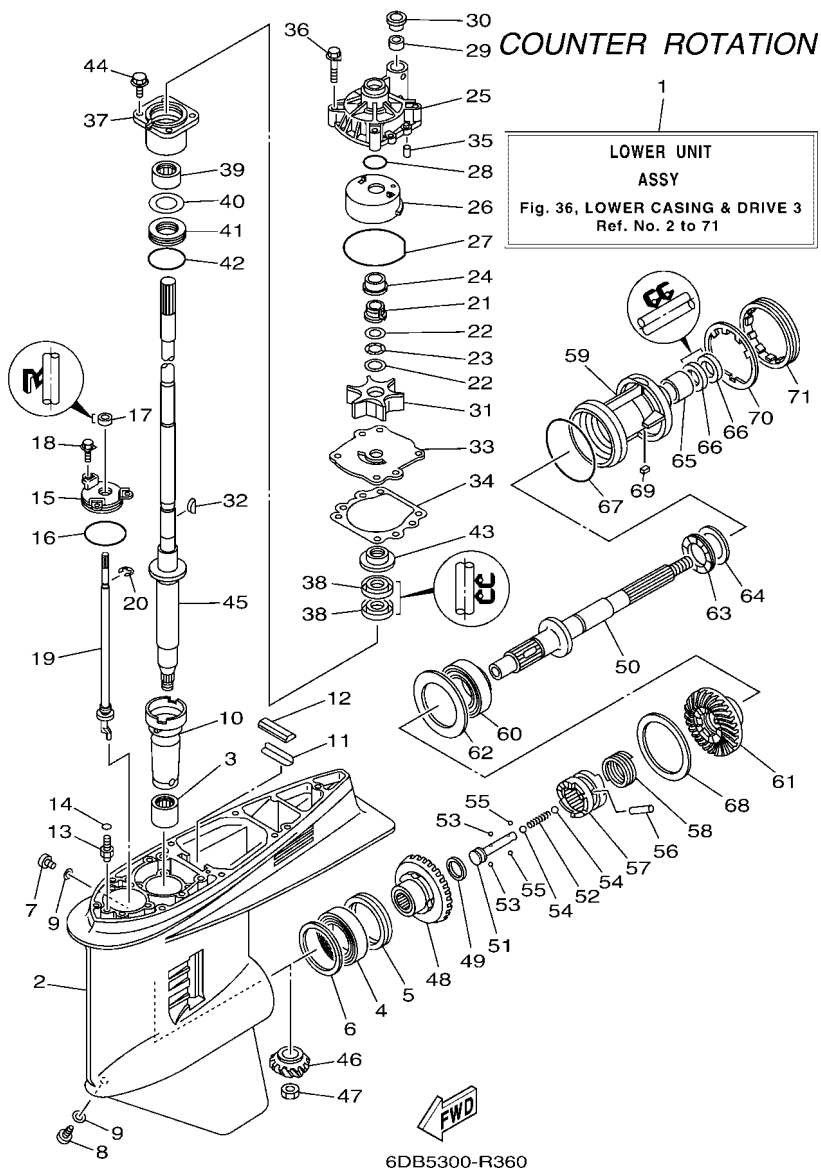


FIG. 36 LOWER CASING & DRIVE 3

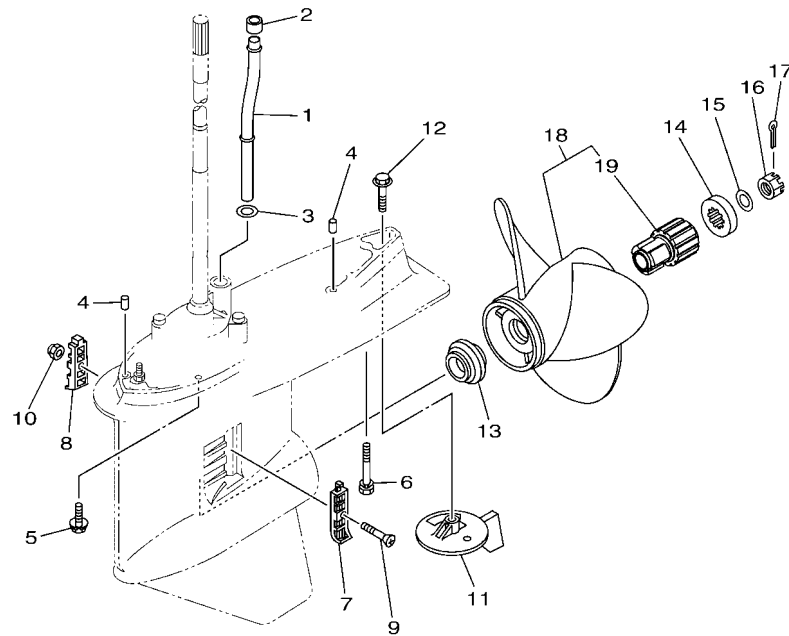
BOITIER D'HELICE TRANSMISSION3

| REF. NO. | PART NO. N° PIECES | DESCRIPTION DESCRIPTION | 6DV/6 | 6DW/9 | REMARKS REMARQUES |
|----------|--------------------|--------------------------------|-------|-------|-------------------|
| 64 | 6K1-45578-40 | SHIM (T:0.30MM) | | 1 | UR |
| | | CALE (T:0.30MM) | | | UR |
| | 6K1-45578-50 | SHIM (T:0.40MM) | | 1 | UR |
| | | CALE (T:0.40MM) | | | UR |
| | 6K1-45578-60 | SHIM (T:0.50MM) | | 1 | UR |
| | | CALE (T:0.50MM) | | | UR |
| 65 | 93315-43061 | BEARING ROULEMENT | | 1 | |
| 66 | 93101-30M17 | OIL SEAL JOINT SPY | | 2 | |
| 67 | 93210-97M55 | O-RING JOINT TORIQUE | | 1 | |
| 68 | 6G5-45577-02 | SHIM (T:0.10MM) | | 1 | UR |
| | | CALE (T:0.10MM) | | | UR |
| | 6G5-45577-10 | SHIM (T:0.12MM) | | 1 | UR |
| | | CALE (T:0.12MM) | | | UR |
| | 6G5-45577-20 | SHIM (T:0.15MM) | | 1 | UR |
| | | CALE (T:0.15MM) | | | UR |
| | 6G5-45577-30 | SHIM (T:0.18MM) | | 1 | UR |
| | | CALE (T:0.18MM) | | | UR |
| | 6G5-45577-40 | SHIM (T:0.30MM) | | 1 | UR |
| | | CALE (T:0.30MM) | | | UR |
| | 6G5-45577-50 | SHIM (T:0.40MM) | | 1 | UR |
| | | CALE (T:0.40MM) | | | UR |
| | 6G5-45577-60 | SHIM (T:0.50MM) | | 1 | UR |
| | | CALE (T:0.50MM) | | | UR |
| 69 | 90282-04M00 | KEY, STRAIGHT CLAVETTE, DROITE | | 1 | |
| 70 | 6G5-45383-01 | WASHER, CLAW FREIN D'ECROU | | 1 | |
| 71 | 6G5-45384-02 | NUT ECROU | | 1 | |

FIG. 37 LOWER CASING & DRIVE 4

BOITIER D'HELICE TRANSMISSION4

COUNTER ROTATION

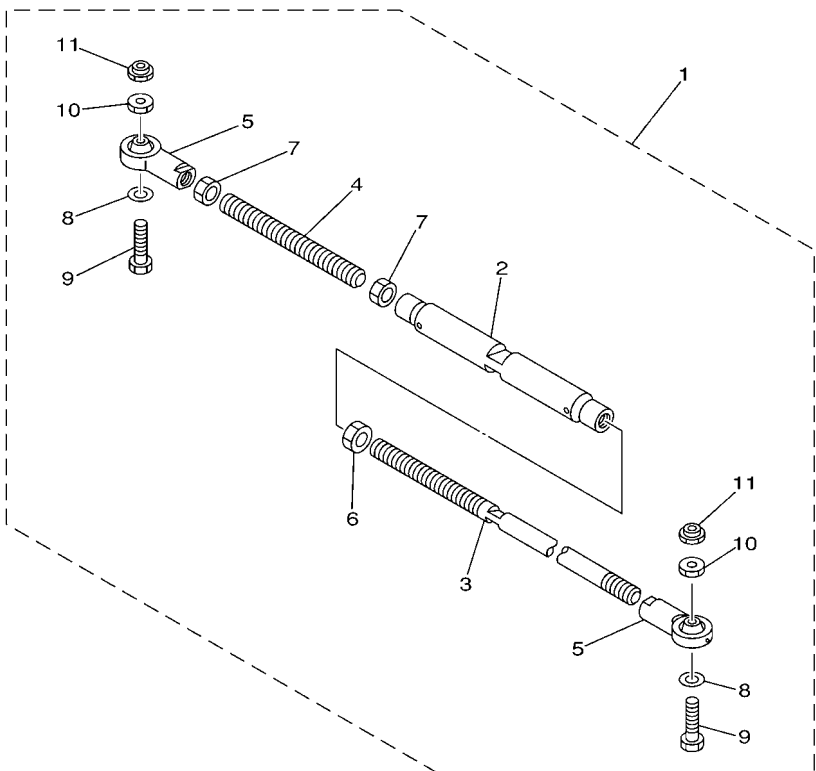


6DB5100-R340

| REF. NO. | PART NO. N° PIECES | DESCRIPTION DESCRIPTION | 6DV/6 | 6DW/6 | REMARKS REMARQUES |
|----------|--------------------|---|-------|-------|------------------------------|
| 1 | 6DA-44361-00 | TUBE, WATER 1 TUBE D'EAU 1 | | 1 | X(25.3") X(25.3") |
| 2 | 6E5-44365-01 | DAMPER, WATER SEAL 1 JOINT, TUBE D'EAU 1 | | 1 | |
| 3 | 90202-16061 | WASHER, PLATE RONDELLE, PLATE | | 1 | X(25.3") X(25.3") |
| 4 | 93608-16M16 | PIN, DOWEL AXE | | 2 | |
| 5 | 97E95-10645 | BOLT, HEXAGON W/W DEEP RECESS VIS HEXAGONAL AVC RONDELLE | | 6 | |
| 6 | 90119-10072 | BOLT, WITH WASHER BOULON, AVEC RONDELLE | | 1 | |
| 7 | 6J9-45214-00 | COVER, WATER INLET 1 GRILLE, ENTREE D'EAU 1 | | 1 | |
| 8 | 6J9-45215-00 | COVER, WATER INLET 2 GRILLE, ENTREE D'EAU 2 | | 1 | |
| 9 | 90152-05M08 | SCREW, COUNTERSUNK VIS, TETE NOYEE | | 1 | |
| 10 | 90185-05002 | NUT, NYLON ECROU, AUTO-BLOQUANT | | 1 | |
| 11 | 6K1-45371-02 | TAB-TRIM ANODE DERIVE | | 1 | |
| 12 | 90105-10M00 | BOLT, FLANGE BOULON, A COLLERETTE | | 1 | |
| 13 | 63P-45987-00 | SPACER 1 ENTRETOISE 1 | | 1 | |
| 14 | 688-45997-01 | SPACER 2 ENTRETOISE 2 | | 1 | |
| 15 | 92990-18200 | WASHER RONDELLE, PLATE | | 1 | |
| 16 | 90171-18M04 | NUT, CASTLE ECROU, CRENELE | | 1 | |
| 17 | 91490-40030 | PIN, COTTER GOUPILLE | | 1 | |
| 18 | 68G-45970-20 | PROPELLER (3X14-1/2"X15"-ML) HELICE (3X14-1/2"X15"-ML) | | 1 | UR SDS PROP. UR SDS PROP. |
| | 68G-45972-20 | PROPELLER (3X14-1/4"X17"-ML) HELICE (3X14-1/4"X17"-ML) | | 1 | UR SDS PROP. UR SDS PROP. |
| | 68G-45978-20 | PROPELLER (3X14-1/4"X18"-ML) HELICE (3X14-1/4"X18"-ML) | | 1 | UR SDS PROP. UR SDS PROP. |
| | 68G-45974-20 | PROPELLER (3X13-3/4"X19"-ML) HELICE (3X13-3/4"X19"-ML) | | 1 | UR SDS PROP. UR SDS PROP. |
| | 68G-45976-20 | PROPELLER (3X13-3/4"X21"-ML) HELICE (3X13-3/4"X21"-ML) | | 1 | UR SDS PROP. UR SDS PROP. |
| 19 | 6CE-45C81-10 | .DAMPER RUBBER, PROPELLER 1 .AMORTISSEUR HELICE 1 | | 1 | |

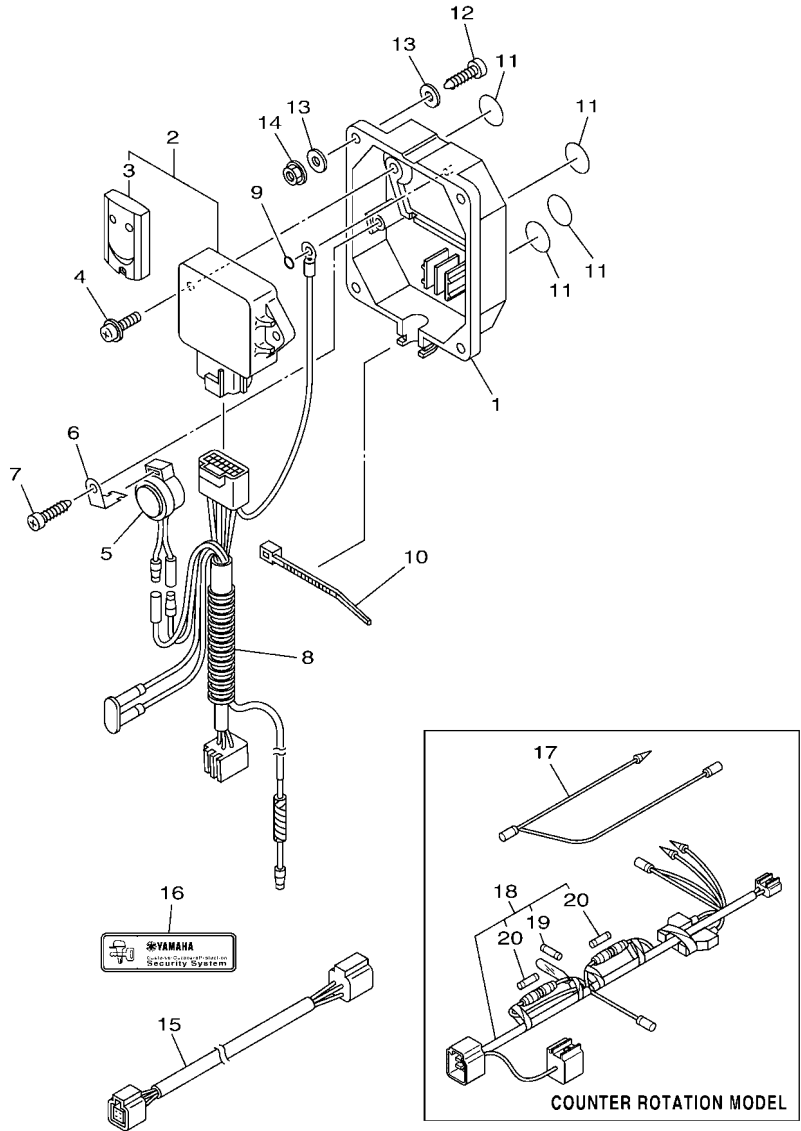
FIG. 39 STEERING GUIDE ATTACHMENT 2

DIRECTION GUIDE ACCESSOIRE 2



67H0100-0300

| REF. NO. | PART NO. N° PIECES | DESCRIPTION DESCRIPTION | 6DV/6 | 6DW/6 | REMARKS REMARQUES |
|----------|--------------------|--|-------|-------|-------------------|
| 1 | 6E5-61301-01 | TWIN KIT (L:600-800MM) JUMELE KIT (L:600-800MM) | | 1 | AP AP |
| 2 | 6E5-61313-00 | .ADJUSTER .TENDEUR | | 1 | |
| 3 | 6E5-61311-11 | .TIE BAR .BARRE D'ACCOUPLMENT | | 1 | |
| 4 | 6E5-61315-00 | .TIE BAR .BARRE D'ACCOUPLMENT | | 1 | |
| 5 | 6E5-61303-01 | .STEERING AXLE COMP. .AXLE COMP. | | 2 | |
| 6 | 90170-14M06 | .NUT .ECROU | | 1 | |
| 7 | 95380-14700 | .NUT .ECROU | | 2 | |
| 8 | 90201-10M76 | .WASHER, PLATE .RONDELLE, PLATE | | 2 | |
| 9 | 90101-09M70 | .BOLT .BOULON | | 2 | |
| 10 | 90170-09M05 | .NUT .ECROU | | 2 | |
| 11 | 90185-09M01 | .NUT, SELF-LOCKING .ECROU,AUTO-BLOQUANT | | 2 | |
| | | | | | |
| | | | | | |
| | | | | | |
| | | | | | |
| | | | | | |
| | | | | | |



6HP5300-V400

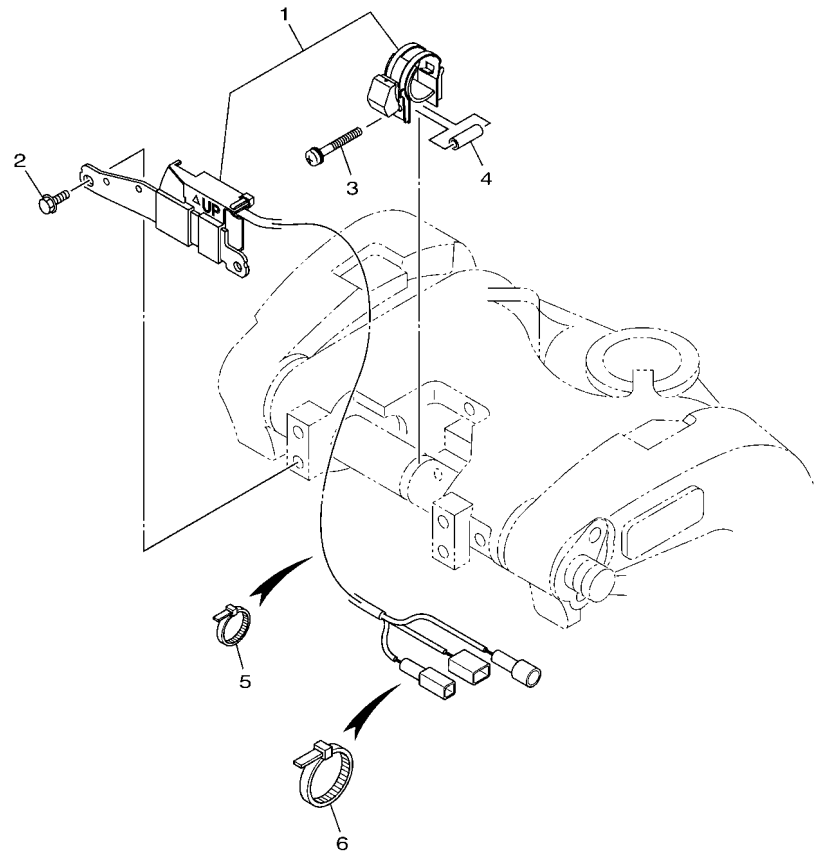
FIG. 40 OPTIONAL PARTS 1

PIECES OPTIONNELLES 1

| REF. NO. | PART NO. N° PIECES | DESCRIPTION DESCRIPTION | 6DV/6 | 6DW/6 | REMARKS REMARQUES |
|----------|--------------------|--|-------|-------|-------------------|
| 1 | 6Y8-86267-00 | CASE COMPLETE 1 CARTER (ENS.) 1 | 1 | | |
| 2 | 6Y8-86260-03 | REMOTE CONTROL UNIT ASSY UNITE DE TELECOMMANDE (ENS.) | 1 | | |
| 3 | 6AA-86261-01 | .XMTR. COMP. .XMTR. COMP. | 2 | | |
| 4 | 97980-06216 | SCREW, WITH WASHER VIS, AVEC RONDELLE | 2 | | |
| 5 | 6X4-83383-00 | BUZZER RONFLEUR | 1 | | |
| 6 | 6X4-83386-00 | STAY, BUZZER SUPPOR, RONFLEUR | 1 | | |
| 7 | 97780-60620 | SCREW, TAPPING VIS, TETE BOMBEE | 1 | | |
| 8 | 6Y8-82509-10 | WIRE, SUB LEAD FIL, SECONDAIRE | 1 | | |
| 9 | 93210-04279 | O-RING JOINT TORIQUE | 1 | | |
| 10 | 90465-11M10 | CLAMP BRIDE | 1 | | |
| 11 | 6Y8-8454G-00 | PATCH 1 TAMPON 1 | 4 | | |
| 12 | 90167-06M00 | SCREW, TAPPING VIS, TETE FRAISEE | 4 | | UR |
| | 97880-06035 | SCREW, PAN HEAD VIS, TETE TRONCONIQUE | 4 | | UR |
| 13 | 90201-06M30 | WASHER, PLATE RONDELLE, PLATE | 8 | | UR |
| 14 | 95780-06300 | NUT, FLANGE ECROU | 4 | | |
| 15 | 6Y8-82521-11 | 2FT PIGTAIL BUS FAISCEAU (L: 2FT.) | 1 | | |
| 16 | 6Y8-48277-00 | STICKER 1 ETIQUETTE 1 | 4 | | |
| 17 | 6H5-81315-00 | LEAD WIRE ASSY FIL | 1 | | AP |
| 18 | 6Y8-81315-03 | LEAD WIRE ASSY FIL | 1 | | AP |
| 19 | 6TA-82151-01 | .FUSE(5A) .FUSIBLE (5A) | 1 | | AP |
| 20 | 6Y8-82151-00 | .FUSE(5A) .FUSIBLE (5A) | 2 | | |

FIG. 41 OPTIONAL PARTS 2

PIECES OPTIONNELLES 2

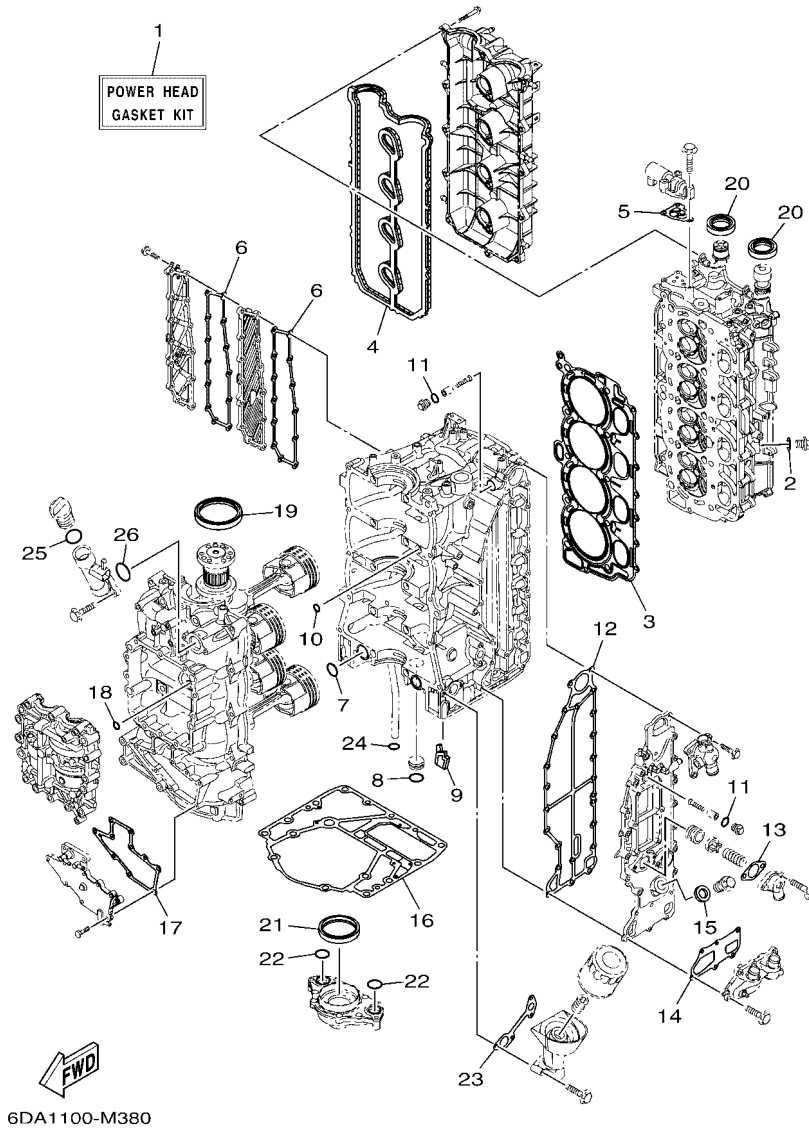


| REF. NO. | PART NO. N° PIECES | DESCRIPTION DESCRIPTION | 6DV/6 | 6DW/9 | REMARKS REMARQUES |
|----------|--------------------|---|-------|-------|-------------------|
| 1 | 6CE-825E0-01 | TILT LIMIT SWITCH ASSY COMMUNTEUR, LIMIT INCLINAISON | 1 | 1 | |
| 2 | 97E95-06516 | BOLT, HEXAGON W/W DEEP RECESS VIS HEXAGONAL AVC RONDELLE | 2 | 2 | |
| 3 | 90159-05059 | SCREW, WITH WASHER VIS, AVEC RONDELLE | 1 | 1 | |
| 4 | 90387-05004 | COLLAR COLLERETTE | 1 | 1 | |
| 5 | 90465-11M10 | CLAMP BRIDE | 9 | 9 | |
| 6 | 90465-13M18 | CLAMP BRIDE | 1 | 1 | |
| | | | | | |
| | | | | | |
| | | | | | |
| | | | | | |
| | | | | | |
| | | | | | |
| | | | | | |
| | | | | | |
| | | | | | |


6HP4100-U380

FIG. 42 REPAIR KIT 1

KITS DE REPARATION 1

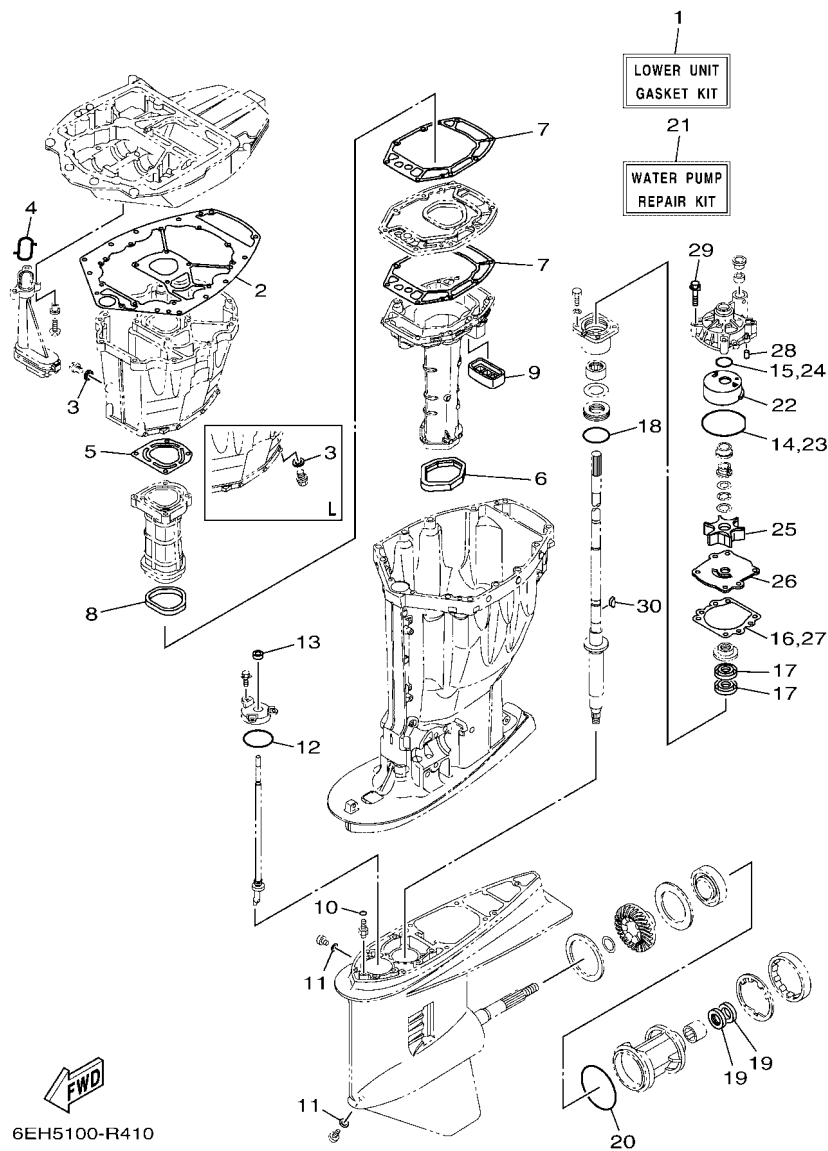


6DA1100-M380

| REF. NO. | PART NO. N° PIECES | DESCRIPTION DESCRIPTION | 6DV6 | 6DW6 | REMARKS REMARQUES |
|----------|--------------------|---|------|------|-------------------|
| 1 | 6DA-W0001-01 | POWER HEAD GASKET KIT POCHETTE DE JINTS TETE MOTRICE | 1 | 1 | |
| 2 | 90430-14115 | .GASKET .JOINT | 1 | 1 | |
| 3 | 6DA-11181-00 | .GASKET, CYLINDER HEAD 1 .JOINT, DE CULASSE 1 | 1 | 1 | |
| 4 | 6DA-11193-00 | .GASKET, HEAD COVER 1 .JOINT, COUVERCLE DE CULASSE 1 | 1 | 1 | |
| 5 | 6CB-1242F-00 | .GASKET, FILTER .JOINT, FILTRE | 1 | 1 | |
| 6 | 6DA-15353-01 | .GASKET, DRAIN .JOINT, PLOT DE VIDANGE | 2 | 2 | |
| 7 | 93210-25552 | .O-RING .JOINT TORIQUE | 2 | 2 | |
| 8 | 93210-25647 | .O-RING .JOINT TORIQUE | 1 | 1 | |
| 9 | 6DA-14664-00 | .GROMMET, WATER SHUT .PASSE-FIL | 1 | 1 | |
| 10 | 93210-12648 | .O-RING .JOINT TORIQUE | 1 | 1 | |
| 11 | 93210-13M63 | .O-RING .JOINT TORIQUE | 2 | 2 | |
| 12 | 6DA-41114-01 | .GASKET, EXHAUST OUTER COVER .JOINT, COUVERCLE D'ECHAPPEMENT | 1 | 1 | |
| 13 | 60V-11382-A0 | .GASKET 2 .JOINT 2 | 1 | 1 | |
| 14 | 6DA-11381-01 | .GASKET 1 .JOINT 1 | 1 | 1 | |
| 15 | 90201-186F1 | .WASHER, PLATE .RONDELLE, PLATE | 1 | 1 | |
| 16 | 63P-11351-03 | .GASKET, CYLINDER .JOINT, D'EMBASE | 1 | 1 | |
| 17 | 6DA-15451-01 | .GASKET, CRANKCASE COVER 1 .JOINT, COUVERCLE DE CARTER 1 | 1 | 1 | |
| 18 | 93210-08001 | .O-RING .JOINT TORIQUE | 1 | 1 | |
| 19 | 93102-85008 | .OIL SEAL .JOINT SPY | 1 | 1 | |
| 20 | 93102-38008 | .OIL SEAL .JOINT SPY | 2 | 2 | |
| 21 | 6CB-11355-00 | .SEAL, CYLINDER 1 .JOINT, SPY CYLINDRE | 1 | 1 | |
| 22 | 93210-25552 | .O-RING .JOINT TORIQUE | 2 | 2 | |
| 23 | 6DA-13475-00 | .GASKET .JOINT | 1 | 1 | |
| 24 | 93210-19MJ3 | .O-RING .JOINT TORIQUE | 1 | 1 | |
| 25 | 93210-24M79 | .O-RING .JOINT TORIQUE | 1 | 1 | |
| 26 | 93210-357A3 | .O-RING .JOINT TORIQUE | 1 | 1 | |

FIG. 43 REPAIR KIT 2

KITS DE REPARATION 2

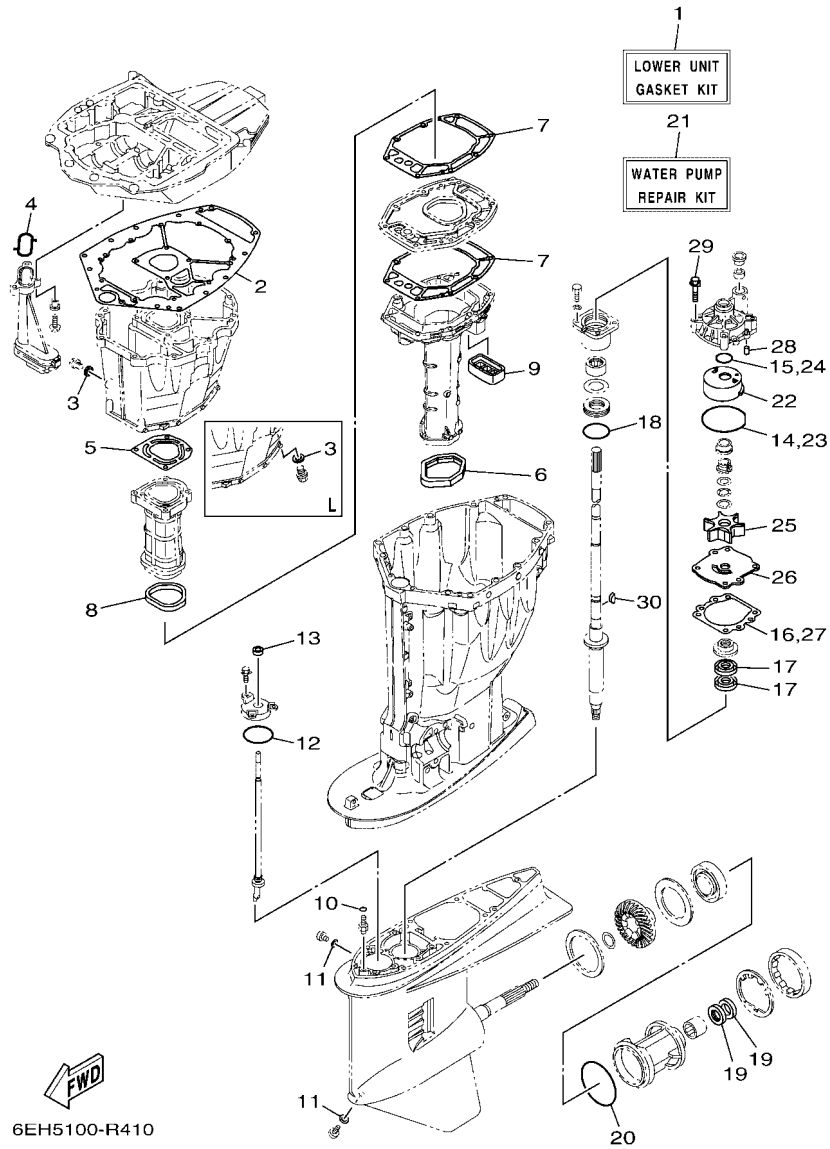


6EH5100-R410

| REF. NO. | PART NO. N° PIECES | DESCRIPTION DESCRIPTION | 6DV/6 | 6DW/9 | REMARKS REMARQUES |
|----------|--------------------|---|-------|-------|-------------------|
| 1 | 63P-W0001-22 | LOWER UNIT GASKET KIT POCHETTE DE JOINTS EMBASE | 1 | 1 | |
| 2 | 63P-15312-02 | .GASKET, OIL PAN .JOINT DE VENTILATEUR D'HUILE | 1 | 1 | |
| 3 | 90430-14M09 | .GASKET .JOINT | 1 | 1 | |
| 4 | 63P-13415-00 | .SEAL, OIL STRAINER .JOINT, FILTRE A HUILE | 1 | 1 | |
| 5 | 63P-41133-A0 | .GASKET, EXHAUST MANIFOLD 1 .JOINT, PIPE D'ECHAPPEMENT | 1 | 1 | |
| 6 | 69J-45123-00 | .GASKET, MUFFLER .JOINT, POT DE DETENTE | 1 | 1 | |
| 7 | 63P-41134-A1 | .GASKET, EXHAUST MANIFOLD .JOINT, PIPE D'ECHAPPEMENT | 2 | 2 | |
| 8 | 63P-41138-00 | .SEAL, EXT. 1 .JOINT DE GROUPE 1 | 1 | 1 | |
| 9 | 69J-45127-01 | .SEAL .JOINT | 1 | 1 | |
| 10 | 93210-07003 | .O-RING .JOINT TORIQUE | 2 | 2 | |
| 11 | 90430-08003 | .GASKET .JOINT | 2 | 2 | |
| 12 | 93210-58144 | .O-RING .JOINT TORIQUE | 1 | 1 | |
| 13 | 93106-09014 | .OIL SEAL .JOINT SPY | 1 | 1 | |
| 14 | 93210-86M38 | .O-RING .JOINT TORIQUE | 1 | 1 | |
| 15 | 93210-37160 | .O-RING .JOINT TORIQUE | 1 | 1 | |
| 16 | 6E5-44315-A0 | .GASKET, WATER PUMP .JOINT, POMPE A EAU | 1 | 1 | |
| 17 | 93101-28M16 | .OIL SEAL .JOINT SPY | 2 | 2 | |
| 18 | 93210-55M14 | .O-RING .JOINT TORIQUE | 1 | 1 | |
| 19 | 93101-30M17 | .OIL SEAL .JOINT SPY | 2 | 2 | |
| 20 | 93210-97M55 | .O-RING .JOINT TORIQUE | 1 | 1 | |
| 21 | 61A-W0078-A4 | WATER PUMP REPAIR KIT KIT DE REPARATION DE LA POMPE | 1 | 1 | |
| 22 | 61A-44322-02 | .INSERT, CARTRIDGE .CUVETTE | 1 | 1 | |
| 23 | 93210-86M38 | .O-RING .JOINT TORIQUE | 1 | 1 | |
| 24 | 93210-37160 | .O-RING .JOINT TORIQUE | 1 | 1 | |
| 25 | 6E5-44352-01 | .IMPELLER .TURBINE | 1 | 1 | |
| 26 | 6G5-44323-01 | .OUTER PLATE, CARTRIDGE .PLAQUE EXTERIEURE | 1 | 1 | |
| 27 | 6E5-44315-A0 | .GASKET, WATER PUMP .JOINT, POMPE A EAU | 1 | 1 | |

FIG. 43 REPAIR KIT 2

KITS DE REPARATION 2



| REF. NO. | PART NO. N° PIECES | DESCRIPTION DESCRIPTION | 6DV9 | 6DW9 | REMARKS REMARQUES |
|----------|--------------------|--|------|------|-------------------|
| 28 | 93606-12019 | .PIN, DOWEL .GOUPILLE | 2 | 2 | |
| 29 | 90119-08191 | .BOLT, WITH WASHER .BOULON, AVEC RONDELLE | 4 | 4 | |
| 30 | 90280-04M05 | .KEY, WOODRUFF .CLAVETTE, DEMI-LUNE | 1 | 1 | |
| ----- | | | | | |
| ----- | | | | | |
| ----- | | | | | |
| ----- | | | | | |
| ----- | | | | | |
| ----- | | | | | |
| ----- | | | | | |
| ----- | | | | | |
| ----- | | | | | |
| ----- | | | | | |

NUMERICAL INDEX
INDEX NUMERIQUE

| PART NO. N° PIECES | REF. NO. | PART NO. N° PIECES | REF. NO. | PART NO. N° PIECES | REF. NO. | PART NO. N° PIECES | REF. NO. | PART NO. N° PIECES | REF. NO. | PART NO. N° PIECES | REF. NO. |
|-----------------------|-------------|-----------------------|-------------|-----------------------|-------------|-----------------------|-------------|-----------------------|-------------|-----------------------|-------------|
| 6DA-11110-02-9S | 5 - 2 | 6CB-11633-00 | 4 - 13 | 6DA-13161-01 | 10 - 7 | 6CB-14429-01 | 12 - 18 | 6DA-24324-00 | 13 - 8 | 6DA-41114-01 | 42 - 12 |
| 6DA-11133-10 | 5 - 3 | 63P-11654-10 | 4 - 10 | 6DA-13300-00 | 33 - 12 | 6DA-14440-00 | 9 - 5 | 6E5-24351-51 | 14 - 4 | 63P-41131-02 | 32 - 9 |
| 6DA-11181-00 | 5 - 17 | 6JD-11656-00 | 4 - 15 | 6DA-13329-00 | 33 - 13 | 6CB-1447B-00 | 12 - 28 | 6AW-24360-02 | 15 - 1 | 63P-41133-A0 | 32 - 10 |
| | 42 - 3 | 6JD-11656-10 | 4 - 15 | 63P-13411-00 | 33 - 8 | 6CB-14546-00 | 12 - 27 | 6CE-24377-00 | 7 - 3 | | 43 - 5 |
| 6DA-11191-00 | 5 - 22 | 6JD-11656-20 | 4 - 15 | 63P-13415-00 | 33 - 10 | 6CB-14564-00 | 12 - 9 | | 11 - 7 | 63P-41134-A1 | 32 - 16 |
| 6DA-11193-00 | 5 - 23 | 6DA-11998-00 | 26 - 21 | | 43 - 4 | 63P-14567-00 | 12 - 20 | 6AW-24377-01 | 14 - 2 | | 43 - 7 |
| | 42 - 4 | 6DA-11999-00 | 26 - 23 | 63P-13437-63 | 16 - 27 | 69J-14624-01 | 32 - 25 | 688-24378-00 | 11 - 19 | 63P-41137-05 | 32 - 1 |
| 6G8-11197-A0 | 6 - 4 | 6CB-12111-00 | 8 - 1 | 69J-13440-04 | 1 - 8 | 6DA-14664-00 | 42 - 9 | 6CE-24378-00 | 6 - 32 | 63P-41138-00 | 32 - 18 |
| 67F-11301-01 | 5 - 11 | 6CB-12113-00 | 8 - 4 | | 6 - 40 | 6DA-14664-01 | 3 - 15 | 6E5-24378-00 | 13 - 11 | | 43 - 8 |
| 69J-11301-01 | 6 - 18 | 51Y-12119-00 | 8 - 7 | 6DA-13446-01 | 6 - 42 | 6DA-14711-01 | 32 - 12 | 69J-24379-00 | 12 - 13 | 6DV-42195-00 | 27 - 9 |
| 68T-11325-00 | 1 - 3 | 6DA-12121-00 | 8 - 2 | 6DA-13475-00 | 6 - 43 | 6DA-14711-11 | 32 - 12 | 6GR-24410-01 | 10 - 15 | 6BG-42384-00 | 26 - 2 |
| | 6 - 5 | 6DA-12171-01 | 8 - 9 | | 42 - 23 | 6DA-1475A-00 | 11 - 11 | 6DA-24425-00 | 10 - 13 | 6DA-42384-00 | 24 - 23 |
| 6E5-11325-00 | 1 - 2 | 6DA-12181-01 | 8 - 11 | 63P-13490-00 | 3 - 31 | 6DA-1475F-00 | 11 - 13 | 6DA-24426-00 | 10 - 18 | 6DA-42510-00-8D | 29 - 8 |
| | 1 - 6 | 6DA-12411-01 | 1 - 5 | 6DA-13532-00 | 11 - 1 | 6DA-1475G-00 | 11 - 16 | 6CB-24452-10 | 12 - 17 | 6DA-42510-00-CE | 29 - 8 |
| | 3 - 8 | | 6 - 28 | 6DA-13545-00 | 11 - 18 | 6CB-14984-00 | 1 - 12 | 4SV-24453-00 | 12 - 33 | 6DA-42510-10-8D | 29 - 8 |
| | 3 - 29 | 6AW-12412-00 | 6 - 29 | 68V-13546-10 | 11 - 20 | | 12 - 30 | 6CB-24460-00 | 12 - 4 | 6DA-42510-10-CE | 29 - 8 |
| 67F-11325-01 | 1 - 1 | 6DA-12413-A0-9S | 6 - 30 | 6DA-13547-00 | 11 - 23 | 6CB-14985-00 | 12 - 26 | 6DA-24462-00 | 10 - 23 | 6DA-42541-00 | 26 - 8 |
| | 1 - 4 | 60H-12416-00 | 6 - 11 | 6DA-13548-00 | 11 - 21 | 6CB-14989-00 | 11 - 15 | 6P3-24469-00 | 14 - 11 | 6DA-42610-02 | 2 - 1 |
| | 5 - 12 | 6DA-1241B-A0-9S | 6 - 50 | 6DA-13564-00 | 10 - 4 | 6DA-15109-01-9S | 3 - 2 | 6CB-24482-00 | 12 - 19 | 6DA-42610-10-CE | 2 - 1 |
| | 6 - 19 | 6CB-1242F-00 | 6 - 2 | 6AW-13577-10 | 10 - 10 | 6DA-15311-01 | 33 - 2 | 6DA-24491-00 | 10 - 17 | 6DA-42615-00 | 24 - 5 |
| 67F-11328-01 | 5 - 13 | | 42 - 5 | 6CB-13593-00 | 12 - 22 | 63P-15311-03 | 33 - 2 | 6DA-24492-01 | 10 - 16 | 6DA-42617-00 | 16 - 26 |
| | 6 - 20 | 6DA-1243A-00 | 6 - 15 | 69J-13631-00 | 33 - 15 | 63P-15312-02 | 33 - 1 | 6CB-24501-01 | 1 - 9 | 6DA-4261A-02 | 2 - 2 |
| 63P-11351-03 | 3 - 19 | 6DA-1243E-00 | 6 - 31 | 6DA-13641-00 | 9 - 11 | | 43 - 2 | | 12 - 3 | 6DA-4261A-02-CE | 2 - 2 |
| | 42 - 16 | 6DA-1244H-00 | 6 - 33 | 6DA-13645-00 | 9 - 13 | 63P-15316-01 | 33 - 5 | 6P3-24519-00 | 14 - 12 | 60V-42629-01 | 22 - 7 |
| 6CB-11355-00 | 33 - 16 | 6DA-12491-00 | 6 - 37 | 6DA-13646-00 | 9 - 12 | 6BB-15316-01 | 32 - 27 | 6P3-24560-04 | 14 - 8 | 6CB-42647-A0 | 2 - 3 |
| | 42 - 21 | 6DA-12527-00-9S | 6 - 24 | 63P-13716-00 | 12 - 21 | 6DA-15319-00 | 6 - 47 | 6P3-24562-03 | 14 - 10 | 6DA-42662-01 | 3 - 33 |
| 6G5-11372-00 | 6 - 14 | 6DA-12552-00 | 7 - 13 | 6DA-13751-01 | 9 - 1 | 6DA-15353-01 | 3 - 7 | 6P3-24563-02 | 1 - 13 | 6CB-42662-02 | 26 - 25 |
| 6DA-11381-01 | 6 - 25 | 6AW-12572-00 | 26 - 4 | 6DA-13761-00 | 10 - 8 | | 42 - 6 | | 14 - 9 | 6AW-42663-01 | 2 - 9 |
| | 42 - 14 | 6DA-12576-00 | 7 - 1 | 6AW-13781-00 | 12 - 29 | 6DA-15362-00 | 33 - 19 | 6P3-24564-00 | 1 - 14 | 6DA-42675-00 | 2 - 14 |
| 60V-11382-A0 | 6 - 16 | | 11 - 6 | 6AW-13784-00 | 12 - 32 | 6G8-15363-00 | 6 - 45 | | 14 - 13 | 6DA-42675-10 | 2 - 14 |
| | 42 - 13 | 6DA-12578-00 | 7 - 6 | 6DA-13881-00 | 9 - 19 | 6DA-15373-00 | 9 - 9 | 6DA-24566-00 | 14 - 14 | 6DA-42676-00 | 2 - 15 |
| 6DA-11410-00 | 4 - 1 | 6DA-12579-00 | 7 - 11 | 6DA-13892-00 | 12 - 11 | 6DA-15377-00 | 33 - 20 | 6DA-24596-00 | 14 - 6 | 6DA-42676-10 | 2 - 15 |
| 6DA-11416-00 | 4 - 5 | 6R3-12581-00 | 26 - 5 | 6DA-13893-00 | 12 - 12 | 6DA-15411-00-9S | 3 - 24 | 69J-28100-03 | 14 - 21 | 6DA-42677-00 | 2 - 16 |
| 6DA-11416-10 | 4 - 5 | 6AW-12582-00 | 26 - 6 | 6CB-13906-01 | 12 - 8 | 6DA-15414-00-9S | 3 - 4 | 67F-2812A-00 | 17 - 28 | 6DA-42677-10 | 2 - 16 |
| 6DA-11416-20 | 4 - 5 | 6R3-12583-00 | 26 - 7 | 6P2-13907-21 | 12 - 23 | 6DA-15423-00-9S | 3 - 6 | 6DV-28199-78-D0 | 14 - 22 | 6DA-42678-00 | 2 - 13 |
| 6DA-11417-00 | 4 - 6 | 6DA-12589-00 | 7 - 2 | 63P-13915-00 | 1 - 11 | 6DA-15451-01 | 3 - 25 | 6DV-28199-78-E0 | 14 - 22 | 6DA-42678-10 | 2 - 13 |
| 6DA-11417-10 | 4 - 6 | | 7 - 15 | | 12 - 24 | | 42 - 17 | 6DV-28199-78-F0 | 14 - 22 | 63P-42681-20 | 2 - 17 |
| 6DA-11417-20 | 4 - 6 | 6P2-12615-00 | 8 - 18 | 6AW-1410B-00 | 10 - 9 | 6DA-2134X-00 | 10 - 30 | 6DV-28199-78-G0 | 14 - 22 | 63P-42681-30 | 2 - 17 |
| 6DA-11426-00 | 4 - 7 | 6P2-12623-00 | 8 - 16 | 6DA-14146-00 | 12 - 10 | 6E5-21744-00 | 11 - 22 | 6DV-28199-78-H0 | 14 - 22 | 6DA-42697-00 | 2 - 12 |
| 6DA-11427-00 | 4 - 8 | 6P2-12645-22 | 8 - 15 | 6P2-14149-00 | 12 - 35 | 6DA-2416A-00 | 11 - 14 | 6DV-28199-78-S0 | 14 - 22 | 6DA-42710-00-8D | 24 - 1 |
| 6CB-11478-00 | 4 - 2 | 6P2-12663-00 | 8 - 17 | 6DA-14180-02 | 12 - 1 | 6P2-24170-00 | 10 - 27 | 6DV-28199-88-K0 | 14 - 23 | 6DA-42710-00-CE | 24 - 1 |
| 6DA-11500-00 | 3 - 20 | 6S5-12858-00 | 6 - 41 | 6DA-14181-00 | 12 - 14 | 63P-2419A-01 | 10 - 28 | 6DV-28199-88-L0 | 14 - 23 | 63P-42716-01 | 24 - 6 |
| 63P-11512-00 | 3 - 23 | 6CB-13016-00 | 1 - 10 | 6DA-14182-00 | 12 - 2 | 6CB-24217-00 | 12 - 7 | 6DV-28199-88-M0 | 14 - 23 | 6DA-42717-01 | 24 - 22 |
| 6DA-11590-00 | 8 - 21 | | 12 - 5 | 6P2-14191-00 | 12 - 15 | 6DA-24310-01 | 13 - 2 | 6DV-28199-88-N0 | 14 - 23 | 69J-42723-01 | 20 - 10 |
| 6DA-11595-00 | 8 - 24 | 6AW-13119-00 | 33 - 14 | 6CB-14216-00 | 12 - 6 | 6DA-24313-00 | 14 - 19 | 6DV-28199-88-P0 | 14 - 23 | 6E5-42724-01 | 32 - 7 |
| 6FA-115A0-00 | 8 - 13 | 6AW-13132-00 | 12 - 25 | 6CB-14239-00 | 12 - 16 | 6DA-24314-00 | 14 - 3 | 6DV-28199-88-R0 | 14 - 23 | 6CE-42725-03 | 24 - 2 |
| 6CB-11603-00 | 4 - 12 | 6DA-13152-00 | 9 - 3 | 6P2-14386-00 | 12 - 31 | 6DA-24317-00 | 13 - 12 | 6DA-41113-00-9S | 6 - 8 | 6H1-42726-22 | 26 - 1 |
| 6DA-11631-20-94 | 4 - 11 | 6DA-13160-01 | 10 - 6 | 6P2-1441J-01 | 9 - 7 | 6DA-24323-00 | 13 - 15 | 6DA-41114-01 | 6 - 9 | 61A-42727-01 | 24 - 26 |

NUMERICAL INDEX
INDEX NUMERIQUE

| PART NO. N° PIECES | REF. NO. | PART NO. N° PIECES | REF. NO. | PART NO. N° PIECES | REF. NO. | PART NO. N° PIECES | REF. NO. | PART NO. N° PIECES | REF. NO. | PART NO. N° PIECES | REF. NO. |
|-----------------------|-------------|-----------------------|-------------|-----------------------|-------------|-----------------------|-------------|-----------------------|-------------|-----------------------|-------------|
| 6DA-42740-01 | 25 - 1 | 63P-43810-21 | 30 - 3 | 6EK-43882-00 | 31 - 11 | 68V-44551-00-CE | 29 - 13 | 6E5-45344-00 | 36 - 43 | 6G5-45577-02 | 36 - 68 |
| 6DA-42741-11-8D | 25 - 1 | 63P-43811-20 | 30 - 6 | 6EK-43892-00 | 31 - 4 | 6DA-44552-00-CA | 29 - 25 | 6J9-45371-01 | 1 - 17 | 6G5-45577-10 | 34 - 64 |
| 6DA-42741-11-CE | 25 - 1 | 63P-43812-20 | 30 - 23 | 69J-4389J-00 | 30 - 33 | 63P-44553-00-8D | 29 - 25 | | 35 - 12 | | 36 - 68 |
| 6DA-42744-00 | 3 - 32 | 63P-43814-20 | 30 - 13 | 6DV-44100-00 | 27 - 16 | 63P-44553-00-CE | 29 - 25 | 6K1-45371-02 | 1 - 17 | 6G5-45577-20 | 34 - 64 |
| 6BG-42748-01 | 16 - 16 | 6CJ-43816-00 | 30 - 61 | 6DV-44118-00 | 27 - 21 | 60V-44555-00 | 29 - 16 | | 37 - 11 | | 36 - 68 |
| 6H4-42748-01 | 24 - 24 | 63P-43816-10 | 30 - 20 | 6DV-44120-02 | 27 - 23 | 63P-44555-00 | 29 - 16 | 688-45375-00 | 34 - 11 | 6G5-45577-30 | 34 - 64 |
| 68F-42753-00 | 24 - 30 | 6BC-43818-00 | 28 - 19 | 6DV-44120-11 | 27 - 23 | 63P-44556-00-8D | 29 - 26 | | 36 - 12 | | 36 - 68 |
| 63P-42756-00 | 26 - 12 | 63P-4381C-20 | 30 - 41 | 6DV-44121-00 | 27 - 18 | 63P-44556-00-CE | 29 - 26 | 663-45376-00 | 34 - 10 | 6G5-45577-40 | 34 - 64 |
| 6CB-42761-00 | 24 - 3 | 63P-4381J-10 | 30 - 62 | 6DV-44122-00 | 27 - 10 | 6DA-44575-00 | 29 - 15 | | 36 - 11 | | 36 - 68 |
| 6DA-42769-01 | 32 - 8 | 63P-43820-20 | 30 - 26 | 6DV-44132-00 | 27 - 11 | 61A-44575-01 | 29 - 15 | 63P-45378-00 | 34 - 12 | 6G5-45577-50 | 34 - 64 |
| 6DA-42770-01 | 25 - 2 | 63P-43821-21 | 30 - 25 | 6DV-44142-00 | 27 - 7 | 6DA-45111-00-8D | 32 - 20 | | 36 - 13 | | 36 - 68 |
| 6EE-42794-40 | 24 - 32 | 6CJ-43829-10 | 30 - 17 | 63P-44150-01 | 34 - 18 | 6DA-45111-00-CE | 32 - 20 | 63P-45379-00 | 32 - 35 | 6G5-45577-60 | 34 - 64 |
| 6EE-42794-50 | 24 - 33 | 63P-4382A-10 | 30 - 31 | 64P-44150-01 | 36 - 19 | 6DA-45111-10-8D | 32 - 20 | 6G5-45383-01 | 34 - 67 | | 36 - 68 |
| 6DA-42815-01-8D | 24 - 7 | 63P-4382C-20 | 30 - 15 | 6DA-44194-00 | 29 - 35 | 6DA-45111-10-CE | 32 - 20 | | 36 - 70 | 6K1-45578-01 | 36 - 64 |
| 6DA-42815-01-CE | 24 - 7 | 63P-43830-20 | 30 - 42 | 61A-44311-01 | 34 - 24 | 69J-45123-00 | 32 - 13 | 6G5-45384-02 | 34 - 68 | 6K1-45578-10 | 36 - 64 |
| 6DA-42816-02-8D | 24 - 8 | 69J-43831-00 | 30 - 66 | | 36 - 25 | | 43 - 6 | | 36 - 71 | 6K1-45578-20 | 36 - 64 |
| 6DA-42816-02-CE | 24 - 8 | 6H1-43841-11 | 30 - 18 | 6E5-44312-00 | 34 - 29 | 69J-45127-01 | 32 - 19 | 63P-45501-01 | 34 - 44 | 6K1-45578-30 | 36 - 64 |
| 6DA-42817-02-8D | 24 - 9 | 63P-43843-10 | 30 - 53 | | 36 - 30 | | 43 - 9 | 6DA-45501-10 | 34 - 44 | 6K1-45578-40 | 36 - 64 |
| 6DA-42817-02-CE | 24 - 9 | 6H1-43844-10 | 30 - 45 | 6E5-44315-A0 | 34 - 33 | 6BB-45152-01 | 32 - 28 | | 36 - 45 | 6K1-45578-50 | 36 - 64 |
| 6CB-42818-00 | 24 - 13 | 63P-43844-20 | 30 - 51 | | 36 - 34 | 6C5-45155-01 | 32 - 31 | 61A-45527-00 | 34 - 23 | 6K1-45578-60 | 36 - 64 |
| 6CB-42819-00 | 24 - 14 | 63P-43845-20 | 30 - 34 | | 43 - 16 | 6DA-45155-01 | 32 - 31 | | 36 - 24 | 6E5-45587-01 | 34 - 39 |
| 64E-43111-02-8D | 28 - 1 | 63P-43847-10 | 30 - 29 | | 43 - 27 | 63P-45181-02 | 32 - 17 | 6G5-45536-01 | 34 - 9 | | 36 - 40 |
| 64E-43111-02-CE | 28 - 1 | 6H1-4384G-11 | 30 - 44 | 61A-44322-02 | 34 - 25 | 69J-45214-00 | 35 - 8 | | 36 - 10 | 6E5-45587-10 | 34 - 39 |
| 64E-43112-02-8D | 28 - 7 | 63P-4384G-20 | 30 - 55 | | 36 - 26 | | 37 - 7 | 61A-45538-00 | 34 - 20 | | 36 - 40 |
| 64E-43112-02-CE | 28 - 7 | 63P-4384H-10 | 30 - 32 | | 43 - 22 | 69J-45215-00 | 35 - 9 | | 36 - 21 | 6E5-45587-20 | 34 - 39 |
| 64E-43126-10 | 28 - 35 | 63P-43851-20 | 30 - 48 | | 34 - 32 | | 37 - 8 | 6DA-45551-00 | 34 - 45 | | 36 - 40 |
| 64E-43131-30 | 28 - 11 | 63P-43854-10 | 30 - 30 | 6G5-44323-01 | 36 - 33 | 6AW-45251-00 | 1 - 15 | | 36 - 46 | 6E5-45587-30 | 34 - 39 |
| 64E-43139-11 | 29 - 1 | 69J-43855-00 | 30 - 52 | | 43 - 26 | | 28 - 2 | 6DA-45560-00 | 34 - 47 | | 36 - 40 |
| 66T-43144-00 | 24 - 17 | 6H1-43856-10 | 30 - 46 | 6E5-44352-01 | 34 - 30 | 6DA-45300-03-8D | 34 - 1 | 6DB-45560-00 | 36 - 48 | 6E5-45587-40 | 34 - 39 |
| 6G5-43144-00 | 28 - 25 | 63P-43857-10 | 30 - 59 | | 36 - 31 | 6DA-45300-03-CE | 34 - 1 | 6G5-45567-01 | 34 - 5 | | 36 - 40 |
| 6E5-43145-01 | 38 - 8 | 63P-4385H-10 | 30 - 60 | | 43 - 25 | 6DA-45300-14-8D | 34 - 1 | | 36 - 6 | 6E5-45587-50 | 34 - 39 |
| 6G5-43148-00 | 28 - 30 | 6CJ-43861-10 | 30 - 68 | 6DA-44361-00 | 35 - 1 | 6DB-45300-14-8D | 36 - 1 | 6G5-45567-10 | 34 - 5 | | 36 - 40 |
| 6G5-43181-02 | 28 - 27 | 63P-43861-20 | 30 - 7 | | 37 - 1 | 6DA-45300-14-CE | 34 - 1 | | 36 - 6 | 6E5-45587-60 | 34 - 39 |
| 6G5-43185-02 | 28 - 28 | 6EK-43862-00 | 31 - 12 | 6DA-44361-10 | 35 - 1 | 6DB-45300-14-CE | 36 - 1 | 6G5-45567-20 | 34 - 5 | | 36 - 40 |
| 64E-43311-10-8D | 28 - 21 | 6H1-43862-00 | 30 - 10 | 6E5-44365-01 | 34 - 28 | 69J-45301-07-8D | 34 - 2 | | 36 - 2 | 6J9-45611-01 | 34 - 48 |
| 64E-43311-10-CE | 28 - 21 | | 30 - 12 | | 35 - 3 | | 36 - 2 | 6G5-45567-30 | 34 - 5 | 6K1-45611-11 | 36 - 50 |
| 64E-43311-20-8D | 28 - 21 | 63P-43862-10 | 30 - 24 | | 36 - 29 | 69J-45301-07-CE | 34 - 2 | | 36 - 6 | 6DA-45631-01 | 34 - 55 |
| 64E-43311-20-CE | 28 - 21 | 6D8-43863-00 | 30 - 22 | | 37 - 2 | | 36 - 2 | 6G5-45567-40 | 34 - 5 | | 36 - 57 |
| 63P-43338-10 | 30 - 54 | 63P-43863-10 | 30 - 8 | 6E5-44366-01 | 32 - 30 | 6E5-45318-00 | 32 - 23 | | 36 - 6 | 6E5-45633-01 | 34 - 56 |
| 61A-43376-00 | 29 - 6 | 6H1-43866-01 | 30 - 39 | 6P2-44391-00 | 24 - 25 | 6E5-45321-00 | 34 - 14 | 6G5-45567-50 | 34 - 5 | | 36 - 58 |
| 63P-43800-21 | 30 - 1 | 62X-4386K-00 | 31 - 7 | 63P-44511-00 | 29 - 37 | | 36 - 15 | | 36 - 6 | 6E5-45634-02 | 34 - 49 |
| 63P-43801-10 | 30 - 4 | 62X-43871-00 | 30 - 27 | 6DA-44514-00 | 29 - 28 | 6E5-45331-00-9S | 34 - 36 | 6G5-45567-60 | 34 - 5 | | 36 - 51 |
| 63P-43802-20 | 30 - 37 | 61A-43876-01 | 30 - 36 | 6DA-44526-00 | 29 - 32 | | 36 - 37 | | 36 - 6 | 68F-45930-20 | 35 - 19 |
| 6EK-43804-11 | 31 - 3 | 63P-43876-10 | 30 - 19 | 6G5-44526-00 | 28 - 3 | 69J-45332-00-CA | 34 - 57 | 6DB-45570-00 | 36 - 61 | 68F-45932-20 | 35 - 19 |
| 6EK-43805-01 | 31 - 2 | 61A-43878-00 | 30 - 65 | 6DA-44532-00 | 29 - 33 | 6K1-45332-01-CA | 36 - 59 | 6DA-45571-00 | 34 - 59 | 68F-45970-20 | 35 - 19 |
| 6EK-4380F-00 | 31 - 6 | 63P-43879-10 | 31 - 8 | 69J-44533-00 | 29 - 22 | 688-45341-10 | 34 - 7 | 6K1-45576-00 | 36 - 62 | 68G-45970-20 | 37 - 18 |
| 63P-4380L-21 | 30 - 2 | 63P-43880-22 | 31 - 1 | 68V-44551-00-8D | 29 - 13 | | 36 - 8 | 6G5-45576-10 | 34 - 60 | 68F-45972-20 | 35 - 19 |
| 63P-4380P-20 | 30 - 9 | 63P-43881-21 | 31 - 10 | 6DA-44551-00-CA | 29 - 13 | 6E5-45344-00 | 34 - 42 | 6G5-45577-02 | 34 - 64 | 68G-45972-20 | 37 - 18 |

NUMERICAL INDEX
INDEX NUMERIQUE

| PART NO. N° PIECES | REF. NO. | PART NO. N° PIECES | REF. NO. | PART NO. N° PIECES | REF. NO. | PART NO. N° PIECES | REF. NO. | PART NO. N° PIECES | REF. NO. | PART NO. N° PIECES | REF. NO. |
|-----------------------|-------------|-----------------------|-------------|-----------------------|-------------|-----------------------|-------------|-----------------------|-------------|-----------------------|-------------|
| 68F-45974-20 | 35 - 19 | 69J-81840-11 | 23 - 4 | 6BR-82563-01 | 20 - 9 | K0F-A3751-00 | 8 - 8 | 90101-12066 | 28 - 40 | 90119-08191 | 43 - 29 |
| 68G-45974-20 | 37 - 18 | 67F-81841-00 | 23 - 12 | 6C5-8257V-00 | 17 - 31 | K0F-A3751-10 | 8 - 8 | 90101-14005 | 29 - 21 | 90119-08M66 | 3 - 18 |
| 68F-45976-20 | 35 - 19 | 6CB-81842-00 | 23 - 18 | 68F-82582-00 | 21 - 5 | K0F-A3751-20 | 8 - 8 | 90105-06028 | 3 - 5 | 90119-10007 | 32 - 21 |
| 68G-45976-20 | 37 - 18 | 67F-81846-00 | 23 - 24 | 69J-82587-01 | 20 - 11 | K0F-A3751-30 | 8 - 8 | | 6 - 10 | 90119-10024 | 29 - 29 |
| 68F-45978-20 | 35 - 19 | 67F-81850-00 | 23 - 2 | 6E9-82588-00 | 18 - 14 | K0F-A3751-40 | 8 - 8 | | 6 - 26 | 90119-10050 | 8 - 14 |
| 68G-45978-20 | 37 - 18 | 6C5-81869-00 | 23 - 21 | 6DV-82590-04 | 20 - 1 | K0F-A3751-50 | 8 - 8 | | 6 - 34 | 90119-10054 | 28 - 18 |
| 63P-45987-00 | 35 - 14 | 67F-81891-00 | 23 - 15 | 6DA-8259M-00 | 20 - 5 | K0F-A3751-60 | 8 - 8 | 90105-06035 | 6 - 3 | 90119-10058 | 29 - 27 |
| | 37 - 13 | 6DV-81919-01 | 17 - 33 | 6CE-825E0-01 | 41 - 1 | K0F-A3751-70 | 8 - 8 | 90105-06037 | 6 - 49 | 90119-10072 | 35 - 7 |
| 688-45997-01 | 35 - 15 | 60V-81925-00 | 21 - 4 | 68F-82846-00 | 17 - 26 | K0F-A3751-80 | 8 - 8 | 90105-06054 | 10 - 3 | | 37 - 6 |
| | 37 - 14 | 6C5-81941-00 | 23 - 20 | 6X4-83383-00 | 40 - 5 | K0F-A3751-90 | 8 - 8 | 90105-06151 | 5 - 21 | 90119-10M07 | 8 - 22 |
| 6CE-45C81-10 | 35 - 20 | 6DA-81942-00 | 18 - 11 | 6X4-83386-00 | 40 - 6 | K0F-A3751-A0 | 8 - 8 | | 6 - 44 | 90149-11001 | 5 - 19 |
| | 37 - 19 | 6DA-81948-01 | 17 - 5 | 6E5-83558-00 | 32 - 32 | K0F-A3751-B0 | 8 - 8 | 90105-06196 | 3 - 34 | 90151-05M05 | 6 - 6 |
| 6DV-4820A-01 | 27 - 1 | 69J-81949-03 | 20 - 18 | 6DA-83614-00 | 20 - 13 | K0F-A3751-C0 | 8 - 8 | 90105-06M07 | 5 - 14 | 90152-05M08 | 35 - 10 |
| 6Y8-48277-00 | 40 - 16 | 6AW-81950-00 | 18 - 4 | 63P-83614-01 | 20 - 12 | K0F-A3751-D0 | 8 - 8 | | 6 - 21 | | 37 - 9 |
| 6E5-61301-01 | 39 - 1 | 6DA-81952-01 | 17 - 10 | 6AW-83651-00 | 20 - 8 | K0F-A3751-E0 | 8 - 8 | 90105-06M08 | 10 - 11 | 90159-05059 | 29 - 2 |
| 6E5-61303-01 | 39 - 5 | 6AW-8195A-00 | 17 - 19 | 6AW-8366B-01 | 22 - 1 | K0F-A3751-F0 | 8 - 8 | | 10 - 14 | | 41 - 3 |
| 6E5-61311-11 | 39 - 3 | 6DV-81960-00 | 18 - 1 | 60V-8366D-00 | 22 - 2 | K0F-A3751-G0 | 8 - 8 | 90105-08175 | 3 - 22 | 90159-06053 | 25 - 9 |
| 6E5-61313-00 | 39 - 2 | 6DA-81975-01 | 18 - 2 | 6DV-8366G-00 | 26 - 15 | K0F-A3751-H0 | 8 - 8 | | 5 - 20 | 90159-06M28 | 25 - 3 |
| 6E5-61315-00 | 39 - 4 | 6EE-81994-40 | 16 - 28 | 67H-83672-02 | 29 - 3 | K0F-A3751-J0 | 8 - 8 | 90105-08M87 | 21 - 8 | 90167-06M00 | 40 - 12 |
| 6E5-61350-02 | 38 - 1 | 6EE-81994-50 | 16 - 29 | 68F-83688-10 | 9 - 15 | K0F-A3751-K0 | 8 - 8 | 90105-10406 | 3 - 17 | 90169-05M00 | 18 - 12 |
| 6E5-61351-01 | 38 - 2 | 6AH-81996-00 | 24 - 34 | 6Y8-8454G-00 | 40 - 11 | K0F-A3751-L0 | 8 - 8 | | 3 - 21 | 90170-09M05 | 39 - 10 |
| 6E5-61355-00 | 38 - 5 | 6DA-82105-02 | 18 - 22 | 6P2-85075-00 | 19 - 10 | K0F-A3751-M0 | 8 - 8 | 90105-10M00 | 35 - 13 | 90170-14M06 | 39 - 6 |
| 6DV-68303-00 | 27 - 31 | 6P2-82113-00 | 17 - 27 | 68F-85119-00 | 17 - 8 | K0F-A3751-N0 | 8 - 8 | | 37 - 12 | 90170-16M01 | 34 - 46 |
| 6H5-81315-00 | 40 - 17 | 6E5-82148-00 | 28 - 5 | | 17 - 13 | K0F-A3751-P0 | 8 - 8 | 90105-14009 | 29 - 30 | | 36 - 47 |
| 6Y8-81315-03 | 40 - 18 | | 28 - 8 | | 27 - 6 | K0F-A3751-R0 | 8 - 8 | 90105-14012 | 29 - 21 | 90171-18M04 | 35 - 17 |
| 6DA-8132G-01 | 16 - 19 | 66K-82149-00 | 28 - 24 | 60V-85516-00 | 10 - 21 | K0F-A3751-S0 | 8 - 8 | 90111-06142 | 25 - 4 | | 37 - 16 |
| 6DA-81336-01 | 17 - 30 | 6DA-82149-00 | 28 - 24 | 68F-85516-01 | 17 - 6 | K0F-A3751-T0 | 8 - 8 | 90111-06144 | 25 - 3 | 90173-06001 | 25 - 7 |
| 6DA-81337-00 | 16 - 12 | 67F-82151-00 | 17 - 22 | | 17 - 11 | K0F-A3753-00 | 8 - 8 | 90111-08078 | 2 - 4 | 90176-14002 | 29 - 23 |
| 6DA-81410-00 | 16 - 3 | 6P2-82151-00 | 17 - 18 | 6CB-85544-00 | 17 - 25 | K0F-A3753-10 | 8 - 8 | 90119-06078 | 6 - 39 | 90179-08003 | 21 - 3 |
| 6CB-81639-10 | 17 - 24 | 6Y8-82151-00 | 40 - 20 | 689-85547-01 | 14 - 1 | K0F-A3753-20 | 8 - 8 | 90119-06276 | 3 - 14 | 90183-061A8 | 25 - 8 |
| 6CB-81800-01 | 23 - 1 | 6TA-82151-01 | 40 - 19 | 6DA-85548-01 | 17 - 14 | K0F-A3753-30 | 8 - 8 | 90119-06286 | 34 - 17 | 90185-05002 | 35 - 11 |
| 69J-81801-11 | 23 - 5 | 67F-82151-10 | 17 - 23 | 6DA-85561-00 | 16 - 6 | K0F-A3753-40 | 8 - 8 | | 36 - 18 | | 37 - 10 |
| 6CB-81807-00 | 23 - 8 | 67F-82151-40 | 17 - 20 | 6DV-85564-00 | 27 - 3 | K0F-A3753-50 | 8 - 8 | 90119-06287 | 32 - 36 | 90185-06M07 | 27 - 15 |
| 6CB-81809-00 | 23 - 14 | 67F-82151-50 | 17 - 21 | 6CB-85580-00 | 16 - 5 | K0F-A3753-60 | 8 - 8 | 90119-06291 | 16 - 18 | 90185-09M01 | 38 - 6 |
| 67F-81810-00 | 23 - 3 | 6DV-82170-11 | 17 - 17 | 6CJ-85780-00 | 20 - 15 | K0F-A3753-70 | 8 - 8 | 90119-06299 | 10 - 12 | | 39 - 11 |
| 67F-81813-00 | 23 - 6 | 63P-82181-20 | 31 - 5 | 6CB-85790-00 | 20 - 7 | 6DA-W0001-01 | 42 - 1 | 90119-06309 | 10 - 20 | 90185-14M00 | 29 - 34 |
| 6CB-81820-00 | 23 - 7 | 6CB-82310-00 | 19 - 5 | 6P2-85896-00 | 19 - 9 | 63P-W0001-22 | 43 - 1 | | 10 - 35 | 90185-22M11 | 28 - 15 |
| 67F-81821-00 | 23 - 11 | 6DA-82314-00 | 19 - 7 | 6DV-8591A-21 | 17 - 1 | 61A-W0078-A4 | 1 - 19 | | 14 - 15 | 90201-06068 | 27 - 12 |
| 6DA-81822-00 | 21 - 6 | 6A0-82317-01 | 16 - 15 | 6DA-85991-00 | 17 - 3 | | 43 - 21 | 90119-06MA3 | 3 - 26 | 90201-06M30 | 40 - 13 |
| 6CB-81826-00 | 23 - 22 | 6DA-82388-00 | 18 - 16 | 6C5-86120-00 | 10 - 31 | 6DA-W009A-03-9S | 5 - 1 | | 6 - 17 | 90201-10060 | 28 - 17 |
| 69J-81828-00 | 23 - 23 | | 21 - 9 | 6CB-86120-00 | 6 - 1 | 6DA-W009B-13-9S | 3 - 1 | 90119-07001 | 5 - 7 | 90201-10M20 | 38 - 7 |
| 67F-81830-00 | 23 - 16 | 6DA-82389-00 | 18 - 17 | 6Y8-86260-03 | 40 - 2 | 6CB-W1165-10 | 4 - 9 | 90119-07234 | 5 - 8 | 90201-10M76 | 39 - 8 |
| 6CB-81832-00 | 23 - 9 | 6D8-82389-01 | 19 - 1 | 6AA-86261-01 | 40 - 3 | 6DA-W4624-00 | 8 - 20 | 90119-08020 | 9 - 14 | 90201-11008 | 27 - 29 |
| 6CB-81836-00 | 23 - 10 | 6DA-82398-01 | 16 - 23 | 6Y8-86267-00 | 40 - 1 | 6DA-W8145-00 | 16 - 1 | 90119-08182 | 32 - 2 | 90201-12426 | 28 - 42 |
| 6C5-81839-00 | 23 - 19 | 6Y8-82509-10 | 40 - 8 | K0F-A3233-00 | 4 - 14 | 6EK-W9010-00 | 16 - 2 | 90119-08187 | 24 - 21 | 90201-13M01 | 28 - 41 |
| 67F-8183R-00 | 23 - 13 | 6Y8-82521-11 | 40 - 15 | K0F-A3741-00 | 8 - 5 | 90101-09M70 | 39 - 9 | 90119-08189 | 32 - 5 | 90201-156J2 | 24 - 11 |
| 60V-8183T-00 | 23 - 17 | 6DA-82553-00 | 20 - 6 | K0F-A3742-00 | 8 - 6 | 90101-12065 | 28 - 40 | 90119-08191 | 34 - 35 | 90201-15M58 | 29 - 20 |
| 6P2-8183X-00 | 18 - 5 | 6P2-82560-01 | 18 - 13 | K0F-A3743-00 | 8 - 3 | | 28 - 40 | | 36 - 36 | 90201-16M01 | 29 - 31 |

NUMERICAL INDEX
INDEX NUMERIQUE

| PART NO. N° PIECES | REF. NO. | PART NO. N° PIECES | REF. NO. | PART NO. N° PIECES | REF. NO. | PART NO. N° PIECES | REF. NO. | PART NO. N° PIECES | REF. NO. | PART NO. N° PIECES | REF. NO. |
|-----------------------|-------------|-----------------------|-------------|-----------------------|-------------|-----------------------|-------------|-----------------------|-------------|-----------------------|-------------|
| 90201-16M55 | 29 - 19 | 90387-06283 | 10 - 1 | 90464-12010 | 13 - 3 | 90465-11M10 | 22 - 4 | 91690-40010 | 3 - 27 | 93210-24M79 | 6 - 46 |
| 90201-186F1 | 6 - 36 | 90387-06289 | 10 - 22 | 90464-12183 | 9 - 10 | | 26 - 3 | 91809-08006 | 5 - 6 | | 42 - 25 |
| | 42 - 15 | | 10 - 34 | | 9 - 22 | | 26 - 10 | 91814-18002 | 3 - 3 | 93210-25552 | 3 - 11 |
| 90201-22M01 | 34 - 21 | | 14 - 17 | | 18 - 8 | | 27 - 2 | 92903-08100 | 18 - 25 | | 33 - 18 |
| | 36 - 22 | 90387-06M43 | 25 - 11 | 90464-13013 | 13 - 19 | | 28 - 16 | 92990-06100 | 2 - 10 | | 42 - 7 |
| 90201-26015 | 36 - 49 | 90387-06M69 | 16 - 17 | | 22 - 6 | | 29 - 5 | 92990-08600 | 2 - 6 | | 42 - 22 |
| 90201-26M59 | 28 - 14 | 90387-07028 | 25 - 6 | 90464-13249 | 18 - 20 | | 32 - 33 | 92990-18200 | 35 - 16 | 93210-25647 | 3 - 13 |
| 90201-30M92 | 34 - 65 | 90387-08M37 | 24 - 20 | | 19 - 4 | | 32 - 33 | | 37 - 15 | | 42 - 8 |
| 90201-35008 | 29 - 17 | 90387-08M45 | 2 - 7 | | 24 - 27 | | 40 - 10 | 92995-05100 | 9 - 17 | 93210-29375 | 30 - 28 |
| 90201-38M60 | 29 - 9 | 90387-10094 | 2 - 5 | | 26 - 13 | | 41 - 5 | 92995-05600 | 9 - 18 | 93210-357A3 | 6 - 48 |
| 90202-06015 | 27 - 20 | 90387-10M05 | 28 - 32 | 90464-13260 | 13 - 18 | 90465-11M59 | 6 - 27 | 92995-14600 | 29 - 24 | | 42 - 26 |
| 90202-08M41 | 27 - 13 | 90387-10M61 | 38 - 3 | 90464-15007 | 13 - 5 | | 6 - 51 | | 29 - 36 | 93210-37160 | 34 - 27 |
| 90202-16061 | 35 - 4 | 90387-11005 | 5 - 18 | 90464-16001 | 11 - 12 | | 20 - 4 | 93101-28M16 | 34 - 37 | | 36 - 28 |
| | 37 - 3 | 90387-14004 | 29 - 38 | | 11 - 25 | 90465-13M18 | 41 - 6 | | 36 - 38 | | 43 - 15 |
| 90202-32M19 | 29 - 18 | 90430-06M03 | 5 - 15 | | 11 - 26 | 90465-13M97 | 16 - 9 | | 43 - 17 | | 43 - 24 |
| 90202-40M47 | 29 - 12 | | 6 - 22 | 90464-16003 | 13 - 4 | 90467-09M09 | 11 - 10 | 93101-30M17 | 34 - 62 | 93210-37MH7 | 29 - 10 |
| 90206-15M18 | 24 - 12 | 90430-08003 | 1 - 16 | 90464-18004 | 11 - 24 | 90467-120A7 | 13 - 9 | | 36 - 66 | 93210-55M14 | 34 - 41 |
| 90206-22M19 | 34 - 22 | | 34 - 8 | | 13 - 17 | 90467-140A9 | 13 - 10 | | 43 - 19 | | 36 - 42 |
| | 36 - 23 | | 36 - 9 | | 26 - 18 | 90467-141A2 | 13 - 13 | 93102-38008 | 8 - 19 | | 43 - 18 |
| 90249-06M19 | 28 - 31 | | 43 - 11 | | 26 - 18 | 90468-18008 | 27 - 14 | | 42 - 20 | 93210-58144 | 34 - 15 |
| 90250-08M07 | 34 - 54 | 90430-14115 | 5 - 10 | 90464-18246 | 18 - 10 | | 27 - 19 | 93102-85008 | 4 - 4 | | 36 - 16 |
| | 36 - 56 | | 42 - 2 | | 26 - 17 | 90468-180A0 | 27 - 30 | | 42 - 19 | | 43 - 12 |
| 90280-04M05 | 34 - 31 | 90430-14M09 | 1 - 7 | 90464-20181 | 6 - 38 | 90480-12314 | 10 - 2 | 93106-09014 | 34 - 16 | 93210-68N50 | 30 - 14 |
| | 36 - 32 | | 33 - 7 | | 9 - 21 | | 16 - 14 | | 36 - 17 | 93210-86M38 | 34 - 26 |
| | 43 - 30 | | 43 - 3 | | 13 - 1 | | 19 - 8 | | 43 - 13 | | 36 - 27 |
| 90282-04M00 | 34 - 66 | 90445-07018 | 32 - 34 | | 16 - 22 | 90480-13163 | 24 - 28 | 93106-19001 | 30 - 5 | | 43 - 14 |
| | 36 - 69 | 90445-07044 | 32 - 34 | | 17 - 15 | 90480-13M24 | 25 - 10 | 93210-04279 | 40 - 9 | | 43 - 23 |
| 90338-25004 | 3 - 12 | 90445-07045 | 32 - 34 | | 18 - 19 | 90480-14031 | 10 - 33 | 93210-064A5 | 30 - 40 | 93210-97M55 | 34 - 63 |
| 90340-08002 | 34 - 6 | 90445-09008 | 7 - 4 | | 19 - 3 | 90480-15013 | 14 - 16 | | 30 - 50 | | 36 - 67 |
| | 36 - 7 | 90445-09120 | 11 - 3 | | 21 - 10 | 90480-16009 | 25 - 5 | 93210-07003 | 34 - 13 | | 43 - 20 |
| 90340-14M06 | 5 - 9 | 90445-10056 | 11 - 8 | 90464-20258 | 24 - 31 | 90480-16025 | 16 - 13 | | 36 - 14 | 93306-209U0 | 34 - 58 |
| | 33 - 6 | 90445-10057 | 7 - 14 | 90464-21256 | 26 - 9 | 90480-20M05 | 6 - 13 | | 43 - 10 | 93311-928U5 | 34 - 3 |
| 90340-18M09 | 6 - 35 | 90445-23002 | 35 - 2 | 90464-26001 | 20 - 16 | 90480-22M81 | 24 - 19 | 93210-07N51 | 30 - 47 | | 36 - 3 |
| 90344-51019 | 5 - 4 | 90447-07008 | 22 - 5 | 90464-28003 | 20 - 17 | 90501-16M11 | 6 - 12 | 93210-08001 | 3 - 30 | 93315-43061 | 34 - 61 |
| 90386-08008 | 27 - 5 | 90462-12013 | 26 - 19 | 90464-32002 | 18 - 9 | 90501-16M37 | 34 - 50 | | 42 - 18 | | 36 - 65 |
| 90386-10001 | 27 - 25 | 90464-07M41 | 11 - 2 | 90464-89004 | 9 - 8 | | 36 - 52 | 93210-09165 | 27 - 24 | 93317-330U2 | 34 - 38 |
| | 27 - 28 | 90464-09008 | 18 - 21 | 90465-08M63 | 13 - 6 | 90506-16003 | 28 - 34 | | 30 - 16 | | 36 - 39 |
| 90386-10M16 | 28 - 29 | 90464-09020 | 7 - 10 | | 28 - 22 | 90506-18025 | 8 - 23 | 93210-11N52 | 30 - 21 | 93332-00048 | 36 - 60 |
| 90386-15M73 | 24 - 10 | 90464-09130 | 10 - 26 | 90465-08M83 | 7 - 16 | 90506-22001 | 24 - 16 | 93210-12327 | 30 - 35 | 93332-000V3 | 34 - 4 |
| 90386-22M98 | 28 - 20 | | 16 - 21 | 90465-11M10 | 7 - 7 | 90560-12M01 | 38 - 4 | 93210-12648 | 3 - 16 | 93341-440U5 | 36 - 63 |
| | 28 - 36 | | 16 - 25 | | 10 - 25 | 91312-04020 | 30 - 57 | | 42 - 10 | 93341-465U4 | 36 - 5 |
| 90386-25M31 | 28 - 13 | 90464-09142 | 7 - 9 | | 11 - 4 | 91312-05035 | 30 - 63 | 93210-12N52 | 30 - 38 | 93341-930V2 | 34 - 40 |
| 90386-38M32 | 29 - 11 | 90464-09M21 | 7 - 5 | | 11 - 5 | 91380-06025 | 30 - 67 | 93210-13M63 | 6 - 7 | | 36 - 41 |
| 90387-05004 | 41 - 4 | 90464-09M31 | 7 - 12 | | 11 - 9 | 91490-40030 | 35 - 18 | | 24 - 29 | 93390-000U2 | 36 - 4 |
| 90387-06176 | 17 - 7 | 90464-10011 | 11 - 17 | | 13 - 14 | | 37 - 17 | | 42 - 11 | 93410-22M11 | 28 - 37 |
| | 17 - 12 | 90464-11121 | 10 - 24 | | 13 - 16 | 91609-16010 | 30 - 11 | 93210-16275 | 38 - 9 | 93410-37M04 | 29 - 14 |
| | 27 - 4 | 90464-12002 | 16 - 4 | | 14 - 5 | 91690-30020 | 28 - 33 | 93210-19MJ3 | 33 - 21 | 93420-36M01 | 32 - 24 |
| 90387-06263 | 33 - 9 | 90464-12010 | 7 - 8 | | 14 - 20 | 91690-40010 | 3 - 10 | | 42 - 24 | 93501-08001 | 30 - 49 |

NUMERICAL INDEX
INDEX NUMERIQUE

| PART NO. N° PIECES | REF. NO. | PART NO. N° PIECES | REF. NO. | PART NO. N° PIECES | REF. NO. | PART NO. N° PIECES | REF. NO. | PART NO. N° PIECES | REF. NO. | PART NO. N° PIECES | REF. NO. |
|-----------------------|-------------|-----------------------|-------------|-----------------------|-------------|-----------------------|-------------|-----------------------|-------------|-----------------------|-------------|
| 93501-08001 | 30 - 58 | 95D95-06012 | 9 - 20 | 97E75-06520 | 27 - 17 | | | | | | |
| 93503-16003 | 30 - 43 | | 10 - 19 | | 27 - 27 | | | | | | |
| | 34 - 53 | | 14 - 18 | 97E75-06540 | 33 - 17 | | | | | | |
| | 36 - 55 | | 18 - 15 | 97E75-08535 | 32 - 14 | | | | | | |
| 93505-32038 | 30 - 64 | | 19 - 2 | | 33 - 3 | | | | | | |
| 93507-32009 | 34 - 51 | | 20 - 14 | 97E75-08540 | 6 - 23 | | | | | | |
| | 36 - 53 | | 24 - 18 | 97E75-08560 | 9 - 2 | | | | | | |
| 93511-32017 | 34 - 52 | | 26 - 14 | | 32 - 11 | | | | | | |
| | 36 - 54 | | 26 - 16 | 97E75-10535 | 32 - 6 | | | | | | |
| 93604-09066 | 27 - 22 | | 26 - 20 | 97E75-10545 | 32 - 3 | | | | | | |
| 93604-10011 | 30 - 56 | 95D95-06014 | 24 - 4 | 97E95-06510 | 28 - 6 | | | | | | |
| 93605-10108 | 8 - 10 | 95D95-06016 | 10 - 29 | 97E95-06516 | 20 - 2 | | | | | | |
| | 8 - 12 | | 16 - 20 | | 21 - 1 | | | | | | |
| 93606-12019 | 4 - 3 | | 16 - 24 | | 41 - 2 | | | | | | |
| | 5 - 5 | | 17 - 9 | 97E95-06520 | 18 - 7 | | | | | | |
| | 34 - 34 | | 18 - 18 | | 19 - 11 | | | | | | |
| | 36 - 35 | | 21 - 11 | 97E95-06530 | 28 - 4 | | | | | | |
| | 43 - 28 | | 22 - 3 | 97E95-06535 | 18 - 3 | | | | | | |
| 93606-19M23 | 32 - 15 | | 33 - 22 | 97E95-06550 | 27 - 26 | | | | | | |
| 93608-16M16 | 32 - 4 | 95D95-06020 | 10 - 5 | 97E95-06610 | 18 - 6 | | | | | | |
| | 32 - 22 | | 17 - 2 | 97E95-08520 | 28 - 12 | | | | | | |
| | 33 - 4 | 95D95-06025 | 14 - 7 | 97E95-08525 | 34 - 43 | | | | | | |
| | 35 - 5 | | 19 - 6 | | 36 - 44 | | | | | | |
| | 37 - 4 | 95D95-06030 | 5 - 24 | 97E95-10645 | 35 - 6 | | | | | | |
| 93700-06002 | 28 - 10 | | 16 - 11 | | 37 - 5 | | | | | | |
| | 28 - 23 | 95D95-06040 | 26 - 24 | 98507-04008 | 12 - 34 | | | | | | |
| 94702-00400 | 1 - 18 | 95D95-06065 | 26 - 22 | 98780-04016 | 3 - 9 | | | | | | |
| | 5 - 25 | 95D95-08012 | 24 - 15 | | 3 - 28 | | | | | | |
| 95022-06035 | 16 - 10 | 95D95-08016 | 18 - 23 | 99001-08600 | 34 - 19 | | | | | | |
| 95333-08600 | 18 - 24 | 95D95-08025 | 5 - 16 | | 36 - 20 | | | | | | |
| 95380-06600 | 2 - 11 | 97513-08545 | 21 - 2 | 99530-08012 | 16 - 7 | | | | | | |
| | 10 - 32 | 97595-05520 | 16 - 8 | 99590-10114 | 21 - 7 | | | | | | |
| | 25 - 4 | 97602-04316 | 31 - 9 | | | | | | | | |
| 95380-12600 | 28 - 43 | 97780-50620 | 17 - 29 | | | | | | | | |
| 95380-14700 | 39 - 7 | 97780-60520 | 26 - 11 | | | | | | | | |
| 95604-14200 | 29 - 23 | 97780-60620 | 17 - 16 | | | | | | | | |
| 95780-06300 | 40 - 14 | | 17 - 32 | | | | | | | | |
| 95780-08300 | 2 - 8 | | 40 - 7 | | | | | | | | |
| 95780-10300 | 29 - 7 | 97880-06035 | 40 - 12 | | | | | | | | |
| 95812-06025 | 33 - 11 | 97885-05016 | 9 - 16 | | | | | | | | |
| 95D75-06025 | 9 - 4 | 97980-06216 | 32 - 26 | | | | | | | | |
| | 9 - 6 | | 40 - 4 | | | | | | | | |
| 95D75-08030 | 27 - 8 | 97985-04308 | 20 - 3 | | | | | | | | |
| 95D75-08035 | 17 - 4 | 97985-06212 | 28 - 9 | | | | | | | | |
| 95D95-06010 | 13 - 7 | 97985-06216 | 29 - 4 | | | | | | | | |
| | 28 - 38 | 97D95-06010 | 28 - 26 | | | | | | | | |
| | 28 - 39 | 97D95-06012 | 32 - 29 | | | | | | | | |
| 95D95-06012 | 7 - 17 | 97E75-06516 | 8 - 25 | | | | | | | | |