

**PARTS  
CATALOGUE  
CATALOGUE  
DE PIECES DETACHEES**

**250AETO  
L250ATEO**

**(61A2)**

**(61B2)**

**YAMAHA**  
**GENUINE**  
Parts & Accessories

2B61A-300F1

# FOREWORD

This Parts Catalogue is related to the parts for the model(s) in the below frame. When you are ordering replacement parts, please refer to this Parts Catalogue and quote both part numbers and part names correctly.

250AETO'03(61A2), L250AETO'03(61B2)

1. Modifications or additions which have been made after issue of the Parts Catalogue will be announced in the Yamaha Parts News. It is advisable that you make necessary corrections to the Parts Catalogue according to the Yamaha Parts News.

2. Abbreviations  
The Following abbreviations are used in this Parts Catalogue.

“UR” Use specified parts number.

“UN” Use as many as needed.

“AP” Alternate Parts

“LM” Local Made  
(Parts need to be ordered locally)

“O/S” Over Size

3. Parts, which are to be supplied in an assembly, are listed with a dot(.) in front of the part name as shown below.

EXAMPLE  
CARBURETOR ASSY

- .JET, PILOT
- .NOZZLE, MAIN

4. Number of component for assembly  
The numeral appearing to the right of each component part indicates the quantity of parts for each assembly unit.

EXAMPLE

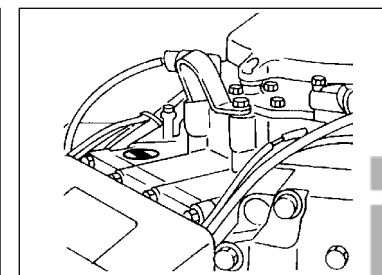
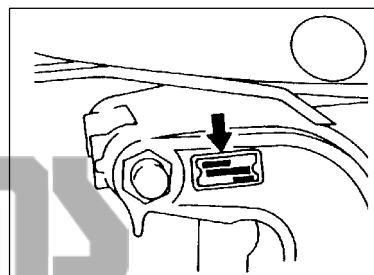
PART NO.	DESCRIPTION	u	±	1/2	REMARKS
6E0-85500-70	C.D.I. MAGNETO ASSY	1			
6E0-85550-70	.ROTOR ASSY	1			
6E0-15723-00-94	.PULLY, STARTER	1			

5. Quantity Column Information

NAME for Q'TY COLUMN	APPLICABLE MODEL
250A	250AETO
L250	L250AETO

6. Applicable Starting Serial No. and Color Code  
1) Engine Starting Serial No.

250AETO X 61A : 1000001	L250AETO X 61B : 1000001
-------------------------	--------------------------



2) Color Code

Color Code	Color Name	Abbreviation
004D	DARK BLUISH GRAY METALLIC 2	DBNM2

- 7. Note that the illustrations for reference in finding parts numbers, not to be used for assembling. When assembling, please use the applicable service manual.
- 8. The asterisk (\*) before a reference number indicates modification items after the first edition.

**SHEET 1/2**

TOP COWLING .....	A4
CYLINDER. CRANKCASE 1 .....	A5
CRANKSHAFT. PISTON .....	A7
CYLINDER. CRANKCASE 2 .....	B2
INTAKE .....	B3
CARBURETOR .....	B5
OIL PUMP .....	B7
OIL TANK .....	C2
FUEL 1 .....	C4
FUEL 2 .....	C7
FUEL 3 .....	D2
GENERATOR .....	D3
ELECTRICAL 1 .....	D4
ELECTRICAL 2 .....	D5
ELECTRICAL 3 .....	D6
ELECTRICAL 4 .....	E1
STARTING MOTOR .....	E2
BOTTOM COWLING .....	E3
CONTROL .....	E6
BRACKET 1 .....	F2
BRACKET 2 .....	F4
POWER TRIM & TILT ASSY .....	F6

**INDEX**

NUMERICAL INDEX .....	G1
-----------------------	----

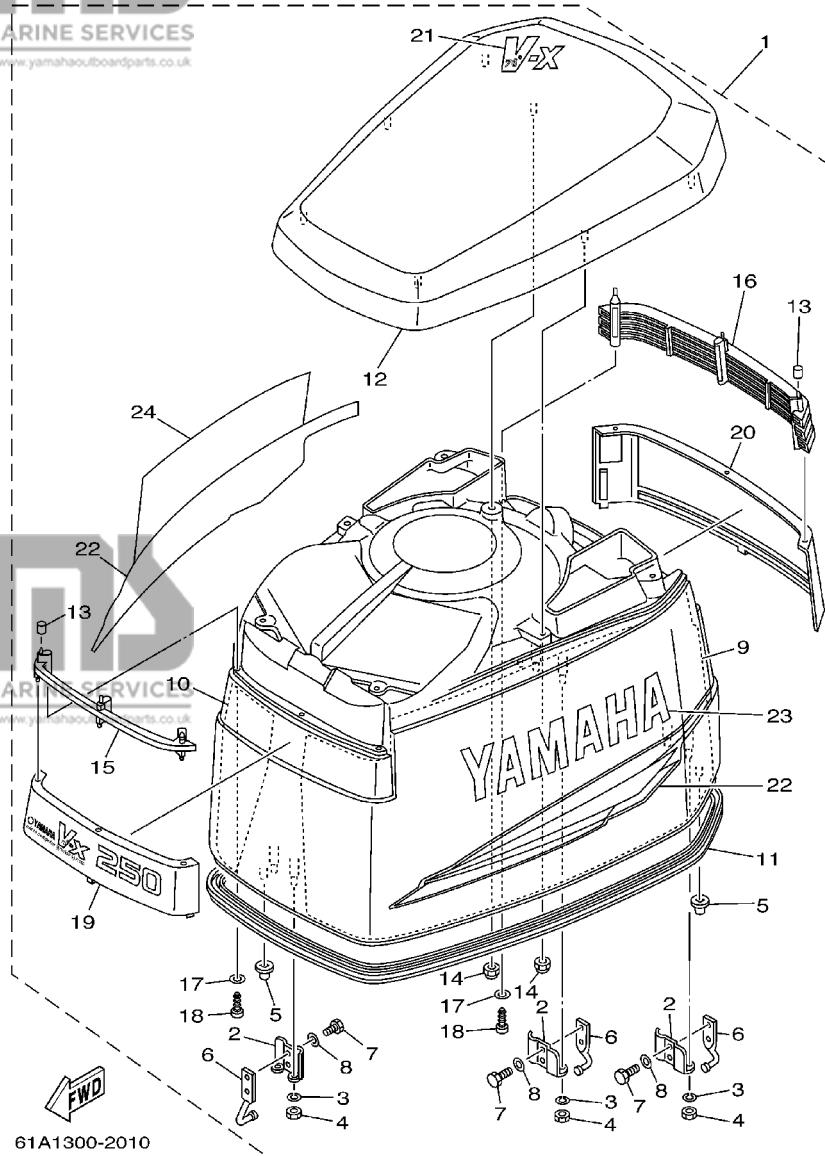
**CONTENTS**

**SHEET 2/2**

POWER TRIM & TILT ASSY .....	A4*
UPPER CASING .....	A6*
LOWER CASING. DRIVE 1 .....	B1*
LOWER CASING. DRIVE 2 .....	B5*
LOWER CASING. DRIVE 3 .....	B7*
LOWER CASING. DRIVE 4 .....	C4*
STEERING GUIDE ATTACHMENT 1 .....	C6*
STEERING GUIDE ATTACHMENT 2 .....	C7*
REMOTE CONTROL BOX .....	D1*
REMOTE CONTROL ASSY 1 .....	D2*
REMOTE CONTROL ASSY 2 .....	D5*
METER .....	E1*
SWITCH. PANEL .....	E3*
REPAIR KIT 1 .....	E4*
REPAIR KIT 2 .....	E5*
REPAIR KIT 3 .....	E6*

**INDEX**

NUMERICAL INDEX .....	G1*
-----------------------	-----



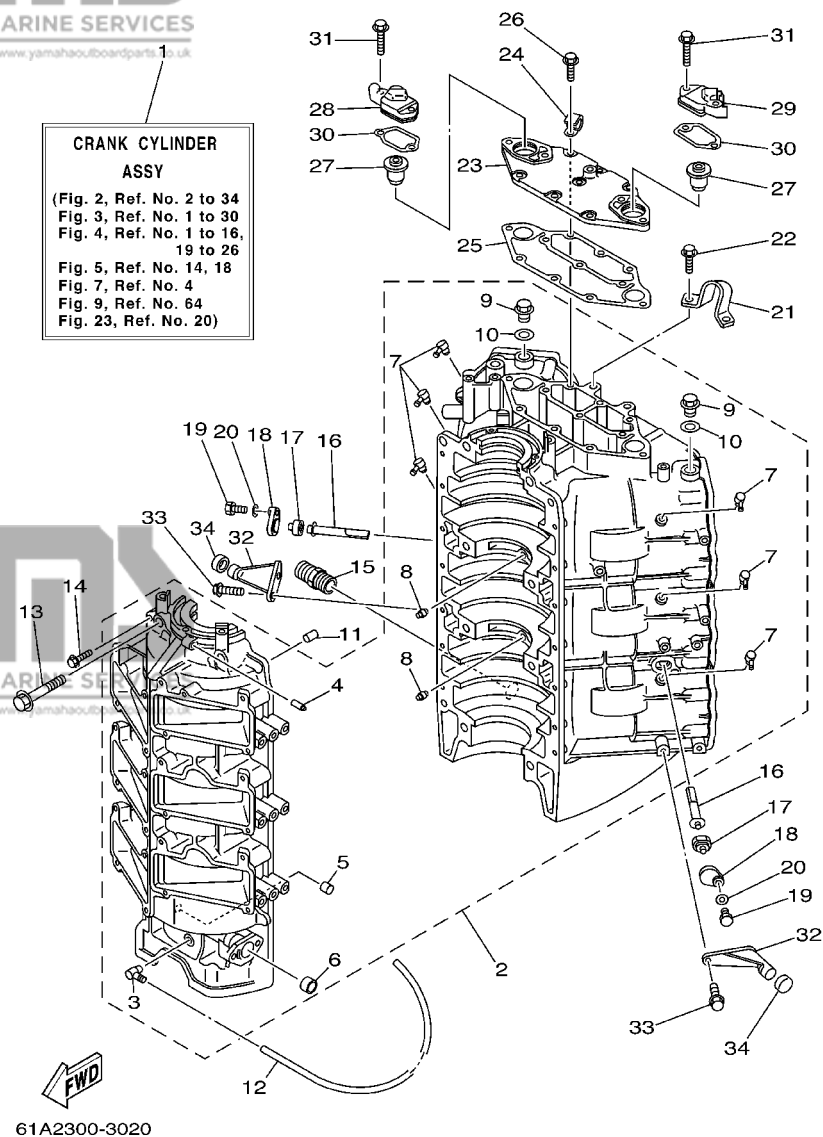
61A1300-2010

FIG. 1 TOP COWLING

CAPOT SUPERIEUR

REF. NO.	PART NO. NO. PIECES	DESCRIPTION DESCRIPTION	250A	L250	REMARKS REMARQUES
1	61A-42610-50-NA	TOP COWLING ASSY CAPOT (ENS.)	1	1	
2	6R3-42647-00	.HOLDER, CLAMP BAND .SUPPORT, SANDOW DE SERRAGE	3	3	
3	92990-06100	.WASHER, SPRING .RONDELLE, GROWER	6	6	
4	95380-06600	.NUT, HEXAGON ECROU	6	6	
5	6R3-42662-00	.DAMPER AMORTISSEUR	3	3	
6	6R3-42814-00	.HOOK, CLAMP .CROCHET DE BRIDE	3	3	
7	97095-06012	.BOLT .BOULON	6	6	
8	92995-06600	.WASHER .RONDELLE	6	6	
9	61A-42619-02	.DAMPER, FORM .BOURRELET, CAOUTCHOUC	1	1	
10	61A-42627-02	.DAMPER, FORM .BOURRELET, CAOUTCHOUC	1	1	
11	61A-42615-01	.SEAL .JOINT	1	1	
12	61A-42613-01-4D	.MOLDING, AIR DUCT .MANCHON A AIR	1	1	
13	90385-04M05	.BUSH .DOUILLE	6	6	
14	90179-06M24	.NUT ECROU	7	7	
15	61A-42626-00	.LOUVER, 1 .PLAQUE INSONOR.	1	1	
16	61A-42636-00	.LOUVER 2 .VOLET 2	1	1	
17	92990-04600	.WASHER, PLATE .RONDELLE, PLATE	6	6	
18	97780-40520	.SCREW, TAPPING .VIS, TETE BOMBEE	6	6	
19	61A-42686-B0	.EMBLEM, FRONT EMBLEME, AVANT	1	1	
20	61A-42687-30	.EMBLEM, REAR EMBLEME, ARRIERE	1	1	
21	61A-42683-A0	.MARK, COWLING .ADHESIF, CAPOT	1	1	
22	61A-W0070-30	.GRAPHIC SET .JEU DIEMBLEMES	1	1	
23	61A-42681-30	.MARK, COWLING .ADHESIF, CAPOT	1	1	
24	61A-42682-30	.MARK, COWLING .ADHESIF, CAPOT	1	1	

**CRANK CYLINDER ASSY**  
(Fig. 2, Ref. No. 2 to 34  
Fig. 3, Ref. No. 1 to 30  
Fig. 4, Ref. No. 1 to 16,  
19 to 26  
Fig. 5, Ref. No. 14, 18  
Fig. 7, Ref. No. 4  
Fig. 9, Ref. No. 64  
Fig. 23, Ref. No. 20)

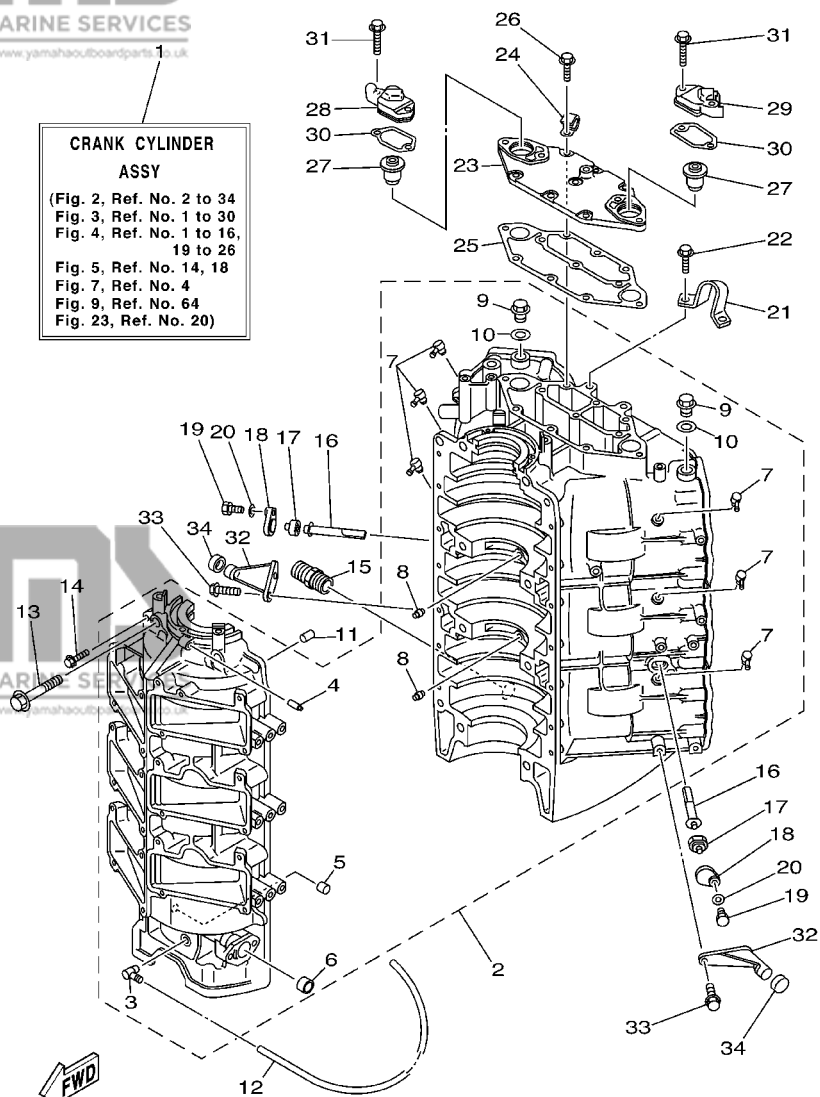


**FIG. 2 CYLINDER. CRANKCASE 1 CYLINDRE. CARTER 1**

REF. NO.	PART NO. NO. PIECES	DESCRIPTION DESCRIPTION	250A	L250	REMARKS REMARQUES
1	61A-W0090-20-1S	CRANK CYLINDER ASSY EMBIELLAGE CYLINDRE (ENS.)	1	1	
2	61A-15100-06-1S	CRANKCASE ASSY CARTER DE MOTEUR COMPLET	1	1	
3	6E5-11372-01	.NIPPLE, HOSE .RACCORD, TUYAU	1	1	
4	624-14485-00	.PIPE, JOINT .DURITE	1	1	
5	90384-06M07	.BUSH, BIMETAL FORMED .DOUILLE, BIMETAL MISE EN FORM.	1	1	
6	90383-16M01	.BUSH, FORMED .DOUILLE, MISE EN FORME	1	1	
7	6E5-11372-01	.NIPPLE, HOSE .RACCORD, TUYAU	6	6	
8	663-11518-01	.LOCK, BEARING .CENTREUR, ROULEMENT	2	2	
9	90340-14M00	.PLUG, STRAIGHT SCREW .PLOT, FILETE DROIT	2	2	
10	90430-14115	.GASKET JOINT	2	2	
11	93608-12063	PIN, DOWEL AXE	2	2	
12	90445-07M11	HOSE (L610) DURITE (L610)	1	1	
13	90105-10M62	BOLT, FLANGE BOULON	8	8	
14	90119-06M13	BOLT, WITH WASHER BOULON, AVEC RONDELLE	14	14	
15	6G5-12581-00	JOINT, HOSE 1 JOINT DE TUYAU	1	1	
16	61A-11325-00	ANODE ANODE	2	2	
17	6H3-11328-00	GROMMET, ANODE PASSE-FIL	2	2	
18	6H3-11327-00-1S	COVER, ANODE COUVERCLE	2	2	
19	97013-06016	BOLT BOULON	2	2	
20	92903-06600	WASHER, PLATE RONDELLE, PLATE	2	2	
21	6E5-11119-01	HANGER, ENGINE ANNEAU, LEVAGE	1	1	
22	90119-08MA3	BOLT, WITH WASHER BOULON, AVEC RONDELLE	2	2	
23	61A-11371-00-1S	COVER COUVERCLE	1	1	
24	90465-06M86	CLAMP BRIDE	2	2	
25	61A-11381-A0	GASKET 1 JOINT 1	1	1	
26	90119-06MA2	BOLT, WITH WASHER BOULON, AVEC RONDELLE	7	7	
27	6E5-12411-30	THERMOSTAT THERMOSTAT	2	2	

**A5**

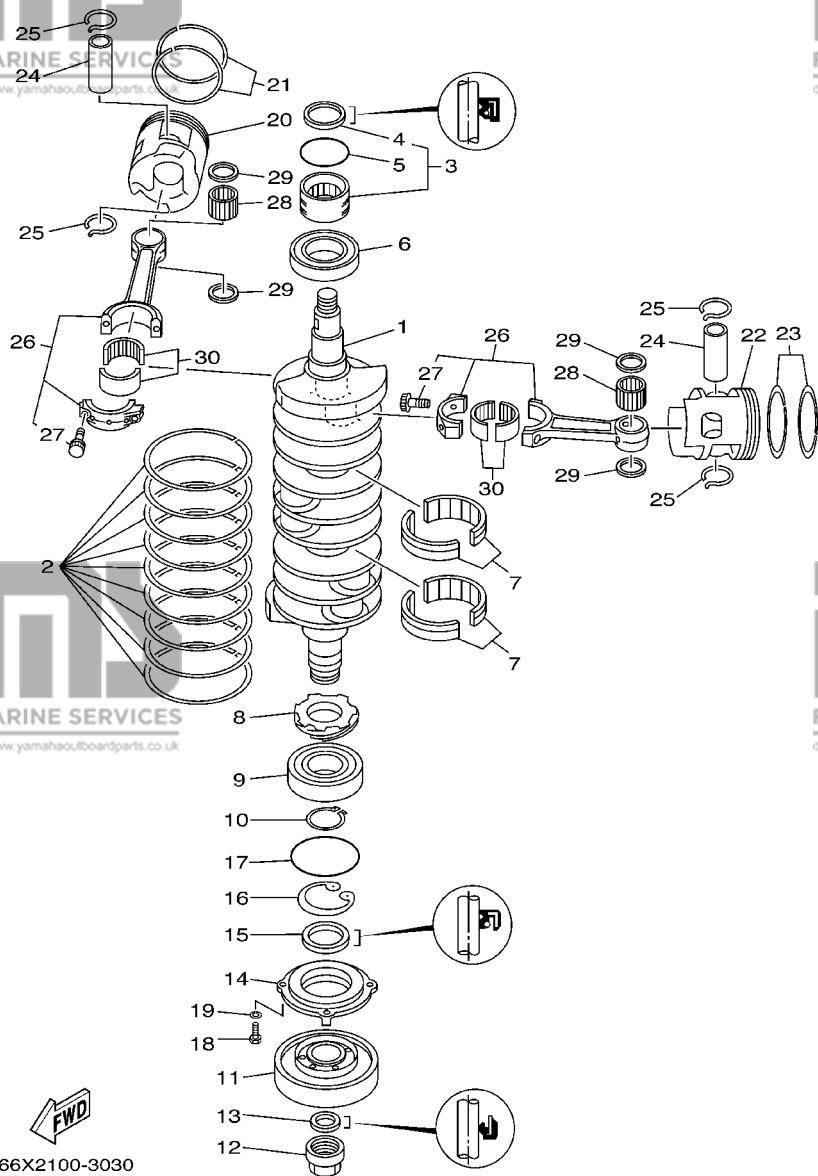
**CRANK CYLINDER  
ASSY**  
(Fig. 2, Ref. No. 2 to 34  
Fig. 3, Ref. No. 1 to 30  
Fig. 4, Ref. No. 1 to 16,  
19 to 26  
Fig. 5, Ref. No. 14, 18  
Fig. 7, Ref. No. 4  
Fig. 9, Ref. No. 64  
Fig. 23, Ref. No. 20)



61A2300-3020

**FIG. 2 CYLINDER. CRANKCASE 1 CYLINDRE. CARTER 1**

REF. NO.	PART NO. NO. PIECES	DESCRIPTION DESCRIPTION	250A	L250	REMARKS REMARQUES
28	61A-12413-00-1S	COVER, THERMOSTAT COUVERCLE, THERMOSTAT	1	1	
29	61A-12413-10-1S	COVER, THERMOSTAT COUVERCLE, THERMOSTAT	1	1	
30	61A-12414-A0	GASKET, COVER JOINT, COUVERCLE	2	2	
31	90119-06MA5	BOLT, WITH WASHER BOULON, AVEC RONDELLE	4	4	
32	6E5-42761-00-1S	STOPPER PLAQUETTE	2	2	
33	90119-06MA2	BOLT, WITH WASHER BOULON, AVEC RONDELLE	4	4	
34	68F-44533-00	DAMPER, UPPER MOUNT RUBBER COUVERCLE, SUSPENSION INFERIEUR	2	2	



66X2100-3030

FIG. 3 CRANKSHAFT. PISTON

VILEBREQUIN. PISTON

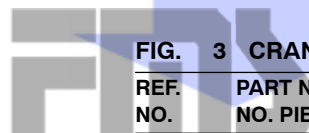
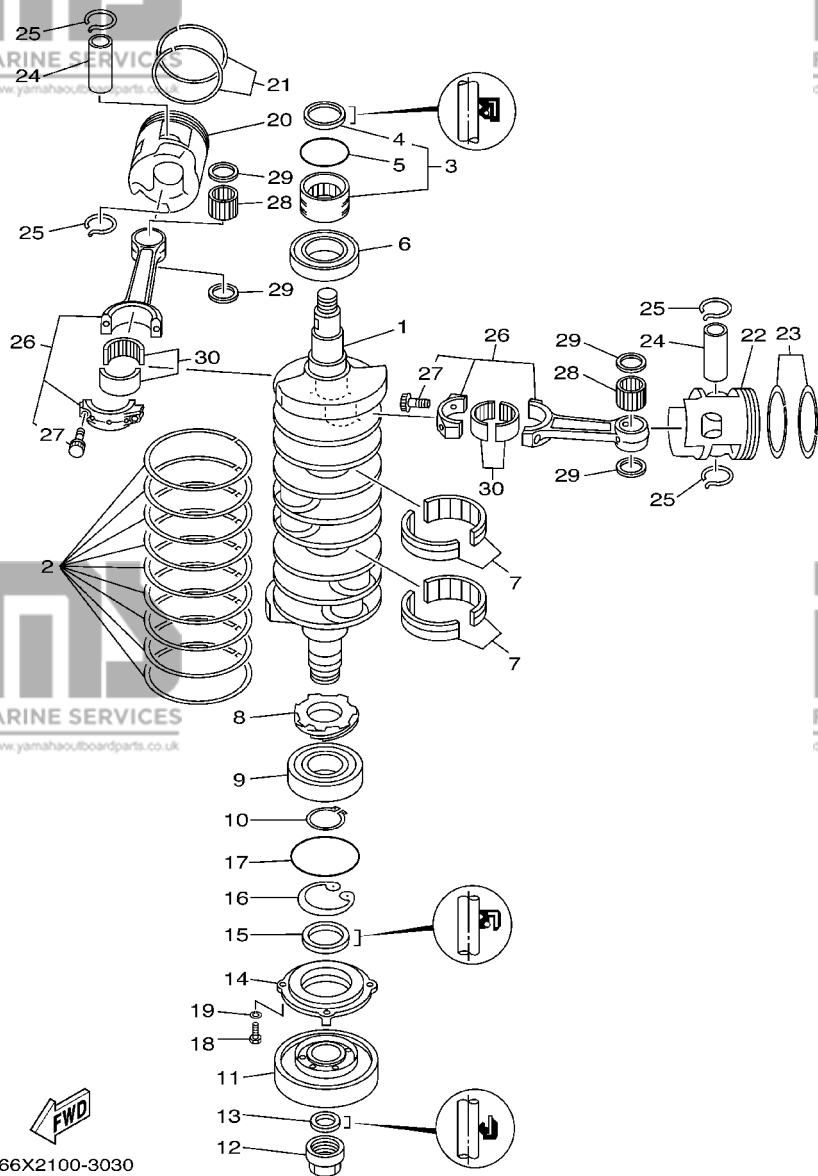
REF. NO.	PART NO. NO. PIECES	DESCRIPTION DESCRIPTION	250A	L250	REMARKS REMARQUES
1	61A-11411-00	CRANKSHAFT VILEBREQUIN COMPLET	1	1	
2	61A-11447-00	SEAL, CRANK JOINT, VILEBREQUIN	9	9	
3	93311-940V0	BALL BEARING ROULEMENT	1	1	
4	93102-40M38	.OIL SEAL .JOINT SPY	1	1	
5	93210-54M54	O-RING JOINT TORIQUE	1	1	
6	93306-209U1	BEARING ROULEMENT	1	1	
7	93310-959U0	BEARING ROULEMENT	2	2	
8	61A-11536-00	GEAR, DRIVE ENGRENAGE, MENANT	1	1	
9	93306-308U0	BEARING ROULEMENT	1	1	
10	93410-40M03	CIRCLIP CLIPS	1	1	
11	61A-11586-01	PULLEY, CRANKSHAFT BALANCE POULIE D'EQUILIB, VILEBREQUIN	1	1	
12	61A-11555-01	NUT, CRANKSHAFT 1 ECROU, VILEBREQUIN 1	1	1	
13	93104-22M07	OIL SEAL JOINT SPY	1	1	
14	61A-15359-00-94	HOUSING, OIL SEAL LOGEMENT, BAGUE D'ETANCHEITE	1	1	
15	93102-40M36	OIL SEAL JOINT SPY	1	1	
16	93420-61M07	CIRCLIP CIRCLIP, TYPE S	1	1	
17	93210-81MA6	O-RING JOINT TORIQUE	1	1	
18	97095-06020	BOLT BOULON	4	4	
19	92995-06100	WASHER, SPRING RONDELLE, GROWER	4	4	
20	69L-11631-00-85	PISTON (STD) PISTON (STD)	3	3	
	69L-11635-00	PISTON (0.25MM O/S) PISTON (0.25MM O/S)	3	3	AP
	69L-11636-00	PISTON (0.50MM O/S) PISTON (0.50MM O/S)	3	3	AP
21	64D-11603-01	PISTON RING SET (STD) JEU DE SEGMENTS (STD)	3	3	
	64D-11604-01	PISTON RING SET (0.25MM O/S) JUE DE SEGMENTS (0.25MM O/S)	3	3	AP
	64D-11605-01	PISTON RING SET (0.50MM O/S) JEU DE SEGMENTS (0.50MM O/S)	3	3	AP
22	69L-11642-00-85	PISTON 2 (STD) PISTON 2 (STD)	3	3	
	69L-11645-00	PISTON 2 (0.25MM O/S) PISTON 2 (0.25MM O/S)	3	3	AP

A7



FLOOD MARINE SERVICES

downloaded from www.yamahaoutboardparts.co.uk



FLOOD MARINE SERVICES

downloaded from www.yamahaoutboardparts.co.uk

FIG. 3 CRANKSHAFT. PISTON

VILEBREQUIN. PISTON

REF. NO.	PART NO. NO. PIECES	DESCRIPTION DESCRIPTION	250A	L250	REMARKS REMARQUES
22	<a href="#">69L-11646-00</a>	PISTON 2 (0.50MM O/S) PISTON 2 (0.50MM O/S)	3	3	AP
23	<a href="#">64D-11603-01</a>	PISTON RING SET (STD) JEU DE SEGMENTS (STD)	3	3	
	<a href="#">64D-11604-01</a>	PISTON RING SET (0.25MM O/S) JUE DE SEGMENTS (0.25MM O/S)	3	3	AP
	<a href="#">64D-11605-01</a>	PISTON RING SET (0.50MM O/S) JEU DE SEGMENTS (0.50MM O/S)	3	3	AP
24	<a href="#">61A-11633-02</a>	PIN, PISTON AXE_PISTON	6	6	
25	<a href="#">61A-11634-00</a>	CLIP, PISTON PIN AGRAFE, AXE DE PISTON	12	12	
26	<a href="#">61A-11650-00</a>	CONNECTING ROD ASSY BIELLE COMPLETE	6	6	
27	<a href="#">90109-09001</a>	.BOLT .BOULON	2	2	
28	<a href="#">93310-326V4</a>	BEARING ROULEMENT	6	6	
29	<a href="#">90201-26M03</a>	WASHER, PLATE RONDELLE, PLATE	12	12	
30	<a href="#">93310-840V8</a>	BEARING ROULEMENT	6	6	



FLOOD MARINE SERVICES

downloaded from www.yamahaoutboardparts.co.uk



FLOOD MARINE SERVICES

downloaded from www.yamahaoutboardparts.co.uk



FLOOD MARINE SERVICES

downloaded from www.yamahaoutboardparts.co.uk



FLOOD MARINE SERVICES

downloaded from www.yamahaoutboardparts.co.uk



FLOOD MARINE SERVICES

downloaded from www.yamahaoutboardparts.co.uk

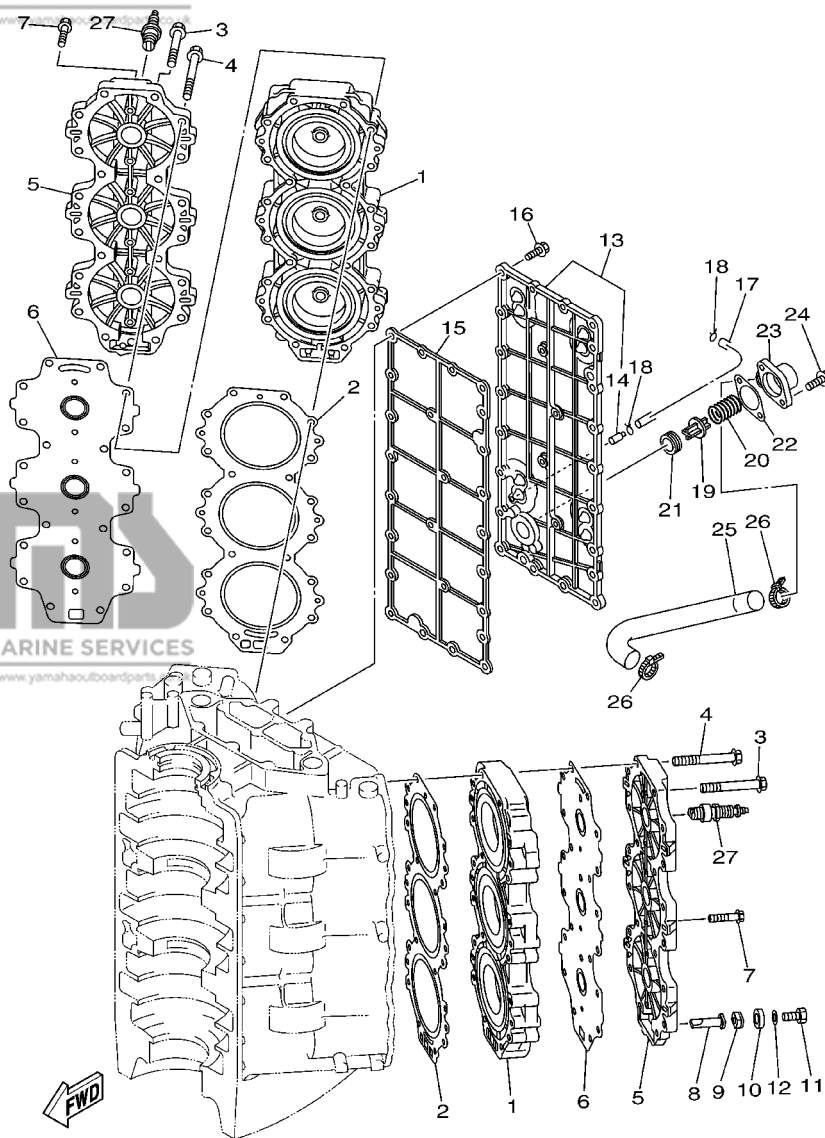


FLOOD MARINE SERVICES

downloaded from www.yamahaoutboardparts.co.uk

B1





61A0010-0040

**FIG. 4 CYLINDER. CRANKCASE 2 CYLINDRE. CARTER 2**

REF. NO.	PART NO. NO. PIECES	DESCRIPTION DESCRIPTION	250A	L250	REMARKS REMARQUES
1	62J-11111-01-1S	HEAD, CYLINDER 1 CULASSE	2	2	
2	69L-11181-00	GASKET, CYLINDER HEAD 1 JOINT, DE CULASSE 1	2	2	
3	90119-08MA5	BOLT, WITH WASHER BOULON, AVEC RONDELLE	3	3	
4	90119-08M99	BOLT, WITH WASHER BOULON, AVEC RONDELLE	37	37	
5	61A-11191-00-1S	COVER, CYLINDER HEAD 1 COUVERCLE, CULASSE 1	2	2	
6	61A-11193-A1	GASKET, HEAD COVER 1 JOINT, COUVERCLE DE CULASSE 1	2	2	
7	90119-06MA5	BOLT, WITH WASHER BOULON, AVEC RONDELLE	12	12	
8	6J8-11325-00	ANODE ANODE	2	2	
9	6H3-11328-00	GROMMET, ANODE PASSE-FIL	2	2	
10	6H3-11327-00-1S	COVER, ANODE COUVERCLE	2	2	
11	97013-06016	BOLT BOULON	2	2	
12	92903-06600	WASHER, PLATE RONDELLE, PLATE	2	2	
13	61A-41113-00-1S	OUTER COVER, EXHAUST COUVERCLE, ECHAPPEMENT	1	1	
14	650-24378-00	.PIPE, JOINT 4 .DURITE RACCORDEMENT 4	1	1	
15	61A-41112-A0	GASKET, EXHAUST INNER COVER JOINT, PLAQUE D'ECHAPPEMENT	1	1	
16	90119-06MA3	BOLT, WITH WASHER BOULON, AVEC RONDELLE	25	25	
17	61A-24312-00	PIPE 2 DURITE 2	1	1	
18	90467-08004	CLIP JONC	2	2	
19	6G5-12416-00	VALVE, PRESSURE CONTROL SOUPAPE DE CONTROLEUR PRESS	1	1	
20	90501-16M11	SPRING, COMPRESSION RESSORT, COMPRESSION	1	1	
21	90480-20M05	GROMMET PASSE-FIL	1	1	
22	6G5-11382-A1	GASKET 2 JOINT 2	1	1	
23	6G5-11372-00-1S	COVER, BYPASS 2 CONVERCLE	1	1	
24	90119-06MA2	BOLT, WITH WASHER BOULON, AVEC RONDELLE	2	2	
25	61A-12576-00	HOSE 1 TUYAU 1	1	1	
26	90465-13M18	CLAMP BRIDE	2	2	
27	94702-00247	PLUG, SPARK (NGK BR8HS-10) BOUGIE D'ALLUMAGE (NGK BR8HS-10)	6	6	

**B2**

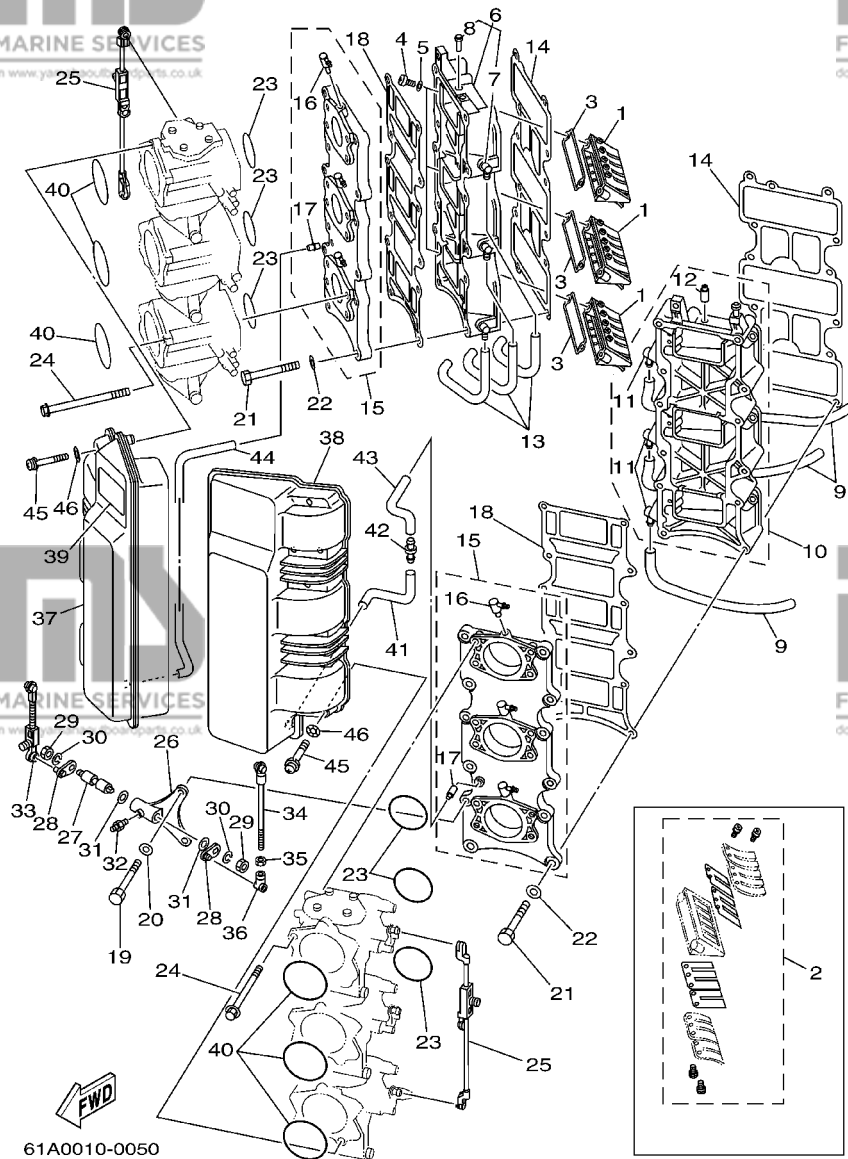


FIG. 5 INTAKE

ADMISSION

REF. NO.	PART NO. NO. PIECES	DESCRIPTION DESCRIPTION	250A	L250	REMARKS REMARQUES
1	65L-13610-01	REED VALVE ASSY CLAPET COMPLET	6	6	
2	65J-W0004-01	.REED SET .JEU DE CLAPETS	1	1	
3	61A-13621-A0	GASKET, VALVE SEAT JOINT, SIEGE DE CLAPET	6	6	
4	97880-05016	SCREW, PAN HEAD VIS, TETE TRONCONIQUE	12	12	
5	92990-05600	WASHER, PLATE RONDELLE, PLATE	12	12	
6	61A-13624-20-1S	PLATE, REED VALVE PLAQUE DE CLAPET	1	1	
7	6E5-11372-01	.NIPPLE, HOSE .RACCORD, TUYAU	3	3	
8	650-24378-00	.PIPE, JOINT 4 .DURITE RACCORDEMENT 4	1	1	
9	90445-07M20	HOSE (L405) DURITE (L405)	3	3	
10	61A-13624-30-1S	PLATE, REED VALVE PLAQUE DE CLAPET	1	1	
11	6E5-11372-01	.NIPPLE, HOSE .RACCORD, TUYAU	3	3	
12	650-24378-00	.PIPE, JOINT 4 .DURITE RACCORDEMENT 4	1	1	
13	90445-07M45	HOSE (L340) DURITE (L340)	3	3	
14	61A-13646-00	GASKET, MANIFOLD 2 JOINT, TUBULURE 2	2	2	
15	61A-13641-00-1S	MANIFOLD 1 TUBULURE 1	2	2	
16	61A-13552-00	.NOZZLE .GICLEUR	3	3	
17	624-14485-00	.PIPE, JOINT .DURITE	1	1	
18	61A-13645-00	GASKET, MANIFOLD 1 JOINT, TUBULURE 1	2	2	
19	97013-06070	BOLT BOULON	2	2	
20	92903-06600	WASHER, PLATE RONDELLE, PLATE	2	2	
21	97013-06065	BOLT BOULON	22	22	
22	92903-06600	WASHER, PLATE RONDELLE, PLATE	22	22	
23	93210-50MA8	O-RING JOINT TORIQUE	6	6	
24	90105-06M55	BOLT, FLANGE BOULON	24	24	
25	61A-41217-01	ROD, ACCEL. LEVER TIGE, LEVIER ACCELERATION	2	2	
26	61A-41663-00-1S	BRACKET 3 SUPPORT 3	1	1	
27	61A-41242-00	ROD 2 TIGE 2	1	1	

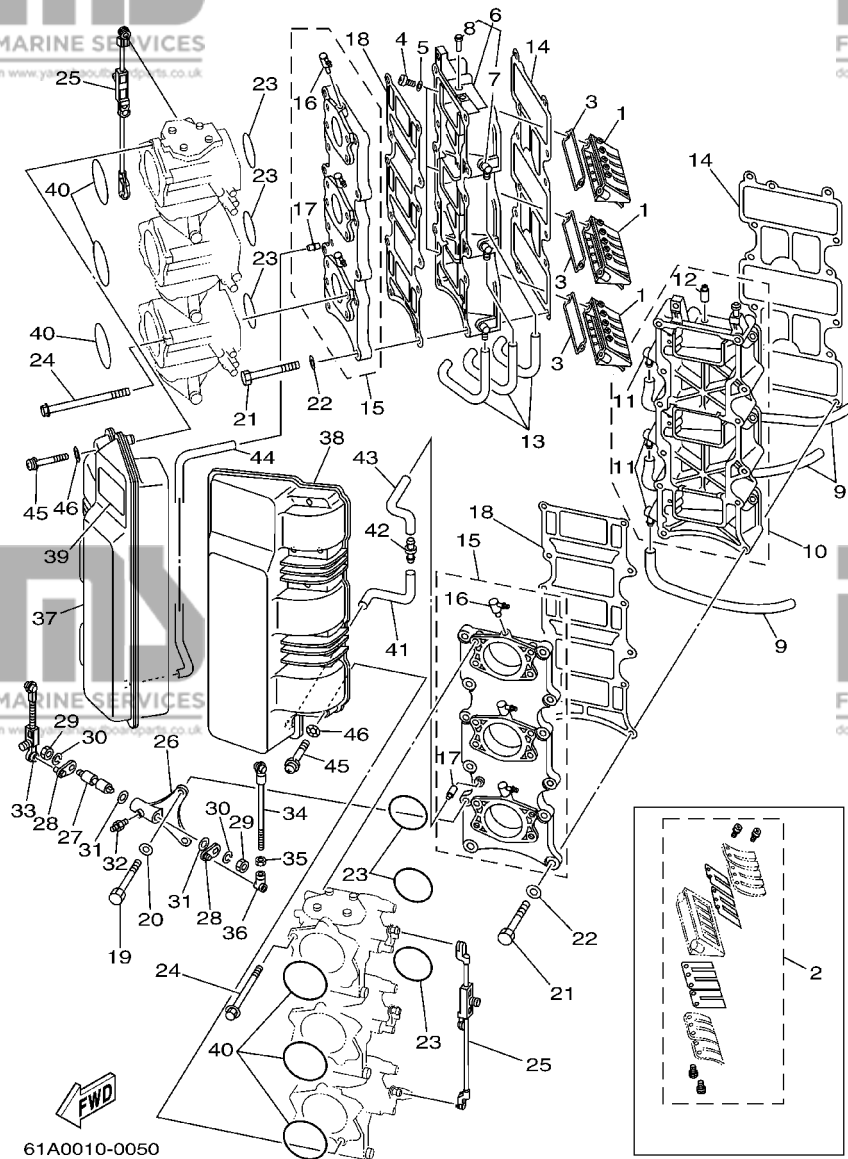


FIG. 5 INTAKE

ADMISSION

REF. NO.	PART NO. NO. PIECES	DESCRIPTION DESCRIPTION	250A	L250	REMARKS REMARQUES
28	61A-41280-00	ACCEL. LEVER ASSY LEVIER D'ACCELERATION	2	2	
29	95380-06600	NUT, HEXAGON ECROU	2	2	
30	92990-06100	WASHER, SPRING RONDELLE, GROWER	2	2	
31	90202-08M41	WASHER, PLATE RONDELLE, PLATE	2	2	
32	93700-06M03	NIPPLE, GREASE PION	1	1	
33	61A-41211-01	LINK, ACCEL. BIELLETTE, ACCELERATION	1	1	
34	6J8-41237-00	JOINT, LINK RACCORD	1	1	
35	95380-05600	NUT ECROU	1	1	
36	6H4-41237-00	JOINT, LINK RACCORD	1	1	
37	61A-14440-03	SILENCER ASSY, INTAKE SIENCIEUX D'ADMISSION	1	1	
38	61A-14440-10	SILENCER ASSY, INTAKE SIENCIEUX D'ADMISSION	1	1	
39	61A-1441K-01	EMBLEM EMBLEME	1	1	
40	93210-60ME8	O-RING JOINT TORIQUE	6	6	
41	90445-07254	HOSE (L118) DURITE (L118)	1	1	
42	6E5-13132-00	JOINT RACCORD	1	1	
43	90445-07258	HOSE (L200) DURITE (L200)	1	1	
44	90445-07M44	HOSE (L250) DURITE (L250)	1	1	
45	90159-06M16	SCREW, WITH WASHER VIS, AVEC RONDELLE	18	18	
46	90209-06M05	WASHER RONDELLE	18	18	

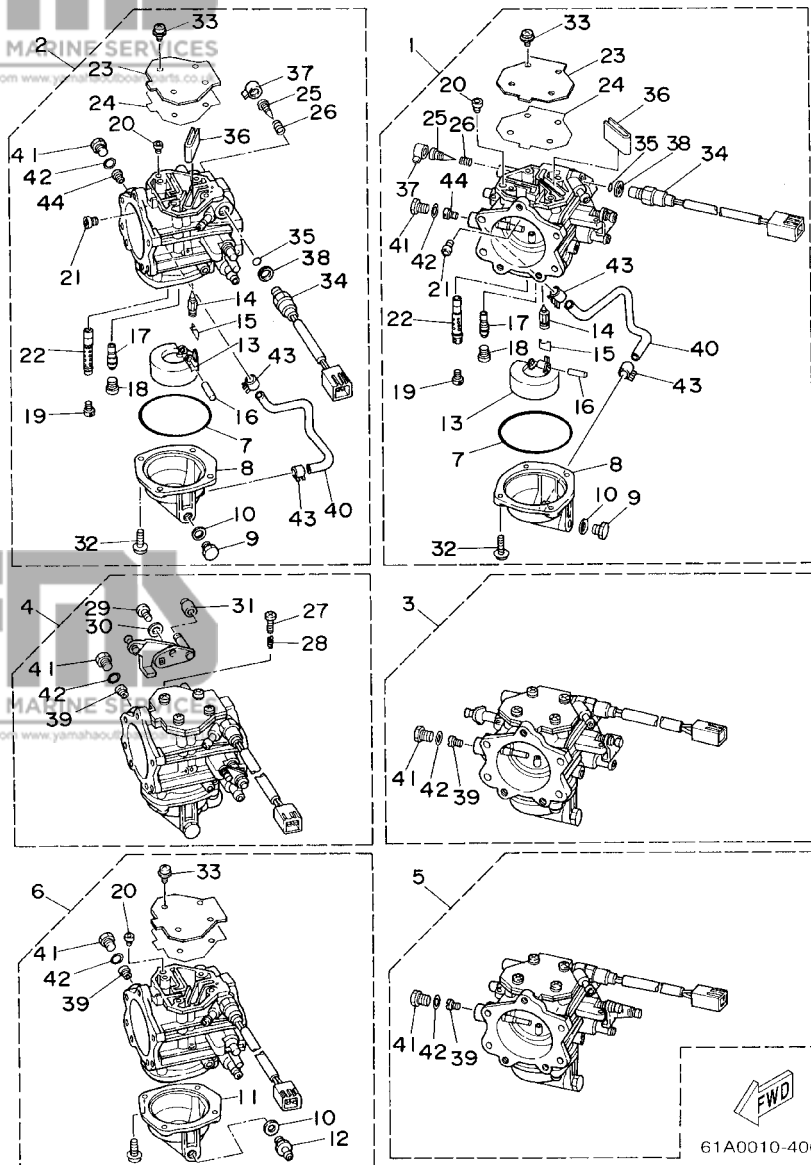


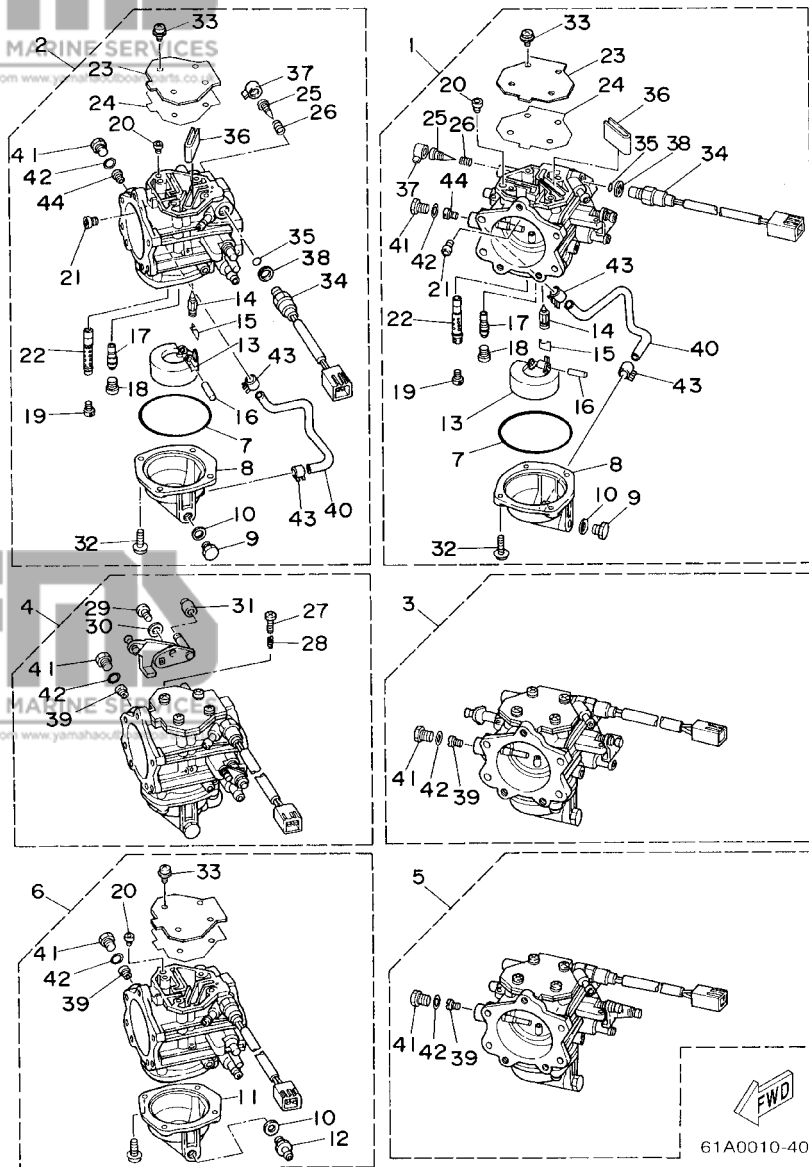
FIG. 6 CARBURETOR

CARBURETEUR

REF. NO.	PART NO. NO. PIECES	DESCRIPTION DESCRIPTION	250A	L250	REMARKS REMARQUES
1	61A-14100-06	CARBURETOR ASSY 1 CARBURATEUR COMPLET 1	1	1	
2	61A-14301-06	CARBURETOR ASSY 2 CARBURATEUR COMPLET 2	1	1	
3	61A-14101-06	CARBURETOR ASSY 3 CARBURATEUR COMPLET 3	1	1	
4	61A-14302-06	CARBURETOR ASSY 4 CARBURATEUR COMPLET 4	1	1	
5	61A-14102-06	CARBURETOR ASSY 5 CARBURATEUR COMPLET 5	1	1	
6	61A-14303-06	CARBURETOR ASSY 6 CARBURATEUR COMPLET 6	1	1	
7	61A-14384-00	.GASKET, FLOAT CHAMBER .JOINT, CUVE DE FLOTTEUR	6	6	
8	61A-14381-11	.BODY, FLOAT CHAMBER .CORPS, CUVE DE FLOTTEUR	5	5	#1,2,3,4,5
9	61A-14383-01	.SCREW, DRAIN .BOUCHON, PURGE	5	5	#1,2,3,4,5
10	61A-14995-00	.GASKET .JOINT	6	6	
11	61A-14381-01	.BODY, FLOAT CHAMBER .CORPS, CUVE DE FLOTTEUR	1	1	#6
12	61A-14383-10	.SCREW, DRAIN .BOUCHON, PURGE	1	1	#6
13	61A-14385-00	.FLOAT .FLOTTEUR	6	6	
14	6E5-14546-00	.VALVE, NEEDLE .POINTEAU	6	6	
15	6E5-14159-00	.CLIP .JONC	6	6	
16	61A-14386-00	.PIN, FLOAT .AXE, FLOTTEUR	6	6	
17	61A-1492F-50	.JET, AIR SLOW .GICLEUR, AIR	6	6	
18	61A-14394-00	.VALVE, DRAIN .SOUPAPE, VIDANGE	6	6	
19	62J-1492E-81	.JET, MAIN (#162) .GICLEUR, PRINCIPAL (#162)	4	4	#1,2,4,6
	62J-1492E-80	.JET, MAIN (#160) .GICLEUR, PRINCIPAL (#160)	2	2	#3,5
20	61A-1492G-52	.JET, MAIN AIR BLEED (#260) .GICLEUR PRINCIPAL (#260)	6	6	
21	61A-1492H-14	.JET, SLOW AIR BLEED (#70) .GICLEUR, AIR (#70)	6	6	
22	61A-1492A-01	.NOZZLE, MAIN .PUITS D'AIGUILLE	6	6	
23	61A-14527-00	.PLATE .PLAQUE	6	6	
24	61A-14959-00	.GASKET .JOINT	6	6	
25	6E5-14323-03	.SCREW, AIR ADJUSTING .VIS DE DOSEUR D'AIR	6	6	
26	6E5-14223-00	.SPRING, AIR ADJUSTING .RESSORT, DOSAGE DE L'AIR	6	6	

**B5**





**FIG. 6 CARBURETOR**

**CARBURATEUR**

REF. NO.	PART NO. NO. PIECES	DESCRIPTION DESCRIPTION	250A	L250	REMARKS REMARQUES
27	6E5-14321-00	.SCREW, THROTTLE .VIS, ACCELERATEUR	1	1	#4
28	6J8-14334-00	.SPRING, THROTTLE .RESSORT, ACCELERATEUR	1	1	#4
29	6J8-14592-01	.SCREW .VIS	1	1	#4
30	92990-05600	.WASHER, PLATE .RONDELLE, PLATE	1	1	#4
31	6J8-14578-00	.COLLAR .COLLERETTE	1	1	#4
32	97980-05116	.SCREW, WITH WASHER .VIS, AVEC RONDELLE	24	24	
33	97980-05108	.SCREW, WITH WASHER .VIS, AVEC RONDELLE	24	24	
34	61A-86120-00	.SOLENOID VALVE .SOLENOID	6	6	
35	61A-14561-00	.O-RING .JOINT TORIQUE	6	6	
36	61A-14163-00	.SPACER .ENTRETOISE	6	6	
37	61A-14118-00	.CAP .COUVERCLE	6	6	
38	61A-14198-00	.GASKET .JOINT	6	6	
39	61A-1492E-5H	.JET, MAIN (#115) .GICLEUR, PRINCIPAL (#115)	4	4	#3,4,5,6
40	61A-14298-00	.PIPE .DURITE	6	6	
41	61A-14383-01	.SCREW, DRAIN .BOUCHON, PURGE	6	6	
42	61A-14995-00	.GASKET .JOINT	6	6	
43	90465-11M10	.CLAMP .BRIDE	12	12	
44	61A-1492E-5C	.JET, MAIN (#105) .GICLEUR, PRINCIPAL (#105)	2	2	#1,2

**B6**

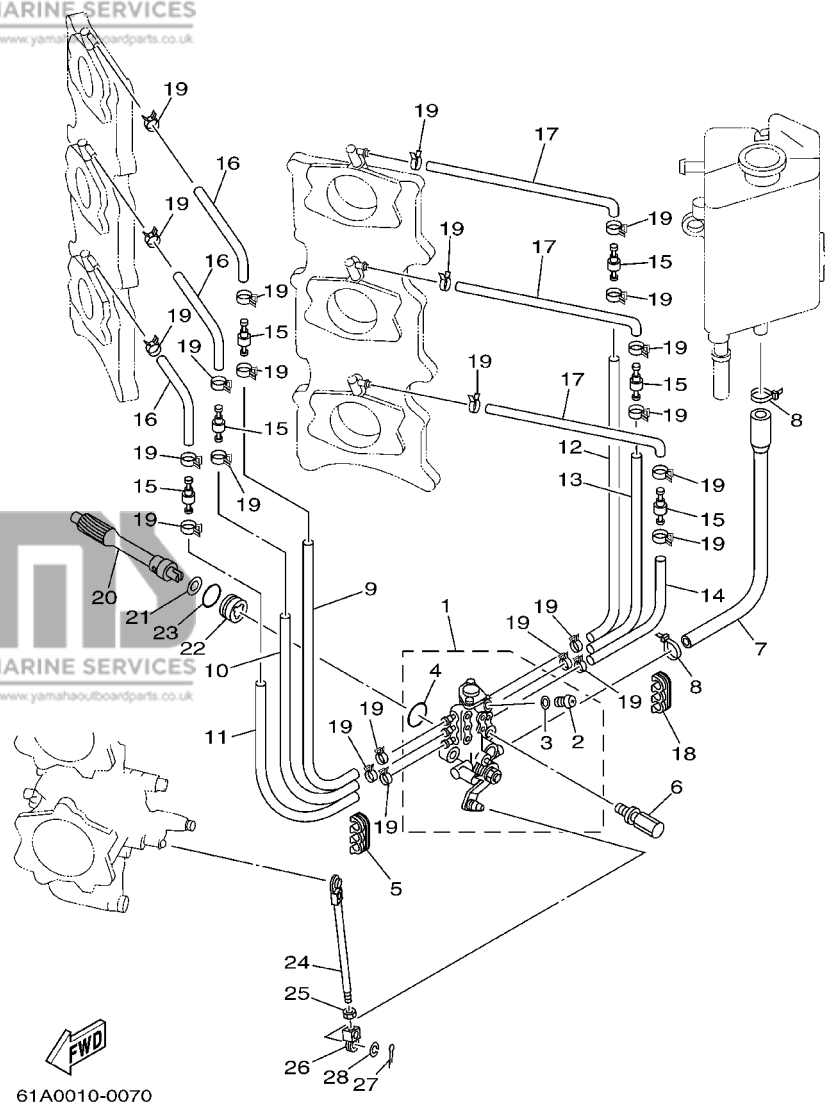
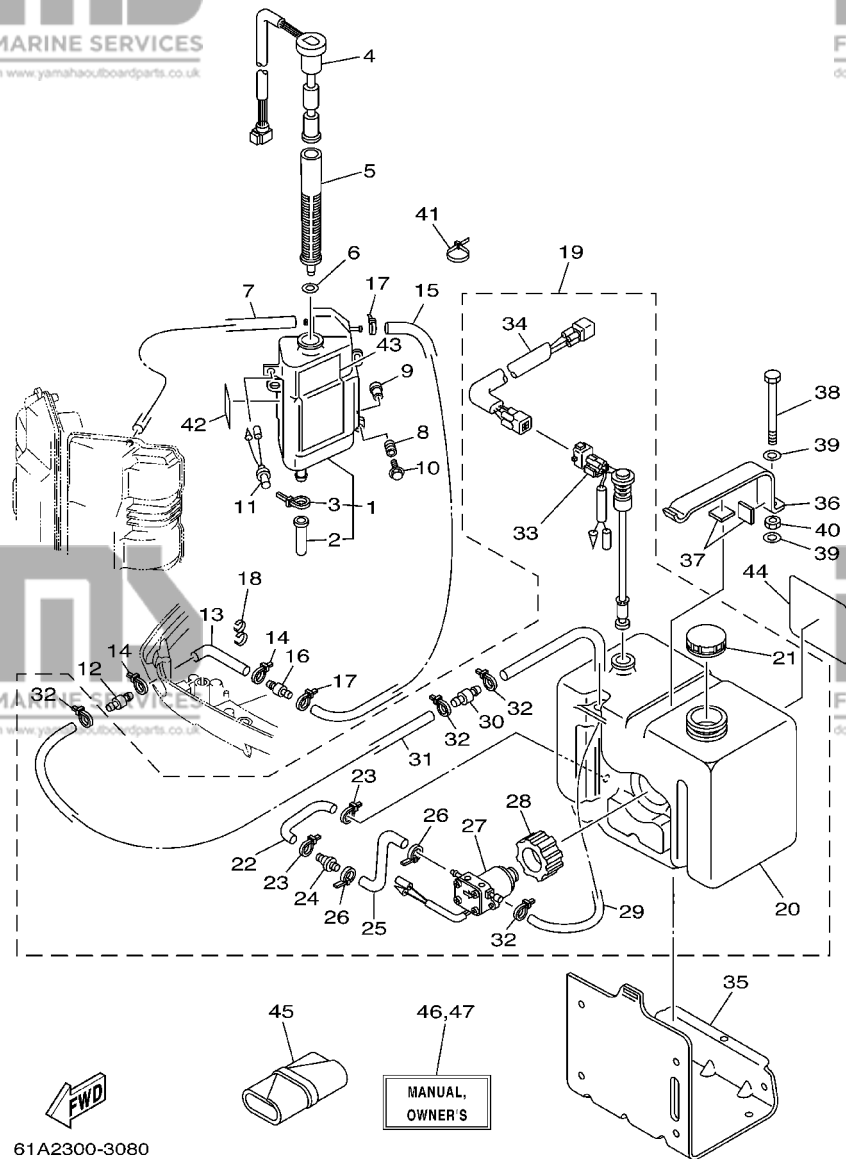


FIG. 7 OIL PUMP

POMPE A HUILE

REF. NO.	PART NO. NO. PIECES	DESCRIPTION DESCRIPTION	250A	L250	REMARKS REMARQUES
1	62J-13200-00	OIL INJECTION PUMP ASSY POMPE A HUILE COMPLET	1	1	
2	6R3-13471-00	.PLUG, DRAIN .PLOT, VIDANGE	1	1	
3	6L2-13475-00	.GASKET .JOINT	1	1	
4	93210-19M82	.O-RING .JOINT TORIQUE	1	1	
5	90464-07M05	CLAMP BRIDE	1	1	
6	90109-06M40	BOLT BOULON	2	2	
7	61A-13416-00	PIPE, OIL 1 DURITE A HUILE	1	1	
8	90465-11M10	CLAMP BRIDE	2	2	
9	90445-07M77	HOSE (L350) DURITE (L350)	1	1	
10	90445-07M72	HOSE (L250) DURITE (L250)	1	1	
11	90445-07196	HOSE (L160) DURITE (L160)	1	1	
12	90445-07M77	HOSE (L350) DURITE (L350)	1	1	
13	90445-07M72	HOSE (L250) DURITE (L250)	1	1	
14	90445-07196	HOSE (L160) DURITE (L160)	1	1	
15	6R3-13183-10	VALVE, CHECK S'OUPAPE DE RATANUE	6	6	
16	90445-07M87	HOSE (L110) DURITE (L110)	3	3	
17	90445-07M07	HOSE (L180) DURITE (L180)	3	3	
18	90464-07M05	CLAMP BRIDE	2	2	
19	90468-07M02	CLIP JONC	24	24	
20	61A-11537-00	GEAR, DRIVEN PIGNON SECONDAIRE	1	1	
21	90201-09M01	WASHER, PLATE RONDELLE, PLATE	1	1	
22	61A-13117-00	COLLAR, DISTANCE ENTRETOISE	1	1	
23	93210-18MA9	O-RING JOINT TORIQUE	1	1	
24	61A-41237-00	JOINT, LINK RACCORD	1	1	
25	95380-05600	NUT ECROU	1	1	
26	6H1-41237-00	JOINT, LINK RACCORD	1	1	
27	91490-12012	PIN, COTTER GOUPILLE	1	1	





61A2300-3080

**FIG. 8 OIL TANK**

**RESERVOIR A PETROLE**

REF. NO.	PART NO. NO. PIECES	DESCRIPTION DESCRIPTION	250A	L250	REMARKS REMARQUES
1	61A-21750-00	OIL TANK ASSY RESERVOIR A HUILE	1	1	
2	6E5-13448-00	.CAP .CAPUCHON	1	1	
3	90465-13M11	.CLAMP .BRIDE	1	1	
4	61A-85730-01	OIL LEVEL GAUGE ASSY VIEUX	1	1	
5	61A-13411-00	STRAINER, OIL FILTRE, HUILE.	1	1	
6	6E5-13414-00	GASKET, STRAINER COVER JOINT, COUVERCLE DE FILTRE	1	1	
7	90445-05M02	HOSE (L380) DURITE (L380)	1	1	
8	6A0-82317-00	DAMPER, IGNITION COIL AMORTISSEUR, BOBINE D'ALLUM	3	3	
9	624-42542-00	PIPE TUYAU	3	3	
10	90119-06M65	BOLT, WITH WASHER BOULON, AVEC RONDELLE	3	3	
11	6R3-8259E-00	SWITCH ASSY COMMUTATEUR	1	1	
12	6E5-24379-00	PIPE, JOINT 4 DURITE RACCORDEMENT 4	1	1	
13	90445-12M04	HOSE (L1900) DURITE (L1900)	1	1	
14	90465-11M10	CLAMP BRIDE	2	2	
15	6E5-24323-00	PIPE 12 DURITE	1	1	
16	6E5-24379-00	PIPE, JOINT 4 DURITE RACCORDEMENT 4	1	1	
17	90465-11M10	CLAMP BRIDE	2	2	
18	90464-13M34	CLAMP BRIDE	1	1	
19	61A-21708-20	SUB OIL TANK ASSY RESERVOIR A HUILE SECOURS (ENS	1	1	
20	6E5-21733-20	.SUB TANK, OIL (10.5L) .RESERVOIR A HUILE SECOURS:10.	1	1	
21	6E5-21770-03	.OIL TANK CAP ASSY .CABOCHON DE RESERVOIR A HUILE	1	1	
22	6E5-24322-00	.PIPE 11 .DURITE	1	1	
23	90465-11M10	.CLAMP .BRIDE	2	2	
24	646-24251-02	.STRAINER 1 .FILTRE 1	1	1	
25	6E5-24319-01	.PIPE, OIL .DURITE A HUILE	1	1	
26	90465-11M10	.CLAMP .BRIDE	2	2	
27	6E5-81900-01	.OIL FEED PUMP ASSY .VIEUX	1	1	



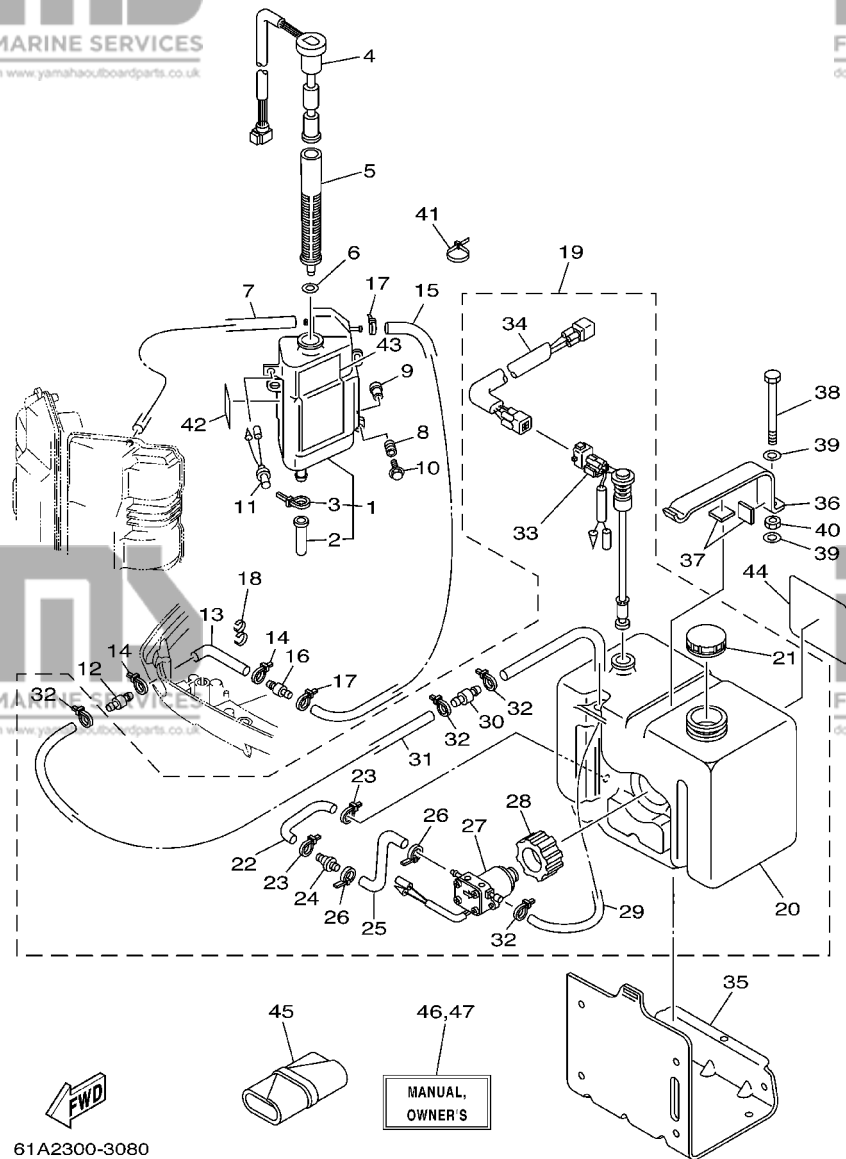


FIG. 8 OIL TANK

RESERVOIR A PETROLE

REF. NO.	PART NO. NO. PIECES	DESCRIPTION DESCRIPTION	250A	L250	REMARKS REMARQUES
28	6E5-81922-00	.GROMMET .OUILLET CAOUTCHOUC	1	1	
29	6E5-24321-01	.PIPE 10 .DURITE	1	1	
30	6E5-24379-00	.PIPE, JOINT 4 .DURITE RACCORDEMENT 4	1	1	
31	90445-11M26	.HOSE (L6500) .DURITE (L6500)	1	1	
32	90465-11M10	.CLAMP .BRIDE	4	4	
33	6E5-85720-04	.OIL LEVEL GAUGE ASSY .JAUGE A HUILE CPLT	1	1	
34	6R3-85721-80	.WIRE, LEAD (8M) .FIL, SECONDAIRE (8M)	1	1	
35	6E5-21734-01-33	HOLDER, OIL SUB TANK SUPPORT, RESERV AUXIL A HUILE	1	1	
36	6E5-21798-01-33	BRACKET, DAMPER SUPPORT, AMORTISSEUR	1	1	
37	6E5-21746-00	DAMPER AMORTISSEUR	2	2	
38	97080-06100	BOLT BOULON	1	1	
39	92990-06600	WASHER, PLATE RONDELLE, PLATE	2	2	
40	95380-06600	NUT, HEXAGON ECROU	1	1	
41	90465-13M11	CLAMP BRIDE	2	2	
42	6E5-85711-60	MARK, CAUTION MAKER	1	1	
43	61A-85711-61	MARK, CAUTION MAKER	1	1	
44	6E5-13437-62	MARK, CAUTION MAKER	1	1	
45	656-W2810-02	TOOL KIT Trousse a outils	1	1	
46	61A-28199-7B-A0	MANUAL, OWNER'S MANUEL D'UTILISATION	1	1	UR (E,F,S)
	61A-28199-7B-B0	MANUAL, OWNER'S MANUEL D'UTILISATION	1	1	UR (D,NL,I)
47	61A-28199-8B-A0	MANUAL, OWNER'S MANUEL D'UTILISATION	1	1	UR (DK,P,GR)
	61A-28199-8B-B0	MANUAL, OWNER'S MANUEL D'UTILISATION	1	1	UR (N,S,SS)

61A2300-3080

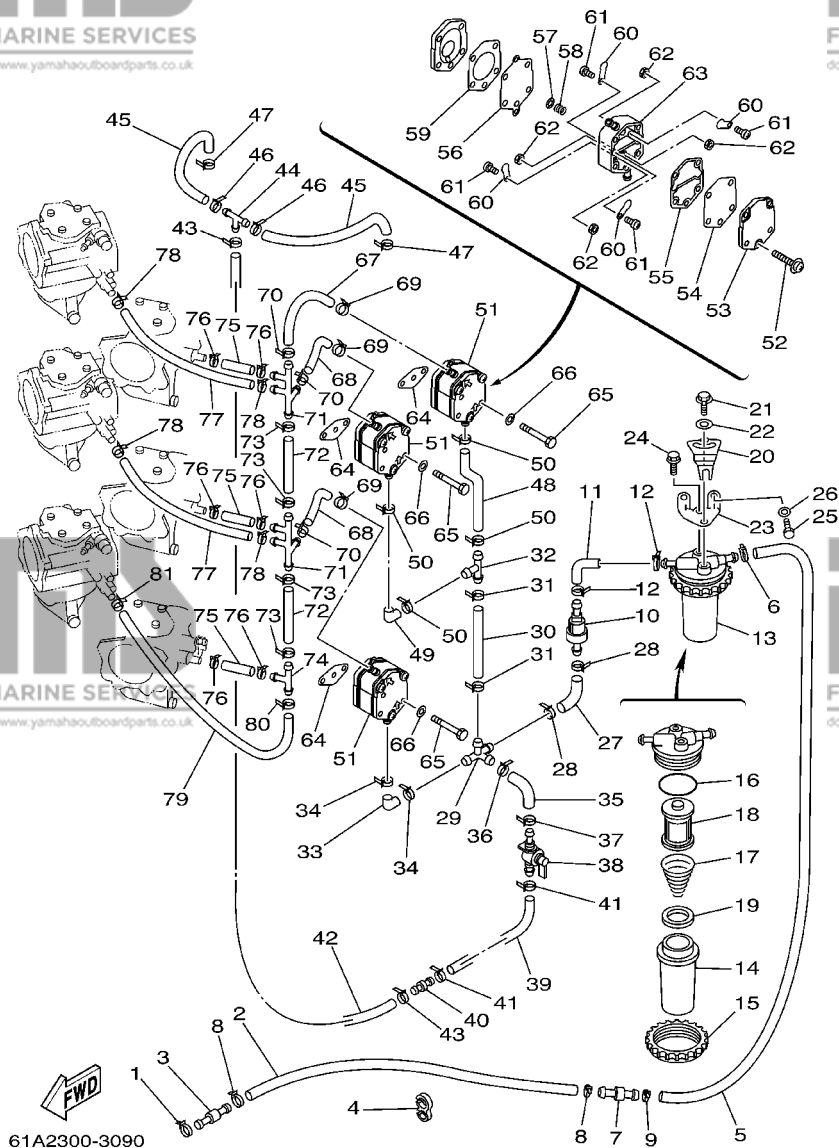


FIG. 9 FUEL 1

CARBURANT 1

REF. NO.	PART NO. NO. PIECES	DESCRIPTION DESCRIPTION	250A	L250	REMARKS REMARQUES
1	90465-11M10	CLAMP BRIDE	1	1	
2	90445-13M17	HOSE (L2700) DURITE (L2700)	1	1	
3	6R3-24377-00	PIPE, JOINT 3 DURITE RACCORDEMENT 3	1	1	
4	90464-13M34	CLAMP BRIDE	2	2	
5	61A-24313-00	PIPE 3 DURITE 3	1	1	
6	90465-11M10	CLAMP BRIDE	1	1	
7	6R3-24377-00	PIPE, JOINT 3 DURITE RACCORDEMENT 3	1	1	
8	90465-11M10	CLAMP BRIDE	2	2	
9	90465-11M10	CLAMP BRIDE	1	1	
10	6R5-24408-00	FUEL FEED ASSY ALIMENT D'ESSENCE	1	1	
11	61A-24311-00	PIPE, FUEL 1 DURITE A ESSENCE	1	1	
12	90465-11M10	CLAMP BRIDE	2	2	
13	61A-24560-04	FILTER ASSY ENS FILTRE	1	1	
14	61A-24521-00	.CUP, FILTER .CUVETTE, FILTRE	1	1	
15	65L-24531-01	.NUT .ECROU	1	1	
16	61A-24564-00	.O-RING .JOINT TORIQUE	1	1	
17	61A-24577-01	.SPRING .RESSORT	1	1	
18	61A-24563-00	.ELEMENT, FILTER .ELEMENT, FILTRE	1	1	
19	61A-24469-00	.FLOAT, WATER LEVEL .FLOTTEUR	1	1	
20	65L-24558-00	HOLDER, FILTER SUPPORT, FILTRE	1	1	
21	97595-06416	BOLT, WITH WASHER VIS HEXAGONAL AVC RONDELLE	1	1	
22	90201-06068	WASHER, PLATE RONDELLE, PLATE	1	1	
23	61A-24566-00	BRACKET, FILTER SUPPORT, FILTRE	1	1	
24	97595-06514	BOLT, WITH WASHER VIS HEXAGONAL AVC RONDELLE	1	1	
25	97095-06016	BOLT BOULON	2	2	
26	92995-06600	WASHER RONDELLE	2	2	
27	61A-24311-00	PIPE, FUEL 1 DURITE A ESSENCE	1	1	

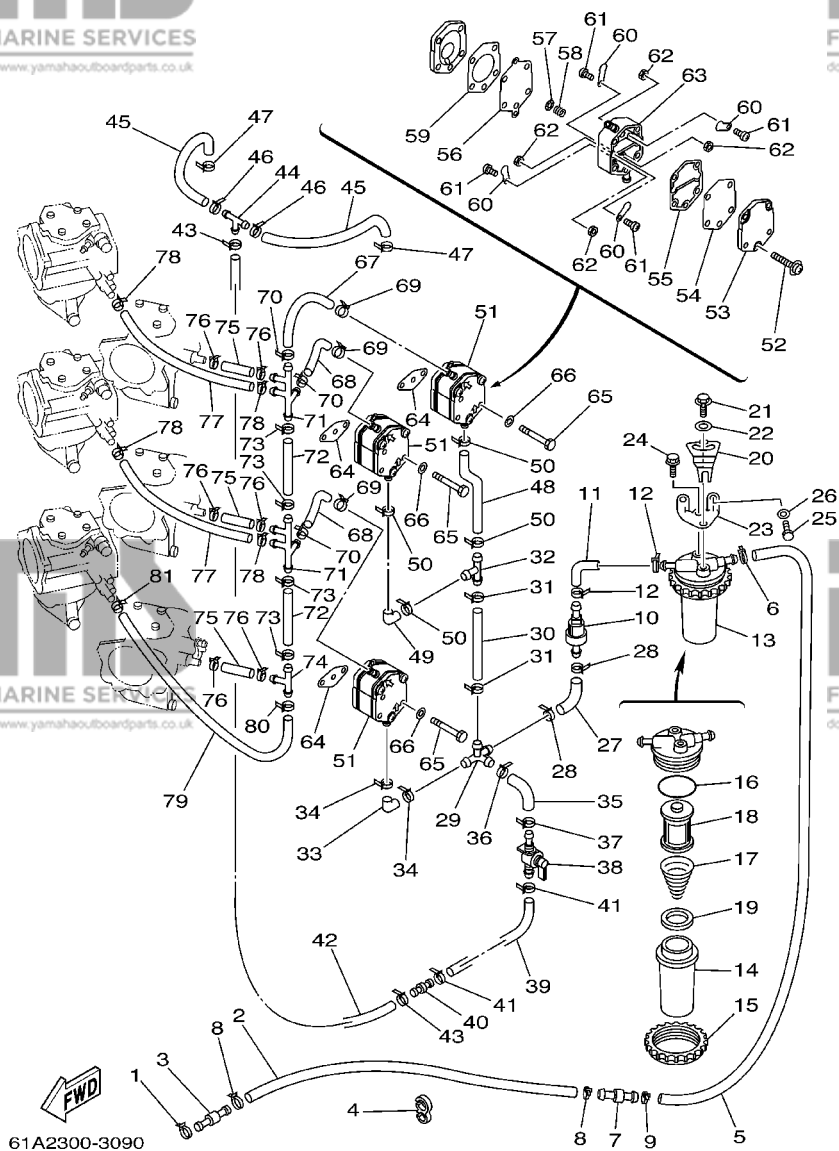


FIG. 9 FUEL 1

CARBURANT 1

REF. NO.	PART NO. NO. PIECES	DESCRIPTION DESCRIPTION	250A	L250	REMARKS REMARQUES
28	90465-11M10	CLAMP BRIDE	2	2	
29	6G5-24377-00	PIPE, JOINT 3 DURITE RACCORDEMENT 3	1	1	
30	6G5-24317-01	PIPE 7 DURITE 7	1	1	
31	90465-11M10	CLAMP BRIDE	2	2	
32	6E5-24378-00	PIPE, JOINT 3 DURITE, RACCORDEMENT 3	1	1	
33	6E5-24315-00	PIPE 5 DURITE 5	1	1	
34	90465-11M10	CLAMP BRIDE	2	2	
35	61A-24311-00	PIPE, FUEL 1 DURITE A ESSENCE	1	1	
36	90465-11M10	CLAMP BRIDE	1	1	
37	90465-11M10	CLAMP BRIDE	1	1	
38	61A-24500-00	FUEL COCK ASSY 1 ROBINET A ESSENCE	1	1	
39	90445-10M17	HOSE (L90) DURITE (L90)	1	1	
40	6E5-21744-00	BREATHER RENIFLARD	1	1	
41	90465-11M10	CLAMP BRIDE	2	2	
42	90445-10M34	HOSE (L550) DURITE (L550)	1	1	
43	90465-11M10	CLAMP BRIDE	2	2	
44	688-24378-00	PIPE, JOINT 4 DURITE RACCORDEMENT 4	1	1	
45	90445-10M17	HOSE (L90) DURITE (L90)	2	2	
46	90465-11M10	CLAMP BRIDE	2	2	
47	90465-11M10	CLAMP BRIDE	2	2	
48	6G5-24315-00	PIPE 5 DURITE 5	1	1	
49	6E5-24315-00	PIPE 5 DURITE 5	1	1	
50	90465-11M10	CLAMP BRIDE	4	4	
51	6E5-24410-03	FUEL PUMP ASSY POMPE A ESSENCE	3	3	
52	6E5-24444-00	.SCREW .VIS	3	3	
53	6E5-24413-00	.BODY 2 .CORPS 2	1	1	
54	6E5-24471-00	.DIAPHRAGM .DIAPHRAGME	1	1	

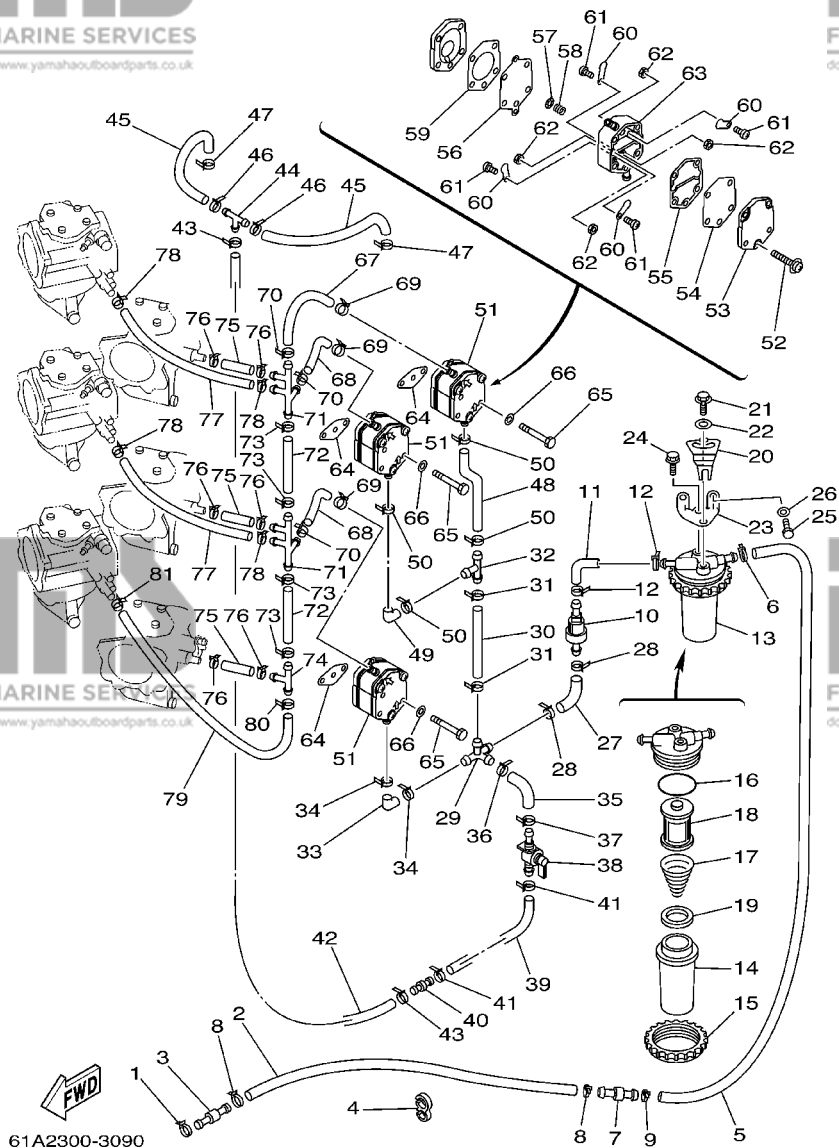
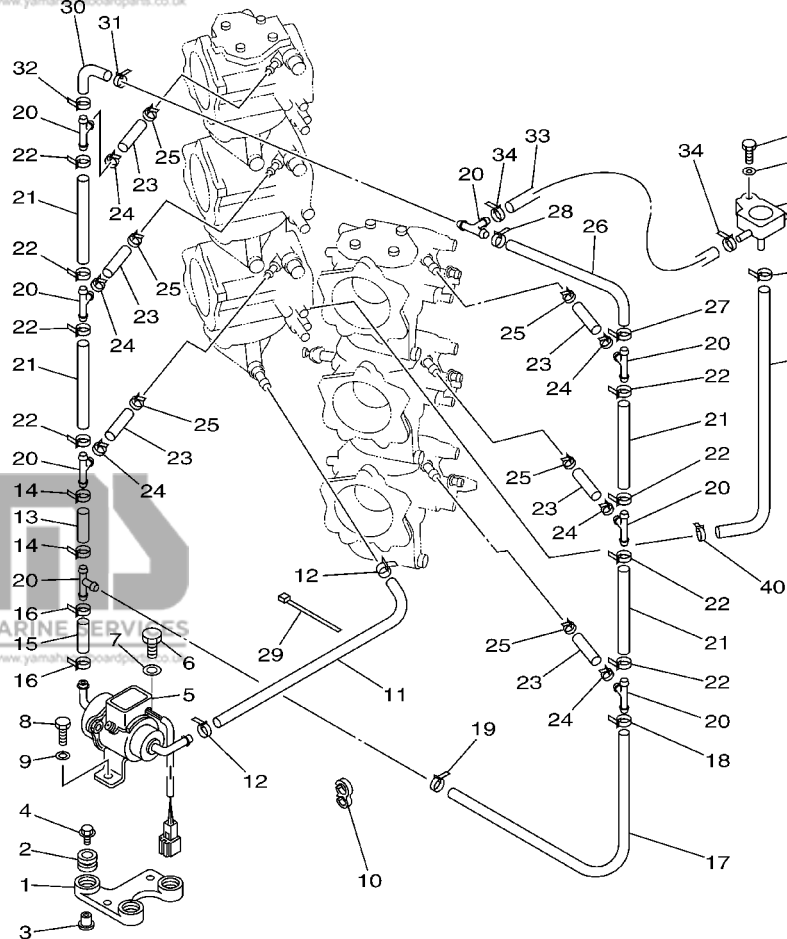


FIG. 9 FUEL 1

CARBURANT 1

REF. NO.	PART NO. NO. PIECES	DESCRIPTION DESCRIPTION	250A	L250	REMARKS REMARQUES
55	6E5-24435-00	.GASKET, BODY 2 .JOINT, CORPS 2	1	1	
56	6E5-24411-00	.DIAPHRAGM .DIAPHRAGME	1	1	
57	648-24424-00	.SEAT, SPRING .SIEGE, RESSORT	1	1	
58	6E5-24423-00	.SPRING, DIAPHRAGM .RESSORT, DIAPHRAGME	1	1	
59	6E5-24434-02	.GASKET, BODY .JOINT, CORPS	1	1	
60	6A0-24421-01	.VALVE, CHECK .SOUPAPE, RETENUE	4	4	
61	6A0-14325-00	.SCREW, PAN HEAD .VIS TETE CONIQUE	4	4	
62	95380-03600	.NUT .ECROU	4	4	
63	6E5-24412-10	.BODY 1 .CORPS 1	1	1	
64	650-24431-A0	GASKET, FUEL PUMP 1 JOINT 1 DE POMPE A ESSENCE	3	3	
65	97095-06050	BOLT BOULON	6	6	
66	92995-06600	WASHER RONDELLE	6	6	
67	6G5-24317-01	PIPE 7 DURITE 7	1	1	
68	90445-13M31	HOSE (L85) DURITE (L85)	2	2	
69	90465-11M10	CLAMP BRIDE	3	3	
70	90465-11M10	CLAMP BRIDE	3	3	
71	61A-24377-00	PIPE, JOINT 3 DURITE RACCORDEMENT 3	2	2	
72	90445-13M14	HOSE (L70) DURITE (L70)	2	2	
73	90465-11M10	CLAMP BRIDE	4	4	
74	6E5-24378-00	PIPE, JOINT 3 DURITE, RACCORDEMENT 3	1	1	
75	90445-13M02	HOSE (L40) DURITE (L40)	3	3	
76	90465-11M10	CLAMP BRIDE	6	6	
77	90445-13M12	HOSE (L235) DURITE (L235)	2	2	
78	90465-11M10	CLAMP BRIDE	4	4	
79	90445-13M11	HOSE (L300) DURITE (L300)	1	1	
80	90465-11M10	CLAMP BRIDE	1	1	
81	90465-11M10	CLAMP BRIDE	1	1	



61A0010-0100

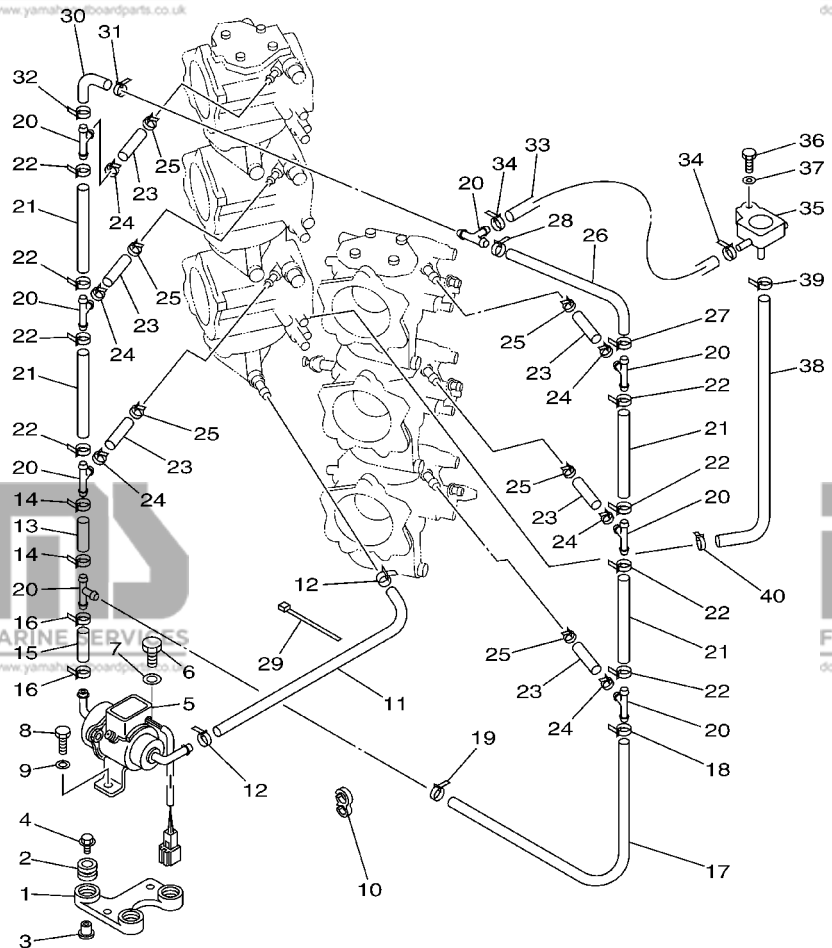
**FIG. 10 FUEL 2**

**CARBURANT 2**

REF. NO.	PART NO. NO. PIECES	DESCRIPTION DESCRIPTION	250A	L250	REMARKS REMARQUES
1	61A-24491-00-94	BRACKET, FUEL PUMP SUPPORT, POMPE A ESSENCE	1	1	
2	6A0-82317-00	DAMPER, IGNITION COIL AMORTISSEUR, BOBINE D'ALLUM	3	3	
3	624-42542-00	PIPE TUYAU	3	3	
4	90119-06M65	BOLT, WITH WASHER BOULON, AVEC RONDELLE	3	3	
5	61A-13910-01	FUEL PUMP ASSY POMPE A ESSENCE.COMPLET	1	1	
6	97095-08014	BOLT BOULON	1	1	
7	92995-08600	WASHER RONDELLE	1	1	
8	97095-06014	BOLT BOULON	1	1	
9	92995-06600	WASHER RONDELLE	1	1	
10	90464-13M34	CLAMP BRIDE	1	1	
11	6A4-24315-00	PIPE 5 DURITE 5	1	1	
12	90465-11M10	CLAMP BRIDE	2	2	
13	90445-10M31	HOSE (L45) DURITE (L45)	1	1	
14	90465-11M10	CLAMP BRIDE	2	2	
15	90445-10M14	HOSE (L30) DURITE (L30)	1	1	
16	90465-11M10	CLAMP BRIDE	2	2	
17	90445-10M40	HOSE (L330) DURITE (L330)	1	1	
18	90465-11M10	CLAMP BRIDE	1	1	
19	90465-11M10	CLAMP BRIDE	1	1	
20	688-24378-00	PIPE, JOINT 4 DURITE RACCORDEMENT 4	8	8	
21	90445-10M53	HOSE (L110) DURITE (L110)	4	4	
22	90465-11M10	CLAMP BRIDE	8	8	
23	61A-24316-00	PIPE 6 DURITE 6	6	6	
24	90465-11M10	CLAMP BRIDE	6	6	
25	90465-11M10	CLAMP BRIDE	6	6	
26	6A4-24315-00	PIPE 5 DURITE 5	1	1	
27	90465-11M10	CLAMP BRIDE	1	1	

**C7**





61A0010-0100

FIG. 10 FUEL 2

CARBURANT 2

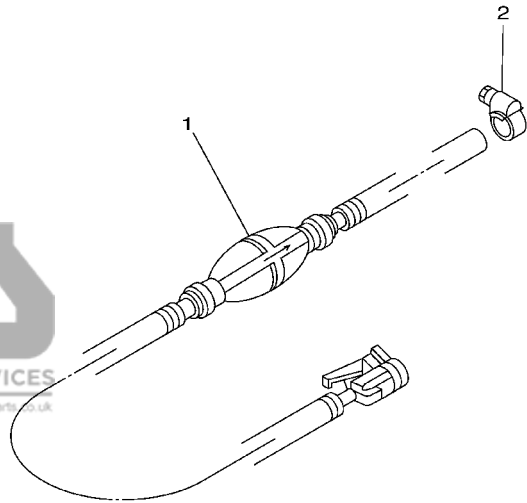
REF. NO.	PART NO. NO. PIECES	DESCRIPTION DESCRIPTION	250A	L250	REMARKS REMARQUES
28	90465-11M10	CLAMP BRIDE	1	1	
29	90464-11M24	CLAMP BRIDE	1	1	
30	90445-10M16	HOSE (L120) DURITE (L120)	1	1	
31	90465-11M10	CLAMP BRIDE	1	1	
32	90465-11M10	CLAMP BRIDE	1	1	
33	61A-24315-00	PIPE 5 DURITE 5	1	1	
34	90465-11M10	CLAMP BRIDE	2	2	
35	61A-24470-01	FUEL REGULATOR.ASSY REGULATEUR D'ESSENCE CPLT	1	1	
36	97095-06035	BOLT BOULON	1	1	
37	92995-06600	WASHER RONDELLE	1	1	
38	90445-10M92	HOSE (L450) DURITE (L450)	1	1	
39	90465-11M10	CLAMP BRIDE	1	1	
40	90465-11M10	CLAMP BRIDE	1	1	

D1

**FIG. 11 FUEL 3**

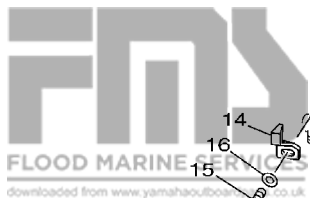
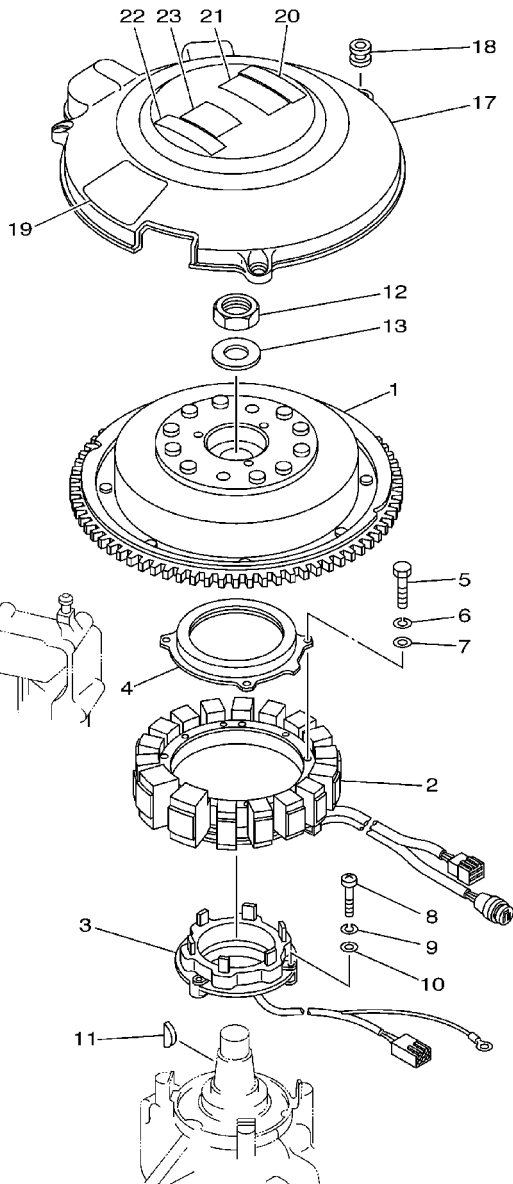
**CARBURANT 3**

REF. NO.	PART NO. NO. PIECES	DESCRIPTION DESCRIPTION	250A	L250	REMARKS REMARQUES
1	<a href="#">6YK-24307-42</a>	FUEL PIPE COMP. 2 DURITE A ESSENCE 2	1	1	AP
2	<a href="#">90450-10M07</a>	HOSE CLAMP ASSY BRIDE, DE DURITE	1	1	AP



68J1100-2140

**D2**



61A1300-2120

FIG. 12 GENERATOR

GENERATRICE

REF. NO.	PART NO. NO. PIECES	DESCRIPTION DESCRIPTION	250A	L250	REMARKS REMARQUES
1	<a href="#">61A-85550-01</a>	ROTOR ASSY ROTOR CPLT	1	1	
2	<a href="#">65L-85510-10</a>	STATOR ASSY STATOR CPLT	1	1	
3	<a href="#">61A-85580-01</a>	COIL, PULSER BOBINE, PULSEUR	1	1	
4	<a href="#">61A-83721-00</a>	COVER COUVERCLE	1	1	
5	<a href="#">97013-06035</a>	BOLT BOULON	4	4	
6	<a href="#">92903-06100</a>	WASHER, SPRING RONDELLE, GROWER	4	4	
7	<a href="#">92903-06600</a>	WASHER, PLATE RONDELLE, PLATE	4	4	
8	<a href="#">97885-05030</a>	SCREW, PAN HEAD VIS, A ENCOCHE	3	3	
9	<a href="#">92995-05100</a>	WASHER RONDELLE	3	3	
10	<a href="#">92995-05600</a>	WASHER RONDELLE	3	3	
11	<a href="#">90280-05015</a>	KEY, WOODRUFF CLAVETTE, DEMI-LUNE	1	1	
12	<a href="#">90170-24M22</a>	NUT ECROU	1	1	
13	<a href="#">90201-25M02</a>	WASHER, PLATE RONDELLE, PLATE	1	1	
14	<a href="#">6E5-81332-00</a>	PLATE, TIMING PLATEAU, ALLUMAGE	1	1	
15	<a href="#">97885-06010</a>	SCREW, PAN HEAD VIS, A ENCOCHE	1	1	
16	<a href="#">92995-06600</a>	WASHER RONDELLE	1	1	
17	<a href="#">61A-81337-01</a>	COVER, FLYWHEEL COUVERCLE, VOLANT	1	1	
18	<a href="#">663-82317-01</a>	DAMPER, IGNITION COIL AMORTISSEUR, BOBINE D'ALLUM	3	3	
19	<a href="#">61A-14488-00</a>	LABEL, CAUTION ETIQUETTE, RECOMMANDATION	1	1	
20	<a href="#">6A1-83625-41</a>	MARK 5 ETIQUETTE 5	1	1	
21	<a href="#">6A1-83625-51</a>	MARK 5 ETIQUETTE 5	1	1	
22	<a href="#">6K1-83623-41</a>	MARK 3 ETIQUETTE 3		1	
23	<a href="#">6K1-83623-50</a>	MARK 3 ETIQUETTE 3		1	



D3

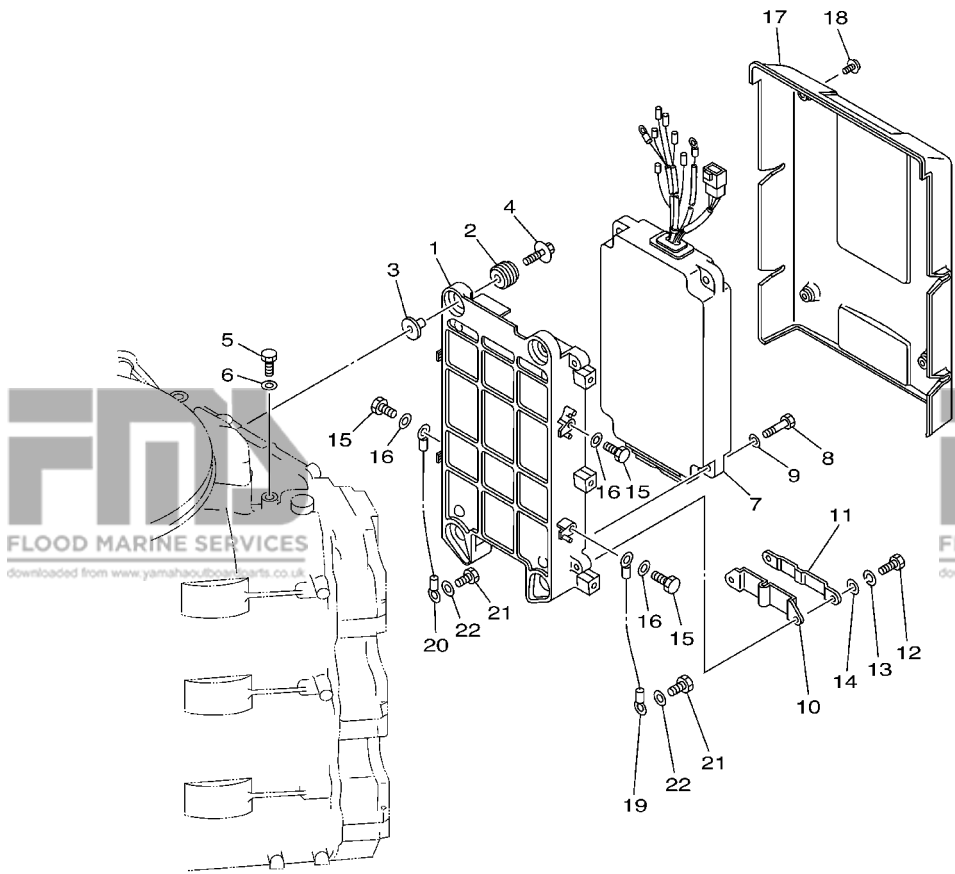




FIG. 13 ELECTRICAL 1

PARTIE ELECTRIQUE 1

REF. NO.	PART NO. NO. PIECES	DESCRIPTION DESCRIPTION	250A	L250	REMARKS REMARQUES
1	<a href="#">61A-85542-01-94</a>	BRACKET SUPPORT	1	1	
2	<a href="#">90480-09M12</a>	GROMMET PASSE-FIL	4	4	
3	<a href="#">90387-06M03</a>	COLLAR COLLERETTE	4	4	
4	<a href="#">90119-06M28</a>	BOLT, WITH WASHER BOULON, AVEC RONDELLE	4	4	
5	<a href="#">97013-06016</a>	BOLT BOULON	1	1	
6	<a href="#">92903-06600</a>	WASHER, PLATE RONDELLE, PLATE	1	1	
7	<a href="#">62J-85540-02</a>	C.D.I. UNIT ASSY BLOC C.D.I.	1	1	
8	<a href="#">97013-06025</a>	BOLT BOULON	4	4	
9	<a href="#">92903-06600</a>	WASHER, PLATE RONDELLE, PLATE	4	4	
10	<a href="#">61A-85548-00</a>	HOLDER SUPPORT	1	1	
11	<a href="#">61A-85525-00</a>	COVER CAPUCHON	1	1	
12	<a href="#">97095-06016</a>	BOLT BOULON	2	2	
13	<a href="#">92995-06100</a>	WASHER, SPRING RONDELLE, GROWER	2	2	
14	<a href="#">92995-06600</a>	WASHER RONDELLE	2	2	
15	<a href="#">97013-06014</a>	BOLT BOULON	4	4	
16	<a href="#">92903-06600</a>	WASHER, PLATE RONDELLE, PLATE	4	4	
17	<a href="#">61A-85537-00</a>	COVER COUVERCLE	1	1	
18	<a href="#">90159-06M03</a>	SCREW, WITH WASHER VIS, AVEC RONDELLE	4	4	
19	<a href="#">61A-82519-00</a>	WIRE, EARTH LEAD FIL, MASSE	1	1	
20	<a href="#">6G0-82519-00</a>	WIRE, EARTH LEAD FIL, MASSE	1	1	
21	<a href="#">97095-06012</a>	BOLT BOULON	2	2	
22	<a href="#">92995-06600</a>	WASHER RONDELLE	2	2	

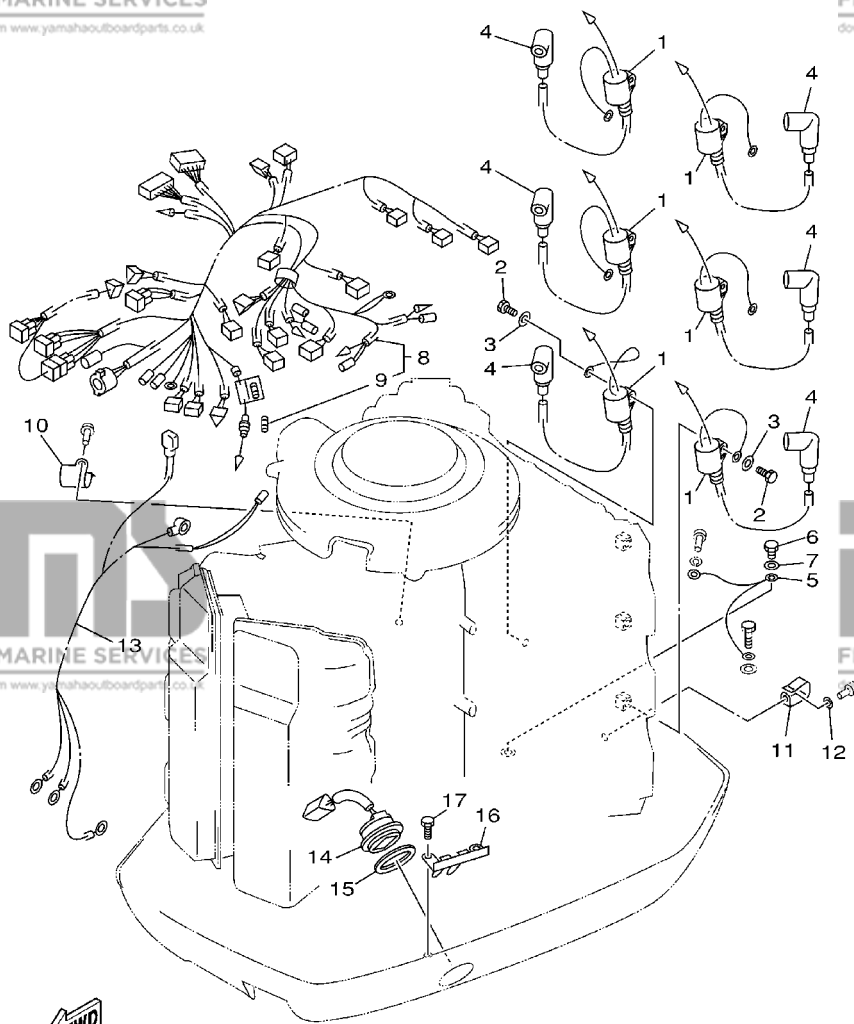


61A0010-0121

FIG. 14 ELECTRICAL 2

PARTIE ELECTRIQUE 2

REF. NO.	PART NO. NO. PIECES	DESCRIPTION DESCRIPTION	250A	L250	REMARKS REMARQUES
1	<a href="#">61A-85570-00</a>	IGNITION COIL ASSY BOBINE D'ALLUMAGE (ENS.)	6	6	
2	<a href="#">97013-06020</a>	BOLT BOULON	6	6	
3	<a href="#">92903-06600</a>	WASHER, PLATE RONDELLE, PLATE	6	6	
4	<a href="#">6E3-82370-21</a>	PLUG CAP ASSY ANTIPARASITE	6	6	
5	<a href="#">61A-82531-00</a>	WIRE, LEAD FIL	1	1	
6	<a href="#">97095-06012</a>	BOLT BOULON	1	1	
7	<a href="#">92995-06600</a>	WASHER RONDELLE	1	1	
8	<a href="#">61A-82590-10</a>	WIRE HARNESS ASSY FAISCEAU DE FILS COMPLET	1	1	
9	<a href="#">663-82151-00</a>	.FUSE (12V-20A) .FUSIBLE (12V-20A)	1	1	
10	<a href="#">90465-08M89</a>	CLAMP BRIDE	1	1	
11	<a href="#">90465-05M87</a>	CLAMP BRIDE	1	1	
12	<a href="#">92903-06600</a>	WASHER, PLATE RONDELLE, PLATE	1	1	
13	<a href="#">61A-82105-00</a>	WIRE HARNESS FAISCEAU DE FILS	1	1	
14	<a href="#">61A-82563-00</a>	TRIM & TILT SWITCH ASSY INCLINER ET PARER COMMUTATEUR	1	1	
15	<a href="#">6E5-82587-00</a>	GASKET JOINT	1	1	
16	<a href="#">61A-83614-00</a>	BRACKET SUPPORT	1	1	
17	<a href="#">97095-06012</a>	BOLT BOULON	2	2	



61A0010-1130

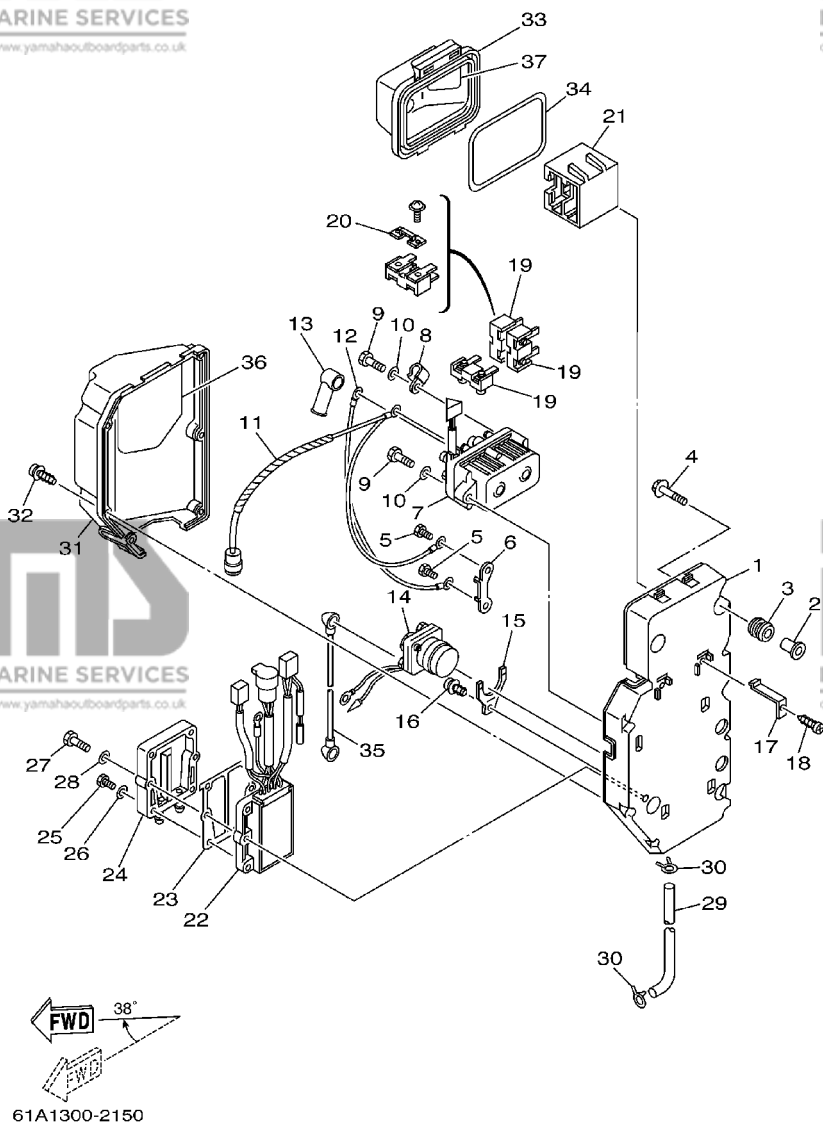


FIG. 15 ELECTRICAL 3

PARTIE ELECTRIQUE 3

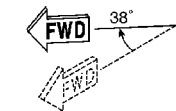
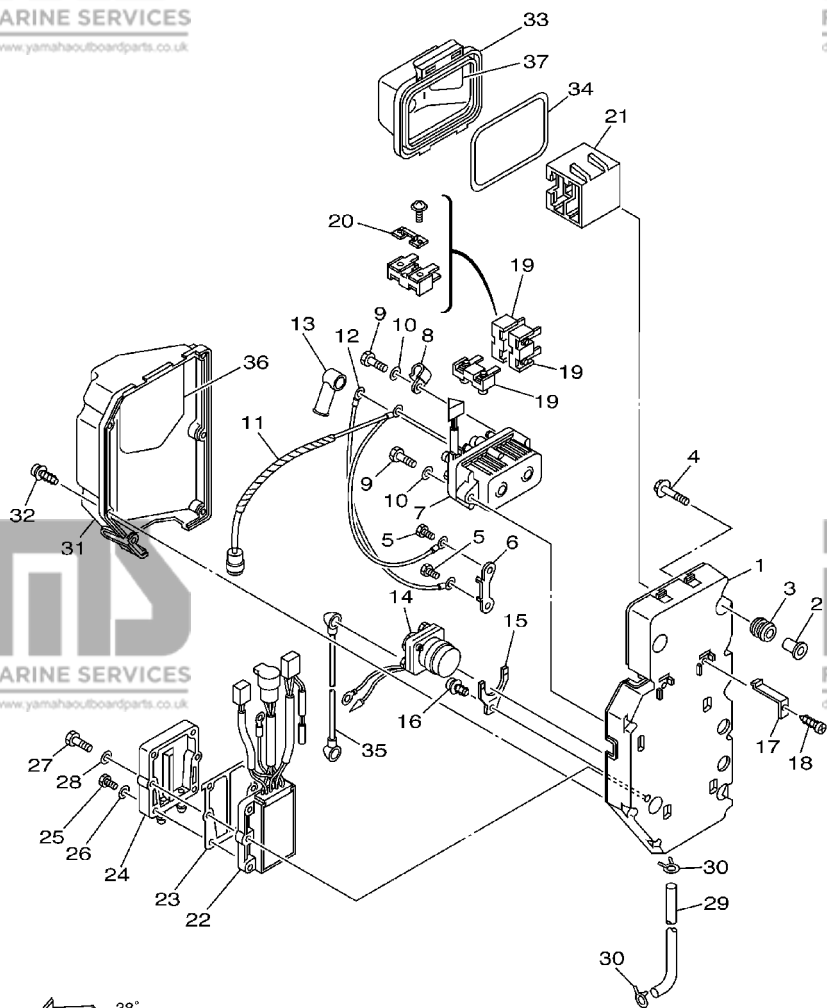
REF. NO.	PART NO. NO. PIECES	DESCRIPTION DESCRIPTION	250A	L250	REMARKS REMARQUES
1	61A-81948-00	BRACKET JOINT TORIQUE	1	1	
2	624-42542-00	PIPE TUYAU	4	4	
3	6A0-82317-00	DAMPER, IGNITION COIL AMORTISSEUR, BOBINE D'ALLUM	4	4	
4	90119-06M65	BOLT, WITH WASHER BOULON, AVEC RONDELLE	4	4	
5	97013-06014	BOLT BOULON	2	2	
6	61A-87149-00	CONNECTOR RACCORD	1	1	
7	61A-81950-00	RELAY ASSY RELAIS COMPLET	1	1	
8	90465-06M86	CLAMP BRIDE	1	1	
9	97013-06030	BOLT BOULON	2	2	
10	92903-06600	WASHER, PLATE RONDELLE, PLATE	2	2	
11	61A-81949-10	WIRE, LEAD FIL	1	1	
12	61A-81949-00	WIRE, LEAD FIL	1	1	
13	6G5-82119-00	COVER, LEAD WIRE GARNITURE, FIL	1	1	
14	61A-81941-00	STARTER RELAY ASSY LANCEUR RELAIS (ENS.)	1	1	
15	61A-81952-00	HOLDER, RELAY SUPPORT, RELAIS	1	1	
16	97780-50612	SCREW, TAPPING VIS, TETE BOMBEE	1	1	
17	61A-82171-00	STAY, FUSE BOX SUPPORT, BOITE A FUSIBLES	2	2	
18	97780-50612	SCREW, TAPPING VIS, TETE BOMBEE	2	2	
19	61A-82150-00	FUSE HOLDER ASSY SUPPORT DE FUSIBLE	3	3	
20	61A-82151-00	.FUSE (12V-80A) .FUSIBLE (12V-80A)	1	1	
21	61A-82153-00	STAY, FUSE HOLDER SUPPORT, PORTE-FUSIBLE	1	1	
22	61A-81960-02	RECTIFIER & REGULATOR ASSY REDRESSEUR REGULATEUR CPLT	1	1	
23	69J-81975-A0	PLATE, RECTIFIER FITTING PLAQUE, FIXATION DU REDRESSEUR	1	1	
24	69J-81972-01-1S	COVER, RECTIFIER COUVERCLE, REDRESSEUR	1	1	
25	97013-06025	BOLT BOULON	4	4	
26	92903-06600	WASHER, PLATE RONDELLE, PLATE	4	4	
27	97013-06030	BOLT BOULON	2	2	

D6

FIG. 15 ELECTRICAL 3

PARTIE ELECTRIQUE 3

REF. NO.	PART NO. NO. PIECES	DESCRIPTION DESCRIPTION	250A	L250	REMARKS REMARQUES
28	92903-06600	WASHER, PLATE RONDELLE, PLATE	2	2	
29	61A-24314-00	PIPE 4 DURITE 4	1	1	
30	90467-08004	CLIP JONC	2	2	
31	61A-81942-00	COVER COUVERCLE	1	1	
32	90169-05M00	SCREW, TRUSS HEAD TAPPING VIS, TETE FRAISEE	6	6	
33	61A-82154-01	CASE CAISSE	1	1	
34	61A-82176-00	DAMPER AMORTISSEUR	1	1	
35	61A-82117-00	WIRE, LEAD FIL	1	1	
36	61A-81919-41	GRAPHIC, REGULATOR ADHESIF, REGULATEUR	1	1	
37	61A-81919-00	GRAPHIC, REGULATOR ADHESIF, REGULATEUR	1	1	



61A1300-2150

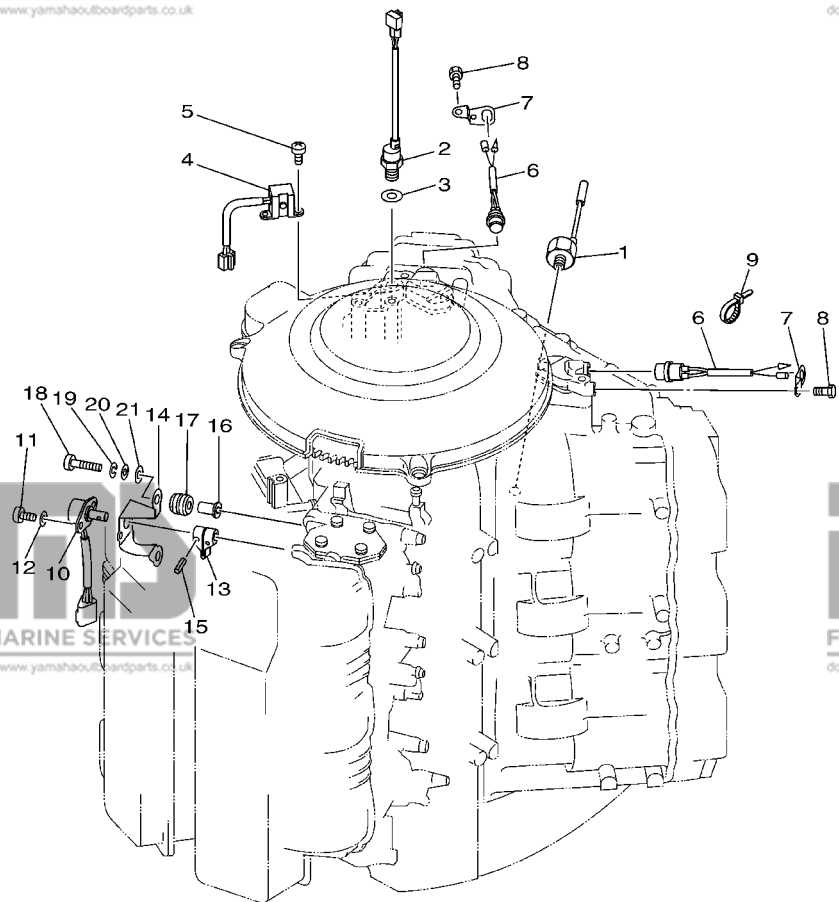


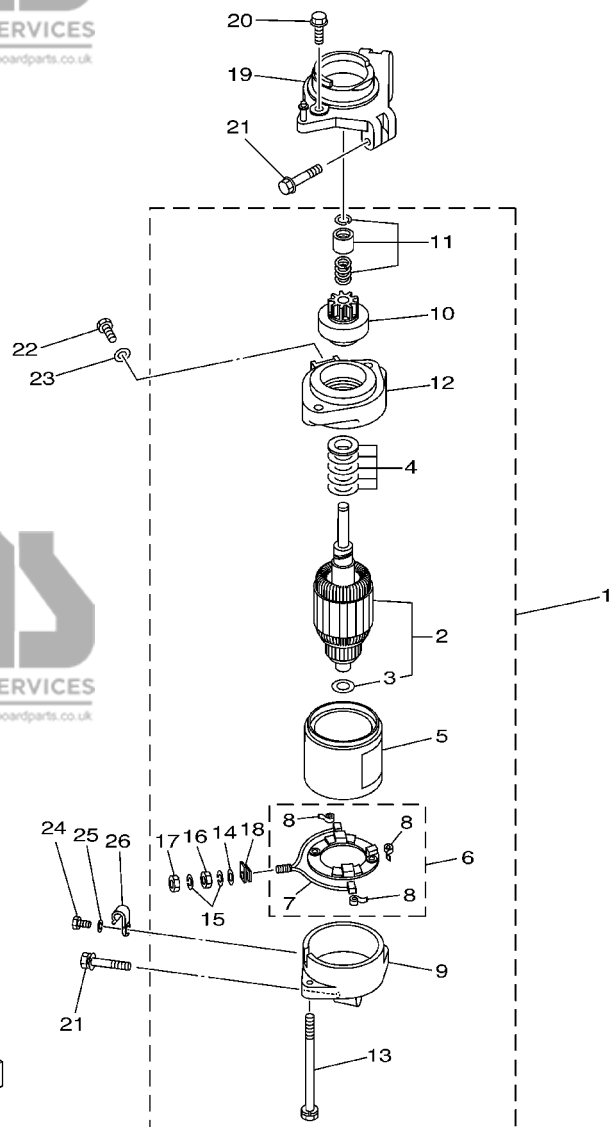
FIG. 16 ELECTRICAL 4

PARTIE ELECTRIQUE 4

REF. NO.	PART NO. NO. PIECES	DESCRIPTION DESCRIPTION	250A	L250	REMARKS REMARQUES
1	61A-85780-00	SENSOR, KNOCK SONDE DE COGNEMENT	1	1	
2	61A-85790-00	THERMOSENSOR ASSY SENSITOMETRE	1	1	
3	92990-10600	WASHER, PLATE RONDELLE, PLATE	1	1	
4	61A-85895-00	CRANK POSITION SENDER SONDE, REGLAGE DE VILEBREQUIN	1	1	
5	97885-05012	SCREW, PAN HEAD VIS, A ENCOCHE	2	2	
6	61A-82560-00	THERMO SWITCH ASSY THERMO-CONTACT COMPLET	2	2	
7	61A-8252U-00	COVER COUVERCLE	2	2	
8	97080-06012	BOLT BOULON	2	2	
9	90465-11M10	CLAMP BRIDE	2	2	
10	61A-85885-00	THROTTLE SENSOR ASSY SENSITOMETRE, (ENS.)	1	1	
11	97885-05010	SCREW, PAN HEAD VIS, A ENCOCHE	2	2	
12	92995-05600	WASHER RONDELLE	2	2	
13	6K7-14573-00	LEVER LEVIER	1	1	
14	61A-85886-00	BRACKET SUPPORT	1	1	
15	91690-30016	PIN, SPRING AGRAFFE	1	1	
16	90387-05M00	COLLAR COLLERETTE	2	2	
17	90480-10M23	GROMMET PASSE-FIL	2	2	
18	97885-05025	SCREW, PAN HEAD VIS, A ENCOCHE	2	2	
19	92995-05100	WASHER RONDELLE	2	2	
20	92995-05600	WASHER RONDELLE	2	2	
21	90201-05M03	WASHER, PLATE RONDELLE, PLATE	2	2	



61A0010-0150



66X2100-3160

**FIG. 17 STARTING MOTOR**

**DEMARREUR ELECTRIQUE**

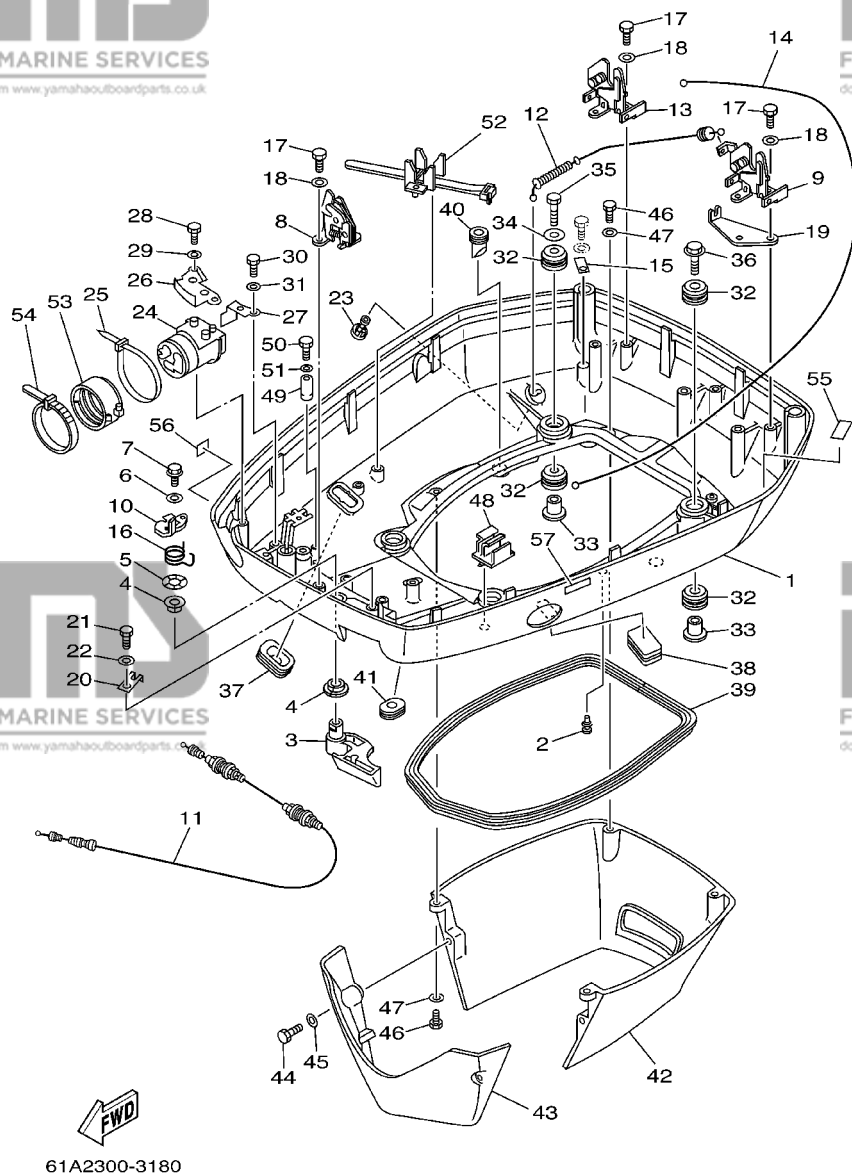
REF. NO.	PART NO. NO. PIECES	DESCRIPTION DESCRIPTION	250A	L250	REMARKS REMARQUES
1	<a href="#">69L-81800-00</a>	STARTING MOTOR ASSY DEMARREUR ELECTRIQUE COMPLET	1	1	
2	<a href="#">61A-81850-01</a>	.ARMATURE ASSY .INDUIT	1	1	
3	<a href="#">61A-81824-00</a>	.WASHER 2 .RONDELLE 2	1	1	
4	<a href="#">61A-81809-00</a>	.WASHER KIT .JEU DE RONDELLES	1	1	
5	<a href="#">6K7-81810-00</a>	.STATOR ASSY .STATOR COMPLET	1	1	
6	<a href="#">61A-81840-00</a>	.BRUSH HOLDER ASSY .SUPPORT DE CHARBON	1	1	
7	<a href="#">6K7-81801-10</a>	.BRUSH SET .CHARBON	1	1	
8	<a href="#">6E5-81813-10</a>	.SPRING, BRUSH .RESSORT, DE CHARBON	3	3	
9	<a href="#">61A-81820-00</a>	.REAR BRACKET ASSY .SUPPORT ARRIERE COMPLET	1	1	
10	<a href="#">61A-81807-00</a>	.GEAR ASSY, STARTING MOTOR .PIGNON, DEMARREUR ELECTRIQUE	1	1	
11	<a href="#">61H-81857-00</a>	.RETAINER .ARRETOIR	1	1	
12	<a href="#">61A-81830-00</a>	.FRONT BRACKET ASSY .SUPPORT AVANT	1	1	
13	<a href="#">6K7-81826-10</a>	.BOLT .BOULON	2	2	
14	<a href="#">6E5-8182E-10</a>	.WASHER .RONDELLE	1	1	
15	<a href="#">6E5-8182F-10</a>	.WASHER .RONDELLE	2	2	
16	<a href="#">6E5-8182A-10</a>	.NUT .ECROU	1	1	
17	<a href="#">6E5-8182K-10</a>	.NUT .ECROU	1	1	
18	<a href="#">6K7-8182G-10</a>	.BUSH, TERMINAL .DOUILLE	1	1	
19	<a href="#">61A-81822-00-94</a>	BRACKET, STARTING MOTOR SUPPORT, DEMARREUR ELECTRIQUE	1	1	
20	<a href="#">90119-08M76</a>	BOLT, WITH WASHER BOULON, AVEC RONDELLE	2	2	
21	<a href="#">90119-08M77</a>	BOLT, WITH WASHER BOULON, AVEC RONDELLE	3	3	
22	<a href="#">97095-08016</a>	BOLT BOULON	1	1	
23	<a href="#">92995-08600</a>	WASHER RONDELLE	1	1	
24	<a href="#">97095-06012</a>	BOLT BOULON	1	1	
25	<a href="#">92995-06600</a>	WASHER RONDELLE	1	1	
26	<a href="#">90465-06M86</a>	CLAMP BRIDE	1	1	

**E2**



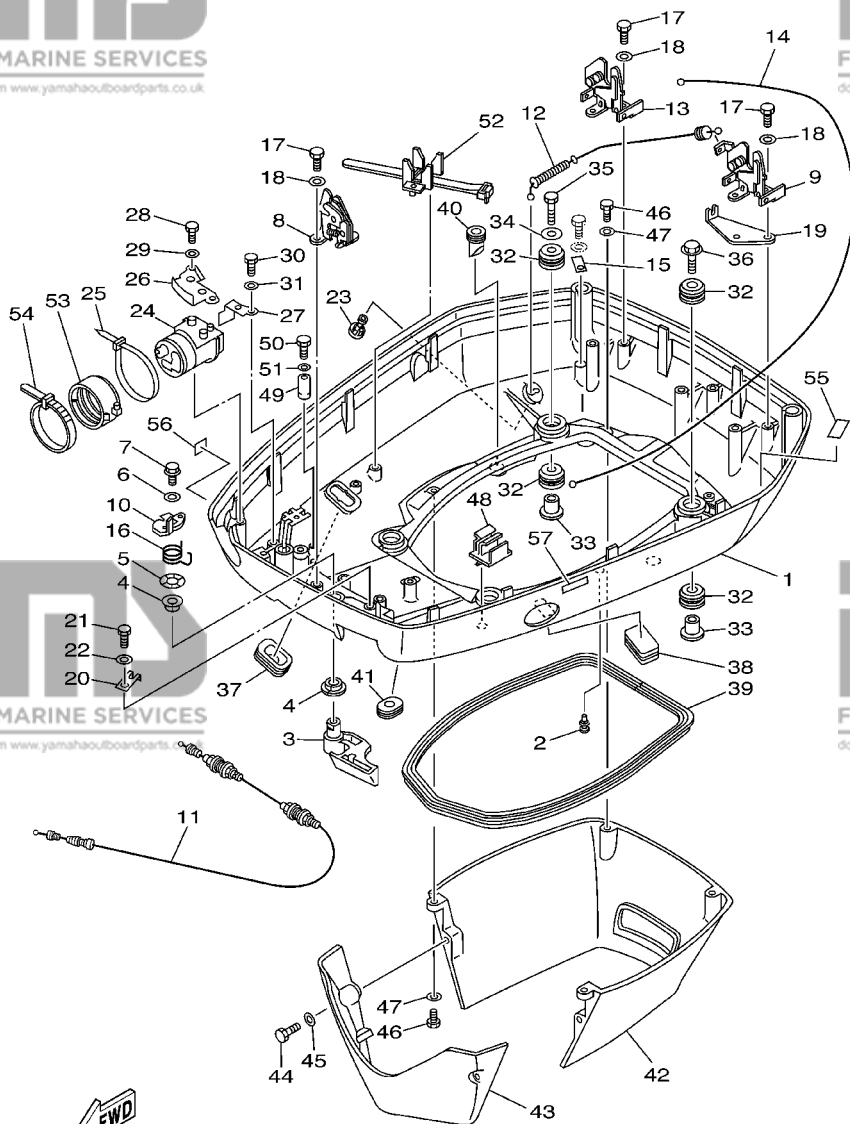
**FIG. 18 BOTTOM COWLING**

**CAPOT INFERIEUR**



REF. NO.	PART NO. NO. PIECES	DESCRIPTION DESCRIPTION	250A	L250	REMARKS REMARQUES
1	<a href="#">61A-42711-05-8D</a>	COWLING, BOTTOM CUVETTE	1	1	
2	<a href="#">90480-06M19</a>	GROMMET PASSE-FIL	1	1	
3	<a href="#">61A-42815-01-8D</a>	LEVER, CLAMP LEVIER, PRESSE	1	1	
4	<a href="#">90386-13M88</a>	BUSH DOUILLE	2	2	
5	<a href="#">90206-13M10</a>	WASHER, WAVE RONDELLE, ONDULEE	1	1	
6	<a href="#">90201-06M30</a>	WASHER, PLATE RONDELLE, PLATE	1	1	
7	<a href="#">90109-06M50</a>	BOLT BOULON	1	1	
8	<a href="#">6R3-42824-00</a>	BASE, CLAMP LEVER BASE, BIRDE LEVIER	1	1	
9	<a href="#">6R3-42811-01</a>	STAY SUPPORT	1	1	
10	<a href="#">6R3-42816-00</a>	LEVER, CLAMP LEVIER, PRESSE	1	1	
11	<a href="#">6R3-42850-10</a>	WIRE COMPLETE FIL COMPLET	1	1	
12	<a href="#">61A-42850-01</a>	WIRE COMPLETE FIL COMPLET	1	1	
13	<a href="#">6R3-42811-10</a>	STAY SUPPORT	1	1	
14	<a href="#">61A-42850-20</a>	WIRE COMPLETE FIL COMPLET	1	1	
15	<a href="#">682-44117-00</a>	BRACKET SUPPORT	1	1	
16	<a href="#">6R3-42813-00</a>	SPRING, CLAMP LEVER RESSORT	1	1	
17	<a href="#">97095-06016</a>	BOLT BOULON	6	6	
18	<a href="#">92995-06600</a>	WASHER RONDELLE	6	6	
19	<a href="#">6N7-42828-00</a>	PLATE, CLAMP PLAQUE, PRESSE	1	1	
20	<a href="#">6R3-42828-00</a>	PLATE, CLAMP PLAQUE, PRESSE	1	1	
21	<a href="#">97095-06010</a>	BOLT BOULON	1	1	
22	<a href="#">92995-06600</a>	WASHER RONDELLE	1	1	
23	<a href="#">6E5-44391-00</a>	NIPPLE, HOSE RACCORD D'ESSENCE	1	1	
24	<a href="#">61A-42725-31</a>	GROMMET PASSE-FIL	1	1	
25	<a href="#">90465-13M30</a>	CLAMP BRIDE	1	1	
26	<a href="#">61A-42738-02-5B</a>	PLATE, FITTING ETRIER	1	1	
27	<a href="#">64D-42738-10-5B</a>	PLATE, FITTING ETRIER	1	1	

**E3**



61A2300-3180

**FIG. 18 BOTTOM COWLING**

**CAPOT INFERIEUR**

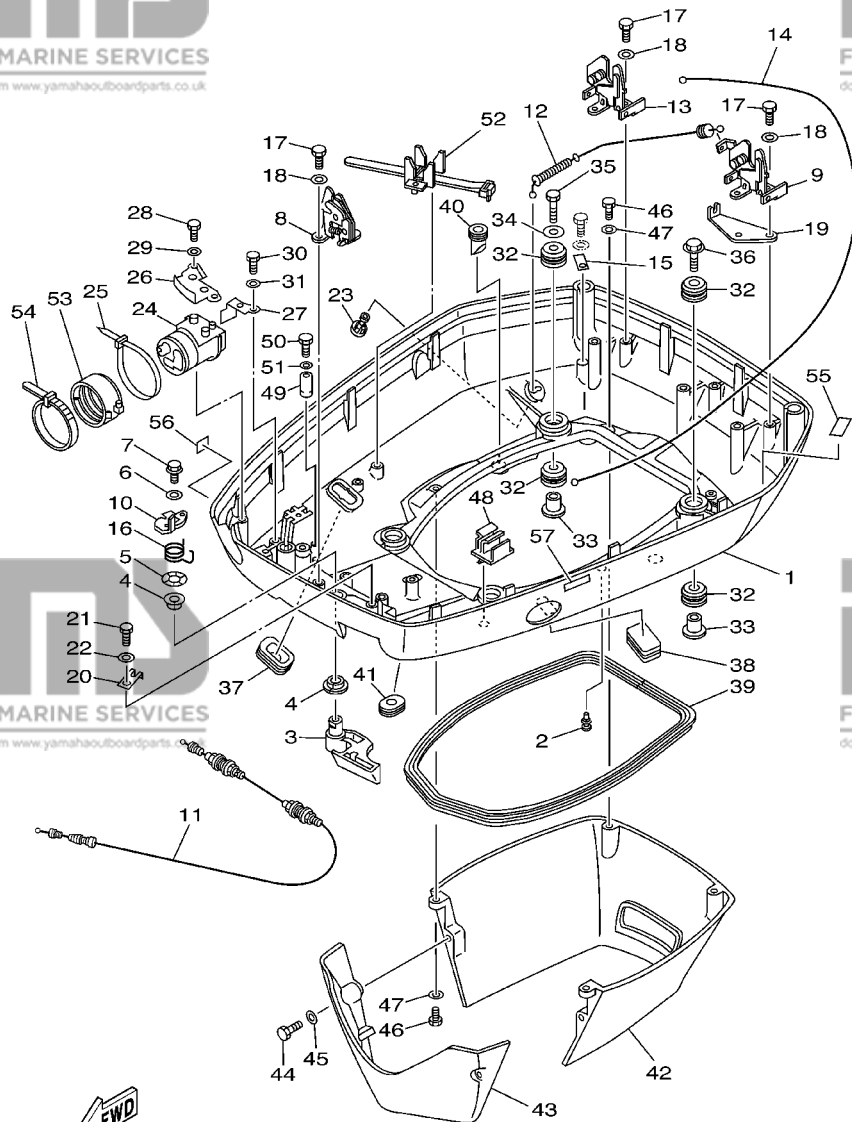
REF. NO.	PART NO. NO. PIECES	DESCRIPTION DESCRIPTION	250A	L250	REMARKS REMARQUES
28	97095-06016	BOLT BOULON	2	2	
29	92995-06600	WASHER RONDELLE	2	2	
30	97095-06012	BOLT BOULON	1	1	
31	92995-06600	WASHER RONDELLE	1	1	
32	90480-22M81	GROMMET PASSE-FIL	8	8	
33	90387-08M37	COLLAR COLLERETTE	4	4	
34	90201-08M54	WASHER, PLATE RONDELLE, PLATE	1	1	
35	97075-08035	BOLT BOULON	1	1	
36	90119-08M22	BOLT, WITH WASHER BOULON, AVEC RONDELLE	3	3	
37	688-42726-10	GROMMET PASSE-FIL	1	1	
38	6H4-42726-00	GROMMET PASSE-FIL	1	1	
39	61A-42716-00	RUBBER, SEAL 1 JOINT EN CAOUTCHOUC 1	1	1	
40	61A-42717-00	RUBBER, SEAL 2 JOINT EN CAOUTCHOUC 2	4	4	
41	61A-42727-00	GROMMET PASSE-FIL	1	1	
42	61A-42741-01-8D	APRON CAPOT LATERAL	1	1	
43	61A-42771-01-8D	APRON CAPOT LATERAL	1	1	
44	97095-06030	BOLT BOULON	2	2	
45	92995-06600	WASHER RONDELLE	2	2	
46	97095-06020	BOLT BOULON	4	4	
47	92995-06600	WASHER RONDELLE	4	4	
48	6E5-82594-00	CLAMP BRIDE	1	1	
49	6E5-82588-00	PLATE PLAQUE	1	1	
50	97095-06020	BOLT BOULON	1	1	
51	92995-06600	WASHER RONDELLE	1	1	
52	688-82594-00	CLAMP BRIDE	1	1	
53	68F-42753-00	FASTNER ATTACHE	1	1	
54	90464-20258	CLAMP BRIDE	1	1	



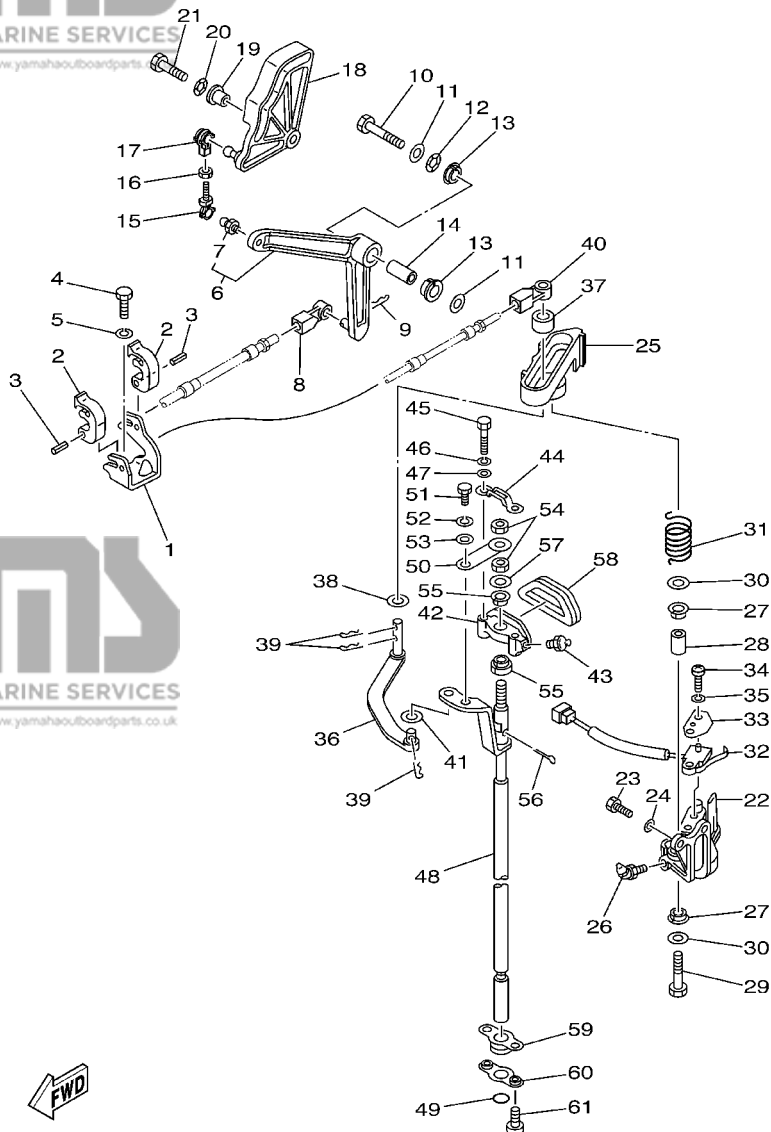
**FIG. 18 BOTTOM COWLING**

**CAPOT INFERIEUR**

REF. NO.	PART NO. NO. PIECES	DESCRIPTION DESCRIPTION	250A	L250	REMARKS REMARQUES
55	<a href="#">6G5-42791-10</a>	MARK 1 ETIQUETTE 1	1	1	
56	<a href="#">6A1-28176-00</a>	LABEL, CAUTION ETIQUETTE, RECOMMANDATION	1	1	
57	<a href="#">6E3-8257H-00</a>	PLATE, MARK PLAQUE, ADHESIF	1	1	



61A2300-3180



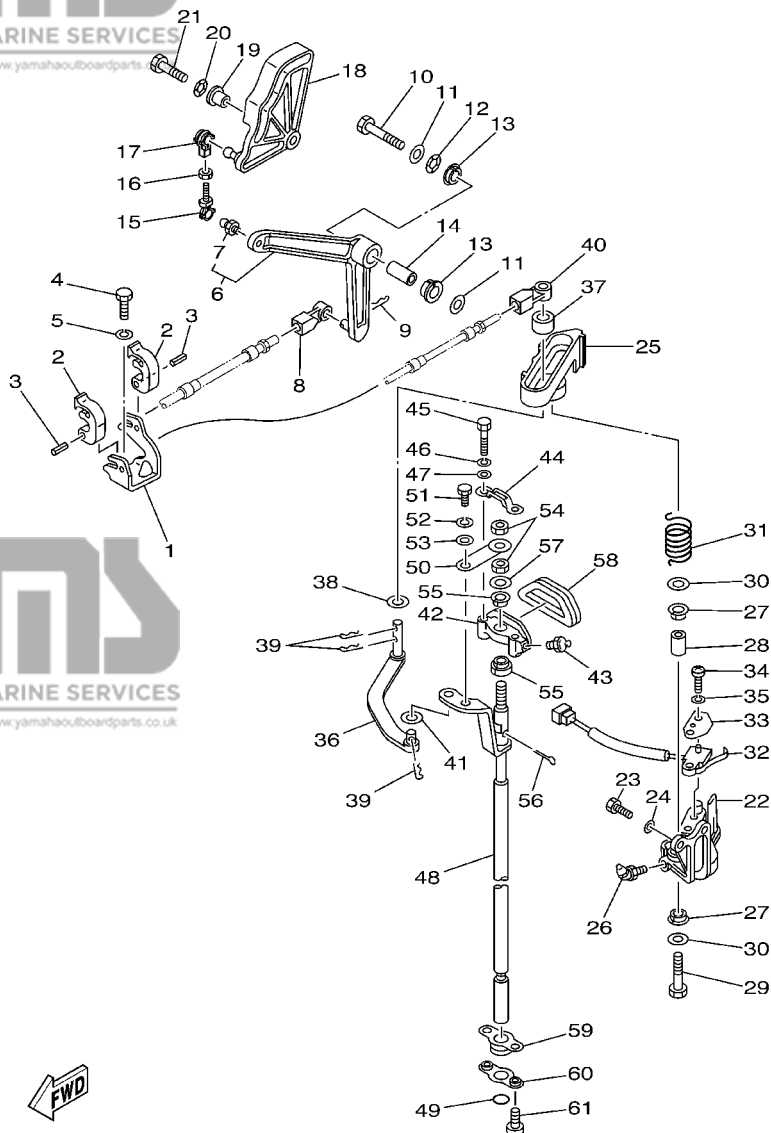
61A2300-3190

FIG. 19 CONTROL

COMMANDE

REF. NO.	PART NO. NO. PIECES	DESCRIPTION DESCRIPTION	250A	L250	REMARKS REMARQUES
1	<a href="#">61A-48531-00</a>	BRACKET, REMOTE CONTROL 1 ETRIER 1, COMMANDE A DISTANCE	1	1	
2	<a href="#">6E5-48538-00</a>	CLAMP, CABLE COLLIER	2	2	
3	<a href="#">91690-30012</a>	PIN, SPRING AGRAFFE	2	2	
4	<a href="#">97095-08020</a>	BOLT BOULON	1	1	
5	<a href="#">92995-08100</a>	WASHER RONDELLE	1	1	
6	<a href="#">61A-41632-00-1S</a>	LEVER, MAGNETO CONTROL LEVIER, COMMANDE D'AVANCE	1	1	
7	<a href="#">663-85518-00</a>	.JOINT, BALL .JOINT SPHERIQUE	1	1	
8	<a href="#">6E5-48344-00</a>	CABLE END, REMOTE CONTROL CHAPE CABLE	1	1	
9	<a href="#">90468-18008</a>	CLIP JONC	1	1	
10	<a href="#">97013-08045</a>	BOLT BOULON	1	1	
11	<a href="#">92990-08200</a>	WASHER, PLAIN RONDELLE, PLATE	2	2	
12	<a href="#">90206-12M00</a>	WASHER, WAVE RONDELLE, ONDULEE	1	1	
13	<a href="#">90386-12069</a>	BUSH DOUILLE	2	2	
14	<a href="#">90387-08M16</a>	COLLAR COLLERETTE	1	1	
15	<a href="#">6G5-41211-01</a>	LINK, ACCEL. BIELLETTTE, ACCELERATION	1	1	
16	<a href="#">95380-05600</a>	NUT ECROU	1	1	
17	<a href="#">6H4-41237-00</a>	JOINT, LINK RACCORD	1	1	
18	<a href="#">61A-41213-00</a>	CAM, ACCEL. CAME, ACCELERATION	1	1	
19	<a href="#">90387-06M29</a>	COLLAR COLLERETTE	1	1	
20	<a href="#">90206-10M04</a>	WASHER, WAVE RONDELLE, ONDULEE	1	1	
21	<a href="#">97095-06025</a>	BOLT BOULON	1	1	
22	<a href="#">61A-44117-01-1S</a>	BRACKET SUPPORT	1	1	
23	<a href="#">97095-06016</a>	BOLT BOULON	2	2	
24	<a href="#">92995-06600</a>	WASHER RONDELLE	2	2	
25	<a href="#">61A-44176-00-1S</a>	BRACKET SUPPORT	1	1	
26	<a href="#">93700-06M01</a>	NIPPLE, GREASE PION	1	1	
27	<a href="#">90386-12069</a>	BUSH DOUILLE	2	2	

**E6**



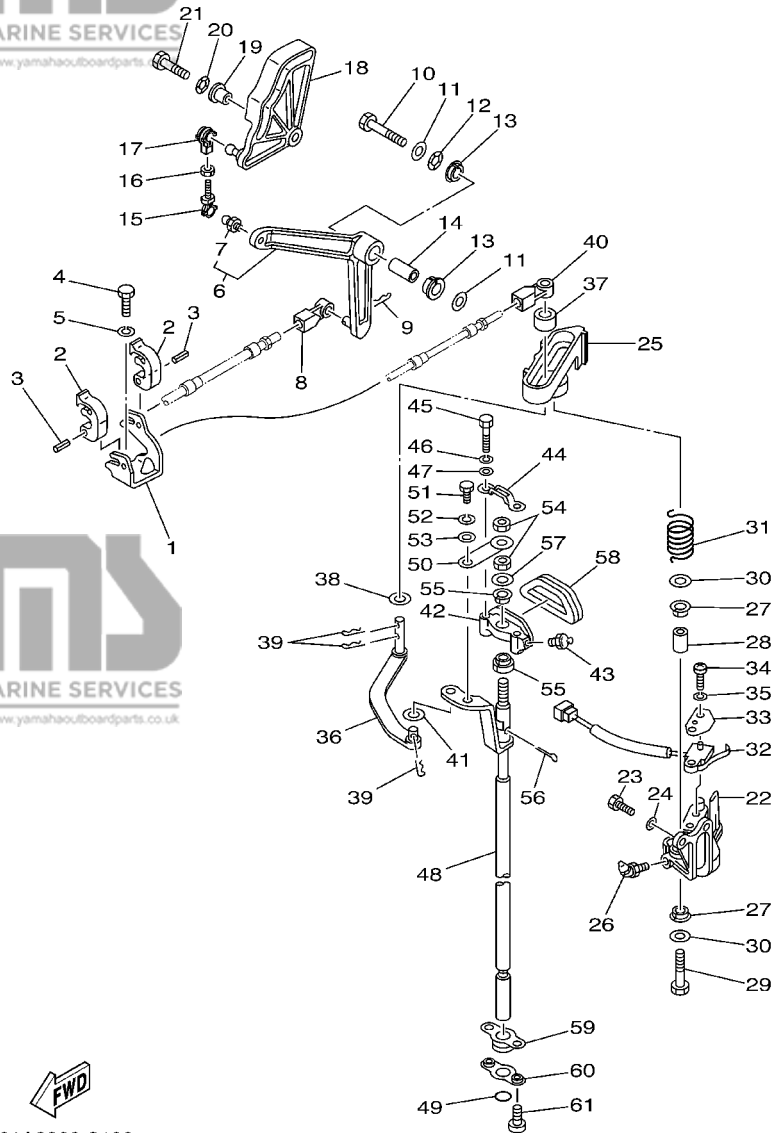
61A2300-3190

FIG. 19 CONTROL

COMMANDE

REF. NO.	PART NO. NO. PIECES	DESCRIPTION DESCRIPTION	250A	L250	REMARKS REMARQUES
28	90387-08M09	COLLAR COLLERETTE	1	1	
29	97095-08035	BOLT BOULON	1	1	
30	92995-08200	WASHER RONDELLE	2	2	
31	90508-20M31	SPRING, TORSION RESSORT, TORSION	1	1	
32	61A-8259F-00	SWITCH ASSY COMMUTATEUR	1	1	
33	61A-82588-01	PLATE PLAQUE	1	1	
34	97885-04016	SCREW, PAN HEAD VIS, A ENCOCHE	2	2	
35	92995-04100	WASHER RONDELLE	2	2	
36	61A-44121-00	LEVER, SHIFT ROD LEVIER, TIGE D'INVERSION	1	1	
37	6E5-44122-00	BUSHING, SHIFT ROD LEVER DOUILLE, LEVIER D'EMBRAYAGE	1	1	
38	90202-08M20	WASHER, PLATE RONDELLE, PLATE	1	1	
39	90468-18008	CLIP JONC	3	3	
40	6E5-48344-00	CABLE END, REMOTE CONTROL CHAPE CABLE	1	1	
41	90202-06007	WASHER, PLATE RONDELLE, PLATE	1	1	
42	61A-44118-00-8D	BRACKET SUPPORT	1	1	
43	93700-06M03	NIPPLE, GREASE PION	1	1	
44	61A-44116-00	SPRING RESSORT	1	1	
45	97095-06030	BOLT BOULON	2	2	
46	92995-06100	WASHER, SPRING RONDELLE, GROWER	2	2	
47	92995-06600	WASHER RONDELLE	2	2	
48	61A-44120-22	HANDLE GEAR SHIFT ASSY LEVIER D'EMBRAYAGE	1	1	X
49	93210-09165	O-RING JOINT TORIQUE	1	1	
50	61A-44112-00	STAY, HANDLE GEAR SHIFT PLAQUE	1	1	
51	97013-06012	BOLT BOULON	1	1	
52	92903-06100	WASHER, SPRING RONDELLE, GROWER	1	1	
53	92903-06600	WASHER, PLATE RONDELLE, PLATE	1	1	
54	95313-08600	NUT ECROU, HEXAGONAL	2	2	

**E7**



**FWD**  
61A2300-3190

**FIG. 19 CONTROL**

**COMMANDE**

REF. NO.	PART NO. NO. PIECES	DESCRIPTION DESCRIPTION	250A	L250	REMARKS REMARQUES
55	90386-90M90	BUSH DOUILLE	2	2	
56	91490-20012	PIN, COTTER GOUPILLE	1	1	
57	90201-09M02	WASHER, PLATE RONDELLE, PLATE	1	1	
58	61A-15315-00	SEAL, CRANKCASE JOINT SPY CARTER DE MOTEUR	1	1	
59	61A-42724-00	GROMMET PASSE-FIL	1	1	
60	61A-44138-00	WASHER RONDELLE	1	1	
61	97885-06008	SCREW, PAN HEAD VIS, A ENCOCHE	2	2	

**F1**

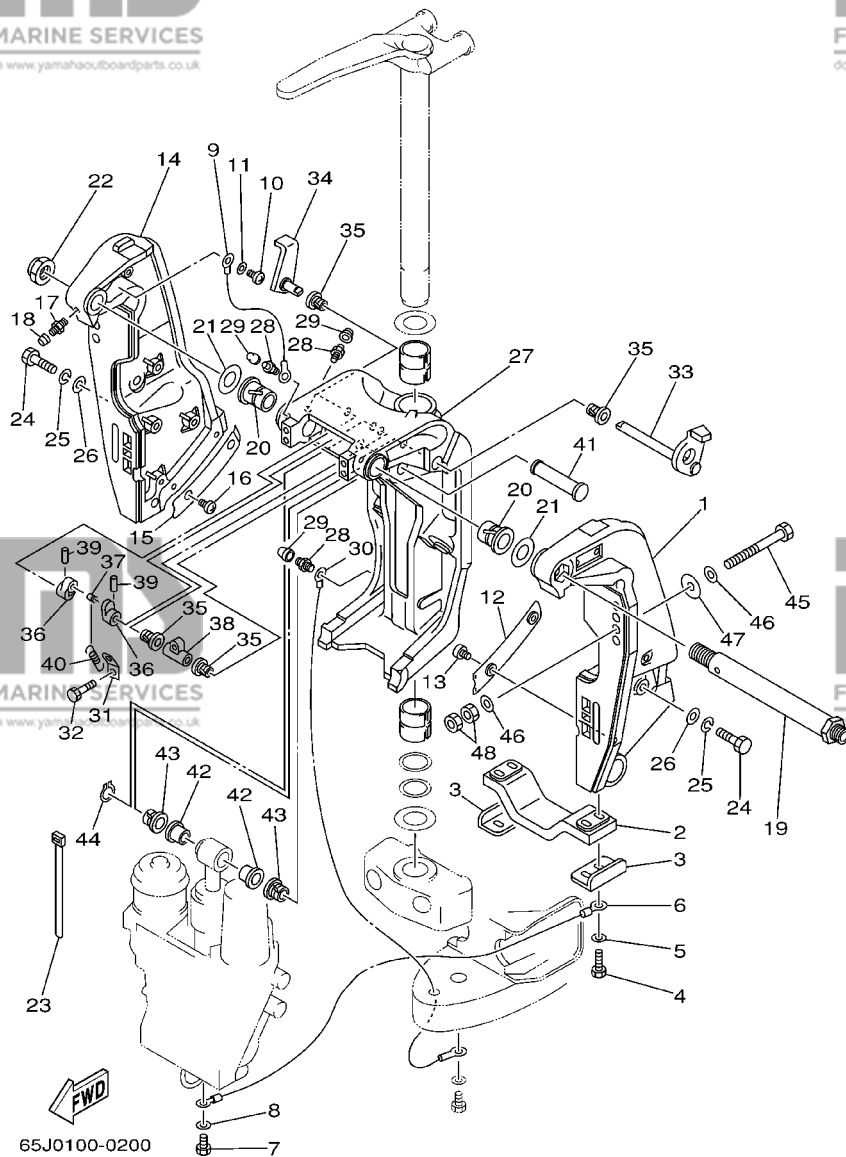


FIG. 20 BRACKET 1

SUPPORT 1

REF. NO.	PART NO. NO. PIECES	DESCRIPTION DESCRIPTION	250A	L250	REMARKS REMARQUES
1	61A-43111-23-8D	BRACKET, CLAMP PRESSE	1	1	
2	6G5-45251-02	ANODE ANODE	1	1	
3	6G5-44526-00	PLATE PLAQUE	2	2	
4	97095-06025	BOLT BOULON	4	4	
5	92995-06600	WASHER RONDELLE	4	4	
6	6H1-82148-00	WIRE, LEAD 4 FIL 4	1	1	
7	97095-06010	BOLT BOULON	1	1	
8	92995-06600	WASHER RONDELLE	1	1	
9	6E5-82148-00	WIRE, LEAD 4 FIL 4	1	1	
10	97885-06012	SCREW, PAN HEAD VIS, A ENCOCHE	1	1	
11	92995-06600	WASHER RONDELLE	1	1	
12	61A-43132-00	WASHER, FRICTION RONDELLE, FRICTION	1	1	
13	97885-06010	SCREW, PAN HEAD VIS, A ENCOCHE	2	2	
14	61A-43112-23-8D	BRACKET, CLAMP PRESSE	1	1	
15	61A-43133-00	WASHER, FRICTION RONDELLE	1	1	
16	97885-06010	SCREW, PAN HEAD VIS, A ENCOCHE	2	2	
17	93700-06M03	NIPPLE, GREASE PION	1	1	
18	663-45119-00	CAP, GREASE NIPPLE CAPUCHON, GRAISSEUR	1	1	
19	6R3-43131-00	BOLT, CLAMP BRACKET BOULON, PRESSE	1	1	
20	90386-25M31	BUSH DOUILLE	2	2	
21	90201-26M59	WASHER, PLATE RONDELLE, PLATE	2	2	
22	90185-22M11	NUT, SELF-LOCKING ECROU, AUTO-BLOCANT	1	1	
23	90465-11M10	CLAMP BRIDE	2	2	
24	97095-10045	BOLT BOULON	8	8	
25	92995-10100	WASHER RONDELLE	8	8	
26	92995-10600	WASHER RONDELLE	8	8	
27	61A-43311-21-8D	BRACKET, SWIVEL 1 SUPPORT, PIVOT 1	1	1	X

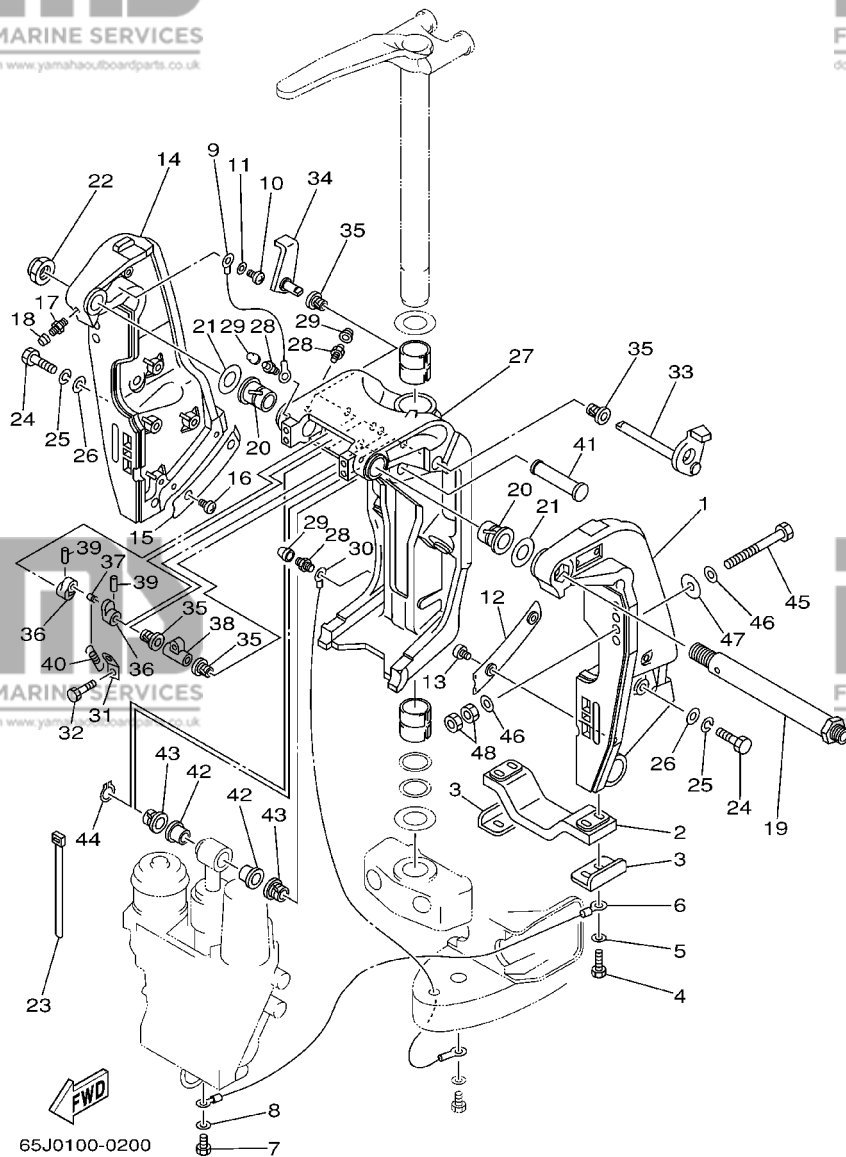
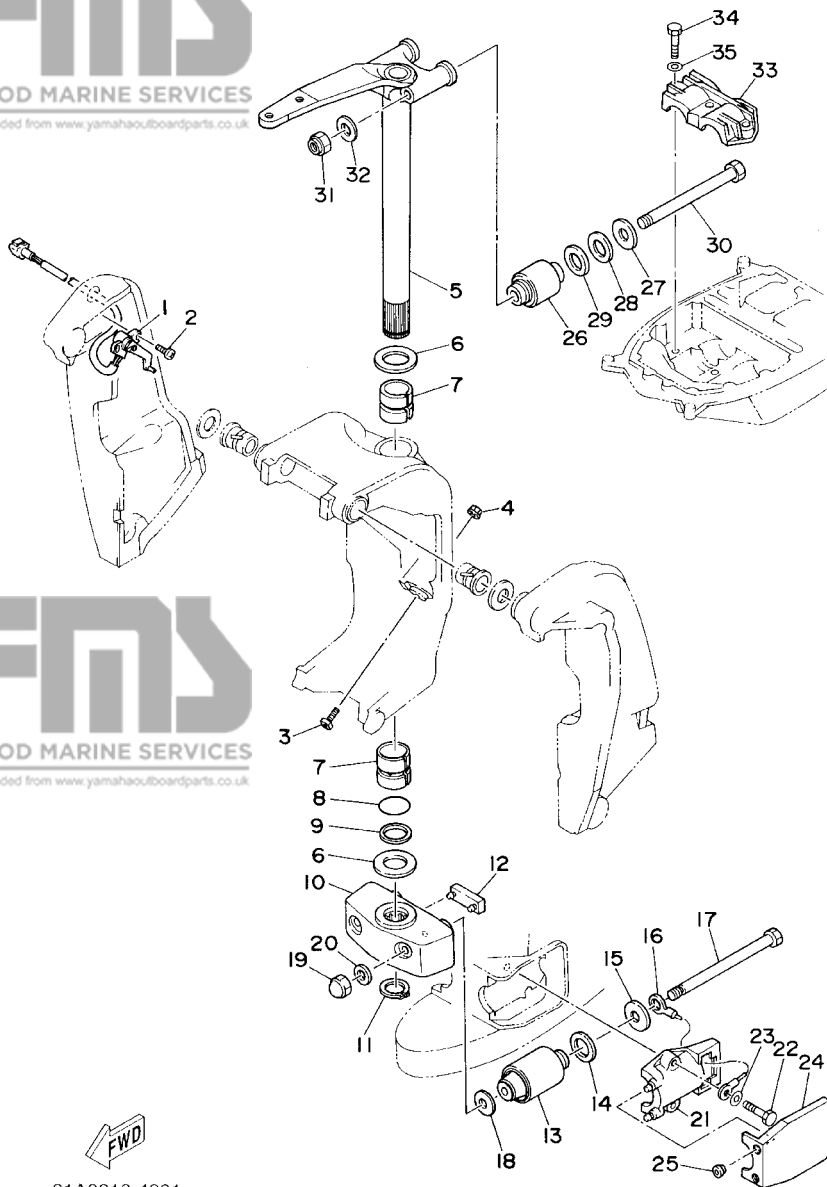


FIG. 20 BRACKET 1

SUPPORT 1

REF. NO.	PART NO. NO. PIECES	DESCRIPTION DESCRIPTION	250A	L250	REMARKS REMARQUES
28	93700-06M03	NIPPLE, GREASE PION	5	5	
29	663-45119-00	CAP, GREASE NIPPLE CAPUCHON, GRAISSEUR	5	5	
30	61A-82147-20	WIRE, LEAD 4 FIL 4	1	1	X
31	6G5-43144-00	HOOK, SPRING CROCHET	1	1	
32	97095-06010	BOLT BOULON	1	1	
33	61A-43181-01	LEVER, TILT STOP LEVIER, VERROUILLAGE RELEVAGE	1	1	
34	6G5-43185-02	LEVER, TILT STOP LEVIER, VERROUILLAGE RELEVAGE	1	1	
35	90386-10M16	BUSH DOUILLE	4	4	
36	6G5-43148-00	COLLAR, DISTANCE ENTRETOISE	2	2	
37	90249-06M19	PIN GOUPILLE	1	1	
38	90387-10M02	COLLAR COLLERETTE	1	1	
39	91690-30020	PIN, SPRING AGRAFFE	2	2	
40	90506-14M24	SPRING, TENSION RESSORT, TENSION	1	1	
41	6E5-43126-02	PIN, UPPER SHOCK MOUNT AXE, SUPERIEUR AMORTISSEUR	1	1	
42	90386-18M63	BUSH DOUILLE	2	2	
43	90386-18M14	BUSH DOUILLE	2	2	
44	93410-18M02	CIRCLIP CLIPS	1	1	
45	90101-12M05	BOLT (L:130MM) BOULON (L:130MM)	4	4	
46	90201-13M01	WASHER, PLATE RONDELLE, PLATE	8	8	
47	90201-12M05	WASHER, PLATE RONDELLE, PLATE	4	4	
48	95380-12600	NUT ECROU	8	8	





61A0010-4201

FIG. 21 BRACKET 2

SUPPORT 2

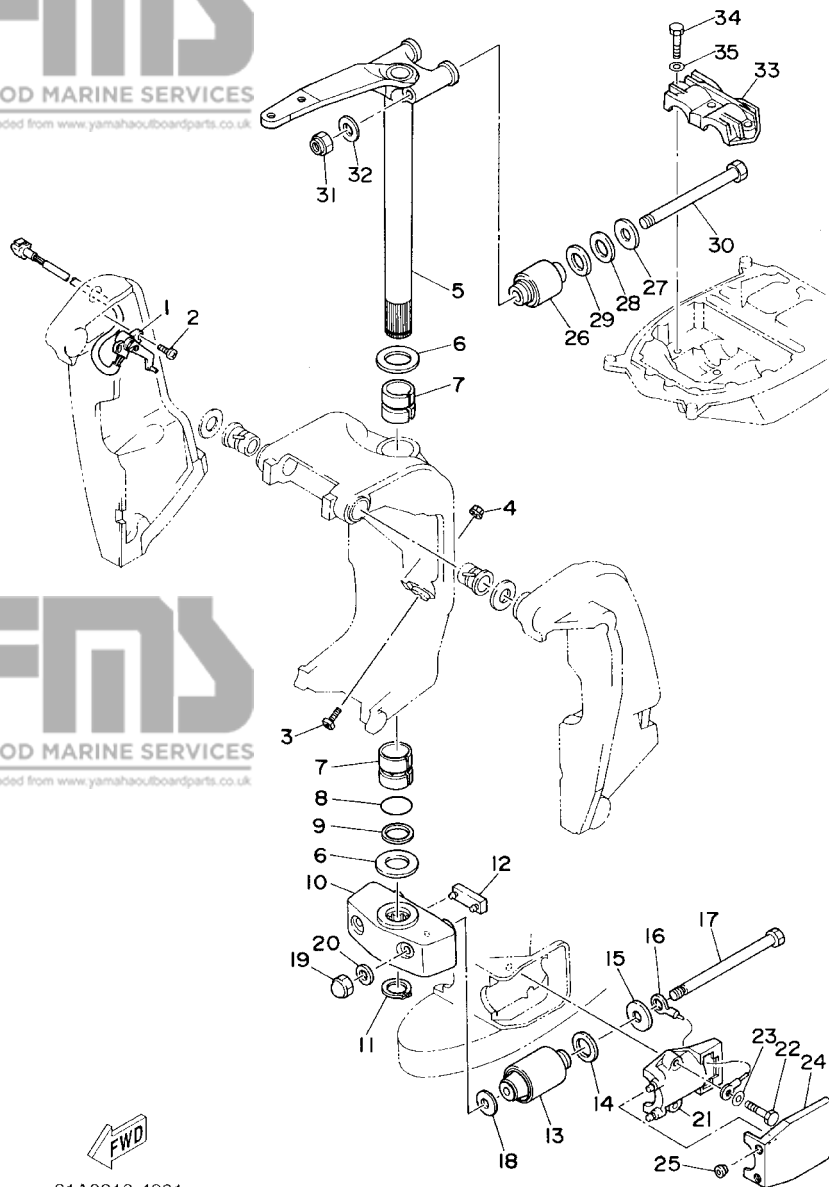
REF. NO.	PART NO. NO. PIECES	DESCRIPTION DESCRIPTION	250A	L250	REMARKS REMARQUES
1	61A-83672-02	TRIM SENDER INCLINER RACCORD	1	1	
2	97885-06016	SCREW, PAN HEAD VIS, A ENCOCHE	2	2	
3	61A-43376-00	BOLT, THRUST RECEIVER BOULON	2	2	
4	95780-10300	NUT, FLANGE ECROU	2	2	
5	69J-42510-00-8D	STEERING BRACKET ASSY DIRECTION SUPPORT.(ENS.)	1	1	X
6	90201-40M00	WASHER, PLATE RONDELLE, PLATE	2	2	
7	90386-39M89	BUSH DOUILLE	2	2	
8	93210-35321	O-RING JOINT TORIQUE	1	1	
9	90202-40M47	WASHER, PLATE RONDELLE, PLATE	1	1	
10	61A-44551-01-8D	HOUSING, LOWER MOUNT RUBBER BOITIER, SILENT-BLOC INFÉRIEUR	1	1	
11	93410-37M04	CIRCLIP CLIPS	1	1	
12	61A-44575-00	DAMPER, LOWER MOUNT RUBBER SILENT-BLOC, INFÉRIEUR	1	1	
13	61A-44555-01-94	MOUNT DAMPER, LOWER SIDE SILENT-BLOC, INFÉRIEUR LATERAL	2	2	
14	90202-32M19	WASHER, PLATE RONDELLE, PLATE	2	2	
15	90201-16M55	WASHER, PLATE RONDELLE, PLATE	2	2	
16	6E5-82149-00	WIRE, LEAD 3 FIL 3	1	1	
17	90109-14M48	BOLT BOULON	2	2	
18	90201-15M58	WASHER, PLATE RONDELLE, PLATE	2	2	
19	95380-14800	NUT ECROU	2	2	
20	92995-14600	WASHER RONDELLE	2	2	
21	61A-44552-01-94	HOUSING, LOWER MOUNT RUBBER BOITIER, SILENT-BLOC INFÉRIEUR	2	2	
22	97095-10045	BOLT BOULON	4	4	
23	92995-10600	WASHER RONDELLE	4	4	
24	61A-44553-00-8D	COVER, LOWER MOUNT COUVERCLE, SUSPENSION INFÉRIEUR	2	2	
25	6A0-15789-00	DAMPER AMORTISSEUR	4	4	
26	61A-44514-00-94	MOUNT DAMPER, UPPER SIDE SILENT-BLOC, SUPÉRIEUR LATERAL	2	2	
27	90201-16M01	WASHER, PLATE RONDELLE, PLATE	2	2	

F4

FIG. 21 BRACKET 2

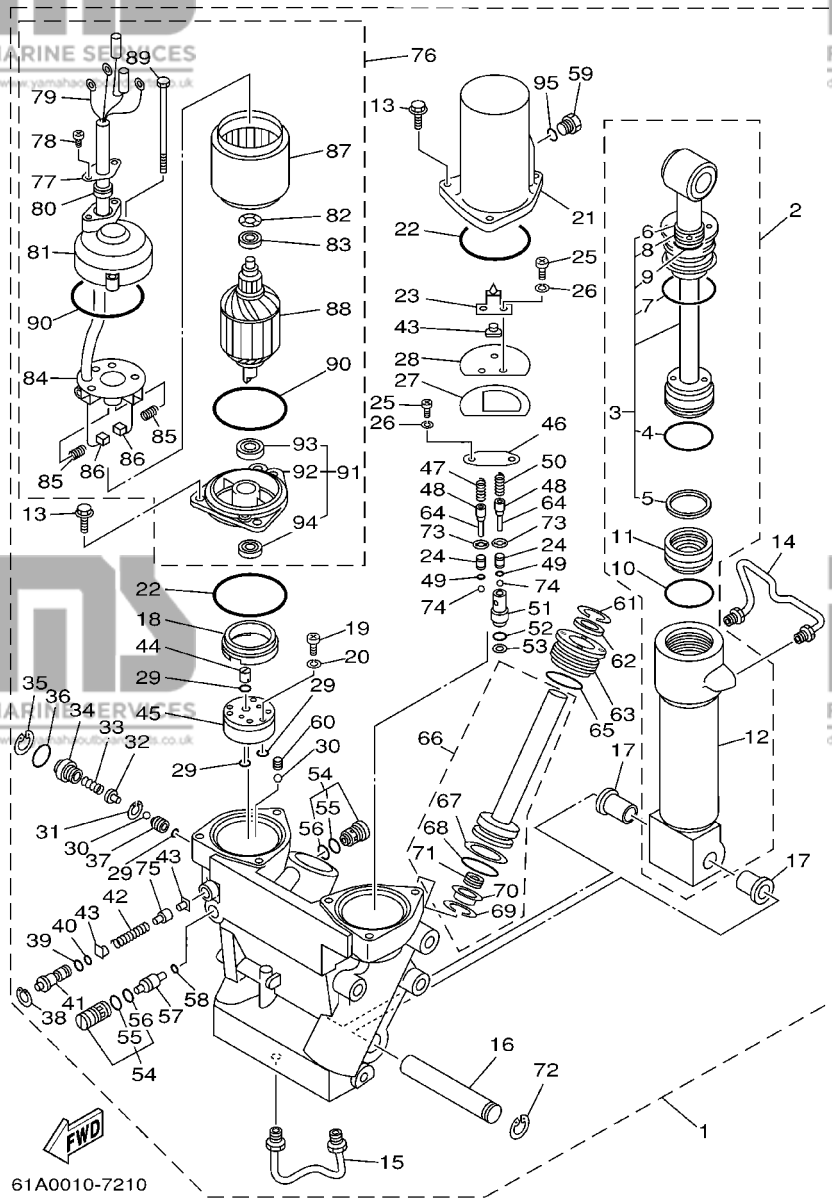
SUPPORT 2

REF. NO.	PART NO. NO. PIECES	DESCRIPTION DESCRIPTION	250A	L250	REMARKS REMARQUES
28	90202-28M46	WASHER, PLATE RONDELLE, PLATE	2	2	
29	90201-28M01	WASHER, PLATE RONDELLE, PLATE	2	2	
30	90109-14M10	BOLT BOULON	2	2	
31	90185-14M00	NUT, SELF-LOCKING ECROU, AUTO-BLOCANT	2	2	
32	92995-14600	WASHER RONDELLE	2	2	
33	61A-44511-00-94	COVER, UPPER MOUNT COUVERCLE, SUSPENSION SUPERIEUR	1	1	
34	97095-10045	BOLT BOULON	3	3	
35	92995-10600	WASHER RONDELLE	3	3	



61A0010-4201



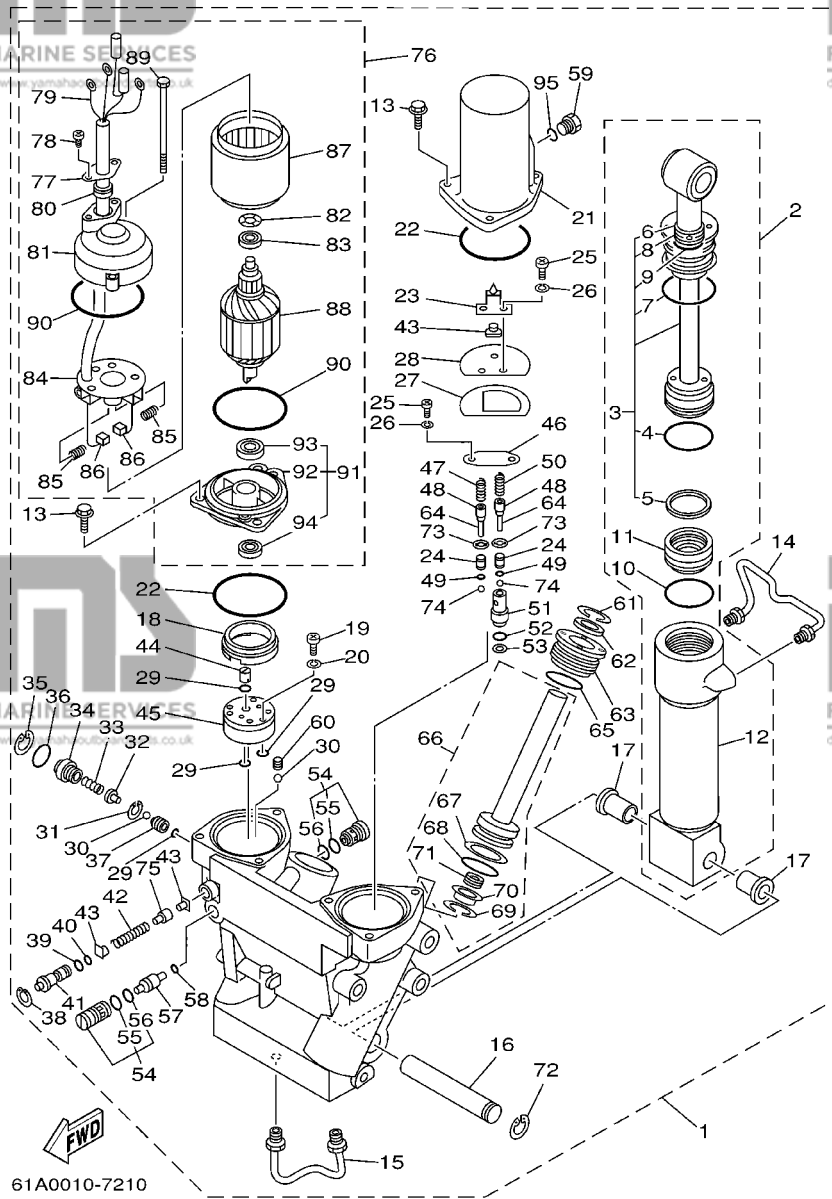


61A0010-7210

**FIG. 22 POWER TRIM & TILT ASSY PUISSANCE PARER ET INCLINER**

REF. NO.	PART NO. NO. PIECES	DESCRIPTION DESCRIPTION	250A	L250	REMARKS REMARQUES
1	<a href="#">61A-43800-25-4D</a>	POWER TRIM & TILT ASSY PUISSANCE PARER ET INCLINER (E	1	1	
2	<a href="#">61A-43840-01</a>	.POWER TILT ASSY .PUISSANCE INCLINER (ENS.)	1	1	
3	<a href="#">61A-43810-00</a>	..TILT PISTON SUB ASSY ..INCLINER PISTON AUXILIAIRE(E	1	1	
4	<a href="#">61A-43861-00</a>	...O-RING ...JOINT TORIQUE	1	1	
5	<a href="#">61A-43871-00</a>	...RING, BACK UP ...SEGMENT	1	1	
6	<a href="#">93106-19N50</a>	...OIL SEAL ...JOINT SPY	1	1	
7	<a href="#">6H1-43861-00</a>	...O-RING ...JOINT TORIQUE	1	1	
8	<a href="#">6H1-43872-00</a>	...RING, BACK UP ...RESSORT	1	1	
9	<a href="#">61A-4389H-00</a>	...O-RING ...JOINT TORIQUE	1	1	
10	<a href="#">61A-43861-00</a>	..O-RING ..JOINT TORIQUE	1	1	
11	<a href="#">6H1-43814-00</a>	..PISTON, FREE ..PISTON	1	1	
12	<a href="#">61A-43813-01</a>	..CYLINDER, TILT ..CYLINDRE	1	1	
13	<a href="#">97595-06420</a>	.BOLT, WITH WASHER .VIS HEXAGONAL AVC RONDELLE	6	6	
14	<a href="#">61A-43835-01</a>	.PIPE .TUYAU	1	1	
15	<a href="#">61A-43833-01</a>	.PIPE .TUYAU	1	1	
16	<a href="#">61A-43818-00</a>	.PIN, LOWER SHOCK MOUNT .AXE, INFERIEUR AMORTISSEUR	1	1	
17	<a href="#">90386-18M14</a>	.BUSH .DOUILLE	2	2	
18	<a href="#">6H1-43817-00</a>	.FILTER 2 .FILTRE 2	1	1	
19	<a href="#">98501-04030</a>	.SCREW, PAN HEAD .VIS	3	3	
20	<a href="#">92901-04100</a>	.WASHER, SPRING .RONDELLE, GROWER	3	3	
21	<a href="#">61A-43828-00</a>	.BODY, RESERVOIR .CORPS	1	1	
22	<a href="#">6H1-43869-00</a>	.O-RING ..JOINT TORIQUE	2	2	
23	<a href="#">61A-4384L-00</a>	.SPRING, TRIM DOWN ..RESSORT	1	1	
24	<a href="#">6T4-43851-00</a>	.SEAT, RELIEF VALVE ..SIEGE	2	2	
25	<a href="#">98501-05010</a>	.SCREW, PAN HEAD .VIS	4	4	
26	<a href="#">92901-05100</a>	.WASHER, SPRING ..RONDELLE, GROWER	4	4	
27	<a href="#">61A-4384K-00</a>	.PLATE, TRIM DOWN ..PLAQUE	1	1	

**F6**

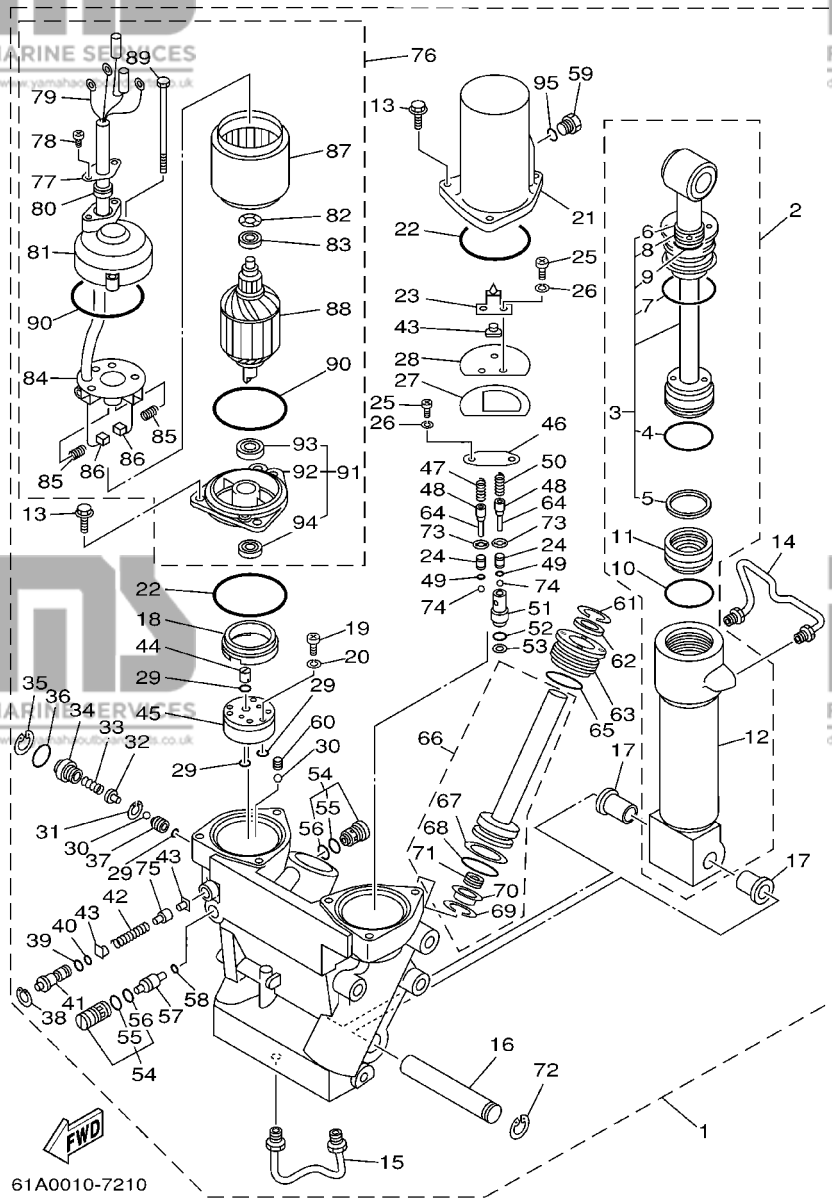


**FIG. 22 POWER TRIM & TILT ASSY PUISSANCE PARER ET INCLINER**

REF. NO.	PART NO. NO. PIECES	DESCRIPTION DESCRIPTION	250A	L250	REMARKS REMARQUES
28	61A-4384J-00	.SEAL, TRIM DOWN .JOINT	1	1	
29	93210-064A5	.O-RING .JOINT TORIQUE	4	4	
30	93505-32038	.BALL BILLE ROULEMENT	2	2	
31	61A-43875-00	.RING, SNAP .RESSORT	1	1	
32	61A-43848-00	.ROD, MANUAL RELEASE .TIGE	1	1	
33	61A-43854-00	.SPRING, MANUAL RELEASE .RESSORT	1	1	
34	61A-43845-00	.SCREW, MANUAL RELEASE .VIS	1	1	
35	6H1-43875-00	.RING, SNAP .RESSORT	1	1	
36	93210-18397	.O-RING .JOINT TORIQUE	1	1	
37	61A-43847-00	.SEAT, MANUAL VALVE .SIEGE	1	1	
38	6T4-43876-00	.RING, SNAP .RESSORT	1	1	
39	93210-07003	.O-RING .JOINT TORIQUE	1	1	
40	93210-06001	.O-RING .JOINT TORIQUE	1	1	
41	6T4-43849-00	.PIN, VALVE SUPPORT .GOUPILLE	1	1	
42	61A-4385H-00	.SPRING, SEAL .RESSORT	1	1	
43	6H1-4384F-00	.SEAL, MAIN VALVE .SIGGE	3	3	
44	6H1-43831-00	.CONNECTOR, SHAFT .RACCORD	1	1	
45	6T4-43830-00	.GEAR PUMP ASSY .POMPE A PIGNON (ENS.)	1	1	
46	61A-4382K-00	.CAP, RELIEF VALVE CHAPEAU	1	1	
47	6H1-43856-10	.SPRING, DOWN RELIEF .RESSORT	1	1	
48	6T4-43844-00	.PIN, VALVE SUPPORT .GOUPILLE	2	2	
49	6T4-4384G-00	.SEAL, RELIEF VALVE .JOINT	2	2	
50	6T4-43855-00	.SPRING, UP RELIEF .RESSORT	1	1	
51	6T4-43895-00	.SEAT, RELIEF VALVE .SIEGE	1	1	
52	93210-10M74	.O-RING .JOINT TORIQUE	1	1	
53	6H1-43816-00	.FILTER 1 .FILTRE 1	1	1	
54	6T4-43802-03	.VALVE SUB ASSY .CLAPET AUXILIAIRE (ENS.)	2	2	

**F7**

**FIG. 22 POWER TRIM & TILT ASSY**      **PUISSANCE PARER ET INCLINER**

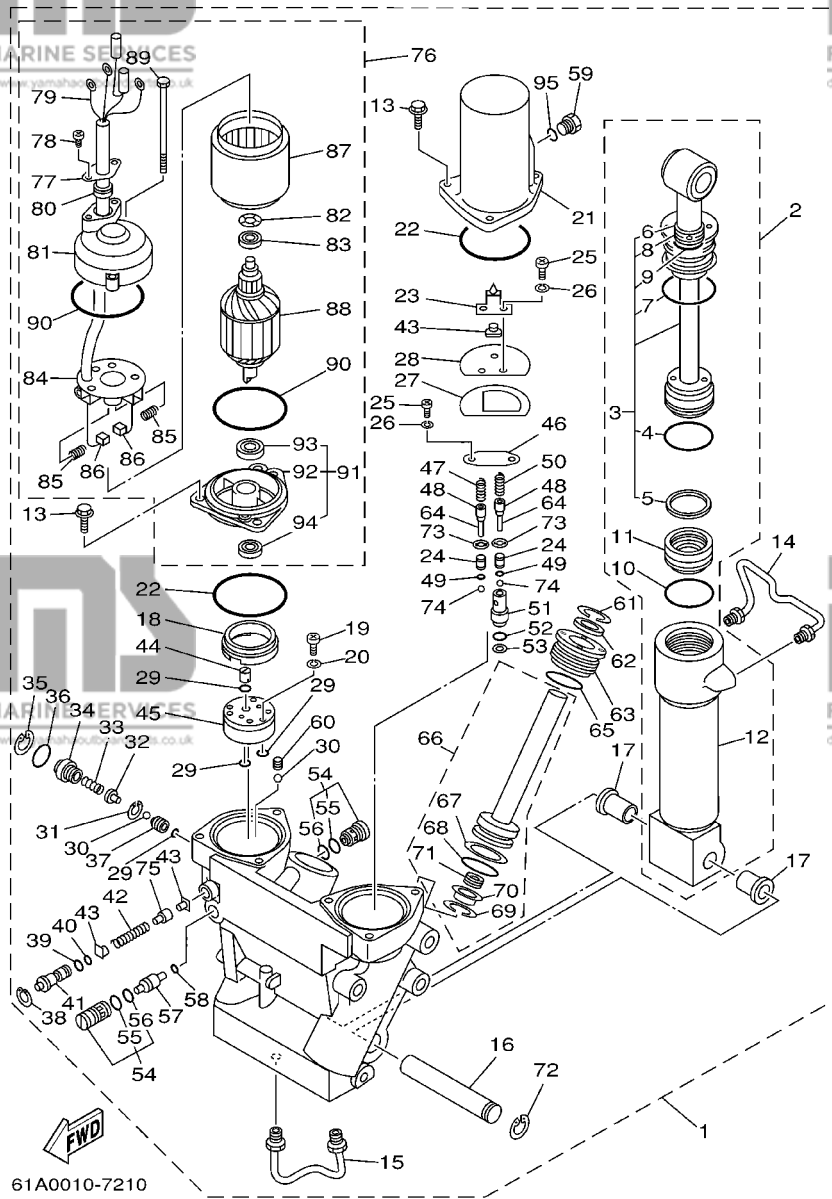


61A0010-7210

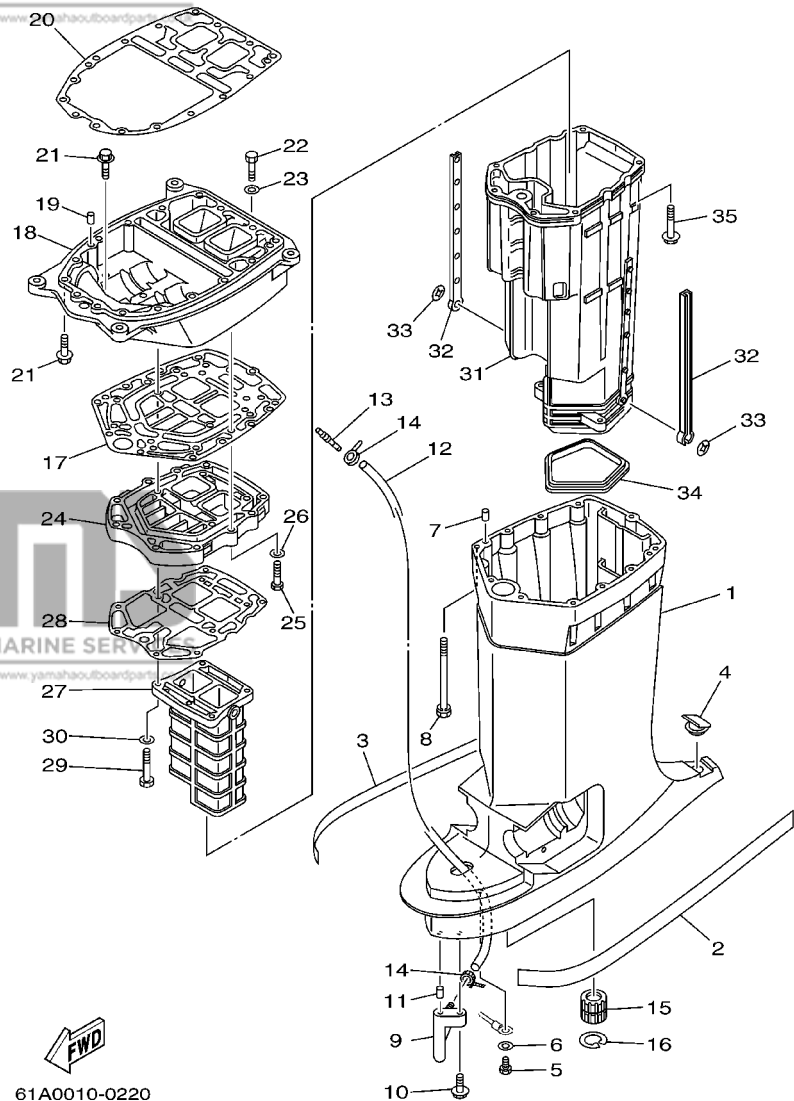
REF. NO.	PART NO. NO. PIECES	DESCRIPTION DESCRIPTION	250A	L250	REMARKS REMARQUES
55	6H1-43866-00	..O-RING ..JOINT TORIQUE	1	1	
56	6H1-43867-00	..O-RING ..JOINT TORIQUE	1	1	
57	6T4-43841-00	..PISTON, SHUTTLE ..PISTON	1	1	
58	93210-09165	..O-RING ..JOINT TORIQUE	1	1	
59	6H1-43829-00	..PLUG, RESERVOIR ..BOUCHON	1	1	
60	61A-43878-00	..BOLT, SOCKET ..BOULON	1	1	
61	6T4-43875-00	..RING, SNAP ..RESSORT	2	2	
62	61A-43822-00	..SEAL, TRIM DUST ..JOINT	2	2	
63	61A-43821-00	..SCREW, TRIM CYLINDER END ..VIS	2	2	
64	91609-10014	..PIN, SPRING ..AXE DE RESSORT	2	2	
65	61A-43861-00	..O-RING ..JOINT TORIQUE	2	2	
66	61A-43820-10	..TRIM PISTON SUB ASSY ..PARER PISTON AUXILIAIRE (ENS.)	2	2	
67	61A-43874-00	..RING, BACK UP ..RESSORT	1	1	
68	61A-43864-00	..O-RING ..JOINT TORIQUE	1	1	
69	61A-43875-10	..RING, SNAP ..RESSORT	1	1	
70	61A-4383H-11	..HOSE, OIL 5 ..DRITE HUILE	1	1	
71	61A-4384H-10	..SPRING ..RESSORT	1	1	
72	61A-43876-00	..RING, SNAP ..RESSORT	1	1	
73	6T4-43893-00	..WASHER ..RONDELLE	2	2	
74	93501-08001	..BALL ..BILLE	2	2	
75	61A-4382A-00	..ADAPTOR 1 ..ADAPTEUR 1	1	1	
76	61A-43880-02	..MOTOR ASSY ..MOTEUR (ENS.)	1	1	
77	6T4-4386J-00	..WASHER, SPECIAL ..RONDELLE, SPECIAL	1	1	
78	90157-05107	..SCREW, PAN HEAD ..VIS, TETE TRONCONIQUE	2	2	
79	61A-43807-00	..WIRE SUB ASSY ..AUXILIAIRE CABLE (ENS.)	1	1	
80	6T4-43885-00	..GRÖMMET ..PASSE-FIL	1	1	
81	61A-43884-01	..FRAME, COMMUTATOR END ..BATI	1	1	

**FIG. 22 POWER TRIM & TILT ASSY**

**PUISSANCE PARER ET INCLINER**



REF. NO.	PART NO. NO. PIECES	DESCRIPTION DESCRIPTION	250A	L250	REMARKS REMARQUES
82	90206-14086	..WASHER, WAVE ..RONDELLE, ONDULEE	3	3	
83	93300-60820	..BEARING ..ROULEMENT	1	1	
84	61A-43806-00	..BRUSH HOLDER ASSY ..PORTE-BALAI (ENS.)	1	1	
85	61A-4386K-00	..SPRING, BRUSH ..RESSORT, BALAI	4	4	
86	61A-43891-00	..BRUSH 1 ..BALAI 1	2	2	
87	61A-43804-01	..STATOR ASSY ..STATOR (ENS.)	1	1	
88	61A-43805-01	..ARMATURE ASSY ..INDUIT (ENS.)	1	1	
89	61A-43887-00	..BOLT, THROUGH ..BOULON	2	2	
90	93210-72789	..O-RING ..JOINT TORIQUE	2	2	
91	61A-43881-01	..FRAME, END ..BATI	1	1	
92	61A-43881-11	..FRAME, END ..BATI	1	1	
93	93300-60820	..BEARING ..ROULEMENT	1	1	
94	93102-08414	..OIL SEAL ..JOINT SPY	1	1	
95	93210-09165	..O-RING ..JOINT TORIQUE	1	1	

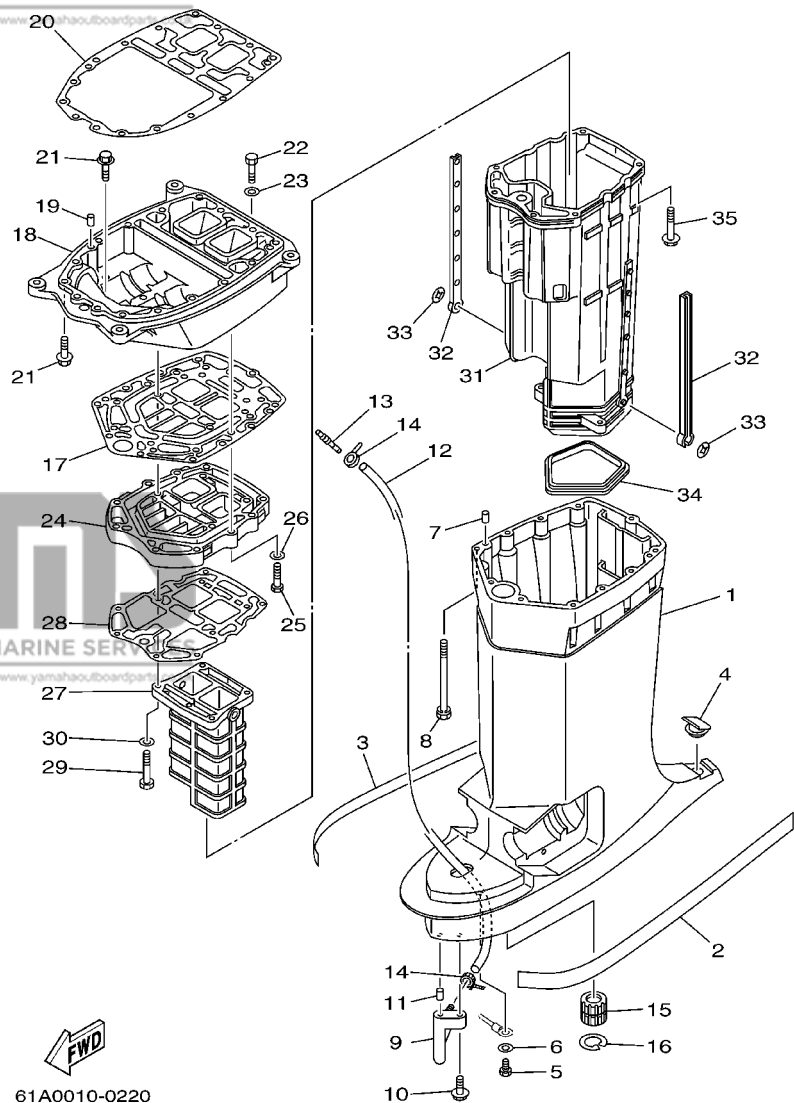


**FIG. 23 UPPER CASING**

**FOURREAU**

REF. NO.	PART NO. NO. PIECES	DESCRIPTION DESCRIPTION	250A	L250	REMARKS REMARQUES
1	61A-45111-22-8D	CASING, UPPER FOURREAU	1	1	X
2	61A-42791-S0	MARK 1 ETIQUETTE 1	1	1	
3	61A-42792-S0	MARK ETIQUETTE	1	1	
4	61A-45155-00	CAP CAPUCHON	1	1	
5	97095-06010	BOLT BOULON	1	1	
6	92995-06600	WASHER RONDELLE	1	1	
7	93608-12M05	PIN, DOWEL AXE	2	2	
8	90119-08M78	BOLT, WITH WASHER BOULON, AVEC RONDELLE	8	8	
9	61A-45378-00	NIPPLE, HOSE RACCORD, TUYAU	1	1	
10	90119-06M17	BOLT, WITH WASHER BOULON, AVEC RONDELLE	1	1	
11	93606-12019	PIN, DOWEL GOUPILLE	1	1	
12	90445-07MF0	HOSE (L1030) DURITE (L1030)	1	1	X
13	6E5-83558-00	END, NIPPLE RACCORD DE NIPPLE	1	1	
14	90465-11M10	CLAMP BRIDE	2	2	
15	6E5-45318-00	BUSHING, DRIVE SHAFT DOUILLE, ARBRE MOTEUR	1	1	
16	93420-36M01	CIRCLIP CIRCLIP, TYPE S	1	1	
17	61A-45114-A0	GASKET, UPPER CASING JOINT, TUBE D'ARBRE	1	1	
18	61A-41137-04-94	GUIDE, EXHAUST COLLECTEUR D'ECHAPPEMENT	1	1	
19	93608-12M05	PIN, DOWEL AXE	2	2	
20	61A-45113-A0	GASKET, UPPER CASING JOINT, TUBE D'ARBRE	1	1	
21	90119-08M79	BOLT, WITH WASHER BOULON, AVEC RONDELLE	8	8	
22	97095-08035	BOLT BOULON	1	1	
23	92995-08600	WASHER RONDELLE	1	1	
24	61A-41131-00-5B	MANIFOLD, EXT. 1 PIPE D'ECHAPPEMENT	1	1	
25	97095-08035	BOLT BOULON	4	4	
26	92995-08600	WASHER RONDELLE	4	4	
27	61A-41132-01-5B	MANIFOLD, EXHAUST PIPE D'ECHAPPEMENT	1	1	





61A0010-0220

**FIG. 23 UPPER CASING**

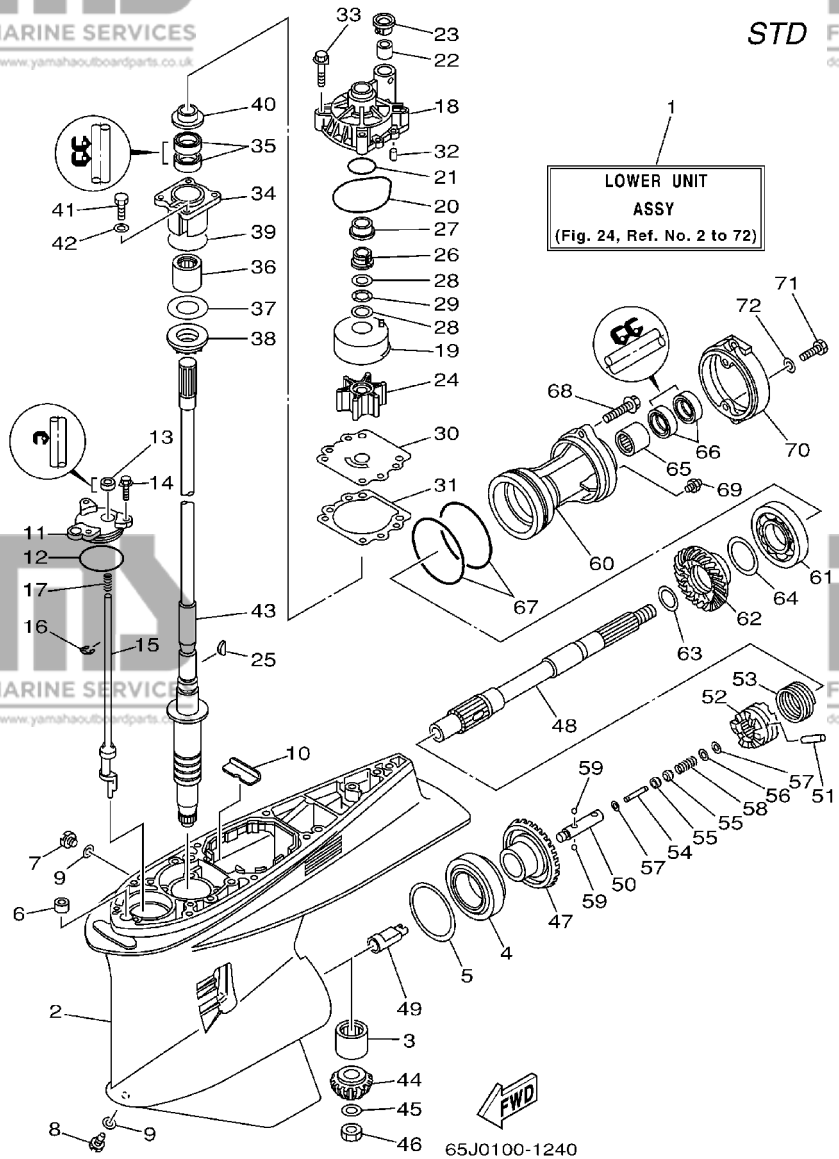
**FOURREAU**

REF. NO.	PART NO. NO. PIECES	DESCRIPTION DESCRIPTION	250A	L250	REMARKS REMARQUES
28	<a href="#">61A-41134-A0</a>	GASKET, EXHAUST MANIFOLD JOINT, PIPE D'ECHAPPEMENT	1	1	
29	<a href="#">97095-08050</a>	BOLT BOULON	4	4	
30	<a href="#">92995-08600</a>	WASHER RONDELLE	4	4	
31	<a href="#">61A-14711-22-5B</a>	MUFFLER 1 POT D'ECHAPPEMENT 1	1	1	
32	<a href="#">6E5-14737-00</a>	DAMPER, MUFFLER AMORTISSEUR DE POT D'ECHAPPT.	2	2	
33	<a href="#">90183-05M02</a>	NUT, SPRING ECROU, RESSORT	2	2	
34	<a href="#">61A-45123-01</a>	GASKET, MUFFLER JOINT, POT DE DETENTE	1	1	
35	<a href="#">90119-08M74</a>	BOLT, WITH WASHER BOULON, AVEC RONDELLE	6	6	



FIG. 24 LOWER CASING. DRIVE 1

BOITIER D'HELICE, TRANSMISSION 1



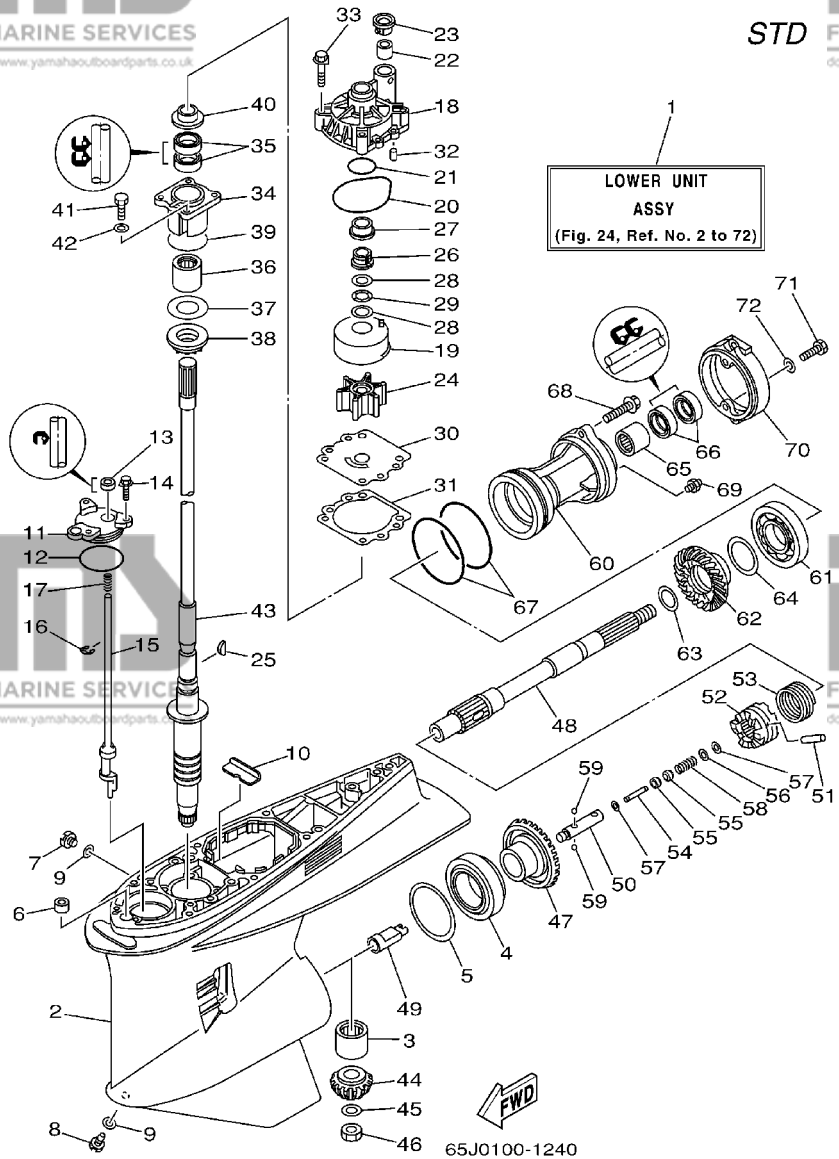
STD

REF. NO.	PART NO. NO. PIECES	DESCRIPTION DESCRIPTION	250A	L250	REMARKS REMARQUES
1	61A-45300-24-8D	LOWER UNIT ASSY UNITE INFERIEURE (ENS.)	1		X
2	61A-45301-10-8D	CASING, LOWER BEQUILLE	1		
3	93311-83280	BALL BEARING ROULEMENT	1		
4	93332-000W1	BEARING ROULEMENT	1		
5	61A-45567-00-10	SHIM (T:0.10MM) CALE (T:0.10MM)	1		UR
	61A-45567-00-12	SHIM (T:0.12MM) CALE (T:0.12MM)	1		UR
	61A-45567-00-15	SHIM (T:0.15MM) CALE (T:0.15MM)	1		UR
	61A-45567-00-18	SHIM (T:0.18MM) CALE (T:0.18MM)	1		UR
	61A-45567-00-30	SHIM (T:0.30MM) CALE (T:0.30MM)	1		UR
	61A-45567-00-40	SHIM (T:0.40MM) CALE (T:0.40MM)	1		UR
	61A-45567-00-50	SHIM (T:0.50MM) CALE (T:0.50MM)	1		UR
6	663-44366-00	DAMPER, WATER SEAL JOINT, TUBE D'EAU	1		
7	90340-08002	PLUG, STRAIGHT SCREW PLOT, FILETE DROIT	1		
8	688-45341-10	PLUG, DRAIN BOUCHON DE VIDANGE	1		
9	90430-08020	GASKET JOINT	2		
10	61A-45376-00-94	GUIDE, SEAL DAMPER BUTEE, JOINT CAOUTCHOUC	1		
11	61A-45321-01	PLATE PLAQUETTE	1		
12	93210-64488	O-RING JOINT TORIQUE	1		
13	93106-09014	OIL SEAL JOINT SPY	1		
14	90119-06M10	BOLT, WITH WASHER BOULON, AVEC RONDELLE	3		
15	60V-44150-00	SHIFT CAM ASSY CAME D'INVERSION	1		
16	99001-08600	CIRCLIP CIRCLIP	1		
17	90501-11M10	SPRING, COMPRESSION RESSORT, COMPRESSION	1		
18	61A-44311-01	HOUSING, WATER PUMP CORPS, POMPE A EAU	1		
19	61A-44322-02	INSERT, CARTRIDGE CUVETTE	1		
20	93210-86M38	O-RING JOINT TORIQUE	1		
21	93210-37160	O-RING JOINT TORIQUE	1		

B1

FIG. 24 LOWER CASING. DRIVE 1

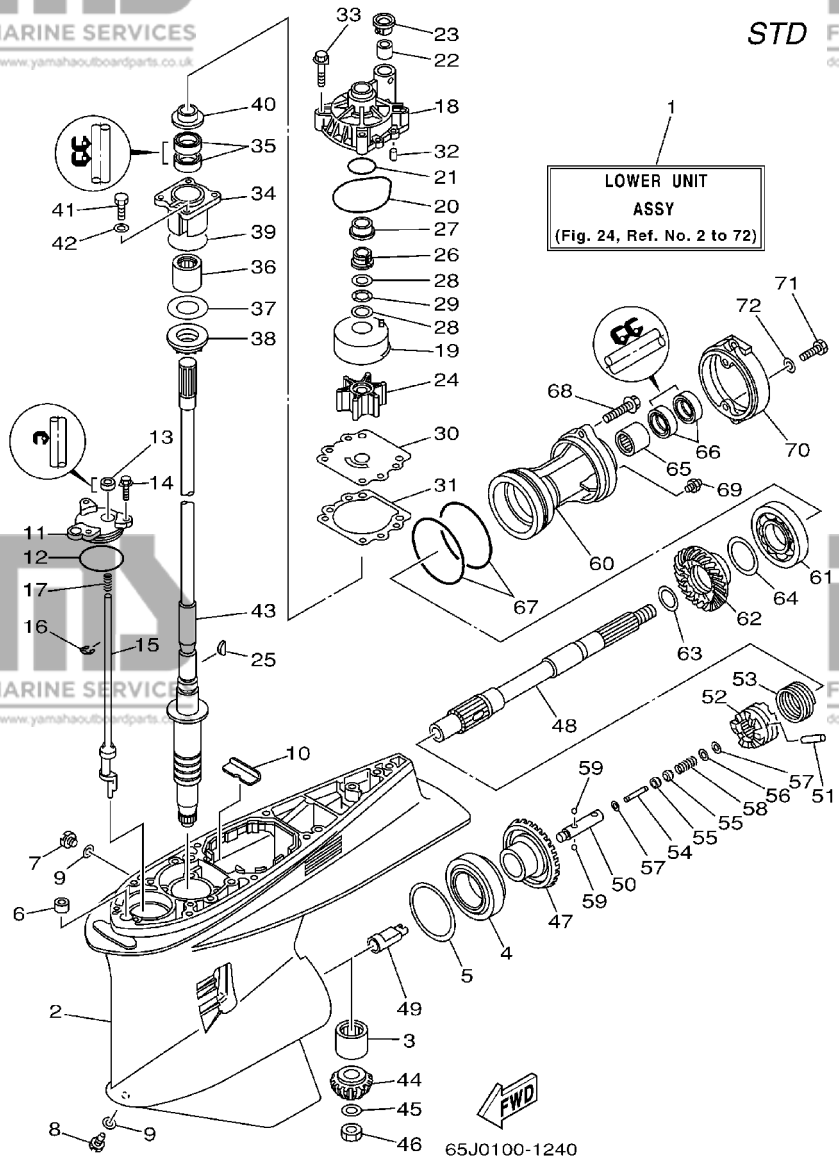
BOITIER D'HELICE, TRANSMISSION 1



STD

REF. NO.	PART NO. NO. PIECES	DESCRIPTION DESCRIPTION	250A	L250	REMARKS REMARQUES
22	6E5-44365-00	DAMPER, WATER SEAL JOINT, TUBE D'EAU	1		
23	6E5-44312-00	COVER, WATER PUMP HOUSING COUVERCLE	1		
24	6E5-44352-01	IMPELLER TURBINE	1		
25	90280-04M05	KEY, WOODRUFF CLAVETTE, DEMI-LUNE	1		
26	61A-45538-00	SPACER 1 ENTRETOISE	1		
27	61A-45527-00	COLLAR, DRIVE SHAFT ENTRETOISE	1		
28	90201-22M01	WASHER, PLATE RONDELLE, PLATE	2		
29	90206-22M19	WASHER, WAVE RONDELLE, ONDULEE	1		
30	6G5-44323-00	OUTER PLATE, CARTRIDGE PLAQUE EXTERIEURE	1		
31	6E5-44315-A0	GASKET, WATER PUMP JOINT, POMPE A EAU	1		
32	93606-12019	PIN, DOWEL GOUPILLE	2		
33	90119-08M14	BOLT, WITH WASHER BOULON, AVEC RONDELLE	4		
34	61A-45331-00-94	HOUSING, BEARING FLASQUE, ROULEMENT	1		
35	93101-28M16	OIL SEAL JOINT SPY	2		
36	93317-330U2	BEARING PIECE	1		
37	61A-45587-00-10	SHIM (T:0.10MM) CALE (T:0.10MM)	1		UR
	61A-45587-00-12	SHIM (T:0.12MM) CALE (T:0.12MM)	1		UR
	61A-45587-00-15	SHIM (T:0.15MM) CALE (T:0.15MM)	1		UR
	61A-45587-00-18	SHIM (T:0.18MM) CALE (T:0.18MM)	1		UR
	61A-45587-00-30	SHIM (T:0.30MM) CALE (T:0.30MM)	1		UR
	61A-45587-00-40	SHIM (T:0.40MM) CALE (T:0.40MM)	1		UR
	61A-45587-00-50	SHIM (T:0.50MM) CALE (T:0.50MM)	1		UR
38	93341-930U9	BEARING CERVEAUX DE DIRECTION	1		
39	93210-55M14	O-RING JOINT TORIQUE	1		
40	6E5-45344-00	COVER, OIL SEAL FLASQUE, JOINT D'HUILE	1		
41	97095-08025	BOLT BOULON	4		
42	92995-08600	WASHER RONDELLE	4		

B2



STD

FIG. 24 LOWER CASING. DRIVE 1

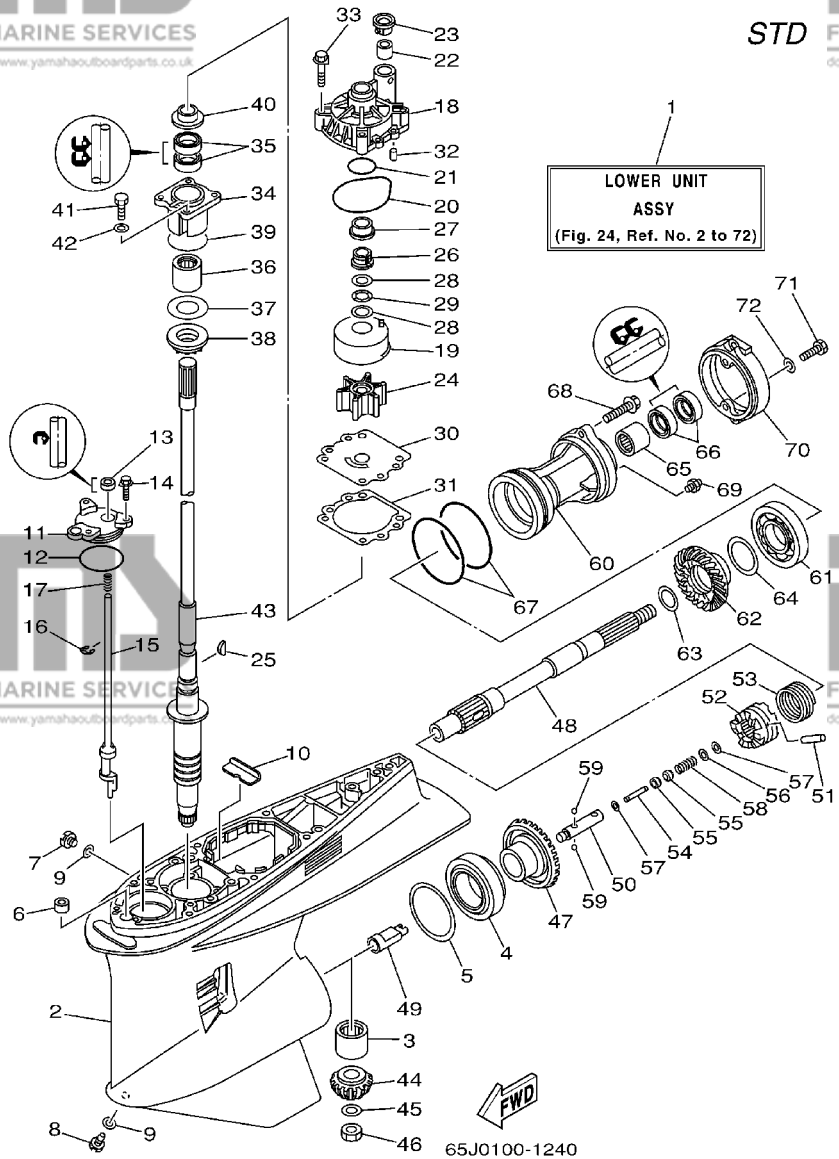
BOITIER D'HELICE, TRANSMISSION 1

REF. NO.	PART NO. NO. PIECES	DESCRIPTION DESCRIPTION	250A	L250	REMARKS REMARQUES
43	61A-45501-20	DRIVE SHAFT COMP. ARBRE MOTEUR COMP.	1		X
44	61A-45551-03	PINION PIGNON D'ATTAQUE	1		
45	90201-16M00	WASHER, PLATE RONDELLE, PLATE	1		
46	90170-16M19	NUT ECROU	1		
47	61A-45560-03	GEAR PIGNON.	1		
48	69J-45611-00	SHAFT, PROPELLER ARBRE, HELICE	1		
49	61A-45641-02	SHIFTER EMBRAYAGE	1		
50	61A-45634-01	SLIDE, SHIFT CONTRE-POUSSOIR	1		
51	61A-45632-00	PIN, CROSS GOUPILLE DE CRABOT	1		
52	61A-45631-03	CLUTCH, DOG CRABOT	1		
53	61A-45633-00	RING, CROSS PIN JONC, GOUPILLE CRABOT	1		
54	6H1-45668-00	SHAFT, FREE AXE	1		
55	61A-45635-00	PLUNGER, SHIFT POUSSOIR D'EMBRAYAGE	2		
56	90201-02M00	WASHER, PLATE RONDELLE, PLATE	1		
57	90183-02M03	NUT, SPRING ECROU, RESSORT	2		
58	90501-10M77	SPRING, COMPRESSION RESSORT, COMPRESSION	1		
59	93501-04011	BALL BILLE	2		
60	61A-45332-02-94	HOUSING, BEARING FLASQUE, ROULEMENT	1		
61	93306-210U0	BEARING ROULEMENT	1		
62	61A-45571-00	GEAR PIGNON	1		
63	90201-31M00	WASHER, PLATE RONDELLE, PLATE	1		
64	61A-45577-00-10	SHIM (T:0.10MM) CALE (T:0.10MM)	1		UR
	61A-45577-00-12	SHIM (T:0.12MM) CALE (T:0.12MM)	1		UR
	61A-45577-00-15	SHIM (T:0.15MM) CALE (T:0.15MM)	1		UR
	61A-45577-00-18	SHIM (T:0.18MM) CALE (T:0.18MM)	1		UR
	61A-45577-00-30	SHIM (T:0.30MM) CALE (T:0.30MM)	1		UR
	61A-45577-00-40	SHIM (T:0.40MM) CALE (T:0.40MM)	1		UR

B3

FIG. 24 LOWER CASING. DRIVE 1

BOITIER D'HELICE, TRANSMISSION 1



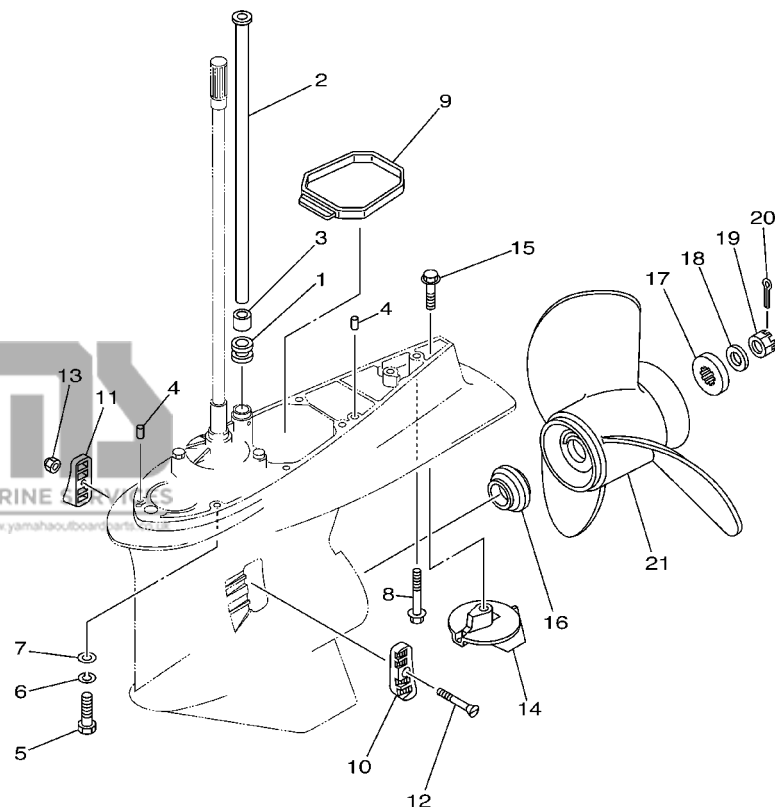
REF. NO.	PART NO. NO. PIECES	DESCRIPTION DESCRIPTION	250A	L250	REMARKS REMARQUES
64	<a href="#">61A-45577-00-50</a>	SHIM (T:0.50MM) CALE (T:0.50MM)	1		UR
65	<a href="#">93317-330U5</a>	BEARING PIECE	1		
66	<a href="#">93101-30M17</a>	OIL SEAL JOINT SPY	2		
67	<a href="#">93211-04384</a>	O-RING JOINT TORIQUE	2		
68	<a href="#">90105-08M48</a>	BOLT, FLANGE BOULON	2		
69	<a href="#">93700-09M00</a>	NIPPLE, GREASE PION	1		
70	<a href="#">61A-45361-01-5B</a>	CAP, LOWER CASING COUVERCLE, BOITIER D'HELICE	1		
71	<a href="#">97095-08020</a>	BOLT BOULON	2		
72	<a href="#">92995-08600</a>	WASHER RONDELLE	2		

**FIG. 25 LOWER CASING. DRIVE 2**

**BOITIER D'HELICE, TRANSMISSION 2**

STD

REF. NO.	PART NO. NO. PIECES	DESCRIPTION DESCRIPTION	250A	L250	REMARKS REMARQUES
1	6E5-44366-00	DAMPER, WATER SEAL JOINT, TUBE D'EAU	1		
2	61A-44361-20	TUBE, WATER TUBE D'EAU	1		X
3	6E5-44365-00	DAMPER, WATER SEAL JOINT, TUBE D'EAU	1		
4	93608-12M05	PIN, DOWEL AXE	2		
5	97095-10045	BOLT BOULON	7		
6	92995-10100	WASHER RONDELLE	7		
7	92995-10600	WASHER RONDELLE	7		
8	90119-10MA2	BOLT, WITH WASHER BOULON, AVEC RONDELLE	1		
9	61A-45375-00	DAMPER, SEAL BOURRELET, CAOUTCHOUC	1		
10	61A-45214-10	COVER, WATER INLET GRILLE, ENTREE D'EAU	1		
11	61A-45215-10	COVER, WATER INLET GRILLE, ENTREE D'EAU	1		
12	90152-05003	SCREW, COUNTERSUNK VIS, TETE NOYEE	1		
13	90185-05002	NUT, SELF-LOCKING ECROU, AUTO-BLOCANT	1		
14	61A-45371-00	TAB-TRIM ANODE DERIVE	1		
15	90105-10M00	BOLT, FLANGE BOULON	1		
16	6E5-45987-01	SPACER ENTRETOISE	1		
17	688-45997-01	SPACER ENTRETOISE	1		
18	92990-18200	WASHER RONDELLE, PLATE	1		
19	90171-18M04	NUT, CASTLE ECROU, CRENELE	1		
20	91490-40030	PIN, COTTER GOUPILLE	1		
21	6G5-45970-02-98	PROPELLER (3X15-1/4"X15"-M) HELICE (3X15-1/4"X15"-M)	1		UR
	6G5-45972-02-98	PROPELLER (3X13-3/4"X21"-M) HELICE (3X13-3/4"X21"-M)	1		UR
	6G5-45974-03-98	PROPELLER (3X13-3/4"X19"-M2) HELICE (3X13-3/4"X19"-M2)	1		UR
	6G5-45978-03-98	PROPELLER (3X13-3/4"X17"-M2) HELICE (3X13-3/4"X17"-M2)	1		UR
	61A-45972-00-98	PROPELLER (3X14-1/2"X21"-T) HELICE (3X14-1/2"X21"-T)	1		UR
	61A-45974-00-98	PROPELLER (3X14-1/2"X19"-T) HELICE (3X14-1/2"X19"-T)	1		UR
	61A-45978-00-98	PROPELLER (3X15"X17"-T) HELICE (3X15"X17"-T)	1		UR



65J2100-3260

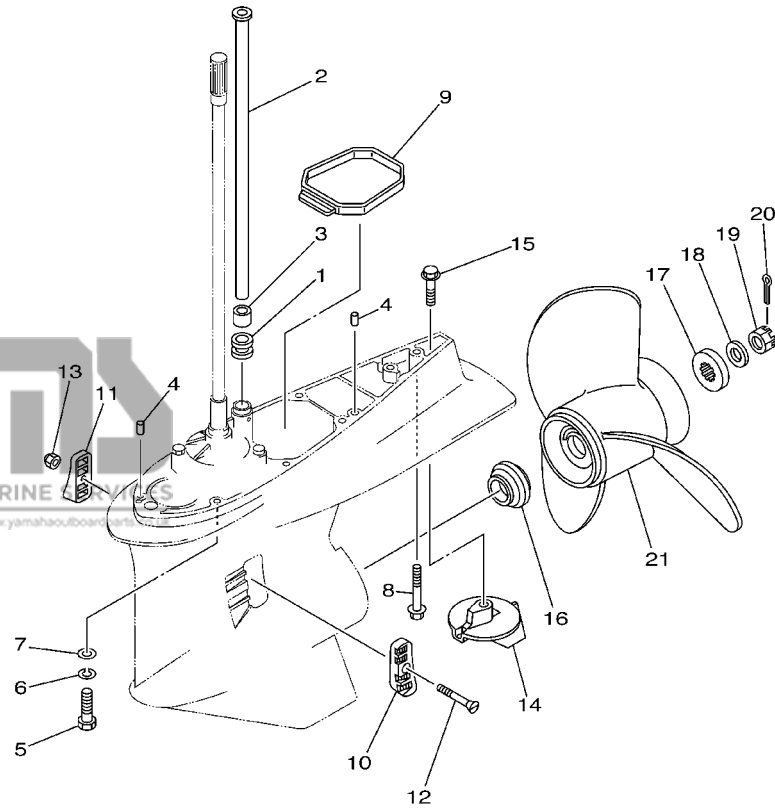
**B5**

FIG. 25 LOWER CASING, DRIVE 2

BOITIER D'HELICE, TRANSMISSION 2

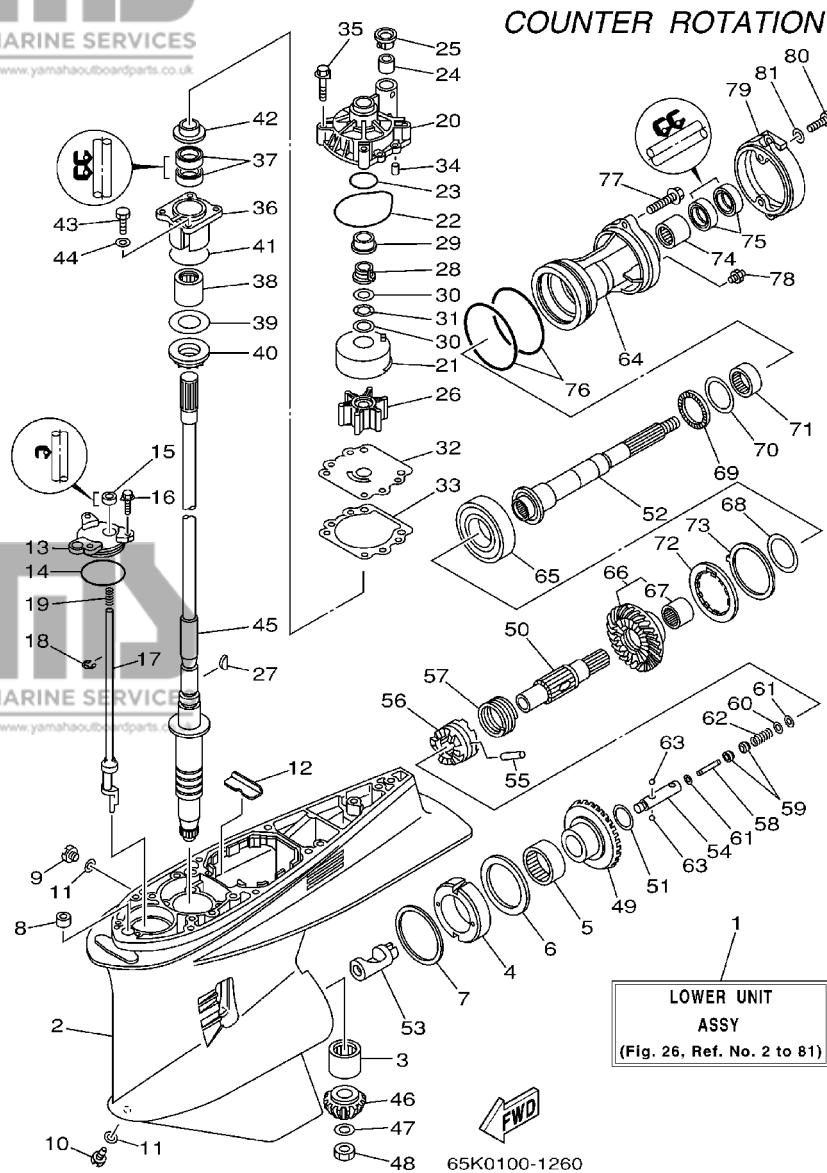
REF. NO.	PART NO. NO. PIECES	DESCRIPTION DESCRIPTION	250A	L250	REMARKS REMARQUES
21	<a href="#">6R4-45970-A0</a>	PROPELLER (3X15-1/4"X19"-M) HELICE (3X15-1/4"X19"-M)	1		UR
	<a href="#">6R4-45972-A0</a>	PROPELLER (3X14-7/8"X21"-M) HELICE (3X14-7/8"X21"-M)	1		UR
	<a href="#">6R4-45974-A0</a>	PROPELLER (3X14-1/2"X23"-M) HELICE (3X14-1/2"X23"-M)	1		UR
	<a href="#">6R4-45976-A0</a>	PROPELLER (3X14-1/2"X15"-M) HELICE (3X14-1/2"X15"-M)	1		UR
	<a href="#">6R4-45978-A0</a>	PROPELLER (3X15-1/4"X17"-M) HELICE (3X15-1/4"X17"-M)	1		UR
	<a href="#">66K-45972-B0</a>	PROPELLER (3X14-1/2"X25"-M2) HELICE (3X14-1/2"X25"-M2)	1		UR

STD



65J2100-3260





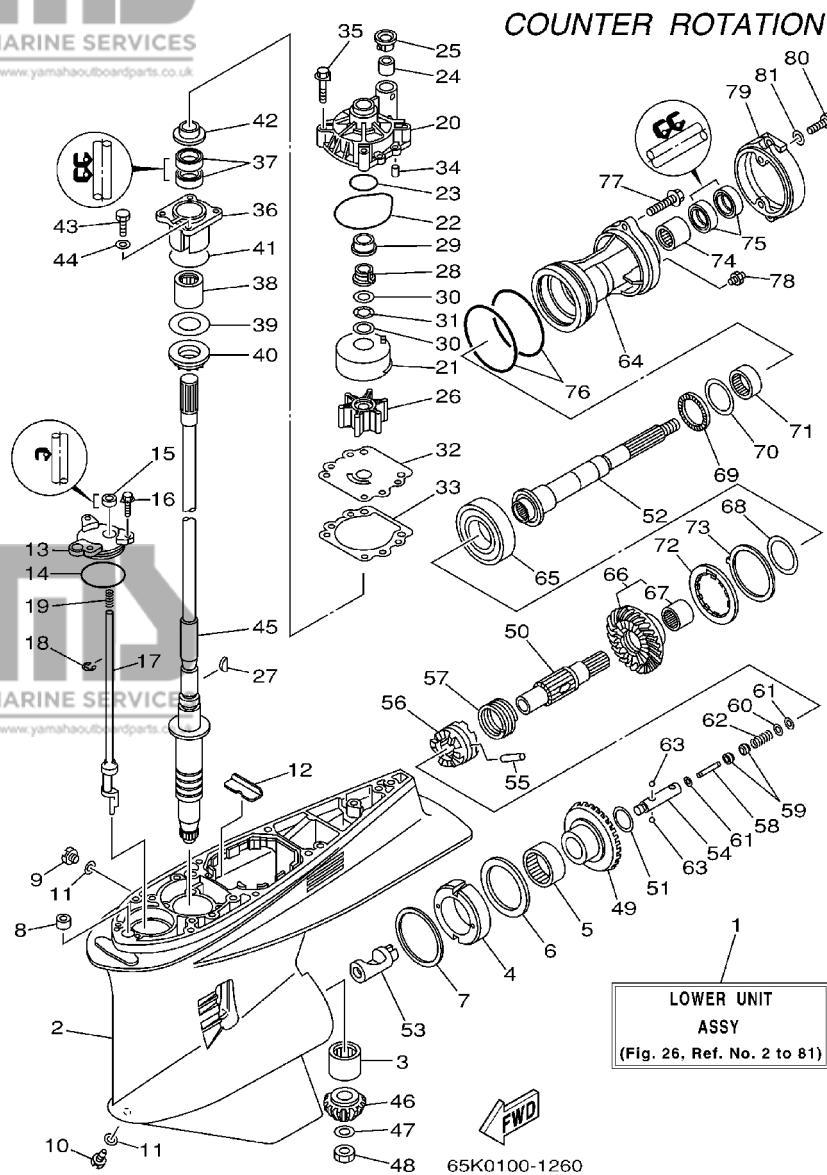
**FIG. 26 LOWER CASING. DRIVE 3**

**BOITIER D'HELICE, TRANSMISSION 3**

REF. NO.	PART NO. NO. PIECES	DESCRIPTION DESCRIPTION	250A	L250	REMARKS REMARQUES
1	61B-45300-24-8D	LOWER UNIT ASSY UNITE INFERIEURE (ENS.)		1	X
2	61A-45301-10-8D	CASING, LOWER BEQUILLE		1	
3	93311-83280	BALL BEARING ROULEMENT		1	
4	61B-45538-01	SPACER 1 ENTRETOISE		1	
5	93315-660W3	BEARING ROULEMENT		1	
6	93341-670V0	BEARING CERVEAUX DE DIRECTION		1	
7	61A-45567-00-10	SHIM (T:0.10MM) CALE (T:0.10MM)		1	UR
	61A-45567-00-12	SHIM (T:0.12MM) CALE (T:0.12MM)		1	UR
	61A-45567-00-15	SHIM (T:0.15MM) CALE (T:0.15MM)		1	UR
	61A-45567-00-18	SHIM (T:0.18MM) CALE (T:0.18MM)		1	UR
	61A-45567-00-30	SHIM (T:0.30MM) CALE (T:0.30MM)		1	UR
	61A-45567-00-40	SHIM (T:0.40MM) CALE (T:0.40MM)		1	UR
	61A-45567-00-50	SHIM (T:0.50MM) CALE (T:0.50MM)		1	UR
8	663-44366-00	DAMPER, WATER SEAL JOINT, TUBE D'EAU		1	
9	90340-08002	PLUG, STRAIGHT SCREW PLOT, FILETE DROIT		1	
10	688-45341-10	PLUG, DRAIN BOUCHON DE VIDANGE		1	
11	90430-08020	GASKET JOINT		2	
12	61A-45376-00-94	GUIDE, SEAL DAMPER BUTEE, JOINT CAOUTCHOUC		1	
13	61A-45321-01	PLATE PLAQUETTE		1	
14	93210-64488	O-RING JOINT TORIQUE		1	
15	93106-09014	OIL SEAL JOINT SPY		1	
16	90119-06M10	BOLT, WITH WASHER BOULON, AVEC RONDELLE		3	
17	60W-44150-00	SHIFT CAM ASSY CAME D'INVERSION		1	
18	99001-08600	CIRCLIP CIRCLIP		1	
19	90501-11M10	SPRING, COMPRESSION RESSORT, COMPRESSION		1	
20	61A-44311-01	HOUSING, WATER PUMP CORPS, POMPE A EAU		1	
21	61A-44322-02	INSERT, CARTRIDGE CUVETTE		1	

FIG. 26 LOWER CASING, DRIVE 3

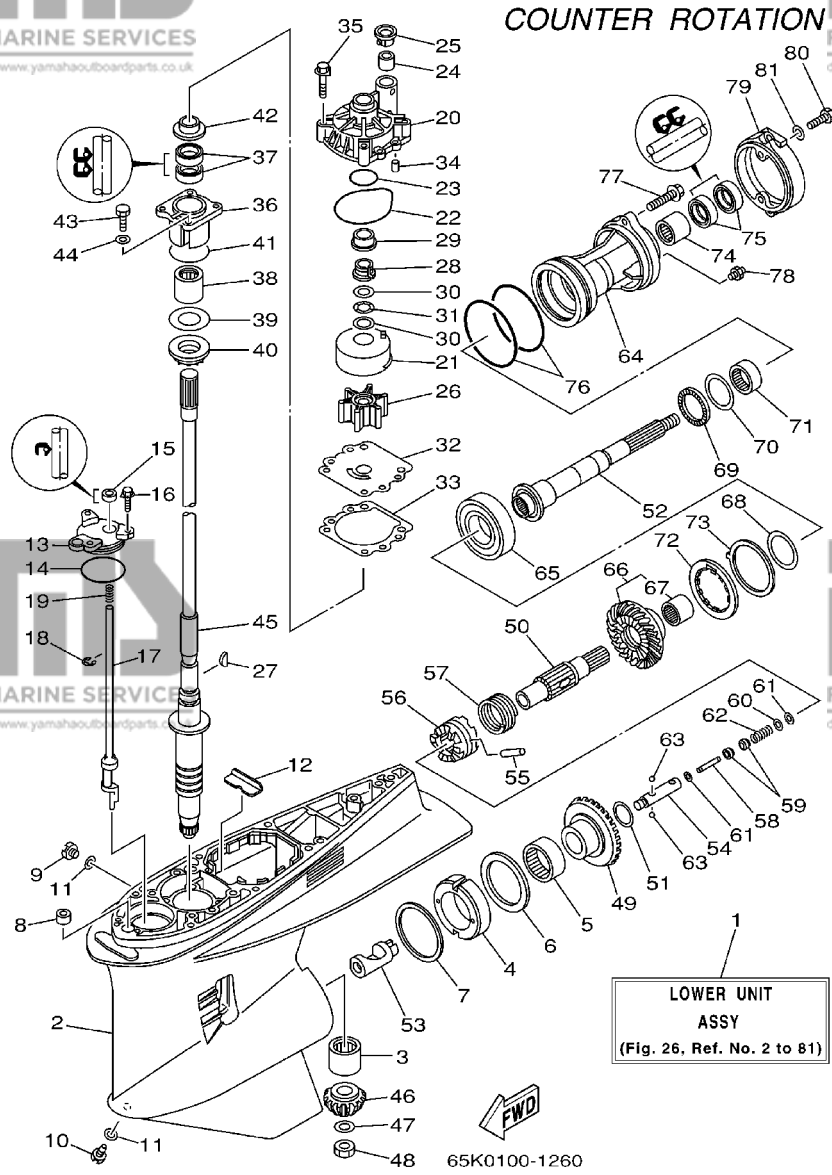
BOITIER D'HELICE, TRANSMISSION 3



REF. NO.	PART NO. NO. PIECES	DESCRIPTION DESCRIPTION	250A	L250	REMARKS REMARQUES
22	93210-86M38	O-RING JOINT TORIQUE		1	
23	93210-37160	O-RING JOINT TORIQUE		1	
24	6E5-44365-00	DAMPER, WATER SEAL JOINT, TUBE D'EAU		1	
25	6E5-44312-00	COVER, WATER PUMP HOUSING COUVERCLE		1	
26	6E5-44352-01	IMPELLER TURBINE		1	
27	90280-04M05	KEY, WOODRUFF CLAVETTE, DEMI-LUNE		1	
28	61A-45538-00	SPACER 1 ENTRETOISE		1	
29	61A-45527-00	COLLAR, DRIVE SHAFT ENTRETOISE		1	
30	90201-22M01	WASHER, PLATE RONDELLE, PLATE		2	
31	90206-22M19	WASHER, WAVE RONDELLE, ONDULEE		1	
32	6G5-44323-00	OUTER PLATE, CARTRIDGE PLAQUE EXTERIEURE		1	
33	6E5-44315-A0	GASKET, WATER PUMP JOINT, POMPE A EAU		1	
34	93606-12019	PIN, DOWEL GOUPILLE		2	
35	90119-08M14	BOLT, WITH WASHER BOULON, AVEC RONDELLE		4	
36	61A-45331-00-94	HOUSING, BEARING FLASQUE, ROULEMENT		1	
37	93101-28M16	OIL SEAL JOINT SPY		2	
38	93317-330U2	BEARING PIECE		1	
39	61A-45587-00-10	SHIM (T:0.10MM) CALE (T:0.10MM)		1	UR
	61A-45587-00-12	SHIM (T:0.12MM) CALE (T:0.12MM)		1	UR
	61A-45587-00-15	SHIM (T:0.15MM) CALE (T:0.15MM)		1	UR
	61A-45587-00-18	SHIM (T:0.18MM) CALE (T:0.18MM)		1	UR
	61A-45587-00-30	SHIM (T:0.30MM) CALE (T:0.30MM)		1	UR
	61A-45587-00-40	SHIM (T:0.40MM) CALE (T:0.40MM)		1	UR
	61A-45587-00-50	SHIM (T:0.50MM) CALE (T:0.50MM)		1	UR
40	93341-930U9	BEARING CERVEAUX DE DIRECTION		1	
41	93210-55M14	O-RING JOINT TORIQUE		1	
42	6E5-45344-00	COVER, OIL SEAL FLASQUE, JOINT D'HUILE		1	

**FIG. 26 LOWER CASING. DRIVE 3**

**BOITIER D'HELICE, TRANSMISSION 3**

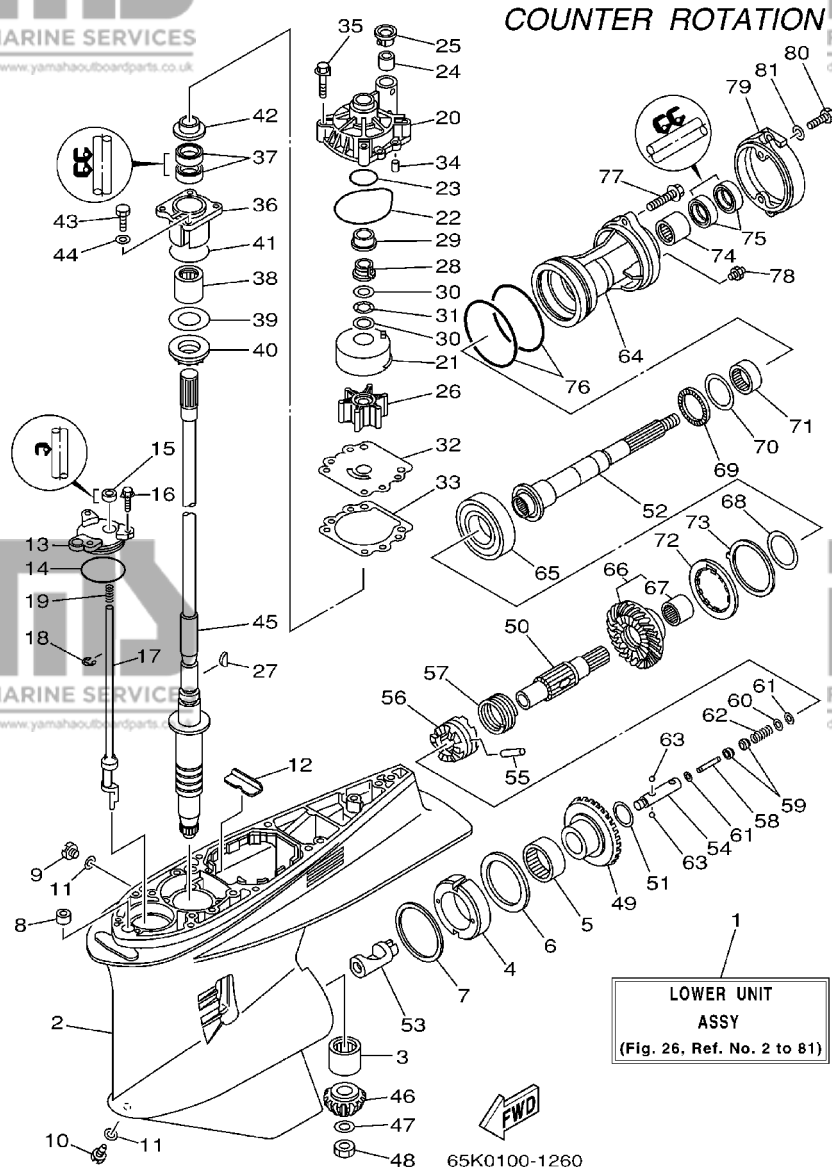


REF. NO.	PART NO. NO. PIECES	DESCRIPTION DESCRIPTION	250A	L250	REMARKS REMARQUES
43	97095-08025	BOLT BOULON		4	
44	92995-08600	WASHER RONDELLE		4	
45	61A-45501-20	DRIVE SHAFT COMP. ARBRE MOTEUR COMP.		1	X
46	61A-45551-03	PINION PIGNON D'ATTAQUE		1	
47	90201-16M00	WASHER, PLATE RONDELLE, PLATE		1	
48	90170-16M19	NUT ECROU		1	
49	61B-45560-01	GEAR PIGNON		1	
50	61B-45611-01	SHAFT, PROPELLER ARBRE, HELICE		1	
51	90201-29M01	WASHER, PLATE RONDELLE, PLATE		1	
52	61B-45611-20	SHAFT, PROPELLER ARBRE, HELICE		1	
53	61B-45641-01	SHIFTER EMBRAYAGE		1	
54	61A-45634-01	SLIDE, SHIFT CONTRE-POUSSOIR		1	
55	61A-45632-00	PIN, CROSS GOUPILLE DE CRABOT		1	
56	61A-45631-03	CLUTCH, DOG CRABOT		1	
57	61A-45633-00	RING, CROSS PIN JONC, GOUPILLE CRABOT		1	
58	6H1-45668-00	SHAFT, FREE AXE		1	
59	61A-45635-00	PLUNGER, SHIFT POUSSOIR D'EMBRAYAGE		2	
60	90201-02M00	WASHER, PLATE RONDELLE, PLATE		1	
61	90183-02M03	NUT, SPRING ECROU, RESSORT		2	
62	90501-10M77	SPRING, COMPRESSION RESSORT, COMPRESSION		1	
63	93501-04011	BALL BILLE		2	
64	61B-45332-01-94	HOUSING, BEARING FLASQUE, ROULEMENT		1	
65	93332-000W2	BEARING ROULEMENT		1	
66	61B-45570-03	GEAR PIGNON		1	
67	93315-430U8	BEARING ROULEMENT		1	
68	61A-45577-00-10	SHIM (T:0.10MM) CALE (T:0.10MM)		1	UR
	61A-45577-00-12	SHIM (T:0.12MM) CALE (T:0.12MM)		1	UR

**C2**

**FIG. 26 LOWER CASING. DRIVE 3**

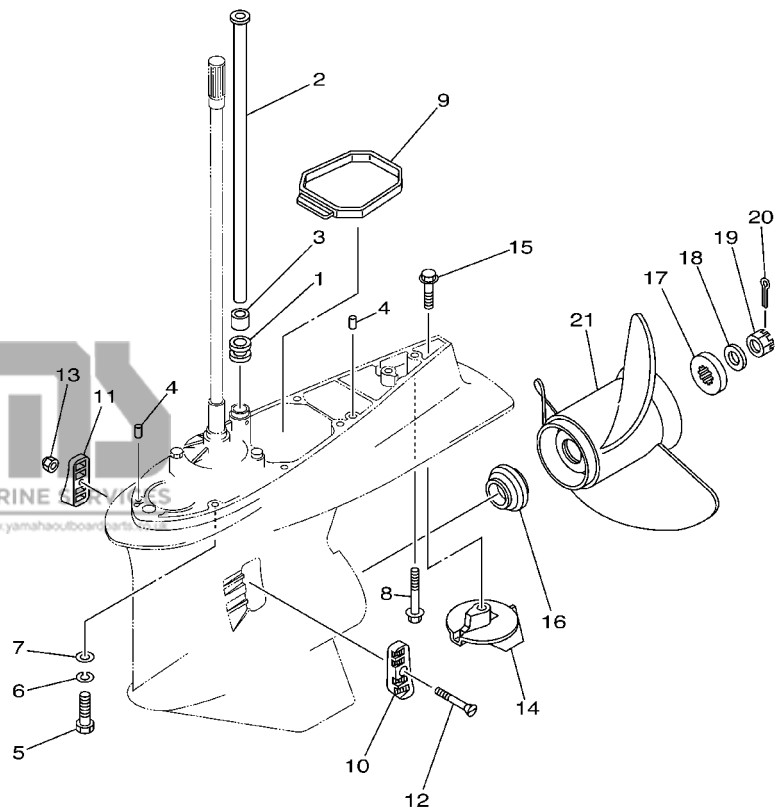
**BOITIER D'HELICE, TRANSMISSION 3**



REF. NO.	PART NO. NO. PIECES	DESCRIPTION DESCRIPTION	250A	L250	REMARKS REMARQUES
68	61A-45577-00-15	SHIM (T:0.15MM)		1	UR
		CALE (T:0.15MM)			
	61A-45577-00-18	SHIM (T:0.18MM)		1	UR
		CALE (T:0.18MM)			
	61A-45577-00-30	SHIM (T:0.30MM)		1	UR
		CALE (T:0.30MM)			
	61A-45577-00-40	SHIM (T:0.40MM)		1	UR
		CALE (T:0.40MM)			
	61A-45577-00-50	SHIM (T:0.50MM)		1	UR
		CALE (T:0.50MM)			
69	93341-440U5	BEARING CERVEAUX DE DIRECTION		1	
70	6K1-45578-01-10	SHIM (T:0.10MM)		1	UR
		CALE (T:0.10MM)			
	6K1-45578-01-12	SHIM (T:0.12MM)		1	UR
		CALE (T:0.12MM)			
	6K1-45578-01-15	SHIM (T:0.15MM)		1	UR
		CALE (T:0.15MM)			
	6K1-45578-01-18	SHIM (T:0.18MM)		1	UR
		CALE (T:0.18MM)			
	6K1-45578-01-30	SHIM (T:0.30MM)		1	UR
		CALE (T:0.30MM)			
	6K1-45578-01-40	SHIM (T:0.40MM)		1	UR
		CALE (T:0.40MM)			
	6K1-45578-01-50	SHIM (T:0.50MM)		1	UR
		CALE (T:0.50MM)			
71	93315-440V6	BEARING ROULEMENT		1	
72	61B-45384-00	NUT ECROU		1	
73	61B-45383-00	WASHER, CLAW FREIN D'ECROU		1	
74	93317-330U5	BEARING PIECE		1	
75	93101-30M17	OIL SEAL JOINT SPY		2	
76	93211-04384	O-RING JOINT TORIQUE		2	
77	90105-08M48	BOLT, FLANGE BOULON		2	
78	93700-09M00	NIPPLE, GREASE PION		1	
79	61A-45361-01-5B	CAP, LOWER CASING COUVERCLE, BOITIER D'HELICE		1	
80	97095-08020	BOLT BOULON		2	
81	92995-08600	WASHER RONDELLE		2	

**C3**

COUNTER ROTATION



**FWD**  
65K2100-3280

FIG. 27 LOWER CASING. DRIVE 4

BOITIER D'HELICE, TRANSMISSION 4

REF. NO.	PART NO. NO. PIECES	DESCRIPTION DESCRIPTION	250A	L250	REMARKS REMARQUES
1	6E5-44366-00	DAMPER, WATER SEAL JOINT, TUBE D'EAU		1	
2	61A-44361-20	TUBE, WATER TUBE D'EAU		1	X
3	6E5-44365-00	DAMPER, WATER SEAL JOINT, TUBE D'EAU		1	
4	93608-12M05	PIN, DOWEL AXE		2	
5	97095-10045	BOLT BOULON		7	
6	92995-10100	WASHER RONDELLE		7	
7	92995-10600	WASHER RONDELLE		7	
8	90119-10MA2	BOLT, WITH WASHER BOULON, AVEC RONDELLE		1	
9	61A-45375-00	DAMPER, SEAL BOURRELET, CAOUTCHOUC		1	
10	61A-45214-10	COVER, WATER INLET GRILLE, ENTREE D'EAU		1	
11	61A-45215-10	COVER, WATER INLET GRILLE, ENTREE D'EAU		1	
12	90152-05003	SCREW, COUNTERSUNK VIS, TETE NOYEE		1	
13	90185-05002	NUT, SELF-LOCKING ECROU, AUTO-BLOCANT		1	
14	61A-45371-00	TAB-TRIM ANODE DERIVE		1	
15	90105-10M00	BOLT, FLANGE BOULON		1	
16	6E5-45987-01	SPACER ENTRETOISE		1	
17	688-45997-01	SPACER ENTRETOISE		1	
18	92990-18200	WASHER RONDELLE, PLATE		1	
19	90171-18M04	NUT, CASTLE ECROU, CRENELE		1	
20	91490-40030	PIN, COTTER GOUPILLE		1	
21	6K1-45970-01-98	PROPELLER (3X15-1/4"X15"-ML) HELICE (3X15-1/4"X15"-ML)		1	UR
	6K1-45972-01-98	PROPELLER (3X13-3/4"X21"-ML) HELICE (3X13-3/4"X21"-ML)		1	UR
	6K1-45974-02-98	PROPELLER (3X13-3/4"X19"-ML1) HELICE (3X13-3/4"X19"-ML1)		1	UR
	6K1-45978-02-98	PROPELLER (3X13-3/4"X17"-ML1) HELICE (3X13-3/4"X17"-ML1)		1	UR
	61B-45972-00-98	PROPELLER (3X14-1/2"X21"-TL) HELICE (3X14-1/2"X21"-TL)		1	UR
	61B-45974-00-98	PROPELLER (3X14-1/2"X19"-TL) HELICE (3X14-1/2"X19"-TL)		1	UR
	61B-45978-00-98	PROPELLER (3X15"X17"-TL) HELICE (3X15"X17"-TL)		1	UR

**C4**

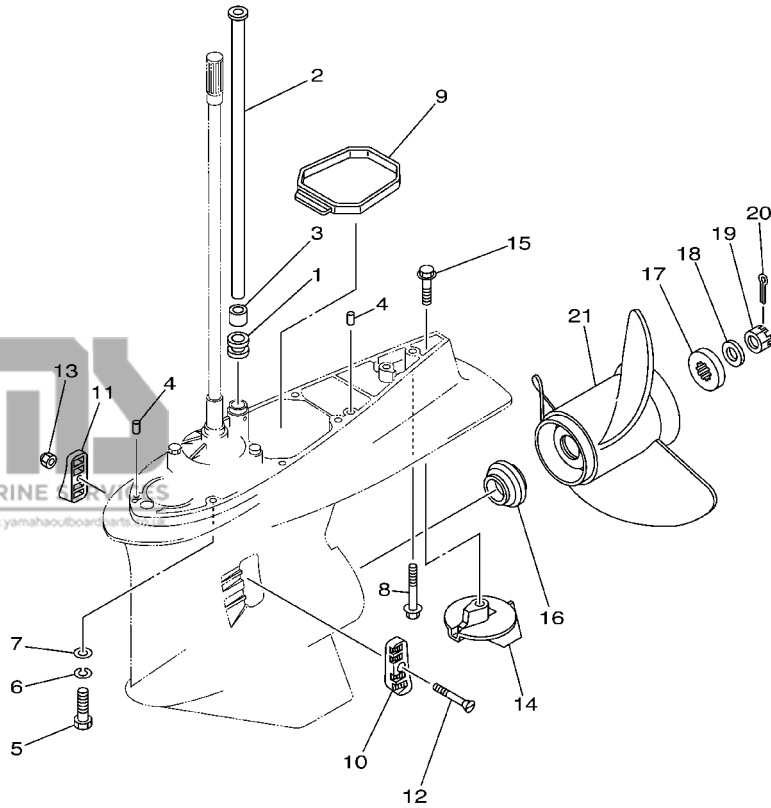


COUNTER ROTATION

FIG. 27 LOWER CASING, DRIVE 4

BOITIER D'HELICE, TRANSMISSION 4

REF. NO.	PART NO. NO. PIECES	DESCRIPTION DESCRIPTION	250A	L250	REMARKS REMARQUES
21	<a href="#">6R1-45970-A0</a>	PROPELLER (3X15-1/4"X19"-ML) HELICE (3X15-1/4"X19"-ML)		1	UR
	<a href="#">6R1-45972-A0</a>	PROPELLER (3X14-7/8"X21"-ML) HELICE (3X14-7/8"X21"-ML)		1	UR
	<a href="#">6R1-45974-A0</a>	PROPELLER (3X14-1/2"X23"-ML) HELICE (3X14-1/2"X23"-ML)		1	UR
	<a href="#">6R1-45976-A0</a>	PROPELLER (3X15-1/4"X15"-ML) HELICE (3X15-1/4"X15"-ML)		1	UR
	<a href="#">6R1-45978-A0</a>	PROPELLER (3X15-1/4"X17"-ML) HELICE (3X15-1/4"X17"-ML)		1	UR



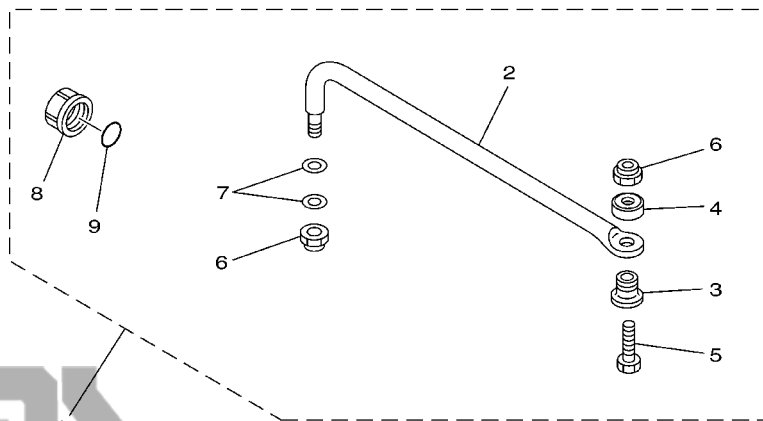
65K2100-3280



**FIG. 28 STEERING GUIDE ATTACHMENT 1**

**DIRECTION GUIDE ACCESSOIRE 1**

REF. NO.	PART NO. NO. PIECES	DESCRIPTION DESCRIPTION	250A	L250	REMARKS REMARQUES
1	<a href="#">6E5-61350-02</a>	STEERING GUIDE ATTACHMENT KIT FIXATIONS DE DIRECTION	1	1	AP
2	<a href="#">6E5-61351-01</a>	.ROD, STEERING LINK .RENOI DE DIRECTION	1	1	
3	<a href="#">90387-10M61</a>	.COLLAR .COLLERETTE	1	1	
4	<a href="#">90560-12M01</a>	.SPACER .ENTRETOISE	1	1	
5	<a href="#">6E5-61355-00</a>	.BOLT .BOULON	1	1	
6	<a href="#">90185-09M01</a>	.NUT, SELF-LOCKING .ECROU, AUTO-BLOCANT	2	2	
7	<a href="#">90201-10M20</a>	.WASHER, PLATE .RONDELLE, PLATE	2	2	
8	<a href="#">6E5-43145-01</a>	.CAP, CLAMP BRACKET .CAPUCHON, PRESSE	1	1	
9	<a href="#">93210-16275</a>	.O-RING .JOINT TORIQUE	1	1	

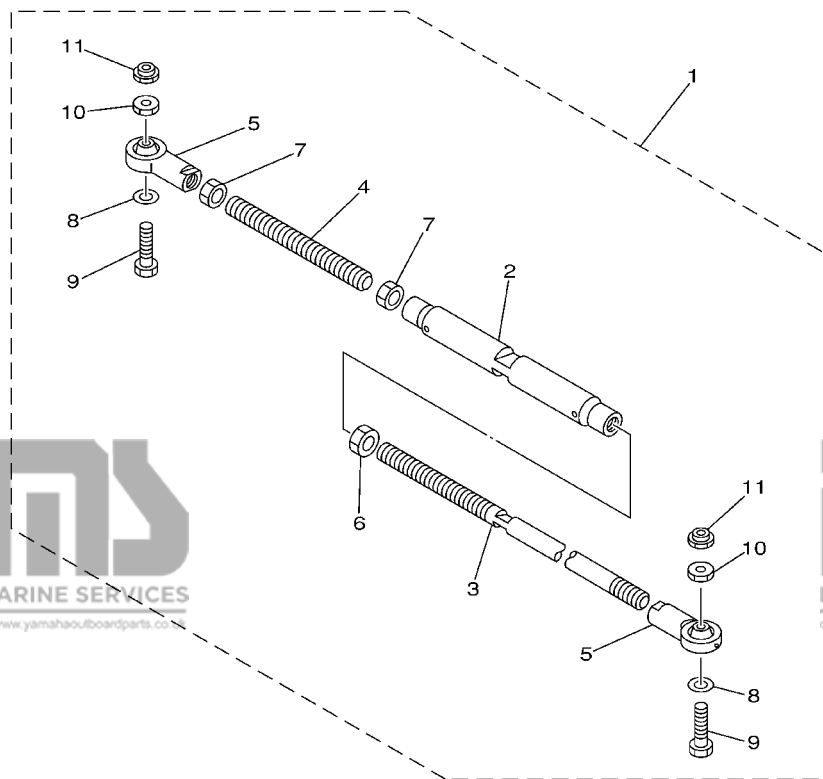


67H0100-9290

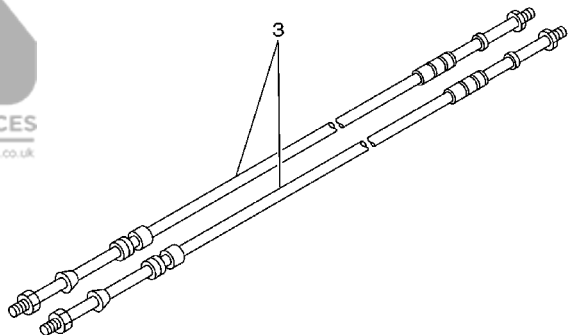
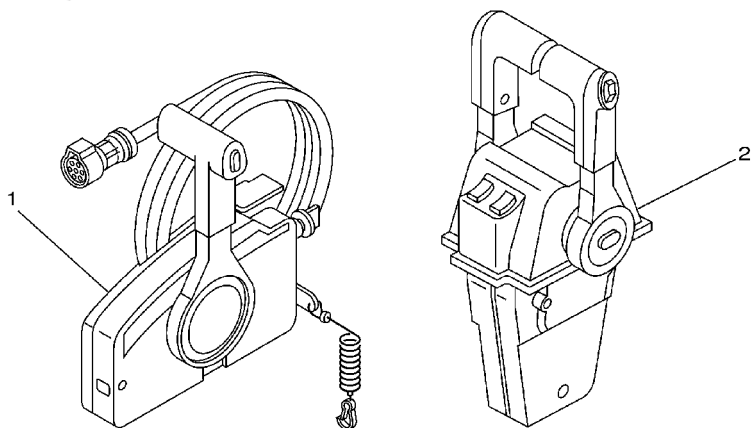
**FIG. 29 STEERING GUIDE ATTACHMENT 2**

**DIRECTION GUIDE ACCESSOIRE 2**

REF. NO.	PART NO. NO. PIECES	DESCRIPTION DESCRIPTION	250A	L250	REMARKS REMARQUES
1	<a href="#">6E5-61301-01</a>	TWIN KIT (L:600-800MM) JUMELE KIT (L:600-800MM)		1	AP
2	<a href="#">6E5-61313-00</a>	.ADJUSTER .TENDEUR		1	
3	<a href="#">6E5-61311-11</a>	.TIE BAR BARRE D'ACCOUPEMENT		1	
4	<a href="#">6E5-61315-00</a>	.TIE BAR BARRE D'ACCOUPEMENT		1	
5	<a href="#">6E5-61303-00</a>	.STEERING EYE COMP. .AXE COMP.		2	
6	<a href="#">90170-14M06</a>	.NUT .ECROU		1	
7	<a href="#">95380-14700</a>	.NUT .ECROU		2	
8	<a href="#">90201-10M76</a>	.WASHER, PLATE .RONDELLE, PLATE		2	
9	<a href="#">90101-09M70</a>	.BOLT .BOULON		2	
10	<a href="#">90170-09M05</a>	.NUT .ECROU		2	
11	<a href="#">90185-09M01</a>	.NUT, SELF-LOCKING .ECROU, AUTO-BLOCANT		2	



67H0100-0300



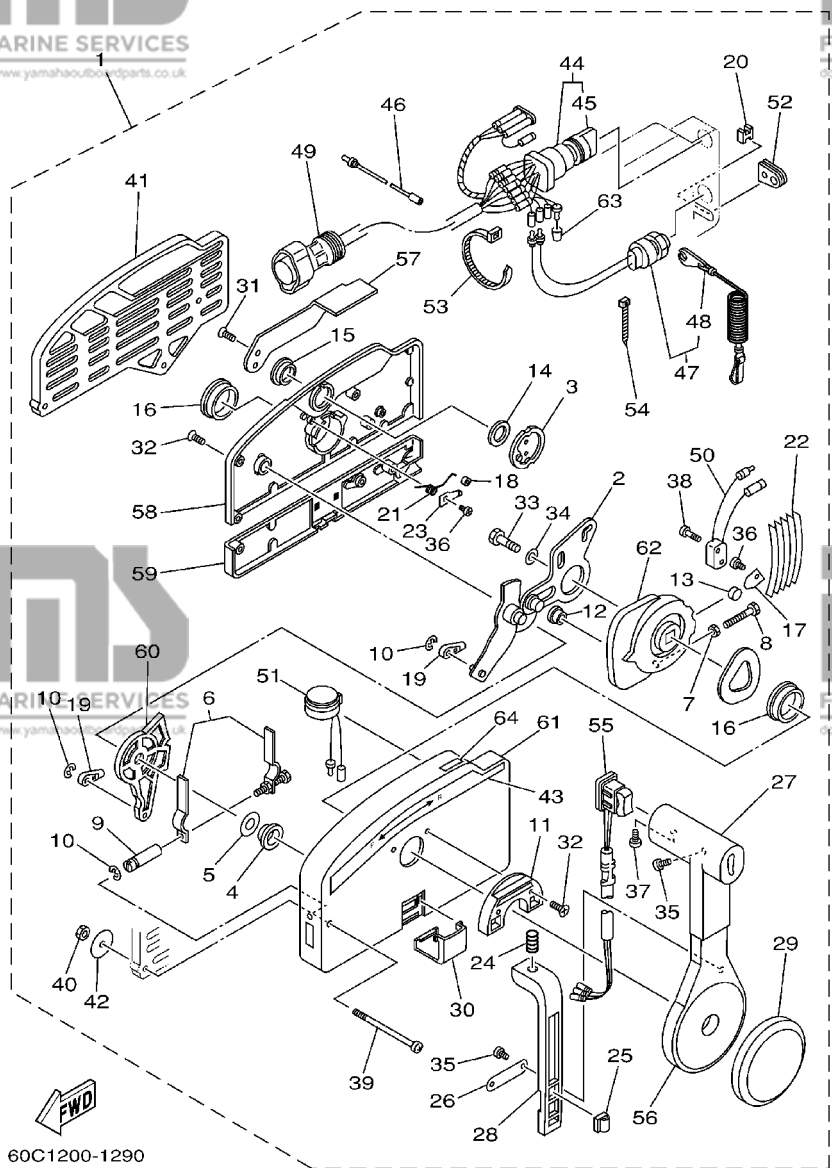
67H0100-9310

**FIG. 30 REMOTE CONTROL BOX**

**BOITIER DE COMMANDE A DISTANCE**

REF. NO.	PART NO. NO. PIECES	DESCRIPTION DESCRIPTION	250A	L250	REMARKS REMARQUES
1	<a href="#">703-48205-A4</a>	REMOTE CONTROL ASSY BOITIER DE COMMANDE A DISTANCE	1		AP WITH PT/T SW.
2	<a href="#">704-48207-23</a>	REMOTE CONTROL ASSY BOITIER DE COMMANDE A DISTANCE		1	AP WITH PT/T SW.
3	<a href="#">701-48320-80</a>	CABLE, REMOTE CONTROL L=17F CABLE, COMMANDE A DISTANCE:17F	2	2	UR
	<a href="#">701-48320-70</a>	CABLE, REMOTE CONTROL L=20F CABLE, COMMANDE A DISTANCE:20F	2	2	UR
	<a href="#">701-48350-00</a>	CABLE, REMOTE CONTROL L=21F CABLE, COMMANDE A DISTANCE:21F	2	2	UR
	<a href="#">701-48350-10</a>	CABLE, REMOTE CONTROL L=22F CABLE, COMMANDE A DISTANCE:22F	2	2	UR

**FIG. 31 REMOTE CONTROL ASSY 1 BOITIER DE COMMANDE A DISTANCE 1**

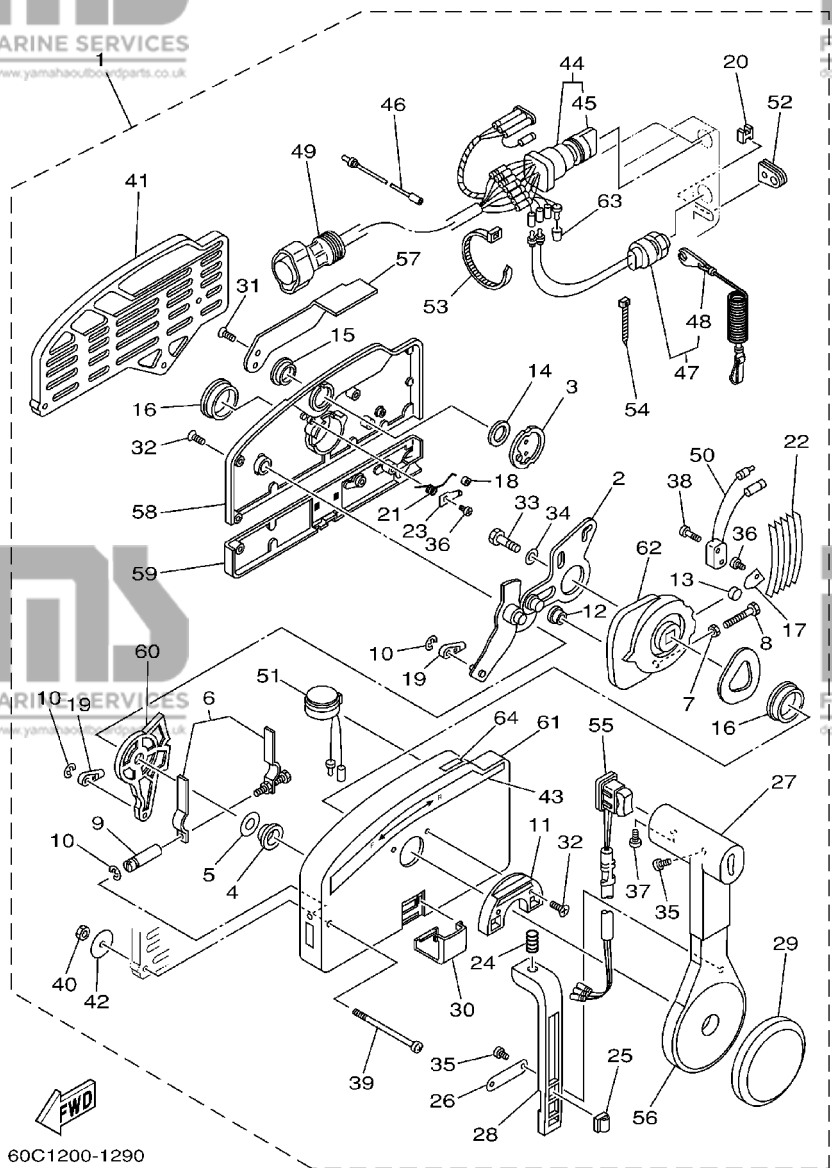


60C1200-1290

REF. NO.	PART NO. NO. PIECES	DESCRIPTION DESCRIPTION	250A	L250	REMARKS REMARQUES
1	703-48205-A4	REMOTE CONTROL ASSY BOITIER DE COMMANDE A DISTANCE	1		AP WITH PT/T SW.
2	703-48261-01	.ARM, THROTTLE .BRAS, ACCELERATION	1		
3	703-48153-00	.SHAFT, FREE ACCEL. .AXE	1		
4	703-48235-00	.BUSHING .COUSSINET	1		
5	703-48268-00	.SPACER .ENTRETOISE	1		
6	703-48264-00	.THROTTLE, FRICTION .ACCELERATION	1		
7	95380-05600	.NUT .ECROU	1		
8	97380-05025	.BOLT .BOULON, HEXAGONAL	1		
9	703-48265-00	.SHAFT, FRICTION .AXE, COPILOTE	1		
10	93430-06024	.CIRCLIP	3		
11	703-48245-00	.CLIPS .PLATE, LOCK .PLAQUE, VERROU	1		
12	703-48252-00	.ROLLER, CAM .POULIE	1		
13	701-48248-00	.ROLLER, FREE ACCEL. .POULIE	1		
14	703-48198-00	.WASHER, WAVE .RONDELLE, ELASTIQUE ONDULEE	1		
15	703-48243-00	.BUSHING .COUSSINET	1		
16	703-48236-00	.BUSHING 1 .POULIE	2		
17	703-48189-00	.RETAINER .FLASQUE	1		
18	703-48234-00	.ROLLER, DETENT .POULIE	1		
19	703-48345-01	.CABLE END, REMOTE CONTROL 2 .CHAPE CABLE	2		
20	703-48358-00	.ANCHOR, CABLE .COLLIER	1		
21	703-48244-00	.SPRING, FREE ACCEL. .RESSORT	1		
22	703-48238-00	.SPRING, DETENT .RESSORT	5		
23	703-48246-00	.SPACER .ENTRETOISE	1		
24	703-48227-00	.SPRING, NEUTRAL LOCK .RESSORT	1		
25	703-82594-00	.CLAMP .BRIDE	1		WITH PT/T SW.
26	703-48226-00	.PLATE, STOPPER .PLAQUETTE	1		
27	703-48222-00	.GRIP, CONTROL LEVER .POIGNEE, COMMANDE LEVIER	1		SINGLE

**D2**

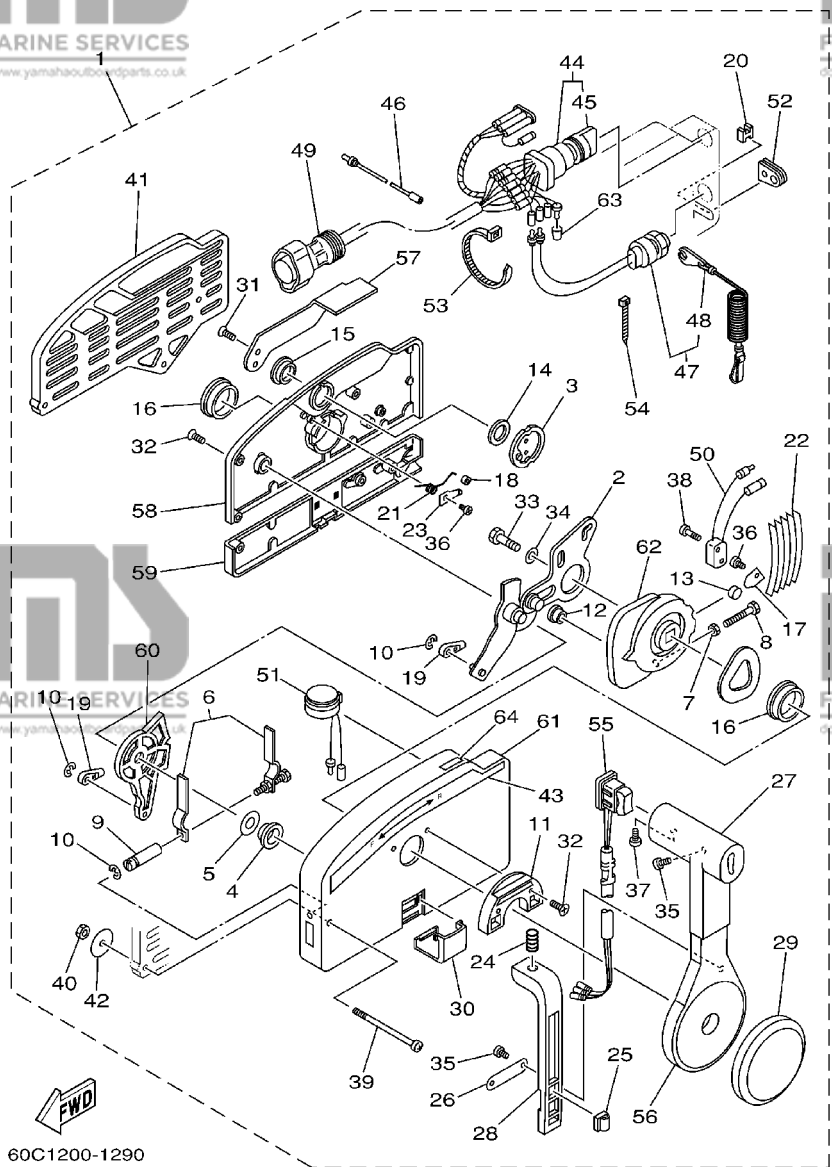
**FIG. 31 REMOTE CONTROL ASSY 1 BOITIER DE COMMANDE A DISTANCE 1**



60C1200-1290

REF. NO.	PART NO. NO. PIECES	DESCRIPTION DESCRIPTION	250A	L250	REMARKS REMARQUES
28	703-48223-00	.LOCK, NEUTRAL .VERROU, NEUTRAL	1		
29	703-48225-00	.COVER .COUVERCLE	1		
30	703-48219-00	.COVER, LEAD .COUVERCLE	1		
31	703-48281-00	.SCREW .VIS	2		
32	703-48282-00	.SCREW .VIS	7		
33	97380-08030	.BOLT .BOULON, HEXAGONAL	1		
34	92990-08600	.WASHER, PLATE .RONDELLE, PLATE	1		
35	98580-04010	.SCREW, PAN HEAD .VIS	3		
36	98580-04006	.SCREW, PAN HEAD .VIS	2		
37	98580-05010	.SCREW, PAN HEAD .VIS	1		
38	98580-03015	.SCREW, PAN HEAD .VIS	2		
39	703-48291-10	.SCREW (M6) .VIS (M6)	3		
40	95380-06600	.NUT, HEXAGON .ECROU	3		
41	703-48293-10	.SPACER, REMOTE CONTROL .ENTRETOISE	1		SINGLE
42	701-48287-00	.WASHER .RONDELLE	3		
43	703-48215-00	.GRAPHIC .ADHESIF	1		
44	703-82510-12	.MAIN SWITCH ASSY .CONTACTEUR A CLEF COMPLET	1		FOR PRIME START MODEL
45	676-82577-00	.CAP, KEY .CABOCHON	1		
46	703-82531-00	.WIRE, LEAD .FIL	1		
47	688-82575-01	.ENGINE STOP SWITCH ASSY .COUPE CIRCUIT CPLT	1		
48	682-82556-00	.STOPPER .PLAQUETTE	1		
49	688-8258A-20	.EXTENSION, WIRE HARNESS .EXTENSION, FAISCEAU DE FILS	1		L:5M (10P)
50	703-82540-00	.NEUTRAL SWITCH ASSY .CONTACTEUR DE POINT-MORT	1		
51	703-83383-A0	.BUZZER .RONFLEUR	1		
52	703-48284-00	.GROMMET .PASSE-FIL	1		
53	703-82591-00	.BAND .COLLIER	1		
54	703-82592-00	.BAND .COLLIER	1		

**D3**



60C1200-1290

**FIG. 31 REMOTE CONTROL ASSY 1 BOITIER DE COMMANDE A DISTANCE 1**

REF. NO.	PART NO. NO. PIECES	DESCRIPTION DESCRIPTION	250A	L250	REMARKS REMARQUES
55	<a href="#">703-82563-02</a>	.TRIM & TILT SWITCH ASSY .INCLINER ET PARER COMMUTATEUR	1		WITH PT/T SW.
56	<a href="#">703-48221-00</a>	.LEVER, CONTROL .LEVIER, COMMANDE	1		
57	<a href="#">703-48152-00</a>	.KNOB, FREE ACCEL. BOUTON	1		
58	<a href="#">703-48212-00</a>	.BACK PLATE 1 .PLAQUETTE 1	1		
59	<a href="#">703-48213-00</a>	.BACK PLATE 2 .PLAQUETTE 2	1		
60	<a href="#">703-48271-00</a>	.ARM, SHIFT .BRAS	1		
61	<a href="#">703-48211-01</a>	.HOUSING,1 .CORPS	1		
62	<a href="#">703-48232-00</a>	.GEAR .PIGNON	1		
63	<a href="#">703-82542-00</a>	.CAP .COUVERCLE	1		
64	<a href="#">703-48218-00</a>	.GRAPHIC .ADHESIF	1		

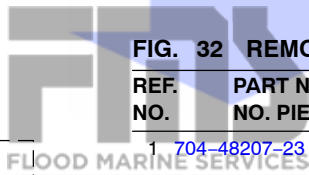
**D4**





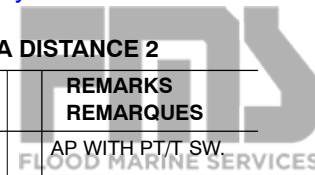
FLOOD MARINE SERVICES

downloaded from www.yamahaoutboardparts.co.uk



FLOOD MARINE SERVICES

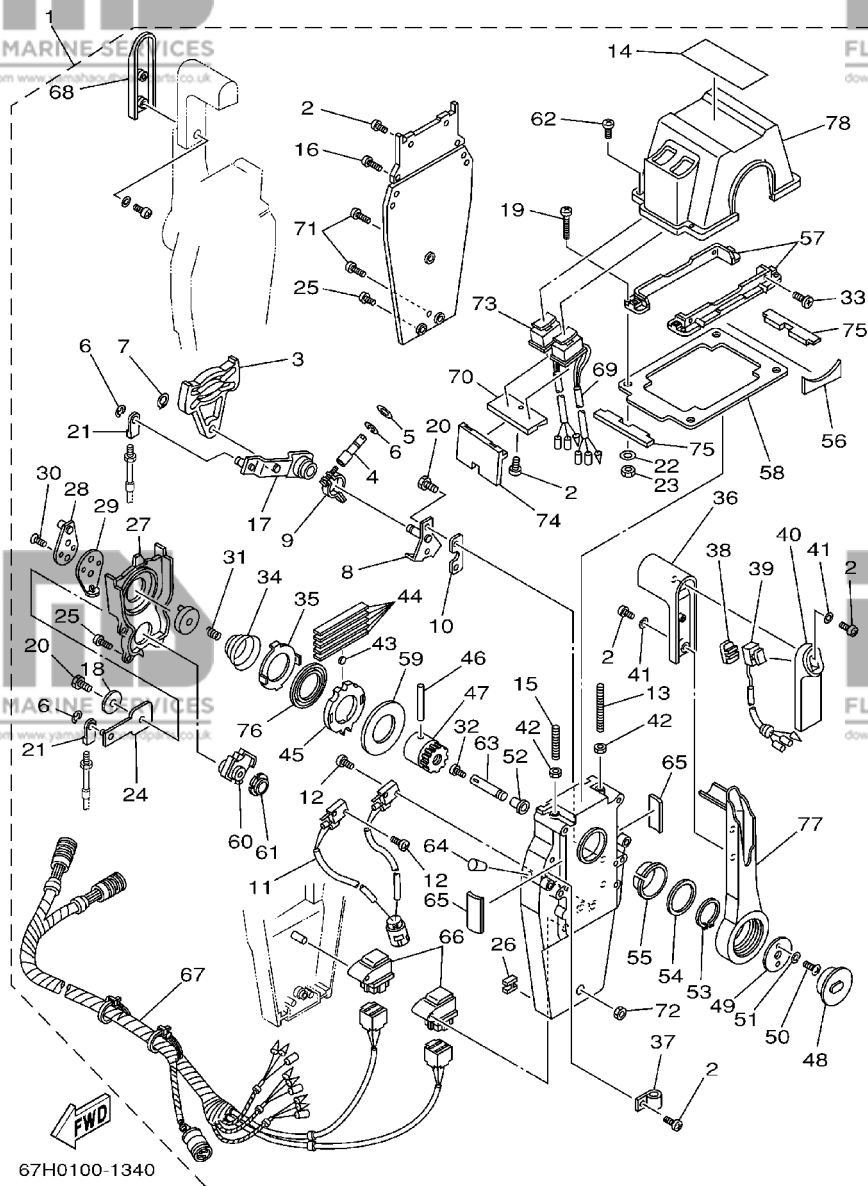
downloaded from www.yamahaoutboardparts.co.uk



FLOOD MARINE SERVICES

downloaded from www.yamahaoutboardparts.co.uk

FIG. 32 REMOTE CONTROL ASSY 2 BOITIER DE COMMANDE A DISTANCE 2

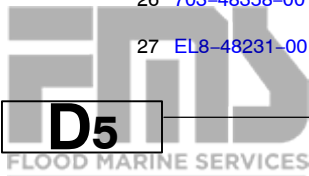


REF. NO.	PART NO. NO. PIECES	DESCRIPTION DESCRIPTION	250A	L250	REMARKS REMARQUES
1	<a href="#">704-48207-23</a>	REMOTE CONTROL ASSY BOITIER DE COMMANDE A DISTANCE		1	AP WITH PT/T SW.
2	<a href="#">97890-05016</a>	.SCREW, PAN HEAD .VIS, CRUCIFORME		12	
3	<a href="#">EL8-48251-00</a>	.PLATE, CAM PLAQUE, CAME		2	
4	<a href="#">704-48265-00</a>	.SHAFT, FRICTION AXE, COPILOTE		2	
5	<a href="#">701-48246-00</a>	.SPACER ENTRETOISE		2	
6	<a href="#">93430-06024</a>	.CIRCLIP .CLIPS		8	
7	<a href="#">EL8-48259-00</a>	.CIRCLIP 1 .CIRCLIP		2	
8	<a href="#">704-48262-00</a>	.SHAFT, THROTTLE AXE, ACCELERATION		2	
9	<a href="#">704-48264-00</a>	.THROTTLE, FRICTION ACCELERATION		2	
10	<a href="#">704-48266-00</a>	.SPACER ENTRETOISE		2	
11	<a href="#">704-82540-10</a>	.NEUTRAL SWITCH ASSY .CONTACTEUR DE POINT-MORT		1	
12	<a href="#">6A5-48129-10</a>	.SCREW 3 .VIS 3		4	
13	<a href="#">EL8-48281-00</a>	.SCREW .VIS		2	
14	<a href="#">704-48215-10</a>	.GRAPHIC ADHESIF		1	
15	<a href="#">704-48281-00</a>	.SCREW .VIS		2	
16	<a href="#">97890-05025</a>	.SCREW, PAN HEAD .VIS, CRUCIFORME		4	
17	<a href="#">704-48261-00</a>	.ARM, THROTTLE BRAS, ACCELERATION		2	
18	<a href="#">EL8-48191-00</a>	.WASHER 1 RONDELLE		2	
19	<a href="#">704-48283-00</a>	.SCREW VIS		4	
20	<a href="#">97380-06018</a>	.BOLT BOULON, HEXAGONAL		6	
21	<a href="#">703-48345-01</a>	.CABLE END, REMOTE CONTROL 2 .CHAPE CABLE		4	
22	<a href="#">704-48287-00</a>	.WASHER RONDELLE		4	
23	<a href="#">95380-05600</a>	.NUT ECROU		4	
24	<a href="#">EL8-48271-00</a>	.ARM, SHIFT .BRAS		2	
25	<a href="#">EL8-48127-00</a>	.SCREW 1 .VIS 1		16	
26	<a href="#">703-48358-00</a>	.ANCHOR, CABLE .COLLIER		2	
27	<a href="#">EL8-48231-00</a>	.HOUSING, GEAR .CARTER, ENGRENAGE		2	



FLOOD MARINE SERVICES

downloaded from www.yamahaoutboardparts.co.uk



FLOOD MARINE SERVICES

downloaded from www.yamahaoutboardparts.co.uk

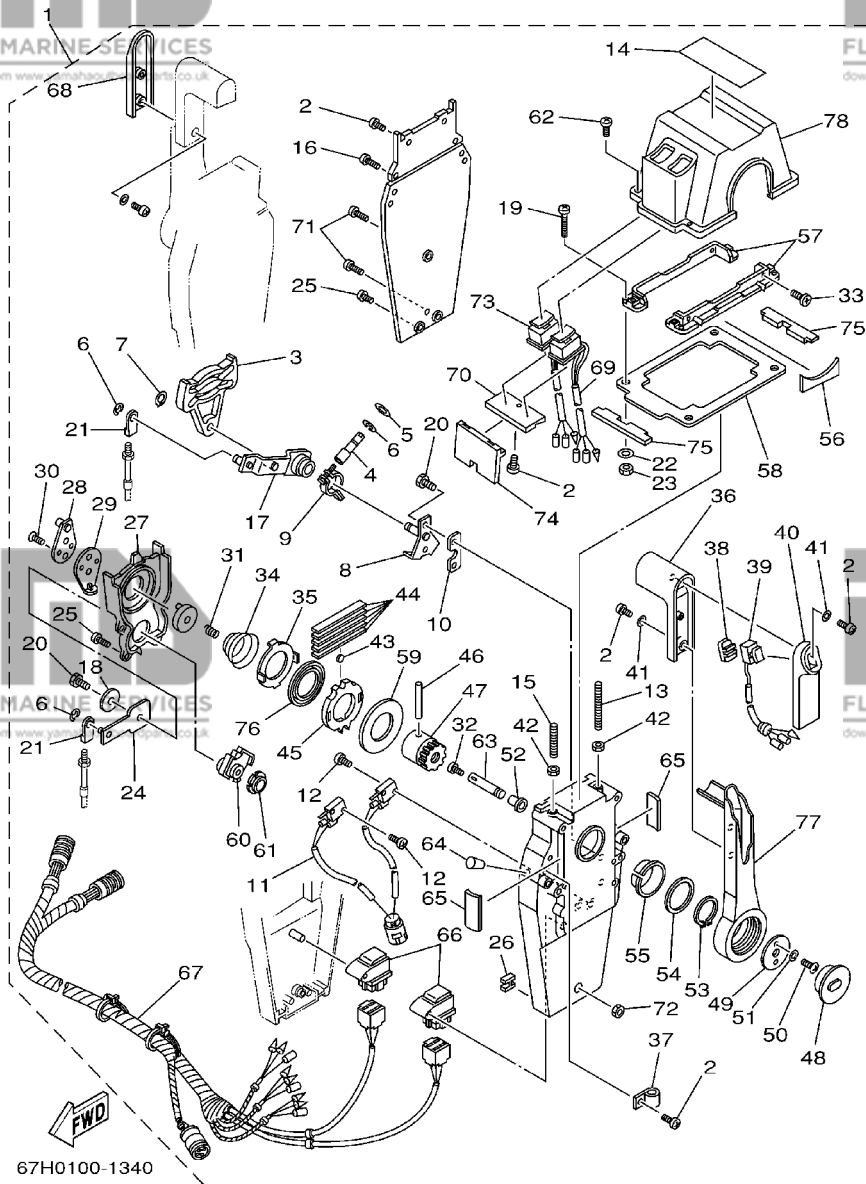


FLOOD MARINE SERVICES

downloaded from www.yamahaoutboardparts.co.uk

D5

**FIG. 32 REMOTE CONTROL ASSY 2 BOITIER DE COMMANDE A DISTANCE 2**

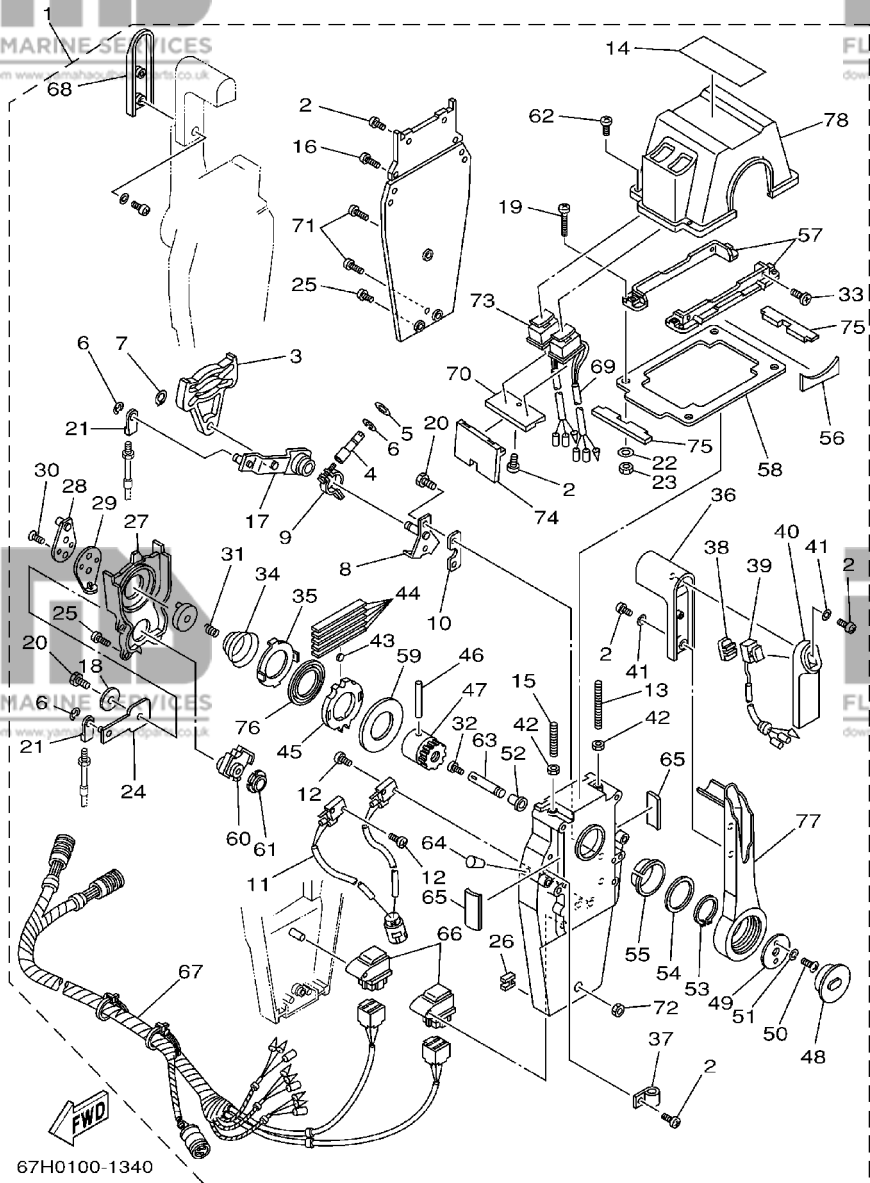


67H0100-1340

REF. NO.	PART NO. NO. PIECES	DESCRIPTION DESCRIPTION	250A	L250	REMARKS REMARQUES
28	<a href="#">EL8-48241-00</a>	.ARM, DRIVE .BRAS, COMMANDE		2	
29	<a href="#">EL8-48254-00</a>	.STOPPER, THROTTLE ADJUSTING BUTEE		2	
30	<a href="#">92780-06020</a>	.SCREW, FLAT HEAD .VIS A TETE FRAISEE		4	
31	<a href="#">EL8-48158-00</a>	.SPRING 1 .RESSORT 1		2	
32	<a href="#">98580-04006</a>	.SCREW, PAN HEAD .VIS		2	
33	<a href="#">98780-05018</a>	.SCREW, FLAT HEAD .VIS A TETE FRAISEE		4	
34	<a href="#">EL8-48244-00</a>	.SPRING, FREE ACCEL. .RESSORT		2	
35	<a href="#">EL8-48245-00</a>	.PLATE, LOCK .PLAQUE, VERROU		2	
36	<a href="#">704-48222-00</a>	.GRIP, CONTROL LEVER .POIGNEE, COMMANDE LEVIER		2	
37	<a href="#">704-82594-00</a>	.CLAMP BRIDE		1	
38	<a href="#">704-48228-00</a>	.HOLDER, SWITCH SUPPORT		1	
39	<a href="#">704-82563-31</a>	.TRIM & TILT SWITCH ASSY .INCLINER ET PARER COMMUTATEUR		1	
40	<a href="#">704-48229-00</a>	.GRIP, CONTROL LEVER .POIGNEE, COMMANDE LEVIER		1	
41	<a href="#">92990-05300</a>	.WASHER, INTERNAL TOOTH .RONDELLE, DENTURE INTERNE		6	
42	<a href="#">95380-06600</a>	.NUT, HEXAGON ECROU		4	
43	<a href="#">701-48248-00</a>	.ROLLER, FREE ACCEL. .POULIE		2	
44	<a href="#">703-48238-00</a>	.SPRING, DETENT .RESSORT		10	
45	<a href="#">EL8-48232-00</a>	.GEAR 1 PIGNON		2	
46	<a href="#">EL8-48164-00</a>	.PIN 2 PION 2		2	
47	<a href="#">704-48242-00</a>	.SHAFT, DRIVE ARBRE, MOTEUR		2	
48	<a href="#">704-48225-00</a>	.COVER .COUVERCLE		2	
49	<a href="#">704-48192-00</a>	.WASHER 2 .RONDELLE 2		2	
50	<a href="#">97890-06018</a>	.SCREW, PAN HEAD .VIS, CRUCIFORME		4	
51	<a href="#">92990-06300</a>	.WASHER, INTERNAL TOOTH .RONDELLE, DENTURE INTERNE		4	
52	<a href="#">702-48263-00</a>	.BUSHING .COUSSINET		2	
53	<a href="#">EL8-48279-00</a>	.CIRCLIP 2 .CIRCLIP 2		2	
54	<a href="#">704-48193-00</a>	.WASHER 3 .RONDELLE 3		2	

**D6**

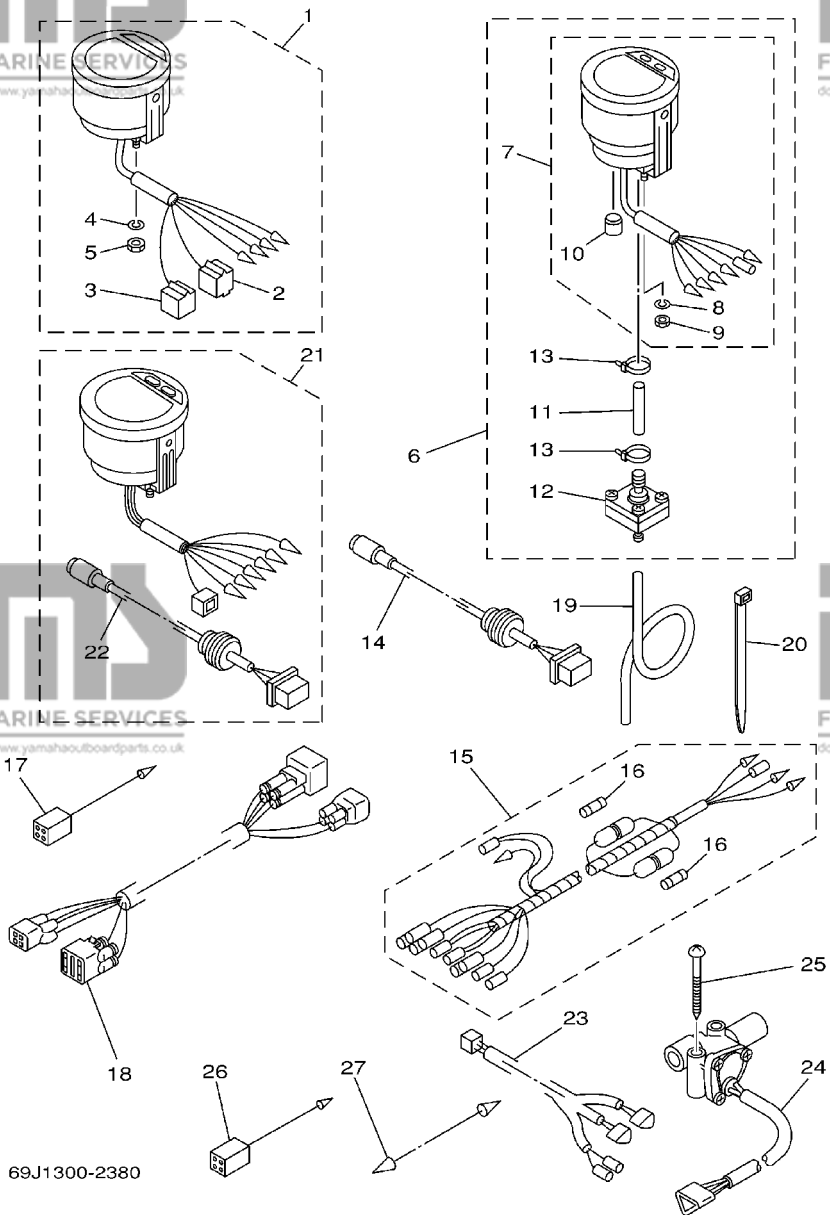
**FIG. 32 REMOTE CONTROL ASSY 2 BOITIER DE COMMANDE A DISTANCE 2**



REF. NO.	PART NO. NO. PIECES	DESCRIPTION DESCRIPTION	250A	L250	REMARKS REMARQUES
55	<a href="#">EL8-48234-00</a>	.BUSHING 1 .POULIE		2	
56	<a href="#">704-48219-00</a>	.COVER, LEAD .COUVERCLE		2	
57	<a href="#">704-48144-00</a>	.PLATE, STOPPER 2 .PLAQUETTE 2		2	
58	<a href="#">704-48176-10</a>	.GROMMET .PASSE-FIL		1	
59	<a href="#">703-48192-00</a>	.WASHER 2 .RONDELLE 2		2	
60	<a href="#">EL8-48233-00</a>	.GEAR 2 .PIGNON 2		2	
61	<a href="#">703-48235-00</a>	.BUSHING .COUSSINET		2	
62	<a href="#">704-48282-00</a>	.SCREW .VIS		4	
63	<a href="#">EL8-48153-10</a>	.SHAFT, FREE ACCEL. .AXE		2	
64	<a href="#">704-48166-00</a>	.PLUG .BOUCHON		2	
65	<a href="#">704-48284-00</a>	.GROMMET .PASSE-FIL		4	
66	<a href="#">704-81950-00</a>	.RELAY ASSY .RELAIS COMPLET		2	
67	<a href="#">704-82590-10</a>	.WIRE HARNESS ASSY .FAISCEAU DE FILS COMPLET		1	
68	<a href="#">704-48229-10</a>	.GRIP, CONTROL LEVER .POIGNEE, COMMANDE LEVIER		1	
69	<a href="#">704-82563-E0</a>	.TRIM & TILT SWITCH ASSY .INCLINER ET PARER COMMUTATEUR		1	
70	<a href="#">704-48228-10</a>	.HOLDER, SWITCH .SUPPORT		1	
71	<a href="#">704-48128-00</a>	.SCREW 2 .VIS 2		3	
72	<a href="#">704-48156-00</a>	.NUT 1 ECROU 1		1	
73	<a href="#">704-82563-F0</a>	.TRIM & TILT SWITCH ASSY .INCLINER ET PARER COMMUTATEUR		1	
74	<a href="#">704-48285-00</a>	.GROMMET 2 .PASSE-FIL 2		1	
75	<a href="#">704-48286-00</a>	.GROMMET 3 .PASSE-FIL 3		2	
76	<a href="#">704-48178-00</a>	.PLATE, SHIFT .PLAQUETTE		2	
77	<a href="#">704-48221-00</a>	.LEVER, CONTROL .LEVIER, COMMANDE		2	
78	<a href="#">704-48119-20</a>	.COVER .COQUILLE		1	

67H0100-1340

**D7**



**FIG. 33 METER**

**COMPTEUR**

REF. NO.	PART NO. NO. PIECES	DESCRIPTION DESCRIPTION	250A	L250	REMARKS REMARQUES
1	6Y5-8350T-02	TACHOMETER ASSY COMPTE-TOURS CPLT	1	1	AP
2	9E450-04433	.CONNECTOR .CONNECTEUR	1	1	M-4-W
3	9E450-04533	.CONNECTOR .CONNECTEUR	1	1	F-4-W
4	92990-04100	.WASHER, SPRING .RONDELLE, GROWER	2	2	
5	95380-04600	.NUT .ECROU	2	2	
6	6Y5-83500-S5	DIGITAL SPEEDOMETER ASSY TACHYMETRE NUMERIQUE CPLT.	1		AP
7	6Y5-83570-S5	.SPEEDOMETER ASSY .COMPTEUR DE VITESSE CPLT	1		
8	92990-04100	.WASHER, SPRING .RONDELLE, GROWER	2		
9	95380-04600	.NUT .ECROU	2		
10	6Y5-83533-T2	.GROMMET .RONDELLE CAOUTCHOUQ	1		
11	6Y5-83557-31	.TUBE .TUBE	1		
12	6Y5-83728-00	.CONNECTOR ASSY .CONNEXION COMPLET	1		
13	90465-11M10	.CLAMP .BRIDE	2		
14	6Y5-87122-S0	CORD ASSY 1 COPDON COMPLET	1		AP
15	6Y5-83553-M0 6Y5-83553-00	WIRE, LEAD FIL	1		AP AP
16	1E6-82151-00 1E6-82151-00	.FUSE (10A) .FUSIBLE (10A) .FUSE (10A) .FUSIBLE (10A)	2 1		FOR 6Y5-83553-M0 FOR 6Y5-83553-00
17	6Y5-82117-00	WIRE, LEAD (BLACK) FIL (NOIR)	1		AP
18	68F-82553-80 68F-82553-90	EXTENSION, WIRE LEAD EXTENSION, FAISCEAU EXTENSION, WIRE LEAD EXTENSION, FAISCEAU	1 1		AP AP
19	6Y5-83557-10	TUBE (8M) TUBE (8M)	1		AP
20	90465-11M10	CLAMP BRIDE	2		AP
21	6Y5-8350F-00	FUEL MANAGEMENT METER COMPT. DE GESTION DU CARBURANT	1		AP
22	6Y5-87122-S0	.CORD ASSY 1 .COPDON COMPLET	1		
23	6Y5-83553-F1	WIRE, LEAD FIL	1		AP
24	6Y5-85752-01	SENDER UNIT ASSY, FUEL METER PERCEPTION DE JAUQE A ESSENCE	2		AP

69J1300-2380

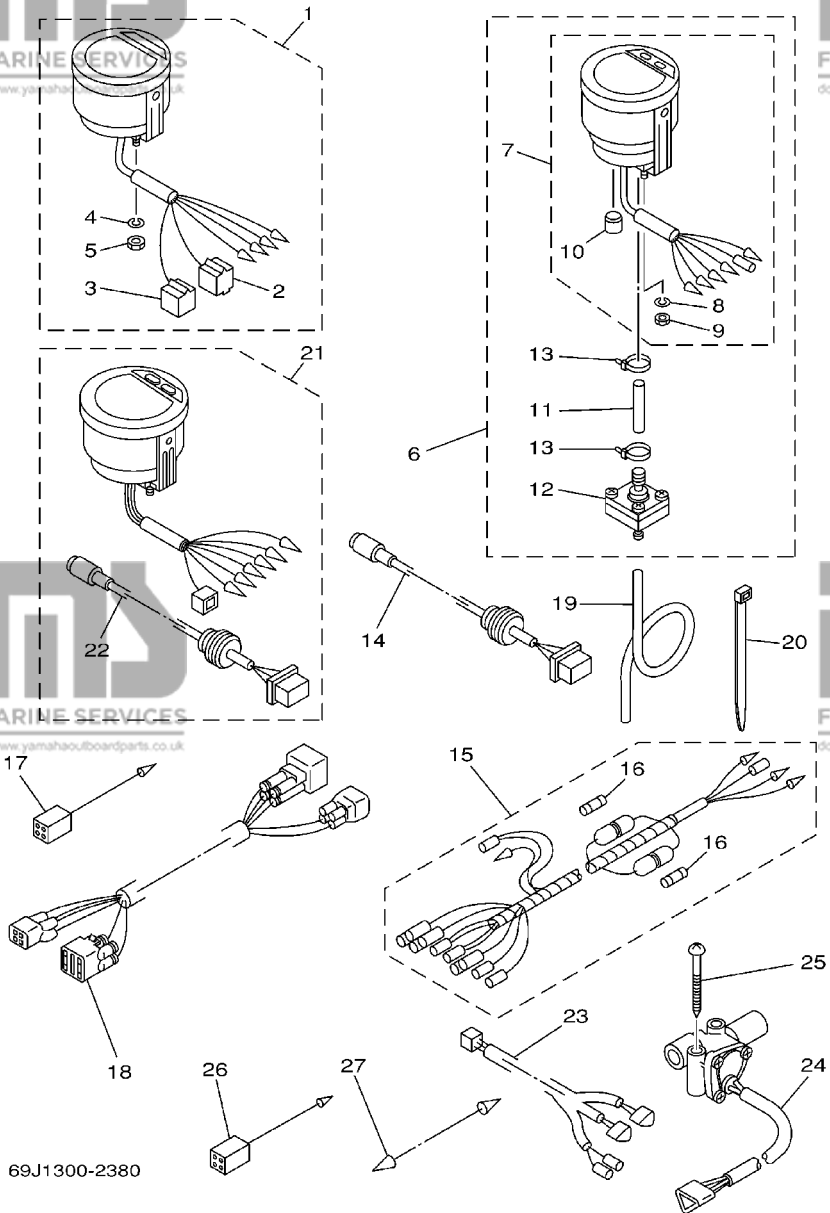


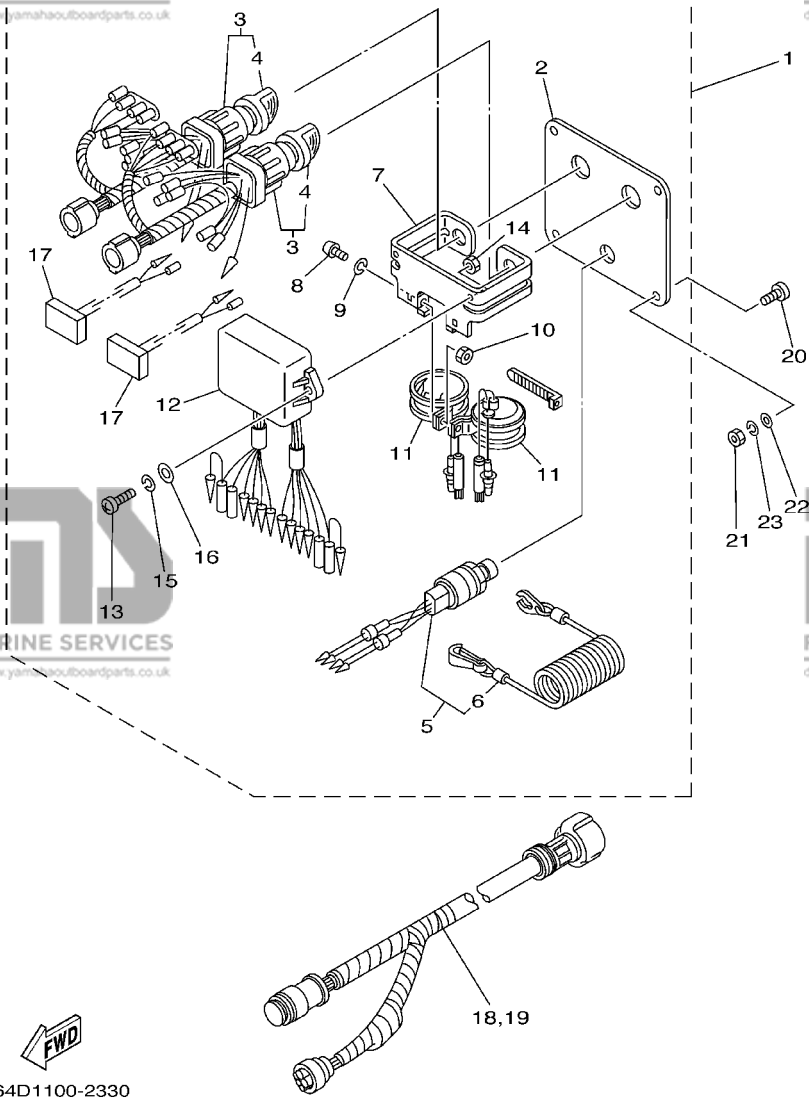
FIG. 33 METER

COMPTEUR

REF. NO.	PART NO. NO. PIECES	DESCRIPTION DESCRIPTION	250A	L250	REMARKS REMARQUES
25	90158-06002	SCREW, WOOD VIS, A BOIS		4	AP
26	6Y5-82117-00	WIRE, LEAD (BLACK) FIL (NOIR)		1	AP
27	703-82531-00	WIRE, LEAD FIL		1	AP

69J1300-2380





64D1100-2330

**FIG. 34 SWITCH. PANEL**

**TABLEAU DE CONTACTEUR**

REF. NO.	PART NO. NO. PIECES	DESCRIPTION DESCRIPTION	250A	L250	REMARKS REMARQUES
1	<a href="#">6K1-82570-07</a>	PANEL SWITCH ASSY PLATINE D'INTERUPEUR CPLT		1	AP
2	<a href="#">6K1-82571-01</a>	.PANEL, SWITCH .TABLEAU, CONTACTEUR		1	
3	<a href="#">6K1-82510-06</a>	.MAIN SWITCH ASSY .CONTACTEUR A CLEF COMPLET		2	
4	<a href="#">703-82577-00</a>	..CAP, KEY ..CABOCHON		1	
5	<a href="#">6K1-82575-00</a>	.ENGINE STOP SWITCH ASSY .COUPE CIRCUIT CPLT		1	
6	<a href="#">682-82556-00</a>	..STOPPER ..PLAQUETTE		1	
7	<a href="#">6K1-83614-01</a>	.BRACKET .SUPPORT		1	
8	<a href="#">98980-05010</a>	.SCREW, BIND .VIS		2	
9	<a href="#">92990-05100</a>	.WASHER, SPRING .RONDELLE, GROWER		2	
10	<a href="#">95380-05600</a>	.NUT .ECROU		2	
11	<a href="#">688-83383-11</a>	.BUZZER .RONFLEUR		2	
12	<a href="#">6K1-85830-01</a>	.CONTROL UNIT ASSY .BLOC DE CONTROLE		1	
13	<a href="#">98980-06020</a>	.SCREW, BIND .VIS		2	
14	<a href="#">95380-06600</a>	.NUT, HEXAGON .ECROU		2	
15	<a href="#">92990-06100</a>	.WASHER, SPRING .RONDELLE, GROWER		2	
16	<a href="#">92990-06600</a>	.WASHER, PLATE .RONDELLE, PLATE		2	
17	<a href="#">6K1-81980-00</a>	.DIODE ASSY .REDRESSEUR 2		2	
18	<a href="#">6K1-8258A-40</a>	EXTENSION, WIRE HARNESS EXTENSION, FAISCEAU DE FILS		1	AP
19	<a href="#">61B-8258A-01</a>	EXTENSION, WIRE HARNESS EXTENSION, FAISCEAU DE FILS		1	AP
20	<a href="#">90149-05M05</a>	SCREW VIS		4	AP
21	<a href="#">95380-05600</a>	NUT ECROU		4	AP
22	<a href="#">92990-05600</a>	WASHER, PLATE RONDELLE, PLATE		4	AP
23	<a href="#">92990-05100</a>	WASHER, SPRING RONDELLE, GROWER		4	AP



POWER HEAD  
GASKET KIT

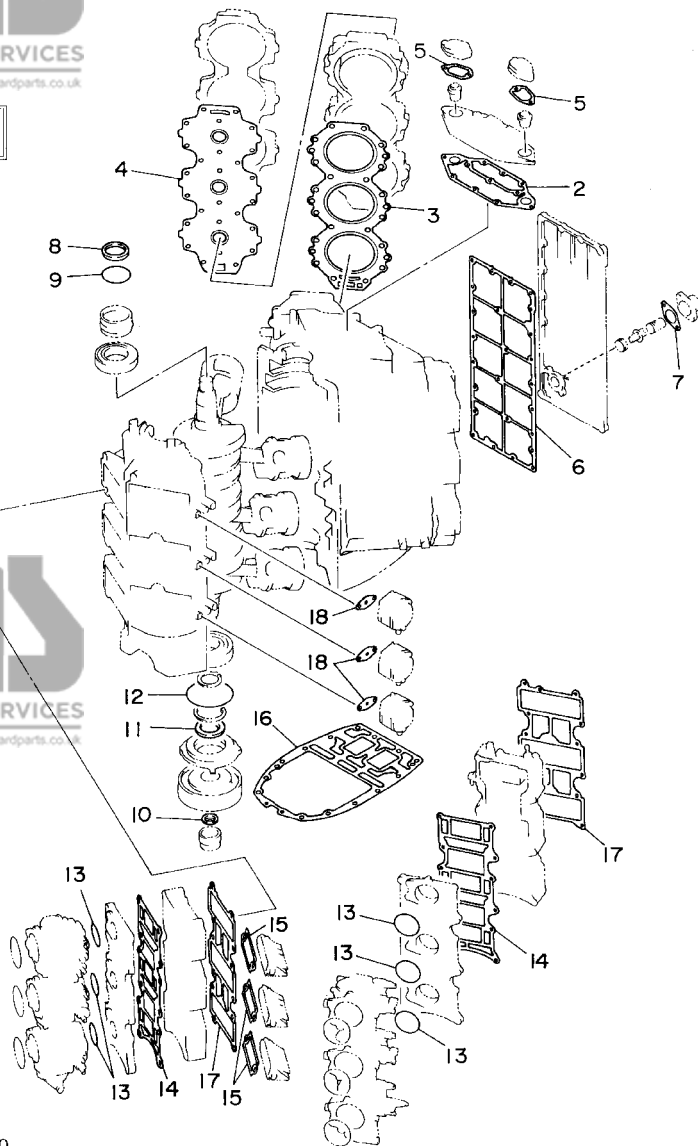
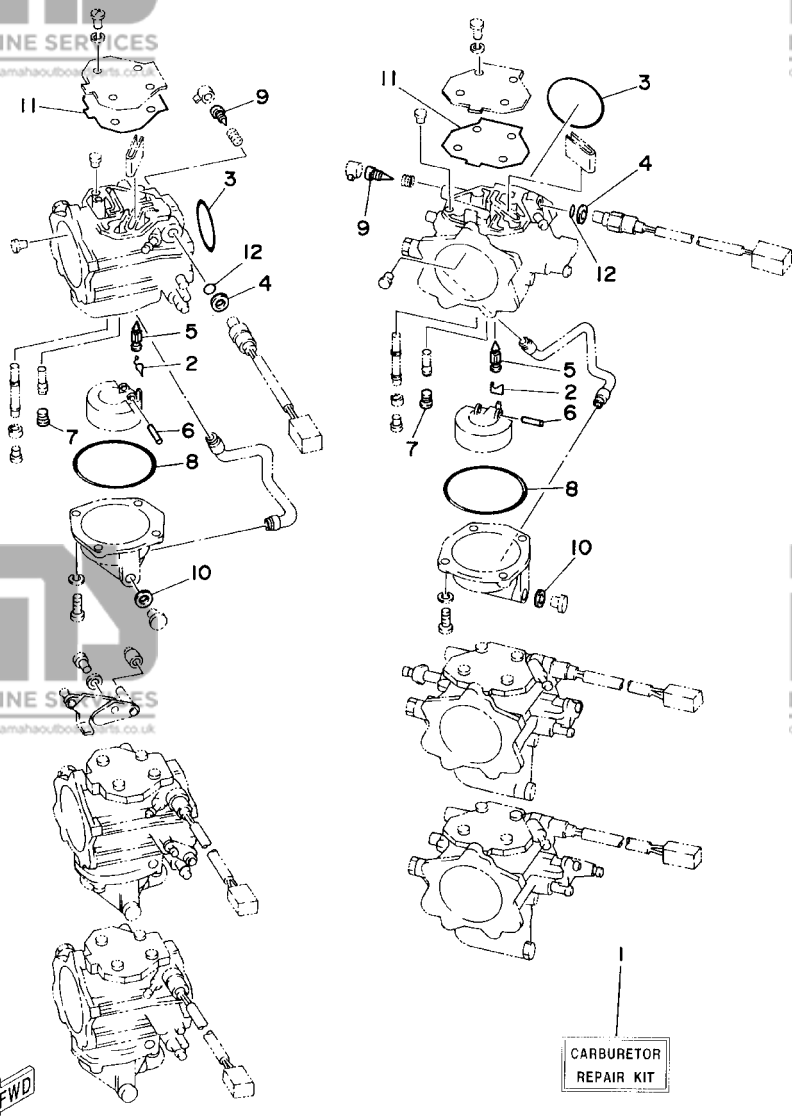


FIG. 35 REPAIR KIT 1

KITS DE REPARATION 1

REF. NO.	PART NO. NO. PIECES	DESCRIPTION DESCRIPTION	250A	L250	REMARKS REMARQUES
1	<a href="#">61A-W0001-A3</a>	POWER HEAD GASKET KIT POCHETTE DE JINTS TETE MOTRICE	1	1	
2	<a href="#">61A-11381-A0</a>	.GASKET 1 .JOINT 1	1	1	
3	<a href="#">69L-11181-00</a>	.GASKET, CYLINDER HEAD 1 .JOINT, DE CULASSE 1	2	2	
4	<a href="#">61A-11193-A1</a>	.GASKET, HEAD COVER 1 .JOINT, COUVERCLE DE CULASSE 1	2	2	
5	<a href="#">61A-12414-A0</a>	.GASKET, COVER .JOINT, COUVERCLE	2	2	
6	<a href="#">61A-41112-A0</a>	.GASKET, EXHAUST INNER COVER .JOINT, PLAQUE D'ECHAPPEMENT	1	1	
7	<a href="#">6G5-11382-A1</a>	.GASKET 2 .JOINT 2	1	1	
8	<a href="#">93102-40M38</a>	.OIL SEAL .JOINT SPY	1	1	
9	<a href="#">93210-54M54</a>	.O-RING .JOINT TORIQUE	1	1	
10	<a href="#">93104-22M07</a>	.OIL SEAL .JOINT SPY	1	1	
11	<a href="#">93102-40M36</a>	.OIL SEAL .JOINT SPY	1	1	
12	<a href="#">93210-81MA6</a>	.O-RING .JOINT TORIQUE	1	1	
13	<a href="#">93210-50MA8</a>	.O-RING .JOINT TORIQUE	6	6	
14	<a href="#">61A-13645-00</a>	.GASKET, MANIFOLD 1 .JOINT, TUBULURE 1	2	2	
15	<a href="#">61A-13621-A0</a>	.GASKET, VALVE SEAT .JOINT, SIEGE DE CLAPET	6	6	
16	<a href="#">61A-45113-A0</a>	.GASKET, UPPER CASING .JOINT, TUBE D'ARBRE	1	1	
17	<a href="#">61A-13646-00</a>	.GASKET, MANIFOLD 2 .JOINT, TUBULURE 2	2	2	
18	<a href="#">650-24431-A0</a>	.GASKET, FUEL PUMP 1 .JOINT 1 DE POMPE A ESSENCE	3	3	



61A0010-4260

FIG. 36 REPAIR KIT 2

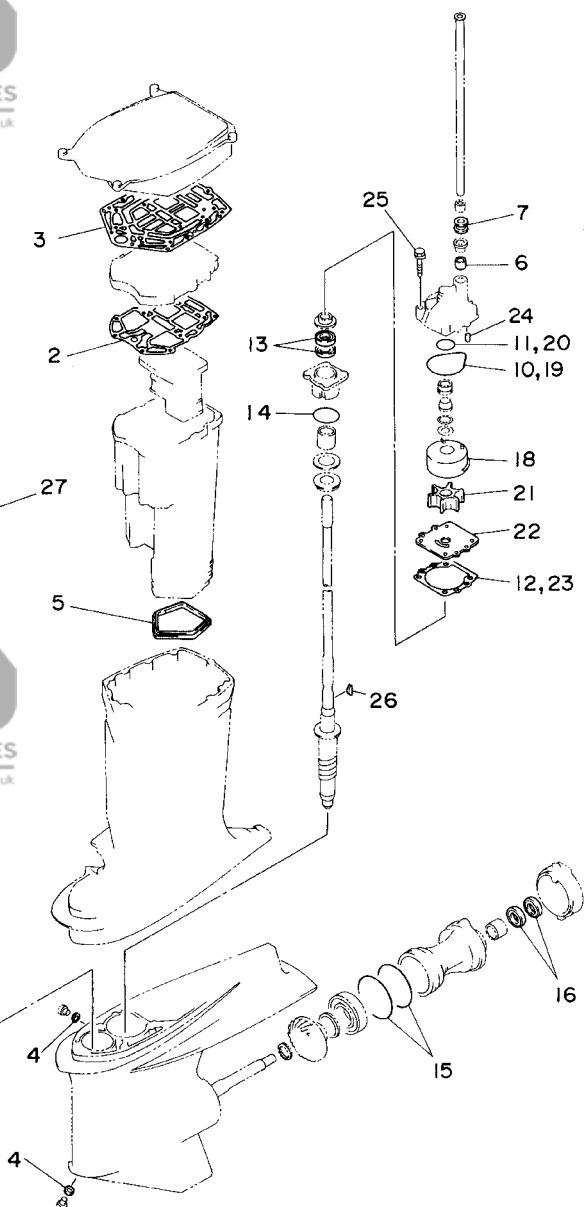
KITS DE REPARATION 2

REF. NO.	PART NO. NO. PIECES	DESCRIPTION DESCRIPTION	250A	L250	REMARKS REMARQUES
1	<a href="#">61A-W0093-01</a>	CARBURETOR REPAIR KIT KIT DE REPARATION CARBURATEUR	1	1	
2	<a href="#">6E5-14159-00</a>	.CLIP .JONC	1	1	
3	<a href="#">93210-50MA8</a>	.O-RING .JOINT TORIQUE	1	1	
4	<a href="#">61A-14198-00</a>	.GASKET .JOINT	1	1	
5	<a href="#">6E5-14546-00</a>	.VALVE, NEEDLE .POINTEAU	1	1	
6	<a href="#">61A-14386-00</a>	.PIN, FLOAT .AXE, FLOTTEUR	1	1	
7	<a href="#">61A-14394-00</a>	.VALVE, DRAIN .SOUPAPE, VIDANGE	1	1	
8	<a href="#">61A-14384-00</a>	.GASKET, FLOAT CHAMBER .JOINT, CUVE DE FLOTTEUR	1	1	
9	<a href="#">6E5-14323-03</a>	.SCREW, AIR ADJUSTING .VIS DE DOSEUR D'AIR	1	1	
10	<a href="#">61A-14995-00</a>	.GASKET .JOINT	1	1	
11	<a href="#">61A-14959-00</a>	.GASKET .JOINT	1	1	
12	<a href="#">61A-14561-00</a>	.O-RING .JOINT TORIQUE	1	1	

LOWER UNIT  
GASKET KIT

WATER PUMP  
REPAIR KIT

CHROME PUMP KIT



61A0010-4270

FIG. 37 REPAIR KIT 3

KITS DE PEPARATION 3

REF. NO.	PART NO. NO. PIECES	DESCRIPTION DESCRIPTION	250A	L250	REMARKS REMARQUES
1	61A-W0001-C1	LOWER UNIT GASKET KIT POCHETTE DE JOINTS EMBASE	1	1	
2	61A-41134-A0	.GASKET, EXHAUST MANIFOLD .JOINT, PIPE D'ECHAPPEMENT	1	1	
3	61A-45114-A0	.GASKET, UPPER CASING .JOINT, TUBE D'ARBRE	1	1	
4	90430-08020	.GASKET .JOINT	2	2	
5	61A-45123-01	.GASKET, MUFFLER .JOINT, POT DE DETENTE	1	1	
6	6E5-44365-00	.DAMPER, WATER SEAL .JOINT, TUBE D'EAU	1	1	
7	6E5-44366-00	.DAMPER, WATER SEAL .JOINT, TUBE D'EAU	1	1	
8	93210-64488	.O-RING .JOINT TORIQUE	1	1	
9	93106-09014	.OIL SEAL .JOINT SPY	1	1	
10	93210-86M38	.O-RING .JOINT TORIQUE	1	1	
11	93210-37160	.O-RING .JOINT TORIQUE	1	1	
12	6E5-44315-A0	.GASKET, WATER PUMP .JOINT, POMPE A EAU	1	1	
13	93101-28M16	.OIL SEAL .JOINT SPY	2	2	
14	93210-55M14	.O-RING .JOINT TORIQUE	1	1	
15	93211-04384	.O-RING .JOINT TORIQUE	2	2	
16	93101-30M17	.OIL SEAL .JOINT SPY	2	2	
17	61A-W0078-A3	WATER PUMP REPAIR KIT KIT DE REPARATION DE LA POMPE	1	1	
18	61A-44322-02	.INSERT, CARTRIDGE .CUVETTE	1	1	
19	93210-86M38	.O-RING .JOINT TORIQUE	1	1	
20	93210-37160	.O-RING .JOINT TORIQUE	1	1	
21	6E5-44352-01	.IMPELLER .TURBINE	1	1	
22	6G5-44323-00	.OUTER PLATE, CARTRIDGE .PLAQUE EXTERIEURE	1	1	
23	6E5-44315-A0	.GASKET, WATER PUMP .JOINT, POMPE A EAU	1	1	
24	93606-12019	.PIN, DOWEL .GOUILLE	2	2	
25	90119-08M14	.BOLT, WITH WASHER .BOULON, AVEC RONDELLE	4	4	
26	90280-04M05	.KEY, WOODRUFF .CLAVETTE, DEMI-LUNE	1	1	
27	61A-W0078-2A	CHROME PUMP KIT KIT DE POMPE A EAU CHROME	1	1	

**E6**



250AETO/L250AETO  
PARTS CATALOGUE  
©2002 by Yamaha Motor Co., Ltd.  
1st Edition, Jun. 2002  
All rights reserved.  
Any reprinting or unauthorized use  
without the written permission of  
Yamaha Motor Co., Ltd.  
is expressly prohibited.

250AETO/L250AETO  
CATALOGUE DE PIECES DETACHEES  
©2002 Yamaha Motor Co., Ltd.  
1ère Edition, Juin. 2002  
Tous droits réservés.  
Toute réimpression ou utilisation  
sans la permission écrite de la  
Yamaha Motor Co., Ltd.  
est formellement interdite.