

**PARTS
CATALOGUE
CATALOGUE
DE PIECES DETACHEES**

F40A (66W1)

F50A (62Y1)

FT50C (64J1)

YAMAHA
GENUINE
Parts & Accessories

2A62Y-300F1

2015/7/1

NEWS NO.	DATE	COMMENT
PE0-OM-070045	Oct.,30,2007	COR:FIG.23 PTT(62Y-43800-01-4D) P/No. CORRECTION
PE0-OM-090010	Mar.,2,2009	MOD:FIG.22 PTT(62Y-43800-01-8D) P/No. REVISION
PE0-OM-130002	Feb.,14,2013	COR:FIG.16 STARTING MOTOR LIST/ILLUSTRATION CORRECTION
PE0-OM-150009	Jun.,26,2015	MOD:FIG.10 CARBURETOR LIST REVISION

FOREWORD

This Parts Catalogue is related to the parts for the model(s) in the below frame. When you are ordering replacement parts, please refer to this Parts Catalogue and quote both part numbers and part names correctly.

F40A'02(66W1), F50A'02(62Y1), FT50C'02(64J1)

5. Quantity Column Information

NAME for Q'TY COLUMN	APPLICABLE MODEL
40ET	F40AET
50ED	F50AED
50ET	F50AET
FT50	FT50CET

6. Applicable Starting Serial No. and Color Code

1) Engine Starting Sserial No.

F40AET	66W L : 403746	F50AED	62Y L : 301194
		F50AET	62Y L : 426483
		FT50CET	64J L : 450624

1. Modifications or additions which have been made after issue of the Parts Catalogue will be announced in the Yamaha Parts News. It is advisable that you make necessary corrections to the Parts Catalogue according to the Yamaha Parts News.

2. Abbreviations

The Following abbreviations are used in this Parts Catalogue.

“UR” Use specified parts number.

“UN” Use as many as needed.

“AP” Alternate Parts

“LM” Local Made

(Parts need to be ordered locally)

“O/S” Over Size

3. Parts, which are to be supplied in an assembly, are listed with a dot(.) in front of the part name as shown below.

EXAMPLE

CARBURETOR ASSY

.JET, PILOT

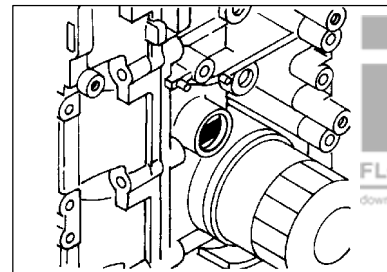
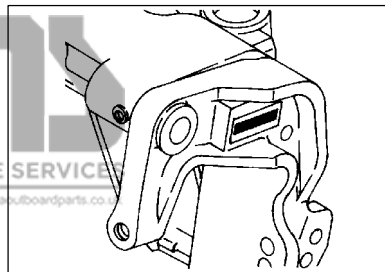
.NOZZLE, MAIN

4. Number of component for assembly

The numeral appearing to the right of each component part indicates the quantity of parts for each assembly unit.

EXAMPLE

PART NO.	DESCRIPTION	□	□	□	□	REMARKS
6E0-85500-70	C.D.I. MAGNETO ASSY	1				
6E0-85550-70	.ROTOR ASSY	1				
6E0-15723-00-94	..PULLY, STARTER	1				



2) Color Code

Color Code	Color Name	Abbreviation
004D	DARK BLUISH GRAY METALLIC 2	DBNM2

7. Note that the illustrations for reference in finding parts numbers, not to be used for assembling. When assembling, please use the applicable service manual.

8. The asterisk (*) before a reference number indicates modification items after the first edition.

SHEET 1/2

TOP COWLING	A4
CYLINDER. CRANKCASE 1	A5
CRANKSHAFT. PISTON	A7
CYLINDER. CRANKCASE 2	B1
VALVE	B3
INTAKE 1	B4
INTAKE 2	B6
CARBURETOR LINK	C1
CARBURETOR 1	C3
CARBURETOR 2	C5
OIL PUMP	C7
FUEL	D1
GENERATOR	D3
ELECTRICAL 1	D4
ELECTRICAL 2	D5
STARTING MOTOR	D7
BOTTOM COWLING	E1
CONTROL	E3
BRACKET 1	E5
BRACKET 2	E7
BRACKET 3	F2
POWER TRIM & TILT ASSY 1	F4
POWER TRIM & TILT ASSY 2	F7

INDEX

NUMERICAL INDEX	G1
-----------------------	----

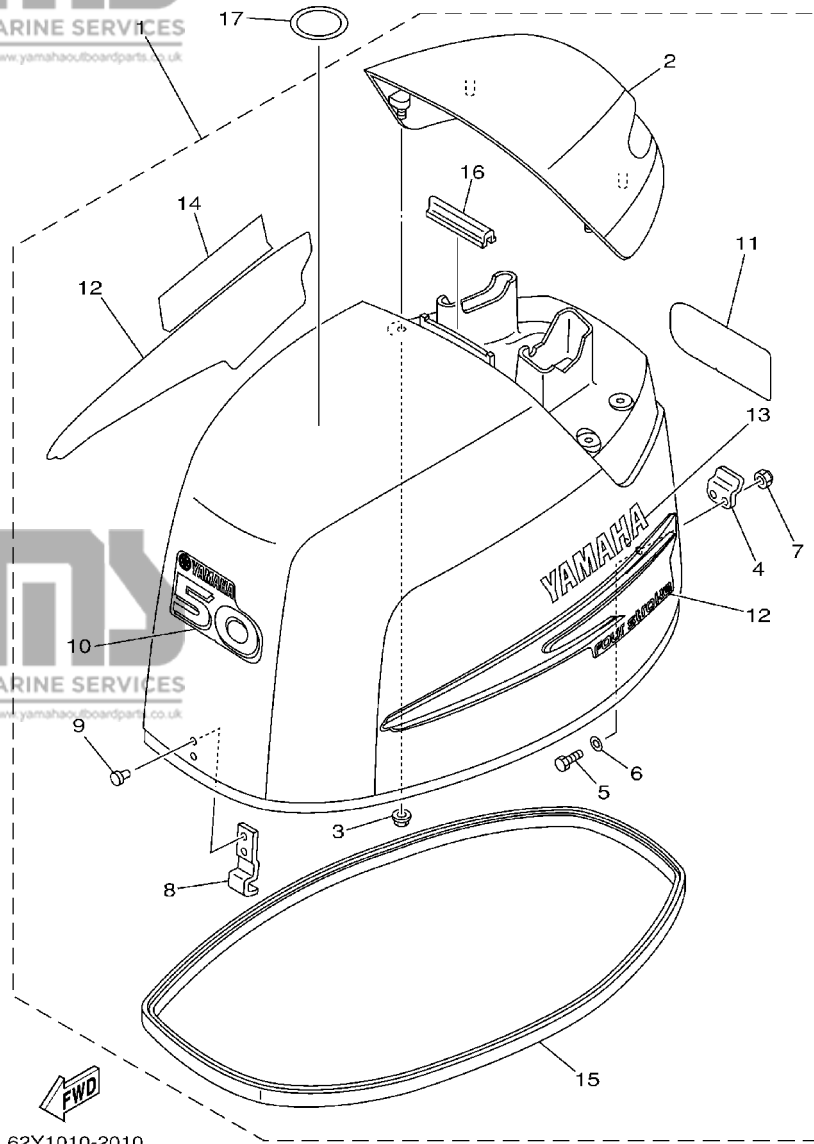
CONTENTS

SHEET 2/2

UPPER CASING	A4*
OIL PAN	A6*
LOWER CASING. DRIVE 1	A7*
LOWER CASING. DRIVE 2	B3*
LOWER CASING. DRIVE 3	B5*
LOWER CASING. DRIVE 4	C1*
FUEL TANK	C3*
STEERING GUIDE	C4*
REMOTE CONTROL BOX	C5*
REMOTE CONTROL ASSY	C6*
METER	D2*
REPAIR KIT 1	D3*
REPAIR KIT 2	D4*
REPAIR KIT 3	D5*
REPAIR KIT 4	D6*
REPAIR KIT 5	E1*

INDEX

NUMERICAL INDEX	G1*
-----------------------	-----



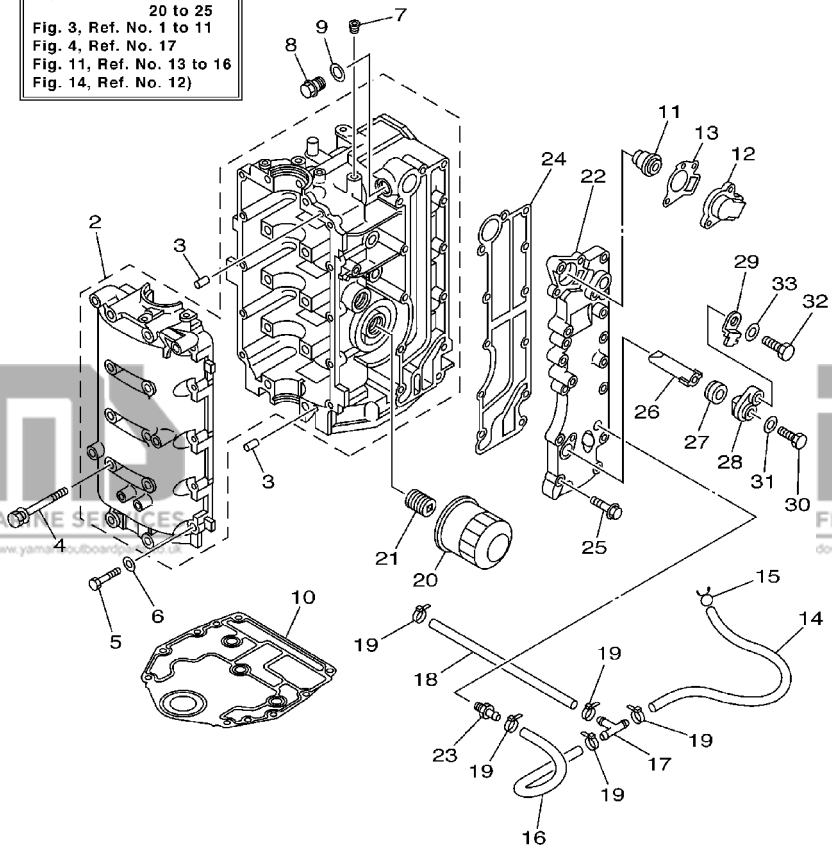
62Y1010-2010

FIG. 1 TOP COWLING

CAPOT SUPERIEUR

REF. NO.	PART NO. NO. PIECES	DESCRIPTION DESCRIPTION	40ET	50ED	50ET	FT50	REMARKS REMARQUES
1	62Y-42610-30-4D	TOP COWLING ASSY CAPOT (ENS.)		1	1		F50A
	64J-42610-10-4D	TOP COWLING ASSY CAPOT (ENS.)				1	FT50C
	62Y-42610-40-4D	TOP COWLING ASSY CAPOT (ENS.)	1				F40A
2	62Y-42613-00-4D	.MOLDING, AIR DUCT .MANCHON A AIR	1	1	1	1	
3	90179-06M24	.NUT .ECROU	4	4	4	4	
4	62Y-42652-00	.HOOK .CROCHET	1	1	1	1	
5	97095-05016	.BOLT .BOULON	2	2	2	2	
6	92995-05600	.WASHER .RONDELLE	2	2	2	2	
7	95780-05300	.NUT, NYLON .ECROU, A COLLERETTE	2	2	2	2	
8	62Y-42651-00	.HOOK .CROCHET	1	1	1	1	
9	90266-06M02	.RIVET .RIVET	2	2	2	2	
10	62Y-42677-30	.GRAPHIC, FRONT .ADHESIF, AVANT		1	1	1	F50A, FT50C
	62Y-42677-50	.GRAPHIC, FRONT .ADHESIF, AVANT	1				F40A
11	62Y-42678-30	.GRAPHIC, REAR .ADHESIF, ARRIERE		1	1		F50A
	64J-42678-10	.GRAPHIC, REAR .ADHESIF, ARRIERE				1	FT50C
	62Y-42678-50	.GRAPHIC, REAR .ADHESIF, ARRIERE	1				F40A
12	62Y-W0070-10	.GRAPHIC SET .JEU DIEMBLEMES	1	1	1	1	
13	62Y-42681-10	.MARK, COWLING .ADHESIF, CAPOT	1	1	1	1	
14	62Y-42682-10	.MARK, COWLING .ADHESIF, CAPOT	1	1	1	1	
15	62Y-42615-10	.SEAL .JOINT	1	1	1	1	
16	61N-42628-00	.SEAL .JOINT	1	1	1	1	
17	67F-13434-02	LABEL, CAUTION ETIQUETTE, ATTENTION	1	1	1	1	

CYLINDER BLOCK ASSY
 (Fig. 2, Ref. No. 2 to 12, 20 to 25
 Fig. 3, Ref. No. 1 to 11
 Fig. 4, Ref. No. 17
 Fig. 11, Ref. No. 13 to 16
 Fig. 14, Ref. No. 12)



62Y1300-2020

FIG. 2 CYLINDER. CRANKCASE 1 CYLINDRE. CARTER 1

REF. NO.	PART NO. NO. PIECES	DESCRIPTION DESCRIPTION	40ET	50ED	50ET	FT50	REMARKS REMARQUES
1	64J-W009B-02-1S	CYLINDER BLOCK ASSY CYLINDRE GROUPE (ENS.)	1	1	1		F40A,F50A
	60A-W009B-00-1S	CYLINDER BLOCK ASSY CYLINDRE GROUPE (ENS.)				1	FT50C
2	62Y-15100-20-1S	CRANKCASE ASSY CARTER DE MOTEUR COMPLET	1	1	1		F40A,F50A
	64J-15100-00-1S	CRANKCASE ASSY CARTER DE MOTEUR COMPLET				1	FT50C
3	93606-12019	PIN, DOWEL GOUJON	4	4	4	4	
4	90119-08M01	BOLT, WITH WASHER BOULON, AVEC RONDELLE	10	10	10	10	
5	97013-06035	BOLT BOULON	10	10	10	10	
6	92903-06600	WASHER, PLATE RONDELLE, PLATE	10	10	10	10	
7	90344-51003	PLUG, TAPER SCREW PLOT, FILETE CONIQUE	1	1	1	1	
8	90340-14M06	PLUG, STRAIGHT SCREW PLOT, FILETE DROIT	1	1	1	1	
9	90430-14115	GASKET JOINT	1	1	1	1	
10	67C-11351-00	GASKET, CYLINDER JOINT, D'EMBASE	1	1	1	1	
11	6G8-12411-02	THERMOSTAT THERMOSTAT	1	1	1	1	
12	6H3-12413-00-1S	COVER, THERMOSTAT COUVERCLE, THERMOSTAT	1	1	1	1	
13	62Y-12414-00	GASKET, COVER JOINT, COUVERCLE	1	1	1	1	
14	90445-09105	HOSE (L300) DURITE (L300)	1	1	1	1	
15	90467-08M18	CLIP JONC	1	1	1	1	
16	90445-09068	HOSE (L110) DURITE (L110)	1	1	1	1	
17	688-24378-00	PIPE, JOINT 4 DURITE RACCORDEMENT 4	1	1	1	1	
18	90445-09095	HOSE (L215) DURITE (L215)	1	1	1	1	
19	90465-11M10	CLAMP BRIDE	5	5	5	5	
20	5GH-13440-00	ELEMENT ASSY, OIL CLEANER ELEMENT, FILTRE A HUILE	1	1	1	1	
21	90401-20M00	BOLT, UNION BOULON, RACCORD	1	1	1	1	
22	62Y-41113-20-1S	OUTER COVER, EXHAUST COUVERCLE, ECHAPPEMENT	1	1	1	1	
23	62Y-12481-10	PIPE 1 DURITE 1	1	1	1	1	
24	62Y-41114-00	GASKET, EXHAUST OUTER COVER JOINT, COUVERCLE D'ECHAPPEMENT	1	1	1	1	
25	90119-06MA5	BOLT, WITH WASHER BOULON, AVEC RONDELLE	12	12	12	12	

A5

CYLINDER BLOCK ASSY
(Fig. 2, Ref. No. 2 to 12, 20 to 25
Fig. 3, Ref. No. 1 to 11
Fig. 4, Ref. No. 17
Fig. 11, Ref. No. 13 to 16
Fig. 14, Ref. No. 12)

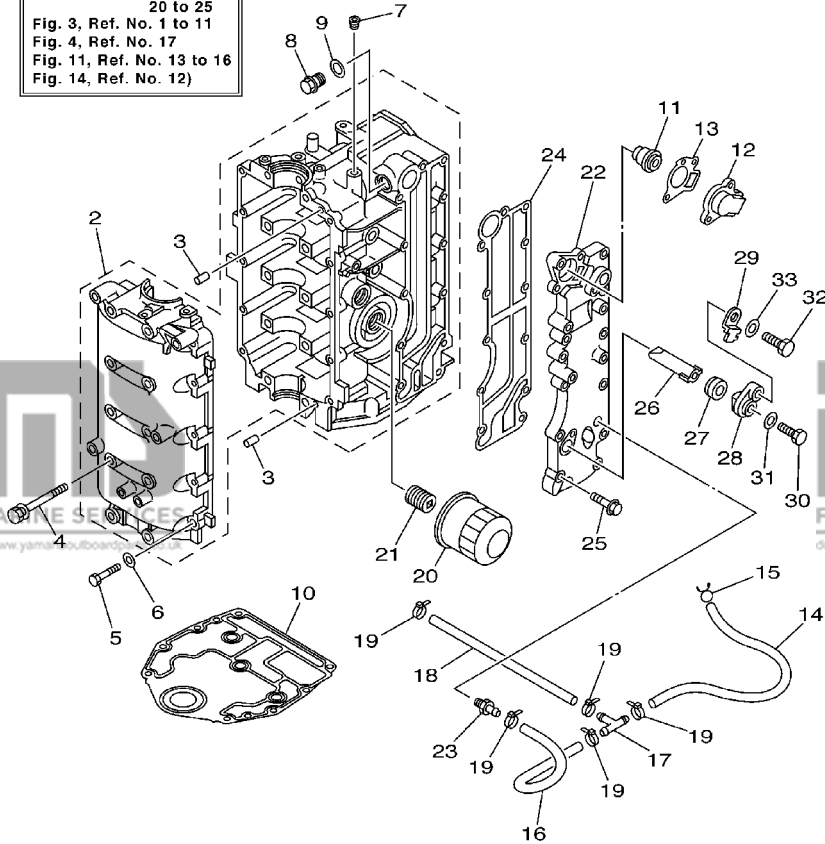
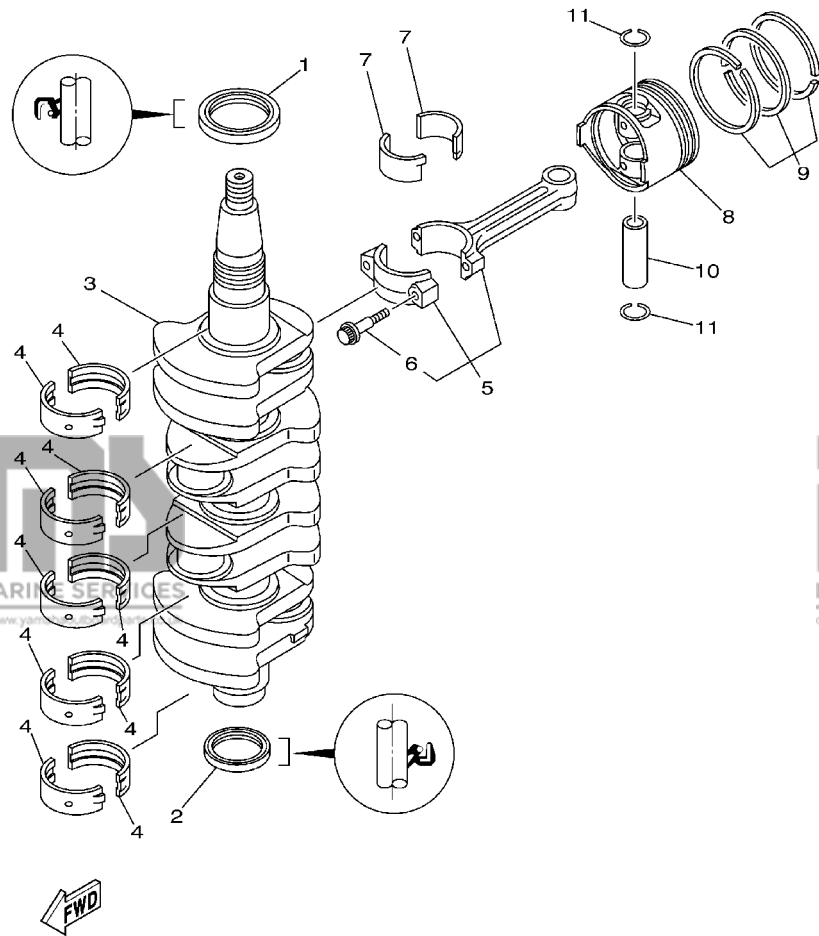


FIG. 2 CYLINDER. CRANKCASE 1 CYLINDRE. CARTER 1

REF. NO.	PART NO. NO. PIECES	DESCRIPTION DESCRIPTION	40ET	50ED	50ET	FT50	REMARKS REMARQUES
26	62Y-11325-00	ANODE ANODE	1	1	1	1	
27	66M-11328-00	GROMMET, ANODE PASSE-FIL	1	1	1	1	
28	66M-11327-00-94	COVER, ANODE COUVERCLE	1	1	1	1	
29	66M-12535-00	PLATE PLAQUE	1	1	1	1	
30	97095-05012	BOLT BOULON	1	1	1	1	
31	92995-05600	WASHER RONDELLE	1	1	1	1	
32	97013-06020	BOLT BOULON	1	1	1	1	
33	92903-06600	WASHER, PLATE RONDELLE, PLATE	1	1	1	1	



62Y1300-2020



62Y0010-1031

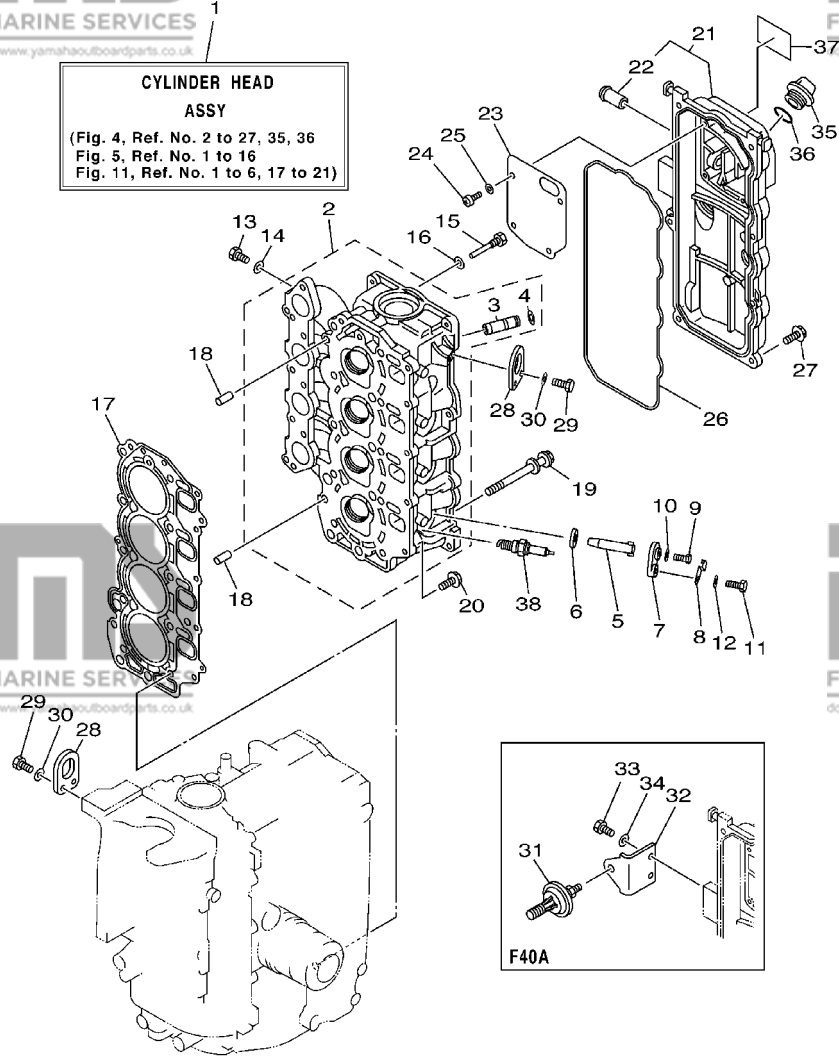
FIG. 3 CRANKSHAFT. PISTON VILEBREQUIN. PISTON

REF. NO.	PART NO. NO. PIECES	DESCRIPTION DESCRIPTION	40ET	50ED	50ET	FT50	REMARKS REMARQUES
1	93102-43M42	OIL SEAL JOINT SPY	1	1	1	1	
2	93101-35002	OIL SEAL JOINT SPY	1	1	1	1	
3	62Y-11411-20	CRANKSHAFT VILEBREQUIN COMPLET	1	1	1	1	
4	62Y-11416-30	PLANE BEARING, CRANKSHAFT 1 COUSSINET DE VILEBREQUIN	10	10	10	10	UR YELLOW
	62Y-11416-40	PLANE BEARING, CRANKSHAFT 1 COUSSINET DE VILEBREQUIN	10	10	10	10	UR RED
	62Y-11416-50	PLANE BEARING, CRANKSHAFT 1 COUSSINET DE VILEBREQUIN	10	10	10	10	UR PINK
	62Y-11416-60	PLANE BEARING, CRANKSHAFT 1 COUSSINET DE VILEBREQUIN	10	10	10	10	UR GREEN
5	62Y-11650-10	CONNECTING ROD ASSY BIELLE COMPLETE	4	4	4	4	
6	62Y-11654-00	.BOLT, CONNECTING ROD .BOULON, BIELLE	2	2	2	2	
7	62Y-11656-30	PLANE BEARING, CONNECTING ROD ROULEMENT DE BIELLE	8	8	8	8	UR YELLOW
	62Y-11656-40	PLANE BEARING, CONNECTING ROD ROULEMENT DE BIELLE	8	8	8	8	UR RED
	62Y-11656-50	PLANE BEARING, CONNECTING ROD ROULEMENT DE BIELLE	8	8	8	8	UR PINK
	62Y-11656-60	PLANE BEARING, CONNECTING ROD ROULEMENT DE BIELLE	8	8	8	8	UR GREEN
8	62Y-11631-10-96	PISTON (STD) PISTON (STD)	4	4	4	4	
	62Y-11635-10	PISTON (0.25MM O/S)	4	4	4	4	AP
	62Y-11636-10	PISTON (0.50MM O/S)	4	4	4	4	AP
9	64J-11603-00	PISTON RING SET (STD) JUE DE SEGMENTS (STD)	4	4	4	4	
	64J-11604-00	PISTON RING SET (0.25MM O/S) JUE DE SEGMENTS (0.25MM O/S)	4	4	4	4	AP
	64J-11605-00	PISTON RING SET (0.50MM O/S) JUE DE SEGMENTS (0.50MM O/S)	4	4	4	4	AP
10	62Y-11633-00	PIN, PISTON AXE, PISTON	4	4	4	4	
11	93450-17129	CIRCLIP CIRCLIP, TYPE S	8	8	8	8	

FIG. 4 CYLINDER. CRANKCASE 2 CYLINDRE. CARTER 2

REF. NO.	PART NO. NO. PIECES	DESCRIPTION DESCRIPTION	40ET	50ED	50ET	FT50	REMARKS REMARQUES
1	64J-W009A-00-1S	CYLINDER HEAD ASSY CULASSE (ENS.)	1	1	1	1	FLOOD MARINE SERVICES
2	62Y-11111-20-1S	HEAD, CYLINDER 1 CULASSE	1	1	1		F40A, F50A
	64J-11111-00-1S	HEAD, CYLINDER 1 CULASSE				1	FT50C
3	62Y-11133-30	.GUIDE, INTAKE VALVE .GUIDE, SOUP D'ADM	8	8	8	8	
4	93450-09M01	.CIRCLIP .CIRCLIP, TYPE S	8	8	8	8	
5	62Y-11325-00	ANODE ANODE	4	4	4	4	
6	66M-11328-00	GROMMET, ANODE PASSE-FIL	4	4	4	4	
7	66M-11327-00-94	COVER, ANODE COUVERCLE	4	4	4	4	
8	66M-12535-00	PLATE PLAQUE	4	4	4	4	
9	97095-05012	BOLT BOULON	4	4	4	4	
10	92995-05600	WASHER RONDELLE	4	4	4	4	
11	97095-06020	BOLT BOULON	4	4	4	4	
12	92995-06600	WASHER RONDELLE	4	4	4	4	
13	97095-06010	BOLT BOULON	4	4	4	4	
14	90430-06014	GASKET JOINT	4	4	4	4	
15	90109-06M65	BOLT BOULON	1	1	1	1	
16	90430-06014	GASKET JOINT	1	1	1	1	
17	62Y-11181-00	GASKET, CYLINDER HEAD 1 JOINT, DE CULASSE 1	1	1	1	1	
18	99530-08012	PIN, DOWEL GOUJON, D'ASSEMBLAGE	2	2	2	2	
19	90119-09M00	BOLT, WITH WASHER BOULON, AVEC RONDELLE	10	10	10	10	
20	90119-06MA3	BOLT, WITH WASHER BOULON, AVEC RONDELLE	5	5	5	5	
21	62Y-11191-01-1S	COVER, CYLINDER HEAD 1 COUVERCLE, CULASSE 1	1	1	1	1	
22	62Y-14485-00	.PIPE, JOINT .DURITE	1	1	1	1	
23	62Y-11168-00	COVER, BREATHER COUVERCLE, RENIFLARD	1	1	1	1	
24	98507-04010	SCREW, PAN HEAD VIS, TETE TRONCONIQUE	4	4	4	4	
25	92907-04600	WASHER RONDELLE	4	4	4	4	
26	62Y-11356-00	SEAL, CYLINDER 2 JOINT, SPY CYLINDRE	1	1	1	1	

CYLINDER HEAD ASSY
(Fig. 4, Ref. No. 2 to 27, 35, 36
Fig. 5, Ref. No. 1 to 16
Fig. 11, Ref. No. 1 to 6, 17 to 21)



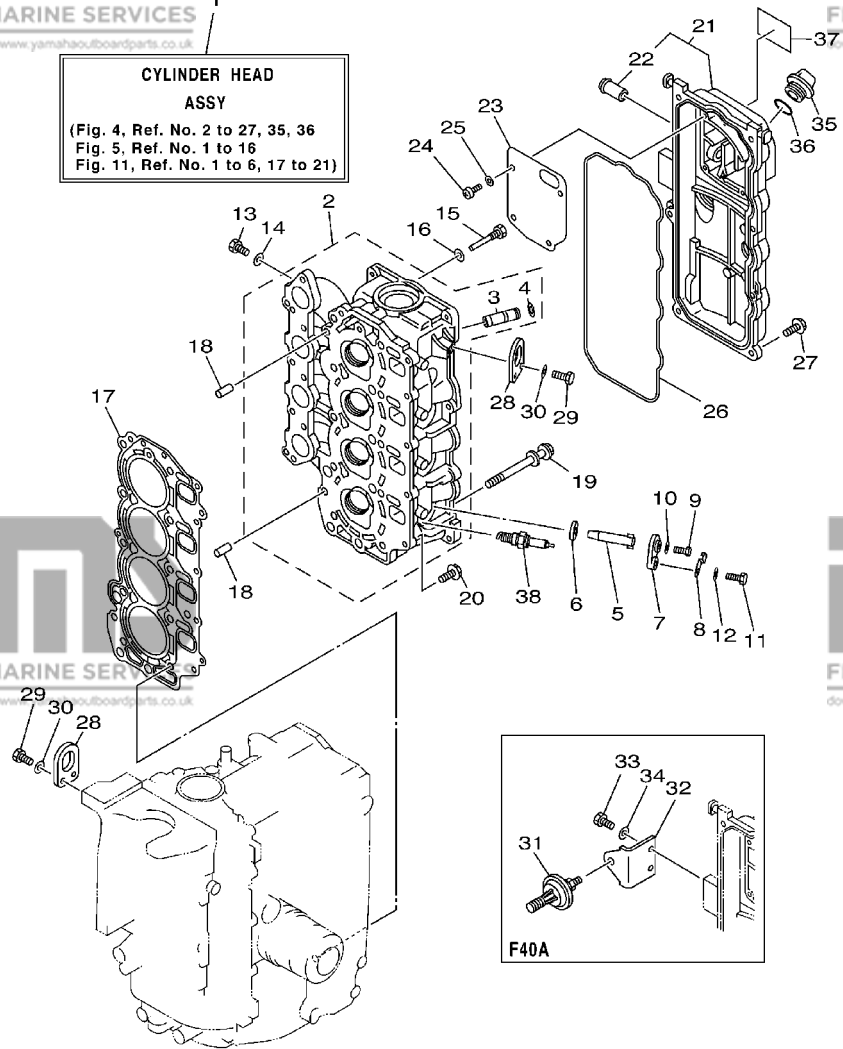
62Y1300-2040

B1

FIG. 4 CYLINDER. CRANKCASE 2 CYLINDRE. CARTER 2

REF. NO.	PART NO. NO. PIECES	DESCRIPTION DESCRIPTION	40ET	50ED	50ET	FT50	REMARKS REMARQUES
27	90119-06MA2	BOLT, WITH WASHER BOULON, AVEC RONDELLE	7	7	7	7	
28	62Y-11119-00	HANGER, ENGINE ANNEAU, LEVAGE	2	2	2	2	
29	97095-06020	BOLT BOULON	4	4	4	4	
30	92995-06600	WASHER RONDELLE	4	4	4	4	
31	62Y-14368-01	DIAPHRAGM ASSY 1 DIAPHRAGME 1	1				F40A
32	62Y-14413-00	STAY SUPPORT	1				F40A
33	97095-06016	BOLT BOULON	2				F40A
34	92995-06600	WASHER RONDELLE	2				F40A
35	6G8-15363-00	PLUG, OIL PLOT, HUILE	1	1	1	1	
36	93210-24M79	O-RING JOINT TORIQUE	1	1	1	1	
37	62Y-12138-60	MARK, CAUTION MARK	1	1	1	1	
38	94701-00375	PLUG, SPARK (NGK DPR6EA-9) BOUGIE D'ALLUMAGE (NGK DPR6EA-9)	4	4	4	4	

CYLINDER HEAD ASSY
(Fig. 4, Ref. No. 2 to 27, 35, 36
Fig. 5, Ref. No. 1 to 16
Fig. 11, Ref. No. 1 to 6, 17 to 21)



FWD
62Y1300-2040

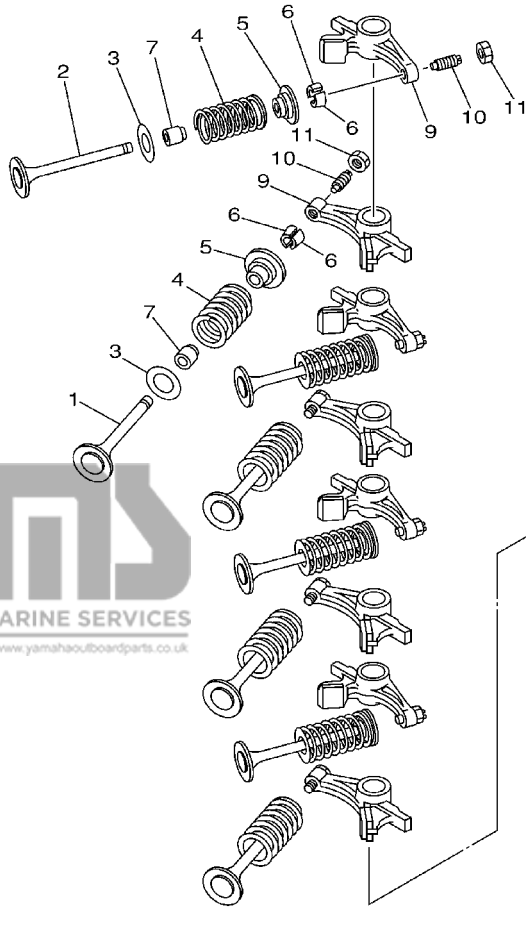


FIG. 5 VALVE

SOUPAPE

REF. NO.	PART NO. NO. PIECES	DESCRIPTION DESCRIPTION	40ET	50ED	50ET	FT50	REMARKS REMARQUES
1	62Y-12111-00	VALVE, INTAKE SOUPAPE, ADMISSION	4	4	4		F40A, F50A
	64J-12111-00	VALVE, INTAKE SOUPAPE, ADMISSION				4	FT50C
2	62Y-12121-00	VALVE, EXHAUST SOUPAPE, ECHAPPEMENT	4	4	4		F40A, F50A
	64J-12121-00	VALVE, EXHAUST SOUPAPE, ECHAPPEMENT				4	FT50C
3	62Y-12116-00	SEAT, VALVE SPRING SIEGE, RESSORT DE SOUPAPE	8	8	8	8	
4	51Y-12114-00	SPRING, VALVE OUTER RESSORT DE SOUPAPE, EXTERNE	8	8	8	8	
5	30X-12117-00	RETAINER, VALVE SPRING BUTEE DE RESSORT DE SOUPAPE	8	8	8	8	
6	30X-12118-00	COTTER, VALVE FRAISE, SOUPAPE	16	16	16	16	
7	51Y-12119-00	SEAL, VALVE STEM JOINT, QUEUE DE SOUPAPE	8	8	8	8	
8	62Y-12146-00	SHAFT, ROCKER AXE, CULBUTEUR	1	1	1	1	
9	62Y-12151-00	ARM, VALVE ROCKER CULBUTEUR	8	8	8	8	
10	64J-12159-00	SCREW, VALVE ADJUSTING VIS, REGLAGE DE SOUPAPE	8	8	8	8	
11	62Y-12158-00	NUT, LOCK CONTRE-ECROU	8	8	8	8	
12	62Y-12238-00	PLATE, BOLT STOPPER PLAQUE, BUTEE DE BOULON	2	2	2		F40A, F50A
	64J-12238-00	PLATE, BOLT STOPPER PLAQUE, BUTEE DE BOULON				2	FT50C
13	62Y-12279-00	PLATE PLAQUE	1	1	1		F40A, F50A
	64J-12279-00	PLATE PLAQUE				1	FT50C
14	62Y-12216-00	SPRING RESSORT	2	2	2	2	
15	62Y-12231-00	GUIDE, STOPPER 1 GUIDE, BUTEE 1	2	2	2	2	
16	90109-08M63	BOLT BOULON	5	5	5	5	



62Y1010-2050

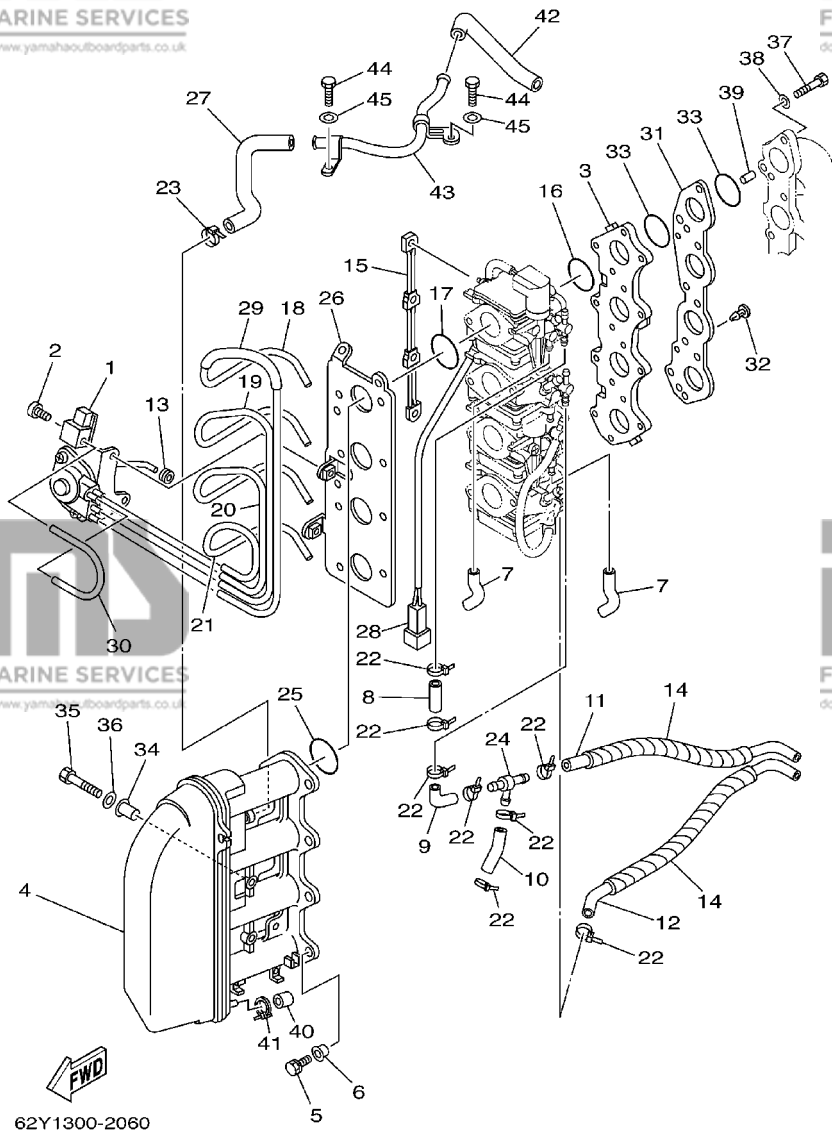


FIG. 6 INTAKE 1

ADMISSION 1

REF. NO.	PART NO. NO. PIECES	DESCRIPTION DESCRIPTION	40ET	50ED	50ET	FT50	REMARKS REMARQUES
1	62Y-14369-30	DIAPHRAGM ASSY 2 DIAPHRAGME 2		1	1	1	
2	650-14327-01	SCREW VIS		3	3	3	
3	62Y-13586-30	JOINT, CARBURETOR 1 RACCORD, CARBURATEUR 1		1	1	1	
4	62Y-14440-00	SILENCER ASSY, INTAKE SIENCIEUX D'ADMISSION		1	1	1	
5	97595-06590	BOLT, WITH WASHER VIS HEXAGONAL AVEC RONDELLE		8	8	8	
6	90387-06M70	COLLAR COLLERETTE		8	8	8	
7	62Y-24312-00	PIPE 2 DURITE 2		2	2	2	
8	62Y-24313-30	PIPE 3 DURITE 3		1	1	1	
9	62Y-24313-40	PIPE 3 DURITE 3		2	2	2	
10	62Y-24313-50	PIPE 3 DURITE 3		1	1	1	
11	62Y-24313-61	PIPE 3 DURITE 3		1	1	1	
12	62Y-24313-70	PIPE 3 DURITE 3		1	1	1	
13	62Y-41262-30	JOINT, CHOKE LEVER RACCORD, LEVIER DE STARTER		1	1	1	
14	62Y-24313-80	PIPE 3 DURITE 3		2	2	2	
15	64J-14585-00	ROD, CHOKE TRINGLE, STARTER		1	1	1	
16	93210-30MH4	O-RING JOINT TORIQUE		4	4	4	
17	93210-35M86	O-RING JOINT TORIQUE		4	4	4	
18	64J-14349-01	PIPE DURITE		1	1	1	
19	64J-14349-11	PIPE DURITE		1	1	1	
20	64J-14349-21	PIPE DURITE		1	1	1	
21	64J-14349-31	PIPE DURITE		1	1	1	
22	90465-11M10	CLAMP BRIDE		12	12	12	
23	90465-13M36	CLAMP BRIDE		1	1	1	
24	62Y-24378-00	PIPE, JOINT 4 DURITE RACCORDEMENT 4		1	1	1	
25	93210-38MH3	O-RING JOINT TORIQUE		4	4	4	
26	62Y-14291-30	BRACKET 1 SUPPORT 1		1	1	1	
27	62Y-1532B-00	PIPE, BREATHER DURITE DE RENIFLARD		1	1	1	

B4

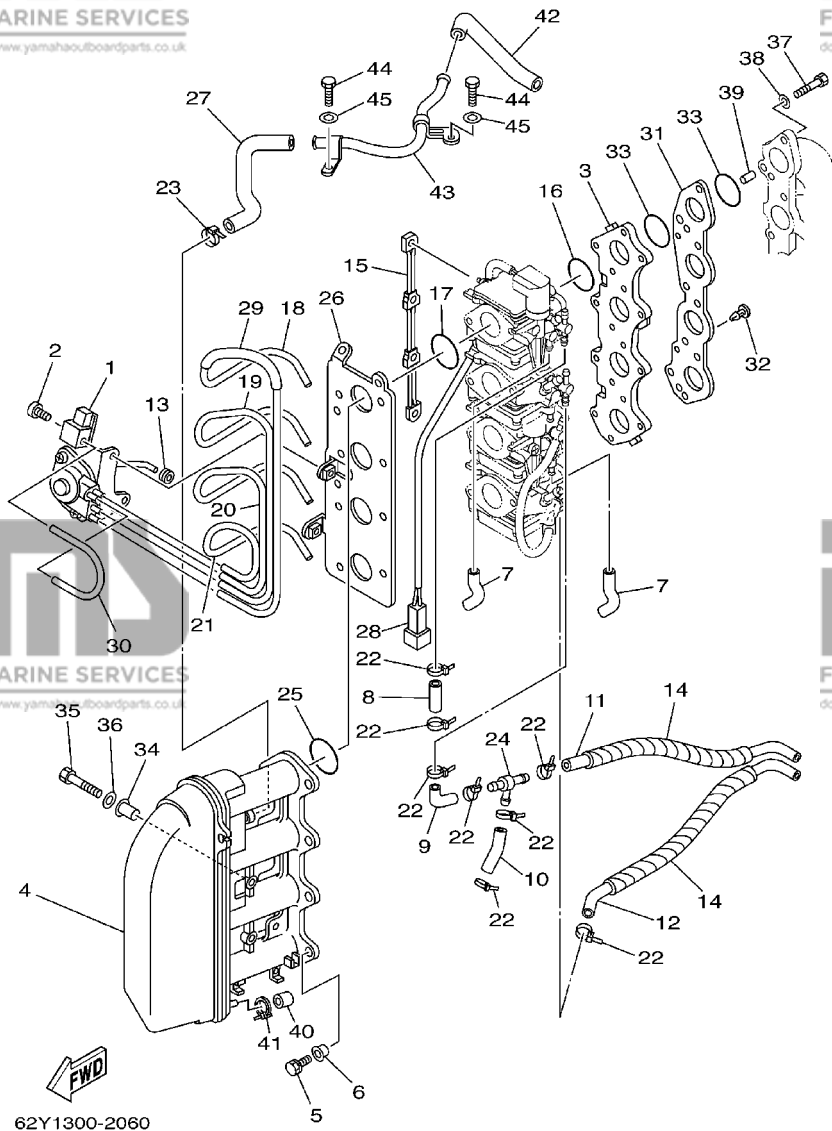
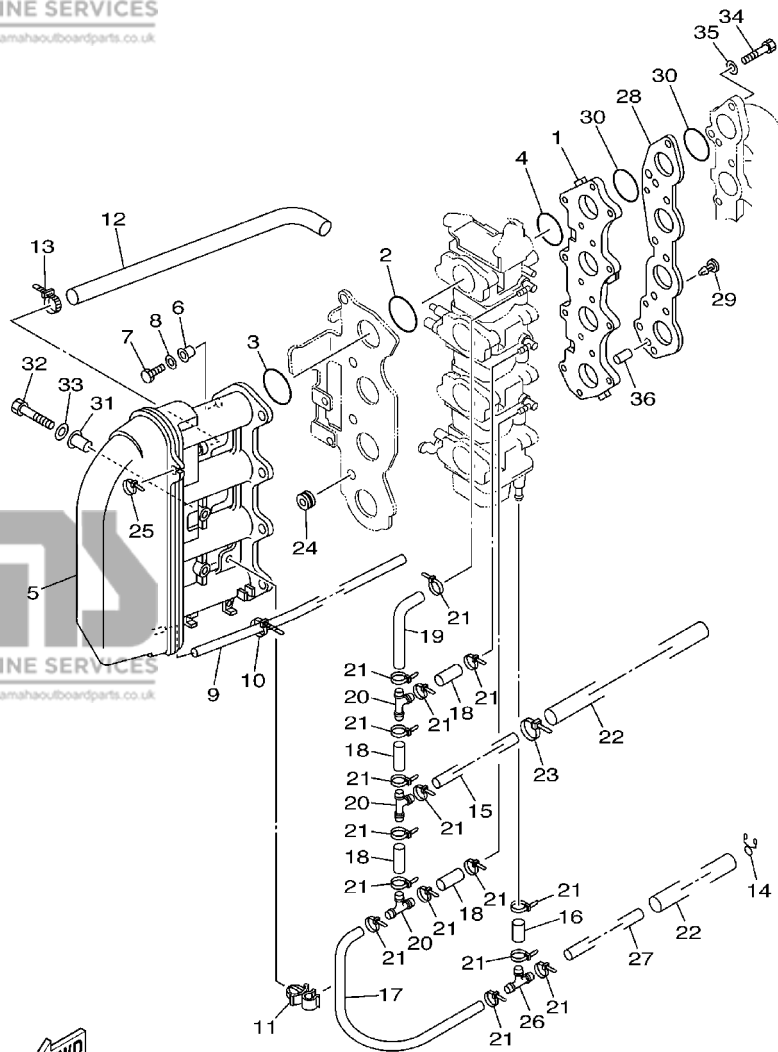


FIG. 6 INTAKE 1

ADMISSION 1

REF. NO.	PART NO. NO. PIECES	DESCRIPTION DESCRIPTION	40ET	50ED	50ET	FT50	REMARKS REMARQUES
28	62Y-82509-00	WIRE, SUB LEAD FIL, SECONDAIRE		1	1	1	
29	64J-14349-40	PIPE DURITE		1	1	1	
30	64J-14349-50	PIPE DURITE		1	1	1	
31	62Y-14271-00	INSULATOR ISOLATEUR		1	1	1	
32	90338-04M17	PLUG PLOT		2	2	2	
33	93210-35M86	O-RING JOINT TORIQUE		8	8	8	
34	90387-06M15	COLLAR COLLERETTE		2	2	2	
35	97095-06030	BOLT BOULON		2	2	2	
36	92995-06600	WASHER RONDELLE		2	2	2	
37	97095-06025	BOLT BOULON		8	8	8	
38	92995-06600	WASHER RONDELLE		8	8	8	
39	93608-16M16	PIN, DOWEL GOIJON		2	2	2	
40	62Y-13448-00	CAP CAPUCHON		1	1	1	
41	90465-11M10	CLAMP BRIDE		1	1	1	
42	62Y-1531A-00	HOSE, BREATHER 1 DURITE DE RENIFLARD 1		1	1	1	
43	62Y-15373-10	PIPE, BREATHER DURITE DE RENIFLARD		1	1	1	
44	97095-06016	BOLT BOULON		2	2	2	
45	92995-06600	WASHER RONDELLE		2	2	2	



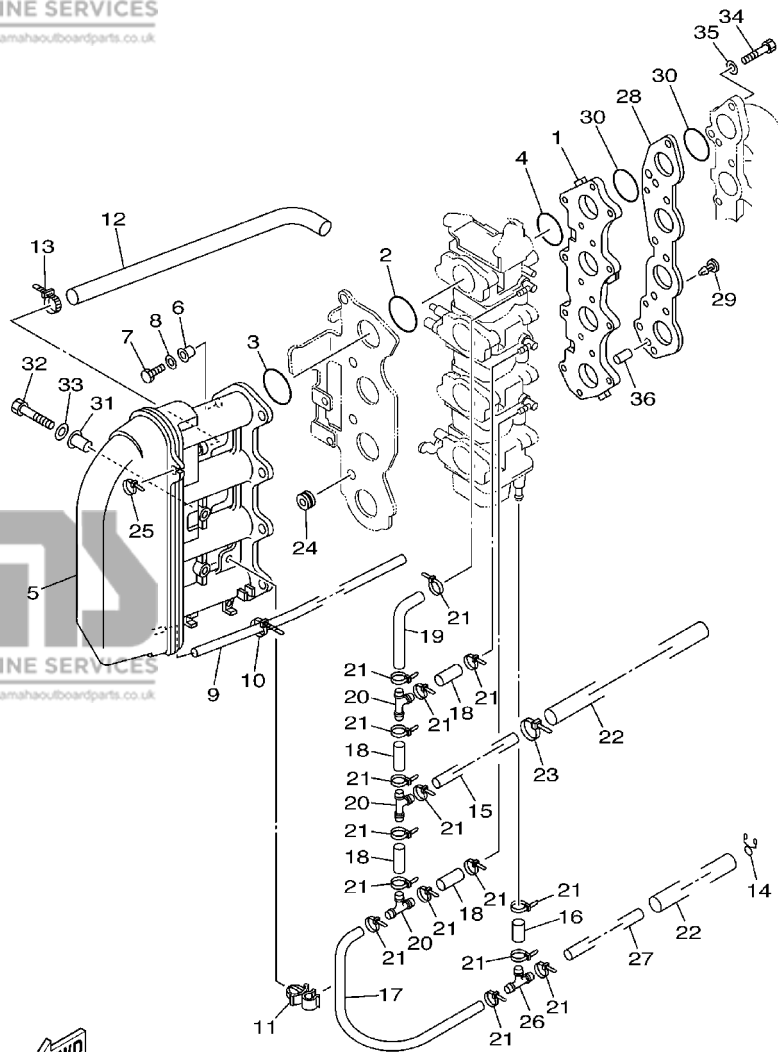
62Y1300-2070

FIG. 7 INTAKE 2

ADMISSION 2

REF. NO.	PART NO. NO. PIECES	DESCRIPTION DESCRIPTION	40ET	50ED	50ET	FT50	REMARKS REMARQUES
1	62Y-13586-00-94	JOINT, CARBURETOR 1 RACCORD, CARBURATEUR 1	1				
2	93210-35M86	O-RING JOINT TORIQUE	4				
3	93210-38MH3	O-RING JOINT TORIQUE	4				
4	93210-30MH4	O-RING JOINT TORIQUE	4				
5	62Y-14440-00	SILENCER ASSY, INTAKE SIENCIEUX D'ADMISSION	1				
6	90387-06M70	COLLAR COLLERETTE	8				
7	97095-06090	BOLT BOULON	8				
8	92995-06600	WASHER RONDELLE	8				
9	90445-07M38	HOSE (L300) DURITE (L300)	1				
10	90465-11M10	CLAMP BRIDE	1				
11	90464-10M32	CLAMP BRIDE	1				
12	62Y-15373-00	PIPE, BREATHER DURITE DE RENIFLARD	1				
13	90465-13M36	CLAMP BRIDE	1				
14	90467-10M04	CLIP JONC	1				
15	90445-10M33	HOSE (L320) DURITE (L320)	1				
16	90445-10M85	HOSE (L22) DURITE (L22)	1				
17	62Y-24311-00	PIPE, FUEL 1 DURITE A ESSENCE	1				
18	90445-10M14	HOSE (L30) DURITE (L30)	4				
19	62Y-24313-00	PIPE 3 DURITE 3	1				
20	688-24378-00	PIPE, JOINT 4 DURITE RACCORDEMENT 4	3				
21	90465-11M10	CLAMP BRIDE	16				
22	90445-16M00	HOSE (L200) DURITE (L200)	2				
23	90465-11M10	CLAMP BRIDE	1				
24	90480-11224	GROMMET PASSE-FIL	4				
25	90465-11M10	CLAMP BRIDE	1				
26	62Y-24378-00	PIPE, JOINT 4 DURITE RACCORDEMENT 4	1				
27	90445-10M18	HOSE (L295) DURITE (L295)	1				

B6



62Y1300-2070

FIG. 7 INTAKE 2

ADMISSION 2

REF. NO.	PART NO. NO. PIECES	DESCRIPTION DESCRIPTION	40ET	50ED	50ET	FT50	REMARKS REMARQUES
28	62Y-14271-00	INSULATOR ISOLATEUR	1				
29	90338-04M17	PLUG PLOT	2				
30	93210-35M86	O-RING JOINT TORIQUE	8				
31	90387-06M15	COLLAR COLLERETTE	2				
32	97095-06030	BOLT BOULON	2				
33	92995-06600	WASHER RONDELLE	2				
34	97095-06025	BOLT BOULON	8				
35	92995-06600	WASHER RONDELLE	8				
36	93608-16M16	PIN, DOWEL GOUJON	2				

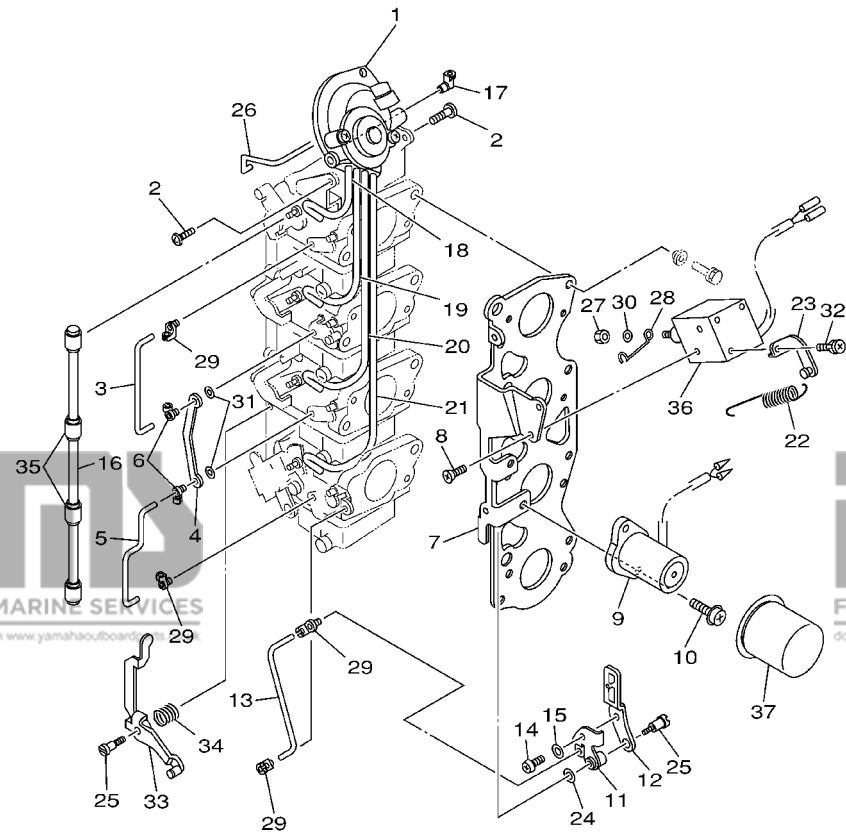


FIG. 8 CARBURETOR LINK BIELLETTE CARBURATEUR

REF. NO.	PART NO. NO. PIECES	DESCRIPTION DESCRIPTION	40ET	50ED	50ET	FT50	REMARKS REMARQUES
1	62Y-14369-00	DIAPHRAGM ASSY 2 DIAPHRAGME 2	1				
2	97890-05006	SCREW, PAN HEAD VIS, TETE TRONCONIQUE	3				
3	62Y-14585-00	ROD, CHOKE TRINGLE, STARTER	1				
4	62Y-14585-10	ROD, CHOKE TRINGLE, STARTER	1				
5	62Y-14585-20	ROD, CHOKE TRINGLE, STARTER	1				
6	62Y-41262-10	JOINT, CHOKE LEVER RACCORD, LEVIER DE STARTER	2				
7	62Y-14291-00	BRACKET 1 SUPPORT 1	1				
8	62Y-14592-00	SCREW VIS	2				
9	62Y-14380-00	PRIME STARTER ASSY DEMARREUR D'AMARCAGE ENS.	1				
10	62Y-14429-00	SCREW VIS	2				
11	62Y-14175-00	LEVER, STARTER 1 LEVIER, STARTER 1	1				
12	62Y-14175-11	LEVER, STARTER 1 LEVIER, STARTER 1	1				
13	62Y-14585-30	ROD, CHOKE TRINGLE, STARTER	1				
14	62Y-14567-00	SCREW VIS	1				
15	92995-05600	WASHER RONDELLE	1				
16	62Y-14585-40	ROD, CHOKE TRINGLE, STARTER	1				
17	62Y-41262-00	JOINT, CHOKE LEVER RACCORD, LEVIER DE STARTER	1				
18	62Y-14349-10	PIPE DURITE	1				
19	62Y-14349-20	PIPE DURITE	1				
20	62Y-14349-00	PIPE DURITE	1				
21	62Y-14349-30	PIPE DURITE	1				
22	62Y-14487-01	SPRING RESSORT	1				
23	62Y-14255-00	PLATE PLAQUE	1				
24	92995-04600	WASHER RONDELLE	1				
25	62Y-14429-10	SCREW VIS	2				
26	62Y-14585-50	ROD, CHOKE TRINGLE, STARTER	1				
27	62Y-14258-00	NUT, LOCK CONTRE-ECROU	1				



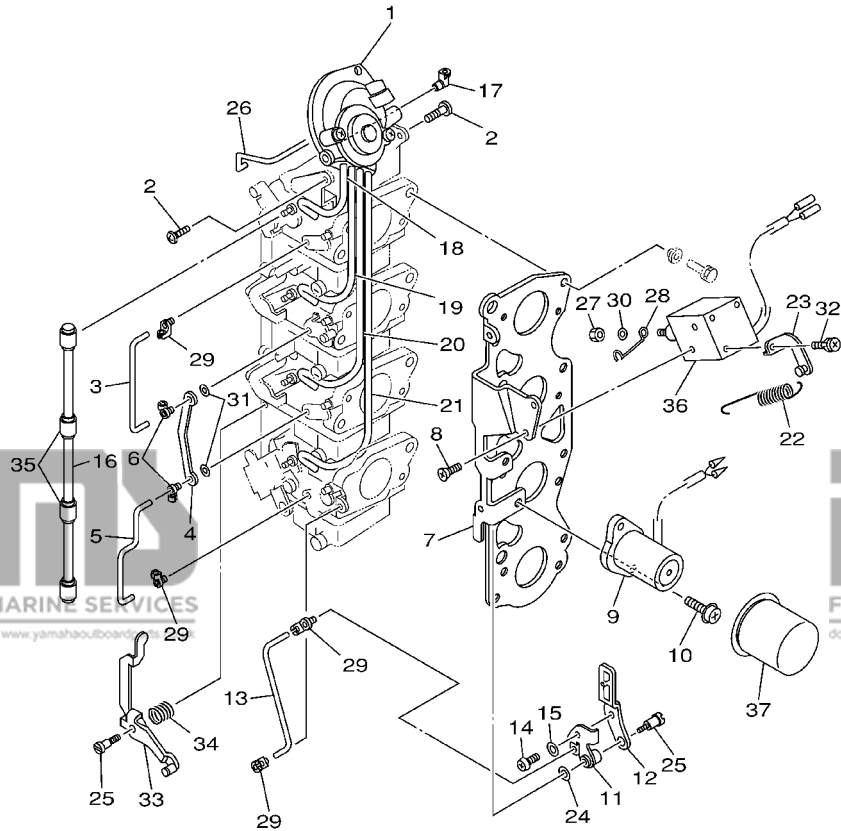
62Y0010-8070

C1

FIG. 8 CARBURETOR LINK

BIELLETTTE CARBURATEUR

REF. NO.	PART NO. NO. PIECES	DESCRIPTION DESCRIPTION	40ET	50ED	50ET	FT50	REMARKS REMARQUES
28	62Y-1212A-00	WIRE, PLUS LEAD FIL, POSITIF	1				
29	6F5-41262-01	JOINT, THROTTLE LEVER AXE	4				
30	62Y-14475-10	WASHER RONDELLE	1				
31	62Y-14596-00	WASHER RONDELLE	2				
32	97980-04108	SCREW, WITH WASHER VIS, AVEC RONDELLE	1				
33	62Y-14360-00	THROTTLE DAMPER ASSY AMORISSEUR D'ACCELERATEUR	1				
34	62Y-14555-00	SPRING RESSORT	1				
35	62Y-14578-00	COLLAR COLLERETTE	2				
36	6E9-86111-01	COIL, SOLENOID BOBINE	1				
37	62Y-14967-00	COVER COUVERCLE	1				



62Y0010-8070

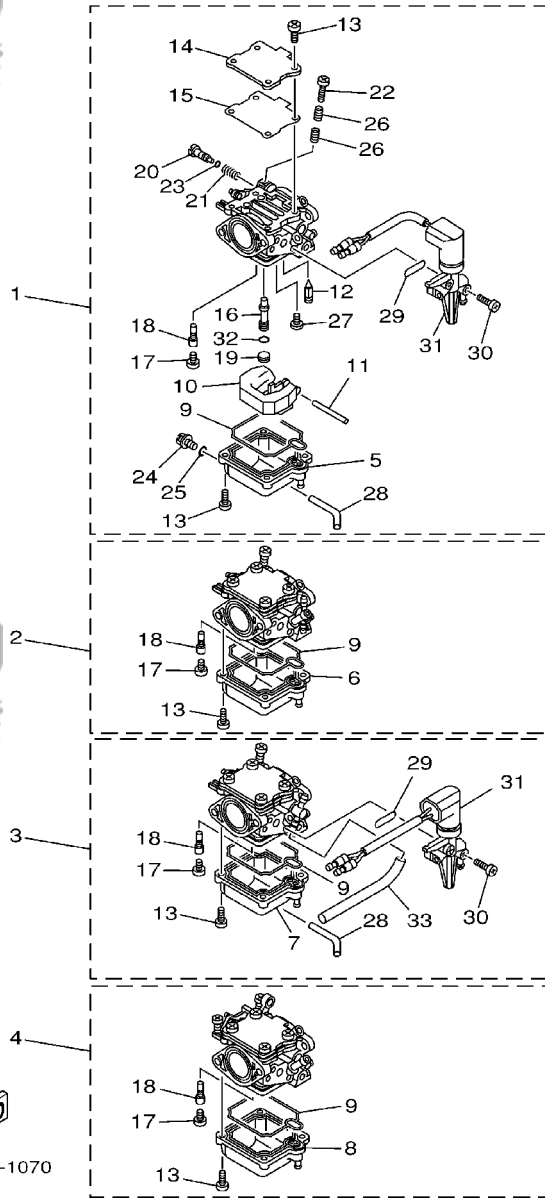


FIG. 9 CARBURETOR 1

CARBURATEUR 1

REF. NO.	PART NO. NO. PIECES	DESCRIPTION DESCRIPTION	40ET	50ED	50ET	FT50	REMARKS REMARQUES
1	62Y-14901-30	CARBURETOR ASSY 1 CARBURATEUR 1 COMPLET		1	1	1	
2	62Y-14902-30	CARBURETOR ASSY 2 CARBURATEUR 2 COMPLET		1	1	1	
3	62Y-14903-30	CARBURETOR ASSY 3 CARBURATEUR 3 COMPLET		1	1	1	
4	62Y-14904-31	CARBURETOR ASSY 4 CARBURATEUR 4 COMPLET		1	1	1	
5	62Y-14381-30	.BODY, FLOAT CHAMBER .CORPS, CUVE DE FLOTTEUR		1	1	1	#1
6	62Y-14381-40	.BODY, FLOAT CHAMBER .CORPS, CUVE DE FLOTTEUR		1	1	1	#2
7	62Y-14381-50	.BODY, FLOAT CHAMBER .CORPS, CUVE DE FLOTTEUR		1	1	1	#3
8	62Y-14381-61	.BODY, FLOAT CHAMBER .CORPS, CUVE DE FLOTTEUR		1	1	1	#4
9	62Y-14384-30	.GASKET, FLOAT CHAMBER JOINT, CUVE DE FLOTTEUR		4	4	4	
10	6L2-14385-00	.FLOAT .FLOTTEUR		4	4	4	
11	6E5-14386-01	.PIN, FLOAT .AXE, FLOTTEUR		4	4	4	
12	62Y-14392-00	.VALVE, NEEDLE .POINTEAU		4	4	4	
13	62Y-14321-00	.SCREW, THROTTLE .VIS, ACCELERATEUR		32	32	32	
14	62Y-14157-30	.COVER, MIXING .COUVERCLE DE CHAMBRE		4	4	4	
15	62Y-14399-30	.GASKET JOINT		4	4	4	
16	62Y-14341-30	.NOZZLE, MAIN .PUITS D'AIGUILLE		4	4	4	
17	62Y-14343-62	.JET, MAIN (#124) .GICLEUR, PRINCIPAL (#124)		1	1	1	#1
	62Y-14343-63	.JET, MAIN (#126) .GICLEUR, PRINCIPAL (#126)		1	1	1	#2
	62Y-14343-58	.JET, MAIN (#116) .GICLEUR, PRINCIPAL (#116)		1	1	1	#3
	62Y-14343-57	.JET, MAIN (#114) .GICLEUR, PRINCIPAL (#114)		1	1	1	#4
18	64J-14342-20	.JET, PILOT (#39) .GICLEUR, RALENTI (#39)		4	4	4	
19	62Y-14355-30	.PLUG .PLOT		4	4	4	
20	62Y-14323-30	.SCREW, AIR ADJUSTING .VIS DE DOSEUR D'AIR		4	4	4	
21	62Y-14334-00	.SPRING, AIR ADJUSTING .RESSORT, VIS DE DOSEUR D'AIR		4	4	4	
22	62Y-14321-10	.SCREW, THROTTLE .VIS, ACCELERATEUR		4	4	4	
23	2T4-14397-00	.O-RING JOINT TORIQUE		4	4	4	
24	62Y-14383-30	.SCREW, DRAIN .BOUCHON, PURGE		4	4	4	

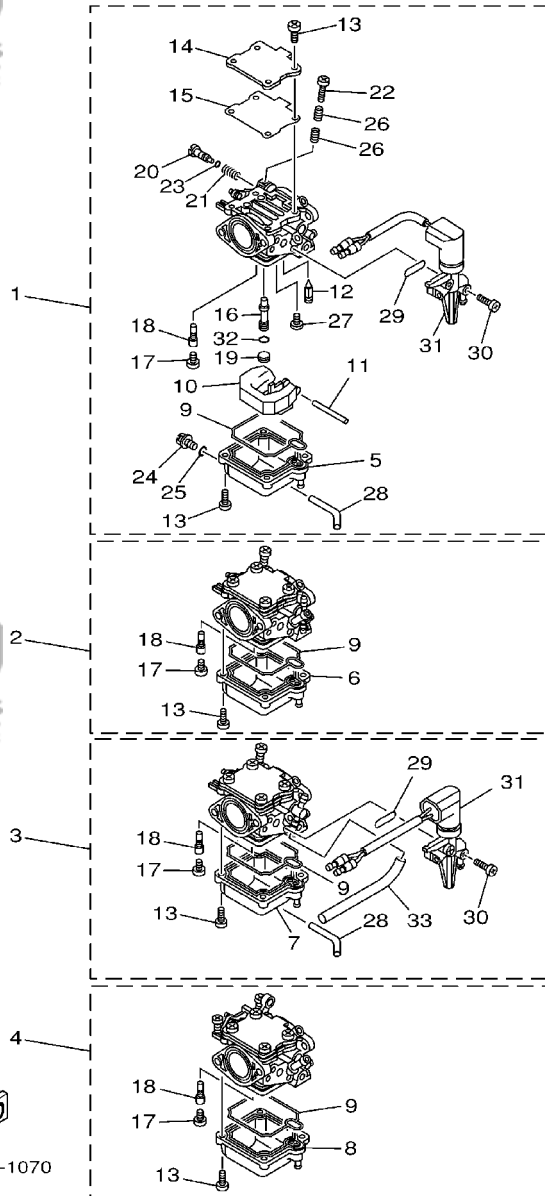
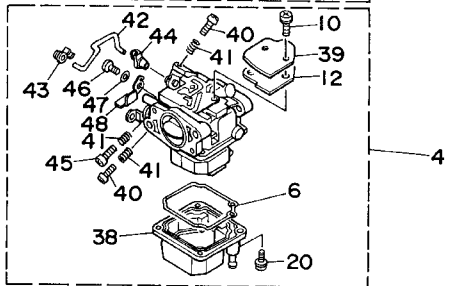
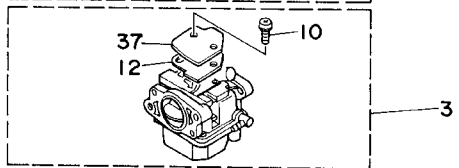
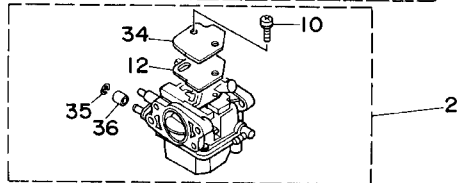
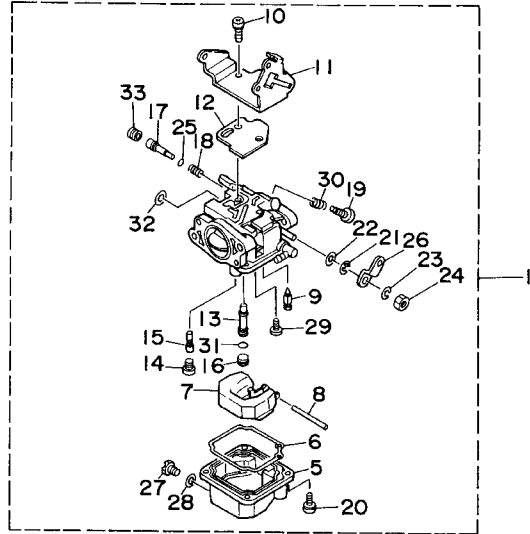


FIG. 9 CARBURETOR 1

CARBURATEUR 1

REF. NO.	PART NO. NO. PIECES	DESCRIPTION DESCRIPTION	40ET	50ED	50ET	FT50	REMARKS REMARQUES
25	652-14397-00	.O-RING .JOINT TORIQUE		4	4	4	
26	62Y-14212-00	.SPRING, PILOT ADJUSTING .RESSORT, VIS DE RALENTI		8	8	8	
27	98980-04006	.SCREW, BIND .VIS, DE PRESSION		4	4	4	
28	62Y-24311-30	.PIPE, FUEL 1 .DURITE A ESSENCE		2	2	2	#1,3
29	62Y-14398-30	.GASKET .JOINT		2	2	2	#1,3
30	62Y-14567-30	.SCREW .VIS		2	2	2	#1
	62Y-14567-40	.SCREW .VIS		2	2	2	#3
31	62Y-14380-10	.PRIME STARTER ASSY .DEMARREUR D'AMARCAGE ENS.		1	1	1	#1
	62Y-14380-20	.PRIME STARTER ASSY .DEMARREUR D'AMARCAGE ENS.		1	1	1	#3
32	62Y-14227-00	.WASHER .RONDELLE		4	4	4	
33	62Y-24313-90	.PIPE 3 .DURITE 3		1	1	1	#3



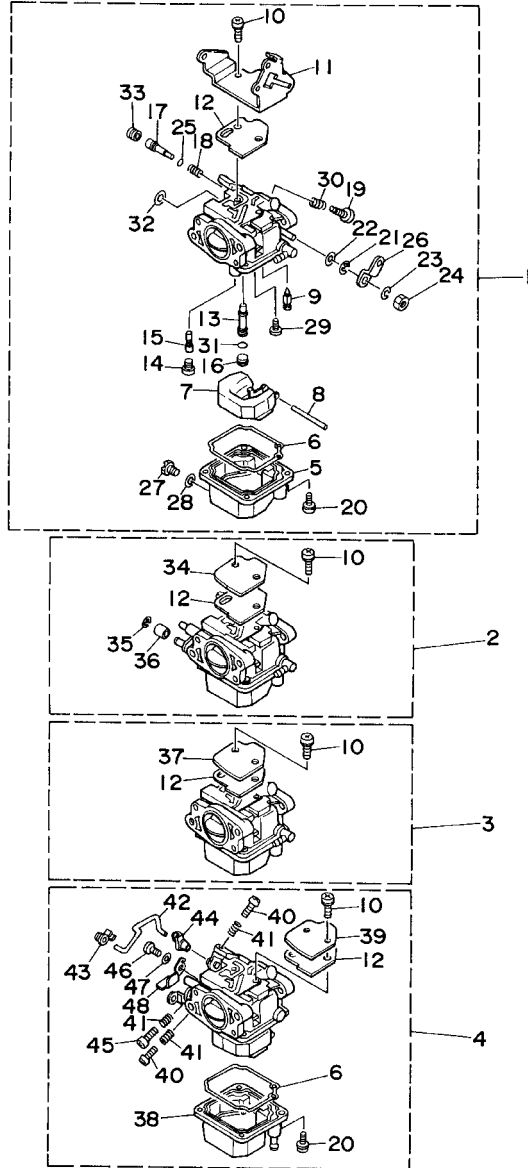
62Y0010-5080

FIG. 10 CARBURETOR 2

CARBURATEUR 2

REF. NO.	PART NO. NO. PIECES	DESCRIPTION DESCRIPTION	40ET	50ED	50ET	FT50	REMARKS REMARQUES
1	62Y-14901-A0	CARBURETOR ASSY 1 CARBURATEUR 1 COMPLET	1				
2	62Y-14902-A0	CARBURETOR ASSY 2 CARBURATEUR 2 COMPLET	1				
3	62Y-14903-A0	CARBURETOR ASSY 3 CARBURATEUR 3 COMPLET	1				
4	66W-14904-A0	CARBURETOR ASSY 4 CARBURATEUR 4 COMPLET	1				
5	62Y-14381-00	.BODY, FLOAT CHAMBER .CORPS, CUVE DE FLOTTEUR	3				#1,2,3
6	6L2-14384-00	.GASKET, FLOAT CHAMBER .JOINT, CUVE DE FLOTTEUR	4				
7	6L2-14385-00	.FLOAT .FLOTTEUR	4				
8	6E5-14386-01	.PIN, FLOAT .AXE, FLOTTEUR	4				
9	6L2-14392-00	.VALVE, NEEDLE .POINTEAU	4				
10	97980-04110	.SCREW, WITH WASHER .VIS, AVEC RONDELLE	8				
11	62Y-14157-00	.COVER, MIXING .COUVERCLE DE CHAMBRE	1				#1
12	62Y-14399-00	.GASKET .JOINT	4				
13	62Y-14341-00	.NOZZLE, MAIN .PUITS D'AIGUILLE	4				
14	62Y-14343-56	.JET, MAIN (#112) .GICLEUR, PRINCIPAL (#112)	4				
15	62Y-14342-21	.JET, PILOT (#42) .GICLEUR, RALENTI (#42)	4				
16	62Y-14355-00	.PLUG .PLOT	4				
17	5H0-14323-00	.SCREW, AIR ADJUSTING .VIS DE DOSEUR D'AIR	4				
18	30X-14334-00	.SPRING, AIR ADJUSTING .RESSORT, VIS DE DOSEUR D'AIR	4				
19	62Y-14521-00	.SCREW, THROTTLE .VIS, ACCELERATEUR	3				#1,2,3
20	97980-04112	.SCREW, WITH WASHER .VIS, AVEC RONDELLE	16				
21	93430-04301	.CIRCLIP .CIRCLIP, TYPE S	4				
22	62Y-14475-00	.WASHER .RONDELLE	4				
23	6A1-14356-00	.WASHER, SPRING .RONDELLE	1				#1
24	654-14363-01	.NUT .ECROU	1				#1
25	5H0-14397-00	.O-RING .JOINT TORIQUE	4				
26	62Y-14276-00	.LEVER .LEVIER	1				#1
27	62Y-14383-00	.SCREW, DRAIN .BOUCHON, PURGE	4				

C5



FWD
62Y0010-5080

FIG. 10 CARBURETOR 2

CARBURATEUR 2

REF. NO.	PART NO. NO. PIECES	DESCRIPTION DESCRIPTION	40ET	50ED	50ET	FT50	REMARKS REMARQUES
28	62Y-14398-00	.GASKET .JOINT	4				
29	98980-04006	.SCREW, BIND .VIS, DE PRESSION	4				
30	646-14212-01	.SPRING, PILOT ADJUSTING .RESSORT, VIS DE RALENTI	3				#1,2,3
31	6F5-14397-00	.O-RING .JOINT TORIQUE	4				
32	6L2-14357-00	.WASHER, PLAIN .RONDELLE PLATE	3				#1,2,3
33	50M-14355-00	.PLUG .PLOT	4				
34	6L2-14157-00	.COVER, MIXING .COUVERCLE DE CHAMBRE	1				#2
35	62Y-14159-00	.CLIP .JONC	1				#2
36	62Y-14267-00	.ROLLER .ROULEAU	1				#2
37	6L2-14157-00	.COVER, MIXING .COUVERCLE DE CHAMBRE	1				#3
38	62Y-14381-10	.BODY, FLOAT CHAMBER .CORPS, CUVE DE FLOTTEUR	1				#4
39	6L2-14157-00	.COVER, MIXING .COUVERCLE DE CHAMBRE	1				#4
40	62Y-14321-00	.SCREW, THROTTLE .VIS, ACCELERATEUR	2				#4
41	646-14212-01	.SPRING, PILOT ADJUSTING .RESSORT, VIS DE RALENTI	3				#4
42	62Y-14379-00	.ROD, STARTER .TRINGLE, STARTER	1				#4
43	6F5-41262-00	.JOINT, CHOKE LEVER .RACCORD, LEVIER DE STARTER	1				#4
44	62Y-41262-00	.JOINT, CHOKE LEVER .RACCORD, LEVIER DE STARTER	1				#4
45	664-14321-01	.SCREW, THROTTLE .VIS, ACCELERATEUR	1				#4
46	664-14327-01	.SCREW .VIS	1				#4
47	62Y-14597-00	.WASHER .RONDELLE	1				#4
48	62Y-14573-00	.LEVER .LEVIER	1				#4

C6

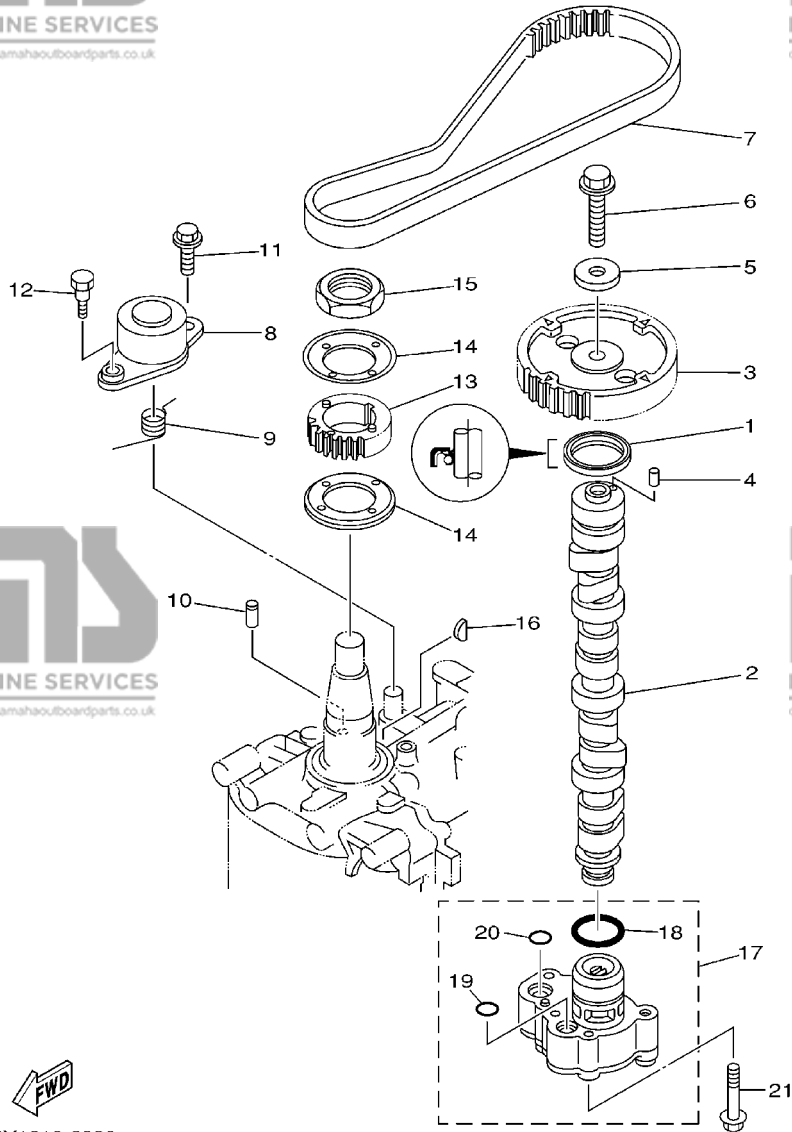


FIG. 11 OIL PUMP

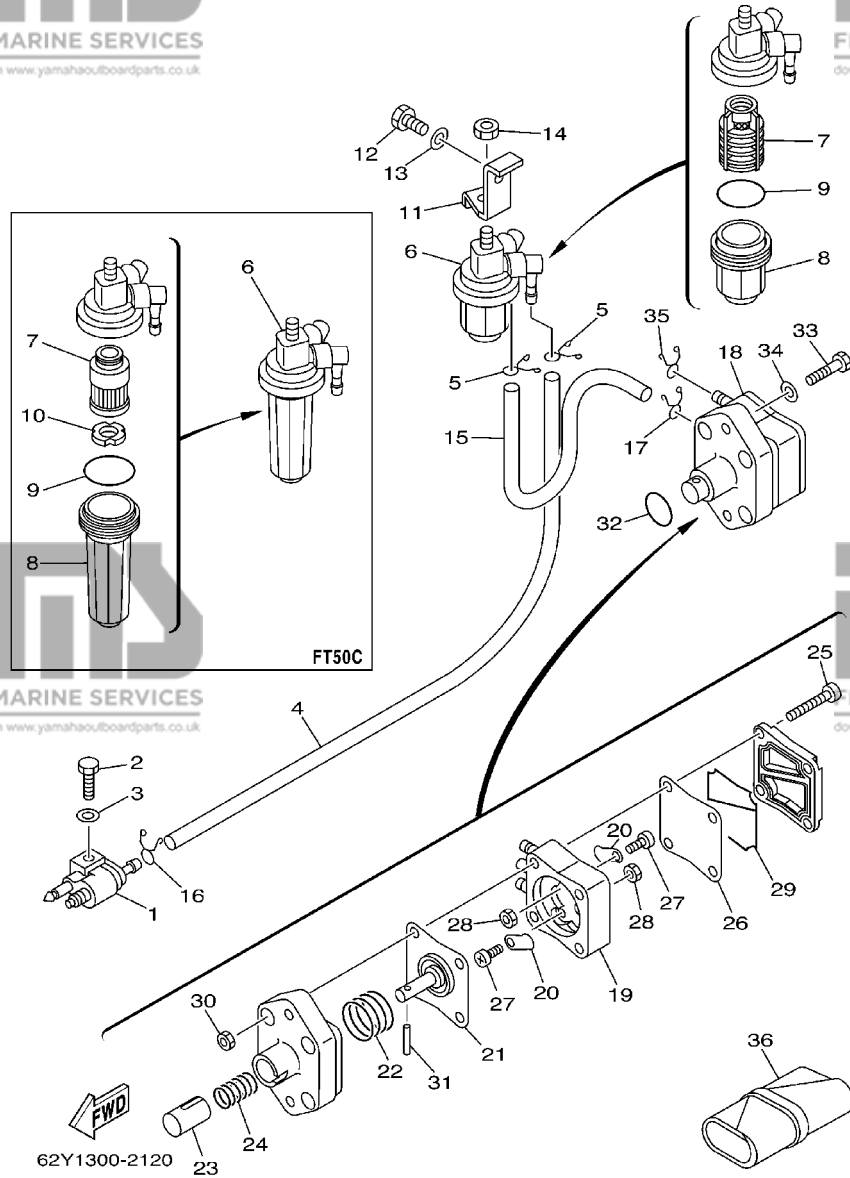
POMPE A HUILE

REF. NO.	PART NO. NO. PIECES	DESCRIPTION DESCRIPTION	40ET	50ED	50ET	FT50	REMARKS REMARQUES
1	93102-37M40	OIL SEAL JOINT SPY	1	1	1	1	
2	62Y-12171-00	CAMSHAFT 1 ARBRE A CAMES 1	1	1	1	1	
3	62Y-11537-10	GEAR, DRIVEN PIGNON SECONDAIRE	1	1	1	1	
4	93605-14143	PIN, DOWEL GOUJON	1	1	1	1	
5	90201-10M06	WASHER, PLATE RONDELLE, PLATE	1	1	1	1	
6	95895-10040	BOLT, FLANGE BOULON, A COLLERETTE	1	1	1	1	
7	62Y-46241-00	BELT COURROIE	1	1	1	1	
8	62Y-11590-10	TENSIONER ASSY TENDEUR (ENS.)	1	1	1	1	
9	90508-20018	SPRING, TORSION RESSORT, TORSION	1	1	1	1	
10	90249-07M29	PIN GOUPILLE	1	1	1	1	
11	95895-08020	BOLT, FLANGE BOULON, A COLLERETTE	1	1	1	1	
12	90109-06M64	BOLT BOULON	1	1	1	1	
13	62Y-11536-10	GEAR, DRIVE ENGRENAGE, MENANT	1	1	1	1	
14	62Y-11557-00	WASHER 1 RONDELLE 1	2	2	2	2	
15	90170-35M32	NUT ECROU	1	1	1	1	
16	90280-04M06	KEY, WOODRUFF CLAVETTE, DEMI-LUNE	1	1	1	1	
17	62Y-13300-00	OIL PUMP ASSY POMPE A HUILE COMPLET	1	1	1	1	
18	93210-33MH2	.O-RING .JOINT TORIQUE	1	1	1	1	
19	93210-12MG9	.O-RING .JOINT TORIQUE	1	1	1	1	
20	93210-14515	.O-RING .JOINT TORIQUE	1	1	1	1	
21	90119-06MA6	BOLT, WITH WASHER BOULON, AVEC RONDELLE	4	4	4	4	



62Y1010-2090

FIG. 12 FUEL CARBURANT



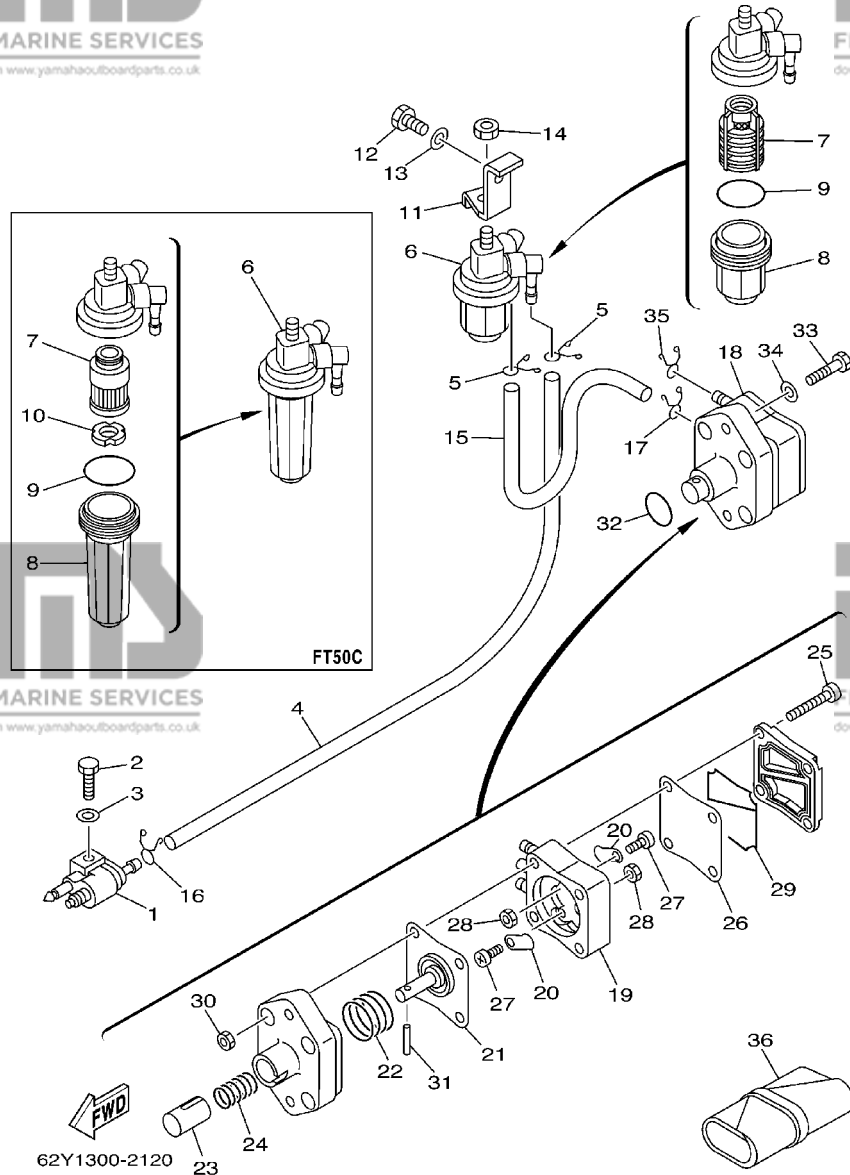
REF. NO.	PART NO. NO. PIECES	DESCRIPTION DESCRIPTION	40ET	50ED	50ET	FT50	REMARKS REMARQUES
1	6G1-24304-02	FUEL PIPE JOINT COMP. 1 DURITE RACCORDEMT. A ESSENCE	1	1	1	1	
2	97095-06025	BOLT BOULON	1	1	1	1	
3	92995-06600	WASHER RONDELLE	1	1	1	1	
4	90445-10020	HOSE DURITE	1	1	1	1	
5	90467-09M17	CLIP JONC	2	2	2	2	
6	61N-24560-00	FILTER ASSY ENS FILTRE	1	1	1		F40A,F50A
	64J-24560-00	FILTER ASSY ENS FILTRE				1	FT50C
7	61N-24563-00	.ELEMENT, FILTER .ELEMENT, FILTRE	1	1	1		FOR 61N-24560-00
	68V-24563-00	.ELEMENT, FILTER .ELEMENT, FILTRE				1	FOR 64J-24560-00
8	61N-24521-00	.CUP, FILTER .CUVETTE, FILTRE	1	1	1		FOR 61N-24560-00
	68V-24521-00	.CUP, FILTER .CUVETTE, FILTRE				1	FOR 64J-24560-00
9	93210-32738	.O-RING .JOINT TORIQUE	1	1	1	1	
10	68V-24469-00	.FLOAT, WATER LEVEL .FLOTTEUR				1	FOR 64J-24560-00
11	62Y-24566-00	BRACKET, FILTER SUPPORT, FILTRE	1	1	1	1	
12	97095-08014	BOLT BOULON	1	1	1	1	
13	92995-08600	WASHER RONDELLE	1	1	1	1	
14	95380-08600	NUT ECROU	1	1	1	1	
15	90445-10M48	HOSE (L205) DURITE (L205)	1	1	1	1	
16	90467-09M17	CLIP JONC	1	1	1	1	
17	90467-10M04	CLIP JONC	1	1	1	1	
18	62Y-24410-02	FUEL PUMP ASSY POMPE A ESSENCE	1	1	1	1	
19	62Y-24413-00	.BODY 2 .CORPS 2	1	1	1	1	
20	62Y-24421-01	.VALVE, CHECK .SOUPAPE, RETENUE	2	2	2	2	
21	62Y-24411-02	.DIAPHRAGM .DIAPHRAGME	1	1	1	1	
22	62Y-24423-00	.SPRING, DIAPHRAGM .RESSORT, DIAPHRAGME	1	1	1	1	
23	62Y-13131-01	.PLUNGER .PLONGEUR	1	1	1	1	
24	62Y-24454-00	.SPRING .RESSORT	1	1	1	1	

D1

FIG. 12 FUEL

CARBURANT

REF. NO.	PART NO. NO. PIECES	DESCRIPTION DESCRIPTION	40ET	50ED	50ET	FT50	REMARKS REMARQUES
25	62Y-24444-00	.SCREW .VIS	4	4	4	4	
26	62Y-24471-00	.DIAPHRAGM .DIAPHRAGME	1	1	1	1	
27	6A0-14325-00	.SCREW, PAN HEAD .VIS TETE CONIQUE	2	2	2	2	
28	95380-03600	.NUT .ECROU	2	2	2	2	
29	62Y-24452-00	.PACKING .JOINT	1	1	1	1	
30	95380-05600	.NUT .ECROU	4	4	4	4	
31	62Y-24374-01	.PIN .PIN	1	1	1	1	
32	93210-24M79	O-RING JOINT TORIQUE	1	1	1	1	
33	97095-06030	BOLT BOULON	2	2	2	2	
34	92995-06600	WASHER RONDELLE	2	2	2	2	
35	90467-10M04	CLIP JONC	2	2	2	2	F50A,FT50C
	90467-10M04	CLIP JONC	1				F40A
36	62Y-28100-00	TOOL KIT TROUSSE A OUTILS	1	1	1	1	



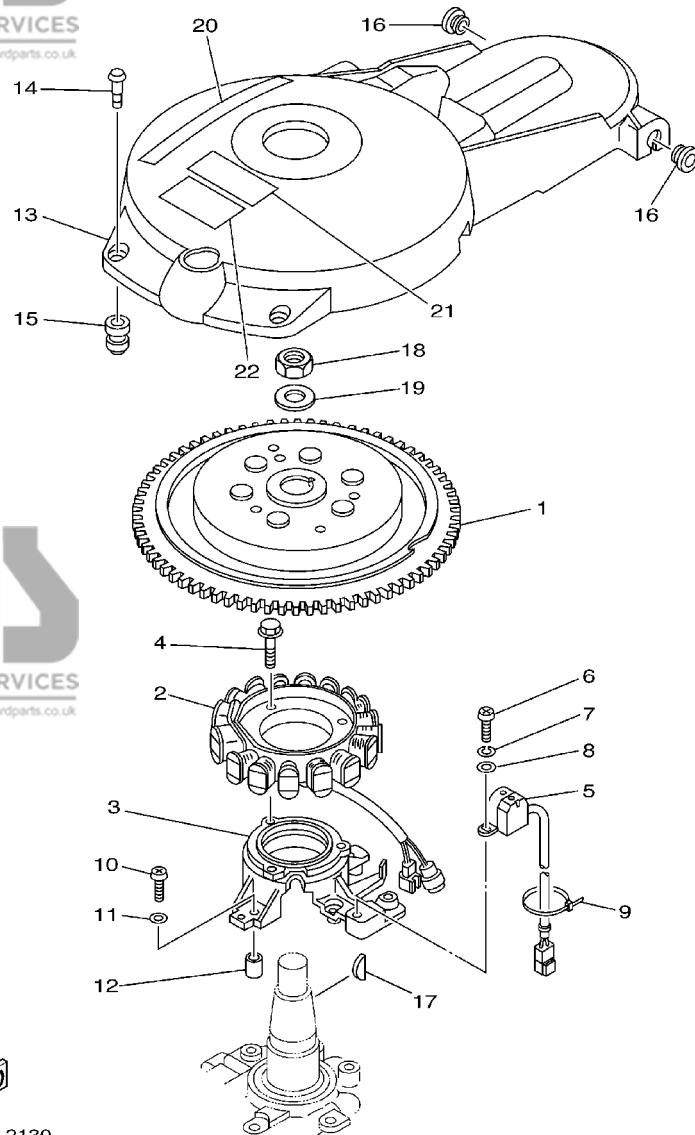


FIG. 13 GENERATOR

GENERATRICE

REF. NO.	PART NO. NO. PIECES	DESCRIPTION DESCRIPTION	40ET	50ED	50ET	FT50	REMARKS REMARQUES
1	64J-85550-00	ROTOR ASSY		1	1	1	F50A,FT50C
		ROTOR CPLT					
	62Y-85550-01	ROTOR ASSY	1				F40A
		ROTOR CPLT					
2	64J-85510-00	STATOR ASSY		1	1	1	F50A,FT50C
		STATOR CPLT					
	62Y-85510-01	STATOR ASSY	1				F40A
		STATOR CPLT					
3	62Y-85561-00-94	BASE, MAGNETO	1	1	1	1	
		BASE, MAGNETO					
4	95023-06025	BOLT, FLANGE	3	3	3	3	
		BOULON, A COLLERETTE					
5	62Y-85580-00	COIL, PULSER	1	1	1	1	
		BOBINE, PULSEUR					
6	97880-05012	SCREW, PAN HEAD	2	2	2	2	
		VIS, TETE TRONCONIQUE					
7	92990-05100	WASHER, SPRING	2	2	2	2	
		RONDELLE, GROWER					
8	92990-05600	WASHER, PLATE	2	2	2	2	
		RONDELLE, PLATE					
9	90465-13M97	CLAMP	1	1	1	1	
		BRIDE					
10	97880-06025	SCREW, PAN HEAD	4	4	4	4	
		VIS, TETE TRONCONIQUE					
11	92990-06600	WASHER, PLATE	4	4	4	4	
		RONDELLE, PLATE					
12	99530-08012	PIN, DOWEL	2	2	2	2	
		GOUJON, D'ASSEMBLAGE					
13	62Y-81337-11	COVER, FLYWHEEL		1	1	1	F50A,FT50C
		COUVERCLE, VOLANT					
	62Y-81337-00	COVER, FLYWHEEL	1				F40A
		COUVERCLE, VOLANT					
14	6K7-81338-01	CLAMP, LEAD	2	2	2	2	
		COLLIER, FIL					
15	663-82317-01	DAMPER, IGNITION COIL	2	2	2	2	
		AMORTISSEUR, BOBINE D'ALLUM					
16	90480-12072	GROMMET	2	2	2	2	
		PASSE-FIL					
17	6H4-11545-00	KEY, WOODRUFF	1	1	1	1	
		CLAVETTE, DEMI-LUNE					
18	90170-20137	NUT	1	1	1	1	
		ECROU					
19	90201-21M18	WASHER, PLATE	1	1	1	1	
		RONDELLE, PLATE					
20	62Y-13437-60	MARK, CAUTION	1	1	1	1	
		MARKER					
21	6A1-83625-41	MARK 5	1	1	1	1	
		ETIQUETTE 5					
22	6A1-83625-51	MARK 5	1	1	1	1	
		ETIQUETTE 5					

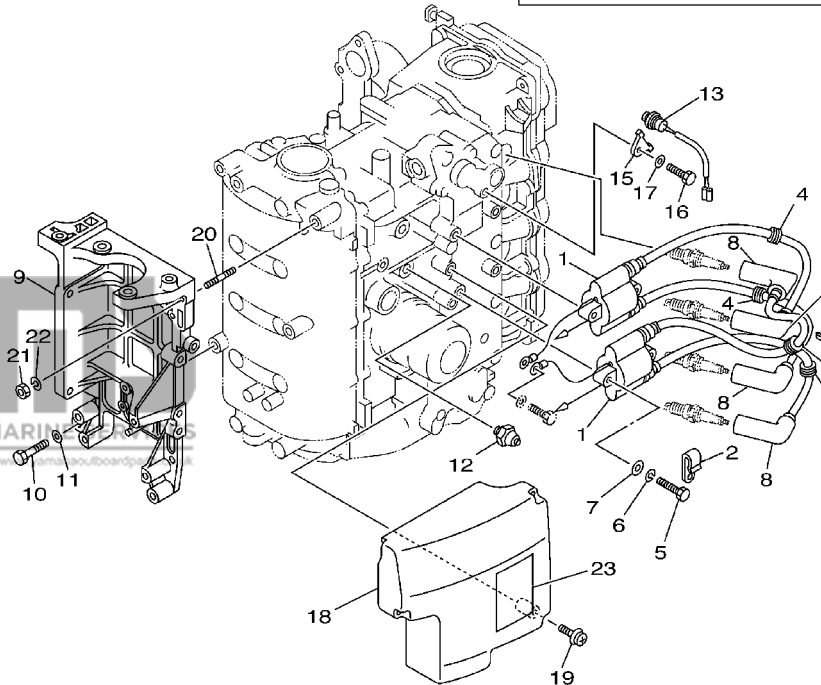
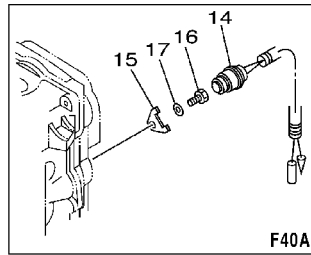


62Y1300-2130

FIG. 14 ELECTRICAL 1

PARTIE ELECTRIQUE 1

REF. NO.	PART NO. NO. PIECES	DESCRIPTION DESCRIPTION	40ET	50ED	50ET	FT50	REMARKS REMARQUES
1	62Y-85570-00	IGNITION COIL ASSY BOBINE D'ALLUMAGE (ENS.)	2	2	2	2	
2	90465-06M90	CLAMP BRIDE	2	2	2	2	
3	90464-07M41	CLAMP BRIDE	1	1	1	1	
4	90480-25161	GROMMET PASSE-FIL	4	4	4	4	
5	97095-06030	BOLT BOULON	4	4	4	4	
6	92995-06100	WASHER, SPRING RONDELLE, GROWER	4	4	4	4	
7	92995-06600	WASHER RONDELLE	4	4	4	4	
8	6G8-82370-30	PLUG CAP ASSY ANTIPARASITE	4	4	4	4	
9	62Y-81822-01-94	BRACKET, STARTING MOTOR SUPPORT, DEMARREUR ELECTRIQUE	1	1	1	1	
10	97095-08035	BOLT BOULON	3	3	3	3	
11	92995-08600	WASHER RONDELLE	3	3	3	3	
12	64J-82504-00	OIL PRESSURE SWITCH ASSY CONTACTEUR DE PRESSION D'HUILE	1	1	1	1	F50A,FT50C
	62Y-82504-00	OIL PRESSURE SWITCH ASSY CONTACTEUR DE PRESSION D'HUILE	1				F40A
13	62Y-82560-01	THERMO SWITCH ASSY THERMO-CONTACT COMPLET	1	1	1	1	
14	62Y-82560-10	THERMO SWITCH ASSY THERMO-CONTACT COMPLET	1				F40A
15	6E9-82588-00	PLATE PLAQUE	1	1	1	1	F50A,FT50C
	6E9-82588-00	PLATE PLAQUE	2				F40A
16	97095-06012	BOLT BOULON		1	1	1	F50A,FT50C
	97095-06012	BOLT BOULON	2				F40A
17	92995-06600	WASHER RONDELLE		1	1	1	F50A,FT50C
	92995-06600	WASHER RONDELLE	2				F40A
18	62Y-85599-00	COVER COUVERCLE	1	1	1	1	
19	90159-06M08	SCREW, WITH WASHER VIS, AVEC RONDELLE	3	3	3	3	
20	90116-08M14	BOLT, STUD GOUJON	1	1	1	1	
21	95380-08600	NUT ECROU	1	1	1	1	
22	92990-08100	WASHER, SPRING RONDELLE, GROWER	1	1	1	1	
23	62Y-83626-00	MARK 6 MARK 6	1	1	1	1	



62Y1300-2140

D4



FLOOD MARINE SERVICES

downloaded from www.yamahaoutboardparts.co.uk

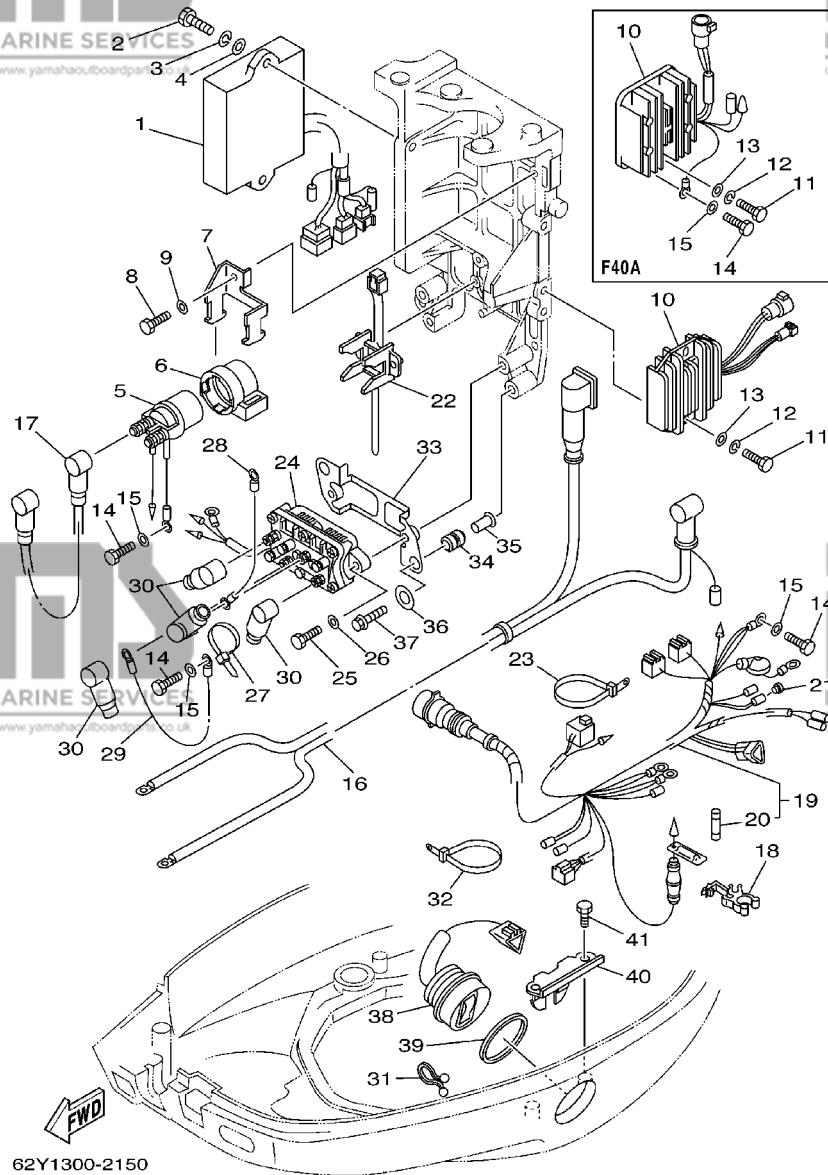


FIG. 15 ELECTRICAL 2

PARTIE ELECTRIQUE 2

REF. NO.	PART NO. NO. PIECES	DESCRIPTION DESCRIPTION	40ET	50ED	50ET	FT50	REMARKS REMARQUES
1	64J-85540-01	C.D.I. UNIT ASSY BLOC C.D.I.		1	1		F50A
	64J-85540-11	C.D.I. UNIT ASSY BLOC C.D.I.				1	FT50C
	62Y-85540-02	C.D.I. UNIT ASSY BLOC C.D.I.	1				F40A
2	97095-06020	BOLT BOULON	2	2	2	2	
3	92995-06100	WASHER, SPRING RONDELLE, GROUVER	2	2	2	2	
4	92995-06600	WASHER RONDELLE	2	2	2	2	
5	6G1-81941-10	STARTER RELAY ASSY LANCEUR RELAIS (ENS.)	1	1	1	1	
6	6G1-81952-00	HOLDER, RELAY SUPPORT, RELAIS	1	1	1	1	
7	6L2-81945-00	PLATE, SWITCH FITTING PLAQUE, FIXATION DU RELAIS	1	1	1	1	
8	97095-06014	BOLT BOULON	1	1	1	1	
9	92995-06600	WASHER RONDELLE	1	1	1	1	
10	64J-81960-10	RECTIFIER & REGULATOR ASSY REDRESSEUR REGULATEUR CPLT		1	1	1	F50A, FT50C
	62Y-81960-10	RECTIFIER & REGULATOR ASSY REDRESSEUR REGULATEUR CPLT	1				F40A
11	97095-06025	BOLT BOULON	2	2	2	2	
12	92995-06100	WASHER, SPRING RONDELLE, GROUVER	2	2	2	2	
13	92995-06600	WASHER RONDELLE	2	2	2	2	
14	97095-06012	BOLT BOULON	4	4	4	4	
15	92995-06600	WASHER RONDELLE	4	4	4	4	
16	62Y-82105-00	WIRE HARNESS FAISCEAU DE FILS	1	1	1	1	
17	6E5-82117-01	WIRE, LEAD FIL	1	1	1	1	
18	6G5-82152-00	HOLDER, FUSE SUPPORT, FUSIBLE	1	1	1	1	
19	64J-82590-30	WIRE HARNESS ASSY FAISCEAU DE FILS COMPLET			1	1	F50A, FT50C
	64J-82590-20	WIRE HARNESS ASSY FAISCEAU DE FILS COMPLET		1			F50A
	62Y-82590-10	WIRE HARNESS ASSY FAISCEAU DE FILS COMPLET	1				F40A
20	663-82151-00	.FUSE (12V-20A) .FUSIBLE (12V-20A)	1	1	1	1	
21	703-82119-00	COVER, LEAD WIRE GARNITURE, FIL	2	2	2	2	
22	688-82594-00	CLAMP BRIDE	1	1	1	1	



FLOOD MARINE SERVICES

downloaded from www.yamahaoutboardparts.co.uk

D5

FLOOD MARINE SERVICES

downloaded from www.yamahaoutboardparts.co.uk



FLOOD MARINE SERVICES

downloaded from www.yamahaoutboardparts.co.uk

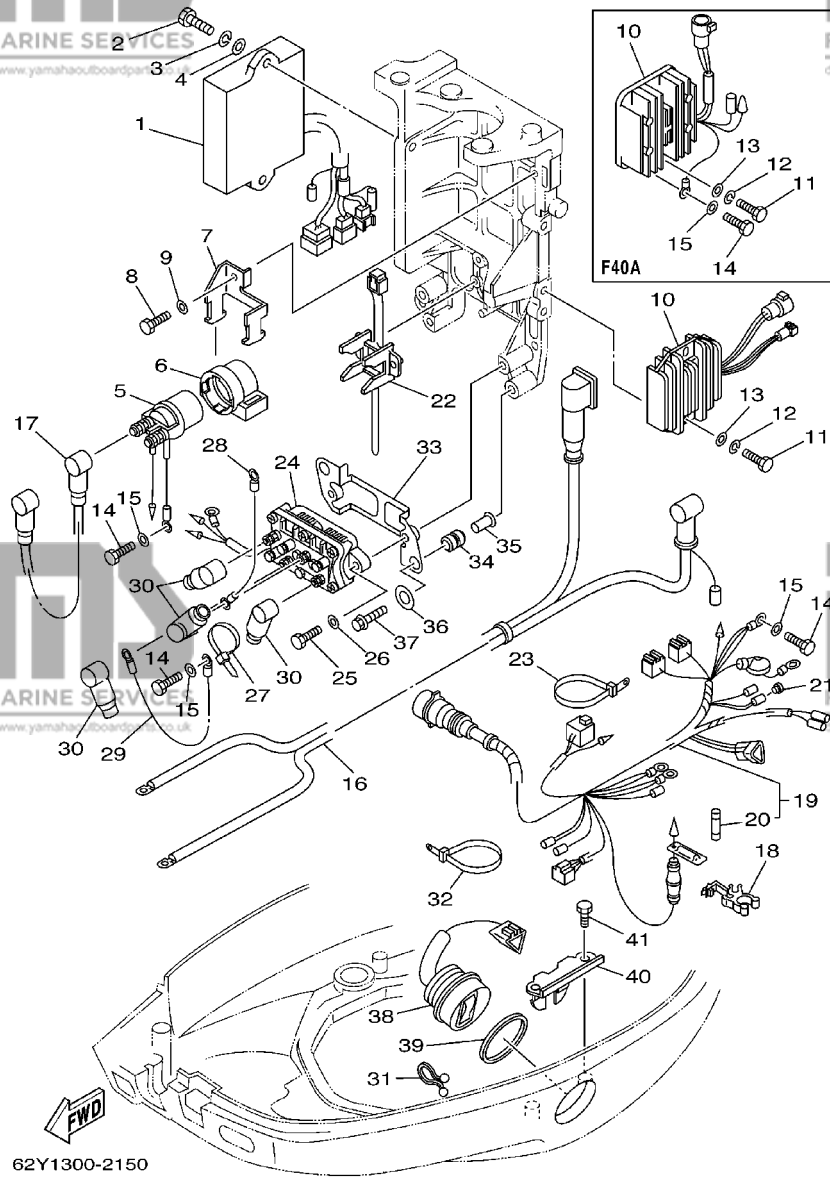
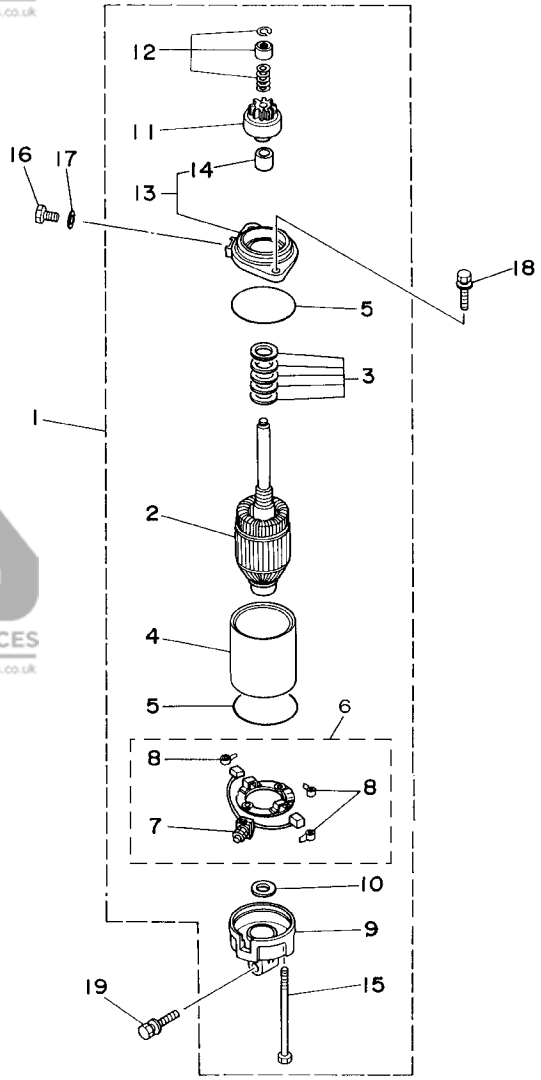


FIG. 15 ELECTRICAL 2

PARTIE ELECTRIQUE 2

REF. NO.	PART NO. NO. PIECES	DESCRIPTION DESCRIPTION	40ET	50ED	50ET	FT50	REMARKS REMARQUES
23	90465-13M24	CLAMP BRIDE	1	1	1	1	
24	6H1-81950-00	RELAY ASSY RELAIS COMPLET	1		1	1	
25	97095-06020	BOLT BOULON	2		2	2	
26	92995-06600	WASHER RONDELLE	2		2	2	
27	90465-13M11	CLAMP BRIDE	1		1	1	
28	6H2-81949-01	WIRE, LEAD FIL	1		1	1	
29	61A-81949-00	WIRE, LEAD FIL	1		1	1	
30	682-82119-01	COVER, LEAD WIRE GARNITURE, FIL	4		4	4	
31	90464-15M11	CLAMP BRIDE	1		1	1	
32	90465-13M24	CLAMP BRIDE	1		1	1	
33	62Y-81948-00	BRACKET JOINT TORIQUE	1		1	1	
34	6A0-82317-00	DAMPER, IGNITION COIL AMORTISSEUR, BOBINE D'ALLUM	2		2	2	
35	624-42542-00	PIPE TUYAU	2		2	2	
36	90201-12M16	WASHER, PLATE RONDELLE, PLATE	2		2	2	
37	95895-06025	BOLT, FLANGE BOULON, A COLLERETTE	2		2	2	
38	63D-82563-10	TRIM & TILT SWITCH ASSY INCLINER ET PARER COMMUTEUR	1		1	1	
39	6E5-82587-00	GASKET JOINT	1		1	1	
40	62Y-83614-00	BRACKET SUPPORT	1		1	1	
41	97095-06012	BOLT BOULON	2		2	2	



62Y001051501

FIG. 16 STARTING MOTOR

DEMARREUR ELECTRIQUE

REF. NO.	PART NO. NO. PIECES	DESCRIPTION DESCRIPTION	40ET	50ED	50ET	FT50	REMARKS REMARQUES
1	6E5-81800-12	STARTING MOTOR ASSY DEMARREUR ELECTRIQUE COMPLET	1	1	1	1	
2	6E5-81850-11	.ARMATURE ASSY .INDUIT	1	1	1	1	
3	6E5-81809-10	.WASHER KIT .JEU DE RONDELLES	1	1	1	1	
4	6E5-81810-10	.STATOR ASSY .STATOR COMPLET	1	1	1	1	
5	6E5-81847-10	.O-RING .JOINT TORIQUE	2	2	2	2	
6	6E5-81840-10	.BRUSH HOLDER ASSY .SUPPORT DE CHARBON	1	1	1	1	
7	6E5-81801-10	..BRUSH SET ..CHARBON	1	1	1	1	
8	6E5-81813-10	..SPRING, BRUSH ..RESSORT, DE CHARBON	3	3	3	3	
9	6E5-81820-11	.REAR BRACKET ASSY .SUPPORT ARRIERE COMPLET	1	1	1	1	
10	6E5-81824-00	.WASHER 2 .RONDELLE 2	1	1	1	1	
11	6E5-81807-11	.GEAR ASSY, STARTING MOTOR .PIGNON, DEMARREUR ELECTRIQUE	1	1	1	1	
12	61H-81857-00	.RETAINER .ARRETOIR	1	1	1	1	
13	6E5-81830-10	.FRONT BRACKET ASSY .SUPPORT AVANT	1	1	1	1	
14	688-81831-00	..METAL, FRONT ..METAL, AVANT	1	1	1	1	
15	6E5-81826-10	.BOLT BOULON	2	2	2	2	
16	97095-08016	.BOLT BOULON	1	1	1	1	
17	92995-08600	.WASHER RONDELLE	1	1	1	1	
18	90119-08M76	BOLT, WITH WASHER BOULON, AVEC RONDELLE	2	2	2	2	
19	90119-08M77	BOLT, WITH WASHER BOULON, AVEC RONDELLE	1	1	1	1	

D7

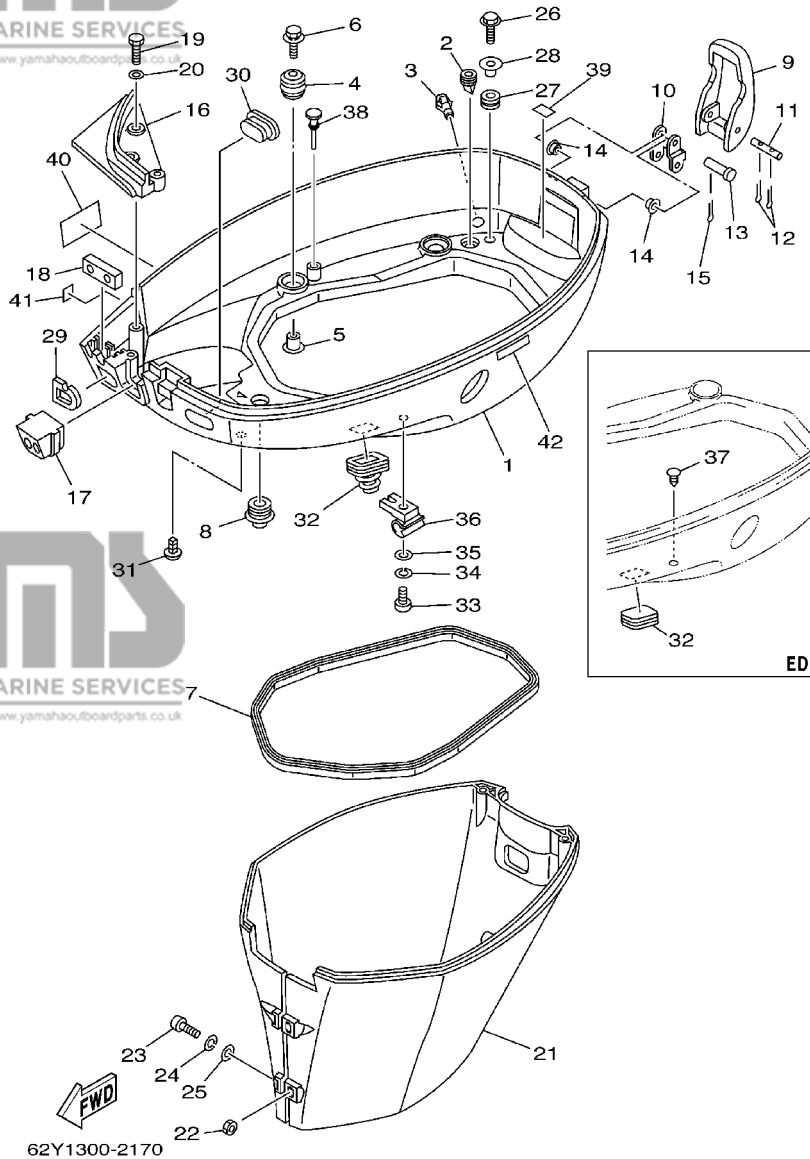


FIG. 17 BOTTOM COWLING

CAPOT INFERIEUR

REF. NO.	PART NO. NO. PIECES	DESCRIPTION DESCRIPTION	40ET	50ED	50ET	FT50	REMARKS REMARQUES
1	62Y-42711-14-4D	COWLING, BOTTOM CUVETTE	1		1	1	
	62Y-42711-04-4D	COWLING, BOTTOM CUVETTE		1			
2	65W-42717-00	RUBBER, SEAL 2 JOINT EN CAOUTCHOUC 2	4	4	4	4	
3	6H3-44391-01	NIPPLE, HOSE RACCORD D'ESSENCE	1	1	1	1	
4	90480-09M12	GROMMET PASSE-FIL	4	4	4	4	
5	90387-06M69	COLLAR COLLERETTE	4	4	4	4	
6	90119-06M08	BOLT, WITH WASHER BOULON, AVEC RONDELLE	4	4	4	4	
7	62Y-42716-00	RUBBER, SEAL 1 JOINT EN CAOUTCHOUC 1	1	1	1	1	
8	6E5-42724-00	GROMMET PASSE-FIL	1	1	1	1	
9	62Y-42828-00-4D	PLATE, CLAMP PLAQUE, PRESSE	1	1	1	1	
10	62Y-42815-00	LEVER, CLAMP LEVIER, PRESSE	1	1	1	1	
11	90249-05M30	PIN GOUPILLE	1	1	1	1	
12	91490-16010	PIN, COTTER GOUPILLE, FENDUE	2	2	2	2	
13	90240-05M19	PIN, CLEVIS BOULON, A GOUPILLE	1	1	1	1	
14	90386-05002	BUSH DOUILLE	2	2	2	2	
15	91490-16010	PIN, COTTER GOUPILLE, FENDUE	1	1	1	1	
16	62Y-42738-01-5B	PLATE, FITTING ETRIER	1	1	1	1	
17	62Y-42725-30	GROMMET PASSE-FIL	1		1	1	
	62Y-42725-00	GROMMET PASSE-FIL		1			
18	62Y-42727-00	GROMMET PASSE-FIL	1	1	1	1	
19	97095-06020	BOLT BOULON	3	3	3	3	
20	92995-06600	WASHER RONDELLE	3	3	3	3	
21	62Y-42741-00-4D	APRON CAPOT LATERAL	1	1	1	1	
22	95380-06600	NUT, HEXAGON ECROU	2	2	2	2	
23	97880-06025	SCREW, PAN HEAD VIS, TETE TRONCONIQUE	2	2	2	2	
24	92990-06100	WASHER, SPRING RONDELLE, GROWER	2	2	2	2	
25	92990-06600	WASHER, PLATE RONDELLE, PLATE	2	2	2	2	

E1

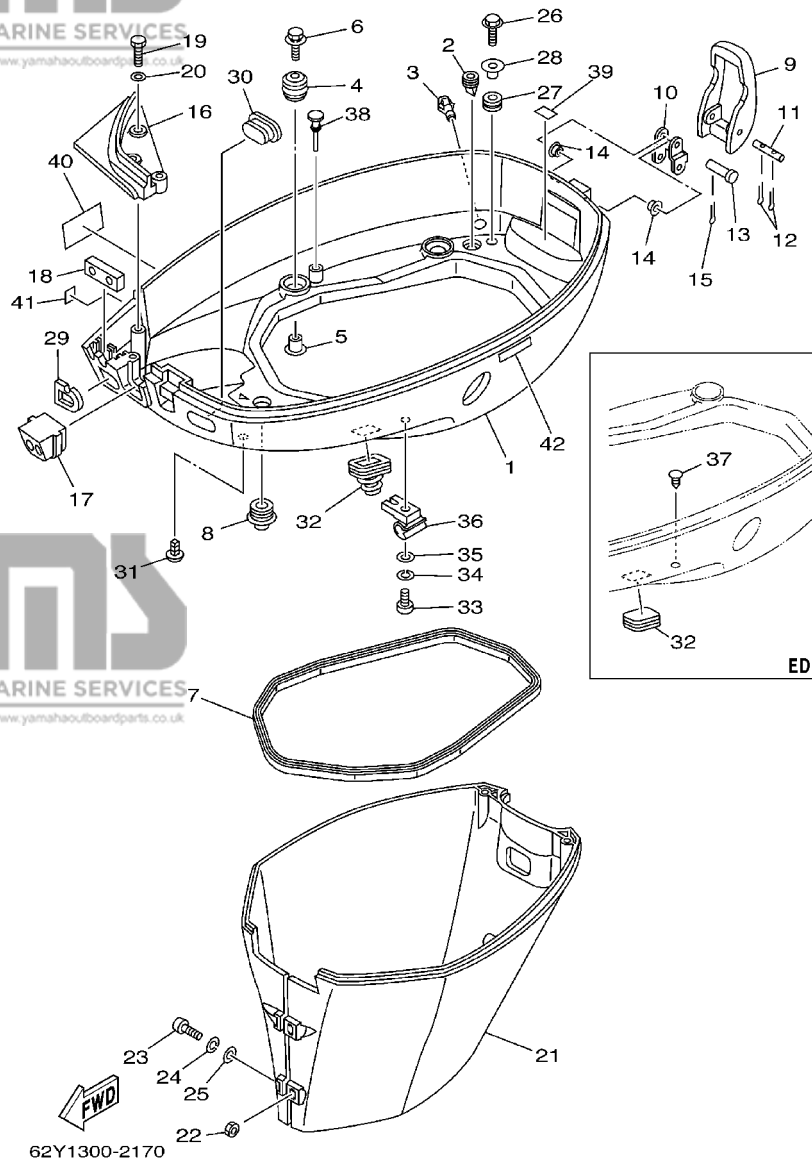


FIG. 17 BOTTOM COWLING

CAPOT INFERIEUR

REF. NO.	PART NO. NO. PIECES	DESCRIPTION DESCRIPTION	40ET	50ED	50ET	FT50	REMARKS REMARQUES
26	95895-06016	BOLT, FLANGE BOULON, A COLLERETTE	2	2	2	2	
27	90480-13M24	GROMMET PASSE-FIL	2	2	2	2	
28	90387-06M40	COLLAR COLLERETTE	2	2	2	2	
29	61N-24329-00	SEAL JOINT	1	1	1	1	
30	6H3-42727-00	GROMMET PASSE-FIL	1	1	1	1	
31	90338-05M03	PLUG PLOT	1	1	1	1	
32	688-42726-10	GROMMET PASSE-FIL	1		1	1	
	6H4-42726-00	GROMMET PASSE-FIL		1			
33	97880-06025	SCREW, PAN HEAD VIS, TETE TRONCONIQUE	1		1	1	
34	92990-06100	WASHER, SPRING RONDELLE, GROWER	1		1	1	
35	92990-06600	WASHER, PLATE RONDELLE, PLATE	1		1	1	
36	90464-09M43	CLAMP BRIDE	1		1	1	
37	90338-05M03	PLUG PLOT		1			
38	62Y-42748-00	GROMMET PASSE-FIL		1	1	1	F50A,FT50C
39	62Y-82377-00	LABEL ETIQUETTE	1	1	1	1	
40	62Y-13444-50	MARK MARKER	1	1	1	1	
41	6A1-28176-00	LABEL, CAUTION ETIQUETTE, RECOMMANDATION	1	1	1	1	
42	6E3-8257H-00	PLATE, MARK PLAQUE, ADHESIF	1	1	1	1	

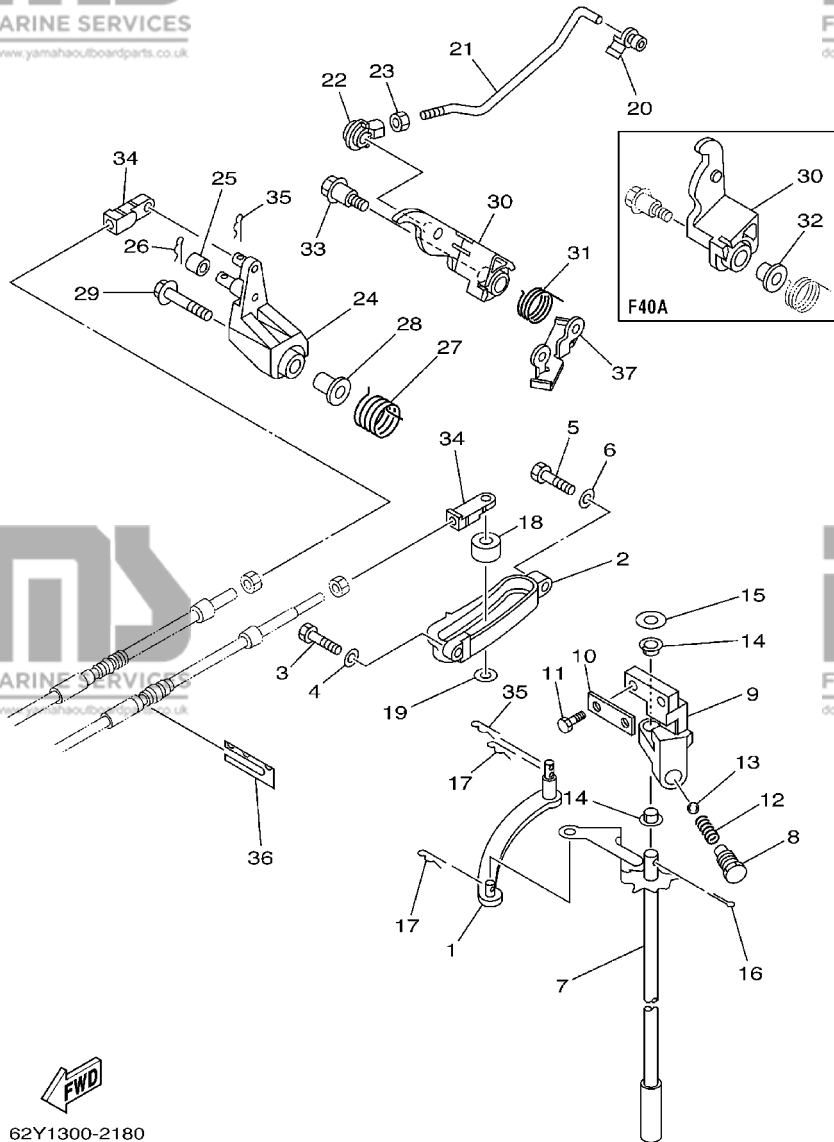


FIG. 18 CONTROL

COMMANDE

REF. NO.	PART NO. NO. PIECES	DESCRIPTION DESCRIPTION	40ET	50ED	50ET	FT50	REMARKS REMARQUES
1	69W-44121-00	LEVER, SHIFT ROD LEVIER, TIGE D'INVERSION	1	1	1	1	
2	62Y-44117-01-4D	BRACKET SUPPORT	1	1	1	1	
3	97095-06020	BOLT BOULON	1	1	1	1	
4	92995-06600	WASHER RONDELLE	1	1	1	1	
5	97095-06025	BOLT BOULON	1	1	1	1	
6	92995-06600	WASHER RONDELLE	1	1	1	1	
7	62Y-44120-01	HANDLE GEAR SHIFT ASSY LEVIER D'EMBRAYAGE	1	1	1	1	
8	62Y-42715-01	BUSHING COUSSINET	1	1	1	1	
9	62Y-44118-00	BRACKET SUPPORT	1	1	1	1	
10	62Y-44112-00	STAY, HANDLE GEAR SHIFT PLAQUE	1	1	1	1	
11	97095-06020	BOLT BOULON	2	2	2	2	
12	90501-12082	SPRING, COMPRESSION RESSORT, COMPRESSION	1	1	1	1	
13	93501-04M02	BALL BILLE	1	1	1	1	
14	90386-90M90	BUSH DOUILLE	2	2	2	2	
15	90201-10M20	WASHER, PLATE RONDELLE, PLATE	1	1	1	1	
16	91490-20015	PIN, COTTER GOUPILLE, FENDUE	1	1	1	1	
17	90468-18008	CLIP JONC	2	2	2	2	
18	688-44122-00	BUSHING, SHIFT ROD LEVER DOUILLE, LEVIER D'EMBRAYAGE	1	1	1	1	
19	90202-07M07	WASHER, PLATE RONDELLE, PLATE	1	1	1	1	
20	6F5-41237-00	JOINT, LINK RACCORD	1	1	1	1	
21	62Y-41241-00	ROD, LINK BIELLETTTE		1	1	1	F50A, FT50C
	62Y-41241-10	ROD, LINK BIELLETTTE	1				F40A
22	662-41237-01	JOINT, LINK RACCORD	1	1	1	1	
23	95380-05700	NUT ECROU	1	1	1	1	
24	62Y-42154-00	LEVER, THROTTLE CONTROL LEVIER DE COMMANDE D'AVANCE	1	1	1	1	
25	62Y-42171-00	BUSHING COUSSINET	1	1	1	1	
26	91490-16010	PIN, COTTER GOUPILLE, FENDUE	1	1	1	1	

FWD
62Y1300-2180

E3

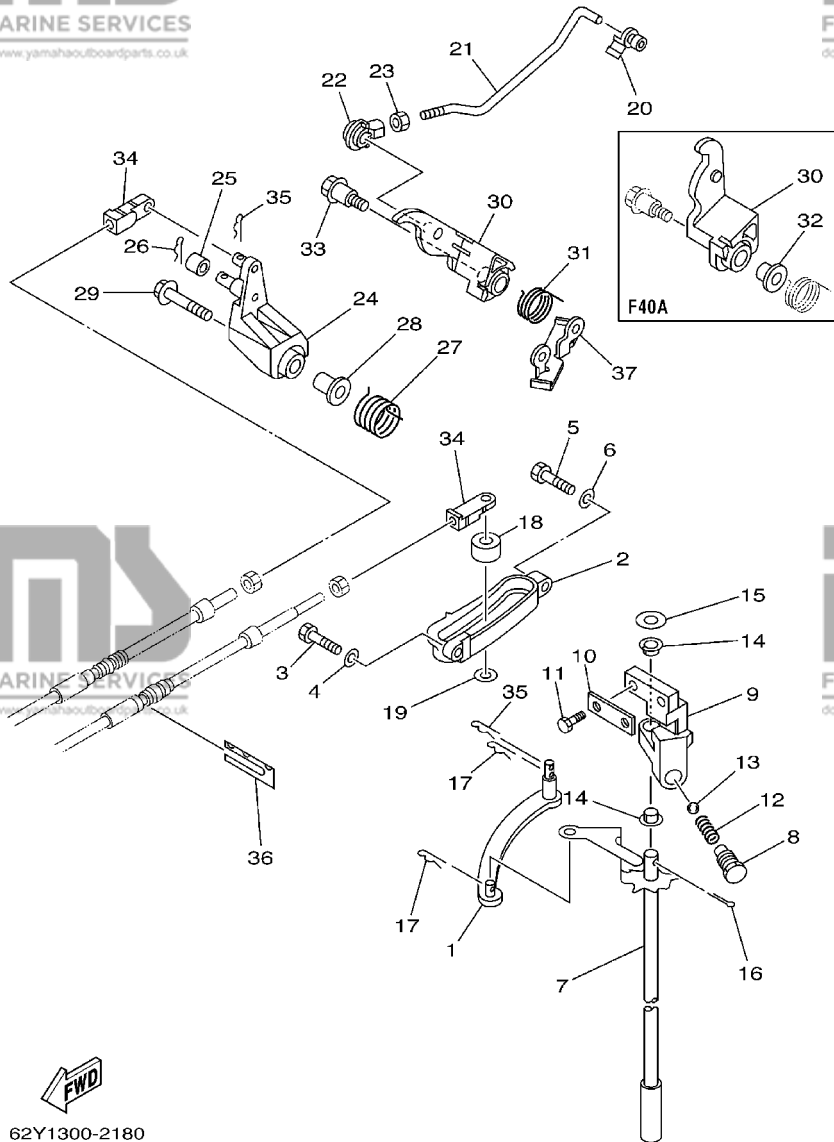
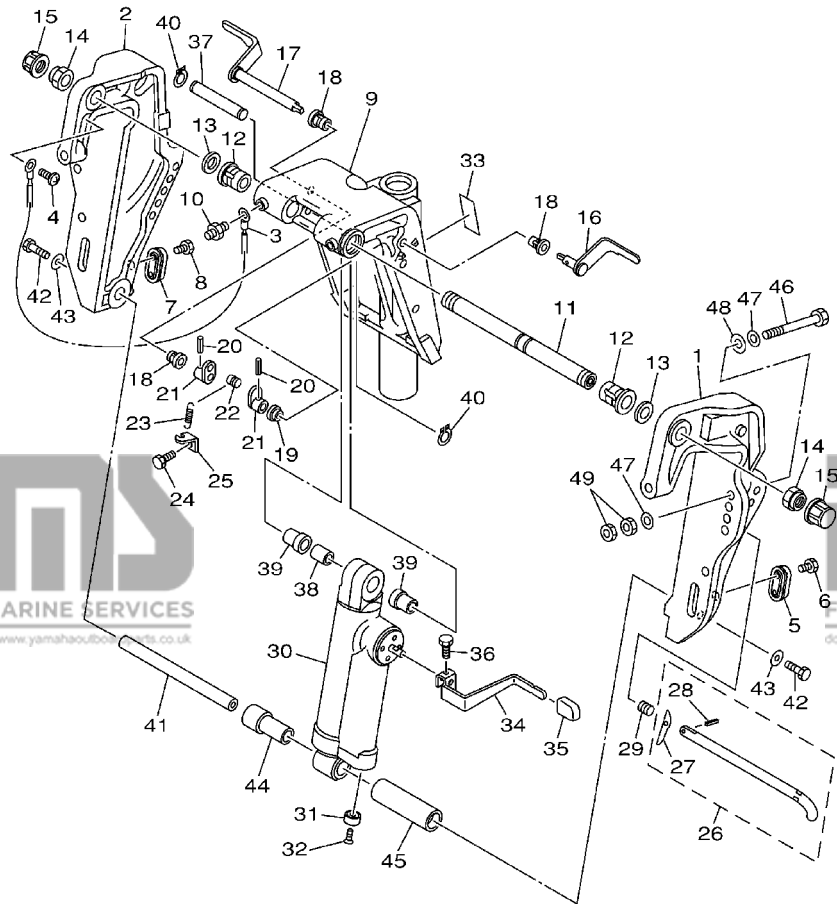


FIG. 18 CONTROL

COMMANDE

REF. NO.	PART NO. NO. PIECES	DESCRIPTION DESCRIPTION	40ET	50ED	50ET	FT50	REMARKS REMARQUES
27	62Y-44135-00	SPRING RESSORT	1	1	1	1	
28	90387-06M45	COLLAR COLLERETTE	1	1	1	1	
29	95895-06035	BOLT, FLANGE BOULON, A COLLERETTE	1	1	1	1	
30	62Y-42335-20 62Y-42335-A0	LEVER, ACCEL. CONTROL LEVIER, ACCELERATION		1	1	1	F50A, FT50C F40A
31	62Y-44116-01	SPRING RESSORT	1	1	1	1	
32	90386-10009	BUSH DOUILLE	1				F40A
33	90109-06M30	BOLT BOULON	1	1	1	1	
34	6G8-26363-00	END, CABLE EMBOUT DE CABLE	2	2	2	2	
35	90468-18008	CLIP JONC	2	2	2	2	
36	62Y-48538-00	CLAMP, CABLE 1 COLLIER	1	1	1	1	
37	62Y-42159-01	STAY SUPPORT	1	1	1	1	

FWD
62Y1300-2180



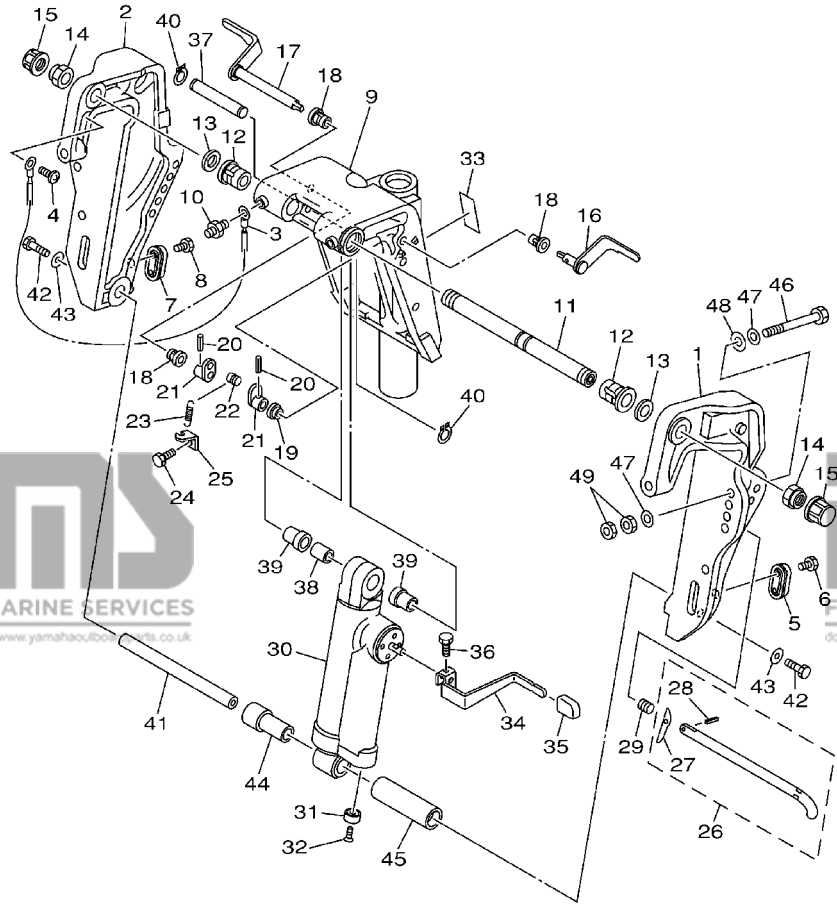
FWD
62Y0010-1200

FIG. 19 BRACKET 1

SUPPORT 1

REF. NO.	PART NO. NO. PIECES	DESCRIPTION DESCRIPTION	40ET	50ED	50ET	FT50	REMARKS REMARQUES
1	62Y-43111-00-4D	BRACKET, CLAMP PRESSE		1			
2	62Y-43112-00-4D	BRACKET, CLAMP PRESSE		1			
3	63D-82148-00	WIRE, LEAD 4 FIL 4		1			
4	97885-06008	SCREW, PAN HEAD VIS, TETE TRONCONIQUE		1			
5	65W-45251-00	ANODE ANODE		1			
6	90101-06020	BOLT BOULON		2			
7	65W-45251-00	ANODE ANODE		1			
8	90101-06020	BOLT BOULON		2			
9	63D-43311-13-4D	BRACKET, SWIVEL 1 SUPPORT, PIVOT 1		1			
10	93700-06M03	NIPPLE, GREASE GRAISSEUR		3			
11	63D-43131-01	BOLT, CLAMP BRACKET BOULON, PRESSE		1			
12	90386-22M15	BUSH DOUILLE		2			
13	90201-22M03	WASHER, PLATE RONDELLE, PLATE		2			
14	90185-22M11	NUT, SELF-LOCKING ECROU, AUTO-BLOCANT		2			
15	6G5-43145-01	CAP, CLAMP BRACKET CAPUCHON, PRESSE		2			
16	6H5-43181-03	LEVER, TILT STOP LEVIER, VERROUILLAGE RELEVAGE		1			
17	6H5-43185-03	LEVER, TILT STOP LEVIER, VERROUILLAGE RELEVAGE		1			
18	90386-10M16	BUSH DOUILLE		3			
19	90386-10025	BUSH DOUILLE		1			
20	91690-30020	PIN, SPRING GOUPILLE, ELASTIQUE		2			
21	6G5-43148-00	COLLAR, DISTANCE ENTRETOISE		2			
22	90249-06M19	PIN GOUPILLE		1			
23	90506-14M24	SPRING, TENSION RESSORT, TENSION		1			
24	97095-06010	BOLT BOULON		1			
25	6G5-43144-00	HOOK, SPRING CROCHET		1			
26	688-43160-01	TILT ROD ASSY BROCHE D'INCLINAISON (ENS.)		1			
27	688-43165-00	.PLATE, TILT LOCK .TAQUET, BROCHE INCLINAISON		1			

E5

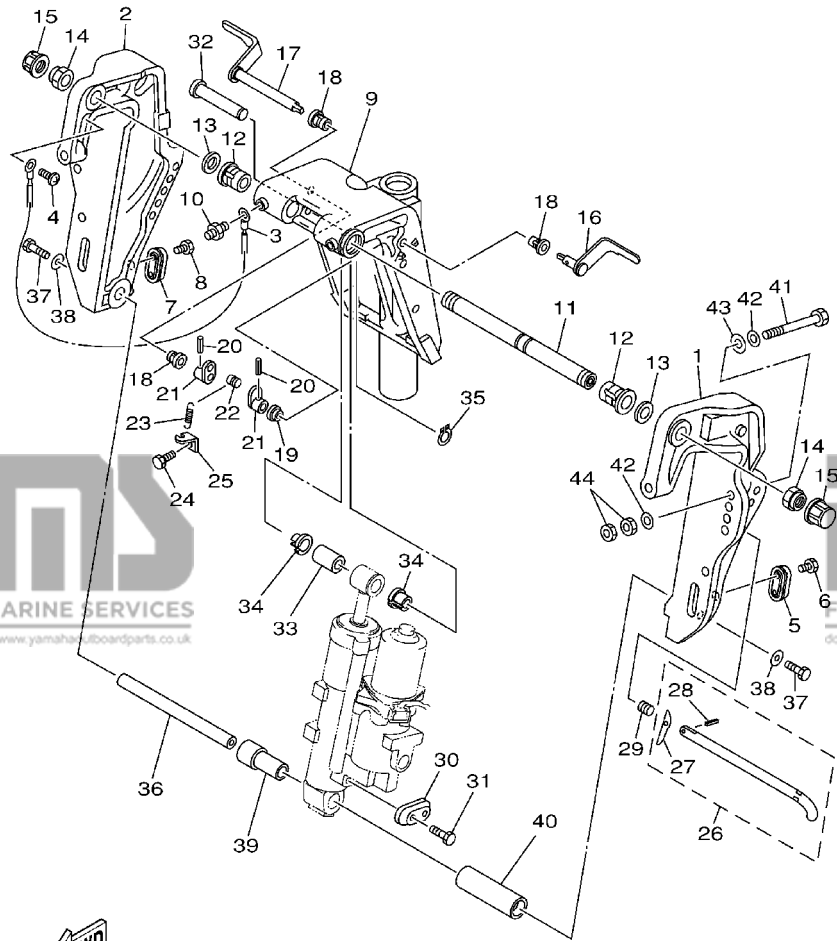


62Y0010-1200

FIG. 19 BRACKET 1

SUPPORT 1

REF. NO.	PART NO. NO. PIECES	DESCRIPTION DESCRIPTION	40ET	50ED	50ET	FT50	REMARKS REMARQUES
28	91690-30012	.PIN, SPRING .GOUPILE, ELASTIQUE		1			
29	90502-16M02	SPRING, CONICAL RESSORT, CONIQUE		1			
30	62Y-43170-10-4D	SHOCK ABSORBER ASSY AMORTISSEUR (ENS.)		1			
31	663-45251-00	ANODE ANODE		1			
32	90152-06M01	SCREW, COUNTERSUNK VIS, TÊTE NOYÉE		1			
33	63D-43691-00	INDICATOR, TILT ETIQUETTE, RELEVAGE		1			
34	69D-43631-00	LEVER, TILT LEVIER, INCLINAISON		1			
35	682-43318-01	COVER CAPUCHON		1			
36	97095-06010	BOLT BOULON		1			
37	69D-43126-00	PIN, UPPER SHOCK MOUNT AXE, SUPERIEUR AMORTISSEUR		1			
38	90387-16003	COLLAR COLLERETTE		1			
39	90387-16004	COLLAR COLLERETTE		2			
40	93410-16006	CIRCLIP CIRCLIP, TYPE S		2			
41	62Y-43818-00	PIN, LOWER SHOCK MOUNT AXE, INFERIEUR AMORTISSEUR		1			
42	97080-08016	BOLT BOULON		2			
43	90201-08M04	WASHER, PLATE RONDELLE, PLATE		2			
44	90387-18002	COLLAR COLLERETTE		1			
45	90387-18003	COLLAR COLLERETTE		1			
46	90101-12M65	BOLT BOULON		4			
47	92995-12200	WASHER RONDELLE		8			
48	90201-12426	WASHER, PLATE RONDELLE, PLATE		4			
49	95380-12600	NUT ECROU		8			



62Y0010-1210

FIG. 20 BRACKET 2

SUPPORT 2

REF. NO.	PART NO. NO. PIECES	DESCRIPTION DESCRIPTION	40ET	50ED	50ET	FT50	REMARKS REMARQUES
1	62Y-43111-00-4D	BRACKET, CLAMP PRESSE	1		1	1	
2	62Y-43112-00-4D	BRACKET, CLAMP PRESSE	1		1	1	
3	63D-82148-00	WIRE, LEAD 4 FIL 4	1		1	1	
4	97885-06008	SCREW, PAN HEAD VIS, TETE TRONCONIQUE	1		1	1	
5	65W-45251-00	ANODE ANODE	1		1	1	
6	90101-06020	BOLT BOULON	2		2	2	
7	65W-45251-00	ANODE ANODE	1		1	1	
8	90101-06020	BOLT BOULON	2		2	2	
9	63D-43311-13-4D	BRACKET, SWIVEL 1 SUPPORT, PIVOT 1	1		1	1	
10	93700-06M03	NIPPLE, GREASE GRAISSEUR	3		3	3	
11	63D-43131-01	BOLT, CLAMP BRACKET BOULON, PRESSE	1		1	1	
12	90386-22M15	BUSH DOUILLE	2		2	2	
13	90201-22M03	WASHER, PLATE RONDELLE, PLATE	2		2	2	
14	90185-22M11	NUT, SELF-LOCKING ECROU, AUTO-BLOCANT	2		2	2	
15	6G5-43145-01	CAP, CLAMP BRACKET CAPUCHON, PRESSE	2		2	2	
16	6H5-43181-03	LEVER, TILT STOP LEVIER, VERROUILLAGE RELEVAGE	1		1	1	
17	6H5-43185-03	LEVER, TILT STOP LEVIER, VERROUILLAGE RELEVAGE	1		1	1	
18	90386-10M16	BUSH DOUILLE	3		3	3	
19	90386-10025	BUSH DOUILLE	1		1	1	
20	91690-30020	PIN, SPRING GOUPILLE, ELASTIQUE	2		2	2	
21	6G5-43148-00	COLLAR, DISTANCE ENTRETROISE	2		2	2	
22	90249-06M19	PIN GOUPILLE	1		1	1	
23	90506-14M24	SPRING, TENSION RESSORT, TENSION	1		1	1	
24	97095-06010	BOLT BOULON	1		1	1	
25	6G5-43144-00	HOOK, SPRING CROCHET	1		1	1	
26	688-43160-01	TILT ROD ASSY BROCHE D'INCLINAISON (ENS.)	1		1	1	
27	688-43165-00	.PLATE, TILT LOCK .TAQUET, BROCHE INCLINAISON	1		1	1	

E7

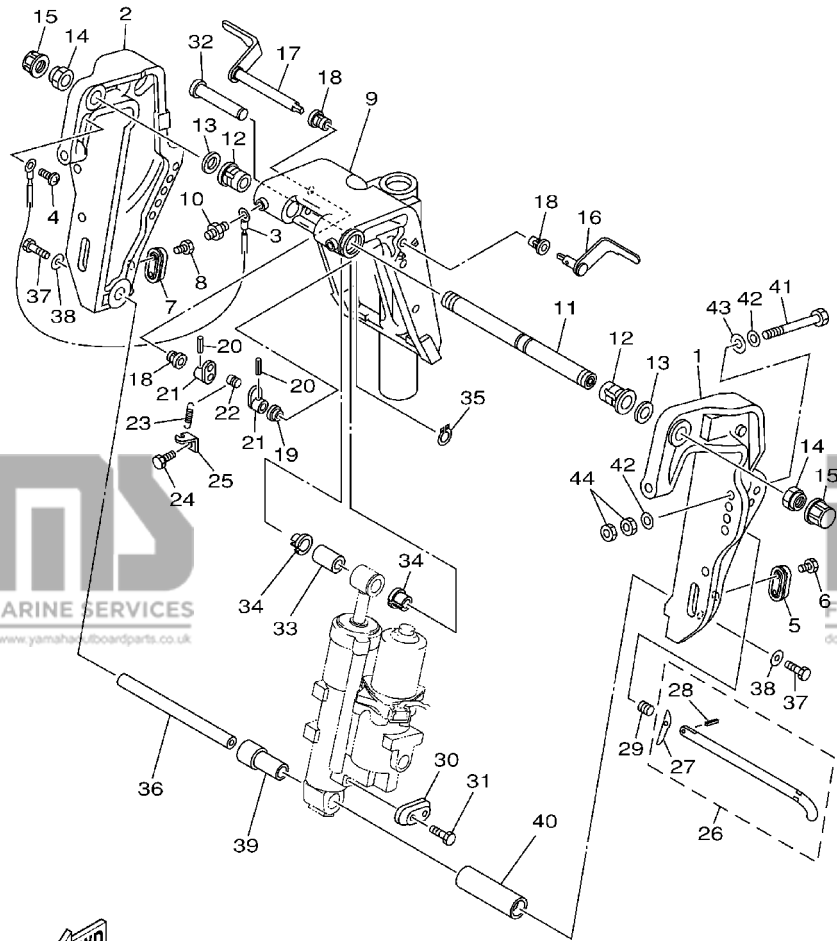


FIG. 20 BRACKET 2

SUPPORT 2

REF. NO.	PART NO. NO. PIECES	DESCRIPTION DESCRIPTION	40ET	50ED	50ET	FT50	REMARKS REMARQUES
28	91690-30012	.PIN, SPRING .GOUILLE, ELASTIQUE	1		1	1	
29	90502-16M02	SPRING, CONICAL RESSORT, CONIQUE	1		1	1	
30	65W-45251-00	ANODE ANODE	1		1	1	
31	90101-06020	BOLT BOULON	2		2	2	
32	6E5-43126-02	PIN, UPPER SHOCK MOUNT AXE, SUPERIEUR AMORTISSEUR	1		1	1	
33	90386-18M92	BUSH DOUILLE	1		1	1	
34	90386-18M35	BUSH DOUILLE	2		2	2	
35	93410-18M02	CIRCLIP CIRCLIP, TYPE S	1		1	1	
36	62Y-43818-00	PIN, LOWER SHOCK MOUNT AXE, INFERIEUR AMORTISSEUR	1		1	1	
37	97080-08016	BOLT BOULON	2		2	2	
38	90201-08M04	WASHER, PLATE RONDELLE, PLATE	2		2	2	
39	90387-18002	COLLAR COLLERETTE	1		1	1	
40	90387-18003	COLLAR COLLERETTE	1		1	1	
41	90101-12M65	BOLT BOULON	4		4	4	
42	92995-12200	WASHER RONDELLE	8		8	8	
43	90201-12426	WASHER, PLATE RONDELLE, PLATE	4		4	4	
44	95380-12600	NUT ECROU	8		8	8	



62Y0010-1210

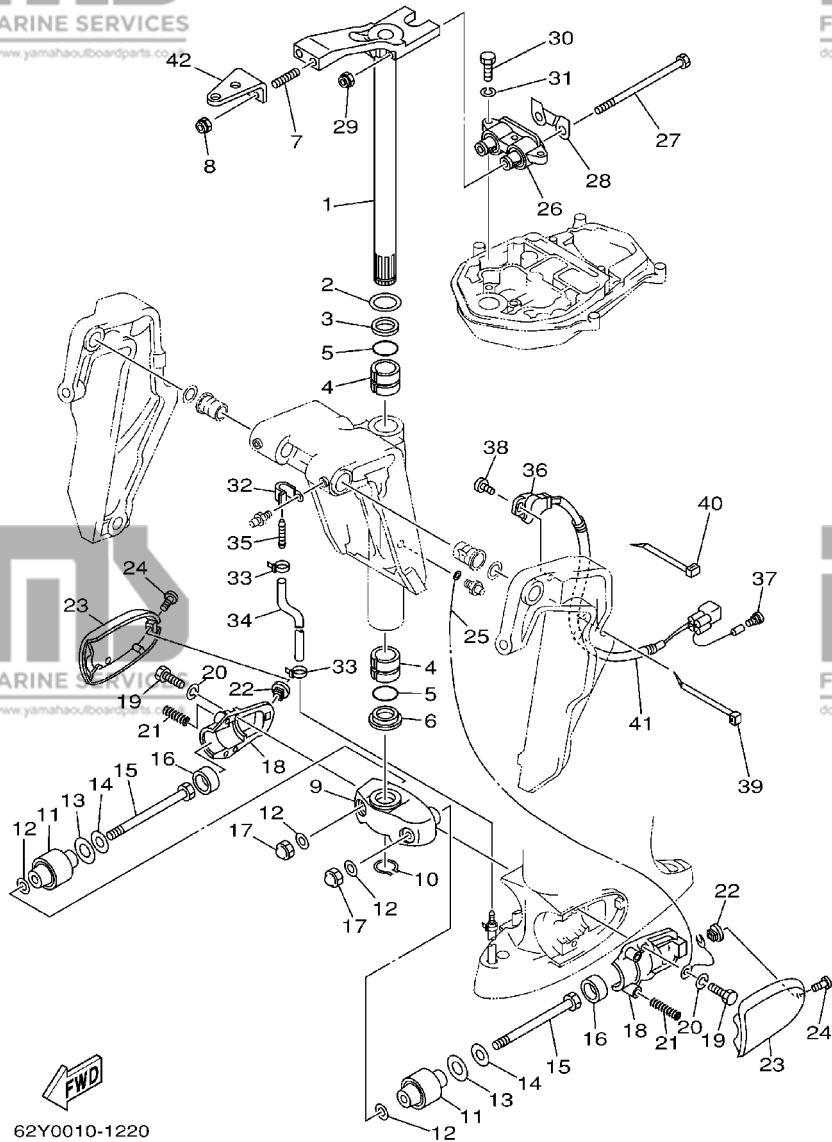


FIG. 21 BRACKET 3

SUPPORT 3

REF. NO.	PART NO. NO. PIECES	DESCRIPTION DESCRIPTION	40ET	50ED	50ET	FT50	REMARKS REMARQUES
1	63D-42510-11-4D	STEERING BRACKET ASSY DIRECTION SUPPORT (ENS.)	1	1	1	1	
2	90201-30M00	WASHER, PLATE RONDELLE, PLATE	1	1	1	1	
3	90386-30M78	BUSH DOUILLE	1	1	1	1	
4	90386-30M77	BUSH DOUILLE	2	2	2	2	
5	93210-29M94	O-RING JOINT TORIQUE	2	2	2	2	
6	90386-30M60	BUSH DOUILLE	1	1	1	1	
7	90116-10175	BOLT, STUD GOIJON	2	2	2	2	
8	90185-10051	NUT, SELF-LOCKING ECROU, AUTO-BLOCANT	2	2	2	2	
9	663-44551-02-4D	HOUSING, LOWER MOUNT RUBBER BOITIER, SILENT-BLOC INFÉRIEUR	1	1	1	1	
10	93410-28M06	CIRCLIP	1	1	1	1	
11	62Y-44555-00-94	CIRCLIP, TYPE S MOUNT DAMPER, LOWER SIDE SILENT-BLOC, INFÉRIEUR LATERAL	2	2	2	2	
12	90201-12M16	WASHER, PLATE RONDELLE, PLATE	4	4	4	4	
13	90202-21100	WASHER, PLATE RONDELLE, PLATE	2	2	2	2	
14	90201-13M19	WASHER, PLATE RONDELLE, PLATE	2	2	2	2	
15	90109-12261	BOLT BOULON	2	2	2	2	
16	663-44575-00	DAMPÉR, LOWER MOUNT RUBBER SILENT-BLOC, INFÉRIEUR	2	2	2	2	
17	95380-12800	NUT, CROWN ECROU, BORGNE	2	2	2	2	
18	663-44552-01-94	HOUSING, LOWER MOUNT RUBBER BOITIER, SILENT-BLOC INFÉRIEUR	2	2	2	2	
19	97075-08025	BOLT BOULON	4	4	4	4	
20	92995-08100	WASHER RONDELLE	4	4	4	4	
21	90501-14M08	SPRING, COMPRESSION RESSORT, COMPRESSION	4	4	4	4	
22	90179-06066	NUT ECROU	2	2	2	2	
23	62Y-44553-01-4D	COVER, LOWER MOUNT COUVERCLE, SUSPENSION INFÉRIEUR	2	2	2	2	
24	97885-06016	SCREW, PAN HEAD VIS, TÊTE TRONCONIQUE	2	2	2	2	
25	697-82127-01	WIRE, LEAD 2 FIL 2	1	1	1	1	
26	67C-44514-00-4D	MOUNT DAMPER, UPPER SIDE SILENT-BLOC, SUPÉRIEUR LATERAL	1	1	1	1	F40A, F50A
	62Y-44514-10-4D	MOUNT DAMPER, UPPER SIDE SILENT-BLOC, SUPÉRIEUR LATERAL				1	FT50C

F2

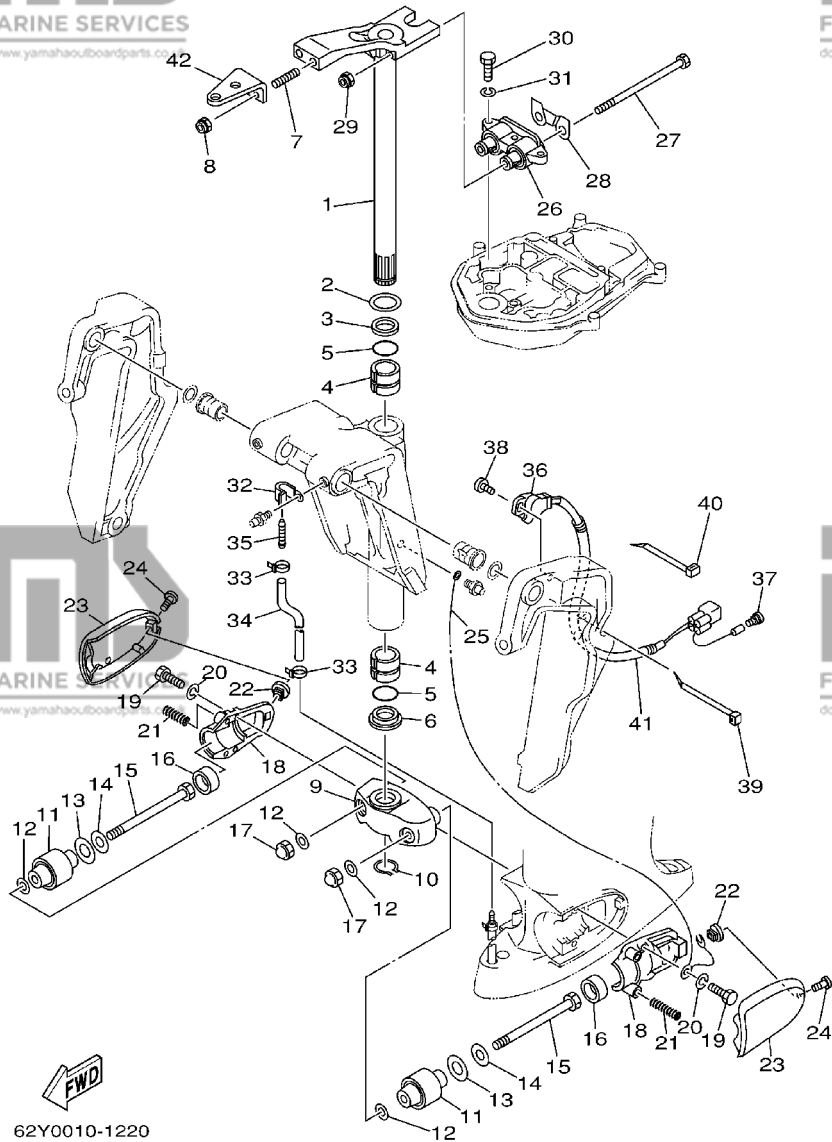


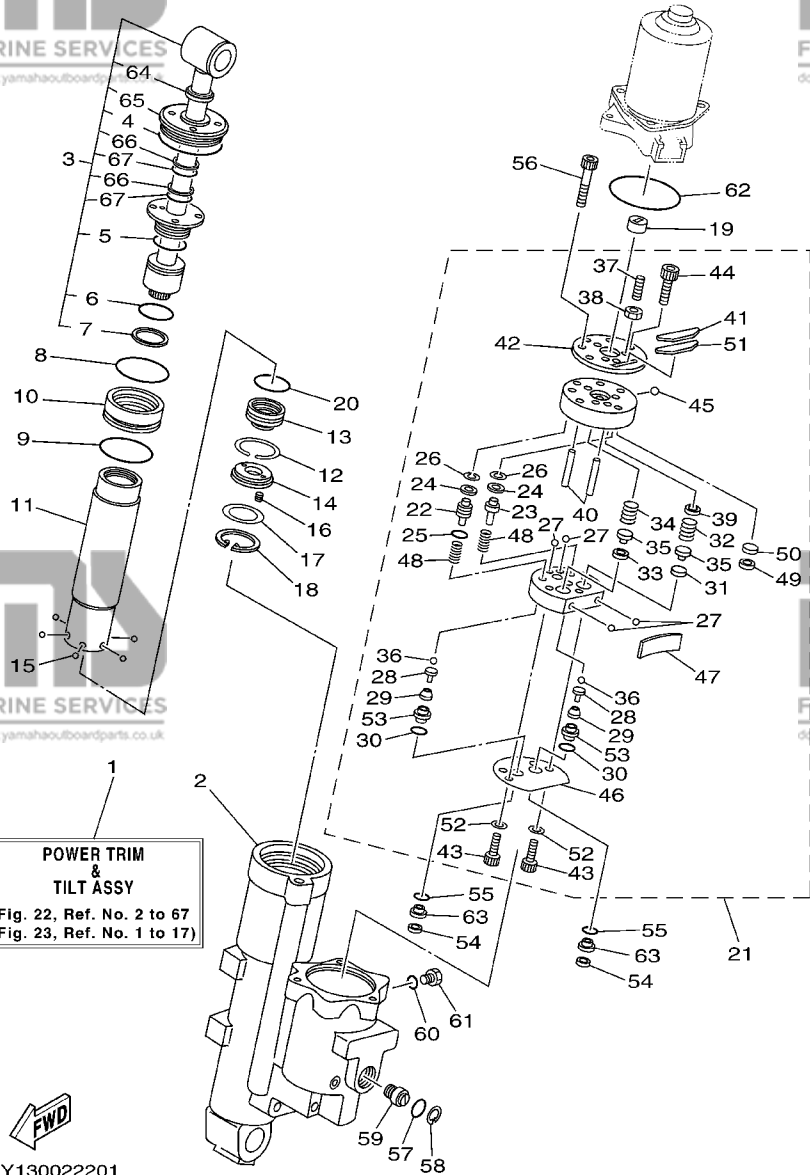
FIG. 21 BRACKET 3

SUPPORT 3

REF. NO.	PART NO. NO. PIECES	DESCRIPTION DESCRIPTION	40ET	50ED	50ET	FT50	REMARKS REMARQUES
27	90101-08M15	BOLT BOULON	2	2	2	2	
28	66T-44526-30	PLATE PLAQUE	1	1	1	1	
29	90185-08045	NUT, SELF-LOCKING ECROU, AUTO-BLOCANT	2	2	2	2	
30	97075-08030	BOLT BOULON	3	3	3	3	
31	92995-08100	WASHER RONDELLE	3	3	3	3	
32	90465-06M86	CLAMP BRIDE	1	1	1	1	
33	90465-11M10	CLAMP BRIDE	2	2	2	2	
34	90445-07MF1	HOSE (L570) DURITE (L570)	1	1	1	1	
35	6E5-83558-00	END, NIPPLE RACCORD DE NIPPLE	1	1	1	1	
36	63D-83672-01	TRIM SENDER INCLINER RACCORD	1	1	1	1	
37	703-82119-00	COVER, LEAD WIRE GARNITURE, FIL	1	1	1	1	
38	97885-06016	SCREW, PAN HEAD VIS, TETE TRONCONIQUE	2	2	2	2	
39	90465-13M18	CLAMP BRIDE	1	1	1	1	
40	90465-11M10	CLAMP BRIDE	1	1	1	1	
41	90446-17M91	HOSE DURITE	1	1	1	1	
42	63D-48511-00-4D	HOOK, STEERING ATTACHE, DIRECTION	1	1	1	1	STEERING GUIDE TYPE



FLOOD MARINE SERVICES
downloaded from www.yamahaoutboardparts.co.uk

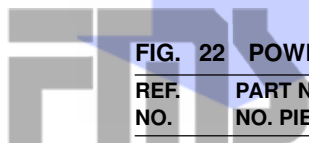


POWER TRIM & TILT ASSY
(Fig. 22, Ref. No. 2 to 67
Fig. 23, Ref. No. 1 to 17)

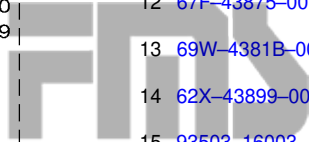
FWD
62Y130022201

FIG. 22 POWER TRIM & TILT ASSY 1 PUISSANCE PARER ET INCLINER 1

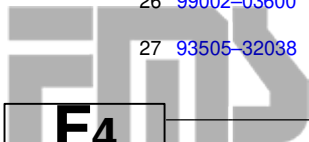
REF. NO.	PART NO. NO. PIECES	DESCRIPTION DESCRIPTION	40ET	50ED	50ET	FT50	REMARKS REMARQUES
1	62Y-43800-01-8D	POWER TRIM & TILT ASSY PUISSANCE PARER ET INCLINER (ENS.)	1		1	1	
2	62Y-4380K-01	CYLINDER, TILT SUB ASSY CYLINDRE	1		1	1	
3	62X-43810-01	TILT PISTON SUB ASSY INCLINER PISTON AUXILIAIRE(ENS)	1		1	1	
4	62X-43861-00	.O-RING JOINT TORIQUE	1		1	1	
5	62X-43862-00	.O-RING JOINT TORIQUE	1		1	1	
6	93210-29375	.O-RING JOINT TORIQUE	1		1	1	
7	62X-43871-00	.RING, BACK UP .SEGMENT	1		1	1	
8	93210-44383	O-RING JOINT TORIQUE	1		1	1	
9	93210-48214	O-RING JOINT TORIQUE	1		1	1	
10	62X-4388A-00	PISTON, TRIM PISTON	1		1	1	
11	62Y-22471-00	CYLINDER, SHOCK ABSORBER CYLINDRE, AMORTISSEUR	1		1	1	
12	67F-43875-00	RING, SNAP RESSORT	1		1	1	
13	69W-4381B-00	FREE PISTON SUB ASSY PISTON AUXILIAIRE (ENS.)	1		1	1	
14	62X-43899-00	PLATE STOPPER PLAQUETTE	1		1	1	
15	93503-16003	BALL BILLE	6		6	6	
16	62X-4384H-00	SPRING RESSORT	2		2	2	
17	1UF-22434-00	PLATE, VALVE 1 PLATEAU, SOUPEPE 1	1		1	1	
18	62X-43875-00	RING, SNAP RESSORT	1		1	1	
19	6H1-43831-10	CONNECTOR, SHAFT RACCORD	1		1	1	
20	93210-29375	O-RING JOINT TORIQUE	1		1	1	
21	62Y-43830-01	GEAR PUMP ASSY POMPE A PIGNON (ENS.)	1		1	1	
22	69J-43841-00	.PISTON, SHUTTLE .PISTON	1		1	1	
23	69J-4384M-00	.PISTON, SHUTTLE 2 .PISTON 2	1		1	1	
24	69A-4384F-00	.SEAL, MAIN VALVE .JOINT	2		2	2	
25	6H1-43883-00	.O-RING JOINT TORIQUE	1		1	1	
26	99002-03600	.CIRCLIP .CIRCLIP	2		2	2	
27	93505-32038	.BALL .BILLE	4		4	4	



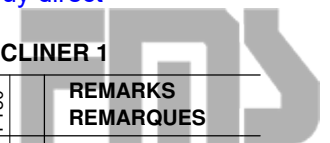
FLOOD MARINE SERVICES
downloaded from www.yamahaoutboardparts.co.uk



FLOOD MARINE SERVICES
downloaded from www.yamahaoutboardparts.co.uk



FLOOD MARINE SERVICES
downloaded from www.yamahaoutboardparts.co.uk



FLOOD MARINE SERVICES
downloaded from www.yamahaoutboardparts.co.uk



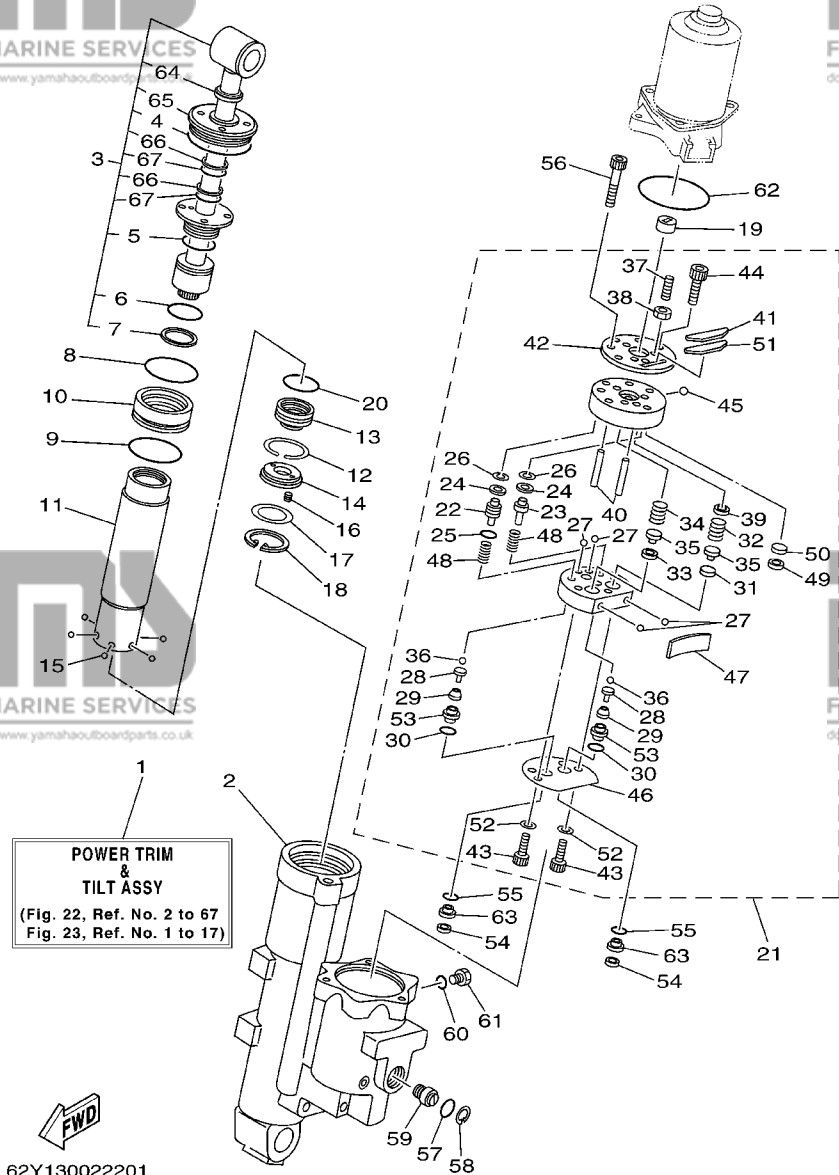
FLOOD MARINE SERVICES
downloaded from www.yamahaoutboardparts.co.uk



FLOOD MARINE SERVICES
downloaded from www.yamahaoutboardparts.co.uk

F4

FIG. 22 POWER TRIM & TILT ASSY 1 PUISSANCE PARER ET INCLINER 1

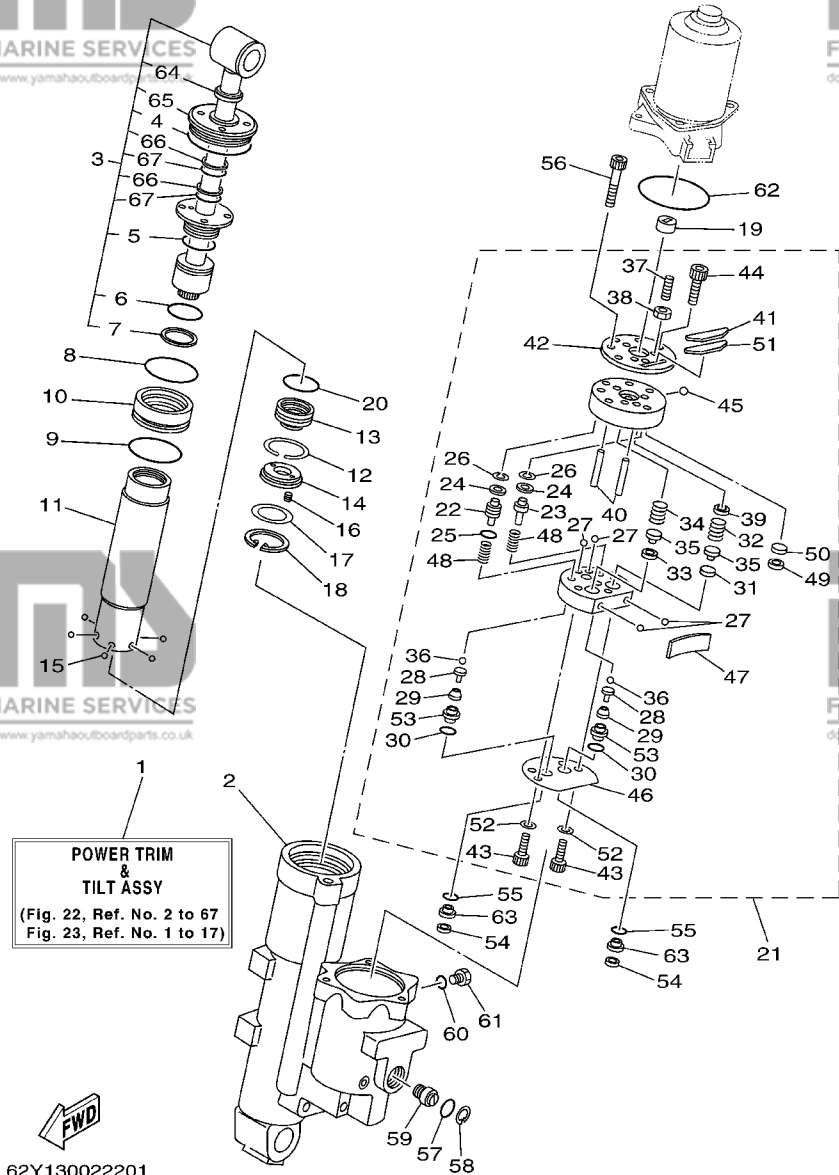


POWER TRIM & TILT ASSY
(Fig. 22, Ref. No. 2 to 67
Fig. 23, Ref. No. 1 to 17)

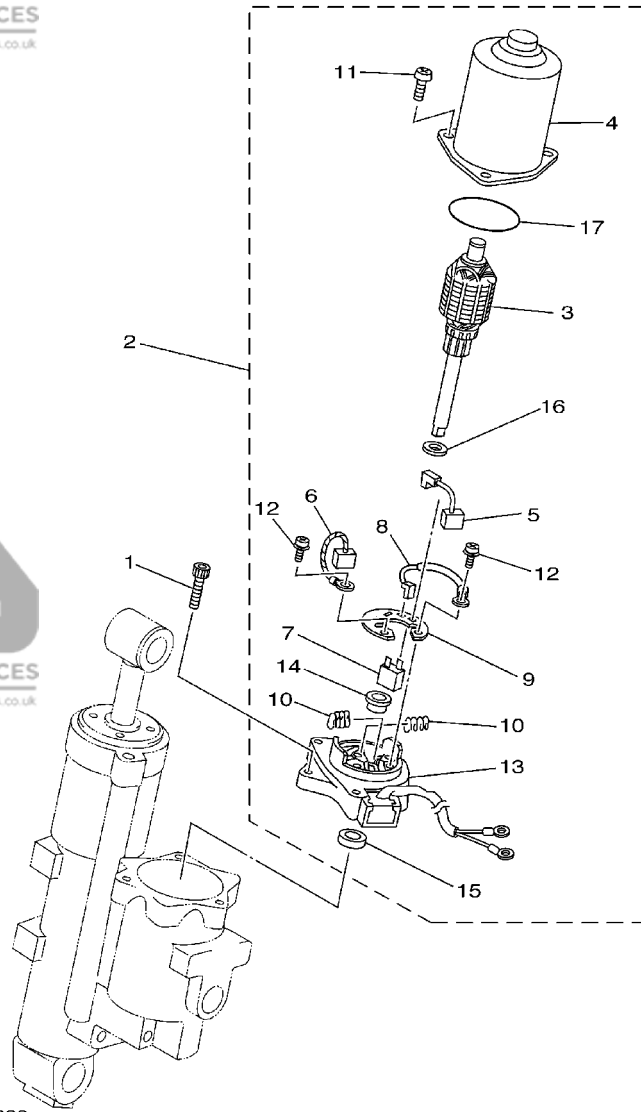
FWD
62Y130022201

REF. NO.	PART NO. NO. PIECES	DESCRIPTION DESCRIPTION	40ET	50ED	50ET	FT50	REMARKS REMARQUES
28	65W-4386A-00	.PIN, ABSORBER VALVE .GOUPILLE, SOUPAPE	2		2	2	
29	69J-43853-00	.SPRING, MAIN VALVE .RESSORT	2		2	2	
30	69J-4389J-00	.O-RING .JOINT TORIQUE	2		2	2	
31	6H1-4384G-11	.SEAL, RELIEF VALVE .JOINT	1		1	1	
32	62Y-43855-00	.SPRING, UP RELIEF .RESSORT	1		1	1	
33	6H1-4384F-10	.SEAL, MAIN VALVE .JOINT	1		1	1	
34	6H1-43856-10	.SPRING, DOWN RELIEF .RESSORT	1		1	1	
35	6H1-43844-10	.PIN, VALVE SUPPORT .GOUPILLE	2		2	2	
36	93505-32038	.BALL .BILLE	2		2	2	
37	92A08-03110	.SCREW SET .VIS	1		1	1	
38	95302-03600	.NUT .ECROU	1		1	1	
39	62Y-4382A-00	.ADAPTOR 1 .ADAPTEUR 1	1		1	1	
40	93604-26256	.PIN, DOWEL .GOUJON	2		2	2	
41	62Y-43816-00	.FILTER 1 .FILTRE 1	1		1	1	
42	62Y-4382L-00	.CAP, RELIEF VALVE .CAPUCHON	1		1	1	
43	91318-05020	.BOLT .BOULON	2		2	2	
44	91318-05008	.BOLT .BOULON	2		2	2	
45	93501-08001	.BALL .BILLE	1		1	1	
46	69W-4384G-00	.SEAL, RELIEF VALVE .JOINT	1		1	1	
47	62Y-43854-00	.SPRING, MANUAL RELEASE .RESSORT	1		1	1	
48	69J-43894-00	.SPRING, SHUTTLE RETURN .RESSORT	2		2	2	
49	62Y-4387J-00	.WASHER, SPECIAL 2 .RONDELLE	1		1	1	
50	62Y-22434-00	.PLATE, VALVE 1 .PLATEAU, SOUPAPE 1	1		1	1	
51	62Y-43871-00	.RING, BACK UP .SEGMENT	1		1	1	
52	62Y-4387G-00	.WASHER .RONDELLE	2		2	2	
53	69J-43893-00	.WASHER .RONDELLE	2		2	2	
54	6H1-43816-00	.FILTER 1 .FILTRE 1	2		2	2	

FIG. 22 POWER TRIM & TILT ASSY 1 PUISSANCE PARER ET INCLINER 1



REF. NO.	PART NO. NO. PIECES	DESCRIPTION DESCRIPTION	40ET	50ED	50ET	FT50	REMARKS REMARQUES
55	69J-4389J-00	O-RING JOINT TORIQUE	2		2	2	
56	91318-06040	BOLT BOULON	3		3	3	
57	93210-18397	O-RING JOINT TORIQUE	1		1	1	
58	6H1-43875-00	RING, SNAP RESSORT	1		1	1	
59	62Y-43845-00	SCREW, MANUAL RELEASE VIS	1		1	1	
60	93210-09165	O-RING JOINT TORIQUE	1		1	1	
61	6H1-43829-00	PLUG, RESERVOIR BOUCHON	1		1	1	
62	62X-43865-00	O-RING JOINT TORIQUE	1		1	1	
63	69W-43899-01	PLATE STOPPER PLAQUETTE	2		2	2	
64	62Y-43822-00	SEAL, TRIM DUST JOINT	1		1	1	
65	62X-43821-00	SCREW, TRIM CYLINDER END VIS	1		1	1	
66	62X-43872-00	RING, BACK UP RESSORT	2		2	2	
67	6C5-43863-00	O-RING JOINT TORIQUE	2		2	2	



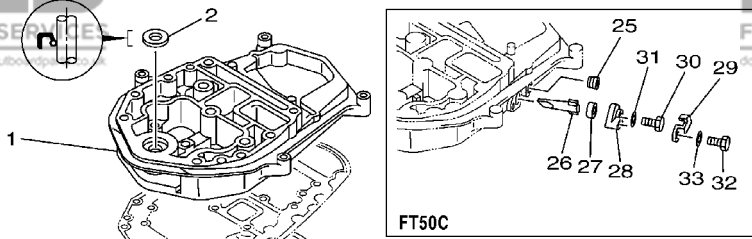
62Y1010-2230

FIG. 23 POWER TRIM & TILT ASSY 2 PUISSANCE PAREE ET INCLINER 2

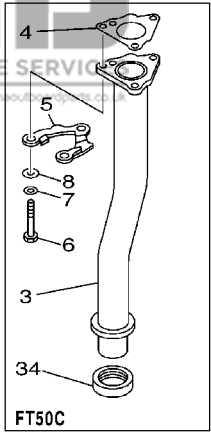
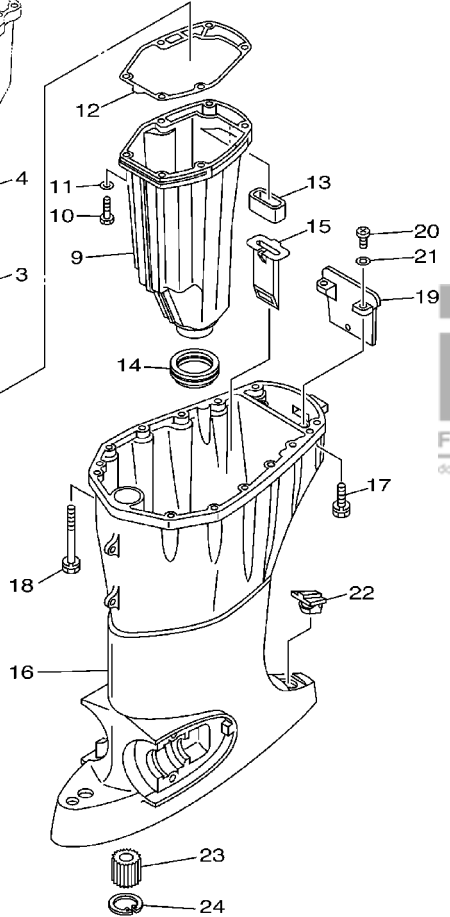
REF. NO.	PART NO. NO. PIECES	DESCRIPTION DESCRIPTION	40ET	50ED	50ET	FT50	REMARKS REMARQUES
1	62X-43888-00	BOLT, SOCKET BOULON	3		3	3	
2	CS3-43880-01	MOTOR ASSY MOTEUR (ENS.)	1		1	1	
3	CS3-43805-00	.ARMATURE ASSY .INDUIT (ENS.)	1		1	1	
4	62X-43804-01	.STATOR ASSY .STATOR (ENS.)	1		1	1	
5	CS3-43892-00	.BRUSH 2 .BALAI 2	1		1	1	
6	CS3-43891-00	.BRUSH 1 .BALAI 1	1		1	1	
7	CS3-82181-01	.CIRCUIT BREAKER COMP. .RUPTEUR COMPLET	1		1	1	
8	62X-43807-00	.WIRE SUB ASSY .AUXILIAIRE CABLE (ENS.)	1		1	1	
9	69W-4380F-00	.PLATE, BRUSH HOLDER .PLAQUE	1		1	1	
10	62X-4386K-00	.SPRING, BRUSH .RESSORT, BALAI	2		2	2	
11	97880-05020	.SCREW, PAN HEAD .VIS, TETE TRONCONIQUE	3		3	3	
12	97602-04216	.SCREW, PAN HEAD WITH WASHER .VIS	2		2	2	
13	CS3-43881-00	.FRAME, END .BATI	1		1	1	
14	62X-4380H-00	.METAL .METAL	1		1	1	
15	93102-08414	.OIL SEAL .JOINT SPY	1		1	1	
16	90201-083J8	.WASHER, PLATE .RONDELLE, PLATE	1		1	1	
17	93210-52449	.O-RING .JOINT TORIQUE	1		1	1	

FIG. 24 UPPER CASING FOURREAU

REF. NO.	PART NO. NO. PIECES	DESCRIPTION DESCRIPTION	40ET	50ED	50ET	FT50	REMARKS REMARQUES
1	62Y-41137-10-94	GUIDE, EXHAUST COLLECTEUR D'ECHAPPEMENT	1	1	1		F40A, F50A
	64J-41137-00-94	GUIDE, EXHAUST COLLECTEUR D'ECHAPPEMENT				1	FT50C
2	93103-18011	OIL SEAL JOINT SPY	1	1	1	1	
3	67C-41131-00-5B	MANIFOLD, EXT. 1 PIPE D'ECHAPPEMENT	1	1	1		F40A, F50A
	64J-41131-10-94	MANIFOLD, EXT. 1 PIPE D'ECHAPPEMENT				1	FT50C
4	67C-41133-00	GASKET, EXHAUST MANIFOLD 1 JOINT, PIPE D'ECHAPPEMENT	1	1	1		F40A, F50A
	64J-41133-10	GASKET, EXHAUST MANIFOLD 1 JOINT, PIPE D'ECHAPPEMENT				1	FT50C
5	64J-41116-00	PROTECTOR PROTECTEUR				1	FT50C
6	97075-06050	BOLT BOULON	3	3	3	3	
7	92995-06600	WASHER RONDELLE	3	3	3	3	
8	90201-06015	WASHER, PLATE RONDELLE, PLATE	3	3	3	3	
9	62Y-14711-00-5B	MUFFLER 1 POT D'ECHAPPEMENT 1	1	1	1		F40A, F50A
	64J-14711-00-5B	MUFFLER 1 POT D'ECHAPPEMENT 1				1	FT50C
10	97075-06025	BOLT BOULON	6	6	6	6	
11	92995-06600	WASHER RONDELLE	6	6	6	6	
12	62Y-41134-01	GASKET, EXHAUST MANIFOLD JOINT, PIPE D'ECHAPPEMENT	1	1	1	1	
13	62Y-45127-00	SEAL JOINT	1	1	1	1	
14	663-45123-00	GASKET, MUFFLER JOINT, POT DE DETENTE	1	1	1	1	
15	64J-77123-00	GUIDE 1 GUIDE 1				1	FT50C
16	62Y-45111-21-4D	CASING, UPPER FOURREAU	1	1	1	1	
17	90119-08M79	BOLT, WITH WASHER BOULON, AVEC RONDELLE	4	4	4	4	
18	90119-08M82	BOLT, WITH WASHER BOULON, AVEC RONDELLE	8	8	8	8	
19	62Y-45151-00	COVER, UPPER CASING CAPUCHON, FOURREAU	1	1	1	1	
20	97880-05016	SCREW, PAN HEAD VIS, TETE TRONCONIQUE	2	2	2	2	
21	92990-05600	WASHER, PLATE RONDELLE, PLATE	2	2	2	2	
22	6H3-45155-00	CAP CAPUCHON	1	1	1	1	
23	62Y-45318-00	BUSHING, DRIVE SHAFT DOUILLE, ARBRE MOTEUR	1	1	1	1	



FT50C



FT50C



62Y1300-2240

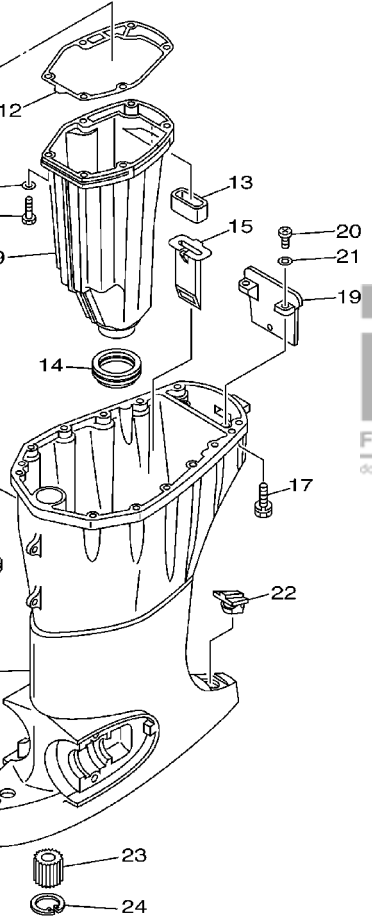
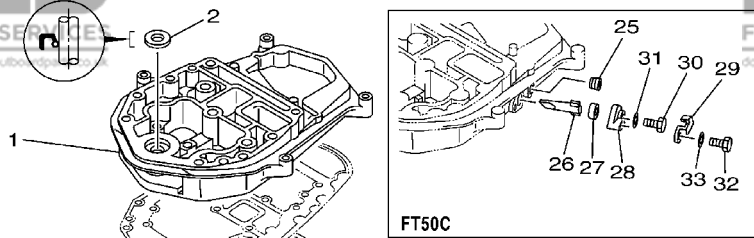
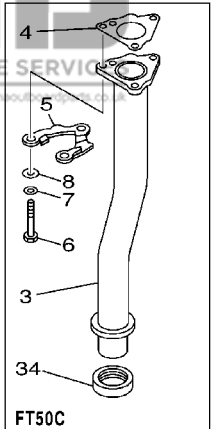


FIG. 24 UPPER CASING

FOURREAU

REF. NO.	PART NO. NO. PIECES	DESCRIPTION DESCRIPTION	40ET	50ED	50ET	FT50	REMARKS REMARQUES
24	93420-36M01	CIRCLIP CIRCLIP, TYPE S	1	1	1	1	
25	68T-11112-00	PLUG, BLIND 1 BOUCHON				1	FT50C
26	62Y-11325-00	ANODE ANODE				1	FT50C
27	66M-11328-00	GROMMET, ANODE PASSE-FIL				1	FT50C
28	66M-11327-00-94	COVER, ANODE COUVERCLE				1	FT50C
29	66M-12535-00	PLATE PLAQUE				1	FT50C
30	97095-05012	BOLT BOULON				1	FT50C
31	92995-05600	WASHER RONDELLE				1	FT50C
32	97013-06020	BOLT BOULON				1	FT50C
33	92903-06600	WASHER, PLATE RONDELLE, PLATE				1	FT50C
34	64J-46132-10	GASKET 1 JOINT 1				1	FT50C



62Y1300-2240

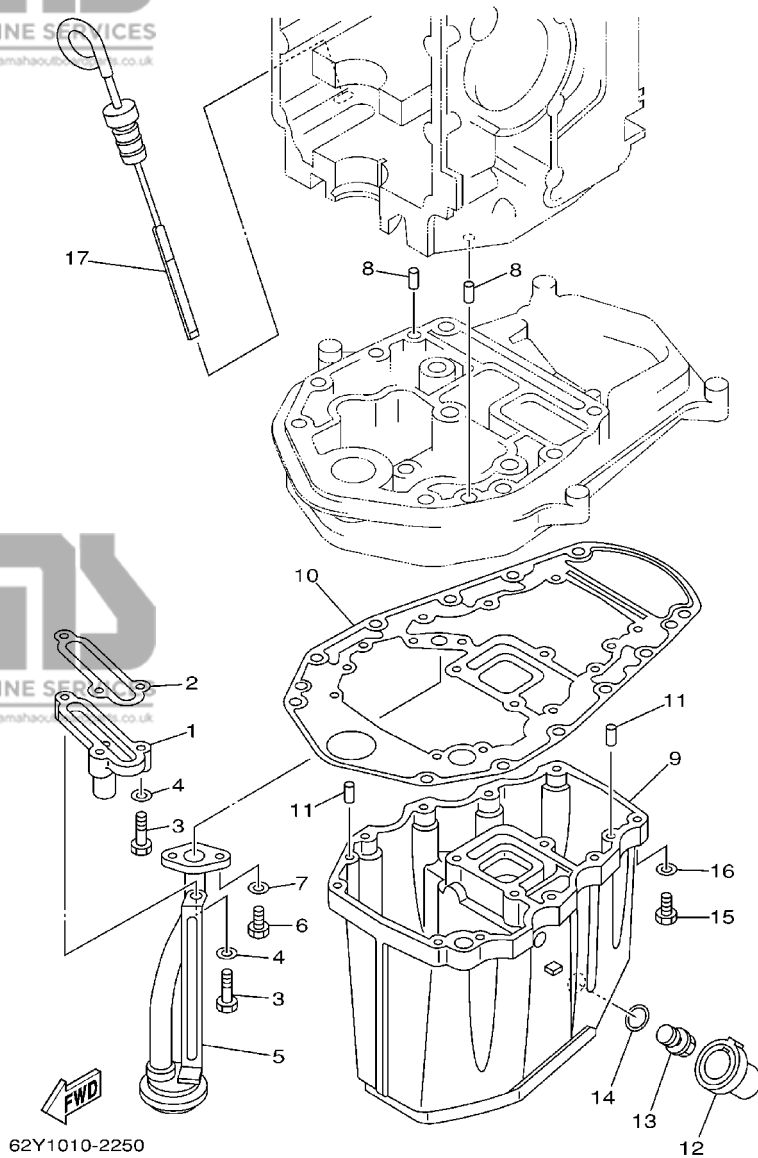


FIG. 25 OIL PAN

VENTILATEUR D'HUILE

REF. NO.	PART NO. NO. PIECES	DESCRIPTION DESCRIPTION	40ET	50ED	50ET	FT50	REMARKS REMARQUES
1	62Y-11575-00	RELIEF VALVE ASSY SOUPAPE DE RENTREE D'AIR	1	1	1	1	
2	62Y-13475-00	GASKET JOINT	1	1	1	1	
3	97013-06025	BOLT BOULON	3	3	3	3	
4	92903-06600	WASHER, PLATE RONDELLE, PLATE	3	3	3	3	
5	62Y-13411-00	STRAINER, OIL FILTRE, HUILE	1	1	1	1	
6	97013-06016	BOLT BOULON	2	2	2	2	
7	92903-06600	WASHER, PLATE RONDELLE, PLATE	2	2	2	2	
8	93608-12M05	PIN, DOWEL GOUJON	2	2	2	2	
9	62Y-15311-02-5B 64J-15311-01-5B	OIL PAN VENTILATEUR D'HUILE OIL PAN VENTILATEUR D'HUILE	1	1	1		F40A,F50A FT50C
10	69W-15312-00	GASKET, OIL PAN JOINT DE VENTILATEUR D'HUILE	1	1	1	1	
11	93606-12019	PIN, DOWEL GOUJON	4	4	4	4	
12	62Y-15316-00	DAMPER, ENGINE MOUNT 1 AMORTISSEUR DE SUPPORT	1	1	1	1	
13	90340-14M06	PLUG, STRAIGHT SCREW PLOT, FILETE DROIT	1	1	1	1	
14	90430-14M09	GASKET JOINT	1	1	1	1	
15	97075-06025	BOLT BOULON	10	10	10	10	
16	92995-06600	WASHER RONDELLE	10	10	10	10	
17	62Y-15362-00	PLUG, OIL LEVEL PLOT, NIVEAU D'HUILE	1	1	1	1	

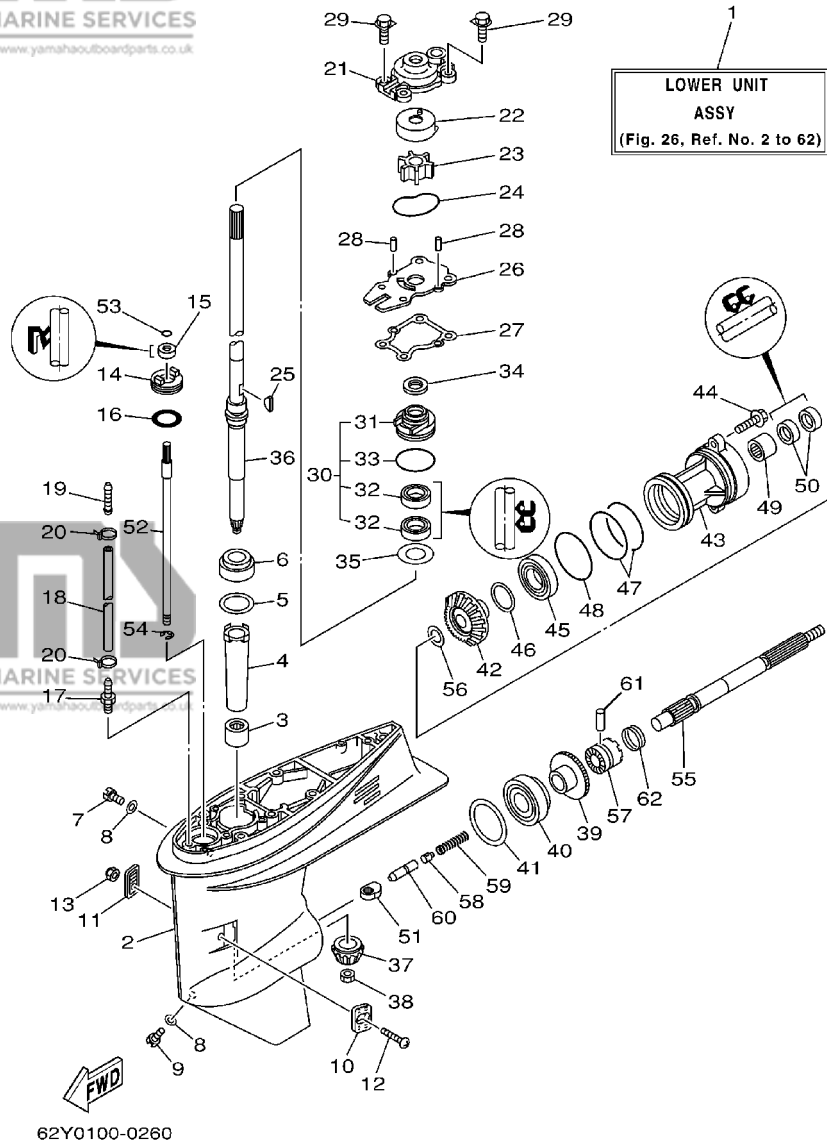
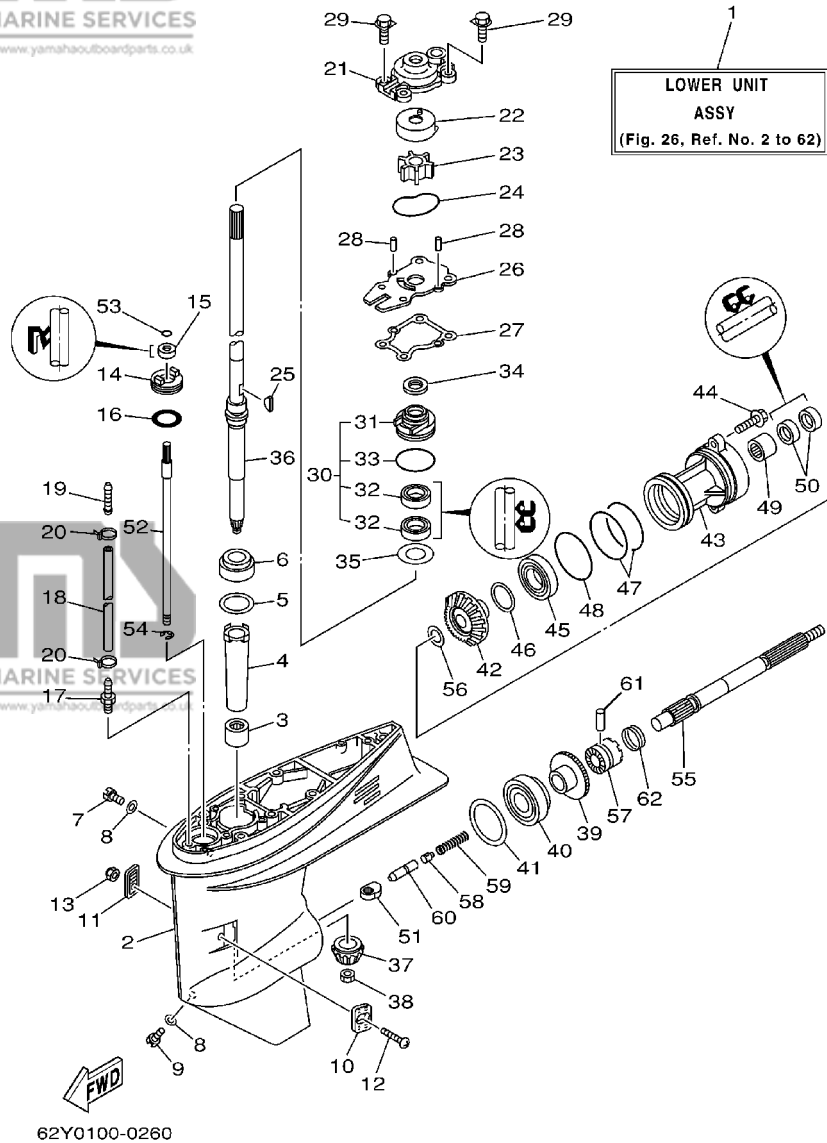


FIG. 26 LOWER CASING. DRIVE 1 BOITIER D'HELICE, TRANSMISSION 1

REF. NO.	PART NO. NO. PIECES	DESCRIPTION DESCRIPTION	40ET	50ED	50ET	FT50	REMARKS REMARQUES
1	62Y-45300-30-4D	LOWER UNIT ASSY UNITE INFERIEURE (ENS.)	1	1	1		
2	62Y-45301-00-4D	CASING, LOWER BEQUILLE	1	1	1		
3	93315-32224	BEARING ROULEMENT	1	1	1		
4	6H4-45536-00	SLEEVE, DRIVE SHAFT MANCHON, ARBRE MOTEUR	1	1	1		
5	663-45587-01-10	SHIM (T:0.10MM) CALE (T:0.10MM)	1	1	1		UR
663-45587-01-12	SHIM (T:0.12MM) CALE (T:0.12MM)	1	1	1		UR	
663-45587-01-15	SHIM (T:0.15MM) CALE (T:0.15MM)	1	1	1		UR	
663-45587-01-18	SHIM (T:0.18MM) CALE (T:0.18MM)	1	1	1		UR	
663-45587-01-30	SHIM (T:0.30MM) CALE (T:0.30MM)	1	1	1		UR	
663-45587-01-40	SHIM (T:0.40MM) CALE (T:0.40MM)	1	1	1		UR	
663-45587-01-50	SHIM (T:0.50MM) CALE (T:0.50MM)	1	1	1		UR	
6	93332-00001	BEARING ROULEMENT	1	1	1		
7	90340-08002	PLUG, STRAIGHT SCREW PLOT, FILETE DROIT	1	1	1		
8	90430-08020	GASKET JOINT	2	2	2		
9	688-45341-10	PLUG, DRAIN BOUCHON DE VIDANGE	1	1	1		
10	63D-45214-00	COVER, WATER INLET GRILLE, ENTREE D'EAU	1	1	1		
11	63D-45215-00	COVER, WATER INLET GRILLE, ENTREE D'EAU	1	1	1		
12	90142-05M06	SCREW, COUNTERSUNK VIS, TETE NOYEE	1	1	1		
13	95380-05600	NUT ECROU	1	1	1		
14	63D-45321-00	PLATE PLAQUETTE	1	1	1		
15	93106-09014	OIL SEAL JOINT SPY	1	1	1		
16	93210-33MG4	O-RING JOINT TORIQUE	1	1	1		
17	6E5-45378-00	NIPPLE, HOSE RACCORD, TUYAU	1	1	1		
18	90445-07M31	HOSE (L200) DURITE (L200)	1	1	1		
19	6E5-83558-10	END, NIPPLE RACCORD DE NIPPLE	1	1	1		
20	90465-11M10	CLAMP BRIDE	2	2	2		
21	63D-44311-00	HOUSING, WATER PUMP CORPS, POMPE A EAU	1	1	1		

FIG. 26 LOWER CASING. DRIVE 1 BOITIER D'HELICE, TRANSMISSION 1



REF. NO.	PART NO. NO. PIECES	DESCRIPTION DESCRIPTION	40ET	50ED	50ET	FT50	REMARKS REMARQUES
22	63D-44322-00	INSERT, CARTRIDGE CUVETTE	1	1	1		
23	6H3-44352-00	IMPELLER TURBINE	1	1	1		
24	93210-59MG7	O-RING JOINT TORIQUE	1	1	1		
25	90280-03024	KEY, WOODRUFF CLAVETTE, DEMI-LUNE	1	1	1		
26	63D-44323-00	OUTER PLATE, CARTRIDGE PLAQUE EXTERIEURE	1	1	1		
27	63D-44316-00	GASKET, WATER PUMP JOINT, POMPE A EAU	1	1	1		
28	93604-08062	PIN, DOWEL GOUJON	2	2	2		
29	90119-08M15	BOLT, WITH WASHER BOULON, AVEC RONDELLE	4	4	4		
30	63D-W4434-00	WATER PUMP HOUSING ASSY CORPS ENS., POMPE A EAU	1	1	1		
31	63D-44341-00	.HOUSING, WATER PUMP .CORPS, POMPE A EAU	1	1	1		
32	93101-25M57	.OIL SEAL .JOINT SPY	2	2	2		
33	93210-48MG8	.O-RING .JOINT TORIQUE	1	1	1		
34	63D-45344-00	COVER, OIL SEAL FLASQUE, JOINT D'HUILE	1	1	1		
35	90201-27M00	WASHER, PLATE RONDELLE, PLATE	1	1	1		
36	62Y-45501-30	DRIVE SHAFT COMP. ARBRE MOTEUR COMP.	1	1	1		
37	6H4-45551-01	PINION PIGNON D'ATTAQUE	1	1	1		
38	90170-12138	NUT ECROU	1	1	1		
39	6H4-45560-01	GEAR PIGNON	1	1	1		
40	93332-00003	BEARING ROULEMENT	1	1	1		
41	663-45567-01-10	SHIM (T:0.10MM) CALE (T:0.10MM)	1	1	1		UR
	663-45567-01-12	SHIM (T:0.12MM) CALE (T:0.12MM)	1	1	1		UR
	663-45567-01-15	SHIM (T:0.15MM) CALE (T:0.15MM)	1	1	1		UR
	663-45567-01-18	SHIM (T:0.18MM) CALE (T:0.18MM)	1	1	1		UR
	663-45567-01-30	SHIM (T:0.30MM) CALE (T:0.30MM)	1	1	1		UR
	663-45567-01-40	SHIM (T:0.40MM) CALE (T:0.40MM)	1	1	1		UR
	663-45567-01-50	SHIM (T:0.50MM) CALE (T:0.50MM)	1	1	1		UR
42	62Y-45571-00	GEAR PIGNON	1	1	1		

B1

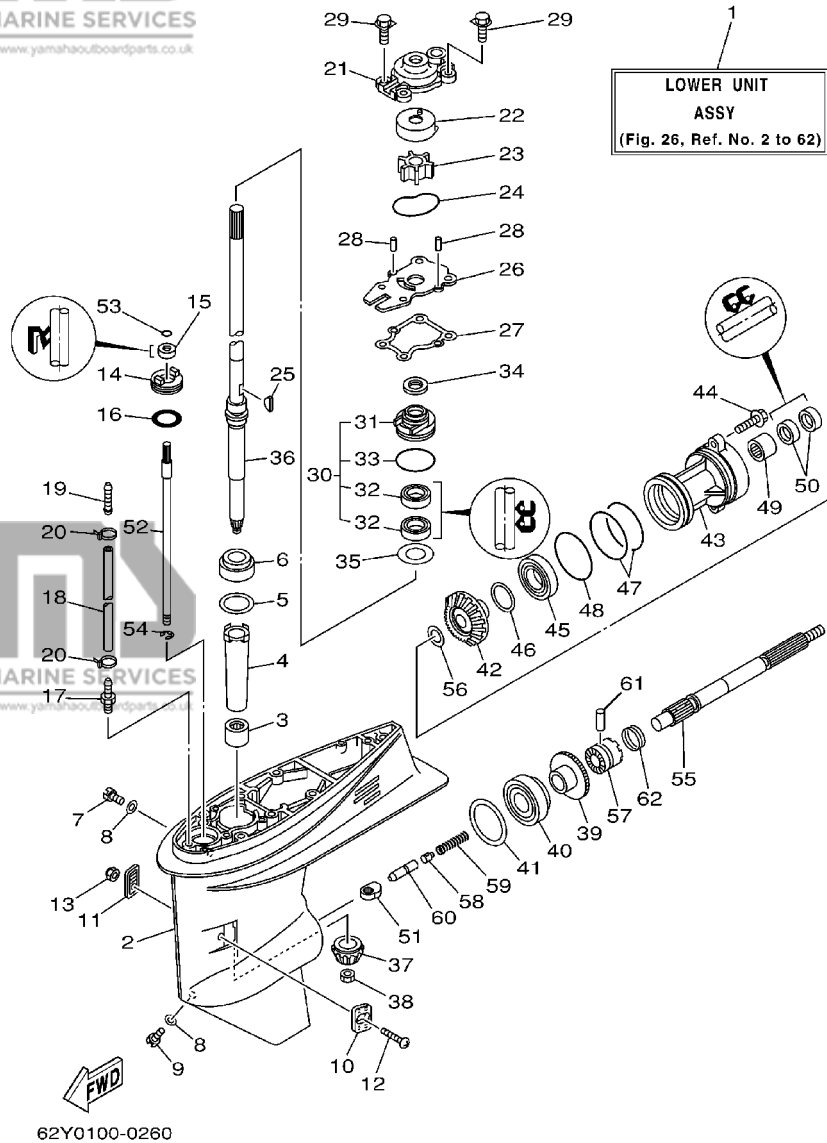
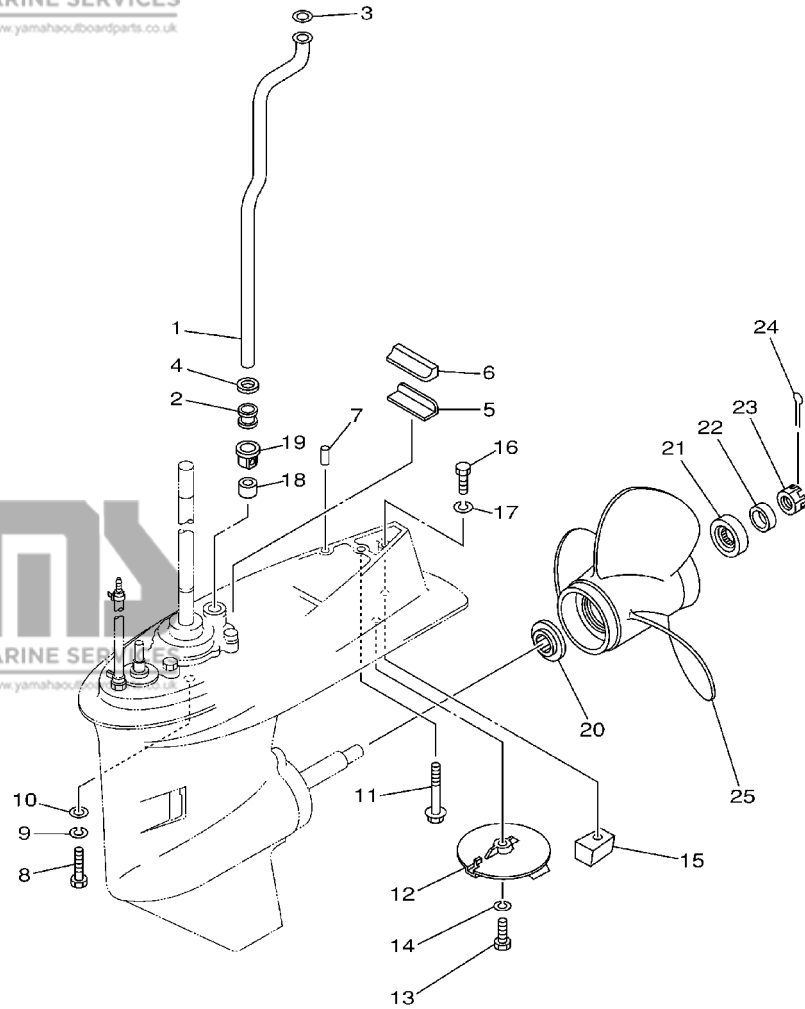


FIG. 26 LOWER CASING. DRIVE 1 BOITIER D'HELICE, TRANSMISSION 1

REF. NO.	PART NO. NO. PIECES	DESCRIPTION DESCRIPTION	40ET	50ED	50ET	FT50	REMARKS REMARQUES
43	63D-45361-02-4D	CAP, LOWER CASING COUVERCLE, BOITIER D'HELICE	1	1	1		
44	90105-08M61	BOLT, FLANGE BOULON	2	2	2		
45	93306-001U1	BEARING ROULEMENT	1	1	1		
46	63D-45577-00-10	SHIM (T:0.10MM) CALE (T:0.10MM)	1	1	1		UR
	63D-45577-00-12	SHIM (T:0.12MM) CALE (T:0.12MM)	1	1	1		UR
	63D-45577-00-15	SHIM (T:0.15MM) CALE (T:0.15MM)	1	1	1		UR
	63D-45577-00-18	SHIM (T:0.18MM) CALE (T:0.18MM)	1	1	1		UR
	63D-45577-00-30	SHIM (T:0.30MM) CALE (T:0.30MM)	1	1	1		UR
	63D-45577-00-40	SHIM (T:0.40MM) CALE (T:0.40MM)	1	1	1		UR
	63D-45577-00-50	SHIM (T:0.50MM) CALE (T:0.50MM)	1	1	1		UR
47	93210-74MG5	O-RING JOINT TORIQUE	2	2	2		
48	93210-69MG6	O-RING JOINT TORIQUE	1	1	1		
49	93317-22204	BEARING ROULEMENT	1	1	1		
50	93101-22M00	OIL SEAL JOINT SPY	2	2	2		
51	62Y-44151-00	CAM, SHIFT CAME, INVERSION	1	1	1		
52	63D-44144-00	ROD, SHIFT TIGE D'EMBRAYAGE	1	1	1		
53	93210-07003	O-RING JOINT TORIQUE	1	1	1		
54	99001-08600	CIRCLIP CIRCLIP	1	1	1		
55	63D-45611-00	SHAFT, PROPELLER ARBRE, HELICE	1	1	1		
56	90201-22429	WASHER, PLATE RONDELLE, PLATE	1	1	1		
57	62Y-45631-00	CLUTCH, DOG CRABOT	1	1	1		
58	663-45634-00	SLIDE, SHIFT CONTRE-POUSSOIR	1	1	1		
59	90501-18001	SPRING, COMPRESSION RESSORT, COMPRESSION	1	1	1		
60	63D-45635-00	PLUNGER, SHIFT POUSSOIR D'EMBRAYAGE	1	1	1		
61	90250-06023	PIN, STRAIGHT GOUPILLE, DROITE	1	1	1		
62	67C-45633-00	RING, CROSS PIN JONG, GOUPILLE CRABOT	1	1	1		

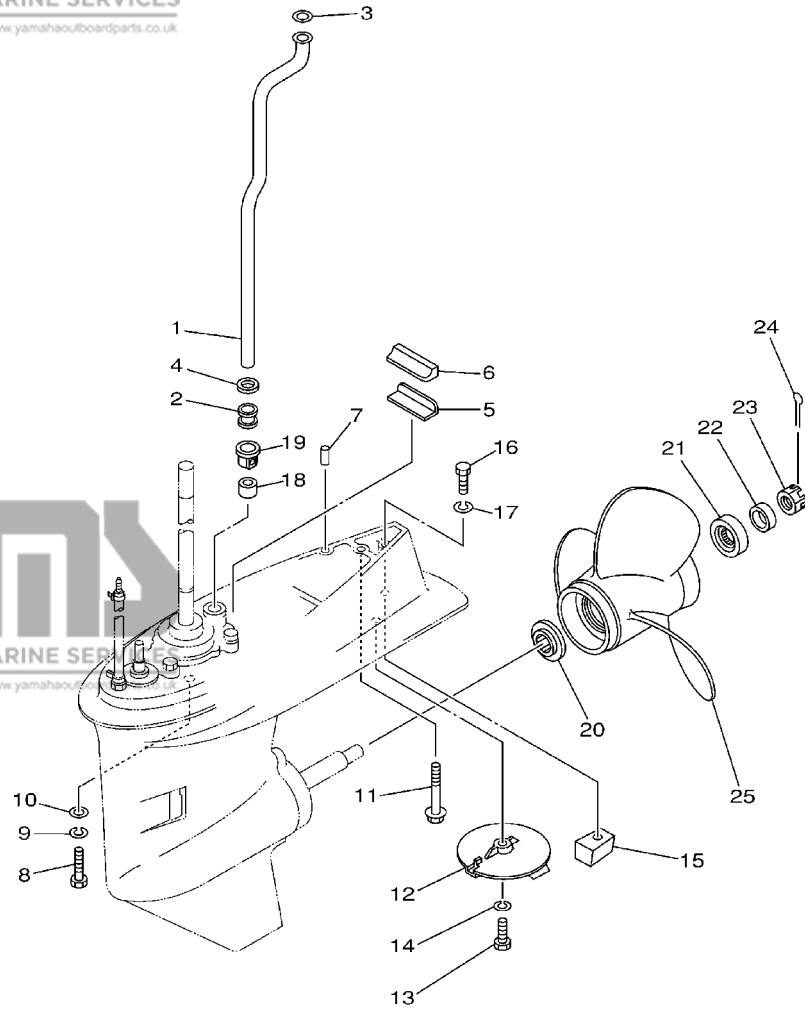


FWD
62Y0100-1270

FIG. 27 LOWER CASING. DRIVE 2 BOITIER D'HELICE, TRANSMISSION 2

REF. NO.	PART NO. NO. PIECES	DESCRIPTION DESCRIPTION	40ET	50ED	50ET	FT50	REMARKS REMARQUES
1	62Y-44361-00	TUBE, WATER TUBE D'EAU	1	1	1		
2	663-44367-00	DAMPER, WATER SEAL JOINT TUBE D'EAU	1	1	1		
3	90202-12060	WASHER, PLATE RONDELLE, PLATE	1	1	1		
4	90430-12072	GASKET JOINT	1	1	1		
5	663-45376-00-94	GUIDE, SEAL DAMPER BUTEE, JOINT CAOUTCHOUC	1	1	1		
6	63D-45375-00	DAMPER, SEAL BOURRELET, CAOUTCHOUC	1	1	1		
7	93606-12019	PIN, DOWEL GOUJON	2	2	2		
8	97075-10040	BOLT BOULON	4	4	4		
9	92995-10100	WASHER RONDELLE	4	4	4		
10	92995-10600	WASHER RONDELLE	4	4	4		
11	90119-08M84	BOLT, WITH WASHER BOULON, AVEC RONDELLE	1	1	1		
12	67C-45371-00	TAB-TRIM ANODE DERIVE	1	1	1		
13	97095-08025	BOLT BOULON	1	1	1		
14	92995-08100	WASHER RONDELLE	1	1	1		
15	67C-45251-00	ANODE ANODE	1	1	1		
16	97095-08035	BOLT BOULON	1	1	1		
17	92995-08100	WASHER RONDELLE	1	1	1		
18	663-44366-00	DAMPER, WATER SEAL JOINT, TUBE D'EAU	1	1	1		
19	63D-44312-00	COVER, WATER PUMP HOUSING COUVERCLE	1	1	1		
20	663-45987-02	SPACER ENTRETOISE	1	1	1		
21	66T-45997-00	SPACER ENTRETOISE	1	1	1		
22	90389-22M01	BUSH DOUILLE	1	1	1		
23	90171-16011	NUT, CASTLE ECROU, CRENELE	1	1	1		
24	91490-30025	PIN, COTTER GOUPILE, FENDUE	1	1	1		
25	663-45941-01-EL	PROPELLER (3X10-3/4"X17"-G) HELICE (3X10-3/4"X17"-G)	1	1	1		UR
	663-45947-02-EL	PROPELLER (3X11-5/8"X11"-G) HELICE (3X11-5/8"X11"-G)	1	1	1		UR
	663-45949-01-EL	PROPELLER (3X10-3/4"X16"-G) HELICE (3X10-3/4"X16"-G)	1	1	1		UR

B3



62Y0100-1270

FIG. 27 LOWER CASING. DRIVE 2 BOITIER D'HELICE, TRANSMISSION 2

REF. NO.	PART NO. NO. PIECES	DESCRIPTION DESCRIPTION	40ET	50ED	50ET	FT50	REMARKS REMARQUES
25	663-45952-02-EL	PROPELLER (3X11-3/8"X12"-G) HELICE (3X11-3/8"X12"-G)	1	1	1		UR
	663-45956-01-EL	PROPELLER (3X12-1/4"X9"-G) HELICE (3X12-1/4"X9"-G)	1	1	1		UR
	663-45958-01-EL	PROPELLER (3X11-1/4"X14"-G) HELICE (3X11-1/4"X14"-G)	1	1	1		UR
	69W-45945-00-EL	PROPELLER (3X11-1/8"X13"-G) HELICE (3X11-1/8"X13"-G)	1	1	1		UR
	6H5-45943-00-EL	PROPELLER (3X10"X15"-G) HELICE (3X10"X15"-G)	1	1	1		UR WITH LIP CUP
	6H5-45945-00-EL	PROPELLER (3X10-3/8"X13"-G) HELICE (3X10-3/8"X13"-G)	1	1	1		UR WITH LIP CUP
	6H5-45952-00-EL	PROPELLER (3X10-5/8"X12"-G) HELICE (3X10-5/8"X12"-G)	1	1	1		UR WITH LIP CUP
	6H5-45958-00-EL	PROPELLER (3X10-1/4"X14"-G) HELICE (3X10-1/4"X14"-G)	1	1	1		UR WITH LIP CUP
	STAINLESS STEEL PROPELLER ACIER INOXYDABLE HELICE						
	663-45970-60-98	PROPELLER (3X11-3/4"X12"-G) HELICE (3X11-3/4"X12"-G)	1	1	1		UR
	663-45972-60-98	PROPELLER (3X12"X11"-G) HELICE (3X12"X11"-G)	1	1	1		UR
	663-45974-60-98	PROPELLER (3X11-1/2"X13"-G) HELICE (3X11-1/2"X13"-G)	1	1	1		UR
	663-45930-00-98	PROPELLER (3X10-1/4"X14"-G) HELICE (3X10-1/4"X14"-G)	1	1	1		UR
	663-45974-02-98	PROPELLER (3X10-5/8"X13"-G) HELICE (3X10-5/8"X13"-G)	1	1	1		UR
	663-45976-00-98	PROPELLER (3X10-1/4"X15"-G) HELICE (3X10-1/4"X15"-G)	1	1	1		UR
	663-45978-00-98	PROPELLER (3X10-1/4"X16"-G) HELICE (3X10-1/4"X16"-G)	1	1	1		UR
	697-45970-00-98	PROPELLER (3X11-1/4"X14"-G) HELICE (3X11-1/4"X14"-G)	1	1	1		UR

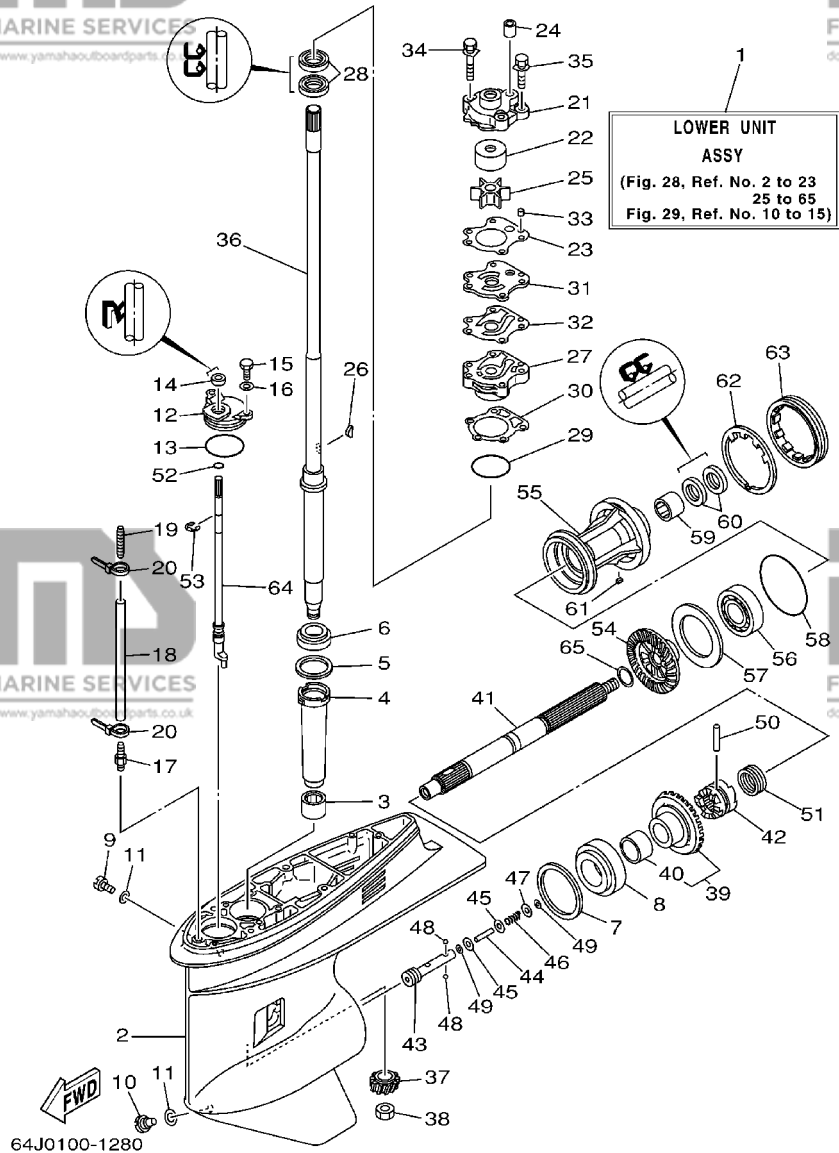


FIG. 28 LOWER CASING. DRIVE 3

BOITIER D'HELICE, TRANSMISSION 3

REF. NO.	PART NO. NO. PIECES	DESCRIPTION DESCRIPTION	40ET	50ED	50ET	FT50	REMARKS REMARQUES
1	64J-45300-30-4D	LOWER UNIT ASSY UNITE INFERIEURE (ENS.)				1	
2	67F-45301-00-4D	CASING, LOWER BEQUILLE				1	
3	93315-325W4	BEARING ROULEMENT				1	
4	688-45536-01	SLEEVE, DRIVE SHAFT MANCHON, ARBRE MOTEUR				1	
5	688-45587-01-10	SHIM (T:0.10MM) CALE (T:0.10MM)				1	UR
	688-45587-01-12	SHIM (T:0.12MM) CALE (T:0.12MM)				1	UR
	688-45587-01-15	SHIM (T:0.15MM) CALE (T:0.15MM)				1	UR
	688-45587-01-18	SHIM (T:0.18MM) CALE (T:0.18MM)				1	UR
	688-45587-01-30	SHIM (T:0.30MM) CALE (T:0.30MM)				1	UR
	688-45587-01-40	SHIM (T:0.40MM) CALE (T:0.40MM)				1	UR
	688-45587-01-50	SHIM (T:0.50MM) CALE (T:0.50MM)				1	UR
6	93332-000U3	BEARING ROULEMENT				1	
7	688-45567-01-10	SHIM (T:0.10MM) CALE (T:0.10MM)				1	UR
	688-45567-01-12	SHIM (T:0.12MM) CALE (T:0.12MM)				1	UR
	688-45567-01-15	SHIM (T:0.15MM) CALE (T:0.15MM)				1	UR
	688-45567-01-18	SHIM (T:0.18MM) CALE (T:0.18MM)				1	UR
	688-45567-01-30	SHIM (T:0.30MM) CALE (T:0.30MM)				1	UR
	688-45567-01-40	SHIM (T:0.40MM) CALE (T:0.40MM)				1	UR
	688-45567-01-50	SHIM (T:0.50MM) CALE (T:0.50MM)				1	UR
8	93332-000UD	BEARING ROULEMENT				1	
9	90340-08002	PLUG, STRAIGHT SCREW PLOT, FILETE DROIT				1	
10	688-45341-10	PLUG, DRAIN BOUCHON DE VIDANGE				1	
11	90430-08020	GASKET JOINT				2	
12	688-45321-00	PLATE PLAQUETTE				1	
13	93210-49046	O-RING JOINT TORIQUE				1	
14	93106-09014	OIL SEAL JOINT SPY				1	
15	97095-06016	BOLT BOULON				2	

B5

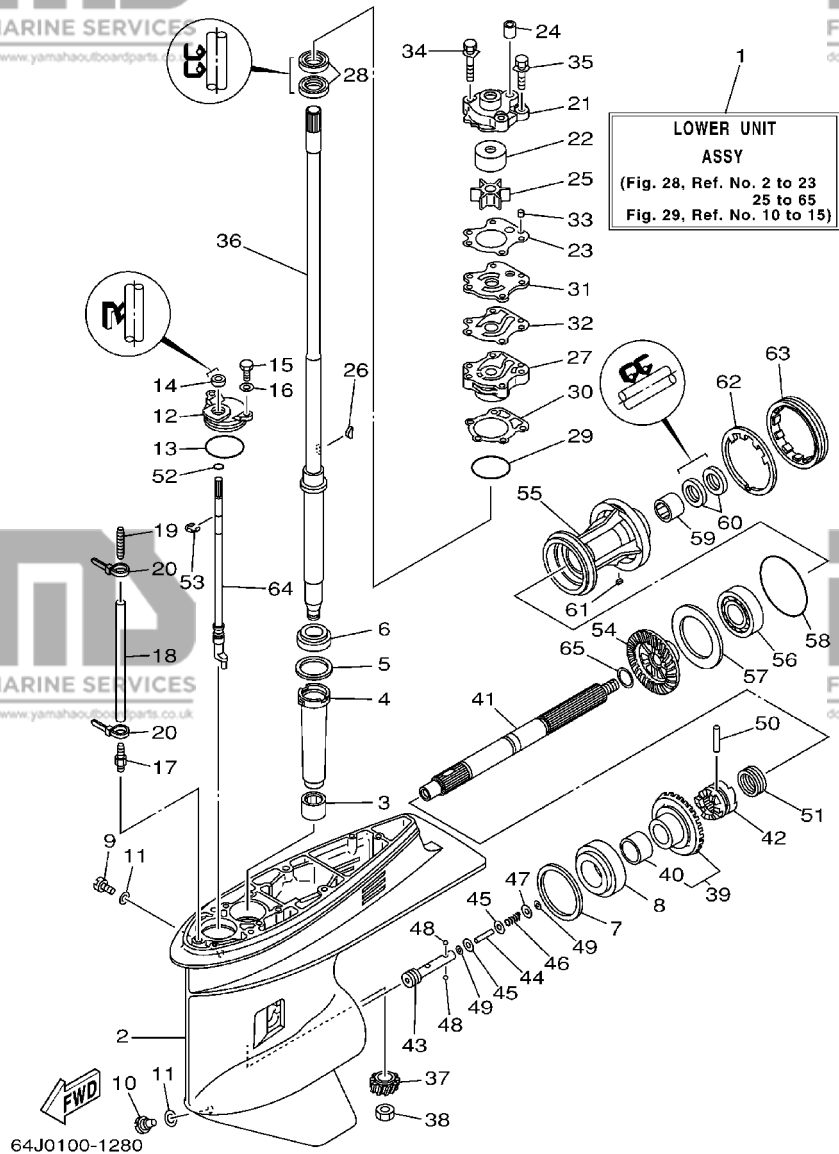


FIG. 28 LOWER CASING. DRIVE 3 BOITIER D'HELICE, TRANSMISSION 3

REF. NO.	PART NO. NO. PIECES	DESCRIPTION DESCRIPTION	40ET	50ED	50ET	FT50	REMARKS REMARQUES
16	92995-06600	WASHER RONDELLE				2	
17	6E5-45378-00	NIPPLE, HOSE RACCORD, TUYAU				1	
18	90445-07M31	HOSE (L200) DURITE (L200)				1	
19	6E5-83558-10	END, NIPPLE RACCORD DE NIPPLE				1	
20	90465-11M10	CLAMP BRIDE				2	
21	6H3-44311-00	HOUSING, WATER PUMP CORPS, POMPE A EAU				1	
22	663-44322-00	INSERT, CARTRIDGE CUVETTE				1	
23	6H3-44315-A0	GASKET, WATER PUMP JOINT, POMPE A EAU				1	
24	663-44366-00	DAMPER, WATER SEAL JOINT, TUBE D'EAU				1	
25	6H3-44352-00	IMPELLER TURBINE				1	
26	90280-03M03	KEY, WOODRUFF CLAVETTE, DEMI-LUNE				1	
27	6H3-44341-00-94	HOUSING, WATER PUMP CORPS, POMPE A EAU				1	
28	93101-23070	OIL SEAL JOINT SPY				2	
29	93210-46044	O-RING JOINT TORIQUE				1	
30	688-44316-A0	GASKET, WATER PUMP JOINT, POMPE A EAU				1	
31	6H3-44323-00	OUTER PLATE, CARTRIDGE PLAQUE EXTERIEURE				1	
32	6H3-44324-A0	GASKET, CARTRIDGE JOINT				1	
33	93604-10M03	PIN, DOWEL GOUJON				2	
34	90119-08M33	BOLT, WITH WASHER BOULON, AVEC RONDELLE				2	
35	90119-08M14	BOLT, WITH WASHER BOULON, AVEC RONDELLE				2	
36	64J-45501-30	DRIVE SHAFT COMP. ARBRE MOTEUR COMP.				1	
37	64J-45551-00	PINION PIGNON D'ATTAQUE				1	
38	90170-16M01	NUT ECROU				1	
39	64J-45560-00	GEAR PIGNON				1	
40	93317-322V0	.BEARING .ROULEMENT				1	
41	67F-45611-00	SHAFT, PROPELLER ARBRE, HELICE				1	
42	67F-45631-00	CLUTCH, DOG CRABOT				1	

B6

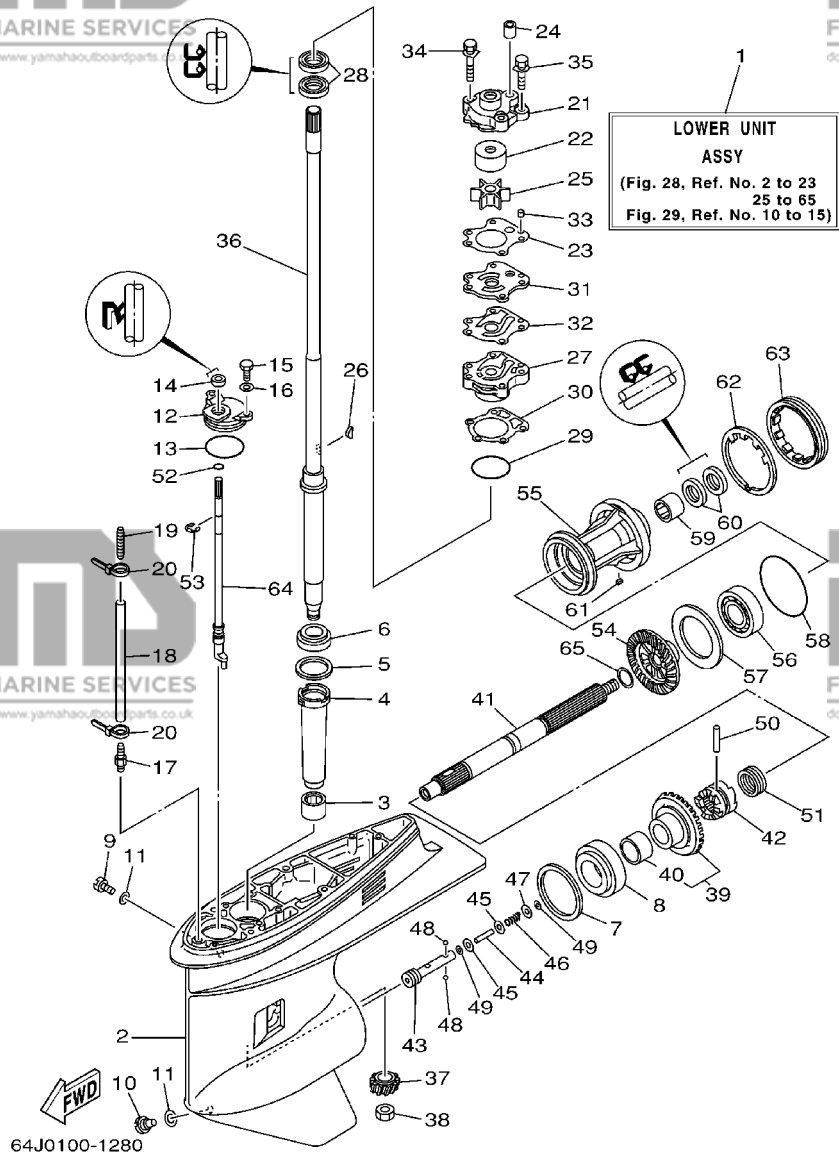
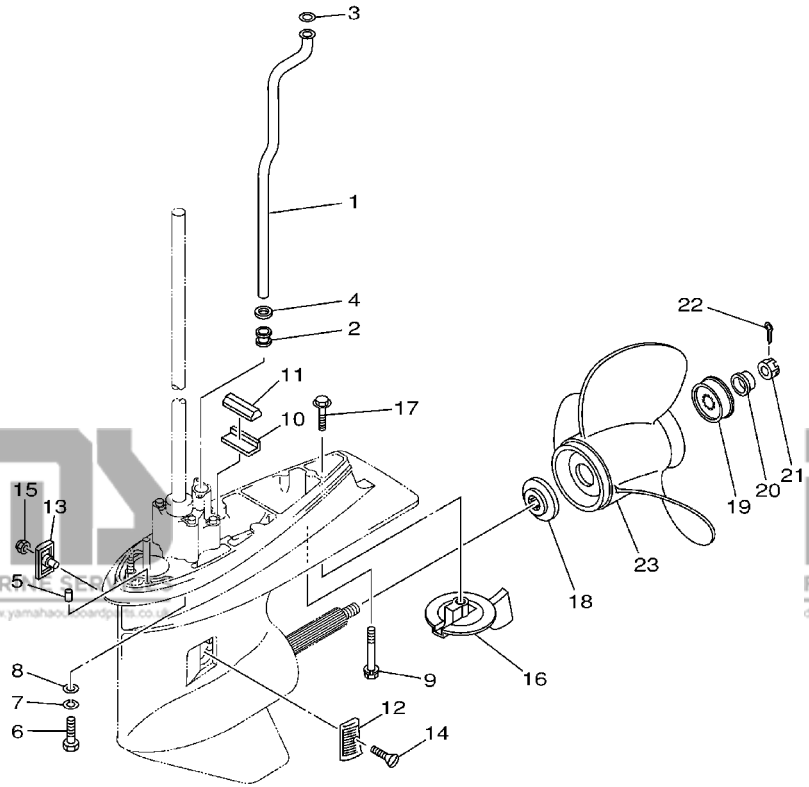


FIG. 28 LOWER CASING. DRIVE 3 BOITIER D'HELICE, TRANSMISSION 3

REF. NO.	PART NO. NO. PIECES	DESCRIPTION DESCRIPTION	40ET	50ED	50ET	FT50	REMARKS REMARQUES
43	67F-45634-00	SLIDE, SHIFT CONTRE-POUSSOIR				1	
44	6H1-45668-00	SHAFT, FREE AXE				1	
45	6H1-45635-00	PLUNGER, SHIFT POUSSOIR D'EMBRAYAGE				2	
46	90501-12M48	SPRING, COMPRESSION RESSORT, COMPRESSION				1	
47	90201-03313	WASHER, PLATE RONDELLE, PLATE				1	
48	93503-16003	BALL BILLE				2	
49	90183-02M03	NUT, SPRING ECROU, RESSORT				2	
50	90250-07M02	PIN, STRAIGHT GOUPILLE, DROITE				1	
51	688-45633-00	RING, CROSS PIN JONC, GOUPILLE CRABOT				1	
52	93210-07003	O-RING JOINT TORIQUE				1	
53	99001-08600	CIRCLIP CIRCLIP				1	
54	67F-45571-00	GEAR PIGNON				1	
55	67F-45331-00-94	HOUSING, BEARING FLASQUE, ROULEMENT				1	
56	93306-207U0	BEARING ROULEMENT				1	
57	67F-45576-00	WASHER, THRUST RONDELLE DE CALAGE				1	
58	93210-86M39	O-RING JOINT TORIQUE				1	
59	93317-325U0	BEARING ROULEMENT				1	
60	93101-25M03	OIL SEAL JOINT SPY				2	
61	90282-04010	KEY, STRAIGHT CLAVETTE, DROITE				1	
62	688-45383-02	WASHER, CLAW FREIN D'ECROU				1	
63	688-45384-02	NUT ECROU				1	
64	64J-44150-00	SHIFT CAM ASSY CAME D'INVERSION				1	
65	90201-25M05	WASHER, PLATE RONDELLE, PLATE				1	



64J0100-1290

FIG. 29 LOWER CASING. DRIVE 4 BOITIER D'HELICE, TRANSMISSION 4

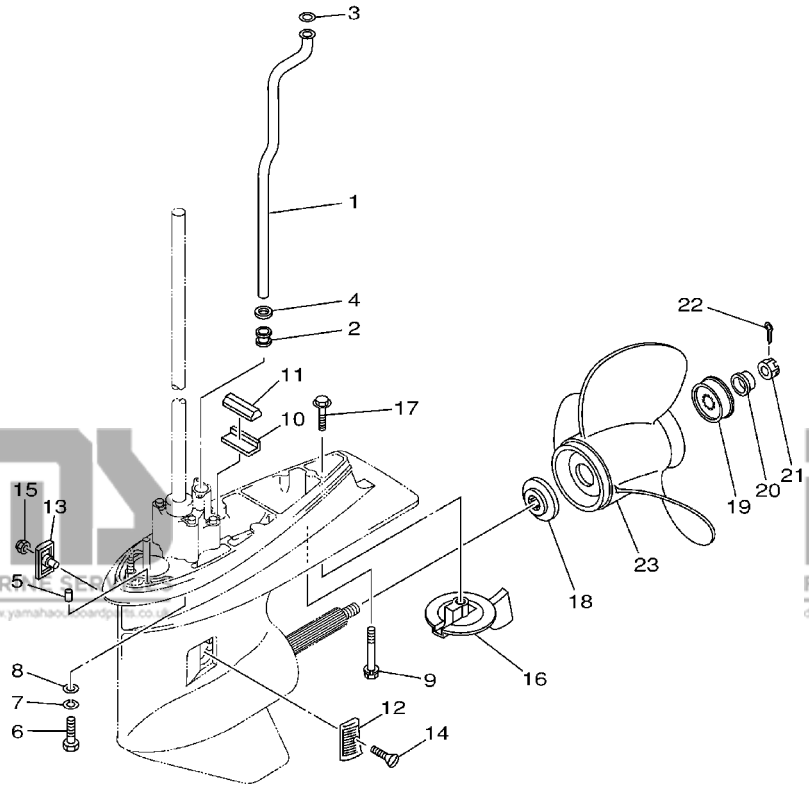
REF. NO.	PART NO. NO. PIECES	DESCRIPTION DESCRIPTION	40ET	50ED	50ET	FT50	REMARKS REMARQUES
1	62Y-44361-00	TUBE, WATER TUBE D'EAU				1	
2	663-44367-00	DAMPER, WATER SEAL JOINT TUBE D'EAU				1	
3	90202-12060	WASHER, PLATE RONDELLE, PLATE				1	
4	90430-12072	GASKET JOINT				1	
5	93606-12019	PIN, DOWEL GOUJON				2	
6	97075-10040	BOLT BOULON				4	
7	92995-10100	WASHER RONDELLE				4	
8	92995-10600	WASHER RONDELLE				4	
9	90119-08M84	BOLT, WITH WASHER BOULON, AVEC RONDELLE				1	
10	663-45376-00-94	GUIDE, SEAL DAMPER BUTEE, JOINT CAOUTCHOUC				1	
11	688-45375-00	DAMPER, SEAL BOURRELET, CAOUTCHOUC				1	
12	6H1-45214-00	COVER, WATER INLET GRILLE, ENTREE D'EAU				1	
13	6H1-45215-00	COVER, WATER INLET GRILLE, ENTREE D'EAU				1	
14	90151-05M00	SCREW, COUNTERSUNK VIS, TETE NOYEE				1	
15	90185-05002	NUT, SELF-LOCKING ECROU, AUTO-BLOCANT				1	
16	67F-45371-00	TAB-TRIM ANODE DERIVE				1	
17	90105-10M67	BOLT, FLANGE BOULON				1	
18	688-45987-01	SPACER ENTRETOISE				1	
19	67F-45997-00	SPACER ENTRETOISE				1	
20	90389-25M00	BUSH DOUILLE				1	
21	90171-16011	NUT, CASTLE ECROU, CRENELE				1	
22	91490-40025	PIN, COTTER GOUPILLE, FENDUE				1	
23	6E5-45941-00-EL	PROPELLER (3X13"X19"-K) HELICE (3X13"X19"-K)				1	UR
	6E5-45943-00-EL	PROPELLER (3X12-5/8"X21"-K) HELICE (3X12-5/8"X21"-K)				1	UR
	6E5-45945-01-EL	PROPELLER (3X13-1/4"X17"-K) HELICE (3X13-1/4"X17"-K)				1	UR
	6E5-45947-00-EL	PROPELLER (3X13-1/2"X15"-K) HELICE (3X13-1/2"X15"-K)				1	UR
	6E5-45949-00-EL	PROPELLER (3X13-5/8"X13"-K) HELICE (3X13-5/8"X13"-K)				1	UR

C1

FIG. 29 LOWER CASING. DRIVE 4

BOITIER D'HELICE, TRANSMISSION 4

REF. NO.	PART NO. NO. PIECES	DESCRIPTION DESCRIPTION	40ET	50ED	50ET	FT50	REMARKS REMARQUES
23	6E5-45952-00-EL	PROPELLER (3X13"X23"-K) HELICE (3X13"X23"-K)				1	UR
	6E5-45954-00-EL	PROPELLER (3X14"X11"-K) HELICE (3X14"X11"-K)				1	UR
	6E5-45956-00-EL	PROPELLER (3X13"X25"-K) HELICE (3X13"X25"-K)				1	UR



FWD
64J0100-1290

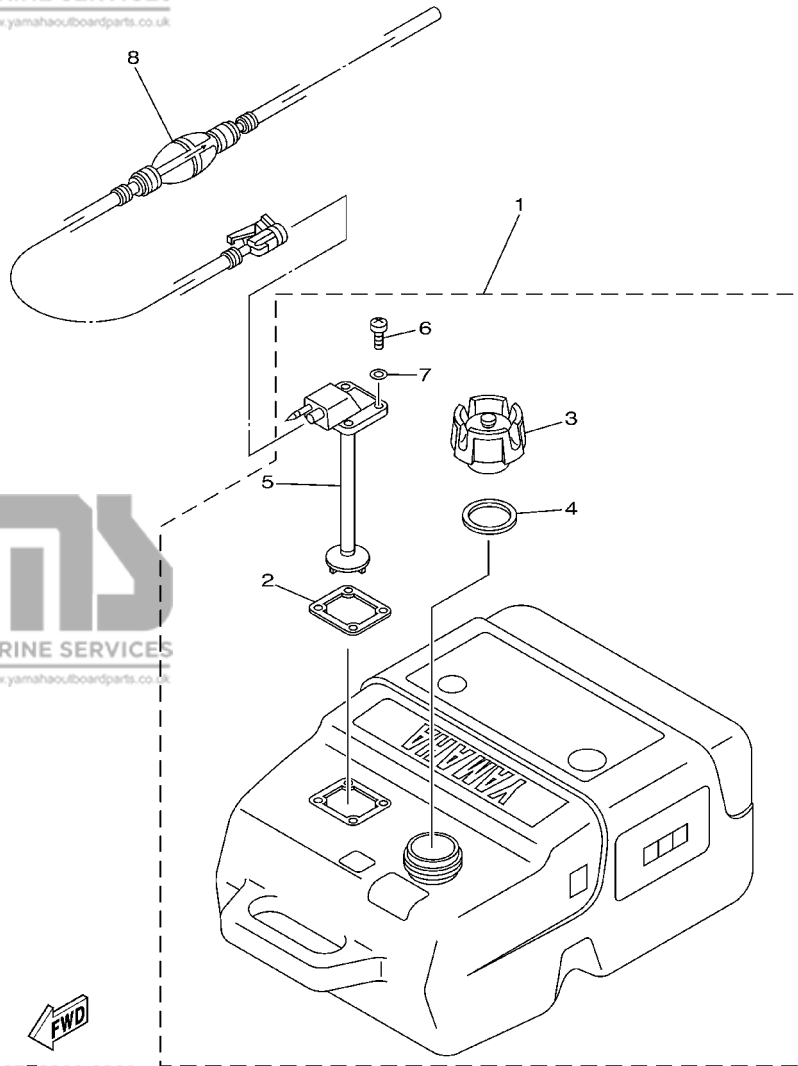


FIG. 30 FUEL TANK

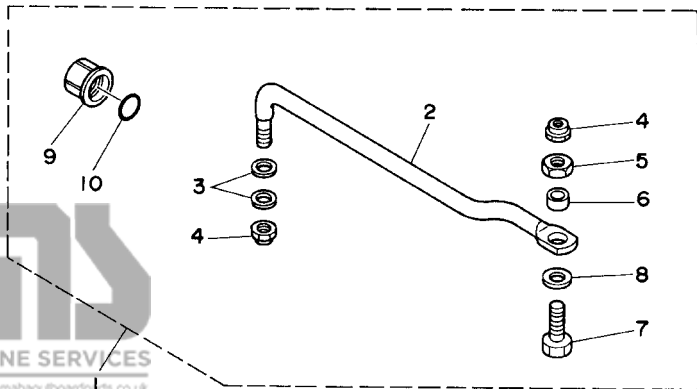
RESERVOIR A CARBURANT

REF. NO.	PART NO. NO. PIECES	DESCRIPTION DESCRIPTION	40ET	50ED	50ET	FT50	REMARKS REMARQUES
1	6YK-24201-01	FUEL TANK ASSY RESERVOIR A ESSENCE (ENS.)	1	1	1	1	AP PLASTIC, 25L "SCEPTER"
2	6YL-24268-01	.GASKET, FUEL METER .JOINT, JAUGE A CARBURANT	1	1	1	1	
3	6YK-24610-00	.CAP ASSY .BOUCHON	1	1	1	1	WITH INDICATOR
4	6YL-24641-00	.GASKET, CAP 1 .JOINT 1, BOUCHON	1	1	1	1	
5	6YK-24260-01	.FUEL METER ASSY .INDICATEUR DE CARBURANT	1	1	1	1	
6	90157-05M16	.SCREW, PAN HEAD .VIS, TETE TRONCONIQUE	4	4	4	4	
7	6YL-24329-00	.SEAL .JOINT	4	4	4	4	
8	6YL-24306-52	FUEL PIPE COMP. 1 DURITE A ESSENCE 1	1	1	1	1	AP

FIG. 31 STEERING GUIDE

FIXATION DE DIRECTION

REF. NO.	PART NO. NO. PIECES	DESCRIPTION DESCRIPTION	40ET	50ED	50ET	FT50	REMARKS REMARQUES
1	63D-61350-00	STEERING GUIDE ATTACHMENT KIT FIXATIONS DE DIRECTION	1	1	1	1	AP
2	63D-61351-00	.ROD, STEERING LINK .RENOI DE DIRECTION	1	1	1	1	
3	90201-10M20	.WASHER, PLATE .RONDELLE, PLATE	2	2	2	2	
4	90185-09M01	.NUT, SELF-LOCKING .ECROU, AUTO-BLOCANT	2	2	2	2	
5	90170-09M03	.NUT .ECROU	1	1	1	1	
6	90387-10M42	.COLLAR .COLLERETTE	1	1	1	1	
7	90101-09M01	.BOLT .BOULON	1	1	1	1	
8	90201-10M63	.WASHER, PLATE .RONDELLE, PLATE	1	1	1	1	
9	6E5-43145-01	.CAP, CLAMP BRACKET .CAPUCHON, PRESSE	1	1	1	1	
10	93210-16275	.O-RING .JOINT TORIQUE	1	1	1	1	



62Y0010-5200

C4

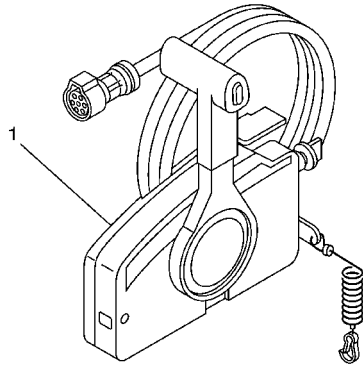
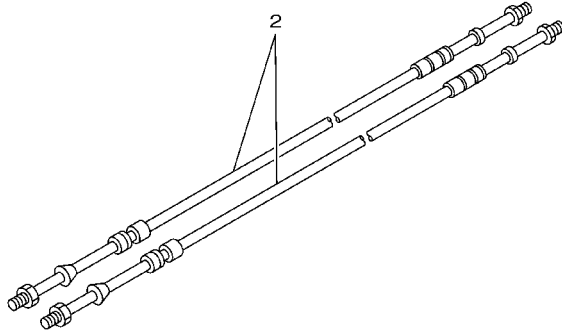


FIG. 32 REMOTE CONTROL BOX BOITIER DE COMMANDE A DISTANCE

REF. NO.	PART NO. NO. PIECES	DESCRIPTION DESCRIPTION	40ET	50ED	50ET	FT50	REMARKS REMARQUES
1	703-48207-17	REMOTE CONTROL ASSY BOITIER DE COMMANDE A DISTANCE	1	1	1	1	AP WITH PT/T SW.
2	701-48310-90	CABLE, REMOTE CONTROL L=11F CABLE, COMMANDE A DISTANCE:11F	2	2	2	2	UR
	701-48320-00	CABLE, REMOTE CONTROL L=12F CABLE, COMMANDE A DISTANCE:12F	2	2	2	2	UR
	701-48320-20	CABLE, REMOTE CONTROL L=13F CABLE, COMMANDE A DISTANCE:13F	2	2	2	2	UR
	701-48320-50	CABLE, REMOTE CONTROL L=15F CABLE, COMMANDE A DISTANCE:15F	2	2	2	2	UR



67M0100-8280

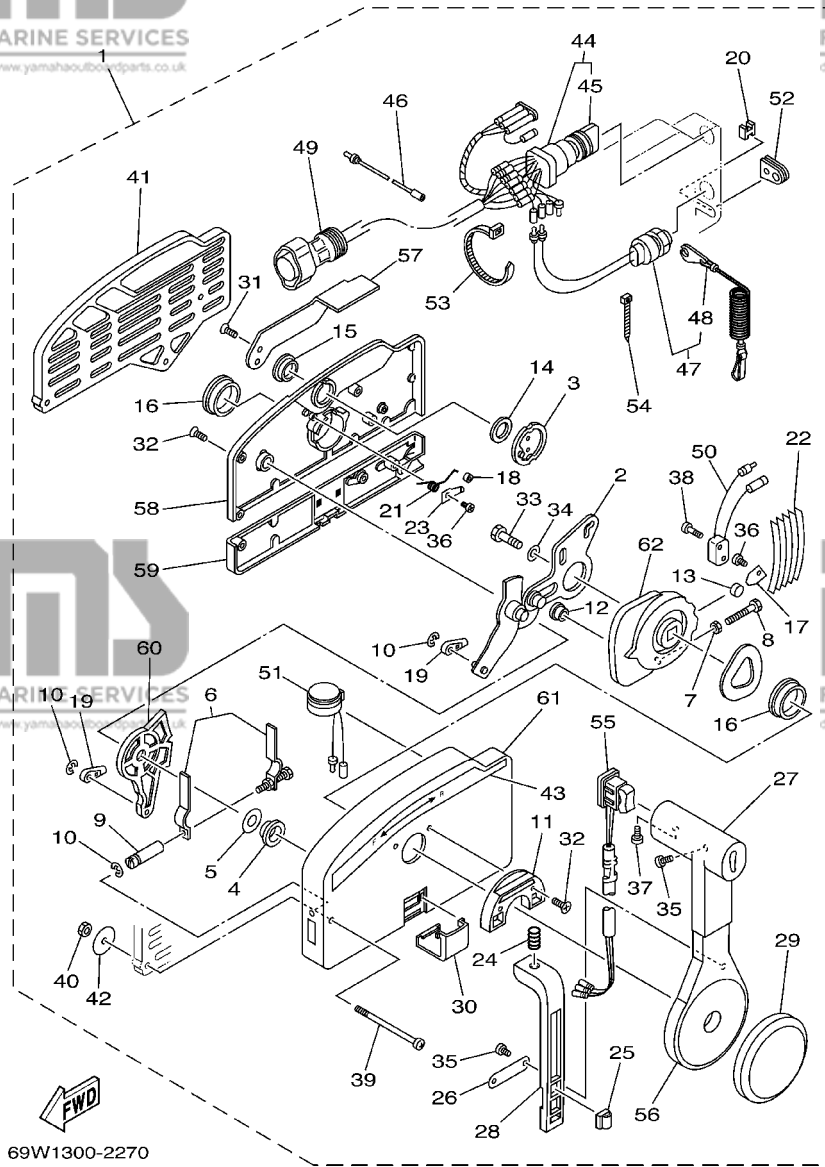
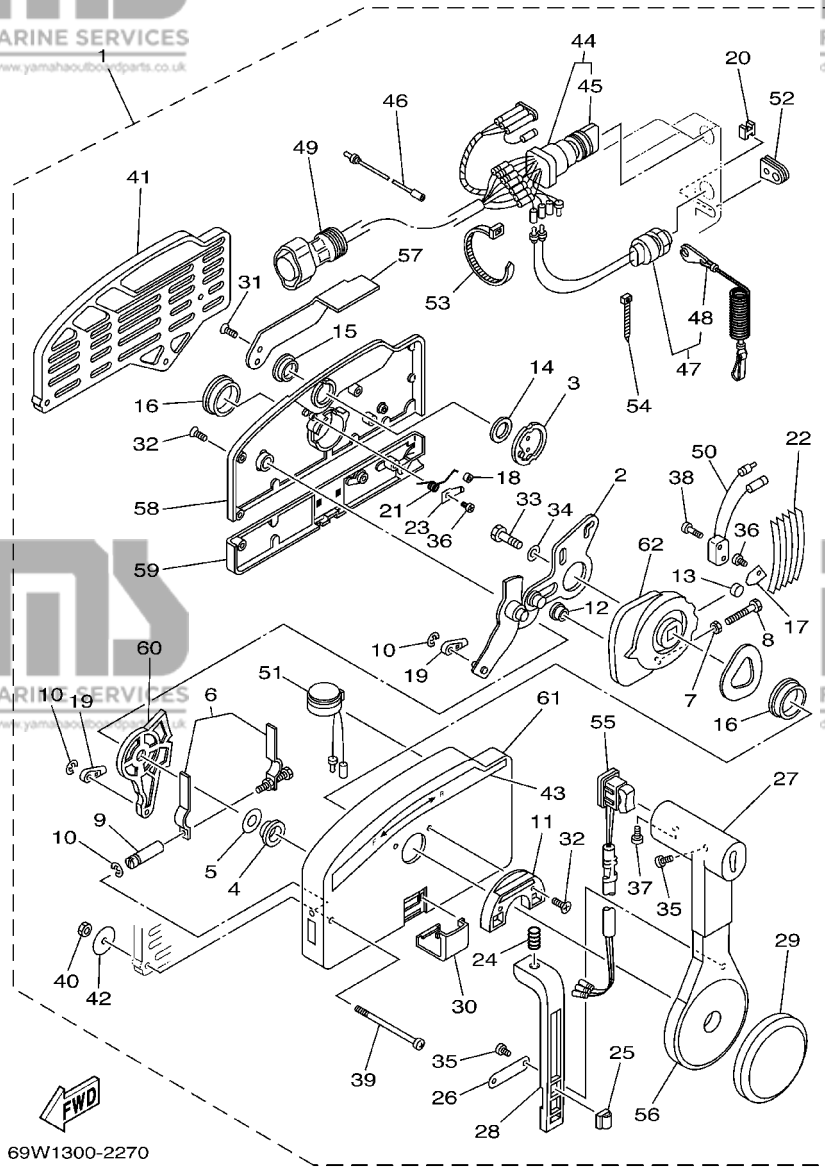


FIG. 33 REMOTE CONTROL ASSY BOITIER DE COMMANDE A DISTANCE

REF. NO.	PART NO. NO. PIECES	DESCRIPTION DESCRIPTION	40ET	50ED	50ET	FT50	REMARKS REMARQUES
1	703-48207-17	REMOTE CONTROL ASSY BOITIER DE COMMANDE A DISTANCE	1	1	1	1	AP WITH PT/T SW.
2	703-48261-01	.ARM, THROTTLE .BRAS, ACCELERATION	1	1	1	1	
3	703-48153-00	.SHAFT, FREE ACCEL. .AXE	1	1	1	1	
4	703-48235-00	.BUSHING .COUSSINET	1	1	1	1	
5	703-48268-00	.SPACER .ENTRETOISE	1	1	1	1	
6	703-48264-00	.THROTTLE, FRICTION ACCELERATION	1	1	1	1	
7	95380-05600	.NUT .ECROU	1	1	1	1	
8	97380-05025	.BOLT .BOULON	1	1	1	1	
9	703-48265-00	.SHAFT, FRICTION .AXE, COPILOTE	1	1	1	1	
10	93430-06024	.CIRCLIP .CIRCLIP, TYPE S	3	3	3	3	
11	703-48245-00	.PLATE, LOCK .PLAQUE, VERROU	1	1	1	1	
12	703-48252-00	.ROLLER, CAM .POULIE	1	1	1	1	
13	701-48248-00	.ROLLER, FREE ACCEL. .POULIE	1	1	1	1	
14	703-48198-00	.WASHER, WAVE .RONDELLE, ELASTIQUE ONDULEE	1	1	1	1	
15	703-48243-00	.BUSHING .COUSSINET	1	1	1	1	
16	703-48236-00	.BUSHING 1 .POULIE	2	2	2	2	
17	703-48189-00	.RETAINER .FLASQUE	1	1	1	1	
18	703-48234-00	.ROLLER, DETENT .POULIE	1	1	1	1	
19	703-48345-01	.CABLE END, REMOTE CONTROL 2 .CHAPE CABLE	2	2	2	2	
20	703-48358-00	.ANCHOR, CABLE .COLLIER	1	1	1	1	
21	703-48244-00	.SPRING, FREE ACCEL. .RESSORT	1	1	1	1	
22	703-48238-00	.SPRING, DETENT .RESSORT	5	5	5	5	
23	703-48246-00	.SPACER .ENTRETOISE	1	1	1	1	
24	703-48227-00	.SPRING, NEUTRAL LOCK .RESSORT	1	1	1	1	
25	703-82594-00	.CLAMP .BRIDE	1	1	1	1	WITH PT/T SW.
26	703-48226-00	.PLATE, STOPPER .PLAQUETTE	1	1	1	1	
27	703-48222-00	.GRIP, CONTROL LEVER .POIGNEE, COMMANDE LEVIER	1	1	1	1	SINGLE

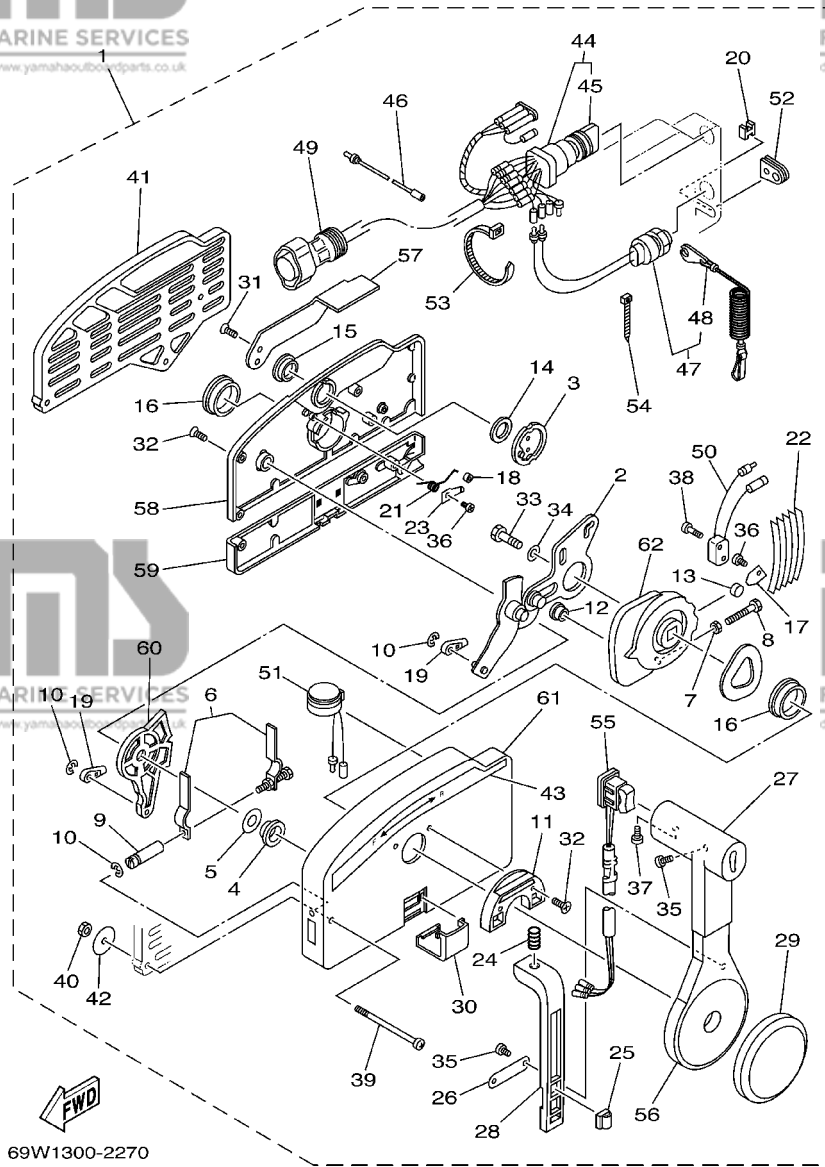
FIG. 33 REMOTE CONTROL ASSY BOITIER DE COMMANDE A DISTANCE



69W1300-2270

REF. NO.	PART NO. NO. PIECES	DESCRIPTION DESCRIPTION	40ET	50ED	50ET	FT50	REMARKS REMARQUES
28	703-48223-00	.LOCK, NEUTRAL .VERROU, NEUTRAL	1	1	1	1	
29	703-48225-00	.COVER .COUVERCLE	1	1	1	1	
30	703-48219-00	.COVER, LEAD .COUVERCLE	1	1	1	1	
31	703-48281-00	.SCREW .VIS	2	2	2	2	
32	703-48282-00	.SCREW .VIS	7	7	7	7	
33	97380-08030	.BOLT .BOULON	1	1	1	1	
34	92990-08600	.WASHER, PLATE .RONDELLE, PLATE	1	1	1	1	
35	98580-04010	.SCREW, PAN HEAD .VIS, TETE TRONCONIQUE	3	3	3	3	
36	98580-04006	.SCREW, PAN HEAD .VIS, TETE TRONCONIQUE	2	2	2	2	
37	98580-05010	.SCREW, PAN HEAD .VIS, TETE TRONCONIQUE	1	1	1	1	
38	98580-03015	.SCREW, PAN HEAD .VIS, TETE TRONCONIQUE	2	2	2	2	
39	703-48291-10	.SCREW (M6) .VIS (M6)	3	3	3	3	
40	95380-06600	.NUT, HEXAGON .ECROU	3	3	3	3	
41	703-48293-10	.SPACER, REMOTE CONTROL .ENTRETOISE	1	1	1	1	SINGLE
42	701-48287-00	.WASHER .RONDELLE	3	3	3	3	
43	703-48215-00	.GRAPHIC .ADHESIF	1	1	1	1	
44	703-82510-43	.MAIN SWITCH ASSY .CONTACTEUR A CLEF COMPLET	1	1	1	1	
45	703-82577-00	.CAP, KEY .CABOCHON	1	1	1	1	
46	703-82531-00	.WIRE, LEAD .FIL	1	1	1	1	
47	688-82575-01	.ENGINE STOP SWITCH ASSY .COUPE CIRCUIT CPLT	1	1	1	1	
48	682-82556-00	.STOPPER .PLAQUETTE	1	1	1	1	
49	688-8258A-20	.EXTENSION, WIRE HARNESS .EXTENSION, FAISCEAU DE FILS	1	1	1	1	L:5M (10P)
50	703-82540-00	.NEUTRAL SWITCH ASSY .CONTACTEUR DE POINT-MORT	1	1	1	1	
51	703-83383-A0	.BUZZER .RONFLEUR	1	1	1	1	
52	703-48284-10	.GROMMET .PASSE-FIL	1	1	1	1	
53	703-82591-00	.BAND .COLLIER	3	3	3	3	
54	703-82592-00	.BAND .COLLIER	1	1	1	1	

FIG. 33 REMOTE CONTROL ASSY BOITIER DE COMMANDE A DISTANCE



69W1300-2270

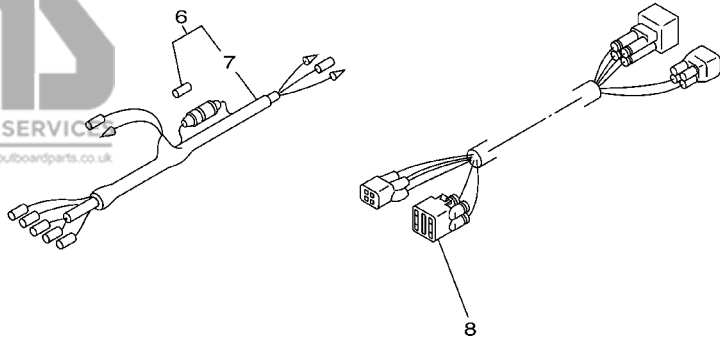
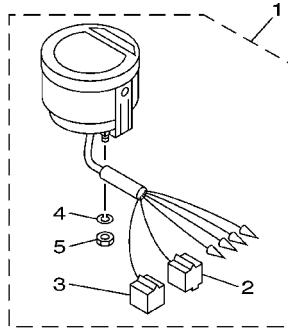
REF. NO.	PART NO. NO. PIECES	DESCRIPTION DESCRIPTION	40ET	50ED	50ET	FT50	REMARKS REMARQUES
55	703-82563-12	.TRIM & TILT SWITCH ASSY .INCLINER ET PARER COMMUTEUR	1	1	1	1	
56	703-48221-00	.LEVER, CONTROL .LEVIER, COMMANDE	1	1	1	1	
57	703-48152-00	.KNOB, FREE ACCEL. .BOUTON	1	1	1	1	
58	703-48212-00	.BACK PLATE 1 .PLAQUETTE 1	1	1	1	1	
59	703-48213-00	.BACK PLATE 2 .PLAQUETTE 2	1	1	1	1	
60	703-48271-00	.ARM, SHIFT .BRAS	1	1	1	1	
61	703-48211-01	.HOUSING,1 .CORPS	1	1	1	1	
62	703-48232-00	.GEAR .PIGNON	1	1	1	1	

D1

FIG. 34 METER

COMPTEUR

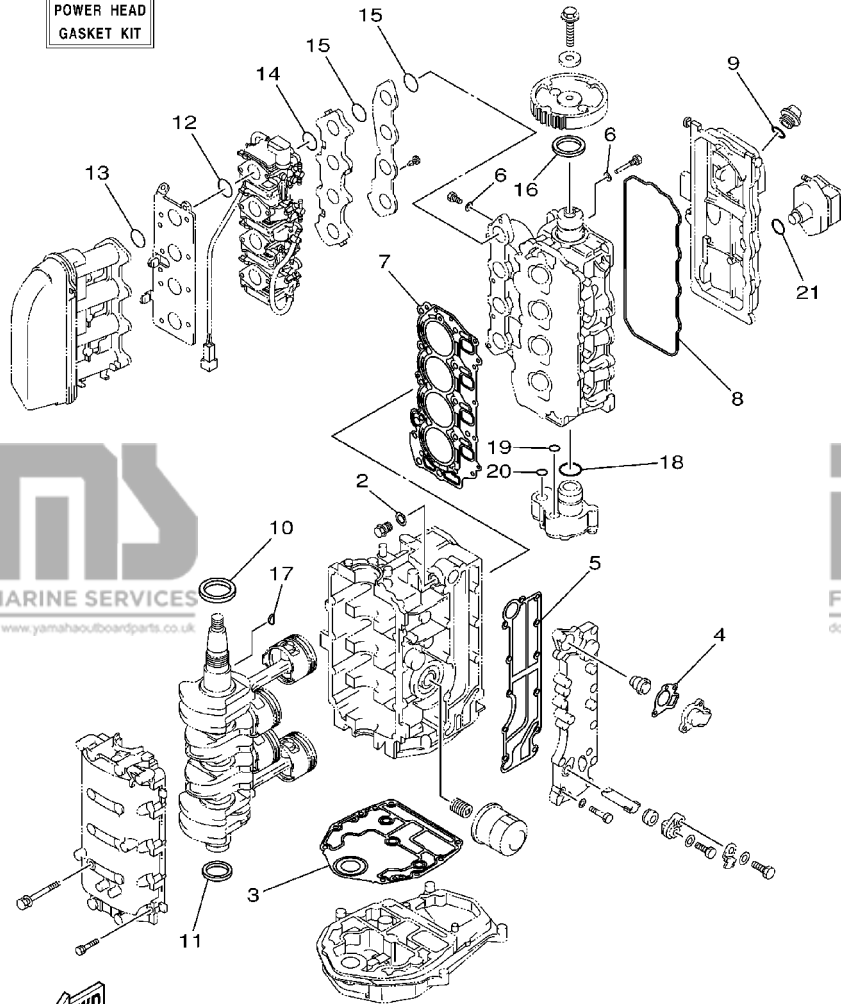
REF. NO.	PART NO. NO. PIECES	DESCRIPTION DESCRIPTION	40ET	50ED	50ET	FT50	REMARKS REMARQUES
1	6Y5-8350T-01	DIGITAL TACHOMETER ASSY COMPTE-TOURS NUMERIQUE CPLT	1		1	1	AP
2	9E450-04433	.CONNECTOR .CONNECTEUR	1		1	1	M-4-W
3	9E450-04533	.CONNECTOR .CONNECTEUR	1		1	1	F-4-W
4	92990-04100	.WASHER, SPRING .RONDELLE, GROWER	2		2	2	
5	95380-04600	.NUT .ECROU	2		2	2	
6	6Y5-83553-00	WIRE, LEAD FIL	1		1	1	AP
7	1E6-82151-00	.FUSE (10A) .FUSIBLE (10A)	1		1	1	
8	68F-82553-70	EXTENSION, WIRE LEAD EXTENSION, FAISCEAU	1		1	1	AP



69W1300-2280

D2

POWER HEAD
GASKET KIT



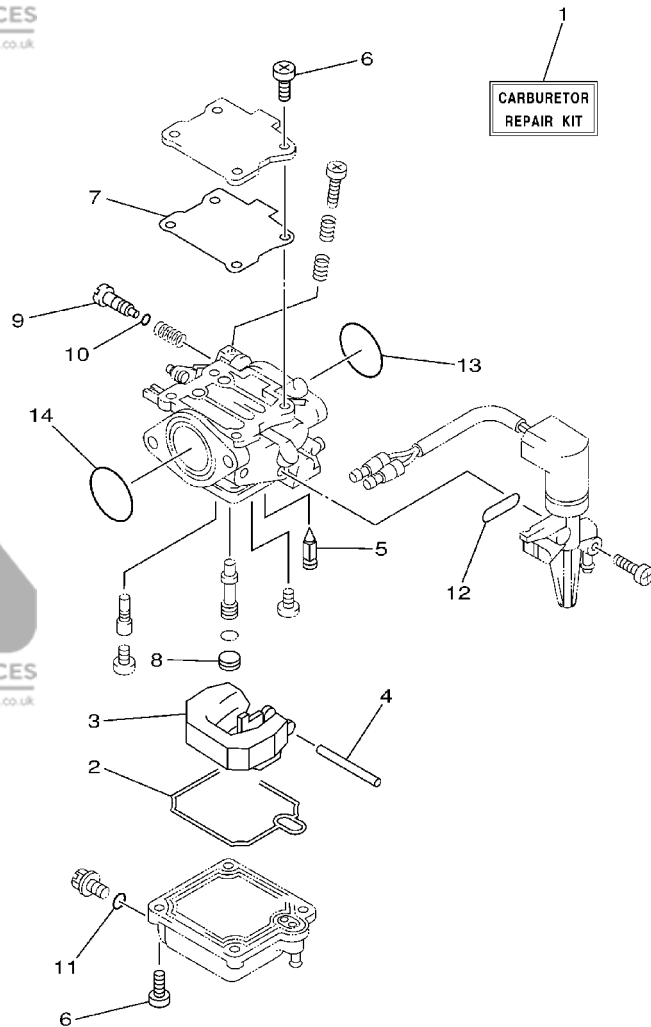
62Y1100-2390

FIG. 35 REPAIR KIT 1

KITS DE REPARATION 1

REF. NO.	PART NO. NO. PIECES	DESCRIPTION DESCRIPTION	40ET	50ED	50ET	FT50	REMARKS REMARQUES
1	62Y-W0001-10	POWER HEAD GASKET KIT POCHETTE DE JINTS TETE MOTRICE	1	1	1	1	
2	90430-14115	.GASKET .JOINT	1	1	1	1	
3	67C-11351-00	.GASKET, CYLINDER .JOINT, D'EMBASE	1	1	1	1	
4	62Y-12414-00	.GASKET, COVER .JOINT, COUVERCLE	1	1	1	1	
5	62Y-41114-00	.GASKET, EXHAUST OUTER COVER .JOINT, COUVERCLE D'ECHAPPEMEN.	1	1	1	1	
6	90430-06014	.GASKET .JOINT	5	5	5	5	
7	62Y-11181-00	.GASKET, CYLINDER HEAD 1 .JOINT, DE CULASSE 1	1	1	1	1	
8	62Y-11356-00	.SEAL, CYLINDER 2 .JOINT, SPY CYLINDRE	1	1	1	1	
9	93210-24M79	.O-RING .JOINT TORIQUE	1	1	1	1	
10	93102-43M42	.OIL SEAL .JOINT SPY	1	1	1	1	
11	93101-35002	.OIL SEAL .JOINT SPY	1	1	1	1	
12	93210-35M86	.O-RING .JOINT TORIQUE	4	4	4	4	
13	93210-38MH3	.O-RING .JOINT TORIQUE	4	4	4	4	
14	93210-30MH4	.O-RING .JOINT TORIQUE	4	4	4	4	
15	93210-35M86	.O-RING .JOINT TORIQUE	8	8	8	8	
16	93102-37M40	.OIL SEAL .JOINT SPY	1	1	1	1	
17	90280-04M06	.KEY, WOODRUFF .CLAVETTE, DEMI-LUNE	1	1	1	1	
18	93210-33MH2	.O-RING .JOINT TORIQUE	1	1	1	1	
19	93210-12MG9	.O-RING .JOINT TORIQUE	1	1	1	1	
20	93210-14515	.O-RING .JOINT TORIQUE	1	1	1	1	
21	93210-24M79	.O-RING .JOINT TORIQUE	1	1	1	1	

D3




62Y0100-1390

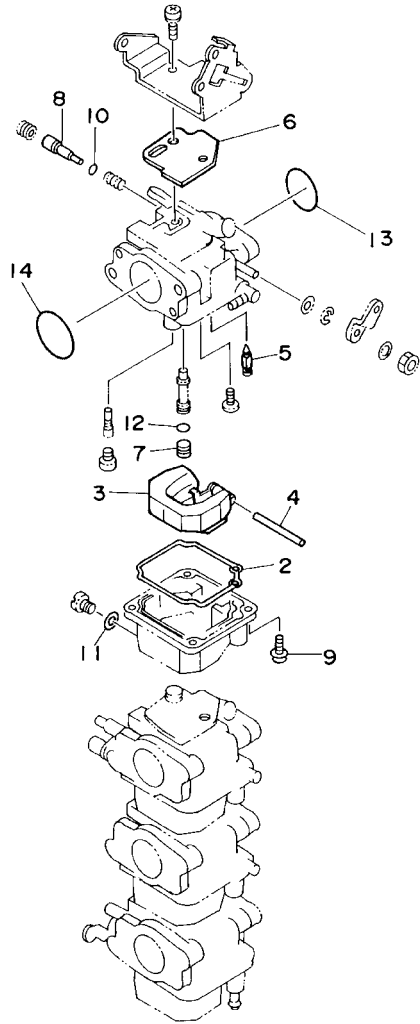
FIG. 36 REPAIR KIT 2

KITS DE REPARATION 2

REF. NO.	PART NO. NO. PIECES	DESCRIPTION DESCRIPTION	40ET	50ED	50ET	FT50	REMARKS REMARQUES
1	62Y-W0093-10	CARBURETOR REPAIR KIT KIT DE REPARATION CARBURATEUR		1	1	1	F50A, FT50C
2	62Y-14384-30	.GASKET, FLOAT CHAMBER .JOINT, CUVE DE FLOTTEUR		1	1	1	
3	6L2-14385-00	.FLOAT .FLOTTEUR		1	1	1	
4	6E5-14386-01	.PIN, FLOAT .AXE, FLOTTEUR		1	1	1	
5	62Y-14392-00	.VALVE, NEEDLE .POINTEAU		1	1	1	
6	62Y-14321-00	.SCREW, THROTTLE .VIS, ACCELERATEUR		8	8	8	
7	62Y-14399-30	.GASKET .JOINT		1	1	1	
8	62Y-14355-30	.PLUG .PLOT		1	1	1	
9	62Y-14323-30	.SCREW, AIR ADJUSTING .VIS DE DOSEUR D'AIR		1	1	1	
10	2T4-14397-00	.O-RING .JOINT TORIQUE		1	1	1	
11	652-14397-00	.O-RING .JOINT TORIQUE		1	1	1	
12	62Y-14398-30	.GASKET .JOINT		1	1	1	
13	93210-30MH4	.O-RING .JOINT TORIQUE		4	4	4	
14	93210-35M86	.O-RING .JOINT TORIQUE		4	4	4	

D4

CARBURETOR
REPAIR KIT



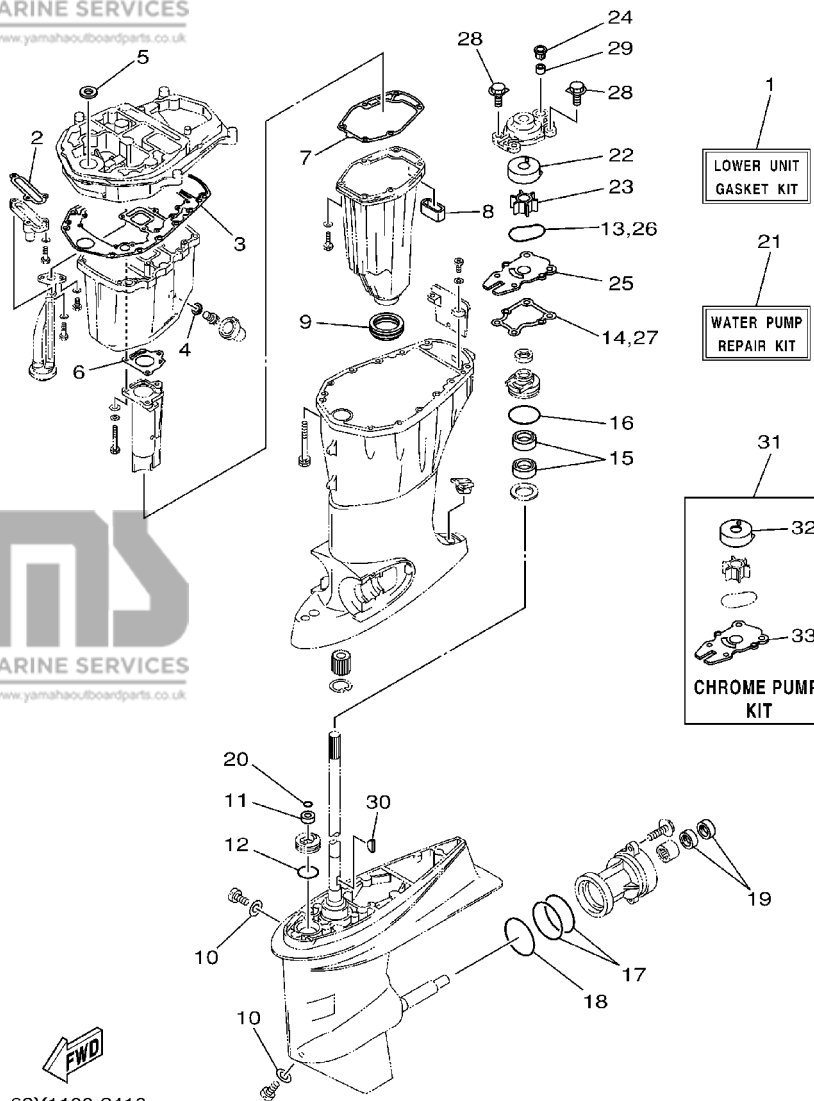
62Y0010-5290

FIG. 37 REPAIR KIT 3

KITS DE PEPARATION 3

REF. NO.	PART NO. NO. PIECES	DESCRIPTION DESCRIPTION	40ET	50ED	50ET	FT50	REMARKS REMARQUES
1	62Y-W0093-00	CARBURETOR REPAIR KIT KIT DE REPARATION CARBURATEUR	1				F40A
2	6L2-14384-00	.GASKET, FLOAT CHAMBER .JOINT, CUVE DE FLOTTEUR	1				
3	6L2-14385-00	.FLOAT .FLOTTEUR	1				
4	6E5-14386-01	.PIN, FLOAT .AXE, FLOTTEUR	1				
5	6L2-14392-00	.VALVE, NEEDLE .POINTEAU	1				
6	62Y-14399-00	.GASKET .JOINT	1				
7	62Y-14355-00	.PLUG .PLOT	1				
8	5H0-14323-00	.SCREW, AIR ADJUSTING .VIS DE DOSEUR D'AIR	1				
9	97980-04112	.SCREW, WITH WASHER .VIS, AVEC RONDELLE	4				
10	5H0-14397-00	.O-RING .JOINT TORIQUE	1				
11	62Y-14398-00	.GASKET .JOINT	1				
12	6F5-14397-00	.O-RING .JOINT TORIQUE	1				
13	93210-30MH4	.O-RING .JOINT TORIQUE	4				
14	93210-35M86	.O-RING .JOINT TORIQUE	4				

D5



62Y1100-2410

FIG. 38 REPAIR KIT 4

KITS DE PEPARATION 4

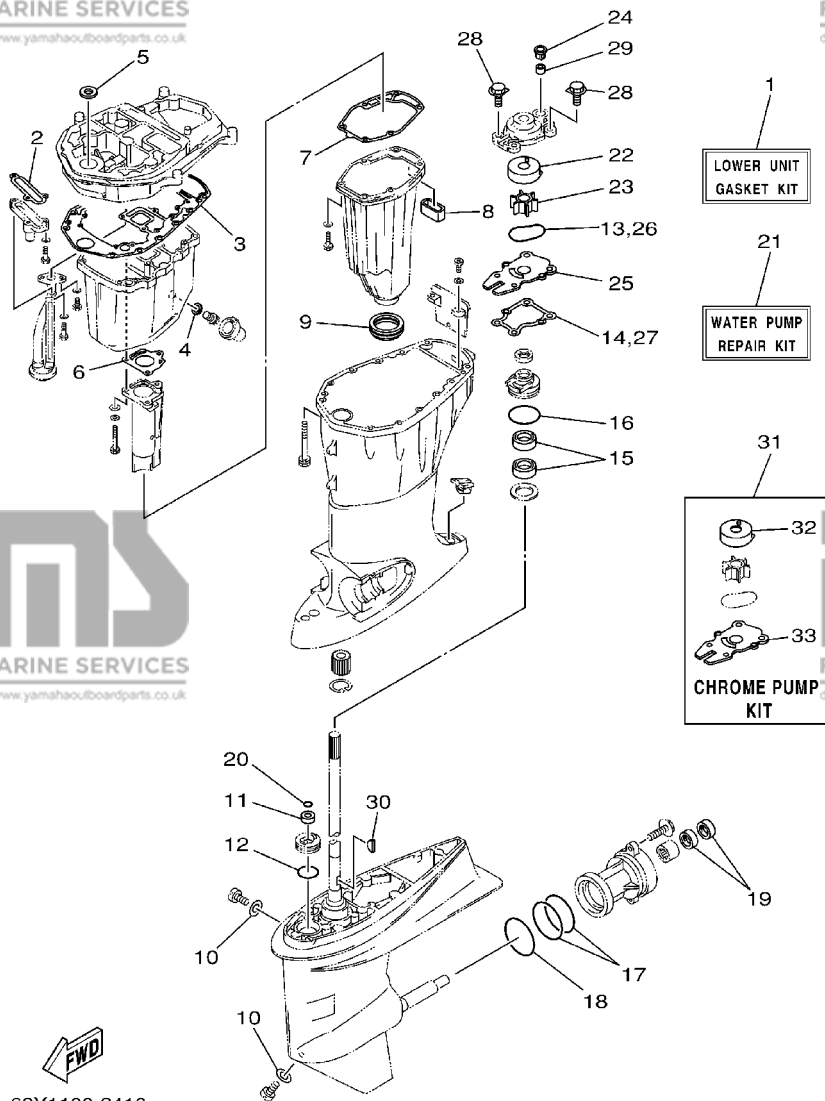
REF. NO.	PART NO. NO. PIECES	DESCRIPTION DESCRIPTION	40ET	50ED	50ET	FT50	REMARKS REMARQUES
1	62Y-W0001-22	LOWER UNIT GASKET KIT POCHETTE DE JOINTS EMBASE	1	1	1		F40A, F50A
2	62Y-13475-00	.GASKET .JOINT	1	1	1		
3	69W-15312-00	.GASKET, OIL PAN .JOINT DE VENTILATEUR D'HUILE	1	1	1		
4	90430-14M09	.GASKET .JOINT	1	1	1		
5	93103-18011	.OIL SEAL .JOINT SPY	1	1	1		
6	67C-41133-00	.GASKET, EXHAUST MANIFOLD 1 .JOINT, PIPE D'ECHAPPEMENT	1	1	1		
7	62Y-41134-01	.GASKET, EXHAUST MANIFOLD .JOINT, PIPE D'ECHAPPEMENT	1	1	1		
8	62Y-45127-00	.SEAL .JOINT	1	1	1		
9	663-45123-00	.GASKET, MUFFLER .JOINT, POT DE DETENTE	1	1	1		
10	90430-08020	.GASKET .JOINT	2	2	2		
11	93106-09014	.OIL SEAL .JOINT SPY	1	1	1		
12	93210-33MG4	.O-RING .JOINT TORIQUE	1	1	1		
13	93210-59MG7	.O-RING .JOINT TORIQUE	1	1	1		
14	63D-44316-00	.GASKET, WATER PUMP .JOINT, POMPE A EAU	1	1	1		
15	93101-25M57	.OIL SEAL .JOINT SPY	2	2	2		
16	93210-48MG8	.O-RING .JOINT TORIQUE	1	1	1		
17	93210-74MG5	.O-RING .JOINT TORIQUE	2	2	2		
18	93210-69MG6	.O-RING .JOINT TORIQUE	1	1	1		
19	93101-22M00	.OIL SEAL .JOINT SPY	2	2	2		
20	93210-07003	.O-RING .JOINT TORIQUE	1	1	1		
21	63D-W0078-01	WATER PUMP REPAIR KIT KIT DE REPARATION DE LA POMPE	1	1	1		F40A, F50A
22	63D-44322-00	.INSERT, CARTRIDGE .CUVETTE	1	1	1		
23	6H3-44352-00	.IMPELLER .TURBINE	1	1	1		
24	63D-44312-00	.COVER, WATER PUMP HOUSING .COUVERCLE	1	1	1		
25	63D-44323-00	.OUTER PLATE, CARTRIDGE .PLAQUE EXTERIEURE	1	1	1		
26	93210-59MG7	.O-RING .JOINT TORIQUE	1	1	1		
27	63D-44316-00	.GASKET, WATER PUMP .JOINT, POMPE A EAU	1	1	1		

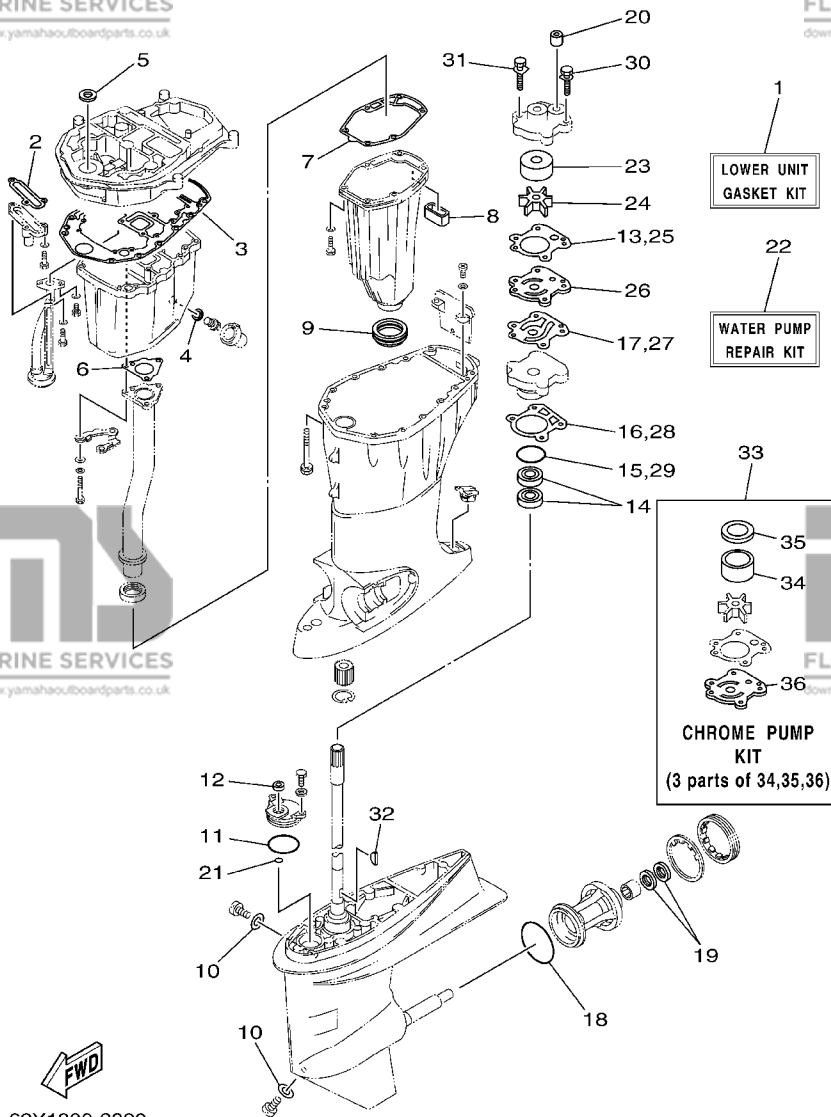
D6

FIG. 38 REPAIR KIT 4

KITS DE PEPARATION 4

REF. NO.	PART NO. NO. PIECES	DESCRIPTION DESCRIPTION	40ET	50ED	50ET	FT50	REMARKS REMARQUES
28	90119-08M15	.BOLT, WITH WASHER .BOULON, AVEC RONDELLE	4	4	4		
29	663-44366-00	.DAMPER, WATER SEAL .JOINT, TUBE D'EAU	1	1	1		
30	90280-03024	.KEY, WOODRUFF .CLAVETTE, DEMI-LUNE	1	1	1		
31	63D-W0078-0A	CHROME PUMP KIT KIT DE POMPE A EAU CHROMEE	1	1	1		F40A,F50A
32	63D-44322-40	.INSERT, CARTRIDGE .CUVETTE	1	1	1		
33	63D-44323-40	.OUTER PLATE, CARTRIDGE .PLAQUE EXTERIEURE	1	1	1		





62Y1300-2390

FIG. 39 REPAIR KIT 5

KITS DE PEPARATION 5

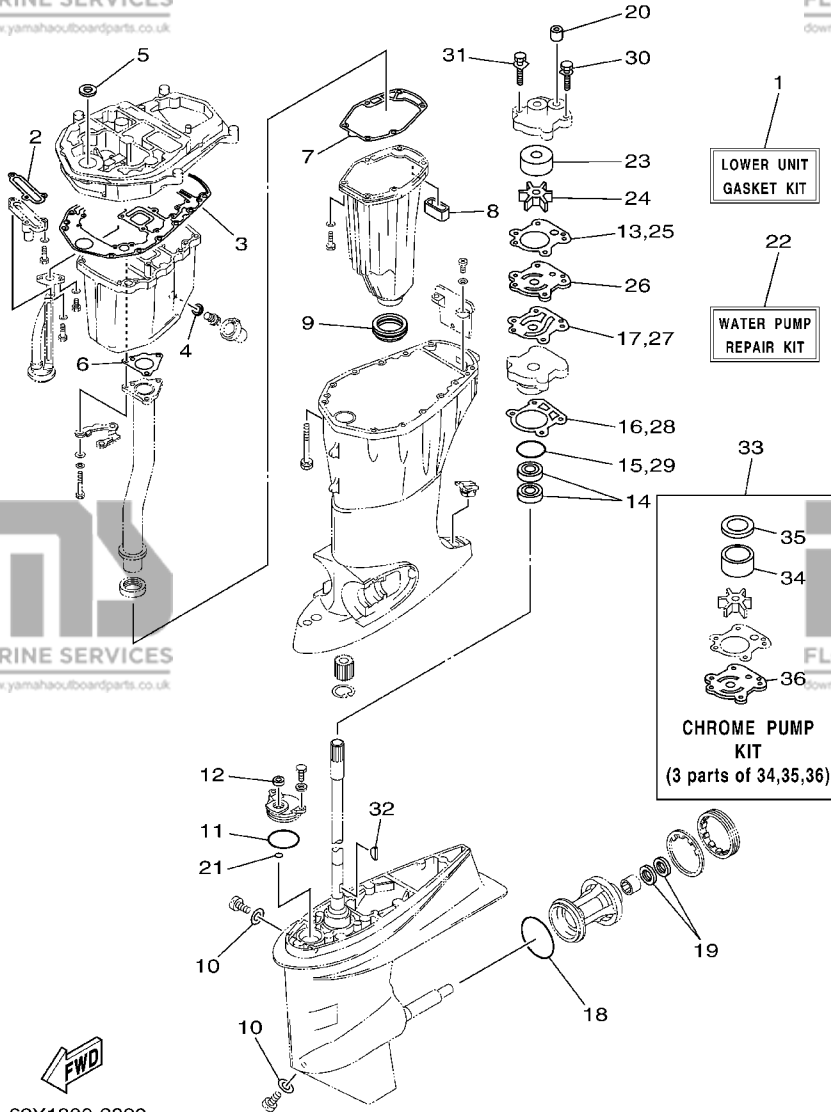
REF. NO.	PART NO. NO. PIECES	DESCRIPTION DESCRIPTION	40ET	50ED	50ET	FT50	REMARKS REMARQUES
1	64J-W0001-2B	LOWER UNIT GASKET KIT POCHETTE DE JOINTS EMBASE				1	FT50C
2	62Y-13475-00	.GASKET .JOINT				1	
3	69W-15312-00	.GASKET, OIL PAN .JOINT DE VENTILATEUR D'HUILE				1	
4	90430-14M09	.GASKET .JOINT				1	
5	93103-18011	.OIL SEAL .JOINT SPY				1	
6	64J-41133-10	.GASKET, EXHAUST MANIFOLD 1 .JOINT, PIPE D'ECHAPPEMENT				1	
7	62Y-41134-01	.GASKET, EXHAUST MANIFOLD .JOINT, PIPE D'ECHAPPEMENT				1	
8	62Y-45127-00	.SEAL .JOINT				1	
9	663-45123-00	.GASKET, MUFFLER .JOINT, POT DE DETENTE				1	
10	90430-08020	.GASKET .JOINT				2	
11	93210-49046	.O-RING .JOINT TORIQUE				1	
12	93106-09014	.OIL SEAL .JOINT SPY				1	
13	6H3-44315-A0	.GASKET, WATER PUMP .JOINT, POMPE A EAU				1	
14	93101-23070	.OIL SEAL .JOINT SPY				2	
15	93210-46044	.O-RING .JOINT TORIQUE				1	
16	688-44316-A0	.GASKET, WATER PUMP .JOINT, POMPE A EAU				1	
17	6H3-44324-A0	.GASKET, CARTRIDGE .JOINT				1	
18	93210-86M39	.O-RING .JOINT TORIQUE				1	
19	93101-25M03	.OIL SEAL .JOINT SPY				2	
20	663-44366-00	.DAMPER, WATER SEAL .JOINT, TUBE D'EAU				1	
21	93210-07003	.O-RING .JOINT TORIQUE				1	
22	6H3-W0078-02	WATER PUMP REPAIR KIT KIT DE REPARATION DE LA POMPE				1	FT50C
23	663-44322-00	.INSERT, CARTRIDGE .CUVETTE				1	
24	6H3-44352-00	.IMPELLER .TURBINE				1	
25	6H3-44315-A0	.GASKET, WATER PUMP .JOINT, POMPE A EAU				1	
26	6H3-44323-00	.OUTER PLATE, CARTRIDGE .PLAQUE EXTERIEURE				1	
27	6H3-44324-A0	.GASKET, CARTRIDGE .JOINT				1	

E1

FIG. 39 REPAIR KIT 5

KITS DE PEPARATION 5

REF. NO.	PART NO. NO. PIECES	DESCRIPTION DESCRIPTION	40ET	50ED	50ET	FT50	REMARKS REMARQUES
28	688-44316-A0	.GASKET, WATER PUMP .JOINT, POMPE A EAU				1	
29	93210-46044	.O-RING .JOINT TORIQUE				1	
30	90119-08M14	.BOLT, WITH WASHER .BOULON, AVEC RONDELLE				2	
31	90119-08M33	.BOLT, WITH WASHER .BOULON, AVEC RONDELLE				2	
32	90280-03M03	.KEY, WOODRUFF .CLAVETTE, DEMI-LUNE				1	
33	6H3-W0078-0A	CHROME PUMP KIT KIT DE POMPE A EAU CHROMEE				1	FT50C
34	670-44322-01	.INSERT, CARTRIDGE .CUVETTE				1	
35	670-44321-00	.INNER PLATE, CARTRIDGE .CUVETTE				1	
36	6H3-44323-40	.OUTER PLATE, CARTRIDGE .PLAQUE EXTERIEURE				1	



62Y1300-2390

F40A/F50A/FT50C
PARTS CATALOGUE
F 2001 by Yamaha Motor Co., Ltd.
1st Edition, Oct. 2001
All rights reserved.
Any reprinting or unauthorized use
without the written permission of
Yamaha Motor Co., Ltd.
is expressly prohibited.

F40A/F50A/FT50C
CATALOGUE DE PIECES DETACHEES
F 2001 Yamaha Motor Co., Ltd.
1ère Edition, Oct. 2001
Tous droits réservés.
Toute réimpression ou utilisation
sans la permission écrite de la
Yamaha Motor Co., Ltd.
est formellement interdite.