

**PARTS  
CATALOGUE  
CATALOGUE  
DE PIECES DETACHEES**

**75CETO(6H01)**

**90AETO(6H12)**

**YAMAHA**  
**GENUINE**  
Parts & Accessories

2A6H0-300F1

# FOREWORD

This Parts Catalogue is related to the parts for the model(s) in the below frame. When you are ordering replacement parts, please refer to this Parts Catalogue and quote both part numbers and part names correctly.

75CETO'02(6H01), 90AETO'02(6H12)

## 5. Quantity Column Information

NAME for Q'TY COLUMN	APPLICABLE MODEL
75C	75CETO
90A	90AETO

## 6. Applicable Starting Serial No. and Color Code

### 1) Engine Starting Sserial No.

75CETO	692 L : 952776	90AETO	6H1 L : 508718
--------	----------------	--------	----------------

1. Modifications or additions which have been made after issue of the Parts Catalogue will be announced in the Yamaha Parts News. It is advisable that you make necessary corrections to the Parts Catalogue according to the Yamaha Parts News.

### 2. Abbreviations

The Following abbreviations are used in this Parts Catalogue.

“UR” Use specified parts number.

“UN” Use as many as needed.

“AP” Alternate Parts

“LM” Local Made

(Parts need to be ordered locally)

“O/S” Over Size

3. Parts, which are to be supplied in an assembly, are listed with a dot(.) in front of the part name as shown below.

#### EXAMPLE

CARBURETOR ASSY

.JET, PILOT

.NOZZLE, MAIN

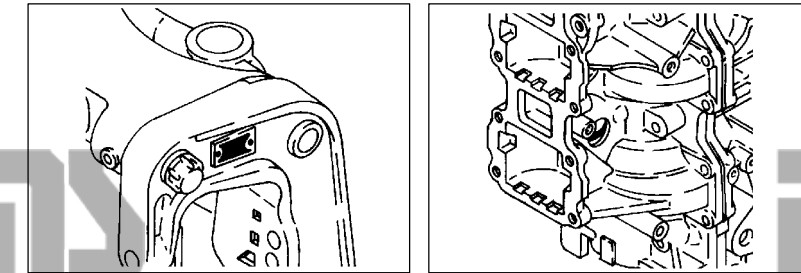
### 4. Number of component for assembly

The numeral appearing to the right of each component part indicates the quantity of parts for each assembly unit.

#### EXAMPLE

PART NO.	DESCRIPTION	□	□	□	□	REMARKS
6E0-85500-70	C.D.I. MAGNETO ASSY	1				
6E0-85550-70	.ROTOR ASSY	1				
6E0-15723-00-94.	.PULLY, STARTER	1				

### 2) Engine Starting Sserial No.



### 2) Color Code

Color Code	Color Name	Abbreviation
004D	DARK BLUISH GRAY METALLIC 2	DBNM2

7. Note that the illustrations for reference in finding parts numbers, not to be used for assembling. When assembling, please use the applicable service manual.

8. The asterisk (\*) before a reference number indicates modification items after the first edition.

SHEET 1/2

TOP COWLING .....	A4
CYLINDER. CRANKCASE .....	A6
CRANKSHAFT. PISTON .....	B2
INTAKE .....	B4
CARBURETOR .....	B5
OIL PUMP .....	B7
FUEL .....	C2
GENERATOR .....	C4
ELECTRICAL .....	C5
STARTING MOTOR .....	C7
BOTTOM COWLING .....	D1
CONTROL .....	D3
BRACKET 1 .....	D5
BRACKET 2 .....	D7
POWER TRIM & TILT ASSY .....	E2
UPPER CASING .....	E5
LOWER CASING. DRIVE 1 .....	E6
LOWER CASING. DRIVE 2 .....	F3
FUEL TANK .....	F5
STEERING GUIDE .....	F6
REMOTE CONTROL BOX .....	F7

INDEX

NUMERICAL INDEX .....	G1
-----------------------	----

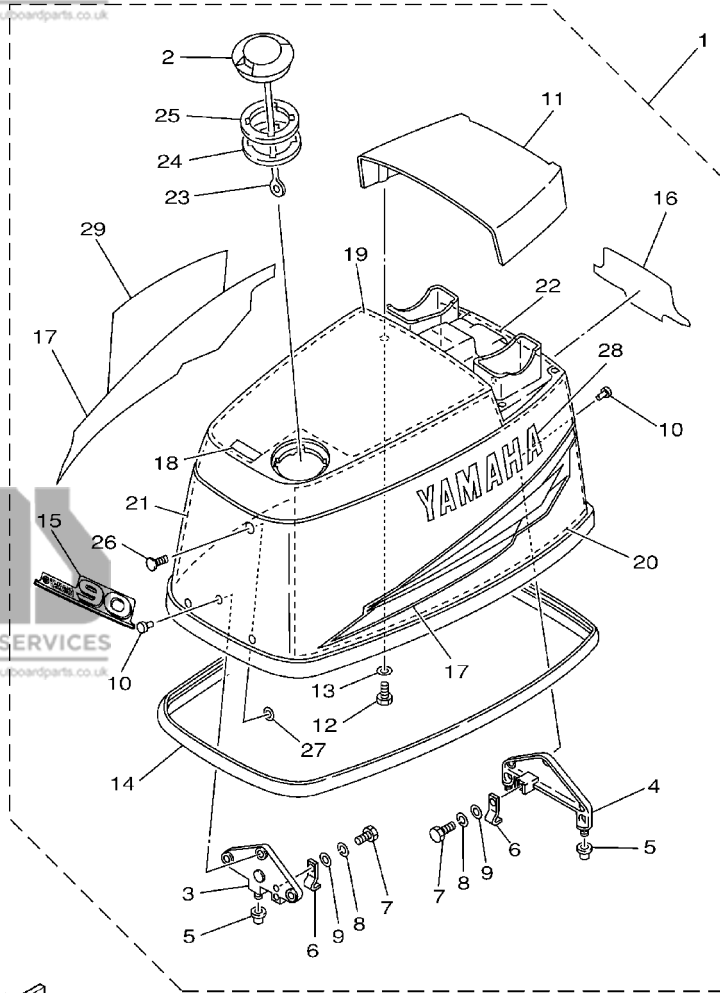
# CONTENTS

SHEET 2/2

REMOTE CONTROL ASSY .....	A4*
METER .....	A7*
REPAIR KIT 1 .....	B1*
REPAIR KIT 2 .....	B3*

INDEX

NUMERICAL INDEX .....	G1*
-----------------------	-----



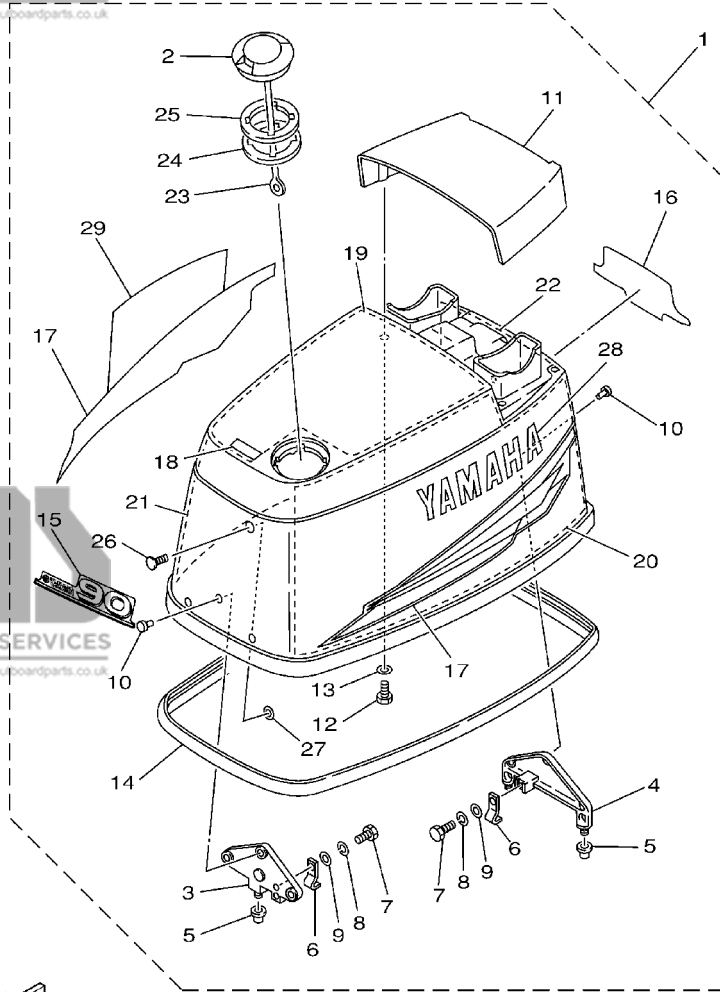
6H12200-2010

**FIG. 1 TOP COWLING**

**CAPOT SUPERIEUR**

REF. NO.	PART NO. NO. PIECES	DESCRIPTION DESCRIPTION	75C	90A	REMARKS REMARQUES
1	<a href="#">6H1-42610-60-4D</a>	TOP COWLING ASSY CAPOT (ENS.)		1	
	<a href="#">6H0-42610-B0-4D</a>	TOP COWLING ASSY CAPOT (ENS.)	1		
2	<a href="#">63D-2177H-00</a>	.DISK CAP 2 .BOUCHON DE DISQUE 2	1	1	
3	<a href="#">6H1-42647-00-94</a>	.HOLDER, CLAMP BAND .SUPPORT, SANDOW DE SERRAGE	1	1	
4	<a href="#">6H1-42649-00-94</a>	.HOLDER, CLAMP BAND .SUPPORT, SANDOW DE SERRAGE	1	1	
5	<a href="#">663-42662-00</a>	.DAMPER .AMORTISSEUR	3	3	
6	<a href="#">688-42652-10</a>	.HOOK .CROCHET	2	2	
7	<a href="#">97095-06016</a>	.BOLT .BOULON	2	2	
8	<a href="#">92995-06100</a>	.WASHER, SPRING .RONDELLE, GROWER	2	2	
9	<a href="#">92995-06600</a>	.WASHER .RONDELLE	2	2	
10	<a href="#">90266-06009</a>	.RIVET .RIVET	6	6	
11	<a href="#">6H1-42613-01-4D</a>	.MOLDING, AIR DUCT .MANCHON A AIR	1	1	
12	<a href="#">97095-06016</a>	.BOLT .BOULON	4	4	
13	<a href="#">92995-06600</a>	.WASHER .RONDELLE	4	4	
14	<a href="#">688-42615-00</a>	.SEAL .JOINT	1	1	
15	<a href="#">6H1-42677-60</a>	.GRAPHIC, FRONT .ADHESIF, AVANT	1		
	<a href="#">6H0-42677-A0</a>	.GRAPHIC, FRONT .ADHESIF, AVANT	1		
16	<a href="#">6H1-42678-30</a>	.GRAPHIC, REAR .ADHESIF, ARRIERE		1	
	<a href="#">6H0-42678-90</a>	.GRAPHIC, REAR .ADHESIF, ARRIERE	1		
17	<a href="#">6H1-W0070-30</a>	.GRAPHIC SET .JEU DIEMBLEMES	1	1	
18	<a href="#">6H1-13436-00</a>	.MARK .ADHESIF		1	
	<a href="#">6H1-13436-41</a>	.MARK .ADHESIF	1		
19	<a href="#">6H1-42617-10</a>	.DAMPER, FORM .BOURRELET, CAOUTCHOUC	1	1	
20	<a href="#">6H1-42619-00</a>	.DAMPER, FORM .BOURRELET, CAOUTCHOUC	1	1	
21	<a href="#">6H1-42627-00</a>	.DAMPER, FORM .BOURRELET, CAOUTCHOUC	1	1	
22	<a href="#">6H1-42637-00</a>	.DAMPER, FORM .BOURRELET, CAOUTCHOUC	1	1	
23	<a href="#">6H1-42694-00</a>	.BAND .COLLIER	1	1	

**A4**

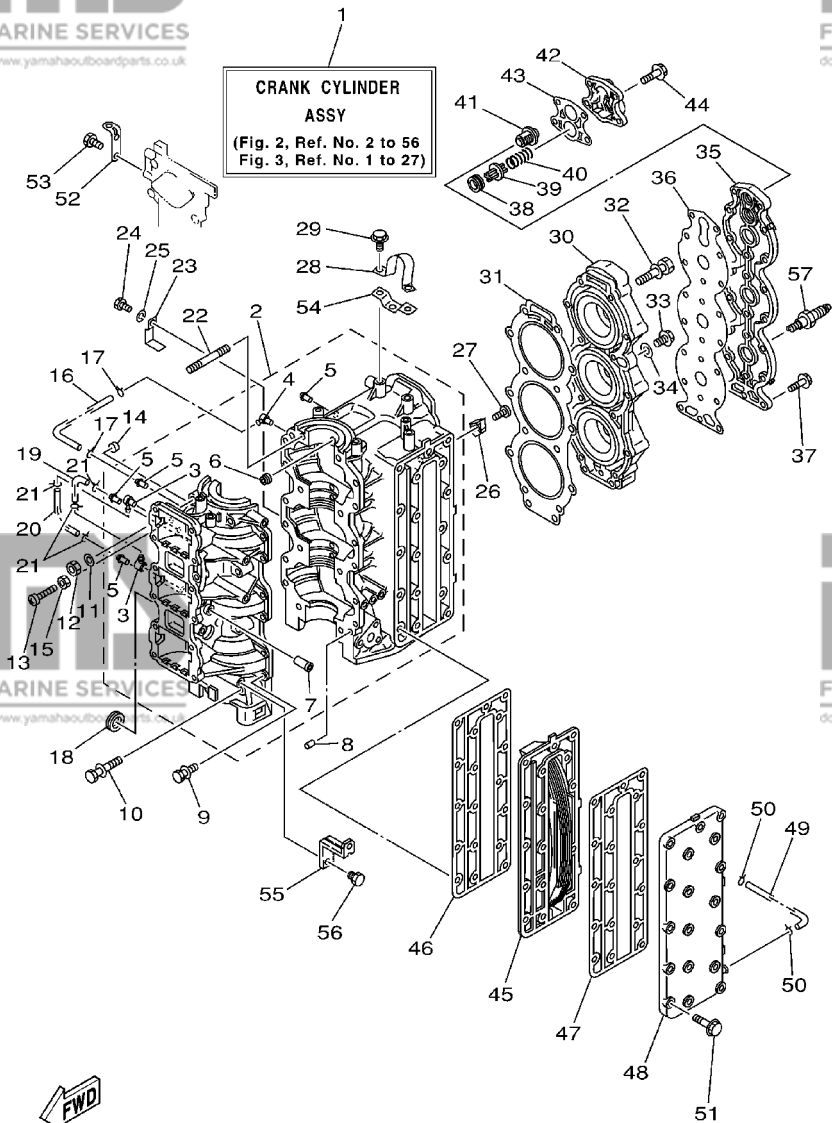


6H12200-2010

**FIG. 1 TOP COWLING**

**CAPOT SUPERIEUR**

REF. NO.	PART NO. NO. PIECES	DESCRIPTION DESCRIPTION	75C	90A	REMARKS REMARQUES
24	6H3-21732-00	.SEAL 1 .JOINT 1	1	1	
25	6H3-21735-00	.SEAL 2 .JOINT 2	1	1	
26	90338-05M12	.PLUG .PLOT	1	1	
27	90183-05M06	.NUT, SPRING .ECROU, RESSORT	1	1	
28	6H1-42681-30	.MARK, COWLING .ADHESIF, CAPOT	1	1	
29	6H1-42682-30	.MARK, COWLING .ADHESIF, CAPOT	1	1	

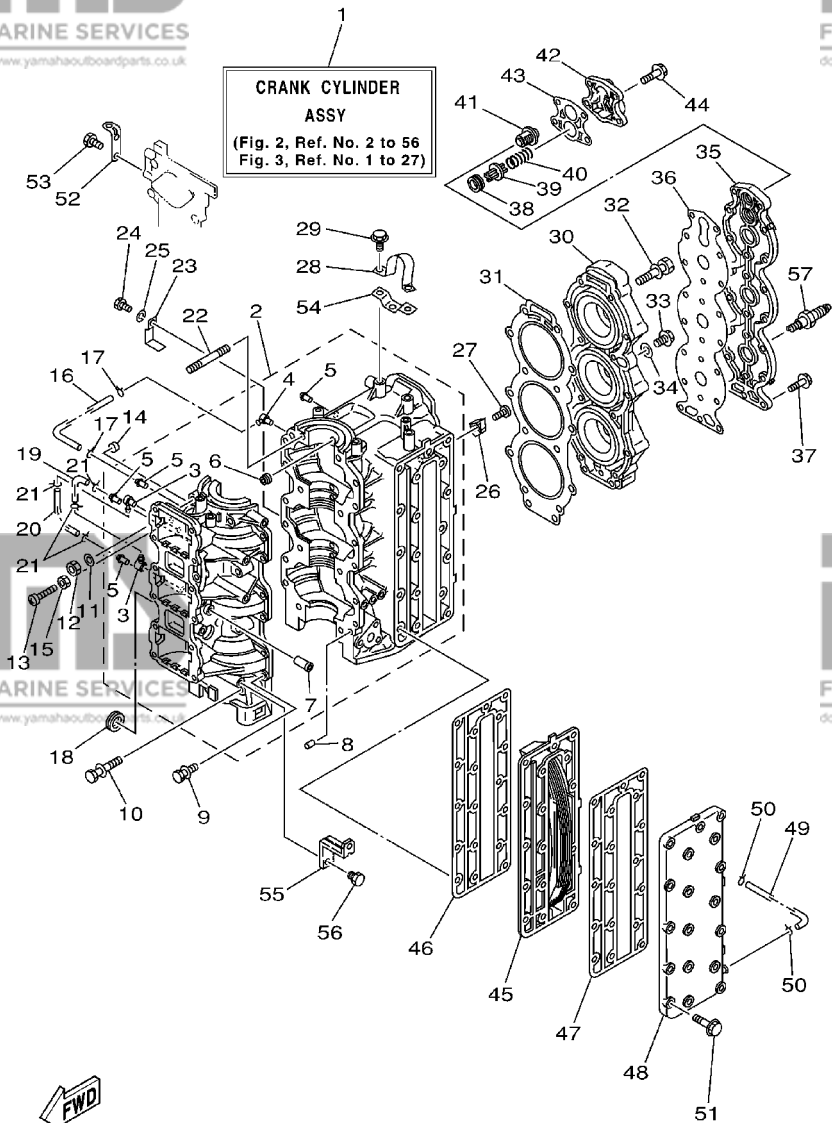


6H12200-2020

**FIG. 2 CYLINDER. CRANKCASE CYLINDRE. CARTER**

REF. NO.	PART NO. NO. PIECES	DESCRIPTION DESCRIPTION	75C	90A	REMARKS REMARQUES
1	<a href="#">6H1-W0090-43-1S</a>	CRANK CYLINDER ASSY EMBIELLAGE CYLINDRE (ENS.)	1	1	
2	<a href="#">6H1-15100-02-1S</a>	CRANKCASE ASSY CARTER DE MOTEUR COMPLET	1	1	
3	<a href="#">688-11370-00</a>	.CHECK VALVE ASSY .CLAPET (ENS.)	2	2	
4	<a href="#">650-11370-00</a>	.CHECK VALVE ASSY .CLAPET (ENS.)	1	1	
5	<a href="#">624-14485-00</a>	.PIPE, JOINT .DURITE	4	4	
6	<a href="#">663-11518-01</a>	.LOCK, BEARING .CENTREUR, ROULEMENT	3	3	
7	<a href="#">650-24378-00</a>	.PIPE, JOINT 4 .DURITE RACCORDEMENT 4	1	1	
8	<a href="#">93608-12063</a>	PIN, DOWEL GOUJON	2	2	
9	<a href="#">90119-06M12</a>	BOLT, WITH WASHER BOULON, AVEC RONDELLE	12	12	
10	<a href="#">90119-10005</a>	BOLT, WITH WASHER BOULON, AVEC RONDELLE	6	6	
11	<a href="#">90201-10008</a>	WASHER, PLATE RONDELLE, PLATE	2	2	
12	<a href="#">95313-10600</a>	NUT ECROU	2	2	
13	<a href="#">90157-06014</a>	SCREW, PAN HEAD VIS, TETE TRONCONIQUE	1	1	
14	<a href="#">688-44194-00</a>	CAP CAPUCHON	1	1	
15	<a href="#">95303-06700</a>	NUT ECROU	1	1	
16	<a href="#">90445-07260</a>	HOSE (L276) DURITE (L276)	1	1	
17	<a href="#">90467-06016</a>	CLIP JONC	2	2	
18	<a href="#">90480-24M04</a>	GROMMET PASSE-FIL	1	1	
19	<a href="#">90445-07M00</a>	HOSE (L100) DURITE (L100)	1	1	
20	<a href="#">90445-07M23</a>	HOSE (L408) DURITE (L408)	1	1	
21	<a href="#">90467-06016</a>	CLIP JONC	4	4	
22	<a href="#">90116-10M06</a>	BOLT, STUD GOUJON	2	2	
23	<a href="#">90465-12M03</a>	CLAMP BRIDE	1	1	
24	<a href="#">97095-06014</a>	BOLT BOULON	1	1	
25	<a href="#">92995-06100</a>	WASHER, SPRING RONDELLE, GROWER	1	1	
26	<a href="#">688-11325-00</a>	ANODE ANODE	2	2	
27	<a href="#">98780-04015</a>	SCREW, FLAT HEAD VIS, TETE PLATE	2	2	

**A6**



**FIG. 2 CYLINDER. CRANKCASE CYLINDRE. CARTER**

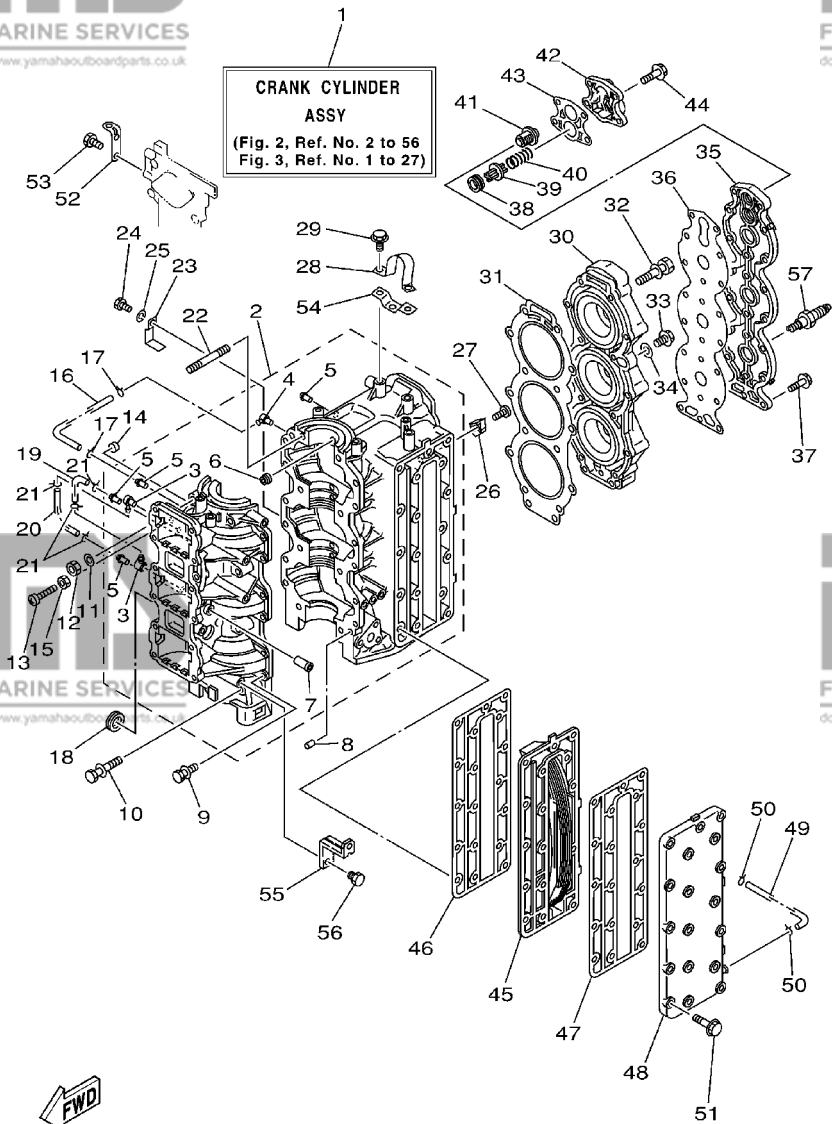
REF. NO.	PART NO. NO. PIECES	DESCRIPTION DESCRIPTION	75C	90A	REMARKS REMARQUES
28	688-11119-01	HANGER, ENGINE ANNEAU, LEVAGE	1	1	
29	90119-08MA3	BOLT, WITH WASHER BOULON, AVEC RONDELLE	2	2	
30	6H1-11111-01-1S	HEAD, CYLINDER 1 CULASSE	1	1	
31	688-11181-A1	GASKET, CYLINDER HEAD 1 JOINT, DE CULASSE 1	1	1	
32	90119-08MA8	BOLT, WITH WASHER BOULON, AVEC RONDELLE	14	14	
33	90340-14M00	PLUG, STRAIGHT SCREW PLOT, FILETE DROIT	1	1	
34	90430-14115	GASKET JOINT	1	1	
35	688-11191-00-1S	COVER, CYLINDER HEAD 1 COUVERCLE, CULASSE 1	1	1	
36	688-11193-A1	GASKET, HEAD COVER 1 JOINT, COUVERCLE DE CULASSE 1	1	1	
37	90119-06MA3	BOLT, WITH WASHER BOULON, AVEC RONDELLE	18	18	
38	90480-20M05	GROMMET PASSE-FIL	1	1	
39	688-12416-00	VALVE, PRESSURE CONTROL SOUPEPE DE CONTROLEUR PRESS	1	1	
40	90501-16M11	SPRING, COMPRESSION RESSORT, COMPRESSION	1	1	
41	688-12411-10	THERMOSTAT THERMOSTAT	1	1	
42	688-12413-00-1S	COVER, THERMOSTAT COUVERCLE, THERMOSTAT	1	1	
43	688-12414-A1	GASKET, COVER JOINT, COUVERCLE	1	1	
44	90119-06MA5	BOLT, WITH WASHER BOULON, AVEC RONDELLE	4	4	
45	688-41111-00-1S	INNER COVER, EXHAUST PLAQUE, ECHAPPEMENT	1	1	
46	688-41112-A0	GASKET, EXHAUST INNER COVER JOINT, PLAQUE D'ECHAPPEMENT	1	1	
47	688-41114-A0	GASKET, EXHAUST OUTER COVER JOINT, COUVERCLE D'ECHAPPEMENT	1	1	
48	688-41113-00-1S	OUTER COVER, EXHAUST COUVERCLE, ECHAPPEMENT	1	1	
49	663-24312-01	PIPE 2 DURITE 2	1	1	
50	90467-08004	CLIP JONC	2	2	
51	90119-08020	BOLT, WITH WASHER BOULON, AVEC RONDELLE	18	18	
52	6H1-15772-00	STAY 2 SUPPORT 2	1	1	
53	97095-06012	BOLT BOULON	2	2	
54	6H1-15773-01	STAY 3 SUPPORT 3	1	1	

**FWD**  
6H12200-2020

**A7**

**FIG. 2 CYLINDER. CRANKCASE CYLINDRE. CARTER**

REF. NO.	PART NO. NO. PIECES	DESCRIPTION DESCRIPTION	75C	90A	REMARKS REMARQUES
55	<a href="#">6H1-21796-00</a>	HINGE CHARNIERE	1	1	
56	<a href="#">97095-08012</a>	BOLT BOULON	1	1	
57	<a href="#">94702-00247</a>	PLUG, SPARK (NGK BR8HS-10) BOUGIE D'ALLUMAGE (NGK BR8HS-10)	3	3	



6H12200-2020



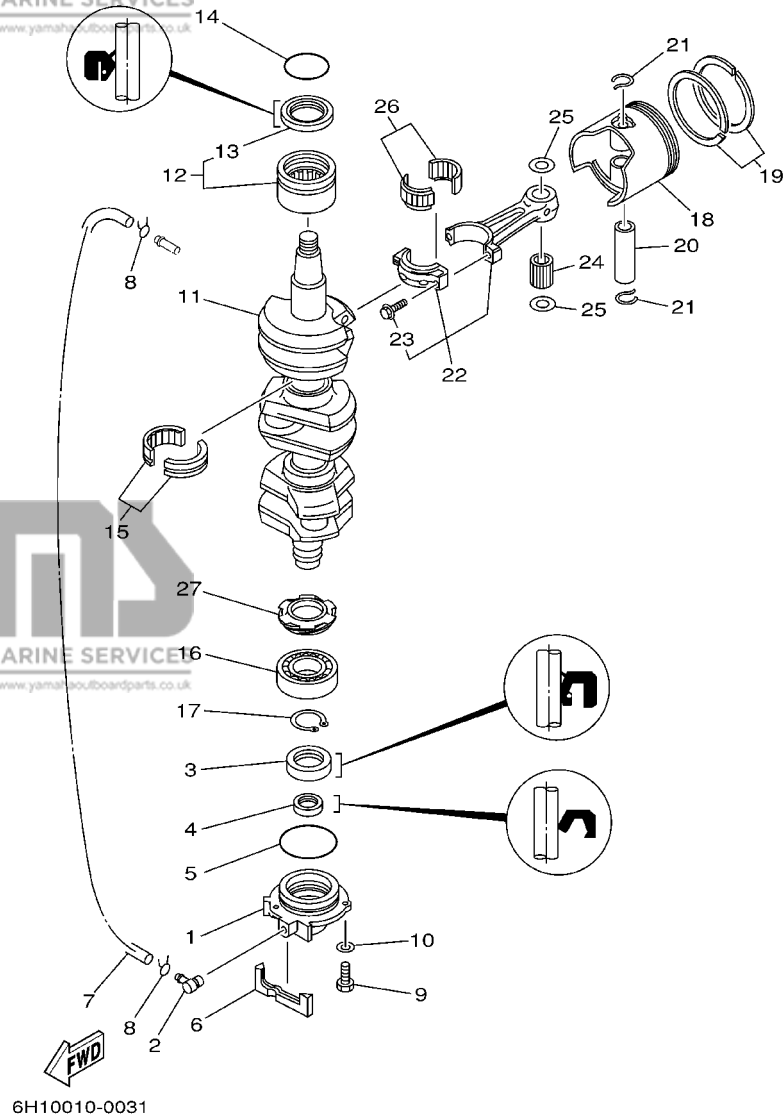


FIG. 3 CRANKSHAFT. PISTON

VILEBREQUIN. PISTON

REF. NO.	PART NO. NO. PIECES	DESCRIPTION DESCRIPTION	75C	90A	REMARKS REMARQUES
1	6H1-15359-01-94	HOUSING, OIL SEAL LOGEMENT, BAGUE D'ETANCHEITE	1	1	
2	688-11370-00	CHECK VALVE ASSY CLAPET (ENS.)	1	1	
3	93102-30M05	OIL SEAL JOINT SPY	1	1	
4	93104-20M02	OIL SEAL JOINT SPY	1	1	
5	93210-62269	O-RING JOINT TORIQUE	1	1	
6	688-15379-00	SEAL, CRANKCASE JOINT SPY DE CARTER DE MOTEUR	1	1	
7	90445-07M86	HOSE (L460) DURITE (L460)	1	1	
8	90467-06016	CLIP JONC	2	2	
9	97095-06020	BOLT BOULON	3	3	
10	92995-06600	WASHER RONDELLE	3	3	
11	688-11411-01	CRANKSHAFT VILEBREQUIN COMPLET	1	1	
12	93310-636U4	BEARING ROULEMENT	1	1	
13	93102-36M02	OIL SEAL JOINT SPY	1	1	
14	93210-46M16	O-RING JOINT TORIQUE	1	1	
15	93310-835U8	BEARING ROULEMENT	2	2	
16	93306-206U5	BEARING ROULEMENT	1	1	
17	93410-32M00	CIRCLIP CIRCLIP, TYPE S	1	1	
18	6H1-11631-03-95	PISTON (STD) PISTON (STD)	3	3	
	6H1-11635-03	PISTON (0.25MM O/S) PISTON (0.25MM O/S)	3	3	AP
	6H1-11636-03	PISTON (0.50MM O/S) PISTON (0.50MM O/S)	3	3	AP
19	688-11603-A0	PISTON RING SET (STD) JUE DE SEGMENTS (STD)	3	3	
	688-11604-A0	PISTON RING SET (0.25MM O/S) JUE DE SEGMENTS (0.25MM O/S)	3	3	AP
	688-11605-A0	PISTON RING SET (0.50MM O/S) JUE DE SEGMENTS (0.50MM O/S)	3	3	AP
20	663-11633-00	PIN, PISTON AXE, PISTON	3	3	
21	688-11634-10	CLIP, PISTON PIN AGRAFE, AXE DE PISTON	6	6	
22	688-11650-03	CONNECTING ROD ASSY BIELLE COMPLETE	3	3	
23	90109-08022	BOLT BOULON	2	2	

**B2**

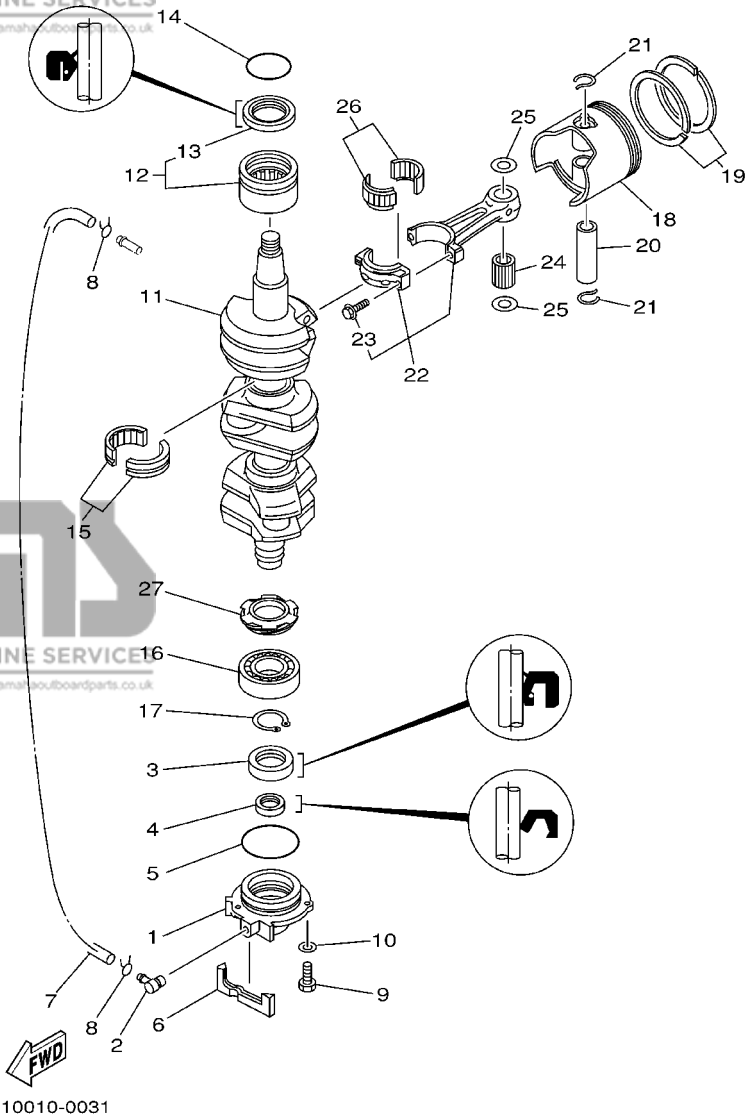
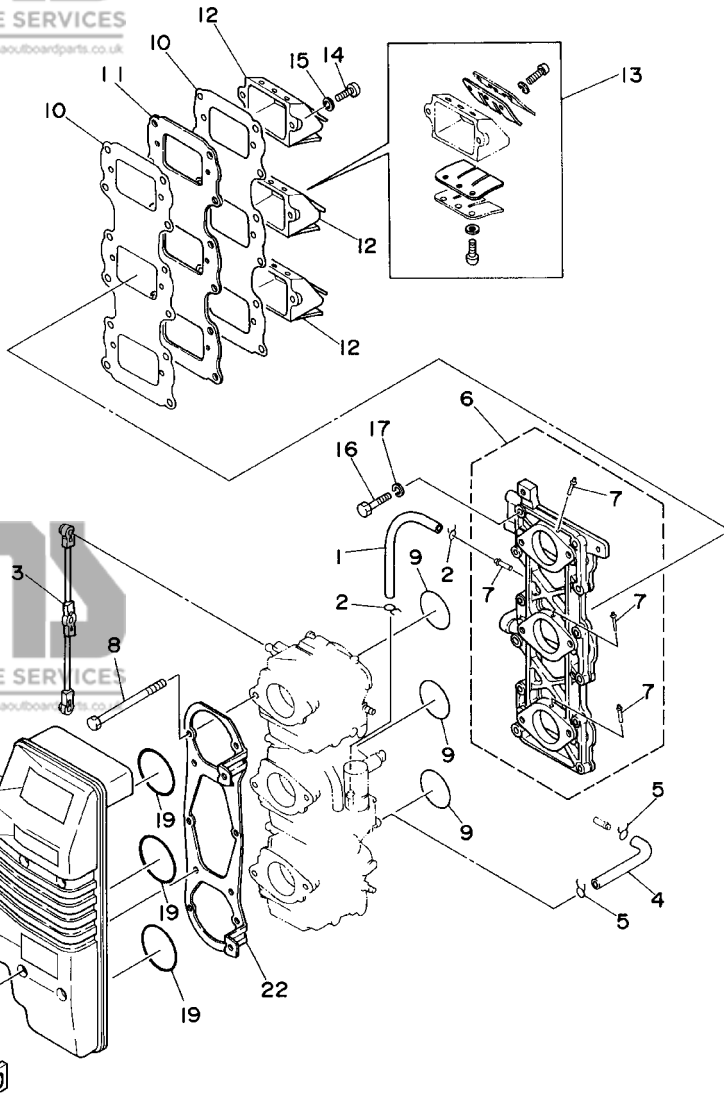


FIG. 3 CRANKSHAFT. PISTON

VILEBREQUIN. PISTON

REF. NO.	PART NO. NO. PIECES	DESCRIPTION DESCRIPTION	75C	90A	REMARKS REMARQUES
24	93603-21111	PIN, DOWEL GOUJON	84	84	
25	90201-20417	WASHER, PLATE RONDELLE, PLATE	6	6	
26	93310-730V8	BEARING ROULEMENT	3	3	
27	6H1-11536-00	GEAR, DRIVE ENGRENAGE, MENANT	1	1	

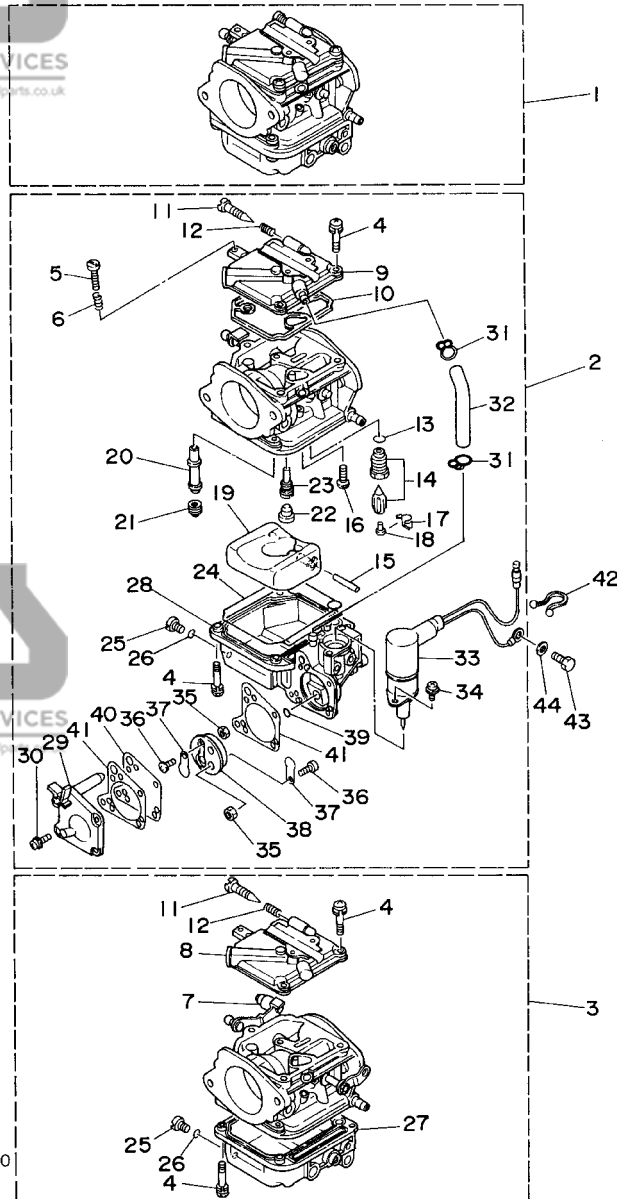


6H12100-2040

FIG. 4 INTAKE

ADMISSION

REF. NO.	PART NO. NO. PIECES	DESCRIPTION DESCRIPTION	75C	90A	REMARKS REMARQUES
1	90445-07M23	HOSE (L408) DURITE (L408)	1	1	
2	90467-06016	CLIP JONC	2	2	
3	688-41217-01	ROD, ACCEL. LEVER TIGE, LEVIER ACCELERATION	1	1	
4	6H3-14349-00	PIPE DURITE	1	1	
5	90467-08004	CLIP JONC	2	2	
6	6H1-13641-02-94	MANIFOLD 1 TUBULURE 1	1	1	
7	6H1-14485-00	.PIPE, JOINT .DURITE	4	4	
8	97095-06095	BOLT BOULON	6	6	
9	93210-39ME4	O-RING JOINT TORIQUE	3	3	
10	688-13621-A1	GASKET, VALVE SEAT JOINT, SIEGE DE CLAPET	2	2	
11	688-13624-00	PLATE, REED VALVE PLAQUE DE CLAPET	1	1	
12	688-13610-00	REED VALVE ASSY CLAPET COMPLET	3	3	
13	688-W0004-00	.REED SET .JEU DE CLAPETS	1	1	
14	97880-05020	SCREW, PAN HEAD VIS, TETE TRONCONIQUE	6	6	
15	92990-05100	WASHER, SPRING RONDELLE, GROWER	6	6	
16	97013-06030	BOLT BOULON	12	12	
17	92903-06100	WASHER, SPRING RONDELLE, GROWER	12	12	
18	6H1-14440-02	SILENCER ASSY, INTAKE SIENCIEUX D'ADMISSION	1	1	
19	93210-46044	O-RING JOINT TORIQUE	3	3	
20	97885-06050	SCREW, PAN HEAD VIS, TETE TRONCONIQUE	4	4	
21	90209-06M05	WASHER RONDELLE	4	4	
22	6H1-14413-02	STAY SUPPORT	1	1	
23	6H1-85711-60	MARK, CAUTION MAKER	1	1	
24	6A1-83625-41	MARK 5 ETIQUETTE 5	1	1	
25	6A1-83625-51	MARK 5 ETIQUETTE 5	1	1	



**FIG. 5 CARBURETOR**

**CARBURETEUR**

REF. NO.	PART NO. NO. PIECES	DESCRIPTION DESCRIPTION	75C	90A	REMARKS REMARQUES
1	<a href="#">6H1-14301-07</a>	CARBURETOR ASSY 1 CARBURATEUR COMPLET 1		1	
	<a href="#">6H0-14301-07</a>	CARBURETOR ASSY 1 CARBURATEUR COMPLET 1	1		
2	<a href="#">6H1-14302-07</a>	CARBURETOR ASSY 2 CARBURATEUR COMPLET 2		1	
	<a href="#">6H0-14302-07</a>	CARBURETOR ASSY 2 CARBURATEUR COMPLET 2	1		
3	<a href="#">6H1-14303-07</a>	CARBURETOR ASSY 3 CARBURATEUR COMPLET 3		1	
	<a href="#">6H0-14303-07</a>	CARBURETOR ASSY 3 CARBURATEUR COMPLET 3	1		
4	<a href="#">97980-04114</a>	.SCREW, WITH WASHER .VIS, AVEC RONDELLE	21	21	
5	<a href="#">63V-14523-00</a>	.SCREW, STOP .VIS, BUTEE	1	1	#2
6	<a href="#">90501-10326</a>	.SPRING, COMPRESSION .RESSORT, COMPRESSION	1	1	#2
7	<a href="#">6H2-14578-00</a>	.COLLAR .COLLERETTE	1	1	#3
8	<a href="#">6H4-14146-00</a>	.PLATE .PLAQUE	2	2	#1,3
9	<a href="#">6H3-14146-10</a>	.PLATE .PLAQUE	1	1	#2
10	<a href="#">6H4-14147-00</a>	.O-RING .JOINT TORIQUE	3	3	
11	<a href="#">692-14923-00</a>	.SCREW, PILOT .VIS, RALENTI	3	3	
12	<a href="#">697-14555-00</a>	.SPRING .RESSORT	3	3	
13	<a href="#">93210-04228</a>	.O-RING .JOINT TORIQUE	3	3	
14	<a href="#">692-14590-00</a>	.VALVE SEAT .POINTEAU	3	3	
15	<a href="#">6H4-14548-00</a>	.PIN, FLOAT ARM .AXE, BRAS DE FLOTTEUR	3	3	
16	<a href="#">98580-04008</a>	.SCREW, PAN HEAD .VIS, TETE TRONCONIQUE	3	3	
17	<a href="#">663-14159-00</a>	.CLIP .JONC	3	3	
18	<a href="#">676-14186-00</a>	.PIN, FLOAT .AXE, FLOTTEUR	3	3	
19	<a href="#">6H4-14985-01</a>	.FLOAT .FLOTTEUR	3	3	
20	<a href="#">6H1-14947-75</a>	.JET, NEEDLE .GICLEUR DE STARTER	3	3	
21	<a href="#">6H1-14943-39</a>	.JET, MAIN (#160) .GICLEUR, PRINCIPAL (#160)	3	3	
22	<a href="#">676-14966-00</a>	.CAP .CAPUCHON	3	3	
23	<a href="#">6H1-14948-18</a>	.JET (#78) .GICLEUR (#78)	3	3	
24	<a href="#">6H4-14984-00</a>	.GASKET, FLOAT CHAMBER .JOINT, CUVE DE FLOTTEUR	3	3	

**B5**

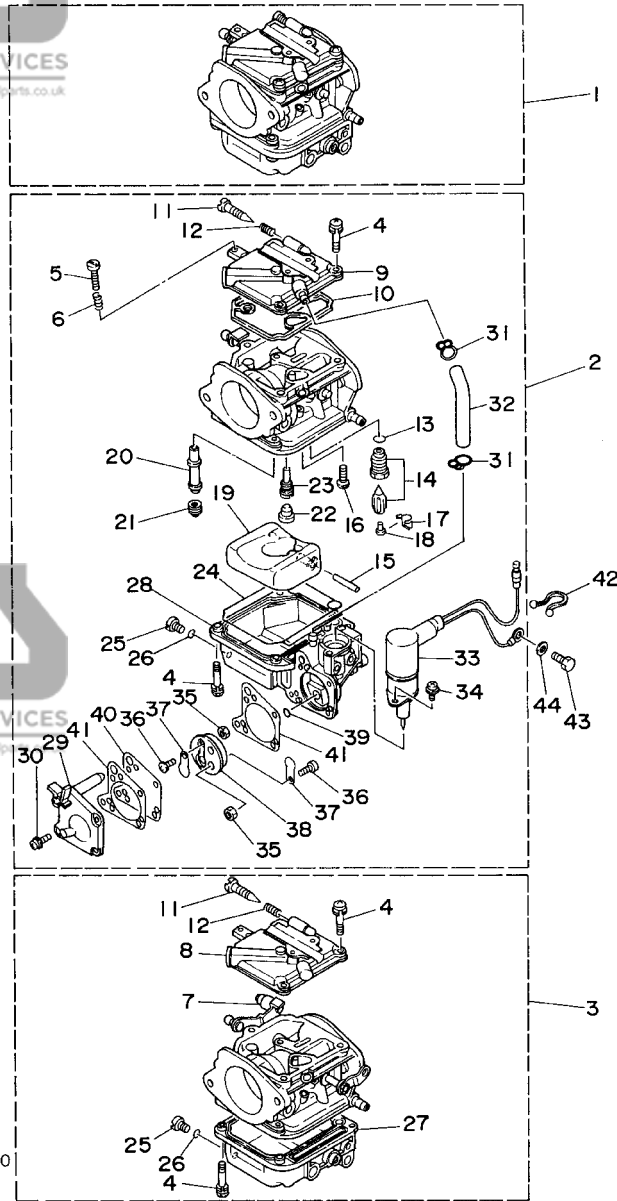
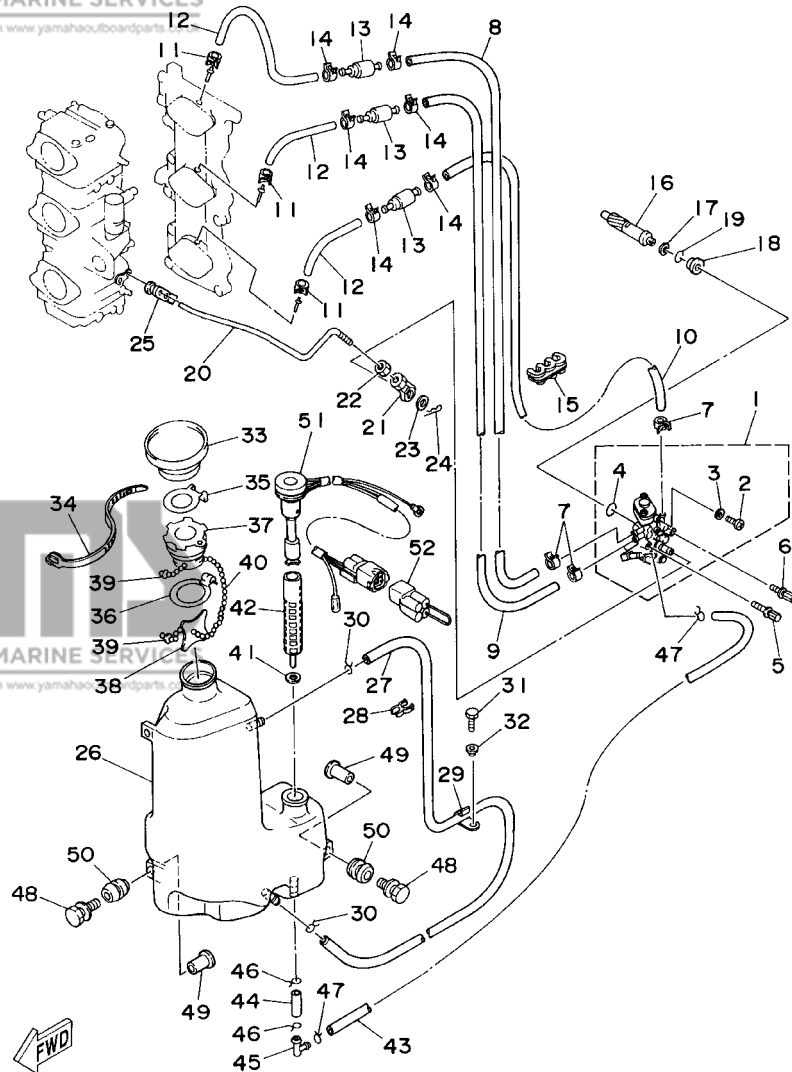


FIG. 5 CARBURETOR

CARBURETEUR

REF. NO.	PART NO. NO. PIECES	DESCRIPTION DESCRIPTION	75C	90A	REMARKS REMARQUES
25	6H3-14992-00	.SCREW, DRAIN .BOUCHON, PURGE	3	3	
26	93210-04230	.O-RING .JOINT TORIQUE	3	3	
27	6H4-14980-00	.BODY, FLOAT CHAMBER .CORPS, CUVE DE FLOTTEUR	2	2	#1,3
28	6H3-14980-10	.BODY, FLOAT CHAMBER .CORPS, CUVE DE FLOTTEUR	1	1	#2
29	6H3-24452-10	.COVER .COUVERCLE	1	1	#2
30	6H4-14567-00	.SCREW .VIS	4	4	#2
31	6H3-14137-00	.CLIP .JONC	2	2	#2
32	6H3-14349-00	.PIPE .DURITE	1	1	#2
33	6H3-14380-00	.STARTER ASSY .DEMARREUR COMPLET	1	1	#2
34	97803-04008	.SCREW, PAN HEAD .VIS, TETE TRONCONIQUE	2	2	#2
35	95380-03600	.NUT .ECROU	2	2	#2
36	98980-03006	.SCREW, BIND .VIS, DE PRESSION	2	2	#2
37	6L5-24421-00	.VALVE, CHECK .SOUPAPE, RETENUE	2	2	#2
38	6H4-24413-00	.BODY 2 .CORPS 2	1	1	#2
39	6H4-24486-00	.O-RING .JOINT TORIQUE	1	1	#2
40	6H3-24411-10	.DIAPHRAGM .DIAPHRAGME	1	1	#2
41	6H3-24434-10	.GASKET, BODY .JOINT, CORPS	2	2	#2
42	90465-18147	.CLAMP .BRIDE	1	1	
43	97013-06012	.BOLT .BOULON	1	1	
44	92903-06600	.WASHER, PLATE .RONDELLE, PLATE	1	1	



6H10010-0060

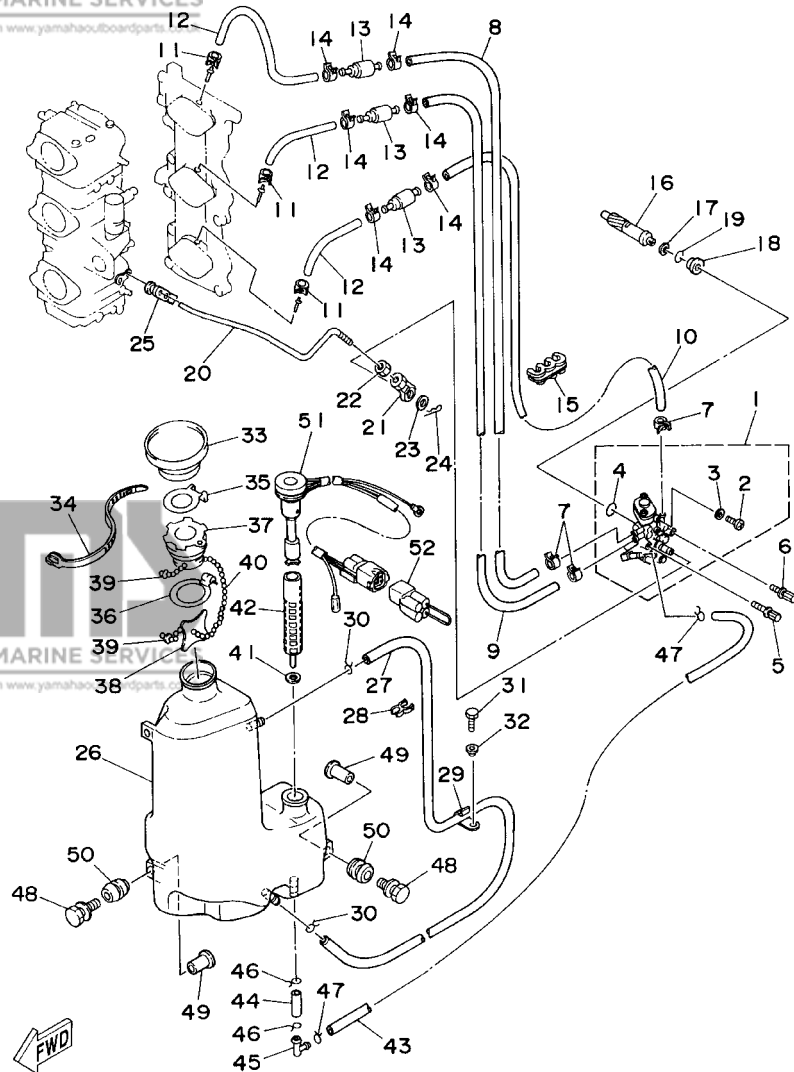
FIG. 6 OIL PUMP

POMPE A HUILE

REF. NO.	PART NO. NO. PIECES	DESCRIPTION DESCRIPTION	75C	90A	REMARKS REMARQUES
1	6H1-13200-02	OIL INJECTION PUMP ASSY POMPE A HUILE COMPLET	1	1	
2	6R3-13471-00	.PLUG, DRAIN .PLOT, VIDANGE	1	1	
3	6L2-13475-00	.GASKET .JOINT	1	1	
4	93210-19MA7	.O-RING .JOINT TORIQUE	1	1	
5	90109-06M39	BOLT BOULON	1	1	
6	90109-06M40	BOLT BOULON	1	1	
7	90468-07M02	CLIP JONC	3	3	
8	90445-07M90	HOSE (L390) DURITE (L390)	1	1	
9	90445-07240	HOSE (L330) DURITE (L330)	1	1	
10	90445-07M44	HOSE (L250) DURITE (L250)	1	1	
11	90468-07M02	CLIP JONC	3	3	
12	90445-07M87	HOSE (L110) DURITE (L110)	3	3	
13	6E9-13183-70	VALVE, CHECK CLAPET ANTI RETOUR	3	3	
14	90468-07M02	CLIP JONC	6	6	
15	90464-07M05	CLAMP BRIDE	1	1	
16	6H1-11537-01	GEAR, DRIVEN PIGNON SECONDAIRE	1	1	
17	90201-08M93	WASHER, PLATE RONDELLE, PLATE	1	1	
18	6H1-13117-01	COLLAR, DISTANCE ENTRETOISE	1	1	
19	93210-13M04	O-RING JOINT TORIQUE	1	1	
20	6H1-41241-02	ROD, LINK BIELLETTE	1	1	
21	6H1-41237-00	JOINT, LINK RACCORD	1	1	
22	95380-05600	NUT ECROU	1	1	
23	90202-05088	WASHER, PLATE RONDELLE, PLATE	1	1	
24	90468-05M03	CLIP JONC	1	1	
25	6E9-41237-00	JOINT, LINK RACCORD	1	1	
26	6H1-21707-07	OIL TANK COMP. RESERVOIR A PETROLE COMP.	1	1	
27	90445-11M09	HOSE (L600) DURITE (L600)	1	1	

**B7**



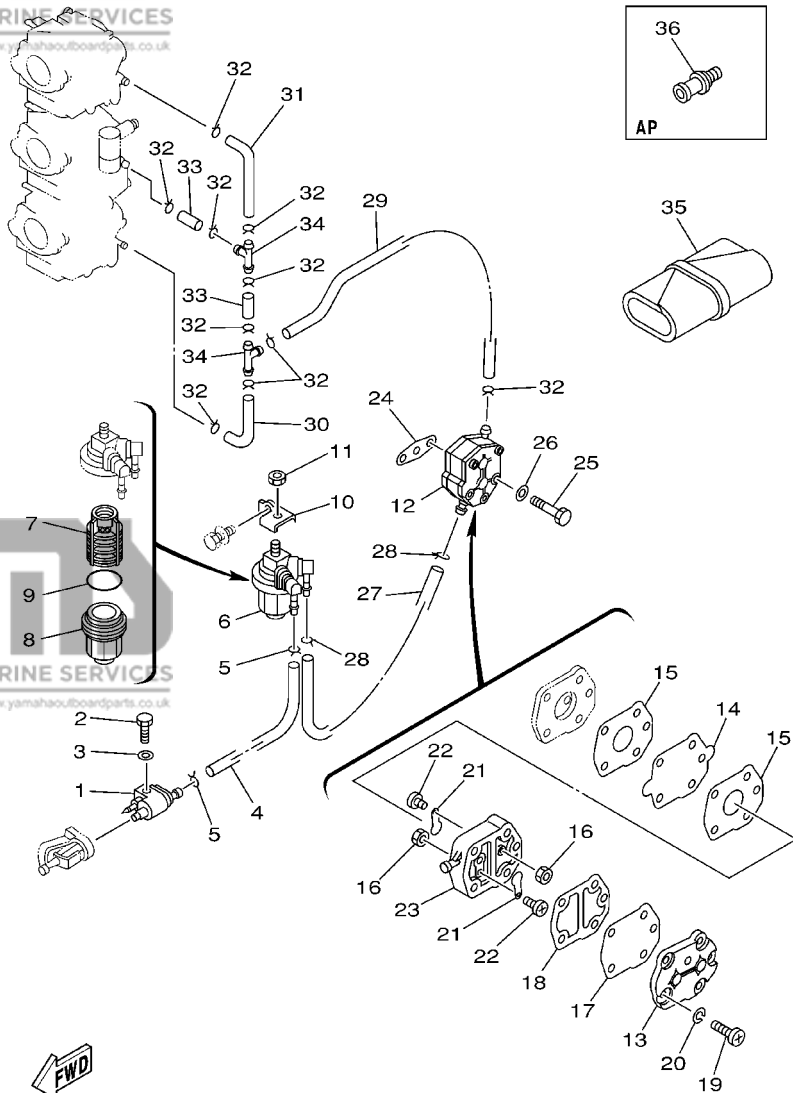


6H10010-0060

FIG. 6 OIL PUMP

POMPE A HUILE

REF. NO.	PART NO. NO. PIECES	DESCRIPTION DESCRIPTION	75C	90A	REMARKS REMARQUES
28	90464-11M24	CLAMP BRIDE	1	1	
29	90465-11M27	CLAMP BRIDE	1	1	
30	90467-11M08	CLIP JONC	2	2	
31	97095-06016	BOLT BOULON	1	1	
32	90387-06M31	COLLAR COLLERETTE	1	1	
33	6H1-21752-00	TUBE, FILLER 1 DURITE	1	1	
34	90465-13M30	CLAMP BRIDE	1	1	
35	63D-2176M-00	HOOK CROCHET	1	1	
36	63D-2175R-00	HOOK, BAND CROCHET, BANDE	1	1	
37	6H4-21770-00	OIL TANK CAP ASSY CABOCHON DE RESERVOIR A HUILE	1	1	
38	6J8-21758-00	WASHER, SPECIAL 2 RONDELLE, SPECIALE 2	1	1	
39	6H1-21757-00	WASHER, SPECIAL 1 RONDELLE, SPECIALE 1	2	2	
40	6H1-24633-00	CHAIN, BALL CHANE DE BALLE	1	1	
41	6J8-13414-00	GASKET, STRAINER COVER JOINT, COUVERCLE DE FILTRE	1	1	
42	6H1-13411-00	STRAINER, OIL FILTRE, HUILE	1	1	
43	6H1-21766-01	PIPE, OIL DURITE A HUILE	1	1	
44	90445-08M01	HOSE (L30) DURITE (L30)	1	1	
45	6H1-13435-00	NIPPLE RACCORD	1	1	
46	90467-12M11	CLIP JONC	2	2	
47	90467-08004	CLIP JONC	2	2	
48	90119-06M88	BOLT, WITH WASHER BOULON, AVEC RONDELLE	3	3	
49	624-42542-00	PIPE TUYAU	3	3	
50	6A0-82317-00	DAMPER, IGNITION COIL AMORTISSEUR, BOBINE D'ALLUM	3	3	
51	6H1-85720-15	OIL LEVEL GAUGE ASSY JAUGE A HUILE CPLT	1	1	
52	6R5-82582-B0	COVER, WIRE HARNESS COUVERCLE, FAISCEAU DE FILS	1	1	AP



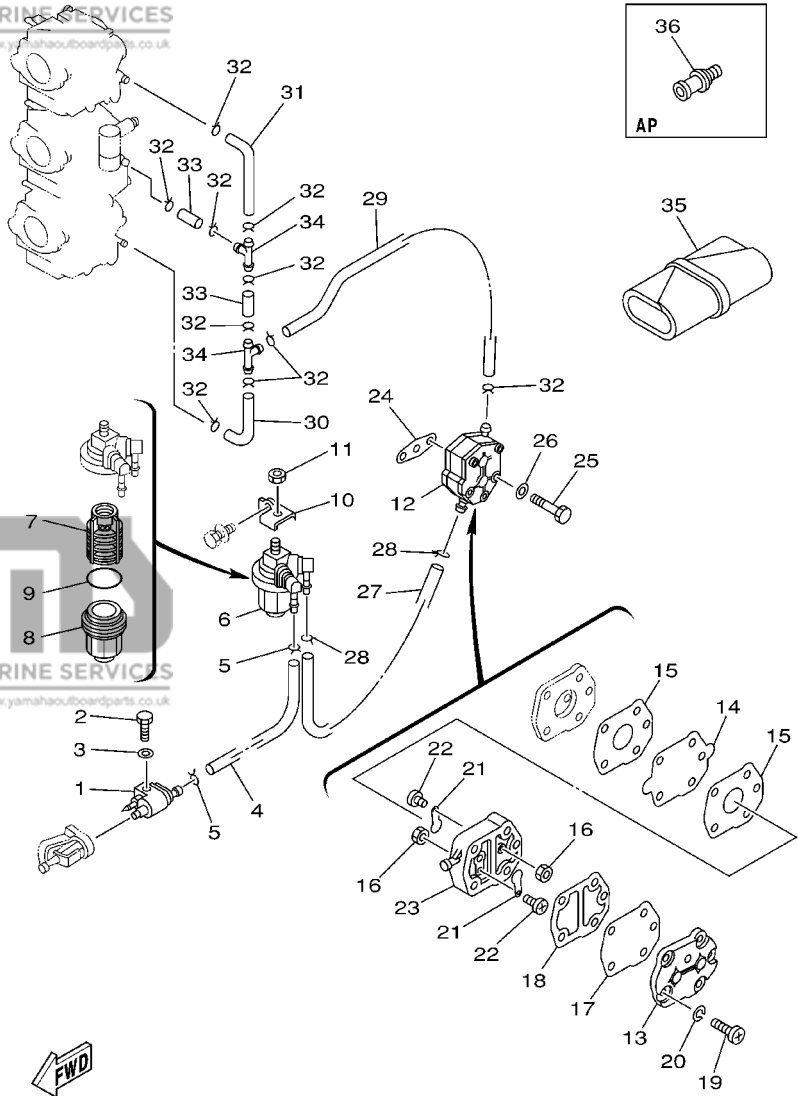
6H10010-0070

FIG. 7 FUEL

CARBURANT

REF. NO.	PART NO. NO. PIECES	DESCRIPTION DESCRIPTION	75C	90A	REMARKS REMARQUES
1	<a href="#">6G1-24304-02</a>	FUEL PIPE JOINT COMP. 1 DURITE RACCORDEMT. A ESSENCE	1	1	
2	<a href="#">97095-06020</a>	BOLT BOULON	1	1	
3	<a href="#">92995-06600</a>	WASHER RONDELLE	1	1	
4	<a href="#">90445-09105</a>	HOSE (L300) DURITE (L300)	1	1	
5	<a href="#">90467-08004</a>	CLIP JONG	2	2	
6	<a href="#">61N-24560-00</a>	FILTER ASSY ENS FILTRE	1	1	
7	<a href="#">61N-24563-00</a>	.ELEMENT, FILTER .ELEMENT, FILTRE	1	1	
8	<a href="#">61N-24521-00</a>	.CUP, FILTER .CUVETTE, FILTRE	1	1	
9	<a href="#">93210-32738</a>	.O-RING .JOINT TORIQUE	1	1	
10	<a href="#">6H1-24566-01</a>	BRACKET, FILTER SUPPORT, FILTRE	1	1	
11	<a href="#">95380-08600</a>	NUT ECROU	1	1	
12	<a href="#">692-24410-00</a>	FUEL PUMP ASSY POMPE A ESSENCE	1	1	
13	<a href="#">6A0-24413-00</a>	.BODY 2 .CORPS 2	1	1	
14	<a href="#">692-24411-00</a>	.DIAPHRAGM .DIAPHRAGME	1	1	
15	<a href="#">648-24434-01</a>	.GASKET, BODY .JOINT, CORPS	2	2	
16	<a href="#">95380-03600</a>	.NUT .ECROU	2	2	
17	<a href="#">663-24411-00</a>	.DIAPHRAGM .DIAPHRAGME	1	1	
18	<a href="#">648-24435-02</a>	.GASKET, BODY 2 .JOINT, CORPS 2	1	1	
19	<a href="#">98503-05028</a>	.SCREW, PAN HEAD .VIS, TETE TRONCONIQUE	3	3	
20	<a href="#">92990-05100</a>	.WASHER, SPRING .RONDELLE, GROWER	3	3	
21	<a href="#">6A0-24421-01</a>	.VALVE, CHECK .SOUPAPE, RETENUE	2	2	
22	<a href="#">6A0-14325-00</a>	.SCREW, PAN HEAD .VIS TETE CONIQUE	2	2	
23	<a href="#">6A0-24412-02</a>	.BODY 1 .CORPS 1	1	1	
24	<a href="#">650-24431-A0</a>	GASKET, FUEL PUMP 1 JOINT 1 DE POMPE A ESSENCE	1	1	
25	<a href="#">97095-06040</a>	BOLT BOULON	2	2	
26	<a href="#">92995-06600</a>	WASHER RONDELLE	2	2	
27	<a href="#">6H1-24314-00</a>	PIPE 4 DURITE 4	1	1	





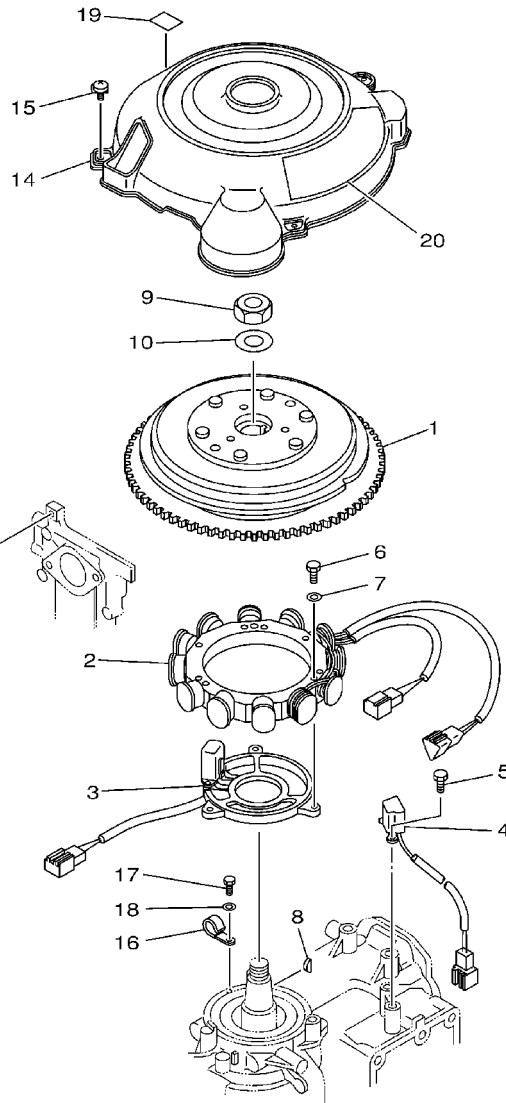
6H10010-0070

FIG. 7 FUEL

CARBURANT

REF. NO.	PART NO. NO. PIECES	DESCRIPTION DESCRIPTION	75C	90A	REMARKS REMARQUES
28	90467-08004	CLIP JONC	2	2	
29	90445-09097	HOSE DURITE	1	1	
30	688-24313-00	PIPE 3 DURITE 3	1	1	
31	688-24314-00	PIPE 4 DURITE 4	1	1	
32	90467-08004	CLIP JONC	10	10	
33	90445-09220	HOSE DURITE	2	2	
34	688-24378-00	PIPE, JOINT 4 DURITE RACCORDEMENT 4	2	2	
35	656-W2810-02	TOOL KIT TROUSSE A OUTILS	1	1	
36	6E0-28193-00-94	PLUG, WATER CHECK BOUCHON, CONTROLE D'EAU	1	1	AP D:12.5MM

C3



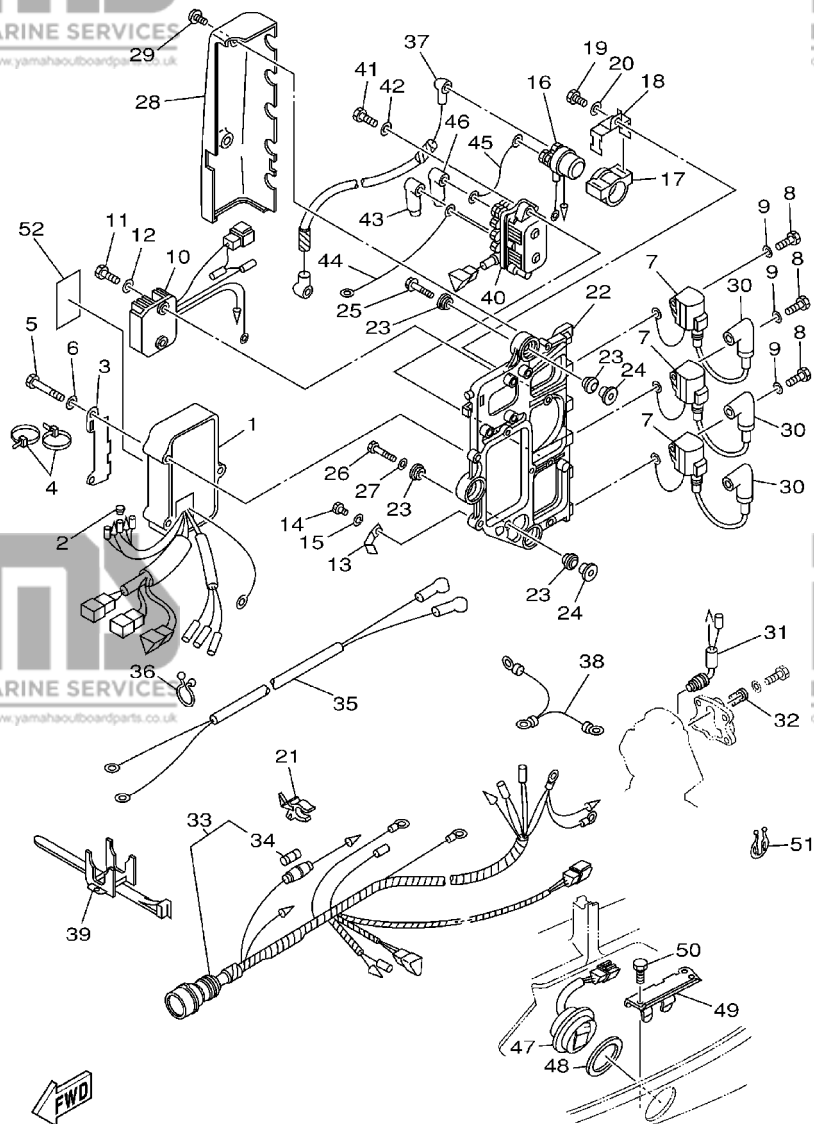
6H12200-2080

**FIG. 8 GENERATOR**

**GENERATRICE**

REF. NO.	PART NO. NO. PIECES	DESCRIPTION DESCRIPTION	75C	90A	REMARKS REMARQUES
1	6H0-85550-00	ROTOR ASSY ROTOR CPLT	1	1	
2	6H0-85510-03	STATOR ASSY STATOR CPLT	1	1	
3	6H0-85580-01	COIL, PULSER BOBINE, PULSEUR	1	1	
4	6H2-85895-01	CRANK POSITION SENDER SONDE, REGLAGE DE VILEBREQUIN	1	1	
5	97095-05012	BOLT BOULON	2	2	
6	97095-06040	BOLT BOULON	3	3	
7	92995-06600	WASHER RONDELLE	3	3	
8	90280-05015	KEY, WOODRUFF CLAVETTE, DEMI-LUNE	1	1	
9	90170-20137	NUT ECROU	1	1	
10	90201-21M18	WASHER, PLATE RONDELLE, PLATE	1	1	
11	688-81332-01	PLATE, TIMING PLATEAU, ALLUMAGE	1	1	
12	97095-06010	BOLT BOULON	1	1	
13	92995-06600	WASHER RONDELLE	1	1	
14	6H1-81337-01	COVER, FLYWHEEL COUVERCLE, VOLANT	1	1	
15	90159-06M20	SCREW, WITH WASHER VIS, AVEC RONDELLE	3	3	
16	90465-06M90	CLAMP BRIDE	1	1	
17	97095-06012	BOLT BOULON	1	1	
18	92995-06600	WASHER RONDELLE	1	1	
19	6H1-14488-00	LABEL, CAUTION ETIQUETTE, RECOMMANDATION	1	1	
20	6H1-13437-21	MARK, CAUTION MAKER	1	1	

**C4**



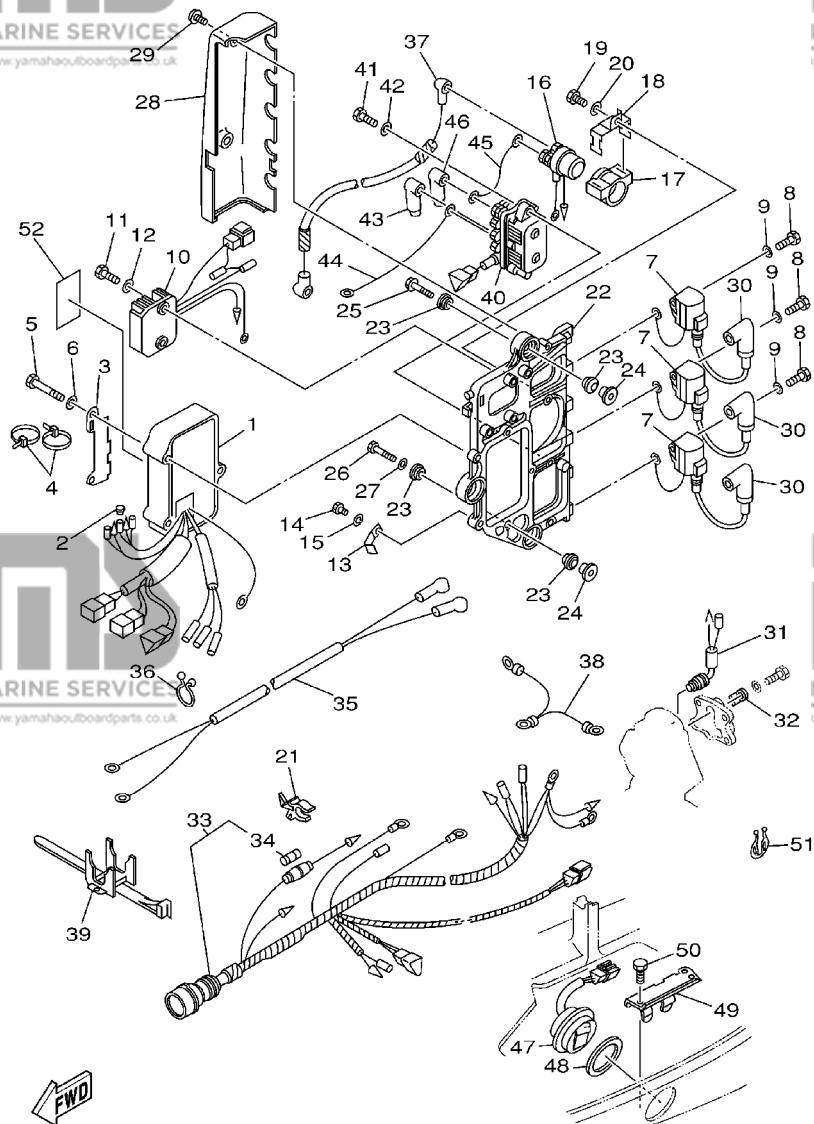
6H12200-2090

FIG. 9 ELECTRICAL

ELECTRIQUE

REF. NO.	PART NO. NO. PIECES	DESCRIPTION DESCRIPTION	75C	90A	REMARKS REMARQUES
1	6H0-85540-05	C.D.I. UNIT ASSY BLOC C.D.I.	1	1	
2	703-82119-00	COVER, LEAD WIRE GARNITURE, FIL	1	1	
3	6H1-85542-10	BRACKET SUPPORT	1	1	
4	90465-13M11	CLAMP BRIDE	2	2	
5	97095-06050	BOLT BOULON	3	3	
6	92995-06600	WASHER RONDELLE	3	3	
7	697-85570-00	IGNITION COIL ASSY BOBINE D'ALLUMAGE (ENS.)	3	3	
8	97013-06020	BOLT BOULON	3	3	
9	92903-06600	WASHER, PLATE RONDELLE, PLATE	3	3	
10	6H0-81960-10	RECTIFIER & REGULATOR ASSY REDRESSEUR REGULATEUR CPLT	1	1	
11	97095-06020	BOLT BOULON	2	2	
12	92995-06600	WASHER RONDELLE	2	2	
13	90465-08M23	CLAMP BRIDE	1	1	
14	97095-06012	BOLT BOULON	1	1	
15	92995-06100	WASHER, SPRING RONDELLE, GROUWER	1	1	
16	6G1-81941-10	STARTER RELAY ASSY LANCEUR RELAIS (ENS.)	1	1	
17	6G1-81952-00	HOLDER, RELAY SUPPORT, RELAIS	1	1	
18	6E9-81945-70	PLATE, SWITCH FITTING PLAQUE, FIXATION DU RELAIS	1	1	
19	97013-06016	BOLT BOULON	1	1	
20	92903-06600	WASHER, PLATE RONDELLE, PLATE	1	1	
21	6G5-82152-00	HOLDER, FUSE SUPPORT, FUSIBLE	1	1	
22	6H1-85542-00-94	BRACKET SUPPORT	1	1	
23	90480-09M25	GROMMET PASSE-FIL	6	6	
24	90387-06M03	COLLAR COLLERETTE	3	3	
25	90119-06M75	BOLT, WITH WASHER BOULON, AVEC RONDELLE	2	2	
26	90109-06M39	BOLT BOULON	1	1	
27	90201-06M31	WASHER, PLATE RONDELLE, PLATE	1	1	

C5

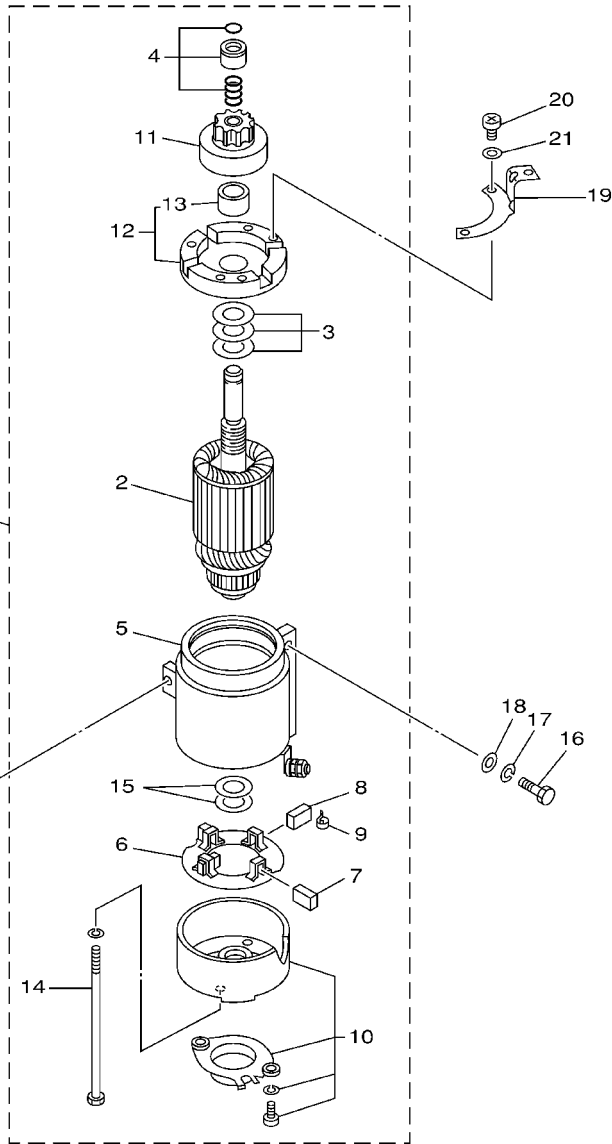


6H12200-2090

FIG. 9 ELECTRICAL

ELECTRIQUE

REF. NO.	PART NO. NO. PIECES	DESCRIPTION DESCRIPTION	75C	90A	REMARKS REMARQUES
28	<a href="#">6H1-81916-00</a>	COVER, TERMINAL COUVERCLE, BORNE	1	1	
29	<a href="#">90159-06M11</a>	SCREW, WITH WASHER VIS, AVEC RONDELLE	2	2	
30	<a href="#">6E3-82370-21</a>	PLUG CAP ASSY ANTIPARASITE	3	3	
31	<a href="#">688-82560-10</a>	THERMO SWITCH ASSY THERMO-CONTACT COMPLET	1	1	
32	<a href="#">688-82588-01</a>	PLATE PLAQUE	1	1	
33	<a href="#">6H0-82590-12</a>	WIRE HARNESS ASSY FAISCEAU DE FILS COMPLET	1	1	
34	<a href="#">663-82151-00</a>	.FUSE (12V-20A) .FUSIBLE (12V-20A)	1	1	
35	<a href="#">6H0-82105-02</a>	WIRE HARNESS FAISCEAU DE FILS	1	1	
36	<a href="#">90464-23M22</a>	CLAMP BRIDE	1	1	
37	<a href="#">6H0-82117-00</a>	WIRE, LEAD FIL	1	1	
38	<a href="#">697-82519-00</a>	WIRE, EARTH LEAD FIL, MASSE	1	1	
39	<a href="#">688-82594-00</a>	CLAMP BRIDE	1	1	
40	<a href="#">61A-81950-00</a>	RELAY ASSY RELAIS COMPLET	1	1	
41	<a href="#">97095-06025</a>	BOLT BOULON	2	2	
42	<a href="#">92995-06600</a>	WASHER RONDELLE	2	2	
43	<a href="#">682-82119-01</a>	COVER, LEAD WIRE GARNITURE, FIL	2	2	
44	<a href="#">6H0-81949-10</a>	WIRE, LEAD FIL	1	1	
45	<a href="#">6H0-81949-01</a>	WIRE, LEAD FIL	1	1	
46	<a href="#">682-82119-01</a>	COVER, LEAD WIRE GARNITURE, FIL	1	1	
47	<a href="#">6H1-82563-10</a>	TRIM & TILT SWITCH ASSY INCLINER ET PARER COMMUTATEUR	1	1	
48	<a href="#">6E5-82587-00</a>	GASKET JOINT	1	1	
49	<a href="#">6H1-83614-00</a>	BRACKET SUPPORT	1	1	
50	<a href="#">97095-06016</a>	BOLT BOULON	1	1	
51	<a href="#">90464-18M14</a>	CLAMP BRIDE	1	1	
52	<a href="#">6R5-85711-60</a>	MARK, CAUTION MAKER	1	1	

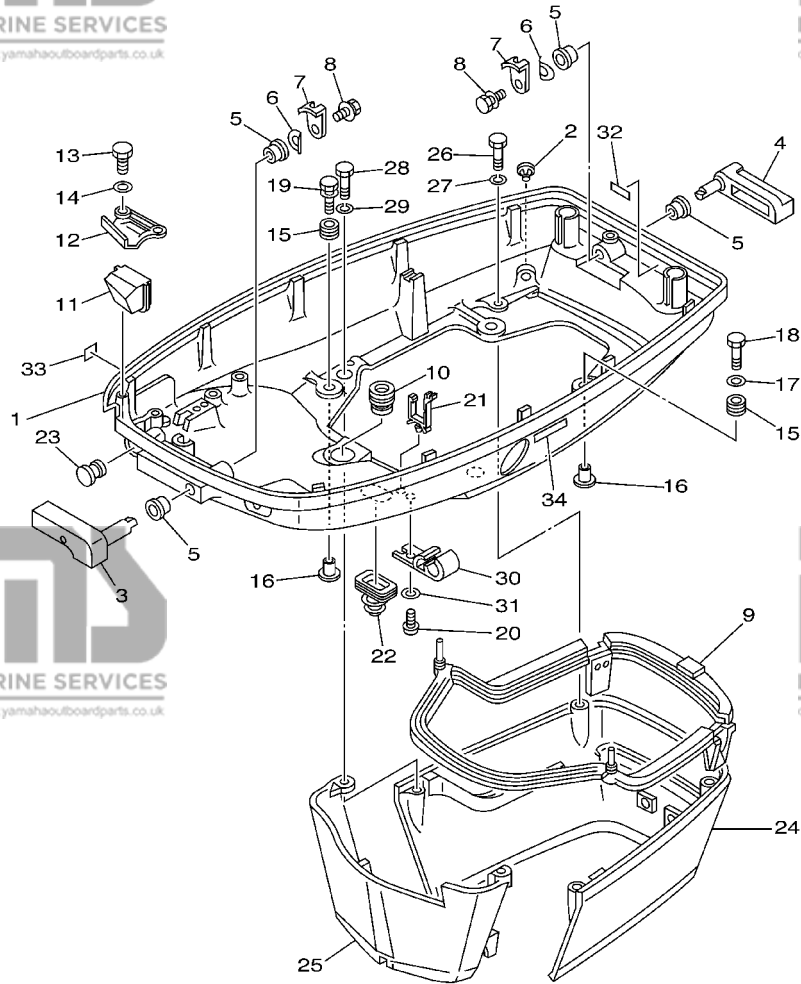


6H10010-0110

**FIG. 10 STARTING MOTOR**

**DEMARREUR ELECTRIQUE**

REF. NO.	PART NO. NO. PIECES	DESCRIPTION DESCRIPTION	75C	90A	REMARKS REMARQUES
1	688-81800-12	STARTING MOTOR ASSY DEMARREUR ELECTRIQUE COMPLET	1	1	
2	676-81850-11	.ARMATURE ASSY .INDUIT	1	1	
3	676-81809-10	.WASHER KIT .JEU DE RONDELLES	1	1	
4	676-81857-10	.PINION STOPPER SET .BUTEE PIGNON	1	1	
5	688-81810-11	.STATOR ASSY STATOR COMPLET	1	1	
6	663-81840-11	.BRUSH HOLDER ASSY .SUPPORT DE CHARBON	1	1	
7	663-81811-11	.BRUSH 1 .CHARBON 1	2	2	
8	663-81812-11	.BRUSH 2 .CHARBON 2	2	2	
9	663-81813-10	.SPRING, BRUSH .RESSORT, DE CHARBON	4	4	
10	663-81820-12	.REAR BRACKET ASSY .SUPPORT ARRIERE COMPLET	1	1	
11	663-81832-11	.PINION ASSY .PIGNON D'ATTAQUE (ENS.)	1	1	
12	688-81830-11	.FRONT BRACKET ASSY .SUPPORT AVANT	1	1	
13	688-81831-00	.METAL, FRONT .METAL, AVANT	1	1	
14	663-81826-10	.BOLT .BOULON	2	2	
15	688-81824-00	.WASHER 2 .RONDELLE 2	2	2	
16	97013-08030	.BOLT BOULON	3	3	
17	92903-08100	WASHER, SPRING RONDELLE, GROUVER	3	3	
18	92990-08600	WASHER, PLATE RONDELLE, PLATE	2	2	
19	6H1-15771-10	STAY 1 SUPPORT 1	1	1	
20	97885-04010	SCREW, PAN HEAD VIS, TETE TRONCONIQUE	3	3	
21	92995-04600	WASHER RONDELLE	3	3	



**FIG. 11 BOTTOM COWLING CAPOT INFERIEUR**

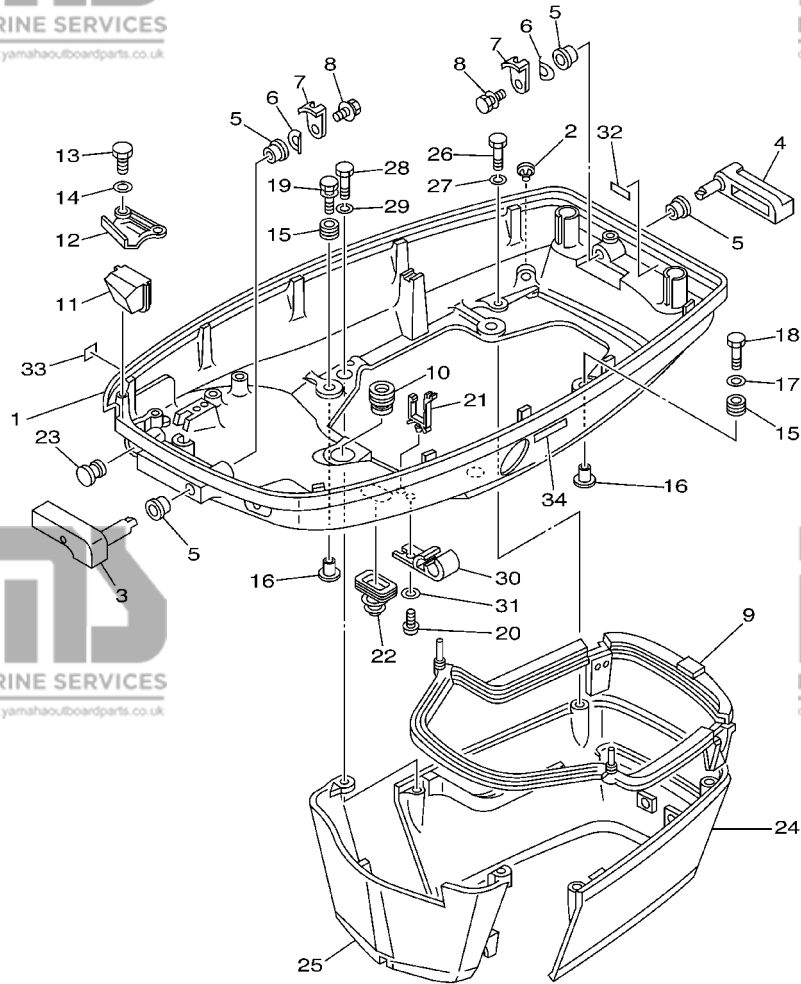
REF. NO.	PART NO. NO. PIECES	DESCRIPTION DESCRIPTION	75C	90A	REMARKS REMARQUES
1	6H1-42711-01-4D	COWLING, BOTTOM CUVETTE	1	1	
2	6H3-44391-01	NIPPLE, HOSE RACCORD D'ESSENCE	1	1	
3	688-42815-01-4D	LEVER, CLAMP LEVIER, PRESSE	1	1	
4	688-42817-01-4D	LEVER, CLAMP LEVIER, PRESSE	1	1	
5	90386-13M38	BUSH DOUILLE	4	4	
6	90206-13019	WASHER, WAVE RONDELLE, ONDULEE	2	2	
7	688-42816-00	LEVER, CLAMP LEVIER, PRESSE	2	2	
8	90119-06M09	BOLT, WITH WASHER BOULON, AVEC RONDELLE	2	2	
9	688-42716-02	RUBBER, SEAL 1 JOINT EN CAOUTCHOUC 1	1	1	
10	663-42724-00	GROMMET PASSE-FIL	1	1	
11	688-42725-20	GROMMET PASSE-FIL	1	1	
12	688-42738-01-94	PLATE, FITTING ETRIER	1	1	
13	97095-06016	BOLT BOULON	2	2	
14	92995-06600	WASHER RONDELLE	2	2	
15	90480-09M12	GROMMET PASSE-FIL	4	4	
16	90387-06M69	COLLAR COLLERETTE	4	4	
17	90201-06416	WASHER, PLATE RONDELLE, PLATE	1	1	
18	97095-06030	BOLT BOULON	1	1	
19	90119-06M61	BOLT, WITH WASHER BOULON, AVEC RONDELLE	3	3	
20	90157-06M01	SCREW, PAN HEAD VIS, TETE TRONCONIQUE	1	1	
21	90464-15M08	CLAMP BRIDE	1	1	
22	688-42726-10	GROMMET PASSE-FIL	1	1	
23	6G1-42748-00	GROMMET PASSE-FIL	1	1	
24	688-42741-01-4D	APRON CAPOT LATERAL	1	1	
25	688-42771-01-4D	APRON CAPOT LATERAL	1	1	
26	97095-06020	BOLT BOULON	2	2	
27	92995-06100	WASHER, SPRING RONDELLE, GROWER	2	2	



6H12300-2110

**D1**





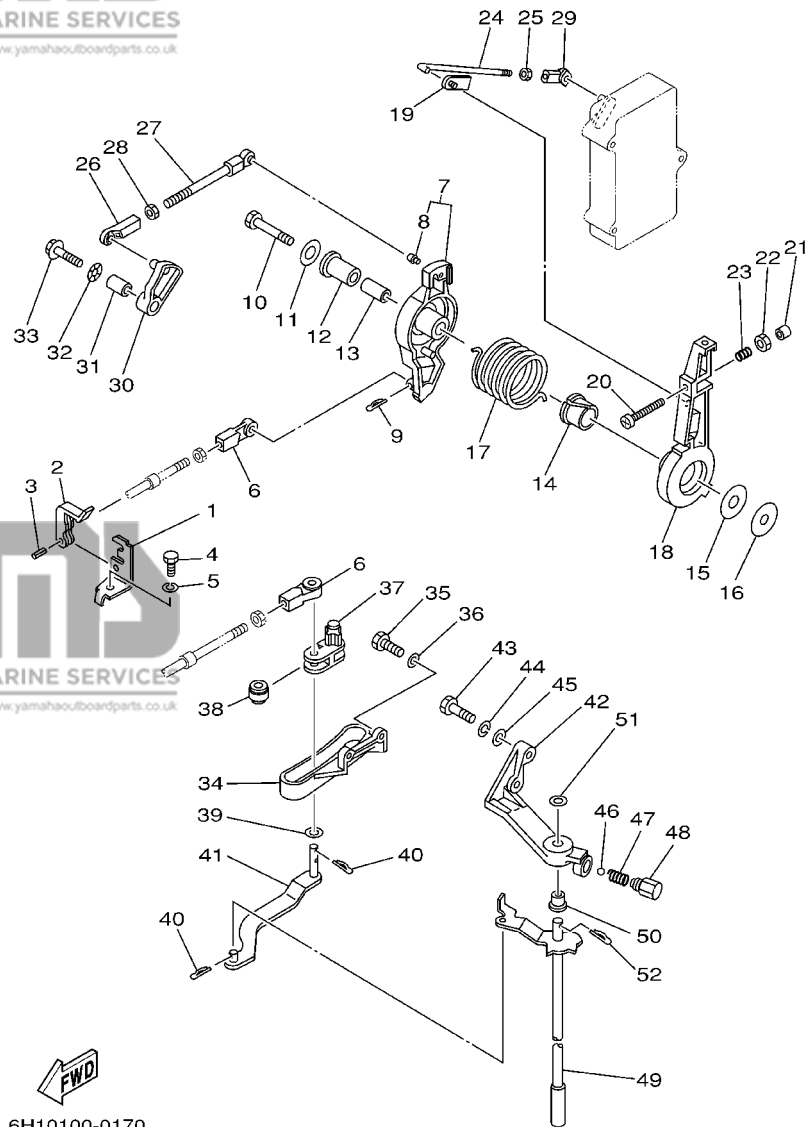
**FIG. 11 BOTTOM COWLING CAPOT INFERIEUR**

REF. NO.	PART NO. NO. PIECES	DESCRIPTION DESCRIPTION	75C	90A	REMARKS REMARQUES
28	97095-06030	BOLT BOULON	2	2	
29	92995-06100	WASHER, SPRING RONDELLE, GROWER	2	2	
30	6E5-24367-01	CLAMP, FUEL PIPE 2 COLLIER DE DURITE A ESSENCE	1	1	
31	92990-06600	WASHER, PLATE RONDELLE, PLATE	1	1	
32	6G5-42791-10	MARK 1 ETIQUETTE 1	1	1	
33	6A1-28176-00	LABEL, CAUTION ETIQUETTE, RECOMMANDATION	1	1	
34	6E3-8257H-00	PLATE, MARK PLAQUE, ADHESIF	1	1	



6H12300-2110

**D2**



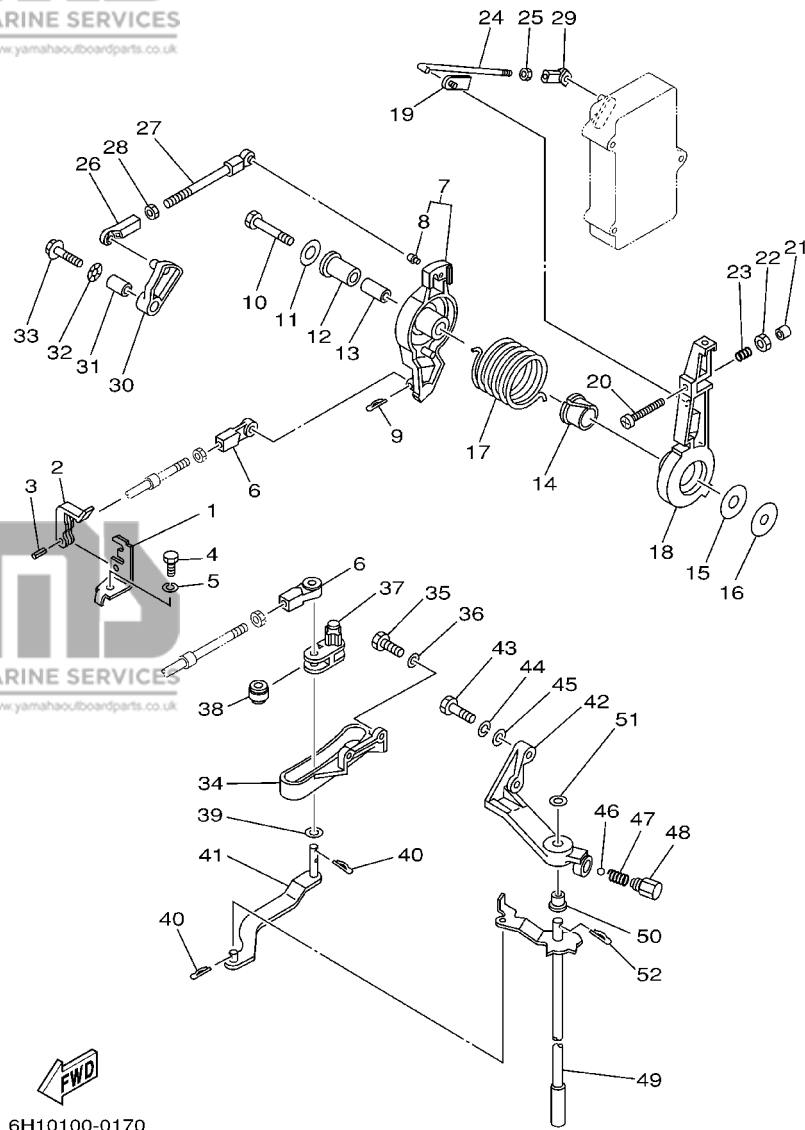
6H10100-0170

**FIG. 12 CONTROL**

**COMMANDE**

REF. NO.	PART NO. NO. PIECES	DESCRIPTION DESCRIPTION	75C	90A	REMARKS REMARQUES
1	663-48531-00	BRACKET, REMOTE CONTROL ETRIER 1, COMMANDE A DISTANCE	1	1	
2	663-48538-00	CLAMP, CABLE 1 COLLIER	1	1	
3	91690-30012	PIN, SPRING GOUPILE, ELASTIQUE	1	1	
4	97095-08016	BOLT BOULON	1	1	
5	92995-08100	WASHER RONDELLE	1	1	
6	663-48344-00	CABLE END, REMOTE CONTROL CHAPE CABLE	2	2	
7	688-41632-01-94	LEVER, MAGNETO CONTROL LEVIER, COMMANDE D'AVANCE	1	1	
8	662-41214-01	.JOINT 1 .RACCORD 1	1	1	
9	90468-18008	CLIP JONC	1	1	
10	97095-08045	BOLT BOULON	1	1	
11	90201-08M23	WASHER, PLATE RONDELLE, PLATE	1	1	
12	90386-12089	BUSH DOUILLE	1	1	
13	90387-08M16	COLLAR COLLERETTE	1	1	
14	90386-22M13	BUSH DOUILLE	1	1	
15	90202-12092	WASHER, PLATE RONDELLE, PLATE	1	1	
16	90201-08M13	WASHER, PLATE RONDELLE, PLATE	1	1	
17	90508-29M05	SPRING, TORSION RESSORT, TORSION	1	1	
18	688-41631-01-94	LEVER, MAGNETO CONTROL LEVIER, COMMANDE D'AVANCE	1	1	
19	6F5-41237-00	JOINT, LINK RACCORD	1	1	
20	90157-06013	SCREW, PAN HEAD VIS, TETE TRONCONIQUE	1	1	
21	688-44194-00	CAP CAPUCHON	1	1	
22	95303-06600	NUT ECROU	1	1	
23	90501-16M12	SPRING, COMPRESSION RESSORT, COMPRESSION	1	1	
24	6H1-41636-00	ROD, MAGNETO CONTROL BIELLETTTE, COMMANDE D'AVANCE	1	1	
25	95380-05600	NUT ECROU	1	1	
26	662-41237-01	JOINT, LINK RACCORD	1	1	
27	688-41211-01	LINK, ACCEL. BIELLETTTE, ACCELERATION	1	1	





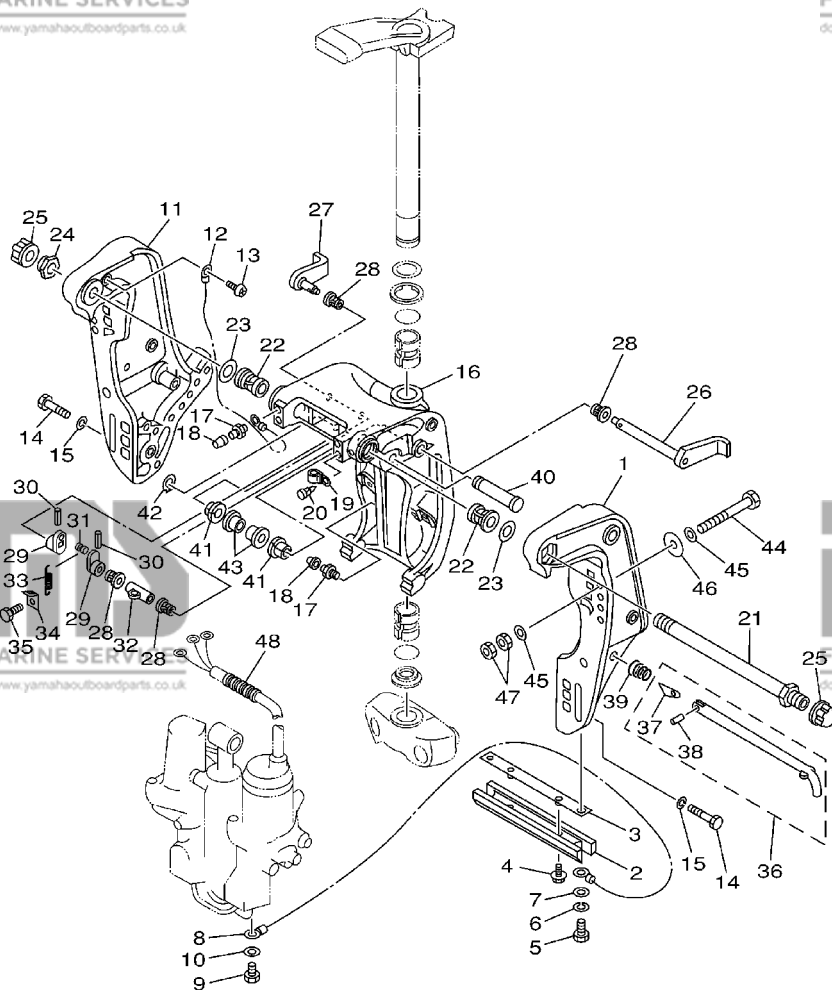
6H10100-0170

**FIG. 12 CONTROL**

**COMMANDE**

REF. NO.	PART NO. NO. PIECES	DESCRIPTION DESCRIPTION	75C	90A	REMARKS REMARQUES
28	95380-05600	NUT ECROU	1	1	
29	682-41237-00	JOINT, LINK RACCORD	1	1	
30	6H1-41213-00	CAM, ACCEL. CAME, ACCELERATION	1	1	
31	90387-06M17	COLLAR COLLERETTE	1	1	
32	90206-10M04	WASHER, WAVE RONDELLE, ONDULEE	1	1	
33	90119-06M24	BOLT, WITH WASHER BOULON, AVEC RONDELLE	1	1	
34	688-44117-00-94	BRACKET SUPPORT	1	1	
35	97013-06020	BOLT BOULON	2	2	
36	92903-06600	WASHER, PLATE RONDELLE, PLATE	2	2	
37	688-44124-00	LINK, SHIFT ROD BIELLETTTE	1	1	
38	688-44122-00	BUSHING, SHIFT ROD LEVER DOUILLE, LEVIER D'EMBRAYAGE	1	1	
39	90202-07M07	WASHER, PLATE RONDELLE, PLATE	1	1	
40	90468-18008	CLIP JONC	3	3	
41	6H1-44121-00	LEVER, SHIFT ROD LEVIER, TIGE D'INVERSION	1	1	
42	688-44118-00-94	BRACKET SUPPORT	1	1	
43	97013-08030	BOLT BOULON	2	2	
44	92903-08100	WASHER, SPRING RONDELLE, GROVER	2	2	
45	92903-08600	WASHER, PLATE RONDELLE, PLATE	2	2	
46	93501-04M02	BALL BILLE	1	1	
47	90501-12082	SPRING, COMPRESSION RESSORT, COMPRESSION	1	1	
48	648-42715-00	BUSHING COUSSINET	1	1	
49	6H1-44120-12	HANDLE GEAR SHIFT ASSY LEVIER D'EMBRAYAGE	1	1	L
50	90386-07M58	BUSH DOUILLE	1	1	
51	92990-08200	WASHER, PLAIN RONDELLE, PLATE	1	1	
52	90468-18008	CLIP JONC	1	1	

**D4**



6H10010-0151

FIG. 13 BRACKET 1

SUPPORT 1

REF. NO.	PART NO. NO. PIECES	DESCRIPTION DESCRIPTION	75C	90A	REMARKS REMARQUES
1	6H1-43111-01-4D	BRACKET, CLAMP PRESSE	1	1	
2	6H1-45251-03	ANODE ANODE	1	1	
3	6H1-44526-00	PLATE PLAQUE	1	1	
4	90119-06M29	BOLT, WITH WASHER BOULON, AVEC RONDELLE	2	2	
5	97095-06016	BOLT BOULON	2	2	
6	92995-06100	WASHER, SPRING RONDELLE, GROWER	2	2	
7	92995-06600	WASHER RONDELLE	2	2	
8	6H1-82148-00	WIRE, LEAD 4 FIL 4	1	1	
9	97095-06010	BOLT BOULON	1	1	
10	92995-06600	WASHER RONDELLE	1	1	
11	6H1-43112-00-4D	BRACKET, CLAMP PRESSE	1	1	
12	6E5-82148-00	WIRE, LEAD 4 FIL 4	1	1	
13	97880-06012	SCREW, PAN HEAD VIS, TETE TRONCONIQUE	1	1	
14	97095-10045	BOLT BOULON	6	6	
15	92995-10100	WASHER RONDELLE	6	6	
16	6H1-43311-01-4D	BRACKET, SWIVEL 1 SUPPORT, PIVOT 1	1	1	
17	93700-06M03	NIPPLE, GREASE GRAISSEUR	3	3	
18	663-45119-00	CAP, GREASE NIPPLE CAPUCHON, GRAISSEUR	3	3	
19	90464-11M18	CLAMP BRIDE	1	1	
20	90338-05M03	PLUG PLOT	1	1	
21	688-43131-03	BOLT, CLAMP BRACKET BOULON, PRESSE	1	1	
22	90386-22M15	BUSH DOUILLE	2	2	
23	90201-22M67	WASHER, PLATE RONDELLE, PLATE	2	2	
24	90185-22043	NUT, SELF-LOCKING ECROU, AUTO-BLOCANT	1	1	
25	6G5-43145-01	CAP, CLAMP BRACKET CAPUCHON, PRESSE	2	2	
26	6H1-43181-01	LEVER, TILT STOP LEVIER, VERROUILLAGE RELEVAGE	1	1	
27	6H1-43185-01	LEVER, TILT STOP LEVIER, VERROUILLAGE RELEVAGE	1	1	

D5

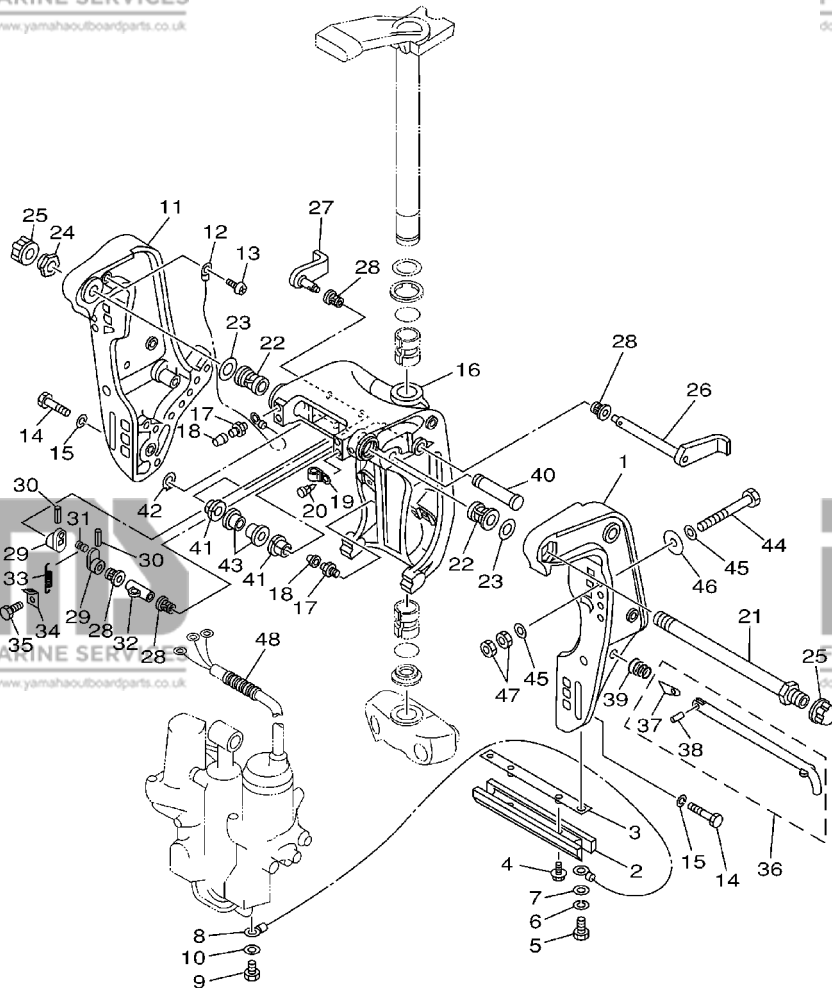


FIG. 13 BRACKET 1

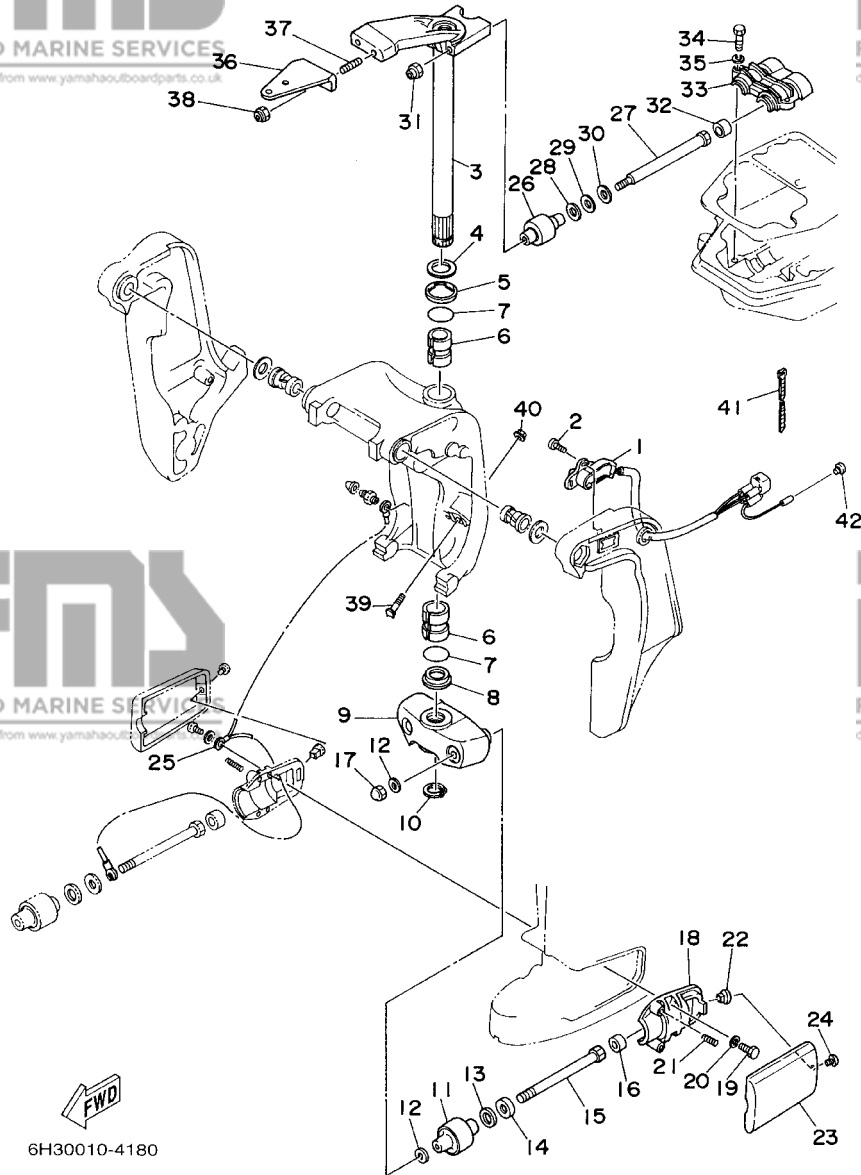
SUPPORT 1

REF. NO.	PART NO. NO. PIECES	DESCRIPTION DESCRIPTION	75C	90A	REMARKS REMARQUES
28	90386-10M16	BUSH DOUILLE	4	4	
29	6G5-43148-00	COLLAR, DISTANCE ENTRETOISE	2	2	
30	91690-30020	PIN, SPRING GOUPILLE, ELASTIQUE	2	2	
31	90249-06M19	PIN GOUPILLE	1	1	
32	90387-10M02	COLLAR COLLERETTE	1	1	
33	90506-14M24	SPRING, TENSION RESSORT, TENSION	1	1	
34	6G5-43144-00	HOOK, SPRING CROCHET	1	1	
35	97095-06010	BOLT BOULON	1	1	
36	688-43160-01	TILT ROD ASSY BROCHE D'INCLINAISON (ENS.)	1	1	
37	688-43165-00	PLATE, TILT LOCK TAQUET, BROCHE INCLINAISON	1	1	
38	91690-30012	PIN, SPRING GOUPILLE, ELASTIQUE	1	1	
39	90502-16M02	SPRING, CONICAL RESSORT, CONIQUE	1	1	
40	6E5-43126-02	PIN, UPPER SHOCK MOUNT AXE, SUPERIEUR AMORTISSEUR	1	1	
41	90386-18M35	BUSH DOUILLE	2	2	
42	93410-18M02	CIRCLIP CIRCLIP, TYPE S	1	1	
43	90386-18M63	BUSH DOUILLE	2	2	
44	90101-12M65	BOLT BOULON	4	4	
45	92995-12200	WASHER RONDELLE	8	8	
46	90201-12426	WASHER, PLATE RONDELLE, PLATE	4	4	
47	95380-12600	NUT ECROU	8	8	
48	90440-14M00	PIPE DURITE	1	1	



6H10010-0151

D6



6H30010-4180

FIG. 14 BRACKET 2

SUPPORT 2

REF. NO.	PART NO. NO. PIECES	DESCRIPTION DESCRIPTION	75C	90A	REMARKS REMARQUES
1	6H1-83672-12	TRIM SENDER	1	1	
		INCLINER RACCORD			
2	97885-06016	SCREW, PAN HEAD	2	2	
		VIS, TETE TRONCONIQUE			
3	688-42510-02-4D	STEERING BRACKET ASSY	1	1	
		DIRECTION SUPPORT (ENS.)			
4	90201-30M00	WASHER, PLATE	1	1	
		RONDELLE, PLATE			
5	90386-30M78	BUSH	1	1	
		DOUILLE			
6	90386-30M77	BUSH	2	2	
		DOUILLE			
7	93210-29M94	O-RING	2	2	
		JOINT TORIQUE			
8	90386-30M60	BUSH	1	1	
		DOUILLE			
9	663-44551-02-4D	HOUSING, LOWER MOUNT RUBBER	1	1	
		BOITIER, SILENT-BLOC INFERIEUR			
10	93410-28M06	CIRCLIP	1	1	
		CIRCLIP, TYPE S			
11	687-44555-00-94	MOUNT DAMPER, LOWER SIDE	2	2	
		SILENT-BLOC, INFERIEUR LATERAL			
12	90201-12M16	WASHER, PLATE	4	4	
		RONDELLE, PLATE			
13	90202-25M04	WASHER, PLATE	2	2	
		RONDELLE, PLATE			
14	90201-13M19	WASHER, PLATE	2	2	
		RONDELLE, PLATE			
15	90109-12261	BOLT	2	2	
		BOULON			
16	663-44575-00	DAMPER, LOWER MOUNT RUBBER	2	2	
		SILENT-BLOC, INFERIEUR			
17	95380-12800	NUT, CROWN	2	2	
		ECROU, BORGNE			
18	687-44552-02-94	HOUSING, LOWER MOUNT RUBBER	2	2	
		BOITIER, SILENT-BLOC INFERIEUR			
19	97075-08025	BOLT	4	4	
		BOULON			
20	92995-08100	WASHER	4	4	
		RONDELLE			
21	90501-14M08	SPRING, COMPRESSION	4	4	
		RESSORT, COMPRESSION			
22	90179-06066	NUT	2	2	
		ECROU			
23	663-44553-01-4D	COVER, LOWER MOUNT	2	2	
		COUVERCLE, SUSPENSION INFERIEUR			
24	97885-06016	SCREW, PAN HEAD	2	2	
		VIS, TETE TRONCONIQUE			
25	688-82127-02	WIRE, LEAD 2	1	1	
		FIL 2			
26	688-44514-00-94	MOUNT DAMPER, UPPER SIDE	2	2	
		SILENT-BLOC, SUPERIEUR LATERAL			
27	90101-10M49	BOLT	2	2	
		BOULON			

**D7**

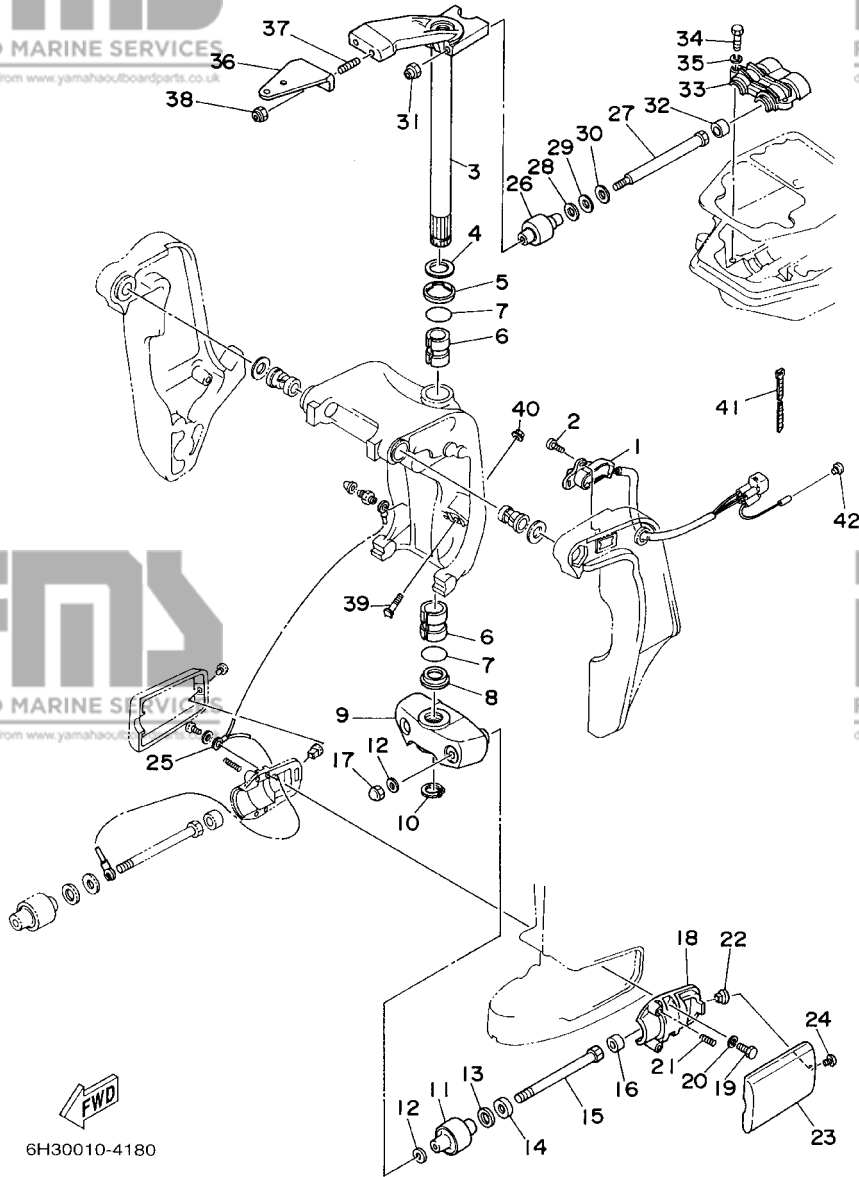
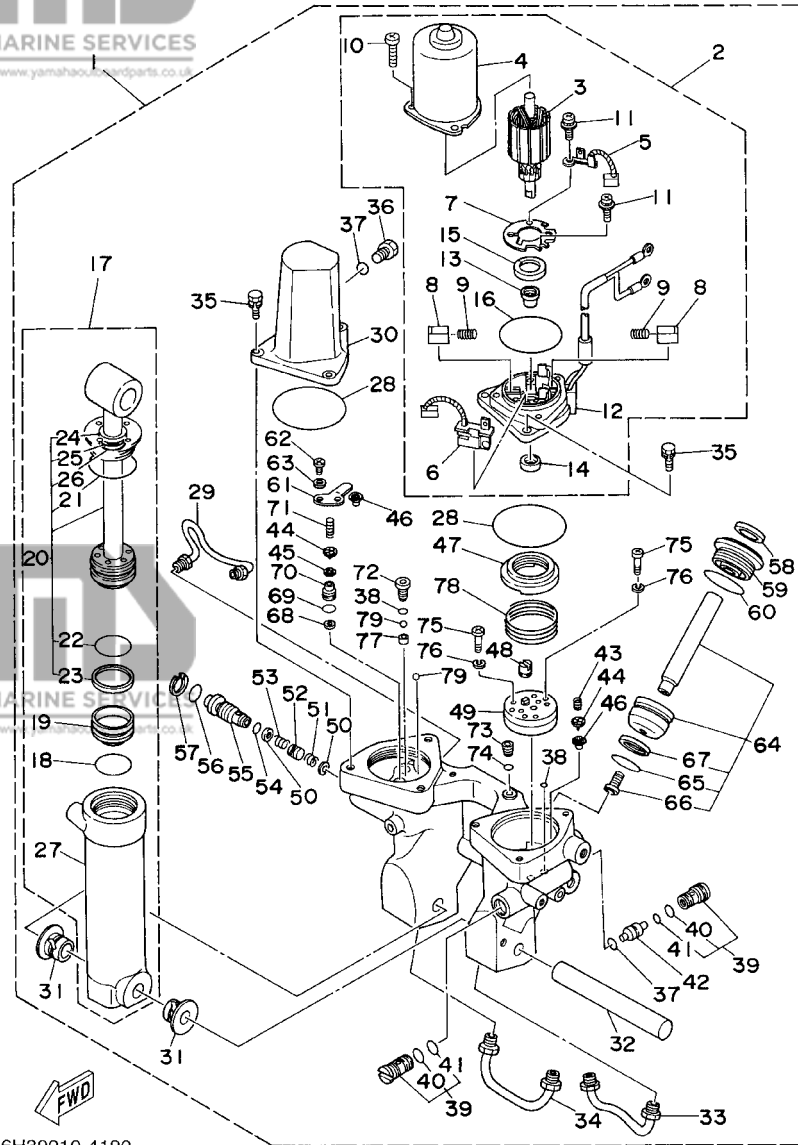


FIG. 14 BRACKET 2

SUPPORT 2

REF. NO.	PART NO. NO. PIECES	DESCRIPTION DESCRIPTION	75C	90A	REMARKS REMARQUES
28	90201-20M21	WASHER, PLATE RONDELLE, PLATE	2	2	
29	90202-20M06	WASHER, PLATE RONDELLE, PLATE	2	2	
30	90201-11M22	WASHER, PLATE RONDELLE, PLATE	2	2	
31	90185-10051	NUT, SELF-LOCKING ECROU, AUTO-BLOCANT	2	2	
32	663-44575-00	DAMPER, LOWER MOUNT RUBBER SILENT-BLOC, INFERIEUR	2	2	
33	688-44511-00-94	COVER, UPPER MOUNT COUVERCLE, SUSPENSION SUPERIEUR	1	1	
34	97075-08035	BOLT BOULON	3	3	
35	92995-08100	WASHER RONDELLE	3	3	
36	688-48511-11-4D	HOOK, STEERING ATTACHE, DIRECTION	1	1	STEERING GUIDE TYPE
37	90116-10M28	BOLT, STUD GOUJON	2	2	
38	90185-10051	NUT, SELF-LOCKING ECROU, AUTO-BLOCANT	2	2	
39	6H1-43376-00	BOLT, THRUST RECEIVER BOULON	2	2	
40	90185-08057	NUT, SELF-LOCKING ECROU, AUTO-BLOCANT	2	2	
41	90465-11M10	CLAMP BRIDE	3	3	
42	703-82119-00	COVER, LEAD WIRE GARNITURE, FIL	1	1	



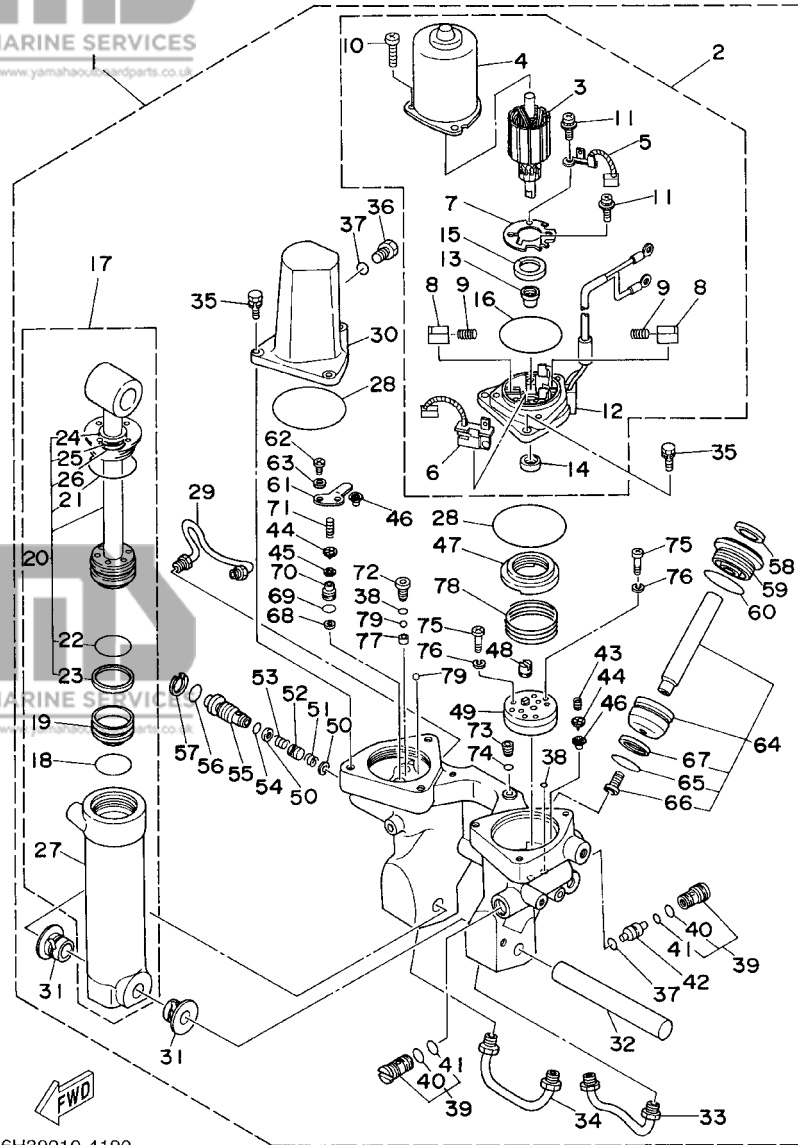
6H30010-4190

FIG. 15 POWER TRIM & TILT ASSY PUISSANCE PARET ET INCLINER

REF. NO.	PART NO. NO. PIECES	DESCRIPTION DESCRIPTION	75C	90A	REMARKS REMARQUES
1	6H1-43800-16-4D	POWER TRIM & TILT ASSY PUISSANCE PARET ET INCLINER (ENS.)	1	1	
2	6H1-43880-02	..MOTOR ASSY ..MOTEUR (ENS.)	1	1	
3	6H1-43805-10	..ARMATURE ASSY ..INDUIT (ENS.)	1	1	
4	6H1-43804-10	..STATOR ASSY ..STATOR (ENS.)	1	1	
5	6H1-43891-10	..BRUSH 1 ..BALAI 1	1	1	
6	6H1-43892-10	..BRUSH 2 ..BALAI 2	1	1	
7	6H1-4380F-10	..PLATE, BRUSH HOLDER ..PLAQUE	1	1	
8	6H1-4380J-10	..HOLDER, BRUSH ..PORTE-BALAI	2	2	
9	6H1-4386K-10	..SPRING, BRUSH ..RESSORT, BALAI	2	2	
10	97885-05016	..SCREW, PAN HEAD ..VIS, TETE TRONCONIQUE	3	3	
11	97607-04310	..SCREW, PAN HEAD WITH WASHER ..VIS HEXAGONAL	2	2	
12	6H1-43881-10	..FRAME, END ..BATI	1	1	
13	6H1-4380H-10	..METAL ..METAL	1	1	
14	93102-08M43	..OIL SEAL ..JOINT SPY	1	1	
15	6H1-4380G-10	..PLATE ..PLAQUE	1	1	
16	6H1-43865-10	..O-RING ..JOINT TORIQUE	1	1	
17	6H1-43840-11	..POWER TILT ASSY ..PUISSANCE INCLINER (ENS.)	1	1	
18	6H1-43861-10	..O-RING ..JOINT TORIQUE	1	1	
19	6H1-43814-11	..PISTON, FREE ..PISTON	1	1	
20	6H1-43810-11	..TILT PISTON SUB ASSY ..INCLINER PISTON AUXILIAIRE (ENS.)	1	1	
21	6H1-43861-00	..O-RING ..JOINT TORIQUE	1	1	
22	6H1-43861-10	..O-RING ..JOINT TORIQUE	1	1	
23	6H1-43871-10	..RING, BACK UP ..SEGMENT	1	1	
24	6H1-43812-00	..SEAL, DUST ..JOINT	1	1	
25	6H1-43872-10	..RING, BACK UP ..RESSORT	1	1	
26	93210-18397	..O-RING ..JOINT TORIQUE	1	1	
27	6H1-43813-10	..CYLINDER, TILT ..CYLINDRE	1	1	

E2



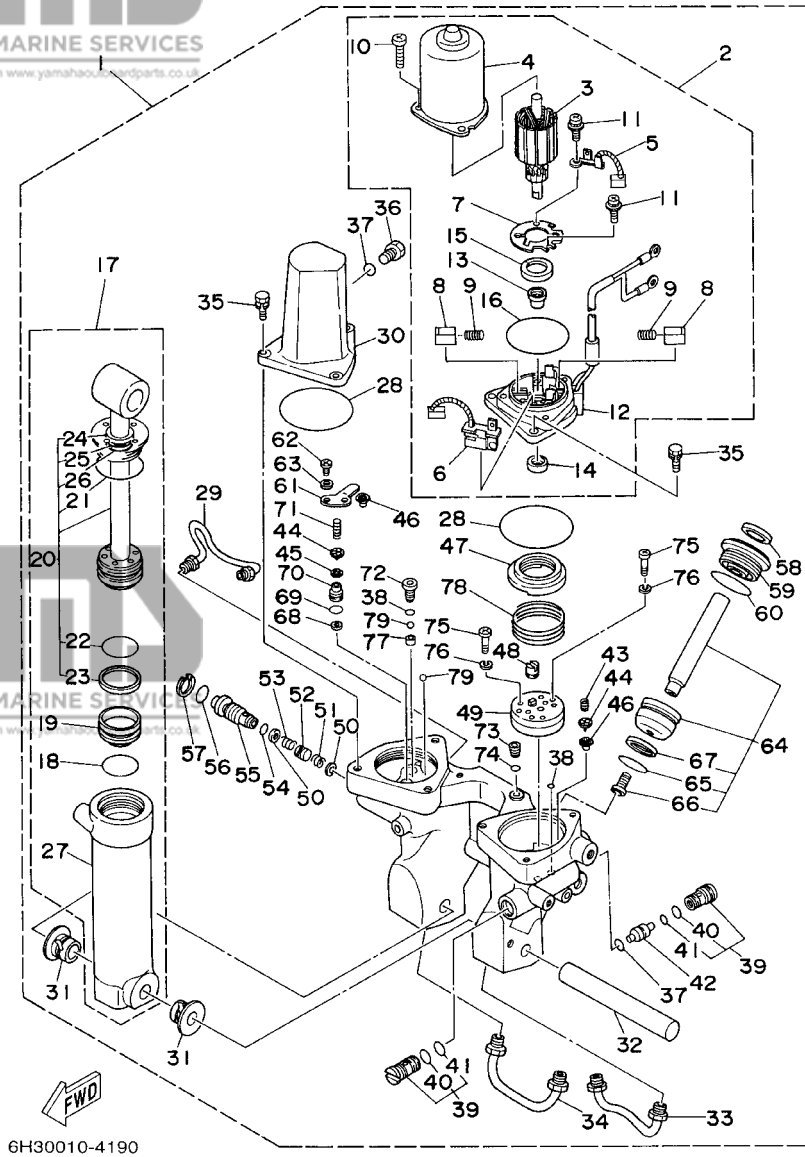


6H30010-4190

FIG. 15 POWER TRIM & TILT ASSY

PUISSANCE PARER ET INCLINER

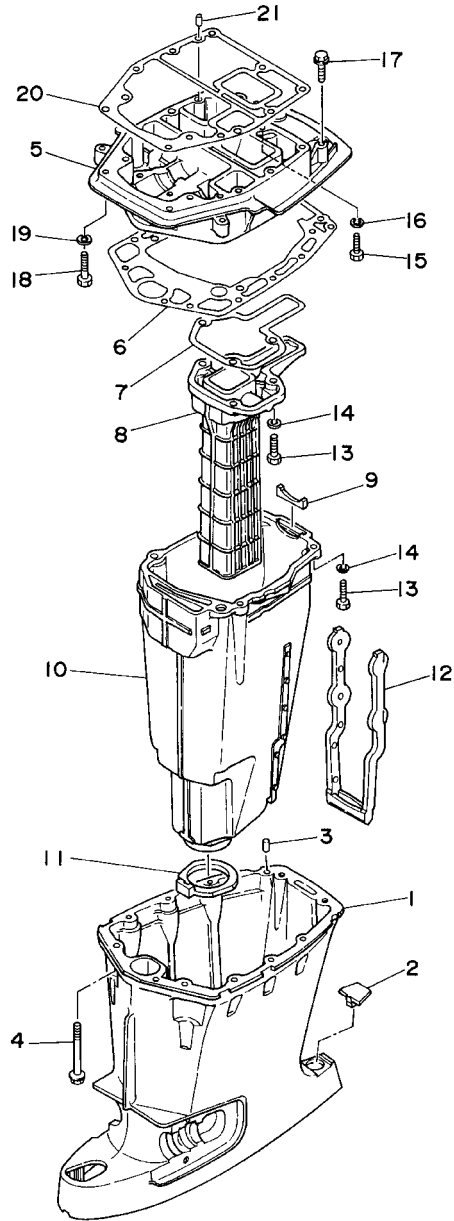
REF. NO.	PART NO. NO. PIECES	DESCRIPTION DESCRIPTION	75C	90A	REMARKS REMARQUES
28	93210-64488	.O-RING .JOINT TORIQUE	2	2	
29	6H1-43835-10	.PIPE .TUYAU	1	1	
30	6H1-43828-10	.BODY, RESERVOIR .CORPS	1	1	
31	90386-18M14	.BUSH .DOUILLE	2	2	
32	6E5-43818-00	.PIN, LOWER SHOCK MOUNT .AXE, INFERIEUR AMORTISSEUR	1	1	
33	6H1-43833-10	.PIPE .TUYAU	1	1	
34	6H1-43834-00	.PIPE .TUYAU	1	1	
35	97595-06420	.BOLT, WITH WASHER .VIS HEXAGONAL AVC RONDELLE	6	6	
36	6H1-43829-00	.PLUG, RESERVOIR .BOUCHON	1	1	
37	93210-09165	.O-RING .JOINT TORIQUE	2	2	
38	93210-064A5	.O-RING .JOINT TORIQUE	3	3	
39	6T4-43802-03	.VALVE SUB ASSY .CLAPET AUXILIAIRE (ENS.)	2	2	
40	6H1-43866-00	.O-RING .JOINT TORIQUE	1	1	
41	6H1-43867-00	.O-RING .JOINT TORIQUE	1	1	
42	6H1-43841-11	.PISTON, SHUTTLE .PISTON	1	1	
43	6H1-43856-10	.SPRING, DOWN RELIEF .RESSORT	1	1	
44	6H1-43844-10	.PIN, VALVE SUPPORT .GOUPILLE	2	2	
45	6H1-4384G-11	.SEAL, RELIEF VALVE .JOINT	1	1	
46	6H1-4384F-10	.SEAL, MAIN VALVE .JOINT	2	2	
47	6H1-43817-01	.FILTER 2 .FILTRE 2	1	1	
48	6H1-43831-10	.CONNECTOR, SHAFT .RACCORD	1	1	
49	6H1-43830-11	.GEAR PUMP ASSY .POMPE A PIGNON (ENS.)	1	1	
50	6H1-43847-00	.SEAT, MANUAL VALVE .SIEGE	2	2	
51	6H1-43899-00	.SPRING, MANUAL RELEASE .RESSORT	1	1	
52	6H1-4382A-10	.ADAPTOR 1 .ADAPTEUR 1	1	1	
53	6H1-43854-00	.SPRING, MANUAL RELEASE .RESSORT	1	1	
54	93210-10M74	.O-RING .JOINT TORIQUE	1	1	



**FIG. 15 POWER TRIM & TILT ASSY PUISSANCE PARER ET INCLINER**

REF. NO.	PART NO. NO. PIECES	DESCRIPTION DESCRIPTION	75C	90A	REMARKS REMARQUES
55	6H1-43845-00	.SCREW, MANUAL RELEASE .VIS	1	1	
56	93210-18M75	.O-RING .JOINT TORIQUE	1	1	
57	6H1-43875-00	.RING, SNAP .RESSORT	1	1	
58	6H1-43822-10	.SEAL, TRIM DUST .JOINT	2	2	
59	6H1-43821-11	.SCREW, TRIM CYLINDER END .VIS	2	2	
60	6H1-43861-10	.O-RING .JOINT TORIQUE	2	2	
61	6H1-4384E-20	.SPRING, TRIM .RESSORT	1	1	
62	98501-05010	.SCREW, PAN HEAD .VIS, TETE TRONCONIQUE	2	2	
63	92901-05200	.WASHER, PLAIN .RONDELLE, PLATE	2	2	
64	6H1-43820-11	.TRIM PISTON SUB ASSY .PARER PISTON AUXILIAIRE_(ENS.)	2	2	
65	6H1-43864-00	.O-RING .JOINT TORIQUE	1	1	
66	91318-08016	.BOLT .BOULON	1	1	
67	6H1-43874-00	.RING, BACK UP .RESSORT	1	1	
68	6H1-43816-00	FILTER 1 .FILTRE 1	1	1	
69	6H1-43896-00	O-RING .JOINT TORIQUE	1	1	
70	6H1-43895-12	.SEAT, RELIEF VALVE .SIEGE	1	1	
71	6H1-43855-11	.SPRING, UP RELIEF .RESSORT	1	1	
72	6H1-43843-11	.SCREW, VALVE LOCK .VIS	1	1	
73	6H1-4388E-11	.PLUG, TAPER SCREW .BOUCHON	1	1	
74	6H1-43868-00	O-RING .JOINT TORIQUE	1	1	
75	98501-04025	.SCREW, PAN HEAD .VIS, TETE TRONCONIQUE	4	4	
76	92901-04100	.WASHER, SPRING .RONDELLE, GROWER	4	4	
77	6H1-4387J-00	.WASHER, SPECIAL 2 .RONDELLE	1	1	
78	6H1-4385H-00	.SPRING, SEAL .RESSORT	1	1	
79	93505-32038	.BALL .BILLE	2	2	



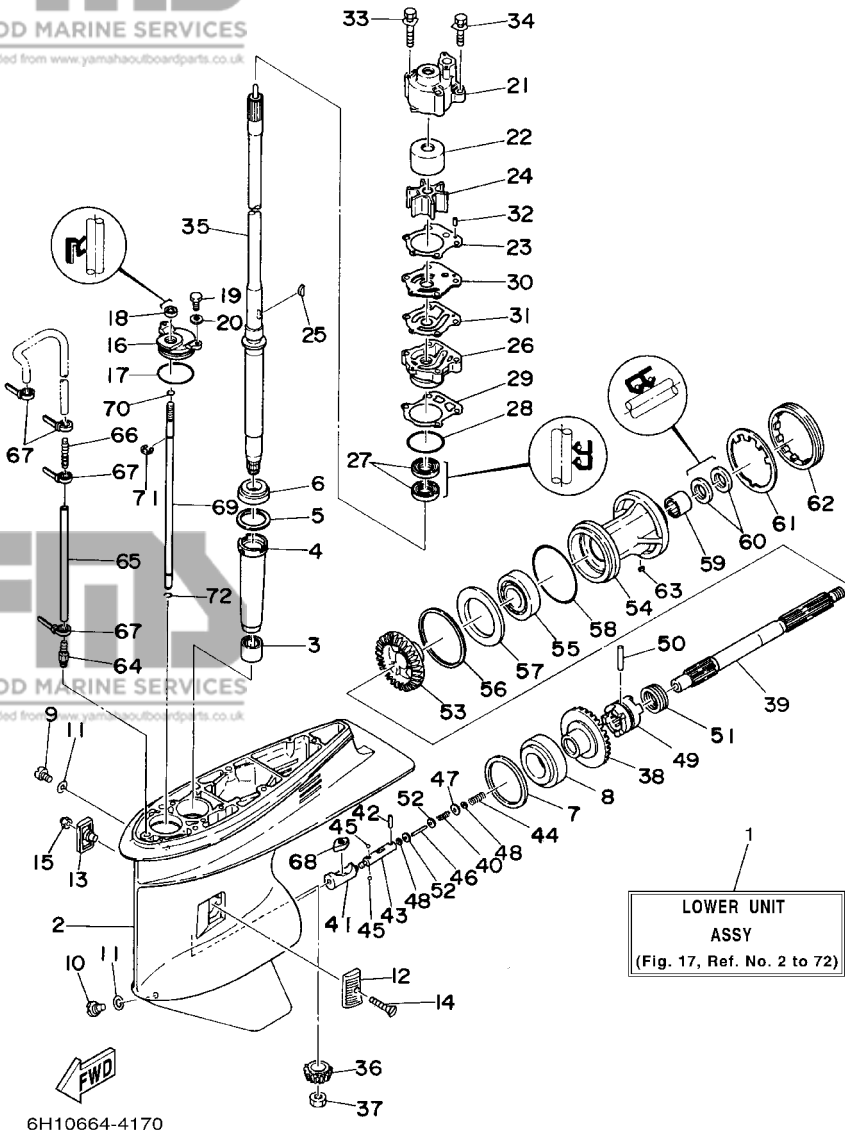


6H10110-4190

FIG. 16 UPPER CASING

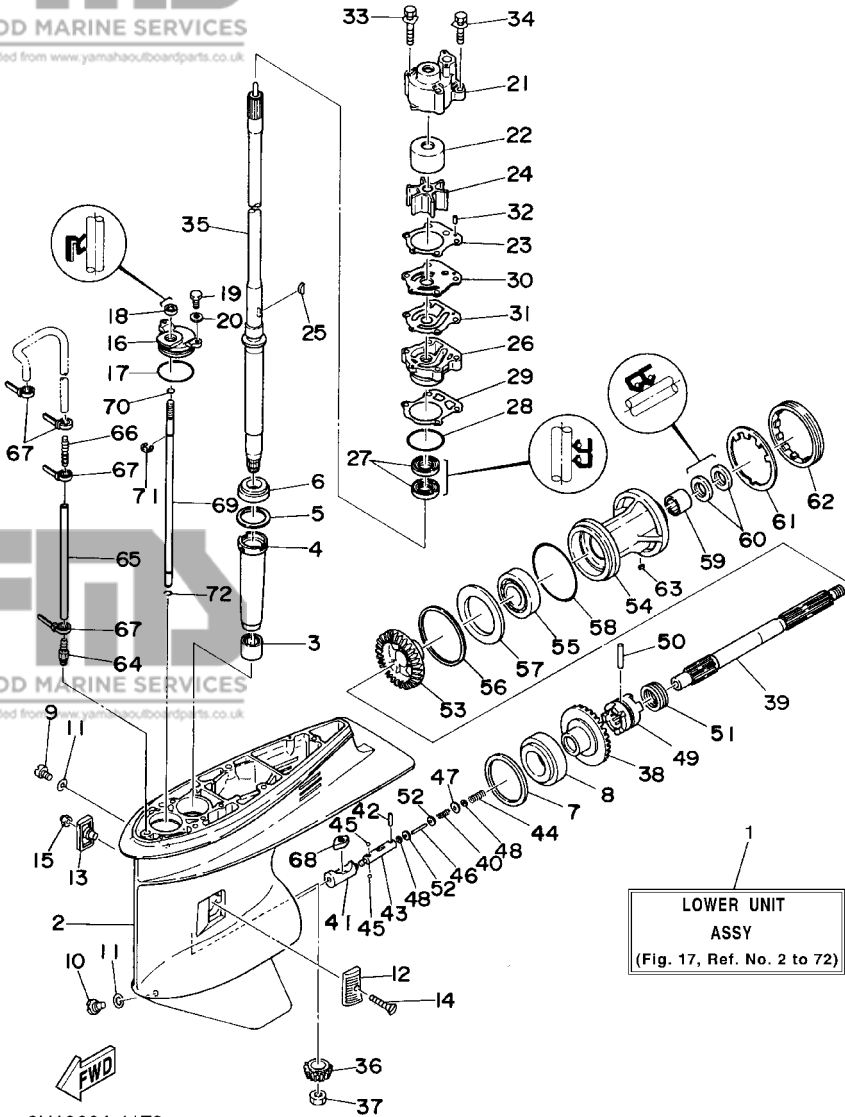
FOURREAU

REF. NO.	PART NO. NO. PIECES	DESCRIPTION DESCRIPTION	75C	90A	REMARKS REMARQUES
1	688-45111-04-4D	CASING, UPPER FOURREAU	1	1	
2	663-45155-10	CAP CAPUCHON	1	1	
3	93606-12019	PIN, DOWEL GOUJON	2	2	
4	90119-08M80	BOLT, WITH WASHER BOULON, AVEC RONDELLE	8	8	
5	688-41137-03-94	GUIDE, EXHAUST COLLECTEUR D'ECHAPPEMENT	1	1	
6	688-45114-A1	GASKET, UPPER CASING JOINT, TUBE D'ARBRE	1	1	
7	688-41134-A0	GASKET, EXHAUST MANIFOLD JOINT, PIPE D'ECHAPPEMENT	1	1	
8	688-41131-00-5B 692-41131-00-5B	MANIFOLD, EXT. 1 PIPE D'ECHAPPEMENT MANIFOLD, EXT. 1 PIPE D'ECHAPPEMENT	1	1	
9	688-41133-00	GASKET, EXHAUST MANIFOLD 1 JOINT, PIPE D'ECHAPPEMENT	1	1	
10	688-14711-01-5B	MUFFLER 1 POT D'ECHAPPEMENT 1	1	1	
11	688-45123-00	GASKET, MUFFLER JOINT, POT DE DETENTE	1	1	
12	663-14737-10	DAMPER, MUFFLER AMORTISSEUR DE POT D'ECHAPPT	1	1	
13	97075-08030	BOLT BOULON	7	7	
14	92995-08100	WASHER RONDELLE	7	7	
15	97075-08025	BOLT BOULON	1	1	
16	92995-08100	WASHER RONDELLE	1	1	
17	90119-08M79	BOLT, WITH WASHER BOULON, AVEC RONDELLE	2	2	
18	97075-08035	BOLT BOULON	2	2	
19	92995-08100	WASHER RONDELLE	2	2	
20	688-45113-A0	GASKET, UPPER CASING JOINT, TUBE D'ARBRE	1	1	
21	93606-12019	PIN, DOWEL GOUJON	2	2	



**FIG. 17 LOWER CASING. DRIVE 1 BOITIER D'HELICE, TRANSMISSION 1**

REF. NO.	PART NO. NO. PIECES	DESCRIPTION DESCRIPTION	75C	90A	REMARKS REMARQUES
1	6H1-45300-15-4D	LOWER UNIT ASSY UNITE INFERIEURE (ENS.)	1	1	L
2	6H1-45301-03-4D	CASING, LOWER BEQUILLE	1	1	
3	93315-325V1	BEARING ROULEMENT	1	1	
4	688-45536-01	SLEEVE, DRIVE SHAFT MANCHON, ARBRE MOTEUR	1	1	
5	688-45587-01-10	SHIM (T:0.10MM) CALE (T:0.10MM)	1	1	UR
	688-45587-01-12	SHIM (T:0.12MM) CALE (T:0.12MM)	1	1	UR
	688-45587-01-15	SHIM (T:0.15MM) CALE (T:0.15MM)	1	1	UR
	688-45587-01-18	SHIM (T:0.18MM) CALE (T:0.18MM)	1	1	UR
	688-45587-01-30	SHIM (T:0.30MM) CALE (T:0.30MM)	1	1	UR
	688-45587-01-40	SHIM (T:0.40MM) CALE (T:0.40MM)	1	1	UR
	688-45587-01-50	SHIM (T:0.50MM) CALE (T:0.50MM)	1	1	UR
6	93332-000U3	BEARING ROULEMENT	1	1	
7	688-45567-01-10	SHIM (T:0.10MM) CALE (T:0.10MM)	1	1	UR
	688-45567-01-12	SHIM (T:0.12MM) CALE (T:0.12MM)	1	1	UR
	688-45567-01-15	SHIM (T:0.15MM) CALE (T:0.15MM)	1	1	UR
	688-45567-01-18	SHIM (T:0.18MM) CALE (T:0.18MM)	1	1	UR
	688-45567-01-30	SHIM (T:0.30MM) CALE (T:0.30MM)	1	1	UR
	688-45567-01-40	SHIM (T:0.40MM) CALE (T:0.40MM)	1	1	UR
	688-45567-01-50	SHIM (T:0.50MM) CALE (T:0.50MM)	1	1	UR
8	93332-000W7	BEARING ROULEMENT	1	1	
9	90340-08002	PLUG, STRAIGHT SCREW PLOT, FILETE DROIT	1	1	
10	688-45341-10	PLUG, DRAIN BOUCHON DE VIDANGE	1	1	
11	90430-08020	GASKET JOINT	2	2	
12	6H1-45214-00	COVER, WATER INLET GRILLE, ENTREE D'EAU	1	1	
13	6H1-45215-00	COVER, WATER INLET GRILLE, ENTREE D'EAU	1	1	
14	90151-05M00	SCREW, COUNTERSUNK VIS, TETE NOYEE	1	1	
15	90185-05002	NUT, SELF-LOCKING ECROU, AUTO-BLOCANT	1	1	



**FIG. 17 LOWER CASING. DRIVE 1 BOITIER D'HELICE, TRANSMISSION 1**

REF. NO.	PART NO. NO. PIECES	DESCRIPTION DESCRIPTION	75C	90A	REMARKS REMARQUES
16	688-45321-00	PLATE PLAQUETTE	1	1	
17	93210-49046	O-RING JOINT TORIQUE	1	1	
18	93106-09014	OIL SEAL JOINT SPY	1	1	
19	97095-06016	BOLT BOULON	2	2	
20	92995-06600	WASHER RONDELLE	2	2	
21	688-44311-01	HOUSING, WATER PUMP CORPS, POMPE A EAU	1	1	
22	688-44322-00	INSERT, CARTRIDGE CUVETTE	1	1	
23	688-44315-A0	GASKET, WATER PUMP JOINT, POMPE A EAU	1	1	
24	688-44352-03	IMPELLER TURBINE	1	1	
25	90280-04M04	KEY, WOODRUFF CLAVETTE, DEMI-LUNE	1	1	
26	688-44341-01-94	HOUSING, WATER PUMP CORPS, POMPE A EAU	1	1	
27	93101-25M03	OIL SEAL JOINT SPY	2	2	
28	93210-46044	O-RING JOINT TORIQUE	1	1	
29	688-44316-A0	GASKET, WATER PUMP JOINT, POMPE A EAU	1	1	
30	688-44323-00	OUTER PLATE, CARTRIDGE PLAQUE EXTERIEURE	1	1	
31	688-44324-A0	GASKET, CARTRIDGE JOINT	1	1	
32	93604-10M03	PIN, DOWEL GOUJON	2	2	
33	90119-08M16	BOLT, WITH WASHER BOULON, AVEC RONDELLE	2	2	
34	90119-08M13	BOLT, WITH WASHER BOULON, AVEC RONDELLE	2	2	
35	6H1-45501-11	DRIVE SHAFT COMP. ARBRE MOTEUR COMP.	1	1	L
36	688-45551-01	PIÑÓN PIGNON D'ATTAQUE	1	1	
37	90170-16M01	NUT ECROU	1	1	
38	688-45560-00	GEAR PIGNON	1	1	
39	6H1-45611-01	SHAFT, PROPELLER ARBRE, HELICE	1	1	
40	90501-12M48	SPRING, COMPRESSION RESSORT, COMPRESSION	1	1	
41	6H1-45641-01	SHIFTER EMBRAYAGE	1	1	
42	93603-12M11	PIN, DOWEL GOUJON	1	1	

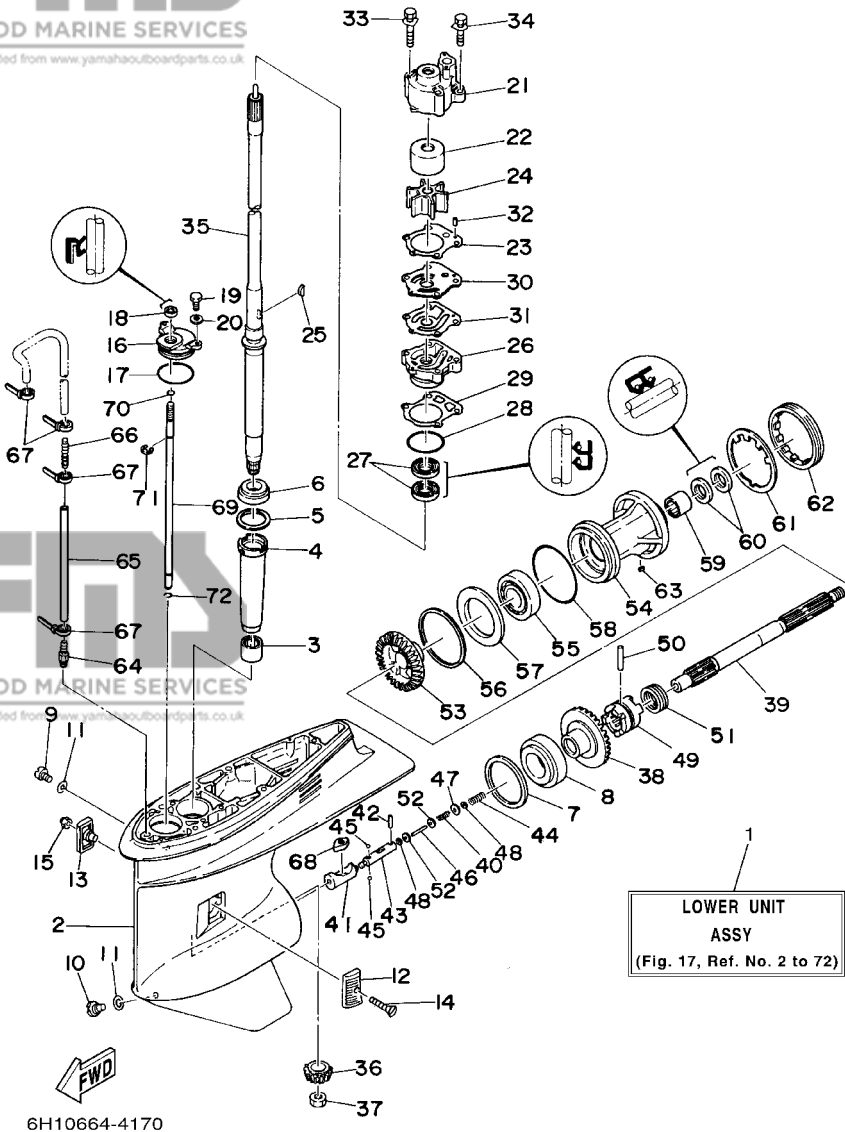


FIG. 17 LOWER CASING. DRIVE 1

BOITIER D'HELICE, TRANSMISSION 1

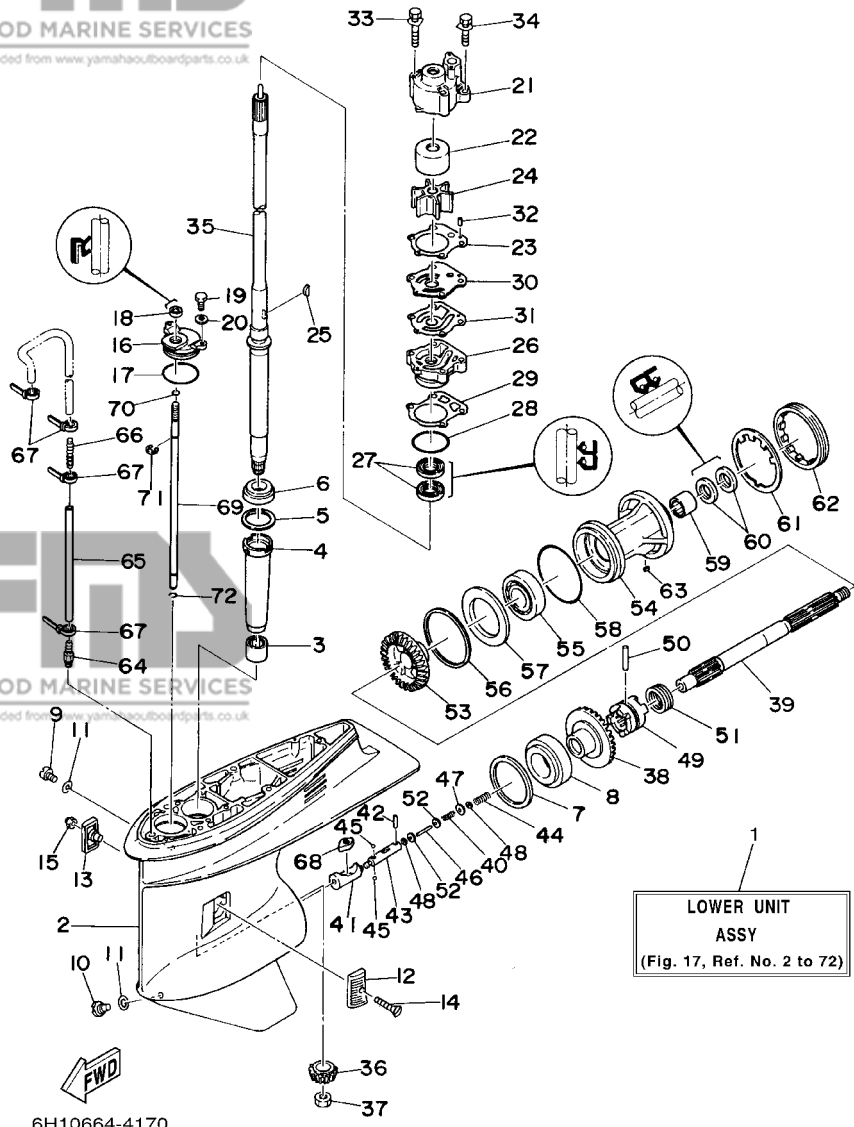
REF. NO.	PART NO. NO. PIECES	DESCRIPTION DESCRIPTION	75C	90A	REMARKS REMARQUES
43	6H1-45634-02	SLIDE, SHIFT CONTRE-POUSSOIR	1	1	
44	90501-16M65	SPRING, COMPRESSION RESSORT, COMPRESSION	1	1	
45	93503-16003	BALL BILLE	2	2	
46	6H1-45668-00	SHAFT, FREE AXE	1	1	
47	90201-03313	WASHER, PLATE RONDELLE, PLATE	1	1	
48	90183-02M03	NUT, SPRING ECROU, RESSORT	2	2	
49	6H1-45631-01	CLUTCH, DOG CRABOT	1	1	
50	90250-07M02	PIN, STRAIGHT GOUPILLE, DROITE	1	1	
51	688-45633-00	RING, CROSS PIN JONC, GOUPILLE CRABOT	1	1	
52	6H1-45635-00	PLUNGER, SHIFT POUSSOIR D'EMBRAYAGE	2	2	
53	6H1-45571-00	GEAR PIGNON	1	1	
54	688-45331-00-94	HOUSING, BEARING FLASQUE, ROULEMENT	1	1	
55	93306-207U0	BEARING ROULEMENT	1	1	
56	688-45577-01-10	SHIM (T:0.10MM) CALE (T:0.10MM)	1	1	UR
	688-45577-01-12	SHIM (T:0.12MM) CALE (T:0.12MM)	1	1	UR
	688-45577-01-15	SHIM (T:0.15MM) CALE (T:0.15MM)	1	1	UR
	688-45577-01-18	SHIM (T:0.18MM) CALE (T:0.18MM)	1	1	UR
	688-45577-01-30	SHIM (T:0.30MM) CALE (T:0.30MM)	1	1	UR
	688-45577-01-40	SHIM (T:0.40MM) CALE (T:0.40MM)	1	1	UR
	688-45577-01-50	SHIM (T:0.50MM) CALE (T:0.50MM)	1	1	UR
57	688-45576-00	WASHER, THRUST RONDELLE DE CALAGE	1	1	
58	93210-85M97	O-RING JOINT TORIQUE	1	1	
59	93317-325U0	BEARING ROULEMENT	1	1	
60	93101-25M03	OIL SEAL JOINT SPY	2	2	
61	688-45383-02	WASHER, CLAW FREIN D'ECROU	1	1	
62	688-45384-00	NUT ECROU	1	1	
63	90282-04010	KEY, STRAIGHT CLAVETTE, DROITE	1	1	

**F1**

**FIG. 17 LOWER CASING. DRIVE 1 BOITIER D'HELICE, TRANSMISSION 1**

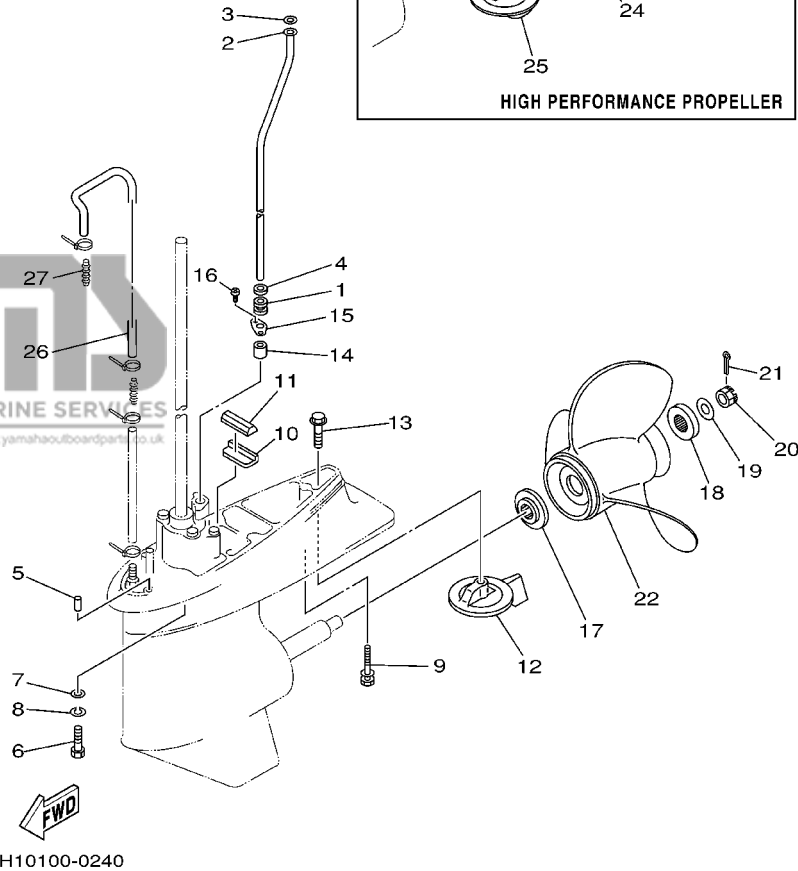
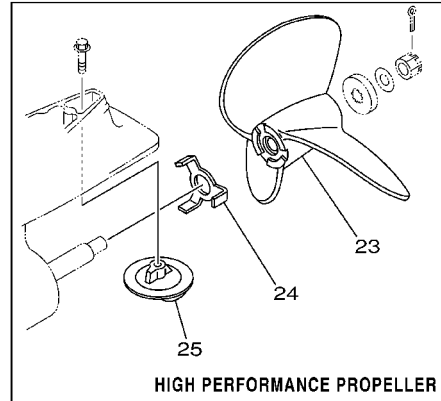
REF. NO.	PART NO. NO. PIECES	DESCRIPTION DESCRIPTION	75C	90A	REMARKS REMARQUES
64	<a href="#">6E5-45378-00</a>	NIPPLE, HOSE RACCORD, TUYAU	1	1	
65	<a href="#">90445-07ME9</a>	HOSE (L120) DURITE (L120)	1	1	
66	<a href="#">6E5-83558-10</a>	END, NIPPLE RACCORD DE NIPPLE	1	1	
67	<a href="#">90465-11M10</a>	CLAMP BRIDE	4	4	
68	<a href="#">6H1-44151-00</a>	CAM, SHIFT CAME, INVERSION	1	1	
69	<a href="#">6H1-44144-00</a>	ROD, SHIFT TIGE D'EMBAYAGE	1	1	
70	<a href="#">93210-07003</a>	O-RING JOINT TORIQUE	1	1	
71	<a href="#">99001-08600</a>	CIRCLIP	1	1	
72	<a href="#">93450-07M00</a>	CIRCLIP, TYPE S	1	1	

**F2**



**FIG. 18 LOWER CASING. DRIVE 2 BOITIER D'HELICE, TRANSMISSION 2**

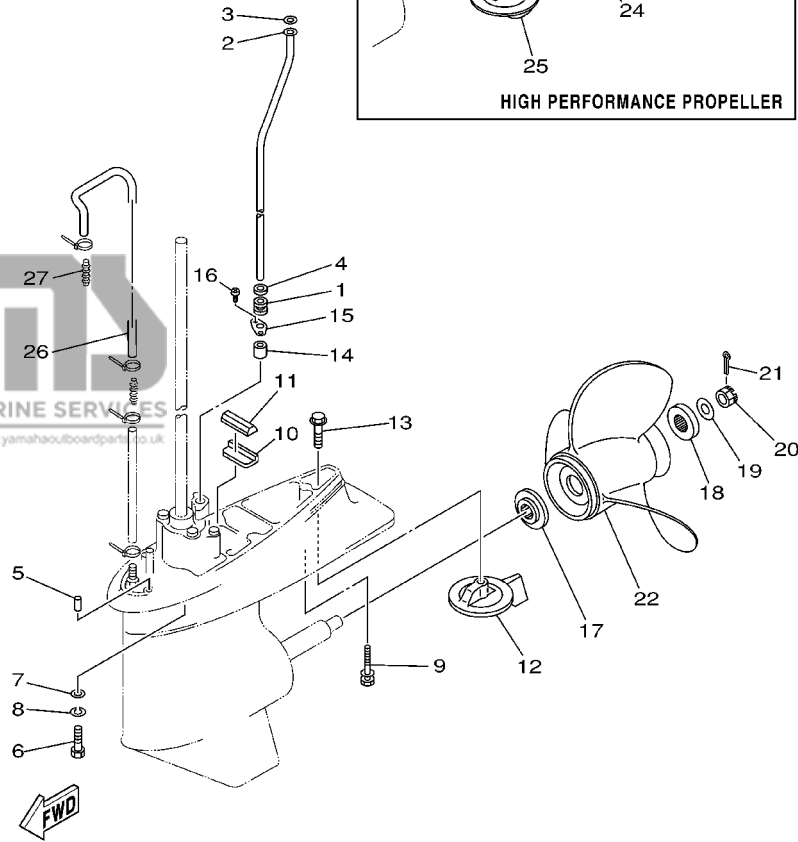
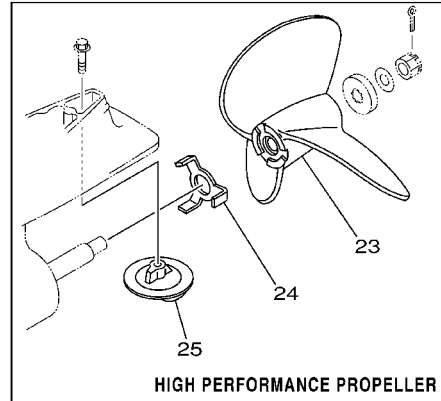
REF. NO.	PART NO. NO. PIECES	DESCRIPTION DESCRIPTION	75C	90A	REMARKS REMARQUES
1	663-44367-00	DAMPER, WATER SEAL JOINT TUBE D'EAU	1	1	
2	688-44361-10	TUBE, WATER TUBE D'EAU	1	1	
3	90202-12060	WASHER, PLATE RONDELLE, PLATE	1	1	
4	90430-12072	GASKET JOINT	1	1	
5	93606-12019	PIN, DOWEL GOUJON	2	2	
6	97075-10040	BOLT BOULON	4	4	
7	92990-10600	WASHER, PLATE RONDELLE, PLATE	4	4	
8	92990-10100	WASHER, SPRING RONDELLE, GROWER	4	4	
9	90119-08M84	BOLT, WITH WASHER BOULON, AVEC RONDELLE	1	1	
10	663-45376-00-94	GUIDE, SEAL DAMPER BUTEE, JOINT CAOUTCHOUC	1	1	
11	688-45375-00	DAMPER, SEAL BOURRELET, CAOUTCHOUC	1	1	
12	688-45371-02	TAB-TRIM ANODE DERIVE	1	1	
13	90105-10M67	BOLT, FLANGE BOULON	1	1	
14	663-44366-00	DAMPER, WATER SEAL JOINT, TUBE D'EAU	1	1	
15	90480-19M06	GROMMET PASSE-FIL	1	1	
16	97780-40512	SCREW, TAPPING VIS, TETE FRAISEE	2	2	
17	688-45987-01	SPACER ENTRETOISE	1	1	
18	688-45997-01	SPACER ENTRETOISE	1	1	
19	90201-17M00	WASHER, PLATE RONDELLE, PLATE	1	1	
20	90171-16011	NUT, CASTLE ECROU, CRENELE	1	1	
21	91490-40025	PIN, COTTER GOUPILE, FENDUE	1	1	
22	6E5-45941-00-EL	PROPELLER (3X13"X19"-K) HELICE (3X13"X19"-K)	1	1	UR
	6E5-45943-00-EL	PROPELLER (3X12-5/8"X21"-K) HELICE (3X12-5/8"X21"-K)	1	1	UR
	6E5-45945-01-EL	PROPELLER (3X13-1/4"X17"-K) HELICE (3X13-1/4"X17"-K)	1	1	UR
	6E5-45947-00-EL	PROPELLER (3X13-1/2"X15"-K) HELICE (3X13-1/2"X15"-K)	1	1	UR
	6E5-45949-00-EL	PROPELLER (3X13-5/8"X13"-K) HELICE (3X13-5/8"X13"-K)	1	1	UR
	6E5-45952-00-EL	PROPELLER (3X13"X23"-K) HELICE (3X13"X23"-K)	1	1	UR





**FIG. 18 LOWER CASING. DRIVE 2 BOITIER D'HELICE, TRANSMISSION 2**

REF. NO.	PART NO. NO. PIECES	DESCRIPTION DESCRIPTION	75C	90A	REMARKS REMARQUES
22	<a href="#">6E5-45954-00-EL</a>	PROPELLER (3X14"X11"-K) HELICE (3X14"X11"-K)	1	1	UR
	<a href="#">6E5-45956-00-EL</a>	PROPELLER (3X13"X25"-K) HELICE (3X13"X25"-K)	1	1	UR
		<b>STAINLESS STEEL PROPELLER ACIER INOXYDABLE HELICE</b>			
	<a href="#">688-45930-02-98</a>	PROPELLER (3X13"X17"-K) HELICE (3X13"X17"-K)	1	1	UR
	<a href="#">688-45970-03-98</a>	PROPELLER (3X13"X19"-K) HELICE (3X13"X19"-K)	1	1	UR
	<a href="#">688-45972-02-98</a>	PROPELLER (3X13"X21"-K) HELICE (3X13"X21"-K)	1	1	UR
	<a href="#">688-45974-02-98</a>	PROPELLER (3X13"X23"-K) HELICE (3X13"X23"-K)	1	1	UR
	<a href="#">688-45976-01-98</a>	PROPELLER (3X13"X25"-K) HELICE (3X13"X25"-K)	1	1	UR
	<a href="#">688-45932-60-98</a>	PROPELLER (3X13-1/2"X14"-K) HELICE (3X13-1/2"X14"-K)	1	1	UR
	<a href="#">688-45978-60-98</a>	PROPELLER (3X13-1/2"X16"-K) HELICE (3X13-1/2"X16"-K)	1	1	UR
		<b>HIGH PERFORMANCE PROPELLER HELICE RENDEMENT DE HAUTEUR</b>			
23	<a href="#">6E5-45970-10</a>	PROPELLER (3X14"X20"-P) HELICE (3X14"X20"-P)	1	1	UR
	<a href="#">6E5-45972-10</a>	PROPELLER (3X14"X24"-P) HELICE (3X14"X24"-P)	1	1	UR
	<a href="#">6E5-45974-10</a>	PROPELLER (3X14"X28"-P) HELICE (3X14"X28"-P)	1	1	UR
	<a href="#">6E5-45976-10</a>	PROPELLER (3X14"X22"-P) HELICE (3X14"X22"-P)	1	1	UR
	<a href="#">6E5-45978-10</a>	PROPELLER (3X14"X26"-P) HELICE (3X14"X26"-P)	1	1	UR
24	<a href="#">6E5-45994-10</a>	PLATE, TOOTH PLAQUETTE	1	1	
25	<a href="#">6E5-45371-10</a>	TAB-TRIM ANODE DERIVE	1	1	
26	<a href="#">90445-07MF1</a>	HOSE (L570) DURITE (L570)	1	1	
27	<a href="#">6E5-83558-00</a>	END, NIPPLE RACCORD DE NIPPLE	1	1	



6H10100-0240

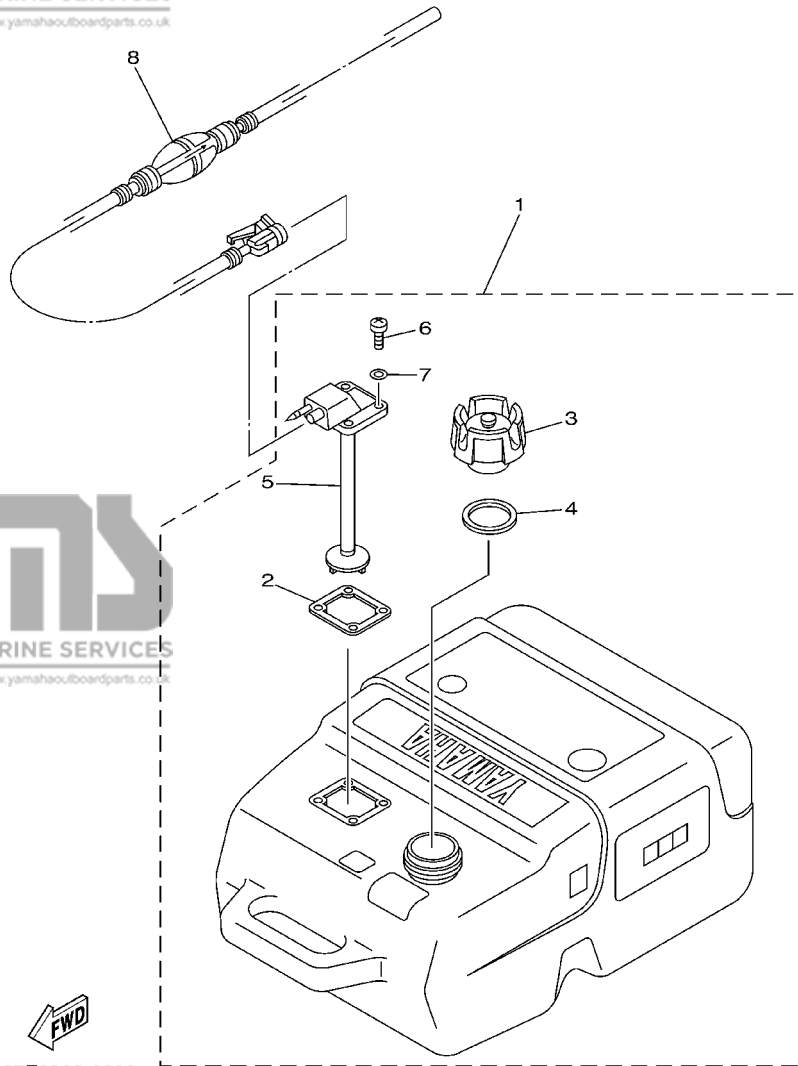


FIG. 19 FUEL TANK

RESERVOIR A CARBURANT

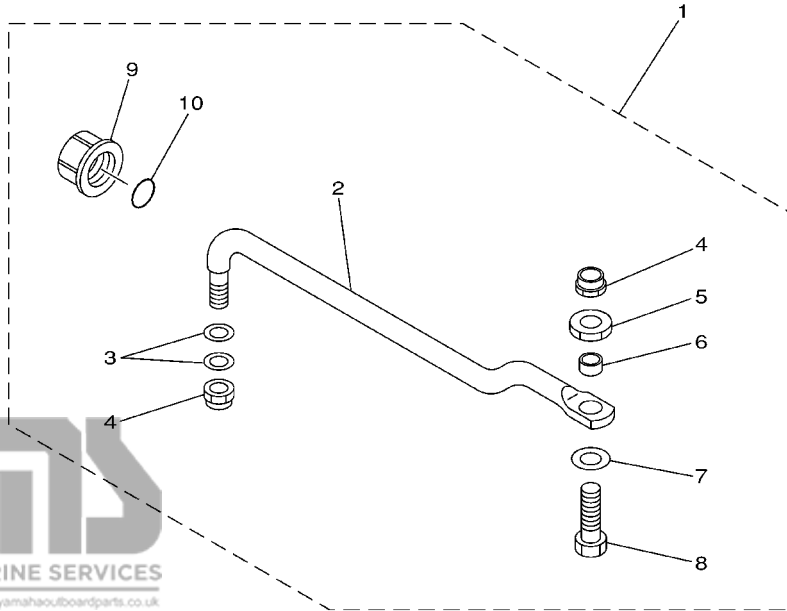
REF. NO.	PART NO. NO. PIECES	DESCRIPTION DESCRIPTION	75C	90A	REMARKS REMARQUES
1	6YK-24201-01	FUEL TANK ASSY RESERVOIR A ESSENCE (ENS.)	1	1	AP PLASTIC, 25L "SCEPTER"
2	6YL-24268-01	.GASKET, FUEL METER .JOINT, JAUGE A CARBURANT	1	1	
3	6YK-24610-00	.CAP ASSY .BOUCHON	1	1	WITH INDICATOR
4	6YL-24641-00	.GASKET, CAP 1 .JOINT 1, BOUCHON	1	1	
5	6YK-24260-01	.FUEL METER ASSY .INDICATEUR DE CARBURANT	1	1	
6	90157-05M16	.SCREW, PAN HEAD .VIS, TETE TRONCONIQUE	4	4	
7	6YL-24329-00	.SEAL .JOINT	4	4	
8	6YL-24306-52	FUEL PIPE COMP. 1 DURITE A ESSENCE 1	1	1	AP



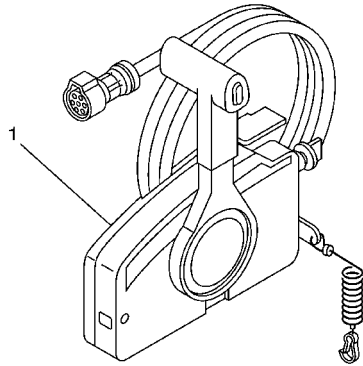
**FIG. 20 STEERING GUIDE**

**FIXATION DE DIRECTION**

REF. NO.	PART NO. NO. PIECES	DESCRIPTION DESCRIPTION	75C	90A	REMARKS REMARQUES
1	<a href="#">688-61350-10</a>	STEERING GUIDE ATTACHMENT KIT FIXATIONS DE DIRECTION	1	1	AP
2	<a href="#">688-61351-10</a>	.ROD, STEERING LINK .RENOI DE DIRECTION	1	1	
3	<a href="#">90201-10M20</a>	.WASHER, PLATE .RONDELLE, PLATE	2	2	
4	<a href="#">90185-09M01</a>	.NUT, SELF-LOCKING .ECROU, AUTO-BLOCANT	2	2	
5	<a href="#">90170-09M03</a>	.NUT .ECROU	1	1	
6	<a href="#">90387-10M42</a>	.COLLAR .COLLERETTE	1	1	
7	<a href="#">90201-10M63</a>	.WASHER, PLATE .RONDELLE, PLATE	1	1	
8	<a href="#">6E5-61355-00</a>	.BOLT .BOULON	1	1	
9	<a href="#">6E5-43145-01</a>	.CAP, CLAMP BRACKET .CAPUCHON, PRESSE	1	1	
10	<a href="#">93210-16275</a>	.O-RING .JOINT TORIQUE	1	1	

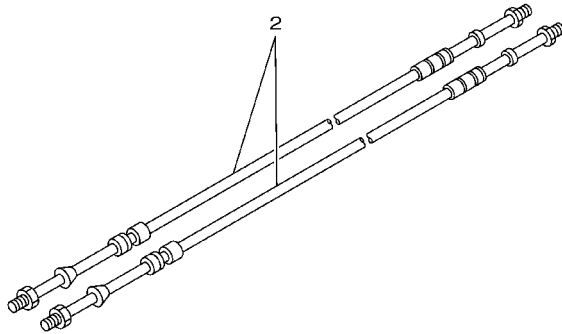


6880700-9190



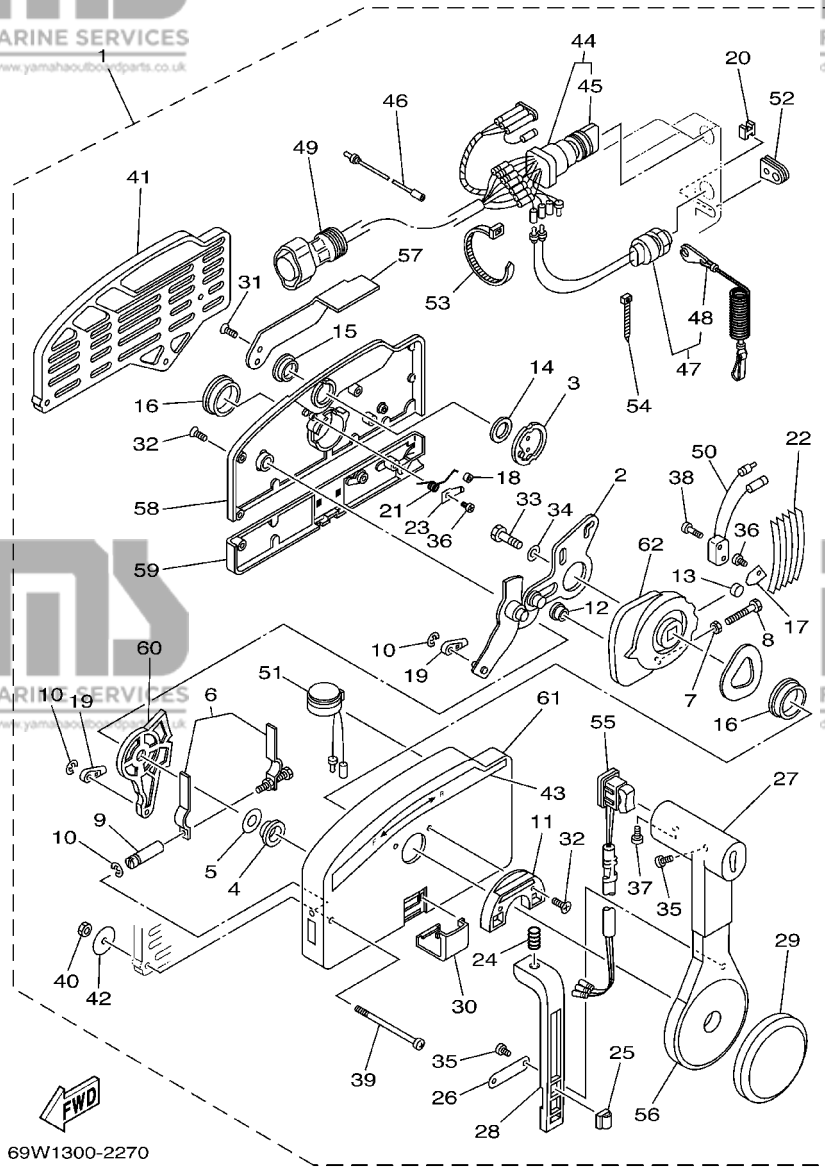
**FIG. 21 REMOTE CONTROL BOX BOITIER DE COMMANDE A DISTANCE**

REF. NO.	PART NO. NO. PIECES	DESCRIPTION DESCRIPTION	75C	90A	REMARKS REMARQUES
1	703-48207-17	REMOTE CONTROL ASSY BOITIER DE COMMANDE A DISTANCE	1	1	AP WITH PT/T SW.
2	701-48320-00	CABLE, REMOTE CONTROL L=12F CABLE, COMMANDE A DISTANCE:12F	2	2	UR
	701-48320-20	CABLE, REMOTE CONTROL L=13F CABLE, COMMANDE A DISTANCE:13F	2	2	UR
	701-48320-30	CABLE, REMOTE CONTROL L=14F CABLE, COMMANDE A DISTANCE:14F	2	2	UR
	701-48320-50	CABLE, REMOTE CONTROL L=15F CABLE, COMMANDE A DISTANCE:15F	2	2	UR
	701-48320-60	CABLE, REMOTE CONTROL L=16F CABLE, COMMANDE A DISTANCE:16F	2	2	UR
	701-48320-80	CABLE, REMOTE CONTROL L=17F CABLE, COMMANDE A DISTANCE:17F	2	2	UR



67M0100-8280

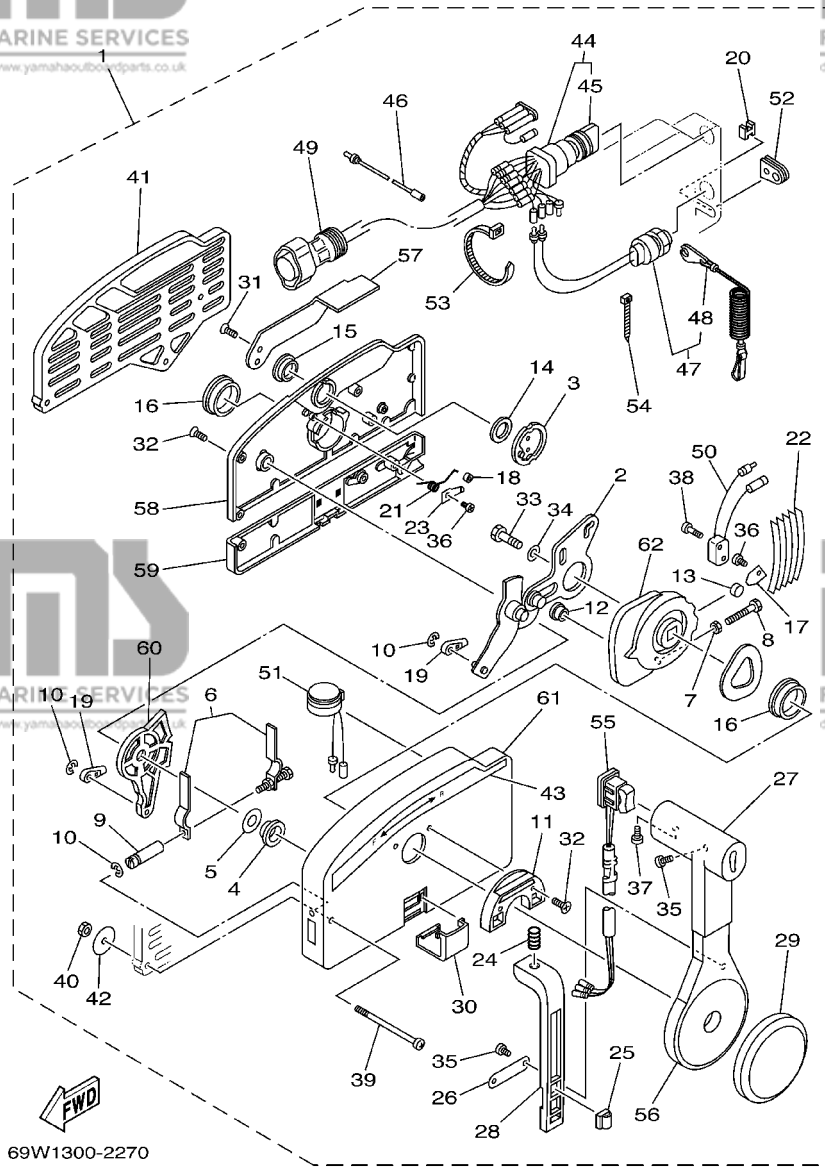
**FIG. 22 REMOTE CONTROL ASSY BOITIER DE COMMANDE A DISTANCE**



69W1300-2270

REF. NO.	PART NO. NO. PIECES	DESCRIPTION DESCRIPTION	75C	90A	REMARKS REMARQUES
1	703-48207-17	REMOTE CONTROL ASSY BOITIER DE COMMANDE A DISTANCE	1	1	AP WITH PT/T SW.
2	703-48261-01	.ARM, THROTTLE	1	1	
3	703-48153-00	.BRAS, ACCELERATION	1	1	
4	703-48235-00	.SHAFT, FREE ACCEL. .AXE	1	1	
5	703-48268-00	.BUSHING .COUSSINET	1	1	
6	703-48264-00	.SPACER .ENTRETOISE	1	1	
7	95380-05600	.THROTTLE, FRICTION ACCELERATION	1	1	
8	97380-05025	.NUT .ECROU	1	1	
9	703-48265-00	.BOLT .BOULON	1	1	
10	93430-06024	.SHAFT, FRICTION .AXE, COPILOTE	1	1	
11	703-48245-00	.CIRCLIP .CIRCLIP, TYPE S	3	3	
12	703-48252-00	.PLATE, LOCK .PLAQUE, VERROU	1	1	
13	701-48248-00	.ROLLER, CAM .POULIE	1	1	
14	703-48198-00	.ROLLER, FREE ACCEL. .POULIE	1	1	
15	703-48243-00	.WASHER, WAVE .RONDELLE, ELASTIQUE ONDULEE	1	1	
16	703-48236-00	.BUSHING .COUSSINET	1	1	
17	703-48189-00	.BUSHING 1 .POULIE	2	2	
18	703-48234-00	.RETAINER .FLASQUE	1	1	
19	703-48345-01	.ROLLER, DETENT .POULIE	1	1	
20	703-48358-00	.CABLE END, REMOTE CONTROL 2 .CHAPE CABLE	2	2	
21	703-48244-00	.ANCHOR, CABLE .COLLIER	1	1	
22	703-48238-00	.SPRING, FREE ACCEL. .RESSORT	1	1	
23	703-48246-00	.SPRING, DETENT .RESSORT	5	5	
24	703-48227-00	.SPACER .ENTRETOISE	1	1	
25	703-82594-00	.SPRING, NEUTRAL LOCK .RESSORT	1	1	
26	703-48226-00	.CLAMP .BRIDE	1	1	WITH PT/T SW.
27	703-48222-00	.PLATE, STOPPER .PLAQUETTE	1	1	
		.GRIP, CONTROL LEVER .POIGNEE, COMMANDE LEVIER	1	1	SINGLE

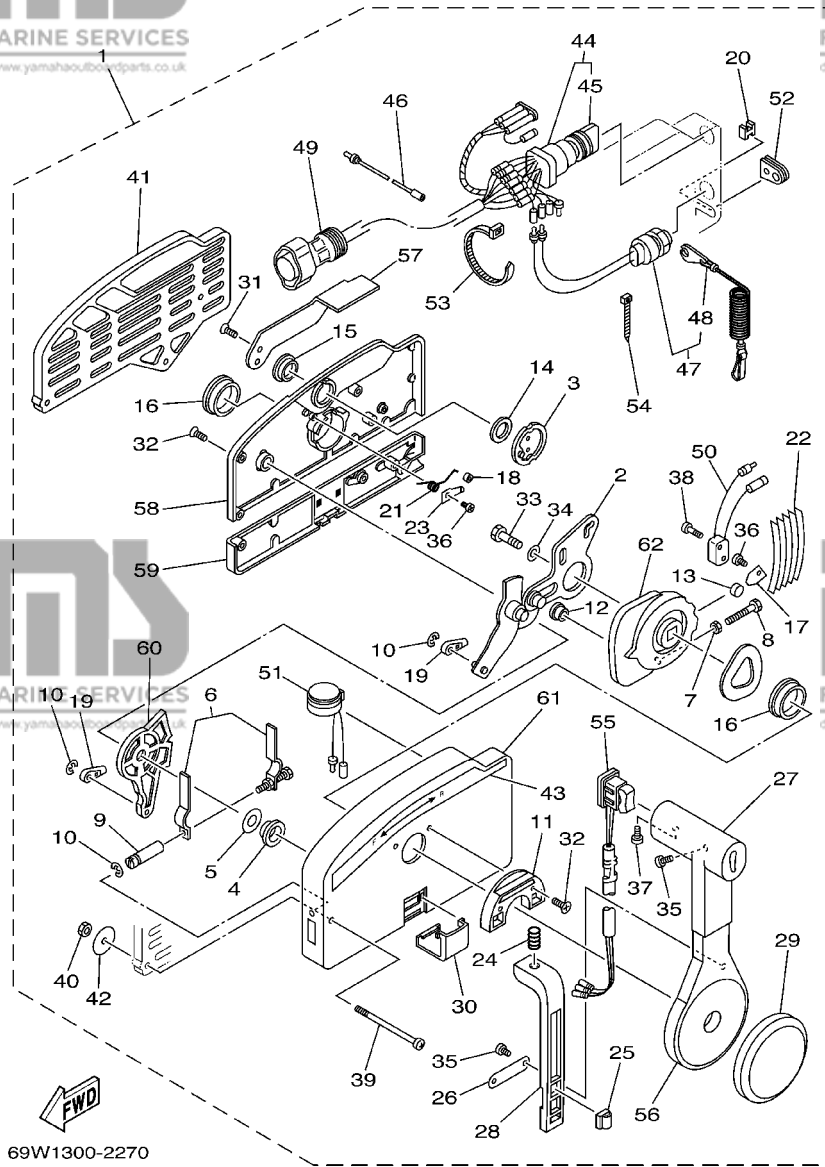
**FIG. 22 REMOTE CONTROL ASSY BOITIER DE COMMANDE A DISTANCE**



69W1300-2270

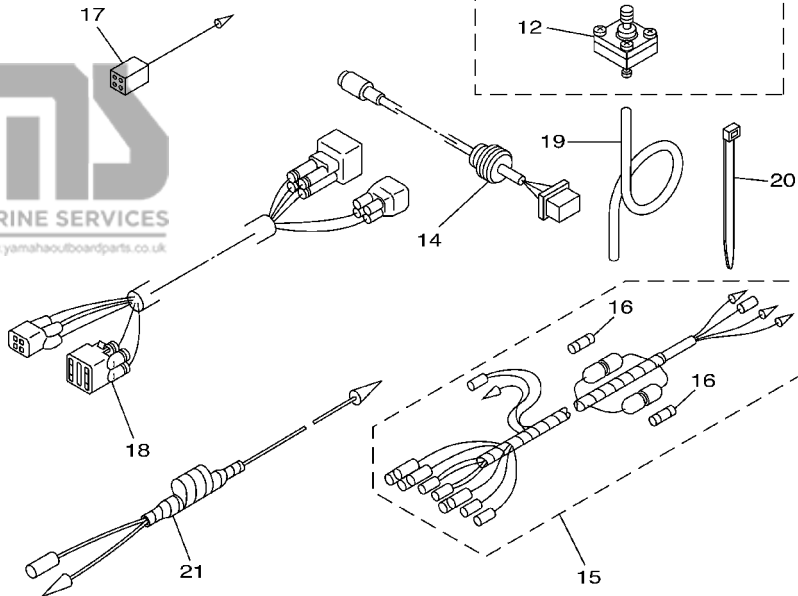
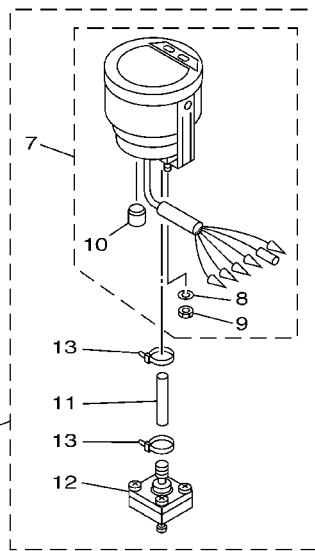
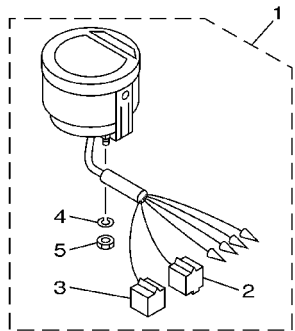
REF. NO.	PART NO. NO. PIECES	DESCRIPTION DESCRIPTION	75C	90A	REMARKS REMARQUES
28	<a href="#">703-48223-00</a>	.LOCK, NEUTRAL .VERROU, NEUTRAL	1	1	
29	<a href="#">703-48225-00</a>	.COVER .COUVERCLE	1	1	
30	<a href="#">703-48219-00</a>	.COVER, LEAD .COUVERCLE	1	1	
31	<a href="#">703-48281-00</a>	.SCREW .VIS	2	2	
32	<a href="#">703-48282-00</a>	.SCREW .VIS	7	7	
33	<a href="#">97380-08030</a>	.BOLT .BOULON	1	1	
34	<a href="#">92990-08600</a>	.WASHER, PLATE .RONDELLE, PLATE	1	1	
35	<a href="#">98580-04010</a>	.SCREW, PAN HEAD .VIS, TETE TRONCONIQUE	3	3	
36	<a href="#">98580-04006</a>	.SCREW, PAN HEAD .VIS, TETE TRONCONIQUE	2	2	
37	<a href="#">98580-05010</a>	.SCREW, PAN HEAD .VIS, TETE TRONCONIQUE	1	1	
38	<a href="#">98580-03015</a>	.SCREW, PAN HEAD .VIS, TETE TRONCONIQUE	2	2	
39	<a href="#">703-48291-10</a>	.SCREW (M6) .VIS (M6)	3	3	
40	<a href="#">95380-06600</a>	.NUT, HEXAGON .ECROU	3	3	
41	<a href="#">703-48293-10</a>	.SPACER, REMOTE CONTROL .ENTRETOISE	1	1	SINGLE
42	<a href="#">701-48287-00</a>	.WASHER .RONDELLE	3	3	
43	<a href="#">703-48215-00</a>	.GRAPHIC .ADHESIF	1	1	
44	<a href="#">703-82510-43</a>	.MAIN SWITCH ASSY .CONTACTEUR A CLEF COMPLET	1	1	
45	<a href="#">703-82577-00</a>	.CAP, KEY .CABOCHON	1	1	
46	<a href="#">703-82531-00</a>	.WIRE, LEAD .FIL	1	1	
47	<a href="#">688-82575-01</a>	.ENGINE STOP SWITCH ASSY .COUPE CIRCUIT CPLT	1	1	
48	<a href="#">682-82556-00</a>	.STOPPER .PLAQUETTE	1	1	
49	<a href="#">688-8258A-20</a>	.EXTENSION, WIRE HARNESS .EXTENSION, FAISCEAU DE FILS	1	1	L:5M (10P)
50	<a href="#">703-82540-00</a>	.NEUTRAL SWITCH ASSY .CONTACTEUR DE POINT-MORT	1	1	
51	<a href="#">703-83383-A0</a>	.BUZZER .RONFLEUR	1	1	
52	<a href="#">703-48284-10</a>	.GROMMET .PASSE-FIL	1	1	
53	<a href="#">703-82591-00</a>	.BAND .COLLIER	3	3	
54	<a href="#">703-82592-00</a>	.BAND .COLLIER	1	1	

**FIG. 22 REMOTE CONTROL ASSY BOITIER DE COMMANDE A DISTANCE**



69W1300-2270

REF. NO.	PART NO. NO. PIECES	DESCRIPTION DESCRIPTION	75C	90A	REMARKS REMARQUES
55	<a href="#">703-82563-12</a>	.TRIM & TILT SWITCH ASSY .INCLINER ET PARER COMMUTEUR	1	1	
56	<a href="#">703-48221-00</a>	.LEVER, CONTROL .LEVIER, COMMANDE	1	1	
57	<a href="#">703-48152-00</a>	.KNOB, FREE ACCEL. .BOUTON	1	1	
58	<a href="#">703-48212-00</a>	.BACK PLATE 1 .PLAQUETTE 1	1	1	
59	<a href="#">703-48213-00</a>	.BACK PLATE 2 .PLAQUETTE 2	1	1	
60	<a href="#">703-48271-00</a>	.ARM, SHIFT .BRAS	1	1	
61	<a href="#">703-48211-01</a>	.HOUSING,1 .CORPS	1	1	
62	<a href="#">703-48232-00</a>	.GEAR .PIGNON	1	1	



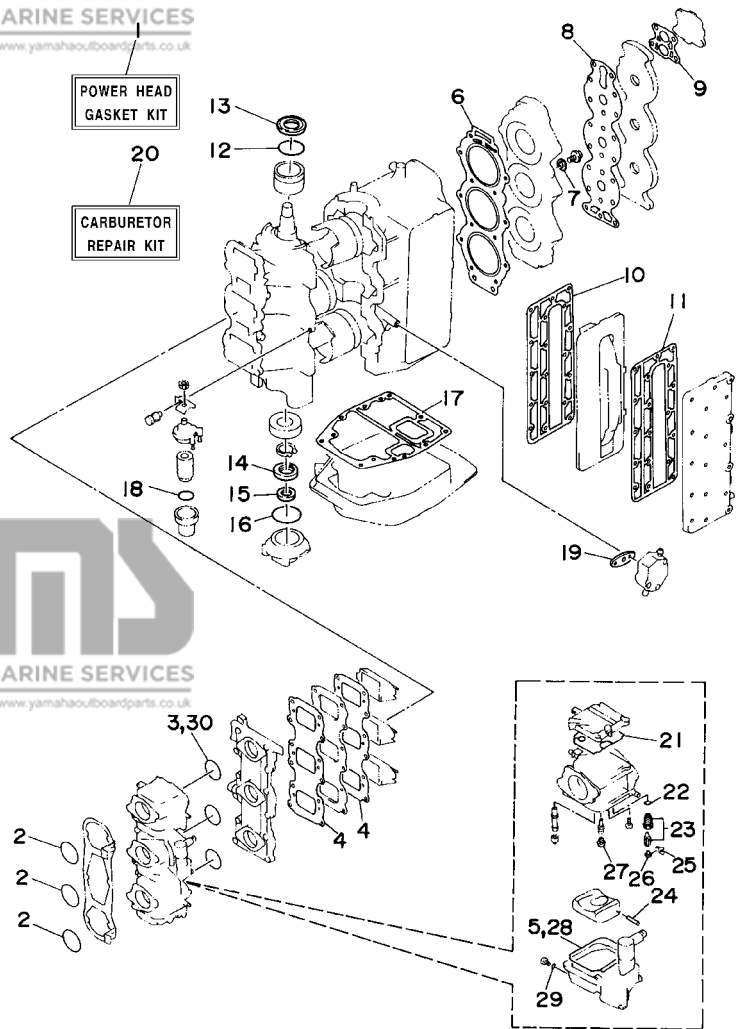
6H12300-2230

FIG. 23 METER

COMPTEUR

REF. NO.	PART NO. NO. PIECES	DESCRIPTION DESCRIPTION	75C	90A	REMARKS REMARQUES
1	6Y5-8350T-01	DIGITAL TACHOMETER ASSY COMPTE-TOURS NUMERIQUE CPLT	1	1	AP
2	9E450-04433	.CONNECTOR .CONNECTEUR	1	1	M-4-W
3	9E450-04533	.CONNECTOR .CONNECTEUR	1	1	F-4-W
4	92990-04100	.WASHER, SPRING .RONDELLE, GROWER	2	2	
5	95380-04600	.NUT .ECROU	2	2	
6	6Y5-83500-S5	DIGITAL SPEEDOMETER ASSY TACHYMETRE NUMERIQUE CPLT.	1		AP
7	6Y5-83570-S5	.SPEEDOMETER ASSY .COMPTEUR DE VITESSE CPLT		1	
8	92990-04100	.WASHER, SPRING .RONDELLE, GROWER	2		
9	95380-04600	.NUT .ECROU	2		
10	6Y5-83533-T2	.GROMMET .RONDELLE CAOUTCHOUC	1		
11	6Y5-83557-31	.TUBE .TUBE	1		
12	6Y5-83728-00	.CONNECTOR ASSY .CONNEXION COMPLET	1		
13	90465-11M10	.CLAMP .BRIDE	2		
14	6Y5-87122-S0	CORD ASSY 1 COPDON COMPLET	1		AP
15	6Y5-83553-M0	WIRE, LEAD FIL	1		AP
	6Y5-83553-00	WIRE, LEAD FIL	1		AP
16	1E6-82151-00	.FUSE (10A) .FUSIBLE (10A)	2		
	1E6-82151-00	.FUSE (10A) .FUSIBLE (10A)	1		
17	6Y5-82117-00	WIRE, LEAD (BLACK) FIL (NOIR)	1		AP
18	68F-82553-80	EXTENSION, WIRE LEAD EXTENSION, FAISCEAU	1		AP
	68F-82553-70	EXTENSION, WIRE LEAD EXTENSION, FAISCEAU	1		AP
19	6Y5-83557-10	TUBE (8M) TUBE (8M)	1		AP
20	90465-11M10	CLAMP BRIDE	2		AP
21	6H4-81315-11	LEAD WIRE ASSY FIL	1		AP





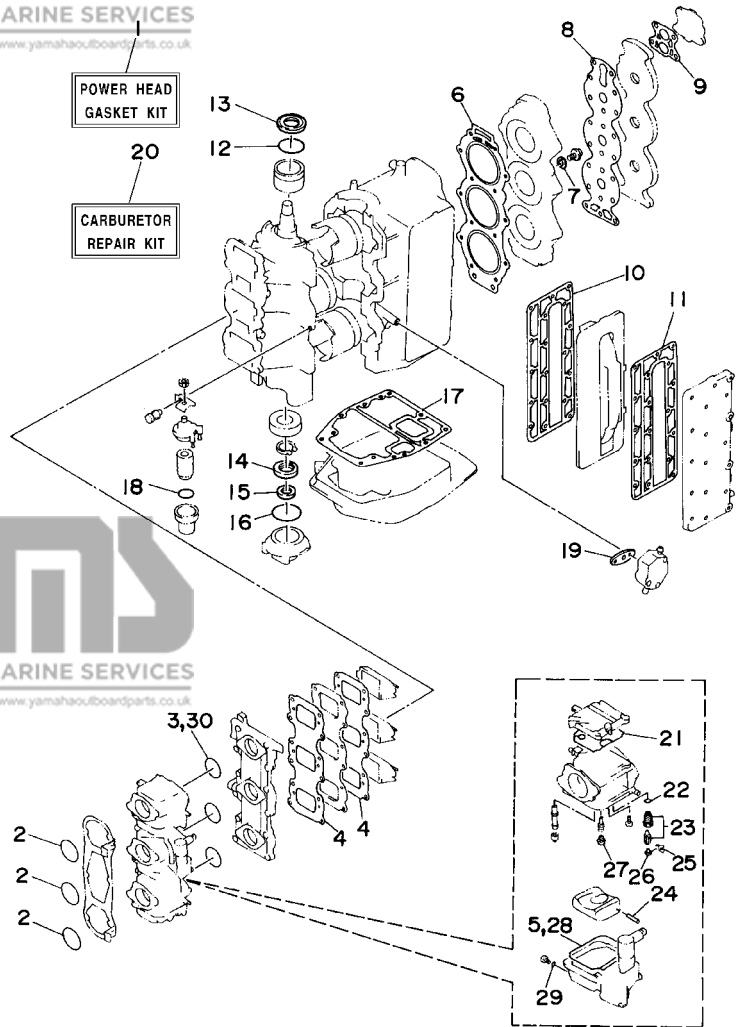
6H10010-4230

FIG. 24 REPAIR KIT 1

KITS DE REPARATION 1

REF. NO.	PART NO. NO. PIECES	DESCRIPTION DESCRIPTION	75C	90A	REMARKS REMARQUES
1	6H1-W0001-02	POWER HEAD GASKET KIT POCHETTE DE JINTS TETE MOTRICE	1	1	
2	93210-46044	.O-RING JOINT TORIQUE	3	3	
3	93210-39ME4	.O-RING JOINT TORIQUE	3	3	
4	688-13621-A1	.GASKET, VALVE SEAT JOINT, SIEGE DE CLAPET	2	2	
5	6H4-14984-00	.GASKET, FLOAT CHAMBER JOINT, CUVE DE FLOTTEUR	3	3	
6	688-11181-A1	.GASKET, CYLINDER HEAD 1 JOINT, DE CULASSE 1	1	1	
7	90430-14115	.GASKET JOINT	1	1	
8	688-11193-A1	.GASKET, HEAD COVER 1 JOINT, COUVERCLE DE CULASSE 1	1	1	
9	688-12414-A1	.GASKET, COVER JOINT, COUVERCLE	1	1	
10	688-41112-A0	.GASKET, EXHAUST INNER COVER JOINT, PLAQUE D'ECHAPPEMENT	1	1	
11	688-41114-A0	.GASKET, EXHAUST OUTER COVER JOINT, COUVERCLE D'ECHAPPEMEN	1	1	
12	93210-46M16	.O-RING JOINT TORIQUE	1	1	
13	93102-36M02	.OIL SEAL JOINT SPY	1	1	
14	93102-30M05	.OIL SEAL JOINT SPY	1	1	
15	93104-20M02	.OIL SEAL JOINT SPY	1	1	
16	93210-62269	.O-RING JOINT TORIQUE	1	1	
17	688-45113-A0	.GASKET, UPPER CASING JOINT, TUBE D'ARBRE	1	1	
18	93210-32738	.O-RING JOINT TORIQUE	1	1	
19	650-24431-A0	.GASKET, FUEL PUMP 1 JOINT 1 DE POMPE A ESSENCE	1	1	
20	6H1-W0093-10	CARBURETOR REPAIR KIT KIT DE REPARATION CARBURATEUR	1	1	
21	6H4-14147-00	.O-RING JOINT TORIQUE	1	1	
22	93210-04228	.O-RING JOINT TORIQUE	1	1	
23	692-14590-00	.VALVE SEAT .POINTEAU	1	1	
24	6H4-14548-00	.PIN, FLOAT ARM .AXE, BRAS DE FLOTTEUR	1	1	
25	663-14159-00	.CLIP JONC	1	1	
26	676-14186-00	.PIN, FLOAT .AXE, FLOTTEUR	1	1	
27	676-14966-00	.CAP .CAPUCHON	1	1	

**B1**



6H10010-4230

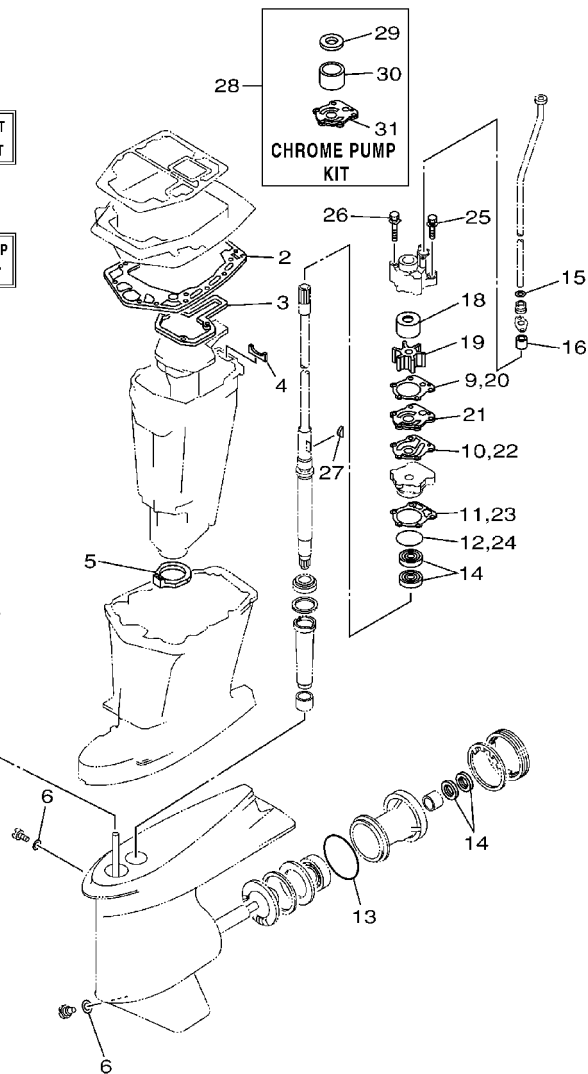
FIG. 24 REPAIR KIT 1

KITS DE REPARATION 1

REF. NO.	PART NO. NO. PIECES	DESCRIPTION DESCRIPTION	75C	90A	REMARKS REMARQUES
28	<a href="#">6H4-14984-00</a>	.GASKET, FLOAT CHAMBER .JOINT, CUVE DE FLOTTEUR	1	1	
29	<a href="#">93210-04230</a>	.O-RING .JOINT TORIQUE	1	1	
30	<a href="#">93210-39ME4</a>	.O-RING .JOINT TORIQUE	1	1	

1  
LOWER UNIT  
GASKET KIT

17  
WATER PUMP  
REPAIR KIT



6H10110-0280

**FIG. 25 REPAIR KIT 2**

**KITS DE REPARATION 2**

REF. NO.	PART NO. NO. PIECES	DESCRIPTION DESCRIPTION	75C	90A	REMARKS REMARQUES
1	688-W0001-21	LOWER UNIT GASKET KIT POCHETTE DE JOINTS EMBASE	1	1	
2	688-45114-A1	.GASKET, UPPER CASING .JOINT, TUBE D'ARBRE	1	1	
3	688-41134-A0	.GASKET, EXHAUST MANIFOLD .JOINT, PIPE D'ECHAPPEMENT	1	1	
4	688-41133-00	.GASKET, EXHAUST MANIFOLD 1 .JOINT, PIPE D'ECHAPPEMENT	1	1	
5	688-45123-00	.GASKET, MUFFLER .JOINT, POT DE DETENTE	1	1	
6	90430-08020	.GASKET .JOINT	2	2	
7	93210-49046	.O-RING .JOINT TORIQUE	1	1	
8	93106-09014	.OIL SEAL .JOINT SPY	1	1	
9	688-44315-A0	.GASKET, WATER PUMP .JOINT, POMPE A EAU	1	1	
10	688-44324-A0	.GASKET, CARTRIDGE .JOINT	1	1	
11	688-44316-A0	.GASKET, WATER PUMP .JOINT, POMPE A EAU	1	1	
12	93210-46044	.O-RING .JOINT TORIQUE	1	1	
13	93210-85M97	.O-RING .JOINT TORIQUE	1	1	
14	93101-25M03	.OIL SEAL .JOINT SPY	4	4	
15	90430-12072	.GASKET .JOINT	1	1	
16	663-44366-00	.DAMPER, WATER SEAL .JOINT, TUBE D'EAU	1	1	
17	692-W0078-02	WATER PUMP REPAIR KIT KIT DE REPARATION DE LA POMPE	1	1	
18	688-44322-00	.INSERT, CARTRIDGE .CUVETTE	1	1	
19	688-44352-03	.IMPELLER .TURBINE	1	1	
20	688-44315-A0	.GASKET, WATER PUMP .JOINT, POMPE A EAU	1	1	
21	688-44323-00	.OUTER PLATE, CARTRIDGE .PLAQUE EXTERIEURE	1	1	
22	688-44324-A0	.GASKET, CARTRIDGE .JOINT	1	1	
23	688-44316-A0	.GASKET, WATER PUMP .JOINT, POMPE A EAU	1	1	
24	93210-46044	.O-RING .JOINT TORIQUE	1	1	
25	90119-08M13	.BOLT, WITH WASHER .BOULON, AVEC RONDELLE	2	2	
26	90119-08M16	.BOLT, WITH WASHER .BOULON, AVEC RONDELLE	2	2	
27	90280-04M04	.KEY, WOODRUFF .CLAVETTE, DEMI-LUNE	1	1	

**B3**

1  
LOWER UNIT  
GASKET KIT

17  
WATER PUMP  
REPAIR KIT



6H10110-0280

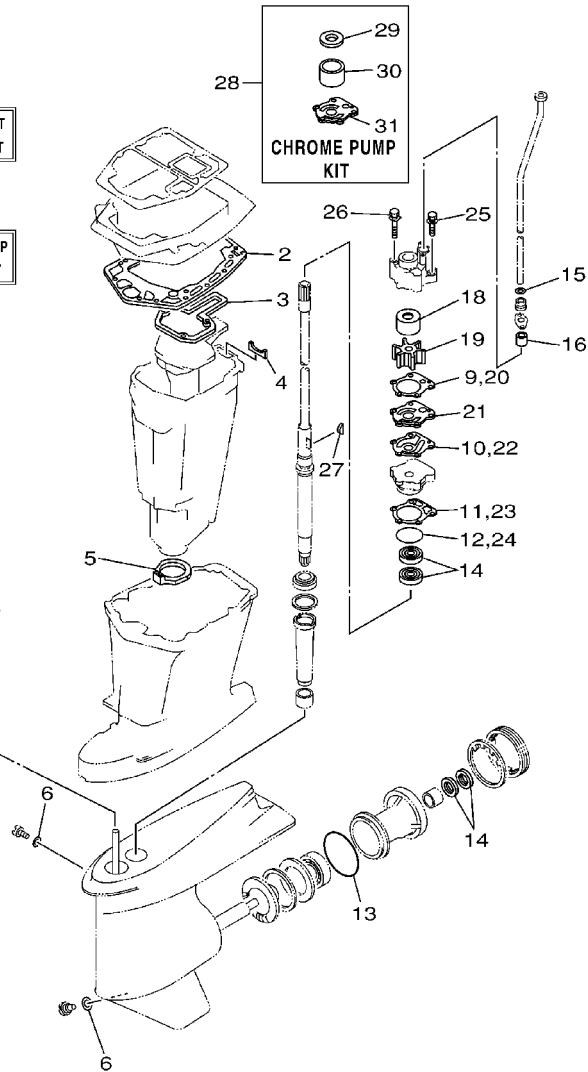


FIG. 25 REPAIR KIT 2

KITS DE REPARATION 2

REF. NO.	PART NO. NO. PIECES	DESCRIPTION DESCRIPTION	75C	90A	REMARKS REMARQUES
28	<a href="#">688-W0078-1A</a>	CHROME PUMP KIT KIT DE POMPE A EAU CHROME	1	1	
29	<a href="#">688-44321-41</a>	.INNER PLATE, CARTRIDGE .CUVETTE	1	1	
30	<a href="#">688-44322-41</a>	.INSERT, CARTRIDGE .CUVETTE	1	1	
31	<a href="#">688-44323-40</a>	.OUTER PLATE, CARTRIDGE .PLAQUE EXTERIEURE	1	1	

75CETO/90AETO  
PARTS CATALOGUE  
F 2001 by Yamaha Motor Co., Ltd.  
1st Edition, Nov. 2001  
All rights reserved.  
Any reprinting or unauthorized use  
without the written permission of  
Yamaha Motor Co., Ltd.  
is expressly prohibited.

75CETO/90AETO  
CATALOGUE DE PIECES DETACHEES  
F 2001 Yamaha Motor Co., Ltd.  
1ère Edition, Nov. 2001  
Tous droits réservés.  
Toute réimpression ou utilisation  
sans la permission écrite de la  
Yamaha Motor Co., Ltd.  
est formellement interdite.