

**PARTS
CATALOGUE
CATALOGUE
DE PIÈCES DÉTACHÉES**

6C

(6M81)

6D

(6M91)

8C (6N01)

YAMAHA
GENUINE
Parts & Accessories

2A6M8-300F1

2016/2/12

NEWS NO.	DATE	COMMENT
PE0-OM-110032	Jun.,24,2011	COR:FIG.17 LOWER CASING & DRIVE 1 ILLUSTRATION CORRECTION
PE0-OM-160002	Feb.,8,2016	MOD:6C/6D/8C FUEL ILLUSTRATION REVISION

FOREWORD

This Parts Catalogue is related to the parts for the model(s) in the below frame. When you are ordering replacement parts, please refer to this Parts Catalogue and quote both part numbers and part names correctly.

6C'02(6M81), 6D'02(6M91), 8C'02(6N01)

5. Quantity Column Information

NAME for Q'TY COLUMN	APPLICABLE MODEL
MH	6CMH, 6DMH, 8CMH
WH	8CWH

6. Applicable Starting Serial No. and Color Code

1) Engine Starting Serial No.

6CMH	6M8	S : 016924	8CMH	6N0	S : 025866
	6M8	L : 310058		6N0	L : 315079
6DMH	6M9	S : 002726		6N0	X : 700917
	6M9	L : 300576	8CWH	6N0	S : 100607
				6N0	L : 401103

1. Modifications or additions which have been made after issue of the Parts Catalogue will be announced in the Yamaha Parts News. It is advisable that you make necessary corrections to the Parts Catalogue according to the Yamaha Parts News.

2. Abbreviations

The Following abbreviations are used in this Parts Catalogue.

“UR” Use specified parts number.

“UN” Use as many as needed.

“AP” Alternate Parts

“LM” Local Made

(Parts need to be ordered locally)

“O/S” Over Size

3. Parts, which are to be supplied in an assembly, are listed with a dot(.) in front of the part name as shown below.

EXAMPLE

CARBURETOR ASSY

.JET, PILOT

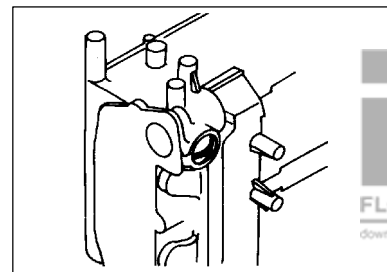
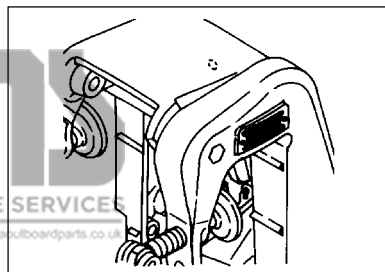
.NOZZLE, MAIN

4. Number of component for assembly

The numeral appearing to the right of each component part indicates the quantity of parts for each assembly unit.

EXAMPLE

PART NO.	DESCRIPTION	ウ	ロ	リ	レ	REMARKS
6E0-85500-70	C.D.I. MAGNETO ASSY	1				
6E0-85550-70	.ROTOR ASSY	1				
6E0-15723-00-94	.PULLY, STARTER	1				



2) Color Code

Color Code	Color Name	Abbreviation
004D	DARK BLUISH GRAY METALLIC 2	DBNM2

7. Note that the illustrations for reference in finding parts numbers, not to be used for assembling. When assembling, please use the applicable service manual.

8. The asterisk (*) before a reference number indicates modification items after the first edition.



FLOOD MARINE SERVICES

downloaded from www.yamahaoutboardparts.co.uk



FLOOD MARINE SERVICES

downloaded from www.yamahaoutboardparts.co.uk



FLOOD MARINE SERVICES

downloaded from www.yamahaoutboardparts.co.uk

CONTENTS

TOP COWLING	A4
CYLINDER, CRANKCASE	A5
CRANKSHAFT, PISTON	A7
INTAKE	B1
CARBURETOR	B2
FUEL	B4
STARTER	B5
GENERATOR	B7
ELECTRICAL 1	C1
ELECTRICAL 2	C2
STARTING MOTOR	C3
BOTTOM COWLING	C4
STEERING	C6
CONTROL	C7
BRACKET	D2
UPPER CASING	D5
LOWER CASING, DRIVE 1	D6
LOWER CASING, DRIVE 2	E2
FUEL TANK	E3
REPAIR KIT	E4
INDEX	
NUMERICAL INDEX	E6



FLOOD MARINE SERVICES

downloaded from www.yamahaoutboardparts.co.uk



FLOOD MARINE SERVICES

downloaded from www.yamahaoutboardparts.co.uk



FLOOD MARINE SERVICES

downloaded from www.yamahaoutboardparts.co.uk



FLOOD MARINE SERVICES

downloaded from www.yamahaoutboardparts.co.uk



FLOOD MARINE SERVICES

downloaded from www.yamahaoutboardparts.co.uk



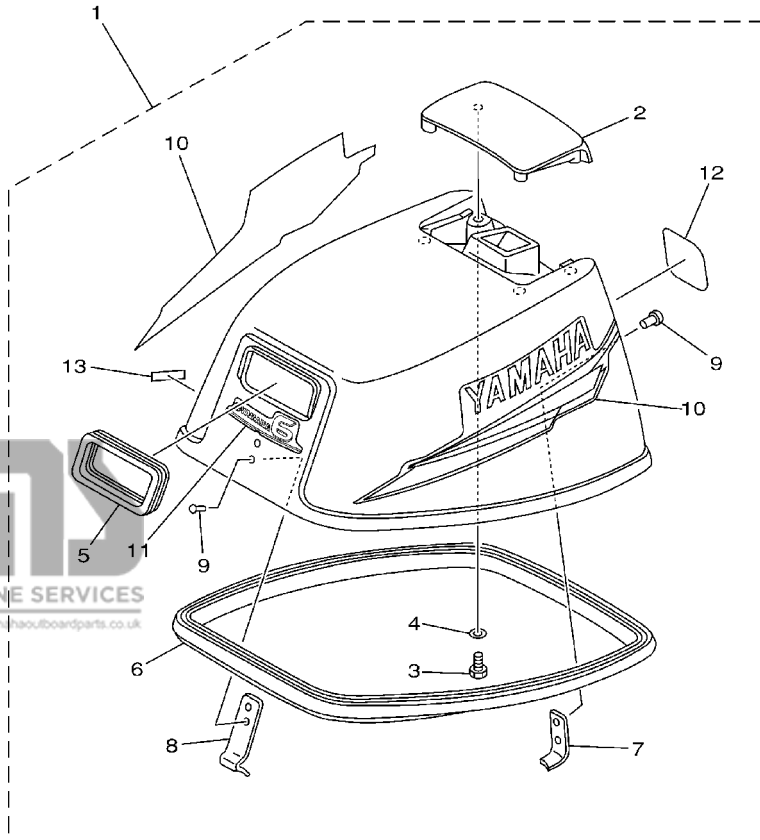
FLOOD MARINE SERVICES

downloaded from www.yamahaoutboardparts.co.uk

FIG. 1 TOP COWLING

CAPOT SUPERIEUR

REF. NO.	PART NO. NO. PIECES	DESCRIPTION DESCRIPTION	MH	WH	REMARKS REMARQUES
1	6M8-G2610-30-4D	TOP COWLING ASSY CAPOT (ENS.)	1		6C,6D
	6N0-G2610-30-4D	TOP COWLING ASSY CAPOT (ENS.)	1	1	8C
2	6N0-G2613-00-4D	.MOLDING, AIR DUCT .MANCHON A AIR	1	1	
3	97095-06016	.BOLT .BOULON	4	4	
4	92995-06600	.WASHER .RONDELLE	4	4	
5	6G1-15761-00	.SEAL, RUBBER 1 .JOINT CAOUTCHOUC 1	1	1	
6	6G1-42615-00	.SEAL .JOINT	1	1	
7	6G1-42647-00	.HOLDER, CLAMP BAND .SUPPORT, SANDOW DE SERRAGE	1	1	
8	6N0-G2651-00	.HOOK .CROCHET	1	1	
9	90266-04M00	.RIVET .RIVET	4	4	
10	6N0-WG070-10	.GRAPHIC SET .JEU DIEMBLEMES	1	1	
11	6M8-G2677-20	.GRAPHIC, FRONT .ADHESIF, AVANT	1		6C,6D
	6N0-G2677-20	.GRAPHIC, FRONT .ADHESIF, AVANT	1	1	8C
12	6M8-G2678-11	.GRAPHIC, REAR .ADHESIF, ARRIERE	1		6C,6D
	6N0-G2678-11	.GRAPHIC, REAR .ADHESIF, ARRIERE	1	1	8C
13	6E0-44191-11	.INDICATOR, SHIFT .ETIQUETTE, EMBRAYAGE	1	1	



6M81200-2010

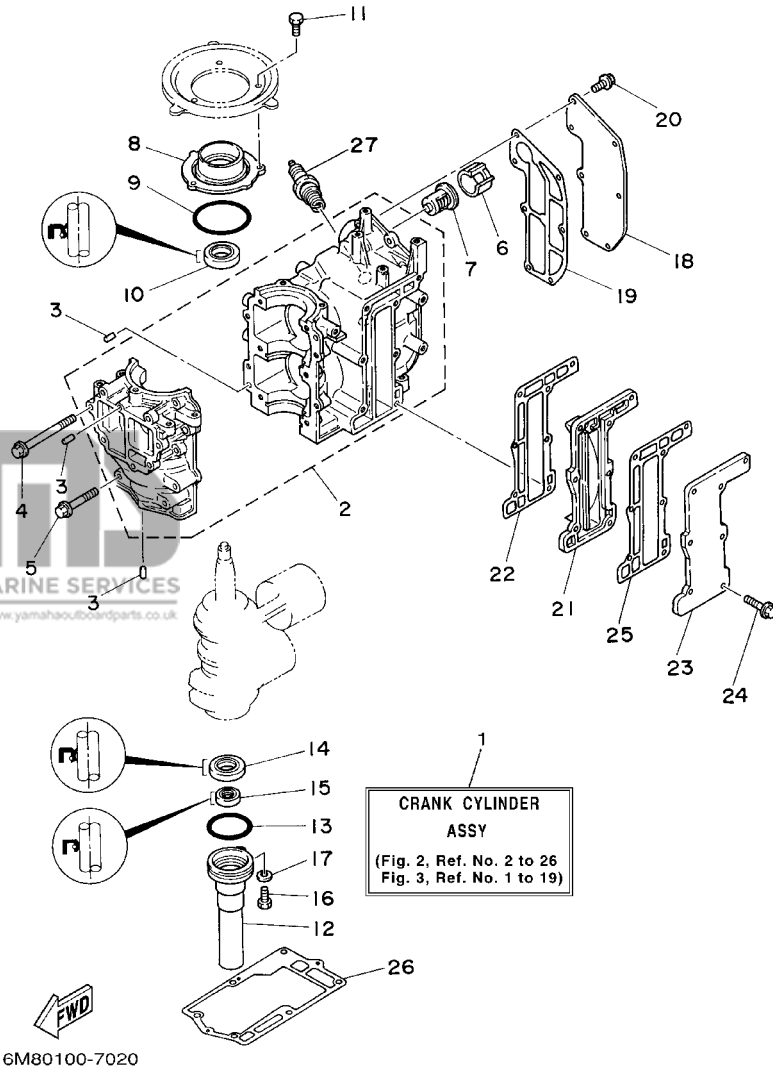


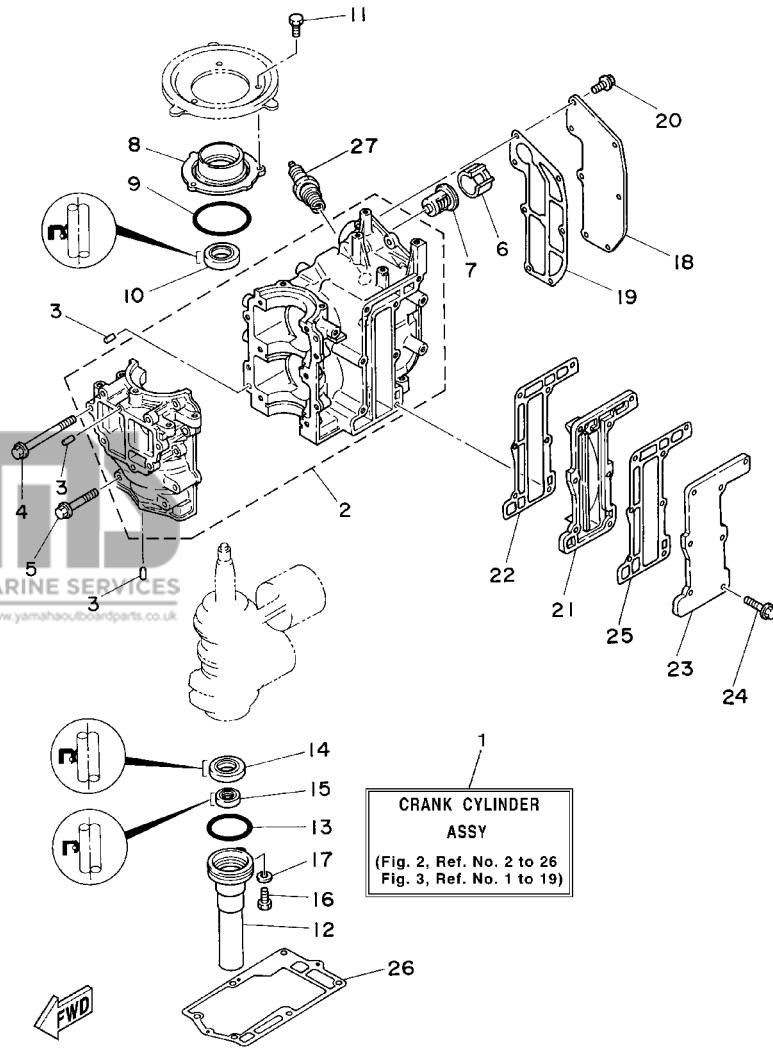
FIG. 2 CYLINDER. CRANKCASE CYLINDRE. CARTER

REF. NO.	PART NO. NO. PIECES	DESCRIPTION DESCRIPTION	MH	WH	REMARKS REMARQUES
1	6N0-W0090-00-4D	CRANK CYLINDER ASSY EMBIELLAGE CYLINDRE (ENS.)	1	1	
2	6N0-E5100-00-94	CRANKCASE ASSY CARTER DE MOTEUR COMPLET	1	1	
3	93604-08062	PIN, DOWEL GOUJON	4	4	
4	90105-06M26	BOLT, FLANGE BOULON	6	6	
5	90105-06M25	BOLT, FLANGE BOULON	4	4	
6	90387-22M50	COLLAR COLLERETTE	1	1	
7	6E5-12411-01	THERMOSTAT THERMOSTAT	1	1	
8	6G1-15359-01-94	HOUSING, OIL SEAL LOGEMENT, BAGUE D'ETANCHEITE	1	1	
9	93210-54M54	O-RING JOINT TORIQUE	1	1	
10	93102-20M25	OIL SEAL JOINT SPY	1	1	
11	97013-06016	BOLT BOULON	3	3	
12	6G1-15396-02-5B	HOUSING, OIL SEAL LOGEMENT DE JOINT SPY	1	1	
13	93210-42159	O-RING JOINT TORIQUE	1	1	
14	93101-20M34	OIL SEAL JOINT SPY	1	1	
15	93101-12M26	OIL SEAL JOINT SPY	1	1	
16	97095-06016	BOLT BOULON	1	1	
17	92995-06600	WASHER RONDELLE	1	1	
18	6N0-E1191-00-9M	COVER, CYLINDER HEAD 1 COUVERCLE, CULASSE 1	1	1	
19	6G1-11193-A1	GASKET, HEAD COVER 1 JOINT, COUVERCLE DE CULASSE 1	1	1	
20	90105-06M14	BOLT FLANGE BOULON	7	7	
21	6N0-G1111-00-9M	INNER COVER, EXHAUST PLAQUE, ECHAPPEMENT	1	1	
22	6G1-41112-A1	GASKET, EXHAUST INNER COVER JOINT, PLAQUE D'ECHAPPEMENT	1	1	
23	6G1-41113-01-9M	OUTER COVER, EXHAUST COUVERCLE, ECHAPPEMENT	1	1	
24	90105-06M24	BOLT, FLANGE BOULON	7	7	
25	6G1-41114-A0	GASKET, EXHAUST OUTER COVER JOINT, COUVERCLE D'ECHAPPEMENT	1	1	
26	6G1-45113-A1	GASKET, UPPER CASING JOINT, TUBE D'ARBRE	1	1	
27	94702-00271	PLUG, SPARK (NGK BR7HS-10) BOUGIE D'ALLUMAGE (NGK BR7HS-10)	2	2	6C,8C

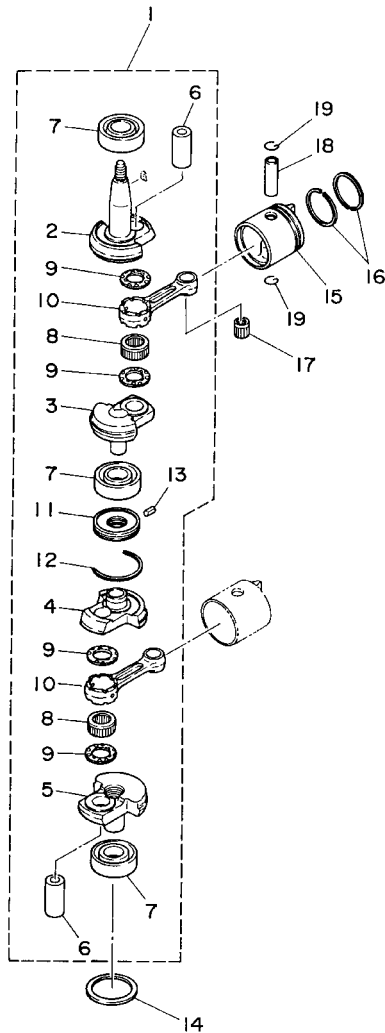
A5

FIG. 2 CYLINDER. CRANKCASE CYLINDRE. CARTER

REF. NO.	PART NO. NO. PIECES	DESCRIPTION DESCRIPTION	MH	WH	REMARKS REMARQUES
27	94702-00274	PLUG SPARK (NGK BR6HS-10) BOUGIE D'ALLUMAGE (NGK BR6HS-10)	2		6D



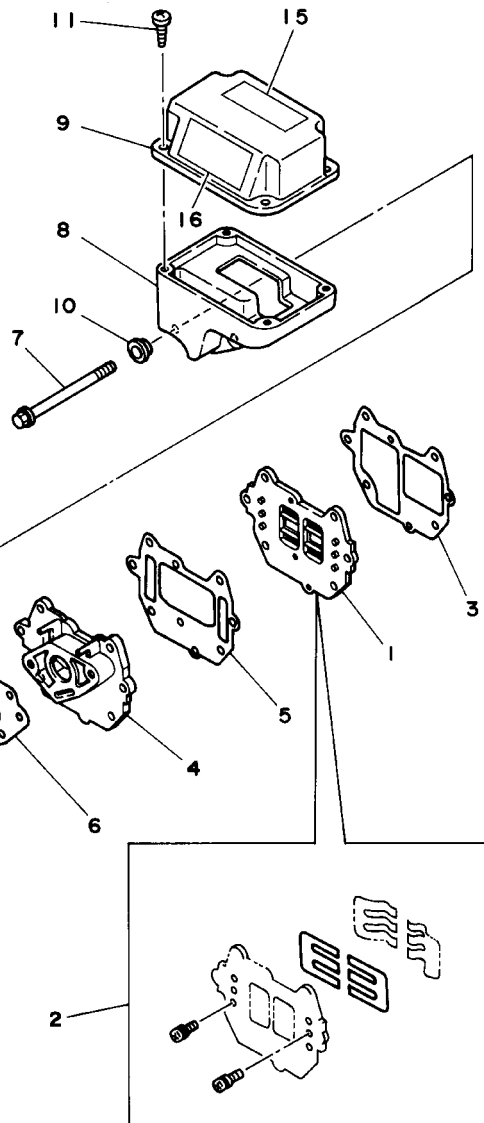
6M80100-7020



FWD
6M80010-4030

FIG. 3 CRANKSHAFT. PISTON VILEBREQUIN. PISTON

REF. NO.	PART NO. NO. PIECES	DESCRIPTION DESCRIPTION	MH	WH	REMARKS REMARQUES
1	6N0-E1400-00	CRANKSHAFT ASSY VILEBREQUIN COMPLET	1	1	
2	6N0-E1412-00	.CRANK 1 .MASSOLOTTE DE VILEBREQUIN 1	1	1	
3	6N0-E1422-00	.CRANK 2 .MASSOLOTTE DE VILEBREQUIN 2	1	1	
4	6N0-E1432-00	.CRANK 3 .MASSOLOTTE DE VILEBREQUIN 3	1	1	
5	6N0-E1442-00	.CRANK 4 .MASSOLOTTE DE VILEBREQUIN 4	1	1	
6	6G1-11681-00	.PIN, CRANK 1 .MANETON, VILEBREQUIN 1	2	2	
7	93306-204U0	.BEARING .ROULEMENT	3	3	
8	93310-418V1	.BEARING .ROULEMENT	2	2	
9	90209-18112	.WASHER .RONDELLE	4	4	
10	6N0-E1651-00	.ROD, CONNECTING .BIELLE NUE	2	2	
11	6N0-E1515-00	.SEAL, LABYRINTH 1 .JOINT, LABYRINTHE 1	1	1	
12	93440-47055	.CIRCLIP .CIRCLIP, TYPE S	1	1	
13	91609-20008	.PIN, SPRING .GOUILLE, ELASTIQUE	1	1	
14	90201-41303	WASHER, PLATE .RONDELLE, PLATE	1	1	
15	6G1-11631-00-98	PISTON (STD) PISTON (STD)	2	2	
16	6G1-11610-00	PISTON RING SET (STD) JEU DE SEGMENTS (STD)	2	2	
17	93310-112V0	BEARING ROULEMENT	2	2	
18	6G1-11633-00	PIN, PISTON AXE, PISTON	2	2	
19	93450-13022	CIRCLIP .CIRCLIP, TYPE S	4	4	



6M81100-2040

FIG. 4 INTAKE

ADMISSION

REF. NO.	PART NO. NO. PIECES	DESCRIPTION DESCRIPTION	MH	WH	REMARKS REMARQUES
1	6G1-13610-01	REED VALVE ASSY CLAPET COMPLET	1	1	
2	6G1-W0004-00	.REED SET .JEU DE CLAPETS	1	1	
3	6G1-13621-A1	GASKET, VALVE SEAT JOINT, SIEGE DE CLAPET	1	1	
4	6N0-E3641-00-94	MANIFOLD 1 TUBULURE 1	1	1	
5	6G1-13645-A1	GASKET, MANIFOLD 1 JOINT, TUBULURE 1	1	1	
6	6G1-14198-A1	GASKET JOINT	1	1	
7	95895-06085	BOLT, FLANGE BOULON, A COLLERETTE	2	2	
8	6M8-E4417-00	COVER 1 COUVERCLE 1	1	1	
9	6M8-E4418-00	COVER 2 COUVERCLE 2	1	1	
10	90387-06M70	COLLAR COLLERETTE	2	2	
11	97780-50514	SCREW, TAPPING VIS, TETE FRAISEE	4	4	
12	6G1-41256-00	ROD, CHOKE 1 TRINGLE 1, STARTER	1	1	
13	6G1-41271-00	KNOB, CHOKE BOUTON DE STARTER	1	1	
14	661-41262-02	JOINT, CHOKE LEVER RACCORD, LEVIER DE STARTER	1	1	
15	6A1-83625-41	MARK 5 ETIQUETTE 5	1	1	
16	6A1-83625-51	MARK 5 ETIQUETTE 5	1	1	

B1

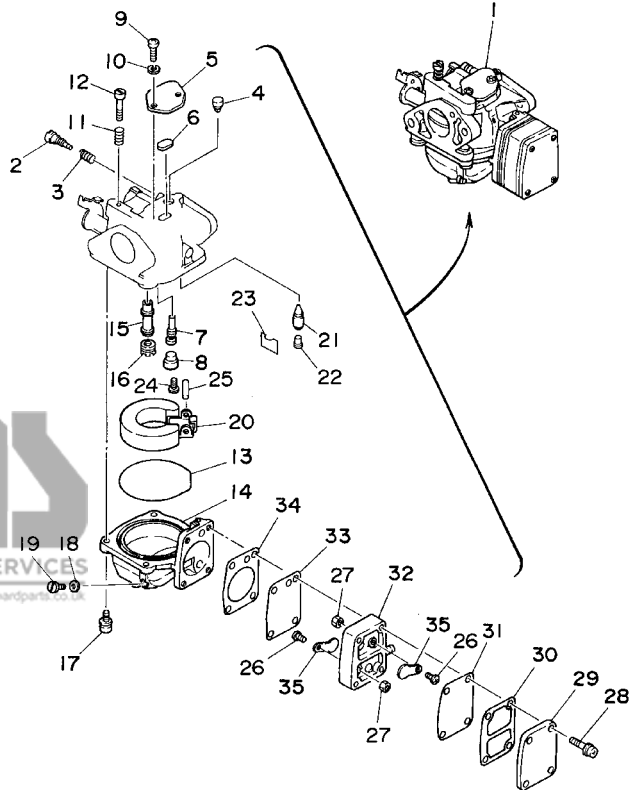


FIG. 5 CARBURETOR

CARBURETEUR

REF. NO.	PART NO. NO. PIECES	DESCRIPTION DESCRIPTION	MH	WH	REMARKS REMARQUES
1	6H6-14301-01	CARBURETOR ASSY 1 CARBURATEUR COMPLET 1	1		6C
	6H8-14301-01	CARBURETOR ASSY 1 CARBURATEUR COMPLET 1	1		6D
	6G1-14301-01	CARBURETOR ASSY 1 CARBURATEUR COMPLET 1	1	1	8C
2	679-14923-00	.SCREW, PILOT .VIS, RALENTI	1	1	
3	679-14555-00	.SPRING .RESSORT	1	1	
4	6G1-14966-00	.CAP .CAPUCHON	1	1	
5	6G1-14527-00	.PLATE .PLAQUE	1	1	
6	6G1-14126-00	.GASKET .JOINT	1	1	
7	6G1-14948-05	.JET (#45) .GICLEUR (#45)	1	1	
8	676-14966-00	.CAP .CAPUCHON	1	1	
9	97880-04010	.SCREW, PAN HEAD .VIS, TETE TRONCONIQUE	2	2	
10	92990-04100	.WASHER, SPRING .RONDELLE, GROWER	2	2	
11	90501-10326	.SPRING, COMPRESSION .RESSORT, COMPRESSION	1	1	
12	63V-14523-00	.SCREW, STOP .VIS, BUTEE	1	1	
13	6G1-14984-00	O-RING JOINT TORIQUE	1	1	
14	6G1-14980-01	BODY, FLOAT CHAMBER .CORPS, CUVE DE FLOTTEUR	1	1	
15	6H6-14947-00	.JET, NEEDLE .GICLEUR DE STARTER	1		6C
	6H8-14947-00	.JET, NEEDLE .GICLEUR DE STARTER	1		6D
	6G1-14947-00	.JET, NEEDLE .GICLEUR DE STARTER	1	1	8C
16	676-14943-26	.JET, MAIN (#98) .GICLEUR, PRINCIPAL (#98)	1	1	6C,8C
	676-14943-27	.JET, MAIN (#100) .GICLEUR, PRINCIPAL (#100)	1		6D
17	97980-04114	.SCREW, WITH WASHER .VIS, AVEC RONDELLE	4	4	
18	6G1-14398-00	.WASHER .RONDELLE	1	1	
19	6G1-14992-00	.SCREW, DRAIN .BOUCHON, PURGE	1	1	
20	6G1-14985-00	.FLOAT .FLOTTEUR	1	1	
21	6G1-14546-00	.VALVE, NEEDLE .POINTEAU	1	1	
22	676-14186-00	.PIN, FLOAT .AXE, FLOTTEUR	1	1	



6M80010-4050

B2

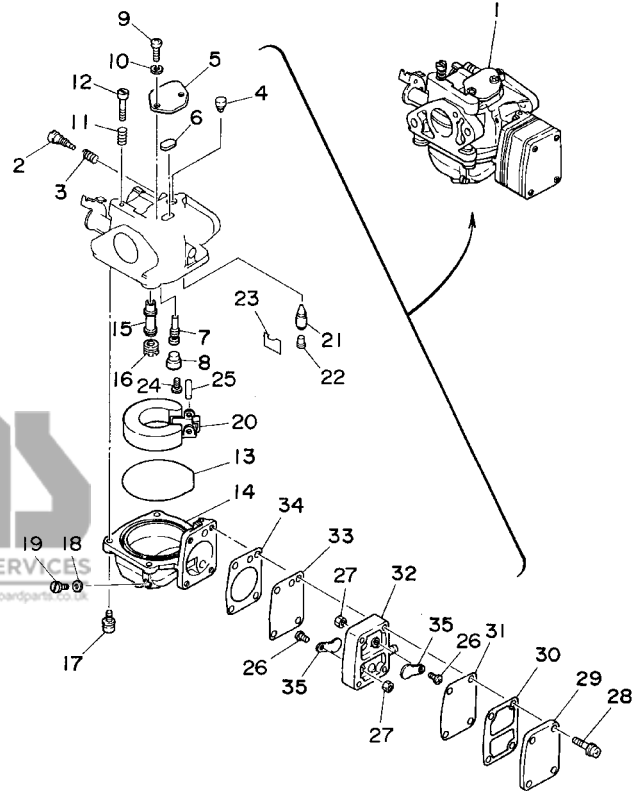


FIG. 5 CARBURETOR

CARBURETEUR

REF. NO.	PART NO. NO. PIECES	DESCRIPTION DESCRIPTION	MH	WH	REMARKS REMARQUES
23	663-14159-00	.CLIP .JONC	1	1	
24	98580-04008	.SCREW, PAN HEAD .VIS, TETE TRONCONIQUE	1	1	
25	688-14548-00	.PIN, FLOAT ARM .AXE, BRAS DE FLOTTEUR	1	1	
26	98580-03006	.SCREW, PAN HEAD .VIS, TETE TRONCONIQUE	2	2	
27	95380-03600	.NUT .ECROU	2	2	
28	97980-04125	.SCREW, WITH WASHER .VIS, AVEC RONDELLE	4	4	
29	6G1-24452-00	.COVER .COUVERCLE	1	1	
30	6G1-24432-00	.GASKET, FUEL PUMP 2 .JOINT 2 DE POMPE A ESSENCE	1	1	
31	6G1-24471-00	.DIAPHRAGM .DIAPHRAGME	1	1	
32	6G1-24412-01	.BODY 1 .CORPS 1	1	1	
33	6G1-24411-00	.DIAPHRAGM .DIAPHRAGME	1	1	
34	6G1-24431-01	.GASKET, FUEL PUMP 1 .JOINT 1 DE POMPE A ESSENCE	1	1	
35	6G1-24421-00	.VALVE, CHECK .SOUPAPE, RETENUE	2	2	



6M80010-4050

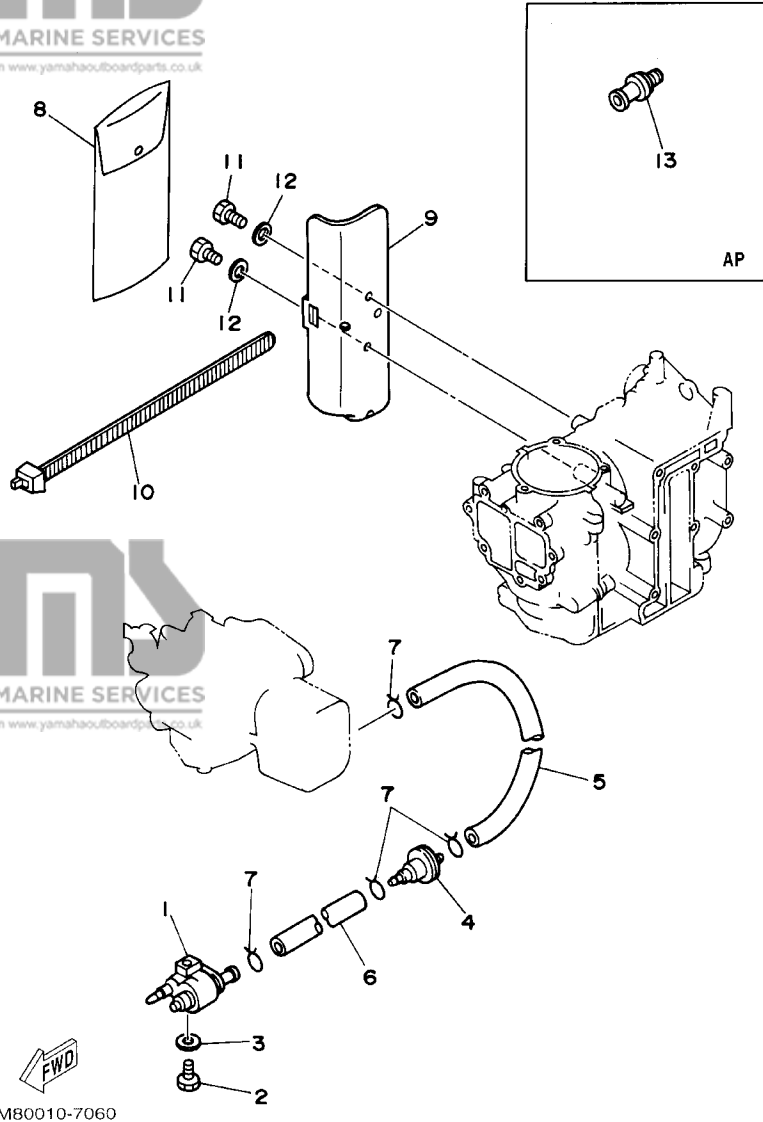
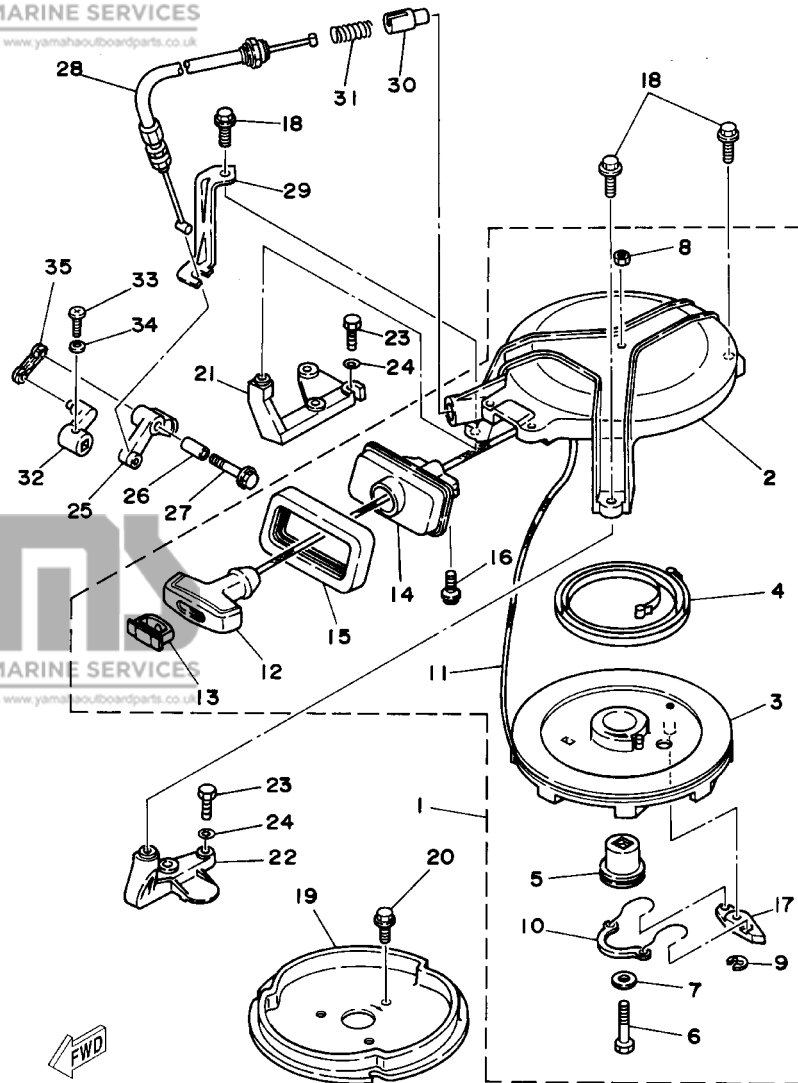


FIG. 6 FUEL

CARBURANT

REF. NO.	PART NO. NO. PIECES	DESCRIPTION DESCRIPTION	MH	WH	REMARKS REMARQUES
1	6G1-24304-02	FUEL PIPE JOINT COMP. 1 DURITE RACCORDEMT. A ESSENCE	1	1	
2	97095-06025	BOLT BOULON	1	1	
3	92995-06600	WASHER RONDELLE	1	1	
4	646-24251-02	STRAINER 1 FILTRE 1	1	1	
5	90445-09221	HOSE (L205) DURITE (L205)	1	1	
6	90445-09220	HOSE DURITE	1	1	
7	90467-08004	CLIP JONC	4	4	
8	6N0-F8100-00	TOOL KIT TROUSSE A OUTILS	1	1	
9	6N0-F8170-00	TOOL, HOLDER OUTIL	1		
10	6G1-2811G-00	BAND COLLIER	1		
11	97095-06012	BOLT BOULON	2		
12	92995-06600	WASHER RONDELLE	2		
13	6L8-F8193-00	PLUG, WATER CHECK BOUCHON, CONTROLE D'EAU	1	1	AP



6M80010-7070

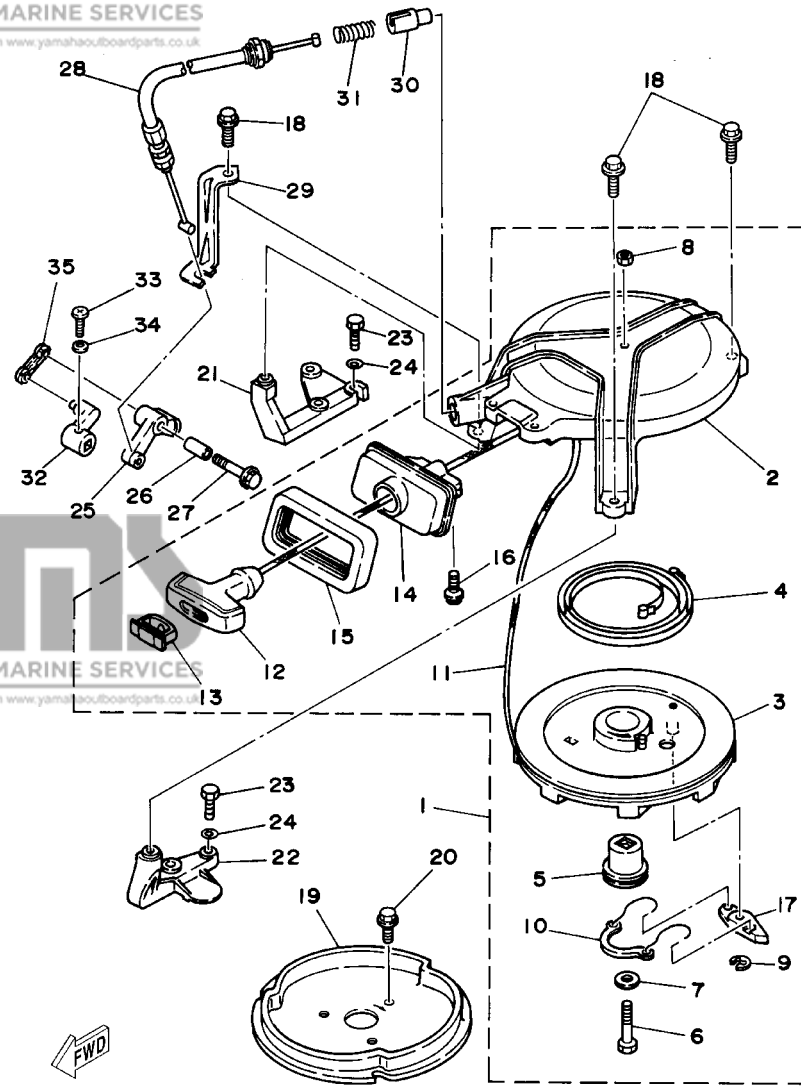
FIG. 7 STARTER

DEMARREUR

REF. NO.	PART NO. NO. PIECES	DESCRIPTION DESCRIPTION	MH	WH	REMARKS REMARQUES
1	6M8-E5710-03	STARTER ASSY DEMARREUR COMPLET	1	1	
2	6N0-E5711-80-94	.CASE, STARTER .CARTER DE DEMARREUR	1	1	
3	6M8-E5714-00	.DRUM, SHEAVE .TAMBOUR, POULIE	1	1	
4	90510-08M03	.SPRING, SPIRAL .RESSORT, HELICOIDAL	1	1	
5	6G1-15717-00	.SHAFT, STARTER AXE DE DEMARREUR	1	1	
6	97013-06035	.BOLT .BOULON	1	1	
7	90201-06M30	.WASHER, PLATE .RONDELLE, PLATE	1	1	
8	95303-06600	.NUT .ECROU	1	1	
9	93430-06M02	.CIRCLIP .CIRCLIP, TYPE S	1	1	
10	6G1-15705-00	.SPRING, DRIVE PAWL .RESSORT DE CLIQUET	1	1	
11	*	.WIRE (L1850) .FIL (L1850)	1	1	
12	6G1-15755-00	.HANDLE, STARTER .POIGNEE, DE DEMARREUR	1	1	
13	6G1-15779-00	.COVER .COUVERCLE	1	1	
14	6N0-E5758-01	.GUIDE, ROPE .GUIDE DE CABLE	1	1	
15	6G1-15762-00	.SEAL, RUBBER 2 JOINT CAOUTCHOUC 2	1	1	
16	95895-06016	.BOLT, FLANGE .BOULON, A COLLERETTE	2	2	
17	677-15741-01	.PAWL, DRIVE .CLIQUET, ENTRAINEMENT	1	1	
18	95895-06020	BOLT, FLANGE BOULON, A COLLERETTE	3	3	
19	6N0-E5723-00-94	PULLEY, STARTER POULIE DE DEMARREUR	1	1	
20	90105-06M29	BOLT, FLANGE BOULON	3	3	
21	6N0-E5771-00-94	STAY 1 SUPPORT 1	1	1	
22	6N0-E5772-00-94	STAY 2 SUPPORT 2	1	1	
23	97075-06020	BOLT BOULON	4	4	
24	92995-06600	WASHER RONDELLE	4	4	
25	6G1-15746-81	ARM BRAS	1	1	

* CUT FROM 50M ROLLS, PART NO. 90890-44372, CUTTING LENGTH 1.85M

* A PRELEVER SUR BOBINE 50M , REFERENCE 90890-44372, LONGUEUR DE COUPE 1.85M



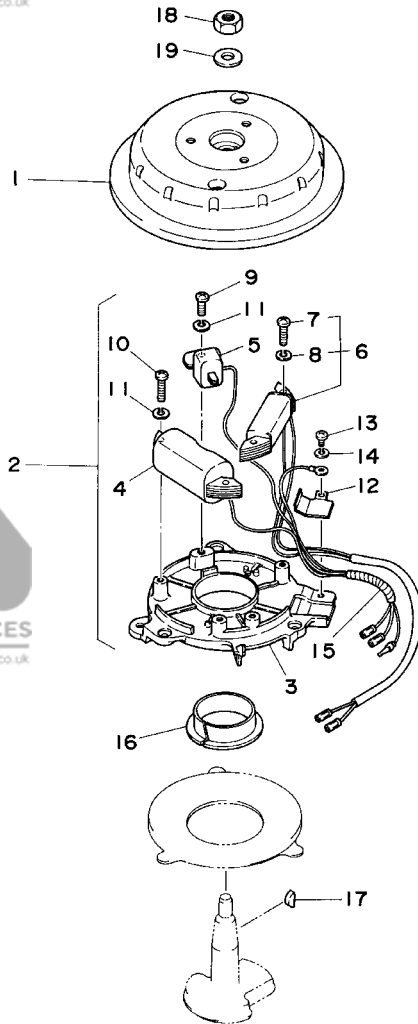
6M80010-7070

FIG. 7 STARTER

DEMARREUR

REF. NO.	PART NO. NO. PIECES	DESCRIPTION DESCRIPTION	MH	WH	REMARKS REMARQUES
26	6G1-15764-00	COLLAR 1 COLLERETTE 1	1	1	
27	95895-06025	BOLT, FLANGE BOULON, A COLLERETTE	1	1	
28	6N0-E5770-80	CABLE COMP., STARTER STOP CABLE, BUTÉE DE DEMAR	1	1	
29	6G1-15774-81	STAY 4 SUPPORT 4	1	1	
30	656-15748-00	PLUNGER, STARTER STOP PLONGEUR, BOUTE DE DEMAR	1	1	
31	90501-10227	SPRING, COMPRESSION RESSORT, COMPRESSION	1	1	
32	6G1-44125-80	LEVER, SHIFT ROD LEVIER, TIGE D'INVERSION	1	1	
33	97880-05016	SCREW, PAN HEAD VIS, TETE TRONCONIQUE	1	1	
34	92990-05600	WASHER, PLATE RONDELLE, PLATE	1	1	
35	6G1-15747-80	LINK BIELLETTTE	1	1	

B6

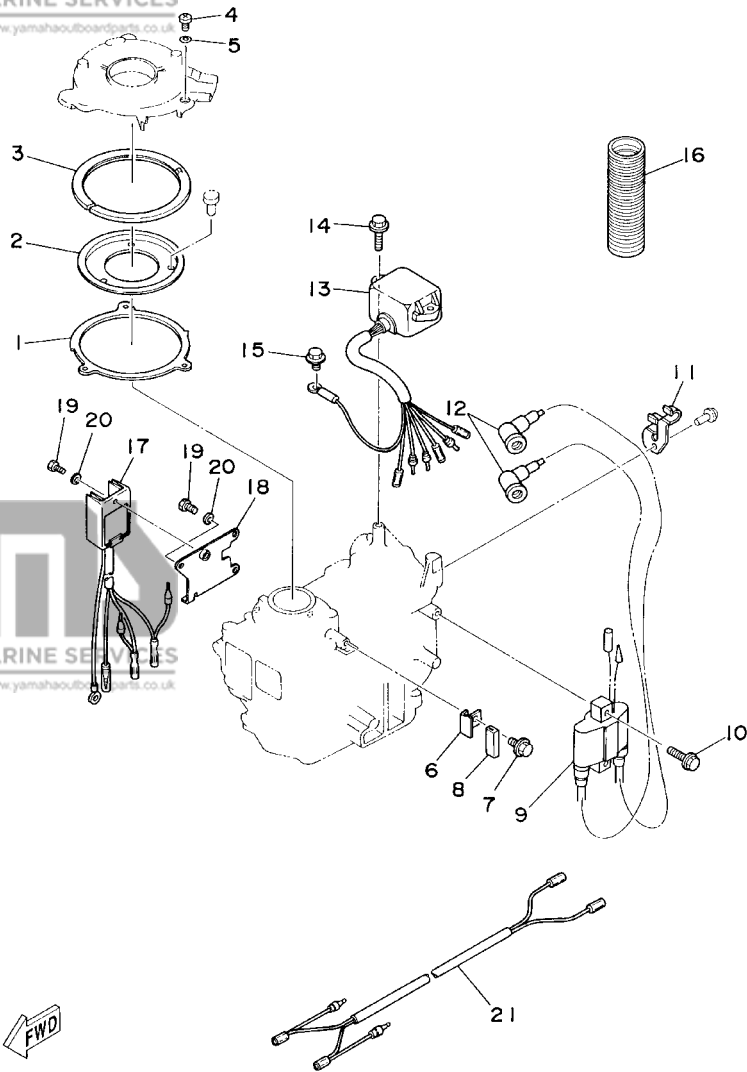



6M80010-4080

FIG. 8 GENERATOR

GENERATRICE

REF. NO.	PART NO. NO. PIECES	DESCRIPTION DESCRIPTION	MH	WH	REMARKS REMARQUES
1	6G1-85550-71	ROTOR ASSY	1		
	6G1-85550-A0	ROTOR CPLT		1	
2	6G1-85560-F0	BASE ASSY	1	1	
		ENS. FLASQUE			
3	6G1-85509-70	.BASE, MAGNETO	1	1	
		.BASE, MAGNETO			
4	6E7-85520-70	.COIL, CHARGE	1	1	
		.BOBINE, CHARGE			
5	6E7-85580-70	.COIL, PULSER	1	1	
		.BOBINE, PULSEUR			
6	6E7-81303-A0	.LIGHTING COIL ASSY	1	1	
		.BOBINE D'ECLAIRAGE			
7	97802-05025	..SCREW, PAN HEAD	2	2	
		..VIS, TETE TRONCONIQUE			
8	92902-05100	..WASHER, SPRING	2	2	
		..RONDELLE, GROWER			
9	97802-05016	.SCREW, PAN HEAD	1	1	
		.VIS, TETE TRONCONIQUE			
10	97802-05020	.SCREW, PAN HEAD	2	2	
		.VIS, TETE TRONCONIQUE			
11	92902-05100	.WASHER, SPRING	3	3	
		.RONDELLE, GROWER			
12	6G1-85548-70	.HOLDER	1	1	
		.SUPPORT			
13	97802-04008	.SCREW, PAN HEAD	1	1	
		.VIS, TETE TRONCONIQUE			
14	92902-04100	.WASHER, SPRING	1	1	
		.RONDELLE, GROWER			
15	6G1-85515-70	.LEAD WIRE ASSY	1	1	
		.FIL			
16	90386-44M42	BUSH	1	1	
		DOUILLE			
17	90280-04M06	KEY, WOODRUFF	1	1	
		CLAVETTE, DEMI-LUNE			
18	90170-10113	NUT	1	1	
		ECROU			
19	90201-10126	WASHER, PLATE	1	1	
		RONDELLE, PLATE			



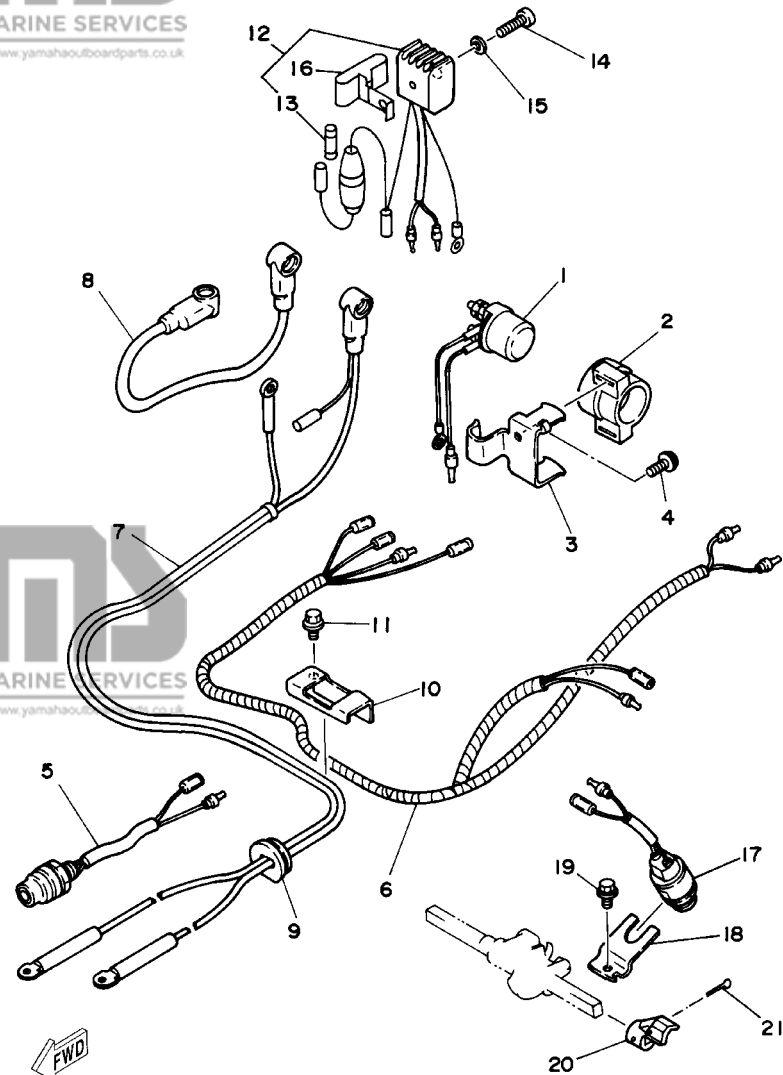
6M80300-7090

FIG. 9 ELECTRICAL 1

PARTIE ELECTRIQUE 1

REF. NO.	PART NO. NO. PIECES	DESCRIPTION DESCRIPTION	MH	WH	REMARKS REMARQUES
1	6N0-G1611-00	RETAINER, MAGNETO BASE FLASQUE, PLATEAU D'AVANCE	1	1	
2	6G1-41612-00	RETAINER, MAGNETO BASE FLASQUE, PLATEAU D'AVANCE	1	1	
3	6N0-G1613-00	PLATE, BASE FRICTION PLAQUE, FRICTION DE BASE	1	1	
4	97885-05010	SCREW, PAN HEAD VIS, TETE TRONCONIQUE	3	3	
5	92995-05600	WASHER RONDELLE	3	3	
6	6G1-41615-00	STOPPER, MAGNETO BASE BUTEE, PLATEAU D'AVANCE	1	1	
7	95895-06010	BOLT, FLANGE BOULON, A COLLERETTE	1	1	
8	6G1-44194-00	CAP CAPUCHON	1	1	
9	6G1-85570-01	IGNITION COIL ASSY BOBINE D'ALLUMAGE (ENS.)	1	1	
10	95895-06025	BOLT, FLANGE BOULON, A COLLERETTE	2	2	
11	90465-08M17	CLAMP BRIDE	1	1	
12	6G1-82370-21	PLUG CAP ASSY ANTIPARASITE	2	2	
13	696-85540-11	C.D.I. UNIT ASSY BLOC C.D.I.	1	1	
14	95895-06020	BOLT, FLANGE BOULON, A COLLERETTE	2	2	
15	95895-06010	BOLT, FLANGE BOULON, A COLLERETTE	1	1	
16	6G1-83557-00	TUBE TUBE	1	1	
17	6J8-81960-00	RECTIFIER & REGULATOR ASSY REDRESSEUR REGULATEUR CPLT	1	1	
18	6N0-H1915-00	PLATE, REGULATOR FITTING PLAQUE, FIXATION DE REGULATEUR	1	1	
19	97095-06012	BOLT BOULON	2	2	
20	92995-06600	WASHER RONDELLE	2	2	
21	6N0-H2553-10	EXTENSION, WIRE LEAD EXTENSION, FAISCEAU	1	1	

C1

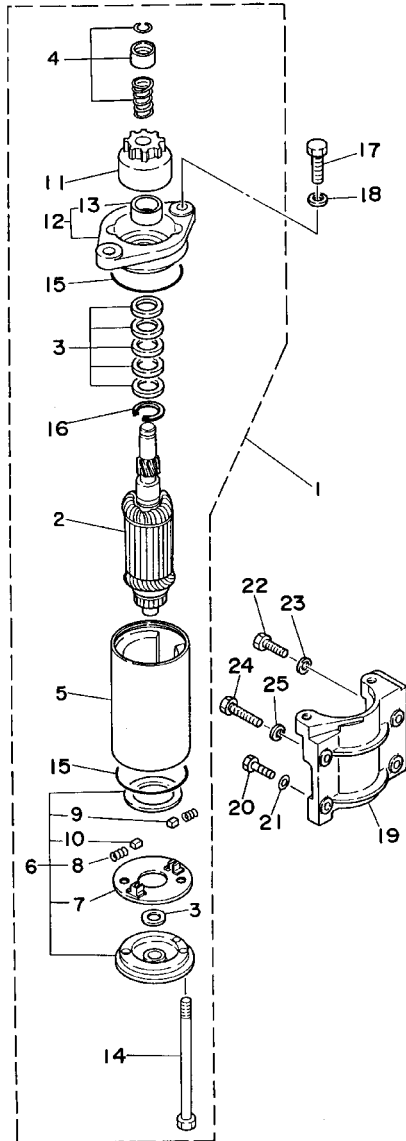


6M80010-7100

FIG. 10 ELECTRICAL 2

PARTIE ELECTRIQUE 2

REF. NO.	PART NO. NO. PIECES	DESCRIPTION DESCRIPTION	MH	WH	REMARKS REMARQUES
1	6G1-81941-10	STARTER RELAY ASSY LANCEUR RELAIS (ENS.)		1	
2	6G1-81952-00	HOLDER, RELAY SUPPORT, RELAIS		1	
3	6G1-81945-00	PLATE, SWITCH FITTING PLAQUE, FIXATION DU RELAIS		1	
4	95895-06016	BOLT, FLANGE BOULON, A COLLERETTE		1	
5	689-81870-00	STARTING SWITCH ASSY CONTACT A CLEF		1	
6	6G1-82590-00	WIRE HARNESS ASSY FAISCEAU DE FILS COMPLET		1	
7	6G1-82105-01	WIRE HARNESS FAISCEAU DE FILS		1	
8	6G1-82117-00	WIRE, LEAD FIL		1	
9	682-42724-40	GROMMET PASSE-FIL		1	
10	6G1-82362-00	CLAMP, CORD 2 COLLIER, CABLE 2		1	
11	95895-06010	BOLT, FLANGE BOULON, A COLLERETTE		1	
12	6G1-81970-61	RECTIFIER ASSY REDRESSEUR COMPLET		1	
13	6G1-82151-00	.FUSE .FUSIBLE		1	
14	97880-05025	SCREW, PAN HEAD VIS, TETE TRONCONIQUE		1	
15	92990-05600	WASHER, PLATE RONDELLE, PLATE		1	
16	90465-08M19	CLAMP BRIDE		1	
17	6F5-82540-00	NEUTRAL SWITCH ASSY CONTACTEUR DE POINT-MORT		1	
18	6G1-82554-00	STAY, NEUTRAL SWITCH SUPPORT, CONT DE POINT-MORT		1	
19	95895-06010	BOLT, FLANGE BOULON, A COLLERETTE		1	
20	6G1-44125-00	LEVER, SHIFT ROD LEVIER, TIGE D'INVERSION		1	
21	91490-25020	PIN, COTTER GOUPILLE, FENDUE		1	

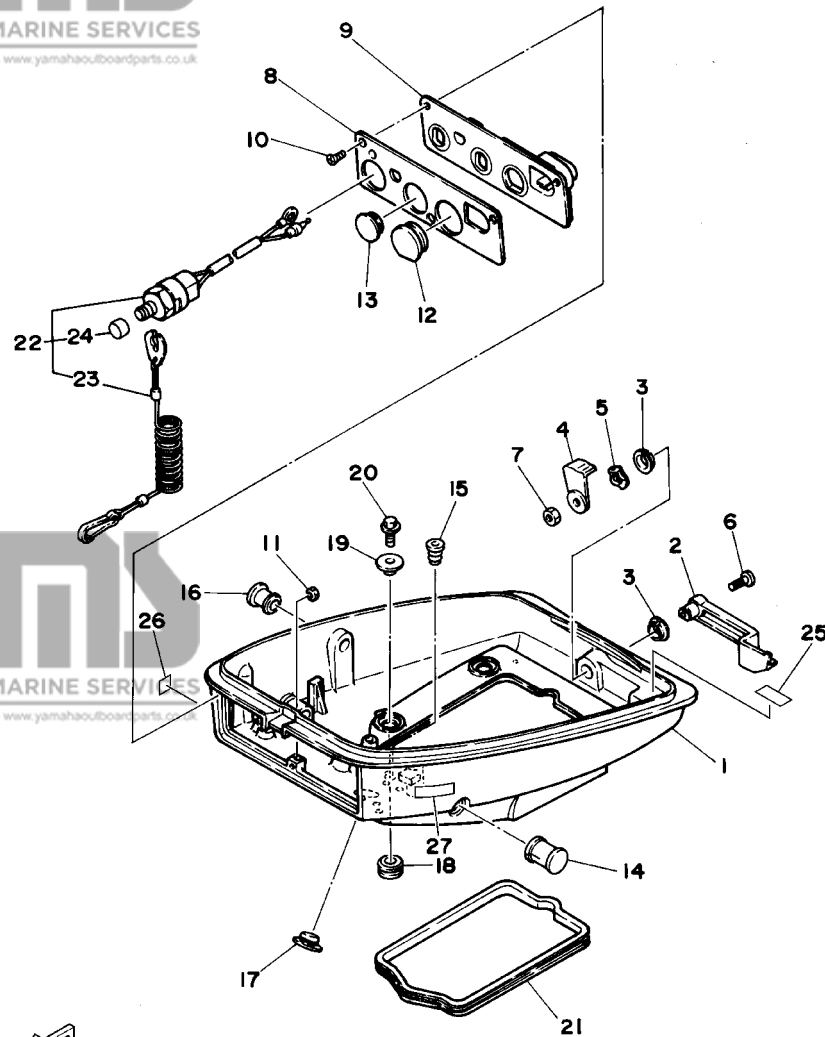


FWD
6M80010-7110

FIG. 11 STARTING MOTOR

DEMARREUR ELECTRIQUE

REF. NO.	PART NO. NO. PIECES	DESCRIPTION DESCRIPTION	MH	WH	REMARKS REMARQUES
1	6L2-81800-11	STARTING MOTOR ASSY DEMARREUR ELECTRIQUE COMPLET		1	
2	6L2-81850-11	.ARMATURE ASSY .INDUIT		1	
3	682-81809-10	.WASHER KIT .JEU DE RONDELLES		1	
4	6L2-81833-10	.RING, STOP .BAGUE, BUTEE		1	
5	682-81810-11	.STATOR ASSY .STATOR COMPLET		1	
6	6L2-81820-10	.REAR BRACKET ASSY .SUPPORT ARRIERE COMPLET		1	
7	6L2-81840-10	..BRUSH HOLDER ASSY ..SUPPORT DE CHARBON		1	
8	682-81813-10	..SPRING, BRUSH ..RESSORT, DE CHARBON		2	
9	6L2-81811-10	..BRUSH 1 ..CHARBON 1		1	
10	6L2-81812-10	..BRUSH 2 ..CHARBON 2		1	
11	682-81832-10	.CLUTCH, OVER RUN .EMBAYAGE, ROUE LIBRE		1	
12	682-81830-10	.FRONT BRACKET ASSY .SUPPORT AVANT		1	
13	682-81831-00	..METAL, FRONT ..METAL, AVANT		1	
14	682-81826-10	BOLT BOULON		2	
15	682-81847-10	O-RING JOINT TORIQUE		2	
16	682-81834-10	.RING .BAGUE		1	
17	97013-08025	BOLT BOULON		2	
18	92903-08600	WASHER, PLATE RONDELLE, PLATE		2	
19	682-81822-43-94	BRACKET, STARTING MOTOR SUPPORT, DEMARREUR ELECTRIQUE		1	
20	97075-06020	BOLT BOULON		2	
21	92995-06600	WASHER RONDELLE		2	
22	97075-06025	BOLT BOULON		1	
23	92995-06600	WASHER RONDELLE		1	
24	97075-06030	BOLT BOULON		1	
25	92995-06600	WASHER RONDELLE		1	



6M81300-2120

FIG. 12 BOTTOM COWLING

CAPOT INFERIEUR

REF. NO.	PART NO. NO. PIECES	DESCRIPTION DESCRIPTION	MH	WH	REMARKS REMARQUES
1	6N0-G2711-00-4D	COWLING, BOTTOM CUVETTE	1	1	
2	6N0-G2815-00-4D	LEVER, CLAMP LEVIER, PRESSE	1	1	
3	90386-12M45	BUSH DOUILLE	2	2	
4	6E0-42816-00	LEVER, CLAMP LEVIER, PRESSE	1	1	
5	90206-12052	WASHER, WAVE RONDELLE, ONDULEE	1	1	
6	97885-06030	SCREW, PAN HEAD VIS, TETE TRONCONIQUE	1	1	
7	95380-06700	NUT ECROU	1	1	
8	6N0-G2719-80	PANEL, FRONT LOWER PANNEAU, AVANT INFERIEUR	1	1	
9	6N0-G2767-00	BRACKET SUPPORT	1	1	
10	90149-05M02	SCREW VIS	3	3	
11	95380-05700	NUT ECROU	1	1	
12	6G1-42724-00	GROMMET PASSE-FIL	1		
13	6G1-42725-00	GROMMET PASSE-FIL	1		
14	6G1-42726-00	GROMMET PASSE-FIL	1	1	
15	6G1-42727-00	GROMMET PASSE-FIL	1	1	
16	6G1-42748-00	GROMMET PASSE-FIL	1	1	
17	6G1-26326-00	GROMMET RONDELLE CAOUTCHOUC	1	1	
18	90480-15M31	GROMMET PASSE-FIL	4	4	
19	90387-06M52	COLLAR COLLERETTE	4	4	
20	95895-06020	BOLT, FLANGE BOULON, A COLLERETTE	4	4	
21	6N0-G2716-00	RUBBER, SEAL 1 JOINT EN CAOUTCHOUC 1	1	1	
22	6E9-82575-02	ENGINE STOP SWITCH ASSY COUPE CIRCUIT CPLT	1	1	
23	682-82556-00	.STOPPER .PLAQUETTE	1	1	
24	689-8257Y-00	.CAP .CHAPEAU	1	1	
25	6E7-42791-10	MARK 1 ETIQUETTE 1	1	1	6C,8C
	6H8-42791-10	MARK 1 ETIQUETTE 1	1		6D
26	6N0-F8176-00	LABEL, CAUTION ETIQUETTE, RECOMMANDATION	1	1	

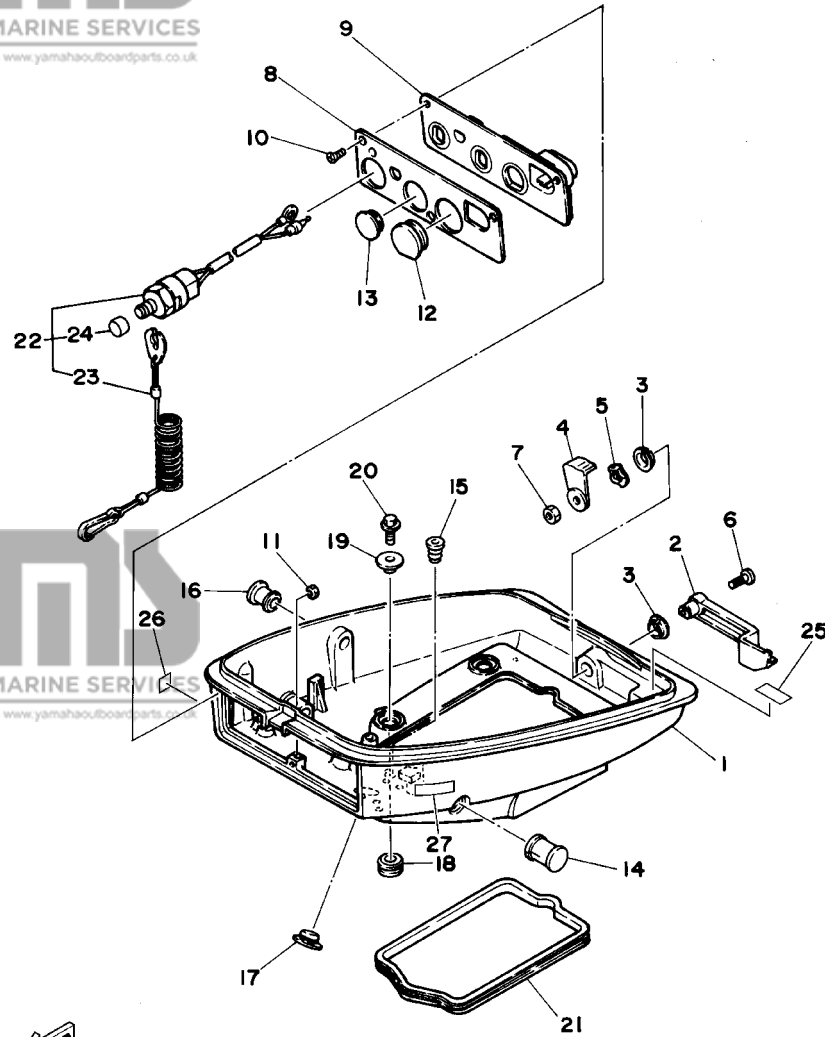


FIG. 12 BOTTOM COWLING

CAPOT INFERIEUR

REF. NO.	PART NO. NO. PIECES	DESCRIPTION DESCRIPTION	MH	WH	REMARKS REMARQUES
	27 68D-H257H-00	PLATE, MARK PLAQUE, ADHESIF	1	1	



6M81300-2120

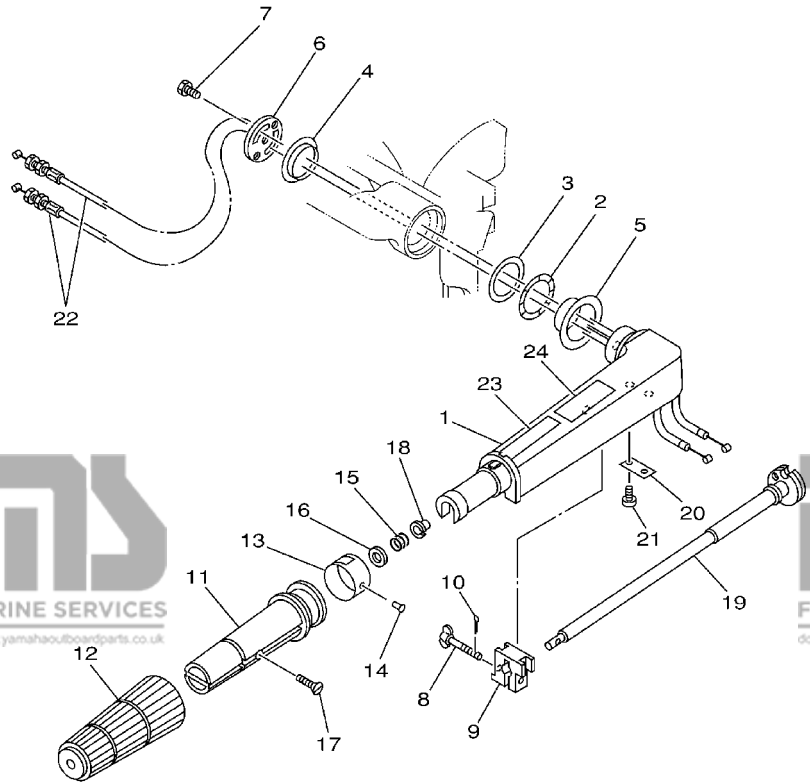


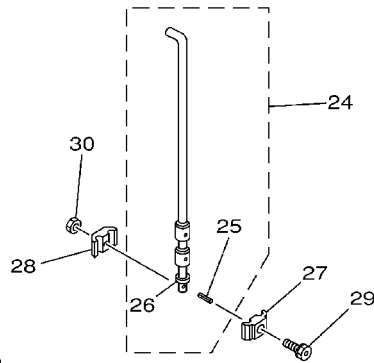
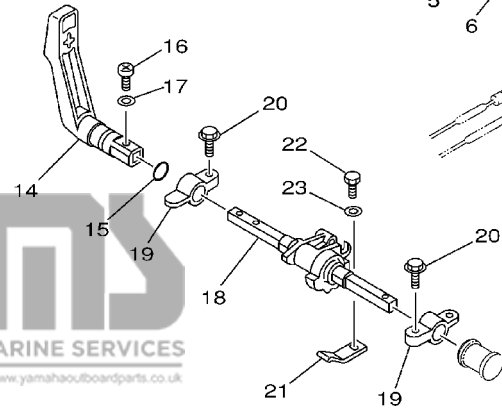
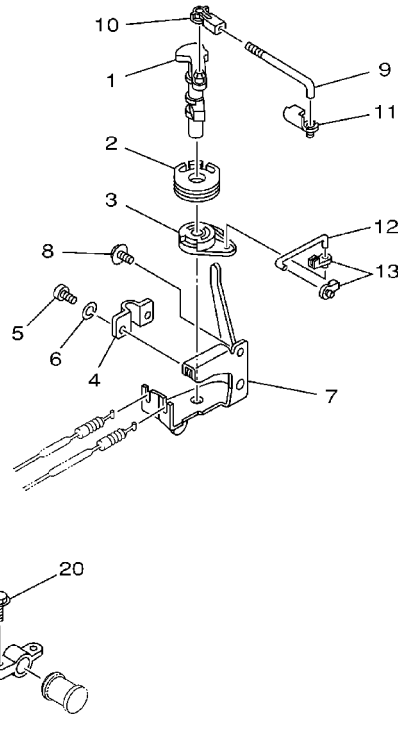
FIG. 13 STEERING

DIRECTION

REF. NO.	PART NO. NO. PIECES	DESCRIPTION DESCRIPTION	MH	WH	REMARKS REMARQUES
1	6M8-G2111-10-4D	HANDLE, STEERING POIGNEE	1	1	
2	90206-36M21	WASHER, WAVE RONDELLE, ONDULEE	1	1	
3	90202-36M55	WASHER, PLATE RONDELLE, PLATE	1	1	
4	90386-33M96	BUSH DOUILLE	1	1	
5	90386-34M97	BUSH DOUILLE	1	1	
6	6G1-42131-01	COVER, HANDLE STEERING COUVERCLE	1	1	
7	97095-06020	BOLT BOULON	1	1	
8	6G1-42125-01	BOLT, FRICTION ADJUSTING BOULON	1	1	
9	6N0-G2126-00	FRICTION, STEERING HANDLE GRIP CUVETTE, POIGNEE DE DIRECTION	1	1	
10	91490-16010	PIN, COTTER GOUPILLE, FENDUE	1	1	
11	6M4-G2119-01	GRIP, STEERING HANDLE POIGNEE, BARRE FRANCHE	1	1	
12	6N0-G2177-00	RUBBER, HANDLE CAOUTCHOUC, POIGNEE	1	1	
13	6G1-42137-10	INDICATOR, THROTTLE INDICATEUR, ACCELERATION	1	1	
14	90269-02M09	RIVET RIVET	1	1	
15	90501-23215	SPRING, COMPRESSION RESSORT, COMPRESSION	1	1	
16	92903-10600	WASHER, PLATE RONDELLE, PLATE	1	1	
17	90149-05M13	SCREW VIS	1	1	
18	90386-08032	BUSH DOUILLE	1	1	
19	6G1-42138-01	LEVER, THROTTLE LEVIER, ACCELERATEUR	1	1	
20	6E0-42159-02	STAY SUPPORT	1	1	
21	97885-05012	SCREW, PAN HEAD VIS, TETE TRONCONIQUE	2	2	
22	6N0-F6301-00	THROTTLE CABLE ASSY CABLE D'ACCELERATEUR	2	2	
23	6E0-83627-41	LABEL, CAUTION 7 ETIQUETTE, RECOMMANDATION 7	1	1	
24	6E0-83627-51	LABEL, CAUTION 7 ETIQUETTE, RECOMMANDATION 7	1	1	



6M81100-2120



6M80010-0140

FIG. 14 CONTROL **COMMANDE**

REF. NO.	PART NO. NO. PIECES	DESCRIPTION DESCRIPTION	MH	WH	REMARKS REMARQUES
1	6G1-41631-00	LEVER, MAGNETO CONTROL LEVIER, COMMANDE D'AVANCE	1	1	
2	6G1-41638-00	PULLEY POULIE	1	1	
3	6G1-41283-01	LEVER, FREE ACCEL. LEVIER	1	1	
4	6G1-41661-00	BRACKET SUPPORT	1	1	
5	97880-05010	SCREW, PAN HEAD VIS, TETE TRONCONIQUE	2	2	
6	92990-05100	WASHER, SPRING RONDELLE, GROUVER	2	2	
7	6G1-14497-80	STAY, THROTTLE WIRE SUPPORT DE BOISSEAU	1	1	
8	95895-06010	BOLT, FLANGE BOULON, A COLLERETTE	2	2	
9	6G1-41238-00	JOINT, LINK RACCORD	1	1	
10	662-41237-01	JOINT, LINK RACCORD	1	1	
11	6E9-41237-00	JOINT, LINK RACCORD	1	1	
12	6G1-41211-00	LINK, ACCEL. BIELLETTE, ACCELERATION	1	1	
13	661-41262-02	JOINT, CHOKE LEVER RACCORD, LEVIER DE STARTER	2	2	
14	6N0-G4111-00	HANDLE, GEAR SHIFT POIGNEE, LEVIER D'EMBRAYAGE	1	1	
15	93210-12327	O-RING JOINT TORIQUE	1	1	
16	97880-05016	SCREW, PAN HEAD VIS, TETE TRONCONIQUE	1	1	
17	92990-05600	WASHER, PLATE RONDELLE, PLATE	1	1	
18	6G1-44121-02-94	LEVER, SHIFT ROD LEVIER, TIGE D'INVERSION	1	1	
19	6G1-41662-01-94	BRACKET SUPPORT	2	2	
20	90105-06M14	BOLT FLANGE BOULON	2	2	
21	6G1-44116-01	SPRING RESSORT	1	1	
22	97095-06012	BOLT BOULON	1	1	
23	92995-06600	WASHER RONDELLE	1	1	
24	6N0-G4110-00	SHIFT ROD ASSY TIGE D'INVERSION (ENS.)	1	1	
25	91690-20010	.PIN, SPRING .GOUILLE, ELASTIQUE	3	3	
26	92990-05600	.WASHER, PLATE .RONDELLE, PLATE	1	1	
27	6N0-G4145-00	CONNECTOR, SHIFT ROD CONNECTEUR, TIGE D'INVERSION	1	1	

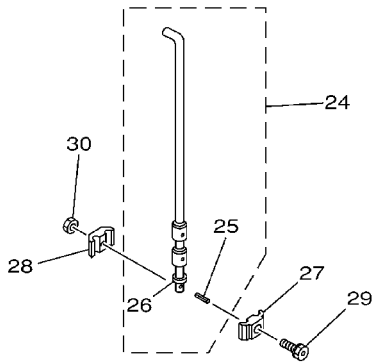
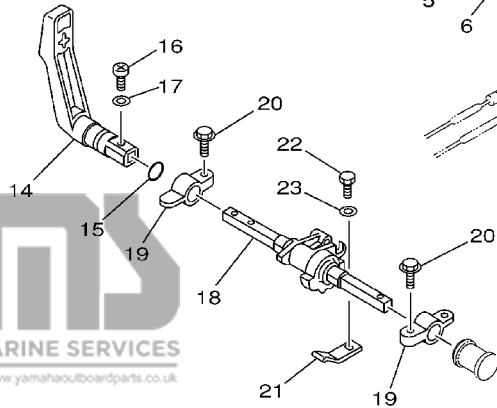
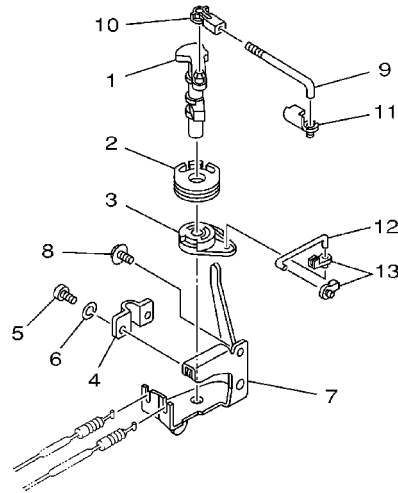
C7

UR

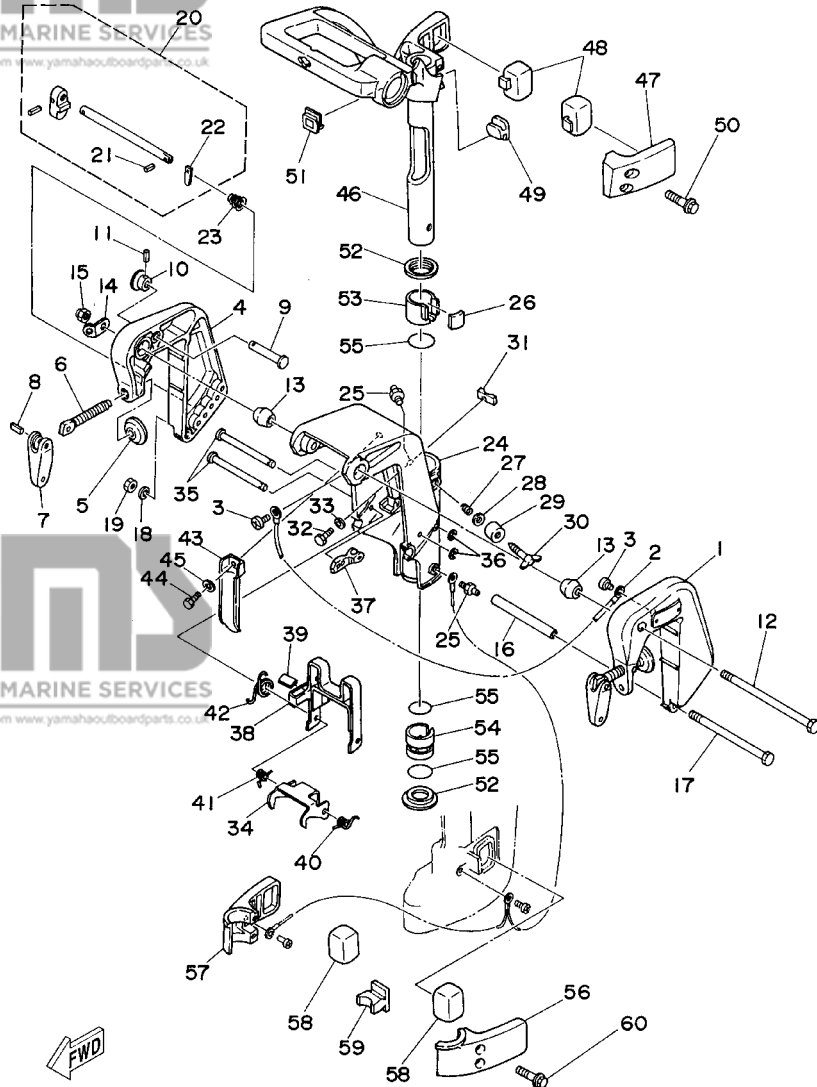
FIG. 14 CONTROL

COMMANDE

REF. NO.	PART NO. NO. PIECES	DESCRIPTION DESCRIPTION	MH	WH	REMARKS REMARQUES
27	6N0-G4145-10	CONNECTOR, SHIFT ROD CONNECTEUR, TIGE D'INVERSION	1	1	UR
28	6N0-G4146-00	CONNECTOR, SHIFT ROD CONNECTEUR, TIGE D'INVERSION	1	1	UR
	6N0-G4146-10	CONNECTOR, SHIFT ROD CONNECTEUR, TIGE D'INVERSION	1	1	UR
29	90109-06M17	BOLT BOULON	1	1	
30	95380-06600	NUT, HEXAGON ECROU	1	1	



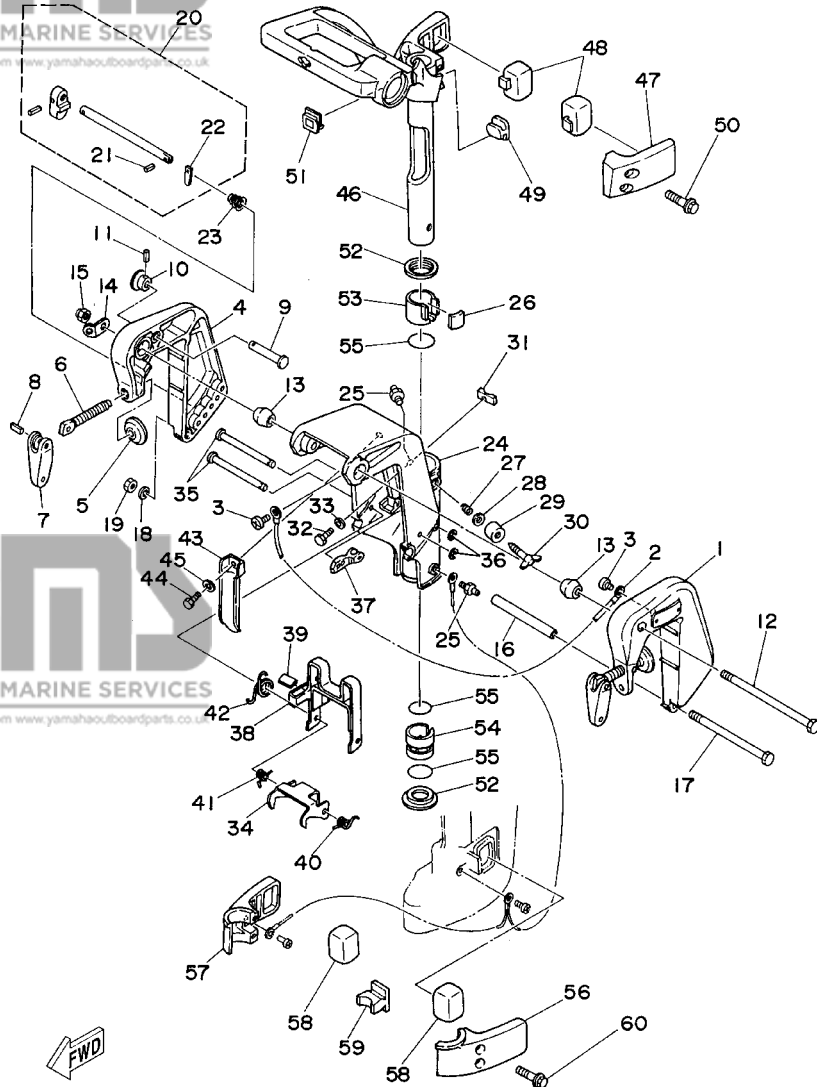
6M80010-0140



6N00110-4140

FIG. 15 BRACKET SUPPORT

REF. NO.	PART NO. NO. PIECES	DESCRIPTION DESCRIPTION	MH	WH	REMARKS REMARQUES
1	6M8-G3111-02-4D	BRACKET, CLAMP PRESSE	1	1	
2	6E5-82148-00	WIRE, LEAD 4 FIL 4	1	1	
3	97885-06008	SCREW, PAN HEAD VIS, TETE TRONCONIQUE	2	2	
4	6M8-G3112-01-4D	BRACKET, CLAMP PRESSE	1	1	
5	620-43114-00	PAD, TRANSOM CLAMP RONDELLE D'APPUI	2	2	
6	6N0-G3116-00	SCREW, TRANSOM CLAMP VIS DE PRESSE	2	2	
7	6L8-G3118-01	HANDLE, TRANSOM CLAMP POIGNEE DE VIS DE PRESSE	2	2	
8	90243-04M01	PIN GOUPILLE	2	2	
9	689-43191-00	SHAFT, STOPPER AXE, BUTEE	1	1	
10	689-43192-01	KNOB, STOPPER BOUTON, BUTEE DE RELEVAGE	1	1	
11	91690-30016	PIN, SPRING GOUPILLE, ELASTIQUE	1	1	
12	90101-08869	BOLT BOULON	1	1	
13	6N0-G3136-00	PIECE, FRICTION FRICTION	2	2	
14	6A1-43113-01	PLATE, CLAMP BRACKET PLAQUETTE, PRESSE	1	1	
15	90185-08057	NUT, SELF-LOCKING ECROU, AUTO-BLOCANT	1	1	
16	90387-06M13	COLLAR COLLERETTE	1	1	
17	97095-06135	BOLT BOULON	1	1	
18	92990-06600	WASHER, PLATE RONDELLE, PLATE	1	1	
19	95380-06600	NUT, HEXAGON ECROU	1	1	
20	6N0-G3160-00	TILT ROD ASSY BROCHE D'INCLINAISON (ENS.)	1	1	
21	91690-30008	PIN, SPRING GOUPILLE, ELASTIQUE	1	1	
22	6N0-G3165-00	PLATE, TILT LOCK TAQUET, BROCHE INCLINAISON	1	1	
23	90502-10M06	SPRING, CONICAL RESSORT, CONIQUE	1	1	
24	6N0-G3311-10-4D	BRACKET, SWIVEL 1 SUPPORT, PIVOT 1	1	1	
25	93700-06M03	NIPPLE, GREASE GRAISSEUR	2	2	
26	6G1-42528-00	PLATE, FRICTION PLAQUE, FRICTION	1	1	
27	90501-18M00	SPRING, COMPRESSION RESSORT, COMPRESSION	1	1	

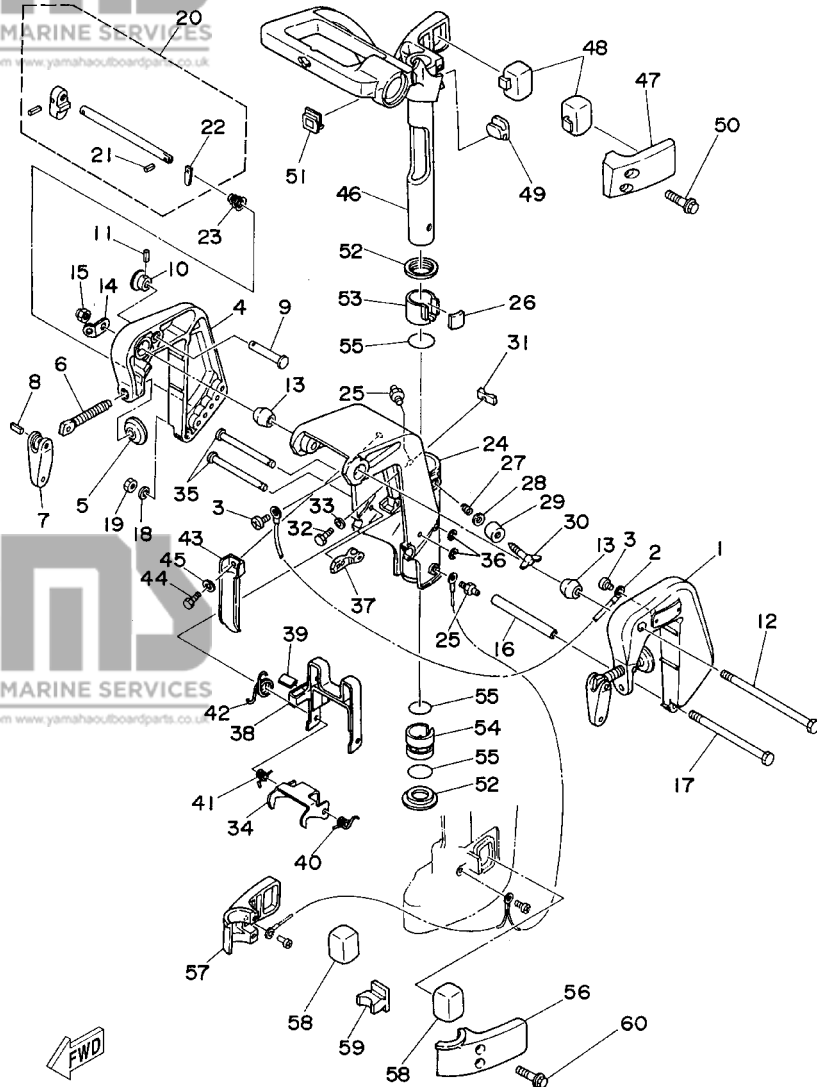


6N00110-4140

FIG. 15 BRACKET SUPPORT

REF. NO.	PART NO. NO. PIECES	DESCRIPTION DESCRIPTION	MH	WH	REMARKS REMARQUES
28	92990-08600	WASHER, PLATE RONDELLE, PLATE	1	1	
29	6G1-43373-00	SEAL, DAMPER JOINT	1	1	
30	6G1-42529-00	SCREW, FRICTION PIECE VIS, PIECE DE FRICTION	1	1	
31	6G1-44532-01	STOPPER, UPPER MOUNT PLAQUETTE	1	1	
32	97095-06010	BOLT BOULON	1	1	
33	92995-06600	WASHER RONDELLE	1	1	
34	6N0-G3614-00	PLATE, TILT LOCK ETRIER, VERROUILLAGE MARCHE AR	1	1	
35	6G1-43659-00	SHAFT, REVERSE LOCK AXE, VERROUILLAGE MARCHE AR	2	2	
36	99080-05600	CIRCLIP CIRCLIP	2	2	
37	6G1-43615-01	PLATE, TILT LOCK ETRIER, VERROUILLAGE MARCHE AR	1	1	
38	6G1-43681-00	LEVER, SHALLOW WATER DRIVE 1 LEVIER, PEU PROFOND D'EAU 1	1	1	
39	6G1-43318-01	COVER CAPUCHON	1	1	
40	90508-10M15	SPRING, TORSION RESSORT, TORSION	1	1	
41	90508-10M16	SPRING, TORSION RESSORT, TORSION	1	1	
42	90508-14M17	SPRING, TORSION RESSORT, TORSION	1	1	
43	6N0-G2731-00	CARRYING HANDLE POIGNEE DE PORTAGE	1	1	
44	97095-08016	BOLT BOULON	1	1	
45	92995-08600	WASHER RONDELLE	1	1	
46	6M8-G2511-00-4D	BRACKET, STEERING CADRE, DIRECTION	1	1	
47	6G1-44511-00-4D	COVER, UPPER MOUNT COUVERCLE, SUSPENSION SUPERIEU	1	1	
48	6N0-G4514-00	MOUNT DAMPER, UPPER SIDE SILENT-BLOC, SUPERIEUR LATERAL	2	2	
49	6G1-44516-00	MOUNT DAMPER, UPPER FRONT SILENT-BLOC, SUPERIEUR AVANT	1	1	
50	95895-06035	BOLT, FLANGE BOULON, A COLLERETTE	2	2	
51	6G1-42551-00	GROMMET PASSE-FIL	1	1	
52	6G1-42535-00	WASHER, THRUST RONDELLE DE CALAGE	2	2	
53	6G1-42537-00	BUSHING, PIVOT SHAFT COUSSINET	1	1	
54	6G1-42538-01	BUSHING, PIVOT SHAFT COUSSINET	1	1	

D3

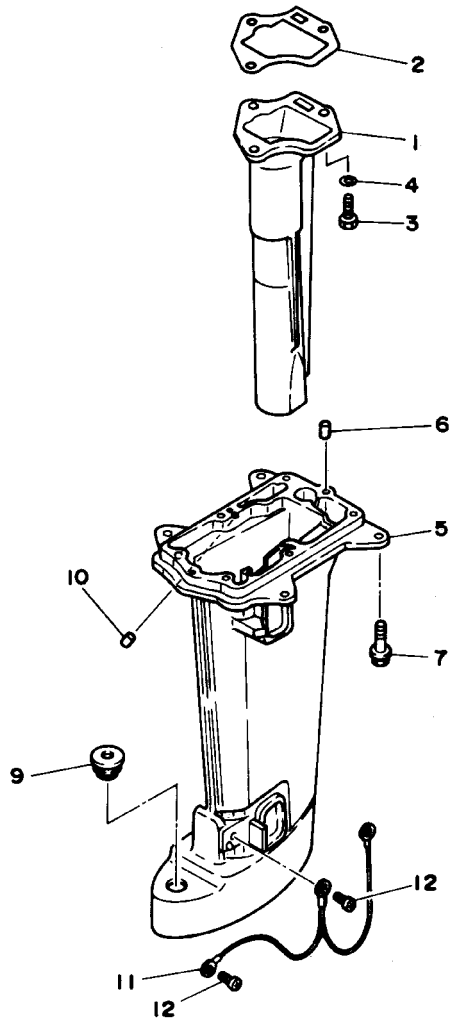
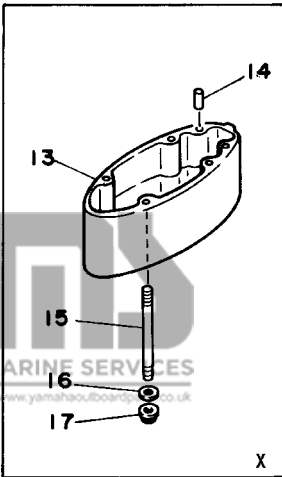
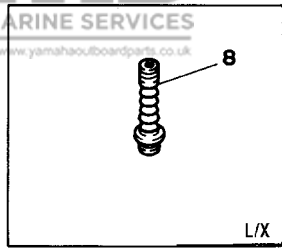


6N00110-4140

FIG. 15 BRACKET

SUPPORT

REF. NO.	PART NO. NO. PIECES	DESCRIPTION DESCRIPTION	MH	WH	REMARKS REMARQUES
55	93210-30M31	O-RING JOINT TORIQUE	3	3	
56	6N0-G4551-00-4D	HOUSING, LOWER MOUNT RUBBER BOITIER, SILENT-BLOC INFERIEUR	1	1	
57	6N0-G4552-00-4D	HOUSING, LOWER MOUNT RUBBER BOITIER, SILENT-BLOC INFERIEUR	1	1	
58	6N0-G4555-A0	MOUNT DAMPER, LOWER SIDE SILENT-BLOC, INFERIEUR LATERAL	2	2	
59	6N0-G4557-A0	MOUNT DAMPER, LOWER FRONT SILENT-BLOC, INFERIEUR AVANT	1	1	
60	95895-06035	BOLT, FLANGE BOULON, A COLLERETTE	2	2	



6M81010-7160

FIG. 16 UPPER CASING

FOURREAU

REF. NO.	PART NO. NO. PIECES	DESCRIPTION DESCRIPTION	MH	WH	REMARKS REMARQUES
1	6M8-G1131-00-5B	MANIFOLD, EXT. 1 PIPE D'ECHAPPEMENT	1		6C
	6M9-G1131-00-5B	MANIFOLD, EXT. 1 PIPE D'ECHAPPEMENT	1		6D
	6N0-G1131-00-5B	MANIFOLD, EXT. 1 PIPE D'ECHAPPEMENT	1	1	8C
2	6G1-41133-A0	GASKET, EXHAUST MANIFOLD 1 JOINT, PIPE D'ECHAPPEMENT	1	1	
3	97095-06020	BOLT BOULON	3	3	
4	92995-06600	WASHER RONDELLE	3	3	
5	6N0-G5111-00-4D	CASING, UPPER FOURREAU	1	1	S
	6N0-G5111-10-4D	CASING, UPPER FOURREAU	1	1	L,X
6	93604-08062	PIN, DOWEL GOIJON	2	2	
7	95895-06030	BOLT, FLANGE BOULON, A COLLERETTE	6	6	
8	655-44147-00	BOOT, SHIFT ROD SOUFFLET, TIGE D'INVERSION	1	1	L,X
9	90480-20M29	GROMMET PASSE-FIL	1	1	S
10	6G1-45135-00	PIPE TUYAU	1	1	
11	6G1-82149-00	WIRE, LEAD 3 FIL 3	1	1	
12	97885-06008	SCREW, PAN HEAD VIS, TETE TRONCONIQUE	2	2	
13	6G1-45211-20-4D	EXTENSION EXTENSION	1		X
14	93604-08062	PIN, DOWEL GOIJON	2		X
15	90116-06M18	BOLT, STUD GOIJON	4		X
16	92990-06600	WASHER, PLATE RONDELLE, PLATE	4		X
17	95780-06300	NUT, FLANGE ECROU, A COLLERETTE	4		X

D5

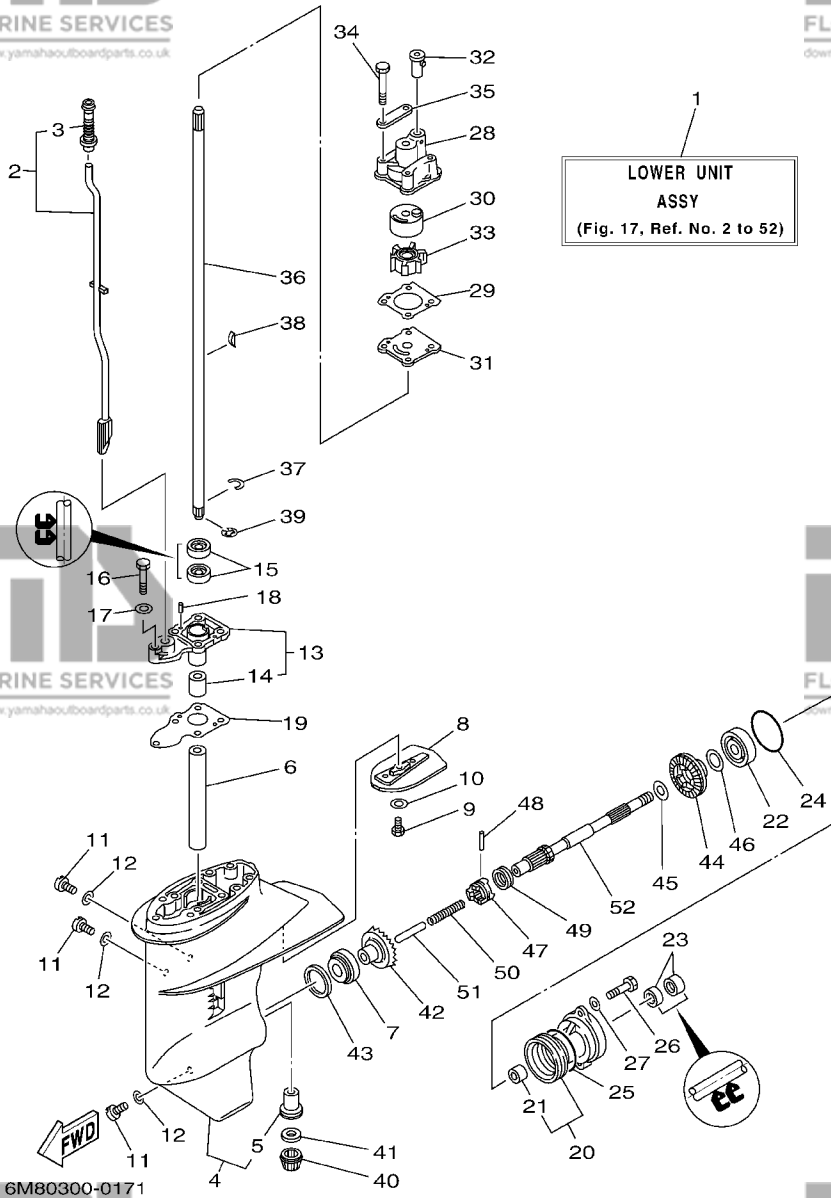


FIG. 17 LOWER CASING. DRIVE 1 BOITIER D'HELICE, TRANSMISSION 1

REF. NO.	PART NO. NO. PIECES	DESCRIPTION DESCRIPTION	MH	WH	REMARKS REMARQUES
1	6M8-G5300-00-4D	LOWER UNIT ASSY UNITE INFÉRIEURE (ENS.)	1	1	S
	6M8-G5300-10-4D	LOWER UNIT ASSY UNITE INFÉRIEURE (ENS.)	1	1	L
	6M8-G5300-20-4D	LOWER UNIT ASSY UNITE INFÉRIEURE (ENS.)	1		X
2	6N0-G4150-00	SHIFT CAM ASSY CAME D'INVERSION	1	1	S
	6N0-G4150-10	SHIFT CAM ASSY CAME D'INVERSION	1	1	L
	6N0-G4150-20	SHIFT CAM ASSY CAME D'INVERSION	1		X
3	6G1-44147-00	.BOOT, SHIFT ROD .SOUFFLET, TIGE D'INVERSION	1	1	
4	6N0-G5311-00-4D	CASING, LOWER BOITIER D'HELICE	1	1	
5	6G1-45317-09	.BUSHING, DRIVE SHAFT .DOUILLE, ARBRE MOTEUR	1	1	
6	90387-14M49	COLLAR COLLERETTE	1	1	
7	93332-000U4	BEARING ROULEMENT	1	1	
8	6N0-G5251-00	ANODE ANODE	1	1	
9	97095-06016	BOLT BOULON	1	1	
10	92990-06300	WASHER, INTERNAL TOOTH RONDELLE, DENTURE INTERNE	1	1	
11	90340-08002	PLUG, STRAIGHT SCREW PLOT, FILETE DROIT	3	3	
12	90430-08020	GASKET JOINT	3	3	
13	6G1-45331-01-5B	HOUSING, BEARING FLASQUE, ROULEMENT	1	1	
14	6G1-45316-09	.BUSHING, DRIVE SHAFT .DOUILLE, ARBRE MOTEUR	1	1	
15	93101-11M23	OIL SEAL JOINT SPY	2	2	
16	97095-06030	BOLT BOULON	1	1	
17	92995-06600	WASHER RONDELLE	1	1	
18	93604-08062	PIN, DOWEL GOUJON	2	2	
19	6G1-45315-A0	PACKING, LOWER CASING JOINT, BOITIER D'HELICE	1	1	
20	6N0-G5361-00-4D	CAP, LOWER CASING COUVERCLE, BOITIER D'HELICE	1	1	
21	6G1-45362-09	.BUSHING .COUSSINET	1	1	
22	93306-004U0	BEARING ROULEMENT	1	1	
23	93101-15074	OIL SEAL JOINT SPY	2	2	

D6

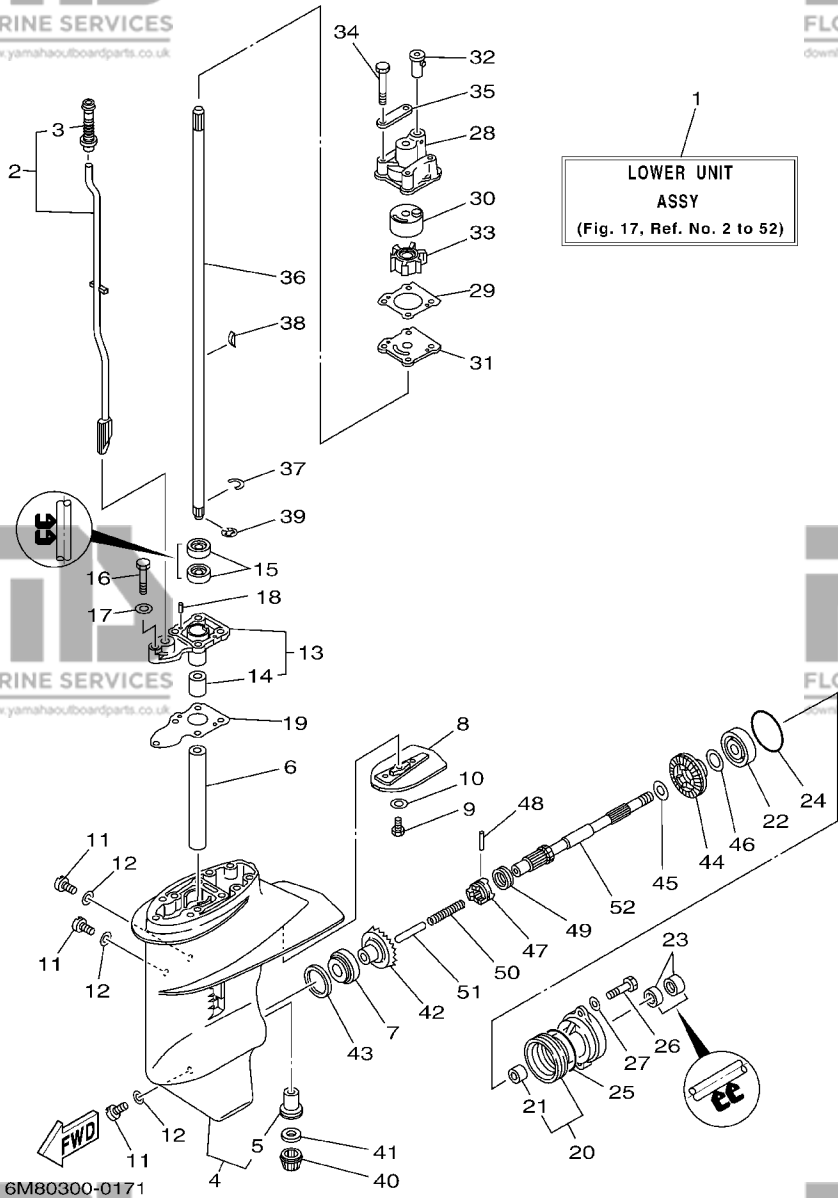


FIG. 17 LOWER CASING. DRIVE 1 BOITIER D'HELICE, TRANSMISSION 1

REF. NO.	PART NO. NO. PIECES	DESCRIPTION DESCRIPTION	MH	WH	REMARKS REMARQUES
24	93210-49046	O-RING JOINT TORIQUE	1	1	
25	93210-53M08	O-RING JOINT TORIQUE	1	1	
26	97095-06016	BOLT BOULON	2	2	
27	92995-06600	WASHER RONDELLE	2	2	
28	6N0-G4311-00	HOUSING, WATER PUMP CORPS, POMPE A EAU	1	1	
29	6G1-44315-A0	GASKET, WATER PUMP JOINT, POMPE A EAU	1	1	
30	6G1-44322-00	INSERT, CARTRIDGE CUVETTE	1	1	
31	6G1-44323-00	OUTER PLATE, CARTRIDGE PLAQUE EXTERIEURE	1	1	
32	647-44366-00	DAMPER, WATER SEAL JOINT, TUBE D'EAU	1	1	
33	6G1-44352-00	IMPELLER TURBINE	1	1	
34	97095-06045	BOLT BOULON	4	4	
35	6G1-44328-00	PLATE PLAQUETTE	2	2	
36	6N0-G5511-00	SHAFT, DRIVE ARBRE, MOTEUR	1	1	S
	6N0-G5511-10	SHAFT, DRIVE ARBRE, MOTEUR	1	1	L
	6N0-G5511-20	SHAFT, DRIVE ARBRE, MOTEUR	1	1	X
37	90467-09M05	CLIP JONG	1	1	
38	90280-03024	KEY, WOODRUFF CLAVETTE, DEMI-LUNE	1	1	
39	99001-06600	CIRCLIP CIRCLIP	1	1	
40	6N0-G5551-00	PINION PIGNON D'ATTAQUE	1	1	
41	6G1-45533-00-19	SHIM (T:1.9MM) CALE (T:1.9MM)	1	1	UR
	6G1-45533-00-20	SHIM (T:2.0MM) CALE (T:2.0MM)	1	1	UR
	6G1-45533-00-21	SHIM (T:2.1MM) CALE (T:2.1MM)	1	1	UR
	6G1-45533-00-22	SHIM (T:2.2MM) CALE (T:2.2MM)	1	1	UR
42	6N0-G5560-00	GEAR PIGNON	1	1	
43	664-45587-01-10	SHIM (T:0.10MM) CALE (T:0.10MM)	1	1	UR
	664-45587-01-12	SHIM (T:0.12MM) CALE (T:0.12MM)	1	1	UR
	664-45587-01-15	SHIM (T:0.15MM) CALE (T:0.15MM)	1	1	UR

D7

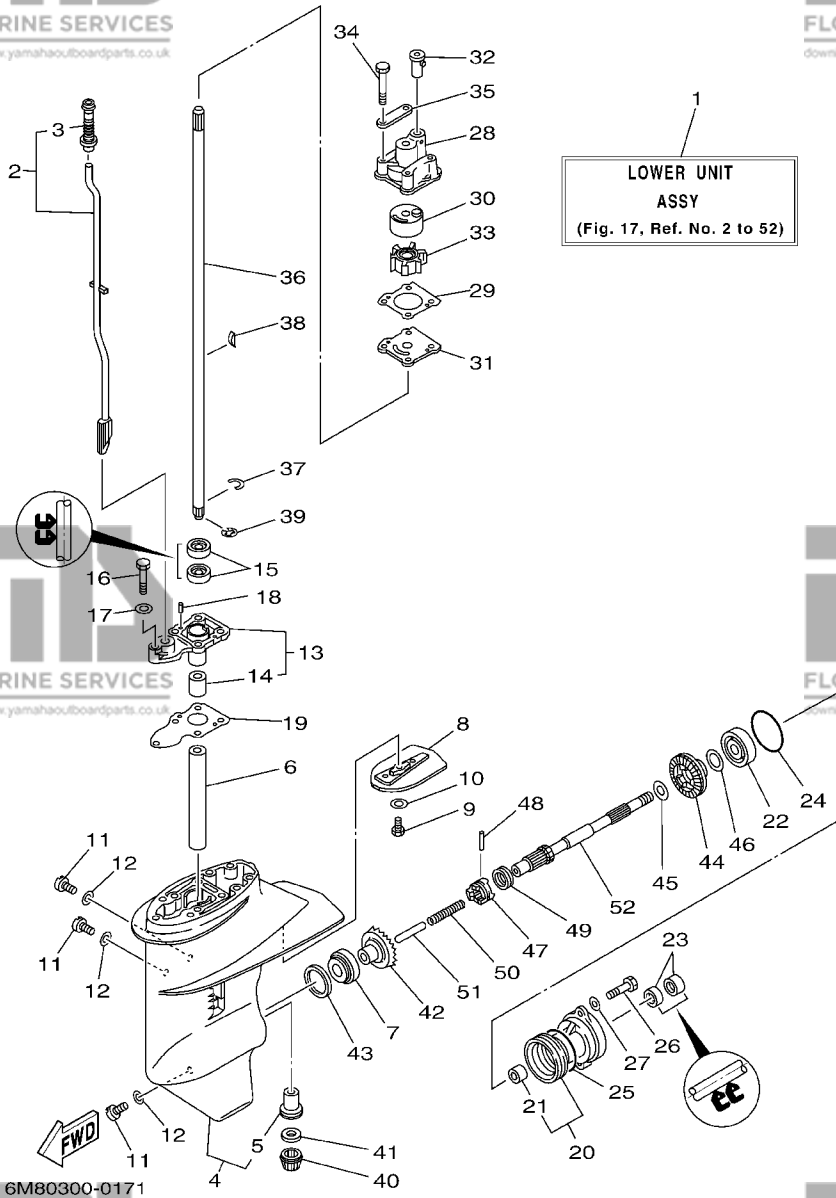
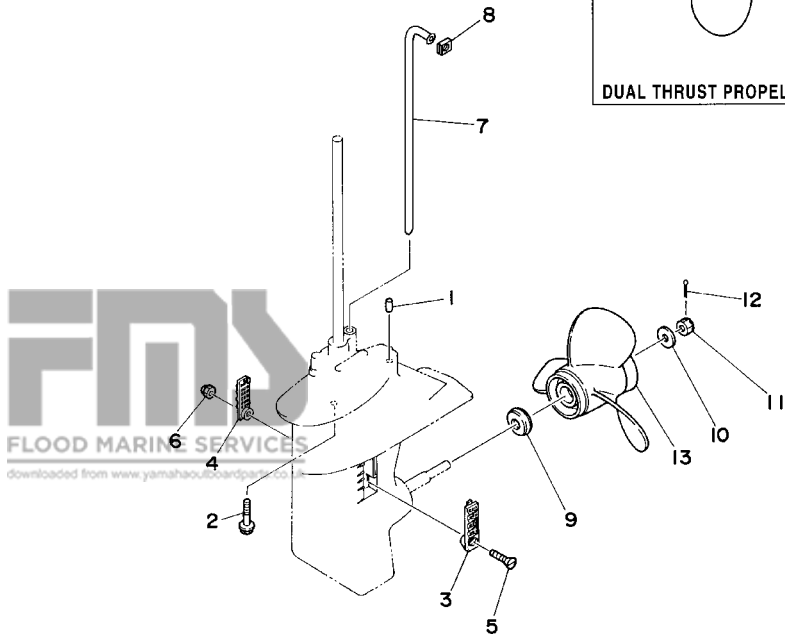
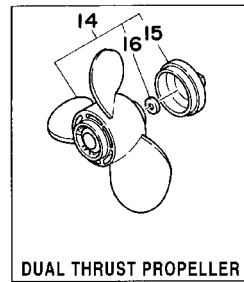


FIG. 17 LOWER CASING. DRIVE 1

BOITIER D'HELICE, TRANSMISSION 1

REF. NO.	PART NO. NO. PIECES	DESCRIPTION DESCRIPTION	MH	WH	REMARKS REMARQUES
43	664-45587-01-18	SHIM (T:0.18MM)	1	1	UR
		CALE (T:0.18MM)			
	664-45587-01-30	SHIM (T:0.30MM)	1	1	UR
		CALE (T:0.30MM)			
	664-45587-01-40	SHIM (T:0.40MM)	1	1	UR
		CALE (T:0.40MM)			
	664-45587-01-50	SHIM (T:0.50MM)	1	1	UR
		CALE (T:0.50MM)			
44	6N0-G5571-00	GEAR PIGNON	1	1	
45	90201-15M89	WASHER, PLATE RONDELLE, PLATE	1	1	
46	647-45567-00	SHIM (T:0.10MM) CALE (T:0.10MM)	1	1	UN
47	6G1-45631-00	CLUTCH, DOG CRABOT	1	1	
48	6G1-45632-00	PIN, CROSS GOUPILLE DE CRABOT	1	1	
49	654-45633-00	RING, CROSS PIN JONC, GOUPILLE CRABOT	1	1	
50	90501-12M38	SPRING, COMPRESSION RESSORT, COMPRESSION	1	1	
51	6G1-45635-00	PLUNGER, SHIFT POUSSOIR D'EMBAYAGE	1	1	
52	6G1-45611-01	SHAFT, PROPELLER ARBRE, HELICE	1	1	



FWD
6M80010-7180

FIG. 18 LOWER CASING. DRIVE 2

BOITIER D'HELICE, TRANSMISSION 2

REF. NO.	PART NO. NO. PIECES	DESCRIPTION DESCRIPTION	MH	WH	REMARKS REMARQUES
1	93604-08062	PIN, DOWEL GOUJON	2	2	
2	95895-06030	BOLT, FLANGE BOULON, A COLLERETTE	4	4	
3	6G1-45214-00	COVER, WATER INLET GRILLE, ENTREE D'EAU	1	1	
4	6G1-45215-00	COVER, WATER INLET GRILLE, ENTREE D'EAU	1	1	
5	90152-05M03	SCREW, COUNTERSUNK VIS, TETE NOYEE	1	1	
6	90185-05002	NUT, SELF-LOCKING ECROU, AUTO-BLOCANT	1	1	
7	6N0-G4361-00	TUBE, WATER TUBE D'EAU	1	1	S
	6N0-G4361-10	TUBE, WATER TUBE D'EAU	1	1	L
	6N0-G4361-20	TUBE, WATER TUBE D'EAU	1	1	X
8	6G1-44365-00	DAMPER, WATER SEAL JOINT, TUBE D'EAU	1	1	
9	6N0-G5987-00	SPACER ENTRETOISE	1	1	UR
	6N0-G5987-10	SPACER ENTRETOISE	1	1	UR
10	90201-10M01	WASHER, PLATE RONDELLE, PLATE	1	1	
11	90171-10M01	NUT, CASTLE ECROU, CRENELE	1	1	
12	91490-30020	PIN, COTTER GOUPILLE, FENDUE	1	1	
13	6G1-45941-00-EL	PROPELLER (3X8-1/2"X8-1/2"-N) HELICE (3X8-1/2"X8-1/2"-N)	1	1	UR
	6G1-45943-00-EL	PROPELLER (3X8-1/2"X7-1/2"-N) HELICE (3X8-1/2"X7-1/2"-N)	1	1	UR
	6G1-45947-00-EL	PROPELLER (3X8-1/2"X6-1/2"-N) HELICE (3X8-1/2"X6-1/2"-N)	1	1	UR
14	6G1-W4591-01-EL	PROPELLER (3X9"X7"-N) HELICE (3X9"X7"-N)	1	1	UR
	6G1-W4592-00-EL	PROPELLER (3X9"X5"-N) HELICE (3X9"X5"-N)	1	1	UR
15	6G1-45616-01	NUT, PROPELLER CONE, HELICE	1	1	
16	90201-10M02	WASHER, PLATE RONDELLE, PLATE	1	1	

E2

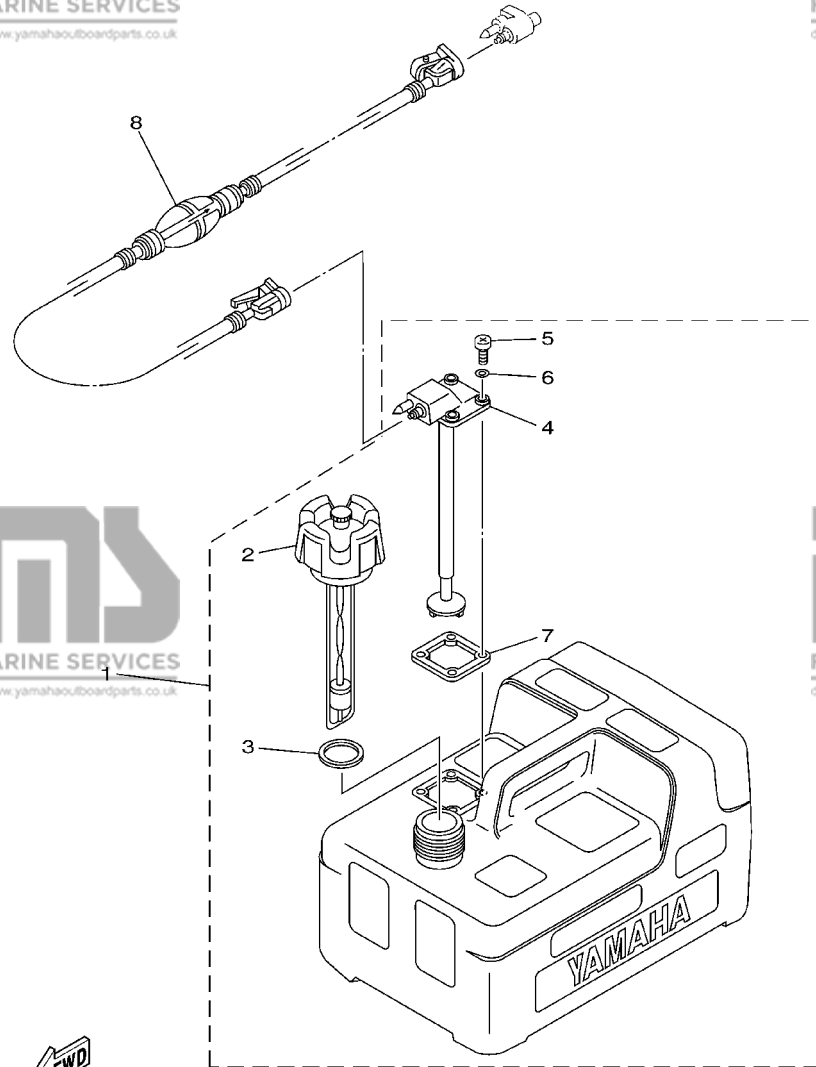


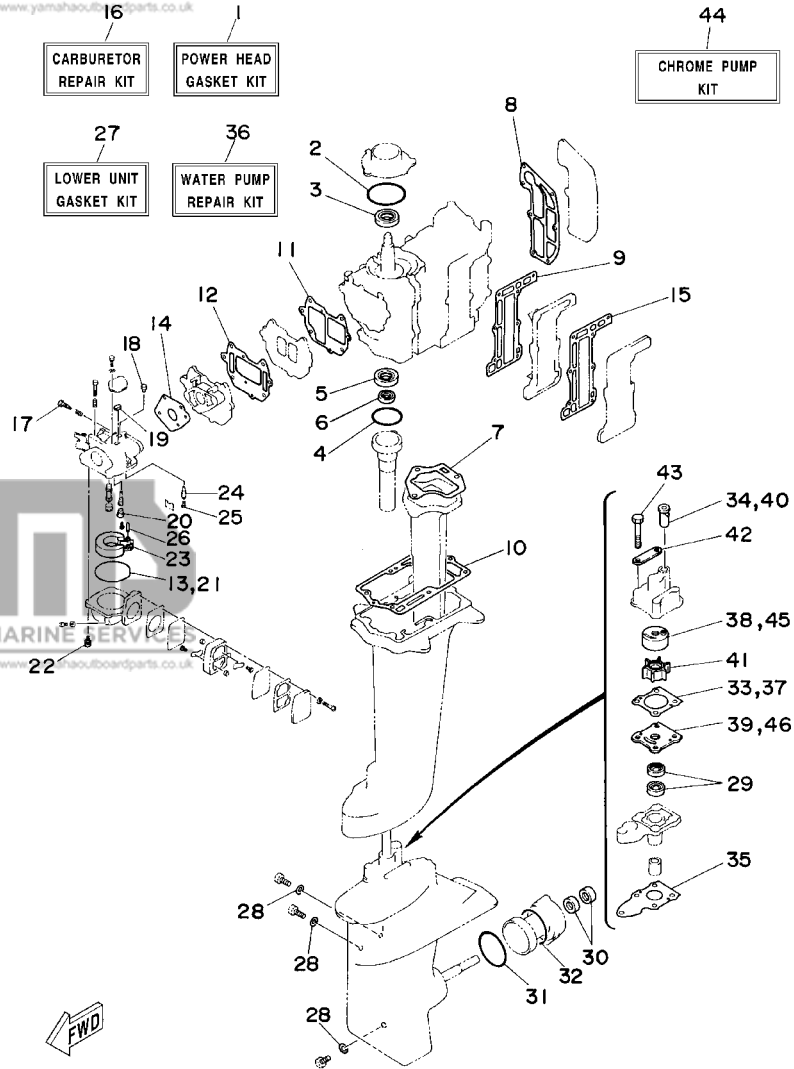
FIG. 19 FUEL TANK

RESERVOIR A CARBURANT

REF. NO.	PART NO. NO. PIECES	DESCRIPTION DESCRIPTION	MH	WH	REMARKS REMARQUES
1	6YL-F4201-02	FUEL TANK ASSY RESERVOIR A ESSENCE (ENS.)	1	1	AP
2	6YL-F4610-00	.CAP ASSY .BOUCHON	1	1	
3	6YL-F4641-00	.GASKET, CAP 1 .JOINT 1, BOUCHON	1	1	
4	6YL-F4260-01	.FUEL METER ASSY .INDICATEUR DE CARBURANT	1	1	
5	90157-05811	.SCREW, PAN HEAD .VIS, TETE TRONCONIQUE	4	4	
6	6YL-F4329-00	.SEAL .JOINT	4	4	
7	6YL-F4268-01	.GASKET, FUEL METER .JOINT, JAUGE A CARBURANT	1	1	
8	6YL-24306-52	FUEL PIPE COMP. 1 DURITE A ESSENCE 1	1	1	AP



66R0700-9260

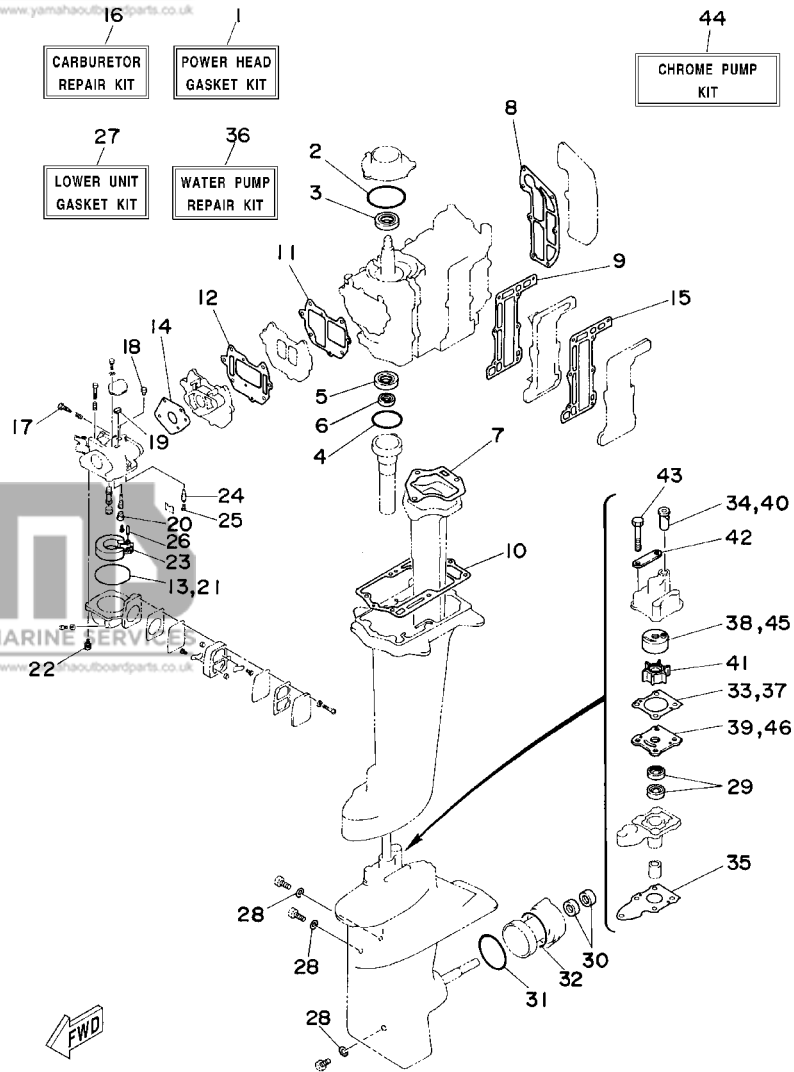


6M80010-7190

FIG. 20 REPAIR KIT

KITS DE REPARATION

REF. NO.	PART NO. NO. PIECES	DESCRIPTION DESCRIPTION	MH	WH	REMARKS REMARQUES
1	6N0-W0001-A0	POWER HEAD GASKET KIT POCHETTE DE JINTS TETE MOTRICE	1	1	
2	93210-54M54	.O-RING .JOINT TORIQUE	1	1	
3	93102-20M25	.OIL SEAL .JOINT SPY	1	1	
4	93210-42159	.O-RING .JOINT TORIQUE	1	1	
5	93101-20M29	.OIL SEAL .JOINT SPY	1	1	
6	93101-12M26	.OIL SEAL .JOINT SPY	1	1	
7	6G1-41133-A0	.GASKET, EXHAUST MANIFOLD 1 .JOINT, PIPE D'ECHAPPEMENT	1	1	
8	6G1-11193-A1	.GASKET, HEAD COVER 1 .JOINT, COUVERCLE DE CULASSE 1	1	1	
9	6G1-41112-A1	.GASKET, EXHAUST INNER COVER .JOINT, PLAQUE D'ECHAPPEMENT	1	1	
10	6G1-45113-A1	.GASKET, UPPER CASING .JOINT, TUBE D'ARBRE	1	1	
11	6G1-13621-A1	.GASKET, VALVE SEAT .JOINT, SIEGE DE CLAPET	1	1	
12	6G1-13645-A1	.GASKET, MANIFOLD 1 .JOINT, TUBULURE 1	1	1	
13	6G1-14984-00	.O-RING .JOINT TORIQUE	1	1	
14	6G1-14198-A1	.GASKET .JOINT	1	1	
15	6G1-41114-A0	.GASKET, EXHAUST OUTER COVER .JOINT, COUVERCLE D'ECHAPPEMENT	1	1	
16	6N0-W0093-00	CARBURETOR REPAIR KIT KIT DE REPARATION CARBURATEUR	1	1	
17	679-14923-00	.SCREW, PILOT .VIS, RALENTI	1	1	
18	6G1-14966-00	.CAP .CAPUCHON	1	1	
19	6G1-14126-00	.GASKET .JOINT	1	1	
20	676-14966-00	.CAP .CAPUCHON	1	1	
21	6G1-14984-00	.O-RING .JOINT TORIQUE	1	1	
22	97980-04114	.SCREW, WITH WASHER .VIS, AVEC RONDELLE	4	4	
23	6G1-14985-00	.FLOAT .FLOTTEUR	1	1	
24	6G1-14546-00	.VALVE, NEEDLE .POINTEAU	1	1	
25	676-14186-00	.PIN, FLOAT .AXE, FLOTTEUR	1	1	
26	688-14548-00	.PIN, FLOAT ARM .AXE, BRAS DE FLOTTEUR	1	1	
27	6N0-W0001-C0	LOWER UNIT GASKET KIT POCHETTE DE JINTS	1	1	



6M80010-7190

FIG. 20 REPAIR KIT

KITS DE REPARATION

REF. NO.	PART NO. NO. PIECES	DESCRIPTION DESCRIPTION	MH	WH	REMARKS REMARQUES
28	90430-08020	.GASKET .JOINT	3	3	
29	93101-11M23	.OIL SEAL .JOINT SPY	2	2	
30	93101-15074	.OIL SEAL .JOINT SPY	2	2	
31	93210-49046	.O-RING .JOINT TORIQUE	1	1	
32	93210-53M08	.O-RING .JOINT TORIQUE	1	1	
33	6G1-44315-A0	.GASKET, WATER PUMP .JOINT, POMPE A EAU	1	1	
34	647-44366-00	.DAMPER, WATER SEAL .JOINT, TUBE D'EAU	1	1	
35	6G1-45315-A0	.PACKING, LOWER CASING .JOINT, BOITIER D'HELICE	1	1	
36	6N0-W0078-A0	WATER PUMP REPAIR KIT KIT DE REPARATION DE LA POMPE	1	1	
37	6G1-44315-A0	.GASKET, WATER PUMP .JOINT, POMPE A EAU	1	1	
38	6G1-44322-00	.INSERT, CARTRIDGE .CUVETTE	1	1	
39	6G1-44323-00	.OUTER PLATE, CARTRIDGE .PLAQUE EXTERIEURE	1	1	
40	647-44366-00	.DAMPER, WATER SEAL .JOINT, TUBE D'EAU	1	1	
41	6G1-44352-00	.IMPELLER .TURBINE	1	1	
42	6G1-44328-00	.PLATE .PLAQUETTE	2	2	
43	97095-06045	.BOLT .BOULON	4	4	
44	6N0-W0078-0A	CHROME PUMP KIT KIT DE POMPE A EAU CHROMEE	1	1	
45	6G1-44322-40	.INSERT, CARTRIDGE .CUVETTE	1	1	
46	6G1-44323-40	.OUTER PLATE, CARTRIDGE .PLAQUE EXTERIEURE	1	1	

6C/6D/8C
PARTS CATALOGUE
©2001 by Yamaha Motor Co., Ltd.
1st Edition, Dec. 2001
All rights reserved.
Any reprinting or unauthorized use
without the written permission of
Yamaha Motor Co., Ltd.
is expressly prohibited.

6C/6D/8C
CATALOGUE DE PIECES DETACHEES
©2001 Yamaha Motor Co., Ltd.
1ère Edition, Dec. 2001
Tous droits réservés.
Toute réimpression ou utilisation
sans la permission écrite de la
Yamaha Motor Co., Ltd.
est formellement interdite.