

**PARTS
CATALOGUE
CATALOGUE
DE PIÈCES DÉTACHÉES**

4AC

(6E02)

4BC

(66P1)

5C

(6E32)

YAMAHA
GENUINE
Parts & Accessories

2B6E0-300F1

FOREWORD

This Parts Catalogue is related to the parts for the model(s) in the below frame. When you are ordering replacement parts, please refer to this Parts Catalogue and quote both part numbers and part names correctly.

4AC'03(6E02), 4BC'03(66P1), 5C'03(6E32)

1. Modifications or additions which have been made after issue of the Parts Catalogue will be announced in the Yamaha Parts News.
It is advisable that you make necessary corrections to the Parts Catalogue according to the Yamaha Parts News.

2. Abbreviations

The Following abbreviations are used in this Parts Catalogue.

“UR” Use specified parts number.

“UN” Use as many as needed.

“AP” Alternate Parts

“LM” Local Made
(Parts need to be ordered locally)

“O/S” Over Size

3. Parts, which are to be supplied in an assembly, are listed with a dot(.) in front of the part name as shown below.

EXAMPLE

CARBURETOR ASSY

.JET, PILOT

.NOZZLE, MAIN

4. Number of component for assembly

The numeral appearing to the right of each component part indicates the quantity of parts for each assembly unit.

EXAMPLE

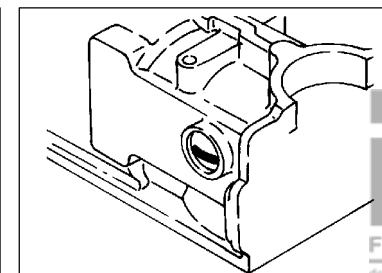
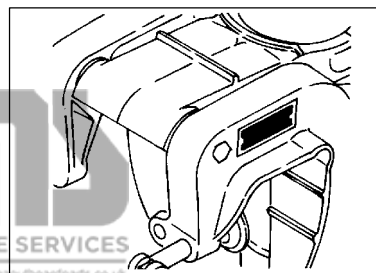
PART NO.	DESCRIPTION	u	u	u	REMARKS
6E0-85500-70	C.D.I. MAGNETO ASSY	1			
6E0-85550-70	.ROTOR ASSY	1			
6E0-15723-00-94	.PULLY, STARTER	1			

5. Quantity Column Information

NAME for Q'TY COLUMN	APPLICABLE MODEL
4AC	4ACMH
5C	5CMH
4BC	4BCMh

6. Applicable Starting Serial No. and Color Code

4ACMH S/L 6E0K : 1000001	4BCMh S/L 6E3K : 1000001
	5CMH S/L 6E3K : 1000001



- 2) Color Code

Color Code	Color Name	Abbreviation
004D	DARK BLUISH GRAY METALLIC 2	DBNM2

7. Note that the illustrations for reference in finding parts numbers, not to be used for assembling. When assembling, please use the applicable service manual.
8. The asterisk (*) before a reference number indicates modification items after the first edition.



FLOOD MARINE SERVICES
downloaded from www.yamahaoutboardparts.co.uk

TOP COWLING	A4
CYLINDER. CRANKCASE	A5
INTAKE	B1
STARTER	B3
GENERATOR	B5
ELECTRICAL	B6
BOTTOM COWLING	B7
CONTROL	C2
UPPER CASING . BRACKET	C4
LOWER CASING. DRIVE	C7
FUEL TANK	D3
REPAIR KIT	D4

INDEX

NUMERICAL INDEX	D6
-----------------------	----



FLOOD MARINE SERVICES
downloaded from www.yamahaoutboardparts.co.uk



FLOOD MARINE SERVICES
downloaded from www.yamahaoutboardparts.co.uk

CONTENTS



FLOOD MARINE SERVICES
downloaded from www.yamahaoutboardparts.co.uk



FLOOD MARINE SERVICES
downloaded from www.yamahaoutboardparts.co.uk



FLOOD MARINE SERVICES
downloaded from www.yamahaoutboardparts.co.uk



FLOOD MARINE SERVICES
downloaded from www.yamahaoutboardparts.co.uk



FLOOD MARINE SERVICES
downloaded from www.yamahaoutboardparts.co.uk

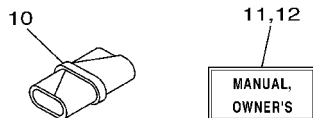
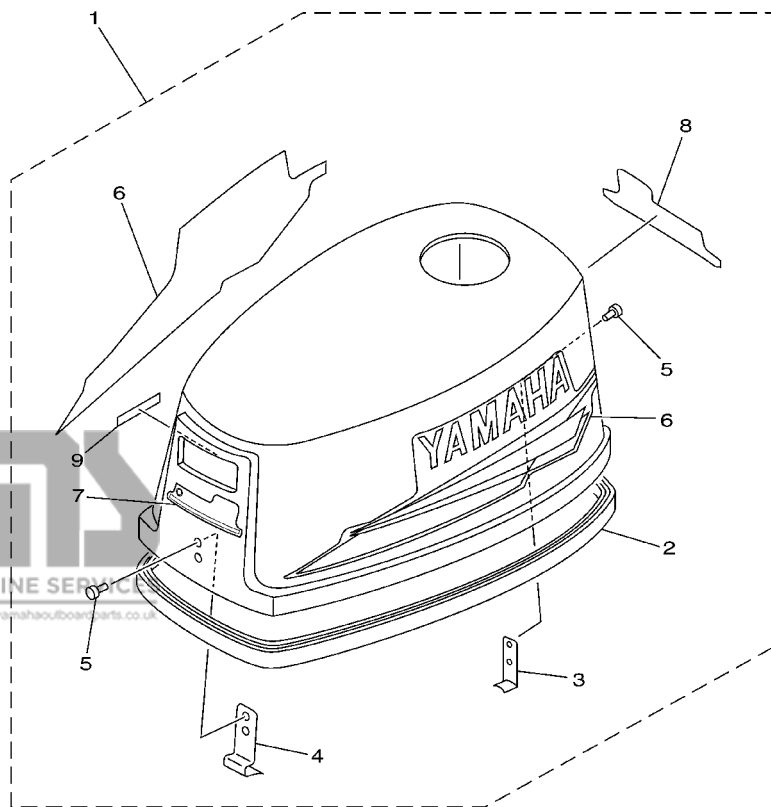


FLOOD MARINE SERVICES
downloaded from www.yamahaoutboardparts.co.uk

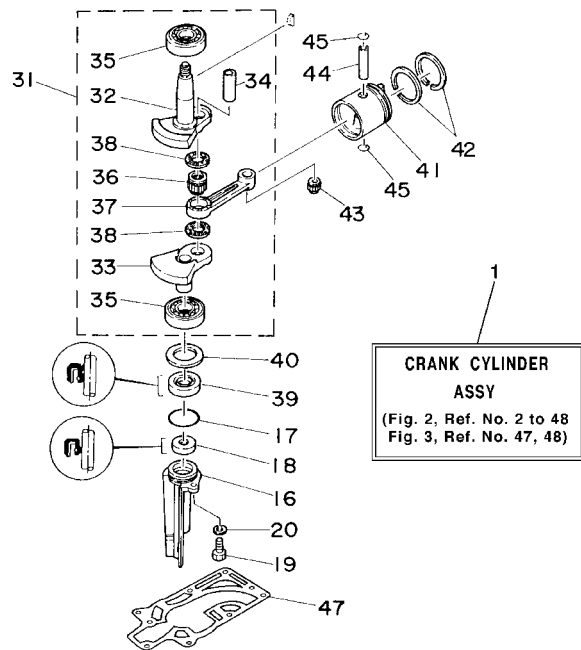
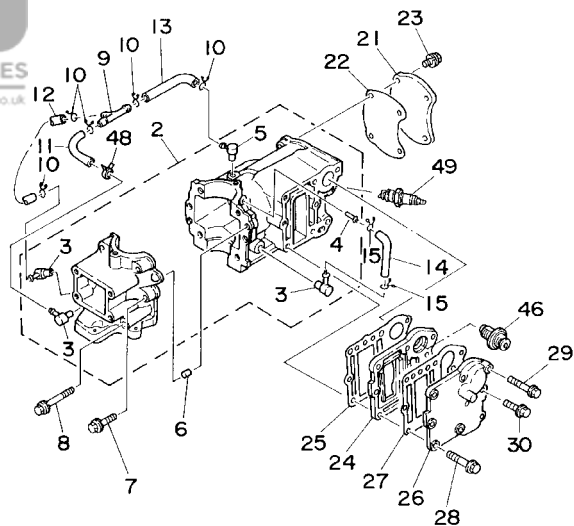
FIG. 1 TOP COWLING

CAPOT SUPERIEUR

REF. NO.	PART NO. NO. PIECES	DESCRIPTION DESCRIPTION	4AC	5C	4BC	REMARKS REMARQUES
1	6E0-42610-40-4D	TOP COWLING ASSY CAPOT (ENS.)	1		1	
	6E3-42610-40-4D	TOP COWLING ASSY CAPOT (ENS.)		1		
2	6E0-42615-00	.SEAL .JOINT	1	1	1	
3	6E0-42647-01	.HOLDER, CLAMP BAND .SUPPORT, SANDOW DE SERRAGE	1	1	1	
4	6E0-42651-02	.HOOK .CROCHET	1	1	1	
5	90266-04M00	.RIVET .RIVET	4	4	4	
6	6E0-W0070-14	.GRAPHIC SET .JEU DIEMBLEMES	1	1	1	
7	6E0-42677-20	.GRAPHIC, FRONT .ADHESIF, AVANT	1	1		
	6E3-42677-20	.GRAPHIC, FRONT .ADHESIF, AVANT			1	
8	6E0-42678-12	.GRAPHIC, REAR .ADHESIF, ARRIERE	1		1	
	6E3-42678-12	.GRAPHIC, REAR .ADHESIF, ARRIERE			1	
9	6E0-44191-11	.INDICATOR, SHIFT .ETIQUETTE, EMBRAYAGE	1	1	1	
10	656-W2810-02	TOOL KIT TROUSSE A OUTILS	1	1	1	
11	6A1-28199-7L-A0	MANUAL,OWNER'S MANUEL D'UTILISATION	1	1	1	UR (E,F,S)
	6A1-28199-7L-B0	MANUAL,OWNER'S MANUEL D'UTILISATION	1	1	1	UR (D,NL,I)
12	6A1-28199-8M-A0	MANUAL,OWNER'S MANUEL D'UTILISATION	1	1	1	UR (DK,P,GR)
	6A1-28199-8M-B0	MANUAL,OWNER'S MANUEL D'UTILISATION	1	1	1	UR (N,S,SS)



6E02300-3010

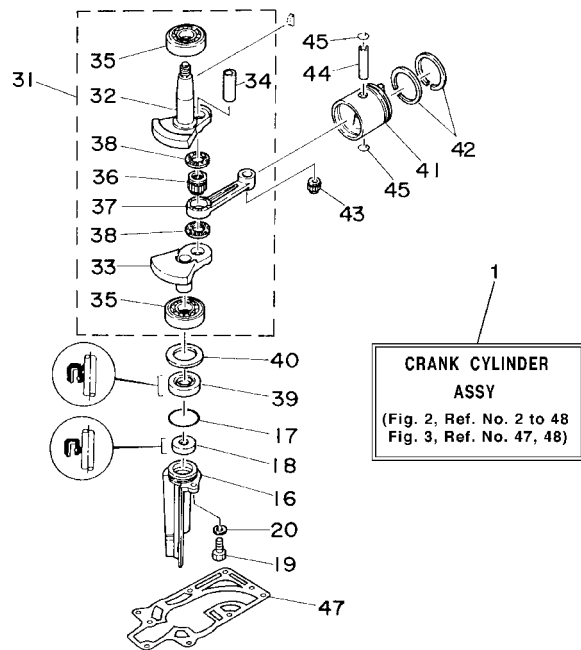
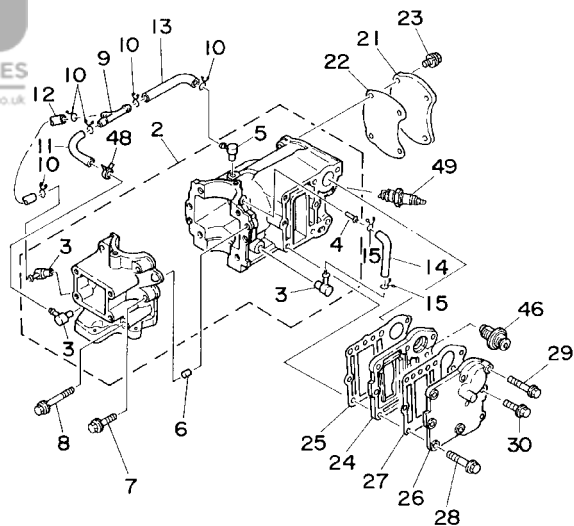


FWD
6E02100-4020

FIG. 2 CYLINDER. CRANKCASE CYLINDRE. CARTER

REF. NO.	PART NO. NO. PIECES	DESCRIPTION DESCRIPTION	4AC	5C	4BC	REMARKS REMARQUES
1	6E0-W0090-04-1S	CRANK CYLINDER ASSY EMBIELLAGE CYLINDRE (ENS.)	1			
	6E3-W0090-04-1S	CRANK CYLINDER ASSY EMBIELLAGE CYLINDRE (ENS.)		1	1	
2	6E0-15100-01-1S	CRANKCASE ASSY CARTER DE MOTEUR COMPLET	1			
	6E3-15100-02-1S	CRANKCASE ASSY CARTER DE MOTEUR COMPLET		1	1	
3	650-11370-01	.CHECK VALVE ASSY .CLAPET. (ENS.)	3	3	3	
4	624-14485-00	.PIPE, JOINT .DURITE	1	1	1	
5	6E5-11372-01	.NIPPLE, HOSE .RACCORD, TUYAU	1	1	1	
6	93606-12019	PIN, DOWEL GOUILLE	2	2	2	
7	90105-06M16	BOLT, FLANGE BOULON	4	4	4	
8	90105-06M17	BOLT, FLANGE BOULON	2	2	2	
9	6E0-24378-00	PIPE, JOINT 4 DURITE RACCORDEMENT 4	1	1	1	
10	90467-06016	CLIP JONC	5	5	5	
11	90445-07M00	HOSE (L100) DURITE (L100)	1	1	1	
12	90445-07M28	HOSE (L70) DURITE (L70)	1	1	1	
13	90445-07M32	HOSE (L120) DURITE (L120)	1	1	1	
14	90445-07M28	HOSE (L70) DURITE (L70)	1	1	1	
15	90467-06016	CLIP JONC	2	2	2	
16	6E0-15396-03-5B	HOUSING, OIL SEAL LOGEMENT DE JOINT SPY	1	1	1	
17	93210-31MJ5	O-RING JOINT TORIQUE	1	1	1	
18	93101-10M25	OIL SEAL JOINT SPY	1	1	1	
19	97095-06016	BOLT BOULON	1	1	1	
20	92995-06600	WASHER RONDELLE	1	1	1	
21	6E0-11191-01-1S	COVER, CYLINDER HEAD 1 COUVERCLE, CULASSE 1	1			
	6E3-11191-01-1S	COVER, CYLINDER HEAD 1 COUVERCLE, CULASSE 1		1	1	
22	6E0-11193-A1	GASKET, HEAD COVER 1 JOINT, COUVERCLE DE CULASSE 1	1			
	6E3-11193-A1	GASKET, HEAD COVER 1 JOINT, COUVERCLE DE CULASSE 1		1	1	
23	90105-06039	BOLT, FLANGE BOULON	4	4	4	

A5



FWD
6E02100-4020

FIG. 2 CYLINDER. CRANKCASE CYLINDRE. CARTER

REF. NO.	PART NO. NO. PIECES	DESCRIPTION DESCRIPTION	4AC	5C	4BC	REMARKS REMARQUES
24	6E0-41111-01-1S	INNER COVER, EXHAUST PLAQUE, ECHAPPEMENT	1			
	6E3-41111-01-1S	INNER COVER, EXHAUST PLAQUE, ECHAPPEMENT		1	1	
25	6E0-41112-A1	GASKET, EXHAUST INNER COVER JOINT, PLAQUE D'ECHAPPEMENT	1			
	6E3-41112-A1	GASKET, EXHAUST INNER COVER JOINT, PLAQUE D'ECHAPPEMENT		1	1	
26	6E0-41113-01-1S	OUTER COVER, EXHAUST COUVERCLE, ECHAPPEMENT	1			
	6E3-41113-01-1S	OUTER COVER, EXHAUST COUVERCLE, ECHAPPEMENT		1	1	
27	6E0-41114-A1	GASKET, EXHAUST OUTER COVER JOINT, COUVERCLE D'ECHAPPEMENT	1			
	6E3-41114-A1	GASKET, EXHAUST OUTER COVER JOINT, COUVERCLE D'ECHAPPEMENT		1	1	
28	90105-06037	BOLT, FLANGE BOULON	7			
	90105-06037	BOLT, FLANGE BOULON		8	8	
29	90105-06035	BOLT, FLANGE BOULON	1			
30	90105-06039	BOLT, FLANGE BOULON	1	1	1	
31	6E0-11400-00	CRANKSHAFT ASSY VILEBREQUIN COMPLET	1			
	6E3-11400-00	CRANKSHAFT ASSY VILEBREQUIN COMPLET		1	1	
32	6E0-11412-00	.CRANK 1 .MASSOLOTTE DE VILEBREQUIN 1	1			
	6E3-11412-00	.CRANK 1 .MASSOLOTTE DE VILEBREQUIN 1		1	1	
33	6E0-11422-00	.CRANK 2 .MASSOLOTTE DE VILEBREQUIN 2	1			
	6E3-11422-00	.CRANK 2 .MASSOLOTTE DE VILEBREQUIN 2		1	1	
34	6G1-11681-00	.PIN, CRANK 1 .MANETON, VILEBREQUIN 1	1	1	1	
35	93306-204U0	.BEARING .ROULEMENT	2	2	2	
36	93310-418V1	.BEARING .ROULEMENT	1	1	1	
37	6E0-11651-01	.ROD, CONNECTING .BIELLE NUE	1	1	1	
38	90209-18112	.WASHER .RONDELLE	2	2	2	
39	93101-20M29	OIL SEAL JOINT SPY	1	1	1	
40	90201-32M48	WASHER, PLATE RONDELLE, PLATE	1	1	1	
41	6E0-11631-00-98	PISTON (STD)	1			
	6E3-11631-00-98	PISTON (STD)		1	1	

A6

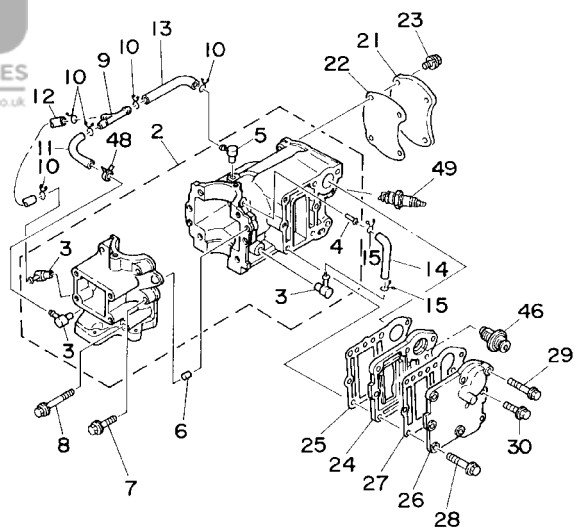
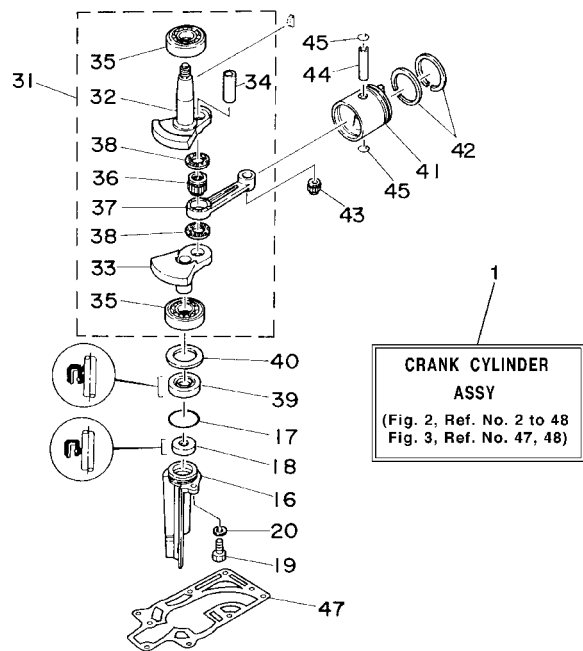


FIG. 2 CYLINDER. CRANKCASE CYLINDRE. CARTER

REF. NO.	PART NO. NO. PIECES	DESCRIPTION DESCRIPTION	4AC	5C	4BC	REMARKS REMARQUES
42	6G1-11610-00	PISTON RING SET (STD) JEU DE SEGMENTS (STD)	1			
	6J1-11610-00	PISTON RING SET (STD) JEU DE SEGMENTS (STD)		1	1	
43	93310-112V0	BEARING ROULEMENT	1	1	1	
44	6G1-11633-00	PIN, PISTON AXE, PISTON	1	1	1	
45	93450-13022	CIRCLIP CIRCLIP	2	2	2	
46	6E5-12411-01	THERMOSTAT THERMOSTAT	1	1	1	
47	6E0-45113-A1	GASKET, UPPER CASING JOINT, TUBE D'ARBRE	1	1	1	
48	90468-07M02	CLIP JONC	1	1	1	
49	94702-00272	PLUG, SPARK (NGK BR7HS) BOUGIE D'ALLUMAGE (NGK BR7HS)	1	1	1	



6E02100-4020

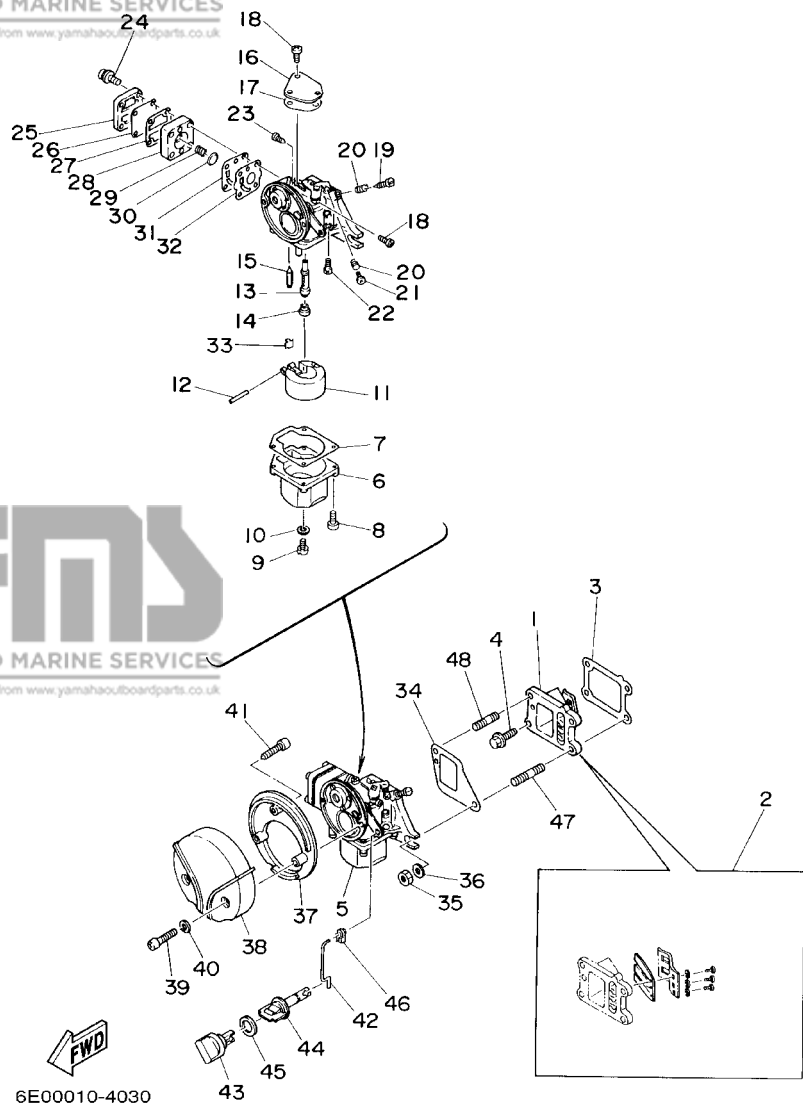


FIG. 3 INTAKE

ADMISSION

REF. NO.	PART NO. NO. PIECES	DESCRIPTION DESCRIPTION	4AC	5C	4BC	REMARKS REMARQUES
1	6E0-13610-00	REED VALVE ASSY CLAPET COMPLET	1	1	1	
2	6E0-W0004-00	.REED SET .JEU DE CLAPETS	1	1	1	
3	6E0-13621-A2	GASKET, VALVE SEAT JOINT, SIEGE DE CLAPET	1	1	1	
4	95895-06016	BOLT, FLANGE BOULON	2	2	2	
5	6E0-14301-05	CARBURETOR ASSY 1 CARBURATEUR COMPLET 1	1			
	6E3-14301-05	CARBURETOR ASSY 1 CARBURATEUR COMPLET 1		1	1	
6	6E0-14381-02	.BODY, FLOAT CHAMBER .CORPS, CUVE DE FLOTTEUR	1	1	1	
7	6E0-14384-00	.GASKET, FLOAT CHAMBER .JOINT, CUVE DE FLOTTEUR	1	1	1	
8	97980-04116	.SCREW, WITH WASHER .VIS, AVEC RONDELLE	4	4	4	
9	97890-05006	.SCREW, PAN HEAD .VIS, CRUCIFORME	1	1	1	
10	646-14198-01	.GASKET .JOINT	1	1	1	
11	6E7-14385-01	.FLOAT .FLOTTEUR	1	1	1	
12	647-14386-00	.PIN, FLOAT .AXE, FLOTTEUR	1	1	1	
13	6E0-14341-01	.NOZZLE, MAIN .PUITS D'AIGUILLE	1			
	6E3-14341-02	.NOZZLE, MAIN .PUITS D'AIGUILLE		1	1	
14	648-14343-40	.JET, MAIN (# 80) .GICLÉUR, PRINCIPAL (# 80)	1	1	1	
15	6F5-14392-00	.VALVE, NEEDLE .POINTEAU	1	1	1	
16	6E0-14157-00	.COVER, PLATE .COUVERCLE	1	1	1	
17	6E0-14227-00	.GASKET .JOINT	1	1	1	
18	97890-04007	.SCREW, PAN HEAD .VIS, CRUCIFORME	4	4	4	
19	647-14323-00	.SCREW, AIR ADJUSTING .VIS DE DOSEUR D'AIR	1	1	1	
20	646-14212-01	.SPRING, PILOT ADJUSTING .RESSORT, VIS DE RALENTI	2	2	2	
21	664-14321-01	.SCREW, THROTTLE .VIS, ACCELERATEUR	1	1	1	
22	648-14342-23	.JET, PILOT (# 46) .GICLÉUR, RALENTI (# 46)	1			
	648-14342-26	.JET, PILOT (# 52) .GICLÉUR, RALENTI (# 52)		1	1	
23	647-14326-00	.SCREW, GUIDE .GUIDE DE VIS	1	1	1	
24	97980-04120	.SCREW, WITH WASHER .VIS, AVEC RONDELLE	4	4	4	

B1

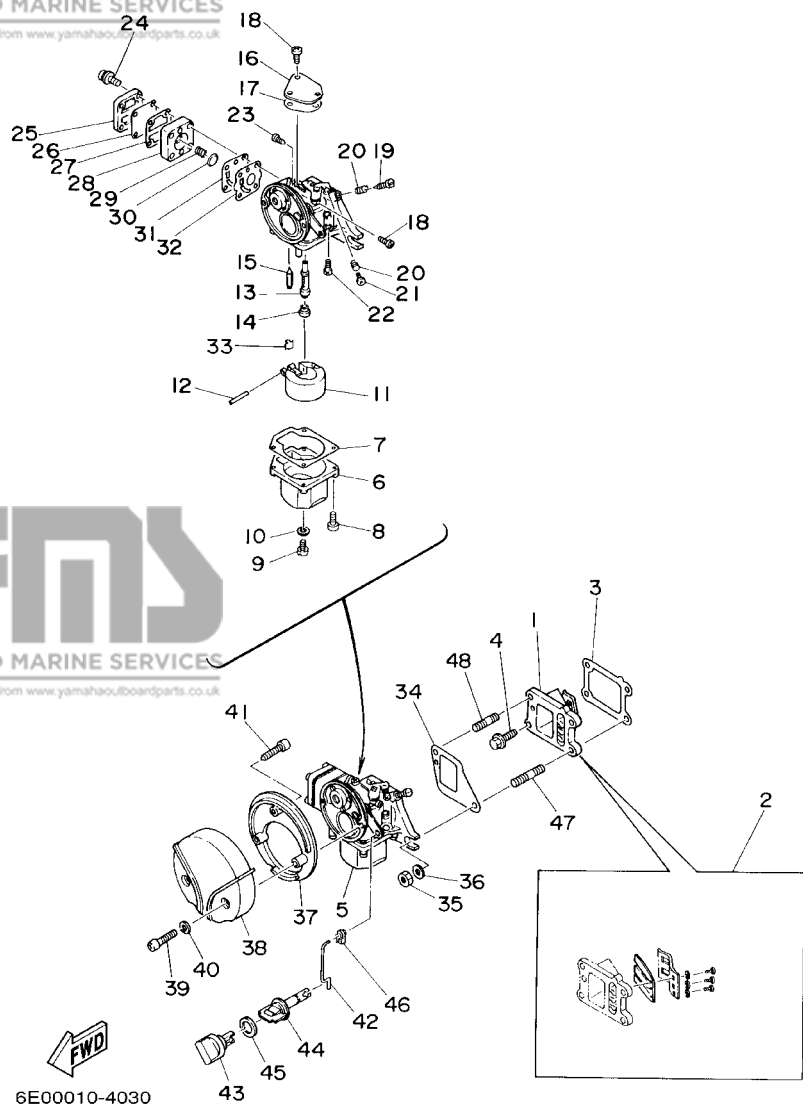
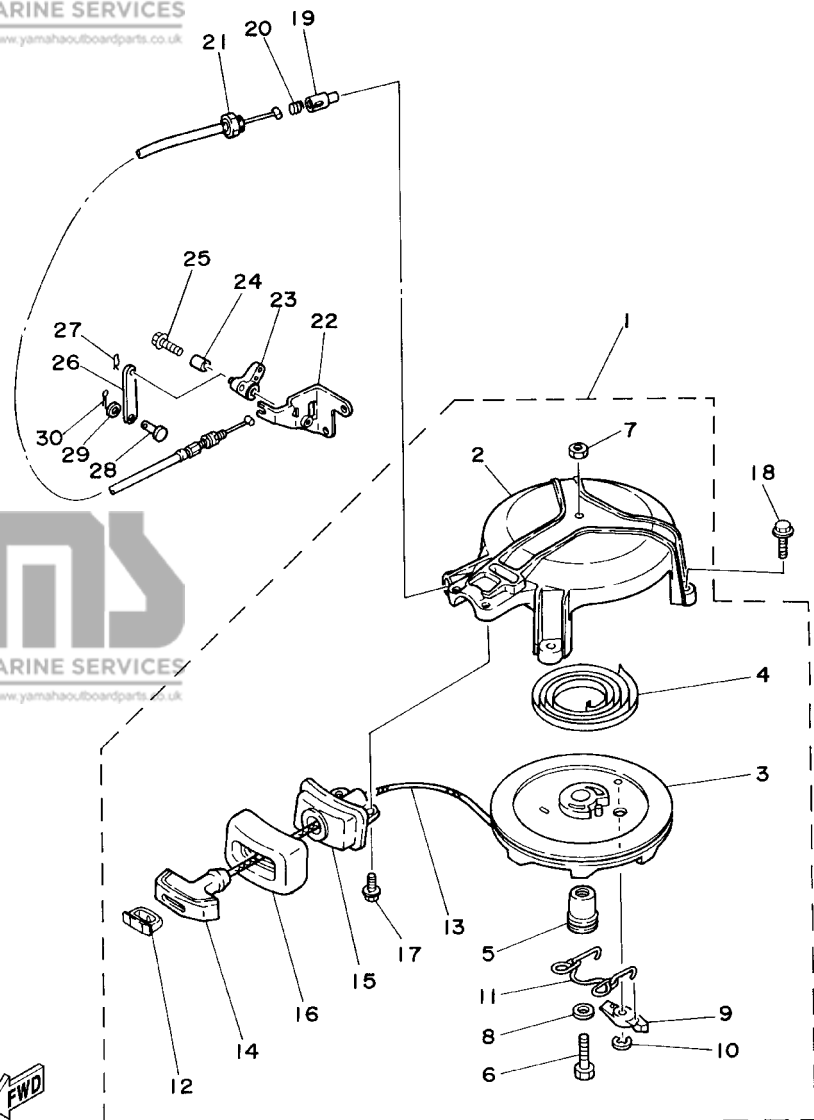


FIG. 3 INTAKE

ADMISSION

REF. NO.	PART NO. NO. PIECES	DESCRIPTION DESCRIPTION	4AC	5C	4BC	REMARKS REMARQUES
25	6E0-24413-00	.COVER .CAPUCHON	1	1	1	
26	6E0-24471-00	.DIAPHRAGM .DIAPHRAGME	1	1	1	
27	6E0-24435-00	.GASKET, BODY 2 .JOINT, CORPS 2	1	1	1	
28	6E0-24412-00	.BODY 1 .CORPS 1	1	1	1	
29	6E0-24423-00	.SPRING, DIAPHRAGM .RESSORT, DIAPHRAGME	1	1	1	
30	6E0-14346-00	.PLATE .PLAQUE	1	1	1	
31	6E0-24411-00	.DIAPHRAGM .DIAPHRAGME	1	1	1	
32	6E0-24434-00	.GASKET, BODY .JOINT, CORPS	1	1	1	
33	6E0-14159-00	.CLIP .JONC	1	1	1	
34	6E0-14198-A0	GASKET JOINT	1	1	1	
35	95380-06700	NUT ECROU	2	2	2	
36	92995-06600	WASHER RONDELLE	2	2	2	
37	6E0-14417-00	COVER 1 COUVERCLE 1	1	1	1	
38	6E0-14418-00	COVER 2 COUVERCLE 2	1	1	1	
39	97880-05025	SCREW, PAN HEAD VIS, TETE TRONCONIQUE	2	2	2	
40	92990-05600	WASHER, PLATE RONDELLE, PLATE	2	2	2	
41	97780-40720	SCREW, TAPPING VIS, TETE BOMBEE	1	1	1	
42	6E0-41256-00	ROD, CHOKE 1 TRINGLE 1, STARTER	1	1	1	
43	6E0-41271-00	KNOB, CHOKE BOUTON DE STARTER	1	1	1	
44	6E0-41272-00	KNOB, CHOKE CONTRE ECROU	1	1	1	
45	90202-12M16	WASHER, PLATE RONDELLE, PLATE	1	1	1	
46	661-41262-02	JOINT, CHOKE LEVER RACCORD, LEVIER DE STARTER	1	1	1	
47	95627-06325	BOLT, STUD GOUJON	1	1	1	
48	90116-06M08	BOLT, STUD GOUJON	1	1	1	



6E00010-4040

FIG. 4 STARTER

DEMARREUR

REF. NO.	PART NO. NO. PIECES	DESCRIPTION DESCRIPTION	4AC	5C	4BC	REMARKS REMARQUES
1	6E0-15710-72-94	STARTER ASSY DEMARREUR COMPLET	1			
	6E4-15710-73-94	STARTER ASSY DEMARREUR COMPLET		1	1	
2	6E4-15711-71-94	.CASE, STARTER .CARTER DE DEMARREUR	1	1	1	
3	6E0-15714-01	.DRUM, SHEAVE .TAMBOUR, POULIE	1	1	1	
4	90510-08M03	.SPRING, SPIRAL .RESSORT, HELICOIDAL	1	1	1	
5	6E0-15717-00	.SHAFT, STARTER .AXE DE DEMARREUR	1	1	1	
6	97013-06035	.BOLT .BOULON	1	1	1	
7	95303-06600	.NUT .ECROU	1	1	1	
8	90201-06M30	.WASHER, PLATE .RONDELLE, PLATE	1	1	1	
9	677-15741-01	.PAWL, DRIVE .CLIQUET, ENTRAINEMENT	1	1	1	
10	93430-06M02	.CIRCLIP .CLIPS	1	1	1	
11	6E0-15705-00	.SPRING, DRIVE PAWL .RESSORT DE CLIQUET	1	1	1	
12	6G1-15779-00	.COVER .COUVERCLE	1	1	1	
13	*	.WIRE (L1850) .FIL (L1850)	1	1	1	
14	6G1-15755-00	.HANDLE, STARTER .POIGNEE, DE DEMARREUR	1	1	1	
15	6E0-15758-01	.GUIDE, ROPE .GUIDE DE CABLE	1			
	6E3-15758-01	.GUIDE, ROPE .GUIDE DE CABLE		1	1	
16	6E0-15761-00	.SEAL, RUBBER 1 .JOINT CAOUTCHOUC 1	1	1	1	
17	90105-06M14	.BOLT FLANGE .BOULON	2	2	2	
18	95895-06020	BOLT, FLANGE BOULON	3	3	3	
19	656-15748-00	PLUNGER, STARTER STOP PLONGEUR, BOUTE DE DEMAR	1	1	1	
20	90501-10227	SPRING, COMPRESSION RESSORT, COMPRESSION	1	1	1	
21	6E4-15770-70	CABLE COMP., STARTER STOP CABLE, BUTEE DE DEMAR	1	1	1	
22	6E0-15772-71	STAY 2 SUPPORT 2	1			
	6E4-15772-71	STAY 2 SUPPORT 2		1	1	

* CUT FROM 50M ROLLS, PART NO. 90890-44372, CUTTING LENGTH 1.85M

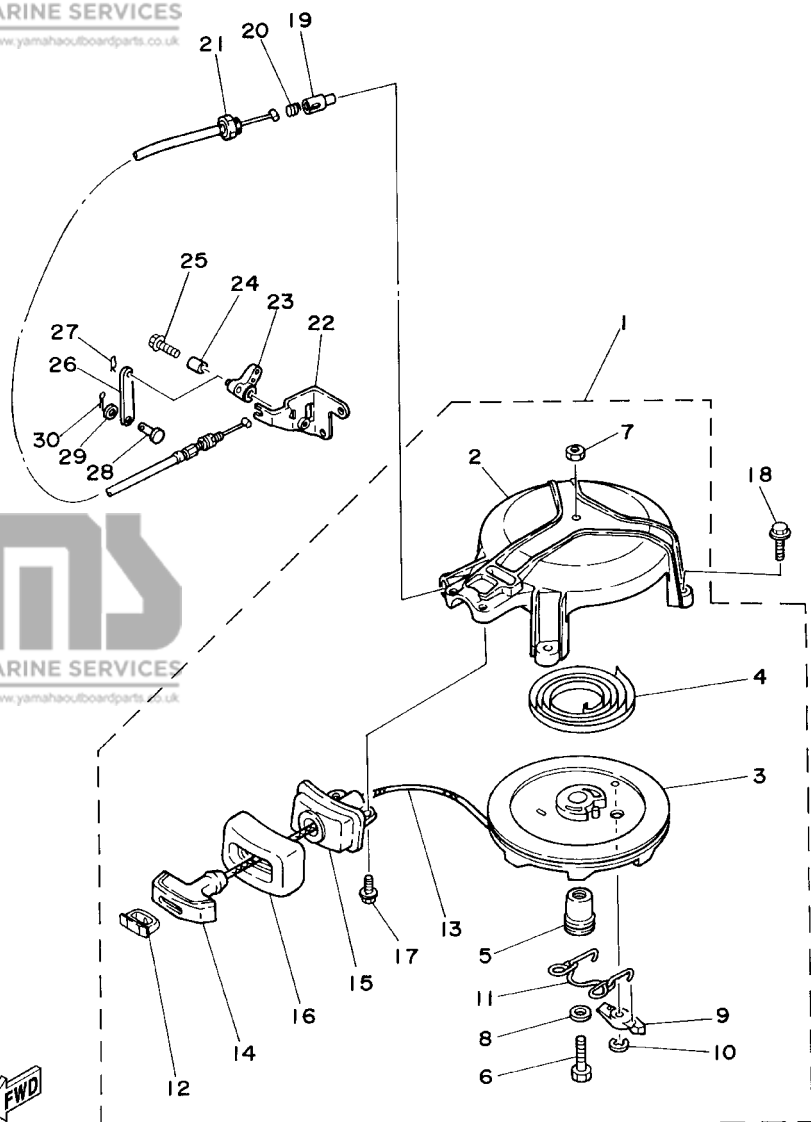
* A PRELEVER SUR BOBINE 50M , REFERENCE 90890-44372, LONGUEUR DE COUPE 1.85M

B3

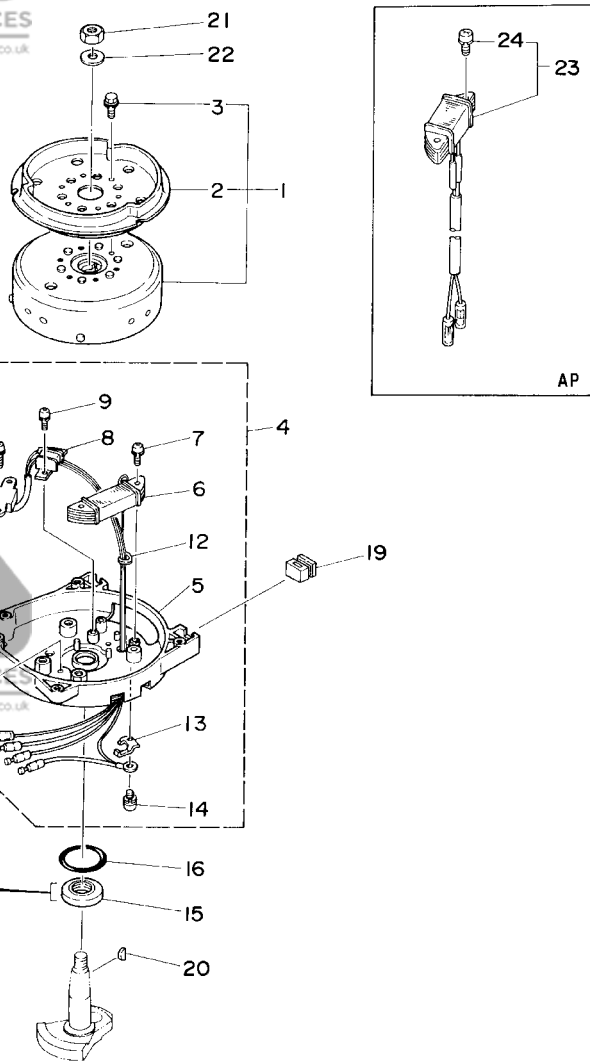
FIG. 4 STARTER

DEMARREUR

REF. NO.	PART NO. NO. PIECES	DESCRIPTION DESCRIPTION	4AC	5C	4BC	REMARKS REMARQUES
23	6E4-15746-70	ARM BRAS	1	1	1	
24	90387-06504	COLLAR COLLERETTE	1	1	1	
25	90119-06M18	BOLT, WITH WASHER BOULON, AVEC RONDELLE	1	1	1	
26	6E4-15747-70	LINK BIELLETTE	1	1	1	
27	90468-10005	CLIP JONG	1	1	1	
28	91790-05010	PIN, CLEVIS AXE D'ARTICULATION	1	1	1	
29	90202-05088	WASHER, PLATE RONDELLE, PLATE	1	1	1	
30	91490-16010	PIN, COTTER GOUPILLE	1	1	1	



6E00010-4040



6E00010-4050

FIG. 5 GENERATOR

GENERATRICE

REF. NO.	PART NO. NO. PIECES	DESCRIPTION DESCRIPTION	4AC	5C	4BC	REMARKS REMARQUES
1	6E0-85550-71	ROTOR ASSY ROTOR CPLT	1	1	1	
2	6E0-15723-00-94	.PULLEY, STARTER .POULIE DE DEMARREUR	1	1	1	
3	90105-06M14	.BOLT FLANGE .BOULON	3	3	3	
4	6E0-85560-70	BASE ASSY ENS. FLASQUE	1	1	1	
5	6E0-15359-00-94	.HOUSING, OIL SEAL .LOGEMENT, BAGUE D'ETANCHEITE	1	1	1	
6	6E0-85520-70	.COIL, CHARGE .BOBINE, CHARGE	1	1	1	
7	90159-05038	.SCREW, WITH WASHER .VIS, AVEC RONDELLE	2	2	2	
8	6E0-85595-70	.COIL, PULSER .BOBINE, PULSEUR	1	1	1	
9	90159-04036	.SCREW, WITH WASHER .VIS, AVEC RONDELLE	2	2	2	
10	6E0-85592-70	.PULSER COIL ASSY .PULSATION BOBINE (ENS.)	1	1	1	
11	90159-05037	.SCREW, WITH WASHER .VIS, AVEC RONDELLE	2	2	2	
12	6E0-81336-70	.GROMMET .OUILLET CAOUTCHOU	1	1	1	
13	6E0-81328-70	.CLAMP .COLLIER	1	1	1	
14	90159-04035	.SCREW, WITH WASHER .VIS, AVEC RONDELLE	1	1	1	
15	93102-20M25	OIL SEAL JOINT SPY	1	1	1	
16	93210-42159	O-RING JOINT TORIQUE	1	1	1	
17	97095-06016	BOLT BOULON	2	2	2	
18	92995-06100	WASHER, SPRING RONDELLE, GROWER	2	2	2	
19	6E0-24183-00	DAMPER, LOCATING 3 SILENT-BLOC	2	2	2	
20	90280-04M06	KEY, WOODRUFF CLAVETTE, DEMI-LUNE	1	1	1	
21	90170-10113	NUT ECROU	1	1	1	
22	90201-10126	WASHER, PLATE RONDELLE, PLATE	1	1	1	
23	6E0-81303-40	LIGHTING COIL ASSY BOBINE D'ECLAIRAGE	1	1	1	AP 40W
	6E0-81303-80	LIGHTING COIL ASSY BOBINE D'ECLAIRAGE	1	1	1	AP 60W
24	90159-05040	.SCREW, WITH WASHER .VIS, AVEC RONDELLE	2	2	2	

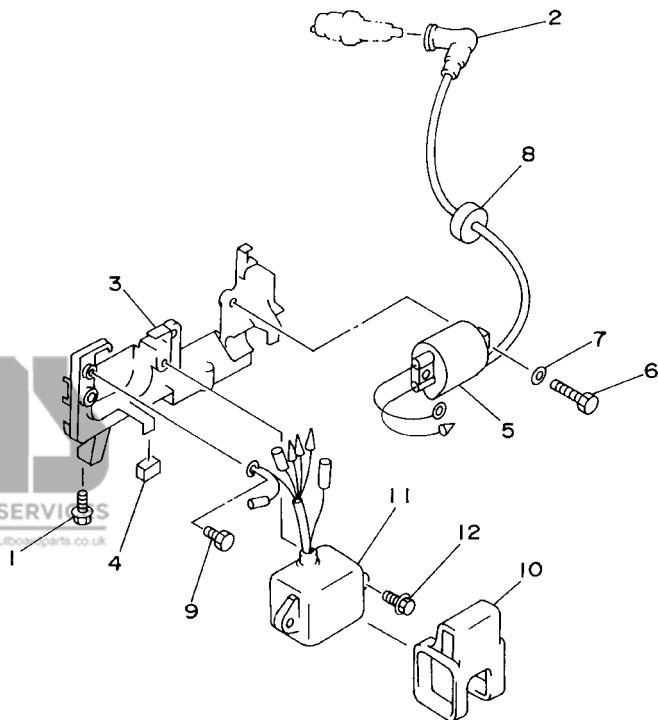


FIG. 6 ELECTRICAL

ELECTRIQUE

REF. NO.	PART NO. NO. PIECES	DESCRIPTION DESCRIPTION	4AC	5C	4BC	REMARKS REMARQUES
1	95895-06016	BOLT, FLANGE BOULON	2	2	2	
2	6G1-82370-21	PLUG CAP ASSY ANTIPARASITE	1			
	6E3-82370-21	PLUG CAP ASSY ANTIPARASITE		1	1	
3	6E0-82316-01-94	BRACKET, IGNITION COIL SUPPORT, BOBINE D'ALLUMAGE	1	1	1	
4	6E0-82317-00	DAMPER, IGNITION COIL AMORTISSEUR, BOBINE D'ALLUM.	2	2	2	
5	6E0-85570-00	IGNITION COIL ASSY BOBINE D'ALLUMAGE (ENS.)	1	1	1	
6	97095-06016	BOLT BOULON	2	2	2	
7	92995-06600	WASHER RONDELLE	2	2	2	
8	90480-25161	GROMMET PASSE-FIL	1	1	1	
9	97080-06010	BOLT BOULON	1	1	1	
10	6E0-85548-00	HOLDER SUPPORT	1	1	1	
11	6E0-85540-71	C.D.I. UNIT ASSY BLOC C.D.I.	1	1	1	
12	95895-06020	BOLT, FLANGE BOULON	2	2	2	



6E00010-6060

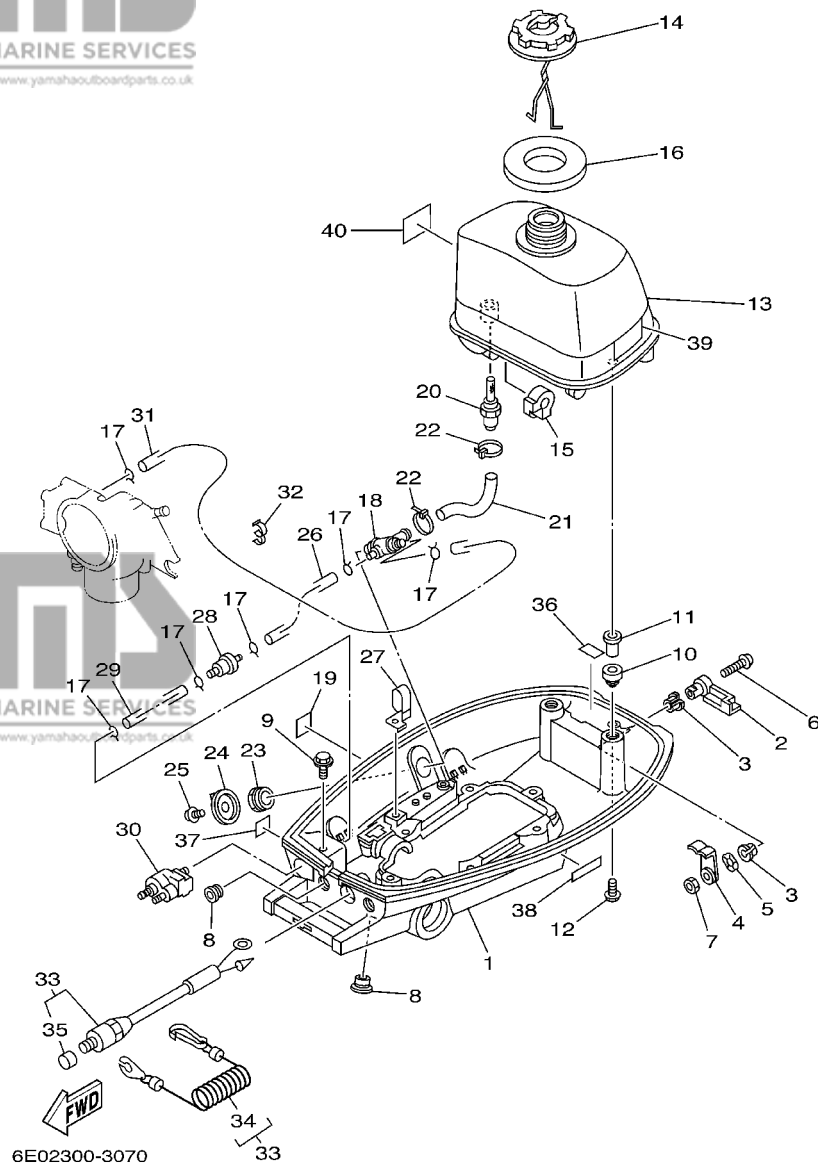


FIG. 7 BOTTOM COWLING

CAPOT INFERIEUR

REF. NO.	PART NO. NO. PIECES	DESCRIPTION DESCRIPTION	4AC	5C	4BC	REMARKS REMARQUES
1	6E0-42711-10-4D	COWLING, BOTTOM CUVETTE	1	1	1	
2	6E0-42815-00-4D	LEVER, CLAMP LEVIER, PRESSE	1	1	1	
3	90386-12069	BUSH DOUILLE	2	2	2	
4	6E0-42816-00	LEVER, CLAMP LEVIER, PRESSE	1	1	1	
5	90206-12052	WASHER, WAVE RONDELLE, ONDULEE	1	1	1	
6	97885-06030	SCREW, PAN HEAD VIS, A ENCOCHE	1	1	1	
7	95380-06700	NUT ECROU	1	1	1	
8	90480-14M14	GROMMET PASSE-FIL	2	2	2	
9	95895-06020	BOLT, FLANGE BOULON	1	1	1	
10	6E0-24182-00	DAMPER, LOCATING 2 SILENT-BLOC	2			
	6E3-24182-00	DAMPER, LOCATING 2 SILENT-BLOC		2	2	
11	6E0-42542-00	PIPE TUYAU	2	2	2	
12	95895-06025	BOLT, FLANGE BOULON	2	2	2	
13	6E0-24110-01-4D	FUEL TANK COMP. RESERVOIR A ESSENCE	1	1	1	
14	6E0-24610-02	CAP ASSY BOUCHON	1	1	1	
15	6E0-24181-00	DAMPER, LOCATING 1 SILENT-BLOC 1	2	2	2	
16	6E0-24641-00	GASKET, CAP 1 JOINT 1, BOUCHON	1			
	6E3-24641-00	GASKET, CAP 1 JOINT 1, BOUCHON		1	1	
17	90467-08004	CLIP JONC	6	6	6	
18	6E0-24500-10	FUEL COCK ASSY 1 ROBINET A ESSENCE	1	1	1	
19	6E0-24591-10	EMBLEM, FUEL COCK ADHESIF	1	1	1	
20	6E0-24335-00	PIPE, SUCTION 1 TUBE 1, ASPIRATION	1	1	1	
21	6E0-24311-00	PIPE, FUEL 1 DURITE A ESSENCE	1	1	1	
22	90465-13M11	CLAMP BRIDE	2	2	2	
23	90170-16M35	NUT ECROU	1	1	1	
24	6J1-24524-00	LEVER, COCK LEVIER, ROBINET	1	1	1	
25	90159-04M24	SCREW, WITH WASHER VIS, AVEC RONDELLE	1	1	1	

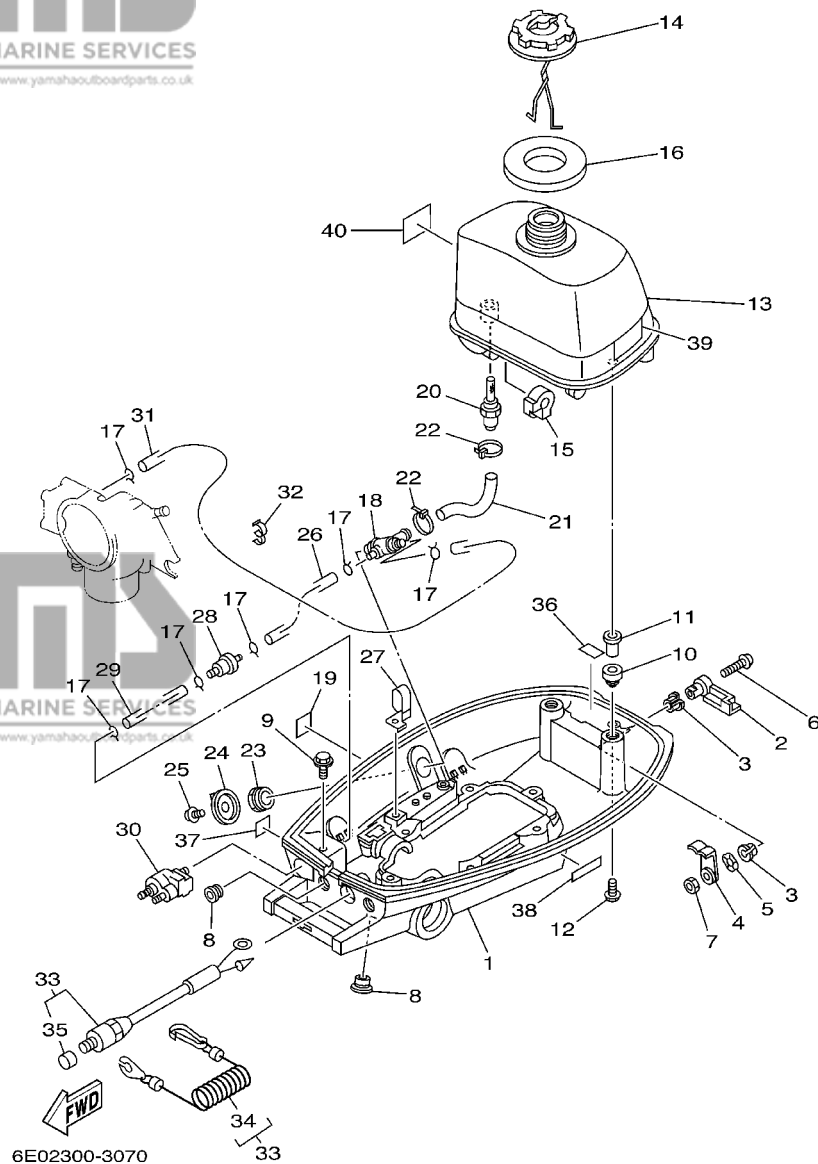
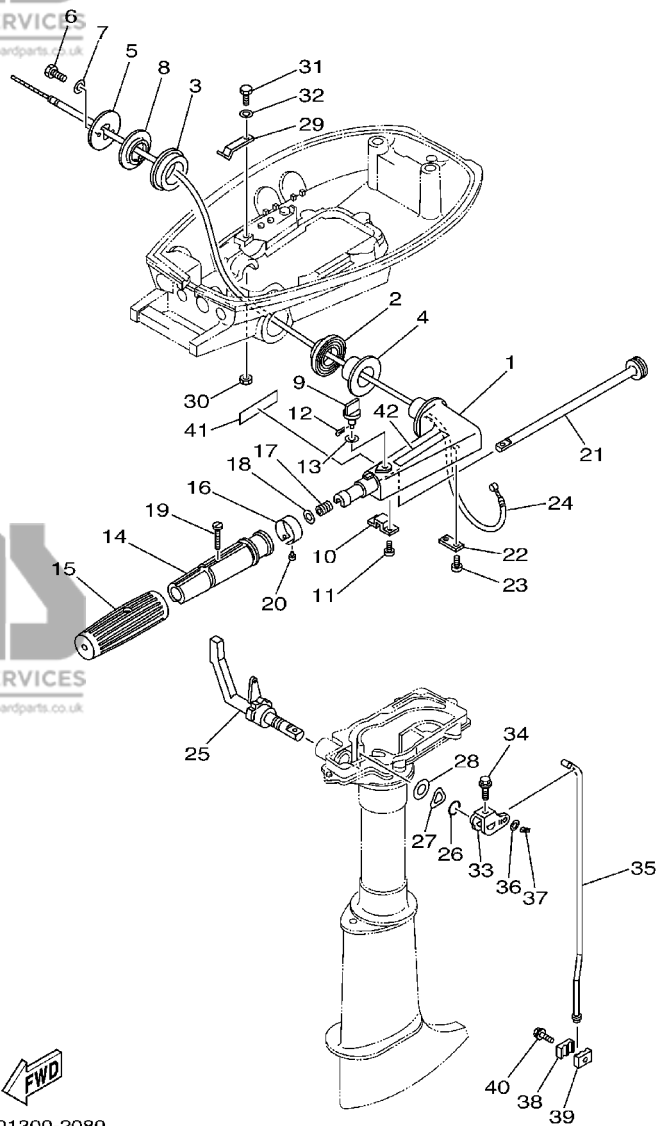


FIG. 7 BOTTOM COWLING

CAPOT INFERIEUR

REF. NO.	PART NO. NO. PIECES	DESCRIPTION DESCRIPTION	4AC	5C	4BC	REMARKS REMARQUES
26	90445-09M27	HOSE (L125) DURITE (L125)	1	1	1	
27	90465-08M62	CLAMP BRIDE	1	1	1	
28	646-24251-02	STRAINER 1 FILTRE 1	1	1	1	
29	90445-09057	HOSE (L45) DURITE (L45)	1	1	1	
30	6G1-24304-02	FUEL PIPE JOINT COMP. 1 DURITE RACCORDEMT. A ESSENCE	1	1	1	
31	6E0-24312-00	PIPE 2 DURITE 2	1	1	1	
32	90464-09M21	CLAMP BRIDE	1	1	1	
33	6E0-82575-00	ENGINE STOP SWITCH ASSY COUPE CIRCUIT CPLT	1	1	1	
34	682-82556-00	.STOPPER .PLAQUETTE	1	1	1	
35	689-8257Y-00	.CAP .CHAPEAU	1	1	1	
36	664-42791-10	MARK 1 ETIQUETTE 1	1	1	1	
37	6A1-28176-00	LABEL, CAUTION ETIQUETTE, RECOMMANDATION	1	1	1	
38	6E3-8257H-00	PLATE, MARK PLAQUE, ADHESIF	1	1	1	
39	6A1-83625-41	MARK 5 ETIQUETTE 5	1	1	1	
40	6A1-83625-51	MARK 5 ETIQUETTE 5	1	1	1	



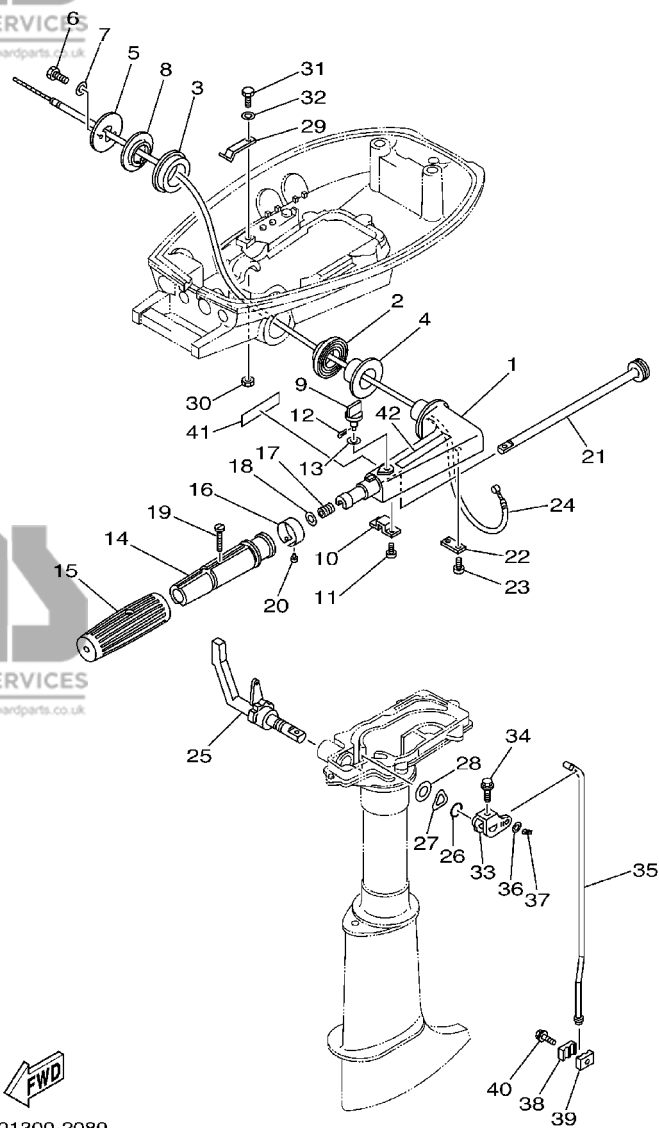
6E01300-2080

FIG. 8 CONTROL

COMMANDE

REF. NO.	PART NO. NO. PIECES	DESCRIPTION DESCRIPTION	4AC	5C	4BC	REMARKS REMARQUES
1	6E0-42111-02-4D	HANDLE, STEERING POIGNEE	1	1	1	
2	6E0-42129-02	BUSHING, RUBBER DOUILLE, CAOUTCHOUC	1	1	1	
3	6E4-42129-00	BUSHING, RUBBER DOUILLE, CAOUTCHOUC	1	1	1	
4	90386-26M30	BUSH DOUILLE	1	1	1	
5	6E0-42131-02-94	COVER, HANDLE STEERING COUVERCLE	1	1	1	
6	97013-05020	BOLT BOULON	2	2	2	
7	92903-05600	WASHER, PLATE RONDELLE, PLATE	2	2	2	
8	90386-26M33	BUSH DOUILLE	1	1	1	
9	6E0-42125-00	BOLT, FRICTION ADJUSTING BOULON	1	1	1	
10	6E0-42134-02	COVER, THROTTLE LEVER CAPOT, CREMAILLERE	1	1	1	
11	97885-05012	SCREW, PAN HEAD VIS, A ENCOCHE	2	2	2	
12	91490-12010	PIN, COTTER GOUPILLE	1	1	1	
13	90202-07M22	WASHER, PLATE RONDELLE, PLATE	1	1	1	
14	6E0-42119-00	GRIP, STEERING HANDLE POIGNEE, BARRE FRANCHE	1	1	1	
15	6E0-42177-00	RUBBER, HANDLE CAOUTCHOUC, POIGNEE	1	1	1	
16	6E0-42137-10	INDICATOR, THROTTLE INDICATEUR, ACCELERATION	1	1	1	
17	90501-23215	SPRING, COMPRESSION RESSORT, COMPRESSION	1	1	1	
18	90201-10119	WASHER, PLATE RONDELLE, PLATE	1	1	1	
19	90149-05M13	SCREW VIS	1	1	1	
20	90269-02M09	RIVET RIVET	1	1	1	
21	6E0-42138-01	LEVER, THROTTLE LEVIER, ACCELERATEUR	1	1	1	
22	6E0-42159-02	STAY SUPPORT	1	1	1	
23	97885-05012	SCREW, PAN HEAD VIS, A ENCOCHE	2	2	2	
24	6E0-26301-01	THROTTLE CABLE ASSY CABLE D'ACCELERATEUR	1	1	1	
25	6E4-44111-72-4D	HANDLE, GEAR SHIFT POIGNEE, LEVIER D'EMBRAYAGE	1	1	1	
26	93210-12327	O-RING JOINT TORIQUE	1	1	1	
27	90206-16M06	WASHER, WAVE RONDELLE, ONDULEE	1	1	1	

C2

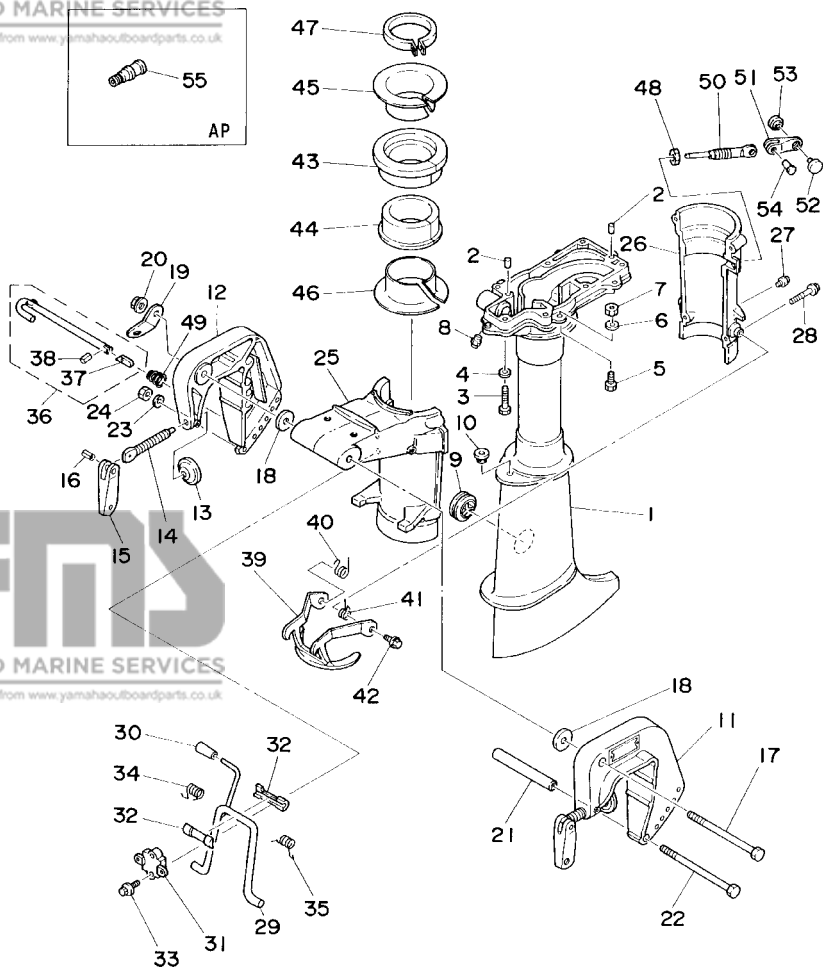


6E01300-2080

FIG. 8 CONTROL

COMMANDE

REF. NO.	PART NO. NO. PIECES	DESCRIPTION DESCRIPTION	4AC	5C	4BC	REMARKS REMARQUES
28	90202-16061	WASHER, PLATE RONDELLE, PLATE	1	1	1	
29	6E0-44116-00	SPRING RESSORT	1	1	1	
30	95380-06700	NUT ECROU	1	1	1	
31	97095-06012	BOLT BOULON	1	1	1	
32	92995-06600	WASHER RONDELLE	1	1	1	
33	6E0-44121-00	LEVER, SHIFT ROD LEVIER, TIGE D'INVERSION	1	1	1	
34	95895-06025	BOLT, FLANGE BOULON	1	1	1	
35	6E0-44143-00	ROD, SHIFT TIGE D'EMBAYAGE	1	1	1	S
	6E0-44143-10	ROD, SHIFT TIGE D'EMBAYAGE	1	1	1	L
36	92990-05600	WASHER, PLATE RONDELLE, PLATE	1	1	1	
37	91490-16010	PIN, COTTER GOUPILLE	1	1	1	
38	6E0-44145-00	CONNECTOR, SHIFT ROD CONNECTEUR, TIGE D'INVERSION	1	1	1	
39	6E0-44146-00	CONNECTOR, SHIFT ROD CONNECTEUR, TIGE D'INVERSION	1	1	1	
40	95895-06020	BOLT, FLANGE BOULON	1	1	1	
41	6A1-2415A-41	LABEL, CAUTION ETIQUETTE, RECOMMANDATION	1	1	1	
42	6A1-2415A-51	LABEL, CAUTION ETIQUETTE, RECOMMANDATION	1	1	1	

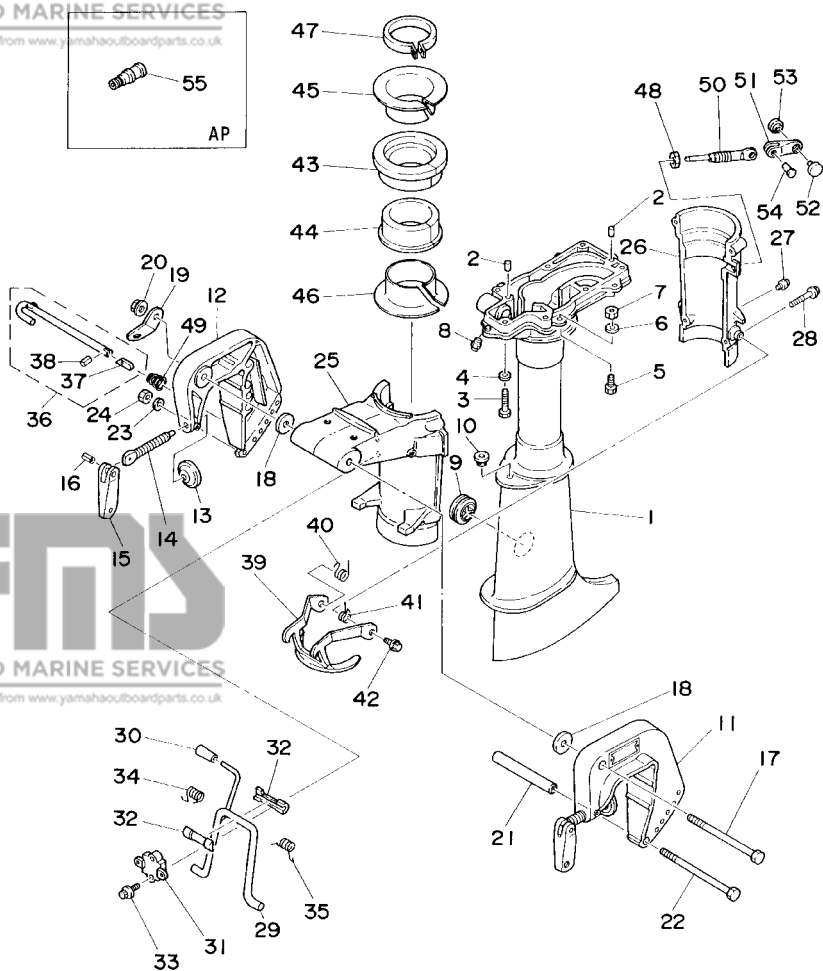


FWD
6E00010-4090

FIG. 9 UPPER CASING . BRACKET FOURREAU, SUPPORT

REF. NO.	PART NO. NO. PIECES	DESCRIPTION DESCRIPTION	4AC	5C	4BC	REMARKS REMARQUES
1	6E0-45111-02-4D	CASING, UPPER FOURREAU	1	1	1	S
	6E0-45111-12-4D	CASING, UPPER FOURREAU	1	1	1	L
2	93606-12019	PIN, DOWEL GOUPILLE	2	2	2	
3	97095-06030	BOLT BOULON	7	7	7	
4	92995-06600	WASHER RONDELLE	7	7	7	
5	97095-06016	BOLT BOULON	4	4	4	
6	92995-06600	WASHER RONDELLE	4	4	4	
7	95380-06700	NUT ECROU	4	4	4	
8	93700-06M03	NIPPLE, GREASE PION	1	1	1	
9	647-45151-01	COVER, UPPER CASING CAPUCHON, FOURREAU	1	1	1	
10	90480-10M13	GROMMET PASSE-FIL	1	1	1	
11	6E0-43111-02-4D	BRACKET, CLAMP PRESSE	1	1	1	
12	6E0-43112-01-4D	BRACKET, CLAMP PRESSE	1	1	1	
13	620-43114-00	PAD, TRANSOM CLAMP RONDELLE D'APPUI	2	2	2	
14	6E0-43116-01	SCREW, TRANSOM CLAMP VIS DE PRESSE	2	2	2	
15	6E0-43118-01	HANDLE, TRANSOM CLAMP POIGNEE DE VIS DE PRESSE	2	2	2	
16	90243-04M01	PIN GOUPILLE	2	2	2	
17	90101-08M07	BOLT BOULON	1	1	1	
18	90201-08M03	WASHER, PLATE RONDELLE, PLATE	2	2	2	
19	6A1-43113-01	PLATE, CLAMP BRACKET PLAQUETTE, PRESSE	1	1	1	
20	90185-08057	NUT, SELF-LOCKING ECROU, AUTO-BLOCANT	1	1	1	
21	90387-06M11	COLLAR COLLERETTE	1	1	1	
22	90101-06335	BOLT BOULON	1	1	1	
23	92990-06600	WASHER, PLATE RONDELLE, PLATE	1	1	1	
24	95380-06600	NUT, HEXAGON ECROU	1	1	1	
25	6E0-43311-04-4D	BRACKET, SWIVEL 1 SUPPORT, PIVOT 1	1	1	1	
26	6E0-43312-02-4D	BRACKET, SWIVEL 2 SUPPORT, PIVOT 2	1	1	1	

C4



6E00010-4090

FIG. 9 UPPER CASING . BRACKET FOURREAU, SUPPORT

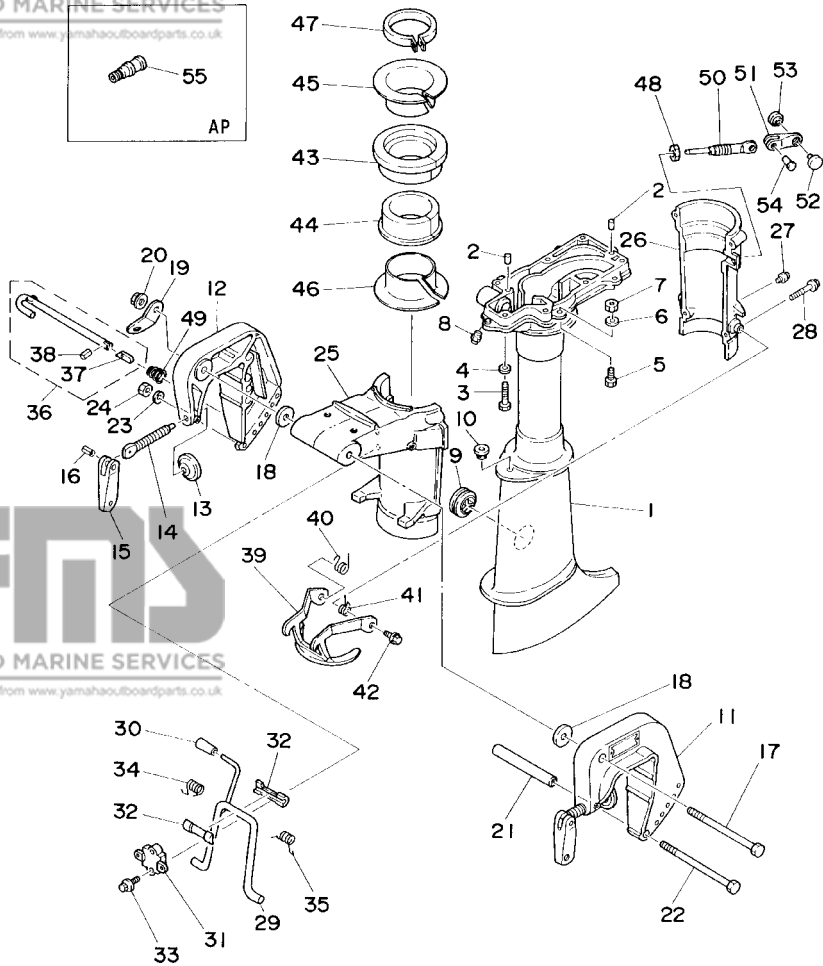
REF. NO.	PART NO. NO. PIECES	DESCRIPTION DESCRIPTION	4AC	5C	4BC	REMARKS REMARQUES
27	93700-06M03	NIPPLE, GREASE PION	1	1	1	
28	95895-06035	BOLT, FLANGE BOULON	4	4	4	
29	6E0-43181-00	LEVER, TILT STOP LEVIER, VERROUILLAGE RELEVAGE	1	1	1	
30	6E0-43632-00	KNOB, TILT POIGNEE, LEVIER DE RELEVAGE	1	1	1	
31	6E0-43313-00-94	BRACKET, SWIVEL 3 SUPPORT, PIVOT 3	1	1	1	
32	620-43189-00	BUSHING COUSSINET	2	2	2	
33	95895-06020	BOLT, FLANGE BOULON	2	2	2	
34	90508-16020	SPRING, TORSION RESSORT, TORSION	1	1	1	
35	90508-16021	SPRING, TORSION RESSORT, TORSION	1	1	1	
36	6E0-43160-01	TILT ROD ASSY BROCHE D'INCLINAISON (ENS.)	1	1	1	
37	689-43165-00	PLATE, TILT LOCK TAQUET, BROCHE INCLINAISON	1	1	1	
38	91690-30008	PIN, SPRING AGRASSE	1	1	1	
39	6E0-43614-00-5B	PLATE, TILT LOCK ETRIER, VERROUILLAGE MARCHE AR	1	1	1	
40	90508-14M10	SPRING, TORSION RESSORT, TORSION	1	1	1	
41	90508-14M11	SPRING, TORSION RESSORT, TORSION	1	1	1	
42	95895-06010	BOLT, FLANGE BOULON	2	2	2	
43	6E0-42537-02	BUSHING, PIVOT SHAFT COUSSINET	1	1	1	
44	6E0-42538-02	BUSHING, PIVOT SHAFT COUSSINET	1	1	1	
45	6E0-42539-00	BUSHING, PIVOT SHAFT COUSSINET	1	1	1	
46	6E0-42549-00	BUSHING, PIVOT SHAFT COUSSINET	1	1	1	
47	6E0-42528-03	PLATE, FRICTION PLAQUE, FRICTION	1	1	1	
48	95380-08600	NUT ECROU	1	1	1	
49	90502-08M05	SPRING, CONICAL RESSORT, CONIQUE	1	1	1	
50	6L5-42529-01	SCREW, FRICTION PIECE VIS, PIECE DE FRICTION	1	1	1	
51	6L5-42561-00	KNOB, STEERING LOCK BOUTON	1	1	1	
52	6L5-44196-00	INDICATOR 3 INDICATEUR 3	1	1	1	
53	6L5-44197-00	INDICATOR 4 INDICATEUR 4	1	1	1	

C5

FIG. 9 UPPER CASING . BRACKET FOURREAU, SUPPORT

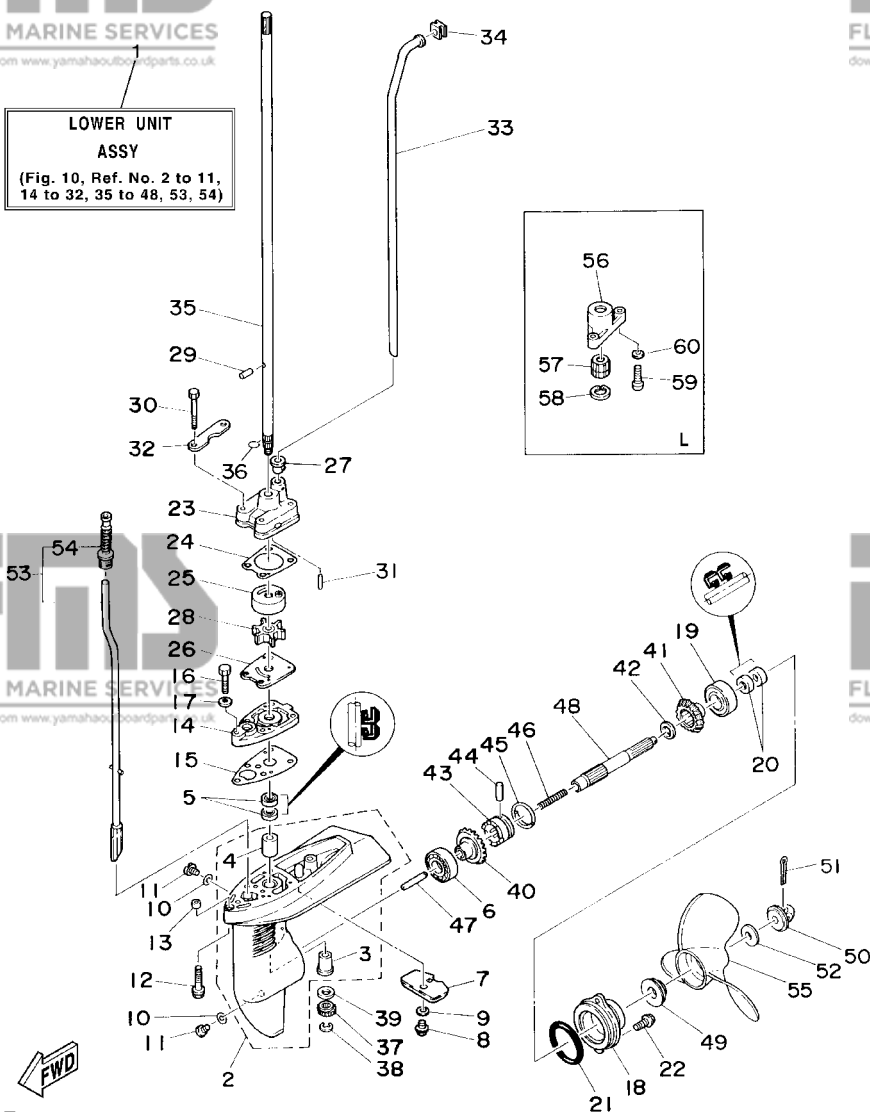
REF. NO.	PART NO. NO. PIECES	DESCRIPTION DESCRIPTION	4AC	5C	4BC	REMARKS REMARQUES
----------	---------------------	-------------------------	-----	----	-----	-------------------

54	90266-04M05	RIVET RIVET	1	1	1	
55	626-28193-01-94	PLUG, WATER CHECK BOUCHON, CONTROLE D'EAU	1	1	1	AP D:15MM



6E00010-4090

**LOWER UNIT
ASSY**
(Fig. 10, Ref. No. 2 to 11,
14 to 32, 35 to 48, 53, 54)

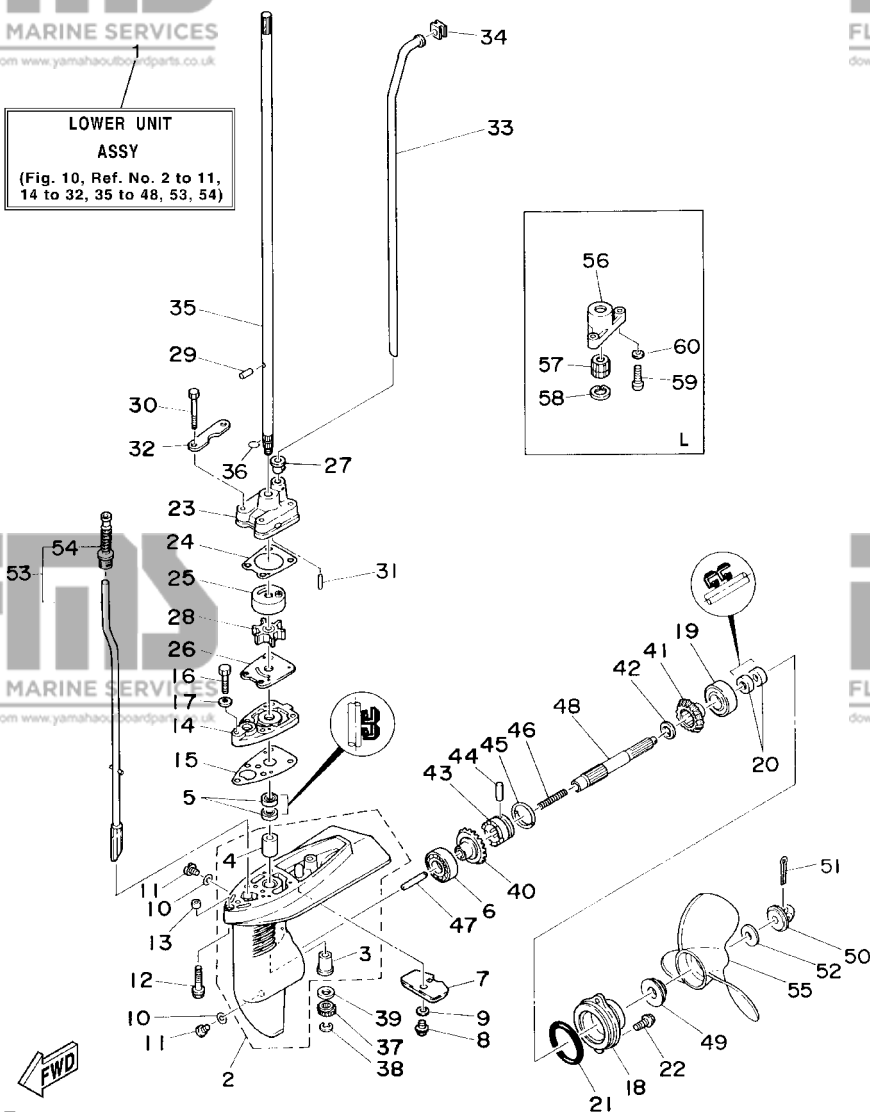


6E02100-4100

FIG. 10 LOWER CASING. DRIVE BOITIER D'HELICE, TRANSMISSION

REF. NO.	PART NO. NO. PIECES	DESCRIPTION DESCRIPTION	4AC	5C	4BC	REMARKS REMARQUES
1	6E0-45300-03-4D	LOWER UNIT ASSY UNITE INFERIEURE (ENS.)	1	1	1	S
	6E0-45300-13-4D	LOWER UNIT ASSY UNITE INFERIEURE (ENS.)	1	1	1	L
2	6E0-45311-02-4D	CASING, LOWER BOITIER D'HELICE	1	1	1	
3	6E0-45317-09	.BUSHING, DRIVE SHAFT .DOUILLE, ARBRE MOTEUR	1	1	1	
4	6E0-45316-09	.BUSHING, DRIVE SHAFT .DOUILLE, ARBRE MOTEUR	1	1	1	
5	93101-10M14	OIL SEAL JOINT SPY	2	2	2	
6	93306-004U0	BEARING ROULEMENT	1	1	1	
7	6L5-45251-03	ANODE ANODE	1	1	1	
8	95895-06012	BOLT, FLANGE BOULON	1	1	1	
9	92990-06300	WASHER, INTERNAL TOOTH RONDELLE, DENTURE INTERNE	1	1	1	
10	90430-08020	GASKET JOINT	3	3	3	
11	90340-08002	PLUG, STRAIGHT SCREW PLOT, FILETE DROIT	3	3	3	
12	90119-06M40	BOLT, WITH WASHER BOULON, AVEC RONDELLE	2	2	2	
13	90387-06M14	COLLAR COLLERETTE	2	2	2	
14	6E0-45321-01-5B	PLATE PLAQUETTE	1	1	1	
15	6E0-45315-A0	PACKING, LOWER CASING JOINT, BOITIER D'HELICE	1	1	1	
16	97095-06025	BOLT BOULON	1	1	1	
17	92995-06600	WASHER RONDELLE	1	1	1	
18	6E0-45361-01-4D	CAP, LOWER CASING COUVERCLE, BOITIER D'HELICE	1	1	1	
19	93306-004U0	BEARING ROULEMENT	1	1	1	
20	93101-13M12	OIL SEAL JOINT SPY	2	2	2	
21	93210-48214	O-RING JOINT TORIQUE	1	1	1	
22	95895-06016	BOLT, FLANGE BOULON	2	2	2	
23	6E0-44311-00	HOUSING, WATER PUMP CORPS, POMPE A EAU	1	1	1	
24	6E0-44315-A0	GASKET, WATER PUMP JOINT, POMPE A EAU	1	1	1	
25	6E0-44322-02	INSERT, CARTRIDGE CUVETTE	1	1	1	
26	6E0-44323-00	OUTER PLATE, CARTRIDGE PLAQUE EXTERIEURE	1	1	1	

**LOWER UNIT
ASSY**
(Fig. 10, Ref. No. 2 to 11,
14 to 32, 35 to 48, 53, 54)



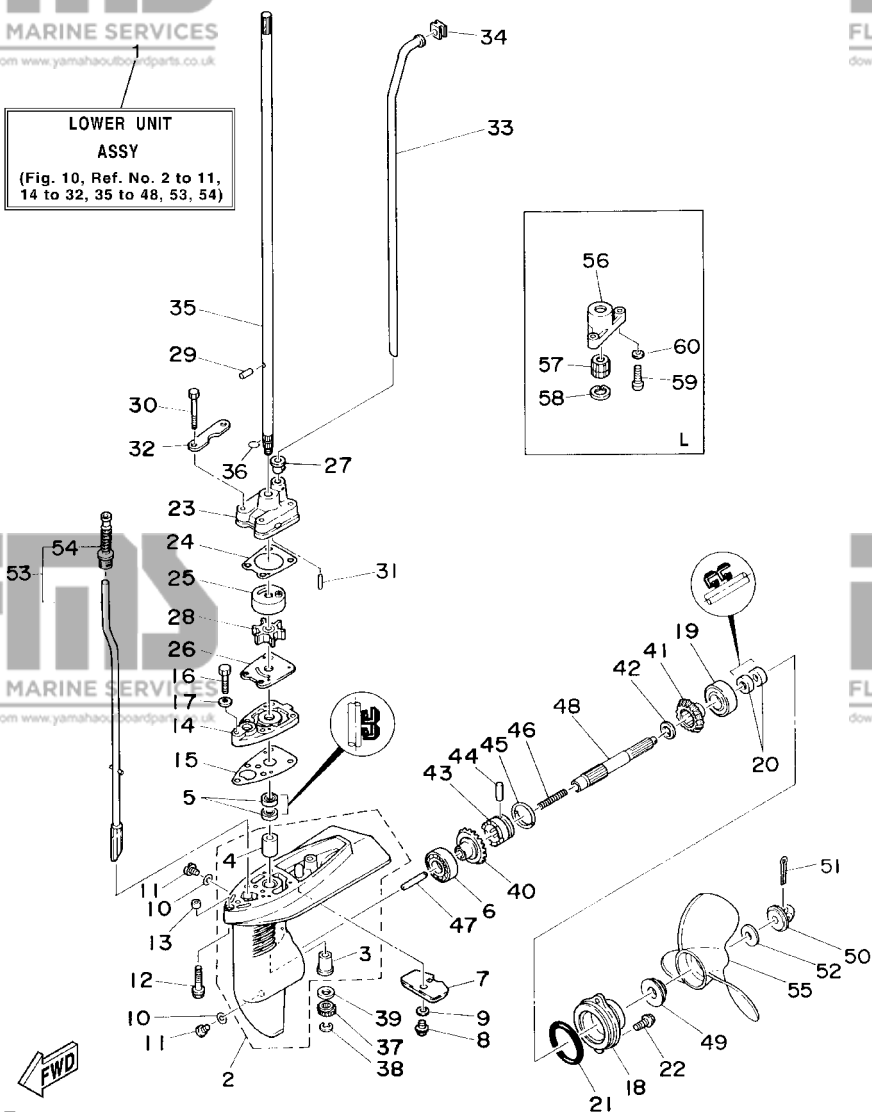
6E02100-4100

FIG. 10 LOWER CASING. DRIVE BOITIER D'HELICE, TRANSMISSION

REF. NO.	PART NO. NO. PIECES	DESCRIPTION DESCRIPTION	4AC	5C	4BC	REMARKS REMARQUES
27	6E0-44366-00	DAMPER, WATER SEAL JOINT, TUBE D'EAU	1	1	1	
28	6E0-44352-00	IMPELLER TURBINE	1	1	1	
29	93604-09066	PIN, DOWEL CLAVETTE	1	1	1	
30	97095-06045	BOLT BOULON	4	4	4	
31	93604-18080	PIN, DOWEL CLAVETTE	2	2	2	
32	6E0-44328-00	PLATE PLAQUETTE	2	2	2	
33	6E0-44361-00	TUBE, WATER TUBE D'EAU	1	1	1	S
	6E0-44361-10	TUBE, WATER TUBE D'EAU	1	1	1	L
34	646-44365-00	DAMPER, WATER SEAL JOINT, TUBE D'EAU	1	1	1	
35	6E0-45511-01	SHAFT, DRIVE ARBRE, MOTEUR	1	1	1	S
	6E0-45511-11	SHAFT, DRIVE ARBRE, MOTEUR	1	1	1	L
36	90467-08M01	CLIP JONC	1	1	1	
37	6E0-45551-00	PINION PIGNON D'ATTAQUE	1	1	1	
38	99001-06600	CIRCLIP CIRCLIP	1	1	1	
39	90201-11M49	WASHER, PLATE RONDELLE, PLATE	1	1	1	
40	6E0-45560-00	GEAR PIGNON	1	1	1	
41	6E0-45570-00	GEAR PIGNON	1	1	1	
42	90201-13M50	WASHER, PLATE RONDELLE, PLATE	1	1	1	
43	6E0-45631-00	CLUTCH, DOG CRABOT	1	1	1	
44	90250-05046	PIN, STRAIGHT GOUPILLE, DROITE	1	1	1	
45	654-45633-00	RING, CROSS PIN JONC, GOUPILLE CRABOT	1	1	1	
46	90501-10064	SPRING, COMPRESSION RESSORT, COMPRESSION	1	1	1	
47	654-45635-00	PLUNGER, SHIFT POUSSOIR D'EMBRAYAGE	1	1	1	
48	6E0-45611-01	SHAFT, PROPELLER ARBRE, HELICE	1	1	1	
49	6L5-45987-01	SPACER ENTRETOISE	1	1	1	
50	6L5-45616-00	NUT, PROPELLER CONE, HELICE	1	1	1	
51	91490-25030	PIN, COTTER GOUPILLE	1	1	1	

D1

**LOWER UNIT
ASSY**
(Fig. 10, Ref. No. 2 to 11,
14 to 32, 35 to 48, 53, 54)



6E02100-4100

FIG. 10 LOWER CASING. DRIVE BOITIER D'HELICE, TRANSMISSION

REF. NO.	PART NO. NO. PIECES	DESCRIPTION DESCRIPTION	4AC	5C	4BC	REMARKS REMARQUES
52	90201-08M54	WASHER, PLATE RONDELLE, PLATE	1	1	1	
53	6E0-44150-00	SHIFT CAM ASSY CAME D'INVERSION	1	1	1	S
	6E0-44150-10	SHIFT CAM ASSY CAME D'INVERSION	1	1	1	L
54	6G1-44147-00	.BOOT, SHIFT ROD .SOUFFLET, TIGE D'INVERSION	1	1	1	
55	6E0-45941-01-EL	PROPELLER (3X7-1/2"X8"-BA) HELICE (3X7-1/2"X8"-BA)	1	1	1	UR
	6E0-45943-01-EL	PROPELLER (3X7-1/2"X7"-BA) HELICE (3X7-1/2"X7"-BA)	1	1	1	UR
	6E0-45949-00-EL	PROPELLER (3X7-1/4"X6-1/2"-BA) HELICE (3X7-1/4"X6-1/2"-BA)	1	1	1	UR
56	6E0-45331-00-5B	HOUSING, BEARING FLASQUE, ROULEMENT	1	1	1	L
57	6E0-45318-01	BUSHING, DRIVE SHAFT DOUILLE, ARBRE MOTEUR	1	1	1	L
58	93420-22M03	CIRCLIP CIRCLIP, TYPE S	1	1	1	L
59	97880-05025	SCREW, PAN HEAD VIS, TETE TRONCONIQUE	2	2	2	L
60	92990-05600	WASHER, PLATE RONDELLE, PLATE	2	2	2	L

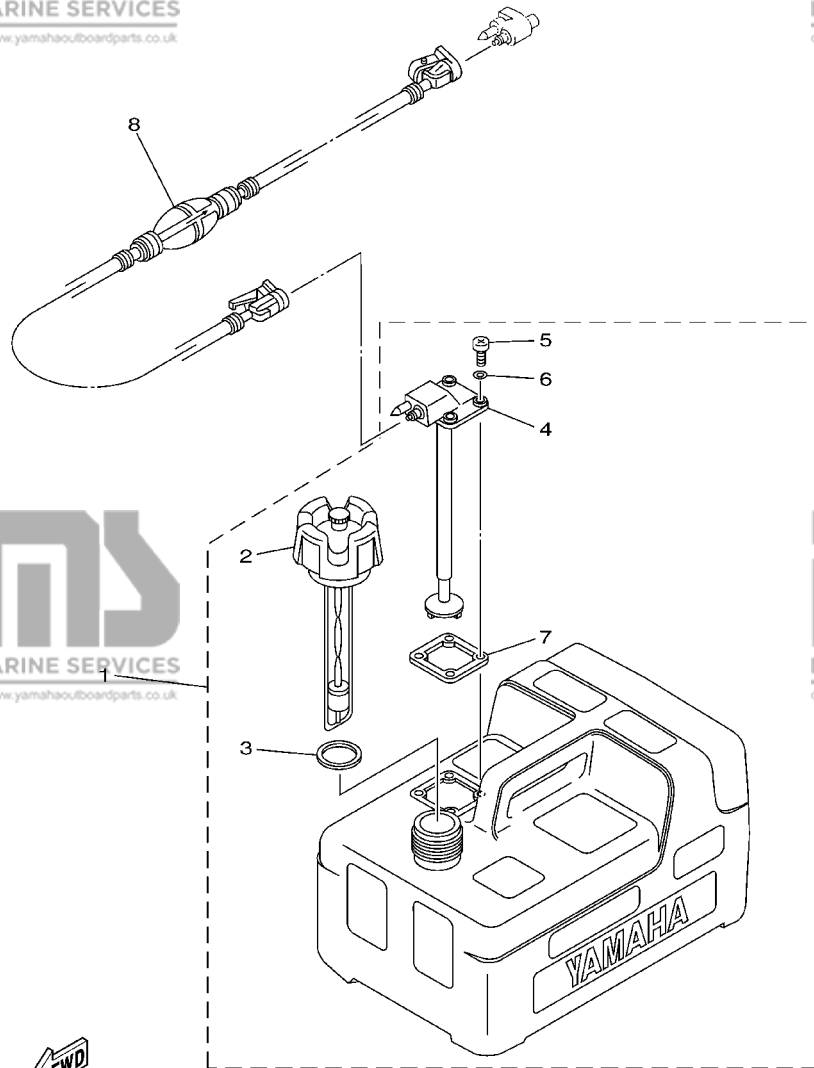


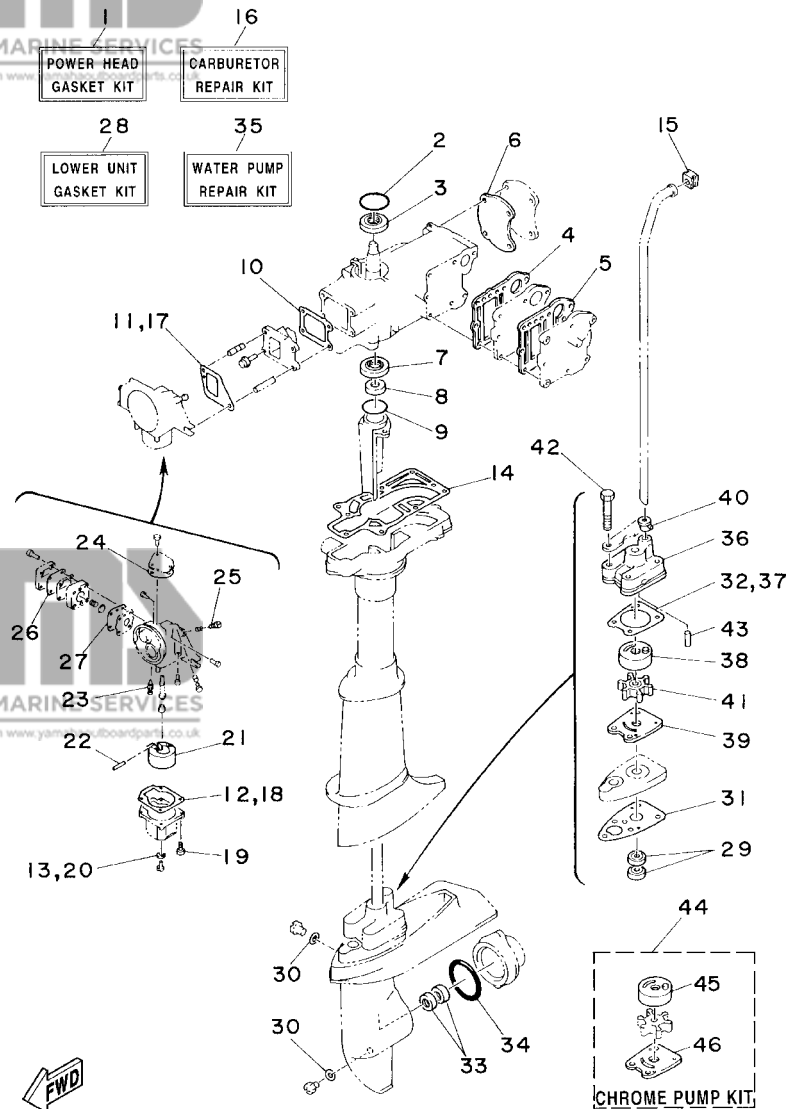
FIG. 11 FUEL TANK

RESERVOIR A CARBURANT

REF. NO.	PART NO. NO. PIECES	DESCRIPTION DESCRIPTION	4AC	5C	4BC	REMARKS REMARQUES
1	6YL-24201-02	FUEL TANK ASSY (12L) RESERVOIR A ESSENCE (ENS.) 12L		1		AP
2	6YL-24610-00	.CAP ASSY .BOUCHON		1		
3	6YL-24641-00	.GASKET, CAP 1 .JOINT 1, BOUCHON		1		
4	6YL-24260-01	.FUEL METER ASSY .INDICATEUR DE CARBURANT		1		
5	90157-05M16	.SCREW, PAN HEAD .VIS, TETE TRONCONIQUE		4		
6	6YL-24329-00	.SEAL .JOINT		4		
7	6YL-24268-01	.GASKET, FUEL METER .JOINT, JAUGE A CARBURANT		1		
8	6YL-24306-52	FUEL PIPE COMP. 1 DURITE A ESSENCE 1		1		AP



66R0700-9260



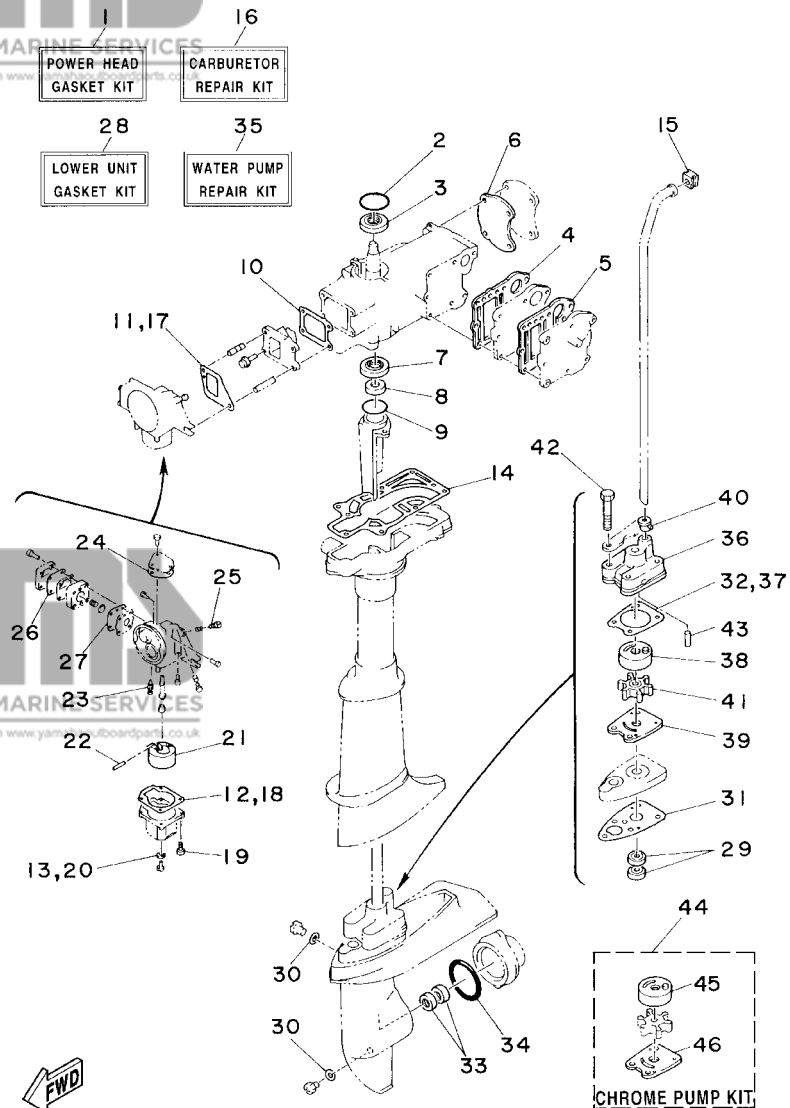
6E00100-4110

FIG. 12 REPAIR KIT

KITS DE REPARATION

REF. NO.	PART NO. NO. PIECES	DESCRIPTION DESCRIPTION	4AC	5C	4BC	REMARKS REMARQUES
1	6E0-W0001-A4	POWER HEAD GASKET KIT POCHETTE DE JINTS TETE MOTRICE	1			
	6E3-W0001-A4	POWER HEAD GASKET KIT POCHETTE DE JINTS TETE MOTRICE		1	1	
2	93210-42159	.O-RING .JOINT TORIQUE	1	1	1	
3	93102-20M25	.OIL SEAL .JOINT SPY	1	1	1	
4	6E0-41112-A1	.GASKET, EXHAUST INNER COVER .JOINT, PLAQUE D'ECHAPPEMENT	1			
	6E3-41112-A1	.GASKET, EXHAUST INNER COVER .JOINT, PLAQUE D'ECHAPPEMENT		1	1	
5	6E0-41114-A1	.GASKET, EXHAUST OUTER COVER .JOINT, COUVERCLE D'ECHAPPEMEN	1			
	6E3-41114-A1	.GASKET, EXHAUST OUTER COVER .JOINT, COUVERCLE D'ECHAPPEMEN		1	1	
6	6E0-11193-A1	.GASKET, HEAD COVER 1 .JOINT, COUVERCLE DE CULASSE 1	1			
	6E3-11193-A1	.GASKET, HEAD COVER 1 .JOINT, COUVERCLE DE CULASSE 1		1	1	
7	93101-20M29	.OIL SEAL .JOINT SPY	1	1	1	
8	93101-10M25	.OIL SEAL .JOINT SPY	1	1	1	
9	93210-31MJ5	.O-RING .JOINT TORIQUE	1	1	1	
10	6E0-13621-A2	.GASKET, VALVE SEAT .JOINT, SIEGE DE CLAPET	1	1	1	
11	6E0-14198-A0	.GASKET .JOINT	1	1	1	
12	6E0-14384-00	.GASKET, FLOAT CHAMBER .JOINT, CUVE DE FLOTTEUR	1	1	1	
13	646-14198-01	.GASKET .JOINT	1	1	1	
14	6E0-45113-A1	.GASKET, UPPER CASING .JOINT, TUBE D'ARBRE	1	1	1	
15	646-44365-00	.DAMPER, WATER SEAL .JOINT, TUBE D'EAU	1	1	1	
16	6E0-W0093-04	CARBURETOR REPAIR KIT KIT DE REPARATION CARBURATEUR	1	1	1	
17	6E0-14198-A0	.GASKET .JOINT	1	1	1	
18	6E0-14384-00	.GASKET, FLOAT CHAMBER .JOINT, CUVE DE FLOTTEUR	1	1	1	
19	97980-04116	.SCREW, WITH WASHER .VIS, AVEC RONDELLE	4	4	4	
20	646-14198-01	.GASKET .JOINT	1	1	1	
21	6E7-14385-01	.FLOAT .FLOTTEUR	1	1	1	
22	647-14386-00	.PIN, FLOAT .AXE, FLOTTEUR	1	1	1	
23	6F5-14392-00	.VALVE, NEEDLE .POINTEAU	1	1	1	

D4



6E00100-4110

FIG. 12 REPAIR KIT

KITS DE REPARATION

REF. NO.	PART NO. NO. PIECES	DESCRIPTION DESCRIPTION	4AC	5C	4BC	REMARKS REMARQUES
24	6E0-14227-00	.GASKET .JOINT	1	1	1	
25	647-14323-00	.SCREW, AIR ADJUSTING .VIS DE DOSEUR D'AIR	1	1	1	
26	6E0-24471-00	.DIAPHRAGM .DIAPHRAGME	1	1	1	
27	6E0-24411-00	.DIAPHRAGM .DIAPHRAGME	1	1	1	
28	6E0-W0001-C1	LOWER UNIT GASKET KIT POCHETTE DE JOINTS EMBASE	1	1	1	
29	93101-10M14	.OIL SEAL .JOINT SPY	2	2	2	
30	90430-08020	.GASKET .JOINT	3	3	3	
31	6E0-45315-A0	.PACKING, LOWER CASING .JOINT, BOITIER D'HELICE	1	1	1	
32	6E0-44315-A0	.GASKET, WATER PUMP .JOINT, POMPE A EAU	1	1	1	
33	93101-13M12	.OIL SEAL .JOINT SPY	2	2	2	
34	93210-48214	.O-RING .JOINT TORIQUE	1	1	1	
35	6E0-W0078-A3	WATER PUMP REPAIR KIT KIT DE REPARATION DE LA POMPE	1	1	1	
36	6E0-44311-00	.HOUSING, WATER PUMP .CORPS, POMPE A EAU	1	1	1	
37	6E0-44315-A0	.GASKET, WATER PUMP .JOINT, POMPE A EAU	1	1	1	
38	6E0-44322-02	.INSERT, CARTRIDGE .CUVETTE	1	1	1	
39	6E0-44323-00	.OUTER PLATE, CARTRIDGE .PLAQUE EXTERIEURE	1	1	1	
40	6E0-44366-00	.DAMPER, WATER SEAL .JOINT, TUBE D'EAU	1	1	1	
41	6E0-44352-00	.IMPELLER .TURBINE	1	1	1	
42	97095-06045	.BOLT BOULON	4	4	4	
43	93604-18080	.PIN, DOWEL .CLAVETTE	2	2	2	
44	6E0-W0078-0A	CHROME PUMP KIT KIT DE POMPE A EAU CHROMEE	1	1	1	
45	6E0-44322-40	.INSERT, CARTRIDGE .CUVETTE	1	1	1	
46	6E0-44323-40	.OUTER PLATE, CARTRIDGE .PLAQUE EXTERIEURE	1	1	1	

4AC/4BC/5C
PARTS CATALOGUE
©2002 by Yamaha Motor Co., Ltd.
1st Edition, Jul. 2002
All rights reserved.
Any reprinting or unauthorized use
without the written permission of
Yamaha Motor Co., Ltd.
is expressly prohibited.

4AC/4BC/5C
CATALOGUE DE PIECES DETACHEES
©2002 Yamaha Motor Co., Ltd.
1ère Edition, Juil. 2002
Tous droits réservés.
Toute réimpression ou utilisation
sans la permission écrite de la
Yamaha Motor Co., Ltd.
est formellement interdite.