

PARTS CATALOGUE CATALOGUE DE PIÈCES DÉTACHÉES

40XMH (66TV)

1N66T-300F1

()



2014/10/20

NEWS NO.	DATE	COMMENT
PE0-OM-140027	Oct., 14, 2014	MOD:(E)40X FIG.3,5,6,12,15,19,22 LIST/ILLUSTRATION REVISION

40XMH
PARTS CATALOGUE
©2014 by Yamaha Motor Co., Ltd.
1st edition, June 2014
All rights reserved.
Any reprinting or unauthorized use
without the written permission of
Yamaha Motor Co., Ltd.
is expressly prohibited.
Printed in Japan.

40XMH
CATALOGUE DE PIÈCES DÉTACHÉES
©2014 par Yamaha Motor Co., Ltd.
1^{re} édition, juin 2014
Tous droits réservés
Toute réimpression ou utilisation
non autorisée sans la permission écrite
de la Yamaha Motor Co., Ltd.
est formellement interdite.
Imprimé au Japon

FOREWORD

This Parts Catalogue is related to the parts for the model(s) on the cover page. When you are ordering replacement parts, please refer to this Parts Catalogue and quote both part numbers and part names correctly.

1. Modifications or additions which have been made after the issue of the Parts Catalogue will be announced in the Parts News.
It is advisable that you make the necessary corrections to the Parts Catalogue according to the Parts News.

2. Abbreviations
The following abbreviations are used in this Parts Catalogue.

“UR” Use specified parts number.
 “UN” Use as many as needed.
 “AP” Alternate Parts
 “LM” Locally Made (Parts need to be ordered locally)
 “F#” Frame No. (Applicable machine No.)
 “O/S” Over Size

3. The number of components for assembly
 - Parts, which are to be supplied in an assembly, are listed with a dot (.) in front of the part name as shown below.
 - The numeral appearing to the right of each component part indicates the quantity of parts for each assembly unit.

PART NO.	DESCRIPTION	Q'TY	REMARKS
2F5-83310-60	FRONT FLASHER LIGHT ASSY	2	
115-83311-60	.BULB (6V-18W)	1	

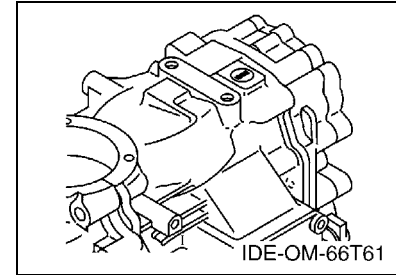
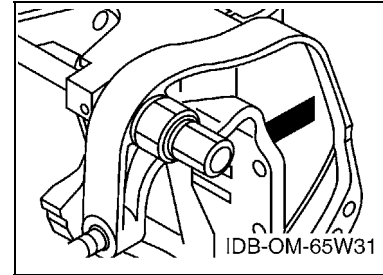
4. Applicable colours of graphics are represented in the “REMARKS” as shown below.

PART NO.	DESCRIPTION	Q'TY	REMARKS
2N4-24110-00-X5	FUEL TANK COMP.	2	MXR
3J1-24240-10	.GRAPHIC, FUEL TANK	1	FOR MXR

5. Note that the illustrations for reference in finding parts numbers are not to be used for assembling. When assembling, please use the applicable service manual.

6. The asterisk (*) before a reference number indicates modified items after the first edition.
7. Applicable Serial No.

Engine Serial No.



8. Applicable Engine Starting Serial No.

Model	Serial No.	Model	Serial No.
40X	66TK-1168221		

9. Applicable Colour Code

Abbreviation	Colour Name	Colour Code
DBNM2	DARK BLUISH GRAY METALLIC 2	004D

10. Quantity Column Information

Column No.	Name Of Q'ty Column	Applicable Model
1	66TV	40XMH

AVANT-PROPOS

Ce catalogue de pièces détachées concerne les pièces pour le(s) modèle(s) indiqué(s) sur la page de couverture. Lorsque vous commandez des pièces de rechange, veuillez vous référer à ce catalogue de pièces détachées et indiquer clairement les numéros et les noms des pièces détachées.

1. Les modifications ou ajouts ayant été effectués après la parution du catalogue de pièces détachées seront décrits dans les Bulletins d'information concernant les pièces détachées.

Il est recommandé que vous apportiez les corrections nécessaires au catalogue des pièces détachées en vous référant aux Bulletins d'information.

2. Abréviations

Dans ce catalogue, les abréviations suivantes sont utilisées:

“UR” Utiliser le numéro de pièces spécifié.

“UN” Utiliser autant que nécessaire.

“AP” Pièces de substitution

“LM” Fabrication locale (les pièces doivent être commandées localement.)

“F#” N° de cadre (applicable au N° de série)

“O/S” Surdimensionné

3. Nombre de pièces d'un assemblage

- Les pièces fournies comme composants d'un assemblage sont précédées d'un point (.) de la manière indiquée ci-dessous.
- Le chiffre apparaissant à la droite de chaque composant indique la quantité de pièces pour chaque unité d'assemblage.

N° PIECES	DESCRIPTION	QTE	REMARQUES
2F5-83310-60	ENS. CLIGNOTANT AVANT	2	
115-83311-60	.AMPOULE (6V-18W)	1	

4. Les couleurs concernant les graphiques sont indiquées dans la colonne “REMARQUES”, comme indiqué ci-dessous.

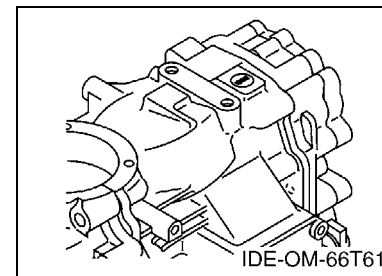
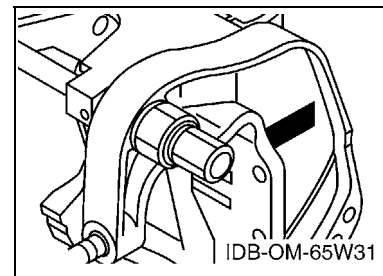
N° PIECES	DESCRIPTION	QTE	REMARQUES
2N4-24110-00-X5	RESERVOIR A ESSENCE.	2	MXR
3J1-24240-10	.GRAPHIQUE	1	POUR MXR

5. Veuillez noter que les illustrations sont indiquées à titre de référence pour trouver les numéros de pièces, non pour être utilisées lors de l'assemblage. Lors de l'assemblage, veuillez utiliser le manuel d'entretien adéquat.

6. L'astérisque (*) placé devant un numéro de référence indique des éléments qui ont été modifiés après la première édition.

7. N° de série applicable

N° de Série du moteur



8. N° de série initial du moteur applicable

Modèle	N° de série	Modèle	N° de série
40X	66TK-1168221		

9. Code couleur applicable

Abréviation	Nom de la couleur	Code couleur
DBNM2	DARK BLUISH GRAY METALLIC 2	004D

10. Informations relatives à la colonne Quantité

N° de la colonne	Nom de la colonne Qté	Modèle applicable
1	66TV	40XMH

SCHEDULED SERVICE PARTS	1
TOP COWLING	2
CYLINDER & CRANKCASE	3
CRANKSHAFT & PISTON	5
INTAKE	6
CARBURETOR	7
FUEL	8
STARTER	10
GENERATOR	12
ELECTRICAL	13
BOTTOM COWLING	14
STEERING	16
CONTROL	18
REMO CON ATTACHMENT	19
BRACKET 1	20
BRACKET 2	23
UPPER CASING	24
LOWER CASING & DRIVE 1	25
LOWER CASING & DRIVE 2	28
FUEL TANK	30
OPTIONAL PARTS	31
REPAIR KIT 1	32
REPAIR KIT 2	34
REPAIR KIT 3	35

INDEX

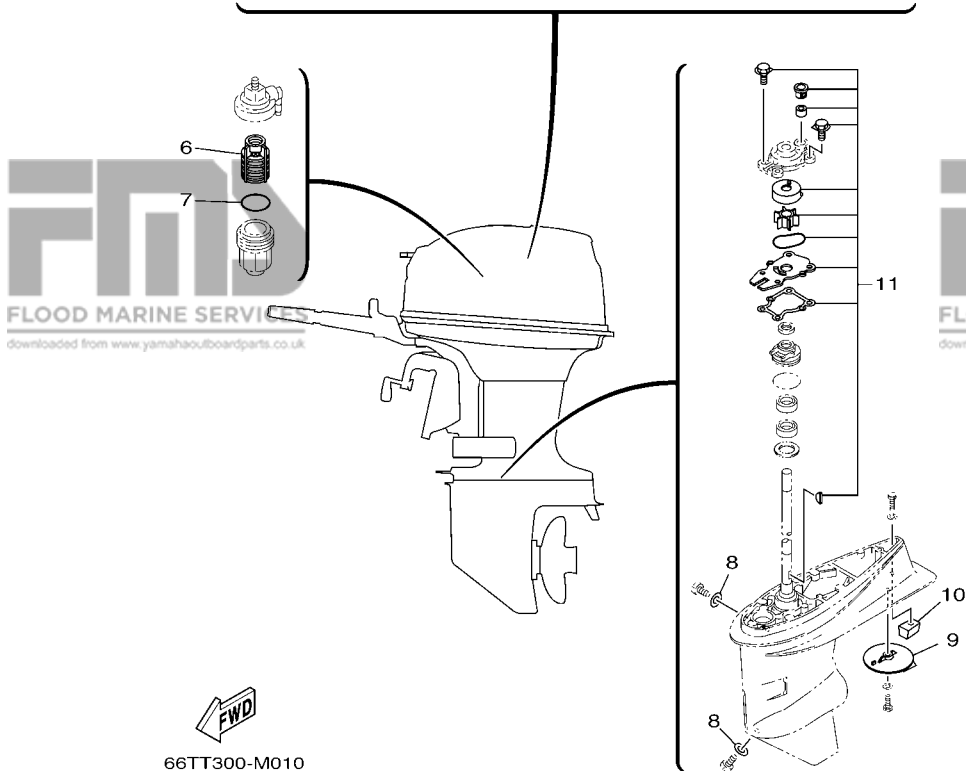
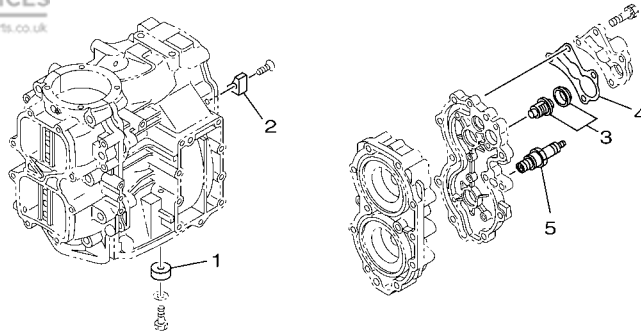
NUMERICAL INDEX	36
-----------------------	----

TABLE DES MATIERES

PIECES MAINTENANCE PERIODIQUE	1
CAPOT SUPERIEUR	2
CYLINDRE & CARTER	3
VILEBREQUIN & PISTON	5
ADMISSION	6
CARBURATEUR	7
CARBURANT	8
DEMARREUR	10
GENERATRICE	12
ELECTRIQUE	13
CAPOT INFERIEUR	14
DIRECTION	16
COMMANDE	18
COMMANDE A DISTANCE	19
SUPPORT 1	20
SUPPORT 2	23
FOURREAU	24
BOITIER D'HELICE TRANSMISSION1	25
BOITIER D'HELICE TRANSMISSION2	28
RESERVOIR A CARBURANT	30
PIECES OPTIONNELLES	31
KITS DE REPARATION 1	32
KITS DE REPARATION 2	34
KITS DE PEPARATION 3	35

INDEX

INDEX NUMERIQUE	36
-----------------------	----



66TT300-M010

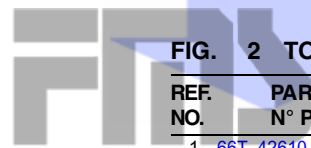
FIG. 1 SCHEDULED SERVICE PARTS PIÈCES MAINTENANCE PERIODIQUE

REF. NO.	PART NO. N° PIÈCES	DESCRIPTION DESCRIPTION	66TV	REMARKS REMARQUES
1	676-45251-00	ANODE ANODE	1	
2	676-11325-00	ANODE ANODE	1	
3	6E5-12411-02	THERMOSTAT THERMOSTAT	1	
4	676-12414-A1	GASKET, COVER JOINT, COUVERCLE	1	
5	94702-00040	PLUG, SPARK (NGK B7HS) BOUGIE D'ALLUMAGE (NGK B7HS)	2	UR
	94702-00272	PLUG, SPARK (NGK BR7HS) BOUGIE D'ALLUMAGE (NGK BR7HS)	2	UR
6	61N-24563-00	ELEMENT, FILTER ELEMENT, FILTRE	1	
7	93210-32738	O-RING JOINT TORIQUE	1	
8	90430-08020	GASKET JOINT	2	
9	664-45371-01	TAB-TRIM ANODE DERIVE	1	
10	67C-45251-00	ANODE ANODE	1	
11	66T-W0078-00	WATER PUMP REPAIR KIT KIT DE REPARATION DE LA POMPE	1	



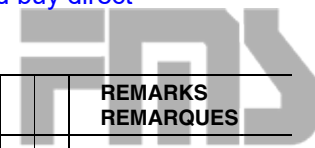
FLOOD MARINE SERVICES

downloaded from www.yamahaoutboardparts.co.uk



FLOOD MARINE SERVICES

downloaded from www.yamahaoutboardparts.co.uk



FLOOD MARINE SERVICES

downloaded from www.yamahaoutboardparts.co.uk

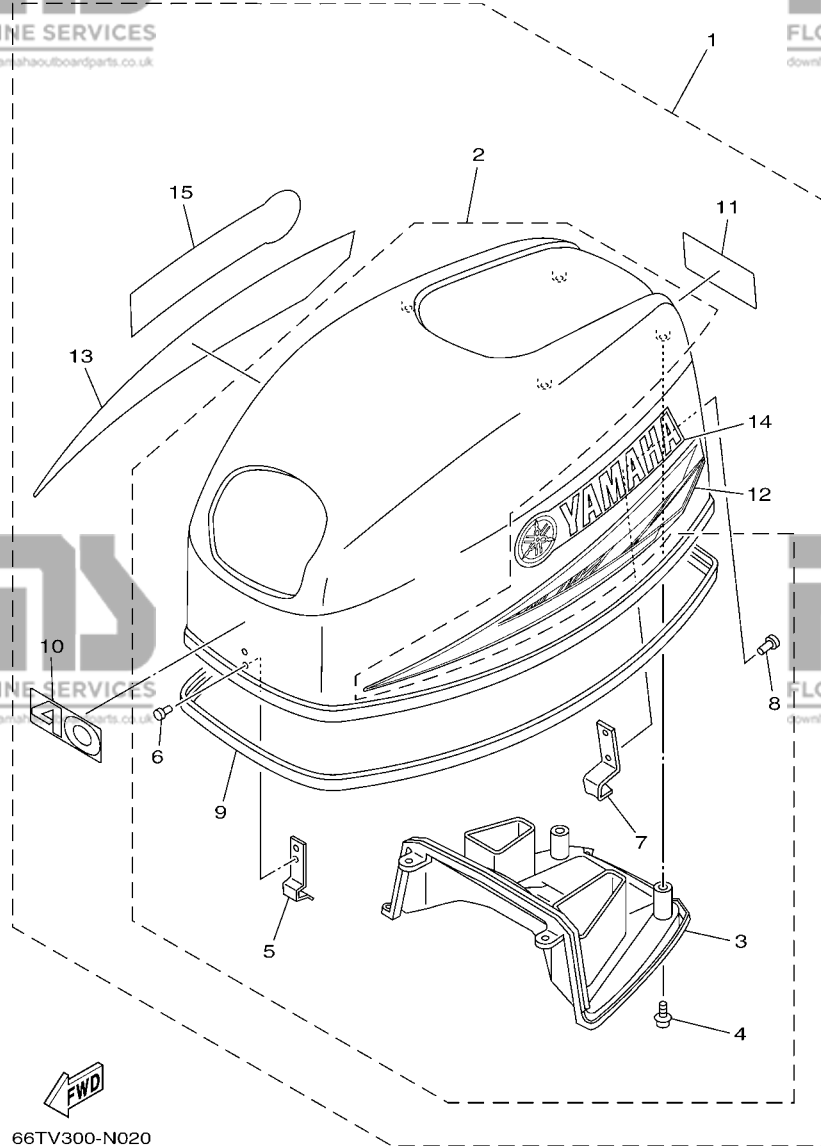
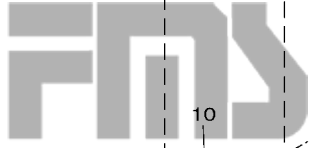


FIG. 2 TOP COWLING

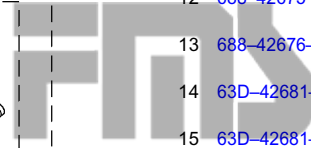
CAPOT SUPERIEUR

REF. NO.	PART NO. N° PIECES	DESCRIPTION DESCRIPTION	66TV	REMARKS REMARQUES
1	66T-42610-00	TOP COWLING ASSY CAPOT (ENS.)	1	
2	66T-4261A-00	.TOP COWLING W/O GRAPHICS .CAPOT SUPERIEUR SANS GRAPHIQUE	1	
3	66T-42613-01	..MOLDING, AIR DUCT ..MANCHON A AIR	1	
4	90167-05017	..SCREW, TAPPING ..VIS, TETE FRAISEE	4	
5	6E0-42651-02	..HOOK ..CROCHET	1	
6	90266-04M04	..RIVET ..RIVET	2	
7	6F5-42652-01	..HOOK ..CROCHET	1	
8	90266-04M01	..RIVET ..RIVET	2	
9	66T-42615-02	..SEAL ..JOINT	1	
10	63D-42678-40	.GRAPHIC, REAR .ADHESIF, ARRIERE	1	
11	63D-42678-40	.GRAPHIC, REAR .ADHESIF, ARRIERE	1	
12	688-42675-40	.GRAPHIC, SIDE 1 .EMBLEME	1	
13	688-42676-40	.GRAPHIC, SIDE 2 .EMBLEME	1	
14	63D-42681-40	.MARK, COWLING .ADHESIF, CAPOT	1	
15	63D-42681-40	.MARK, COWLING .ADHESIF, CAPOT	1	



FLOOD MARINE SERVICES

downloaded from www.yamahaoutboardparts.co.uk



FLOOD MARINE SERVICES

downloaded from www.yamahaoutboardparts.co.uk



FLOOD MARINE SERVICES

downloaded from www.yamahaoutboardparts.co.uk



FLOOD MARINE SERVICES

downloaded from www.yamahaoutboardparts.co.uk



FLOOD MARINE SERVICES

downloaded from www.yamahaoutboardparts.co.uk

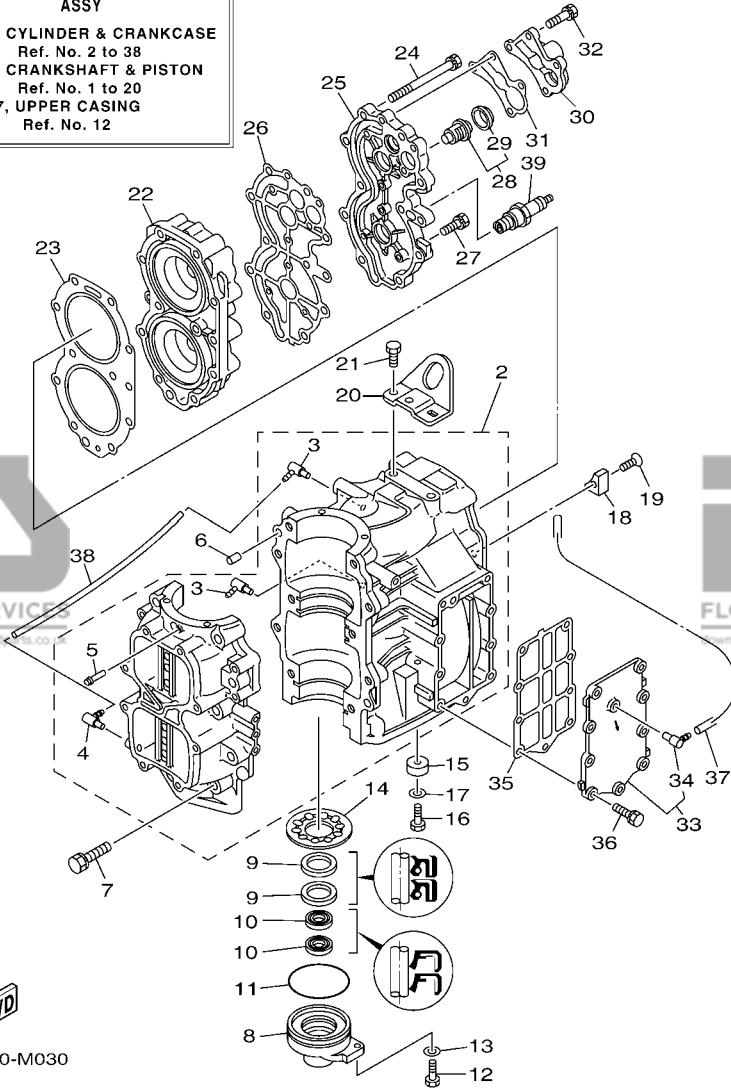


FLOOD MARINE SERVICES

downloaded from www.yamahaoutboardparts.co.uk

**CRANK CYLINDER
ASSY**

Fig. 3, CYLINDER & CRANKCASE
Ref. No. 2 to 38
Fig. 4, CRANKSHAFT & PISTON
Ref. No. 1 to 20
Fig. 17, UPPER CASING
Ref. No. 12



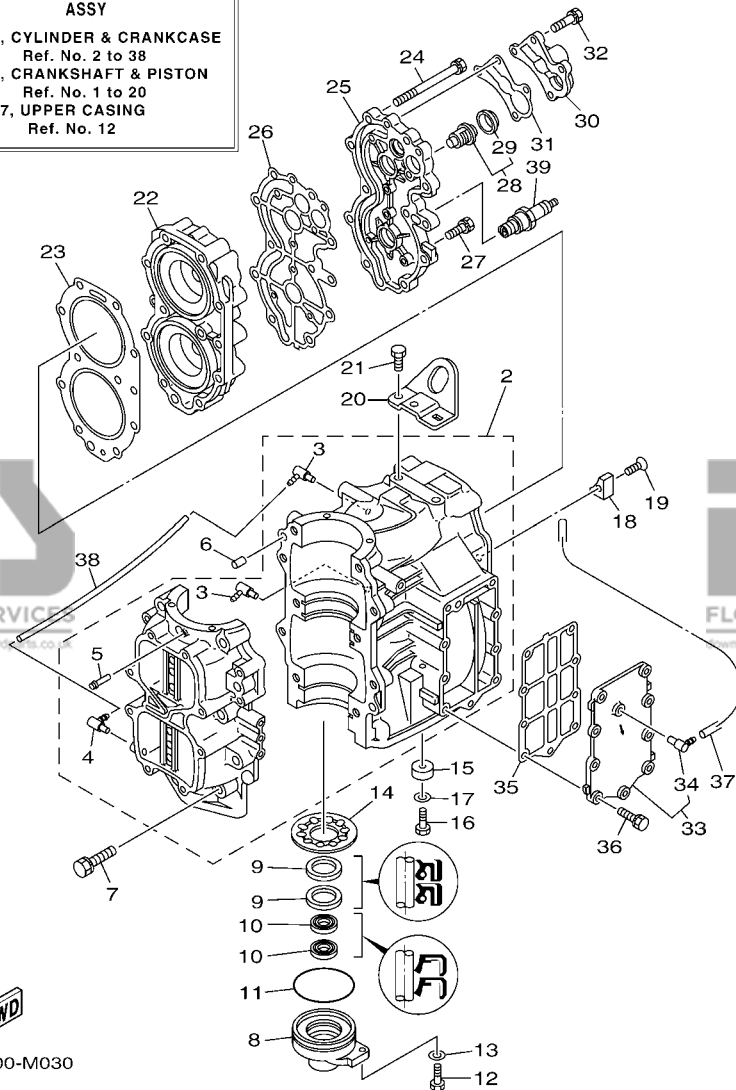
66TT300-M030

FIG. 3 CYLINDER & CRANKCASE CYLINDRE & CARTER

REF. NO.	PART NO. N° PIECES	DESCRIPTION DESCRIPTION	66TV	REMARKS REMARQUES
1	66T-W0090-02-1S	CRANK CYLINDER ASSY EMBIELLAGE CYLINDRE (ENS.)	1	Go to P/N : PE0-OM-140027
2	66T-15100-02	CRANKCASE ASSY CARTER DE MOTEUR COMPLET	1	
3	6E5-13552-01	.NOZZLE .GICLÉUR	2	
4	6E5-13552-01	.NOZZLE .GICLÉUR	1	
5	624-14485-00	.PIPE, JOINT .DURITE	1	
6	93608-12063	PIN, DOWEL AXE	2	
7	90119-10005	BOLT, WITH WASHER BOULON, AVEC RONDELLE	10	
8	66T-15396-01-CA	HOUSING, OIL SEAL LOGEMENT DE JOINT SPY	1	
9	93102-30M56	OIL SEAL JOINT SPY	2	
10	93101-16001	OIL SEAL JOINT SPY	2	
11	93210-65M50	O-RING JOINT TORIQUE	1	
12	97095-06020	BOLT BOULON	1	
13	92995-06600	WASHER RONDELLE	1	
14	66T-11565-00	WASHER, BEARING COVER RONDELLE, COUV DE ROULEMENT	1	
15	676-45251-00	ANODE ANODE	1	
16	97095-06020	BOLT BOULON	1	Go to P/N : PE0-OM-140027
17	92995-06600	WASHER RONDELLE	1	Go to P/N : PE0-OM-140027
18	676-11325-00	ANODE ANODE	1	
19	90141-06M00	SCREW, COUNTERSUNK VIS, TÊTE NOYÉE	1	Go to P/N : PE0-OM-140027
20	66T-11119-00	HANGER, ENGINE ANNEAU, LEVAGE	1	
21	90101-08002	BOLT BOULON	2	
22	66T-11111-01-1S	HEAD, CYLINDER 1 CULASSE	1	
23	66T-11181-A3	GASKET, CYLINDER HEAD 1 JOINT, DE CULASSE 1	1	
24	90119-08MA5	BOLT, WITH WASHER BOULON, AVEC RONDELLE	11	
25	66T-11191-00-1S	COVER, CYLINDER HEAD 1 COUVERCLE, CULASSE 1	1	
26	66T-11193-A3	GASKET, HEAD COVER 1 JOINT, COUVERCLE DE CULASSE 1	1	
27	90119-06MA3	BOLT, WITH WASHER BOULON, AVEC RONDELLE	4	

**CRANK CYLINDER
ASSY**

Fig. 3, CYLINDER & CRANKCASE
Ref. No. 2 to 38
Fig. 4, CRANKSHAFT & PISTON
Ref. No. 1 to 20
Fig. 17, UPPER CASING
Ref. No. 12



66TT300-M030

FIG. 3 CYLINDER & CRANKCASE CYLINDRE & CARTER

REF. NO.	PART NO. N° PIECES	DESCRIPTION DESCRIPTION	66TV	REMARKS REMARQUES
28	6E5-12411-02	THERMOSTAT THERMOSTAT	1	
29	6E5-12412-00	.SEAL, THERMOSTAT .JOINT, THERMOSTAT	1	
30	676-12413-00-1S	COVER, THERMOSTAT COUVERCLE, THERMOSTAT	1	
31	676-12414-A1	GASKET, COVER JOINT, COUVERCLE	1	
32	90119-06MA5	BOLT, WITH WASHER BOULON, AVEC RONDELLE	4	
33	66T-41113-00-1S	OUTER COVER, EXHAUST COUVERCLE, ECHAPPEMENT	1	
34	676-11372-00	.NIPPLE, HOSE .RACCORD, TUYAU	1	
35	66T-41114-A0	GASKET, EXHAUST OUTER COVER JOINT, COUVERCLE D'ECHAPPEMENT	1	
36	90119-06MA3	BOLT, WITH WASHER BOULON, AVEC RONDELLE	9	
37	90445-09M75	HOSE (L370) DURITE (L370)	1	
38	90445-07M08	HOSE (L220) DURITE (L220)	1	
39	94702-00272	PLUG, SPARK (NGK BR7HS) BOUGIE D'ALLUMAGE (NGK BR7HS)	2	

PARTS NEWS

FLOOD MARINE SERVICES

downloaded from www.yamahaoutboardparts.co.uk

FLOOD MARINE SERVICES

downloaded from www.yamahaoutboardparts.co.uk



YAMAHA MOTOR CO., LTD.
2500 SHINGAI IWATA SHIZUOKA JAPAN

FLOOD MARINE SERVICES

downloaded from www.yamahaoutboardparts.co.uk

News No. PE0-OM-140027(1/9)

Date: 2014/10/14

Signature: S. Ishibashi

Cause: Revision Notice Correction Sales Unit Change Others

Model	(E)40X (66TV/W)
Subject	PARTS CATALOGUE CORRECTIONS
CATALOGUE NO.	See the "List of Models and CATALOGUE No's below."
Time of YPEC Revision	Text, Illustration --> Nov./14/2014 PDF Replace --> Nov./14/2014
(YPEC = Yamaha Parts Electrical Catalogue = Website parts catalogue)	

Applicable Engine Serial No.

MODEL NAME	MODEL CODE	Applicable Engine Serial No.
(E)40X	66TV/W	66TK:1174491-

*1: Interchangeability

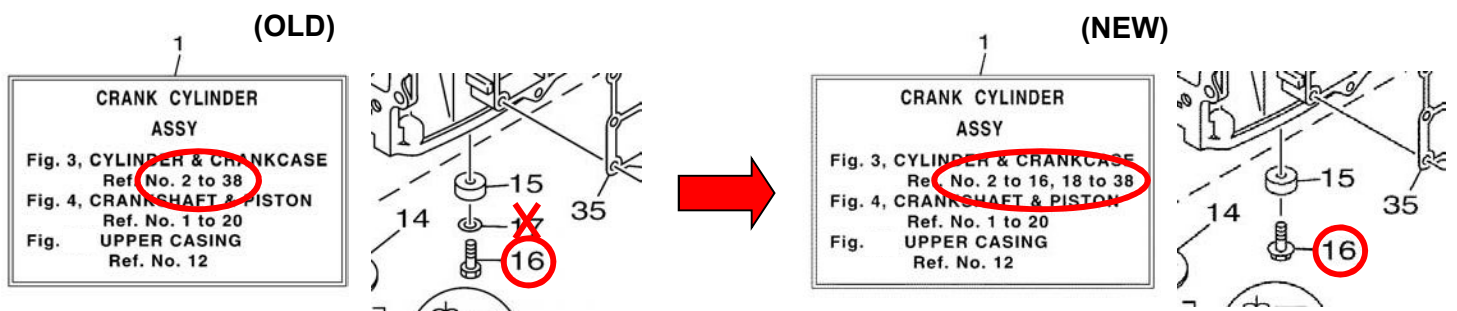
A	Old Parts	→	Old Parts
	New Parts	→	New Parts
B	Old Parts	→	Old Parts
	New Parts	→	New Parts
C	Old Parts	→	Old Parts
	New Parts	→	New Parts
	These parts are interchangeable with a set		

CYLINDER & CRANKCASE

1. LIST CORRECTION

Fig. No.	Ref. No.	OLD P/No.	NEW P/No.	DESCRIPTION	Q'TY	*Interchangeability	
							REMARKS
	1	66T-W0090-02-1S	-	CRANK CYLINDER ASSY	1	-	*Illustration change
*1	16	97095-06020	97595-06516	BOLT BOLT, WITH WASHER	1	A	*Part number revision *Part name change
	17	92995-06600	-	WASHER	4	-	*Deleted Parts
	19	90141-06M00	90152-06M01	SCREW, COUNTERSUNK	1	A	*Part number revision

2. ILLUSTRATION CORRECTION



INTAKE

1. LIST CORRECTION

Fig. No.	Ref. No.	OLD P/No.	NEW P/No.	DESCRIPTION	Q'TY	*Interchangeability	
							REMARKS
*2	12	66T-14440-00	66T-14440-10	SILENCER ASSY, INTAKE	1	A	*Part number revision

Parts Manager Check

Service Manager Check

Parts Manager File

YAMAHA MOTOR CO., LTD
2500 Shingai Iwata Shizuoka 438-8501, Japan
Technical Publication Dept.



FLOOD MARINE SERVICES

downloaded from www.yamahaoutboardparts.co.uk

FLOOD MARINE SERVICES

downloaded from www.yamahaoutboardparts.co.uk

FLOOD MARINE SERVICES

downloaded from www.yamahaoutboardparts.co.uk

News No. PE0-OM-140027(2/9)

Date: 2014/10/14

Signature: S. Ishibashi

Cause : Revision Notice Correction Sales Unit Change Others

Model	(E)40X (66TV/W)
Subject	PARTS CATALOGUE CORRECTIONS
CATALOGUE NO.	See the "List of Models and CATALOGUE No's below."
Time of YPEC Revision	Text, Illustration --> Nov./14/2014
	PDF Replace --> Nov./14/2014
(YPEC = Yamaha Parts Electrical Catalogue = Website parts catalogue)	

CARBURETOR (66TK:-1174490)

1. LIST CORRECTION

Fig. No.	Ref. No.	OLD P/No.	DESCRIPTION	Q'TY	REMARKS
*3	1	66T-14301-03	CARBURETOR ASSY 1	1	Engine Serial No. 66TK:-1174490
		66T-14301-13	CARBURETOR ASSY 1		
	2	66T-14578-00	.COLLAR	1	
	3	66T-14584-00	.STOPPER	1	
	4	66T-14592-00	.SCREW	1	
	5	92990-05600	.WASHER, PLATE	1	
	6	66T-14384-01	.GASKET, FLOAT CHAMBER	1	
	7	66T-14536-01	.GASKET	1	
	8	66T-14527-00	.PLATE	1	
	9	97980-04110	.SCREW, WITH WASHER	4	
	10	66T-14523-00	.SCREW, STOP	1	
	11	6J8-14334-00	.SPRING, THROTTLE	1	
	12	6E5-14323-03	.SCREW, AIR ADJUSTING	1	
	13	6E5-14223-00	.SPRING, AIR ADJUSTING	1	
	14	66T-14945-02	.SPACER ASSY (#38)	1	
	15	61A-1492E-85	.JET, MAIN (#170)	1	
	16	6E5-14546-00	.VALVE, NEEDLE	1	
	17	6E5-14159-00	.CLIP	1	
	18	6E5-14385-02	.FLOAT	1	
	19	6E5-14386-02	.PIN, FLOAT	1	
	20	66T-1492F-35	.JET, AIR SLOW (#70)	1	
	21	66T-14984-00	.GASKET, FLOAT CHAMBER	1	
	22	66T-14992-00	.PLUG	1	
	23	66T-14981-00	.BODY, FLOAT CHAMBER	1	
	24	66T-14991-00	.PLUG, DRAIN	1	
	25	66T-14959-00	.GASKET	2	
26	97980-05125	.SCREW, WITH WASHER	4		

News No. PE0-OM-140027(3/9)

Date: 2014/10/14

Signature: S. Ishibashi

Cause : Revision Notice Correction Sales Unit Change Others

Model	(E)40X (66TV/W)
Subject	PARTS CATALOGUE CORRECTIONS
CATALOGUE NO.	See the "List of Models and CATALOGUE No's below."
Time of YPEC Revision	Text, Illustration --> Nov./14/2014
	PDF Replace --> Nov./14/2014
(YPEC = Yamaha Parts Electrical Catalogue = Website parts catalogue)	

CARBURETOR (66TK:1174491-)

1. LIST CORRECTION

Fig. No.	Ref. No.	NEW P/No.	DESCRIPTION	Q'TY	*Interchangeability	
						REMARKS
*3	1	66T-14301-60	CARBURETOR ASSY 1	1	A	CARBURETOR ASSY change Engine Serial No. 66TK:1174491-
		66T-14301-70	CARBURETOR ASSY 1			
	2	66T-14523-60	.SCREW, STOP	1		
	3	69W-14212-00	.SPRING, PILOT ADJUSTING	1		
	4	97890-05006	.SCREW, PAN HEAD	1		
	5	62Y-14597-00	.WASHER	1		
	6	66T-14981-60	.BODY, FLOAT CHAMBER	1		
	7	66T-14984-60	..GASKET, FLOAT CHAMBER	1		
	8	62Y-14383-30	..SCREW, DRAIN	1		
	9	652-14397-00	..O-RING	4		
	10	66T-14323-60	.SCREW, AIR ADJUSTING	1		
	11	62Y-14334-00	.SPRING, AIR ADJUSTING	1		
	12	652-14147-00	.O-RING	1		
	13	66T-14385-60	.FLOAT	1		
	14	66M-14325-00	.SCREW, PAN HEAD	1		
	15	6E5-14386-01	.PIN, FLOAT	1		
	16	6C5-14546-10	.VALVE, NEEDLE	1		
	17	66T-14527-60	.PLATE	1		
	18	66T-14536-60	.GASKET	1		
	19	6C5-14567-00	.SCREW	3		
	20	66T-1492E-83	.JET, MAIN (#165)	1		
	21	62Y-14227-00	.WASHER	1		
	22	6DR-14342-35	.JET, PILOT (#70)	1		
	23	66M-14355-00	.PLUG	1		
	24	62Y-14321-00	.SCREW, THROTTLE	4		
	25	6L2-14584-00	.STOPPER	1		
26	6L2-14578-01	.COLLAR	1			

News No. PE0-OM-140027(4/9)

Date: 2014/10/14

Signature: S. Ishibashi

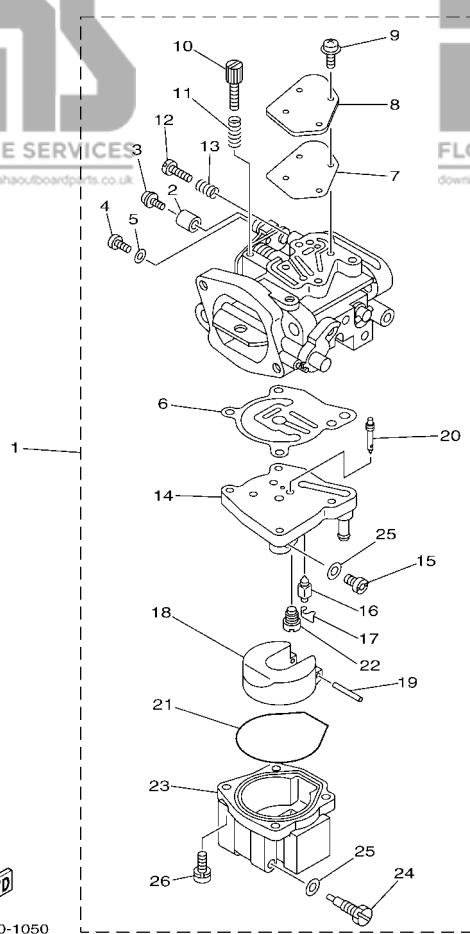
Cause : Revision Notice Correction Sales Unit Change Others

Model	(E)40X (66TV/W)
Subject	PARTS CATALOGUE CORRECTIONS
CATALOGUE NO.	See the "List of Models and CATALOGUE No's below."
Time of YPEC Revision	Text, Illustration --> Nov./14/2014
	PDF Replace --> Nov./14/2014
(YPEC = Yamaha Parts Electrical Catalogue = Website parts catalogue)	

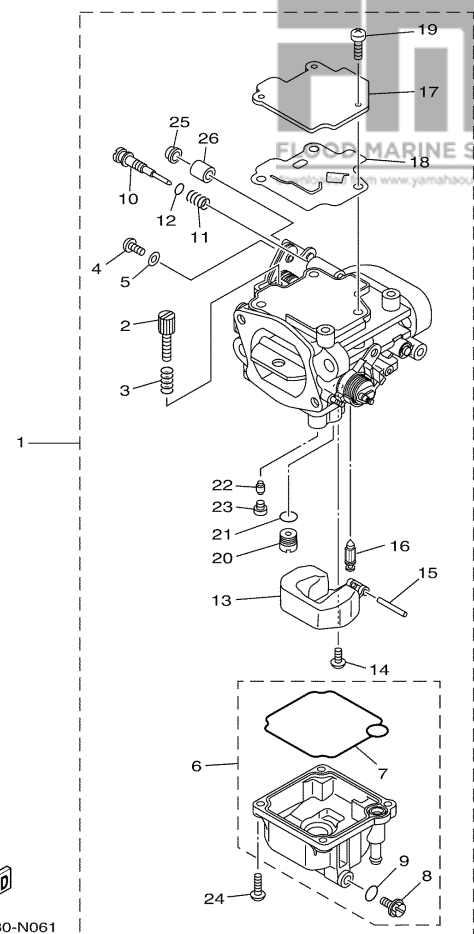
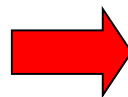
CARBURETOR 2. ILLUSTRATION CORRECTION

CARBURETOR ASSY 1
(66T-14301-03/13)

CARBURETOR ASSY 1
(66T-14301-60/70)



66T0010-1050



67TW280-N061

Parts Manager Check

Service Manager Check

Parts Manager File

YAMAHA MOTOR CO., LTD
2500 Shingai Iwata Shizuoka 438-8501, Japan
Technical Publication Dept.

News No. PE0-OM-140027(5/9)

Date: 2014/10/14

Signature: S. Ishibashi

Cause : Revision Notice Correction Sales Unit Change Others

Model	(E)40X (66TV/W)
Subject	PARTS CATALOGUE CORRECTIONS
CATALOGUE NO.	See the "List of Models and CATALOGUE No's below."
Time of YPEC Revision	Text, Illustration --> Nov./14/2014
	PDF Replace --> Nov./14/2014
(YPEC = Yamaha Parts Electrical Catalogue = Website parts catalogue)	

STEERING (40XMH, E40XMH)

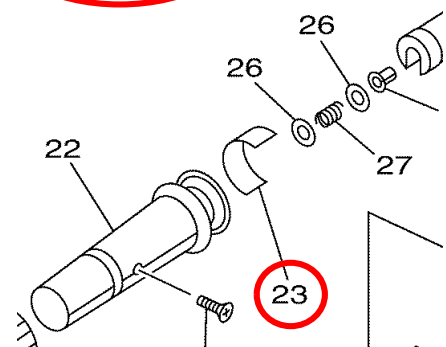
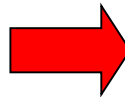
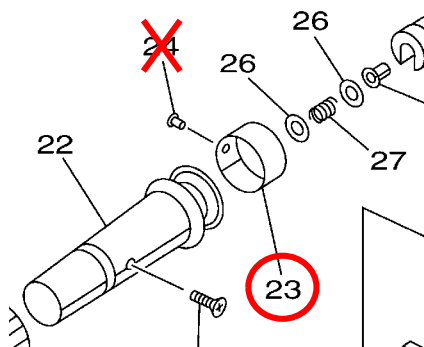
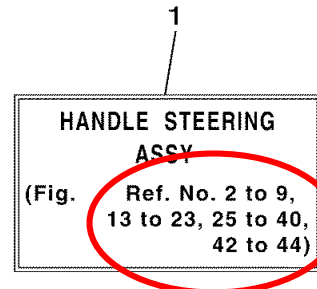
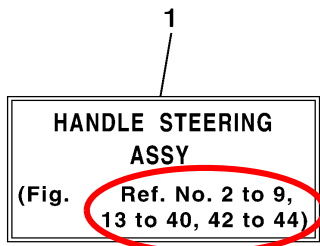
1. LIST CORRECTION

Fig. No.	Ref. No.	OLD P/No.	NEW P/No.	DESCRIPTION	Q'TY	*Interchangeability	
							REMARKS
	1	66T-W0084-02-4D	-	HANDLE STEERING ASSY	1	-	*Illustration change
*4	23	6G1-42137-10	6G1-42137-20	INDICATOR, THROTTLE	1	B	*Part number revision
	24	90269-02M09	-	RIVET	4	-	*Deleted Parts

2. ILLUSTRATION CORRECTION

(OLD)

(NEW)



News No. PE0-OM-140027(6/9)

Date: 2014/10/14

Signature: S. Ishibashi

Cause : Revision Notice Correction Sales Unit Change Others

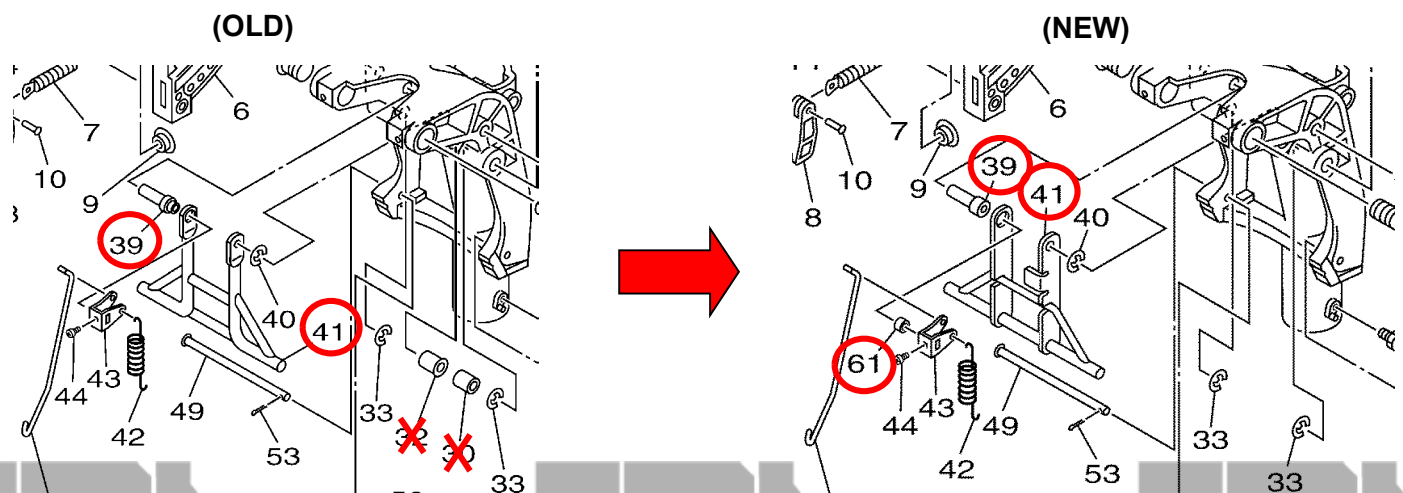
Model	(E)40X (66TV/W)
Subject	PARTS CATALOGUE CORRECTIONS
CATALOGUE NO.	See the "List of Models and CATALOGUE No's below."
Time of YPEC Revision	Text, Illustration --> Nov./14/2014 PDF Replace --> Nov./14/2014
(YPEC = Yamaha Parts Electrical Catalogue = Website parts catalogue)	

BRACKET 1 (40XMH/W, E40XMH)

1. LIST CORRECTION

Fig. No.	Ref. No.	OLD P/No.	NEW P/No.	DESCRIPTION	Q'TY	*Interchangeability	
							REMARKS
	11	90387-08M29	90387-10108	COLLAR	1	A	*Part number revision
	30	90387-12M04	-	COLLAR	4	-	*Deleted Parts
	31	90249-12M39	90249-12M34	PIN	1	D	*Part number revision
*5	32	90386-12MA0	-	BUSH	4	-	*Deleted Parts
	39	90387-07M05	90387-07049	COLLAR	1	D	*Part number revision
	41	66T-43350-02	66T-43350-10	RECEIVER ASSY	1	D	*Part number revision
	61	-	90387-07048	COLLAR	1	D	*Added Parts

2. ILLUSTRATION CORRECTION



Parts Manager Check

Service Manager Check

Parts Manager File

YAMAHA MOTOR CO., LTD
2500 Shingai Iwata Shizuoka 438-8501 Japan
Technical Publication Dept.

News No. PE0-OM-140027(7/9)

Date: 2014/10/14

Signature: S. Ishibashi

Cause : Revision Notice Correction Sales Unit Change Others

Model	(E)40X (66TV/W)
Subject	PARTS CATALOGUE CORRECTIONS
CATALOGUE NO.	See the "List of Models and CATALOGUE No's below."
Time of YPEC Revision	Text, Illustration --> Nov./14/2014 PDF Replace --> Nov./14/2014
(YPEC = Yamaha Parts Electrical Catalogue = Website parts catalogue)	

LOWER CASING & DRIVE 2

1. LIST CORRECTION

Fig. No.	Ref. No.	OLD P/No.	NEW P/No.	DESCRIPTION	Q'TY	*Interchangeability	
						A	REMARKS
*6	26	66T-44362-10	66T-44362-30	TUBE, WATER 2	1	A	*Part number revision

REPAIR KIT 1 (66TK:-1174490)

1. LIST CORRECTION

Fig. No.	Ref. No.	OLD P/No.	DESCRIPTION	Q'TY	REMARKS
*7	16	66T-W0093-01	CARBURETOR REPAIR KIT	1	Engine Serial No. 66TK:-1174490
	17	93210-46M16	.O-RING	1	
	18	93210-54M54	.O-RING	1	
	19	66T-14384-01	.GASKET, FLOAT CHAMBER	1	
	20	66T-14536-01	.GASKET	1	
	21	6E5-14323-03	.SCREW, AIR ADJUSTING	1	
	22	6E5-14546-00	.VALVE, NEEDLE	1	
	23	6E5-14385-02	.FLOAT	1	
	24	6E5-14386-02	.PIN, FLOAT	1	
	25	66T-14984-00	.GASKET, FLOAT CHAMBER	1	
	26	66T-14992-00	.PLUG	1	
	27	66T-14959-00	.GASKET	2	
	28	97980-05125	.SCREW, WITH WASHER	4	

Parts Manager Check

Service Manager Check

Parts Manager File

YAMAHA MOTOR CO., LTD
2500 Shingai Iwata Shizuoka 438-8501 Japan
Technical Publication Dept.

News No. PE0-OM-140027(8/9)

Date: 2014/10/14

Signature: S. Ishibashi

Cause : Revision Notice Correction Sales Unit Change Others

Model	(E)40X (66TV/W)
Subject	PARTS CATALOGUE CORRECTIONS
CATALOGUE NO.	See the "List of Models and CATALOGUE No's below."
Time of YPEC Revision	Text, Illustration --> Nov./14/2014
	PDF Replace --> Nov./14/2014
(YPEC = Yamaha Parts Electrical Catalogue = Website parts catalogue)	

REPAIR KIT 1 (66TK:1174491-)

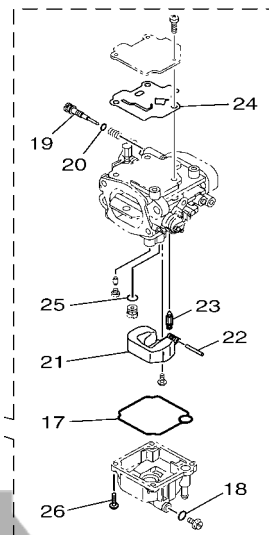
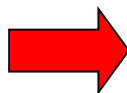
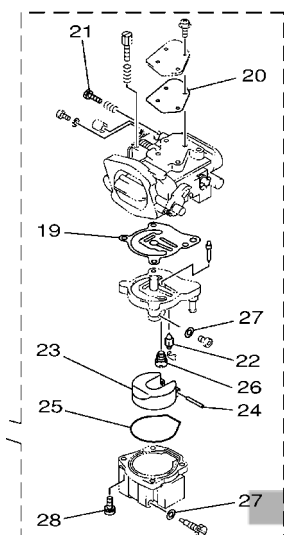
1. LIST CORRECTION

Fig. No.	Ref. No.	NEW P/No.	DESCRIPTION	Q'TY	REMARKS
*7	16	66T-W0093-10	CARBURETOR REPAIR KIT	1	CARBURETOR REPAIR KIT change Engine Serial No. 66TK:1174491-
	17	66T-14984-60	.GASKET, FLOAT CHAMBER	1	
	18	652-14397-00	.O-RING	1	
	19	66T-14323-60	.SCREW, AIR ADJUSTING	1	
	20	652-14147-00	.O-RING	1	
	21	66T-14385-60	.FLOAT	1	
	22	6E5-14386-01	.PIN, FLOAT	1	
	23	6C5-14546-10	.VALVE, NEEDLE	1	
	24	66T-14536-60	.GASKET	1	
	25	62Y-14227-00	.WASHER	1	
	26	62Y-14321-00	.SCREW, THROTTLE	4	

REPAIR KIT 1

2. ILLUSTRATION CORRECTION

CARBURETOR REPAIR KIT (66T-W0093-01)



CARBURETOR REPAIR KIT (66T-W0093-10)

Parts Manager Check

Service Manager Check

Parts Manager File

YAMAHA MOTOR CO., LTD
2500 Shingai Iwata Shizuoka 438-8501, Japan
Technical Publication Dept.

News No. PE0-OM-140027(9/9)

Date: 2014/10/14

Signature: S. Ishibashi

Cause : Revision Notice Correction Sales Unit Change Others

Model	(E)40X (66TV/W)
Subject	PARTS CATALOGUE CORRECTIONS
CATALOGUE NO.	See the "List of Models and CATALOGUE No's below."
Time of YPEC Revision	Text, Illustration --> Nov./14/2014 PDF Replace --> Nov./14/2014
(YPEC = Yamaha Parts Electrical Catalogue = Website parts catalogue)	

3. LIST of Models and CATALOGUE No's.

The applicable MODELS, MODEL CODES, and CATALOGUE No's are as follows.

MODEL NAME	MODEL CODE	MODEL YEAR	Fig.No. *1	Fig.No. *2	Fig.No. *3	Fig.No. *4	Fig.No. *5	Fig.No. *6	Fig.No. *7	CATALOGUE NO.
40X	66TV	2014	3	5	6	12	15	19	22	1N66T-300F1
40X	66TV/W					14	17	21	26	1N66T-664E1
(E)40X	66TV/W					14	18	24	28	1N66T-700E1

Thank you very much for your cooperation.

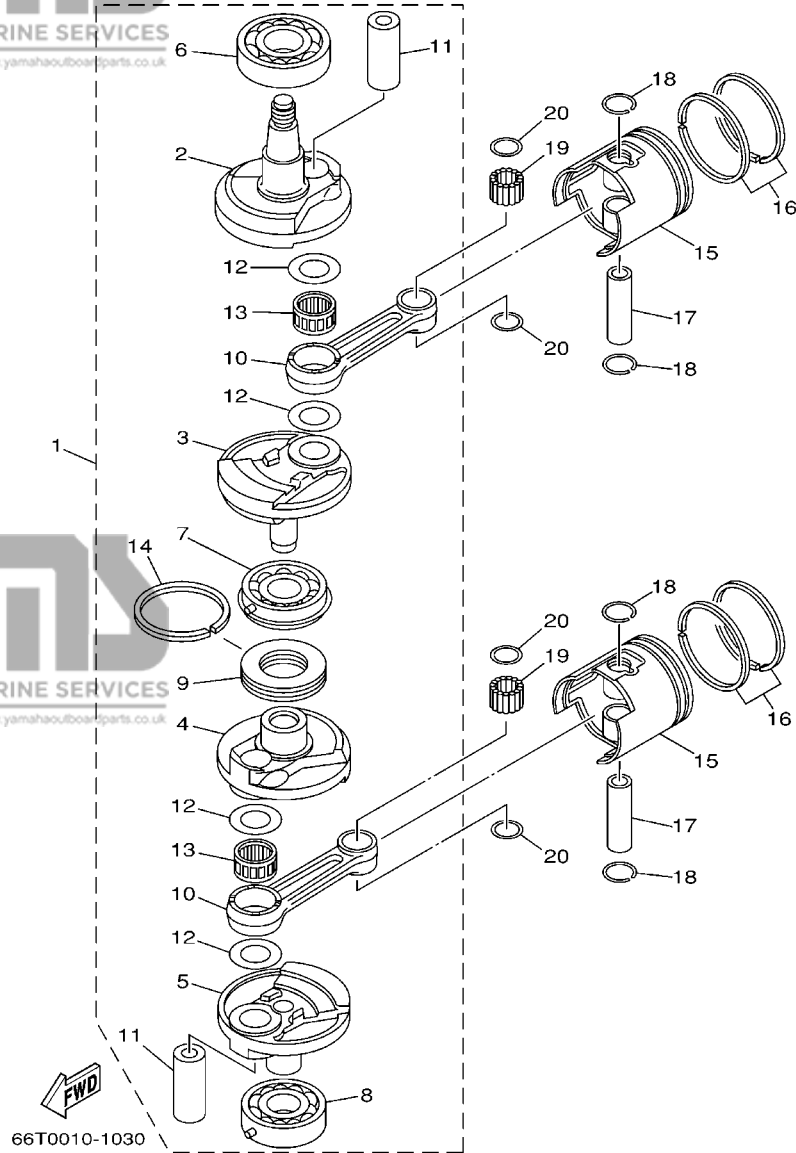


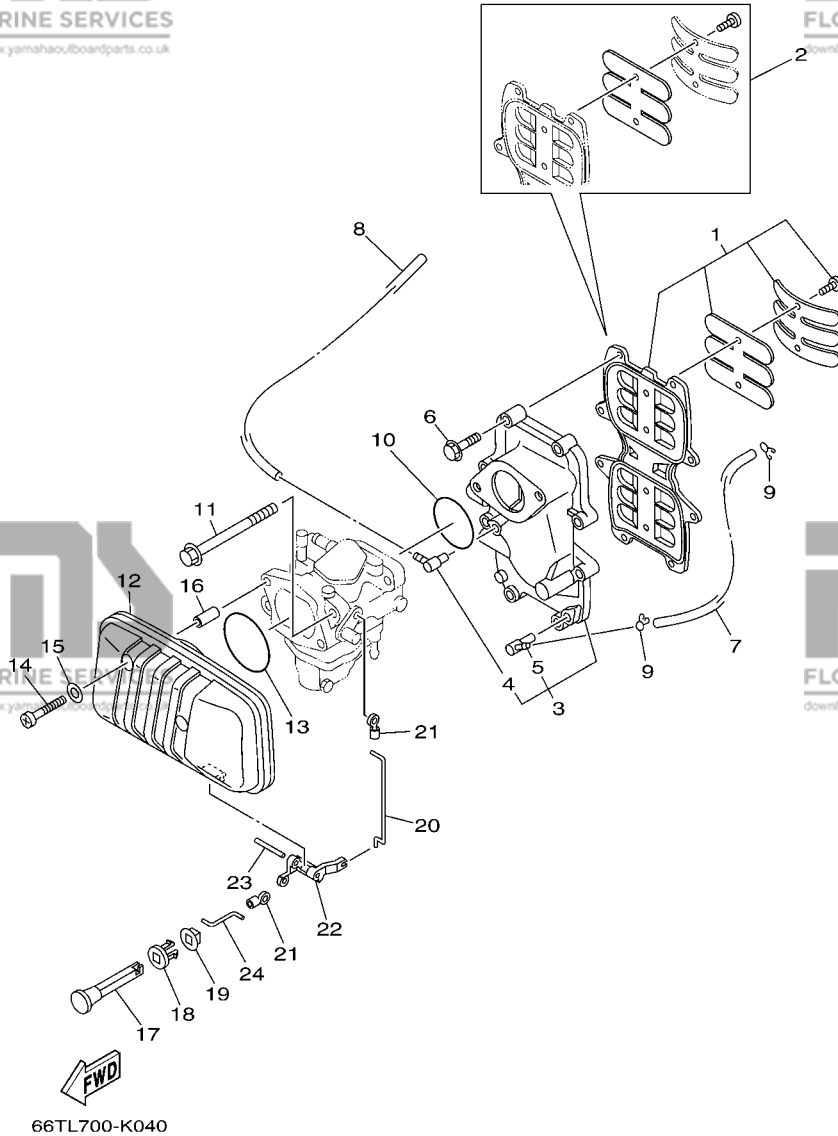
FIG. 4 CRANKSHAFT & PISTON VILEBREQUIN & PISTON

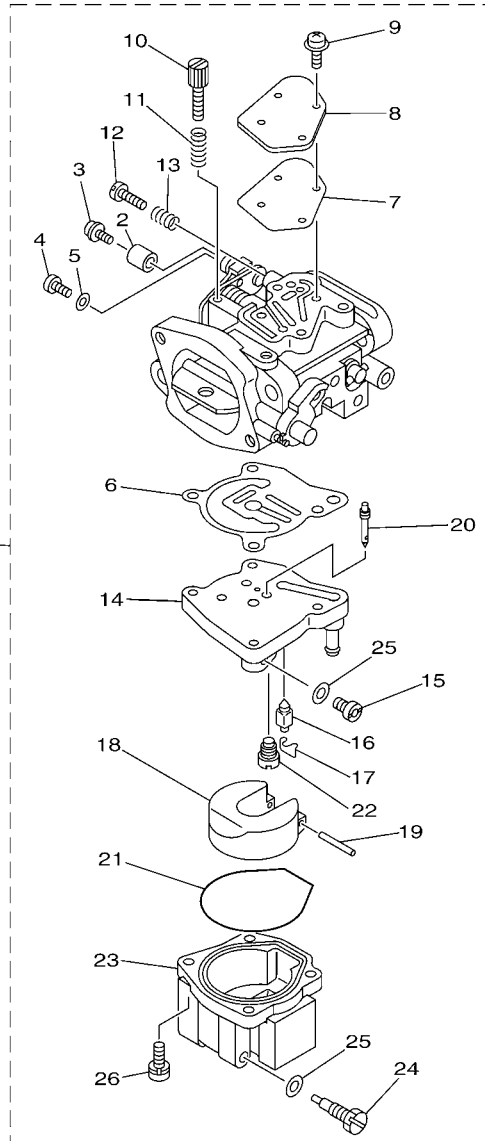
REF. NO.	PART NO. N° PIECES	DESCRIPTION DESCRIPTION	66TV	REMARKS REMARQUES
1	66T-11400-01	CRANKSHAFT ASSY VILEBREQUIN COMPLET	1	
2	66T-11412-00	.CRANK 1 .MASSLOTTE DE VILEBREQUIN 1	1	
3	66T-11422-00	.CRANK 2 .MASSLOTTE DE VILEBREQUIN 2	1	
4	66T-11432-00	.CRANK 3 .MASSLOTTE DE VILEBREQUIN 3	1	
5	66T-11442-00	.CRANK 4 .MASSLOTTE DE VILEBREQUIN 4	1	
6	93306-307U0	.BEARING .ROULEMENT	1	
7	93332-000UE	.BEARING .ROULEMENT	1	
8	93306-306V5	.BEARING .ROULEMENT	1	
9	6F5-11515-00	.SEAL, LABYRINTH 1 .JOINT, LABYRINTHE 1	1	
10	6F5-11651-00	.ROD, CONNECTING .BIELLE NUE	2	
11	66T-11681-00	.PIN, CRANK 1 .MANETON, VILEBREQUIN 1	2	
12	90209-27012	.WASHER .RONDELLE	4	
13	93310-727U0	.BEARING .ROULEMENT	2	
14	93440-68M03	.CIRCLIP .CIRCLIP	1	
15	66T-11631-01-93	PISTON (STD) PISTON (STD)	2	
	66T-11635-01	PISTON (0.25MM O/S) PISTON (0.25MM O/S)	2	AP AP
	66T-11636-01	PISTON (0.50MM O/S) PISTON (0.50MM O/S)	2	AP AP
16	66T-11603-00	PISTON RING SET (STD) JEU DE SEGMENTS (STD)	2	
	66T-11604-00	PISTON RING SET (0.25MM O/S) JEU DE SEGMENTS (0.25MM O/S)	2	AP AP
	66T-11605-00	PISTON RING SET (0.50MM O/S) JEU DE SEGMENTS (0.50MM O/S)	2	AP AP
17	6F5-11633-00	.PIN, PISTON AXE, PISTON	2	
18	663-11634-00	.CLIP, PISTON PIN AGRAFE, AXE DE PISTON	4	
19	93603-21111	.PIN, DOWEL CLAVETTE	56	
20	90201-20417	.WASHER, PLATE RONDELLE, PLATE	4	

FIG. 5 INTAKE

ADMISSION

REF. NO.	PART NO. N° PIECES	DESCRIPTION DESCRIPTION	66TV	REMARKS REMARQUES
1	66T-13610-00	REED VALVE ASSY CLAPET COMPLET	1	
2	66T-W0004-00	.REED SET .JEU DE CLAPETS	1	
3	66T-13641-02-1S	MANIFOLD, INTAKE 1 TUBULURE, ADMISSION 1	1	
4	6E5-13552-01	.NOZZLE .GICLEUR	1	
5	650-11372-01	.NIPPLE, HOSE .RACCORD, TUYAU	1	
6	97513-06535	BOLT, WITH WASHER VIS HEXAGONAL AVC RONDELLE	8	
7	90445-07M24	HOSE (L240) DURITE (L240)	1	
8	90445-07MA4	HOSE (L280) DURITE (L280)	1	
9	90467-06016	CLIP JONC	2	
10	93210-46M16	O-RING JOINT TORIQUE	1	
11	90119-08M03	BOLT, WITH WASHER BOULON, AVEC RONDELLE	2	
12	66T-14440-00	SILENCER ASSY, INTAKE SIENCIEUX D'ADMISSION	1	Go to P/N : PE0-OM-140027
13	93210-54M54	O-RING JOINT TORIQUE	1	
14	97885-06040	SCREW, PAN HEAD VIS, A ENCOCHE	2	
15	92995-06600	WASHER RONDELLE	2	
16	90387-06M80	COLLAR COLLERETTE	2	
17	6H4-41271-02	KNOB, CHOKE BOUTON DE STARTER	1	
18	689-41273-00	GROMMET PASSE-FIL	1	
19	6J8-41274-00	GROMMET 2 PASSE-FIL 2	1	
20	66T-41256-00	ROD, CHOKE 1 TRINGLE 1, STARTER	1	
21	661-41262-02	JOINT, CHOKE LEVER RACCORD, LEVIER DE STARTER	2	
22	66T-41252-00	LEVER, CHOKE 1 LEVIER 1	1	
23	91690-40032	PIN, SPRING AGRAFFE	1	
24	66T-41257-00	ROD, CHOKE 2 TRINGLE 2, STARTER	1	





66T0010-1050

FIG. 6 CARBURETOR

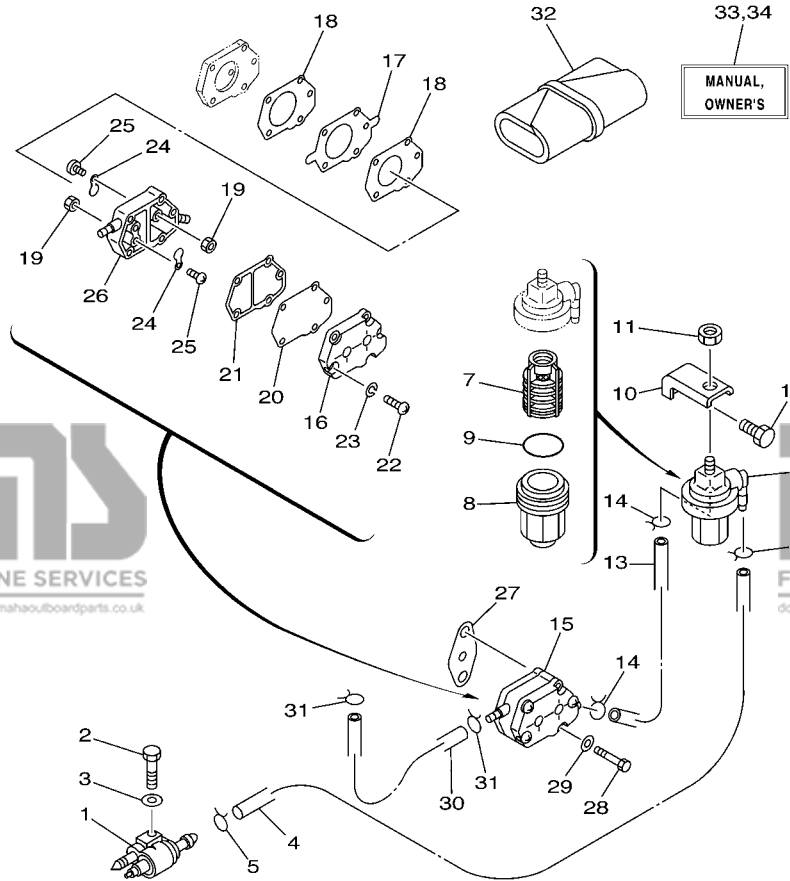
CARBURATEUR

REF. NO.	PART NO. N° PIECES	DESCRIPTION DESCRIPTION	66TV	REMARKS REMARQUES
1	66T-14301-03	CARBURETOR ASSY 1 CARBURATEUR COMPLET 1	1	Go to P/N : PE0-OM-140027
2	66T-14578-00	.COLLAR .COLLERETTE	1	
3	66T-14584-00	.STOPPER .PLAQUETTE	1	
4	66T-14592-00	.SCREW .VIS	1	
5	92990-05600	.WASHER, PLATE .RONDELLE, PLATE	1	
6	66T-14384-01	.GASKET, FLOAT CHAMBER .JOINT, CUVE DE FLOTTEUR	1	
7	66T-14536-01	.GASKET .JOINT	1	
8	66T-14527-00	.PLATE .PLAQUE	1	
9	97980-04110	.SCREW, WITH WASHER .VIS, AVEC RONDELLE	4	
10	66T-14523-00	.SCREW, STOP .VIS, BUTEE	1	
11	6J8-14334-00	.SPRING, THROTTLE .RESSORT, ACCELERATEUR	1	
12	6E5-14323-03	.SCREW, AIR ADJUSTING .VIS DE DOSEUR D'AIR	1	
13	6E5-14223-00	.SPRING, AIR ADJUSTING .RESSORT, DOSAGE DE L'AIR	1	
14	66T-14945-02	.SPACER ASSY (#38) .BRIDE, ENTRETOISE 1 (#38)	1	
15	61A-1492E-85	.JET, MAIN (#170) .GICLEUR, PRINCIPAL (#170)	1	
16	6E5-14546-00	.VALVE, NEEDLE .POINTEAU	1	
17	6E5-14159-00	.CLIP .JONC	1	
18	6E5-14385-02	.FLOAT .FLOTTEUR	1	
19	6E5-14386-02	.PIN, FLOAT .AXE, FLOTTEUR	1	
20	66T-1492F-35	.JET, AIR SLOW (#70) .GICLEUR, AIR (#70)	1	
21	66T-14984-00	.GASKET, FLOAT CHAMBER .JOINT, CUVE DE FLOTTEUR	1	
22	66T-14992-00	.PLUG .BOUCHON	1	
23	66T-14981-00	.BODY, FLOAT CHAMBER .CORPS, CUVE DE FLOTTEUR	1	
24	66T-14991-00	.PLUG, DRAIN .BOUCHON DE VIDANGE	1	
25	66T-14959-00	.GASKET .JOINT	2	
26	97980-05125	.SCREW, WITH WASHER .VIS, AVEC RONDELLE	4	

FIG. 7 FUEL

CARBURANT

REF. NO.	PART NO. N° PIECES	DESCRIPTION DESCRIPTION	66TV	REMARKS REMARQUES
1	6G1-24304-02	FUEL PIPE JOINT COMP. 1 DURITE RACCORDEMT. A ESSENCE	1	
2	97095-06030	BOLT BOULON	1	
3	92995-06600	WASHER RONDELLE	1	
4	90445-09M08	HOSE (L550) DURITE (L550)	1	
5	90467-08004	CLIP JONC	2	
6	61N-24560-00	FILTER ASSY ENS FILTRE	1	
7	61N-24563-00	.ELEMENT, FILTER .ELEMENT, FILTRE	1	
8	61N-24521-00	.CUP, FILTER .CUVETTE, FILTRE	1	
9	93210-32738	.O-RING .JOINT TORIQUE	1	
10	648-24566-02	BRACKET, FILTER SUPPORT, FILTRE	1	
11	95380-08600	NUT ECROU	1	
12	97013-06014	BOLT BOULON	1	
13	90445-09086	HOSE (L170) DURITE (L170)	1	
14	90467-08004	CLIP JONC	2	
15	692-24410-00	FUEL PUMP ASSY POMPE A ESSENCE	1	
16	6A0-24413-00	.BODY 2 .CORPS 2	1	
17	692-24411-00	.DIAPHRAGM .DIAPHRAGME	1	
18	648-24434-01	.GASKET, BODY .JOINT, CORPS	2	
19	95380-03600	.NUT .ECROU	2	
20	663-24411-00	.DIAPHRAGM .DIAPHRAGME	1	
21	648-24435-02	.GASKET, BODY 2 .JOINT, CORPS 2	1	
22	98503-05028	.SCREW, PAN HEAD .VIS	3	
23	92990-05100	.WASHER, SPRING .RONDELLE, GROWER	3	
24	6A0-24421-01	.VALVE, CHECK .SOUPAPE, RETENUE	2	
25	6A0-14325-00	.SCREW, PAN HEAD .VIS TETE CONIQUE	2	
26	6A0-24412-02	.BODY 1 .CORPS 1	1	
27	650-24431-A0	GASKET, FUEL PUMP 1 JOINT 1 DE POMPE A ESSENCE	1	

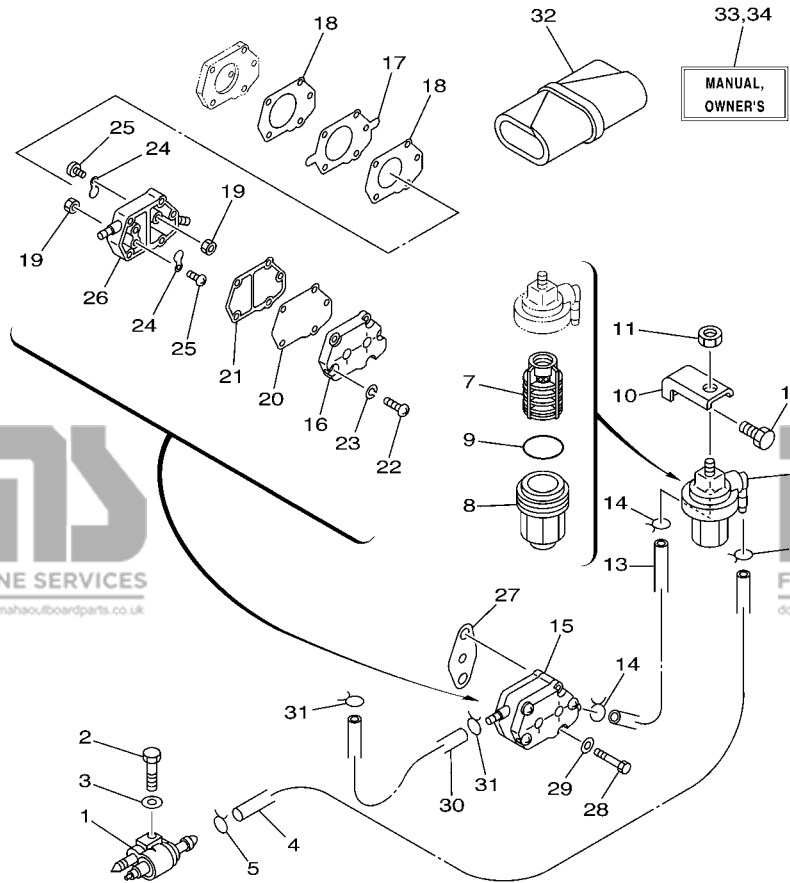


66T4300-3060

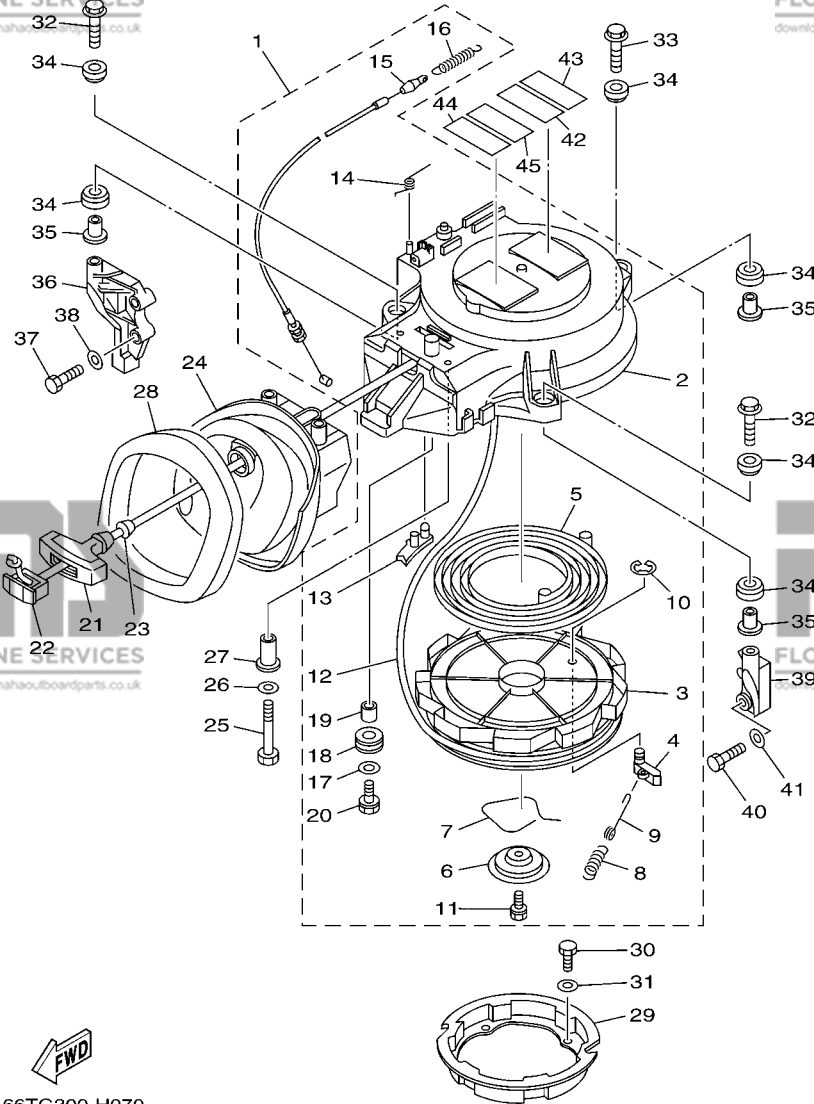
FIG. 7 FUEL

CARBURANT

REF. NO.	PART NO. N° PIECES	DESCRIPTION DESCRIPTION	66TV	REMARKS REMARQUES
28	97095-06040	BOLT BOULON	2	
29	92995-06600	WASHER RONDELLE	2	
30	90445-09086	HOSE (L170) DURITE (L170)	1	
31	90467-08004	CLIP JONC	2	
32	676-W2810-01	TOOL KIT TROUSSE A OUTILS	1	AP AP
33	66T-28199-7B-E0	MANUAL, OWNER'S MANUEL D'UTILISATION	1	UR (E) UR (E)
	66T-28199-7B-F0	MANUAL, OWNER'S MANUEL D'UTILISATION	1	UR (F) UR (F)
	66T-28199-7B-S0	MANUAL, OWNER'S MANUEL D'UTILISATION	1	UR (ES) UR (ES)
	66T-28199-7B-G0	MANUAL, OWNER'S MANUEL D'UTILISATION	1	UR (D) UR (D)
	66T-28199-7B-D0	MANUAL, OWNER'S MANUEL D'UTILISATION	1	UR (NL) UR (NL)
	66T-28199-7B-H0	MANUAL, OWNER'S MANUEL D'UTILISATION	1	UR (I) UR (I)
34	66T-28199-8B-K0	MANUAL, OWNER'S MANUEL D'UTILISATION	1	UR (DK) UR (DK)
	66T-28199-8B-R0	MANUAL, OWNER'S MANUEL D'UTILISATION	1	UR (GR) UR (GR)
	66T-28199-8B-P0	MANUAL, OWNER'S MANUEL D'UTILISATION	1	UR (P) UR (P)
	66T-28199-8B-N0	MANUAL, OWNER'S MANUEL D'UTILISATION	1	UR (N) UR (N)
	66T-28199-8B-M0	MANUAL, OWNER'S MANUEL D'UTILISATION	1	UR (S) UR (S)
	66T-28199-8B-L0	MANUAL, OWNER'S MANUEL D'UTILISATION	1	UR (SF) UR (SF)



66T4300-3060



66TG300-H070

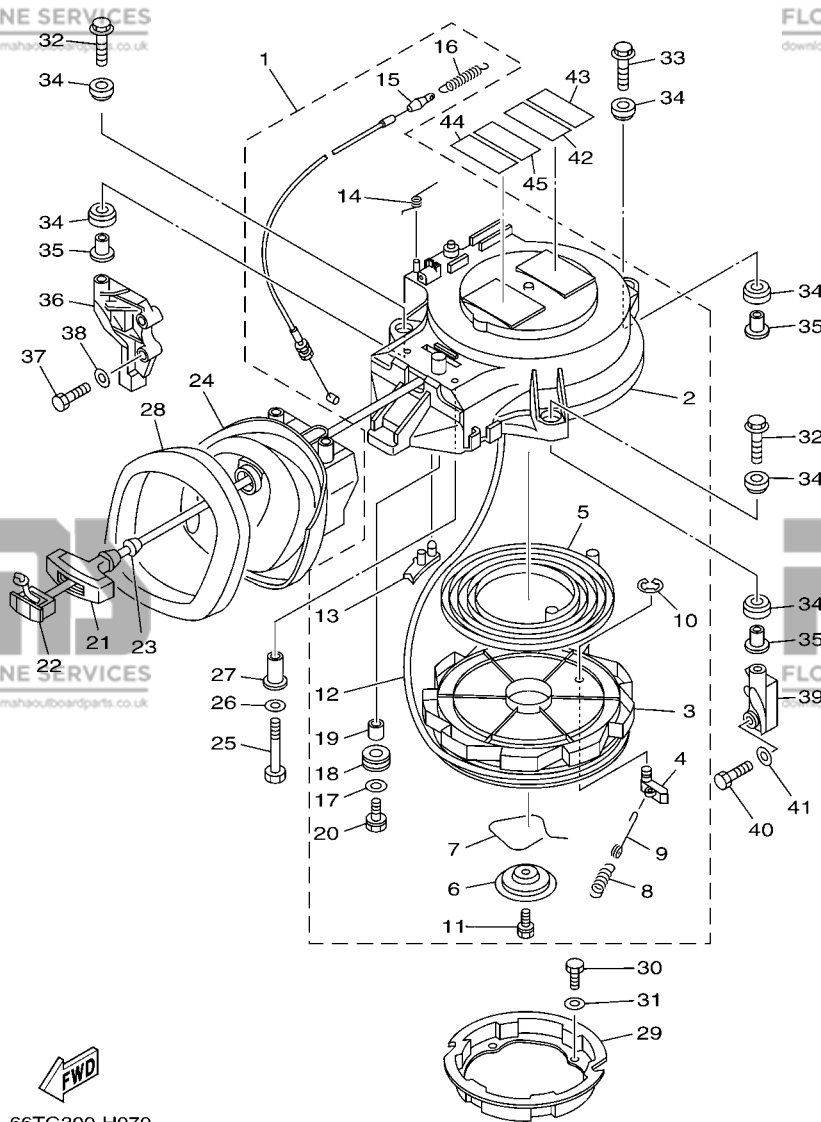
*1: CUT FROM 50M ROLLS, PART NO. 90890-44374, CUTTING LENGTH 1.8M

*1: A PRELEVER SUR BOBINE 50M ,REFERENCE 90890-44374, LONGUEUR DE COUPE 1.8M

FIG. 8 STARTER

DEMARREUR

REF. NO.	PART NO. N° PIECES	DESCRIPTION DESCRIPTION	66TV	REMARKS REMARQUES
1	66T-15710-01	STARTER ASSY DEMARREUR COMPLET	1	
2	66T-15711-01	.CASE, STARTER .CARTER DE DEMARREUR	1	
3	66T-15714-00	.DRUM, SHEAVE .TAMBOUR, POULIE	1	
4	63V-15741-00	.PAWL, DRIVE .CLIQUET, ENTRAINEMENT	1	
5	66T-15713-00	.SPRING, STARTER .RESSORT DE DEMARREUR	1	
6	66T-15716-00	.PLATE, DRIVE .PLAQUE, ENTRAINEMENT	1	
7	66T-15705-00	.SPRING, DRIVE PAWL .RESSORT DE CLIQUET	1	
8	66T-15767-00	.SPRING .RESSORT	1	
9	66T-15784-00	.SPRING, RETURN .RESSORT, RAPPEL	1	
10	63V-15744-00	.CIRCLIP .CIRCLIP	1	
11	63V-15768-00	.BOLT .BOULON	1	
12	*	.WIRE, STARTER (L:1800MM) .CABLE DE DEMARREUR (L:1800MM)	1	*1 *1
13	66T-15794-00	.STOPPER .BUTEE	1	
14	66T-15734-00	.SPRING, RETURN .RESSORT, RAPPEL	1	
15	66T-15770-00	.CABLE COMP., STARTER STOP .CABLE, BUTEE DE DEMAR	1	
16	66T-15731-00	.SPRING, RETURN .RESSORT, RAPPEL	1	
17	6F5-15791-00	.WASHER, LOCK .RONDELLE-FREIN	1	
18	6F5-15752-00	.ROLLER, WIRE .GALET, CABLE	1	
19	6F5-15753-00	.BUSH .CHARBON	1	
20	6F5-15768-00	.BOLT .BOULON	1	
21	689-15755-01	HANDLE, STARTER POIGNEE, DE DEMARREUR	1	
22	6F5-15779-02	COVER COUVERCLE	1	
23	697-15789-00	DAMPER AMORTISSEUR	1	
24	66T-15758-01	GUIDE, ROPE GUIDE DE CABLE	1	
25	97095-06035	BOLT BOULON	2	
26	92995-06600	WASHER RONDELLE	2	
27	90387-06M66	COLLAR COLLERETTE	2	



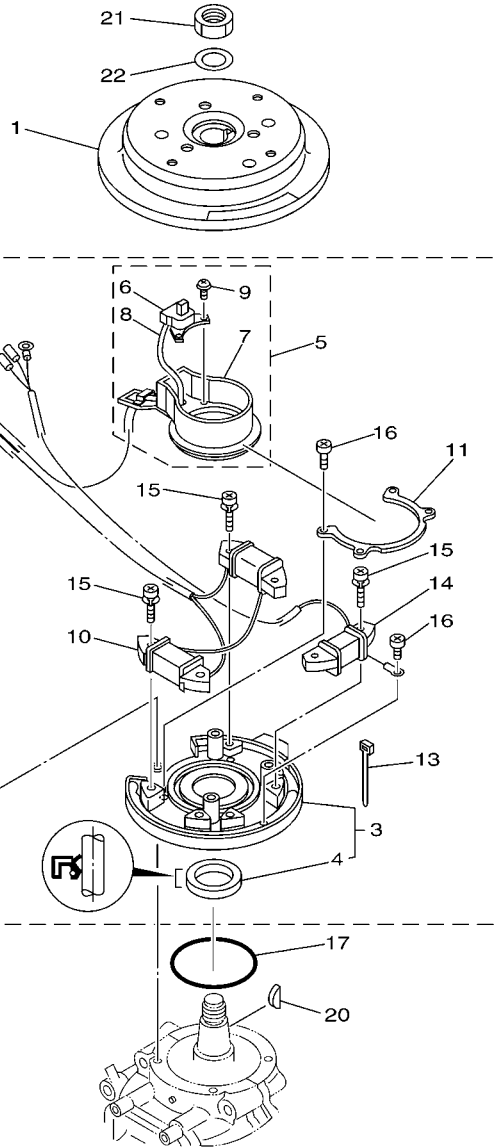
66TG300-H070

*1: CUT FROM 50M ROLLS, PART NO. 90890-44374, CUTTING LENGTH 1.8M
 *1:A PRELEVER SUR BOBINE 50M ,REFERENCE 90890-44374, LONGUEUR DE COUPE 1.8M

FIG. 8 STARTER

DEMARREUR

REF. NO.	PART NO. N° PIECES	DESCRIPTION DESCRIPTION	66TV	REMARKS REMARQUES
28	66T-15762-01	SEAL, RUBBER 2 JOINT CAOUTCHOUC 2	1	
29	66T-15723-00	PULLEY, STARTER POULIE DE DEMARREUR	1	
30	97095-06010	BOLT BOULON	4	
31	92995-06600	WASHER RONDELLE	4	
32	90119-08M10	BOLT, WITH WASHER BOULON, AVEC RONDELLE	2	
33	90119-08M51	BOLT, WITH WASHER BOULON, AVEC RONDELLE	1	
34	90385-12M04	BUSH DOUILLE	6	
35	90387-08M05	COLLAR COLLERETTE	3	
36	66T-15771-00-94	STAY 1 SUPPORT 1	1	
37	97013-06030	BOLT BOULON	2	
38	92903-06600	WASHER, PLATE RONDELLE, PLATE	2	
39	66T-15772-00-94	STAY 2 SUPPORT 2	1	
40	97013-06030	BOLT BOULON	2	
41	92903-06600	WASHER, PLATE RONDELLE, PLATE	2	
42	6AH-81994-40	LABEL, SAFETY ETIQUETTE, SECURITE	1	
43	6AH-81994-50	LABEL, SAFETY ETIQUETTE, SECURITE	1	
44	6AH-81995-40	LABEL, WARNING ETIQUETTE, AVERTISSEMENT	1	
45	6AH-81995-50	LABEL, WARNING ETIQUETTE, AVERTISSEMENT	1	




66T6300-C080

FIG. 9 GENERATOR

GENERATRICE

REF. NO.	PART NO. N° PIECES	DESCRIPTION DESCRIPTION	66TV	REMARKS REMARQUES
1	66T-85550-10	ROTOR ASSY ROTOR CPLT	1	
2	66T-85560-01	BASE ASSY ENS. FLASQUE	1	
3	66T-85561-00	.BASE, MAGNETO .BASE, MAGNETO	1	
4	93102-35008	..OIL SEAL ..JOINT SPY	1	
5	66T-85580-00	.PULSER COIL ASSY ..ENS.BOBINE DIMPULSIONS	1	
6	66T-85596-00	..COIL, PULSER 1 ..BOBINE, IMPULSIONS 1	1	
7	66T-85582-00	..ATTACHMENT, PULSER ..FIXATION, PULSEUR	1	
8	66T-85515-00	..LEAD WIRE ASSY ..FIL	1	
9	97902-04108	..SCREW, WITH WASHER ..VIS, AVEC RONDELLE	2	
10	66T-85520-00	.COIL, CHARGE .BOBINE, CHARGE	1	
11	66T-41611-00	.RETAINER, MAGNETO BASE .FLASQUE, PLATEAU D'AVANCE	1	
12	9E471-04305	.CONNECTOR .CONNECTEUR	1	
13	66T-81328-00	.CLAMP .COLLIER	1	
14	66T-85533-00	.COIL, LIGHTING .BOBINE, ECLAIRAGE	1	
15	97902-06125	.SCREW, WITH WASHER .VIS, AVEC RONDELLE	6	
16	97802-04006	.SCREW, PAN HEAD .VIS	5	
17	93210-75M51	O-RING JOINT TORIQUE	1	
18	97095-06040	BOLT BOULON	4	
19	92995-06600	WASHER RONDELLE	4	
20	90280-05015	KEY, WOODRUFF CLAVETTE, DEMI-LUNE	1	
21	90170-20137	NUT ECROU	1	
22	90201-21M18	WASHER, PLATE RONDELLE, PLATE	1	
23	90465-15M74	CLAMP BRIDE	1	
24	97095-06016	BOLT BOULON	1	
25	92995-06600	WASHER RONDELLE	1	
26	90480-10M71	GROMMET PASSE-FIL	1	
27	90464-12M00	CLAMP BRIDE	1	

FIG. 10 ELECTRICAL

ELECTRIQUE

REF. NO.	PART NO. N° PIECES	DESCRIPTION DESCRIPTION	66TV	REMARKS REMARQUES
1	66T-8554B-01-94	BRACKET SUPPORT	1	
2	6A0-82317-00	DAMPER, IGNITION COIL AMORTISSEUR, BOBINE D'ALLUM	3	
3	90387-06119	COLLAR COLLERETTE	3	
4	90119-06M65	BOLT, WITH WASHER BOULON, AVEC RONDELLE	3	
5	66T-85540-01	C.D.I. UNIT ASSY BLOC C.D.I.	1	
6	90109-06M81	BOLT BOULON	2	
7	90109-06M80	BOLT BOULON	1	
8	66T-81916-01	COVER, TERMINAL COUVERCLE, BORNE	1	
9	90109-06M81	BOLT BOULON	1	
10	66T-85570-00	IGNITION COIL ASSY BOBINE D'ALLUMAGE (ENS.)	2	
11	90480-25161	GROMMET PASSE-FIL	2	
12	90446-03MA3	HOSE DURITE	1	
13	90109-06M81	BOLT BOULON	2	
14	97095-06025	BOLT BOULON	2	
15	92995-06600	WASHER RONDELLE	2	
16	6E3-82370-21	PLUG CAP ASSY ANTIPARASITE	2	
17	97095-06012	BOLT BOULON	1	
18	92995-06600	WASHER RONDELLE	1	
19	688-82560-10	THERMO SWITCH ASSY THERMO-CONTACT COMPLET	1	
20	66T-82519-00	WIRE, EARTH LEAD FIL, MASSE	1	
21	6G1-42725-00	GROMMET PASSE-FIL	1	

Fig. 10, ELECTRICAL
Ref. No. 6, 7, 9, 13


66TT300-M100

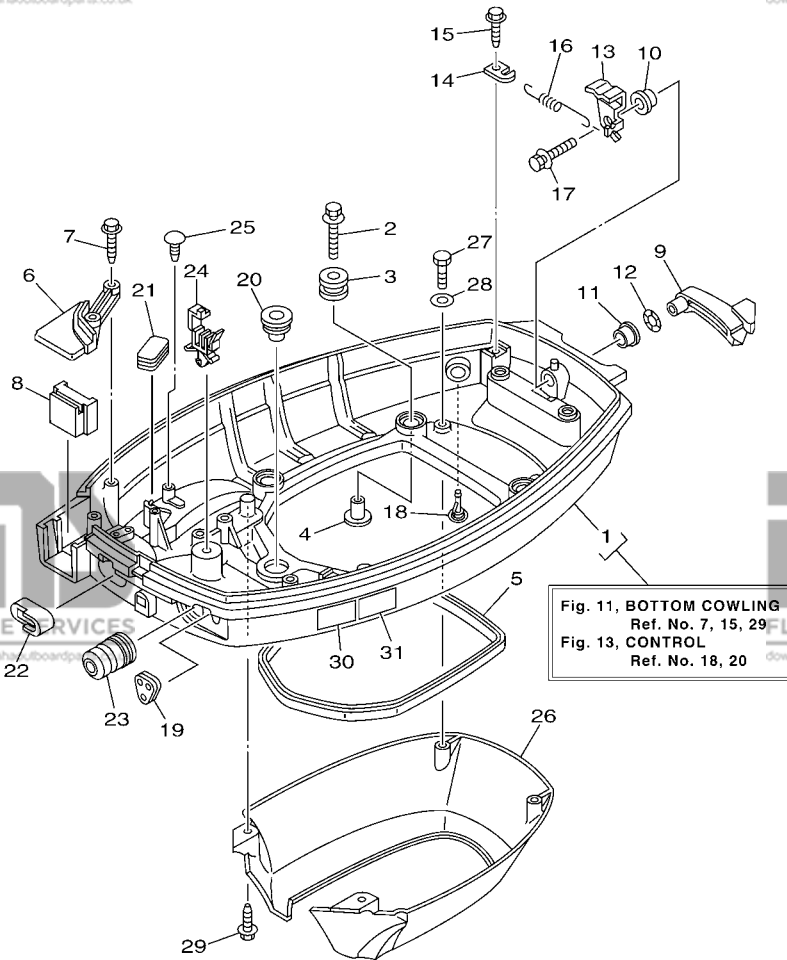


Fig. 11, BOTTOM COWLING
Ref. No. 7, 15, 29
Fig. 13, CONTROL
Ref. No. 18, 20

66TT300-M110

FIG. 11 BOTTOM COWLING CAPOT INFERIEUR

REF. NO.	PART NO. N° PIECES	DESCRIPTION DESCRIPTION	66TV	REMARKS REMARQUES
1	66T-42710-01-4D	BOTTOM COWLING ASSY ENS. EMBASE	1	
2	90119-06M61	BOLT, WITH WASHER BOULON, AVEC RONDELLE	4	
3	90480-09M21	GROMMET PASSE-FIL	4	
4	90387-06M41	COLLAR COLLERETTE	4	
5	66T-42716-00	RUBBER, SEAL 1 JOINT EN CAOUTCHOUC 1	1	
6	66T-42738-00-CA	PLATE, FITTING ETRIER	1	
7	90109-06M81	BOLT BOULON	2	
8	66T-42725-00	GROMMET PASSE-FIL	1	
9	66T-42815-01-4D	LEVER, CLAMP LEVIER, PRESSE	1	
10	90386-12M37	BUSH DOUILLE	1	
11	90386-12MA2	BUSH DOUILLE	1	
12	90206-12052	WASHER, WAVE RONDELLE, ONDULEE	1	
13	66T-42816-00	LEVER, CLAMP LEVIER, PRESSE	1	
14	66T-43144-00	HOOK, SPRING CROCHET	1	
15	90109-06M86	BOLT BOULON	1	
16	90506-16M34	SPRING, TENSION RESSORT, TENSION	1	
17	90119-06M73	BOLT, WITH WASHER BOULON, AVEC RONDELLE	1	
18	6E5-44391-00	NIPPLE, HOSE RACCORD D'ESSENCE	1	
19	65W-26326-00	GROMMET RONDELLE CAOUTCHOUC	1	
20	676-42727-00	GROMMET PASSE-FIL	1	
21	6H4-42726-00	GROMMET PASSE-FIL	1	
22	66T-24329-00	SEAL JOINT	1	
23	65W-42726-00	GROMMET PASSE-FIL	1	
24	90465-25M57	CLAMP BRIDE	1	
25	90338-05M03	PLUG PLOT	1	
26	66T-42741-00	APRON CAPOT LATERAL	1	
27	97095-06016	BOLT BOULON	2	

FIG. 11 BOTTOM COWLING

CAPOT INFERIEUR

REF. NO.	PART NO. N° PIECES	DESCRIPTION DESCRIPTION	66TV	REMARKS REMARQUES
28	92995-06600	WASHER RONDELLE	2	
29	90109-06M80	BOLT BOULON	2	
30	6AH-42794-40	LABEL, WARNING (GENERAL) ETIQUETTE, AVERTISSEMENT	1	
31	6AH-42794-50	LABEL, WARNING (GENERAL) ETIQUETTE, AVERTISSEMENT	1	

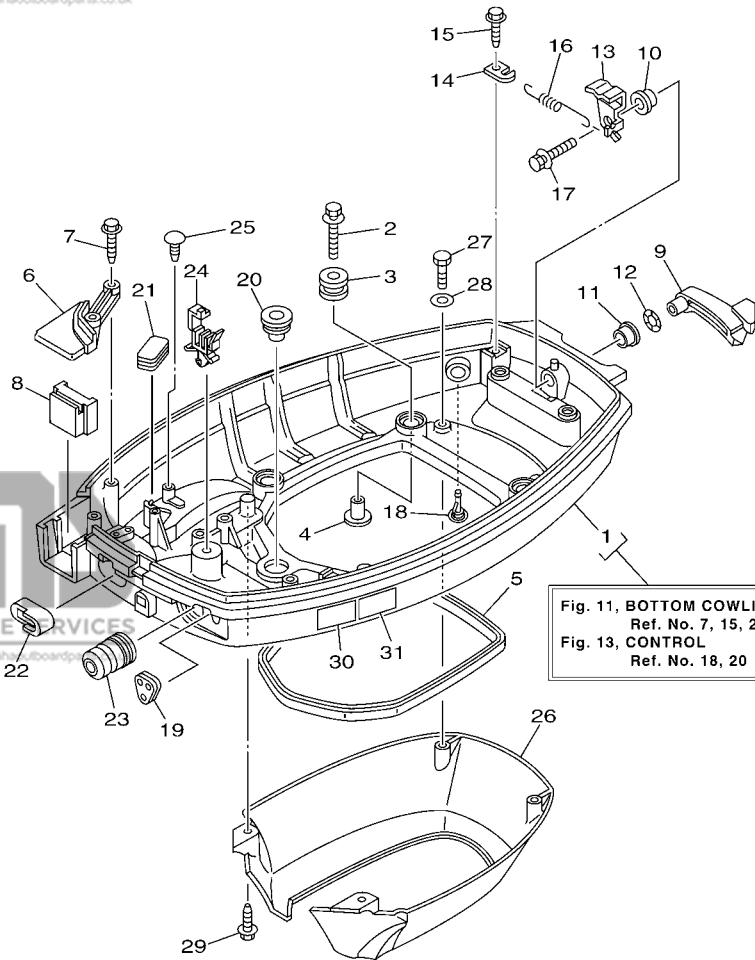


Fig. 11, **BOTTOM COWLING**
Ref. No. 7, 15, 29
Fig. 13, **CONTROL**
Ref. No. 18, 20

FWD
66TT300-M110

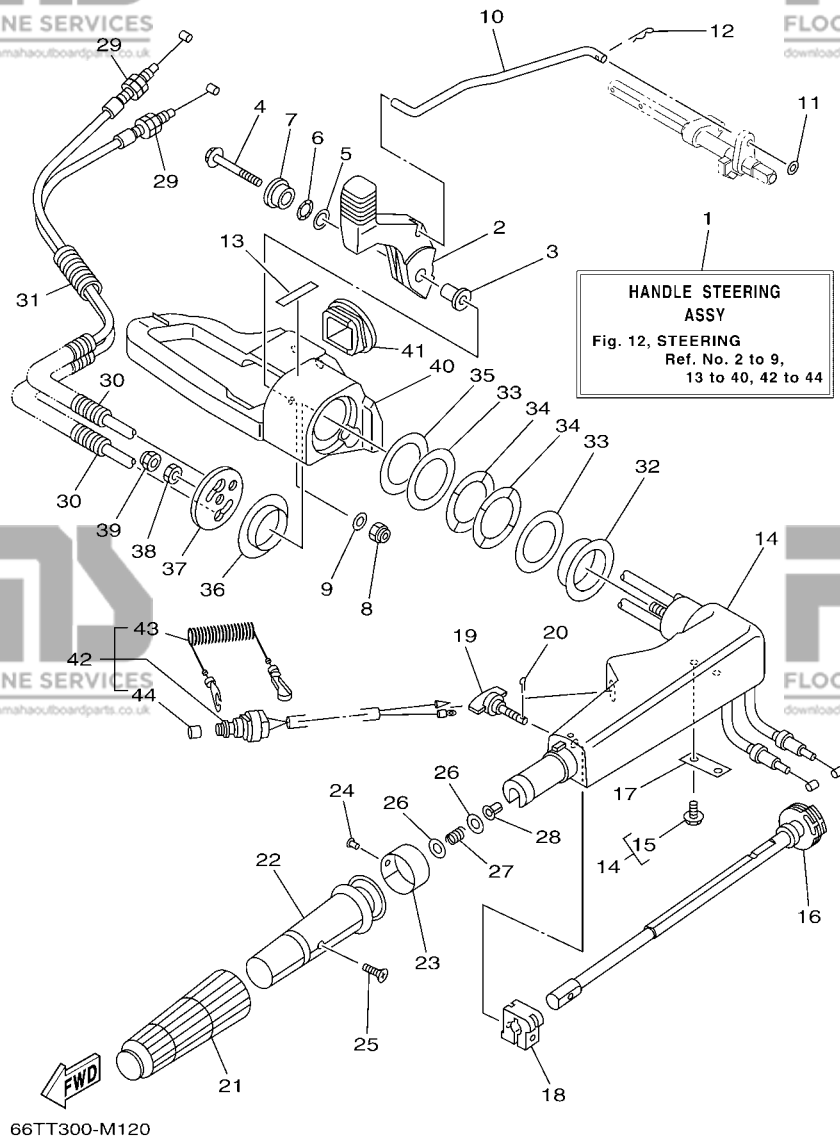


FIG. 12 STEERING

DIRECTION

REF. NO.	PART NO. N° PIECES	DESCRIPTION DESCRIPTION	66TV	REMARKS REMARQUES
1	66T-W0084-02-4D	HANDLE STEERING ASSY BARRE FRANCHE (ENS.)	1	Go to P/N : PE0-OM-140027
2	66T-44111-02	HANDLE, GEAR SHIFT POIGNEE, LEVIER D'EMBRAYAGE	1	
3	90387-06M86	COLLAR COLLERETTE	1	
4	97595-06550	BOLT, WITH WASHER VIS HEXAGONAL AVC RONDELLE	1	
5	90201-12M07	WASHER, PLATE RONDELLE, PLATE	1	
6	90206-12052	WASHER, WAVE RONDELLE, ONDULEE	1	
7	66T-42123-00	BOLT, HANDLE JOINT BOULON	1	
8	95780-06300	NUT, FLANGE ECROU	1	
9	92995-06200	WASHER RONDELLE	1	
10	66T-44124-00	LINK, SHIFT ROD BIELLETTTE	1	
11	92990-06200	WASHER, PLAIN RONDELLE, PLATE	1	
12	90468-18008	CLIP JONC	1	
13	6X3-44191-00	INDICATOR, SHIFT ETIQUETTE, EMBRAYAGE	1	
14	65W-42101-01-4D	HANDLE, STEERING POIGNEE	1	
15	90109-06M86	.BOLT .BOULON	2	
16	65W-42138-00	LEVER, THROTTLE LEVIER, ACCELERATEUR	1	
17	65W-42159-00	STAY SUPPORT	1	
18	6G1-42126-00	FRICTION, STEERING HANDLE GRIP CUVETTE, POIGNEE DE DIRECTION	1	
19	65W-42125-00	BOLT, FRICTION ADJUSTING BOULON	1	
20	91490-20010	PIN, COTTER GOUPILLE	1	
21	6G1-42177-00	RUBBER, HANDLE CAOUTCHOUC, POIGNEE	1	
22	664-42119-00	GRIP, STEERING HANDLE POIGNEE, BARRE FRANCHE	1	
23	6G1-42137-10	INDICATOR, THROTTLE INDICATEUR, ACCELERATION	1	Go to P/N : PE0-OM-140027
24	90269-02M09	RIVET RIVET	1	Go to P/N : PE0-OM-140027
25	90152-05011	SCREW, COUNTERSUNK VIS, TETE NOYEE	1	
26	90201-10M02	WASHER, PLATE RONDELLE, PLATE	2	
27	90501-23215	SPRING, COMPRESSION RESSORT, COMPRESSION	1	

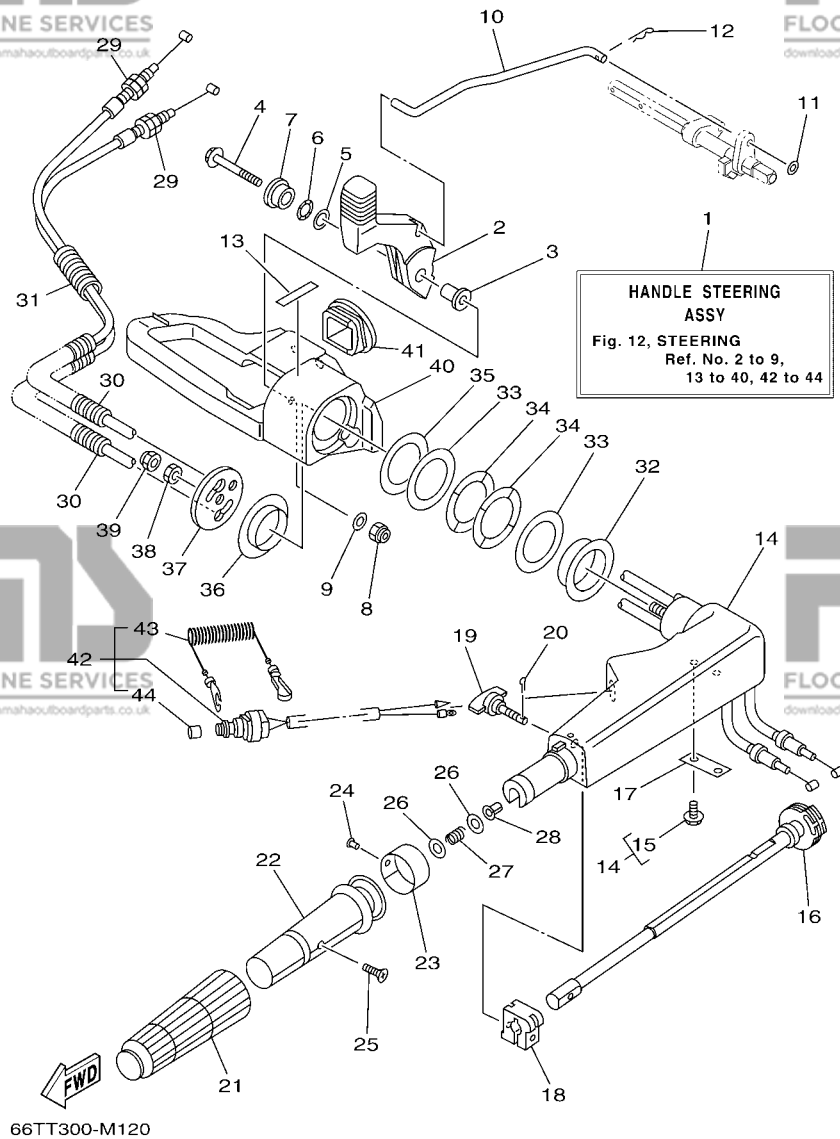
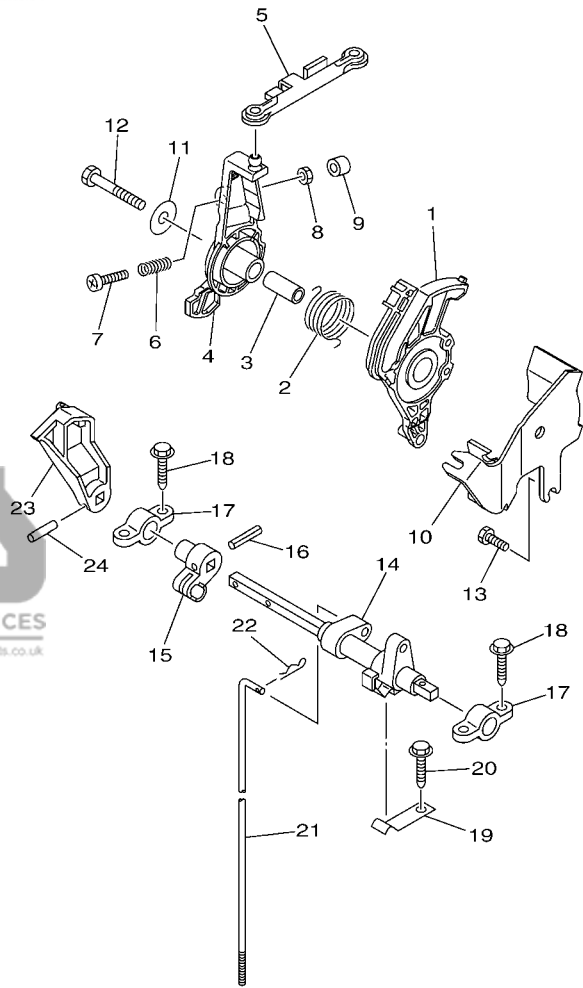


FIG. 12 STEERING

DIRECTION

REF. NO.	PART NO. N° PIECES	DESCRIPTION DESCRIPTION	66TV	REMARKS REMARQUES
28	90386-08032	BUSH DOUILLE	1	
29	66T-26301-00	THROTTLE CABLE ASSY CABLE D'ACCELERATEUR	2	
30	90446-10M87	HOSE (L75) DURITE (L75)	2	
31	90446-10M86	HOSE (L140) DURITE (L140)	2	
32	90386-40MA0	BUSH DOUILLE	1	
33	90201-43M00	WASHER, PLATE RONDELLE, PLATE	2	
34	90206-43M22	WASHER, WAVE RONDELLE, ONDULEE	2	
35	90202-43M57	WASHER, PLATE RONDELLE, PLATE	1	
36	90386-40M99	BUSH DOUILLE	1	
37	65W-42131-01	COVER, HANDLE STEERING COUVERCLE	1	
38	95380-10700	NUT ECROU	1	
39	95780-10300	NUT, FLANGE ECROU	1	
40	65W-42121-01-4D	BRACKET SUPPORT	1	
41	66T-41273-00	GROMMET PASSE-FIL	1	
42	66T-82575-01	ENGINE STOP SWITCH ASSY COUPE CIRCUIT CPLT	1	
43	682-82556-00	.LANYARD, STOP SWITCH .CORDON DU COUPE CIRCUIT	1	
44	689-8257Y-00	.CAP .COUVERCLE	1	

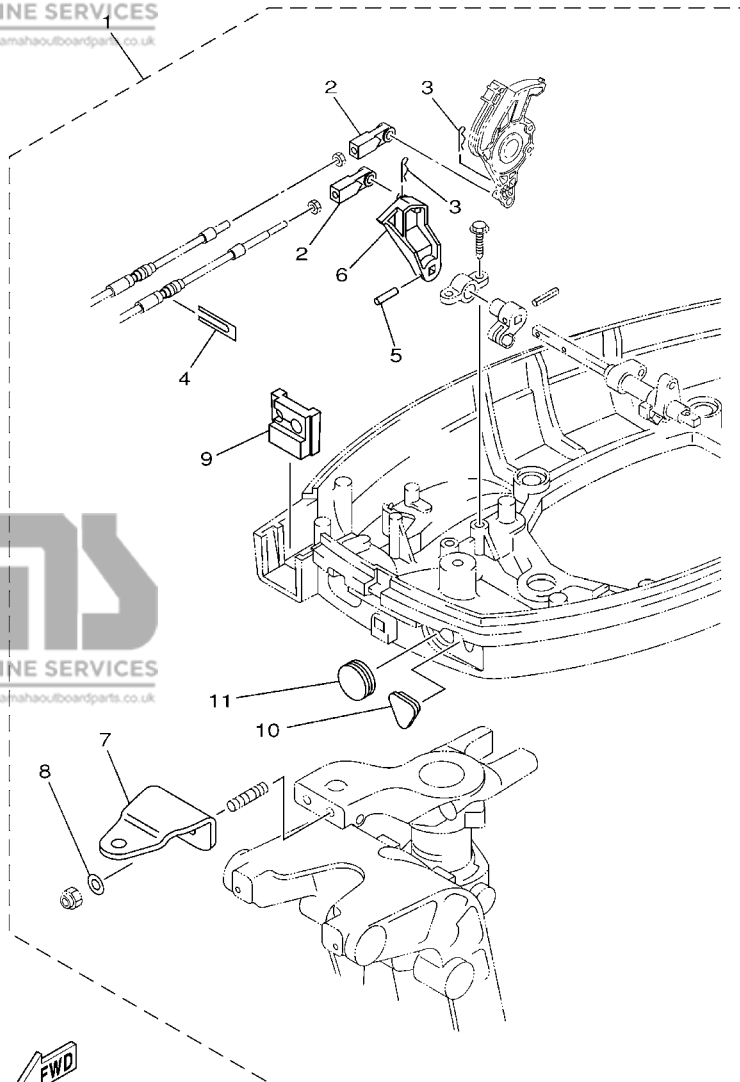


66TT300-M130

FIG. 13 CONTROL

COMMANDE

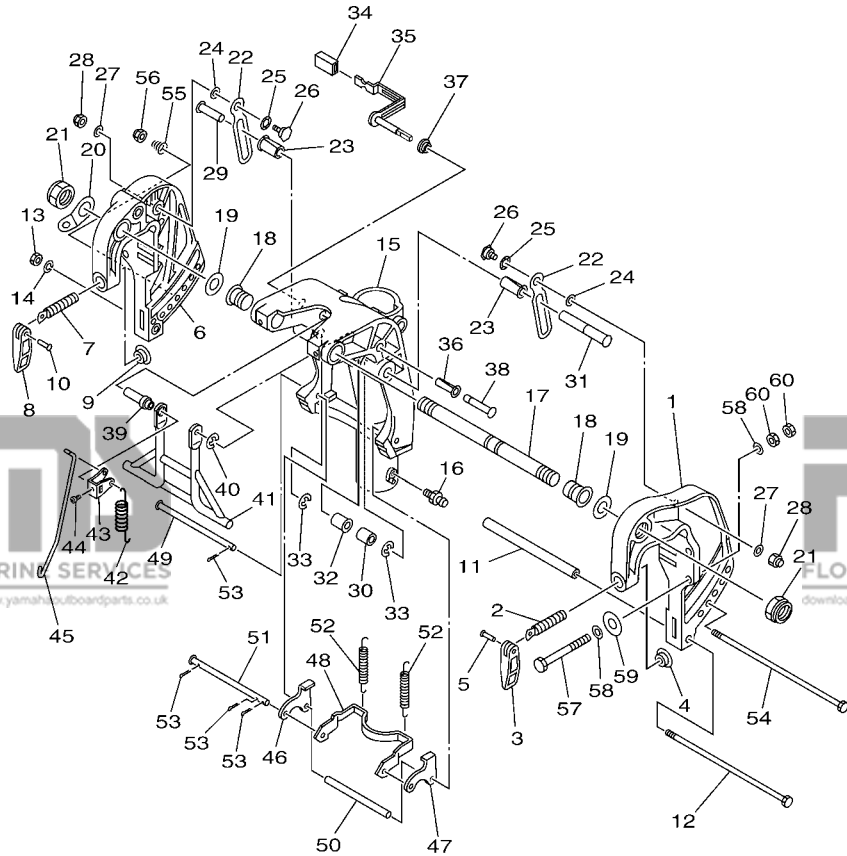
REF. NO.	PART NO. N° PIECES	DESCRIPTION DESCRIPTION	66TV	REMARKS REMARQUES
1	66T-41638-10	PULLEY POULIE	1	
2	66T-42167-00	SPRING 1 RESSORT1	1	
3	90387-08M16	COLLAR COLLERETTE	1	
4	66T-41631-11	LEVER, MAGNETO CONTROL LEVIER, COMMANDE D'AVANCE	1	
5	66T-41237-00	JOINT, LINK RACCORD	1	
6	90501-10M84	SPRING, COMPRESSION RESSORT, COMPRESSION	1	
7	97880-06035	SCREW, PAN HEAD VIS, TETE TRONCONIQUE	1	
8	95380-06700	NUT ECROU	1	
9	688-44194-00	CAP CAPUCHON	1	
10	66T-14497-10	STAY, THROTTLE WIRE SUPPORT DE BOISSEAU	1	
11	90201-08M54	WASHER, PLATE RONDELLE, PLATE	1	
12	97095-08045	BOLT BOULON	1	
13	97095-06014	BOLT BOULON	1	
14	66T-44121-00	LEVER, SHIFT ROD LEVIER, TIGE D'INVERSION	1	
15	66M-44122-00	BUSHING, SHIFT ROD LEVER DOUILLE, LEVIER D'EMBRAYAGE	1	
16	90254-03M05	PIN, SPRING RIVET, TETE TRONCONIQUE	1	
17	6F5-41662-00	BRACKET 2 SUPPORT 2	2	
18	90109-06M81	BOLT BOULON	4	
19	682-44116-01	SPRING RESSORT	1	
20	90109-06M80	BOLT BOULON	1	
21	66T-44143-10	ROD, SHIFT TIGE D'EMBRAYAGE	1	L(21.7") L(21.7")
22	91490-16012	PIN. COTTER GOUPILLE	1	
23	66T-44125-01	LEVER, SHIFT ROD LEVIER, TIGE D'INVERSION	1	
24	90254-03M04	PIN, SPRING RIVET, TETE TRONCONIQUE	1	



66TT700-M170

FIG. 14 REMO CON ATTACHMENT COMMANDE A DISTANCE

REF. NO.	PART NO. N° PIECES	DESCRIPTION DESCRIPTION	66TV	REMARKS REMARQUES
1	66T-48501-01	REMOTE CONT. ATTACHMENT ASSY. COMMANDE A DISTANCE (KIT)	1	AP AP
2	663-48344-00	.CABLE END, REMOTE CONTROL .CHAPE CABLE	2	
3	90468-18008	.CLIP .JONC	2	
4	6H3-48538-00	.CLAMP, CABLE 1 .COLLIER	1	
5	90254-03M04	.PIN, SPRING .RIVET, TETE TRONCONIQUE	1	
6	66T-44125-01	.LEVER, SHIFT ROD .LEVIER, TIGE D'INVERSION	1	
7	65W-48511-01	.HOOK, STEERING .ATTACHE, DIRECTION	1	
8	90201-10120	.WASHER, PLATE .RONDELLE, PLATE	2	
9	66T-42725-30	.GROMMET .PASSE-FIL	1	
10	65W-26326-10	.GROMMET .RONDELLE CAOUTCHOUC	1	
11	65W-42726-10	.GROMMET .PASSE-FIL	1	

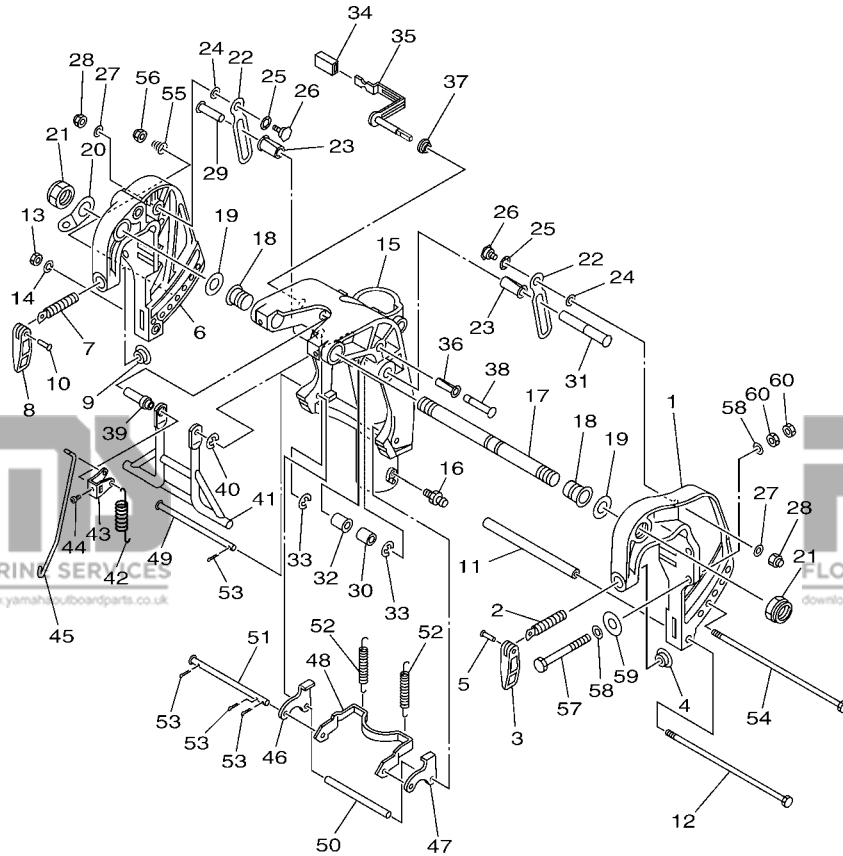


66TL700-K170

FIG. 15 BRACKET 1

SUPPORT 1

REF. NO.	PART NO. N° PIECES	DESCRIPTION DESCRIPTION	66TV	REMARKS REMARQUES
1	66T-43111-01-4D	BRACKET, CLAMP 1 PRESSE 1	1	
2	90149-14M12	SCREW VIS	1	
3	663-43118-01-4D	HANDLE, TRANSOM CLAMP POIGNEE DE VIS DE PRESSE	1	
4	648-43114-01	PAD, TRANSOM CLAMP RONDELLE D'APPUI	1	
5	90243-04007	PIN GOUPILLE	1	
6	66T-43112-01-4D	BRACKET, CLAMP 2 PRESSE 2	1	
7	90149-14M12	SCREW VIS	1	
8	663-43118-01-4D	HANDLE, TRANSOM CLAMP POIGNEE DE VIS DE PRESSE	1	
9	648-43114-01	PAD, TRANSOM CLAMP RONDELLE D'APPUI	1	
10	90243-04007	PIN GOUPILLE	1	
11	90387-08M29	COLLAR COLLERETTE	1	Go to P/N : PE0-OM-140027
12	90101-08M76	BOLT BOULON	1	
13	95380-08600	NUT ECROU	1	
14	92990-08100	WASHER, SPRING RONDELLE, GROWER	1	
15	65W-43311-10-4D	BRACKET, SWIVEL 1 SUPPORT, PIVOT 1	1	L(21.7") L(21.7")
16	93700-06M03	NIPPLE, GREASE PION	3	
17	63D-43131-01	BOLT, CLAMP BRACKET BOULON, PRESSE	1	
18	90386-22M15	BUSH DOUILLE	2	
19	90201-22M03	WASHER, PLATE RONDELLE, PLATE	2	
20	6J8-43113-01	PLATE, CLAMP BRACKET PLAQUETTE, PRESSE	1	
21	90185-22043	NUT, SELF-LOCKING ECROU,AUTO-BLOQUANT	2	
22	66T-43627-00	STOPPER PLAQUETTE	2	
23	90386-12M98	BUSH DOUILLE	2	
24	90202-12031	WASHER, PLATE RONDELLE, PLATE	2	
25	90206-12M00	WASHER, WAVE RONDELLE, ONDULEE	2	
26	90109-08M90	BOLT BOULON	2	
27	90201-08M07	WASHER, PLATE RONDELLE, PLATE	2	



FWD
66TL700-K170

FIG. 15 BRACKET 1

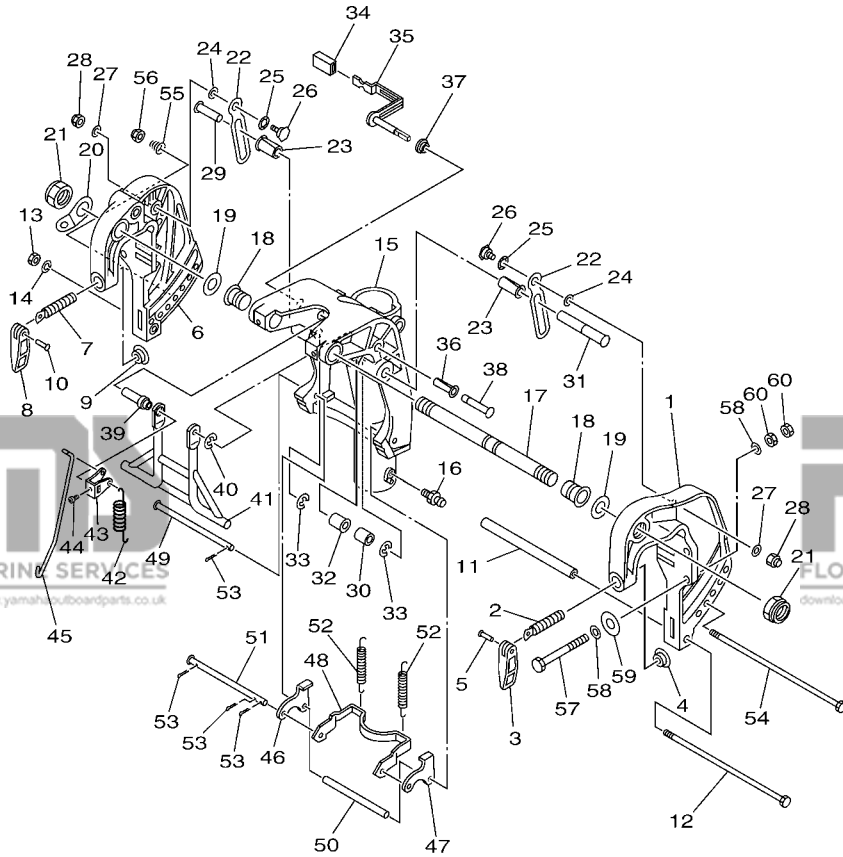
SUPPORT 1

REF. NO.	PART NO. N° PIECES	DESCRIPTION DESCRIPTION	66TV	REMARKS REMARQUES
28	90185-08057	NUT, SELF-LOCKING ECROU,AUTO-BLOQUANT	2	
29	90249-12M34	PIN GOUPILLE	1	
30	90387-12M04	COLLAR COLLERETTE	1	Go to P/N : PE0-OM-140027
31	90249-12M39	PIN GOUPILLE	1	Go to P/N : PE0-OM-140027
32	90386-12MA0	BUSH DOUILLE	1	Go to P/N : PE0-OM-140027
33	99080-10600	CIRCLIP CIRCLIP	2	
34	682-43318-01	COVER CAPUCHON	1	
35	65W-43630-11	TILT LEVER ASSY LEVIER D'INCLINAISON	1	
36	90386-10M99	BUSH DOUILLE	1	
37	90386-07MA2	BUSH DOUILLE	1	
38	90249-10M31	PIN GOUPILLE	1	
39	90387-07M05	COLLAR COLLERETTE	1	Go to P/N : PE0-OM-140027
40	99080-08600	CIRCLIP CIRCLIP	1	
41	66T-43350-02	RECEIVER ASSY RECEIVER ASSY	1	Go to P/N : PE0-OM-140027
42	90506-20M37	SPRING, TENSION RESSORT, TENSION	1	
43	66T-43631-11	LEVÉR, TILT LEVIER, INCLINAISON	1	
44	90157-05014	SCREW, PAN HEAD VIS, TETE TRONCONIQUE	1	
45	65W-43616-00	ROD, TILT LOCK TIGE	1	
46	65W-43614-01	PLATE, TILT LOCK ETRIER, VERROUILLAGE MARCHE AR	1	
47	65W-43615-01	PLATE, TILT LOCK ETRIER, VERROUILLAGE MARCHE AR	1	
48	65W-43613-00	ARM, TILT LOCK GUIDE	1	
49	90249-07M32	PIN GOUPILLE	1	
50	90387-07M29	COLLAR COLLERETTE	1	
51	90249-07M33	PIN GOUPILLE	1	
52	90506-30M00	SPRING, TENSION RESSORT, TENSION	2	
53	91490-20012	PIN, COTTER GOUPILLE	4	
54	90101-08M28	BOLT BOULON	1	

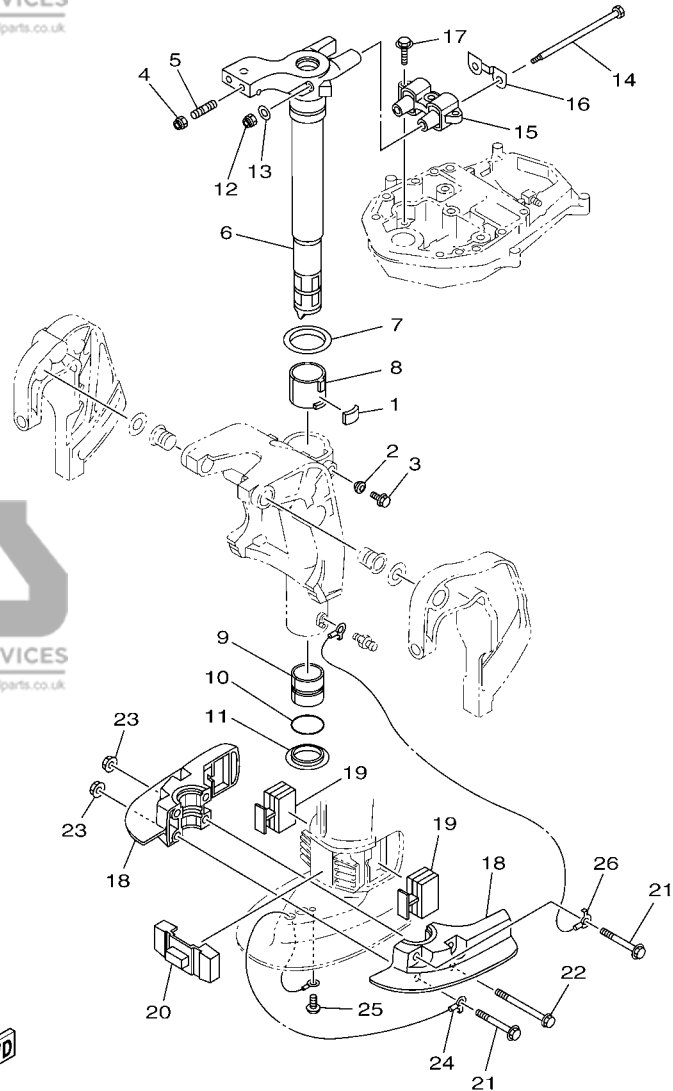
FIG. 15 BRACKET 1

SUPPORT 1

REF. NO.	PART NO. N° PIECES	DESCRIPTION DESCRIPTION	66TV	REMARKS REMARQUES
55	90502-10M06	SPRING, CONICAL RESSORT, CONIQUE	1	
56	90185-08057	NUT, SELF-LOCKING ECROU, AUTO-BLOQUANT	1	
57	90101-10M58	BOLT BOULON	4	
58	92995-10600	WASHER RONDELLE	8	
59	90201-12426	WASHER, PLATE RONDELLE, PLATE	4	
60	95380-10600	NUT ECROU	8	



66TL700-K170



66TN300-L150

FIG. 16 BRACKET 2

SUPPORT 2

REF. NO.	PART NO. N° PIECES	DESCRIPTION DESCRIPTION	66TV	REMARKS REMARQUES
1	648-42528-00	PLATE, FRICTION PLAQUE, FRICTION	1	
2	65W-43373-00	SEAL, DAMPER JOINT	1	
3	90105-08M76	BOLT, FLANGE BOULON	1	
4	90185-10027	NUT, SELF-LOCKING ECROU,AUTO-BLOQUANT	2	
5	90116-10063	BOLT, STUD GOUJON	2	
6	65W-42511-11-4D	BRACKET, STEERING CADRE, DIRECTION	1	L(21.7") L(21.7")
7	90209-52M00	WASHER RONDELLE	1	
8	90386-52M02	BUSH DOUILLE	1	
9	90386-44M03	BUSH DOUILLE	1	
10	93210-43MJ0	O-RING JOINT TORIQUE	1	
11	90386-44M99	BUSH DOUILLE	1	
12	90185-08018	NUT, SELF-LOCKING ECROU,AUTO-BLOQUANT	2	
13	92995-08200	WASHER RONDELLE	2	
14	90101-08M86	BOLT BOULON	2	
15	66T-44514-00-4D	MOUNT DAMPER, UPPER SIDE SILENT-BLOC, SUPERIEUR LATERAL	1	L(21.7")
16	66T-44526-00	PLATE PLAQUE	1	L(21.7") L(21.7")
17	97575-08530	BOLT, WITH WASHER VIS HEXAGONAL AVC RONDELLE	3	
18	65W-44551-00-4D	HOUSING, LOWER MOUNT RUBBER 1 BOITIER, SILENT-BLOC INFERIEUR	2	
19	65W-44555-10	MOUNT DAMPER, LOWER SIDE SILENT-BLOC, INFERIEUR LATERAL	2	
20	66T-44575-00	DAMPER, LOWER MOUNT RUBBER SILENT-BLOC, INFERIEUR	1	
21	97575-10570	BOLT, WITH WASHER VIS HEXAGONAL AVC RONDELLE	2	
22	90119-10M04	BOLT, WITH WASHER BOULON, AVEC RONDELLE	2	
23	90179-10M33	NUT ECROU	4	
24	66T-82127-10	WIRE, LEAD 2 FIL 2	1	
25	97885-06008	SCREW, PAN HEAD VIS, A ENCOCHE	1	
26	66T-82127-00	WIRE, LEAD 2 FIL 2	1	L(21.7") L(21.7")

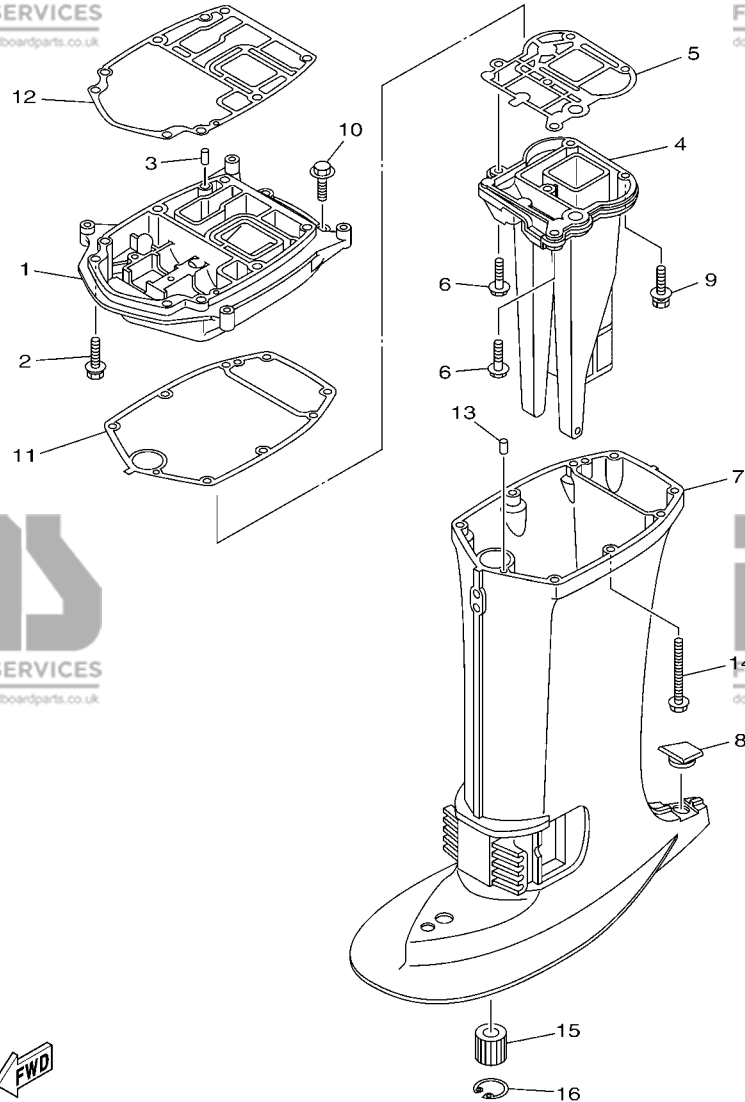


FIG. 17 UPPER CASING

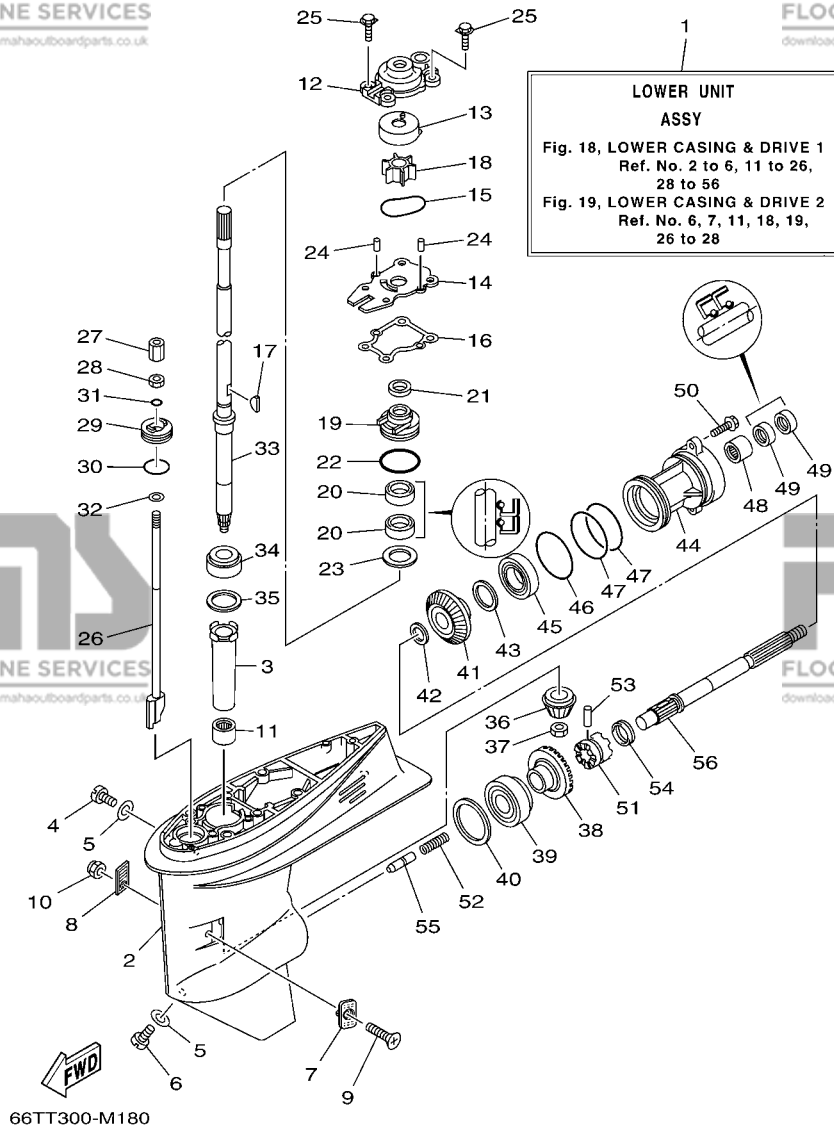
FOURREAU

REF. NO.	PART NO. N° PIECES	DESCRIPTION DESCRIPTION	66TV	REMARKS REMARQUES
1	66T-41137-00-CA	GUIDE, EXHAUST COLLECTEUR D'ÉCHAPPEMENT	1	
2	90119-08M79	BOLT, WITH WASHER BOULON, AVEC RONDELLE	2	
3	93606-12019	PIN, DOWEL GOUPILLE	2	
4	66T-41131-10-CA	MANIFOLD, EXT. 1 PIPE D'ÉCHAPPEMENT	1	L(21.7") L(21.7")
5	66T-41133-A0	GASKET, EXHAUST MANIFOLD 1 JOINT, PIPE D'ÉCHAPPEMENT	1	
6	97575-08530	BOLT, WITH WASHER VIS HEXAGONAL AVC RONDELLE	2	
7	66T-45111-10-4D	CASING, UPPER FOURREAU	1	L(21.7") L(21.7")
8	63D-45155-00	CAP CAPUCHON	1	
9	97575-08545	BOLT, WITH WASHER VIS HEXAGONAL AVC RONDELLE	3	
10	97575-08530	BOLT, WITH WASHER VIS HEXAGONAL AVC RONDELLE	2	
11	66T-45114-A0	GASKET, UPPER CASING JOINT, TUBE D'ARBRE	1	
12	66T-45113-A0	GASKET, UPPER CASING JOINT, TUBE D'ARBRE	1	
13	93606-12019	PIN, DOWEL GOUPILLE	2	
14	90119-08M42	BOLT, WITH WASHER BOULON, AVEC RONDELLE	6	
15	679-45318-00	BUSHING, DRIVE SHAFT DOUILLE, ARBRE MOTEUR	1	L(21.7") L(21.7")
16	93420-30042	CIRCLIP CIRCLIP, TYPE S	1	L(21.7") L(21.7")



66TN700-L210

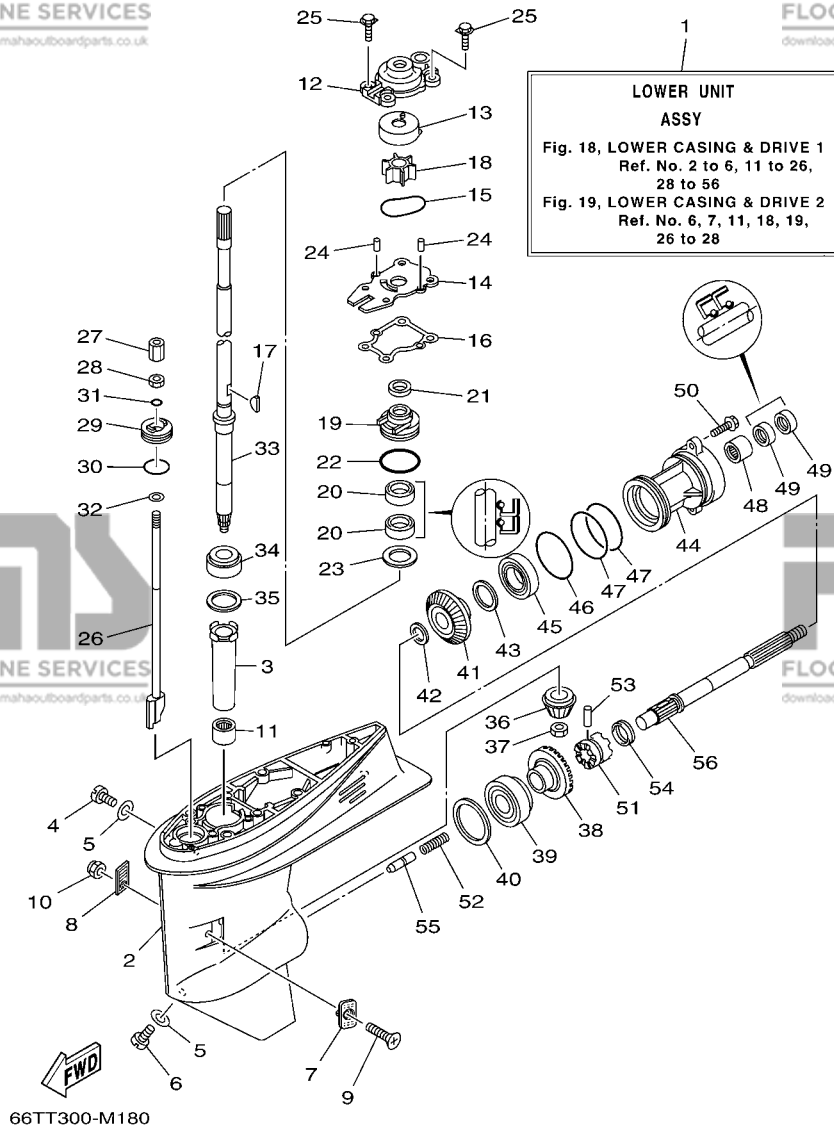
FIG. 18 LOWER CASING & DRIVE 1 BOITIER D'HELICE TRANSMISSION1



66TT300-M180

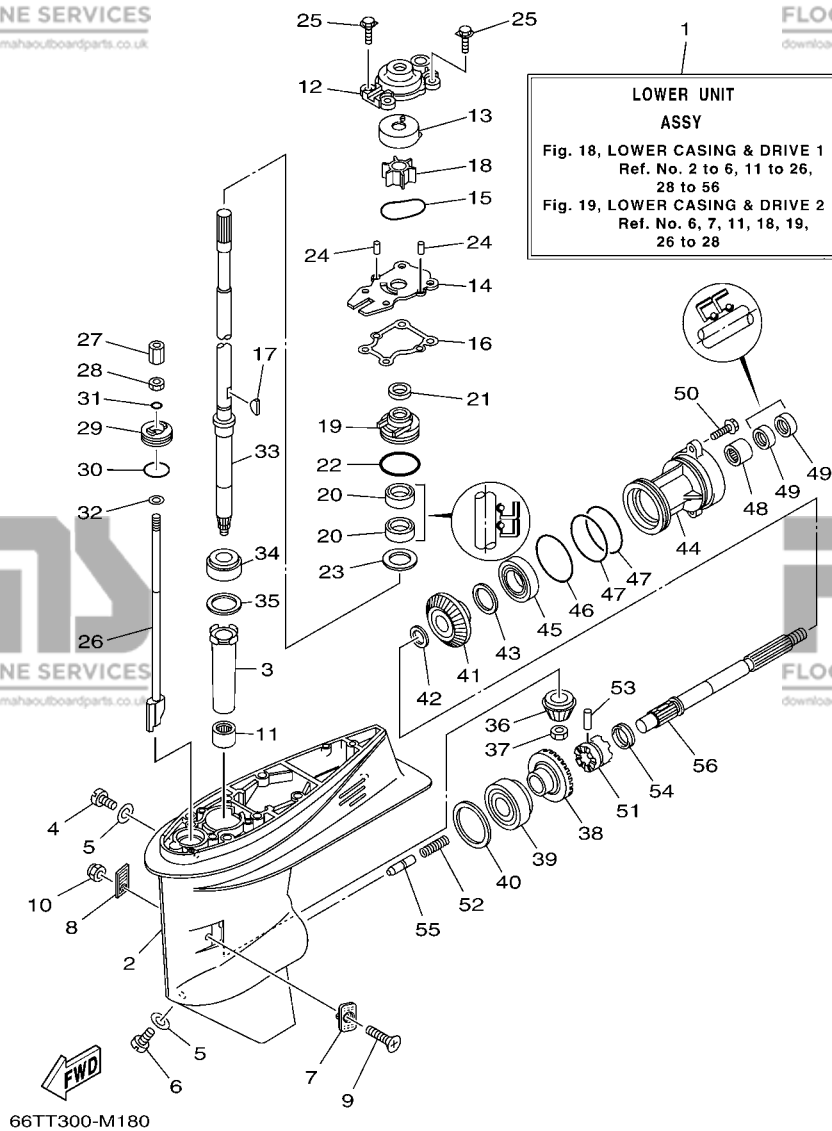
REF. NO.	PART NO. N° PIECES	DESCRIPTION DESCRIPTION	66TV	REMARKS REMARQUES
1	66T-45300-12-4D	LOWER UNIT ASSY UNITE INFERIEURE (ENS.)	1	L(21.7") L(21.7")
2	66T-45311-01-4D	CASING, LOWER BOITIER D'HELICE	1	
3	6H4-45536-00	SLEEVE, DRIVE SHAFT MANCHON, ARBRE MOTEUR	1	
4	90340-08002	PLUG, STRAIGHT SCREW PLOT, FILETE DROIT	1	
5	90430-08020	GASKET JOINT	2	
6	688-45341-10	PLUG, DRAIN BOUCHON DE VIDANGE	1	
7	63D-45214-00	COVER, WATER INLET 1 GRILLE, ENTREE D'EAU 1	1	
8	63D-45215-00	COVER, WATER INLET 2 GRILLE, ENTREE D'EAU 2	1	
9	90152-05010	SCREW, COUNTERSUNK VIS, TETE NOYEE	1	
10	95380-05600	NUT ECROU	1	
11	93315-32224	BEARING ROULEMENT	1	
12	66T-44311-00	HOUSING, WATER PUMP CORPS, POMPE A EAU	1	
13	63D-44322-00	INSERT, CARTRIDGE CUVETTE	1	
14	66T-44323-00	OUTER PLATE, CARTRIDGE PLAQUE EXTERIEURE	1	
15	93210-59MG7	O-RING JOINT TORIQUE	1	
16	63D-44316-00	GASKET, WATER PUMP JOINT, POMPE A EAU	1	
17	90280-03M03	KEY, WOODRUFF CLAVETTE, DEMI-LUNE	1	
18	6H4-44352-02	IMPELLER TURBINE	1	
19	6BG-44341-00	HOUSING, WATER PUMP CORPS, POMPE A EAU	1	
20	93101-22M60	OIL SEAL JOINT SPY	2	
21	66T-45344-01	COVER, OIL SEAL FLASQE, JOINT D'HUILE	1	
22	93210-48001	O-RING JOINT TORIQUE	1	
23	90201-27M00	WASHER, PLATE RONDELLE, PLATE	1	
24	93604-08062	PIN, DOWEL CLAVETTE	2	
25	90119-08M15	BOLT, WITH WASHER BOULON, AVEC RONDELLE	4	
26	66T-44150-11	SHIFT CAM ASSY CAME D'INVERSION	1	L(21.7") L(21.7")
27	61N-44146-00	CONNECTOR, SHIFT ROD CONNECTEUR, TIGE D'INVERSION	1	

FIG. 18 LOWER CASING & DRIVE 1 BOITIER D'HELICE TRANSMISSION1



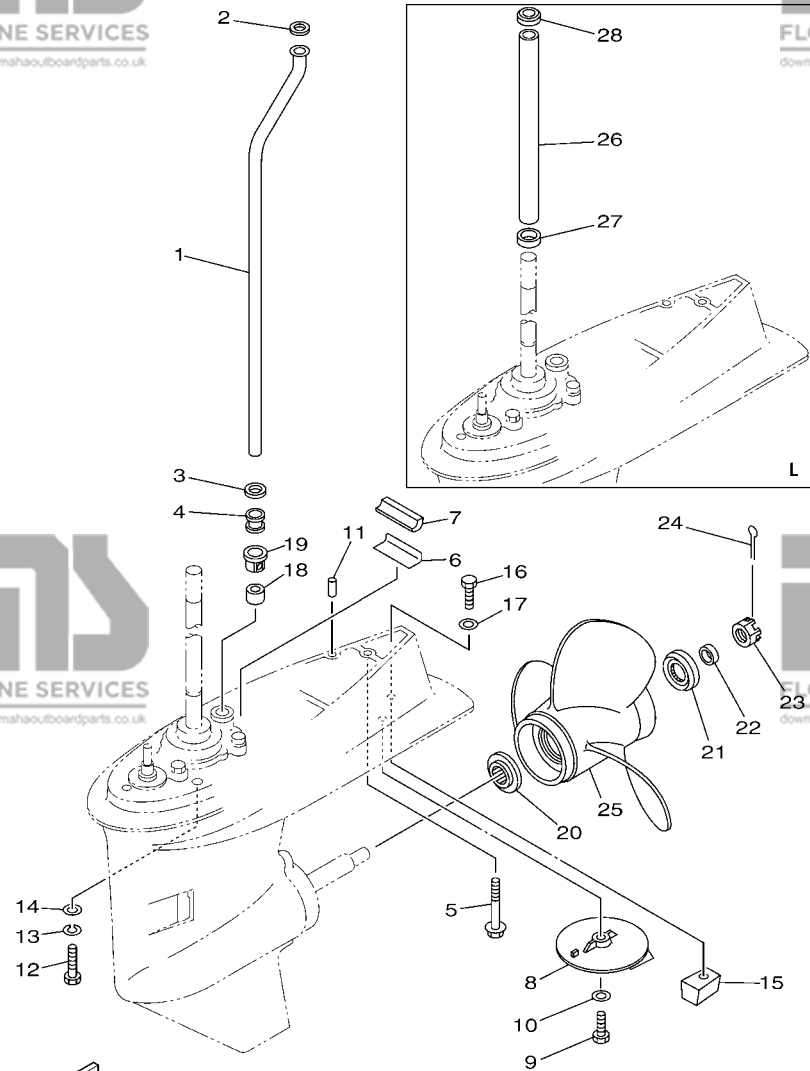
REF. NO.	PART NO. N° PIECES	DESCRIPTION DESCRIPTION	66TV	REMARKS REMARQUES
28	95380-06700	NUT ECROU	1	
29	66T-45321-00	PLATE PLAQUETTE	1	
30	93210-33MG4	O-RING JOINT TORIQUE	1	
31	93210-06ME6	O-RING JOINT TORIQUE	1	
32	92990-06600	WASHER, PLATE RONDELLE, PLATE	1	
33	66T-45501-11	DRIVE SHAFT COMP. ARBRE MOTEUR COMP.	1	L(21.7") L(21.7")
34	93332-00001	BEARING ROULEMENT	1	
35	663-45587-01	SHIM (T:0.10MM) CALE (T:0.10MM)	1	UR
	663-45587-10	SHIM (T:0.12MM) CALE (T:0.12MM)	1	UR
	663-45587-20	SHIM (T:0.15MM) CALE (T:0.15MM)	1	UR
	663-45587-30	SHIM (T:0.18MM) CALE (T:0.18MM)	1	UR
	663-45587-40	SHIM (T:0.30MM) CALE (T:0.30MM)	1	UR
	663-45587-50	SHIM (T:0.40MM) CALE (T:0.40MM)	1	UR
	663-45587-60	SHIM (T:0.50MM) CALE (T:0.50MM)	1	UR
36	66T-45551-00	PINION (13T) PIGNON D'ATTAQUE (13D)	1	
37	90170-12138	NUT ECROU	1	
38	66T-45560-01	GEAR 1 (26T) PIGNON 1 (26T)	1	
39	93332-00003	BEARING ROULEMENT	1	
40	663-45567-01	SHIM (T:0.10MM) CALE (T:0.10MM)	1	UR
	663-45567-10	SHIM (T:0.12MM) CALE (T:0.12MM)	1	UR
	663-45567-20	SHIM (T:0.15MM) CALE (T:0.15MM)	1	UR
	663-45567-30	SHIM (T:0.18MM) CALE (T:0.18MM)	1	UR
	663-45567-40	SHIM (T:0.30MM) CALE (T:0.30MM)	1	UR
	663-45567-50	SHIM (T:0.40MM) CALE (T:0.40MM)	1	UR
	663-45567-60	SHIM (T:0.50MM) CALE (T:0.50MM)	1	UR
41	66T-45571-00	GEAR 2 (26T) PIGNON 2 (26T)	1	
42	90201-22429	WASHER, PLATE RONDELLE, PLATE	1	

FIG. 18 LOWER CASING & DRIVE 1 BOITIER D'HELICE TRANSMISSION1



REF. NO.	PART NO. N° PIECES	DESCRIPTION DESCRIPTION	66TV	REMARKS REMARQUES
43	63D-45577-00	SHIM (T:0.10MM)	1	UR
		CALE (T:0.10MM)		UR
	63D-45577-10	SHIM (T:0.12MM)	1	UR
		CALE (T:0.12MM)		UR
	63D-45577-20	SHIM (T:0.15MM)	1	UR
		CALE (T:0.15MM)		UR
	63D-45577-30	SHIM (T:0.18MM)	1	UR
		CALE (T:0.18MM)		UR
	63D-45577-40	SHIM (T:0.30MM)	1	UR
		CALE (T:0.30MM)		UR
	63D-45577-50	SHIM (T:0.40MM)	1	UR
		CALE (T:0.40MM)		UR
	63D-45577-60	SHIM (T:0.50MM)	1	UR
		CALE (T:0.50MM)		UR
44	63D-45361-02-4D	CAP, LOWER CASING COUVERCLE, BOITIER D'HELICE	1	
45	93306-001U1	BEARING ROULEMENT	1	
46	93210-69MG6	O-RING JOINT TORIQUE	1	
47	93210-74MG5	O-RING JOINT TORIQUE	2	
48	93317-22204	BEARING ROULEMENT	1	
49	93101-22M00	OIL SEAL JOINT SPY	2	
50	90105-08M61	BOLT, FLANGE BOULON	2	
51	66T-45631-00	CLUTCH, DOG CRABOT	1	
52	90501-15M01	SPRING, COMPRESSION RESSORT, COMPRESSION	1	
53	90250-06023	PIN, STRAIGHT GOUPILLE, DROITE	1	
54	663-45633-00	RING, CROSS PIN JONC, GOUPILLE CRABOT	1	
55	66T-45635-00	PLUNGER, SHIFT POUSSOIR D'EMBRAYAGE	1	
56	66T-45611-00	SHAFT, PROPELLER ARBRE, HELICE	1	

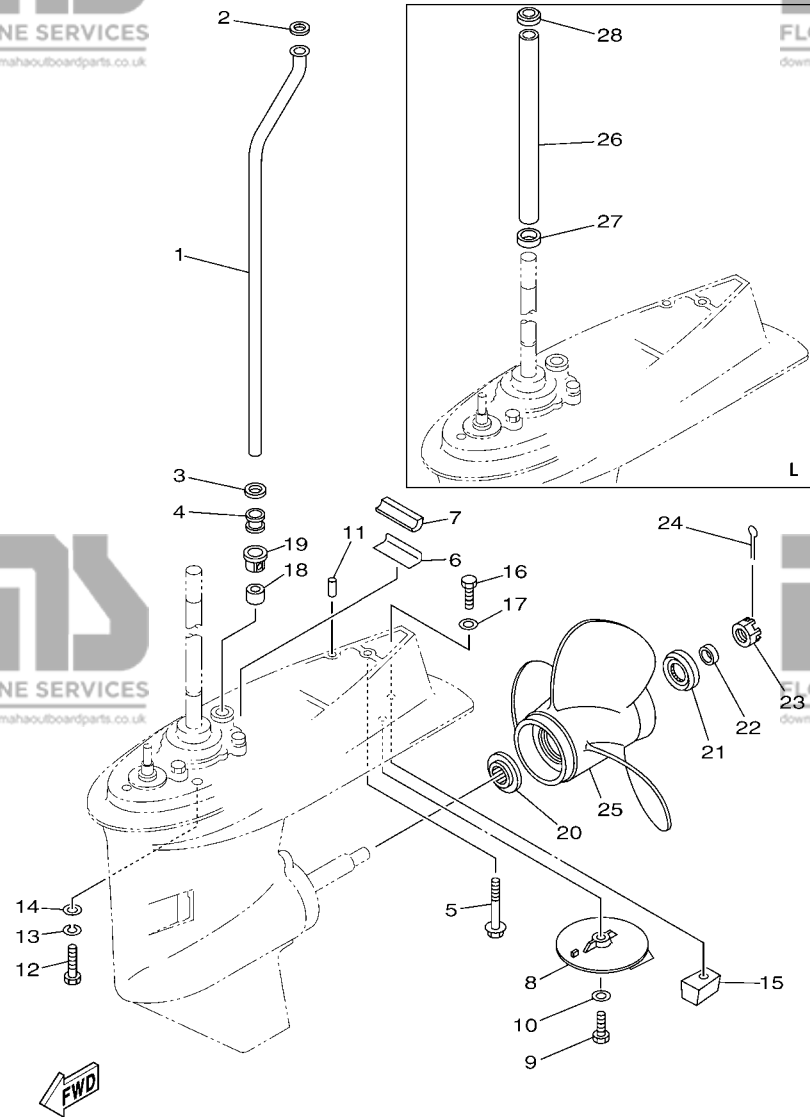
FIG. 19 LOWER CASING & DRIVE 2 BOITIER D'HELICE TRANSMISSION2



66TT700-M240

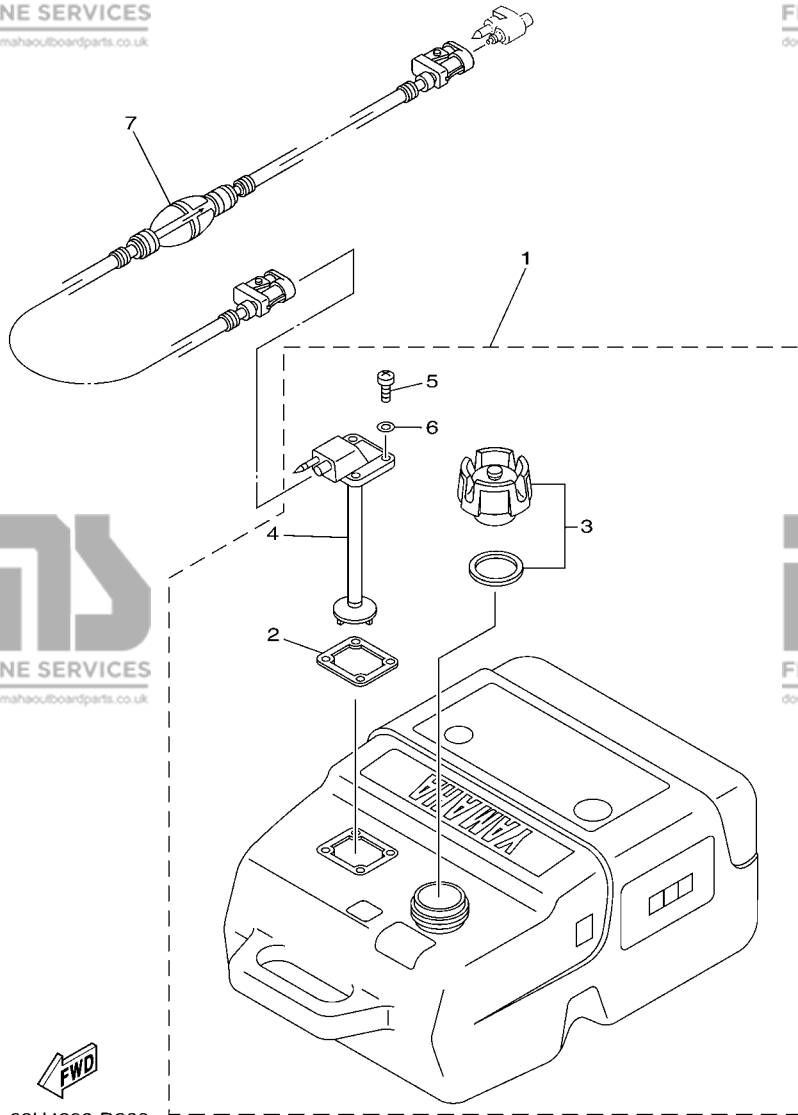
REF. NO.	PART NO. N° PIECES	DESCRIPTION DESCRIPTION	66TV	REMARKS REMARQUES
1	66T-44361-10	TUBE, WATER 1 TUBE D'EAU 1	1	L(21.7") L(21.7")
2	90202-12060	WASHER, PLATE RONDELLE, PLATE	1	
3	90430-12072	GASKET JOINT	1	
4	663-44367-00	DAMPER, WATER SEAL 3 JOINT TUBE D'EAU 3	1	
5	97575-08565	BOLT, WITH WASHER VIS HEXAGONAL AVC RONDELLE	1	L(21.7") L(21.7")
6	663-45376-00	GUIDE, SEAL DAMPER BUTEE, JOINT CAOUTCHOUC	1	
7	63D-45375-00	DAMPER, SEAL BOURRELET, CAOUTCHOUC	1	
8	664-45371-01	TAB-TRIM ANODE DERIVE	1	
9	97095-08025	BOLT BOULON	1	
10	92995-08600	WASHER RONDELLE	1	
11	93606-12019	PIN, DOWEL GOUPILLE	2	
12	97075-10040	BOLT BOULON	4	L(21.7") L(21.7")
13	92995-10100	WASHER RONDELLE	4	L(21.7") L(21.7")
14	92995-10600	WASHER RONDELLE	4	L(21.7") L(21.7")
15	67C-45251-00	ANODE ANODE	1	
16	97095-08035	BOLT BOULON	1	
17	92995-08600	WASHER RONDELLE	1	
18	663-44366-00	DAMPER, WATER SEAL 2 JOINT, TUBE D'EAU 2	1	
19	63D-44312-00	COVER, WATER PUMP HOUSING COUVERCLE	1	
20	663-45987-02	SPACER 1 ENTRETOISE 1	1	
21	66T-45997-00	SPACER 2 ENTRETOISE 2	1	
22	90389-22M01	BUSH DOUILLE	1	
23	90171-16011	NUT, CASTLE ECROU, CRENELE	1	
24	91490-30025	PIN, COTTER GOUPILLE	1	
25	69W-45943-00	PROPELLER (3X11"X15"-G) HELICE (3X11"X15"-G)	1	UR UR
	69W-45945-00	PROPELLER (3X11-1/8"X13"-G) HELICE (3X11-1/8"X13"-G)	1	UR UR
	69W-45947-00	PROPELLER (3X11-5/8"X11"-G) HELICE (3X11-5/8"X11"-G)	1	UR UR

FIG. 19 LOWER CASING & DRIVE 2 BOITIER D'HELICE TRANSMISSION2



66TT700-M240

REF. NO.	PART NO. N° PIECES	DESCRIPTION DESCRIPTION	66TV	REMARKS REMARQUES
25	69W-45952-00	PROPELLER (3X11-3/8"X12"-G) HELICE (3X11-3/8"X12"-G)	1	UR
	69W-45958-00	PROPELLER (3X11-1/4"X14"-G) HELICE (3X11-1/4"X14"-G)	1	UR
	63D-45941-00	PROPELLER (3X12-1/4"X8"-G) HELICE (3X12-1/4"X8"-G)	1	UR
	663-45941-01	PROPELLER (3X10-3/4"X17"-G) HELICE (3X10-3/4"X17"-G)	1	UR
	663-45949-01	PROPELLER (3X10-3/4"X16"-G) HELICE (3X10-3/4"X16"-G)	1	UR
	663-45952-02	PROPELLER (3X11-3/8"X12"-G) HELICE (3X11-3/8"X12"-G)	1	UR
	663-45954-01	PROPELLER (3X11-3/4"X10"-G) HELICE (3X11-3/4"X10"-G)	1	UR
	663-45956-01	PROPELLER (3X12-1/4"X9"-G) HELICE (3X12-1/4"X9"-G)	1	UR
	663-45958-01	PROPELLER (3X11-1/4"X14"-G) HELICE (3X11-1/4"X14"-G)	1	UR
	663-45930-00	PROPELLER (3X10-1/4"X14"-G) HELICE (3X10-1/4"X14"-G)	1	UR
	663-45976-00	PROPELLER (3X10-1/4"X15"-G) HELICE (3X10-1/4"X15"-G)	1	UR
	663-45978-00	PROPELLER (3X10-1/4"X16"-G) HELICE (3X10-1/4"X16"-G)	1	UR
	663-45970-60	PROPELLER (3X11-3/4"X12"-G) HELICE (3X11-3/4"X12"-G)	1	UR
	663-45972-60	PROPELLER (3X12"X11"-G) HELICE (3X12"X11"-G)	1	UR
	663-45974-60	PROPELLER (3X11-1/2"X13"-G) HELICE (3X11-1/2"X13"-G)	1	UR
26	66T-44362-10	TUBE, WATER 2 Go to P/N : PE0-OM-140027 TUBE D'EAU 2	1	L(21.7")
27	90480-25M70	GROMMET PASSE-FIL	1	L(21.7")
28	90480-30M71	GROMMET PASSE-FIL	1	L(21.7")



68U4300-D230

FIG. 20 FUEL TANK

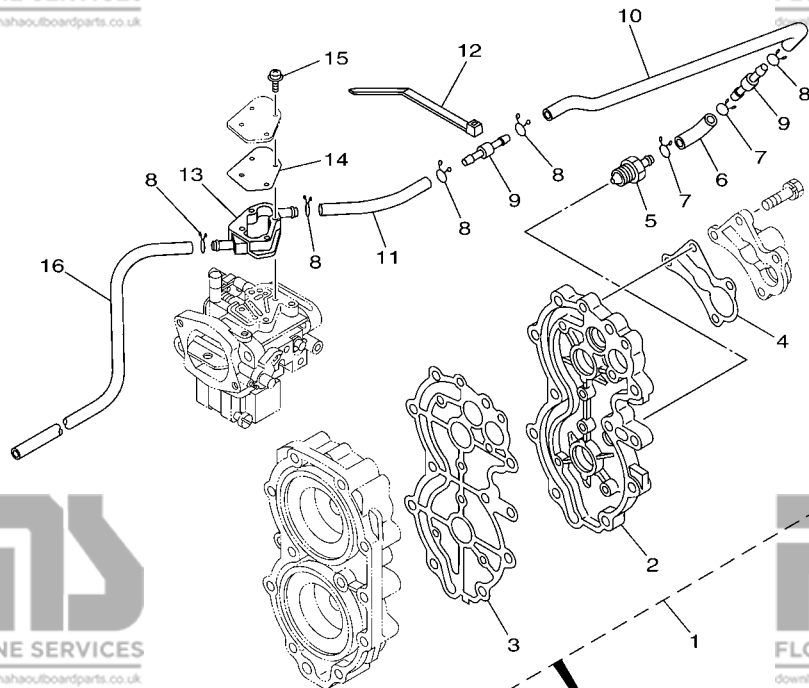
RESERVOIR A CARBURANT

REF. NO.	PART NO. N° PIECES	DESCRIPTION DESCRIPTION	66TV	REMARKS REMARQUES
1	6YK-24201-03	FUEL TANK ASSY (25L) RESERVOIR A ESSENCE (ENS.) 25L	1	AP AP
2	6YL-24268-01	.GASKET, FUEL METER .JOINT, JAUGE A CARBURANT	1	
3	6YK-24610-01	.CAP ASSY .BOUCHON	1	
4	6YK-24260-01	.FUEL METER ASSY .INDICATEUR DE CARBURANT	1	
5	90157-05M16	.SCREW, PAN HEAD .VIS, TETE TRONCONIQUE	4	
6	6YL-24329-00	.SEAL .JOINT	4	
7	6YL-24306-54	FUEL PIPE COMP. 1 DURITE A ESSENCE 1	1	AP AP



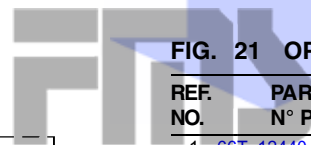
FLOOD MARINE SERVICES

downloaded from www.yamahaoutboardparts.co.uk



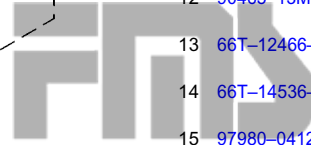
FLOOD MARINE SERVICES

downloaded from www.yamahaoutboardparts.co.uk



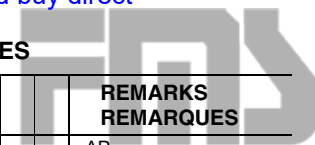
FLOOD MARINE SERVICES

downloaded from www.yamahaoutboardparts.co.uk



FLOOD MARINE SERVICES

downloaded from www.yamahaoutboardparts.co.uk



FLOOD MARINE SERVICES

downloaded from www.yamahaoutboardparts.co.uk



FLOOD MARINE SERVICES

downloaded from www.yamahaoutboardparts.co.uk

66TA300-E200

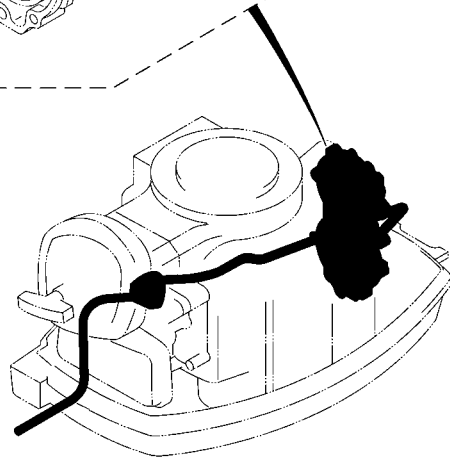


FIG. 21 OPTIONAL PARTS

PIECES OPTIONNELLES

REF. NO.	PART NO. N° PIECES	DESCRIPTION DESCRIPTION	66TV	REMARKS REMARQUES
1	66T-12440-51	HEAT EXCHANGER ASSY ECHANGEUR DE CHALEUR	1	AP AP
2	66T-11191-50	.COVER, CYLINDER HEAD 1 .COUVERCLE, CULASSE 1	1	
3	66T-11193-A3	.GASKET, HEAD COVER 1 .JOINT, COUVERCLE DE CULASSE 1	1	
4	676-12414-A1	.GASKET, COVER .JOINT, COUVERCLE	1	
5	66T-12469-00	.JOINT 1 .RACCORD 1	1	
6	6E5-24315-00	.PIPE 5 .DURITE 5	1	
7	90467-11M08	.CLIP .JONC	2	
8	90467-10M04	.CLIP .JONC	5	
9	6E5-24379-00	.PIPE, JOINT 4 .DURITE RACCORDEMENT 4	2	
10	66T-12481-50	.PIPE 1 .DURITE 1	1	
11	66T-12482-50	.PIPE 2 .DURITE 2	1	
12	90465-13M36	.CLAMP .BRIDE	1	
13	66T-12466-00	.EXCHANGER, HEAT .ECHANGEUR DE CHALEUR	1	
14	66T-14536-00	.GASKET .JOINT	1	
15	97980-04125	.SCREW, WITH WASHER .VIS, AVEC RONDELLE	4	
16	90445-11M78	.HOSE (L1000) .DURITE (L1000)	1	



FLOOD MARINE SERVICES

downloaded from www.yamahaoutboardparts.co.uk



FLOOD MARINE SERVICES

downloaded from www.yamahaoutboardparts.co.uk



FLOOD MARINE SERVICES

downloaded from www.yamahaoutboardparts.co.uk

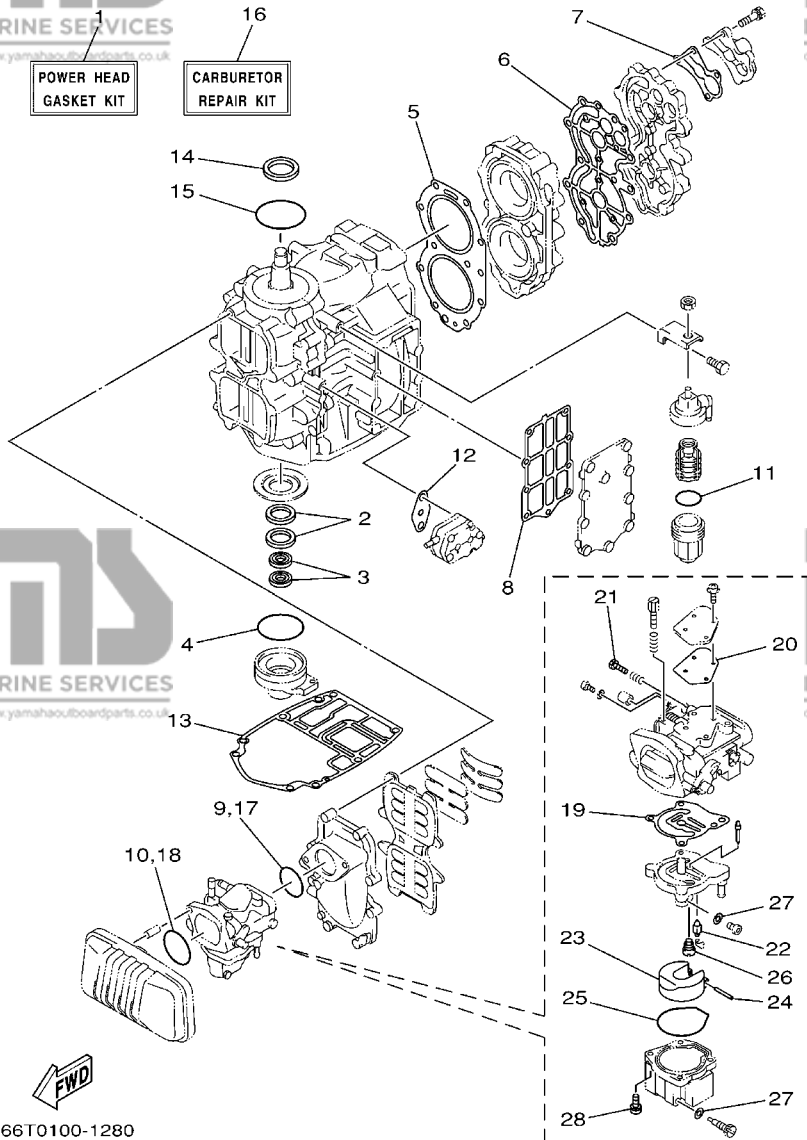


FIG. 22 REPAIR KIT 1

KITS DE REPARATION 1

REF. NO.	PART NO. N° PIECES	DESCRIPTION DESCRIPTION	66TV	REMARKS REMARQUES
1	66T-W0001-01	POWER HEAD GASKET KIT POCHETTE DE JINTS TETE MOTRICE	1	
2	93102-30M56	.OIL SEAL .JOINT SPY	2	
3	93101-16001	.OIL SEAL .JOINT SPY	2	
4	93210-65M50	.O-RING .JOINT TORIQUE	1	
5	66T-11181-A3	.GASKET, CYLINDER HEAD 1 .JOINT, DE CULASSE 1	1	
6	66T-11193-A3	.GASKET, HEAD COVER 1 .JOINT, COUVERCLE DE CULASSE 1	1	
7	676-12414-A1	.GASKET, COVER .JOINT, COUVERCLE	1	
8	66T-41114-A0	.GASKET, EXHAUST OUTER COVER .JOINT, COUVERCLE D'ECHAPPEMENT	1	
9	93210-46M16	.O-RING .JOINT TORIQUE	1	
10	93210-54M54	.O-RING .JOINT TORIQUE	1	
11	93210-32738	.O-RING .JOINT TORIQUE	1	
12	650-24431-A0	.GASKET, FUEL PUMP 1 .JOINT 1 DE POMPE A ESSENCE	1	
13	66T-45113-A0	.GASKET, UPPER CASING .JOINT, TUBE D'ARBRE	1	
14	93102-35008	.OIL SEAL .JOINT SPY	1	
15	93210-75M51	.O-RING .JOINT TORIQUE	1	
16	66T-W0093-01	CARBURETOR REPAIR KIT KIT DE REPARATION CARBURATEUR	1	Go to P/N : PE0-OM-140027
17	93210-46M16	.O-RING .JOINT TORIQUE	1	
18	93210-54M54	.O-RING .JOINT TORIQUE	1	
19	66T-14384-01	.GASKET, FLOAT CHAMBER .JOINT, CUVE DE FLOTTEUR	1	
20	66T-14536-01	.GASKET .JOINT	1	
21	6E5-14323-03	.SCREW, AIR ADJUSTING .VIS DE DOSEUR D'AIR	1	
22	6E5-14546-00	.VALVE, NEEDLE .POINTEAU	1	
23	6E5-14385-02	.FLOAT .FLOTTEUR	1	
24	6E5-14386-02	.PIN, FLOAT .AXE, FLOTTEUR	1	
25	66T-14984-00	.GASKET, FLOAT CHAMBER .JOINT, CUVE DE FLOTTEUR	1	
26	66T-14992-00	.PLUG .BOUCHON	1	
27	66T-14959-00	.GASKET .JOINT	2	

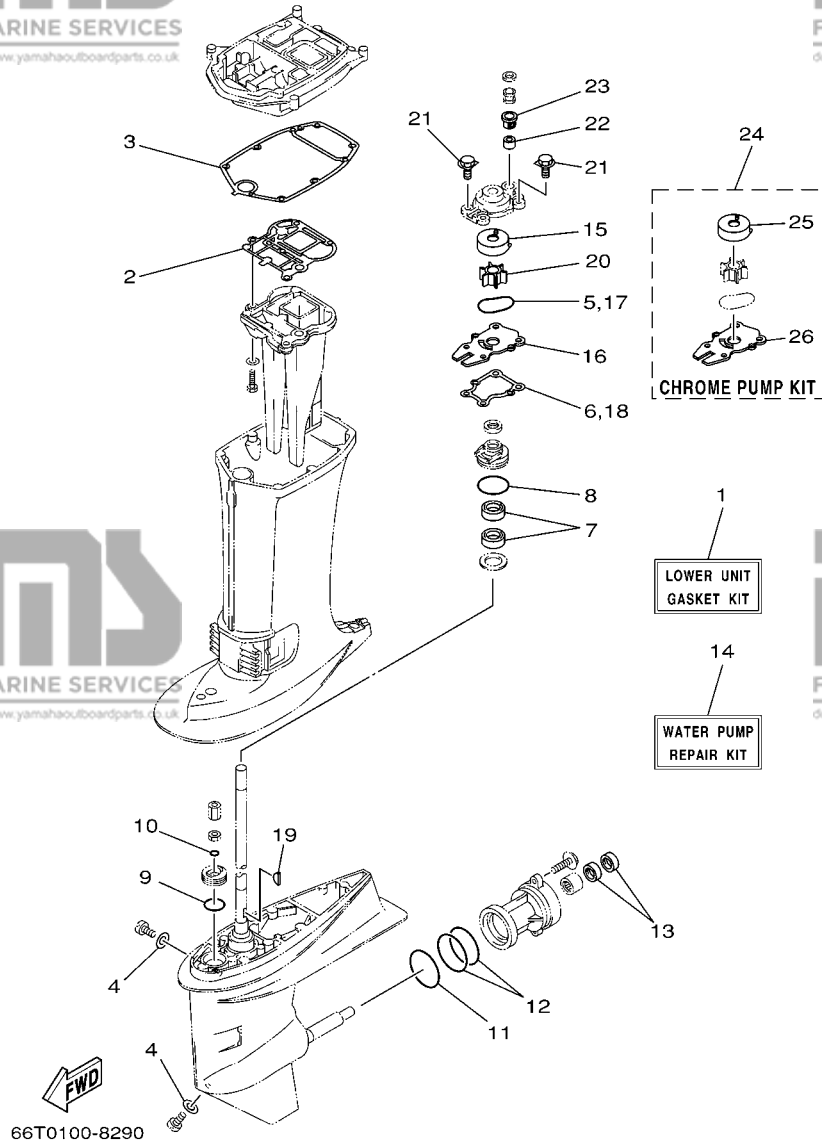


FIG. 23 REPAIR KIT 2

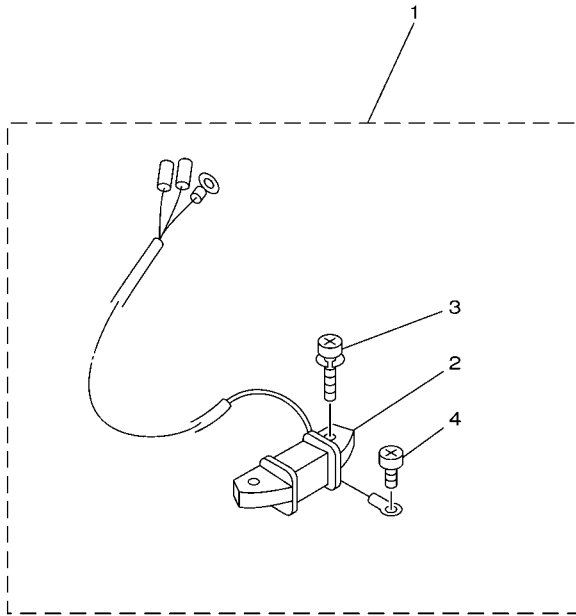
KITS DE REPARATION 2

REF. NO.	PART NO. N° PIECES	DESCRIPTION DESCRIPTION	66TV	REMARKS REMARQUES
1	66T-W0001-21	LOWER UNIT GASKET KIT POCHETTE DE JOINTS EMBASE	1	
2	66T-41133-A0	.GASKET, EXHAUST MANIFOLD 1 .JOINT, PIPE D'ECHAPPEMENT	1	
3	66T-45114-A0	.GASKET, UPPER CASING .JOINT, TUBE D'ARBRE	1	
4	90430-08020	.GASKET .JOINT	2	
5	93210-59MG7	.O-RING .JOINT TORIQUE	1	
6	63D-44316-00	.GASKET, WATER PUMP .JOINT, POMPE A EAU	1	
7	93101-22M60	.OIL SEAL .JOINT SPY	2	
8	93210-48001	.O-RING .JOINT TORIQUE	1	
9	93210-33MG4	.O-RING .JOINT TORIQUE	1	
10	93210-06ME6	.O-RING .JOINT TORIQUE	1	
11	93210-69MG6	.O-RING .JOINT TORIQUE	1	
12	93210-74MG5	.O-RING .JOINT TORIQUE	2	
13	93101-22M00	.OIL SEAL .JOINT SPY	2	
14	66T-W0078-00	WATER PUMP REPAIR KIT KIT DE REPARATION DE LA POMPE	1	
15	63D-44322-00	.INSERT, CARTRIDGE .CUVETTE	1	
16	66T-44323-00	.OUTER PLATE, CARTRIDGE .PLAQUE EXTERIEURE	1	
17	93210-59MG7	.O-RING .JOINT TORIQUE	1	
18	63D-44316-00	.GASKET, WATER PUMP .JOINT, POMPE A EAU	1	
19	90280-03M03	.KEY, WOODRUFF .CLAVETTE, DEMI-LUNE	1	
20	6H4-44352-02	.IMPELLER .TURBINE	1	
21	90119-08M15	.BOLT, WITH WASHER .BOULON, AVEC RONDELLE	4	
22	663-44366-00	.DAMPER, WATER SEAL 2 .JOINT, TUBE D'EAU 2	1	
23	63D-44312-00	.COVER, WATER PUMP HOUSING .COUVERCLE	1	
24	66T-W0078-0A	CHROME PUMP KIT KIT DE POMPE A EAU CHROMEE	1	
25	63D-44322-40	.INSERT, CARTRIDGE .CUVETTE	1	
26	66T-44323-40	.OUTER PLATE, CARTRIDGE .PLAQUE EXTERIEURE	1	

FIG. 24 REPAIR KIT 3

KITS DE REPARATION 3

REF. NO.	PART NO. N° PIECES	DESCRIPTION DESCRIPTION	66TV	REMARKS REMARQUES
1	66T-81303-00	LIGHTING COIL ASSY BOBINE D'ECLAIRAGE	1	AP
2	66T-85533-00	.COIL, LIGHTING .BOBINE, ECLAIRAGE	1	AP
3	97902-06125	.SCREW, WITH WASHER .VIS, AVEC RONDELLE	2	
4	97802-04006	.SCREW, PAN HEAD .VIS	1	



66T0010-9270