

**PARTS
CATALOGUE
CATALOGUE
DE PIÈCES DÉTACHÉES**

2BMH (6A11)

2A6A1-300F1

YAMAHA
GENUINE
Parts & Accessories

FOREWORD

This Parts Catalogue is related to the parts for the model(s) in the below frame. When you are ordering replacement parts, please refer to this Parts Catalogue and quote both part numbers and part names correctly.

2BMH'02(6A11)

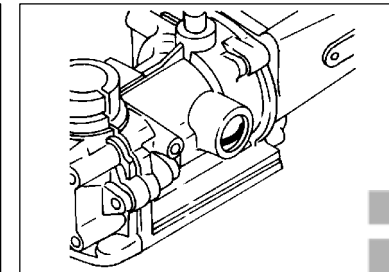
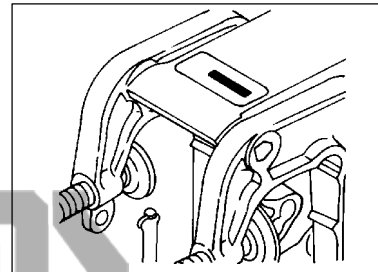
5. Quantity Column Information

NAME for Q'TY COLUMN	APPLICABLE MODEL
2B	2BMH

6. Applicable Starting Serial No. and Color Code

1) Engine Starting Serial No.

2BMH 6A1K S : 002029



2) Color Code

Color Code	Color Name	Abbreviation
004D	DARK BLUISH GRAY METALLIC 2	DBNM2

7. Note that the illustrations for reference in finding parts numbers, not to be used for assembling. When assembling, please use the applicable service manual.

8. The asterisk (*) before a reference number indicates modification items after the first edition.

1. Modifications or additions which have been made after issue of the Parts Catalogue will be announced in the Yamaha Parts News. It is advisable that you make necessary corrections to the Parts Catalogue according to the Yamaha Parts News.

2. Abbreviations
The Following abbreviations are used in this Parts Catalogue.

“UR” Use specified parts number.

“UN” Use as many as needed.

“AP” Alternate Parts

“LM” Local Made
(Parts need to be ordered locally)

“O/S” Over Size

3. Parts, which are to be supplied in an assembly, are listed with a dot(.) in front of the part name as shown below.

EXAMPLE
CARBURETOR ASSY

.JET, PILOT

.NOZZLE, MAIN

4. Number of component for assembly
The numeral appearing to the right of each component part indicates the quantity of parts for each assembly unit.

EXAMPLE

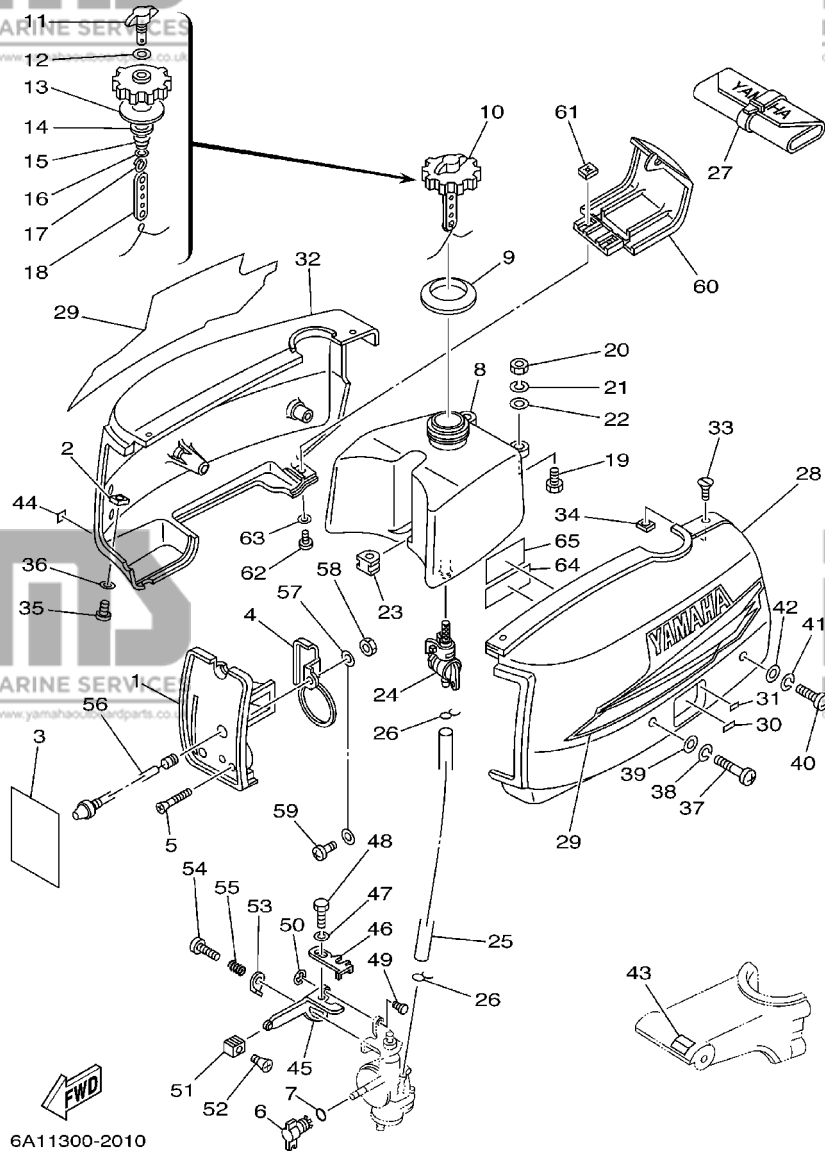
PART NO.	DESCRIPTION	u	u	u	REMARKS
6E0-85500-70	C.D.I. MAGNETO ASSY	1			
6E0-85550-70	.ROTOR ASSY	1			
6E0-15723-00-94.	.PULLY, STARTER	1			

CONTENTS

COWLING. FUEL	A4
CYLINDER. CRANKCASE	A7
CARBURETOR	B2
STARTER	B4
GENERATOR	B5
BRACKET	B6
UPPER CASING	C1
LOWER CASING. DRIVE	C3
REPAIR KIT	C5

INDEX

NUMERICAL INDEX	C7
-----------------------	----



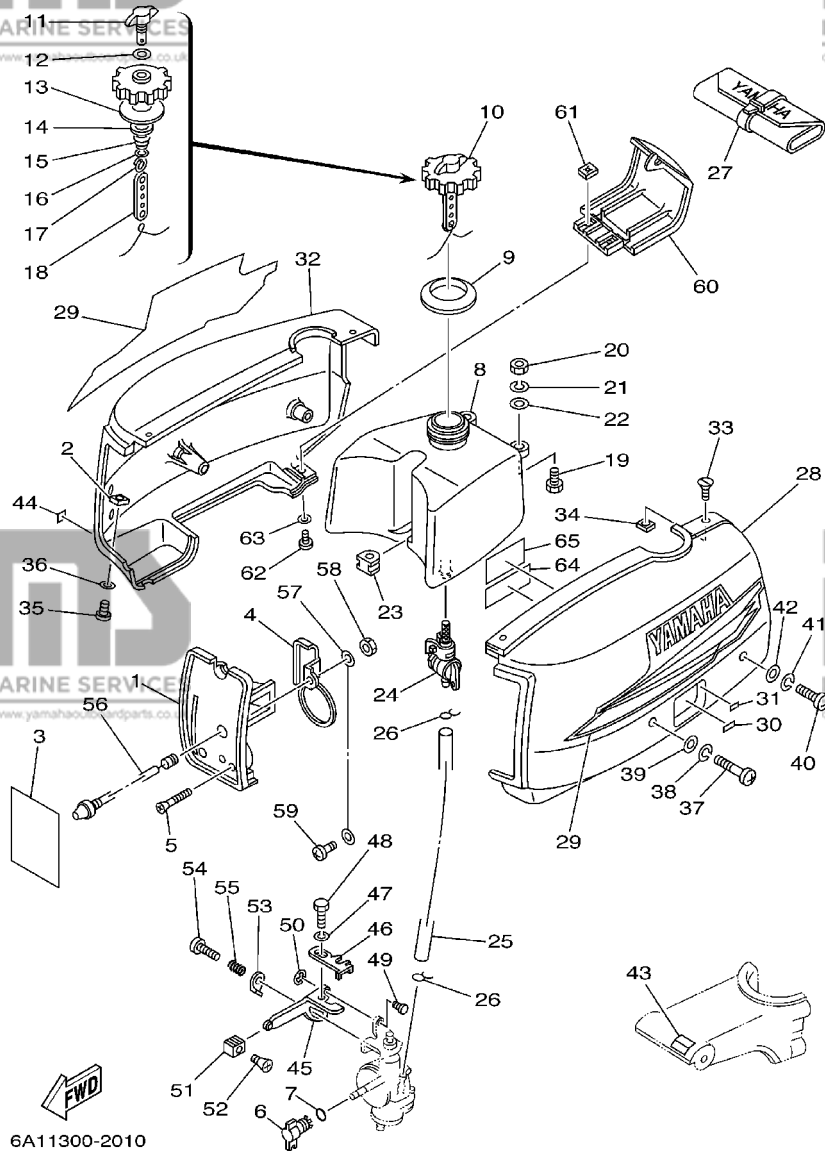
6A11300-2010

FIG. 1 COWLING . FUEL

CAPOT, SECTION D'ALIMENTATION

REF. NO.	PART NO. NO. PIECES	DESCRIPTION DESCRIPTION	2B	REMARKS REMARQUES
1	6A1-14441-02	SILENCER, INTAKE 2 SILENCIEUX 2, ADMISSION	1	
2	90173-05M00	NUT, SQUARE ECROU, CARRE	2	
3	6A1-42677-10	GRAPHIC, FRONT ADHESIF, AVANT	1	
4	6A1-14442-00	SPACER ENTRETOISE	1	
5	90151-04M04	SCREW, COUNTERSUNK VIS, TETE NOYEE	2	
6	6A1-41271-00	KNOB, CHOKE BOUTON DE STARTER	1	
7	93210-08M29	O-RING JOINT TORIQUE	1	
8	6A1-24110-01	FUEL TANK COMP. RESERVOIRE A ESSENCE	1	
9	6A1-24198-00	SEAT, RUBBER SIEGE, CAOUTCHOUC	1	
10	6A1-24610-01	CAP ASSY BOUCHON	1	
11	6A1-24631-00	.SCREW, AIR .VIS, AIR	1	
12	90430-04005	.GASKET .JOINT	1	
13	90430-14117	.GASKET .JOINT	1	
14	646-24615-01	.GASKET, PLATE 1 .JOINT 1, PLAQUE	1	
15	90501-10374	.SPRING, COMPRESSION .RESSORT, COMPRESSION	1	
16	92907-04200	.WASHER .RONDELLE	1	
17	90501-10260	.SPRING, COMPRESSION .RESSORT, COMPRESSION	1	
18	646-24241-00	.INDICATOR 1 .INDICATEUR 1	1	
19	97095-06018	BOLT BOULON	2	
20	95380-06600	NUT, HEXAGON ECROU	2	
21	92995-06100	WASHER, SPRING RONDELLE, GROWER	2	
22	90201-06M30	WASHER, PLATE RONDELLE, PLATE	2	
23	6A1-24181-00	DAMPER, LOCATING 1 SILENT-BLOC	1	
24	6A1-24500-02	FUEL COCK ASSY 1 ROBINET A ESSENCE	1	
25	6A1-24311-00	PIPE, FUEL 1 DURITE A ESSENCE	1	
26	90467-08004	CLIP JONG	2	
27	656-W2810-02	TOOL KIT TROUSSE A OUTILS	1	

A4

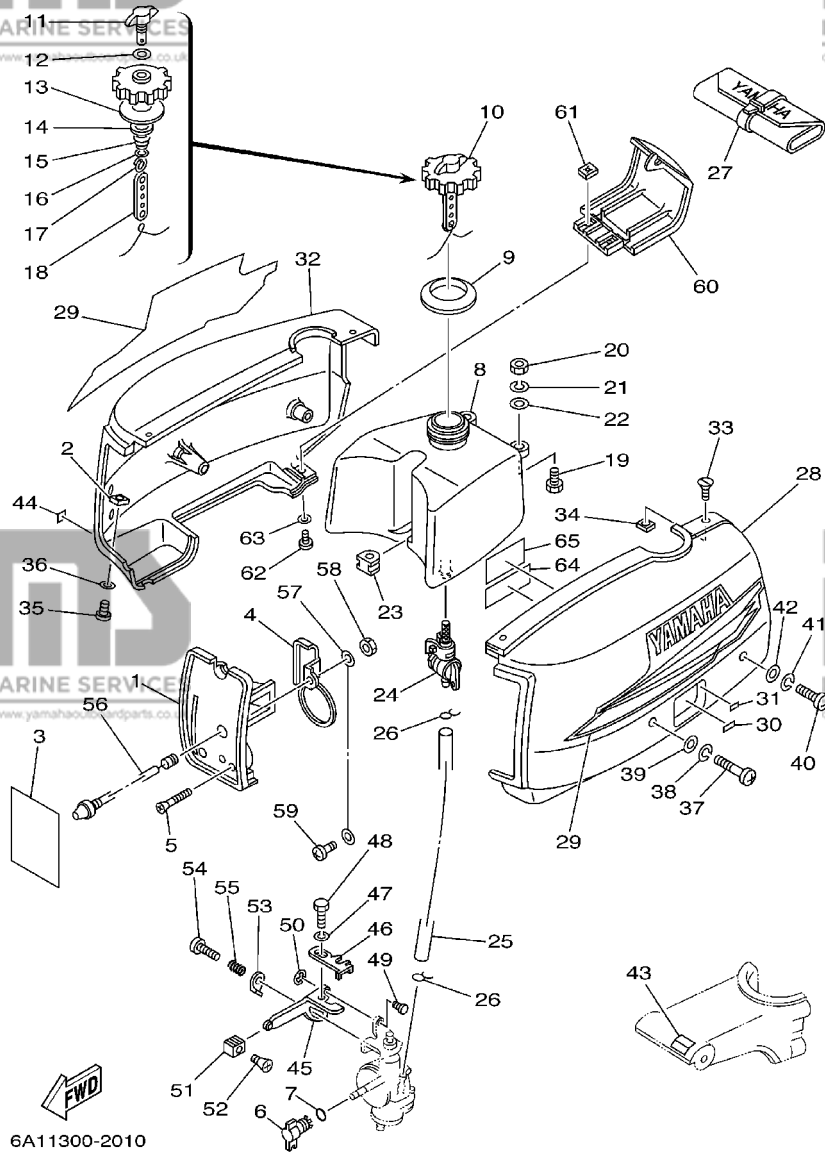


6A11300-2010

FIG. 1 COWLING . FUEL

CAPOT, SECTION D'ALIMENTATION

REF. NO.	PART NO. NO. PIECES	DESCRIPTION DESCRIPTION	28		REMARKS REMARQUES
28	6A1-42741-11	APRON CAPOT LATERAL	1		
29	6A1-W0070-14	GRAPHIC SET JEU DIEMBLEMES	1		
30	6A1-24153-50	INDICATOR, COCK INDICATEUR, ROBINET	1		
31	6A1-24154-50	INDICATOR, SHIFT TEMOIN, INVERSION	1		
32	6A1-42771-11	APRON CAPOT LATERAL	1		
33	98780-05012	SCREW, FLAT HEAD VIS, TETE PLATE	2		
34	90183-05M00	NUT, SPRING ECROU, RESSORT	2		
35	97880-05010	SCREW, PAN HEAD VIS, TETE TRONCONIQUE	2		
36	92990-05600	WASHER, PLATE RONDELLE, PLATE	2		
37	97880-06040	SCREW, PAN HEAD VIS, TETE TRONCONIQUE	2		
38	92990-06100	WASHER, SPRING RONDELLE, GROWER	2		
39	92990-06600	WASHER, PLATE RONDELLE, PLATE	2		
40	97880-06025	SCREW, PAN HEAD VIS, TETE TRONCONIQUE	2		
41	92990-06100	WASHER, SPRING RONDELLE, GROWER	2		
42	92990-06600	WASHER, PLATE RONDELLE, PLATE	2		
43	6A1-42792-01	MARK (100:1) ETIQUETTE (100:1)	1		
44	6A1-28176-00	LABEL, CAUTION ETIQUETTE, RECOMMANDATION	1		
45	6A1-41212-01	ARM, ACCEL. BRAS	1		
46	6A1-41211-00	LINK, ACCEL. BIELLETTTE, ACCELERATION	1		
47	92990-05100	WASHER, SPRING RONDELLE, GROWER	1		
48	97095-05010	BOLT BOULON	1		
49	6A1-14365-00	PIN, CLEVIS AXE, A GOUPILLE	1		
50	93430-04003	CIRCLIP CIRCLIP, TYPE S	1		
51	6A1-41637-00	KNOB, MAGNETO CONTROL BOUTON	1		
52	98780-03010	SCREW, FLAT HEAD VIS, TETE PLATE	1		
53	6A1-41223-00	WASHER, LOCK 1 RONDELLE, FREIN 1	1		
54	97885-05025	SCREW, PAN HEAD VIS, TETE TRONCONIQUE	1		



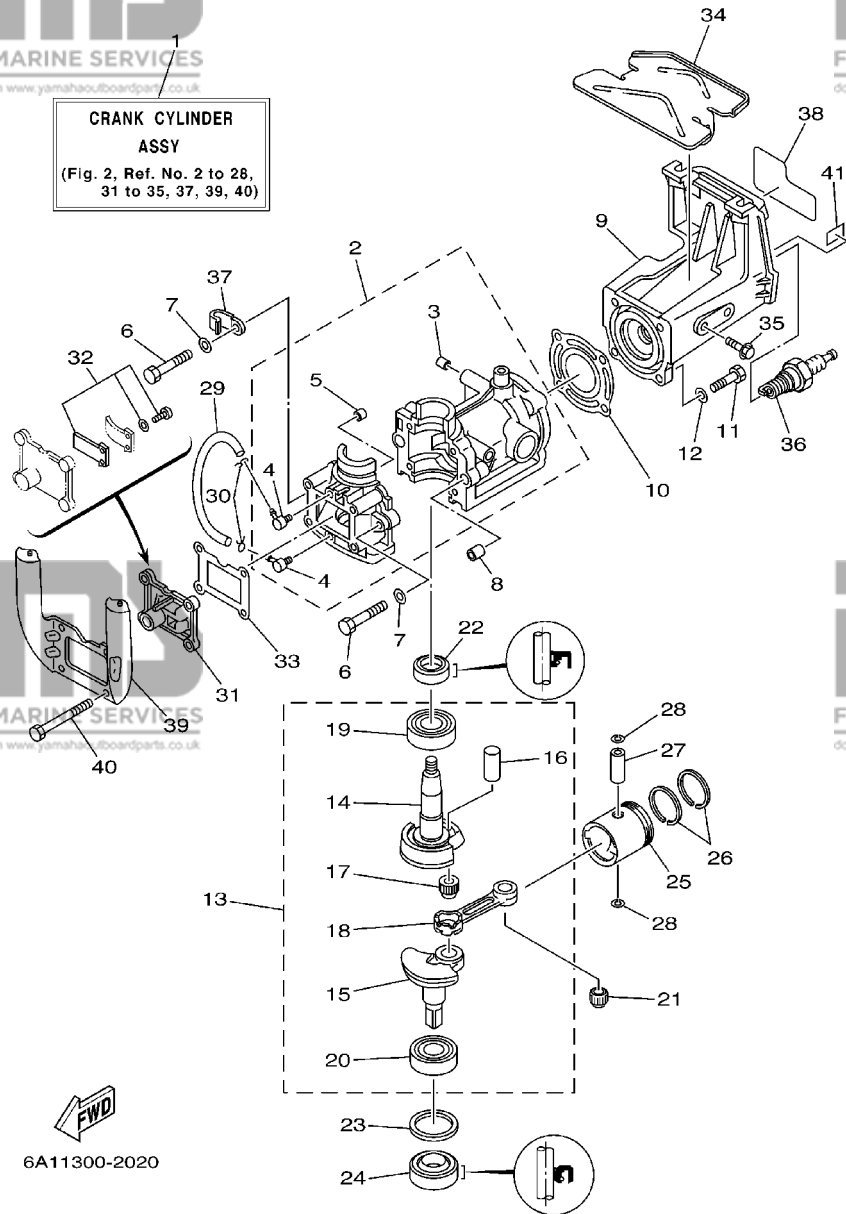
6A11300-2010

FIG. 1 COWLING . FUEL

CAPOT, SECTION D'ALIMENTATION

REF. NO.	PART NO. NO. PIECES	DESCRIPTION DESCRIPTION	28	REMARKS REMARQUES
55	90501-12M16	SPRING, COMPRESSION RESSORT, COMPRESSION	1	
56	6A1-82550-02	ENGINE STOP SWITCH ASSY COMMUTEUR D'ARRET CPLT	1	
57	6A1-82541-00	WIRE, LEAD FIL	1	
58	95380-08700	NUT ECROU	1	
59	97880-05008	SCREW, PAN HEAD VIS, TETE TRONCONIQUE	1	
60	6A1-82375-11	COVER, PLUG CAP COUVERCLE, CAPUCHON BOUGIE	1	
61	90183-05M00	NUT, SPRING ECROU, RESSORT	2	
62	97880-05012	SCREW, PAN HEAD VIS, TETE TRONCONIQUE	2	
63	92990-05600	WASHER, PLATE RONDELLE, PLATE	2	
64	6A1-83625-41	MARK 5 ETIQUETTE 5	1	
65	6A1-83625-51	MARK 5 ETIQUETTE 5	1	

**CRANK CYLINDER
ASSY**
(Fig. 2, Ref. No. 2 to 28,
31 to 35, 37, 39, 40)

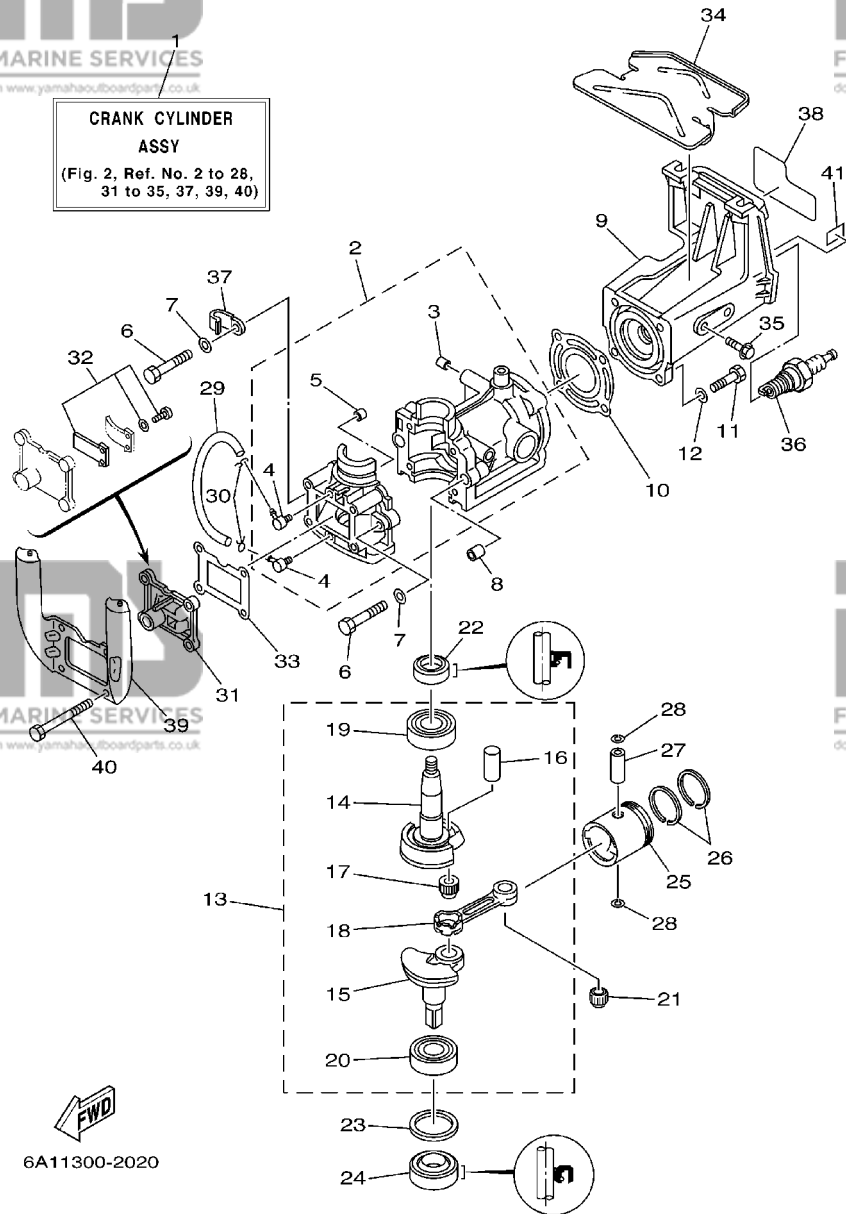


6A11300-2020

FIG. 2 CYLINDER. CRANKCASE CYLINDRE. CARTER

REF. NO.	PART NO. NO. PIECES	DESCRIPTION DESCRIPTION	28	REMARKS REMARQUES
1	6A1-W0090-13-1S	CRANK CYLINDER ASSY EMBIELLAGE CYLINDRE (ENS.)	1	
2	6A1-15100-61-1S	CRANKCASE ASSY CARTER DE MOTEUR COMPLET	1	
3	90336-06001	.PLUG, TAPER .PLOT, CONIQUE	1	
4	650-14485-02	.PIPE, JOINT .DURITE	2	
5	624-11379-00	.VALVE, CHECK .CLAPET	1	
6	97013-06040	BOLT BOULON	2	
7	92903-06600	WASHER, PLATE RONDELLE, PLATE	2	
8	99530-10014	PIN, DOWEL GOIJON, D'ASSEMBLAGE	2	
9	6A1-11111-02-1S	HEAD, CYLINDER 1 CULASSE	1	
10	6A1-11181-A1	GASKET, CYLINDER HEAD 1 JOINT, DE CULASSE 1	1	
11	97095-06025	BOLT BOULON	4	
12	92995-06600	WASHER RONDELLE	4	
13	6A1-11400-00	CRANKSHAFT ASSY VILEBREQUIN COMPLET	1	
14	646-11412-01	.CRANK 1 .MASSOLOTTE DE VILEBREQUIN 1	1	
15	6A1-11422-00	.CRANK 2 .MASSOLOTTE DE VILEBREQUIN 2	1	
16	646-11681-00	.PIN, CRANK 1 .MANETON, VILEBREQUIN 1	1	
17	93310-31439	.BEARING .ROULEMENT	1	
18	646-11651-02	.ROD, CONNECTING .BIELLE NUE	1	
19	93306-00409	.BEARING .ROULEMENT	1	
20	93306-30204	.BEARING .ROULEMENT	1	
21	93310-210V1	.BEARING .ROULEMENT	1	
22	93102-20070	OIL SEAL JOINT SPY	1	
23	90201-35300	WASHER, PLATE RONDELLE, PLATE	1	
24	93102-15M32	OIL SEAL JOINT SPY	1	
25	646-11631-01-98	PISTON (STD) PISTON (STD)	1	
	646-11635-01	PISTON (0.25MM O/S) PISTON (0.25MM O/S)	1	AP
	646-11636-01	PISTON (0.50MM O/S) PISTON (0.50MM O/S)	1	AP

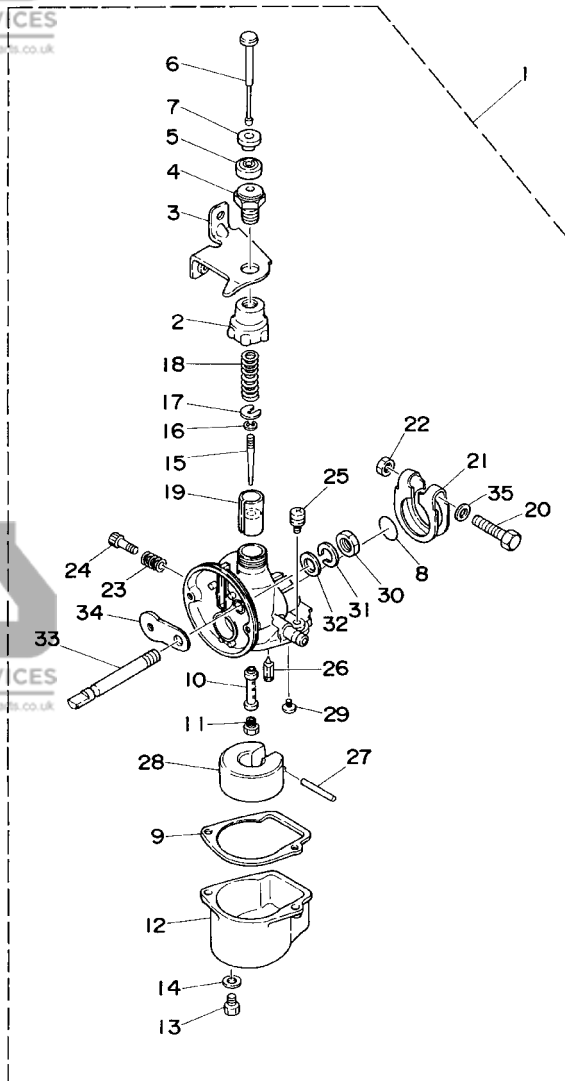
**CRANK CYLINDER
ASSY**
(Fig. 2, Ref. No. 2 to 28,
31 to 35, 37, 39, 40)



6A11300-2020

FIG. 2 CYLINDER. CRANKCASE CYLINDRE. CARTER

REF. NO.	PART NO. NO. PIECES	DESCRIPTION DESCRIPTION	28	29	30	31	32	33	34	35	36	37	38	39	40	41	REMARKS REMARQUES	
26	646-11601-01	PISTON RING SET (STD)	1															
	646-11601-11	JEU DE SEGMENTS (STD)	1															AP
	646-11601-21	PISTON RING SET (0.25MM O/S)	1															AP
	646-11601-21	JEU DE SEGMENTS (0.25MM O/S)	1															AP
27	646-11633-00	PIN, PISTON AXE, PISTON	1															
28	93450-11021	CIRCLIP	2															
		CIRCLIP, TYPE S																
29	90445-07254	HOSE (L118)	1															
		DURITE (L118)																
30	90467-06016	CLIP	2															
		JONC																
31	6A1-13610-00	REED VALVE ASSY	1															
		CLAPET COMPLET																
32	6A1-W0004-00	.REED SET	1															
		JEU DE CLAPETS																
33	6A1-13621-A0	GASKET, VALVE SEAT	1															
		JOINT, SIEGE DE CLAPET																
34	6A1-24141-00	PROTECTOR, FUEL TANK	1															
		PROTECTEUR, RESERV A ESSENCE																
35	95895-06010	BOLT, FLANGE	2															
		BOULON, A COLLERETTE																
36	94702-00249	PLUG, SPARK (NGK BR5HS)	1															
		BOUGIE D'ALLUMAGE (NGK BR5HS)																
37	90465-06M86	CLAMP	1															
		BRIDE																
38	6A1-42678-12	GRAPHIC, REAR	1															
		ADHESIF, ARRIERE																
39	6A1-15771-01	STAY 1	1															
		SUPPORT 1																
40	97013-06060	BOLT	4															
		BOULON																
41	678-42791-10	MARK 1	1															
		ETIQUETTE 1																



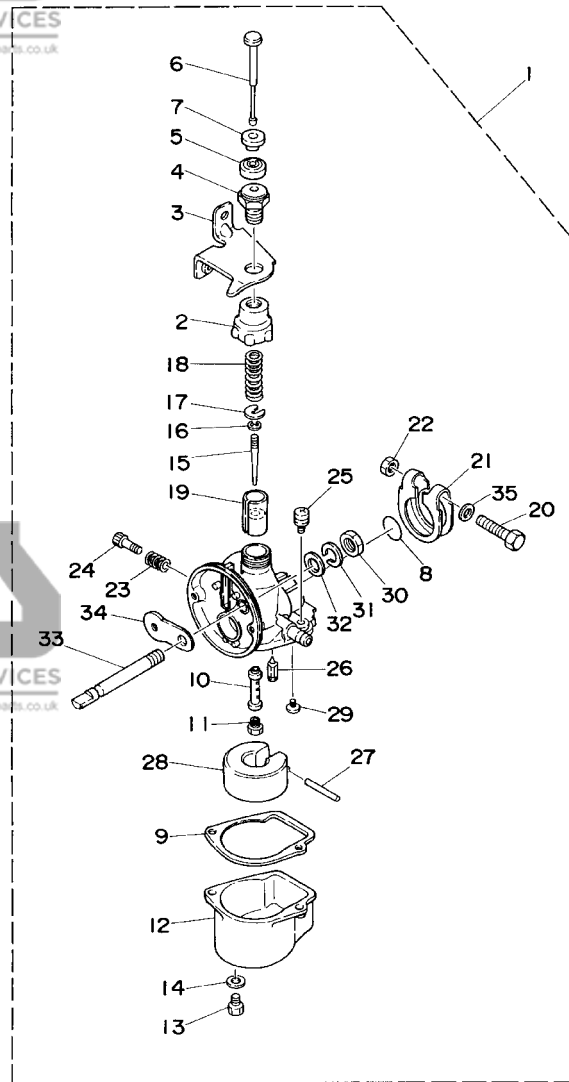
6A10010-4030

FIG. 3 CARBURETOR

CARBURETEUR

REF. NO.	PART NO. NO. PIECES	DESCRIPTION DESCRIPTION	QTY	REMARKS REMARQUES
1	6A1-14301-03	CARBURETOR ASSY 1 CARBURATEUR COMPLET 1	1	
2	646-14158-00	.TOP, MIXING CHAMBER .DESSUS, CHAMBRE DE MELANGE	1	
3	6A1-14497-00	.STAY, THROTTLE WIRE .SUPPORT, CABLE D'ACCELERATION	1	
4	646-14321-00	.SCREW, THROTTLE .VIS, ACCELERATEUR	1	
5	646-14169-00	.CAP .COUVERCLE	1	
6	6A1-14314-00	.BAR, THROTTLE .TRINGLE, ACCELERATEUR	1	
7	6A1-14163-00	.SPACER .ENTRETOISE	1	
8	646-14229-01	.O-RING .JOINT TORIQUE	1	
9	6A1-14384-00	.GASKET, FLOAT CHAMBER .JOINT, CUVE DE FLOTTEUR	1	
10	6A1-14341-01	.NOZZLE, MAIN .PUITS D'AIGUILLE	1	
11	6A1-14343-48	.JET, MAIN (# 96) .GICLEUR, PRINCIPAL (# 96)	1	
12	6A1-14381-02	.BODY, FLOAT CHAMBER .CORPS, CUVE DE FLOTTEUR	1	
13	97890-05006	.SCREW, PAN HEAD .VIS, TETE TRONCONIQUE	1	
14	646-14198-01	.GASKET .JOINT	1	
15	6A1-14116-10	.NEEDLE .AIGUILLE	1	
16	646-14137-00	.CLIP .JONC	1	
17	646-14136-00	.SEAT, SPRING .SIEGE, RESSORT	1	
18	646-14331-01	.SPRING, THROTTLE VALVE .RESSORT, BOISSEAU	1	
19	646-14312-08	.VALVE, THROTTLE 1 .BOISSEAU 1	1	
20	6A1-14125-01	.SCREW .VIS	1	
21	6A1-14127-01	.CLIP .JONC	1	
22	6A1-14358-01	.NUT .ECROU	1	
23	6A1-14212-00	.SPRING, PILOT ADJUSTING .RESSORT, VIS DE RALENTI	1	
24	646-14211-02	.SCREW, PILOT ADJUSTING .VIS, REGLAGE DE RALENTI	1	
25	97980-04110	.SCREW, WITH WASHER .VIS, AVEC RONDELLE	2	
26	6A1-14392-00	.VALVE, NEEDLE .POINTEAU	1	
27	6A1-14386-00	.PIN, FLOAT .AXE, FLOTTEUR	1	

B2



6A10010-4030

FIG. 3 CARBURETOR

CARBURATEUR

REF. NO.	PART NO. NO. PIECES	DESCRIPTION DESCRIPTION	28		REMARKS REMARQUES
28	6A1-14385-00	.FLOAT .FLOTTEUR	1		
29	98580-03005	.SCREW, PAN HEAD .VIS, TETE TRONCONIQUE	1		
30	646-14358-00	.NUT .ECROU	1		
31	6A1-14356-00	.WASHER, SPRING .RONDELLE	1		
32	646-14357-00	.WASHER, PLAIN .RONDELLE PLATE	1		
33	6A1-14448-00	.LEVER, CHOKE VALVE .LEVIER, VOLET DE STARTER	1		
34	6A1-14217-01	.VALVE, CHOKE .CLAPET DE STARTER	1		
35	92990-05600	.WASHER, PLATE .RONDELLE, PLATE	1		

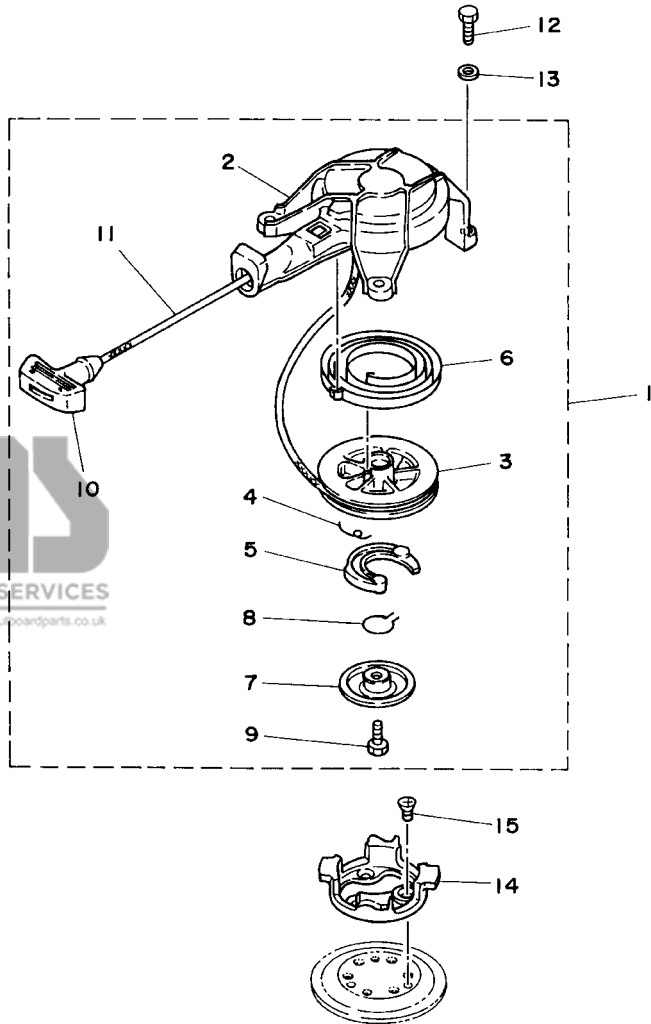


FIG. 4 STARTER

DEMARREUR

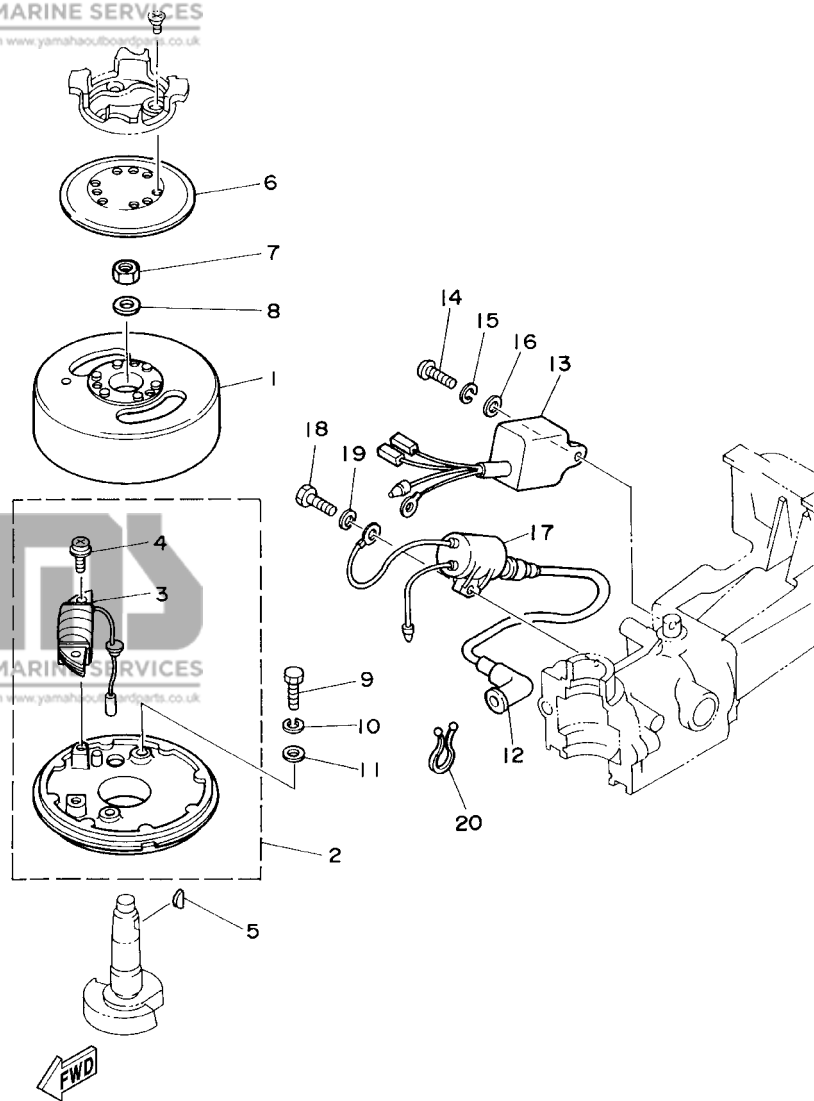
REF. NO.	PART NO. NO. PIECES	DESCRIPTION DESCRIPTION	QTY	REMARKS REMARQUES
1	6A1-15710-00	STARTER ASSY DEMARREUR COMPLET	1	
2	6A1-15711-00	.CASE, STARTER .CARTER DE DEMARREUR	1	
3	6A1-15714-00	.DRUM, SHEAVE .TAMBOUR, POULIE	1	
4	6A1-15767-00	.SPRING .RESSORT	1	
5	6A1-15741-00	.PAWL, DRIVE .CLIQUET, ENTRAINEMENT	1	
6	6A1-15713-00	.SPRING, STARTER .RESSORT DE DEMARREUR	1	
7	6A1-15717-00	.SHAFT, STARTER .AXE DE DEMARREUR	1	
8	6A1-15705-00	.SPRING, DRIVE PAWL .RESSORT DE CLIQUET	1	
9	97322-06012	.BOLT .BOULON	1	
10	6A1-15755-02	.HANDLE, STARTER .POIGNEE, DE DEMARREUR	1	
11	*	.WIRE (L1300) .FIL (L1300)	1	
12	97095-06016	BOLT BOULON	3	
13	92995-06600	WASHER RONDELLE	3	
14	6A1-15723-00-94	PULLEY, STARTER POULIE DE DEMARREUR	1	
15	98703-06012	SCREW, FLAT HEAD VIS, TETE PLATE	3	

* CUT FROM 50M ROLLS, PART NO. 90890-44372, CUTTING LENGTH 1.3M

* A PRELEVER SUR BOBINE 50M , REFERENCE 90890-44372, LONGUEUR DE COUPE 1.3M



6A10010-4040

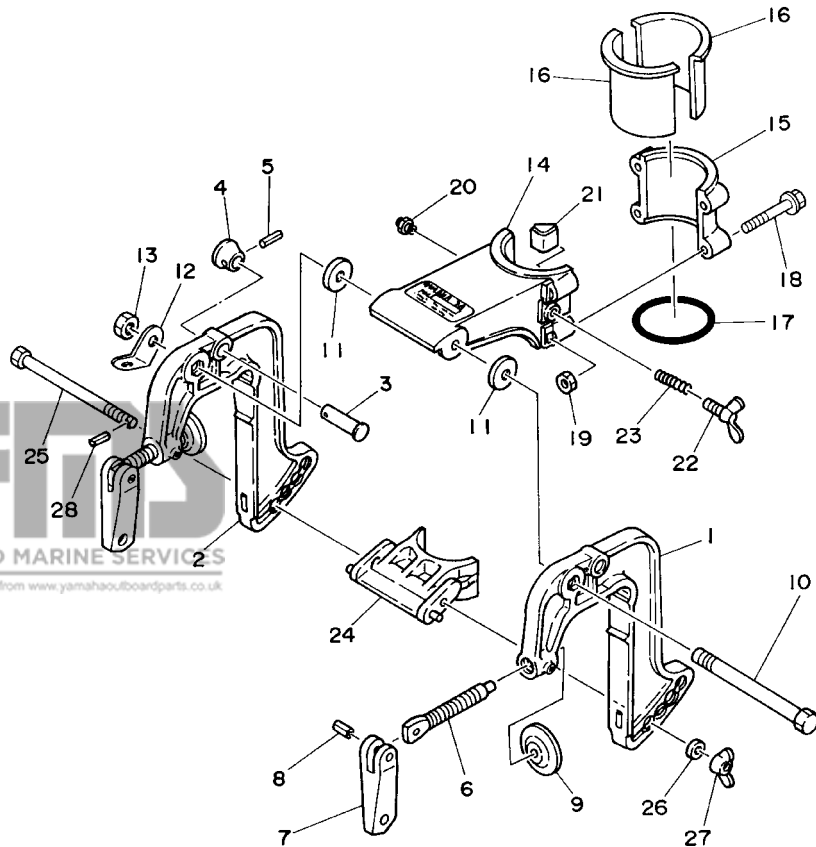


6A10010-5050

FIG. 5 GENERATOR

GENERATRICE

REF. NO.	PART NO. NO. PIECES	DESCRIPTION DESCRIPTION	2B	REMARKS REMARQUES
1	6A1-85550-00	ROTOR ASSY ROTOR CPLT	1	
2	6A1-85560-00	BASE ASSY ENS. FLASQUE	1	
3	6A1-85520-00	.COIL, CHARGE .BOBINE, CHARGE	1	
4	97885-05020	.SCREW, PAN HEAD .VIS, TETE TRONCONIQUE	2	
5	90280-04M06	KEY, WOODRUFF CLAVETTE, DEMI-LUNE	1	
6	6A1-81362-00	COVER, HOLE COUVERCLE, TROU	1	
7	90170-10M33	NUT ECROU	1	
8	92903-10100	WASHER, SPRING RONDELLE, GROWER	1	
9	97013-06030	BOLT BOULON	2	
10	92903-06100	WASHER, SPRING RONDELLE, GROWER	2	
11	92903-06600	WASHER, PLATE RONDELLE, PLATE	2	
12	6G1-82370-21	PLUG CAP ASSY ANTIPARASITE	1	
13	6A1-85540-01	C.D.I. UNIT ASSY BLOC C.D.I.	1	
14	97885-06016	SCREW, PAN HEAD VIS, TETE TRONCONIQUE	1	
15	92995-06100	WASHER, SPRING RONDELLE, GROWER	1	
16	92995-06600	WASHER RONDELLE	1	
17	6A1-85570-00	IGNITION COIL ASSY BOBINE D'ALLUMAGE (ENS.)	1	
18	97095-06020	BOLT BOULON	1	
19	92995-06600	WASHER RONDELLE	1	
20	90464-08M07	CLAMP BRIDE	1	



FWD
6A11300-2060

FIG. 6 BRACKET SUPPORT

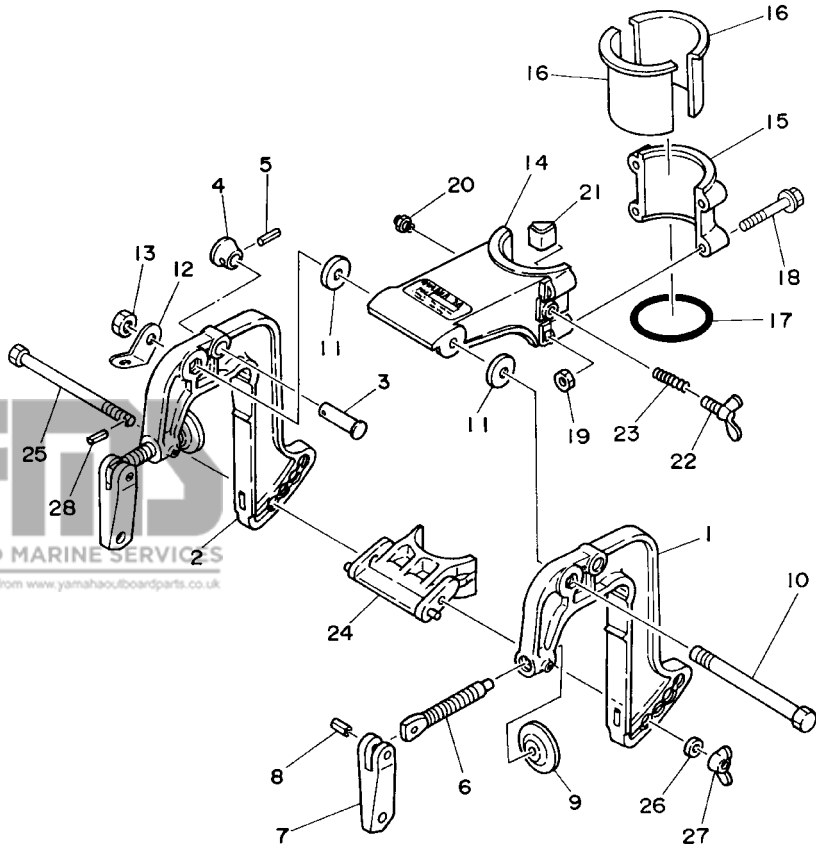
REF. NO.	PART NO. NO. PIECES	DESCRIPTION DESCRIPTION	28	REMARKS REMARQUES
1	6A1-43111-03-4D	BRACKET, CLAMP PRESSE	1	
2	6A1-43112-00-4D	BRACKET, CLAMP PRESSE	1	
3	6A1-43191-00	SHAFT, STOPPER AXE, BUTEE	1	
4	6A1-43192-00	KNOB, STOPPER BOUTON, BUTEE DE RELEVAGE	1	
5	91690-30014	PIN, SPRING GOUPILLE, ELASTIQUE	1	
6	6E0-43116-01	SCREW, TRANSOM CLAMP VIS DE PRESSE	2	
7	6E0-43118-01	HANDLE, TRANSOM CLAMP POIGNEE DE VIS DE PRESSE	2	
8	90243-04M01	PIN GOUPILLE	2	
9	620-43114-00	PAD, TRANSOM CLAMP RONDELLE D'APPUI	2	
10	90101-08217	BOLT BOULON	1	
11	90202-08022	WASHER, PLATE RONDELLE, PLATE	2	
12	6A1-43113-01	PLATE, CLAMP BRACKET PLAQUETTE, PRESSE	1	
13	95380-08600	NUT ECROU	1	
14	6A1-43311-02-4D	BRACKET, SWIVEL 1 SUPPORT, PIVOT 1	1	
15	6A1-43312-00-4D	BRACKET, SWIVEL 2 SUPPORT, PIVOT 2	1	
16	646-42537-01	BUSHING, PIVOT SHAFT COUSSINET	2	
17	93210-46044	O-RING JOINT TORIQUE	1	
18	90119-06M98	BOLT, WITH WASHER BOULON, AVEC RONDELLE	4	
19	95380-06600	NUT, HEXAGON ECROU	4	
20	93700-06M03	NIPPLE, GREASE GRAISSEUR	1	
21	646-42528-00	PLATE, FRICTION PLAQUE, FRICTION	1	
22	90122-06004	BOLT, WING BOULON, A OREILLES	1	
23	90501-12272	SPRING, COMPRESSION RESSORT, COMPRESSION	1	
24	6A1-43351-00	RECEIVER, THRUST SILENT-BLOC, BUTEE	1	
25	6A1-43371-00	BOLT, RECEIVER BOULON, RECEPTEUR	1	
26	90201-06040	WASHER, PLATE RONDELLE, PLATE	1	
27	90175-06008	NUT, WING ECROU, A OREILLES	1	

B6

FIG. 6 BRACKET

SUPPORT

REF. NO.	PART NO. NO. PIECES	DESCRIPTION DESCRIPTION	28	REMARKS REMARQUES
28	91690-20006	PIN, SPRING GOUPILLE, ELASTIQUE	1	



6A11300-2060

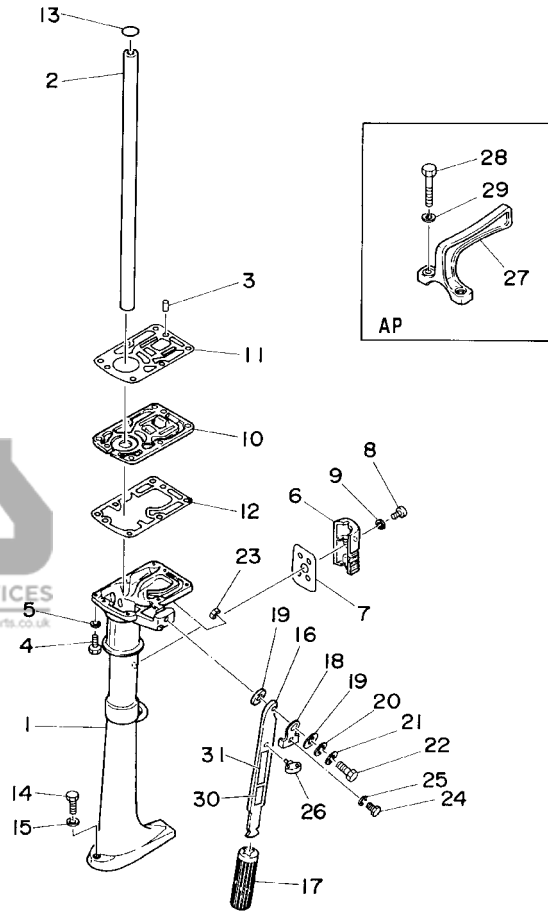


FIG. 7 UPPER CASING

FOURREAU

REF. NO.	PART NO. NO. PIECES	DESCRIPTION DESCRIPTION	28		REMARKS REMARQUES
1	6A1-45111-02-4D	CASING, UPPER FOURREAU	1		
2	6A1-45113-00	GASKET, UPPER CASING JOINT, TUBE D'ARBRE	1		
3	93605-15065	PIN, DOWEL GOUJON	2		
4	97095-06025	BOLT BOULON	6		
5	92995-06600	WASHER RONDELLE	6		
6	6A1-45151-00	COVER, UPPER CASING CAPUCHON, FOURREAU	1		
7	6A1-45115-00	GASKET, UPPER CASING JOINT, TUBE D'ARBRE	1		
8	97880-06016	SCREW, PAN HEAD VIS, TETE TRONCONIQUE	1		
9	92990-06600	WASHER, PLATE RONDELLE, PLATE	1		
10	6A1-41137-00-5B	GUIDE, EXHAUST COLLECTEUR D'ECHAPPEMENT	1		
11	6A1-14613-A0	GASKET, EXHAUST PIPE JOINT DE COUDE D'ECHAPPEMENT	1		
12	646-14623-A1	GASKET, EXHAUST PIPE JOINT	1		
13	93210-19123	O-RING JOINT TORIQUE	1		
14	97095-06030	BOLT BOULON	1		
15	92995-06600	WASHER RONDELLE	1		
16	6A1-42111-00-4D	HANDLE, STEERING POIGNEE	1		
17	646-42119-02	GRIP, STEERING HANDLE POIGNEE, BARRE FRANCHE	1		
18	6A1-42181-00	WASHER RONDELLE	1		
19	90201-09117	WASHER, PLATE RONDELLE, PLATE	2		
20	92990-08200	WASHER, PLAIN RONDELLE, PLATE	1		
21	92990-08100	WASHER, SPRING RONDELLE, GROWER	1		
22	90101-08M11	BOLT BOULON	1		
23	95380-08600	NUT ECROU	1		
24	97095-06010	BOLT BOULON	1		
25	92995-06100	WASHER, SPRING RONDELLE, GROWER	1		
26	646-42591-00	HOLDER, SHEAR PIN RATELIER A GOUPILLES	1		
27	646-42121-00-94	BRACKET SUPPORT	1		AP

C1

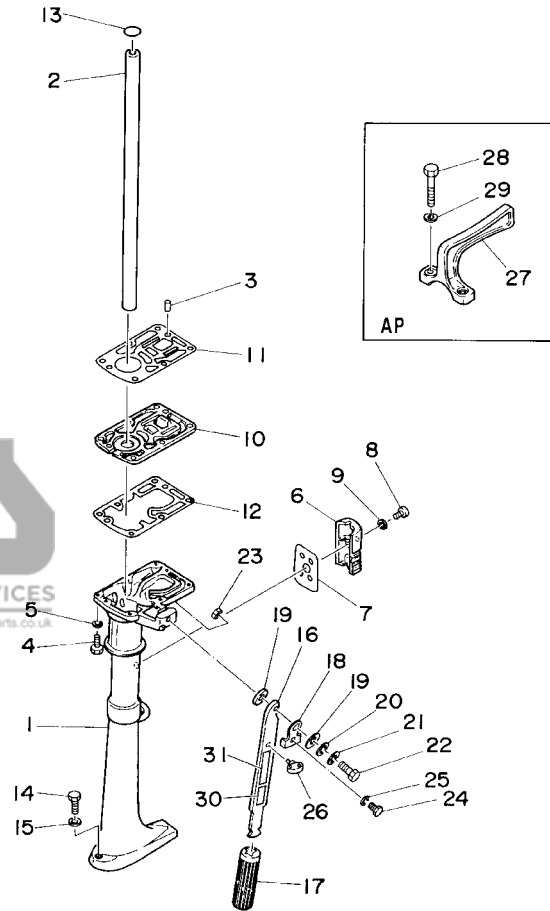


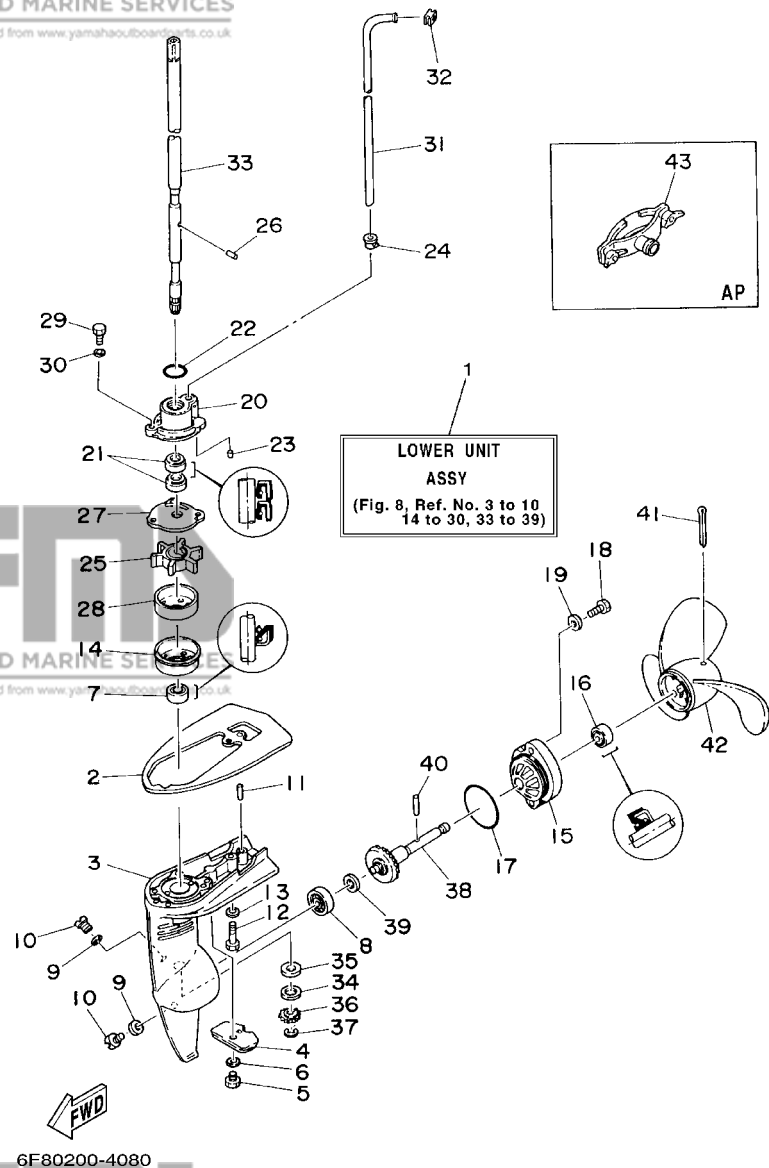
FIG. 7 UPPER CASING

FOURREAU

REF. NO.	PART NO. NO. PIECES	DESCRIPTION DESCRIPTION	2B	REMARKS REMARQUES
28	97095-06055	BOLT BOULON	2	AP
29	92990-06100	WASHER, SPRING RONDELLE, GROUVER	2	AP
30	6A1-2415A-41	LABEL, CAUTION ETIQUETTE, RECOMMANDATION	1	
31	6A1-2415A-51	LABEL, CAUTION ETIQUETTE, RECOMMANDATION	1	



6A11100-2070



6F80200-4080

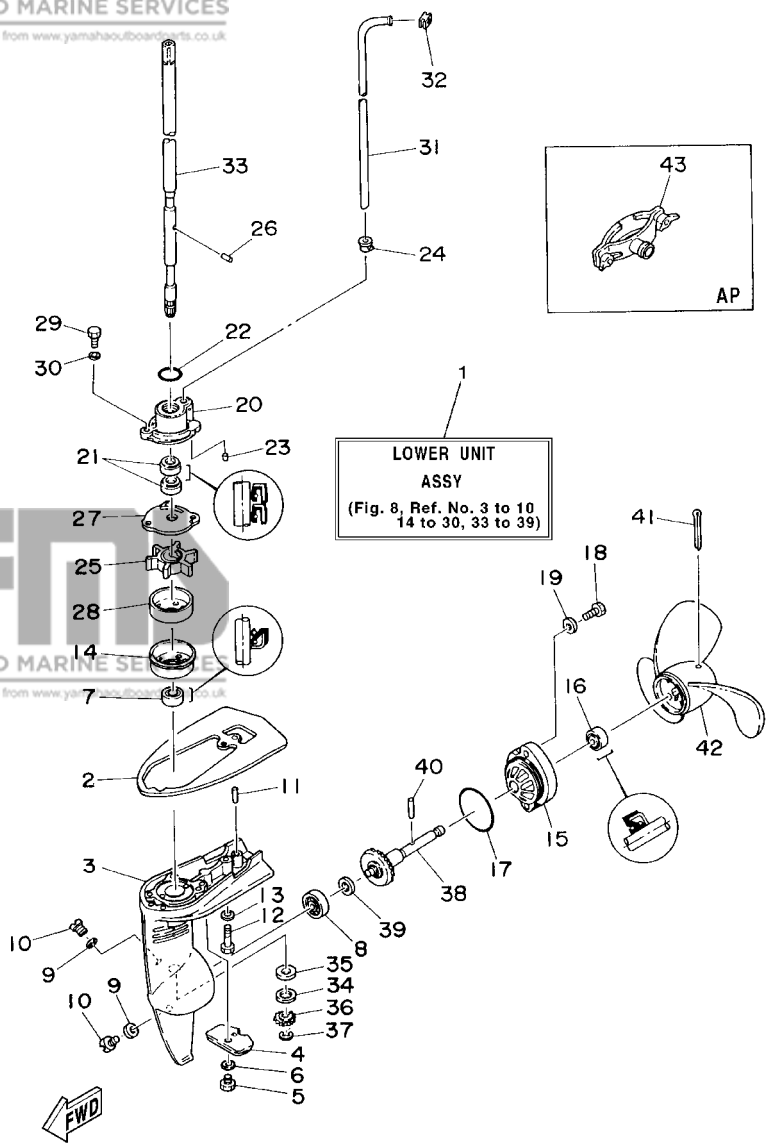
FIG. 8 LOWER CASING. DRIVE BOITIER D'HELICE, TRANSMISSION

REF. NO.	PART NO. NO. PIECES	DESCRIPTION DESCRIPTION	2B	REMARKS REMARQUES
1	6A1-45300-03-4D	LOWER UNIT ASSY UNITE INFERIEURE (ENS.)	1	
2	6A1-45181-00-4D	PLATE PLAQUETTE	1	
3	6A1-45311-02-4D	CASING, LOWER BOITIER D'HELICE	1	
4	6L5-45251-02	ANODE ANODE	1	
5	95895-06012	BOLT, FLANGE BOULON, A COLLERETTE	1	
6	92990-06300	WASHER, INTERNAL TOOTH RONDELLE, DENTURE INTERNE	1	
7	93103-11051	OIL SEAL JOINT SPY	1	
8	93306-00001	BEARING ROULEMENT	1	
9	90430-08020	GASKET JOINT	2	
10	90340-08002	PLUG, STRAIGHT SCREW PLOT, FILETE DROIT	2	
11	93605-18M04	PIN, DOWEL GOUJON	2	
12	97095-06030	BOLT BOULON	1	
13	92995-06600	WASHER RONDELLE	1	
14	6A1-44325-00	PROTECTOR, OIL SEAL PROTECTEUR, JOINT D'HUILE	1	
15	6A1-45361-01-4D	CAP, LOWER CASING COUVERCLE, BOITIER D'HELICE	1	
16	93103-10052	OIL SEAL JOINT SPY	1	
17	93210-42101	O-RING JOINT TORIQUE	1	
18	97090-06014	BOLT BOULON	2	
19	92990-06600	WASHER, PLATE RONDELLE, PLATE	2	
20	6A1-44312-01-94	COVER, WATER PUMP HOUSING COUVERCLE	1	
21	93101-11M44	OIL SEAL JOINT SPY	2	
22	93210-19123	O-RING JOINT TORIQUE	1	
23	93604-09068	PIN, DOWEL GOUJON	2	
24	646-44366-01	DAMPER, WATER SEAL JOINT, TUBE D'EAU	1	
25	646-44352-01	IMPELLER TURBINE	1	
26	93604-09066	PIN, DOWEL GOUJON	1	
27	646-44323-00	OUTER PLATE, CARTRIDGE PLAQUE EXTERIEURE	1	

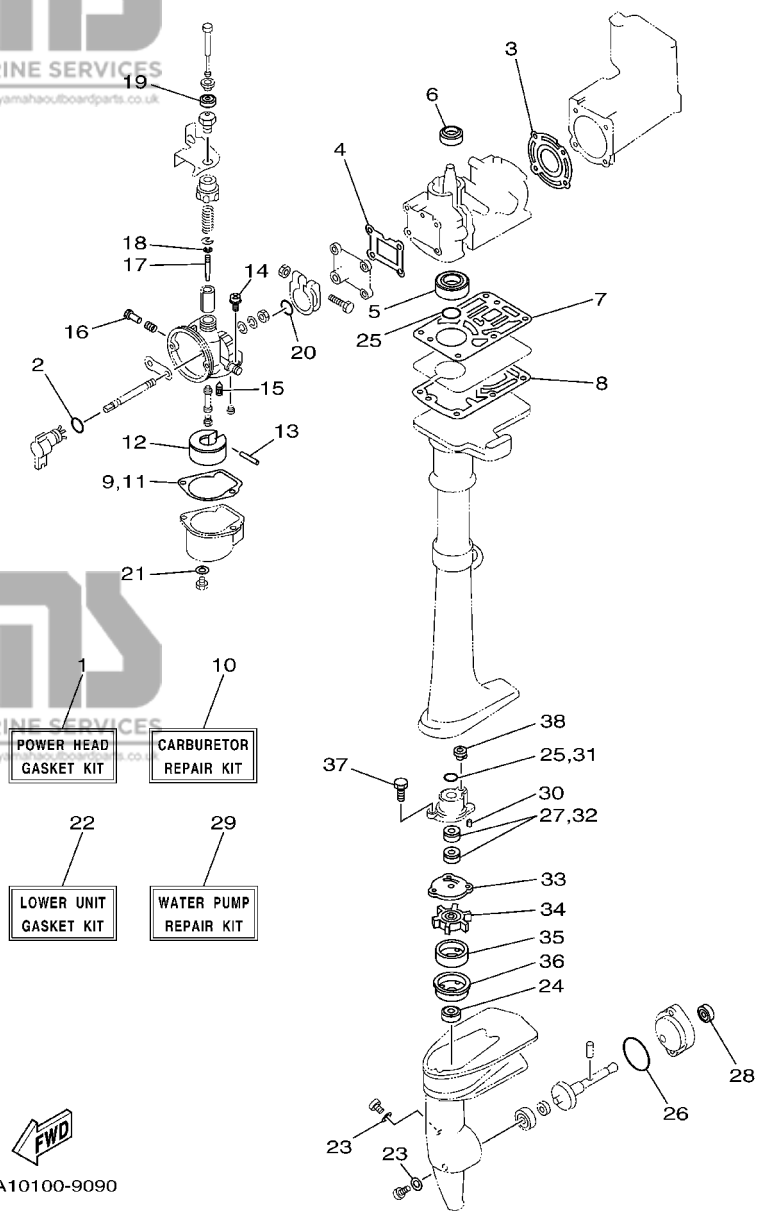
C3

FIG. 8 LOWER CASING. DRIVE BOITIER D'HELICE, TRANSMISSION

REF. NO.	PART NO. NO. PIECES	DESCRIPTION DESCRIPTION	28	REMARKS REMARQUES
28	646-44322-00	INSERT, CARTRIDGE CUVETTE	1	
29	97095-05016	BOLT BOULON	2	
30	92995-05600	WASHER RONDELLE	2	
31	6A1-44361-00	TUBE, WATER TUBE D'EAU	1	
32	646-44365-00	DAMPER, WATER SEAL JOINT, TUBE D'EAU	1	
33	6A1-45510-01	DRIVE SHAFT ASSY ARBRE MOTEUR (ENS.)	1	
34	90201-11M49	WASHER, PLATE RONDELLE, PLATE	1	
35	646-45534-00-03	SHIM (T:0.30MM) CALE (T:0.30MM)	1	UR
	646-45534-00-04	SHIM (T:0.40MM) CALE (T:0.40MM)	1	UR
	646-45534-00-05	SHIM (T:0.50MM) CALE (T:0.50MM)	1	UR
36	646-45551-00	PINION PIGNON D'ATTAQUE	1	
37	93430-06005	CIRCLIP CIRCLIP, TYPE S	1	
38	646-45560-00	GEAR PIGNON	1	
39	646-45567-00-03	SHIM (T:0.30MM) CALE (T:0.30MM)	1	UR
	646-45567-00-04	SHIM (T:0.40MM) CALE (T:0.40MM)	1	UR
	646-45567-00-05	SHIM (T:0.50MM) CALE (T:0.50MM)	1	UR
40	90250-03M10	PIN, STRAIGHT GOUPILLE, DROITE	1	
41	91490-30040	PIN, COTTER GOUPILLE, FENDUE	1	
42	6A1-45943-00	PROPELLER (3X7-1/4"X4"-A) HELICE (3X7-1/4"X4"-A)	1	UR
	646-45942-01-EL	PROPELLER (3X7-1/4"X5-1/2"-A) HELICE (3X7-1/4"X5-1/2"-A)	1	UR
	646-45944-01-EL	PROPELLER (3X7-1/4"X4-1/2"-A) HELICE (3X7-1/4"X4-1/2"-A)	1	UR
43	646-28193-00	PLUG, WATER CHECK BOUCHON, CONTROLE D'EAU	1	AP



6F80200-4080



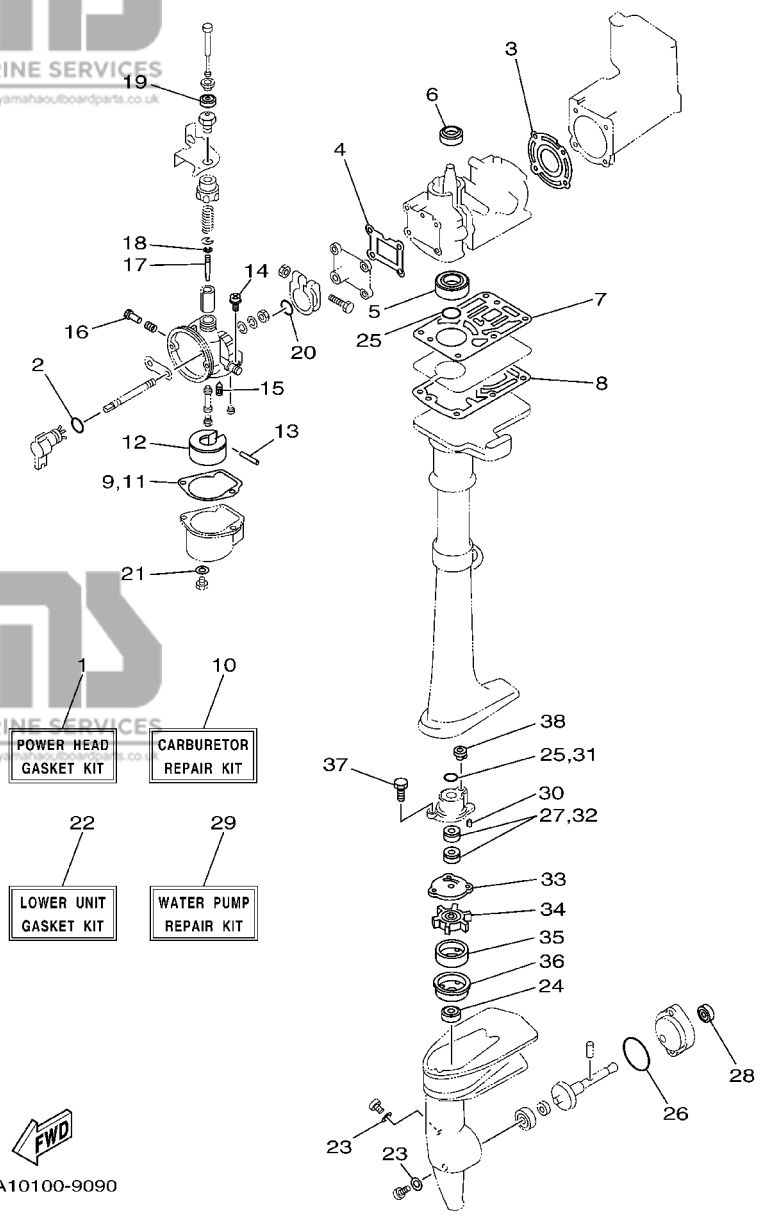
6A10100-9090

FIG. 9 REPAIR KIT

KITS DE REPARATION

REF. NO.	PART NO. NO. PIECES	DESCRIPTION DESCRIPTION	28	REMARKS REMARQUES
1	6A1-W0001-A2	POWER HEAD GASKET KIT POCHETTE DE JINTS TETE MOTRICE	1	
2	93210-08M29	.O-RING .JOINT TORIQUE	1	
3	6A1-11181-A1	.GASKET, CYLINDER HEAD 1 .JOINT, DE CULASSE 1	1	
4	6A1-13621-A0	.GASKET, VALVE SEAT .JOINT, SIEGE DE CLAPET	1	
5	93102-15M32	.OIL SEAL .JOINT SPY	1	
6	93102-20070	.OIL SEAL .JOINT SPY	1	
7	6A1-14613-A0	.GASKET, EXHAUST PIPE .JOINT DE COUDE D'ECHAPPEMENT	1	
8	646-14623-A1	.GASKET, EXHAUST PIPE .JOINT	1	
9	6A1-14384-00	.GASKET, FLOAT CHAMBER .JOINT, CUVE DE FLOTTEUR	1	
10	6A1-W0093-03	CARBURETOR REPAIR KIT KIT DE REPARATION CARBURATEUR	1	
11	6A1-14384-00	.GASKET, FLOAT CHAMBER .JOINT, CUVE DE FLOTTEUR	1	
12	6A1-14385-00	.FLOAT .FLOTTEUR	1	
13	6A1-14386-00	.PIN, FLOAT .AXE, FLOTTEUR	1	
14	97980-04110	.SCREW, WITH WASHER .VIS, AVEC RONDELLE	2	
15	6A1-14392-00	.VALVE, NEEDLE .POINTEAU	1	
16	646-14211-02	.SCREW, PILOT ADJUSTING .VIS, REGLAGE DE RALENTI	1	
17	6A1-14116-10	.NEEDLE .AIGUILLE	1	
18	646-14137-00	.CLIP .JONC	1	
19	646-14169-00	.CAP .COUVERCLE	1	
20	646-14229-01	.O-RING .JOINT TORIQUE	1	
21	646-14198-01	.GASKET .JOINT	1	
22	6A1-W0001-23	LOWER UNIT GASKET KIT POCHETTE DE JOINTS EMBASE	1	
23	90430-08020	.GASKET .JOINT	2	
24	93103-11051	.OIL SEAL .JOINT SPY	1	
25	93210-19123	.O-RING .JOINT TORIQUE	2	
26	93210-42101	.O-RING .JOINT TORIQUE	1	
27	93101-11M44	.OIL SEAL .JOINT SPY	2	

C5



6A10100-9090

FIG. 9 REPAIR KIT

KITS DE REPARATION

REF. NO.	PART NO. NO. PIECES	DESCRIPTION DESCRIPTION	2B	REMARKS REMARQUES
28	93103-10052	.OIL SEAL .JOINT SPY	1	
29	6A1-W0078-02	WATER PUMP REPAIR KIT KIT DE REPARATION DE LA POMPE	1	
30	93604-09068	.PIN, DOWEL .GOUJON	2	
31	93210-19123	.O-RING .JOINT TORIQUE	1	
32	93101-11M44	.OIL SEAL .JOINT SPY	2	
33	646-44323-00	.OUTER PLATE, CARTRIDGE .PLAQUE EXTERIEURE	1	
34	646-44352-01	.IMPELLER .TURBINE	1	
35	646-44322-00	.INSERT, CARTRIDGE .CUVETTE	1	
36	6A1-44325-00	.PROTECTOR, OIL SEAL .PROTECTEUR, JOINT D'HUILE	1	
37	97095-05016	.BOLT .BOULON	2	
38	646-44366-01	.DAMPER, WATER SEAL .JOINT, TUBE D'EAU	1	

C6

2BMH
PARTS CATALOGUE
F 2001 by Yamaha Motor Co., Ltd.
1st Edition, Nov. 2001
All rights reserved.
Any reprinting or unauthorized use
without the written permission of
Yamaha Motor Co., Ltd.
is expressly prohibited.

2BMH
CATALOGUE DE PIECES DETACHEES
F 2001 Yamaha Motor Co., Ltd.
1ère Edition, Nov. 2001
Tous droits réservés.
Toute réimpression ou utilisation
sans la permission écrite de la
Yamaha Motor Co., Ltd.
est formellement interdite.