

PARTS CATALOGUE CATALOGUE DE PIECES DETACHEES

150FETO

(64C1)

175DETO

(64D1)

200FETO

(64E1)

L200FETO

(64H1)

YAMAHA
GENUINE
Parts & Accessories

2A64C-300F1

FOREWORD

This Parts Catalogue is related to the parts for the model(s) in the below frame. When you are ordering replacement parts, please refer to this Parts Catalogue and quote both part numbers and part names correctly.

150FETO'02(64C1), 175DETO'02(64D1),
200FETO'02(64E1), L200FETO'02(64H1)

5. Quantity Column Information

NAME for Q'TY COLUMN	APPLICABLE MODEL
150	150FETO
175	175DETO
200	200FETO
L200	L200FETO

6. Applicable Starting Serial No. and Color Code

1) Engine Starting Serial No.

150FETO	6G4 L : 353756 6G4 X : 509352	L200FETO	6K1 L : 350226
175DETO	6G5 L : 350405 6G5 X : 502442		
200FETO	6G6 L : 351664 6G6 X : 509092		

1. Modifications or additions which have been made after issue of the Parts Catalogue will be announced in the Yamaha Parts News. It is advisable that you make necessary corrections to the Parts Catalogue according to the Yamaha Parts News.

2. Abbreviations

The Following abbreviations are used in this Parts Catalogue.

“UR” Use specified parts number.

“UN” Use as many as needed.

“AP” Alternate Parts

“LM” Local Made

(Parts need to be ordered locally)

“O/S” Over Size

“SWS” Salt Water Series

3. Parts, which are to be supplied in an assembly, are listed with a dot(.) in front of the part name as shown below.

EXAMPLE

CARBURETOR ASSY

.JET, PILOT

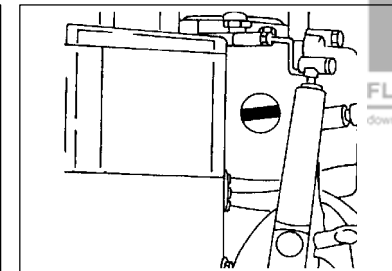
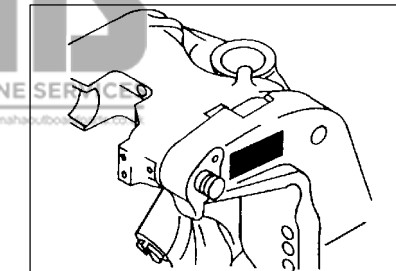
.NOZZLE, MAIN

4. Number of component for assembly

The numeral appearing to the right of each component part indicates the quantity of parts for each assembly unit.

EXAMPLE

PART NO.	DESCRIPTION	1	2	3	4	REMARKS
6E0-85500-70	C.D.I. MAGNETO ASSY	1				
6E0-85550-70	.ROTOR ASSY	1				
6E0-15723-00-94	.PULLY, STARTER	1				



2) Color Code

Color Code	Color Name	Abbreviation
004D	DARK BLUISH GRAY METALLIC 2	DBNM2

7. Note that the illustrations for reference in finding parts numbers, not to be used for assembling. When assembling, please use the applicable service manual.

8. The asterisk (*) before a reference number indicates modification items after the first edition.

SHEET 1/2

TOP COWLING	A4
CYLINDER. CRANKCASE 1	A5
CRANKSHAFT. PISTON	A7
CYLINDER. CRANKCASE 2	B2
INTAKE	B4
CARBURETOR	B6
OIL PUMP	C1
OIL TANK	C3
FUEL 1	C5
FUEL 2	C7
GENERATOR	D1
ELECTRICAL 1	D2
ELECTRICAL 2	D4
STARTING MOTOR	D6
BOTTOM COWLING	D7
CONTROL	E2
BRACKET 1	E5
BRACKET 2	E7
POWER TRIM & TILT ASSY 1	F2
POWER TRIM & TILT ASSY 2	F4
UPPER CASING	F6

INDEX

NUMERICAL INDEX	G1
-----------------------	----

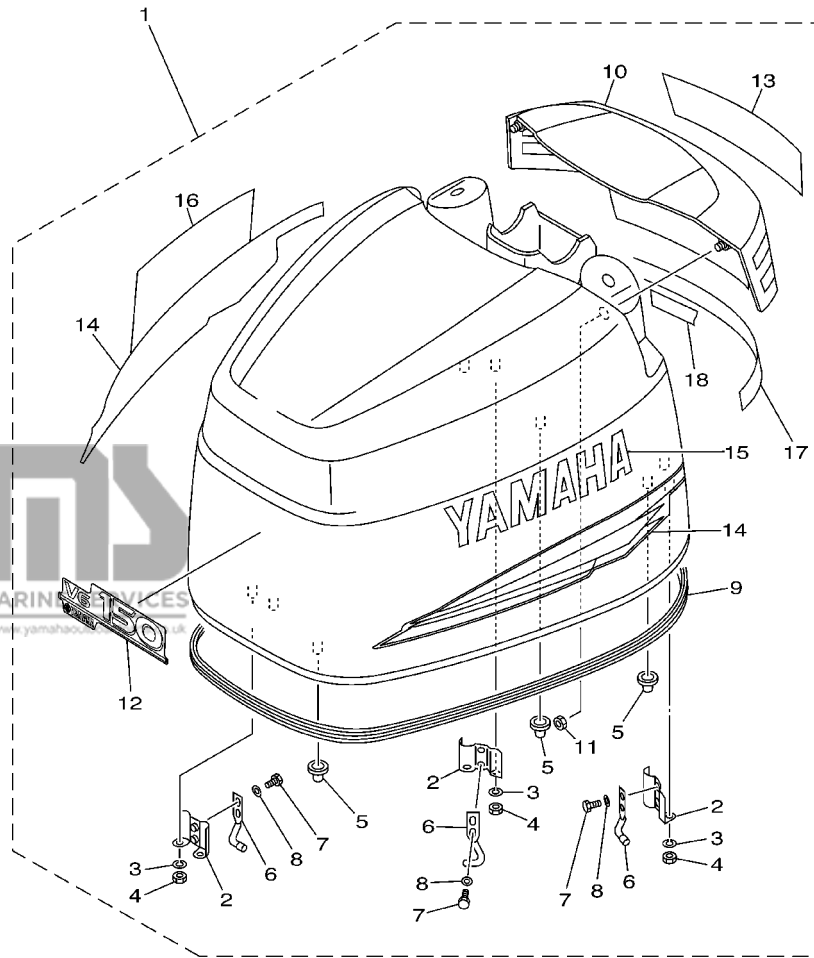
CONTENTS

SHEET 2/2

LOWER CASING. DRIVE 1	A4*
LOWER CASING. DRIVE 2	B1*
LOWER CASING. DRIVE 3	B3*
LOWER CASING. DRIVE 4	B7*
STEERING GUIDE ATTACHMENT 1	C1*
STEERING GUIDE ATTACHMENT 2	C2*
REMOTE CONTROL BOX	C3*
REMOTE CONTROL ASSY 1	C4*
REMOTE CONTROL ASSY 2	C7*
METER	D3*
SWITCH. PANEL	D5*
REPAIR KIT 1	D6*
REPAIR KIT 2	E1*

INDEX

NUMERICAL INDEX	G1*
-----------------------	-----



FWD
64D1010-2010

FIG. 1 TOP COWLING

CAPOT SUPERIEUR

REF. NO.	PART NO. NO. PIECES	DESCRIPTION DESCRIPTION	150	175	200	L200	REMARKS REMARQUES
1	64C-42610-60-4D	TOP COWLING ASSY CAPOT (ENS.)	1				
	64D-42610-50-4D	TOP COWLING ASSY CAPOT (ENS.)		1			
	64E-42610-50-4D	TOP COWLING ASSY CAPOT (ENS.)			1	1	
2	6R3-42647-00	.HOLDER, CLAMP BAND .SUPPORT, SANDOW DE SERRAGE	3	3	3	3	
3	92990-06100	.WASHER, SPRING .RONDELLE, GROWER	6	6	6	6	
4	95380-06600	.NUT, HEXAGON .ECROU	6	6	6	6	
5	64D-42662-00	.DAMPER .AMORTISSEUR	3	3	3	3	
6	64D-42814-00	.HOOK, CLAMP .CROCHET DE BRIDE	3	3	3	3	
7	97095-06012	.BOLT .BOULON	6	6	6	6	
8	92995-06600	.WASHER .RONDELLE	6	6	6	6	
9	64D-42615-00	.SEAL .JOINT	1	1	1	1	
10	64D-42613-00-4D	.MOLDING, AIR DUCT .MANCHON A AIR	1	1	1	1	
11	90179-06M24	.NUT .ECROU	4	4	4	4	
12	64C-42677-50	.GRAPHIC, FRONT .ADHESIF, AVANT	1				
	64D-42677-50	.GRAPHIC, FRONT .ADHESIF, AVANT		1			
	64E-42677-50	.GRAPHIC, FRONT .ADHESIF, AVANT			1	1	
13	64C-42687-30	.EMBLEM, REAR .EMBLEME, ARRIERE	1				
	64D-42687-30	.EMBLEM, REAR .EMBLEME, ARRIERE		1			
	64E-42687-30	.EMBLEM, REAR .EMBLEME, ARRIERE			1	1	
14	64D-W0070-30	.GRAPHIC SET .JEU DIEMBLEMES	1	1	1	1	
15	64C-42681-30	.MARK, COWLING .ADHESIF, CAPOT	1	1	1	1	
16	64C-42682-30	.MARK, COWLING .ADHESIF, CAPOT	1	1	1	1	
17	64D-4267A-30	.GRAPHIC, REAR 2 .ADHESIF, ARRIERE 2	1	1	1	1	
18	64D-42678-30	.GRAPHIC, REAR .ADHESIF, ARRIERE	1	1	1	1	

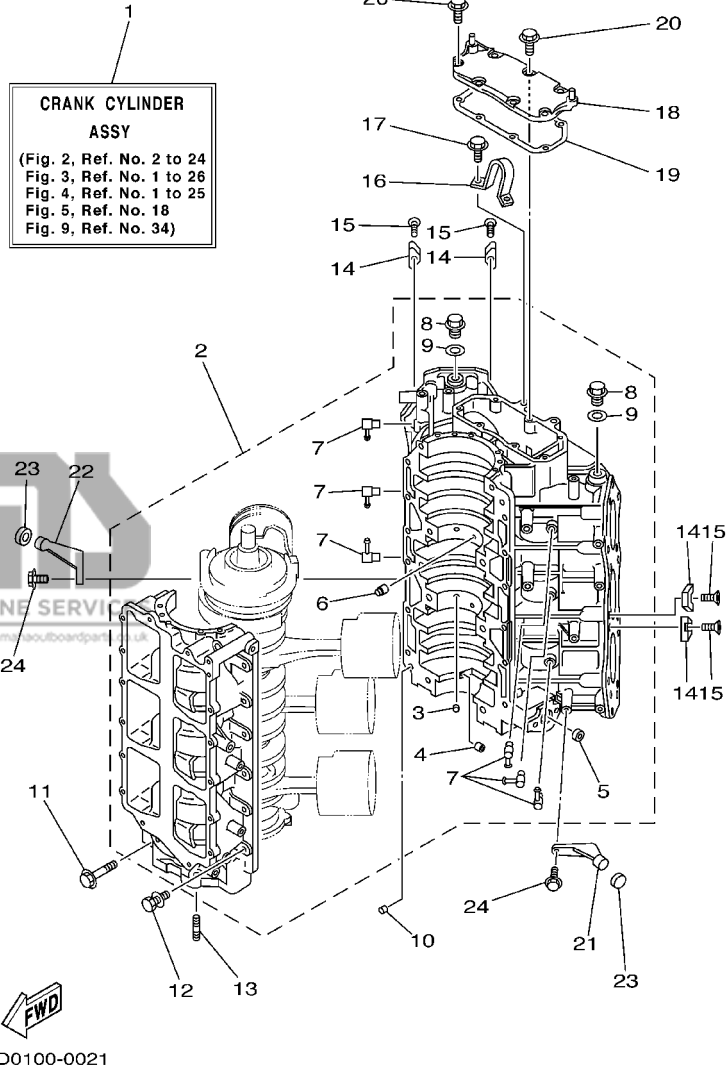
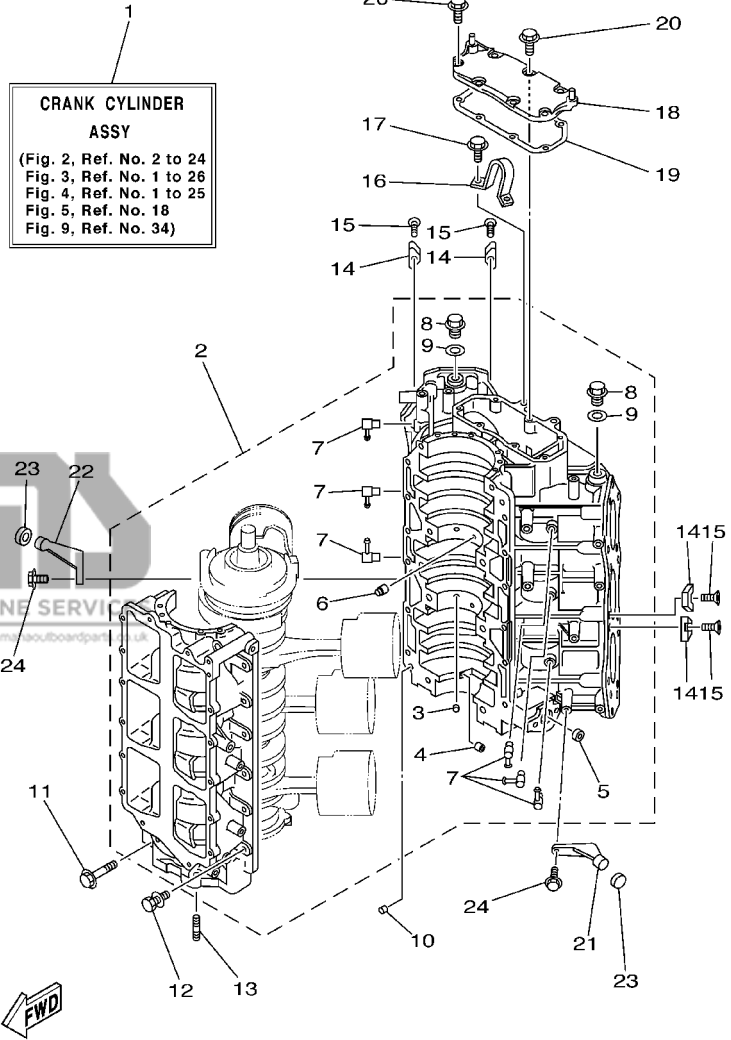


FIG. 2 CYLINDER. CRANKCASE 1 CYLINDRE. CARTER 1

REF. NO.	PART NO. NO. PIECES	DESCRIPTION DESCRIPTION	150	175	200	L200	REMARKS REMARQUES
1	64C-W0090-13-1S	CRANK CYLINDER ASSY EMBIELLAGE CYLINDRE (ENS.)	1				
	64D-W0090-13-1S	CRANK CYLINDER ASSY EMBIELLAGE CYLINDRE (ENS.)		1			
	64E-W0090-13-1S	CRANK CYLINDER ASSY EMBIELLAGE CYLINDRE (ENS.)			1	1	
2	64C-15100-01-1S	CRANKCASE ASSY CARTER DE MOTEUR COMPLET	1				
	64D-15100-01-1S	CRANKCASE ASSY CARTER DE MOTEUR COMPLET		1			
	64E-15100-01-1S	CRANKCASE ASSY CARTER DE MOTEUR COMPLET			1	1	
3	624-11379-00	.VALVE, CHECK .CLAPET	2	2	2	2	
4	90384-06M07	.BUSH, BIMETAL FORMED .DOUILLE, BIMETAL MISE EN FORM	1	1	1	1	
5	90384-14M09	.BUSH, BIMETAL FORMED .DOUILLE, BIMETAL MISE EN FORM	1	1	1	1	
6	663-11518-01	.LOCK, BEARING .CENTREUR, ROULEMENT	2	2	2	2	
7	646-11370-00	.CHECK VALVE ASSY .CLAPET (ENS.)	6	6	6	6	
8	90340-14M00	.PLUG, STRAIGHT SCREW .PLOT, FILETE DROIT	2	2	2	2	
9	90430-14115	.GASKET .JOINT	2	2	2	2	
10	93608-12063	PIN, DOWEL GOUJON	2	2	2	2	
11	90105-10M20	BOLT, FLANGE BOULON	8	8	8	8	
12	90119-08M94	BOLT, WITH WASHER BOULON, AVEC RONDELLE	12	12	12	12	
13	90116-08M45	BOLT, STUD GOUJON	2	2	2	2	
14	6E5-11325-00	ANODE ANODE	8	8	8	8	
15	98780-04015	SCREW, FLAT HEAD VIS, TETE PLATE	8	8	8	8	
16	67H-11119-01	HANGER, ENGINE ANNEAU, LEVAGE	1	1	1	1	
17	90119-08MA3	BOLT, WITH WASHER BOULON, AVEC RONDELLE	2	2	2	2	
18	6K7-11371-01-1S	COVER COUVERCLE	1	1	1	1	
19	6E5-11381-A2	GASKET 1 JOINT 1	1	1	1	1	
20	90119-06MA2	BOLT, WITH WASHER BOULON, AVEC RONDELLE	7	7	7	7	
21	6E5-42761-00-1S	STOPPER PLAQUETTE	1	1	1	1	
22	6E5-42762-00-1S	STOPPER PLAQUETTE	1	1	1	1	
23	68F-44533-00	DAMPER, UPPER MOUNT RUBBER COUVERCLE, SUSPENSION INFERIEUR	2	2	2	2	

FIG. 2 CYLINDER. CRANKCASE 1 CYLINDRE. CARTER 1

REF. NO.	PART NO. NO. PIECES	DESCRIPTION DESCRIPTION	150	175	200	L200	REMARKS REMARQUES
24	90119-06MA2	BOLT, WITH WASHER BOULON, AVEC RONDELLE	4	4	4	4	



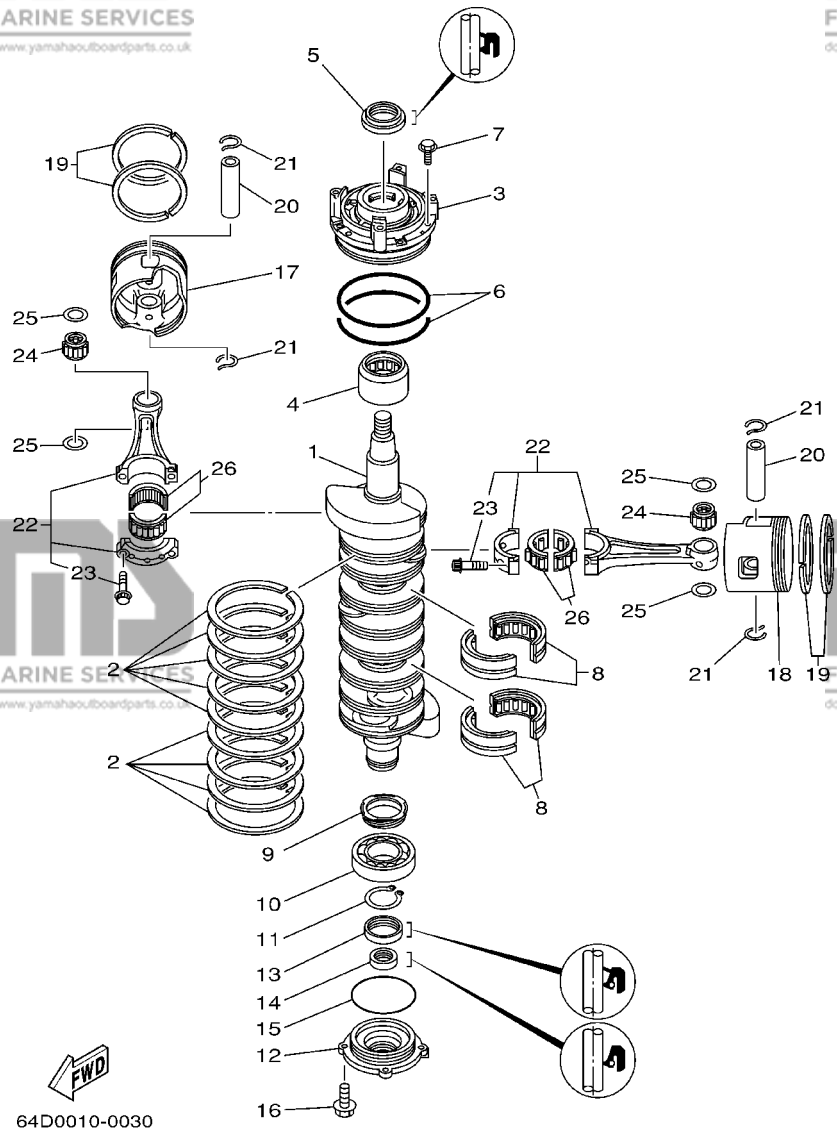


FIG. 3 CRANKSHAFT. PISTON VILEBREQUIN. PISTON

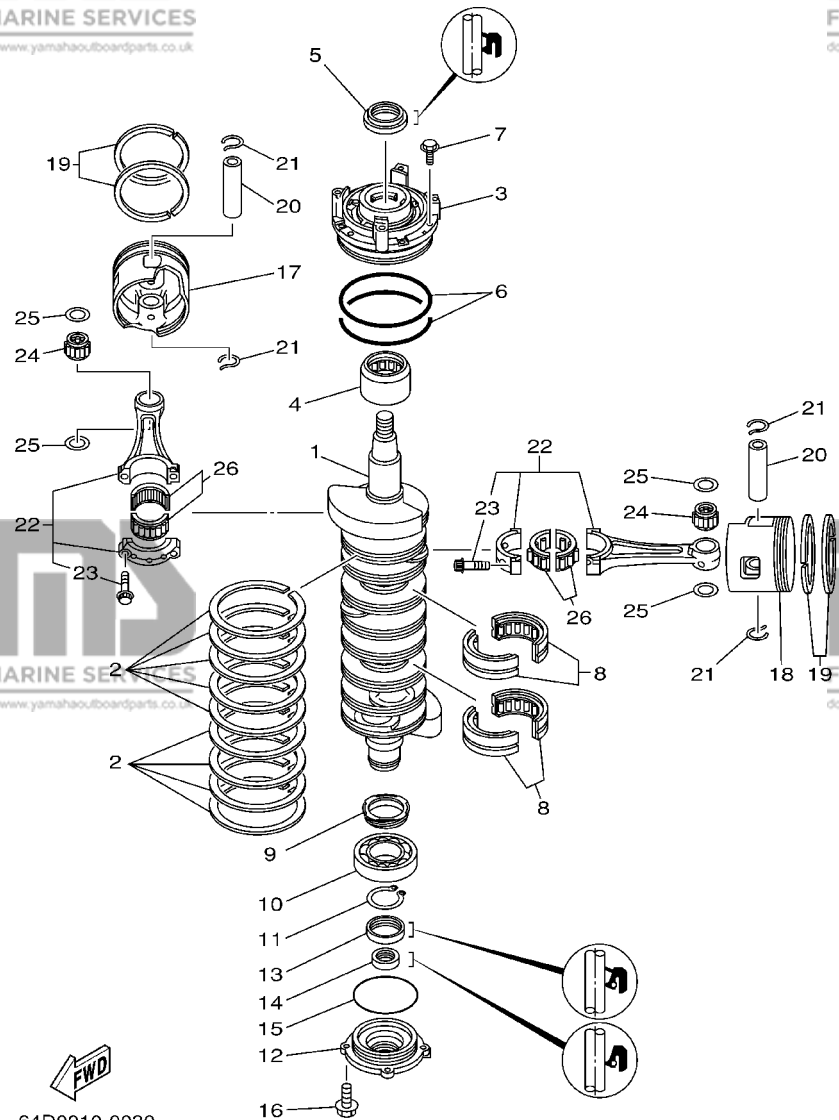
REF. NO.	PART NO. NO. PIECES	DESCRIPTION DESCRIPTION	150	175	200	L200	REMARKS REMARQUES
1	6G5-11411-02	CRANKSHAFT VILEBREQUIN COMPLET	1	1	1	1	
2	6E5-11447-00	SEAL, CRANK JOINT, VILEBREQUIN	9	9	9	9	
3	6R3-15163-00-1S	HOUSING, BEARING 1 LOGEMENT, ROULEMENT 1	1	1	1	1	
4	93311-940U3	BEARING ROULEMENT	1	1	1	1	
5	93102-40M14	OIL SEAL JOINT SPY	1	1	1	1	
6	93211-04001	O-RING JOINT TORIQUE	2	2	2	2	
7	90119-06MA2	BOLT, WITH WASHER BOULON, AVEC RONDELLE	3	3	3	3	
8	93310-954U1	BEARING ROULEMENT	2	2	2	2	
9	6R3-11536-00	GEAR, DRIVE ENGRENAGE, MENANT	1	1	1	1	
10	93306-208U0	BEARING ROULEMENT	1	1	1	1	
11	93410-40M03	CIRCLIP CIRCLIP, TYPE S	1	1	1	1	
12	6G5-15359-00-94	HOUSING, OIL SEAL LOGEMENT, BAGUE D'ETANCHEITE	1	1	1	1	
13	93102-35M13	OIL SEAL JOINT SPY	1	1	1	1	
14	93101-22M15	OIL SEAL JOINT SPY	1	1	1	1	
15	93210-74M35	O-RING JOINT TORIQUE	1	1	1	1	
16	90119-06MA2	BOLT, WITH WASHER BOULON, AVEC RONDELLE	4	4	4	4	
17	64D-11631-02-90	PISTON (STD)	3	3	3	3	
	64D-11635-02	PISTON (0.25MM O/S)	3	3	3	3	AP
	64D-11636-02	PISTON (0.50MM O/S)	3	3	3	3	AP
18	64D-11642-02-90	PISTON 2 (STD)	3	3	3	3	
	64D-11645-02	PISTON 2 (0.25MM O/S)	3	3	3	3	AP
	64D-11646-02	PISTON 2 (0.50MM O/S)	3	3	3	3	AP
19	64D-11603-01	PISTON RING SET (STD)	6	6	6	6	
	64D-11604-01	PISTON RING SET (0.25MM O/S)	6	6	6	6	AP
	64D-11605-01	PISTON RING SET (0.50MM O/S)	6	6	6	6	AP
20	6R5-11633-10	PIN, PISTON AXE, PISTON	6	6	6	6	
21	6R5-11634-10	CLIP, PISTON PIN AGRAFE, AXE DE PISTON	12	12	12	12	

A7

FIG. 3 CRANKSHAFT. PISTON

VILEBREQUIN. PISTON

REF. NO.	PART NO. NO. PIECES	DESCRIPTION DESCRIPTION	150	175	200	L200	REMARKS REMARQUES
22	6R5-11650-10	CONNECTING ROD ASSY BIELLE COMPLETE	6	6	6	6	
23	90109-08022	.BOLT .BOULON	2	2	2	2	
24	93310-323V6	BEARING ROULEMENT	6	6	6	6	
25	90201-23M01	WASHER, PLATE RONDELLE, PLATE	12	12	12	12	
26	93310-836V2	BEARING ROULEMENT	6	6	6	6	



64D0010-0030

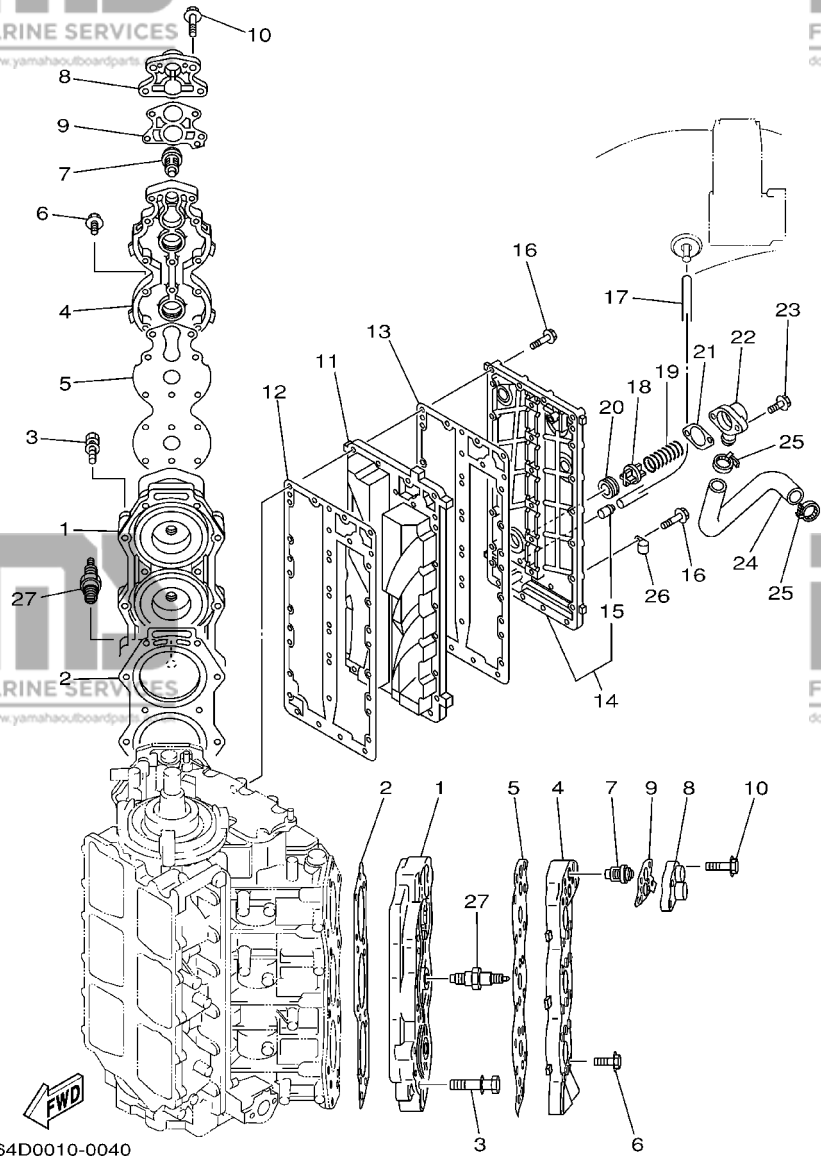
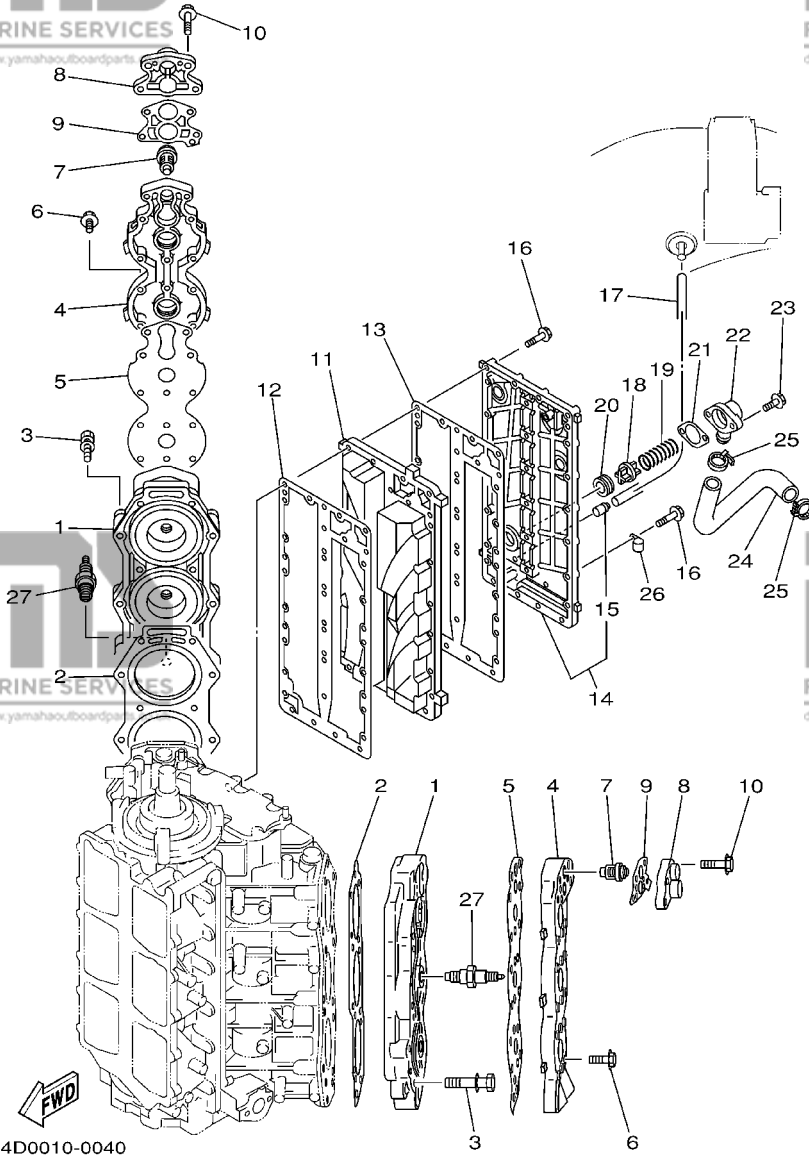


FIG. 4 CYLINDER. CRANKCASE 2 CYLINDRE. CARTER 2

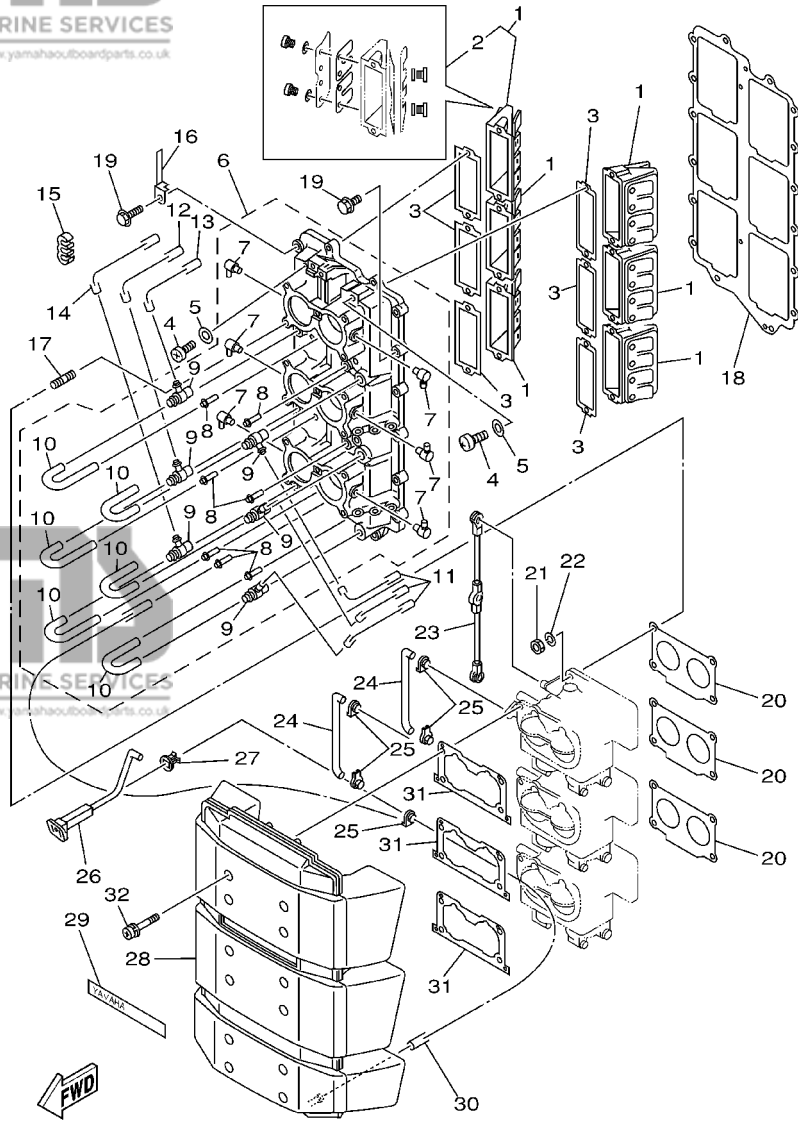
REF. NO.	PART NO. NO. PIECES	DESCRIPTION DESCRIPTION	150	175	200	L200	REMARKS REMARQUES
1	6G5-11111-04-1S	HEAD, CYLINDER 1 CULASSE	2	2			
	64E-11111-00-1S	HEAD, CYLINDER 1 CULASSE			2	2	
2	6G5-11181-A1	GASKET, CYLINDER HEAD 1 JOINT, DE CULASSE 1	2	2	2	2	
3	90119-08MA8	BOLT, WITH WASHER BOULON, AVEC RONDELLE	28	28	28	28	
4	6G5-11191-00-1S	COVER, CYLINDER HEAD 1 COUVERCLE, CULASSE 1	2	2	2	2	
5	6G5-11193-A0	GASKET, HEAD COVER 1 JOINT, COUVERCLE DE CULASSE 1	2	2	2	2	
6	90119-06MA4	BOLT, WITH WASHER BOULON, AVEC RONDELLE	36	36	36	36	
7	6E5-12411-20	THERMOSTAT THERMOSTAT	2	2	2	2	
8	688-12413-00-1S	COVER, THERMOSTAT COUVERCLE, THERMOSTAT	2	2	2	2	
9	688-12414-A1	GASKET, COVER JOINT, COUVERCLE	2	2	2	2	
10	90119-06MA6	BOLT, WITH WASHER BOULON, AVEC RONDELLE	8	8	8	8	
11	64D-41111-00-1S	INNER COVER, EXHAUST PLAQUE, ECHAPPEMENT	1	1	1	1	
12	6G5-41112-A1	GASKET, EXHAUST INNER COVER JOINT, PLAQUE D'ECHAPPEMENT	1	1	1	1	
13	6G5-41112-A1	GASKET, EXHAUST INNER COVER JOINT, PLAQUE D'ECHAPPEMENT	1	1	1	1	
14	6R3-41113-00-1S	OUTER COVER, EXHAUST COUVERCLE, ECHAPPEMENT	1	1	1	1	
15	650-24378-00	.PIPE, JOINT 4 .DURITE RACCORDEMENT 4	1	1	1	1	
16	90119-06MA5	BOLT, WITH WASHER BOULON, AVEC RONDELLE	29	29	29	29	
17	90445-09097	HOSE DURITE	1	1	1	1	
18	6G5-12416-00	VALVE, PRESSURE CONTROL SOUPAPE DE CONTROLEUR PRESS	1	1	1	1	
19	90501-16M11	SPRING, COMPRESSION RESSORT, COMPRESSION	1	1	1	1	
20	90480-20M05	GROMMET PASSE-FIL	1	1	1	1	
21	6G5-11382-A1	GASKET 2 JOINT 2	1	1	1	1	
22	6G5-11372-00-1S	COVER, BYPASS 2 CONVERCLE	1	1	1	1	
23	90119-06MA2	BOLT, WITH WASHER BOULON, AVEC RONDELLE	2	2	2	2	
24	6G5-12576-00	HOSE 1 TUYAU 1	1	1	1	1	
25	90465-13M18	CLAMP BRIDE	2	2	2	2	
26	90465-06M86	CLAMP BRIDE	2	2	2	2	

FIG. 4 CYLINDER. CRANKCASE 2 CYLINDRE. CARTER 2

REF. NO.	PART NO. NO. PIECES	DESCRIPTION DESCRIPTION	150	175	200	L200	REMARKS REMARQUES
27	94702-00271	PLUG, SPARK (NGK BR7HS-10) BOUGIE D'ALLUMAGE (NGK BR7HS-10)	6				
	94702-00247	PLUG, SPARK (NGK BR8HS-10) BOUGIE D'ALLUMAGE (NGK BR8HS-10)		6	6	6	



64D0010-0040



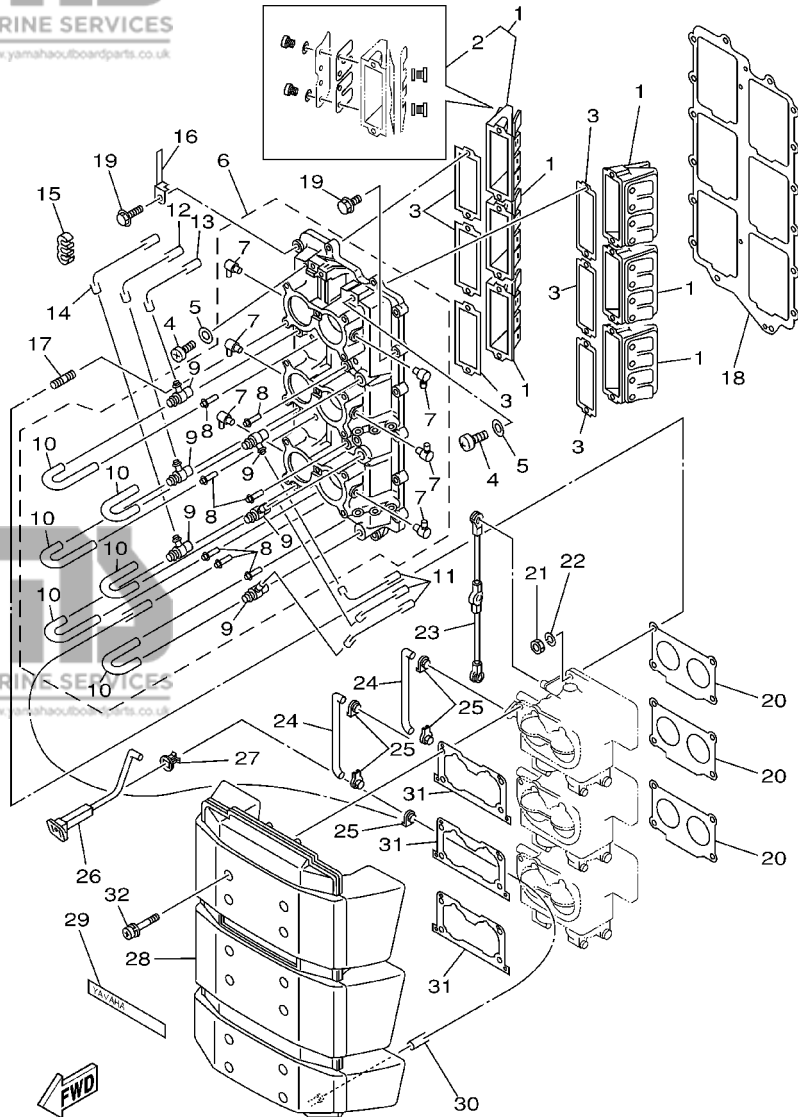
64D0010-0050

FIG. 5 INTAKE

ADMISSION

REF. NO.	PART NO. NO. PIECES	DESCRIPTION DESCRIPTION	150	175	200	L200	REMARKS REMARQUES
1	6E5-13610-00	REED VALVE ASSY CLAPET COMPLET	6	6	6	6	
2	6E5-W0004-00	.REED SET .JEU DE CLAPETS	1	1	1	1	
3	6E5-13621-A1	GASKET, VALVE SEAT JOINT, SIEGE DE CLAPET	6	6	6	6	
4	97880-05016	SCREW, PAN HEAD VIS, TETE TRONCONIQUE	12	12	12	12	
5	92990-05600	WASHER, PLATE RONDELLE, PLATE	12	12	12	12	
6	6G5-13641-11-1S	MANIFOLD 1 TUBULURE 1	1	1	1	1	
7	6E5-13552-00	.NOZZLE .GICLEUR	6	6	6	6	
8	624-14485-00	.PIPE, JOINT .DURITE	7	7	7	7	
9	6E5-11370-00	.CHECK VALVE ASSY .CLAPET (ENS.)	6	6	6	6	
10	90445-07M28	.HOSE (L70) .DURITE (L70)	6	6	6	6	
11	90445-07M45	HOSE (L340) DURITE (L340)	3	3	3	3	
12	90445-07M46	HOSE (L360) DURITE (L360)	1	1	1	1	
13	90445-07M09	HOSE (L380) DURITE (L380)	1	1	1	1	
14	90445-07M59	HOSE (L1160) DURITE (L1160)	1	1	1	1	
15	90464-07M05	CLAMP BRIDE	2	2	2	2	
16	90465-10M91	CLAMP BRIDE	2	2	2	2	
17	90116-06M30	BOLT, STUD GOUJON	12	12	12	12	
18	6G5-13645-A1	GASKET, MANIFOLD 1 JOINT, TUBULURE 1	1	1	1	1	
19	90119-06MA3	BOLT, WITH WASHER BOULON, AVEC RONDELLE	16	16	16	16	
20	6E5-14198-A2	GASKET JOINT	3	3	3	3	
21	95380-06600	NUT, HEXAGON ECROU	12	12	12	12	
22	92995-06100	WASHER, SPRING RONDELLE, GROWER	12	12	12	12	
23	6G5-41217-01	ROD, ACCEL. LEVER TIGE, LEVIER ACCELERATION	1	1	1	1	
24	6E5-41256-01	ROD, CHOKE 1 TRINGLE 1, STARTER	2	2	2	2	
25	661-41262-02	JOINT, CHOKE LEVER RACCORD, LEVIER DE STARTER	5	5	5	5	
26	6R3-41271-00	KNOB, CHOKE BOUTON DE STARTER	1	1	1	1	
27	689-41273-00	GROMMET PASSE-FIL	1	1	1	1	

B4

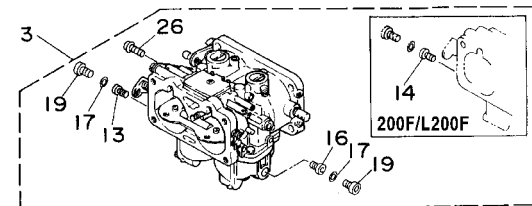
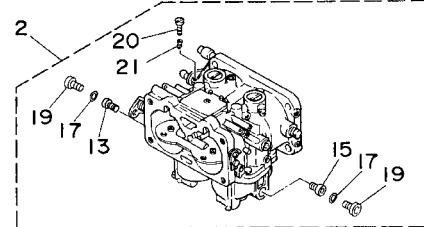
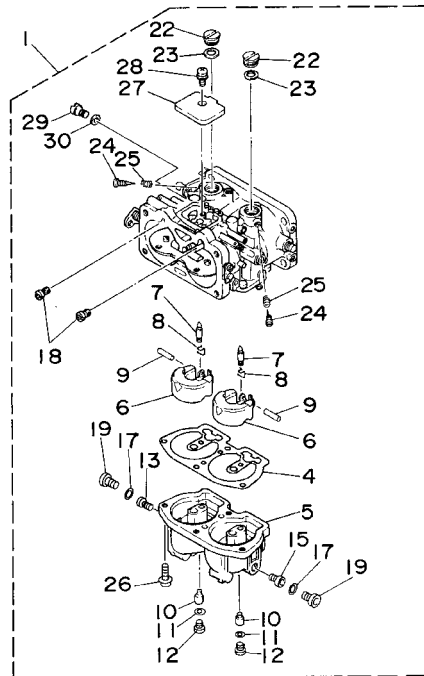


64D0010-0050

FIG. 5 INTAKE

ADMISSION

REF. NO.	PART NO. NO. PIECES	DESCRIPTION DESCRIPTION					REMARKS REMARQUES
			150	175	200	L200	
28	6R3-14440-01	SILENCER ASSY, INTAKE SIENCIEUX D'ADMISSION	1	1	1	1	
29	6G5-1441K-00	EMBLEM EMBLEME	1	1	1	1	
30	90445-07MA3	HOSE (L200) DURITE (L200)	1	1	1	1	
31	6K7-14483-00	GASKET JOINT	3	3	3	3	
32	90159-06M14	SCREW, WITH WASHER VIS, AVEC RONDELLE	12	12	12	12	



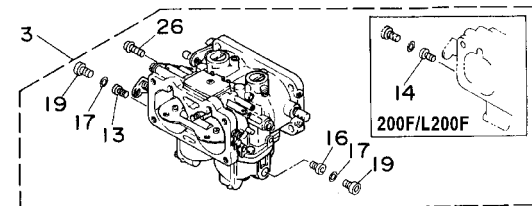
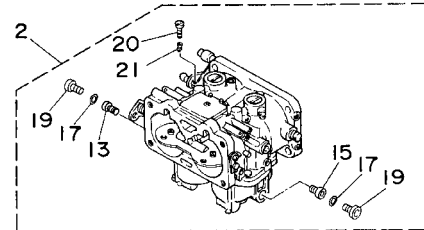
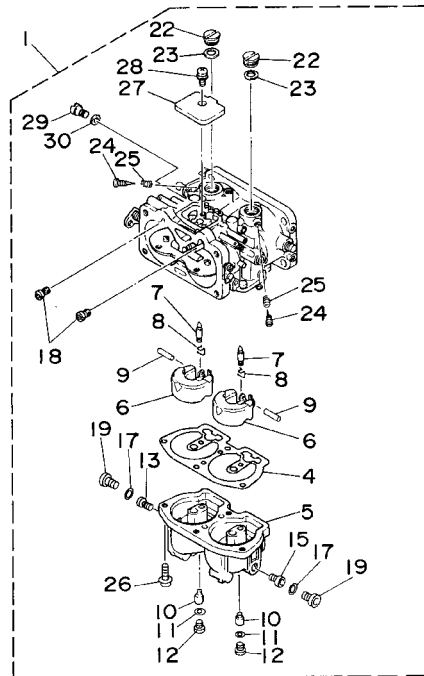
FWD
64D0300-6060

FIG. 6 CARBURETOR

CARBURETEUR

REF. NO.	PART NO. NO. PIECES	DESCRIPTION DESCRIPTION	150	175	200	L200	REMARKS REMARQUES
1	64C-14301-01	CARBURETOR ASSY 1 CARBURATEUR COMPLET 1	1				
	64D-14301-01	CARBURETOR ASSY 1 CARBURATEUR COMPLET 1		1			
	64E-14301-01	CARBURETOR ASSY 1 CARBURATEUR COMPLET 1			1	1	
2	64C-14302-01	CARBURETOR ASSY 2 CARBURATEUR COMPLET 2	1				
	64D-14302-01	CARBURETOR ASSY 2 CARBURATEUR COMPLET 2		1			
	64E-14302-01	CARBURETOR ASSY 2 CARBURATEUR COMPLET 2			1	1	
3	64C-14303-01	CARBURETOR ASSY 3 CARBURATEUR COMPLET 3	1				
	64D-14303-01	CARBURETOR ASSY 3 CARBURATEUR COMPLET 3		1			
	64E-14303-01	CARBURETOR ASSY 3 CARBURATEUR COMPLET 3			1	1	
4	64D-14384-01	.GASKET, FLOAT CHAMBER JOINT, CUVE DE FLOTTEUR	3	3	3	3	
5	64D-14381-00	.BODY, FLOAT CHAMBER .CORPS, CUVE DE FLOTTEUR	3	3	3	3	
6	6E5-14385-02	.FLOAT .FLOTTEUR	6	6	6	6	
7	6E5-14546-00	.VALVE, NEEDLE .POINTEAU	6	6	6	6	
8	6E5-14159-00	.CLIP .JONC	6	6	6	6	
9	6E5-14386-02	.PIN, FLOAT .AXE, FLOTTEUR	6	6	6	6	
10	64D-1492F-42	.JET, AIR SLOW (#84) .GICLEUR, AIR (#84)	6	6	6	6	
11	61U-14959-00	.GASKET JOINT	6	6	6	6	
12	64D-14394-00	.VALVE, DRAIN .SOUPAPE, VIDANGE	6	6	6	6	
13	64D-1492E-75	.JET, MAIN (#150) .GICLEURPRINCIPAL (#150)	3	3			
	64D-1492E-75	.JET, MAIN (#150) .GICLEURPRINCIPAL (#150)			2	2	
14	64D-1492E-76	.JET, MAIN (#152) .GICLEURPRINCIPAL (#152)			1	1	
15	64D-1492E-77	.JET, MAIN (#154) .GICLEURPRINCIPAL (#154)	2	2	2	2	
16	64D-1492E-79	.JET, MAIN (#158) .GICLEURPRINCIPAL (#158)	1	1	1	1	
17	6E5-14398-01	.GASKET JOINT	6	6	6	6	
18	61A-1492H-12	.JET, SLOW AIR BLEED (#60) .GICLEUR, AIR (#60)	6	6	6	6	
19	61A-14383-01	.SCREW, DRAIN .BOUCHON, PURGE	6	6	6	6	
20	6E5-14321-00	.SCREW, THROTTLE .VIS, ACCELERATEUR	1	1	1	1	#2

B6



FWD
64D0300-6060

FIG. 6 CARBURETOR

CARBURETEUR

REF. NO.	PART NO. NO. PIECES	DESCRIPTION DESCRIPTION	150	175	200	L200	REMARKS REMARQUES
21	6J8-14334-00	.SPRING, THROTTLE .RESSORT, ACCELERATEUR	1	1	1	1	#2
22	6E5-14328-01	.PLUG .PLOT	6	6	6	6	
23	6E5-14979-00	.GASKET .JOINT	6	6	6	6	
24	6E5-14323-03	.SCREW, AIR ADJUSTING .VIS DE DOSEUR D'AIR	6	6	6	6	
25	6E5-14223-00	.SPRING, AIR ADJUSTING .RESSORT, DOSAGE DE L'AIR	6	6	6	6	
26	97980-05116	.SCREW, WITH WASHER .VIS, AVEC RONDELLE	13	13			
	97980-05116	.SCREW, WITH WASHER .VIS, AVEC RONDELLE			12	12	
27	6E5-14527-01	.PLATE .PLAQUE	3	3	3	3	
28	97980-05108	.SCREW, WITH WASHER .VIS, AVEC RONDELLE	3	3	3	3	
29	6E5-14324-00	.SCREW, FLAT HEAD .VIS TETE PLATE	3	3	3	3	
30	6J8-14959-00	.GASKET .JOINT	3	3	3	3	

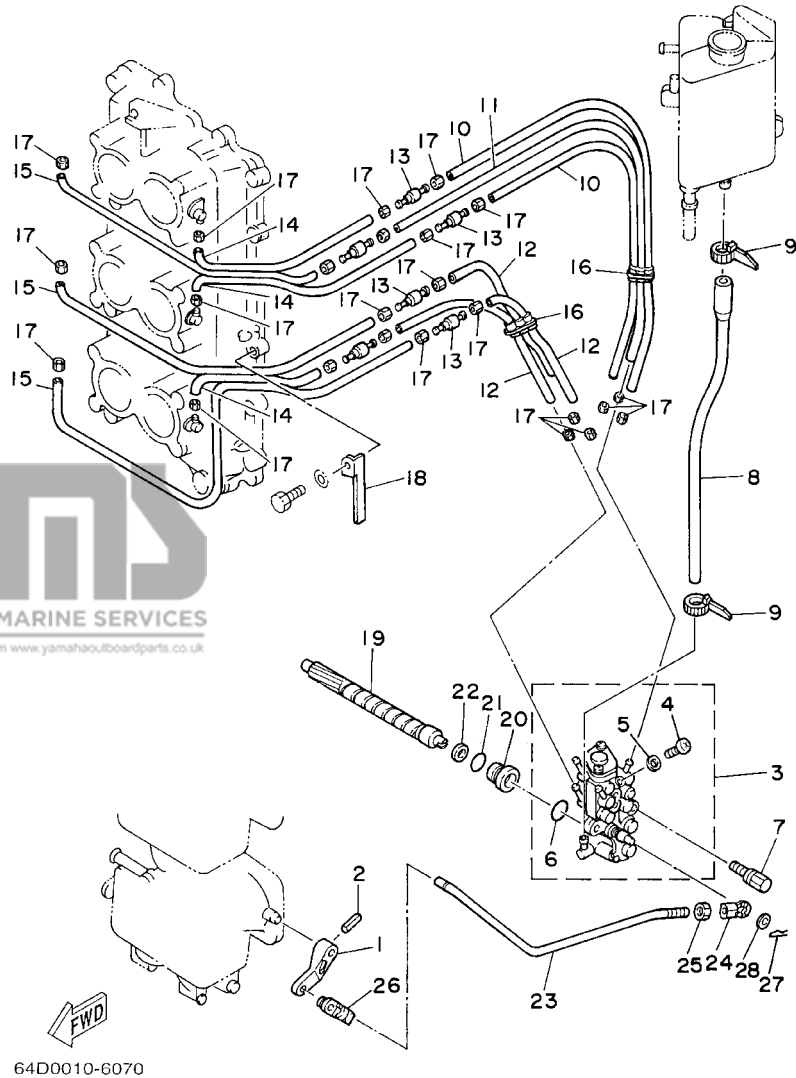


FIG. 7 OIL PUMP

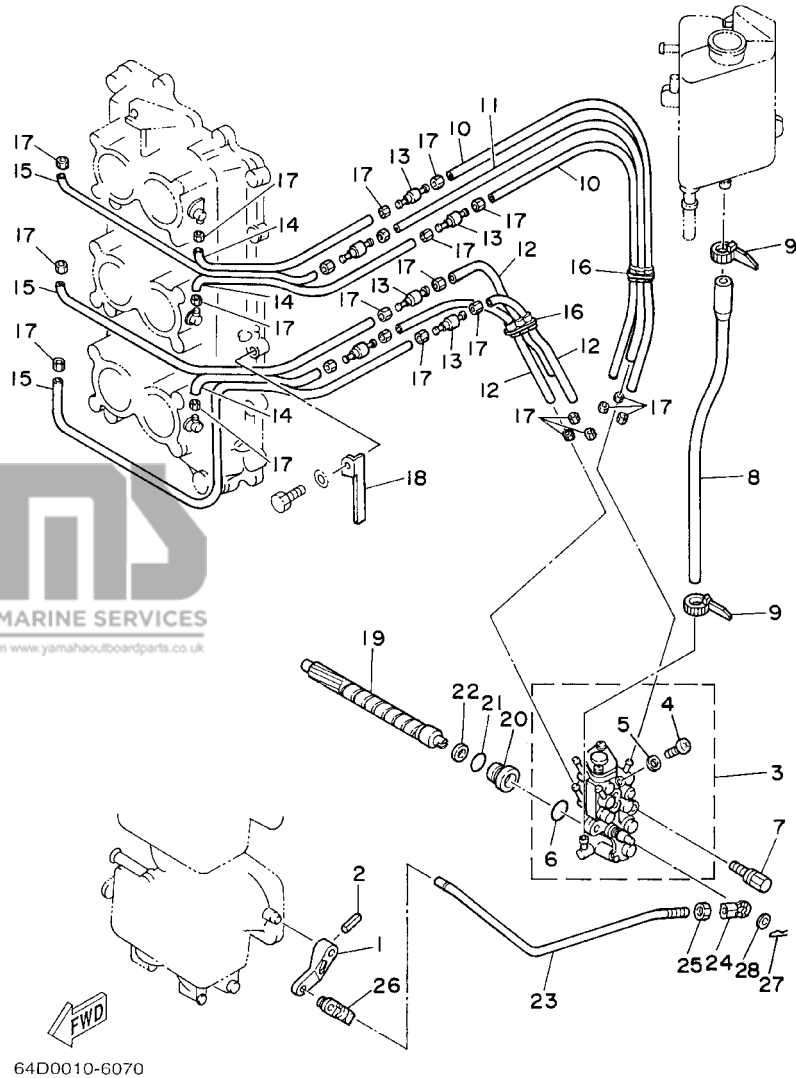
POMPE A HUILE

REF. NO.	PART NO. NO. PIECES	DESCRIPTION DESCRIPTION	150	175	200	L200	REMARKS REMARQUES
1	6E5-14276-01	LEVER LEVIER	1	1	1	1	
2	91690-30016	PIN, SPRING GOUPILLE, ELASTIQUE	1	1	1	1	
3	6R4-13200-00 6R5-13200-10	OIL INJECTION PUMP ASSY POMPE A HUILE COMPLET	1	1		1	
4	6R3-13471-00	.PLUG, DRAIN .PLOT, VIDANGE	1	1	1	1	
5	6L2-13475-00	.GASKET .JOINT	1	1	1	1	
6	93210-19MA7	.O-RING .JOINT TORIQUE	1	1	1	1	
7	90109-06M40	BOLT BOULON	2	2	2	2	
8	6R3-13416-00	PIPE, OIL 1 DURITE A HUILE	1	1	1	1	
9	90465-11M10	CLAMP BRIDE	2	2	2	2	
10	90445-07M72	HOSE (L250) DURITE (L250)	2	2	2	2	
11	90445-07M89	HOSE (L310) DURITE (L310)	1	1	1	1	
12	90445-07M83	HOSE (L150) DURITE (L150)	3	3	3	3	
13	6R3-13183-10	VALVE, CHECK S'OUPEPE DE RATANUE	6	6	6	6	
14	90445-07M87	HOSE (L110) DURITE (L110)	3	3	3	3	
15	90445-07M96	HOSE (L310) DURITE (L310)	3	3	3	3	
16	90464-07M05	CLAMP BRIDE	2	2	2	2	
17	90468-07M02	CLIP JONC	24	24	24	24	
18	90465-10M91	CLAMP BRIDE	2	2	2	2	
19	6R3-11537-00	GEAR, DRIVEN PIGNON SECONDAIRE	1	1	1	1	
20	6R3-13117-00	COLLAR, DISTANCE ENTRETOISE	1	1	1	1	
21	93210-13M04	O-RING JOINT TORIQUE	1	1	1	1	
22	90202-08M44	WASHER, PLATE RONDELLE, PLATE	1	1	1	1	
23	6R3-41241-00	ROD, LINK BIELLETTTE	1	1	1	1	
24	6H1-41237-00	JOINT, LINK RACCORD	1	1	1	1	
25	95380-05600	NUT ECROU	1	1	1	1	
26	6R5-41237-00	JOINT, LINK RACCORD	1	1	1	1	

FIG. 7 OIL PUMP

POMPE A HUILE

REF. NO.	PART NO. NO. PIECES	DESCRIPTION DESCRIPTION	150	175	200	L200	REMARKS REMARQUES
27	90468-05M03	CLIP JONC	1	1	1	1	
28	90202-05088	WASHER, PLATE RONDELLE, PLATE	1	1	1	1	



64D0010-6070

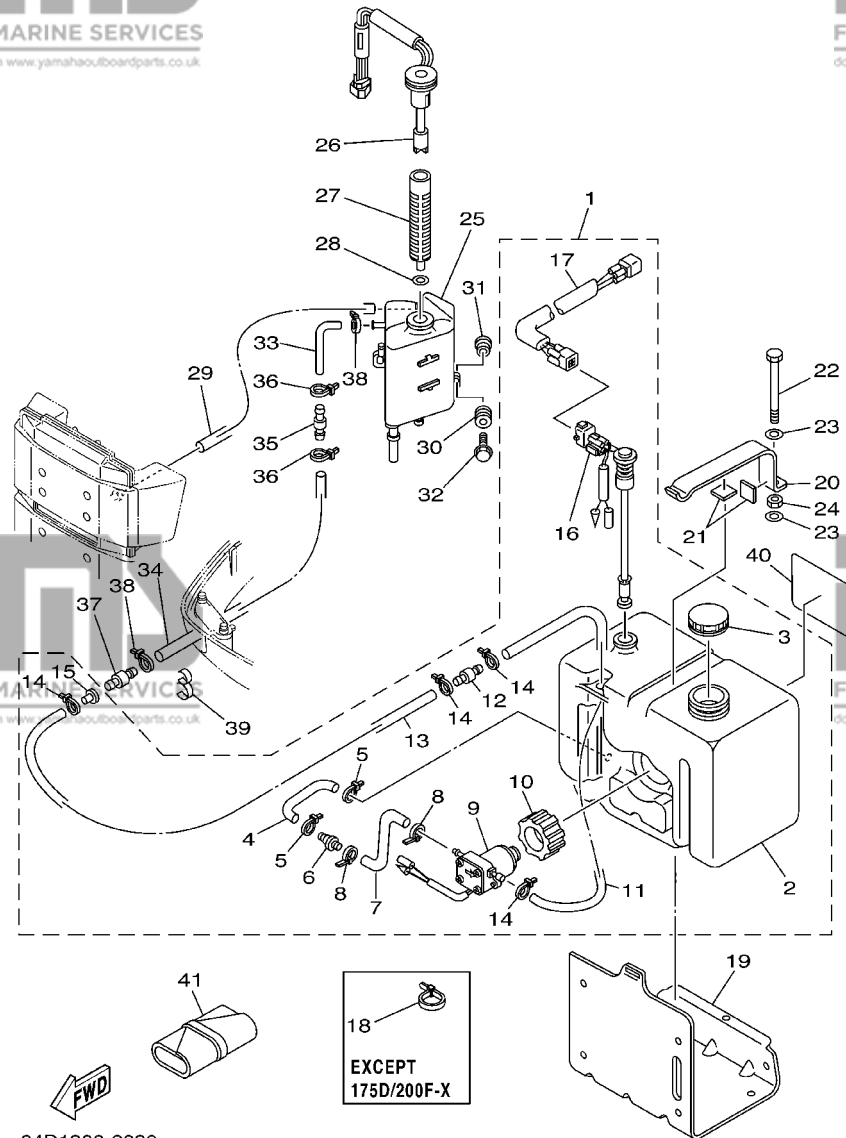


FIG. 8 OIL TANK

RESERVOIR A PETROLE

REF. NO.	PART NO. NO. PIECES	DESCRIPTION DESCRIPTION	150	175	200	L200	REMARKS REMARQUES
1	61A-21708-03	OIL TANK SUB-ASSY RESERVOIR A PETROLE (ENS.)	1	1	1	1	175D/200F-X
	6E5-21708-08	OIL TANK SUB-ASSY RESERVIO A HOSE		1	1		
2	6E5-21733-02	.SUB TANK, OIL (10.5L) .RESERVOIR A HUILE SECOURS:10.	1	1	1	1	
3	6E5-21770-03	.OIL TANK CAP ASSY .CABOCHON DE RESERVOIR A HUILE	1	1	1	1	
4	6E5-24322-00	.PIPE 11 .DURITE	1	1	1	1	
5	90465-11M10	.CLAMP .BRIDE	2	2	2	2	
6	646-24251-02	.STRAINER 1 .FILTRE 1	1	1	1	1	
7	6E5-24319-01	.PIPE, OIL .DURITE A HUILE	1	1	1	1	
8	90465-11M10	.CLAMP .BRIDE	2	2	2	2	
9	6E5-81900-01	.OIL FEED PUMP ASSY .VIEUX	1	1	1	1	
10	6E5-81922-00	.GROMMET .OEILLET CAOUTCHOUC	1	1	1	1	
11	6E5-24321-01	.PIPE 10 .DURITE	1	1	1	1	
12	6E5-24379-00	.PIPE, JOINT 4 .DURITE RACCORDEMENT	1	1	1	1	
13	90445-11M26	.HOSE (L8000) .DURITE (L8000)	1	1	1	1	FOR 61A-21708-03
	90445-11M81	.HOSE (L3000) .DURITE (L3000)	1	1			FOR 6E5-21708-08
14	90465-11M10	.CLAMP .BRIDE	4	4	4	4	
15	90480-06M19	.GROMMET .PASSE-FIL	1	1	1	1	
16	6E5-85720-04	.OIL LEVEL GAUGE ASSY .JAUGE A HUILE CPLT	1	1	1	1	
17	6R3-85721-80	.WIRE, LEAD .FIL, SECONDAIRE	1	1	1	1	FOR 61A-21708-03
	6R3-85721-30	.WIRE, LEAD (3M) .FIL, SECONDAIRE (3M)		1	1		FOR 6E5-21708-08
18	90465-13M11	.CLAMP .BRIDE	1	1	1	1	EXCEPT 175D/200F-X
19	6E5-21734-01-33	HOLDER, OIL SUB TANK SUPPORT, RESERV AUXIL A HUILE	1	1	1	1	
20	6E5-21798-01-33	BRACKET, DAMPER SUPPORT, AMORTISSEUR	1	1	1	1	
21	6E5-21746-00	DAMPER AMORTISSEUR	2	2	2	2	
22	97080-06100	BOLT BOULON	1	1	1	1	
23	92990-06600	WASHER, PLATE RONDELLE, PLATE	2	2	2	2	
24	95380-06600	NUT, HEXAGON ECROU	1	1	1	1	

C3

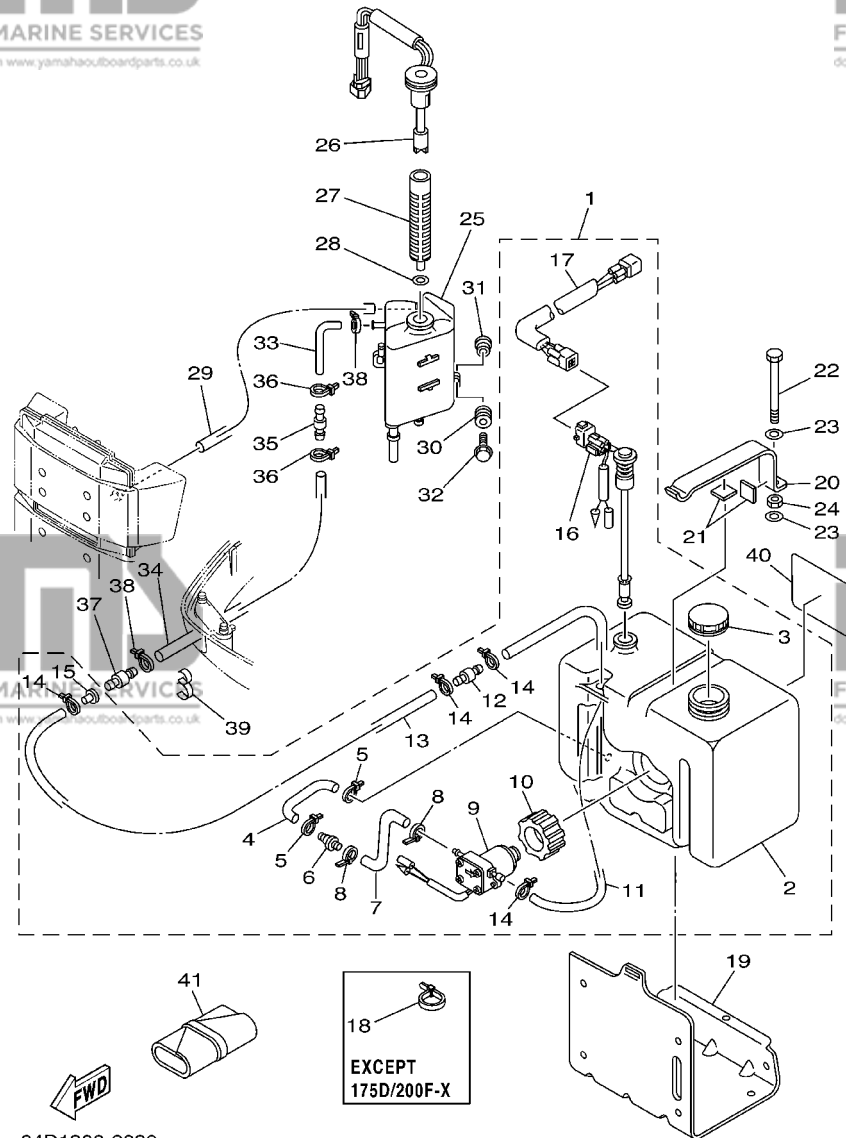


FIG. 8 OIL TANK

RESERVOIR A PETROLE

REF. NO.	PART NO. NO. PIECES	DESCRIPTION DESCRIPTION	150	175	200	L200	REMARKS REMARQUES
25	6E5-21750-05	OIL TANK ASSY RESERVOIR A HUILE	1	1	1	1	
26	6R3-85730-03	OIL LEVEL GAUGE ASSY VIEUX	1	1	1	1	
27	6E5-13411-00	STRAINER, OIL FILTRE, HUILE	1	1	1	1	
28	6E5-13414-00	GASKET, STRAINER COVER JOINT, COUVERCLE DE FILTRE	1	1	1	1	
29	90445-05M02	HOSE (L380) DURITE (L380)	1	1	1	1	
30	6A0-82317-00	DAMPER, IGNITION COIL AMORTISSEUR, BOBINE D'ALLUM	3	3	3	3	
31	624-42542-00	PIPE TUYAU	3	3	3	3	
32	90119-06M65	BOLT, WITH WASHER BOULON, AVEC RONDELLE	3	3	3	3	
33	64E-24323-00	PIPE 12 DURITE	1	1	1	1	
34	90445-12207	HOSE (L2400) DURITE (L2400)	1	1	1	1	
	90445-12M13	HOSE (L880) DURITE (L880)	1	1			175D/200F-X
35	6E5-24379-00	PIPE, JOINT 4 DURITE RACCORDEMENT	1	1	1	1	
36	90465-11M10	CLAMP BRIDE	2	2	2	2	
37	6E5-24379-00	PIPE, JOINT 4 DURITE RACCORDEMENT	1	1	1	1	
38	90465-11M10	CLAMP BRIDE	2	2	2	2	
39	90464-13M34	CLAMP BRIDE	1	1	1	1	
40	6E5-13437-62	MARK, CAUTION MAKER	1	1	1	1	
41	656-W2810-02	TOOL KIT TROUSSE A OUTILS	1	1	1	1	

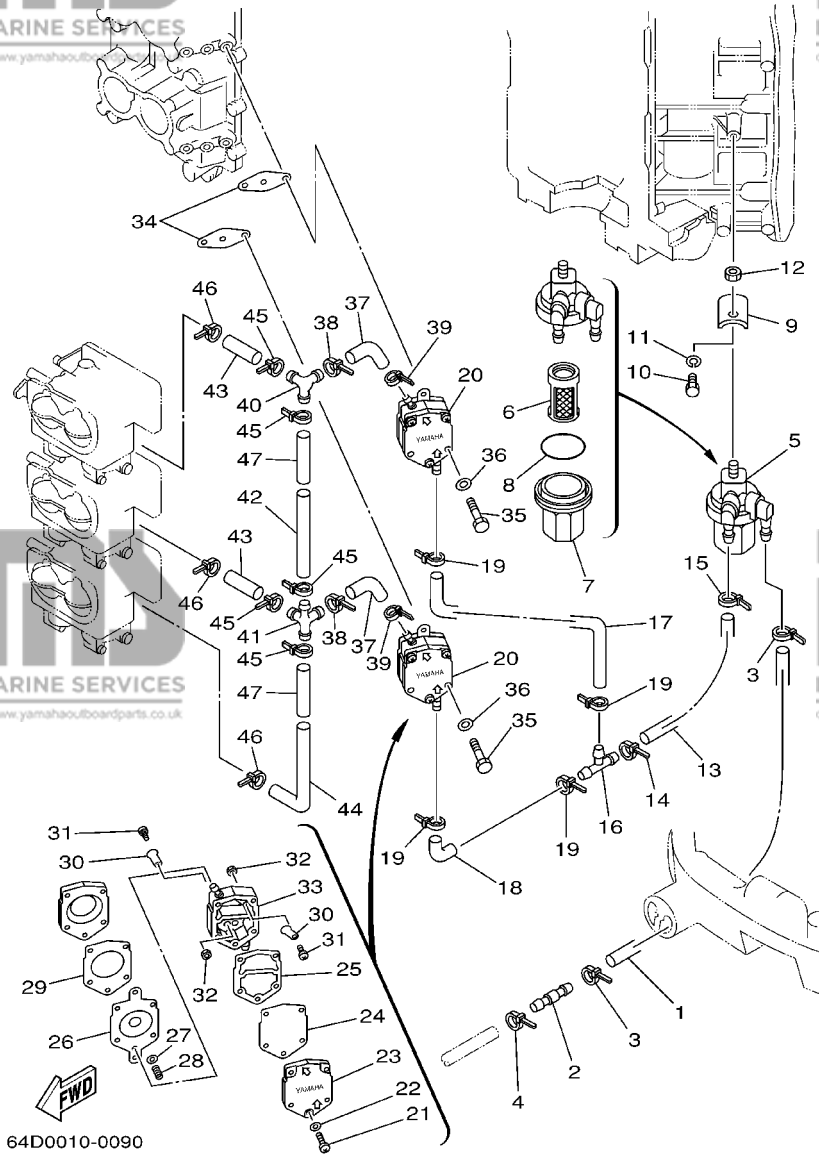


FIG. 9 FUEL 1

CARBURANT 1

REF. NO.	PART NO. NO. PIECES	DESCRIPTION DESCRIPTION					REMARKS REMARQUES
			150	175	200	L200	
1	6R3-24313-20	PIPE 3 (L:2820) DURITE 3 (L:2820)	1	1	1	1	175D/200F-X
	6R3-24313-01	PIPE 3 DURITE 3		1	1		
2	6R3-24377-00	PIPE, JOINT 3 DURITE RACCORDEMENT	1	1	1	1	
3	90465-11M10	CLAMP BRIDE	2	2	2	2	
4	90465-11M10	CLAMP BRIDE	1	1	1	1	
5	6R3-24560-00	FILTER ASSY ENS FILTRE	1	1	1	1	
6	61N-24563-00	.ELEMENT, FILTER .ELEMENT, FILTRE	1	1	1	1	
7	61N-24521-00	.CUP, FILTER .CUVETTE, FILTRE	1	1	1	1	
8	93210-32738	.O-RING .JOINT TORIQUE	1	1	1	1	
9	648-24566-02	BRACKET, FILTER SUPPORT, FILTRE	1	1	1	1	
10	97013-06014	BOLT BOULON	1	1	1	1	
11	92903-06100	WASHER, SPRING RONDELLE, GROWER	1	1	1	1	
12	95380-08600	NUT ECROU	1	1	1	1	
13	6G5-24314-00	PIPE 4 DURITE 4	1	1	1	1	
14	90465-11M10	CLAMP BRIDE	1	1	1	1	
15	90465-11M10	CLAMP BRIDE	1	1	1	1	
16	6E5-24378-00	PIPE, JOINT 3 DURITE, RACCORDEMENT 3	1	1	1	1	
17	6G5-24315-00	PIPE 5 DURITE 5	1	1	1	1	
18	6E5-24315-00	PIPE 5 DURITE 5	1	1	1	1	
19	90465-11M10	CLAMP BRIDE	4	4	4	4	
20	6E5-24410-03	FUEL PUMP ASSY POMPE A ESSENCE	2	2	2	2	
21	98503-05035	.SCREW, PAN HEAD .VIS, TETE TRONCONIQUE	3	3	3	3	
22	92903-05600	.WASHER, PLATE .RONDELLE, PLATE	3	3	3	3	
23	6E5-24413-00	.BODY 2 .CORPS 2	1	1	1	1	
24	6E5-24471-00	.DIAPHRAGM .DIAPHRAGME	1	1	1	1	
25	6E5-24435-00	.GASKET, BODY 2 .JOINT, CORPS 2	1	1	1	1	
26	6E5-24411-00	.DIAPHRAGM .DIAPHRAGME	1	1	1	1	

C5

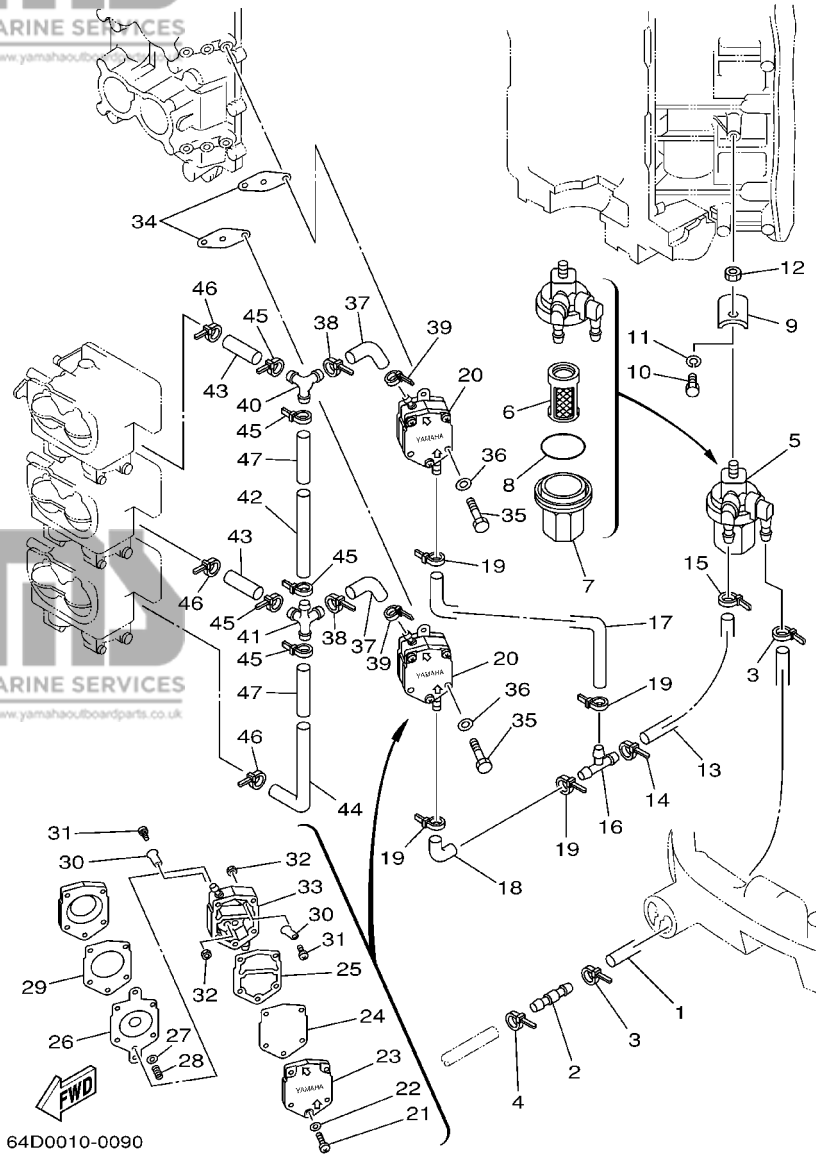
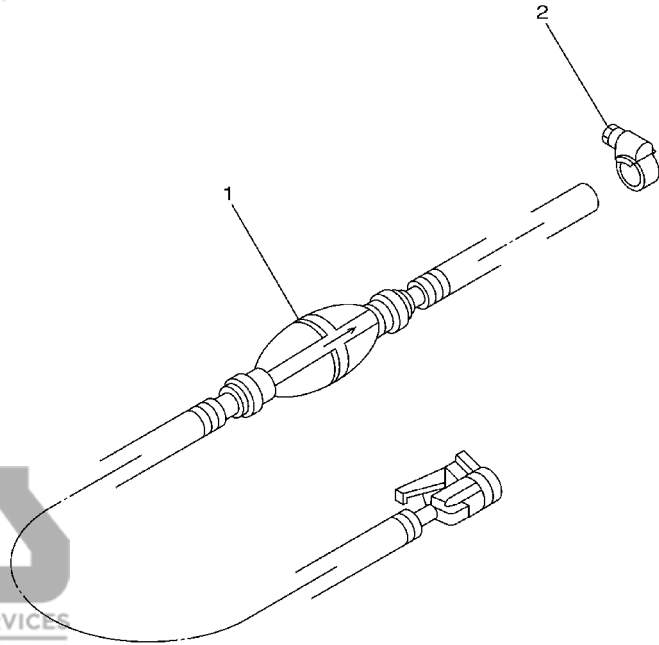


FIG. 9 FUEL 1

CARBURANT 1

REF. NO.	PART NO.	DESCRIPTION					REMARKS		
			NO. PIECES	DESCRIPTION	150	175		200	L200
27	648-24424-00	.SEAT, SPRING .SIEGE, RESSORT			1	1	1	1	
28	6E5-24423-00	.SPRING, DIAPHRAGM .RESSORT, DIAPHRAGME			1	1	1	1	
29	6E5-24434-02	.GASKET, BODY .JOINT, CORPS			1	1	1	1	
30	6A0-24421-01	.VALVE, CHECK .SOUPAPE, RETENUE			4	4	4	4	
31	6A0-14325-00	.SCREW, PAN HEAD .VIS TETE CONIQUE			4	4	4	4	
32	95380-03600	.NUT .ECROU			4	4	4	4	
33	6E5-24412-10	.BODY 1 .CORPS 1			1	1	1	1	
34	650-24431-A0	GASKET, FUEL PUMP 1 JOINT 1 DE POMPE A ESSENCE			2	2	2	2	
35	97095-06050	BOLT BOULON			4	4	4	4	
36	92995-06600	WASHER RONDELLE			4	4	4	4	
37	6G5-24316-10	PIPE 6 DURITE 6			2	2	2	2	
38	90465-11M10	CLAMP BRIDE			2	2	2	2	
39	90465-11M10	CLAMP BRIDE			2	2	2	2	
40	6G5-24376-00	PIPE, JOINT 1 DURITE 1, RACCORDEMENT			1	1	1	1	
41	6G5-24377-00	PIPE, JOINT 3 DURITE RACCORDEMENT			1	1	1	1	
42	6G5-24317-01	PIPE 7 DURITE 7			1	1	1	1	
43	6G5-24318-10	PIPE, OVERFLOW DURITE, REFOULEMENT			2	2	2	2	
44	6G5-24319-10	PIPE, OIL DURITE A HUILE			1	1	1	1	
45	90465-11M10	CLAMP BRIDE			5	5	5	5	
46	90465-11M10	CLAMP BRIDE			3	3	3	3	
47	90446-15M07	HOSE DURITE			2	2	2	2	



6N61300-2100

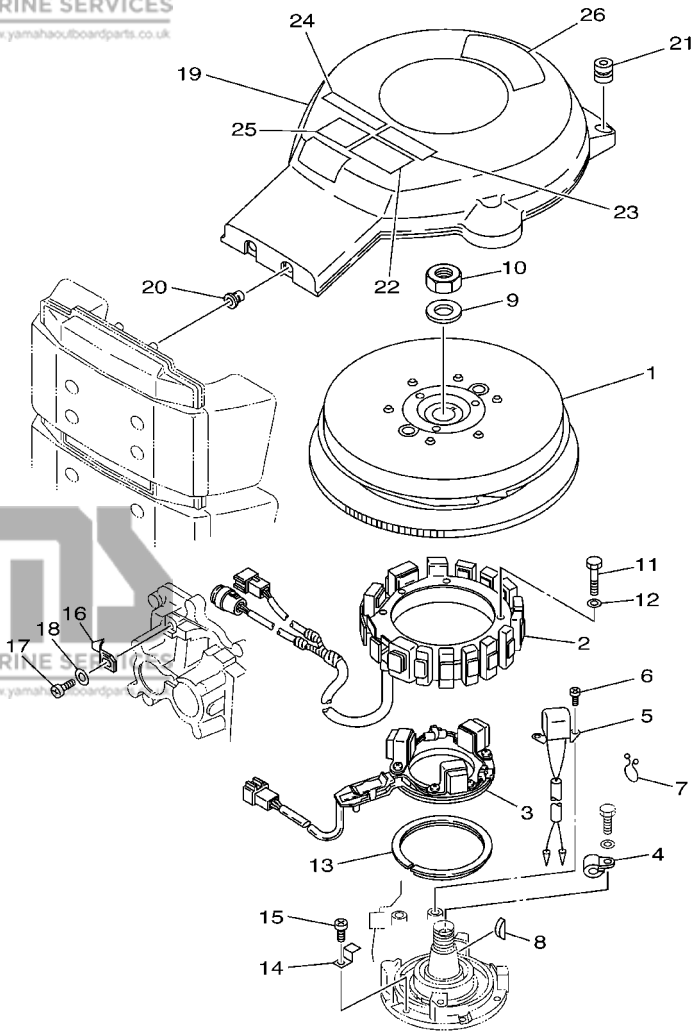
Click any part number in blue to check price and buy direct

FIG. 10 FUEL 2

CARBURANT 2

REF. NO.	PART NO. NO. PIECES	DESCRIPTION DESCRIPTION					REMARKS REMARQUES
			150	175	200	L200	
1	6YK-24307-42	FUEL PIPE COMP. 2 DURITE A ESSENCE 2	1	1	1	1	AP
	6YK-24306-42	FUEL PIPE COMP. 1 DURITE A ESSENCE 1		1	1		AP 175D/200F-X
2	90450-10M07	HOSE CLAMP ASSY BRIDE, DE DURITE	1	1	1	1	AP EXCEPT 175D/200F-X

C7



64D1300-2110

FIG. 11 GENERATOR

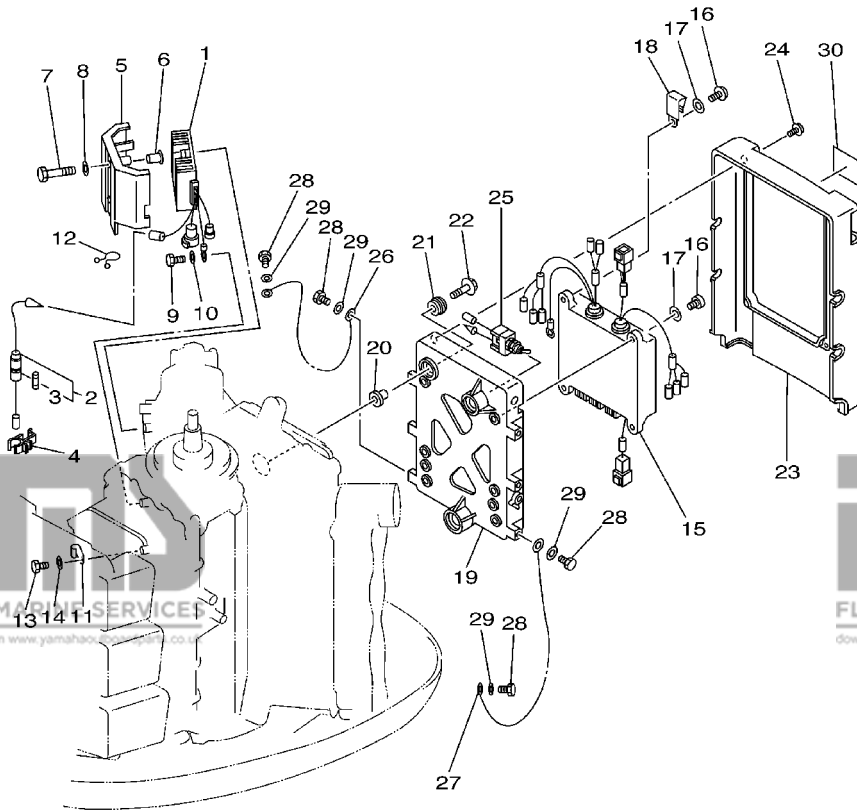
GENERATRICE

REF. NO.	PART NO. NO. PIECES	DESCRIPTION DESCRIPTION	150	175	200	L200	REMARKS REMARQUES
1	64D-85550-02	ROTOR ASSY ROTOR CPLT	1	1	1	1	
2	6R3-85510-00	STATOR ASSY STATOR CPLT	1	1	1	1	
3	64D-85580-00	COIL, PULSER BOBINE, PULSEUR	1	1	1	1	
4	90465-06M86	CLAMP BRIDE	1	1	1	1	
5	6R5-85895-01	CRANK POSITION SENDER SONDE, REGLAGE DE VILEBREQUIN	1	1	1	1	
6	97885-05012	SCREW, PAN HEAD VIS, TETE TRONCONIQUE	2	2	2	2	
7	90464-15M11	CLAMP BRIDE	1	1	1	1	
8	90280-05015	KEY, WOODRUFF CLAVETTE, DEMI-LUNE	1	1	1	1	
9	90201-21M18	WASHER, PLATE RONDELLE, PLATE	1	1	1	1	
10	90170-20137	NUT ECROU	1	1	1	1	
11	97013-06070	BOLT BOULON	4	4	4	4	
12	92903-06600	WASHER, PLATE RONDELLE, PLATE	4	4	4	4	
13	688-41611-00	RETAINER, MAGNETO BASE FLASQUE, PLATEAU D'AVANCE	1	1	1	1	
14	688-41612-00	RETAINER, MAGNETO BASE FLASQUE, PLATEAU D'AVANCE	4	4	4	4	
15	97880-06018	SCREW, PAN HEAD VIS, TETE TRONCONIQUE	4	4	4	4	
16	6E5-81332-00	PLATE, TIMING PLATEAU, ALLUMAGE	1	1	1	1	
17	97885-06010	SCREW, PAN HEAD VIS, TETE TRONCONIQUE	1	1	1	1	
18	92995-06600	WASHER RONDELLE	1	1	1	1	
19	64D-81337-10	COVER, FLYWHEEL COUVERCLE, VOLANT	1	1	1	1	
20	6G5-82317-00	DAMPER, IGNITION COIL AMORTISSEUR, BOBINE D'ALLUM	2	2	2	2	
21	663-82317-01	DAMPÉR, IGNITION COIL AMORTISSEUR, BOBINE D'ALLUM	2	2	2	2	
22	6A1-83625-51	MARK 5 ETIQUETTE 5	1	1	1	1	
23	6A1-83625-41	MARK 5 ETIQUETTE 5	1	1	1	1	
24	6K1-83623-41	MARK 3 ETIQUETTE 3				1	
25	6K1-83623-50	MARK 3 ETIQUETTE 3				1	
26	6G5-14488-02	LABEL, CAUTION ETIQUETTE, RECOMMANDATION	1	1	1	1	

FIG. 12 ELECTRICAL 1

PARTIE ELECTRIQUE 1

REF. NO.	PART NO. NO. PIECES	DESCRIPTION DESCRIPTION	150	175	200	L200	REMARKS REMARQUES
1	6R3-81960-10	RECTIFIER & REGULATOR ASSY REDRESSEUR REGULATEUR CPLT	1	1	1	1	
2	6R3-82150-00	FUSE HOLDER ASSY SUPPORT DE FUSIBLE	1	1	1	1	
3	705-82151-00	.FUSE (30A) .FUSIBLE (30A)	1	1	1	1	
4	6G5-82152-00	HOLDER, FUSE SUPPORT, FUSIBLE	1	1	1	1	
5	64D-81942-00	COVER COUVERCLE	1	1	1	1	
6	90387-06M66	COLLAR COLLERETTE	2	2	2	2	
7	97013-06055	BOLT BOULON	2	2	2	2	
8	92903-06600	WASHER, PLATE RONDELLE, PLATE	2	2	2	2	
9	97095-06012	BOLT BOULON	1	1	1	1	
10	92995-06600	WASHER RONDELLE	1	1	1	1	
11	90465-06M88	CLAMP BRIDE	1	1	1	1	
12	90464-15M11	CLAMP BRIDE	1	1	1	1	
13	97095-06012	BOLT BOULON	1	1	1	1	
14	92995-06600	WASHER RONDELLE	1	1	1	1	
15	64D-85540-01	C.D.I. UNIT ASSY BLOC C.D.I.	1	1	1	1	
16	97880-06020	SCREW, PAN HEAD VIS, TETE TRONCONIQUE	4	4	4	4	
17	92990-06600	WASHER, PLATE RONDELLE, PLATE	4	4	4	4	
18	90465-05M87	CLAMP BRIDE	1	1	1	1	
19	6R3-85542-03-1S	BRACKET SUPPORT	1	1	1	1	
20	90387-06M03	COLLAR COLLERETTE	3	3	3	3	
21	90480-09M12	GROMMET PASSE-FIL	3	3	3	3	
22	90119-06M61	BOLT, WITH WASHER BOULON, AVEC RONDELLE	3	3	3	3	
23	64D-85537-00	COVER COUVERCLE	1	1	1	1	
24	90159-06M11	SCREW, WITH WASHER VIS, AVEC RONDELLE	4	4	4	4	
25	6R3-8259E-00	SWITCH ASSY COMMUTEUR	1	1	1	1	
26	662-82519-00	WIRE, EARTH LEAD FIL, MASSE	1	1	1	1	
27	6R3-82519-00	WIRE, EARTH LEAD FIL, MASSE	1	1	1	1	



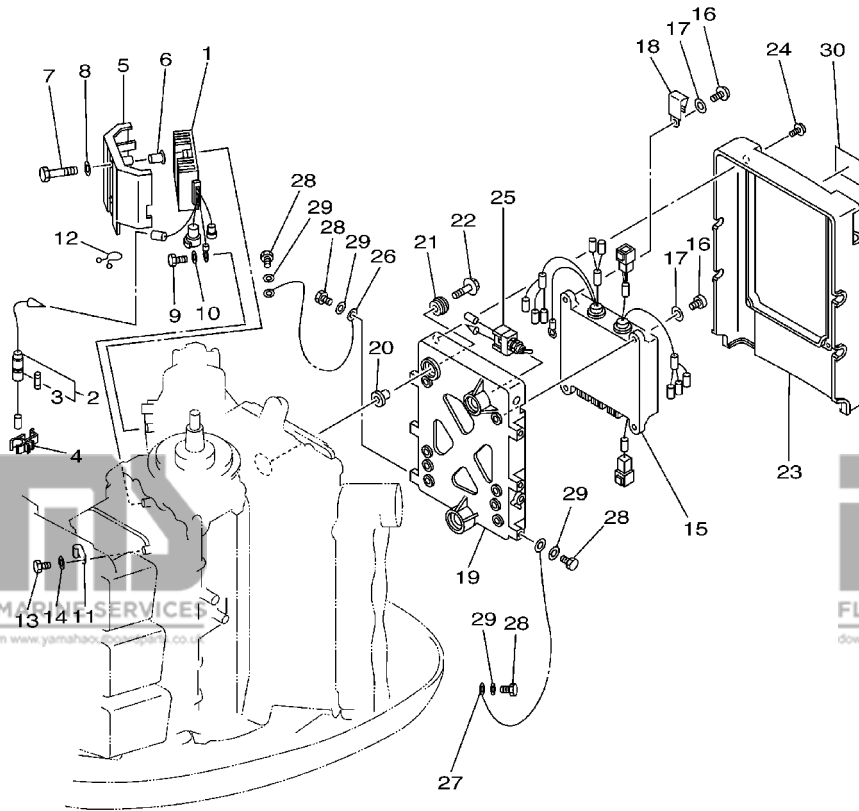
65N1300-2120

D2

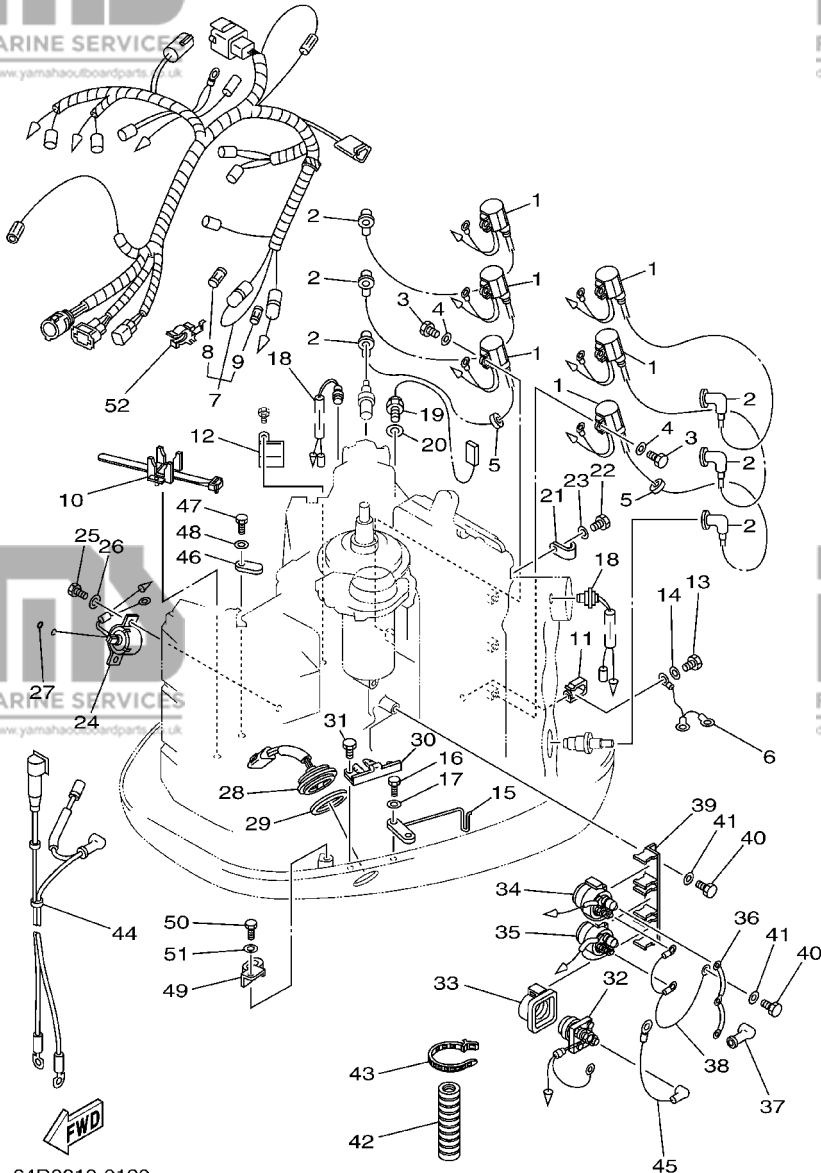
FIG. 12 ELECTRICAL 1

PARTIE ELECTRIQUE 1

REF. NO.	PART NO. NO. PIECES	DESCRIPTION DESCRIPTION	150	175	200	L200	REMARKS REMARQUES
28	97095-06012	BOLT BOULON	5	5	5	5	
29	92995-06600	WASHER RONDELLE	5	5	5	5	
30	6E5-85711-60	MARK, CAUTION MAKER	1	1	1	1	



65N1300-2120



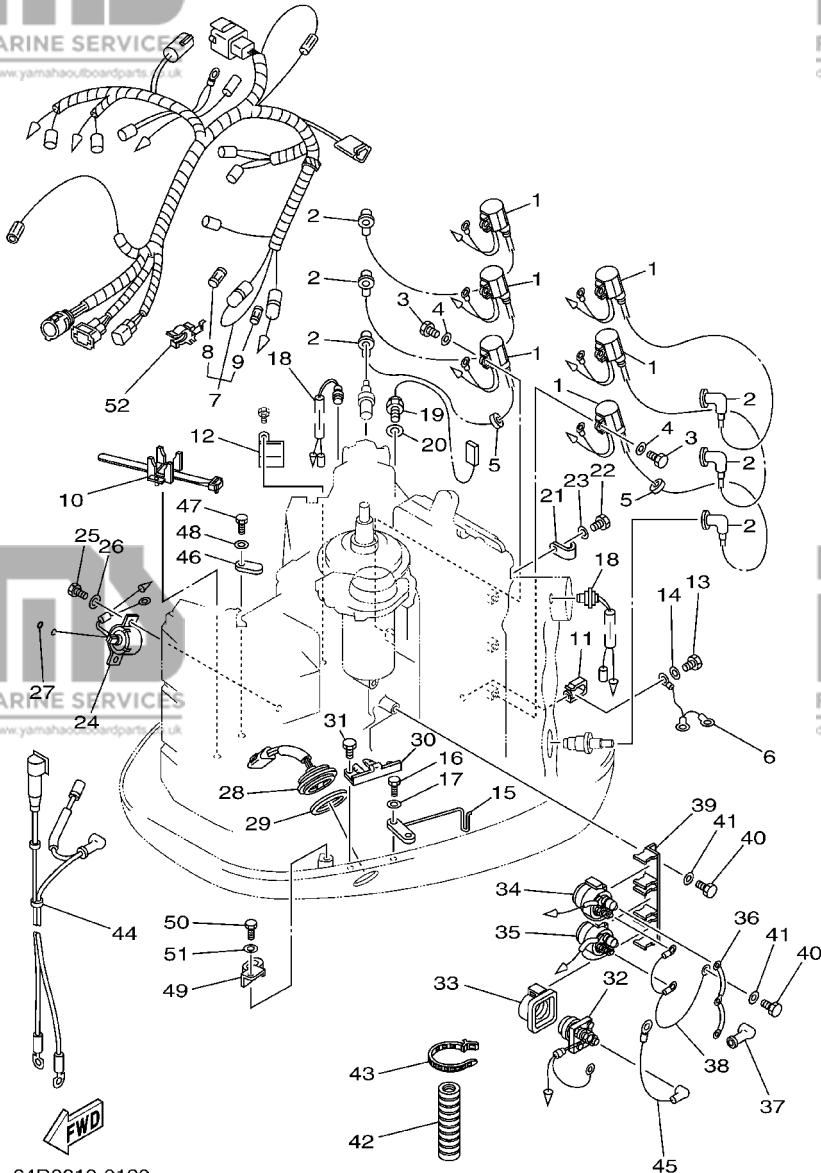
64D0010-0120

FIG. 13 ELECTRICAL 2

PARTIE ELECTRIQUE 2

REF. NO.	PART NO. NO. PIECES	DESCRIPTION DESCRIPTION	150	175	200	L200	REMARKS REMARQUES
1	6R3-85570-01	IGNITION COIL ASSY BOBINE D'ALLUMAGE (ENS.)	6	6	6	6	
2	6E3-82370-21	PLUG CAP ASSY ANTIPARASITE	6	6	6	6	
3	97095-06020	BOLT BOULON	6	6	6	6	
4	92995-06600	WASHER RONDELLE	6	6	6	6	
5	90480-25161	GROMMET PASSE-FIL	2	2	2	2	
6	6E5-82531-10	WIRE, LEAD FIL	1	1	1	1	
7	64D-82590-00	WIRE HARNESS ASSY FAISCEAU DE FILS COMPLET	1	1	1	1	
8	663-82151-00	.FUSE (12V-20A) .FUSIBLE (12V-20A)	1	1	1	1	
9	705-82151-00	.FUSE (30A) .FUSIBLE (30A)	1	1	1	1	
10	688-82594-00	CLAMP BRIDE	1	1	1	1	
11	90465-05M87	CLAMP BRIDE	1	1	1	1	
12	90465-08M89	CLAMP BRIDE	1	1	1	1	
13	97095-06012	BOLT BOULON	1	1	1	1	
14	92995-06600	WASHER RONDELLE	1	1	1	1	
15	6K7-82588-00	PLATE PLAQUE	1	1	1	1	
16	97095-06020	BOLT BOULON	1	1	1	1	
17	92995-06600	WASHER RONDELLE	1	1	1	1	
18	688-82560-10	THERMO SWITCH ASSY THERMO-CONTACT COMPLET	2	2	2	2	
19	61A-85790-00	THERMOSENSOR ASSY SENSITOMETRE	1	1	1	1	
20	92990-10600	WASHER, PLATE RONDELLE, PLATE	1	1	1	1	
21	90465-06M86	CLAMP BRIDE	1	1	1	1	
22	97095-06012	BOLT BOULON	1	1	1	1	
23	92995-06600	WASHER RONDELLE	1	1	1	1	
24	64D-86110-00	SOLENOID SOLENOID	1	1	1	1	
25	97095-06016	BOLT BOULON	2	2	2	2	
26	92995-06600	WASHER RONDELLE	2	2	2	2	
27	93210-03261	O-RING JOINT TORIQUE	1	1	1	1	

D4

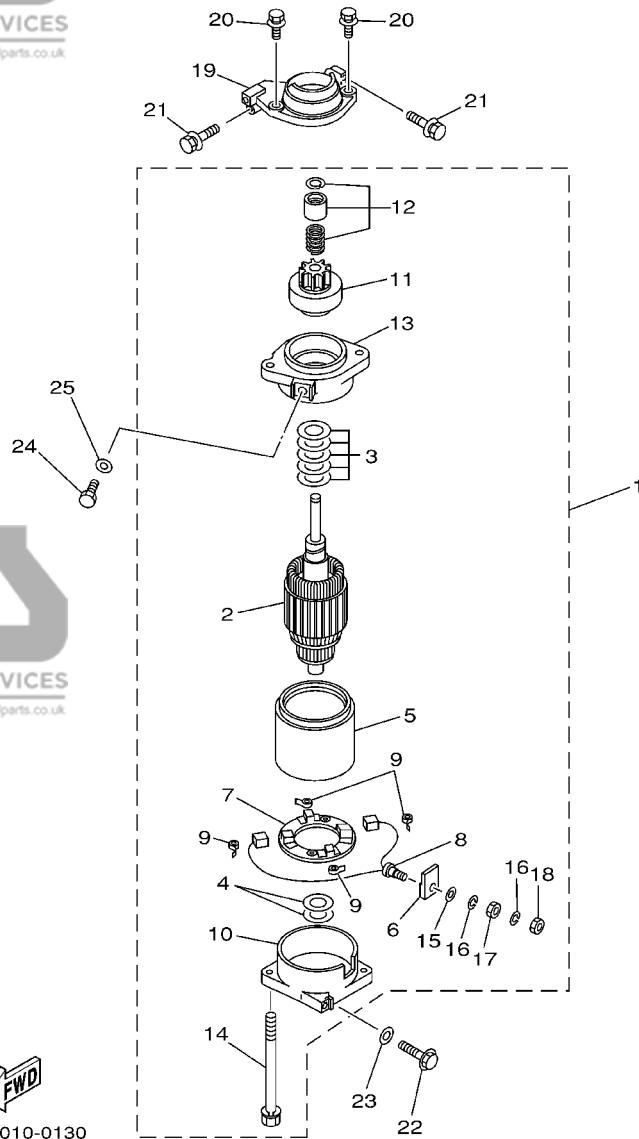


64D0010-0120

FIG. 13 ELECTRICAL 2

PARTIE ELECTRIQUE 2

REF. NO.	PART NO. NO. PIECES	DESCRIPTION DESCRIPTION	150	175	200	L200	REMARKS REMARQUES
28	6R3-82563-00	TRIM & TILT SWITCH ASSY INCLINER ET PARER COMMUTATEUR	1	1	1	1	
29	6E5-82587-00	GASKET JOINT	1	1	1	1	
30	6R3-83614-00	BRACKET SUPPORT	1	1	1	1	
31	97095-06012	BOLT BOULON	2	2	2	2	
32	61A-81941-00	STARTER RELAY ASSY LANCEUR RELAIS (ENS.)	1	1	1	1	
33	689-81952-10	HOLDER, RELAY SUPPORT, RELAIS	1	1	1	1	
34	6E5-81950-00	RELAY ASSY RELAIS COMPLET	1	1	1	1	
35	6E5-8195A-00	RELAY ASSY RELAIS COMPLET	1	1	1	1	
36	6G5-87149-10	CONNECTOR RACCORD	1	1	1	1	
37	6G5-82119-00	COVER, LEAD WIRE GARNITURE, FIL	2	2	2	2	
38	6E5-82116-00	WIRE, MINUS LEAD FIL, NEGATIF	1	1	1	1	
39	6G5-81948-11	BRACKET JOINT TORIQUE	1	1	1	1	
40	97095-06016	BOLT BOULON	2	2	2	2	
41	92995-06600	WASHER RONDELLE	2	2	2	2	
42	6E9-83557-70	TUBE TUBE	1	1	1	1	
43	90465-13M18	CLAMP BRIDE	1	1	1	1	
44	6R3-82105-02	WIRE HARNESS FAISCEAU DE FILS	1	1	1	1	
45	6E5-82117-01	WIRE, LEAD FIL	1	1	1	1	
46	6E5-82588-00	PLATE PLAQUE	1	1	1	1	
47	97095-06020	BOLT BOULON	1	1	1	1	
48	92995-06600	WASHER RONDELLE	1	1	1	1	
49	90465-12M25	CLAMP BRIDE	1	1	1	1	
50	97095-06012	BOLT BOULON	1	1	1	1	
51	92995-06600	WASHER RONDELLE	1	1	1	1	
52	6G5-82152-00	HOLDER, FUSE SUPPORT, FUSIBLE	2	2	2	2	



FWD
64D0010-0130

FIG. 14 STARTING MOTOR

DEMARREUR ELECTRIQUE

REF. NO.	PART NO. NO. PIECES	DESCRIPTION DESCRIPTION	150	175	200	L200	REMARKS REMARQUES
1	6N7-81800-10	STARTING MOTOR ASSY DEMARREUR ELECTRIQUE COMPLET	1	1	1	1	
2	6N7-81850-10	.ARMATURE ASSY .INDUIT	1	1	1	1	
3	61A-81809-00	.WASHER KIT .JEU DE RONDELLES	1	1	1	1	
4	61A-81824-00	.WASHER 2 .RONDELLE 2	2	2	2	2	
5	6N7-81810-00	.STATOR ASSY .STATOR COMPLET	1	1	1	1	
6	6K7-8182G-10	.BUSH, TERMINAL .DOUILLE	1	1	1	1	
7	6N7-81840-00	.BRUSH HOLDER ASSY .SUPPORT DE CHARBON	1	1	1	1	
8	6N7-81801-00	.BRUSH SET .CHARBON	1	1	1	1	
9	6N7-81813-00	.SPRING, BRUSH .RESSORT, DE CHARBON	4	4	4	4	
10	6N7-81820-10	.REAR BRACKET ASSY .SUPPORT ARRIERE COMPLET	1	1	1	1	
11	6N7-81807-00	.GEAR ASSY, STARTING MOTOR .PIGNON, DEMARREUR ELECTRIQUE	1	1	1	1	
12	6N7-81857-00	.RETAINER .ARRETOIR	1	1	1	1	
13	6N7-81830-00	.FRONT BRACKET ASSY .SUPPORT AVANT	1	1	1	1	
14	6K7-81826-10	BOLT .BOULON	2	2	2	2	
15	6E5-8182E-10	.WASHER .RONDELLE	1	1	1	1	
16	6E5-8182F-10	.WASHER .RONDELLE	2	2	2	2	
17	6E5-8182A-10	.NUT .ECROU	1	1	1	1	
18	6E5-8182K-10	.NUT .ECROU	1	1	1	1	
19	6R3-81822-00-94	BRACKET, STARTING MOTOR SUPPORT, DEMARREUR ELECTRIQUE	1	1	1	1	
20	90119-08M76	BOLT, WITH WASHER BOULON, AVEC RONDELLE	2	2	2	2	
21	90119-08M77	BOLT, WITH WASHER BOULON, AVEC RONDELLE	2	2	2	2	
22	90119-08M57	BOLT, WITH WASHER BOULON, AVEC RONDELLE	1	1	1	1	
23	92990-08600	WASHER, PLATE RONDELLE, PLATE	1	1	1	1	
24	97095-08016	BOLT BOULON	1	1	1	1	
25	92995-08600	WASHER RONDELLE	1	1	1	1	

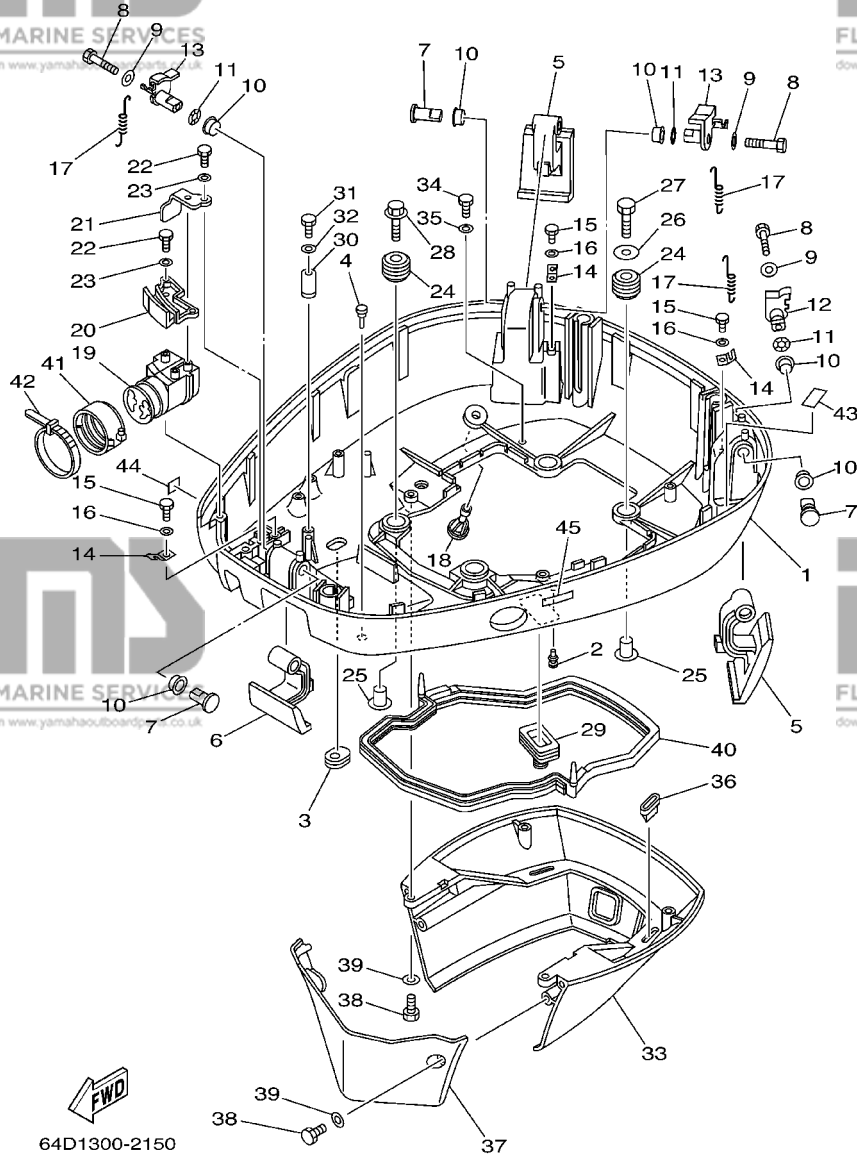


FIG. 15 BOTTOM COWLING

CAPOT INFERIEUR

REF. NO.	PART NO. NO. PIECES	DESCRIPTION DESCRIPTION	150	175	200	L200	REMARKS REMARQUES
1	64D-42711-01-8D	COWLING, BOTTOM CUVETTE	1	1	1	1	
2	90480-06M19	GROMMET PASSE-FIL	1	1	1	1	
3	61A-42727-00	GROMMET PASSE-FIL	1	1	1	1	
4	6H4-42748-00	GROMMET PASSE-FIL	1	1	1	1	
5	64D-42815-00-4D	LEVER, CLAMP LEVIER, PRESSE	2	2	2	2	
6	64D-42816-00-4D	LEVER, CLAMP LEVIER, PRESSE	1	1	1	1	
7	64D-42835-00	PIN, SET 1 GOUPILLE, ELASTIQUE 1	3	3	3	3	
8	97095-06040	BOLT BOULON	3	3	3	3	
9	90201-06068	WASHER, PLATE RONDELLE, PLATE	3	3	3	3	
10	90386-15M73	BUSH DOUILLE	6	6	6	6	
11	90206-15M18	WASHER, WAVE RONDELLE, ONDULEE	3	3	3	3	
12	64D-42818-20	LEVER, CLAMP LEVIER, PRESSE	1	1	1	1	
13	64D-42818-30	LEVER, CLAMP LEVIER, PRESSE	2	2	2	2	
14	64D-43144-00	HOOK, SPRING CROCHET	3	3	3	3	
15	97090-06012	BOLT BOULON	3	3	3	3	
16	92990-06600	WASHER, PLATE RONDELLE, PLATE	3	3	3	3	
17	90506-16M34	SPRING, TENSION RESSORT, TENSION	3	3	3	3	
18	6E5-44391-00	NIPPLE, HOSE RACCORD D'ESSENCE	1	1	1	1	
19	64D-42725-30	GROMMET PASSE-FIL	1	1	1	1	
	64D-42725-20	GROMMET PASSE-FIL		1	1		175D/200F-X
20	64D-42738-00-5B	PLATE, FITTING ETRIER	1	1	1	1	
21	64D-42738-10-5B	PLATE, FITTING ETRIER	1	1	1	1	
22	97095-06016	BOLT BOULON	3	3	3	3	
23	92995-06600	WASHER RONDELLE	3	3	3	3	
24	90480-22M15	GROMMET PASSE-FIL	4	4	4	4	
25	90387-08M37	COLLAR COLLERETTE	4	4	4	4	
26	90201-08M54	WASHER, PLATE RONDELLE, PLATE	1	1	1	1	

D7

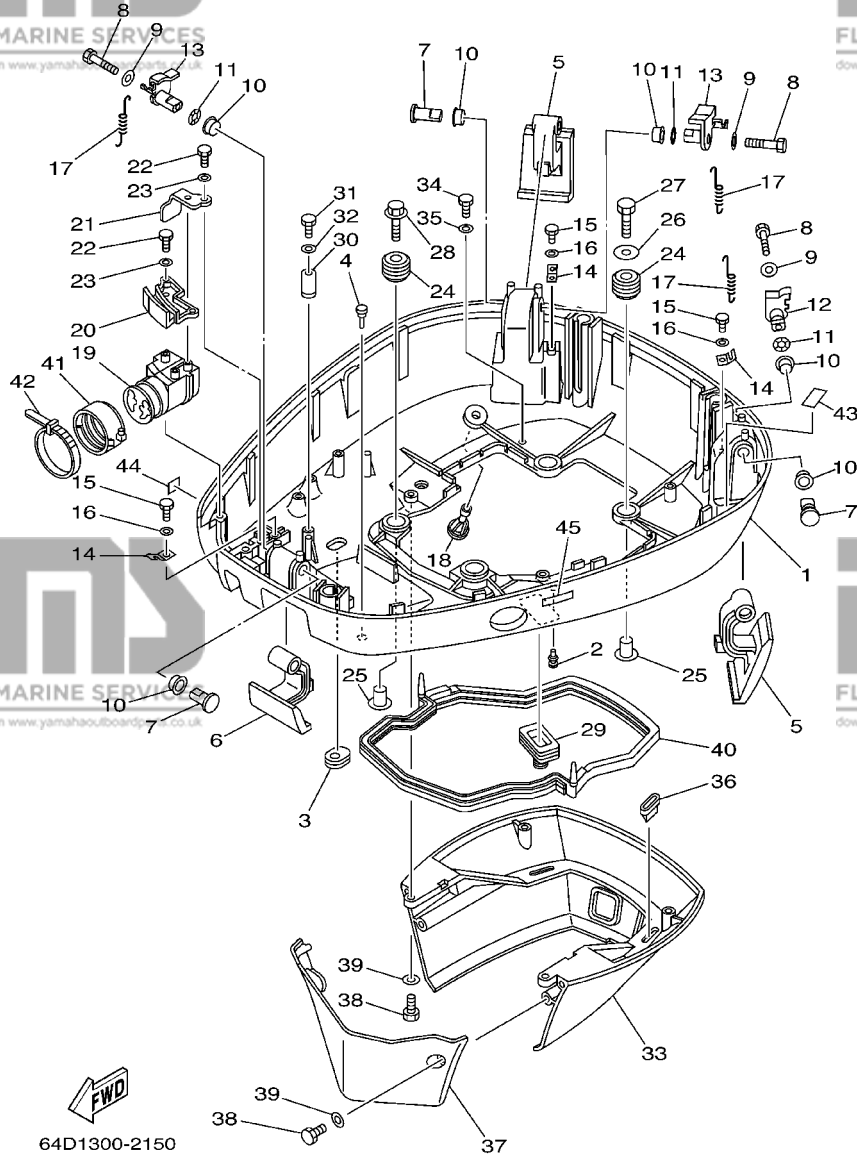
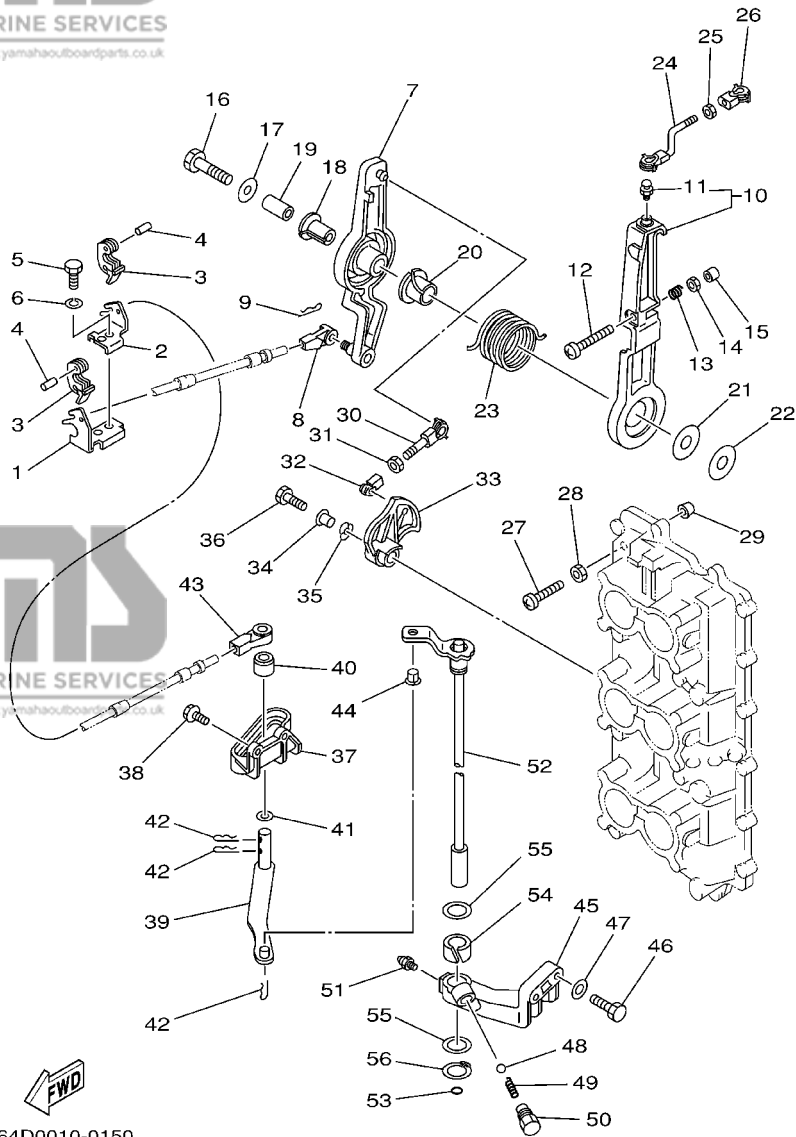


FIG. 15 BOTTOM COWLING

CAPOT INFERIEUR

REF. NO.	PART NO. NO. PIECES	DESCRIPTION DESCRIPTION	150	175	200	L200	REMARKS REMARQUES
27	97075-08035	BOLT BOULON	1	1	1	1	
28	90119-08M22	BOLT, WITH WASHER BOULON, AVEC RONDELLE	3	3	3	3	
29	688-42726-10	GROMMET PASSE-FIL	1	1	1	1	
30	6E5-82588-00	PLATE PLAQUE	1	1	1	1	
31	97095-06020	BOLT BOULON	1	1	1	1	
32	92995-06600	WASHER RONDELLE	1	1	1	1	
33	6R3-42741-02-8D	APRON CAPOT LATERAL	1	1	1	1	
34	97095-06020	BOLT BOULON	2	2	2	2	
35	92995-06600	WASHER RONDELLE	2	2	2	2	
36	64D-42717-00	RUBBER, SEAL 2 JOINT EN CAOUTCHOUC 2	2	2	2	2	
37	6R3-42771-01-8D	APRON CAPOT LATERAL	1	1	1	1	
38	97095-06020	BOLT BOULON	4	4	4	4	
39	92995-06600	WASHER RONDELLE	4	4	4	4	
40	6E5-42716-10	RUBBER, SEAL 1 JOINT EN CAOUTCHOUC 1	1	1	1	1	
41	68F-42753-00	FASTNER ATTACHE	1	1	1	1	
42	90464-20258	CLAMP BRIDE	1	1	1	1	
43	6E7-42791-10	MARK 1 ETIQUETTE 1	1				
	6G5-42791-10	MARK 1 ETIQUETTE 1		1	1	1	
44	6A1-28176-00	LABEL, CAUTION ETIQUETTE, RECOMMANDATION	1	1	1	1	
45	6E3-8257H-00	PLATE, MARK PLAQUE, ADHESIF	1	1	1	1	

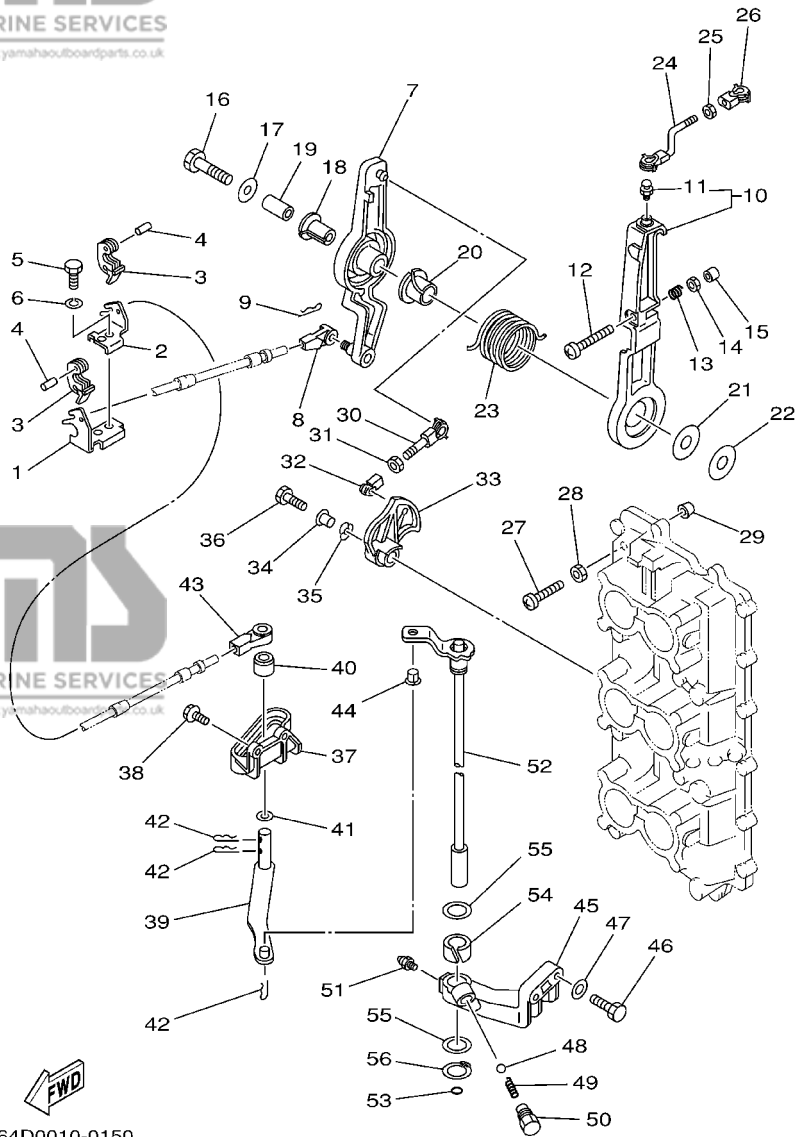


64D0010-0150

FIG. 16 CONTROL

COMMANDE

REF. NO.	PART NO. NO. PIECES	DESCRIPTION DESCRIPTION	150	175	200	L200	REMARKS REMARQUES
1	64D-48531-00	BRACKET, REMOTE CONTROL 1 ETRIER 1, COMMANDE A DISTANCE	1	1	1	1	
2	64D-48532-00	BRACKET, REMOTE CONTROL 2 ETRIER 2, COMMANDE A DISTANCE	1	1	1	1	
3	6E5-48538-00	CLAMP, CABLE 1 COLLIER	2	2	2	2	
4	91690-30012	PIN, SPRING GOUPILLE, ELASTIQUE	2	2	2	2	
5	97095-08020	BOLT BOULON	1	1	1	1	
6	92995-08100	WASHER RONDELLE	1	1	1	1	
7	61H-41632-02-1S	LEVER, MAGNETO CONTROL LEVIER, COMMANDE D'AVANCE	1	1	1	1	
8	6E5-48344-00	CABLE END, REMOTE CONTROL CHAPE CABLE	1	1	1	1	
9	90468-18008	CLIP JONC	1	1	1	1	
10	6G5-41631-01-1S	LEVER, MAGNETO CONTROL LEVIER, COMMANDE D'AVANCE	1	1	1	1	
11	663-85518-00	JOINT, BALL JOINT SPHERIQUE	1	1	1	1	
12	90157-06013	SCREW, PAN HEAD VIS, TETE TRONCONIQUE	1	1	1	1	
13	90501-16M12	SPRING, COMPRESSION RESSORT, COMPRESSION	1	1	1	1	
14	95303-06600	NUT ECROU	1	1	1	1	
15	688-44194-00	CAP CAPUCHON	1	1	1	1	
16	97013-08045	BOLT BOULON	1	1	1	1	
17	90201-08M23	WASHER, PLATE RONDELLE, PLATE	1	1	1	1	
18	90386-12089	BUSH DOUILLE	1	1	1	1	
19	90387-08M16	COLLAR COLLERETTE	1	1	1	1	
20	90386-22M13	BUSH DOUILLE	1	1	1	1	
21	90202-12092	WASHER, PLATE RONDELLE, PLATE	1	1	1	1	
22	90201-08M13	WASHER, PLATE RONDELLE, PLATE	1	1	1	1	
23	90508-29M12	SPRING, TORSION RESSORT, TORSION	1	1	1	1	
24	6G5-41636-01	ROD, MAGNETO CONTROL BIELLETTTE, COMMANDE D'AVANCE	1	1	1	1	
25	95380-05600	NUT ECROU	1	1	1	1	
26	662-41237-01	JOINT, LINK RACCORD	1	1	1	1	
27	90157-06M00	SCREW, PAN HEAD VIS, TETE TRONCONIQUE	1	1	1	1	



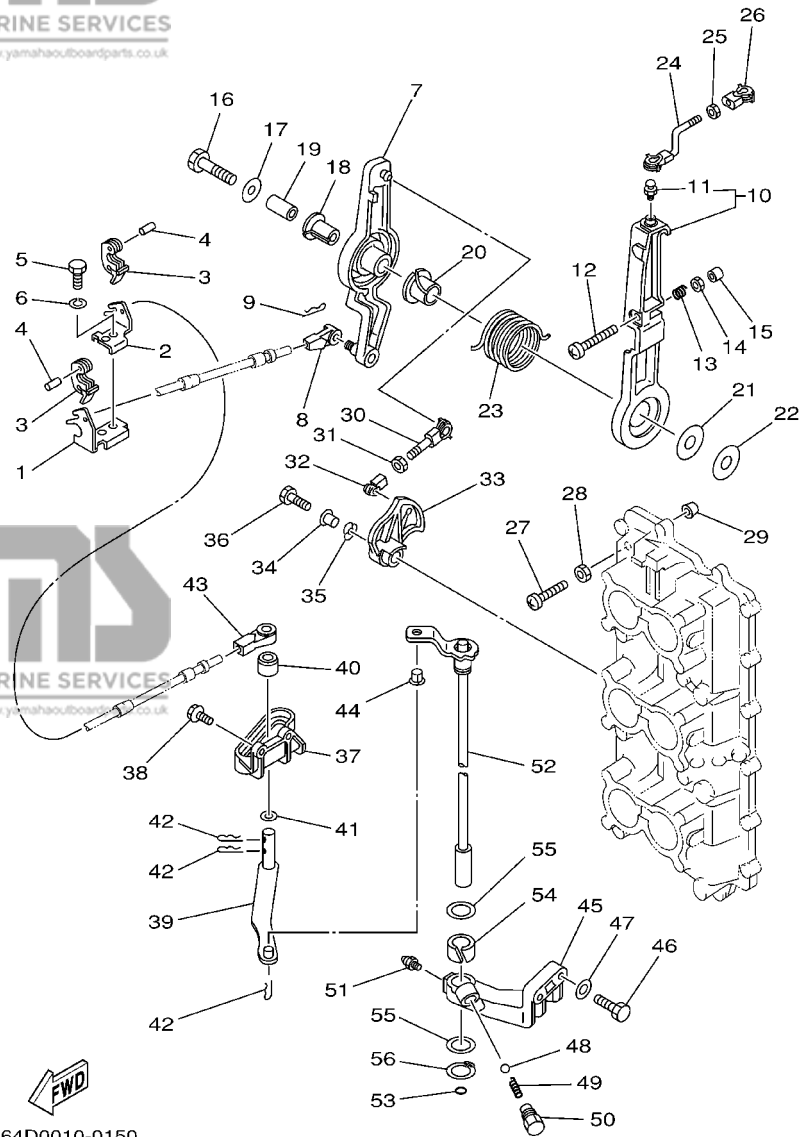
64D0010-0150

FIG. 16 CONTROL

COMMANDE

REF. NO.	PART NO. NO. PIECES	DESCRIPTION DESCRIPTION	150	175	200	L200	REMARKS REMARQUES
28	95303-06600	NUT ECROU	1	1	1	1	
29	688-44194-00	CAP CAPUCHON	1	1	1	1	
30	6G5-41211-01	LINK, ACCEL. BIELLETTTE, ACCELERATION	1	1	1	1	
31	95380-05600	NUT ECROU	1	1	1	1	
32	662-41237-01	JOINT, LINK RACCORD	1	1	1	1	
33	6G5-41213-00	CAM, ACCEL. CAME, ACCELERATION	1	1	1	1	
34	90387-06M29	COLLAR COLLERETTE	1	1	1	1	
35	90206-10M04	WASHER, WAVE RONDELLE, ONDULEE	1	1	1	1	
36	97095-06025	BOLT BOULON	1	1	1	1	
37	6E5-44117-00-1S	BRACKET SUPPORT	1	1	1	1	
38	90119-06MA2	BOLT, WITH WASHER BOULON, AVEC RONDELLE	2	2	2	2	
39	68F-44121-00	LEVER, SHIFT ROD LEVIER, TIGE D'INVERSION	1	1	1	1	
40	6E5-44122-00	BUSHING, SHIFT ROD LEVER DOUILLE, LEVIER D'EMBRAYAGE	1	1	1	1	
41	90202-08M20	WASHER, PLATE RONDELLE, PLATE	1	1	1	1	
42	90468-18008	CLIP JONC	3	3	3	3	
43	6E5-48344-00	CABLE END, REMOTE CONTROL CHAPE CABLE	1	1	1	1	
44	90386-06M12	BUSH DOUILLE	1	1	1	1	
45	6E5-44118-01-94	BRACKET SUPPORT	1	1	1	1	
46	97013-08030	BOLT BOULON	2	2	2	2	
47	92903-08600	WASHER, PLATE RONDELLE, PLATE	2	2	2	2	
48	93501-04M02	BALL BILLE	1	1	1	1	
49	90501-12082	SPRING, COMPRESSION RESSORT, COMPRESSION	1	1	1	1	
50	648-42715-00	BUSHING COUSSINET	1	1	1	1	
51	93700-06M03	NIPPLE, GREASE GRAISSEUR	1	1	1	1	
52	6E5-44120-03	HANDLE GEAR SHIFT ASSY LEVIER D'EMBRAYAGE	1	1	1	1	L
53	6E5-44120-23	HANDLE GEAR SHIFT ASSY LEVIER D'EMBRAYAGE	1	1	1	1	X
53	93210-09165	O-RING JOINT TORIQUE	1	1	1	1	

E3

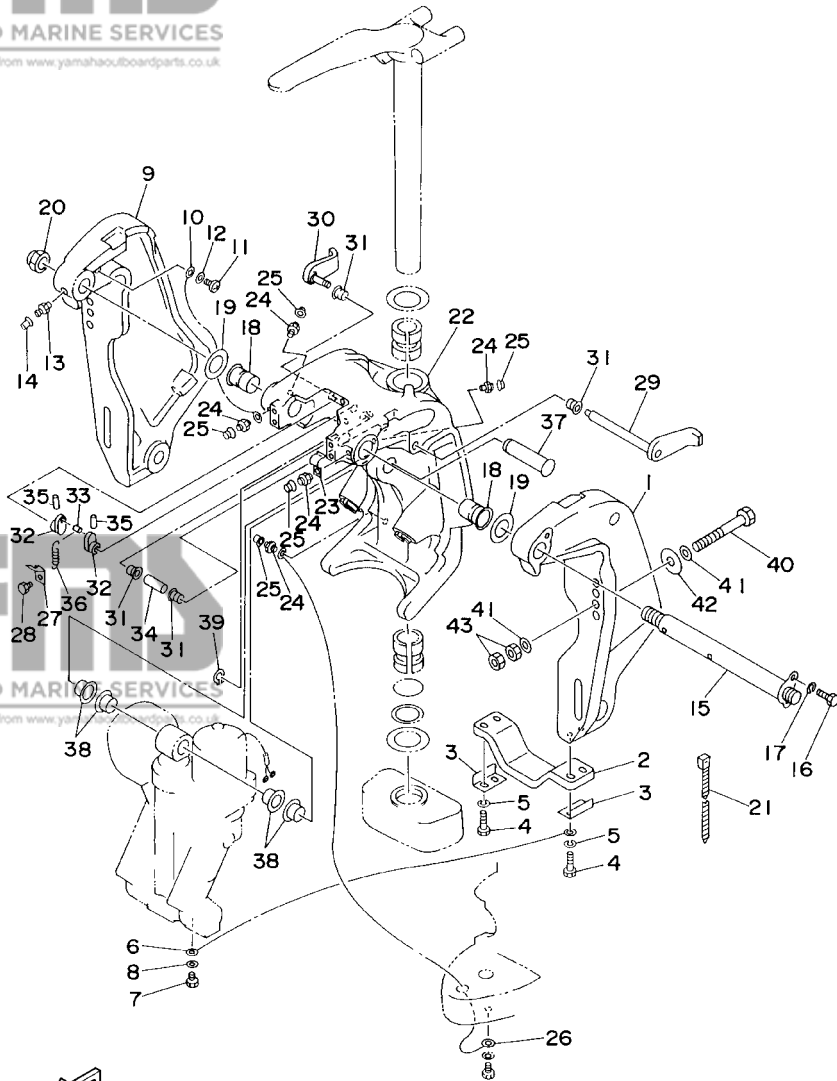


64D0010-0150

FIG. 16 CONTROL

COMMANDE

REF. NO.	PART NO. NO. PIECES	DESCRIPTION DESCRIPTION	150	175	200	L200	REMARKS REMARQUES
54	90386-16M66	BUSH DOUILLE	1	1	1	1	
55	90202-16061	WASHER, PLATE RONDELLE, PLATE	2	2	2	2	
56	93410-16006	CIRCLIP CIRCLIP, TYPE S	1	1	1	1	

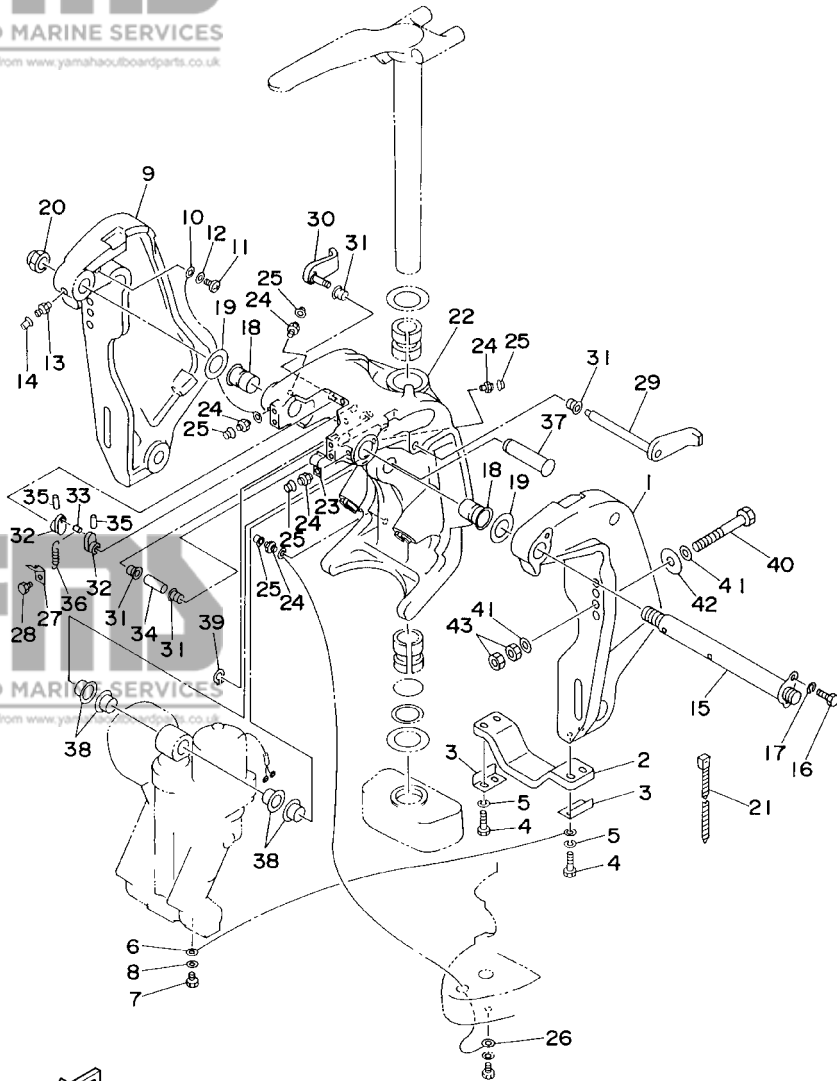


6N60010-7160

FIG. 17 BRACKET 1

SUPPORT 1

REF. NO.	PART NO. NO. PIECES	DESCRIPTION DESCRIPTION	150	175	200	L200	REMARKS REMARQUES
1	64E-43111-02-8D	BRACKET, CLAMP PRESSE	1	1	1	1	
2	6G5-45251-02	ANODE ANODE	1	1	1	1	
3	6G5-44526-00	PLATE PLAQUE	2	2	2	2	
4	97095-06030	BOLT BOULON	4	4	4	4	
5	92995-06100	WASHER, SPRING RONDELLE, GROWER	4	4	4	4	
6	6E5-82148-00	WIRE, LEAD 4 FIL 4	1	1	1	1	
7	97095-06010	BOLT BOULON	1	1	1	1	
8	92995-06600	WASHER RONDELLE	1	1	1	1	
9	64E-43112-02-8D	BRACKET, CLAMP PRESSE	1	1	1	1	
10	6E5-82148-00	WIRE, LEAD 4 FIL 4	1	1	1	1	
11	97880-06012	SCREW, PAN HEAD VIS, TETE TRONCONIQUE	1	1	1	1	
12	92990-06600	WASHER, PLATE RONDELLE, PLATE	1	1	1	1	
13	93700-06M03	NIPPLE, GREASE GRAISSEUR	1	1	1	1	
14	663-45119-00	CAP, GREASE NIPPLE CAPUCHON, GRAISSEUR	1	1	1	1	AP
15	64E-43131-01	BOLT, CLAMP BRACKET BOULON, PRESSE	1	1	1	1	
16	97095-08020	BOLT BOULON	1	1	1	1	
17	92995-08100	WASHER RONDELLE	1	1	1	1	
18	90386-25M31	BUSH DOUILLE	2	2	2	2	
19	90201-26M59	WASHER, PLATE RONDELLE, PLATE	2	2	2	2	
20	90185-22M11	NUT, SELF-LOCKING ECROU, AUTO-BLOCANT	1	1	1	1	
21	90465-11M10	CLAMP BRIDE	1	1	1	1	
22	64E-43311-10-8D	BRACKET, SWIVEL 1 SUPPORT, PIVOT 1	1	1	1	1	L
	64E-43311-20-8D	BRACKET, SWIVEL 1 SUPPORT, PIVOT 1	1	1	1	1	X
23	90465-08M63	CLAMP BRIDE	1	1	1	1	
24	93700-06M03	NIPPLE, GREASE GRAISSEUR	5	5	5	5	
25	663-45119-00	CAP, GREASE NIPPLE CAPUCHON, GRAISSEUR	5	5	5	5	AP
26	6E5-82147-00	WIRE, LEAD 4 FIL 4	1	1	1	1	L

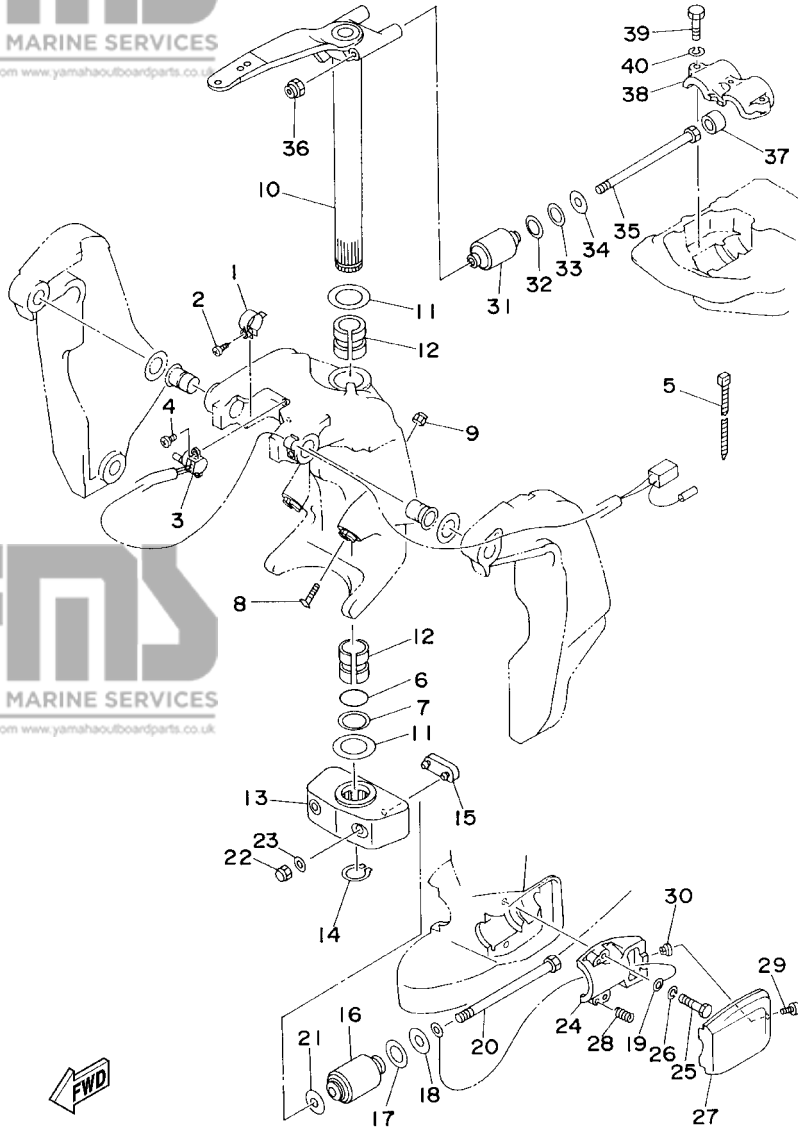


6N60010-7160

FIG. 17 BRACKET 1

SUPPORT 1

REF. NO.	PART NO. NO. PIECES	DESCRIPTION DESCRIPTION	150	175	200	L200	REMARKS REMARQUES
26	6E5-82147-20	WIRE, LEAD 4 FIL 4	1	1	1		X
27	6G5-43144-00	HOOK, SPRING CROCHET	1	1	1	1	
28	97095-06010	BOLT BOULON	1	1	1	1	
29	6G5-43181-02	LEVER, TILT STOP LEVIER, VERROUILLAGE RELEVAGE	1	1	1	1	
30	6G5-43185-02	LEVER, TILT STOP LEVIER, VERROUILLAGE RELEVAGE	1	1	1	1	
31	90386-10M16	BUSH DOUILLE	4	4	4	4	
32	6G5-43148-00	COLLAR, DISTANCE ENTRETOISE	2	2	2	2	
33	90249-06M19	PIN GOUPILLE	1	1	1	1	
34	90387-10M05	COLLAR COLLERETTE	1	1	1	1	
35	91690-30020	PIN, SPRING GOUPILLE, ELASTIQUE	2	2	2	2	
36	90506-14M24	SPRING, TENSION RESSORT, TENSION	1	1	1	1	
37	64E-43126-00	PIN, UPPER SHOCK MOUNT AXE, SUPERIEUR AMORTISSEUR	1	1	1	1	
38	90386-22M98	BUSH DOUILLE	4	4	4	4	
39	93410-22M11	CIRCLIP, TYPE S	1	1	1	1	
40	90101-12M03	BOLT (L:115MM) BOULON (L:115MM)	4	4	4	4	
41	90201-13M01	WASHER, PLATE RONDELLE, PLATE	8	8	8	8	
42	90201-12M05	WASHER, PLATE RONDELLE, PLATE	4	4	4	4	
43	95380-12600	NUT ECROU	8	8	8	8	



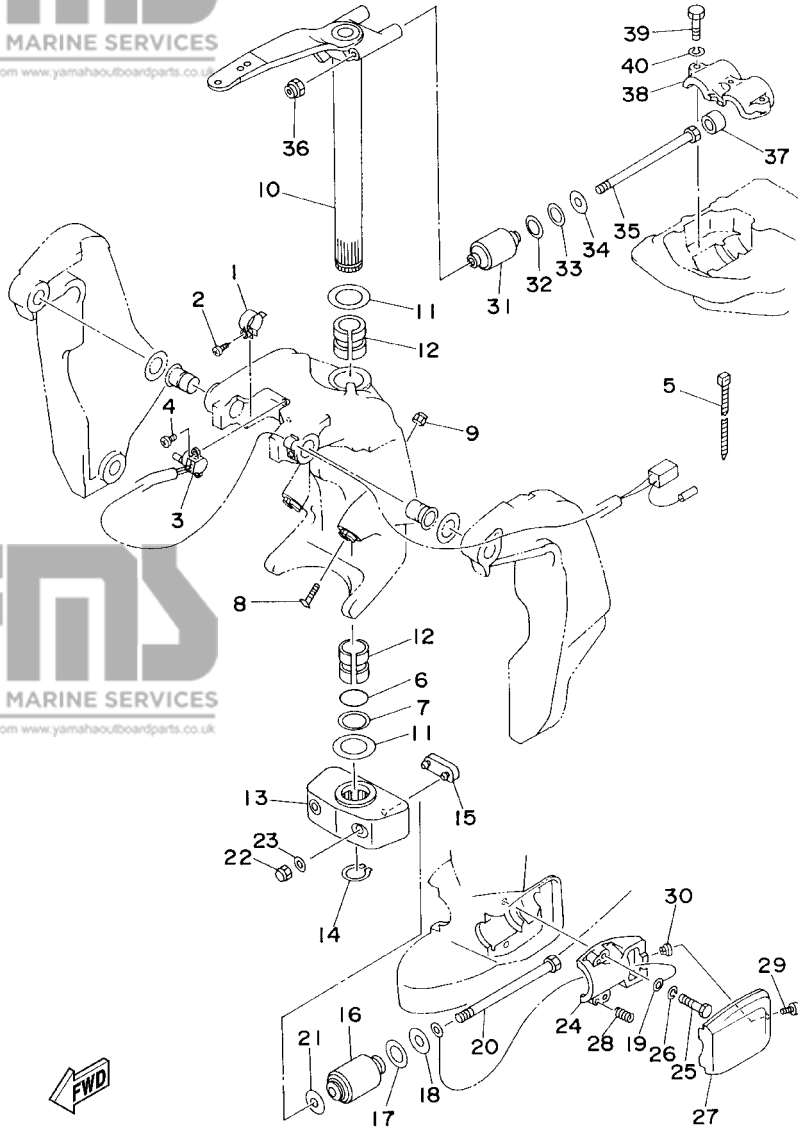
64D0010-7170

FIG. 18 BRACKET 2

SUPPORT 2

REF. NO.	PART NO. NO. PIECES	DESCRIPTION DESCRIPTION	150	175	200	L200	REMARKS REMARQUES
1	64E-43139-02	CAM, TRIM SENDER VILEBREQUIN TRUM	1	1	1	1	
2	97780-60525	SCREW, TAPPING VIS, TETE FRAISEE	1	1	1	1	
3	64E-83672-02	TRIM SENDER INCLINER RACCORD	1	1	1	1	
4	97885-06016	SCREW, PAN HEAD VIS, TETE TRONCONIQUE	2	2	2	2	
5	90465-11M10	CLAMP BRIDE	3	3	3	3	
6	93210-37MH7	O-RING JOINT TORIQUE	1	1	1	1	
7	90202-40M47	WASHER, PLATE RONDELLE, PLATE	1	1	1	1	
8	61A-43376-00	BOLT, THRUST RECEIVER BOULON	2	2	2	2	
9	95780-10300	NUT, FLANGE ECROU, A COLLERETTE	2	2	2	2	
10	6E5-42510-A1-8D	STEERING BRACKET ASSY DIRECTION SUPPORT (ENS.)	1	1	1	1	L
	6E5-42510-B1-8D	STEERING BRACKET ASSY DIRECTION SUPPORT (ENS.)	1	1	1		X
11	90201-38M60	WASHER, PLATE RONDELLE, PLATE	2	2	2	2	
12	90386-38M32	BUSH DOUILLE	2	2	2	2	
13	6G5-44551-01-8D	HOUSING, LOWER MOUNT RUBBER BOITIER, SILENT-BLOC INFERIEUR	1	1	1	1	
14	93410-37M04	CIRCLIP CIRCLIP, TYPE S	1	1	1	1	
15	6E5-44575-00	DAMPER, LOWER MOUNT RUBBER SILENT-BLOC, INFERIEUR	1	1	1	1	
16	6G5-44555-00-94	MOUNT DAMPER, LOWER SIDE SILENT-BLOC, INFERIEUR LATERAL	2	2	2	2	
17	90202-32M19	WASHER, PLATE RONDELLE, PLATE	2	2	2	2	
18	90201-16M55	WASHER, PLATE RONDELLE, PLATE	2	2	2	2	
19	6E5-82149-00	WIRE, LEAD 3 FIL 3	1	1	1	1	
20	90109-14M34	BOLT BOULON	2	2	2	2	
21	90201-15M58	WASHER, PLATE RONDELLE, PLATE	2	2	2	2	
22	95380-14800	NUT ECROU	2	2	2	2	
23	92995-14600	WASHER RONDELLE	2	2	2	2	
24	6E5-44552-01-94	HOUSING, LOWER MOUNT RUBBER BOITIER, SILENT-BLOC INFERIEUR	2	2	2	2	
25	97095-10045	BOLT BOULON	4	4	4	4	
26	92995-10100	WASHER RONDELLE	4	4	4	4	

E7



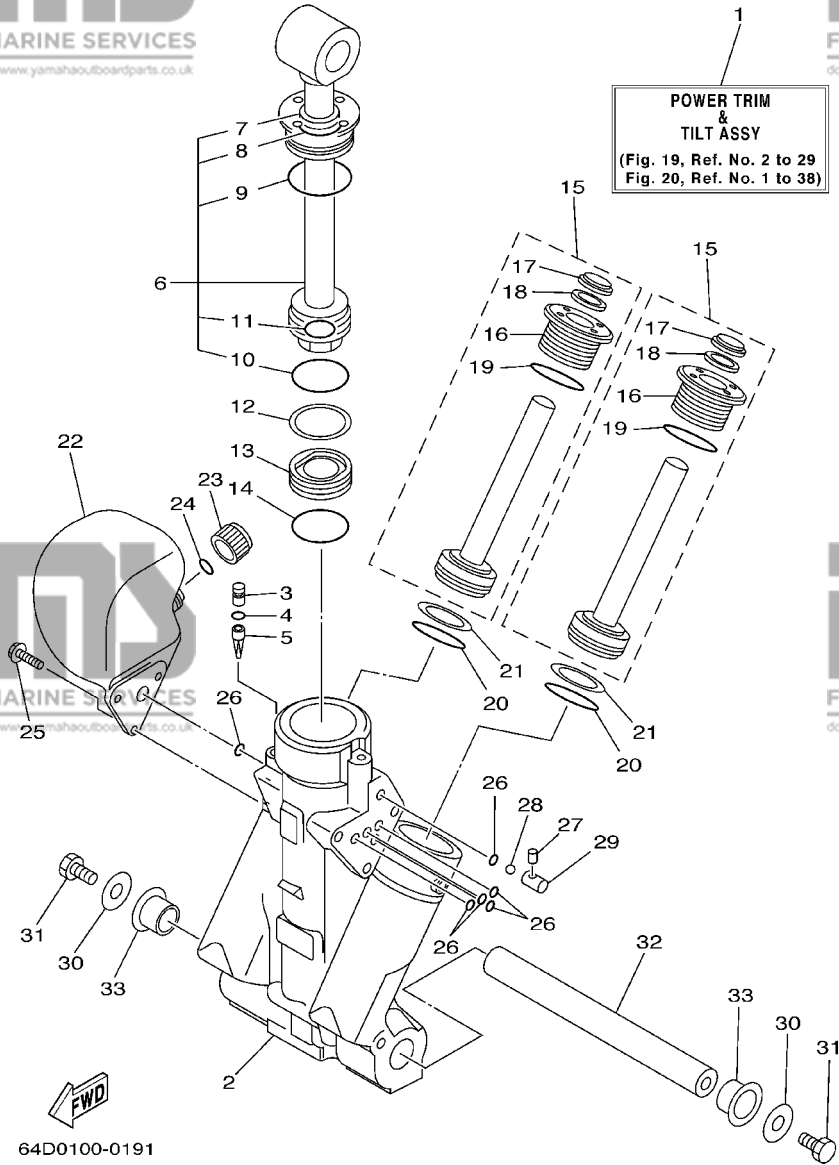
64D0010-7170

FIG. 18 BRACKET 2

SUPPORT 2

REF. NO.	PART NO. NO. PIECES	DESCRIPTION DESCRIPTION	150	175	200	L200	REMARKS REMARQUES
27	6E5-44553-01-8D	COVER, LOWER MOUNT COUVERCLE, SUSPENSION INFERIEUR	2	2	2	2	
28	90501-16M28	SPRING, COMPRESSION RESSORT, COMPRESSION	4	4	4	4	
29	97885-06016	SCREW, PAN HEAD VIS, TETE TRONCONIQUE	2	2	2	2	
30	90179-06066	NUT ECROU	2	2	2	2	
31	6G5-44514-00-94	MOUNT DAMPER, UPPER SIDE SILENT-BLOC, SUPERIEUR LATERAL	2	2	2	2	
32	90201-26M57	WASHER, PLATE RONDELLE, PLATE	2	2	2	2	
33	90202-26M18	WASHER, PLATE RONDELLE, PLATE	2	2	2	2	
34	90201-14M56	WASHER, PLATE RONDELLE, PLATE	2	2	2	2	
35	90109-12M37	BOLT BOULON	2	2	2	2	
36	90185-12M12	NUT, SELF-LOCKING ECROU, AUTO-BLOCANT	2	2	2	2	
37	663-44575-00	DAMPER, LOWER MOUNT RUBBER SILENT-BLOC, INFERIEUR	2	2	2	2	
38	6E5-44511-00-5B	COVER, UPPER MOUNT COUVERCLE, SUSPENSION SUPERIEUR	1	1	1	1	
39	97095-10045	BOLT BOULON	3	3	3	3	
40	92995-10100	WASHER RONDELLE	3	3	3	3	

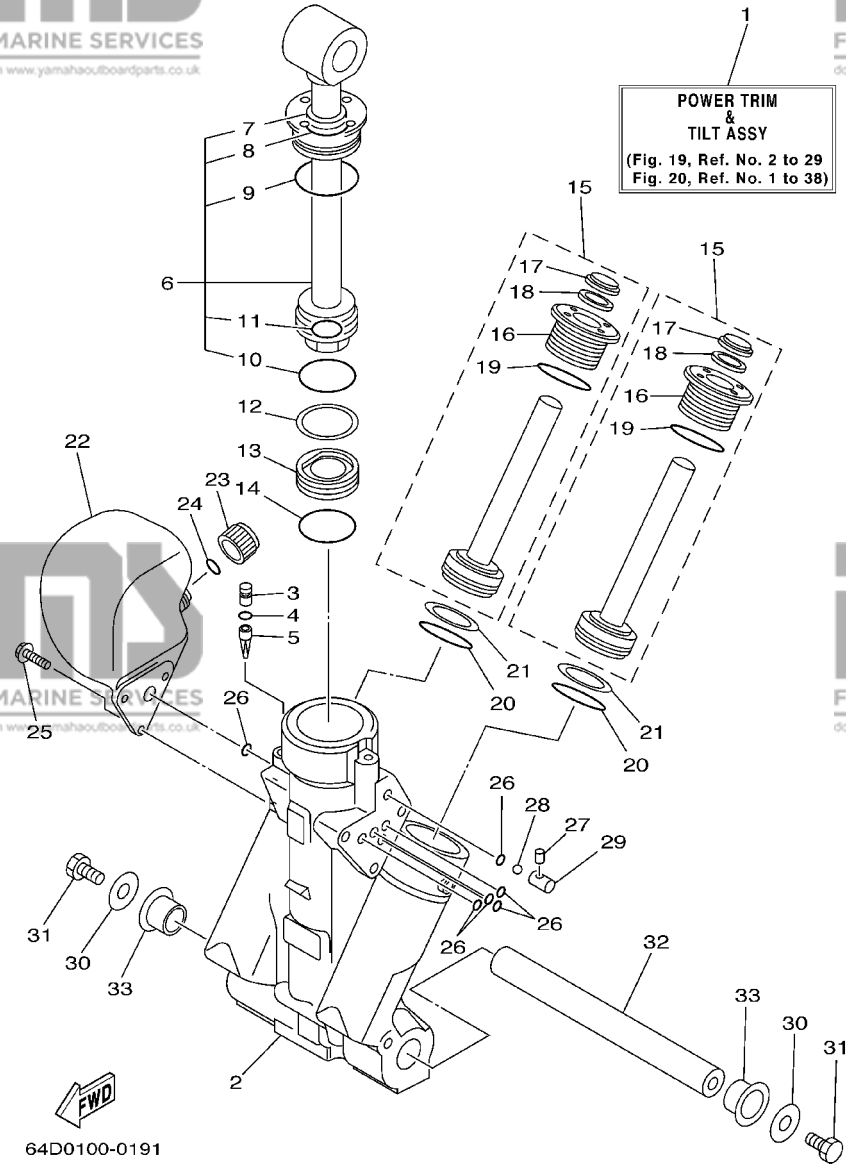
FIG. 19 POWER TRIM & TILT ASSY 1 PUISSANCE PARER ET INCLINER 1



REF. NO.	PART NO. NO. PIECES	DESCRIPTION DESCRIPTION	150	175	200	L200	REMARKS REMARQUES
1	64E-43800-02-4D	POWER TRIM & TILT ASSY PUISSANCE PARER ET INCLINER (ENS.)	1	1	1	1	
2	64E-43825-01	HOUSING, TRIM & TILT CARTER	1	1	1	1	
3	64E-4388J-00	PLUG 2 BOUCHON 2	1	1	1	1	
4	93210-10M74	O-RING JOINT TORIQUE	1	1	1	1	
5	64E-43817-00	FILTER 2 FILTRE 2	1	1	1	1	
6	64E-43810-00	TILT PISTON SUB ASSY INCLINER PISTON AUXILIAIRE(ENS)	1	1	1	1	
7	64E-43898-00	.SEAL ,DUST 2 JOINT ANTI-PUSSIERE	1	1	1	1	
8	64E-43867-00	.O-RING JOINT TORIQUE	1	1	1	1	
9	64E-43866-00	.O-RING JOINT TORIQUE	1	1	1	1	
10	6E5-43862-00	.O-RING JOINT TORIQUE	1	1	1	1	
11	64E-43883-00	.O-RING JOINT TORIQUE	1	1	1	1	
12	6E5-43872-00	RING, BACK UP RESSORT	1	1	1	1	
13	6E5-43814-02	PISTON, FREE PISTON	1	1	1	1	
14	6E5-43862-00	O-RING JOINT TORIQUE	1	1	1	1	
15	64E-43820-00	TRIM PISTON SUB ASSY PARER PISTON AUXILIAIRE (ENS.)	2	2	2	2	
16	64E-43821-00	.SCREW, TRIM CYLINDER END .VIS	1	1	1	1	
17	64E-43822-00	.SEAL, TRIM DUST JOINT	1	1	1	1	
18	64E-4384J-00	.SEAL, TRIM DOWN JOINT	1	1	1	1	
19	6G5-43864-00	.O-RING JOINT TORIQUE	1	1	1	1	
20	6E5-43864-00	O-RING JOINT TORIQUE	2	2	2	2	
21	6E5-43874-01	RING, BACK UP RESSORT	2	2	2	2	
22	64E-43828-00	BODY, RESERVOIR CORPS	1	1	1	1	
23	64E-43829-00	PLUG, RESERVOIR BOUCHON	1	1	1	1	
24	64E-43897-00	O-RING JOINT TORIQUE	1	1	1	1	
25	64E-4388E-00	BOLT ,SCREW (L:14MM) VIS (L:14MM)	3	3	3	3	
26	64E-43869-00	O-RING JOINT TORIQUE	6	6	6	6	
27	64E-4381G-00	PIN COUPELL	1	1	1	1	

FIG. 19 POWER TRIM & TILT ASSY 1 PUISSANCE PARER ET INCLINER 1

REF. NO.	PART NO. NO. PIECES	DESCRIPTION DESCRIPTION	150	175	200	L200	REMARKS REMARQUES
28	6E5-43858-00	BALL BILLE	1	1	1	1	
29	64E-4382G-00	VALVE, SEAT JEU DE POINTEAUX	1	1	1	1	
30	90201-08M14	WASHER, PLATE RONDELLE, PLATE	2	2	2	2	
31	97080-08016	BOLT BOULON	2	2	2	2	
32	64E-43818-01	PIN, LOWER SHOCK MOUNT AXE, INFERIEUR AMORTISSEUR	1	1	1	1	
33	90386-22M98	BUSH DOUILLE	2	2	2	2	



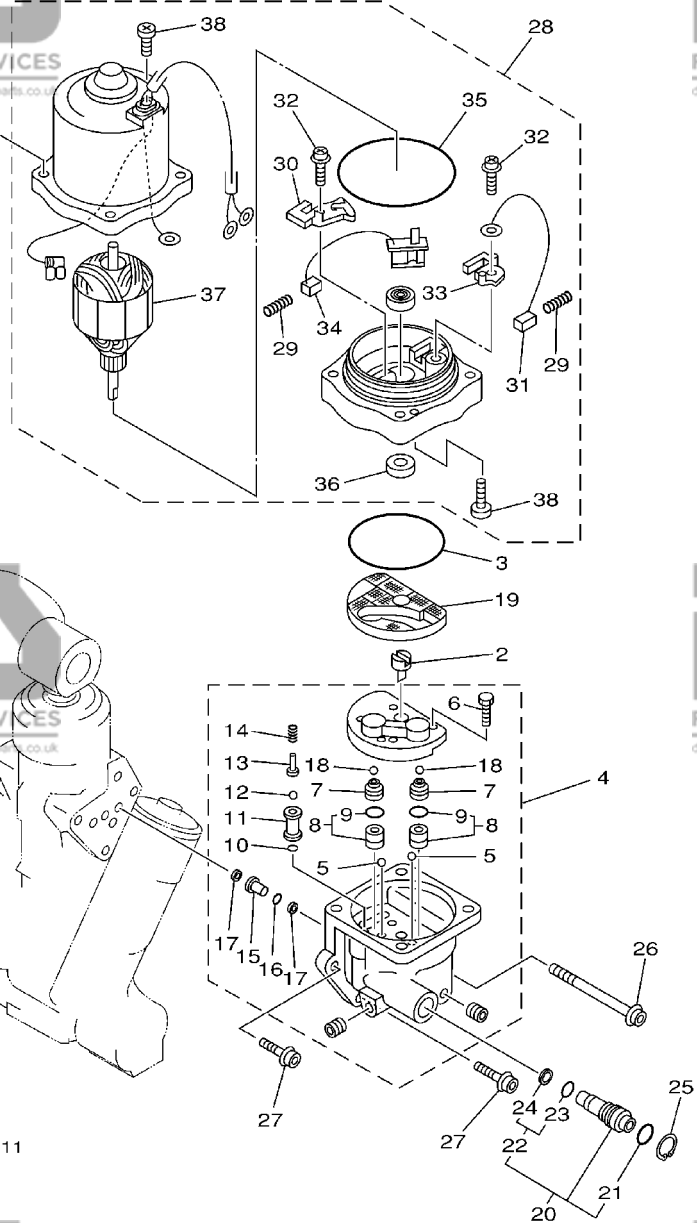
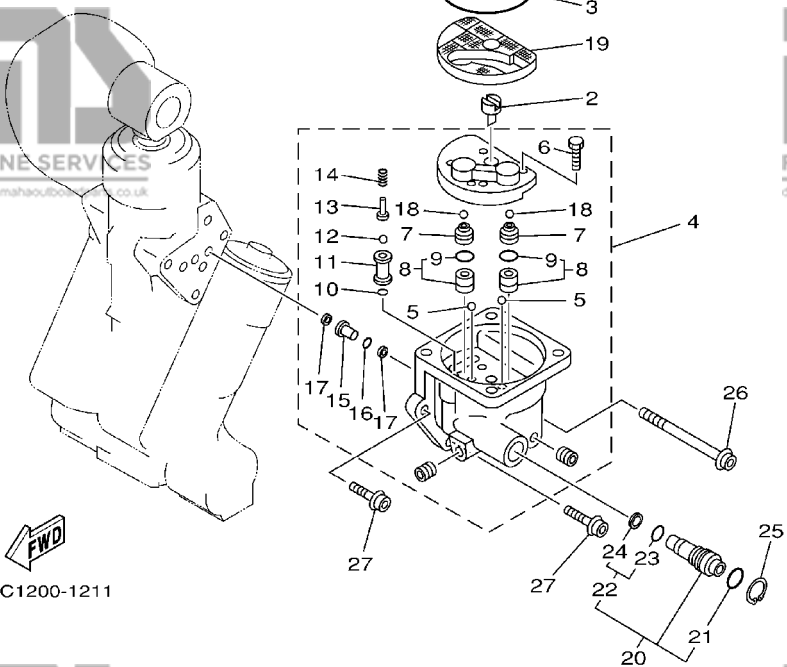
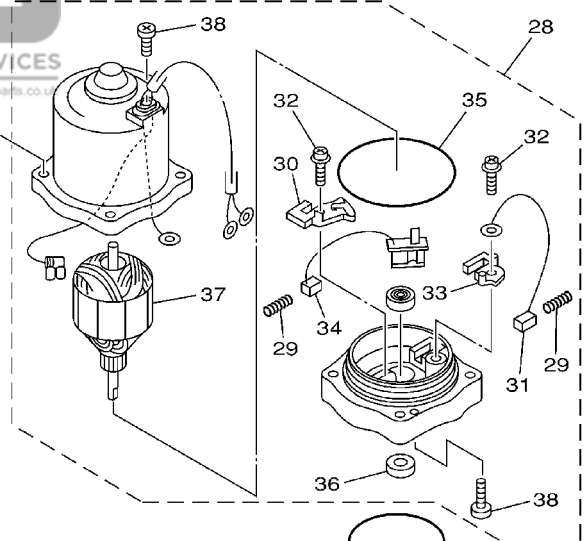


FIG. 20 POWER TRIM & TILT ASSY 2 PUISSANCE PARER ET INCLINER 2

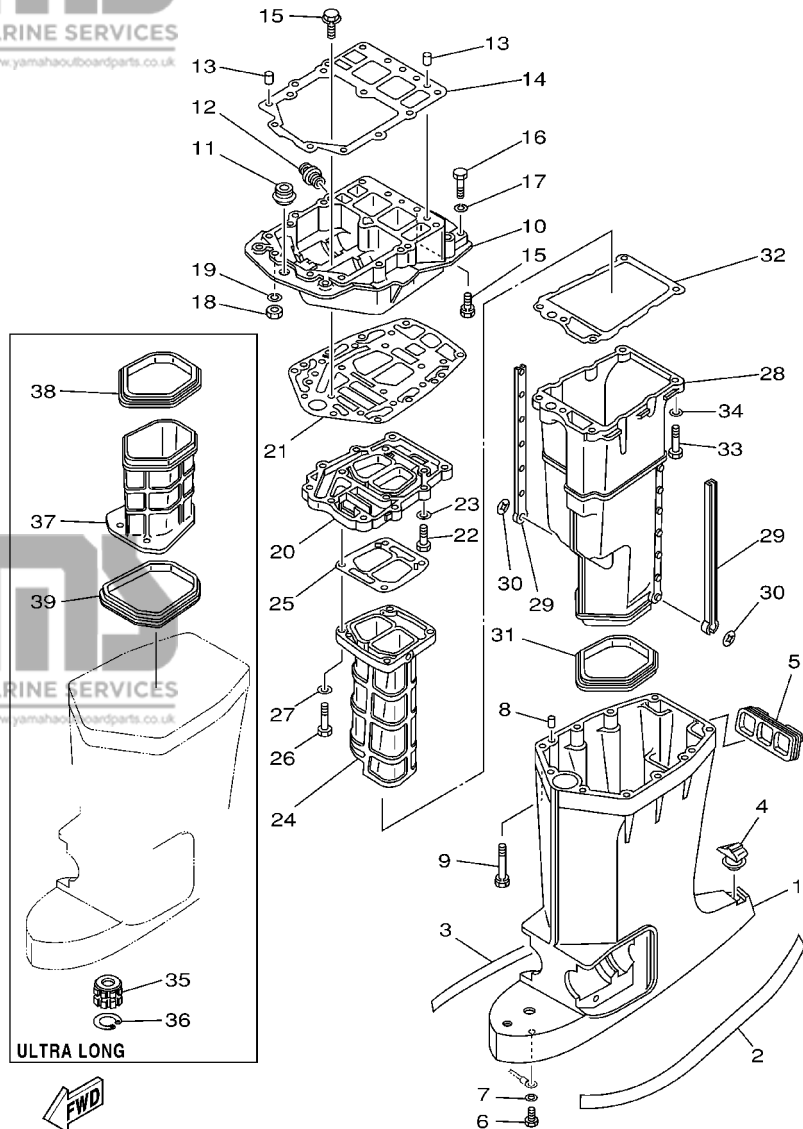
REF. NO.	PART NO. NO. PIECES	DESCRIPTION DESCRIPTION	150	175	200	L200	REMARKS REMARQUES
1	64E-4388E-10	BOLT ,SCREW (L:34.7MM) VIS (L:34.7MM)	4	4	4	4	
2	64E-43831-00	CONNECTOR, SHAFT RACCORD	1	1	1	1	
3	64E-43868-00	O-RING JOINT TORIQUE	1	1	1	1	
4	64E-43830-00	GEAR PUMP ASSY POMPE A PIGNON (ENS.)	1	1	1	1	
5	72X-43858-00	.BALL .BILLE	2	2	2	2	
6	64E-43843-00	.SCREW, VALVE LOCK .VIS	4	4	4	4	
7	64E-43841-00	.PISTON, SHUTTLE .PISTON	2	2	2	2	
8	64E-43802-00	.VALVE SUB ASSY .CLAPET AUXILIAIRE (ENS.)	2	2	2	2	
9	6E5-43896-00	..O-RING ..JOINT TORIQUE	1	1	1	1	
10	6G5-43863-00	.O-RING JOINT TORIQUE	1	1	1	1	
11	64E-43851-00	.SEAT, RELIEF VALVE .SIEGE	1	1	1	1	
12	64E-43858-00	.BALL .BILLE	1	1	1	1	
13	64E-43859-00	.PIN, VALVE SUPPORT .GOUILLE	1	1	1	1	
14	64E-43855-00	.SPRING, UP RELIEF .RESSORT	1	1	1	1	
15	64E-43850-00	.VALVE SUB ASSY .CLAPET AUXILIAIRE (ENS.)	1	1	1	1	
16	64E-43865-00	.O-RING JOINT TORIQUE	1	1	1	1	
17	64E-43816-00	.FILTER 1 .FILTRE 1	2	2	2	2	
18	64E-43858-00	.BALL .BILLE	2	2	2	2	
19	64E-43817-10	FILTER 2 FILTRE 2	1	1	1	1	
20	64E-43860-00	MANUAL VALVE SUB-ASSY SOUPAPE, MANUEL (ENS.)	1	1	1	1	
21	72X-85075-L0	.O-RING JOINT TORIQUE	1	1	1	1	
22	64E-43827-00	.RING SET .BILLE	1	1	1	1	
23	64E-4387A-00	..O-RING ..JOINT TORIQUE	1	1	1	1	
24	64E-43873-00	..RING, BACK UP ..RESSORT	1	1	1	1	
25	64E-43875-00	RING, SNAP RESSORT	1	1	1	1	
26	64E-43879-10	SCREW, WITH WASHER VIS, AVEC RONDELLE	1	1	1	1	
27	64E-43879-00	SCREW, WITH WASHER VIS, AVEC RONDELLE	2	2	2	2	

FIG. 20 POWER TRIM & TILT ASSY 2 PUISSANCE PARER ET INCLINER 2

REF. NO.	PART NO. NO. PIECES	DESCRIPTION DESCRIPTION	150	175	200	L200	REMARKS REMARQUES
28	64E-43880-01	MOTOR ASSY MOTEUR (ENS.)	1	1	1	1	
29	6H1-4386K-10	.SPRING, BRUSH .RESSORT, BALAI	2	2	2	2	
30	64E-4380J-00	.HOLDER, BRUSH .PORTE-BALAI	1	1	1	1	
31	64E-43891-00	.BRUSH 1 BALAI 1	1	1	1	1	
32	97607-04310	.SCREW, PAN HEAD WITH WASHER .VIS HEXAGONAL	2	2	2	2	
33	64E-4380F-00	.HOLDER, BRUSH 2 .PORTE-BALAI 2	1	1	1	1	
34	64E-43892-00	.BRUSH 2 BALAI 2	1	1	1	1	
35	6G5-43865-00	.O-RING JOINT TORIQUE	1	1	1	1	
36	93102-08M43	.OIL SEAL JOINT SPY	1	1	1	1	
37	64E-43805-00	.ARMATURE ASSY .INDUIT (ENS.)	1	1	1	1	
38	64E-43843-10	.SCREW, VALVE LOCK .VIS	3	3	3	3	



FWD
60C1200-1211



ULTRA LONG



6G50200-9190

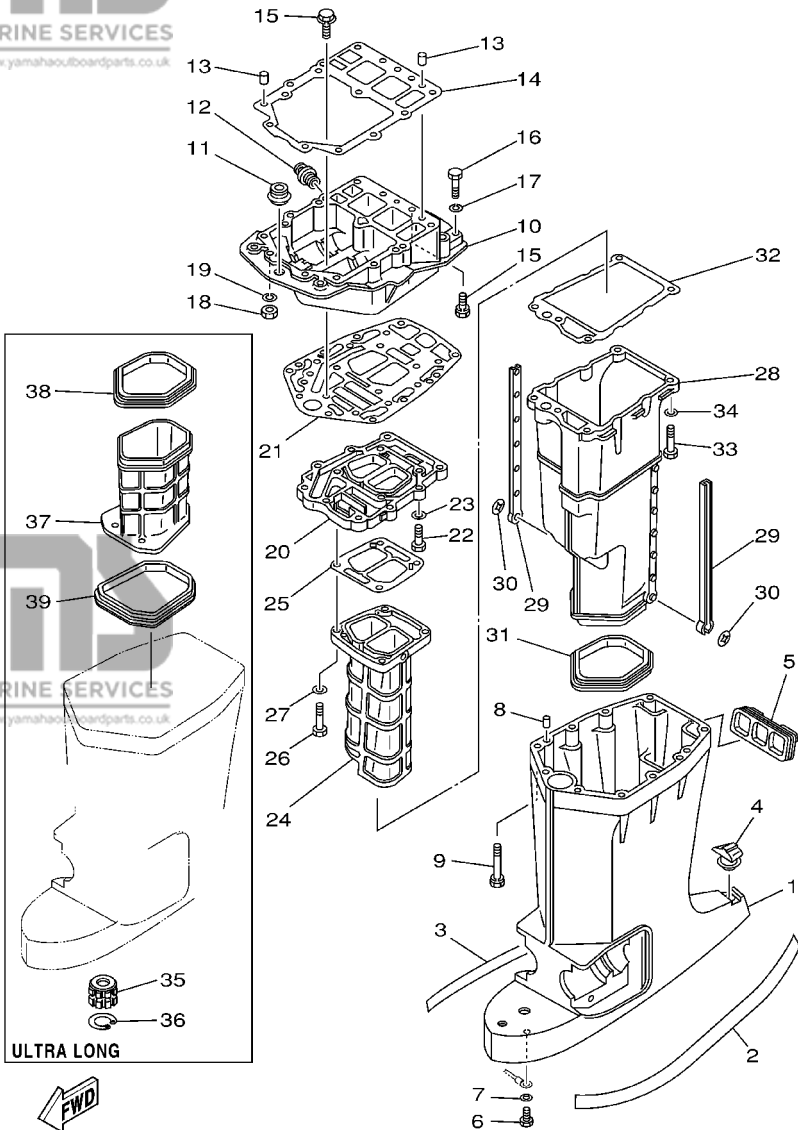
FIG. 21 UPPER CASING FOURREAU

REF. NO.	PART NO. NO. PIECES	DESCRIPTION DESCRIPTION	150	175	200	L200	REMARKS REMARQUES
1	6E5-45111-02-8D	CASING, UPPER FOURREAU	1	1	1	1	L
	6E5-45111-23-8D	CASING, UPPER FOURREAU	1	1	1		X
2	6R3-42791-41	MARK 1 ETIQUETTE 1	1	1	1	1	
3	6R3-42792-41	MARK ETIQUETTE	1	1	1	1	
4	6E5-45155-00	CAP CAPUCHON	1	1	1	1	
5	6E5-42769-00	SEAL, RUBBER BOURRELET, CAOUTCHOUC	1	1	1	1	
6	97095-06010	BOLT BOULON	1	1	1	1	
7	92995-06600	WASHER RONDELLE	1	1	1	1	
8	93608-12M05	PIN, DOWEL GOUJON	2	2	2	2	
9	90119-08027	BOLT, WITH WASHER BOULON, AVEC RONDELLE	6	6	6	6	
10	6G5-41137-02-94	GUIDE, EXHAUST COLLECTEUR D'ECHAPPEMENT	1	1	1	1	
11	6E5-42724-00	GROMMET PASSE-FIL	1	1	1	1	
12	6G5-12581-00	JOINT, HOSE 1 JOINT DE TUYAU	1	1	1	1	
13	93608-12M05	PIN, DOWEL GOUJON	2	2	2	2	
14	6G5-45113-A1	GASKET, UPPER CASING JOINT, TUBE D'ARBRE	1	1	1	1	
15	90119-08M79	BOLT, WITH WASHER BOULON, AVEC RONDELLE	6	6	6	6	
16	97095-08045	BOLT BOULON	2	2	2	2	
17	92995-08100	WASHER RONDELLE	2	2	2	2	
18	95380-08700	NUT ECROU	2	2	2	2	
19	92995-08100	WASHER RONDELLE	2	2	2	2	
20	6G5-41131-01-5B	MANIFOLD, EXT. 1 PIPE D'ECHAPPEMENT	1	1	1	1	
21	6G5-45114-A0	GASKET, UPPER CASING JOINT, TUBE D'ARBRE	1	1	1	1	
22	97095-08030	BOLT BOULON	4	4	4	4	
23	92995-08600	WASHER RONDELLE	4	4	4	4	
24	64D-41132-00-5B	MANIFOLD, EXHAUST PIPE D'ECHAPPEMENT	1	1	1	1	
25	6G5-41134-A0	GASKET, EXHAUST MANIFOLD JOINT, PIPE D'ECHAPPEMENT	1	1	1	1	
26	97095-08045	BOLT BOULON	4	4	4	4	

FOURREAU

FIG. 21 UPPER CASING

REF. NO.	PART NO. NO. PIECES	DESCRIPTION DESCRIPTION	150	175	200	L200	REMARKS REMARQUES
27	92995-08600	WASHER RONDELLE	4	4	4	4	
28	6E5-14711-01-5B	MUFFLER 1 POT D'ECHAPPEMENT 1	1	1	1	1	
29	6E5-14737-00	DAMPER, MUFFLER AMORTISSEUR DE POT D'ECHAPPT	2	2	2	2	
30	90183-05M02	NUT, SPRING ECROU, RESSORT	2	2	2	2	
31	6E5-45123-00	GASKET, MUFFLER JOINT, POT DE DETENTE	1	1	1	1	
32	6E5-41135-A0	GASKET, EXHAUST MANIFOLD JOINT, PIPE D'ECHAPPEMENT	1	1	1	1	
33	97095-08045	BOLT BOULON	5	5	5	5	
34	92995-08600	WASHER RONDELLE	5	5	5	5	
35	6E5-45318-00	BUSHING, DRIVE SHAFT DOUILLE, ARBRE MOTEUR	1	1	1		X
36	93420-36M01	CIRCLIP CIRCLIP, TYPE S	1	1	1		X
37	64D-14721-20-5B	MUFFLER 2 POT D'ECHAPPEMENT 2	1	1	1		X
38	64D-45123-00	GASKET, MUFFLER JOINT, POT DE DETENTE	1	1	1		X
39	64D-45375-00	DAMPER, SEAL BOURRELET, CAOUTCHOUC	1	1	1		X



6G50200-9190

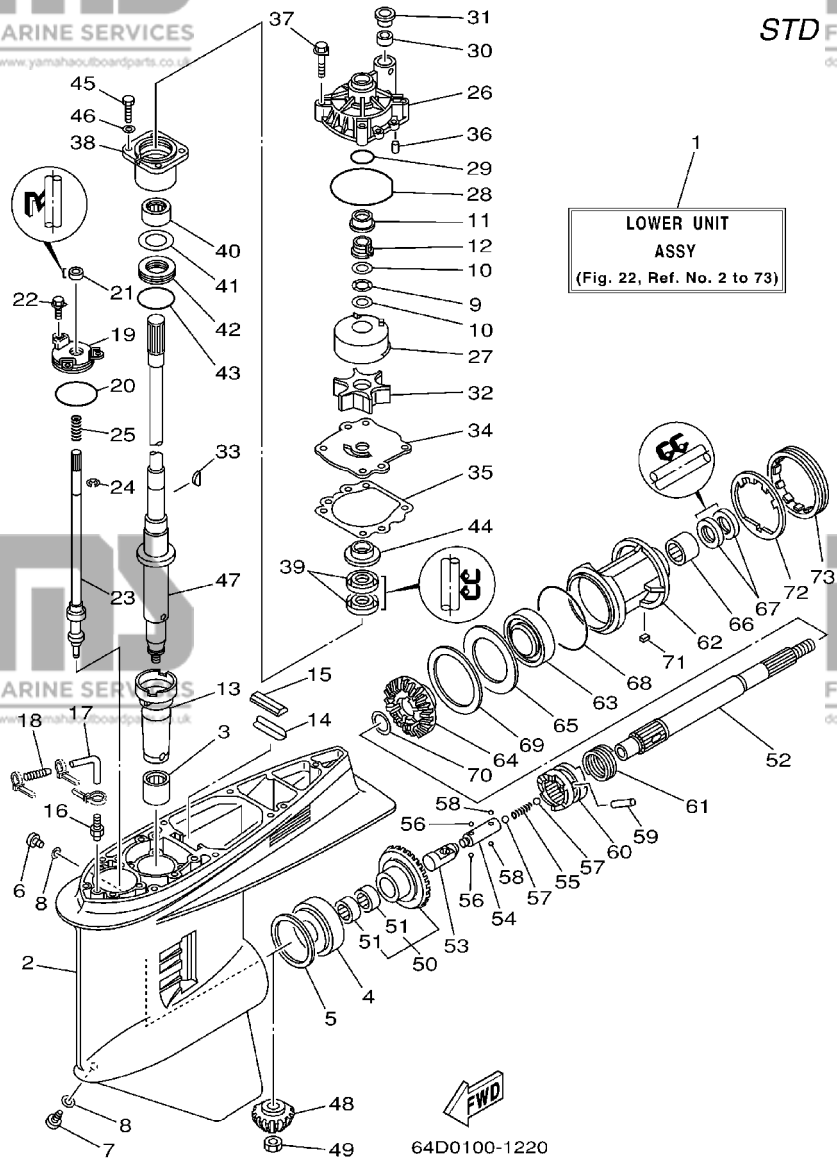


FIG. 22 LOWER CASING. DRIVE 1

BOITIER D'HELICE, TRANSMISSION 1

REF. NO.	PART NO.	DESCRIPTION	150	175	200	L200	REMARKS
	NO. PIECES	DESCRIPTION					REMARKS
1	64D-45300-01-8D	LOWER UNIT ASSY	1	1			L
	64E-45300-01-8D	LOWER UNIT ASSY			1		L
	64D-45300-21-8D	LOWER UNIT ASSY	1	1			X
	64E-45300-21-8D	LOWER UNIT ASSY			1		X
2	6J9-45301-04-8D	CASING, LOWER	1	1	1		
3	93311-928U5	BEARING	1	1	1		
4	93332-000V3	BEARING	1	1	1		
5	6G5-45567-01-10	SHIM (T:0.10MM)	1	1	1		UR
	6G5-45567-01-12	SHIM (T:0.12MM)	1	1	1		UR
	6G5-45567-01-15	SHIM (T:0.15MM)	1	1	1		UR
	6G5-45567-01-18	SHIM (T:0.18MM)	1	1	1		UR
	6G5-45567-01-30	SHIM (T:0.30MM)	1	1	1		UR
	6G5-45567-01-40	SHIM (T:0.40MM)	1	1	1		UR
	6G5-45567-01-50	SHIM (T:0.50MM)	1	1	1		UR
6	90340-08002	PLUG, STRAIGHT SCREW	1	1	1		
7	688-45341-10	PLUG, DRAIN	1	1	1		
8	90430-08020	GASKET	2	2	2		
9	90206-22M19	WASHER, WAVE	1	1	1		
10	90201-22M01	WASHER, PLATE	2	2	2		
11	61A-45527-00	COLLAR, DRIVE SHAFT	1	1	1		
12	61A-45538-00	SPACER 1	1	1	1		
13	6G5-45536-01	SLEEVE, DRIVE SHAFT	1	1	1		
14	663-45376-00-94	GUIDE, SEAL DAMPER	1	1	1		L
	64D-45376-00-94	GUIDE, SEAL DAMPER	1	1	1		X
15	688-45375-00	DAMPER, SEAL	1	1	1		
16	6E5-45378-00	NIPPLE, HOSE	1	1	1		
17	90445-07ME8	HOSE (L80)	1	1	1		L

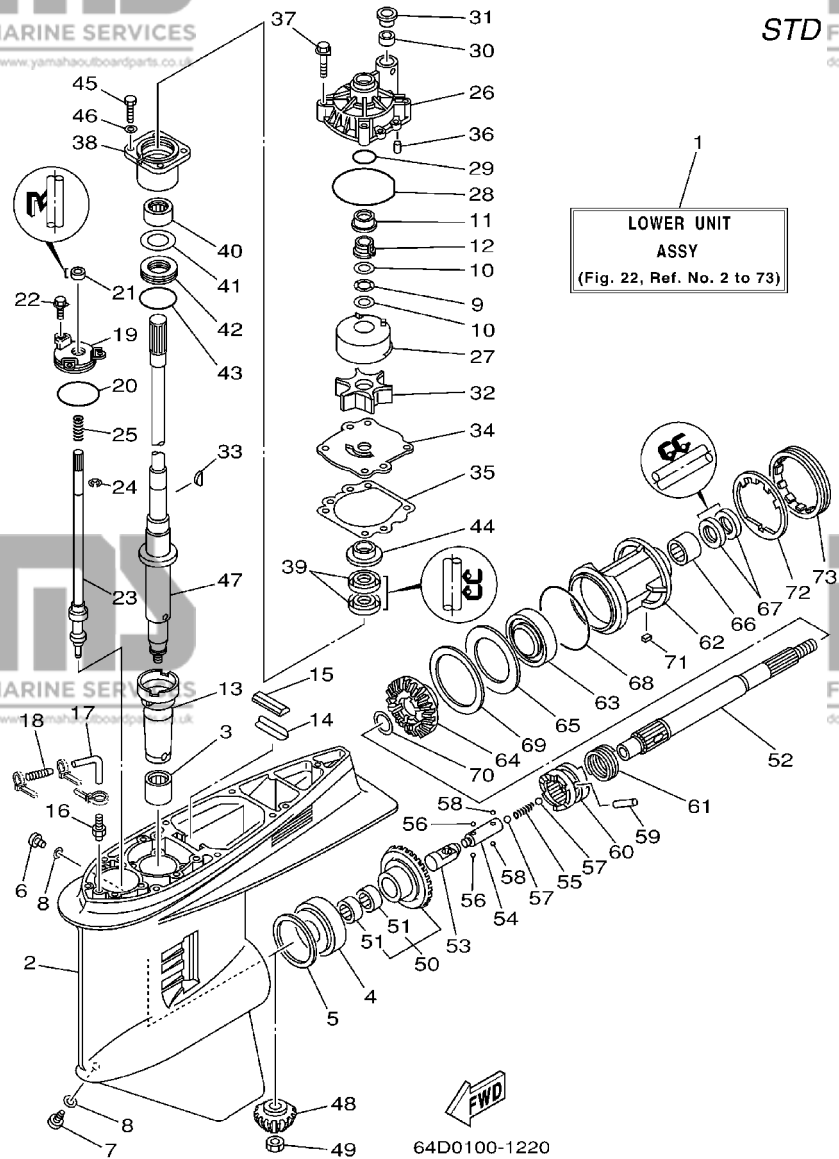


FIG. 22 LOWER CASING. DRIVE 1

BOITIER D'HELICE, TRANSMISSION 1

REF. NO.	PART NO. NO. PIECES	DESCRIPTION DESCRIPTION	150	175	200	L200	REMARKS REMARQUES
17	90445-07ME9	HOSE (L120) DURITE (L120)	1	1	1		X
18	6E5-83558-10	END, NIPPLE RACCORD DE NIPPLE	1	1	1		
19	6E5-45321-00	PLATE PLAQUETTE	1	1	1		
20	93210-58144	O-RING JOINT TORIQUE	1	1	1		
21	93106-09014	OIL SEAL JOINT SPY	1	1	1		
22	90119-06M10	BOLT, WITH WASHER BOULON, AVEC RONDELLE	3	3	3		
23	6G5-44150-02	SHIFT CAM ASSY CAME D'INVERSION	1	1	1		
24	99001-08600	CIRCLIP CIRCLIP	1	1	1		
25	90501-11M10	SPRING, COMPRESSION RESSORT, COMPRESSION	1	1	1		
26	61A-44311-01	HOUSING, WATER PUMP CORPS, POMPE A EAU	1	1	1		
27	61A-44322-02	INSERT, CARTRIDGE CUVETTE	1	1	1		
28	93210-86M38	O-RING JOINT TORIQUE	1	1	1		
29	93210-37160	O-RING JOINT TORIQUE	1	1	1		
30	6E5-44365-00	DAMPER, WATER SEAL JOINT, TUBE D'EAU	1	1	1		
31	6E5-44312-00	COVER, WATER PUMP HOUSING COUVERCLE	1	1	1		
32	6E5-44352-01	IMPELLER TURBINE	1	1	1		
33	90280-04M05	KEY, WOODRUFF CLAVETTE, DEMI-LUNE	1	1	1		
34	6G5-44323-00	OUTER PLATE, CARTRIDGE PLAQUE EXTERIEURE	1	1	1		
35	6E5-44315-A0	GASKET, WATER PUMP JOINT, POMPE A EAU	1	1	1		
36	93606-12019	PIN, DOWEL GOUJON	2	2	2		
37	90119-08M14	BOLT, WITH WASHER BOULON, AVEC RONDELLE	4	4	4		
38	6E5-45331-00-94	HOUSING, BEARING FLASQUE, ROULEMENT	1	1	1		
39	93101-28M16	OIL SEAL JOINT SPY	2	2	2		
40	93317-330U2	BEARING ROULEMENT	1	1	1		
41	6E5-45587-01-10	SHIM (T:0.10MM) CALE (T:0.10MM)	1	1	1		UR
	6E5-45587-01-12	SHIM (T:0.12MM) CALE (T:0.12MM)	1	1	1		UR
	6E5-45587-01-15	SHIM (T:0.15MM) CALE (T:0.15MM)	1	1	1		UR

A5

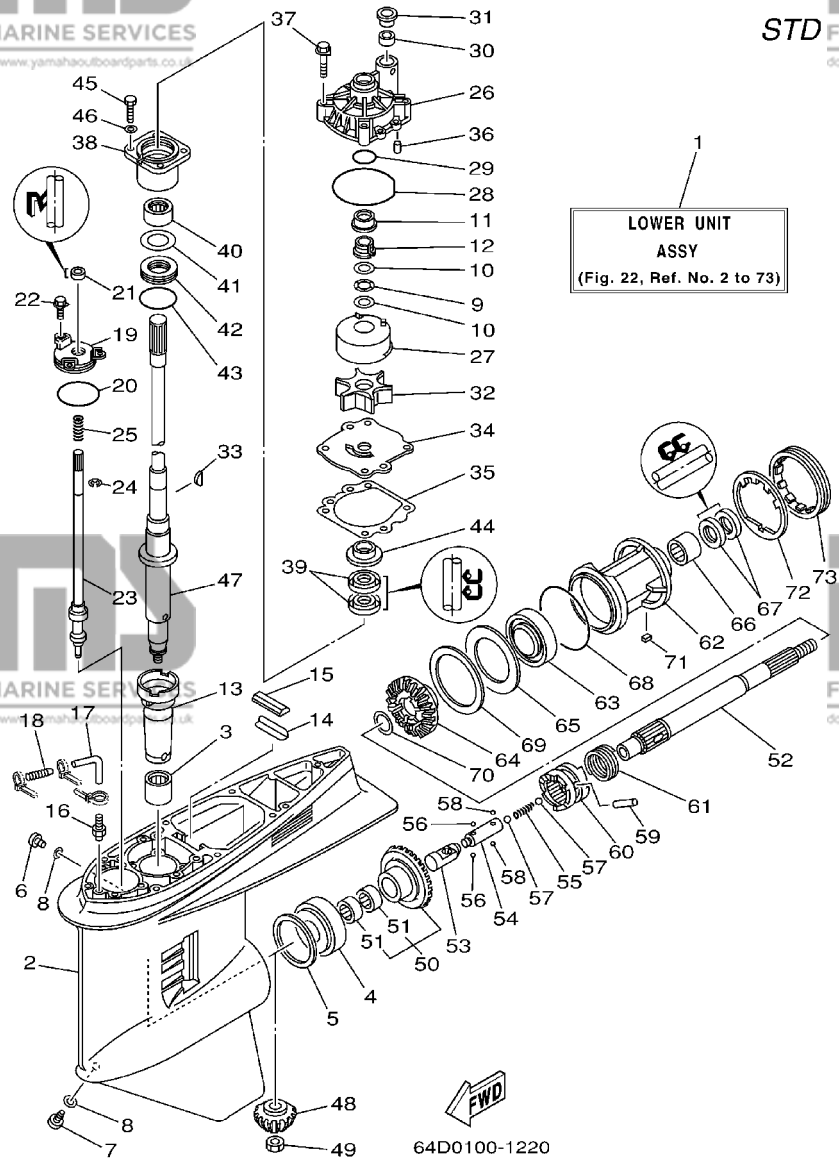


FIG. 22 LOWER CASING. DRIVE 1

BOITIER D'HELICE, TRANSMISSION 1

REF. NO.	PART NO. NO. PIECES	DESCRIPTION DESCRIPTION	150	175	200	L200	REMARKS REMARQUES
41	6E5-45587-01-18	SHIM (T:0.18MM)	1	1	1		UR
		CALE (T:0.18MM)					
	6E5-45587-01-30	SHIM (T:0.30MM)	1	1	1		UR
		CALE (T:0.30MM)					
	6E5-45587-01-40	SHIM (T:0.40MM)	1	1	1		UR
		CALE (T:0.40MM)					
	6E5-45587-01-50	SHIM (T:0.50MM)	1	1	1		UR
		CALE (T:0.50MM)					
42	93341-930V2	BEARING ROULEMENT	1	1	1		
43	93210-55M14	O-RING	1	1	1		
44	6E5-45344-00	JOINT TORIQUE COVER, OIL SEAL FLASQE, JOINT D'HUILE	1	1	1		
45	97095-08025	BOLT BOULON	4	4	4		
46	92995-08600	WASHER RONDELLE	4	4	4		
47	6G5-45501-01	DRIVE SHAFT COMP. ARBRE MOTEUR COMP.	1	1	1		L
	6G5-45501-21	DRIVE SHAFT COMP. ARBRE MOTEUR COMP.	1	1	1		X
48	6G5-45551-01	PINION PIGNON D'ATTAQUE	1	1			
	6G5-45551-10	PINION PIGNON D'ATTAQUE			1		
49	90170-16M01	NUT ECROU	1	1	1		
50	6G5-45560-01	GEAR PIGNON	1	1			
	6G5-45560-10	GEAR PIGNON			1		
51	93315-425V3	.BEARING .ROULEMENT	2	2	2		
52	6J9-45611-01	SHAFT, PROPELLER ARBRE, HELICE	1	1	1		
53	6E5-45641-02	SHIFTER EMBRAYAGE	1	1	1		
54	6E5-45634-01	SLIDE, SHIFT CONTRE-POUSSOIR	1	1	1		
55	90501-16M37	SPRING, COMPRESSION RESSORT, COMPRESSION	1	1	1		
56	93507-32009	BALL BILLE	2	2	2		
57	93511-32017	BALL BILLE	2	2	2		
58	93503-16003	BALL BILLE	2	2	2		
59	90250-08M07	PIN, STRAIGHT GOUPILLE, DROITE	1	1	1		
60	6G5-45631-00	CLUTCH, DOG CRABOT	1	1			
	6G5-45631-10	CLUTCH, DOG CRABOT			1		

A6

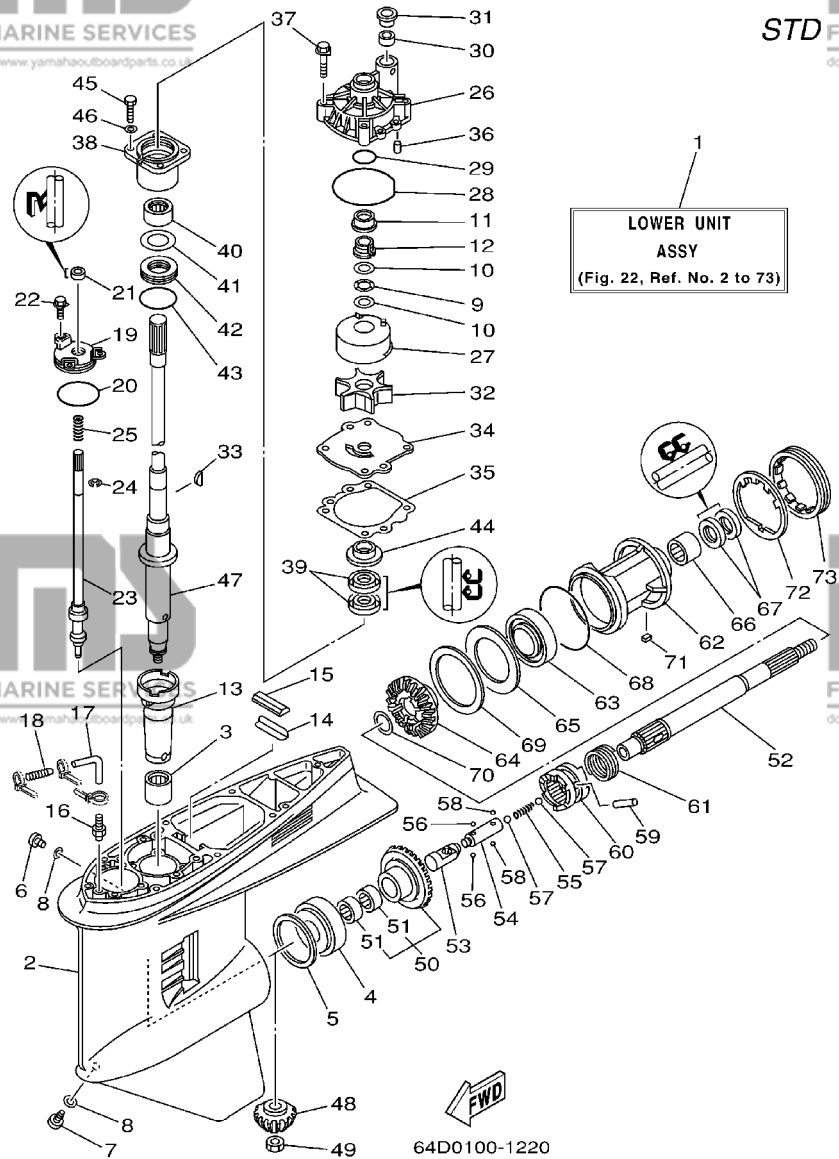
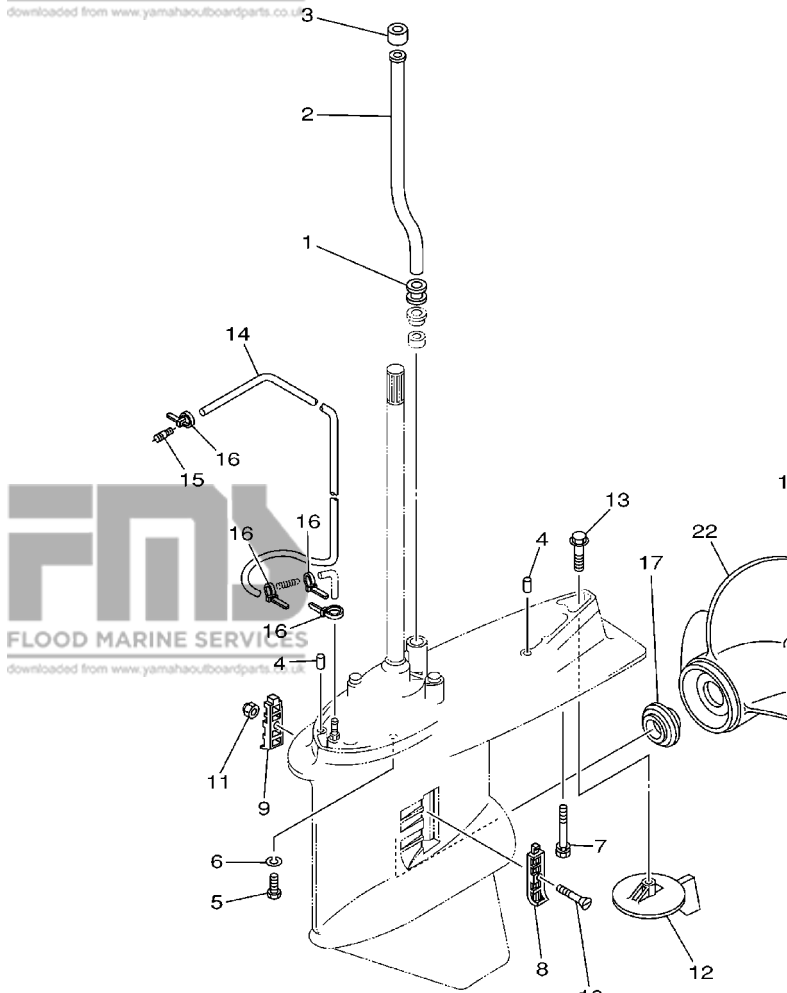


FIG. 22 LOWER CASING. DRIVE 1 BOITIER D'HELICE, TRANSMISSION 1

REF. NO.	PART NO. NO. PIECES	DESCRIPTION DESCRIPTION	150	175	200	L200	REMARKS REMARQUES
61	6E5-45633-01	RING, CROSS PIN JONC, GOUPILLE CRABOT	1	1	1		
62	6J9-45332-00-94	HOUSING, BEARING FLASQUE, ROULEMENT	1	1	1		
63	93306-209U0	BEARING ROULEMENT	1	1	1		
64	6G5-45571-02	GEAR PIGNON	1	1	1		
65	6G5-45576-00	WASHER, THRUST RONDELLE DE CALAGE	1	1	1		
66	93315-430U8	BEARING ROULEMENT	1	1	1		
67	93101-30M17	OIL SEAL JOINT SPY	2	2	2		
68	93210-97M55	O-RING JOINT TORIQUE	1	1	1		
69	6G5-45577-02-10	SHIM (T:0.10MM) CALE (T:0.10MM)	1	1	1		UR
	6G5-45577-02-12	SHIM (T:0.12MM) CALE (T:0.12MM)	1	1	1		UR
	6G5-45577-02-15	SHIM (T:0.15MM) CALE (T:0.15MM)	1	1	1		UR
	6G5-45577-02-18	SHIM (T:0.18MM) CALE (T:0.18MM)	1	1	1		UR
	6G5-45577-02-30	SHIM (T:0.30MM) CALE (T:0.30MM)	1	1	1		UR
	6G5-45577-02-40	SHIM (T:0.40MM) CALE (T:0.40MM)	1	1	1		UR
	6G5-45577-02-50	SHIM (T:0.50MM) CALE (T:0.50MM)	1	1	1		UR
70	90201-30M92	WASHER, PLATE RONDELLE, PLATE	1	1	1		
71	90282-04M00	KEY, STRAIGHT CLAVETTE, DROITE	1	1	1		
72	6G5-45383-01	WASHER, CLAW FREIN D'ECROU	1	1	1		
73	6G5-45384-00	NUT ECROU	1	1	1		



67H0100-1260

FIG. 23 LOWER CASING. DRIVE 2

BOITIER D'HELICE, TRANSMISSION 2

STD

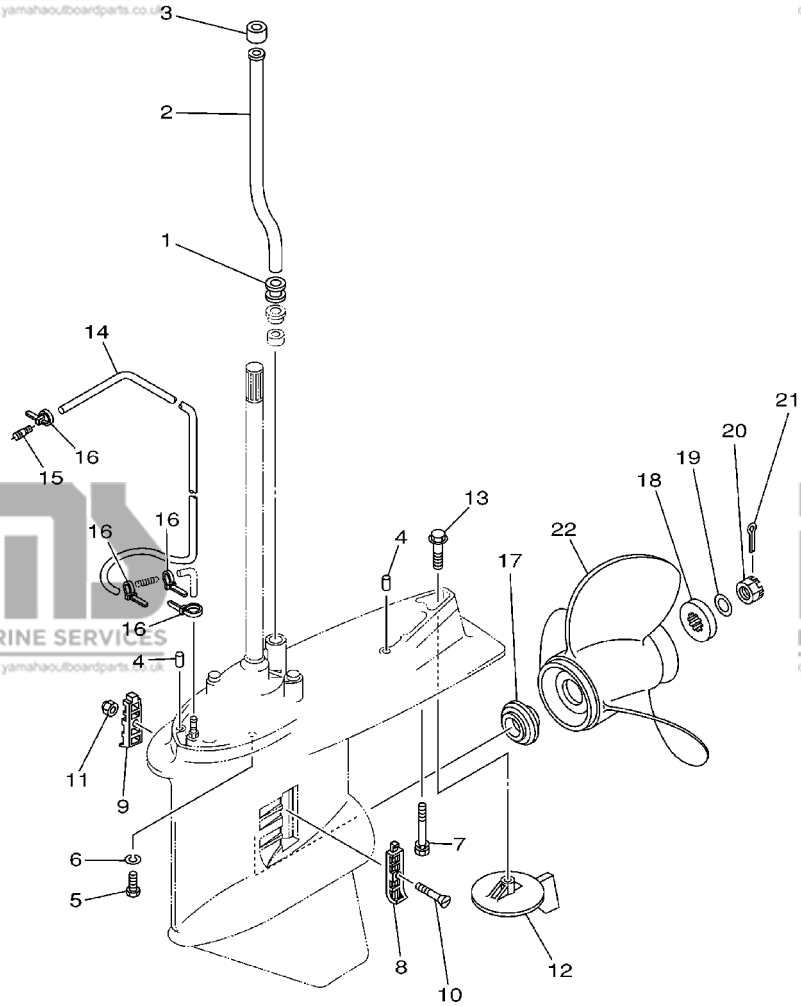
REF. NO.	PART NO. NO. PIECES	DESCRIPTION DESCRIPTION	150	175	200	L200	REMARKS REMARQUES
1	6E5-44366-00	DAMPER, WATER SEAL JOINT, TUBE D'EAU	1	1	1		
2	6E5-44361-00	TUBE, WATER TUBE D'EAU	1	1	1		L
	6E5-44361-20	TUBE, WATER TUBE D'EAU	1	1	1		X
3	6E5-44365-00	DAMPER, WATER SEAL JOINT, TUBE D'EAU	1	1	1		
4	93608-12M05	PIN, DOWEL GOUJON	2	2	2		
5	97075-10045	BOLT BOULON	6	6	6		
6	92995-10100	WASHER RONDELLE	6	6	6		
7	90119-10M89	BOLT, WITH WASHER BOULON, AVEC RONDELLE	1	1	1		
8	6J9-45214-00	COVER, WATER INLET GRILLE, ENTREE D'EAU	1	1	1		
9	6J9-45215-00	COVER, WATER INLET GRILLE, ENTREE D'EAU	1	1	1		
10	90152-05M08	SCREW, COUNTERSUNK VIS, TETE NOYEE	1	1	1		
11	90185-05002	NUT, SELF-LOCKING ECROU, AUTO-BLOCANT	1	1	1		
12	6J9-45371-01	TAB-TRIM ANODE DERIVE	1	1	1		
13	90105-10M00	BOLT, FLANGE BOULON	1	1	1		
14	90445-07M33	HOSE (L1080) DURITE (L1080)	1	1	1		
15	6E5-83558-00	END, NIPPLE RACCORD DE NIPPLE	1	1	1		
16	90465-11M10	CLAMP BRIDE	4	4	4		
17	6E5-45987-01	SPACER ENTRETOISE	1	1	1		
18	688-45997-01	SPACER ENTRETOISE	1	1	1		
19	92990-18200	WASHER RONDELLE	1	1	1		
20	90171-18M04	NUT, CASTLE ECROU, CRENELE	1	1	1		
21	91490-40030	PIN, COTTER GOUPILLE, FENDUE	1	1	1		
22	6G5-45941-00-98	PROPELLER (3X15-1/4"X15"-M) HELICE (3X15-1/4"X15"-M)	1	1	1		UR
	6G5-45943-01-98	PROPELLER (3X13-3/4"X21"-M) HELICE (3X13-3/4"X21"-M)	1	1	1		UR
	6G5-45945-01-98	PROPELLER (3X14"X19"-M) HELICE (3X14"X19"-M)	1	1	1		UR
	6G5-45947-01-98	PROPELLER (3X14-1/2"X17"-M) HELICE (3X14-1/2"X17"-M)	1	1	1		UR
	6G5-45949-00-98	PROPELLER (3X13-1/2"X23"-M) HELICE (3X13-1/2"X23"-M)	1	1	1		UR

B1

FIG. 23 LOWER CASING. DRIVE 2 BOITIER D'HELICE, TRANSMISSION 2

REF. NO.	PART NO. NO. PIECES	DESCRIPTION DESCRIPTION	150	175	200	L200	REMARKS REMARQUES
22	6G5-45952-00-98	PROPELLER (3X14-5/8"X16"-M) HELICE (3X14-5/8"X16"-M) STAINLESS STEEL PROPELLER ACIER INOXYDABLE HELICE	1	1	1		UR
	6G5-45930-00-98	PROPELLER (3X13-3/8"X25"-M) HELICE (3X13-3/8"X25"-M)	1	1	1		UR
	6G5-45932-00-98	PROPELLER (3X15-3/4"X13"-M) HELICE (3X15-3/4"X13"-M)	1	1	1		UR
	6G5-45970-02-98	PROPELLER (3X15-1/4"X15"-M) HELICE (3X15-1/4"X15"-M)	1	1	1		UR
	6G5-45972-02-98	PROPELLER (3X13-3/4"X21"-M) HELICE (3X13-3/4"X21"-M)	1	1	1		UR
	6G5-45974-03-98	PROPELLER (3X13-3/4"X19"-M2) HELICE (3X13-3/4"X19"-M2)	1	1	1		UR
	6G5-45976-01-98	PROPELLER (3X13-3/8"X23"-M) HELICE (3X13-3/8"X23"-M)	1	1	1		UR
	6G5-45978-03-98	PROPELLER (3X13-3/4"X17"-M2) HELICE (3X13-3/4"X17"-M2)	1	1	1		UR
	6R4-45970-A0	PROPELLER (3X15-1/4"X19"-M) HELICE (3X15-1/4"X19"-M)	1	1	1		UR
	6R4-45972-A0	PROPELLER (3X14-7/8"X21"-M) HELICE (3X14-7/8"X21"-M)	1	1	1		UR
	6R4-45974-A0	PROPELLER (3X14-1/2"X23"-M) HELICE (3X14-1/2"X23"-M)	1	1	1		UR
	6R4-45976-A0	PROPELLER (3X14-1/2"X15"-M) HELICE (3X14-1/2"X15"-M)	1	1	1		UR
	6R4-45978-A0	PROPELLER (3X15-1/4"X17"-M) HELICE (3X15-1/4"X17"-M)	1	1	1		UR

STD



FWD
67H0100-1260

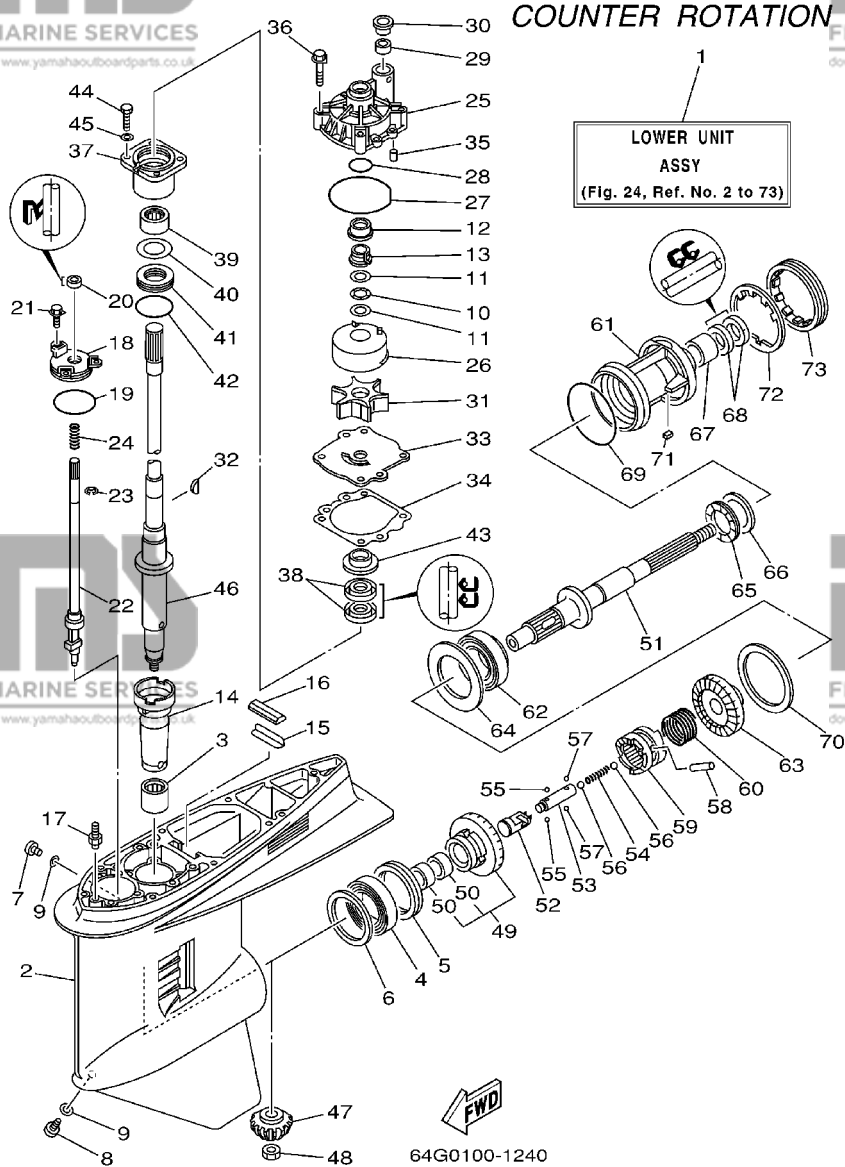


FIG. 24 LOWER CASING. DRIVE 3

BOITIER D'HELICE, TRANSMISSION 3

REF. NO.	PART NO. NO. PIECES	DESCRIPTION DESCRIPTION	150	175	200	L200	REMARKS REMARQUES
1	64H-45300-00-8D	LOWER UNIT ASSY UNITE INFERIEURE (ENS.)				1	L
2	6J9-45301-04-8D	CASING, LOWER BEQUILLE				1	
3	93311-928U5	BEARING ROULEMENT				1	
4	93390-000U2	BEARING ROULEMENT				1	
5	93341-465U4	BEARING ROULEMENT				1	
6	6G5-45567-01-10	SHIM (T:0.10MM) CALE (T:0.10MM)				1	UR
	6G5-45567-01-12	SHIM (T:0.12MM) CALE (T:0.12MM)				1	UR
	6G5-45567-01-15	SHIM (T:0.15MM) CALE (T:0.15MM)				1	UR
	6G5-45567-01-18	SHIM (T:0.18MM) CALE (T:0.18MM)				1	UR
	6G5-45567-01-30	SHIM (T:0.30MM) CALE (T:0.30MM)				1	UR
	6G5-45567-01-40	SHIM (T:0.40MM) CALE (T:0.40MM)				1	UR
	6G5-45567-01-50	SHIM (T:0.50MM) CALE (T:0.50MM)				1	UR
7	90340-08002	PLUG, STRAIGHT SCREW PLOT, FILETE DROIT				1	
8	688-45341-10	PLUG, DRAIN BOUCHON DE VIDANGE				1	
9	90430-08020	GASKET JOINT				2	
10	90206-22M19	WASHER, WAVE RONDELLE, ONDULEE				1	
11	90201-22M01	WASHER, PLATE RONDELLE, PLATE				2	
12	61A-45527-00	COLLAR, DRIVE SHAFT ENTRETOISE				1	
13	61A-45538-00	SPACER 1 ENTRETOISE				1	
14	6G5-45536-01	SLEEVE, DRIVE SHAFT MANCHON, ARBRE MOTEUR				1	
15	663-45376-00-94	GUIDE, SEAL DAMPER BUTEE, JOINT CAOUTCHOUC				1	L
16	688-45375-00	DAMPER, SEAL BOURRELET, CAOUTCHOUC				1	
17	6J8-45378-00	NIPPLE, HOSE RACCORD, TUYAU				1	
18	6E5-45321-00	PLATE PLAQUETTE				1	
19	93210-58144	O-RING JOINT TORIQUE				1	
20	93106-09014	OIL SEAL JOINT SPY				1	
21	90119-06M10	BOLT, WITH WASHER BOULON, AVEC RONDELLE				3	

B3

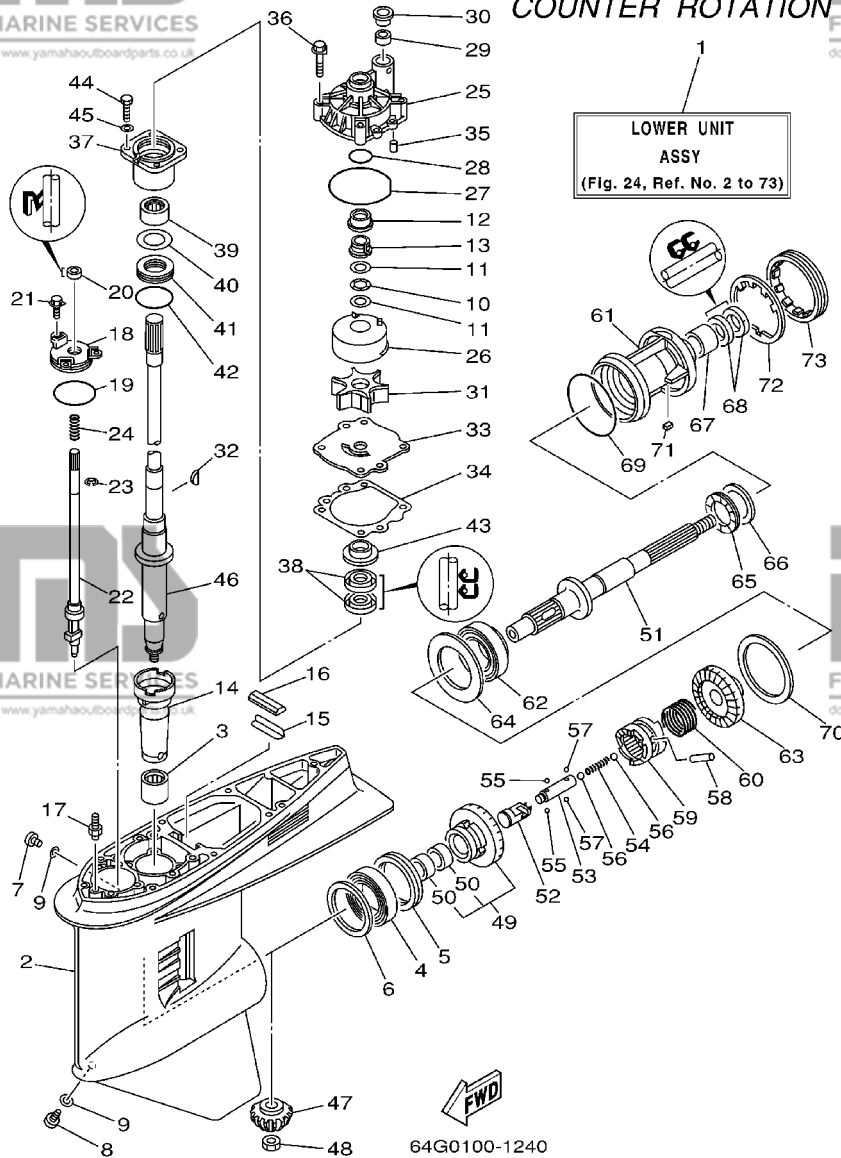


FIG. 24 LOWER CASING. DRIVE 3 BOITIER D'HELICE, TRANSMISSION 3

REF. NO.	PART NO. NO. PIECES	DESCRIPTION DESCRIPTION	150	175	200	L200	REMARKS REMARQUES
22	6K1-44150-01	SHIFT CAM ASSY CAME D'INVERSION				1	
23	99001-08600	CIRCLIP CIRCLIP				1	
24	90501-11M10	SPRING, COMPRESSION RESSORT, COMPRESSION				1	
25	61A-44311-01	HOUSING, WATER PUMP CORPS, POMPE A EAU				1	
26	61A-44322-02	INSERT, CARTRIDGE CUVETTE				1	
27	93210-86M38	O-RING JOINT TORIQUE				1	
28	93210-37160	O-RING JOINT TORIQUE				1	
29	6E5-44365-00	DAMPER, WATER SEAL JOINT, TUBE D'EAU				1	
30	6E5-44312-00	COVER, WATER PUMP HOUSING COUVERCLE				1	
31	6E5-44352-01	IMPELLER TURBINE				1	
32	90280-04M05	KEY, WOODRUFF CLAVETTE, DEMI-LUNE				1	
33	6G5-44323-00	OUTER PLATE, CARTRIDGE PLAQUE EXTERIEURE				1	
34	6E5-44315-A0	GASKET, WATER PUMP JOINT, POMPE A EAU				1	
35	93606-12019	PIN, DOWEL GOUJON				2	
36	90119-08M14	BOLT, WITH WASHER BOULON, AVEC RONDELLE				4	
37	6E5-45331-00-94	HOUSING, BEARING FLASQUE, ROULEMENT				1	
38	93101-28M16	OIL SEAL JOINT SPY				2	
39	93317-330U2	BEARING ROULEMENT				1	
40	6E5-45587-01-10	SHIM (T:0.10MM) CALE (T:0.10MM)				1	UR
	6E5-45587-01-12	SHIM (T:0.12MM) CALE (T:0.12MM)				1	UR
	6E5-45587-01-15	SHIM (T:0.15MM) CALE (T:0.15MM)				1	UR
	6E5-45587-01-18	SHIM (T:0.18MM) CALE (T:0.18MM)				1	UR
	6E5-45587-01-30	SHIM (T:0.30MM) CALE (T:0.30MM)				1	UR
	6E5-45587-01-40	SHIM (T:0.40MM) CALE (T:0.40MM)				1	UR
	6E5-45587-01-50	SHIM (T:0.50MM) CALE (T:0.50MM)				1	UR
41	93341-930V2	BEARING ROULEMENT				1	
42	93210-55M14	O-RING JOINT TORIQUE				1	

B4

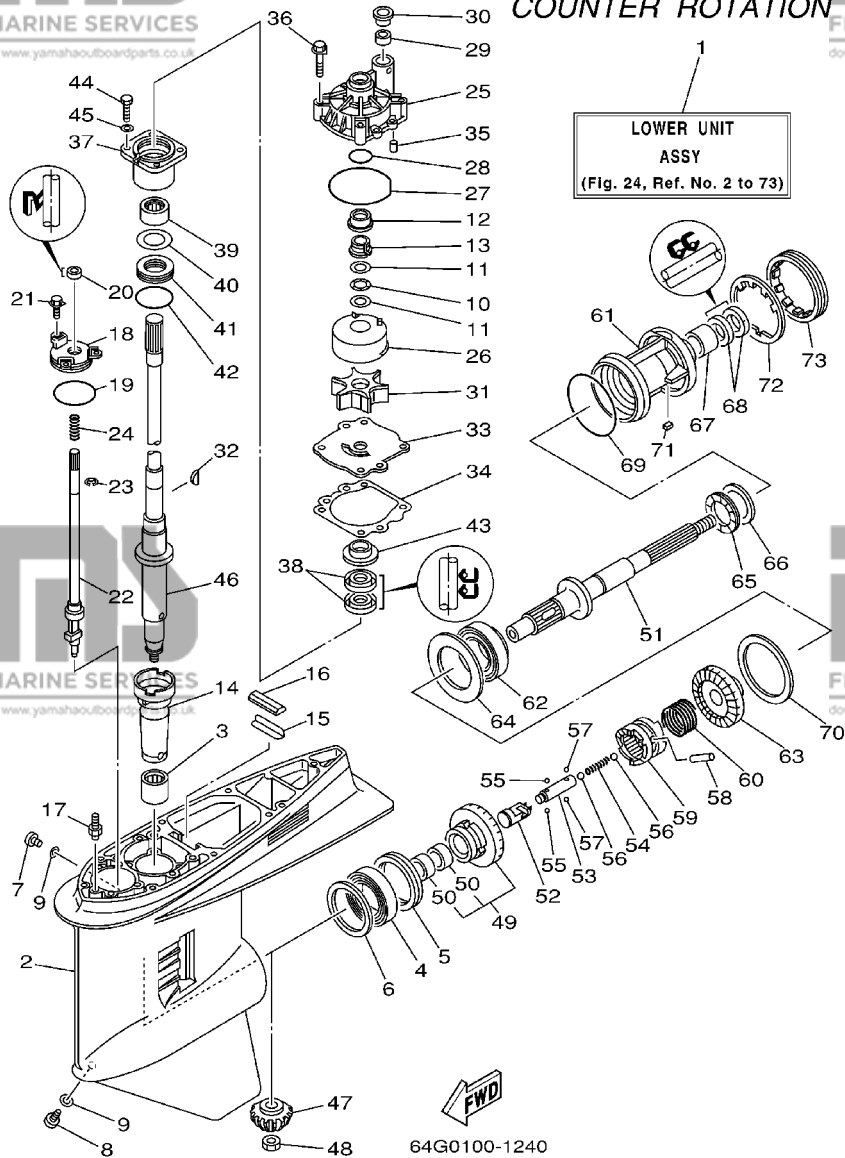


FIG. 24 LOWER CASING. DRIVE 3

BOITIER D'HELICE, TRANSMISSION 3

REF. NO.	PART NO. NO. PIECES	DESCRIPTION DESCRIPTION	150	175	200	L200	REMARKS REMARQUES
43	6E5-45344-00	COVER, OIL SEAL FLASQUE, JOINT D'HUILE				1	
44	97095-08025	BOLT				4	
45	92995-08600	BOULON WASHER RONDELLE				4	
46	6G5-45501-01	DRIVE SHAFT COMP. ARBRE MOTEUR COMP.				1	L
47	6G5-45551-10	PINION PIGNON D'ATTAQUE				1	
48	90170-16M01	NUT ECROU				1	
49	6K1-45560-01	GEAR PIGNON				1	
50	93315-425V3	.BEARING .ROULEMENT				2	
51	6K1-45611-10	SHAFT, PROPELLER ARBRE, HELICE				1	
52	6K1-45641-01	SHIFTER EMBRAYAGE				1	
53	6E5-45634-01	SLIDE, SHIFT CONTRE-POUSSOIR				1	
54	90501-16M37	SPRING, COMPRESSION RESSORT, COMPRESSION				1	
55	93507-32009	BALL BILLE				2	
56	93511-32017	BALL BILLE				2	
57	93503-16003	BALL BILLE				2	
58	90250-08M07	PIN, STRAIGHT GOUPILLE, DROITE				1	
59	6G5-45631-10	CLUTCH, DOG CRABOT				1	
60	6E5-45633-01	RING, CROSS PIN JONC, GOUPILLE CRABOT				1	
61	6K1-45332-01-94	HOUSING, BEARING FLASQUE, ROULEMENT				1	
62	93332-00048	BEARING ROULEMENT				1	
63	6K1-45570-20	GEAR PIGNON				1	
64	6K1-45576-00	WASHER, THRUST RONDELLE DE CALAGE				1	
65	93341-440U5	BEARING ROULEMENT				1	
66	6K1-45578-01-10	SHIM (T:0.10MM) CALE (T:0.10MM)				1	UR
	6K1-45578-01-12	SHIM (T:0.12MM) CALE (T:0.12MM)				1	UR
	6K1-45578-01-15	SHIM (T:0.15MM) CALE (T:0.15MM)				1	UR
	6K1-45578-01-18	SHIM (T:0.18MM) CALE (T:0.18MM)				1	UR

B5

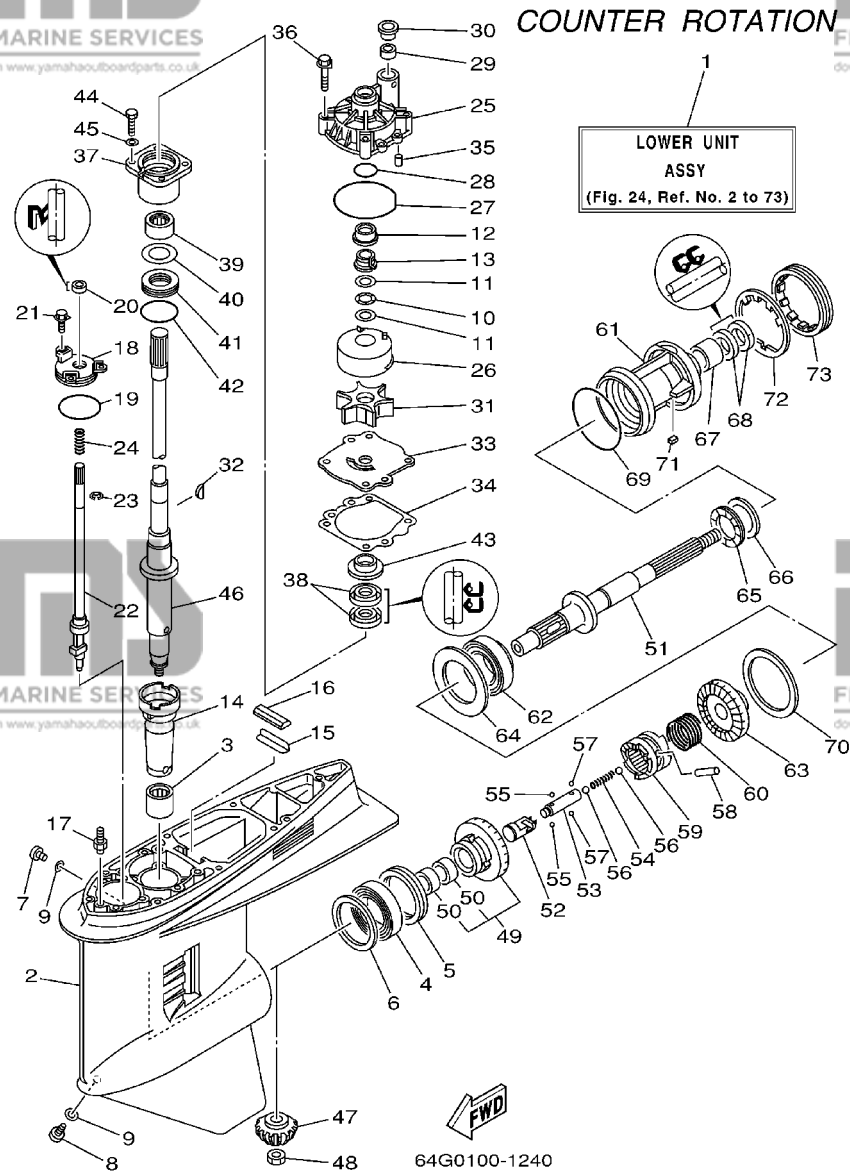


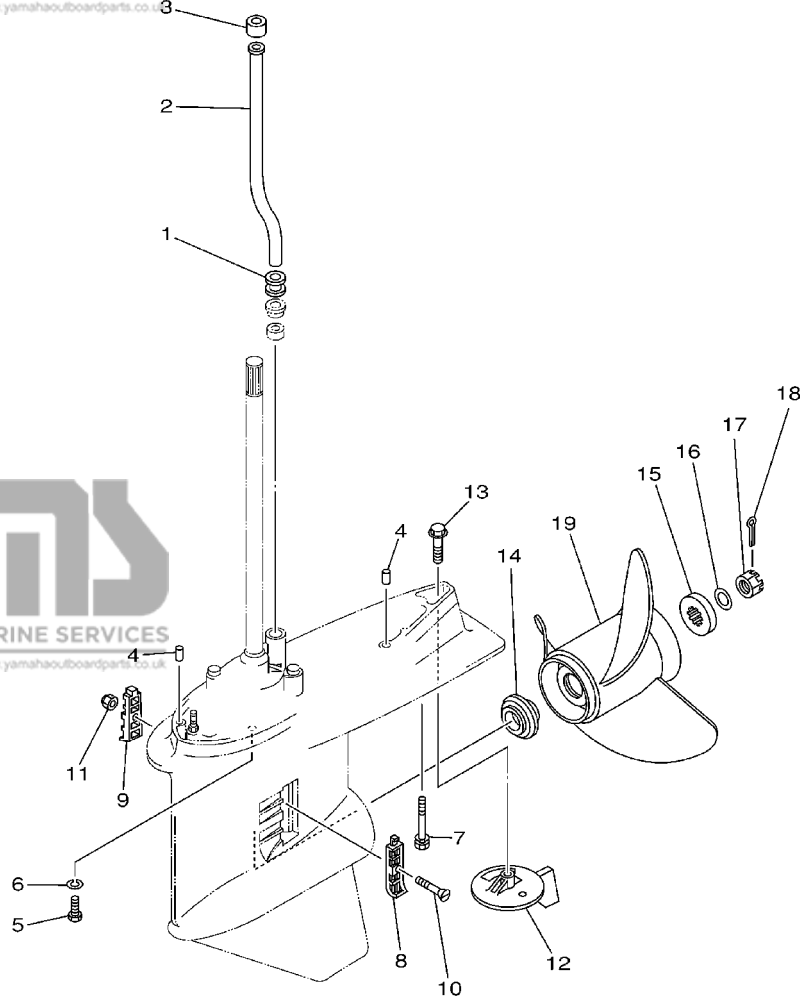
FIG. 24 LOWER CASING. DRIVE 3

BOITIER D'HELICE, TRANSMISSION 3

REF. NO.	PART NO. NO. PIECES	DESCRIPTION DESCRIPTION	150	175	200	L200	REMARKS REMARQUES
66	6K1-45578-01-30	SHIM (T:0.30MM)				1	UR
		CALE (T:0.30MM)					
	6K1-45578-01-40	SHIM (T:0.40MM)				1	UR
		CALE (T:0.40MM)					
	6K1-45578-01-50	SHIM (T:0.50MM)				1	UR
		CALE (T:0.50MM)					
67	93315-430U8	BEARING ROULEMENT				1	
68	93101-30M17	OIL SEAL JOINT SPY				2	
69	93210-97M55	O-RING JOINT TORIQUE				1	
70	6G5-45577-02-10	SHIM (T:0.10MM)				1	UR
		CALE (T:0.10MM)					
	6G5-45577-02-12	SHIM (T:0.12MM)				1	UR
		CALE (T:0.12MM)					
	6G5-45577-02-15	SHIM (T:0.15MM)				1	UR
		CALE (T:0.15MM)					
	6G5-45577-02-18	SHIM (T:0.18MM)				1	UR
		CALE (T:0.18MM)					
	6G5-45577-02-30	SHIM (T:0.30MM)				1	UR
		CALE (T:0.30MM)					
	6G5-45577-02-40	SHIM (T:0.40MM)				1	UR
		CALE (T:0.40MM)					
	6G5-45577-02-50	SHIM (T:0.50MM)				1	UR
		CALE (T:0.50MM)					
71	90282-04M00	KEY, STRAIGHT CLAVETTE, DROITE				1	
72	6G5-45383-01	WASHER, CLAW FREIN D'ECROU				1	
73	6G5-45384-00	NUT ECROU				1	

B6

COUNTER ROTATION



64G0100-1250

FIG. 25 LOWER CASING. DRIVE 4

BOITIER D'HELICE, TRANSMISSION 4

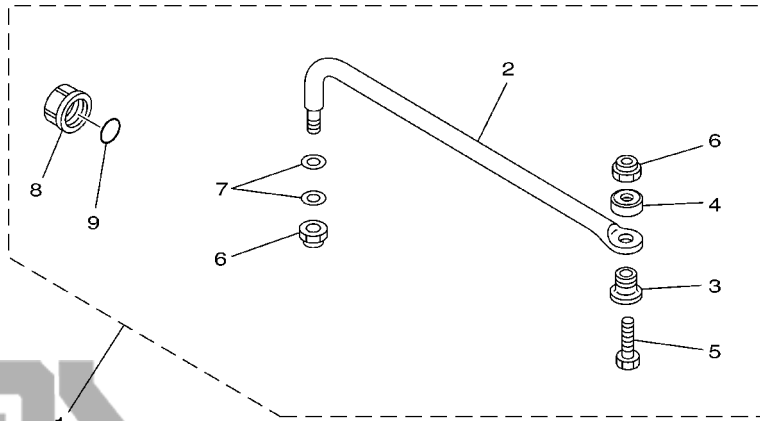
REF. NO.	PART NO. NO. PIECES	DESCRIPTION DESCRIPTION	150	175	200	L200	REMARKS REMARQUES
1	6E5-44366-00	DAMPER, WATER SEAL JOINT, TUBE D'EAU				1	
2	6E5-44361-00	TUBE, WATER TUBE D'EAU				1	
3	6E5-44365-00	DAMPER, WATER SEAL JOINT, TUBE D'EAU				1	
4	93608-12M05	PIN, DOWEL GOUJON				2	
5	97075-10045	BOLT BOULON				6	
6	92995-10100	WASHER RONDELLE				6	
7	90119-10M89	BOLT, WITH WASHER BOULON, AVEC RONDELLE				1	
8	6J9-45214-00	COVER, WATER INLET GRILLE, ENTREE D'EAU				1	
9	6J9-45215-00	COVER, WATER INLET GRILLE, ENTREE D'EAU				1	
10	90152-05M08	SCREW, COUNTERSUNK VIS, TETE NOYEE				1	
11	90185-05002	NUT, SELF-LOCKING ECROU, AUTO-BLOCANT				1	
12	6K1-45371-02	TAB-TRIM ANODE DERIVE				1	
13	90105-10M00	BOLT, FLANGE BOULON				1	
14	6E5-45987-01	SPACER ENTRETOISE				1	
15	688-45997-01	SPACER ENTRETOISE				1	
16	92990-18200	WASHER RONDELLE				1	
17	90171-18M04	NUT, CASTLE ECROU, CRENELE				1	
18	91490-40030	PIN, COTTER GOUPILLE, FENDUE				1	
19	6K1-45970-01-98	PROPELLER (3X15-1/4"X15"-ML) HELICE (3X15-1/4"X15"-ML)				1	UR
	6K1-45972-01-98	PROPELLER (3X13-3/4"X21"-ML) HELICE (3X13-3/4"X21"-ML)				1	UR
	6K1-45974-02-98	PROPELLER (3X13-3/4"X19"-ML1) HELICE (3X13-3/4"X19"-ML1)				1	UR
	6K1-45978-02-98	PROPELLER (3X13-3/4"X17"-ML1) HELICE (3X13-3/4"X17"-ML1)				1	UR
	6R1-45970-A0	PROPELLER (3X15-1/4"X19"-ML) HELICE (3X15-1/4"X19"-ML)				1	UR
	6R1-45972-A0	PROPELLER (3X14-7/8"X21"-ML) HELICE (3X14-7/8"X21"-ML)				1	UR
	6R1-45974-A0	PROPELLER (3X14-1/2"X23"-ML) HELICE (3X14-1/2"X23"-ML)				1	UR
	6R1-45976-A0	PROPELLER (3X15-1/4"X15"-ML) HELICE (3X15-1/4"X15"-ML)				1	UR
	6R1-45978-A0	PROPELLER (3X15-1/4"X17"-ML) HELICE (3X15-1/4"X17"-ML)				1	UR

B7

FIG. 26 STEERING GUIDE ATTACHMENT 1

DIRECTION GUIDE ACCESSOIRE 1

REF. NO.	PART NO. NO. PIECES	DESCRIPTION DESCRIPTION	150	175	200	L200	REMARKS REMARQUES
1	6E5-61350-02	STEERING GUIDE ATTACHMENT KIT FIXATIONS DE DIRECTION	1	1	1	1	AP
2	6E5-61351-01	.ROD, STEERING LINK .RENOI DE DIRECTION	1	1	1	1	
3	90387-10M61	.COLLAR .COLLERETTE	1	1	1	1	
4	90560-12M01	.SPACER .ENTRETOISE	1	1	1	1	
5	6E5-61355-00	.BOLT .BOULON	1	1	1	1	
6	90185-09M01	.NUT, SELF-LOCKING .ECROU, AUTO-BLOCANT	2	2	2	2	
7	90201-10M20	.WASHER, PLATE .RONDELLE, PLATE	2	2	2	2	
8	6E5-43145-01	.CAP, CLAMP BRACKET .CAPUCHON, PRESSE	1	1	1	1	
9	93210-16275	.O-RING .JOINT TORIQUE	1	1	1	1	

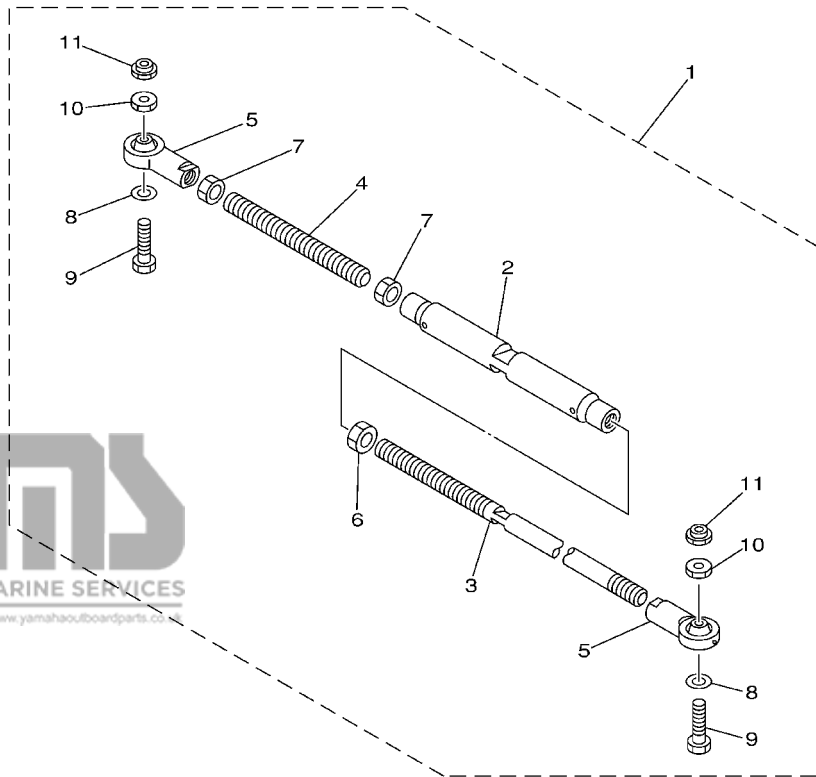


67H0100-9290

FIG. 27 STEERING GUIDE ATTACHMENT 2

DIRECTION GUIDE ACCESSOIRE 2

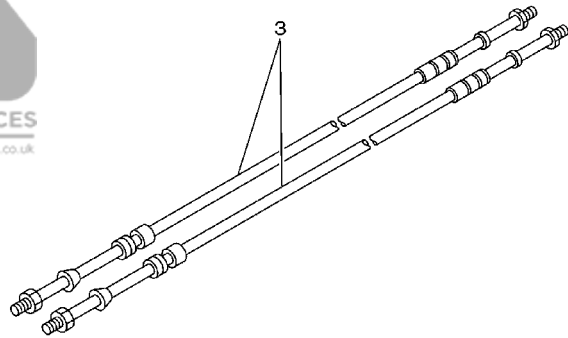
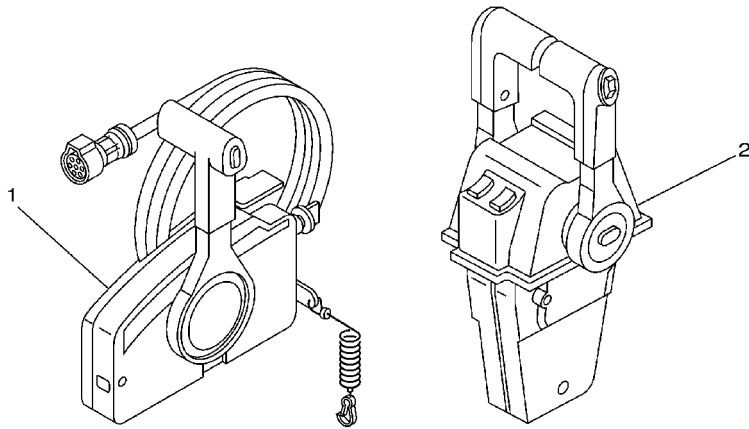
REF. NO.	PART NO. NO. PIECES	DESCRIPTION DESCRIPTION	150	175	200	L200	REMARKS REMARQUES
1	6E5-61301-01	TWIN KIT (L:600-800MM) JUMELE KIT (L:600-800MM)				1	AP
2	6E5-61313-00	.ADJUSTER .TENDEUR				1	
3	6E5-61311-11	.TIE BAR .BARRE D'ACCOUPEMENT				1	
4	6E5-61315-00	.TIE BAR .BARRE D'ACCOUPEMENT				1	
5	6E5-61303-00	.STEERING EYE COMP. .AXE COMP.				2	
6	90170-14M06	.NUT .ECROU				1	
7	95380-14700	.NUT .ECROU				2	
8	90201-10M76	.WASHER, PLATE .RONDELLE, PLATE				2	
9	90101-09M70	.BOLT .BOULON				2	
10	90170-09M05	.NUT .ECROU				2	
11	90185-09M01	.NUT, SELF-LOCKING .ECROU, AUTO-BLOCANT				2	



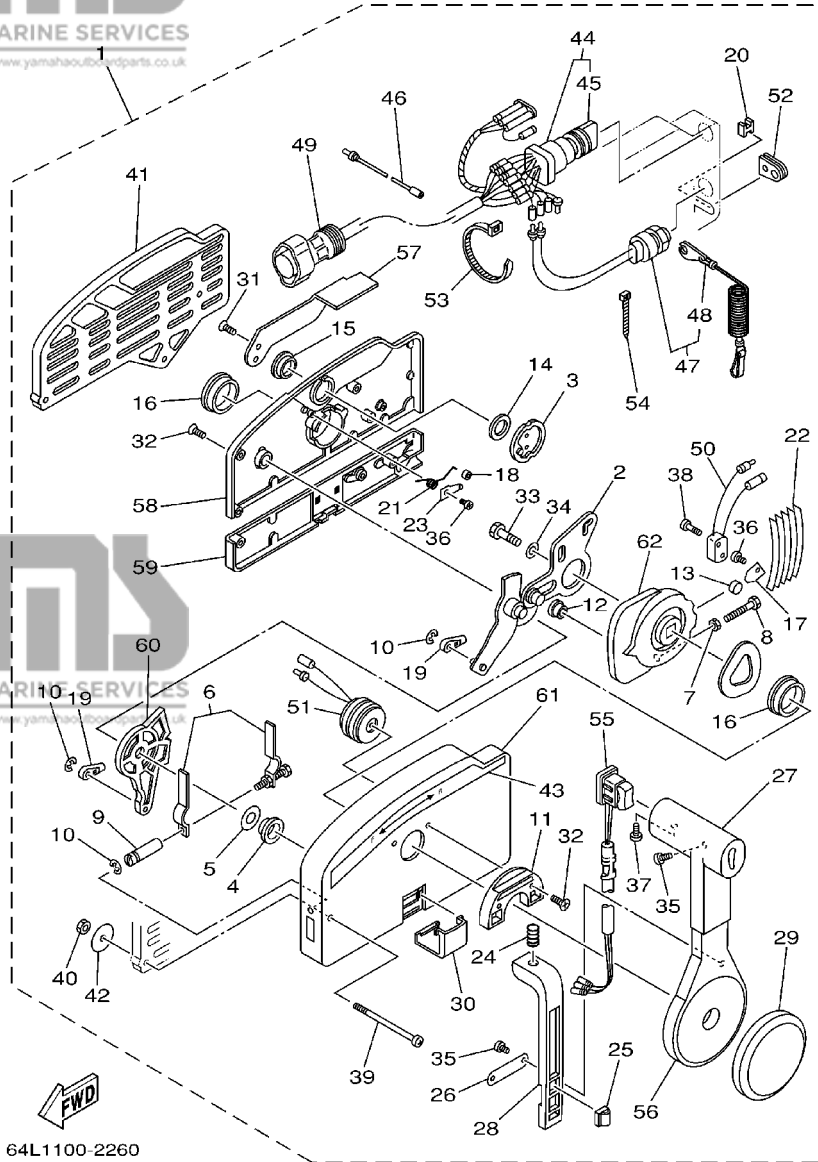
67H0100-0300

FIG. 28 REMOTE CONTROL BOX BOITIER DE COMMANDE A DISTANCE

REF. NO.	PART NO. NO. PIECES	DESCRIPTION DESCRIPTION	150	175	200	L200	REMARKS REMARQUES
1	703-48205-17	REMOTE CONTROL ASSY BOITIER DE COMMANDE A DISTANCE	1	1	1		AP WITH PT/T SW.
2	704-48207-23	REMOTE CONTROL ASSY BOITIER DE COMMANDE A DISTANCE				1	AP WITH PT/T SW.
3	701-48320-50	CABLE, REMOTE CONTROL L=15F CABLE, COMMANDE A DISTANCE:15F	2	2	2	2	UR
	701-48320-60	CABLE, REMOTE CONTROL L=16F CABLE, COMMANDE A DISTANCE:16F	2	2	2	2	UR
	701-48320-80	CABLE, REMOTE CONTROL L=17F CABLE, COMMANDE A DISTANCE:17F	2	2	2	2	UR
	701-48350-00	CABLE, REMOTE CONTROL L=21F CABLE, COMMANDE A DISTANCE:21F	2	2	2	2	UR
	701-48350-20	CABLE, REMOTE CONTROL L=23F CABLE, COMMANDE A DISTANCE:23F	2	2	2	2	UR



67H0100-9310

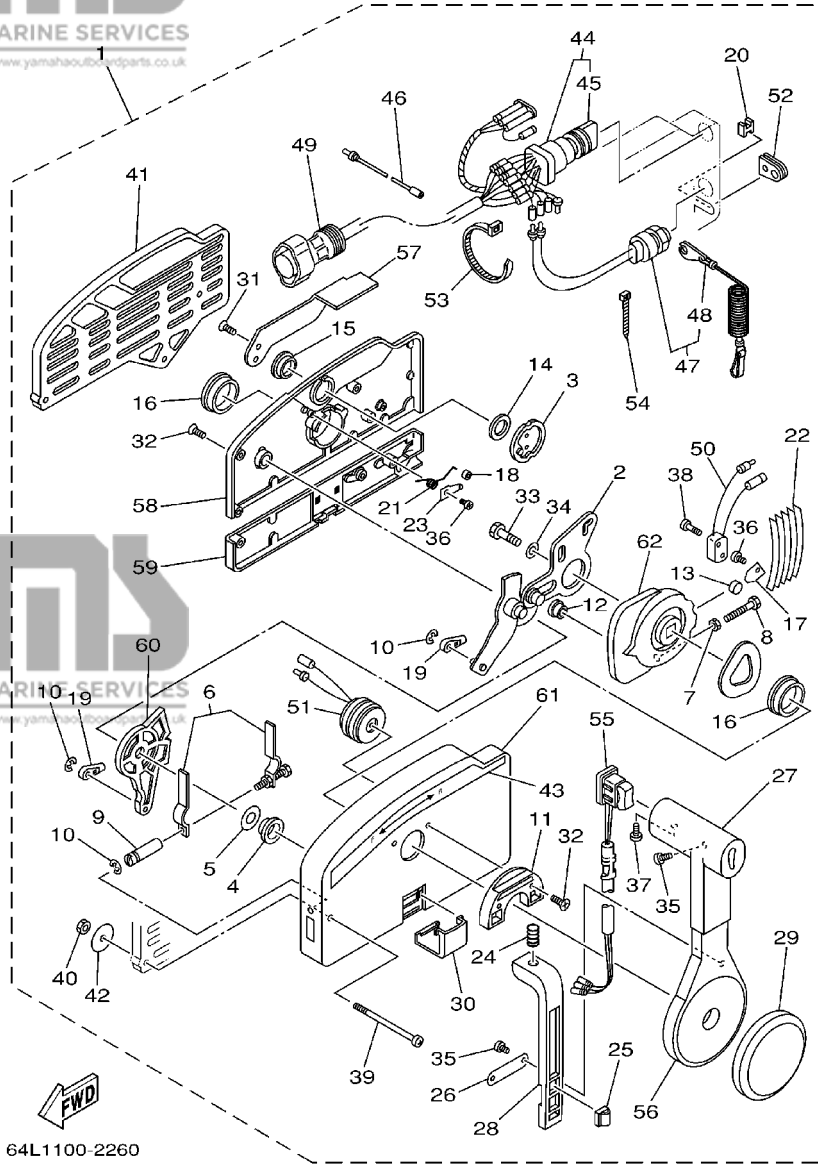


64L1100-2260

FIG. 29 REMOTE CONTROL ASSY 1 BOITIER DE COMMANDE A DISTANCE 1

REF. NO.	PART NO. NO. PIECES	DESCRIPTION DESCRIPTION	150	175	200	L200	REMARKS REMARQUES
1	703-48205-17	REMOTE CONTROL ASSY BOITIER DE COMMANDE A DISTANCE	1	1	1		AP WITH PT/T SW.
2	703-48261-01	.ARM, THROTTLE .BRAS, ACCELERATION	1	1	1		
3	703-48153-00	.SHAFT, FREE ACCEL. .AXE	1	1	1		
4	703-48235-00	.BUSHING .COUSSINET	1	1	1		
5	703-48268-00	.SPACER .ENTRETOISE	1	1	1		
6	703-48264-00	.THROTTLE, FRICTION ACCELERATION	1	1	1		
7	95380-05600	.NUT .ECROU	1	1	1		
8	97380-05025	.BOLT .BOULON	1	1	1		
9	703-48265-00	.SHAFT, FRICTION .AXE, COPILOTE	1	1	1		
10	93430-06024	.CIRCLIP .CIRCLIP, TYPE S	3	3	3		
11	703-48245-00	.PLATE, LOCK .PLAQUE, VERROU	1	1	1		
12	703-48252-00	.ROLLER, CAM .POULIE	1	1	1		
13	701-48248-00	.ROLLER, FREE ACCEL. .POULIE	1	1	1		
14	703-48198-00	.WASHER, WAVE .RONDELLE, ELASTIQUE ONDULEE	1	1	1		
15	703-48243-00	.BUSHING .COUSSINET	1	1	1		
16	703-48236-00	.BUSHING 1 .POULIE	2	2	2		
17	703-48189-00	.RETAINER .FLASQUE	1	1	1		
18	703-48234-00	.ROLLER, DETENT .POULIE	1	1	1		
19	703-48345-01	.CABLE END, REMOTE CONTROL 2 .CHAPE CABLE	2	2	2		
20	703-48358-00	.ANCHOR, CABLE .COLLIER	1	1	1		
21	703-48244-00	.SPRING, FREE ACCEL. .RESSORT	1	1	1		
22	703-48238-00	.SPRING, DETENT .RESSORT	5	5	5		
23	703-48246-00	.SPACER .ENTRETOISE	1	1	1		
24	703-48227-00	.SPRING, NEUTRAL LOCK .RESSORT	1	1	1		
25	703-82594-00	.CLAMP .BRIDE	1	1	1		WITH PT/T SW.
26	703-48226-00	.PLATE, STOPPER .PLAQUETTE	1	1	1		
27	703-48222-00	.GRIP, CONTROL LEVER .POIGNEE, COMMANDE LEVIER	1	1	1		SINGLE

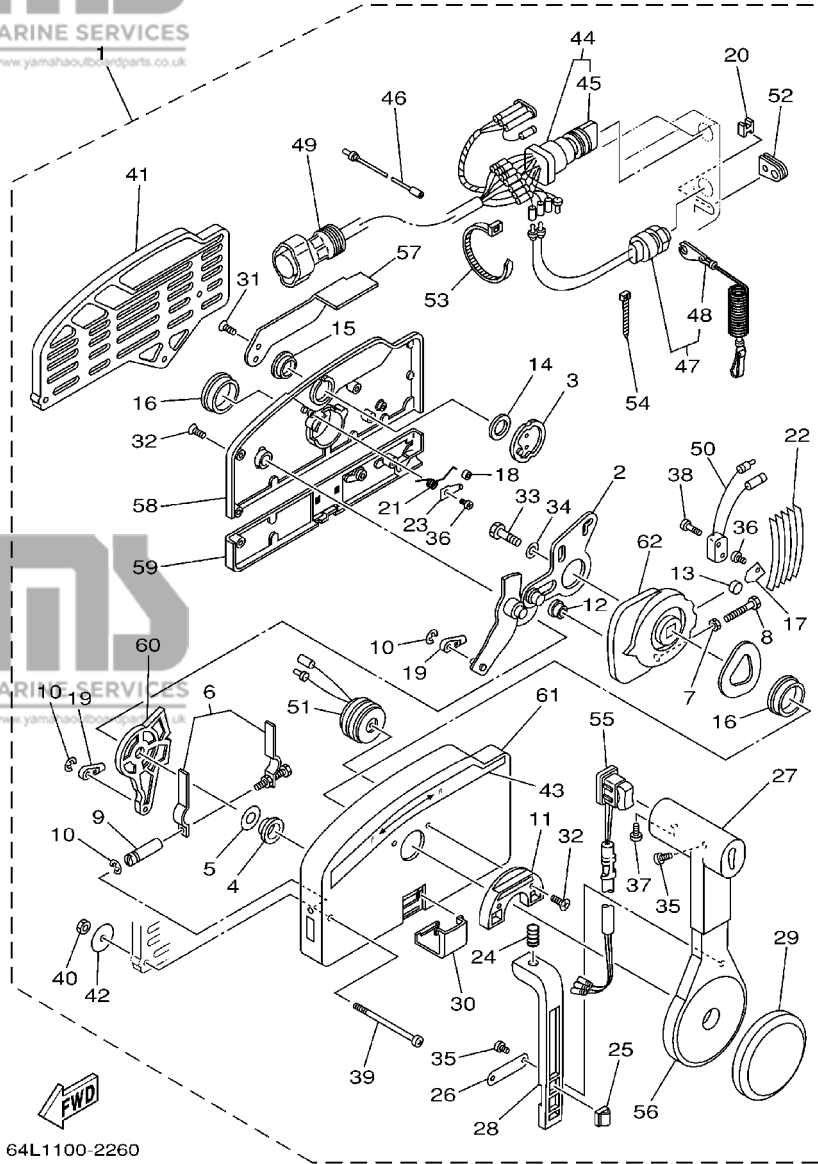
FIG. 29 REMOTE CONTROL ASSY 1 BOITIER DE COMMANDE A DISTANCE 1



64L1100-2260

REF. NO.	PART NO. NO. PIECES	DESCRIPTION DESCRIPTION	150	175	200	L200	REMARKS REMARQUES
28	703-48223-00	.LOCK, NEUTRAL .VERROU, NEUTRAL	1	1	1		
29	703-48225-00	.COVER .COUVERCLE	1	1	1		
30	703-48219-00	.COVER, LEAD .COUVERCLE	1	1	1		
31	703-48281-00	.SCREW .VIS	2	2	2		
32	703-48282-00	.SCREW .VIS	7	7	7		
33	97380-08030	.BOLT .BOULON	1	1	1		
34	92990-08600	.WASHER, PLATE .RONDELLE, PLATE	1	1	1		
35	98580-04010	.SCREW, PAN HEAD .VIS, TETE TRONCONIQUE	3	3	3		
36	98580-04006	.SCREW, PAN HEAD .VIS, TETE TRONCONIQUE	2	2	2		
37	98580-05010	.SCREW, PAN HEAD .VIS, TETE TRONCONIQUE	1	1	1		
38	98580-03015	.SCREW, PAN HEAD .VIS, TETE TRONCONIQUE	2	2	2		
39	703-48291-10	.SCREW (M6) .VIS (M6)	3	3	3		
40	95380-06600	.NUT, HEXAGON .ECROU	3	3	3		
41	703-48293-10	.SPACER, REMOTE CONTROL .ENTRETOISE	1	1	1		SINGLE
42	701-48287-00	.WASHER .RONDELLE	3	3	3		
43	703-48215-00	.GRAPHIC .ADHESIF	1	1	1		
44	703-82510-43	.MAIN SWITCH ASSY .CONTACTEUR A CLEF COMPLET	1	1	1		
45	703-82577-00	.CAP, KEY .CABOCHON	1	1	1		
46	703-82531-00	.WIRE, LEAD .FIL	1	1	1		
47	688-82575-01	.ENGINE STOP SWITCH ASSY .COUPE CIRCUIT CPLT	1	1	1		
48	682-82556-00	.STOPPER .PLAQUETTE	1	1	1		
49	688-8258A-20	.EXTENSION, WIRE HARNESS .EXTENSION, FAISCEAU	1	1	1		L:5M (10P)
50	703-82540-00	.NEUTRAL SWITCH ASSY .CONTACTEUR DE POINT-MORT	1	1	1		
51	703-83383-02	.BUZZER .RONFLEUR	1	1	1		
52	703-48284-00	.GROMMET .PASSE-FIL	1	1	1		
53	703-82591-00	.BAND .COLLIER	1	1	1		
54	703-82592-00	.BAND .COLLIER	1	1	1		

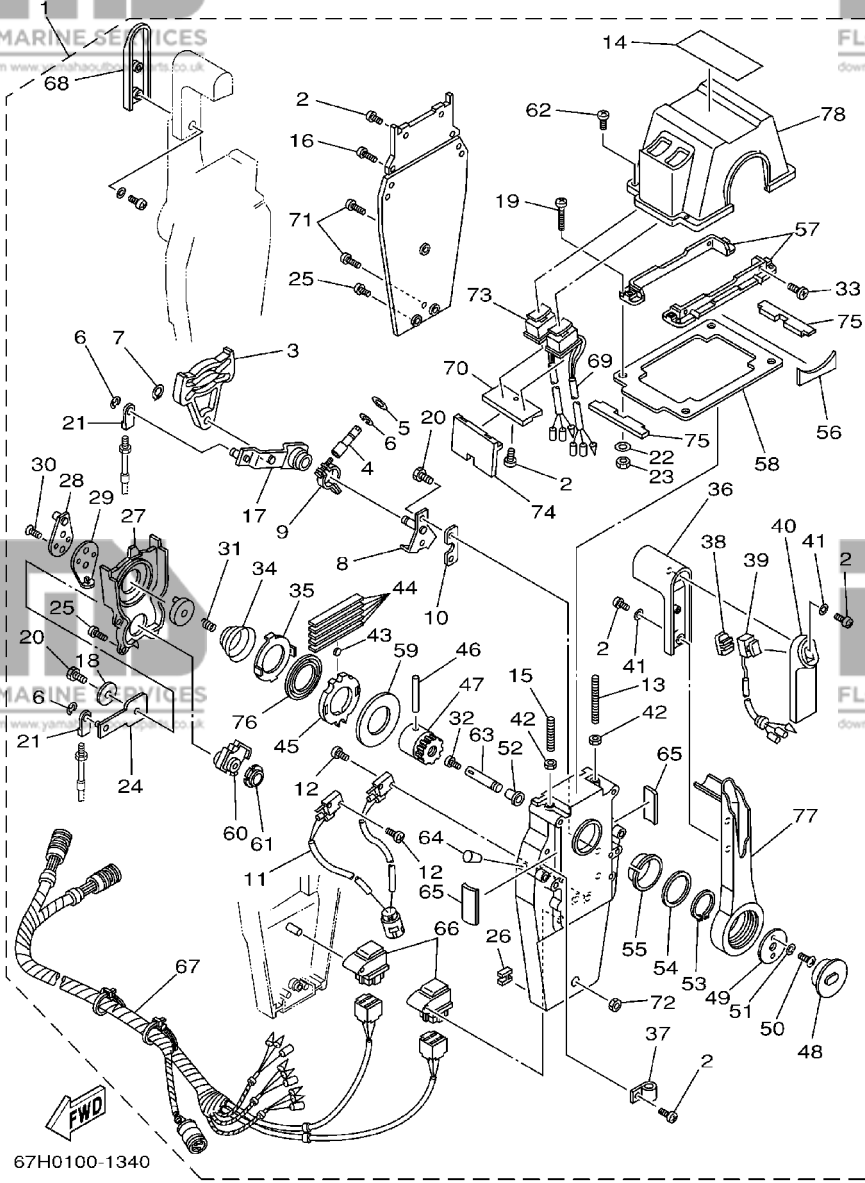
FIG. 29 REMOTE CONTROL ASSY 1 BOITIER DE COMMANDE A DISTANCE 1



64L1100-2260

REF. NO.	PART NO. NO. PIECES	DESCRIPTION DESCRIPTION	150	175	200	L200	REMARKS REMARQUES
55	703-82563-02	.TRIM & TILT SWITCH ASSY .INCLINER ET PAPER COMMUTEUR	1	1	1		
56	703-48221-00	.LEVER, CONTROL .LEVIER, COMMANDE	1	1	1		
57	703-48152-00	.KNOB, FREE ACCEL. .BOUTON	1	1	1		
58	703-48212-00	.BACK PLATE 1 .PLAQUETTE 1	1	1	1		
59	703-48213-00	.BACK PLATE 2 .PLAQUETTE 2	1	1	1		
60	703-48271-00	.ARM, SHIFT .BRAS	1	1	1		
61	703-48211-01	.HOUSING,1 .CORPS	1	1	1		
62	703-48232-00	.GEAR .PIGNON	1	1	1		

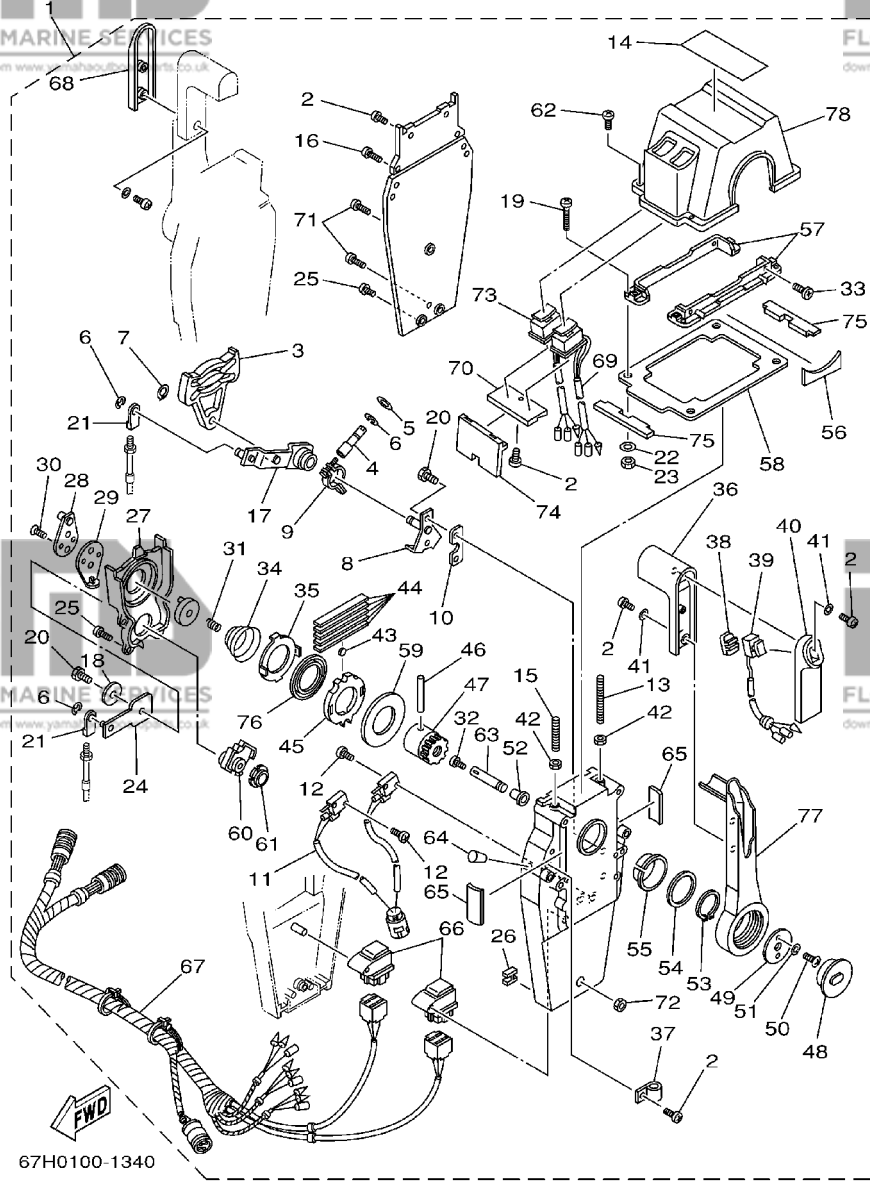
FIG. 30 REMOTE CONTROL ASSY 2 BOITIER DE COMMANDE A DISTANCE 2



67H0100-1340

REF. NO.	PART NO. NO. PIECES	DESCRIPTION DESCRIPTION	150	175	200	L200	REMARKS REMARQUES
1	704-48207-23	REMOTE CONTROL ASSY BOITIER DE COMMANDE A DISTANCE				1	AP WITH PT/T SW.
2	97890-05016	.SCREW, PAN HEAD .VIS, TETE TRONCONIQUE				12	
3	EL8-48251-00	.PLATE, CAM .PLAQUE, CAME				2	
4	704-48265-00	.SHAFT, FRICTION AXE, COPILOTE				2	
5	701-48246-00	.SPACER ENTRETOISE				2	
6	93430-06024	.CIRCLIP .CIRCLIP, TYPE S				8	
7	EL8-48259-00	.CIRCLIP 1 .CIRCLIP				2	
8	704-48262-00	.SHAFT, THROTTLE .AXE, ACCELERATION				2	
9	704-48264-00	.THROTTLE, FRICTION .ACCELERATION				2	
10	704-48266-00	.SPACER ENTRETOISE				2	
11	704-82540-10	.NEUTRAL SWITCH ASSY .CONTACTEUR DE POINT-MORT				1	
12	6A5-48129-10	.SCREW 3 .VIS 3				4	
13	EL8-48281-00	.SCREW .VIS				2	
14	704-48215-00	.GRAPHIC .ADHESIF				1	
15	704-48281-00	.SCREW .VIS				2	
16	97890-05025	.SCREW, PAN HEAD .VIS, TETE TRONCONIQUE				4	
17	704-48261-00	.ARM, THROTTLE .BRAS, ACCELERATION				2	
18	EL8-48191-00	.WASHER 1 .RONDELLE				2	
19	704-48283-00	.SCREW .VIS				4	
20	97380-06018	.BOLT BOULON				6	
21	703-48345-01	.CABLE END, REMOTE CONTROL 2 .CHAPE CABLE				4	
22	704-48287-00	.WASHER .RONDELLE				4	
23	95380-05600	.NUT ECROU				4	
24	EL8-48271-00	.ARM, SHIFT .BRAS				2	
25	EL8-48127-00	.SCREW 1 .VIS 1				16	
26	703-48358-00	.ANCHOR, CABLE .COLLIER				2	
27	EL8-48231-00	.HOUSING, GEAR .CARTER, ENGRENAGE				2	

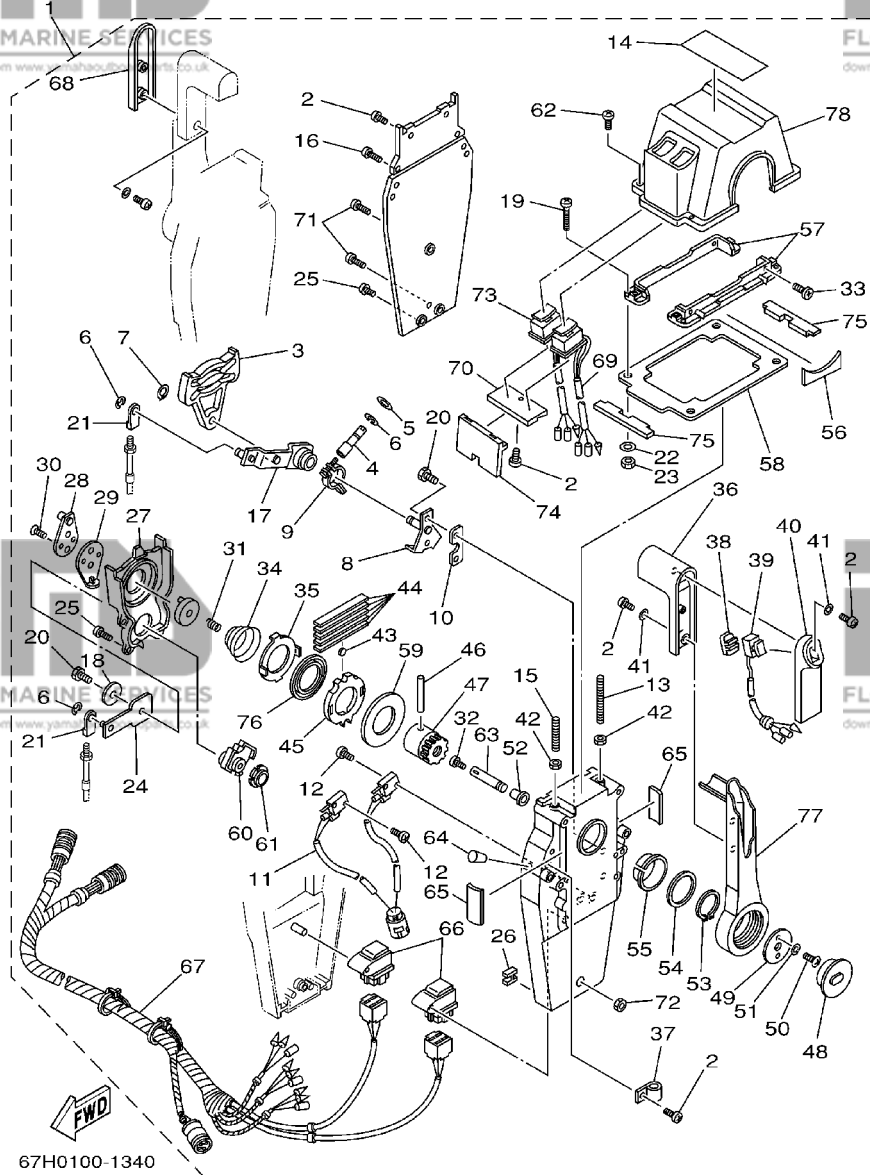
FIG. 30 REMOTE CONTROL ASSY 2 BOITIER DE COMMANDE A DISTANCE 2



REF. NO.	PART NO. NO. PIECES	DESCRIPTION DESCRIPTION	150	175	200	L200	REMARKS REMARQUES
28	EL8-48241-00	.ARM, DRIVE .BRAS, COMMANDE				2	
29	EL8-48254-00	.STOPPER, THROTTLE ADJUSTING .BUTEE				2	
30	92780-06020	.SCREW, FLAT HEAD .VIS, TETE PLATE				4	
31	EL8-48158-00	.SPRING 1 .RESSORT 1				2	
32	98580-04006	.SCREW, PAN HEAD .VIS, TETE TRONCONIQUE				2	
33	98780-05018	.SCREW, FLAT HEAD .VIS, TETE PLATE				4	
34	EL8-48244-00	.SPRING, FREE ACCEL. .RESSORT				2	
35	EL8-48245-00	.PLATE, LOCK .PLAQUE, VERROU				2	
36	704-48222-00	.GRIP, CONTROL LEVER .POIGNEE, COMMANDE LEVIER				2	
37	704-82594-00	.CLAMP .BRIDE				1	
38	704-48228-00	.HOLDER, SWITCH .SUPPORT				1	
39	704-82563-31	.TRIM & TILT SWITCH ASSY .INCLINER ET PARER COMMUTATEUR				1	
40	704-48229-00	.GRIP, CONTROL LEVER .POIGNEE, COMMANDE LEVIER				1	
41	92990-05300	.WASHER, INTERNAL TOOTH .RONDELLE, DENTURE INTERNE				6	
42	95380-06600	.NUT, HEXAGON .ECROU				4	
43	701-48248-00	.ROLLER, FREE ACCEL. .POULIE				2	
44	703-48238-00	.SPRING, DETENT .RESSORT				10	
45	EL8-48232-00	.GEAR 1 .PIGNON				2	
46	EL8-48164-00	.PIN 2 .PION 2				2	
47	704-48242-00	.SHAFT, DRIVE .ARBRE, MOTEUR				2	
48	704-48225-00	.COVER .COUVERCLE				2	
49	704-48192-00	.WASHER 2 .RONDELLE 2				2	
50	97890-06018	.SCREW, PAN HEAD .VIS, TETE TRONCONIQUE				4	
51	92990-06300	.WASHER, INTERNAL TOOTH .RONDELLE, DENTURE INTERNE				4	
52	702-48263-00	.BUSHING .COUSSINET				2	
53	EL8-48279-00	.CIRCLIP 2 .CIRCLIP 2				2	
54	704-48193-00	.WASHER 3 .RONDELLE 3				2	

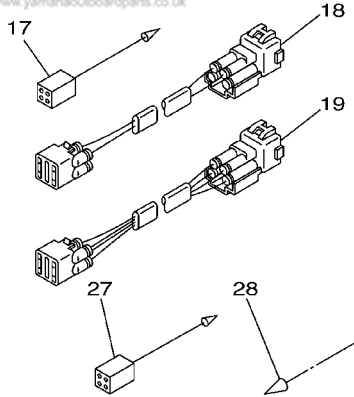
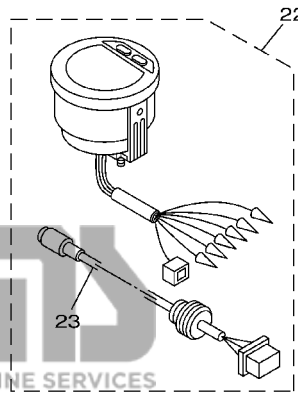
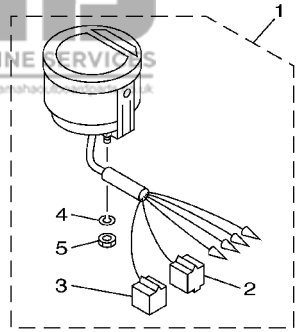
D1

FIG. 30 REMOTE CONTROL ASSY 2 BOITIER DE COMMANDE A DISTANCE 2



67H0100-1340

REF. NO.	PART NO. NO. PIECES	DESCRIPTION DESCRIPTION	150	175	200	L200	REMARKS REMARQUES
55	EL8-48234-00	.BUSHING 1 .POULIE				2	
56	704-48219-00	.COVER, LEAD .COUVERCLE				2	
57	704-48144-00	.PLATE, STOPPER 2 .PLAQUETTE 2				2	
58	704-48176-10	.GROMMET .PASSE-FIL				1	
59	703-48192-00	.WASHER 2 .RONDELLE 2				2	
60	EL8-48233-00	.GEAR 2 .PIGNON 2				2	
61	703-48235-00	.BUSHING .COUSSINET				2	
62	704-48282-00	.SCREW .VIS				4	
63	EL8-48153-10	.SHAFT, FREE ACCEL. .AXE				2	
64	704-48166-00	.PLUG .BOUCHON				2	
65	704-48284-00	.GROMMET .PASSE-FIL				4	
66	704-81950-00	.RELAY ASSY .RELAIS COMPLET				2	
67	704-82590-10	.WIRE HARNESS ASSY .FAISCEAU DE FILS COMPLET				1	
68	704-48229-10	.GRIP, CONTROL LEVER .POIGNEE, COMMANDE LEVIER				1	
69	704-82563-E0	.TRIM & TILT SWITCH ASSY .INCLINER ET PAYER COMMUTATEUR				1	
70	704-48228-10	.HOLDER, SWITCH .SUPPORT				1	
71	704-48128-00	.SCREW 2 .VIS 2				3	
72	704-48156-00	.NUT 1 .ECROU 1				1	
73	704-82563-F0	.TRIM & TILT SWITCH ASSY .INCLINER ET PAYER COMMUTATEUR				1	
74	704-48285-00	.GROMMET 2 .PASSE-FIL 2				1	
75	704-48286-00	.GROMMET 3 .PASSE-FIL 3				2	
76	704-48178-00	.PLATE, SHIFT .PLAQUETTE				2	
77	704-48221-00	.LEVER, CONTROL .LEVIER, COMMANDE				2	
78	704-48119-20	.COVER .COQUILLE				1	



64D1100-2320

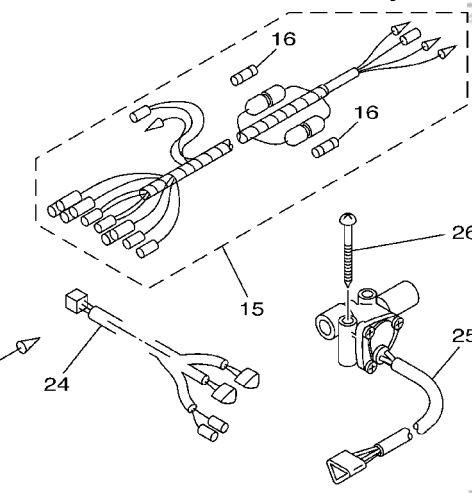
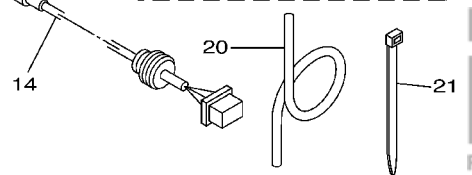
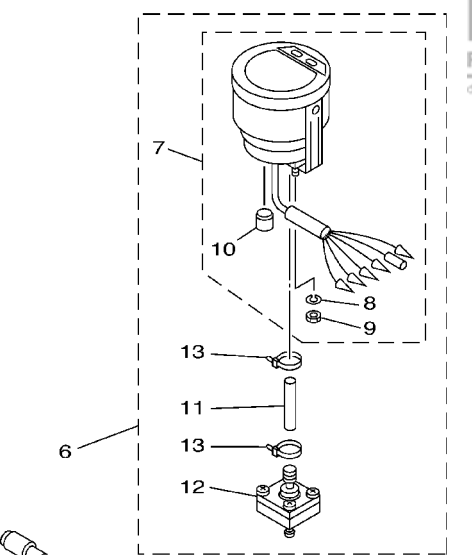
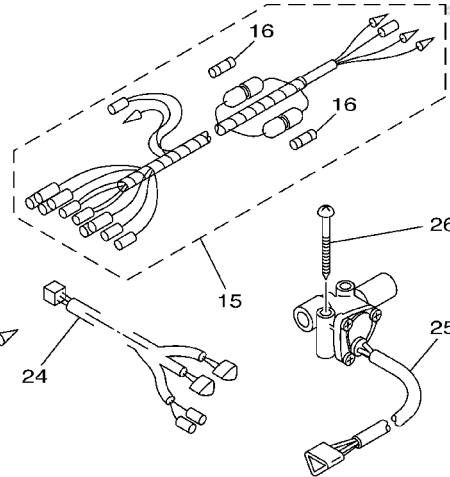
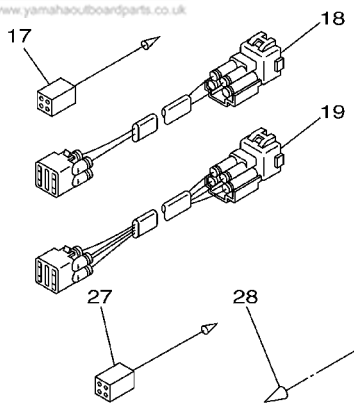
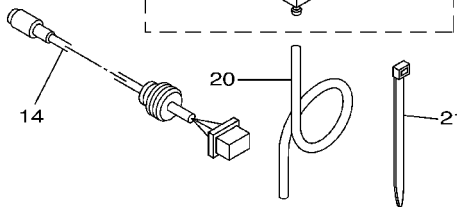
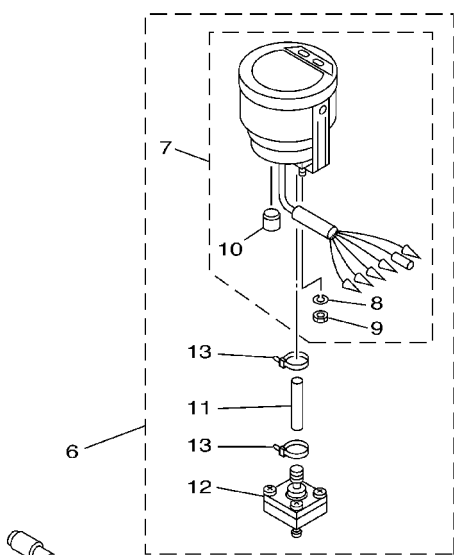
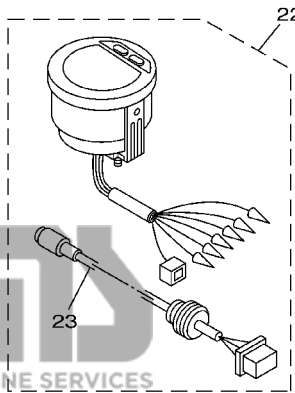
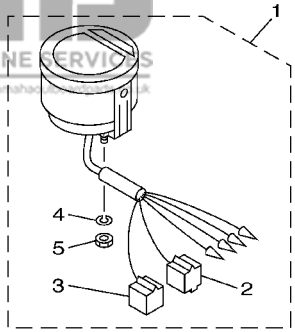


FIG. 31 METER

COMPTEUR

REF. NO.	PART NO. NO. PIECES	DESCRIPTION DESCRIPTION	150	175	200	L200	REMARKS REMARQUES
1	6Y5-8350T-01	DIGITAL TACHOMETER ASSY COMPTE-TOURS NUMERIQUE CPLT	1	1	1	1	AP
2	9E450-04433	.CONNECTOR .CONNECTEUR	1	1	1	1	M-4-W
3	9E450-04533	.CONNECTOR .CONNECTEUR	1	1	1	1	F-4-W
4	92990-04100	.WASHER, SPRING .RONDELLE, GROWER	2	2	2	2	
5	95380-04600	.NUT .ECROU	2	2	2	2	
6	6Y5-83500-S5	DIGITAL SPEEDOMETER ASSY TACHYMETRE NUMERIQUE CPLT.	1	1	1		AP
7	6Y5-83570-S5	.SPEEDOMETER ASSY .COMPTEUR DE VITESSE CPLT	1	1	1		
8	92990-04100	.WASHER, SPRING .RONDELLE, GROWER	2	2	2		
9	95380-04600	.NUT .ECROU	2	2	2		
10	6Y5-83533-T2	.GROMMET .RONDELLE CAOUTCHOUC	1	1	1		
11	6Y5-83557-31	.TUBE .TUBE	1	1	1		
12	6Y5-83728-00	.CONNECTOR ASSY .CONNEXION COMPLET	1	1	1		
13	90465-11M10	.CLAMP .BRIDE	2	2	2		
14	6Y5-87122-S0	CORD ASSY 1 COPDON COMPLET	1	1	1		AP
15	6Y5-83553-M0	WIRE, LEAD FIL	1	1	1		AP
	6Y5-83553-00	WIRE, LEAD FIL				1	AP
16	1E6-82151-00	.FUSE (10A) .FUSIBLE (10A)	2	2	2		FOR 6Y5-83553-M0
	1E6-82151-00	.FUSE (10A) .FUSIBLE (10A)				1	FOR 6Y5-83553-00
17	6Y5-82117-00	WIRE, LEAD (BLACK) FIL (NOIR)	1	1	1		AP
18	6R3-82521-70	WIRE, LEAD FIL				1	AP 175D/200F-X
19	6R3-82553-70	EXTENSION, WIRE LEAD EXTENSION, FAISCEAU				1	AP 175D/200F-X
	68F-82553-80	EXTENSION, WIRE LEAD EXTENSION, FAISCEAU				1	AP
	68F-82553-90	EXTENSION, WIRE LEAD EXTENSION, FAISCEAU				1	AP
20	6Y5-83557-00	TUBE (6M) TUBE (6M)				1	AP 175D/200F-X
	6Y5-83557-10	TUBE (8M) TUBE (8M)				1	AP
21	90465-11M10	.CLAMP BRIDE	2	2	2		AP
22	6Y5-8350F-00	FUEL MANAGEMENT METER COMPT. DE GESTION DU CARBURANT				1	AP



64D1100-2320

FIG. 31 METER

COMPTEUR

REF. NO.	PART NO. NO. PIECES	DESCRIPTION DESCRIPTION	150	175	200	L200	REMARKS REMARQUES
23	6Y5-87122-S0	.CORD ASSY 1 .COPDON COMPLET				1	
24	6Y5-83553-F1	WIRE, LEAD FIL				1	AP
25	6Y5-85752-01	SENDER UNIT ASSY, FUEL METER PERCEPTION DE JAUGE A ESSENCE				2	AP
26	90158-06002	SCREW, WOOD VIS, A BOIS				4	AP
27	6Y5-82117-00	WIRE, LEAD (BLACK) FIL (NOIR)				1	AP
28	703-82531-00	WIRE, LEAD FIL				1	AP

D4

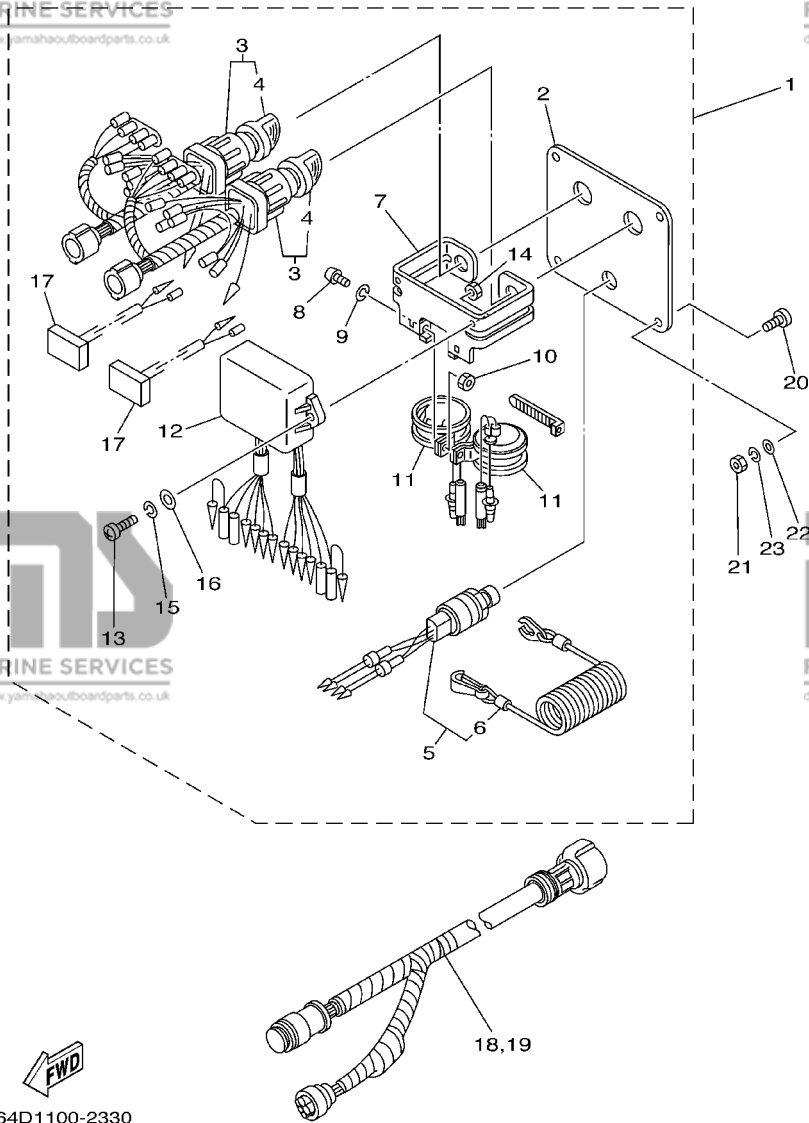


FIG. 32 SWITCH. PANEL

TABLEAU DE CONTACTEUR

REF. NO.	PART NO. NO. PIECES	DESCRIPTION DESCRIPTION	150	175	200	L200	REMARKS REMARQUES
1	6K1-82570-07	PANEL SWITCH ASSY PLATINE D'INTERUPEUR CPLT				1	AP
2	6K1-82571-01	.PANEL, SWITCH .TABLEAU, CONTACTEUR				1	
3	6K1-82510-06	.MAIN SWITCH ASSY .CONTACTEUR A CLEF COMPLET				2	
4	703-82577-00	..CAP, KEY ..CABOCHON				1	
5	6K1-82575-00	.ENGINE STOP SWITCH ASSY .COUPE CIRCUIT CPLT				1	
6	682-82556-00	..STOPPER ..PLAQUETTE				1	
7	6K1-83614-01	.BRACKET .SUPPORT				1	
8	98980-05010	.SCREW, BIND .VIS, DE PRESSION				2	
9	92990-05100	.WASHER, SPRING .RONDELLE, GROWER				2	
10	95380-05600	.NUT .ECROU				2	
11	688-83383-11	.BUZZER .RONFLEUR				2	
12	6K1-85830-01	.CONTROL UNIT ASSY .BLOC DE CONTROLE				1	
13	98980-06020	.SCREW, BIND .VIS, DE PRESSION				2	
14	95380-06600	.NUT, HEXAGON .ECROU				2	
15	92990-06100	.WASHER, SPRING .RONDELLE, GROWER				2	
16	92990-06600	.WASHER, PLATE .RONDELLE, PLATE				2	
17	6K1-81980-00	.DIODE ASSY .REDRESSEUR 2				2	
18	6K1-8258A-40	EXTENSION, WIRE HARNESS EXTENSION, FAISCEAU				1	AP
19	61B-8258A-01	EXTENSION, WIRE HARNESS EXTENSION, FAISCEAU				1	AP
20	90149-05M05	SCREW VIS				4	AP
21	95380-05600	.NUT ECROU				4	AP
22	92990-05600	WASHER, PLATE RONDELLE, PLATE				4	AP
23	92990-05100	WASHER, SPRING RONDELLE, GROWER				4	AP



64D1100-2330

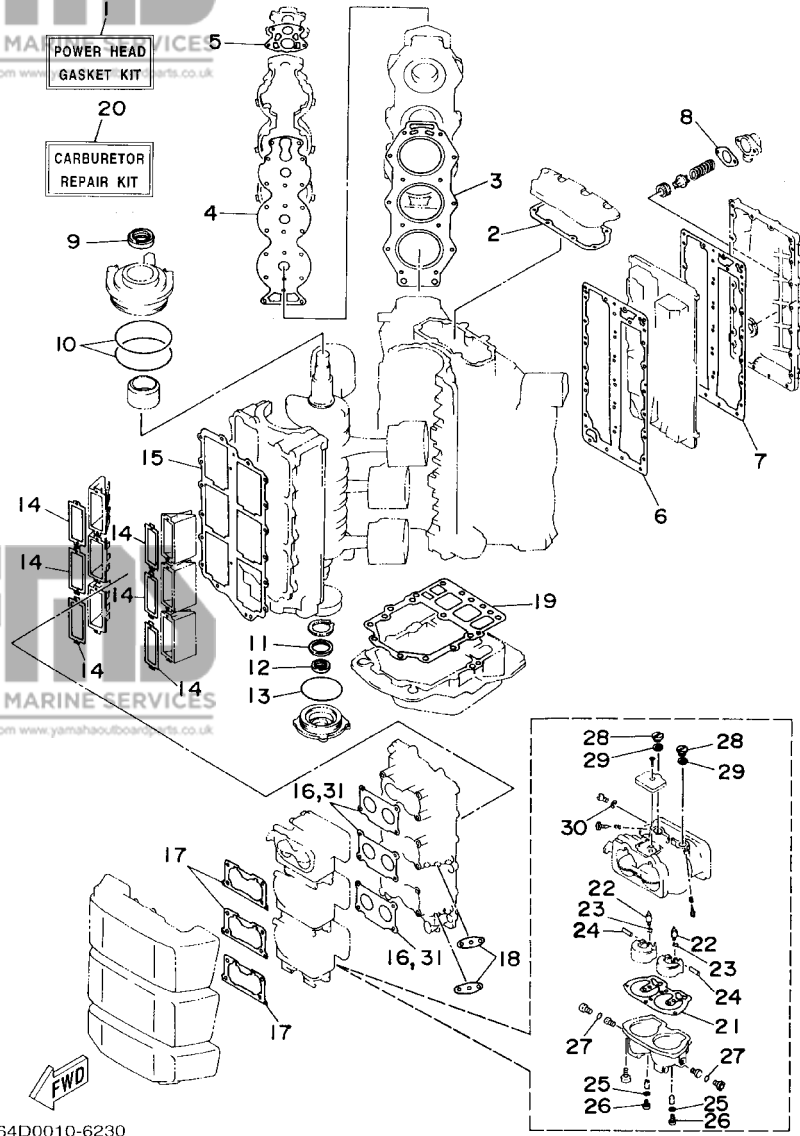


FIG. 33 REPAIR KIT 1

KITS DE REPARATION 1

REF. NO.	PART NO. NO. PIECES	DESCRIPTION DESCRIPTION	150	175	200	L200	REMARKS REMARQUES
1	64D-W0001-00	POWER HEAD GASKET KIT POCHETTE DE JINTS TETE MOTRICE	1	1	1	1	
2	6E5-11381-A2	.GASKET 1 .JOINT 1	1	1	1	1	
3	6G5-11181-A1	.GASKET, CYLINDER HEAD 1 .JOINT, DE CULASSE 1	2	2	2	2	
4	6G5-11193-A0	.GASKET, HEAD COVER 1 .JOINT, COUVERCLE DE CULASSE 1	2	2	2	2	
5	688-12414-A1	.GASKET, COVER .JOINT, COUVERCLE	2	2	2	2	
6	6G5-41112-A1	.GASKET, EXHAUST INNER COVER .JOINT, PLAQUE D'ECHAPPEMENT	1	1	1	1	
7	6G5-41112-A1	.GASKET, EXHAUST INNER COVER .JOINT, PLAQUE D'ECHAPPEMENT	1	1	1	1	
8	6G5-11382-A1	.GASKET 2 .JOINT 2	1	1	1	1	
9	93102-40M14	.OIL SEAL .JOINT SPY	1	1	1	1	
10	93211-04001	.O-RING .JOINT TORIQUE	2	2	2	2	
11	93102-35M13	.OIL SEAL .JOINT SPY	1	1	1	1	
12	93101-22M15	.OIL SEAL .JOINT SPY	1	1	1	1	
13	93210-74M35	.O-RING .JOINT TORIQUE	1	1	1	1	
14	6E5-13621-A1	.GASKET, VALVE SEAT .JOINT, SIEGE DE CLAPET	6	6	6	6	
15	6G5-13645-A1	.GASKET, MANIFOLD 1 .JOINT, TUBULURE 1	1	1	1	1	
16	6E5-14198-A2	.GASKET .JOINT	3	3	3	3	
17	6K7-14483-00	.GASKET .JOINT	3	3	3	3	
18	650-24431-A0	.GASKET, FUEL PUMP 1 .JOINT 1 DE POMPE A ESSENCE	2	2	2	2	
19	6G5-45113-A1	.GASKET, UPPER CASING .JOINT, TUBE D'ARBRE	1	1	1	1	
20	64D-W0093-01	CARBURETOR REPAIR KIT KIT DE REPARATION CARBURATEUR	1	1	1	1	
21	64D-14384-01	.GASKET, FLOAT CHAMBER .JOINT, CUVE DE FLOTTEUR	1	1	1	1	
22	6E5-14546-00	.VALVE, NEEDLE .POINTEAU	2	2	2	2	
23	6E5-14159-00	.CLIP .JONG	2	2	2	2	
24	6E5-14386-02	.PIN, FLOAT .AXE, FLOTTEUR	2	2	2	2	
25	61U-14959-00	.GASKET .JOINT	2	2	2	2	
26	64D-14394-00	.VALVE, DRAIN .SOUPAPE, VIDANGE	2	2	2	2	
27	6E5-14398-01	.GASKET .JOINT	2	2	2	2	

D6

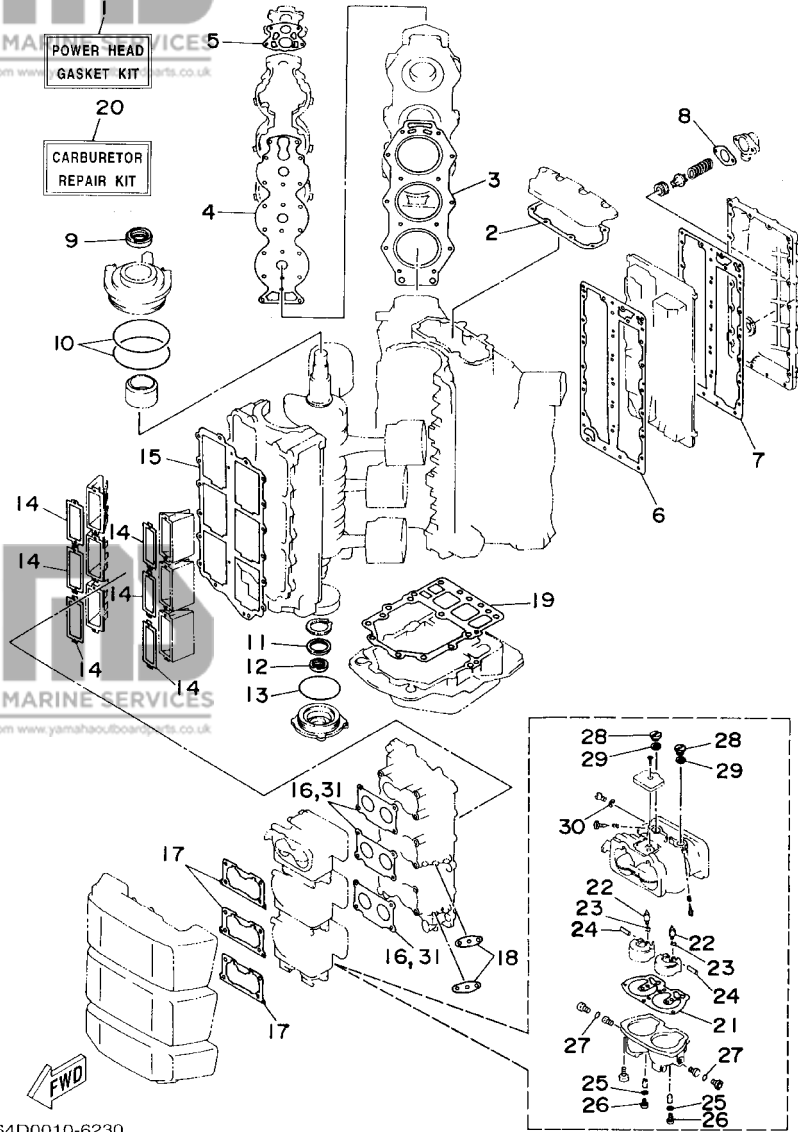


FIG. 33 REPAIR KIT 1

KITS DE REPARATION 1

REF. NO.	PART NO.	NO. PIECES	DESCRIPTION					REMARKS
				150	175	200	L200	
28	6E5-14328-01		.PLUG .PLOT	2	2	2	2	
29	6E5-14979-00		.GASKET .JOINT	2	2	2	2	
30	6J8-14959-00		.GASKET .JOINT	1	1	1	1	
31	6E5-14198-A2		.GASKET .JOINT	1	1	1	1	

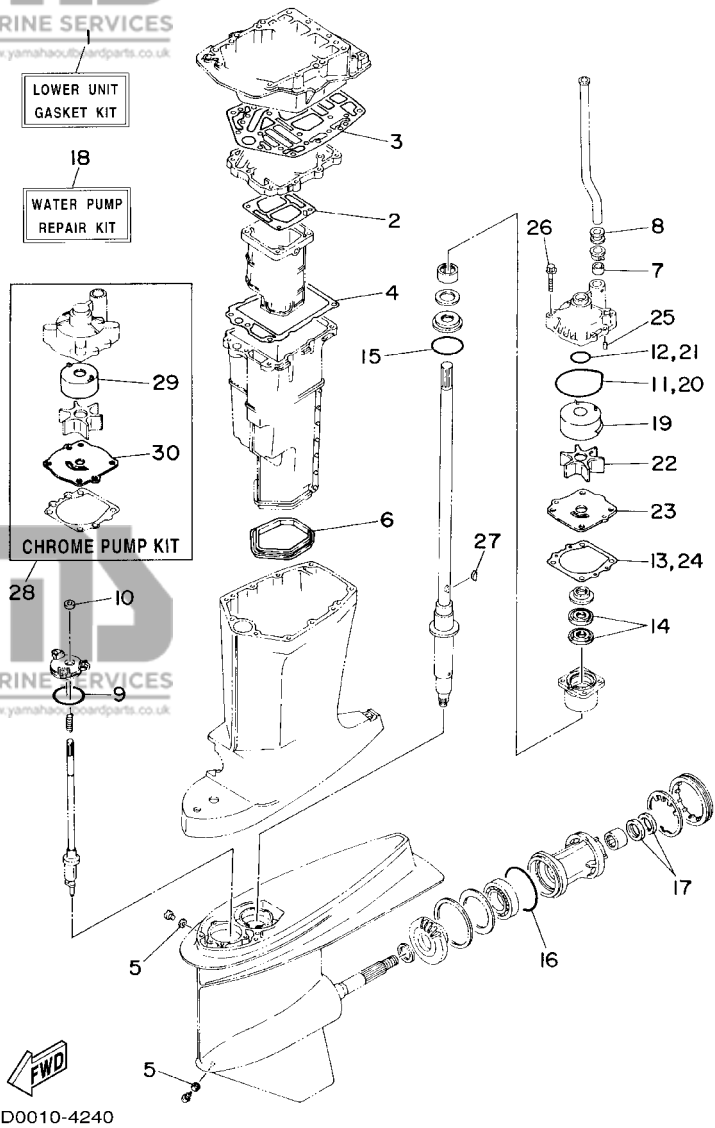


FIG. 34 REPAIR KIT 2

KITS DE REPARATION 2

REF. NO.	PART NO. NO. PIECES	DESCRIPTION DESCRIPTION	150	175	200	L200	REMARKS REMARQUES
1	6G5-W0001-C1	LOWER UNIT GASKET KIT POCHETTE DE JOINTS EMBASE	1	1	1	1	
2	6G5-41134-A0	.GASKET, EXHAUST MANIFOLD .JOINT, PIPE D'ECHAPPEMENT	1	1	1	1	
3	6G5-45114-A0	.GASKET, UPPER CASING .JOINT, TUBE D'ARBRE	1	1	1	1	
4	6E5-41135-A0	.GASKET, EXHAUST MANIFOLD .JOINT, PIPE D'ECHAPPEMENT	1	1	1	1	
5	90430-08020	.GASKET .JOINT	2	2	2	2	
6	6E5-45123-00	.GASKET, MUFFLER .JOINT, POT DE DETENTE	1	1	1	1	
7	6E5-44365-00	.DAMPER, WATER SEAL .JOINT, TUBE D'EAU	1	1	1	1	
8	6E5-44366-00	.DAMPER, WATER SEAL .JOINT, TUBE D'EAU	1	1	1	1	
9	93210-58144	.O-RING .JOINT TORIQUE	1	1	1	1	
10	93106-09014	.OIL SEAL .JOINT SPY	1	1	1	1	
11	93210-86M38	.O-RING .JOINT TORIQUE	1	1	1	1	
12	93210-37160	.O-RING .JOINT TORIQUE	1	1	1	1	
13	6E5-44315-A0	.GASKET, WATER PUMP .JOINT, POMPE A EAU	1	1	1	1	
14	93101-28M16	.OIL SEAL .JOINT SPY	2	2	2	2	
15	93210-55M14	.O-RING .JOINT TORIQUE	1	1	1	1	
16	93210-97M55	.O-RING .JOINT TORIQUE	1	1	1	1	
17	93101-30M17	.OIL SEAL .JOINT SPY	2	2	2	2	
18	61A-W0078-A3	WATER PUMP REPAIR KIT KIT DE REPARATION DE LA POMPE	1	1	1	1	
19	61A-44322-02	.INSERT, CARTRIDGE .CUVETTE	1	1	1	1	
20	93210-86M38	.O-RING .JOINT TORIQUE	1	1	1	1	
21	93210-37160	.O-RING .JOINT TORIQUE	1	1	1	1	
22	6E5-44352-01	.IMPELLER .TURBINE	1	1	1	1	
23	6G5-44323-00	.OUTER PLATE, CARTRIDGE .PLAQUE EXTERIEURE	1	1	1	1	
24	6E5-44315-A0	.GASKET, WATER PUMP .JOINT, POMPE A EAU	1	1	1	1	
25	93606-12019	.PIN, DOWEL .GOUJON	2	2	2	2	
26	90119-08M14	.BOLT, WITH WASHER .BOULON, AVEC RONDELLE	4	4	4	4	
27	90280-04M05	.KEY, WOODRUFF .CLAVETTE, DEMI-LUNE	1	1	1	1	

E1

LOWER UNIT
GASKET KIT

18

WATER PUMP
REPAIR KIT

CHROME PUMP KIT

28

9

64D0010-4240

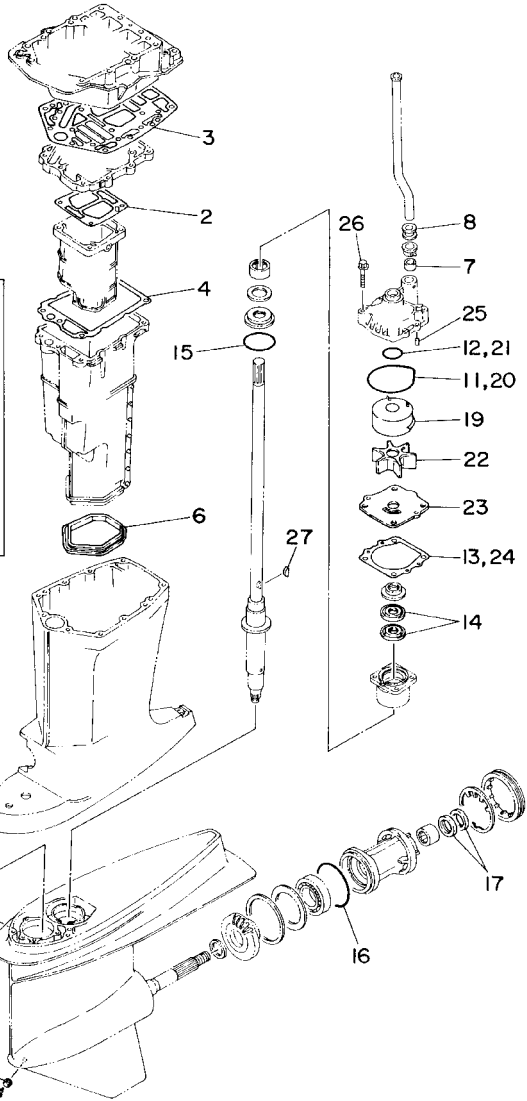


FIG. 34 REPAIR KIT 2

KITS DE REPARATION 2

REF. NO.	PART NO. NO. PIECES	DESCRIPTION DESCRIPTION	150	175	200	L200	REMARKS REMARQUES
28	61A-W0078-1A	CHROME PUMP KIT KIT DE POMPE A EAU CHROME	1	1	1	1	
29	6R3-44322-41	.INSERT, CARTRIDGE .CUVETTE	1	1	1	1	
30	6G5-44323-40	.OUTER PLATE, CARTRIDGE .PLAQUE EXTERIEURE	1	1	1	1	

E2

150FETO/175DETO/200FETO/L200FETO
PARTS CATALOGUE
F 2001 by Yamaha Motor Co., Ltd.
1st Edition, Oct. 2001
All rights reserved.
Any reprinting or unauthorized use
without the written permission of
Yamaha Motor Co., Ltd.
is expressly prohibited.

150FETO/175DETO/200FETO/L200FETO
CATALOGUE DE PIECES DETACHEES
F 2001 Yamaha Motor Co., Ltd.
1ère Edition, Oct. 2001
Tous droits réservés.
Toute réimpression ou utilisation
sans la permission écrite de la
Yamaha Motor Co., Ltd.
est formellement interdite.