



# PARTS CATALOGUE

## XF375-2018 ( 6GT1 )

---



1S6GT-100EA

( )

XF375  
PARTS CATALOGUE  
©2018 by Yamaha Motor Co., Ltd.  
1st edition, May 2018  
All rights reserved.  
Any reprinting or unauthorized use  
without the written permission of  
Yamaha Motor Co., Ltd.  
is expressly prohibited.  
Printed in Japan.

# FOREWORD

This Parts Catalogue is related to the parts for the model(s) on the cover page. When you are ordering replacement parts, please refer to this Parts Catalogue and quote both part numbers and part names correctly.

1. Modifications or additions which have been made after the issue of the Parts Catalogue will be announced in the Parts News. It is advisable that you make the necessary corrections to the Parts Catalogue according to the Parts News.

2. Abbreviations

The following abbreviations are used in this Parts Catalogue.

“UR” Use specified parts number.

“UN” Use as many as needed.

“AP” Alternate Parts

“LM” Locally Made (Parts need to be ordered locally)

“F#” Frame No. (Applicable machine No.)

“O/S” Over Size

3. The number of components for assembly

- Parts, which are to be supplied in an assembly, are listed with a dot (.) in front of the part name as shown below.
- The numeral appearing to the right of each component part indicates the quantity of parts for each assembly unit.

PART NO.	DESCRIPTION	Q'TY	REMARKS
2F5-83310-60	FRONT FLASHER LIGHT ASSY	2	
115-83311-60	.BULB (6V-18W)	1	

4. Applicable colours of graphics are represented in the “REMARKS” as shown below.

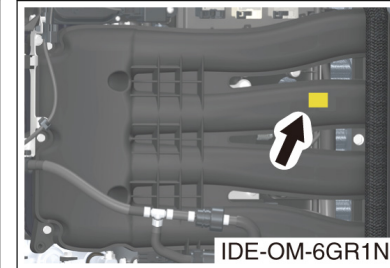
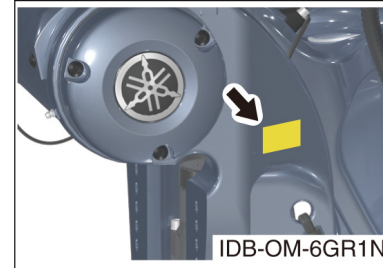
PART NO.	DESCRIPTION	Q'TY	REMARKS
2N4-24110-00-X5	FUEL TANK COMP.	2	MXR
3J1-24240-10	.GRAPHIC, FUEL TANK	1	FOR MXR

5. Note that the illustrations for reference in finding parts numbers are not to be used for assembling. When assembling, please use the applicable service manual.

6. The asterisk (\*) before a reference number indicates modified items after the first edition.

7. Applicable Serial No.

Engine Serial No.



8. Applicable Engine Starting Serial No.

Model	Serial No.	Model	Serial No.
XF375	6GT-1000001		

9. Applicable Colour Code

Abbreviation	Colour Name	Colour Code
DBN1	DARK BLUISH GRAY 1	008D

10. Quantity Column Information

Column No.	Name Of Q'ty Column	Applicable Model
1	6GT1	XF375NSA

# CONTENTS

SCHEDULED SERVICE PARTS.....	1
TOP COWLING.....	2
CYLINDER & CRANKCASE 1.....	3
CRANKSHAFT & PISTON.....	5
CYLINDER & CRANKCASE 2.....	7
CYLINDER & CRANKCASE 3.....	9
CYLINDER & CRANKCASE 4.....	10
VALVE 1.....	11
VALVE 2.....	13
INTAKE.....	14
THROTTLE BODY ASSY.....	15
OIL PUMP.....	16
EXHAUST 1.....	17
EXHAUST 2.....	18
VAPOR SEPARATOR.....	20
FUEL 1.....	21
FUEL 2.....	23
FUEL 3.....	24
FUEL 4.....	26
GENERATOR.....	27
ELECTRICAL 1.....	29
ELECTRICAL 2.....	31
ELECTRICAL 3.....	33
ELECTRICAL 4.....	34
ELECTRICAL 5.....	36
ELECTRICAL 6.....	37
STARTING MOTOR.....	38
BOTTOM COWLING 1.....	39
BOTTOM COWLING 2.....	41
BOTTOM COWLING 3.....	42
BOTTOM COWLING 4.....	43
GRAPHIC & TOOL.....	44
CONTROL.....	45
BRACKET 1.....	46
BRACKET 2.....	48
BRACKET 3.....	50
POWER TRIM & TILT ASSY 1.....	52
POWER TRIM & TILT ASSY 2.....	54
UPPER CASING 1.....	56
UPPER CASING 2.....	58

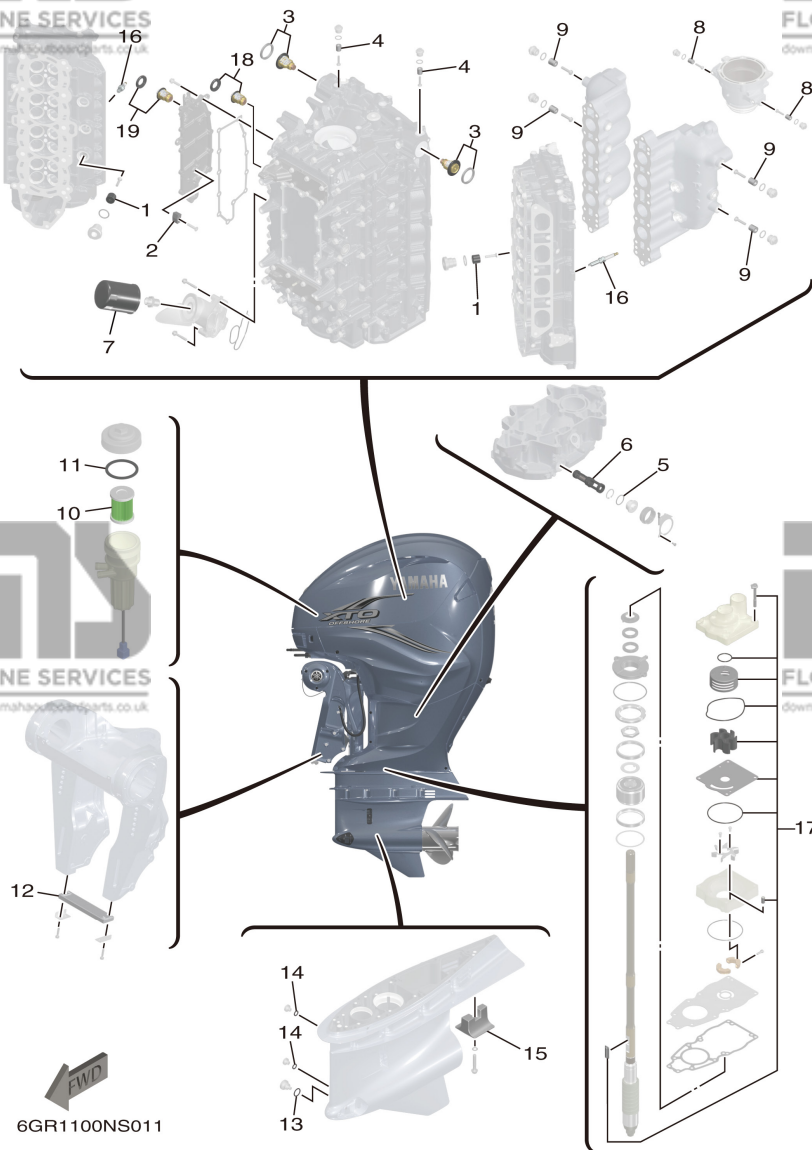
UPPER CASING 3.....	60
OIL PAN.....	61
LOWER CASING & DRIVE 1.....	63
LOWER CASING & DRIVE 2.....	66
LOWER CASING & DRIVE 3.....	69
LOWER CASING & DRIVE 4.....	71
LOWER CASING & DRIVE 5.....	74
LOWER CASING & DRIVE 6.....	77
OPTIONAL PARTS.....	79
REPAIR KIT 1.....	80
REPAIR KIT 2.....	81

## INDEX

NUMERICAL INDEX.....	83
----------------------	----

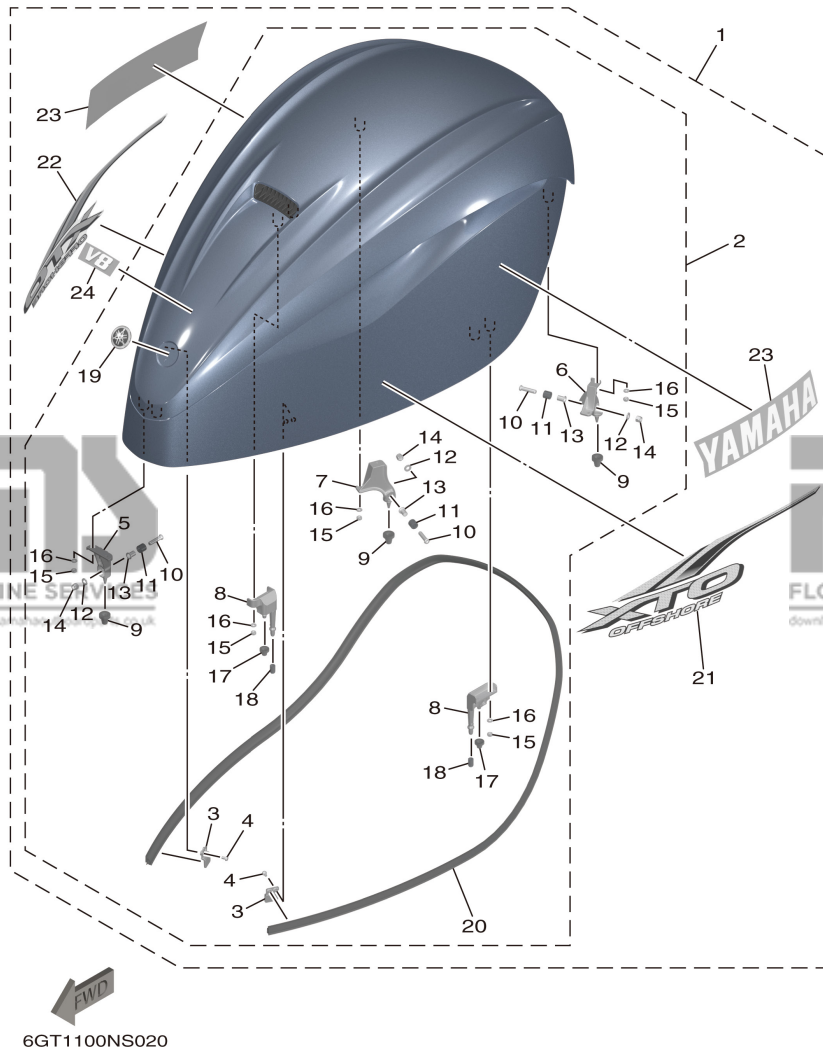


**FIG. 1 SCHEDULED SERVICE PARTS**



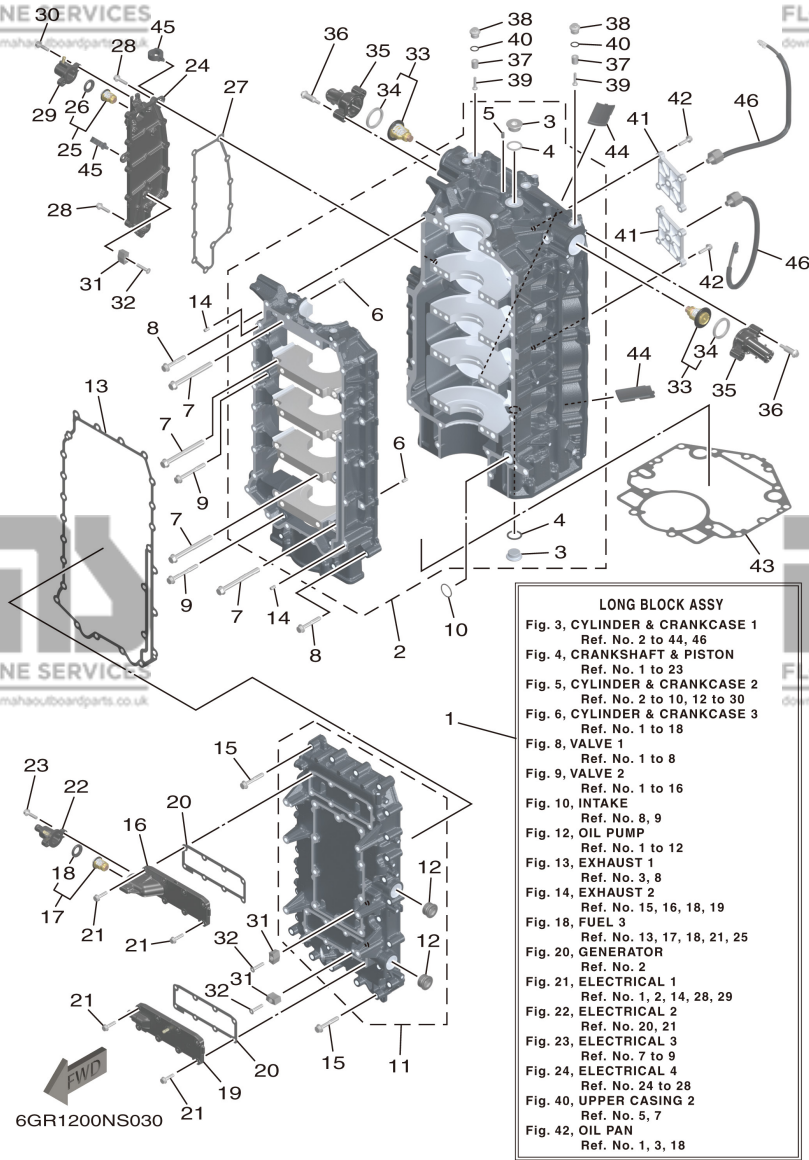
REF. NO.	PART NO.	DESCRIPTION	QTY	REMARKS
1	6AW-1132L-00	ANODE 2	6	
2	6AW-1132P-00	ANODE 5	3	
3	6GR-12411-00	THERMOSTAT	2	
4	6G8-11325-00	ANODE	2	
5	93210-34633	O-RING	1	
6	6GR-13411-00	STRAINER, OIL	1	
7	N26-13440-02	ELEMENT ASSY, OIL CLEANER	1	
8	6G8-11325-00	ANODE	2	
9	6G8-11325-00	ANODE	4	
10	6P3-24563-01	ELEMENT, FILTER	1	
11	6P3-24564-00	GASKET	1	
12	6AW-45251-00	ANODE	1	
13	93210-19123	O-RING	1	
14	93210-09165	O-RING	2	
15	6AW-45373-00	ANODE	1	
16	94702-00442	PLUG, SPARK (NGK ILMAR7E9)	8	
17	6GR-W0078-00	WATER PUMP REPAIR KIT	1	
18	6H3-12411-20	THERMOSTAT	1	
19	66M-12411-01	THERMOSTAT	1	

**FIG. 2 TOP COWLING**



REF. NO.	PART NO.	DESCRIPTION	QTY	REMARKS
1	6GT-42610-00-8D	TOP COWLING ASSY	1	
2	6GR-4261A-00-8D	..TOP COWLING W/O GRAPHICS	1	
3	6GR-42477-00	..PLATE, LOCK	2	
4	97985-05210	..SCREW, WITH WASHER	4	
5	6GR-42647-00	..HOLDER, CLAMP BAND	1	
6	6GR-42648-00	..HOLDER, CLAMP BAND	1	
7	6GR-42649-00	..HOLDER, CLAMP BAND	1	
8	6GR-42643-00	..PLATE, CLAMP	2	
9	6AW-42663-00	..DAMPER 2	3	
10	90111-08078	..BOLT,HEX. SOCKET BUTTON	3	
11	90387-10094	..COLLAR	3	
12	92990-08600	..WASHER, PLATE	3	
13	90387-08M45	..COLLAR	3	
14	95780-08300	..NUT, FLANGE	3	
15	95380-06600	..NUT, HEXAGON	10	
16	92990-06100	..WASHER, SPRING	10	
17	663-42662-00	..DAMPER	2	
18	67F-13448-00	..CAP	2	
19	F2S-6411H-00	..EMBLEM, TUNING FORK	1	
20	6GR-42629-00	..SEAL	1	
21	6GT-42675-00	..GRAPHIC, SIDE 1	1	
22	6GT-42676-00	..GRAPHIC, SIDE 2	1	
23	6GT-42688-10	..EMBLEM, SIDE 1	2	
24	6GT-42677-10	..GRAPHIC, FRONT	1	

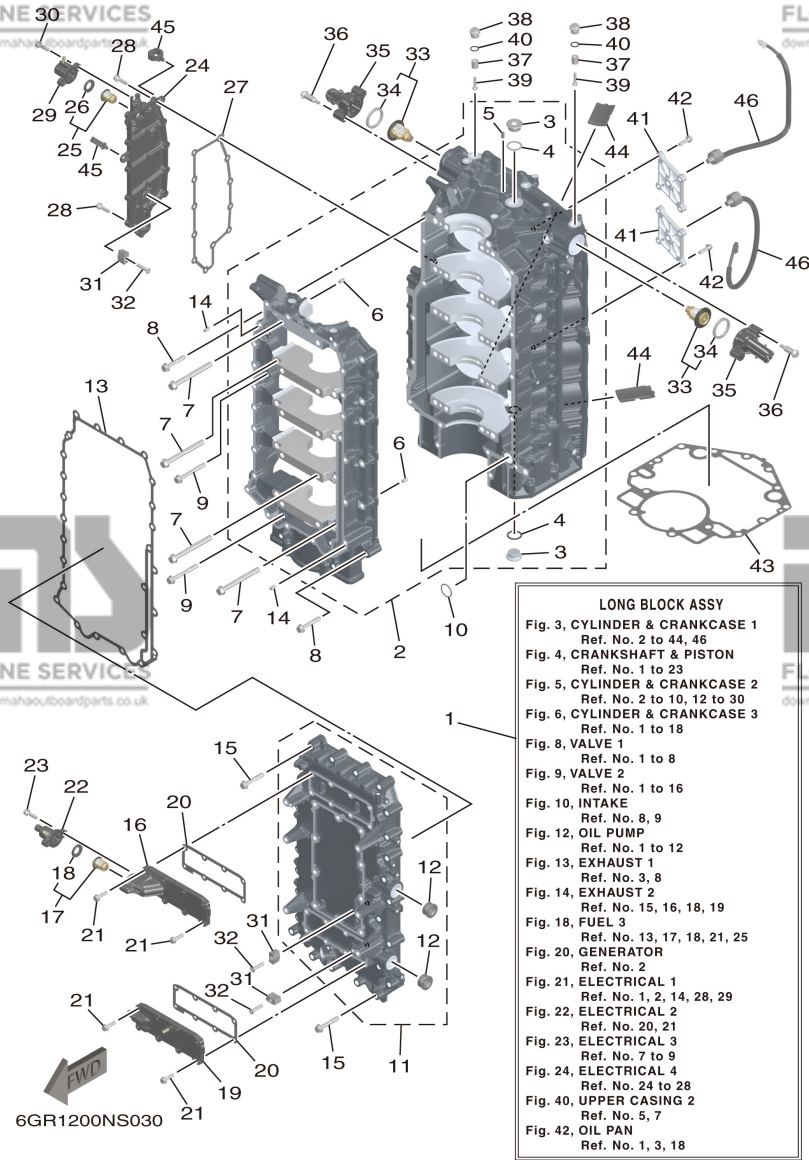
FIG. 3 CYLINDER & CRANKCASE 1



- LONG BLOCK ASSY**  
 Fig. 3, CYLINDER & CRANKCASE 1  
 Ref. No. 2 to 44, 46  
 Fig. 4, CRANKSHAFT & PISTON  
 Ref. No. 1 to 23  
 Fig. 5, CYLINDER & CRANKCASE 2  
 Ref. No. 2 to 10, 12 to 30  
 Fig. 6, CYLINDER & CRANKCASE 3  
 Ref. No. 1 to 18  
 Fig. 8, VALVE 1  
 Ref. No. 1 to 8  
 Fig. 9, VALVE 2  
 Ref. No. 1 to 16  
 Fig. 10, INTAKE  
 Ref. No. 8, 9  
 Fig. 12, OIL PUMP  
 Ref. No. 1 to 12  
 Fig. 13, EXHAUST 1  
 Ref. No. 3, 8  
 Fig. 14, EXHAUST 2  
 Ref. No. 15, 16, 18, 19  
 Fig. 18, FUEL 3  
 Ref. No. 13, 17, 18, 21, 25  
 Fig. 20, GENERATOR  
 Ref. No. 2  
 Fig. 21, ELECTRICAL 1  
 Ref. No. 1, 2, 14, 28, 29  
 Fig. 22, ELECTRICAL 2  
 Ref. No. 20, 21  
 Fig. 23, ELECTRICAL 3  
 Ref. No. 7 to 9  
 Fig. 24, ELECTRICAL 4  
 Ref. No. 24 to 28  
 Fig. 40, UPPER CASING 2  
 Ref. No. 5, 7  
 Fig. 42, OIL PAN  
 Ref. No. 1, 3, 18

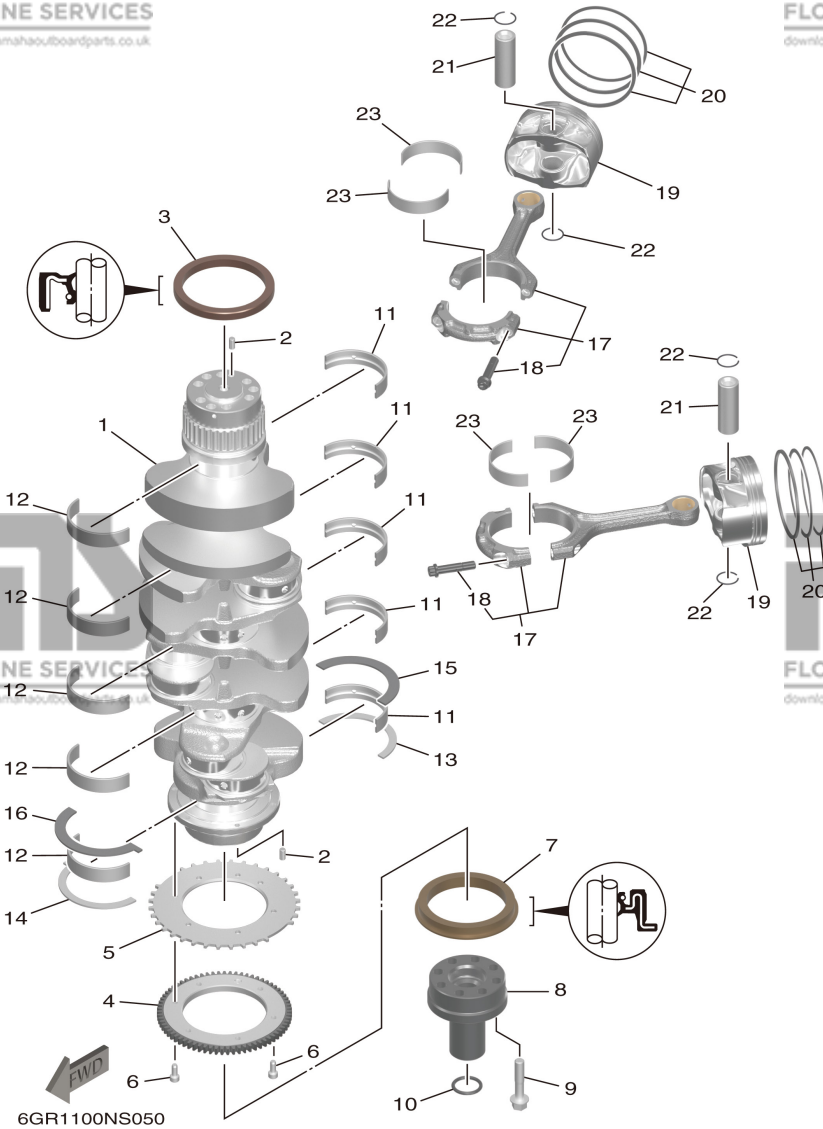
REF. NO.	PART NO.	DESCRIPTION	QTY	REMARKS
1	6GR-11000-00	LONG BLOCK ASSY	1	
2	6GR-15109-00-9S	CRANKCASE ASSY	1	
3	90340-24001	.PLUG, STRAIGHT SCREW	2	
4	90430-24239	.GASKET	2	
5	93606-12019	.PIN, DOWEL	1	
6	93606-12019	.PIN, DOWEL	10	
7	6P2-15187-00	BOLT	20	
8	90105-08175	BOLT, FLANGE	10	
9	90105-08220	BOLT, FLANGE	6	
10	93210-26658	O-RING	1	
11	6GR-15411-00-9S	COVER, CRANKCASE 1	1	
12	90340-27001	.PLUG, STRAIGHT SCREW	2	
13	6GR-15451-00	GASKET, CRANKCASE COVER 1	1	
14	93606-12019	PIN, DOWEL	2	
15	90105-08175	BOLT, FLANGE	26	
16	6GR-15414-00-9S	COVER 1	1	
17	6H3-12411-20	THERMOSTAT	1	
18	6H3-12412-10	.SEAL, THERMOSTAT	1	
19	6GR-15423-00-9S	COVER 2	1	
20	6GR-1131B-00	GASKET, COVER	2	
21	90105-06037	BOLT, FLANGE	16	
22	6GR-12417-00-9S	HOUSING, THERMOSTAT	1	
23	90105-06037	BOLT, FLANGE	2	
24	6GR-15413-00-9S	COVER	1	
25	66M-12411-01	THERMOSTAT	1	
26	688-12412-00	.SEAL, THERMOSTAT	1	
27	6GR-15353-00	GASKET, DRAIN	1	

**FIG. 3 CYLINDER & CRANKCASE 1**



**LONG BLOCK ASSY**  
 Fig. 3, CYLINDER & CRANKCASE 1  
 Ref. No. 2 to 44, 46  
 Fig. 4, CRANKSHAFT & PISTON  
 Ref. No. 1 to 23  
 Fig. 5, CYLINDER & CRANKCASE 2  
 Ref. No. 2 to 10, 12 to 30  
 Fig. 6, CYLINDER & CRANKCASE 3  
 Ref. No. 1 to 18  
 Fig. 8, VALVE 1  
 Ref. No. 1 to 8  
 Fig. 9, VALVE 2  
 Ref. No. 1 to 16  
 Fig. 10, INTAKE  
 Ref. No. 8, 9  
 Fig. 12, OIL PUMP  
 Ref. No. 1 to 12  
 Fig. 13, EXHAUST 1  
 Ref. No. 3, 8  
 Fig. 14, EXHAUST 2  
 Ref. No. 15, 16, 18, 19  
 Fig. 18, FUEL 3  
 Ref. No. 13, 17, 18, 21, 25  
 Fig. 20, GENERATOR  
 Ref. No. 2  
 Fig. 21, ELECTRICAL 1  
 Ref. No. 1, 2, 14, 28, 29  
 Fig. 22, ELECTRICAL 2  
 Ref. No. 20, 21  
 Fig. 23, ELECTRICAL 3  
 Ref. No. 7 to 9  
 Fig. 24, ELECTRICAL 4  
 Ref. No. 24 to 28  
 Fig. 40, UPPER CASING 2  
 Ref. No. 5, 7  
 Fig. 42, OIL PAN  
 Ref. No. 1, 3, 18

REF. NO.	PART NO.	DESCRIPTION	QTY	REMARKS
28	90105-06037	BOLT, FLANGE	12	
29	6GR-1241B-00-9S	COVER, THERMOSTAT 2	1	
30	90105-06037	BOLT, FLANGE	2	
31	6AW-1132P-00	ANODE 5	3	
32	90151-06069	SCREW, COUNTERSUNK	3	
33	6GR-12411-00	THERMOSTAT	2	
34	6GR-12412-00	.SEAL, THERMOSTAT	1	
35	6GR-12413-00	COVER, THERMOSTAT	2	
36	90109-06286	BOLT	4	
37	6G8-11325-00	ANODE	2	
38	6G8-11197-A0	PLUG, BLIND	2	
39	98980-05025	SCREW, BIND	2	
40	93210-13M63	O-RING	2	
41	6GR-1135A-00	BRACKET	2	
42	90105-06037	BOLT, FLANGE	8	
43	6GR-11351-00	GASKET, CYLINDER	1	
44	6GR-14664-00	GROMMET, WATER SHUT	2	
45	90464-20181	CLAMP	2	
46	6CJ-85780-00	SENSOR, KNOCK	2	



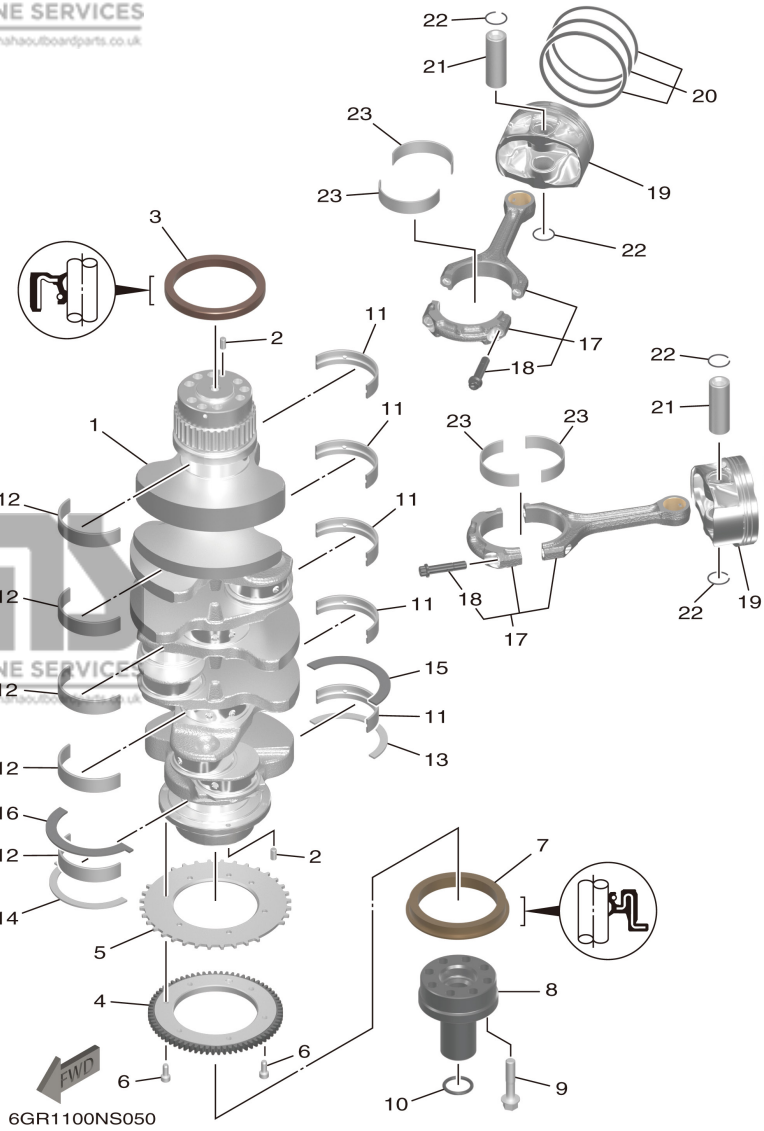
**FIG. 4 CRANKSHAFT & PISTON**

REF. NO.	PART NO.	DESCRIPTION	QTY	REMARKS
1	6GR-11411-00	CRANKSHAFT	1	
2	93606-12019	PIN, DOWEL	2	
3	93102-90004	OIL SEAL	1	
4	6GR-13188-00	GEAR, DRIVE	1	
5	6GR-81673-00	ROTOR	1	
6	91317-06014	BOLT, HEX. SOCKET HEAD	6	
7	93102-85010	OIL SEAL	1	
8	6GR-12199-00	FLANGE	1	
9	90105-10446	BOLT, FLANGE	8	
10	93210-260A5	O-RING	1	
11	6GR-11416-00	PLANE BEARING, CRANKSHAFT 1	5	UR BLACK
	6GR-11416-10	PLANE BEARING, CRANKSHAFT 1	5	UR BLUE
	6GR-11416-20	PLANE BEARING, CRANKSHAFT 1	5	UR PINK
	6GR-11416-30	PLANE BEARING, CRANKSHAFT 1	5	UR WHITE
12	6GR-11417-00	PLANE BEARING, CRANKSHAFT 2	5	UR BLACK
	6GR-11417-10	PLANE BEARING, CRANKSHAFT 2	5	UR BLUE
	6GR-11417-20	PLANE BEARING, CRANKSHAFT 2	5	UR PINK
	6GR-11417-30	PLANE BEARING, CRANKSHAFT 2	5	UR WHITE
13	6CB-11426-03	BEARING, THRUST 1	1	
14	6CB-11427-03	BEARING, THRUST 2	1	
15	6GR-11426-00	BEARING, THRUST 1	1	
16	6GR-11427-00	BEARING, THRUST 2	1	
17	6GR-W1165-00	CONNECTING ROD ASSY	8	
18	63P-11654-10	.BOLT, CONNECTING ROD	2	
19	6GR-11631-00	PISTON (STD)	8	
20	6GR-11603-00	PISTON RING SET (STD)	8	
21	6GR-11633-00	PIN, PISTON	8	



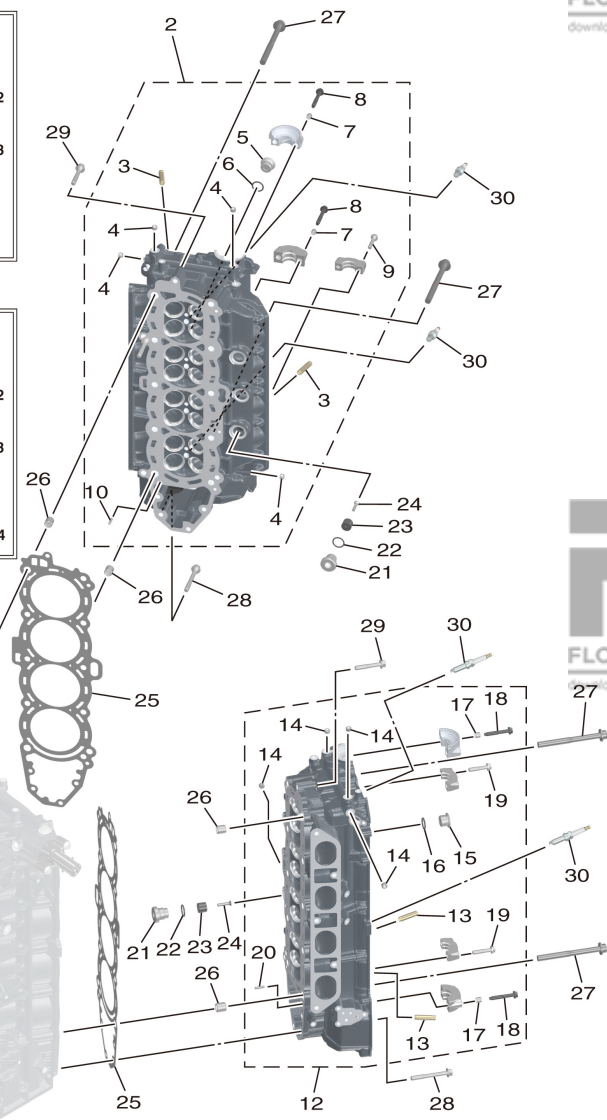
**FIG. 4 CRANKSHAFT & PISTON**

REF. NO.	PART NO.	DESCRIPTION	QTY	REMARKS
22	6GR-11634-00	CLIP, PISTON PIN	16	
23	6GR-11656-00	PLANE BEARING, CONNECTING ROD	16	UR YELLOW
	6GR-11656-10	PLANE BEARING, CONNECTING ROD	16	UR GREEN
	6GR-11656-20	PLANE BEARING, CONNECTING ROD	16	UR BLUE



**1**  
**CYLINDER HEAD COMPLETE**  
Fig. 5,  
CYLINDER & CRANKCASE 2  
Ref. No. 2 to 10, 21 to 26  
Fig. 6,  
CYLINDER & CRANKCASE 3  
Ref. No. 4, 15  
Fig. 8, VALVE 1  
Ref. No. 1 to 8  
Fig. 9, VALVE 2  
Ref. No. 1, 2, 8 to 12, 14

**11**  
**CYLINDER HEAD 2 COMPLETE**  
Fig. 5,  
CYLINDER & CRANKCASE 2  
Ref. No. 12 to 26  
Fig. 6,  
CYLINDER & CRANKCASE 3  
Ref. No. 12, 15  
Fig. 8, VALVE 1  
Ref. No. 1 to 8  
Fig. 9, VALVE 2  
Ref. No. 3, 4, 8 to 11, 13, 14



**FIG. 5 CYLINDER & CRANKCASE 2**

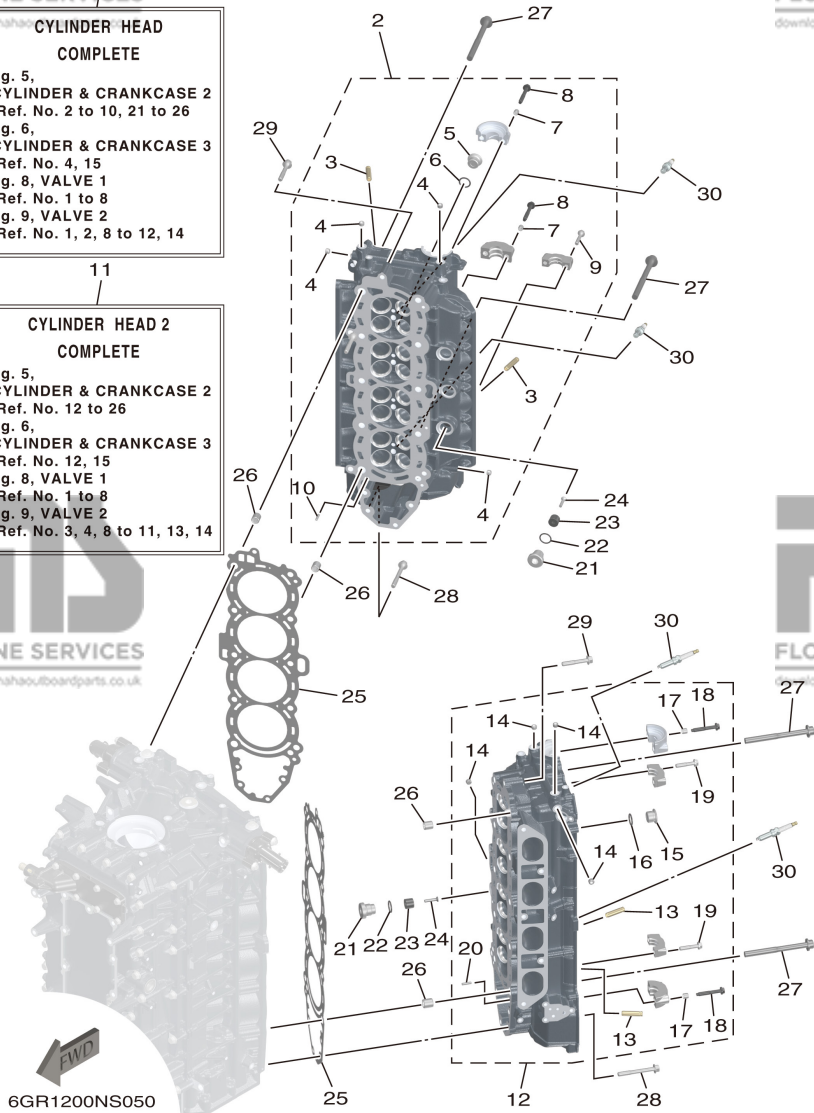
REF. NO.	PART NO.	DESCRIPTION	QTY	REMARKS
1	6GR-W009A-00-9S	CYLINDER HEAD COMPLETE	1	
2	6GR-11110-00	CYLINDER HEAD ASSY	1	
3	6DA-11133-10	.GUIDE, VALVE 1	16	
4	90344-51019	.PLUG, TAPER SCREW	4	
5	90340-97002	.PLUG, STRAIGHT SCREW	3	
6	93210-18322	.O-RING	3	
7	91809-08006	.PIN, DOWEL	4	
8	90119-07235	.BOLT/WASHER-CAM CAPS	4	
9	90119-07234	.BOLT, WITH WASHER	18	
10	91690-40018	.PIN, SPRING	1	
11	6GR-W009C-00-9S	CYLINDER HEAD 2 COMPLETE	1	
12	6GR-11120-00	CYLINDER HEAD ASSY 2	1	
13	6DA-11133-10	.GUIDE, VALVE 1	16	
14	90344-51019	.PLUG, TAPER SCREW	4	
15	90340-97002	.PLUG, STRAIGHT SCREW	3	
16	93210-18322	.O-RING	3	
17	91809-08006	.PIN, DOWEL	4	
18	90119-07235	.BOLT/WASHER-CAM CAPS	4	
19	90119-07234	.BOLT, WITH WASHER	18	
20	91690-40018	.PIN, SPRING	1	
21	6GR-11197-00	PLUG, BLIND	6	
22	93210-19216	O-RING	6	
23	6AW-1132L-00	ANODE 2	6	
24	98780-05025	SCREW, FLAT HEAD	6	
25	6GR-11181-00	GASKET, CYLINDER HEAD 1	2	
26	90387-11005	COLLAR	4	
27	90149-11001	SCREW	20	

**FIG. 5 CYLINDER & CRANKCASE 2**

REF. NO.	PART NO.	DESCRIPTION	QTY	REMARKS
28	90105-08220	BOLT, FLANGE	8	
29	90105-08175	BOLT, FLANGE	2	
30	94702-00442	PLUG, SPARK	8	

**CYLINDER HEAD COMPLETE**  
 Fig. 5, CYLINDER & CRANKCASE 2  
 Ref. No. 2 to 10, 21 to 26  
 Fig. 6, CYLINDER & CRANKCASE 3  
 Ref. No. 4, 15  
 Fig. 8, VALVE 1  
 Ref. No. 1 to 8  
 Fig. 9, VALVE 2  
 Ref. No. 1, 2, 8 to 12, 14

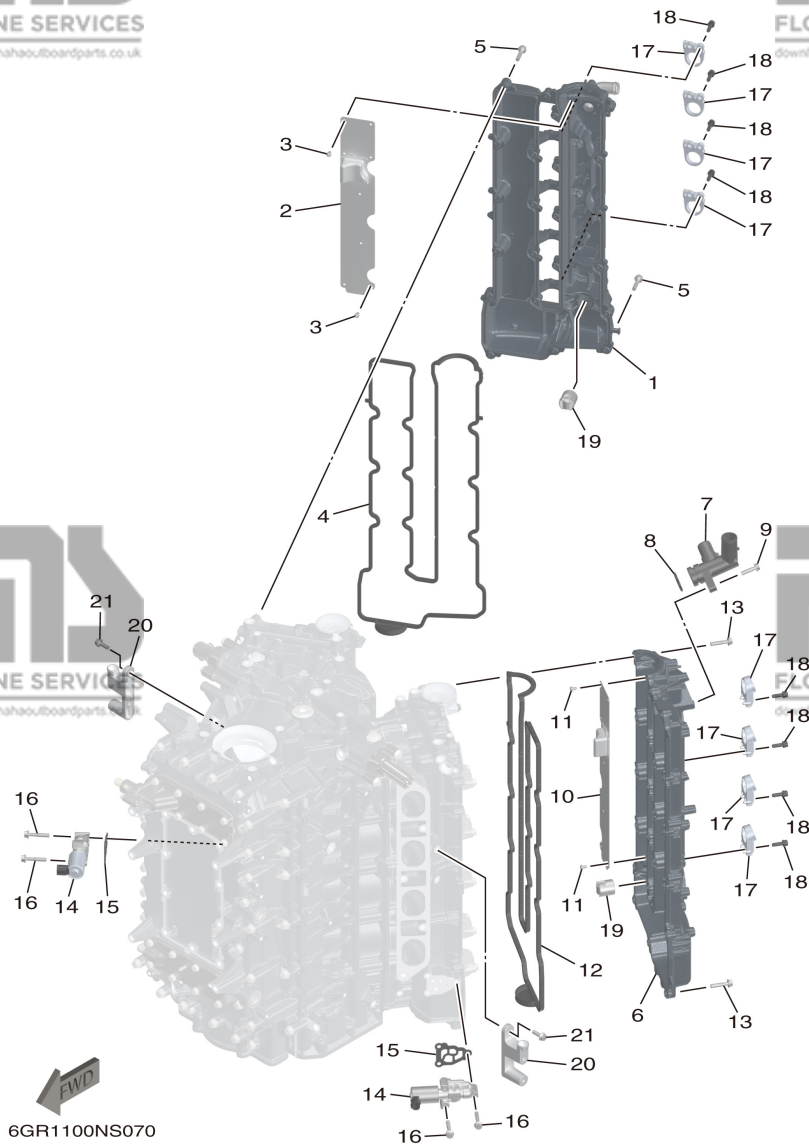
**CYLINDER HEAD 2 COMPLETE**  
 Fig. 5, CYLINDER & CRANKCASE 2  
 Ref. No. 12 to 26  
 Fig. 6, CYLINDER & CRANKCASE 3  
 Ref. No. 12, 15  
 Fig. 8, VALVE 1  
 Ref. No. 1 to 8  
 Fig. 9, VALVE 2  
 Ref. No. 3, 4, 8 to 11, 13, 14

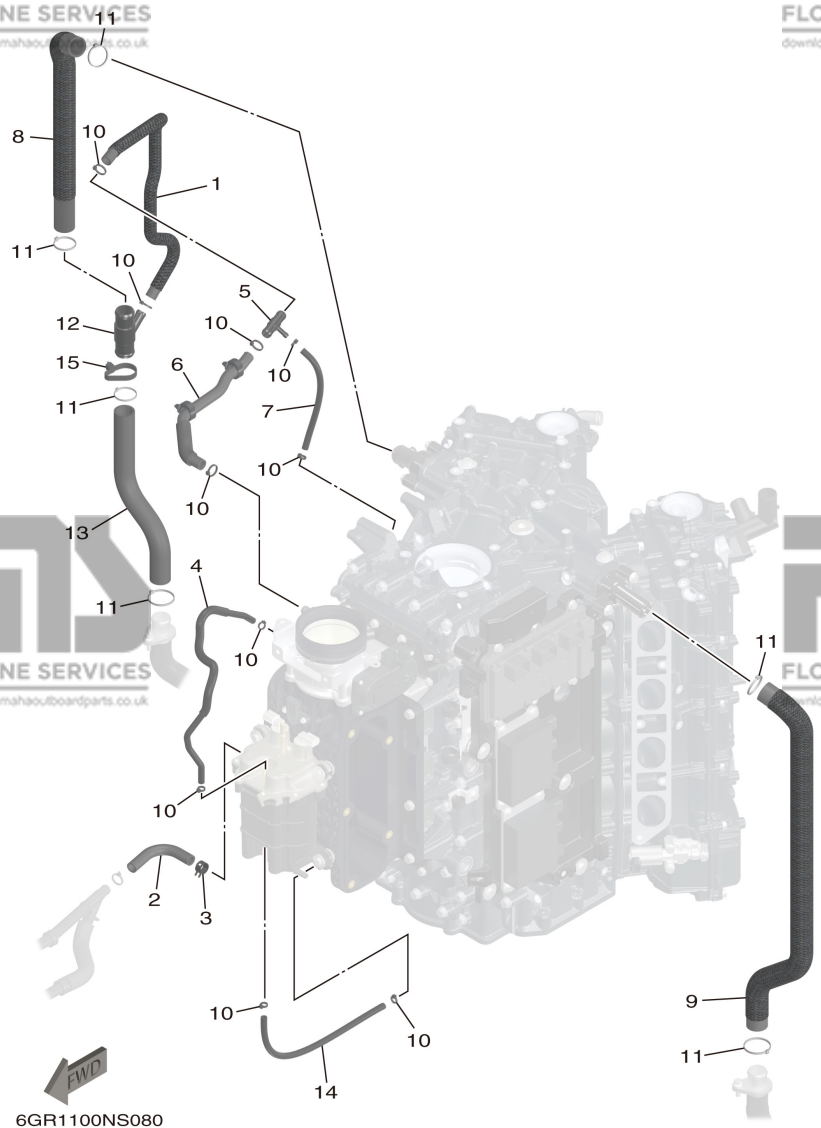




**FIG. 6 CYLINDER & CRANKCASE 3**

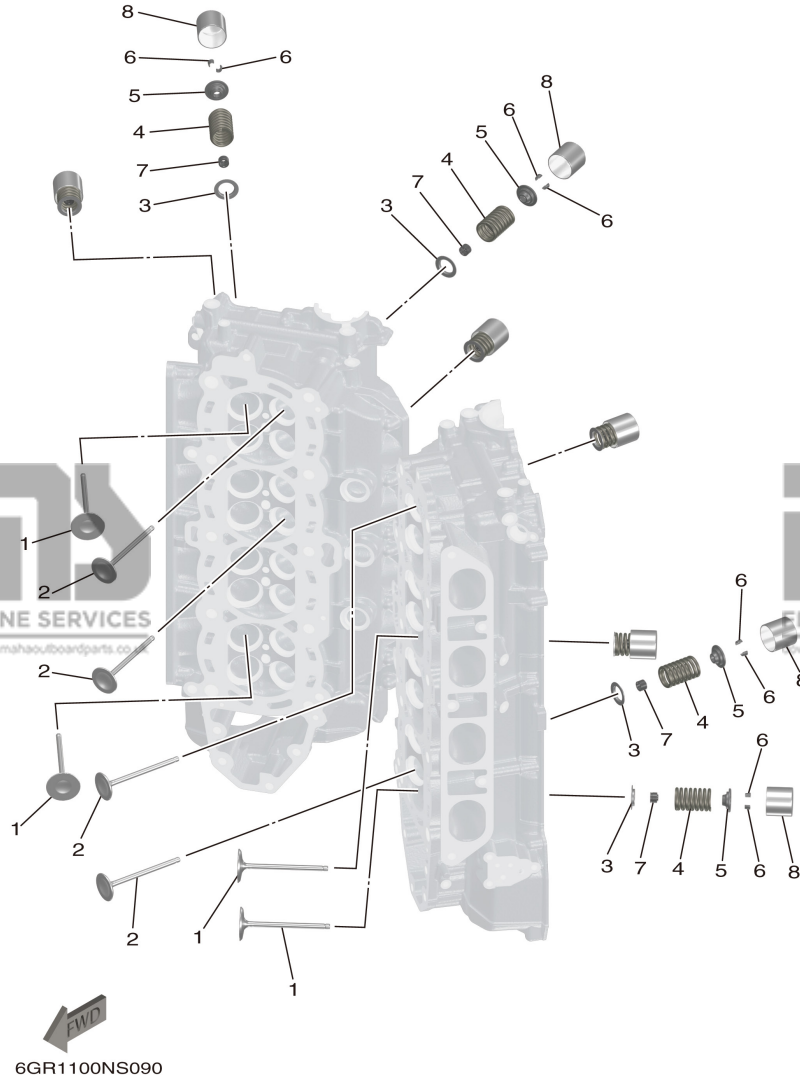
REF. NO.	PART NO.	DESCRIPTION	QTY	REMARKS
1	6GR-11191-00-9S	COVER, CYLINDER HEAD 1	1	
2	6GR-11135-00	PLATE, BREATHER 3	1	
3	97607-04208	SCREW, WITH WASHER	8	
4	6GR-11193-00	GASKET, HEAD COVER 1	1	
5	95895-06030	BOLT, FLANGE	22	
6	6GR-11192-00-9S	COVER, CYLINDER HEAD 2	1	
7	6GR-11372-00	NIPPLE, HOSE	1	
8	93210-28646	O-RING	1	
9	95895-06025	BOLT, FLANGE	1	
10	6GR-11136-00	PLATE, BREATHER 4	1	
11	97607-04208	SCREW, WITH WASHER	8	
12	6GR-11194-00	GASKET, HEAD COVER 2	1	
13	95895-06030	BOLT, FLANGE	22	
14	6GR-86120-00	SOLENOID VALVE ASSY	2	
15	6CB-1242F-00	GASKET, FILTER	2	
16	90105-06035	BOLT, FLANGE	6	
17	6GR-82316-00	BRACKET, IGNITION COIL	8	
18	90110-06038	BOLT, HEXAGON SOCKET HEAD	16	
19	6GR-11927-00	LIFTER	2	
20	6GR-42743-00	BRACKET	2	
21	95895-06020	BOLT, FLANGE	4	





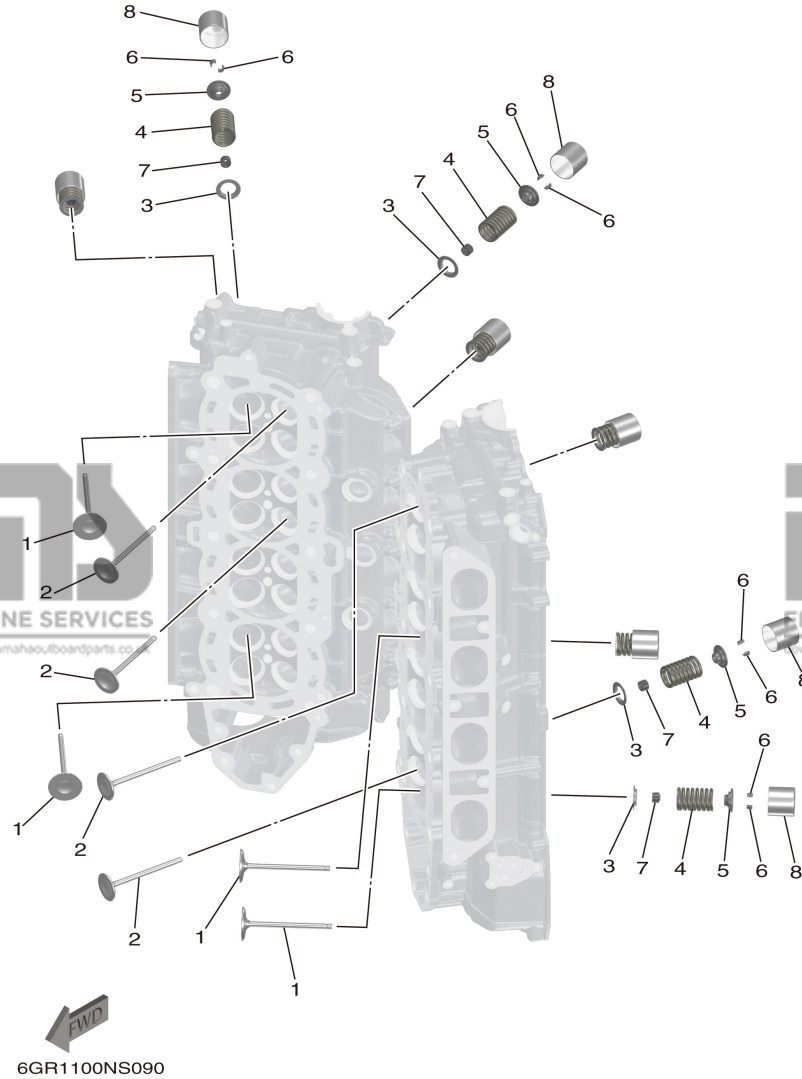
**FIG. 7 CYLINDER & CRANKCASE 4**

REF. NO.	PART NO.	DESCRIPTION	QTY	REMARKS
1	6GR-1244J-00	HOSE 6	1	
2	6GR-42541-00	PIPE 1	1	
3	90467-150A5	CLIP	1	
4	90445-09048	HOSE (L400)	1	
5	6GR-24376-00	PIPE, JOINT 1	1	
6	6GR-12551-00	HOSE 7	1	
7	90445-09M00	HOSE (L180)	1	
8	6GR-1243A-00	HOSE 1	1	
9	6GR-1243E-00	HOSE 2	1	
10	90465-11M10	CLAMP	10	
11	90465-11M59	CLAMP	6	
12	6GR-12594-00	JOINT, HOSE 4	1	
13	6GR-1244H-00	HOSE 5	1	
14	90445-09304	HOSE (L310)	1	
15	90465-13M24	CLAMP	1	



**FIG. 8 VALVE 1**

REF. NO.	PART NO.	DESCRIPTION	QTY	REMARKS
1	6GR-12111-00	VALVE, INTAKE	16	
2	6DX-12121-00	VALVE, EXHAUST	16	
3	K0F-A3743-00	SEAT, VALVE SPRING	32	
4	6CB-12113-00	SPRING, VALVE INNER	32	
5	K0F-A3741-00	RETAINER, VALVE SPRING	32	
6	K0F-A3742-00	LOCK, VALVE SPRING RETAINER	64	
7	51Y-12119-00	SEAL, VALVE STEM	32	
8	6GR-12153-00	LIFTER, VALVE (3.000)	32	UR
	6GR-12153-10	LIFTER, VALVE (3.025)	32	UR
	6GR-12153-20	LIFTER, VALVE (3.050)	32	UR
	6GR-12153-30	LIFTER, VALVE (3.075)	32	UR
	6GR-12153-40	LIFTER, VALVE (3.100)	32	UR
	6GR-12153-50	LIFTER, VALVE (3.120)	32	UR
	6GR-12153-60	LIFTER, VALVE (3.140)	32	UR
	6GR-12153-70	LIFTER, VALVE (3.160)	32	UR
	6GR-12153-80	LIFTER, VALVE (3.180)	32	UR
	6GR-12153-90	LIFTER, VALVE (3.200)	32	UR
	6GR-12153-A0	LIFTER, VALVE (3.220)	32	UR
	6GR-12153-B0	LIFTER, VALVE (3.240)	32	UR
	6GR-12153-C0	LIFTER, VALVE (3.260)	32	UR
	6GR-12153-D0	LIFTER, VALVE (3.280)	32	UR
	6GR-12153-E0	LIFTER, VALVE (3.300)	32	UR
	6GR-12153-F0	LIFTER, VALVE (3.320)	32	UR
	6GR-12153-G0	LIFTER, VALVE (3.340)	32	UR
	6GR-12153-H0	LIFTER, VALVE (3.360)	32	UR
	6GR-12153-J0	LIFTER, VALVE (3.380)	32	UR
	6GR-12153-K0	LIFTER, VALVE (3.400)	32	UR



**FIG. 8 VALVE 1**

REF. NO.	PART NO.	DESCRIPTION	6GT1	REMARKS
8	6GR-12153-L0	LIFTER, VALVE (3.420)	32	UR
	6GR-12153-M0	LIFTER, VALVE (3.440)	32	UR
	6GR-12153-N0	LIFTER, VALVE (3.460)	32	UR
	6GR-12153-P0	LIFTER, VALVE (3.480)	32	UR
	6GR-12153-R0	LIFTER, VALVE (3.500)	32	UR
	6GR-12153-S0	LIFTER, VALVE (3.520)	32	UR
	6GR-12153-T0	LIFTER, VALVE (3.540)	32	UR
	6GR-12145-00	LIFTER, VALVE (3.560)	32	UR
	6GR-12145-10	LIFTER, VALVE (3.580)	32	UR
	6GR-12145-20	LIFTER, VALVE (3.600)	32	UR
	6GR-12145-30	LIFTER, VALVE (3.625)	32	UR
	6GR-12145-40	LIFTER, VALVE (3.650)	32	UR
	6GR-12145-50	LIFTER, VALVE (3.675)	32	UR
	6GR-12145-60	LIFTER, VALVE (3.700)	32	UR

Fig. 20, GENERATOR  
Ref. No. 2

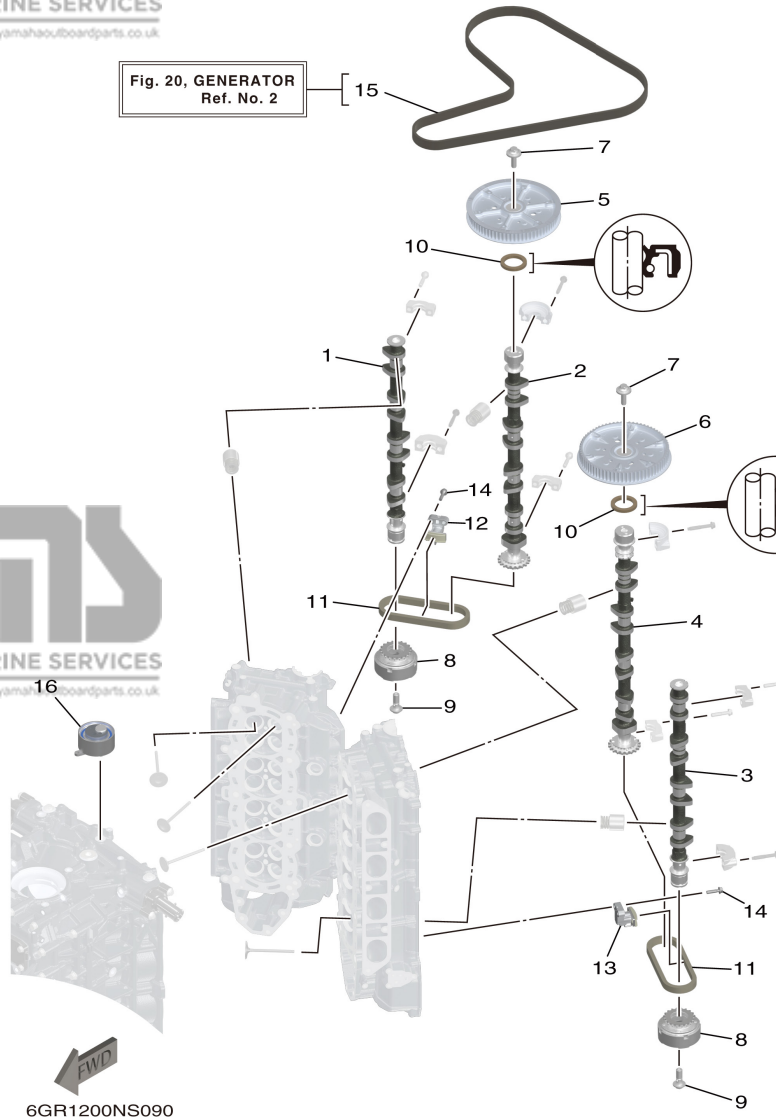
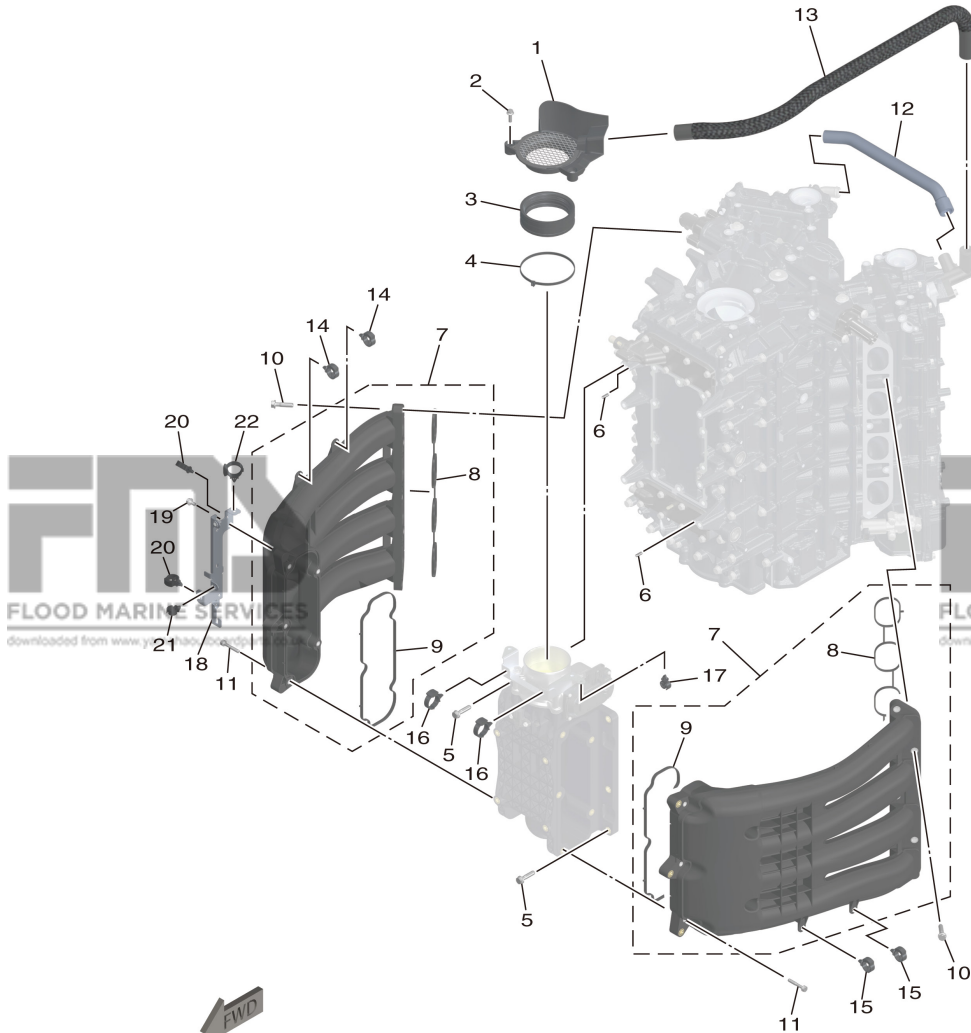


FIG. 9 VALVE 2

REF. NO.	PART NO.	DESCRIPTION	QTY	REMARKS
1	6GR-12171-00	CAMSHAFT 1	1	
2	6GR-12181-00	CAMSHAFT 2	1	
3	6GR-12172-00	CAMSHAFT 3	1	
4	6GR-12182-00	CAMSHAFT 4	1	
5	6GR-115A0-00	DRIVEN GEAR ASSY	1	
6	6GR-11567-00	GEAR, DRIVEN 2	1	
7	90119-10050	BOLT, WITH WASHER	2	
8	6GR-12645-00	PULLEY ASSY 1	2	
9	90401-12002	BOLT, UNION	2	
10	93102-38008	OIL SEAL	2	
11	94581-99044	CHAIN	2	
12	6GR-12210-00	TENSIONER ASSY, CAM CHAIN	1	
13	6GR-12230-00	TENSIONER ASSY, CAM CHAIN 2	1	
14	90105-06037	BOLT, FLANGE	4	
15	6GR-W4624-00	BELT (WITH ROTOR BOLTS)	1	
16	6P2-11590-01	TENSIONER ASSY	1	

**FIG. 10 INTAKE**

REF. NO.	PART NO.	DESCRIPTION	QTY	REMARKS
1	6GR-14440-00	SILENCER ASSY, INTAKE	1	
2	95895-06020	BOLT, FLANGE	2	
3	6AW-1441J-00	PIPE, SILENCER	1	
4	90464-99004	CLAMP	1	
5	90119-08022	BOLT, WITH WASHER	6	
6	91690-50014	PIN, SPRING	2	
7	6GR-13641-00	MANIFOLD, INTAKE 1	2	
8	6GR-13645-00	.GASKET, MANIFOLD 1	1	
9	6GR-13646-00	.GASKET, MANIFOLD 2	1	
10	90119-08022	BOLT, WITH WASHER	10	
11	90119-06MA6	BOLT, WITH WASHER	10	
12	6GR-1531A-00	HOSE, BREATHER 1	1	
13	6GR-1531A-10	HOSE, BREATHER 1	1	
14	90464-20181	CLAMP	2	
15	90464-20181	CLAMP	2	
16	90464-12183	CLAMP	2	
17	90464-13249	CLAMP	1	
18	6GR-8257G-00	CLAMP, CORD	1	
19	95895-06012	BOLT, FLANGE	2	
20	90464-20181	CLAMP	2	
21	90464-13249	CLAMP	1	
22	90464-12183	CLAMP	1	

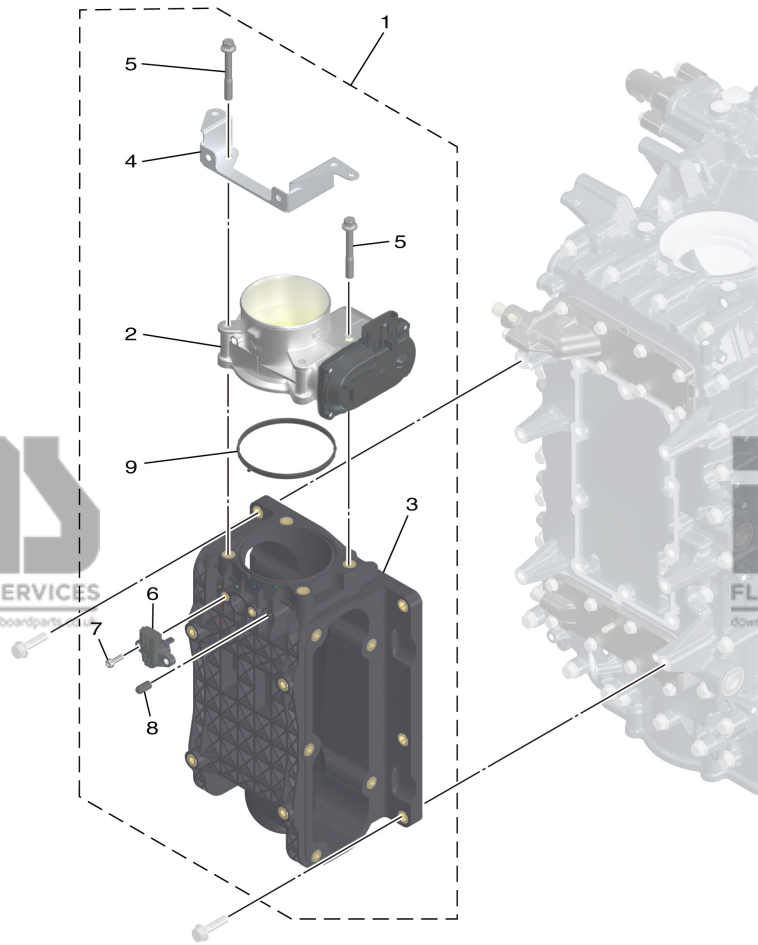


6GR1100NS110



**FIG. 11 THROTTLE BODY ASSY**

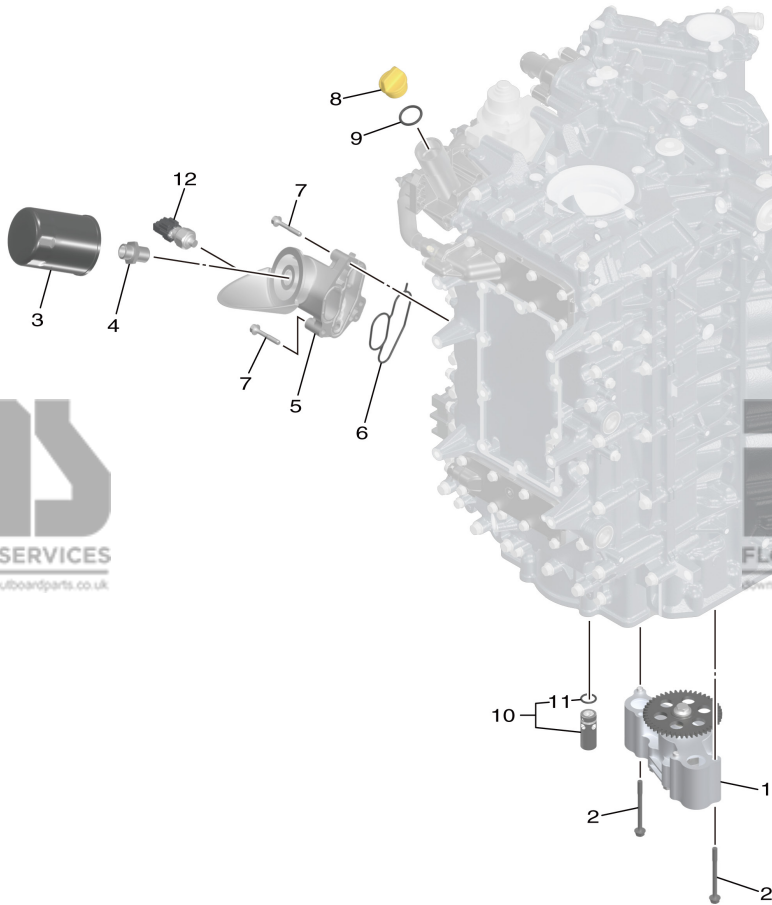
REF. NO.	PART NO.	DESCRIPTION	QTY	REMARKS
1	6GR-13750-00	THROTTLE BODY ASSY	1	
2	6GR-13751-00	.BODY, THROTTLE 1	1	
3	6GR-13711-00	.MIXING BODY	1	
4	6GR-13898-00	.HOLDER	1	
5	90105-08M36	.BOLT, FLANGE	4	
6	68F-83688-10	.SENSOR ASSY	1	
7	68V-81147-00	.SCREW 3	2	
8	63P-13643-00	.COVER, MANIFOLD	1	
9	6GR-13556-00	.GASKET, MANIFOLD	1	



6GR1100NS120

**FIG. 12 OIL PUMP**

REF. NO.	PART NO.	DESCRIPTION	QTY	REMARKS
1	6GR-13300-00	OIL PUMP ASSY	1	
2	95817-06075	BOLT, FLANGE	4	
3	N26-13440-02	ELEMENT ASSY, OIL CLEANER	1	
4	90401-19001	BOLT, UNION	1	
5	6GR-13446-00	CONNECTOR	1	
6	6GR-13477-00	GASKET	1	
7	90105-06151	BOLT, FLANGE	3	
8	6G8-15363-00	PLUG, OIL	1	
9	93210-24M79	O-RING	1	
10	6GR-13490-00	RELIEF VALVE ASSY	1	
11	6GR-13473-00	O-RING	1	
12	6AW-83651-00	SENDER, OIL PRESSURE	1	

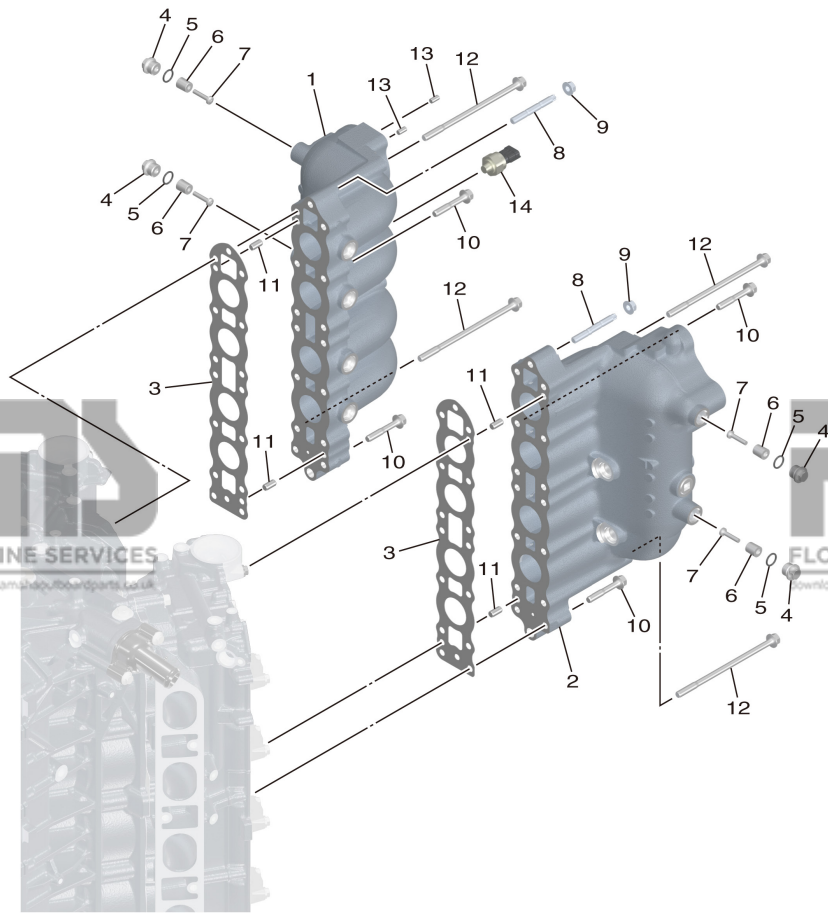


6GR1100NS130



**FIG. 13 EXHAUST 1**

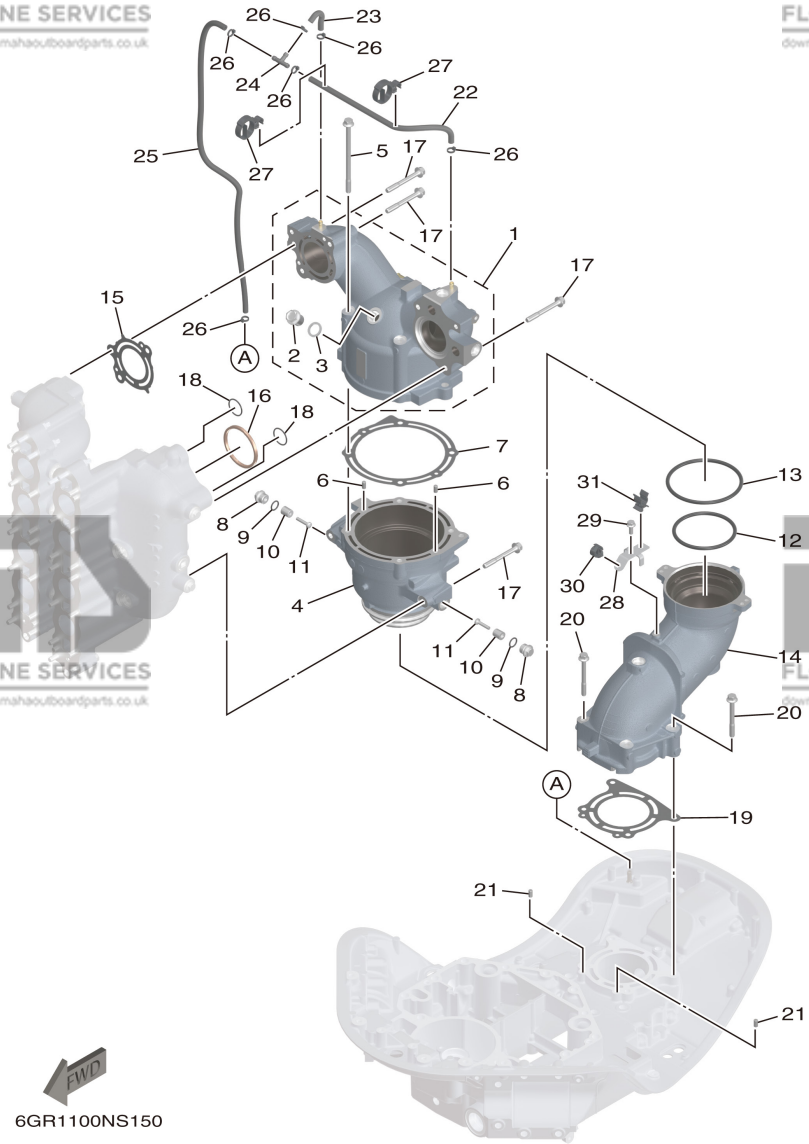
REF. NO.	PART NO.	DESCRIPTION	QTY	REMARKS
1	6GR-14615-00-9S	JOINT, EXHAUST 1	1	
2	6GR-14625-00-9S	JOINT, EXHAUST 2	1	
3	6GR-14613-00	GASKET, EXHAUST PIPE	2	
4	6G8-11197-A0	PLUG, BLIND	4	
5	93210-13M63	O-RING	4	
6	6G8-11325-00	ANODE	4	
7	98980-05025	SCREW, BIND	4	
8	90116-08037	BOLT, STUD	4	
9	90179-08M34	NUT	4	
10	90105-08175	BOLT, FLANGE	14	
11	93608-16M16	PIN, DOWEL	4	
12	90105-08266	BOLT, FLANGE	12	
13	93606-12019	PIN, DOWEL	2	
14	6AW-8366B-01	SENSOR, WATER PRESSURE	1	



**FWD**  
**6GR1100NS140**

**FIG. 14 EXHAUST 2**

REF. NO.	PART NO.	DESCRIPTION	QTY	REMARKS
1	6GR-14635-00-9S	JOINT, EXHAUST 3	1	
2	90340-18M09	.PLUG, STRAIGHT SCREW	1	
3	90201-186F1	.WASHER, PLATE	1	
4	6GR-14645-00-9S	JOINT, EXHAUST 4	1	
5	90105-08268	BOLT, FLANGE	4	
6	93606-12019	PIN, DOWEL	2	
7	6GR-41124-00	GASKET, EXHAUST OUTER COVER	1	
8	6G8-11197-A0	PLUG, BLIND	2	
9	93210-13M63	O-RING	2	
10	6G8-11325-00	ANODE	2	
11	98980-05025	SCREW, BIND	2	
12	93210-90001	O-RING	1	
13	93211-10001	O-RING	1	
14	6GR-14656-00-9S	JOINT, EXHAUST 5	1	
15	6GR-41114-00	GASKET, EXHAUST OUTER COVER	1	
16	6GR-14643-00	GASKET 3	1	
17	90105-08220	BOLT, FLANGE	7	
18	93210-26003	O-RING	2	
19	6GR-41134-00	GASKET, EXHAUST MANIFOLD	1	
20	90105-08220	BOLT, FLANGE	4	
21	93606-12019	PIN, DOWEL	2	
22	90445-09104	HOSE (L300)	1	
23	6GR-12482-00	PIPE 2	1	
24	688-24378-00	PIPE, JOINT 3	1	
25	90445-09047	HOSE (L630)	1	
26	90465-11M10	CLAMP	6	
27	90464-29001	CLAMP	2	



6GR1100NS150

**FIG. 14 EXHAUST 2**

REF. NO.	PART NO.	DESCRIPTION	QTY	REMARKS
28	6GR-82588-00	PLATE	1	
29	95895-06016	BOLT, FLANGE	1	
30	90464-13249	CLAMP	1	
31	90464-12015	CLAMP	1	

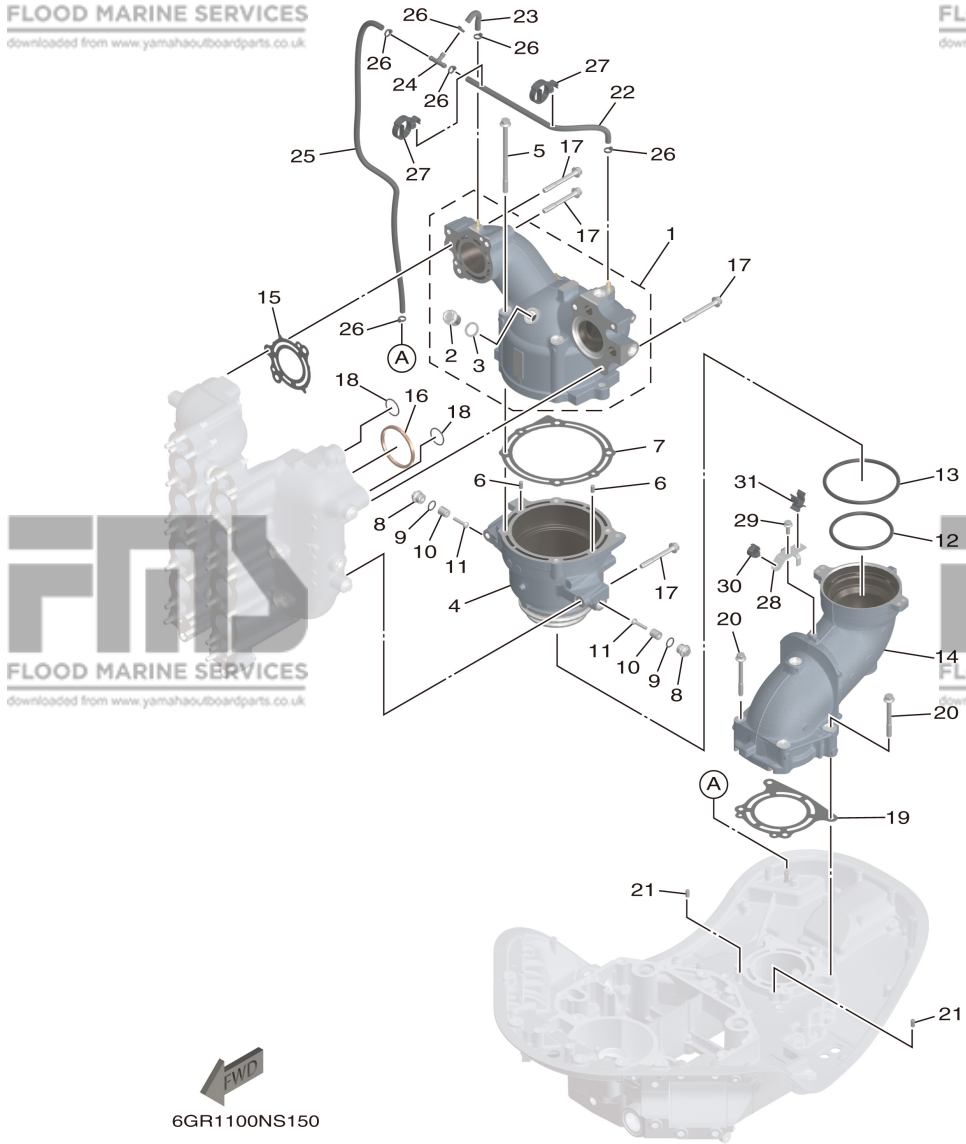
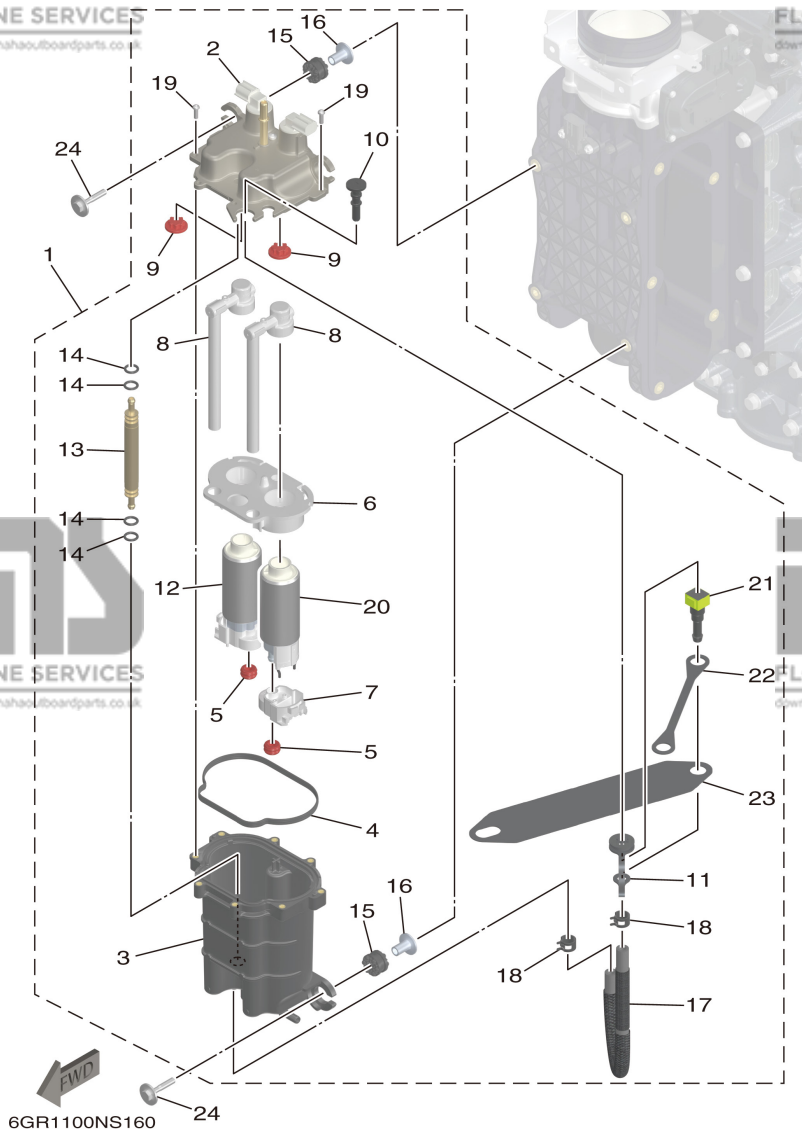
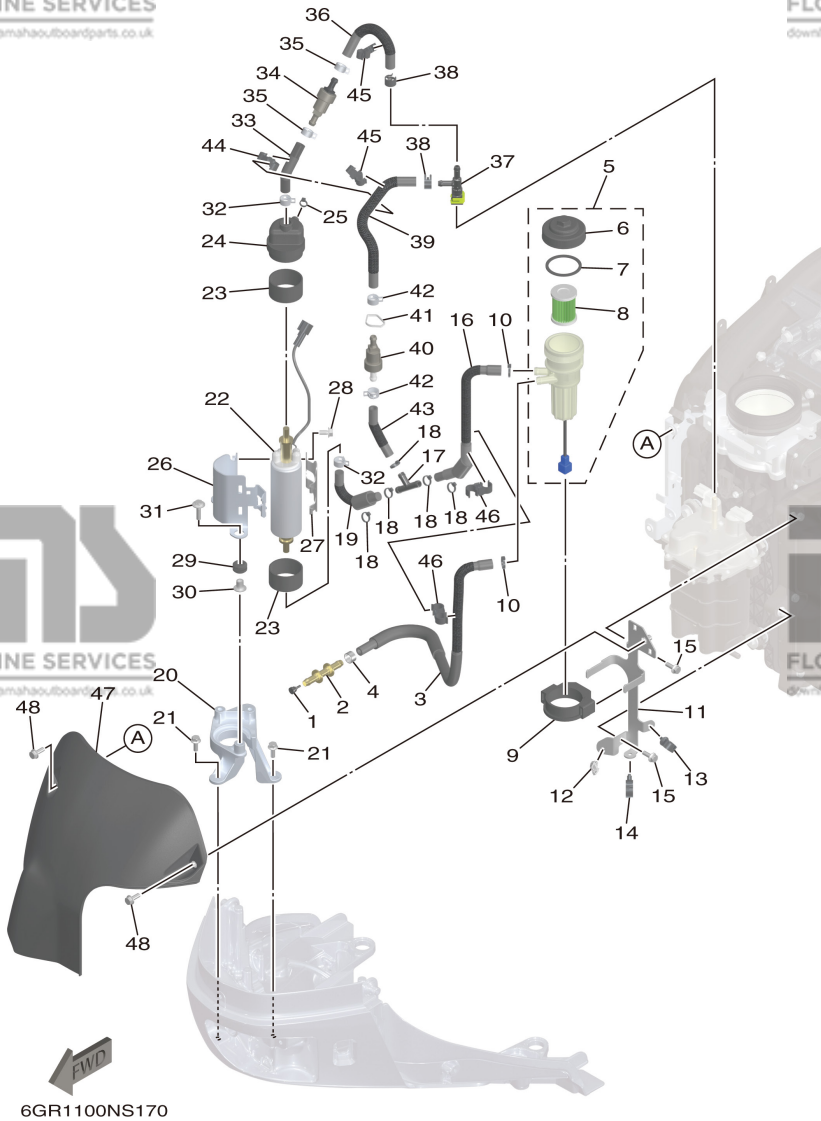


FIG. 15 VAPOR SEPARATOR



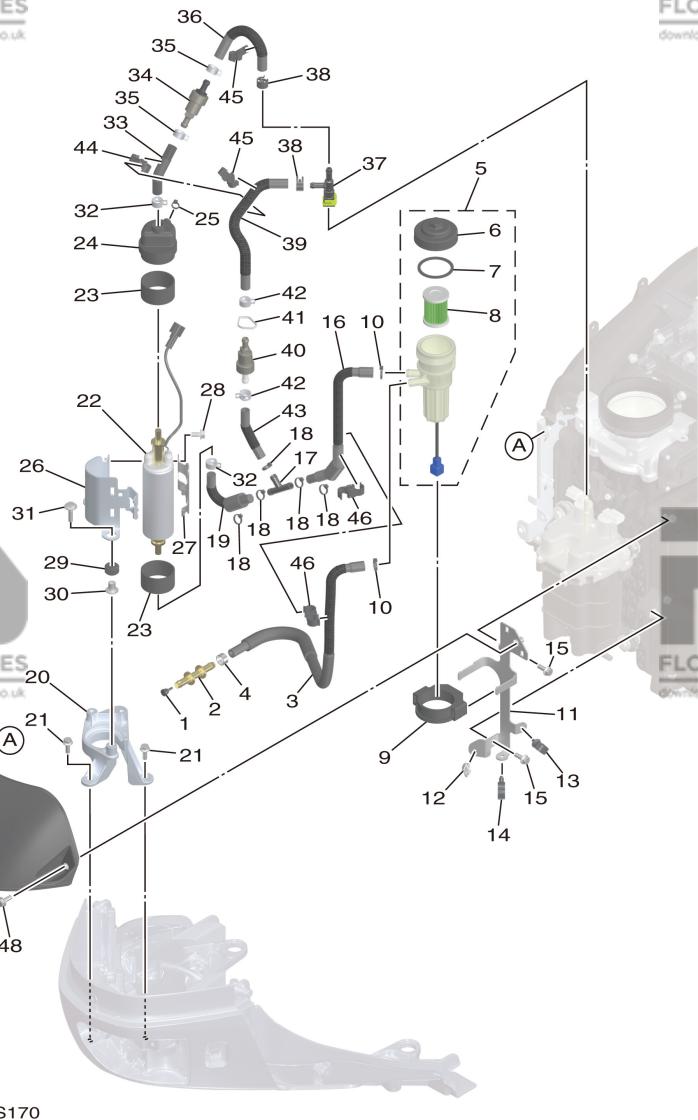
REF. NO.	PART NO.	DESCRIPTION	QTY	REMARKS
1	6GR-24220-00	FUEL TANK COMP. 2	1	
2	6GR-24223-00	.COVER, FUEL TANK ASSY	1	
3	6GR-24224-00	.CASE, FUEL TANK ASSY.	1	
4	6GR-24218-00	.GASKET	1	
5	6GR-13781-00	.DAMPER, PUMP	2	
6	6GR-2441R-00	.PLATE, BAFFLE 1	1	
7	6GR-244A1-00	.CASE, PUMP 1	1	
8	6GR-13938-00	.PIPE	2	
9	6GR-13593-00	.DAMPER	2	
10	6GR-24196-00	.PLUG, DRAIN	1	
11	6GR-2419A-00	.HOLDER	1	
12	6GR-24430-00	.FUEL PUMP ASSY	1	
13	6GR-21841-00	.COOLER	1	
14	6FM-14562-00	.O-RING	4	
15	6CB-13593-00	.DAMPER	4	
16	6GR-13716-00	.COLLAR	4	
17	6GR-14197-00	.PIPE	1	
18	68V-13577-00	.CLIP	2	
19	6GR-14567-00	.SCREW	8	
20	6GR-24420-10	.FUEL PUMP ASSY	1	
21	6AW-24300-10	.FUEL PIPE JOINT	1	
22	6GR-24113-00	.PLATE, CONNECTING	1	
23	6GR-2415H-00	.LABEL, WARNING	1	
24	90119-06269	BOLT, WITH WASHER	4	



**FIG. 16 FUEL 1**

REF. NO.	PART NO.	DESCRIPTION	QTY	REMARKS
1	689-85547-00	DAMPER	1	
2	6AW-24377-01	PIPE, JOINT 2	1	
3	6GR-24311-00	PIPE, FUEL 1	1	
4	6E5-24351-51	BAND 1	1	
5	6GR-24560-00	FILTER ASSY	1	
6	6GR-24561-00	.BODY, FILTER	1	
7	6P3-24564-00	.GASKET	1	
8	6P3-24563-01	.ELEMENT, FILTER	1	
9	6GR-24568-00	BAND, FILTER	1	
10	90465-11M10	CLAMP	2	
11	6GR-24566-00	BRACKET, FILTER	1	
12	90464-11121	CLAMP	1	
13	90464-13249	CLAMP	1	
14	90464-18246	CLAMP	1	
15	95895-06016	BOLT, FLANGE	2	
16	6GR-24312-00	PIPE 2	1	
17	6E5-24378-00	PIPE, JOINT 3	1	
18	90465-11M10	CLAMP	5	
19	6GR-24321-00	PIPE 10	1	
20	6GR-24425-00	BRACKET, FUEL PUMP 1	1	
21	95895-06016	BOLT, FLANGE	3	
22	6GR-24410-00	FUEL PUMP ASSY	1	
23	6DA-24492-00	BUSH, FUEL PUMP	2	
24	6GR-24462-00	CAP, BLIND	1	
25	90465-11M10	CLAMP	1	
26	6GR-24491-00	BRACKET, FUEL PUMP	1	
27	6GR-24426-00	BRACKET, FUEL PUMP 2	1	

**FIG. 16 FUEL 1**

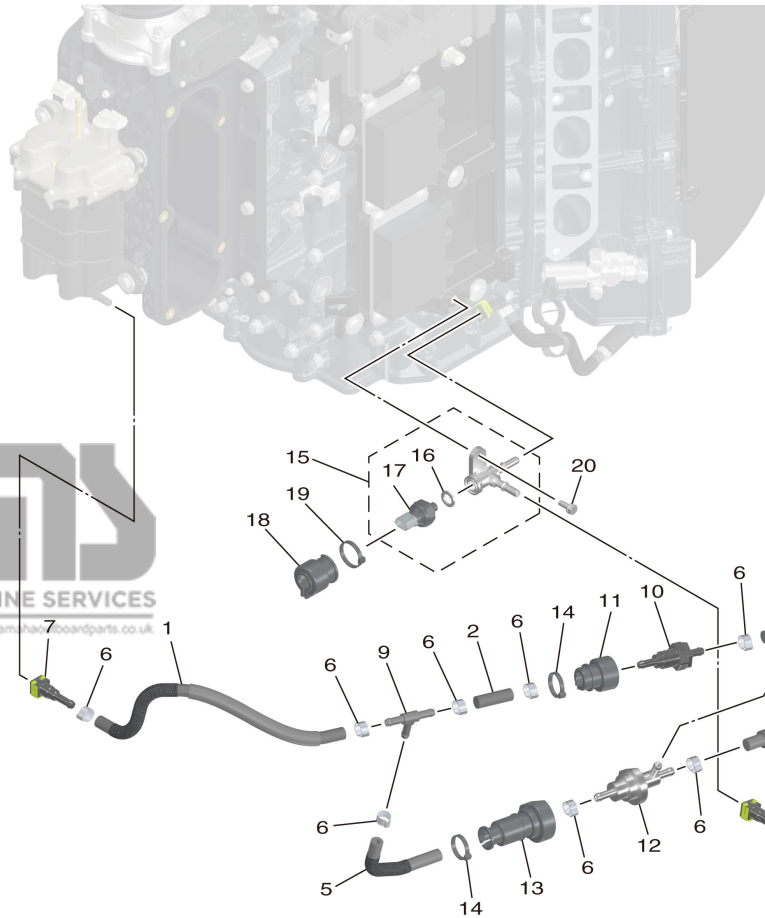


REF. NO.	PART NO.	DESCRIPTION	QTY	REMARKS
28	95895-06012	BOLT, FLANGE	2	
29	90480-10M23	GROMMET	3	
30	90387-06289	COLLAR	3	
31	90119-06M17	BOLT, WITH WASHER	3	
32	90467-140A9	CLIP	2	
33	6GR-24322-00	PIPE 11	1	
34	6R5-24408-10	FUEL FEED ASSY	1	
35	90467-140A9	CLIP	2	
36	6GR-24323-00	PIPE 12	1	
37	6P2-24300-00	FUEL PIPE JOINT	1	
38	90467-120A7	CLIP	2	
39	6GR-24324-00	PIPE 13	1	
40	6GR-24460-20	RELIEF VALVE ASSY	1	
41	90465-13M60	CLAMP	1	
42	90467-140A9	CLIP	2	
43	6GR-24325-00	PIPE 14	1	
44	90464-12009	CLAMP	1	
45	90464-12010	CLAMP	2	
46	90464-12009	CLAMP	2	
47	6GR-24596-00	COVER	1	
48	95895-06016	BOLT, FLANGE	3	



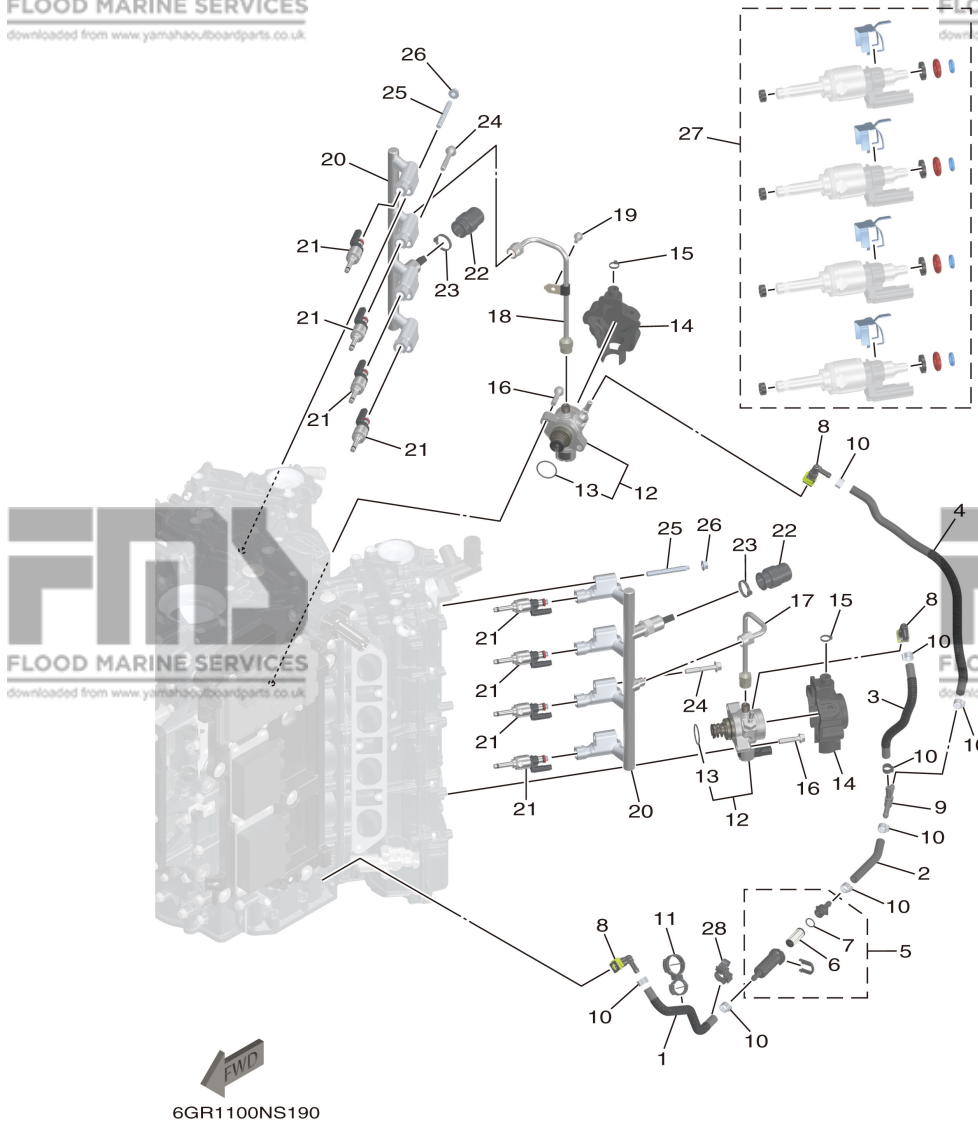
**FIG. 17 FUEL 2**

REF. NO.	PART NO.	DESCRIPTION	QTY	REMARKS
1	6GR-24313-00	PIPE 3	1	
2	6GR-24314-00	PIPE 4	1	
3	6GR-24315-00	PIPE 5	1	
4	6GR-24316-00	PIPE 6	1	
5	6GR-24317-00	PIPE 7	1	
6	90467-141A1	CLIP	10	
7	6AW-24300-10	FUEL PIPE JOINT	1	
8	6AW-24300-00	FUEL PIPE JOINT	1	
9	6CB-24461-00	PIPE, JOINT	1	
10	6GR-24408-00	FUEL FEED ASSY	1	
11	6GR-24217-00	COVER	1	
12	6GR-24460-00	RELIEF VALVE ASSY	1	
13	6GR-24474-00	COVER	1	
14	90465-13M97	CLAMP	2	
15	6GR-8A411-00	SENSOR UNIT 1	1	
16	6GR-825A8-00	.SEAL, SENSOR	1	
17	6GR-82421-00	.SENSOR, FUEL PRESSURE	1	
18	6GR-2464E-00	COVER, CAP	1	
19	90465-13M97	CLAMP	1	
20	97595-06516	BOLT, WITH WASHER	1	



6GR1100NS180

**FIG. 18 FUEL 3**

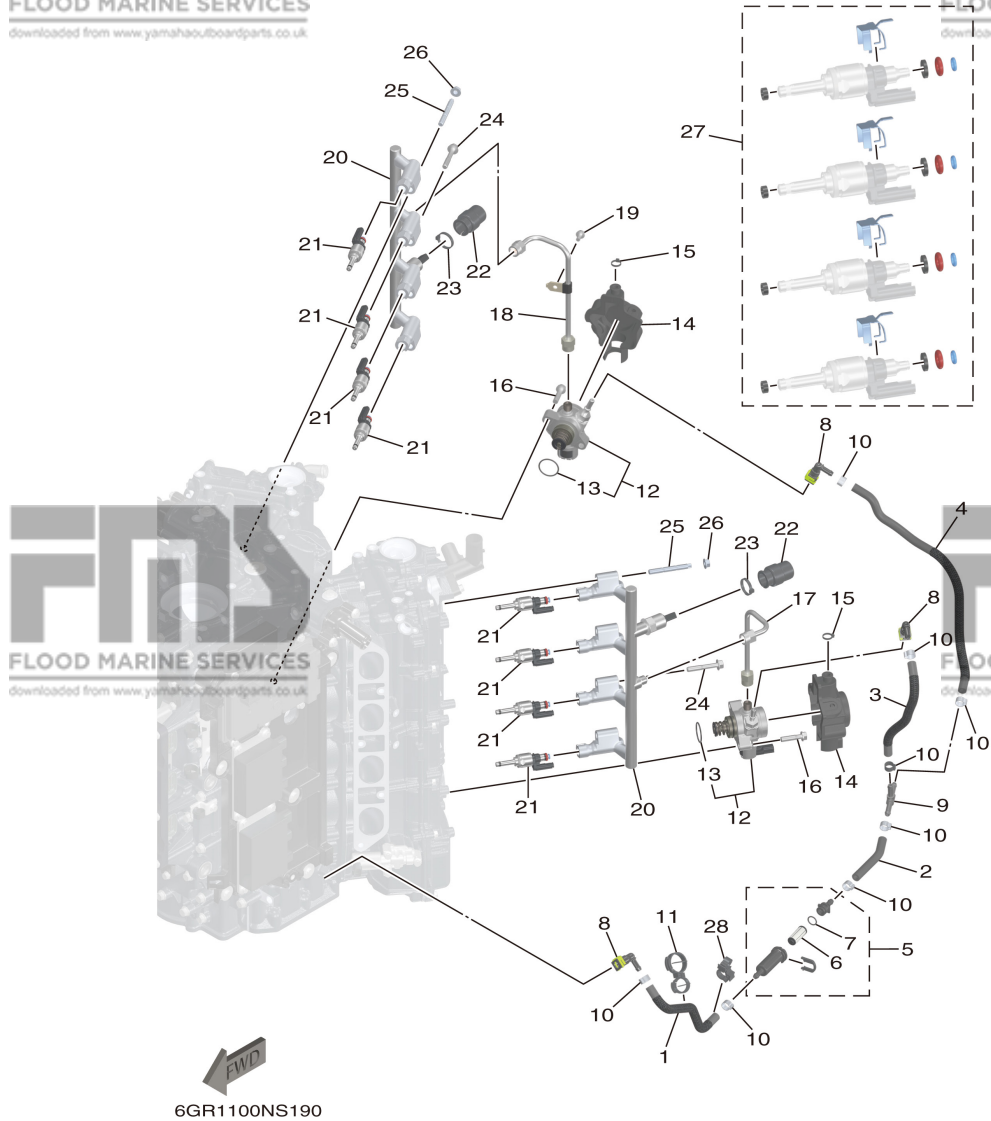


REF. NO.	PART NO.	DESCRIPTION	QTY	REMARKS
1	6GR-243A1-00	PIPE 15	1	
2	6GR-243A2-00	PIPE 16	1	
3	6GR-243A3-00	PIPE 17	1	
4	6GR-243A4-00	PIPE 18	1	
5	6GR-24251-00	STRAINER 1	1	
6	6GR-24501-00	.FILTER, FUEL	1	
7	6GR-13016-00	.O-RING	1	
8	6AW-24300-00	FUEL PIPE JOINT	3	
9	6CB-24461-00	PIPE, JOINT	1	
10	90467-141A1	CLIP	8	
11	90464-29223	CLAMP	1	
12	6GR-13910-00	FUEL PUMP ASSY	2	
13	6GR-12439-00	.O-RING	1	
14	6GR-24595-00	PROTECTOR	2	
15	90465-11M10	CLAMP	2	
16	97595-08535	BOLT, WITH WASHER	4	
17	6GR-14295-00	PIPE, FUEL	1	
18	6GR-14296-00	PIPE, FUEL 2	1	
19	95895-06014	BOLT, FLANGE	1	
20	6GR-13160-09	DELIVERY PIPE ASSY 1	2	
21	6GR-13761-00	INJECTOR	8	
22	6GR-24599-00	CAP	2	
23	90465-13M97	CLAMP	2	
24	90105-08175	BOLT, FLANGE	4	
25	90116-08037	BOLT, STUD	4	
26	90179-08M34	NUT	4	
27	6GR-W0005-00	O-RING SET	2	



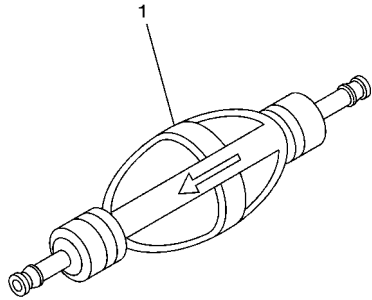
**FIG. 18 FUEL 3**

REF. NO.	PART NO.	DESCRIPTION	QTY	REMARKS
28	90464-16015	CLAMP	1	

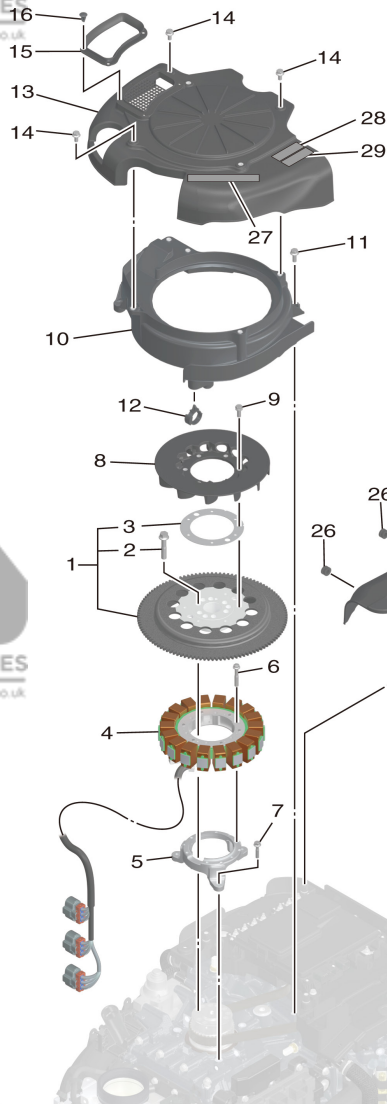


**FIG. 19 FUEL 4**

REF. NO.	PART NO.	DESCRIPTION	QTY	REMARKS
1	6AW-24360-01	PRIMER PUMP ASSY	1	AP



68V9110-J110



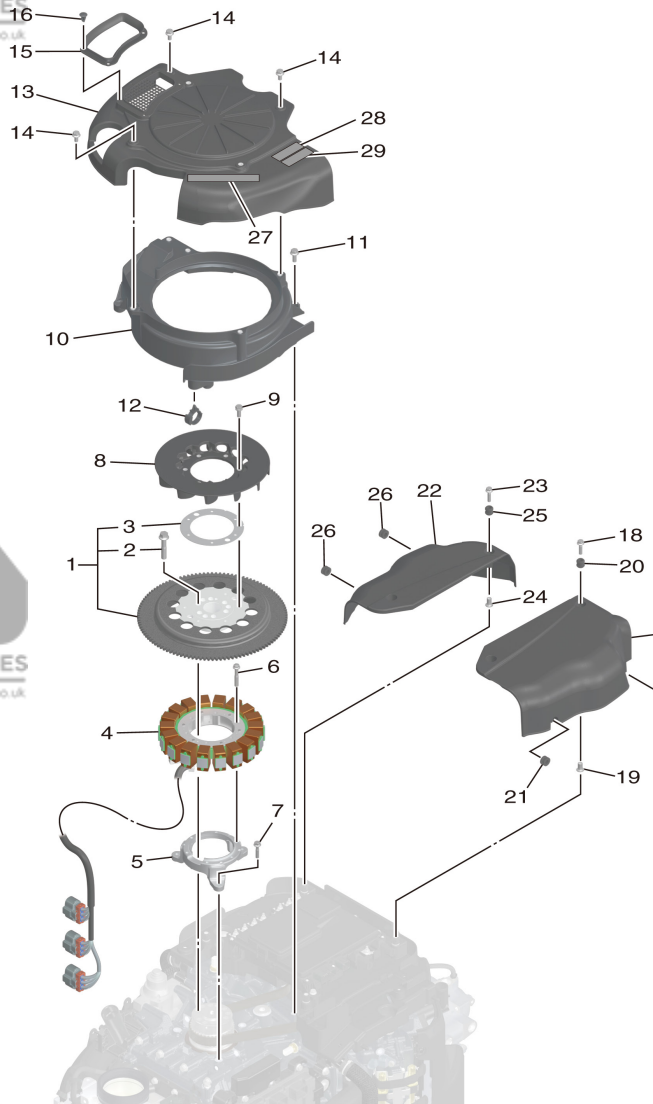
6GR1100NS210

**FIG. 20 GENERATOR**

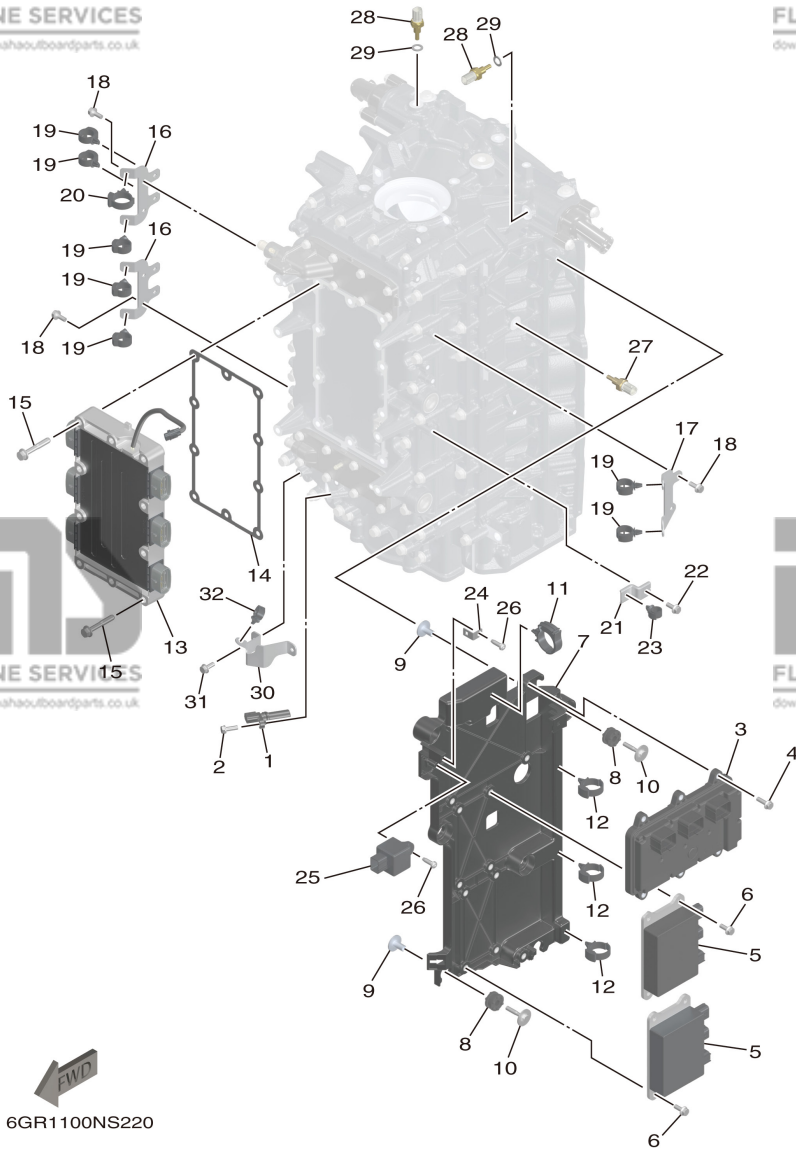
REF. NO.	PART NO.	DESCRIPTION	QTY	REMARKS
1	6GR-W8145-00	ROTOR ASSY WITH BOLTS	1	
2	6EK-W9010-00	.BOLT SET	1	
3	6GR-8398X-00	.WASHER, PLATE	1	
4	6GR-81410-00	STATOR ASSY	1	
5	6GR-85561-00	BASE, MAGNETO	1	
6	95022-06035	BOLT, FLANGE	6	
7	95895-06030	BOLT, FLANGE	3	
8	6GR-85586-00	FAN	1	
9	97595-06516	BOLT, WITH WASHER	4	
10	6GR-12651-00	AIR SHROUD, CYLINDER 1	1	
11	95895-06016	BOLT, FLANGE	3	
12	90464-12183	CLAMP	1	
13	6GR-12653-00	AIR SHROUD, CYLINDER 3	1	
14	95895-06012	BOLT, FLANGE	5	
15	6GR-12659-00	DAMPER, AIR SHROUD 2	1	
16	90269-05010	RIVET	5	
17	6GR-81942-00	COVER	1	
18	95895-06025	BOLT, FLANGE	2	
19	90387-06119	COLLAR	2	
20	6A0-82317-00	DAMPER, IGNITION COIL	2	
21	90480-12314	GROMMET	2	
22	6GR-81639-00	COVER	1	
23	95895-06025	BOLT, FLANGE	2	
24	90387-06119	COLLAR	2	
25	6A0-82317-00	DAMPER, IGNITION COIL	2	
26	90480-12314	GROMMET	2	
27	6GR-13437-60	MARK, CAUTION	1	

FIG. 20 GENERATOR

REF. NO.	PART NO.	DESCRIPTION	QTY	REMARKS
28	6EE-81994-40	LABEL, SAFETY	1	
29	6EE-81994-50	LABEL, SAFETY	1	



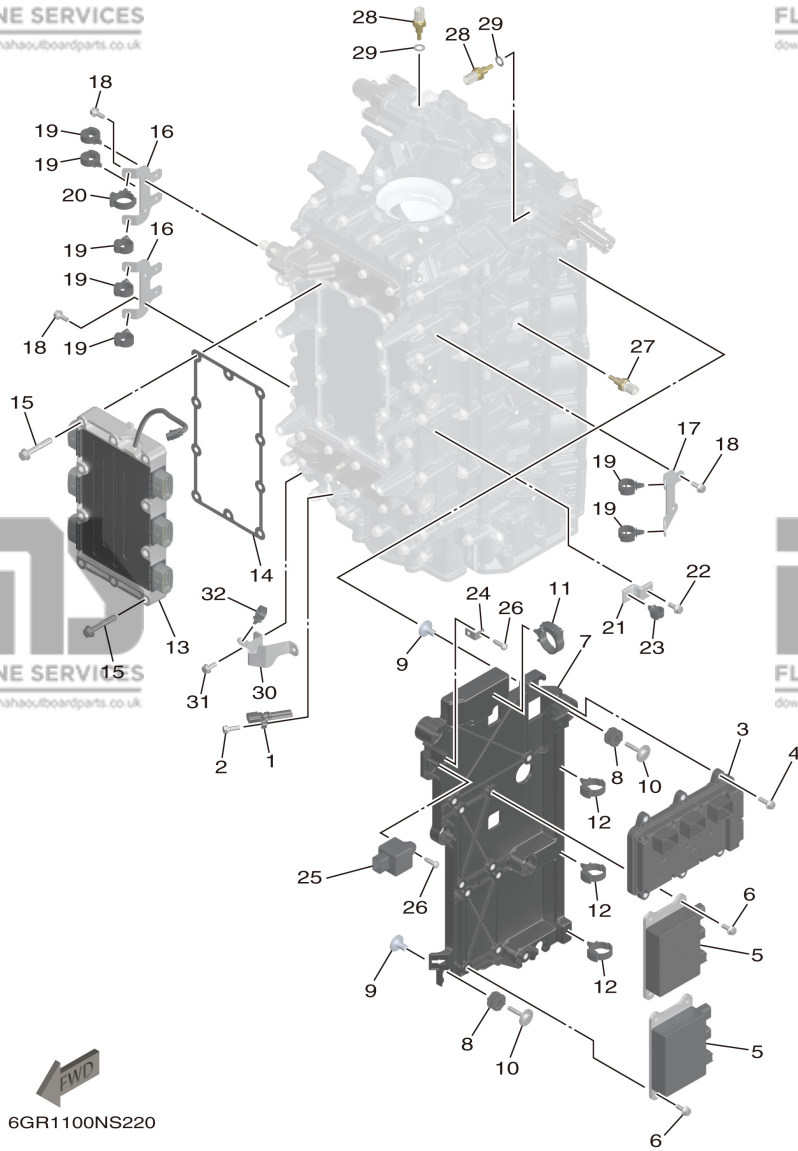
6GR1100NS210



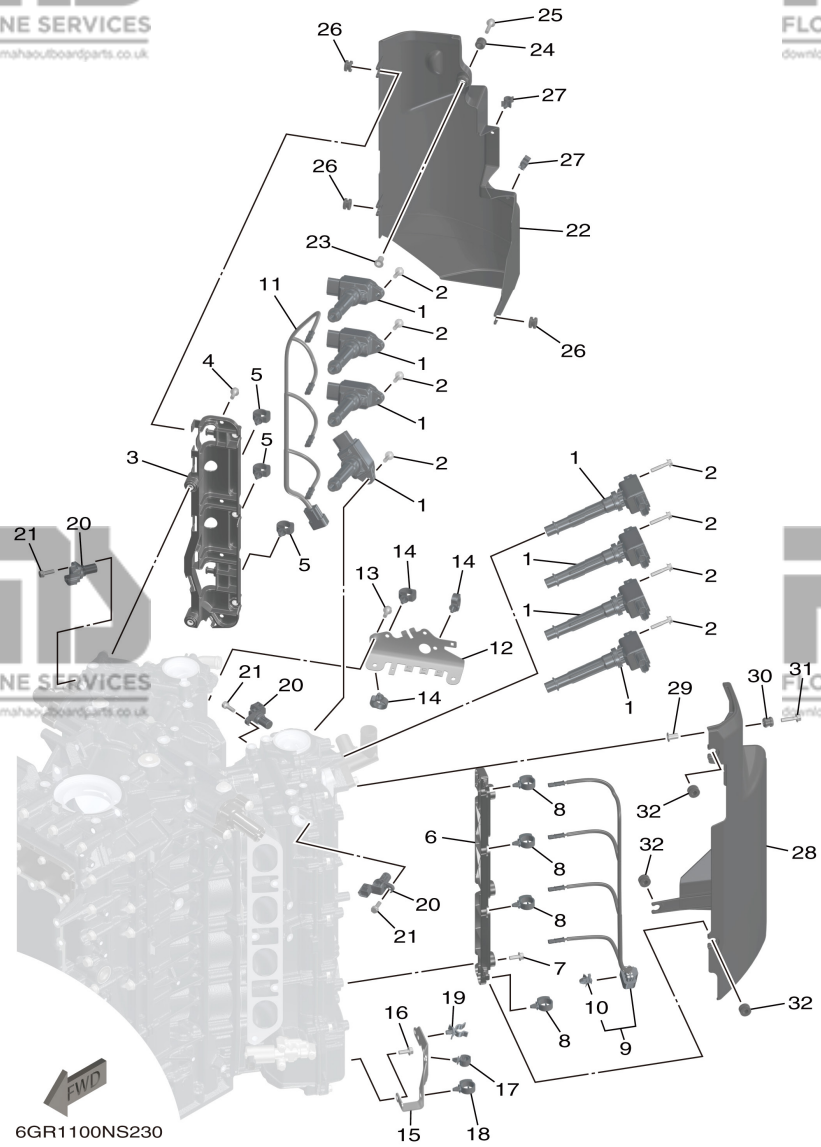
**FIG. 21 ELECTRICAL 1**

REF. NO.	PART NO.	DESCRIPTION	6GT1	REMARKS
1	6GR-85895-00	CRANK POSITION SENSOR	1	
2	97595-06520	BOLT, WITH WASHER	1	
3	6GT-8591A-00	ENGINE CONTROL UNIT ASSY	1	
4	95895-06020	BOLT, FLANGE	4	
5	6GR-8591B-00	DRIVER, INJECTOR ASSY	2	
6	95895-06016	BOLT, FLANGE	8	
7	6GR-81948-00	BRACKET	1	
8	60V-85564-00	GROMMET	6	
9	90387-06176	COLLAR	6	
10	68F-85119-00	BOLT	6	
11	90464-32002	CLAMP	1	
12	90464-12183	CLAMP	3	
13	6GR-81960-00	RECTIFIER & REGULATOR ASSY	1	
14	6GR-81975-00	PLATE, RECTIFIER FITTING	1	
15	90105-08175	BOLT, FLANGE	10	
16	6GR-8132G-00	PLATE	2	
17	6GR-818D2-00	PLATE, 2	1	
18	95895-06016	BOLT, FLANGE	6	
19	90464-20181	CLAMP	7	
20	90464-12183	CLAMP	1	
21	6DA-82388-00	PLATE	1	
22	95895-06016	BOLT, FLANGE	1	
23	90464-13249	CLAMP	1	
24	68V-85548-01	HOLDER	1	
25	68V-81950-00	RELAY ASSY	1	
26	97780-60620	SCREW, TAPPING	2	
27	4P9-83591-00	THERMO UNIT	1	

**FIG. 21 ELECTRICAL 1**



REF. NO.	PART NO.	DESCRIPTION	QTY	REMARKS
28	6GR-85790-00	THERMOSENSOR ASSY	2	
29	90430-10004	GASKET	2	
30	6GR-83614-00	BRACKET	1	
31	95895-06016	BOLT, FLANGE	2	
32	90464-13249	CLAMP	1	



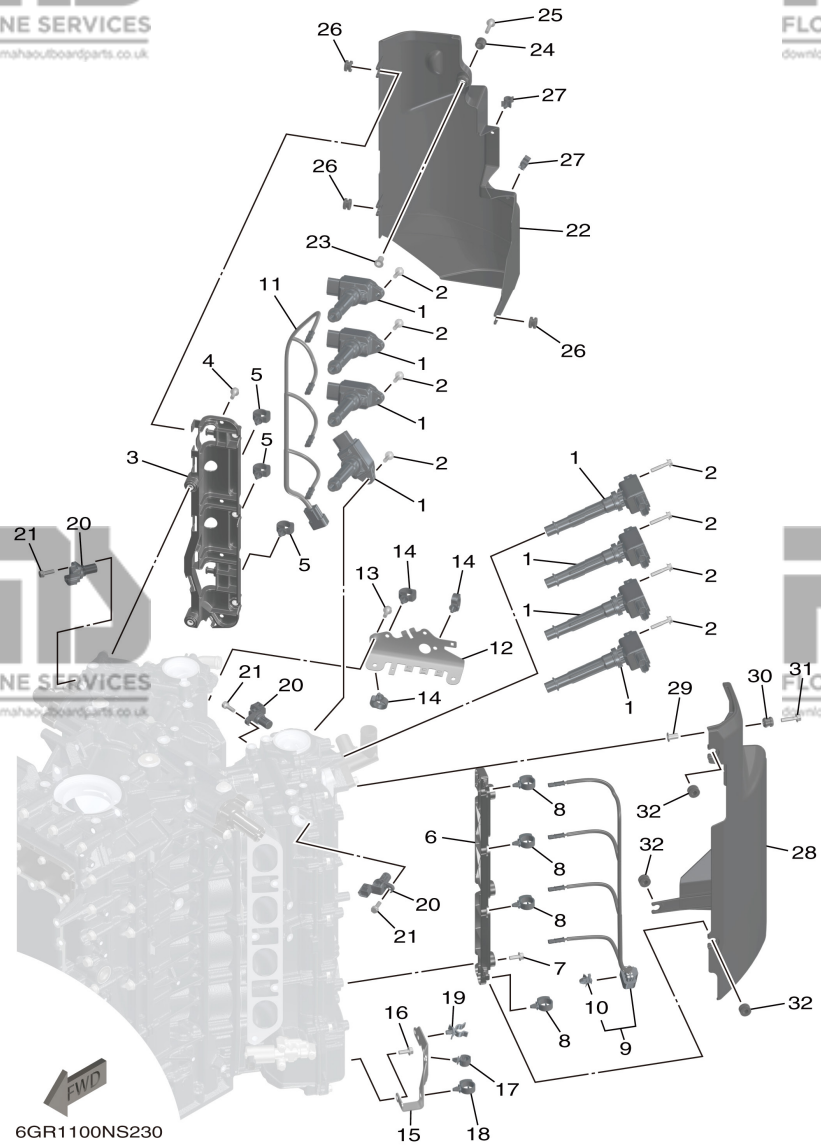
**FIG. 22 ELECTRICAL 2**

REF. NO.	PART NO.	DESCRIPTION	QTY	REMARKS
1	6GR-82310-00	IGNITION COIL ASSY	8	
2	90105-06028	BOLT, FLANGE	8	
3	6GR-8272F-00	PLATE, GUIDE 1	1	
4	95895-06016	BOLT, FLANGE	5	
5	90464-20181	CLAMP	3	
6	6GR-8272G-00	PLATE, GUIDE 2	1	
7	95895-06016	BOLT, FLANGE	3	
8	90464-20181	CLAMP	4	
9	6GR-82386-00	EXTENSION, WIRE HARNESS	1	
10	90464-09M47	.CLAMP	1	
11	6GR-82386-10	EXTENSION, WIRE HARNESS	1	
12	6GR-82388-00	PLATE	1	
13	95895-06016	BOLT, FLANGE	2	
14	90464-20181	CLAMP	3	
15	6GR-82389-00	PLATE 2	1	
16	95895-06016	BOLT, FLANGE	3	
17	90464-13249	CLAMP	1	
18	90464-20181	CLAMP	1	
19	90464-12015	CLAMP	1	
20	6GR-85896-00	SENSOR, CAM POSITION	3	
21	97595-06520	BOLT, WITH WASHER	3	
22	6GR-11186-00	COVER, CYLINDER HEAD SIDE 2	1	
23	90387-06119	COLLAR	1	
24	6A0-82317-00	DAMPER, IGNITION COIL	1	
25	95895-06025	BOLT, FLANGE	1	
26	90480-12314	GROMMET	3	
27	90464-09129	CLAMP	2	



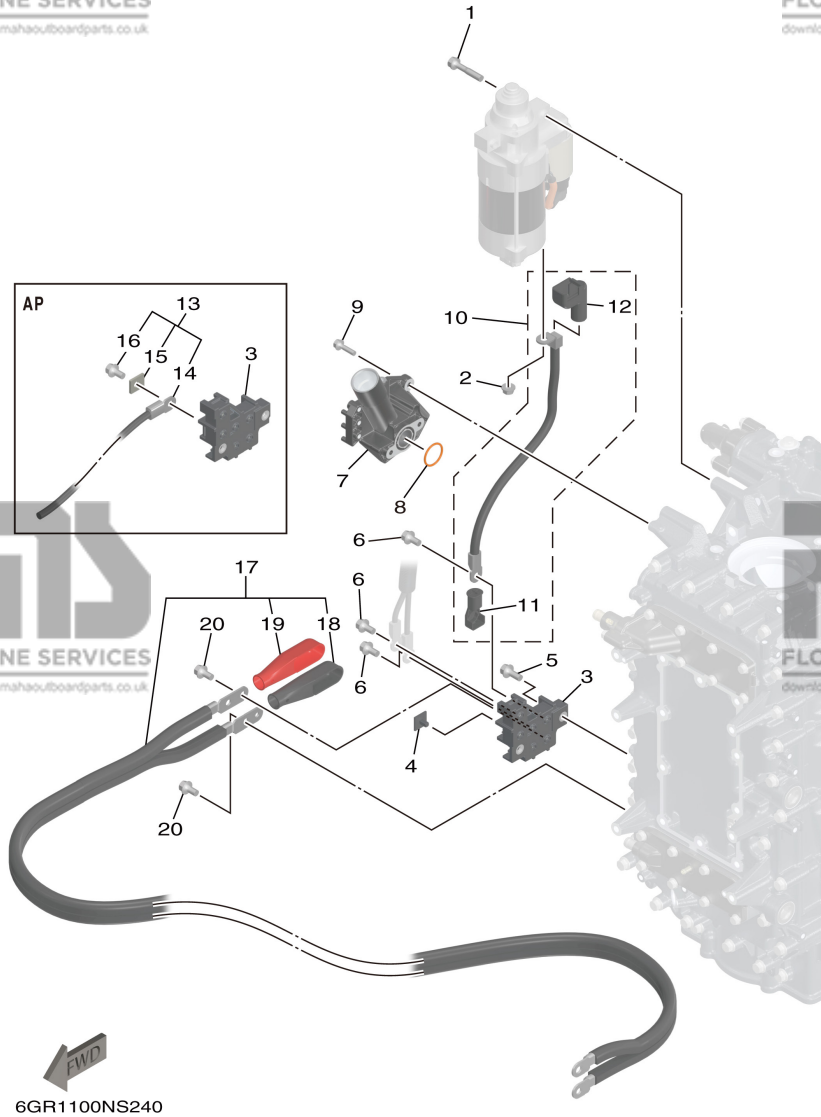
**FIG. 22 ELECTRICAL 2**

REF. NO.	PART NO.	DESCRIPTION	QTY	REMARKS
28	6GR-11187-00	COVER, CYLINDER HEAD SIDE 3	1	
29	90387-06119	COLLAR	1	
30	6A0-82317-00	DAMPER, IGNITION COIL	1	
31	95895-06025	BOLT, FLANGE	1	
32	90480-12314	GROMMET	3	

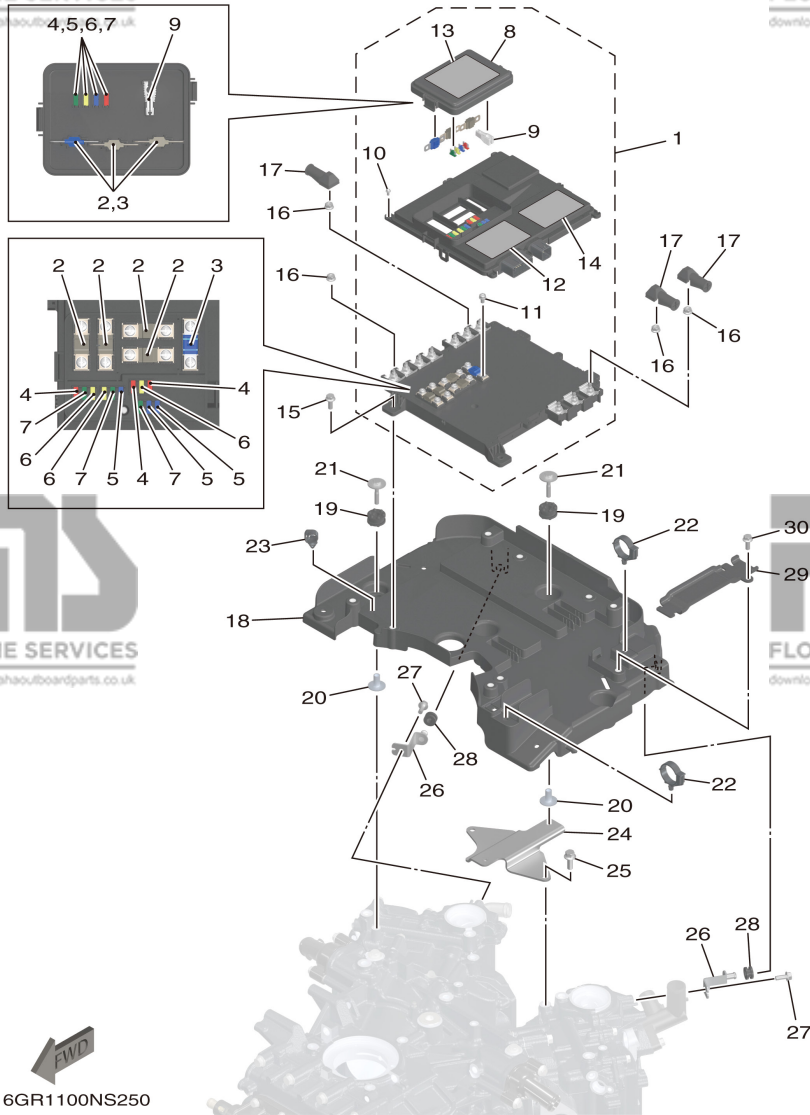




**FIG. 23 ELECTRICAL 3**



REF. NO.	PART NO.	DESCRIPTION	QTY	REMARKS
1	97513-08545	BOLT, WITH WASHER	3	
2	90179-08003	NUT	1	
3	6GR-81925-00	TERMINAL	1	
4	6GR-81916-00	COVER, TERMINAL	1	
5	95895-08020	BOLT, FLANGE	2	
6	95895-08016	BOLT, FLANGE	3	
7	6GR-81929-00-9S	BRACKET, TERMINAL	1	
8	93210-27370	O-RING	1	
9	95895-06025	BOLT, FLANGE	3	
10	6GR-82117-00	WIRE, LEAD	1	
11	6GR-82119-10	.COVER, LEAD WIRE	1	
12	6AW-82119-10	.COVER, LEAD WIRE	1	
13	6GR-762W0-00	WIRE HARNESS KIT	1	ASK TO MARINE DIV
14	6GR-81949-00	.WIRE, LEAD	1	
15	6P2-81923-00	.WASHER	1	
16	95895-08016	.BOLT, FLANGE	1	
17	6GR-82105-00	WIRE HARNESS	1	AP
18	6AW-82119-00	.COVER, LEAD WIRE	1	
19	6AW-82119-20	.COVER, LEAD WIRE	1	
20	95895-08016	BOLT, FLANGE	3	AP



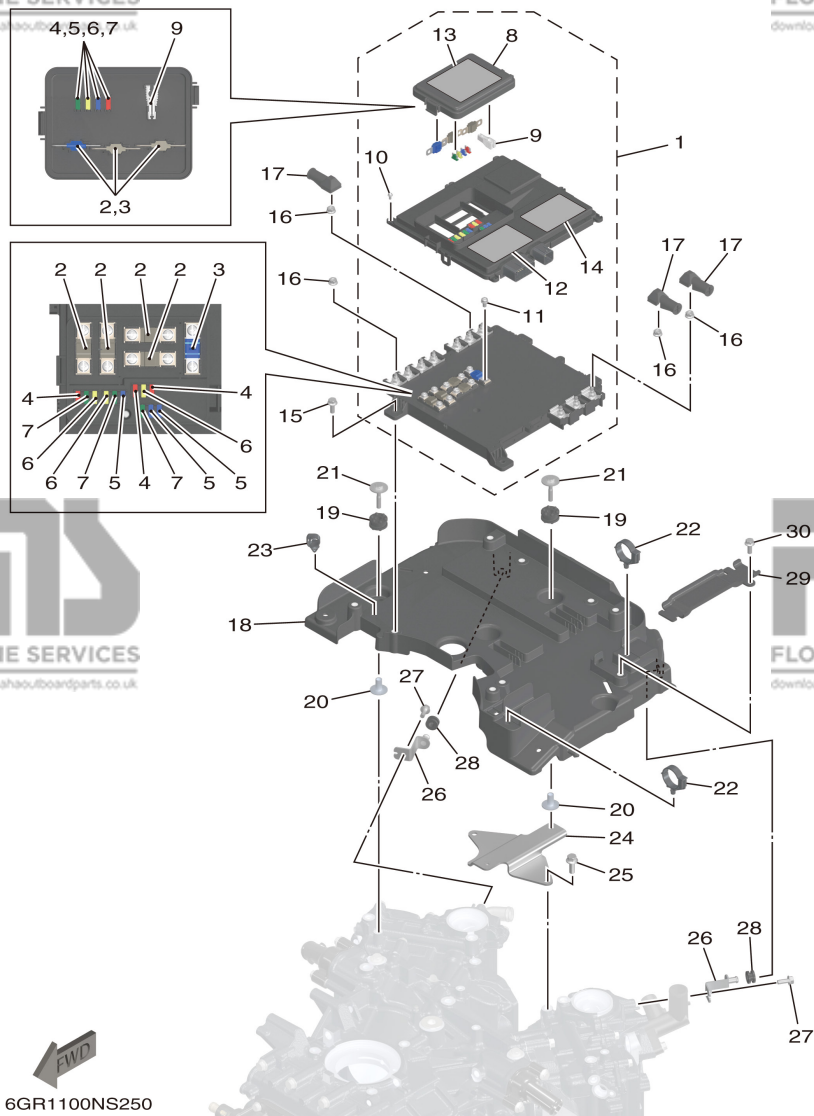
6GR1100NS250

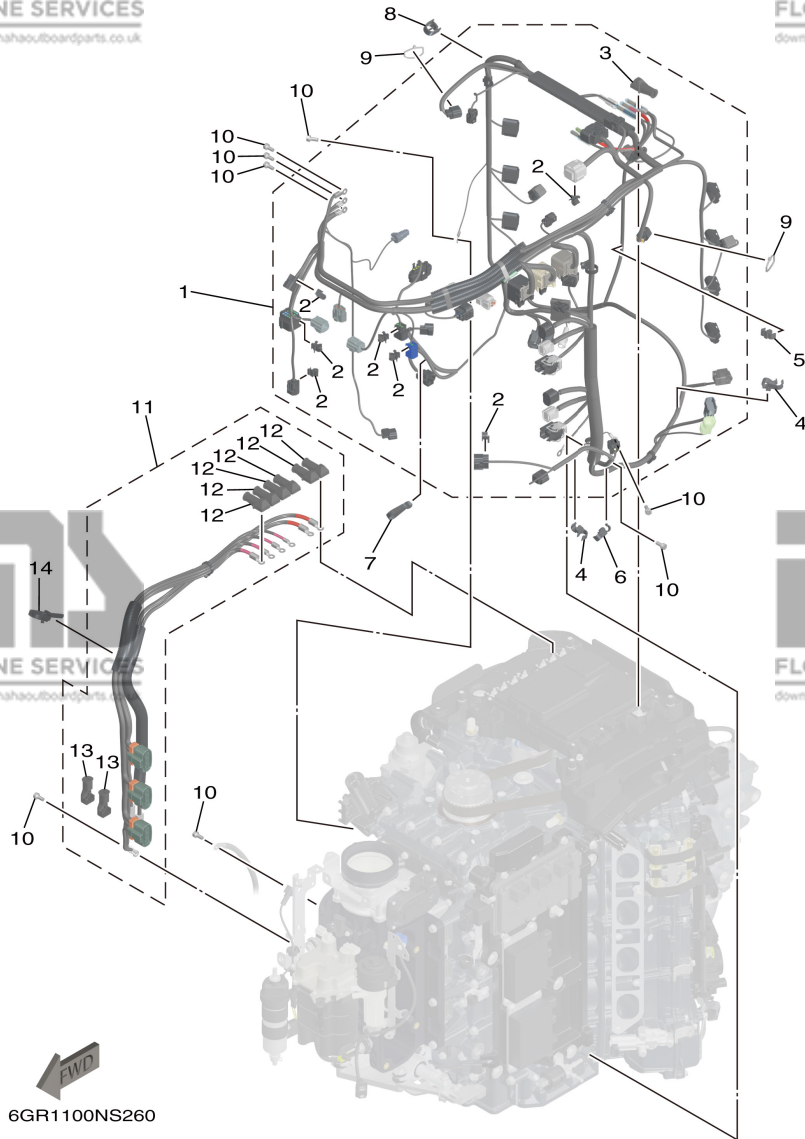
**FIG. 24 ELECTRICAL 4**

REF. NO.	PART NO.	DESCRIPTION	QTY	REMARKS
1	6GR-W85AA-00	ELECTRIC POWER MANAGEMENT UNIT	1	
2	6GR-82151-10	.FUSE (70A)	6	
3	6GR-82151-00	.FUSE (100A)	2	
4	6CB-82151-00	.FUSE (10A)	4	
5	6CB-82151-10	.FUSE (15A)	4	
6	6CB-82151-20	.FUSE (20A)	4	
7	6CB-82151-30	.FUSE (30A)	4	
8	6GR-85544-00	.CASE	1	
9	6CB-2812A-00	.PULLER, FUSE	1	
10	6P2-82113-00	.SCREW (M3)	7	
11	68F-82846-00	.SCREW, PAN HEAD (M5)	10	
12	6GR-81919-00	.GRAPHIC, REGULATOR	1	
13	6GR-81919-10	.GRAPHIC, REGULATOR	1	
14	6GR-81919-20	.GRAPHIC, REGULATOR	1	
15	95895-06016	BOLT, FLANGE	4	
16	95780-06500	NUT, FLANGE	10	
17	6GR-82119-00	COVER, LEAD WIRE	3	
18	6GR-82589-00	PROTECTOR, WIRE HARNESS	1	
19	68F-85516-01	SPACER	4	
20	90387-06176	COLLAR	4	
21	68F-85119-00	BOLT	4	
22	90464-30001	CLAMP	2	
23	90464-13249	CLAMP	1	
24	6GR-82171-00	STAY, FUSE BOX	1	
25	95895-08020	BOLT, FLANGE	2	
26	6GR-8272U-00	PLATE, JOINT	2	
27	95895-06016	BOLT, FLANGE	2	

**FIG. 24 ELECTRICAL 4**

REF. NO.	PART NO.	DESCRIPTION	QTY	REMARKS
28	90480-12314	GROMMET	2	
29	6GR-85525-00	COVER	1	
30	95895-06016	BOLT, FLANGE	1	

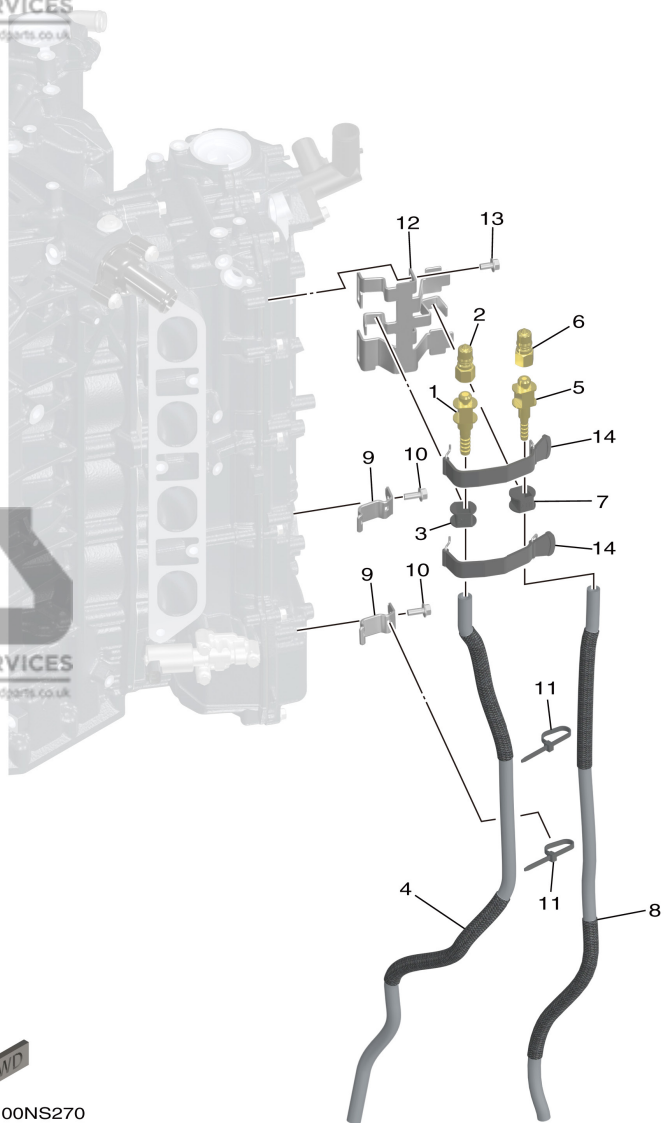




6GR1100NS260

**FIG. 25 ELECTRICAL 5**

REF. NO.	PART NO.	DESCRIPTION	QTY	REMARKS
1	6GR-82590-00	WIRE HARNESS ASSY	1	
2	90464-09M47	.CLAMP	8	
3	6GR-82119-00	.COVER, LEAD WIRE	1	
4	90464-12012	CLAMP	2	
5	90464-09013	CLAMP	1	
6	90464-12010	CLAMP	1	
7	90465-13M24	CLAMP	1	
8	90464-18004	CLAMP	1	
9	90465-11M59	CLAMP	2	
10	97595-06516	BOLT, WITH WASHER	8	
11	6GR-8259M-00	WIRE HARNESS ASSY 2	1	
12	6GR-82119-00	.COVER, LEAD WIRE	6	
13	6GR-82119-10	.COVER, LEAD WIRE	2	
14	90464-44002	CLAMP	1	

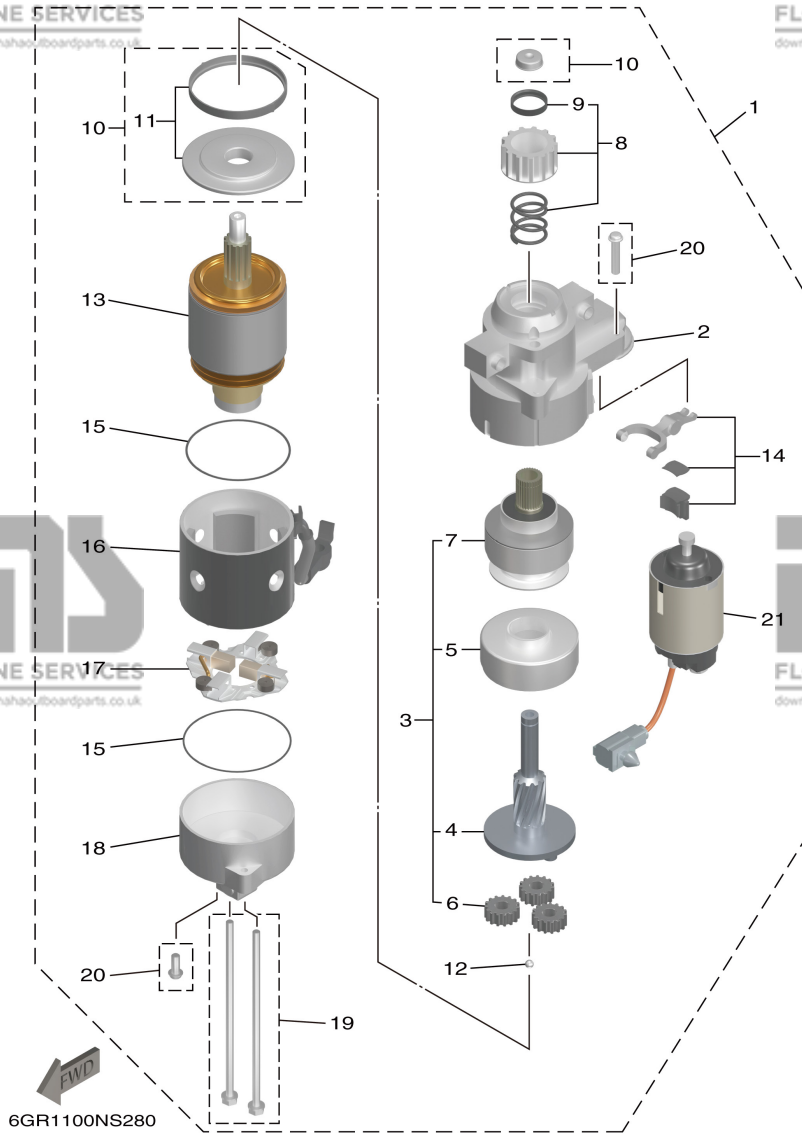


6GR1100NS270

FIG. 26 ELECTRICAL 6

REF. NO.	PART NO.	DESCRIPTION	QTY	REMARKS
1	6GR-45394-00	HOSE, FITTING 1	1	
2	6GR-45393-00	COUPLER	1	
3	6GR-81662-00	COVER, CONNECTOR	1	
4	6GR-4383E-00	HOSE, OIL 2	1	
5	6GR-45395-00	HOSE, FITTING 2	1	
6	6GR-45393-00	COUPLER	1	
7	6GR-82599-00	COVER, CONNECTOR	1	
8	6GR-2318K-00	HOSE, AIR 2	1	
9	6GR-81443-00	CLAMP, LEAD 1	2	
10	95895-06016	BOLT, FLANGE	2	
11	90465-13M97	CLAMP	2	
12	6GR-81845-00	PLATE	1	
13	95895-06012	BOLT, FLANGE	2	
14	6GR-82131-00	BAND, BATTERY	2	

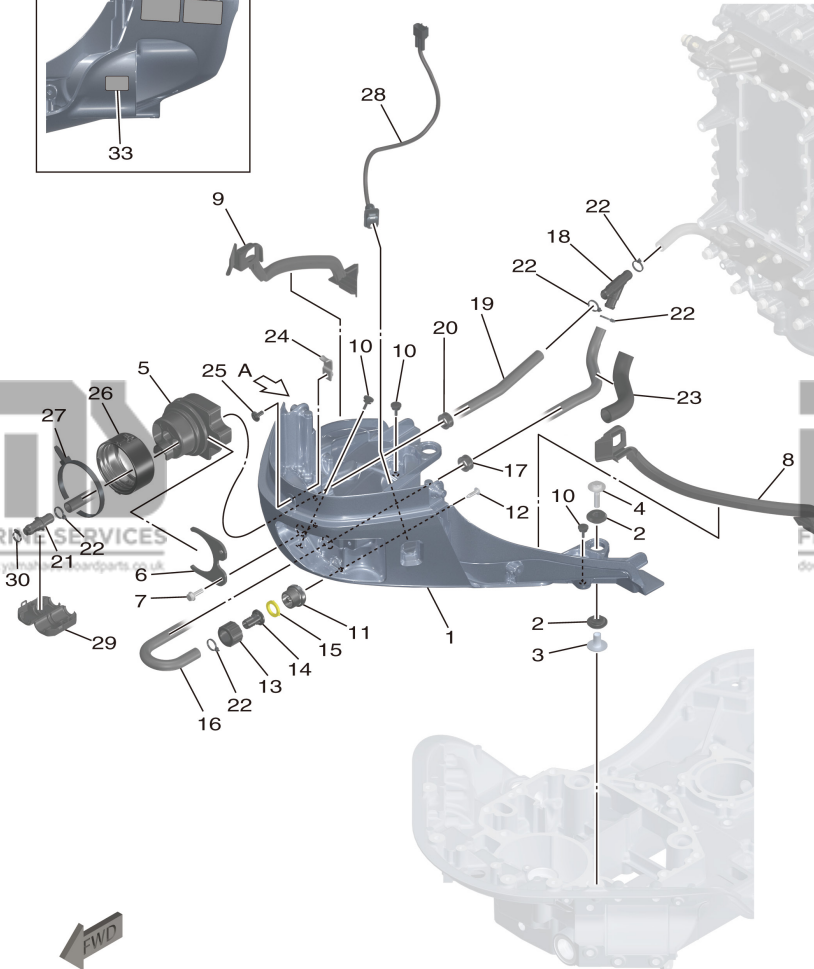
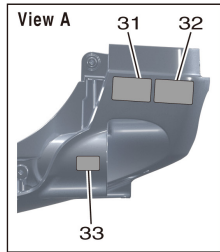
FIG. 27 STARTING MOTOR



REF. NO.	PART NO.	DESCRIPTION	QTY	REMARKS
1	6AW-81800-00	STARTING MOTOR ASSY	1	
2	6AW-81830-00	.FRONT BRACKET ASSY	1	
3	6AW-81807-00	.GEAR ASSY, STARTING MOTOR	1	
4	6AW-81836-00	..SHAFT, PINION	1	
5	6AW-81891-00	..GEAR, RING	1	
6	6AW-8183T-00	..GEAR, IDLER	3	
7	6AW-81832-00	..CLUTCH, OVER RUN	1	
8	6AW-81808-00	..PINION ASSY	1	
9	6AW-81857-00	..PINION STOPPER SET	1	
10	6AW-81862-00	..CAP	1	
11	6AW-8183R-00	..PACKING SET	1	
12	6AW-81854-00	..BALL, STEEL	1	
13	6AW-81850-00	..ARMATURE ASSY	1	
14	6AW-81839-00	..LEVER ASSY	1	
15	6AW-81842-00	..PACKING	2	
16	6AW-81810-00	..STATOR ASSY	1	
17	6AW-81840-00	..BRUSH HOLDER ASSY	1	
18	6AW-81820-00	..REAR BRACKET ASSY	1	
19	6AW-81826-00	..BOLT	1	
20	6AW-81846-00	..SCREW	1	
21	6AW-81941-00	..STARTER RELAY ASSY	1	



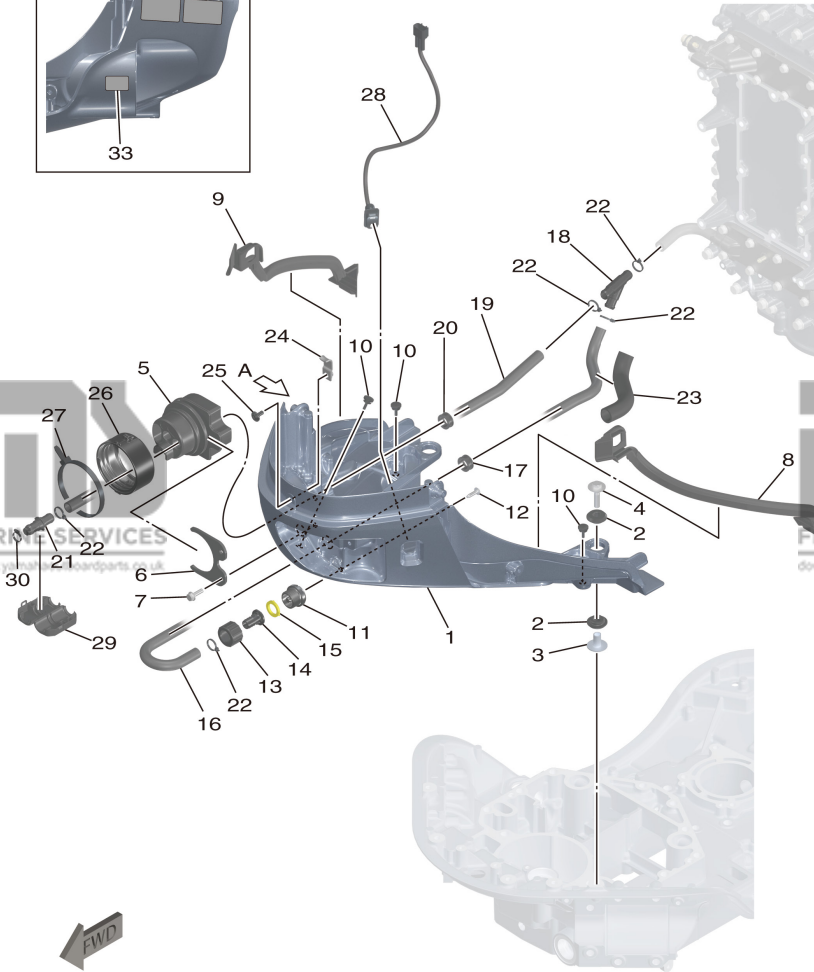
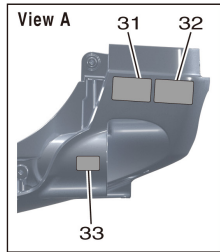
**FIG. 28 BOTTOM COWLING 1**



REF. NO.	PART NO.	DESCRIPTION	QTY	REMARKS
1	6GR-42711-00-8D	COWLING, BOTTOM 1	1	
2	90480-22M81	GROMMET	4	
3	90387-08M37	COLLAR	2	
4	90119-08M22	BOLT, WITH WASHER	2	
5	6GR-42725-00	GROMMET	1	
6	6GR-42761-00	STOPPER	1	
7	95895-06020	BOLT, FLANGE	2	
8	6GR-42717-00	RUBBER, SEAL 2	1	
9	6GR-42718-00	RUBBER, SEAL 3	1	
10	6H4-42748-00	GROMMET	3	
11	6R3-12572-00	ADAPTER	1	
12	90169-05M00	SCREW, TRUSS HEAD TAPPING	1	
13	6R3-12581-00	JOINT, HOSE 1	1	
14	6GR-12582-00	JOINT, HOSE 2	1	
15	6R3-12583-00	GASKET, HOSE JOINT	1	
16	6GR-12577-00	HOSE 2	1	
17	90480-20M05	GROMMET	1	
18	6GR-24378-00	PIPE, JOINT 3	1	
19	90445-16025	HOSE (L290)	1	
20	90480-20M05	GROMMET	1	
21	6GR-83558-00	END, NIPPLE	1	
22	90465-11M10	CLAMP	5	
23	90445-23003	HOSE (L150)	1	
24	6GR-44554-00	PLATE	1	
25	90111-06144	BOLT, HEX. SOCKET BUTTON	1	
26	6GR-42753-00	FASTNER	1	AP
27	90464-99006	CLAMP	1	AP

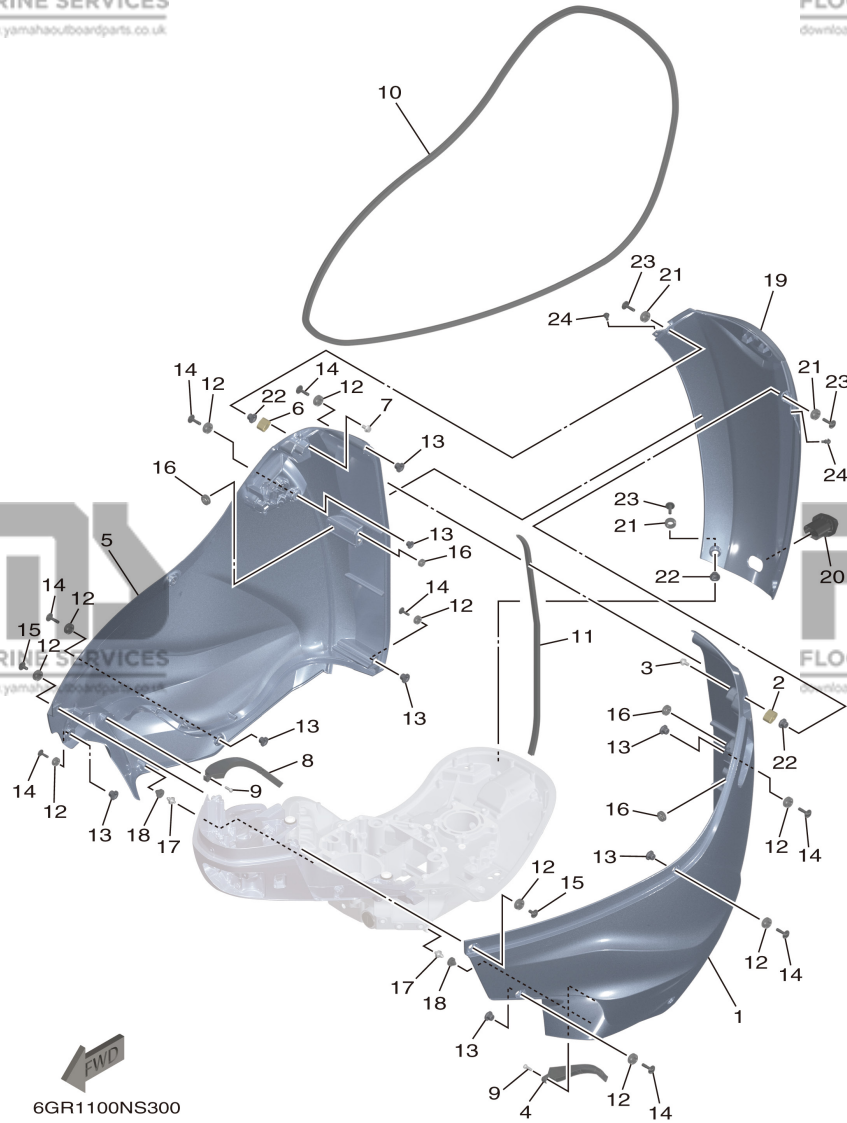
**FIG. 28 BOTTOM COWLING 1**

REF. NO.	PART NO.	DESCRIPTION	QTY	REMARKS
28	6GR-82563-00	TRIM & TILT SWITCH ASSY	1	
29	6GR-24452-00	COVER	1	AP
30	90460-15227	CLAMP, HOSE	1	AP
31	6EE-42794-40	LABEL, WARNING (GENERAL)	1	
32	6EE-42794-50	LABEL, WARNING (GENERAL)	1	
33	6AH-81996-00	MARK	1	

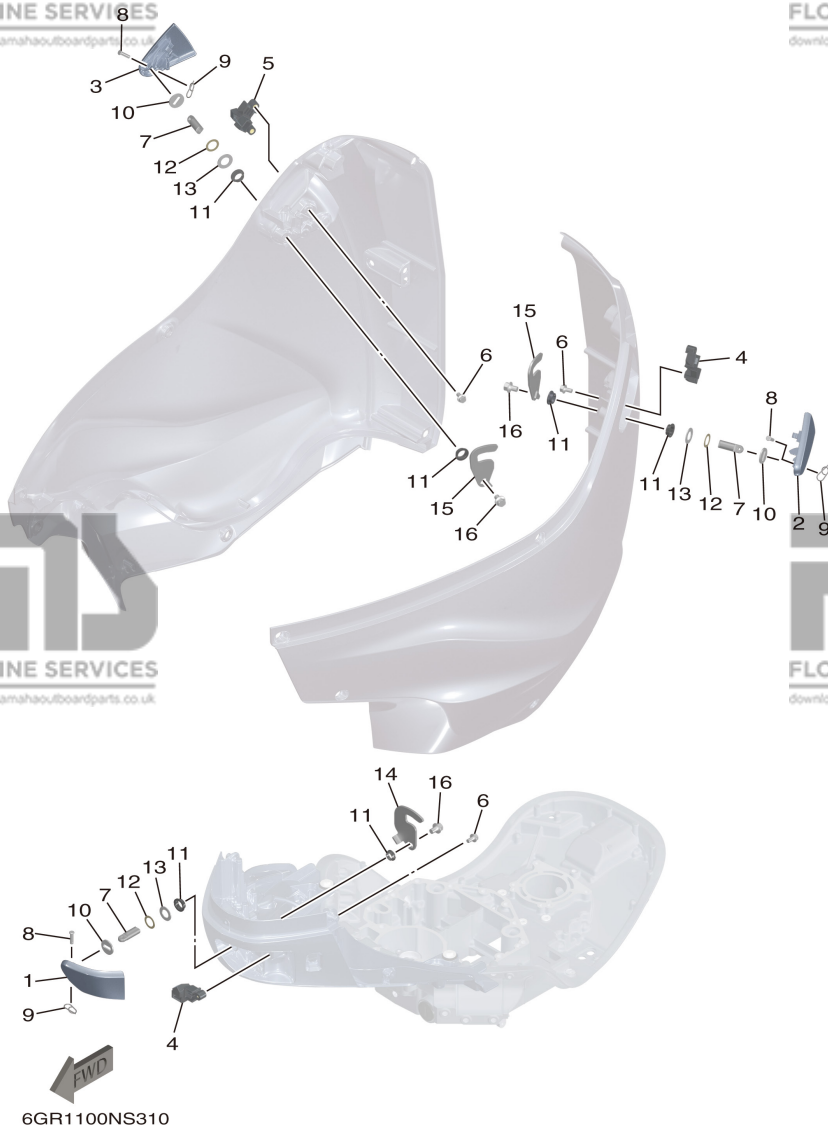


6GR1100NS290

**FIG. 29 BOTTOM COWLING 2**



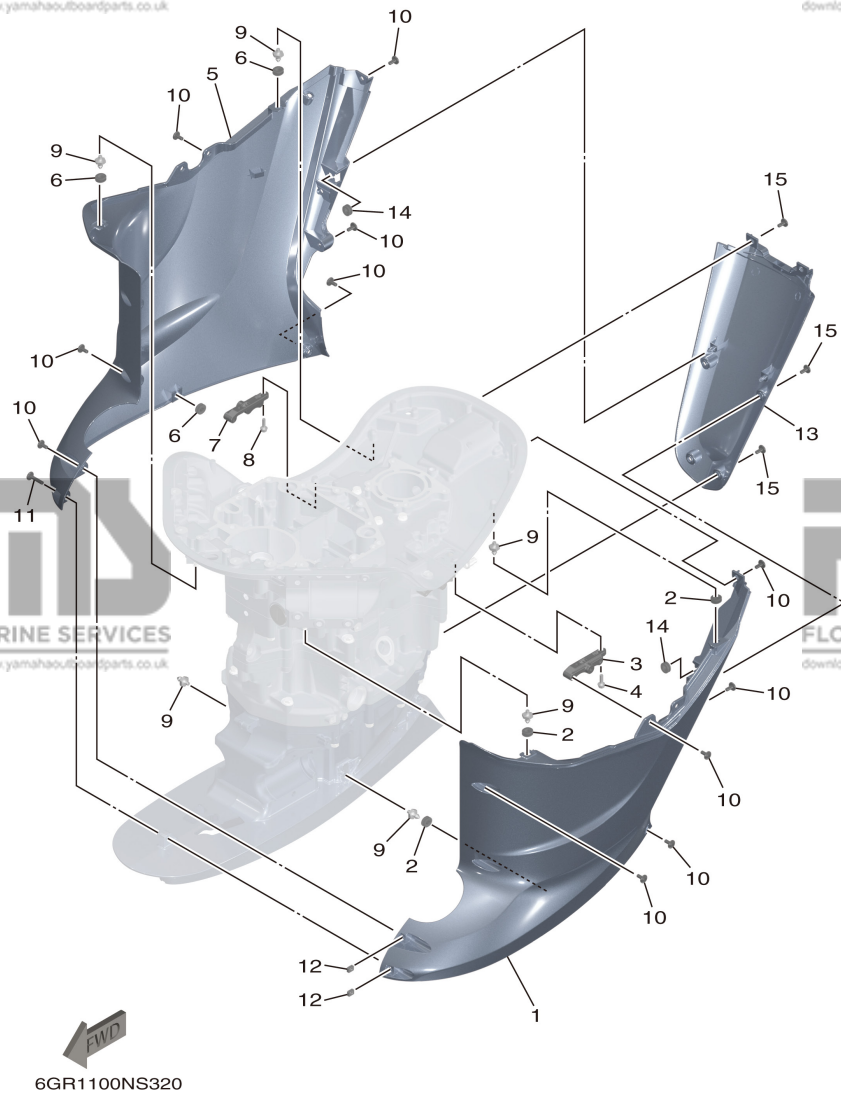
REF. NO.	PART NO.	DESCRIPTION	QTY	REMARKS
1	6GR-42712-00-8D	COWLING, BOTTOM 2	1	
2	6GR-42744-00	STAY	1	
3	95895-06012	BOLT, FLANGE	2	
4	6GR-42622-00	DAMPER	1	
5	6GR-42713-00-8D	COWLING, BOTTOM 3	1	
6	6GR-42744-00	STAY	1	
7	95895-06012	BOLT, FLANGE	2	
8	6GR-42623-00	SIDE, MOLE COWLING 2	1	
9	90167-05017	SCREW, TAPPING	4	
10	6GR-42615-00	SEAL	1	
11	6GR-42769-00	SEAL, RUBBER	1	
12	90480-16015	GROMMET	14	
13	6GR-42758-00	COLLAR	12	
14	90111-06175	BOLT,HEX. SOCKET BUTTON	12	
15	90111-06176	BOLT,HEX. SOCKET BUTTON	2	
16	90480-13034	GROMMET	4	
17	69J-42774-10	STAY, APRON 1	2	
18	6GR-42768-00	DAMPER	2	
19	6GR-42625-00-8D	PANEL, REAR	1	
20	6GR-42748-00	GROMMET	1	
21	90480-16015	GROMMET	4	
22	6GR-42758-00	COLLAR	4	
23	90111-06175	BOLT,HEX. SOCKET BUTTON	4	
24	90338-07012	PLUG	2	



**FIG. 30 BOTTOM COWLING 3**

REF. NO.	PART NO.	DESCRIPTION	QTY	REMARKS
1	6GR-42815-00-8D	LEVER, CLAMP 1	1	
2	6GR-42816-00-8D	LEVER, CLAMP 2	1	
3	6GR-42817-00-8D	LEVER, CLAMP 3	1	
4	6GR-42828-00	PLATE, CLAMP	2	
5	6GR-42829-00	PLATE, CLAMP 2	1	
6	95895-06012	BOLT, FLANGE	6	
7	6GR-42835-00	PIN, SET 1	3	
8	90240-05002	PIN, CLEVIS	3	
9	68T-42835-00	PIN, SET 1	3	
10	6GR-42833-00	WASHER, PLAIN	3	
11	90386-15M73	BUSH	6	
12	90206-15M18	WASHER, WAVE	3	
13	90201-156J2	WASHER, PLATE	3	
14	6GR-42818-00	LEVER, CLAMP 4	1	
15	6GR-42819-00	LEVER, CLAMP 5	2	
16	95895-08012	BOLT, FLANGE	3	

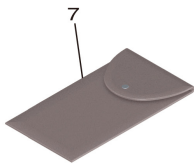
**FIG. 31 BOTTOM COWLING 4**



REF. NO.	PART NO.	DESCRIPTION	QTY	REMARKS
1	6GR-42740-00-8D	APRON COMPLETE 1	1	
2	90480-14M17	GROMMET	3	
3	6GR-42774-00-CA	STAY, APRON 1	1	
4	95895-06020	BOLT, FLANGE	2	
5	6GR-42770-00-8D	APRON COMPLETE 2	1	
6	90480-14M17	GROMMET	3	
7	6GR-42775-00-CA	STAY, APRON 2	1	
8	95895-06020	BOLT, FLANGE	2	
9	69J-42774-10	STAY, APRON 1	6	
10	90111-06144	BOLT,HEX. SOCKET BUTTON	15	
11	90111-06142	BOLT,HEX. SOCKET BUTTON	1	
12	90173-06001	NUT, SQUARE	2	
13	6GR-45141-00-8D	COVER, UPPER CASING	1	
14	90480-14M17	GROMMET	2	
15	90111-06144	BOLT,HEX. SOCKET BUTTON	6	

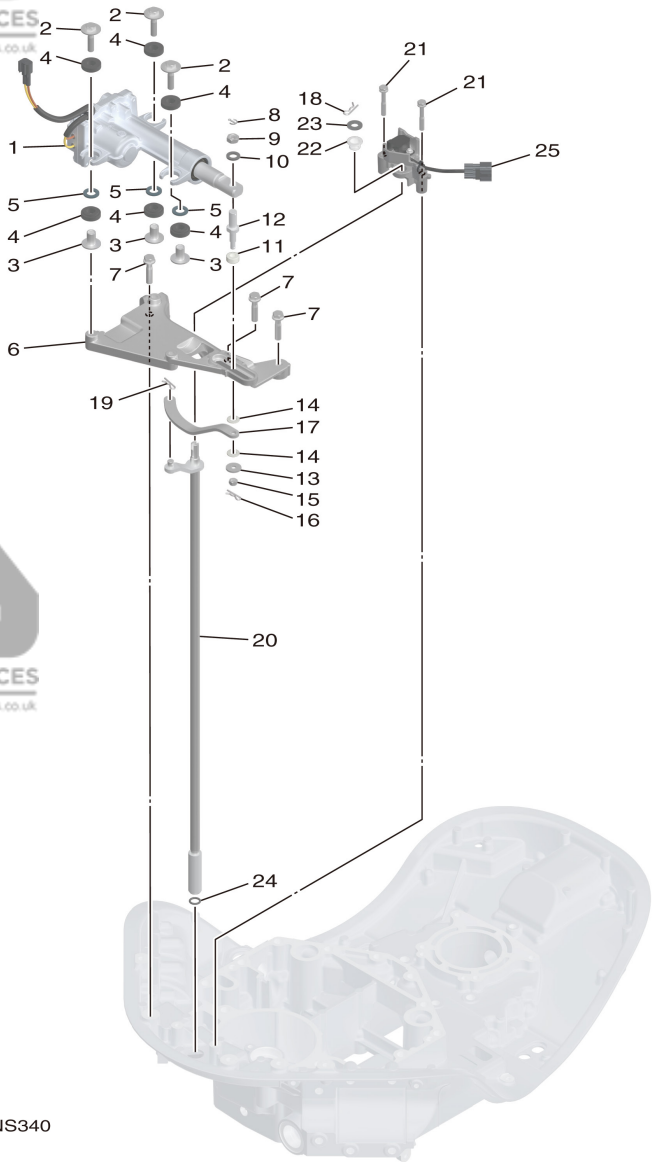
**FIG. 32 GRAPHIC & TOOL**

REF. NO.	PART NO.	DESCRIPTION	6GT1	REMARKS
1	6AW-42697-10	TUNING FORK MARK	1	
2	6GT-42783-00	GRAPHIC, SIDE	1	
3	6GT-42784-00	GRAPHIC, SIDE	1	
4	6GT-4267A-20	GRAPHIC, REAR 2	1	
5	6GT-42678-10	GRAPHIC, REAR	1	
6	6GT-42682-10	MARK, COWLING	1	
7	6GR-28100-10	TOOL KIT	1	



**AWD**  
6GT1100NS320



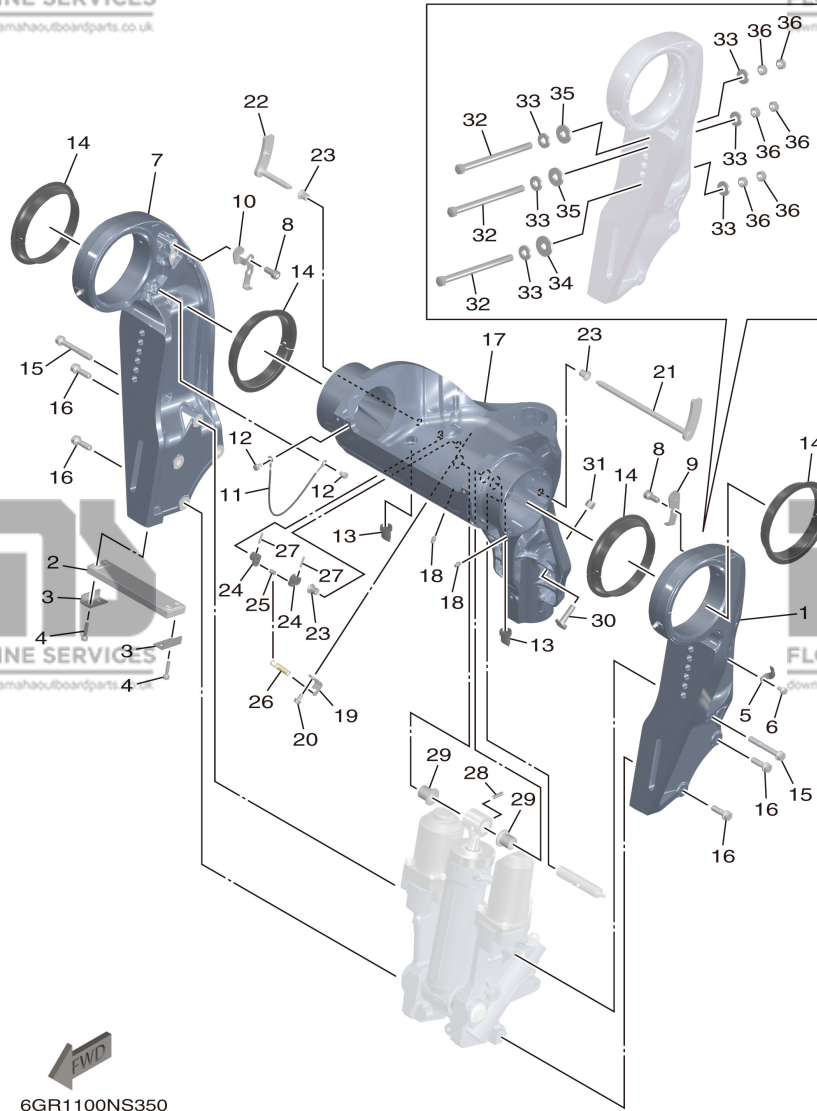


6GR1100NS340

FIG. 33 CONTROL

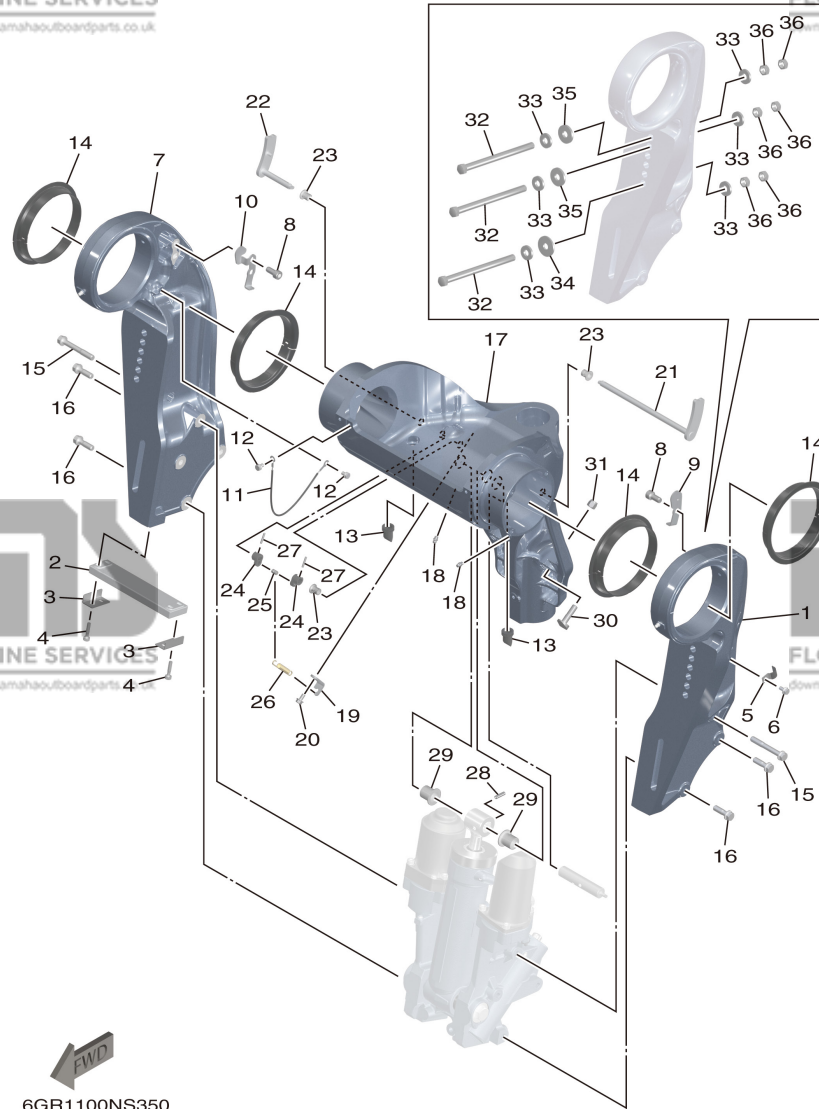
REF. NO.	PART NO.	DESCRIPTION	QTY	REMARKS
1	6GR-4820A-00	ACTUATOR UNIT	1	
2	90119-08175	BOLT, WITH WASHER	3	
3	90387-08104	COLLAR	3	
4	6CE-85564-00	GROMMET	6	
5	90201-12064	WASHER, PLATE	3	
6	6GR-44117-00	BRACKET	1	
7	97575-08535	BOLT, WITH WASHER	3	
8	91490-20015	PIN. COTTER	1	
9	95380-10700	NUT	1	
10	90201-10048	WASHER, PLATE	1	
11	6CE-44122-00	BUSHING, SHIFT ROD LEVER	1	
12	6GR-42195-00	PIN, JOINT 1	1	
13	90201-06068	WASHER, PLATE	1	
14	90202-08M41	WASHER, PLATE	2	
15	90185-06M07	NUT, SELF-LOCKING	1	
16	90468-18008	CLIP	1	
17	6GR-44121-00	LEVER, SHIFT ROD	1	
18	90468-180A0	CLIP	1	
19	90468-18008	CLIP	1	
20	6GR-44120-00	HANDLE GEAR SHIFT ASSY	1	
21	97595-06540	BOLT, WITH WASHER	2	
22	90386-12M61	BUSH	1	
23	90201-10M63	WASHER, PLATE	1	
24	93210-11073	O-RING	1	
25	6GR-68303-00	SENSOR ASSY	1	

**FIG. 34 BRACKET 1**



REF. NO.	PART NO.	DESCRIPTION	QTY	REMARKS
1	6GR-4311A-00-8D	BRACKET, CLAMP 1, W/NIPPLE	1	
2	6AW-45251-00	ANODE	1	
3	6G5-44526-00	PLATE	2	
4	97595-06530	BOLT, WITH WASHER	4	
5	90465-08M63	CLAMP	1	
6	95895-06012	BOLT, FLANGE	1	
7	6GR-4311B-00-8D	BRACKET, CLAMP 2, W/NIPPLE	1	
8	91380-10020	BOLT	4	
9	6GR-4381E-00	BRACKET	1	
10	6GR-4381F-00	BRACKET	1	
11	6GR-82147-00	WIRE, LEAD 5	1	
12	97595-06510	BOLT, WITH WASHER	2	
13	61A-42717-00	RUBBER, SEAL 2	2	
14	6GR-43333-00	BUSH. , SWIVEL BRACKET	4	
15	90119-10064	BOLT, WITH WASHER	2	
16	90119-10040	BOLT, WITH WASHER	6	
17	6GR-43311-00-8D	BRACKET, SWIVEL 1	1	
18	93700-06002	NIPPLE, GREASE	3	
19	6GR-43144-00	HOOK, SPRING	1	
20	95895-06012	BOLT, FLANGE	1	
21	6GR-43181-00	LEVER, TILT STOP 1	1	
22	6GR-43185-00	LEVER, TILT STOP 2	1	
23	90386-10M16	BUSH	3	
24	6G5-43148-00	COLLAR, DISTANCE	2	
25	90249-06M19	PIN	1	
26	90506-16010	SPRING, TENSION	1	
27	91690-30020	PIN, SPRING	2	

**FIG. 34 BRACKET 1**

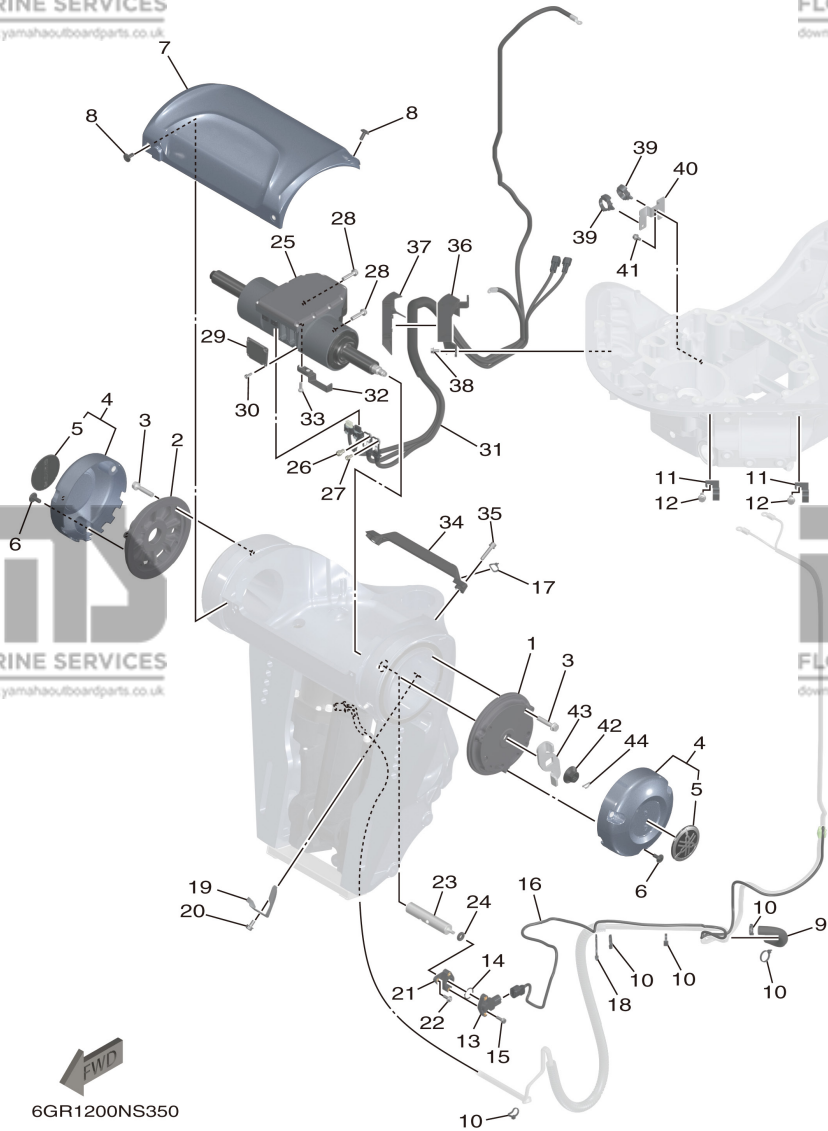


REF. NO.	PART NO.	DESCRIPTION	QTY	REMARKS
28	91690-60022	PIN, SPRING	1	
29	90386-20002	BUSH	2	
30	6GR-43376-00	BOLT, THRUST RECEIVER	2	
31	95780-10300	NUT, FLANGE	2	
32	90101-12054	BOLT (180MM)	6	
<hr/>				
	90101-12053	BOLT (110MM)	2	AP
	90101-12031	BOLT (150MM)	2	AP
	90101-12036	BOLT (170MM)	2	AP
	90101-12054	BOLT (180MM)	2	AP
	90101-12055	BOLT (200MM)	2	AP
<hr/>				
	90101-12056	BOLT (210MM)	2	AP
	90101-12057	BOLT (230MM)	2	AP
33	90201-12060	WASHER, PLATE	12	
34	90201-12426	WASHER, PLATE	2	
35	90201-13M19	WASHER, PLATE	4	
<hr/>				
36	95380-12600	NUT	12	

**FWD**  
6GR1100NS350

**FIG. 35 BRACKET 2**

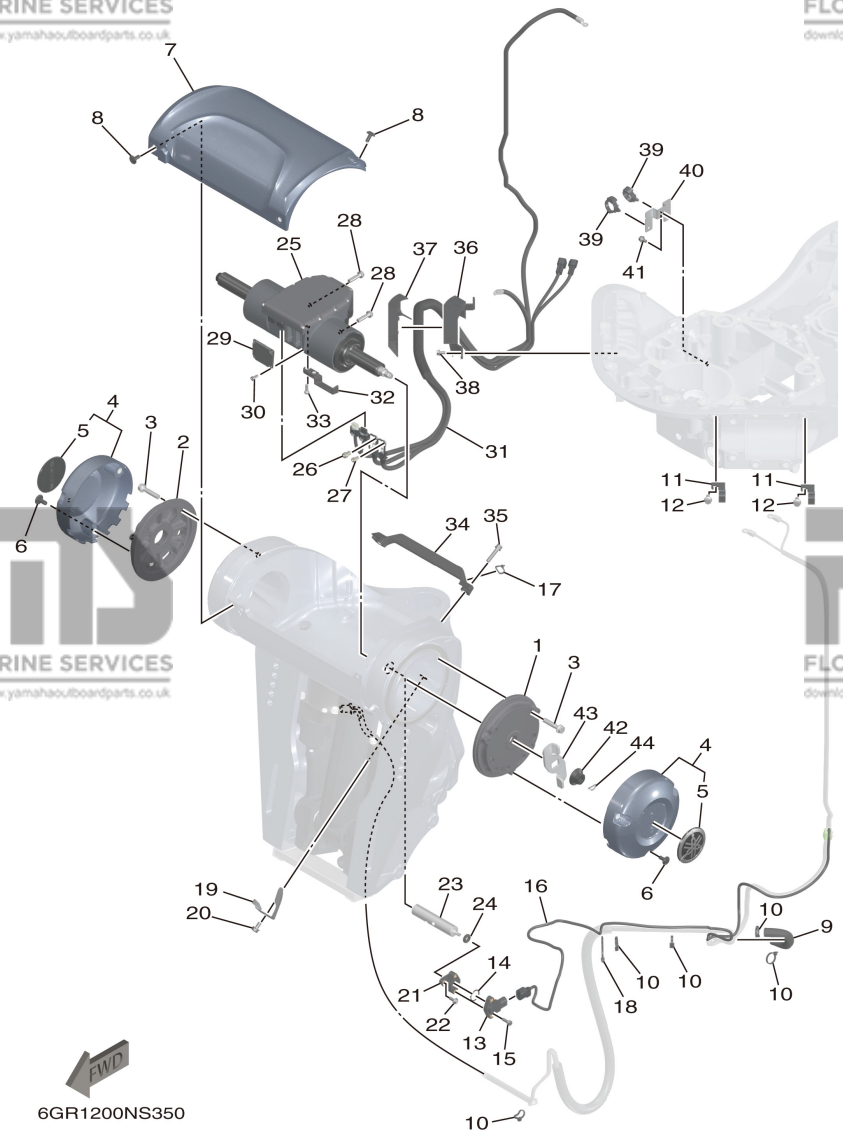
REF. NO.	PART NO.	DESCRIPTION	QTY	REMARKS
1	6GR-43341-00	COVER, SWIVEL SODE 1	1	
2	6GR-43342-00	COVER, SWIVEL SODE 2	1	
3	90119-08176	BOLT, WITH WASHER	8	
4	6GR-W436G-00-8D	SBW SIDE COVER ASSY	2	
5	6DA-42697-00	.TUNING FORK MARK	1	
6	90111-06144	BOLT,HEX. SOCKET BUTTON	6	
7	6GR-43318-00-8D	COVER	1	
8	90111-06144	BOLT,HEX. SOCKET BUTTON	4	
9	6GR-24864-00	TUBE	1	
10	90465-11M10	CLAMP	5	
11	90462-10033	CLAMP	2	
12	95895-06012	BOLT, FLANGE	2	
13	6GR-85887-00	SENSOR ANGLE	1	
14	93210-17MF9	O-RING	1	
15	97595-05516	BOLT, WITH WASHER	2	
16	6GR-82553-00	EXTENSION, WIRE LEAD	1	
17	90465-11M10	CLAMP	1	
18	90464-55002	CLAMP	1	
19	6GR-4381J-00	PLATE	1	
20	95895-06012	BOLT, FLANGE	1	
21	6GR-4382A-00	ADAPTOR 1	1	
22	90149-05044	SCREW	2	
23	6GR-43126-00	PIN, UPPER SHOCK MOUNT	1	
24	93210-06ME6	O-RING	1	
25	6GR-42401-00	POWER STEERING CYLINDER ASSY	1	
26	6GR-44331-00	BOLT, 1	1	
27	6GR-44332-00	BOLT, 2	1	

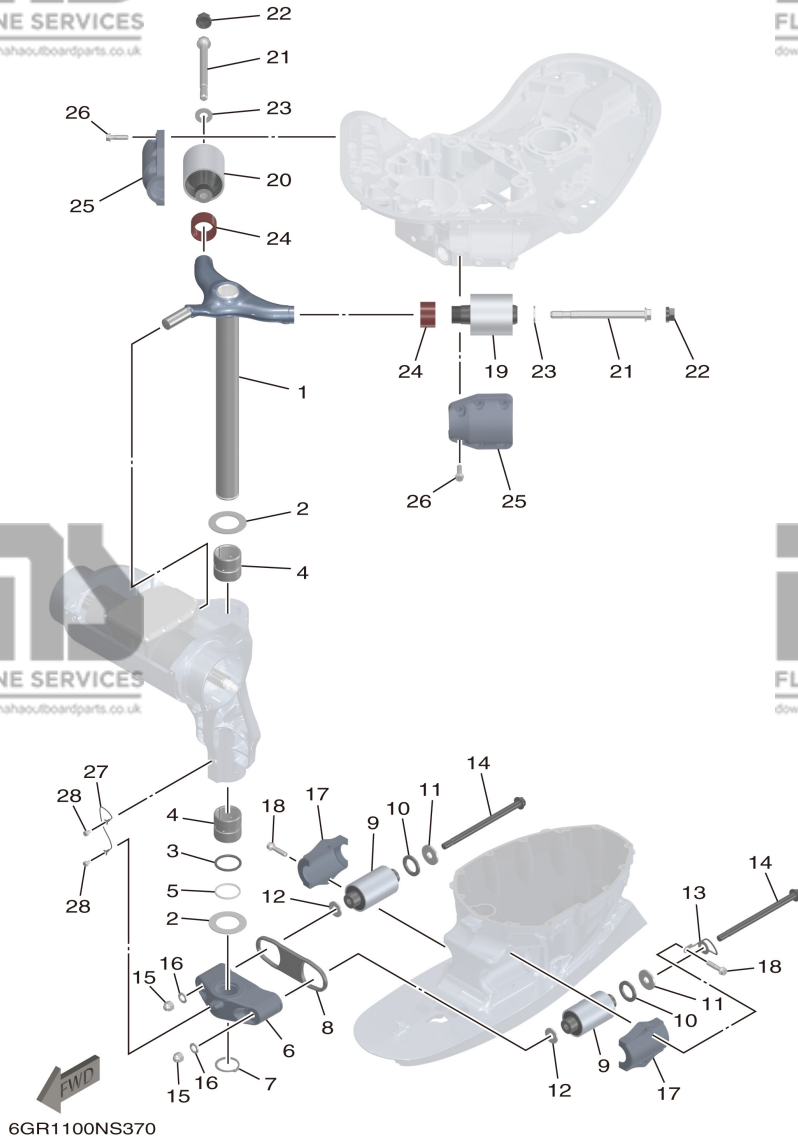


6GR1200NS350

**FIG. 35 BRACKET 2**

REF. NO.	PART NO.	DESCRIPTION	QTY	REMARKS
28	97580-08535	BOLT, WITH WASHER	4	
29	6GR-42134-00	COVER	1	
30	91380-04010	BOLT	4	
31	6GR-438A0-00	STEERING, WIRE HARNESS ASSY	1	
32	6GR-48538-00	CLAMP, CABLE 1	1	
33	97095-06018	BOLT	2	
34	6GR-47716-00	COVER	1	
35	90110-06191	BOLT, HEXAGON SOCKET HEAD	2	
36	6GR-43121-00	PROTECTOR	1	
37	6GR-47445-00	PROTECTOR	1	
38	95895-06012	BOLT, FLANGE	2	
39	90464-12183	CLAMP	2	
40	6GR-48539-00	CLAMP, CABLE 2	1	
41	95895-06012	BOLT, FLANGE	1	
42	90179-14007	NUT	1	
43	6GR-43378-00	WASHER	1	
44	91490-20025	PIN. COTTER	1	





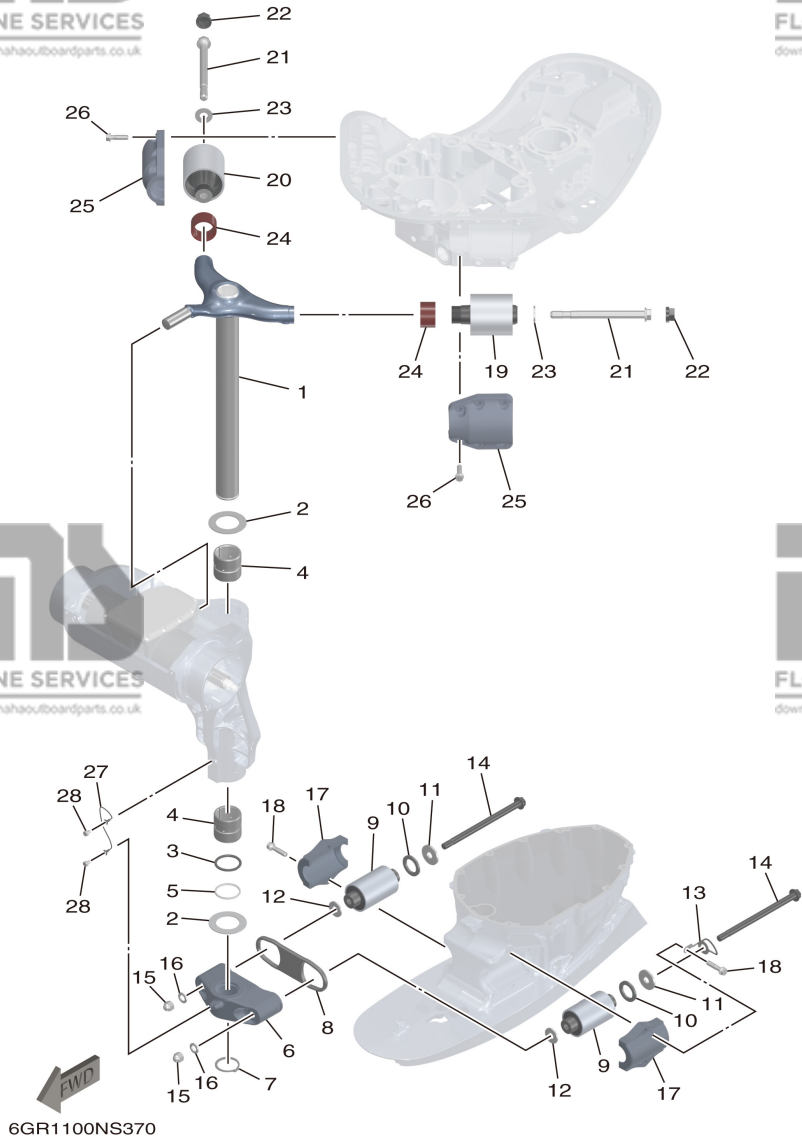
**FIG. 36 BRACKET 3**

REF. NO.	PART NO.	DESCRIPTION	QTY	REMARKS
1	6GR-42510-00-8D	STEERING BRACKET ASSY	1	
2	90201-51014	WASHER, PLATE	2	
3	93210-49003	O-RING	1	
4	90386-49001	BUSH	2	
5	90202-51001	WASHER, PLATE	1	
6	6GR-44551-00-CA	HOUSING, LOWER MOUNT RUBBER 1	1	
7	93410-46099	CIRCLIP	1	
8	6GR-44575-00	DAMPER, LOWER MOUNT RUBBER	1	
9	6AW-44555-00	MOUNT DAMPER, LOWER SIDE	2	
10	90202-32M19	WASHER, PLATE	2	
11	90201-16M55	WASHER, PLATE	2	
12	90201-15M58	WASHER, PLATE	2	
13	6GR-82149-00	WIRE, LEAD 3	1	
14	90105-14012	BOLT, FLANGE	2	
15	95380-14800	NUT	2	
16	92995-14600	WASHER	2	
17	6AW-44552-00-CA	HOUSING, LOWER MOUNT RUBBER 2	2	
18	90119-10024	BOLT, WITH WASHER	4	
19	6GR-44514-00	MOUNT DAMPER, UPPER SIDE	1	
20	6GR-44515-00	MOUNT RUBBER, UPPER SIDE	1	
21	90105-16004	BOLT, FLANGE	2	
22	6GR-44194-00	CAP	2	
23	90201-18030	WASHER, PLATE	2	
24	6GR-44533-00	DAMPER, UPPER MOUNT RUBBER	2	
25	6GR-44511-00-CA	COVER, UPPER MOUNT	2	
26	90119-10058	BOLT, WITH WASHER	12	
27	6T4-82117-00	WIRE, LEAD	1	

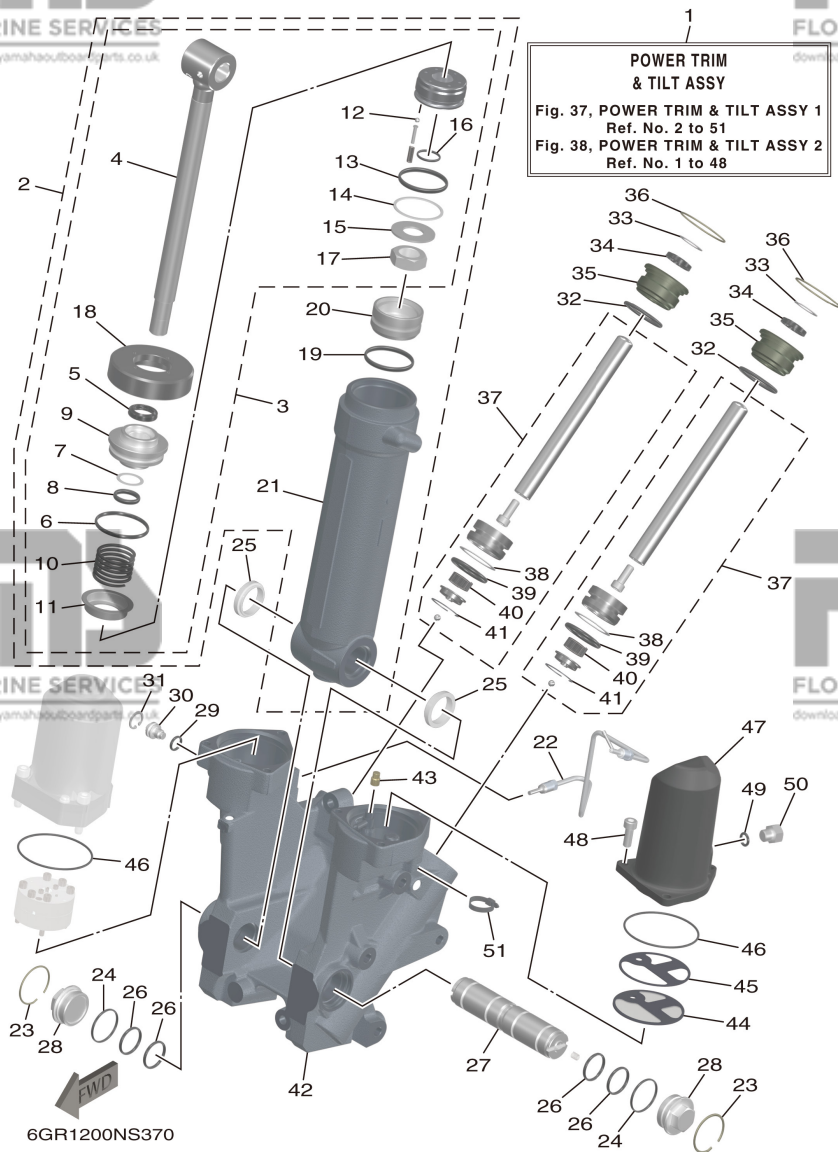


**FIG. 36 BRACKET 3**

REF. NO.	PART NO.	DESCRIPTION	QTY	REMARKS
28	97595-06510	BOLT, WITH WASHER	2	

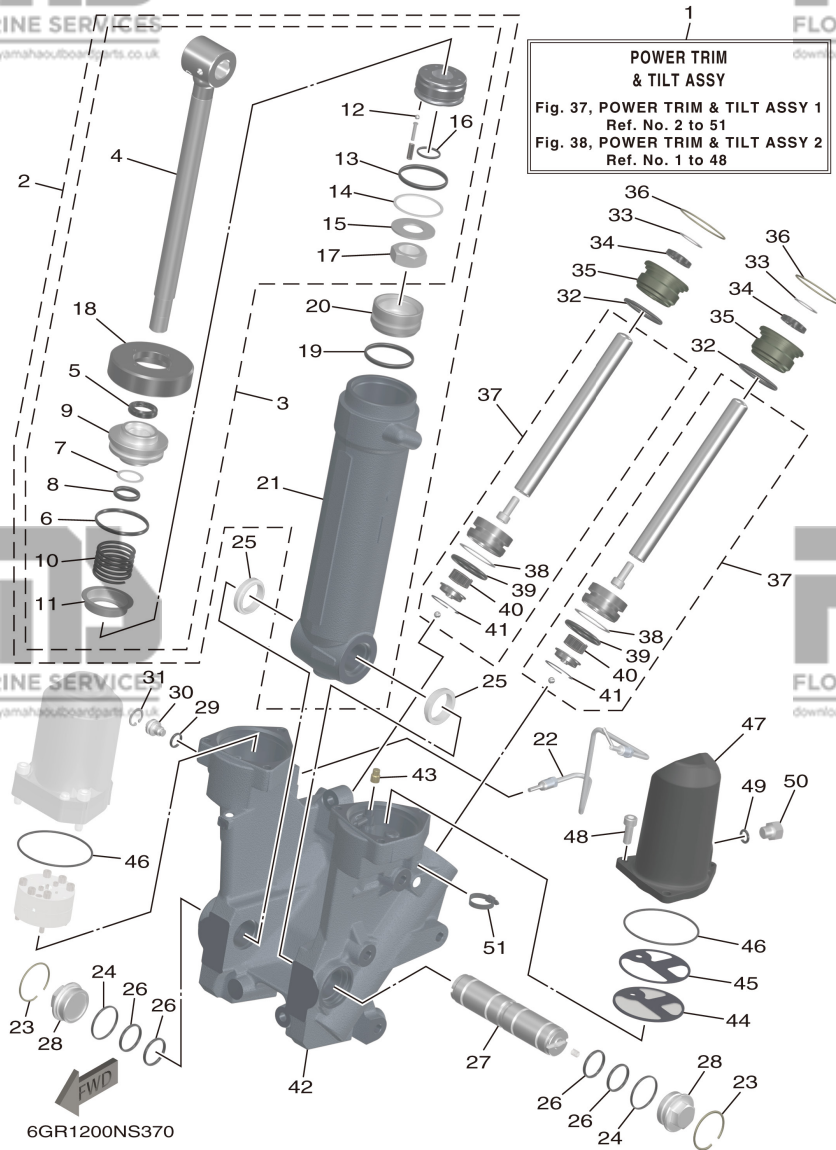


**FIG. 37 POWER TRIM & TILT ASSY 1**



REF. NO.	PART NO.	DESCRIPTION	QTY	REMARKS
1	6GR-43800-09	POWER TRIM & TILT ASSY	1	
2	6GR-43840-00	POWER TILT ASSY	1	
3	6GR-43810-00	.TILT PISTON SUB ASSY	1	
4	6GR-43801-00	..ROD	1	
5	6GR-43812-00	..SEAL, DUST	1	
6	93210-49046	..O-RING	1	
7	6GR-43872-00	..RING, BACK UP	1	
8	6GR-43863-00	..O-RING	1	
9	6GR-43811-00	..SCREW, CYLINDER END	1	
10	69J-4384H-00	..SPRING	1	
11	6GR-4382E-00	..ADAPTOR 2	1	
12	93505-32038	..BALL	4	
13	93210-44006	..O-RING	1	
14	6GR-43871-00	..RING, BACK UP	1	
15	90201-18029	..WASHER, PLATE	1	
16	93210-18397	..O-RING	1	
17	6GR-43654-00	..NUT 1	1	
18	6GR-43827-00	..RING SET	1	
19	93210-44006	..O-RING	1	
20	6GR-43814-00	..PISTON, FREE	1	
21	6GR-4380K-00	..CYLINDER, TILT SUB ASSY	1	
22	6GR-43835-00	PIPE	1	
23	93450-42110	CIRCLIP	2	
24	6GR-43862-00	O-RING	2	
25	6GR-4388F-00	SPACER	2	
26	93210-26130	O-RING	4	
27	6GR-43818-00	PIN, LOWER SHOCK MOUNT	1	

**FIG. 37 POWER TRIM & TILT ASSY 1**



REF. NO.	PART NO.	DESCRIPTION	QTY	REMARKS
28	6GR-22472-00	CAP, CASE	2	
29	93210-12327	O-RING	1	
30	6GR-43845-00	SCREW, MANUAL RELEASE	1	
31	61A-43876-00	RING, SNAP	1	
32	61A-43861-00	O-RING	2	
33	6T4-43875-01	RING, SNAP	2	
34	69J-43822-00	SEAL, TRIM DUST	2	
35	61A-43821-01	SCREW, TRIM CYLINDER END	2	
36	93440-52N50	CIRCLIP	2	
37	6GR-43820-00	TRIM PISTON SUB ASSY	2	
38	61A-43874-00	.RING, BACK UP	1	
39	61A-43864-00	.O-RING	1	
40	61A-4384H-10	.SPRING	1	
41	61A-43875-10	.RING, SNAP	1	
42	6GR-4380L-00	HOUSING, TRIM & TILT SUB ASSY	1	
43	6GR-4388H-00	PLUG	1	
44	69J-43817-00	FILTER 2	1	
45	69J-4388F-00	SPACER	1	
46	93210-66001	O-RING	2	
47	6GR-43828-00	BODY, RESERVOIR	1	
48	69J-43888-00	BOLT, SOCKET	3	
49	93210-09165	O-RING	1	
50	6EK-43829-00	PLUG, RESERVOIR	1	
51	90465-11M10	CLAMP	1	

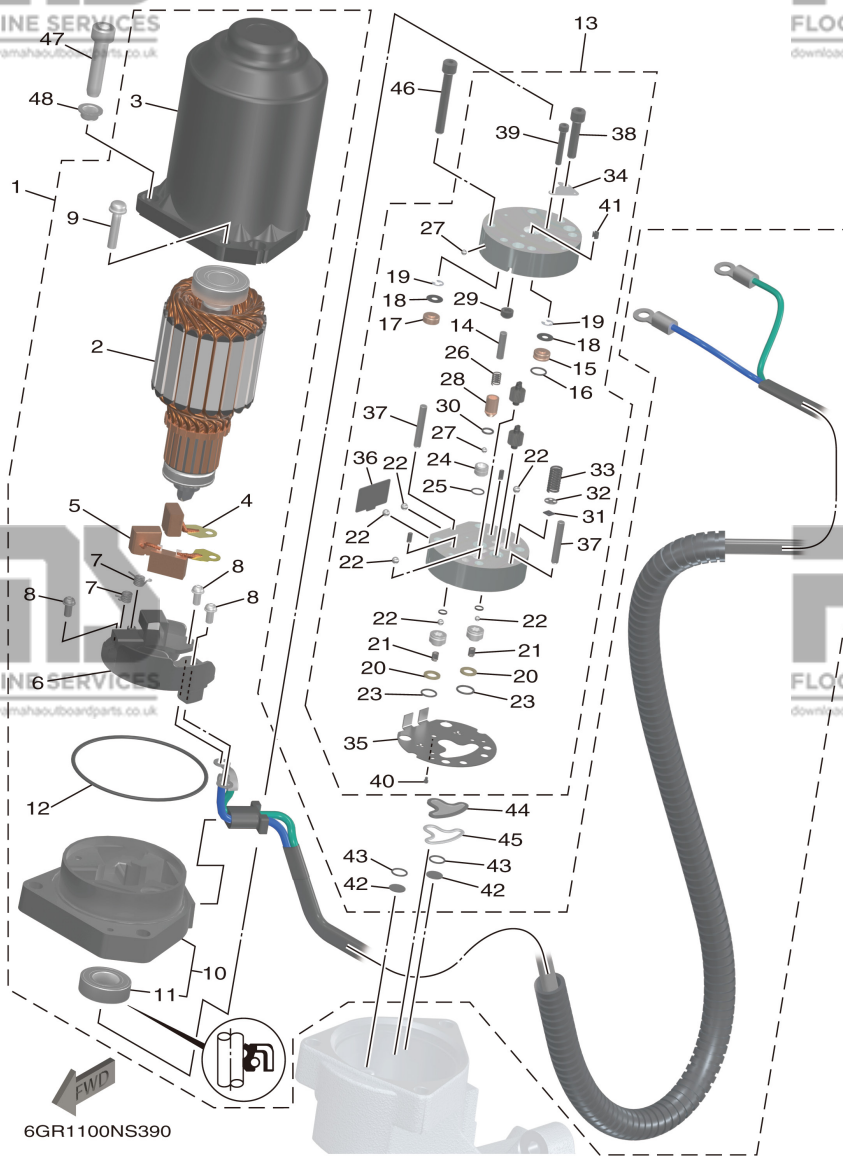


FIG. 38 POWER TRIM & TILT ASSY 2

REF. NO.	PART NO.	DESCRIPTION	QTY	REMARKS
1	6GR-43880-00	MOTOR ASSY	1	
2	6GR-43805-00	.ARMATURE ASSY	1	
3	6GR-43804-00	.STATOR ASSY	1	
4	6GR-43892-00	.BRUSH 2	1	
5	6GR-82181-00	.CIRCUIT BREAKER COMP.	1	
6	6GR-4380F-00	.PLATE, BRUSH HOLDER	1	
7	6GR-4386K-00	.SPRING, BRUSH	2	
8	97602-04310	.SCREW, PAN HEAD WITH WASHER	4	
9	67C-43879-10	.SCREW, WITH WASHER	2	
10	6GR-43881-00	.FRAME, END	1	
11	6GR-43882-00	.OIL SEAL	1	
12	6GR-43864-00	.O-RING	1	
13	6GR-43830-00	GEAR PUMP ASSY	1	
14	93603-08072	.PIN, DOWEL	1	
15	6CJ-43841-00	.PISTON, SHUTTLE	1	
16	6H1-43883-00	.O-RING	1	
17	6CJ-4384M-00	.PISTON, SHUTTLE 2	1	
18	69A-4384F-00	.SEAL, MAIN VALVE	2	
19	99002-03600	.CIRCLIP	2	
20	6C6-4387G-00	.WASHER	2	
21	6C6-43853-00	.SPRING, MAIN VALVE	2	
22	93505-32038	.BALL	6	
23	69J-4389J-00	.O-RING	2	
24	6GR-43851-00	.SEAT, RELIEF VALVE	1	
25	93210-064A5	.O-RING	1	
26	6C5-43855-10	.SPRING, UP RELIEF	1	
27	93501-08001	.BALL	2	

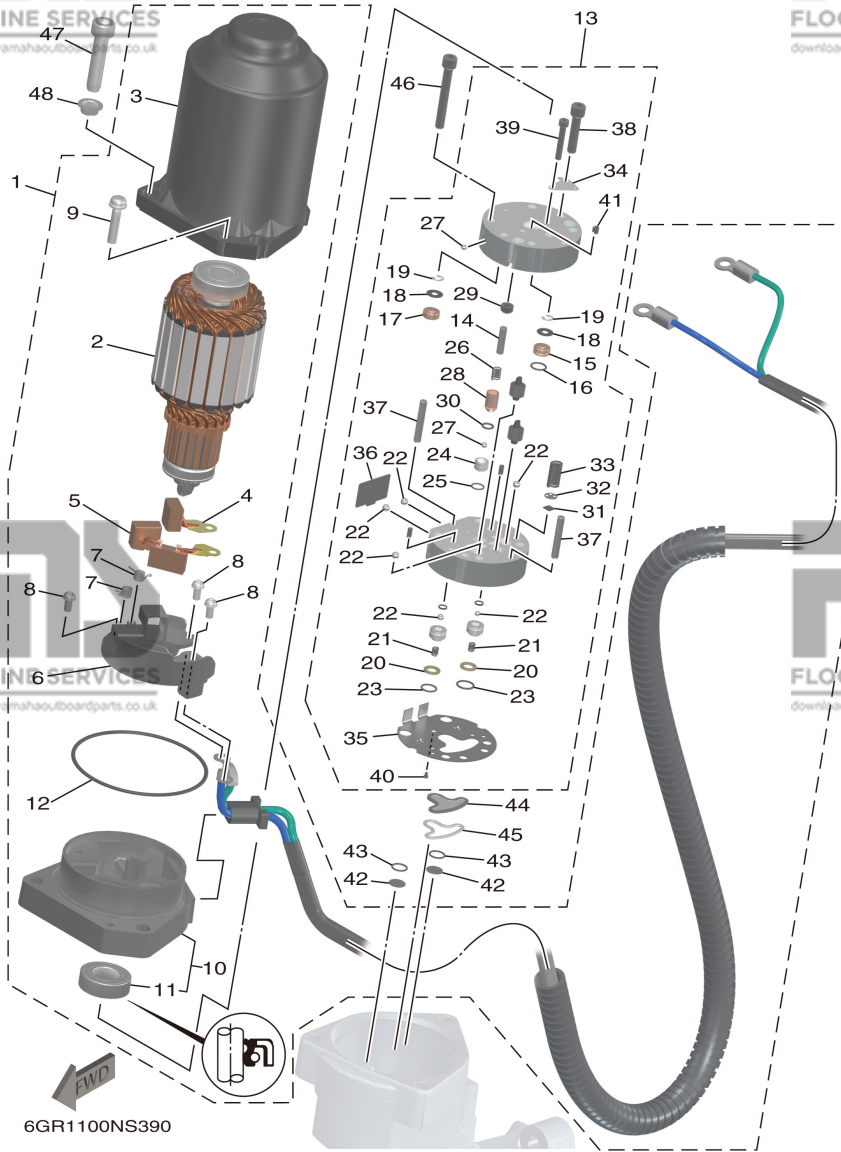
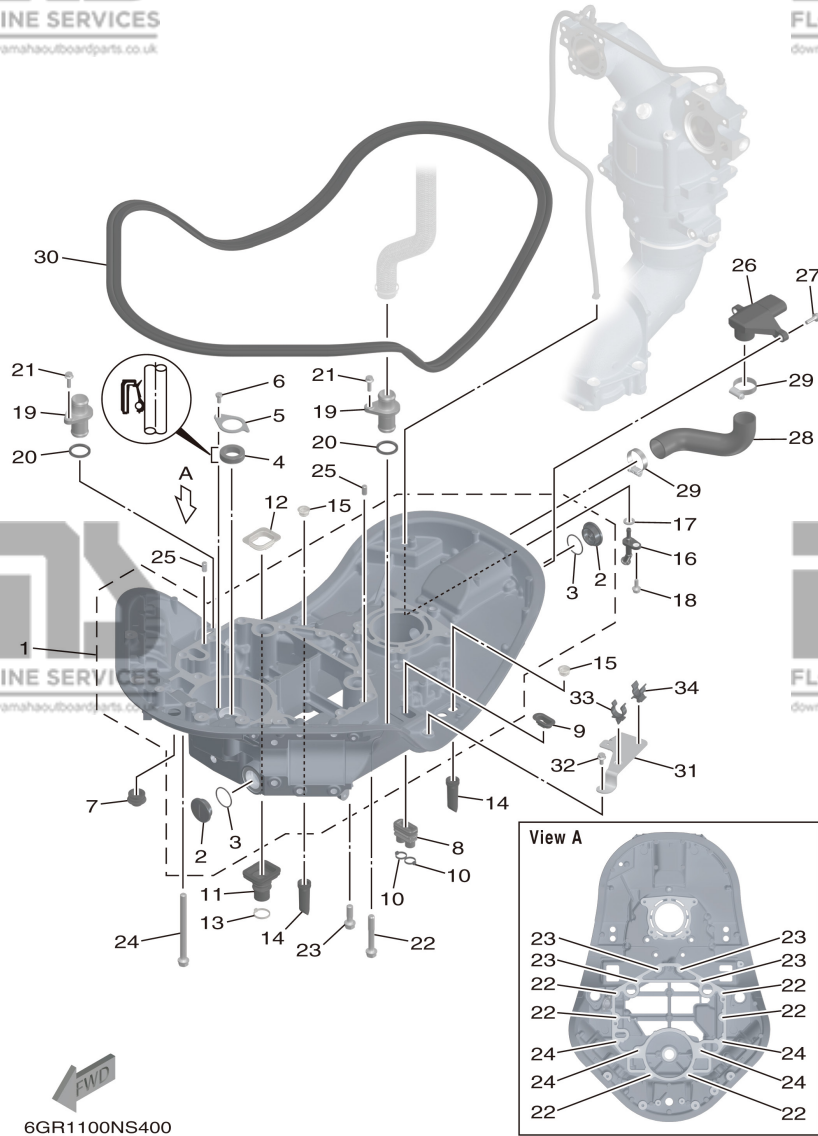


FIG. 38 POWER TRIM & TILT ASSY 2

REF. NO.	PART NO.	DESCRIPTION	QTY	REMARKS
28	6D8-43844-00	.PIN, VALVE SUPPORT	1	
29	6D8-43843-00	.SCREW, VALVE LOCK	1	
30	93210-04N51	.O-RING	1	
31	6H1-4384G-11	.SEAL, RELIEF VALVE	1	
32	6H1-43844-10	.PIN, VALVE SUPPORT	1	
33	6GR-43856-00	.SPRING, DOWN RELIEF	1	
34	6D8-4382L-00	.CAP, RELIEF VALVE	1	
35	6GR-43895-00	.SEAT, RELIEF VALVE	1	
36	6C5-43854-00	.SPRING, MANUAL RELEASE	1	
37	93604-26256	.PIN, DOWEL	2	
38	91318-05030	.BOLT	2	
39	91318-03025	.BOLT	2	
40	91318-03005	.BOLT	1	
41	69J-43831-00	.CONNECTOR, SHAFT	1	
42	6C6-43817-00	FILTER 2	2	
43	69J-4389J-00	O-RING	2	
44	6C5-43816-00	FILTER 1	1	
45	6C5-4380G-00	PLATE	1	
46	91318-05045	BOLT	4	
47	90110-08M05	BOLT, HEXAGON SOCKET HEAD	3	
48	6GR-23113-00	COLLAR	3	



**FIG. 39 UPPER CASING 1**

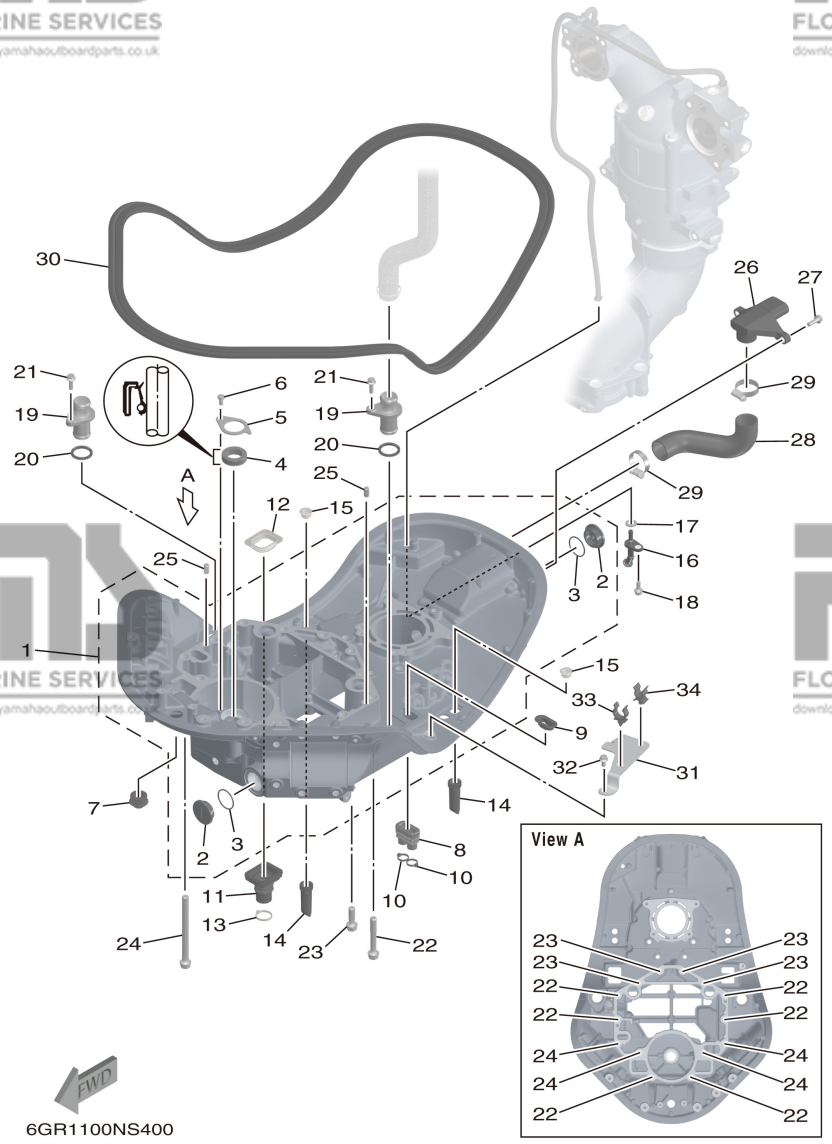


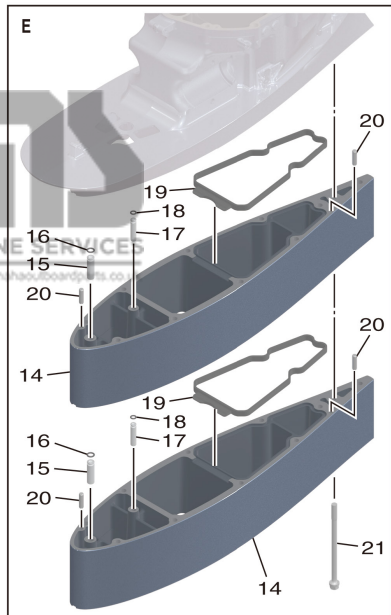
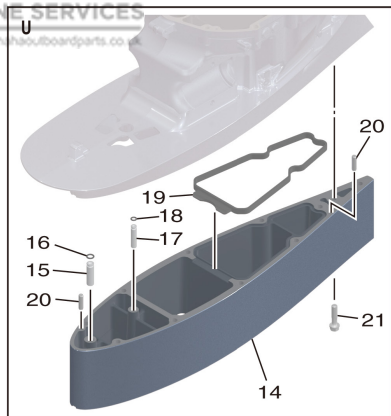
REF. NO.	PART NO.	DESCRIPTION	QTY	REMARKS
1	6GR-41137-00	GUIDE, EXHAUST	1	
2	90340-32011	.PLUG, STRAIGHT SCREW	2	
3	93210-32172	.O-RING	2	
4	93102-26004	OIL SEAL	1	
5	6GR-41297-00	WASHER, 1	1	
6	97095-06012	BOLT	1	
7	6AW-42724-00	GROMMET	1	
8	6H1-42726-21	GROMMET	2	
9	6BG-42384-00	SEAL, CAP	2	
10	90465-11M10	CLAMP	4	
11	6GR-42724-00	GROMMET	1	
12	6GR-42384-00	SEAL, CAP	1	
13	90465-11M59	CLAMP	1	
14	6DA-42717-00	RUBBER, SEAL 2	4	
15	6DA-42384-00	SEAL, CAP	4	
16	6GR-44391-00	NIPPLE, HOSE	1	
17	60V-42747-10	PAD	1	
18	95895-06016	BOLT, FLANGE	1	
19	6GR-12584-00	JOINT, HOSE 3	2	
20	6GR-44366-00	DAMPER, WATER SEAL 2	2	
21	95895-06020	BOLT, FLANGE	2	
22	97575-10570	BOLT, WITH WASHER	6	
23	90119-10040	BOLT, WITH WASHER	4	
24	90119-10M08	BOLT, WITH WASHER	4	
25	93608-16M16	PIN, DOWEL	2	
26	6GR-14753-00	SILENCER, EXHAUST	1	
27	95895-06020	BOLT, FLANGE	2	



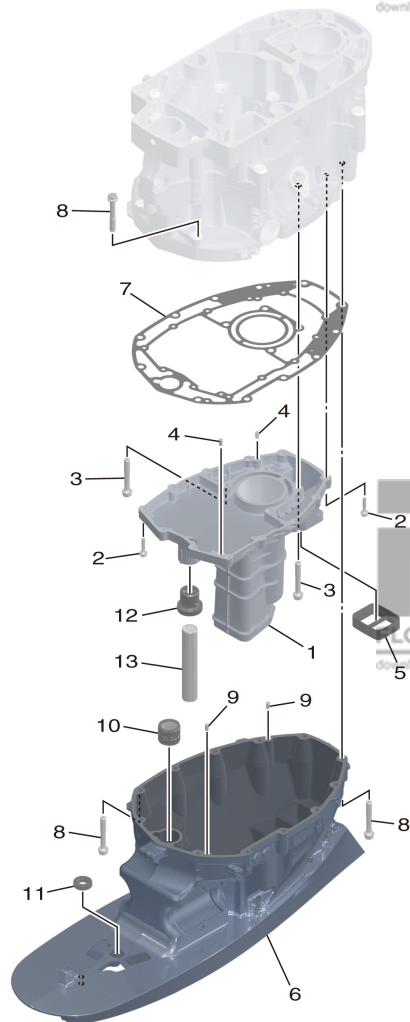
**FIG. 39 UPPER CASING 1**

REF. NO.	PART NO.	DESCRIPTION	QTY	REMARKS
28	6GR-45135-00	PIPE	1	
29	90450-35003	HOSE CLAMP ASSY	2	
30	6GR-42716-00	RUBBER SEAL 1	1	
31	6GR-82398-00	PLATE 3	1	
32	95895-06012	BOLT, FLANGE	2	
33	90464-19M45	CLAMP	1	
34	90464-12015	CLAMP	1	





**FWD**  
6GR1100NS410

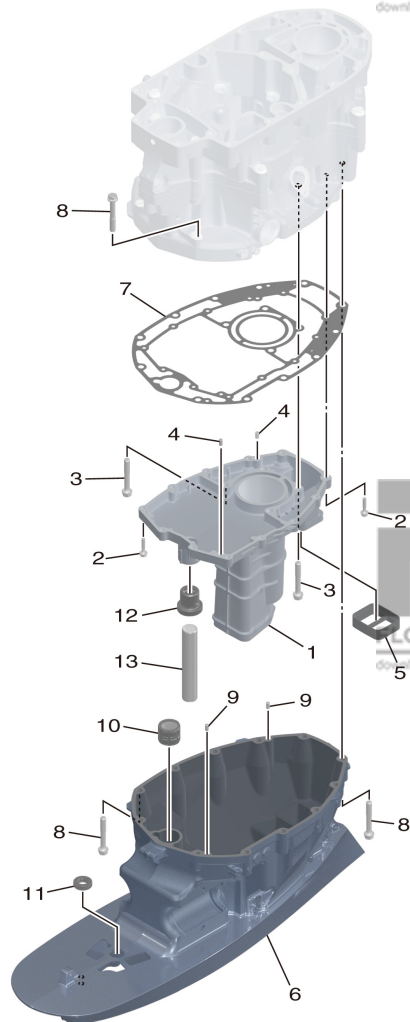
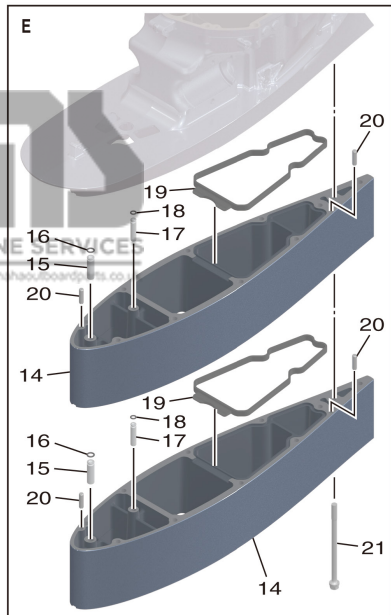
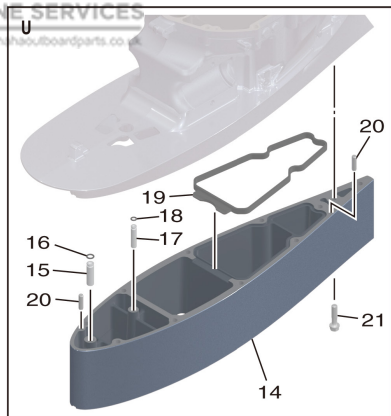


**FIG. 40 UPPER CASING 2**

REF. NO.	PART NO.	DESCRIPTION	QTY	REMARKS
1	6GR-14711-00	MUFFLER 1	1	
2	95895-06030	BOLT, FLANGE	12	
3	97575-10570	BOLT, WITH WASHER	4	
4	93606-12019	PIN, DOWEL	2	
5	6GR-45127-00	SEAL	1	
6	6GR-45111-00-8D	CASING, UPPER	1	
7	6GR-45113-00	GASKET, UPPER CASING	1	
8	97575-10570	BOLT, WITH WASHER	12	
9	93606-12019	PIN, DOWEL	2	
10	6GR-45318-00	BUSHING, DRIVE SHAFT	1	
11	6GR-44521-00	SEAL	1	
12	6GR-44367-00	DAMPER, WATER SEAL 3	1	
13	90440-27001	PIPE	1	UR X(25.2")
	90440-27002	PIPE	1	UR U(30.2")
	90440-27003	PIPE	1	UR E(35.2")
14	6GR-45211-00-8D	EXTENSION	1	UR U(30.2")
	6GR-45211-00-8D	EXTENSION	2	UR E(35.2")
15	6GR-45398-00	NIPPLE, 1	1	UR U(30.2")
	6GR-45398-00	NIPPLE, 1	2	UR E(35.2")
16	93210-10010	O-RING	1	UR U(30.2")
	93210-10010	O-RING	2	UR E(35.2")
17	6GR-45399-00	NIPPLE, 2	1	UR U(30.2")
	6GR-45399-00	NIPPLE, 2	2	UR E(35.2")
18	93210-07100	O-RING	1	UR U(30.2")
	93210-07100	O-RING	2	UR E(35.2")
19	6GR-45375-00	DAMPER, SEAL	1	UR U(30.2")
	6GR-45375-00	DAMPER, SEAL	2	UR E(35.2")

**FIG. 40 UPPER CASING 2**

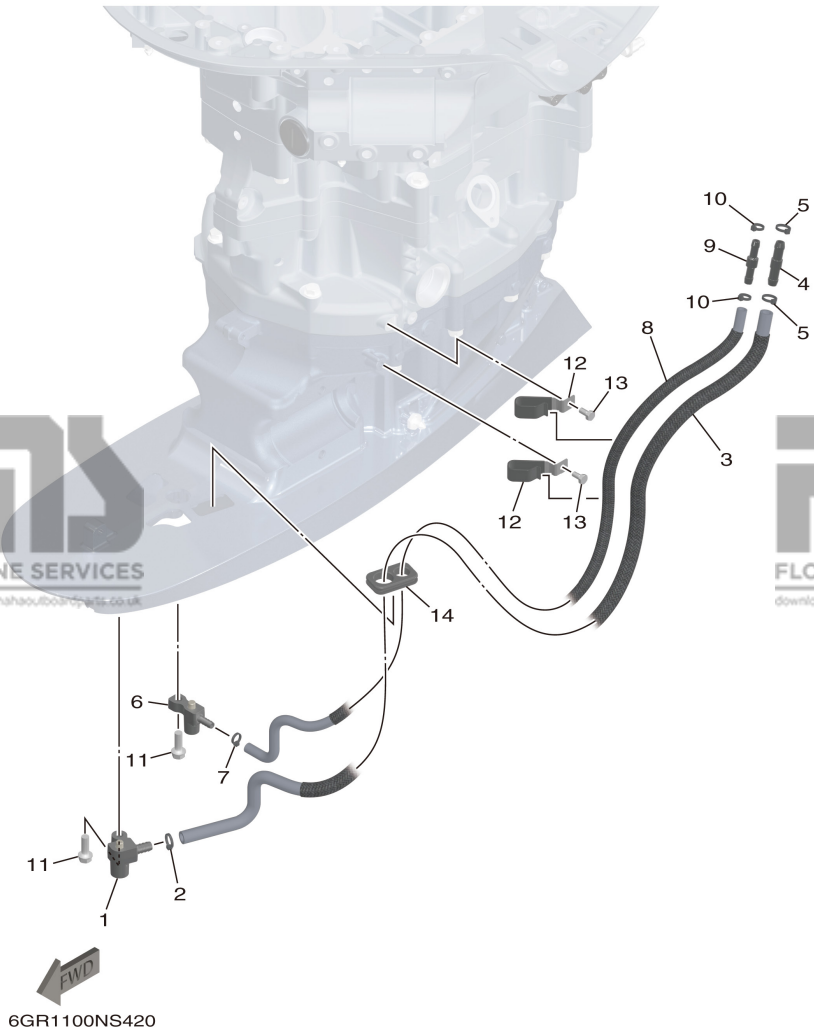
REF. NO.	PART NO.	DESCRIPTION	QTY	REMARKS
20	99480-08030	PIN	2	UR U(30.2")
	99480-08030	PIN	4	UR E(35.2")
21	90119-10024	BOLT, WITH WASHER	1	UR U(30.2")
	90119-10009	BOLT, WITH WASHER	1	UR E(35.2")



6GR1100NS410

**FIG. 41 UPPER CASING 3**

REF. NO.	PART NO.	DESCRIPTION	QTY	REMARKS
1	6GR-45368-00	JOINT, HOSE 1	1	
2	90465-11M10	CLAMP	1	
3	6GR-4383K-00	HOSE, OIL 1	1	
4	6AW-42785-00	PIPE	1	
5	90465-11M10	CLAMP	2	
6	6GR-45369-00	JOINT, HOSE 2	1	
7	90465-11M10	CLAMP	1	
8	6GR-2318F-00	HOSE, AIR	1	
9	6E5-24379-00	PIPE, JOINT 4	1	
10	90465-11M10	CLAMP	2	
11	97595-08525	BOLT, WITH WASHER	2	
12	6GR-12491-00	CLAMP 1	2	
13	97095-06012	BOLT	2	
14	6GR-45159-00	DAMPER	1	



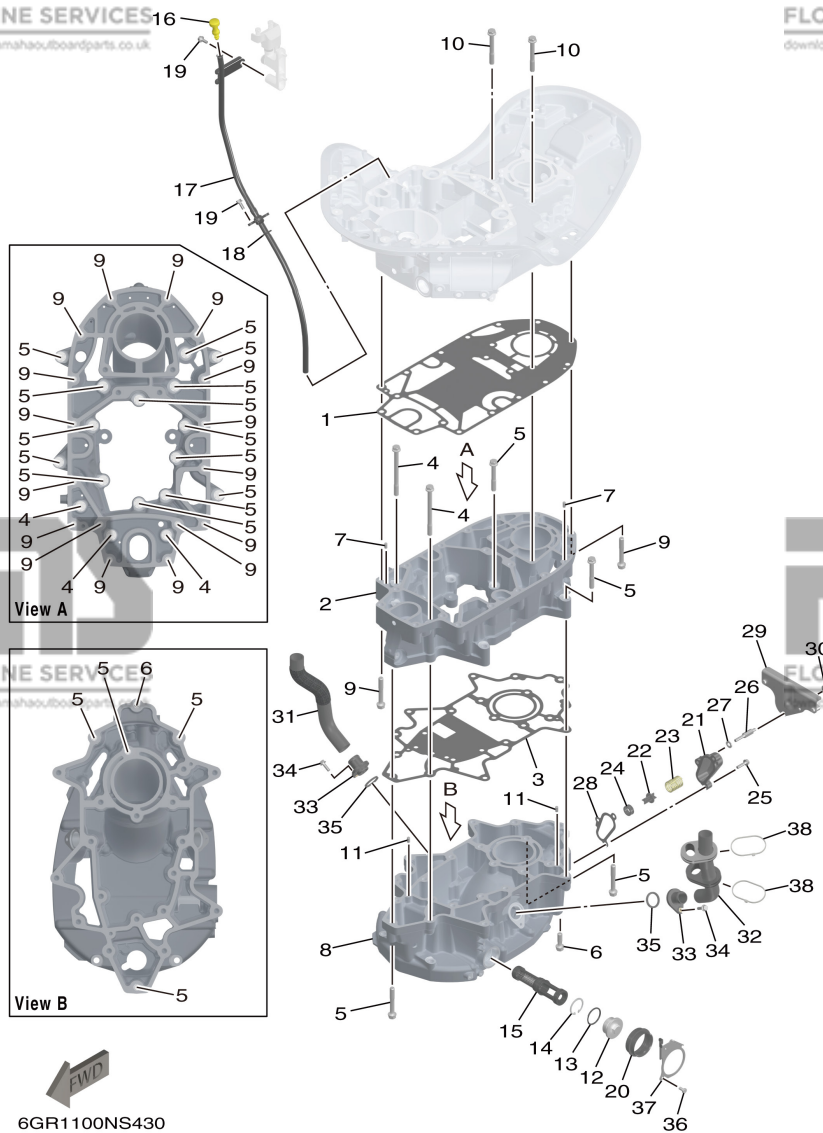
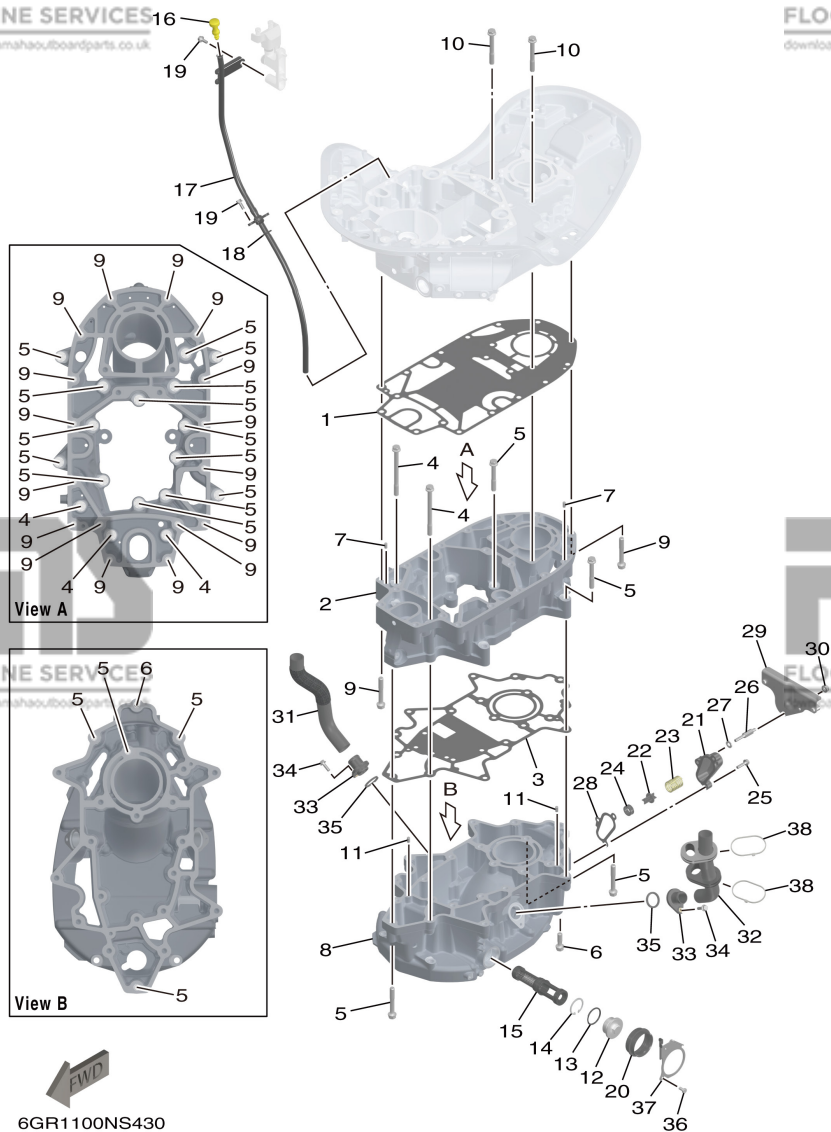


FIG. 42 OIL PAN

REF. NO.	PART NO.	DESCRIPTION	QTY	REMARKS
1	6GR-15312-00	GASKET, OIL PAN	1	
2	6GR-1531B-00	OIL PAN 2	1	
3	6GR-1531C-00	GASKET, OIL PAN 2	1	
4	90119-10M14	BOLT, WITH WASHER	3	
5	97575-10570	BOLT, WITH WASHER	18	
6	90119-10040	BOLT, WITH WASHER	1	
7	93606-12019	PIN, DOWEL	2	
8	6GR-15311-00	OIL PAN	1	
9	97575-10570	BOLT, WITH WASHER	16	
10	97575-10580	BOLT, WITH WASHER	4	
11	93606-12019	PIN, DOWEL	2	
12	6GR-15351-00	PLUG, DRAIN	1	
13	93210-34633	O-RING	1	
14	93420-36M01	CIRCLIP	1	
15	6GR-13411-00	STRAINER, OIL	1	
16	6GR-15362-00	PLUG, OIL LEVEL	1	
17	6GR-15377-00	GUIDE, INLET	1	
18	93210-19MJ3	O-RING	1	
19	95895-06016	BOLT, FLANGE	3	
20	6GR-15316-00	DAMPER 1	1	
21	6EK-1246A-00-9S	COVER 1	1	
22	6G5-12416-00	VALVE, PRESSURE CONTROL	1	
23	90501-200A2	SPRING, COMPRESSION	1	
24	90480-20M05	GROMMET	1	
25	95895-06025	BOLT, FLANGE	1	
26	6GR-42742-00	BOLT	2	
27	92995-06200	WASHER	2	

FIG. 42 OIL PAN

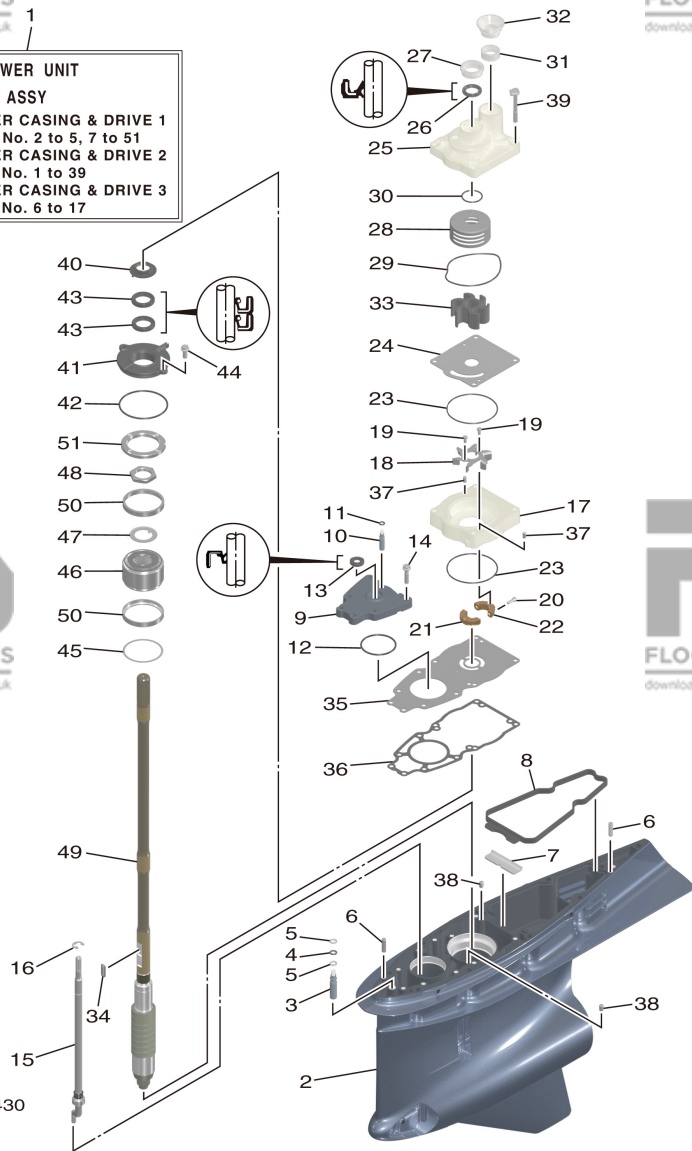
REF. NO.	PART NO.	DESCRIPTION	QTY	REMARKS
28	6EK-12435-A0	GASKET	1	
29	6GR-42776-00	STAY, APRON 3	1	
30	90179-06M28	NUT	2	
31	6GR-1243F-00	HOSE,3	1	
32	6GR-1257A-00	HOSE ASSY 1	1	
33	6GR-12581-00	JOINT, HOSE 1	2	
34	95895-06020	BOLT, FLANGE	2	
35	6GR-44366-00	DAMPER, WATER SEAL 2	2	
36	97095-06012	BOLT	1	
37	6GR-45152-00	COVER, UPPER CASING 2	1	
38	90464-66001	CLAMP	2	





REGULAR ROTATION

1  
**LOWER UNIT ASSY**  
Fig. 43, LOWER CASING & DRIVE 1  
Ref. No. 2 to 5, 7 to 51  
Fig. 44, LOWER CASING & DRIVE 2  
Ref. No. 1 to 39  
Fig. 45, LOWER CASING & DRIVE 3  
Ref. No. 6 to 17

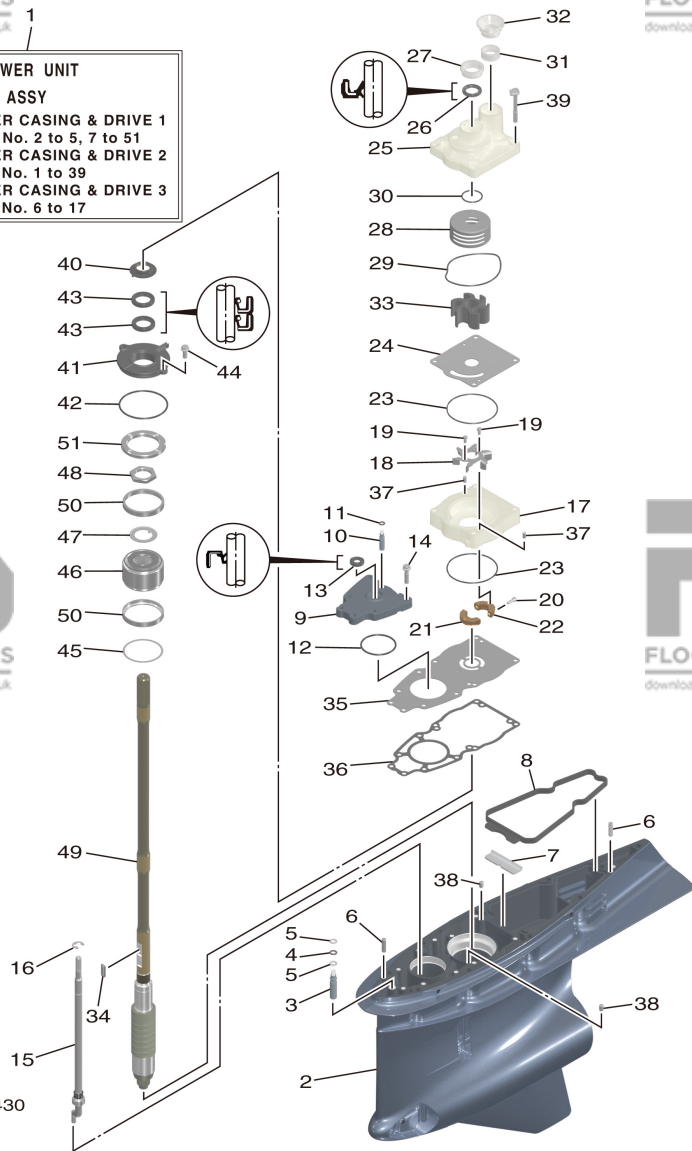


**FIG. 43 LOWER CASING & DRIVE 1**

REF. NO.	PART NO.	DESCRIPTION	QTY	REMARKS
1	6GR-45300-00-8D	LOWER UNIT ASSY	1	UR X(25.2")
	6GR-45300-10-8D	LOWER UNIT ASSY	1	UR U(30.2")
	6GR-45300-20-8D	LOWER UNIT ASSY	1	UR E(35.2")
2	6GR-45311-00-8D	CASING, LOWER	1	
3	6GR-45308-00	VALVE ASSY 1	1	
4	93210-10010	O-RING	1	
5	6GR-43873-00	RING, BACK UP	2	
6	99480-08030	PIN	2	
7	6GR-45376-00	GUIDE, SEAL DAMPER	1	
8	6GR-45375-00	DAMPER, SEAL	1	
9	6GR-45321-00	PLATE	1	
10	6GR-45309-00	VALVE ASSY 2	1	
11	93210-07100	O-RING	1	
12	93210-64488	O-RING	1	
13	93106-14001	OIL SEAL	1	
14	97595-08535	BOLT, WITH WASHER	6	
15	6GR-44150-00	SHIFT CAM ASSY	1	UR X(25.2")
	6GR-44150-10	SHIFT CAM ASSY	1	UR U(30.2")
	6GR-44150-20	SHIFT CAM ASSY	1	UR E(35.2")
16	99002-12600	CIRCLIP	1	
17	6GR-44341-00	HOUSING, WATER PUMP	1	
18	6GR-12451-00	IMPELLER, WATER PUMP	1	
19	97095-05010	BOLT	2	
20	91380-05016	BOLT	2	
21	6GR-44381-00	SPACER 1	1	
22	6GR-44382-00	SPACER 2	1	
23	93210-97690	O-RING	2	

REGULAR ROTATION

1  
**LOWER UNIT ASSY**  
Fig. 43, LOWER CASING & DRIVE 1  
Ref. No. 2 to 5, 7 to 51  
Fig. 44, LOWER CASING & DRIVE 2  
Ref. No. 1 to 39  
Fig. 45, LOWER CASING & DRIVE 3  
Ref. No. 6 to 17

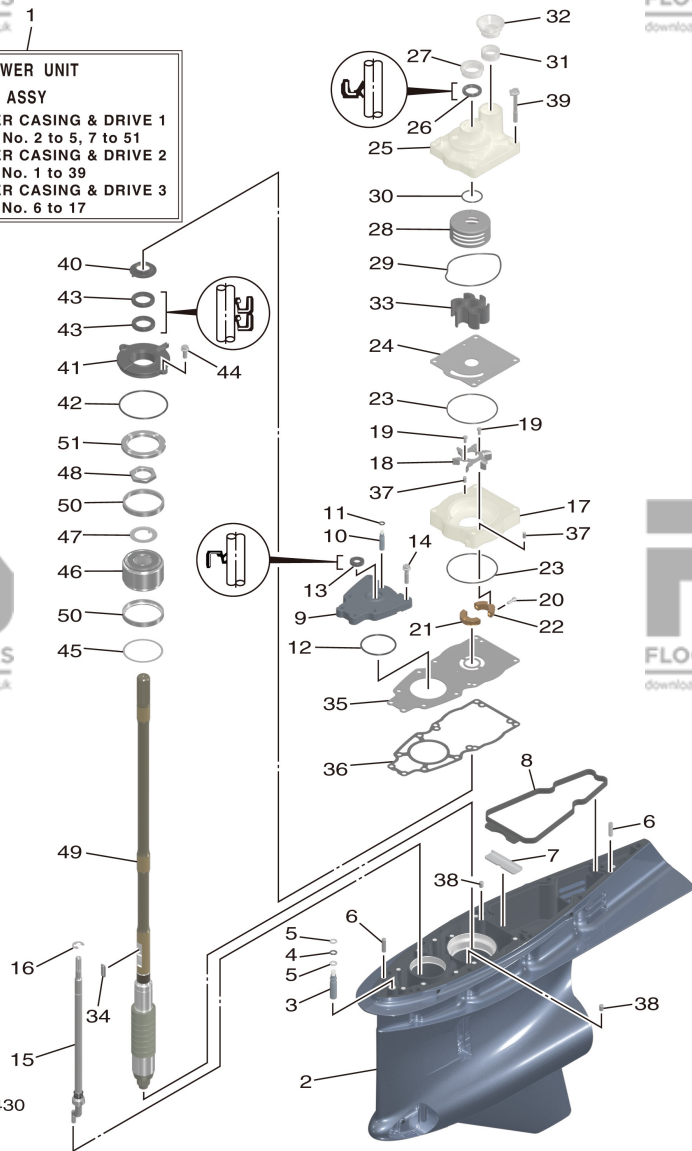


**FIG. 43 LOWER CASING & DRIVE 1**

REF. NO.	PART NO.	DESCRIPTION	QTY	REMARKS
24	6GR-44323-00	OUTER PLATE, CARTRIDGE	1	
25	6GR-44311-00	HOUSING, WATER PUMP	1	
26	93109-26001	OIL SEAL	1	
27	6GR-44312-00	COVER, WATER PUMP HOUSING	1	
28	6GR-44322-00	INSERT, CARTRIDGE	1	
29	93211-08001	O-RING	1	
30	93210-37160	O-RING	1	
31	6GR-44365-00	DAMPER, WATER SEAL 1	1	
32	6GR-44379-00	GUIDE, WATER TUBE	1	
33	6GR-44352-00	IMPELLER	1	
34	6AW-44336-00	KEY	1	
35	6GR-44328-00	PLATE	1	
36	6GR-44315-00	GASKET, WATER PUMP	1	
37	93606-12019	PIN, DOWEL	2	
38	93608-12M05	PIN, DOWEL	2	
39	90119-08M16	BOLT, WITH WASHER	4	
40	6GR-45344-00	COVER, OIL SEAL	1	
41	6GR-45335-00	HOUSING, OIL SEAL	1	
42	93210-89535	O-RING	1	
43	93101-30018	OIL SEAL	2	
44	97595-08520	BOLT, WITH WASHER	2	
45	688-45567-01	SHIM (T:0.10MM)	1	UR
	688-45567-10	SHIM (T:0.12MM)	1	UR
	688-45567-20	SHIM (T:0.15MM)	1	UR
	688-45567-30	SHIM (T:0.18MM)	1	UR
	688-45567-40	SHIM (T:0.30MM)	1	UR
	688-45567-50	SHIM (T:0.40MM)	1	UR

REGULAR ROTATION

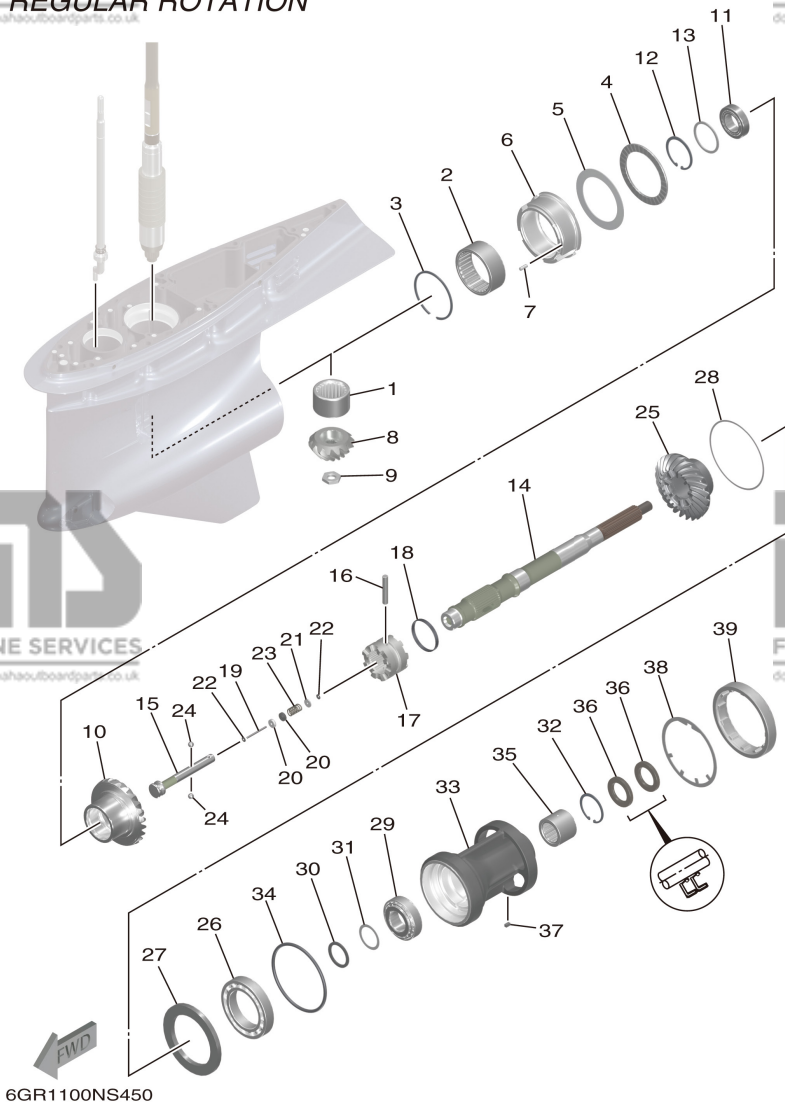
1  
**LOWER UNIT ASSY**  
Fig. 43, LOWER CASING & DRIVE 1  
Ref. No. 2 to 5, 7 to 51  
Fig. 44, LOWER CASING & DRIVE 2  
Ref. No. 1 to 39  
Fig. 45, LOWER CASING & DRIVE 3  
Ref. No. 6 to 17



**FIG. 43 LOWER CASING & DRIVE 1**

REF. NO.	PART NO.	DESCRIPTION	QTY	REMARKS
45	688-45567-60	SHIM (T:0.50MM)	1	UR
46	93399-99967	BEARING	1	
47	90214-35M07	WASHER, CLAW	1	
48	90170-35M34	NUT	1	
49	6GR-45501-00	DRIVE SHAFT COMP.	1	UR X(25.2")
	6GR-45501-10	DRIVE SHAFT COMP.	1	UR U(30.2")
	6GR-45501-20	DRIVE SHAFT COMP.	1	UR E(35.2")
50	6GR-45539-00	SPACER 2	2	
51	6GR-45244-00	NUT	1	

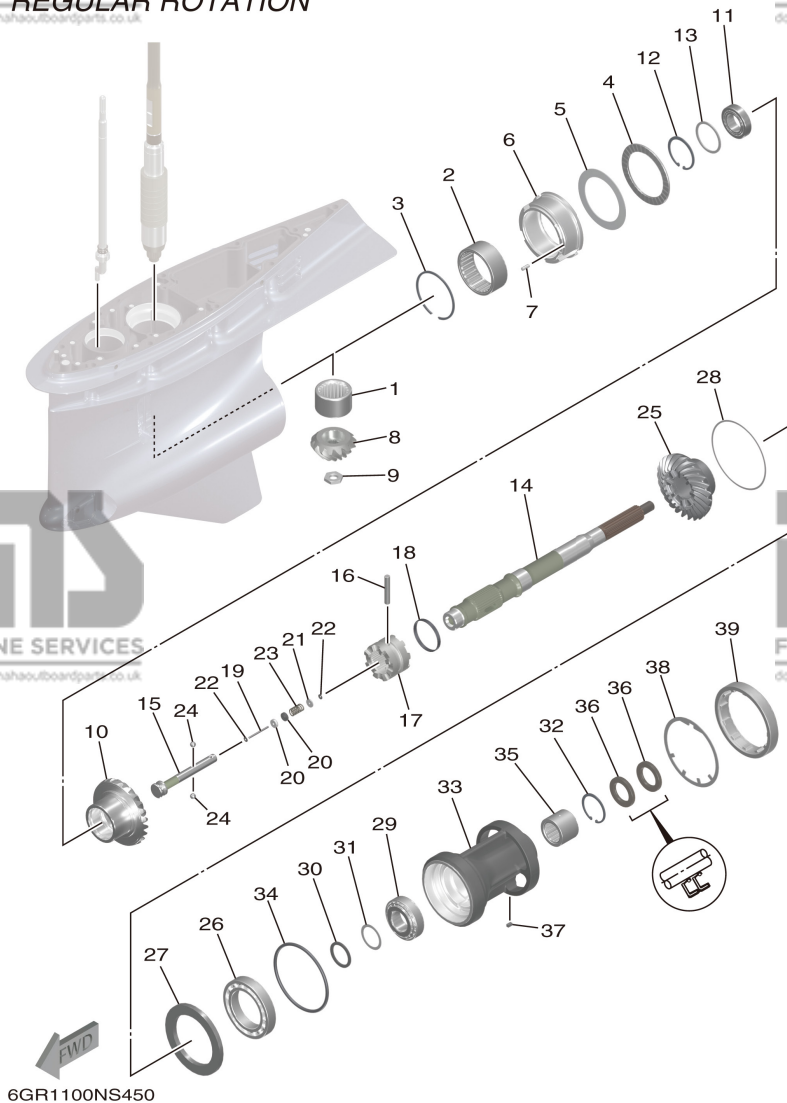
REGULAR ROTATION



**FIG. 44 LOWER CASING & DRIVE 2**

REF. NO.	PART NO.	DESCRIPTION	QTY	REMARKS
1	93311-944A0	BEARING	1	
2	93311-675A1	BEARING	1	
3	93450-92171	CIRCLIP	1	
4	93340-69012	BEARING	1	
5	6GR-45567-00	SHIM (T:2.00MM)	1	UR
	6GR-45567-10	SHIM (T:2.03MM)	1	UR
	6GR-45567-20	SHIM (T:2.06MM)	1	UR
	6GR-45567-30	SHIM (T:2.09MM)	1	UR
	6GR-45567-40	SHIM (T:2.12MM)	1	UR
	6GR-45567-50	SHIM (T:2.15MM)	1	UR
	6GR-45567-60	SHIM (T:2.18MM)	1	UR
	6GR-45567-70	SHIM (T:2.21MM)	1	UR
6	6GR-45824-00	ADAPTER	1	
7	93606-16117	PIN, DOWEL	1	
8	6GR-45551-00	PINION (14T)	1	
9	90170-18009	NUT	1	
10	6GR-45561-00	GEAR 1 (25T)	1	
11	93332-000A0	BEARING	1	
12	99009-62500	CIRCLIP	1	
13	90201-54008	WASHER, PLATE	1	
14	6GR-45611-00	SHAFT, PROPELLER	1	
15	6GR-45634-00	SLIDE, SHIFT	1	
16	6GR-45632-00	PIN, CROSS	1	
17	6GR-45631-00	CLUTCH, DOG	1	
18	6GR-45633-00	RING, CROSS PIN	1	
19	6H1-45668-00	SHAFT, FREE 1	1	
20	61A-45635-00	PLUNGER, SHIFT	2	

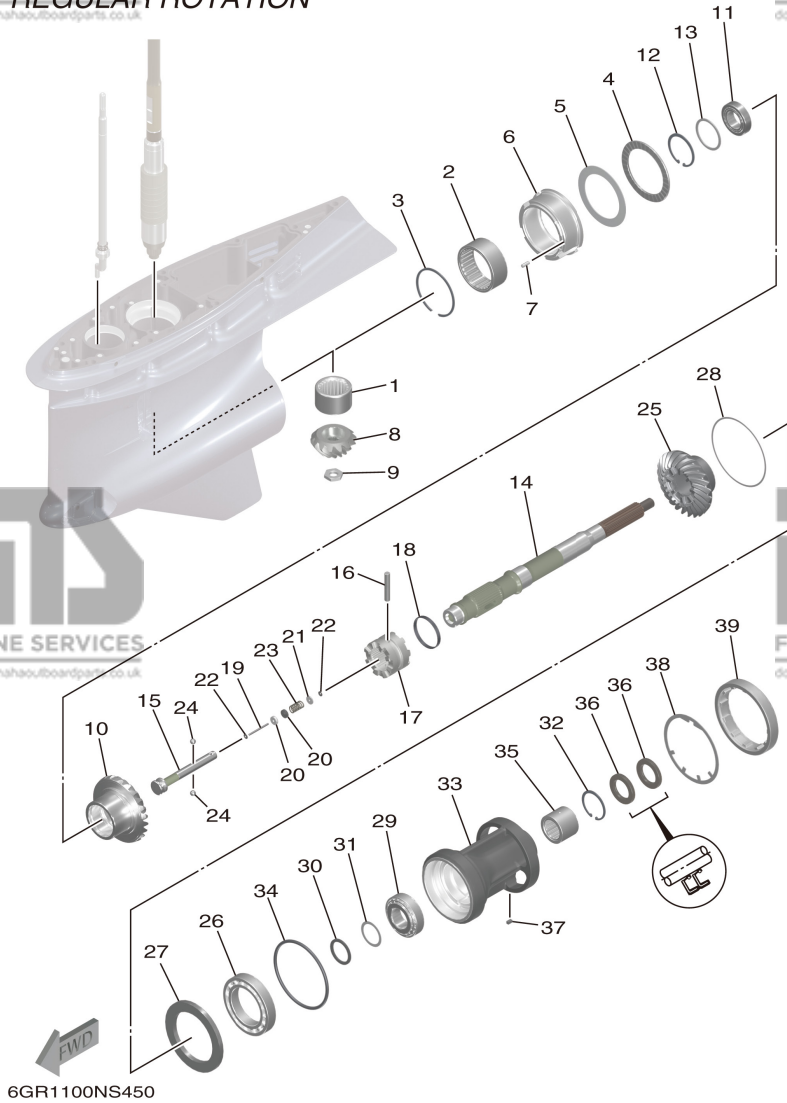
REGULAR ROTATION



**FIG. 44 LOWER CASING & DRIVE 2**

REF. NO.	PART NO.	DESCRIPTION	QTY	REMARKS
21	90201-02M00	WASHER, PLATE	1	
22	90183-02M03	NUT, SPRING	2	
23	90501-10M77	SPRING, COMPRESSION	1	
24	93501-04011	BALL	2	
25	6GR-45571-00	GEAR 2 (25T)	1	
26	93306-01501	BEARING	1	
27	6GR-45576-00	WASHER, THRUST 2	1	
28	6GR-45577-00	SHIM (T:0.10MM)	1	UR
	6GR-45577-10	SHIM (T:0.12MM)	1	UR
	6GR-45577-20	SHIM (T:0.15MM)	1	UR
	6GR-45577-30	SHIM (T:0.18MM)	1	UR
	6GR-45577-40	SHIM (T:0.30MM)	1	UR
	6GR-45577-50	SHIM (T:0.40MM)	1	UR
	6GR-45577-60	SHIM (T:0.50MM)	1	UR
29	93332-00042	BEARING	1	
30	90201-40008	WASHER, PLATE	1	
31	6GR-45578-00	SHIM (T:0.10MM)	1	UR
	6GR-45578-10	SHIM (T:0.12MM)	1	UR
	6GR-45578-20	SHIM (T:0.15MM)	1	UR
	6GR-45578-30	SHIM (T:0.18MM)	1	UR
	6GR-45578-40	SHIM (T:0.30MM)	1	UR
	6GR-45578-50	SHIM (T:0.40MM)	1	UR
	6GR-45578-60	SHIM (T:0.50MM)	1	UR
	6GR-45578-70	SHIM (T:1.00MM)	1	UR
32	99009-55500	CIRCLIP	1	
33	6GR-45332-00	HOUSING, BEARING	1	
34	93211-26001	O-RING	1	

REGULAR ROTATION

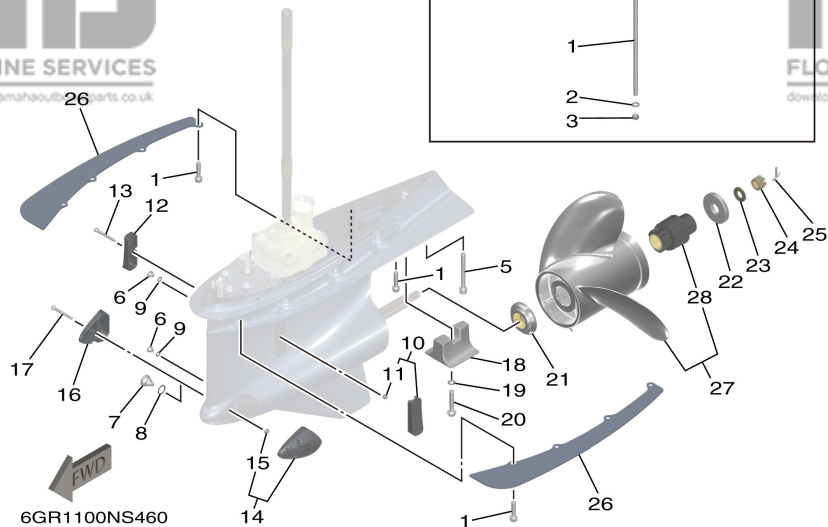
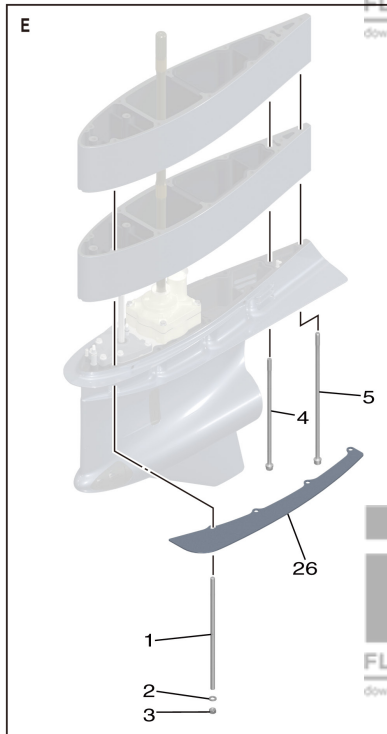
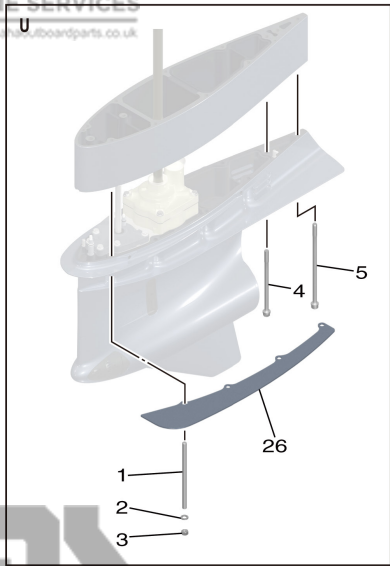


**FIG. 44 LOWER CASING & DRIVE 2**

REF. NO.	PART NO.	DESCRIPTION	QTY	REMARKS
35	93311-737A2	BEARING	1	
36	93101-37001	OIL SEAL	2	
37	90282-05008	KEY, STRAIGHT	1	
38	6GR-45383-00	WASHER, CLAW	1	
39	6GR-45384-00	NUT	1	



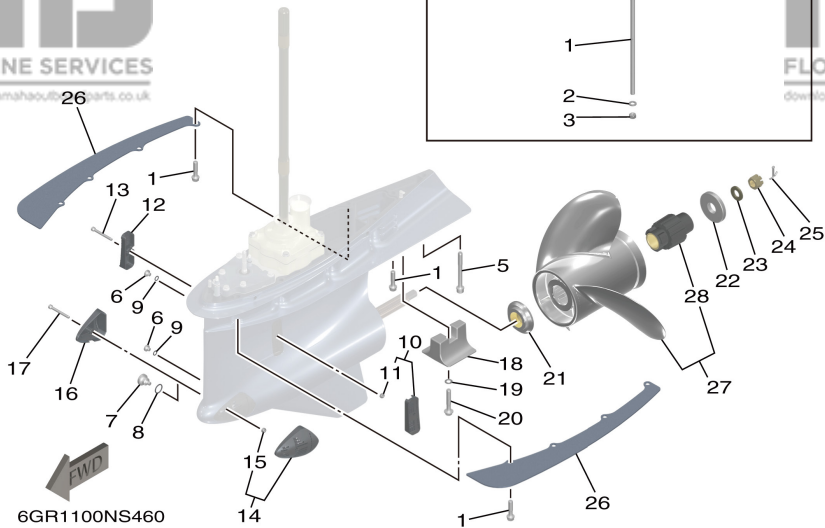
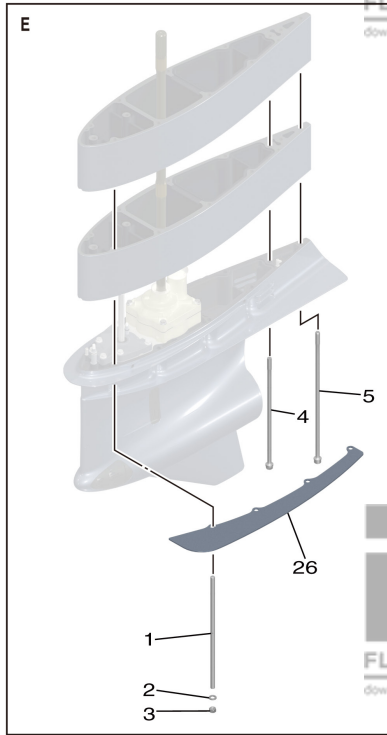
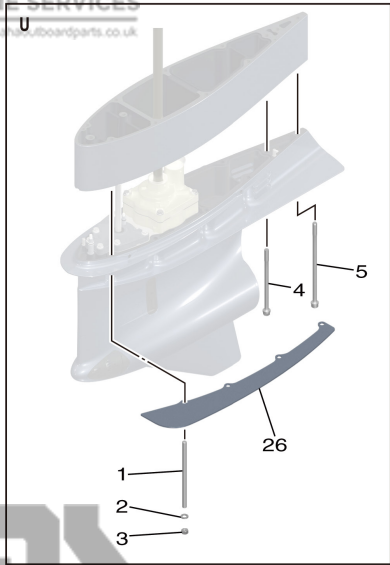
**REGULAR ROTATION**



**FIG. 45 LOWER CASING & DRIVE 3**

REF. NO.	PART NO.	DESCRIPTION	QTY	REMARKS
1	90119-10024	BOLT, WITH WASHER	9	UR X(25.2")
	90116-10067	BOLT, STUD	8	UR U(30.2")
	90116-10066	BOLT, STUD	8	UR E(35.2")
2	92995-10600	WASHER	8	U(30.2"),E(35.2")
3	95380-10600	NUT	8	U(30.2"),E(35.2")
4	90119-10009	BOLT, WITH WASHER	1	UR U(30.2")
	90119-10060	BOLT, WITH WASHER	1	UR E(35.2")
5	90110-10048	BOLT, HEXAGON SOCKET HEAD	1	UR X(25.2")
	90110-10049	BOLT, HEXAGON SOCKET HEAD	1	UR U(30.2")
	90110-10050	BOLT, HEXAGON SOCKET HEAD	1	UR E(35.2")
6	90340-08003	PLUG, STRAIGHT SCREW	2	
7	6GR-45341-00	PLUG, DRAIN	1	
8	93210-19123	O-RING	1	
9	93210-09165	O-RING	2	
10	6GR-45214-00	COVER, WATER INLET 1	1	
11	90185-06M07	.NUT, SELF-LOCKING	1	
12	6GR-45215-00	COVER, WATER INLET 2	1	
13	90110-06425	BOLT, HEXAGON SOCKET HEAD	1	
14	6GR-45224-00	COVER, WATER INLET 3	1	
15	90185-06M07	.NUT, SELF-LOCKING	1	
16	6GR-45225-00	COVER, WATER INLET 4	1	
17	90110-06425	BOLT, HEXAGON SOCKET HEAD	1	
18	6AW-45373-00	ANODE	1	
19	92990-10300	WASHER	1	
20	90105-10257	BOLT, FLANGE	1	
21	6GR-45987-00	SPACER 1	1	
22	6GR-45997-00	SPACER 2	1	

**REGULAR ROTATION**

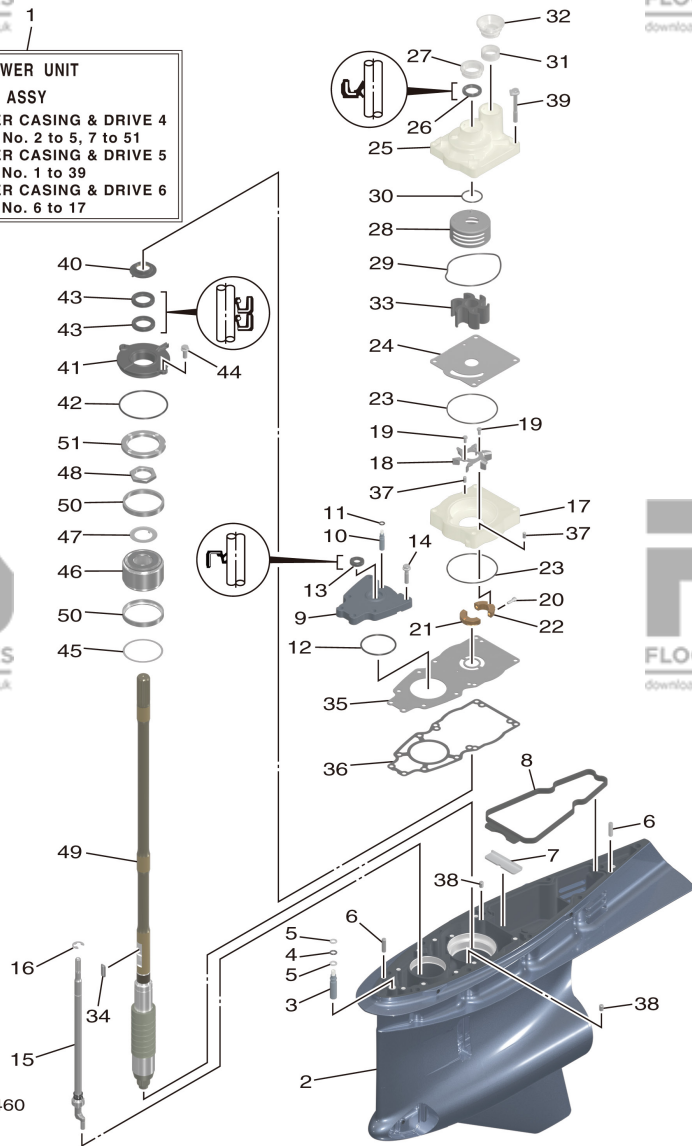


**FIG. 45 LOWER CASING & DRIVE 3**

REF. NO.	PART NO.	DESCRIPTION	QTY	REMARKS
23	90201-19M01	WASHER, PLATE	1	
24	90171-18M04	NUT, CASTLE	1	
25	91490-40030	PIN, COTTER	1	
26	6GR-45158-00-8D	PLATE, SPLASH	2	
27	6GR-45970-10	PROPELLER (3X17-1/8"X15"-Y)	1	UR
6GR-45972-10	PROPELLER (3X16-7/8"X17"-Y)	1	UR	
6GR-45974-10	PROPELLER (3X16-5/8"X19"-Y)	1	UR	
6GR-45976-10	PROPELLER (3X16-3/8"X21"-Y)	1	UR	
6GR-45978-10	PROPELLER (3X16-1/8"X23"-Y)	1	UR	
6GR-45930-10	PROPELLER (3X16"X25"-Y)	1	UR	
6GR-45938-10	PROPELLER (3X16-5/8"X18"-Y)	1	UR	
6GR-45936-10	PROPELLER (3X16-3/8"X20"-Y)	1	UR	
6GR-45934-10	PROPELLER (3X16-1/8"X22"-Y)	1	UR	
28	6GR-45C81-10	.DAMPER RUBBER, PROPELLER 1	1	

COUNTER ROTATION

1  
**LOWER UNIT ASSY**  
Fig. 46, LOWER CASING & DRIVE 4  
Ref. No. 2 to 5, 7 to 51  
Fig. 47, LOWER CASING & DRIVE 5  
Ref. No. 1 to 39  
Fig. 48, LOWER CASING & DRIVE 6  
Ref. No. 6 to 17

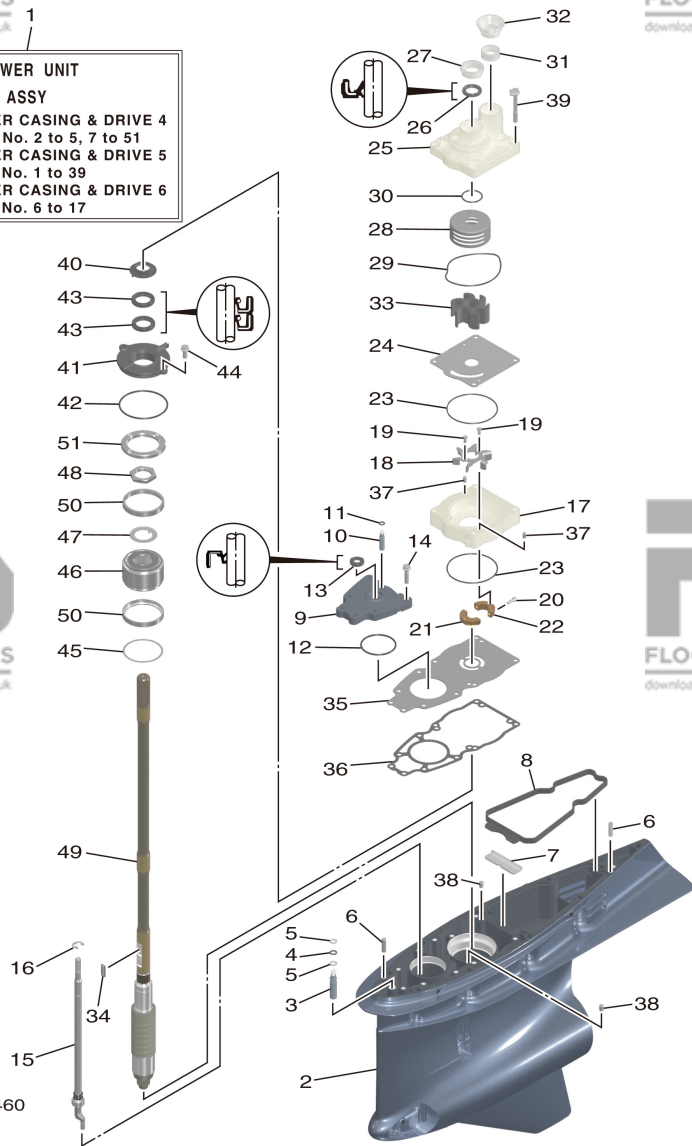


**FIG. 46 LOWER CASING & DRIVE 4**

REF. NO.	PART NO.	DESCRIPTION	QTY	REMARKS
1	6GS-45300-00-8D	LOWER UNIT ASSY	1	UR X(25.2")
	6GS-45300-10-8D	LOWER UNIT ASSY	1	UR U(30.2")
	6GS-45300-20-8D	LOWER UNIT ASSY	1	UR E(35.2")
2	6GR-45311-00-8D	CASING, LOWER	1	
3	6GR-45308-00	VALVE ASSY 1	1	
4	93210-10010	O-RING	1	
5	6GR-43873-00	RING, BACK UP	2	
6	99480-08030	PIN	2	
7	6GR-45376-00	GUIDE, SEAL DAMPER	1	
8	6GR-45375-00	DAMPER, SEAL	1	
9	6GR-45321-00	PLATE	1	
10	6GR-45309-00	VALVE ASSY 2	1	
11	93210-07100	O-RING	1	
12	93210-64488	O-RING	1	
13	93106-14001	OIL SEAL	1	
14	97595-08535	BOLT, WITH WASHER	6	
15	6GS-44150-00	SHIFT CAM ASSY	1	UR X(25.2")
	6GS-44150-10	SHIFT CAM ASSY	1	UR U(30.2")
	6GS-44150-20	SHIFT CAM ASSY	1	UR E(35.2")
16	99002-12600	CIRCLIP	1	
17	6GR-44341-00	HOUSING, WATER PUMP	1	
18	6GR-12451-00	IMPELLER, WATER PUMP	1	
19	97095-05010	BOLT	2	
20	91380-05016	BOLT	2	
21	6GR-44381-00	SPACER 1	1	
22	6GR-44382-00	SPACER 2	1	
23	93210-97690	O-RING	2	

COUNTER ROTATION

1  
**LOWER UNIT ASSY**  
 Fig. 46, LOWER CASING & DRIVE 4  
 Ref. No. 2 to 5, 7 to 51  
 Fig. 47, LOWER CASING & DRIVE 5  
 Ref. No. 1 to 39  
 Fig. 48, LOWER CASING & DRIVE 6  
 Ref. No. 6 to 17

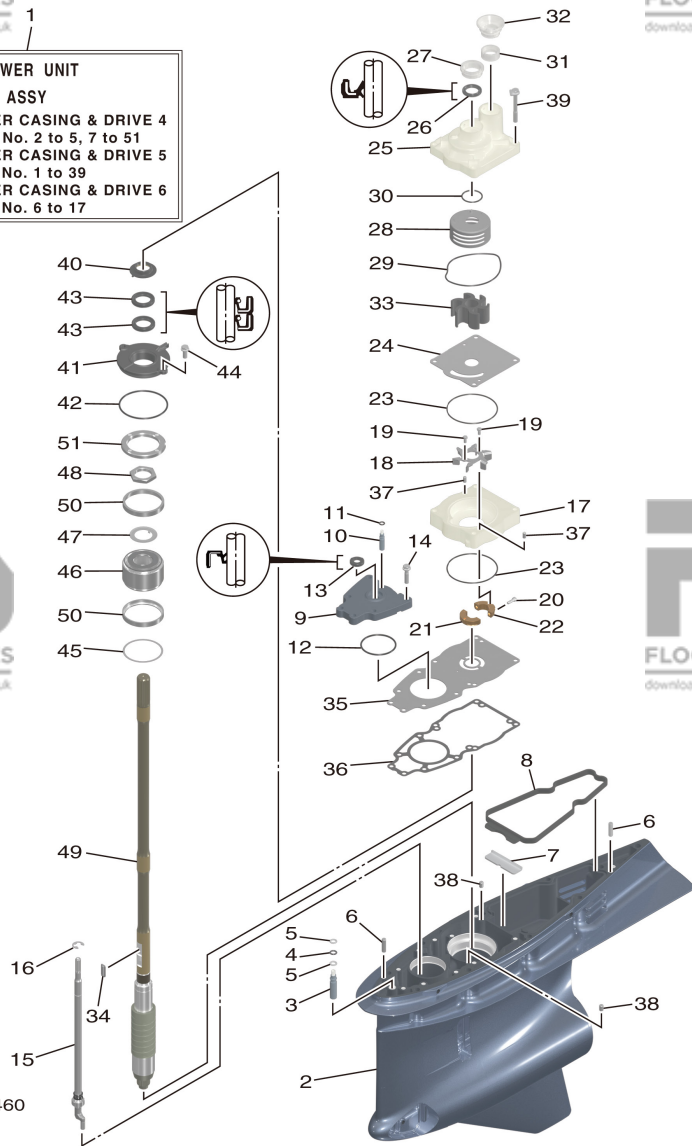


**FIG. 46 LOWER CASING & DRIVE 4**

REF. NO.	PART NO.	DESCRIPTION	QTY	REMARKS
24	6GR-44323-00	OUTER PLATE, CARTRIDGE	1	
25	6GR-44311-00	HOUSING, WATER PUMP	1	
26	93109-26001	OIL SEAL	1	
27	6GR-44312-00	COVER, WATER PUMP HOUSING	1	
28	6GR-44322-00	INSERT, CARTRIDGE	1	
29	93211-08001	O-RING	1	
30	93210-37160	O-RING	1	
31	6GR-44365-00	DAMPER, WATER SEAL 1	1	
32	6GR-44379-00	GUIDE, WATER TUBE	1	
33	6GR-44352-00	IMPELLER	1	
34	6AW-44336-00	KEY	1	
35	6GR-44328-00	PLATE	1	
36	6GR-44315-00	GASKET, WATER PUMP	1	
37	93606-12019	PIN, DOWEL	2	
38	93608-12M05	PIN, DOWEL	2	
39	90119-08M16	BOLT, WITH WASHER	4	
40	6GR-45344-00	COVER, OIL SEAL	1	
41	6GR-45335-00	HOUSING, OIL SEAL	1	
42	93210-89535	O-RING	1	
43	93101-30018	OIL SEAL	2	
44	97595-08520	BOLT, WITH WASHER	2	
45	688-45567-01	SHIM (T:0.10MM)	1	UR
	688-45567-10	SHIM (T:0.12MM)	1	UR
	688-45567-20	SHIM (T:0.15MM)	1	UR
	688-45567-30	SHIM (T:0.18MM)	1	UR
	688-45567-40	SHIM (T:0.30MM)	1	UR
	688-45567-50	SHIM (T:0.40MM)	1	UR

COUNTER ROTATION

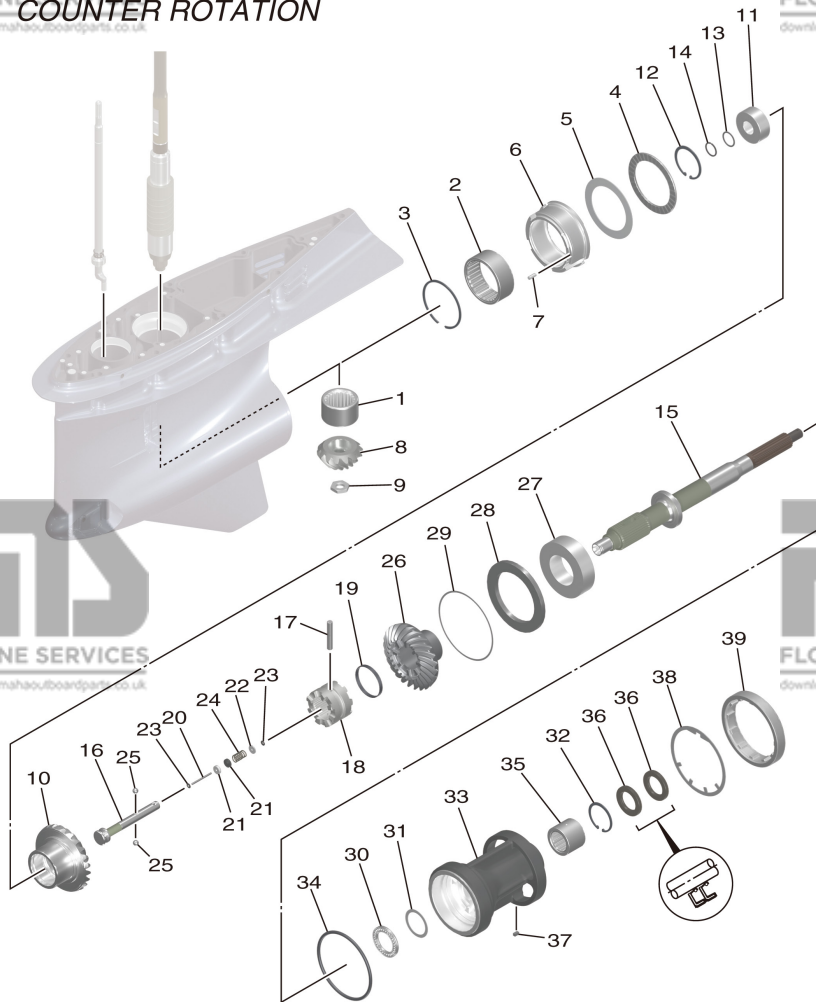
1  
**LOWER UNIT ASSY**  
Fig. 46, LOWER CASING & DRIVE 4  
Ref. No. 2 to 5, 7 to 51  
Fig. 47, LOWER CASING & DRIVE 5  
Ref. No. 1 to 39  
Fig. 48, LOWER CASING & DRIVE 6  
Ref. No. 6 to 17



**FIG. 46 LOWER CASING & DRIVE 4**

REF. NO.	PART NO.	DESCRIPTION	QTY	REMARKS
45	688-45567-60	SHIM (T:0.50MM)	1	UR
46	93399-99967	BEARING	1	
47	90214-35M07	WASHER, CLAW	1	
48	90170-35M34	NUT	1	
49	6GR-45501-00	DRIVE SHAFT COMP.	1	UR X(25.2")
	6GR-45501-10	DRIVE SHAFT COMP.	1	UR U(30.2")
	6GR-45501-20	DRIVE SHAFT COMP.	1	UR E(35.2")
50	6GR-45539-00	SPACER 2	2	
51	6GR-45244-00	NUT	1	

COUNTER ROTATION



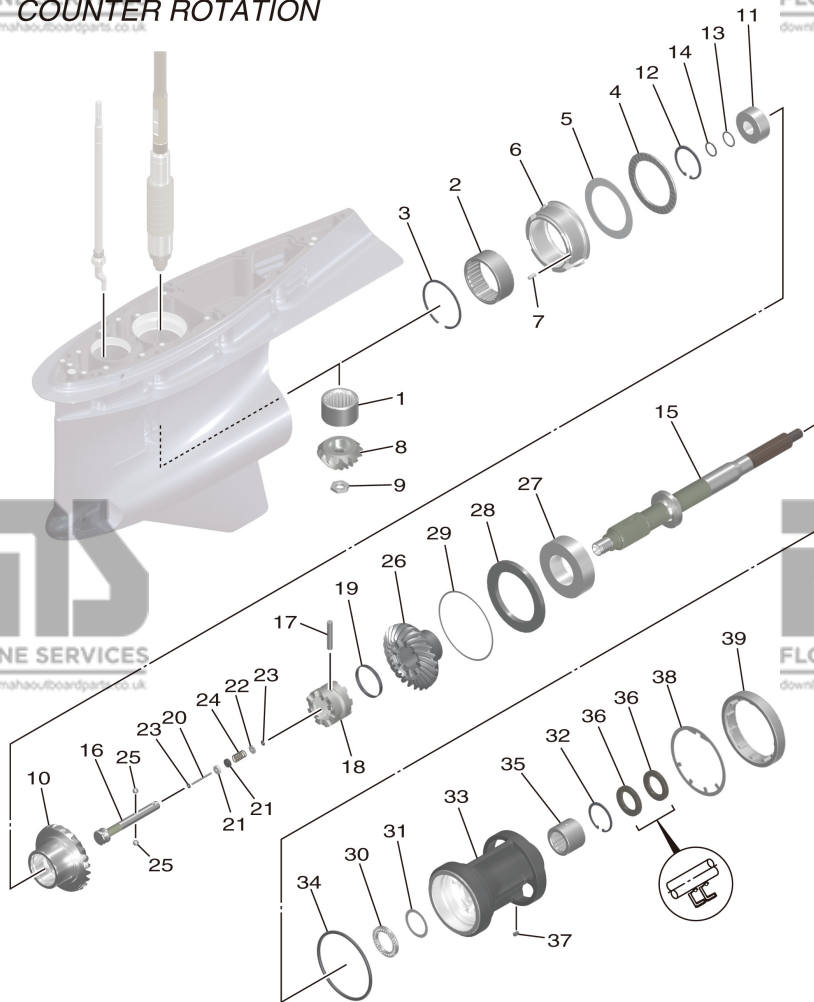
6GR1100NS480

**FIG. 47 LOWER CASING & DRIVE 5**

REF. NO.	PART NO.	DESCRIPTION	QTY	REMARKS
1	93311-944A0	BEARING	1	
2	93311-675A1	BEARING	1	
3	93450-92171	CIRCLIP	1	
4	93340-69012	BEARING	1	
5	6GR-45567-00	SHIM (T:2.00MM)	1	UR
	6GR-45567-10	SHIM (T:2.03MM)	1	UR
	6GR-45567-20	SHIM (T:2.06MM)	1	UR
	6GR-45567-30	SHIM (T:2.09MM)	1	UR
	6GR-45567-40	SHIM (T:2.12MM)	1	UR
	6GR-45567-50	SHIM (T:2.15MM)	1	UR
	6GR-45567-60	SHIM (T:2.18MM)	1	UR
	6GR-45567-70	SHIM (T:2.21MM)	1	UR
6	6GR-45824-00	ADAPTER	1	
7	93606-16117	PIN, DOWEL	1	
8	6GR-45551-00	PINION (14T)	1	
9	90170-18009	NUT	1	
10	6GS-45561-00	GEAR 1 (25T)	1	
11	93390-00033	BEARING	1	
12	99009-62500	CIRCLIP	1	
13	90201-253K0	WASHER, PLATE (T=1.0)	1	
14	93440-25020	CIRCLIP	1	
15	6GS-45611-00	SHAFT, PROPELLER	1	
16	6GR-45634-00	SLIDE, SHIFT	1	
17	6GR-45632-00	PIN, CROSS	1	
18	6GR-45631-00	CLUTCH, DOG	1	
19	6GR-45633-00	RING, CROSS PIN	1	
20	6H1-45668-00	SHAFT, FREE 1	1	



COUNTER ROTATION

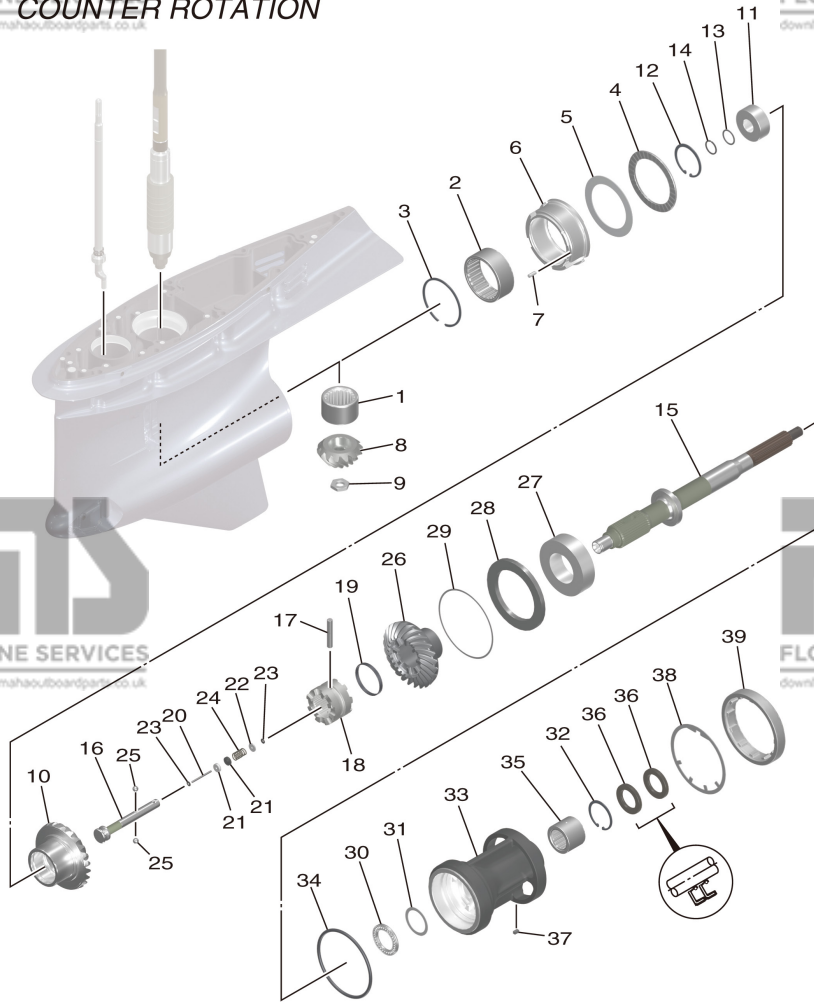


6GR1100NS480

**FIG. 47 LOWER CASING & DRIVE 5**

REF. NO.	PART NO.	DESCRIPTION	QTY	REMARKS
21	61A-45635-00	PLUNGER, SHIFT	2	
22	90201-02M00	WASHER, PLATE	1	
23	90183-02M03	NUT, SPRING	2	
24	90501-10M77	SPRING, COMPRESSION	1	
25	93501-04011	BALL	2	
<hr/>				
26	6GS-45571-00	GEAR 2 (25T)	1	
27	93332-000B2	BEARING	1	
28	6GR-45576-00	WASHER, THRUST 2	1	
29	6GR-45577-00	SHIM (T:0.10MM)	1	UR
	6GR-45577-10	SHIM (T:0.12MM)	1	UR
	6GR-45577-20	SHIM (T:0.15MM)	1	UR
	6GR-45577-30	SHIM (T:0.18MM)	1	UR
	6GR-45577-40	SHIM (T:0.30MM)	1	UR
	6GR-45577-50	SHIM (T:0.40MM)	1	UR
	6GR-45577-60	SHIM (T:0.50MM)	1	UR
<hr/>				
30	93341-440U5	BEARING	1	
31	6K1-45578-01	SHIM (T:0.10MM)	1	UR
	6K1-45578-10	SHIM (T:0.12MM)	1	UR
	6K1-45578-20	SHIM (T:0.15MM)	1	UR
	6K1-45578-30	SHIM (T:0.18MM)	1	UR
	6K1-45578-40	SHIM (T:0.30MM)	1	UR
	6K1-45578-50	SHIM (T:0.40MM)	1	UR
	6K1-45578-60	SHIM (T:0.50MM)	1	UR
32	99009-55500	CIRCLIP	1	
33	6GS-45332-00	HOUSING, BEARING	1	
<hr/>				
34	93211-26001	O-RING	1	
35	93311-737A2	BEARING	1	

COUNTER ROTATION

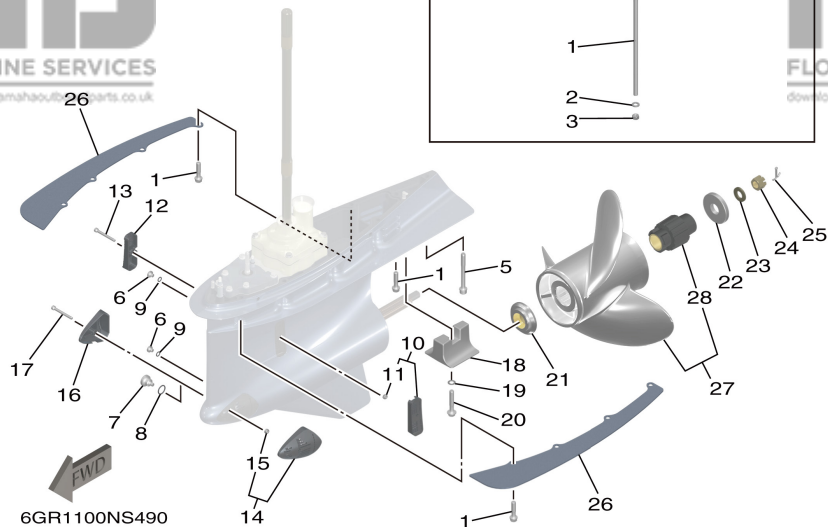
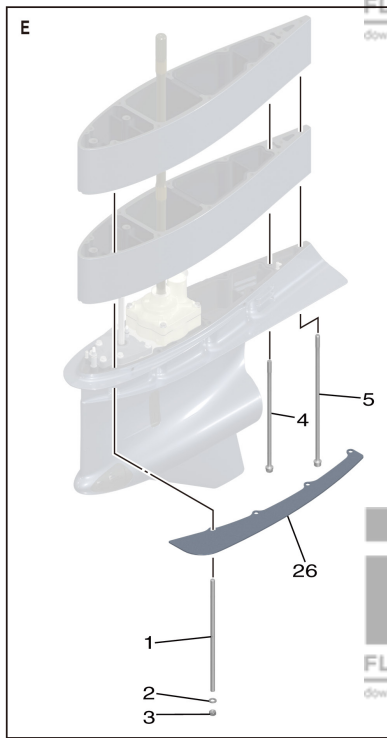
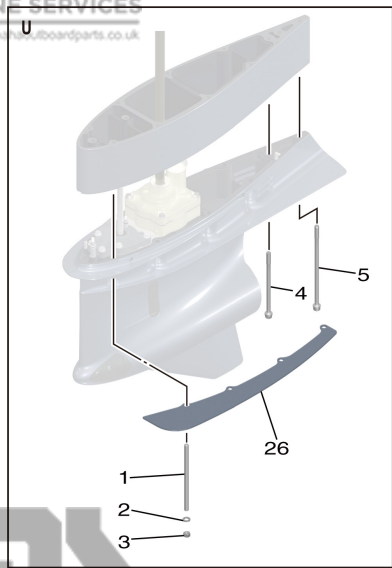


6GR1100NS480

**FIG. 47 LOWER CASING & DRIVE 5**

REF. NO.	PART NO.	DESCRIPTION	QTY	REMARKS
36	93101-37001	OIL SEAL	2	
37	90282-05008	KEY, STRAIGHT	1	
38	6GR-45383-00	WASHER, CLAW	1	
39	6GR-45384-00	NUT	1	

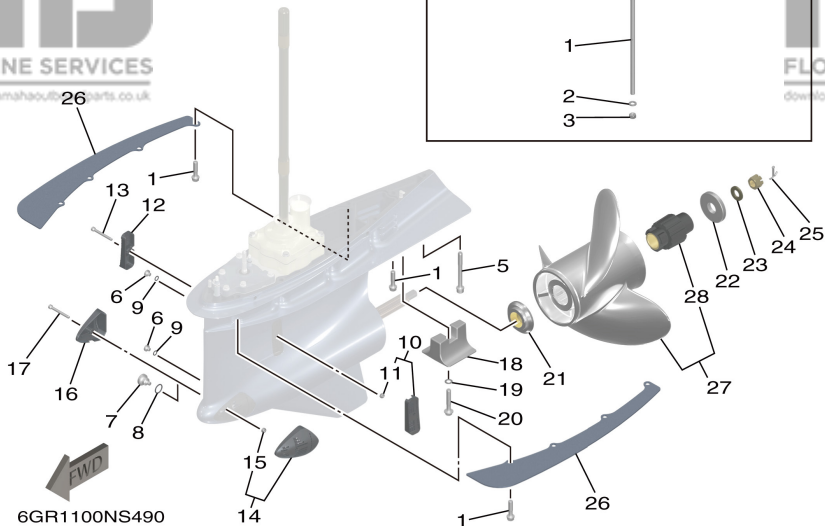
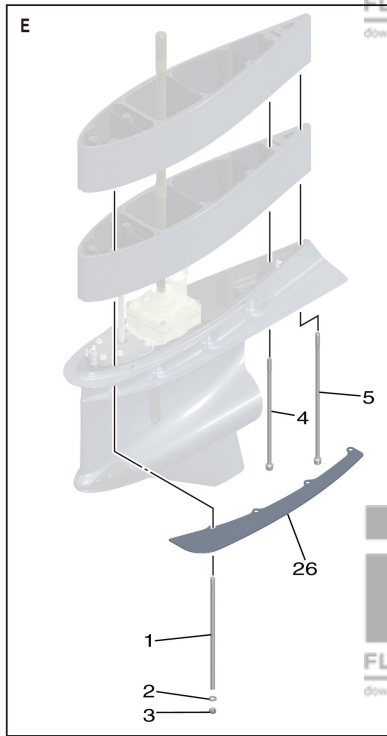
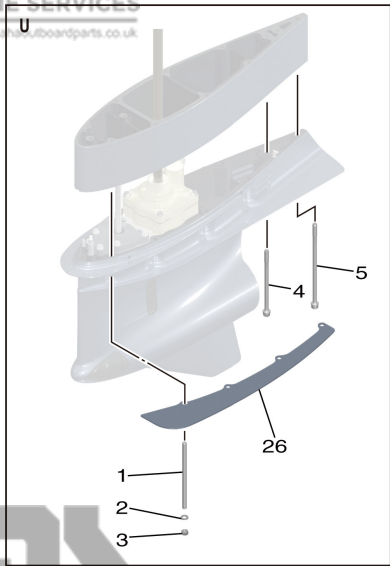
**COUNTER ROTATION**



**FIG. 48 LOWER CASING & DRIVE 6**

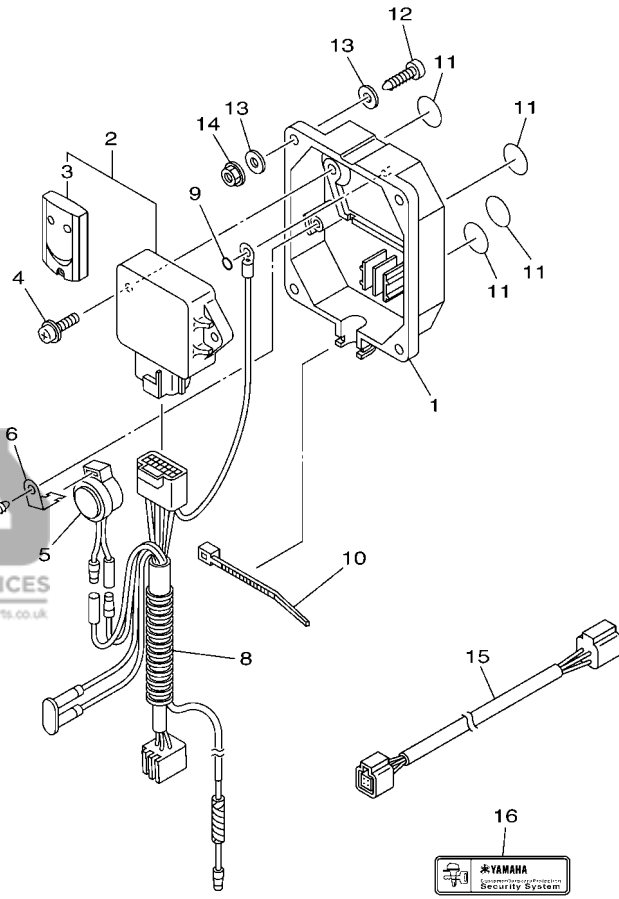
REF. NO.	PART NO.	DESCRIPTION	QTY	REMARKS
1	90119-10024	BOLT, WITH WASHER	9	UR X(25.2")
	90116-10067	BOLT, STUD	8	UR U(30.2")
	90116-10066	BOLT, STUD	8	UR E(35.2")
2	92995-10600	WASHER	8	U(30.2"),E(35.2")
3	95380-10600	NUT	8	U(30.2"),E(35.2")
4	90119-10009	BOLT, WITH WASHER	1	UR U(30.2")
	90119-10060	BOLT, WITH WASHER	1	UR E(35.2")
5	90110-10048	BOLT, HEXAGON SOCKET HEAD	1	UR X(25.2")
	90110-10049	BOLT, HEXAGON SOCKET HEAD	1	UR U(30.2")
	90110-10050	BOLT, HEXAGON SOCKET HEAD	1	UR E(35.2")
6	90340-08003	PLUG, STRAIGHT SCREW	2	
7	6GR-45341-00	PLUG, DRAIN	1	
8	93210-19123	O-RING	1	
9	93210-09165	O-RING	2	
10	6GR-45214-00	COVER, WATER INLET 1	1	
11	90185-06M07	.NUT, SELF-LOCKING	1	
12	6GR-45215-00	COVER, WATER INLET 2	1	
13	90110-06425	BOLT, HEXAGON SOCKET HEAD	1	
14	6GR-45224-00	COVER, WATER INLET 3	1	
15	90185-06M07	.NUT, SELF-LOCKING	1	
16	6GR-45225-00	COVER, WATER INLET 4	1	
17	90110-06425	BOLT, HEXAGON SOCKET HEAD	1	
18	6AW-45373-00	ANODE	1	
19	92990-10300	WASHER	1	
20	90105-10257	BOLT, FLANGE	1	
21	6GR-45987-00	SPACER 1	1	
22	6GR-45997-00	SPACER 2	1	

**COUNTER ROTATION**



**FIG. 48 LOWER CASING & DRIVE 6**

REF. NO.	PART NO.	DESCRIPTION	QTY	REMARKS
23	90201-19M01	WASHER, PLATE	1	
24	90171-18M04	NUT, CASTLE	1	
25	91490-40030	PIN, COTTER	1	
26	6GR-45158-00-8D	PLATE, SPLASH	2	
27	6GS-45970-10	PROPELLER (3X17-1/8"X15"-YL)	1	UR
	6GS-45972-10	PROPELLER (3X16-7/8"X17"-YL)	1	UR
	6GS-45974-10	PROPELLER (3X16-5/8"X19"-YL)	1	UR
	6GS-45976-10	PROPELLER (3X16-3/8"X21"-YL)	1	UR
	6GS-45978-10	PROPELLER (3X16-1/8"X23"-YL)	1	UR
	6GS-45930-10	PROPELLER (3X16"X25"-YL)	1	UR
	6GS-45938-10	PROPELLER (3X16-5/8"X18"-YL)	1	UR
	6GS-45936-10	PROPELLER (3X16-3/8"X20"-YL)	1	UR
	6GS-45934-10	PROPELLER (3X16-1/8"X22"-YL)	1	UR
28	6GR-45C81-10	.DAMPER RUBBER, PROPELLER 1	1	

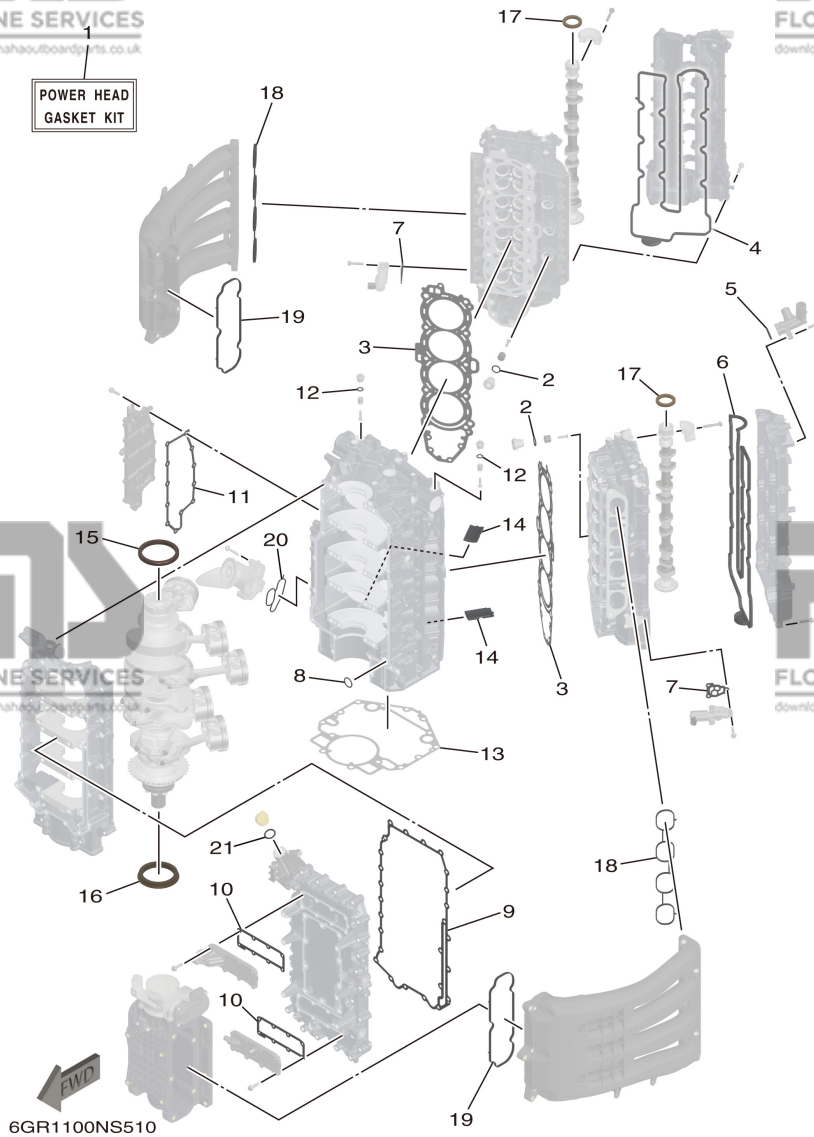


6CJ1100-K370

**FIG. 49 OPTIONAL PARTS**

REF. NO.	PART NO.	DESCRIPTION	QTY	REMARKS
1	6Y8-86267-00	CASE COMPLETE 1	1	
2	6Y8-86260-12	REMOTE CONTROL UNIT ASSY	1	UR 315MHz
	6Y8-86260-03	REMOTE CONTROL UNIT ASSY	1	UR 433MHz
3	6AA-86261-22	.XMTR. COMP.	2	UR FOR 315MHz
	6AA-86261-01	.XMTR. COMP.	2	UR FOR 433MHz
4	97980-06216	SCREW, WITH WASHER	2	
5	6X4-83383-00	BUZZER	1	
6	6X4-83386-00	STAY, BUZZER	1	
7	97780-60620	SCREW, TAPPING	1	
8	6Y8-82509-10	WIRE, SUB LEAD	1	
9	93210-04279	O-RING	1	
10	90465-11M10	CLAMP	1	
11	6Y8-8454G-00	PATCH 1	4	UR
12	90167-06M00	SCREW, TAPPING	4	UR
	97880-06035	SCREW, PAN HEAD	4	
13	90201-06M30	WASHER, PLATE	8	
14	95780-06300	NUT, FLANGE	4	
15	6Y8-82521-11	2FT PIGTAIL BUS	1	
16	6Y8-48277-00	STICKER 1	4	

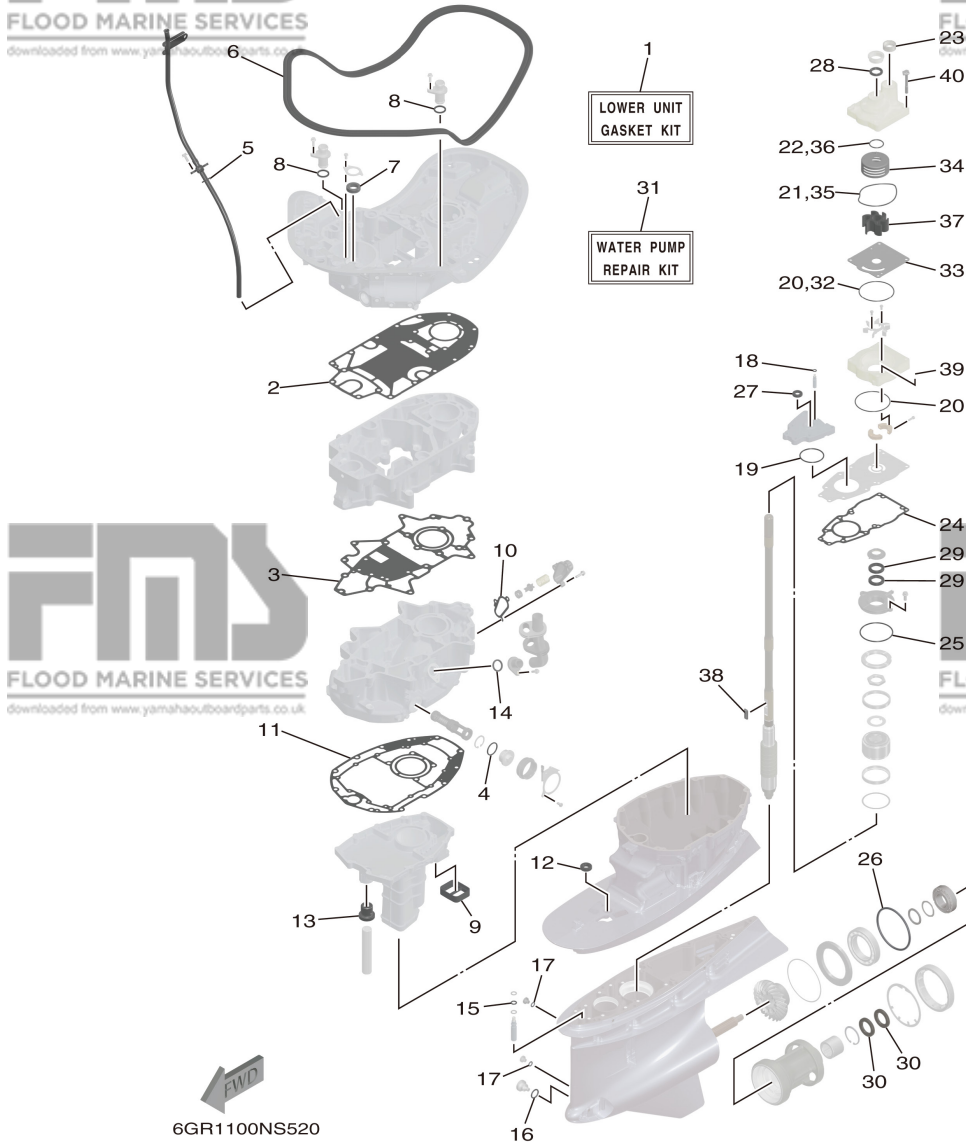
**FIG. 50 REPAIR KIT 1**



REF. NO.	PART NO.	DESCRIPTION	QTY	REMARKS
1	6GR-W0001-00	POWER HEAD GASKET KIT	1	
2	93210-19216	.O-RING	6	
3	6GR-11181-00	.GASKET, CYLINDER HEAD 1	2	
4	6GR-11193-00	.GASKET, HEAD COVER 1	1	
5	93210-28646	.O-RING	1	
6	6GR-11194-00	.GASKET, HEAD COVER 2	1	
7	6CB-1242F-00	.GASKET, FILTER	2	
8	93210-26658	.O-RING	1	
9	6GR-15451-00	.GASKET, CRANKCASE COVER 1	1	
10	6GR-1131B-00	.GASKET, COVER	2	
11	6GR-15353-00	.GASKET, DRAIN	1	
12	93210-13M63	.O-RING	2	
13	6GR-11351-00	.GASKET, CYLINDER	1	
14	6GR-14664-00	.GROMMET, WATER SHUT	2	
15	93102-90004	.OIL SEAL	1	
16	93102-85010	.OIL SEAL	1	
17	93102-38008	.OIL SEAL	2	
18	6GR-13645-00	.GASKET, MANIFOLD 1	2	
19	6GR-13646-00	.GASKET, MANIFOLD 2	2	
20	6GR-13477-00	.GASKET	1	
21	93210-24M79	.O-RING	1	

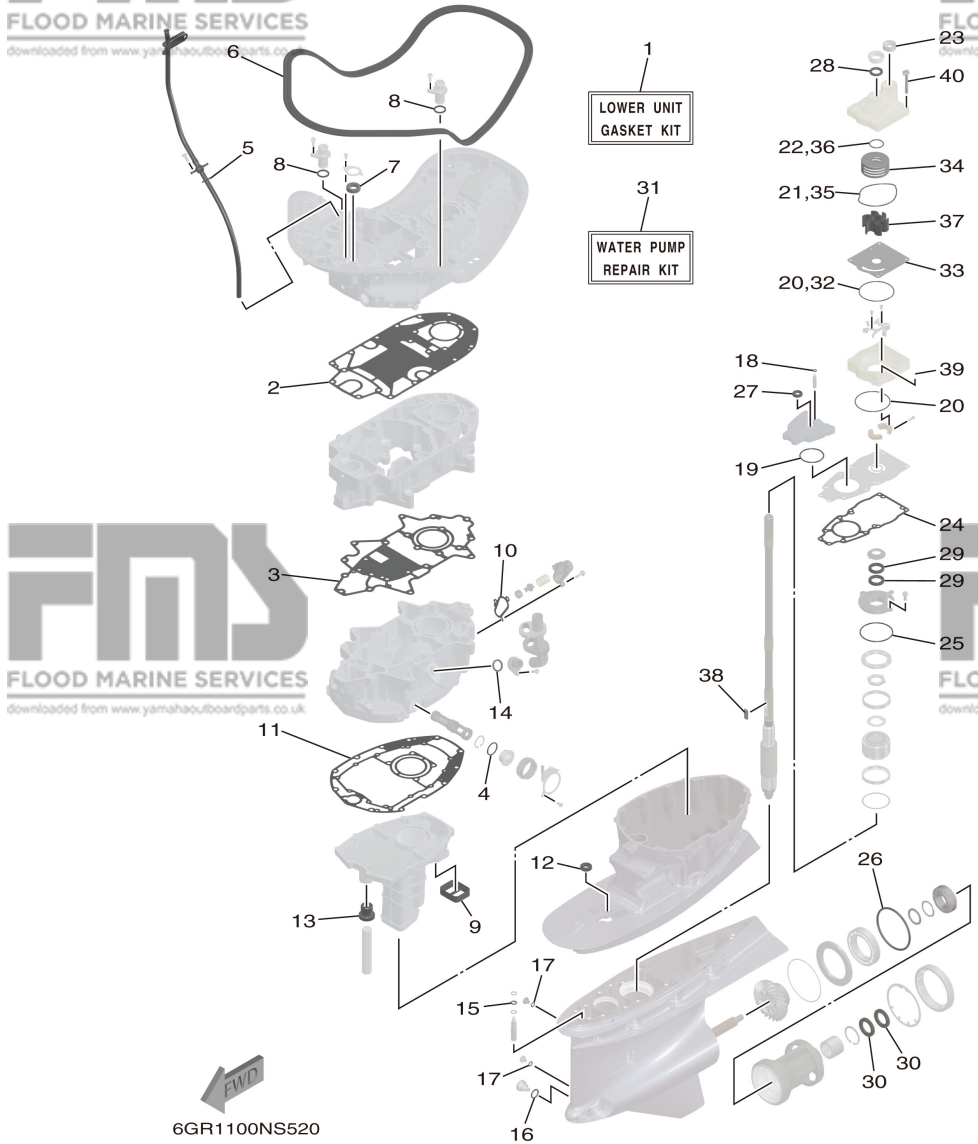


**FIG. 51 REPAIR KIT 2**



REF. NO.	PART NO.	DESCRIPTION	QTY	REMARKS
1	6GR-W0001-20	LOWER UNIT GASKET KIT	1	
2	6GR-15312-00	.GASKET, OIL PAN	1	
3	6GR-1531C-00	.GASKET, OIL PAN 2	1	
4	93210-34633	.O-RING	1	
5	93210-19MJ3	.O-RING	1	
6	6GR-42716-00	.RUBBER SEAL 1	1	
7	93102-26004	.OIL SEAL	1	
8	6GR-44366-00	.DAMPER, WATER SEAL 2	2	
9	6GR-45127-00	.SEAL	1	
10	6EK-12435-A0	.GASKET	1	
11	6GR-45113-00	.GASKET, UPPER CASING	1	
12	6GR-44521-00	.SEAL	1	
13	6GR-44367-00	.DAMPER, WATER SEAL 3	1	
14	6GR-44366-00	.DAMPER, WATER SEAL 2	2	
15	93210-10010	.O-RING	1	
16	93210-19123	.O-RING	1	
17	93210-09165	.O-RING	2	
18	93210-07100	.O-RING	1	
19	93210-64488	.O-RING	1	
20	93210-97690	.O-RING	2	
21	93211-08001	.O-RING	1	
22	93210-37160	.O-RING	1	
23	6GR-44365-00	.DAMPER, WATER SEAL 1	1	
24	6GR-44315-00	.GASKET, WATER PUMP	1	
25	93210-89535	.O-RING	1	
26	93211-26001	.O-RING	1	
27	93106-14001	.OIL SEAL	1	

**FIG. 51 REPAIR KIT 2**



REF. NO.	PART NO.	DESCRIPTION	QTY	REMARKS
28	93109-26001	.OIL SEAL	1	
29	93101-30018	.OIL SEAL	2	
30	93101-37001	.OIL SEAL	2	
31	6GR-W0078-00	WATER PUMP REPAIR KIT	1	
32	93210-97690	.O-RING	1	
33	6GR-44323-00	.OUTER PLATE, CARTRIDGE	1	
34	6GR-44322-00	.INSERT, CARTRIDGE	1	
35	93211-08001	.O-RING	1	
36	93210-37160	.O-RING	1	
37	6GR-44352-00	.IMPELLER	1	
38	6AW-44336-00	.KEY	1	
39	93606-12019	.PIN, DOWEL	2	
40	90119-08M16	.BOLT, WITH WASHER	4	

PART NO.	REF. NO.
6GR-11000-00	3 - 1
6GR-11110-00	5 - 2
6GR-11120-00	5 - 12
6DA-11133-10	5 - 3
	5 - 13
6GR-11135-00	6 - 2
6GR-11136-00	6 - 10
6GR-11181-00	5 - 25
	50 - 3
6GR-11186-00	22 - 22
6GR-11187-00	22 - 28
6GR-11191-00-9S	6 - 1
6GR-11192-00-9S	6 - 6
6GR-11193-00	6 - 4
	50 - 6
6GR-11194-00	6 - 12
	50 - 6
6GR-11197-00	5 - 21
6G8-11197-A0	3 - 38
	13 - 4
	14 - 8
6GR-1131B-00	3 - 20
	50 - 10
6G8-11325-00	1 - 4
	1 - 8
	1 - 9
	3 - 37
	13 - 6
	14 - 10
6AW-1132L-00	1 - 1
	5 - 23
6AW-1132P-00	1 - 2
	3 - 31
6GR-11351-00	3 - 43
	50 - 13
6GR-1135A-00	3 - 41
6GR-11372-00	6 - 7
6GR-11411-00	4 - 1
6GR-11416-00	4 - 11
6GR-11416-10	4 - 11
6GR-11416-20	4 - 11
6GR-11416-30	4 - 11
6GR-11417-00	4 - 12
6GR-11417-10	4 - 12
6GR-11417-20	4 - 12
6GR-11417-30	4 - 12
6GR-11426-00	4 - 15
6CB-11426-03	4 - 13

NUMERICAL INDEX

PART NO.	REF. NO.
6GR-12153-P0	8 - 8
6GR-12153-R0	8 - 8
6GR-12153-S0	8 - 8
6GR-12153-T0	8 - 8
6GR-12171-00	9 - 1
6GR-12172-00	9 - 3
6GR-12181-00	9 - 2
6GR-12182-00	9 - 4
6GR-12199-00	4 - 8
6GR-12210-00	9 - 12
6GR-12230-00	9 - 13
6GR-12411-00	1 - 3
	3 - 33
66M-12411-01	3 - 25
6H3-12411-20	3 - 17
688-12412-00	3 - 26
6GR-12412-00	3 - 34
6H3-12412-10	3 - 18
6GR-12413-00	3 - 35
6G5-12416-00	42 - 22
6GR-12417-00-9S	3 - 22
6GR-1241B-00-9S	3 - 29
6CB-1242F-00	6 - 15
	50 - 7
6EK-12435-A0	42 - 28
	51 - 10
6GR-12439-00	18 - 13
6GR-1243A-00	7 - 8
6GR-1243E-00	7 - 9
6GR-1243F-00	42 - 31
6GR-1244H-00	7 - 13
6GR-1244J-00	7 - 1
6GR-12451-00	43 - 18
	46 - 18
6EK-1246A-00-9S	42 - 21
6GR-12482-00	14 - 23
6GR-12491-00	41 - 12
6GR-12551-00	7 - 6
6R3-12572-00	28 - 11
6GR-12577-00	28 - 16
6GR-1257A-00	42 - 32
6GR-12581-00	42 - 33
6R3-12581-00	28 - 13
6GR-12582-00	28 - 14
6R3-12583-00	28 - 15
6GR-12584-00	39 - 19
6GR-12594-00	7 - 12
6GR-12645-00	9 - 8

PART NO.	REF. NO.
6GR-12651-00	20 - 10
6GR-12653-00	20 - 13
6GR-12659-00	20 - 15
6GR-13016-00	18 - 7
6GR-13160-09	18 - 20
6GR-13188-00	4 - 4
6GR-13300-00	12 - 1
6GR-13411-00	1 - 6
	42 - 15
6GR-13437-60	20 - 27
N26-13440-02	1 - 7
	12 - 3
6GR-13446-00	12 - 5
67F-13448-00	2 - 18
6GR-13473-00	12 - 11
6GR-13477-00	12 - 6
	50 - 20
6GR-13490-00	12 - 10
6GR-13556-00	11 - 9
68V-13577-00	15 - 18
6CB-13593-00	15 - 15
6GR-13593-00	15 - 9
6GR-13641-00	10 - 7
63P-13643-00	11 - 8
6GR-13645-00	10 - 8
	50 - 18
6GR-13646-00	10 - 9
	50 - 19
6GR-13711-00	11 - 3
6GR-13716-00	15 - 16
6GR-13750-00	11 - 1
6GR-13751-00	11 - 2
6GR-13761-00	18 - 21
6GR-13781-00	15 - 5
6GR-13898-00	11 - 4
6GR-13910-00	18 - 12
6GR-13938-00	15 - 8
6GR-14197-00	15 - 17
6GR-14295-00	18 - 17
6GR-14296-00	18 - 18
6AW-1441J-00	10 - 3
6GR-14440-00	10 - 1
6FM-14562-00	15 - 14
6GR-14567-00	15 - 19
6GR-14613-00	13 - 3
6GR-14615-00-9S	13 - 1
6GR-14625-00-9S	13 - 2
6GR-14635-00-9S	14 - 1

PART NO.	REF. NO.
6GR-14643-00	14 - 16
6GR-14645-00-9S	14 - 4
6GR-14656-00-9S	14 - 14
6GR-14664-00	3 - 44
	50 - 14
6GR-14711-00	40 - 1
6GR-14753-00	39 - 26
6GR-15109-00-9S	3 - 2
6P2-15187-00	3 - 7
6GR-15311-00	42 - 8
6GR-15312-00	42 - 1
	51 - 2
6GR-15316-00	42 - 20
6GR-1531A-00	10 - 12
6GR-1531A-10	10 - 13
6GR-1531B-00	42 - 2
6GR-1531C-00	42 - 3
	51 - 3
6GR-15351-00	42 - 12
6GR-15353-00	3 - 27
	50 - 11
6GR-15362-00	42 - 16
6G8-15363-00	12 - 8
6GR-15377-00	42 - 17
6GR-15411-00-9S	3 - 11
6GR-15413-00-9S	3 - 24
6GR-15414-00-9S	3 - 16
6GR-15423-00-9S	3 - 19
6GR-15451-00	3 - 13
	50 - 9
6GR-21841-00	15 - 13
6GR-22472-00	37 - 28
6GR-23113-00	38 - 48
6GR-2318F-00	41 - 8
6GR-2318K-00	26 - 8
6GR-24113-00	15 - 22
6GR-2415H-00	15 - 23
6GR-24196-00	15 - 10
6GR-2419A-00	15 - 11
6GR-24217-00	17 - 11
6GR-24218-00	15 - 4
6GR-24220-00	15 - 1
6GR-24223-00	15 - 2
6GR-24224-00	15 - 3
6GR-24251-00	18 - 5
6AW-24300-00	17 - 8
	18 - 8
6P2-24300-00	16 - 37

PART NO.	REF. NO.
6AW-24300-10	15 - 21
	17 - 7
6GR-24311-00	16 - 3
6GR-24312-00	16 - 16
6GR-24313-00	17 - 1
6GR-24314-00	17 - 2
6GR-24315-00	17 - 3
6GR-24316-00	17 - 4
6GR-24317-00	17 - 5
6GR-24321-00	16 - 19
6GR-24322-00	16 - 33
6GR-24323-00	16 - 36
6GR-24324-00	16 - 39
6GR-24325-00	16 - 43
6E5-24351-51	16 - 4
6AW-24360-01	19 - 1
6GR-24376-00	7 - 5
6AW-24377-01	16 - 2
688-24378-00	14 - 24
6E5-24378-00	16 - 17
6GR-24378-00	28 - 18
6E5-24379-00	41 - 9
6GR-243A1-00	18 - 2
6GR-243A2-00	18 - 2
6GR-243A3-00	18 - 3
6GR-243A4-00	18 - 4
6GR-24408-00	17 - 10
6R5-24408-10	16 - 34
6GR-24410-00	16 - 22
6GR-2441R-00	15 - 6
6GR-24420-10	15 - 20
6GR-24425-00	16 - 20
6GR-24426-00	16 - 27
6GR-24430-00	15 - 12
6GR-24452-00	28 - 29
6GR-24460-00	17 - 12
6GR-24460-20	16 - 40
6CB-24461-00	17 - 9
	18 - 9
6GR-24462-00	16 - 24
6GR-24474-00	17 - 13
6GR-24491-00	16 - 26
6DA-24492-00	16 - 23
6GR-244A1-00	15 - 7
6GR-24501-00	18 - 6
6GR-24560-00	16 - 5
6GR-24561-00	16 - 6
6P3-24563-01	1 - 10

NUMERICAL INDEX

PART NO.	REF. NO.
6P3-24563-01	16 - 8
6P3-24564-00	1 - 11
	16 - 7
6GR-24566-00	16 - 11
6GR-24568-00	16 - 9
6GR-24595-00	18 - 14
6GR-24596-00	16 - 47
6GR-24599-00	18 - 22
6GR-2464E-00	17 - 18
6GR-24864-00	35 - 9
6GR-28100-10	32 - 7
6CB-2812A-00	24 - 9
6GR-41114-00	14 - 15
6GR-41124-00	14 - 7
6GR-41134-00	14 - 19
6GR-41137-00	39 - 1
6GR-41297-00	39 - 5
6GR-42134-00	35 - 29
6GR-42195-00	33 - 12
6BG-42384-00	39 - 9
6DA-42384-00	39 - 15
6GR-42384-00	39 - 12
6GR-42401-00	35 - 25
6GR-42477-00	2 - 3
6GR-42510-00-8D	36 - 1
6GR-42541-00	7 - 2
6GT-42610-00-8D	2 - 1
6GR-42615-00	29 - 10
6GR-4261A-00-8D	2 - 2
6GR-42622-00	29 - 4
6GR-42623-00	29 - 8
6GR-42625-00-8D	29 - 19
6GR-42629-00	2 - 20
6GR-42643-00	2 - 8
6GR-42647-00	2 - 5
6GR-42648-00	2 - 6
6GR-42649-00	2 - 7
663-42662-00	2 - 17
6AW-42663-00	2 - 9
6GT-42675-00	2 - 21
6GT-42676-00	2 - 22
6GT-42677-10	2 - 24
6GT-42678-10	32 - 5
6GT-4267A-20	32 - 4
6GT-42682-10	32 - 6
6GT-42688-10	2 - 23
6DA-42697-00	35 - 5
6AW-42697-10	32 - 1

PART NO.	REF. NO.
6GR-42711-00-8D	28 - 1
6GR-42712-00-8D	29 - 1
6GR-42713-00-8D	29 - 5
6GR-42716-00	39 - 30
	51 - 6
61A-42717-00	34 - 13
6DA-42717-00	39 - 14
6GR-42717-00	28 - 8
6GR-42718-00	28 - 9
6AW-42724-00	39 - 7
6GR-42724-00	39 - 11
6GR-42725-00	28 - 5
6H1-42726-21	39 - 8
6GR-42740-00-8D	31 - 1
6GR-42742-00	42 - 26
6GR-42743-00	6 - 20
6GR-42744-00	29 - 2
	29 - 6
60V-42747-10	39 - 17
6GR-42748-00	29 - 20
6H4-42748-00	28 - 10
6GR-42753-00	28 - 26
6GR-42758-00	29 - 13
	29 - 22
6GR-42761-00	28 - 6
6GR-42768-00	29 - 18
6GR-42769-00	29 - 11
6GR-42770-00-8D	31 - 5
6GR-42774-00-CA	31 - 3
69J-42774-10	29 - 17
	31 - 9
6GR-42775-00-CA	31 - 7
6GR-42776-00	42 - 29
6GT-42783-00	32 - 2
6GT-42784-00	32 - 3
6AW-42785-00	41 - 4
6EE-42794-40	28 - 31
6EE-42794-50	28 - 32
6GR-42815-00-8D	30 - 1
6GR-42816-00-8D	30 - 2
6GR-42817-00-8D	30 - 3
6GR-42818-00	30 - 14
6GR-42819-00	30 - 15
6GR-42828-00	30 - 4
6GR-42829-00	30 - 5
6GR-42833-00	30 - 10
68T-42835-00	30 - 9
6GR-42835-00	30 - 7

PART NO.	REF. NO.
6GR-4311A-00-8D	34 - 1
6GR-4311B-00-8D	34 - 7
6GR-43121-00	35 - 36
6GR-43126-00	35 - 23
6GR-43144-00	34 - 19
6G5-43148-00	34 - 24
6GR-43181-00	34 - 21
6GR-43185-00	34 - 22
6GR-43311-00-8D	34 - 17
6GR-43318-00-8D	35 - 7
6GR-43333-00	34 - 14
6GR-43341-00	35 - 1
6GR-43342-00	35 - 2
6GR-43376-00	34 - 30
6GR-43378-00	35 - 43
6GR-43654-00	37 - 17
6GR-43800-09	37 - 1
6GR-43801-00	37 - 4
6GR-43804-00	38 - 3
6GR-43805-00	38 - 2
6GR-4380F-00	38 - 6
6C5-4380G-00	38 - 45
6GR-4380K-00	37 - 21
6GR-4380L-00	37 - 42
6GR-43810-00	37 - 3
6GR-43811-00	37 - 9
6GR-43812-00	37 - 5
6GR-43814-00	37 - 20
6C5-43816-00	38 - 44
69J-43817-00	37 - 44
6C6-43817-00	38 - 42
6GR-43818-00	37 - 27
6GR-4381E-00	34 - 9
6GR-4381F-00	34 - 10
6GR-4381J-00	35 - 19
6GR-43820-00	37 - 37
61A-43821-01	37 - 35
69J-43822-00	37 - 34
6GR-43827-00	37 - 18
6GR-43828-00	37 - 47
6EK-43829-00	37 - 50
6GR-4382A-00	35 - 21
6GR-4382E-00	37 - 11
6D8-4382L-00	38 - 34
6GR-43830-00	38 - 13
69J-43831-00	38 - 41
6GR-43835-00	37 - 22
6GR-4383E-00	26 - 4

PART NO.	REF. NO.
6GR-4383K-00	41 - 3
6GR-43840-00	37 - 2
6CJ-43841-00	38 - 15
6D8-43843-00	38 - 29
6D8-43844-00	38 - 28
6H1-43844-10	38 - 32
6GR-43845-00	37 - 30
69A-4384F-00	38 - 18
6H1-4384G-11	38 - 31
69J-4384H-00	37 - 10
61A-4384H-10	37 - 40
6CJ-4384M-00	38 - 17
6GR-43851-00	38 - 24
6C6-43853-00	38 - 21
6C5-43854-00	38 - 36
6C5-43855-10	38 - 26
6GR-43856-00	38 - 33
61A-43861-00	37 - 32
6GR-43862-00	37 - 24
6GR-43863-00	37 - 8
61A-43864-00	37 - 39
6GR-43864-00	38 - 12
6GR-4386K-00	38 - 7
6GR-43871-00	37 - 14
6GR-43872-00	37 - 7
6GR-43873-00	43 - 5
	46 - 5
61A-43874-00	37 - 38
61A-43875-01	37 - 33
61A-43875-10	37 - 41
61A-43876-00	37 - 31
67C-43879-10	38 - 9
6C6-4387G-00	38 - 20
6GR-43880-00	38 - 1
6GR-43881-00	38 - 10
6GR-43882-00	38 - 11
6H1-43883-00	38 - 16
69J-43888-00	37 - 48
69J-4388F-00	37 - 45
6GR-4388F-00	37 - 25
6GR-4388H-00	37 - 43
6GR-43892-00	38 - 4
6GR-43895-00	38 - 35
69J-4389J-00	38 - 23
	38 - 43
6GR-438A0-00	35 - 31
6GR-44117-00	33 - 6
6GR-44120-00	33 - 20

PART NO.	REF. NO.
6GR-44121-00	33 - 17
6CE-44122-00	33 - 11
6GR-44150-00	43 - 15
6GS-44150-00	46 - 15
6GR-44150-10	43 - 15
6GS-44150-10	46 - 15
6GR-44150-20	43 - 15
6GS-44150-20	46 - 15
6GR-44194-00	36 - 22
6GR-44311-00	43 - 25
	46 - 25
6GR-44312-00	43 - 27
	46 - 27
6GR-44315-00	43 - 36
	46 - 36
	51 - 24
6GR-44322-00	43 - 28
	46 - 28
	51 - 34
6GR-44323-00	43 - 24
	46 - 24
	51 - 33
6GR-44328-00	43 - 35
	46 - 35
6GR-44331-00	35 - 26
6GR-44332-00	35 - 27
6AW-44336-00	43 - 34
	46 - 34
	51 - 38
6GR-44341-00	43 - 17
	46 - 17
6GR-44352-00	43 - 33
	46 - 33
	51 - 37
6GR-44365-00	43 - 31
	46 - 31
	51 - 23
6GR-44366-00	39 - 20
	42 - 35
	51 - 8
	51 - 14
6GR-44367-00	40 - 12
	51 - 13
6GR-44379-00	43 - 32
	46 - 32
6GR-44381-00	43 - 21
	46 - 21
6GR-44382-00	43 - 22

PART NO.	REF. NO.
6GR-44382-00	46 - 22
6GR-44391-00	39 - 16
6GR-44511-00-CA	36 - 25
6GR-44514-00	36 - 19
6GR-44515-00	36 - 20
6GR-44521-00	40 - 11
	51 - 12
6G5-44526-00	34 - 3
6GR-44533-00	36 - 24
6GR-44551-00-CA	36 - 6
6AW-44552-00-CA	36 - 17
6GR-44554-00	28 - 24
6AW-44555-00	36 - 9
6GR-44575-00	36 - 8
6GR-45111-00-8D	40 - 6
6GR-45113-00	40 - 7
	51 - 11
6GR-45127-00	40 - 5
	51 - 9
6GR-45135-00	39 - 28
6GR-45141-00-8D	31 - 13
6GR-45152-00	42 - 37
6GR-45158-00-8D	45 - 26
	48 - 26
6GR-45159-00	41 - 14
6GR-45211-00-8D	40 - 14
	40 - 14
6GR-45214-00	45 - 10
	48 - 10
6GR-45215-00	45 - 12
	48 - 12
6GR-45224-00	45 - 14
	48 - 14
6GR-45225-00	45 - 16
	48 - 16
6GR-45244-00	43 - 51
	46 - 51
6AW-45251-00	1 - 12
	34 - 2
6GR-45300-00-8D	43 - 1
6GS-45300-00-8D	46 - 1
6GR-45300-10-8D	43 - 1
6GS-45300-10-8D	46 - 1
6GR-45300-20-8D	43 - 1
6GS-45300-20-8D	46 - 1
6GR-45308-00	43 - 3
	46 - 3
6GR-45309-00	43 - 10

PART NO.	REF. NO.
6GR-45309-00	46 - 10
6GR-45311-00-8D	43 - 2
	46 - 2
6GR-45318-00	40 - 10
6GR-45321-00	43 - 9
	46 - 9
6GR-45332-00	44 - 33
6GS-45332-00	47 - 33
6GR-45335-00	43 - 41
	46 - 41
6GR-45341-00	45 - 7
	48 - 7
6GR-45344-00	43 - 40
	46 - 40
6GR-45368-00	41 - 1
6GR-45369-00	41 - 6
6AW-45373-00	1 - 15
	45 - 18
	48 - 18
6GR-45375-00	40 - 19
	40 - 19
	43 - 8
	46 - 8
6GR-45376-00	43 - 7
	46 - 7
6GR-45383-00	44 - 38
	47 - 38
6GR-45384-00	44 - 39
	47 - 39
6GR-45393-00	26 - 2
	26 - 6
6GR-45394-00	26 - 1
6GR-45395-00	26 - 5
6GR-45398-00	40 - 15
	40 - 15
6GR-45399-00	40 - 17
	40 - 17
6GR-45501-00	43 - 49
	46 - 49
6GR-45501-10	43 - 49
	46 - 49
6GR-45501-20	43 - 49
	46 - 49
6GR-45539-00	43 - 50
	46 - 50
6GR-45551-00	44 - 8
	47 - 8
6GR-45561-00	44 - 10

NUMERICAL INDEX

PART NO.	REF. NO.
6GS-45561-00	47 - 10
6GR-45567-00	44 - 5
	47 - 5
688-45567-01	43 - 45
	46 - 45
688-45567-10	43 - 45
	46 - 45
6GR-45567-10	44 - 5
	47 - 5
688-45567-20	43 - 45
	46 - 45
6GR-45567-20	44 - 5
	47 - 5
688-45567-30	43 - 45
	46 - 45
6GR-45567-30	44 - 5
	47 - 5
688-45567-40	43 - 45
	46 - 45
6GR-45567-40	44 - 5
	47 - 5
688-45567-50	43 - 45
	46 - 45
6GR-45567-50	44 - 5
	47 - 5
688-45567-60	43 - 45
	46 - 45
6GR-45567-60	44 - 5
	47 - 5
6GR-45567-70	44 - 5
	47 - 5
6GR-45571-00	44 - 25
6GS-45571-00	47 - 26
6GR-45576-00	44 - 27
	47 - 28
6GR-45577-00	44 - 28
	47 - 29
6GR-45577-20	44 - 28
	47 - 29
6GR-45577-30	44 - 28
	47 - 29
6GR-45577-40	44 - 28
	47 - 29
6GR-45577-50	44 - 28
	47 - 29
6GR-45577-60	44 - 28

PART NO.	REF. NO.
6GR-45577-60	47 - 29
6GR-45578-00	44 - 31
6K1-45578-01	47 - 31
6GR-45578-10	44 - 31
6K1-45578-10	47 - 31
6GR-45578-20	44 - 31
6K1-45578-20	47 - 31
6GR-45578-30	44 - 31
6K1-45578-30	47 - 31
6GR-45578-40	44 - 31
6K1-45578-40	47 - 31
6GR-45578-50	44 - 31
6K1-45578-50	47 - 31
6GR-45578-60	44 - 31
6K1-45578-60	47 - 31
6GR-45578-70	44 - 31
6GR-45611-00	44 - 14
6GS-45611-00	47 - 15
6GR-45631-00	44 - 17
	47 - 18
6GR-45632-00	44 - 16
	47 - 17
6GR-45633-00	44 - 18
	47 - 19
6GR-45634-00	44 - 15
	47 - 16
61A-45635-00	44 - 20
	47 - 21
6H1-45668-00	44 - 19
	47 - 20
6GR-45824-00	44 - 6
	47 - 6
6GR-45930-10	45 - 27
6GS-45930-10	48 - 27
6GR-45934-10	45 - 27
6GS-45934-10	48 - 27
6GR-45936-10	45 - 27
6GS-45936-10	48 - 27
6GR-45938-10	45 - 27
6GS-45938-10	48 - 27
6GR-45970-10	45 - 27
6GS-45970-10	48 - 27
6GR-45972-10	45 - 27
6GS-45972-10	48 - 27
6GR-45974-10	45 - 27
6GS-45974-10	48 - 27
6GR-45976-10	45 - 27
6GS-45976-10	48 - 27

PART NO.	REF. NO.
6GR-45978-10	45 - 27
6GS-45978-10	48 - 27
6GR-45987-00	45 - 21
	48 - 21
6GR-45997-00	45 - 22
	48 - 22
6GR-45C81-10	45 - 28
	48 - 28
6GR-47445-00	35 - 37
6GR-47716-00	35 - 34
6GR-4820A-00	33 - 1
6Y8-48277-00	49 - 16
6GR-48538-00	35 - 32
6GR-48539-00	35 - 40
F2S-6411H-00	2 - 19
6GR-68303-00	33 - 25
6GR-762W0-00	23 - 13
68V-81147-00	11 - 7
6GR-8132G-00	21 - 16
6GR-81410-00	20 - 4
6GR-81443-00	26 - 9
6GR-81639-00	20 - 22
6GR-81662-00	26 - 3
6GR-81673-00	4 - 5
6AW-81800-00	27 - 1
6AW-81807-00	27 - 3
6AW-81808-00	27 - 8
6AW-81810-00	27 - 16
6AW-81820-00	27 - 18
6AW-81826-00	27 - 19
6AW-81830-00	27 - 2
6AW-81832-00	27 - 7
6AW-81836-00	27 - 4
6AW-81839-00	27 - 14
6AW-8183R-00	27 - 11
6AW-8183T-00	27 - 6
6AW-81840-00	27 - 17
6AW-81842-00	27 - 15
6GR-81845-00	26 - 12
6AW-81846-00	27 - 20
6AW-81850-00	27 - 13
6AW-81854-00	27 - 12
6AW-81857-00	27 - 9
6AW-81862-00	27 - 10
6AW-81891-00	27 - 5
6GR-818D2-00	21 - 17
6GR-81916-00	23 - 4
6GR-81919-00	24 - 12

PART NO.	REF. NO.
6GR-81919-10	24 - 13
6GR-81919-20	24 - 14
6P2-81923-00	23 - 15
6GR-81925-00	23 - 3
6GR-81929-00-9S	23 - 7
6AW-81941-00	27 - 21
6GR-81942-00	20 - 17
6GR-81948-00	21 - 7
6GR-81949-00	23 - 14
68V-81950-00	21 - 25
6GR-81960-00	21 - 13
6GR-81975-00	21 - 14
6EE-81994-40	20 - 28
6EE-81994-50	20 - 29
6AH-81996-00	28 - 33
6GR-82105-00	23 - 17
6P2-82113-00	24 - 10
6GR-82117-00	23 - 10
6T4-82117-00	36 - 27
6AW-82119-00	23 - 18
6GR-82119-00	24 - 17
	25 - 3
	25 - 12
6AW-82119-10	23 - 12
6GR-82119-10	23 - 11
	25 - 13
6AW-82119-20	23 - 19
6GR-82131-00	26 - 14
6GR-82147-00	34 - 11
6GR-82149-00	36 - 13
6CB-82151-00	24 - 4
6GR-82151-00	24 - 3
6CB-82151-10	24 - 5
6GR-82151-10	24 - 2
6CB-82151-20	24 - 6
6CB-82151-30	24 - 7
6GR-82171-00	24 - 24
6GR-82181-00	38 - 5
6GR-82310-00	22 - 1
6GR-82316-00	6 - 17
6A0-82317-00	20 - 20
	20 - 25
	22 - 24
	22 - 30
6GR-82386-00	22 - 9
6GR-82386-10	22 - 11
6DA-82388-00	21 - 21
6GR-82388-00	22 - 12

PART NO.	REF. NO.
6GR-82389-00	22 - 15
6GR-82398-00	39 - 31
6GR-82421-00	17 - 17
6Y8-82509-10	49 - 8
6Y8-82521-11	49 - 15
6GR-82553-00	35 - 16
6GR-82563-00	28 - 28
6GR-8257G-00	10 - 18
6GR-82588-00	14 - 28
6GR-82589-00	24 - 18
6GR-82590-00	25 - 1
6GR-82599-00	26 - 7
6GR-8259M-00	25 - 11
6GR-825A8-00	17 - 16
6GR-8272F-00	22 - 3
6GR-8272G-00	22 - 6
6GR-8272U-00	24 - 26
68F-82846-00	24 - 11
6X4-83383-00	49 - 5
6X4-83386-00	49 - 6
6GR-83558-00	28 - 21
4P9-83591-00	21 - 27
6GR-83614-00	21 - 30
6AW-83651-00	12 - 12
6AW-8366B-01	13 - 14
68F-83688-10	11 - 6
6GR-8398X-00	20 - 3
6Y8-8454G-00	49 - 11
68F-85119-00	21 - 10
	24 - 21
68F-85516-01	24 - 19
6GR-85525-00	24 - 29
6GR-85544-00	24 - 8
689-85547-00	16 - 1
68V-85548-01	21 - 24
6GR-85561-00	20 - 5
60V-85564-00	21 - 8
6CE-85564-00	33 - 4
6GR-85586-00	20 - 8
6CJ-85780-00	3 - 46
6GR-85790-00	21 - 28
6GR-85887-00	35 - 13
6GR-85895-00	21 - 1
6GR-85896-00	22 - 20
6GT-8591A-00	21 - 3
6GR-8591B-00	21 - 5
6GR-86120-00	6 - 14
6Y8-86260-03	49 - 2

PART NO.	REF. NO.
6Y8-86260-12	49 - 2
6AA-86261-01	49 - 3
6AA-86261-22	49 - 3
6Y8-86267-00	49 - 1
6GR-8A411-00	17 - 15
K0F-A3741-00	8 - 5
K0F-A3742-00	8 - 6
K0F-A3743-00	8 - 3
6GR-W0001-00	50 - 1
6GR-W0001-20	51 - 1
6GR-W0005-00	18 - 27
6GR-W0078-00	1 - 17
	51 - 31
6GR-W009A-00-9S	5 - 1
6GR-W009C-00-9S	5 - 11
6GR-W1165-00	4 - 17
6GR-W436G-00-8D	35 - 4
6GR-W4624-00	9 - 15
6GR-W8145-00	20 - 1
6GR-W85AA-00	24 - 1
6EK-W9010-00	20 - 2
90101-12031	34 - 32
90101-12036	34 - 32
90101-12053	34 - 32
90101-12054	34 - 32
	34 - 32
	34 - 32
90101-12055	34 - 32
90101-12056	34 - 32
90101-12057	34 - 32
90105-06028	22 - 2
90105-06035	6 - 16
90105-06037	3 - 21
	3 - 23
	3 - 28
	3 - 30
	3 - 42
	9 - 14
90105-06151	12 - 7
90105-08175	3 - 8
	3 - 15
	5 - 29
	13 - 10
	18 - 24
	21 - 15
90105-08220	3 - 9
	5 - 28
	14 - 17
	14 - 20

PART NO.	REF. NO.
90105-08266	13 - 12
90105-08268	14 - 5
90105-08M36	11 - 5
90105-10257	45 - 20
	48 - 20
90105-10446	4 - 9
90105-14012	36 - 14
90105-16004	36 - 21
90109-06286	3 - 36
90110-06038	6 - 18
90110-06191	35 - 35
90110-06425	45 - 13
	45 - 17
	48 - 13
	48 - 17
90110-08M05	38 - 47
90110-10048	45 - 5
	48 - 5
90110-10049	45 - 5
	48 - 5
90110-10050	45 - 5
	48 - 5
90111-06142	31 - 11
90111-06144	28 - 25
	31 - 10
	31 - 15
	35 - 6
	35 - 8
90111-06175	29 - 14
	29 - 23
	29 - 15
90111-06176	2 - 10
90111-08078	13 - 8
90116-08037	18 - 25
	45 - 1
90116-10066	48 - 1
	45 - 1
90116-10067	48 - 1
	15 - 24
90119-06269	16 - 31
90119-06M17	10 - 11
90119-06MA6	5 - 9
90119-07234	5 - 19
	5 - 18
90119-07235	5 - 8
	5 - 18
90119-08022	10 - 5
	10 - 10
90119-08175	33 - 2

NUMERICAL INDEX

PART NO.	REF. NO.
90119-08176	35 - 3
90119-08M16	43 - 39
	46 - 39
	51 - 40
90119-08M22	28 - 4
90119-10009	40 - 21
	45 - 4
	48 - 4
90119-10024	36 - 18
	40 - 21
	45 - 1
	48 - 1
90119-10040	34 - 16
	39 - 23
	42 - 6
90119-10050	9 - 7
90119-10058	36 - 26
90119-10060	45 - 4
	48 - 4
90119-10064	34 - 15
90119-10M08	39 - 24
90119-10M14	42 - 4
90149-05044	35 - 22
90149-11001	5 - 27
90151-06069	3 - 32
90167-05017	29 - 9
90167-06M00	49 - 12
90169-05M00	28 - 12
90170-18009	44 - 9
	47 - 9
90170-35M34	43 - 48
	46 - 48
90171-18M04	45 - 24
	48 - 24
90173-06001	31 - 12
90179-06M28	42 - 30
90179-08003	23 - 2
90179-08M34	13 - 9
	18 - 26
90179-14007	35 - 42
90183-02M03	44 - 22
	47 - 23
90185-06M07	33 - 15
	45 - 11
	45 - 15
	48 - 11
	48 - 15
90201-02M00	44 - 21

PART NO.	REF. NO.
90201-02M00	47 - 22
90201-06068	33 - 13
90201-06M30	49 - 13
90201-10048	33 - 10
90201-10M63	33 - 23
90201-12060	34 - 33
90201-12064	33 - 5
90201-12426	34 - 34
90201-13M19	34 - 35
90201-156J2	30 - 13
90201-15M58	36 - 12
90201-16M55	36 - 11
90201-18029	37 - 15
90201-18030	36 - 23
90201-186F1	14 - 3
90201-19M01	45 - 23
	48 - 23
90201-253K0	47 - 13
90201-40008	44 - 30
90201-51014	36 - 2
90201-54008	44 - 13
90202-08M41	33 - 14
90202-32M19	36 - 10
90202-51001	36 - 5
90206-15M18	30 - 12
90214-35M07	43 - 47
	46 - 47
90240-05002	30 - 8
90249-06M19	34 - 25
90269-05010	20 - 16
90282-05008	44 - 37
	47 - 37
90338-07012	29 - 24
90340-08003	45 - 6
	48 - 6
90340-18M09	14 - 2
90340-24001	3 - 3
90340-27001	3 - 12
90340-32011	39 - 2
90340-97002	5 - 5
	5 - 15
90344-51019	5 - 4
	5 - 14
90386-10M16	34 - 23
90386-12M61	33 - 22
90386-15M73	30 - 11
90386-20002	34 - 29
90386-49001	36 - 4

PART NO.	REF. NO.
90387-06119	20 - 19
	20 - 24
	22 - 23
	22 - 29
90387-06176	21 - 9
	24 - 20
90387-06289	16 - 30
90387-08104	33 - 3
90387-08M37	28 - 3
90387-08M45	2 - 13
90387-10094	2 - 11
90387-11005	5 - 26
90401-12002	9 - 9
90401-19001	12 - 4
90430-10004	21 - 29
90430-24239	3 - 4
90440-27001	40 - 13
90440-27002	40 - 13
90440-27003	40 - 13
90445-09047	14 - 25
90445-09048	7 - 4
90445-09104	14 - 22
90445-09304	7 - 14
90445-09M00	7 - 7
90445-16025	28 - 19
90445-23003	28 - 23
90450-35003	39 - 29
90460-15227	28 - 30
90462-10033	35 - 11
90464-09013	25 - 5
90464-09129	22 - 27
90464-09M47	22 - 10
	25 - 2
90464-11121	16 - 12
90464-12009	16 - 44
	16 - 46
90464-12010	16 - 45
	25 - 6
90464-12012	25 - 4
90464-12015	14 - 31
	22 - 19
	39 - 34
90464-12183	10 - 16
	10 - 22
	20 - 12
	21 - 12
	21 - 20
	35 - 39

PART NO.	REF. NO.
90464-13249	10 - 17
	10 - 21
	14 - 30
	16 - 13
	21 - 23
	21 - 32
	22 - 17
	24 - 23
	18 - 28
90464-18004	25 - 8
90464-18246	16 - 14
90464-19M45	39 - 33
90464-20181	3 - 45
	10 - 14
	10 - 15
	10 - 20
	21 - 19
	22 - 5
	22 - 8
	22 - 14
	22 - 18
90464-29001	14 - 27
90464-29223	18 - 11
90464-30001	24 - 22
90464-32002	21 - 11
90464-44002	25 - 14
90464-55002	35 - 18
90464-66001	42 - 38
90464-99004	10 - 4
90464-99006	28 - 27
90465-08M63	34 - 5
90465-11M10	7 - 10
	14 - 26
	16 - 10
	16 - 18
	16 - 25
	18 - 15
	28 - 22
	35 - 10
	35 - 17
	37 - 51
	39 - 10
	41 - 2
	41 - 5
	41 - 7
	41 - 10
	49 - 10
90465-11M59	7 - 11





FLOOD MARINE SERVICES  
downloaded from www.yamahaoutboardparts.co.uk

PART NO.	REF. NO.
90465-11M59	25 - 9
	39 - 13
90465-13M24	7 - 15
	25 - 7
90465-13M60	16 - 41
90465-13M97	17 - 14
	17 - 19
	18 - 23
	26 - 11
90467-120A7	16 - 38
90467-140A9	16 - 32
	16 - 35
	16 - 42
90467-141A1	17 - 6
	18 - 10
90467-150A5	7 - 3
90468-18008	33 - 16
	33 - 19
90468-180A0	33 - 18
90480-10M23	16 - 29
90480-12314	20 - 21
	20 - 26
	22 - 26
	22 - 32
	24 - 28
90480-13034	29 - 16
90480-14M17	31 - 2
	31 - 6
	31 - 14
90480-16015	29 - 12
	29 - 21
90480-20M05	28 - 17
	28 - 20
	42 - 24
90480-22M81	28 - 2
90501-10M77	44 - 23
	47 - 24
90501-200A2	42 - 23
90506-16010	34 - 26
91317-06014	4 - 6
91318-03005	38 - 40
91318-03025	38 - 39
91318-05030	38 - 38
91318-05045	38 - 46
91380-04010	35 - 30
91380-05016	43 - 20
	46 - 20
91380-10020	34 - 8



FLOOD MARINE SERVICES  
downloaded from www.yamahaoutboardparts.co.uk

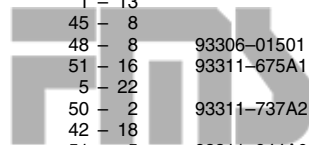
PART NO.	REF. NO.
91490-20015	33 - 8
91490-20025	35 - 44
91490-40030	45 - 25
	48 - 25
91690-30020	34 - 27
91690-40018	5 - 10
	5 - 20
91690-50014	10 - 6
91690-60022	34 - 28
91809-08006	5 - 7
	5 - 17
92990-06100	2 - 16
92990-08600	2 - 12
92990-10300	45 - 19
	48 - 19
92995-06200	42 - 27
92995-10600	45 - 2
	48 - 2
92995-14600	36 - 16
93101-30018	43 - 43
	46 - 43
	51 - 29
93101-37001	44 - 36
	47 - 36
	51 - 30
93102-26004	39 - 4
	51 - 7
93102-38008	9 - 10
	50 - 17
93102-85010	4 - 7
	50 - 16
93102-90004	4 - 3
	50 - 15
93106-14001	43 - 13
	46 - 13
	51 - 27
93109-26001	43 - 26
	46 - 26
	51 - 28
93210-04279	49 - 9
93210-04N51	38 - 30
93210-064A5	38 - 25
93210-06ME6	35 - 24
93210-07100	40 - 18
	40 - 18
	43 - 11
	46 - 11
	51 - 18



NUMERICAL INDEX

FLOOD MARINE SERVICES  
downloaded from www.yamahaoutboardparts.co.uk

PART NO.	REF. NO.
93210-09165	1 - 14
	37 - 49
	45 - 9
	48 - 9
	51 - 17
93210-10010	40 - 16
	40 - 16
	43 - 4
	46 - 4
	51 - 15
93210-11073	33 - 24
93210-12327	37 - 29
93210-13M63	3 - 40
	13 - 5
	14 - 9
	50 - 12
93210-17MF9	35 - 14
93210-18322	5 - 6
	5 - 16
93210-18397	37 - 16
93210-19123	1 - 13
	45 - 8
	48 - 8
	51 - 16
93210-19216	5 - 22
	50 - 2
93210-19MJ3	42 - 18
	51 - 5
93210-24M79	12 - 9
	50 - 21
93210-26003	14 - 18
93210-260A5	4 - 10
93210-26130	37 - 26
93210-26658	3 - 10
	50 - 8
93210-27370	23 - 8
93210-28646	6 - 8
	50 - 5
93210-32172	39 - 3
93210-34633	1 - 5
	42 - 13
	51 - 4
93210-37160	43 - 30
	46 - 30
	51 - 22
	51 - 36
93210-44006	37 - 13
	37 - 19



FLOOD MARINE SERVICES  
downloaded from www.yamahaoutboardparts.co.uk

PART NO.	REF. NO.
93210-49003	36 - 3
93210-49046	37 - 6
93210-64488	43 - 12
	46 - 12
	51 - 19
93210-66001	37 - 46
93210-89535	43 - 42
	46 - 42
	51 - 25
93210-90001	14 - 12
93210-97690	43 - 23
	46 - 23
	51 - 20
	51 - 32
	43 - 29
	46 - 29
	51 - 21
	51 - 35
93211-10001	14 - 13
93211-26001	44 - 34
	47 - 34
	51 - 26
93306-01501	44 - 26
93311-675A1	44 - 2
	47 - 2
93311-737A2	44 - 35
	47 - 35
93311-944A0	44 - 1
	47 - 1
93332-00042	44 - 29
93332-000A0	44 - 11
93332-000B2	47 - 27
93340-69012	44 - 4
	47 - 4
93341-440U5	47 - 30
93390-00033	47 - 11
93399-99967	43 - 46
	46 - 46
93410-46099	36 - 7
93420-36M01	42 - 14
93440-25020	47 - 14
93440-52N50	37 - 36
93450-42110	37 - 23
93450-92171	44 - 3
	47 - 3
93501-04011	44 - 24
	47 - 25
93501-08001	38 - 27

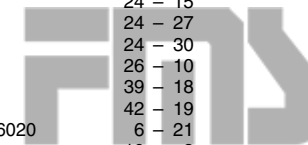


FLOOD MARINE SERVICES  
downloaded from www.yamahaoutboardparts.co.uk



FLOOD MARINE SERVICES  
downloaded from www.yamahaoutboardparts.co.uk

PART NO.	REF. NO.
93505-32038	37 - 12
	38 - 22
93603-08072	38 - 14
93604-26256	38 - 37
93606-12019	3 - 5
	3 - 6
	3 - 14
	4 - 2
	13 - 13
	14 - 6
	14 - 21
	40 - 4
	40 - 9
	42 - 7
	42 - 11
	43 - 37
	46 - 37
	51 - 39
93606-16117	44 - 7
	47 - 7
93608-12M05	43 - 38
	46 - 38
93608-16M16	13 - 11
	39 - 25
93700-06002	34 - 18
94581-99044	9 - 11
94702-00442	1 - 16
	5 - 30
95022-06035	20 - 6
95380-06600	2 - 15
95380-10600	45 - 3
	48 - 3
95380-10700	33 - 9
95380-12600	34 - 36
95380-14800	36 - 15
95780-06300	49 - 14
95780-06500	24 - 16
95780-08300	2 - 14
95780-10300	34 - 31
95817-06075	12 - 2
95895-06012	10 - 19
	16 - 28
	20 - 14
	26 - 13
	29 - 3
	29 - 7
	30 - 6
	34 - 6



FLOOD MARINE SERVICES  
downloaded from www.yamahaoutboardparts.co.uk

PART NO.	REF. NO.
95895-06012	34 - 20
	35 - 12
	35 - 20
	35 - 38
	35 - 41
	39 - 32
95895-06014	18 - 19
95895-06016	14 - 29
	16 - 15
	16 - 21
	16 - 48
	20 - 11
	21 - 6
	21 - 18
	21 - 22
	21 - 31
	22 - 4
	22 - 7
	22 - 13
	22 - 16
	24 - 15
	24 - 27
	24 - 30
	26 - 10
	39 - 18
	42 - 19
95895-06020	6 - 21
	10 - 2
	21 - 4
	28 - 7
	31 - 4
	31 - 8
	39 - 21
	39 - 27
	42 - 34
95895-06025	6 - 9
	20 - 18
	20 - 23
	22 - 25
	22 - 31
	23 - 9
	42 - 25
95895-06030	6 - 5
	6 - 13
	20 - 7
	40 - 2
95895-08012	30 - 16
95895-08016	23 - 6



FLOOD MARINE SERVICES  
downloaded from www.yamahaoutboardparts.co.uk



FLOOD MARINE SERVICES  
downloaded from www.yamahaoutboardparts.co.uk

PART NO.	REF. NO.
95895-08016	23 - 16
	23 - 20
95895-08020	23 - 5
	24 - 25
97095-05010	43 - 19
	46 - 19
97095-06012	39 - 6
	41 - 13
	42 - 36
97095-06018	35 - 33
97513-08545	23 - 1
97575-08535	33 - 7
97575-10570	39 - 22
	40 - 3
	40 - 8
	42 - 5
	42 - 9
	42 - 10
97575-10580	35 - 28
97580-08535	35 - 15
97595-05516	34 - 12
97595-06510	36 - 28
97595-06516	17 - 20
	20 - 9
	25 - 10
97595-06520	21 - 2
	22 - 21
97595-06530	34 - 4
97595-06540	33 - 21
97595-08520	43 - 44
	46 - 44
97595-08525	41 - 11
97595-08535	18 - 16
	43 - 14
	46 - 14
97602-04310	38 - 8
97607-04208	6 - 3
	6 - 11
97780-60620	21 - 26
	49 - 7
97880-06035	49 - 12
97980-06216	49 - 4
97985-05210	2 - 4
98780-05025	5 - 24
98980-05025	3 - 39
	13 - 7
	14 - 11
99002-03600	38 - 19



FLOOD MARINE SERVICES  
downloaded from www.yamahaoutboardparts.co.uk

NUMERICAL INDEX

PART NO.	REF. NO.	PART NO.	REF. NO.
		99002-12600	43 - 16
			46 - 16
		99009-55500	44 - 32
			47 - 32
		99009-62500	44 - 12
			47 - 12
		99480-08030	40 - 20
			40 - 20
			43 - 6
			46 - 6



FLOOD MARINE SERVICES  
downloaded from www.yamahaoutboardparts.co.uk

PART NO.	REF. NO.
----------	----------

PART NO.	REF. NO.
----------	----------



FLOOD MARINE SERVICES  
downloaded from www.yamahaoutboardparts.co.uk



FLOOD MARINE SERVICES  
downloaded from www.yamahaoutboardparts.co.uk



FLOOD MARINE SERVICES  
downloaded from www.yamahaoutboardparts.co.uk



FLOOD MARINE SERVICES  
downloaded from www.yamahaoutboardparts.co.uk



FLOOD MARINE SERVICES  
downloaded from www.yamahaoutboardparts.co.uk



FLOOD MARINE SERVICES  
downloaded from www.yamahaoutboardparts.co.uk