

# PARTS CATALOGUE CATALOGUE DE PIÈCES DÉTACHÉES

## F175AET'19 ( 6FA6 )

---



1T6FA-300FA

( )

F175AET  
PARTS CATALOGUE  
©2019 by Yamaha Motor Co., Ltd.  
1st edition, May 2019  
All rights reserved.  
Any reprinting or unauthorized use  
without the written permission of  
Yamaha Motor Co., Ltd.  
is expressly prohibited.  
Printed in Japan.

F175AET  
CATALOGUE DE PIÈCES DÉTACHÉES  
©2019 par Yamaha Motor Co., Ltd.  
1<sup>re</sup> édition, mai 2019  
Tous droits réservés  
Toute réimpression ou utilisation  
non autorisée sans la permission écrite  
de la Yamaha Motor Co., Ltd.  
est formellement interdite.  
Imprimé au Japon

# FOREWORD

This Parts Catalogue is related to the parts for the model(s) on the cover page. When you are ordering replacement parts, please refer to this Parts Catalogue and quote both part numbers and part names correctly.

1. Modifications or additions which have been made after the issue of the Parts Catalogue will be announced in the Parts News. It is advisable that you make the necessary corrections to the Parts Catalogue according to the Parts News.

2. Abbreviations  
The following abbreviations are used in this Parts Catalogue.

“UR” Use specified parts number.

“UN” Use as many as needed.

“AP” Alternate Parts

“LM” Locally Made (Parts need to be ordered locally)

“F#” Frame No. (Applicable machine No.)

“O/S” Over Size

3. The number of components for assembly

- Parts, which are to be supplied in an assembly, are listed with a dot (.) in front of the part name as shown below.
- The numeral appearing to the right of each component part indicates the quantity of parts for each assembly unit.

PART NO.	DESCRIPTION	Q'TY	REMARKS
2F5-83310-60	FRONT FLASHER LIGHT ASSY	2	
115-83311-60	.BULB (6V-18W)	1	

4. Applicable colours of graphics are represented in the “REMARKS” as shown below.

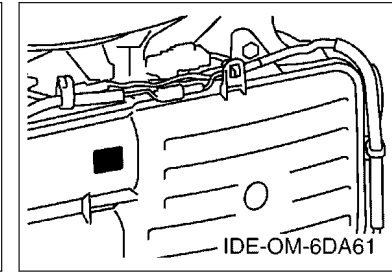
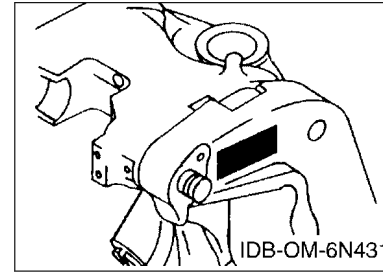
PART NO.	DESCRIPTION	Q'TY	REMARKS
2N4-24110-00-X5	FUEL TANK COMP.	2	MXR
3J1-24240-10	.GRAPHIC, FUEL TANK	1	FOR MXR

5. Note that the illustrations for reference in finding parts numbers are not to be used for assembling. When assembling, please use the applicable service manual.

6. The asterisk (\*) before a reference number indicates modified items after the first edition.

7. Applicable Serial No.

Engine Serial No.



8. Applicable Engine Starting Serial No.

Model	Serial No.	Model	Serial No.
F175A	6FA-1006036		

9. Applicable Colour Code

Abbreviation	Colour Name	Colour Code
DBN1	DARK BLUISH GRAY 1	008D

10. Quantity Column Information

Column No.	Name Of Q'ty Column	Applicable Model
1	6FA6	F175AET

## AVANT-PROPOS

Ce catalogue de pièces détachées concerne les pièces pour le(s) modèle(s) indiqué(s) sur la page de couverture. Lorsque vous commandez des pièces de rechange, veuillez vous référer à ce catalogue de pièces détachées et indiquer clairement les numéros et les noms des pièces détachées.

1. Les modifications ou ajouts ayant été effectués après la parution du catalogue de pièces détachées seront décrits dans les Bulletins d'information concernant les pièces détachées.

Il est recommandé que vous apportiez les corrections nécessaires au catalogue des pièces détachées en vous référant aux Bulletins d'information.

2. Abréviations

Dans ce catalogue, les abréviations suivantes sont utilisées:

“UR” Utiliser le numéro de pièces spécifié.

“UN” Utiliser autant que nécessaire.

“AP” Pièces de substitution

“LM” Fabrication locale (les pièces doivent être commandées localement.)

“F#” N° de cadre (applicable au N° de série)

“O/S” Surdimensionné

3. Nombre de pièces d'un assemblage

- Les pièces fournies comme composants d'un assemblage sont précédées d'un point (.) de la manière indiquée ci-dessous.
- Le chiffre apparaissant à la droite de chaque composant indique la quantité de pièces pour chaque unité d'assemblage.

N° PIECES	DESCRIPTION	QTE	REMARQUES
2F5-83310-60	ENS. CLIGNOTANT AVANT	2	
115-83311-60	.AMPOULE (6V-18W)	1	

4. Les couleurs concernant les graphiques sont indiquées dans la colonne “REMARQUES”, comme indiqué ci-dessous.

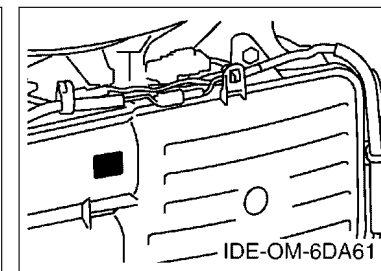
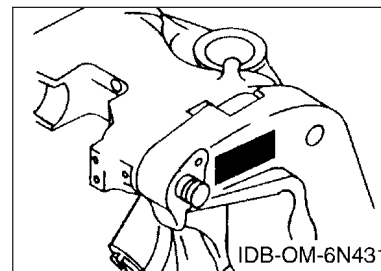
N° PIECES	DESCRIPTION	QTE	REMARQUES
2N4-24110-00-X5	RESERVOIR A ESSENCE.	2	MXR
3J1-24240-10	.GRAPHIQUE	1	POUR MXR

5. Veuillez noter que les illustrations sont indiquées à titre de référence pour trouver les numéros de pièces, non pour être utilisées lors de l'assemblage. Lors de l'assemblage, veuillez utiliser le manuel d'entretien adéquat.

6. L'astérisque (\*) placé devant un numéro de référence indique des éléments qui ont été modifiés après la première édition.

7. N° de série applicable

N° de Série du moteur



8. N° de série initial du moteur applicable

Modèle	N° de série	Modèle	N° de série
F175A	6FA-1006036		

9. Code couleur applicable

Abréviation	Nom de la couleur	Code couleur
DBN1	DARK BLUISH GRAY 1	008D

10. Informations relatives à la colonne Quantité

N° de la colonne	Nom de la colonne Qté	Modèle applicable
1	6FA6	F175AET

# CONTENTS

SCHEDULED SERVICE PARTS.....	1
TOP COWLING.....	2
CYLINDER & CRANKCASE 1.....	3
CRANKSHAFT & PISTON.....	5
CYLINDER & CRANKCASE 2.....	6
CYLINDER & CRANKCASE 3.....	7
CYLINDER & CRANKCASE 4.....	9
VALVE.....	10
INTAKE 1.....	13
INTAKE 2.....	14
INTAKE 3.....	16
FUEL INJECTION PUMP 1.....	17
FUEL INJECTION PUMP 2.....	19
FUEL 1.....	20
FUEL 2.....	22
GENERATOR.....	23
ELECTRICAL 1.....	25
ELECTRICAL 2.....	27
ELECTRICAL 3.....	28
ELECTRICAL 4.....	29
ELECTRICAL 5.....	30
STARTING MOTOR.....	31
BOTTOM COWLING 1.....	32
BOTTOM COWLING 2.....	34
BOTTOM COWLING 3.....	35
CONTROL.....	36
BRACKET 1.....	38
BRACKET 2.....	40
POWER TRIM & TILT ASSY 1.....	42
POWER TRIM & TILT ASSY 2.....	45
UPPER CASING.....	46
OIL PAN.....	48
LOWER CASING & DRIVE 1.....	49
LOWER CASING & DRIVE 2.....	53
STEERING GUIDE.....	54
OPTIONAL PARTS 1.....	55
OPTIONAL PARTS 2.....	56
REPAIR KIT 1.....	57
REPAIR KIT 2.....	58

## INDEX

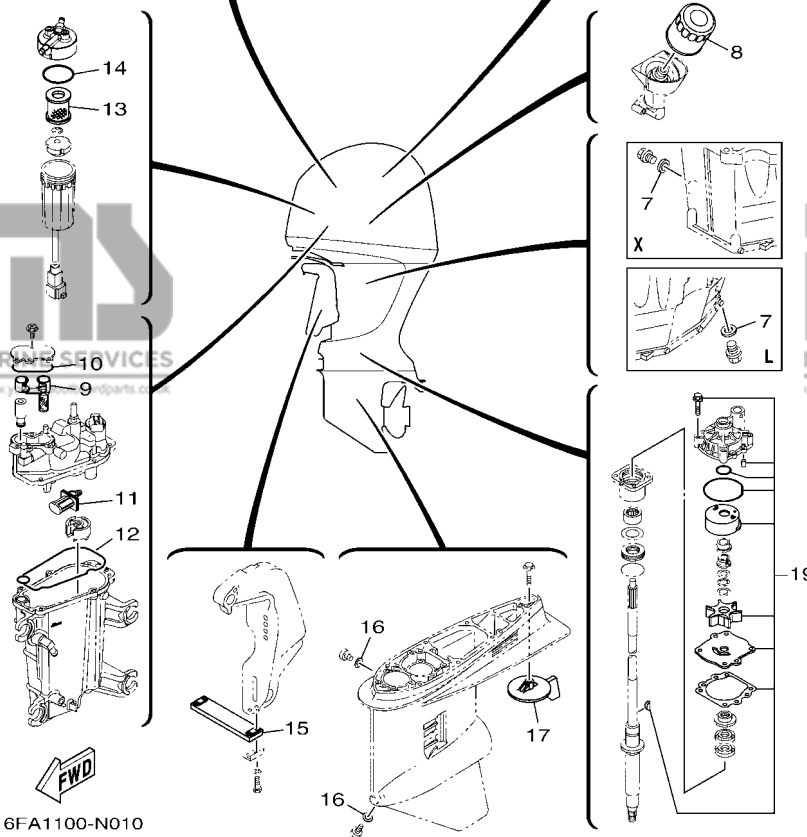
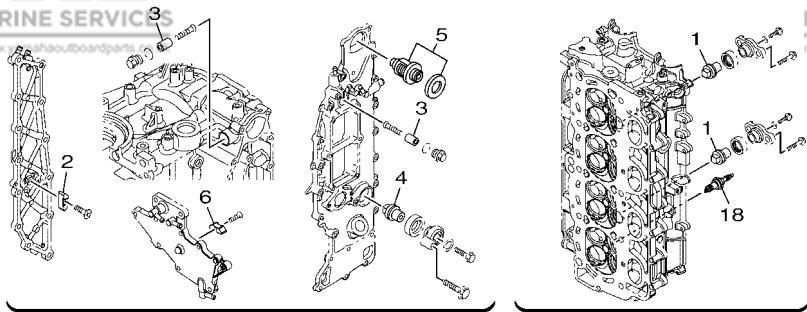
NUMERICAL INDEX.....	60
----------------------	----

# TABLE DES MATIERES

PIECES MAINTENANCE PERIODIQUE.....	1
CAPOT SUPERIEUR.....	2
CYLINDRE & CARTER 1.....	3
VILEBREQUIN & PISTON.....	5
CYLINDRE & CARTER 2.....	6
CYLINDRE & CARTER 3.....	7
CYLINDRE & CARTER 4.....	9
SOUPAPE.....	10
ADMISSION 1.....	13
ADMISSION 2.....	14
ADMISSION 3.....	16
POMPE A INJECTEUR 1.....	17
POMPE A INJECTEUR 2.....	19
CARBURANT 1.....	20
CARBURANT 2.....	22
GENERATRICE.....	23
PARTIE ELECTRIQUE 1.....	25
PARTIE ELECTRIQUE 2.....	27
PARTIE ELECTRIQUE 3.....	28
PARTIE ELECTRIQUE 4.....	29
PARTIE ELECTRIQUE 5.....	30
DEMARREUR ELECTRIQUE.....	31
CAPOT INFERIEUR 1.....	32
CAPOT INFERIEUR 2.....	34
CAPOT INFERIEUR 3.....	35
COMMANDE.....	36
SUPPORT 1.....	38
SUPPORT 2.....	40
PUISSANCE PAYER ET INCLINER 1.....	42
PUISSANCE PAYER ET INCLINER 2.....	45
FOURREAU.....	46
VENTILATEUR D'HUILE.....	48
BOITIER D'HELICE TRANSMISSION1.....	49
BOITIER D'HELICE TRANSMISSION2.....	53
FIXATION DE DIRECTION.....	54
PIECES OPTIONNELLES 1.....	55
PIECES OPTIONNELLES 2.....	56
KITS DE REPARATION 1.....	57
KITS DE REPARATION 2.....	58

## INDEX

INDEX NUMERIQUE.....	60
----------------------	----



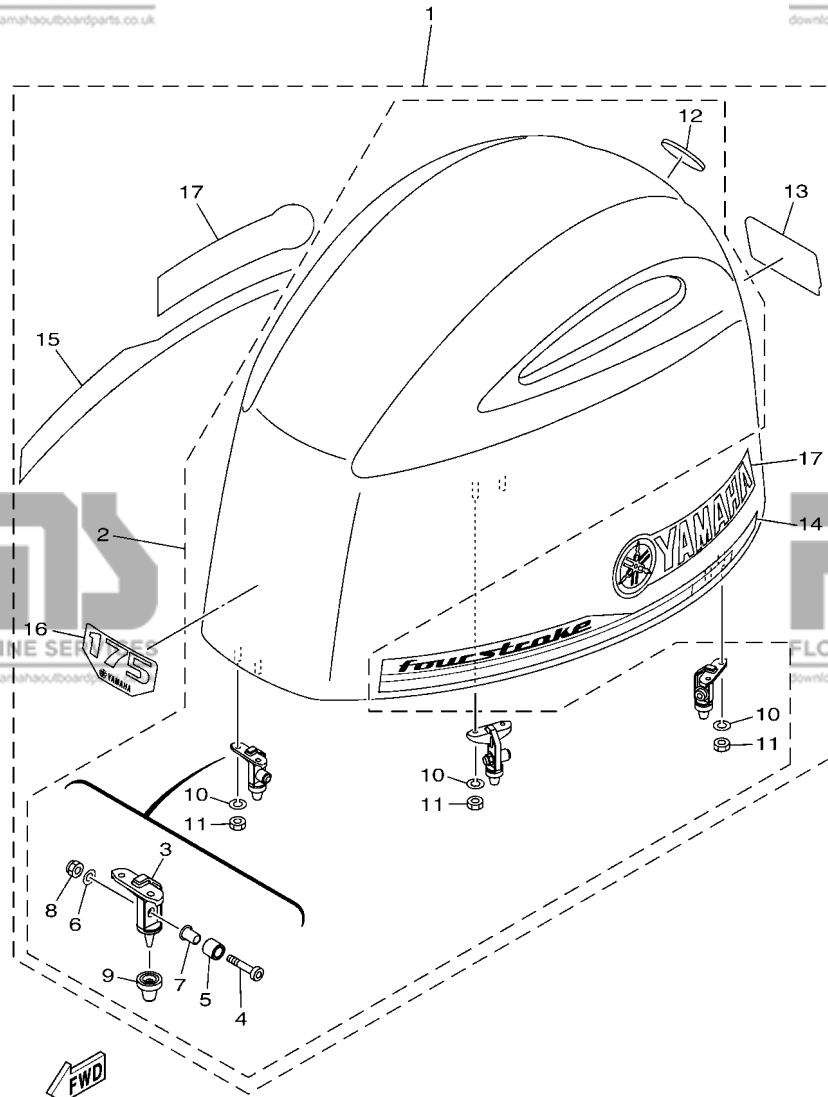
**FIG. 1 SCHEDULED SERVICE PARTS**

**PIECES MAINTENANCE PERIODIQUE**

REF. NO.	PART NO. N° PIECES	DESCRIPTION DESCRIPTION	6FAG	REMARKS REMARQUES
1	67F-11325-01	ANODE	2	
2	6E5-11325-00	ANODE	1	
3	68T-11325-00	ANODE	2	
4	67F-11325-01	ANODE	1	
5	6DA-12411-01	THERMOSTAT	1	
6	6E5-11325-00	ANODE	1	
7	90430-14M09	GASKET	1	
8	69J-13440-03	ELEMENT ASSY, OIL CLEANER	1	
9	6CB-24501-01	FILTER, FUEL	1	
10	6CB-13016-00	O-RING	1	
11	63P-13915-00	FILTER	1	
12	6CB-14984-00	GASKET, FLOAT CHAMBER	1	
13	6P3-24563-01	ELEMENT, FILTER	1	
14	6P3-24564-00	GASKET	1	
15	6AW-45251-00	ANODE	1	
16	90430-08003	GASKET	2	
17	6J9-45371-01	TAB-TRIM	1	
18	94702-00400	PLUG, SPARK (NGK LFR6A-11)	4	
19	61A-W0078-A3	WATER PUMP REPAIR KIT	1	

**FIG. 2 TOP COWLING**

**CAPOT SUPERIEUR**



6FA4100-R020

REF. NO.	PART NO. N° PIECES	DESCRIPTION DESCRIPTION	6FAG	REMARKS REMARQUES
1	6FA-42610-01	TOP COWLING ASSY CAPOT (ENS.)	1	
2	6DA-4261A-01	.TOP COWLING W/O GRAPHICS .CAPOT SUPERIEUR SANS GRAPHIQUE	1	
3	6CB-42647-A0	..HOLDER, CLAMP BAND ..SUPPORT, SANDOW DE SERRAGE	3	
4	90111-08078	..BOLT,HEX. SOCKET BUTTON ..BOULON	3	
5	90387-10094	..COLLAR ..COLLERETTE	3	
6	92990-08600	..WASHER, PLATE ..RONDELLE, PLATE	3	
7	90387-08M45	..COLLAR ..COLLERETTE	3	
8	95780-08300	..NUT, FLANGE ..ECROU	3	
9	6AW-42663-00	..DAMPER 2 ..AMORTISSEUR 2	3	
10	92990-06100	..WASHER, SPRING ..RONDELLE, GROWER	6	
11	95380-06600	..NUT, HEXAGON ..ECROU	6	
12	6DA-42697-00	..TUNING FORK MARK ..MARQUE, YAMAHA	1	
13	6FA-42678-00	..GRAPHIC, REAR ..ADHESIF, ARRIERE	1	
14	6DA-42675-00	..GRAPHIC, SIDE 1 ..EMBLEME	1	
15	6DA-42676-00	..GRAPHIC, SIDE 2 ..EMBLEME	1	
16	6FA-42677-00	..GRAPHIC, FRONT ..ADHESIF, AVANT	1	
17	63P-42681-20	..MARK, COWLING ..ADHESIF, CAPOT	2	



FIG. 3 CYLINDER & CRANKCASE 1

CYLINDRE & CARTER 1

**CYLINDER BLOCK ASSY**

Fig.3, CYLINDER & CRANKCASE 1  
Ref. No. 2 to 32, 34

Fig.4, CRANKSHAFT & PISTON  
Ref. No. 1 to 15

Fig.5, CYLINDER & CRANKCASE 2  
Ref. No. 17

Fig.6, CYLINDER & CRANKCASE 3  
Ref. No. 1 to 46

Fig.7, CYLINDER & CRANKCASE 4  
Ref. No. 2, 4 to 13, 16, 17

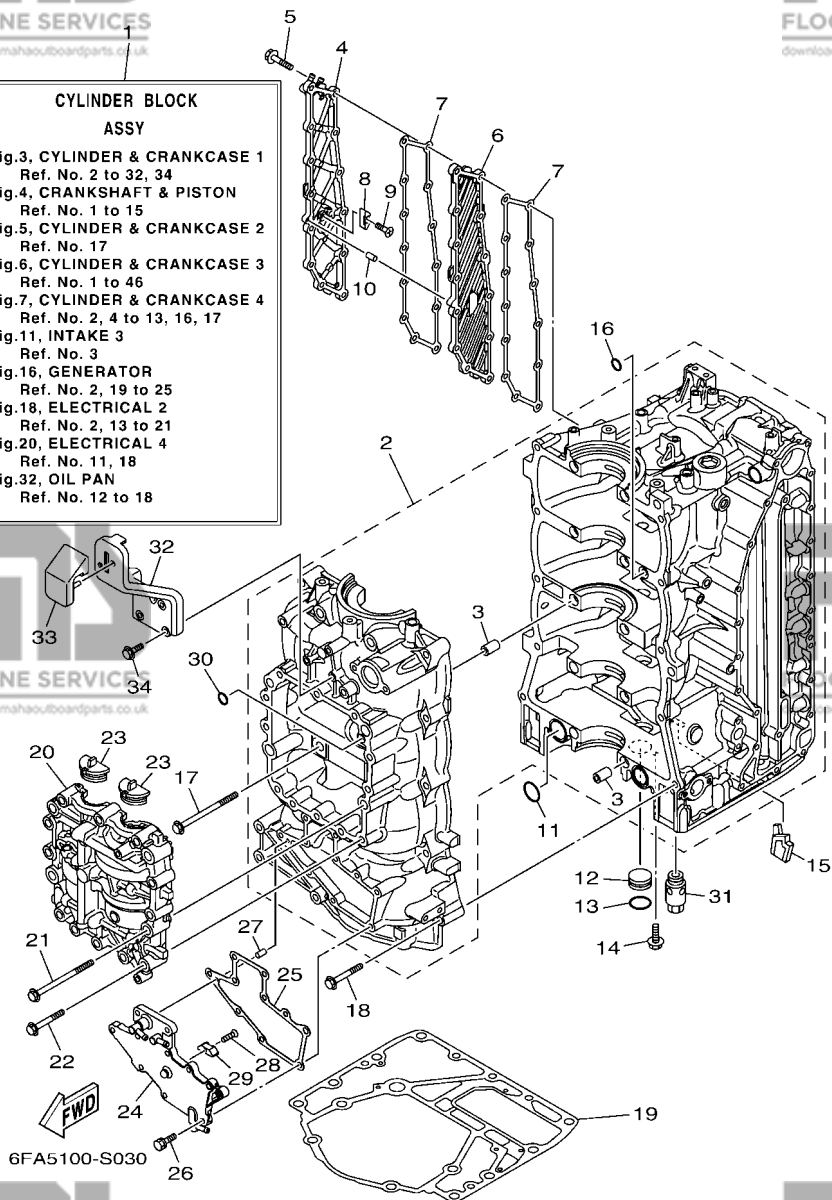
Fig.11, INTAKE 3  
Ref. No. 3

Fig.16, GENERATOR  
Ref. No. 2, 19 to 25

Fig.18, ELECTRICAL 2  
Ref. No. 2, 13 to 21

Fig.20, ELECTRICAL 4  
Ref. No. 11, 18

Fig.32, OIL PAN  
Ref. No. 12 to 18



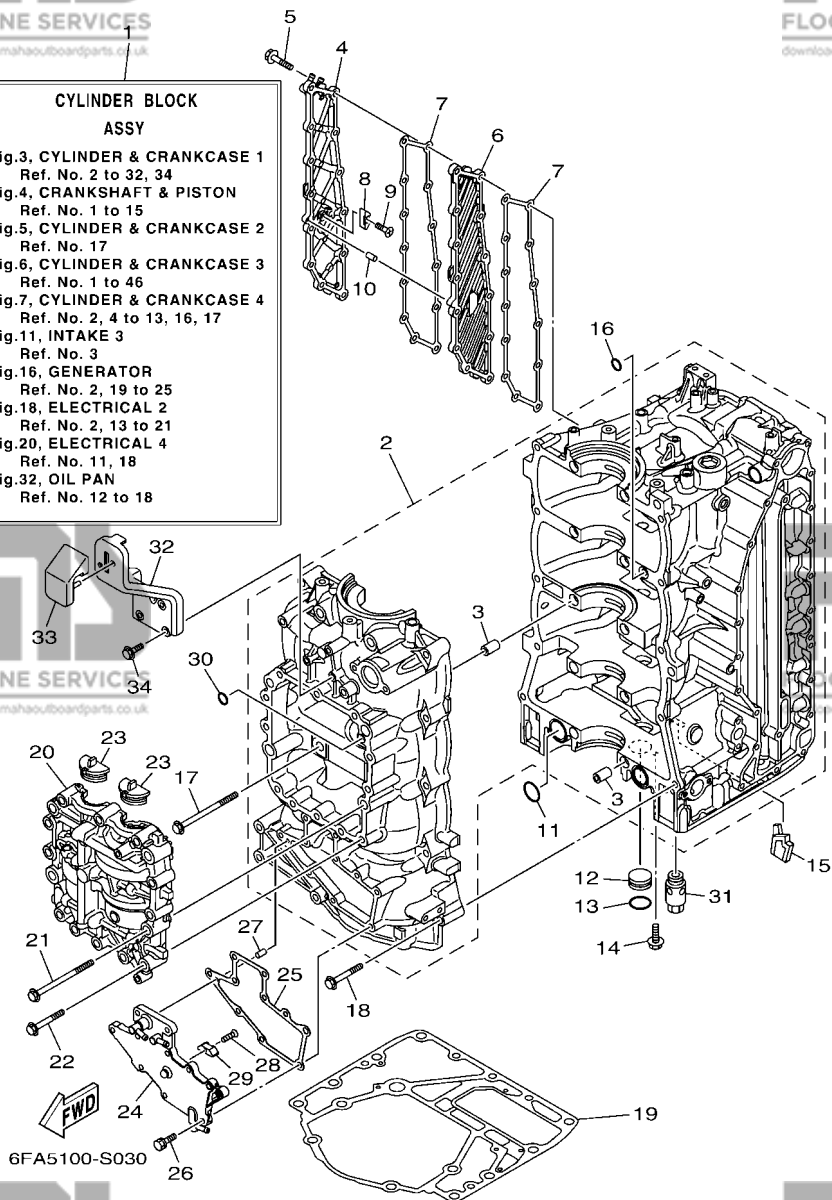
REF. NO.	PART NO. N° PIECES	DESCRIPTION DESCRIPTION	6FAG	REMARKS REMARQUES
1	6DA-W009B-11-9S	CYLINDER BLOCK ASSY CYLINDRE GROUPE (ENS.)	1	
2	6DA-15109-01-9S	CRANKCASE ASSY CARTER DE MOTEUR COMPLET	1	
3	91814-18002	.PIN, DOWEL .GOUJON, D'ASSEMBLAGE	10	
4	6DA-15414-00-9S	COVER 1 COUVERCLE 1	1	
5	90105-06028	BOLT, FLANGE BOULON, A COLLERETTE	13	
6	6DA-15423-00-9S	COVER 2 COUVERCLE 2	1	
7	6DA-15353-01	GASKET, DRAIN JOINT, PLOT DE VIDANGE	2	
8	6E5-11325-00	ANODE ANODE	1	
9	98780-04016	SCREW, FLAT HEAD VIS A TETE FRAISEE	1	
10	91690-40010	PIN, SPRING AGRAFFE	1	
11	93210-25552	O-RING JOINT TORIQUE	2	
12	90338-25004	PLUG PLOT	1	
13	93210-25647	O-RING JOINT TORIQUE	1	
14	90119-06M81	BOLT, WITH WASHER BOULON, AVEC RONDELLE	1	
15	6DA-14664-00	GROMMET, WATER SHUT PASSE-FIL	1	
16	93210-12648	O-RING JOINT TORIQUE	1	
17	90105-10406	BOLT, FLANGE BOULON, A COLLERETTE	10	
18	90119-08M66	BOLT, WITH WASHER BOULON, AVEC RONDELLE	10	
19	63P-11351-03	GASKET, CYLINDER JOINT, D'EMBASE	1	
20	6DA-11500-00	BALANCER ASSY ARBRE D'EQUILIBRAGE COMPLET	1	
21	90105-10406	BOLT, FLANGE BOULON, A COLLERETTE	4	
22	90105-08175	BOLT, FLANGE BOULON, A COLLERETTE	12	
23	63P-11512-00	SEAL, CRANK COVER JOINT, COUV DE VILEBREQUIN	2	
24	6DA-15411-00-9S	COVER, CRANKCASE 1 COUVERCLE 1, CARTER MOTEUR	1	
25	6DA-15451-01	GASKET, CRANKCASE COVER 1 JOINT, COUVERCLE DE CARTER 1	1	
26	90119-06MA3	BOLT, WITH WASHER BOULON, AVEC RONDELLE	10	
27	91690-40010	PIN, SPRING AGRAFFE	1	

**FIG. 3 CYLINDER & CRANKCASE 1**

**CYLINDRE & CARTER 1**

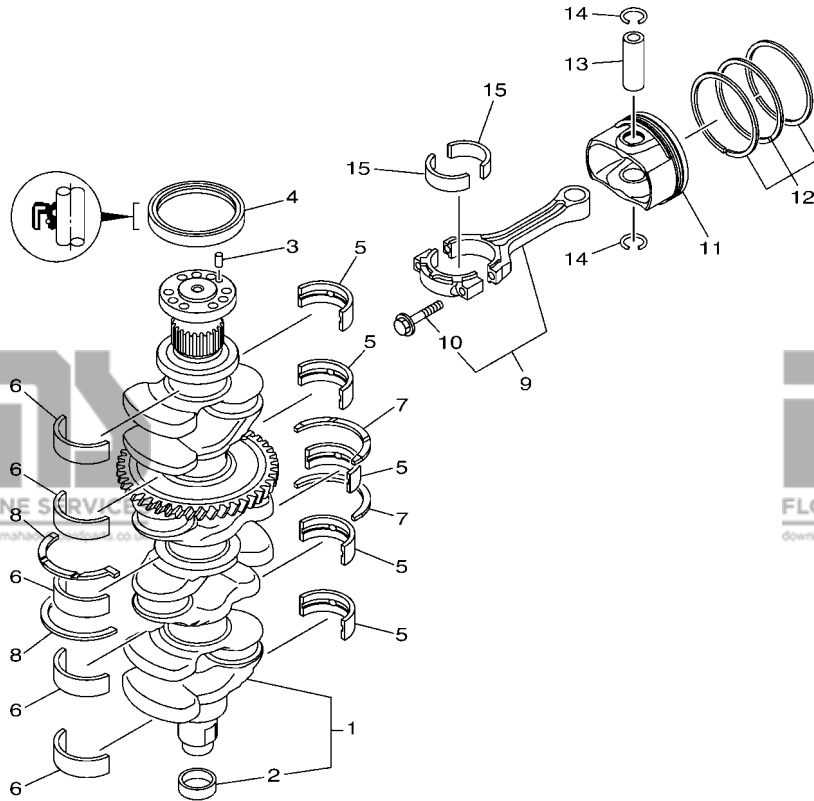
REF. NO.	PART NO. N° PIECES	DESCRIPTION DESCRIPTION	6FAG	REMARKS REMARQUES
28	98780-04016	SCREW, FLAT HEAD VIS A TETE FRAISEE	1	
29	6E5-11325-00	ANODE ANODE	1	
30	93210-08001	O-RING JOINT TORIQUE	1	
31	63P-13490-00	RELIEF VALVE ASSY SOUPAPE DE SECURITE COMPLET	1	
32	6DA-42744-00	STAY SUPPORT	1	
33	6DA-42662-00	DAMPER AMORTISSEUR	1	
34	90105-06196	BOLT, FLANGE BOULON, A COLLERETTE	3	

**CYLINDER BLOCK ASSY**  
Fig.3, CYLINDER & CRANKCASE 1  
Ref. No. 2 to 32, 34  
Fig.4, CRANKSHAFT & PISTON  
Ref. No. 1 to 15  
Fig.5, CYLINDER & CRANKCASE 2  
Ref. No. 17  
Fig.6, CYLINDER & CRANKCASE 3  
Ref. No. 1 to 46  
Fig.7, CYLINDER & CRANKCASE 4  
Ref. No. 2, 4 to 13, 16, 17  
Fig.11, INTAKE 3  
Ref. No. 3  
Fig.16, GENERATOR  
Ref. No. 2, 19 to 25  
Fig.18, ELECTRICAL 2  
Ref. No. 2, 13 to 21  
Fig.20, ELECTRICAL 4  
Ref. No. 11, 18  
Fig.32, OIL PAN  
Ref. No. 12 to 18



**FIG. 4 CRANKSHAFT & PISTON**

**VILEBREQUIN & PISTON**



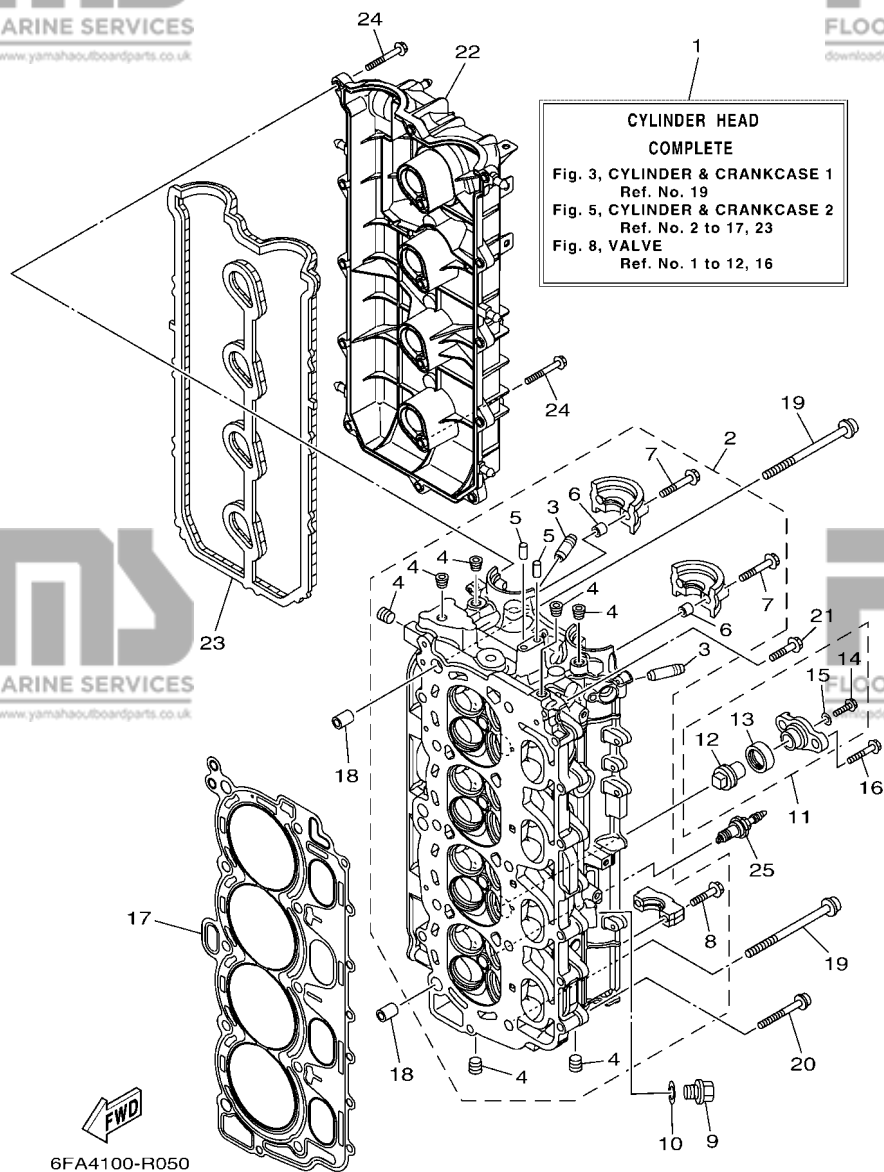
REF. NO.	PART NO. N° PIECES	DESCRIPTION DESCRIPTION	6FAG	REMARKS REMARQUES
1	6DA-11410-00	CRANKSHAFT VILEBREQUIN COMPLET	1	
2	6CB-11478-00	.COLLAR .COLLERETTE	1	
3	93606-12019	PIN, DOWEL GOUPILLE	1	
4	93102-85008	OIL SEAL JOINT SPY	1	
5	6DA-11416-00	PLANE BEARING, CRANKSHAFT 1 COUSSINET DE VILEBREQUIN 1	5	UR YELLOW UR YELLOW
6	6DA-11416-10	PLANE BEARING, CRANKSHAFT 1 COUSSINET DE VILEBREQUIN 1	5	UR GREEN UR GREEN
6	6DA-11416-20	PLANE BEARING, CRANKSHAFT 1 COUSSINET DE VILEBREQUIN 1	5	UR BLUE UR BLUE
6	6DA-11417-00	PLANE BEARING, CRANKSHAFT 2 COUSSINET DE VILEBREQUIN 2	5	UR YELLOW UR YELLOW
6	6DA-11417-10	PLANE BEARING, CRANKSHAFT 2 COUSSINET DE VILEBREQUIN 2	5	UR GREEN UR GREEN
6	6DA-11417-20	PLANE BEARING, CRANKSHAFT 2 COUSSINET DE VILEBREQUIN 2	5	UR BLUE UR BLUE
7	6DA-11426-00	BEARING, THRUST 1 ROULEMENT DE BUTEE 1	2	
8	6DA-11427-00	BEARING, THRUST 2 ROULEMENT DE BUTEE 2	2	
9	6CB-W1165-00	CONNECTING ROD ASSY BIELLE COMPLETE	4	
10	6CB-11654-00	.BOLT, CONNECTING ROD .BOULON, BIELLE	2	
11	6DA-11631-20-94	PISTON (STD) PISTON (STD)	4	
12	6CB-11603-00	PISTON RING SET (STD) JEU DE SEGMENTS (STD)	4	
13	6CB-11633-00	PIN, PISTON AXE, PISTON	4	
14	K0F-A3233-00	RING, HOLE SNAP JONC	8	
15	6CB-11656-00	PLANE BEARING, CONNECTING ROD ROULEMENT DE BIELLE	8	UR YELLOW UR YELLOW
	6CB-11656-10	PLANE BEARING, CONNECTING ROD ROULEMENT DE BIELLE	8	UR GREEN UR GREEN
	6CB-11656-20	PLANE BEARING, CONNECTING ROD ROULEMENT DE BIELLE	8	UR BLUE UR BLUE



6EH5100-R040

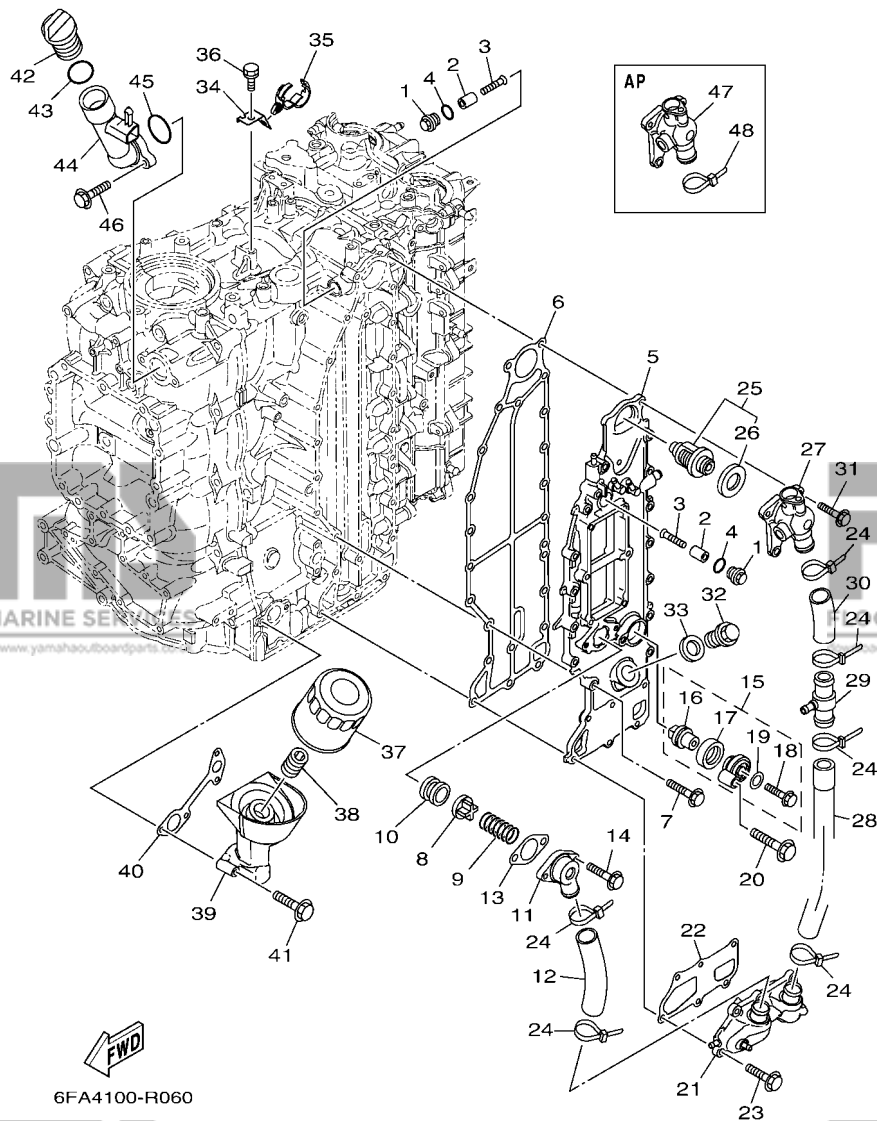
**FIG. 5 CYLINDER & CRANKCASE 2**

**CYLINDRE & CARTER 2**



REF. NO.	PART NO. N° PIECES	DESCRIPTION DESCRIPTION	6FAG	REMARKS REMARQUES
1	6FA-W009A-02-9S	CYLINDER HEAD COMPLETE CULASSE (ENS.)	1	
2	6FA-11110-02-9S	CYLINDER HEAD ASSY JEU DE CULASSE	1	
3	6DA-11133-10	.GUIDE, VALVE 1 .GUIDE, SOUPAPE 1	16	
4	90344-51019	.PLUG, TAPER SCREW .PLOT, FILETE CONIQUE	7	
5	93606-12019	.PIN, DOWEL .GOUPILLE	2	
6	91809-08006	.PIN, DOWEL .GOUJON, D'ASSEMBLAGE	4	
7	90119-07001	.BOLT, WITH WASHER .BOULON, AVEC RONDELLE	4	
8	90119-07234	.BOLT, WITH WASHER .BOULON, AVEC RONDELLE	16	
9	90340-14M06	PLUG, STRAIGHT SCREW PLOT, FILETE DROIT	1	
10	90430-14115	GASKET JOINT	1	
11	67F-11301-00	ANODE COVER ASSY COUVERCLE ANODE (ENS.)	2	
12	67F-11325-01	.ANODE .ANODE	1	
13	67F-11328-00	.GROMMET, ANODE .PASSE-FIL	1	
14	90105-06M07	.BOLT, FLANGE .BOULON, A COLLERETTE	1	
15	90430-06M03	.GASKET JOINT	1	
16	95D95-08025	BOLT, FLANGE DEEP RECESS BOULON FIXATION	4	
17	6DA-11181-00	GASKET, CYLINDER HEAD 1 JOINT, DE CULASSE 1	1	
18	90387-11005	COLLAR COLLERETTE	2	
19	90149-11001	SCREW VIS	10	
20	90105-08175	BOLT, FLANGE BOULON, A COLLERETTE	8	
21	90105-06151	BOLT, FLANGE BOULON, A COLLERETTE	1	
22	6DA-11191-00	COVER, CYLINDER HEAD 1 COUVERCLE, CULASSE 1	1	
23	6DA-11193-00	GASKET, HEAD COVER 1 JOINT, COUVERCLE DE CULASSE 1	1	
24	95D95-06030	BOLT, FLANGE DEEP RECESS BOULON FIXATION	16	
25	94702-00400	PLUG, SPARK (NGK LFR6A-11) BOUGIE D'ALLUMAGE(NGK LFR6A-11)	4	

6FA4100-R050



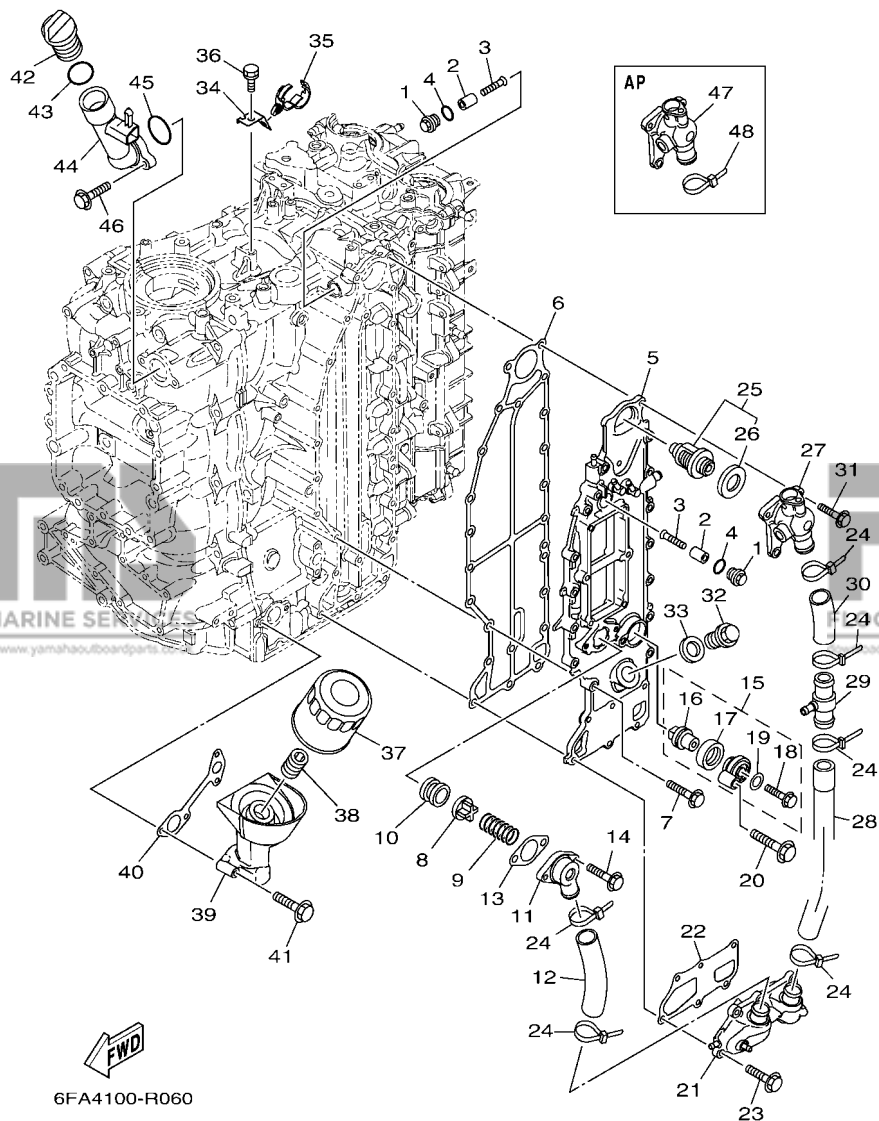
**FIG. 6 CYLINDER & CRANKCASE 3**

**CYLINDRE & CARTER 3**

REF. NO.	PART NO. N° PIECES	DESCRIPTION DESCRIPTION	6FAG	REMARKS REMARQUES
1	6G8-11197-A0	PLUG, BLIND PLOT, BORGNE	2	
2	68T-11325-00	ANODE ANODE	2	
3	90151-05M05	SCREW, COUNTERSUNK VIS, TETE NOYEE	2	
4	93210-13M63	O-RING JOINT TORIQUE	2	
5	6DA-41113-00-9S	OUTER COVER, EXHAUST COUVERCLE, ECHAPPEMENT	1	
6	6DA-41114-01	GASKET, EXHAUST OUTER COVER JOINT, COUVERCLE D'ECHAPPEMENT	1	
7	90105-06028	BOLT, FLANGE BOULON, A COLLERETTE	14	
8	60H-12416-00	VALVE, PRESSURE CONTROL SOUPAPE DE CONTROLEUR PRESS	1	
9	90501-16M11	SPRING, COMPRESSION RESSORT, COMPRESSION	1	
10	90480-20M05	GROMMET PASSE-FIL	1	
11	6G5-11372-00	COVER, BYPASS 2 CONVERCLE	1	
12	6DA-1243A-00	HOSE 1 DURITE 1	1	
13	60V-11382-A0	GASKET 2 JOINT 2	1	
14	90119-06MA3	BOLT, WITH WASHER BOULON, AVEC RONDELLE	2	
15	69J-11301-00	ANODE COVER ASSY COUVERCLE ANODE (ENS.)	1	
16	67F-11325-01	.ANODE .ANODE	1	
17	67F-11328-00	.GROMMET, ANODE .PASSE-FIL	1	
18	90105-06M07	.BOLT, FLANGE .BOULON, A COLLERETTE	1	
19	90430-06M03	.GASKET .JOINT	1	
20	97E75-08540	BOLT, HEXAGON W/W DEEP RECESS VIS HEXAGONAL AVC RONDELLE	1	
21	6DA-12527-00-9S	COVER, WATER BY-PASS CACHE, DERIVATHION D'EAU	1	
22	6DA-11381-01	GASKET 1 JOINT 1	1	
23	90105-06028	BOLT, FLANGE BOULON, A COLLERETTE	6	
24	90465-11M59	CLAMP BRIDE	6	
25	6DA-12411-01	THERMOSTAT THERMOSTAT	1	
26	6AW-12412-00	.SEAL, THERMOSTAT .JOINT, THERMOSTAT	1	
27	6DA-12413-A0-9S	COVER, THERMOSTAT COUVERCLE, THERMOSTAT	1	

**FIG. 6 CYLINDER & CRANKCASE 3**

**CYLINDRE & CARTER 3**

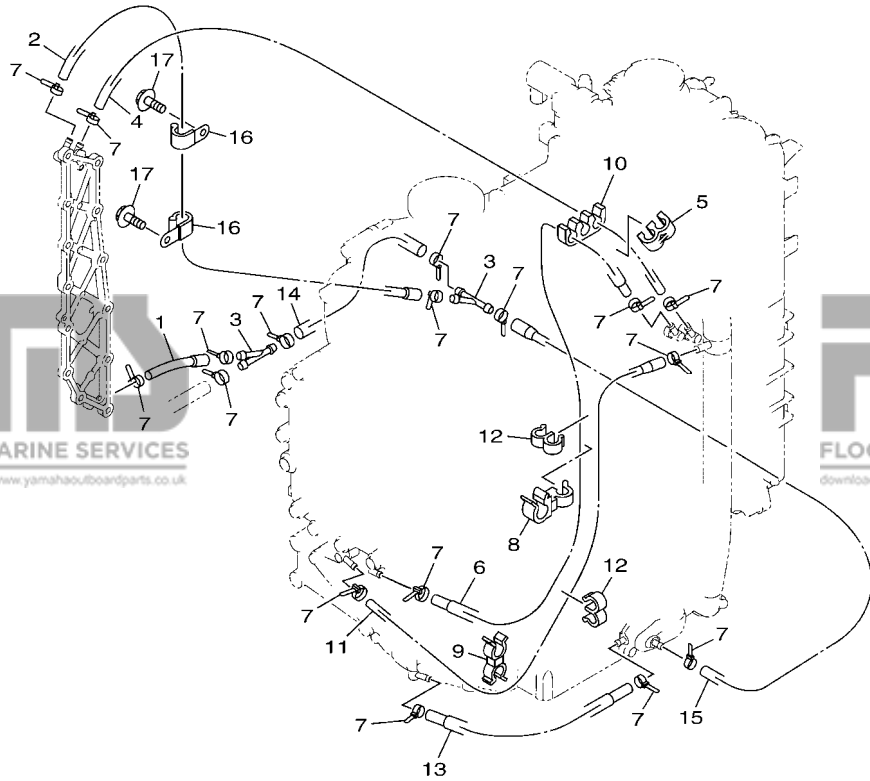


REF. NO.	PART NO. N° PIECES	DESCRIPTION DESCRIPTION	6FAG	REMARKS REMARQUES
28	6DA-1243E-00	HOSE 2 DURITE 2	1	
29	6CE-24378-00	PIPE, JOINT 3 DURITE RACCORDEMENT 3	1	
30	6DA-1244H-00	HOSE 5 DURITE 5	1	
31	90105-06028	BOLT, FLANGE BOULON, A COLLERETTE	3	
32	90340-18M09	PLUG, STRAIGHT SCREW PLOT, FILETE DROIT	1	
33	90201-186F1	WASHER, PLATE RONDELLE, PLATE	1	
34	6DA-12491-00	CLAMP 1 COLLIER 1	1	
35	90464-20181	CLAMP BRIDE	1	
36	90119-06078	BOLT, WITH WASHER BOULON, AVEC RONDELLE	1	
37	69J-13440-03	ELEMENT ASSY, OIL CLEANER ELEMENT, FILTRE A HUILE	1	
38	6S5-12858-00	BOLT, UNION BOULON, RACCORD	1	
39	6DA-13446-01	CONNECTOR CONNECTEUR	1	
40	6DA-13475-00	GASKET JOINT	1	
41	90105-06151	BOLT, FLANGE BOULON, A COLLERETTE	4	
42	6G8-15363-00	PLUG, OIL PLOT, HUILE	1	
43	93210-24M79	O-RING JOINT TORIQUE	1	
44	6DA-15319-00	JOINT JOINT	1	
45	93210-357A3	O-RING JOINT TORIQUE	1	
46	90105-06037	BOLT, FLANGE BOULON, A COLLERETTE	2	
47	6DA-1241B-A0-9S	COVER, THERMOSTAT 2 COUVERCLE, THERMOSTAT 2	1	AP WATER TEMP SENSOR AP WATER TEMP SENSOR
48	90465-11M59	CLAMP BRIDE	1	AP WATER TEMP SENSOR AP WATER TEMP SENSOR

**FIG. 7 CYLINDER & CRANKCASE 4**

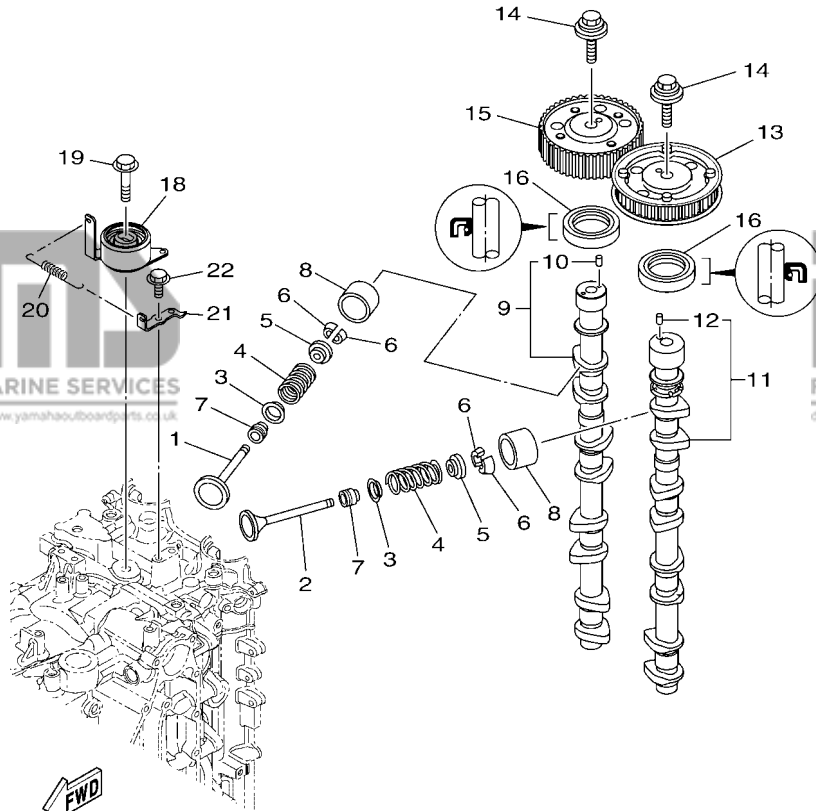
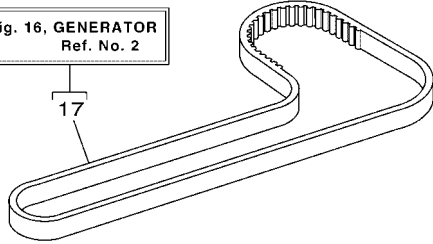
**CYLINDRE & CARTER 4**

REF. NO.	PART NO. N° PIECES	DESCRIPTION DESCRIPTION	6FAG	REMARKS REMARQUES
1	6DA-12576-00	HOSE 1 TUYAU 1	1	
2	6DA-12589-00	HOSE 6 TUYAU 6	1	
3	6CE-24377-00	PIPE, JOINT 2 DURITE RACCORDEMENT 2	2	
4	90445-09008	HOSE (L470) DURITE (L470)	1	
5	90464-09M21	CLAMP BRIDE	1	
6	6DA-12578-00	HOSE 3 TUYAU 3	1	
7	90465-11M10	CLAMP BRIDE	17	
8	90464-12010	CLAMP BRIDE	1	
9	90464-09142	CLAMP BRIDE	1	
10	90464-09020	CLAMP BRIDE	1	
11	6DA-12579-00	HOSE 4 TUYAU 4	1	
12	90464-09M31	CLAMP BRIDE	2	
13	6DA-12552-00	HOSE 8 DURITE 8	1	
14	90445-10057	HOSE (L170) DURITE (L170)	1	
15	6DA-12589-00	HOSE 6 TUYAU 6	1	
16	90465-08M83	CLAMP BRIDE	2	
17	95D95-06012	BOLT, FLANGE DEEP RECESS BOULON FIXATION	2	



**FWD**  
6EH5100-R070

Fig. 16, GENERATOR  
Ref. No. 2



6FA1100-N080

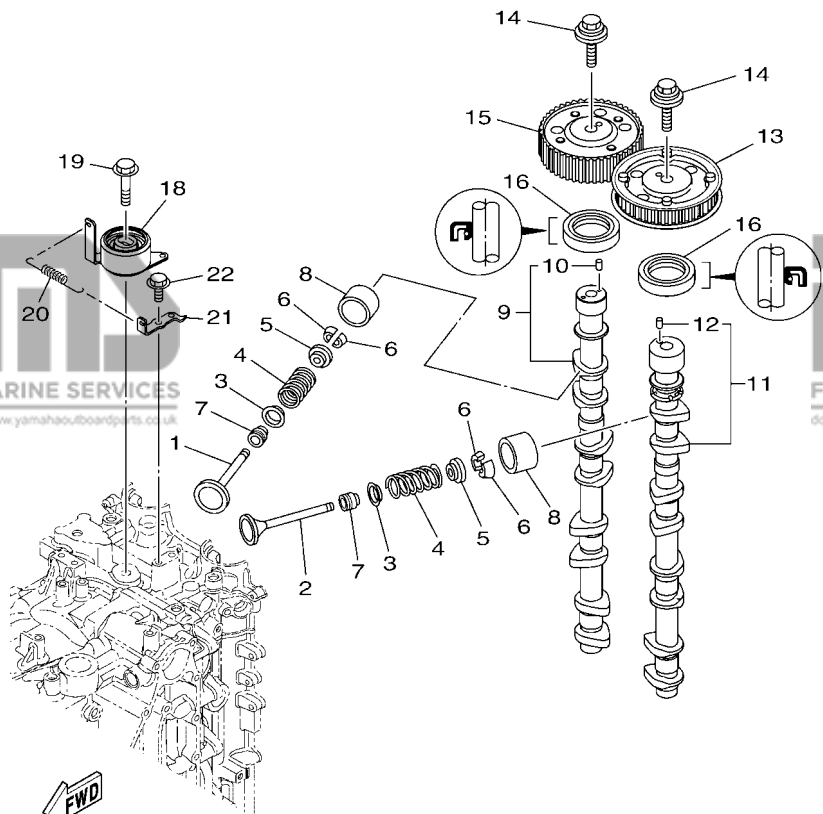
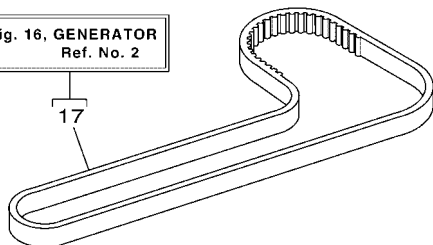
FIG. 8 VALVE

SOUPAPE

REF. NO.	PART NO. N° PIECES	DESCRIPTION DESCRIPTION	6FAG	REMARKS REMARQUES
1	6CB-12111-00	VALVE, INTAKE SOUPAPE, ADMISSION	8	
2	6DA-12121-00	VALVE, EXHAUST SOUPAPE, ECHAPPEMENT	8	
3	K0F-A3743-00	SEAT, VALVE SPRING SIEGE, RESSORT DE SOUPAPE	16	
4	6CB-12113-00	SPRING, VALVE INNER RESSORT DE SOUPAPE, INTERNE	16	
5	K0F-A3741-00	RETAINER, VALVE SPRING BUTEE DE RESSORT DE SOUPAPA	16	
6	K0F-A3742-00	LOCK, VALVE SPRING RETAINER FRAISE, SOUPAPE	32	
7	51Y-12119-00	SEAL, VALVE STEM JOINT, QUEUE DE SOUPAPE	16	
8	K0F-A3751-00	LIFTER, VALVE (3.000) LEVE-SOUPAPE (3.000)	16	UR
	K0F-A3751-10	LIFTER, VALVE (3.025) LEVE-SOUPAPE (3.025)	16	UR
	K0F-A3751-20	LIFTER, VALVE (3.050) LEVE-SOUPAPE (3.050)	16	UR
	K0F-A3751-30	LIFTER, VALVE (3.075) LEVE-SOUPAPE (3.075)	16	UR
	K0F-A3751-40	LIFTER, VALVE (3.100) LEVE-SOUPAPE (3.100)	16	UR
	K0F-A3751-50	LIFTER, VALVE (3.122) LEVE-SOUPAPE (3.122)	16	UR
	K0F-A3751-60	LIFTER, VALVE (3.142) LEVE-SOUPAPE (3.142)	16	UR
	K0F-A3751-70	LIFTER, VALVE (3.162) LEVE-SOUPAPE (3.162)	16	UR
	K0F-A3751-80	LIFTER, VALVE (3.182) LEVE-SOUPAPE (3.182)	16	UR
	K0F-A3751-90	LIFTER, VALVE (3.202) LEVE-SOUPAPE (3.202)	16	UR
	K0F-A3751-A0	LIFTER, VALVE (3.222) LEVE-SOUPAPE (3.222)	16	UR
	K0F-A3751-B0	LIFTER, VALVE (3.242) LEVE-SOUPAPE (3.242)	16	UR
	K0F-A3751-C0	LIFTER, VALVE (3.262) LEVE-SOUPAPE (3.262)	16	UR
	K0F-A3751-D0	LIFTER, VALVE (3.282) LEVE-SOUPAPE (3.282)	16	UR
	K0F-A3751-E0	LIFTER, VALVE (3.302) LEVE-SOUPAPE (3.302)	16	UR
	K0F-A3751-F0	LIFTER, VALVE (3.322) LEVE-SOUPAPE (3.322)	16	UR
	K0F-A3751-G0	LIFTER, VALVE (3.342) LEVE-SOUPAPE (3.342)	16	UR
	K0F-A3751-H0	LIFTER, VALVE (3.362) LEVE-SOUPAPE (3.362)	16	UR
	K0F-A3751-J0	LIFTER, VALVE (3.382) LEVE-SOUPAPE (3.382)	16	UR
	K0F-A3751-K0	LIFTER, VALVE (3.402) LEVE-SOUPAPE (3.402)	16	UR



Fig. 16, GENERATOR  
Ref. No. 2



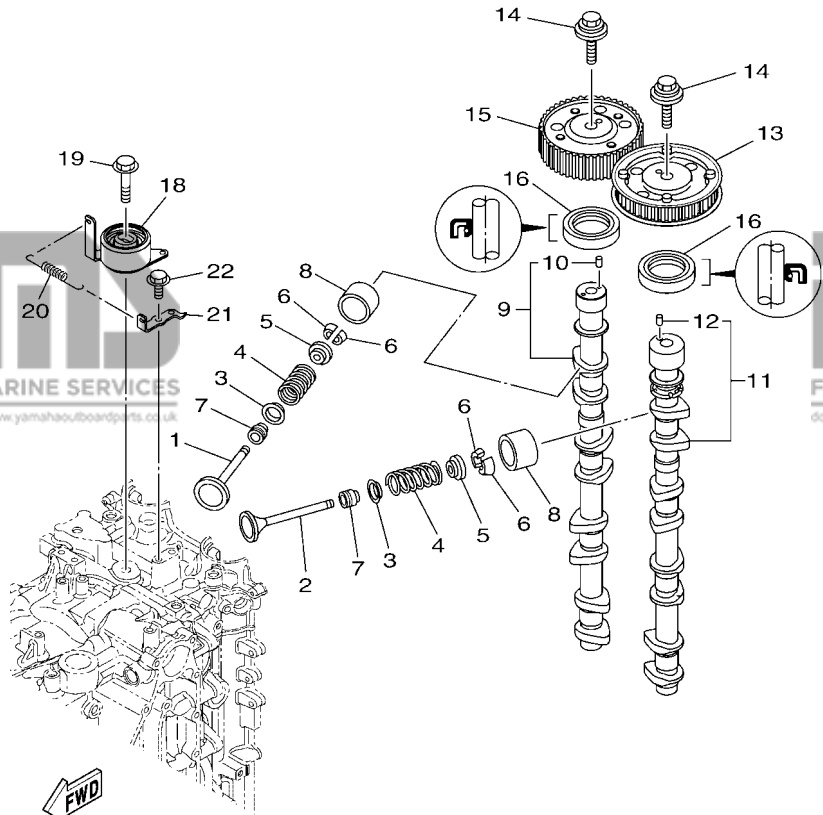
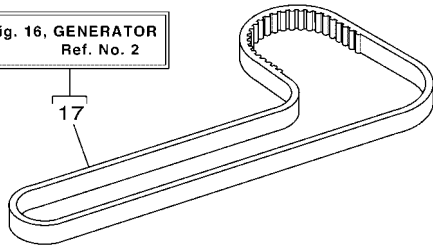
6FA1100-N080

FIG. 8 VALVE

SOUPAPE

REF. NO.	PART NO. N° PIECES	DESCRIPTION DESCRIPTION	6FAG	REMARKS REMARQUES
8	K0F-A3751-L0	LIFTER, VALVE (3.422) LEVE-SOUPAPE (3.422)	16	UR
	K0F-A3751-M0	LIFTER, VALVE (3.442) LEVE-SOUPAPE (3.442)	16	UR
	K0F-A3751-N0	LIFTER, VALVE (3.462) LEVE-SOUPAPE (3.462)	16	UR
	K0F-A3751-P0	LIFTER, VALVE (3.482) LEVE-SOUPAPE (3.482)	16	UR
	K0F-A3751-R0	LIFTER, VALVE (3.502) LEVE-SOUPAPE (3.502)	16	UR
	K0F-A3751-S0	LIFTER, VALVE (3.522) LEVE-SOUPAPE (3.522)	16	UR
	K0F-A3751-T0	LIFTER, VALVE (3.542) LEVE-SOUPAPE (3.542)	16	UR
	K0F-A3753-00	LIFTER, VALVE (3.562) LEVE-SOUPAPE (3.562)	16	UR
	K0F-A3753-10	LIFTER, VALVE (3.582) LEVE-SOUPAPE (3.582)	16	UR
	K0F-A3753-20	LIFTER, VALVE (3.602) LEVE-SOUPAPE (3.602)	16	UR
	K0F-A3753-30	LIFTER, VALVE (3.625) LEVE-SOUPAPE (3.625)	16	UR
	K0F-A3753-40	LIFTER, VALVE (3.650) LEVE-SOUPAPE (3.650)	16	UR
	K0F-A3753-50	LIFTER, VALVE (3.675) LEVE-SOUPAPE (3.675)	16	UR
	K0F-A3753-60	LIFTER, VALVE (3.700) LEVE-SOUPAPE (3.700)	16	UR
	K0F-A3753-70	LIFTER, VALVE (3.725) LEVE-SOUPAPE (3.725)	16	UR
9	6FA-12171-00	CAMSHAFT 1 ARBRE A CAMES 1	1	
10	93605-10108	.PIN, DOWEL .AXE	1	
11	6DA-12181-00	CAMSHAFT 2 ARBRE A CAMES 2	1	
12	93605-10108	.PIN, DOWEL .AXE	1	
13	6FA-115A0-00	DRIVEN GEAR ASSY CLOCHE D'EMBRYAGE	1	
14	90119-10050	BOLT, WITH WASHER BOULON, AVEC RONDELLE	2	
15	6FA-11567-00	GEAR, DRIVEN 2 PIGNON SECONDAIRE 2	1	
16	93102-38008	OIL SEAL JOINT SPY	2	
17	6DA-W4624-00	BELT (WITH ROTOR BOLTS) COURROIE (AVEC BOULON)	1	
18	6DA-11590-00	TENSIONER ASSY TENDEUR (ENS.)	1	
19	90119-10M07	BOLT, WITH WASHER BOULON, AVEC RONDELLE	1	
20	90506-18025	SPRING, TENSION RESSORT, TENSION	1	

Fig. 16, GENERATOR  
Ref. No. 2

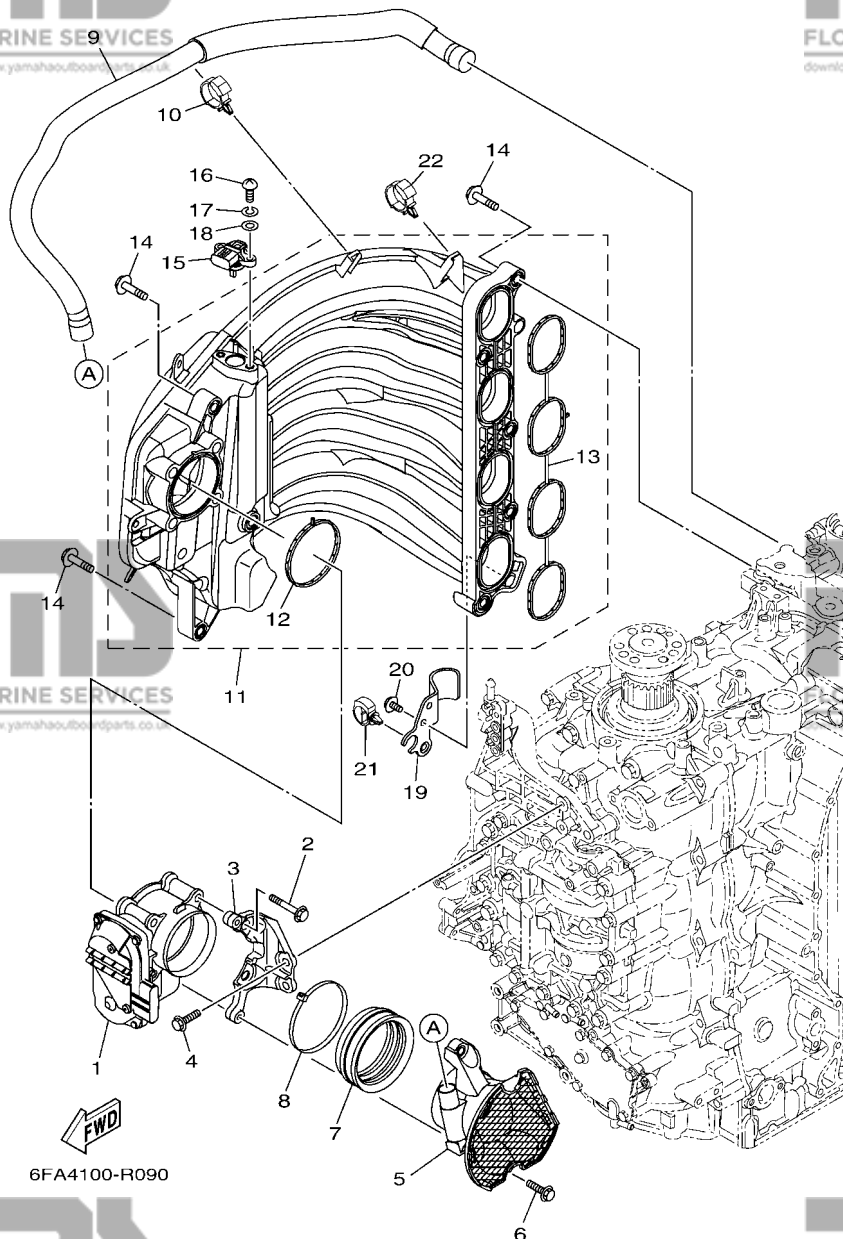


6FA1100-N080

**FIG. 8 VALVE**

**SOUPAPE**

REF. NO.	PART NO. N° PIECES	DESCRIPTION DESCRIPTION	6FAG	REMARKS REMARQUES
21	6DA-11595-00	PLATE, VALVE PLAQUE DE SOUPAPE	1	
22	97E75-06516	BOLT, HEXAGON W/W DEEP RECESS VIS HEXAGONAL AVC RONDELLE	1	



6FA4100-R090

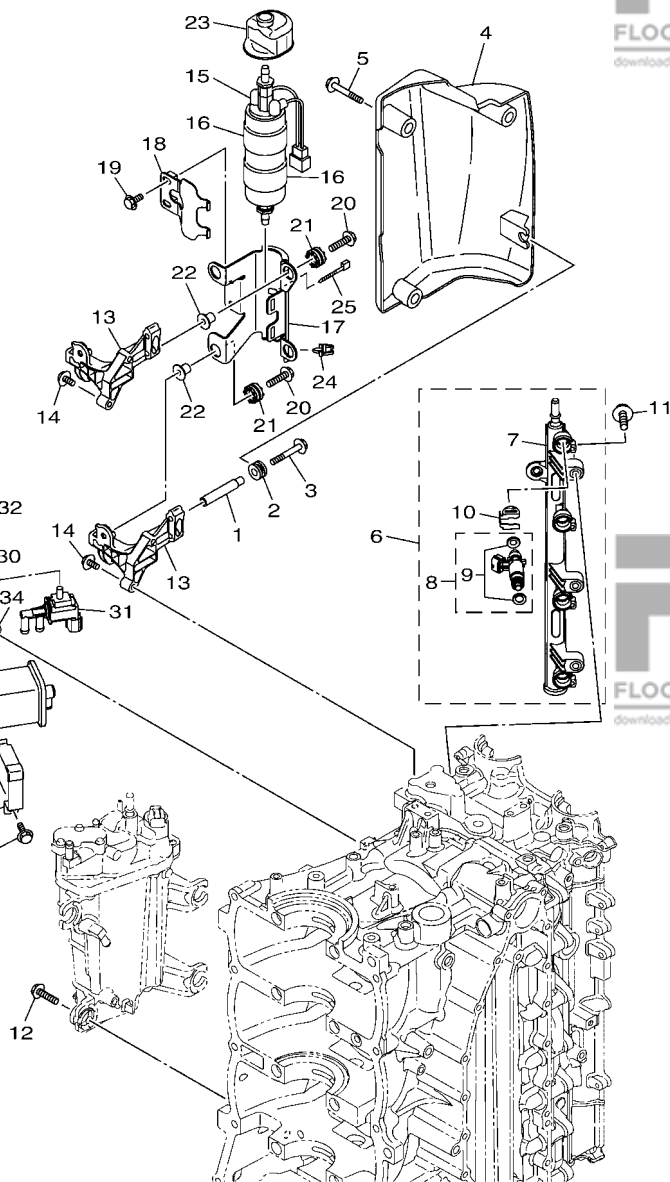
**FIG. 9 INTAKE 1**

**ADMISSION 1**

REF. NO.	PART NO. N° PIECES	DESCRIPTION DESCRIPTION	6FAG	REMARKS REMARQUES
1	6DA-13751-01	BODY, THROTTLE 1 CARTER 1	1	
2	97E75-08560	BOLT, HEXAGON W/W DEEP RECESS VIS HEXAGONAL AVC RONDELLE	4	
3	6DA-13152-00	STAY 2 SUPPORT2	1	
4	95D75-06025	BOLT, FLANGE DEEP RECESS BOULON FIXATION	2	
5	6DA-14440-00	SILENCER ASSY, INTAKE SIENCIEUX D'ADMISSION	1	
6	95D75-06025	BOLT, FLANGE DEEP RECESS BOULON FIXATION	2	
7	6P2-1441J-00	PIPE, SILENCER DURITE, DE SILENCIEUX	1	
8	90464-99004	CLAMP BRIDE	1	
9	6DA-15373-00	PIPE, BREATHER DURITE DE RENIFLARD	1	
10	90464-12183	CLAMP BRIDE	1	
11	6DA-13641-00	MANIFOLD, INTAKE 1 TUBULURE, ADMISSION 1	1	
12	6DA-13646-00	.GASKET, MANIFOLD 2 .JOINT, TUBULURE 2	1	
13	6DA-13645-00	.GASKET, MANIFOLD 1 .JOINT, TUBULURE 1	1	
14	90119-08020	BOLT, WITH WASHER BOULON, AVEC RONDELLE	9	
15	68F-83688-10	SENSOR ASSY SONDE (ENS.)	1	
16	97885-05016	SCREW, PAN HEAD VIS, A ENCOCHE	2	
17	92995-05100	WASHER RONDELLE	2	
18	92995-05600	WASHER RONDELLE	2	
19	6DA-13881-00	COVER 1 COUVERCLE 1	1	
20	95D95-06012	BOLT, FLANGE DEEP RECESS BOULON FIXATION	2	
21	90464-20181	CLAMP BRIDE	1	
22	90464-12183	CLAMP BRIDE	1	

**FIG. 10 INTAKE 2**

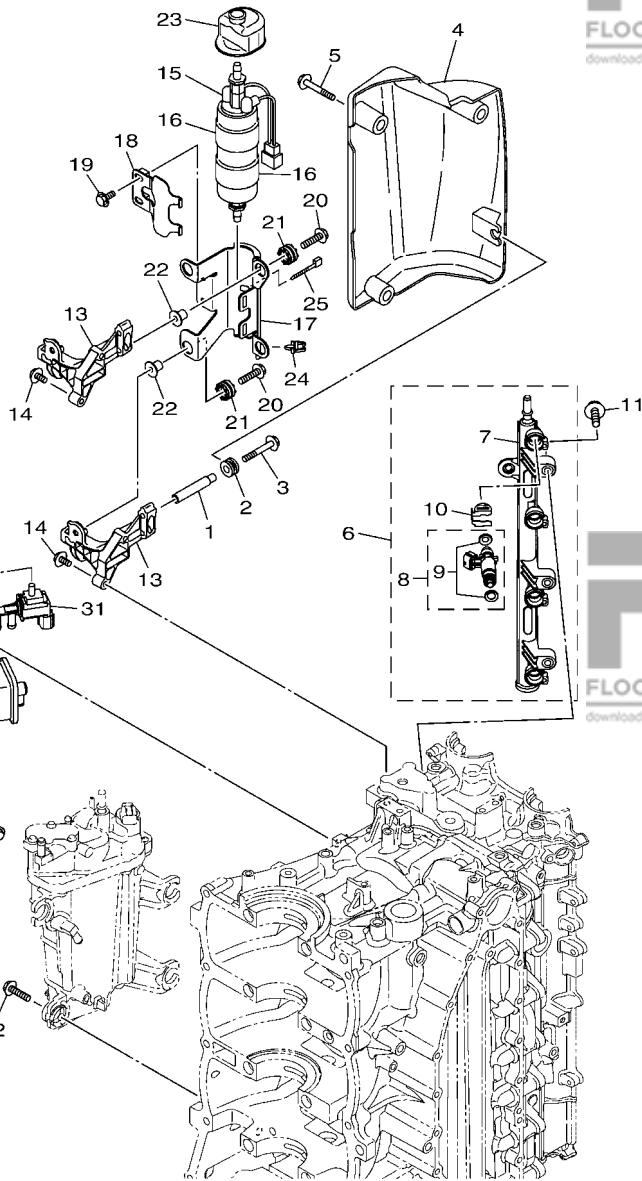
**ADMISSION 2**



REF. NO.	PART NO. N° PIECES	DESCRIPTION DESCRIPTION	6FA6		REMARKS REMARQUES
1	90387-06283	COLLAR COLLERETTE	1		
2	90480-12314	GROMMET PASSE-FIL	1		
3	90105-06054	BOLT, FLANGE BOULON, A COLLERETTE	1		
4	6DA-13564-00	COVER, MANIFOLD COUVERCLE, TUBULURE	1		
5	95D95-06020	BOLT, FLANGE DEEP RECESS BOULON FIXATION	3		
6	6DA-13160-01	DELIVERY PIPE ASSY 1 ENS. TUBE DE REFOULEMENT 1	1		
7	6DA-13161-01	.PIPE, DELIVERY 1 .DURITE REFOULEMENT 1	1		
8	6DA-13761-00	.INJECTOR .INJECTEUR	4		
9	6AW-1410B-00	..PACKING KIT ..POCHETTE DE JOINTS	1		
10	6AW-13577-10	.CLIP .AGRAFE	4		
11	90105-06M08	BOLT, FLANGE BOULON, A COLLERETTE	3		
12	90119-06269	BOLT, WITH WASHER BOULON, AVEC RONDELLE	4		
13	6DA-24425-00	BRACKET, FUEL PUMP 1 SUPPORT, POMPE A ESSENCE 1	2		
14	90105-06M08	BOLT, FLANGE BOULON, A COLLERETTE	4		
15	6CB-24410-01	FUEL PUMP ASSY POMPE A ESSENCE	1		
16	6DA-24492-00	BUSH, FUEL PUMP BAGUE	2		
17	6DA-24491-00	BRACKET, FUEL PUMP SUPPORT, POMPE A ESSENCE	1		
18	6DA-24426-00	BRACKET, FUEL PUMP 2 SUPPORT, POMPE A ESSENCE 2	1		
19	95D95-06012	BOLT, FLANGE DEEP RECESS BOULON FIXATION	2		
20	90119-06M17	BOLT, WITH WASHER BOULON, AVEC RONDELLE	4		
21	60V-85516-00	SPACER ENTRETOISE	4		
22	90387-06289	COLLAR COLLERETTE	4		
23	6DA-24462-00	CAP, BLIND COUVERCLE, BORGNE	1		
24	90464-11121	CLAMP BRIDE	1		
25	90465-11M10	CLAMP BRIDE	1		
26	90464-09130	CLAMP BRIDE	1		
27	6P2-24170-00	CANISTER ASSY BANDE, RASERVOIR A ESSENCE	1		

**FIG. 10 INTAKE 2**

**ADMISSION 2**

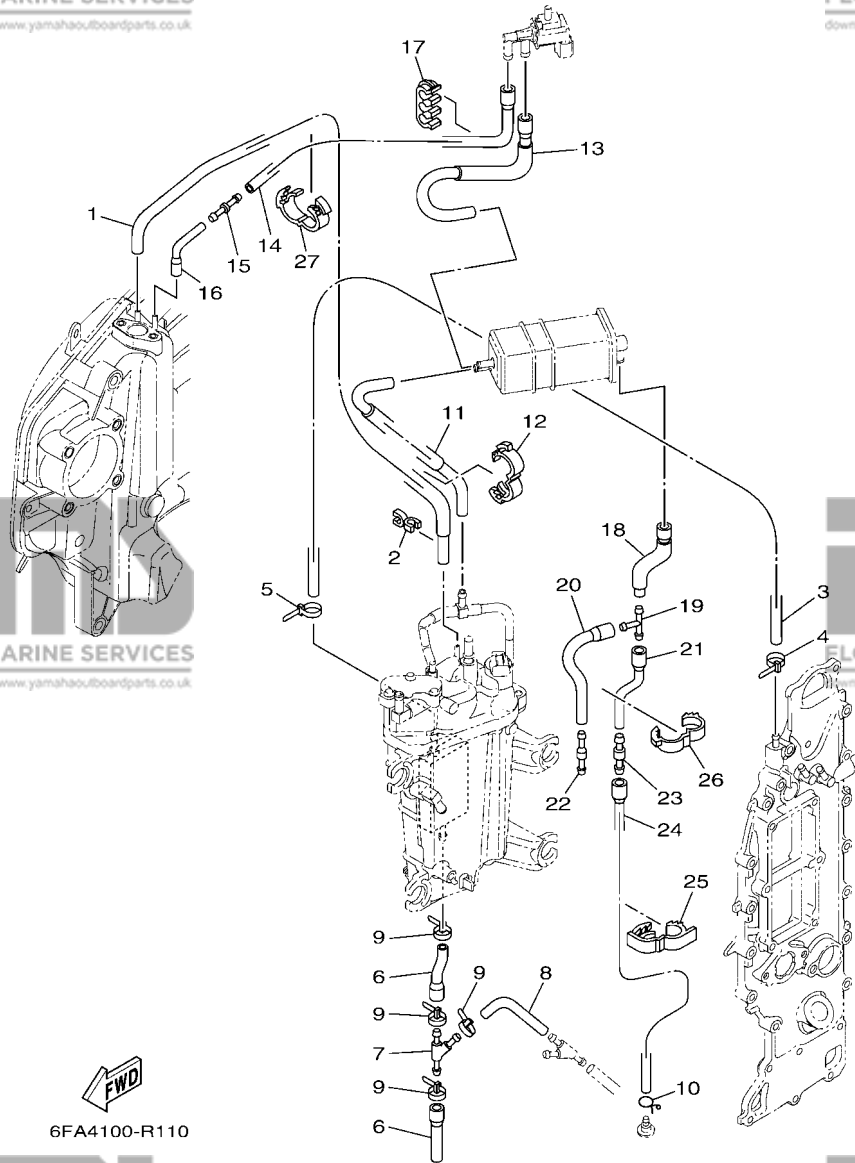


REF. NO.	PART NO. N° PIECES	DESCRIPTION DESCRIPTION	6FA6	REMARKS REMARQUES
28	63P-2419A-01	HOLDER SUPPORT	1	
29	95D95-06016	BOLT, FLANGE DEEP RECESS BOULON FIXATION	1	
30	6DA-2134X-00	BRACKET, CANISTER SUPPORT	1	
31	6C5-86120-00	SOLENOID VALVE ASSY SOLENOIDE	1	
32	95380-06600	NUT, HEXAGON ECROU	1	
33	90480-14031	GROMMET PASSE-FIL	2	
34	90387-06289	COLLAR COLLERETTE	2	
35	90119-06M17	BOLT, WITH WASHER BOULON, AVEC RONDELLE	2	

6FA6100-T100

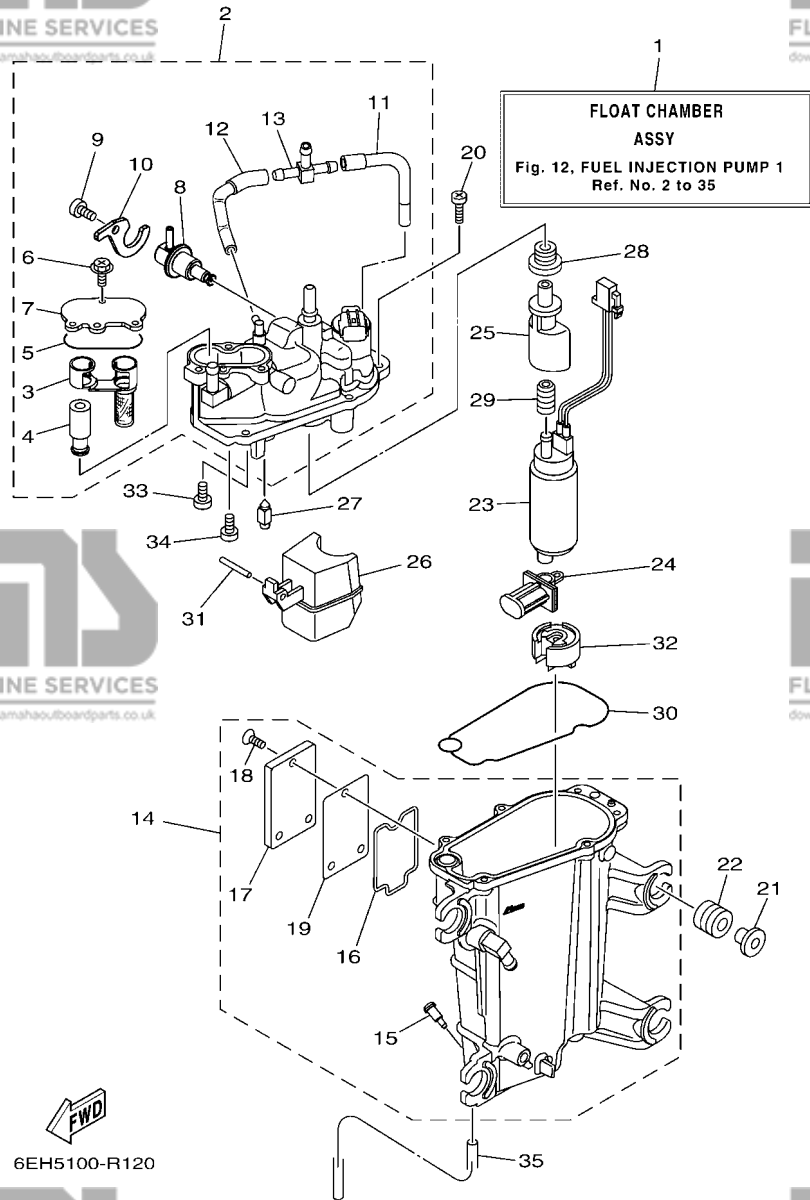
**FIG. 11 INTAKE 3**

**ADMISSION 3**



6FA4100-R110

REF. NO.	PART NO. N° PIECES	DESCRIPTION DESCRIPTION	6FAG	REMARKS REMARQUES
1	6DA-13532-00	HOSE, VACUUM SENSING 3 DURITE 3	1	
2	90464-07M41	CLAMP BRIDE	1	
3	90445-09120	HOSE (L600) DURITE (L600)	1	
4	90465-11M10	CLAMP BRIDE	1	
5	90465-11M10	CLAMP BRIDE	1	
6	6DA-12576-00	HOSE 1 TUYAU 1	2	
7	6CE-24377-00	PIPE, JOINT 2 DURITE RACCORDEMENT 2	1	
8	90445-10056	HOSE (L85) DURITE (L85)	1	
9	90465-11M10	CLAMP BRIDE	4	
10	90467-09M09	CLIP JONC	1	
11	6DA-1475A-00	PIPE 1 DURITE 1	1	
12	90464-16001	CLAMP BRIDE	1	
13	6DA-1475F-00	PIPE 3 DURITE 3	1	
14	6DA-2416A-00	HOSE DURITE	1	
15	6CB-14989-00	ORIFICE, AIR VENT ORIFICE	1	
16	6DA-1475G-00	PIPE 4 DURITE 4	1	
17	90464-10011	CLAMP BRIDE	1	
18	6DA-13545-00	HOSE 1 DURITE 1	1	
19	688-24378-00	PIPE, JOINT 3 DURITE RACCORDEMENT 3	1	
20	68V-13546-10	HOSE 2 DURITE 2	1	
21	6FA-13548-00	HOSE, AIR 4 DURITE, A AIR 4	1	
22	6E5-21744-00	BREATHER RENIFLARD	1	
23	63D-21744-00	BREATHER RENIFLARD	1	
24	6FA-13547-00	HOSE 3 DURITE 3	1	
25	90464-18004	CLAMP BRIDE	1	
26	90464-16001	CLAMP BRIDE	1	
27	90464-16001	CLAMP BRIDE	1	

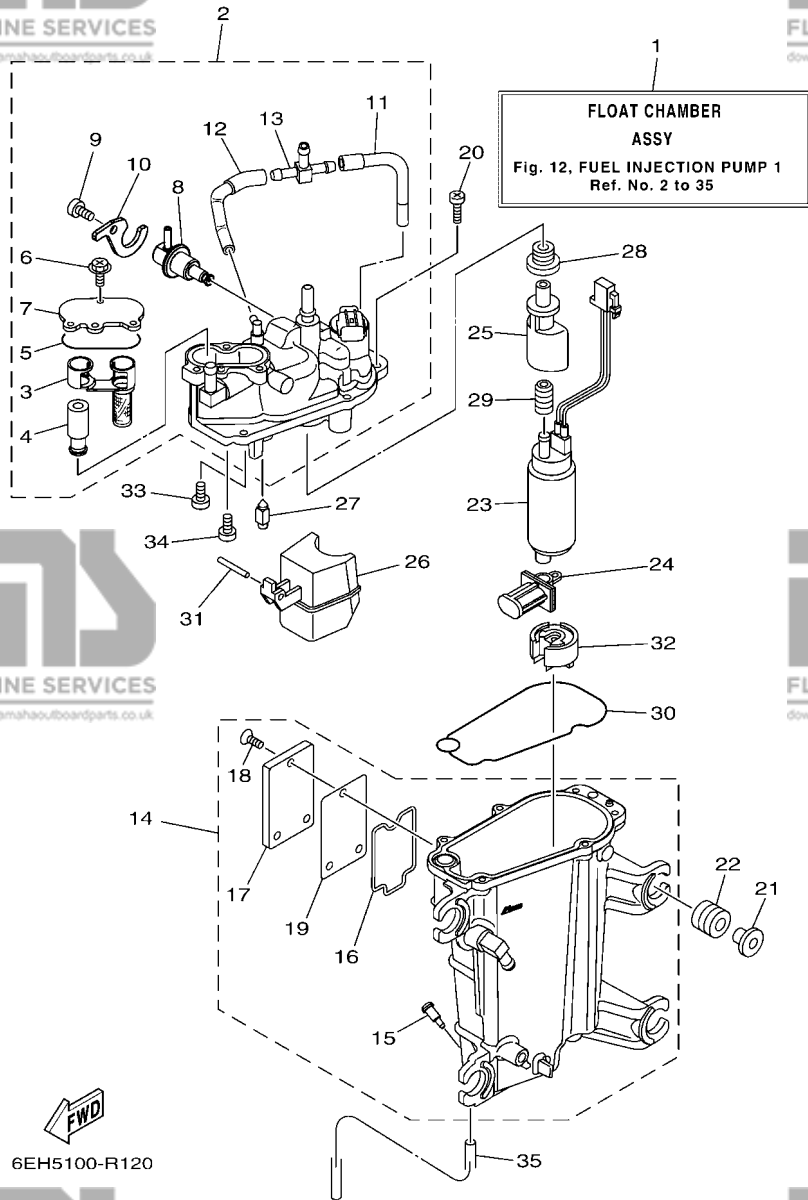


6EH5100-R120

**FIG. 12 FUEL INJECTION PUMP 1**

**POMPE A INJECTEUR 1**

REF. NO.	PART NO. N° PIECES	DESCRIPTION DESCRIPTION	6FAG	REMARKS REMARQUES
1	6DA-14180-01	FLOAT CHAMBER ASSY CUVE DE FLOTTEUR	1	
2	6DA-14182-00	COVER, FLOAT CHAMBER COUVERCLE, CUVE DE FLOTTEUR	1	
3	6CB-24501-01	.FILTER, FUEL .FILTRE	1	
4	6CB-24460-00	.RELIEF VALVE ASSY .SOUPAPE DE SECURITE COMPLET	1	
5	6CB-13016-00	.O-RING .JOINT TORIQUE	1	
6	6CB-14216-00	.SCREW .VIS	3	
7	6CB-24217-00	.COVER .COUVERCLE	1	
8	6CB-13906-01	.REGULATOR, PRESSURE .REGULATEUR DE PRESSION	1	
9	6CB-14564-00	.SCREW .VIS	1	
10	6DA-14146-00	.PLATE .PLAQUE	1	
11	6DA-13892-00	.HOSE, AIR 2 .DURITE, A AIR 2	1	
12	6DA-13893-00	.HOSE, AIR 3 .DURITE, A AIR 3	1	
13	69J-24379-00	.PIPE, JOINT 4 .DURITE RACCORDEMENT 4	1	
14	6DA-14181-00	BODY, FLOAT CHAMBER 1 CORPS, CUVE DE FLOTTEUR 1	1	
15	6P2-14191-00	.PLUG, DRAIN .PLOT, VIDANGE	1	
16	6CB-14239-00	.SEAL .JOINT	1	
17	6CB-24452-10	.COVER .COUVERCLE	1	
18	6CB-14429-01	.SCREW .VIS	3	
19	6CB-24482-00	.GASKET 1 .JOINT 1	1	
20	63P-14567-00	SCREW VIS	6	
21	63P-13716-00	COLLAR COLLERETTE	4	
22	6CB-13593-00	DAMPER AMORTISSEUR	4	
23	6P2-13907-20	FUEL PUMP COMP. POMPE A CARBURANT COMP.	1	
24	63P-13915-00	FILTER FILTRE	1	
25	6AW-13132-00	JOINT RACCORD	1	
26	6CB-14985-00	FLOAT FLOTTEUR	1	
27	6CB-14546-00	VALVE, NEEDLE POINTEAU	1	



6EH5100-R120

**FIG. 12 FUEL INJECTION PUMP 1**

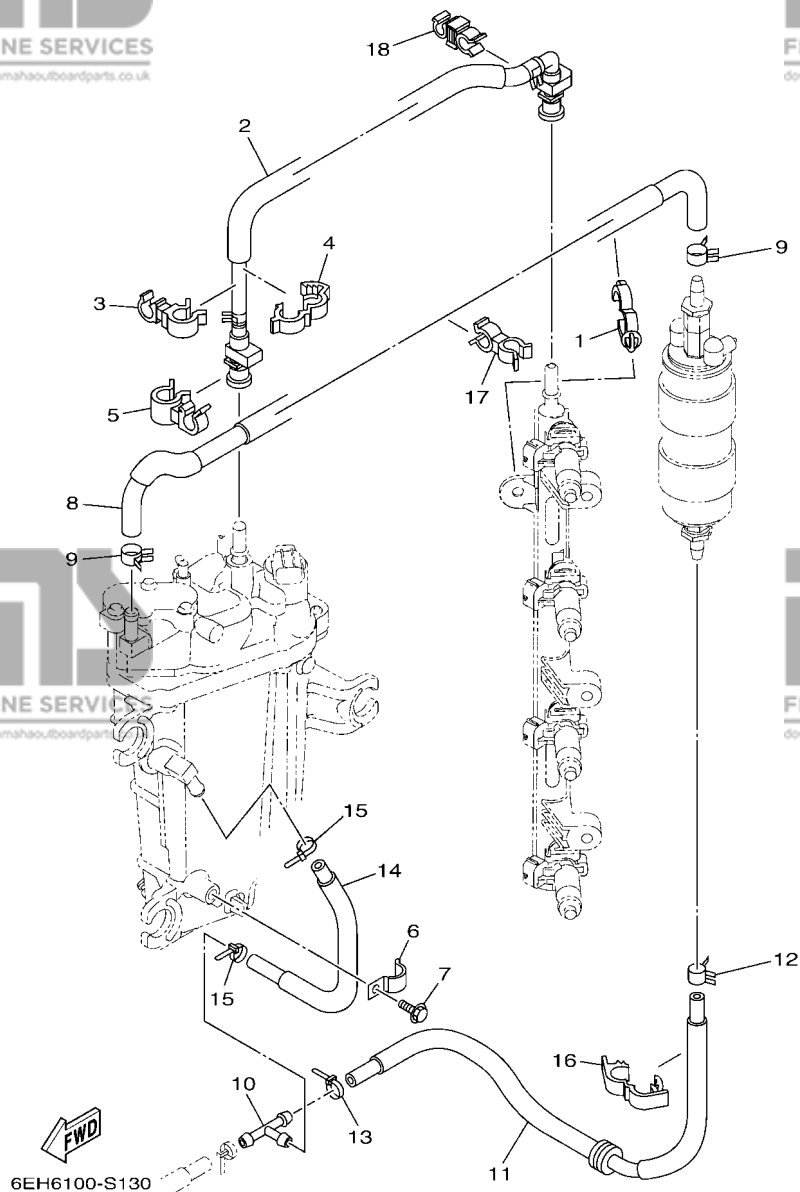
**POMPE A INJECTEUR 1**

REF. NO.	PART NO. N° PIECES	DESCRIPTION DESCRIPTION	6FAG	REMARKS REMARQUES
28	6CB-1447B-00	BUSH 1 DOUILLE 1	1	
29	6AW-13781-00	DAMPER, PUMP AMORTISSEUR, POMPE	1	
30	6CB-14984-00	GASKET, FLOAT CHAMBER JOINT, CUVE DE FLOTTEUR	1	
31	6P2-14386-00	PIN, FLOAT AXE, FLOTTEUR	1	
32	6AW-13784-00	COVER, PUMP COUVERCLE, POMPE	1	
33	4SV-24453-00	SCREW VIS	1	
34	98507-04008	SCREW, PAN HEAD VIS, TETE TRONCONIQUE	1	
35	6P2-14149-00	PIPE DURITE	1	



**FIG. 13 FUEL INJECTION PUMP 2**

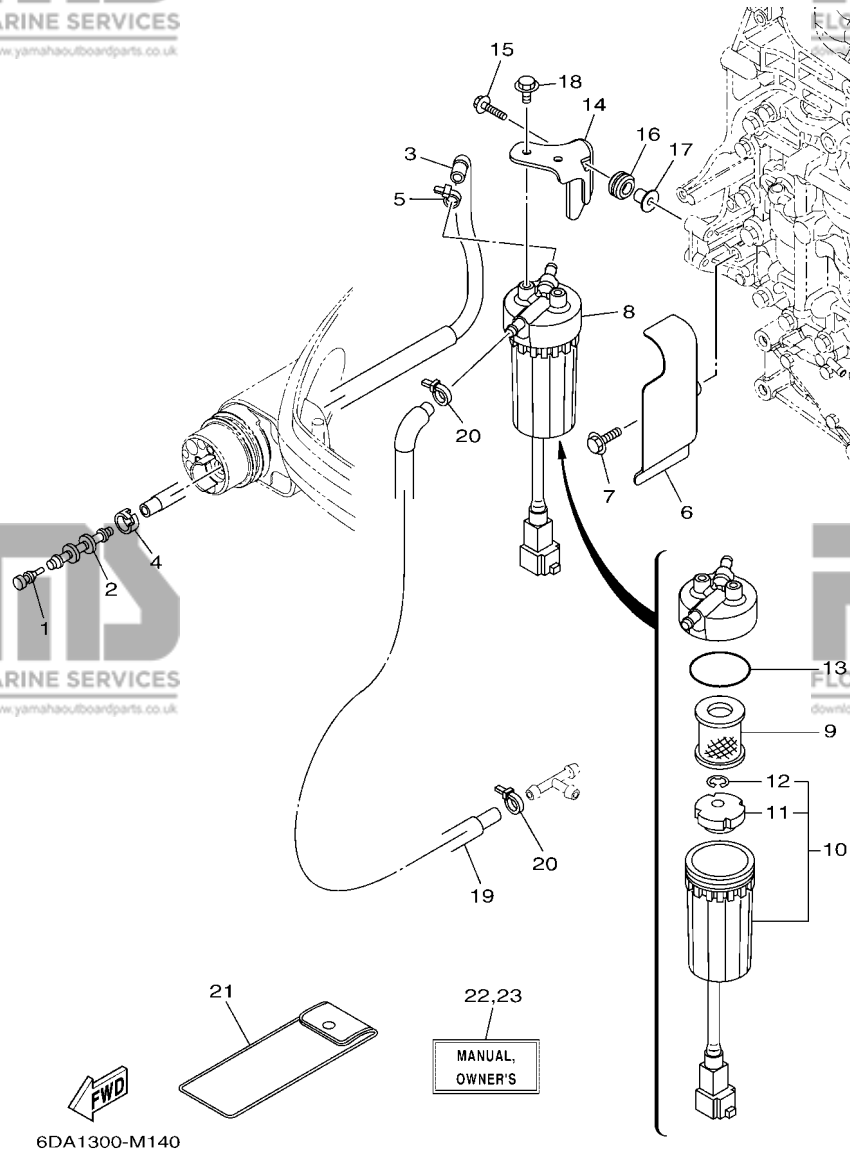
**POMPE A INJECTEUR 2**



REF. NO.	PART NO. N° PIECES	DESCRIPTION DESCRIPTION	6FAG	REMARKS REMARQUES
1	90464-20181	CLAMP BRIDE	1	
2	6DA-24310-00	FUEL PIPE ASSY DURITE A ESSENCE	1	
3	90464-12010	CLAMP BRIDE	1	
4	90464-16003	CLAMP BRIDE	1	
5	90464-15007	CLAMP BRIDE	1	
6	90465-08M63	CLAMP BRIDE	1	
7	95D95-06010	BOLT, FLANGE DEEP RECESS BOULON FIXATION	1	
8	6DA-24324-00	PIPE 13 DURITE 13	1	
9	90467-120A7	CLIP JONC	2	
10	6E5-24378-00	PIPE, JOINT 3 DURITE, RACCORDEMENT 3	1	
11	6DA-24317-00	PIPE 7 DURITE 7	1	
12	90467-120A7	CLIP JONC	1	
13	90465-11M10	CLAMP BRIDE	1	
14	6DA-24323-00	PIPE 12 DURITE 12	1	
15	90465-11M10	CLAMP BRIDE	2	
16	90464-18004	CLAMP BRIDE	1	
17	90464-13260	CLAMP BRIDE	1	
18	90464-13013	CLAMP BRIDE	1	

**CARBURANT 1**

**FIG. 14 FUEL 1**

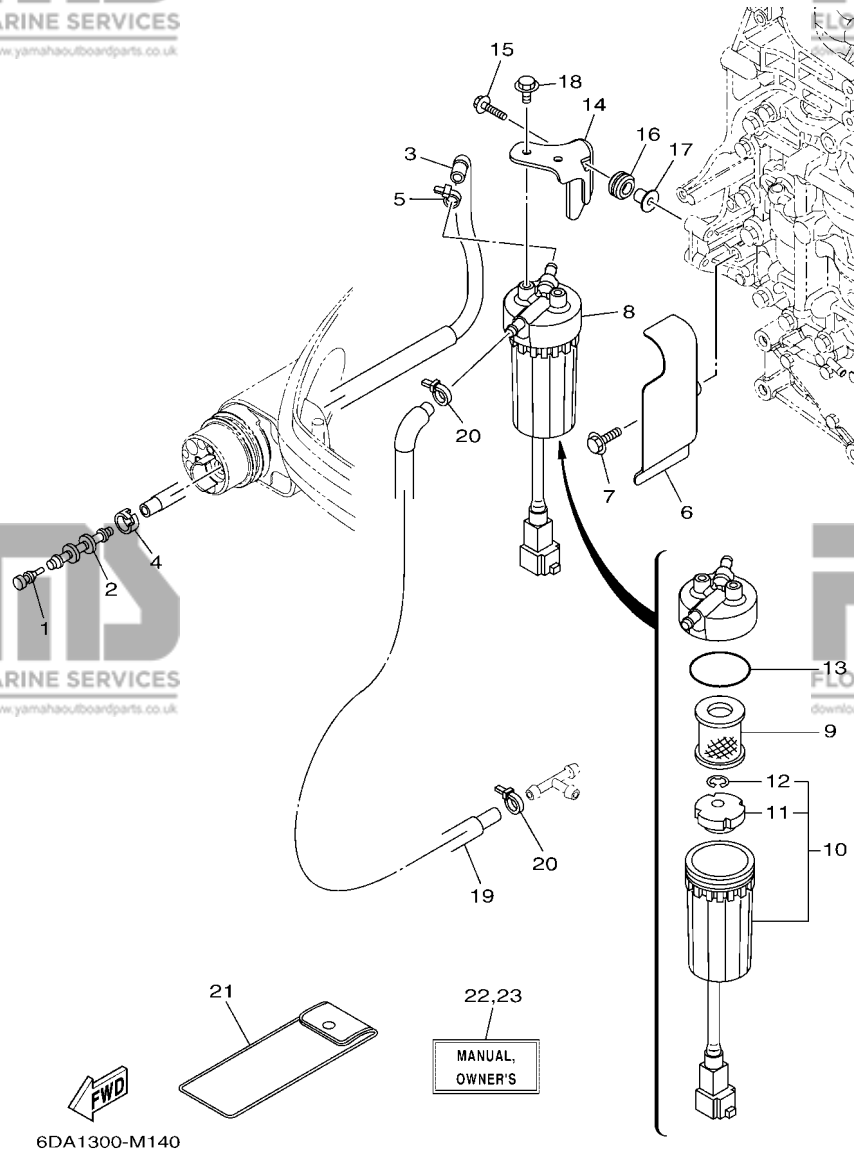


REF. NO.	PART NO. N° PIECES	DESCRIPTION DESCRIPTION	6FAG	REMARKS REMARQUES
1	689-85547-00	DAMPER AMORTISSEUR	1	
2	6AW-24377-01	PIPE, JOINT 2 DURITE RACCORDEMENT 2	1	
3	6DA-24314-00	PIPE 4 DURITE 4	1	
4	6E5-24351-51	BAND 1 COLLIER 1	1	
5	90465-11M10	CLAMP BRIDE	1	
6	6DA-24596-00	COVER COUVERCLE	1	
7	95D95-06025	BOLT, FLANGE DEEP RECESS BOULON FIXATION	2	
8	6P3-24560-03	FILTER ASSY ENS FILTRE	1	
9	6P3-24563-01	.ELEMENT, FILTER .ELEMENT, FILTRE	1	
10	6P3-24562-03	.CUP, FILTER .CUVETTE, FILTRE	1	
11	6P3-24469-00	..FLOAT, WATER LEVEL ..FLOTTEUR	1	
12	6P3-24519-00	..CLIP ..JONC	1	
13	6P3-24564-00	.GASKET .JOINT	1	
14	6DA-24566-00	BRACKET, FILTER SUPPORT, FILTRE	1	
15	90119-06M17	BOLT, WITH WASHER BOULON, AVEC RONDELLE	2	
16	90480-15013	GROMMET PASSE-FIL	2	
17	90387-06289	COLLAR COLLERETTE	2	
18	95D95-06012	BOLT, FLANGE DEEP RECESS BOULON FIXATION	2	
19	6DA-24313-00	PIPE 3 DURITE 3	1	
20	90465-11M10	CLAMP BRIDE	2	
21	69J-28100-02	TOOL KIT TROUSSE A OUTILS	1	AP AP
22	6DA-28199-76-E0	MANUAL, OWNER'S MANUEL D'UTILISATION	1	UR (E) UR (E)
	6DA-28199-76-F0	MANUAL, OWNER'S MANUEL D'UTILISATION	1	UR (F) UR (F)
	6DA-28199-76-S0	MANUAL, OWNER'S MANUEL D'UTILISATION	1	UR (ES) UR (ES)
	6DA-28199-76-G0	MANUAL, OWNER'S MANUEL D'UTILISATION	1	UR (D) UR (D)
	6DA-28199-76-D0	MANUAL, OWNER'S MANUEL D'UTILISATION	1	UR (NL) UR (NL)
	6DA-28199-76-H0	MANUAL, OWNER'S MANUEL D'UTILISATION	1	UR (I) UR (I)

**FIG. 14 FUEL 1**

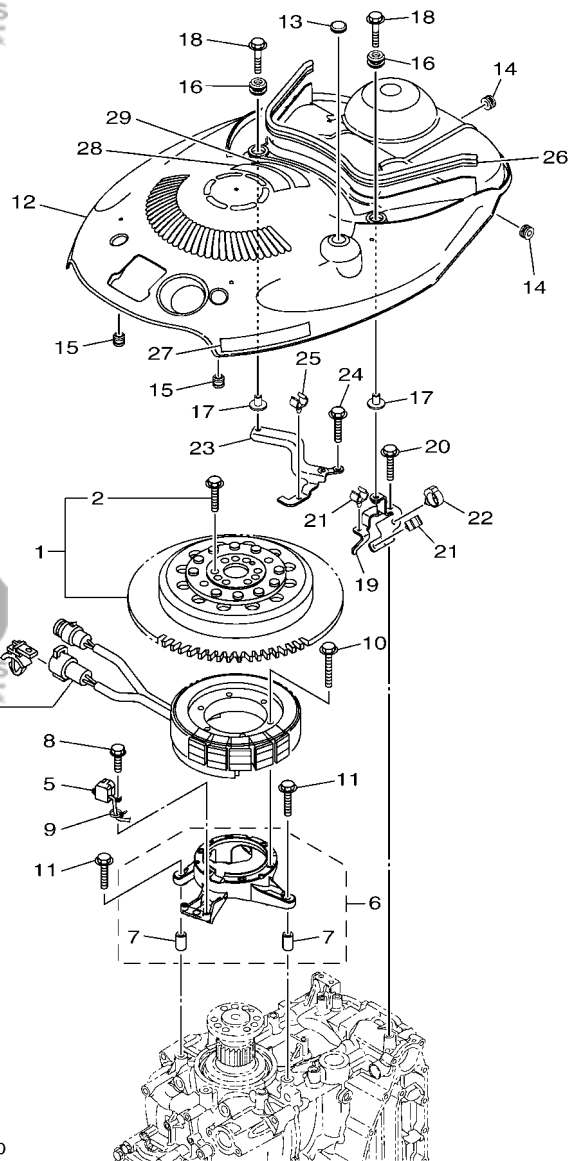
**CARBURANT 1**

REF. NO.	PART NO. N° PIECES	DESCRIPTION DESCRIPTION	6FAG	REMARKS REMARQUES
23	6DA-28199-86-K0	MANUAL, OWNER'S MANUEL D'UTILISATION	1	UR (DK) UR (DK)
	6DA-28199-86-R0	MANUAL, OWNER'S MANUEL D'UTILISATION	1	UR (GR) UR (GR)
	6DA-28199-86-P0	MANUAL, OWNER'S MANUEL D'UTILISATION	1	UR (P) UR (P)
	6DA-28199-86-N0	MANUAL, OWNER'S MANUEL D'UTILISATION	1	UR (N) UR (N)
	6DA-28199-86-M0	MANUAL, OWNER'S MANUEL D'UTILISATION	1	UR (S) UR (S)
	6DA-28199-86-L0	MANUAL, OWNER'S MANUEL D'UTILISATION	1	UR (SF) UR (SF)



6DA1300-M140





6DA5100-R160

**FIG. 16 GENERATOR**

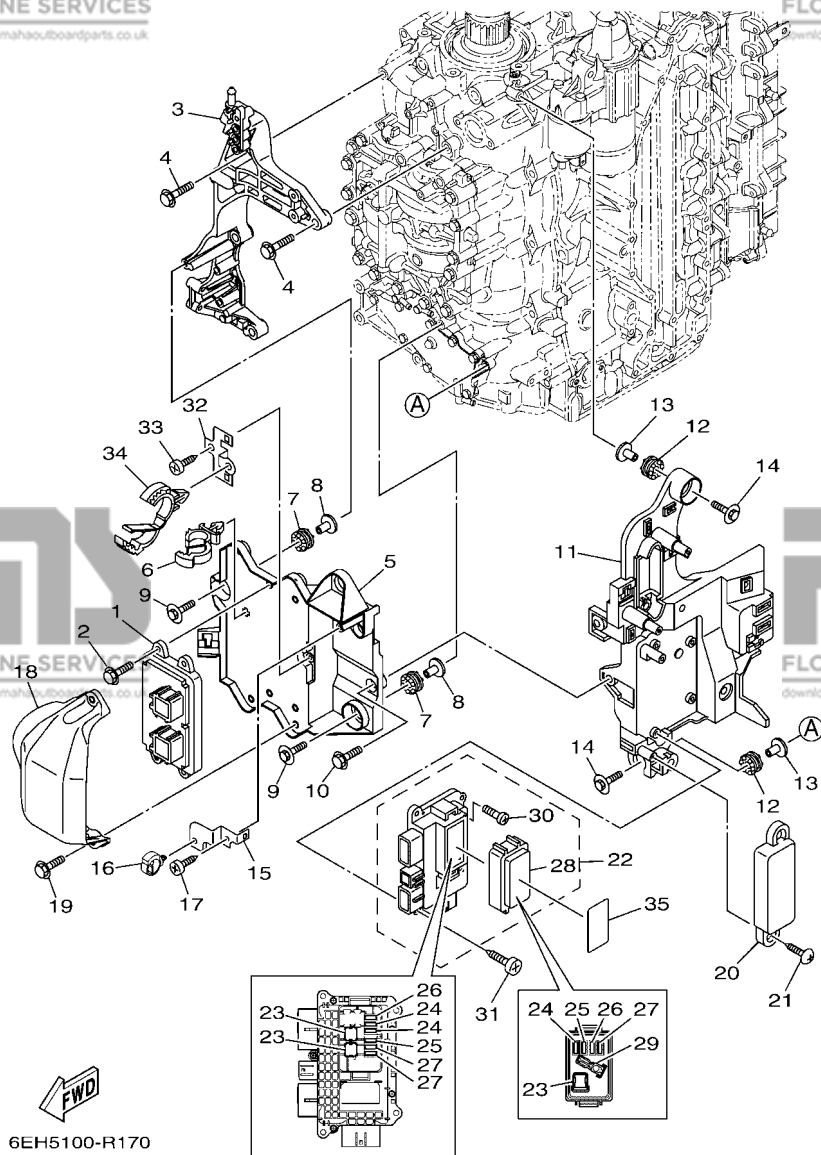
**GENERATRICE**

REF. NO.	PART NO. N° PIECES	DESCRIPTION DESCRIPTION	6FAG	REMARKS REMARQUES
1	6DA-W8145-00	ROTOR ASSY WITH BOLTS ROTOR COMPLET AVEC BOULON	1	
2	6EK-W9010-00	.BOLT SET .BOULON ENS.	1	
3	6DA-81410-00	STATOR ASSY STATOR COMPLET	1	
4	90464-12002	.CLAMP .BRIDE	1	
5	6CB-85580-00	COIL, PULSER BOBINE, PULSEUR	1	
6	6DA-85561-00	BASE, MAGNETO BASE, MAGNETO	1	
7	99590-08012	.PIN, DOWEL .GOUJON, D'ASSEMBLAGE	2	
8	97595-05520	BOLT, WITH WASHER VIS HEXAGONAL AVC RONDELLE	2	
9	90465-13M97	CLAMP BRIDE	1	
10	95022-06035	BOLT, FLANGE BOULON, A COLLERETTE	6	
11	95D95-06030	BOLT, FLANGE DEEP RECESS BOULON FIXATION	4	
12	6DA-81337-00	COVER, FLYWHEEL COUVERCLE, VOLANT	1	
13	90480-16025	GROMMET PASSE-FIL	1	
14	90480-12314	GROMMET PASSE-FIL	2	
15	6A0-82317-00	DAMPER, IGNITION COIL AMORTISSEUR, BOBINE D'ALLUM	2	
16	6BG-42748-00	GROMMET PASSE-FIL	2	
17	90387-06M69	COLLAR COLLERETTE	2	
18	90119-06M61	BOLT, WITH WASHER BOULON, AVEC RONDELLE	2	
19	6DA-8132G-01	PLATE PLAQUE	1	
20	95D95-06016	BOLT, FLANGE DEEP RECESS BOULON FIXATION	1	
21	90464-09130	CLAMP BRIDE	2	
22	90464-20181	CLAMP BRIDE	1	
23	6DA-82398-01	PLATE 3 PLAQUETTE 3	1	
24	95D95-06016	BOLT, FLANGE DEEP RECESS BOULON FIXATION	2	
25	90464-09130	CLAMP BRIDE	1	
26	6DA-42617-00	DAMPER, FORM BOURRELET, CAOUTCHOUC	1	
27	63P-13437-63	MARK, CAUTION MARKER	1	



**FIG. 17 ELECTRICAL 1**

**PARTIE ELECTRIQUE 1**



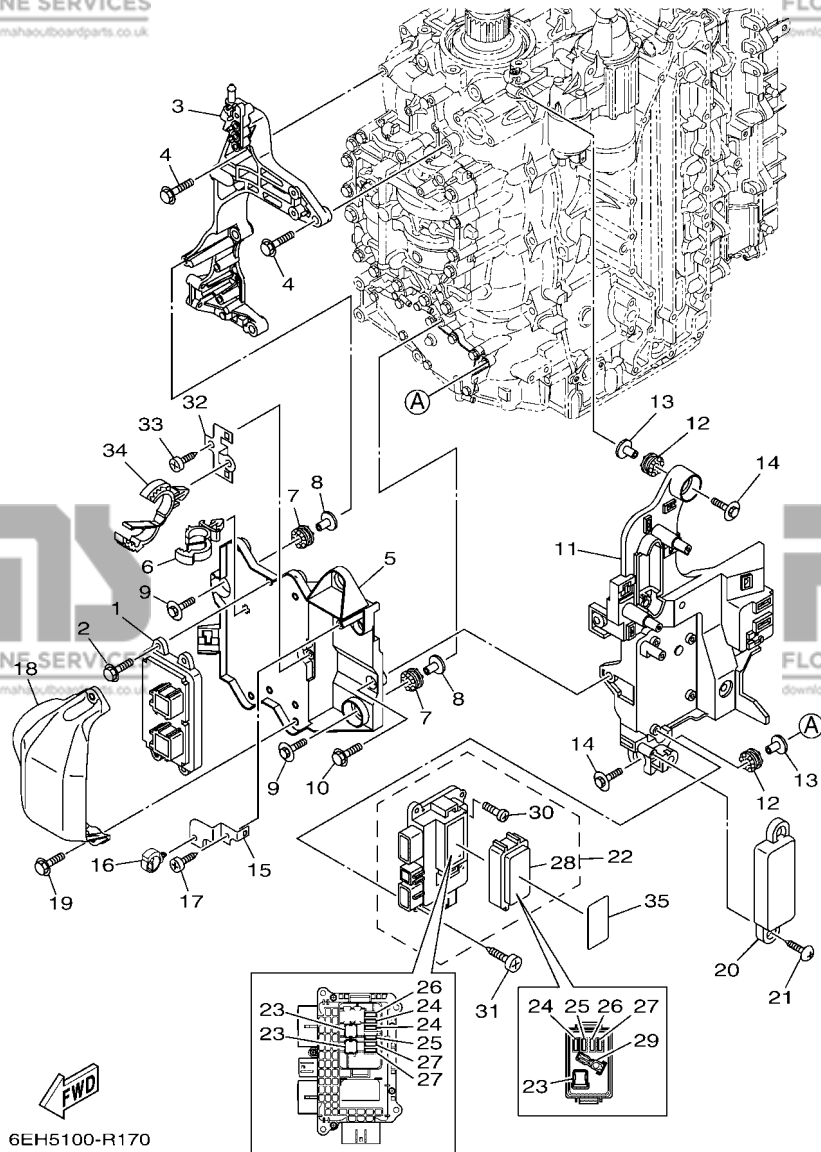
6EH5100-R170

REF. NO.	PART NO. N° PIECES	DESCRIPTION DESCRIPTION	6FAG	REMARKS REMARQUES
1	6FA-8591A-20	ENGINE CONTROL UNIT ASSY BLOC DE CONTROL	1	
2	95D95-06020	BOLT, FLANGE DEEP RECESS BOULON FIXATION	4	
3	6DA-85991-00	BRACKET, UNIT SUPPORT COMPLET	1	
4	95D75-08035	BOLT, FLANGE DEEP RECESS BOULON FIXATION	4	
5	6DA-81948-01	BRACKET SUPPORT	1	
6	90464-12183	CLAMP BRIDE	1	
7	68F-85516-01	SPACER ENTRETOISE	3	
8	90387-06176	COLLAR COLLERETTE	3	
9	68F-85119-00	BOLT BOULON	3	
10	95D95-06016	BOLT, FLANGE DEEP RECESS BOULON FIXATION	2	
11	6DA-81952-10	HOLDER, RELAY SUPPORT, RELAIS	1	
12	68F-85516-01	SPACER ENTRETOISE	3	
13	90387-06176	COLLAR COLLERETTE	3	
14	68F-85119-00	BOLT BOULON	3	
15	6DA-85548-10	HOLDER SUPPORT	1	
16	90464-20181	CLAMP BRIDE	1	
17	97780-60620	SCREW, TAPPING VIS, TETE BOMBEE	1	
18	6DA-81639-00	COVER COUVERCLE	1	
19	95D95-06020	BOLT, FLANGE DEEP RECESS BOULON FIXATION	2	
20	6DA-8252U-00	COVER COUVERCLE	1	
21	90169-05M00	SCREW, TRUSS HEAD TAPPING VIS, TETE FRAISEE	2	
22	6DA-82170-10	FUSE BOX ASSY BOITE A FUSIBLES	1	
23	6CB-82151-40	.FUSE (60A) .FUSIBLE (60A)	3	
24	6CB-82151-00	.FUSE (10A) .FUSIBLE (10A)	3	
25	6CB-82151-10	.FUSE (15A) .FUSIBLE (15A)	2	
26	6CB-82151-20	.FUSE (20A) .FUSIBLE (20A)	2	
27	6CB-82151-30	.FUSE (30A) .FUSIBLE (30A)	3	

**FIG. 17 ELECTRICAL 1**

**PARTIE ELECTRIQUE 1**

REF. NO.	PART NO. N° PIECES	DESCRIPTION DESCRIPTION	6FAG	REMARKS REMARQUES
28	6CB-85544-10	.COVER .COUVERCLE	1	
29	6CB-2812A-00	.PULLER, FUSE .TENDEUR, FUSIBLE	1	
30	6P2-82113-00	.SCREW (M3) .VIS (M3)	5	
31	97780-50620	SCREW, TAPPING VIS, TETE BOMBEE	4	
32	6DA-8257V-00	PLATE, CONNECTOR PLAQUE, CONNECTEUR	1	
33	97780-60620	SCREW, TAPPING VIS, TETE BOMBEE	1	
34	90464-32002	CLAMP BRIDE	1	
35	6DA-81919-10	GRAPHIC, REGULATOR ADHESIF, REGULATEUR	1	



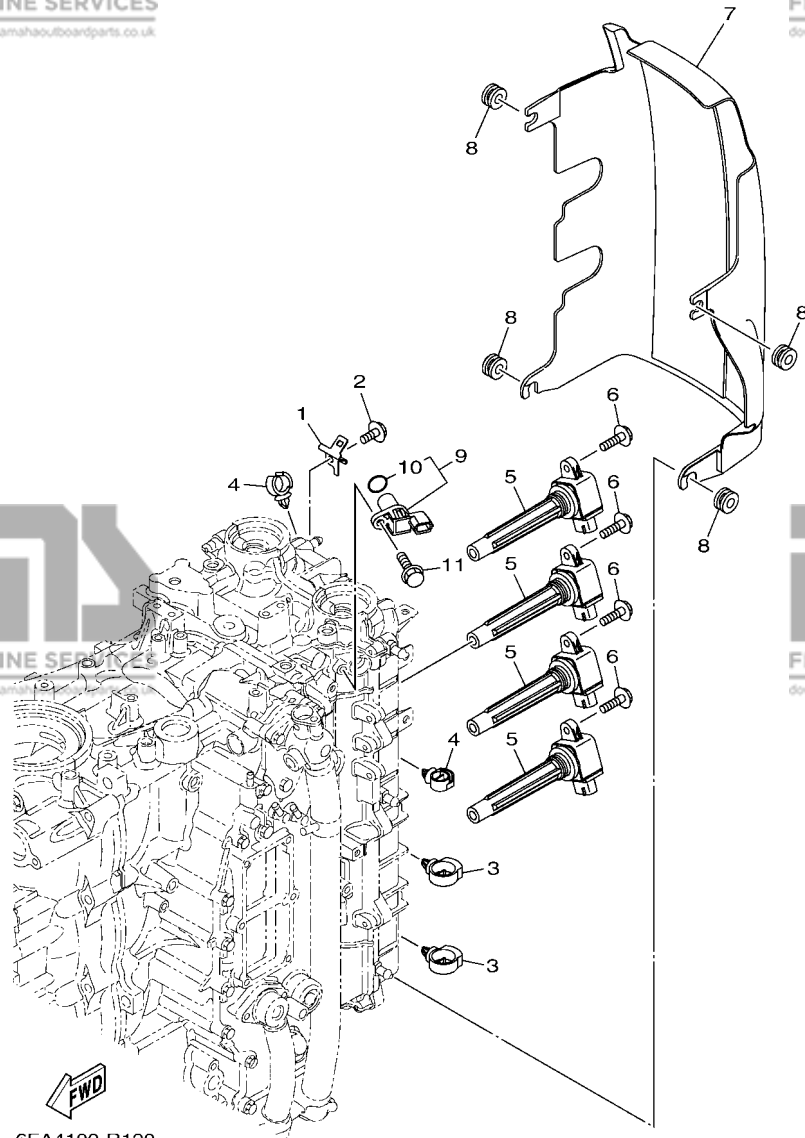




**FIG. 19 ELECTRICAL 3**

**PARTIE ELECTRIQUE 3**

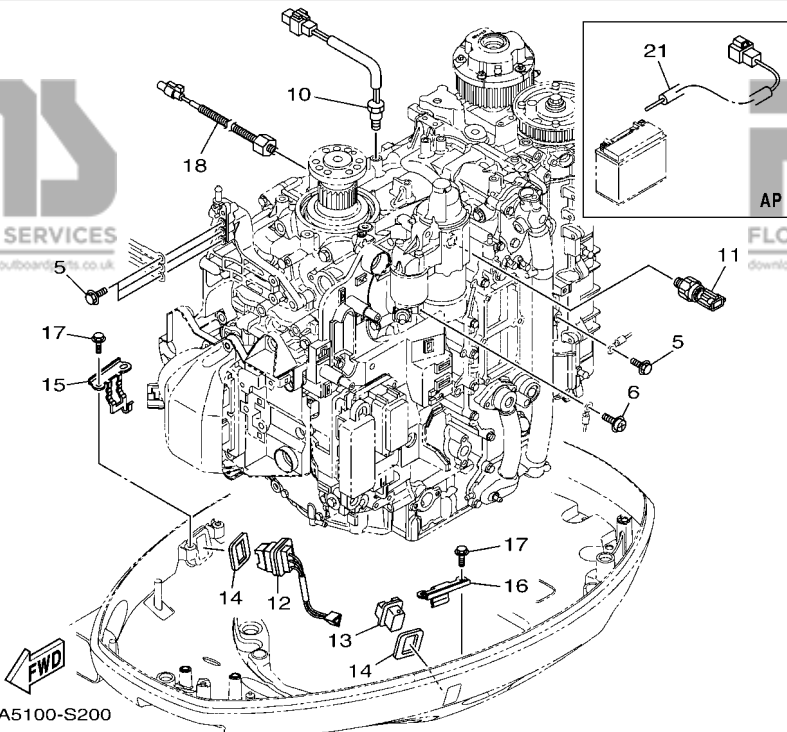
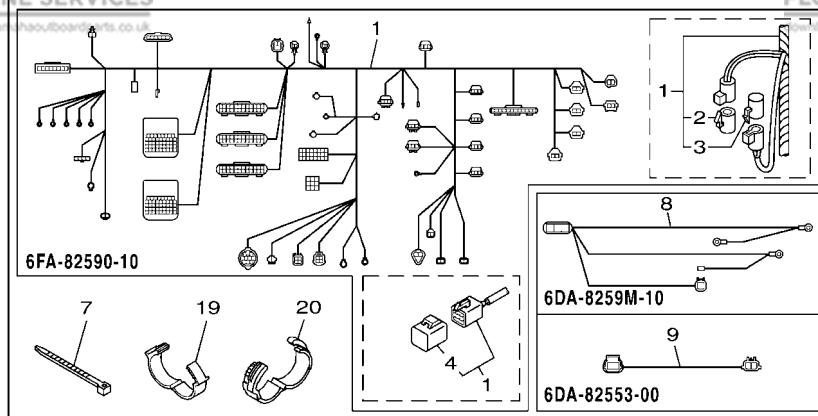
REF. NO.	PART NO. N° PIECES	DESCRIPTION DESCRIPTION	6FAG	REMARKS REMARQUES
1	6D8-82389-01	PLATE 2 PLAQUETTE 2	1	
2	95D95-06012	BOLT, FLANGE DEEP RECESS BOULON FIXATION	1	
3	90464-20181	CLAMP BRIDE	2	
4	90464-13249	CLAMP BRIDE	2	
5	6CB-82310-00	IGNITION COIL ASSY BOBINE D'ALLUMAGE	4	
6	95D95-06025	BOLT, FLANGE DEEP RECESS BOULON FIXATION	4	
7	6DA-82314-00	COVER, IGNITION COIL COUVERCLE, BOBINE D'ALLUMAGE	1	
8	90480-12314	GROMMET PASSE-FIL	4	
9	6P2-85896-00	SENSOR, CAM POSITION SONDE DE CAME	1	
10	6P2-85075-00	.O-RING .JOINT TORIQUE	1	
11	97E95-06520	BOLT, HEXAGON W/W DEEP RECESS VIS HEXAGONAL AVC RONDELLE	1	



6FA4100-R190

**FIG. 20 ELECTRICAL 4**

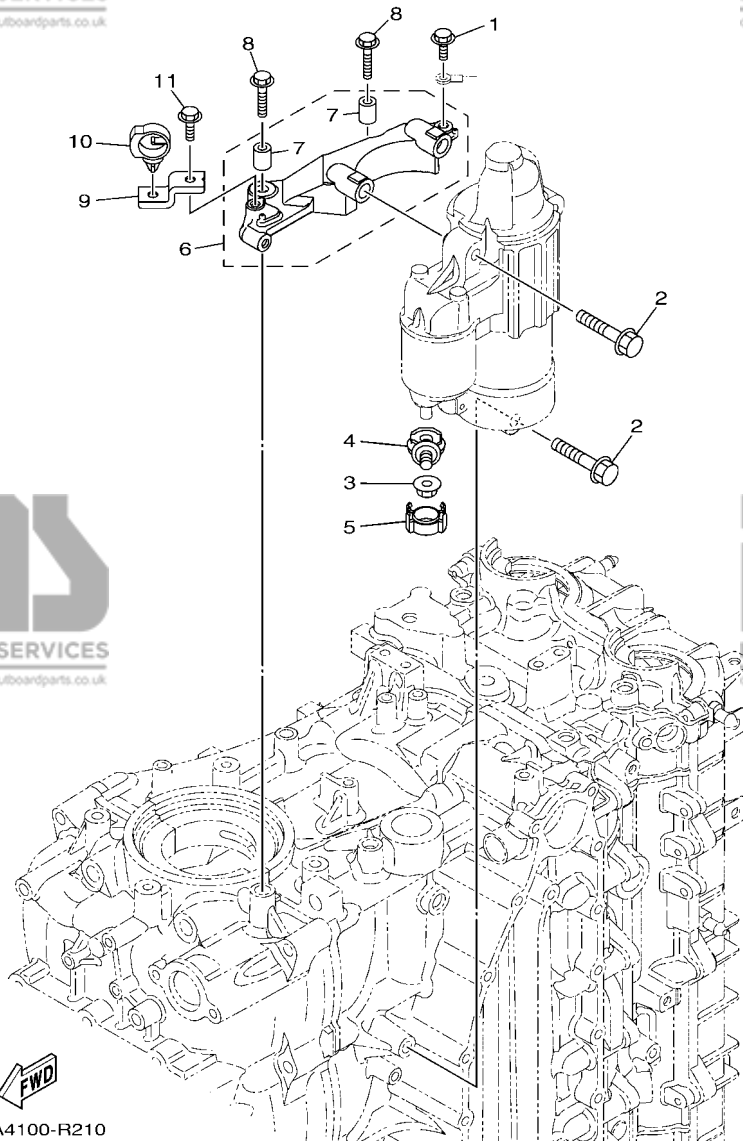
**PARTIE ELECTRIQUE 4**



REF. NO.	PART NO. N° PIECES	DESCRIPTION DESCRIPTION	6FAG	REMARKS REMARQUES
1	6FA-82590-10	WIRE HARNESS ASSY FAISCEAU DE FILS COMPLET	1	
2	6DA-82582-00	.CAP 1 (FEMALE) .BOUCHON 1 (FEMME)	1	
3	6DA-82582-10	.CAP 1 (MALE) .BOUCHON 1 (MALE)	1	
4	6Y8-82582-11	.CAP 1 (4PIN) .COUVERCLE 1	1	
5	97E95-06516	BOLT, HEXAGON W/W DEEP RECESS VIS HEXAGONAL AVC RONDELLE	4	
6	97985-04308	SCREW, WITH WASHER VIS, AVEC RONDELLE	1	
7	90465-11M59	CLAMP BRIDE	1	
8	6DA-8259M-10	WIRE HARNESS ASSY 2 FAISCEAU DE FILS	1	
9	6DA-82553-00	EXTENSION, WIRE LEAD EXTENSION, FAISCEAU	1	
10	6CB-85790-00	THERMOSENSOR ASSY SENSITOMETRE	1	
11	6AW-83651-00	SENDER, OIL PRESSURE RACCORD, PRESSION D'HUILE	1	
12	69J-82563-01	TRIM & TILT SWITCH ASSY INCLINER ET PARER COMMUTEUR	1	
13	69J-42723-01	COVER, BOTTOM COUVERCLE	1	
14	69J-82587-00	GASKET JOINT	2	
15	63P-83614-01	BRACKET SUPPORT	1	
16	6DA-83614-00	BRACKET SUPPORT	1	
17	95D95-06012	BOLT, FLANGE DEEP RECESS BOULON FIXATION	4	
18	6CJ-85780-00	SENSOR, KNOCK SONDE DE COGNEMENT	1	
19	90464-26001	CLAMP BRIDE	5	
20	90464-28003	CLAMP BRIDE	3	
21	69J-81949-02	WIRE, LEAD (ISOLATOR, 3.8M ) FIL (ISOLATOR, 3.8M)	1	AP AP

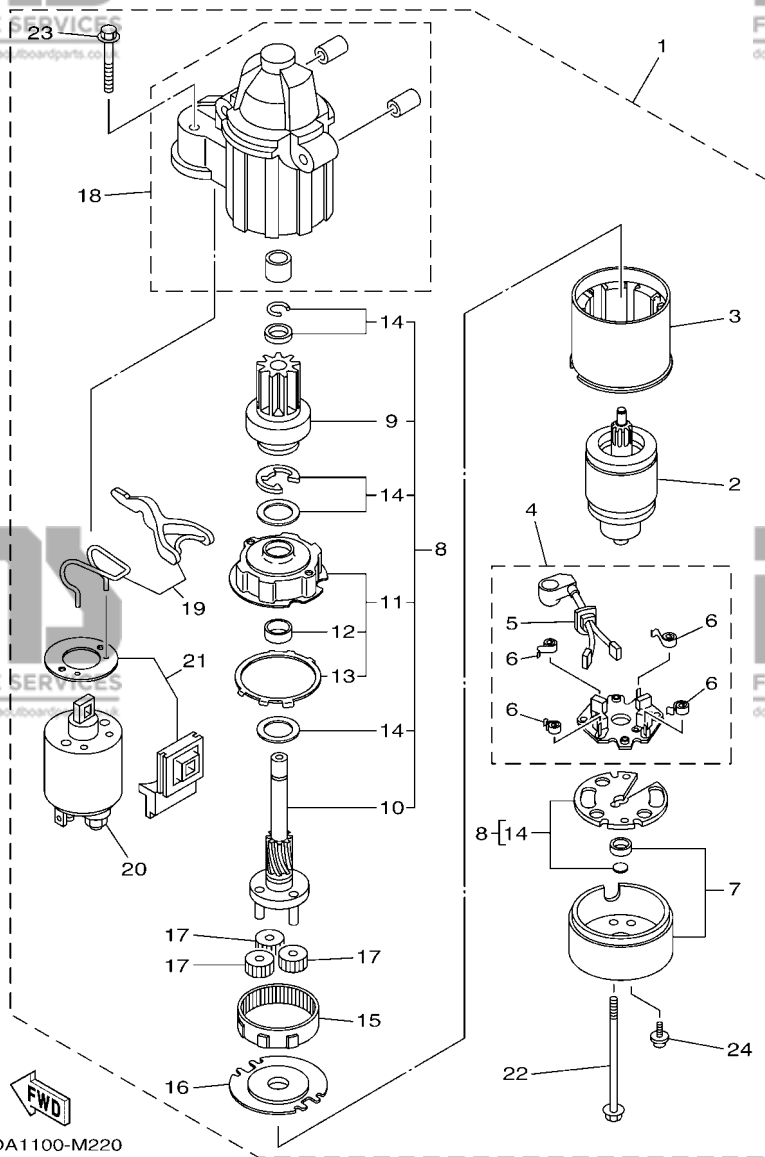
**FIG. 21 ELECTRICAL 5**

**PARTIE ELECTRIQUE 5**



6FA4100-R210

REF. NO.	PART NO. N° PIECES	DESCRIPTION DESCRIPTION	6FA6	REMARKS REMARQUES
1	97E95-06516	BOLT, HEXAGON W/W DEEP RECESS VIS HEXAGONAL AVC RONDELLE	1	
2	97513-08545	BOLT, WITH WASHER VIS HEXAGONAL AVC RONDELLE	3	
3	90179-08003	NUT ECROU	1	
4	60V-81925-00	TERMINAL BORNE	1	
5	68F-82582-00	CAP,1 COUVERCLE 1	1	
6	6DA-81822-00	BRACKET, STARTING MOTOR SUPPORT, DEMARREUR ELECTRIQUE	1	
7	99590-10114	.PIN, DOWEL .GOUJON, D'ASSEMBLAGE	2	
8	90105-08M87	BOLT, FLANGE BOULON, A COLLERETTE	2	
9	6DA-82388-00	PLATE PLAQUETTE	1	
10	90464-20181	CLAMP BRIDE	1	
11	95D95-06016	BOLT, FLANGE DEEP RECESS BOULON FIXATION	1	



6DA1100-M220

FIG. 22 STARTING MOTOR

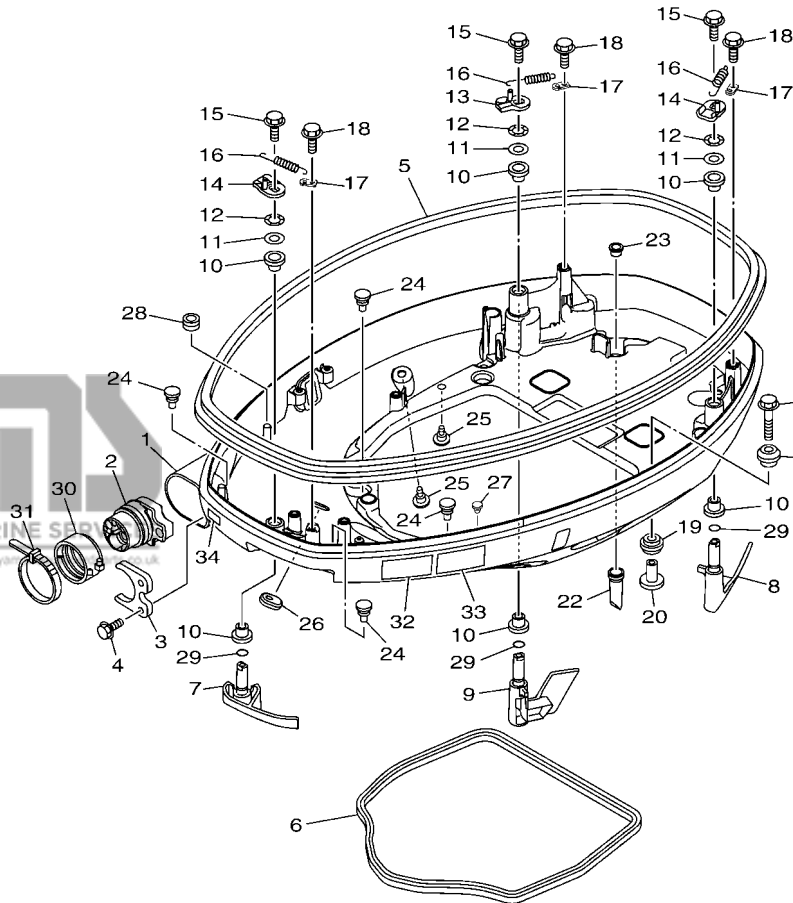
DEMARREUR ELECTRIQUE

REF. NO.	PART NO. N° PIECES	DESCRIPTION DESCRIPTION	6FAG	REMARKS REMARQUES
1	6CB-81800-01	STARTING MOTOR ASSY DEMARREUR ELECTRIQUE COMPLET	1	
2	67F-81850-00	.ARMATURE ASSY .INDUIT	1	
3	67F-81810-00	.STATOR ASSY .STATOR COMPLET	1	
4	69J-81840-11	.BRUSH HOLDER ASSY .SUPPORT DE CHARBON	1	
5	69J-81801-11	.BRUSH SET ..JEU DE BROSE	1	
6	67F-81813-00	..SPRING, BRUSH ..RESSORT, DE CHARBON	4	
7	6CB-81820-00	.REAR BRACKET ASSY .SUPPORT ARRIERE COMPLET	1	
8	6CB-81807-00	.GEAR ASSY, STARTING MOTOR .PIGNON, DEMARREUR ELECTRIQUE	1	
9	6CB-81832-00	..CLUTCH, OVER RUN ..EMBRAYAGE, ROUE LIBRE	1	
10	6CB-81836-00	..SHAFT, PINION ..AXE, PIGNON	1	
11	67F-81821-00	..BRACKET, CENTER 1 ..SUPPORT, CENTRE 1	1	
12	67F-81841-00	...BEARING ...ROULEMENT	1	
13	67F-8183R-00	...GASKET ...JOINT	1	
14	6CB-81809-00	..WASHER KIT ..JEU DE RONDELLES	1	
15	67F-81891-00	.GEAR, RING .ROUE DENTEE	1	WITH 67F-8183R-00 WITH 67F-8183R-00
16	67F-81830-00	.BRACKET, CENTER 2 .SUPPORT, CENTRE 2	1	
17	60V-8183T-00	.GEAR, IDLER .PIGNON, INTERMEDIAIRE	3	
18	6CB-81842-00	.COVER .COUVERCLE	1	
19	6C5-81839-00	.LEVER ASSY .LEVIER COMPLET	1	
20	6C5-81941-00	.STARTER RELAY ASSY .LANCEUR RELAIS (ENS.)	1	
21	6C5-81869-00	.COVER, DUST .COUVERCLE, POUSSIERE	1	
22	6CB-81826-00	.BOLT .BOULON	2	
23	69J-81828-00	.BOLT 2 .BOULON 2	2	
24	67F-81846-00	.SCREW .VIS	2	

**FIG. 23 BOTTOM COWLING 1**

**CAPOT INFERIEUR 1**

REF. NO.	PART NO. N° PIECES	DESCRIPTION DESCRIPTION	6FAG	REMARKS REMARQUES
1	6DA-42710-00-8D	BOTTOM COWLING ASSY ENS. EMBASE	1	
2	6DA-42725-00	GROMMET PASSE-FIL	1	
3	6CB-42761-00	STOPPER PLAQUETTE	1	
4	95D95-06014	BOLT, FLANGE DEEP RECESS BOULON FIXATION	2	
5	6DA-42615-00	SEAL JOINT	1	
6	63P-42716-00	RUBBER SEAL 1 JOINT EN CAOUTCHOUC 1	1	
7	6DA-42815-01-8D	LEVER, CLAMP 1 LEVIER, PRESSE 1	1	
8	6DA-42816-02-8D	LEVER, CLAMP 2 LEVIER, PRESSE 2	1	
9	6DA-42817-02-8D	LEVER, CLAMP 3 LEVIER, PRESSE 3	1	
10	90386-15M73	BUSH DOUILLE	6	
11	90201-156J2	WASHER, PLATE RONDELLE, PLATE	3	
12	90206-15M18	WASHER, WAVE RONDELLE, ONDULEE	3	
13	6CB-42818-00	LEVER, CLAMP 4 LEVIER, PRESSE 4	1	
14	6CB-42819-00	LEVER, CLAMP 5 LEVIER, PRESSE 5	2	
15	95D95-08012	BOLT, FLANGE DEEP RECESS BOULON FIXATION	3	
16	90506-22001	SPRING, TENSION RESSORT, TENSION	3	
17	66T-43144-00	HOOK, SPRING CROCHET	3	
18	95D95-06012	BOLT, FLANGE DEEP RECESS BOULON FIXATION	3	
19	90480-22M81	GROMMET PASSE-FIL	8	
20	90387-08M37	COLLAR COLLERETTE	4	
21	90119-08M22	BOLT, WITH WASHER BOULON, AVEC RONDELLE	4	
22	6DA-42717-00	RUBBER, SEAL 2 JOINT EN CAOUTCHOUC 2	4	
23	6DA-42384-00	SEAL, CAP JOINT, CAPUCHON	4	
24	6H4-42748-00	GROMMET PASSE-FIL	4	
25	6P2-44391-00	NIPPLE, HOSE RACCORD D'ESSENCE	2	
26	61A-42727-00	GROMMET PASSE-FIL	1	
27	90269-07003	RIVET RIVET	1	

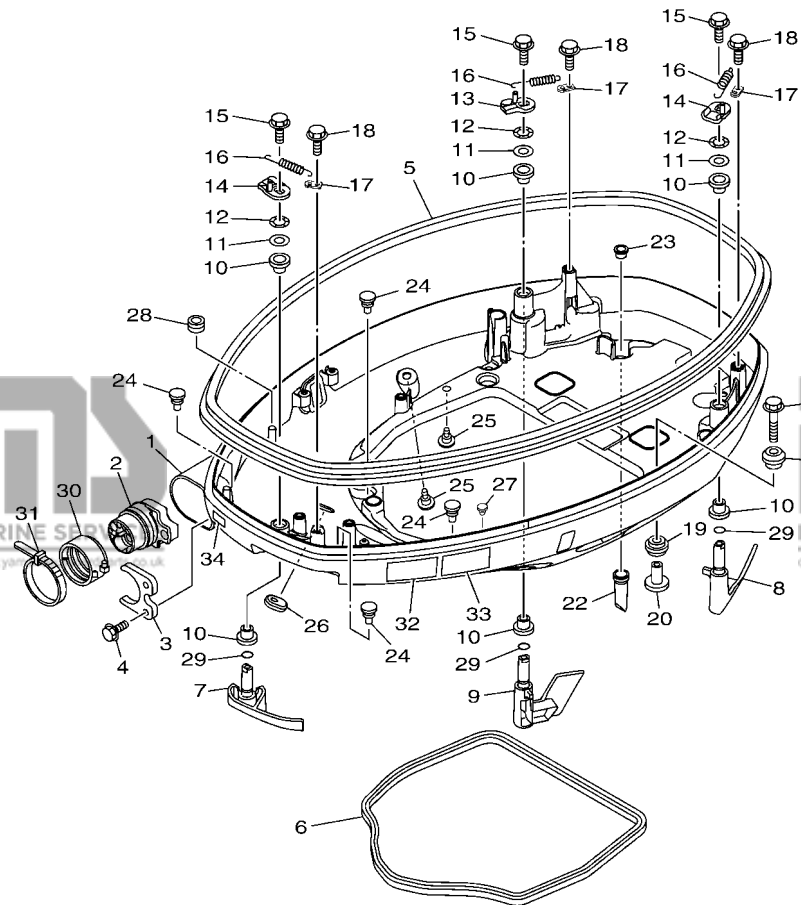


6DA5100-R230

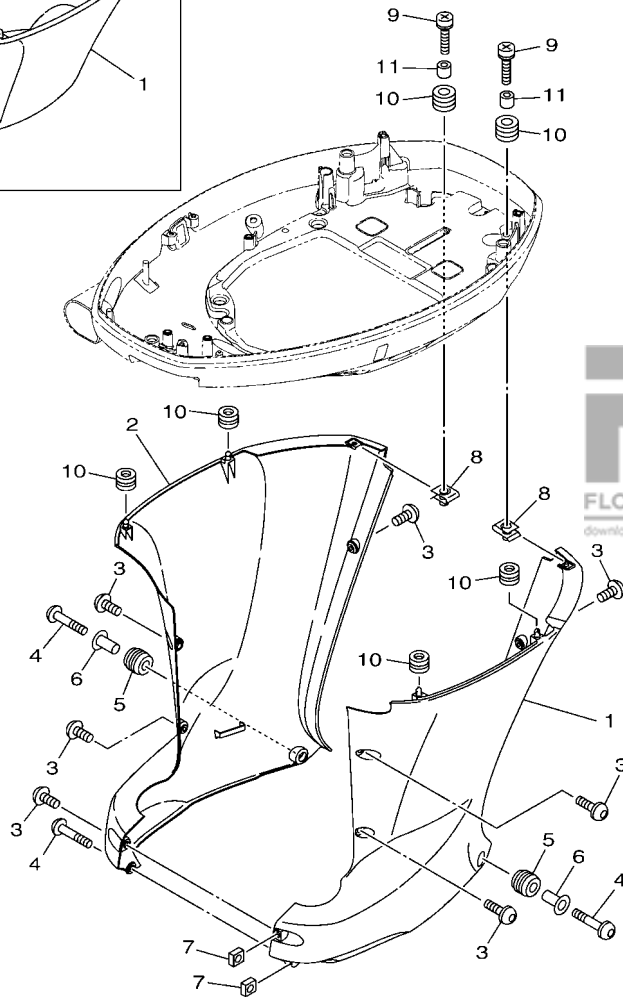
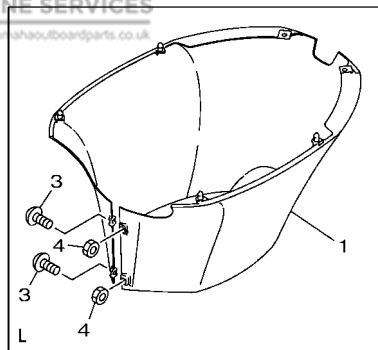
**FIG. 23 BOTTOM COWLING 1**

**CAPOT INFERIEUR 1**

REF. NO.	PART NO. N° PIECES	DESCRIPTION DESCRIPTION	6FAG	REMARKS REMARQUES
28	90480-13163	GROMMET PASSE-FIL	1	
29	93210-13M63	O-RING JOINT TORIQUE	3	
30	68F-42753-00	FASTNER ATTACHE	1	AP
31	90464-20258	CLAMP BRIDE	1	AP AP
32	6EE-42794-40	LABEL, WARNING (GENERAL) ETIQUETTE, AVERTISSEMENT	1	AP
33	6EE-42794-50	LABEL, WARNING (GENERAL) ETIQUETTE, AVERTISSEMENT	1	
34	6AH-81996-00	MARK MARQUE	1	



**FWD**  
6DA5100-R230



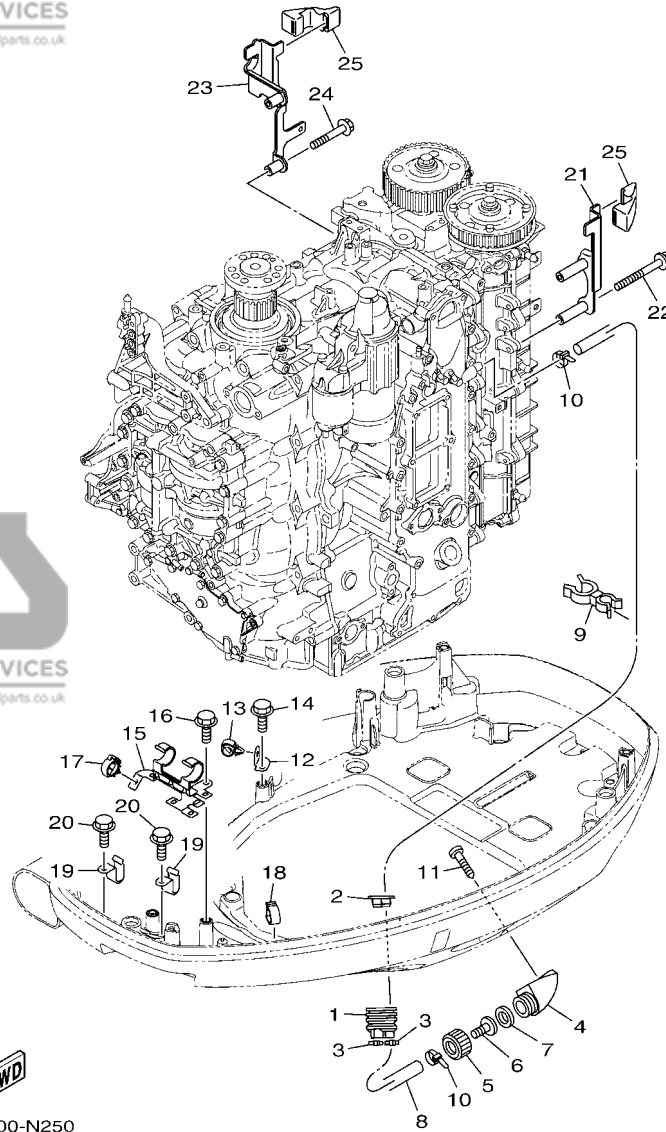
**FWD**  
6EH6100-S240

**FIG. 24 BOTTOM COWLING 2**

**CAPOT INFERIEUR 2**

REF. NO.	PART NO. N° PIECES	DESCRIPTION DESCRIPTION	6FAG	REMARKS REMARQUES
1	6DA-42740-01	APRON COMPLETE 1 CAPOT LATERAL COMPLETE 1	1	X(25.3") X(25.3")
	6DA-42741-11-8D	APRON CAPOT LATERAL	1	L(20.3") L(20.3")
2	6DA-42770-01	APRON COMPLETE 2 CAPOT LATERAL COMPLETE 2	1	X(25.3") X(25.3")
3	90111-06144	BOLT,HEX. SOCKET BUTTON BOULON	7	X(25.3") X(25.3")
	90159-06M28	SCREW, WITH WASHER VIS, AVEC RONDELLE	2	L(20.3") L(20.3")
4	90111-06142	BOLT,HEX. SOCKET BUTTON BOULON	3	X(25.3") X(25.3")
	95380-06600	NUT, HEXAGON ECROU	2	L(20.3") L(20.3")
5	90480-16009	GROMMET PASSE-FIL	2	X(25.3") X(25.3")
6	90387-07028	COLLAR COLLERETTE	2	X(25.3") X(25.3")
7	90173-06001	NUT, SQUARE ECROU, CARRE	2	X(25.3") X(25.3")
8	90183-061A8	NUT, SPRING ECROU, RESSORT	2	
9	90159-06053	SCREW, WITH WASHER VIS, AVEC RONDELLE	2	
10	90480-13M24	GROMMET PASSE-FIL	6	
11	90387-06M43	COLLAR COLLERETTE	2	



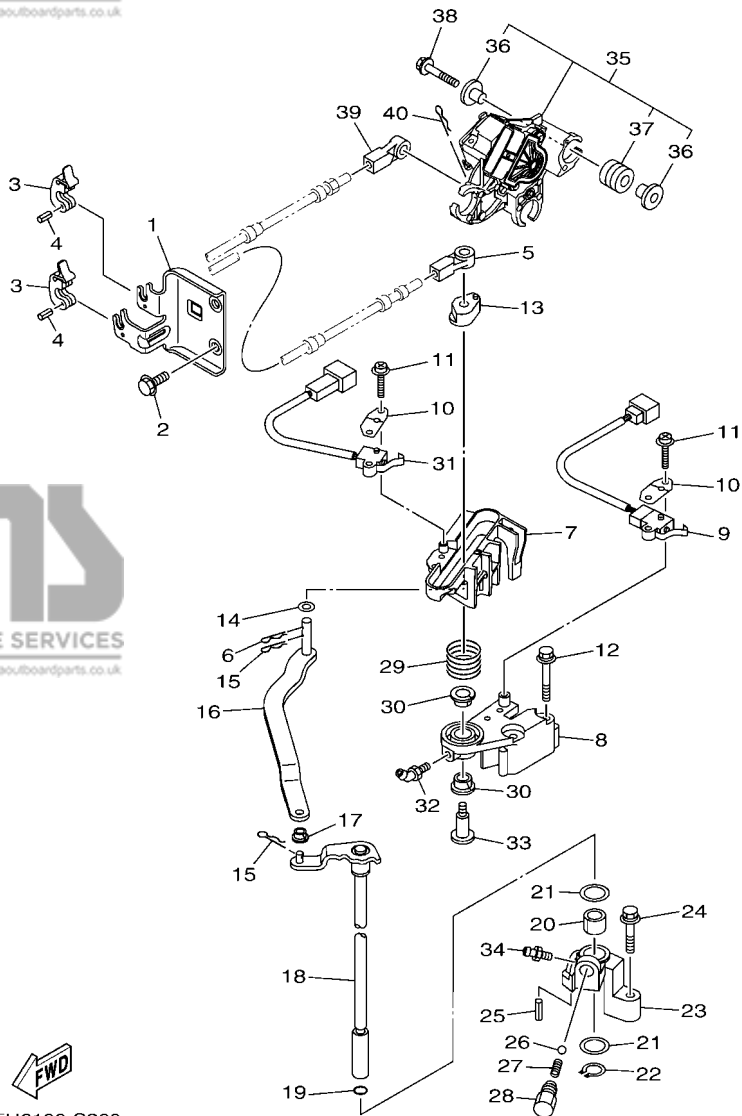


6FA1100-N250

**FIG. 25 BOTTOM COWLING 3**

**CAPOT INFERIEUR 3**

REF. NO.	PART NO. N° PIECES	DESCRIPTION DESCRIPTION	6FAG	REMARKS REMARQUES
1	6H1-42726-21	GROMMET PASSE-FIL	1	
2	6BG-42384-00	SEAL, CAP JOINT, CAPUCHON	1	
3	90465-11M10	CLAMP BRIDE	2	
4	6AW-12572-00	ADAPTER ADAPTATEUR	1	
5	6R3-12581-00	JOINT, HOSE 1 JOINT DE TUYAU	1	
6	6AW-12582-00	JOINT, HOSE 2 RACCORD DE TUYAU 1	1	
7	6R3-12583-00	GASKET, HOSE JOINT JOINT	1	
8	6DA-42541-00	PIPE 1 TUYAU 1	1	
9	90464-21256	CLAMP BRIDE	1	
10	90465-11M10	CLAMP BRIDE	2	
11	97780-60520	SCREW, TAPPING VIS, TETE BOMBEE	2	
12	63P-42756-00	STAY, CLAMP SUPPORT, COLLIER	1	
13	90464-13249	CLAMP BRIDE	1	
14	95D95-06012	BOLT, FLANGE DEEP RECESS BOULON FIXATION	1	
15	6DA-8366G-00	BRACKET 3 SUPPORT 3	1	
16	95D95-06012	BOLT, FLANGE DEEP RECESS BOULON FIXATION	2	
17	90464-18246	CLAMP BRIDE	1	
18	90464-18004	CLAMP BRIDE	1	
19	90462-12013	CLAMP BRIDE	2	
20	95D95-06012	BOLT, FLANGE DEEP RECESS BOULON FIXATION	2	
21	6DA-11998-00	BRACKET 1 SUPPORT 1	1	
22	95D95-06065	BOLT, FLANGE DEEP RECESS BOULON FIXATION	2	
23	6DA-11999-00	BRACKET 2 SUPPORT 2	1	
24	95D95-06040	BOLT, FLANGE DEEP RECESS BOULON FIXATION	2	
25	6CB-42662-00	DAMPER AMORTISSEUR	2	

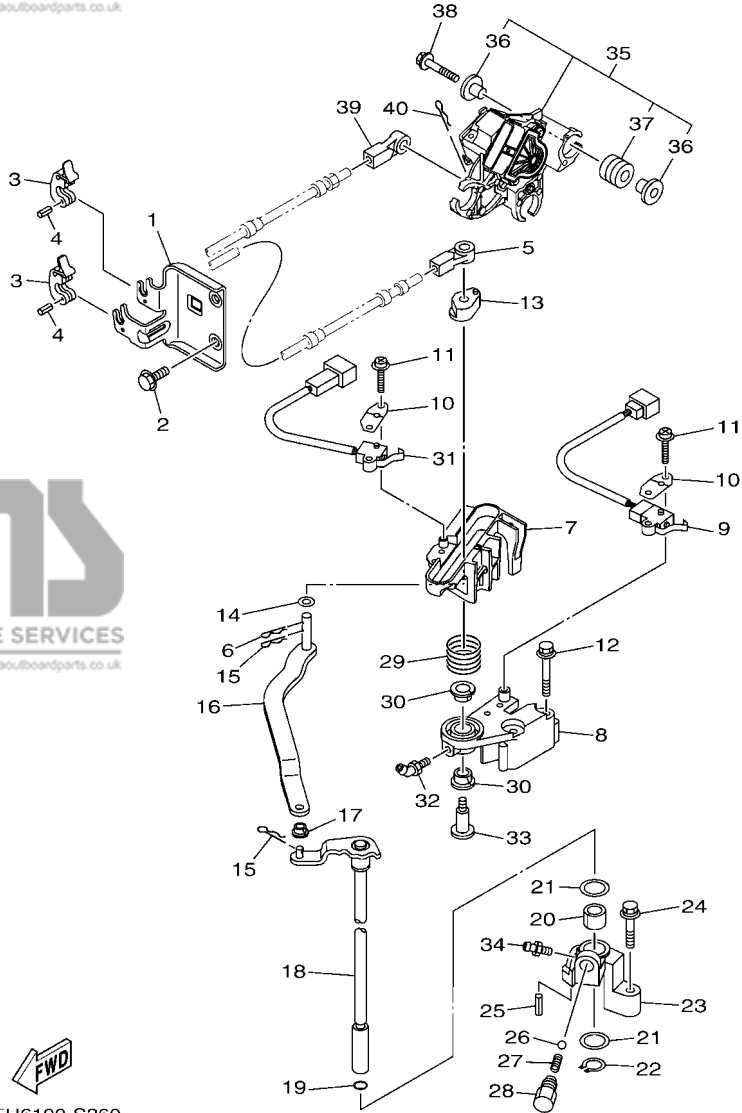


6EH6100-S260

**FIG. 26 CONTROL**

**COMMANDE**

REF. NO.	PART NO. N° PIECES	DESCRIPTION DESCRIPTION	6FAG	REMARKS REMARQUES
1	6DA-48531-00	BRACKET, REMOTE CONTROL 1 ETRIER 1, COMMANDE A DISTANCE	1	
2	95D95-08020	BOLT, FLANGE DEEP RECESS BOULON FIXATION	2	
3	6E5-48538-00	CLAMP, CABLE COLLIER	2	
4	91690-30010	PIN, SPRING AGRAFFE	2	
5	6E5-48344-00	CABLE END, REMOTE CONTROL CHAPE CABLE	1	
6	90468-18008	CLIP JONC	1	
7	6DA-44176-00	BRACKET SUPPORT	1	
8	63P-44117-01	BRACKET SUPPORT	1	
9	69J-8259F-00	SWITCH ASSY COMMUTATEUR	1	
10	61A-82588-01	PLATE PLAQUE	2	
11	97985-04116	SCREW, WITH WASHER VIS, AVEC RONDELLE	4	
12	97E95-06550	BOLT, HEXAGON W/W DEEP RECESS VIS HEXAGONAL AVC RONDELLE	2	
13	63P-44122-00	BUSHING, SHIFT ROD LEVER DOUILLE, LEVIER D'EMBRAYAGE	1	
14	90202-08M20	WASHER, PLATE RONDELLE, PLATE	1	
15	90468-18008	CLIP JONC	2	
16	6DA-44121-00	LEVER, SHIFT ROD LEVIER, TIGE D'INVERSION	1	
17	90386-06M12	BUSH DOUILLE	1	
18	6DA-44120-01	HANDLE GEAR SHIFT ASSY LEVIER D'EMBRAYAGE	1	X(25.3")
	6DA-44120-11	HANDLE GEAR SHIFT ASSY LEVIER D'EMBRAYAGE	1	X(25.3") L(20.3")
19	93210-09165	O-RING JOINT TORIQUE	1	L(20.3")
20	90386-16M66	BUSH DOUILLE	1	
21	90202-16061	WASHER, PLATE RONDELLE, PLATE	2	
22	93410-16006	CIRCLIP CIRCLIP	1	
23	63P-44118-00	BRACKET SUPPORT	1	
24	97E75-06535	BOLT, HEXAGON W/W DEEP RECESS VIS HEXAGONAL AVC RONDELLE	1	
25	91690-30010	PIN, SPRING AGRAFFE	1	
26	93501-04M02	BALL BILLE	1	

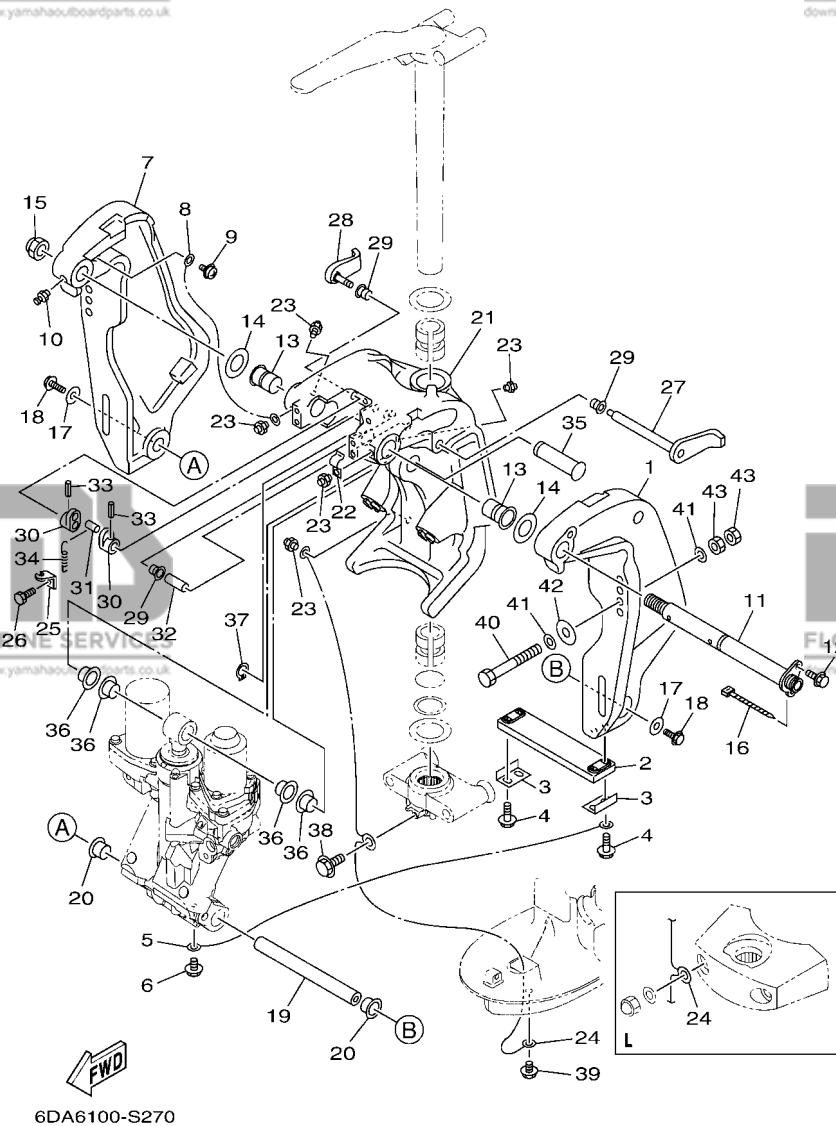


**FWD**  
6EH6100-S260

**FIG. 26 CONTROL**

**COMMANDE**

REF. NO.	PART NO. N° PIECES	DESCRIPTION DESCRIPTION	6FAG	REMARKS REMARQUES
27	90501-12082	SPRING, COMPRESSION RESSORT, COMPRESSION	1	
28	648-42715-00	BUSHING COUSSINET	1	
29	90508-20M31	SPRING, TORSION RESSORT, TORSION	1	
30	90386-12069	BUSH DOUILLE	2	
31	60V-8259F-00	SWITCH ASSY COMMUTATEUR	1	
32	93700-06M01	NIPPLE, GREASE PION	1	
33	90109-08019	BOLT BOULON	1	
34	93700-06M03	NIPPLE, GREASE PION	1	
35	6DA-8A410-01	SENSOR UNIT UNITE DE CAPTEUR	1	
36	69J-13716-00	.COLLAR .COLLERETTE	6	
37	6CB-13593-00	.DAMPER .AMORTISSEUR	3	
38	90119-06126	BOLT, WITH WASHER BOULON, AVEC RONDELLE	3	
39	6E5-48344-00	CABLE END, REMOTE CONTROL CHAPE CABLE	1	
40	90468-18008	CLIP JONC	1	



6DA6100-S270

**FIG. 27 BRACKET 1**

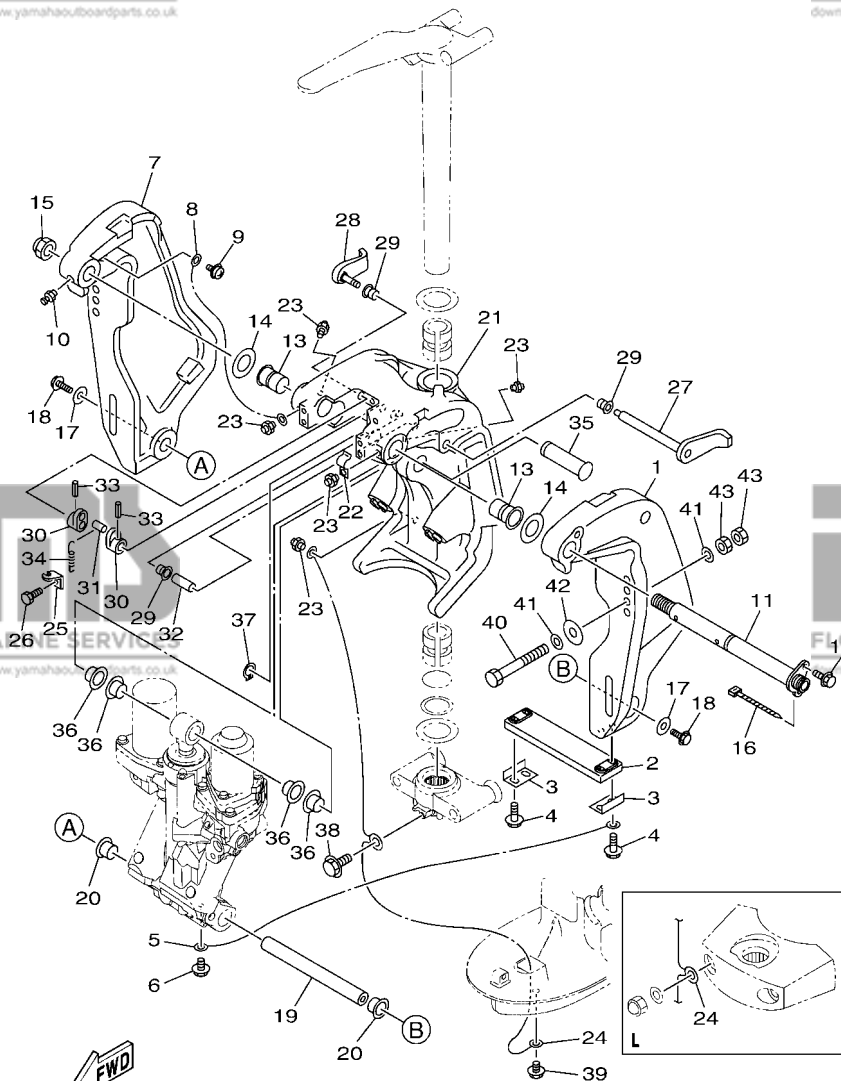
**SUPPORT 1**

REF. NO.	PART NO. N° PIECES	DESCRIPTION DESCRIPTION	6FAG	REMARKS REMARQUES
1	64E-43111-02-8D	BRACKET, CLAMP 1 PRESSE 1	1	
2	6AW-45251-00	ANODE ANODE	1	
3	6G5-44526-00	PLATE PLAQUE	2	
4	97E95-06530	BOLT, HEXAGON W/W DEEP RECESS VIS HEXAGONAL AVC RONDELLE	4	
5	6E5-82148-00	WIRE, LEAD 4 FIL 4	1	
6	97E95-06510	BOLT, HEXAGON W/W DEEP RECESS VIS HEXAGONAL AVC RONDELLE	1	
7	64E-43112-02-8D	BRACKET, CLAMP 2 PRESSE 2	1	
8	6E5-82148-00	WIRE, LEAD 4 FIL 4	1	
9	97985-06212	SCREW, WITH WASHER VIS, AVEC RONDELLE	1	
10	93700-06002	NIPPLE, GREASE PION	1	
11	64E-43131-30	BOLT, CLAMP BRACKET BOULON, PRESSE	1	
12	97E95-08520	BOLT, HEXAGON W/W DEEP RECESS VIS HEXAGONAL AVC RONDELLE	1	
13	90386-25M31	BUSH DOUILLE	2	
14	90201-26M59	WASHER, PLATE RONDELLE, PLATE	2	
15	90185-22M11	NUT, SELF-LOCKING ECROU,AUTO-BLOQUANT	1	
16	90465-11M10	CLAMP BRIDE	1	
17	90201-10060	WASHER, PLATE RONDELLE, PLATE	2	
18	90119-10054	BOLT, WITH WASHER BOULON, AVEC RONDELLE	2	
19	6BC-43818-00	PIN, LOWER SHOCK MOUNT AXE, INFERIEUR AMORTISSEUR	1	
20	90386-22M98	BUSH DOUILLE	2	
21	64E-43311-20-8D	BRACKET, SWIVEL 1 SUPPORT, PIVOT 1	1	X(25.3") X(25.3")
	64E-43311-10-8D	BRACKET, SWIVEL 1 SUPPORT, PIVOT 1	1	L(20.3") L(20.3")
22	90465-08M63	CLAMP BRIDE	1	
23	93700-06002	NIPPLE, GREASE PION	5	
24	6DA-82149-00	WIRE, LEAD 3 FIL 3	1	X(25.3") X(25.3")
	66K-82149-00	WIRE, LEAD 3 FIL 3	1	L(20.3") L(20.3")
25	6G5-43144-00	HOOK, SPRING CROCHET	1	

**FIG. 27 BRACKET 1**

**SUPPORT 1**

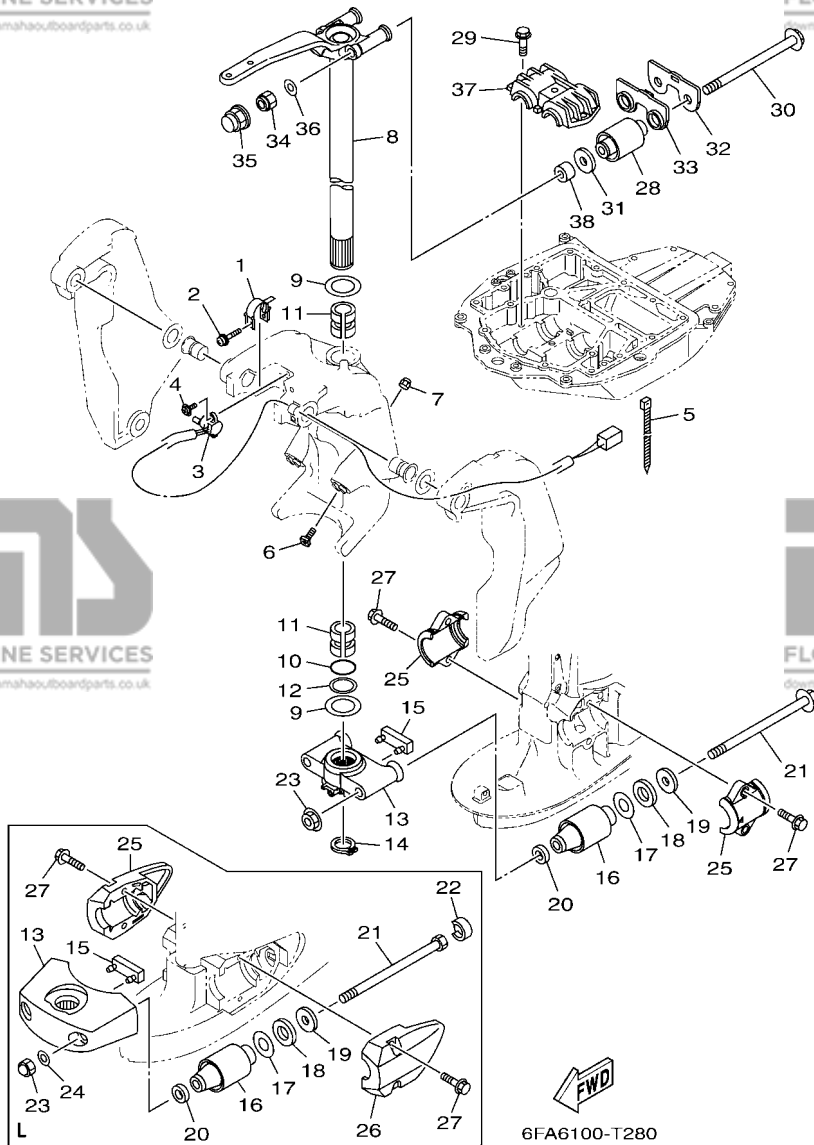
REF. NO.	PART NO. N° PIECES	DESCRIPTION DESCRIPTION	6FAG	REMARKS REMARQUES
26	97D95-06010	BOLT, HEXAGON DEEP RECESS VIS HEXAGONAL	1	
27	6G5-43181-02	LEVER, TILT STOP 1 LEVIER VERROUILLAGE RELEVAGE 1	1	
28	6G5-43185-02	LEVER, TILT STOP 2 LEVIER VERROUILLAGE RELEVAGE 2	1	
29	90386-10M16	BUSH DOUILLE	3	
30	6G5-43148-00	COLLAR, DISTANCE ENTRETOISE	2	
31	90249-06M19	PIN GOUILLE	1	
32	90387-10M05	COLLAR COLLERETTE	1	
33	91690-30020	PIN, SPRING AGRAFFE	2	
34	90506-16003	SPRING, TENSION RESSORT, TENSION	1	
35	64E-43126-00	PIN, UPPER SHOCK MOUNT AXE, SUPERIEUR AMORTISSEUR	1	
36	90386-22M98	BUSH DOUILLE	4	
37	93410-22M11	CIRCLIP CIRCLIP	1	
38	95D95-06010	BOLT, FLANGE DEEP RECESS BOULON FIXATION	1	X(25.3") X(25.3")
39	95D95-06010	BOLT, FLANGE DEEP RECESS BOULON FIXATION	1	
40	90101-12M05	BOLT (L:130MM) BOULON (L:130MM)	2	UR X(25.3") UR X(25.3")
90101-12M05	BOLT (L:130MM) BOULON (L:130MM)	4		UR L(20.3") UR L(20.3")
90101-12047	BOLT (L:150MM) BOULON (L:150MM)	2		UR UR
41	90201-13M01	WASHER, PLATE RONDELLE, PLATE	8	
42	90201-12426	WASHER, PLATE RONDELLE, PLATE	4	
43	95380-12600	NUT ECROU	8	



6DA6100-S270

**FIG. 28 BRACKET 2**

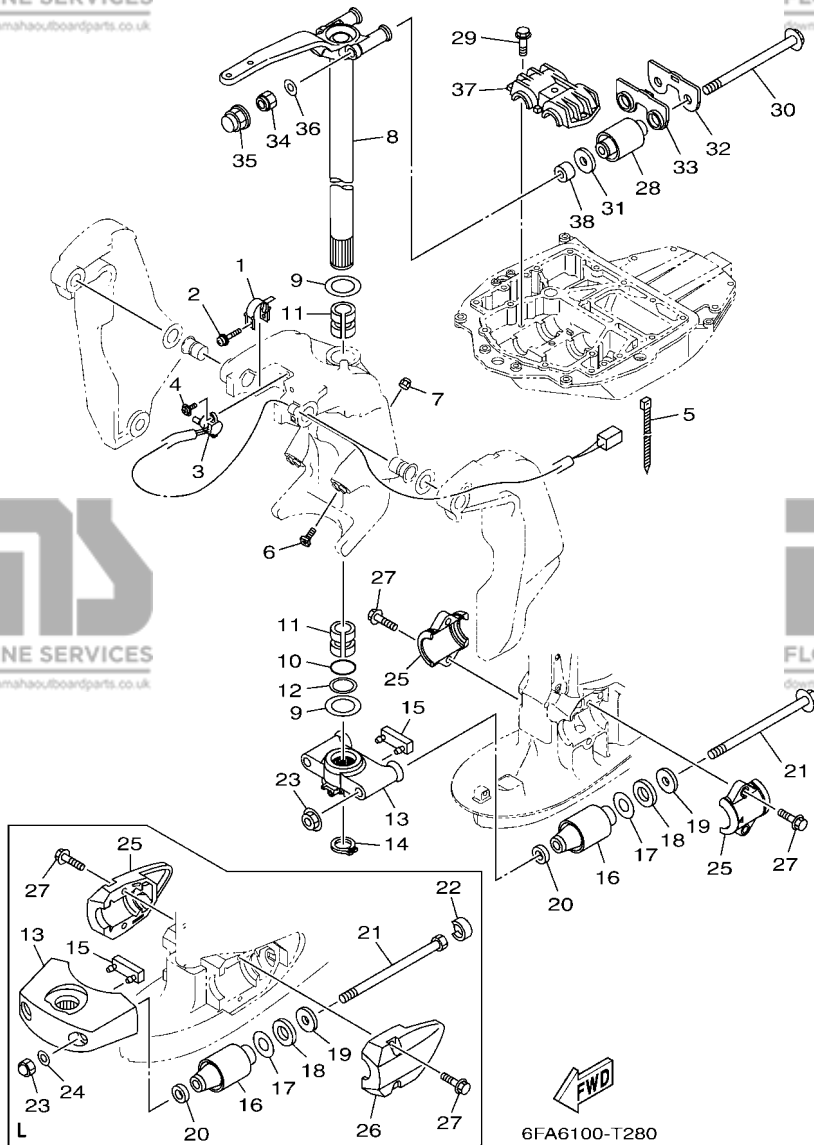
**SUPPORT 2**



REF. NO.	PART NO. N° PIECES	DESCRIPTION DESCRIPTION	6FAG	REMARKS REMARQUES
1	64E-43139-10	CAM, TRIM SENDER VILEBREQUIN TRUM	1	
2	90159-05059	SCREW, WITH WASHER VIS, AVEC RONDELLE	1	
3	67H-83672-01	TRIM SENDER INCLINER RACCORD	1	
4	97985-06216	SCREW, WITH WASHER VIS, AVEC RONDELLE	2	
5	90465-11M10	CLAMP BRIDE	3	
6	61A-43376-00	BOLT, THRUST RECEIVER BOULON	2	
7	95780-10300	NUT, FLANGE ECROU	2	
8	6DA-42510-00-8D	STEERING BRACKET ASSY DIRECTION SUPPORT (ENS.)	1	X(25.3") X(25.3")
	6DA-42510-10-8D	STEERING BRACKET ASSY DIRECTION SUPPORT (ENS.)	1	L(20.3") L(20.3")
9	90201-38M60	WASHER, PLATE RONDELLE, PLATE	2	
10	93210-37MH7	O-RING JOINT TORIQUE	1	
11	90386-38M32	BUSH DOUILLE	2	
12	90202-40M47	WASHER, PLATE RONDELLE, PLATE	1	
13	6DA-44551-00-CA	HOUSING, LOWER MOUNT RUBBER 1 BOITIER, SILENT-BLOC INFERIEUR	1	X(25.3") X(25.3")
	68V-44551-00-8D	HOUSING, LOWER MOUNT RUBBER 1 BOITIER, SILENT-BLOC INFERIEUR	1	L(20.3") L(20.3")
14	93410-37M04	CIRCLIP CIRCLIP	1	
15	6DA-44575-00	DAMPER, LOWER MOUNT RUBBER SILENT-BLOC, INFERIEUR	1	X(25.3") X(25.3")
	61A-44575-00	DAMPER, LOWER MOUNT RUBBER SILENT-BLOC, INFERIEUR	1	L(20.3") L(20.3")
16	63P-44555-00	MOUNT DAMPER, LOWER SIDE SILENT-BLOC, INFERIEUR LATERAL	2	X(25.3") X(25.3")
	60V-44555-00	MOUNT DAMPER, LOWER SIDE SILENT-BLOC, INFERIEUR LATERAL	2	L(20.3") L(20.3")
17	90201-35008	WASHER, PLATE RONDELLE, PLATE	2	
18	90202-32M19	WASHER, PLATE RONDELLE, PLATE	2	
19	90201-16M55	WASHER, PLATE RONDELLE, PLATE	2	
20	90201-15M58	WASHER, PLATE RONDELLE, PLATE	2	
21	90105-14012	BOLT, FLANGE BOULON, A COLLERETTE	2	X(25.3") X(25.3")
	90101-14005	BOLT BOULON	2	L(20.3") L(20.3")
22	69J-44533-00	DAMPER, UPPER MOUNT RUBBER COUVERCLE, SUSPENSION INFERIEUR	2	L(20.3") L(20.3")

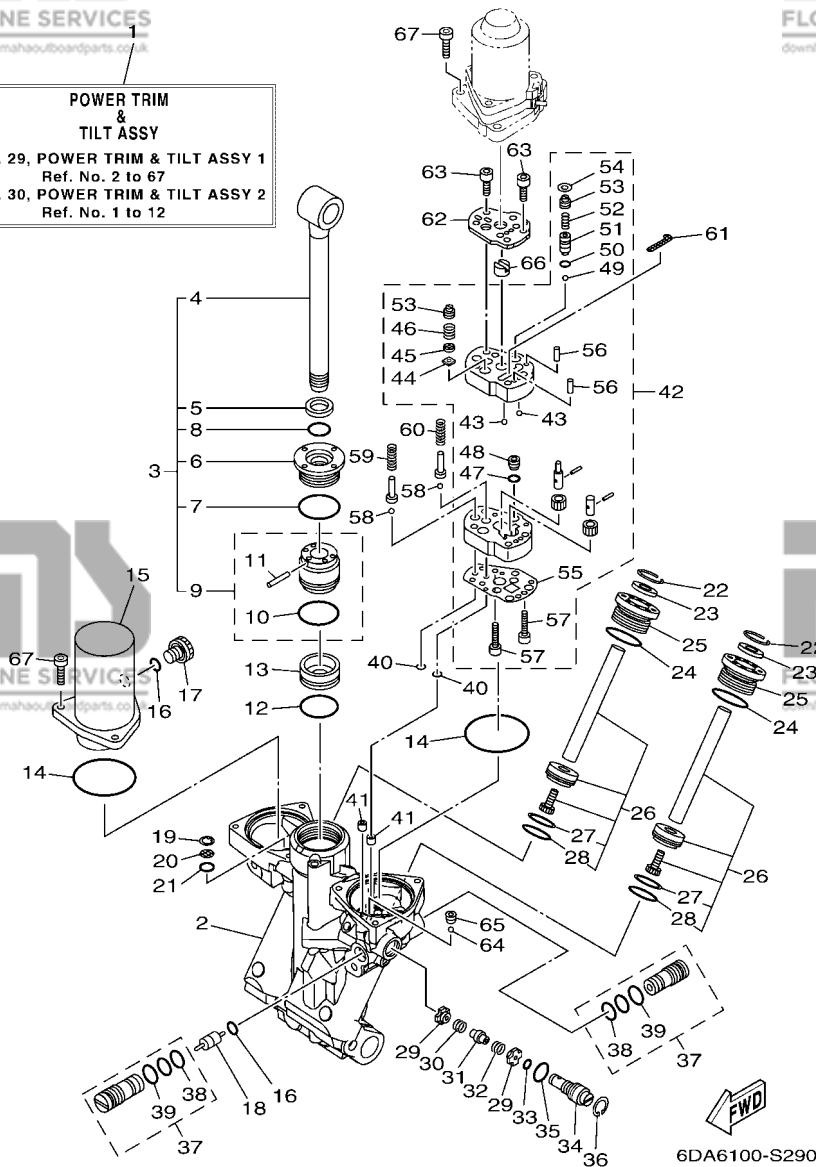
**FIG. 28 BRACKET 2**

**SUPPORT 2**



REF. NO.	PART NO. N° PIECES	DESCRIPTION DESCRIPTION	6FA6	REMARKS REMARQUES
23	95604-14200	NUT, SELF-LOCKING ECROU, AUTO-BLOCANT	2	X(25.3") X(25.3")
	90176-14002	NUT, CROWN ECROU BORGNE	2	L(20.3") L(20.3")
24	92995-14600	WASHER RONDELLE	2	L(20.3") L(20.3")
25	6DA-44552-00-CA	HOUSING, LOWER MOUNT RUBBER 2 BOITIER, SILENT-BLOC INFERIEUR	2	X(25.3") X(25.3")
	63P-44553-00-8D	COVER, LOWER MOUNT COUVERCLE, SUSPENSION INFERIEU	1	L(20.3") L(20.3")
26	63P-44556-00-8D	COVER, LOWER MOUNT 2 COUVERCLE,SUSPENSION INFERIEU	1	L(20.3") L(20.3")
27	90119-10058	BOLT, WITH WASHER BOULON, AVEC RONDELLE	4	
28	6DA-44514-00	MOUNT DAMPER, UPPER SIDE SILENT-BLOC, SUPERIEUR LATERAL	2	
29	90119-10024	BOLT, WITH WASHER BOULON, AVEC RONDELLE	3	
30	90105-14009	BOLT, FLANGE BOULON, A COLLERETTE	2	
31	90201-16M01	WASHER, PLATE RONDELLE, PLATE	2	
32	6DA-44526-00	PLATE PLAQUE	1	
33	6DA-44532-00	STOPPER, UPPER MOUNT PLAQUETTE	1	
34	90185-14M00	NUT, SELF-LOCKING ECROU,AUTO-BLOQUANT	2	
35	6DA-44194-00	CAP CAPUCHON	2	
36	92995-14600	WASHER RONDELLE	2	
37	63P-44511-00	COVER, UPPER MOUNT COUVERCLE, SUSPENSION SUPERIEU	1	
38	90387-14004	COLLAR COLLERETTE	2	

**POWER TRIM & TILT ASSY**  
Fig. 29, POWER TRIM & TILT ASSY 1  
Ref. No. 2 to 67  
Fig. 30, POWER TRIM & TILT ASSY 2  
Ref. No. 1 to 12



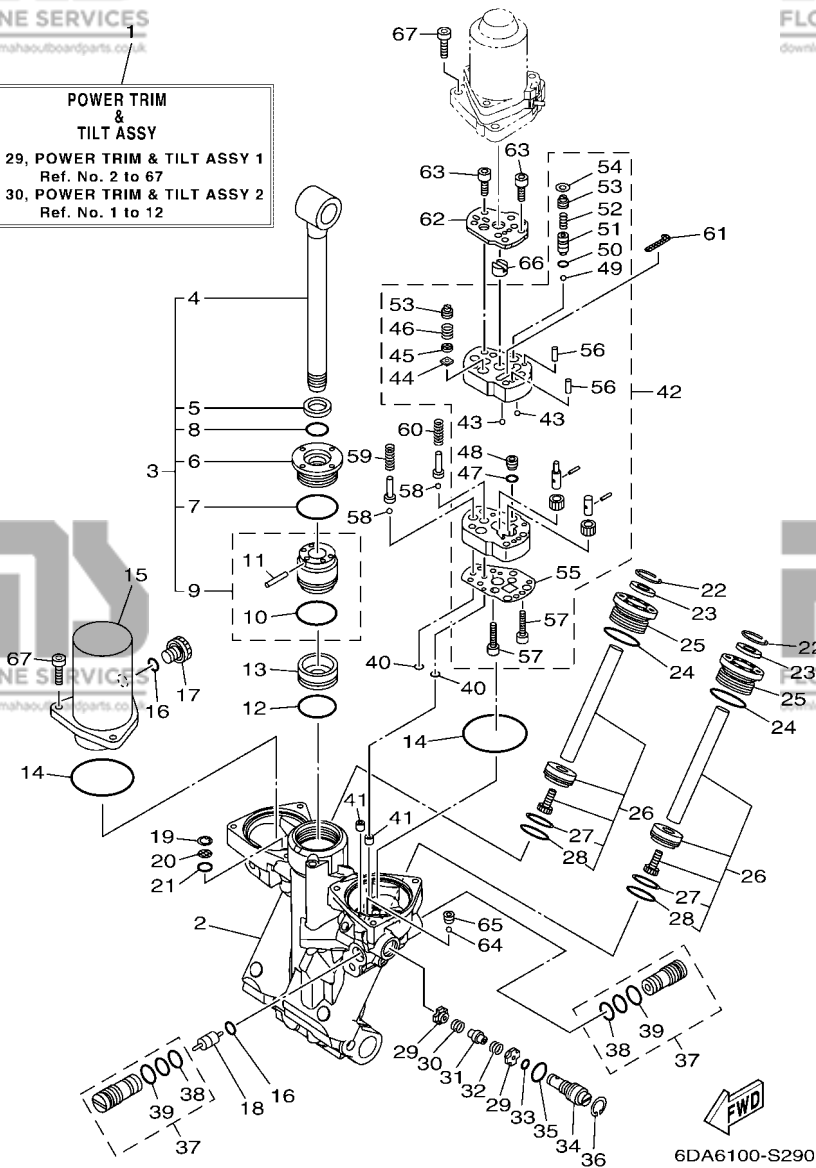
**FIG. 29 POWER TRIM & TILT ASSY 1**

**PUISSANCE PARER ET INCLINER 1**

REF. NO.	PART NO. N° PIECES	DESCRIPTION DESCRIPTION	6FAG	REMARKS REMARQUES
1	63P-43800-20	POWER TRIM & TILT ASSY PUISSANCE PARER ET INCLINER (E	1	
2	63P-4380L-20	HOUSING, TRIM & TILT SUB ASSY CARTER	1	
3	63P-43810-20	TILT PISTON SUB ASSY INCLINER PISTON AUXILIAIRE(ENS	1	
4	63P-43801-10	.ROD .TIGE	1	
5	93106-19N50	.OIL SEAL .JOINT SPY	1	
6	63P-43811-20	.SCREW, CYLINDER END .VIS, CYLINDRE RACCORD	1	
7	63P-43861-20	.O-RING .JOINT TORIQUE	1	
8	63P-43863-10	.O-RING .JOINT TORIQUE	1	
9	63P-4380P-20	.PISTON SUB ASSY .PISTON AUXILIAIRE (ENS.)	1	
10	6H1-43862-00	.O-RING .JOINT TORIQUE	1	
11	91609-16010	.PIN, SPRING .AXE DE RESSORT	1	
12	6H1-43862-00	O-RING JOINT TORIQUE	1	
13	63P-43814-20	PISTON, FREE PISTON	1	
14	93210-68N50	O-RING JOINT TORIQUE	2	
15	63P-4382C-20	BODY, RESERVOIR 2 CORPS 2	1	
16	93210-09165	O-RING JOINT TORIQUE	2	
17	6CJ-43829-10	PLUG, RESERVOIR BOUCHON	1	
18	6H1-43841-11	PISTON, SHUTTLE PISTON	1	
19	63P-43876-10	RING, SNAP RESSORT	1	
20	63P-43816-10	FILTER 1 FILTRE 1	1	
21	93210-11N52	O-RING JOINT TORIQUE	1	
22	63P-43875-20	RING, SNAP RESSORT	2	
23	63P-43822-20	SEAL, TRIM DUST JOINT	2	
24	63P-43862-10	O-RING JOINT TORIQUE	2	
25	63P-43821-20	SCREW, TRIM CYLINDER END VIS	2	
26	63P-43820-20	TRIM PISTON SUB ASSY PARER PISTON AUXILIAIRE (ENS.)	2	
27	62X-43871-00	.RING, BACK UP .SEGMENT	1	



**POWER TRIM & TILT ASSY**  
Fig. 29, POWER TRIM & TILT ASSY 1  
Ref. No. 2 to 67  
Fig. 30, POWER TRIM & TILT ASSY 2  
Ref. No. 1 to 12



**FIG. 29 POWER TRIM & TILT ASSY 1**

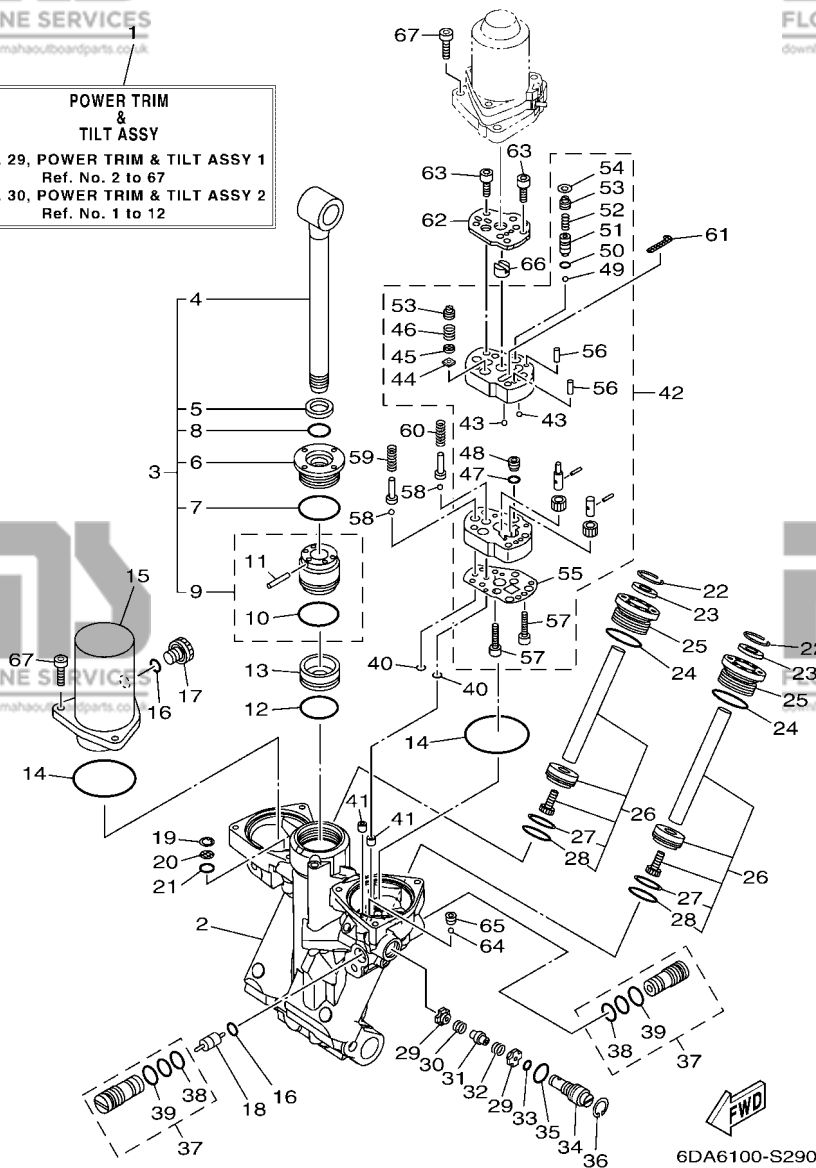
**PUISSANCE PARER ET INCLINER 1**

REF. NO.	PART NO. N° PIECES	DESCRIPTION DESCRIPTION	6FAG	REMARKS REMARQUES
28	93210-29375	.O-RING .JOINT TORIQUE	1	
29	63P-43847-10	SEAT, MANUAL VALVE SIEGE	2	
30	63P-43854-10	SPRING, MANUAL RELEASE RESSORT	1	
31	63P-4382A-10	ADAPTOR 1 ADAPTEUR 1	1	
32	63P-4384H-10	SPRING RESSORT	1	
33	69J-4389J-00	O-RING JOINT TORIQUE	1	
34	63P-43845-20	SCREW, MANUAL RELEASE VIS	1	
35	93210-12327	O-RING JOINT TORIQUE	1	
36	61A-43876-00	RING, SNAP RESSORT	1	
37	63P-43802-20	VALVE SUB ASSY CLAPET AUXILIAIRE (ENS.)	2	
38	93210-12N52	.O-RING .JOINT TORIQUE	1	
39	6H1-43866-01	.O-RING .JOINT TORIQUE	1	
40	93210-064A5	O-RING JOINT TORIQUE	2	
41	63P-4381C-20	FILTER 3 FILTRE 3	2	
42	63P-43830-20	GEAR PUMP ASSY POMPE A PIGNON (ENS.)	1	
43	93503-16003	.BALL .BILLES	2	
44	6H1-4384G-11	.SEAL, RELIEF VALVE .JOINT	1	
45	6H1-43844-10	.PIN, VALVE SUPPORT .GOUPILLE	1	
46	6H1-43856-10	.SPRING, DOWN RELIEF .RESSORT	1	
47	93210-07N51	.O-RING .JOINT TORIQUE	1	
48	63P-43851-20	.SEAT, RELIEF VALVE .SIEGE	1	
49	93501-08001	.BALL .BILLE	1	
50	93210-064A5	.O-RING .JOINT TORIQUE	1	
51	63P-43844-20	.PIN, VALVE SUPPORT .GOUPILLE	1	
52	69J-43855-00	.SPRING, UP RELIEF .RESSORT	1	
53	63P-43843-10	.SCREW, VALVE LOCK .VIS	2	
54	63P-43338-10	.WASHER, WAVE .RONDELLE, ONDULEE	1	

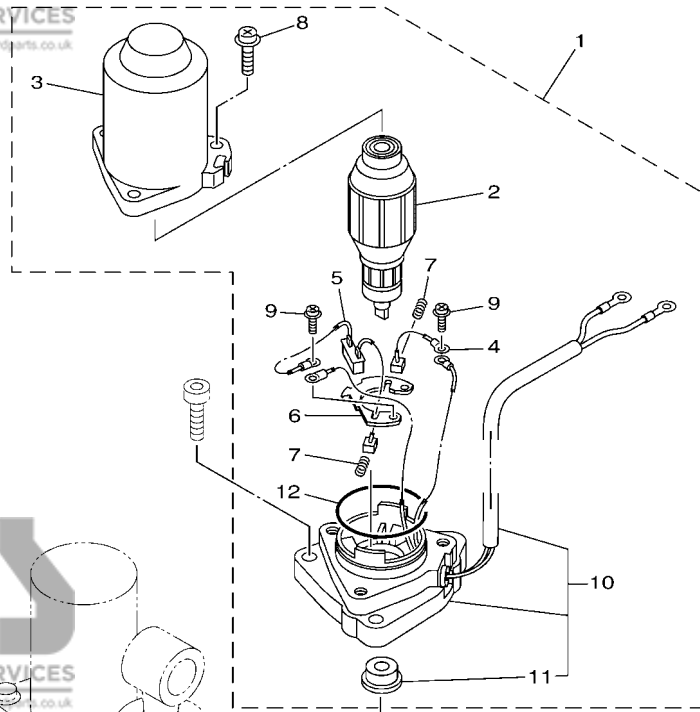
**FIG. 29 POWER TRIM & TILT ASSY 1**

**PUISSANCE PARER ET INCLINER 1**

**POWER TRIM & TILT ASSY**  
Fig. 29, POWER TRIM & TILT ASSY 1  
Ref. No. 2 to 67  
Fig. 30, POWER TRIM & TILT ASSY 2  
Ref. No. 1 to 12



REF. NO.	PART NO. N° PIECES	DESCRIPTION DESCRIPTION	6FAG	REMARKS REMARQUES
55	63P-4384G-20	.SEAL, RELIEF VALVE .JOINT	1	
56	93604-10011	.PIN, DOWEL .CLAVETTE	2	
57	91312-04020	.BOLT, HEXAGON SOCKET HEAD .BOULON, TETE HEXAGONALE CREUSE	2	
58	93501-08001	BALL BILLE	2	
59	63P-43857-10	SPRING, ABSORBER VALVE RESSORT	1	
60	63P-4385H-10	SPRING, SEAL RESSORT	1	
61	6CJ-43816-00	FILTER 1 FILTRE 1	1	
62	63P-4381J-10	PLATE PLAQUE	1	
63	91312-05035	BOLT, HEXAGON SOCKET HEAD BOULON, TETE HEXAGONALE CREUSE	4	
64	93505-32038	BALL BILLE	1	
65	61A-43878-00	BOLT, SOCKET BOULON	1	
66	69J-43831-00	CONNECTOR, SHAFT RACCORD	1	
67	91380-06025	BOLT BOULON	6	



63PG100-S260

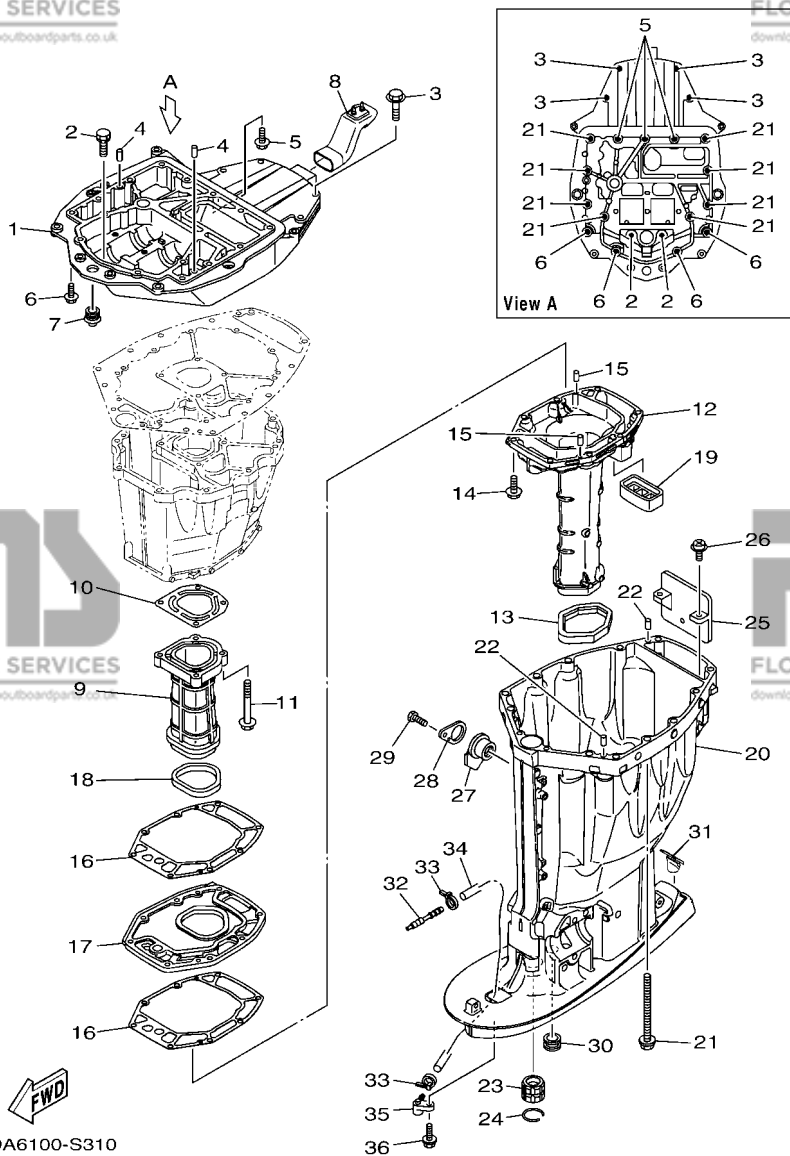
FIG. 30 POWER TRIM & TILT ASSY 2

PUISSANCE PARET ET INCLINER 2

REF. NO.	PART NO. N° PIECES	DESCRIPTION DESCRIPTION	6FAG	REMARKS REMARQUES
1	63P-43880-22	MOTOR ASSY .MOTEUR (ENS.)	1	
2	6EK-43805-01	.ARMATURE ASSY .INDUIT (ENS.)	1	
3	6EK-43804-11	.STATOR ASSY .STATOR (ENS.)	1	
4	6EK-43892-00	.BRUSH 2 .BALAI 2	1	
5	63P-82181-20	.CIRCUIT BREAKER COMP. .RUPTEUR COMPLET	1	
6	6EK-4380F-00	.PLATE, BRUSH HOLDER .PLAQUE	1	
7	62X-4386K-00	.SPRING, BRUSH .RESSORT, BALAI	2	
8	63P-43879-10	.SCREW, WITH WASHER .VIS, AVEC RONDELLE	3	
9	97602-04316	.SCREW, PAN HEAD WITH WASHER .VIS, AVEC RONDELLE	2	
10	63P-43881-21	.FRAME, END .BATI	1	
11	6EK-43882-00	.OIL SEAL .JOINT SPI	1	
12	93210-554A9	.O-RING .JOINT TORIQUE	1	

**FIG. 31 UPPER CASING**

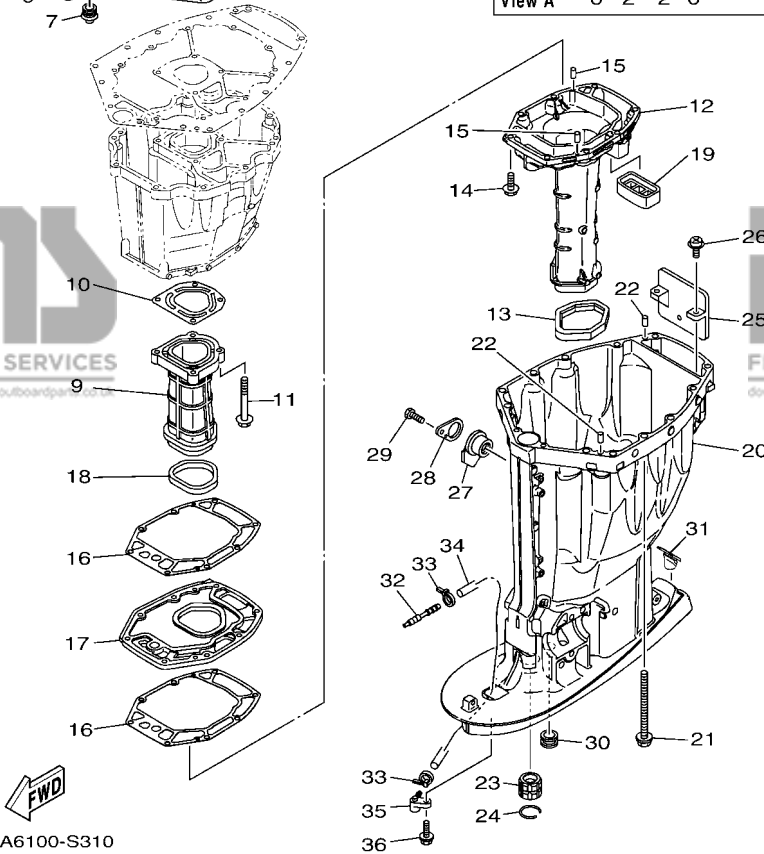
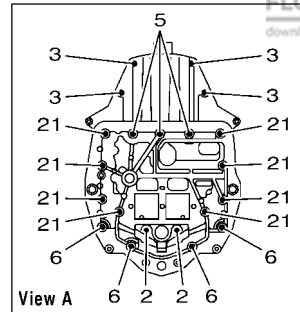
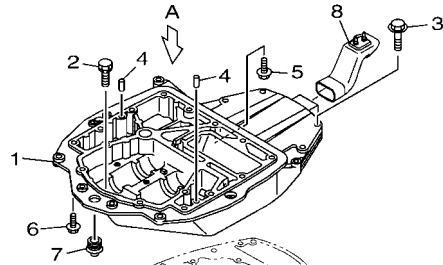
**FOURREAU**



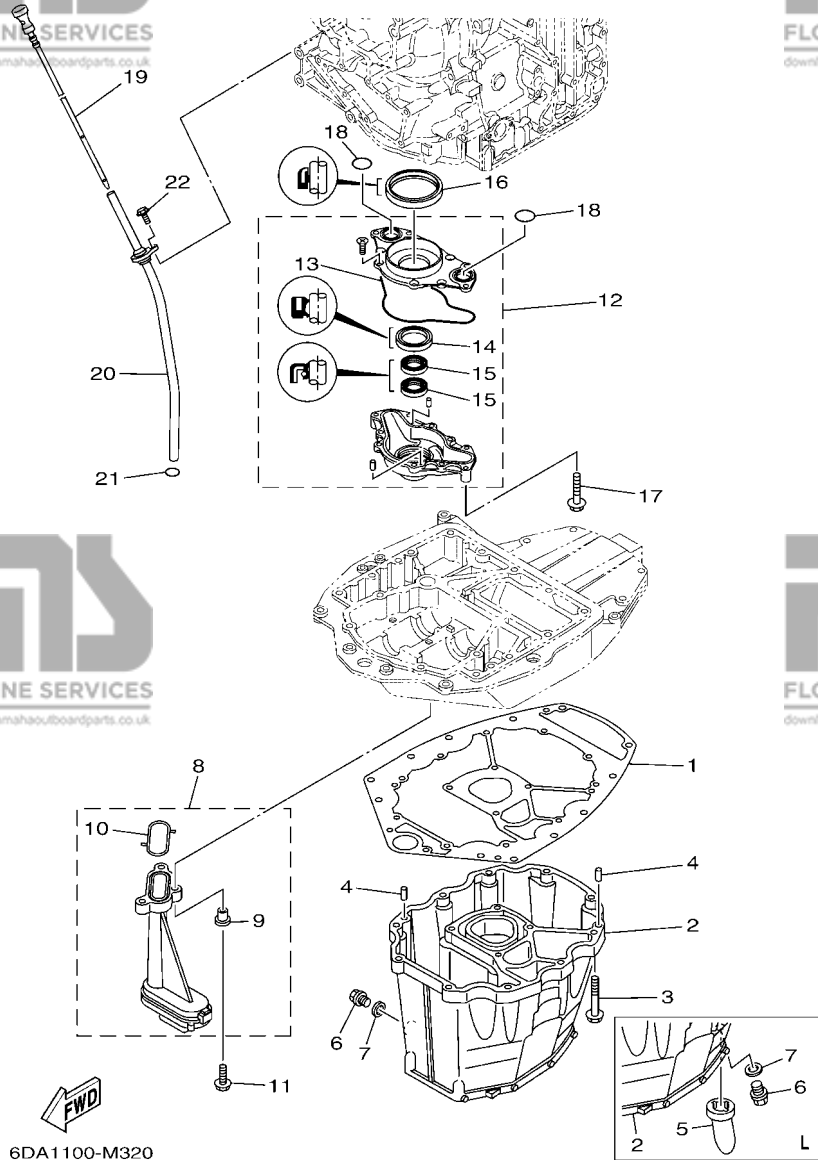
REF. NO.	PART NO. N° PIECES	DESCRIPTION DESCRIPTION	6FAG	REMARKS REMARQUES
1	63P-41137-05	GUIDE, EXHAUST COLLECTEUR D'ÉCHAPPEMENT	1	
2	90119-08102	BOLT, WITH WASHER BOULON, AVEC RONDELLE	2	
3	97E75-10545	BOLT, HEXAGON W/W DEEP RECESS VIS HEXAGONAL AVC RONDELLE	4	
4	93608-16M16	PIN, DOWEL AXE	2	
5	90119-08M58	BOLT, WITH WASHER BOULON, AVEC RONDELLE	3	
6	97E75-10535	BOLT, HEXAGON W/W DEEP RECESS VIS HEXAGONAL AVC RONDELLE	4	
7	6E5-42724-00	GROMMET PASSE-FIL	1	
8	6DA-42769-00	SEAL, RUBBER BOURRELET, CAOUTCHOUC	1	
9	63P-41131-02	MANIFOLD, EXT. 1 PIPE D'ÉCHAPPEMENT	1	
10	63P-41133-A0	GASKET, EXHAUST MANIFOLD 1 JOINT, PIPE D'ÉCHAPPEMENT	1	
11	97E75-08560	BOLT, HEXAGON W/W DEEP RECESS VIS HEXAGONAL AVC RONDELLE	4	
12	6DA-14711-01	MUFFLER 1 POT D'ÉCHAPPEMENT 1	1	X(25.3")
	6DA-14711-11	MUFFLER 1 POT D'ÉCHAPPEMENT 1	1	X(25.3")
13	69J-45123-00	GASKET, MUFFLER JOINT, POT DE DETENTE	1	L(20.3")
14	97E75-08535	BOLT, HEXAGON W/W DEEP RECESS VIS HEXAGONAL AVC RONDELLE	8	L(20.3")
15	93606-19M23	PIN, DOWEL GOUPILLE	2	
16	63P-41134-A1	GASKET, EXHAUST MANIFOLD JOINT, PIPE D'ÉCHAPPEMENT	2	
17	63P-45181-02	PLATE PLAQUETTE	1	
18	63P-41138-00	SEAL, EXT. 1 JOINT DE GROUPE 1	1	
19	69J-45127-00	SEAL JOINT	1	
20	6DA-45111-00-8D	CASING, UPPER FOURREAU	1	X(25.3")
	6DA-45111-10-8D	CASING, UPPER FOURREAU	1	X(25.3")
		CASING, UPPER FOURREAU	1	L(20.3")
21	90119-10007	BOLT, WITH WASHER BOULON, AVEC RONDELLE	8	L(20.3")
22	93608-16M16	PIN, DOWEL AXE	2	
23	6E5-45318-00	BUSHING, DRIVE SHAFT DOUILLE, ARBRE MOTEUR	1	
24	93420-36M01	CIRCLIP CIRCLIP, TYPE S	1	
25	69J-14624-01	COVER, EXHAUST CACHE D'ÉCHAPPEMENT	1	

**FIG. 31 UPPER CASING**

**FOURREAU**



REF. NO.	PART NO. N° PIECES	DESCRIPTION DESCRIPTION	6FAG	REMARKS REMARQUES
26	97980-06216	SCREW, WITH WASHER VIS, AVEC RONDELLE	2	
27	6BB-15316-00	DAMPER 1 AMORTISSEUR 1	1	X(25.3") X(25.3")
28	6BB-45152-01	COVER, UPPER CASING 2 CAPUCHON FOURREAU	1	X(25.3") X(25.3")
29	97D95-06012	BOLT, HEXAGON DEEP RECESS VIS HEXAGONAL	1	X(25.3") X(25.3")
30	6E5-44366-00	DAMPER, WATER SEAL 2 JOINT, TUBE D'EAU 2	1	
31	6DA-45155-00	CAP CAPUCHON	1	X(25.3") X(25.3")
	6C5-45155-00	CAP CAPUCHON	1	L(20.3") L(20.3")
32	6E5-83558-00	END, NIPPLE RACCORD DE NIPPLE	1	
33	90465-11M10	CLAMP BRIDE	2	
34	90445-07018	HOSE (L1400) DURITE (L1400)	1	
35	63P-45379-00	NIPPLE, HOSE RACCORD D'ESSENCE	1	
36	90119-06M18	BOLT, WITH WASHER BOULON, AVEC RONDELLE	1	

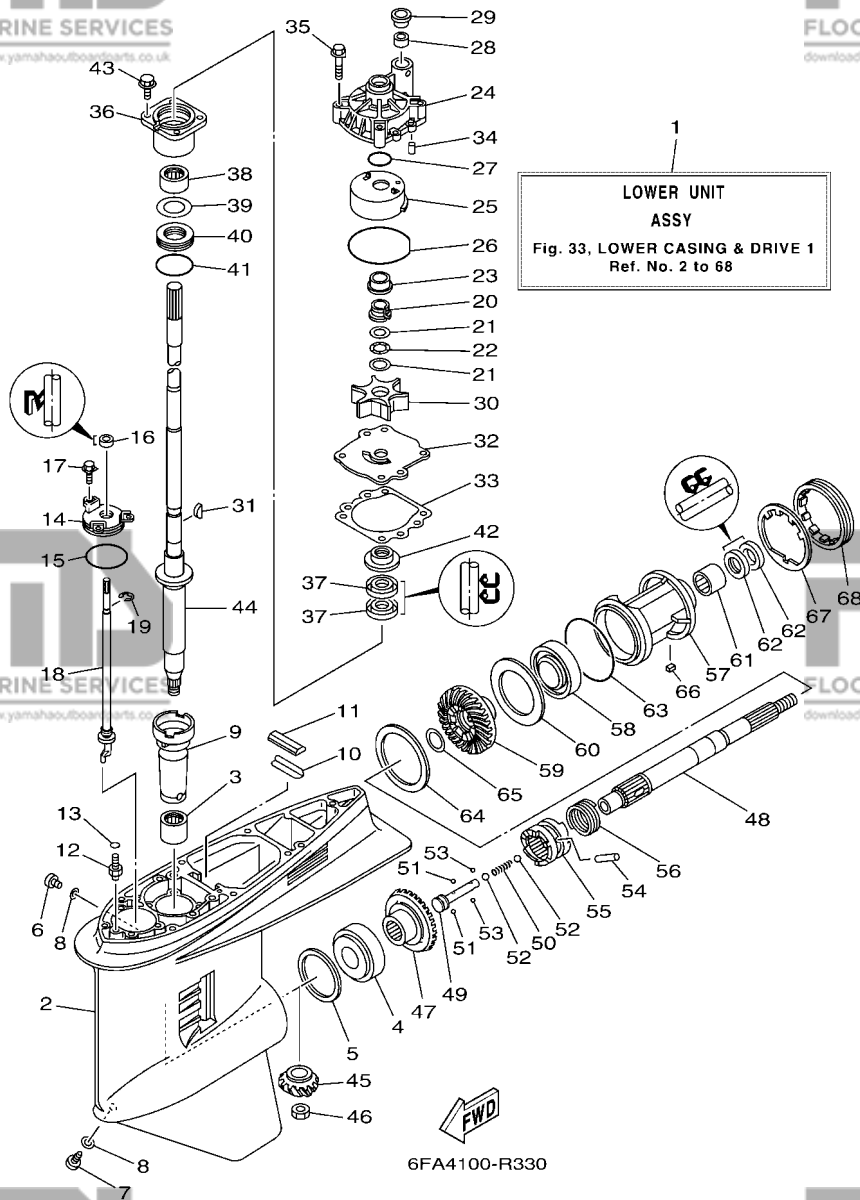


6DA1100-M320

**FIG. 32 OIL PAN**

**VENTILATEUR D'HUILE**

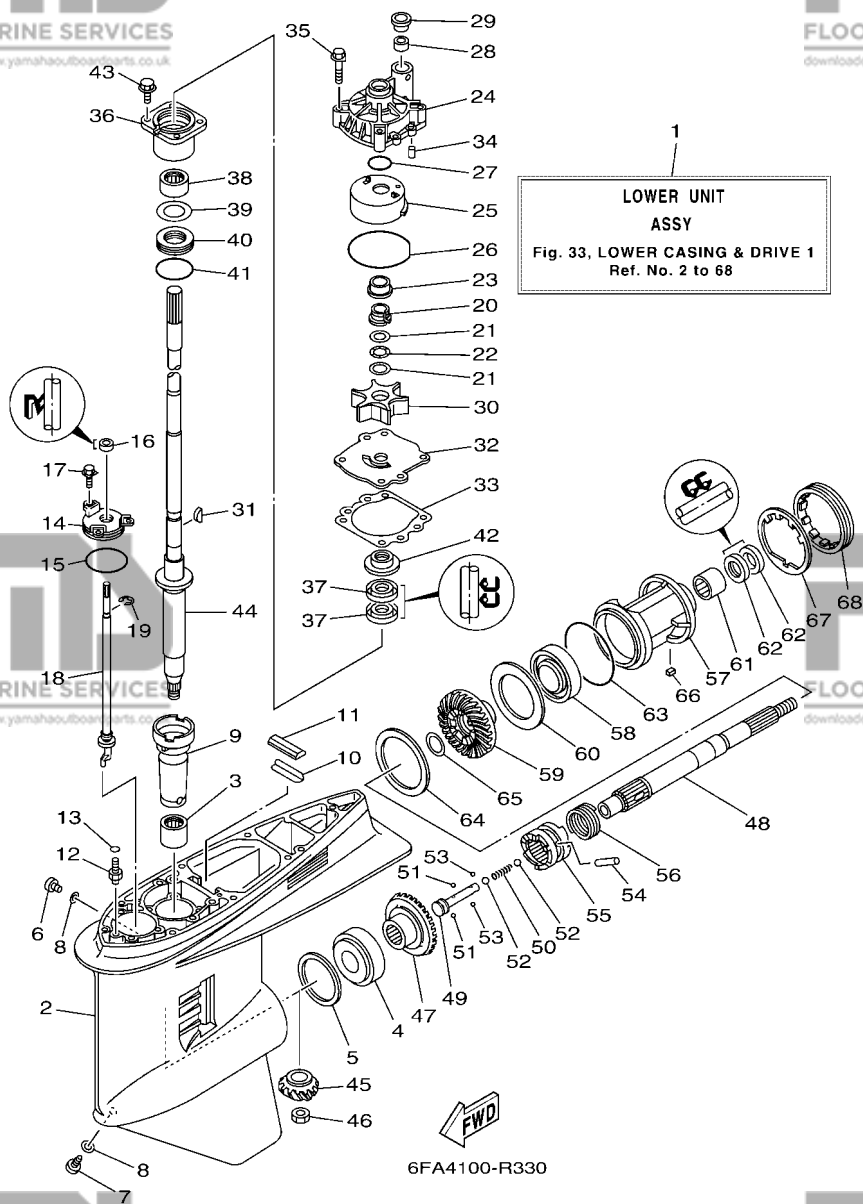
REF. NO.	PART NO. N° PIECES	DESCRIPTION DESCRIPTION	6FAG	REMARKS REMARQUES
1	63P-15312-02	GASKET, OIL PAN JOINT DE VENTILATEUR D'HUILE	1	
2	6DA-15311-01	OIL PAN VENTILATEUR D'HUILE	1	X(25.3") X(25.3")
	63P-15311-03	OIL PAN VENTILATEUR D'HUILE	1	L(20.3") L(20.3")
3	97E75-08535	BOLT, HEXAGON W/W DEEP RECESS VIS HEXAGONAL AVC RONDELLE	10	
4	93608-16M16	PIN, DOWEL AXE	2	
5	63P-15316-00	DAMPER 1 AMORTISSEUR 1	1	L(20.3") L(20.3")
6	90340-14M06	PLUG, STRAIGHT SCREW PLOT, FILETE DROIT	1	
7	90430-14M09	GASKET JOINT	1	
8	63P-13411-00	STRAINER, OIL FILTRE, HUILE	1	
9	90387-06263	.COLLAR .COLLERETTE	3	
10	63P-13415-00	.SEAL, OIL STRAINER .JOINT, FILTRE A HUILE	1	
11	95812-06025	BOLT, FLANGE BOULON	3	
12	6DA-13300-00	OIL PUMP ASSY POMPE A HUILE COMPLETE	1	
13	6DA-13329-00	.GASKET, PUMP COVER .JOINT, COUVERCLE DE POMPE	1	
14	6AW-13119-00	.OIL SEAL .JOINT SPY	1	
15	69J-13631-00	.OIL SEAL .JOINT SPY	2	
16	6CB-11355-00	SEAL, CYLINDER 1 JOINT, SPY CYLINDRE	1	
17	97E75-06540	BOLT, HEXAGON W/W DEEP RECESS VIS HEXAGONAL AVC RONDELLE	4	
18	93210-25552	O-RING JOINT TORIQUE	2	
19	6DA-15362-00	PLUG, OIL LEVEL PLOT, NIVEAU D'HUILE	1	
20	6DA-15377-00	GUIDE, INLET GUIDE D'ADMISSION	1	
21	93210-19MJ3	O-RING JOINT TORIQUE	1	
22	95D95-06016	BOLT, FLANGE DEEP RECESS BOULON FIXATION	1	



**FIG. 33 LOWER CASING & DRIVE 1**

**BOITIER D'HELICE TRANSMISSION1**

REF. NO.	PART NO. N° PIECES	DESCRIPTION DESCRIPTION	6FAG	REMARKS REMARQUES
1	6DA-45300-12-8D	LOWER UNIT ASSY UNITE INFERIEURE (ENS.)	1	X(25.3") X(25.3")
	6DA-45300-01-8D	LOWER UNIT ASSY UNITE INFERIEURE (ENS.)	1	L(20.3") L(20.3")
2	6J9-45301-07-8D	CASING, LOWER BEQUILLE	1	
3	93311-928U5	BEARING ROULEMENT	1	
4	93332-000V3	BEARING ROULEMENT	1	
5	6G5-45567-01	SHIM (T:0.10MM) CALE (T:0.10MM)	1	UR
	6G5-45567-10	SHIM (T:0.12MM) CALE (T:0.12MM)	1	UR
	6G5-45567-20	SHIM (T:0.15MM) CALE (T:0.15MM)	1	UR
	6G5-45567-30	SHIM (T:0.18MM) CALE (T:0.18MM)	1	UR
	6G5-45567-40	SHIM (T:0.30MM) CALE (T:0.30MM)	1	UR
	6G5-45567-50	SHIM (T:0.40MM) CALE (T:0.40MM)	1	UR
	6G5-45567-60	SHIM (T:0.50MM) CALE (T:0.50MM)	1	UR
6	90340-08002	PLUG, STRAIGHT SCREW PLOT, FILET DROIT	1	
7	688-45341-10	PLUG, DRAIN BOUCHON DE VIDANGE	1	
8	90430-08003	GASKET JOINT	2	
9	6G5-45536-01	SLEEVE, DRIVE SHAFT MANCHON, ARBRE MOTEUR	1	
10	663-45376-00	GUIDE, SEAL DAMPER BUTEE, JOINT CAOUTCHOUC	1	
11	688-45375-00	DAMPER, SEAL BOURRELET, CAOUTCHOUC	1	
12	63P-45378-00	NIPPLE, HOSE RACCORD, TUYAU	1	
13	93210-07003	O-RING JOINT TORIQUE	1	
14	6E5-45321-00	PLATE PLAQUETTE	1	
15	93210-58144	O-RING JOINT TORIQUE	1	
16	93106-09014	OIL SEAL JOINT SPY	1	
17	90119-06M10	BOLT, WITH WASHER BOULON, AVEC RONDELLE	3	
18	63P-44150-01	SHIFT CAM ASSY CAME D'INVERSION	1	
19	99001-08600	CIRCLIP CIRCLIP	1	
20	61A-45538-00	SPACER 1 ENTRETOISE	1	



**FIG. 33 LOWER CASING & DRIVE 1**

**BOITIER D'HELICE TRANSMISSION1**

REF. NO.	PART NO. N° PIECES	DESCRIPTION DESCRIPTION	6FAG	REMARKS REMARQUES
21	90201-22M01	WASHER, PLATE RONDELLE, PLATE	2	
22	90206-22M19	WASHER, WAVE RONDELLE, ONDULEE	1	
23	61A-45527-00	COLLAR, DRIVE SHAFT ENTRETOISE	1	
24	61A-44311-01	HOUSING, WATER PUMP CORPS, POMPE A EAU	1	
25	61A-44322-02	INSERT, CARTRIDGE CUVETTE	1	
26	93210-86M38	O-RING JOINT TORIQUE	1	
27	93210-37160	O-RING JOINT TORIQUE	1	
28	6E5-44365-00	DAMPER, WATER SEAL 1 JOINT, TUBE D'EAU 1	1	
29	6E5-44312-00	COVER, WATER PUMP HOUSING COUVERCLE	1	
30	6E5-44352-01	IMPELLER TURBINE	1	
31	90280-04M05	KEY, WOODRUFF CLAVETTE, DEMI-LUNE	1	
32	6G5-44323-01	OUTER PLATE, CARTRIDGE PLAQUE EXTERIEURE	1	
33	6E5-44315-A0	GASKET, WATER PUMP JOINT, POMPE A EAU	1	
34	93606-12019	PIN, DOWEL GOUPILLE	2	
35	90119-08M14	BOLT, WITH WASHER BOULON, AVEC RONDELLE	4	
36	6E5-45331-00-9S	HOUSING, BEARING FLASQUE, ROULEMENT	1	
37	93101-28M16	OIL SEAL JOINT SPY	2	
38	93317-330U2	BEARING ROULEMENT	1	
39	6E5-45587-01	SHIM (T:0.10MM) CALE (T:0.10MM)	1	UR
	6E5-45587-10	SHIM (T:0.12MM) CALE (T:0.12MM)	1	UR
	6E5-45587-20	SHIM (T:0.15MM) CALE (T:0.15MM)	1	UR
	6E5-45587-30	SHIM (T:0.18MM) CALE (T:0.18MM)	1	UR
	6E5-45587-40	SHIM (T:0.30MM) CALE (T:0.30MM)	1	UR
	6E5-45587-50	SHIM (T:0.40MM) CALE (T:0.40MM)	1	UR
	6E5-45587-60	SHIM (T:0.50MM) CALE (T:0.50MM)	1	UR
40	93341-930V2	BEARING CERVEAUX DE DIRECTION	1	
41	93210-55M14	O-RING JOINT TORIQUE	1	



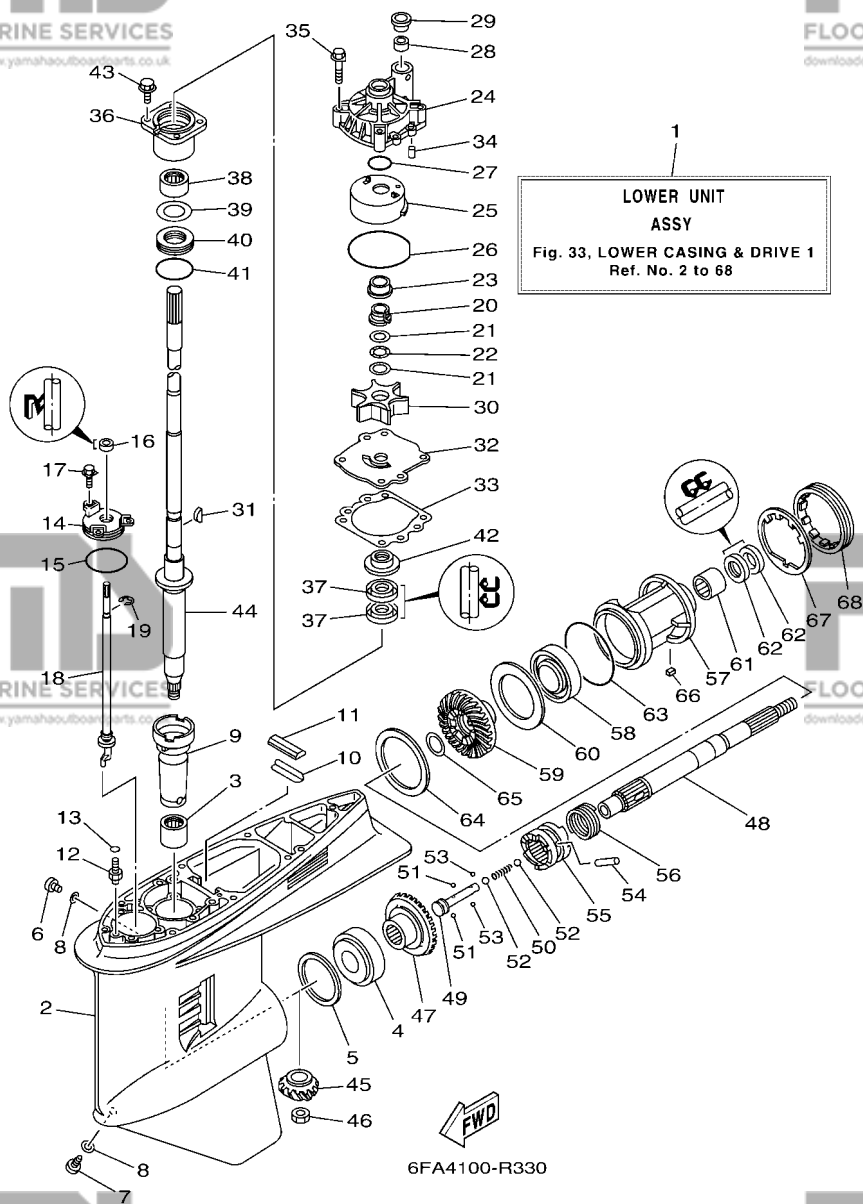


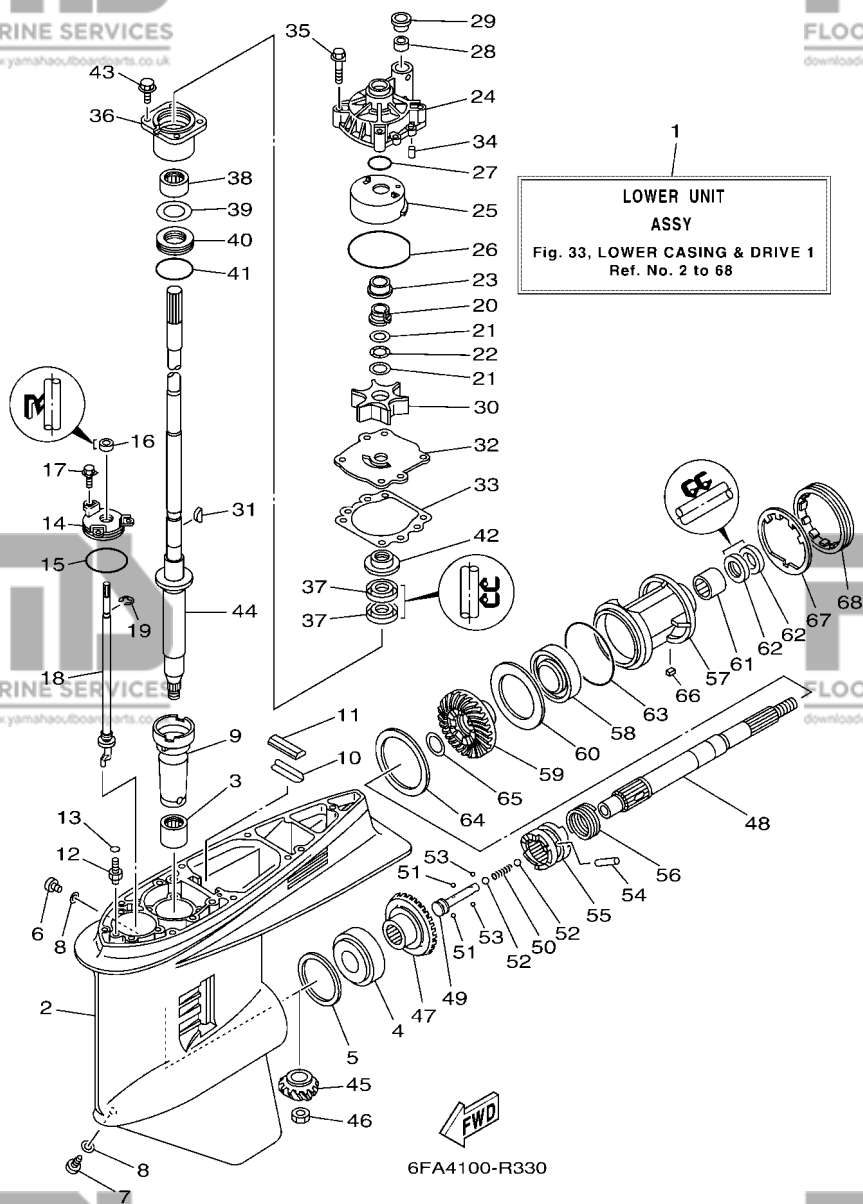
FIG. 33 LOWER CASING & DRIVE 1

BOITIER D'HELICE TRANSMISSION1

REF. NO.	PART NO. N° PIECES	DESCRIPTION DESCRIPTION	6FAG	REMARKS REMARQUES
42	6E5-45344-00	COVER, OIL SEAL FLASQUE, JOINT D'HUILE	1	
43	97E95-08525	BOLT, HEXAGON W/W DEEP RECESS VIS HEXAGONAL AVC RONDELLE	4	
44	6DA-45501-10	DRIVE SHAFT COMP. ARBRE MOTEUR COMP.	1	X(25.3") X(25.3")
	63P-45501-01	DRIVE SHAFT COMP. ARBRE MOTEUR COMP.	1	L(20.3") L(20.3")
45	6DA-45551-00	PINION (14T) PIGNON D'ATTAQUE (14D)	1	
46	90170-16M01	NUT ECROU	1	
47	6DA-45560-00	GEAR 1 (26T) PIGNON 1 (26T)	1	
48	6J9-45611-01	SHAFT, PROPELLER ARBRE, HELICE	1	
49	6E5-45634-02	SLIDE, SHIFT CONTRE-POUSSOIR	1	
50	90501-16M37	SPRING, COMPRESSION RESSORT, COMPRESSION	1	
51	93507-32009	BALL BILLE	2	
52	93511-32017	BALL BILLES	2	
53	93503-16003	BALL BILLES	2	
54	90250-08M07	PIN, STRAIGHT GOUPILLE, DROITE	1	
55	6DA-45631-00	CLUTCH, DOG CRABOT	1	
56	6E5-45633-01	RING, CROSS PIN JONC, GOUPILLE CRABOT	1	
57	6J9-45332-00-CA	HOUSING, BEARING FLASQUE, ROULEMENT	1	
58	93306-209U0	BEARING ROULEMENT	1	
59	6DA-45571-00	GEAR 2 (26T) PIGNON 2 (26T)	1	
60	6G5-45576-10	WASHER, THRUST 2 RONDELLE DE CALAGE 2	1	
61	93315-43061	BEARING ROULEMENT	1	
62	93101-30M17	OIL SEAL JOINT SPY	2	
63	93210-97M55	O-RING JOINT TORIQUE	1	
64	6G5-45577-02	SHIM (T:0.10MM) CALE (T:0.10MM)	1	UR
	6G5-45577-10	SHIM (T:0.12MM) CALE (T:0.12MM)	1	UR
	6G5-45577-20	SHIM (T:0.15MM) CALE (T:0.15MM)	1	UR
	6G5-45577-30	SHIM (T:0.18MM) CALE (T:0.18MM)	1	UR

**FIG. 33 LOWER CASING & DRIVE 1**

**BOITIER D'HELICE TRANSMISSION1**

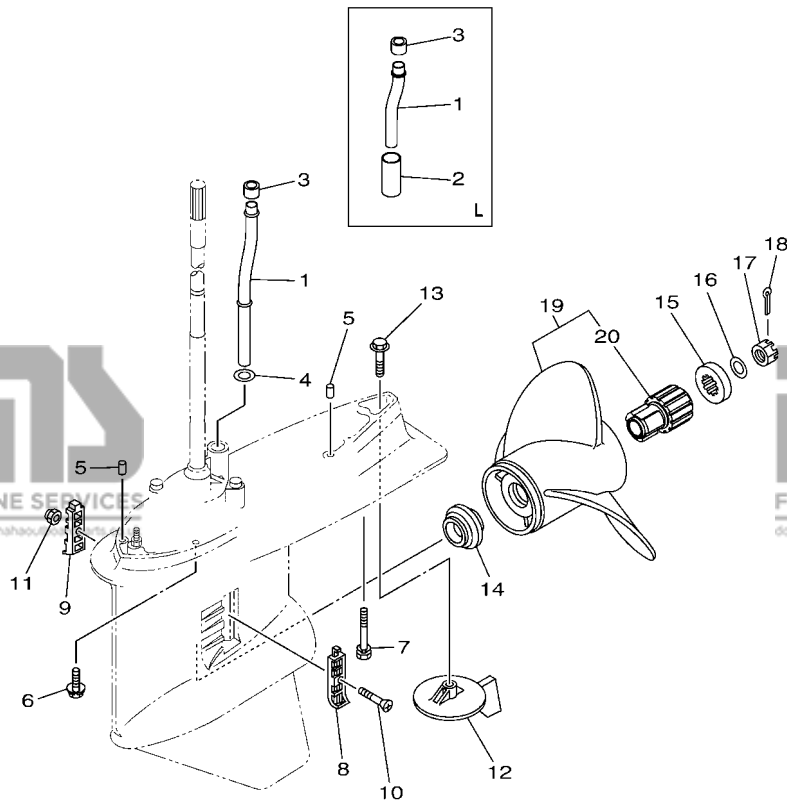


REF. NO.	PART NO. N° PIECES	DESCRIPTION DESCRIPTION	6FAG	REMARKS REMARQUES
64	6G5-45577-40	SHIM (T:0.30MM) CALE (T:0.30MM)	1	UR
	6G5-45577-50	SHIM (T:0.40MM) CALE (T:0.40MM)	1	UR
	6G5-45577-60	SHIM (T:0.50MM) CALE (T:0.50MM)	1	UR
65	90201-30M92	WASHER, PLATE RONDELLE, PLATE	1	UR
66	90282-04M00	KEY, STRAIGHT CLAVETTE, DROITE	1	UR
67	6G5-45383-01	WASHER, CLAW FREIN D'ECROU	1	
68	6G5-45384-02	NUT ECROU	1	

**FIG. 34 LOWER CASING & DRIVE 2**

**BOITIER D HELICE TRANSMISSION2**

REF. NO.	PART NO. N° PIECES	DESCRIPTION DESCRIPTION	6FAG	REMARKS REMARQUES
1	6DA-44361-00	TUBE, WATER 1 TUBE D'EAU 1	1	X(25.3") X(25.3")
	6DA-44361-10	TUBE, WATER 1 TUBE D'EAU 1	1	L(20.3") L(20.3")
2	90445-23002	HOSE (L59) DURITE (L59)	1	L(20.3") L(20.3")
3	6E5-44365-00	DAMPER, WATER SEAL 1 JOINT, TUBE D'EAU 1	1	
4	90202-16061	WASHER, PLATE RONDELLE, PLATE	1	X(25.3") X(25.3")
5	93608-16M16	PIN, DOWEL AXE	2	
6	97E95-10645	BOLT, HEXAGON W/W DEEP RECESS VIS HEXAGONAL AVC RONDELLE	6	
7	90119-10MA2	BOLT, WITH WASHER BOULON, AVEC RONDELLE	1	
8	6J9-45214-00	COVER, WATER INLET 1 GRILLE, ENTREE D'EAU 1	1	
9	6J9-45215-00	COVER, WATER INLET 2 GRILLE, ENTREE D'EAU 2	1	
10	90152-05M08	SCREW, COUNTERSUNK VIS, TETE NOYEE	1	
11	90185-05002	NUT, NYLON ECROU, AUTO-BLOQUANT	1	
12	6J9-45371-01	TAB-TRIM ANODE DERIVE	1	
13	90105-10M00	BOLT, FLANGE BOULON, A COLLERETTE	1	
14	63P-45987-00	SPACER 1 ENTRETOISE 1	1	
15	688-45997-01	SPACER 2 ENTRETOISE 2	1	
16	92990-18200	WASHER RONDELLE, PLATE	1	
17	90171-18M04	NUT, CASTLE ECROU, CRENELE	1	
18	91490-40030	PIN, COTTER GOUPILLE	1	
19	68F-45970-20	PROPELLER (3X14-1/2"X15"-M) HELICE (3X14-1/2"X15"-M)	1	UR SDS PROP. UR SDS PROP.
	68F-45972-20	PROPELLER (3X14-1/4"X17"-M) HELICE (3X14-1/4"X17"-M)	1	UR SDS PROP. UR SDS PROP.
	68F-45978-20	PROPELLER (3X14-1/4"X18"-M) HELICE (3X14-1/4"X18"-M)	1	UR SDS PROP. UR SDS PROP.
	68F-45974-20	PROPELLER (3X13-3/4"X19"-M) HELICE (3X13-3/4"X19"-M)	1	UR SDS PROP. UR SDS PROP.
	68F-45976-20	PROPELLER (3X13-3/4"X21"-M) HELICE (3X13-3/4"X21"-M)	1	UR SDS PROP. UR SDS PROP.
20	6CE-45C81-10	.DAMPER RUBBER, PROPELLER 1 .AMORTISSEUR HELICE 1	1	

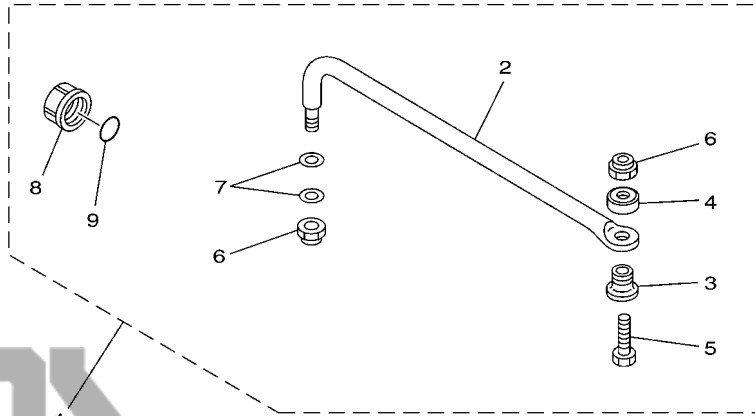


6FA4100-R340

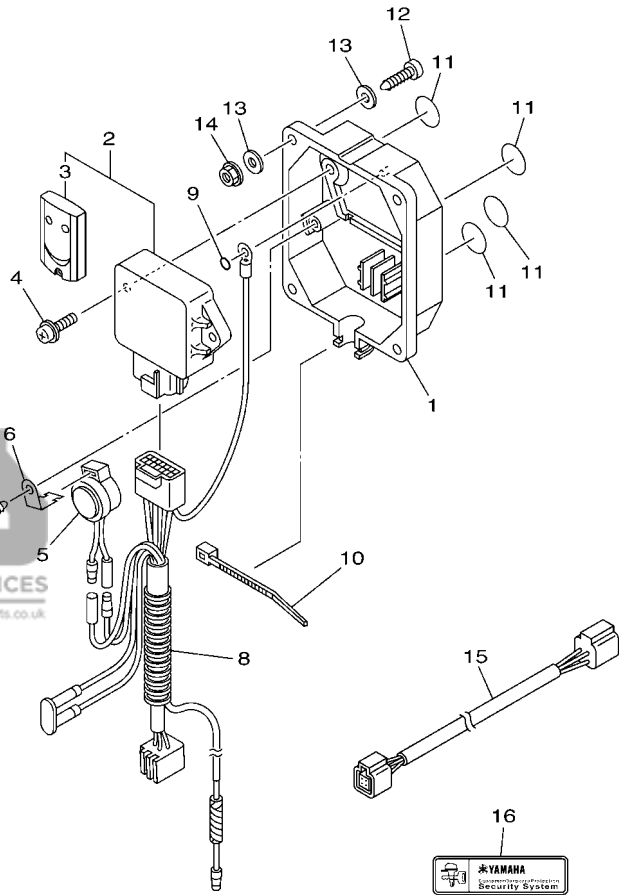
**FIG. 35 STEERING GUIDE**

**FIXATION DE DIRECTION**

REF. NO.	PART NO. N° PIECES	DESCRIPTION DESCRIPTION	6FAG	REMARKS REMARQUES
1	6E5-61350-02	STEERING GUIDE ATTACHMENT KIT FIXATIONS DE DIRECTION	1	AP AP
2	6E5-61351-01	.ROD, STEERING LINK .RENOI DE DIRECTION	1	
3	90387-10M61	.COLLAR .COLLERETTE	1	
4	90560-12M01	.SPACER .ENTRETOISE	1	
5	6E5-61355-00	.BOLT .BOULON	1	
6	90185-09M01	.NUT, SELF-LOCKING .ECROU, AUTO-BLOQUANT	2	
7	90201-10M20	.WASHER, PLATE .RONDELLE, PLATE	2	
8	6E5-43145-01	.CAP, CLAMP BRACKET .CAPUCHON, PRESSE	1	
9	93210-16275	.O-RING .JOINT TORIQUE	1	



67H0100-9290



6CJ1100-K370

**FIG. 36 OPTIONAL PARTS 1**

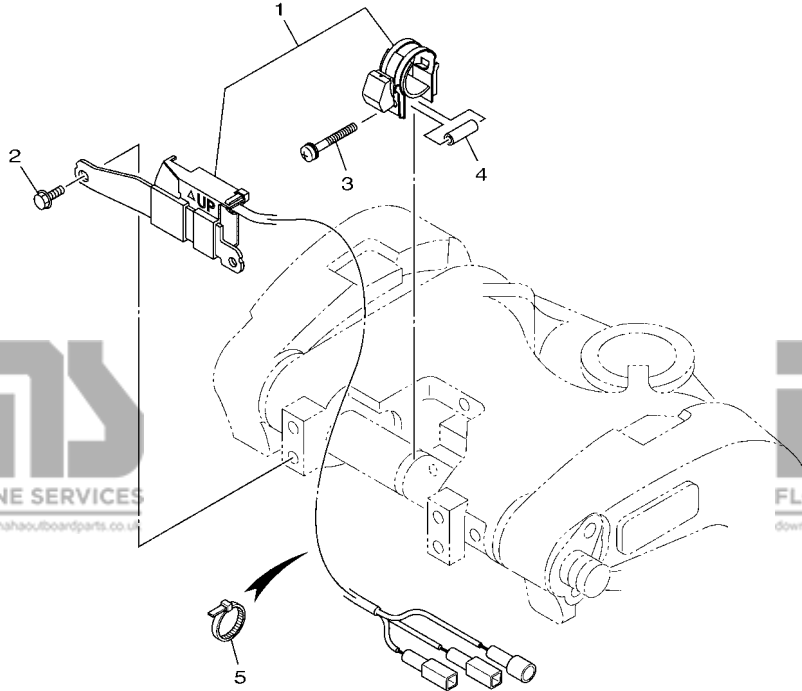
**PIECES OPTIONNELLES 1**

REF. NO.	PART NO. N° PIECES	DESCRIPTION DESCRIPTION	6FAG	REMARKS REMARQUES
1	6Y8-86267-00	CASE COMPLETE 1 CARTER (ENS.) 1	1	
2	6Y8-86260-03	REMOTE CONTROL UNIT ASSY UNITE DE TELECOMMANDE (ENS.)	1	
3	6AA-86261-01	.XMTR. COMP. .XMTR. COMP.	2	
4	97980-06216	SCREW, WITH WASHER VIS, AVEC RONDELLE	2	
5	6X4-83383-00	BUZZER RONFLEUR	1	
6	6X4-83386-00	STAY, BUZZER SUPPOR, RONFLEUR	1	
7	97780-60620	SCREW, TAPPING VIS, TETE BOMBEE	1	
8	6Y8-82509-10	WIRE, SUB LEAD FIL, SECONDAIRE	1	
9	93210-04279	O-RING JOINT TORIQUE	1	
10	90465-11M10	CLAMP BRIDE	1	
11	6Y8-8454G-00	PATCH 1 TAMPON 1	4	
12	90167-06M00	SCREW, TAPPING VIS, TETE FRAISEE	4	UR
	97880-06035	SCREW, PAN HEAD VIS, TETE TRONCONIQUE	4	UR
13	90201-06M30	WASHER, PLATE RONDELLE, PLATE	8	UR
14	95780-06300	NUT, FLANGE ECROU	4	
15	6Y8-82521-11	2FT PIGTAIL BUS FAISCEAU (L: 2FT.)	1	
16	6Y8-48277-00	STICKER 1 ETIQUETTE 1	4	

**FIG. 37 OPTIONAL PARTS 2**

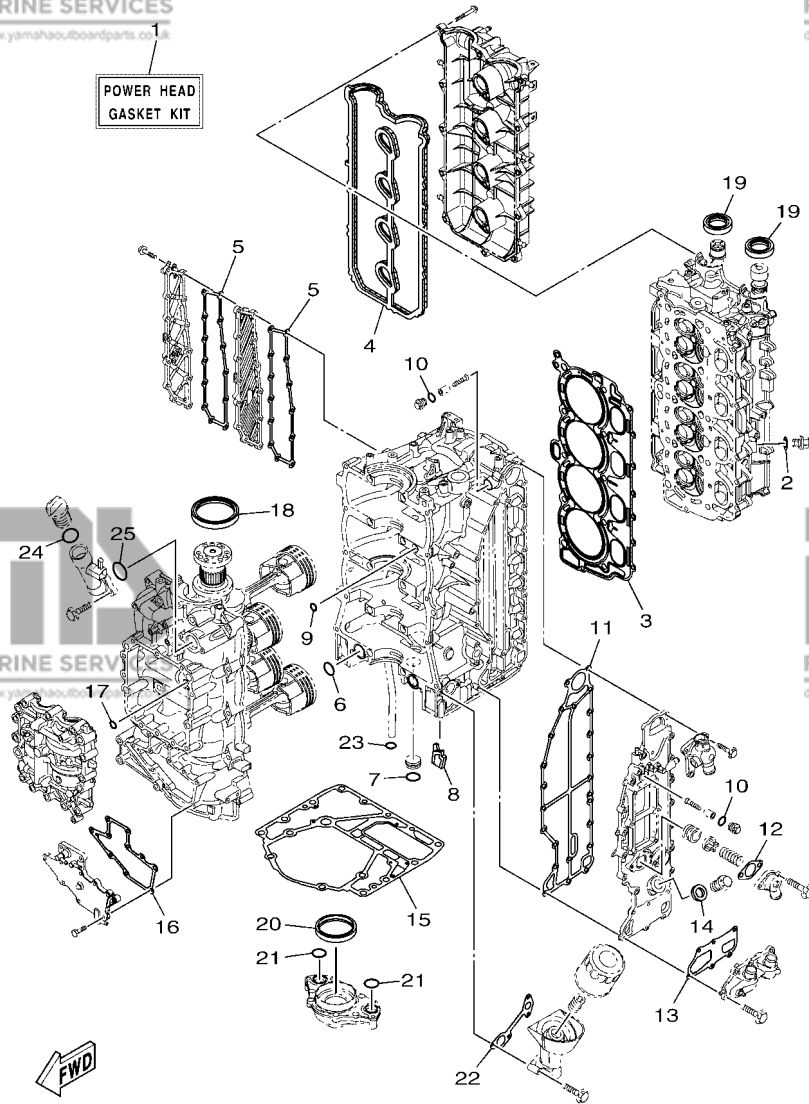
**PIECES OPTIONNELLES 2**

REF. NO.	PART NO. N° PIECES	DESCRIPTION DESCRIPTION	6FAG	REMARKS REMARQUES
1	63P-825E0-01	TILT LIMIT SWITCH ASSY COMMUNTEUR, LIMIT INCLINAISON	1	
2	97E95-06516	BOLT, HEXAGON W/W DEEP RECESS VIS HEXAGONAL AVC RONDELLE	2	
3	90159-05059	SCREW, WITH WASHER VIS, AVEC RONDELLE	1	
4	90387-05004	COLLAR COLLERETTE	1	
5	90465-11M10	CLAMP BRIDE	5	



6DA4100-Q370

POWER HEAD  
GASKET KIT



6FA1100-N380

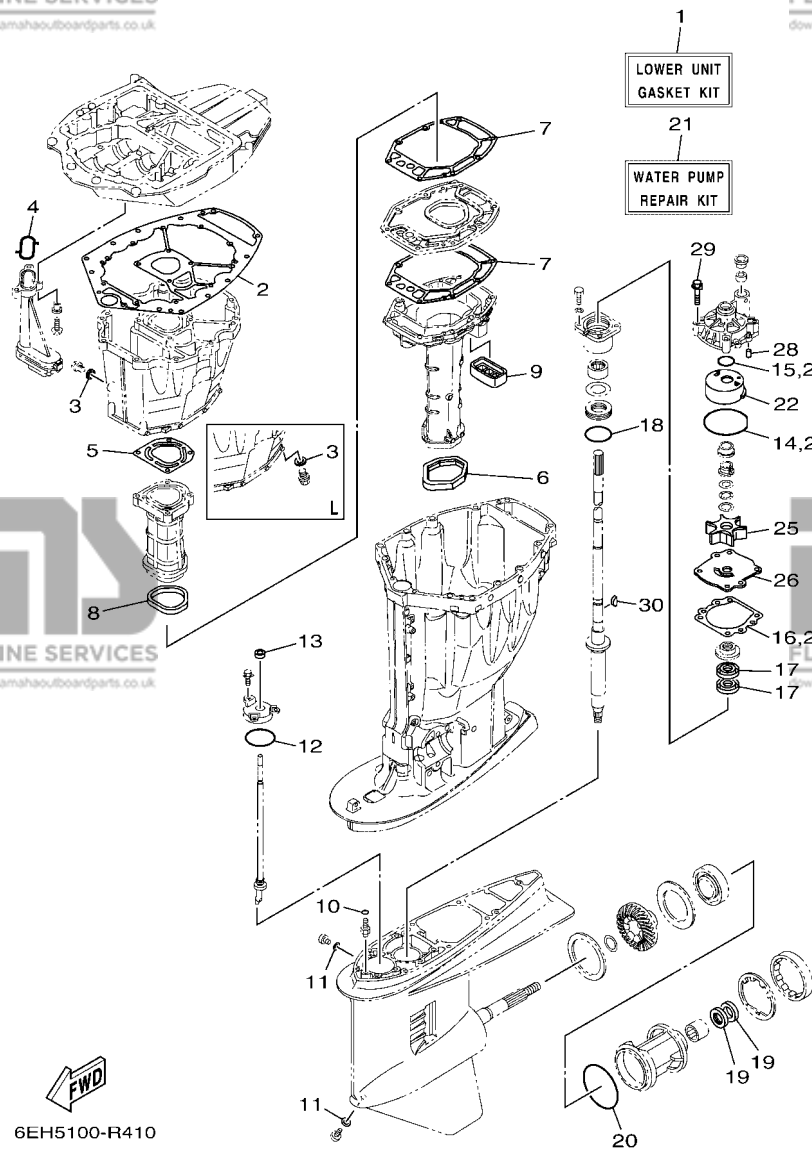
FIG. 38 REPAIR KIT 1

KITS DE REPARATION 1

REF. NO.	PART NO. N° PIECES	DESCRIPTION DESCRIPTION	6FAG	REMARKS REMARQUES
1	6FA-W0001-01	POWER HEAD GASKET KIT POCHETTE DE JINTS TETE MOTRICE	1	
2	90430-14115	.GASKET .JOINT	1	
3	6DA-11181-00	.GASKET, CYLINDER HEAD 1 .JOINT, DE CULASSE 1	1	
4	6DA-11193-00	.GASKET, HEAD COVER 1 .JOINT, COUVERCLE DE CULASSE 1	1	
5	6DA-15353-01	.GASKET, DRAIN .JOINT, PLOT DE VIDANGE	2	
6	93210-25552	.O-RING .JOINT TORIQUE	2	
7	93210-25647	.O-RING .JOINT TORIQUE	1	
8	6DA-14664-00	.GROMMET, WATER SHUT .PASSE-FIL	1	
9	93210-12648	.O-RING .JOINT TORIQUE	1	
10	93210-13M63	.O-RING .JOINT TORIQUE	2	
11	6DA-41114-01	.GASKET, EXHAUST OUTER COVER .JOINT, COUVERCLE D'ECHAPPEMENT	1	
12	60V-11382-A0	.GASKET 2 .JOINT 2	1	
13	6DA-11381-01	.GASKET 1 .JOINT 1	1	
14	90201-186F1	.WASHER, PLATE .RONDELLE, PLATE	1	
15	63P-11351-03	.GASKET, CYLINDER .JOINT, D'EMBASE	1	
16	6DA-15451-01	.GASKET, CRANKCASE COVER 1 .JOINT, COUVERCLE DE CARTER 1	1	
17	93210-08001	.O-RING .JOINT TORIQUE	1	
18	93102-85008	.OIL SEAL .JOINT SPY	1	
19	93102-38008	.OIL SEAL .JOINT SPY	2	
20	6CB-11355-00	.SEAL, CYLINDER 1 .JOINT, SPY CYLINDRE	1	
21	93210-25552	.O-RING .JOINT TORIQUE	2	
22	6DA-13475-00	.GASKET .JOINT	1	
23	93210-19MJ3	.O-RING .JOINT TORIQUE	1	
24	93210-24M79	.O-RING .JOINT TORIQUE	1	
25	93210-357A3	.O-RING .JOINT TORIQUE	1	

FIG. 39 REPAIR KIT 2

KITS DE REPARATION 2



6EH5100-R410

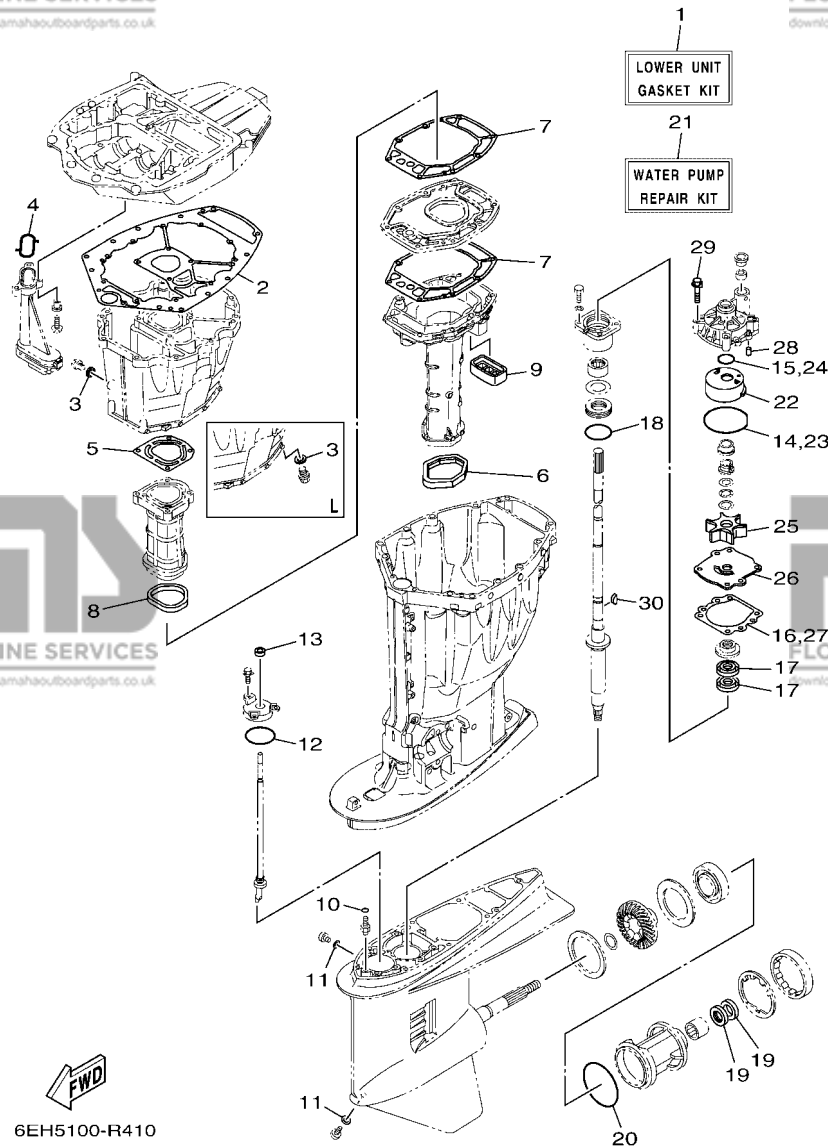
REF. NO.	PART NO. N° PIECES	DESCRIPTION DESCRIPTION	6FAG	REMARKS REMARQUES
1	63P-W0001-21	LOWER UNIT GASKET KIT POCHETTE DE JOINTS EMBASE	1	
2	63P-15312-02	.GASKET, OIL PAN .JOINT DE VENTILATEUR D'HUILE	1	
3	90430-14M09	.GASKET .JOINT	1	
4	63P-13415-00	.SEAL, OIL STRAINER .JOINT, FILTRE A HUILE	1	
5	63P-41133-A0	.GASKET, EXHAUST MANIFOLD 1 .JOINT, PIPE D'ECHAPPEMENT	1	
6	69J-45123-00	.GASKET, MUFFLER .JOINT, POT DE DETENTE	1	
7	63P-41134-A1	.GASKET, EXHAUST MANIFOLD .JOINT, PIPE D'ECHAPPEMENT	2	
8	63P-41138-00	.SEAL, EXT. 1 .JOINT DE GROUPE 1	1	
9	69J-45127-00	.SEAL .JOINT	1	
10	93210-07003	.O-RING .JOINT TORIQUE	2	
11	90430-08003	.GASKET .JOINT	2	
12	93210-58144	.O-RING .JOINT TORIQUE	1	
13	93106-09014	.OIL SEAL .JOINT SPY	1	
14	93210-86M38	.O-RING .JOINT TORIQUE	1	
15	93210-37160	.O-RING .JOINT TORIQUE	1	
16	6E5-44315-A0	.GASKET, WATER PUMP .JOINT, POMPE A EAU	1	
17	93101-28M16	.OIL SEAL .JOINT SPY	2	
18	93210-55M14	.O-RING .JOINT TORIQUE	1	
19	93101-30M17	.OIL SEAL .JOINT SPY	2	
20	93210-97M55	.O-RING .JOINT TORIQUE	1	
21	61A-W0078-A3	WATER PUMP REPAIR KIT KIT DE REPARATION DE LA POMPE	1	
22	61A-44322-02	.INSERT, CARTRIDGE .CUVETTE	1	
23	93210-86M38	.O-RING .JOINT TORIQUE	1	
24	93210-37160	.O-RING .JOINT TORIQUE	1	
25	6E5-44352-01	.IMPELLER .TURBINE	1	
26	6G5-44323-01	.OUTER PLATE, CARTRIDGE .PLAQUE EXTERIEURE	1	
27	6E5-44315-A0	.GASKET, WATER PUMP .JOINT, POMPE A EAU	1	



**FIG. 39 REPAIR KIT 2**

**KITS DE REPARATION 2**

REF. NO.	PART NO. N° PIECES	DESCRIPTION DESCRIPTION	6FAG	REMARKS REMARQUES
28	93606-12019	.PIN, DOWEL .GOUPILLE	2	
29	90119-08M14	.BOLT, WITH WASHER .BOULON, AVEC RONDELLE	4	
30	90280-04M05	.KEY, WOODRUFF .CLAVETTE, DEMI-LUNE	1	



6EH5100-R410

PART NO. N° PIECES	REF. NO.
6FA-11110-02-9S	5 - 2
6DA-11133-00	5 - 3
6DA-11181-00	5 - 17
	38 - 3
6DA-11191-00	5 - 22
6DA-11193-00	5 - 23
	38 - 4
6G8-11197-A0	6 - 1
67F-11301-00	5 - 11
69J-11301-00	6 - 15
68T-11325-00	1 - 3
	6 - 2
6E5-11325-00	1 - 2
	1 - 6
	3 - 8
	3 - 29
67F-11325-01	1 - 1
	1 - 4
	5 - 12
	6 - 16
67F-11328-00	5 - 13
	6 - 17
63P-11351-03	3 - 19
	38 - 15
6CB-11355-00	32 - 16
	38 - 20
6G5-11372-00	6 - 11
6DA-11381-01	6 - 22
	38 - 13
60V-11382-A0	6 - 13
	38 - 12
6DA-11410-00	4 - 1
6DA-11416-00	4 - 5
6DA-11416-10	4 - 5
6DA-11416-20	4 - 5
6DA-11417-00	4 - 6
6DA-11417-10	4 - 6
6DA-11417-20	4 - 6
6DA-11426-00	4 - 7
6DA-11427-00	4 - 8
6CB-11478-00	4 - 2
6DA-11500-00	3 - 20
63P-11512-00	3 - 23
6FA-11567-00	8 - 15
6DA-11590-00	8 - 18
6DA-11595-00	8 - 21
6FA-115A0-00	8 - 13
6CB-11603-00	4 - 12

PART NO. N° PIECES	REF. NO.
6DA-11631-20-94	4 - 11
6CB-11633-00	4 - 13
6CB-11654-00	4 - 10
6CB-11656-00	4 - 15
6CB-11656-10	4 - 15
6CB-11656-20	4 - 15
6DA-11998-00	25 - 21
6DA-11999-00	25 - 23
6CB-12111-00	8 - 1
6CB-12113-00	8 - 4
51Y-12119-00	8 - 7
6DA-12121-00	8 - 2
6FA-12171-00	8 - 9
6DA-12181-00	8 - 11
6DA-12411-01	1 - 5
	6 - 25
6AW-12412-00	6 - 26
6DA-12413-A0-9S	6 - 27
60H-12416-00	6 - 8
6DA-1241B-A0-9S	6 - 47
6DA-1243A-00	6 - 12
6DA-1243E-00	6 - 28
6DA-1244H-00	6 - 30
6DA-12491-00	6 - 34
6DA-12527-00-9S	6 - 21
6DA-12552-00	7 - 13
6AW-12572-00	25 - 4
6DA-12576-00	7 - 1
	11 - 6
6DA-12578-00	7 - 6
6DA-12579-00	7 - 11
6R3-12581-00	25 - 5
6AW-12582-00	25 - 6
6R3-12583-00	25 - 7
6DA-12589-00	7 - 2
	7 - 15
6S5-12858-00	6 - 38
6CB-13016-00	1 - 10
	12 - 5
6AW-13119-00	32 - 14
6AW-13132-00	12 - 25
6DA-13152-00	9 - 3
6DA-13160-01	10 - 6
6DA-13161-01	10 - 7
6DA-13300-00	32 - 12
6DA-13329-00	32 - 13
63P-13411-00	32 - 8
63P-13415-00	32 - 10

NUMERICAL INDEX  
INDEX NUMERIQUE

PART NO. N° PIECES	REF. NO.
63P-13415-00	39 - 4
63P-13437-63	16 - 27
69J-13440-03	1 - 8
	6 - 37
6DA-13446-01	6 - 39
6DA-13475-00	6 - 40
	38 - 22
63P-13490-00	3 - 31
6DA-13532-00	11 - 1
6DA-13545-00	11 - 18
68V-13546-10	11 - 20
6FA-13547-00	11 - 24
6FA-13548-00	11 - 21
6DA-13564-00	10 - 4
6AW-13577-10	10 - 10
6CB-13593-00	12 - 22
	26 - 37
69J-13631-00	32 - 15
6DA-13641-00	9 - 11
6DA-13645-00	9 - 13
6DA-13646-00	9 - 12
63P-13716-00	12 - 21
69J-13716-00	26 - 36
6DA-13751-01	9 - 1
6DA-13761-00	10 - 8
6AW-13781-00	12 - 29
6AW-13784-00	12 - 32
6DA-13881-00	9 - 19
6DA-13892-00	12 - 11
6DA-13893-00	12 - 12
6CB-13906-01	12 - 8
6P2-13907-20	12 - 23
63P-13915-00	1 - 11
	12 - 24
6AW-1410B-00	10 - 9
6DA-14146-00	12 - 10
6P2-14149-00	12 - 35
6DA-14180-01	12 - 1
6DA-14181-00	12 - 14
6DA-14182-00	12 - 2
6P2-14191-00	12 - 15
6CB-14216-00	12 - 6
6CB-14239-00	12 - 16
6P2-14386-00	12 - 31
6P2-1441J-00	9 - 7
6CB-14429-01	12 - 18
6DA-14440-00	9 - 5
6CB-1447B-00	12 - 28

PART NO. N° PIECES	REF. NO.
6CB-14546-00	12 - 27
6CB-14564-00	12 - 9
63P-14567-00	12 - 20
69J-14624-01	31 - 25
6DA-14664-00	3 - 15
	38 - 8
6DA-14711-01	31 - 12
6DA-14711-11	31 - 12
6DA-1475A-00	11 - 11
6DA-1475F-00	11 - 13
6DA-1475G-00	11 - 16
6CB-14984-00	1 - 12
	12 - 30
6CB-14985-00	12 - 26
6CB-14989-00	11 - 15
6DA-15109-01-9S	3 - 2
6DA-15311-01	32 - 2
63P-15311-03	32 - 2
63P-15312-02	32 - 1
	39 - 2
	32 - 5
63P-15316-00	31 - 27
6BB-15316-00	6 - 44
6DA-15319-00	3 - 7
6DA-15353-01	38 - 5
	32 - 19
6DA-15362-00	6 - 42
6G8-15363-00	9 - 9
6DA-15373-00	9 - 9
6DA-15377-00	32 - 20
6DA-15411-00-9S	3 - 24
6DA-15414-00-9S	3 - 4
6DA-15423-00-9S	3 - 6
6DA-15451-01	3 - 25
	38 - 16
6DA-2134X-00	10 - 30
63D-21744-00	11 - 23
6E5-21744-00	11 - 22
6DA-2416A-00	11 - 14
6P2-24170-00	10 - 27
63P-2419A-01	10 - 28
6CB-24217-00	12 - 7
6DA-24310-00	13 - 2
6DA-24313-00	14 - 19
6DA-24314-00	14 - 3
6DA-24317-00	13 - 11
6DA-24323-00	13 - 14
6DA-24324-00	13 - 8
6E5-24351-51	14 - 4

PART NO. N° PIECES	REF. NO.
6YK-24360-73	15 - 1
6CE-24377-00	7 - 3
	11 - 7
6AW-24377-01	14 - 2
688-24378-00	11 - 19
6CE-24378-00	6 - 29
6E5-24378-00	13 - 10
69J-24379-00	12 - 13
6CB-24410-01	10 - 15
6DA-24425-00	10 - 13
6DA-24426-00	10 - 18
6CB-24452-10	12 - 17
4SV-24453-00	12 - 33
6CB-24460-00	12 - 4
6CB-24462-00	10 - 23
6P3-24469-00	14 - 11
6CB-24482-00	12 - 19
6DA-42541-00	10 - 17
6DA-24492-00	10 - 16
6CB-24501-01	1 - 9
	12 - 3
6P3-24519-00	14 - 12
6P3-24560-03	14 - 8
6P3-24562-03	14 - 10
6P3-24563-01	1 - 13
	14 - 9
6P3-24564-00	1 - 14
	14 - 13
6DA-24566-00	14 - 14
6DA-24596-00	14 - 6
69J-28100-02	14 - 21
6CB-2812A-00	17 - 29
6DA-28199-76-D0	14 - 22
6DA-28199-76-E0	14 - 22
6DA-28199-76-F0	14 - 22
6DA-28199-76-G0	14 - 22
6DA-28199-76-H0	14 - 22
6DA-28199-76-S0	14 - 22
6DA-28199-86-K0	14 - 23
6DA-28199-86-L0	14 - 23
6DA-28199-86-M0	14 - 23
6DA-28199-86-N0	14 - 23
6DA-28199-86-P0	14 - 23
6DA-28199-86-R0	14 - 23
6DA-41113-00-9S	6 - 5
6DA-41114-01	6 - 6
	38 - 11
63P-41131-02	31 - 9

PART NO. N° PIECES	REF. NO.
63P-41133-A0	31 - 10
	39 - 5
63P-41134-A1	31 - 16
	39 - 7
63P-41137-05	31 - 1
63P-41138-00	31 - 18
	39 - 8
6BG-42384-00	25 - 2
6DA-42384-00	23 - 23
6DA-42510-00-8D	28 - 8
6DA-42510-10-8D	28 - 8
6DA-42541-00	25 - 8
6FA-42610-01	2 - 1
6DA-42615-00	23 - 5
6DA-42617-00	16 - 26
6DA-4261A-01	2 - 2
6CB-42647-A0	2 - 3
6CB-42662-00	25 - 25
6DA-42662-00	3 - 33
6AW-42663-00	2 - 9
6DA-42675-00	2 - 14
6DA-42676-00	2 - 15
6FA-42677-00	2 - 16
6FA-42678-00	2 - 13
63P-42681-20	2 - 17
6DA-42697-00	2 - 12
6DA-42710-00-8D	23 - 1
648-42715-00	26 - 28
63P-42716-00	23 - 6
6DA-42717-00	23 - 22
69J-42723-01	20 - 13
6E5-42724-00	31 - 7
6DA-42725-00	23 - 2
6H1-42726-21	25 - 1
61A-42727-00	23 - 26
6DA-42740-01	24 - 1
6DA-42741-11-8D	24 - 1
6DA-42744-00	3 - 32
6BG-42748-00	16 - 16
6H4-42748-00	23 - 24
68F-42753-00	23 - 30
63P-42756-00	25 - 12
6CB-42761-00	23 - 3
6DA-42769-00	31 - 8
6DA-42770-01	24 - 2
6EE-42794-40	23 - 32
6EE-42794-50	23 - 33
6DA-42815-01-8D	23 - 7

PART NO. N° PIECES	REF. NO.
6DA-42816-02-8D	23 - 8
6DA-42817-02-8D	23 - 9
6CB-42818-00	23 - 13
6CB-42819-00	23 - 14
64E-43111-02-8D	27 - 1
64E-43112-02-8D	27 - 7
64E-43126-00	27 - 35
64E-43131-30	27 - 11
64E-43139-10	28 - 1
66T-43144-00	23 - 17
6G5-43144-00	27 - 25
6E5-43145-01	35 - 8
6G5-43148-00	27 - 30
6G5-43181-02	27 - 27
6G5-43185-02	27 - 28
64E-43311-10-8D	27 - 21
64E-43311-20-8D	27 - 21
63P-43338-10	29 - 54
61A-43376-00	28 - 6
63P-43800-20	29 - 1
63P-43801-10	29 - 4
63P-43802-20	29 - 37
6EK-43804-11	30 - 3
6EK-43805-01	30 - 2
6EK-4380F-00	30 - 6
63P-4380L-20	29 - 2
63P-4380P-20	29 - 9
63P-43810-20	29 - 3
63P-43811-20	29 - 6
63P-43814-20	29 - 13
6CJ-43816-00	29 - 61
63P-43816-10	29 - 20
6BC-43818-00	27 - 19
63P-4381C-20	29 - 41
63P-4381J-10	29 - 62
63P-43820-20	29 - 26
63P-43821-20	29 - 25
63P-43822-20	29 - 23
6CJ-43829-10	29 - 17
63P-4382A-10	29 - 31
63P-4382C-20	29 - 15
63P-43830-20	29 - 42
69J-43831-00	29 - 66
6H1-43841-11	29 - 18
63P-43843-10	29 - 53
6H1-43844-10	29 - 45
63P-43844-20	29 - 51
63P-43845-20	29 - 34

NUMERICAL INDEX  
INDEX NUMERIQUE

PART NO. N° PIECES	REF. NO.	PART NO. N° PIECES	REF. NO.
6DA-44361-00	34 - 1	63P-45378-00	33 - 12
6DA-44361-10	34 - 1	63P-45379-00	31 - 35
6E5-44365-00	33 - 28	6G5-45383-01	33 - 67
	34 - 3	6G5-45384-02	33 - 68
6E5-44366-00	31 - 30	63P-45501-01	33 - 44
6P2-44391-00	23 - 25	6DA-45501-10	33 - 44
63P-44511-00	28 - 37	61A-45527-00	33 - 23
6DA-44514-00	28 - 28	6G5-45536-01	33 - 9
6DA-44526-00	28 - 32	61A-45538-00	33 - 20
6G5-44526-00	27 - 3	6DA-45551-00	33 - 45
6DA-44532-00	28 - 33	6DA-45560-00	33 - 47
69J-44533-00	28 - 22	6G5-45567-01	33 - 5
68V-44551-00-8D	28 - 13	6G5-45567-10	33 - 5
6DA-44551-00-CA	28 - 13	6G5-45567-20	33 - 5
6DA-44552-00-CA	28 - 25	6G5-45567-30	33 - 5
63P-44553-00-8D	28 - 25	6G5-45567-40	33 - 5
60V-44555-00	28 - 16	6G5-45567-50	33 - 5
63P-44555-00	28 - 16	6G5-45567-60	33 - 5
63P-44556-00-8D	28 - 26	6DA-45571-00	33 - 59
61A-44575-00	28 - 15	6G5-45576-10	33 - 60
6DA-44575-00	28 - 15	6G5-45577-02	33 - 64
6DA-45111-00-8D	31 - 20	6G5-45577-10	33 - 64
6DA-45111-10-8D	31 - 20	6G5-45577-20	33 - 64
69J-45123-00	31 - 13	6G5-45577-30	33 - 64
	39 - 6	6G5-45577-40	33 - 64
69J-45127-00	31 - 19	6G5-45577-50	33 - 64
	39 - 9	6G5-45577-60	33 - 64
6BB-45152-01	31 - 28	6E5-45587-01	33 - 39
6C5-45155-00	31 - 31	6E5-45587-10	33 - 39
6DA-45155-00	31 - 31	6E5-45587-20	33 - 39
63P-45181-02	31 - 17	6E5-45587-30	33 - 39
6J9-45214-00	34 - 8	6E5-45587-40	33 - 39
6J9-45215-00	34 - 9	6E5-45587-50	33 - 39
6AW-45251-00	1 - 15	6E5-45587-60	33 - 39
	27 - 2	6J9-45611-01	33 - 48
6DA-45300-01-8D	33 - 1	6DA-45631-00	33 - 55
6DA-45300-12-8D	33 - 1	6E5-45633-01	33 - 56
6J9-45301-07-8D	33 - 2	6E5-45634-02	33 - 49
6E5-45318-00	31 - 23	68F-45970-20	34 - 19
6E5-45321-00	33 - 14	68F-45972-20	34 - 19
6E5-45331-00-9S	33 - 36	68F-45974-20	34 - 19
6J9-45332-00-CA	33 - 57	68F-45976-20	34 - 19
688-45341-10	33 - 7	68F-45978-20	34 - 19
6E5-45344-00	33 - 42	63P-45987-00	34 - 14
6J9-45371-01	1 - 17	688-45997-01	34 - 15
	34 - 12	6CE-45C81-10	34 - 20
688-45375-00	33 - 11	6Y8-48277-00	36 - 16
663-45376-00	33 - 10	6E5-48344-00	26 - 5

PART NO. N° PIECES	REF. NO.
6E5-48344-00	26 - 39
6DA-48531-00	26 - 1
6E5-48538-00	26 - 3
6E5-61350-02	35 - 1
6E5-61351-01	35 - 2
6E5-61355-00	35 - 5
6DA-8132G-01	16 - 19
6DA-81337-00	16 - 12
6DA-81410-00	16 - 3
6DA-81639-00	17 - 18
6CB-81800-01	22 - 1
69J-81801-11	22 - 5
6CB-81807-00	22 - 8
6CB-81809-00	22 - 14
6DA-81810-00	22 - 3
67F-81813-00	22 - 6
6CB-81820-00	22 - 7
67F-81821-00	22 - 11
6DA-81822-00	21 - 6
6CB-81826-00	22 - 22
69J-81828-00	22 - 23
67F-81830-00	22 - 16
6CB-81832-00	22 - 9
6CB-81836-00	22 - 10
6C5-81839-00	22 - 19
67F-8183R-00	22 - 13
60V-8183T-00	22 - 17
6P2-8183X-00	18 - 5
69J-81840-11	22 - 4
67F-81841-00	22 - 12
6CB-81842-00	22 - 18
67F-81846-00	22 - 24
67F-81850-00	22 - 2
6C5-81869-00	22 - 21
67F-81891-00	22 - 15
6DA-81919-10	17 - 35
60V-81925-00	21 - 4
6C5-81941-00	22 - 20
6DA-81942-00	18 - 11
6DA-81948-01	17 - 5
69J-81949-02	20 - 21
63P-81950-00	18 - 4
6DA-81952-10	17 - 11
6DA-81960-10	18 - 1
6DA-81975-01	18 - 2
6EE-81994-40	16 - 28
6EE-81994-50	16 - 29
6AH-81996-00	23 - 34

PART NO. N° PIECES	REF. NO.
6DA-82105-01	18 - 22
6P2-82113-00	17 - 30
6E5-821148-00	27 - 5
	27 - 8
66K-82149-00	27 - 24
6DA-82149-00	27 - 24
6CB-82151-00	17 - 24
6CB-82151-10	17 - 25
6CB-82151-20	17 - 26
6CB-82151-30	17 - 27
6CB-82151-40	17 - 23
6DA-82170-10	17 - 22
63P-82181-20	30 - 5
6CB-82310-00	19 - 5
6DA-82314-00	19 - 7
6A0-82317-00	16 - 15
6DA-82388-00	18 - 16
	21 - 9
6DA-82389-00	18 - 17
6D8-82389-01	19 - 1
6DA-82398-01	16 - 23
6Y8-82509-10	36 - 8
6Y8-82521-11	36 - 15
6DA-8252U-00	17 - 20
6DA-82553-00	20 - 9
6P2-82560-01	18 - 13
69J-82563-01	20 - 12
6DA-8257V-00	17 - 32
68F-82582-00	21 - 5
6DA-82582-00	20 - 2
6DA-82582-10	20 - 3
6Y8-82582-11	20 - 4
69J-82587-00	20 - 14
6E9-82588-00	18 - 14
61A-82588-01	26 - 10
6FA-82590-10	20 - 1
60V-8259F-00	26 - 31
69J-8259F-00	26 - 9
6DA-8259M-10	20 - 8
63P-825E0-01	37 - 1
6X4-83383-00	36 - 5
6X4-83386-00	36 - 6
6E5-83558-00	31 - 32
6DA-83614-00	20 - 16
63P-83614-01	20 - 15
6AW-83651-00	20 - 11
6DA-8366G-00	25 - 15
67H-83672-01	28 - 3

PART NO. N° PIECES	REF. NO.
68F-83688-10	9 - 15
6Y8-8454G-00	36 - 11
6P2-85075-00	19 - 10
68F-85119-00	17 - 9
	17 - 14
60V-85516-00	10 - 21
68F-85516-01	17 - 7
	17 - 12
6CB-85544-10	17 - 28
689-85547-00	14 - 1
6DA-85548-10	17 - 15
6DA-85561-00	16 - 6
6CB-85580-00	16 - 5
6CJ-85780-00	20 - 18
6CB-85790-00	20 - 10
6P2-85896-00	19 - 9
6FA-8591A-20	17 - 1
6DA-85991-00	17 - 3
6C5-86120-00	10 - 31
6Y8-86260-03	36 - 2
6AA-86261-01	36 - 3
6Y8-86267-00	36 - 1
6DA-8A410-01	26 - 35
KOF-A3233-00	4 - 14
KOF-A3741-00	8 - 5
KOF-A3742-00	8 - 6
KOF-A3743-00	8 - 3
KOF-A3751-00	8 - 8
KOF-A3751-10	8 - 8
KOF-A3751-20	8 - 8
KOF-A3751-30	8 - 8
KOF-A3751-40	8 - 8
KOF-A3751-50	8 - 8
KOF-A3751-60	8 - 8
KOF-A3751-70	8 - 8
KOF-A3751-80	8 - 8
KOF-A3751-90	8 - 8
KOF-A3751-A0	8 - 8
KOF-A3751-B0	8 - 8
KOF-A3751-C0	8 - 8
KOF-A3751-D0	8 - 8
KOF-A3751-E0	8 - 8
KOF-A3751-F0	8 - 8
KOF-A3751-G0	8 - 8
KOF-A3751-H0	8 - 8
KOF-A3751-J0	8 - 8
KOF-A3751-K0	8 - 8
KOF-A3751-L0	8 - 8

PART NO. N° PIECES	REF. NO.
K0F-A3751-M0	8 - 8
K0F-A3751-N0	8 - 8
K0F-A3751-P0	8 - 8
K0F-A3751-R0	8 - 8
K0F-A3751-S0	8 - 8
K0F-A3751-T0	8 - 8
K0F-A3753-00	8 - 8
K0F-A3753-10	8 - 8
K0F-A3753-20	8 - 8
K0F-A3753-30	8 - 8
K0F-A3753-40	8 - 8
K0F-A3753-50	8 - 8
K0F-A3753-60	8 - 8
K0F-A3753-70	8 - 8
6FA-W0001-01	38 - 1
63P-W0001-21	39 - 1
61A-W0078-A3	1 - 19
	39 - 21
6FA-W009A-02-9S	5 - 1
6DA-W009B-11-9S	3 - 1
6CB-W1165-00	4 - 9
6DA-W4624-00	8 - 17
6DA-W8145-00	16 - 1
6EK-W9010-00	16 - 2
90101-12047	27 - 40
90101-12M05	27 - 40
	27 - 40
90101-14005	28 - 21
90105-06028	3 - 5
	6 - 7
	6 - 23
	6 - 31
90105-06037	6 - 46
90105-06054	10 - 3
90105-06151	5 - 21
	6 - 41
90105-06196	3 - 34
90105-06M07	5 - 14
	6 - 18
90105-06M08	10 - 11
	10 - 14
90105-08175	3 - 22
	5 - 20
90105-08M87	21 - 8
90105-10406	3 - 17
	3 - 21
90105-10M00	34 - 13
90105-14009	28 - 30

NUMERICAL INDEX  
INDEX NUMERIQUE

PART NO. N° PIECES	REF. NO.
90105-14012	28 - 21
90109-08019	26 - 33
90111-06142	24 - 4
90111-06144	24 - 3
90111-08078	2 - 4
90119-06078	6 - 36
90119-06126	26 - 38
90119-06269	10 - 12
90119-06M10	33 - 17
90119-06M17	10 - 20
	10 - 35
	14 - 15
90119-06M18	31 - 36
90119-06M61	16 - 18
90119-06M81	3 - 14
90119-06MA3	3 - 26
	6 - 14
90119-07001	5 - 7
90119-07234	5 - 8
90119-08020	9 - 14
90119-08102	31 - 2
90119-08M14	33 - 35
	39 - 29
90119-08M22	23 - 21
90119-08M58	31 - 5
90119-08M66	3 - 18
90119-10007	31 - 21
90119-10024	28 - 29
90119-10050	8 - 14
90119-10054	27 - 18
90119-10058	28 - 27
90119-10M07	8 - 19
90119-10MA2	34 - 7
90149-11001	5 - 19
90151-05M05	6 - 3
90152-05M08	34 - 10
90159-05059	28 - 2
	37 - 3
90159-06053	24 - 9
90159-06M28	24 - 3
90167-06M00	36 - 12
90169-05M00	17 - 21
	18 - 12
90170-16M01	33 - 46
90171-18M04	34 - 17
90173-06001	24 - 7
90176-14002	28 - 23
90179-08003	21 - 3

PART NO. N° PIECES	REF. NO.
90183-061A8	24 - 8
90185-05002	34 - 11
90185-09M01	35 - 6
90185-14M00	28 - 34
90185-22M11	27 - 15
90201-06M30	36 - 13
90201-10060	27 - 17
90201-10M20	35 - 7
90201-12426	27 - 42
90201-13M01	27 - 41
90201-156J2	23 - 11
90201-15M58	28 - 20
90201-16M01	28 - 31
90201-16M55	28 - 19
90201-186F1	6 - 33
	38 - 14
90201-22M01	33 - 21
90201-26M59	27 - 14
90201-30M92	33 - 65
90201-35008	28 - 17
90201-38M60	28 - 9
90202-08M20	26 - 14
90202-16061	26 - 21
	34 - 4
90202-32M19	28 - 18
90202-40M47	28 - 12
90206-15M18	23 - 12
90206-22M19	33 - 22
90249-06M19	27 - 31
90250-08M07	33 - 54
90269-07003	23 - 27
90280-04M05	33 - 31
	39 - 30
90282-04M00	33 - 66
90338-25004	3 - 12
90340-08002	33 - 6
90340-14M06	5 - 9
	32 - 6
90340-18M09	6 - 32
90344-51019	5 - 4
90386-06M12	26 - 17
90386-10M16	17 - 29
90386-12069	26 - 30
90386-15M73	23 - 10
90386-16M66	26 - 20
90386-22M98	27 - 20
	27 - 36
90386-25M31	27 - 13

PART NO. N° PIECES	REF. NO.
90386-38M32	28 - 11
90387-05004	37 - 4
90387-06176	17 - 8
	17 - 13
90387-06263	32 - 9
90387-06283	10 - 1
90387-06289	10 - 22
	10 - 34
	14 - 17
90387-06M43	24 - 11
90387-06M69	16 - 17
90387-07028	24 - 6
90387-08M37	23 - 20
90387-08M45	2 - 7
90387-10094	2 - 5
90387-10M05	27 - 32
90387-10M61	35 - 3
90387-11005	5 - 18
90387-14004	28 - 38
90430-06M03	5 - 15
	6 - 19
90430-08003	1 - 16
	33 - 8
	39 - 11
90430-14115	5 - 10
	38 - 2
90430-14M09	1 - 7
	32 - 7
	39 - 3
90445-07018	31 - 34
90445-09008	7 - 4
90445-09120	11 - 3
90445-10056	11 - 8
90445-10057	7 - 14
90445-23002	34 - 2
90462-12013	25 - 19
90464-07M41	11 - 2
90464-09008	18 - 21
90464-09020	7 - 10
90464-09130	10 - 26
	16 - 21
	16 - 25
90464-09142	7 - 9
90464-09M21	7 - 5
90464-09M31	7 - 12
90464-10011	11 - 17
90464-11121	10 - 24
90464-12002	16 - 4

PART NO. N° PIECES	REF. NO.
90464-12010	7 - 8
	13 - 9
90464-12089	18 - 3
90464-12183	9 - 10
	9 - 22
	17 - 6
	18 - 8
90464-13013	13 - 18
90464-13249	18 - 20
	19 - 4
	25 - 13
90464-13260	13 - 17
90464-15007	13 - 5
90464-16001	11 - 12
	11 - 26
	11 - 27
90464-16003	13 - 4
90464-18004	11 - 25
	13 - 16
	25 - 18
90464-18246	18 - 10
	25 - 17
90464-20181	6 - 35
	9 - 21
	13 - 1
	16 - 22
	17 - 16
	18 - 19
	19 - 3
	21 - 10
90464-20258	23 - 31
90464-21256	25 - 9
90464-26001	20 - 19
90464-28003	20 - 20
90464-32002	17 - 34
90464-99004	9 - 8
90465-08M63	13 - 6
	27 - 22
90465-08M83	7 - 16
90465-11M10	7 - 7
	10 - 25
	11 - 4
	11 - 5
	11 - 9
	13 - 13
	13 - 15
	14 - 5
	14 - 20

PART NO. N° PIECES	REF. NO.
90465-11M10	25 - 3
	25 - 10
	27 - 16
	28 - 5
	31 - 33
	36 - 10
	37 - 5
90465-11M59	6 - 24
	6 - 48
	20 - 7
90465-13M97	16 - 9
90467-09M09	11 - 10
90467-120A7	13 - 9
	13 - 12
90468-18008	26 - 6
	26 - 15
	26 - 40
90480-12314	10 - 2
	16 - 14
	19 - 8
90480-13163	23 - 28
90480-13M24	24 - 10
90480-14031	10 - 33
90480-15013	14 - 16
90480-16009	24 - 5
90480-16025	16 - 13
90480-20M05	6 - 10
90480-22M81	23 - 19
90501-12082	26 - 27
90501-16M11	6 - 9
90501-16M37	33 - 50
90506-16003	27 - 34
90506-18025	8 - 20
90506-22001	23 - 16
90508-20M31	26 - 29
90560-12M01	35 - 4
91312-04020	29 - 57
91312-05035	29 - 63
91380-06025	29 - 67
91490-40030	34 - 18
91609-16010	29 - 11
91690-30010	26 - 4
	26 - 25
91690-30020	27 - 33
91690-40010	3 - 10
	3 - 27
91809-08006	5 - 6
91814-18002	3 - 3

PART NO. N° PIECES	REF. NO.
92903-08100	18 - 25
92990-06100	2 - 10
92990-08600	2 - 6
92990-18200	34 - 16
92995-05100	9 - 17
92995-05600	9 - 18
92995-14600	28 - 24
	28 - 36
93101-28M16	33 - 37
	39 - 17
93101-30M17	33 - 62
	39 - 19
93102-38008	8 - 16
	38 - 19
93102-85008	4 - 4
	38 - 18
93106-09014	33 - 16
	39 - 13
93106-19N50	29 - 5
93210-04279	36 - 9
93210-064A5	29 - 40
	29 - 50
93210-07003	33 - 13
	39 - 10
93210-07N51	29 - 47
93210-08001	3 - 30
	38 - 17
93210-09165	26 - 19
	29 - 16
93210-11N52	29 - 21
93210-12327	29 - 35
93210-12648	3 - 16
	38 - 9
93210-12N52	29 - 38
93210-13M63	6 - 4
	23 - 29
	38 - 10
93210-16275	35 - 9
93210-19MJ3	32 - 21
	38 - 23
93210-24M79	6 - 43
	38 - 24
93210-25552	3 - 11
	32 - 18
	38 - 6
	38 - 21
93210-25647	3 - 13
	38 - 7

NUMERICAL INDEX  
INDEX NUMERIQUE

PART NO. N° PIECES	REF. NO.
93210-29375	29 - 28
93210-357A3	6 - 45
	38 - 25
93210-37160	33 - 27
	39 - 15
	39 - 24
93210-37MH7	28 - 10
93210-554A9	30 - 12
93210-55M14	33 - 41
	39 - 18
93210-58144	33 - 15
	39 - 12
93210-68N50	29 - 14
93210-86M38	33 - 26
	39 - 14
	39 - 23
93210-97M55	33 - 63
	39 - 20
93306-209U0	33 - 58
93311-928U5	33 - 3
93315-43061	33 - 61
93317-330U2	33 - 38
93332-000V3	33 - 4
93341-930V2	33 - 40
93410-16006	26 - 22
93410-22M11	27 - 37
93410-37M04	28 - 14
93420-36M01	31 - 24
93501-04M02	26 - 26
93501-08001	29 - 49
	29 - 58
	29 - 43
93503-16003	33 - 53
	29 - 64
93505-32038	29 - 64
93507-32009	33 - 51
93511-32017	33 - 52
93604-10011	29 - 56
93605-10108	8 - 10
	8 - 12
93606-12019	4 - 3
	5 - 5
	33 - 34
	39 - 28
93606-19M23	31 - 15
93608-16M16	31 - 4
	31 - 22
	32 - 4
	34 - 5

PART NO. N° PIECES	REF. NO.
93700-06002	27 - 10
	27 - 23
93700-06M01	26 - 32
93700-06M03	26 - 34
94702-00400	1 - 18
	5 - 25
95022-06035	16 - 10
95333-08600	18 - 24
95380-06600	2 - 11
	10 - 32
	24 - 4
95380-12600	27 - 43
95604-14200	28 - 23
95780-06300	36 - 14
95780-08300	2 - 8
95780-10300	28 - 7
95812-06025	32 - 11
95D75-06025	9 - 4
	9 - 6
95D75-08035	17 - 4
95D95-06010	13 - 7
	27 - 38
	27 - 39
95D95-06012	7 - 17
	9 - 20
	10 - 19
	14 - 18
	18 - 15
	19 - 2
	20 - 17
	23 - 18
	25 - 14
	25 - 16
	25 - 20
	23 - 4
95D95-06014	10 - 29
95D95-06016	16 - 20
	16 - 24
	17 - 10
	18 - 18
	21 - 11
	32 - 22
95D95-06020	10 - 5
	17 - 2
	17 - 19
95D95-06025	14 - 7
	19 - 6
95D95-06030	5 - 24

PART NO. N° PIECES	REF. NO.
95D95-06030	16 - 11
95D95-06040	25 - 24
95D95-06065	25 - 22
95D95-08012	23 - 15
95D95-08016	18 - 23
95D95-08020	26 - 2
95D95-08025	5 - 16
97513-08545	21 - 2
97595-05520	16 - 8
97602-04316	30 - 9
97780-50620	17 - 31
97780-60520	25 - 11
97780-60620	17 - 17
	17 - 33
	36 - 7
	36 - 12
97880-06035	9 - 16
97885-05016	31 - 26
97980-06216	36 - 4
	26 - 11
97985-04116	20 - 6
97985-04308	27 - 9
97985-06212	28 - 4
97985-06216	27 - 26
97D95-06010	31 - 29
97D95-06012	8 - 22
97E75-06516	26 - 24
97E75-06535	32 - 17
97E75-06540	31 - 14
97E75-08535	32 - 3
	6 - 20
97E75-08540	9 - 2
97E75-08560	31 - 11
	31 - 6
97E75-10535	31 - 3
97E75-10545	27 - 6
97E95-06510	20 - 5
97E95-06516	21 - 1
	37 - 2
97E95-06520	18 - 7
	19 - 11
	27 - 4
97E95-06530	18 - 3
97E95-06535	26 - 12
97E95-06550	18 - 6
97E95-06610	27 - 12
97E95-08520	33 - 43
97E95-08525	34 - 6
97E95-10645	

PART NO. N° PIECES	REF. NO.
98507-04008	12 - 34
98780-04016	3 - 9
	3 - 28
99001-08600	33 - 19
99590-08012	16 - 7
99590-10114	21 - 7