

**PARTS
CATALOGUE
CATALOGUE
DE PIÈCES DÉTACHÉES**

**F9.9HMH'16 (6CA9)
F9.9HE'16 (6CA9)**



1Q6CA-300FA

()

2020/2/3

| NEWS NO. | DATE | COMMENT |
|---------------|--------------|--|
| PE0-OM-200001 | Jan.,28,2020 | MOD:F9.9H(6CA) CRANKSHAFT & PISTON LIST REVISION |

F9.9HMH/F9.9HE
PARTS CATALOGUE
©2016 by Yamaha Motor Co., Ltd.
1st edition, January 2016
All rights reserved.
Any reprinting or unauthorized use
without the written permission of
Yamaha Motor Co., Ltd.
is expressly prohibited.
Printed in Japan.

F9.9HMH/F9.9HE
CATALOGUE DE PIÈCES DÉTACHÉES
©2016 par Yamaha Motor Co., Ltd.
1^{re} édition, janvier 2016
Tous droits réservés
Toute réimpression ou utilisation
non autorisée sans la permission écrite
de la Yamaha Motor Co., Ltd.
est formellement interdite.
Imprimé au Japon

FOREWORD

This Parts Catalogue is related to the parts for the model(s) on the cover page. When you are ordering replacement parts, please refer to this Parts Catalogue and quote both part numbers and part names correctly.

1. Modifications or additions which have been made after the issue of the Parts Catalogue will be announced in the Parts News. It is advisable that you make the necessary corrections to the Parts Catalogue according to the Parts News.

2. Abbreviations
The following abbreviations are used in this Parts Catalogue.

“UR” Use specified parts number.

“UN” Use as many as needed.

“AP” Alternate Parts

“LM” Locally Made (Parts need to be ordered locally)

“F#” Frame No. (Applicable machine No.)

“O/S” Over Size

3. The number of components for assembly

- Parts, which are to be supplied in an assembly, are listed with a dot (.) in front of the part name as shown below.
- The numeral appearing to the right of each component part indicates the quantity of parts for each assembly unit.

| PART NO. | DESCRIPTION | Q'TY | REMARKS |
|--------------|--------------------------|------|---------|
| 2F5-83310-60 | FRONT FLASHER LIGHT ASSY | 2 | |
| 115-83311-60 | .BULB (6V-18W) | 1 | |

4. Applicable colours of graphics are represented in the “REMARKS” as shown below.

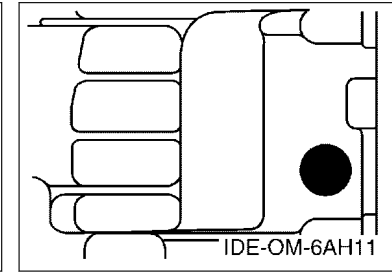
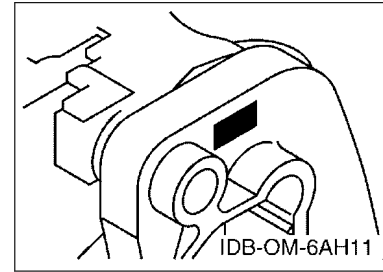
| PART NO. | DESCRIPTION | Q'TY | REMARKS |
|-----------------|---------------------|------|---------|
| 2N4-24110-00-X5 | FUEL TANK COMP. | 2 | MXR |
| 3J1-24240-10 | .GRAPHIC, FUEL TANK | 1 | FOR MXR |

5. Note that the illustrations for reference in finding parts numbers are not to be used for assembling. When assembling, please use the applicable service manual.

6. The asterisk (*) before a reference number indicates modified items after the first edition.

7. Applicable Serial No.

Engine Serial No.



8. Applicable Engine Starting Serial No.

| Model | Serial No. | Model | Serial No. |
|-------|--------------|-------|------------|
| F9.9H | 6CAK-1009305 | | |
| | | | |
| | | | |
| | | | |

9. Applicable Colour Code

| Abbreviation | Colour Name | Colour Code |
|--------------|--------------------|-------------|
| DBN1 | DARK BLUISH GRAY 1 | 008D |

10. Quantity Column Information

| Column No. | Name Of Q'ty Column | Applicable Model |
|------------|---------------------|------------------|
| 1 | MH | F9.9HMH |
| 2 | E | F9.9HE |
| | | |
| | | |

AVANT-PROPOS

Ce catalogue de pièces détachées concerne les pièces pour le(s) modèle(s) indiqué(s) sur la page de couverture. Lorsque vous commandez des pièces de rechange, veuillez vous référer à ce catalogue de pièces détachées et indiquer clairement les numéros et les noms des pièces détachées.

1. Les modifications ou ajouts ayant été effectués après la parution du catalogue de pièces détachées seront décrits dans les Bulletins d'information concernant les pièces détachées.

Il est recommandé que vous apportiez les corrections nécessaires au catalogue des pièces détachées en vous référant aux Bulletins d'information.

2. Abréviations

Dans ce catalogue, les abréviations suivantes sont utilisées:

“UR” Utiliser le numéro de pièces spécifié.

“UN” Utiliser autant que nécessaire.

“AP” Pièces de substitution

“LM” Fabrication locale (les pièces doivent être commandées localement.)

“F#” N° de cadre (applicable au N° de série)

“O/S” Surdimensionné

3. Nombre de pièces d'un assemblage

- Les pièces fournies comme composants d'un assemblage sont précédées d'un point (.) de la manière indiquée ci-dessous.
- Le chiffre apparaissant à la droite de chaque composant indique la quantité de pièces pour chaque unité d'assemblage.

| N° PIECES | DESCRIPTION | QTE | REMARQUES |
|--------------|-----------------------|-----|-----------|
| 2F5-83310-60 | ENS. CLIGNOTANT AVANT | 2 | |
| 115-83311-60 | .AMPOULE (6V-18W) | 1 | |

4. Les couleurs concernant les graphiques sont indiquées dans la colonne “REMARQUES”, comme indiqué ci-dessous.

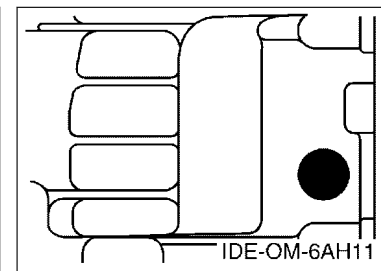
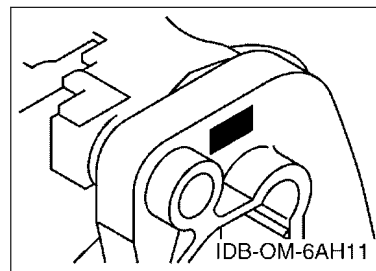
| N° PIECES | DESCRIPTION | QTE | REMARQUES |
|-----------------|----------------------|-----|-----------|
| 2N4-24110-00-X5 | RESERVOIR A ESSENCE. | 2 | MXR |
| 3J1-24240-10 | .GRAPHIQUE | 1 | POUR MXR |

5. Veuillez noter que les illustrations sont indiquées à titre de référence pour trouver les numéros de pièces, non pour être utilisées lors de l'assemblage. Lors de l'assemblage, veuillez utiliser le manuel d'entretien adéquat.

6. L'astérisque (*) placé devant un numéro de référence indique des éléments qui ont été modifiés après la première édition.

7. N° de série applicable

N° de Série du moteur



8. N° de série initial du moteur applicable

| Modèle | N° de série | Modèle | N° de série |
|--------|--------------|--------|-------------|
| F9.9H | 6CAK-1009305 | | |
| | | | |
| | | | |
| | | | |

9. Code couleur applicable

| Abréviation | Nom de la couleur | Code couleur |
|-------------|--------------------|--------------|
| DBN1 | DARK BLUISH GRAY 1 | 008D |

10. Informations relatives à la colonne Quantité

| N° de la colonne | Nom de la colonne | Qté | Modèle applicable |
|------------------|-------------------|-----|-------------------|
| 1 | MH | | F9.9HMH |
| 2 | E | | F9.9HE |
| | | | |
| | | | |

CONTENTS

| | |
|------------------------------|----|
| SCHEDULED SERVICE PARTS..... | 1 |
| TOP COWLING..... | 2 |
| CYLINDER & CRANKCASE 1..... | 3 |
| CRANKSHAFT & PISTON..... | 5 |
| CYLINDER & CRANKCASE 2..... | 6 |
| VALVE..... | 7 |
| INTAKE..... | 8 |
| CARBURETOR..... | 9 |
| OIL PUMP..... | 11 |
| FUEL..... | 12 |
| STARTER..... | 14 |
| GENERATOR..... | 16 |
| ELECTRICAL 1..... | 17 |
| ELECTRICAL 2..... | 19 |
| ELECTRICAL 3..... | 21 |
| STARTING MOTOR..... | 22 |
| BOTTOM COWLING..... | 23 |
| STEERING..... | 25 |
| STEERING FRICTION..... | 27 |
| CONTROL 1..... | 28 |
| CONTROL 2..... | 30 |
| BRACKET 1..... | 32 |
| BRACKET 2..... | 34 |
| UPPER CASING..... | 36 |
| OIL PAN..... | 37 |
| LOWER CASING & DRIVE 1..... | 38 |
| LOWER CASING & DRIVE 2..... | 41 |
| FUEL TANK..... | 43 |
| STEERING GUIDE..... | 44 |
| REMOTE CONTROL BOX..... | 45 |
| REMOTE CONTROL ASSY..... | 46 |
| REPAIR KIT 1..... | 49 |
| REPAIR KIT 2..... | 50 |
| REPAIR KIT 3..... | 51 |

INDEX

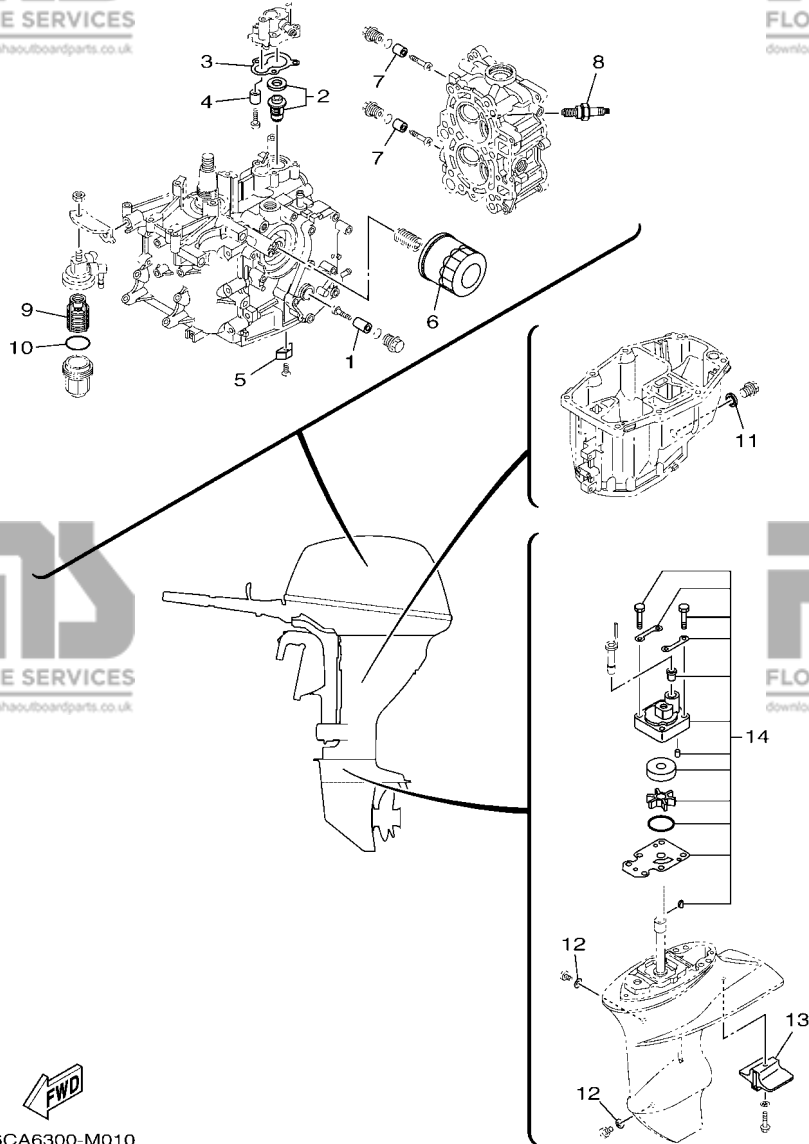
| | |
|----------------------|----|
| NUMERICAL INDEX..... | 53 |
|----------------------|----|

TABLE DES MATIERES

| | |
|-------------------------------------|----|
| PIECES MAINTENANCE PERIODIQUE..... | 1 |
| CAPOT SUPERIEUR..... | 2 |
| CYLINDRE & CARTER 1..... | 3 |
| VILEBREQUIN & PISTON..... | 5 |
| CYLINDRE & CARTER 2..... | 6 |
| SOUPAPE..... | 7 |
| ADMISSION..... | 8 |
| CARBURATEUR..... | 9 |
| POMPE A HUILE..... | 11 |
| CARBURANT..... | 12 |
| DEMARREUR..... | 14 |
| GENERATRICE..... | 16 |
| PARTIE ELECTRIQUE 1..... | 17 |
| PARTIE ELECTRIQUE 2..... | 19 |
| PARTIE ELECTRIQUE 3..... | 21 |
| DEMARREUR ELECTRIQUE..... | 22 |
| CAPOT INFERIEUR..... | 23 |
| DIRECTION..... | 25 |
| CUVETTE POIGNEE DE DIRECTION..... | 27 |
| COMMANDE 1..... | 28 |
| COMMANDE 2..... | 30 |
| SUPPORT 1..... | 32 |
| SUPPORT 2..... | 34 |
| FOURREAU..... | 36 |
| VENTILATEUR D'HUILE..... | 37 |
| BOITIER D'HELICE TRANSMISSION1..... | 38 |
| BOITIER D'HELICE TRANSMISSION2..... | 41 |
| RESERVOIR A CARBURANT..... | 43 |
| FIXATION DE DIRECTION..... | 44 |
| BOITIER DE COMMANDE A DISTANCE..... | 45 |
| BOITIER DE COMMANDE A DISTANCE..... | 46 |
| KITS DE REPARATION 1..... | 49 |
| KITS DE REPARATION 2..... | 50 |
| KITS DE PEPARATION 3..... | 51 |

INDEX

| | |
|----------------------|----|
| INDEX NUMERIQUE..... | 53 |
|----------------------|----|



6CA6300-M010

FIG. 1 SCHEDULED SERVICE PARTS

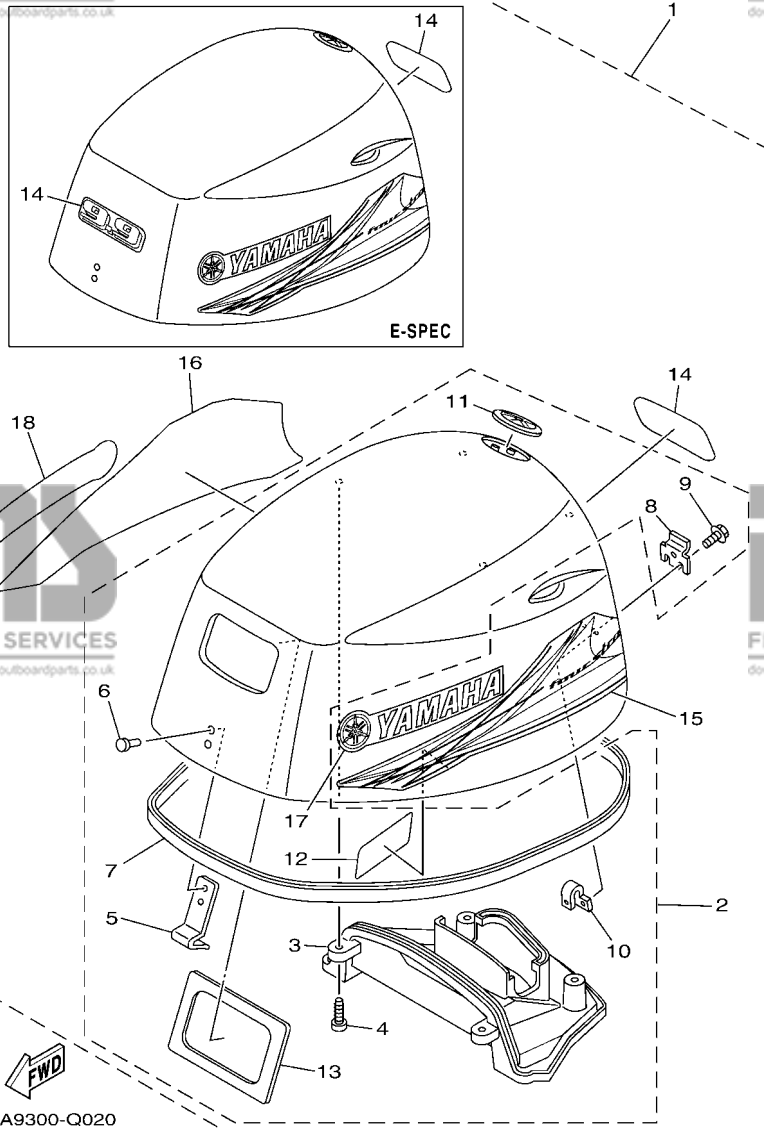
PIECES MAINTENANCE PERIODIQUE

| REF. NO. | PART NO. N° PIECES | DESCRIPTION DESCRIPTION | M/H | L | REMARKS REMARQUES |
|----------|--------------------|---|-----|---|-------------------|
| 1 | 6G8-11325-00 | ANODE ANODE | 1 | 1 | |
| 2 | 6AH-12411-00 | THERMOSTAT THERMOSTAT | 1 | 1 | |
| 3 | 6AH-12414-00 | GASKET, COVER JOINT, COUVERCLE | 1 | 1 | |
| 4 | 6G8-11325-00 | ANODE ANODE | 1 | 1 | |
| 5 | 6E5-11325-00 | ANODE ANODE | 1 | 1 | |
| 6 | 5GH-13440-50 | ELEMENT ASSY, OIL CLEANER ELEMENT, FILTRE A HUILE | 1 | 1 | |
| 7 | 6G8-11325-00 | ANODE ANODE | 2 | 2 | |
| 8 | 94702-00418 | PLUG, SPARK (NGK DPR6EB-9) BOUGIE D, ALLUMAGE (NGK DPR6EB-9) | 2 | 2 | |
| 9 | 61N-24563-10 | ELEMENT, FILTER ELEMENT, FILTRE | 1 | 1 | |
| 10 | 93210-32738 | O-RING JOINT TORIQUE | 1 | 1 | |
| 11 | 90430-14M09 | GASKET JOINT | 1 | 1 | |
| 12 | 90430-08003 | GASKET JOINT | 2 | 2 | |
| 13 | 6AH-45251-00 | ANODE ANODE | 1 | 1 | |
| 14 | 6AH-W0078-00 | WATER PUMP REPAIR KIT KIT DE REPARATION DE LA POMPE | 1 | 1 | |

FIG. 2 TOP COWLING

CAPOT SUPERIEUR

| REF. NO. | PART NO. N° PIECES | DESCRIPTION DESCRIPTION | M/H | E | REMARKS REMARQUES |
|----------|--------------------|--|-----|---|-------------------|
| 1 | 6CA-42610-03 | TOP COWLING ASSY CAPOT (ENS.) | 1 | | |
| | 6CA-42610-10 | TOP COWLING ASSY CAPOT (ENS.) | | 1 | |
| 2 | 6AH-4261A-01 | .TOP COWLING W/O GRAPHICS .CAPOT SUPERIEUR SANS GRAPHIQUE | 1 | | |
| | 6AH-4261A-10 | .TOP COWLING W/O GRAPHICS .CAPOT SUPERIEUR SANS GRAPHIQUE | | 1 | |
| 3 | 6AH-42613-A0 | .MOLDING, AIR DUCT .MANCHON A AIR | 1 | 1 | |
| 4 | 90167-05017 | ..SCREW, TAPPING ..VIS, TETE FRAISEE | 4 | 4 | |
| 5 | 6AH-42651-00 | ..HOOK ..CROCHET | 1 | 1 | |
| 6 | 90266-06M02 | ..RIVET ..RIVET | 2 | 2 | |
| 7 | 6AH-42615-00 | ..SEAL ..JOINT | 1 | 1 | |
| 8 | 60R-42652-00 | ..HOOK ..CROCHET | 1 | 1 | |
| 9 | 97595-05514 | ..BOLT, WITH WASHER ..VIS HEXAGONAL AVC RONDELLE | 2 | 2 | |
| 10 | 6AH-42649-00 | ..HOLDER, CLAMP BAND ..SUPPORT, SANDOW DE SERRAGE | 1 | 1 | |
| 11 | 6AH-42697-10 | ..TUNING FORK MARK ..MARQUE, YAMAHA | 1 | 1 | |
| 12 | 6AH-42735-00 | ..PROTECTOR ..PROTECTEUR | 1 | 1 | |
| 13 | 6AH-42656-00 | ..PROTECTOR, RUBBER SEAL ..PROTECTEUR, JOINT CAOUTCHOU | 1 | | |
| 14 | 6CA-42677-00 | ..GRAPHIC, FRONT ..ADHESIF, AVANT | 1 | | |
| | 6CA-42677-00 | ..GRAPHIC, FRONT ..ADHESIF, AVANT | | 2 | |
| 15 | 6CA-42675-00 | ..GRAPHIC, SIDE 1 ..EMBLEME | 1 | 1 | |
| 16 | 6CA-42676-00 | ..GRAPHIC, SIDE 2 ..EMBLEME | 1 | 1 | |
| 17 | 6CA-42681-00 | ..MARK, COWLING ..ADHESIF, CAPOT | 1 | 1 | |
| 18 | 6CA-42682-00 | ..MARK, COWLING ..ADHESIF, CAPOT | 1 | 1 | |

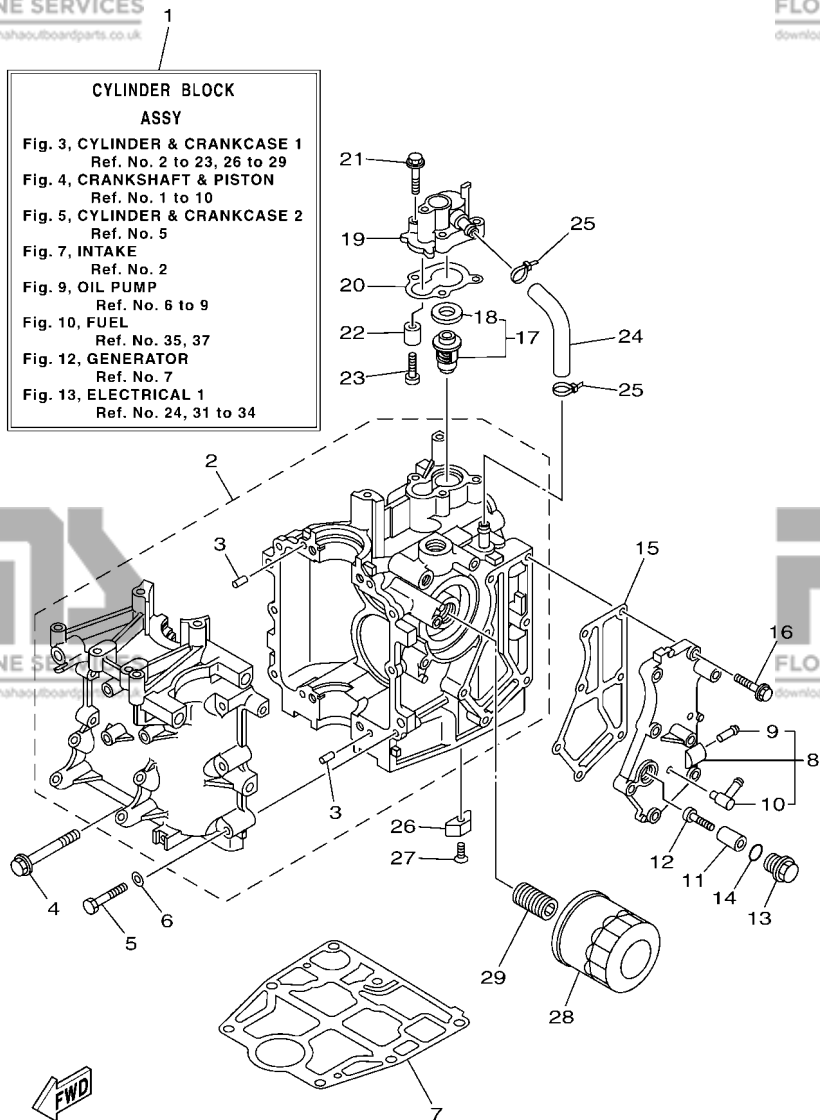


6CA9300-Q020

FIG. 3 CYLINDER & CRANKCASE 1

CYLINDRE & CARTER 1

CYLINDER BLOCK ASSY
Fig. 3, CYLINDER & CRANKCASE 1
Ref. No. 2 to 23, 26 to 29
Fig. 4, CRANKSHAFT & PISTON
Ref. No. 1 to 10
Fig. 5, CYLINDER & CRANKCASE 2
Ref. No. 5
Fig. 7, INTAKE
Ref. No. 2
Fig. 9, OIL PUMP
Ref. No. 6 to 9
Fig. 10, FUEL
Ref. No. 35, 37
Fig. 12, GENERATOR
Ref. No. 7
Fig. 13, ELECTRICAL 1
Ref. No. 24, 31 to 34



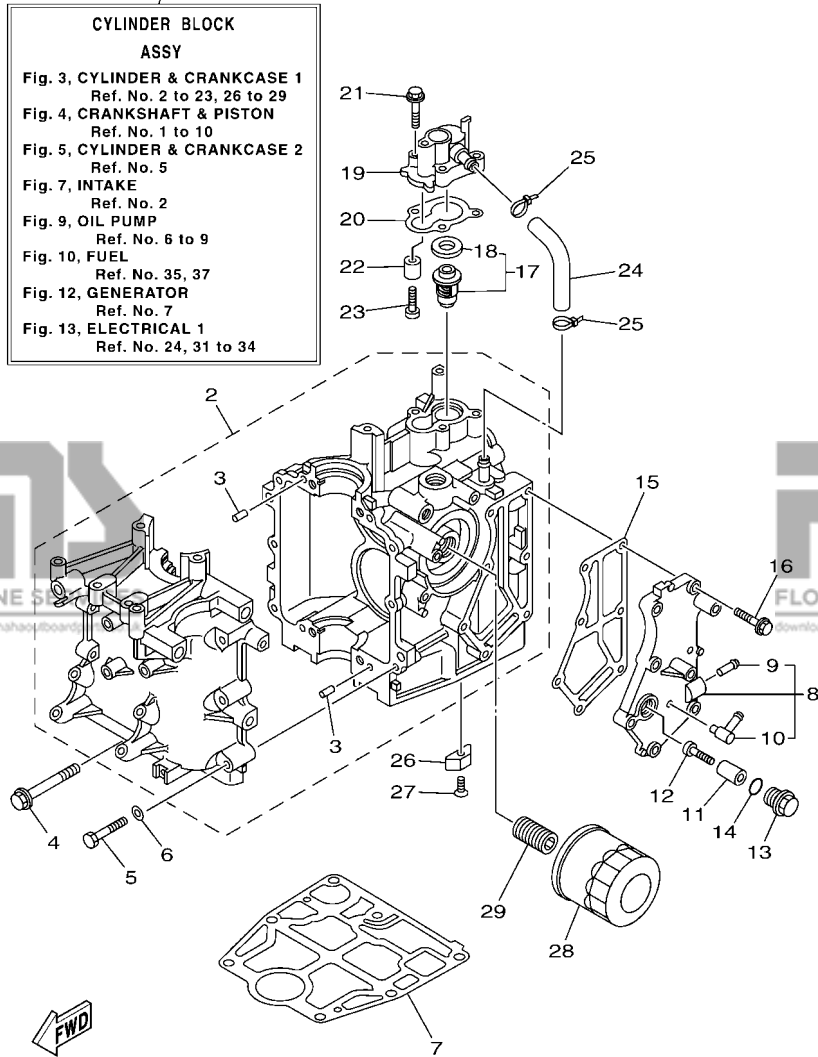
6AGB100-Q030

| REF. NO. | PART NO. N° PIECES | DESCRIPTION DESCRIPTION | M/H | L | REMARKS REMARQUES |
|----------|--------------------|---|-----|---|-------------------|
| 1 | 6AH-W009B-02-1S | CYLINDER BLOCK ASSY CYLINDRE GROUPE (ENS.) | 1 | 1 | |
| 2 | 6AH-15100-00 | CRANKCASE ASSY CARTER DE MOTEUR COMPLET | 1 | 1 | |
| 3 | 93606-12019 | .PIN, DOWEL .GOUPILLE | 4 | 4 | |
| 4 | 90119-08093 | BOLT, WITH WASHER BOULON, AVEC RONDELLE | 4 | 4 | |
| 5 | 97013-06040 | BOLT BOULON | 6 | 6 | |
| 6 | 92903-06600 | WASHER, PLATE RONDELLE, PLATE | 6 | 6 | |
| 7 | 6AH-11351-10 | GASKET, CYLINDER JOINT, D'EMBASE | 1 | 1 | |
| 8 | 6AH-41113-01-1S | OUTER COVER, EXHAUST COUVERCLE, ECHAPPEMENT | 1 | 1 | |
| 9 | 6E9-24378-00 | .PIPE, JOINT 3 .DURITE RACCORDEMENT 3 | 1 | 1 | |
| 10 | 6H1-11372-00 | .NIPPLE, HOSE .RACCORD, TUYAU | 1 | 1 | |
| 11 | 6G8-11325-00 | ANODE ANODE | 1 | 1 | |
| 12 | 98980-05025 | SCREW, BIND VIS, DE PRESSION | 1 | 1 | |
| 13 | 6G8-11197-A0 | PLUG, BLIND PLOT, BORGNE | 1 | 1 | |
| 14 | 93210-13M63 | O-RING JOINT TORIQUE | 1 | 1 | |
| 15 | 6AH-41114-00 | GASKET, EXHAUST OUTER COVER JOINT, COUVERCLE D'ECHAPPEMENT | 1 | 1 | |
| 16 | 90119-06MA3 | BOLT, WITH WASHER BOULON, AVEC RONDELLE | 7 | 7 | |
| 17 | 6AH-12411-00 | THERMOSTAT THERMOSTAT | 1 | 1 | |
| 18 | 688-12412-00 | .SEAL, THERMOSTAT .JOINT, THERMOSTAT | 1 | 1 | |
| 19 | 6AH-12413-00-1S | COVER, THERMOSTAT COUVERCLE, THERMOSTAT | 1 | 1 | |
| 20 | 6AH-12414-00 | GASKET, COVER JOINT, COUVERCLE | 1 | 1 | |
| 21 | 90119-06MA3 | BOLT, WITH WASHER BOULON, AVEC RONDELLE | 3 | 3 | |
| 22 | 6G8-11325-00 | ANODE ANODE | 1 | 1 | |
| 23 | 98980-05025 | SCREW, BIND VIS, DE PRESSION | 1 | 1 | |
| 24 | 6AH-12481-00 | PIPE 1 DURITE 1 | 1 | 1 | |
| 25 | 90465-11M10 | CLAMP BRIDE | 2 | 2 | |
| 26 | 6E5-11325-00 | ANODE ANODE | 1 | 1 | |
| 27 | 98780-04016 | SCREW, FLAT HEAD VIS A TETE FRAISEE | 1 | 1 | |

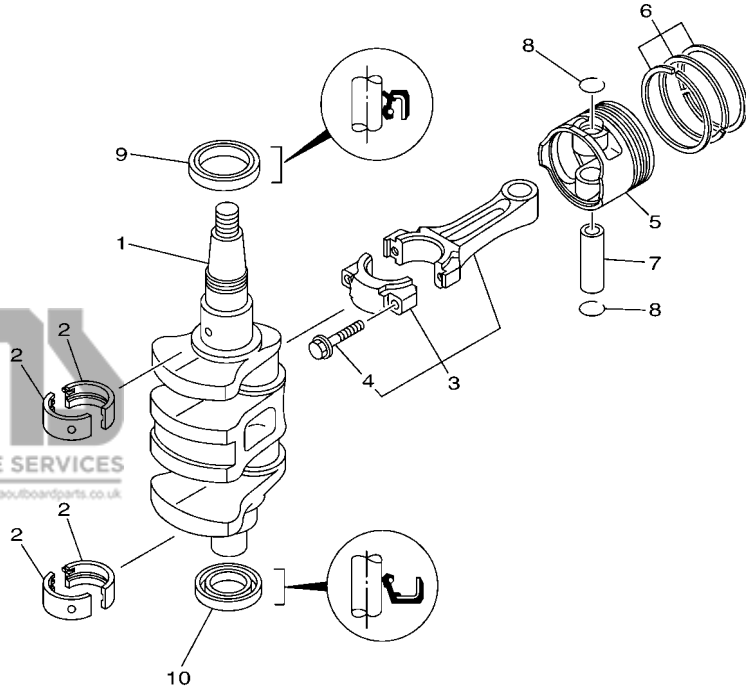
FIG. 3 CYLINDER & CRANKCASE 1

CYLINDRE & CARTER 1

| REF. NO. | PART NO. N° PIECES | DESCRIPTION DESCRIPTION | M/H | E | REMARKS REMARQUES |
|----------|--------------------|--|-----|---|-------------------|
| 28 | 5GH-13440-50 | ELEMENT ASSY, OIL CLEANER ELEMENT, FILTRE A HUILE | 1 | 1 | |
| 29 | 6C5-12858-00 | BOLT, UNION BOULON, RACCORD | 1 | 1 | |



6AGB100-Q030

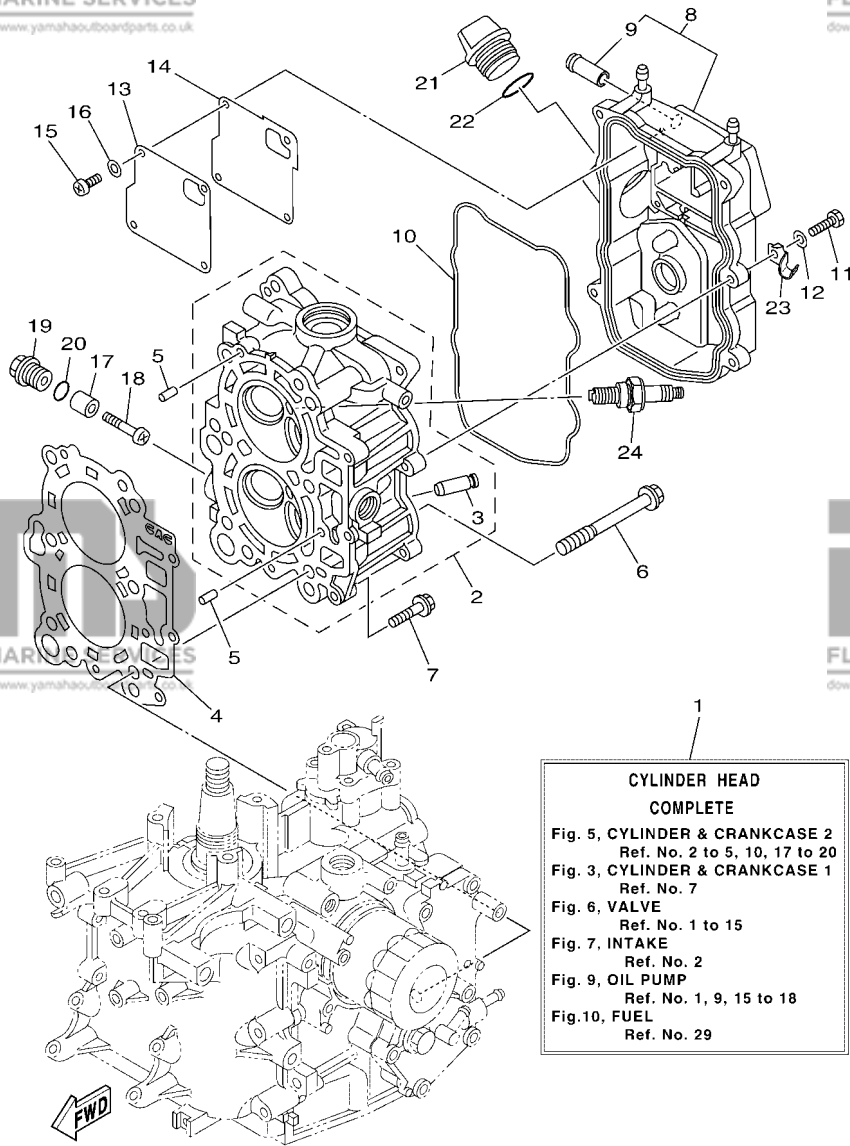



6AH1100-F030

FIG. 4 CRANKSHAFT & PISTON

VILEBREQUIN & PISTON

| REF. NO. | PART NO. N° PIECES | DESCRIPTION DESCRIPTION | M/H | L | REMARKS REMARQUES |
|----------|--------------------|---|-----|---|-------------------|
| 1 | 6AH-11411-00 | CRANKSHAFT VILEBREQUIN COMPLET | 1 | 1 | |
| 2 | 6AH-11416-00 | PLANE BEARING, CRANKSHAFT 1 COUSSINET DE VILEBREQUIN 1 | 4 | 4 | UR BROWN UR BROWN |
| | 6AH-11416-10 | PLANE BEARING, CRANKSHAFT 1 COUSSINET DE VILEBREQUIN 1 | 4 | 4 | UR BLACK UR BLACK |
| | 6AH-11416-20 | PLANE BEARING, CRANKSHAFT 1 COUSSINET DE VILEBREQUIN 1 | 4 | 4 | UR BLUE UR BLUE |
| 3 | 6AH-11650-10 | CONNECTING ROD ASSY BIELLE COMPLETE | 2 | 2 | |
| 4 | 6AH-11654-00 | .BOLT, CONNECTING ROD .BOULON, BIELLE | 2 | 2 | |
| 5 | 6AH-11631-00 | PISTON (STD) PISTON (STD) | 2 | 2 | |
| | 6AH-11635-00 | PISTON (0.25MM O/S) PISTON (0.25MM O/S) | 2 | 2 | AP AP |
| | 6AH-11636-00 | PISTON (0.50MM O/S) PISTON (0.50MM O/S) | 2 | 2 | AP AP |
| 6 | 6AH-11603-00 | PISTON RING SET (STD) JEU DE SEGMENTS (STD) | 2 | 2 | |
| | 6AH-11604-00 | PISTON RING SET (0.25MM O/S) JEU DE SEGMENTS (0.25MM O/S) | 2 | 2 | AP AP |
| | 6AH-11605-00 | PISTON RING SET (0.50MM O/S) JEU DE SEGMENTS (0.50MM O/S) | 2 | 2 | AP AP |
| 7 | 137-11633-10 | PIN, PISTON AXE, PISTON | 2 | 2 | |
| 8 | 93450-17129 | CIRCLIP CIRCLIP, TYPE S | 4 | 4 | |
| 9 | 93102-37004 | OIL SEAL JOINT SPY | 1 | 1 | |
| 10 | 93102-25014 | OIL SEAL JOINT SPY | 1 | 1 | |



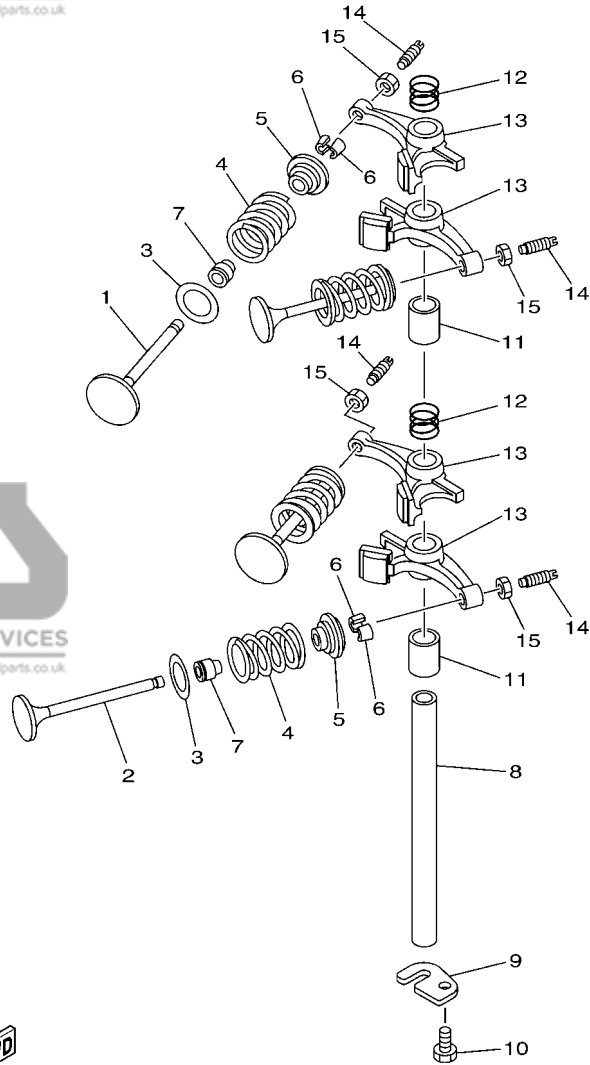
CYLINDER HEAD COMPLETE
 Fig. 5, CYLINDER & CRANKCASE 2
 Ref. No. 2 to 5, 10, 17 to 20
 Fig. 3, CYLINDER & CRANKCASE 1
 Ref. No. 7
 Fig. 6, VALVE
 Ref. No. 1 to 15
 Fig. 7, INTAKE
 Ref. No. 2
 Fig. 9, OIL PUMP
 Ref. No. 1, 9, 15 to 18
 Fig. 10, FUEL
 Ref. No. 29

6AG9100-N050

FIG. 5 CYLINDER & CRANKCASE 2

CYLINDRE & CARTER 2

| REF. NO. | PART NO. N° PIECES | DESCRIPTION DESCRIPTION | M/H | L | REMARKS REMARQUES |
|----------|--------------------|---|-----|---|-------------------|
| 1 | 6AG-W009A-01-1S | CYLINDER HEAD COMPLETE CULASSE (ENS.) | 1 | 1 | |
| 2 | 6AH-11111-10-1S | HEAD, CYLINDER 1 CULASSE | 1 | 1 | |
| 3 | 6AH-11133-10 | .GUIDE, VALVE 1 .GUIDE, SOUPAPE 1 | 4 | 4 | |
| 4 | 6AG-11181-10 | GASKET, CYLINDER HEAD 1 JOINT, DE CULASSE 1 | 1 | 1 | |
| 5 | 93606-12019 | PIN, DOWEL GOUPILLE | 2 | 2 | |
| 6 | 90105-09006 | BOLT, FLANGE BOULON | 6 | 6 | |
| 7 | 90119-06MA3 | BOLT, WITH WASHER BOULON, AVEC RONDELLE | 3 | 3 | |
| 8 | 6AH-11191-00-1S | COVER, CYLINDER HEAD 1 COUVERCLE, CULASSE 1 | 1 | 1 | |
| 9 | 6AH-11372-00 | .NIPPLE, HOSE .RACCORD, TUYAU | 1 | 1 | |
| 10 | 6AH-11356-00 | SEAL, CYLINDER 2 JOINT, SPY CYLINDRE | 1 | 1 | |
| 11 | 97095-06020 | BOLT BOULON | 5 | 5 | |
| 12 | 92995-06600 | WASHER RONDELLE | 5 | 5 | |
| 13 | 6AH-11168-00 | COVER, BREATHER COUVERCLE, RENIFLARD | 1 | 1 | |
| 14 | 6AH-11169-00 | GASKET, BREATHER COVER JOINT, COUVERCLE DE RENIFLARD | 1 | 1 | |
| 15 | 98507-04010 | SCREW, PAN HEAD VIS, TETE TRONCONIQUE | 4 | 4 | |
| 16 | 92907-04600 | WASHER RONDELLE | 4 | 4 | |
| 17 | 6G8-11325-00 | ANODE ANODE | 2 | 2 | |
| 18 | 98980-05025 | SCREW, BIND VIS, DE PRESSION | 2 | 2 | |
| 19 | 6G8-11197-A0 | PLUG, BLIND PLOT, BORGNE | 2 | 2 | |
| 20 | 93210-13M63 | O-RING JOINT TORIQUE | 2 | 2 | |
| 21 | 6G8-15363-00 | PLUG, OIL PLOT, HUILE | 1 | 1 | |
| 22 | 93210-24M79 | O-RING JOINT TORIQUE | 1 | 1 | |
| 23 | 90465-08059 | CLAMP BRIDE | 1 | 1 | |
| 24 | 94702-00418 | PLUG, SPARK (NGK DPR6EB-9) BOUGIE D, ALLUMAGE (NGK DPR6EB- | 2 | 2 | |



FWD
6AH1100-F050

FIG. 6 VALVE

SOUPAPE

| REF. NO. | PART NO. N° PIECES | DESCRIPTION DESCRIPTION | M/H | L | REMARKS REMARQUES |
|----------|--------------------|---|-----|---|-------------------|
| 1 | 6AH-12111-00 | VALVE, INTAKE SOUPAPE, ADMISSION | 2 | 2 | |
| 2 | 6AH-12121-10 | VALVE, EXHAUST SOUPAPE, ECHAPPEMENT | 2 | 2 | |
| 3 | 62Y-12116-00 | SEAT, VALVE SPRING SIEGE, RESSORT DE SOUPAPE | 4 | 4 | |
| 4 | 3YF-12113-00 | SPRING, VALVE INNER RESSORT DE SOUPAPE, INTERNE | 4 | 4 | |
| 5 | 30X-12117-00 | RETAINER, VALVE SPRING BUTEE DE RESSORT DE SOUPAPE | 4 | 4 | |
| 6 | 30X-12118-00 | LOCK, VALVE SPRING RETAINER FRAISE, SOUPAPE | 8 | 8 | |
| 7 | 51Y-12119-00 | SEAL, VALVE STEM JOINT, QUEUE DE SOUPAPE | 4 | 4 | |
| 8 | 66M-12146-00 | SHAFT, ROCKER AXE, CULBUTEUR | 1 | 1 | |
| 9 | 6AH-12279-00 | PLATE PLAQUE | 1 | 1 | |
| 10 | 97013-06012 | BOLT BOULON | 1 | 1 | |
| 11 | 90387-13006 | COLLAR COLLERETTE | 2 | 2 | |
| 12 | 90501-120A5 | SPRING, COMPRESSION RESSORT, COMPRESSION | 2 | 2 | |
| 13 | 6AH-12151-00 | ARM, VALVE ROCKER CULBUTEUR | 4 | 4 | |
| 14 | 64J-12159-00 | SCREW, VALVE ADJUSTING VIS, REGLAGE DE SOUPAPE | 4 | 4 | |
| 15 | 62Y-12158-00 | NUT, LOCK CONTRE-ECROU | 4 | 4 | |

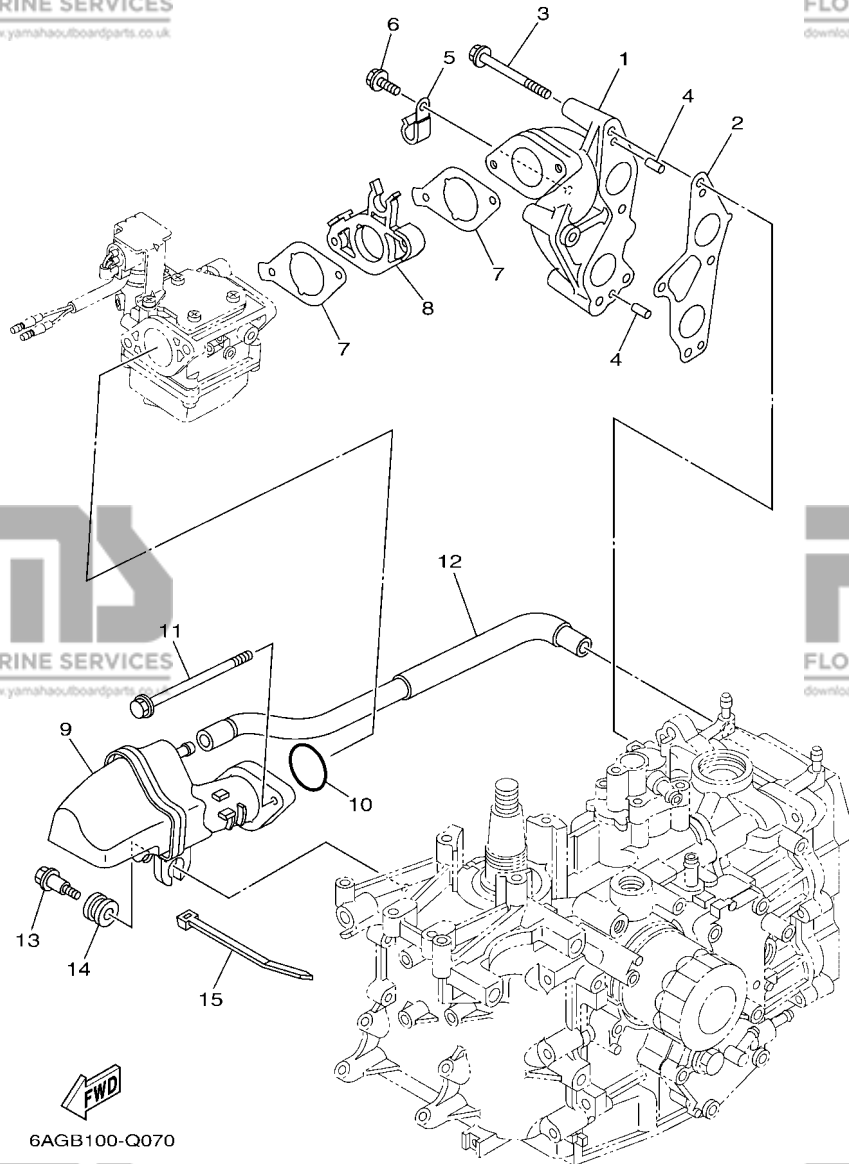
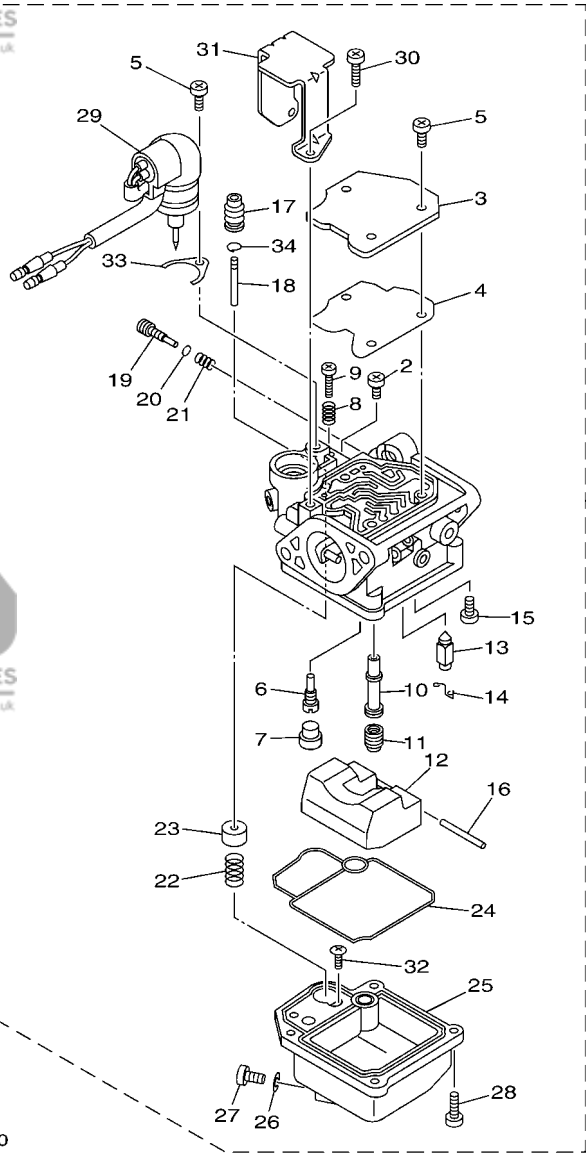


FIG. 7 INTAKE

ADMISSION

| REF. NO. | PART NO. N° PIECES | DESCRIPTION DESCRIPTION | M/H | L | REMARKS REMARQUES |
|----------|--------------------|---|-----|---|-------------------|
| 1 | 6AH-13641-00-94 | MANIFOLD, INTAKE 1 TUBULURE, ADMISSION 1 | 1 | 1 | |
| 2 | 6AH-13645-00 | GASKET, MANIFOLD 1 JOINT, TUBULURE 1 | 1 | 1 | |
| 3 | 97595-06555 | BOLT, WITH WASHER VIS HEXAGONAL AVC RONDELLE | 4 | 4 | |
| 4 | 91690-50014 | PIN, SPRING AGRAFFE | 2 | 2 | |
| 5 | 90465-08M83 | CLAMP BRIDE | 2 | 2 | |
| 6 | 97595-06512 | BOLT, WITH WASHER VIS HEXAGONAL AVC RONDELLE | 2 | 2 | |
| 7 | 6AH-13646-00 | GASKET, MANIFOLD 2 JOINT, TUBULURE 2 | 2 | 2 | |
| 8 | 6AH-14271-00 | INSULATOR ISOLATEUR | 1 | 1 | |
| 9 | 6AH-14440-00 | SILENCER ASSY, INTAKE SIENCIEUX D'ADMISSION | 1 | 1 | |
| 10 | 93210-35M86 | O-RING JOINT TORIQUE | 1 | 1 | |
| 11 | 95895-06100 | BOLT, FLANGE BOULON | 2 | 2 | |
| 12 | 6AH-15373-00 | PIPE, BREATHER DURITE DE RENIFLARD | 1 | 1 | |
| 13 | 90109-06MA1 | BOLT BOULON | 1 | 1 | |
| 14 | 90480-16616 | GROMMET PASSE-FIL | 1 | 1 | |
| 15 | 90465-13M18 | CLAMP BRIDE | 1 | 1 | |

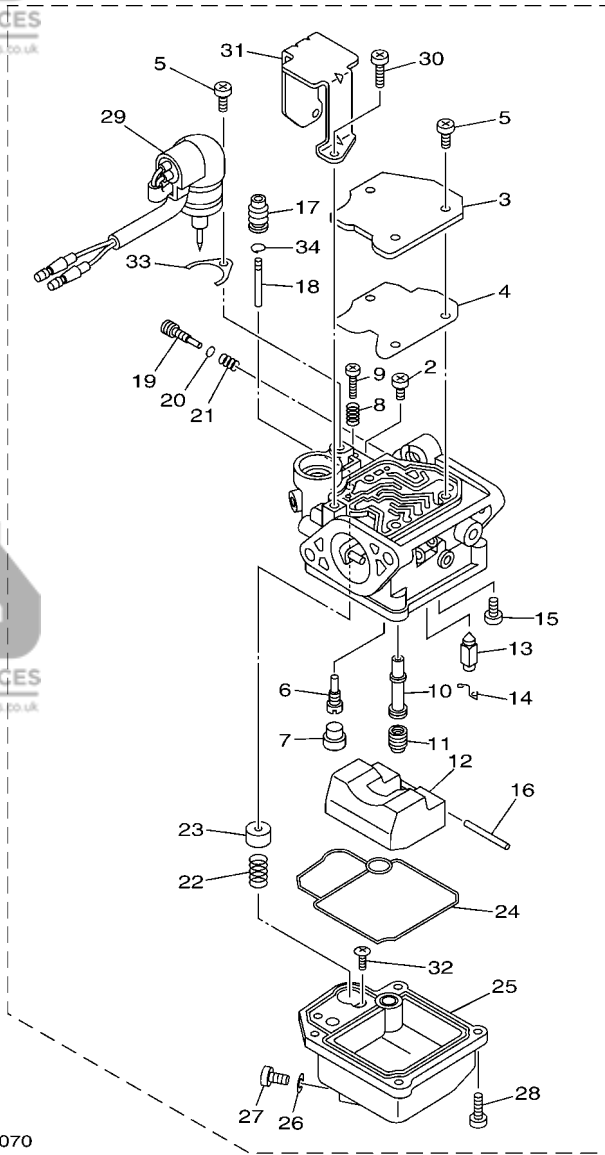


6BY2280-J070

FIG. 8 CARBURETOR

CARBURATEUR

| REF. NO. | PART NO. N° PIECES | DESCRIPTION DESCRIPTION | M/H | U | REMARKS REMARQUES |
|----------|--------------------|--|-----|---|--|
| 1 | 6AG-14301-B0 | CARBURETOR ASSY 1 CARBURATEUR COMPLET 1 | 1 | | |
| | 6AG-14301-F0 | CARBURETOR ASSY 1 CARBURATEUR COMPLET 1 | | 1 | |
| 2 | 98580-04006 | .SCREW, PAN HEAD .VIS | 1 | 1 | |
| 3 | 65W-14572-00 | .PLATE .PLAQUE | 1 | 1 | |
| 4 | 65W-14126-10 | .GASKET .JOINT | 1 | 1 | |
| 5 | 97980-04110 | .SCREW, WITH WASHER .VIS, AVEC RONDELLE | 4 | 4 | |
| 6 | 6AG-14948-02 | .JET (#38) .GICLEUR (#38) | 1 | | FOR 6AG-14301-B0 FOR 6AG-14301-B0 FOR 6AG-14301-F0 FOR 6AG-14301-F0 |
| | 6AH-14948-02 | .JET (#38) .GICLEUR (#38) | | 1 | |
| 7 | 679-14966-00 | .RUBBER CAP .CAPUCHON | 1 | 1 | |
| 8 | 90501-10326 | .SPRING, COMPRESSION .RESSORT, COMPRESSION | 1 | 1 | |
| 9 | 63V-14523-00 | .SCREW, STOP .VIS, BUTEE | 1 | 1 | |
| 10 | 6AH-14947-20 | .JET, NEEDLE .GICLEUR DE STARTER | 1 | 1 | |
| 11 | 676-14943-19 | .JET, MAIN (#80) .GICLEUR, PRINCIPAL (#80) | 1 | 1 | |
| 12 | 6AH-14985-00 | .FLOAT .FLOTTEUR | 1 | 1 | |
| 13 | 6AH-14546-00 | .VALVE, NEEDLE .POINTEAU | 1 | 1 | |
| 14 | 633-14159-00 | .CLIP .JONC | 1 | 1 | |
| 15 | 98580-04008 | .SCREW, PAN HEAD .VIS | 1 | 1 | |
| 16 | 6H4-14548-00 | .PIN, FLOAT ARM .AXE, BRAS DE FLOTTEUR | 1 | 1 | |
| 17 | 65W-14373-02 | .COVER, PLUNGER CAP .COUVERCLE DE PLONGEUR | 1 | 1 | |
| 18 | 6AH-14379-00 | .ROD, STARTER .TRINGLE, STARTER | 1 | 1 | |
| 19 | 6AH-14923-20 | .SCREW, PILOT .VIS, RALENTI | 1 | 1 | |
| 20 | 67F-14398-10 | .O-RING .JOINT TORIQUE | 1 | 1 | |
| 21 | 67C-14555-00 | .SPRING .RESSORT | 1 | 1 | |
| 22 | 65W-14335-00 | .SPRING, PLUNGER .RESSORT, PLONGEUR | 1 | 1 | |
| 23 | 6AH-14371-00 | .PLUNGER, STARTER .PLONGEUR, STARTER | 1 | 1 | |
| 24 | 6AH-14384-00 | .GASKET, FLOAT CHAMBER .JOINT, CUVE DE FLOTTEUR | 1 | 1 | |
| 25 | 6AH-14980-00 | .BODY, FLOAT CHAMBER .CORPS, CUVE DE FLOTTEUR | 1 | 1 | |

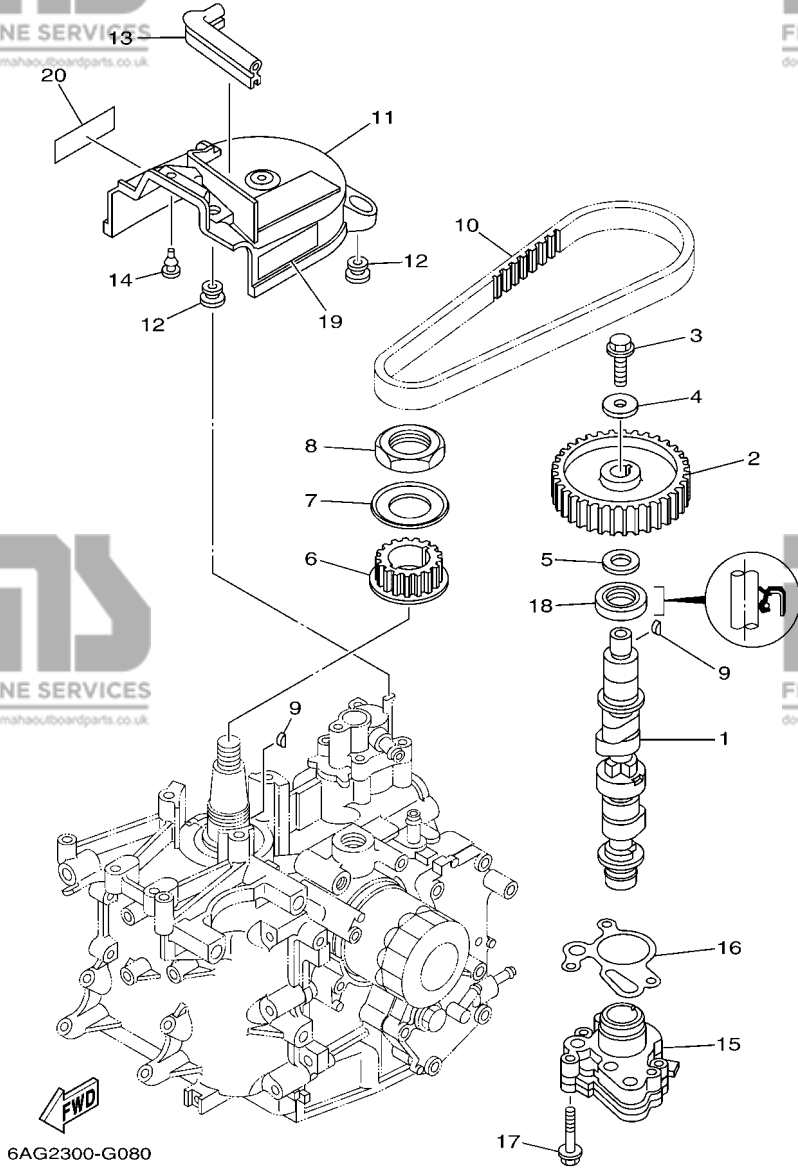


6BY2280-J070

FIG. 8 CARBURETOR

CARBURATEUR

| REF. NO. | PART NO. N° PIECES | DESCRIPTION DESCRIPTION | M/H | L | REMARKS REMARQUES |
|----------|------------------------------|--|-----|---|--|
| 26 | 65W-14398-00 | .GASKET .JOINT | 1 | 1 | |
| 27 | 65W-14992-00 | .SCREW, DRAIN .BOUCHON, PURGE | 1 | 1 | |
| 28 | 97980-04114 | .SCREW, WITH WASHER .VIS, AVEC RONDELLE | 4 | 4 | |
| 29 | 6AH-14380-01 6AH-14380-11 | .PRIME STARTER ASSY .STARTER AUTOMATIQUE .PRIME STARTER ASSY .STARTER AUTOMATIQUE | 1 | 1 | FOR 6AG-14301-B0 FOR 6AG-14301-B0 FOR 6AG-14301-F0 FOR 6AG-14301-F0 |
| 30 | 97980-04108 | .SCREW, WITH WASHER .VIS, AVEC RONDELLE | 2 | 2 | |
| 31 | 6AH-14346-00 | .PLATE .PLAQUE | 1 | 1 | |
| 32 | 67C-14567-00 | .SCREW .VIS | 1 | 1 | |
| 33 | 65W-14346-00 | .PLATE .PLAQUE | 1 | 1 | |
| 34 | 65W-1439G-00 | .CLIP 1 .JONC 1 | 1 | 1 | |



6AG2300-G080

FIG. 9 OIL PUMP

POMPE A HUILE

| REF. NO. | PART NO. N° PIECES | DESCRIPTION DESCRIPTION | M/H | L | REMARKS REMARQUES |
|----------|--------------------|---|-----|---|-------------------|
| 1 | 6AG-12170-00 | CAMSHAFT ASSY 1 ENS ARBRE A CAMES 1 | 1 | 1 | |
| 2 | 6AH-11537-00 | GEAR, DRIVEN PIGNON SECONDAIRE | 1 | 1 | |
| 3 | 90105-081A7 | BOLT, FLANGE BOULON | 1 | 1 | |
| 4 | 90201-08784 | WASHER, PLATE RONDELLE, PLATE | 1 | 1 | |
| 5 | 90201-15423 | WASHER, PLATE RONDELLE, PLATE | 1 | 1 | |
| 6 | 6AH-11536-00 | GEAR, DRIVE ENGRENAGE, MENANT | 1 | 1 | |
| 7 | 6AH-11557-00 | WASHER 1 RONDELLE 1 | 1 | 1 | |
| 8 | 90170-30003 | NUT ECROU | 1 | 1 | |
| 9 | 90280-03M01 | KEY, WOODRUFF CLAVETTE, DEMI-LUNE | 2 | 2 | |
| 10 | 6AH-46241-00 | BELT COURROIE TRAPEZOIDALE | 1 | 1 | |
| 11 | 6AH-46297-00 | COVER, DUST COUVERCLE, POUSSIERE | 1 | 1 | |
| 12 | 90480-10627 | GROMMET PASSE-FIL | 3 | 3 | |
| 13 | 6AH-42617-00 | DAMPER, FORM BOURRELET, CAOUTCHOUC | 1 | 1 | |
| 14 | 90480-06M19 | GROMMET PASSE-FIL | 1 | 1 | |
| 15 | 6AH-13300-00 | OIL PUMP ASSY POMPE A HUILE COMPLETE | 1 | 1 | |
| 16 | 6AH-13329-10 | GASKET, PUMP COVER JOINT, COUVERCLE DE POMPE | 1 | 1 | |
| 17 | 90105-06035 | BOLT, FLANGE BOULON | 3 | 3 | |
| 18 | 93102-22010 | OIL SEAL JOINT SPY | 1 | 1 | |
| 19 | 6EE-81994-40 | LABEL, SAFETY ETIQUETTE, SECURITE | 1 | 1 | |
| 20 | 6EE-81994-50 | LABEL, SAFETY ETIQUETTE, SECURITE | 1 | 1 | |

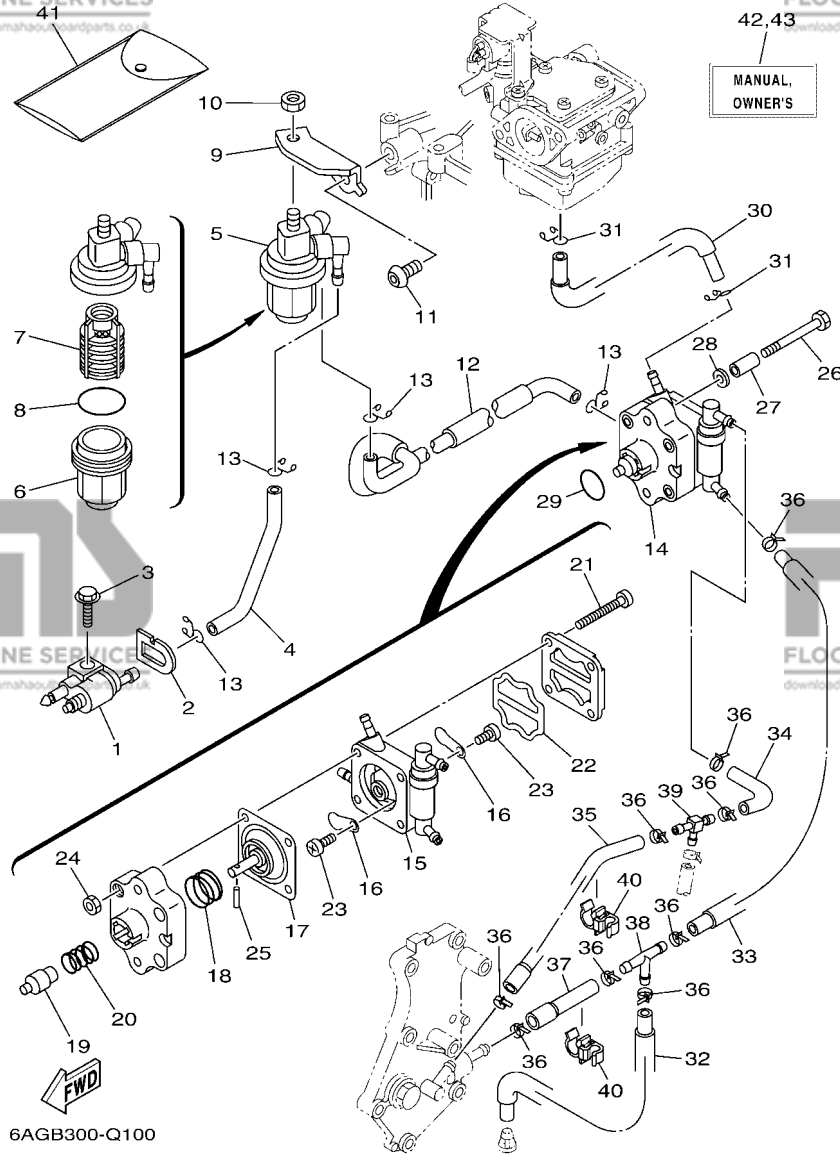


FIG. 10 FUEL

CARBURANT

| REF. NO. | PART NO. N° PIECES | DESCRIPTION DESCRIPTION | M/H | W | REMARKS REMARQUES |
|----------|--------------------|---|-----|---|-------------------|
| 1 | 6G1-24304-10 | FUEL PIPE JOINT COMP. 1 DURITE RACCORDEMT. A ESSENCE | 1 | 1 | |
| 2 | 61N-24329-00 | SEAL JOINT | 1 | 1 | |
| 3 | 95895-06020 | BOLT, FLANGE BOULON | 1 | 1 | |
| 4 | 6AH-24311-00 | PIPE, FUEL 1 DURITE A ESSENCE | 1 | 1 | |
| 5 | 61N-24560-10 | FILTER ASSY ENS FILTRE | 1 | 1 | |
| 6 | 61N-24521-00 | .CUP, FILTER .CUVETTE, FILTRE | 1 | 1 | |
| 7 | 61N-24563-10 | .ELEMENT, FILTER .ELEMENT, FILTRE | 1 | 1 | |
| 8 | 93210-32738 | .O-RING .JOINT TORIQUE | 1 | 1 | |
| 9 | 6AH-24566-00 | BRACKET, FILTER SUPPORT, FILTRE | 1 | 1 | |
| 10 | 95380-08600 | NUT ECROU | 1 | 1 | |
| 11 | 90111-08055 | BOLT, HEX. SOCKET BUTTON BOULON | 1 | 1 | |
| 12 | 6AH-24312-00 | PIPE 2 DURITE 2 | 1 | 1 | |
| 13 | 90467-09M17 | CLIP JONC | 4 | 4 | |
| 14 | 6AH-24410-00 | FUEL PUMP ASSY POMPE A ESSENCE | 1 | 1 | |
| 15 | 6AH-24413-00 | .BODY 2 .CORPS 2 | 1 | 1 | |
| 16 | 6A0-24421-01 | .VALVE, CHECK .SOUPAPE, RETENUE | 2 | 2 | |
| 17 | 66M-24411-11 | .DIAPHRAGM .DIAPHRAGME | 1 | 1 | |
| 18 | 66M-24423-00 | .SPRING, DIAPHRAGM .RESSORT, DIAPHRAGME | 1 | 1 | |
| 19 | 66M-13131-10 | .PLUNGER .PLONGEUR | 1 | 1 | |
| 20 | 66M-24454-00 | .SPRING .RESSORT | 1 | 1 | |
| 21 | 66M-24444-00 | .SCREW .VIS | 4 | 4 | |
| 22 | 66M-24471-01 | .DIAPHRAGM .DIAPHRAGME | 1 | 1 | |
| 23 | 6E7-14325-00 | .SCREW, PAN HEAD .VIS TETE CONIQUE | 2 | 2 | |
| 24 | 95380-04600 | .NUT .ECROU | 4 | 4 | |
| 25 | 66M-24374-00 | .PIN .GOUPILLE | 1 | 1 | |
| 26 | 90101-06032 | BOLT BOULON | 2 | 2 | |
| 27 | 90387-06M17 | COLLAR COLLERETTE | 2 | 2 | |

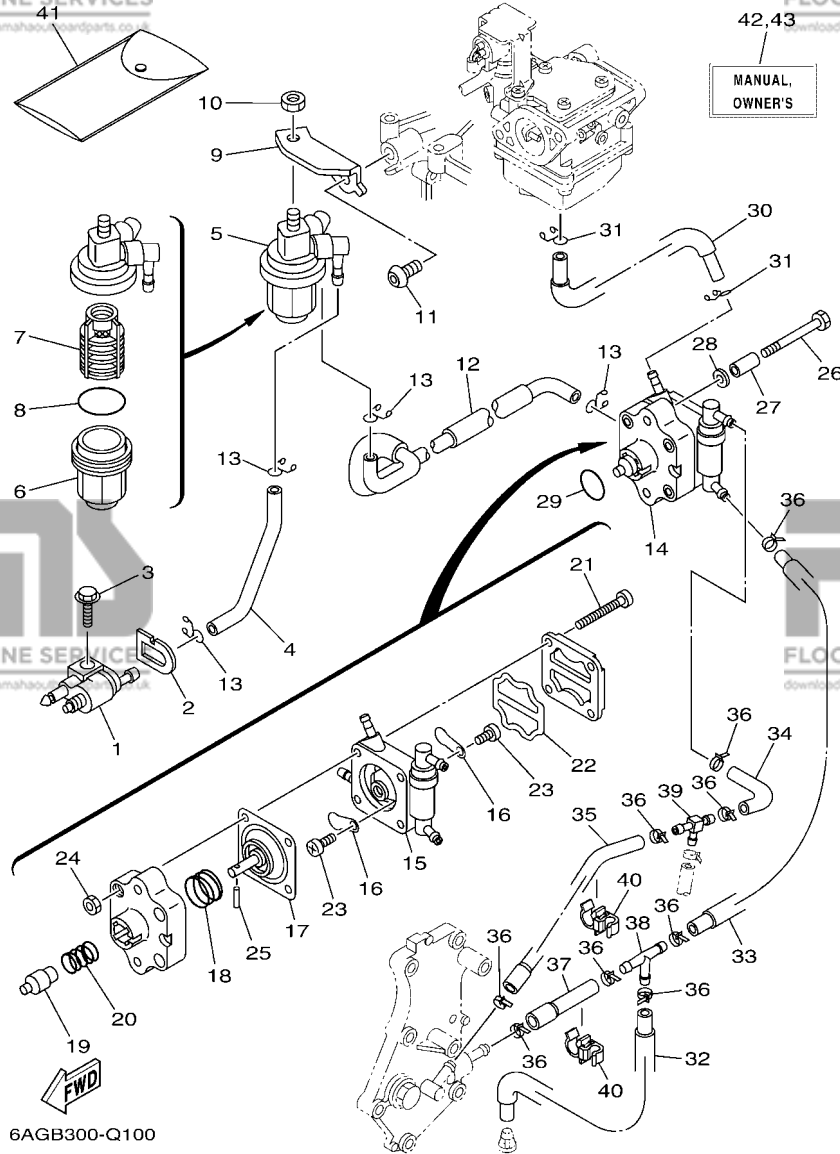


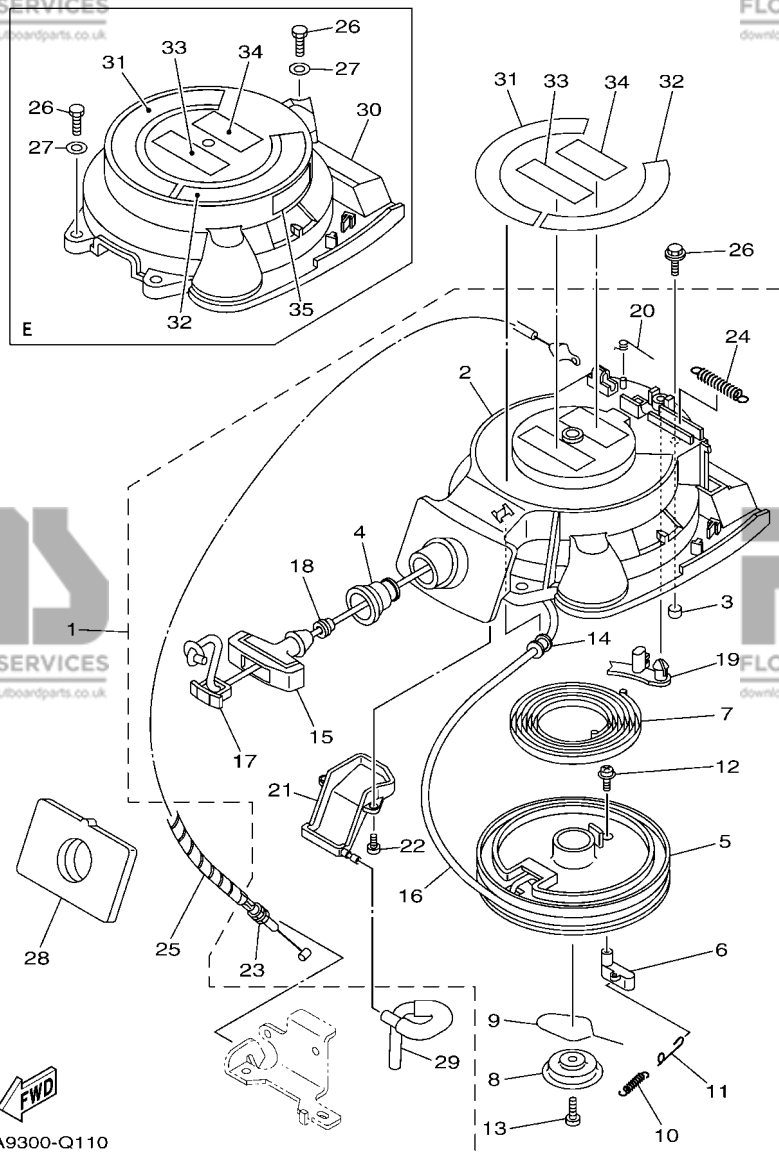
FIG. 10 FUEL

CARBURANT

| REF. NO. | PART NO. N° PIECES | DESCRIPTION DESCRIPTION | M/H | W | REMARKS REMARQUES |
|----------|--------------------|--------------------------------------|-----|---|--------------------|
| 28 | 90201-06106 | WASHER, PLATE RONDELLE, PLATE | 2 | 2 | |
| 29 | 93210-20M65 | O-RING JOINT TORIQUE | 1 | 1 | |
| 30 | 6AH-24313-00 | PIPE 3 DURITE 3 | 1 | 1 | |
| 31 | 90467-09M17 | CLIP JONC | 2 | 2 | |
| 32 | 6AH-24321-00 | PIPE 10 DURITE 10 | 1 | 1 | |
| 33 | 6AH-24322-00 | PIPE 11 DURITE 11 | 1 | 1 | |
| 34 | 90445-09026 | HOSE (L68) DURITE (L68) | 1 | 1 | |
| 35 | 6AH-24323-00 | PIPE 12 DURITE 12 | 1 | 1 | |
| 36 | 90465-11M10 | CLAMP BRIDE | 9 | 9 | |
| 37 | 6AH-24324-00 | PIPE 13 DURITE 13 | 1 | 1 | |
| 38 | 688-24378-00 | PIPE, JOINT 3 DURITE RACCORDEMENT 3 | 1 | 1 | |
| 39 | 6C5-24378-00 | PIPE, JOINT 3 DURITE RACCORDEMENT 3 | 1 | 1 | |
| 40 | 90464-09018 | CLAMP BRIDE | 2 | 2 | |
| 41 | 62Y-28100-00 | TOOL KIT TROUSSE A OUTILS | 1 | 1 | AP AP |
| 42 | 6AG-28199-7A-E0 | MANUAL, OWNER'S MANUEL D'UTILISATION | 1 | 1 | UR (E) UR (E) |
| 43 | 6AG-28199-7A-F0 | MANUAL, OWNER'S MANUEL D'UTILISATION | 1 | 1 | UR (F) UR (F) |
| | 6AG-28199-7A-S0 | MANUAL, OWNER'S MANUEL D'UTILISATION | 1 | 1 | UR (ES) UR (ES) |
| | 6AG-28199-7A-G0 | MANUAL, OWNER'S MANUEL D'UTILISATION | 1 | 1 | UR (D) UR (D) |
| | 6AG-28199-7A-D0 | MANUAL, OWNER'S MANUEL D'UTILISATION | 1 | 1 | UR (NL) UR (NL) |
| | 6AG-28199-7A-H0 | MANUAL, OWNER'S MANUEL D'UTILISATION | 1 | 1 | UR (I) UR (I) |
| | 6AG-28199-8A-K0 | MANUAL, OWNER'S MANUEL D'UTILISATION | 1 | 1 | UR (DK) UR (DK) |
| | 6AG-28199-8A-R0 | MANUAL, OWNER'S MANUEL D'UTILISATION | 1 | 1 | UR (GR) UR (GR) |
| | 6AG-28199-8A-P0 | MANUAL, OWNER'S MANUEL D'UTILISATION | 1 | 1 | UR (P) UR (P) |
| | 6AG-28199-8A-N0 | MANUAL, OWNER'S MANUEL D'UTILISATION | 1 | 1 | UR (N) UR (N) |
| | 6AG-28199-8A-M0 | MANUAL, OWNER'S MANUEL D'UTILISATION | 1 | 1 | UR (S) UR (S) |
| | 6AG-28199-8A-L0 | MANUAL, OWNER'S MANUEL D'UTILISATION | 1 | 1 | UR (SF) UR (SF) |

FIG. 11 STARTER

DEMARREUR



| REF. NO. | PART NO. N° PIECES | DESCRIPTION DESCRIPTION | M/H | E | REMARKS REMARQUES |
|----------|--------------------|---|-----|---|-------------------|
| 1 | 6AH-15710-02 | STARTER ASSY DEMARREUR COMPLET | 1 | | |
| 2 | 6AH-15711-01 | .CASE, STARTER .CARTER DE DEMARREUR | 1 | | |
| 3 | 6BL-15764-00 | .COLLAR 1 .COLLERETTE 1 | 3 | | |
| 4 | 6AH-15795-00 | .GUIDE, ROPE .GUIDE DE CABLE | 1 | | |
| 5 | 63V-15714-00 | .DRUM, SHEAVE .TAMBOUR, POULIE | 1 | | |
| 6 | 6AH-15741-10 | .PAWL, DRIVE .CLIQUET, ENTRAINEMENT | 1 | | |
| 7 | 63V-15713-00 | .SPRING, STARTER .RESSORT DE DEMARREUR | 1 | | |
| 8 | 68T-15716-00 | .PLATE, DRIVE .PLAQUE, ENTRAINEMENT | 1 | | |
| 9 | 63V-15705-01 | .SPRING, DRIVE PAWL .RESSORT DE CLIQUET | 1 | | |
| 10 | 63V-15767-01 | .SPRING .RESSORT | 1 | | |
| 11 | 68T-15784-00 | .SPRING, RETURN .RESSORT, RAPPEL | 1 | | |
| 12 | 63V-15793-00 | .SCREW .VIS | 1 | | |
| 13 | 68T-15793-00 | .SCREW .VIS | 1 | | |
| 14 | 68T-15764-00 | .COLLAR 1 .COLLERETTE 1 | 1 | | |
| 15 | 689-15755-01 | .HANDLE, STARTER .POIGNEE, DE DEMARREUR | 1 | | |
| 16 | 63V-15710-01 | .WIRE, STARTER (L:1800MM) .CABLE DE DEMARREUR (L:1800MM) | 1 | | *1 |
| 17 | 6F5-15779-02 | .COVER .COUVERCLE | 1 | | |
| 18 | 6A0-15789-00 | .DAMPER .AMORTISSEUR | 1 | | |
| 19 | 66T-15794-00 | .STOPPER .BUTEE | 1 | | |
| 20 | 66T-15734-00 | .SPRING, RETURN .RESSORT, RAPPEL | 1 | | |
| 21 | 6AH-15782-00 | .COVER, SHEAVE .COUVERCLE, POULIE | 1 | | |
| 22 | 6AH-15793-00 | .SCREW .VIS | 2 | | |
| 23 | 6AH-15770-00 | .CABLE COMP., STARTER STOP .CABLE, BUTEE DE DEMAR | 1 | | |
| 24 | 66T-15731-00 | .SPRING, RETURN .RESSORT, RAPPEL | 1 | | |
| 25 | 90446-06M90 | HOSE (L120) DURITE (L120) | 1 | | |
| 26 | 95875-06020 | BOLT, FLANGE BOULON, A COLLERETTE | 3 | | |
| | 97095-06020 | BOLT BOULON | | 3 | |

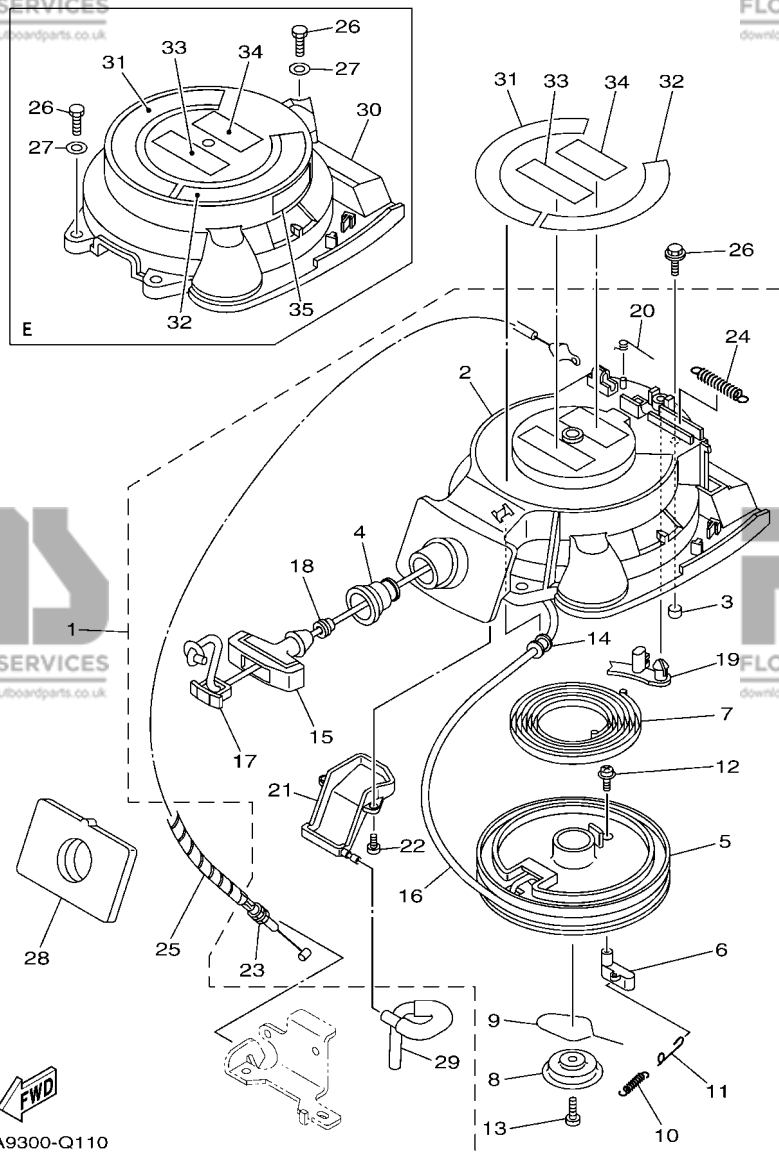
*1: CUT FROM 50M ROLLS, PART NO. 90890-44373, CUTTING LENGTH 1.8M

*1:A PRELEVER SUR BOBINE 50M , REFERENCE 90890-44373, LONGUEUR DE COUPE 1.8M

6CA9300-Q110

FIG. 11 STARTER

DEMARREUR

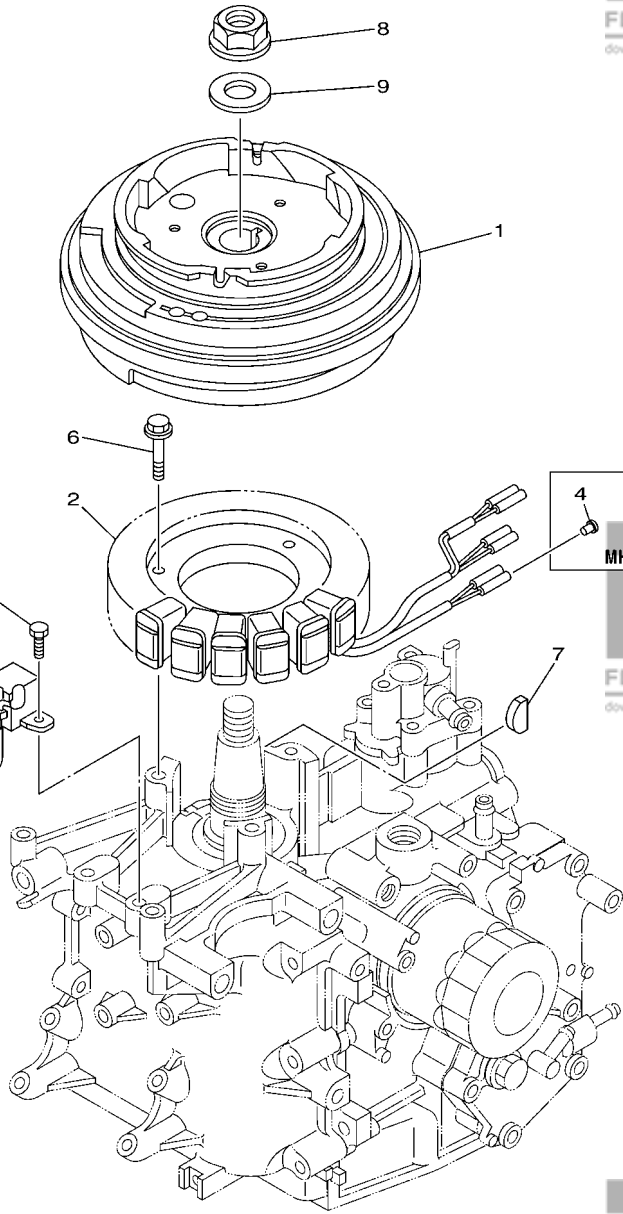


| REF. NO. | PART NO. N° PIECES | DESCRIPTION DESCRIPTION | M/H | E | REMARKS REMARQUES |
|----------|--------------------|---|-----|---|-------------------|
| 27 | 92995-06600 | WASHER RONDELLE | | 3 | |
| 28 | 6AH-15762-01 | SEAL, RUBBER 2 JOINT CAOUTCHOUC 2 | 1 | | |
| 29 | 6AH-24316-00 | PIPE 6 DURITE 6 | 1 | | |
| 30 | 6AH-81337-00 | COVER, FLYWHEEL COUVERCLE, VOLANT | | 1 | |
| 31 | 6AH-14427-60 | LABEL, INSTRUCTION ETIQUETTE, INSTRUCTION | 1 | 1 | |
| 32 | 6AH-13437-60 | MARK, CAUTION MAKER | 1 | 1 | |
| 33 | 6EE-81995-40 | LABEL, WARNING ETIQUETTE, AVERTISSEMENT | 1 | 1 | |
| 34 | 6EE-81995-50 | LABEL, WARNING ETIQUETTE, AVERTISSEMENT | 1 | 1 | |
| 35 | 6AG-81996-00 | MARK MARQUE | | 1 | |

6CA9300-Q110

*1: CUT FROM 50M ROLLS, PART NO. 90890-44373, CUTTING LENGTH 1.8M

*1:A PRELEVER SUR BOBINE 50M , REFERENCE 90890-44373, LONGUEUR DE COUPE 1.8M

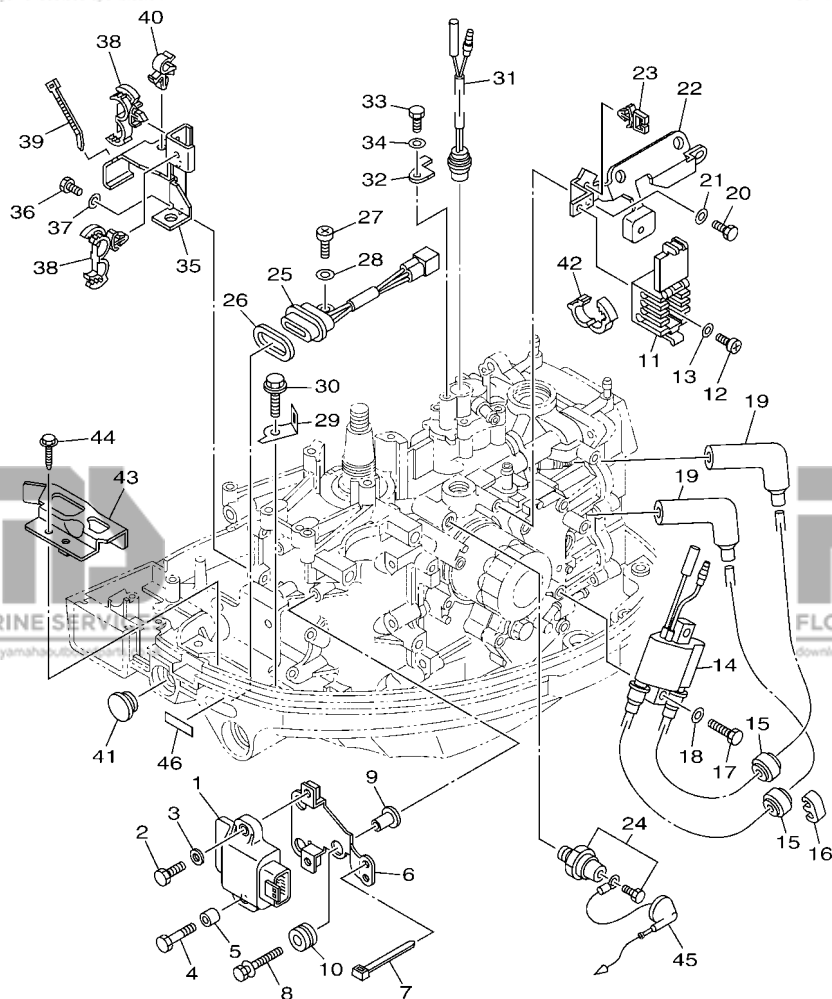


6AH1100-F120

FIG. 12 GENERATOR

GENERATRICE

| REF. NO. | PART NO. N° PIECES | DESCRIPTION DESCRIPTION | MH | E | REMARKS REMARQUES |
|----------|--------------------|--------------------------------------|----|---|-------------------|
| 1 | 6AH-85550-00 | ROTOR ASSY ROTOR CPLT | 1 | | |
| | 6AH-85550-10 | ROTOR ASSY ROTOR CPLT | | 1 | |
| 2 | 6AH-85510-00 | STATOR ASSY STATOR CPLT | 1 | 1 | |
| 3 | 6AH-85580-00 | COIL, PULSER BOBINE, PULSEUR | 1 | 1 | |
| 4 | 703-82119-00 | COVER, LEAD WIRE GARNITURE, FIL | 2 | | |
| 5 | 97095-05012 | BOLT BOULON | 2 | 2 | |
| 6 | 95895-06030 | BOLT, FLANGE BOULON | 3 | 3 | |
| 7 | 90280-05013 | KEY, WOODRUFF CLAVETTE, DEMI-LUNE | 1 | 1 | |
| 8 | 90179-16M05 | NUT ECROU | 1 | 1 | |
| 9 | 90201-16M44 | WASHER, PLATE RONDELLE, PLATE | 1 | 1 | |

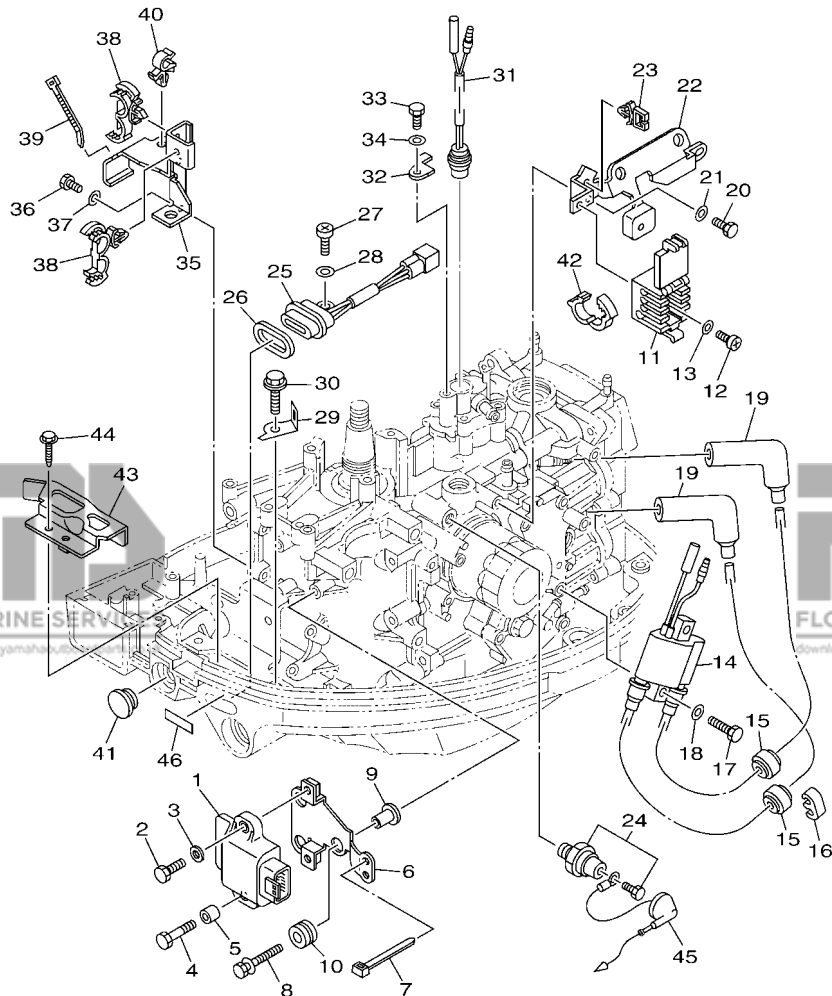


6CA8300-P130

FIG. 13 ELECTRICAL 1

PARTIE ELECTRIQUE 1

| REF. NO. | PART NO. N° PIECES | DESCRIPTION DESCRIPTION | M/H | U | REMARKS REMARQUES |
|----------|--------------------|--|-----|---|-------------------|
| 1 | 6AH-85540-00 | C.D.I. UNIT ASSY BLOC C.D.I. | 1 | 1 | |
| 2 | 97095-06020 | BOLT BOULON | 1 | 1 | |
| 3 | 92995-06600 | WASHER RONDELLE | 1 | 1 | |
| 4 | 97095-06030 | BOLT BOULON | 1 | 1 | |
| 5 | 90387-06M74 | COLLAR COLLERETTE | 1 | 1 | |
| 6 | 6AH-81948-00 | BRACKET SUPPORT | 1 | 1 | |
| 7 | 90465-13M18 | CLAMP BRIDE | 1 | 1 | |
| 8 | 90119-06M35 | BOLT, WITH WASHER BOULON, AVEC RONDELLE | 3 | 3 | |
| 9 | 90387-06289 | COLLAR COLLERETTE | 3 | 3 | |
| 10 | 90480-10M23 | GROMMET PASSE-FIL | 3 | 3 | |
| 11 | 6AH-82522-00 | CLAMP, COUPLER BRIDE, DE CONNECTEUR | 1 | 1 | |
| 12 | 97880-06010 | SCREW, PAN HEAD VIS, TETE TRONCONIQUE | 1 | 1 | |
| 13 | 90201-06M05 | WASHER, PLATE RONDELLE, PLATE | 1 | 1 | |
| 14 | 6F5-85570-13 | IGNITION COIL ASSY BOBINE D'ALLUMAGE (ENS.) | 1 | 1 | |
| 15 | 90480-25003 | GROMMET PASSE-FIL | 2 | 2 | |
| 16 | 67F-82361-00 | CLAMP, CORD COLLIER, CORDON | 1 | 1 | |
| 17 | 97095-06025 | BOLT BOULON | 2 | 2 | |
| 18 | 92995-06600 | WASHER RONDELLE | 2 | 2 | |
| 19 | 6AH-82370-00 | PLUG CAP ASSY ANTIPARASITE | 2 | 2 | |
| 20 | 97095-06014 | BOLT BOULON | 2 | 2 | |
| 21 | 92995-06600 | WASHER RONDELLE | 2 | 2 | |
| 22 | 6AH-85542-00 | BRACKET SUPPORT | 1 | 1 | |
| 23 | 90464-07M56 | CLAMP BRIDE | 2 | 2 | |
| 24 | 64J-82504-00 | OIL PRESSURE SWITCH ASSY CONTACTEUR DE PRESSION D'HUILE | 1 | 1 | |
| 25 | 62Y-84301-00 | PILOT LIGHT ASSY 1 LAMPE-TEMOIN 1 | 1 | 1 | |
| 26 | 6H4-83589-00 | GASKET GARNITURE | 1 | 1 | |
| 27 | 97885-06012 | SCREW, PAN HEAD VIS, A ENCOCHE | 1 | 1 | |



FWD
6CA8300-P130

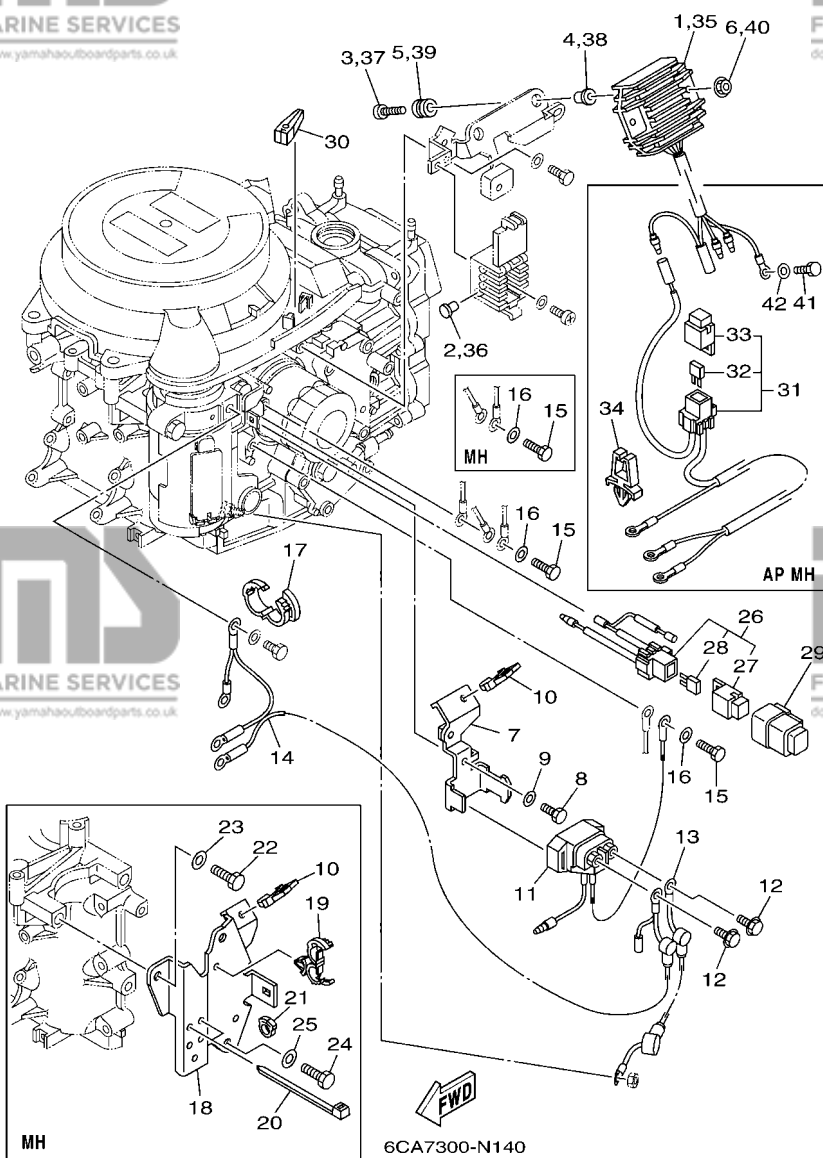
FIG. 13 ELECTRICAL 1

PARTIE ELECTRIQUE 1

| REF. NO. | PART NO. N° PIECES | DESCRIPTION DESCRIPTION | M/H | L | REMARKS REMARQUES |
|----------|--------------------|--|-----|---|-------------------|
| 28 | 92995-06600 | WASHER RONDELLE | 1 | 1 | |
| 29 | 6AH-82388-00 | PLATE PLAQUETTE | 1 | 1 | |
| 30 | 90109-06M86 | BOLT BOULON | 1 | 1 | |
| 31 | 6AH-82560-00 | THERMO SWITCH ASSY THERMO-CONTACT COMPLET | 1 | 1 | |
| 32 | 6AH-82588-00 | PLATE PLAQUE | 1 | 1 | |
| 33 | 97095-06014 | BOLT BOULON | 1 | 1 | |
| 34 | 92995-06600 | WASHER RONDELLE | 1 | 1 | |
| 35 | 6AH-82554-00 | STAY, NEUTRAL SWITCH SUPPORT, CONT DE POINT-MORT | 1 | 1 | |
| 36 | 97095-06016 | BOLT BOULON | 2 | 2 | |
| 37 | 92995-06600 | WASHER RONDELLE | 2 | 2 | |
| 38 | 90464-18246 | CLAMP BRIDE | 2 | 2 | |
| 39 | 90465-13M18 | CLAMP BRIDE | 1 | | |
| 40 | 90464-10M32 | CLAMP BRIDE | 1 | 1 | |
| 41 | 6G1-42725-00 | GROMMET PASSE-FIL | 1 | 1 | |
| 42 | 90464-16003 | CLAMP BRIDE | 1 | | |
| | 90464-16001 | CLAMP BRIDE | 1 | | |
| 43 | 6AH-82389-00 | PLATE 2 PLAQUETTE 2 | 1 | 1 | |
| 44 | 90109-06M86 | BOLT BOULON | 1 | 1 | |
| 45 | 6AH-82553-10 | EXTENSION, WIRE LEAD EXTENSION, FAISCEAU | 1 | | |
| | 6AH-82553-00 | EXTENSION, WIRE LEAD EXTENSION, FAISCEAU | | 1 | |
| 46 | 67C-85415-00 | MARK, SIGNAL LAMP ETIQUETTE | 1 | 1 | |

FIG. 14 ELECTRICAL 2

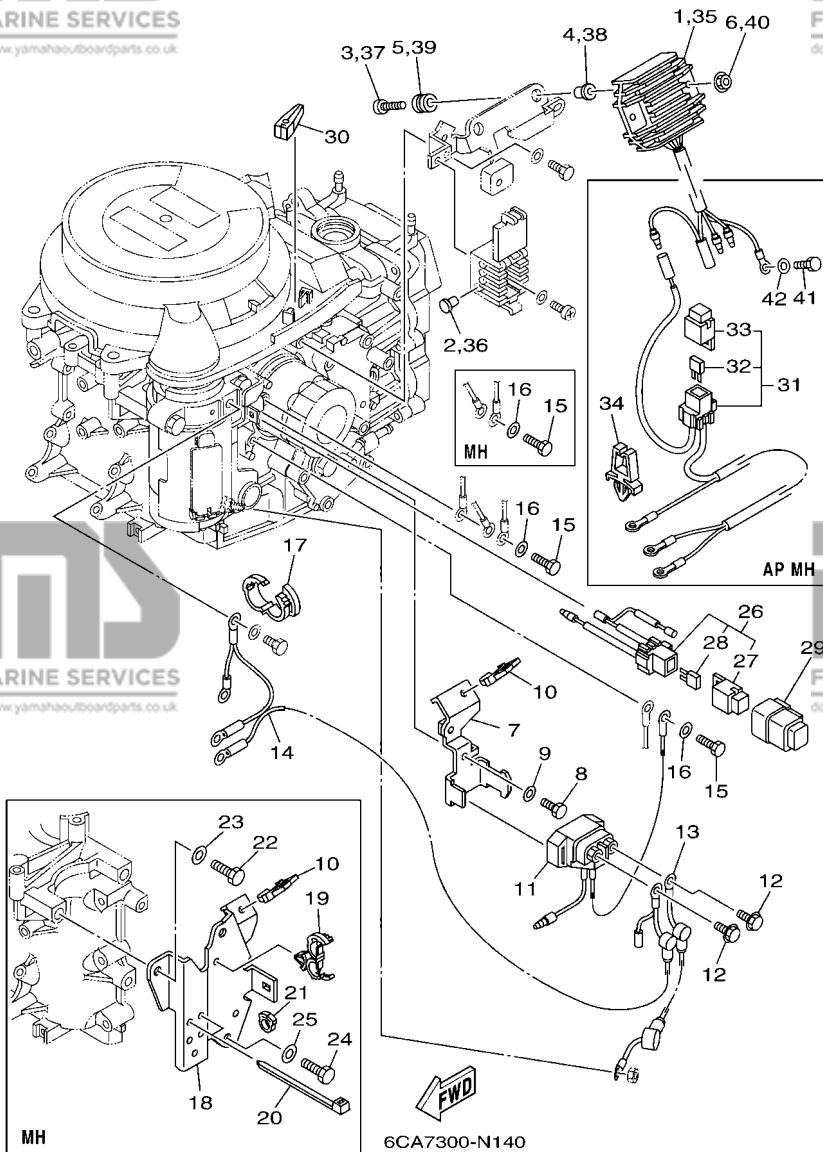
PARTIE ELECTRIQUE 2



| REF. NO. | PART NO. N° PIECES | DESCRIPTION DESCRIPTION | M/H | U | REMARKS REMARQUES |
|----------|--------------------|--|-----|---|-------------------|
| 1 | 6AH-81960-00 | RECTIFIER & REGULATOR ASSY REDRESSEUR REGULATEUR CPLT | | 1 | |
| 2 | 703-82119-00 | COVER, LEAD WIRE GARNITURE, FIL | | 1 | |
| 3 | 98980-06030 | SCREW, BIND VIS, DE PRESSION | | 2 | |
| 4 | 90387-06M70 | COLLAR COLLERETTE | | 2 | |
| 5 | 90480-13M24 | GROMMET PASSE-FIL | | 2 | |
| 6 | 95780-06500 | NUT, FLANGE ECROU | | 2 | |
| 7 | 6AH-81945-00 | PLATE, SWITCH FITTING PLAQUE, FIXATION DU RELAIS | | 1 | |
| 8 | 97095-06014 | BOLT BOULON | | 1 | |
| 9 | 92995-06600 | WASHER RONDELLE | | 1 | |
| 10 | 90464-08004 | CLAMP BRIDE | 1 | 1 | |
| 11 | 68T-81940-00 | STARTER RELAY ASSY LANCEUR RELAIS (ENS.) | | 1 | |
| 12 | 97595-06610 | BOLT, WITH WASHER VIS HEXAGONAL AVC RONDELLE | | 2 | |
| 13 | 6AH-82117-00 | WIRE, LEAD FIL | | 1 | |
| 14 | 6AH-82105-01 | BATTERY CABLE CABLE DE BATTERIE | | 1 | |
| 15 | 97095-06014 | BOLT BOULON | 1 | | |
| | 97095-06014 | BOLT BOULON | | 2 | |
| 16 | 92995-06600 | WASHER RONDELLE | 1 | | |
| | 92995-06600 | WASHER RONDELLE | | 2 | |
| 17 | 90464-16001 | CLAMP BRIDE | | 1 | |
| 18 | 6AH-82398-00 | PLATE 3 PLAQUETTE 3 | | 1 | |
| 19 | 90464-18246 | CLAMP BRIDE | | 1 | |
| 20 | 90465-13M18 | CLAMP BRIDE | | 3 | |
| 21 | 90464-09010 | CLAMP BRIDE | | 1 | |
| 22 | 97095-08025 | BOLT BOULON | | 2 | |
| 23 | 92995-08600 | WASHER RONDELLE | | 2 | |
| 24 | 97095-08016 | BOLT BOULON | | 1 | |
| 25 | 92995-08600 | WASHER RONDELLE | | 1 | |

FIG. 14 ELECTRICAL 2

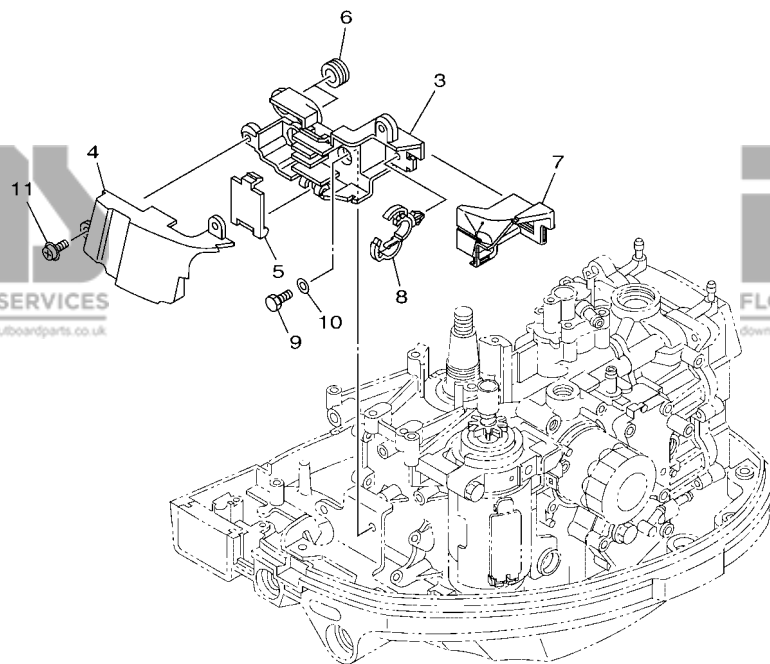
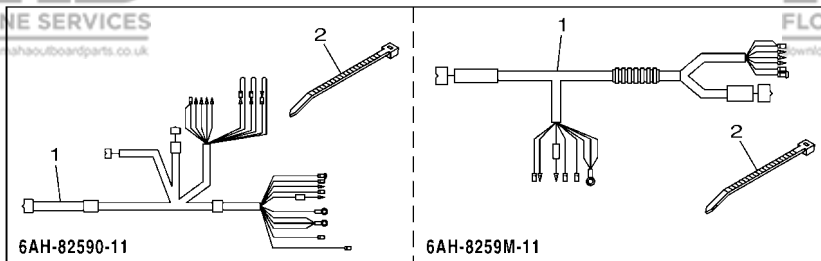
PARTIE ELECTRIQUE 2



| REF. NO. | PART NO. N° PIECES | DESCRIPTION DESCRIPTION | M/H | E | REMARKS REMARQUES |
|----------|--------------------|--|-----|---|-------------------|
| 26 | 6AH-82150-00 | FUSE HOLDER ASSY SUPPORT DE FUSIBLE | | 1 | |
| 27 | 67F-8215B-10 | .CAP (YELLOW) .BOUCHON (YELLOW) | | 1 | |
| 28 | 67F-82151-00 | .FUSE (20A) .FUSIBLE (20A) | | 2 | |
| 29 | 6AH-82157-00 | DAMPER AMORTISSEUR | | 1 | |
| 30 | 67F-2812A-00 | PULLER, FUSE TENDEUR, FUSIBLE | | 1 | |
| 31 | 6AH-81949-00 | WIRE, LEAD FIL | | 1 | AP |
| 32 | 67F-82151-00 | .FUSE (20A) .FUSIBLE (20A) | | 2 | AP |
| 33 | 67F-8215B-00 | .CAP (BLACK) .BOUCHON (NOIR) | | 1 | |
| 34 | 90464-06001 | CLAMP BRIDE | | 1 | AP |
| 35 | 6AH-81960-00 | RECTIFIER & REGULATOR ASSY REDRESSEUR REGULATEUR CPLT | | 1 | AP |
| 36 | 703-82119-00 | COVER, LEAD WIRE GARNITURE, FIL | | 1 | AP |
| 37 | 98980-06030 | SCREW, BIND VIS, DE PRESSION | | 2 | AP |
| 38 | 90387-06M70 | COLLAR COLLERETTE | | 2 | AP |
| 39 | 90480-13M24 | GROMMET PASSE-FIL | | 2 | AP |
| 40 | 95780-06500 | NUT, FLANGE ECROU | | 2 | AP |
| 41 | 97095-06014 | BOLT BOULON | | 1 | AP |
| 42 | 92995-06600 | WASHER RONDELLE | | 1 | AP |

FIG. 15 ELECTRICAL 3

PARTIE ELECTRIQUE 3



| REF. NO. | PART NO. N° PIECES | DESCRIPTION DESCRIPTION | M/H | L | REMARKS REMARQUES |
|----------|--------------------|---|-----|---|-------------------|
| 1 | 6AH-8259M-11 | WIRE HARNESS ASSY 2 FAISCEAU DE FILS | 1 | | |
| | 6AH-82590-11 | WIRE HARNESS ASSY FAISCEAU DE FILS COMPLET | | 1 | |
| 2 | 90465-13M18 | CLAMP BRIDE | 1 | 1 | |
| 3 | 6AH-8552A-00 | HOUSING CARTER | 1 | 1 | |
| 4 | 6AH-8552E-00 | COVER, CASE COUVERCLE | 1 | 1 | |
| 5 | 6AH-85537-00 | COVER COUVERCLE | 1 | 1 | |
| 6 | 90480-19368 | GROMMET PASSE-FIL | 2 | 2 | |
| 7 | 6AH-85547-00 | DAMPER AMORTISSEUR | 1 | 1 | |
| 8 | 90464-20181 | CLAMP BRIDE | 1 | 1 | |
| 9 | 97095-06014 | BOLT BOULON | 2 | 2 | |
| 10 | 92995-06600 | WASHER RONDELLE | 2 | 2 | |
| 11 | 97985-06214 | SCREW, WITH WASHER VIS, AVEC RONDELLE | 2 | 2 | |


6CA8300-P150

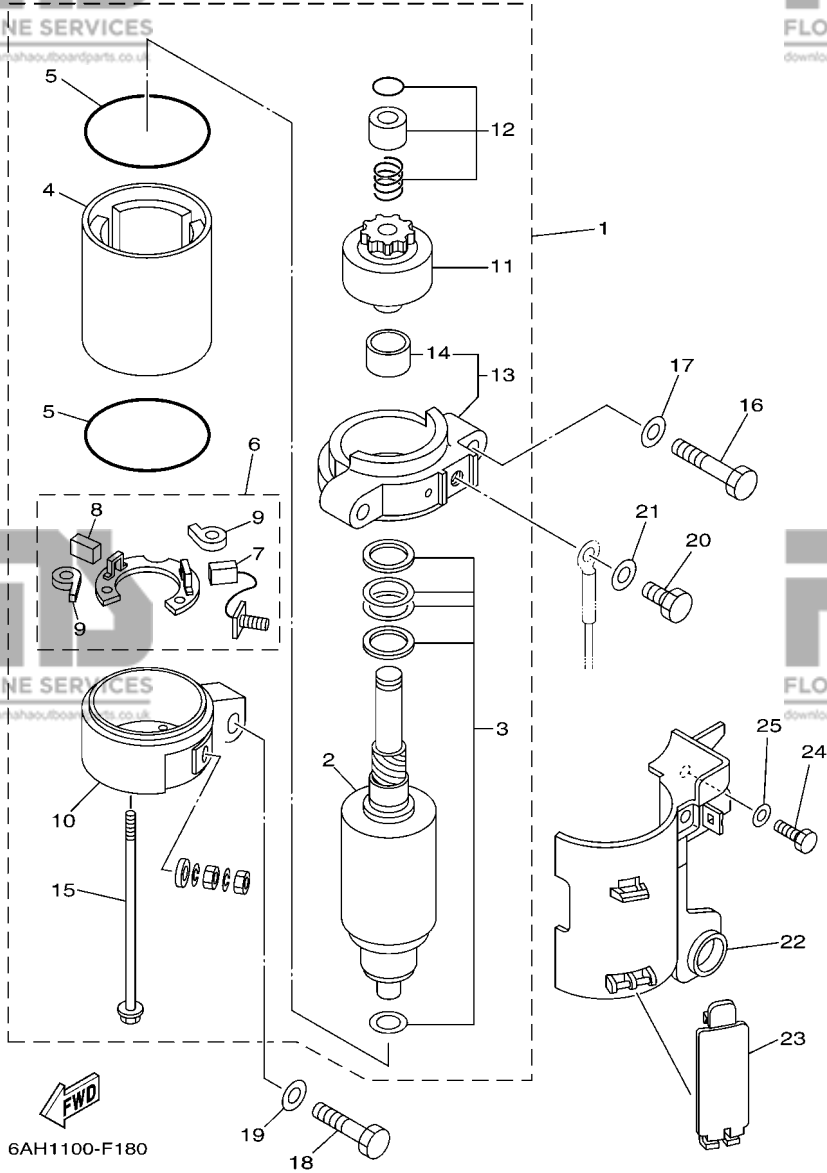


FIG. 16 STARTING MOTOR

DEMARREUR ELECTRIQUE

| REF. NO. | PART NO. N° PIECES | DESCRIPTION DESCRIPTION | M/H | U | REMARKS REMARQUES |
|----------|--------------------|---|-----|---|-------------------|
| 1 | 6AH-81800-00 | STARTING MOTOR ASSY DEMARREUR ELECTRIQUE COMPLET | | 1 | |
| 2 | 689-81850-11 | .ARMATURE ASSY .INDUIT | | 1 | |
| 3 | 689-81809-11 | .WASHER KIT .JEU DE RONDELLES | | 1 | |
| 4 | 689-81810-11 | .STATOR ASSY .STATOR COMPLET | | 1 | |
| 5 | 689-81847-11 | .O-RING .JOINT TORIQUE | | 2 | |
| 6 | 689-81840-11 | .BRUSH HOLDER ASSY .SUPPORT DE CHARBON | | 1 | |
| 7 | 689-81811-11 | .BRUSH 1 .CHARBON 1 | | 1 | |
| 8 | 689-81812-11 | .BRUSH 2 .CHARBON 2 | | 1 | |
| 9 | 689-81813-10 | .SPRING, BRUSH .RESSORT, DE CHARBON | | 2 | |
| 10 | 6AH-81820-00 | .REAR BRACKET ASSY .SUPPORT ARRIERE COMPLET | | 1 | |
| 11 | 689-81807-12 | .GEAR ASSY, STARTING MOTOR .PIGNON, DEMARREUR ELECTRIQUE | | 1 | |
| 12 | 68T-81857-00 | .PINION STOPPER SET .BUTEE PIGNON | | 1 | |
| 13 | 6AH-81830-00 | .FRONT BRACKET ASSY .SUPPORT AVANT | | 1 | |
| 14 | 689-81831-00 | .METAL, FRONT .METAL, AVANT | | 1 | |
| 15 | 689-81826-10 | .BOLT .BOULON | | 2 | |
| 16 | 97013-08045 | BOLT BOULON | | 2 | |
| 17 | 92903-08600 | WASHER, PLATE RONDELLE, PLATE | | 2 | |
| 18 | 97013-08035 | BOLT BOULON | | 1 | |
| 19 | 92903-08600 | WASHER, PLATE RONDELLE, PLATE | | 1 | |
| 20 | 97095-08016 | BOLT BOULON | | 1 | |
| 21 | 92995-08600 | WASHER RONDELLE | | 1 | |
| 22 | 6AH-81942-00 | COVER COUVERCLE | | 1 | |
| 23 | 6AH-82581-00 | STAY, CORD CLAMP SUPPORT, COLLIER DE CORDON | | 1 | |
| 24 | 97095-06014 | BOLT BOULON | | 1 | |
| 25 | 92995-06600 | WASHER RONDELLE | | 1 | |

FIG. 17 BOTTOM COWLING

CAPOT INFERIEUR

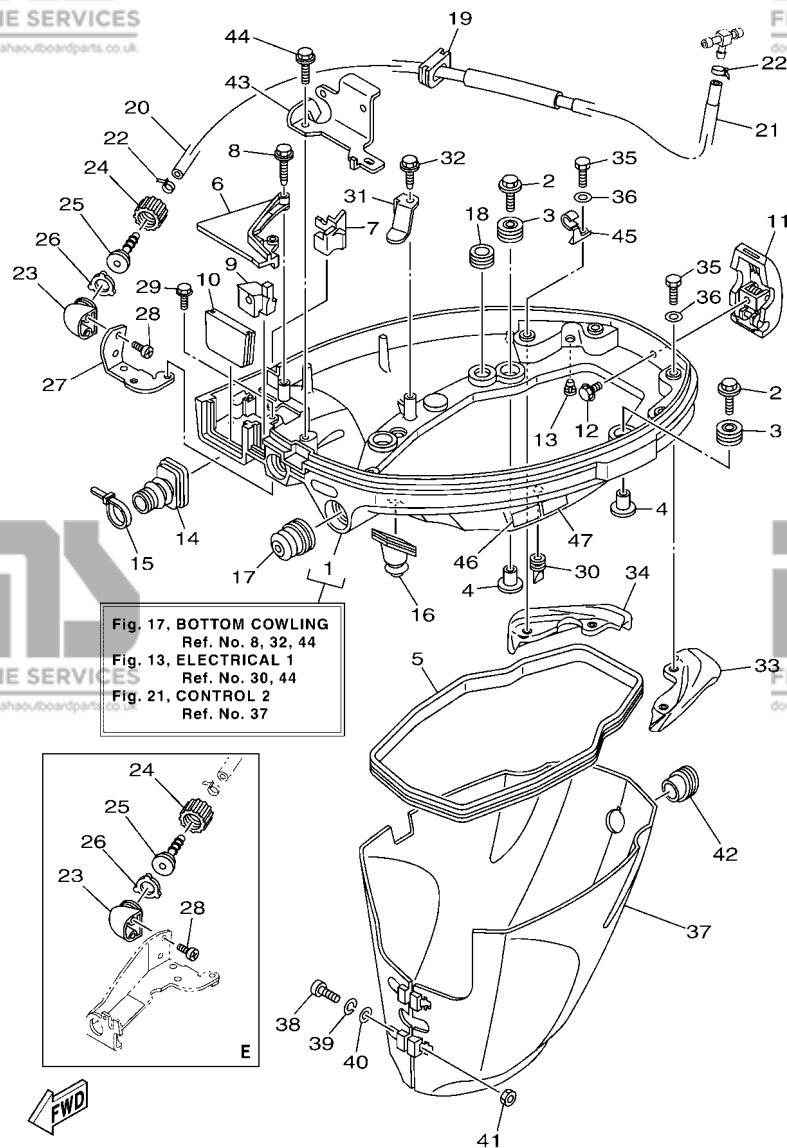


Fig. 17. BOTTOM COWLING
Ref. No. 8, 32, 44
Fig. 13. ELECTRICAL 1
Ref. No. 30, 44
Fig. 21. CONTROL 2
Ref. No. 37

6CA9300-Q170

| REF. NO. | PART NO. N° PIECES | DESCRIPTION DESCRIPTION | M/H | L | REMARKS REMARQUES |
|----------|--------------------|---|-----|---|-------------------|
| 1 | 6AH-42710-00-8D | BOTTOM COWLING ASSY ENS. EMBASE | 1 | 1 | |
| 2 | 68F-85119-00 | BOLT BOULON | 4 | 4 | |
| 3 | 90480-21M82 | GROMMET PASSE-FIL | 4 | 4 | |
| 4 | 90387-06176 | COLLAR COLLERETTE | 4 | 4 | |
| 5 | 6AH-42716-00 | RUBBER, SEAL 1 JOINT EN CAOUTCHOUC 1 | 1 | 1 | |
| 6 | 6AH-42738-00-8D | PLATE, FITTING ETRIER | 1 | 1 | |
| 7 | 6AH-42718-00 | RUBBER, SEAL 3 JOINT | 1 | 1 | |
| 8 | 90109-06M82 | BOLT BOULON | 2 | 2 | |
| 9 | 6AH-42725-00 | GROMMET PASSE-FIL | 1 | | |
| | 6AH-42725-20 | GROMMET PASSE-FIL | | 1 | |
| 10 | 6AH-42724-00 | GROMMET PASSE-FIL | 1 | | |
| | 6AH-42724-10 | GROMMET PASSE-FIL | | 1 | |
| 11 | 6AH-42801-00 | COWLING CLAMP COMP. BRIDE DE CAPOT COMP. | 1 | 1 | |
| 12 | 97595-06512 | BOLT, WITH WASHER VIS HEXAGONAL AVC RONDELLE | 1 | 1 | |
| 13 | 6BL-44391-00 | NIPPLE, HOSE RACCORD D'ESSENCE | 1 | 1 | |
| 14 | 6AH-26326-00 | GROMMET RONDELLE CAOUTCHOUC | 1 | | |
| | 6AH-26326-10 | GROMMET RONDELLE CAOUTCHOUC | | 1 | |
| 15 | 90465-11M10 | CLAMP BRIDE | 1 | | |
| 16 | 6AH-42727-00 | GROMMET PASSE-FIL | 1 | 1 | |
| 17 | 65W-42726-00 | GROMMET PASSE-FIL | 1 | | |
| | 65W-42726-10 | GROMMET PASSE-FIL | | 1 | |
| 18 | 90480-16007 | GROMMET PASSE-FIL | 1 | 1 | |
| 19 | 6AH-42726-00 | GROMMET PASSE-FIL | 1 | 1 | |
| 20 | 6AH-24314-01 | PIPE 4 DURITE 4 | 1 | 1 | |
| 21 | 90445-15003 | HOSE (L230) DURITE (L230) | 1 | 1 | |
| 22 | 90465-11M10 | CLAMP BRIDE | 2 | 2 | |
| 23 | 6DR-12572-00 | ADAPTER ADAPTATEUR | 1 | 1 | |

FIG. 17 BOTTOM COWLING

CAPOT INFERIEUR

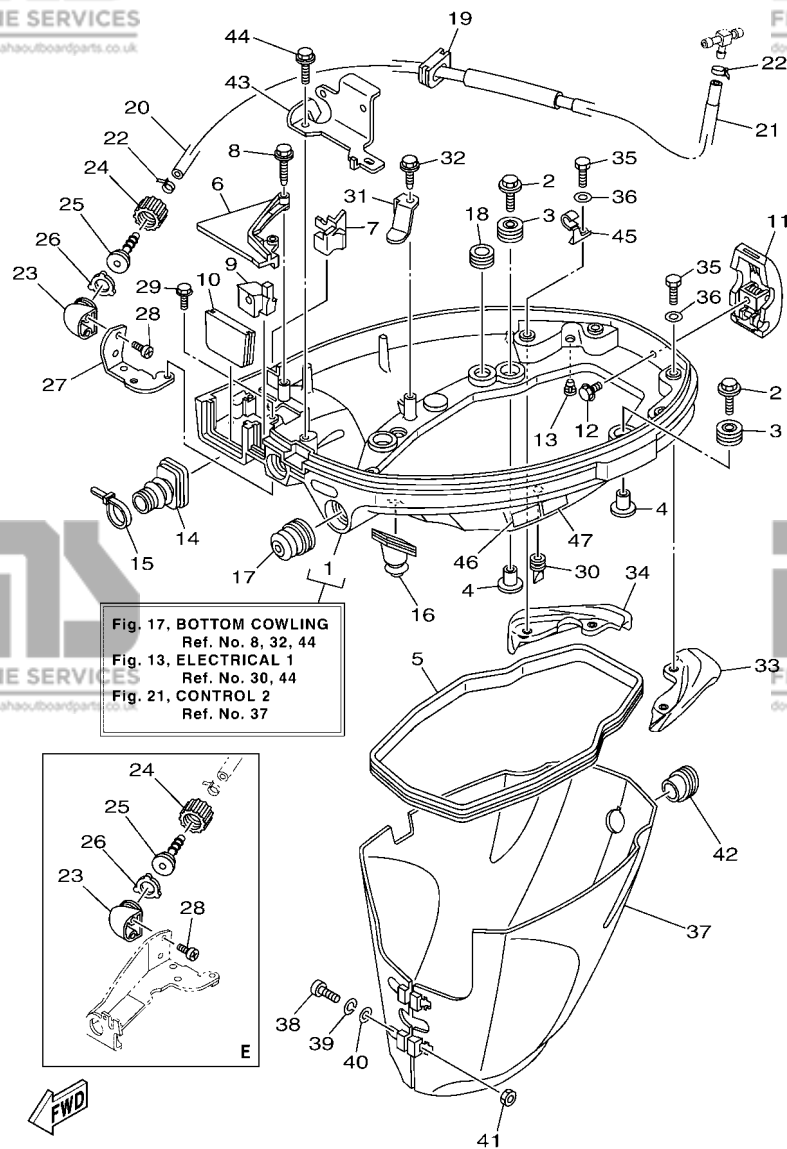


Fig. 17. BOTTOM COWLING
Ref. No. 8, 32, 44
Fig. 13. ELECTRICAL 1
Ref. No. 30, 44
Fig. 21. CONTROL 2
Ref. No. 37

| REF. NO. | PART NO. N° PIECES | DESCRIPTION DESCRIPTION | M/H | L | REMARKS REMARQUES |
|----------|--------------------|--|-----|---|-------------------|
| 24 | 6R3-12581-00 | JOINT, HOSE 1 JOINT DE TUYAU | 1 | 1 | |
| 25 | 6R3-12582-00 | JOINT, HOSE 2 RACCORD DE TUYAU 1 | 1 | 1 | |
| 26 | 6R3-12583-00 | GASKET, HOSE JOINT JOINT | 1 | 1 | |
| 27 | 6AH-12535-00 | PLATE PLAQUE | 1 | | |
| 28 | 90167-06002 | SCREW, TAPPING VIS, TETE FRAISEE | 2 | 2 | |
| 29 | 97595-06510 | BOLT, WITH WASHER VIS HEXAGONAL AVC RONDELLE | 2 | | |
| 30 | 65W-42717-00 | RUBBER, SEAL 2 JOINT EN CAOUTCHOUC 2 | 2 | 2 | |
| 31 | 6AH-42743-00 | BRACKET SUPPORT | 1 | 1 | |
| 32 | 90109-06M86 | BOLT BOULON | 1 | 1 | |
| 33 | 6AH-42761-A0 | STOPPER PLAQUETTE | 1 | 1 | |
| 34 | 6AH-42762-A0 | STOPPER PLAQUETTE | 1 | 1 | |
| 35 | 97075-06012 | BOLT BOULON | 4 | 4 | |
| 36 | 92995-06600 | WASHER RONDELLE | 4 | 4 | |
| 37 | 6AH-42741-00 | APRON CAPOT LATERAL | 1 | 1 | |
| 38 | 97885-06030 | SCREW, PAN HEAD VIS, A ENCOCHE | 2 | 2 | |
| 39 | 92995-06100 | WASHER, SPRING RONDELLE, GROWER | 2 | 2 | |
| 40 | 92995-06600 | WASHER RONDELLE | 2 | 2 | |
| 41 | 95380-06600 | NUT, HEXAGON ECROU | 2 | 2 | |
| 42 | 6AH-42717-00 | RUBBER, SEAL 2 JOINT EN CAOUTCHOUC 2 | 1 | 1 | |
| 43 | 6AH-15774-00 | STAY 4 SUPPORT 4 | 1 | 1 | |
| 44 | 90109-06M86 | BOLT BOULON | 1 | 1 | |
| 45 | 90465-08M82 | CLAMP BRIDE | 1 | 1 | |
| 46 | 6EE-42794-40 | LABEL, WARNING (GENERAL) ETIQUETTE, AVERTISSEMENT | 1 | 1 | |
| 47 | 6EE-42794-50 | LABEL, WARNING (GENERAL) ETIQUETTE, AVERTISSEMENT | 1 | 1 | |

FIG. 18 STEERING

DIRECTION

| REF. NO. | PART NO. N° PIECES | DESCRIPTION DESCRIPTION | M/H | E | REMARKS REMARQUES |
|----------|--------------------|---|-----|---|-------------------|
| 1 | 6AH-W0084-03-8D | HANDLE STEERING ASSY BARRE FRANCHE (ENS.) | 1 | | |
| 2 | 6AH-42101-02-8D | HANDLE, STEERING POIGNEE | 1 | | |
| 3 | 90109-06M86 | .BOLT .BOULON | 2 | | |
| 4 | 6AH-26288-00 | GROMMET, CABLE OEILLET DE CABLE | 1 | | |
| 5 | 66M-42119-01 | GRIP, STEERING HANDLE POIGNEE, BARRE FRANCHE | 1 | | |
| 6 | 67D-42177-00 | RUBBER, HANDLE CAOUTCHOUC, POIGNEE | 1 | | |
| 7 | 65W-42138-00 | LEVER, THROTTLE LEVIER, ACCELERATEUR | 1 | | |
| 8 | 90152-05011 | SCREW, COUNTERSUNK VIS, TETE NOYEE | 1 | | |
| 9 | 65W-42159-00 | STAY SUPPORT | 1 | | |
| 10 | 6G1-42126-00 | FRICTION, STEERING HANDLE GRIP CUVETTE, POIGNEE DE DIRECTION | 1 | | |
| 11 | 65W-42125-00 | BOLT, FRICTION ADJUSTING BOULON | 1 | | |
| 12 | 91490-16010 | PIN, COTTER GOUILLE | 1 | | |
| 13 | 6J0-42137-10 | INDICATOR, THROTTLE INDICATEUR, ACCELERATION | 1 | | |
| 14 | 6X4-44188-00 | WASHER RONDELLE | 2 | | |
| 15 | 90501-23215 | SPRING, COMPRESSION RESSORT, COMPRESSION | 1 | | |
| 16 | 90386-08004 | BUSH DOUILLE | 1 | | |
| 17 | 6AH-26311-00 | CABLE, THROTTLE 1 CABLE 1, ACCELERATEUR | 2 | | |
| 18 | 6AH-44554-00 | PLATE PLAQUETTE | 1 | | |
| 19 | 97095-06014 | BOLT BOULON | 1 | | |
| 20 | 92995-06600 | WASHER RONDELLE | 1 | | |
| 21 | 6AH-2634E-00 | PROTECTOR 1 PROTECTEUR 1 | 1 | | |
| 22 | 6AH-42551-00 | GROMMET PASSE-FIL | 1 | | |
| 23 | 90386-45001 | BUSH DOUILLE | 1 | | |
| 24 | 90201-39008 | WASHER, PLATE RONDELLE, PLATE | 2 | | |
| 25 | 90206-39001 | WASHER, WAVE RONDELLE, ONDULEE | 2 | | |
| 26 | 90381-20001 | BUSH, SOLID DOUILLE, SOLIDE | 1 | | |
| 27 | 6AH-42131-00-8D | COVER, HANDLE STEERING COUVERCLE | 1 | | |

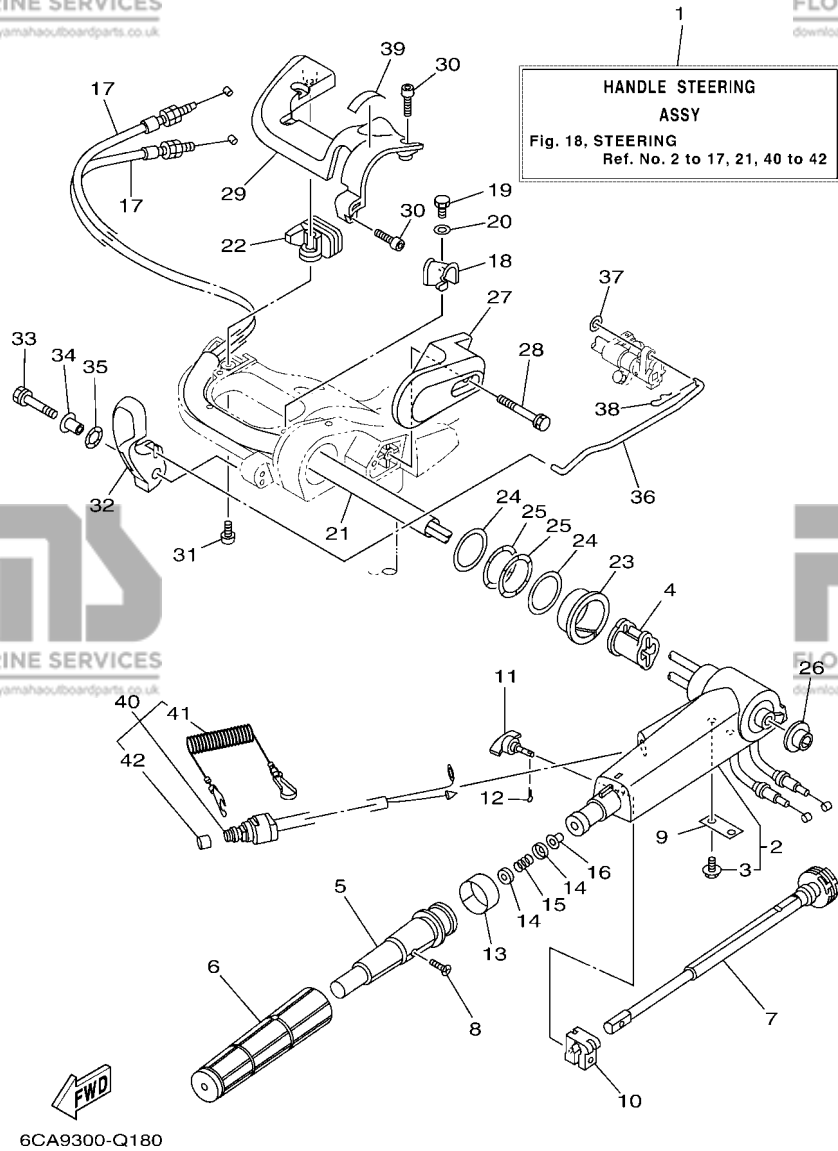
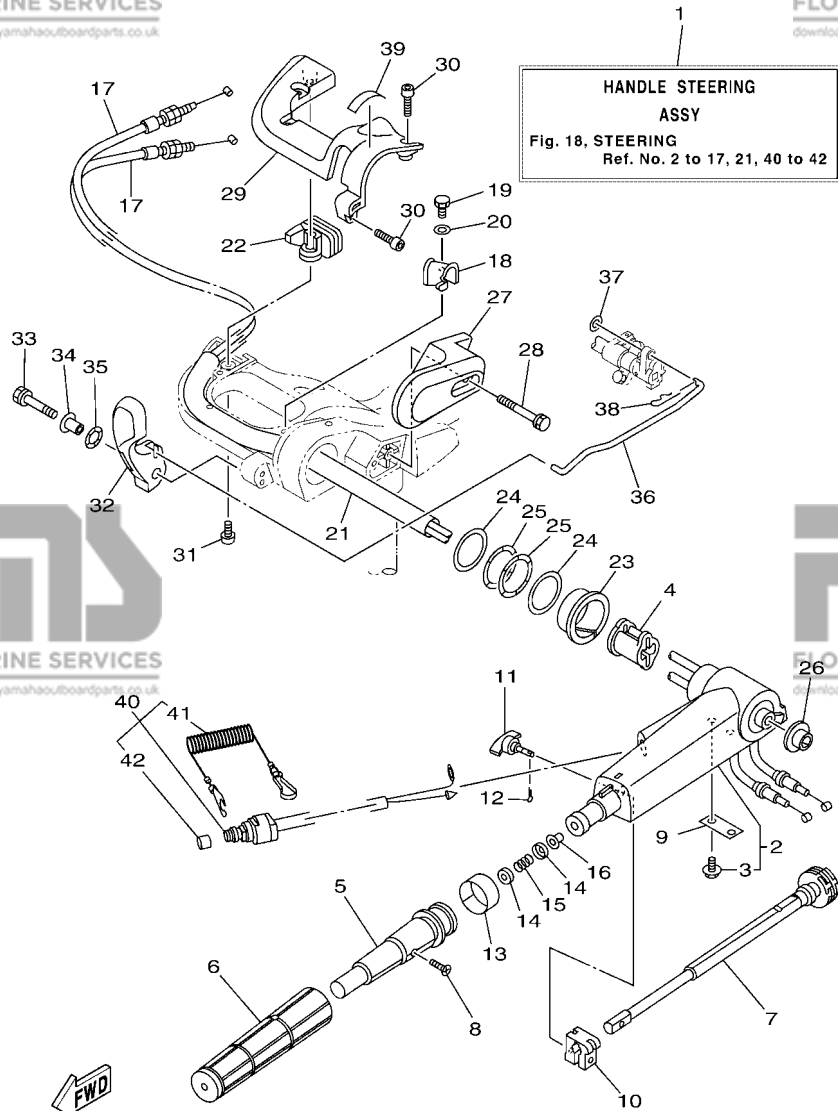


FIG. 18 STEERING

DIRECTION

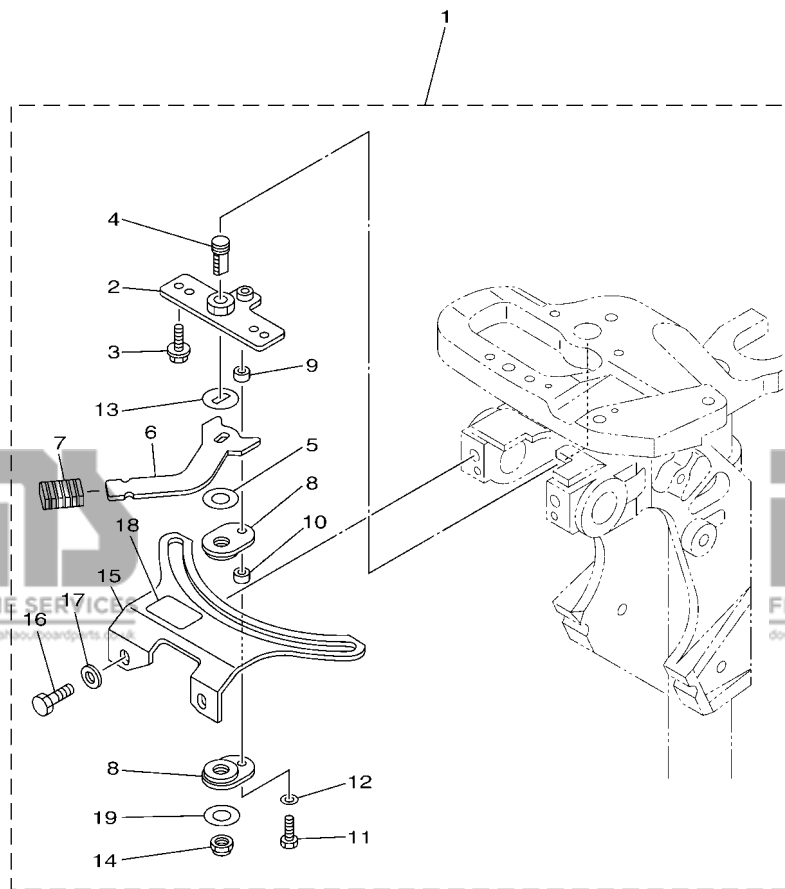
| REF. NO. | PART NO. N° PIECES | DESCRIPTION DESCRIPTION | M/H | E | REMARKS REMARQUES |
|----------|--------------------|---|-----|---|-------------------|
| 28 | 97595-06555 | BOLT, WITH WASHER VIS HEXAGONAL AVC RONDELLE | 2 | | |
| 29 | 6AH-42532-A0 | COVER COUVERCLE | 1 | | |
| 30 | 90111-06072 | BOLT, HEX. SOCKET BUTTON BOULON | 4 | | |
| 31 | 97780-60520 | SCREW, TAPPING VIS, TETE BOMBEE | 1 | | |
| 32 | 6AH-44111-00 | HANDLE, GEAR SHIFT POIGNEE, LEVIER D'EMBAYAGE | 1 | | |
| 33 | 90119-06M05 | BOLT, WITH WASHER BOULON, AVEC RONDELLE | 1 | | |
| 34 | 90387-06M86 | COLLAR COLLERETTE | 1 | | |
| 35 | 90206-15M18 | WASHER, WAVE RONDELLE, ONDULEE | 1 | | |
| 36 | 6AH-44124-00 | LINK, SHIFT ROD BIELLETTTE | 1 | | |
| 37 | 92990-06200 | WASHER, PLAIN RONDELLE, PLATE | 1 | | |
| 38 | 90468-18008 | CLIP JONC | 1 | | |
| 39 | 6X3-44191-00 | INDICATOR, SHIFT ETIQUETTE, EMBRAYAGE | 1 | | |
| 40 | 6AH-82575-00 | ENGINE STOP SWITCH ASSY COUPE CIRCUIT CPLT | 1 | | |
| 41 | 682-82556-00 | .LANYARD, STOP SWITCH .CORDON DU COUPE CIRCUIT | 1 | | |
| 42 | 689-8257Y-00 | .CAP .COUVERCLE | 1 | | |



6CA9300-Q180

FIG. 19 STEERING FRICTION

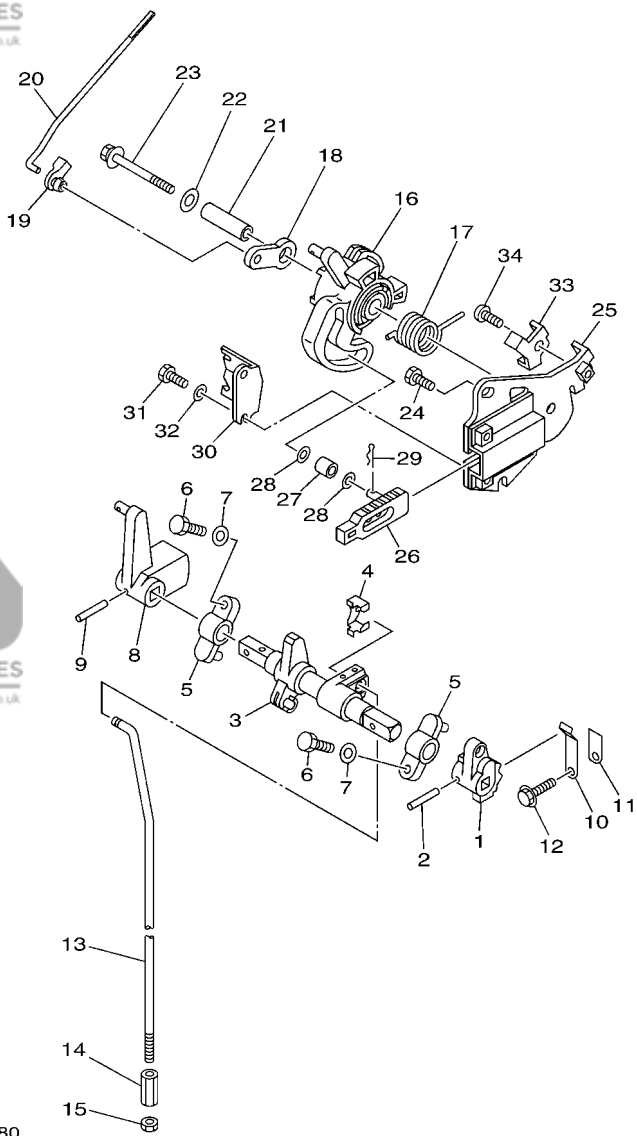
CUVETTE POIGNEE DE DIRECTION



| REF. NO. | PART NO. N° PIECES | DESCRIPTION DESCRIPTION | M/H | E | REMARKS REMARQUES |
|----------|--------------------|---|-----|---|-------------------|
| 1 | 6AH-42508-01 | STEERING FRICTION ASSY DIRECTION FRICTION (ENS.) | 1 | | |
| 2 | 68T-42525-01 | .PLATE, FRICTION .PLAQUE, FRICTION | 1 | | |
| 3 | 90119-05018 | .BOLT, WITH WASHER .BOULON, AVEC RONDELLE | 2 | | |
| 4 | 67C-42562-00 | .SHAFT, STEERING LOCK .ARBRE, ANTIVOL DE DIRECTION | 1 | | |
| 5 | 90202-10M56 | .WASHER, PLATE .RONDELLE, PLATE | 1 | | |
| 6 | 68T-42561-00 | .KNOB, STEERING LOCK .BOUTON | 1 | | |
| 7 | 689-43633-00 | .COVER, TILT LEVER .COUVERCLE | 1 | | |
| 8 | 65W-42528-00 | .PLATE, FRICTION .PLAQUE, FRICTION | 2 | | |
| 9 | 90387-05053 | .COLLAR .COLLERETTE | 1 | | |
| 10 | 90387-05054 | .COLLAR .COLLERETTE | 1 | | |
| 11 | 97095-05020 | .BOLT .BOULON | 1 | | |
| 12 | 92995-05600 | .WASHER .RONDELLE | 1 | | |
| 13 | 90209-10M26 | .WASHER .RONDELLE | 1 | | |
| 14 | 90185-10M14 | .NUT, SELF-LOCKING .ECROU, AUTO-BLOQUANT | 1 | | |
| 15 | 6AH-42527-00 | .PLATE, FRICTION .PLAQUE, FRICTION | 1 | | |
| 16 | 90101-08022 | .BOLT .BOULON | 2 | | |
| 17 | 90201-08065 | .WASHER, PLATE .RONDELLE, PLATE | 2 | | |
| 18 | 68T-43155-00 | .MARK 1 .ETIQUETTE 1 | 1 | | |
| 19 | 90201-106M5 | .WASHER, PLATE .RONDELLE, PLATE | 1 | | |



6AU5110-L180

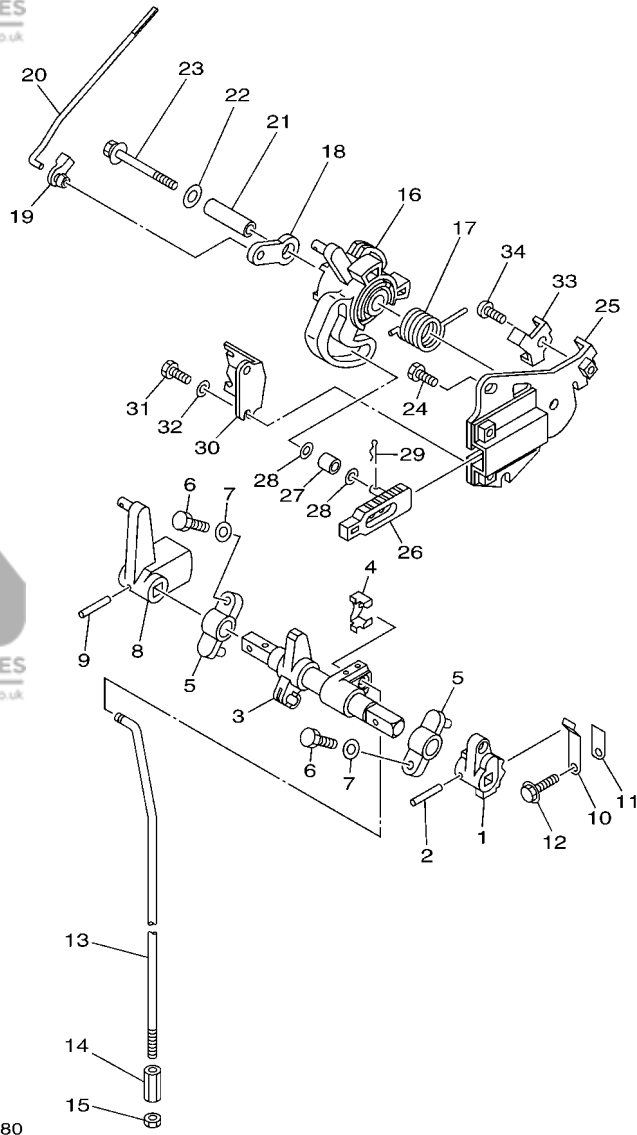


6CA1300-H180

FIG. 20 CONTROL 1

COMMANDE 1

| REF. NO. | PART NO. N° PIECES | DESCRIPTION DESCRIPTION | M/H | E | REMARKS REMARQUES |
|----------|--------------------|--|-----|---|-------------------|
| 1 | 6AH-44123-00 | ARM, SHIFT ROD BRAS, TIGE D'INVERSION | 1 | | |
| 2 | 90254-03M05 | PIN, SPRING RIVET, TETE TRONCONIQUE | 1 | | |
| 3 | 6AH-44121-01 | LEVER, SHIFT ROD LEVIER, TIGE D'INVERSION | 1 | | |
| 4 | 6AH-26364-00 | END, CABLE 2 EMBOU, DE CABLE | 1 | | |
| 5 | 6G1-41662-01-94 | BRACKET 2 SUPPORT 2 | 2 | | |
| 6 | 97095-06020 | BOLT BOULON | 2 | | |
| 7 | 92995-06600 | WASHER RONDELLE | 2 | | |
| 8 | 6AH-44125-00 | LEVER, SHIFT ROD LEVIER, TIGE D'INVERSION | 1 | | |
| 9 | 90254-03M05 | PIN, SPRING RIVET, TETE TRONCONIQUE | 1 | | |
| 10 | 65W-44116-00 | SPRING RESSORT | 1 | | |
| 11 | 66R-44114-00 | STOPPER PLAQUETTE | 1 | | |
| 12 | 95895-06014 | BOLT, FLANGE BOULON | 1 | | |
| 13 | 6AH-44143-00 | ROD, SHIFT TIGE D'EMBRAYAGE | 1 | | S(17.1") |
| | 6AH-44143-10 | ROD, SHIFT TIGE D'EMBRAYAGE | 1 | | L(22.1") |
| 14 | 90170-06015 | NUT ECROU | 1 | | L(22.1") |
| 15 | 95380-06700 | NUT ECROU | 1 | | |
| 16 | 6AH-41638-00 | PULLEY POULIE | 1 | | |
| 17 | 90508-20M44 | SPRING, TORSION RESSORT, TORSION | 1 | | |
| 18 | 65W-41283-00 | LEVER, FREE ACCEL. LEVIER | 1 | | |
| 19 | 6J8-41262-00 | JOINT, CHOKE LEVER RACCORD, LEVIER DE STARTER | 1 | | |
| 20 | 6AH-41211-00 | LINK, ACCEL. BIELLETTTE, ACCELERATION | 1 | | |
| 21 | 90387-06139 | COLLAR COLLERETTE | 1 | | |
| 22 | 90201-06M31 | WASHER, PLATE RONDELLE, PLATE | 1 | | |
| 23 | 97595-06555 | BOLT, WITH WASHER VIS HEXAGONAL AVC RONDELLE | 1 | | |
| 24 | 97095-06014 | BOLT BOULON | 2 | | |
| 25 | 6AH-14571-10 | BRACKET, THROTTLE SUPPORT, ACCELERATEUR | 1 | | |
| 26 | 6AH-44167-10 | PLUNGER, SHIFT CAM POUSOIR D'EMBRAYAGE | 1 | | |

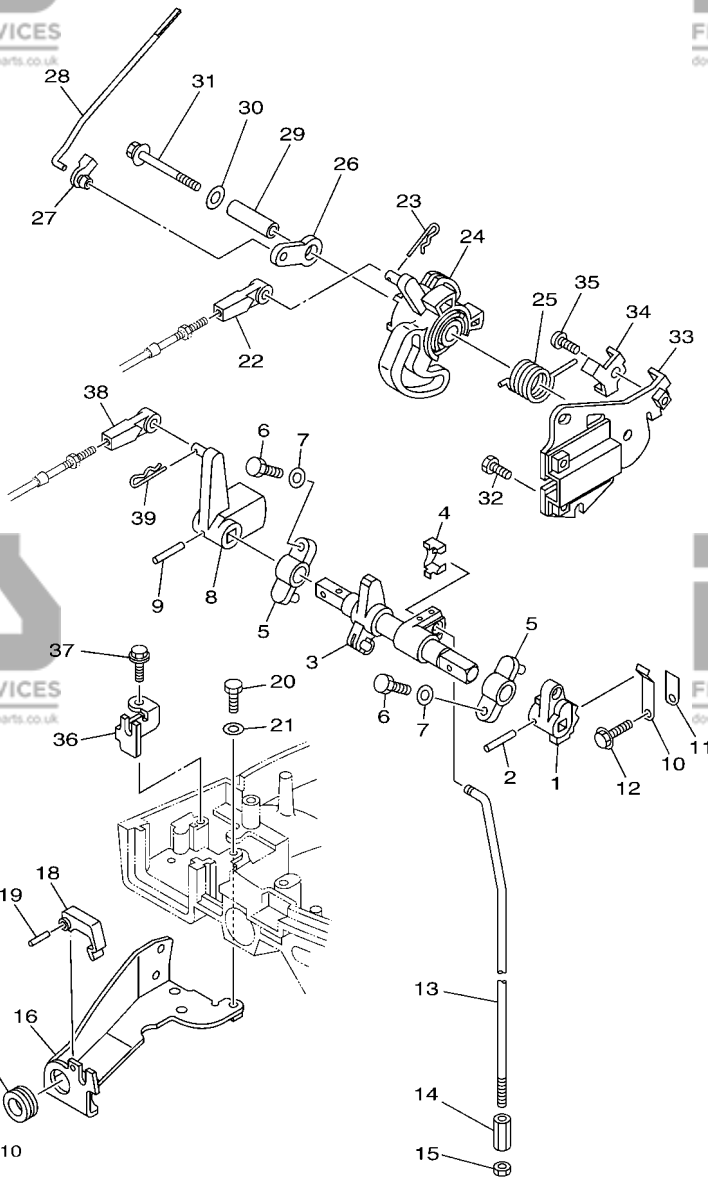


6CA1300-H180

FIG. 20 CONTROL 1

COMMANDE 1

| REF. NO. | PART NO. N° PIECES | DESCRIPTION DESCRIPTION | M/H | E | REMARKS REMARQUES |
|----------|--------------------|--|-----|---|-------------------|
| 27 | 62Y-42171-00 | BUSHING COUSSINET | 1 | | |
| 28 | 90201-05M04 | WASHER, PLATE RONDELLE, PLATE | 2 | | |
| 29 | 90468-10005 | CLIP JONC | 1 | | |
| 30 | 6AH-14497-00 | STAY, THROTTLE WIRE SUPPORT DE BOISSEAU | 1 | | |
| 31 | 97095-06014 | BOLT BOULON | 2 | | |
| 32 | 92995-06600 | WASHER RONDELLE | 2 | | |
| 33 | 6AH-41282-00 | STOPPER, FREE ACCEL. LINK VERROU | 1 | | |
| 34 | 90149-06069 | SCREW VIS | 1 | | |



6CA7300-N210

FIG. 21 CONTROL 2

COMMANDE 2

| REF. NO. | PART NO. N° PIECES | DESCRIPTION DESCRIPTION | M/H | L | REMARKS REMARQUES |
|----------|--------------------|--|-----|---|----------------------|
| 1 | 6AH-44123-00 | ARM, SHIFT ROD BRAS, TIGE D'INVERSION | | 1 | |
| 2 | 90254-03M05 | PIN, SPRING RIVET, TETE TRONCONIQUE | | 1 | |
| 3 | 6AH-44121-01 | LEVER, SHIFT ROD LEVIER, TIGE D'INVERSION | | 1 | |
| 4 | 6AH-26364-00 | END, CABLE 2 EMBOU, DE CABLE | | 1 | |
| 5 | 6G1-41662-01-94 | BRACKET 2 SUPPORT 2 | | 2 | |
| 6 | 97095-06020 | BOLT BOULON | | 2 | |
| 7 | 92995-06600 | WASHER RONDELLE | | 2 | |
| 8 | 6AH-44125-00 | LEVER, SHIFT ROD LEVIER, TIGE D'INVERSION | | 1 | |
| 9 | 90254-03M05 | PIN, SPRING RIVET, TETE TRONCONIQUE | | 1 | |
| 10 | 65W-44116-00 | SPRING RESSORT | | 1 | |
| 11 | 66R-44114-00 | STOPPER PLAQUETTE | | 1 | |
| 12 | 95895-06014 | BOLT, FLANGE BOULON | | 1 | |
| 13 | 6AH-44143-00 | ROD, SHIFT TIGE D'EMBRAYAGE | | 1 | S(17.1") |
| | 6AH-44143-10 | ROD, SHIFT TIGE D'EMBRAYAGE | | 1 | L(22.1") L(22.1") |
| 14 | 90170-06015 | NUT ECROU | | 1 | |
| 15 | 95380-06700 | NUT ECROU | | 1 | |
| 16 | 6AH-48532-00 | BRACKET, REMOTE CONTROL 2 ETRIER 2, COMMANDE A DISTANCE | | 1 | |
| 17 | 90480-19031 | GROMMET PASSE-FIL | | 1 | |
| 18 | 682-48538-50 | CLAMP, CABLE 1 COLLIER | | 1 | |
| 19 | 91690-30012 | PIN, SPRING AGRAFFE | | 1 | |
| 20 | 97095-06014 | BOLT BOULON | | 2 | |
| 21 | 92995-06600 | WASHER RONDELLE | | 2 | |
| 22 | 663-48344-00 | CABLE END, REMOTE CONTROL CHAPE CABLE | | 1 | |
| 23 | 90468-18008 | CLIP JONC | | 1 | |
| 24 | 6AH-41638-00 | PULLEY POULIE | | 1 | |
| 25 | 90508-20M44 | SPRING, TORSION RESSORT, TORSION | | 1 | |
| 26 | 65W-41283-00 | LEVER, FREE ACCEL. LEVIER | | 1 | |

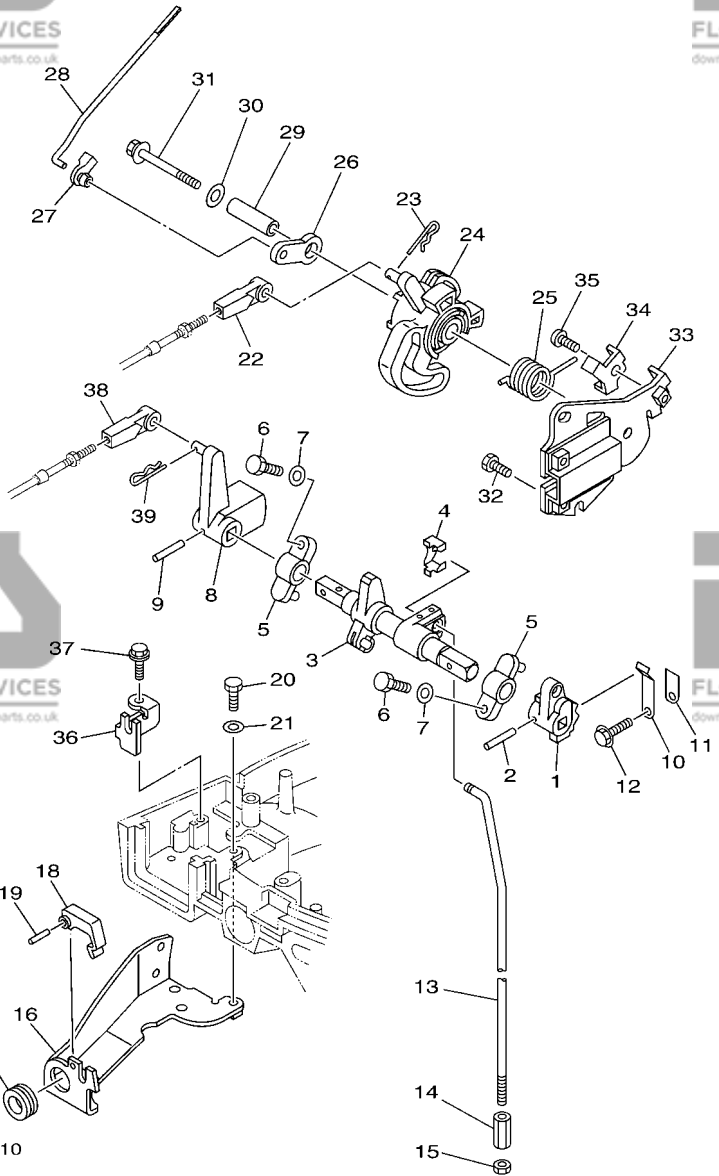
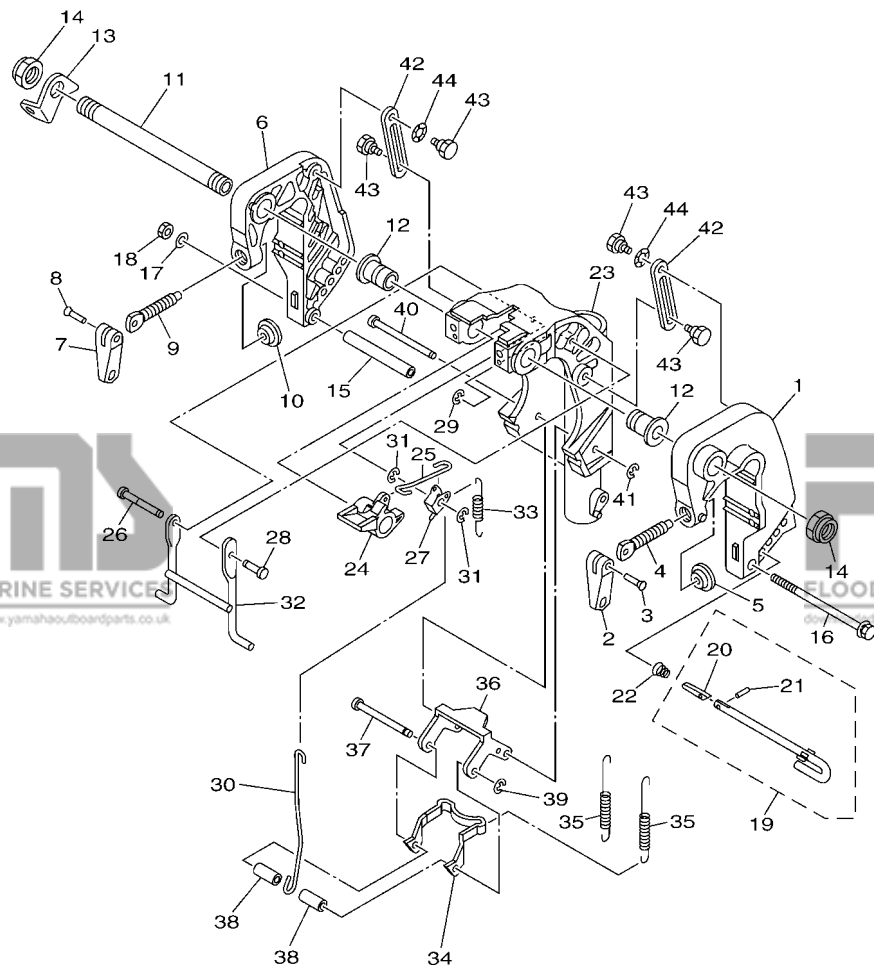


FIG. 21 CONTROL 2

COMMANDE 2

| REF. NO. | PART NO. N° PIECES | DESCRIPTION DESCRIPTION | M/H | L | REMARKS REMARQUES |
|----------|--------------------|--|-----|---|-------------------|
| 27 | 6J8-41262-00 | JOINT, CHOKE LEVER RACCORD, LEVIER DE STARTER | | 1 | |
| 28 | 6AH-41211-00 | LINK, ACCEL. BIELLETTTE, ACCELERATION | | 1 | |
| 29 | 90387-06139 | COLLAR COLLERETTE | | 1 | |
| 30 | 90201-06M31 | WASHER, PLATE RONDELLE, PLATE | | 1 | |
| 31 | 97595-06555 | BOLT, WITH WASHER VIS HEXAGONAL AVC RONDELLE | | 1 | |
| 32 | 97095-06014 | BOLT BOULON | | 2 | |
| 33 | 6AH-14571-10 | BRACKET, THROTTLE SUPPORT, ACCELERATEUR | | 1 | |
| 34 | 6AH-41282-00 | STOPPER, FREE ACCEL. LINK VERROU | | 1 | |
| 35 | 90149-06069 | SCREW VIS | | 1 | |
| 36 | 6AH-48531-00 | BRACKET, REMOTE CONTROL 1 ETRIER 1, COMMANDE A DISTANCE | | 1 | |
| 37 | 90109-06M86 | BOLT BOULON | | 1 | |
| 38 | 663-48344-00 | CABLE END, REMOTE CONTROL CHAPE CABLE | | 1 | |
| 39 | 90468-18008 | CLIP JONC | | 1 | |

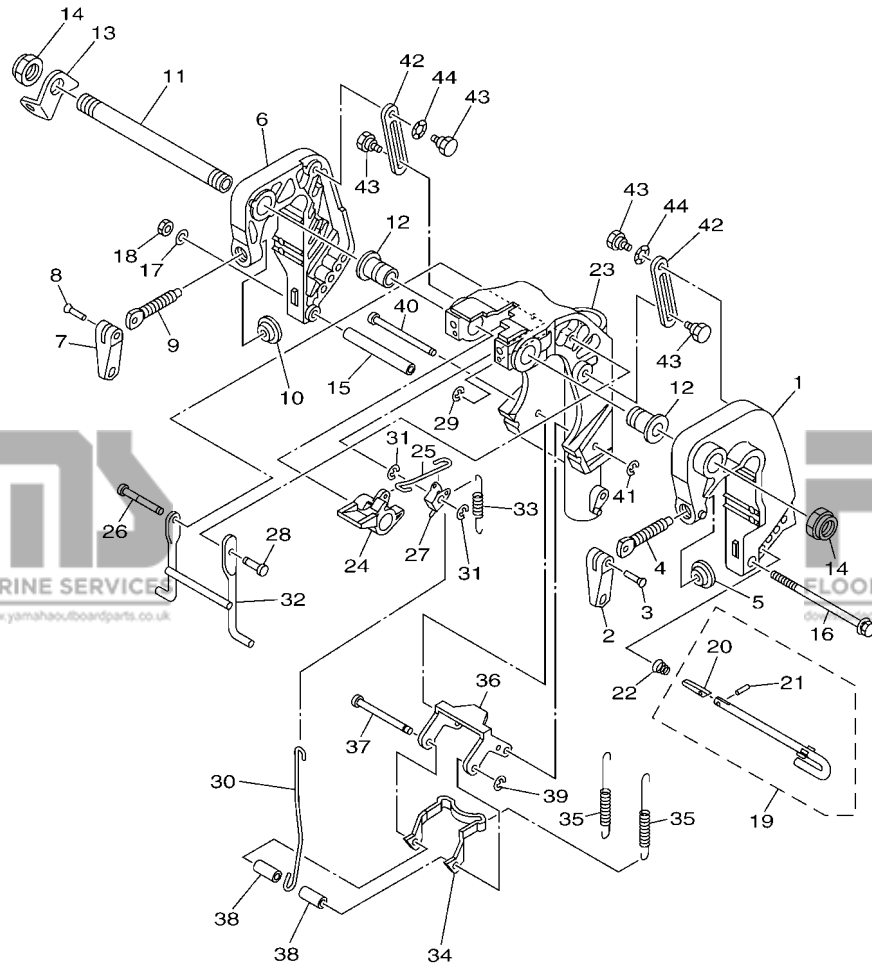


FWD
6AH8700-M240

FIG. 22 BRACKET 1

SUPPORT 1

| REF. NO. | PART NO. N° PIECES | DESCRIPTION DESCRIPTION | M/H | U | REMARKS REMARQUES |
|----------|------------------------------------|--|--------|--------|--|
| 1 | 6AH-43111-00-8D | BRACKET, CLAMP 1 PRESSE 1 | 1 | 1 | |
| 2 | 6E0-43118-01 | HANDLE, TRANSOM CLAMP POIGNEE DE VIS DE PRESSE | 1 | 1 | |
| 3 | 90243-04M01 | PIN GOUPILLE | 1 | 1 | |
| 4 | 6E7-43116-00 | SCREW, TRANSOM CLAMP VIS DE PRESSE | 1 | 1 | |
| 5 | 648-43114-01 | PAD, TRANSOM CLAMP RONDELLE D'APPUI | 1 | 1 | |
| 6 | 6AH-43112-00-8D | BRACKET, CLAMP 2 PRESSE 2 | 1 | 1 | |
| 7 | 6E0-43118-01 | HANDLE, TRANSOM CLAMP POIGNEE DE VIS DE PRESSE | 1 | 1 | |
| 8 | 90243-04M01 | PIN GOUPILLE | 1 | 1 | |
| 9 | 6E7-43116-00 | SCREW, TRANSOM CLAMP VIS DE PRESSE | 1 | 1 | |
| 10 | 648-43114-01 | PAD, TRANSOM CLAMP RONDELLE D'APPUI | 1 | 1 | |
| 11 | 69A-43131-00 | BOLT, CLAMP BRACKET BOULON, PRESSE | 1 | 1 | FOR REMOTE CONTROL FOR REMOTE CONTROL |
| 12 | 90386-22MA4 | BUSH DOUILLE | 2 | 2 | |
| 13 | 66R-43113-00 | PLATE, CLAMP BRACKET PLAQUETTE, PRESSE | 1 | 1 | |
| 14 | 90185-22043 | NUT, SELF-LOCKING ECROU, AUTO-BLOQUANT | 2 | 2 | |
| 15 | 90387-06M13 | COLLAR COLLERETTE | 1 | 1 | |
| 16 | 90101-06M18 | BOLT BOULON | 1 | 1 | |
| 17 | 92995-06600 | WASHER RONDELLE | 1 | 1 | |
| 18 | 95380-06700 | NUT ECROU | 1 | 1 | |
| 19 | 6L2-43160-01 | TILT ROD ASSY BROCHE D'INCLINAISON (ENS.) | 1 | 1 | |
| 20 | 689-43165-00 | .PLATE, TILT LOCK .TAQUET, BROCHE INCLINAISON | 1 | 1 | |
| 21 | 91690-30008 | .PIN, SPRING .AGRAFFE | 1 | 1 | |
| 22 | 90502-10M07 | SPRING, CONICAL RESSORT, CONIQUE | 1 | 1 | |
| 23 | 6AH-43311-00-8D 6AH-43311-10-8D | BRACKET, SWIVEL 1 SUPPORT, PIVOT 1 BRACKET, SWIVEL 1 SUPPORT, PIVOT 1 | 1 1 | 1 1 | S(17.1") S(17.1") L(22.1") L(22.1") |
| 24 | 6DR-43631-00 | LEVER, TILT LEVIER, INCLINAISON | 1 | 1 | |
| 25 | 6DR-43616-00 | ROD, TILT LOCK TIGE | 1 | 1 | |
| 26 | 6AH-43646-10 | SHAFT, LEVER AXE, LEVIER | 1 | 1 | |



FWD
6AH8700-M240

FIG. 22 BRACKET 1

SUPPORT 1

| REF. NO. | PART NO. N° PIECES | DESCRIPTION DESCRIPTION | M/H | L | REMARKS REMARQUES |
|----------|--------------------|--|-----|---|-------------------|
| 27 | 6DR-43641-00 | LEVER, TILT LEVIER, INCLINAISON | 1 | 1 | |
| 28 | 6AH-43191-10 | SHAFT, STOPPER AXE, BUTEE | 1 | 1 | |
| 29 | 99080-05600 | CIRCLIP CIRCLIP | 1 | 1 | |
| 30 | 6AH-43617-00 | ROD, TILT LOCK TIGE | 1 | 1 | |
| 31 | 99080-05600 | CIRCLIP CIRCLIP | 2 | 2 | |
| 32 | 6AH-43350-00 | RECEIVER ASSY RECEIVER ASSY | 1 | 1 | |
| 33 | 90506-18014 | SPRING, TENSION RESSORT, TENSION | 1 | 1 | |
| 34 | 6AH-43614-00 | PLATE, TILT LOCK ETRIER, VERROUILLAGE MARCHE AR | 1 | 1 | |
| 35 | 90506-20020 | SPRING, TENSION RESSORT, TENSION | 2 | 2 | |
| 36 | 6AH-43615-00 | PLATE, TILT LOCK ETRIER, VERROUILLAGE MARCHE AR | 1 | 1 | |
| 37 | 68T-43611-00 | SHAFT, TILT LOCK AXE, VERROUILLAGE MARCHE AR | 1 | 1 | |
| 38 | 90387-06138 | COLLAR COLLERETTE | 2 | 2 | |
| 39 | 93430-04M03 | CIRCLIP CLIPS | 1 | 1 | |
| 40 | 68T-43659-00 | SHAFT, REVERSE LOCK AXE, VERROUILLAGE MARCHE AR | 1 | 1 | |
| 41 | 99080-05600 | CIRCLIP CIRCLIP | 1 | 1 | |
| 42 | 6AH-43627-00 | STOPPER PLAQUETTE | 2 | 2 | |
| 43 | 90109-06M84 | BOLT BOULON | 4 | 4 | |
| 44 | 90206-10M24 | WASHER, WAVE RONDELLE, ONDULEE | 2 | 2 | |

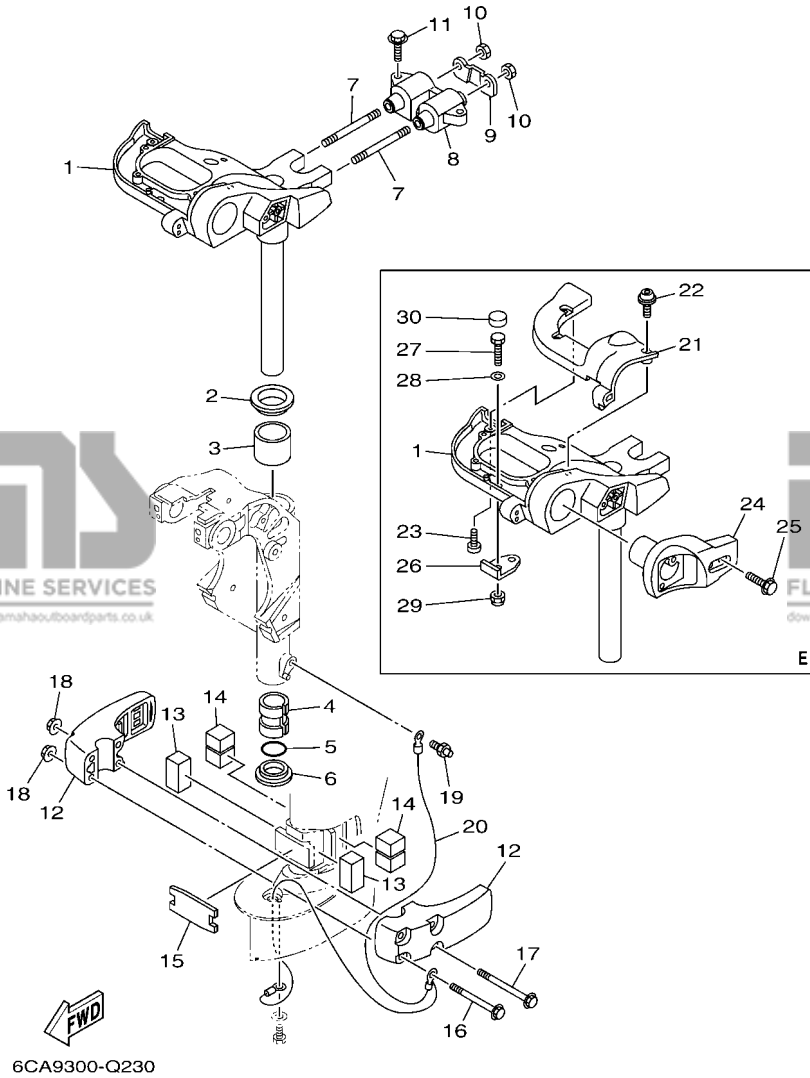


FIG. 23 BRACKET 2

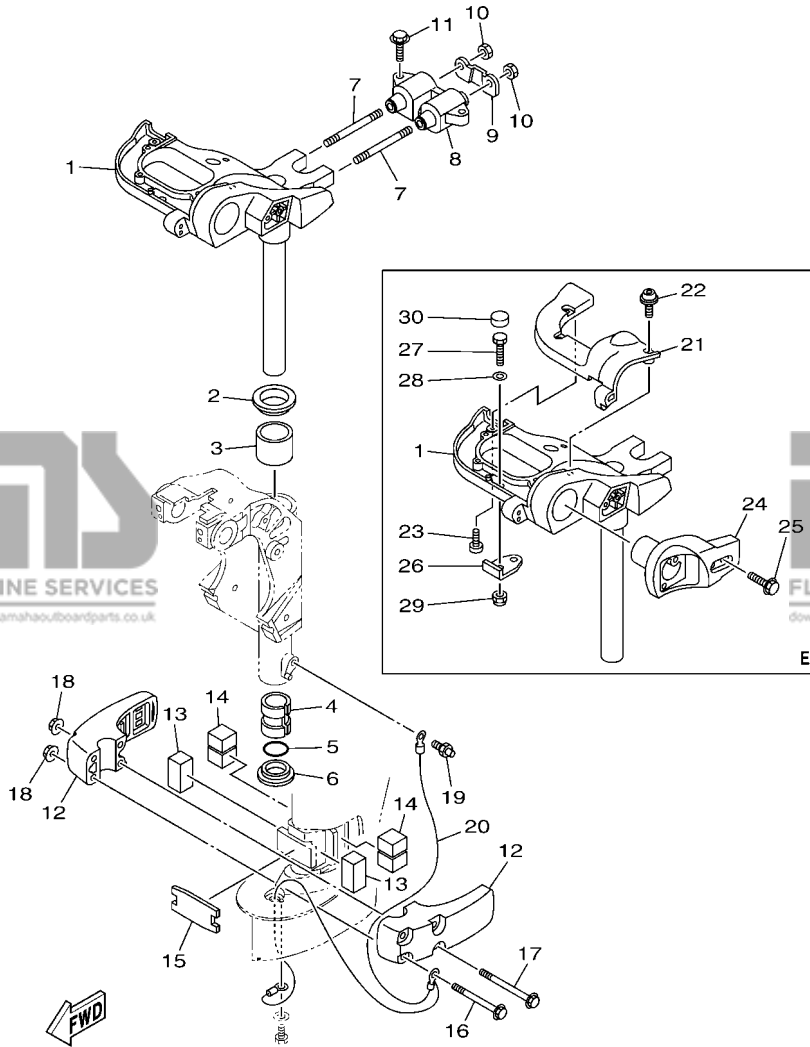
SUPPORT 2

| REF. NO. | PART NO. N° PIECES | DESCRIPTION DESCRIPTION | M/H | U | REMARKS REMARQUES |
|----------|--------------------|---|-----|---|----------------------|
| 1 | 6AH-42510-00-8D | STEERING BRACKET ASSY DIRECTION SUPPORT (ENS.) | 1 | 1 | S(17.1") S(17.1") |
| | 6AH-42510-10-8D | STEERING BRACKET ASSY DIRECTION SUPPORT (ENS.) | 1 | 1 | L(22.1") L(22.1") |
| 2 | 90209-40008 | WASHER RONDELLE | 1 | 1 | |
| 3 | 90386-40001 | BUSH DOUILLE | 1 | 1 | |
| 4 | 90386-30048 | BUSH DOUILLE | 1 | 1 | |
| 5 | 93210-29M94 | O-RING JOINT TORIQUE | 1 | 1 | |
| 6 | 90386-30M60 | BUSH DOUILLE | 1 | 1 | |
| 7 | 90116-10033 | BOLT, STUD GOUJON | 2 | 2 | |
| 8 | 6AH-44514-00 | MOUNT DAMPER, UPPER SIDE SILENT-BLOC, SUPERIEUR LATERAL | 1 | 1 | |
| 9 | 6AH-44526-00 | PLATE PLAQUE | 1 | 1 | |
| 10 | 95380-10600 | NUT ECROU | 2 | 2 | |
| 11 | 90119-08094 | BOLT, WITH WASHER BOULON, AVEC RONDELLE | 2 | 2 | |
| 12 | 6AH-44551-A0-8D | HOUSING, LOWER MOUNT RUBBER 1 BOITIER, SILENT-BLOC INFERIEUR | 2 | 2 | |
| 13 | 6AH-44557-00 | MOUNT DAMPER, LOWER FRONT SILENT-BLOC, INFERIEUR AVANT | 2 | 2 | |
| 14 | 6AH-44555-00 | MOUNT DAMPER, LOWER SIDE SILENT-BLOC, INFERIEUR LATERAL | 2 | 2 | |
| 15 | 6AH-44574-00 | STOPPER, LOWER MOUNT RUBBER BUTEE | 1 | 1 | |
| 16 | 90119-08M45 | BOLT, WITH WASHER BOULON, AVEC RONDELLE | 2 | 2 | |
| 17 | 90119-08M46 | BOLT, WITH WASHER BOULON, AVEC RONDELLE | 2 | 2 | |
| 18 | 90179-08M34 | NUT ECROU | 4 | 4 | |
| 19 | 93700-06M03 | NIPPLE, GREASE PION | 1 | 1 | |
| 20 | 6AH-82127-00 | WIRE, LEAD 2 FIL 2 | 1 | 1 | |
| 21 | 6AH-42532-B0 | COVER COUVERCLE | 1 | 1 | |
| 22 | 90111-06072 | BOLT, HEX. SOCKET BUTTON BOULON | 4 | 4 | |
| 23 | 97780-60520 | SCREW, TAPPING VIS, TETE BOMBEE | 1 | 1 | |
| 24 | 6AH-83773-00 | BRACKET, SWITCH JOINT TORIQUE, COMMUTATEUR | 1 | 1 | |
| 25 | 97595-06530 | BOLT, WITH WASHER VIS HEXAGONAL AVEC RONDELLE | 2 | 2 | |
| 26 | 6AH-48511-01 | HOOK, STEERING ATTACHE, DIRECTION | 1 | 1 | |

FIG. 23 BRACKET 2

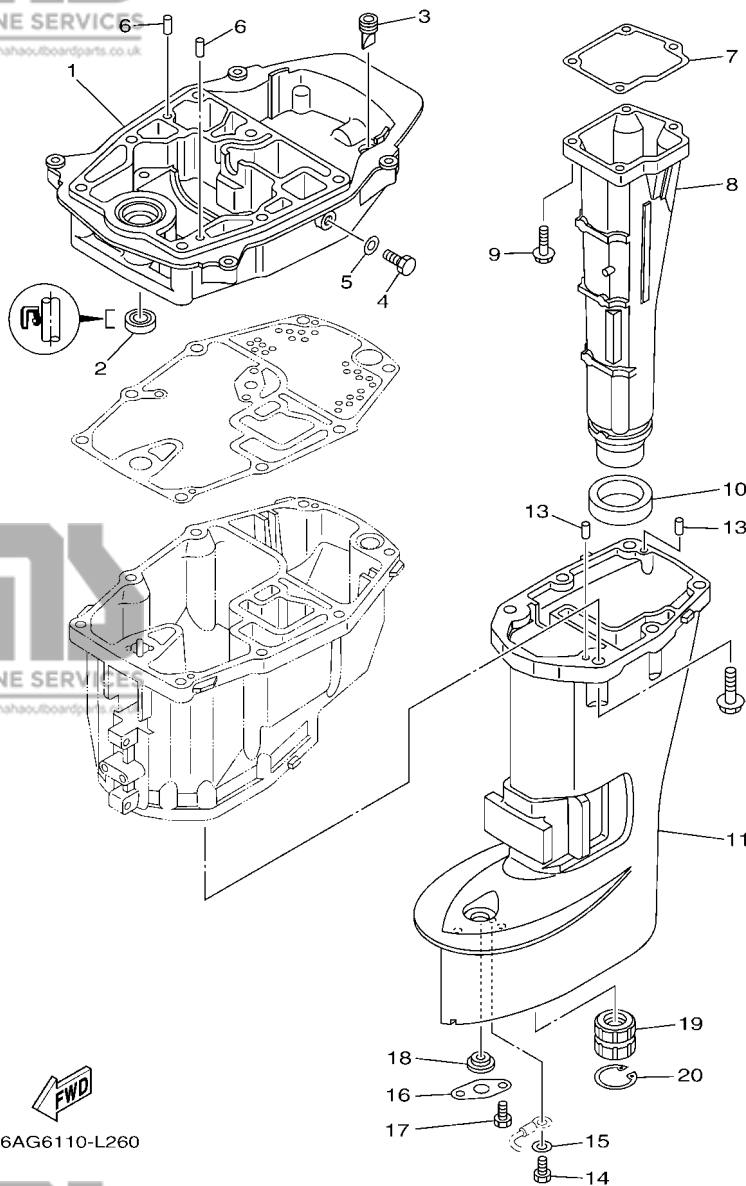
SUPPORT 2

| REF. NO. | PART NO. N° PIECES | DESCRIPTION DESCRIPTION | M/H | E | REMARKS REMARQUES |
|----------|--------------------|---------------------------------------|-----|---|-------------------|
| 27 | 97095-08025 | BOLT BOULON | | 1 | |
| 28 | 92995-08600 | WASHER RONDELLE | | 1 | |
| 29 | 90185-08057 | NUT, SELF-LOCKING ECROU,AUTO-BLOQUANT | | 1 | |
| 30 | 6AH-44194-00 | CAP CAPUCHON | | 1 | |



6CA9300-Q230





6AG6110-L260

FIG. 24 UPPER CASING

FOURREAU

| REF. NO. | PART NO. N° PIECES | DESCRIPTION DESCRIPTION | M/H | U | REMARKS REMARQUES |
|----------|--------------------|--|-----|---|----------------------|
| 1 | 6AH-41137-00-CA | GUIDE, EXHAUST COLLECTEUR D'ECHAPPEMENT | 1 | 1 | |
| 2 | 93101-12M63 | OIL SEAL JOINT SPY | 1 | 1 | |
| 3 | 65W-42717-00 | RUBBER, SEAL 2 JOINT EN CAOUTCHOUC 2 | 1 | 1 | |
| 4 | 97095-08014 | BOLT BOULON | 1 | 1 | |
| 5 | 90430-08143 | GASKET JOINT | 1 | 1 | |
| 6 | 93606-19M23 | PIN, DOWEL GOUPILLE | 2 | 2 | |
| 7 | 6AH-41134-00 | GASKET, EXHAUST MANIFOLD JOINT, PIPE D'ECHAPPEMENT | 1 | 1 | |
| 8 | 6AH-14711-00-CA | MUFFLER 1 POT D'ECHAPPEMENT 1 | 1 | 1 | S(17.1") S(17.1") |
| | 6AH-14711-A0-CA | MUFFLER 1 POT D'ECHAPPEMENT 1 | 1 | 1 | L(22.1") L(22.1") |
| 9 | 97575-06525 | BOLT, WITH WASHER VIS HEXAGONAL AVC RONDELLE | 4 | 4 | |
| 10 | 6AH-41138-00 | SEAL, EXT. 1 JOINT DE GROUPE 1 | 1 | 1 | |
| 11 | 6AH-45111-00-8D | CASING, UPPER FOURREAU | 1 | 1 | S(17.1") S(17.1") |
| | 6AH-45111-10-8D | CASING, UPPER FOURREAU | 1 | 1 | L(22.1") L(22.1") |
| 12 | 97575-08530 | BOLT, WITH WASHER VIS HEXAGONAL AVC RONDELLE | 6 | 6 | |
| 13 | 93604-12M07 | PIN, DOWEL CLAVETTE | 2 | 2 | |
| 14 | 97095-05010 | BOLT BOULON | 1 | 1 | |
| 15 | 92995-05600 | WASHER RONDELLE | 1 | 1 | |
| 16 | 68T-45321-00 | PLATE PLAQUETTE | 1 | 1 | |
| 17 | 97095-06008 | BOLT BOULON | 1 | 1 | |
| 18 | 90480-14M54 | GROMMET PASSE-FIL | 1 | 1 | |
| 19 | 682-45318-00 | BUSHING, DRIVE SHAFT DOUILLE, ARBRE MOTEUR | 1 | 1 | L(22.1") L(22.1") |
| 20 | 93420-30042 | CIRCLIP, TYPE S CIRCLIP, TYPE S | 1 | 1 | L(22.1") L(22.1") |

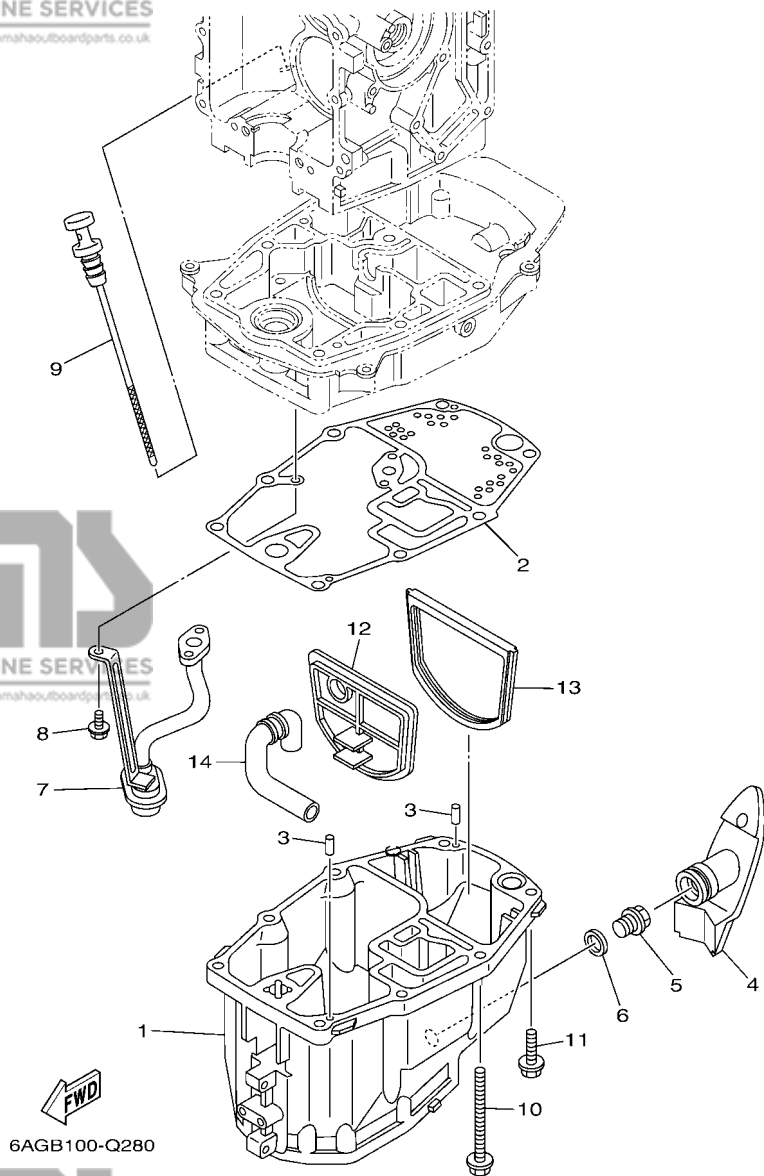


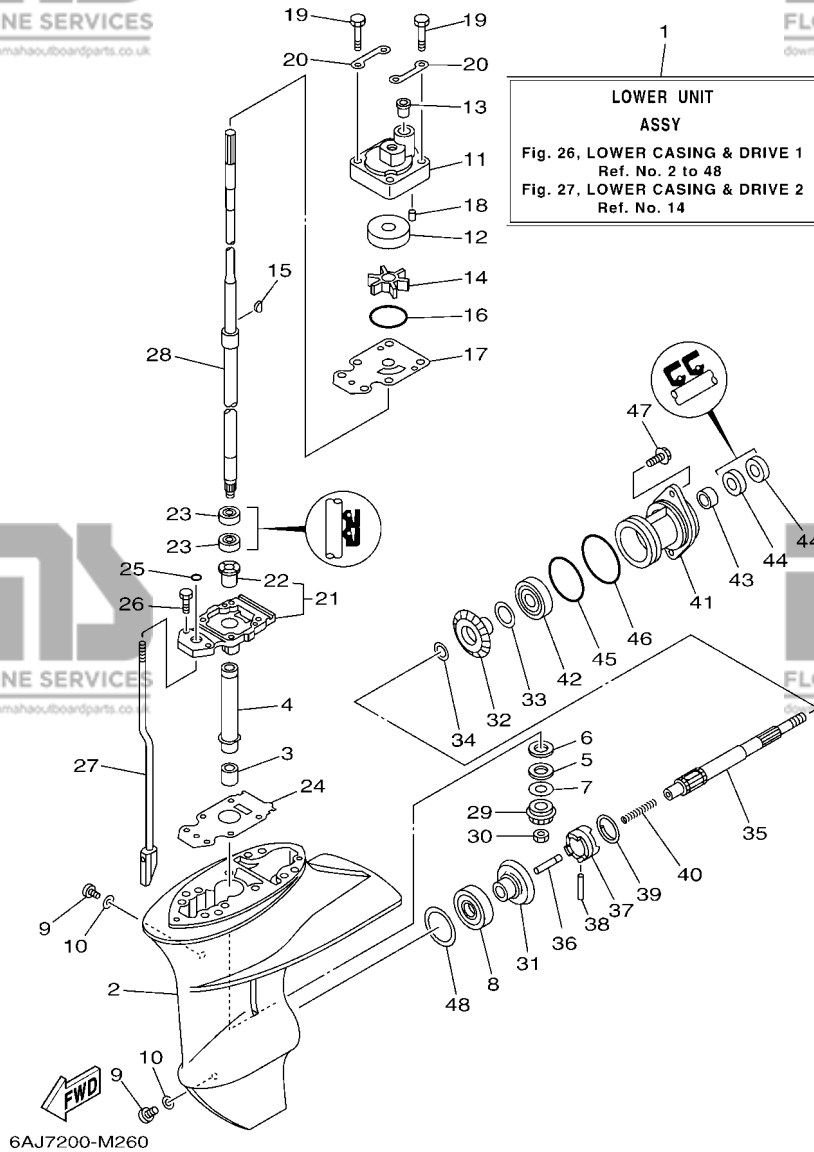
FIG. 25 OIL PAN

VENTILATEUR D'HUILE

| REF. NO. | PART NO. N° PIECES | DESCRIPTION DESCRIPTION | M/H | L | REMARKS REMARQUES |
|----------|--------------------|---|-----|---|-------------------|
| 1 | 6AH-15311-00-CA | OIL PAN VENTILATEUR D'HUILE | 1 | 1 | |
| 2 | 6AH-15312-10 | GASKET, OIL PAN JOINT DE VENTILATEUR D'HUILE | 1 | 1 | |
| 3 | 93604-12M07 | PIN, DOWEL CLAVETTE | 2 | 2 | |
| 4 | 6AH-15316-00 | DAMPER 1 AMORTISSEUR 1 | 1 | 1 | |
| 5 | 90340-14M06 | PLUG, STRAIGHT SCREW PLOT, FILETE DROIT | 1 | 1 | |
| 6 | 90430-14M09 | GASKET JOINT | 1 | 1 | |
| 7 | 6AH-13411-00 | STRAINER, OIL FILTRE, HUILE | 1 | 1 | |
| 8 | 97513-06516 | BOLT, WITH WASHER VIS HEXAGONAL AVC RONDELLE | 3 | 3 | |
| 9 | 6AH-15362-10 | PLUG, OIL LEVEL PLOT, NIVEAU D'HUILE | 1 | 1 | |
| 10 | 90119-08103 | BOLT, WITH WASHER BOULON, AVEC RONDELLE | 6 | 6 | |
| 11 | 97575-08530 | BOLT, WITH WASHER VIS HEXAGONAL AVC RONDELLE | 2 | 2 | |
| 12 | 6AH-45126-00 | PLATE, SEAL DAMPER PLAQUETTE | 1 | 1 | |
| 13 | 6AH-45115-00 | GASKET, UPPER CASING JOINT, TUBE D'ARBRE | 1 | 1 | |
| 14 | 6AH-45135-00 | PIPE TUYAU | 1 | 1 | |

FIG. 26 LOWER CASING & DRIVE 1

BOITIER D'HELICE TRANSMISSION1



| REF. NO. | PART NO. N° PIECES | DESCRIPTION DESCRIPTION | M/H | U | REMARKS REMARQUES |
|----------|--------------------|--|-----|---|----------------------|
| 1 | 6AH-45300-00-8D | LOWER UNIT ASSY UNITE INFERIEURE (ENS.) | 1 | 1 | S(17.1") S(17.1") |
| | 6AH-45300-10-8D | LOWER UNIT ASSY UNITE INFERIEURE (ENS.) | 1 | 1 | L(22.1") L(22.1") |
| 2 | 6AH-45311-00-8D | CASING, LOWER BOITIER D'HELICE | 1 | 1 | |
| 3 | 93315-314V8 | BEARING ROULEMENT | 1 | 1 | |
| 4 | 63V-45536-00 | SLEEVE, DRIVE SHAFT MANCHON, ARBRE MOTEUR | 1 | 1 | |
| 5 | 90209-14011 | WASHER RONDELLE | 1 | 1 | |
| 6 | 90201-15017 | WASHER, PLATE RONDELLE, PLATE | 1 | 1 | |
| 7 | 6E8-45587-10 | SHIM (T:1.13MM) CALE (T:1.13MM) | 1 | 1 | UR |
| | 6E8-45587-30 | SHIM (T:1.20MM) CALE (T:1.20MM) | 1 | 1 | UR |
| 8 | 93332-00005 | BEARING ROULEMENT | 1 | 1 | UR |
| 9 | 90340-08002 | PLUG, STRAIGHT SCREW PLOT, FILETE DROIT | 2 | 2 | |
| 10 | 90430-08003 | GASKET JOINT | 2 | 2 | |
| 11 | 6AH-44311-00 | HOUSING, WATER PUMP CORPS, POMPE A EAU | 1 | 1 | |
| 12 | 63V-44322-00 | INSERT, CARTRIDGE CUVETTE | 1 | 1 | |
| 13 | 6L2-44367-00 | DAMPER, WATER SEAL 3 JOINT TUBE D'EAU 3 | 1 | 1 | |
| 14 | 63V-44352-01 | IMPELLER TURBINE | 1 | 1 | |
| 15 | 664-44338-00 | KEY, WOODRUFF CLAVETTE, VOLANT | 1 | 1 | |
| 16 | 93210-49046 | O-RING JOINT TORIQUE | 1 | 1 | |
| 17 | 68T-44323-00 | OUTER PLATE, CARTRIDGE PLAQUE EXTERIEURE | 1 | 1 | |
| 18 | 93604-12M07 | PIN, DOWEL CLAVETTE | 2 | 2 | |
| 19 | 97095-08045 | BOLT BOULON | 4 | 4 | |
| 20 | 63V-44328-01 | PLATE PLAQUETTE | 2 | 2 | |
| 21 | 69G-45331-01-CA | HOUSING, BEARING FLASQUE, ROULEMENT | 1 | 1 | |
| 22 | 626-45316-09 | BUSHING, DRIVE SHAFT DOUILLE, ARBRE MOTEUR | 1 | 1 | |
| 23 | 93101-20001 | OIL SEAL JOINT SPY | 2 | 2 | |
| 24 | 69G-45315-A0 | PACKING, LOWER CASING JOINT, BOITIER D'HELICE | 1 | 1 | |
| 25 | 93210-06ME6 | O-RING JOINT TORIQUE | 1 | 1 | |

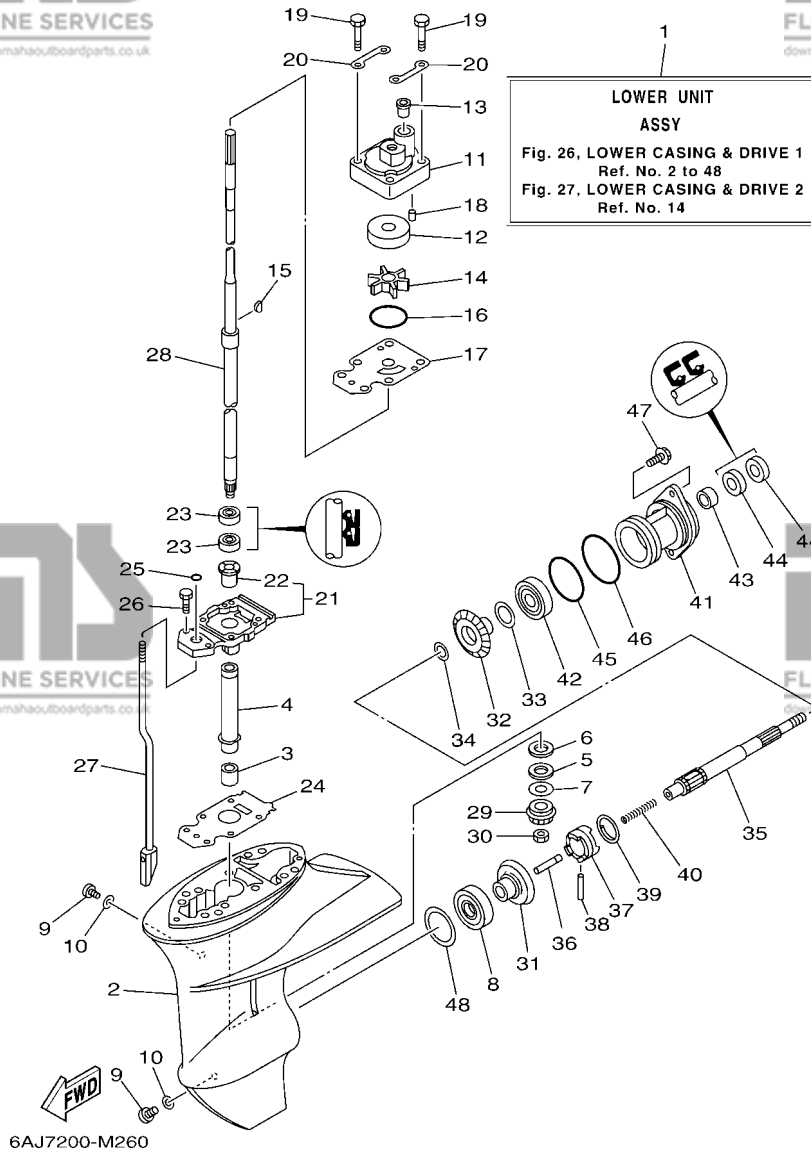


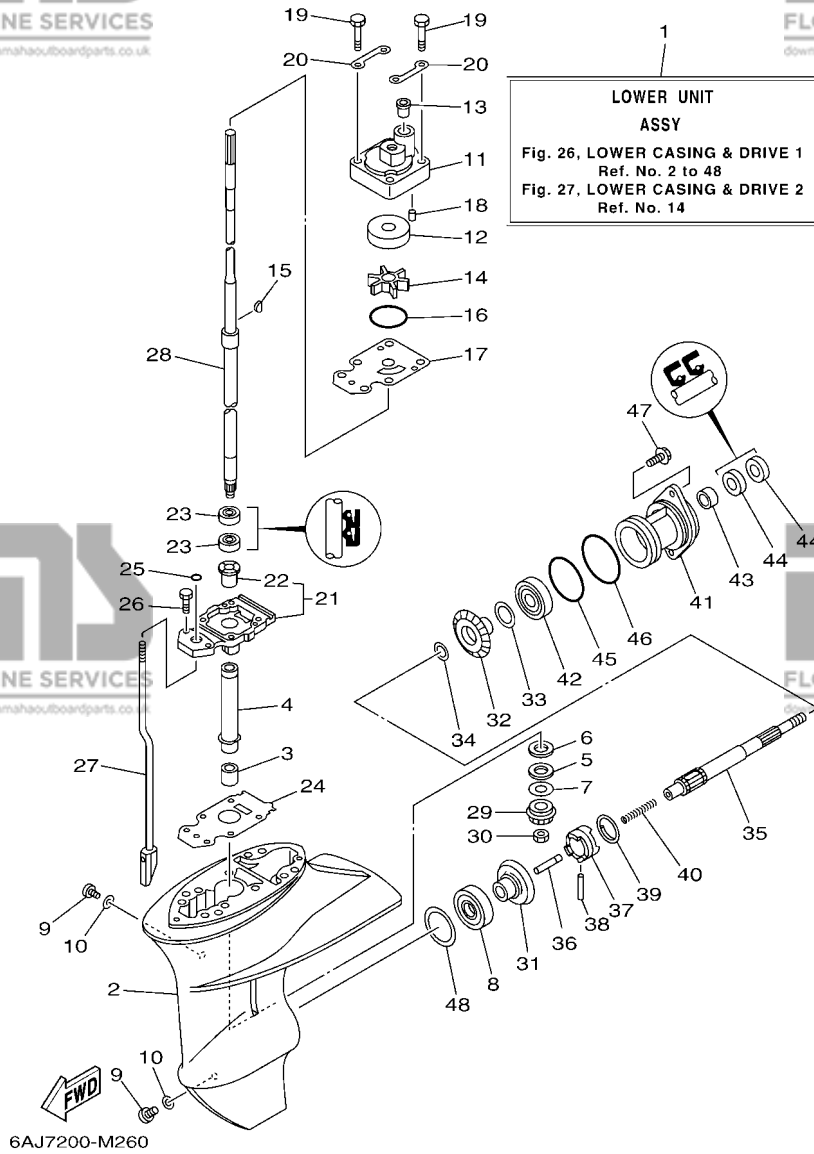
FIG. 26 LOWER CASING & DRIVE 1

BOITIER D'HELICE TRANSMISSION1

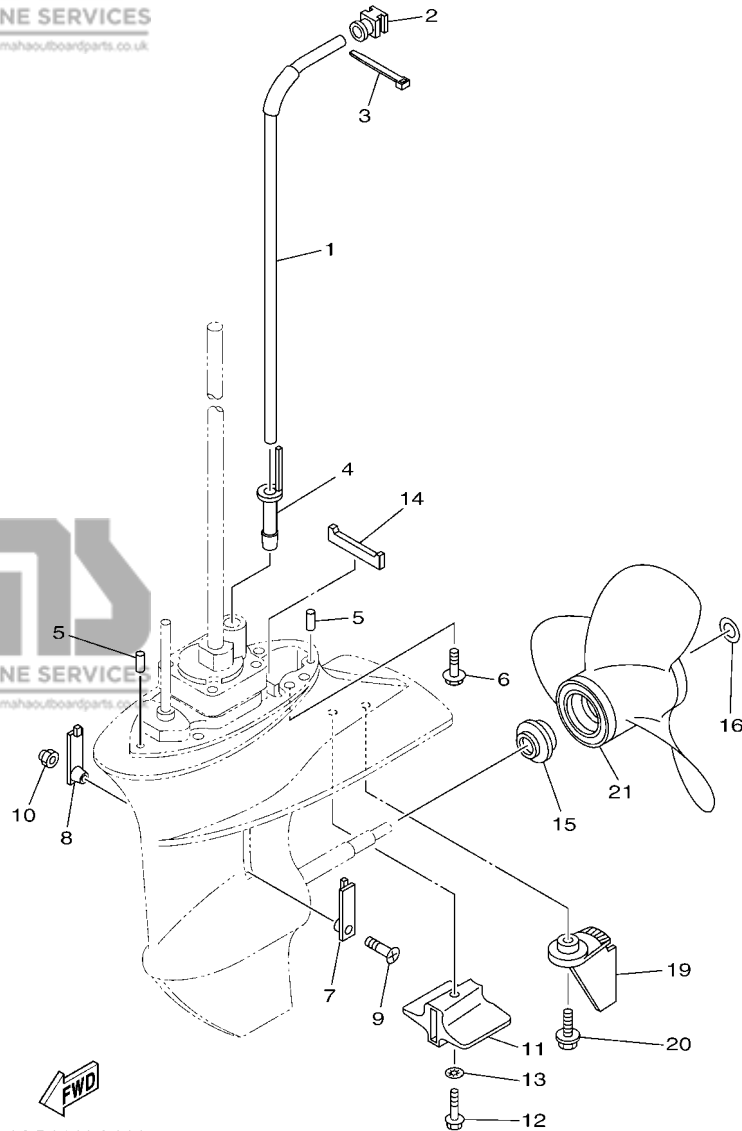
| REF. NO. | PART NO. N° PIECES | DESCRIPTION DESCRIPTION | M/H | U | REMARKS REMARQUES |
|----------|--------------------|---|-----|---|-------------------|
| 26 | 97080-08025 | BOLT BOULON | 2 | 2 | |
| 27 | 6AH-44150-00 | SHIFT CAM ASSY CAME D'INVERSION | 1 | 1 | S(17.1") S(17.1") |
| | 6AH-44150-10 | SHIFT CAM ASSY CAME D'INVERSION | 1 | 1 | L(22.1") L(22.1") |
| 28 | 6AH-45510-00 | DRIVE SHAFT ASSY ARBRE MOTEUR (ENS.) | 1 | 1 | S(17.1") S(17.1") |
| | 6AH-45510-10 | DRIVE SHAFT ASSY ARBRE MOTEUR (ENS.) | 1 | 1 | L(22.1") L(22.1") |
| 29 | 63V-45551-00 | PINION (13T) PIGNON D'ATTAQUE (13D) | 1 | 1 | |
| 30 | 90179-08M06 | NUT ECROU | 1 | 1 | |
| 31 | 6E7-45560-01 | GEAR 1 (27T) PIGNON 1 (27T) | 1 | 1 | |
| 32 | 6E7-45571-00 | GEAR 2 (27T) PIGNON 2 (27T) | 1 | 1 | |
| 33 | 626-45577-00 | SHIM (T:0.10MM) CALE (T:0.10MM) | 1 | 1 | UR UR |
| | 626-45577-10 | SHIM (T:0.20MM) CALE (T:0.20MM) | 1 | 1 | UR UR |
| | 626-45577-20 | SHIM (T:0.30MM) CALE (T:0.30MM) | 1 | 1 | UR UR |
| | 626-45577-30 | SHIM (T:0.40MM) CALE (T:0.40MM) | 1 | 1 | UR UR |
| | 626-45577-40 | SHIM (T:0.50MM) CALE (T:0.50MM) | 1 | 1 | UR UR |
| 34 | 90201-17682 | WASHER, PLATE RONDELLE, PLATE | 1 | 1 | |
| 35 | 683-45611-00 | SHAFT, PROPELLER ARBRE, HELICE | 1 | 1 | |
| 36 | 650-45635-00 | PLUNGER, SHIFT POUSSOIR D'EMBAYAGE | 1 | 1 | |
| 37 | 682-45631-00 | CLUTCH, DOG CRABOT | 1 | 1 | |
| 38 | 90250-05010 | PIN, STRAIGHT GOUPILLE, DROITE | 1 | 1 | |
| 39 | 648-45633-00 | RING, CROSS PIN JONC, GOUPILLE CRABOT | 1 | 1 | |
| 40 | 90501-150A0 | SPRING, COMPRESSION RESSORT, COMPRESSION | 1 | 1 | |
| 41 | 683-45361-02-8D | CAP, LOWER CASING COUVERCLE, BOITIER D'HELICE | 1 | 1 | |
| 42 | 93306-00501 | BEARING ROULEMENT | 1 | 1 | |
| 43 | 93315-317U2 | BEARING ROULEMENT | 1 | 1 | |
| 44 | 93101-17054 | OIL SEAL JOINT SPY | 2 | 2 | |
| 45 | 93210-57M09 | O-RING JOINT TORIQUE | 1 | 1 | |
| 46 | 93210-56M80 | O-RING JOINT TORIQUE | 1 | 1 | |

FIG. 26 LOWER CASING & DRIVE 1

BOITIER D'HELICE TRANSMISSION1



| REF. NO. | PART NO. N° PIECES | DESCRIPTION DESCRIPTION | M/H | U | REMARKS REMARQUES |
|----------|--------------------|---|-----|---|-------------------|
| 47 | 97575-06520 | BOLT, WITH WASHER VIS HEXAGONAL AVC RONDELLE | 2 | 2 | |
| 48 | 664-45567-01 | SHIM (T:0.10MM) CALE (T:0.10MM) | 1 | 1 | UR |
| | 664-45567-10 | SHIM (T:0.12MM) CALE (T:0.12MM) | 1 | 1 | UR |
| | 664-45567-20 | SHIM (T:0.15MM) CALE (T:0.15MM) | 1 | 1 | UR |
| | 664-45567-30 | SHIM (T:0.18MM) CALE (T:0.18MM) | 1 | 1 | UR |
| | 664-45567-40 | SHIM (T:0.30MM) CALE (T:0.30MM) | 1 | 1 | UR |
| | 664-45567-50 | SHIM (T:0.40MM) CALE (T:0.40MM) | 1 | 1 | UR |
| | 664-45567-60 | SHIM (T:0.50MM) CALE (T:0.50MM) | 1 | 1 | UR |



6AG6110-L290

FIG. 27 LOWER CASING & DRIVE 2

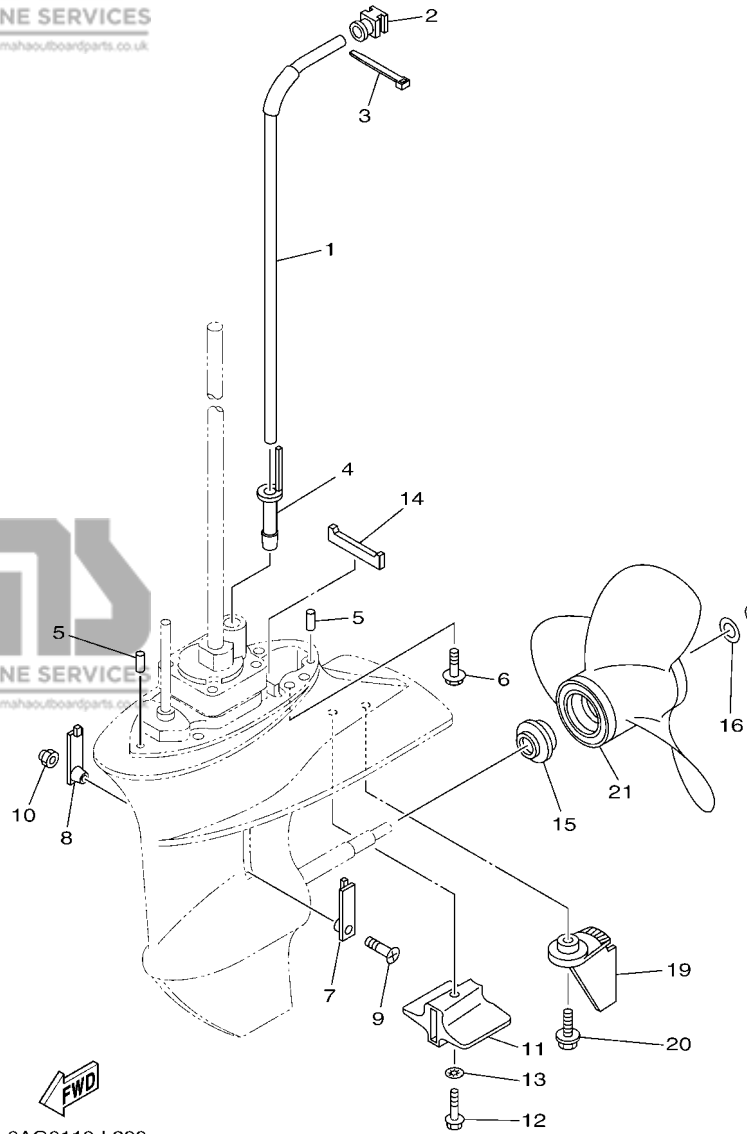
BOITIER D'HELICE TRANSMISSION2

| REF. NO. | PART NO. N° PIECES | DESCRIPTION DESCRIPTION | M/H | U | REMARKS REMARQUES |
|----------|--------------------|---|-----|---|----------------------|
| 1 | 6AH-44361-01 | TUBE, WATER 1 TUBE D'EAU 1 | 1 | 1 | S(17.1") S(17.1") |
| | 6AH-44361-11 | TUBE, WATER 1 TUBE D'EAU 1 | 1 | 1 | L(22.1") L(22.1") |
| 2 | 6AH-44365-00 | DAMPER, WATER SEAL 1 JOINT, TUBE D'EAU 1 | 1 | 1 | |
| 3 | 90465-11M10 | CLAMP BRIDE | 1 | 1 | |
| 4 | 6AH-44368-00 | RUBBER, WATER SEAL 4 CAOUTCHOUC EAU JUNTA 4 | 1 | 1 | |
| 5 | 93604-12M07 | PIN, DOWEL CLAVETTE | 2 | 2 | |
| 6 | 97575-08530 | BOLT, WITH WASHER VIS HEXAGONAL AVC RONDELLE | 4 | 4 | |
| 7 | 6G1-45214-00 | COVER, WATER INLET 1 GRILLE, ENTREE D'EAU 1 | 1 | 1 | |
| 8 | 63V-45215-00 | COVER, WATER INLET 2 GRILLE, ENTREE D'EAU 2 | 1 | 1 | |
| 9 | 90152-05011 | SCREW, COUNTERSUNK VIS, TETE NOYEE | 1 | 1 | |
| 10 | 90185-05002 | NUT, NYLON ECROU,AUTO-BLOQUANT | 1 | 1 | |
| 11 | 6AH-45251-00 | ANODE ANODE | 1 | 1 | |
| 12 | 95895-06035 | BOLT, FLANGE BOULON | 1 | 1 | |
| 13 | 92990-06300 | WASHER, INTERNAL TOOTH RONDELLE, DENTURE INTERNE | 1 | 1 | |
| 14 | 63V-45375-00 | DAMPER, SEAL BOURRELET, CAOUTCHOUC | 1 | 1 | |
| 15 | 6E7-45987-01 | SPACER 1 ENTRETOISE 1 | 1 | 1 | |
| 16 | 90201-10M01 | WASHER, PLATE RONDELLE, PLATE | 1 | 1 | |
| 17 | 90171-10M01 | NUT, CASTLE ECROU, CRENELE | 1 | 1 | |
| 18 | 91490-30020 | PIN. COTTER GOUPILLE | 1 | 1 | |
| 19 | 6AH-45371-A0-8D | TAB-TRIM ANODE DERIVE | 1 | 1 | |
| 20 | 90119-06M88 | BOLT, WITH WASHER BOULON, AVEC RONDELLE | 1 | 1 | |
| 21 | 63V-45941-10 | PROPELLER (3X9-1/4"X12"-J1) HELICE (3X9-1/4"X12"-J1) | 1 | 1 | UR |
| | 63V-45943-10 | PROPELLER (3X9-1/4"X11"-J1) HELICE (3X9-1/4"X11"-J1) | 1 | 1 | UR |
| | 63V-45945-10 | PROPELLER (3X9-1/4"X9"-J1) HELICE (3X9-1/4"X9"-J1) | 1 | 1 | UR |
| | 63V-45952-10 | PROPELLER (3X9-1/4"X10"-J1) HELICE (3X9-1/4"X10"-J1) | 1 | 1 | UR |
| | 683-45941-00 | PROPELLER (3X9-1/4"X12"-J) HELICE (3X9-1/4"X12"-J) | 1 | 1 | UR |
| | 683-45943-00 | PROPELLER (3X9-1/4"X10-1/2"-J) HELICE (3X9-1/4"X10-1/2"-J) | 1 | 1 | UR |

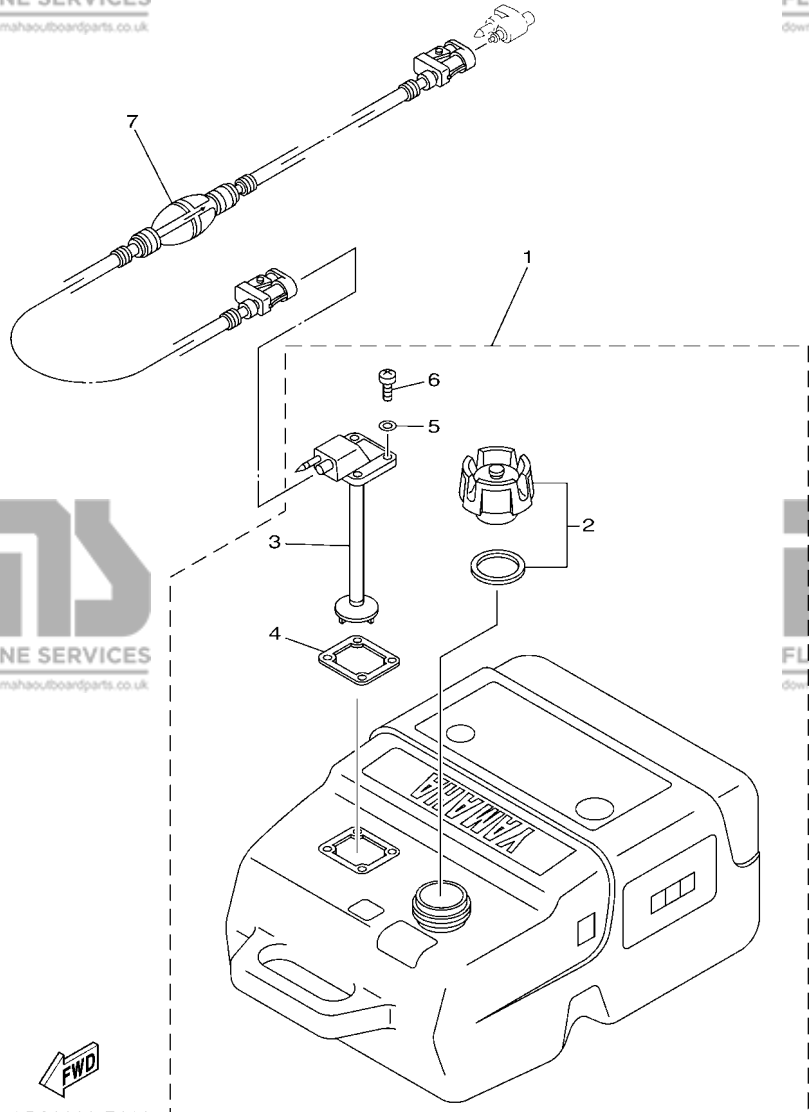
FIG. 27 LOWER CASING & DRIVE 2

BOITIER D'HELICE TRANSMISSION2

| REF. NO. | PART NO. N° PIECES | DESCRIPTION DESCRIPTION | M/H | E | REMARKS REMARQUES |
|----------|--------------------|---|-----|---|-------------------|
| 21 | 683-45952-00 | PROPELLER (3X9-1/4"X9-3/4"-J) HELICE (3X9-1/4"X9-3/4"-J) | 1 | 1 | UR UR |



6AG6110-L290



6CA8300-P280

FIG. 28 FUEL TANK

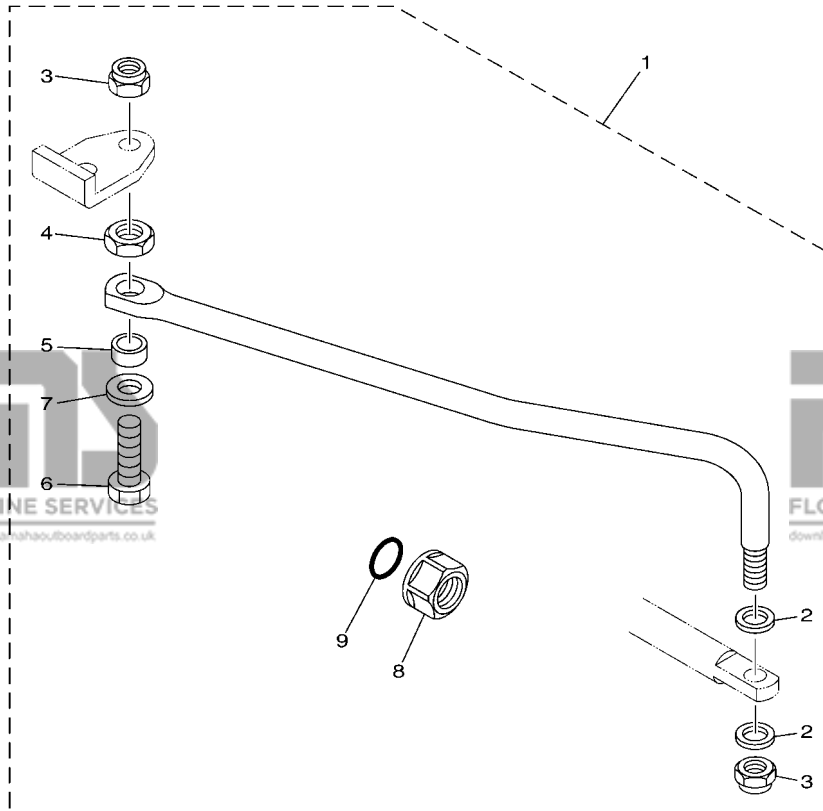
RESERVOIR A CARBURANT

| REF. NO. | PART NO. N° PIECES | DESCRIPTION DESCRIPTION | M/H | L | REMARKS REMARQUES |
|----------|--------------------|--|-----|---|-------------------|
| 1 | 6YK-24201-04 | FUEL TANK ASSY (25L) RESERVOIR A ESSENCE (ENS.) 25L | 1 | 1 | AP AP |
| 2 | 6YK-24610-01 | .CAP ASSY .BOUCHON | 1 | 1 | |
| 3 | 6YK-24260-10 | .FUEL METER ASSY .INDICATEUR DE CARBURANT | 1 | 1 | |
| 4 | 6YL-24268-01 | .GASKET, FUEL METER .JOINT, JAUGE A CARBURANT | 1 | 1 | |
| 5 | 6YL-24329-00 | .SEAL .JOINT | 4 | 4 | |
| 6 | 90157-05M16 | .SCREW, PAN HEAD .VIS, TETE TRONCONIQUE | 4 | 4 | |
| 7 | 6YL-24306-54 | FUEL PIPE COMP. 1 DURITE A ESSENCE 1 | 1 | 1 | AP AP |

FIG. 29 STEERING GUIDE

FIXATION DE DIRECTION

| REF. NO. | PART NO. N° PIECES | DESCRIPTION DESCRIPTION | M/H | E | REMARKS REMARQUES |
|----------|--------------------|---|-----|---|-------------------|
| 1 | 6AH-61350-00 | STEERING GUIDE ATTACHMENT KIT FIXATIONS DE DIRECTION | | 1 | AP AP |
| 2 | 90201-10M20 | .WASHER, PLATE .RONDELLE, PLATE | | 2 | |
| 3 | 90185-09M01 | .NUT, SELF-LOCKING .ECROU, AUTO-BLOQUANT | | 2 | |
| 4 | 90170-09M03 | .NUT .ECROU | | 1 | |
| 5 | 90387-10M42 | .COLLAR .COLLERETTE | | 1 | |
| 6 | 6E5-61355-00 | .BOLT .BOULON | | 1 | |
| 7 | 90201-10M63 | .WASHER, PLATE .RONDELLE, PLATE | | 1 | |
| 8 | 6E5-43145-01 | .CAP, CLAMP BRACKET .CAPUCHON, PRESSE | | 1 | |
| 9 | 93210-16275 | .O-RING .JOINT TORIQUE | | 1 | |

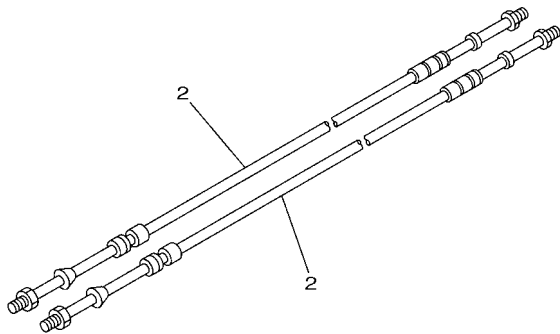
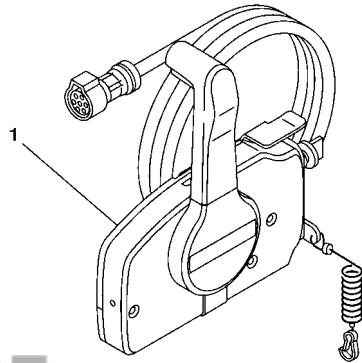


FWD
6AH1100-F341

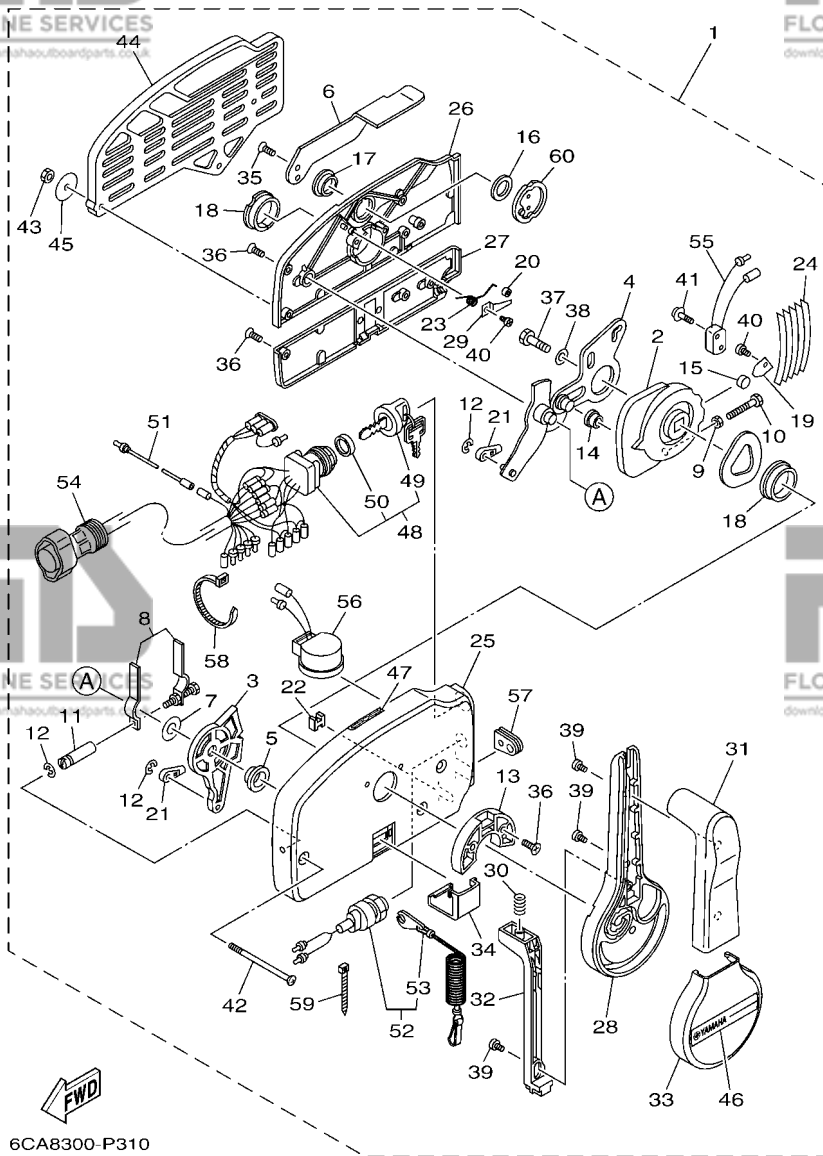
FIG. 30 REMOTE CONTROL BOX

BOITIER DE COMMANDE A DISTANCE

| REF. NO. | PART NO. N° PIECES | DESCRIPTION DESCRIPTION | M/H | E | REMARKS REMARQUES |
|----------|--------------------|---|-----|---|--|
| 1 | 703-48201-B1 | REMOTE CONTROL ASSY (10P) BOITIER DE COMMANDE A DISTANCE | | 1 | AP WITHOUT PT/T SW. AP WITHOUT PT/T SW. |
| 2 | 701-48310-90 | CABLE, REMOTE CONTROL L=11F CABLE, COMMANDE A DISTANCE:11F | | 2 | UR |
| | 701-48320-00 | CABLE, REMOTE CONTROL L=12F CABLE, COMMANDE A DISTANCE:12F | | 2 | UR |
| | 701-48320-20 | CABLE, REMOTE CONTROL L=13F CABLE, COMMANDE A DISTANCE:13F | | 2 | UR |
| | 701-48320-50 | CABLE, REMOTE CONTROL L=15F CABLE, COMMANDE A DISTANCE:15F | | 2 | UR |



6DR3300-P300

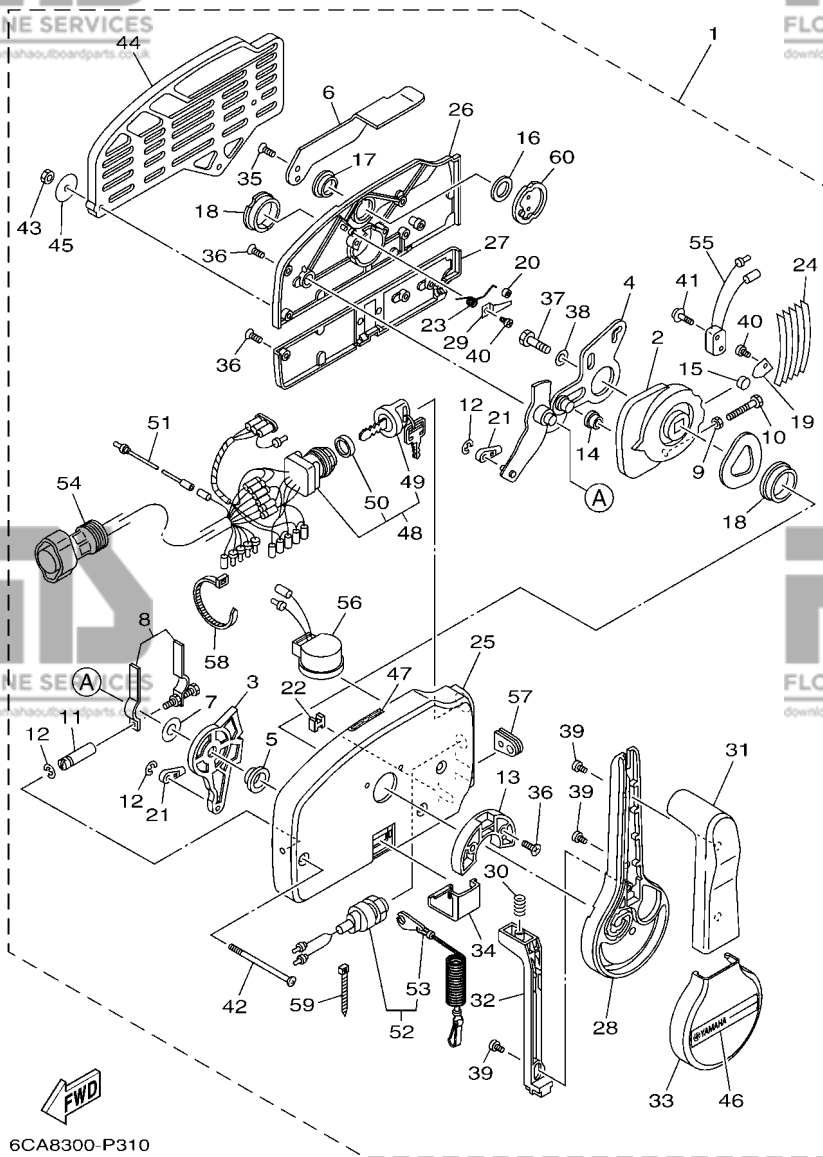


6CA8300-P310

FIG. 31 REMOTE CONTROL ASSY

BOITIER DE COMMANDE A DISTANCE

| REF. NO. | PART NO. N° PIECES | DESCRIPTION DESCRIPTION | M/H | L | REMARKS REMARQUES |
|----------|--------------------|---|-----|---|--|
| 1 | 703-48201-B1 | REMOTE CONTROL ASSY (10P) BOITIER DE COMMANDE A DISTANCE | | 1 | AP WITHOUT PT/T SW. AP WITHOUT PT/T SW. |
| 2 | 703-48232-00 | .GEAR .PIGNON | | 1 | |
| 3 | 703-48271-00 | .ARM, SHIFT .BRAS | | 1 | |
| 4 | 703-48261-01 | .ARM, THROTTLE .BRAS, ACCELERATION | | 1 | |
| 5 | 703-48235-00 | .BUSHING .COUSSINET | | 1 | |
| 6 | 703-48152-10 | .KNOB, FREE ACCEL. .BOUTON | | 1 | |
| 7 | 703-48268-00 | .SPACER .ENTRETOISE | | 1 | |
| 8 | 703-48264-00 | .FRICTION, THROTTLE .FRICTION, ACCELERATION | | 1 | |
| 9 | 95380-05600 | .NUT .ECROU | | 1 | |
| 10 | 97380-05025 | .BOLT .BOULON, HEXAGONAL | | 1 | |
| 11 | 703-48265-10 | .SHAFT, FRICTION .AXE, COPILOTE | | 1 | |
| 12 | 93430-06024 | .CIRCLIP .CLIPS | | 3 | |
| 13 | 703-48245-00 | .PLATE, LOCK .PLAQUE, VERROU | | 1 | |
| 14 | 703-48252-00 | .ROLLER, CAM .POULIE | | 1 | |
| 15 | 701-48248-00 | .ROLLER, FREE ACCEL. .POULIE | | 1 | |
| 16 | 703-48198-00 | .WASHER, WAVE .RONDELLE, ELASTIQUE ONDULEE | | 1 | |
| 17 | 703-48243-00 | .BUSHING .COUSSINET | | 1 | |
| 18 | 703-48236-00 | .BUSHING 1 .POULIE | | 2 | |
| 19 | 703-48189-00 | .RETAINER .FLASQUE | | 1 | |
| 20 | 703-48234-00 | .ROLLER, DETENT .POULIE | | 1 | |
| 21 | 703-48345-01 | .CABLE END, REMOTE CONTROL 2 .CHAPE CABLE | | 2 | |
| 22 | 703-48358-00 | .ANCHOR, CABLE .COLLIER | | 1 | |
| 23 | 703-48244-00 | .SPRING, FREE ACCEL. .RESSORT | | 1 | |
| 24 | 703-48238-00 | .SPRING, DETENT .RESSORT | | 5 | |
| 25 | 703-48211-10 | .HOUSING, 1 .CORPS | | 1 | |
| 26 | 703-48212-10 | .BACK PLATE 1 .PLAQUETTE 1 | | 1 | |
| 27 | 703-48213-10 | .BACK PLATE 2 .PLAQUETTE 2 | | 1 | |



6CA8300-P310

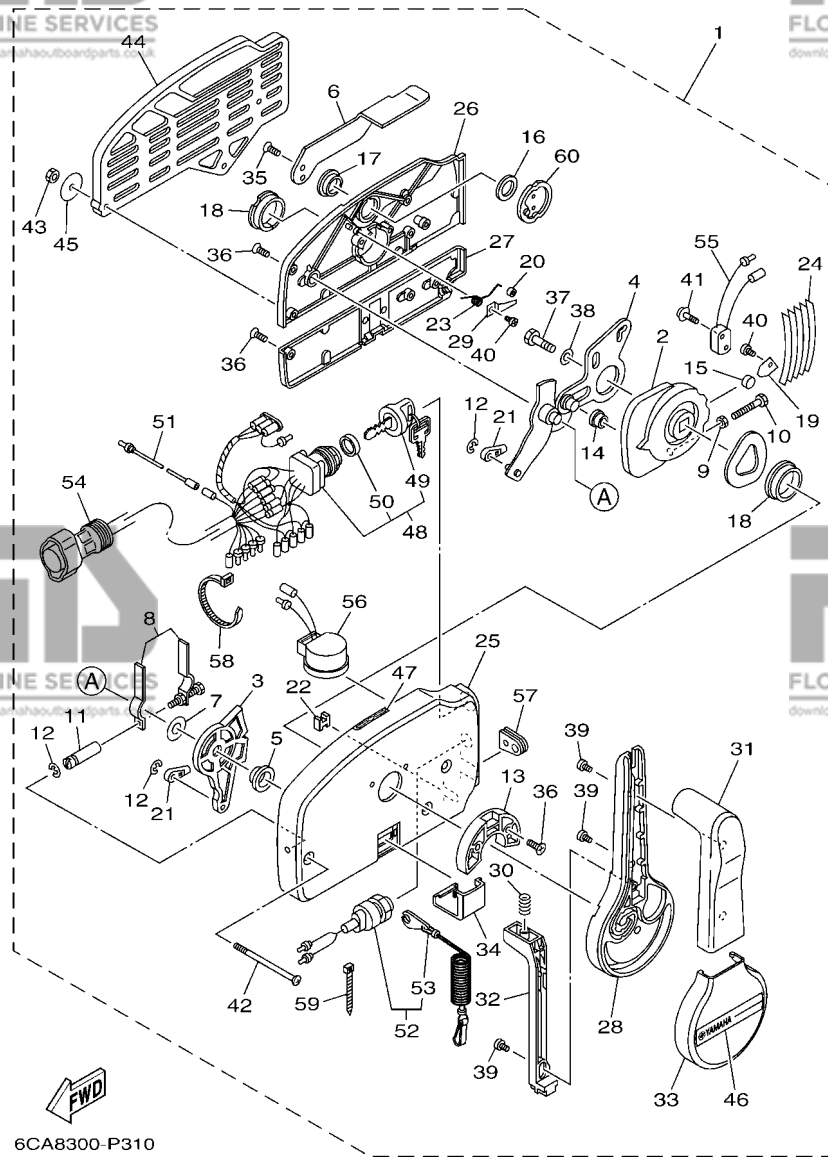
FIG. 31 REMOTE CONTROL ASSY

BOITIER DE COMMANDE A DISTANCE

| REF. NO. | PART NO. N° PIECES | DESCRIPTION DESCRIPTION | M/H | U | REMARKS REMARQUES |
|----------|--------------------|--|-----|---|-------------------------|
| 28 | 703-48221-10 | .LEVER, CONTROL .LEVIER, COMMANDE | | 1 | |
| 29 | 703-48246-00 | .SPACER .ENTRETOISE | | 1 | |
| 30 | 703-48227-00 | .SPRING, NEUTRAL LOCK .RESSORT | | 1 | |
| 31 | 703-48222-30 | .GRIP, CONTROL LEVER .POIGNEE, COMMANDE LEVIER | | 1 | SINGLE SINGLE |
| 32 | 703-48223-10 | .LOCK, NEUTRAL .VERROU, NEUTRAL | | 1 | |
| 33 | 703-48225-10 | .COVER .COUVERCLE | | 1 | |
| 34 | 703-48219-10 | .COVER, LEAD .COUVERCLE | | 1 | |
| 35 | 703-48281-00 | .SCREW .VIS | | 2 | |
| 36 | 703-44189-20 | .SCREW .VIS | | 7 | |
| 37 | 97380-08030 | .BOLT .BOULON, HEXAGONAL | | 1 | |
| 38 | 92990-08600 | .WASHER, PLATE .RONDELLE, PLATE | | 1 | |
| 39 | 703-48128-10 | .SCREW 2 .VIS 2 | | 3 | |
| 40 | 98580-04006 | .SCREW, PAN HEAD .VIS | | 2 | |
| 41 | 703-48129-00 | .SCREW 3 .VIS 3 | | 2 | |
| 42 | 703-44189-30 | .SCREW .VIS | | 3 | |
| 43 | 95380-06600 | .NUT, HEXAGON .ECROU | | 3 | |
| 44 | 703-48293-10 | .SPACER, REMOTE CONTROL .ENTRETOISE | | 1 | SINGLE SINGLE |
| 45 | 701-48287-00 | .WASHER .RONDELLE | | 3 | |
| 46 | 703-48215-10 | .GRAPHIC .ADHESIF | | 1 | |
| 47 | 6X3-44191-00 | .INDICATOR, SHIFT .ETIQUETTE, EMBRAYAGE | | 1 | |
| 48 | 703-82510-13 | .MAIN SWITCH ASSY .CONTACTEUR A CLEF COMPLET | | 1 | PRIME START PRIME START |
| 49 | 676-82577-01 | .CAP, KEY .CABOCHON | | 1 | |
| 50 | 703-82532-00 | .CAP .COUVERCLE | | 1 | |
| 51 | 703-82531-00 | .WIRE, LEAD (L70) .FIL (L70) | | 1 | |
| 52 | 688-82575-02 | .ENGINE STOP SWITCH ASSY .COUPE CIRCUIT CPLT | | 1 | |
| 53 | 682-82556-00 | .LANYARD, STOP SWITCH .CORDON DU COUPE CIRCUIT | | 1 | |
| 54 | 688-8258A-20 | .EXTENSION, WIRE HARNESS (4.9M) .EXTENSION, FAISCEAU DE FILS (4 | | 1 | (10P) (10P) |

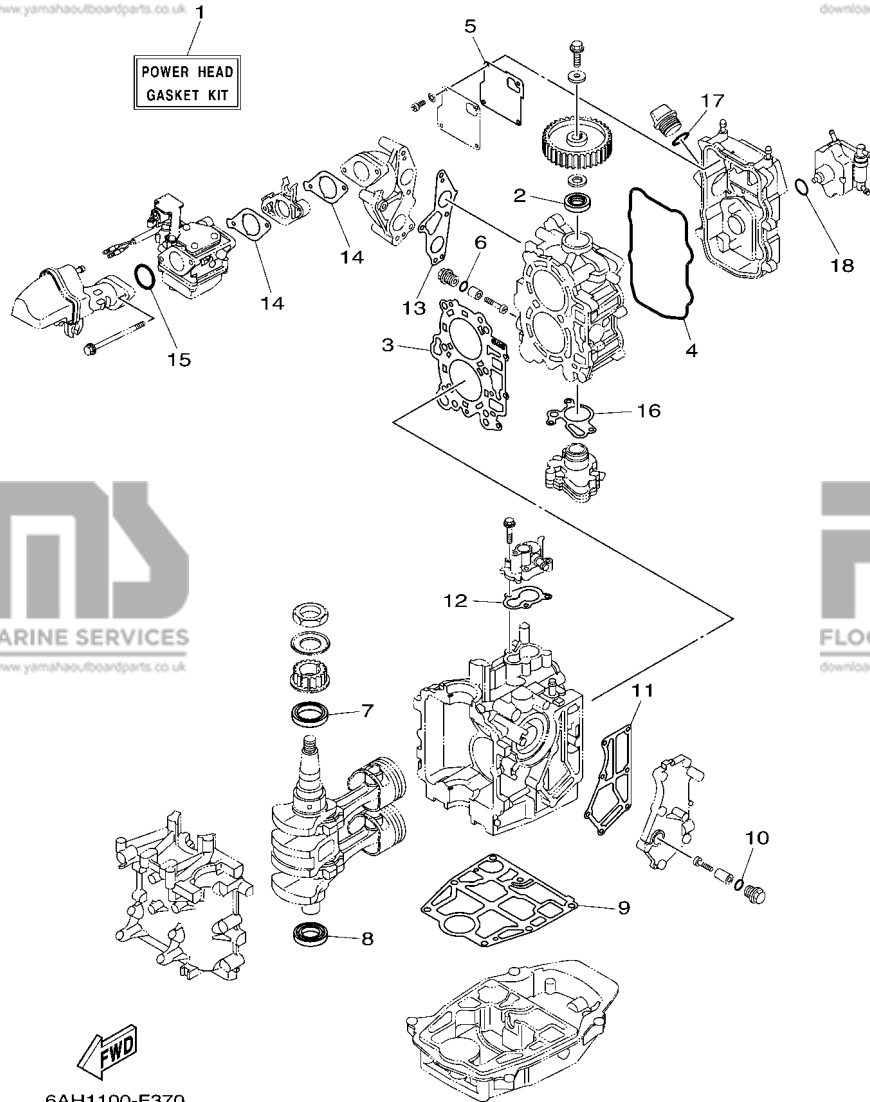
FIG. 31 REMOTE CONTROL ASSY

BOITIER DE COMMANDE A DISTANCE



6CA8300-P310

| REF. NO. | PART NO. N° PIECES | DESCRIPTION DESCRIPTION | M/H | E | REMARKS REMARQUES |
|----------|--------------------|---|-----|---|-------------------|
| 55 | 703-82540-00 | .NEUTRAL SWITCH ASSY .CONTACTEUR DE POINT-MORT | | 1 | |
| 56 | 703-83383-11 | .BUZZER .RONFLEUR | | 1 | |
| 57 | 703-48284-00 | .GROMMET .PASSE-FIL | | 1 | |
| 58 | 703-82591-00 | .BAND .COLLIER | | 1 | |
| 59 | 703-82592-00 | .BAND .COLLIER | | 1 | |
| 60 | 703-48153-00 | .SHAFT, FREE ACCEL. .AXE | | 1 | |

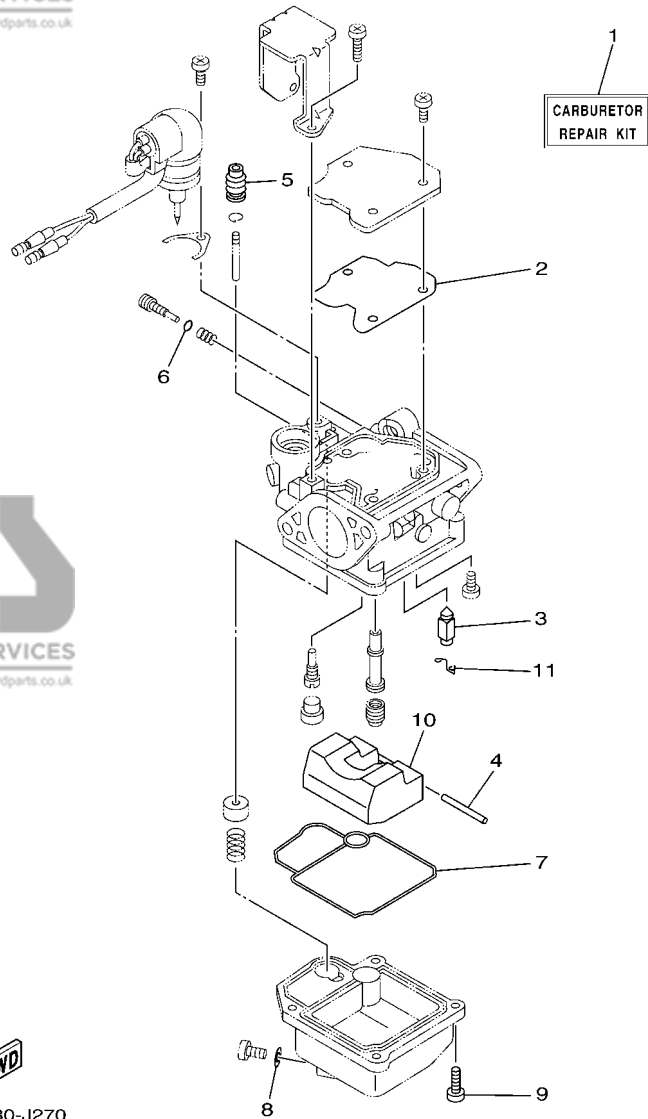


6AH1100-F370

FIG. 32 REPAIR KIT 1

KITS DE REPARATION 1

| REF. NO. | PART NO. N° PIECES | DESCRIPTION DESCRIPTION | M/H | L | REMARKS REMARQUES |
|----------|--------------------|---|-----|---|-------------------|
| 1 | 6AG-W0001-00 | POWER HEAD GASKET KIT POCHETTE DE JINTS TETE MOTRICE | 1 | 1 | |
| 2 | 93102-22010 | .OIL SEAL .JOINT SPY | 1 | 1 | |
| 3 | 6AG-11181-10 | .GASKET, CYLINDER HEAD 1 .JOINT, DE CULASSE 1 | 1 | 1 | |
| 4 | 6AH-11356-00 | .SEAL, CYLINDER 2 .JOINT, SPY CYLINDRE | 1 | 1 | |
| 5 | 6AH-11169-00 | .GASKET, BREATHER COVER .JOINT, COUVERCLE DE RENIFLARD | 1 | 1 | |
| 6 | 93210-13M63 | .O-RING .JOINT TORIQUE | 2 | 2 | |
| 7 | 93102-37004 | .OIL SEAL .JOINT SPY | 1 | 1 | |
| 8 | 93102-25014 | .OIL SEAL .JOINT SPY | 1 | 1 | |
| 9 | 6AH-11351-10 | .GASKET, CYLINDER .JOINT, D'EMBASE | 1 | 1 | |
| 10 | 93210-13M63 | .O-RING .JOINT TORIQUE | 1 | 1 | |
| 11 | 6AH-41114-00 | .GASKET, EXHAUST OUTER COVER .JOINT, COUVERCLE D'ECHAPPEMENT | 1 | 1 | |
| 12 | 6AH-12414-00 | .GASKET, COVER .JOINT, COUVERCLE | 1 | 1 | |
| 13 | 6AH-13645-00 | .GASKET, MANIFOLD 1 .JOINT, TUBULURE 1 | 1 | 1 | |
| 14 | 6AH-13646-00 | .GASKET, MANIFOLD 2 .JOINT, TUBULURE 2 | 2 | 2 | |
| 15 | 93210-35M86 | .O-RING .JOINT TORIQUE | 1 | 1 | |
| 16 | 6AH-13329-10 | .GASKET, PUMP COVER .JOINT, COUVERCLE DE POMPE | 1 | 1 | |
| 17 | 93210-24M79 | .O-RING .JOINT TORIQUE | 1 | 1 | |
| 18 | 93210-20M65 | .O-RING .JOINT TORIQUE | 1 | 1 | |



FWD
6BY2280-J270

FIG. 33 REPAIR KIT 2

KITS DE REPARATION 2

| REF. NO. | PART NO. N° PIECES | DESCRIPTION DESCRIPTION | M/H | E | REMARKS REMARQUES |
|----------|--------------------|--|-----|---|-------------------|
| 1 | 6AH-W0093-01 | CARBURETOR REPAIR KIT KIT DE REPARATION CARBURATEUR | 1 | 1 | |
| 2 | 65W-14126-10 | .GASKET .JOINT | 1 | 1 | |
| 3 | 6AH-14546-00 | .VALVE, NEEDLE .POINTEAU | 1 | 1 | |
| 4 | 6H4-14548-00 | .PIN, FLOAT ARM .AXE, BRAS DE FLOTTEUR | 1 | 1 | |
| 5 | 65W-14373-02 | .COVER, PLUNGER CAP .COUVERCLE DE PLONGEUR | 1 | 1 | |
| 6 | 67F-14398-10 | .O-RING .JOINT TORIQUE | 1 | 1 | |
| 7 | 6AH-14384-00 | .GASKET, FLOAT CHAMBER .JOINT, CUVE DE FLOTTEUR | 1 | 1 | |
| 8 | 65W-14398-00 | .GASKET .JOINT | 1 | 1 | |
| 9 | 97980-04114 | .SCREW, WITH WASHER .VIS, AVEC RONDELLE | 4 | 4 | |
| 10 | 6AH-14985-00 | .FLOAT .FLOTTEUR | 1 | 1 | |
| 11 | 633-14159-00 | .CLIP .JONC | 1 | 1 | |

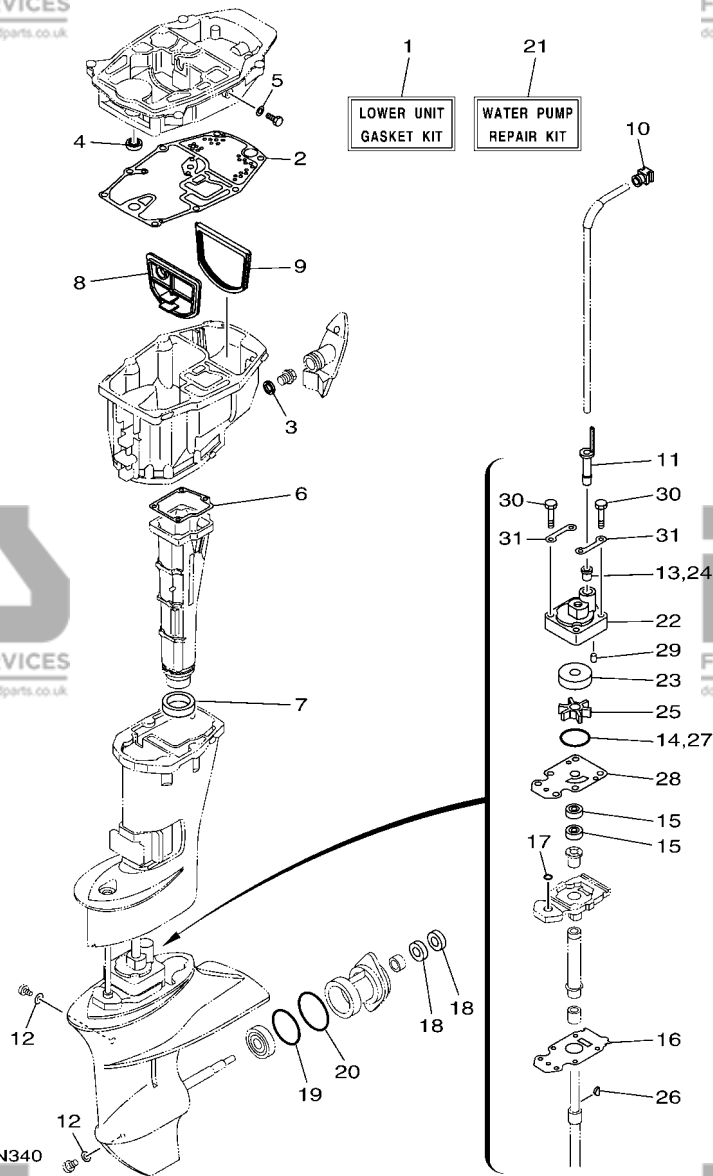


FIG. 34 REPAIR KIT 3

KITS DE PEPARATION 3

| REF. NO. | PART NO. N° PIECES | DESCRIPTION DESCRIPTION | M/H | U | REMARKS REMARQUES |
|----------|--------------------|---|-----|---|-------------------|
| 1 | 6AH-W0001-20 | LOWER UNIT GASKET KIT POCHETTE DE JOINTS EMBASE | 1 | 1 | |
| 2 | 6AH-15312-10 | .GASKET, OIL PAN .JOINT DE VENTILATEUR D'HUILE | 1 | 1 | |
| 3 | 90430-14M09 | .GASKET .JOINT | 1 | 1 | |
| 4 | 93101-12M63 | .OIL SEAL .JOINT SPY | 1 | 1 | |
| 5 | 90430-08143 | .GASKET .JOINT | 1 | 1 | |
| 6 | 6AH-41134-00 | .GASKET, EXHAUST MANIFOLD .JOINT, PIPE D'ECHAPPEMENT | 1 | 1 | |
| 7 | 6AH-41138-00 | .SEAL, EXT. 1 .JOINT DE GROUPE 1 | 1 | 1 | |
| 8 | 6AH-45126-00 | .PLATE, SEAL DAMPER .PLAQUETTE | 1 | 1 | |
| 9 | 6AH-45115-00 | .GASKET, UPPER CASING .JOINT, TUBE D'ARBRE | 1 | 1 | |
| 10 | 6AH-44365-00 | .DAMPER, WATER SEAL 1 .JOINT, TUBE D'EAU 1 | 1 | 1 | |
| 11 | 6AH-44368-00 | .RUBBER, WATER SEAL 4 .CAOUTCHOUC EAU JUNTA 4 | 1 | 1 | |
| 12 | 90430-08003 | .GASKET .JOINT | 2 | 2 | |
| 13 | 6L2-44367-00 | .DAMPER, WATER SEAL 3 .JOINT TUBE D'EAU 3 | 1 | 1 | |
| 14 | 93210-49046 | .O-RING .JOINT TORIQUE | 1 | 1 | |
| 15 | 93101-20001 | .OIL SEAL .JOINT SPY | 2 | 2 | |
| 16 | 69G-45315-A0 | .PACKING, LOWER CASING .JOINT, BOITIER D'HELICE | 1 | 1 | |
| 17 | 93210-06ME6 | .O-RING .JOINT TORIQUE | 1 | 1 | |
| 18 | 93101-17054 | .OIL SEAL .JOINT SPY | 2 | 2 | |
| 19 | 93210-57M09 | .O-RING .JOINT TORIQUE | 1 | 1 | |
| 20 | 93210-56M80 | .O-RING .JOINT TORIQUE | 1 | 1 | |
| 21 | 6AH-W0078-00 | WATER PUMP REPAIR KIT KIT DE REPARATION DE LA POMPE | 1 | 1 | |
| 22 | 6AH-44311-00 | .HOUSING, WATER PUMP .CORPS, POMPE A EAU | 1 | 1 | |
| 23 | 63V-44322-00 | .INSERT, CARTRIDGE .CUVETTE | 1 | 1 | |
| 24 | 6L2-44367-00 | .DAMPER, WATER SEAL 3 .JOINT TUBE D'EAU 3 | 1 | 1 | |
| 25 | 63V-44352-01 | .IMPELLER .TURBINE | 1 | 1 | |
| 26 | 664-44338-00 | .KEY, WOODRUFF .CLAVETTE, VOLANT | 1 | 1 | |
| 27 | 93210-49046 | .O-RING .JOINT TORIQUE | 1 | 1 | |

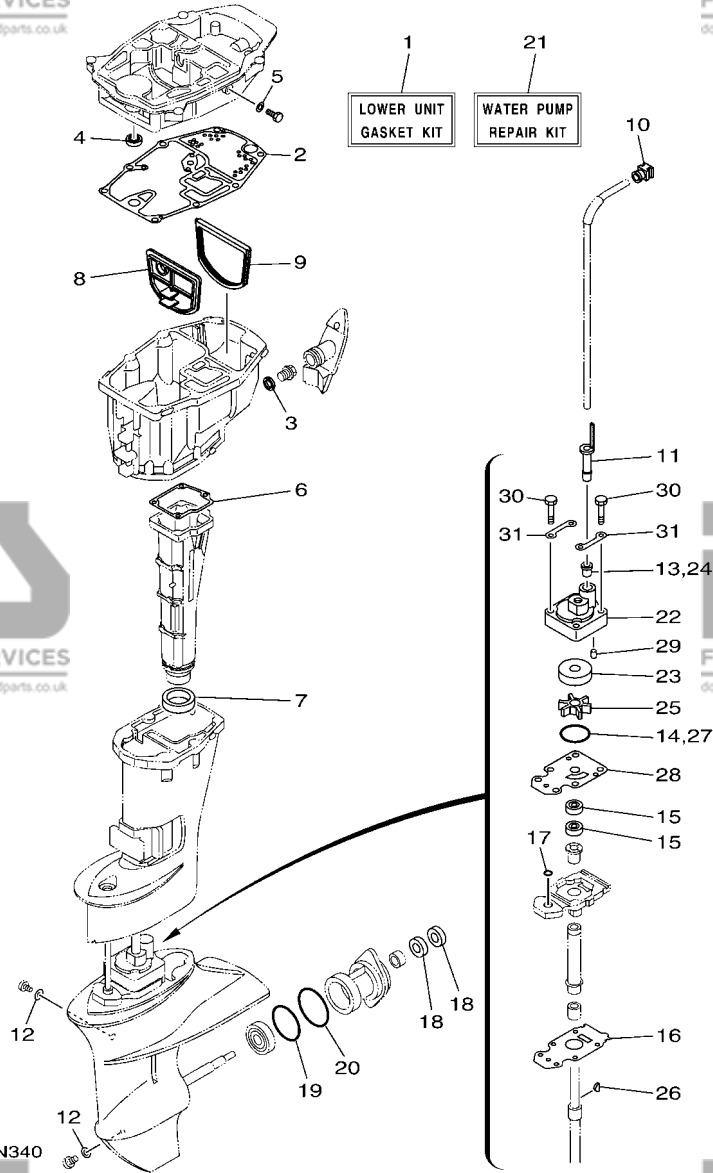


FIG. 34 REPAIR KIT 3

KITS DE PEPARATION 3

| REF. NO. | PART NO. N° PIECES | DESCRIPTION DESCRIPTION | M/H | L | REMARKS REMARQUES |
|----------|--------------------|---|-----|---|-------------------|
| 28 | 68T-44323-00 | .OUTER PLATE, CARTRIDGE .PLAQUE EXTERIEURE | 1 | 1 | |
| 29 | 93604-12M07 | .PIN, DOWEL .CLAVETTE | 2 | 2 | |
| 30 | 97095-08045 | .BOLT .BOULON | 4 | 4 | |
| 31 | 63V-44328-01 | .PLATE .PLAQUETTE | 2 | 2 | |

| PART NO. N° PIECES | REF. NO. |
|-----------------------|-------------|
| 6AH-11111-10-1S | 5 - 2 |
| 6AH-11133-10 | 5 - 3 |
| 6AH-11168-00 | 5 - 13 |
| 6AH-11169-00 | 5 - 14 |
| | 32 - 5 |
| 6AG-11181-10 | 5 - 4 |
| | 32 - 3 |
| 6AH-11191-00-1S | 5 - 8 |
| 6G8-11197-A0 | 3 - 13 |
| | 5 - 19 |
| 6E5-11325-00 | 1 - 5 |
| | 3 - 26 |
| 6G8-11325-00 | 1 - 1 |
| | 1 - 4 |
| | 1 - 7 |
| | 3 - 11 |
| | 3 - 22 |
| | 5 - 17 |
| 6AH-11351-10 | 3 - 7 |
| | 32 - 9 |
| 6AH-11356-00 | 5 - 10 |
| | 32 - 4 |
| | 5 - 9 |
| 6AH-11372-00 | 3 - 10 |
| 6AH-11411-00 | 4 - 1 |
| 6AH-11416-00 | 4 - 2 |
| 6AH-11416-10 | 4 - 2 |
| 6AH-11416-20 | 4 - 2 |
| 6AH-11536-00 | 9 - 6 |
| 6AH-11537-00 | 9 - 2 |
| 6AH-11557-00 | 9 - 7 |
| 6AH-11603-00 | 4 - 6 |
| 6AH-11604-00 | 4 - 6 |
| 6AH-11605-00 | 4 - 6 |
| 6AH-11631-00 | 4 - 5 |
| 137-11633-10 | 4 - 7 |
| 6AH-11635-00 | 4 - 5 |
| 6AH-11636-00 | 4 - 5 |
| 6AH-11650-10 | 4 - 3 |
| 6AH-11654-00 | 4 - 4 |
| 6AH-12111-00 | 6 - 1 |
| 3YF-12113-00 | 6 - 4 |
| 62Y-12116-00 | 6 - 3 |
| 30X-12117-00 | 6 - 5 |
| 30X-12118-00 | 6 - 6 |
| 51Y-12119-00 | 6 - 7 |
| 6AH-12121-10 | 6 - 2 |
| 66M-12146-00 | 6 - 8 |

| PART NO. N° PIECES | REF. NO. |
|-----------------------|-------------|
| 6AH-12151-00 | 6 - 13 |
| 62Y-12158-00 | 6 - 15 |
| 64J-12159-00 | 6 - 14 |
| 6AG-12170-00 | 9 - 1 |
| 6AH-12279-00 | 6 - 9 |
| 6AH-12411-00 | 1 - 2 |
| | 3 - 17 |
| 688-12412-00 | 3 - 18 |
| 6AH-12413-00-1S | 3 - 19 |
| 6AH-12414-00 | 1 - 3 |
| | 3 - 20 |
| | 32 - 12 |
| 6AH-12481-00 | 3 - 24 |
| 6AH-12535-00 | 17 - 27 |
| 6DR-12572-00 | 17 - 23 |
| 6R3-12581-00 | 17 - 24 |
| 6R3-12582-00 | 17 - 25 |
| 6R3-12583-00 | 17 - 26 |
| 6C5-12858-00 | 3 - 29 |
| 66M-13131-10 | 10 - 19 |
| 6AH-13300-00 | 9 - 15 |
| 6AH-13329-10 | 9 - 16 |
| | 32 - 16 |
| 6AH-13411-00 | 25 - 7 |
| 6AH-13437-60 | 11 - 32 |
| 5GH-13440-50 | 1 - 6 |
| | 3 - 28 |
| 6AH-13641-00-94 | 7 - 1 |
| 6AH-13645-00 | 7 - 2 |
| | 32 - 13 |
| 6AH-13646-00 | 7 - 7 |
| | 32 - 14 |
| 65W-14126-10 | 8 - 4 |
| | 33 - 2 |
| 633-14159-00 | 8 - 14 |
| | 33 - 11 |
| 6AH-14271-00 | 7 - 8 |
| 6AG-14301-B0 | 8 - 1 |
| 6AG-14301-F0 | 8 - 1 |
| 6E7-14325-00 | 10 - 23 |
| 65W-14335-00 | 8 - 22 |
| 65W-14346-00 | 8 - 33 |
| 6AH-14346-00 | 8 - 31 |
| 6AH-14371-00 | 8 - 23 |
| 65W-14373-02 | 8 - 17 |
| | 33 - 5 |
| 6AH-14379-00 | 8 - 18 |
| 6AH-14380-01 | 8 - 29 |

NUMERICAL INDEX
INDEX NUMERIQUE

| PART NO. N° PIECES | REF. NO. |
|-----------------------|-------------|
| 6AH-14380-11 | 8 - 29 |
| 6AH-14384-00 | 8 - 24 |
| | 33 - 7 |
| 65W-14398-00 | 8 - 26 |
| | 33 - 8 |
| 67F-14398-10 | 8 - 20 |
| | 33 - 6 |
| 65W-1439G-00 | 8 - 34 |
| 6AH-14427-60 | 11 - 31 |
| 6AH-14440-00 | 7 - 9 |
| 6AH-14497-00 | 20 - 30 |
| 63V-14523-00 | 8 - 9 |
| 6AH-14546-00 | 8 - 13 |
| | 33 - 3 |
| 6H4-14548-00 | 8 - 16 |
| | 33 - 4 |
| 67C-14555-00 | 8 - 21 |
| 67C-14567-00 | 8 - 32 |
| 6AH-14571-10 | 20 - 25 |
| | 21 - 33 |
| 65W-14572-00 | 8 - 3 |
| 6AH-14711-00-CA | 24 - 8 |
| 6AH-14711-A0-CA | 24 - 8 |
| 6AH-14923-20 | 8 - 19 |
| 676-14943-19 | 8 - 11 |
| 6AH-14947-20 | 8 - 10 |
| 6AG-14948-02 | 8 - 6 |
| 6AH-14948-02 | 8 - 6 |
| 679-14966-00 | 8 - 7 |
| 6AH-14980-00 | 8 - 25 |
| 6AH-14985-00 | 8 - 12 |
| | 33 - 10 |
| 65W-14992-00 | 8 - 27 |
| 6AH-15100-00 | 3 - 2 |
| 6AH-15311-00-CA | 25 - 1 |
| 6AH-15312-10 | 25 - 2 |
| | 34 - 2 |
| 6AH-15316-00 | 25 - 4 |
| 6AH-15362-10 | 25 - 9 |
| 6G8-15363-00 | 5 - 21 |
| 6AH-15373-00 | 7 - 12 |
| 63V-15705-01 | 11 - 9 |
| 6AH-15710-02 | 11 - 1 |
| 6AH-15711-01 | 11 - 2 |
| 63V-15713-00 | 11 - 7 |
| 63V-15714-00 | 11 - 5 |
| 68T-15716-00 | 11 - 8 |
| 66T-15731-00 | 11 - 24 |

| PART NO. N° PIECES | REF. NO. |
|-----------------------|-------------|
| 66T-15734-00 | 11 - 20 |
| 6AH-15741-10 | 11 - 6 |
| 689-15755-01 | 11 - 15 |
| 6AH-15762-01 | 11 - 28 |
| 68T-15764-00 | 11 - 14 |
| 6BL-15764-00 | 11 - 3 |
| 63V-15767-01 | 11 - 10 |
| 6AH-15770-00 | 11 - 23 |
| 6AH-15774-00 | 17 - 43 |
| 6F5-15779-02 | 11 - 17 |
| 6AH-15782-00 | 11 - 21 |
| 68T-15784-00 | 11 - 11 |
| 6A0-15789-00 | 11 - 18 |
| 63V-15793-00 | 11 - 12 |
| 68T-15793-00 | 11 - 13 |
| 6AH-15793-00 | 11 - 22 |
| 66T-15794-00 | 11 - 19 |
| 6AH-15795-00 | 11 - 4 |
| 6YK-24201-04 | 28 - 1 |
| 6YK-24260-10 | 28 - 3 |
| 6YL-24268-01 | 28 - 4 |
| 6G1-24304-10 | 10 - 1 |
| 6YL-24306-54 | 28 - 7 |
| 6AH-24311-00 | 10 - 4 |
| 6AH-24312-00 | 10 - 12 |
| 6AH-24313-00 | 10 - 30 |
| 6AH-24314-01 | 17 - 20 |
| 6AH-24316-00 | 11 - 29 |
| 6AH-24321-00 | 10 - 32 |
| 6AH-24322-00 | 10 - 33 |
| 6AH-24323-00 | 10 - 35 |
| 6AH-24324-00 | 10 - 37 |
| 61N-24329-00 | 10 - 2 |
| 6YL-24329-00 | 28 - 5 |
| 66M-24374-00 | 10 - 25 |
| 688-24378-00 | 10 - 38 |
| 6C5-24378-00 | 10 - 39 |
| 6E9-24378-00 | 3 - 9 |
| 6AH-24410-00 | 10 - 14 |
| 66M-24411-11 | 10 - 17 |
| 6AH-24413-00 | 10 - 15 |
| 6A0-24421-01 | 10 - 16 |
| 66M-24423-00 | 10 - 18 |
| 66M-24444-00 | 10 - 21 |
| 66M-24454-00 | 10 - 20 |
| 66M-24471-01 | 10 - 22 |
| 61N-24521-00 | 10 - 6 |
| 61N-24560-10 | 10 - 5 |

| PART NO. N° PIECES | REF. NO. |
|-----------------------|-------------|
| 61N-24563-10 | 1 - 9 |
| | 10 - 7 |
| 6AH-24566-00 | 10 - 9 |
| 6YK-24610-01 | 28 - 2 |
| 6AH-26288-00 | 18 - 4 |
| 6AH-26311-00 | 18 - 17 |
| 6AH-26326-00 | 17 - 14 |
| 6AH-26326-10 | 17 - 14 |
| 6AH-2634E-00 | 18 - 21 |
| 6AH-26364-00 | 20 - 4 |
| | 21 - 4 |
| 62Y-28100-00 | 10 - 41 |
| 67F-2812A-00 | 14 - 30 |
| 6AG-28199-7A-D0 | 10 - 42 |
| 6AG-28199-7A-E0 | 10 - 42 |
| 6AG-28199-7A-F0 | 10 - 42 |
| 6AG-28199-7A-G0 | 10 - 42 |
| 6AG-28199-7A-H0 | 10 - 42 |
| 6AG-28199-7A-S0 | 10 - 42 |
| 6AG-28199-8A-K0 | 10 - 43 |
| 6AG-28199-8A-L0 | 10 - 43 |
| 6AG-28199-8A-M0 | 10 - 43 |
| 6AG-28199-8A-N0 | 10 - 43 |
| 6AG-28199-8A-P0 | 10 - 43 |
| 6AG-28199-8A-R0 | 10 - 43 |
| 6AH-41113-01-1S | 3 - 8 |
| 6AH-41114-00 | 3 - 15 |
| | 32 - 11 |
| 6AH-41134-00 | 24 - 7 |
| | 34 - 6 |
| 6AH-41137-00-CA | 24 - 1 |
| 6AH-41138-00 | 24 - 10 |
| | 34 - 7 |
| 6AH-41211-00 | 20 - 20 |
| | 21 - 28 |
| 6J8-41262-00 | 20 - 19 |
| | 21 - 27 |
| 6AH-41282-00 | 20 - 33 |
| | 21 - 34 |
| 65W-41283-00 | 20 - 18 |
| | 21 - 26 |
| 6AH-41638-00 | 20 - 16 |
| | 21 - 24 |
| 6G1-41662-01-94 | 20 - 5 |
| | 21 - 5 |
| 6AH-42101-02-8D | 18 - 2 |
| 66M-42119-01 | 18 - 5 |
| 65W-42125-00 | 18 - 11 |

| PART NO. N° PIECES | REF. NO. |
|-----------------------|-------------|
| 6G1-42126-00 | 18 - 10 |
| 6AH-42131-00-8D | 18 - 27 |
| 6J0-42137-10 | 18 - 13 |
| 65W-42138-00 | 18 - 7 |
| 65W-42159-00 | 18 - 9 |
| 62Y-42171-00 | 20 - 27 |
| 67D-42177-00 | 18 - 6 |
| 6AH-42508-01 | 19 - 1 |
| 6AH-42510-00-8D | 23 - 1 |
| 6AH-42510-10-8D | 23 - 1 |
| 68T-42525-01 | 19 - 2 |
| 6AH-42527-00 | 19 - 15 |
| 65W-42528-00 | 19 - 8 |
| 6AH-42532-A0 | 18 - 29 |
| 6AH-42532-B0 | 23 - 21 |
| 6AH-42551-00 | 18 - 22 |
| 68T-42561-00 | 19 - 6 |
| 67C-42562-00 | 19 - 4 |
| 6CA-42610-03 | 2 - 1 |
| 6CA-42610-10 | 2 - 1 |
| 6AH-42613-A0 | 2 - 3 |
| 6AH-42615-00 | 2 - 7 |
| 6AH-42617-00 | 9 - 13 |
| 6AH-4261A-01 | 2 - 2 |
| 6AH-4261A-10 | 2 - 2 |
| 6AH-42649-00 | 2 - 10 |
| 6AH-42651-00 | 2 - 5 |
| 60R-42652-00 | 2 - 8 |
| 6AH-42656-00 | 2 - 13 |
| 6CA-42675-00 | 2 - 15 |
| 6CA-42676-00 | 2 - 16 |
| 6CA-42677-00 | 2 - 14 |
| | 2 - 14 |
| 6CA-42681-00 | 2 - 17 |
| 6CA-42682-00 | 2 - 18 |
| 6AH-42697-10 | 2 - 11 |
| 6AH-42710-00-8D | 17 - 1 |
| 6AH-42716-00 | 17 - 5 |
| 65W-42717-00 | 17 - 30 |
| | 24 - 3 |
| 6AH-42717-00 | 17 - 42 |
| 6AH-42718-00 | 17 - 7 |
| 6AH-42724-00 | 17 - 10 |
| 6AH-42724-10 | 17 - 10 |
| 6AH-42725-00 | 17 - 9 |
| 6G1-42725-00 | 13 - 41 |
| 6AH-42725-20 | 17 - 9 |
| 65W-42726-00 | 17 - 17 |

| PART NO. N° PIECES | REF. NO. |
|-----------------------|-------------|
| 6AH-42726-00 | 17 - 19 |
| 65W-42726-10 | 17 - 17 |
| 6AH-42727-00 | 17 - 16 |
| 6AH-42735-00 | 2 - 12 |
| 6AH-42738-00-8D | 17 - 6 |
| 6AH-42741-00 | 17 - 37 |
| 6AH-42743-00 | 17 - 31 |
| 6AH-42761-A0 | 17 - 33 |
| 6AH-42762-A0 | 17 - 34 |
| 6EE-42794-40 | 17 - 46 |
| 6EE-42794-50 | 17 - 47 |
| 6AH-42801-00 | 17 - 11 |
| 6AH-43111-00-8D | 22 - 1 |
| 6AH-43112-00-8D | 22 - 6 |
| 66R-43113-00 | 22 - 13 |
| 648-43114-01 | 22 - 5 |
| | 22 - 10 |
| 6E7-43116-00 | 22 - 4 |
| | 22 - 9 |
| 6E0-43118-01 | 22 - 2 |
| | 22 - 7 |
| 69A-43131-00 | 22 - 11 |
| 6E5-43145-01 | 29 - 8 |
| 68T-43155-00 | 19 - 18 |
| 6L2-43160-01 | 22 - 19 |
| 689-43165-00 | 22 - 20 |
| 6AH-43191-10 | 22 - 28 |
| 6AH-43311-00-8D | 22 - 23 |
| 6AH-43311-10-8D | 22 - 23 |
| 6AH-43350-00 | 22 - 32 |
| 68T-43611-00 | 22 - 37 |
| 6AH-43614-00 | 22 - 34 |
| 6AH-43615-00 | 22 - 36 |
| 6DR-43616-00 | 22 - 25 |
| 6AH-43617-00 | 22 - 30 |
| 6AH-43627-00 | 22 - 42 |
| 6DR-43631-00 | 22 - 24 |
| 689-43633-00 | 19 - 7 |
| 6DR-43641-00 | 22 - 27 |
| 6AH-43646-10 | 22 - 26 |
| 68T-43659-00 | 22 - 40 |
| 6AH-44111-00 | 18 - 32 |
| 66R-44114-00 | 20 - 11 |
| | 21 - 11 |
| 65W-44116-00 | 20 - 10 |
| | 21 - 10 |
| 6AH-44121-01 | 20 - 3 |
| | 21 - 3 |

| PART NO. N° PIECES | REF. NO. |
|-----------------------|-------------|
| 6AH-44123-00 | 20 - 1 |
| | 21 - 1 |
| 6AH-44124-00 | 18 - 36 |
| 6AH-44125-00 | 20 - 8 |
| | 21 - 8 |
| 6AH-44143-00 | 20 - 13 |
| | 21 - 13 |
| 6AH-44143-10 | 20 - 13 |
| | 21 - 13 |
| 6AH-44150-00 | 26 - 27 |
| 6AH-44150-10 | 26 - 27 |
| 6AH-44167-10 | 20 - 26 |
| 6X4-44188-00 | 18 - 14 |
| 703-44189-20 | 31 - 36 |
| 703-44189-30 | 31 - 42 |
| 6X3-44191-00 | 18 - 39 |
| | 31 - 47 |
| 6AH-44194-00 | 23 - 30 |
| 6AH-44311-00 | 26 - 11 |
| | 34 - 22 |
| 63V-44322-00 | 26 - 12 |
| | 34 - 23 |
| 68T-44323-00 | 26 - 17 |
| | 34 - 28 |
| 63V-44328-01 | 26 - 20 |
| | 34 - 31 |
| 664-44338-00 | 26 - 15 |
| | 34 - 26 |
| 63V-44352-01 | 26 - 14 |
| | 34 - 25 |
| 6AH-44361-01 | 27 - 1 |
| 6AH-44361-11 | 27 - 1 |
| 6AH-44365-00 | 27 - 2 |
| | 34 - 10 |
| 6L2-44367-00 | 26 - 13 |
| | 34 - 13 |
| | 34 - 24 |
| 6AH-44368-00 | 27 - 4 |
| | 34 - 11 |
| 6BL-44391-00 | 17 - 13 |
| 6AH-44514-00 | 23 - 8 |
| 6AH-44526-00 | 23 - 9 |
| 6AH-44551-A0-8D | 23 - 12 |
| 6AH-44554-00 | 18 - 18 |
| 6AH-44555-00 | 23 - 14 |
| 6AH-44557-00 | 23 - 13 |
| 6AH-44574-00 | 23 - 15 |
| 6AH-45111-00-8D | 24 - 11 |

NUMERICAL INDEX
INDEX NUMERIQUE

| PART NO. N° PIECES | REF. NO. |
|-----------------------|-------------|
| 6AH-45111-10-8D | 24 - 11 |
| 6AH-45115-00 | 25 - 13 |
| | 34 - 9 |
| 6AH-45126-00 | 25 - 12 |
| | 34 - 8 |
| 6AH-45135-00 | 25 - 14 |
| 6G1-45214-00 | 27 - 7 |
| 63V-45215-00 | 27 - 8 |
| 6AH-45251-00 | 1 - 13 |
| | 27 - 11 |
| 6AH-45300-00-8D | 26 - 1 |
| 6AH-45300-10-8D | 26 - 1 |
| 6AH-45311-00-8D | 26 - 2 |
| 69G-45315-A0 | 26 - 24 |
| | 34 - 16 |
| 626-45316-09 | 26 - 22 |
| 682-45318-00 | 24 - 19 |
| 68T-45321-00 | 24 - 16 |
| 69G-45331-01-CA | 26 - 21 |
| 683-45361-02-8D | 26 - 41 |
| 6AH-45371-A0-8D | 27 - 19 |
| 63V-45375-00 | 27 - 14 |
| 6AH-45510-00 | 26 - 28 |
| 6AH-45510-10 | 26 - 28 |
| 63V-45536-00 | 26 - 4 |
| 63V-45551-00 | 26 - 29 |
| 6E7-45560-01 | 26 - 31 |
| 664-45567-01 | 26 - 48 |
| 664-45567-10 | 26 - 48 |
| 664-45567-20 | 26 - 48 |
| 664-45567-30 | 26 - 48 |
| 664-45567-40 | 26 - 48 |
| 664-45567-50 | 26 - 48 |
| 664-45567-60 | 26 - 48 |
| 6E7-45571-00 | 26 - 32 |
| 626-45577-00 | 26 - 33 |
| 626-45577-10 | 26 - 33 |
| 626-45577-20 | 26 - 33 |
| 626-45577-30 | 26 - 33 |
| 626-45577-40 | 26 - 33 |
| 6E8-45587-10 | 26 - 7 |
| 6E8-45587-30 | 26 - 7 |
| 683-45611-00 | 26 - 35 |
| 682-45631-00 | 26 - 37 |
| 648-45633-00 | 26 - 39 |
| 650-45635-00 | 26 - 36 |
| 683-45941-00 | 27 - 21 |
| 63V-45941-10 | 27 - 21 |

| PART NO. N° PIECES | REF. NO. |
|-----------------------|-------------|
| 683-45943-00 | 27 - 21 |
| 63V-45943-10 | 27 - 21 |
| 63V-45945-10 | 27 - 21 |
| 683-45952-00 | 27 - 21 |
| 63V-45952-10 | 27 - 21 |
| 6E7-45987-01 | 27 - 15 |
| 6AH-46241-00 | 9 - 10 |
| 6AH-46297-00 | 9 - 11 |
| 703-48128-10 | 31 - 39 |
| 703-48129-00 | 31 - 41 |
| 703-48152-10 | 31 - 6 |
| 703-48153-00 | 31 - 60 |
| 703-48189-00 | 31 - 19 |
| 703-48198-00 | 31 - 16 |
| 703-48201-B1 | 30 - 1 |
| | 31 - 1 |
| 703-48211-10 | 31 - 25 |
| 703-48212-10 | 31 - 26 |
| 703-48213-10 | 31 - 27 |
| 703-48215-10 | 31 - 46 |
| 703-48219-10 | 31 - 34 |
| 703-48221-10 | 31 - 28 |
| 703-48222-30 | 31 - 31 |
| 703-48223-10 | 31 - 32 |
| 703-48225-10 | 31 - 33 |
| 703-48227-00 | 31 - 30 |
| 703-48232-00 | 31 - 2 |
| 703-48234-00 | 31 - 20 |
| 703-48235-00 | 31 - 5 |
| 703-48236-00 | 31 - 18 |
| 703-48238-00 | 31 - 24 |
| 703-48243-00 | 31 - 17 |
| 703-48244-00 | 31 - 23 |
| 703-48245-00 | 31 - 13 |
| 703-48246-00 | 31 - 29 |
| 701-48248-00 | 31 - 15 |
| 703-48252-00 | 31 - 14 |
| 703-48261-01 | 31 - 4 |
| 703-48264-00 | 31 - 8 |
| 703-48265-10 | 31 - 11 |
| 703-48268-00 | 31 - 7 |
| 703-48271-00 | 31 - 3 |
| 703-48281-00 | 31 - 35 |
| 703-48284-00 | 31 - 57 |
| 701-48287-00 | 31 - 45 |
| 703-48293-10 | 31 - 44 |
| 701-48310-90 | 30 - 2 |
| 701-48320-00 | 30 - 2 |

| PART NO. N° PIECES | REF. NO. |
|-----------------------|-------------|
| 701-48320-20 | 30 - 2 |
| 701-48320-50 | 30 - 2 |
| 663-48344-00 | 21 - 22 |
| | 21 - 38 |
| 703-48345-01 | 31 - 21 |
| 703-48358-00 | 31 - 22 |
| 6AH-48511-01 | 23 - 26 |
| 6AH-48531-00 | 21 - 36 |
| 6AH-48532-00 | 21 - 16 |
| 682-48538-50 | 21 - 18 |
| 6AH-61350-00 | 29 - 1 |
| 6E5-61355-00 | 29 - 6 |
| 6AH-81337-00 | 11 - 30 |
| 6AH-81800-00 | 16 - 1 |
| 689-81807-12 | 16 - 11 |
| 689-81809-11 | 16 - 3 |
| 689-81810-11 | 16 - 4 |
| 689-81811-11 | 16 - 7 |
| 689-81812-11 | 16 - 8 |
| 689-81813-10 | 16 - 9 |
| 6AH-81820-00 | 16 - 10 |
| 689-81826-10 | 16 - 15 |
| 6AH-81830-00 | 16 - 13 |
| 676-82577-01 | 16 - 14 |
| 689-81840-11 | 16 - 6 |
| 689-81847-11 | 16 - 5 |
| 689-81850-11 | 16 - 2 |
| 68T-81857-00 | 16 - 12 |
| 68T-81940-00 | 14 - 11 |
| 6AH-81942-00 | 16 - 22 |
| 6AH-81945-00 | 14 - 7 |
| 6AH-81948-00 | 13 - 6 |
| 6AH-81949-00 | 14 - 31 |
| 6AH-81960-00 | 14 - 1 |
| | 14 - 35 |
| 6EE-81994-40 | 9 - 19 |
| 6EE-81994-50 | 9 - 20 |
| 6EE-81995-40 | 11 - 33 |
| 6EE-81995-50 | 11 - 34 |
| 6AG-81996-00 | 11 - 35 |
| 6AH-82105-01 | 14 - 14 |
| 6AH-82117-00 | 14 - 13 |
| 703-82119-00 | 12 - 4 |
| | 14 - 2 |
| | 14 - 36 |
| 6AH-82127-00 | 23 - 20 |
| 6AH-82150-00 | 14 - 26 |
| 67F-82151-00 | 14 - 28 |

| PART NO. N° PIECES | REF. NO. |
|-----------------------|-------------|
| 67F-82151-00 | 14 - 32 |
| 6AH-82157-00 | 14 - 29 |
| 67F-82158-00 | 14 - 33 |
| 67F-82158-10 | 14 - 27 |
| 67F-82361-00 | 13 - 16 |
| 6AH-82370-00 | 13 - 19 |
| 6AH-82388-00 | 13 - 29 |
| 6AH-82389-00 | 13 - 43 |
| 6AH-82398-00 | 14 - 18 |
| 64J-82504-00 | 13 - 24 |
| 703-82510-13 | 31 - 48 |
| 6AH-82522-00 | 13 - 11 |
| 703-82531-00 | 31 - 51 |
| 703-82532-00 | 31 - 50 |
| 703-82540-00 | 31 - 55 |
| 6AH-82553-00 | 13 - 45 |
| 6AH-82553-10 | 13 - 45 |
| 6AH-82554-00 | 13 - 35 |
| 682-82556-00 | 18 - 41 |
| | 31 - 53 |
| 6AH-82560-00 | 13 - 31 |
| 6AH-82575-00 | 18 - 40 |
| 688-82575-02 | 31 - 52 |
| 676-82577-01 | 31 - 49 |
| 689-8257Y-00 | 18 - 42 |
| 6AH-82581-00 | 16 - 23 |
| 6AH-82588-00 | 13 - 32 |
| 688-8258A-20 | 31 - 54 |
| 6AH-82590-11 | 15 - 1 |
| 703-82591-00 | 31 - 58 |
| 703-82592-00 | 31 - 59 |
| 6AH-8259M-11 | 15 - 1 |
| 703-83383-11 | 31 - 56 |
| 6H4-83589-00 | 13 - 26 |
| 6AH-83773-00 | 23 - 24 |
| 62Y-84301-00 | 13 - 25 |
| 68F-85119-00 | 17 - 2 |
| 67C-85415-00 | 13 - 46 |
| 6AH-85510-00 | 12 - 2 |
| 6AH-8552A-00 | 15 - 3 |
| 6AH-8552E-00 | 15 - 4 |
| 6AH-85537-00 | 15 - 5 |
| 6AH-85540-00 | 13 - 1 |
| 6AH-85542-00 | 13 - 22 |
| 6AH-85547-00 | 15 - 7 |
| 6AH-85550-00 | 12 - 1 |
| 6AH-85550-10 | 12 - 1 |
| 6F5-85570-13 | 13 - 14 |

| PART NO. N° PIECES | REF. NO. |
|-----------------------|-------------|
| 6AH-85580-00 | 12 - 3 |
| 6AG-W0001-00 | 32 - 1 |
| 6AH-W0001-20 | 34 - 1 |
| 6AH-W0078-00 | 1 - 14 |
| | 34 - 21 |
| 6AH-W0084-03-8D | 18 - 1 |
| 6AH-W0093-01 | 33 - 1 |
| 6AG-W009A-01-1S | 5 - 1 |
| 6AH-W009B-02-1S | 3 - 1 |
| 90101-06032 | 10 - 26 |
| 90101-06M18 | 22 - 16 |
| 90101-08022 | 19 - 16 |
| 90105-06035 | 9 - 17 |
| 90105-081A7 | 9 - 3 |
| 90105-09006 | 5 - 6 |
| 90109-06M82 | 17 - 8 |
| 90109-06M84 | 22 - 43 |
| 90109-06M86 | 13 - 30 |
| | 13 - 44 |
| | 17 - 32 |
| | 17 - 44 |
| | 18 - 3 |
| | 21 - 37 |
| 90109-06MA1 | 7 - 13 |
| 90111-06072 | 18 - 30 |
| | 23 - 22 |
| 90111-08055 | 10 - 11 |
| 90116-10033 | 23 - 7 |
| 90119-05018 | 19 - 3 |
| 90119-06M05 | 18 - 33 |
| 90119-06M35 | 13 - 8 |
| 90119-06M88 | 27 - 20 |
| 90119-06MA3 | 3 - 16 |
| | 3 - 21 |
| | 5 - 7 |
| | 3 - 4 |
| 90119-08093 | 3 - 4 |
| 90119-08094 | 23 - 11 |
| 90119-08103 | 25 - 10 |
| 90119-08M45 | 23 - 16 |
| 90119-08M46 | 23 - 17 |
| 90149-06069 | 20 - 34 |
| | 21 - 35 |
| 90152-05011 | 18 - 8 |
| | 27 - 9 |
| 90157-05M16 | 28 - 6 |
| 90167-05017 | 2 - 4 |
| 90167-06002 | 17 - 28 |
| 90170-06015 | 20 - 14 |

| PART NO. N° PIECES | REF. NO. |
|-----------------------|-------------|
| 90170-06015 | 21 - 14 |
| 90170-09M03 | 29 - 4 |
| 90170-30003 | 9 - 8 |
| 90171-10M01 | 27 - 17 |
| 90179-08M06 | 26 - 30 |
| 90179-08M34 | 23 - 18 |
| 90179-16M05 | 12 - 8 |
| 90185-05002 | 27 - 10 |
| 90185-08057 | 23 - 29 |
| 90185-09M01 | 29 - 3 |
| 90185-10M14 | 19 - 14 |
| 90185-22043 | 22 - 14 |
| 90201-05M04 | 20 - 28 |
| 90201-06106 | 10 - 28 |
| 90201-06M05 | 13 - 13 |
| 90201-06M31 | 20 - 22 |
| | 21 - 30 |
| 90201-08065 | 19 - 17 |
| 90201-08784 | 9 - 4 |
| 90201-106M5 | 19 - 19 |
| 90201-10M01 | 27 - 16 |
| 90201-10M20 | 29 - 2 |
| 90201-10M63 | 29 - 7 |
| 90201-15017 | 26 - 6 |
| 90201-15423 | 9 - 5 |
| 90201-16M44 | 12 - 9 |
| 90201-17682 | 26 - 34 |
| 90201-39008 | 18 - 24 |
| 90202-10M56 | 19 - 5 |
| 90206-10M24 | 22 - 44 |
| 90206-15M18 | 18 - 35 |
| 90206-39001 | 18 - 25 |
| 90209-10M26 | 19 - 13 |
| 90209-14011 | 26 - 5 |
| 90209-40008 | 23 - 2 |
| 90243-04M01 | 22 - 3 |
| | 22 - 8 |
| 90250-05010 | 26 - 38 |
| 90254-03M05 | 20 - 2 |
| | 20 - 9 |
| | 21 - 2 |
| | 21 - 9 |
| 90266-06M02 | 2 - 6 |
| 90280-03M01 | 9 - 9 |
| 90280-05013 | 12 - 7 |
| 90340-08002 | 26 - 9 |
| 90340-14M06 | 25 - 5 |
| 90381-20001 | 18 - 26 |

NUMERICAL INDEX
INDEX NUMERIQUE

| PART NO. N° PIECES | REF. NO. |
|-----------------------|-------------|
| 90386-08004 | 18 - 16 |
| 90386-22MA4 | 22 - 12 |
| 90386-22MA4 | 23 - 4 |
| 90386-30M60 | 23 - 6 |
| 90386-40001 | 23 - 3 |
| 90386-45001 | 18 - 23 |
| 90387-05053 | 19 - 9 |
| 90387-05054 | 19 - 10 |
| 90387-06138 | 22 - 38 |
| 90387-06139 | 20 - 21 |
| | 21 - 29 |
| 90387-06176 | 17 - 4 |
| 90387-06289 | 13 - 9 |
| 90387-06M13 | 22 - 15 |
| 90387-06M17 | 10 - 27 |
| 90387-06M70 | 14 - 4 |
| | 14 - 38 |
| 90387-06M74 | 13 - 5 |
| 90387-06M86 | 18 - 34 |
| 90387-10M42 | 29 - 5 |
| 90387-13006 | 6 - 11 |
| 90430-08003 | 1 - 12 |
| | 26 - 10 |
| | 34 - 12 |
| 90430-08143 | 24 - 5 |
| | 34 - 5 |
| 90430-14M09 | 1 - 11 |
| | 25 - 6 |
| | 34 - 3 |
| 90445-09026 | 10 - 34 |
| 90445-15003 | 17 - 21 |
| 90446-06M90 | 11 - 25 |
| 90464-06001 | 14 - 34 |
| 90464-07M56 | 13 - 23 |
| 90464-08004 | 14 - 10 |
| 90464-09010 | 14 - 21 |
| 90464-09018 | 10 - 40 |
| 90464-10M32 | 13 - 40 |
| 90464-16001 | 13 - 42 |
| | 14 - 17 |
| 90464-16003 | 13 - 42 |
| 90464-18246 | 13 - 38 |
| | 14 - 19 |
| 90464-20181 | 15 - 8 |
| 90465-08059 | 5 - 23 |
| 90465-08M82 | 17 - 45 |
| 90465-08M83 | 7 - 5 |
| 90465-11M10 | 3 - 25 |

| PART NO. N° PIECES | REF. NO. |
|-----------------------|-------------|
| 90465-11M10 | 10 - 36 |
| | 17 - 15 |
| | 17 - 22 |
| | 27 - 3 |
| 90465-13M18 | 7 - 15 |
| | 13 - 7 |
| | 13 - 39 |
| | 14 - 20 |
| | 15 - 2 |
| 90467-09M17 | 10 - 13 |
| | 10 - 31 |
| 90468-10005 | 20 - 29 |
| 90468-18008 | 18 - 38 |
| | 21 - 23 |
| | 21 - 39 |
| 90480-06M19 | 9 - 14 |
| 90480-10627 | 9 - 12 |
| 90480-10M23 | 13 - 10 |
| 90480-13M24 | 14 - 5 |
| | 14 - 39 |
| 90480-14M54 | 24 - 18 |
| 90480-16007 | 17 - 18 |
| 90480-16616 | 7 - 14 |
| 90480-19031 | 21 - 17 |
| 90480-19368 | 15 - 6 |
| 90480-21M82 | 17 - 3 |
| 90480-25003 | 13 - 15 |
| 90501-10326 | 8 - 8 |
| 90501-120A5 | 6 - 12 |
| 90501-150A0 | 26 - 40 |
| 90501-23215 | 18 - 15 |
| 90502-10M07 | 22 - 22 |
| 90506-18014 | 22 - 33 |
| 90506-20020 | 22 - 35 |
| 90508-20M44 | 20 - 17 |
| | 21 - 25 |
| 91490-16010 | 18 - 12 |
| 91490-30020 | 27 - 18 |
| 91690-30008 | 22 - 21 |
| 91690-30012 | 21 - 19 |
| 91690-50014 | 7 - 4 |
| 92903-06600 | 3 - 6 |
| 92903-08600 | 16 - 17 |
| | 16 - 19 |
| 92907-04600 | 5 - 16 |
| 92990-06200 | 18 - 37 |
| 92990-06300 | 27 - 13 |
| 92990-08600 | 31 - 38 |

| PART NO. N° PIECES | REF. NO. |
|-----------------------|-------------|
| 92995-05600 | 19 - 12 |
| | 24 - 15 |
| 92995-06100 | 17 - 39 |
| 92995-06600 | 5 - 12 |
| | 11 - 27 |
| | 13 - 3 |
| | 13 - 18 |
| | 13 - 21 |
| | 13 - 28 |
| | 13 - 34 |
| | 13 - 37 |
| | 14 - 9 |
| | 14 - 16 |
| | 14 - 16 |
| | 14 - 42 |
| | 15 - 10 |
| | 16 - 25 |
| | 17 - 36 |
| | 17 - 40 |
| | 18 - 20 |
| | 20 - 7 |
| | 20 - 32 |
| | 21 - 7 |
| | 21 - 21 |
| | 22 - 17 |
| 92995-08600 | 14 - 23 |
| | 14 - 25 |
| | 16 - 21 |
| | 23 - 28 |
| 93101-12M63 | 24 - 2 |
| | 34 - 4 |
| 93101-17054 | 26 - 44 |
| | 34 - 18 |
| 93101-20001 | 26 - 23 |
| | 34 - 15 |
| 93102-22010 | 9 - 18 |
| | 32 - 2 |
| 93102-25014 | 4 - 10 |
| | 32 - 8 |
| 93102-37004 | 4 - 9 |
| | 32 - 7 |
| 93210-06ME6 | 26 - 25 |
| | 34 - 17 |
| 93210-13M63 | 3 - 14 |
| | 5 - 20 |
| | 32 - 6 |
| | 32 - 10 |
| 93210-16275 | 29 - 9 |

| PART NO. N° PIECES | REF. NO. |
|-----------------------|-------------|
| 93210-20M65 | 10 - 29 |
| | 32 - 18 |
| 93210-24M79 | 5 - 22 |
| | 32 - 17 |
| 93210-29M94 | 23 - 5 |
| 93210-32738 | 1 - 10 |
| | 10 - 8 |
| 93210-35M86 | 7 - 10 |
| | 32 - 15 |
| 93210-49046 | 26 - 16 |
| | 34 - 14 |
| | 34 - 27 |
| 93210-56M80 | 26 - 46 |
| | 34 - 20 |
| 93210-57M09 | 26 - 45 |
| | 34 - 19 |
| 93306-00501 | 26 - 42 |
| 93315-314V8 | 26 - 3 |
| 93315-317U2 | 26 - 43 |
| 93332-00005 | 26 - 8 |
| 93420-30042 | 24 - 20 |
| 93430-04M03 | 22 - 39 |
| 93430-06024 | 31 - 12 |
| 93450-17129 | 4 - 8 |
| 93604-12M07 | 24 - 13 |
| | 25 - 3 |
| | 26 - 18 |
| | 27 - 5 |
| | 34 - 29 |
| 93606-12019 | 3 - 3 |
| | 5 - 5 |
| 93606-19M23 | 24 - 6 |
| 93700-06M03 | 23 - 19 |
| 94702-00418 | 1 - 8 |
| | 5 - 24 |
| 95380-04600 | 10 - 24 |
| 95380-05600 | 31 - 9 |
| 95380-06600 | 17 - 41 |
| | 31 - 43 |
| 95380-06700 | 20 - 15 |
| | 21 - 15 |
| | 22 - 18 |
| 95380-08600 | 10 - 10 |
| 95380-10600 | 23 - 10 |
| 95780-06500 | 14 - 6 |
| | 14 - 40 |
| 95875-06020 | 11 - 26 |
| 95895-06014 | 20 - 12 |



FLOOD MARINE SERVICES
downloaded from www.yamahaoutboardparts.co.uk

| PART NO. N° PIECES | REF. NO. |
|-----------------------|-------------|
| 95895-06014 | 21 - 12 |
| 95895-06020 | 10 - 3 |
| 95895-06030 | 12 - 6 |
| 95895-06035 | 27 - 12 |
| 95895-06100 | 7 - 11 |
| 97013-06012 | 6 - 10 |
| 97013-06040 | 3 - 5 |
| 97013-08035 | 16 - 18 |
| 97013-08045 | 16 - 16 |
| 97075-06012 | 17 - 35 |
| 97080-08025 | 26 - 26 |
| 97095-05010 | 24 - 14 |
| 97095-05012 | 12 - 5 |
| 97095-05020 | 19 - 11 |
| 97095-06008 | 24 - 17 |
| 97095-06014 | 13 - 20 |
| | 13 - 33 |
| | 14 - 8 |
| | 14 - 15 |
| | 14 - 15 |
| | 14 - 41 |
| | 15 - 9 |
| | 16 - 24 |
| | 18 - 19 |
| | 20 - 24 |
| | 20 - 31 |
| | 21 - 20 |
| | 21 - 32 |
| 97095-06016 | 13 - 36 |
| 97095-06020 | 5 - 11 |
| | 11 - 26 |
| | 13 - 2 |
| | 20 - 6 |
| | 21 - 6 |
| 97095-06025 | 13 - 17 |
| 97095-06030 | 13 - 4 |
| 97095-08014 | 24 - 4 |
| 97095-08016 | 14 - 24 |
| | 16 - 20 |
| 97095-08025 | 14 - 22 |
| | 23 - 27 |
| 97095-08045 | 26 - 19 |
| | 34 - 30 |
| 97380-05025 | 31 - 10 |
| 97380-08030 | 31 - 37 |
| 97513-06516 | 25 - 8 |
| 97575-06520 | 26 - 47 |
| 97575-06525 | 24 - 9 |



FLOOD MARINE SERVICES
downloaded from www.yamahaoutboardparts.co.uk

NUMERICAL INDEX
INDEX NUMERIQUE

| PART NO. N° PIECES | REF. NO. | PART NO. N° PIECES | REF. NO. |
|-----------------------|-------------|-----------------------|-------------|
| | | 97575-08530 | 24 - 12 |
| | | | 25 - 11 |
| | | | 27 - 6 |
| | | 97595-05514 | 2 - 9 |
| | | 97595-06510 | 17 - 29 |
| | | 97595-06512 | 7 - 6 |
| | | | 17 - 12 |
| | | 97595-06530 | 23 - 25 |
| | | 97595-06555 | 7 - 3 |
| | | | 18 - 28 |
| | | | 20 - 23 |
| | | | 21 - 31 |
| | | 97595-06610 | 14 - 12 |
| | | 97780-60520 | 18 - 31 |
| | | | 23 - 23 |
| | | 97880-06010 | 13 - 12 |
| | | 97885-06012 | 13 - 27 |
| | | 97885-06030 | 17 - 38 |
| | | 97980-04108 | 8 - 30 |
| | | 97980-04110 | 8 - 5 |
| | | 97980-04114 | 8 - 28 |
| | | | 33 - 9 |
| | | 97985-06214 | 15 - 11 |
| | | 98507-04010 | 5 - 15 |
| | | 98580-04006 | 8 - 2 |
| | | | 31 - 40 |
| | | 98580-04008 | 8 - 15 |
| | | 98780-04016 | 3 - 27 |
| | | 98980-05025 | 3 - 12 |
| | | | 3 - 23 |
| | | | 5 - 18 |
| | | 98980-06030 | 14 - 3 |
| | | | 14 - 37 |
| | | 99080-05600 | 22 - 29 |
| | | | 22 - 31 |
| | | | 22 - 41 |



FLOOD MARINE SERVICES
downloaded from www.yamahaoutboardparts.co.uk



FLOOD MARINE SERVICES
downloaded from www.yamahaoutboardparts.co.uk

| PART NO. N° PIECES | REF. NO. |
|-----------------------|-------------|
|-----------------------|-------------|



FLOOD MARINE SERVICES
downloaded from www.yamahaoutboardparts.co.uk



FLOOD MARINE SERVICES
downloaded from www.yamahaoutboardparts.co.uk



FLOOD MARINE SERVICES
downloaded from www.yamahaoutboardparts.co.uk