



PARTS CATALOGUE CATALOGUE DE PIÈCES DÉTACHÉES

F25D'15 (6BP8)

1P6BP-300F1

()



2015/10/15

| NEWS NO. | DATE | COMMENT |
|---------------|--------------|--|
| PE0-OM-150017 | Jul.,2,2015 | MOD:F25DMH TOP COWLING, STARTER LIST/ILLUSTRATION REVISION |
| PE0-OM-150034 | Oct.,5,2015 | MOD:F25D CYLINDER & CRANKCASE 1 LIST/ILLUSTRATION REVISION |
| PE0-OM-150036 | Oct.,13,2015 | MOD:F25D UPPER CASING, REPAIR KIT3 LIST/ILLUST. REVISION |

F25D
PARTS CATALOGUE
©2015 by Yamaha Motor Co., Ltd.
1st edition, February 2015
All rights reserved.
Any reprinting or unauthorized use
without the written permission of
Yamaha Motor Co., Ltd.
is expressly prohibited.
Printed in Japan.

F25D
CATALOGUE DE PIECES DETACHEES
©2015 par Yamaha Motor Co., Ltd.
1^{re} édition, février 2015
Tous droits réservés
Toute réimpression ou utilisation
non autorisée sans la permission écrite
de la Yamaha Motor Co., Ltd.
est formellement interdite.
Imprimé au Japon

FOREWORD

This Parts Catalogue is related to the parts for the model(s) on the cover page. When you are ordering replacement parts, please refer to this Parts Catalogue and quote both part numbers and part names correctly.

1. Modifications or additions which have been made after the issue of the Parts Catalogue will be announced in the Parts News.
It is advisable that you make the necessary corrections to the Parts Catalogue according to the Parts News.

2. Abbreviations

The following abbreviations are used in this Parts Catalogue.

- “UR” Use specified parts number.
- “UN” Use as many as needed.
- “AP” Alternate Parts
- “LM” Locally Made (Parts need to be ordered locally)
- “F#” Frame No. (Applicable machine No.)
- “O/S” Over Size

3. The number of components for assembly

- Parts, which are to be supplied in an assembly, are listed with a dot (.) in front of the part name as shown below.
- The numeral appearing to the right of each component part indicates the quantity of parts for each assembly unit.

| PART NO. | DESCRIPTION | Q'TY | REMARKS |
|--------------|--------------------------|------|---------|
| 2F5-83310-60 | FRONT FLASHER LIGHT ASSY | 2 | |
| 115-83311-60 | .BULB (6V-18W) | 1 | |

4. Applicable colours of graphics are represented in the “REMARKS” as shown below.

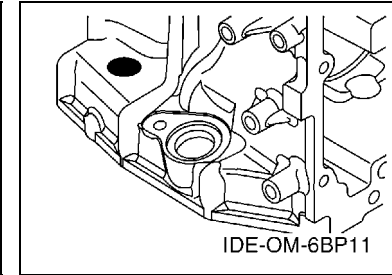
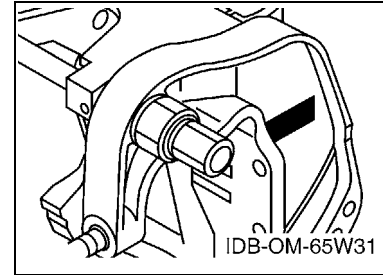
| PART NO. | DESCRIPTION | Q'TY | REMARKS |
|-----------------|---------------------|------|---------|
| 2N4-24110-00-X5 | FUEL TANK COMP. | 2 | MXR |
| 3J1-24240-10 | .GRAPHIC, FUEL TANK | 1 | FOR MXR |

5. Note that the illustrations for reference in finding parts numbers are not to be used for assembling. When assembling, please use the applicable service manual.

6. The asterisk (*) before a reference number indicates modified items after the first edition.

7. Applicable Serial No.

Engine Serial No.



8. Applicable Engine Starting Serial No.

| Model | Serial No. | Model | Serial No. |
|-------|--------------|-------|------------|
| F25D | 6BPK-1031326 | | |
| | | | |
| | | | |

9. Applicable Colour Code

| Abbreviation | Colour Name | Colour Code |
|--------------|-----------------------------|-------------|
| DBNM2 | DARK BLUISH GRAY METALLIC 2 | 004D |

10. Quantity Column Information

| Column No. | Name Of Q'ty Column | Applicable Model |
|------------|---------------------|------------------|
| 1 | ET | F25DET |
| 2 | E | F25DE |
| 3 | MH | F25DMH |
| | | |
| | | |

AVANT-PROPOS

Ce catalogue de pièces détachées concerne les pièces pour le(s) modèle(s) indiqué(s) sur la page de couverture. Lorsque vous commandez des pièces de rechange, veuillez vous référer à ce catalogue de pièces détachées et indiquer clairement les numéros et les noms des pièces détachées.

1. Les modifications ou ajouts ayant été effectués après la parution du catalogue de pièces détachées seront décrits dans les Bulletins d'information concernant les pièces détachées.

Il est recommandé que vous apportiez les corrections nécessaires au catalogue des pièces détachées en vous référant aux Bulletins d'information.

2. Abréviations

Dans ce catalogue, les abréviations suivantes sont utilisées:

“UR” Utiliser le numéro de pièces spécifié.

“UN” Utiliser autant que nécessaire.

“AP” Pièces de substitution

“LM” Fabrication locale (les pièces doivent être commandées localement.)

“F#” N° de cadre (applicable au N° de série)

“O/S” Surdimensionné

3. Nombre de pièces d'un assemblage

- Les pièces fournies comme composants d'un assemblage sont précédées d'un point (.) de la manière indiquée ci-dessous.
- Le chiffre apparaissant à la droite de chaque composant indique la quantité de pièces pour chaque unité d'assemblage.

| N° PIECES | DESCRIPTION | QTE | REMARQUES |
|--------------|-----------------------|-----|-----------|
| 2F5-83310-60 | ENS. CLIGNOTANT AVANT | 2 | |
| 115-83311-60 | .AMPOULE (6V-18W) | 1 | |

4. Les couleurs concernant les graphiques sont indiquées dans la colonne “REMARQUES”, comme indiqué ci-dessous.

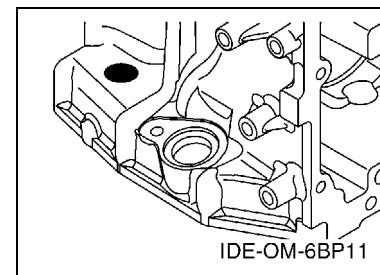
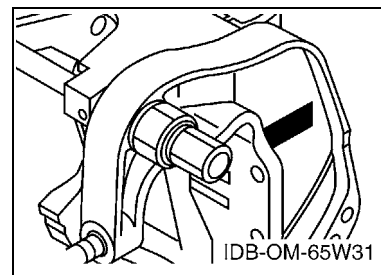
| N° PIECES | DESCRIPTION | QTE | REMARQUES |
|-----------------|----------------------|-----|-----------|
| 2N4-24110-00-X5 | RESERVOIR A ESSENCE. | 2 | MXR |
| 3J1-24240-10 | .GRAPHIQUE | 1 | POUR MXR |

5. Veuillez noter que les illustrations sont indiquées à titre de référence pour trouver les numéros de pièces, non pour être utilisées lors de l'assemblage. Lors de l'assemblage, veuillez utiliser le manuel d'entretien adéquat.

6. L'astérisque (*) placé devant un numéro de référence indique des éléments qui ont été modifiés après la première édition.

7. N° de série applicable

N° de Série du moteur



8. N° de série initial du moteur applicable

| Modèle | N° de série | Modèle | N° de série |
|--------|--------------|--------|-------------|
| F25D | 6BPK-1031326 | | |
| | | | |
| | | | |
| | | | |

9. Code couleur applicable

| Abréviation | Nom de la couleur | Code couleur |
|-------------|-----------------------------|--------------|
| DBNM2 | DARK BLUISH GRAY METALLIC 2 | 004D |

10. Informations relatives à la colonne Quantité

| N° de la colonne | Nom de la colonne Qté | Modèle applicable |
|------------------|-----------------------|-------------------|
| 1 | ET | F25DET |
| 2 | E | F25DE |
| 3 | MH | F25DMH |
| | | |
| | | |

CONTENTS

| | |
|-------------------------------|----|
| SCHEDULED SERVICE PARTS | 1 |
| TOP COWLING | 2 |
| CYLINDER & CRANKCASE 1 | 3 |
| CRANKSHAFT & PISTON | 5 |
| CYLINDER & CRANKCASE 2 | 6 |
| VALVE | 8 |
| INTAKE | 9 |
| CARBURETOR | 10 |
| OIL PUMP | 12 |
| FUEL | 13 |
| STARTER | 15 |
| GENERATOR | 17 |
| ELECTRICAL 1 | 18 |
| ELECTRICAL 2 | 19 |
| ELECTRICAL 3 | 20 |
| ELECTRICAL 4 | 21 |
| ELECTRICAL 5 | 22 |
| STARTING MOTOR | 23 |
| BOTTOM COWLING 1 | 24 |
| BOTTOM COWLING 2 | 26 |
| STEERING | 27 |
| STEERING FRICTION | 29 |
| CONTROL 1 | 30 |
| CONTROL 2 | 32 |
| REMO CON ATTACHMENT | 34 |
| BRACKET 1 | 36 |
| BRACKET 2 | 38 |
| BRACKET 3 | 41 |
| POWER TRIM & TILT ASSY | 43 |
| UPPER CASING | 46 |
| OIL PAN | 47 |
| LOWER CASING & DRIVE 1 | 48 |
| LOWER CASING & DRIVE 2 | 51 |
| FUEL TANK 1 | 52 |
| FUEL TANK 2 | 53 |
| STEERING GUIDE | 54 |
| REMOTE CONTROL BOX | 55 |
| REMOTE CONTROL ASSY 1 | 56 |
| REMOTE CONTROL ASSY 2 | 59 |
| REPAIR KIT 1 | 62 |
| REPAIR KIT 2 | 63 |

| | |
|--------------------|----|
| REPAIR KIT 3 | 64 |
|--------------------|----|

INDEX

| | |
|-----------------------|----|
| NUMERICAL INDEX | 66 |
|-----------------------|----|

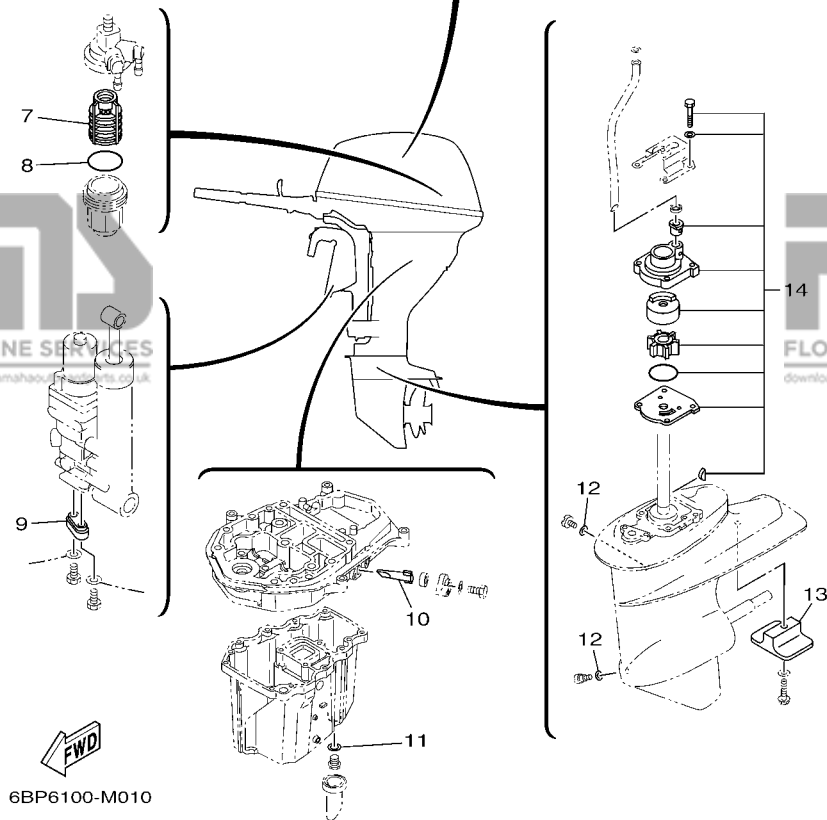
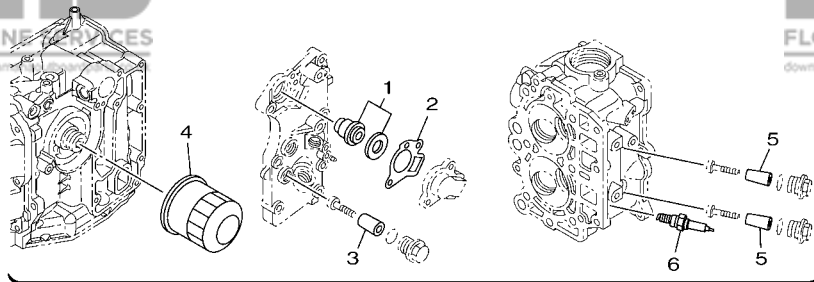
TABLE DES MATIERES

| | |
|--------------------------------------|----|
| PIECES MAINTENANCE PERIODIQUE | 1 |
| CAPOT SUPERIEUR | 2 |
| CYLINDRE & CARTER 1 | 3 |
| VILEBREQUIN & PISTON | 5 |
| CYLINDRE & CARTER 2 | 6 |
| SOUPAPE | 8 |
| ADMISSION | 9 |
| CARBURATEUR | 10 |
| POMPE A HUILE | 12 |
| CARBURANT | 13 |
| DEMARREUR | 15 |
| GENERATRICE | 17 |
| PARTIE ELECTRIQUE 1 | 18 |
| PARTIE ELECTRIQUE 2 | 19 |
| PARTIE ELECTRIQUE 3 | 20 |
| PARTIE ELECTRIQUE 4 | 21 |
| PARTIE ELECTRIQUE 5 | 22 |
| DEMARREUR ELECTRIQUE | 23 |
| CAPOT INFERIEUR 1 | 24 |
| CAPOT INFERIEUR 2 | 26 |
| DIRECTION | 27 |
| CUVETTE POIGNEE DE DIRECTION | 29 |
| COMMANDE 1 | 30 |
| COMMANDE 2 | 32 |
| COMMANDE A DISTANCE | 34 |
| SUPPORT 1 | 36 |
| SUPPORT 2 | 38 |
| SUPPORT 3 | 41 |
| PUISSANCE PAYER ET INCLINER | 43 |
| FOURREAU | 46 |
| VENTILATEUR D'HUILE | 47 |
| BOITIER D'HELICE TRANSMISSION1 | 48 |
| BOITIER D'HELICE TRANSMISSION2 | 51 |
| RESERVOIR A CARBURANT 1 | 52 |
| RESERVOIR A CARBURANT 2 | 53 |
| FIXATION DE DIRECTION | 54 |
| BOITIER DE COMMANDE A DISTANCE | 55 |
| BOITIER DE COMMANDE A DISTANCE | 56 |
| BOITIER DE COMMANDE A DISTANCE | 59 |
| KITS DE REPARATION 1 | 62 |
| KITS DE REPARATION 2 | 63 |

| | |
|----------------------------|----|
| KITS DE PEPARATION 3 | 64 |
|----------------------------|----|

INDEX

| | |
|-----------------------|----|
| INDEX NUMERIQUE | 66 |
|-----------------------|----|



6BP6100-M010

FIG. 1 SCHEDULED SERVICE PARTS PIÈCES MAINTENANCE PERIODIQUE

| REF. NO. | PART NO. N° PIÈCES | DESCRIPTION DESCRIPTION | ET | E | MH | REMARKS REMARQUES |
|----------|--------------------|--|----|---|----|-------------------|
| 1 | 6G8-12411-03 | THERMOSTAT THERMOSTAT | 1 | 1 | 1 | |
| 2 | 62Y-12414-00 | GASKET, COVER JOINT, COUVERCLE | 1 | 1 | 1 | |
| 3 | 6G8-11325-00 | ANODE ANODE | 1 | 1 | 1 | |
| 4 | 5GH-13440-50 | ELEMENT ASSY, OIL CLEANER ELEMENT, FILTRE A HUILE | 1 | 1 | 1 | |
| 5 | 6BL-11325-00 | ANODE ANODE | 2 | 2 | 2 | |
| 6 | 94702-00418 | PLUG, SPARK (NGK DPR6EB) BOUGIE D,ALLUMAGE (NGK DPR6EB) | 2 | 2 | 2 | |
| 7 | 61N-24563-10 | ELEMENT, FILTER ELEMENT, FILTRE | 1 | 1 | 1 | |
| 8 | 93210-32738 | O-RING JOINT TORIQUE | 1 | 1 | 1 | |
| 9 | 65W-45251-00 | ANODE ANODE | 1 | | | |
| 10 | 62Y-11325-00 | ANODE ANODE | 1 | 1 | 1 | |
| 11 | 90430-14M09 | GASKET JOINT | 1 | 1 | 1 | |
| 12 | 90430-08020 | GASKET JOINT | 2 | 2 | 2 | |
| 13 | 61N-45251-01 | ANODE ANODE | 1 | 1 | 1 | |
| 14 | 61N-W0078-11 | WATER PUMP REPAIR KIT KIT DE REPARATION DE LA POMPE | 1 | 1 | 1 | |

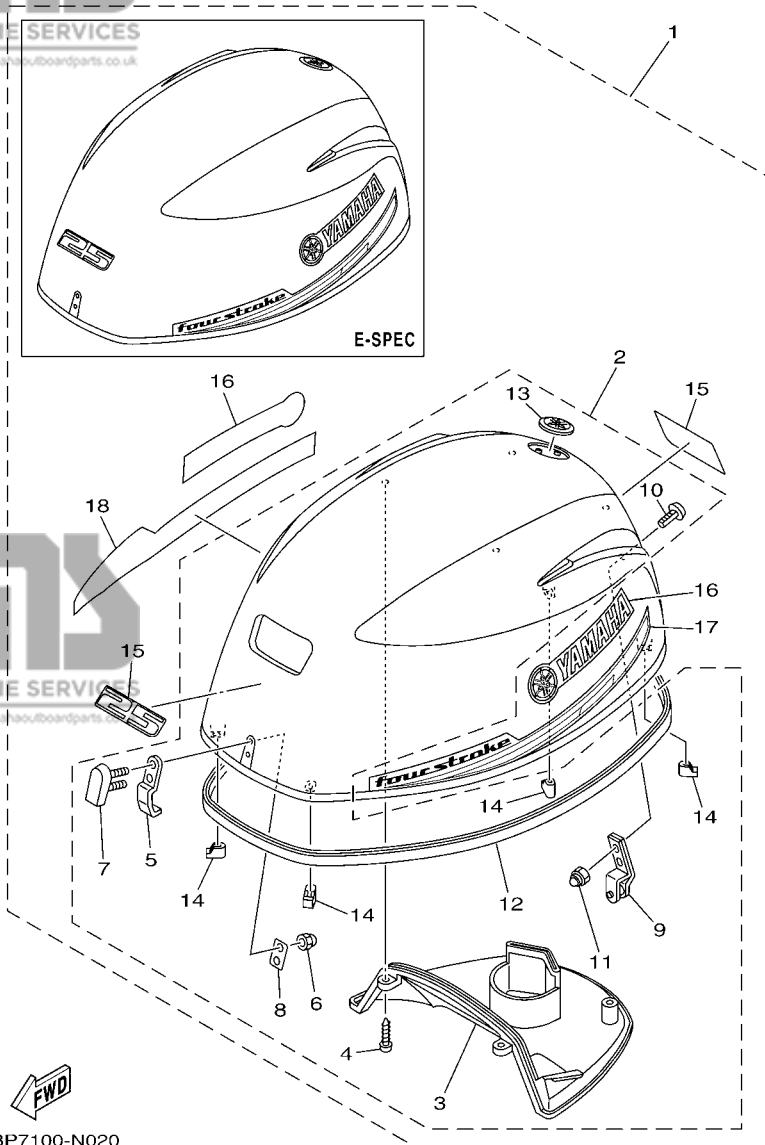


FIG. 2 TOP COWLING

CAPOT SUPERIEUR

| REF. NO. | PART NO. N° PIECES | DESCRIPTION DESCRIPTION | ET | E | MH | REMARKS REMARQUES |
|----------|--------------------|--|----|---|----|---------------------------|
| 1 | 6BP-42610-51 | TOP COWLING ASSY CAPOT (ENS.) | 1 | 1 | | |
| | 6BP-42610-41 | TOP COWLING ASSY CAPOT (ENS.) | | | 1 | Go to P/N : PE0-OM-150017 |
| 2 | 6BL-4261A-10 | ..TOP COWLING W/O GRAPHICS ..CAPOT SUPERIEUR SANS GRAPHIQUE | 1 | 1 | | |
| | 6BL-4261A-00 | ..TOP COWLING W/O GRAPHICS ..CAPOT SUPERIEUR SANS GRAPHIQUE | | | 1 | Go to P/N : PE0-OM-150017 |
| 3 | 6BL-42613-00 | ..MOLDING, AIR DUCT ..MANCHON A AIR | 1 | 1 | 1 | |
| 4 | 90167-05017 | ..SCREW, TAPPING ..VIS, TETE FRAISEE | 4 | 4 | 4 | |
| 5 | 6BL-42651-00 | ..HOOK ..CROCHET | 1 | 1 | 1 | |
| 6 | 95380-05800 | ..NUT ..ECROU | 2 | 2 | 2 | |
| 7 | 6BG-42851-00 | ..COVER, CLAMP ..COUVERCLE, BRIDE | 1 | 1 | 1 | |
| 8 | 6BG-42649-00 | ..HOLDER, CLAMP BAND ..SUPPORT, SANDOW DE SERRAGE | 1 | 1 | 1 | |
| 9 | 6BL-42652-00 | ..HOOK ..CROCHET | 1 | 1 | 1 | |
| 10 | 90109-06047 | ..BOLT ..BOULON | 2 | 2 | 2 | |
| 11 | 90185-06M05 | ..NUT, SELF-LOCKING ..ECROU,AUTO-BLOQUANT | 2 | 2 | 2 | |
| 12 | 6CJ-42615-00 | ..SEAL ..JOINT | 1 | 1 | 1 | |
| 13 | 6AH-42697-10 | ..TUNING FORK MARK ..MARQUE, YAMAHA | 1 | 1 | 1 | |
| 14 | 6BG-42662-00 | ..DAMPER ..AMORTISSEUR | 4 | 4 | 4 | |
| 15 | 6BP-42677-10 | ..GRAPHIC, FRONT ..ADHESIF, AVANT | 2 | 2 | 2 | |
| 16 | 6BP-42681-00 | ..MARK, COWLING ..ADHESIF, CAPOT | 2 | 2 | 2 | |
| 17 | 6BP-42675-10 | ..GRAPHIC, SIDE 1 ..EMBLEME | 1 | 1 | 1 | |
| 18 | 6BP-42676-10 | ..GRAPHIC, SIDE 2 ..EMBLEME | 1 | 1 | 1 | |

PARTS NEWS

FLOOD MARINE SERVICES

downloaded from www.yamahaoutboardparts.co.uk

FLOOD MARINE SERVICES

downloaded from www.yamahaoutboardparts.co.uk



YAMAHA MOTOR CO., LTD.
2500 SHINGAI IWATA SHIZUOKA JAPAN
FLOOD MARINE SERVICES

downloaded from www.yamahaoutboardparts.co.uk

News No. PE0-OM-150017

Date: 2015/7/2

Signature: S. Ishibashi

Cause : Revision Notice Correction Sales Unit Change Others

| | |
|--|---|
| Model | F25MH, F25DMH (6BP8) |
| Subject | PARTS CATALOGUE CORRECTIONS |
| CATALOGUE NO. | 1P6BP-100E1 / 1P6BP-100EA / 1P6BP-300F1 / 1P6BP-700E1 |
| Time of YPEC Revision | Text, Illustration --> Aug./2/2015 |
| | PDF Replace --> Aug./2/2015 |
| (YPEC = Yamaha Parts Electrical Catalogue = Website parts catalogue) | |

Applicable Engine Serial No.

| MODEL NAME | MODEL CODE | Applicable Engine Serial No. |
|---------------|------------|------------------------------|
| F25MH, F25DMH | 6BP8 | 6BPK:1033490- |

*1: Interchangeability

| Category | Old Parts | New Parts |
|----------|--|-----------|
| A | Old Parts | New Parts |
| B | Old Parts | New Parts |
| C | Old Parts | New Parts |
| ○ | These parts are interchangeable with a set | |

FIG.2 TOP COWLING

1. LIST CORRECTION

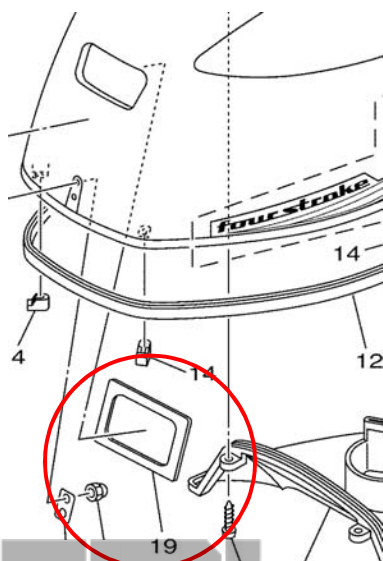
| Fig. No. | Ref. No. | OLD P/No. | NEW P/No. | DESCRIPTION | Q'TY | *Interchangeability | REMARKS |
|----------|----------|--------------|--------------|--------------------------|------|---------------------|-----------------------|
| | 1 | 6BP-42610-41 | 6BP-42610-42 | TOP COWLING ASSY | 1 | ○ | *Part number revision |
| 2 | 2 | 6BL-4261A-00 | 6BL-4261A-01 | TOP COWLING W/O GRAPHICS | 1 | ○ | |
| | 19 | - | 6BL-42656-00 | PROTECTOR, RUBBER SEAL | 1 | | *Added Parts |

FIG.11 STARTER

1. LIST CORRECTION

| Fig. No. | Ref. No. | OLD P/No. | NEW P/No. | DESCRIPTION | Q'TY | *Interchangeability | REMARKS |
|----------|----------|--------------|--------------|----------------|------|---------------------|-----------------------|
| 11 | 28 | 6BL-15762-00 | 6BL-15762-01 | SEAL, RUBBER 2 | 1 | ○ | *Part number revision |

2. ILLUSTRATION CORRECTION



Thank you very much for your cooperation.

Parts Manager Check

Service Manager Check

Parts Manager File

YAMAHA MOTOR CO., LTD
2500 Shingai Iwata Shizuoka 438-8501 Japan
Technical Publication Dept.



Parts & Accessories
FLOOD MARINE SERVICES

FLOOD MARINE SERVICES

downloaded from www.yamahaoutboardparts.co.uk

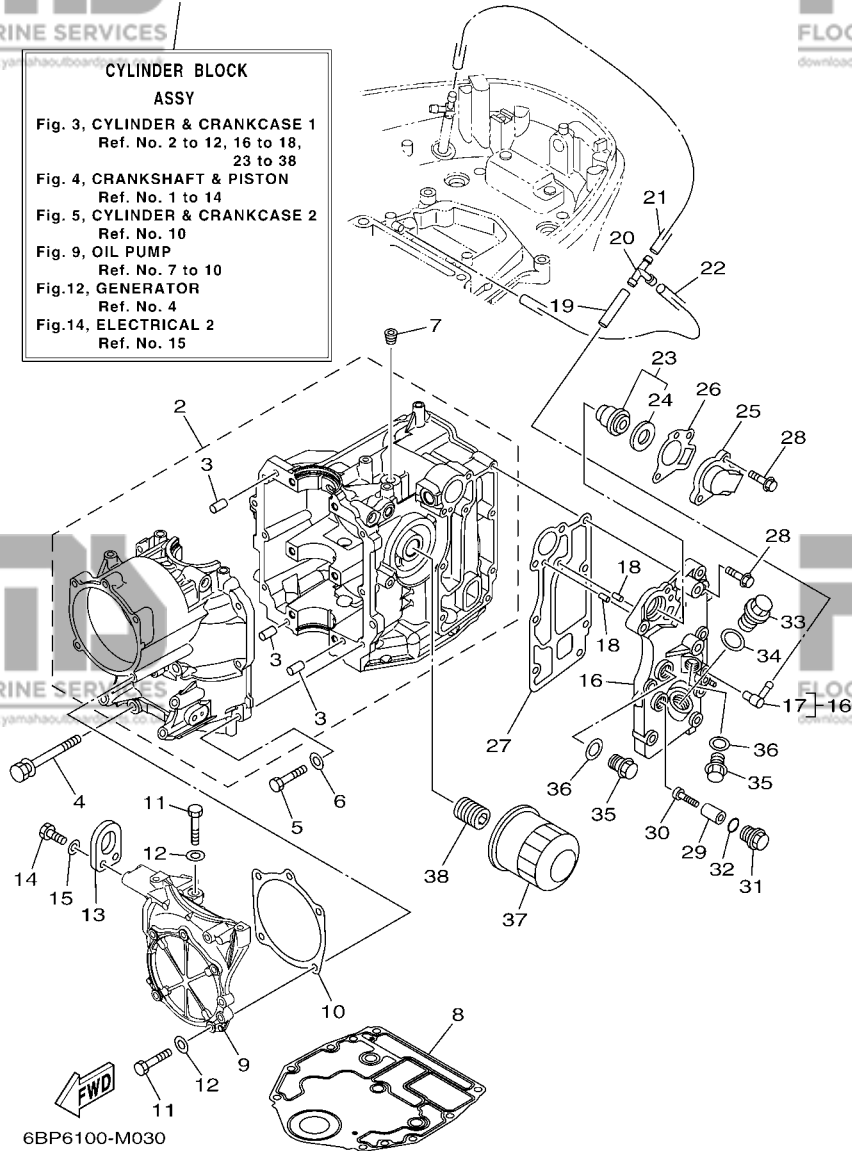
FLOOD MARINE SERVICES

downloaded from www.yamahaoutboardparts.co.uk

FLOOD MARINE SERVICES

downloaded from www.yamahaoutboardparts.co.uk

CYLINDER BLOCK ASSY
Fig. 3, CYLINDER & CRANKCASE 1
 Ref. No. 2 to 12, 16 to 18, 23 to 38
Fig. 4, CRANKSHAFT & PISTON
 Ref. No. 1 to 14
Fig. 5, CYLINDER & CRANKCASE 2
 Ref. No. 10
Fig. 9, OIL PUMP
 Ref. No. 7 to 10
Fig.12, GENERATOR
 Ref. No. 4
Fig.14, ELECTRICAL 2
 Ref. No. 15



6BP6100-M030

FIG. 3 CYLINDER & CRANKCASE 1 CYLINDRE & CARTER 1

| REF. NO. | PART NO. N° PIECES | DESCRIPTION DESCRIPTION | ET | E | MH | REMARKS REMARQUES |
|----------|--------------------|---|----|---|----|---------------------------|
| 1 | 6BL-W009B-01-1S | CYLINDER BLOCK ASSY CYLINDRE GROUPE (ENS.) | 1 | 1 | 1 | |
| 2 | 6BL-15100-02 | CRANKCASE ASSY CARTER DE MOTEUR COMPLET | 1 | 1 | 1 | |
| 3 | 93606-12019 | .PIN, DOWEL .GOUPILLE | 3 | 3 | 3 | |
| 4 | 90119-08M01 | BOLT, WITH WASHER BOULON, AVEC RONDELLE | 6 | 6 | 6 | |
| 5 | 97013-06025 | BOLT BOULON | 7 | 7 | 7 | |
| 6 | 92903-06600 | WASHER, PLATE RONDELLE, PLATE | 7 | 7 | 7 | |
| 7 | 90344-51003 | PLUG, TAPER SCREW PLOT, FILETE CONIQUE | 1 | 1 | 1 | |
| 8 | 6BG-11351-00 | GASKET, CYLINDER JOINT, D'EMBASE | 1 | 1 | 1 | |
| 9 | 6BL-15121-00-1S | CRANKCASE 2 CARTER DE MOTEUR | 1 | 1 | 1 | |
| 10 | 6BL-15663-00 | SEAL JOINT | 1 | 1 | 1 | |
| 11 | 97013-06025 | BOLT BOULON | 6 | 6 | 6 | |
| 12 | 92903-06600 | WASHER, PLATE RONDELLE, PLATE | 6 | 6 | 6 | |
| 13 | 62Y-11119-00 | HANGER, ENGINE ANNEAU, LEVAGE | 1 | 1 | 1 | |
| 14 | 97095-06020 | BOLT BOULON | 2 | 2 | 2 | |
| 15 | 92995-06600 | WASHER RONDELLE | 2 | 2 | 2 | |
| 16 | 6BL-41113-00-1S | OUTER COVER, EXHAUST COUVERCLE, ECHAPPEMENT | 1 | 1 | 1 | Go to P/N : PE0-OM-150034 |
| 17 | 676-11372-00 | .NIPPLE, HOSE .RACCORD, TUYAU | 1 | 1 | 1 | Go to P/N : PE0-OM-150034 |
| 18 | 93604-10M03 | PIN, DOWEL CLAVETTE | 2 | 2 | 2 | |
| 19 | 90445-09057 | HOSE (L43) DURITE (L43) | 1 | 1 | 1 | Go to P/N : PE0-OM-150034 |
| 20 | 688-24378-00 | PIPE, JOINT 3 DURITE RACCORDEMENT 3 | 1 | 1 | 1 | |
| 21 | 90445-09251 | HOSE (L350) DURITE (L350) | 1 | 1 | 1 | |
| 22 | 90445-09104 | HOSE (L300) DURITE (L300) | 1 | 1 | 1 | |
| 23 | 6G8-12411-03 | THERMOSTAT THERMOSTAT | 1 | 1 | 1 | |
| 24 | 688-12412-00 | .SEAL, THERMOSTAT .JOINT, THERMOSTAT | 1 | 1 | 1 | |
| 25 | 6C5-12413-00-9S | COVER, THERMOSTAT COUVERCLE, THERMOSTAT | 1 | 1 | 1 | |
| 26 | 62Y-12414-00 | GASKET, COVER JOINT, COUVERCLE | 1 | 1 | 1 | |
| 27 | 6BL-41114-00 | GASKET, EXHAUST OUTER COVER JOINT, COUVERCLE D'ECHAPPEMENT | 1 | 1 | 1 | |

**CYLINDER BLOCK
ASSY**

- Fig. 3, CYLINDER & CRANKCASE 1
Ref. No. 2 to 12, 16 to 18,
23 to 38
- Fig. 4, CRANKSHAFT & PISTON
Ref. No. 1 to 14
- Fig. 5, CYLINDER & CRANKCASE 2
Ref. No. 10
- Fig. 9, OIL PUMP
Ref. No. 7 to 10
- Fig.12, GENERATOR
Ref. No. 4
- Fig.14, ELECTRICAL 2
Ref. No. 15

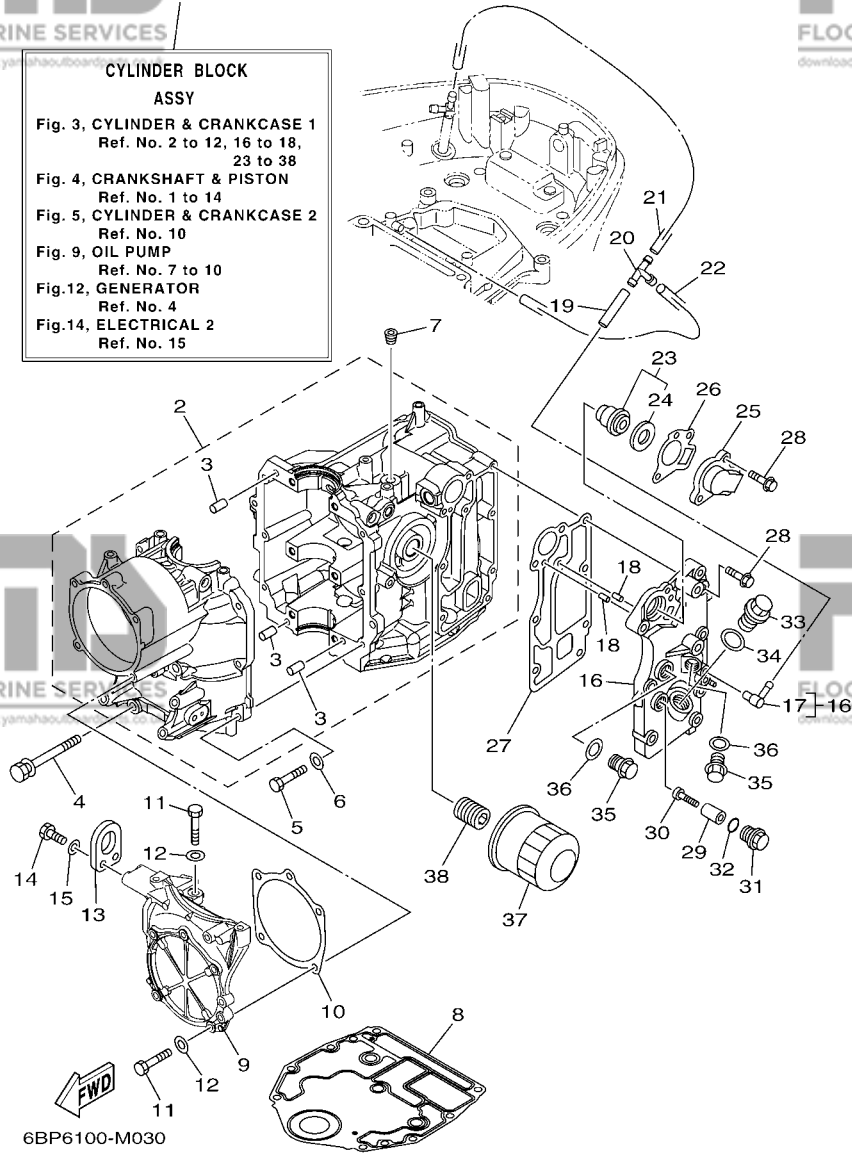


FIG. 3 CYLINDER & CRANKCASE 1 CYLINDRE & CARTER 1

| REF. NO. | PART NO. N° PIECES | DESCRIPTION DESCRIPTION | ET | E | MH | REMARKS REMARQUES |
|----------|--------------------|--|----|---|----|-------------------|
| 28 | 90119-06MA5 | BOLT, WITH WASHER BOULON, AVEC RONDELLE | 8 | 8 | 8 | |
| 29 | 6G8-11325-00 | ANODE ANODE | 1 | 1 | 1 | |
| 30 | 98980-05025 | SCREW, BIND VIS, DE PRESSION | 1 | 1 | 1 | |
| 31 | 6G8-11197-A0 | PLUG, BLIND PLOT, BORGNE | 1 | 1 | 1 | |
| 32 | 93210-13M63 | O-RING JOINT TORIQUE | 1 | 1 | 1 | |
| 33 | 90340-18M09 | PLUG, STRAIGHT SCREW PLOT, FILETE DROIT | 1 | 1 | 1 | |
| 34 | 90201-186F1 | WASHER, PLATE RONDELLE, PLATE | 1 | 1 | 1 | |
| 35 | 90340-14M06 | PLUG, STRAIGHT SCREW PLOT, FILETE DROIT | 2 | 2 | 2 | |
| 36 | 90430-14115 | GASKET JOINT | 2 | 2 | 2 | |
| 37 | 5GH-13440-50 | ELEMENT ASSY, OIL CLEANER ELEMENT, FILTRE A HUILE | 1 | 1 | 1 | |
| 38 | 6C5-12858-00 | BOLT, UNION BOULON, RACCORD | 1 | 1 | 1 | |

PARTS NEWS

FLOOD MARINE SERVICES

downloaded from www.yamahaoutboardparts.co.uk

FLOOD MARINE SERVICES

downloaded from www.yamahaoutboardparts.co.uk



Date:2015/10/5

News No.PE0-OM-150034

Signature:K.Tanaka

Cause : Revision Notice Correction Sales Unit Change Others

| | |
|--|---|
| Model | F25A, F25B, F25D (6BP8) |
| Subject | PARTS CATALOGUE CORRECTIONS |
| CATALOGUE NO. | 1P6BP-100E1 / 1P6BP-100EA / 1P6BP-300F1 / 1P6BP-700E1 |
| Time of YPEC Revision | Text, Illustration --> Nov./5/2015 PDF Replace --> Nov./5/2015 |
| (YPEC = Yamaha Parts Electrical Catalogue = Website parts catalogue) | |

Applicable Engine Serial No.

| MODEL NAME | MODEL CODE | Applicable Engine Serial No. |
|------------------|------------|------------------------------|
| F25A, F25B, F25D | 6BP8 | 6BPK:1034886- |

*1: Interchangeability

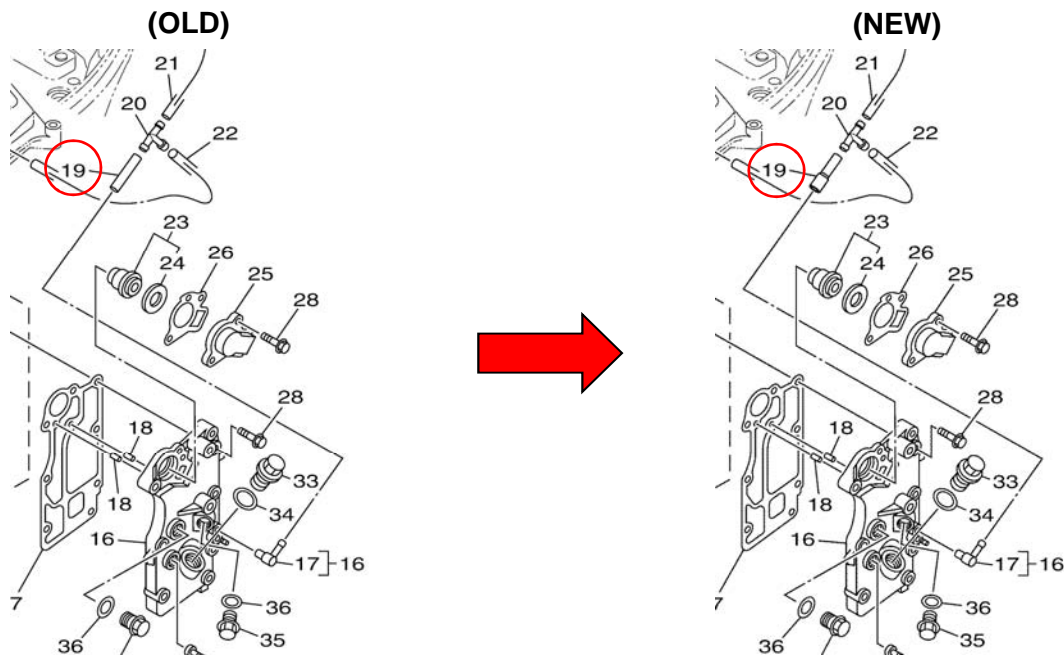
| | | | |
|---|--|---|-----------|
| A | Old Parts | → | Old Parts |
| | New Parts | → | New Parts |
| B | Old Parts | → | Old Parts |
| | New Parts | → | New Parts |
| C | Old Parts | → | Old Parts |
| | New Parts | → | New Parts |
| | These parts are interchangeable with a set | | |

FIG.3 CYLINDER & CRANKCASE 1

1 .LIST CORRECTION

| Ref. No. | OLD P/No. | NEW P/No. | DESCRIPTION | Q'TY | *Interchangeability | REMARKS |
|----------|-----------------|-----------------|----------------------|------|---------------------|--|
| | | | | | | |
| 16 | 6BL-41113-00-1S | 6BL-41113-01-1S | OUTER COVER, EXHAUST | 1 | | *Part number revision |
| 17 | 676-11372-00 | 6H1-11372-00 | NIPPLE, HOSE | 1 | | *Part number revision |
| 19 | 90445-09057 | 6BP-12481-00 | HOSE(L43) PIPE 1 | 1 | | *Part number revision *Part name change |

2. ILLUSTRATION CORRECTION



Thank you very much for your cooperation.

Parts Manager Check

Service Manager Check

Parts Manager File

YAMAHA MOTOR CO.,LTD
2500 Shingai Iwata Shizuoka 438-8501 Japan
Parts & Acc. Engineering Div., YMC



FLOOD MARINE SERVICES

downloaded from www.yamahaoutboardparts.co.uk

FLOOD MARINE SERVICES

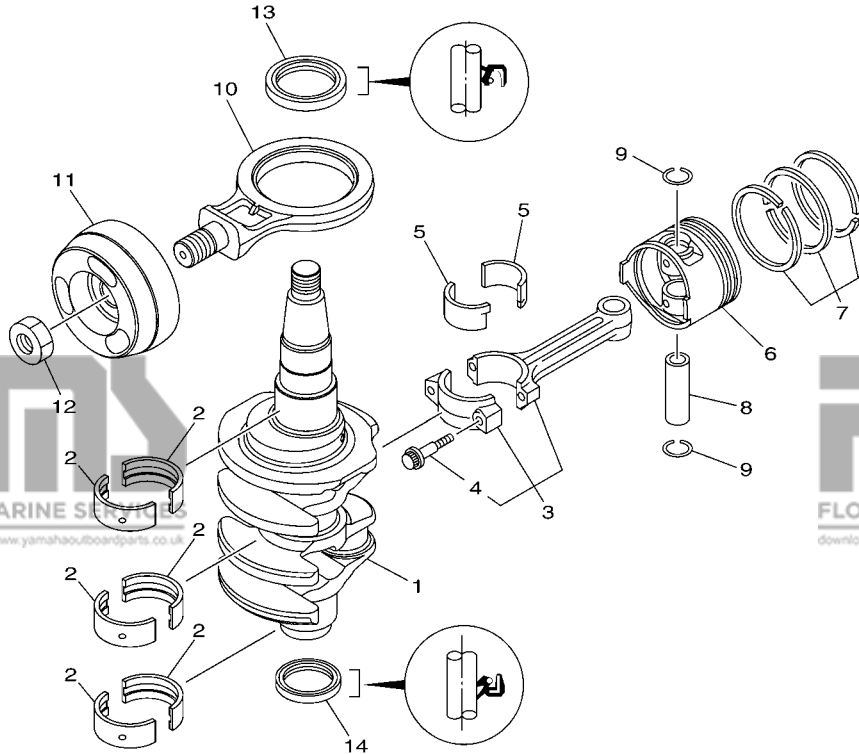
downloaded from www.yamahaoutboardparts.co.uk

FLOOD MARINE SERVICES

downloaded from www.yamahaoutboardparts.co.uk

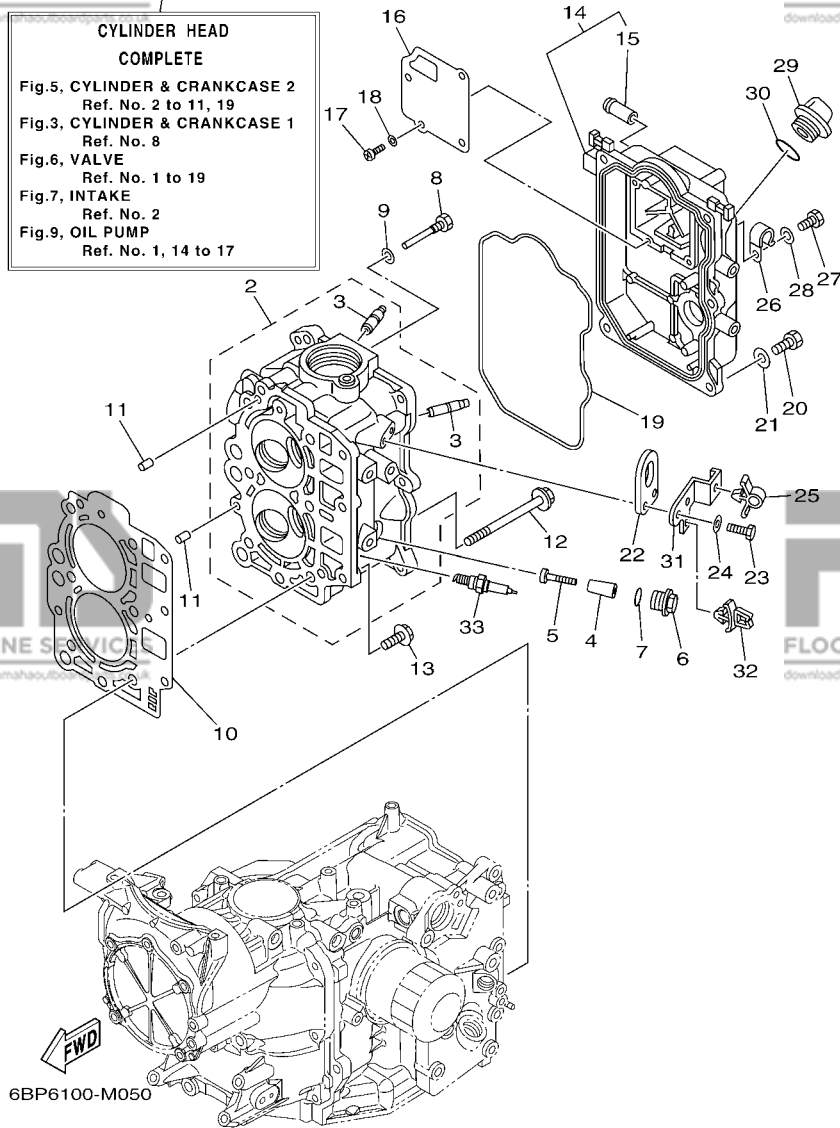
FIG. 4 CRANKSHAFT & PISTON VILEBREQUIN & PISTON

| REF. NO. | PART NO. N° PIECES | DESCRIPTION DESCRIPTION | ET | E | MH | REMARKS REMARQUES |
|----------|--------------------|---|----|---|----|-------------------|
| 1 | 6BL-11411-00 | CRANKSHAFT VILEBREQUIN COMPLET | 1 | 1 | 1 | |
| 2 | 6BG-11416-10 | PLANE BEARING, CRANKSHAFT 1 COUSSINET DE VILEBREQUIN 1 | 6 | 6 | 6 | UR RED |
| | 6BG-11416-20 | PLANE BEARING, CRANKSHAFT 1 COUSSINET DE VILEBREQUIN 1 | 6 | 6 | 6 | UR PINK |
| | 6BG-11416-30 | PLANE BEARING, CRANKSHAFT 1 COUSSINET DE VILEBREQUIN 1 | 6 | 6 | 6 | UR GREEN |
| 3 | 6C5-11650-10 | CONNECTING ROD ASSY BIELLE COMPLETE | 2 | 2 | 2 | |
| 4 | 6C5-11654-00 | .BOLT, CONNECTING ROD .BOULON, BIELLE | 2 | 2 | 2 | |
| 5 | 6CJ-11656-20 | PLANE BEARING, CONNECTING ROD ROULEMENT DE BIELLE | 4 | 4 | 4 | UR PINK |
| | 6CJ-11656-30 | PLANE BEARING, CONNECTING ROD ROULEMENT DE BIELLE | 4 | 4 | 4 | UR GREEN |
| | 6CJ-11656-10 | PLANE BEARING, CONNECTING ROD ROULEMENT DE BIELLE | 4 | 4 | 4 | UR RED |
| 6 | 69W-11631-01-97 | PISTON (STD) PISTON (STD) | 2 | 2 | 2 | |
| | 69W-11635-01 | PISTON (0.25MM O/S) PISTON (0.25MM O/S) | 2 | 2 | 2 | AP |
| | 69W-11636-01 | PISTON (0.50MM O/S) PISTON (0.50MM O/S) | 2 | 2 | 2 | AP |
| 7 | 67C-11603-00 | PISTON RING SET (STD) JEU DE SEGMENTS (STD) | 2 | 2 | 2 | |
| | 67C-11604-00 | PISTON RING SET (0.25MM O/S) JEU DE SEGMENTS (0.25MM O/S) | 2 | 2 | 2 | AP |
| | 67C-11605-00 | PISTON RING SET (0.50MM O/S) JEU DE SEGMENTS (0.50MM O/S) | 2 | 2 | 2 | AP |
| 8 | 62Y-11633-00 | PIN, PISTON AXE, PISTON | 2 | 2 | 2 | |
| 9 | 93450-17129 | CIRCLIP CIRCLIP, TYPE S | 4 | 4 | 4 | |
| 10 | 6BL-11665-00 | CONNECTING ROD ASSY 3 BIELLE COMPLETE | 1 | 1 | 1 | |
| 11 | 6BL-11642-00 | PISTON 2 (STD) PISTON 2 (STD) | 1 | 1 | 1 | |
| 12 | 90170-20137 | NUT ECROU | 1 | 1 | 1 | |
| 13 | 93102-43M42 | OIL SEAL JOINT SPY | 1 | 1 | 1 | |
| 14 | 93101-35002 | OIL SEAL JOINT SPY | 1 | 1 | 1 | |



6BP1100-H030

CYLINDER HEAD COMPLETE
Fig.5, CYLINDER & CRANKCASE 2
Ref. No. 2 to 11, 19
Fig.3, CYLINDER & CRANKCASE 1
Ref. No. 8
Fig.6, VALVE
Ref. No. 1 to 19
Fig.7, INTAKE
Ref. No. 2
Fig.9, OIL PUMP
Ref. No. 1, 14 to 17



6BP6100-M050

FIG. 5 CYLINDER & CRANKCASE 2 CYLINDRE & CARTER 2

| REF. NO. | PART NO. N° PIECES | DESCRIPTION DESCRIPTION | ET | E | MH | REMARKS REMARQUES |
|----------|--------------------|---|----|---|----|-------------------|
| 1 | 6BL-W009A-10-1S | CYLINDER HEAD COMPLETE CULASSE (ENS.) | 1 | 1 | 1 | |
| 2 | 6BL-11111-10-1S | HEAD, CYLINDER 1 CULASSE | 1 | 1 | 1 | |
| 3 | 62Y-11133-30 | .GUIDE, VALVE 1 .GUIDE, SOUPAPE 1 | 4 | 4 | 4 | |
| 4 | 6BL-11325-00 | ANODE ANODE | 2 | 2 | 2 | |
| 5 | 98980-05035 | SCREW, BIND VIS, DE PRESSION | 2 | 2 | 2 | |
| 6 | 6G8-11197-A0 | PLUG, BLIND PLOT, BORGNE | 2 | 2 | 2 | |
| 7 | 93210-13M63 | O-RING JOINT TORIQUE | 2 | 2 | 2 | |
| 8 | 90109-06M65 | BOLT BOULON | 1 | 1 | 1 | |
| 9 | 90430-06014 | GASKET JOINT | 1 | 1 | 1 | |
| 10 | 6BL-11181-00 | GASKET, CYLINDER HEAD 1 JOINT, DE CULASSE 1 | 1 | 1 | 1 | |
| 11 | 93606-12019 | PIN, DOWEL GOUPILLE | 2 | 2 | 2 | |
| 12 | 90105-09009 | BOLT, FLANGE BOULON | 6 | 6 | 6 | |
| 13 | 90119-06MA3 | BOLT, WITH WASHER BOULON, AVEC RONDELLE | 3 | 3 | 3 | |
| 14 | 6BL-11191-00-1S | COVER, CYLINDER HEAD 1 COUVERCLE, CULASSE 1 | 1 | 1 | 1 | |
| 15 | 62Y-14485-00 | .PIPE, JOINT .DURITE | 1 | 1 | 1 | |
| 16 | 6BG-11168-00 | COVER, BREATHER COUVERCLE, RENIFLARD | 1 | 1 | 1 | |
| 17 | 98507-04010 | SCREW, PAN HEAD VIS, TETE TRONCONIQUE | 4 | 4 | 4 | |
| 18 | 92907-04600 | WASHER RONDELLE | 4 | 4 | 4 | |
| 19 | 6BL-11356-00 | SEAL, CYLINDER 2 JOINT, SPY CYLINDRE | 1 | 1 | 1 | |
| 20 | 97095-06020 | BOLT BOULON | 5 | 5 | 5 | |
| 21 | 92995-06600 | WASHER RONDELLE | 5 | 5 | 5 | |
| 22 | 62Y-11119-00 | HANGER, ENGINE ANNEAU, LEVAGE | 1 | 1 | 1 | |
| 23 | 97095-06020 | BOLT BOULON | 2 | 2 | 2 | |
| 24 | 92995-06600 | WASHER RONDELLE | 2 | 2 | 2 | |
| 25 | 90464-09023 | CLAMP BRIDE | 1 | 1 | 1 | |
| 26 | 90465-08M83 | CLAMP BRIDE | 1 | 1 | 1 | |
| 27 | 97095-06012 | BOLT BOULON | 1 | 1 | 1 | |

CYLINDER HEAD COMPLETE
 Fig.5, CYLINDER & CRANKCASE 2
 Ref. No. 2 to 11, 19
 Fig.3, CYLINDER & CRANKCASE 1
 Ref. No. 8
 Fig.6, VALVE
 Ref. No. 1 to 19
 Fig.7, INTAKE
 Ref. No. 2
 Fig.9, OIL PUMP
 Ref. No. 1, 14 to 17

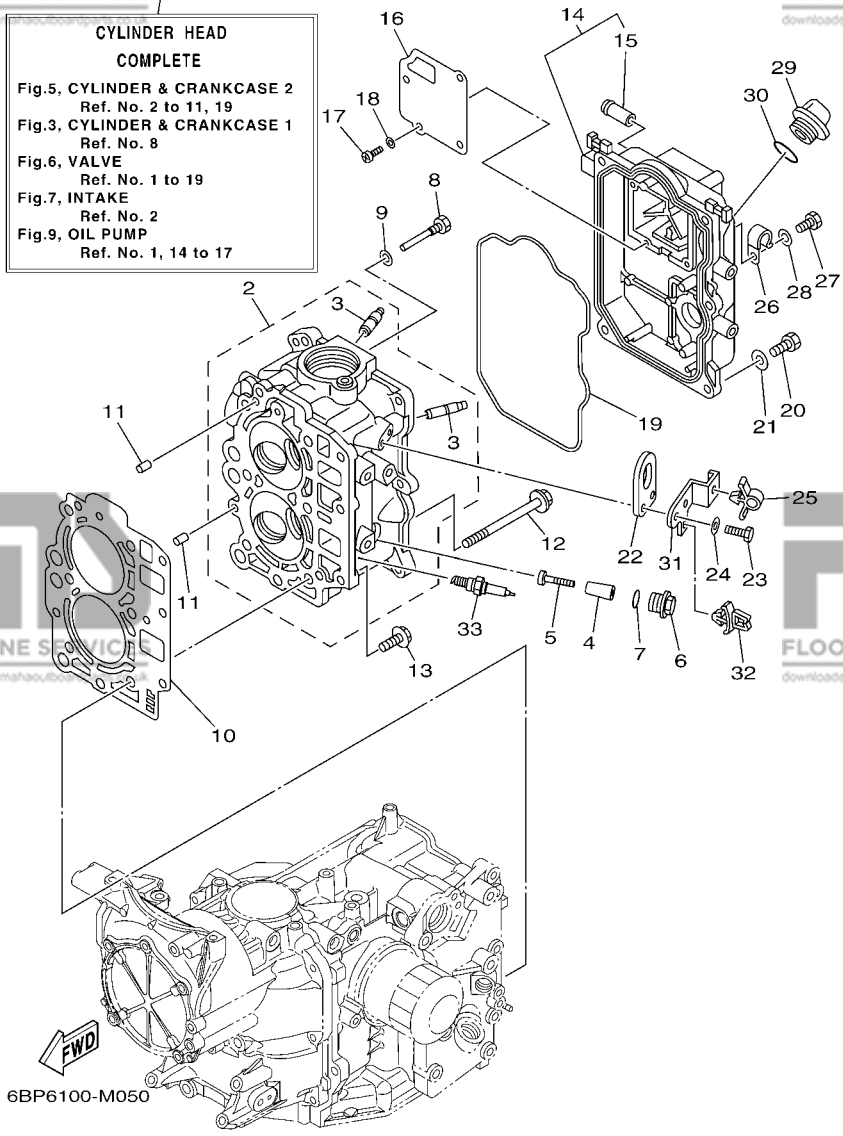
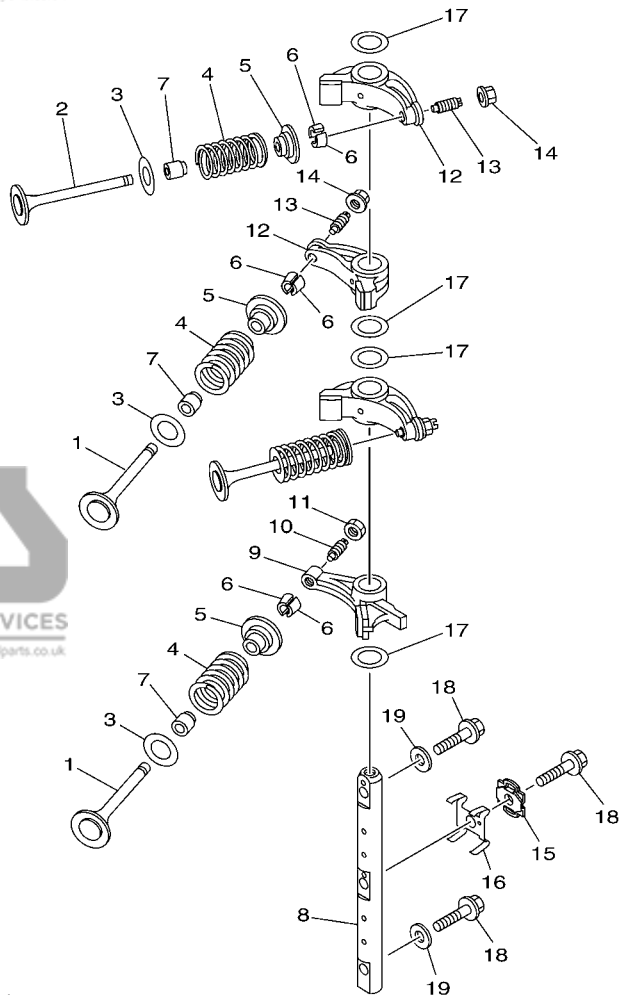


FIG. 5 CYLINDER & CRANKCASE 2

CYLINDRE & CARTER 2

| REF. NO. | PART NO. N° PIECES | DESCRIPTION DESCRIPTION | ET | E | MH | REMARKS REMARQUES |
|----------|--------------------|---|----|---|----|-------------------|
| 28 | 92995-06600 | WASHER RONDELLE | 1 | 1 | 1 | |
| 29 | 6G8-15363-00 | PLUG, OIL PLOT, HUILE | 1 | 1 | 1 | |
| 30 | 93210-24M79 | O-RING JOINT TORIQUE | 1 | 1 | 1 | |
| 31 | 6BL-82398-00 | PLATE 3 PLAQUETTE 3 | 1 | 1 | 1 | |
| 32 | 90464-06001 | CLAMP BRIDE | 1 | 1 | 1 | |
| 33 | 94702-00418 | PLUG, SPARK (NGK DPR6EB) BOUGIE D,ALLUMAGE (NGK DPR6EB) | 2 | 2 | 2 | |

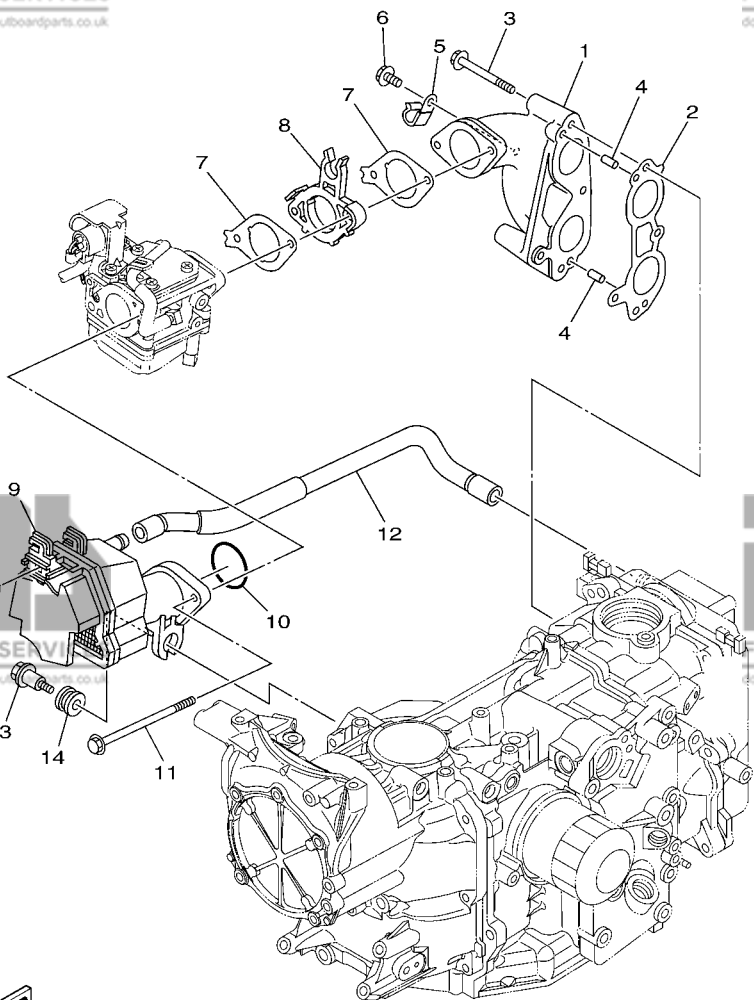


6BP1100-H050

FIG. 6 VALVE

SOUPAPE

| REF. NO. | PART NO. N° PIECES | DESCRIPTION DESCRIPTION | ET | E | MH | REMARKS REMARQUES |
|----------|--------------------|---|----|---|----|-------------------|
| 1 | 69W-12111-00 | VALVE, INTAKE SOUPAPE, ADMISSION | 2 | 2 | 2 | |
| 2 | 69W-12121-10 | VALVE, EXHAUST SOUPAPE, ECHAPPEMENT | 2 | 2 | 2 | |
| 3 | 62Y-12116-00 | SEAT, VALVE SPRING SIEGE, RESSORT DE SOUPAPE | 4 | 4 | 4 | |
| 4 | 51Y-12114-00 | SPRING, VALVE OUTER RESSORT DE SOUPAPE, EXTERNE | 4 | 4 | 4 | |
| 5 | 30X-12117-00 | RETAINER, VALVE SPRING BUTEE DE RESSORT DE SOUPAPE | 4 | 4 | 4 | |
| 6 | 30X-12118-00 | LOCK, VALVE SPRING RETAINER FRAISE, SOUPAPE | 8 | 8 | 8 | |
| 7 | 51Y-12119-00 | SEAL, VALVE STEM JOINT, QUEUE DE SOUPAPE | 4 | 4 | 4 | |
| 8 | 6BL-12146-00 | SHAFT, ROCKER AXE, CULBUTEUR | 1 | 1 | 1 | |
| 9 | 62Y-12151-00 | ARM, VALVE ROCKER CULBUTEUR | 1 | 1 | 1 | |
| 10 | 64J-12159-00 | SCREW, VALVE ADJUSTING VIS, REGLAGE DE SOUPAPE | 1 | 1 | 1 | |
| 11 | 62Y-12158-00 | NUT, LOCK CONTRE-ECROU | 1 | 1 | 1 | |
| 12 | 6C5-12151-00 | ARM, VALVE ROCKER CULBUTEUR | 3 | 3 | 3 | |
| 13 | 6C5-12159-00 | SCREW, VALVE ADJUSTING VIS, REGLAGE DE SOUPAPE | 3 | 3 | 3 | |
| 14 | 6C5-12158-00 | NUT, LOCK CONTRE-ECROU | 3 | 3 | 3 | |
| 15 | 6BL-12231-00 | GUIDE, STOPPER 1 GUIDE, BUTEE 1 | 1 | 1 | 1 | |
| 16 | 6BL-12233-00 | PLATE, GUIDE STOPPER 1 PLAQUE, GUIDE BUTEE 1 | 1 | 1 | 1 | |
| 17 | 90201-16014 | WASHER, PLATE RONDELLE, PLATE | 4 | 4 | 4 | |
| 18 | 90105-08060 | BOLT, FLANGE BOULON | 3 | 3 | 3 | |
| 19 | 92990-08200 | WASHER, PLAIN RONDELLE, PLATE | 2 | 2 | 2 | |



FWD
6BP7100-N070

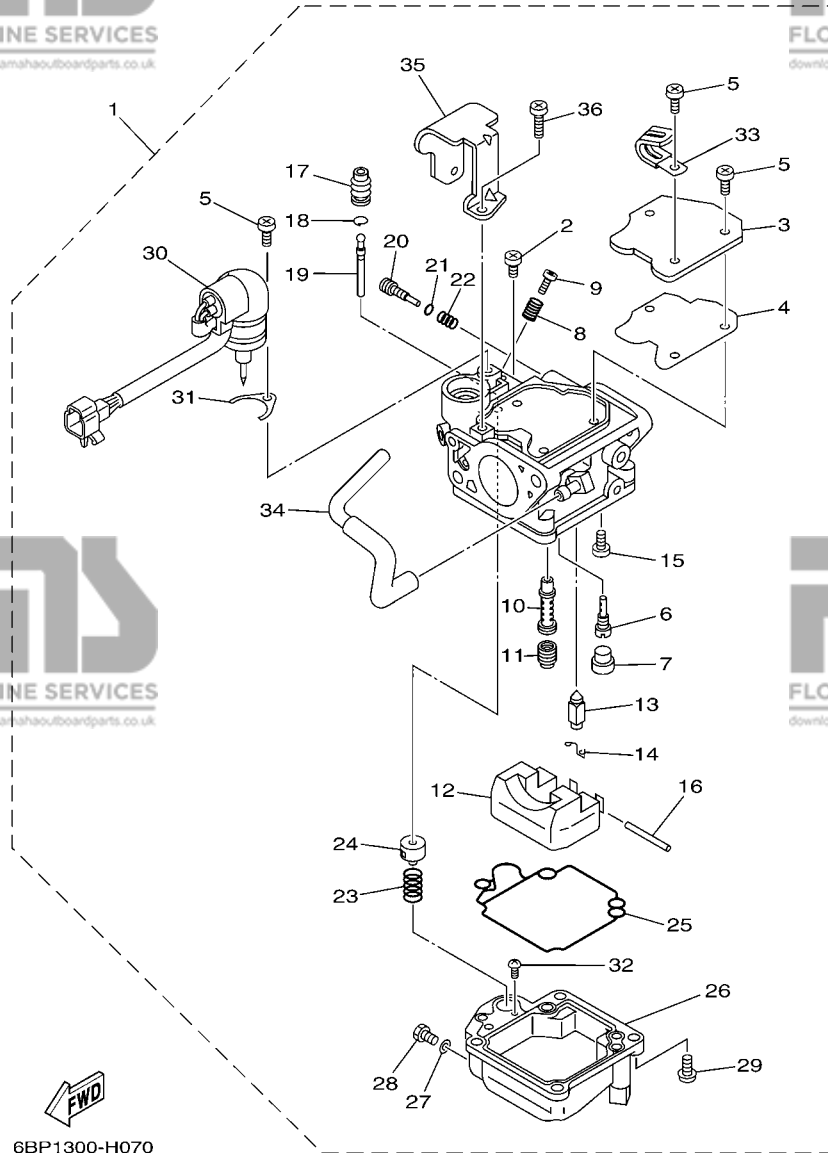
FIG. 7 INTAKE

ADMISSION

| REF. NO. | PART NO. N° PIECES | DESCRIPTION DESCRIPTION | ET | E | MH | REMARKS REMARQUES |
|----------|--------------------|---|----|---|----|-------------------|
| 1 | 6BL-13641-00-94 | MANIFOLD, INTAKE 1 TUBULURE, ADMISSION 1 | 1 | 1 | 1 | |
| 2 | 6BL-13645-00 | GASKET, MANIFOLD 1 JOINT, TUBULURE 1 | 1 | 1 | 1 | |
| 3 | 97595-06555 | BOLT, WITH WASHER VIS HEXAGONAL AVC RONDELLE | 4 | 4 | 4 | |
| 4 | 91690-50014 | PIN, SPRING AGRAFFE | 2 | 2 | 2 | |
| 5 | 90465-08M83 | CLAMP BRIDE | 1 | 1 | 1 | |
| 6 | 97595-06512 | BOLT, WITH WASHER VIS HEXAGONAL AVC RONDELLE | 1 | 1 | 1 | |
| 7 | 6BL-13646-00 | GASKET, MANIFOLD 2 JOINT, TUBULURE 2 | 2 | 2 | 2 | |
| 8 | 6BL-14271-00 | INSULATOR ISOLATEUR | 1 | 1 | 1 | |
| 9 | 6BL-14440-00 | SILENCER ASSY, INTAKE SIENCIEUX D'ADMISSION | 1 | 1 | 1 | |
| 10 | 93210-39ME4 | O-RING JOINT TORIQUE | 1 | 1 | 1 | |
| 11 | 95895-06100 | BOLT, FLANGE BOULON | 2 | 2 | 2 | |
| 12 | 6BL-15373-00 | PIPE, BREATHER DURITE DE RENIFLARD | 1 | 1 | 1 | |
| 13 | 90109-06MA1 | BOLT BOULON | 1 | 1 | 1 | |
| 14 | 90480-16616 | GROMMET PASSE-FIL | 1 | 1 | 1 | |
| 15 | 90464-09M47 | CLAMP BRIDE | 1 | 1 | 1 | |

FIG. 8 CARBURETOR

CARBURATEUR

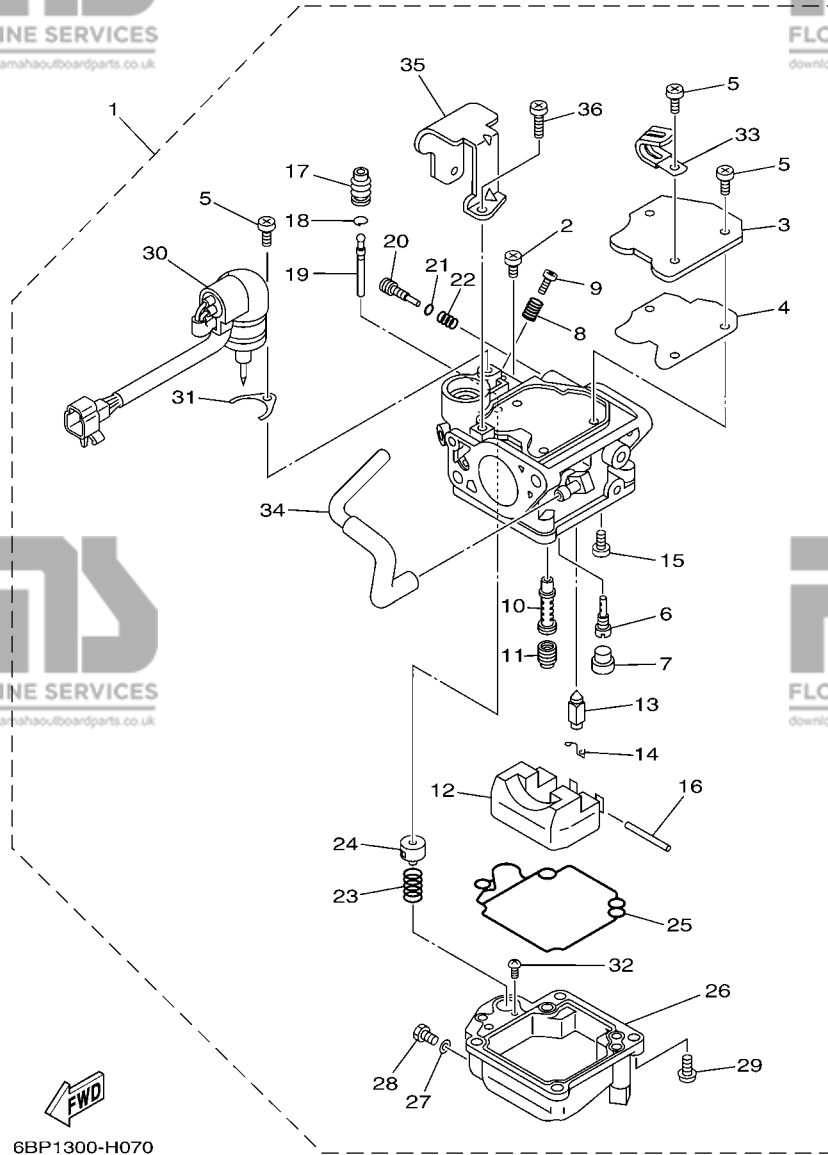


6BP1300-H070

| REF. NO. | PART NO. N° PIECES | DESCRIPTION DESCRIPTION | ET | E | MH | REMARKS REMARQUES |
|----------|--------------------|--|----|---|----|-------------------|
| 1 | 6BL-14301-10 | CARBURETOR ASSY 1 CARBURATEUR COMPLET 1 | 1 | 1 | 1 | |
| 2 | 98580-04006 | .SCREW, PAN HEAD .VIS | 1 | 1 | 1 | |
| 3 | 65W-14572-00 | .PLATE .PLAQUE | 1 | 1 | 1 | |
| 4 | 65W-14126-10 | .GASKET .JOINT | 1 | 1 | 1 | |
| 5 | 97803-04010 | .SCREW, PAN HEAD .VIS, CRUCIFORME | 4 | 4 | 4 | |
| 6 | 676-14948-05 | .JET (#45) .GICLEUR (#45) | 1 | 1 | 1 | |
| 7 | 679-14966-00 | .RUBBER CAP .CAPUCHON | 1 | 1 | 1 | |
| 8 | 90501-10326 | .SPRING, COMPRESSION .RESSORT, COMPRESSION | 1 | 1 | 1 | |
| 9 | 63V-14523-00 | .SCREW, STOP .VIS, BUTEE | 1 | 1 | 1 | |
| 10 | 65W-14947-90 | .JET, NEEDLE .GICLEUR DE STARTER | 1 | 1 | 1 | |
| 11 | 6BL-14943-28 | .JET, MAIN (#105) .GICLEUR, PRINCIPAL (#105) | 1 | 1 | 1 | |
| 12 | 63V-14985-00 | .FLOAT .FLOTTEUR | 1 | 1 | 1 | |
| 13 | 6AH-14546-00 | .VALVE, NEEDLE .POINTEAU | 1 | 1 | 1 | |
| 14 | 663-14159-00 | .CLIP .JONC | 1 | 1 | 1 | |
| 15 | 98580-04008 | .SCREW, PAN HEAD .VIS | 1 | 1 | 1 | |
| 16 | 6H4-14548-00 | .PIN, FLOAT ARM .AXE, BRAS DE FLOTTEUR | 1 | 1 | 1 | |
| 17 | 65W-14373-02 | .COVER, PLUNGER CAP .COUVERCLE DE PLONGEUR | 1 | 1 | 1 | |
| 18 | 65W-1439G-00 | .CLIP 1 .JONC 1 | 1 | 1 | 1 | |
| 19 | 65W-14379-00 | .ROD, STARTER .TRINGLE, STARTER | 1 | 1 | 1 | |
| 20 | 67C-14923-20 | .SCREW, PILOT .VIS, RALENTI | 1 | 1 | 1 | |
| 21 | 67C-14397-00 | .O-RING .JOINT TORIQUE | 1 | 1 | 1 | |
| 22 | 67C-14555-00 | .SPRING .RESSORT | 1 | 1 | 1 | |
| 23 | 65W-14335-00 | .SPRING, PLUNGER .RESSORT, PLONGEUR | 1 | 1 | 1 | |
| 24 | 65W-14371-00 | .PLUNGER, STARTER .PLONGEUR, STARTER | 1 | 1 | 1 | |
| 25 | 65W-14384-00 | .GASKET, FLOAT CHAMBER .JOINT, CUVE DE FLOTTEUR | 1 | 1 | 1 | |
| 26 | 65W-14980-20 | .BODY, FLOAT CHAMBER .CORPS, CUVE DE FLOTTEUR | 1 | 1 | 1 | |
| 27 | 65W-14398-00 | .GASKET .JOINT | 1 | 1 | 1 | |

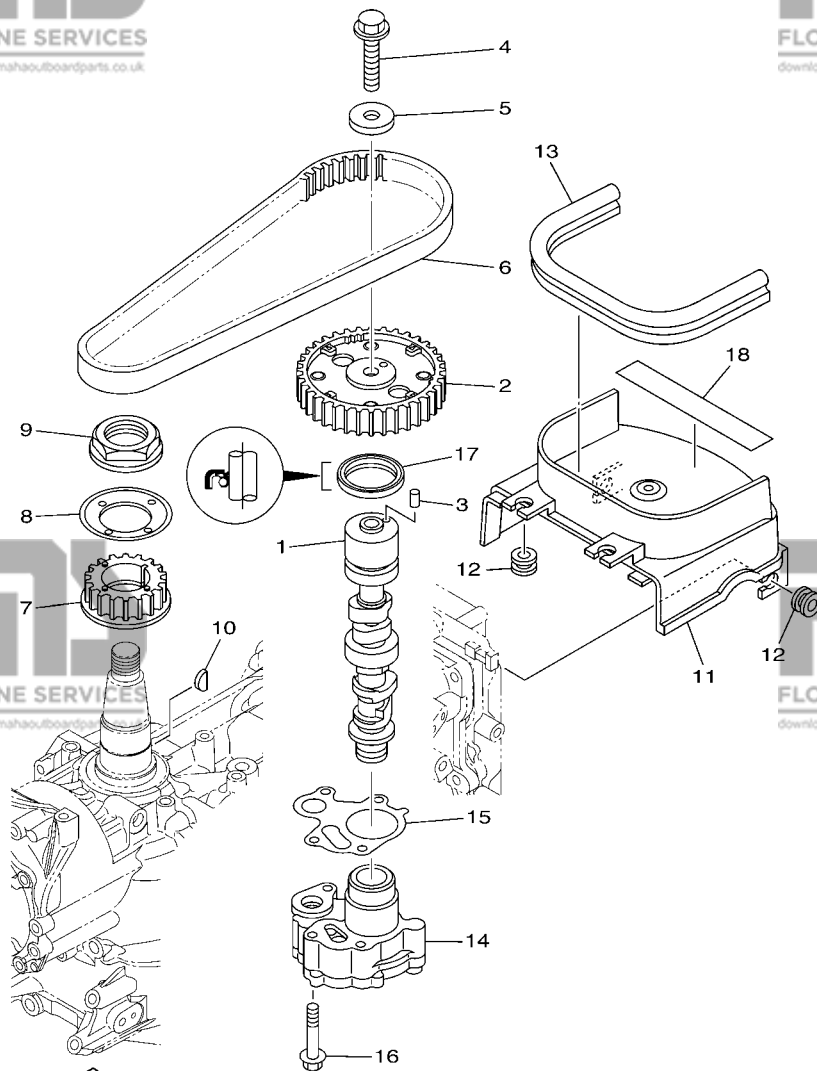
FIG. 8 CARBURETOR

CARBURATEUR



6BP1300-H070

| REF. NO. | PART NO. N° PIECES | DESCRIPTION DESCRIPTION | ET | E | MH | REMARKS REMARQUES |
|----------|--------------------|---|----|---|----|-------------------|
| 28 | 65W-14992-00 | .SCREW, DRAIN .BOUCHON, PURGE | 1 | 1 | 1 | |
| 29 | 97980-04114 | .SCREW, WITH WASHER .VIS, AVEC RONDELLE | 4 | 4 | 4 | |
| 30 | 6BL-14380-00 | .PRIME STARTER ASSY .STARTER AUTOMATIQUE | 1 | 1 | 1 | |
| 31 | 65W-14346-00 | .PLATE .PLAQUE | 1 | 1 | 1 | |
| 32 | 67C-14567-00 | .SCREW .VIS | 1 | 1 | 1 | |
| 33 | 67F-14255-00 | .PLATE .PLAQUE | 1 | 1 | 1 | |
| 34 | 65W-14807-00 | .HOSE COMP. .DURITE (ENS.) | 1 | 1 | 1 | |
| 35 | 6BL-14346-00 | .PLATE .PLAQUE | 1 | 1 | 1 | |
| 36 | 97980-04108 | .SCREW, WITH WASHER .VIS, AVEC RONDELLE | 2 | 2 | 2 | |



FWD
6DN5300-N090

FIG. 9 OIL PUMP

POMPE A HUILE

| REF. NO. | PART NO. N° PIECES | DESCRIPTION DESCRIPTION | ET | E | MH | REMARKS REMARQUES |
|----------|--------------------|---|----|---|----|-------------------|
| 1 | 6BL-12171-00 | CAMSHAFT 1 ARBRE A CAMES 1 | 1 | 1 | | |
| | 6BL-12170-00 | CAMSHAFT ASSY 1 ENS ARBRE A CAMES 1 | | | 1 | |
| 2 | 6C5-11537-10 | GEAR, DRIVEN PIGNON SECONDAIRE | 1 | 1 | 1 | |
| 3 | 93605-17002 | PIN, DOWEL AXE | 1 | 1 | 1 | |
| 4 | 95817-10035 | BOLT, FLANGE BOULON, A COLLERETTE | 1 | 1 | 1 | |
| 5 | 90201-10144 | WASHER, PLATE RONDELLE, PLATE | 1 | 1 | 1 | |
| 6 | 6C5-46241-00 | BELT COURROIE TRAPEZOIDALE | 1 | 1 | 1 | |
| 7 | 6C5-11536-00 | GEAR, DRIVE ENGRENAGE, MENANT | 1 | 1 | 1 | |
| 8 | 62Y-11557-00 | WASHER 1 RONDELLE 1 | 1 | 1 | 1 | |
| 9 | 90179-35001 | NUT ECROU | 1 | 1 | 1 | |
| 10 | 90280-03017 | KEY, WOODRUFF CLAVETTE, DEMI-LUNE | 1 | 1 | 1 | |
| 11 | 6BL-46297-00 | COVER, DUST COUVERCLE, POUSSIERE | 1 | 1 | 1 | |
| 12 | 90480-12314 | GROMMET PASSE-FIL | 4 | 4 | 4 | |
| 13 | 6BL-42617-00 | DAMPER, FORM BOURRELET, CAOUTCHOUC | 1 | 1 | 1 | |
| 14 | 6BL-13300-00 | OIL PUMP ASSY POMPE A HUILE COMPLETE | 1 | 1 | 1 | |
| 15 | 6C5-13329-00 | GASKET, PUMP COVER JOINT, COUVERCLE DE POMPE | 1 | 1 | 1 | |
| 16 | 90119-06025 | BOLT, WITH WASHER BOULON, AVEC RONDELLE | 4 | 4 | 4 | |
| 17 | 93102-37M40 | OIL SEAL JOINT SPY | 1 | 1 | 1 | |
| 18 | 6BP-13437-60 | MARK, CAUTION MAKER | 1 | 1 | 1 | |

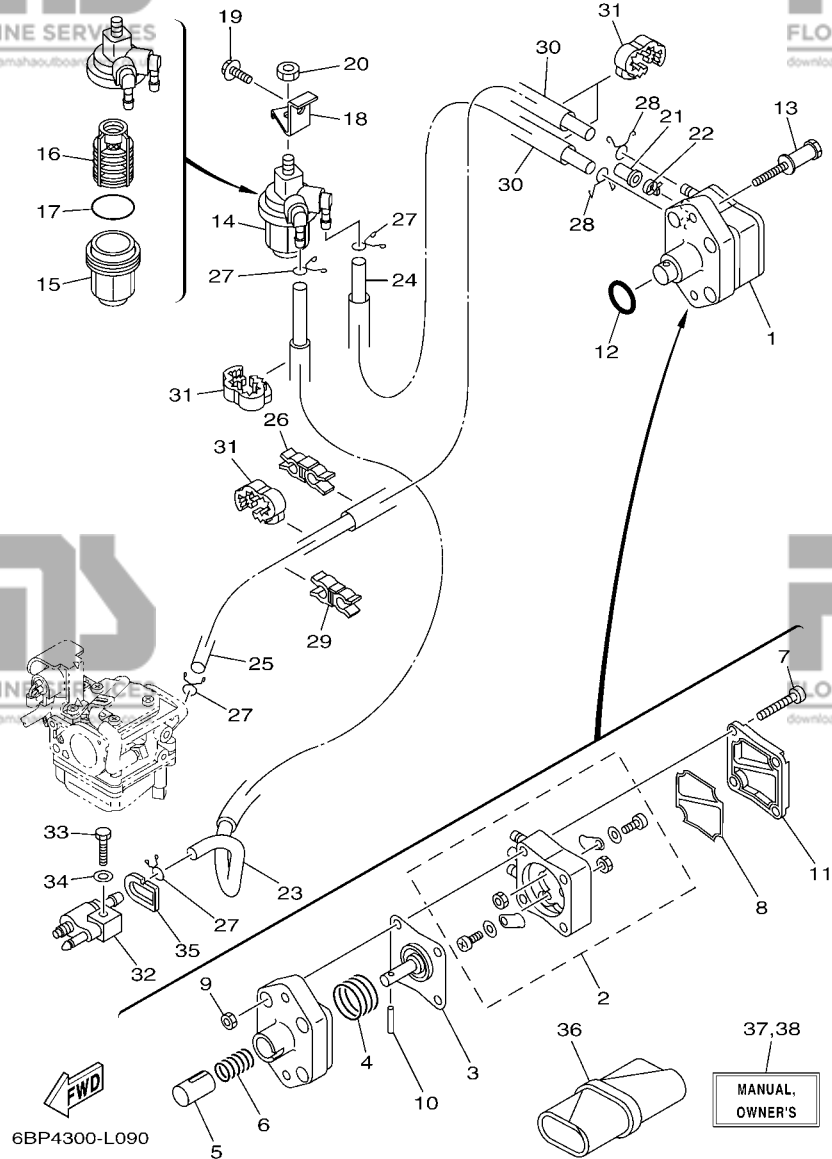


FIG. 10 FUEL

CARBURANT

| REF. NO. | PART NO. N° PIECES | DESCRIPTION DESCRIPTION | ET | E | MH | REMARKS REMARQUES |
|----------|--------------------|--|----|---|----|-------------------|
| 1 | 62Y-24410-04 | FUEL PUMP ASSY POMPE A ESSENCE | 1 | 1 | 1 | |
| 2 | 62Y-24415-01 | .BODY 4 .CORPS 4 | 1 | 1 | 1 | |
| 3 | 62Y-24411-02 | .DIAPHRAGM .DIAPHRAGME | 1 | 1 | 1 | |
| 4 | 62Y-24423-00 | .SPRING, DIAPHRAGM .RESSORT, DIAPHRAGME | 1 | 1 | 1 | |
| 5 | 62Y-13131-01 | .PLUNGER .PLONGEUR | 1 | 1 | 1 | |
| 6 | 62Y-24454-00 | .SPRING .RESSORT | 1 | 1 | 1 | |
| 7 | 62Y-24444-01 | .SCREW .VIS | 4 | 4 | 4 | |
| 8 | 6C5-24471-00 | .DIAPHRAGM .DIAPHRAGME | 1 | 1 | 1 | |
| 9 | 95380-05600 | .NUT .ECROU | 4 | 4 | 4 | |
| 10 | 62Y-24374-01 | .PIN .PIN | 1 | 1 | 1 | |
| 11 | 6C5-24414-00 | .BODY 3 .CORPS 3 | 1 | 1 | 1 | |
| 12 | 93210-24M79 | O-RING JOINT TORIQUE | 1 | 1 | 1 | |
| 13 | 90109-06266 | BOLT BOULON | 2 | 2 | 2 | |
| 14 | 61N-24560-10 | FILTER ASSY ENS FILTRE | 1 | 1 | 1 | |
| 15 | 61N-24521-00 | .CUP, FILTER .CUVETTE, FILTRE | 1 | 1 | 1 | |
| 16 | 61N-24563-10 | .ELEMENT, FILTER .ELEMENT, FILTRE | 1 | 1 | 1 | |
| 17 | 93210-32738 | .O-RING JOINT TORIQUE | 1 | 1 | 1 | |
| 18 | 6D5-24566-00 | BRACKET, FILTER SUPPORT, FILTRE | 1 | 1 | 1 | |
| 19 | 95895-08016 | BOLT, FLANGE BOULON | 1 | 1 | 1 | |
| 20 | 95380-08600 | NUT ECROU | 1 | 1 | 1 | |
| 21 | 6BL-24481-00 | PLUG COUVERCLE | 1 | 1 | 1 | |
| 22 | 90465-11M10 | CLAMP BRIDE | 1 | 1 | 1 | |
| 23 | 6BL-24311-00 | PIPE, FUEL 1 DURITE A ESSENCE | 1 | 1 | 1 | |
| 24 | 90445-10M20 | HOSE (L150) DURITE (L150) | 1 | 1 | 1 | |
| 25 | 90445-10MG7 | HOSE (L350) DURITE (L350) | 1 | 1 | 1 | |
| 26 | 90464-10M59 | CLAMP BRIDE | 1 | 1 | 1 | |
| 27 | 90467-09M17 | CLIP JONC | 4 | 4 | 4 | |

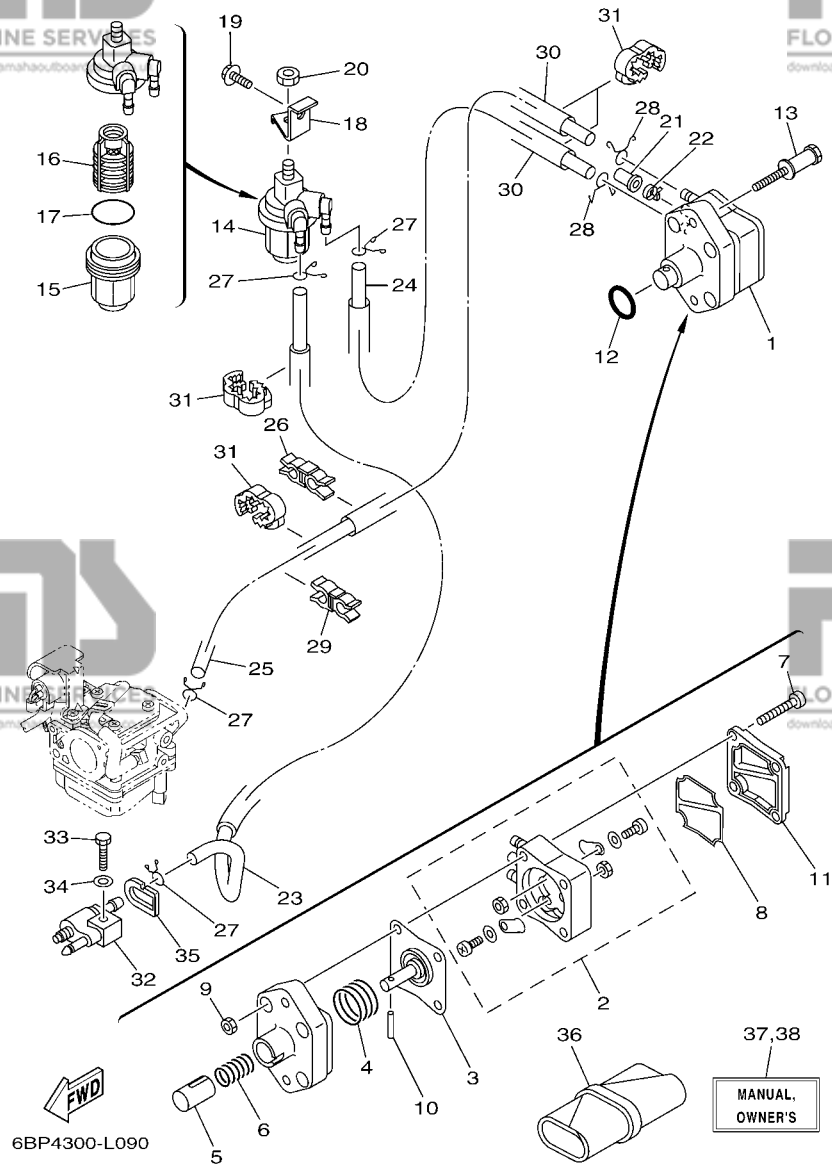
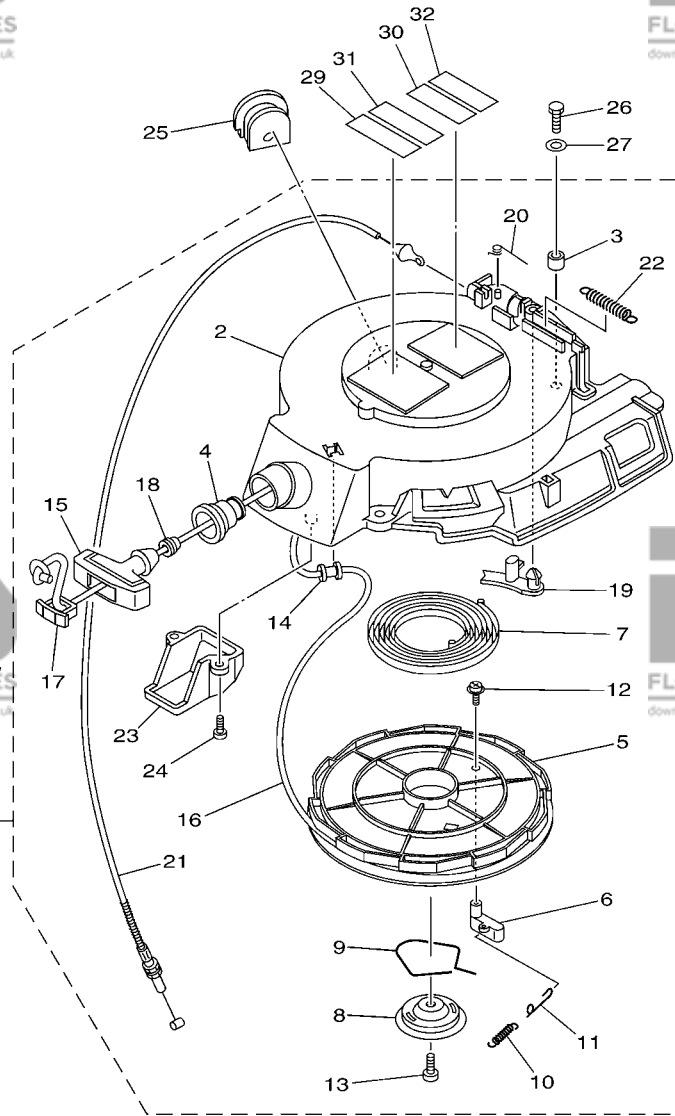


FIG. 10 FUEL

CARBURANT

| REF. NO. | PART NO. N° PIECES | DESCRIPTION DESCRIPTION | ET | E | MH | REMARKS REMARQUES |
|----------|--------------------|---|----|---|----|--------------------|
| 28 | 90467-10M04 | CLIP JONC | 2 | 2 | 2 | |
| 29 | 90464-11009 | CLAMP BRIDE | 1 | 1 | 1 | |
| 30 | 90446-15003 | HOSE (L100) DURITE (L100) | 2 | 2 | 2 | |
| 31 | 90464-13227 | CLAMP BRIDE | 4 | 4 | 4 | |
| 32 | 6G1-24304-02 | FUEL PIPE JOINT COMP. 1 DURITE RACCORDEMT. A ESSENCE | 1 | 1 | 1 | |
| 33 | 97095-06025 | BOLT BOULON | 1 | 1 | 1 | |
| 34 | 92995-06600 | WASHER RONDELLE | 1 | 1 | 1 | |
| 35 | 61N-24329-00 | SEAL JOINT | 1 | 1 | 1 | |
| 36 | 62Y-28100-00 | TOOL KIT TROUSSE A OUTILS | 1 | 1 | 1 | AP AP |
| 37 | 6BP-28199-77-E0 | MANUAL, OWNER'S MANUEL D'UTILISATION | 1 | 1 | 1 | UR (E) UR (E) |
| | 6BP-28199-77-F0 | MANUAL, OWNER'S MANUEL D'UTILISATION | 1 | 1 | 1 | UR (F) UR (F) |
| | 6BP-28199-77-S0 | MANUAL, OWNER'S MANUEL D'UTILISATION | 1 | 1 | 1 | UR (ES) UR (ES) |
| | 6BP-28199-77-G0 | MANUAL, OWNER'S MANUEL D'UTILISATION | 1 | 1 | 1 | UR (D) UR (D) |
| | 6BP-28199-77-D0 | MANUAL, OWNER'S MANUEL D'UTILISATION | 1 | 1 | 1 | UR (NL) UR (NL) |
| | 6BP-28199-77-H0 | MANUAL, OWNER'S MANUEL D'UTILISATION | 1 | 1 | 1 | UR (I) UR (I) |
| 38 | 6BP-28199-87-K0 | MANUAL, OWNER'S MANUEL D'UTILISATION | 1 | 1 | 1 | UR (DK) UR (DK) |
| | 6BP-28199-87-R0 | MANUAL, OWNER'S MANUEL D'UTILISATION | 1 | 1 | 1 | UR (GR) UR (GR) |
| | 6BP-28199-87-P0 | MANUAL, OWNER'S MANUEL D'UTILISATION | 1 | 1 | 1 | UR (P) UR (P) |
| | 6BP-28199-87-N0 | MANUAL, OWNER'S MANUEL D'UTILISATION | 1 | 1 | 1 | UR (N) UR (N) |
| | 6BP-28199-87-M0 | MANUAL, OWNER'S MANUEL D'UTILISATION | 1 | 1 | 1 | UR (S) UR (S) |
| | 6BP-28199-87-L0 | MANUAL, OWNER'S MANUEL D'UTILISATION | 1 | 1 | 1 | UR (SF) UR (SF) |



6BP1300-H100

*1: CUT FROM 50M ROLLS, PART NO. 90790-48194, CUTTING LENGTH 2.1M

*1: A PRELEVER SUR BOBINE 50M ,REFERENCE 90790-48194, LONGUEUR DE COUPE 2.1M

FIG. 11 STARTER

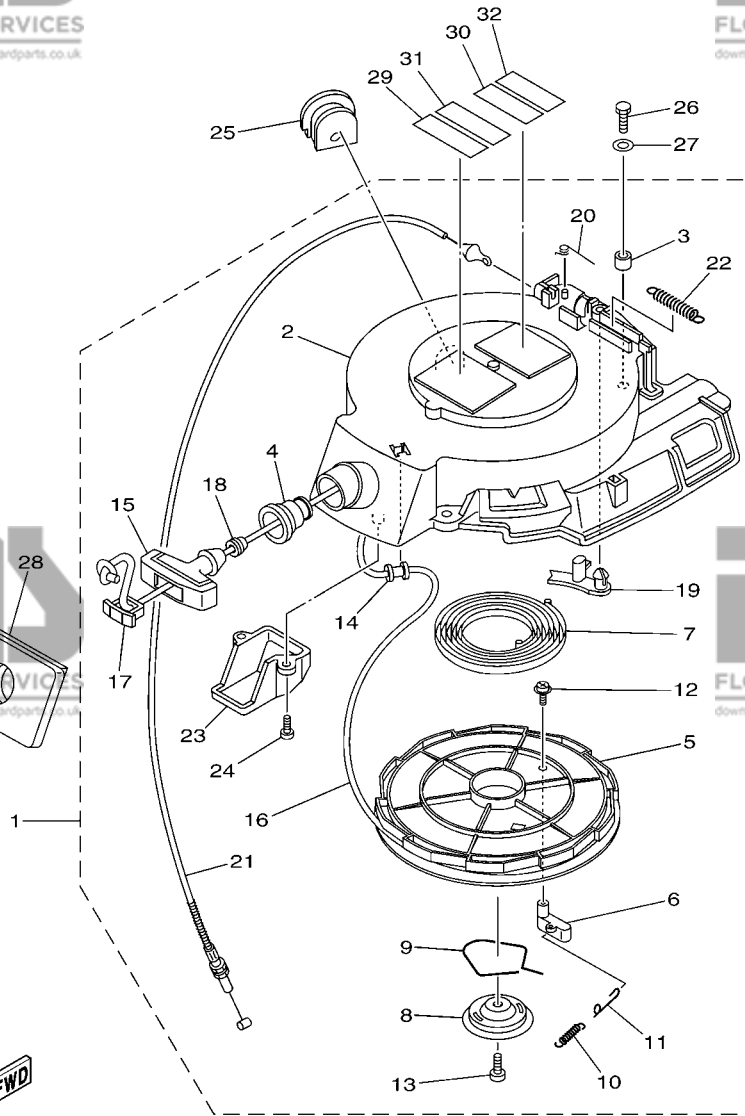
DEMARREUR

| REF. NO. | PART NO. N° PIECES | DESCRIPTION DESCRIPTION | ET | E | MH | REMARKS REMARQUES |
|----------|--------------------|---|----|---|----|-------------------|
| 1 | 6BL-15710-00 | STARTER ASSY DEMARREUR COMPLET | | | 1 | |
| 2 | 6BL-15711-00 | .CASE, STARTER .CARTER DE DEMARREUR | | | 1 | |
| 3 | 67D-15764-00 | .COLLAR 1 .COLLERETTE 1 | | | 3 | |
| 4 | 6AH-15795-00 | .GUIDE, ROPE .GUIDE DE CABLE | | | 1 | |
| 5 | 6BL-15714-00 | .DRUM, SHEAVE .TAMBOUR, POULIE | | | 1 | |
| 6 | 6AH-15741-10 | .PAWL, DRIVE .CLIQUET, ENTRAINEMENT | | | 1 | |
| 7 | 66T-15713-00 | .SPRING, STARTER .RESSORT DE DEMARREUR | | | 1 | |
| 8 | 66T-15716-00 | .PLATE, DRIVE .PLAQUE, ENTRAINEMENT | | | 1 | |
| 9 | 66T-15705-00 | .SPRING, DRIVE PAWL .RESSORT DE CLIQUET | | | 1 | |
| 10 | 66T-15767-00 | .SPRING .RESSORT | | | 1 | |
| 11 | 66T-15784-00 | .SPRING, RETURN .RESSORT, RAPPEL | | | 1 | |
| 12 | 6BL-15793-00 | .SCREW .VIS | | | 1 | |
| 13 | 68T-15793-00 | .SCREW .VIS | | | 1 | |
| 14 | 6BL-15764-00 | .COLLAR 1 .COLLERETTE 1 | | | 1 | |
| 15 | 689-15755-01 | .HANDLE, STARTER .POIGNEE, DE DEMARREUR | | | 1 | |
| 16 | | .WIRE, STARTER (L:2100MM) .CABLE DE DEMARREUR (L:2100MM) | | | 1 | *1 |
| 17 | 6F5-15779-02 | .COVER .COUVERCLE | | | 1 | |
| 18 | 6A0-15789-00 | .DAMPER .AMORTISSEUR | | | 1 | |
| 19 | 68T-15794-00 | .STOPPER .BUTEE | | | 1 | |
| 20 | 66T-15734-00 | .SPRING, RETURN .RESSORT, RAPPEL | | | 1 | |
| 21 | 6BL-15770-00 | .CABLE COMP., STARTER STOP .CABLE, BUTEE DE DEMAR | | | 1 | |
| 22 | 66T-15731-00 | .SPRING, RETURN .RESSORT, RAPPEL | | | 1 | |
| 23 | 6BL-15782-00 | .COVER, SHEAVE .COUVERCLE, POULIE | | | 1 | |
| 24 | 6AH-15793-00 | .SCREW .VIS | | | 2 | |
| 25 | 6BL-15357-00 | GROMMET RONDELLE CAOUTCHOUC | | | 1 | |
| 26 | 97095-06020 | BOLT BOULON | | | 3 | |
| 27 | 92995-06600 | WASHER RONDELLE | | | 3 | |

FIG. 11 STARTER

DEMARREUR

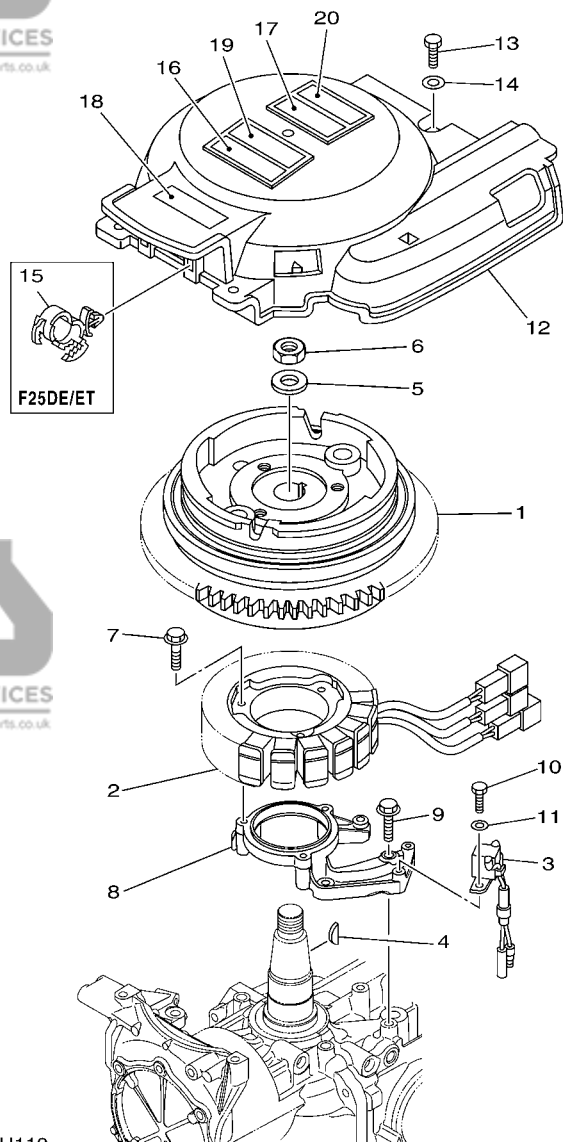
| REF. NO. | PART NO. N° PIECES | DESCRIPTION DESCRIPTION | ET | E | MH | REMARKS REMARQUES |
|----------|--------------------|--|----|---|----|---------------------------|
| 28 | 6BL-15762-00 | SEAL, RUBBER 2 JOINT CAOUTCHOUC 2 | | | 1 | Go to P/N : PE0-OM-150017 |
| 29 | 6EE-81994-40 | LABEL, SAFETY ETIQUETTE, SECURITE | | | 1 | |
| 30 | 6EE-81995-40 | LABEL, WARNING ETIQUETTE, AVERTISSEMENT | | | 1 | |
| 31 | 6EE-81994-50 | LABEL, SAFETY ETIQUETTE, SECURITE | | | 1 | |
| 32 | 6EE-81995-50 | LABEL, WARNING ETIQUETTE, AVERTISSEMENT | | | 1 | |



6BP1300-H100

*1: CUT FROM 50M ROLLS, PART NO. 90790-48194, CUTTING LENGTH 2.1M

*1:A PRELEVER SUR BOBINE 50M ,REFERENCE 90790-48194, LONGUEUR DE COUPE 2.1M



6BP1300-H110

FIG. 12 GENERATOR

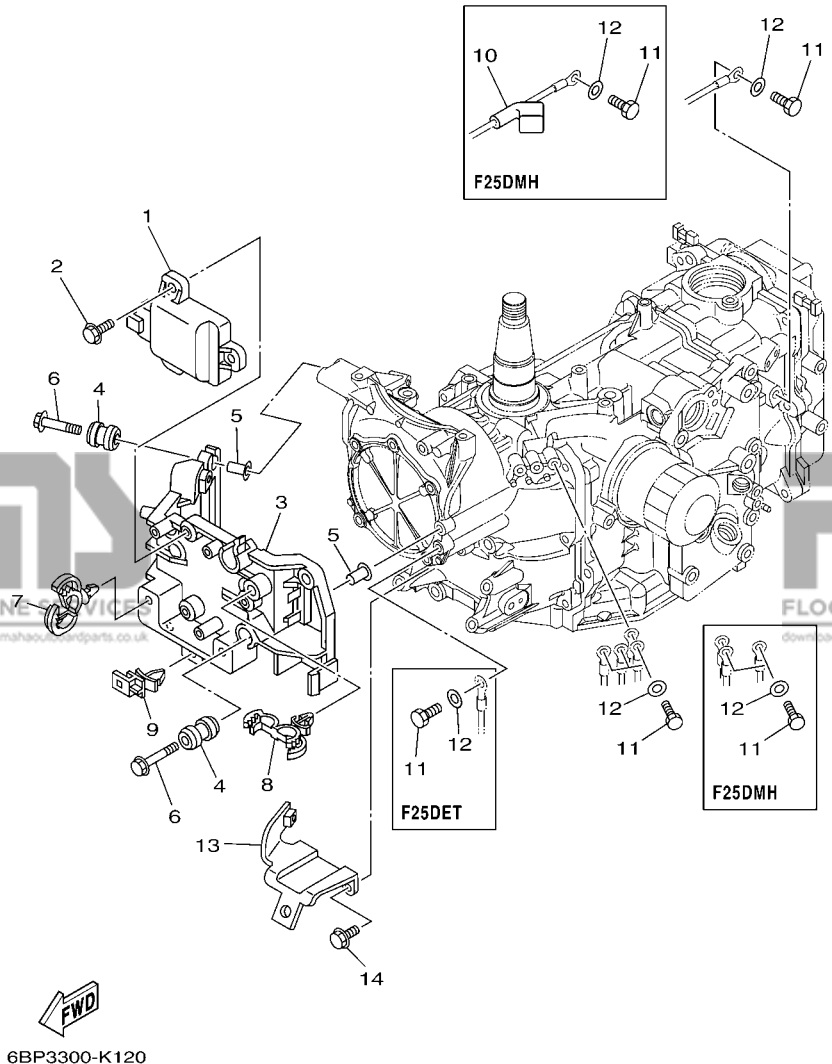
GENERATRICE

| REF. NO. | PART NO. N° PIECES | DESCRIPTION DESCRIPTION | ET | E | MH | REMARKS REMARQUES |
|----------|--------------------|--|----|---|----|-------------------|
| 1 | 6BL-85550-00 | ROTOR ASSY ROTOR CPLT | 1 | 1 | | |
| | 6BL-85550-10 | ROTOR ASSY ROTOR CPLT | | | 1 | |
| 2 | 6BL-85510-00 | STATOR ASSY STATOR CPLT | 1 | 1 | | |
| | 6BL-85510-10 | STATOR ASSY STATOR CPLT | | | 1 | |
| 3 | 6AH-85580-00 | COIL, PULSER BOBINE, PULSEUR | 1 | 1 | 1 | |
| 4 | 6H4-11545-00 | KEY, WOODRUFF CLAVETTE, DEMI-LUNE | 1 | 1 | 1 | |
| 5 | 90201-21M18 | WASHER, PLATE RONDELLE, PLATE | 1 | 1 | 1 | |
| 6 | 90170-20137 | NUT ECROU | 1 | 1 | 1 | |
| 7 | 95023-06030 | BOLT BOULON, A COLLERETTE | 3 | 3 | 3 | |
| 8 | 6BG-85561-00-94 | BASE, MAGNETO BASE, MAGNETO | 1 | 1 | 1 | |
| 9 | 95023-06025 | BOLT BOULON, A COLLERETTE | 4 | 4 | 4 | |
| 10 | 97095-05016 | BOLT BOULON | 2 | 2 | 2 | |
| 11 | 92995-05600 | WASHER RONDELLE | 2 | 2 | 2 | |
| 12 | 6BL-81337-00 | COVER, FLYWHEEL COUVERCLE, VOLANT | 1 | 1 | | |
| 13 | 97095-06020 | BOLT BOULON | 3 | 3 | | |
| 14 | 92995-06600 | WASHER RONDELLE | 3 | 3 | | |
| 15 | 90464-12183 | CLAMP BRIDE | 2 | 2 | | |
| 16 | 6EE-81994-40 | LABEL, SAFETY ETIQUETTE, SECURITE | 1 | 1 | | |
| 17 | 6EE-81995-40 | LABEL, WARNING ETIQUETTE, AVERTISSEMENT | 1 | 1 | | |
| 18 | 6AG-81996-00 | MARK MARQUE | 1 | 1 | | |
| 19 | 6EE-81994-50 | LABEL, SAFETY ETIQUETTE, SECURITE | 1 | 1 | | |
| 20 | 6EE-81995-50 | LABEL, WARNING ETIQUETTE, AVERTISSEMENT | 1 | 1 | | |

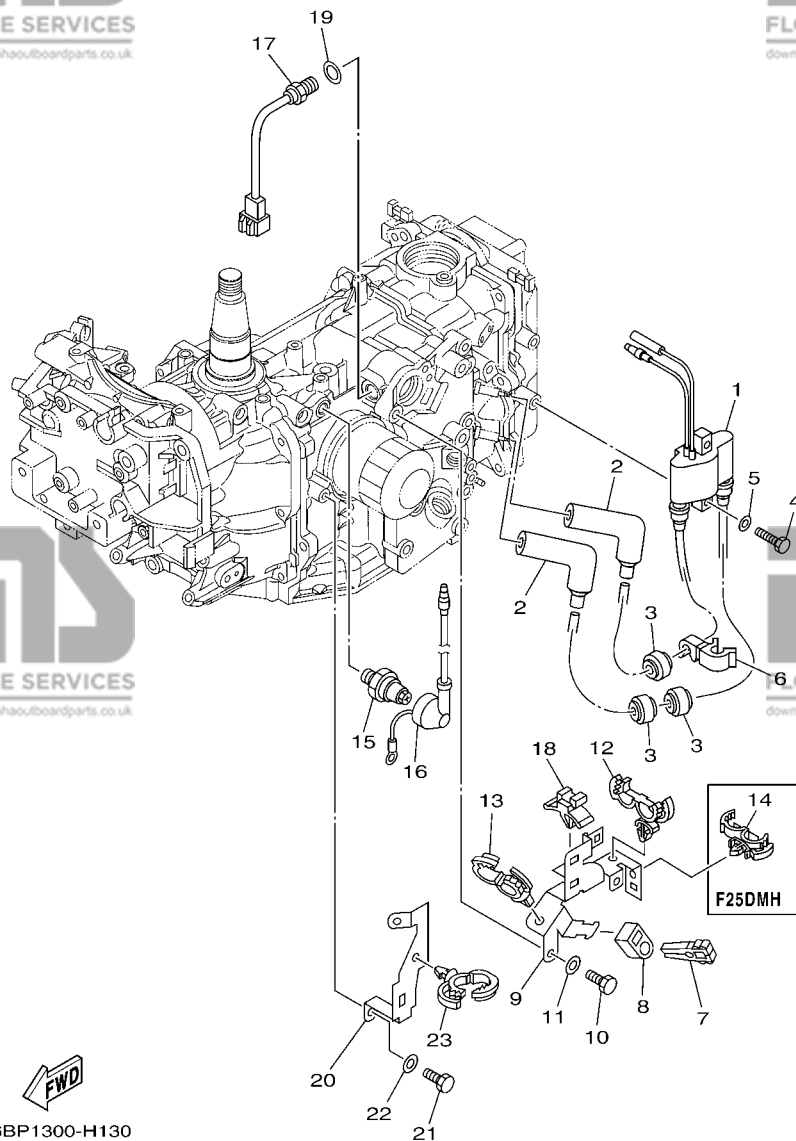
FIG. 13 ELECTRICAL 1

PARTIE ELECTRIQUE 1

| REF. NO. | PART NO. N° PIECES | DESCRIPTION DESCRIPTION | ET | E | MH | REMARKS REMARQUES |
|----------|--------------------|--|----|---|----|-------------------|
| 1 | 6BL-85540-00 | C.D.I. UNIT ASSY BLOC C.D.I. | 1 | 1 | 1 | |
| 2 | 97575-06520 | BOLT, WITH WASHER VIS HEXAGONAL AVC RONDELLE | 3 | 3 | 3 | |
| 3 | 6BL-81948-00 | BRACKET SUPPORT | 1 | 1 | 1 | |
| 4 | 6A0-82317-00 | DAMPER, IGNITION COIL AMORTISSEUR, BOBINE D'ALLUM | 4 | 4 | 4 | |
| 5 | 90387-06119 | COLLAR COLLERETTE | 4 | 4 | 4 | |
| 6 | 95895-06030 | BOLT, FLANGE BOULON | 4 | 4 | 4 | |
| 7 | 90464-12183 | CLAMP BRIDE | 2 | | | |
| | 90464-13249 | CLAMP BRIDE | | 2 | 2 | |
| 8 | 90464-18246 | CLAMP BRIDE | 2 | 2 | | |
| 9 | 90464-12002 | CLAMP BRIDE | 1 | 1 | 1 | |
| 10 | 6BL-82119-00 | COVER, LEAD WIRE GARNITURE, FIL | | | 1 | |
| 11 | 97095-06016 | BOLT BOULON | | 5 | | |
| | 97095-06016 | BOLT BOULON | | 4 | | |
| | 97095-06016 | BOLT BOULON | | 3 | | |
| 12 | 92995-06600 | WASHER RONDELLE | | 5 | | |
| | 92995-06600 | WASHER RONDELLE | | 4 | | |
| | 92995-06600 | WASHER RONDELLE | | 3 | | |
| 13 | 6BL-82554-00 | STAY, NEUTRAL SWITCH SUPPORT, CONT DE POINT-MORT | 1 | 1 | 1 | |
| 14 | 95895-06014 | BOLT, FLANGE BOULON | 2 | 2 | 2 | |



FWD
6BP3300-K120



6BP1300-H130

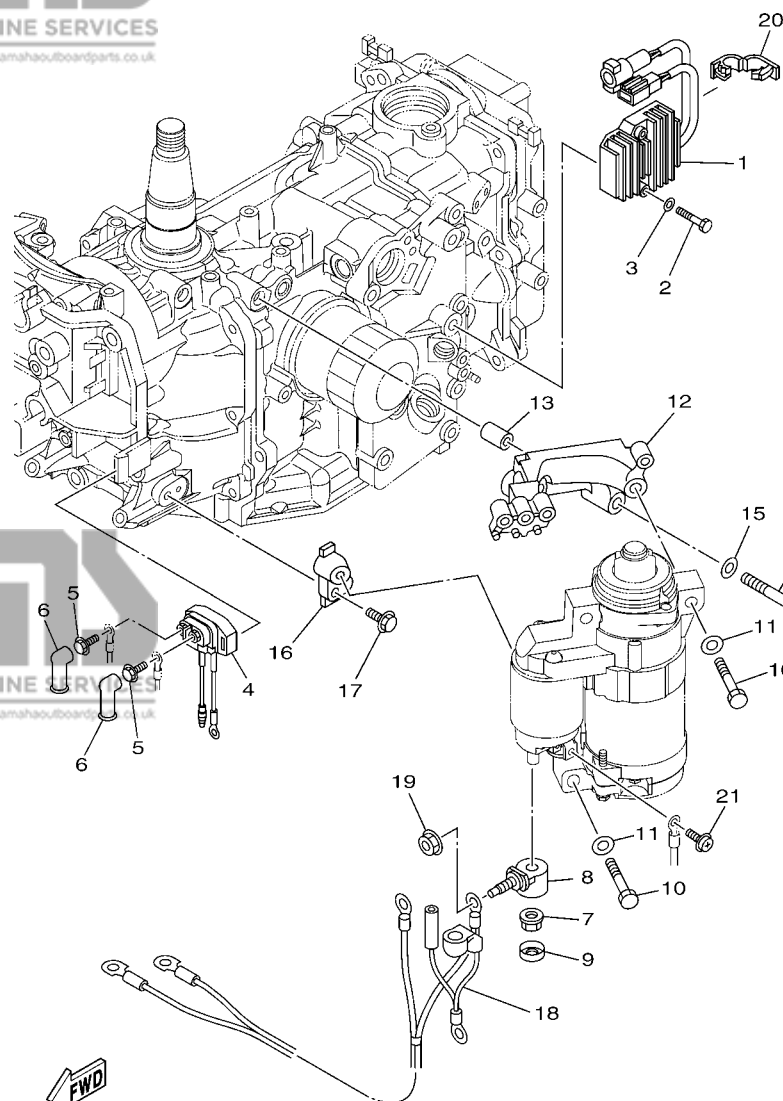
FIG. 14 ELECTRICAL 2

PARTIE ELECTRIQUE 2

| REF. NO. | PART NO. N° PIECES | DESCRIPTION DESCRIPTION | ET | E | MH | REMARKS REMARQUES |
|----------|--------------------|--|----|---|----|-------------------|
| 1 | 6F5-85570-13 | IGNITION COIL ASSY BOBINE D'ALLUMAGE (ENS.) | 1 | 1 | 1 | |
| 2 | 6AH-82370-00 | PLUG CAP ASSY ANTIPARASITE | 2 | 2 | 2 | |
| 3 | 90480-25003 | GROMMET PASSE-FIL | 3 | 3 | 3 | |
| 4 | 97095-06025 | BOLT BOULON | 2 | 2 | 2 | |
| 5 | 92995-06600 | WASHER RONDELLE | 2 | 2 | 2 | |
| 6 | 90464-09018 | CLAMP BRIDE | 1 | 1 | 1 | |
| 7 | 67F-2812A-00 | PULLER, FUSE TENDEUR, FUSIBLE | 1 | 1 | | |
| 8 | 67C-82155-00 | BAND COLLIER | 1 | 1 | | |
| 9 | 6BL-8339X-00 | CLAMP, CORD COLLIER, CORDON | 1 | 1 | 1 | |
| 10 | 97095-06016 | BOLT BOULON | 2 | 2 | 2 | |
| 11 | 92995-06600 | WASHER RONDELLE | 2 | 2 | 2 | |
| 12 | 90464-18246 | CLAMP BRIDE | 1 | 1 | 1 | |
| 13 | 90464-20181 | CLAMP BRIDE | 1 | 1 | 1 | |
| 14 | 90464-18246 | CLAMP BRIDE | | | 1 | |
| 15 | 64J-82504-00 | OIL PRESSURE SWITCH ASSY CONTACTEUR DE PRESSION D'HUILE | 1 | 1 | 1 | |
| 16 | 68V-81315-00 | LEAD WIRE ASSY FIL | 1 | 1 | 1 | |
| 17 | 6CJ-85790-00 | THERMOSENSOR ASSY SENSITOMETRE | 1 | 1 | 1 | |
| 18 | 90464-09M47 | CLAMP BRIDE | 1 | 1 | 1 | |
| 19 | 90430-14115 | GASKET JOINT | 1 | 1 | 1 | |
| 20 | 6BL-82389-00 | PLATE 2 PLAQUETTE 2 | 1 | 1 | 1 | |
| 21 | 97095-06016 | BOLT BOULON | 2 | 2 | 2 | |
| 22 | 92995-06600 | WASHER RONDELLE | 2 | 2 | 2 | |
| 23 | 90464-20181 | CLAMP BRIDE | 1 | 1 | 1 | |

FIG. 15 ELECTRICAL 3

PARTIE ELECTRIQUE 3



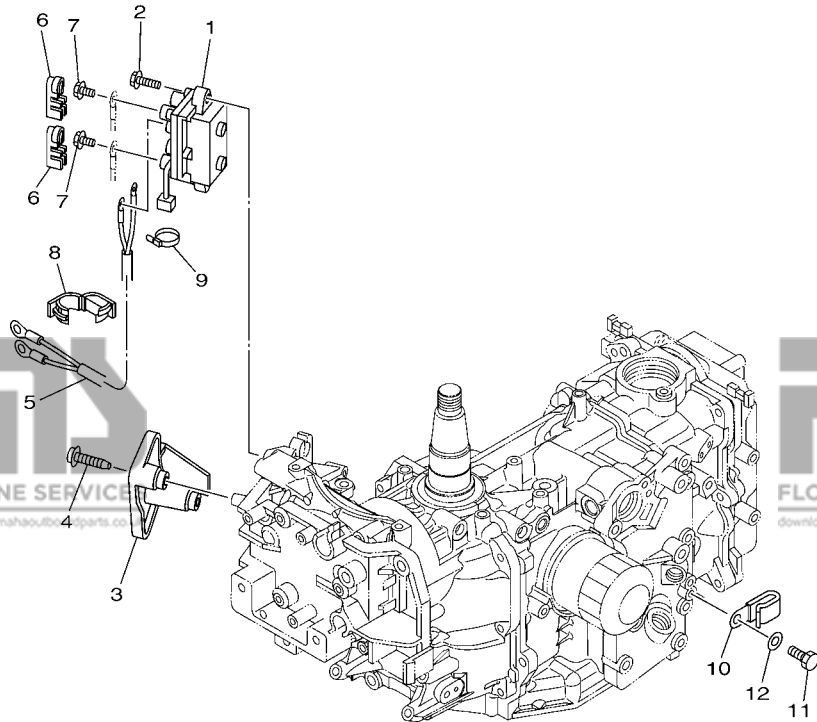
6BP3110-K150

| REF. NO. | PART NO. N° PIECES | DESCRIPTION DESCRIPTION | ET | E | MH | REMARKS REMARQUES |
|----------|--------------------|--|----|---|----|-------------------|
| 1 | 6BL-81960-00 | RECTIFIER & REGULATOR ASSY REDRESSEUR REGULATEUR CPLT | 1 | 1 | | |
| 2 | 97095-06040 | BOLT BOULON | 2 | 2 | | |
| 3 | 92995-06600 | WASHER RONDELLE | 2 | 2 | | |
| 4 | 68T-81940-00 | STARTER RELAY ASSY LANCEUR RELAIS (ENS.) | 1 | 1 | | |
| 5 | 97595-06610 | BOLT, WITH WASHER VIS HEXAGONAL AVC RONDELLE | 2 | 2 | | |
| 6 | 6G5-82119-10 | COVER, LEAD WIRE GARNITURE, FIL | 2 | 2 | | |
| 7 | 6BL-8182A-00 | NUT ECROU | 1 | 1 | | |
| 8 | 6BL-81925-00 | TERMINAL BORNE | 1 | 1 | | |
| 9 | 6BL-8183X-00 | CAP, TERMINAL COUVERCLE, BORNE | 1 | 1 | | |
| 10 | 97013-08045 | BOLT BOULON | 3 | 3 | | |
| 11 | 92903-08600 | WASHER, PLATE RONDELLE, PLATE | 3 | 3 | | |
| 12 | 6BL-81822-00 | BRACKET, STARTING MOTOR SUPPORT, DEMARREUR ELECTRIQUE | 1 | 1 | 1 | |
| 13 | 99530-10114 | PIN, DOWEL GOUJON, D'ASSEMBLAGE | 2 | 2 | 2 | |
| 14 | 97013-08045 | BOLT BOULON | 2 | 2 | 2 | |
| 15 | 92903-08600 | WASHER, PLATE RONDELLE, PLATE | 2 | 2 | 2 | |
| 16 | 6BL-81823-00 | STAY, STARTING MOTOR SUPPORT | 1 | 1 | | |
| 17 | 97575-06520 | BOLT, WITH WASHER VIS HEXAGONAL AVC RONDELLE | 1 | 1 | | |
| 18 | 6BL-82105-01 | BATTERY CABLE CABLE DE BATTERIE | 1 | 1 | | |
| 19 | 90179-08003 | NUT ECROU | 1 | 1 | | |
| 20 | 90464-18004 | CLAMP BRIDE | 1 | 1 | | |
| 21 | 90159-05M12 | SCREW, WITH WASHER VIS, AVEC RONDELLE | 1 | 1 | | |

FIG. 16 ELECTRICAL 4

PARTIE ELECTRIQUE 4

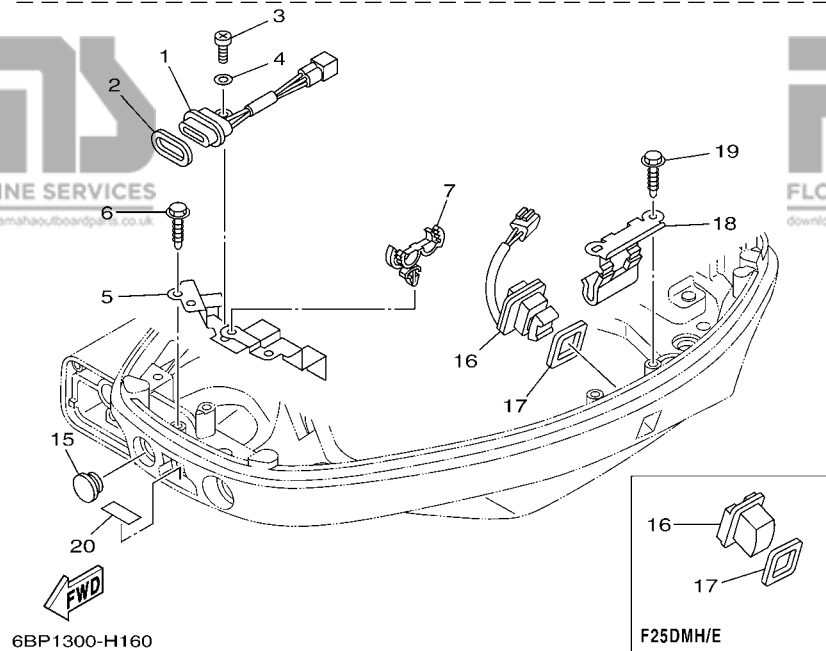
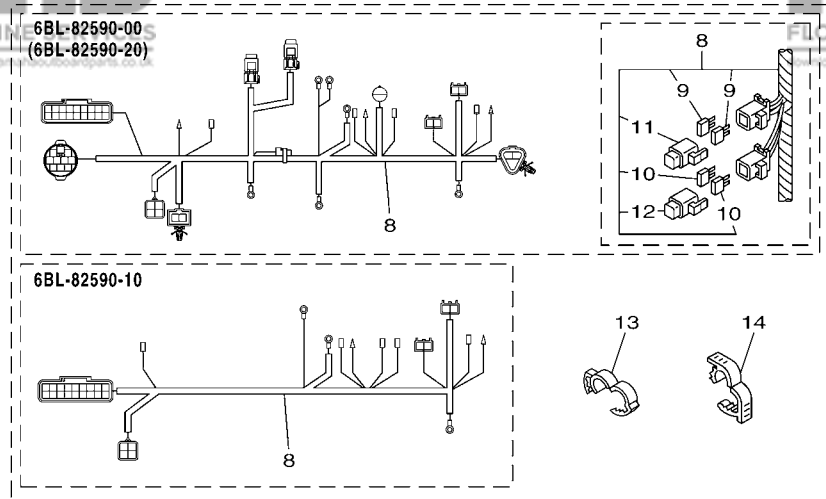
| REF. NO. | PART NO. N° PIECES | DESCRIPTION DESCRIPTION | ET | E | MH | REMARKS REMARQUES |
|----------|--------------------|---|----|---|----|-------------------|
| 1 | 63P-81950-00 | RELAY ASSY RELAIS COMPLET | 1 | | | |
| 2 | 97575-06520 | BOLT, WITH WASHER VIS HEXAGONAL AVC RONDELLE | 2 | | | |
| 3 | 6BL-81942-00 | COVER COUVERCLE | 1 | | | |
| 4 | 90167-05009 | SCREW, TAPPING VIS, TETE FRAISEE | 2 | | | |
| 5 | 6BL-81949-00 | WIRE, LEAD FIL | 1 | | | |
| 6 | 6P2-8183X-00 | CAP, TERMINAL COUVERCLE, BORNE | 2 | | | |
| 7 | 97595-06610 | BOLT, WITH WASHER VIS HEXAGONAL AVC RONDELLE | 2 | | | |
| 8 | 90464-18004 | CLAMP BRIDE | 1 | | | |
| 9 | 90465-11M10 | CLAMP BRIDE | 1 | | | |
| 10 | 90465-06M90 | CLAMP BRIDE | 1 | | | |
| 11 | 97095-06016 | BOLT BOULON | 1 | | | |
| 12 | 92995-06600 | WASHER RONDELLE | 1 | | | |




6BP3110-K160

FIG. 17 ELECTRICAL 5

PARTIE ELECTRIQUE 5



| REF. NO. | PART NO. N° PIECES | DESCRIPTION DESCRIPTION | ET | E | MH | REMARKS REMARQUES |
|----------|--------------------|--|----|---|----|-------------------|
| 1 | 62Y-84301-00 | PILOT LIGHT ASSY 1 LAMPE-TEMOIN 1 | 1 | 1 | 1 | |
| 2 | 6H4-83589-00 | GASKET GARNITURE | 1 | 1 | 1 | |
| 3 | 97885-06012 | SCREW, PAN HEAD VIS, A ENCOCHE | 1 | 1 | 1 | |
| 4 | 92995-06600 | WASHER RONDELLE | 1 | 1 | 1 | |
| 5 | 6BL-82388-00 | PLATE PLAQUETTE | 1 | 1 | 1 | |
| 6 | 90109-06M86 | BOLT BOULON | 2 | 2 | 2 | |
| 7 | 90464-18246 | CLAMP BRIDE | 1 | 1 | | |
| 8 | 6BL-82590-00 | WIRE HARNESS ASSY FAISCEAU DE FILS COMPLET | 1 | | | |
| | 6BL-82590-20 | WIRE HARNESS ASSY FAISCEAU DE FILS COMPLET | | 1 | | |
| | 6BL-82590-10 | WIRE HARNESS ASSY FAISCEAU DE FILS COMPLET | | | 1 | |
| 9 | 67F-82151-00 | .FUSE (20A) .FUSIBLE (20A) | 2 | 2 | | |
| 10 | 67F-82151-10 | .FUSE (30A) .FUSIBLE (30A) | 2 | 2 | | |
| 11 | 67F-8215B-10 | .CAP (YELLOW) .BOUCHON (YELLOW) | 1 | 1 | | |
| 12 | 67F-8215B-20 | .CAP (GREEN) .BOUCHON (GREEN) | 1 | 1 | | |
| 13 | 90464-16001 | CLAMP BRIDE | 1 | | | |
| | 90464-18004 | CLAMP BRIDE | 1 | 1 | | |
| 14 | 90464-18004 | CLAMP BRIDE | 1 | 1 | | |
| | 90464-09010 | CLAMP BRIDE | | | 1 | |
| 15 | 6G1-42725-00 | GROMMET PASSE-FIL | 1 | 1 | 1 | |
| 16 | 69J-82563-01 | TRIM & TILT SWITCH ASSY INCLINER ET PARER COMMUTATEUR | 1 | | | |
| | 69J-42723-01 | COVER, BOTTOM COUVERCLE | 1 | 1 | | |
| 17 | 69J-82587-00 | GASKET JOINT | 1 | 1 | 1 | |
| 18 | 63P-83614-01 | BRACKET SUPPORT | 1 | 1 | 1 | |
| 19 | 90109-06M86 | BOLT BOULON | 2 | 2 | 2 | |
| 20 | 67C-85415-00 | MARK, SIGNAL LAMP ETIQUETTE | 1 | 1 | 1 | |

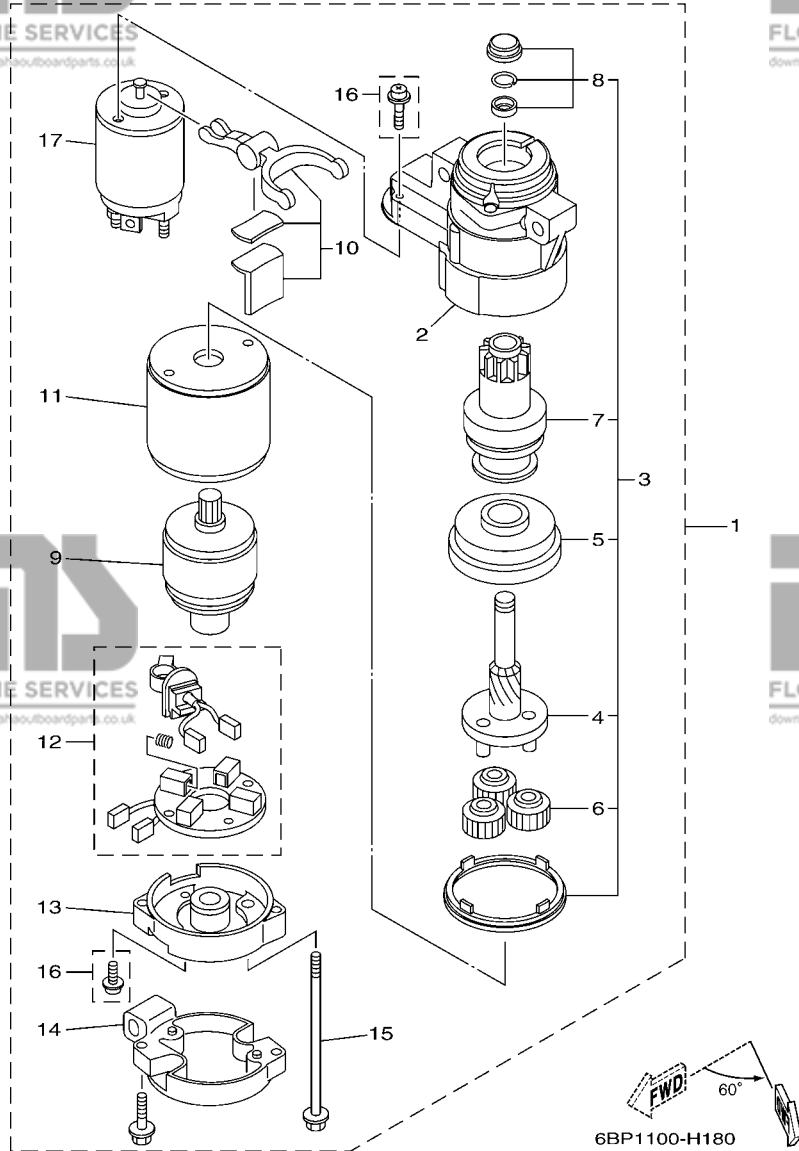


FIG. 18 STARTING MOTOR

DEMARREUR ELECTRIQUE

| REF. NO. | PART NO. N° PIECES | DESCRIPTION DESCRIPTION | ET | E | MH | REMARKS REMARQUES |
|----------|--------------------|---|----|---|----|-------------------|
| 1 | 6BG-81800-00 | STARTING MOTOR ASSY DEMARREUR ELECTRIQUE COMPLET | 1 | 1 | | |
| 2 | 6BG-81830-00 | .FRONT BRACKET ASSY .SUPPORT AVANT | 1 | 1 | | |
| 3 | 6BG-81807-00 | .GEAR ASSY, STARTING MOTOR .PIGNON, DEMARREUR ELECTRIQUE | 1 | 1 | | |
| 4 | 6BG-81836-00 | ..SPRING, LEVER ..RESSORT, LEVIER | 1 | 1 | | |
| 5 | 6BG-81891-00 | ..GEAR, RING ..ROUE DENTEE | 1 | 1 | | |
| 6 | 6AW-8183T-00 | ..GEAR, IDLER ..PIGNON, INTERMEDIAIRE | 3 | 3 | | |
| 7 | 6BG-81832-00 | ..CLUTCH, OVER RUN ..EMBRAYAGE, ROUE LIBRE | 1 | 1 | | |
| 8 | 6BG-81857-00 | ..RETAINER ..ARRETOIR | 1 | 1 | | |
| 9 | 6BG-81850-00 | .ARMATURE ASSY .INDUIT | 1 | 1 | | |
| 10 | 6BG-81839-00 | .LEVER ASSY .LEVIER COMPLET | 1 | 1 | | |
| 11 | 6BG-81810-00 | .STATOR ASSY .STATOR COMPLET | 1 | 1 | | |
| 12 | 6BG-81840-00 | .BRUSH HOLDER ASSY .SUPPORT DE CHARBON | 1 | 1 | | |
| 13 | 6BG-81820-00 | .REAR BRACKET ASSY .SUPPORT ARRIERE COMPLET | 1 | 1 | | |
| 14 | 6BG-8182J-00 | .BRACKET COMPLETE .SUPPORTE COMPLETE | 1 | 1 | | |
| 15 | 6BG-81826-00 | .BOLT .BOULON | 2 | 2 | | |
| 16 | 6BG-81846-00 | .SCREW SET .VIS | 1 | 1 | | |
| 17 | 6BG-81941-00 | .STARTER RELAY ASSY .LANCEUR RELAIS (ENS.) | 1 | 1 | | |

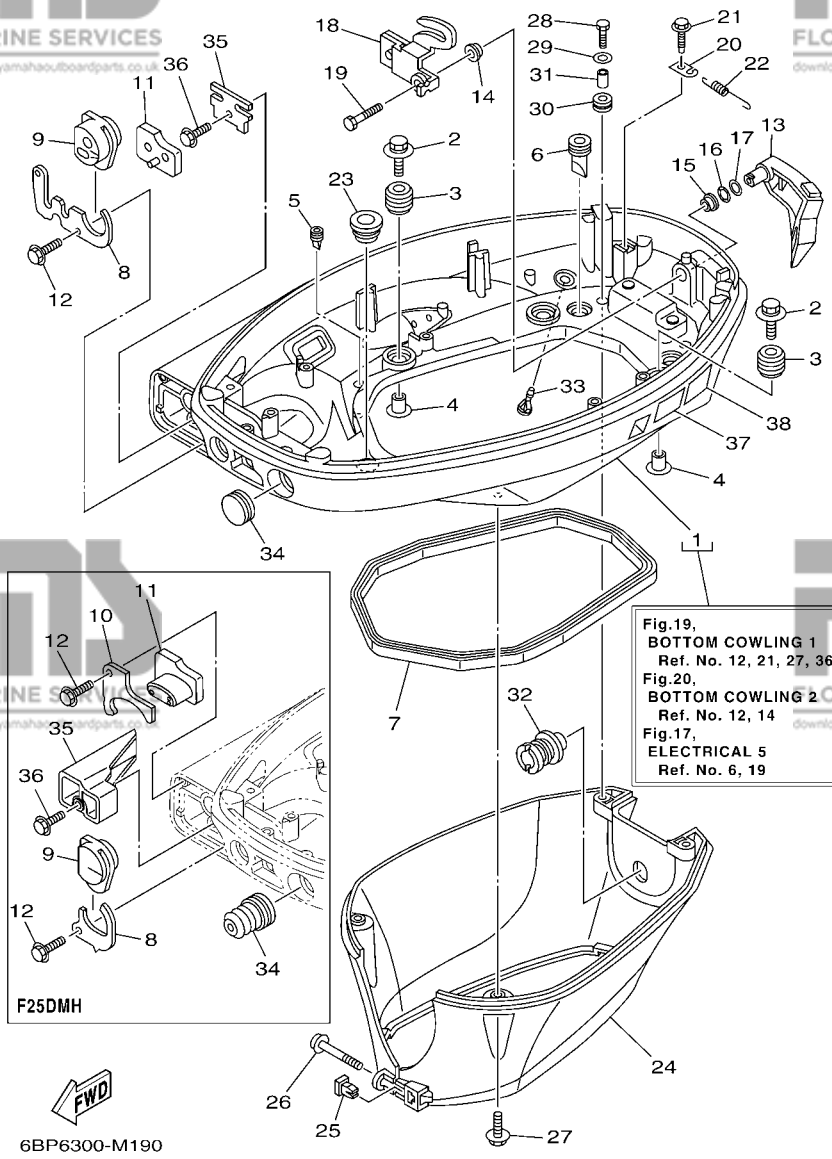


FIG. 19 BOTTOM COWLING 1

CAPOT INFERIEUR 1

| REF. NO. | PART NO. N° PIECES | DESCRIPTION DESCRIPTION | ET | E | MH | REMARKS REMARQUES |
|----------|--------------------|--|----|---|----|-------------------|
| 1 | 6BP-42710-00-4D | BOTTOM COWLING ASSY ENS. EMBASE | 1 | 1 | 1 | |
| 2 | 90119-06M61 | BOLT, WITH WASHER BOULON, AVEC RONDELLE | 4 | 4 | 4 | |
| 3 | 6BG-42748-00 | GROMMET PASSE-FIL | 4 | 4 | 4 | |
| 4 | 90387-06M69 | COLLAR COLLERETTE | 4 | 4 | 4 | |
| 5 | 65W-42717-00 | RUBBER, SEAL 2 JOINT EN CAOUTCHOUC 2 | 2 | 2 | 2 | |
| 6 | 61A-42717-00 | RUBBER, SEAL 2 JOINT EN CAOUTCHOUC 2 | 2 | 2 | 2 | |
| 7 | 62Y-42716-00 | RUBBER, SEAL 1 JOINT EN CAOUTCHOUC 1 | 1 | 1 | 1 | |
| 8 | 6BL-42761-00 | STOPPER PLAQUETTE | 1 | 1 | | |
| | 6BL-42761-10 | STOPPER PLAQUETTE | | | 1 | |
| 9 | 6BL-42725-01 | GROMMET PASSE-FIL | 1 | 1 | | |
| | 6BL-42725-10 | GROMMET PASSE-FIL | | | 1 | |
| 10 | 6BL-42762-10 | STOPPER PLAQUETTE | | | 1 | |
| 11 | 6BL-42727-00 | GROMMET PASSE-FIL | 1 | 1 | | |
| | 6BL-42727-10 | GROMMET PASSE-FIL | | | 1 | |
| 12 | 90109-06M86 | BOLT BOULON | 2 | 2 | 2 | |
| 13 | 6BL-42815-00-4D | LEVER, CLAMP LEVIER, PRESSE | 1 | 1 | 1 | |
| 14 | 90386-12M37 | BUSH DOUILLE | 1 | 1 | 1 | |
| 15 | 90386-12MA2 | BUSH DOUILLE | 1 | 1 | 1 | |
| 16 | 90206-12052 | WASHER, WAVE RONDELLE, ONDULEE | 1 | 1 | 1 | |
| 17 | 90201-12M07 | WASHER, PLATE RONDELLE, PLATE | 1 | 1 | 1 | |
| 18 | 6BG-42816-00 | LEVER, CLAMP LEVIER, PRESSE | 1 | 1 | 1 | |
| 19 | 97095-06012 | BOLT BOULON | 1 | 1 | 1 | |
| 20 | 66T-43144-00 | HOOK, SPRING CROCHET | 1 | 1 | 1 | |
| 21 | 90109-06M86 | BOLT BOULON | 1 | 1 | 1 | |
| 22 | 90506-18023 | SPRING, TENSION RESSORT, TENSION | 1 | 1 | 1 | |
| 23 | 68U-42727-00 | GROMMET PASSE-FIL | 1 | 1 | 1 | |
| 24 | 6BP-42741-00 | APRON CAPOT LATERAL | 1 | 1 | 1 | |

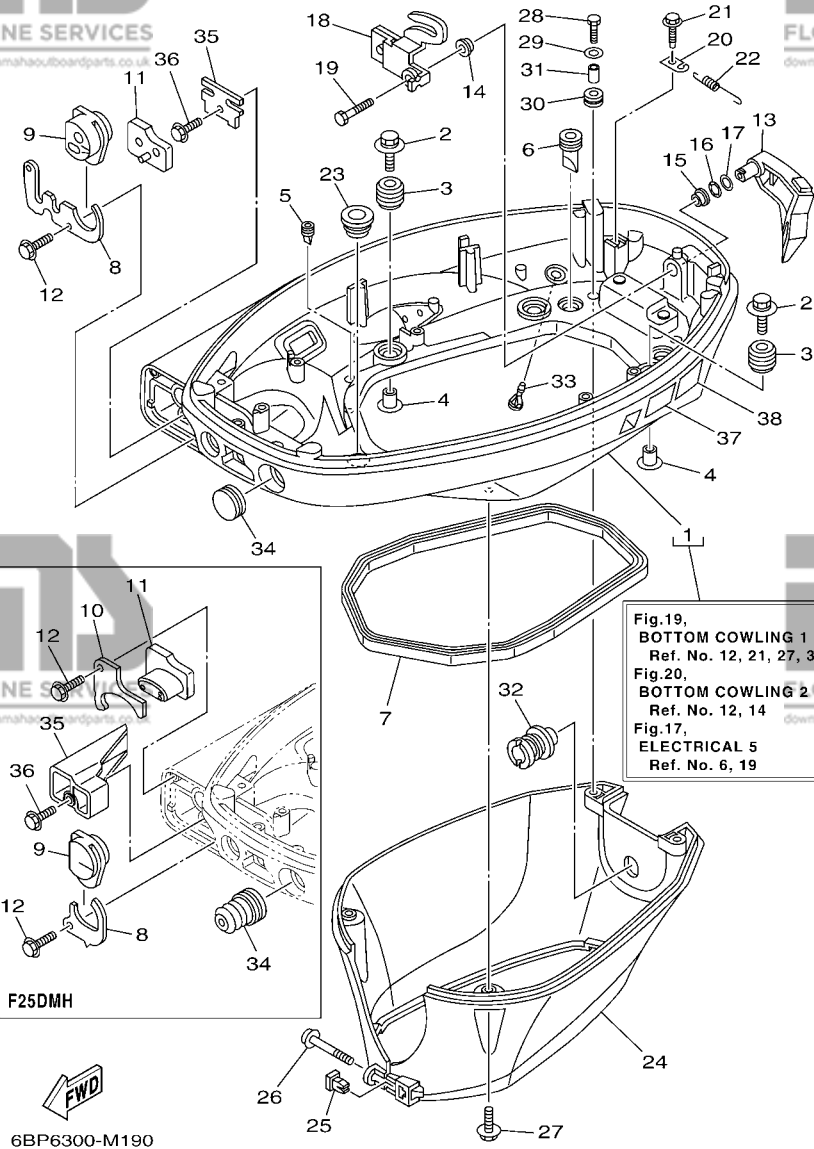


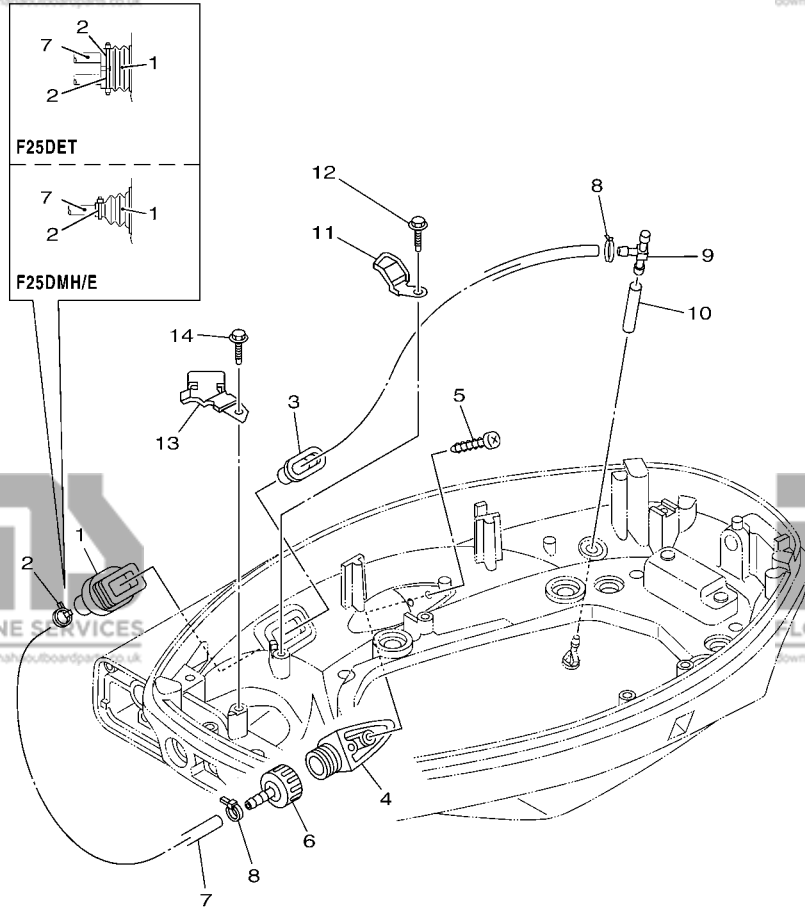
FIG. 19 BOTTOM COWLING 1

CAPOT INFERIEUR 1

| REF. NO. | PART NO. N° PIECES | DESCRIPTION DESCRIPTION | ET | E | MH | REMARKS REMARQUES |
|----------|--------------------|--|----|---|----|----------------------|
| 25 | 60V-42756-00 | STAY, CLAMP SUPPORT, COLLIER | 1 | 1 | 1 | |
| 26 | 97980-04245 | SCREW, WITH WASHER VIS, AVEC RONDELLE | 1 | 1 | 1 | |
| 27 | 90109-06M86 | BOLT BOULON | 2 | 2 | 2 | |
| 28 | 97095-06014 | BOLT BOULON | 2 | 2 | 2 | |
| 29 | 92995-06600 | WASHER RONDELLE | 2 | 2 | 2 | |
| 30 | 90480-13M24 | GROMMET PASSE-FIL | 2 | 2 | 2 | |
| 31 | 90387-06M43 | COLLAR COLLERETTE | 2 | 2 | 2 | |
| 32 | 6BP-42769-00 | SEAL, RUBBER BOURRELET, CAOUTCHOUC | 1 | 1 | 1 | L(21.6") L(21.6") |
| 33 | 6BL-44391-00 | NIPPLE, HOSE RACCORD D'ESSENCE | 1 | 1 | 1 | |
| 34 | 65W-42726-10 | GROMMET PASSE-FIL | 1 | 1 | | |
| | 65W-42726-00 | GROMMET PASSE-FIL | | | 1 | |
| 35 | 6BL-48538-00 | CLAMP, CABLE 1 COLLIER | 1 | 1 | | |
| | 6BL-42735-00 | PROTECTOR PROTECTEUR | | | 1 | |
| 36 | 90109-06M86 | BOLT BOULON | 1 | 1 | 1 | |
| 37 | 6EE-42794-40 | LABEL, WARNING (GENERAL) ETIQUETTE, AVERTISSEMENT | 1 | 1 | 1 | |
| 38 | 6EE-42794-50 | LABEL, WARNING (GENERAL) ETIQUETTE, AVERTISSEMENT | 1 | 1 | 1 | |

FIG. 20 BOTTOM COWLING 2

CAPOT INFERIEUR 2



6BP1300-H190

| REF. NO. | PART NO. N° PIECES | DESCRIPTION DESCRIPTION | ET | E | MH | REMARKS REMARQUES |
|----------|--------------------|-------------------------------------|----|---|----|-------------------|
| 1 | 6H1-42726-21 | GROMMET PASSE-FIL | 1 | | | |
| | 6BG-42724-00 | GROMMET PASSE-FIL | | 1 | 1 | |
| 2 | 90465-11M10 | CLAMP BRIDE | 2 | | | |
| | 90465-11M10 | CLAMP BRIDE | | 1 | 1 | |
| 3 | 6BG-42384-00 | SEAL, CAP JOINT, CAPUCHON | 1 | 1 | 1 | |
| 4 | 6AW-12572-00 | ADAPTER ADAPTATEUR | 1 | 1 | 1 | |
| 5 | 97780-60520 | SCREW, TAPPING VIS, TETE BOMBEE | 2 | 2 | 2 | |
| 6 | 6R3-12580-00 | JOINT ASSY ARTICULER (ENS.) | 1 | 1 | 1 | |
| 7 | 90445-11153 | HOSE (L460) DURITE (L460) | 1 | 1 | 1 | |
| 8 | 90465-11M10 | CLAMP BRIDE | 2 | 2 | 2 | |
| 9 | 6C5-24378-00 | PIPE, JOINT 3 DURITE RACCORDEMENT 3 | 1 | 1 | 1 | |
| 10 | 90445-09057 | HOSE (L43) DURITE (L43) | 1 | 1 | 1 | |
| 11 | 6BL-24396-00 | PLATE PLAQUE | 1 | 1 | 1 | |
| 12 | 90109-06M86 | BOLT BOULON | 1 | 1 | 1 | |
| 13 | 6BL-24364-00 | STAY SUPPORT | 1 | 1 | 1 | |
| 14 | 90109-06M86 | BOLT BOULON | 1 | 1 | 1 | |

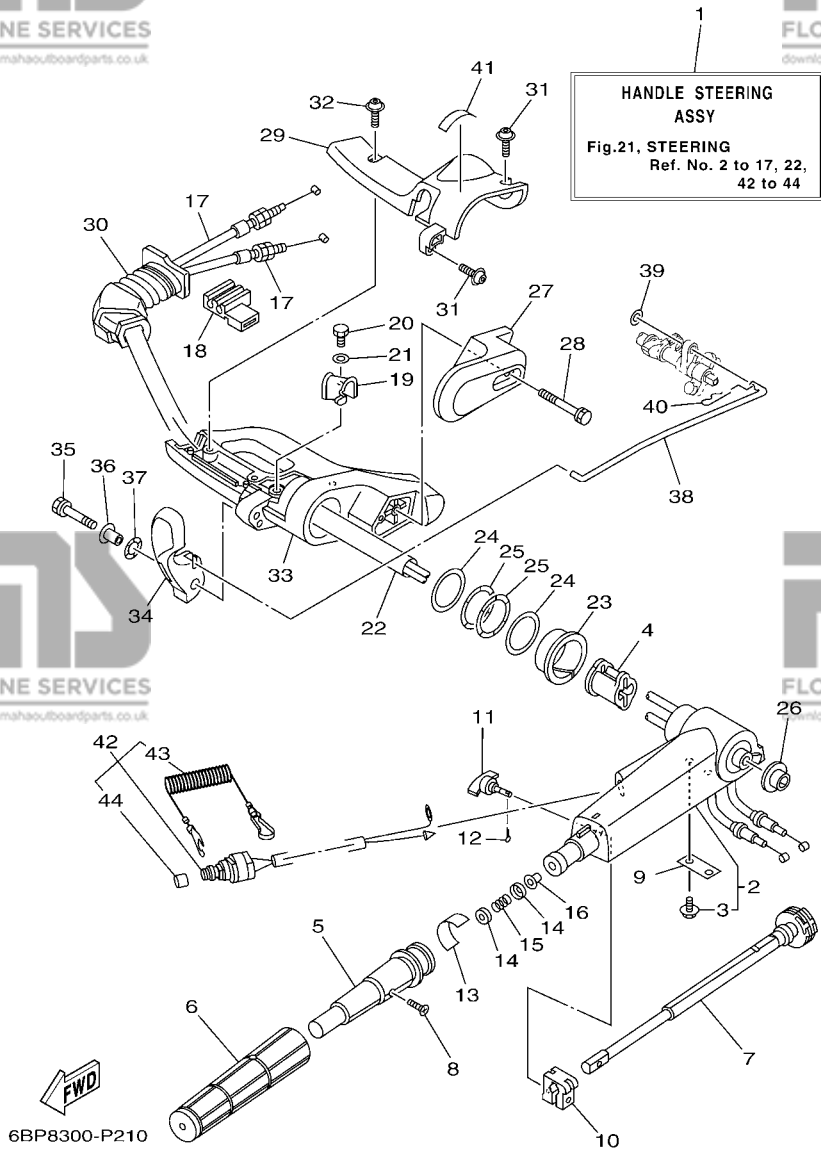


FIG. 21 STEERING

DIRECTION

| REF. NO. | PART NO. N° PIECES | DESCRIPTION DESCRIPTION | ET | E | MH | REMARKS REMARQUES |
|----------|--------------------|---|----|---|----|-------------------|
| 1 | 6BP-W0084-00-4D | HANDLE STEERING ASSY BARRE FRANCHE (ENS.) | | | 1 | |
| 2 | 6AH-42101-02-4D | HANDLE, STEERING POIGNEE | | | 1 | |
| 3 | 90109-06M86 | .BOLT .BOULON | | | 2 | |
| 4 | 6AH-26288-00 | GROMMET, CABLE OEILLET DE CABLE | | | 1 | |
| 5 | 66M-42119-01 | GRIP, STEERING HANDLE POIGNEE, BARRE FRANCHE | | | 1 | |
| 6 | 67D-42177-00 | RUBBER, HANDLE CAOUTCHOUC, POIGNEE | | | 1 | |
| 7 | 65W-42138-00 | LEVER, THROTTLE LEVIER, ACCELERATEUR | | | 1 | |
| 8 | 90152-05011 | SCREW, COUNTERSUNK VIS, TETE NOYEE | | | 1 | |
| 9 | 65W-42159-00 | STAY SUPPORT | | | 1 | |
| 10 | 6G1-42126-00 | FRICTION, STEERING HANDLE GRIP CUVETTE, POIGNEE DE DIRECTION | | | 1 | |
| 11 | 65W-42125-00 | BOLT, FRICTION ADJUSTING BOULON | | | 1 | |
| 12 | 91490-16010 | PIN, COTTER GOUPILLE | | | 1 | |
| 13 | 6J0-42137-10 | INDICATOR, THROTTLE INDICATEUR, ACCELERATION | | | 1 | |
| 14 | 6X4-44188-00 | WASHER RONDELLE | | | 2 | |
| 15 | 90501-23215 | SPRING, COMPRESSION RESSORT, COMPRESSION | | | 1 | |
| 16 | 90386-08004 | BUSH DOUILLE | | | 1 | |
| 17 | 6BP-26311-00 | CABLE, THROTTLE 1 CABLE 1, ACCELERATEUR | | | 2 | |
| 18 | 6BP-26316-00 | BOOT, THROTTLE CABLE SOUFFLET, CABLE D'ACCELERATEUR | | | 1 | |
| 19 | 6AH-44554-00 | PLATE PLAQUETTE | | | 1 | |
| 20 | 97095-06014 | BOLT BOULON | | | 1 | |
| 21 | 92995-06600 | WASHER RONDELLE | | | 1 | |
| 22 | 6AH-2634E-00 | PROTECTOR 1 PROTECTEUR 1 | | | 1 | |
| 23 | 90386-45001 | BUSH DOUILLE | | | 1 | |
| 24 | 90201-39008 | WASHER, PLATE RONDELLE, PLATE | | | 2 | |
| 25 | 90206-39001 | WASHER, WAVE RONDELLE, ONDULEE | | | 2 | |
| 26 | 90381-20001 | BUSH, SOLID DOUILLE, SOLIDE | | | 1 | |
| 27 | 6AH-42131-00-4D | COVER, HANDLE STEERING COUVERCLE | | | 1 | |

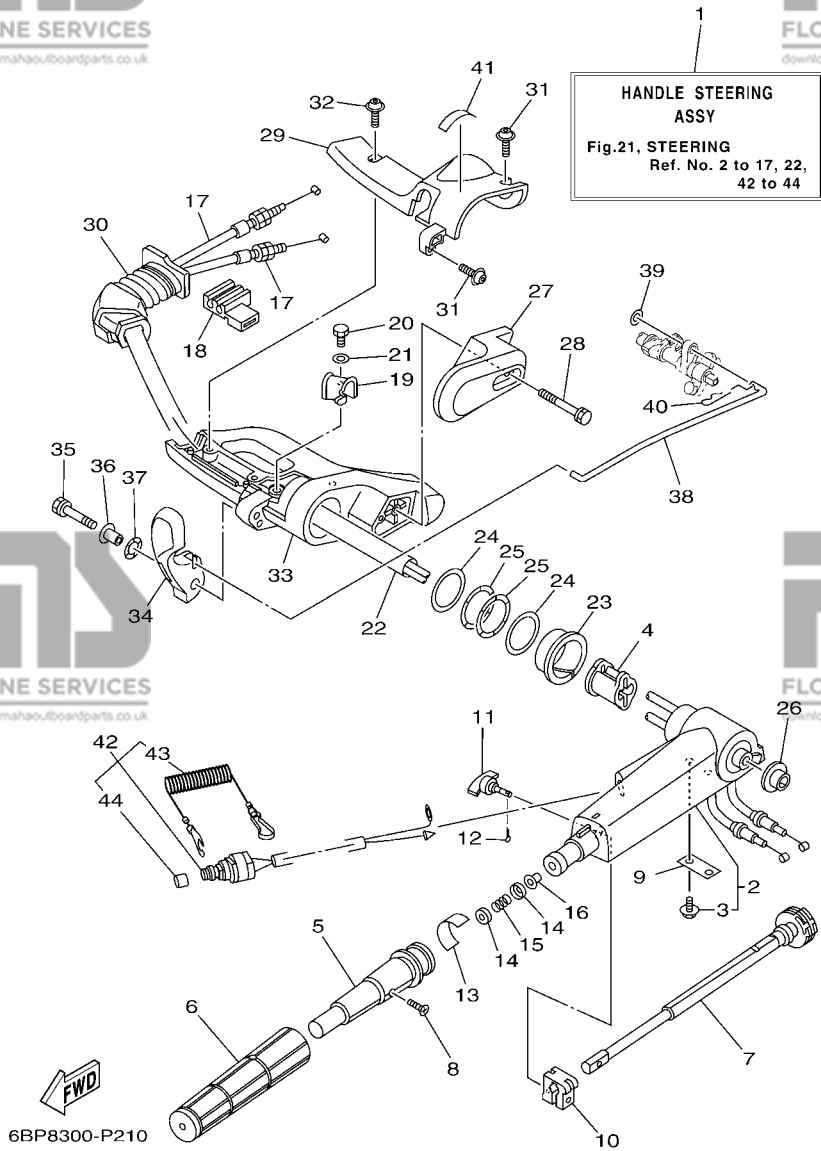


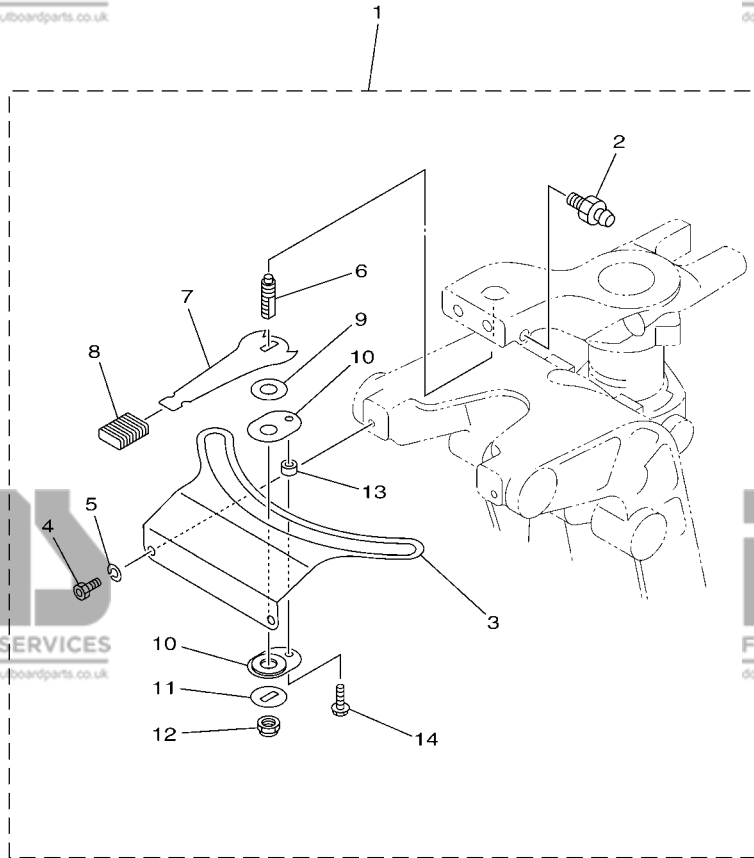
FIG. 21 STEERING

DIRECTION

| REF. NO. | PART NO. N° PIECES | DESCRIPTION DESCRIPTION | ET | E | MH | REMARKS REMARQUES |
|----------|--------------------|---|----|---|----|-------------------|
| 28 | 97595-06555 | BOLT, WITH WASHER VIS HEXAGONAL AVC RONDELLE | | | 2 | |
| 29 | 6BL-42532-00 | COVER COUVERCLE | | | 1 | |
| 30 | 6BL-42131-00 | COVER, HANDLE STEERING COUVERCLE | | | 1 | |
| 31 | 90111-06072 | BOLT,HEX. SOCKET BUTTON BOULON | | | 3 | |
| 32 | 90111-06072 | BOLT,HEX. SOCKET BUTTON BOULON | | | 1 | |
| 33 | 6BL-42121-00-4D | BRACKET SUPPORT | | | 1 | |
| 34 | 6AH-44111-00 | HANDLE, GEAR SHIFT POIGNEE, LEVIER D'EMBRAYAGE | | | 1 | |
| 35 | 90119-06M05 | BOLT, WITH WASHER BOULON, AVEC RONDELLE | | | 1 | |
| 36 | 90387-06M86 | COLLAR COLLERETTE | | | 1 | |
| 37 | 90206-15M18 | WASHER, WAVE RONDELLE, ONDULEE | | | 1 | |
| 38 | 6BL-44124-00 | LINK, SHIFT ROD BIELLETTTE | | | 1 | |
| 39 | 92990-06200 | WASHER, PLAIN RONDELLE, PLATE | | | 1 | |
| 40 | 90468-18008 | CLIP JONC | | | 1 | |
| 41 | 6G8-44191-00 | INDICATOR, SHIFT ETIQUETTE, EMBRAYAGE | | | 1 | |
| 42 | 6BL-82575-00 | ENGINE STOP SWITCH ASSY COUPE CIRCUIT CPLT | | | 1 | |
| 43 | 682-82556-00 | .LANYARD, STOP SWITCH .CORDON DU COUPE CIRCUIT | | | 1 | |
| 44 | 689-8257Y-00 | .CAP .COUVERCLE | | | 1 | |

FIG. 22 STEERING FRICTION

CUVETTE POIGNEE DE DIRECTION



| REF. NO. | PART NO. N° PIECES | DESCRIPTION DESCRIPTION | ET | E | MH | REMARKS REMARQUES |
|----------|--------------------|---|----|---|----|-------------------|
| 1 | 65W-42508-00 | STEERING FRICTION ASSY DIRECTION FRICTION (ENS.) | | | 1 | |
| 2 | 93700-06M03 | .NIPPLE, GREASE .PION | | | 1 | |
| 3 | 65W-42527-00 | .PLATE, FRICTION .PLAQUE, FRICTION | | | 1 | |
| 4 | 90109-06M88 | .BOLT .BOULON | | | 2 | |
| 5 | 92990-06100 | .WASHER, SPRING .RONDELLE, GROWER | | | 2 | |
| 6 | 65W-42562-00 | .SHAFT, STEERING LOCK .ARBRE, ANTIVOL DE DIRECTION | | | 1 | |
| 7 | 65W-42561-00 | .KNOB, STEERING LOCK .BOUTON | | | 1 | |
| 8 | 689-43633-00 | .COVER, TILT LEVER .COUVERCLE | | | 1 | |
| 9 | 90202-10M56 | .WASHER, PLATE .RONDELLE, PLATE | | | 1 | |
| 10 | 65W-42528-00 | .PLATE, FRICTION .PLAQUE, FRICTION | | | 2 | |
| 11 | 90209-10M26 | .WASHER .RONDELLE | | | 1 | |
| 12 | 90185-10M14 | .NUT, SELF-LOCKING .ECROU, AUTO-BLOQUANT | | | 1 | |
| 13 | 90387-05054 | .COLLAR .COLLERETTE | | | 1 | |
| 14 | 90109-05M89 | .BOLT .BOULON | | | 1 | |



65W1010-2181

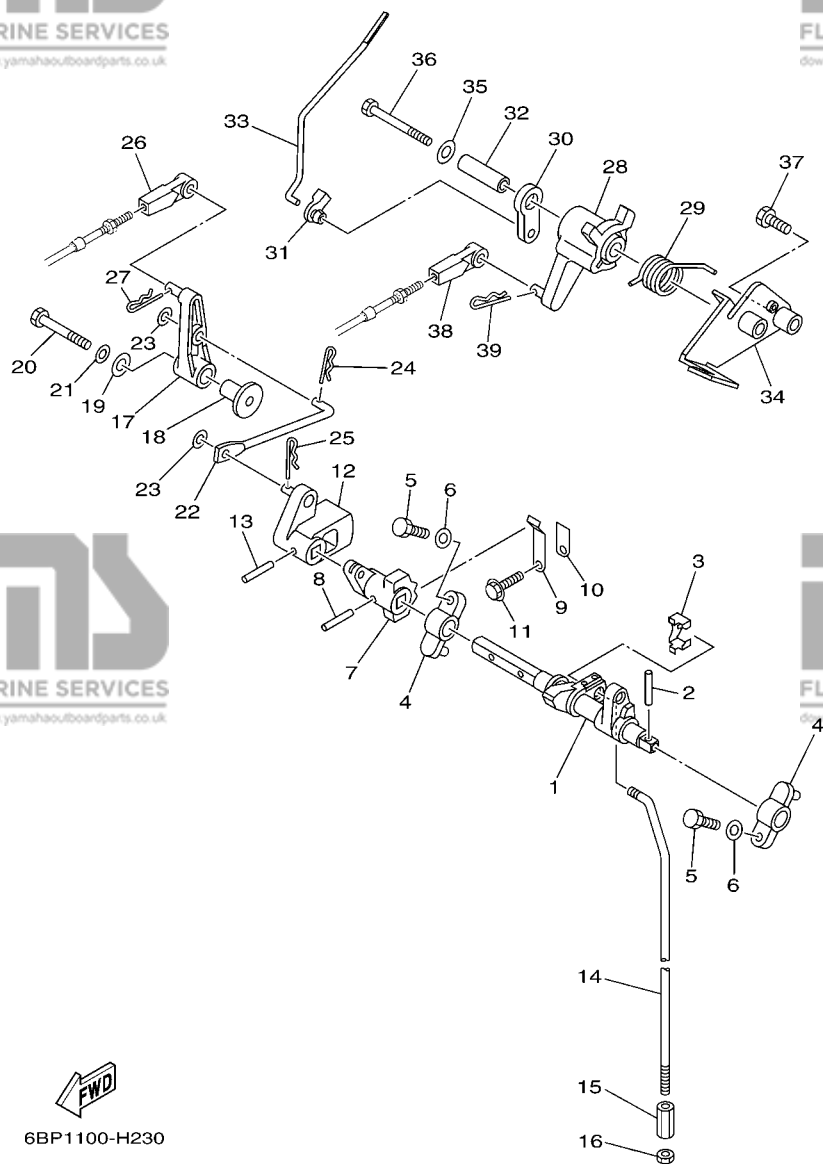


FIG. 23 CONTROL 1

COMMANDE 1

| REF. NO. | PART NO. N° PIECES | DESCRIPTION DESCRIPTION | ET | E | MH | REMARKS REMARQUES |
|----------|--------------------|--|----|---|----|----------------------|
| 1 | 6BL-44121-00 | LEVER, SHIFT ROD LEVIER, TIGE D'INVERSION | 1 | 1 | | |
| 2 | 90254-03M05 | PIN, SPRING RIVET, TETE TRONCONIQUE | 1 | 1 | | |
| 3 | 6AH-26364-00 | END, CABLE 2 EMBOU, DE CABLE | 1 | 1 | | |
| 4 | 6G1-41662-01-94 | BRACKET 2 SUPPORT 2 | 2 | 2 | | |
| 5 | 97095-06020 | BOLT BOULON | 2 | 2 | | |
| 6 | 92995-06600 | WASHER RONDELLE | 2 | 2 | | |
| 7 | 6BL-44173-00 | LEVER, SHIFT CONTROL POIGNEE, INVERSION | 1 | 1 | | |
| 8 | 90254-03M05 | PIN, SPRING RIVET, TETE TRONCONIQUE | 1 | 1 | | |
| 9 | 65W-44116-00 | SPRING RESSORT | 1 | 1 | | |
| 10 | 66R-44114-00 | STOPPER PLAQUETTE | 1 | 1 | | |
| 11 | 95895-06014 | BOLT, FLANGE BOULON | 1 | 1 | | |
| 12 | 6BL-44142-00 | JOINT AXE | 1 | 1 | | |
| 13 | 90254-03M05 | PIN, SPRING RIVET, TETE TRONCONIQUE | 1 | 1 | | |
| 14 | 6BP-44143-00 | ROD, SHIFT TIGE D'EMBAYAGE | 1 | 1 | | S(16.6") S(16.6") |
| 15 | 90170-06015 | NUT ECROU | 1 | 1 | | L(21.6") L(21.6") |
| 16 | 95380-06700 | NUT ECROU | 1 | 1 | | |
| 17 | 6BL-44125-00 | LEVER, SHIFT ROD LEVIER, TIGE D'INVERSION | 1 | 1 | | |
| 18 | 90387-06M86 | COLLAR COLLERETTE | 1 | 1 | | |
| 19 | 90201-06M31 | WASHER, PLATE RONDELLE, PLATE | 1 | 1 | | |
| 20 | 97095-06035 | BOLT BOULON | 1 | 1 | | |
| 21 | 92995-06600 | WASHER RONDELLE | 1 | 1 | | |
| 22 | 6BL-44192-00 | LINK, SHIFT ROD BIELLETTTE | 1 | 1 | | |
| 23 | 90201-05M06 | WASHER, PLATE RONDELLE, PLATE | 2 | 2 | | |
| 24 | 90468-10005 | CLIP JONC | 1 | 1 | | |
| 25 | 90468-18001 | CLIP JONC | 1 | 1 | | |
| 26 | 663-48344-00 | CABLE END, REMOTE CONTROL CHAPE CABLE | 1 | 1 | | |

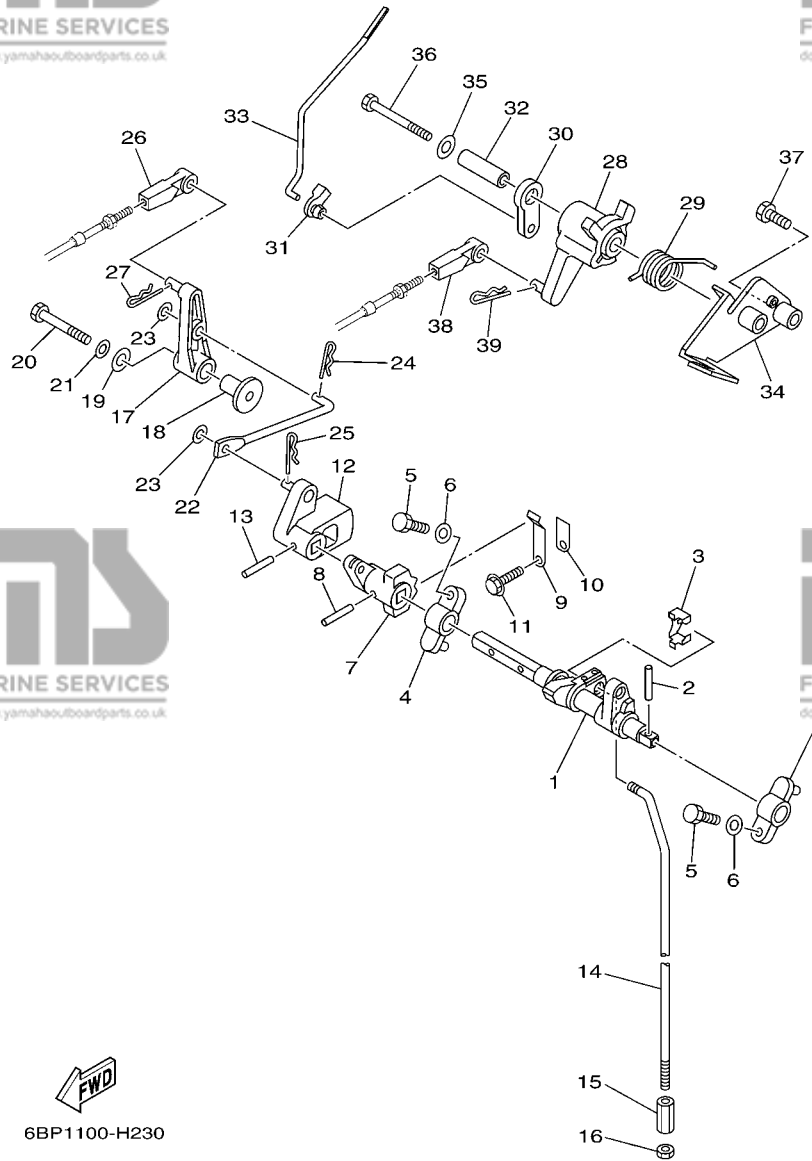
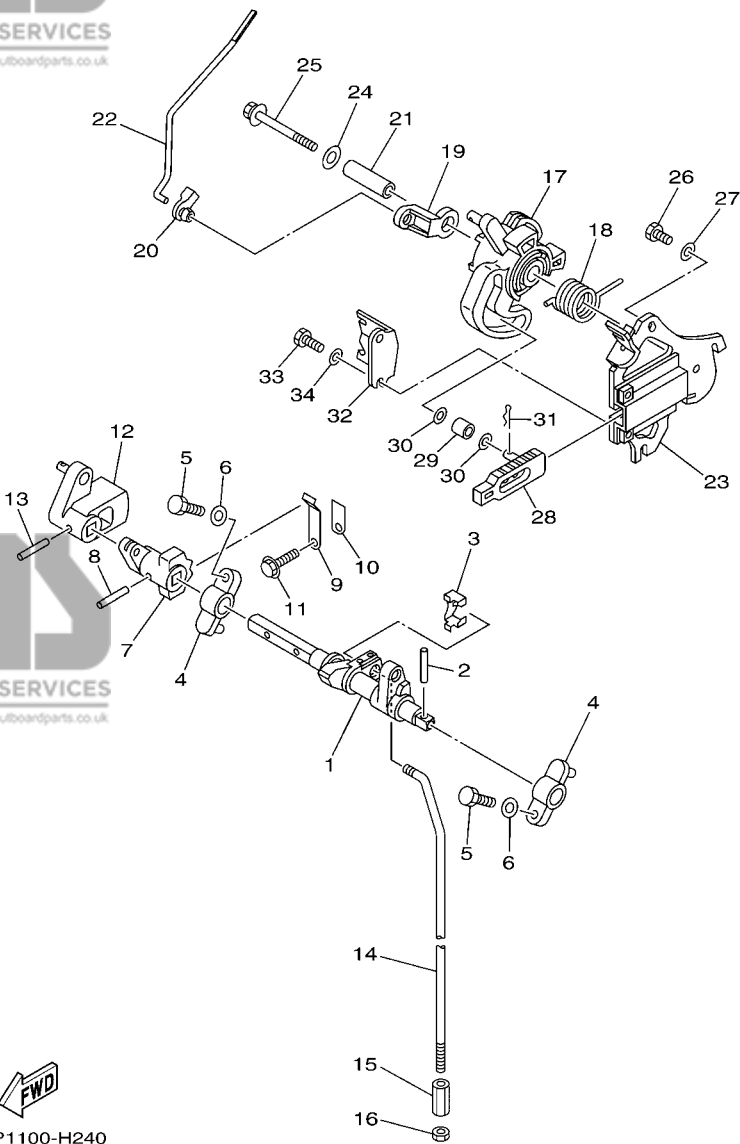


FIG. 23 CONTROL 1

COMMANDE 1

| REF. NO. | PART NO. N° PIECES | DESCRIPTION DESCRIPTION | ET | E | MH | REMARKS REMARQUES |
|----------|--------------------|---|----|---|----|-------------------|
| 27 | 90468-18008 | CLIP JONC | 1 | 1 | | |
| 28 | 6BL-41638-00 | PULLEY POULIE | 1 | 1 | | |
| 29 | 90508-20040 | SPRING, TORSION RESSORT, TORSION | 1 | 1 | | |
| 30 | 65W-41283-00 | LEVER, FREE ACCEL. LEVIER | 1 | 1 | | |
| 31 | 6J8-41262-00 | JOINT, CHOKE LEVER RACCORD, LEVIER DE STARTER | 1 | 1 | | |
| 32 | 90387-06139 | COLLAR COLLERETTE | 1 | 1 | | |
| 33 | 6BL-41211-00 | LINK, ACCEL. BIELLETTE, ACCELERATION | 1 | 1 | | |
| 34 | 6BL-14571-10 | BRACKET, THROTTLE SUPPORT, ACCELERATEUR | 1 | 1 | | |
| 35 | 90201-06M31 | WASHER, PLATE RONDELLE, PLATE | 1 | 1 | | |
| 36 | 97095-06065 | BOLT BOULON | 1 | 1 | | |
| 37 | 97095-06025 | BOLT BOULON | 1 | 1 | | |
| 38 | 663-48344-00 | CABLE END, REMOTE CONTROL CHAPE CABLE | 1 | 1 | | |
| 39 | 90468-18008 | CLIP JONC | 1 | 1 | | |

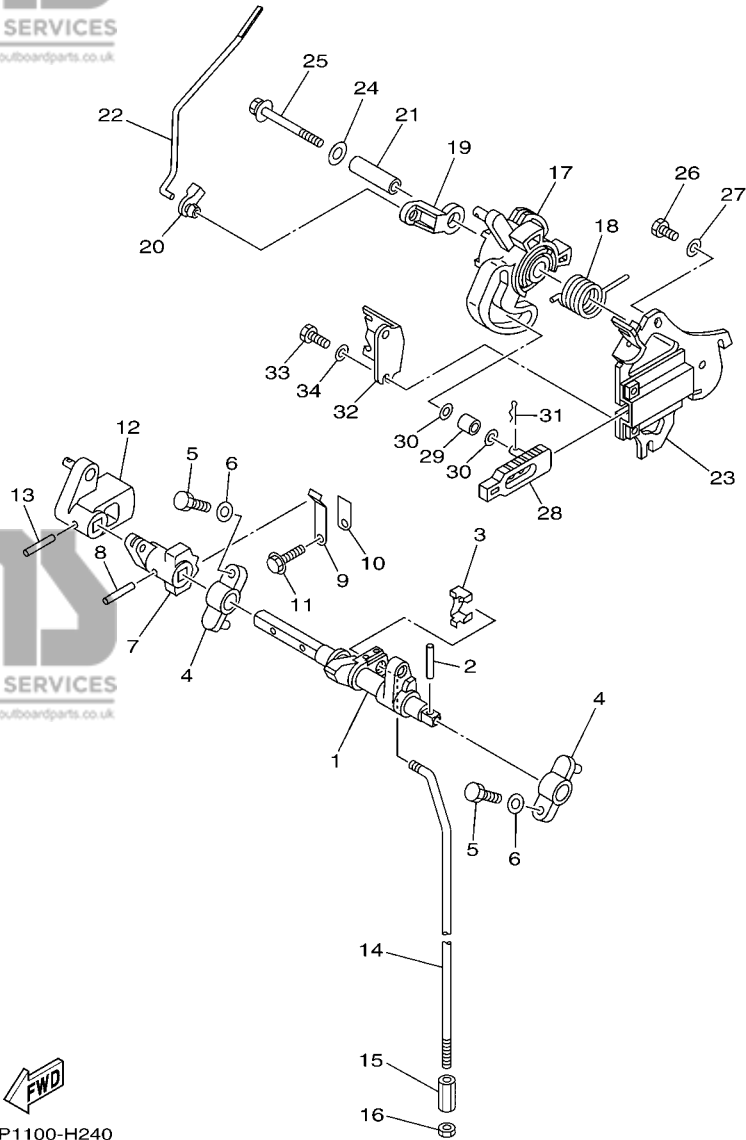


6BP1100-H240

FIG. 24 CONTROL 2

COMMANDE 2

| REF. NO. | PART NO. N° PIECES | DESCRIPTION DESCRIPTION | ET | E | MH | REMARKS REMARQUES |
|----------|--------------------|--|----|---|----|----------------------|
| 1 | 6BL-44121-00 | LEVER, SHIFT ROD LEVIER, TIGE D'INVERSION | | | 1 | |
| 2 | 90254-03M05 | PIN, SPRING RIVET, TETE TRONCONIQUE | | | 1 | |
| 3 | 6AH-26364-00 | END, CABLE 2 EMBOUT, DE CABLE | | | 1 | |
| 4 | 6G1-41662-01-94 | BRACKET 2 SUPPORT 2 | | | 2 | |
| 5 | 97095-06020 | BOLT BOULON | | | 2 | |
| 6 | 92995-06600 | WASHER RONDELLE | | | 2 | |
| 7 | 6BL-44173-00 | LEVER, SHIFT CONTROL POIGNEE, INVERSION | | | 1 | |
| 8 | 90254-03M05 | PIN, SPRING RIVET, TETE TRONCONIQUE | | | 1 | |
| 9 | 65W-44116-00 | SPRING RESSORT | | | 1 | |
| 10 | 66R-44114-00 | STOPPER PLAQUETTE | | | 1 | |
| 11 | 95895-06014 | BOLT, FLANGE BOULON | | | 1 | |
| 12 | 6BL-44142-00 | JOINT AXE | | | 1 | |
| 13 | 90254-03M05 | PIN, SPRING RIVET, TETE TRONCONIQUE | | | 1 | |
| 14 | 6BP-44143-00 | ROD, SHIFT TIGE D'EMBAYAGE | | | 1 | S(16.6") S(16.6") |
| | 6BP-44143-10 | ROD, SHIFT TIGE D'EMBAYAGE | | | 1 | L(21.6") L(21.6") |
| 15 | 90170-06015 | NUT ECROU | | | 1 | |
| 16 | 95380-06700 | NUT ECROU | | | 1 | |
| 17 | 6AH-41638-00 | PULLEY POULIE | | | 1 | |
| 18 | 90508-20M44 | SPRING, TORSION RESSORT, TORSION | | | 1 | |
| 19 | 6BL-41283-00 | LEVER, FREE ACCEL. LEVIER | | | 1 | |
| 20 | 6J8-41262-00 | JOINT, CHOKE LEVER RACCORD, LEVIER DE STARTER | | | 1 | |
| 21 | 90387-06139 | COLLAR COLLERETTE | | | 1 | |
| 22 | 6BP-41211-00 | LINK, ACCEL. BIELLETTE, ACCELERATION | | | 1 | |
| 23 | 6BL-14571-00 | BRACKET, THROTTLE SUPPORT, ACCELERATEUR | | | 1 | |
| 24 | 90201-06M31 | WASHER, PLATE RONDELLE, PLATE | | | 1 | |
| 25 | 97595-06555 | BOLT, WITH WASHER VIS HEXAGONAL AVC RONDELLE | | | 1 | |
| 26 | 97095-06014 | BOLT BOULON | | | 2 | |



FWD
6BP1100-H240

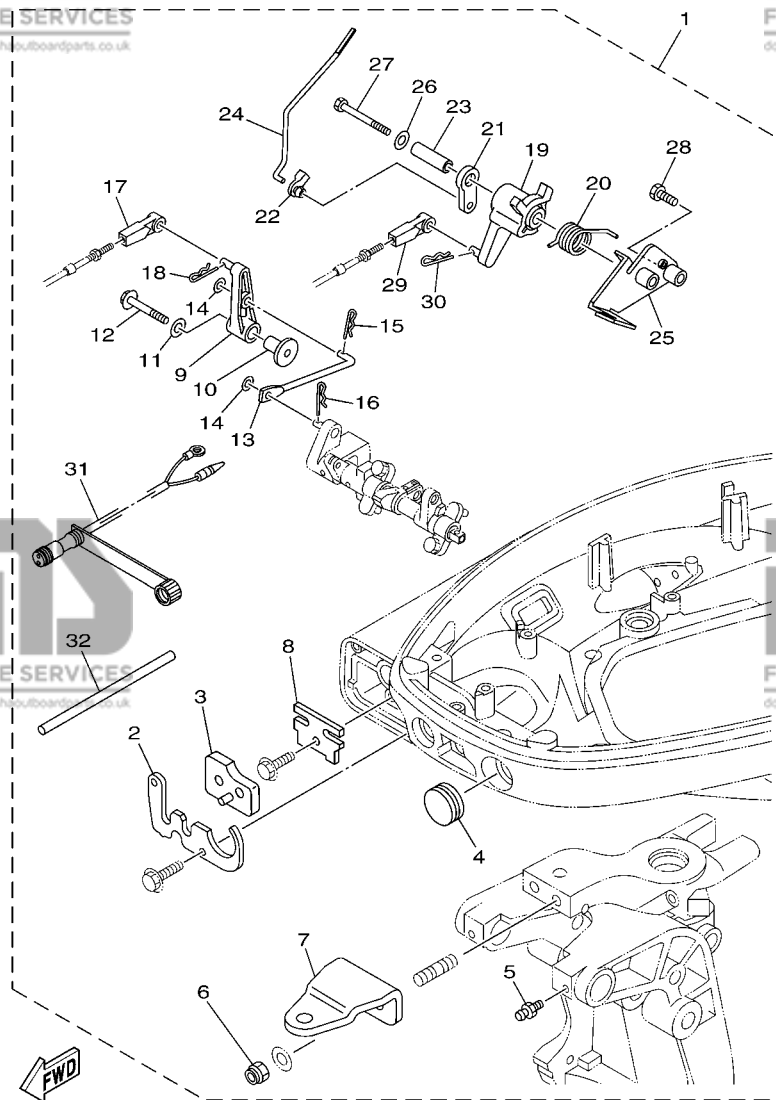
FIG. 24 CONTROL 2

COMMANDE 2

| REF. NO. | PART NO. N° PIECES | DESCRIPTION DESCRIPTION | ET | E | MH | REMARKS REMARQUES |
|----------|--------------------|--|----|---|----|-------------------|
| 27 | 92995-06600 | WASHER RONDELLE | | | 2 | |
| 28 | 6AH-44167-10 | PLUNGER, SHIFT CAM POUSSOIR D'EMBAYAGE | | | 1 | |
| 29 | 62Y-42171-00 | BUSHING COUSSINET | | | 1 | |
| 30 | 90201-05M04 | WASHER, PLATE RONDELLE, PLATE | | | 2 | |
| 31 | 90468-10005 | CLIP JONC | | | 1 | |
| 32 | 6AH-14497-00 | STAY, THROTTLE WIRE SUPPORT DE BOISSEAU | | | 1 | |
| 33 | 97095-06014 | BOLT BOULON | | | 2 | |
| 34 | 92995-06600 | WASHER RONDELLE | | | 2 | |

FIG. 25 REMO CON ATTACHMENT

COMMANDE A DISTANCE

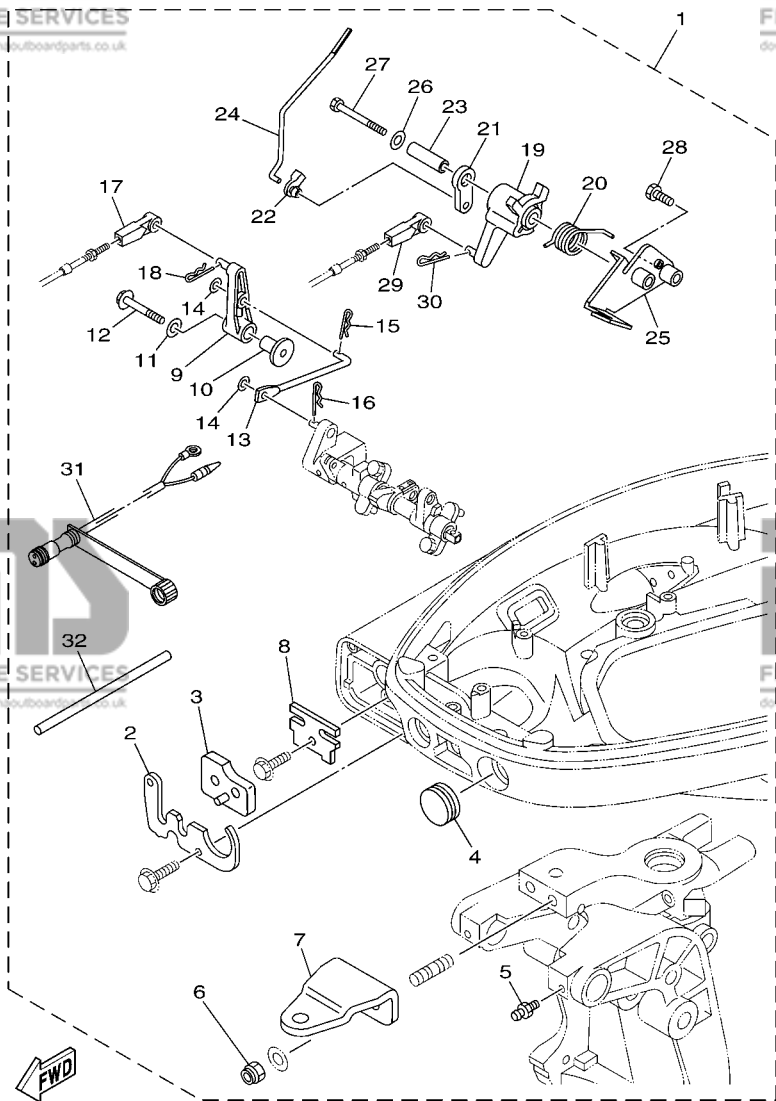


6BP1100-H250

| REF. NO. | PART NO. N° PIECES | DESCRIPTION DESCRIPTION | ET | E | MH | REMARKS REMARQUES |
|----------|--------------------|---|----|---|----|-------------------|
| 1 | 6BL-48501-00 | REMOTE CONT. ATTACHMENT ASSY. COMMANDE A DISTANCE (KIT) | | | 1 | AP AP |
| 2 | 6BL-42761-00 | .STOPPER .PLAQUETTE | | | 1 | |
| 3 | 6BL-42727-00 | .GROMMET .PASSE-FIL | | | 1 | |
| 4 | 65W-42726-10 | .GROMMET .PASSE-FIL | | | 1 | |
| 5 | 93700-06M03 | .NIPPLE, GREASE .PION | | | 2 | |
| 6 | 90185-10027 | .NUT, SELF-LOCKING .ECROU, AUTO-BLOQUANT | | | 2 | |
| 7 | 65W-48511-01 | .HOOK, STEERING .ATTACHE, DIRECTION | | | 1 | |
| 8 | 6BL-48538-00 | .CLAMP, CABLE 1 .COLLIER | | | 1 | |
| 9 | 6BL-44125-00 | .LEVER, SHIFT ROD .LEVIER, TIGE D'INVERSION | | | 1 | |
| 10 | 90387-06M86 | .COLLAR .COLLERETTE | | | 1 | |
| 11 | 90201-06M31 | .WASHER, PLATE .RONDELLE, PLATE | | | 1 | |
| 12 | 97595-06535 | .BOLT, WITH WASHER .VIS HEXAGONAL AVC RONDELLE | | | 1 | |
| 13 | 6BL-44192-00 | .LINK, SHIFT ROD .BIELLETTTE | | | 1 | |
| 14 | 90201-05M06 | .WASHER, PLATE .RONDELLE, PLATE | | | 2 | |
| 15 | 90468-10005 | .CLIP .JONC | | | 1 | |
| 16 | 90468-18001 | .CLIP .JONC | | | 1 | |
| 17 | 663-48344-00 | .CABLE END, REMOTE CONTROL .CHAPE CABLE | | | 1 | |
| 18 | 90468-18008 | .CLIP .JONC | | | 1 | |
| 19 | 6BL-41638-00 | .PULLEY .POULIE | | | 1 | |
| 20 | 90508-20040 | .SPRING, TORSION .RESSORT, TORSION | | | 1 | |
| 21 | 65W-41283-00 | .LEVER, FREE ACCEL. .LEVIER | | | 1 | |
| 22 | 6J8-41262-00 | .JOINT, CHOKE LEVER .RACCORD, LEVIER DE STARTER | | | 1 | |
| 23 | 90387-06139 | .COLLAR .COLLERETTE | | | 1 | |
| 24 | 6BL-41211-00 | .LINK, ACCEL. .BIELLETTTE, ACCELERATION | | | 1 | |
| 25 | 6BL-14571-10 | .BRACKET, THROTTLE .SUPPORT, ACCELERATEUR | | | 1 | |
| 26 | 90201-06M31 | .WASHER, PLATE .RONDELLE, PLATE | | | 1 | |
| 27 | 97095-06065 | .BOLT .BOULON | | | 1 | |

FIG. 25 REMO CON ATTACHMENT

COMMANDE A DISTANCE

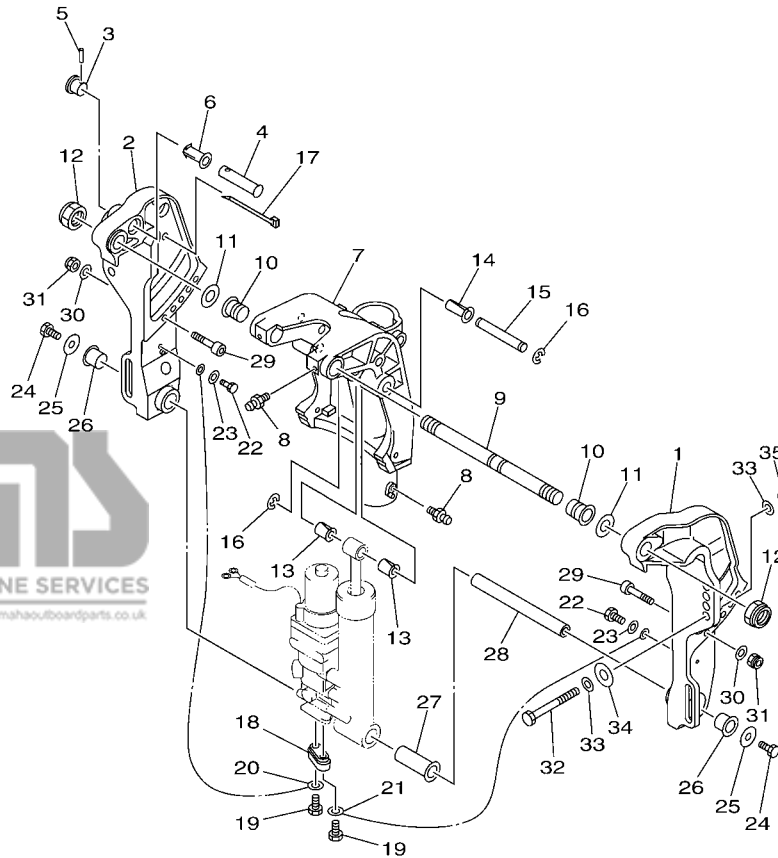


6BP1100-H250

| REF. NO. | PART NO. N° PIECES | DESCRIPTION DESCRIPTION | ET | E | MH | REMARKS REMARQUES |
|----------|--------------------|--|----|---|----|-------------------|
| 28 | 97095-06025 | .BOLT .BOULON | | | 1 | |
| 29 | 663-48344-00 | .CABLE END, REMOTE CONTROL .CHAPE CABLE | | | 1 | |
| 30 | 90468-18008 | .CLIP .JONC | | | 1 | |
| 31 | 6D5-84340-00 | .SOCKET CORD ASSY 1 .DOUILLE | | | 1 | |
| 32 | 90446-09M42 | .HOSE (L160) .DURITE (L160) | | | 2 | |

FIG. 26 BRACKET 1

SUPPORT 1

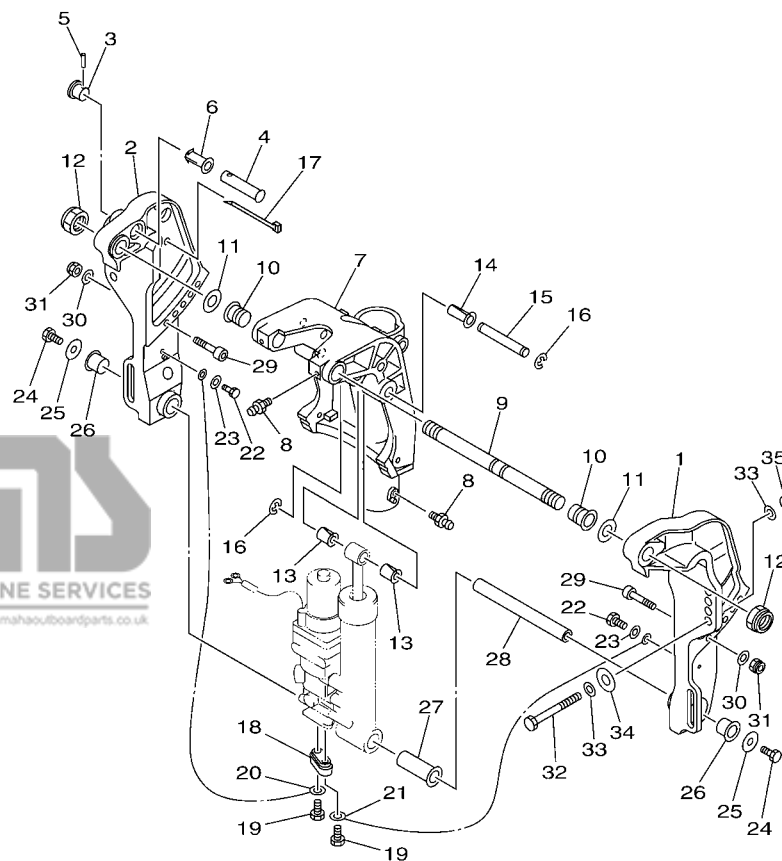


6BP3110-K260

| REF. NO. | PART NO. N° PIECES | DESCRIPTION DESCRIPTION | ET | E | MH | REMARKS REMARQUES |
|----------|--------------------|---|----|---|----|----------------------|
| 1 | 65W-43111-10-4D | BRACKET, CLAMP 1 PRESSE 1 | 1 | | | |
| 2 | 65W-43112-10-4D | BRACKET, CLAMP 2 PRESSE 2 | 1 | | | |
| 3 | 65W-43192-00 | KNOB, STOPPER BOUTON, BUTEE DE RELEVAGE | 1 | | | |
| 4 | 65W-43191-00 | SHAFT, STOPPER AXE, BUTEE | 1 | | | |
| 5 | 91690-30018 | PIN, SPRING AGRAFFE | 1 | | | |
| 6 | 90386-14MA1 | BUSH DOUILLE | 1 | | | |
| 7 | 65W-43311-10-4D | BRACKET, SWIVEL 1 SUPPORT, PIVOT 1 | 1 | | | L(21.6") L(21.6") |
| 8 | 93700-06M03 | NIPPLE, GREASE PION | 3 | | | |
| 9 | 63D-43131-01 | BOLT, CLAMP BRACKET BOULON, PRESSE | 1 | | | |
| 10 | 90386-22M15 | BUSH DOUILLE | 2 | | | |
| 11 | 90201-22M03 | WASHER, PLATE RONDELLE, PLATE | 2 | | | |
| 12 | 90185-22043 | NUT, SELF-LOCKING ECROU, AUTO-BLOQUANT | 2 | | | |
| 13 | 90386-12MA0 | BUSH DOUILLE | 2 | | | |
| 14 | 90386-12M98 | BUSH DOUILLE | 1 | | | |
| 15 | 90249-12M38 | PIN GOUPILLE | 1 | | | |
| 16 | 99080-10600 | CIRCLIP CIRCLIP | 2 | | | |
| 17 | 90465-13M11 | CLAMP BRIDE | 2 | | | |
| 18 | 65W-45251-00 | ANODE ANODE | 1 | | | |
| 19 | 90101-06020 | BOLT BOULON | 2 | | | |
| 20 | 6H1-82148-00 | WIRE, LEAD 4 FIL 4 | 1 | | | |
| 21 | 6U0-82127-00 | WIRE, LEAD 2 FIL 2 | 1 | | | |
| 22 | 97095-06014 | BOLT BOULON | 2 | | | |
| 23 | 92995-06600 | WASHER RONDELLE | 2 | | | |
| 24 | 97080-08016 | BOLT BOULON | 2 | | | |
| 25 | 90201-08M00 | WASHER, PLATE RONDELLE, PLATE | 2 | | | |
| 26 | 90386-18M44 | BUSH DOUILLE | 2 | | | |
| 27 | 90386-18MA0 | BUSH DOUILLE | 1 | | | |

FIG. 26 BRACKET 1

SUPPORT 1



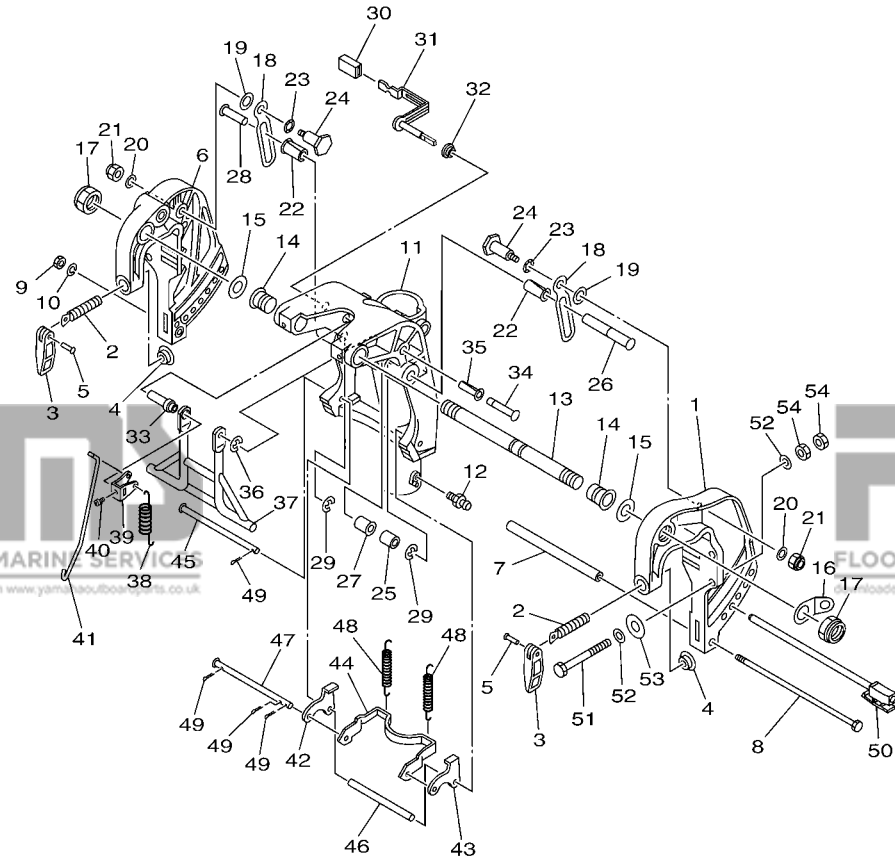
| REF. NO. | PART NO. N° PIECES | DESCRIPTION DESCRIPTION | ET | E | MH | REMARKS REMARQUES |
|----------|--------------------|---|----|---|----|-------------------|
| 28 | 90249-18M35 | PIN GOUILLE | 1 | | | |
| 29 | 90110-10M02 | BOLT, HEXAGON SOCKET HEAD BOULON, TETE HEXAGONALE CREUSE | 2 | | | |
| 30 | 92995-10600 | WASHER RONDELLE | 2 | | | |
| 31 | 90185-10M13 | NUT, SELF-LOCKING ECROU,AUTO-BLOQUANT | 2 | | | |
| 32 | 90101-12M65 | BOLT BOULON | 4 | | | |
| 33 | 90201-12062 | WASHER, PLATE RONDELLE, PLATE | 8 | | | |
| 34 | 90201-12426 | WASHER, PLATE RONDELLE, PLATE | 4 | | | |
| 35 | 95380-12600 | NUT ECROU | 8 | | | |



6BP3110-K260

FIG. 27 BRACKET 2

SUPPORT 2

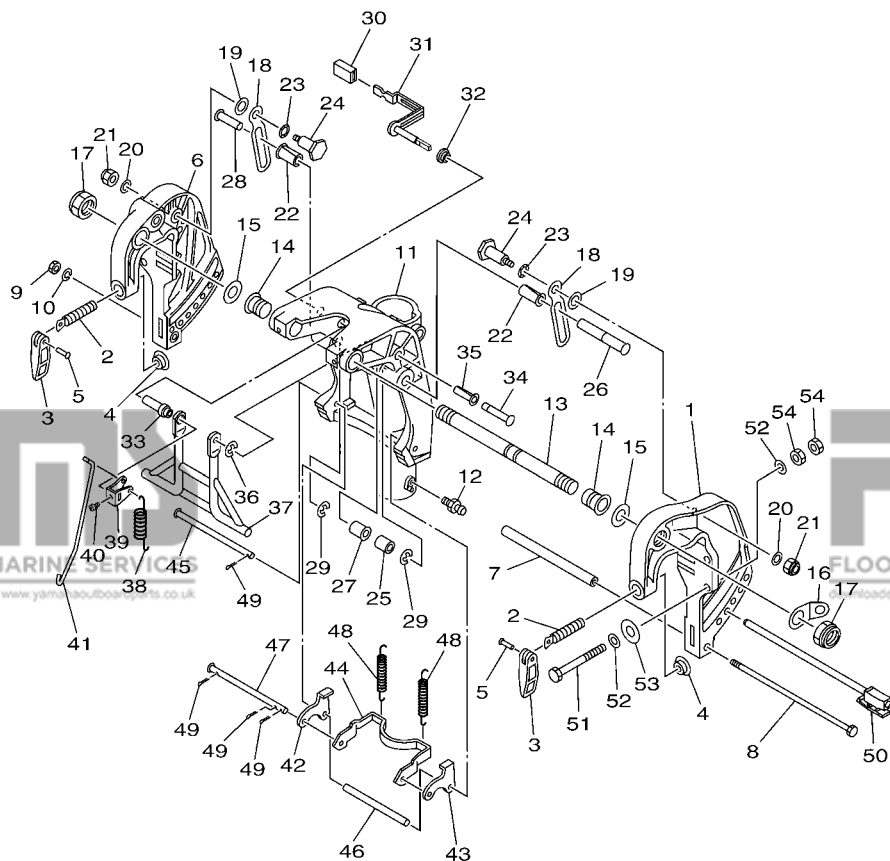


FWD
6BP3300-K260

| REF. NO. | PART NO. N° PIECES | DESCRIPTION DESCRIPTION | ET | E | MH | REMARKS REMARQUES |
|----------|--------------------|---|----|---|----|----------------------|
| 1 | 66T-43111-01-4D | BRACKET, CLAMP 1 PRESSE 1 | | 1 | 1 | |
| 2 | 90149-14M12 | SCREW VIS | | 2 | 2 | |
| 3 | 663-43118-01-4D | HANDLE, TRANSOM CLAMP POIGNEE DE VIS DE PRESSE | | 2 | 2 | |
| 4 | 648-43114-01 | PAD, TRANSOM CLAMP RONDELLE D'APPUI | | 2 | 2 | |
| 5 | 90243-04007 | PIN GOUILLE | | 2 | 2 | |
| 6 | 66T-43112-01-4D | BRACKET, CLAMP 2 PRESSE 2 | | 1 | 1 | |
| 7 | 90387-10108 | COLLAR COLLERETTE | | 1 | 1 | |
| 8 | 90101-08M76 | BOLT BOULON | | 1 | 1 | |
| 9 | 95380-08600 | NUT ECROU | | 1 | 1 | |
| 10 | 92990-08100 | WASHER, SPRING RONDELLE, GROUWER | | 1 | 1 | |
| 11 | 65W-43311-00-4D | BRACKET, SWIVEL 1 SUPPORT, PIVOT 1 | | 1 | 1 | S(16.6") S(16.6") |
| | 65W-43311-10-4D | BRACKET, SWIVEL 1 SUPPORT, PIVOT 1 | | 1 | 1 | L(21.6") L(21.6") |
| 12 | 93700-06M03 | NIPPLE, GREASE PION | | 3 | | |
| | 93700-06M03 | NIPPLE, GREASE PION | | 1 | | |
| 13 | 63D-43131-01 | BOLT, CLAMP BRACKET BOULON, PRESSE | | 1 | 1 | |
| 14 | 90386-22M15 | BUSH DOUILLE | | 2 | 2 | |
| 15 | 90201-22M03 | WASHER, PLATE RONDELLE, PLATE | | 2 | 2 | |
| 16 | 6J8-43113-01 | PLATE, CLAMP BRACKET PLAQUETTE, PRESSE | | 1 | 1 | |
| 17 | 90185-22043 | NUT, SELF-LOCKING ECROU, AUTO-BLOQUANT | | 2 | 2 | |
| 18 | 66T-43627-00 | STOPPER PLAQUETTE | | 2 | 2 | |
| 19 | 90202-12031 | WASHER, PLATE RONDELLE, PLATE | | 2 | 2 | |
| 20 | 90201-08M07 | WASHER, PLATE RONDELLE, PLATE | | 2 | 2 | |
| 21 | 90185-08057 | NUT, SELF-LOCKING ECROU, AUTO-BLOQUANT | | 2 | 2 | |
| 22 | 90386-12M98 | BUSH DOUILLE | | 2 | 2 | |
| 23 | 90206-12M00 | WASHER, WAVE RONDELLE, ONDULEE | | 2 | 2 | |
| 24 | 90109-08M90 | BOLT BOULON | | 2 | 2 | |
| 25 | 90387-12M04 | COLLAR COLLERETTE | | 1 | 1 | |

FIG. 27 BRACKET 2

SUPPORT 2



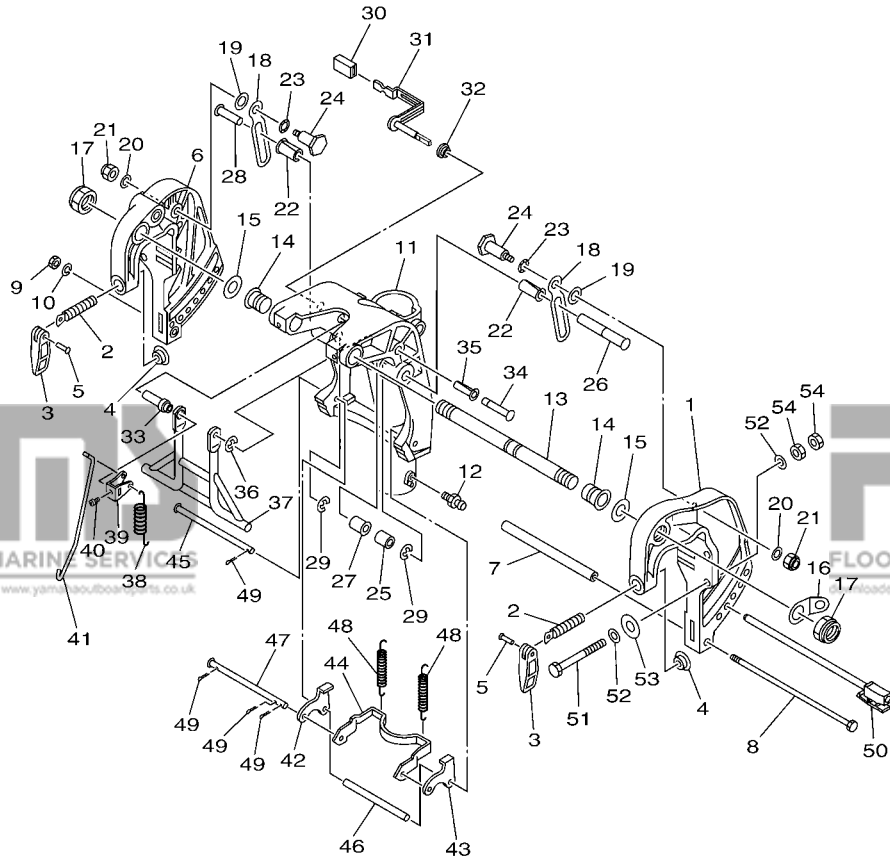
6BP3300-K260

| REF. NO. | PART NO. N° PIECES | DESCRIPTION DESCRIPTION | ET | E | MH | REMARKS REMARQUES |
|----------|--------------------|--|----|---|----|-------------------|
| 26 | 90249-12M39 | PIN GOUPILLE | | 1 | 1 | |
| 27 | 90386-12MA0 | BUSH DOUILLE | | 1 | 1 | |
| 28 | 90249-12M34 | PIN GOUPILLE | | 1 | 1 | |
| 29 | 99080-10600 | CIRCLIP CIRCLIP | | 2 | 2 | |
| 30 | 682-43318-01 | COVER CAPUCHON | | 1 | 1 | |
| 31 | 65W-43630-11 | TILT LEVER ASSY LEVIER D'INCLINAISON | | 1 | 1 | |
| 32 | 90386-07MA2 | BUSH DOUILLE | | 1 | 1 | |
| 33 | 90387-07M05 | COLLAR COLLERETTE | | 1 | 1 | |
| 34 | 90249-10M31 | PIN GOUPILLE | | 1 | 1 | |
| 35 | 90386-10M99 | BUSH DOUILLE | | 1 | 1 | |
| 36 | 99080-08600 | CIRCLIP CIRCLIP | | 1 | 1 | |
| 37 | 66T-43350-02 | RECEIVER ASSY RECEIVER ASSY | | 1 | 1 | |
| 38 | 90506-20M37 | SPRING, TENSION RESSORT, TENSION | | 1 | 1 | |
| 39 | 66T-43631-11 | LEVER, TILT LEVIER, INCLINAISON | | 1 | 1 | |
| 40 | 90157-05014 | SCREW, PAN HEAD VIS. TETE TRONCONIQUE | | 1 | 1 | |
| 41 | 65W-43616-00 | ROD, TILT LOCK TIGE | | 1 | 1 | |
| 42 | 65W-43614-01 | PLATE, TILT LOCK ETRIER, VERROUILLAGE MARCHE AR | | 1 | 1 | |
| 43 | 65W-43615-01 | PLATE, TILT LOCK ETRIER, VERROUILLAGE MARCHE AR | | 1 | 1 | |
| 44 | 65W-43613-00 | ARM, TILT LOCK GUIDE | | 1 | 1 | |
| 45 | 90249-07M32 | PIN GOUPILLE | | 1 | 1 | |
| 46 | 90387-07M29 | COLLAR COLLERETTE | | 1 | 1 | |
| 47 | 90249-07M33 | PIN GOUPILLE | | 1 | 1 | |
| 48 | 90506-30M00 | SPRING, TENSION RESSORT, TENSION | | 2 | 2 | |
| 49 | 91490-20012 | PIN, COTTER GOUPILLE | | 4 | 4 | |
| 50 | 65W-43160-00 | TILT ROD ASSY BROCHE D'INCLINAISON (ENS.) | | 1 | 1 | |
| 51 | 90101-10M58 | BOLT BOULON | | 4 | | |
| 52 | 92995-10600 | WASHER RONDELLE | | 8 | | |

FIG. 27 BRACKET 2

SUPPORT 2

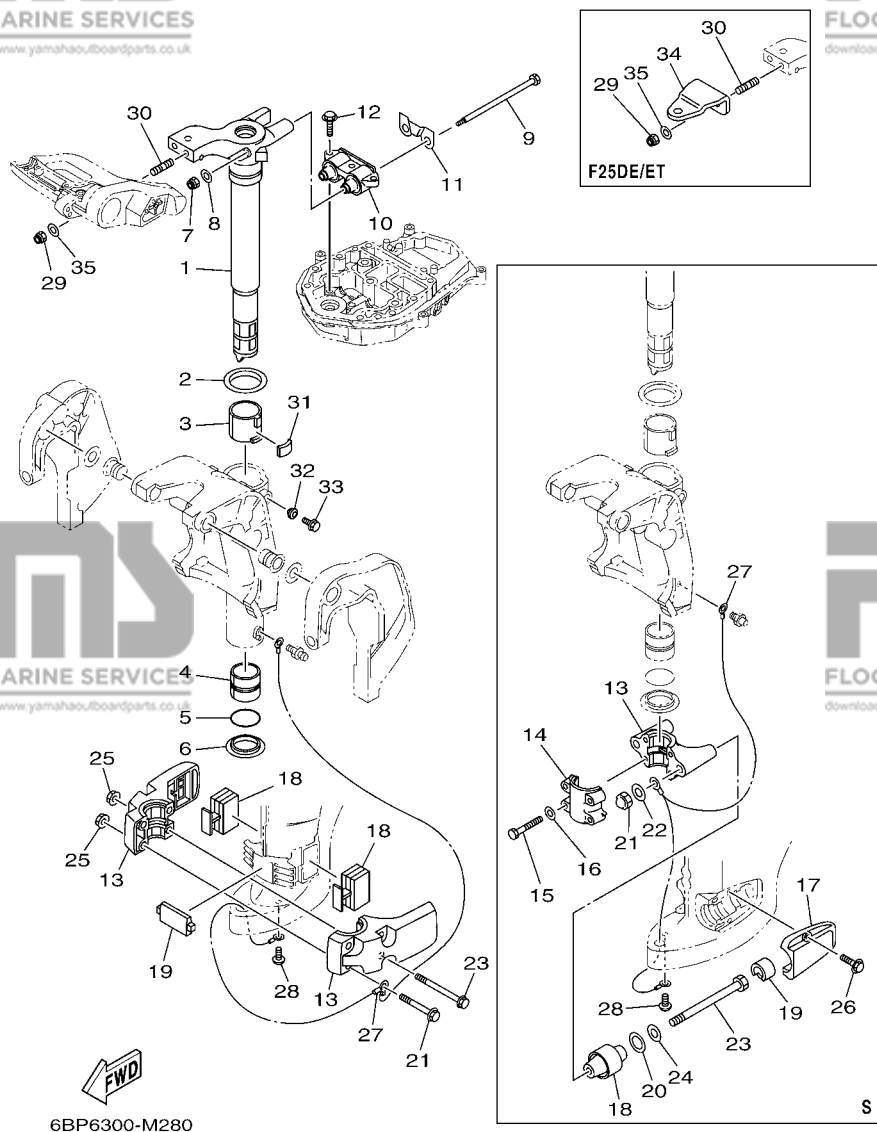
| REF. NO. | PART NO. N° PIECES | DESCRIPTION DESCRIPTION | ET | E | MH | REMARKS REMARQUES |
|----------|--------------------|----------------------------------|----|---|----|-------------------|
| 53 | 90201-12426 | WASHER, PLATE RONDELLE, PLATE | | 4 | | |
| 54 | 95380-10600 | NUT ECROU | | 8 | | |



FWD
6BP3300-K260

FIG. 28 BRACKET 3

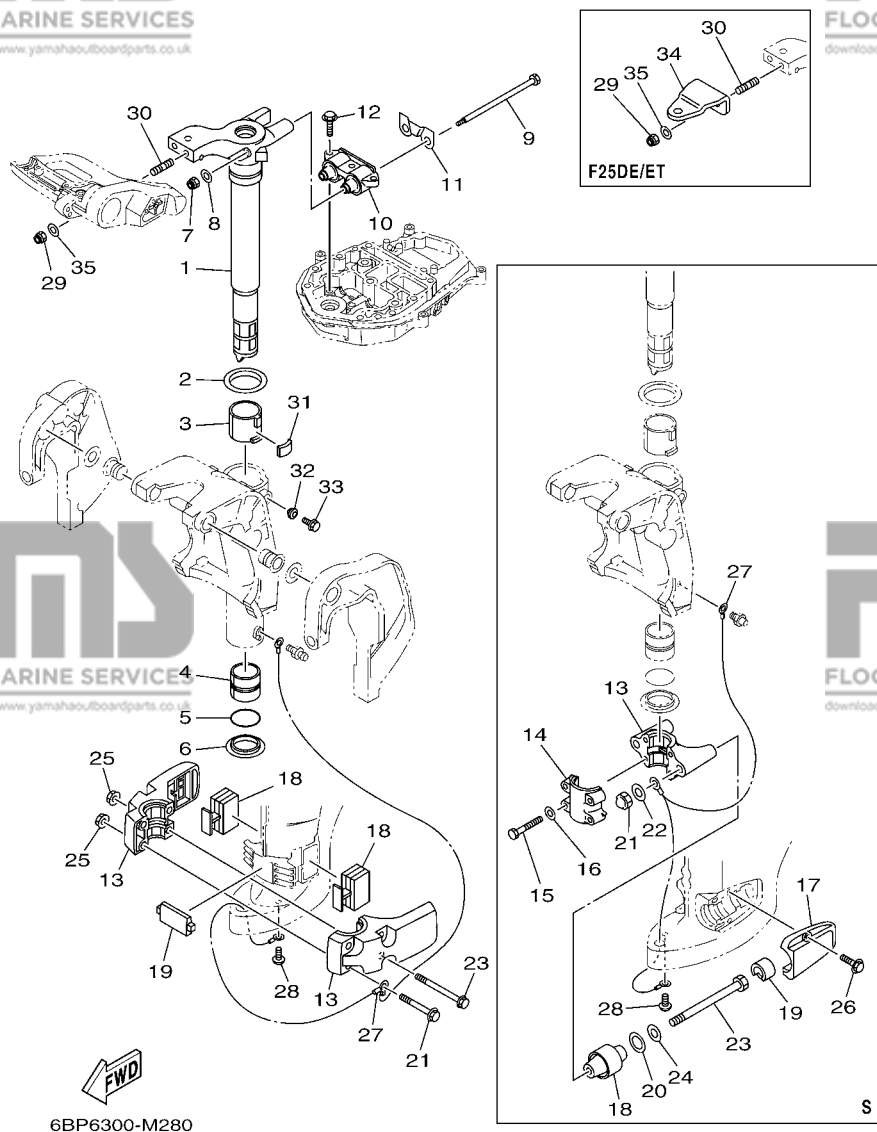
SUPPORT 3



| REF. NO. | PART NO. N° PIECES | DESCRIPTION DESCRIPTION | ET | E | MH | REMARKS REMARQUES |
|----------|--------------------|--|----|---|----|----------------------|
| 1 | 65W-42511-01-4D | BRACKET, STEERING CADRE, DIRECTION | | 1 | 1 | S(16.6") S(16.6") |
| | 65W-42511-11-4D | BRACKET, STEERING CADRE, DIRECTION | | 1 | 1 | L(21.6") L(21.6") |
| 2 | 90209-52M00 | WASHER RONDELLE | | 1 | 1 | |
| 3 | 90386-52M02 | BUSH DOUILLE | | 1 | 1 | |
| 4 | 90386-44M03 | BUSH DOUILLE | | 1 | 1 | |
| 5 | 93210-43MJ0 | O-RING JOINT TORIQUE | | 1 | 1 | |
| 6 | 90386-44M99 | BUSH DOUILLE | | 1 | 1 | |
| 7 | 90185-08018 | NUT, SELF-LOCKING ECROU, AUTO-BLOQUANT | | 2 | 2 | |
| 8 | 92995-08200 | WASHER RONDELLE | | 2 | 2 | |
| 9 | 90101-08M86 | BOLT BOULON | | 2 | 2 | |
| 10 | 67C-44514-20-94 | MOUNT DAMPER, UPPER SIDE SILENT-BLOC, SUPERIEUR LATERAL | | 1 | 1 | |
| 11 | 66T-44526-30 | PLATE PLAQUE | | 1 | 1 | |
| 12 | 97575-08530 | BOLT, WITH WASHER VIS HEXAGONAL AVC RONDELLE | | 3 | 3 | |
| 13 | 6BP-44551-00-4D | HOUSING, LOWER MOUNT RUBBER 1 BOITIER, SILENT-BLOC INFERIEUR | | 1 | 1 | S(16.6") S(16.6") |
| | 65W-44551-11-4D | HOUSING, LOWER MOUNT RUBBER 1 BOITIER, SILENT-BLOC INFERIEUR | | 2 | 2 | L(21.6") L(21.6") |
| 14 | 6BP-44552-00-4D | HOUSING, LOWER MOUNT RUBBER 2 BOITIER, SILENT-BLOC INFERIEUR | | 1 | 1 | S(16.6") S(16.6") |
| 15 | 97095-08045 | BOLT BOULON | | 4 | 4 | S(16.6") S(16.6") |
| 16 | 92995-08600 | WASHER RONDELLE | | 4 | 4 | S(16.6") S(16.6") |
| 17 | 63D-44552-01-4D | HOUSING, LOWER MOUNT RUBBER 2 BOITIER, SILENT-BLOC INFERIEUR | | 2 | 2 | S(16.6") S(16.6") |
| 18 | 6BP-44555-00 | MOUNT DAMPER, LOWER SIDE SILENT-BLOC, INFERIEUR LATERAL | | 2 | 2 | S(16.6") S(16.6") |
| | 65W-44555-00 | MOUNT DAMPER, LOWER SIDE SILENT-BLOC, INFERIEUR LATERAL | | 2 | 2 | L(21.6") L(21.6") |
| 19 | 64J-44575-00 | DAMPER, LOWER MOUNT RUBBER SILENT-BLOC, INFERIEUR | | 2 | 2 | S(16.6") S(16.6") |
| | 65W-44575-01 | DAMPER, LOWER MOUNT RUBBER SILENT-BLOC, INFERIEUR | | 1 | 1 | L(21.6") L(21.6") |
| 20 | 90202-25M04 | WASHER, PLATE RONDELLE, PLATE | | 2 | 2 | S(16.6") S(16.6") |
| 21 | 95380-12800 | NUT, CROWN ECROU, BORGNE | | 2 | 2 | S(16.6") S(16.6") |
| | 97575-10580 | BOLT, WITH WASHER VIS HEXAGONAL AVC RONDELLE | | 2 | 2 | L(21.6") L(21.6") |
| 22 | 90201-12M16 | WASHER, PLATE RONDELLE, PLATE | | 2 | 2 | S(16.6") S(16.6") |

FIG. 28 BRACKET 3

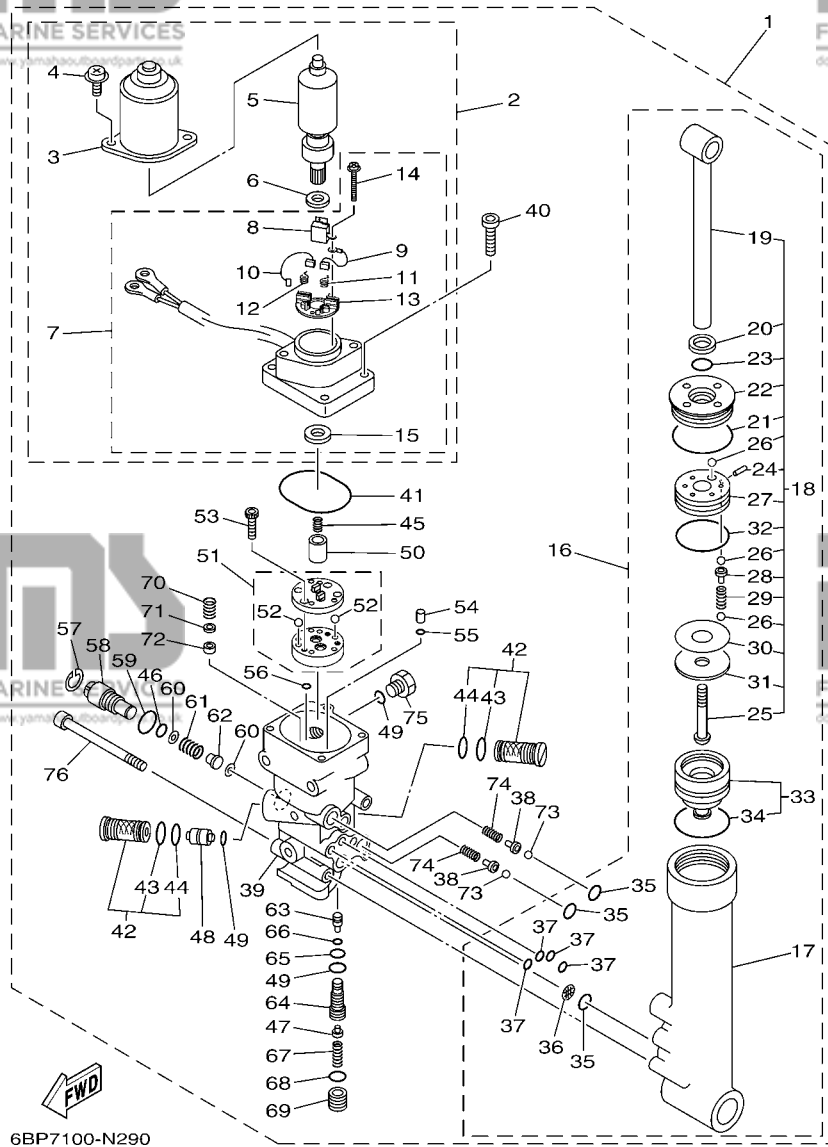
SUPPORT 3



| REF. NO. | PART NO. N° PIECES | DESCRIPTION DESCRIPTION | ET | E | MH | REMARKS REMARQUES | |
|----------|--------------------|---|----|---|----|-------------------|--|
| 23 | 90109-12MA3 | BOLT BOULON | | 2 | 2 | S(16.6") S(16.6") | |
| | 90119-10M14 | BOLT, WITH WASHER BOULON, AVEC RONDELLE | 2 | 2 | 2 | L(21.6") | |
| 24 | 90201-13M19 | WASHER, PLATE RONDELLE, PLATE | | 2 | 2 | S(16.6") S(16.6") | |
| 25 | 90179-10M33 | NUT ECROU | 4 | 4 | 4 | L(21.6") L(21.6") | |
| 26 | 97575-08530 | BOLT, WITH WASHER VIS HEXAGONAL AVEC RONDELLE | | 4 | 4 | S(16.6") S(16.6") | |
| 27 | 63D-82127-00 | WIRE, LEAD 2 FIL 2 | | 1 | 1 | S(16.6") S(16.6") | |
| | 65W-82127-10 | WIRE, LEAD 2 FIL 2 | | 1 | 1 | L(21.6") L(21.6") | |
| 28 | 97885-06008 | SCREW, PAN HEAD VIS, A ENCOCHE | | 1 | 1 | 1 | |
| 29 | 90185-10027 | NUT, SELF-LOCKING ECROU, AUTO-BLOQUANT | | 2 | 2 | 2 | |
| 30 | 90116-10064 | BOLT, STUD GOUJON | | 2 | 2 | 2 | |
| 31 | 648-42528-00 | PLATE, FRICTION PLAQUE, FRICTION | | 1 | 1 | 1 | |
| 32 | 65W-43373-00 | SEAL, DAMPER JOINT | | 1 | 1 | 1 | |
| 33 | 90105-08M76 | BOLT, FLANGE BOULON | | 1 | 1 | 1 | |
| 34 | 65W-48511-01 | HOOK, STEERING ATTACHE, DIRECTION | | 1 | 1 | 1 | |
| 35 | 90201-10049 | WASHER, PLATE RONDELLE, PLATE | | 2 | 2 | | |
| | 92995-10600 | WASHER RONDELLE | | | 2 | | |

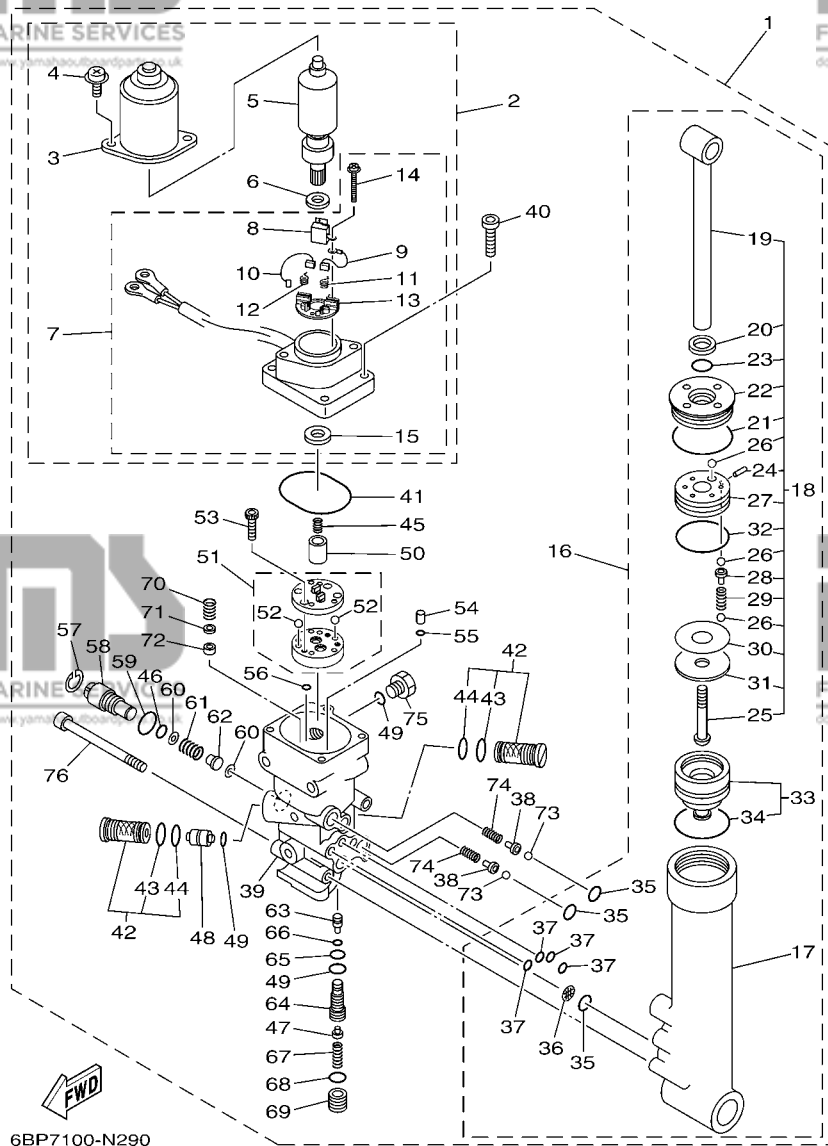
FIG. 29 POWER TRIM & TILT ASSY

PUISSANCE PARER ET INCLINER



6BP7100-N290

| REF. NO. | PART NO. N° PIECES | DESCRIPTION DESCRIPTION | ET | E | MH | REMARKS REMARQUES |
|----------|--------------------|--|----|---|----|-------------------|
| 1 | 65W-43800-21-4D | POWER TRIM & TILT ASSY PUISSANCE PARER ET INCLINER (E | 1 | | | |
| 2 | 65W-43880-01 | ..MOTOR ASSY ..MOTEUR (ENS.) | 1 | | | |
| 3 | 65W-43804-01 | ..STATOR ASSY ..STATOR (ENS.) | 1 | | | |
| 4 | 65W-43887-01 | ..BOLT ..BOULON | 2 | | | |
| 5 | 65W-43805-01 | ..ARMATURE ASSY ..INDUIT (ENS.) | 1 | | | |
| 6 | 65W-4387G-00 | ..WASHER ..RONDELLE | 1 | | | |
| 7 | 65W-43881-01 | ..FRAME, END ..BATI | 1 | | | |
| 8 | 65W-82181-00 | ..CIRCUIT BREAKER COMP. ..RUPTEUR COMPLET | 1 | | | |
| 9 | 65W-43892-01 | ..BRUSH 2 ..BALAI 2 | 1 | | | |
| 10 | 65W-43891-01 | ..BRUSH 1 ..BALAI 1 | 1 | | | |
| 11 | 65W-4386K-01 | ..SPRING, BRUSH ..RESSORT, BALAI | 1 | | | |
| 12 | 65W-4386L-00 | ..SPRING, BRUSH 2 ..RESSORT, BALAI 2 | 1 | | | |
| 13 | 65W-4380F-01 | ..PLATE, BRUSH HOLDER ..PLAQUE | 1 | | | |
| 14 | 65W-43879-01 | ..SCREW, WITH WASHER ..VIS, AVEC RONDELLE | 2 | | | |
| 15 | 65W-43882-01 | ..OIL SEAL ..JOINT SPI | 1 | | | |
| 16 | 65W-43840-01 | ..POWER TILT ASSY ..PUISSANCE INCLINER (ENS.) | 1 | | | |
| 17 | 65W-4380K-00 | ..CYLINDER, TILT SUB ASSY ..CYLINDRE | 1 | | | |
| 18 | 65W-43810-01 | ..TILT PISTON SUB ASSY ..INCLINER PISTON AUXILIAIRE(ENS | 1 | | | |
| 19 | 65W-43801-01 | ..ROD ..TIGE | 1 | | | |
| 20 | 65W-43812-00 | ..SEAL, DUST ..JOINT | 1 | | | |
| 21 | 65W-43865-00 | ..O-RING ..JOINT TORIQUE | 1 | | | |
| 22 | 65W-43811-01 | ..SCREW, CYLINDER END ..VIS, CYLINDRE RACCORD | 1 | | | |
| 23 | 67C-43867-00 | ..O-RING ..JOINT TORIQUE | 1 | | | |
| 24 | 91609-16012 | ..PIN, SPRING ..AXE DE RESSORT | 1 | | | |
| 25 | 67C-43886-00 | ..BOLT ..BOULON | 1 | | | |
| 26 | 93505-32038 | ..BALL ..BILLE | 11 | | | |
| 27 | 65W-4385A-01 | ..PISTON, TILT ..PISTON | 1 | | | |



6BP7100-N290

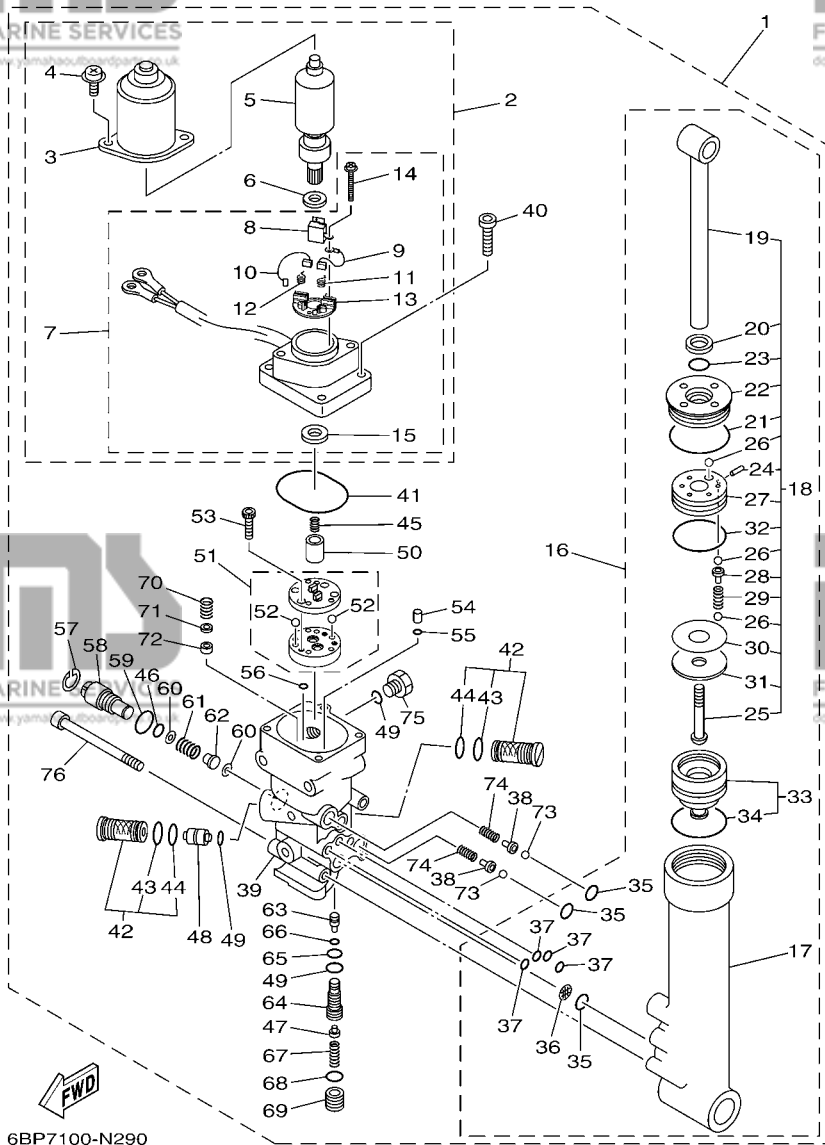
FIG. 29 POWER TRIM & TILT ASSY

PUISSANCE PARER ET INCLINER

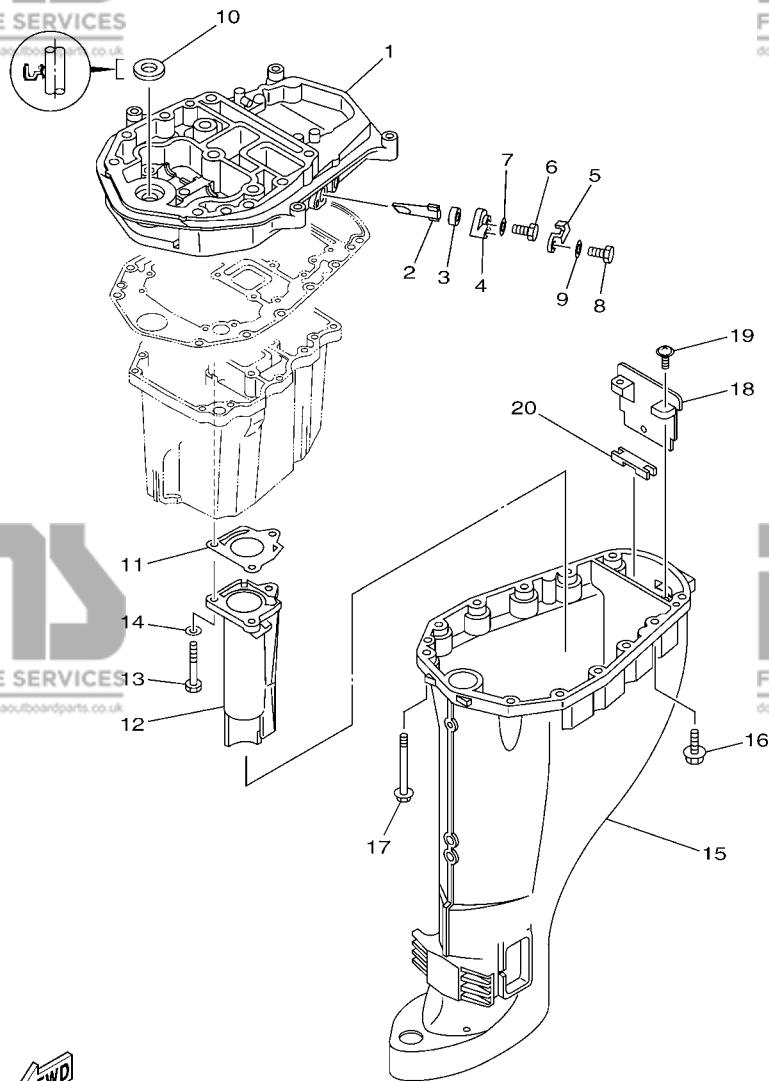
| REF. NO. | PART NO. N° PIECES | DESCRIPTION DESCRIPTION | ET | E | MH | REMARKS REMARQUES |
|----------|--------------------|--|----|---|----|-------------------|
| 28 | 65W-4386A-00 | ...PIN, ABSORBER VALVE ...GOUPILE, SOUPAPE | 5 | | | |
| 29 | 65W-43857-00 | ...SPRING, ABSORBER VALVE ...RESSORT | 5 | | | |
| 30 | 15A-22442-00 | ...SHIM ...CALE | 1 | | | UN UN |
| 31 | 90201-10038 | ...WASHER, PLATE ...RONDELLE, PLATE | 1 | | | |
| 32 | 6H1-43862-00 | ...O-RING ...JOINT TORIQUE | 1 | | | |
| 33 | 65W-4381B-00 | ...FREE PISTON SUB ASSY ...PISTON AUXILIAIRE (ENS.) | 1 | | | |
| 34 | 6H1-43861-10 | ...O-RING ...JOINT TORIQUE | 1 | | | |
| 35 | 93210-11368 | ...O-RING ...JOINT TORIQUE | 3 | | | |
| 36 | 69J-4381C-00 | ...FILTER 3 ...FILTRE 3 | 1 | | | |
| 37 | 93210-064A5 | ...O-RING ...JOINT TORIQUE | 4 | | | |
| 38 | 65W-4386A-00 | ...PIN, ABSORBER VALVE ...GOUPILE, SOUPAPE | 2 | | | |
| 39 | 65W-4380L-02 | ...HOUSING, TRIM & TILT SUB ASSY ...CARTER | 1 | | | |
| 40 | 91380-06020 | ...BOLT ...BOULON | 4 | | | |
| 41 | 93210-50768 | ...O-RING ...JOINT TORIQUE | 1 | | | |
| 42 | 67F-43802-00 | ...VALVE SUB ASSY ...CLAPET AUXILIAIRE (ENS.) | 2 | | | |
| 43 | 6H1-43866-01 | ...O-RING ...JOINT TORIQUE | 1 | | | |
| 44 | 93210-12N52 | ...O-RING ...JOINT TORIQUE | 1 | | | |
| 45 | 6T4-43853-00 | ...SPRING, MAIN VALVE ...RESSORT | 1 | | | |
| 46 | 93210-10M74 | ...O-RING ...JOINT TORIQUE | 1 | | | |
| 47 | 6T4-43808-00 | ...SEAT VALVE COMP. 1 ...SIEGE VALVE COMP. 1 | 1 | | | |
| 48 | 62X-43841-00 | ...PISTON, SHUTTLE ...PISTON | 1 | | | |
| 49 | 93210-09165 | ...O-RING ...JOINT TORIQUE | 3 | | | |
| 50 | 65W-43831-00 | ...CONNECTOR, SHAFT ...RACCORD | 1 | | | |
| 51 | 65W-43830-00 | ...GEAR PUMP ASSY ...POMPE A PIGNON (ENS.) | 1 | | | |
| 52 | 93505-32038 | ...BALL ...BILLE | 2 | | | |
| 53 | 91318-04025 | ...BOLT ...BOULON | 4 | | | |
| 54 | 65W-43817-00 | ...FILTER 2 ...FILTRE 2 | 2 | | | |

FIG. 29 POWER TRIM & TILT ASSY

PUISSANCE PARER ET INCLINER



| REF. NO. | PART NO. N° PIECES | DESCRIPTION DESCRIPTION | ET | E | MH | REMARKS REMARQUES |
|----------|--------------------|-------------------------------------|----|---|----|-------------------|
| 55 | 93210-04N50 | .O-RING .JOINT TORIQUE | 2 | | | |
| 56 | 93210-04N51 | .O-RING .JOINT TORIQUE | 2 | | | |
| 57 | 6H1-43875-00 | .RING, SNAP .RESSORT | 1 | | | |
| 58 | 6H1-43845-00 | .SCREW, MANUAL RELEASE .VIS | 1 | | | |
| 59 | 6D8-43863-00 | .O-RING .JOINT TORIQUE | 1 | | | |
| 60 | 6H1-43847-00 | .SEAT, MANUAL VALVE .SIEGE | 2 | | | |
| 61 | 65W-43854-00 | .SPRING, MANUAL RELEASE .RESSORT | 1 | | | |
| 62 | 65W-4382A-00 | .ADAPTOR 1 .ADAPTEUR 1 | 1 | | | |
| 63 | 65W-43844-00 | .PIN, VALVE SUPPORT .GOUPILLE | 1 | | | |
| 64 | 65W-43851-00 | .SEAT, RELIEF VALVE .SIEGE | 1 | | | |
| 65 | 93210-08006 | .O-RING .JOINT TORIQUE | 1 | | | |
| 66 | 93210-03478 | .O-RING .JOINT TORIQUE | 1 | | | |
| 67 | 65W-43855-00 | .SPRING, UP RELIEF .RESSORT | 1 | | | |
| 68 | 93210-11073 | .O-RING .JOINT TORIQUE | 1 | | | |
| 69 | 65W-43843-00 | .SCREW, VALVE LOCK .VIS | 1 | | | |
| 70 | 6H1-43856-10 | .SPRING, DOWN RELIEF .RESSORT | 1 | | | |
| 71 | 6H1-43844-10 | .PIN, VALVE SUPPORT .GOUPILLE | 1 | | | |
| 72 | 6H1-4384F-10 | .SEAL, MAIN VALVE .JOINT | 1 | | | |
| 73 | 93501-08001 | .BALL .BILLE | 2 | | | |
| 74 | 65W-43853-00 | .SPRING, MAIN VALVE .RESSORT | 2 | | | |
| 75 | 6H1-43829-00 | .PLUG, RESERVOIR .BOUCHON | 1 | | | |
| 76 | 62X-43878-01 | .BOLT, SOCKET .BOULON | 3 | | | |



6BP3110-K300

FIG. 30 UPPER CASING FOURREAU

| REF. NO. | PART NO. N° PIECES | DESCRIPTION DESCRIPTION | ET | E | MH | REMARKS REMARQUES |
|----------|--------------------|--|----|---|----|---------------------------|
| 1 | 67C-41137-13-CA | GUIDE, EXHAUST COLLECTEUR D'ÉCHAPPEMENT | 1 | 1 | 1 | Go to P/N : PE0-OM-150036 |
| 2 | 62Y-11325-00 | ANODE ANODE | 1 | 1 | 1 | |
| 3 | 66M-11328-00 | GROMMET, ANODE PASSE-FIL | 1 | 1 | 1 | |
| 4 | 66M-11327-00-94 | COVER, ANODE COUVERCLE ANODE | 1 | 1 | 1 | |
| 5 | 66M-12535-00 | PLATE PLAQUE | 1 | 1 | 1 | |
| 6 | 97095-05012 | BOLT BOULON | 1 | 1 | 1 | |
| 7 | 92995-05600 | WASHER RONDELLE | 1 | 1 | 1 | |
| 8 | 97013-06020 | BOLT BOULON | 1 | 1 | 1 | |
| 9 | 92903-06600 | WASHER, PLATE RONDELLE, PLATE | 1 | 1 | 1 | |
| 10 | 93110-16004 | OIL SEAL JOINT SPY | 1 | 1 | 1 | Go to P/N : PE0-OM-150036 |
| 11 | 67C-41133-00 | GASKET, EXHAUST MANIFOLD 1 JOINT, PIPE D'ÉCHAPPEMENT | 1 | 1 | 1 | |
| 12 | 68U-41131-00-CA | MANIFOLD, EXT. 1 PIPE D'ÉCHAPPEMENT | 1 | 1 | 1 | |
| 13 | 97075-06050 | BOLT BOULON | 3 | 3 | 3 | |
| 14 | 92995-06600 | WASHER RONDELLE | 3 | 3 | 3 | |
| 15 | 6BP-45111-00-4D | CASING, UPPER FOURREAU | 1 | 1 | 1 | S(16.6") |
| | 6D5-45111-10-4D | CASING, UPPER FOURREAU | 1 | 1 | 1 | S(16.6") L(21.6") |
| 16 | 97575-08530 | BOLT, WITH WASHER VIS HEXAGONAL AVEC RONDELLE | 4 | 4 | 4 | |
| 17 | 90119-08132 | BOLT, WITH WASHER BOULON, AVEC RONDELLE | 8 | 8 | 8 | |
| 18 | 65W-45151-00 | COVER, UPPER CASING CAPUCHON, FOURREAU | 1 | 1 | 1 | |
| 19 | 97980-05216 | SCREW, WITH WASHER VIS, AVEC RONDELLE | 2 | 2 | 2 | |
| 20 | 65W-45128-00 | SEAL 2 JOINT 2 | 1 | 1 | 1 | |

PARTS NEWS

FLOOD MARINE SERVICES

downloaded from www.yamahaoutboardparts.co.uk

FLOOD MARINE SERVICES

downloaded from www.yamahaoutboardparts.co.uk



YAMAHA MOTOR CO., LTD.
2500 SHINGAI IWATA SHIZUOKA JAPAN

FLOOD MARINE SERVICES

downloaded from www.yamahaoutboardparts.co.uk

News No. PE0-OM-150036 **Revise (1/2)**

Date: 2015/10/13

▲ *Added Interchangeability (Revise : Oct.,14,2015)

Signature: K.Tanaka

Cause : Revision Notice Correction Sales Unit Change Others

| | |
|--|---|
| Model | F25A, F25B, F25D (6BP8) |
| Subject | PARTS CATALOGUE CORRECTIONS |
| CATALOGUE NO. | See the "List of Models and CATALOGUE No's below." |
| Time of YPEC Revision | Text, Illustration --> Nov./13/2015 PDF Replace --> Nov./13/2015 |
| (YPEC = Yamaha Parts Electrical Catalogue = Website parts catalogue) | |

Applicable Engine Serial No.

| MODEL NAME | MODEL CODE | Applicable Engine Serial No. |
|------------------|------------|------------------------------|
| F25A, F25B, F25D | 6BP8 | 6BPK:1034462- |

*1: Interchangeability

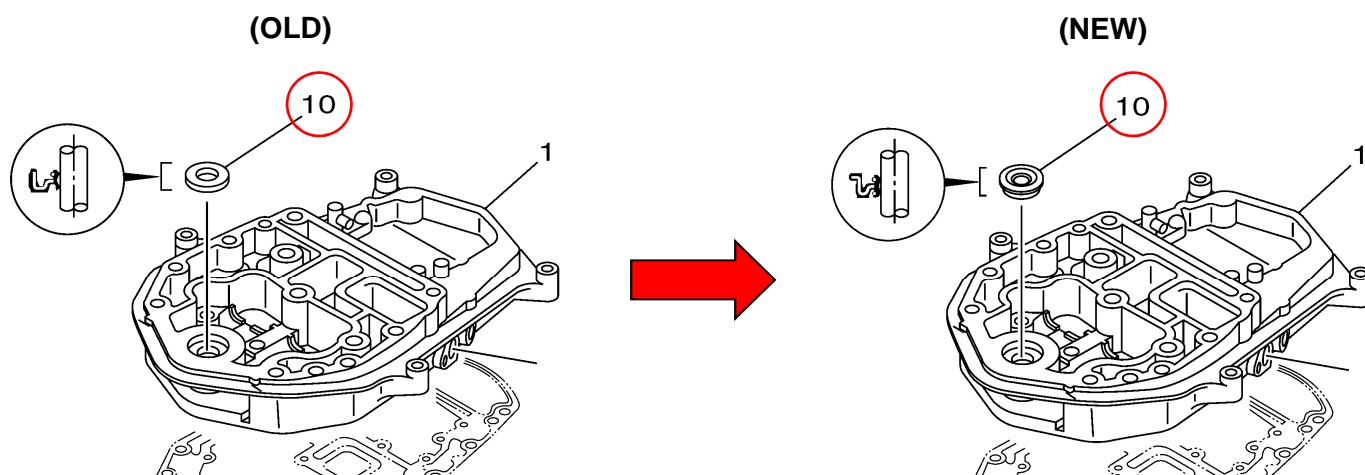
| | | | |
|---|--|---|-----------|
| A | Old Parts | ↔ | Old Parts |
| | New Parts | ↔ | New Parts |
| B | Old Parts | → | Old Parts |
| | New Parts | → | New Parts |
| C | Old Parts | → | Old Parts |
| | New Parts | → | New Parts |
| | These parts are interchangeable with a set | | |

UPPER CASING

1. LIST CORRECTION

| Fig. No. | Ref. No. | OLD P/No. | NEW P/No. | DESCRIPTION | Q'TY | *Interchangeability | |
|----------|----------|-----------------|------------------------|----------------|------|---------------------|------------------------------|
| | | | | | | | REMARKS |
| *1 | 1 | 67C-41137-13-CA | 67C-41137-20-CA | GUIDE, EXHAUST | 1 | | *Part number revision |
| | 10 | 93110-16004 | 93103-16011 | OIL SEAL | 1 | | *Part number revision |

2. ILLUSTRATION CORRECTION



Parts Manager Check

Service Manager Check

Parts Manager File

YAMAHA MOTOR CO.,LTD
2500 Shingai Iwata Shizuoka 438-8501 Japan
Parts & Acc. Engineering Div., YMC



FLOOD MARINE SERVICES

downloaded from www.yamahaoutboardparts.co.uk

FLOOD MARINE SERVICES

downloaded from www.yamahaoutboardparts.co.uk

FLOOD MARINE SERVICES

downloaded from www.yamahaoutboardparts.co.uk

PARTS NEWS

FLOOD MARINE SERVICES

downloaded from www.yamahaoutboardparts.co.uk

FLOOD MARINE SERVICES

downloaded from www.yamahaoutboardparts.co.uk



YAMAHA MOTOR CO., LTD.
2500 SHINGAI IWATA SHIZUOKA JAPAN

FLOOD MARINE SERVICES

downloaded from www.yamahaoutboardparts.co.uk

News No. PE0-OM-150036 **Revise (2/2)**

Date: 2015/10/13

▲ *Added Interchangeability (Revise : Oct.,14,2015)

Signature: K. Tanaka

Cause : Revision Notice Correction Sales Unit Change Others

| | |
|--|---|
| Model | F25A, F25B, F25D (6BP8) |
| Subject | PARTS CATALOGUE CORRECTIONS |
| CATALOGUE NO. | See the "List of Models and CATALOGUE No's below." |
| Time of YPEC Revision | Text, Illustration --> Nov./13/2015 PDF Replace --> Nov./13/2015 |
| (YPEC = Yamaha Parts Electrical Catalogue = Website parts catalogue) | |

Applicable Engine Serial No.

| MODEL NAME | MODEL CODE | Applicable Engine Serial No. |
|------------------|------------|------------------------------|
| F25A, F25B, F25D | 6BP8 | 6BPK:1034462- |

*1: Interchangeability

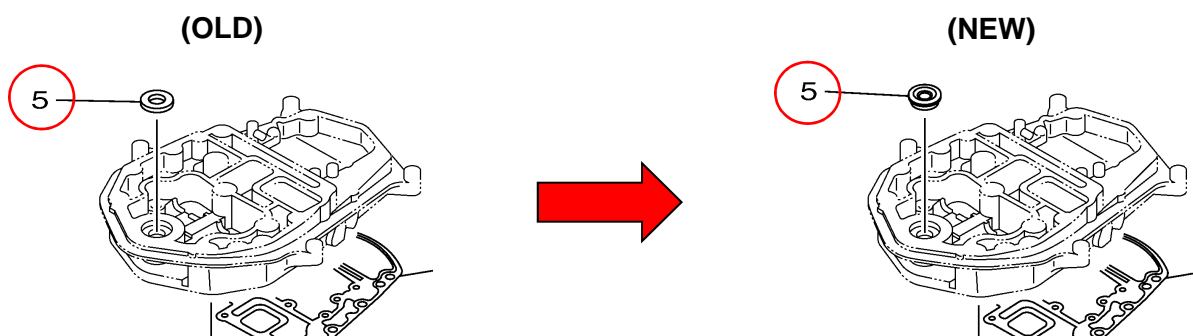
| | Old Parts | New Parts | Old Parts | New Parts |
|---|--|-----------|-----------|-----------|
| A | Old Parts | New Parts | Old Parts | New Parts |
| B | Old Parts | New Parts | Old Parts | New Parts |
| C | Old Parts | New Parts | Old Parts | New Parts |
| | These parts are interchangeable with a set | | | |

REPAIR KIT 3

1. LIST CORRECTION

| Fig. No. | Ref. No. | OLD P/No. | NEW P/No. | DESCRIPTION | Q'TY | REMARKS |
|----------|----------|--------------|---------------------|-----------------------|------|------------------------------|
| *2 | 1 | 65W-W0001-23 | 65W-W0001-24 | LOWER UNIT GASKET KIT | 1 | *Part number revision |
| | 5 | 93110-16004 | 93103-16011 | OIL SEAL | 1 | *Part number revision |

2. ILLUSTRATION CORRECTION



3. LIST of Models and CATALOGUE No's.

The applicable MODELS, MODEL CODES, and CATALOGUE No's are as follows.

| MODEL NAME | MODEL CODE | MODEL YEAR | CATALOGUE NO. | Fig.No. *1 | Fig.No. *2 |
|------------|------------|------------|---------------|------------|------------|
| F25A | 6BP8 | 2015 | 1P6BP-100E1 | 30 | 38 |
| F25B | | | 1P6BP-100EA | 26 | 34 |
| F25D | | | 1P6BP-300F1 | 30 | 42 |
| F25D | | | 1P6BP-700E1 | 31 | 41 |

Thank you very much for your cooperation.

Parts Manager Check

Service Manager Check

Parts Manager File

YAMAHA MOTOR CO.,LTD
2500 Shingai Iwata Shizuoka 438-8501 Japan
Parts & Acc. Engineering Div., YMC



GENUINE
Parts & Accessories

FLOOD MARINE SERVICES

downloaded from www.yamahaoutboardparts.co.uk

FLOOD MARINE SERVICES

downloaded from www.yamahaoutboardparts.co.uk

FLOOD MARINE SERVICES

downloaded from www.yamahaoutboardparts.co.uk

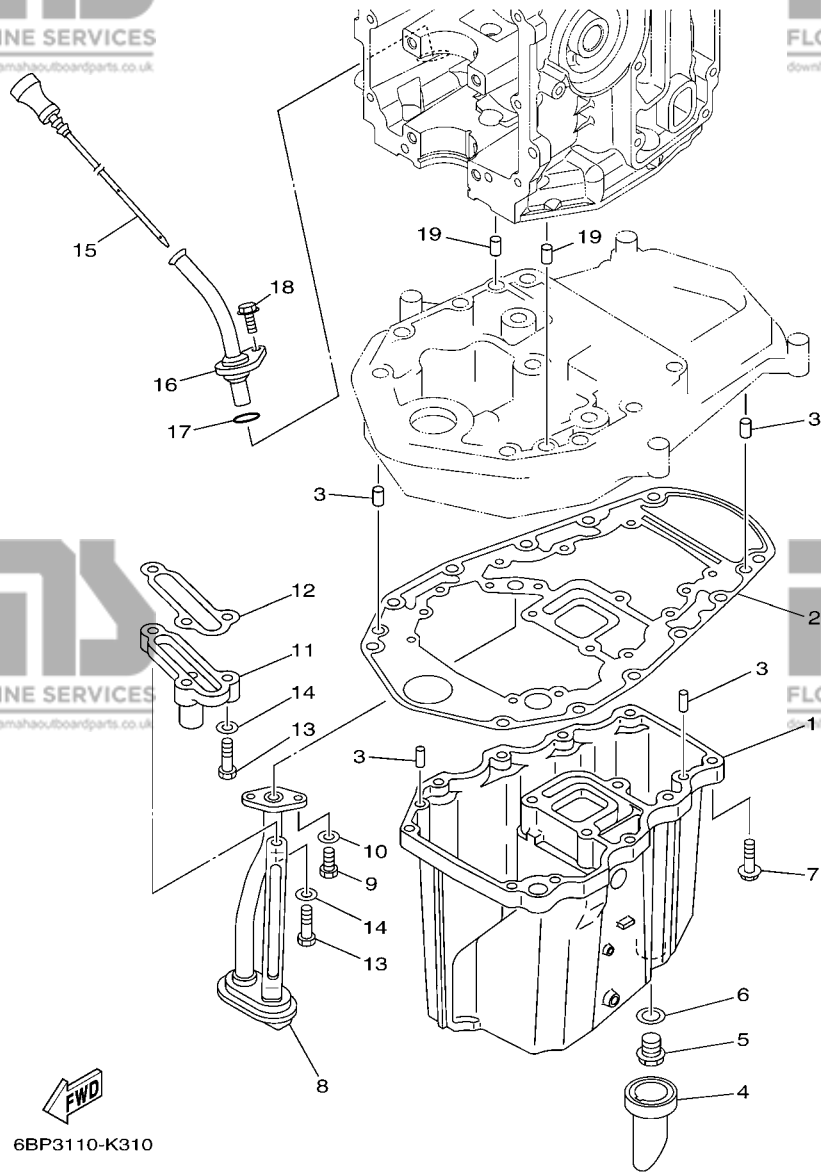


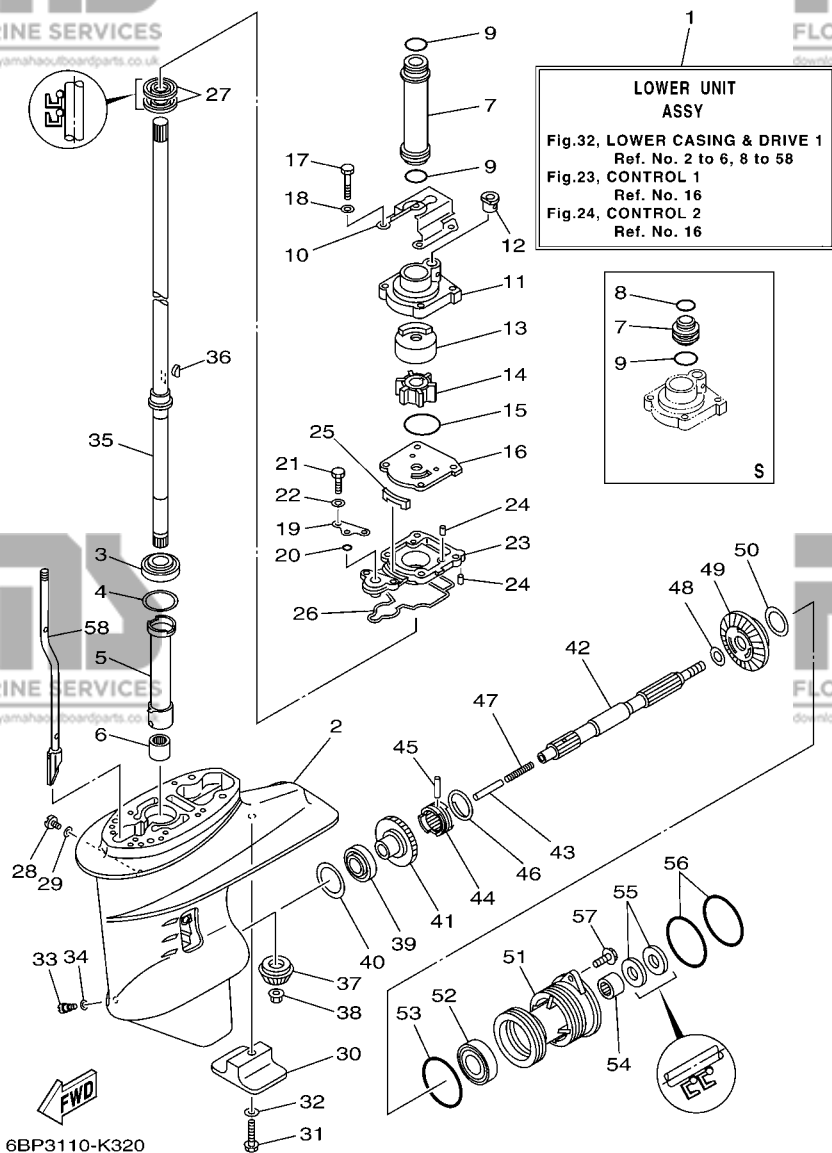
FIG. 31 OIL PAN

VENTILATEUR D'HUILE

| REF. NO. | PART NO. N° PIECES | DESCRIPTION DESCRIPTION | ET | E | MH | REMARKS REMARQUES |
|----------|--------------------|---|----|----|----|-------------------|
| 1 | 65W-15311-03-CA | OIL PAN VENTILATEUR D'HUILE | 1 | 1 | 1 | |
| 2 | 69W-15312-00 | GASKET, OIL PAN JOINT DE VENTILATEUR D'HUILE | 1 | 1 | 1 | |
| 3 | 93606-12019 | PIN, DOWEL GOUILLE | 4 | 4 | 4 | |
| 4 | 65W-15316-00 | DAMPER 1 AMORTISSEUR 1 | 1 | 1 | 1 | |
| 5 | 90340-14M06 | PLUG, STRAIGHT SCREW PLOT, FILETE DROIT | 1 | 1 | 1 | |
| 6 | 90430-14M09 | GASKET JOINT | 1 | 1 | 1 | |
| 7 | 97575-06525 | BOLT, WITH WASHER VIS HEXAGONAL AVC RONDELLE | 10 | 10 | 10 | |
| 8 | 65W-13411-00 | STRAINER, OIL FILTRE, HUILE | 1 | 1 | 1 | |
| 9 | 97013-06016 | BOLT BOULON | 2 | 2 | 2 | |
| 10 | 92903-06600 | WASHER, PLATE RONDELLE, PLATE | 2 | 2 | 2 | |
| 11 | 6BG-11576-00-94 | BODY, RELIEF CORPS DE SECURITE | 1 | 1 | 1 | |
| 12 | 62Y-13475-00 | GASKET JOINT | 1 | 1 | 1 | |
| 13 | 97013-06025 | BOLT BOULON | 3 | 3 | 3 | |
| 14 | 92903-06600 | WASHER, PLATE RONDELLE, PLATE | 3 | 3 | 3 | |
| 15 | 6BL-15362-00 | PLUG, OIL LEVEL PLOT, NIVEAU D'HUILE | 1 | 1 | 1 | |
| 16 | 6BL-15377-00 | GUIDE, INLET GUIDE D'ADMISSION | 1 | 1 | 1 | |
| 17 | 93210-19MJ3 | O-RING JOINT TORIQUE | 1 | 1 | 1 | |
| 18 | 95895-06016 | BOLT, FLANGE BOULON | 1 | 1 | 1 | |
| 19 | 93608-12M05 | PIN, DOWEL AXE | 2 | 2 | 2 | |

FIG. 32 LOWER CASING & DRIVE 1

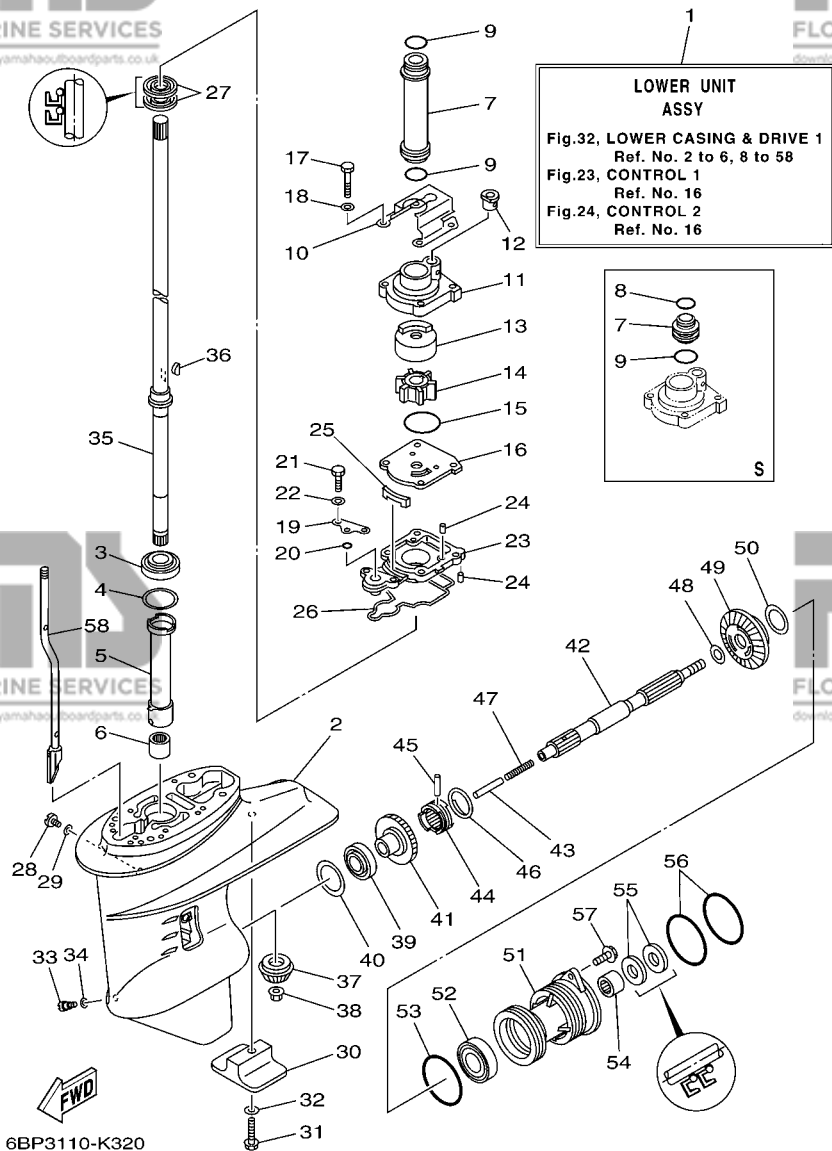
BOITIER D'HELICE TRANSMISSION1



| REF. NO. | PART NO. N° PIECES | DESCRIPTION DESCRIPTION | ET | E | MH | REMARKS REMARQUES |
|----------|--------------------|--|----|---|----|----------------------|
| 1 | 65W-45300-01-4D | LOWER UNIT ASSY UNITE INFÉRIEURE (ENS.) | | 1 | 1 | S(16.6") S(16.6") |
| | 65W-45300-11-4D | LOWER UNIT ASSY UNITE INFÉRIEURE (ENS.) | | 1 | 1 | L(21.6") L(21.6") |
| 2 | 61N-45311-02-4D | CASING, LOWER BOITIER D'HELICE | | 1 | 1 | |
| 3 | 93332-000W5 | BEARING ROULEMENT | | 1 | 1 | |
| 4 | 61N-45587-00 | SHIM (T:0.7MM) CALE (T:0.7MM) | | 1 | 1 | UR UR |
| | 61N-45587-10 | SHIM (T:1.0MM) CALE (T:1.0MM) | | 1 | 1 | UR UR UR |
| | 61N-45587-20 | SHIM (T:1.1MM) CALE (T:1.1MM) | | 1 | 1 | UR UR UR |
| | 61N-45587-30 | SHIM (T:1.2MM) CALE (T:1.2MM) | | 1 | 1 | UR UR UR |
| | 61N-45587-40 | SHIM (T:1.3MM) CALE (T:1.3MM) | | 1 | 1 | UR UR UR |
| | 61N-45587-50 | SHIM (T:1.4MM) CALE (T:1.4MM) | | 1 | 1 | UR UR UR |
| | 61N-45587-60 | SHIM (T:1.5MM) CALE (T:1.5MM) | | 1 | 1 | UR UR UR |
| | 61N-45587-70 | SHIM (T:1.6MM) CALE (T:1.6MM) | | 1 | 1 | UR UR UR |
| 5 | 61N-45536-00 | SLEEVE, DRIVE SHAFT MANCHON, ARBRE MOTEUR | | 1 | 1 | |
| 6 | 93315-220V7 | BEARING ROULEMENT | | 1 | 1 | |
| 7 | 61N-44362-00 | TUBE, WATER 2 TUBE D'EAU 2 | | 1 | 1 | S(16.6") S(16.6") |
| | 61N-44362-10 | TUBE, WATER 2 TUBE D'EAU 2 | | 1 | 1 | L(21.6") L(21.6") |
| 8 | 93210-22164 | O-RING JOINT TORIQUE | | 1 | 1 | S(16.6") S(16.6") |
| 9 | 93210-26130 | O-RING JOINT TORIQUE | | 1 | 1 | S(16.6") S(16.6") |
| | 93210-26130 | O-RING JOINT TORIQUE | | 2 | 2 | L(21.6") L(21.6") |
| 10 | 65W-44328-11 | PLATE PLAQUETTE | | 1 | 1 | L(21.6") L(21.6") |
| 11 | 61N-44311-01 | HOUSING, WATER PUMP CORPS, POMPE A EAU | | 1 | 1 | |
| 12 | 6L2-44367-00 | DAMPER, WATER SEAL 3 JOINT TUBE D'EAU 3 | | 1 | 1 | |
| 13 | 61N-44322-01 | INSERT, CARTRIDGE CUVETTE | | 1 | 1 | |
| 14 | 6H4-44352-02 | IMPELLER TURBINE | | 1 | 1 | |
| 15 | 93210-45161 | O-RING JOINT TORIQUE | | 1 | 1 | |
| 16 | 61N-44323-00 | OUTER PLATE, CARTRIDGE PLAQUE EXTERIEURE | | 1 | 1 | |
| 17 | 97095-06040 | BOLT BOULON | | 4 | 4 | |

FIG. 32 LOWER CASING & DRIVE 1

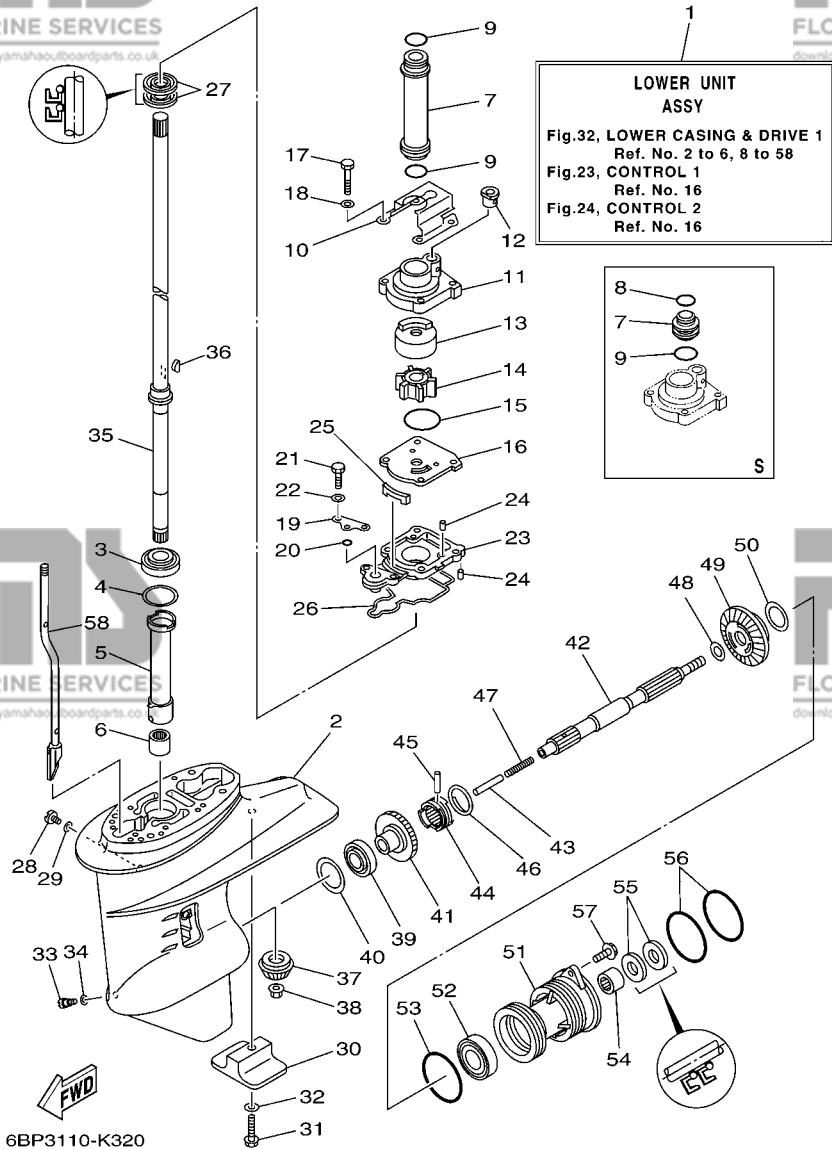
BOITIER D'HELICE TRANSMISSION1



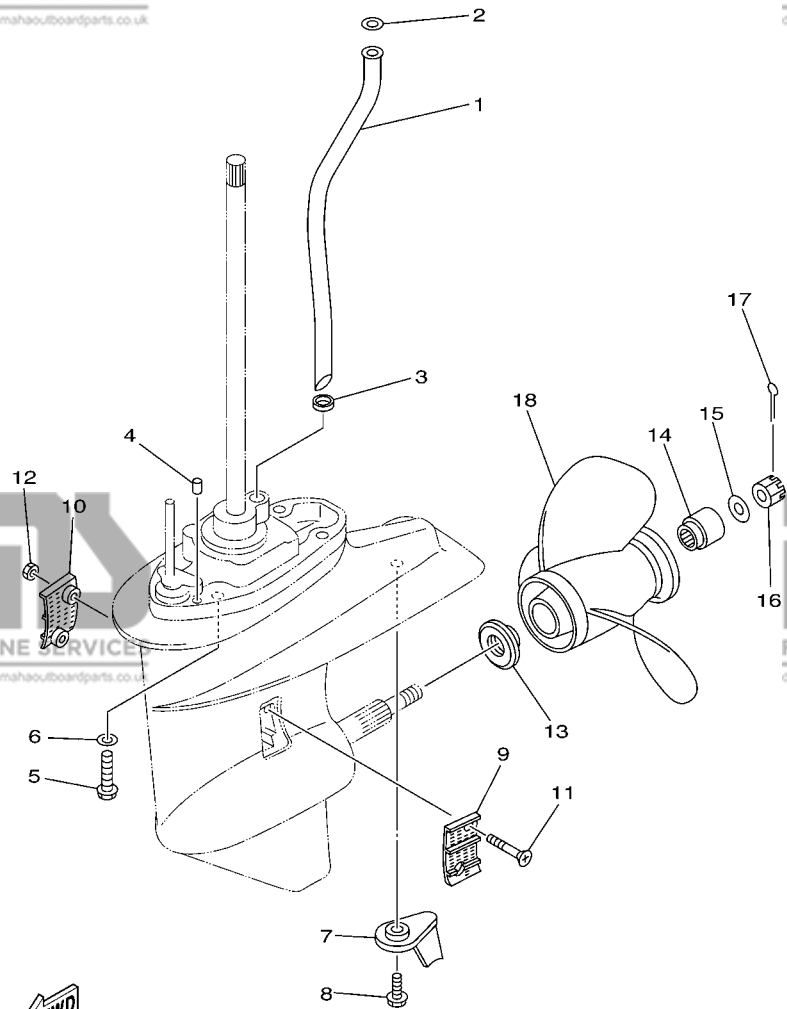
| REF. NO. | PART NO. N° PIECES | DESCRIPTION DESCRIPTION | ET | E | MH | REMARKS REMARQUES |
|----------|--------------------|--|----|---|----|----------------------|
| 18 | 92995-06600 | WASHER RONDELLE | 4 | 4 | 4 | |
| 19 | 65W-44176-00 | BRACKET SUPPORT | 1 | 1 | 1 | |
| 20 | 93210-06ME6 | O-RING JOINT TORIQUE | 1 | 1 | 1 | |
| 21 | 97095-06025 | BOLT BOULON | 2 | 2 | 2 | |
| 22 | 92995-06600 | WASHER RONDELLE | 2 | 2 | 2 | |
| 23 | 65W-45331-00-CA | HOUSING, BEARING FLASQUE, ROULEMENT | 1 | 1 | 1 | |
| 24 | 93604-10M03 | PIN, DOWEL CLAVETTE | 3 | 3 | 3 | |
| 25 | 61N-45127-00 | SEAL JOINT | 1 | 1 | 1 | |
| 26 | 61N-45315-00 | PACKING, LOWER CASING JOINT, BOITIER D'HELICE | 1 | 1 | 1 | |
| 27 | 93101-22067 | OIL SEAL JOINT SPY | 2 | 2 | 2 | |
| 28 | 90340-08002 | PLUG, STRAIGHT SCREW PLOT, FILETE DROIT | 1 | 1 | 1 | |
| 29 | 90430-08020 | GASKET JOINT | 1 | 1 | 1 | |
| 30 | 61N-45251-01 | ANODE ANODE | 1 | 1 | 1 | |
| 31 | 95895-06035 | BOLT, FLANGE BOULON | 1 | 1 | 1 | |
| 32 | 92990-06300 | WASHER, INTERNAL TOOTH RONDELLE, DENTURE INTERNE | 1 | 1 | 1 | |
| 33 | 688-45341-10 | PLUG, DRAIN BOUCHON DE VIDANGE | 1 | 1 | 1 | |
| 34 | 90430-08020 | GASKET JOINT | 1 | 1 | 1 | |
| 35 | 61N-45510-00 | DRIVE SHAFT ASSY ARBRE MOTEUR (ENS.) | | 1 | 1 | S(16.6") S(16.6") |
| | 61N-45510-10 | DRIVE SHAFT ASSY ARBRE MOTEUR (ENS.) | 1 | 1 | 1 | L(21.6") L(21.6") |
| 36 | 90280-03024 | KEY, WOODRUFF CLAVETTE, DEMI-LUNE | 1 | 1 | 1 | |
| 37 | 61N-45551-00 | PINION (13T) PIGNON D'ATTAQUE (13D) | 1 | 1 | 1 | |
| 38 | 90179-10M14 | NUT ECROU | 1 | 1 | 1 | |
| 39 | 93332-00005 | BEARING ROULEMENT | 1 | 1 | 1 | |
| 40 | 6L2-45567-00 | SHIM (T:1.0MM) CALE (T:1.0MM) | 1 | 1 | 1 | UR UR |
| | 6L2-45567-10 | SHIM (T:1.1MM) CALE (T:1.1MM) | 1 | 1 | 1 | UR UR |
| | 6L2-45567-20 | SHIM (T:1.2MM) CALE (T:1.2MM) | 1 | 1 | 1 | UR UR |
| | 6L2-45567-30 | SHIM (T:1.3MM) CALE (T:1.3MM) | 1 | 1 | 1 | UR UR |

FIG. 32 LOWER CASING & DRIVE 1

BOITIER D'HELICE TRANSMISSION1



| REF. NO. | PART NO. N° PIECES | DESCRIPTION DESCRIPTION | ET | E | MH | REMARKS REMARQUES |
|----------|--------------------|--|----|---|----|----------------------|
| 40 | 6L2-45567-40 | SHIM (T:1.4MM) CALE (T:1.4MM) | 1 | 1 | 1 | UR UR |
| 41 | 61N-45560-10 | GEAR 1 (27T) PIGNON 1 (27T) | 1 | 1 | 1 | |
| 42 | 65W-45611-00 | SHAFT, PROPELLER ARBRE, HELICE | 1 | 1 | 1 | |
| 43 | 648-45635-00 | PLUNGER, SHIFT POUSSOIR D'EMBRAYAGE | 1 | 1 | 1 | |
| 44 | 664-45631-03 | CLUTCH, DOG CRABOT | 1 | 1 | 1 | |
| 45 | 90250-05010 | PIN, STRAIGHT GOUPILLE, DROITE | 1 | 1 | 1 | |
| 46 | 648-45633-00 | RING, CROSS PIN JONC, GOUPILLE CRABOT | 1 | 1 | 1 | |
| 47 | 90501-10065 | SPRING, COMPRESSION RESSORT, COMPRESSION | 1 | 1 | 1 | |
| 48 | 90201-20417 | WASHER, PLATE RONDELLE, PLATE | 1 | 1 | 1 | |
| 49 | 61N-45571-00 | GEAR 2 (27T) PIGNON 2 (27T) | 1 | 1 | 1 | |
| 50 | 6L2-45577-00 | SHIM (T:1.0MM) CALE (T:1.0MM) | 1 | 1 | 1 | UR UR UR |
| | 6L2-45577-10 | SHIM (T:1.1MM) CALE (T:1.1MM) | 1 | 1 | 1 | UR UR UR |
| | 6L2-45577-20 | SHIM (T:1.2MM) CALE (T:1.2MM) | 1 | 1 | 1 | UR UR UR |
| | 6L2-45577-30 | SHIM (T:1.3MM) CALE (T:1.3MM) | 1 | 1 | 1 | UR UR |
| 51 | 61N-45361-01-4D | CAP, LOWER CASING COUVERCLE, BOITIER D'HELICE | 1 | 1 | 1 | |
| 52 | 93306-00612 | BEARING ROULEMENT | 1 | 1 | 1 | |
| 53 | 93210-64ME7 | O-RING JOINT TORIQUE | 1 | 1 | 1 | |
| 54 | 93315-22004 | BEARING ROULEMENT | 1 | 1 | 1 | |
| 55 | 93101-20M07 | OIL SEAL JOINT SPY | 2 | 2 | 2 | |
| 56 | 93210-65M50 | O-RING JOINT TORIQUE | 2 | 2 | 2 | |
| 57 | 97575-06520 | BOLT, WITH WASHER VIS HEXAGONAL AVC RONDELLE | 2 | 2 | 2 | |
| 58 | 65W-44150-01 | SHIFT CAM ASSY CAME D'INVERSION | 1 | 1 | 1 | S(16.6") S(16.6") |
| | 65W-44150-11 | SHIFT CAM ASSY CAME D'INVERSION | 1 | 1 | 1 | L(21.6") L(21.6") |

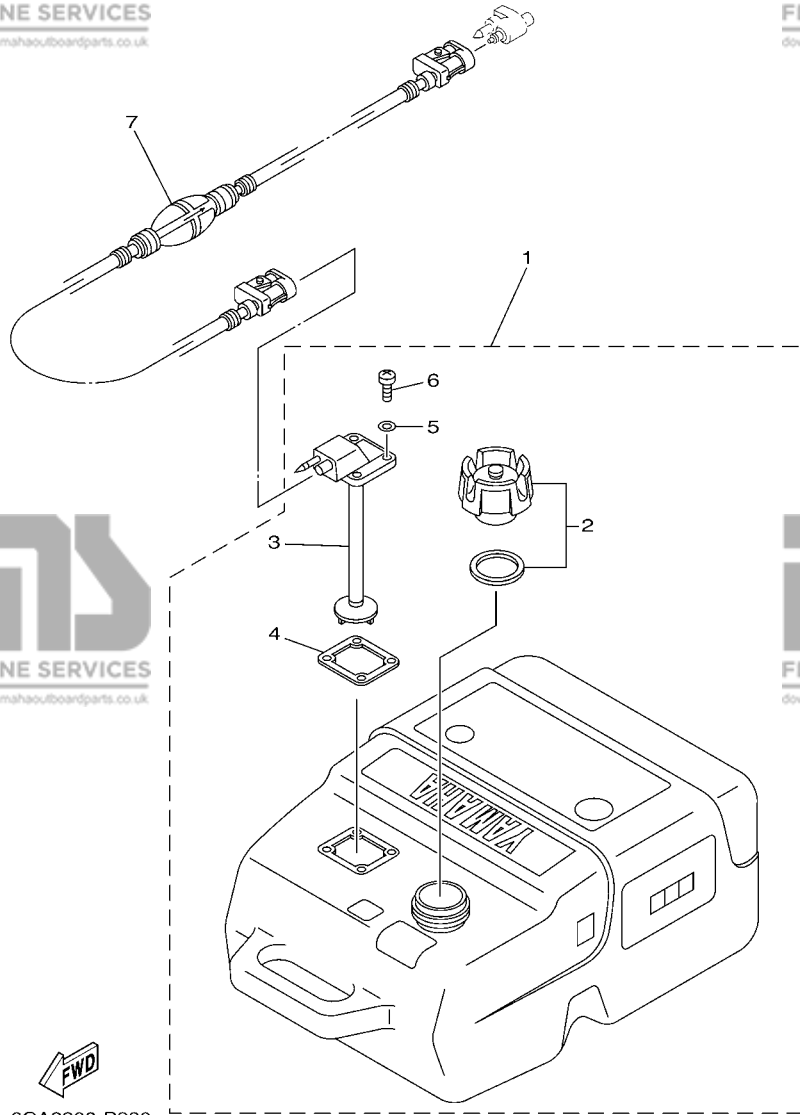


65W1100-2290

FIG. 33 LOWER CASING & DRIVE 2

BOITIER D'HELICE TRANSMISSION2

| REF. NO. | PART NO. N° PIECES | DESCRIPTION DESCRIPTION | ET | E | MH | REMARKS REMARQUES |
|----------|--------------------|---|----|---|----|----------------------|
| 1 | 65W-44361-02 | TUBE, WATER 1 TUBE D'EAU 1 | | 1 | 1 | S(16.6") S(16.6") |
| | 65W-44361-12 | TUBE, WATER 1 TUBE D'EAU 1 | | 1 | 1 | L(21.6") L(21.6") |
| 2 | 90202-12060 | WASHER, PLATE RONDELLE, PLATE | | 1 | 1 | |
| 3 | 90430-10002 | GASKET JOINT | | 1 | 1 | |
| 4 | 93606-11M24 | PIN, DOWEL GOUPILLE | | 2 | 2 | |
| 5 | 90105-10M12 | BOLT, FLANGE BOULON | | 4 | 4 | |
| 6 | 92995-10600 | WASHER RONDELLE | | 4 | 4 | |
| 7 | 61N-45371-00 | TAB-TRIM ANODE DERIVE | | 1 | 1 | |
| 8 | 90119-06M48 | BOLT, WITH WASHER BOULON, AVEC RONDELLE | | 1 | 1 | |
| 9 | 6L2-45214-00 | COVER, WATER INLET 1 GRILLE, ENTREE D'EAU 1 | | 1 | 1 | |
| 10 | 6L2-45215-00 | COVER, WATER INLET 2 GRILLE, ENTREE D'EAU 2 | | 1 | 1 | |
| 11 | 90151-05M05 | SCREW, COUNTERSUNK VIS, TETE NOYEE | | 2 | 2 | |
| 12 | 90185-05002 | NUT, NYLON ECROU, AUTO-BLOQUANT | | 2 | 2 | |
| 13 | 6L2-45987-01 | SPACER 1 ENTRETOISE 1 | | 1 | 1 | |
| 14 | 689-45997-00 | SPACER 2 ENTRETOISE 2 | | 1 | 1 | |
| 15 | 92990-14200 | WASHER, PLAIN RONDELLE, PLATE | | 1 | 1 | |
| 16 | 90171-14013 | NUT, CASTLE ECROU, CRENELE | | 1 | 1 | |
| 17 | 91490-30022 | PIN, COTTER GOUPILLE | | 1 | 1 | |
| 18 | 664-45941-01 | PROPELLER (3X9-7/8"X9"-F) HELICE (3X9-7/8"X9"-F) | | 1 | 1 | UR UR |
| | 664-45943-01 | PROPELLER (3X9-7/8"X8"-F) HELICE (3X9-7/8"X8"-F) | | 1 | 1 | UR UR |
| | 664-45945-00 | PROPELLER (3X9-7/8"X10-1/2"-F) HELICE (3X9-7/8"X10-1/2"-F) | | 1 | 1 | UR UR |
| | 664-45947-01 | PROPELLER (3X9-7/8"X11-1/4"-F) HELICE (3X9-7/8"X11-1/4"-F) | | 1 | 1 | UR UR |
| | 664-45949-02 | PROPELLER (3X9-7/8"X13"-F) HELICE (3X9-7/8"X13"-F) | | 1 | 1 | UR UR |
| | 664-45952-00 | PROPELLER (3X9-7/8"X14"-F) HELICE (3X9-7/8"X14"-F) | | 1 | 1 | UR UR |
| | 664-45954-01 | PROPELLER (3X9-7/8"X12"-F) HELICE (3X9-7/8"X12"-F) | | 1 | 1 | UR UR |
| | 664-45970-00 | PROPELLER (3X9-1/8"X13"-F) HELICE (3X9-1/8"X13"-F) | | 1 | 1 | UR UR |
| | 664-45972-00 | PROPELLER (3X9-1/8"X12"-F) HELICE (3X9-1/8"X12"-F) | | 1 | 1 | UR UR |

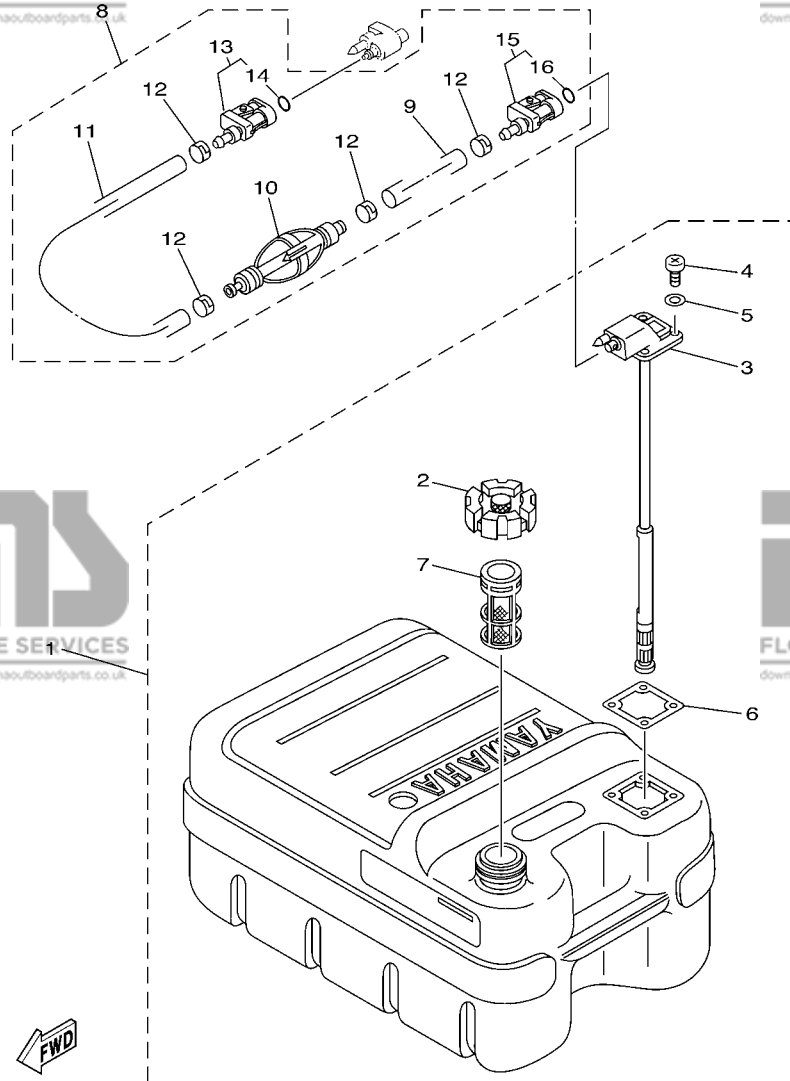


6CA8300-P280

FIG. 34 FUEL TANK 1

RESERVOIR A CARBURANT 1

| REF. NO. | PART NO. N° PIECES | DESCRIPTION DESCRIPTION | ET | E | MH | REMARKS REMARQUES |
|----------|--------------------|--|----|---|----|--|
| 1 | 6YK-24201-04 | FUEL TANK ASSY (25L) RESERVOIR A ESSENCE (ENS.) 25L | 1 | 1 | 1 | AP EXCEPT FOR RUS AP EXCEPT FOR RUS |
| 2 | 6YK-24610-01 | .CAP ASSY .BOUCHON | 1 | 1 | 1 | |
| 3 | 6YK-24260-10 | .FUEL METER ASSY .INDICATEUR DE CARBURANT | 1 | 1 | 1 | |
| 4 | 6YL-24268-01 | .GASKET, FUEL METER .JOINT, JAUGE A CARBURANT | 1 | 1 | 1 | |
| 5 | 6YL-24329-00 | .SEAL .JOINT | 4 | 4 | 4 | |
| 6 | 90157-05M16 | .SCREW, PAN HEAD .VIS, TETE TRONCONIQUE | 4 | 4 | 4 | |
| 7 | 6YL-24306-54 | FUEL PIPE COMP. 1 DURITE A ESSENCE 1 | 1 | 1 | 1 | AP EXCEPT FOR RUS AP EXCEPT FOR RUS |



68U3100-C240

FIG. 35 FUEL TANK 2

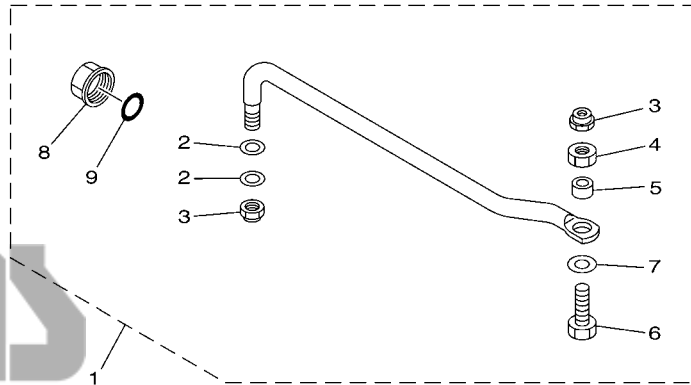
RESERVOIR A CARBURANT 2

| REF. NO. | PART NO. N° PIECES | DESCRIPTION DESCRIPTION | ET | E | MH | REMARKS REMARQUES |
|----------|--------------------|---|----|---|----|--------------------------|
| 1 | 6YJ-24201-00 | FUEL TANK ASSY (24L) RESERVOIR A ESSENCE (ENS.):24L | | 1 | 1 | AP FOR RUS AP FOR RUS |
| 2 | 6YJ-24610-01 | .CAP ASSY .BOUCHON | | 1 | 1 | |
| 3 | 6YJ-24260-00 | .FUEL METER ASSY .INDICATEUR DE CARBURANT | | 1 | 1 | |
| 4 | 90157-05M19 | .SCREW, PAN HEAD .VIS, TETE TRONCONIQUE | | 4 | 4 | |
| 5 | 6Y1-24329-00 | .SEAL .JOINT | | 4 | 4 | |
| 6 | 6Y1-24268-00 | .GASKET, FUEL METER .JOINT, JAUGE A CARBURANT | | 1 | 1 | |
| 7 | 6YJ-24167-00 | .STRAINER .FILTRE | | 1 | 1 | |
| 8 | 61J-24306-04 | FUEL PIPE COMP. 1 DURITE A ESSENCE 1 | | 1 | 1 | AP FOR RUS AP FOR RUS |
| 9 | 90445-11M06 | .HOSE (L2050) .DURITE (L2050) | | 1 | 1 | |
| 10 | 61J-24360-00 | .PRIMER PUMP ASSY .POMPE D'AMORCAGE | | 1 | 1 | |
| 11 | 90445-11M05 | .HOSE (L850) .DURITE (L850) | | 1 | 1 | |
| 12 | 650-24351-51 | .BAND 1 .COLLIER 1 | | 4 | 4 | |
| 13 | 6G1-24305-05 | .FUEL PIPE JOINT COMP. 2 .DURITE RACCORDEMT. A ESSENCE | | 1 | 1 | |
| 14 | 93210-08287 | ..O-RING ..JOINT TORIQUE | | 1 | 1 | |
| 15 | 6Y1-24305-06 | .FUEL PIPE JOINT COMP. 2 .DURITE RACCORDEMT. A ESSENCE | | 1 | 1 | |
| 16 | 93210-08287 | ..O-RING ..JOINT TORIQUE | | 1 | 1 | |

FIG. 36 STEERING GUIDE

FIXATION DE DIRECTION

| REF. NO. | PART NO. N° PIECES | DESCRIPTION DESCRIPTION | ET | E | MH | REMARKS REMARQUES |
|----------|--------------------|---|----|---|----|-------------------|
| 1 | 6BG-61350-00 | STEERING GUIDE ATTACHMENT KIT FIXATIONS DE DIRECTION | 1 | 1 | 1 | AP AP |
| 2 | 90201-10M20 | .WASHER, PLATE .RONDELLE, PLATE | 2 | 2 | 2 | |
| 3 | 90185-09M01 | .NUT, SELF-LOCKING .ECROU, AUTO-BLOQUANT | 2 | 2 | 2 | |
| 4 | 90170-09M03 | .NUT .ECROU | 1 | 1 | 1 | |
| 5 | 90387-10M42 | .COLLAR .COLLERETTE | 1 | 1 | 1 | |
| 6 | 90101-09M01 | .BOLT .BOULON | 1 | 1 | 1 | |
| 7 | 90201-10M63 | .WASHER, PLATE .RONDELLE, PLATE | 1 | 1 | 1 | |
| 8 | 6E5-43145-01 | .CAP CLAMP BRACKET .CAPUCHON, PRESSE | 1 | 1 | 1 | |
| 9 | 93210-16275 | .O-RING .JOINT TORIQUE | 1 | 1 | 1 | |

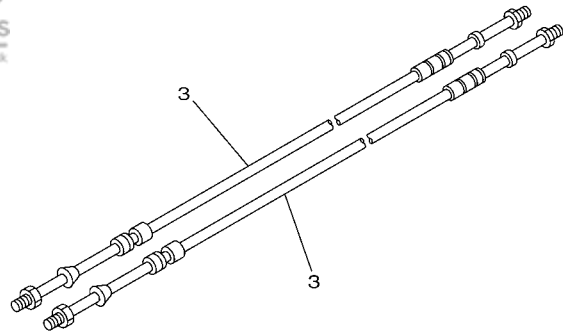
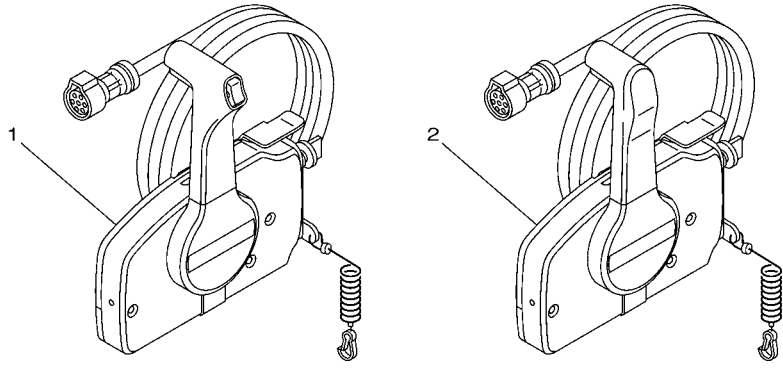


6BG1100-H340

FIG. 37 REMOTE CONTROL BOX

BOITIER DE COMMANDE A DISTANCE

| REF. NO. | PART NO. N° PIECES | DESCRIPTION DESCRIPTION | ET | E | MH | REMARKS REMARQUES |
|----------|--------------------|--|----|---|----|--|
| 1 | 703-48205-B0 | REMOTE CONTROL ASSY (10P, PTT) BOITIER DE COMMANDE A DISTANCE | 1 | | | AP WITH PT/T SW. AP WITH PT/T SW. |
| 2 | 703-48201-B0 | REMOTE CONTROL ASSY (10P) BOITIER DE COMMANDE A DISTANCE | | 1 | | AP WITHOUT PT/T SW. AP WITHOUT PT/T SW. |
| 3 | 701-48310-90 | CABLE, REMOTE CONTROL L=11F CABLE, COMMANDE A DISTANCE:11F | 2 | 2 | | UR UR |
| | 701-48320-00 | CABLE, REMOTE CONTROL L=12F CABLE, COMMANDE A DISTANCE:12F | 2 | 2 | | UR UR |
| | 701-48320-20 | CABLE, REMOTE CONTROL L=13F CABLE, COMMANDE A DISTANCE:13F | 2 | 2 | | UR UR |
| - - - | 701-48320-50 | CABLE, REMOTE CONTROL L=15F CABLE, COMMANDE A DISTANCE:15F | 2 | 2 | | UR UR |



FWD
6BP8300-P370

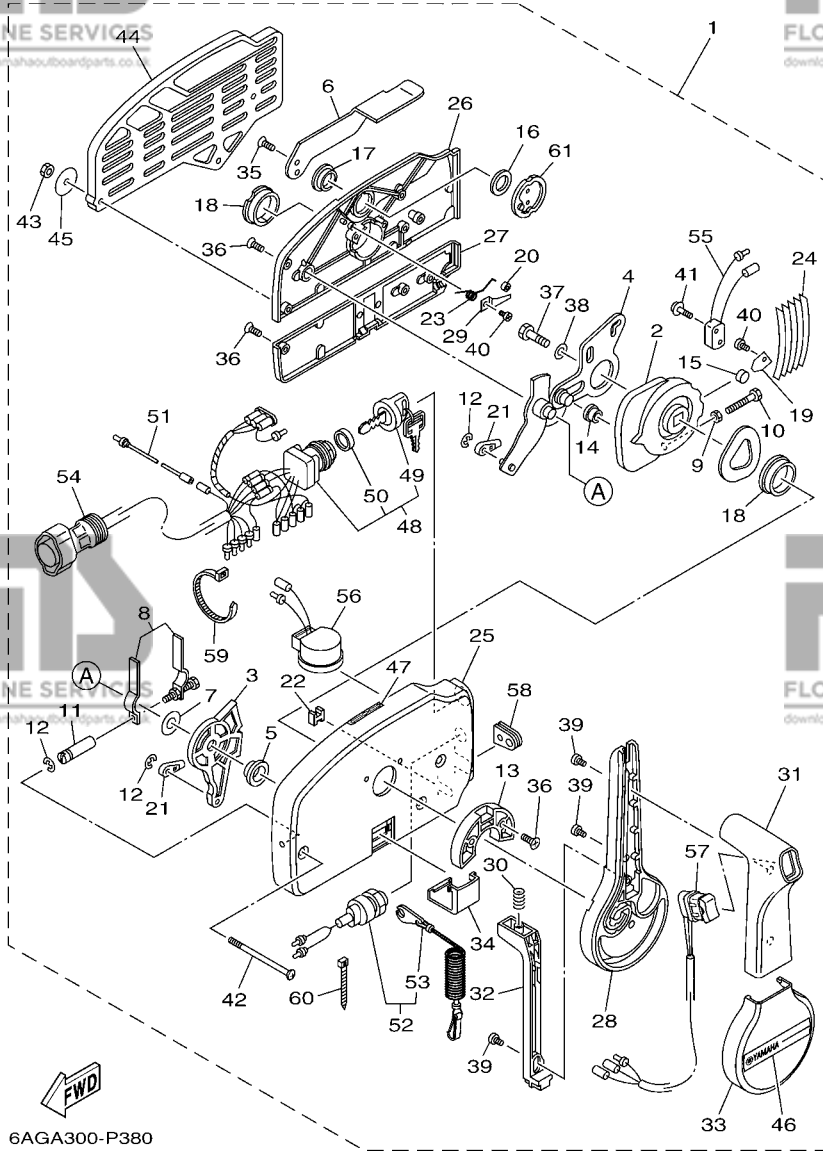
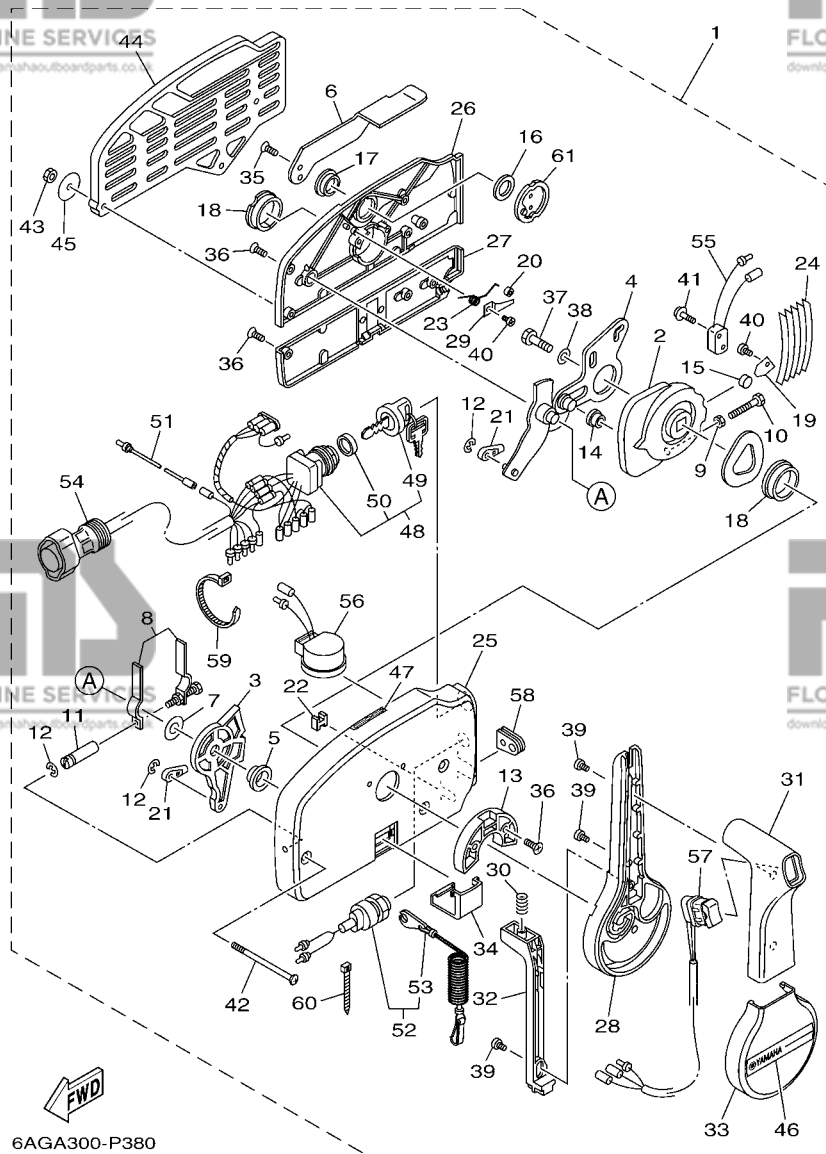


FIG. 38 REMOTE CONTROL ASSY 1 BOITIER DE COMMANDE A DISTANCE

| REF. NO. | PART NO. N° PIECES | DESCRIPTION DESCRIPTION | ET | E | MH | REMARKS REMARQUES |
|----------|--------------------|--|----|---|----|--------------------------------------|
| 1 | 703-48205-B0 | REMOTE CONTROL ASSY (10P, PTT) BOITIER DE COMMANDE A DISTANCE | 1 | | | AP WITH PT/T SW. AP WITH PT/T SW. |
| 2 | 703-48232-00 | .GEAR .PIGNON | 1 | | | |
| 3 | 703-48271-00 | .ARM, SHIFT .BRAS | 1 | | | |
| 4 | 703-48261-01 | .ARM, THROTTLE .BRAS, ACCELERATION | 1 | | | |
| 5 | 703-48235-00 | .BUSHING .COUSSINET | 1 | | | |
| 6 | 703-48152-10 | .KNOB, FREE ACCEL. .BOUTON | 1 | | | |
| 7 | 703-48268-00 | .SPACER .ENTRETOISE | 1 | | | |
| 8 | 703-48264-00 | .FRICTION, THROTTLE .FRICTION, ACCELERATION | 1 | | | |
| 9 | 95380-05600 | .NUT .ECROU | 1 | | | |
| 10 | 97380-05025 | .BOLT .BOULON, HEXAGONAL | 1 | | | |
| 11 | 703-48265-00 | .SHAFT, FRICTION .AXE, COPILOTE | 1 | | | |
| 12 | 93430-06024 | .CIRCLIP .CLIPS | 3 | | | |
| 13 | 703-48245-00 | .PLATE, LOCK .PLAQUE, VERROU | 1 | | | |
| 14 | 703-48252-00 | .ROLLER, CAM .POULIE | 1 | | | |
| 15 | 701-48248-00 | .ROLLER, FREE ACCEL. .POULIE | 1 | | | |
| 16 | 703-48198-00 | .WASHER, WAVE .RONDELLE, ELASTIQUE ONDULEE | 1 | | | |
| 17 | 703-48243-00 | .BUSHING .COUSSINET | 1 | | | |
| 18 | 703-48236-00 | .BUSHING 1 .POULIE | 2 | | | |
| 19 | 703-48189-00 | .RETAINER .FLASQUE | 1 | | | |
| 20 | 703-48234-00 | .ROLLER, DETENT .POULIE | 1 | | | |
| 21 | 703-48345-01 | .CABLE END, REMOTE CONTROL 2 .CHAPE CABLE | 2 | | | |
| 22 | 703-48358-00 | .ANCHOR, CABLE .COLLIER | 1 | | | |
| 23 | 703-48244-00 | .SPRING, FREE ACCEL. .RESSORT | 1 | | | |
| 24 | 703-48238-00 | .SPRING, DETENT .RESSORT | 5 | | | |
| 25 | 703-48211-10 | .HOUSING,1 .CORPS | 1 | | | |
| 26 | 703-48212-10 | .BACK PLATE 1 .PLAQUETTE 1 | 1 | | | |
| 27 | 703-48213-10 | .BACK PLATE 2 .PLAQUETTE 2 | 1 | | | |



6AGA300-P380

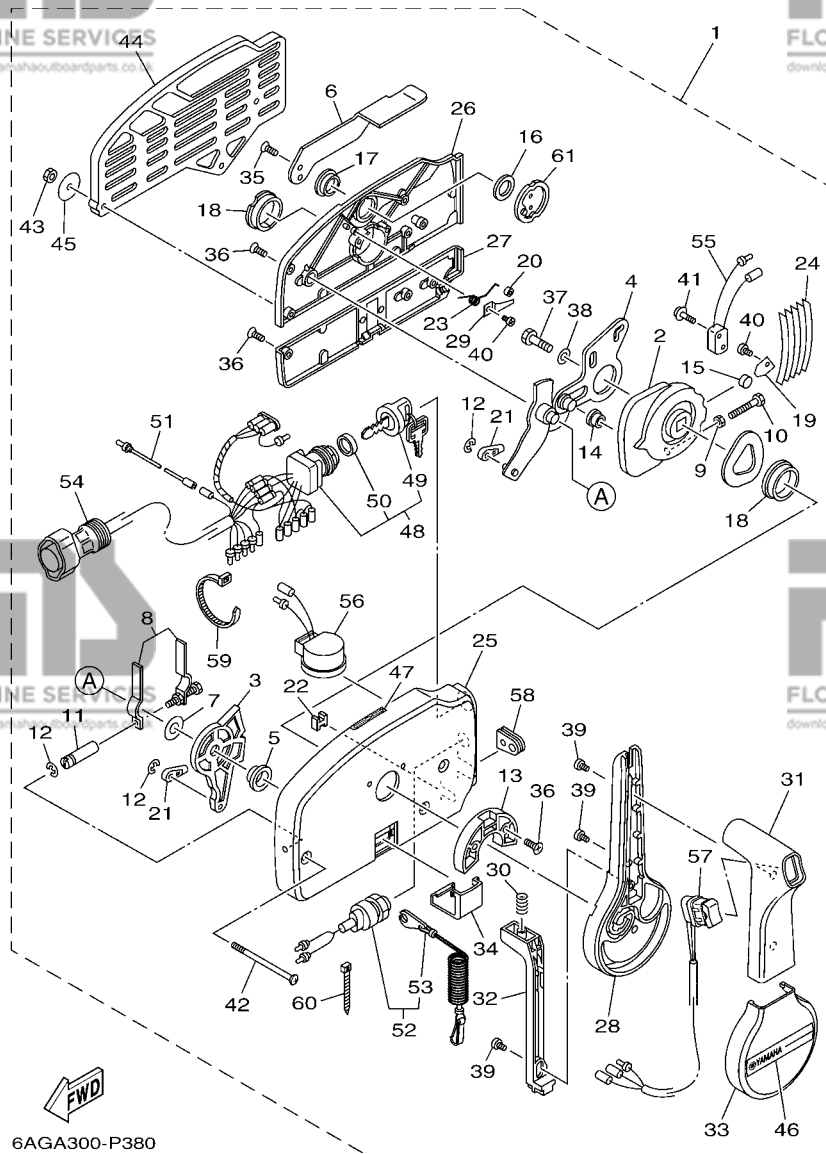
FIG. 38 REMOTE CONTROL ASSY 1

BOITIER DE COMMANDE A DISTANCE

| REF. NO. | PART NO. N° PIECES | DESCRIPTION DESCRIPTION | ET | E | MH | REMARKS REMARQUES |
|----------|--------------------|--|----|---|----|-------------------------|
| 28 | 703-48221-10 | .LEVER, CONTROL .LEVIER, COMMANDE | 1 | | | |
| 29 | 703-48246-00 | .SPACER .ENTRETOISE | 1 | | | |
| 30 | 703-48227-00 | .SPRING, NEUTRAL LOCK .RESSORT | 1 | | | |
| 31 | 703-48222-20 | .GRIP, CONTROL LEVER .POIGNEE, COMMANDE LEVIER | 1 | | | SINGLE SINGLE |
| 32 | 703-48223-10 | .LOCK, NEUTRAL .VERROU, NEUTRAL | 1 | | | |
| 33 | 703-48225-10 | .COVER .COUVERCLE | 1 | | | |
| 34 | 703-48219-10 | .COVER, LEAD .COUVERCLE | 1 | | | |
| 35 | 703-48281-00 | .SCREW .VIS | 2 | | | |
| 36 | 703-44189-20 | .SCREW .VIS | 7 | | | |
| 37 | 97380-08030 | .BOLT .BOULON, HEXAGONAL | 1 | | | |
| 38 | 92990-08600 | .WASHER, PLATE .RONDELLE, PLATE | 1 | | | |
| 39 | 703-48128-10 | .SCREW 2 .VIS 2 | 3 | | | |
| 40 | 98580-04006 | .SCREW, PAN HEAD .VIS | 2 | | | |
| 41 | 703-48129-00 | .SCREW 3 .VIS 3 | 2 | | | |
| 42 | 703-44189-30 | .SCREW .VIS | 3 | | | |
| 43 | 95380-06600 | .NUT, HEXAGON .ECROU | 3 | | | |
| 44 | 703-48293-10 | .SPACER, REMOTE CONTROL .ENTRETOISE | 1 | | | SINGLE SINGLE |
| 45 | 701-48287-00 | .WASHER .RONDELLE | 3 | | | |
| 46 | 703-48215-10 | .GRAPHIC .ADHESIF | 1 | | | |
| 47 | 6X3-44191-00 | .INDICATOR, SHIFT .ETIQUETTE, EMBRAYAGE | 1 | | | |
| 48 | 703-82510-13 | .MAIN SWITCH ASSY .CONTACTEUR A CLEF COMPLET | 1 | | | PRIME START PRIME START |
| 49 | 676-82577-01 | .CAP, KEY .CABOCHON | 1 | | | |
| 50 | 703-82532-00 | .CAP .COUVERCLE | 1 | | | |
| 51 | 703-82531-00 | .WIRE, LEAD (L70) .FIL (L70) | 1 | | | |
| 52 | 688-82575-01 | .ENGINE STOP SWITCH ASSY .COUPE CIRCUIT CPLT | 1 | | | |
| 53 | 682-82556-00 | .LANYARD, STOP SWITCH .CORDON DU COUPE CIRCUIT | 1 | | | |
| 54 | 688-8258A-20 | .EXTENSION, WIRE HARNESS (4.9M) .EXTENSION, FAISCEAU DE FILS (4 | 1 | | | (10P) (10P) |

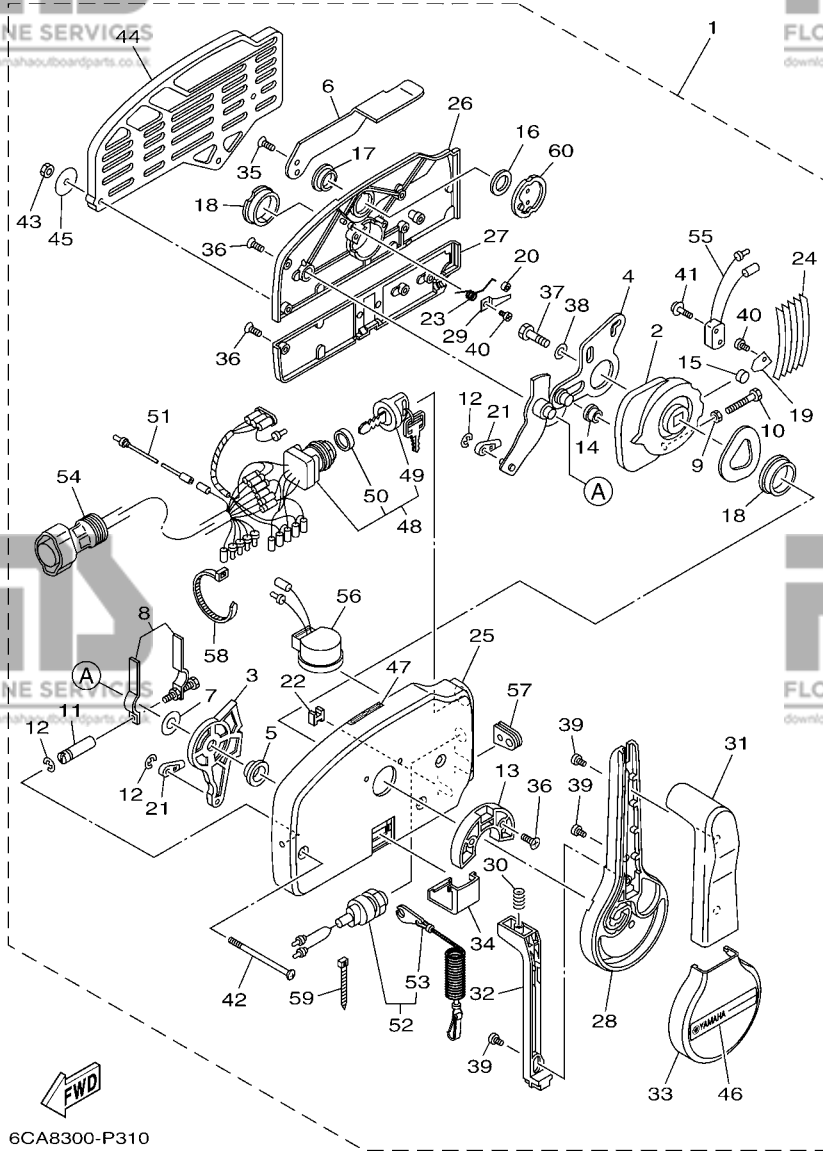
FIG. 38 REMOTE CONTROL ASSY 1

BOITIER DE COMMANDE A DISTANCE



6AGA300-P380

| REF. NO. | PART NO. N° PIECES | DESCRIPTION DESCRIPTION | ET | E | MH | REMARKS REMARQUES |
|----------|--------------------|--|----|---|----|--------------------------------|
| 55 | 703-82540-00 | .NEUTRAL SWITCH ASSY .CONTACTEUR DE POINT-MORT | 1 | | | |
| 56 | 703-83383-11 | .BUZZER .RONFLEUR | 1 | | | |
| 57 | 703-82563-30 | .TRIM & TILT SWITCH ASSY .INCLINER ET PAPER COMMUTATEUR | 1 | | | WITH PT/T SW. WITH PT/T SW. |
| 58 | 703-48284-00 | .GROMMET .PASSE-FIL | 1 | | | |
| 59 | 703-82591-00 | .BAND .COLLIER | 1 | | | |
| 60 | 703-82592-00 | .BAND .COLLIER | 1 | | | |
| 61 | 703-48153-00 | .SHAFT, FREE ACCEL. .AXE | 1 | | | |



6CA8300-P310

FIG. 39 REMOTE CONTROL ASSY 2 BOITIER DE COMMANDE A DISTANCE

| REF. NO. | PART NO. N° PIECES | DESCRIPTION DESCRIPTION | ET | E | MH | REMARKS REMARQUES |
|----------|--------------------|---|----|---|----|--|
| 1 | 703-48201-B0 | REMOTE CONTROL ASSY (10P) BOITIER DE COMMANDE A DISTANCE | | 1 | | AP WITHOUT PT/T SW. AP WITHOUT PT/T SW. |
| 2 | 703-48232-00 | .GEAR .PIGNON | | 1 | | |
| 3 | 703-48271-00 | .ARM, SHIFT .BRAS | | 1 | | |
| 4 | 703-48261-01 | .ARM, THROTTLE .BRAS, ACCELERATION | | 1 | | |
| 5 | 703-48235-00 | .BUSHING .COUSSINET | | 1 | | |
| 6 | 703-48152-10 | .KNOB, FREE ACCEL. .BOUTON | | 1 | | |
| 7 | 703-48268-00 | .SPACER .ENTRETOISE | | 1 | | |
| 8 | 703-48264-00 | .FRICTION, THROTTLE .FRICTION, ACCELERATION | | 1 | | |
| 9 | 95380-05600 | .NUT .ECROU | | 1 | | |
| 10 | 97380-05025 | .BOLT .BOULON, HEXAGONAL | | 1 | | |
| 11 | 703-48265-00 | .SHAFT, FRICTION .AXE, COPILOTE | | 1 | | |
| 12 | 93430-06024 | .CIRCLIP .CLIPS | | 3 | | |
| 13 | 703-48245-00 | .PLATE, LOCK .PLAQUE, VERROU | | 1 | | |
| 14 | 703-48252-00 | .ROLLER, CAM .POULIE | | 1 | | |
| 15 | 701-48248-00 | .ROLLER, FREE ACCEL. .POULIE | | 1 | | |
| 16 | 703-48198-00 | .WASHER, WAVE .RONDELLE, ELASTIQUE ONDULEE | | 1 | | |
| 17 | 703-48243-00 | .BUSHING .COUSSINET | | 1 | | |
| 18 | 703-48236-00 | .BUSHING 1 .POULIE | | 2 | | |
| 19 | 703-48189-00 | .RETAINER .FLASQUE | | 1 | | |
| 20 | 703-48234-00 | .ROLLER, DETENT .POULIE | | 1 | | |
| 21 | 703-48345-01 | .CABLE END, REMOTE CONTROL 2 .CHAPE CABLE | | 2 | | |
| 22 | 703-48358-00 | .ANCHOR, CABLE .COLLIER | | 1 | | |
| 23 | 703-48244-00 | .SPRING, FREE ACCEL. .RESSORT | | 1 | | |
| 24 | 703-48238-00 | .SPRING, DETENT .RESSORT | | 5 | | |
| 25 | 703-48211-10 | .HOUSING, 1 .CORPS | | 1 | | |
| 26 | 703-48212-10 | .BACK PLATE 1 .PLAQUETTE 1 | | 1 | | |
| 27 | 703-48213-10 | .BACK PLATE 2 .PLAQUETTE 2 | | 1 | | |

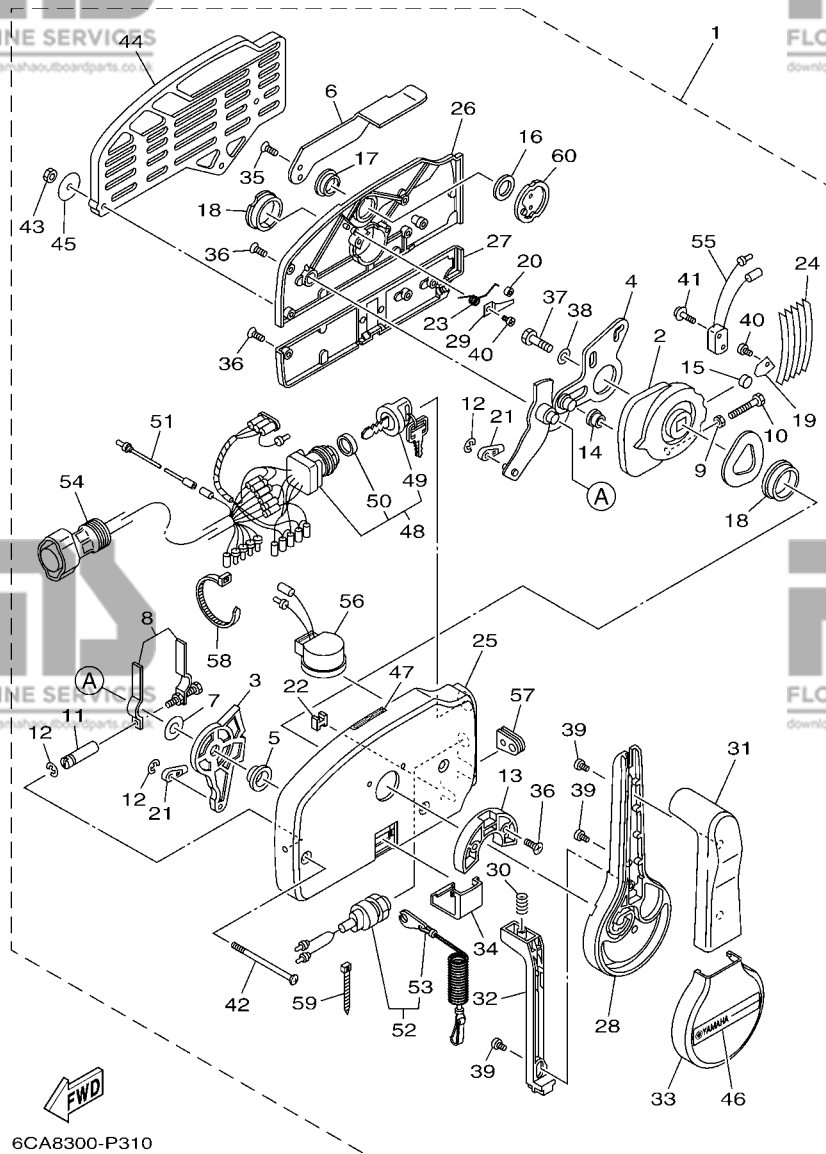
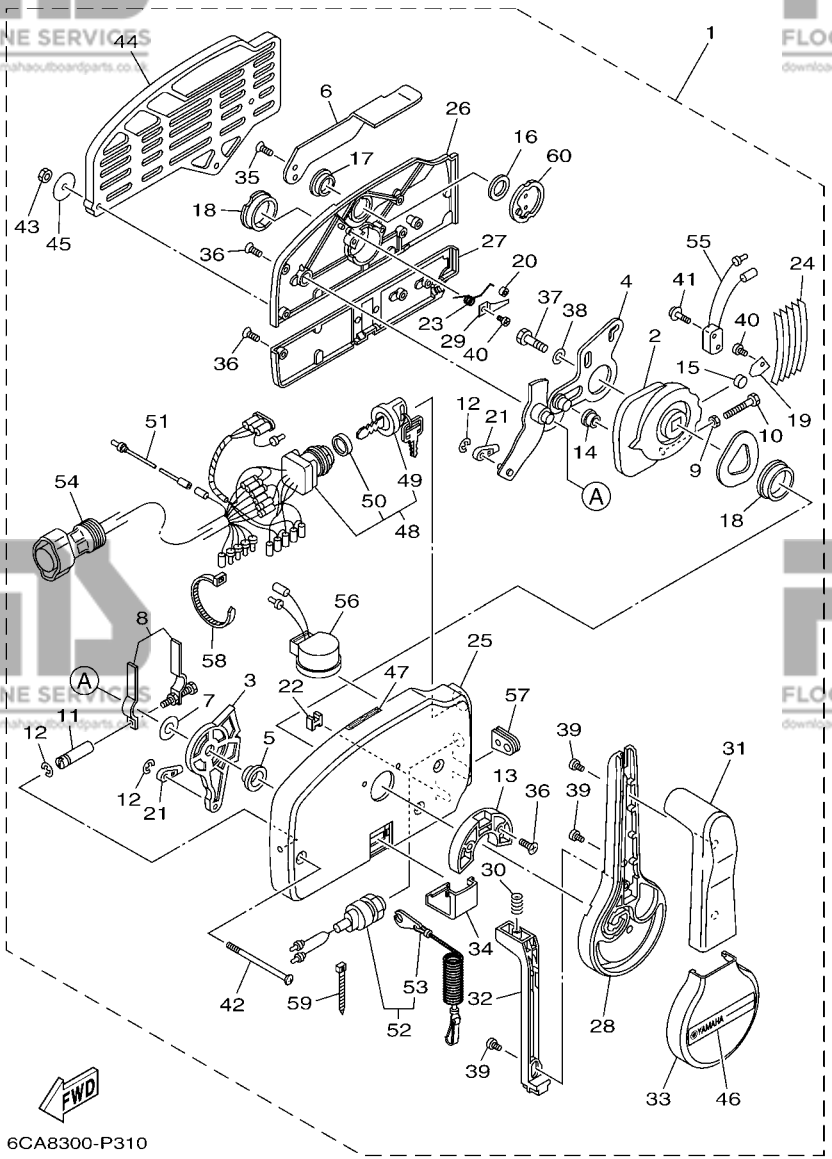


FIG. 39 REMOTE CONTROL ASSY 2 BOITIER DE COMMANDE A DISTANCE

| REF. NO. | PART NO. N° PIECES | DESCRIPTION DESCRIPTION | ET | E | MH | REMARKS REMARQUES |
|----------|--------------------|--|----|---|----|-------------------------|
| 28 | 703-48221-10 | .LEVER, CONTROL .LEVIER, COMMANDE | | 1 | | |
| 29 | 703-48246-00 | .SPACER .ENTRETOISE | | 1 | | |
| 30 | 703-48227-00 | .SPRING, NEUTRAL LOCK .RESSORT | | 1 | | |
| 31 | 703-48222-30 | .GRIP, CONTROL LEVER .POIGNEE, COMMANDE LEVIER | | 1 | | SINGLE SINGLE |
| 32 | 703-48223-10 | .LOCK, NEUTRAL .VERROU, NEUTRAL | | 1 | | |
| 33 | 703-48225-10 | .COVER .COUVERCLE | | 1 | | |
| 34 | 703-48219-10 | .COVER, LEAD .COUVERCLE | | 1 | | |
| 35 | 703-48281-00 | .SCREW .VIS | | 2 | | |
| 36 | 703-44189-20 | .SCREW .VIS | | 7 | | |
| 37 | 97380-08030 | .BOLT .BOULON, HEXAGONAL | | 1 | | |
| 38 | 92990-08600 | .WASHER, PLATE .RONDELLE, PLATE | | 1 | | |
| 39 | 703-48128-10 | .SCREW 2 .VIS 2 | | 3 | | |
| 40 | 98580-04006 | .SCREW, PAN HEAD .VIS | | 2 | | |
| 41 | 703-48129-00 | .SCREW 3 .VIS 3 | | 2 | | |
| 42 | 703-44189-30 | .SCREW .VIS | | 3 | | |
| 43 | 95380-06600 | .NUT, HEXAGON .ECROU | | 3 | | |
| 44 | 703-48293-10 | .SPACER, REMOTE CONTROL .ENTRETOISE | | 1 | | SINGLE SINGLE |
| 45 | 701-48287-00 | .WASHER .RONDELLE | | 3 | | |
| 46 | 703-48215-10 | .GRAPHIC .ADHESIF | | 1 | | |
| 47 | 6X3-44191-00 | .INDICATOR, SHIFT .ETIQUETTE, EMBRAYAGE | | 1 | | |
| 48 | 703-82510-13 | .MAIN SWITCH ASSY .CONTACTEUR A CLEF COMPLET | | 1 | | PRIME START PRIME START |
| 49 | 676-82577-01 | .CAP, KEY .CABOCHON | | 1 | | |
| 50 | 703-82532-00 | .CAP .COUVERCLE | | 1 | | |
| 51 | 703-82531-00 | .WIRE, LEAD (L70) .FIL (L70) | | 1 | | |
| 52 | 688-82575-01 | .ENGINE STOP SWITCH ASSY .COUPE CIRCUIT CPLT | | 1 | | |
| 53 | 682-82556-00 | .LANYARD, STOP SWITCH .CORDON DU COUPE CIRCUIT | | 1 | | |
| 54 | 688-8258A-20 | .EXTENSION, WIRE HARNESS (4.9M) .EXTENSION, FAISCEAU DE FILS (4 | | 1 | | (10P) (10P) |

FIG. 39 REMOTE CONTROL ASSY 2 BOITIER DE COMMANDE A DISTANCE



6CA8300-P310

| REF. NO. | PART NO. N° PIECES | DESCRIPTION DESCRIPTION | ET | E | MH | REMARKS REMARQUES |
|----------|--------------------|---|----|---|----|-------------------|
| 55 | 703-82540-00 | .NEUTRAL SWITCH ASSY .CONTACTEUR DE POINT-MORT | | 1 | | |
| 56 | 703-83383-11 | .BUZZER .RONFLEUR | | 1 | | |
| 57 | 703-48284-00 | .GROMMET .PASSE-FIL | | 1 | | |
| 58 | 703-82591-00 | .BAND .COLLIER | | 1 | | |
| 59 | 703-82592-00 | .BAND .COLLIER | | 1 | | |
| 60 | 703-48153-00 | .SHAFT, FREE ACCEL. .AXE | | 1 | | |

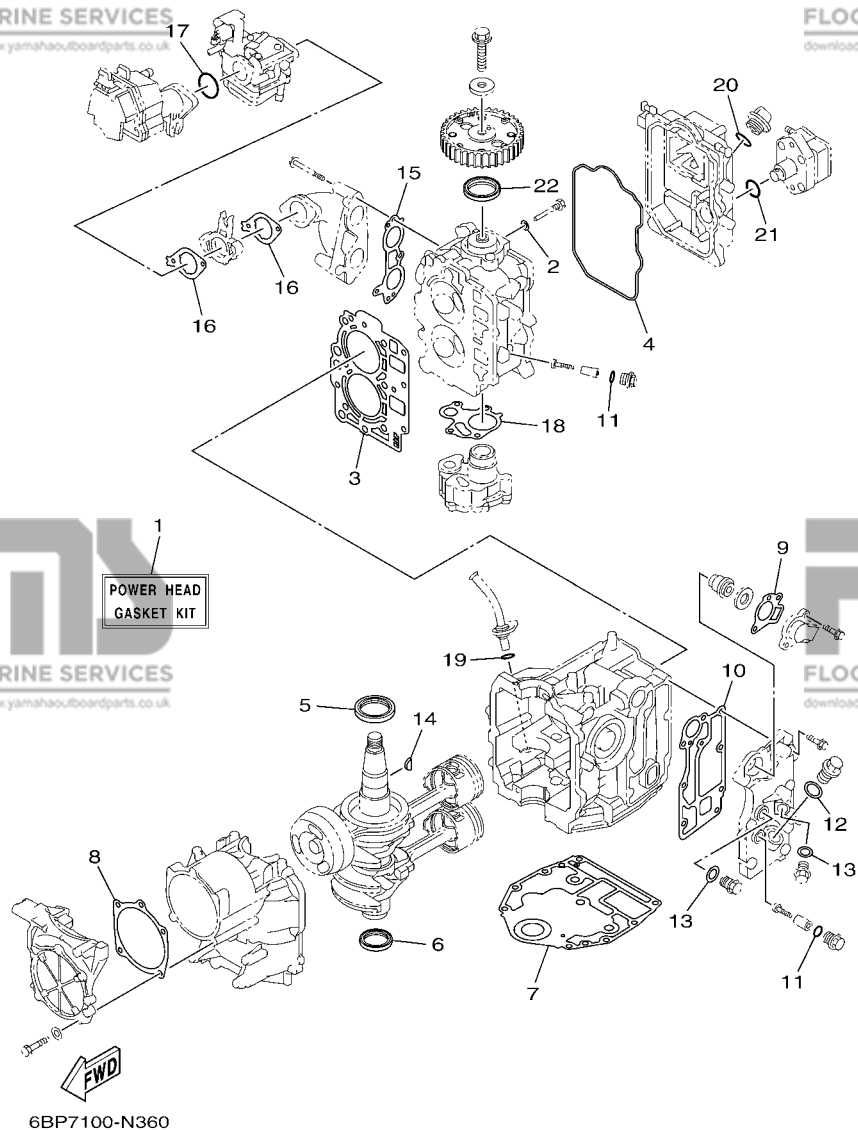
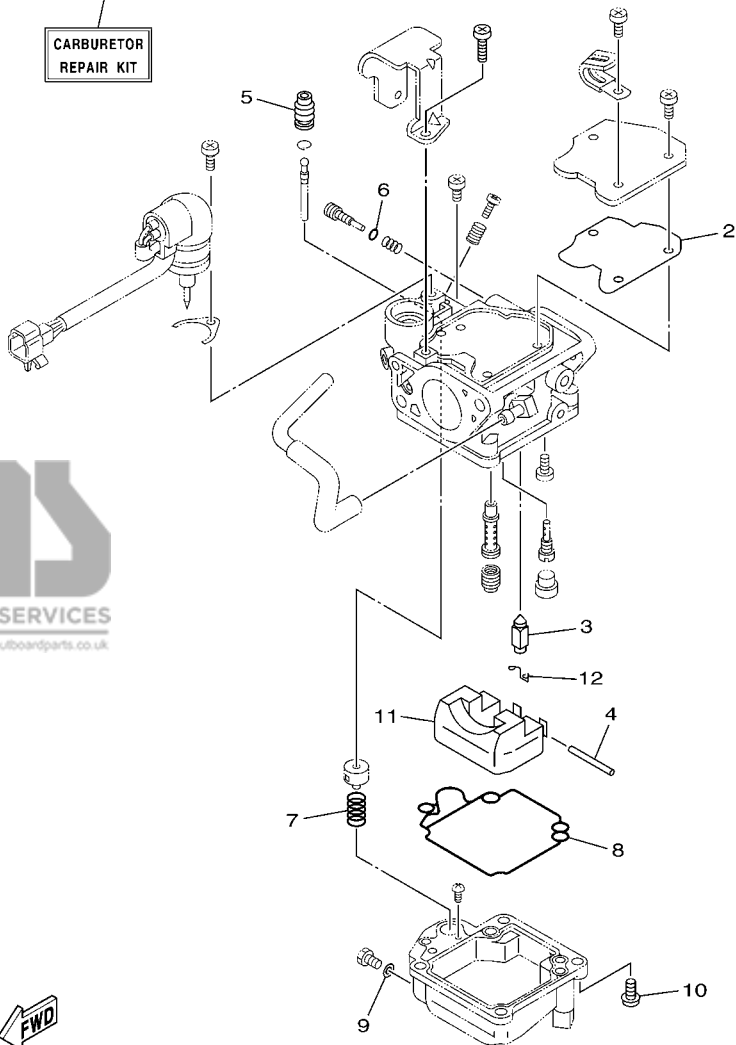


FIG. 40 REPAIR KIT 1

KITS DE REPARATION 1

| REF. NO. | PART NO. N° PIECES | DESCRIPTION DESCRIPTION | ET | E | MH | REMARKS REMARQUES |
|----------|--------------------|---|----|---|----|-------------------|
| 1 | 6BL-W0001-01 | POWER HEAD GASKET KIT POCHETTE DE JINTS TETE MOTRICE | 1 | 1 | 1 | |
| 2 | 90430-06014 | .GASKET .JOINT | 1 | 1 | 1 | |
| 3 | 6BL-11181-00 | .GASKET, CYLINDER HEAD 1 .JOINT, DE CULASSE 1 | 1 | 1 | 1 | |
| 4 | 6BL-11356-00 | .SEAL, CYLINDER 2 .JOINT, SPY CYLINDRE | 1 | 1 | 1 | |
| 5 | 93102-43M42 | .OIL SEAL .JOINT SPY | 1 | 1 | 1 | |
| 6 | 93101-35002 | .OIL SEAL .JOINT SPY | 1 | 1 | 1 | |
| 7 | 6BG-11351-00 | .GASKET, CYLINDER .JOINT, D'EMBASE | 1 | 1 | 1 | |
| 8 | 6BL-15663-00 | .SEAL .JOINT | 1 | 1 | 1 | |
| 9 | 62Y-12414-00 | .GASKET, COVER .JOINT, COUVERCLE | 1 | 1 | 1 | |
| 10 | 6BL-41114-00 | .GASKET, EXHAUST OUTER COVER .JOINT, COUVERCLE D'ECHAPPEMENT | 1 | 1 | 1 | |
| 11 | 93210-13M63 | .O-RING .JOINT TORIQUE | 3 | 3 | 3 | |
| 12 | 90201-186F1 | .WASHER, PLATE .RONDELLE, PLATE | 1 | 1 | 1 | |
| 13 | 90430-14115 | .GASKET .JOINT | 2 | 2 | 2 | |
| 14 | 90280-03017 | .KEY, WOODRUFF .CLAVETTE, DEMI-LUNE | 1 | 1 | 1 | |
| 15 | 6BL-13645-00 | .GASKET, MANIFOLD 1 .JOINT, TUBULURE 1 | 1 | 1 | 1 | |
| 16 | 6BL-13646-00 | .GASKET, MANIFOLD 2 .JOINT, TUBULURE 2 | 2 | 2 | 2 | |
| 17 | 93210-39ME4 | .O-RING .JOINT TORIQUE | 1 | 1 | 1 | |
| 18 | 6C5-13329-00 | .GASKET, PUMP COVER .JOINT, COUVERCLE DE POMPE | 1 | 1 | 1 | |
| 19 | 93210-19MJ3 | .O-RING .JOINT TORIQUE | 1 | 1 | 1 | |
| 20 | 93210-24M79 | .O-RING .JOINT TORIQUE | 1 | 1 | 1 | |
| 21 | 93210-24M79 | .O-RING .JOINT TORIQUE | 1 | 1 | 1 | |
| 22 | 93102-37M40 | .OIL SEAL .JOINT SPY | 1 | 1 | 1 | |

CARBURETOR
REPAIR KIT



6BP1100-H390

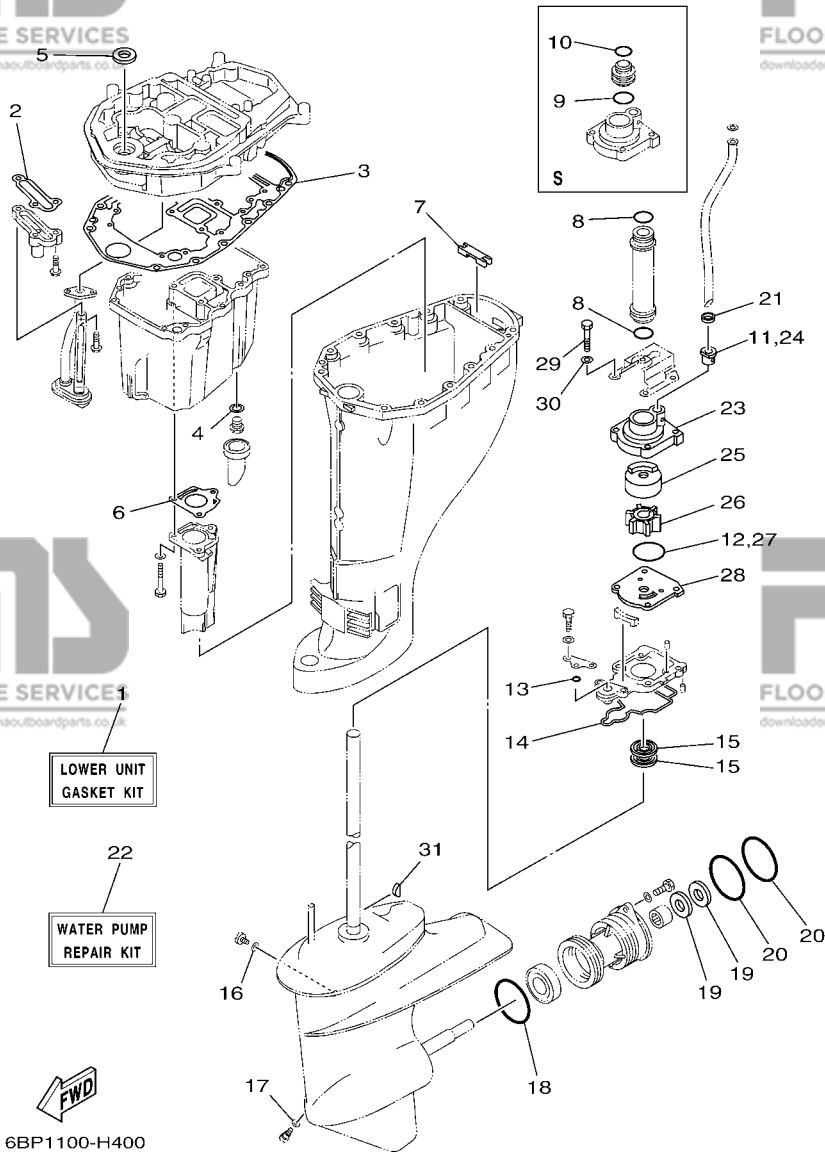
FIG. 41 REPAIR KIT 2

KITS DE REPARATION 2

| REF. NO. | PART NO. N° PIECES | DESCRIPTION DESCRIPTION | ET | E | MH | REMARKS REMARQUES |
|----------|--------------------|--|----|---|----|-------------------|
| 1 | 6BL-W0093-00 | CARBURETOR REPAIR KIT KIT DE REPARATION CARBURATEUR | 1 | 1 | 1 | |
| 2 | 65W-14126-10 | .GASKET .JOINT | 1 | 1 | 1 | |
| 3 | 6AH-14546-00 | .VALVE, NEEDLE .POINTEAU | 1 | 1 | 1 | |
| 4 | 6H4-14548-00 | .PIN, FLOAT ARM .AXE, BRAS DE FLOTTEUR | 1 | 1 | 1 | |
| 5 | 65W-14373-02 | .COVER, PLUNGER CAP .COUVERCLE DE PLONGEUR | 1 | 1 | 1 | |
| 6 | 67C-14397-00 | .O-RING .JOINT TORIQUE | 1 | 1 | 1 | |
| 7 | 65W-14335-00 | .SPRING, PLUNGER .RESSORT, PLONGEUR | 1 | 1 | 1 | |
| 8 | 65W-14384-00 | .GASKET, FLOAT CHAMBER .JOINT, CUVE DE FLOTTEUR | 1 | 1 | 1 | |
| 9 | 65W-14398-00 | .GASKET .JOINT | 1 | 1 | 1 | |
| 10 | 97980-04114 | .SCREW, WITH WASHER .VIS, AVEC RONDELLE | 4 | 4 | 4 | |
| 11 | 63V-14985-00 | .FLOAT .FLOTTEUR | 1 | 1 | 1 | |
| 12 | 663-14159-00 | .CLIP .JONC | 1 | 1 | 1 | |

FIG. 42 REPAIR KIT 3

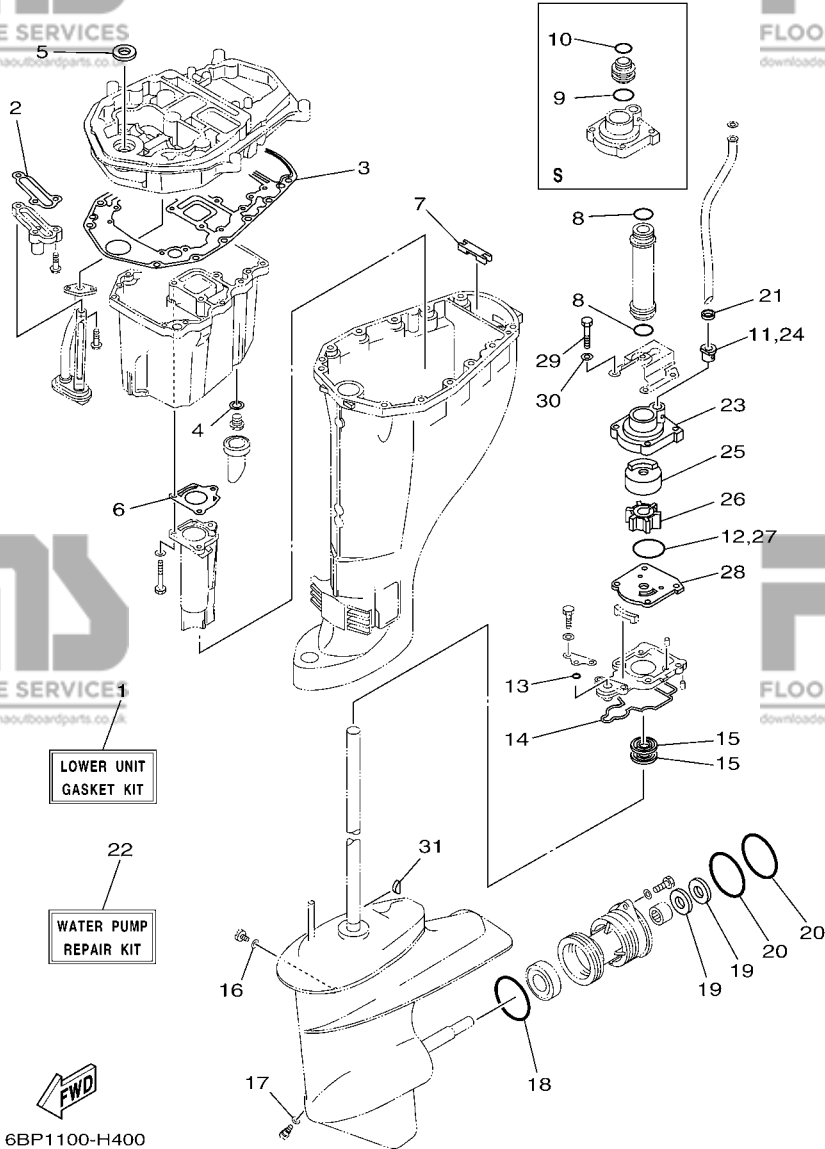
KITS DE PEPARATION 3



| REF. NO. | PART NO. N° PIECES | DESCRIPTION DESCRIPTION | ET | E | MH | REMARKS REMARQUES |
|----------|--------------------|---|----|---|----|---------------------------|
| 1 | 65W-W0001-23 | LOWER UNIT GASKET KIT POCHETTE DE JOINTS EMBASE | 1 | 1 | 1 | Go to P/N : PE0-OM-150036 |
| 2 | 62Y-13475-00 | .GASKET .JOINT | 1 | 1 | 1 | |
| 3 | 69W-15312-00 | .GASKET, OIL PAN .JOINT DE VENTILATEUR D'HUILE | 1 | 1 | 1 | |
| 4 | 90430-14M09 | .GASKET .JOINT | 1 | 1 | 1 | |
| 5 | 93110-16004 | .OIL SEAL .JOINT SPY | 1 | 1 | 1 | Go to P/N : PE0-OM-150036 |
| 6 | 67C-41133-00 | .GASKET, EXHAUST MANIFOLD 1 .JOINT, PIPE D'ECHAPPEMENT | 1 | 1 | 1 | |
| 7 | 65W-45128-00 | .SEAL 2 .JOINT 2 | 1 | 1 | 1 | |
| 8 | 93210-26130 | .O-RING .JOINT TORIQUE | 2 | 2 | 2 | L(21.6") L(21.6") |
| 9 | 93210-26130 | .O-RING .JOINT TORIQUE | 1 | 1 | 1 | S(16.6") S(16.6") |
| 10 | 93210-22164 | .O-RING .JOINT TORIQUE | 1 | 1 | 1 | S(16.6") S(16.6") |
| 11 | 6L2-44367-00 | .DAMPER, WATER SEAL 3 .JOINT TUBE D'EAU 3 | 1 | 1 | 1 | |
| 12 | 93210-45161 | .O-RING .JOINT TORIQUE | 1 | 1 | 1 | |
| 13 | 93210-06ME6 | .O-RING .JOINT TORIQUE | 1 | 1 | 1 | |
| 14 | 61N-45315-00 | .PACKING, LOWER CASING .JOINT, BOITIER D'HELICE | 1 | 1 | 1 | |
| 15 | 93101-22067 | .OIL SEAL .JOINT SPY | 2 | 2 | 2 | |
| 16 | 90430-08020 | .GASKET .JOINT | 1 | 1 | 1 | |
| 17 | 90430-08020 | .GASKET .JOINT | 1 | 1 | 1 | |
| 18 | 93210-64ME7 | .O-RING .JOINT TORIQUE | 1 | 1 | 1 | |
| 19 | 93101-20M07 | .OIL SEAL .JOINT SPY | 2 | 2 | 2 | |
| 20 | 93210-65M50 | .O-RING .JOINT TORIQUE | 2 | 2 | 2 | |
| 21 | 90430-10002 | .GASKET .JOINT | 1 | 1 | 1 | |
| 22 | 61N-W0078-11 | WATER PUMP REPAIR KIT KIT DE REPARATION DE LA POMPE | 1 | 1 | 1 | |
| 23 | 61N-44311-01 | .HOUSING, WATER PUMP .CORPS, POMPE A EAU | 1 | 1 | 1 | |
| 24 | 6L2-44367-00 | .DAMPER, WATER SEAL 3 .JOINT TUBE D'EAU 3 | 1 | 1 | 1 | |
| 25 | 61N-44322-01 | .INSERT, CARTRIDGE .CUVETTE | 1 | 1 | 1 | |
| 26 | 6H4-44352-02 | .IMPELLER .TURBINE | 1 | 1 | 1 | |
| 27 | 93210-45161 | .O-RING .JOINT TORIQUE | 1 | 1 | 1 | |

FIG. 42 REPAIR KIT 3

KITS DE PEPARATION 3



| REF. NO. | PART NO. N° PIECES | DESCRIPTION DESCRIPTION | ET | E | MH | REMARKS REMARQUES |
|----------|--------------------|---|----|---|----|-------------------|
| 28 | 61N-44323-00 | .OUTER PLATE, CARTRIDGE .PLAQUE EXTERIEURE | 1 | 1 | 1 | |
| 29 | 97095-06040 | .BOLT .BOULON | 4 | 4 | 4 | |
| 30 | 92995-06600 | .WASHER .RONDELLE | 4 | 4 | 4 | |
| 31 | 90280-03024 | .KEY, WOODRUFF .CLAVETTE, DEMI-LUNE | 1 | 1 | 1 | |



FLOOD MARINE SERVICES
downloaded from www.yamahaoutboardparts.co.uk

| PART NO. N° PIECES | REF. NO. |
|-----------------------|-------------|
| 95895-08016 | 10 - 19 |
| 97013-06016 | 31 - 9 |
| 97013-06020 | 30 - 8 |
| 97013-06025 | 3 - 5 |
| | 3 - 11 |
| | 31 - 13 |
| 97013-08045 | 15 - 10 |
| | 15 - 14 |
| 97075-06050 | 30 - 13 |
| 97080-08016 | 26 - 24 |
| 97095-05012 | 30 - 6 |
| 97095-05016 | 12 - 10 |
| 97095-06012 | 5 - 27 |
| | 19 - 19 |
| 97095-06014 | 19 - 28 |
| | 21 - 20 |
| | 24 - 26 |
| | 24 - 33 |
| | 26 - 22 |
| 97095-06016 | 13 - 11 |
| | 13 - 11 |
| | 13 - 11 |
| | 14 - 10 |
| | 14 - 21 |
| | 16 - 11 |
| 97095-06020 | 3 - 14 |
| | 5 - 20 |
| | 5 - 23 |
| | 11 - 26 |
| | 12 - 13 |
| | 23 - 5 |
| | 24 - 5 |
| 97095-06025 | 10 - 33 |
| | 14 - 4 |
| | 23 - 37 |
| | 25 - 28 |
| | 32 - 21 |
| 97095-06035 | 23 - 20 |
| 97095-06040 | 15 - 2 |
| | 32 - 17 |
| | 42 - 29 |
| 97095-06065 | 23 - 36 |
| | 25 - 27 |
| 97095-08045 | 28 - 15 |
| 97380-05025 | 38 - 10 |
| | 39 - 10 |
| 97380-08030 | 38 - 37 |
| | 39 - 37 |



FLOOD MARINE SERVICES
downloaded from www.yamahaoutboardparts.co.uk



NUMERICAL INDEX
INDEX NUMERIQUE

| PART NO. N° PIECES | REF. NO. | PART NO. N° PIECES | REF. NO. |
|-----------------------|-------------|-----------------------|-------------|
| 97575-06520 | 13 - 2 | | |
| | 15 - 17 | | |
| | 16 - 2 | | |
| | 32 - 57 | | |
| 97575-06525 | 31 - 7 | | |
| 97575-08530 | 28 - 12 | | |
| | 28 - 26 | | |
| | 30 - 16 | | |
| 97575-10580 | 28 - 21 | | |
| 97595-06512 | 7 - 6 | | |
| 97595-06535 | 25 - 12 | | |
| 97595-06555 | 7 - 3 | | |
| | 21 - 28 | | |
| | 24 - 25 | | |
| 97595-06610 | 15 - 5 | | |
| | 16 - 7 | | |
| | 20 - 5 | | |
| 97780-60520 | 8 - 5 | | |
| 97803-04010 | 8 - 5 | | |
| 97885-06008 | 28 - 28 | | |
| 97885-06012 | 17 - 3 | | |
| 97980-04108 | 8 - 36 | | |
| 97980-04114 | 8 - 29 | | |
| | 41 - 10 | | |
| 97980-04245 | 19 - 26 | | |
| 97980-05216 | 30 - 19 | | |
| 98507-04010 | 5 - 17 | | |
| 98580-04006 | 8 - 2 | | |
| | 38 - 40 | | |
| | 39 - 40 | | |
| 98580-04008 | 8 - 15 | | |
| 98980-05025 | 3 - 30 | | |
| 98980-05035 | 5 - 5 | | |
| 99080-08600 | 27 - 36 | | |
| 99080-10600 | 26 - 16 | | |
| | 27 - 29 | | |
| 99530-10114 | 15 - 13 | | |



FLOOD MARINE SERVICES
downloaded from www.yamahaoutboardparts.co.uk



FLOOD MARINE SERVICES
downloaded from www.yamahaoutboardparts.co.uk

| PART NO. N° PIECES | REF. NO. |
|-----------------------|-------------|
|-----------------------|-------------|



FLOOD MARINE SERVICES
downloaded from www.yamahaoutboardparts.co.uk



FLOOD MARINE SERVICES
downloaded from www.yamahaoutboardparts.co.uk



FLOOD MARINE SERVICES
downloaded from www.yamahaoutboardparts.co.uk



FLOOD MARINE SERVICES
downloaded from www.yamahaoutboardparts.co.uk