

**PARTS  
CATALOGUE  
CATALOGUE  
DE PIÈCES DÉTACHÉES**

**F9.9HMH'14 (6CA7)**

**F9.9HE'14 (6CA7)**



1N6CA-300F1

( )

2020/2/3

NEWS NO.	DATE	COMMENT
PE0-OM-200001	Jan.,28,2020	MOD:F9.9H(6CA) CRANKSHAFT & PISTON LIST REVISION

F9.9HMH/F9.9HE  
PARTS CATALOGUE  
©2014 by Yamaha Motor Co., Ltd.  
1st edition, January 2014  
All rights reserved.  
Any reprinting or unauthorized use  
without the written permission of  
Yamaha Motor Co., Ltd.  
is expressly prohibited.  
Printed in Japan.

F9.9HMH/F9.9HE  
CATALOGUE DE PIÈCES DÉTACHÉES  
©2014 par Yamaha Motor Co., Ltd.  
1<sup>re</sup> édition, janvier 2014  
Tous droits réservés  
Toute réimpression ou utilisation  
non autorisée sans la permission écrite  
de la Yamaha Motor Co., Ltd.  
est formellement interdite.  
Imprimé au Japon

# FOREWORD

This Parts Catalogue is related to the parts for the model(s) on the cover page. When you are ordering replacement parts, please refer to this Parts Catalogue and quote both part numbers and part names correctly.

1. Modifications or additions which have been made after the issue of the Parts Catalogue will be announced in the Parts News. It is advisable that you make the necessary corrections to the Parts Catalogue according to the Parts News.

2. Abbreviations  
The following abbreviations are used in this Parts Catalogue.

- “UR” Use specified parts number.
- “UN” Use as many as needed.
- “AP” Alternate Parts
- “LM” Locally Made (Parts need to be ordered locally)
- “F#” Frame No. (Applicable machine No.)
- “O/S” Over Size

3. The number of components for assembly

- Parts, which are to be supplied in an assembly, are listed with a dot (.) in front of the part name as shown below.
- The numeral appearing to the right of each component part indicates the quantity of parts for each assembly unit.

PART NO.	DESCRIPTION	Q'TY	REMARKS
2F5-83310-60	FRONT FLASHER LIGHT ASSY	2	
115-83311-60	.BULB (6V-18W)	1	

4. Applicable colours of graphics are represented in the “REMARKS” as shown below.

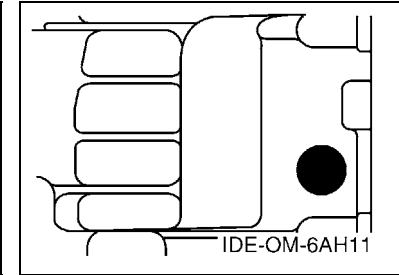
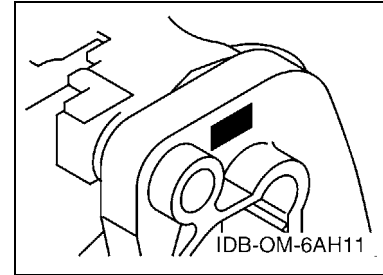
PART NO.	DESCRIPTION	Q'TY	REMARKS
2N4-24110-00-X5	FUEL TANK COMP.	2	MXR
3J1-24240-10	.GRAPHIC, FUEL TANK	1	FOR MXR

5. Note that the illustrations for reference in finding parts numbers are not to be used for assembling. When assembling, please use the applicable service manual.

6. The asterisk (\*) before a reference number indicates modified items after the first edition.

7. Applicable Serial No.

Engine Serial No.



8. Applicable Engine Starting Serial No.

Model	Serial No.	Model	Serial No.
F9.9H	6CAK-1005533		

9. Applicable Colour Code

Abbreviation	Colour Name	Colour Code
DBNM2	DARK BLuish GRAY METALLIC 2	004D

10. Quantity Column Information

Column No.	Name Of Q'ty Column	Applicable Model
1	MH	F9.9HMH
2	E	F9.9HE

## AVANT-PROPOS

Ce catalogue de pièces détachées concerne les pièces pour le(s) modèle(s) indiqué(s) sur la page de couverture. Lorsque vous commandez des pièces de rechange, veuillez vous référer à ce catalogue de pièces détachées et indiquer clairement les numéros et les noms des pièces détachées.

1. Les modifications ou ajouts ayant été effectués après la parution du catalogue de pièces détachées seront décrits dans les Bulletins d'information concernant les pièces détachées.

Il est recommandé que vous apportiez les corrections nécessaires au catalogue des pièces détachées en vous référant aux Bulletins d'information.

2. Abréviations

Dans ce catalogue, les abréviations suivantes sont utilisées:

“UR” Utiliser le numéro de pièces spécifié.

“UN” Utiliser autant que nécessaire.

“AP” Pièces de substitution

“LM” Fabrication locale (les pièces doivent être commandées localement.)

“F#” N° de cadre (applicable au N° de série)

“O/S” Surdimensionné

3. Nombre de pièces d'un assemblage

- Les pièces fournies comme composants d'un assemblage sont précédées d'un point (.) de la manière indiquée ci-dessous.
- Le chiffre apparaissant à la droite de chaque composant indique la quantité de pièces pour chaque unité d'assemblage.

N° PIECES	DESCRIPTION	QTE	REMARQUES
2F5-83310-60	ENS. CLIGNOTANT AVANT	2	
115-83311-60	.AMPOULE (6V-18W)	1	

4. Les couleurs concernant les graphiques sont indiquées dans la colonne “REMARQUES”, comme indiqué ci-dessous.

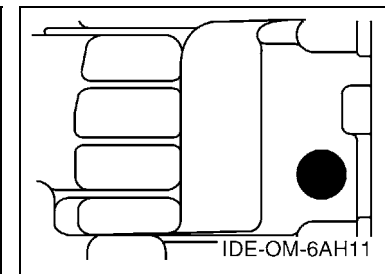
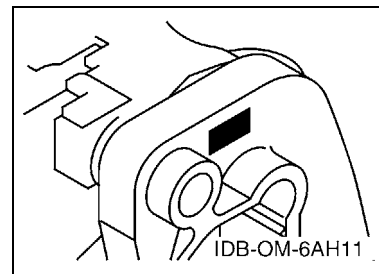
N° PIECES	DESCRIPTION	QTE	REMARQUES
2N4-24110-00-X5	RESERVOIR A ESSENCE.	2	MXR
3J1-24240-10	.GRAPHIQUE	1	POUR MXR

5. Veuillez noter que les illustrations sont indiquées à titre de référence pour trouver les numéros de pièces, non pour être utilisées lors de l'assemblage. Lors de l'assemblage, veuillez utiliser le manuel d'entretien adéquat.

6. L'astérisque (\*) placé devant un numéro de référence indique des éléments qui ont été modifiés après la première édition.

7. N° de série applicable

N° de Série du moteur



8. N° de série initial du moteur applicable

Modèle	N° de série	Modèle	N° de série
F9.9H	6CAK-1005533		

9. Code couleur applicable

Abréviation	Nom de la couleur	Code couleur
DBNM2	DARK BLUISH GRAY METALLIC 2	004D

10. Informations relatives à la colonne Quantité

N° de la colonne	Nom de la colonne Qté	Modèle applicable
1	MH	F9.9HMH
2	E	F9.9HE

# CONTENTS

SCHEDULED SERVICE PARTS .....	1
TOP COWLING .....	2
CYLINDER & CRANKCASE 1 .....	3
CRANKSHAFT & PISTON .....	5
CYLINDER & CRANKCASE 2 .....	6
VALVE .....	7
INTAKE .....	8
CARBURETOR .....	9
OIL PUMP .....	11
FUEL .....	12
STARTER .....	14
GENERATOR .....	16
ELECTRICAL 1 .....	17
ELECTRICAL 2 .....	19
ELECTRICAL 3 .....	21
STARTING MOTOR .....	22
BOTTOM COWLING .....	23
STEERING .....	25
STEERING FRICTION .....	27
CONTROL 1 .....	28
CONTROL 2 .....	30
BRACKET 1 .....	32
BRACKET 2 .....	34
UPPER CASING .....	36
OIL PAN .....	37
LOWER CASING & DRIVE 1 .....	38
LOWER CASING & DRIVE 2 .....	41
FUEL TANK .....	43
STEERING GUIDE .....	44
REMOTE CONTROL BOX .....	45
REMOTE CONTROL ASSY .....	46
REPAIR KIT 1 .....	49
REPAIR KIT 2 .....	50
REPAIR KIT 3 .....	51

## INDEX

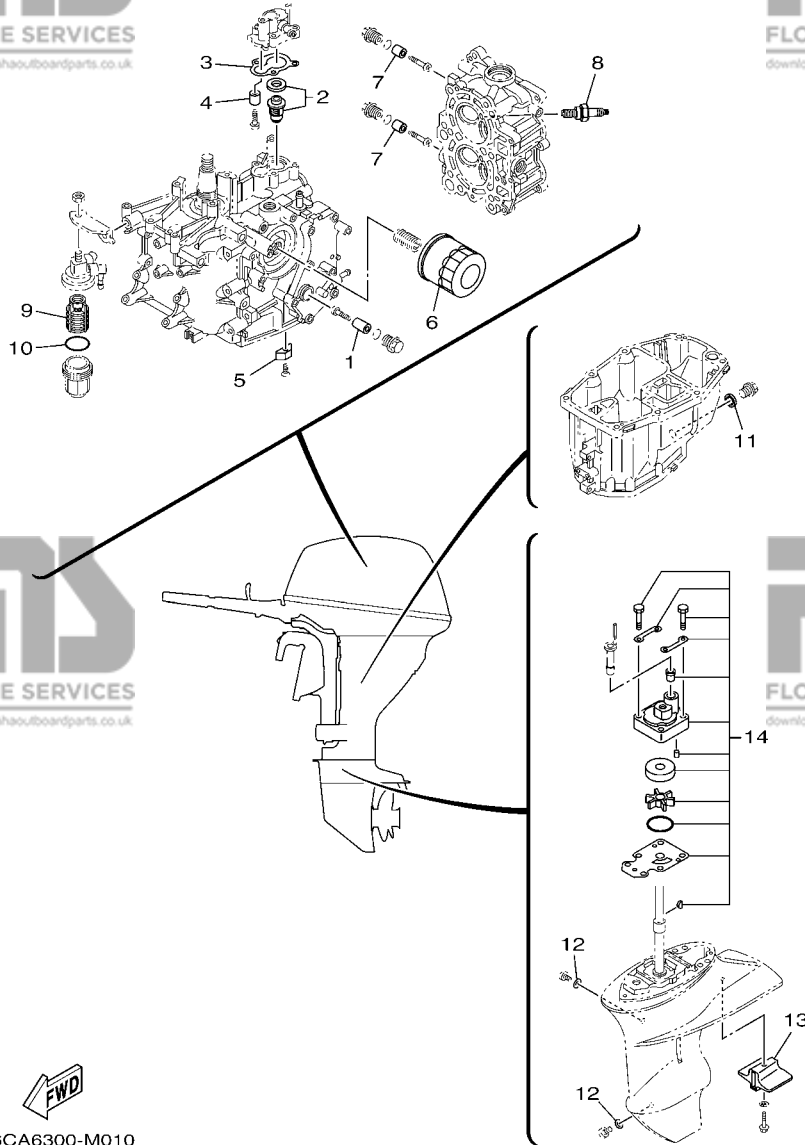
NUMERICAL INDEX .....	53
-----------------------	----

# TABLE DES MATIERES

PIECES MAINTENANCE PERIODIQUE .....	1
CAPOT SUPERIEUR .....	2
CYLINDRE & CARTER 1 .....	3
VILEBREQUIN & PISTON .....	5
CYLINDRE & CARTER 2 .....	6
SOUPAPE .....	7
ADMISSION .....	8
CARBURATEUR .....	9
POMPE A HUILE .....	11
CARBURANT .....	12
DEMARREUR .....	14
GENERATRICE .....	16
PARTIE ELECTRIQUE 1 .....	17
PARTIE ELECTRIQUE 2 .....	19
PARTIE ELECTRIQUE 3 .....	21
DEMARREUR ELECTRIQUE .....	22
CAPOT INFERIEUR .....	23
DIRECTION .....	25
CUVETTE POIGNEE DE DIRECTION .....	27
COMMANDE 1 .....	28
COMMANDE 2 .....	30
SUPPORT 1 .....	32
SUPPORT 2 .....	34
FOURREAU .....	36
VENTILATEUR D'HUILE .....	37
BOITIER D'HELICE TRANSMISSION1 .....	38
BOITIER D'HELICE TRANSMISSION2 .....	41
RESERVOIR A CARBURANT .....	43
FIXATION DE DIRECTION .....	44
BOITIER DE COMMANDE A DISTANCE .....	45
BOITIER DE COMMANDE A DISTANCE .....	46
KITS DE REPARATION 1 .....	49
KITS DE REPARATION 2 .....	50
KITS DE PEPARATION 3 .....	51

## INDEX

INDEX NUMERIQUE .....	53
-----------------------	----



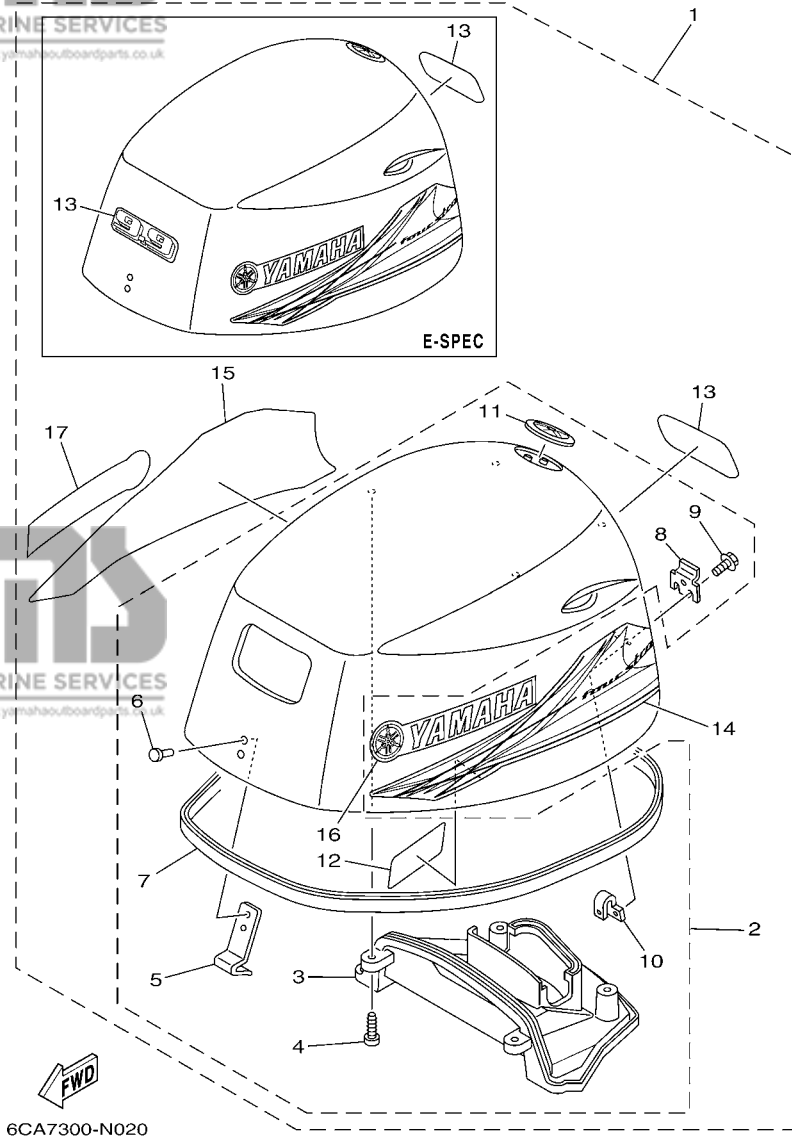
6CA6300-M010

**FIG. 1 SCHEDULED SERVICE PARTS PIÈCES MAINTENANCE PERIODIQUE**

REF. NO.	PART NO. N° PIECES	DESCRIPTION DESCRIPTION	MH	E	REMARKS REMARQUES
1	6G8-11325-00	ANODE ANODE	1	1	
2	6AH-12411-00	THERMOSTAT THERMOSTAT	1	1	
3	6AH-12414-00	GASKET, COVER JOINT, COUVERCLE	1	1	
4	6G8-11325-00	ANODE ANODE	1	1	
5	6E5-11325-00	ANODE ANODE	1	1	
6	5GH-13440-50	ELEMENT ASSY, OIL CLEANER ELEMENT, FILTRE A HUILE	1	1	
7	6G8-11325-00	ANODE ANODE	2	2	
8	94702-00418	PLUG, SPARK (NGK DPR6EB) BOUGIE D,ALLUMAGE (NGK DPR6EB)	2	2	
9	61N-24563-10	ELEMENT, FILTER ELEMENT, FILTRE	1	1	
10	93210-32738	O-RING JOINT TORIQUE	1	1	
11	90430-14M09	GASKET JOINT	1	1	
12	90430-08020	GASKET JOINT	2	2	
13	6AH-45251-00	ANODE ANODE	1	1	
14	6AH-W0078-00	WATER PUMP REPAIR KIT KIT DE REPARATION DE LA POMPE	1	1	

CAPOT SUPERIEUR

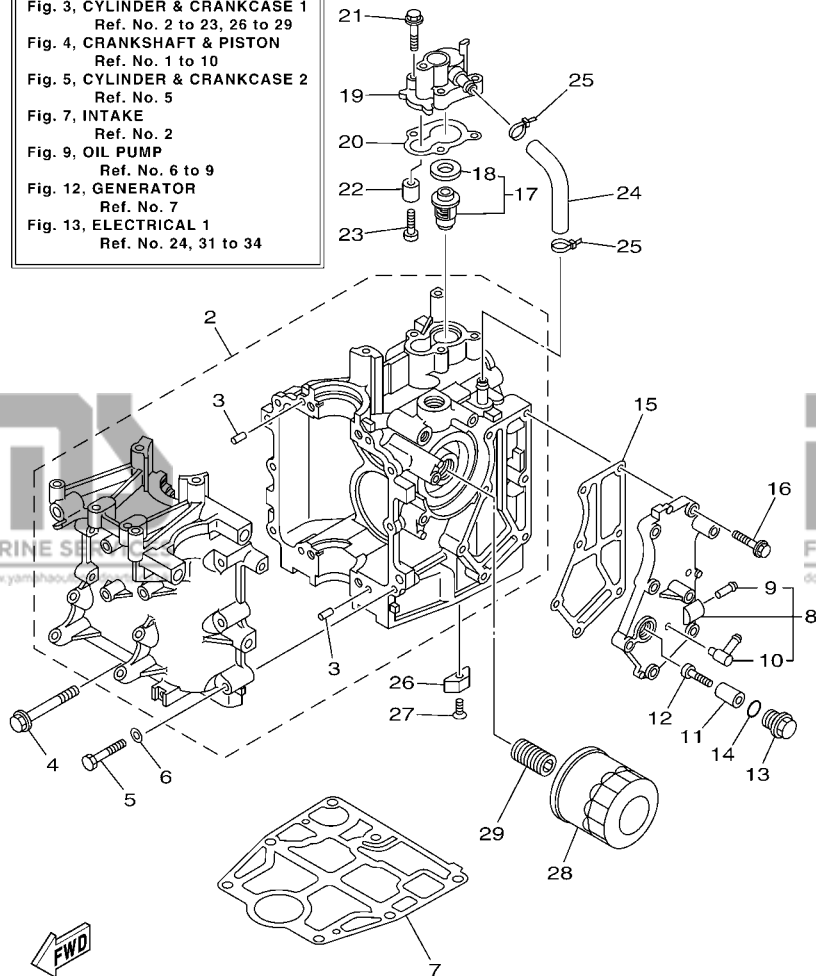
FIG. 2 TOP COWLING



REF. NO.	PART NO. N° PIECES	DESCRIPTION DESCRIPTION	MH	E	REMARKS REMARQUES
1	6CA-42610-02	TOP COWLING ASSY CAPOT (ENS.)	1		
	6CA-42610-10	TOP COWLING ASSY CAPOT (ENS.)		1	
2	6AH-4261A-00	..TOP COWLING COMPLETE ..CAPOT (ENS.)	1		
	6AH-4261A-10	..TOP COWLING COMPLETE ..CAPOT (ENS.)		1	
3	6AH-42613-00	..MOLDING, AIR DUCT ..MANCHON A AIR	1	1	
4	90167-05017	..SCREW, TAPPING ..VIS, TETE FRAISEE	4	4	
5	6AH-42651-00	..HOOK ..CROCHET	1	1	
6	90266-06M02	..RIVET ..RIVET	2	2	
7	6AH-42615-00	..SEAL ..JOINT	1	1	
8	60R-42652-00	..HOOK ..CROCHET	1	1	
9	97595-05514	..BOLT, WITH WASHER ..VIS HEXAGONAL AVC RONDELLE	2	2	
10	6AH-42649-00	..HOLDER, CLAMP BAND ..SUPPORT, SANDOW DE SERRAGE	1	1	
11	6AH-42697-10	..TUNING FORK MARK ..MARQUE, YAMAHA	1	1	
12	6AH-42735-00	..PROTECTOR ..PROTECTEUR	1	1	
13	6CA-42677-00	..GRAPHIC, FRONT ..ADHESIF, AVANT	1		
	6CA-42677-00	..GRAPHIC, FRONT ..ADHESIF, AVANT		2	
14	6CA-42675-00	..GRAPHIC, SIDE 1 ..EMBLEME	1	1	
15	6CA-42676-00	..GRAPHIC, SIDE 2 ..EMBLEME	1	1	
16	6CA-42681-00	..MARK, COWLING ..ADHESIF, CAPOT	1	1	
17	6CA-42682-00	..MARK, COWLING ..ADHESIF, CAPOT	1	1	



**CYLINDER BLOCK ASSY**  
Fig. 3, CYLINDER & CRANKCASE 1  
Ref. No. 2 to 23, 26 to 29  
Fig. 4, CRANKSHAFT & PISTON  
Ref. No. 1 to 10  
Fig. 5, CYLINDER & CRANKCASE 2  
Ref. No. 5  
Fig. 7, INTAKE  
Ref. No. 2  
Fig. 9, OIL PUMP  
Ref. No. 6 to 9  
Fig. 12, GENERATOR  
Ref. No. 7  
Fig. 13, ELECTRICAL 1  
Ref. No. 24, 31 to 34



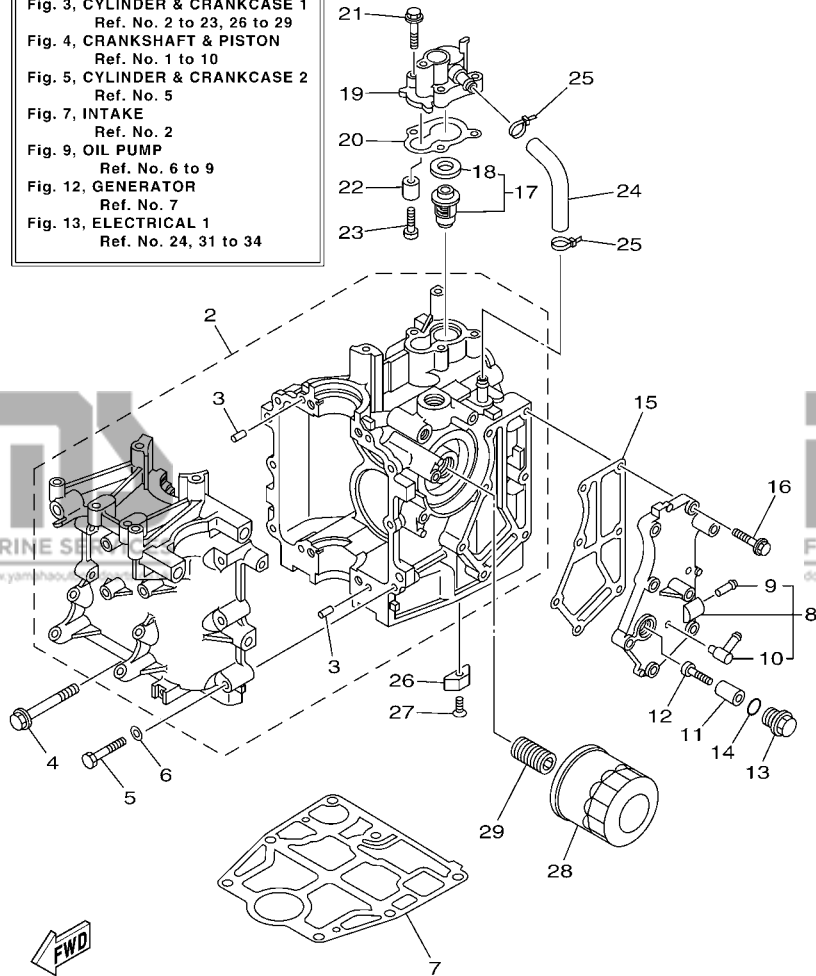
6AG9100-N030

**FIG. 3 CYLINDER & CRANKCASE 1 CYLINDRE & CARTER 1**

REF. NO.	PART NO. N° PIECES	DESCRIPTION DESCRIPTION	MH	E	REMARKS REMARQUES
1	6AH-W009B-01-1S	CYLINDER BLOCK ASSY CYLINDRE GROUPE (ENS.)	1	1	
2	6AH-15100-00	CRANKCASE ASSY CARTER DE MOTEUR COMPLET	1	1	
3	93606-12019	.PIN, DOWEL .GOUPILLE	4	4	
4	90119-08093	BOLT, WITH WASHER BOULON, AVEC RONDELLE	4	4	
5	97013-06040	BOLT BOULON	6	6	
6	92903-06600	WASHER, PLATE RONDELLE, PLATE	6	6	
7	6AH-11351-10	GASKET, CYLINDER JOINT, D'EMBASE	1	1	
8	6AH-41113-00-1S	OUTER COVER, EXHAUST COUVERCLE, ECHAPPEMENT	1	1	
9	650-24378-00	.PIPE, JOINT 4 .DURITE RACCORDEMENT 3	1	1	
10	676-11372-00	.NIPPLE, HOSE .RACCORD, TUYAU	1	1	
11	6G8-11325-00	ANODE ANODE	1	1	
12	97880-05025	SCREW, PAN HEAD VIS, TETE TRONCONIQUE	1	1	
13	6G8-11197-01	PLUG, BLIND PLOT, BORGNE	1	1	
14	93210-13M63	O-RING JOINT TORIQUE	1	1	
15	6AH-41114-00	GASKET, EXHAUST OUTER COVER JOINT, COUVERCLE D'ECHAPPEMENT	1	1	
16	90119-06MA3	BOLT, WITH WASHER BOULON, AVEC RONDELLE	7	7	
17	6AH-12411-00	THERMOSTAT THERMOSTAT	1	1	
18	688-12412-00	.SEAL, THERMOSTAT JOINT, THERMOSTAT	1	1	
19	6AH-12413-00-1S	COVER, THERMOSTAT COUVERCLE, THERMOSTAT	1	1	
20	6AH-12414-00	GASKET, COVER JOINT, COUVERCLE	1	1	
21	90119-06MA3	BOLT, WITH WASHER BOULON, AVEC RONDELLE	3	3	
22	6G8-11325-00	ANODE ANODE	1	1	
23	97880-05025	SCREW, PAN HEAD VIS, TETE TRONCONIQUE	1	1	
24	6AH-12481-00	PIPE 1 DURITE 1	1	1	
25	90465-11M10	CLAMP BRIDE	2	2	
26	6E5-11325-00	ANODE ANODE	1	1	
27	98780-04016	SCREW, FLAT HEAD VIS A TETE FRAISEE	1	1	

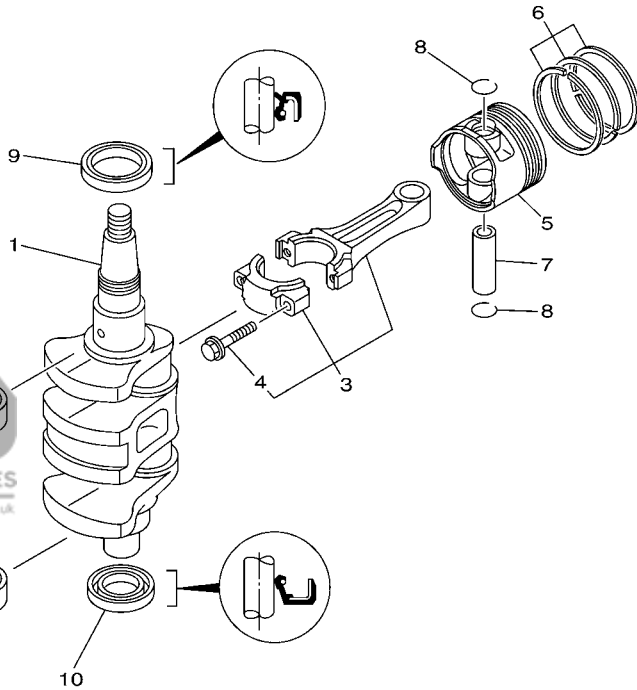
**FIG. 3 CYLINDER & CRANKCASE 1      Cylindre & Carter 1**

**CYLINDER BLOCK ASSY**  
**Fig. 3, CYLINDER & CRANKCASE 1**  
 Ref. No. 2 to 23, 26 to 29  
**Fig. 4, CRANKSHAFT & PISTON**  
 Ref. No. 1 to 10  
**Fig. 5, CYLINDER & CRANKCASE 2**  
 Ref. No. 5  
**Fig. 7, INTAKE**  
 Ref. No. 2  
**Fig. 9, OIL PUMP**  
 Ref. No. 6 to 9  
**Fig. 12, GENERATOR**  
 Ref. No. 7  
**Fig. 13, ELECTRICAL 1**  
 Ref. No. 24, 31 to 34



6AG9100-N030

REF. NO.	PART NO. N° PIECES	DESCRIPTION DESCRIPTION	MH	E	REMARKS REMARQUES
28	5GH-13440-50	ELEMENT ASSY, OIL CLEANER ELEMENT, FILTRE A HUILE	1	1	
29	6C5-12858-00	BOLT, UNION BOULON, RACCORD	1	1	

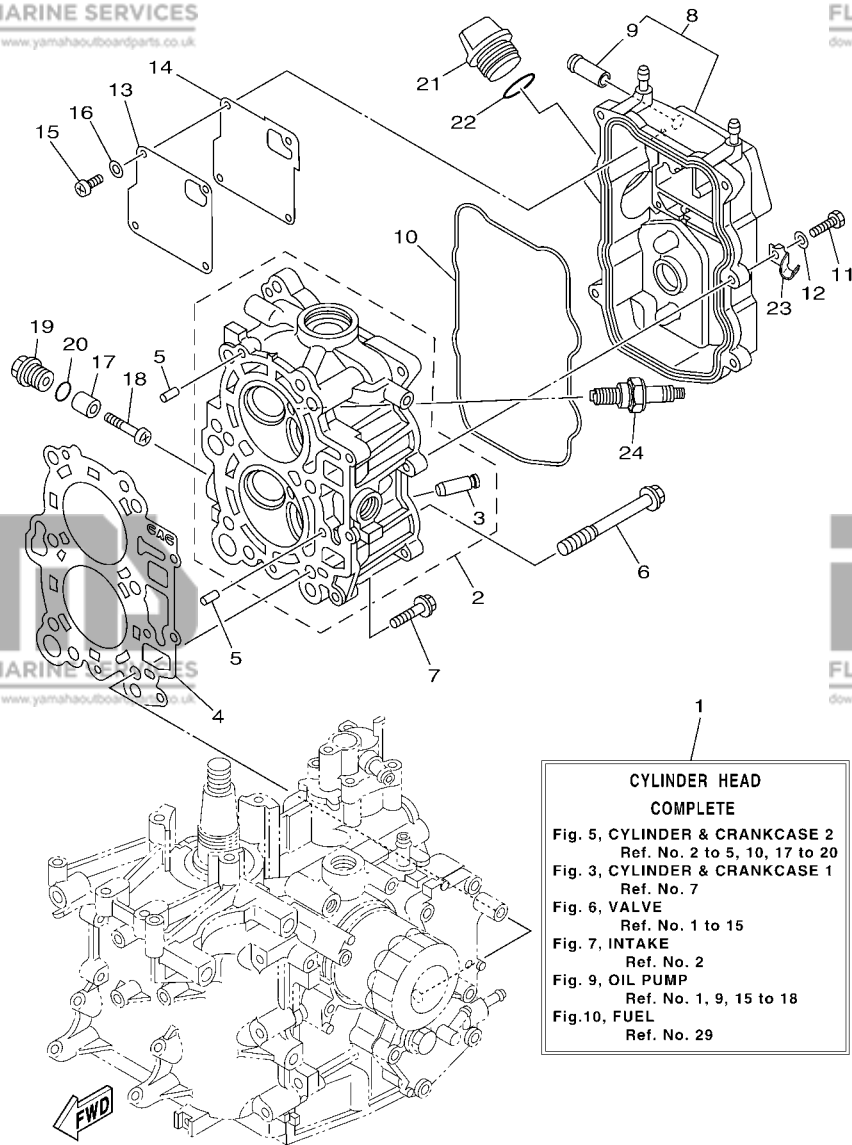


**FWD**  
6AH1100-F030

**FIG. 4 CRANKSHAFT & PISTON**

**VILEBREQUIN & PISTON**

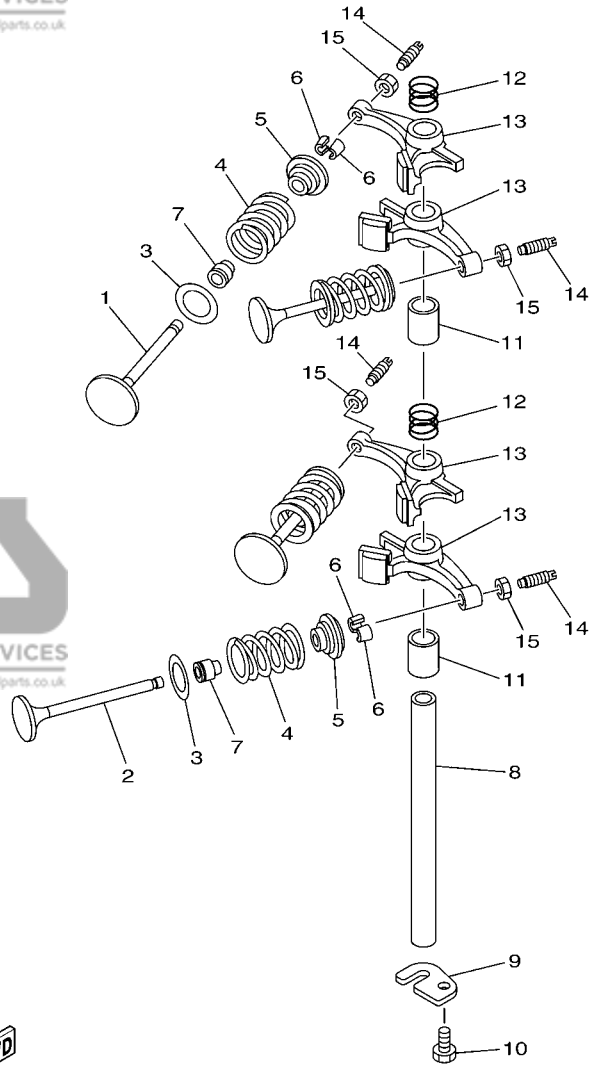
REF. NO.	PART NO. N° PIECES	DESCRIPTION DESCRIPTION	MH	E	REMARKS REMARQUES
1	6AH-11411-00	CRANKSHAFT VILEBREQUIN COMPLET	1	1	
2	6AH-11416-00	PLANE BEARING, CRANKSHAFT 1 COUSSINET DE VILEBREQUIN 1	4	4	UR BROWN UR BROWN
	6AH-11416-10	PLANE BEARING, CRANKSHAFT 1 COUSSINET DE VILEBREQUIN 1	4	4	UR BLACK UR BLACK
	6AH-11416-20	PLANE BEARING, CRANKSHAFT 1 COUSSINET DE VILEBREQUIN 1	4	4	UR BLUE UR BLUE
3	6AH-11650-10	CONNECTING ROD ASSY BIELLE COMPLETE	2	2	
4	6AH-11654-00	.BOLT, CONNECTING ROD .BOULON, BIELLE	2	2	
5	6AH-11631-00	PISTON (STD) PISTON (STD)	2	2	
	6AH-11635-00	PISTON (0.25MM O/S) PISTON (0.25MM O/S)	2	2	AP AP
	6AH-11636-00	PISTON (0.50MM O/S) PISTON (0.50MM O/S)	2	2	AP AP
6	6AH-11603-00	PISTON RING SET (STD) JEU DE SEGMENTS (STD)	2	2	
	6AH-11604-00	PISTON RING SET (0.25MM O/S) JEU DE SEGMENTS (0.25MM O/S)	2	2	AP AP
	6AH-11605-00	PISTON RING SET (0.50MM O/S) JEU DE SEGMENTS (0.50MM O/S)	2	2	AP AP
7	137-11633-10	PIN, PISTON AXE, PISTON	2	2	
8	93450-17129	CIRCLIP CIRCLIP, TYPE S	4	4	
9	93102-37004	OIL SEAL JOINT SPY	1	1	
10	93102-25014	OIL SEAL JOINT SPY	1	1	



6AG9100-N050

**FIG. 5 CYLINDER & CRANKCASE 2      CYLINDRE & CARTER 2**

REF. NO.	PART NO. N° PIECES	DESCRIPTION DESCRIPTION	MH	L	REMARKS REMARQUES
1	6AG-W009A-01-1S	CYLINDER HEAD COMPLETE CULASSE (ENS.)	1	1	
2	6AH-11111-10-1S	HEAD, CYLINDER 1 CULASSE	1	1	
3	6AH-11133-10	.GUIDE, VALVE 1 .GUIDE, SOUPAPE 1	4	4	
4	6AG-11181-10	GASKET, CYLINDER HEAD 1 JOINT, DE CULASSE 1	1	1	
5	93606-12019	PIN, DOWEL GOUPILLE	2	2	
6	90105-09006	BOLT, FLANGE BOULON	6	6	
7	90119-06MA3	BOLT, WITH WASHER BOULON, AVEC RONDELLE	3	3	
8	6AH-11191-00-1S	COVER, CYLINDER HEAD 1 COUVERCLE, CULASSE 1	1	1	
9	6AH-11372-00	.NIPPLE, HOSE .RACCORD, TUYAU	1	1	
10	6AH-11356-00	SEAL, CYLINDER 2 JOINT, SPY CYLINDRE	1	1	
11	97095-06020	BOLT BOULON	5	5	
12	92995-06600	WASHER RONDELLE	5	5	
13	6AH-11168-00	COVER, BREATHER COUVERCLE, RENIFLARD	1	1	
14	6AH-11169-00	GASKET, BREATHER COVER JOINT, COUVERCLE DE RENIFLARD	1	1	
15	98507-04010	SCREW, PAN HEAD VIS, TETE TRONCONIQUE	4	4	
16	92907-04600	WASHER RONDELLE	4	4	
17	6G8-11325-00	ANODE ANODE	2	2	
18	97880-05025	SCREW, PAN HEAD VIS, TETE TRONCONIQUE	2	2	
19	6G8-11197-01	PLUG, BLIND PLOT, BORGNE	2	2	
20	93210-13M63	O-RING JOINT TORIQUE	2	2	
21	6G8-15363-00	PLUG, OIL PLOT, HUILE	1	1	
22	93210-24M79	O-RING JOINT TORIQUE	1	1	
23	90465-08059	CLAMP BRIDE	1	1	
24	94702-00418	PLUG, SPARK (NGK DPR6EB) BOUGIE D,ALLUMAGE (NGK DPR6EB)	2	2	

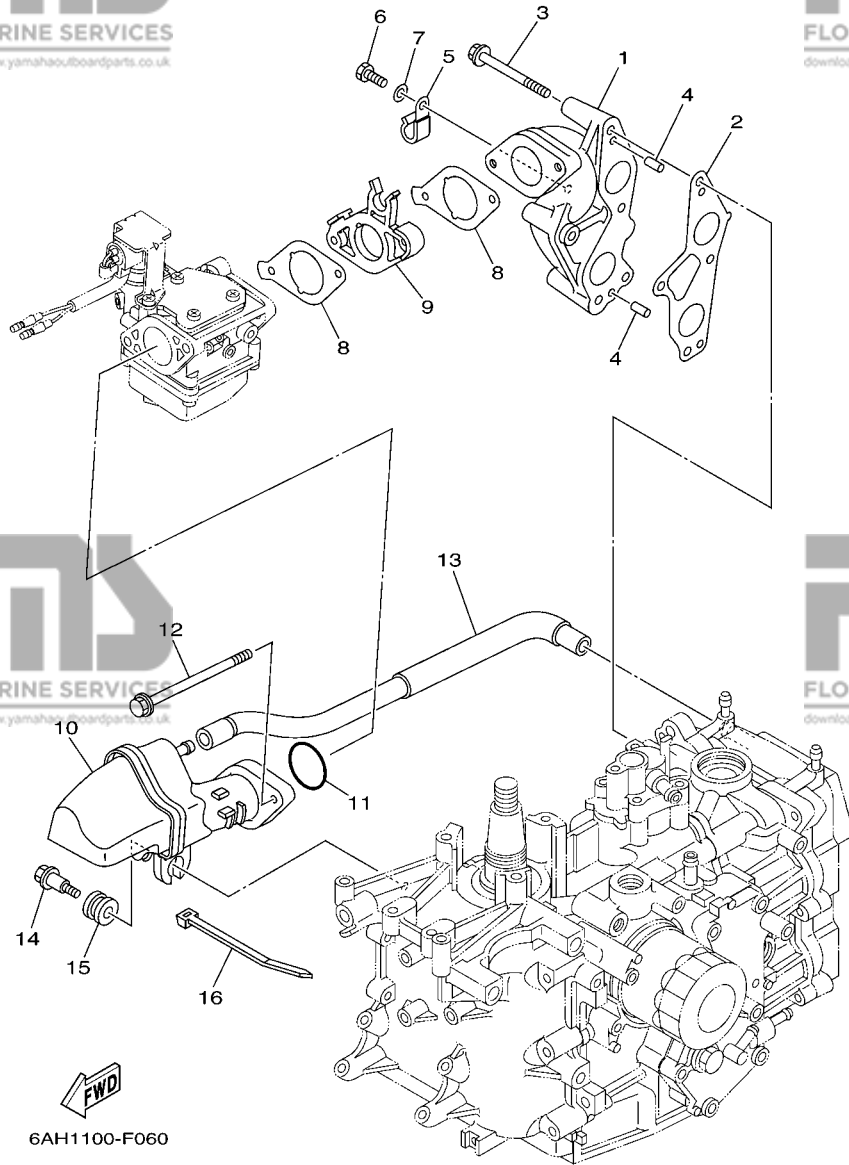


**FWD**  
6AH1100-F050

**FIG. 6 VALVE**

**SOUPAPE**

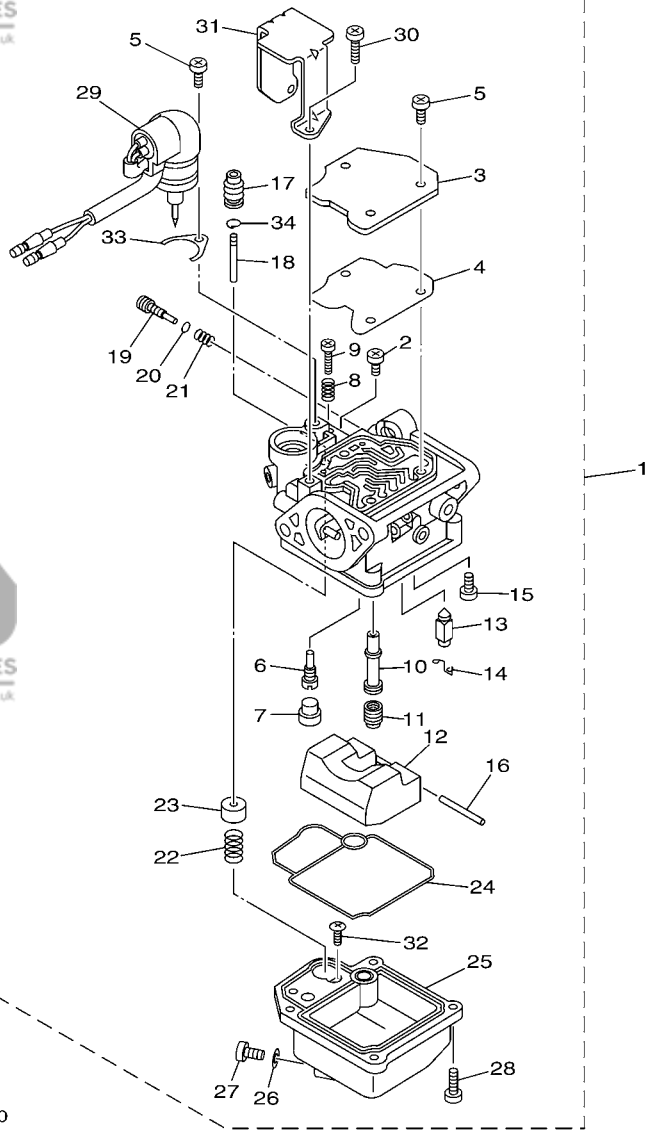
REF. NO.	PART NO. N° PIECES	DESCRIPTION DESCRIPTION	MH	E	REMARKS REMARQUES
1	6AH-12111-00	VALVE, INTAKE SOUPAPE, ADMISSION	2	2	
2	6AH-12121-10	VALVE, EXHAUST SOUPAPE, ECHAPPEMENT	2	2	
3	62Y-12116-00	SEAT, VALVE SPRING SIEGE, RESSORT DE SOUPAPE	4	4	
4	3YF-12113-00	SPRING, VALVE INNER RESSORT DE SOUPAPE, INTERNE	4	4	
5	30X-12117-00	RETAINER, VALVE SPRING BUTEE DE RESSORT DE SOUPAPE	4	4	
6	30X-12118-00	LOCK, VALVE SPRING RETAINER FRAISE, SOUPAPE	8	8	
7	51Y-12119-00	SEAL, VALVE STEM JOINT, QUEUE DE SOUPAPE	4	4	
8	66M-12146-00	SHAFT, ROCKER AXE, CULBUTEUR	1	1	
9	6AH-12279-00	PLATE PLAQUE	1	1	
10	97013-06012	BOLT BOULON	1	1	
11	90387-13006	COLLAR COLLERETTE	2	2	
12	90501-120A5	SPRING, COMPRESSION RESSORT, COMPRESSION	2	2	
13	6AH-12151-00	ARM, VALVE ROCKER CULBUTEUR	4	4	
14	64J-12159-00	SCREW, VALVE ADJUSTING VIS, REGLAGE DE SOUPAPE	4	4	
15	62Y-12158-00	NUT, LOCK CONTRE-ECROU	4	4	



**FIG. 7 INTAKE**

**ADMISSION**

REF. NO.	PART NO. N° PIECES	DESCRIPTION DESCRIPTION	MH	E	REMARKS REMARQUES
1	6AH-13641-00-94	MANIFOLD, INTAKE 1 TUBULURE, ADMISSION 1	1	1	
2	6AH-13645-00	GASKET, MANIFOLD 1 JOINT, TUBULURE 1	1	1	
3	97595-06555	BOLT, WITH WASHER VIS HEXAGONAL AVC RONDELLE	4	4	
4	91690-50014	PIN, SPRING AGRAFFE	2	2	
5	90465-08M83	CLAMP BRIDE	2	2	
6	97095-06012	BOLT BOULON	2	2	
7	92995-06600	WASHER RONDELLE	2	2	
8	6AH-13646-00	GASKET, MANIFOLD 2 JOINT, TUBULURE 2	2	2	
9	6AH-14271-00	INSULATOR ISOLATEUR	1	1	
10	6AH-14440-00	SILENCER ASSY, INTAKE SIENCIEUX D'ADMISSION	1	1	
11	93210-35M86	O-RING JOINT TORIQUE	1	1	
12	95895-06100	BOLT, FLANGE BOULON	2	2	
13	6AH-15373-00	PIPE, BREATHER DURITE DE RENIFLARD	1	1	
14	90109-06MA1	BOLT BOULON	1	1	
15	90480-16616	GROMMET PASSE-FIL	1	1	
16	90465-13M18	CLAMP BRIDE	1	1	

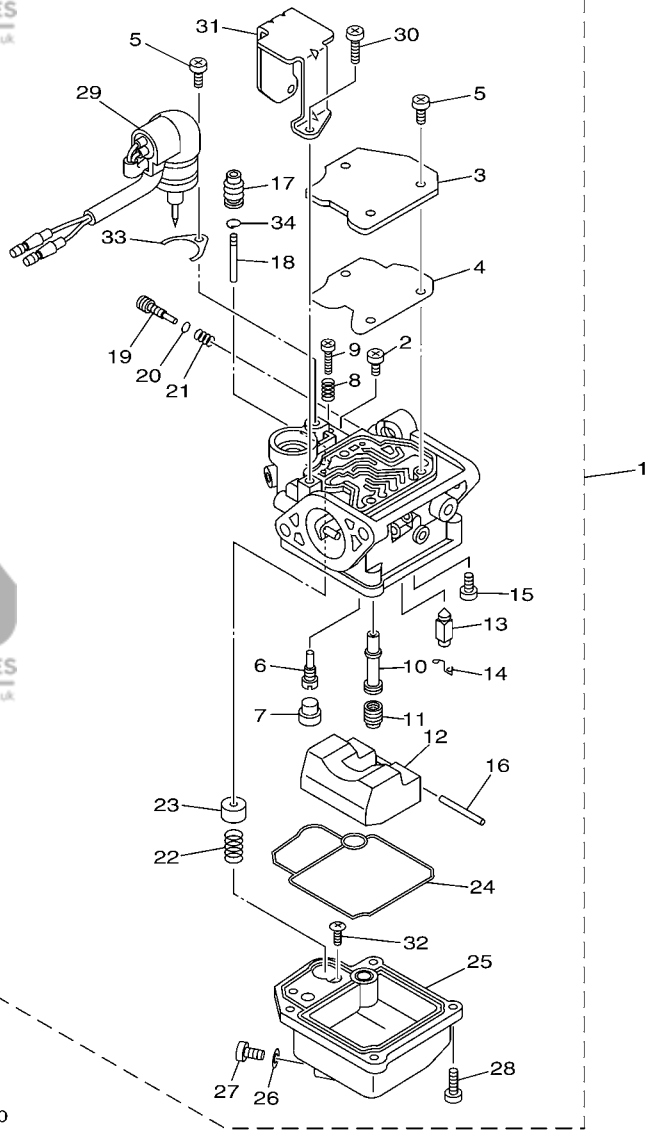


6BY2280-J070

## FIG. 8 CARBURETOR

## CARBURATEUR

REF. NO.	PART NO. N° PIECES	DESCRIPTION DESCRIPTION	MH	E	REMARKS REMARQUES
1	6AG-14301-B0	CARBURETOR ASSY 1 CARBURATEUR COMPLET 1	1		
	6AG-14301-F0	CARBURETOR ASSY 1 CARBURATEUR COMPLET 1		1	
2	98580-04006	.SCREW, PAN HEAD .VIS	1	1	
3	65W-14572-00	.PLATE .PLAQUE	1	1	
4	65W-14126-10	.GASKET .JOINT	1	1	
5	97980-04110	.SCREW, WITH WASHER .VIS, AVEC RONDELLE	4	4	
6	6AG-14948-02	.JET (#38) .GICLEUR (#38)	1		FOR 6AG-14301-B0 FOR 6AG-14301-F0
	6AH-14948-02	.JET (#38) .GICLEUR (#38)		1	
7	679-14966-00	.RUBBER CAP .CAPUCHON	1	1	
8	90501-10326	.SPRING, COMPRESSION .RESSORT, COMPRESSION	1	1	
9	63V-14523-00	.SCREW, STOP .VIS, BUTEE	1	1	
10	6AH-14947-20	.JET, NEEDLE .GICLEUR DE STARTER	1	1	
11	676-14943-19	.JET, MAIN (#80) .GICLEUR, PRINCIPAL (#80)	1	1	
12	6AH-14985-00	.FLOAT .FLOTTEUR	1	1	
13	6AH-14546-00	.VALVE, NEEDLE .POINTEAU	1	1	
14	633-14159-00	.CLIP .JONC	1	1	
15	98580-04008	.SCREW, PAN HEAD .VIS	1	1	
16	6H4-14548-00	.PIN, FLOAT ARM .AXE, BRAS DE FLOTTEUR	1	1	
17	65W-14373-02	.COVER, PLUNGER CAP .COUVERCLE DE PLONGEUR	1	1	
18	6AH-14379-00	.ROD, STARTER .TRINGLE, STARTER	1	1	
19	6AH-14923-20	.SCREW, PILOT .VIS, RALENTI	1	1	
20	67F-14398-10	.O-RING .JOINT TORIQUE	1	1	
21	67C-14555-00	.SPRING .RESSORT	1	1	
22	65W-14335-00	.SPRING, PLUNGER .RESSORT, PLONGEUR	1	1	
23	6AH-14371-00	.PLUNGER, STARTER .PLONGEUR, STARTER	1	1	
24	6AH-14384-00	.GASKET, FLOAT CHAMBER .JOINT, CUVE DE FLOTTEUR	1	1	
25	6AH-14980-00	.BODY, FLOAT CHAMBER .CORPS, CUVE DE FLOTTEUR	1	1	



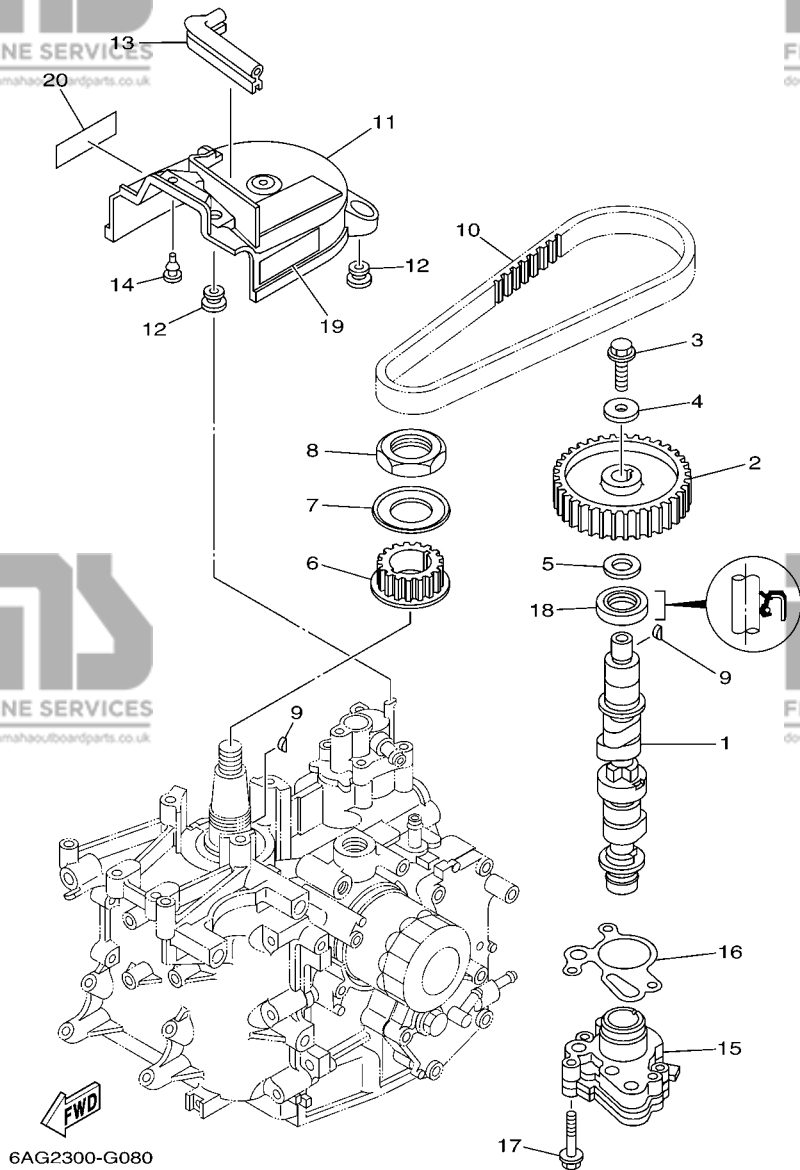
6BY2280-J070

**FIG. 8 CARBURETOR**

**CARBURATEUR**

REF. NO.	PART NO. N° PIECES	DESCRIPTION DESCRIPTION	MH	E	REMARKS REMARQUES
26	65W-14398-00	.GASKET .JOINT	1	1	
27	65W-14992-00	.SCREW, DRAIN .BOUCHON, PURGE	1	1	
28	97980-04114	.SCREW, WITH WASHER .VIS, AVEC RONDELLE	4	4	
29	6AH-14380-01	.PRIME STARTER ASSY .STARTER AUTOMATIQUE	1		FOR 6AG-14301-B0 FOR 6AG-14301-B0
	6AH-14380-11	.PRIME STARTER ASSY .STARTER AUTOMATIQUE		1	FOR 6AG-14301-F0 FOR 6AG-14301-F0
30	97980-04108	.SCREW, WITH WASHER .VIS, AVEC RONDELLE	2	2	
31	6AH-14346-00	.PLATE .PLAQUE	1	1	
32	67C-14567-00	.SCREW .VIS	1	1	
33	65W-14346-00	.PLATE .PLAQUE	1	1	
34	65W-1439G-00	.CLIP 1 .JONC 1	1	1	

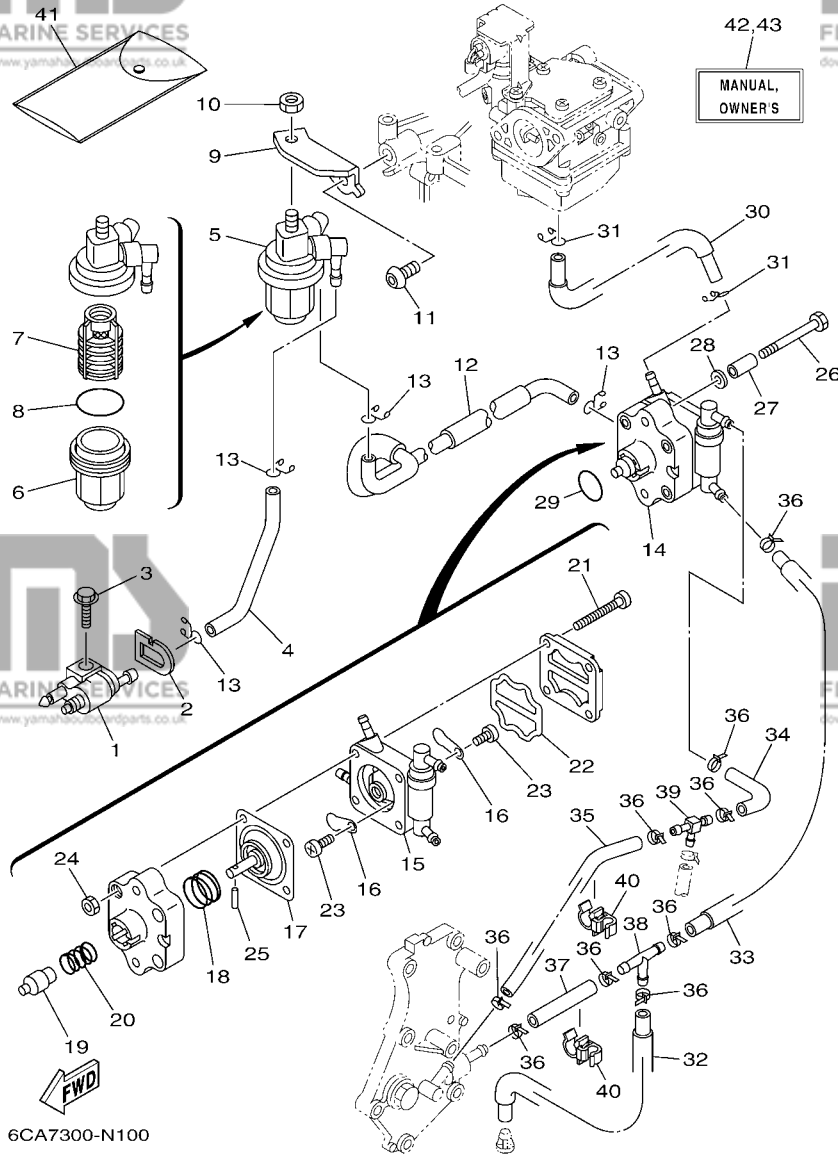




**FIG. 9 OIL PUMP**

**POMPE A HUILE**

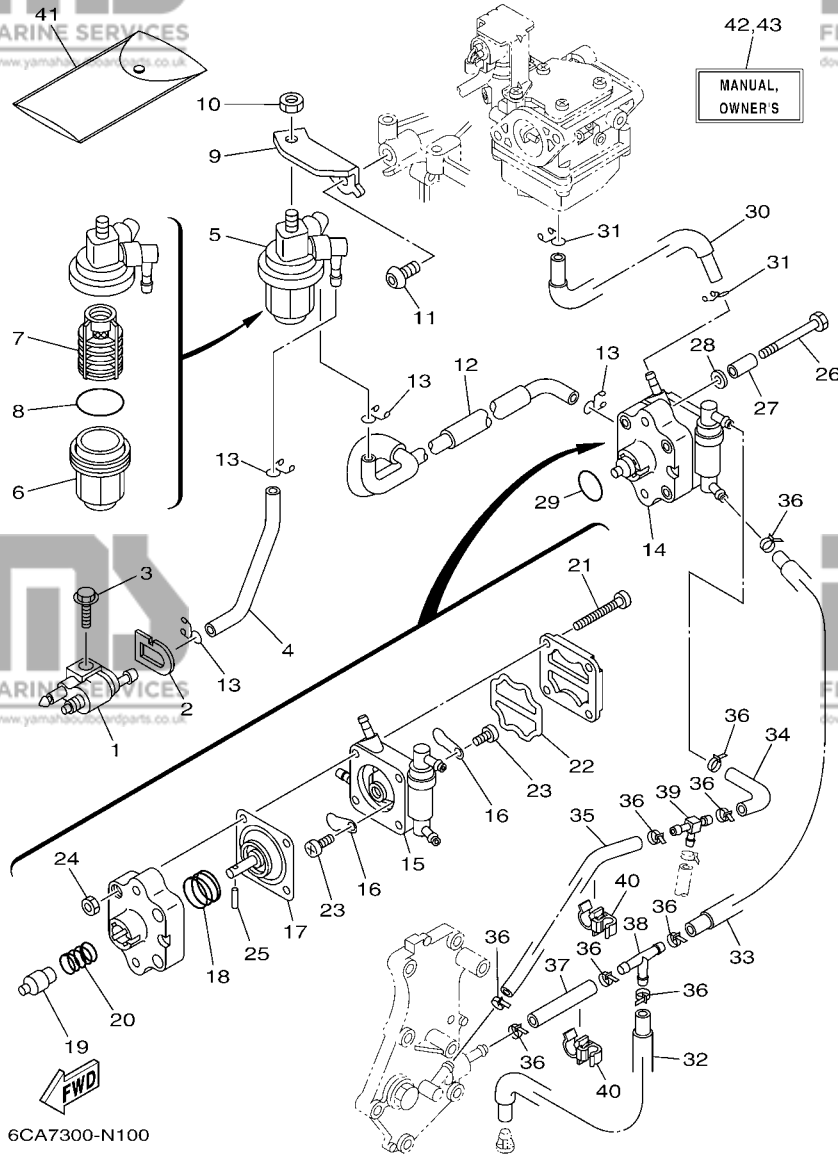
REF. NO.	PART NO. N° PIECES	DESCRIPTION DESCRIPTION	MH	E	REMARKS REMARQUES
1	6AG-12170-00	CAMSHAFT ASSY 1 ENS ARBRE A CAMES 1	1	1	
2	6AH-11537-00	GEAR, DRIVEN PIGNON SECONDAIRE	1	1	
3	90105-081A7	BOLT, FLANGE BOULON	1	1	
4	90201-08784	WASHER, PLATE RONDELLE, PLATE	1	1	
5	90201-15423	WASHER, PLATE RONDELLE, PLATE	1	1	
6	6AH-11536-00	GEAR, DRIVE ENGRENAGE, MENANT	1	1	
7	6AH-11557-00	WASHER 1 RONDELLE 1	1	1	
8	90170-30003	NUT ECROU	1	1	
9	90280-03M01	KEY, WOODRUFF CLAVETTE, DEMI-LUNE	2	2	
10	6AH-46241-00	BELT COURROIE TRAPEZOIDALE	1	1	
11	6AH-46297-00	COVER, DUST COUVERCLE, POUSSIERE	1	1	
12	90480-10627	GROMMET PASSE-FIL	3	3	
13	6AH-42617-00	DAMPER, FORM BOURRELET, CAOUTCHOUC	1	1	
14	90480-06M19	GROMMET PASSE-FIL	1	1	
15	6AH-13300-00	OIL PUMP ASSY POMPE A HUILE COMPLETE	1	1	
16	6AH-13329-10	GASKET, PUMP COVER JOINT, COUVERCLE DE POMPE	1	1	
17	90105-06035	BOLT, FLANGE BOULON	3	3	
18	93102-22010	OIL SEAL JOINT SPY	1	1	
19	6AH-81994-40	LABEL, SAFETY ETIQUETTE, SECURITE	1	1	
20	6AH-81994-50	LABEL, SAFETY ETIQUETTE, SECURITE	1	1	



**FIG. 10 FUEL**

**CARBURANT**

REF. NO.	PART NO. N° PIECES	DESCRIPTION DESCRIPTION	MH	E	REMARKS REMARQUES
1	6G1-24304-02	FUEL PIPE JOINT COMP. 1 DURITE RACCORDEMT. A ESSENCE	1	1	
2	61N-24329-00	SEAL JOINT	1	1	
3	95895-06020	BOLT, FLANGE BOULON	1	1	
4	6AH-24311-00	PIPE, FUEL 1 DURITE A ESSENCE	1	1	
5	61N-24560-10	FILTER ASSY ENS FILTRE	1	1	
6	61N-24521-00	.CUP, FILTER .CUVETTE, FILTRE	1	1	
7	61N-24563-10	.ELEMENT, FILTER .ELEMENT, FILTRE	1	1	
8	93210-32738	.O-RING .JOINT TORIQUE	1	1	
9	6AH-24566-00	BRACKET, FILTER SUPPORT, FILTRE	1	1	
10	95380-08600	NUT ECROU	1	1	
11	90111-08055	BOLT, HEX. SOCKET BUTTON BOULON	1	1	
12	6AH-24312-00	PIPE 2 DURITE 2	1	1	
13	90467-09M17	CLIP JONG	4	4	
14	6AH-24410-00	FUEL PUMP ASSY POMPE A ESSENCE	1	1	
15	6AH-24413-00	.BODY 2 .CORPS 2	1	1	
16	6A0-24421-01	.VALVE, CHECK .SOUPAPE, RETENUE	2	2	
17	66M-24411-11	.DIAPHRAGM .DIAPHRAGME	1	1	
18	66M-24423-00	.SPRING, DIAPHRAGM .RESSORT, DIAPHRAGME	1	1	
19	66M-13131-10	.PLUNGER .PLONGEUR	1	1	
20	66M-24454-00	.SPRING .RESSORT	1	1	
21	66M-24444-00	.SCREW .VIS	4	4	
22	66M-24471-01	.DIAPHRAGM .DIAPHRAGME	1	1	
23	6E7-14325-00	.SCREW, PAN HEAD .VIS TETE CONIQUE	2	2	
24	95380-04600	.NUT .ECROU	4	4	
25	66M-24374-00	.PIN .GOUILLE	1	1	
26	90101-06032	BOLT BOULON	2	2	
27	90387-06M17	COLLAR COLLERETTE	2	2	



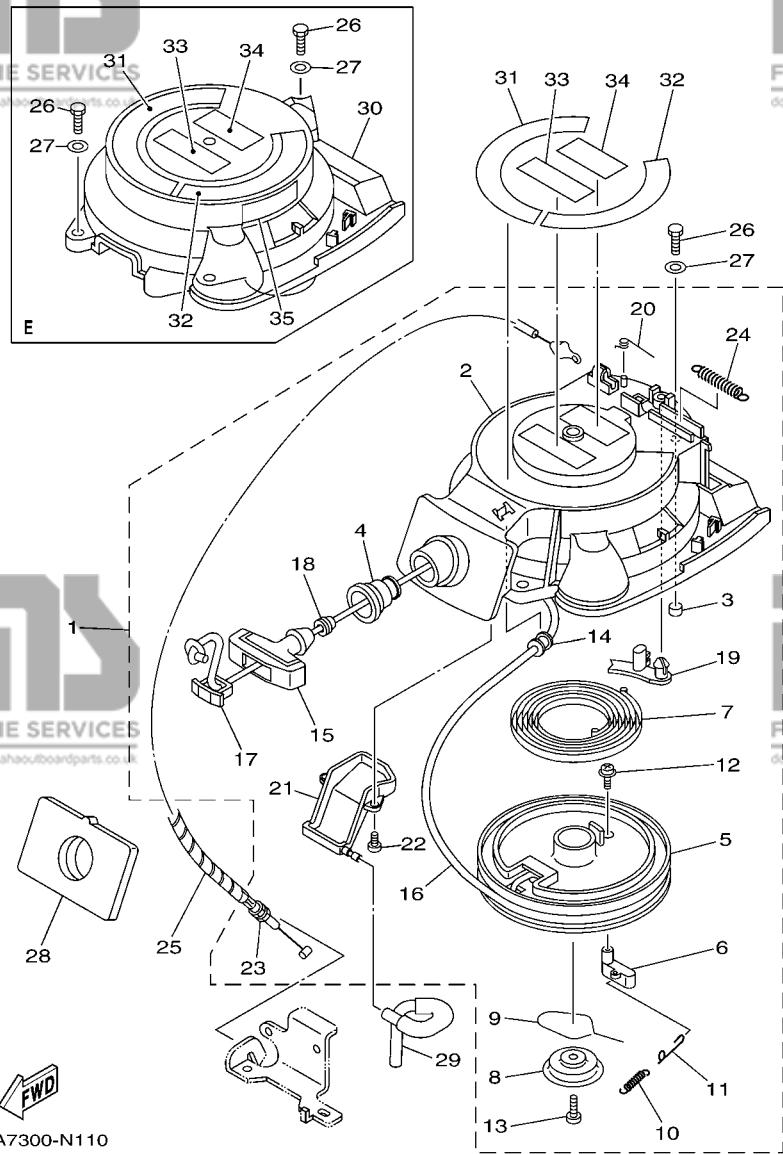
**FIG. 10 FUEL**

**CARBURANT**

REF. NO.	PART NO. N° PIECES	DESCRIPTION DESCRIPTION	MH	E	REMARKS REMARQUES
28	90201-06106	WASHER, PLATE RONDELLE, PLATE	2	2	
29	93210-20M65	O-RING JOINT TORIQUE	1	1	
30	6AH-24313-00	PIPE 3 DURITE 3	1	1	
31	90467-09M17	CLIP JONC	2	2	
32	6AH-24321-00	PIPE 10 DURITE 10	1	1	
33	6AH-24322-00	PIPE 11 DURITE 11	1	1	
34	90445-09026	HOSE (L68) DURITE (L68)	1	1	
35	90445-09082	HOSE (L150) DURITE (L150)	1	1	
36	90465-11M10	CLAMP BRIDE	9	9	
37	90445-09061	HOSE (L65) DURITE (L65)	1	1	
38	688-24378-00	PIPE, JOINT 3 DURITE RACCORDEMENT 3	1	1	
39	6C5-24378-00	PIPE, JOINT 3 DURITE RACCORDEMENT 3	1	1	
40	90464-09018	CLAMP BRIDE	2	2	
41	62Y-28100-00	TOOL KIT TROUSSE A OUTILS	1	1	AP AP
42	6AG-28199-78-E0	MANUAL, OWNER'S MANUEL D'UTILISATION	1	1	UR (E) UR (E)
	6AG-28199-78-F0	MANUAL, OWNER'S MANUEL D'UTILISATION	1	1	UR (F) UR (F)
	6AG-28199-78-S0	MANUAL, OWNER'S MANUEL D'UTILISATION	1	1	UR (ES) UR (ES)
	6AG-28199-78-G0	MANUAL, OWNER'S MANUEL D'UTILISATION	1	1	UR (D) UR (D)
	6AG-28199-78-D0	MANUAL, OWNER'S MANUEL D'UTILISATION	1	1	UR (NL) UR (NL)
	6AG-28199-78-H0	MANUAL, OWNER'S MANUEL D'UTILISATION	1	1	UR (I) UR (I)
43	6AG-28199-88-K0	MANUAL, OWNER'S MANUEL D'UTILISATION	1	1	UR (DK) UR (DK)
	6AG-28199-88-R0	MANUAL, OWNER'S MANUEL D'UTILISATION	1	1	UR (GR) UR (GR)
	6AG-28199-88-P0	MANUAL, OWNER'S MANUEL D'UTILISATION	1	1	UR (P) UR (P)
	6AG-28199-88-N0	MANUAL, OWNER'S MANUEL D'UTILISATION	1	1	UR (N) UR (N)
	6AG-28199-88-M0	MANUAL, OWNER'S MANUEL D'UTILISATION	1	1	UR (S) UR (S)
	6AG-28199-88-L0	MANUAL, OWNER'S MANUEL D'UTILISATION	1	1	UR (SF) UR (SF)

**FIG. 11 STARTER**

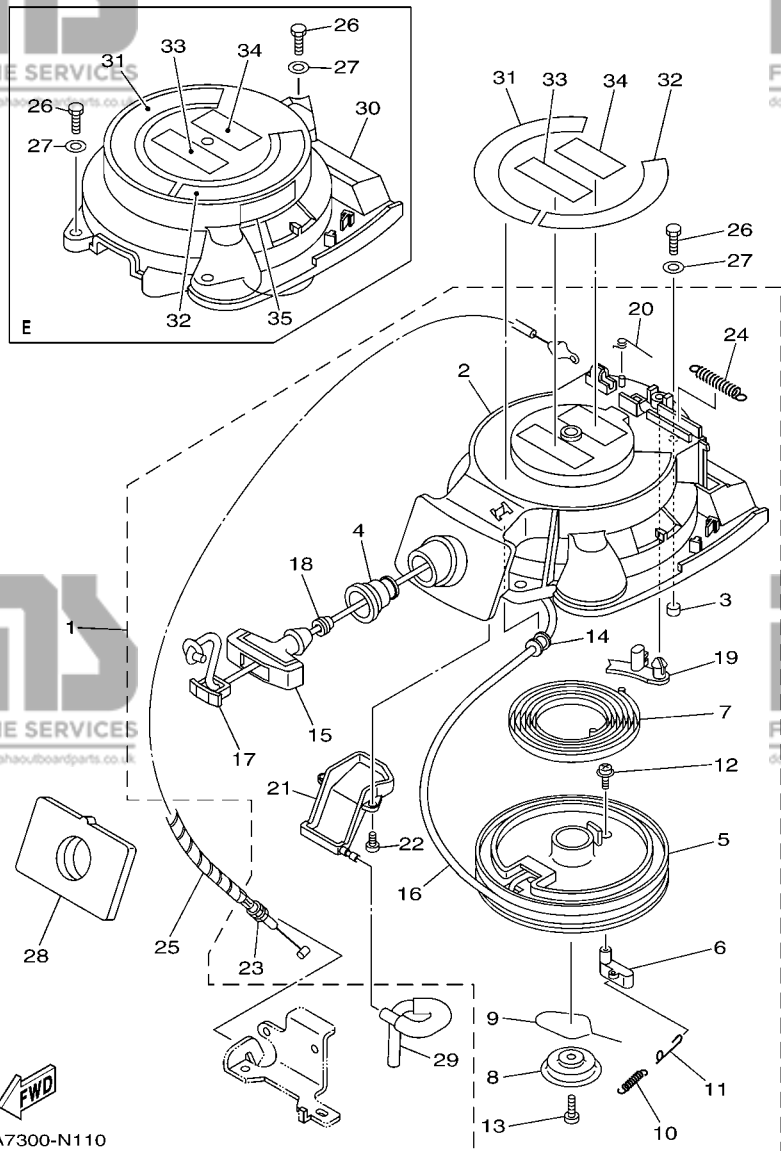
**DEMARREUR**



\*1: CUT FROM 50M ROLLS, PART NO. 90890-44373, CUTTING LENGTH 1.8M

\*1: A PRELEVER SUR BOBINE 50M ,REFERENCE 90890-44373, LONGUEUR DE COUPE 1.8M

REF. NO.	PART NO. N° PIECES	DESCRIPTION DESCRIPTION	MH	E	REMARKS REMARQUES
1	6AH-15710-01	STARTER ASSY DEMARREUR COMPLET	1		
2	6AH-15711-00	.CASE, STARTER .CARTER DE DEMARREUR	1		
3	67D-15764-00	.COLLAR 1 .COLLERETTE 1	3		
4	6AH-15795-00	.GUIDE, ROPE .GUIDE DE CABLE	1		
5	63V-15714-00	.DRUM, SHEAVE .TAMBOUR, POULIE	1		
6	6AH-15741-10	.PAWL, DRIVE .CLIQUET, ENTRAINEMENT	1		
7	63V-15713-00	.SPRING, STARTER .RESSORT DE DEMARREUR	1		
8	68T-15716-00	.PLATE, DRIVE .PLAQUE, ENTRAINEMENT	1		
9	63V-15705-01	.SPRING, DRIVE PAWL .RESSORT DE CLIQUET	1		
10	63V-15767-01	.SPRING .RESSORT	1		
11	68T-15784-00	.SPRING, RETURN .RESSORT, RAPPEL	1		
12	63V-15793-00	.SCREW .VIS	1		
13	68T-15793-00	.SCREW .VIS	1		
14	68T-15764-00	.COLLAR 1 .COLLERETTE 1	1		
15	689-15755-01	.HANDLE, STARTER .POIGNEE, DE DEMARREUR	1		
16		.WIRE, STARTER (L:1800MM) .CABLE DE DEMARREUR (L:1800MM)	1		*1
17	6F5-15779-02	.COVER .COUVERCLE	1		
18	6A0-15789-00	.DAMPER .AMORTISSEUR	1		
19	66T-15794-00	.STOPPER .BUTEE	1		
20	66T-15734-00	.SPRING, RETURN .RESSORT, RAPPEL	1		
21	6AH-15782-00	.COVER, SHEAVE .COUVERCLE, POULIE	1		
22	6AH-15793-00	.SCREW .VIS	2		
23	6AH-15770-00	.CABLE COMP., STARTER STOP .CABLE, BUTEE DE DEMAR	1		
24	66T-15731-00	.SPRING, RETURN .RESSORT, RAPPEL	1		
25	90446-06M90	HOSE (L120) DURITE (L120)	1		
26	97095-06020	BOLT BOULON	3	3	
27	92995-06600	WASHER RONDELLE	3	3	



6CA7300-N110

\*1: CUT FROM 50M ROLLS, PART NO. 90890-44373, CUTTING LENGTH 1.8M

\*1: A PRELEVER SUR BOBINE 50M, REFERENCE 90890-44373, LONGUEUR DE COUPE 1.8M

**FIG. 11 STARTER**

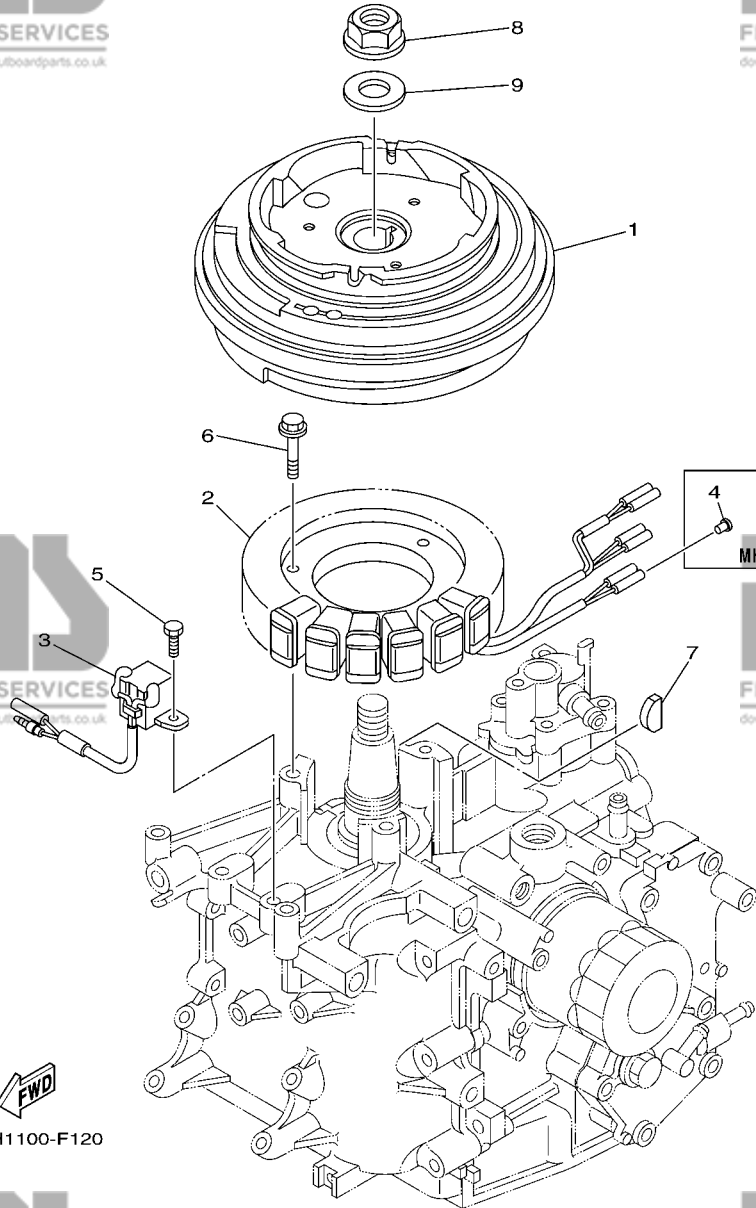
**DEMARREUR**

REF. NO.	PART NO. N° PIECES	DESCRIPTION DESCRIPTION	MH	E	REMARKS REMARQUES
28	6AH-15762-00	SEAL, RUBBER 2 JOINT CAOUTCHOUC 2	1		
29	6AH-24316-00	PIPE 6 DURITE 6	1		
30	6AH-81337-00	COVER, FLYWHEEL COUVERCLE, VOLANT		1	
31	6AH-14427-60	LABEL, INSTRUCTION ETIQUETTE, INSTRUCTION	1	1	
32	6AH-13437-60	MARK, CAUTION MARKER	1	1	
33	6AH-81995-40	LABEL, WARNING ETIQUETTE, AVERTISSEMENT	1	1	
34	6AH-81995-50	LABEL, WARNING ETIQUETTE, AVERTISSEMENT	1	1	
35	6AG-81996-00	MARK MARQUE		1	

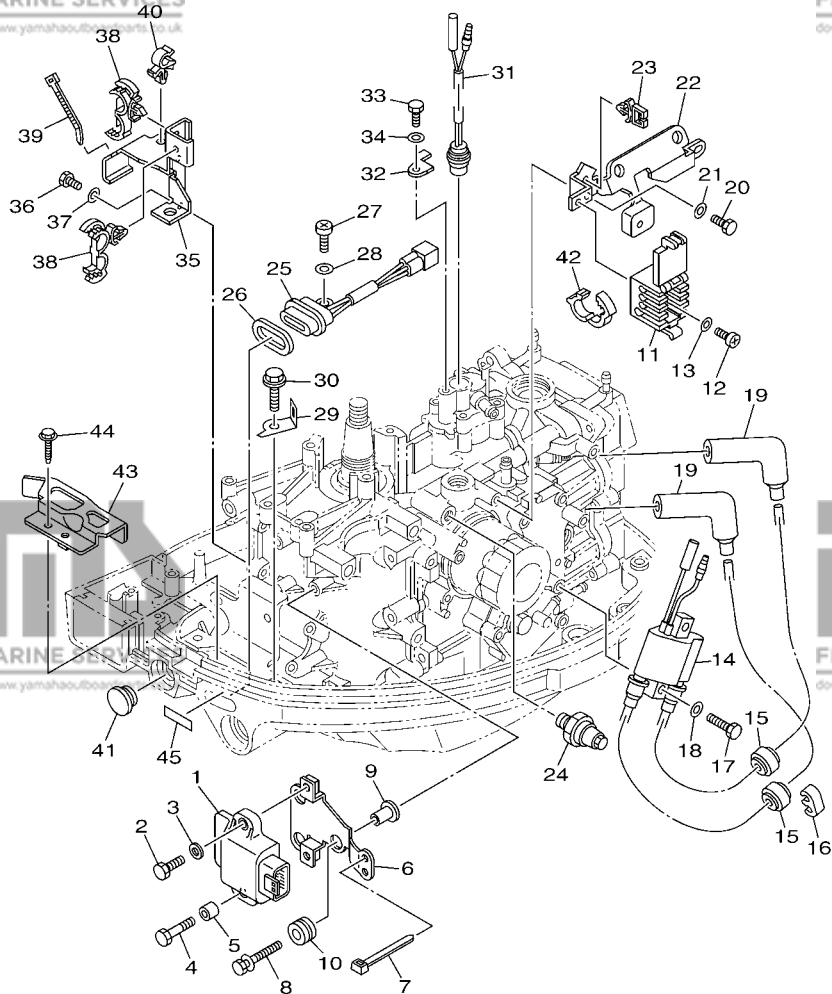
**FIG. 12 GENERATOR**

**GENERATRICE**

REF. NO.	PART NO. N° PIECES	DESCRIPTION DESCRIPTION	MH	E	REMARKS REMARQUES
1	6AH-85550-00	ROTOR ASSY ROTOR CPLT	1		
	6AH-85550-10	ROTOR ASSY ROTOR CPLT		1	
2	6AH-85510-00	STATOR ASSY STATOR CPLT	1	1	
3	6AH-85580-00	COIL, PULSER BOBINE, PULSEUR	1	1	
4	703-82119-00	COVER, LEAD WIRE GARNITURE, FIL	2		
5	97095-05012	BOLT BOULON	2	2	
6	95895-06030	BOLT, FLANGE BOULON	3	3	
7	90280-05013	KEY, WOODRUFF CLAVETTE, DEMI-LUNE	1	1	
8	90179-16M05	NUT ECROU	1	1	
9	90201-16M44	WASHER, PLATE RONDELLE, PLATE	1	1	



6AH1100-F120

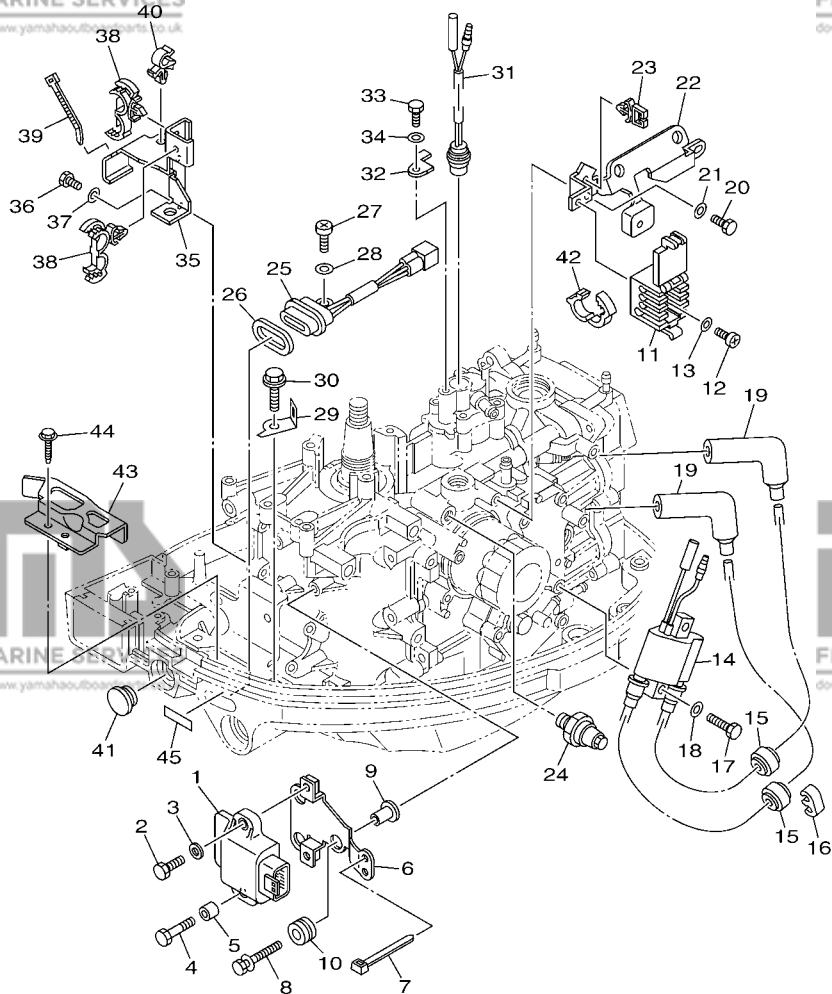


**FWD**  
6CA7300-N130

**FIG. 13 ELECTRICAL 1**

**PARTIE ELECTRIQUE 1**

REF. NO.	PART NO. N° PIECES	DESCRIPTION DESCRIPTION	MH	E	REMARKS REMARQUES
1	6AH-85540-00	C.D.I. UNIT ASSY BLOC C.D.I.	1	1	
2	97095-06020	BOLT BOULON	1	1	
3	92995-06600	WASHER RONDELLE	1	1	
4	97095-06030	BOLT BOULON	1	1	
5	90387-06M74	COLLAR COLLERETTE	1	1	
6	6AH-81948-00	BRACKET SUPPORT	1	1	
7	90465-13M18	CLAMP BRIDE	1	1	
8	90119-06M35	BOLT, WITH WASHER BOULON, AVEC RONDELLE	3	3	
9	90387-06289	COLLAR COLLERETTE	3	3	
10	90480-10M23	GROMMET PASSE-FIL	3	3	
11	6AH-82522-00	CLAMP, COUPLER BRIDE, DE CONNECTEUR	1	1	
12	97880-06010	SCREW, PAN HEAD VIS, TETE TRONCONIQUE	1	1	
13	90201-06M05	WASHER, PLATE RONDELLE, PLATE	1	1	
14	6F5-85570-13	IGNITION COIL ASSY BOBINE D'ALLUMAGE (ENS.)	1	1	
15	90480-25003	GROMMET PASSE-FIL	2	2	
16	67F-82361-00	CLAMP, CORD COLLIER, CORDON	1	1	
17	97095-06025	BOLT BOULON	2	2	
18	92995-06600	WASHER RONDELLE	2	2	
19	6AH-82370-00	PLUG CAP ASSY ANTIPARASITE	2	2	
20	97095-06014	BOLT BOULON	2	2	
21	92995-06600	WASHER RONDELLE	2	2	
22	6AH-85542-00	BRACKET SUPPORT	1	1	
23	90464-07M56	CLAMP BRIDE	2	2	
24	64J-82504-00	OIL PRESSURE SWITCH ASSY CONTACTEUR DE PRESSION D'HUILE	1	1	
25	62Y-84301-00	PILOT LIGHT ASSY 1 LAMPE-TEMOIN 1	1	1	
26	6H4-83589-00	GASKET GARNITURE	1	1	
27	97885-06012	SCREW, PAN HEAD VIS, A ENCOCHE	1	1	



6CA7300-N130

**FIG. 13 ELECTRICAL 1**

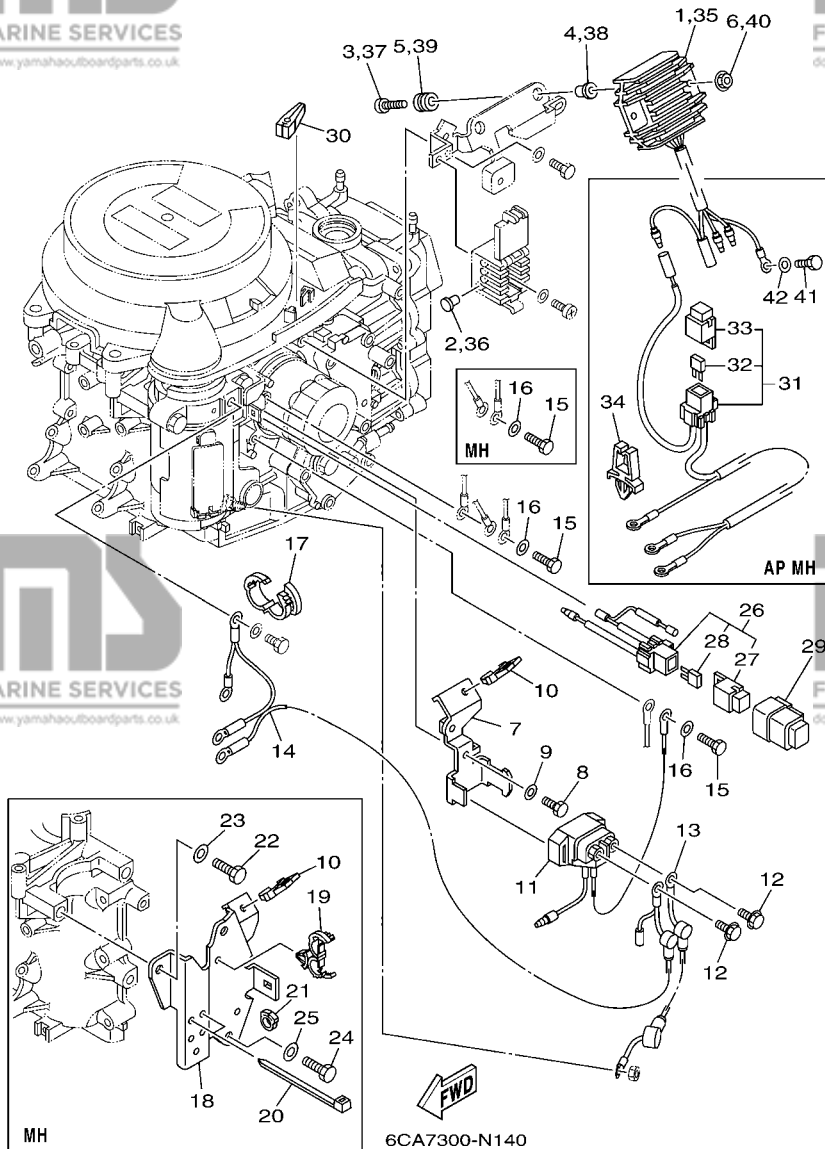
**PARTIE ELECTRIQUE 1**

REF. NO.	PART NO. N° PIECES	DESCRIPTION DESCRIPTION	MH	E	REMARKS REMARQUES
28	92995-06600	WASHER RONDELLE	1	1	
29	6AH-82388-00	PLATE PLAQUETTE	1	1	
30	90109-06M86	BOLT BOULON	1	1	
31	6AH-82560-00	THERMO SWITCH ASSY THERMO-CONTACT COMPLET	1	1	
32	6AH-82588-00	PLATE PLAQUE	1	1	
33	97095-06014	BOLT BOULON	1	1	
34	92995-06600	WASHER RONDELLE	1	1	
35	6AH-82554-00	STAY, NEUTRAL SWITCH SUPPORT, CONT DE POINT-MORT	1	1	
36	97095-06016	BOLT BOULON	2	2	
37	92995-06600	WASHER RONDELLE	2	2	
38	90464-18246	CLAMP BRIDE	2	2	
39	90465-13M18	CLAMP BRIDE	1		
40	90464-10M32	CLAMP BRIDE	1	1	
41	6G1-42725-00	GROMMET PASSE-FIL	1	1	
42	90464-16003	CLAMP BRIDE	1		
	90464-16001	CLAMP BRIDE	1	1	
43	6AH-82389-00	PLATE 2 PLAQUETTE 2	1	1	
44	90109-06M86	BOLT BOULON	1	1	
45	67C-85415-00	MARK, SIGNAL LAMP ETIQUETTE	1	1	



**PARTIE ELECTRIQUE 2**

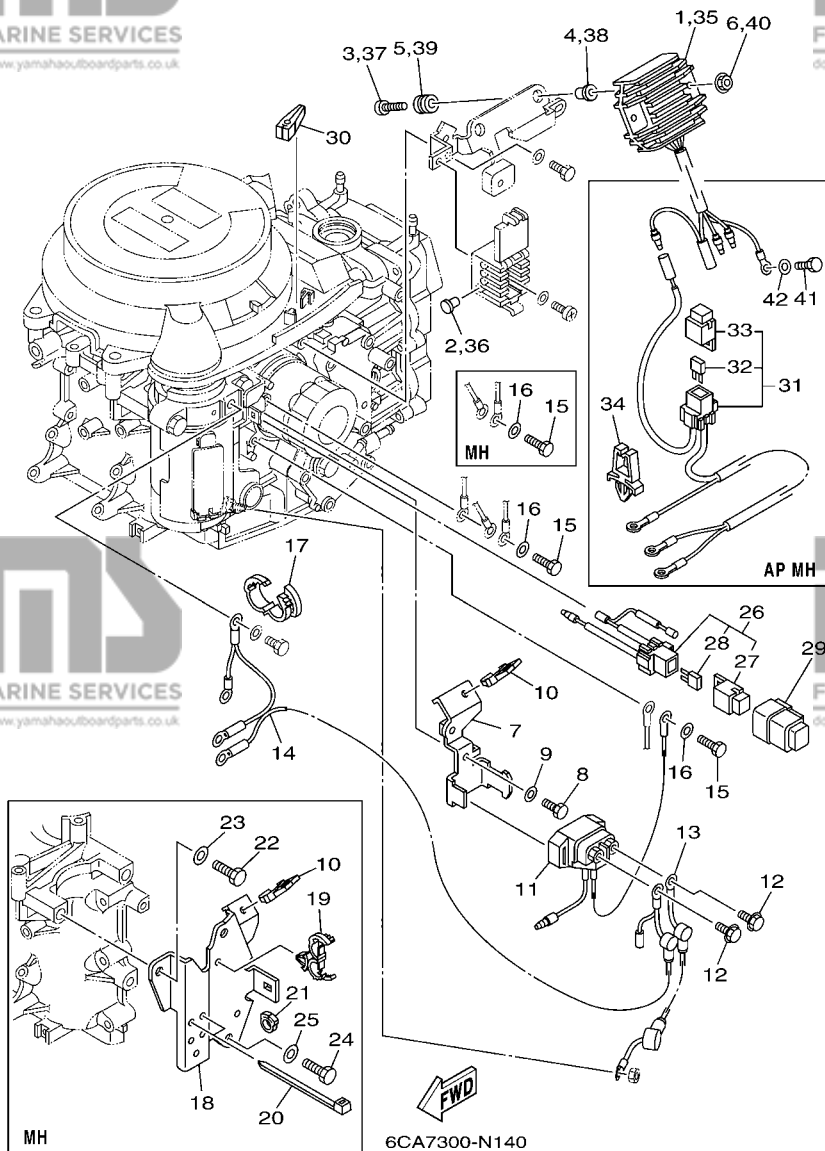
**FIG. 14 ELECTRICAL 2**



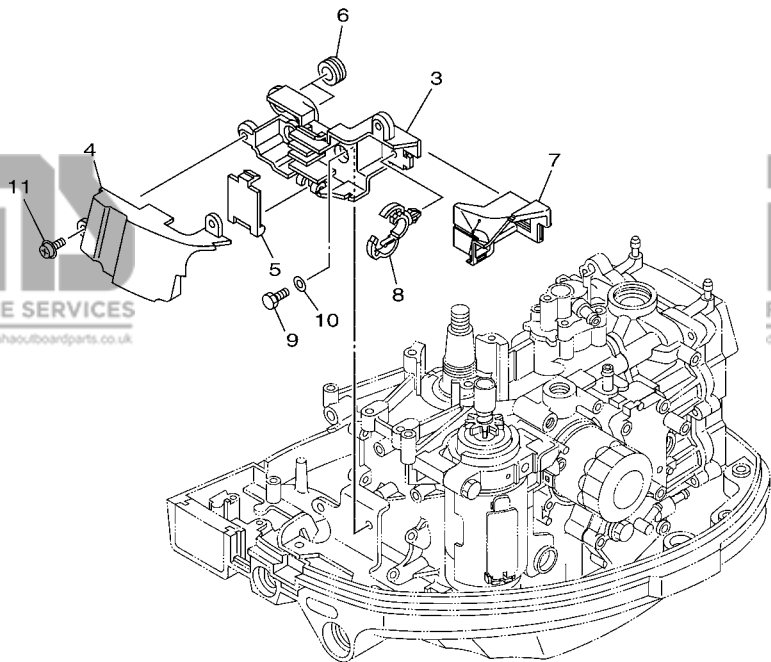
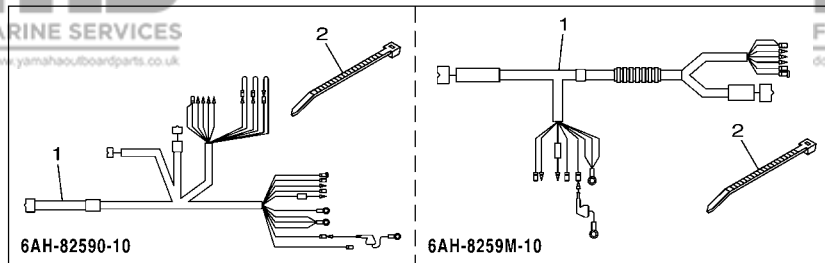
REF. NO.	PART NO. N° PIECES	DESCRIPTION DESCRIPTION	MH	E	REMARKS REMARQUES
1	6AH-81960-00	RECTIFIER & REGULATOR ASSY REDRESSEUR REGULATEUR CPLT		1	
2	703-82119-00	COVER, LEAD WIRE GARNITURE, FIL		1	
3	98980-06030	SCREW, BIND VIS, DE PRESSION		2	
4	90387-06M70	COLLAR COLLERETTE		2	
5	90480-13M24	GROMMET PASSE-FIL		2	
6	95780-06500	NUT, FLANGE ECROU		2	
7	6AH-81945-00	PLATE, SWITCH FITTING PLAQUE, FIXATION DU RELAIS		1	
8	97095-06014	BOLT BOULON		1	
9	92995-06600	WASHER RONDELLE		1	
10	90464-08004	CLAMP BRIDE		1	
11	68T-81940-00	STARTER RELAY ASSY LANCEUR RELAIS (ENS.)		1	
12	97595-06610	BOLT, WITH WASHER VIS HEXAGONAL AVC RONDELLE		2	
13	6AH-82117-00	WIRE, LEAD FIL		1	
14	6AH-82105-01	BATTERY CABLE CABLE DE BATTERIE		1	
15	97095-06014	BOLT BOULON		1	
16	97095-06014	BOLT BOULON		2	
17	92995-06600	WASHER RONDELLE		1	
18	92995-06600	WASHER RONDELLE		2	
19	90464-16001	CLAMP BRIDE		1	
20	6AH-82398-00	PLATE 3 PLAQUETTE 3		1	
21	90464-18246	CLAMP BRIDE		1	
22	90465-13M18	CLAMP BRIDE		3	
23	90464-09010	CLAMP BRIDE		1	
24	97095-08025	BOLT BOULON		2	
25	92995-08600	WASHER RONDELLE		2	
26	97095-08016	BOLT BOULON		1	
27	92995-08600	WASHER RONDELLE		1	

FIG. 14 ELECTRICAL 2

PARTIE ELECTRIQUE 2



REF. NO.	PART NO. N° PIECES	DESCRIPTION DESCRIPTION	MH	E	REMARKS REMARQUES
26	6AH-82150-00	FUSE HOLDER ASSY SUPPORT DE FUSIBLE		1	
27	67F-8215B-10	.CAP (YELLOW) .BOUCHON (YELLOW)		1	
28	67F-82151-00	.FUSE (20A) .FUSIBLE (20A)		2	
29	6AH-82157-00	DAMPER AMORTISSEUR		1	
30	67F-2812A-00	PULLER, FUSE TENDEUR, FUSIBLE		1	
31	6AH-81949-00	WIRE, LEAD FIL	1		AP
32	67F-82151-00	.FUSE (20A) .FUSIBLE (20A)		2	
33	67F-8215B-00	.CAP (BLACK) .BOUCHON (NOIR)		1	
34	90464-06001	CLAMP BRIDE		1	AP
35	6AH-81960-00	RECTIFIER & REGULATOR ASSY REDRESSEUR REGULATEUR CPLT		1	AP
36	703-82119-00	COVER, LEAD WIRE GARNITURE, FIL	1		AP
37	98980-06030	SCREW, BIND VIS, DE PRESSION		2	AP
38	90387-06M70	COLLAR COLLERETTE		2	AP
39	90480-13M24	GROMMET PASSE-FIL		2	AP
40	95780-06500	NUT, FLANGE ECROU		2	AP
41	97095-06014	BOLT BOULON	1		AP
42	92995-06600	WASHER RONDELLE		1	AP

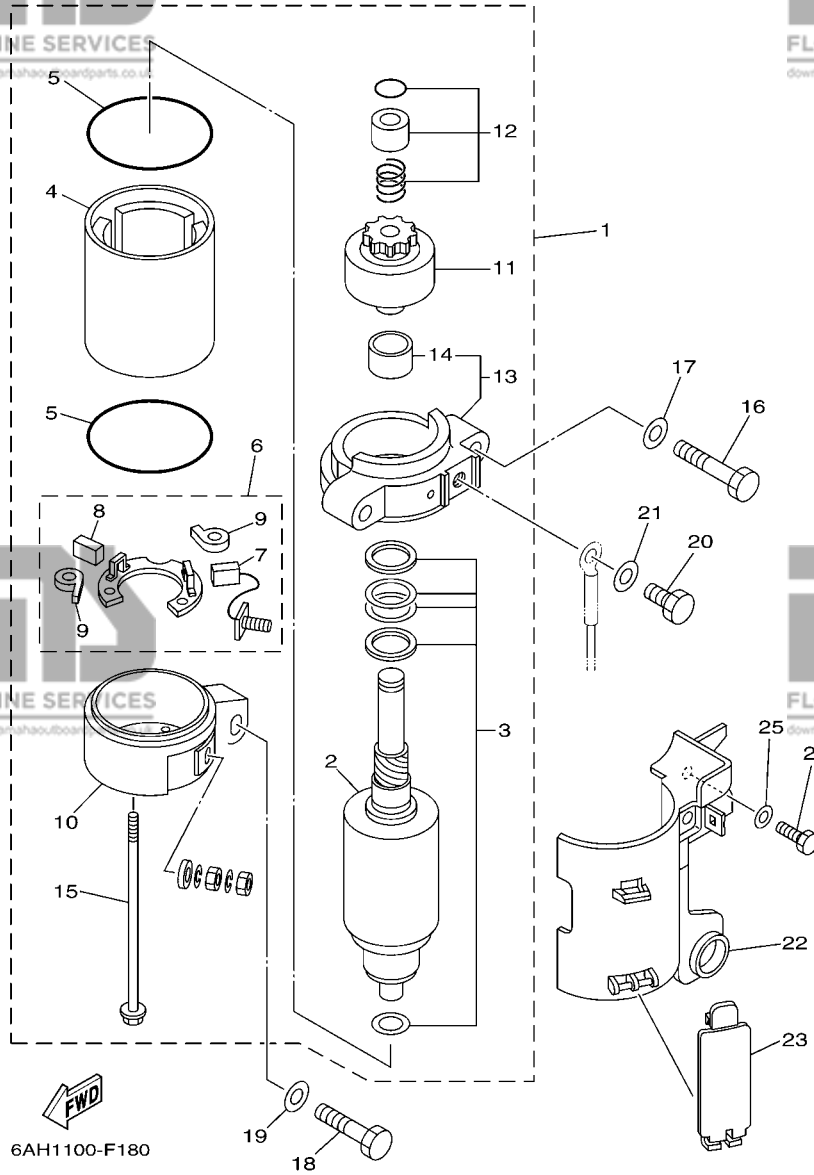


**FWD**  
6CA7300-N150

**FIG. 15 ELECTRICAL 3**

**PARTIE ELECTRIQUE 3**

REF. NO.	PART NO. N° PIECES	DESCRIPTION DESCRIPTION	MH	E	REMARKS REMARQUES
1	6AH-8259M-10	WIRE HARNESS ASSY 2 FAISCEAU DE FILS	1		
	6AH-82590-10	WIRE HARNESS ASSY FAISCEAU DE FILS COMPLET		1	
2	90465-13M18	CLAMP BRIDE	1	1	
3	6AH-8552A-00	HOUSING CARTER	1	1	
4	6AH-8552E-00	COVER, CASE COUVERCLE	1	1	
5	6AH-85537-00	COVER COUVERCLE	1	1	
6	90480-19368	GROMMET PASSE-FIL	2	2	
7	6AH-85547-00	DAMPER AMORTISSEUR	1	1	
8	90464-20181	CLAMP BRIDE	1	1	
9	97095-06014	BOLT BOULON	2	2	
10	92995-06600	WASHER RONDELLE	2	2	
11	97985-06214	SCREW, WITH WASHER VIS, AVEC RONDELLE	2	2	



**FIG. 16 STARTING MOTOR**

**DEMARREUR ELECTRIQUE**

REF. NO.	PART NO. N° PIECES	DESCRIPTION DESCRIPTION	MH	E	REMARKS REMARQUES
1	6AH-81800-00	STARTING MOTOR ASSY DEMARREUR ELECTRIQUE COMPLET		1	
2	689-81850-11	.ARMATURE ASSY .INDUIT		1	
3	689-81809-11	.WASHER KIT .JEU DE RONDELLES		1	
4	689-81810-11	.STATOR ASSY .STATOR COMPLET		1	
5	689-81847-11	.O-RING .JOINT TORIQUE		2	
6	689-81840-11	.BRUSH HOLDER ASSY .SUPPORT DE CHARBON		1	
7	689-81811-11	..BRUSH 1 ..CHARBON 1		1	
8	689-81812-11	..BRUSH 2 ..CHARBON 2		1	
9	689-81813-10	..SPRING, BRUSH ..RESSORT, DE CHARBON		2	
10	6AH-81820-00	.REAR BRACKET ASSY .SUPPORT ARRIERE COMPLET		1	
11	689-81807-12	.GEAR ASSY, STARTING MOTOR .PIGNON, DEMARREUR ELECTRIQUE		1	
12	68T-81857-00	.RETAINER .ARRETOIR		1	
13	6AH-81830-00	.FRONT BRACKET ASSY .SUPPORT AVANT		1	
14	689-81831-00	..METAL, FRONT ..METAL, AVANT		1	
15	689-81826-10	.BOLT .BOULON		2	
16	97013-08045	BOLT BOULON		2	
17	92903-08600	WASHER, PLATE RONDELLE, PLATE		2	
18	97013-08035	BOLT BOULON		1	
19	92903-08600	WASHER, PLATE RONDELLE, PLATE		1	
20	97095-08016	BOLT BOULON		1	
21	92995-08600	WASHER RONDELLE		1	
22	6AH-81942-00	COVER COUVERCLE		1	
23	6AH-82581-00	STAY, CORD CLAMP SUPPORT, COLLIER DE CORDON		1	
24	97095-06014	BOLT BOULON		1	
25	92995-06600	WASHER RONDELLE		1	

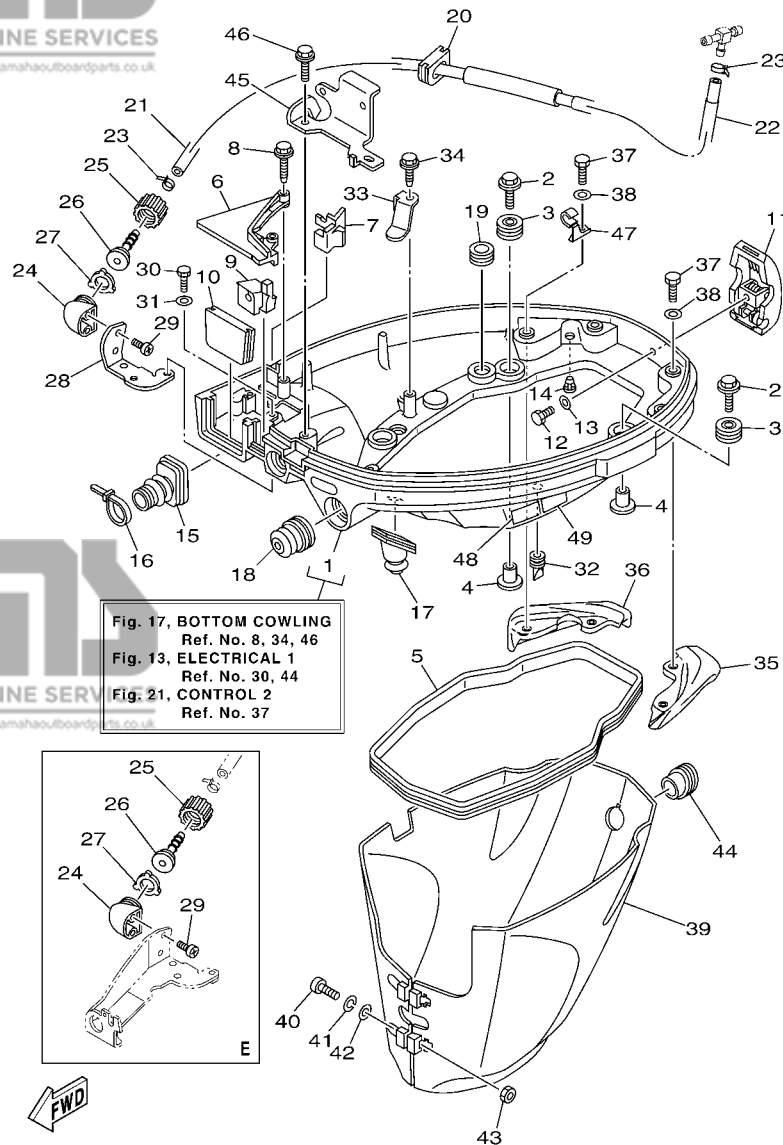


Fig. 17, BOTTOM COWLING  
Ref. No. 8, 34, 46  
Fig. 13, ELECTRICAL 1  
Ref. No. 30, 44  
Fig. 21, CONTROL 2  
Ref. No. 37

**FIG. 17 BOTTOM COWLING**

**CAPOT INFERIEUR**

REF. NO.	PART NO. N° PIECES	DESCRIPTION DESCRIPTION	MH	U	REMARKS REMARQUES
1	6AH-42710-00-4D	BOTTOM COWLING ASSY ENS. EMBASE	1	1	
2	68F-85119-00	BOLT BOULON	4	4	
3	90480-21M82	GROMMET PASSE-FIL	4	4	
4	90387-06176	COLLAR COLLERETTE	4	4	
5	6AH-42716-00	RUBBER, SEAL 1 JOINT EN CAOUTCHOUC 1	1	1	
6	6AH-42738-00-4D	PLATE, FITTING ETRIER	1	1	
7	6AH-42718-00	RUBBER, SEAL 3 JOINT	1	1	
8	90109-06M82	BOLT BOULON	2	2	
9	6AH-42725-00	GROMMET PASSE-FIL	1		
	6AH-42725-20	GROMMET PASSE-FIL		1	
10	6AH-42724-00	GROMMET PASSE-FIL	1		
	6AH-42724-10	GROMMET PASSE-FIL		1	
11	6AH-42801-00	COWLING CLAMP COMP. BRIDE DE CAPOT COMP.	1	1	
12	97095-06012	BOLT BOULON	1	1	
13	92995-06600	WASHER RONDELLE	1	1	
14	6BL-44391-00	NIPPLE, HOSE RACCORD D'ESSENCE	1	1	
15	6AH-26326-00	GROMMET RONDELLE CAOUTCHOUC	1		
	6AH-26326-10	GROMMET RONDELLE CAOUTCHOUC		1	
16	90465-11M10	CLAMP BRIDE	1		
17	6AH-42727-00	GROMMET PASSE-FIL	1	1	
18	65W-42726-00	GROMMET PASSE-FIL	1		
	65W-42726-10	GROMMET PASSE-FIL		1	
19	90480-16007	GROMMET PASSE-FIL	1	1	
20	6AH-42726-00	GROMMET PASSE-FIL	1	1	
21	6AH-24314-01	PIPE 4 DURITE 4	1	1	
22	90445-15003	HOSE (L230) DURITE (L230)	1	1	
23	90465-11M10	CLAMP BRIDE	2	2	

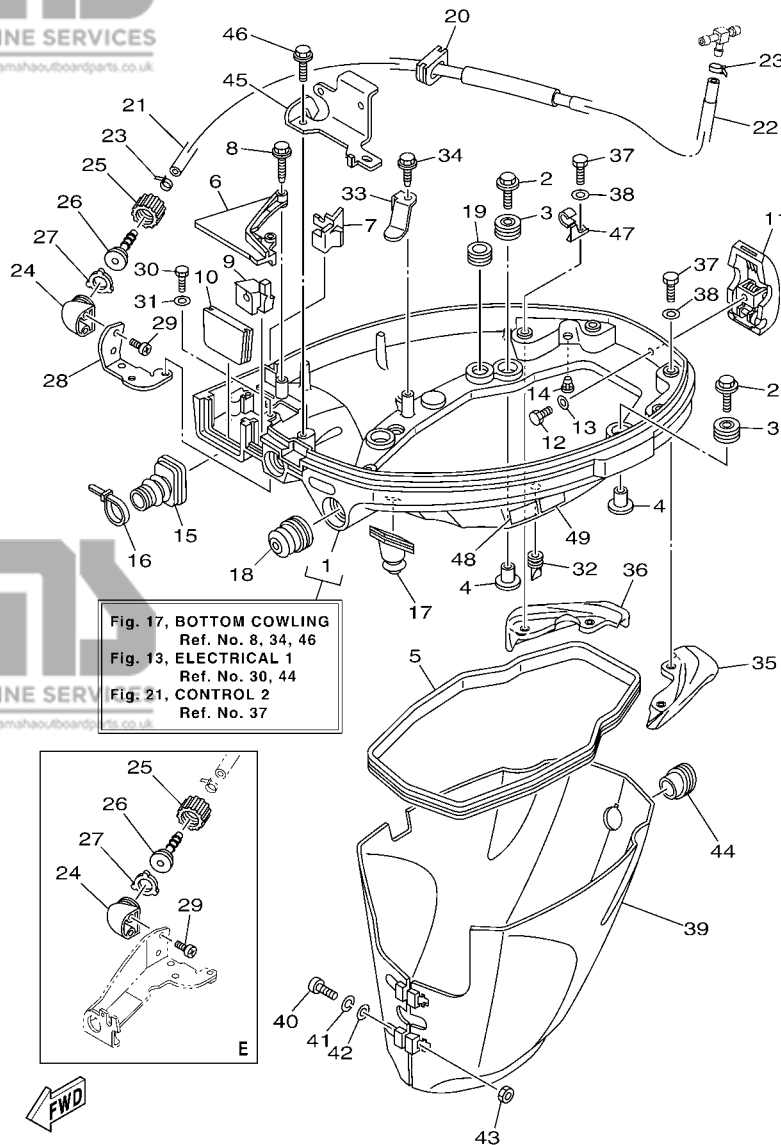
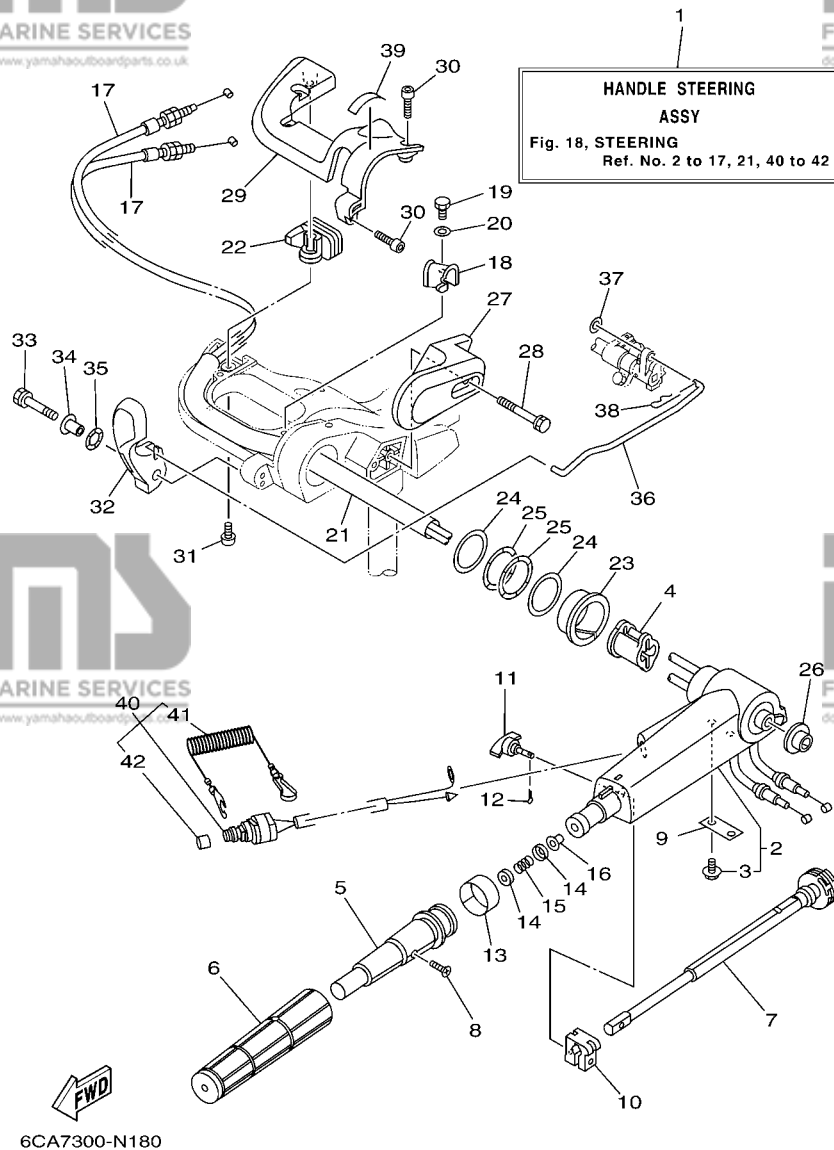


Fig. 17, BOTTOM COWLING  
Ref. No. 8, 34, 46  
Fig. 13, ELECTRICAL 1  
Ref. No. 30, 44  
Fig. 21, CONTROL 2  
Ref. No. 37

**FIG. 17 BOTTOM COWLING**

**CAPOT INFERIEUR**

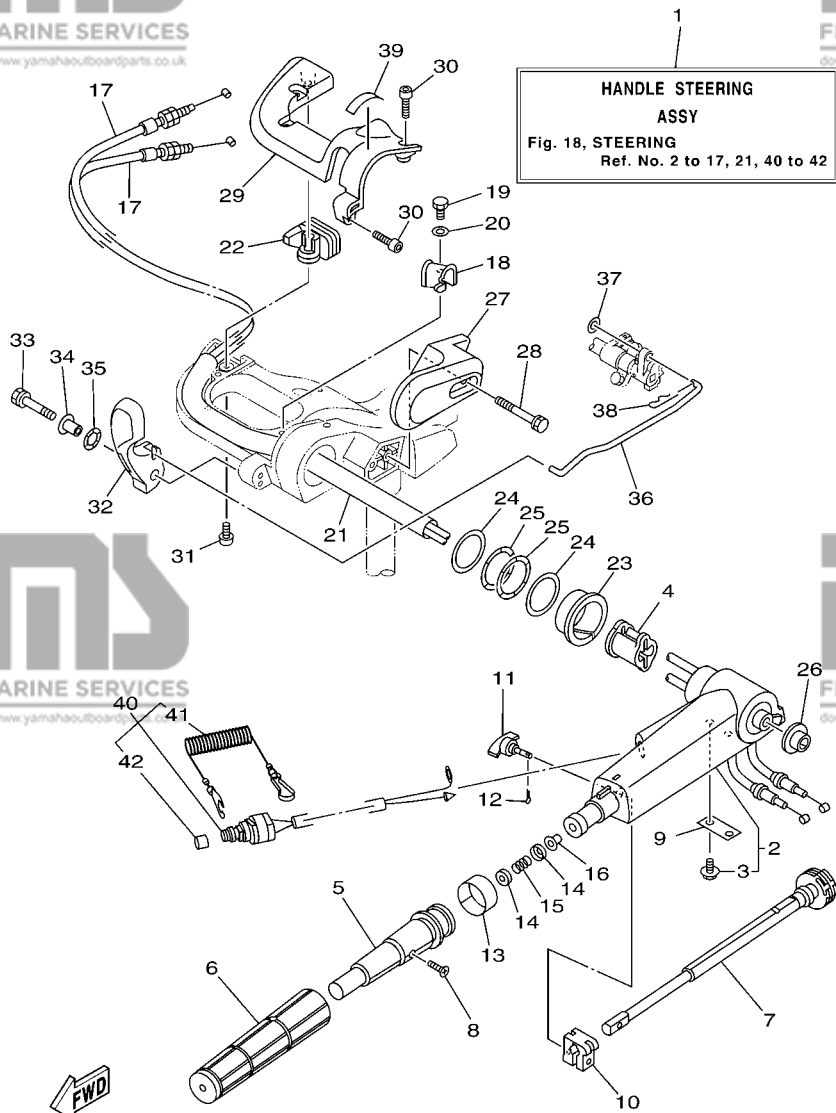
REF. NO.	PART NO. N° PIECES	DESCRIPTION DESCRIPTION	MH	U	REMARKS REMARQUES
24	68T-12572-00	ADAPTER ADAPTATEUR	1	1	
25	6R3-12581-00	JOINT, HOSE 1 JOINT DE TUYAU	1	1	
26	6R3-12582-00	JOINT, HOSE 2 RACCORD DE TUYAU 1	1	1	
27	6R3-12583-00	GASKET, HOSE JOINT JOINT	1	1	
28	6AH-12535-00	PLATE PLAQUE	1		
29	90167-06002	SCREW, TAPPING VIS, TETE FRAISEE	2	2	
30	97095-06010	BOLT BOULON	2		
31	92995-06600	WASHER RONDELLE	2		
32	65W-42717-00	RUBBER, SEAL 2 JOINT EN CAOUTCHOUC 2	2	2	
33	6AH-42743-00	BRACKET SUPPORT	1	1	
34	90109-06M86	BOLT BOULON	1	1	
35	6AH-42761-00	STOPPER PLAQUETTE	1	1	
36	6AH-42762-00	STOPPER PLAQUETTE	1	1	
37	97075-06012	BOLT BOULON	4	4	
38	92995-06600	WASHER RONDELLE	4	4	
39	6AH-42741-00	APRON CAPOT LATERAL	1	1	
40	97885-06030	SCREW, PAN HEAD VIS, A ENCOCHE	2	2	
41	92995-06100	WASHER, SPRING RONDELLE, GROWER	2	2	
42	92995-06600	WASHER RONDELLE	2	2	
43	95380-06600	NUT, HEXAGON ECROU	2	2	
44	6AH-42717-00	RUBBER, SEAL 2 JOINT EN CAOUTCHOUC 2	1	1	
45	6AH-15774-00	STAY 4 SUPPORT 4	1	1	
46	90109-06M86	BOLT BOULON	1	1	
47	90465-08M82	CLAMP BRIDE	1	1	
48	6AH-42794-40	LABEL, WARNING (GENERAL) ETIQUETTE, AVERTISSEMENT	1	1	
49	6AH-42794-50	LABEL, WARNING (GENERAL) ETIQUETTE, AVERTISSEMENT	1	1	



**FIG. 18 STEERING**

**DIRECTION**

REF. NO.	PART NO. N° PIECES	DESCRIPTION DESCRIPTION	MH	E	REMARKS REMARQUES
1	6AH-W0084-03-4D	HANDLE STEERING ASSY BARRE FRANCHE (ENS.)	1		
2	6AH-42101-02-4D	HANDLE, STEERING POIGNEE	1		
3	90109-06M86	.BOLT .BOULON	2		
4	6AH-26288-00	GROMMET, CABLE OEILLET DE CABLE	1		
5	66M-42119-01	GRIP, STEERING HANDLE POIGNEE, BARRE FRANCHE	1		
6	67D-42177-00	RUBBER, HANDLE CAOUTCHOUC, POIGNEE	1		
7	65W-42138-00	LEVER, THROTTLE LEVIER, ACCELERATEUR	1		
8	90152-05011	SCREW, COUNTERSUNK VIS, TETE NOYEE	1		
9	65W-42159-00	STAY SUPPORT	1		
10	6G1-42126-00	FRICTION, STEERING HANDLE GRIP CUVETTE, POIGNEE DE DIRECTION	1		
11	65W-42125-00	BOLT, FRICTION ADJUSTING BOULON	1		
12	91490-16010	PIN, COTTER GOUPILLE	1		
13	6J0-42137-10	INDICATOR, THROTTLE INDICATEUR, ACCELERATION	1		
14	6X4-44188-00	WASHER RONDELLE	2		
15	90501-23215	SPRING, COMPRESSION RESSORT, COMPRESSION	1		
16	90386-08004	BUSH DOUILLE	1		
17	6AH-26311-00	CABLE, THROTTLE 1 CABLE 1, ACCELERATEUR	2		
18	6AH-44554-00	PLATE PLAQUETTE	1		
19	97095-06014	BOLT BOULON	1		
20	92995-06600	WASHER RONDELLE	1		
21	6AH-2634E-00	PROTECTOR 1 PROTECTEUR 1	1		
22	6AH-42551-00	GROMMET PASSE-FIL	1		
23	90386-45001	BUSH DOUILLE	1		
24	90201-39008	WASHER, PLATE RONDELLE, PLATE	2		
25	90206-39001	WASHER, WAVE RONDELLE, ONDULEE	2		
26	90381-20001	BUSH, SOLID DOUILLE, SOLIDE	1		
27	6AH-42131-00-4D	COVER, HANDLE STEERING COUVERCLE	1		



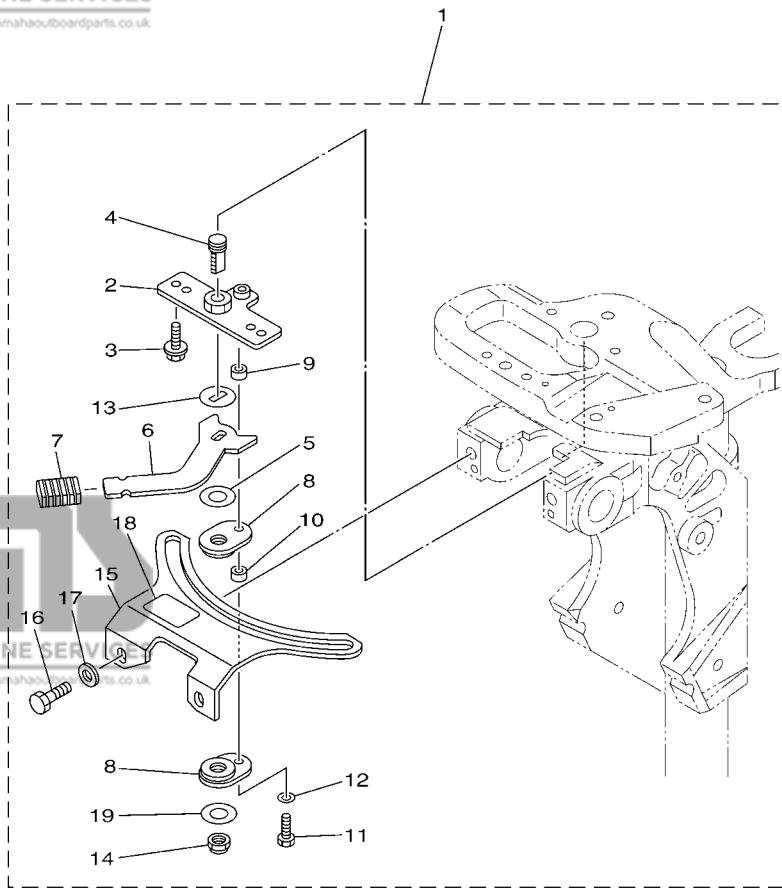
6CA7300-N180

**FIG. 18 STEERING**

**DIRECTION**

REF. NO.	PART NO. N° PIECES	DESCRIPTION DESCRIPTION	MH	E	REMARKS REMARQUES
28	97595-06555	BOLT, WITH WASHER VIS HEXAGONAL AVC RONDELLE	2		
29	6AH-42532-00	COVER COUVERCLE	1		
30	90111-06072	BOLT, HEX. SOCKET BUTTON BOULON	4		
31	97780-60520	SCREW, TAPPING VIS, TETE BOMBEE	1		
32	6AH-44111-00	HANDLE, GEAR SHIFT POIGNEE, LEVIER D'EMBRAYAGE	1		
33	90119-06M05	BOLT, WITH WASHER BOULON, AVEC RONDELLE	1		
34	90387-06M86	COLLAR COLLERETTE	1		
35	90206-15M18	WASHER, WAVE RONDELLE, ONDULEE	1		
36	6AH-44124-00	LINK, SHIFT ROD BIELLETTTE	1		
37	92990-06200	WASHER, PLAIN RONDELLE, PLATE	1		
38	90468-18008	CLIP JONC	1		
39	6X3-44191-00	INDICATOR, SHIFT ETIQUETTE, EMBRAYAGE	1		
40	6AH-82575-00	ENGINE STOP SWITCH ASSY COUPE CIRCUIT CPLT	1		
41	682-82556-00	.LANYARD, STOP SWITCH .CORDON DU COUPE CIRCUIT	1		
42	689-8257Y-00	.CAP .COUVERCLE	1		





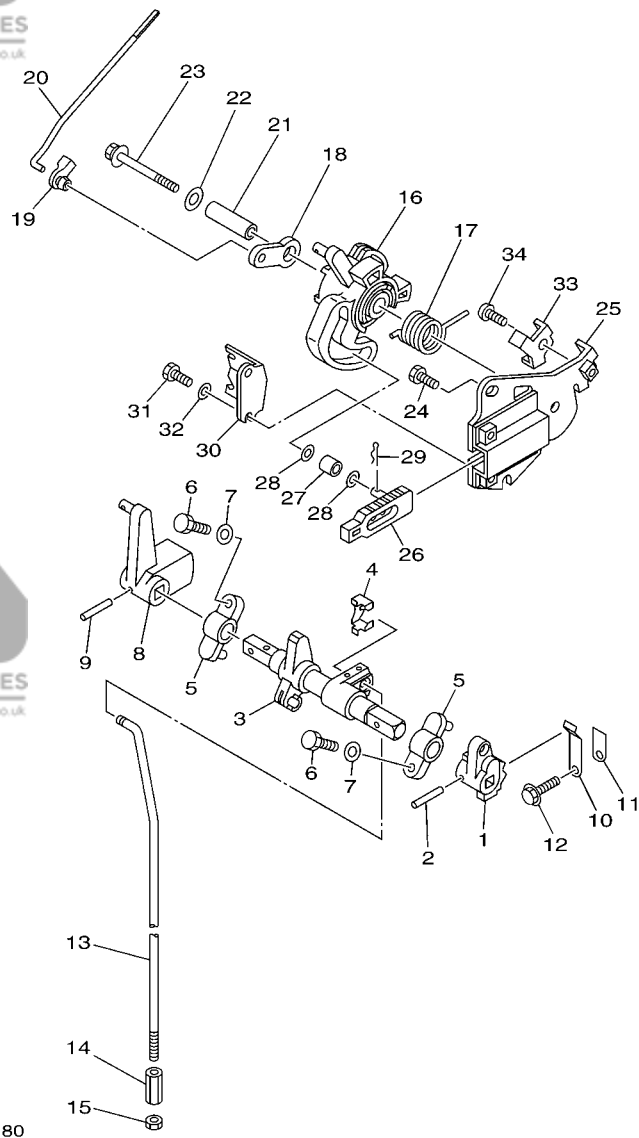
**FIG. 19 STEERING FRICTION**

**CUVETTE POIGNEE DE DIRECTION**

REF. NO.	PART NO. N° PIECES	DESCRIPTION DESCRIPTION	MH	E	REMARKS REMARQUES
1	6AH-42508-01	STEERING FRICTION ASSY DIRECTION FRICTION (ENS.)	1		
2	68T-42525-01	.PLATE, FRICTION .PLAQUE, FRICTION	1		
3	90119-05018	.BOLT, WITH WASHER .BOULON, AVEC RONDELLE	2		
4	67C-42562-00	.SHAFT, STEERING LOCK .ARBRE, ANTIVOL DE DIRECTION	1		
5	90202-10M56	.WASHER, PLATE .RONDELLE, PLATE	1		
6	68T-42561-00	.KNOB, STEERING LOCK .BOUTON	1		
7	689-43633-00	.COVER, TILT LEVER .COUVERCLE	1		
8	65W-42528-00	.PLATE, FRICTION .PLAQUE, FRICTION	2		
9	90387-05053	.COLLAR .COLLERETTE	1		
10	90387-05054	.COLLAR .COLLERETTE	1		
11	97095-05020	.BOLT .BOULON	1		
12	92995-05600	.WASHER .RONDELLE	1		
13	90209-10M26	.WASHER .RONDELLE	1		
14	90185-10M14	.NUT, SELF-LOCKING .ECROU, AUTO-BLOQUANT	1		
15	6AH-42527-00	.PLATE, FRICTION .PLAQUE, FRICTION	1		
16	90101-08022	.BOLT .BOULON	2		
17	90201-08065	.WASHER, PLATE .RONDELLE, PLATE	2		
18	68T-43155-00	.MARK 1 .ETIQUETTE 1	1		
19	90201-106M5	.WASHER, PLATE .RONDELLE, PLATE	1		



6AU5110-L180

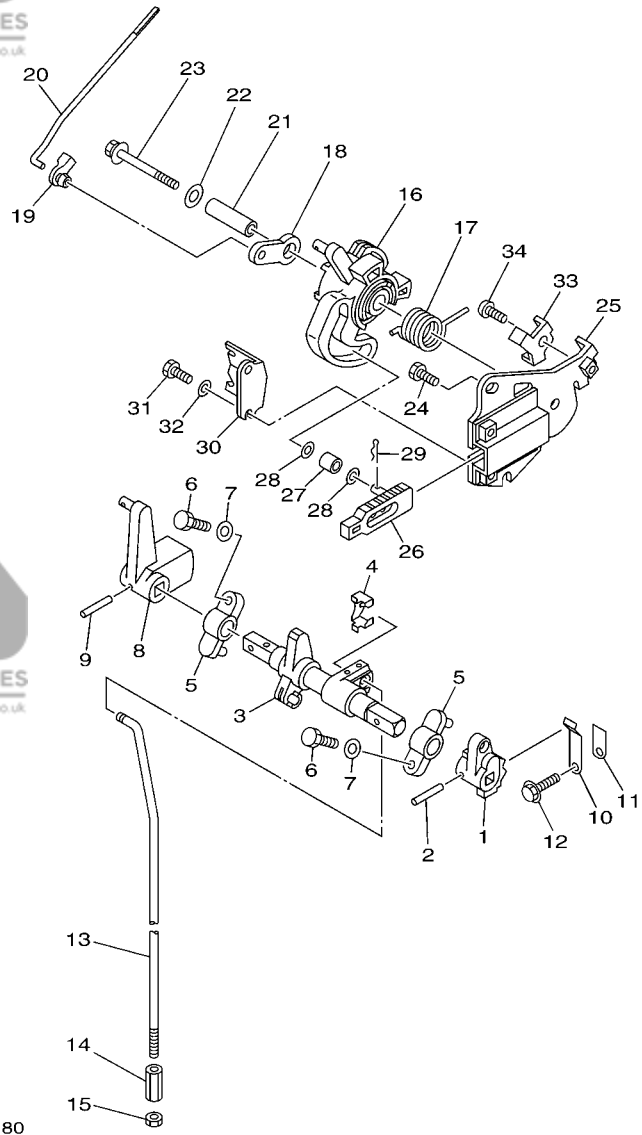


6CA1300-H180

**FIG. 20 CONTROL 1**

**COMMANDE 1**

REF. NO.	PART NO. N° PIECES	DESCRIPTION DESCRIPTION	MH	E	REMARKS REMARQUES
1	6AH-44123-00	ARM, SHIFT ROD BRAS, TIGE D'INVERSION	1		
2	90254-03M05	PIN, SPRING RIVET, TETE TRONCONIQUE	1		
3	6AH-44121-00	LEVER, SHIFT ROD LEVIER, TIGE D'INVERSION	1		
4	6AH-26364-00	END, CABLE 2 EMBOUIT, DE CABLE	1		
5	6G1-41662-01-94	BRACKET 2 SUPPORT 2	2		
6	97095-06020	BOLT BOULON	2		
7	92995-06600	WASHER RONDELLE	2		
8	6AH-44125-00	LEVER, SHIFT ROD LEVIER, TIGE D'INVERSION	1		
9	90254-03M05	PIN, SPRING RIVET, TETE TRONCONIQUE	1		
10	65W-44116-00	SPRING RESSORT	1		
11	66R-44114-00	STOPPER PLAQUETTE	1		
12	95895-06014	BOLT, FLANGE BOULON	1		
13	6AH-44143-00	ROD, SHIFT TIGE D'EMBAYAGE	1		S(17.1")
	6AH-44143-10	ROD, SHIFT TIGE D'EMBAYAGE	1		L(22.1")
					L(22.1")
14	90170-06015	NUT ECROU	1		
15	95380-06700	NUT ECROU	1		
16	6AH-41638-00	PULLEY POULIE	1		
17	90508-20M44	SPRING, TORSION RESSORT, TORSION	1		
18	65W-41283-00	LEVER, FREE ACCEL. LEVIER	1		
19	6J8-41262-00	JOINT, CHOKE LEVER RACCORD, LEVIER DE STARTER	1		
20	6AH-41211-00	LINK, ACCEL. BIELLETTE, ACCELERATION	1		
21	90387-06139	COLLAR COLLERETTE	1		
22	90201-06M31	WASHER, PLATE RONDELLE, PLATE	1		
23	97595-06555	BOLT, WITH WASHER VIS HEXAGONAL AVC RONDELLE	1		
24	97095-06014	BOLT BOULON	2		
25	6AH-14571-10	BRACKET, THROTTLE SUPPORT, ACCELERATEUR	1		
26	6AH-44167-10	PLUNGER, SHIFT CAM POUSSOIR D'EMBAYAGE	1		



**FIG. 20 CONTROL 1**

**COMMANDE 1**

REF. NO.	PART NO. N° PIECES	DESCRIPTION DESCRIPTION	MH	E	REMARKS REMARQUES
27	62Y-42171-00	BUSHING COUSSINET	1		
28	90201-05M04	WASHER, PLATE RONDELLE, PLATE	2		
29	90468-10005	CLIP JONC	1		
30	6AH-14497-00	STAY, THROTTLE WIRE SUPPORT DE BOISSEAU	1		
31	97095-06014	BOLT BOULON	2		
32	92995-06600	WASHER RONDELLE	2		
33	6AH-41282-00	STOPPER, FREE ACCEL. LINK VERROU	1		
34	90149-06069	SCREW VIS	1		

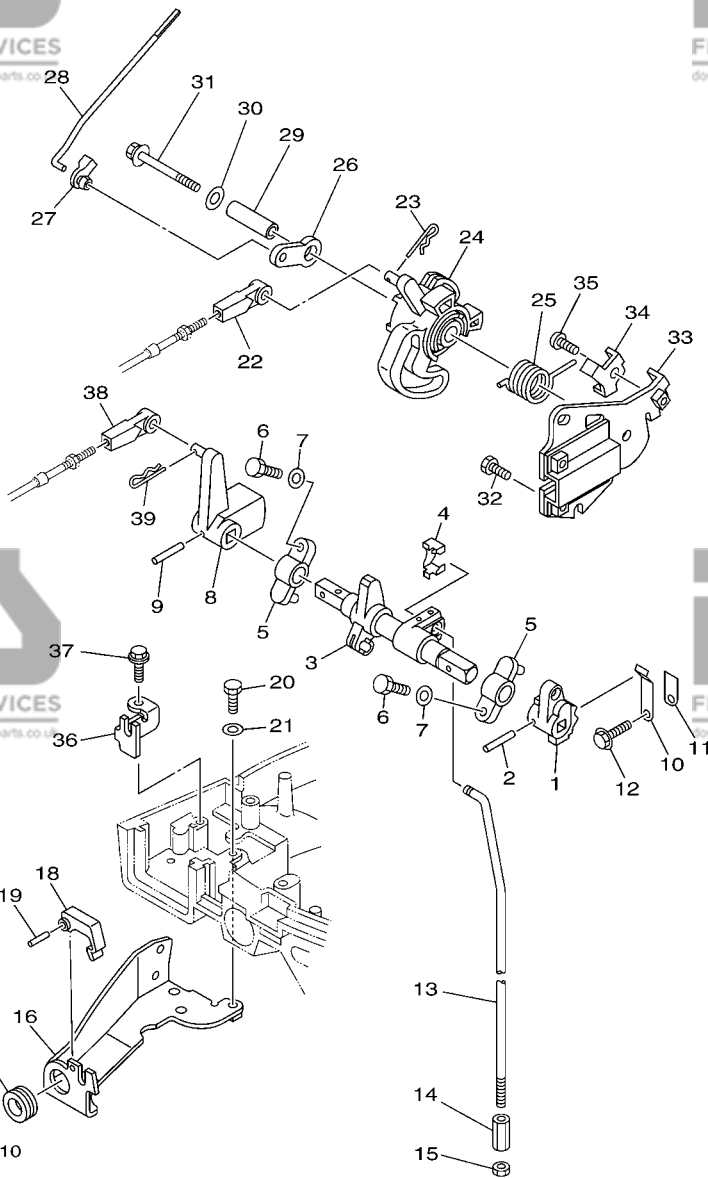
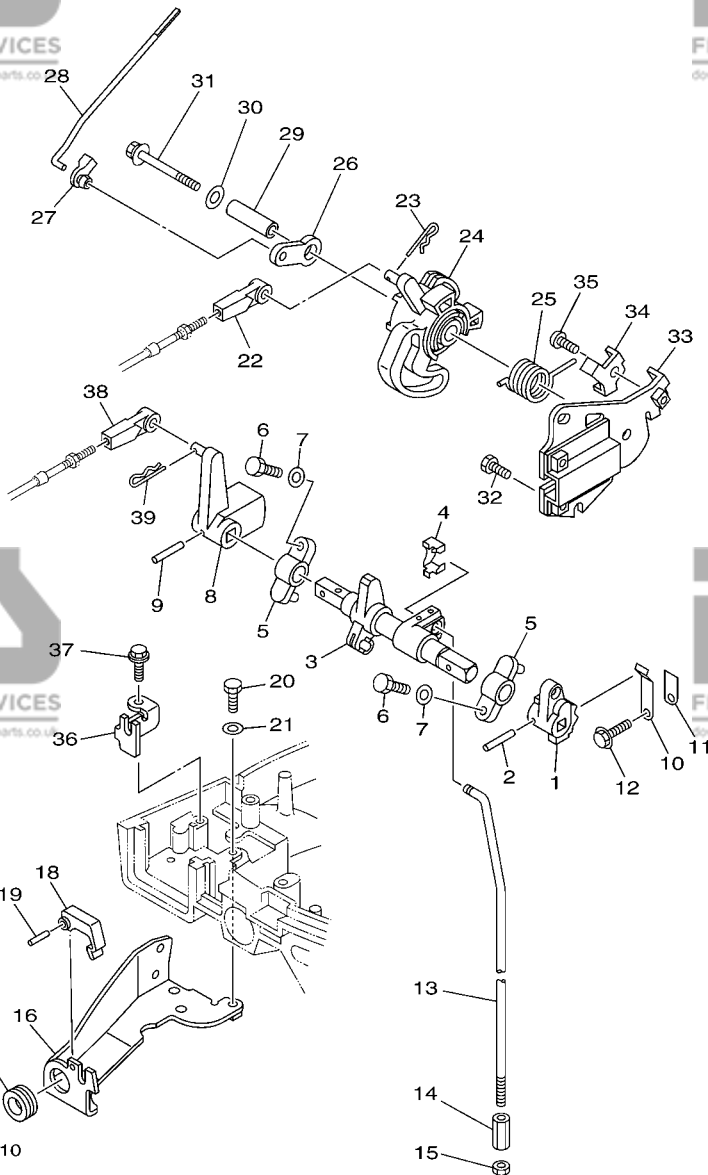


FIG. 21 CONTROL 2

COMMANDE 2

REF. NO.	PART NO. N° PIECES	DESCRIPTION DESCRIPTION	MH	E	REMARKS REMARQUES
1	6AH-44123-00	ARM, SHIFT ROD BRAS, TIGE D'INVERSION		1	
2	90254-03M05	PIN, SPRING RIVET, TETE TRONCONIQUE		1	
3	6AH-44121-00	LEVER, SHIFT ROD LEVIER, TIGE D'INVERSION		1	
4	6AH-26364-00	END, CABLE 2 EMBOUIT, DE CABLE		1	
5	6G1-41662-01-94	BRACKET 2 SUPPORT 2		2	
6	97095-06020	BOLT BOULON		2	
7	92995-06600	WASHER RONDELLE		2	
8	6AH-44125-00	LEVER, SHIFT ROD LEVIER, TIGE D'INVERSION		1	
9	90254-03M05	PIN, SPRING RIVET, TETE TRONCONIQUE		1	
10	65W-44116-00	SPRING RESSORT		1	
11	66R-44114-00	STOPPER PLAQUETTE		1	
12	95895-06014	BOLT, FLANGE BOULON		1	
13	6AH-44143-00	ROD, SHIFT TIGE D'EMBRAYAGE		1	S(17.1")
	6AH-44143-10	ROD, SHIFT TIGE D'EMBRAYAGE		1	L(22.1")
				1	L(22.1")
14	90170-06015	NUT ECROU		1	
15	95380-06700	NUT ECROU		1	
16	6AH-48532-00	BRACKET, REMOTE CONTROL 2 ETRIER 2, COMMANDE A DISTANCE		1	
17	90480-19031	GROMMET PASSE-FIL		1	
18	682-48538-50	CLAMP, CABLE 1 COLLIER		1	
19	91690-30012	PIN, SPRING AGRAFFE		1	
20	97095-06014	BOLT BOULON		2	
21	92995-06600	WASHER RONDELLE		2	
22	663-48344-00	CABLE END, REMOTE CONTROL CHAPE CABLE		1	
23	90468-18008	CLIP JONC		1	
24	6AH-41638-00	PULLEY POULIE		1	
25	90508-20M44	SPRING, TORSION RESSORT, TORSION		1	
26	65W-41283-00	LEVER, FREE ACCEL. LEVIER		1	

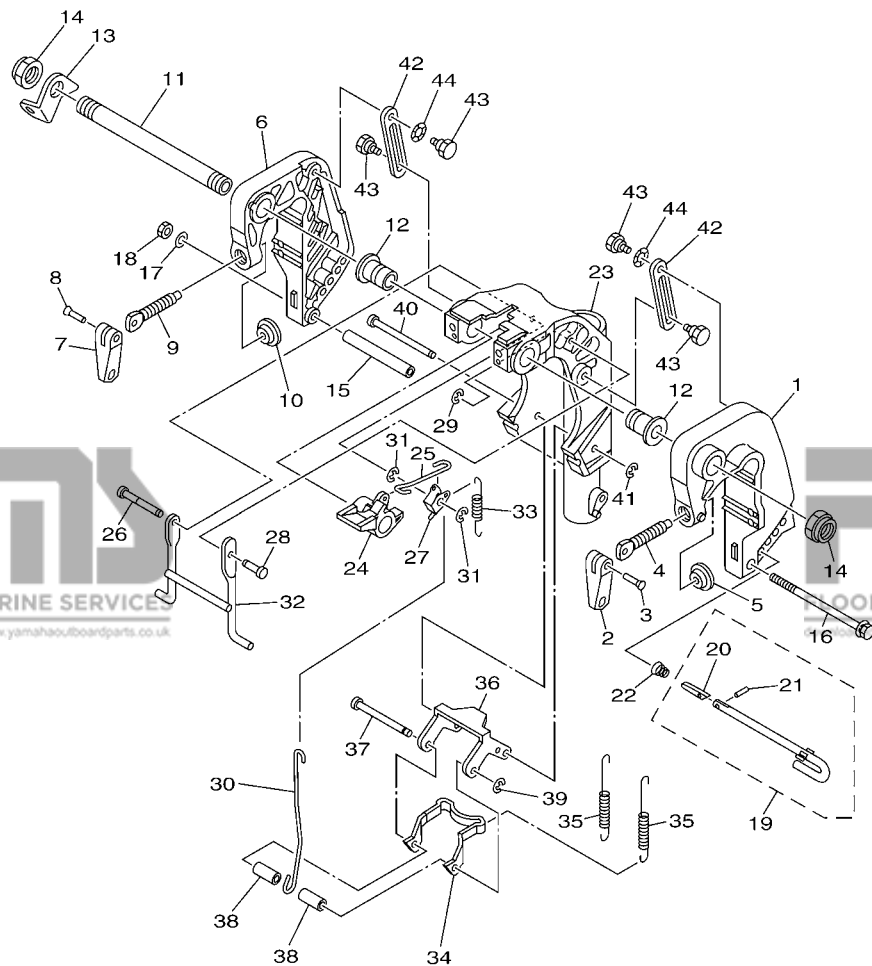


6CA7300-N210

FIG. 21 CONTROL 2

COMMANDE 2

REF. NO.	PART NO. N° PIECES	DESCRIPTION DESCRIPTION	MH	E	REMARKS REMARQUES
27	6J8-41262-00	JOINT, CHOKE LEVER RACCORD, LEVIER DE STARTER		1	
28	6AH-41211-00	LINK, ACCEL. BIELLETTTE, ACCELERATION		1	
29	90387-06139	COLLAR COLLERETTE		1	
30	90201-06M31	WASHER, PLATE RONDELLE, PLATE		1	
31	97595-06555	BOLT, WITH WASHER VIS HEXAGONAL AVC RONDELLE		1	
32	97095-06014	BOLT BOULON		2	
33	6AH-14571-10	BRACKET, THROTTLE SUPPORT, ACCELERATEUR		1	
34	6AH-41282-00	STOPPER, FREE ACCEL. LINK VERROU		1	
35	90149-06069	SCREW VIS		1	
36	6AH-48531-00	BRACKET, REMOTE CONTROL 1 ETRIER 1, COMMANDE A DISTANCE		1	
37	90109-06M86	BOLT BOULON		1	
38	663-48344-00	CABLE END, REMOTE CONTROL CHAPE CABLE		1	
39	90468-18008	CLIP JONC		1	

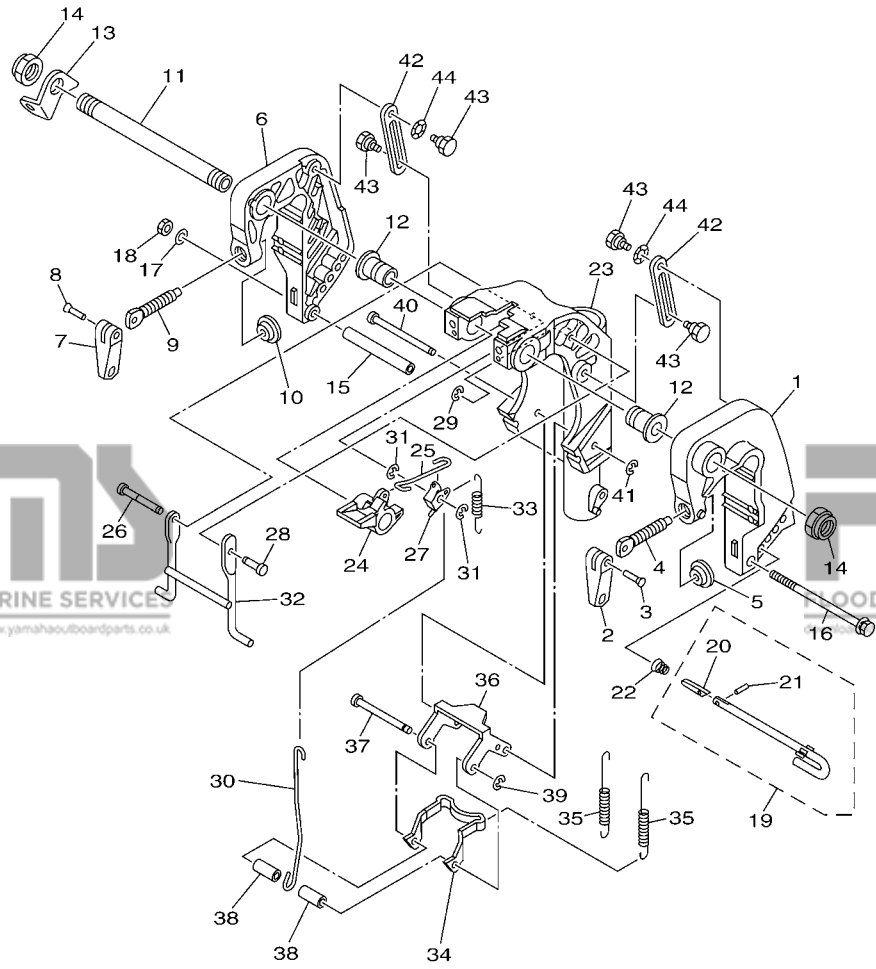


**FWD**  
6AH8700-M240

**FIG. 22 BRACKET 1**

**SUPPORT 1**

REF. NO.	PART NO. N° PIECES	DESCRIPTION DESCRIPTION	MH	E	REMARKS REMARQUES
1	6AH-43111-00-4D	BRACKET, CLAMP 1 PRESSE 1	1	1	
2	6E0-43118-01	HANDLE, TRANSOM CLAMP POIGNEE DE VIS DE PRESSE	1	1	
3	90243-04M01	PIN GOUILLE	1	1	
4	6E7-43116-00	SCREW, TRANSOM CLAMP VIS DE PRESSE	1	1	
5	648-43114-01	PAD, TRANSOM CLAMP RONDELLE D'APPUI	1	1	
6	6AH-43112-00-4D	BRACKET, CLAMP 2 PRESSE 2	1	1	
7	6E0-43118-01	HANDLE, TRANSOM CLAMP POIGNEE DE VIS DE PRESSE	1	1	
8	90243-04M01	PIN GOUILLE	1	1	
9	6E7-43116-00	SCREW, TRANSOM CLAMP VIS DE PRESSE	1	1	
10	648-43114-01	PAD, TRANSOM CLAMP RONDELLE D'APPUI	1	1	
11	69A-43131-00	BOLT, CLAMP BRACKET BOULON, PRESSE	1	1	FOR REMOTE CONTROL FOR REMOTE CONTROL
12	90386-22MA4	BUSH DOUILLE	2	2	
13	66R-43113-00	PLATE, CLAMP BRACKET PLAQUETTE, PRESSE	1	1	
14	90185-22043	NUT, SELF-LOCKING ECROU, AUTO-BLOQUANT	2	2	
15	90387-06M13	COLLAR COLLERETTE	1	1	
16	90101-06M18	BOLT BOULON	1	1	
17	92995-06600	WASHER RONDELLE	1	1	
18	95380-06700	NUT ECROU	1	1	
19	6L2-43160-01	TILT ROD ASSY BROCHE D'INCLINAISON (ENS.)	1	1	
20	689-43165-00	.PLATE, TILT LOCK .TAQUET, BROCHE INCLINAISON	1	1	
21	91690-30008	.PIN, SPRING .AGRAFFE	1	1	
22	90502-10M07	SPRING, CONICAL RESSORT, CONIQUE	1	1	
23	6AH-43311-00-4D	BRACKET, SWIVEL 1 SUPPORT, PIVOT 1	1	1	S(17.1") S(17.1")
	6AH-43311-10-4D	BRACKET, SWIVEL 1 SUPPORT, PIVOT 1	1	1	L(22.1") L(22.1")
24	6DR-43631-00	LEVER, TILT LEVIER, INCLINAISON	1	1	
25	6DR-43616-00	ROD, TILT LOCK TIGE	1	1	
26	6AH-43646-10	SHAFT, LEVER AXE, LEVER	1	1	

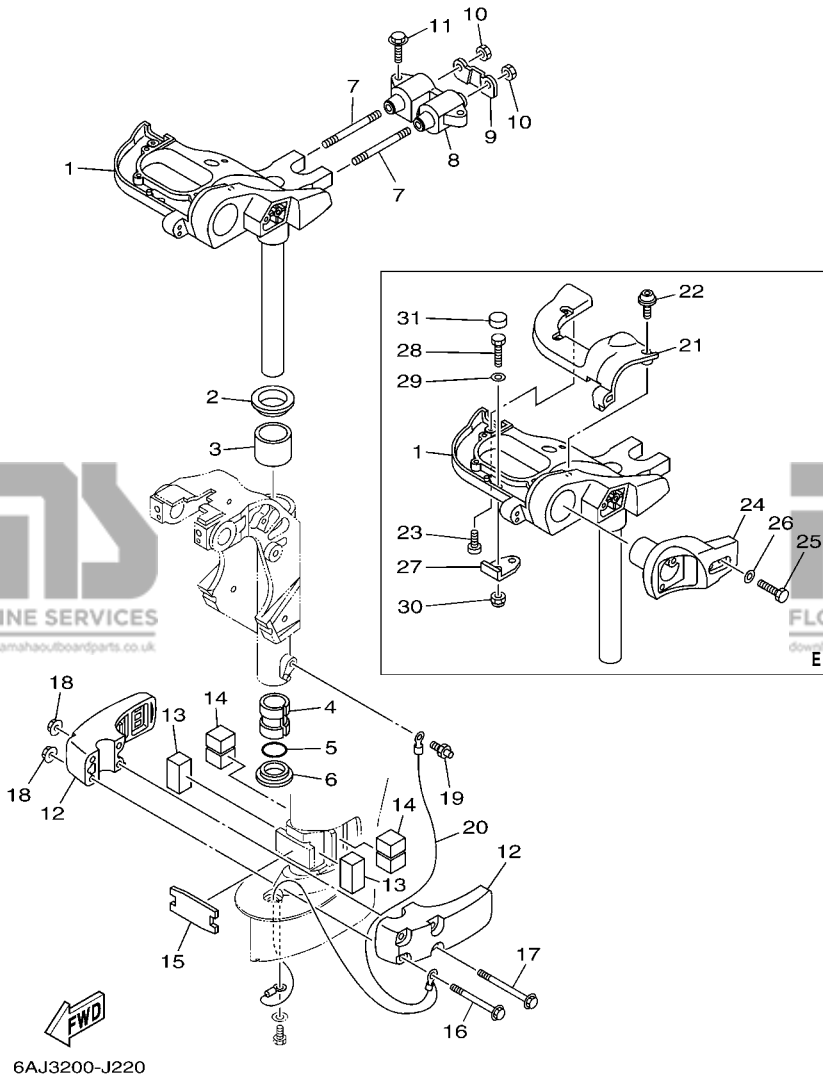


**FWD**  
6AH8700-M240

**FIG. 22 BRACKET 1**

**SUPPORT 1**

REF. NO.	PART NO. N° PIECES	DESCRIPTION DESCRIPTION	MH	E	REMARKS REMARQUES
27	6DR-43641-00	LEVER, TILT LEVIER, INCLINAISON	1	1	
28	6AH-43191-10	SHAFT, STOPPER AXE, BUTEE	1	1	
29	99080-05600	CIRCLIP CIRCLIP	1	1	
30	6AH-43617-00	ROD, TILT LOCK TIGE	1	1	
31	99080-05600	CIRCLIP CIRCLIP	2	2	
32	6AH-43350-00	RECEIVER ASSY RECEIVER ASSY	1	1	
33	90506-18014	SPRING, TENSION RESSORT, TENSION	1	1	
34	6AH-43614-00	PLATE, TILT LOCK ETRIER, VERROUILLAGE MARCHE AR	1	1	
35	90506-20020	SPRING, TENSION RESSORT, TENSION	2	2	
36	6AH-43615-00	PLATE, TILT LOCK ETRIER, VERROUILLAGE MARCHE AR	1	1	
37	68T-43611-00	SHAFT, TILT LOCK AXE, VERROUILLAGE MARCHE AR	1	1	
38	90387-06138	COLLAR COLLERETTE	2	2	
39	93430-04M03	CIRCLIP CLIPS	1	1	
40	68T-43659-00	SHAFT, REVERSE LOCK AXE, VERROUILLAGE MARCHE AR	1	1	
41	99080-05600	CIRCLIP CIRCLIP	1	1	
42	6AH-43627-00	STOPPER PLAQUETTE	2	2	
43	90109-06M84	BOLT BOULON	4	4	
44	90206-10M24	WASHER, WAVE RONDELLE, ONDULEE	2	2	



**FIG. 23 BRACKET 2**

**SUPPORT 2**

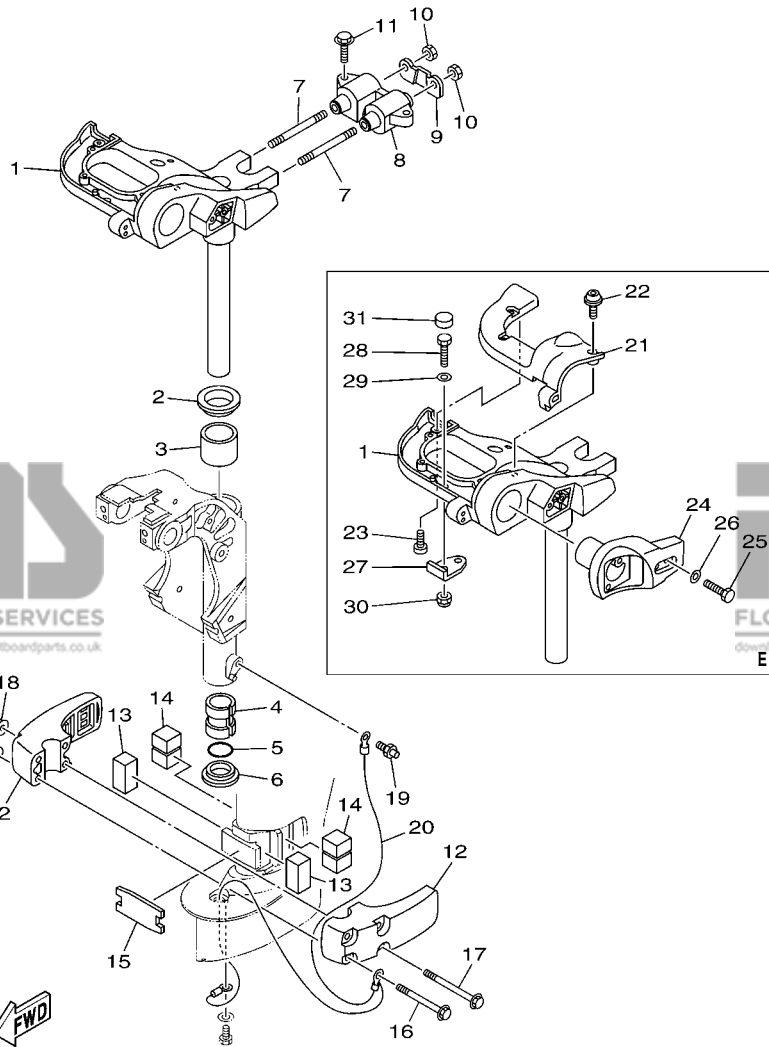
REF. NO.	PART NO. N° PIECES	DESCRIPTION DESCRIPTION	MH	E	REMARKS REMARQUES
1	6AH-42510-00-4D	STEERING BRACKET ASSY DIRECTION SUPPORT (ENS.)	1	1	S(17.1") S(17.1")
	6AH-42510-10-4D	STEERING BRACKET ASSY DIRECTION SUPPORT (ENS.)	1	1	L(22.1") L(22.1")
2	90209-40008	WASHER RONDELLE	1	1	
3	90386-40001	BUSH DOUILLE	1	1	
4	90386-30048	BUSH DOUILLE	1	1	
5	93210-29M94	O-RING JOINT TORIQUE	1	1	
6	90386-30M60	BUSH DOUILLE	1	1	
7	90116-10033	BOLT, STUD GOUJON	2	2	
8	6AH-44514-00	MOUNT DAMPER, UPPER SIDE SILENT-BLOC, SUPERIEUR LATERAL	1	1	
9	6AH-44526-00	PLATE PLAQUE	1	1	
10	95380-10600	NUT ECROU	2	2	
11	90119-08094	BOLT, WITH WASHER BOULON, AVEC RONDELLE	2	2	
12	6AH-44551-00-4D	HOUSING, LOWER MOUNT RUBBER 1 BOITIER, SILENT-BLOC INFÉRIEUR	2	2	
13	6AH-44557-00	MOUNT DAMPER, LOWER FRONT SILENT-BLOC, INFÉRIEUR AVANT	2	2	
14	6AH-44555-00	MOUNT DAMPER, LOWER SIDE SILENT-BLOC, INFÉRIEUR LATERAL	2	2	
15	6AH-44574-00	STOPPER, LOWER MOUNT RUBBER BUTÉE	1	1	
16	90119-08M45	BOLT, WITH WASHER BOULON, AVEC RONDELLE	2	2	
17	90119-08M46	BOLT, WITH WASHER BOULON, AVEC RONDELLE	2	2	
18	90179-08M34	NUT ECROU	4	4	
19	93700-06M03	NIPPLE, GREASE PION	1	1	
20	6AH-82127-00	WIRE, LEAD 2 FIL 2	1	1	
21	6AH-42532-10	COVER COUVERCLE	1	1	
22	90111-06072	BOLT, HEX. SOCKET BUTTON BOULON	4	4	
23	97780-60520	SCREW, TAPPING VIS, TÊTE BOMBÉE	1	1	
24	6AH-83773-00	BRACKET, SWITCH JOINT TORIQUE, COMMUTEUR	1	1	
25	97095-06030	BOLT BOULON	2	2	
26	92995-06600	WASHER RONDELLE	2	2	

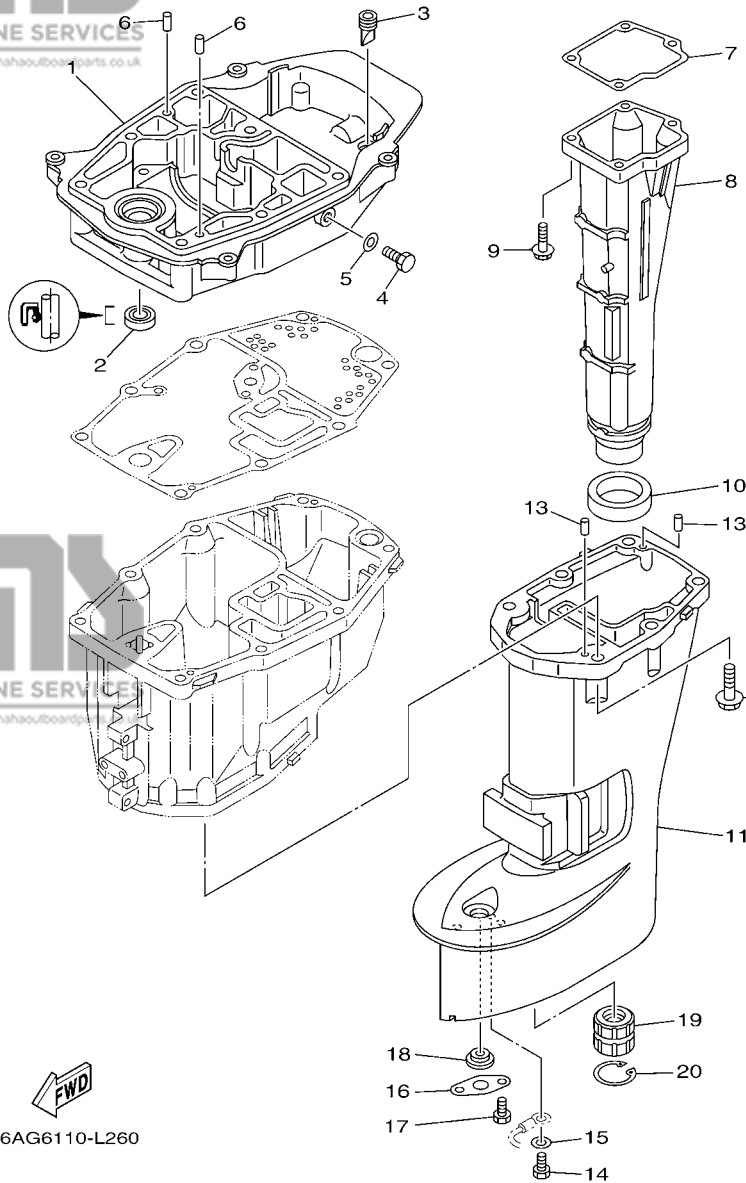


**FIG. 23 BRACKET 2**

**SUPPORT 2**

REF. NO.	PART NO. N° PIECES	DESCRIPTION DESCRIPTION	MH	E	REMARKS REMARQUES
27	6AH-48511-01	HOOK, STEERING ATTACHE, DIRECTION		1	
28	97095-08025	BOLT BOULON		1	
29	92995-08600	WASHER RONDELLE		1	
30	90185-08057	NUT, SELF-LOCKING ECROU,AUTO-BLOQUANT		1	
31	6AH-44194-00	CAP CAPUCHON		1	





6AG6110-L260

**FIG. 24 UPPER CASING**

**FOURREAU**

REF. NO.	PART NO. N° PIECES	DESCRIPTION DESCRIPTION	MH	E	REMARKS REMARQUES
1	6AH-41137-00-CA	GUIDE, EXHAUST COLLECTEUR D'ÉCHAPPEMENT	1	1	
2	93101-12M63	OIL SEAL JOINT SPY	1	1	
3	65W-42717-00	RUBBER, SEAL 2 JOINT EN CAOUTCHOUC 2	1	1	
4	97095-08014	BOLT BOULON	1	1	
5	90430-08143	GASKET JOINT	1	1	
6	93606-19M23	PIN, DOWEL GOUPILLE	2	2	
7	6AH-41134-00	GASKET, EXHAUST MANIFOLD JOINT, PIPE D'ÉCHAPPEMENT	1	1	
8	6AH-14711-00-CA	MUFFLER 1 POT D'ÉCHAPPEMENT 1	1	1	S(17.1") S(17.1")
	6AH-14711-10-CA	MUFFLER 1 POT D'ÉCHAPPEMENT 1	1	1	L(22.1") L(22.1")
9	97575-06525	BOLT, WITH WASHER VIS HEXAGONAL AVC RONDELLE	4	4	
10	6AH-41138-00	SEAL, EXT. 1 JOINT DE GROUPE 1	1	1	
11	6AH-45111-00-4D	CASING, UPPER FOURREAU	1	1	S(17.1") S(17.1")
	6AH-45111-10-4D	CASING, UPPER FOURREAU	1	1	L(22.1") L(22.1")
12	97575-08530	BOLT, WITH WASHER VIS HEXAGONAL AVC RONDELLE	6	6	
13	93604-12M07	PIN, DOWEL CLAVETTE	2	2	
14	97095-05010	BOLT BOULON	1	1	
15	92995-05600	WASHER RONDELLE	1	1	
16	68T-45321-00	PLATE PLAQUETTE	1	1	
17	97095-06008	BOLT BOULON	1	1	
18	90480-14M54	GROMMET PASSE-FIL	1	1	
19	682-45318-00	BUSHING, DRIVE SHAFT DOUILLE, ARBRE MOTEUR	1	1	L(22.1") L(22.1")
20	93420-30042	CIRCLIP CIRCLIP, TYPE S	1	1	L(22.1") L(22.1")

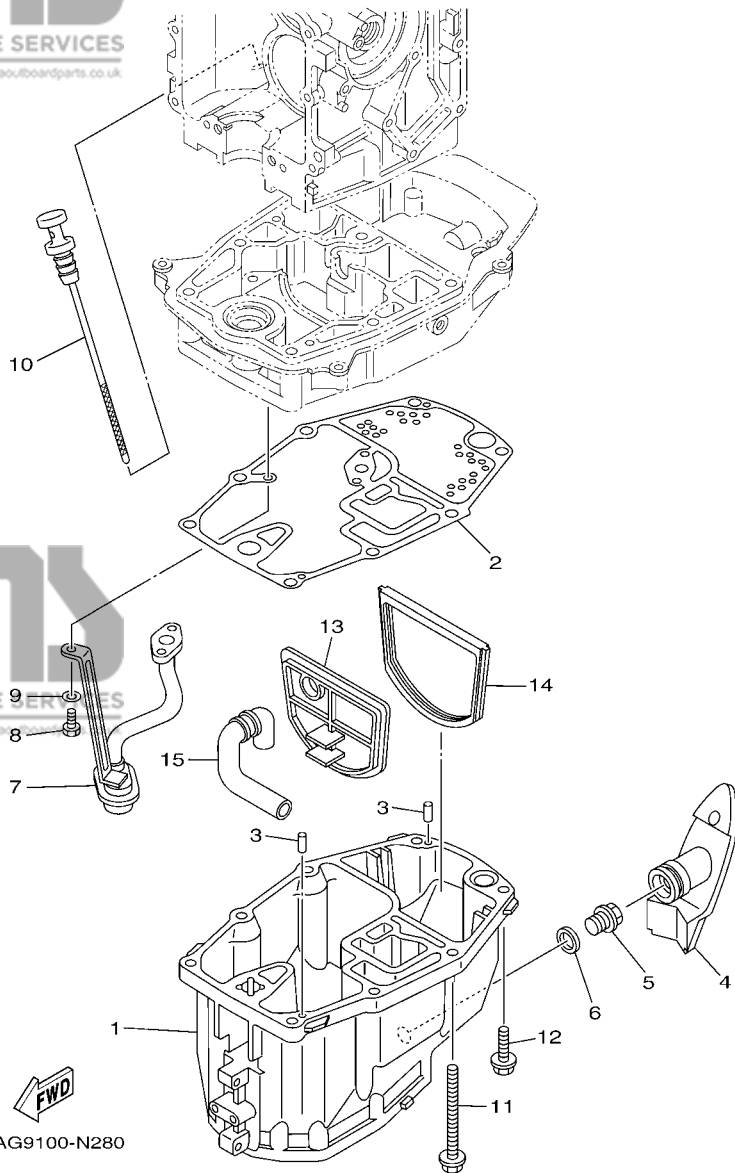


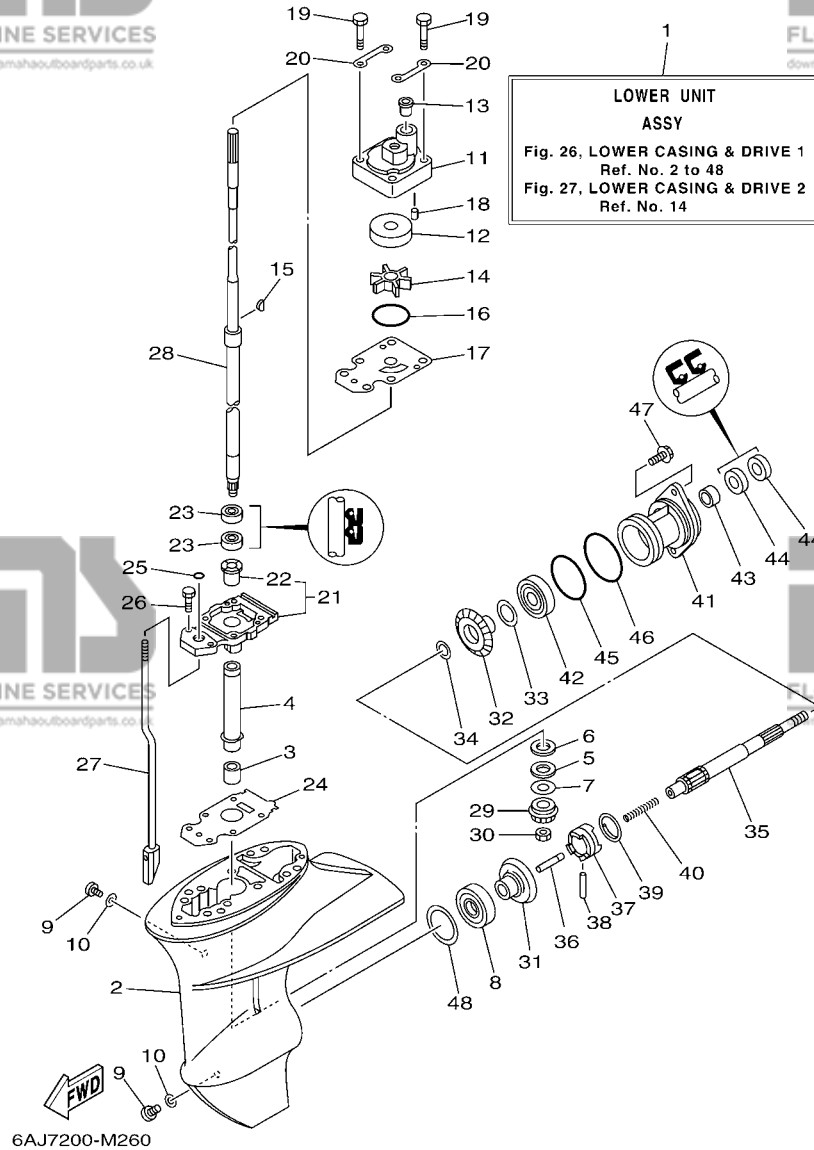
FIG. 25 OIL PAN

VENTILATEUR D'HUILE

REF. NO.	PART NO. N° PIECES	DESCRIPTION DESCRIPTION	MH	E	REMARKS REMARQUES
1	6AH-15311-00-CA	OIL PAN VENTILATEUR D'HUILE	1	1	
2	6AH-15312-10	GASKET, OIL PAN JOINT DE VENTILATEUR D'HUILE	1	1	
3	93604-12M07	PIN, DOWEL CLAVETTE	2	2	
4	6AH-15316-00	DAMPER 1 AMORTISSEUR 1	1	1	
5	90340-14M06	PLUG, STRAIGHT SCREW PLOT, FILETE DROIT	1	1	
6	90430-14M09	GASKET JOINT	1	1	
7	6AH-13411-00	STRAINER, OIL FILTRE, HUILE	1	1	
8	97013-06016	BOLT BOULON	3	3	
9	92903-06600	WASHER, PLATE RONDELLE, PLATE	3	3	
10	6AH-15362-10	PLUG, OIL LEVEL PLOT, NIVEAU D'HUILE	1	1	
11	90119-08103	BOLT, WITH WASHER BOULON, AVEC RONDELLE	6	6	
12	97575-08530	BOLT, WITH WASHER VIS HEXAGONAL AVEC RONDELLE	2	2	
13	6AH-45126-00	PLATE, SEAL DAMPER PLAQUETTE	1	1	
14	6AH-45115-00	GASKET, UPPER CASING JOINT, TUBE D'ARBRE	1	1	
15	6AH-45135-00	PIPE TUYAU	1	1	

**FIG. 26 LOWER CASING & DRIVE 1**

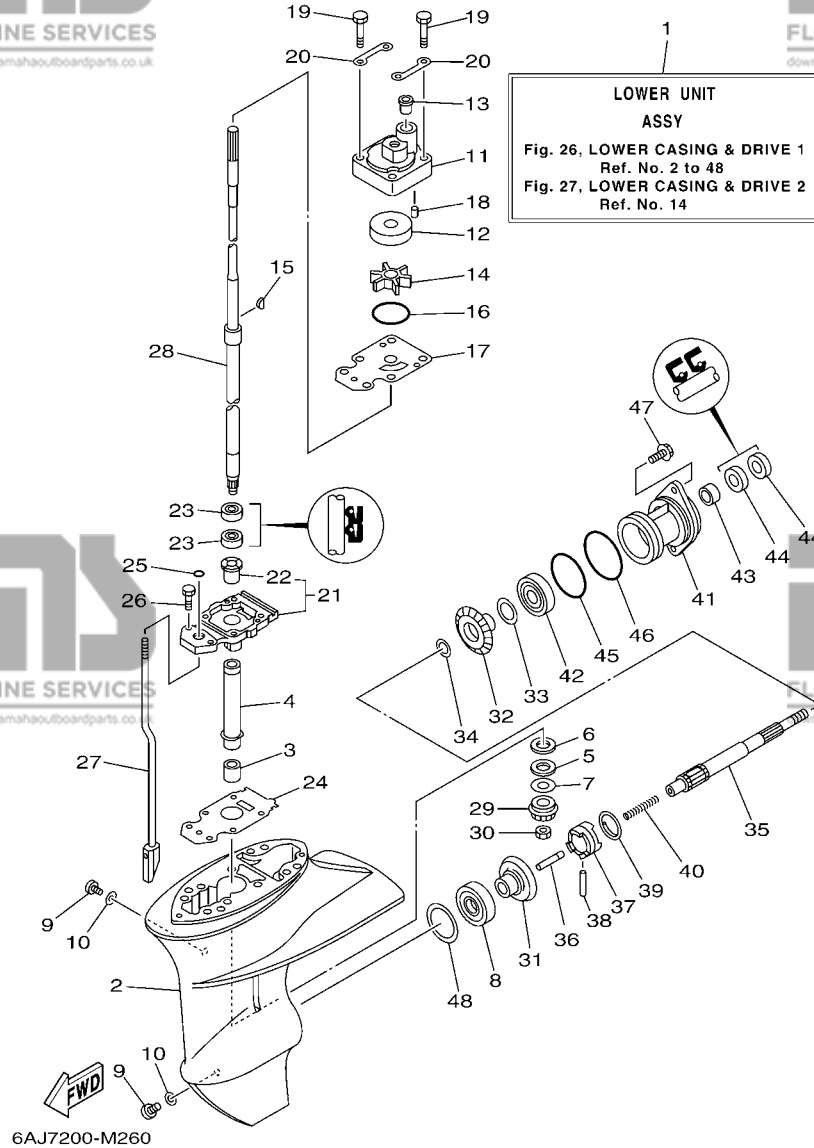
**BOITIER D'HELICE TRANSMISSION1**



REF. NO.	PART NO. N° PIECES	DESCRIPTION DESCRIPTION	MH	E	REMARKS REMARQUES
1	6AH-45300-00-4D	LOWER UNIT ASSY UNITE INFÉRIEURE (ENS.)	1	1	S(17.1") S(17.1")
	6AH-45300-10-4D	LOWER UNIT ASSY UNITE INFÉRIEURE (ENS.)	1	1	L(22.1") L(22.1")
2	6AH-45311-00-4D	CASING, LOWER BOITIER D'HELICE	1	1	
3	93315-314V8	BEARING ROULEMENT	1	1	
4	63V-45536-00	SLEEVE, DRIVE SHAFT MANCHON, ARBRE MOTEUR	1	1	
5	90209-14011	WASHER RONDELLE	1	1	
6	90201-15017	WASHER, PLATE RONDELLE, PLATE	1	1	
7	6E8-45587-10	SHIM (T:1.13MM) CALE (T:1.13MM)	1	1	UR
	6E8-45587-30	SHIM (T:1.20MM) CALE (T:1.20MM)	1	1	UR
8	93332-00005	BEARING ROULEMENT	1	1	UR
9	90340-08002	PLUG, STRAIGHT SCREW PLOT, FILETE DROIT	2	2	
10	90430-08020	GASKET JOINT	2	2	
11	6AH-44311-00	HOUSING, WATER PUMP CORPS, POMPE A EAU	1	1	
12	63V-44322-00	INSERT, CARTRIDGE CUVETTE	1	1	
13	6L2-44367-00	DAMPER, WATER SEAL 3 JOINT TUBE D'EAU 3	1	1	
14	63V-44352-01	IMPELLER TURBINE	1	1	
15	664-44338-00	KEY, WOODRUFF CLAVETTE, VOLANT	1	1	
16	93210-49046	O-RING JOINT TORIQUE	1	1	
17	68T-44323-00	OUTER PLATE, CARTRIDGE PLAQUE EXTERIEURE	1	1	
18	93604-12M07	PIN, DOWEL CLAVETTE	2	2	
19	97095-08045	BOLT BOULON	4	4	
20	63V-44328-01	PLATE PLAQUETTE	2	2	
21	69G-45331-01-CA	HOUSING, BEARING FLASQUE, ROULEMENT	1	1	
22	626-45316-09	BUSHING, DRIVE SHAFT DOUILLE, ARBRE MOTEUR	1	1	
23	93101-20001	OIL SEAL JOINT SPY	2	2	
24	69G-45315-A0	PACKING, LOWER CASING JOINT, BOITIER D'HELICE	1	1	
25	93210-06ME6	O-RING JOINT TORIQUE	1	1	

**FIG. 26 LOWER CASING & DRIVE 1**

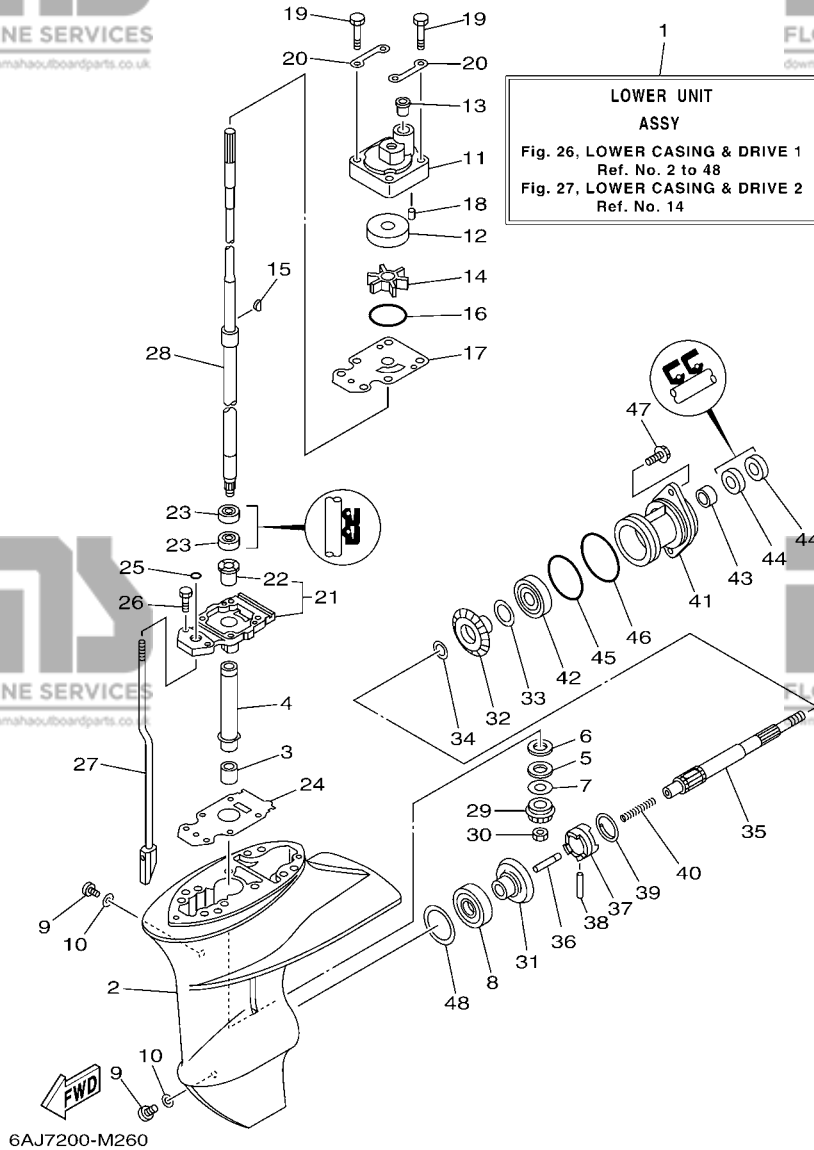
**BOITIER D'HELICE TRANSMISSION1**



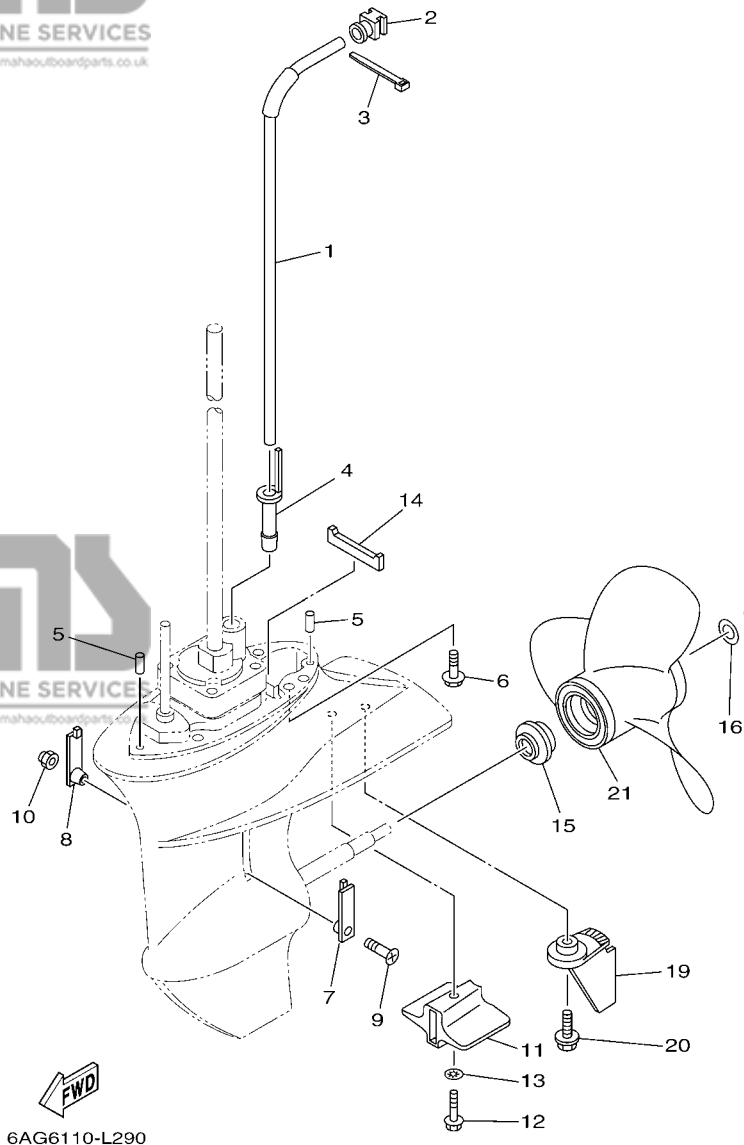
REF. NO.	PART NO. N° PIECES	DESCRIPTION DESCRIPTION	MH	U	REMARKS REMARQUES
26	97080-08025	BOLT BOULON	2	2	
27	6AH-44150-00	SHIFT CAM ASSY CAME D'INVERSION	1	1	S(17.1")
	6AH-44150-10	SHIFT CAM ASSY CAME D'INVERSION	1	1	L(22.1")
28	6AH-45510-00	DRIVE SHAFT ASSY ARBRE MOTEUR (ENS.)	1	1	S(17.1")
	6AH-45510-10	DRIVE SHAFT ASSY ARBRE MOTEUR (ENS.)	1	1	L(22.1")
29	63V-45551-00	PINION (13T) PIGNON D'ATTAQUE (13D)	1	1	
30	90179-08M06	NUT ECROU	1	1	
31	6E7-45560-01	GEAR 1 (27T) PIGNON 1 (27T)	1	1	
32	6E7-45571-00	GEAR 2 (27T) PIGNON 2 (27T)	1	1	
33	626-45577-00	SHIM (T:0.10MM) CALE (T:0.10MM)	1	1	UR
	626-45577-10	SHIM (T:0.20MM) CALE (T:0.20MM)	1	1	UR
	626-45577-20	SHIM (T:0.30MM) CALE (T:0.30MM)	1	1	UR
	626-45577-30	SHIM (T:0.40MM) CALE (T:0.40MM)	1	1	UR
	626-45577-40	SHIM (T:0.50MM) CALE (T:0.50MM)	1	1	UR
34	90201-17682	WASHER, PLATE RONDELLE, PLATE	1	1	
35	683-45611-00	SHAFT, PROPELLER ARBRE, HELICE	1	1	
36	650-45635-00	PLUNGER, SHIFT POUSSOIR D'EMBRAYAGE	1	1	
37	682-45631-00	CLUTCH, DOG CRABOT	1	1	
38	90250-05010	PIN, STRAIGHT GOUPILLE, DROITE	1	1	
39	648-45633-00	RING, CROSS PIN JONC, GOUPILLE CRABOT	1	1	
40	90501-150A0	SPRING, COMPRESSION RESSORT, COMPRESSION	1	1	
41	683-45361-02-4D	CAP, LOWER CASING COUVERCLE, BOITIER D'HELICE	1	1	
42	93306-00501	BEARING ROULEMENT	1	1	
43	93315-317U2	BEARING ROULEMENT	1	1	
44	93101-17054	OIL SEAL JOINT SPY	2	2	
45	93210-57M09	O-RING JOINT TORIQUE	1	1	
46	93210-56M80	O-RING JOINT TORIQUE	1	1	

**FIG. 26 LOWER CASING & DRIVE 1**

**BOITIER D'HELICE TRANSMISSION1**



REF. NO.	PART NO. N° PIECES	DESCRIPTION DESCRIPTION	MH	E	REMARKS REMARQUES
47	97575-06520	BOLT, WITH WASHER VIS HEXAGONAL AVC RONDELLE	2	2	
48	664-45567-01	SHIM (T:0.10MM) CALE (T:0.10MM)	1	1	UR
	664-45567-10	SHIM (T:0.12MM) CALE (T:0.12MM)	1	1	UR
	664-45567-20	SHIM (T:0.15MM) CALE (T:0.15MM)	1	1	UR
	664-45567-30	SHIM (T:0.18MM) CALE (T:0.18MM)	1	1	UR
	664-45567-40	SHIM (T:0.30MM) CALE (T:0.30MM)	1	1	UR
	664-45567-50	SHIM (T:0.40MM) CALE (T:0.40MM)	1	1	UR
	664-45567-60	SHIM (T:0.50MM) CALE (T:0.50MM)	1	1	UR



**FIG. 27 LOWER CASING & DRIVE 2**

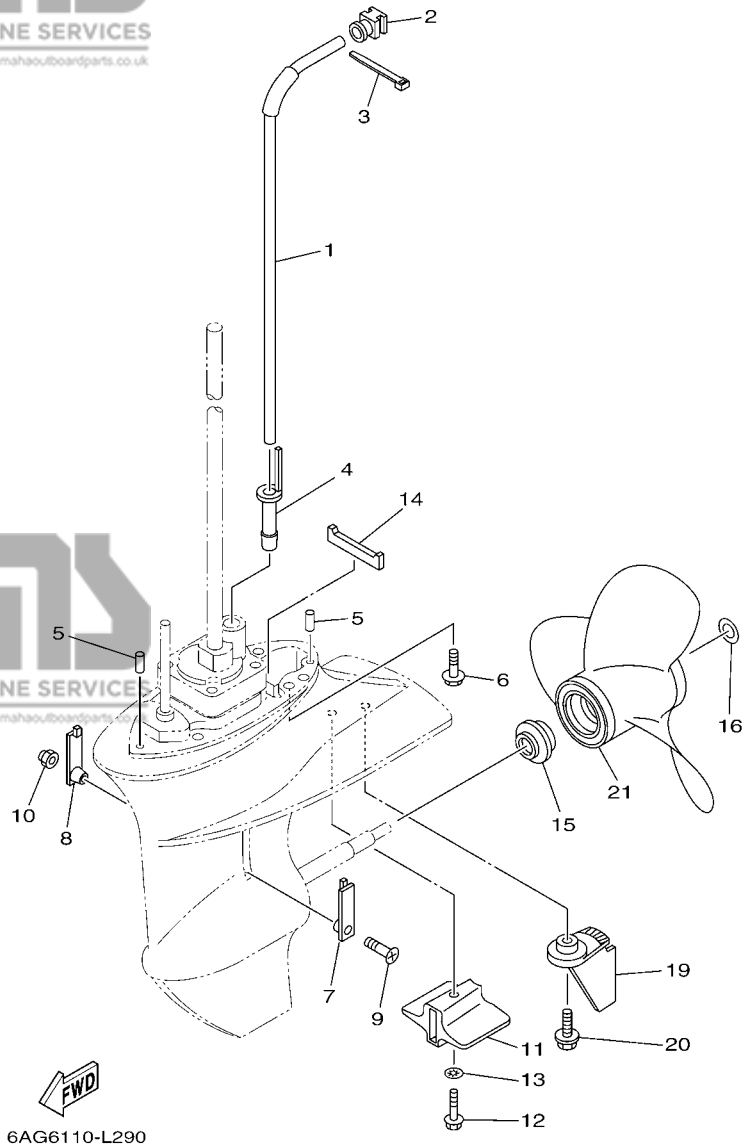
**BOITIER D'HELICE TRANSMISSION2**

REF. NO.	PART NO. N° PIECES	DESCRIPTION DESCRIPTION	MH	E	REMARKS REMARQUES
1	6AH-44361-01	TUBE, WATER 1 TUBE D'EAU 1	1	1	S(17.1") S(17.1")
	6AH-44361-11	TUBE, WATER 1 TUBE D'EAU 1	1	1	L(22.1") L(22.1")
2	6AH-44365-00	DAMPER, WATER SEAL 1 JOINT, TUBE D'EAU 1	1	1	
3	90465-11M10	CLAMP BRIDE	1	1	
4	6AH-44368-00	RUBBER, WATER SEAL 4 CAOUTCHOUC EAU JUNTA 4	1	1	
5	93604-12M07	PIN, DOWEL CLAVETTE	2	2	
6	97575-08530	BOLT, WITH WASHER VIS HEXAGONAL AVC RONDELLE	4	4	
7	6G1-45214-00	COVER, WATER INLET 1 GRILLE, ENTREE D'EAU 1	1	1	
8	63V-45215-00	COVER, WATER INLET 2 GRILLE, ENTREE D'EAU 2	1	1	
9	90152-05011	SCREW, COUNTERSUNK VIS, TETE NOYEE	1	1	
10	90185-05002	NUT, NYLON ECROU, AUTO-BLOQUANT	1	1	
11	6AH-45251-00	ANODE ANODE	1	1	
12	95895-06035	BOLT, FLANGE BOULON	1	1	
13	92990-06300	WASHER, INTERNAL TOOTH RONDELLE, DENTURE INTERNE	1	1	
14	63V-45375-00	DAMPER, SEAL BOURRELET, CAOUTCHOUC	1	1	
15	6E7-45987-01	SPACER 1 ENTRETOISE 1	1	1	
16	90201-10M01	WASHER, PLATE RONDELLE, PLATE	1	1	
17	90171-10M01	NUT, CASTLE ECROU, CRENELE	1	1	
18	91490-30020	PIN, COTTER GOUPILLE	1	1	
19	6AH-45371-00-4D	TAB-TRIM ANODE DERIVE	1	1	
20	90119-06M88	BOLT, WITH WASHER BOULON, AVEC RONDELLE	1	1	
21	63V-45941-10	PROPELLER (3X9-1/4"X12"-J1) HELICE (3X9-1/4"X12"-J1)	1	1	UR UR
	63V-45943-10	PROPELLER (3X9-1/4"X11"-J1) HELICE (3X9-1/4"X11"-J1)	1	1	UR UR
	63V-45945-10	PROPELLER (3X9-1/4"X9"-J1) HELICE (3X9-1/4"X9"-J1)	1	1	UR UR
	63V-45952-10	PROPELLER (3X9-1/4"X10"-J1) HELICE (3X9-1/4"X10"-J1)	1	1	UR UR
	683-45941-00	PROPELLER (3X9-1/4"X12"-J) HELICE (3X9-1/4"X12"-J)	1	1	UR UR
	683-45943-00	PROPELLER (3X9-1/4"X10-1/2"-J) HELICE (3X9-1/4"X10-1/2"-J)	1	1	UR UR

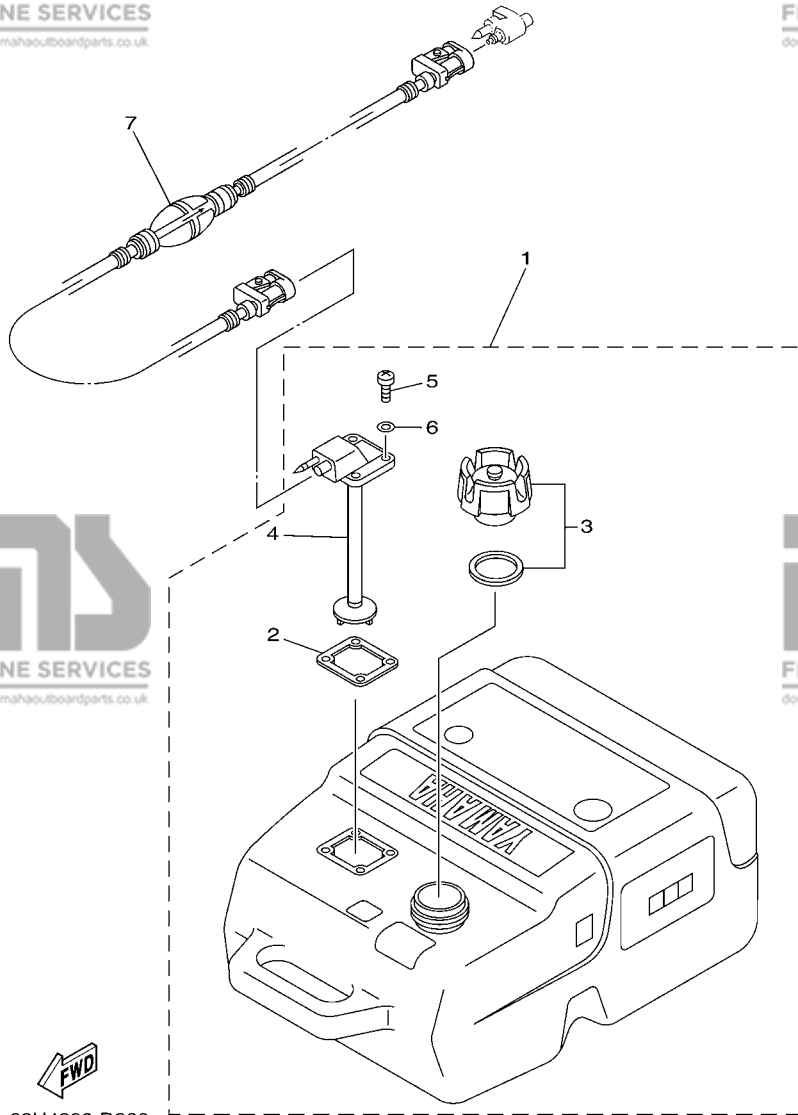
**FIG. 27 LOWER CASING & DRIVE 2**

**BOITIER D'HELICE TRANSMISSION2**

REF. NO.	PART NO. N° PIECES	DESCRIPTION DESCRIPTION	MH	E	REMARKS REMARQUES
21	683-45952-00	PROPELLER (3X9-1/4"X9-3/4"-J) HELICE (3X9-1/4"X9-3/4"-J)	1	1	UR UR







68U4300-D230

**FIG. 28 FUEL TANK**

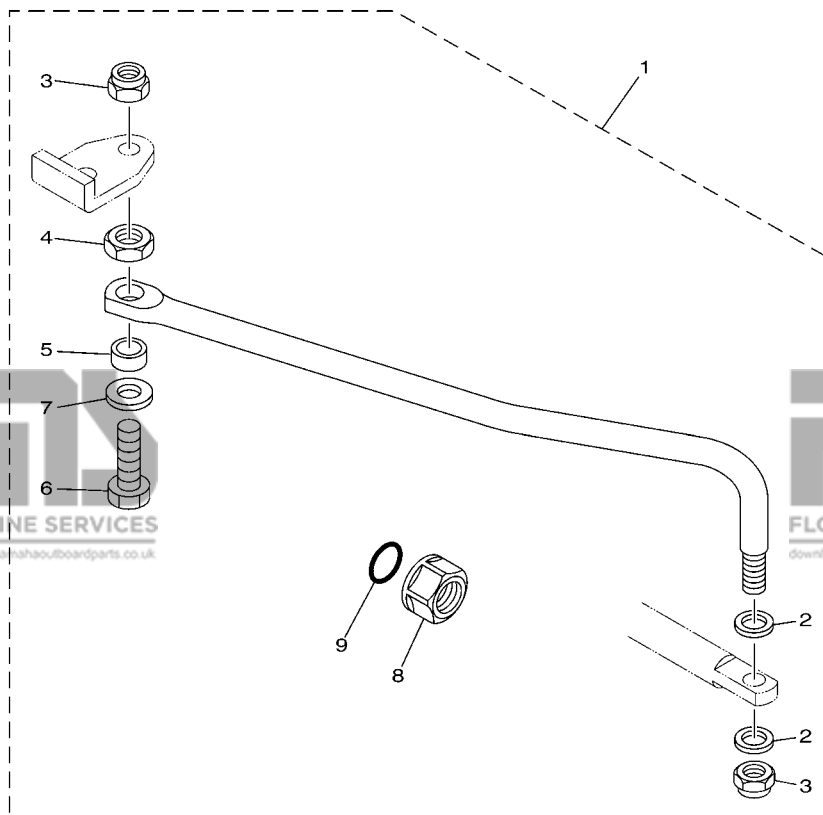
**RESERVOIR A CARBURANT**

REF. NO.	PART NO. N° PIECES	DESCRIPTION DESCRIPTION	MH	U	REMARKS REMARQUES
1	6YK-24201-03	FUEL TANK ASSY (25L) RESERVOIR A ESSENCE (ENS.) 25L	1	1	AP AP
2	6YL-24268-01	.GASKET, FUEL METER .JOINT, JAUGE A CARBURANT	1	1	
3	6YK-24610-01	.CAP ASSY .BOUCHON	1	1	
4	6YK-24260-01	.FUEL METER ASSY .INDICATEUR DE CARBURANT	1	1	
5	90157-05M16	.SCREW, PAN HEAD .VIS, TETE TRONCONIQUE	4	4	
6	6YL-24329-00	.SEAL .JOINT	4	4	
7	6YL-24306-54	FUEL PIPE COMP. 1 DURITE A ESSENCE 1	1	1	AP AP

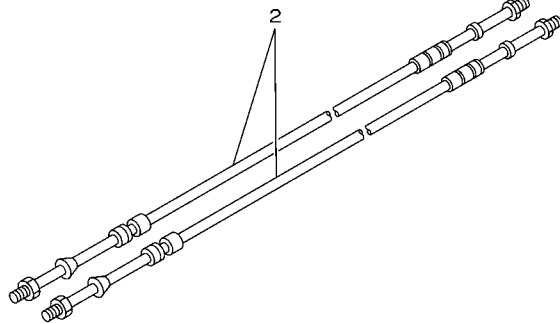
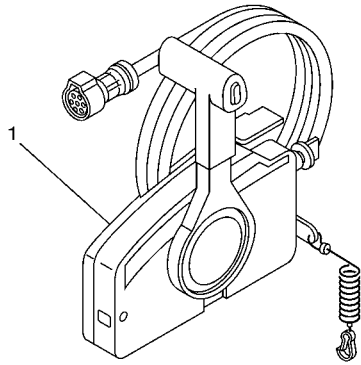
**FIG. 29 STEERING GUIDE**

**FIXATION DE DIRECTION**

REF. NO.	PART NO. N° PIECES	DESCRIPTION DESCRIPTION	MH	E	REMARKS REMARQUES
1	6AH-61350-00	STEERING GUIDE ATTACHMENT KIT FIXATIONS DE DIRECTION		1	AP
2	90201-10M20	.WASHER, PLATE .RONDELLE, PLATE		2	AP
3	90185-09M01	.NUT, SELF-LOCKING .ECROU,AUTO-BLOQUANT		2	
4	90170-09M03	.NUT .ECROU		1	
5	90387-10M42	.COLLAR .COLLERETTE		1	
6	6E5-61355-00	.BOLT .BOULON		1	
7	90201-10M63	.WASHER, PLATE .RONDELLE, PLATE		1	
8	6E5-43145-01	.CAP CLAMP BRACKET .CAPUCHON, PRESSE		1	
9	93210-16275	.O-RING .JOINT TORIQUE		1	



6AH1100-F341

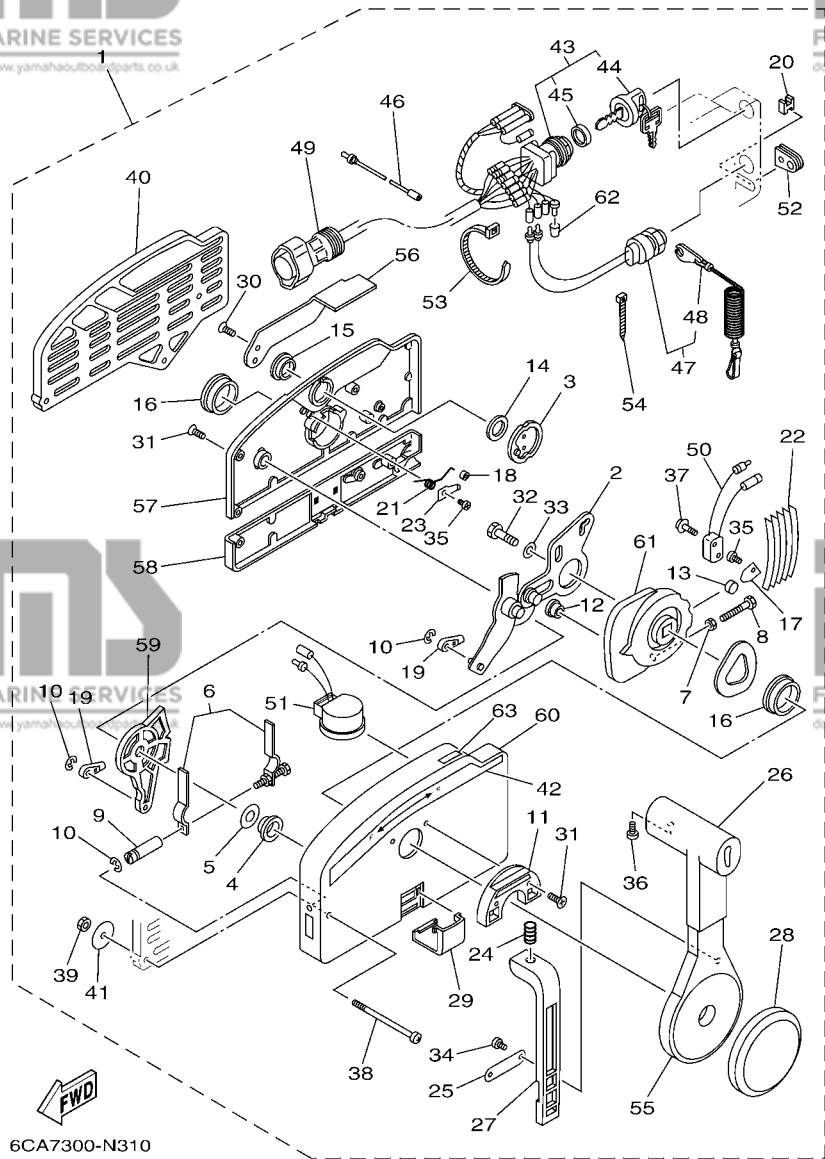


67M0100-8280

**FIG. 30 REMOTE CONTROL BOX**

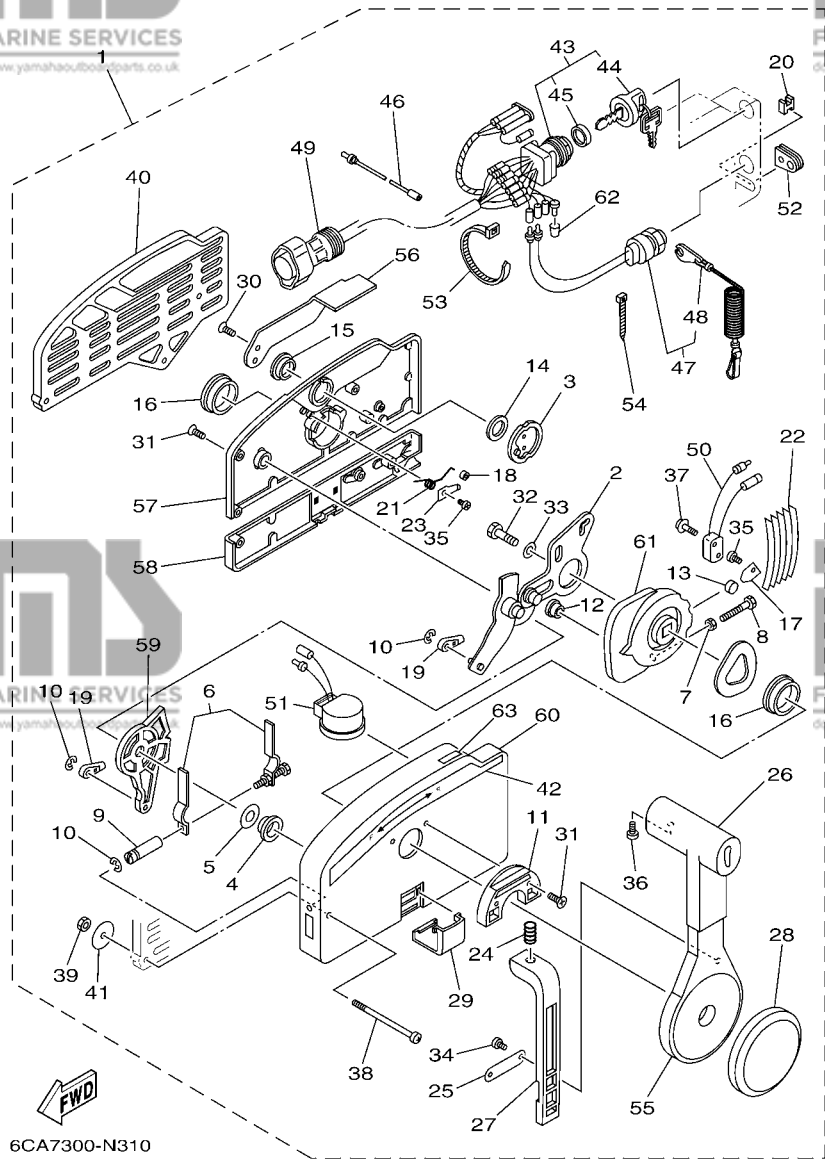
**BOITIER DE COMMANDE A DISTANCE**

REF. NO.	PART NO. N° PIECES	DESCRIPTION DESCRIPTION	MH	L	REMARKS REMARQUES
1	703-48201-A6	REMOTE CONTROL ASSY (10P) BOITIER DE COMMANDE A DISTANCE		1	AP WITHOUT PT/T SW. AP WITHOUT PT/T SW.
2	701-48310-90	CABLE, REMOTE CONTROL L=11F CABLE, COMMANDE A DISTANCE:11F		2	UR UR
	701-48320-00	CABLE, REMOTE CONTROL L=12F CABLE, COMMANDE A DISTANCE:12F		2	UR UR
	701-48320-20	CABLE, REMOTE CONTROL L=13F CABLE, COMMANDE A DISTANCE:13F		2	UR UR
	701-48320-50	CABLE, REMOTE CONTROL L=15F CABLE, COMMANDE A DISTANCE:15F		2	UR UR



**FIG. 31 REMOTE CONTROL ASSY BOITIER DE COMMANDE A DISTANCE**

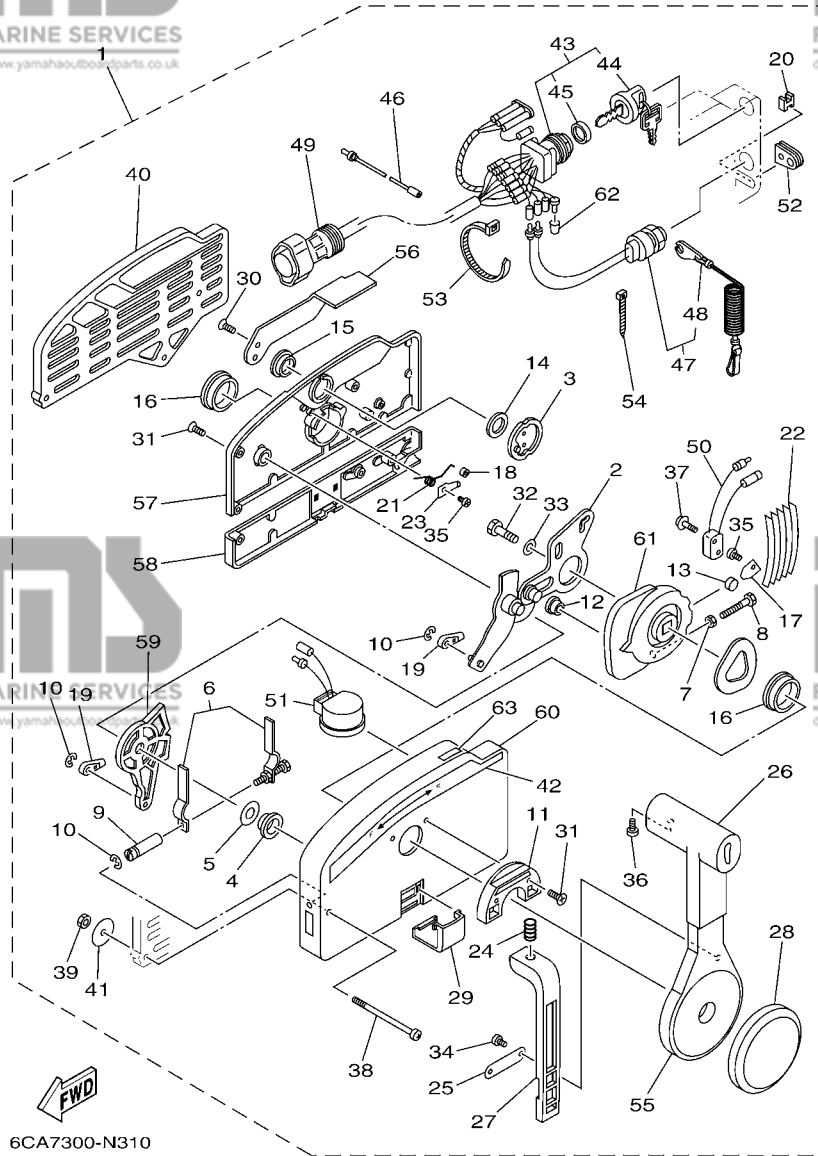
REF. NO.	PART NO. N° PIECES	DESCRIPTION DESCRIPTION	MH	L	REMARKS REMARQUES
1	703-48201-A6	REMOTE CONTROL ASSY (10P) BOITIER DE COMMANDE A DISTANCE		1	AP WITHOUT PT/T SW. AP WITHOUT PT/T SW.
2	703-48261-01	.ARM, THROTTLE .BRAS, ACCELERATION		1	
3	703-48153-00	.SHAFT, FREE ACCEL. .AXE		1	
4	703-48235-00	.BUSHING .COUSSINET		1	
5	703-48268-00	.SPACER .ENTRETOISE		1	
6	703-48264-00	.FRICTION, THROTTLE .FRICTION, ACCELERATION		1	
7	95380-05600	.NUT .ECROU		1	
8	97380-05025	.BOLT .BOULON, HEXAGONAL		1	
9	703-48265-00	.SHAFT, FRICTION .AXE, COPILOTE		1	
10	93430-06024	.CIRCLIP .CLIPS		3	
11	703-48245-00	.PLATE, LOCK .PLAQUE, VERROU		1	
12	703-48252-00	.ROLLER, CAM .POULIE		1	
13	701-48248-00	.ROLLER, FREE ACCEL. .POULIE		1	
14	703-48198-00	.WASHER, WAVE .RONDELLE, ELASTIQUE ONDULEE		1	
15	703-48243-00	.BUSHING .COUSSINET		1	
16	703-48234-00	.ROLLER, DETENT .POULIE		2	
17	703-48189-00	.RETAINER .FLASQUE		1	
18	703-48236-00	.BUSHING 1 .POULIE		1	
19	703-48345-01	.CABLE END, REMOTE CONTROL 2 .CHAPE CABLE		2	
20	703-48358-00	.ANCHOR, CABLE .COLLIER		1	
21	703-48244-00	.SPRING, FREE ACCEL. .RESSORT		1	
22	703-48238-00	.SPRING, DETENT .RESSORT		5	
23	703-48246-00	.SPACER .ENTRETOISE		1	
24	703-48227-00	.SPRING, NEUTRAL LOCK .RESSORT		1	
25	703-48226-00	.PLATE, STOPPER .PLAQUETTE		1	
26	703-48222-10	.GRIP, CONTROL LEVER .POIGNEE, COMMANDE LEVIER		1	
27	703-48223-00	.LOCK, NEUTRAL .VERROU, NEUTRAL		1	



**FIG. 31 REMOTE CONTROL ASSY**

**BOITIER DE COMMANDE A DISTANCE**

REF. NO.	PART NO. N° PIECES	DESCRIPTION DESCRIPTION	MH	E	REMARKS REMARQUES
28	703-48225-00	.COVER .COUVERCLE		1	
29	703-48219-00	.COVER, LEAD .COUVERCLE		1	
30	703-48281-00	.SCREW .VIS		2	
31	703-44189-00	.SCREW .VIS		7	
32	97380-08030	.BOLT .BOULON, HEXAGONAL		1	
33	92990-08600	.WASHER, PLATE .RONDELLE, PLATE		1	
34	98580-04010	.SCREW, PAN HEAD .VIS		2	
35	98580-04006	.SCREW, PAN HEAD .VIS		2	
36	98580-05010	.SCREW, PAN HEAD .VIS		1	
37	703-48129-00	.SCREW 3 .VIS 3		2	
38	703-44189-10	.SCREW .VIS		3	
39	95380-06600	.NUT, HEXAGON .ECROU		3	
40	703-48293-10	.SPACER, REMOTE CONTROL .ENTRETOISE		1	SINGLE SINGLE
41	701-48287-00	.WASHER .RONDELLE		3	
42	703-48215-00	.GRAPHIC .ADHESIF		1	
43	703-82510-13	.MAIN SWITCH ASSY .CONTACTEUR A CLEF COMPLET		1	PRIME START PRIME START
44	676-82577-01	..CAP, KEY ..CABOCHON		1	
45	703-82532-00	..CAP ..COUVERCLE		1	
46	703-82531-00	.WIRE, LEAD (L70) .FIL (L70)		1	
47	688-82575-01	.ENGINE STOP SWITCH ASSY .COUPE CIRCUIT CPLT		1	
48	682-82556-00	..LANYARD, STOP SWITCH ..CORDON DU COUPE CIRCUIT		1	
49	688-8258A-20	.EXTENSION, WIRE HARNESS (4.9M) .EXTENSION, FAISCEAU DE FILS (4)		1	(10P) (10P)
50	703-82540-00	.NEUTRAL SWITCH ASSY .CONTACTEUR DE POINT-MORT		1	
51	703-83383-B0	.BUZZER .RONFLEUR		1	
52	703-48284-00	.GROMMET .PASSE-FIL		1	
53	703-82591-00	.BAND .COLLIER		1	
54	703-82592-00	.BAND .COLLIER		1	

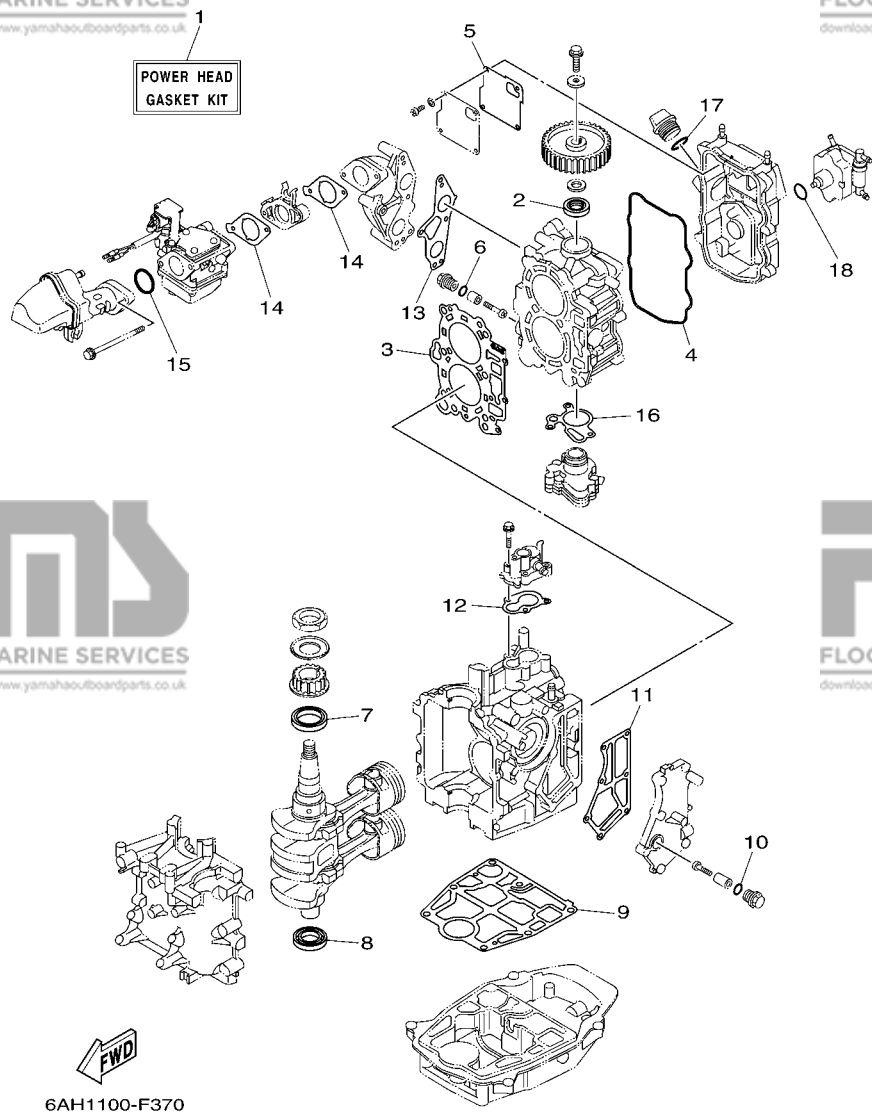


6CA7300-N310

**FIG. 31 REMOTE CONTROL ASSY**

**BOITIER DE COMMANDE A DISTANCE**

REF. NO.	PART NO. N° PIECES	DESCRIPTION DESCRIPTION	MH	E	REMARKS REMARQUES
55	703-48221-00	.LEVER, CONTROL .LEVIER, COMMANDE		1	
56	703-48152-00	.KNOB, FREE ACCEL. .BOUTON		1	
57	703-48212-00	.BACK PLATE 1 .PLAQUETTE 1		1	
58	703-48213-00	.BACK PLATE 2 .PLAQUETTE 2		1	
59	703-48271-00	.ARM, SHIFT .BRAS		1	
60	703-48211-02	.HOUSING,1 .CORPS		1	
61	703-48232-00	.GEAR .PIGNON		1	
62	703-82542-00	.CAP .COUVERCLE		3	
63	703-48218-00	.GRAPHIC .ADHESIF		1	

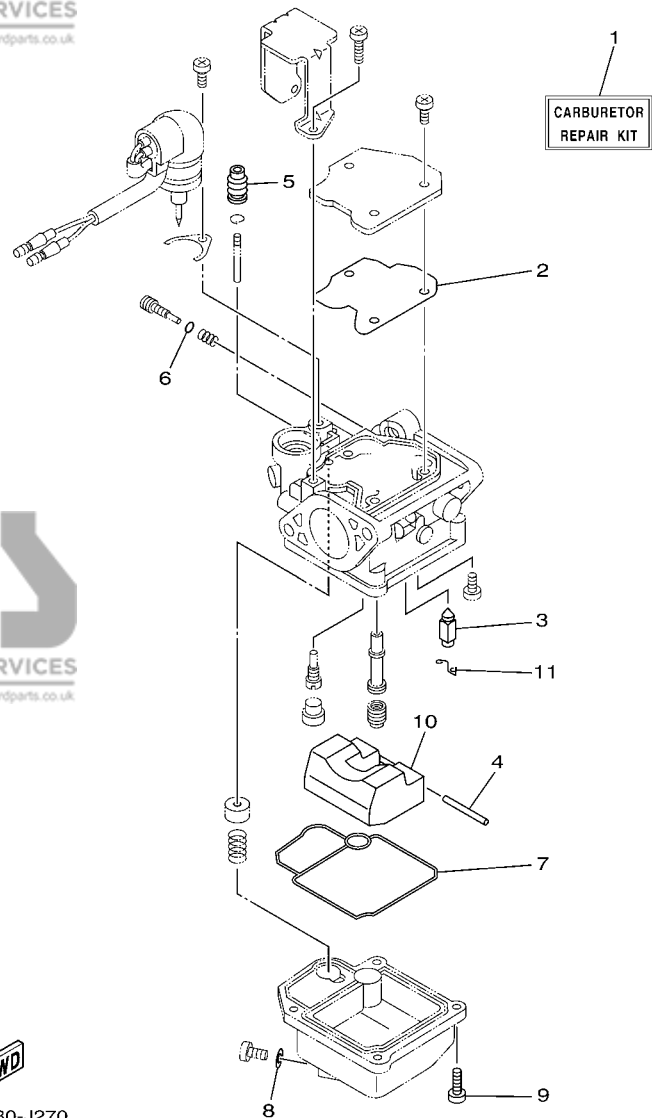


6AH1100-F370

FIG. 32 REPAIR KIT 1

KITS DE REPARATION 1

REF. NO.	PART NO. N° PIECES	DESCRIPTION DESCRIPTION	MH	L	REMARKS REMARQUES
1	6AG-W0001-00	POWER HEAD GASKET KIT POCHETTE DE JINTS TETE MOTRICE	1	1	
2	93102-22010	.OIL SEAL .JOINT SPY	1	1	
3	6AG-11181-10	.GASKET, CYLINDER HEAD 1 .JOINT, DE CULASSE 1	1	1	
4	6AH-11356-00	.SEAL, CYLINDER 2 .JOINT, SPY CYLINDRE	1	1	
5	6AH-11169-00	.GASKET, BREATHER COVER .JOINT, COUVERCLE DE RENIFLARD	1	1	
6	93210-13M63	.O-RING .JOINT TORIQUE	2	2	
7	93102-37004	.OIL SEAL .JOINT SPY	1	1	
8	93102-25014	.OIL SEAL .JOINT SPY	1	1	
9	6AH-11351-10	.GASKET, CYLINDER .JOINT, D'EMBASE	1	1	
10	93210-13M63	.O-RING .JOINT TORIQUE	1	1	
11	6AH-41114-00	.GASKET, EXHAUST OUTER COVER .JOINT, COUVERCLE D'ECHAPPEMENT	1	1	
12	6AH-12414-00	.GASKET, COVER .JOINT, COUVERCLE	1	1	
13	6AH-13645-00	.GASKET, MANIFOLD 1 .JOINT, TUBULURE 1	1	1	
14	6AH-13646-00	.GASKET, MANIFOLD 2 .JOINT, TUBULURE 2	2	2	
15	93210-35M86	.O-RING .JOINT TORIQUE	1	1	
16	6AH-13329-10	.GASKET, PUMP COVER .JOINT, COUVERCLE DE POMPE	1	1	
17	93210-24M79	.O-RING .JOINT TORIQUE	1	1	
18	93210-20M65	.O-RING .JOINT TORIQUE	1	1	



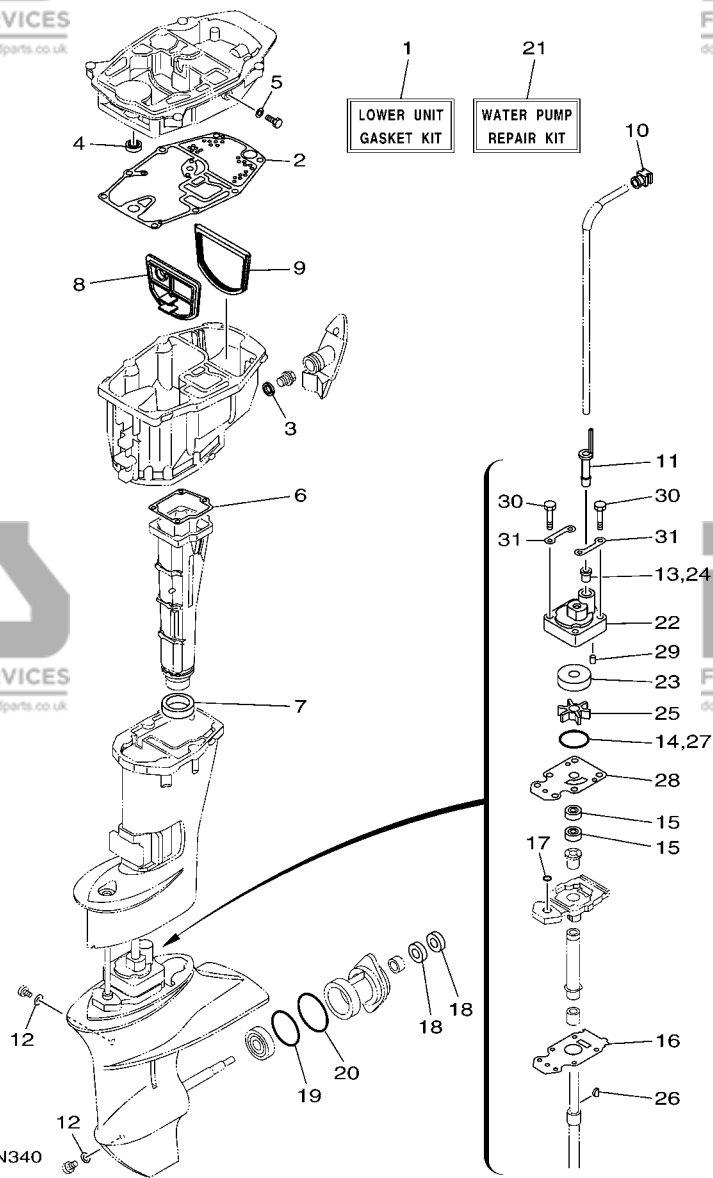
6BY2280-J270

**FIG. 33 REPAIR KIT 2**

**KITS DE REPARATION 2**

REF. NO.	PART NO. N° PIECES	DESCRIPTION DESCRIPTION	MH	E	REMARKS REMARQUES
1	6AH-W0093-01	CARBURETOR REPAIR KIT KIT DE REPARATION CARBURATEUR	1	1	
2	65W-14126-10	.GASKET .JOINT	1	1	
3	6AH-14546-00	.VALVE, NEEDLE .POINTEAU	1	1	
4	6H4-14548-00	.PIN, FLOAT ARM .AXE, BRAS DE FLOTTEUR	1	1	
5	65W-14373-02	.COVER, PLUNGER CAP .COUVERCLE DE PLONGEUR	1	1	
6	67F-14398-10	.O-RING .JOINT TORIQUE	1	1	
7	6AH-14384-00	.GASKET, FLOAT CHAMBER .JOINT, CUVE DE FLOTTEUR	1	1	
8	65W-14398-00	.GASKET .JOINT	1	1	
9	97980-04114	.SCREW, WITH WASHER .VIS, AVEC RONDELLE	4	4	
10	6AH-14985-00	.FLOAT .FLOTTEUR	1	1	
11	633-14159-00	.CLIP .JONC	1	1	



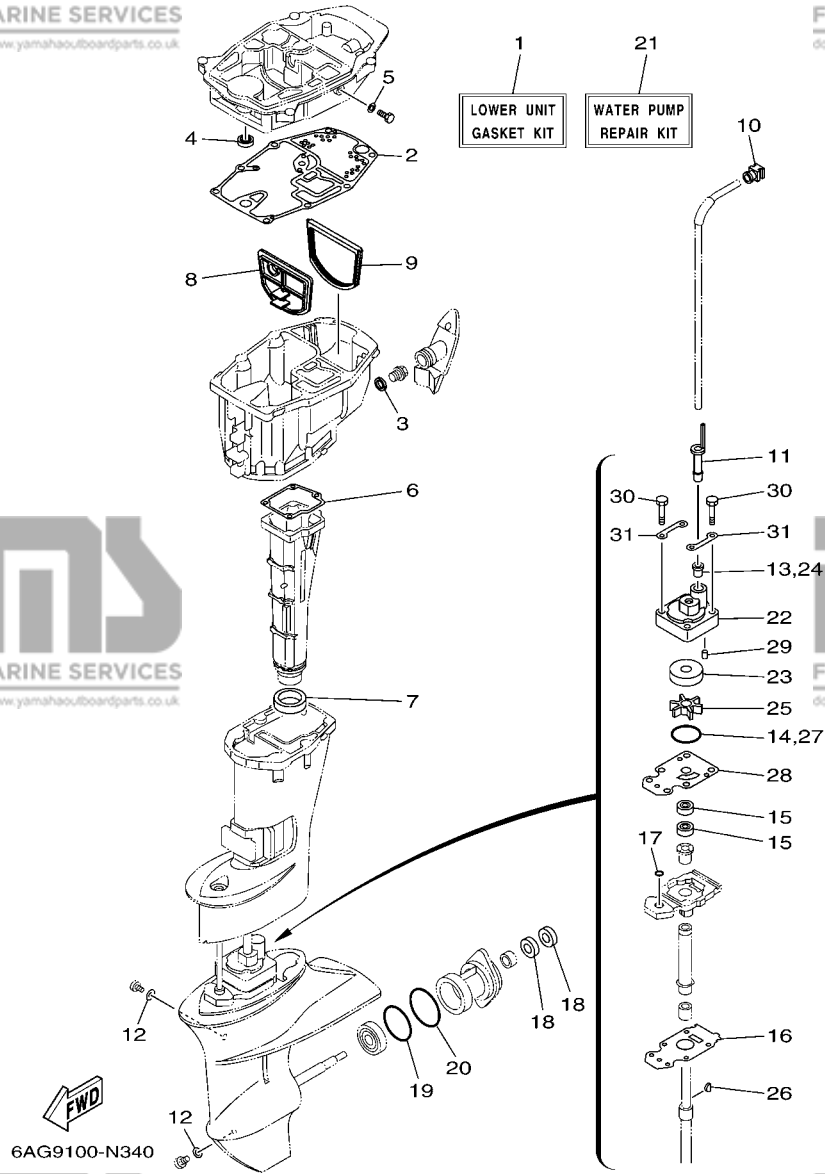


6AG9100-N340

**FIG. 34 REPAIR KIT 3**

**KITS DE PEPARATION 3**

REF. NO.	PART NO. N° PIECES	DESCRIPTION DESCRIPTION	MH	E	REMARKS REMARQUES
1	6AH-W0001-20	LOWER UNIT GASKET KIT POCHETTE DE JOINTS EMBASE	1	1	
2	6AH-15312-10	.GASKET, OIL PAN .JOINT DE VENTILATEUR D'HUILE	1	1	
3	90430-14M09	.GASKET .JOINT	1	1	
4	93101-12M63	.OIL SEAL .JOINT SPY	1	1	
5	90430-08143	.GASKET .JOINT	1	1	
6	6AH-41134-00	.GASKET, EXHAUST MANIFOLD .JOINT, PIPE D'ECHAPPEMENT	1	1	
7	6AH-41138-00	.SEAL, EXT. 1 .JOINT DE GROUPE 1	1	1	
8	6AH-45126-00	.PLATE, SEAL DAMPER .PLAQUETTE	1	1	
9	6AH-45115-00	.GASKET, UPPER CASING .JOINT, TUBE D'ARBRE	1	1	
10	6AH-44365-00	.DAMPER, WATER SEAL 1 .JOINT, TUBE D'EAU 1	1	1	
11	6AH-44368-00	.RUBBER, WATER SEAL 4 .CAOUTCHOUC EAU JUNTA 4	1	1	
12	90430-08020	.GASKET .JOINT	2	2	
13	6L2-44367-00	.DAMPER, WATER SEAL 3 .JOINT TUBE D'EAU 3	1	1	
14	93210-49046	.O-RING .JOINT TORIQUE	1	1	
15	93101-20001	.OIL SEAL .JOINT SPY	2	2	
16	69G-45315-A0	.PACKING, LOWER CASING .JOINT, BOITIER D'HELICE	1	1	
17	93210-06ME6	.O-RING .JOINT TORIQUE	1	1	
18	93101-17054	.OIL SEAL .JOINT SPY	2	2	
19	93210-57M09	.O-RING .JOINT TORIQUE	1	1	
20	93210-56M80	.O-RING .JOINT TORIQUE	1	1	
21	6AH-W0078-00	WATER PUMP REPAIR KIT KIT DE REPARATION DE LA POMPE	1	1	
22	6AH-44311-00	.HOUSING, WATER PUMP .CORPS, POMPE A EAU	1	1	
23	63V-44322-00	.INSERT, CARTRIDGE .CUVETTE	1	1	
24	6L2-44367-00	.DAMPER, WATER SEAL 3 .JOINT TUBE D'EAU 3	1	1	
25	63V-44352-01	.IMPELLER .TURBINE	1	1	
26	664-44338-00	.KEY, WOODRUFF .CLAVETTE, VOLANT	1	1	
27	93210-49046	.O-RING .JOINT TORIQUE	1	1	



**FIG. 34 REPAIR KIT 3**

**KITS DE PEPARATION 3**

REF. NO.	PART NO. N° PIECES	DESCRIPTION DESCRIPTION	MH	L	REMARKS REMARQUES
28	68T-44323-00	.OUTER PLATE, CARTRIDGE .PLAQUE EXTERIEURE	1	1	
29	93604-12M07	.PIN, DOWEL .CLAVETTE	2	2	
30	97095-08045	.BOLT .BOULON	4	4	
31	63V-44328-01	.PLATE .PLAQUETTE	2	2	





PART NO. N° PIECES	REF. NO.
6AH-W0078-00	34 - 21
6AH-W0084-03-4D	18 - 1
6AH-W0093-01	33 - 1
6AG-W009A-01-1S	5 - 1
6AH-W009B-01-1S	3 - 1
90101-06032	10 - 26
90101-06M18	22 - 16
90101-08022	19 - 16
90105-06035	9 - 17
90105-081A7	9 - 3
90105-09006	5 - 6
90109-06M82	17 - 8
90109-06M84	22 - 43
90109-06M86	13 - 30
	13 - 44
	17 - 34
	17 - 46
	18 - 3
	21 - 37
90109-06MA1	7 - 14
90111-06072	18 - 30
	23 - 22
90111-08055	10 - 11
90116-10033	23 - 7
90119-05018	19 - 3
90119-06M05	18 - 33
90119-06M35	13 - 8
90119-06M88	27 - 20
90119-06MA3	3 - 16
	3 - 21
	5 - 7
90119-08093	3 - 4
90119-08094	23 - 11
90119-08103	25 - 11
90119-08M45	23 - 16
90119-08M46	23 - 17
90149-06069	20 - 34
	21 - 35
90152-05011	18 - 8
	27 - 9
90157-05M16	28 - 5
90167-05017	2 - 4
90167-06002	17 - 29
90170-06015	20 - 14
	21 - 14
90170-09M03	29 - 4
90170-30003	9 - 8
90171-10M01	27 - 17

NUMERICAL INDEX  
INDEX NUMERIQUE

PART NO. N° PIECES	REF. NO.
90386-40001	23 - 3
90386-45001	18 - 23
90387-05053	19 - 9
90387-05054	19 - 10
90387-06138	22 - 38
90387-06139	20 - 21
	21 - 29
90387-06176	17 - 4
90387-06289	13 - 9
90387-06M13	22 - 15
90387-06M17	10 - 27
90387-06M70	14 - 4
	14 - 38
90387-06M74	13 - 5
90387-06M86	18 - 34
90387-10M42	29 - 5
90387-13006	6 - 11
90430-08020	1 - 12
	26 - 10
	34 - 12
90430-08143	24 - 5
	34 - 5
90430-14M09	1 - 11
	25 - 6
	34 - 3
	10 - 34
	10 - 37
	10 - 35
	17 - 22
	11 - 25
	14 - 34
	13 - 23
	14 - 10
	14 - 21
	10 - 40
	13 - 40
	13 - 42
	14 - 17
	13 - 42
	13 - 38
	14 - 19
	15 - 8
	5 - 23
	17 - 47
	7 - 5
	3 - 25
	10 - 36
	17 - 16

PART NO. N° PIECES	REF. NO.
90465-11M10	17 - 23
90465-13M18	7 - 16
	13 - 7
	11 - 27
	13 - 3
	13 - 18
90467-09M17	10 - 13
	10 - 31
90468-10005	20 - 29
90468-18008	18 - 38
	21 - 23
	21 - 39
90480-06M19	9 - 14
90480-10627	9 - 12
90480-10M23	13 - 10
90480-13M24	14 - 5
	14 - 39
90480-14M54	24 - 18
90480-16007	17 - 19
90480-16616	7 - 15
90480-19031	21 - 17
90480-19368	15 - 6
90480-21M82	17 - 3
90480-25003	13 - 15
90501-10326	8 - 8
90501-120A5	6 - 12
90501-150A0	26 - 40
90501-23215	18 - 15
90502-10M07	22 - 22
90506-18014	22 - 33
90506-20020	22 - 35
90508-20M44	20 - 17
	21 - 25
91490-16010	18 - 12
91490-30020	27 - 18
91690-30008	22 - 21
91690-30012	21 - 19
91690-50014	7 - 4
92903-06600	3 - 6
	25 - 9
92903-08600	16 - 17
	16 - 19
92907-04600	5 - 16
92990-06200	18 - 37
92990-06300	27 - 13
92990-08600	31 - 33
92995-05600	19 - 12

PART NO. N° PIECES	REF. NO.
92995-05600	24 - 15
92995-06100	17 - 41
92995-06600	5 - 12
	7 - 7
	11 - 27
	13 - 3
	13 - 18
	13 - 21
	13 - 28
	13 - 34
	13 - 37
	14 - 9
	14 - 16
	14 - 16
	14 - 42
	15 - 10
	16 - 25
	17 - 13
	17 - 31
	17 - 38
	17 - 42
	18 - 20
	20 - 7
	20 - 32
	21 - 7
	21 - 21
	22 - 17
	23 - 26
92995-08600	14 - 23
	14 - 25
	16 - 21
	23 - 29
93101-12M63	24 - 2
	34 - 4
93101-17054	26 - 44
	34 - 18
93101-20001	26 - 23
	34 - 15
93102-22010	9 - 18
	32 - 2
93102-25014	4 - 10
	32 - 8
93102-37004	4 - 9
	32 - 7
93210-06ME6	26 - 25
	34 - 17
93210-13M63	3 - 14
	5 - 20

PART NO. N° PIECES	REF. NO.
93210-13M63	32 - 6
	32 - 10
93210-16275	29 - 9
93210-20M65	10 - 29
	32 - 18
93210-24M79	5 - 22
	32 - 17
93210-29M94	23 - 5
93210-32738	1 - 10
	10 - 8
93210-35M86	7 - 11
	32 - 15
93210-49046	26 - 16
	34 - 14
	34 - 27
93210-56M80	26 - 46
	34 - 20
93210-57M09	26 - 45
	34 - 19
93306-00501	26 - 42
93315-314V8	26 - 3
93315-317U2	26 - 43
93332-00005	26 - 8
93420-30042	24 - 20
93430-04M03	22 - 39
93430-06024	31 - 10
93450-17129	4 - 8
93604-12M07	24 - 13
	25 - 3
	26 - 18
	27 - 5
	34 - 29
93606-12019	3 - 3
	5 - 5
93606-19M23	24 - 6
93700-06M03	23 - 19
94702-00418	1 - 8
	5 - 24
95380-04600	10 - 24
95380-05600	31 - 7
95380-06600	17 - 43
	31 - 39
95380-06700	20 - 15
	21 - 15
	22 - 18
95380-08600	10 - 10
95380-10600	23 - 10
95780-06500	14 - 6



FLOOD MARINE SERVICES  
downloaded from www.yamahaoutboardparts.co.uk

PART NO. N° PIECES	REF. NO.
95780-06500	14 - 40
95895-06014	20 - 12
	21 - 12
95895-06020	10 - 3
95895-06030	12 - 6
95895-06035	27 - 12
95895-06100	7 - 12
97013-06012	6 - 10
97013-06016	25 - 8
97013-06040	3 - 5
97013-08035	16 - 18
97013-08045	16 - 16
97075-06012	17 - 37
97080-08025	26 - 26
97095-05010	24 - 14
97095-05012	12 - 5
97095-05020	19 - 11
97095-06008	24 - 17
97095-06010	17 - 30
97095-06012	7 - 6
	17 - 12
97095-06014	13 - 20
	13 - 33
	14 - 8
	14 - 15
	14 - 15
	14 - 41
	15 - 9
	16 - 24
	18 - 19
	20 - 24
	20 - 31
	21 - 20
	21 - 32
97095-06016	13 - 36
97095-06020	5 - 11
	11 - 26
	13 - 2
	20 - 6
	21 - 6
97095-06025	13 - 17
97095-06030	13 - 4
	23 - 25
97095-08014	24 - 4
97095-08016	14 - 24
	16 - 20
97095-08025	14 - 22
	23 - 28



FLOOD MARINE SERVICES  
downloaded from www.yamahaoutboardparts.co.uk



NUMERICAL INDEX  
INDEX NUMERIQUE

PART NO. N° PIECES	REF. NO.	PART NO. N° PIECES	REF. NO.
97095-08045	26 - 19		
	34 - 30		
97380-05025	31 - 8		
97380-08030	31 - 32		
97575-06520	26 - 47		
97575-06525	24 - 9		
97575-08530	24 - 12		
	25 - 12		
	27 - 6		
97595-05514	2 - 9		
97595-06555	7 - 3		
	18 - 28		
	20 - 23		
	21 - 31		
97595-06610	14 - 12		
97780-60520	18 - 31		
	23 - 23		
97880-05025	3 - 12		
	3 - 23		
	5 - 18		
97880-06010	13 - 12		
97885-06012	13 - 27		
97885-06030	17 - 40		
97980-04108	8 - 30		
97980-04110	8 - 5		
97980-04114	8 - 28		
	33 - 9		
97985-06214	15 - 11		
98507-04010	5 - 15		
98580-04006	8 - 2		
	31 - 35		
98580-04008	8 - 15		
98580-04010	31 - 34		
98580-05010	31 - 36		
98780-04016	3 - 27		
98980-06030	14 - 3		
	14 - 37		
99080-05600	22 - 29		
	22 - 31		
	22 - 41		



FLOOD MARINE SERVICES  
downloaded from www.yamahaoutboardparts.co.uk



FLOOD MARINE SERVICES  
downloaded from www.yamahaoutboardparts.co.uk

PART NO. N° PIECES	REF. NO.
-----------------------	-------------



FLOOD MARINE SERVICES  
downloaded from www.yamahaoutboardparts.co.uk



FLOOD MARINE SERVICES  
downloaded from www.yamahaoutboardparts.co.uk



FLOOD MARINE SERVICES  
downloaded from www.yamahaoutboardparts.co.uk



FLOOD MARINE SERVICES  
downloaded from www.yamahaoutboardparts.co.uk