

**PARTS  
CATALOGUE  
CATALOGUE  
DE PIECES DETACHEES**

**F200CET'13 (6AL9)**

**F225BET'13 (6AS8)**

**FL200CET'13 (6AM9)**

**FL225BET'13 (6AT8)**



2020/11/2

1M6AL-300F1

( )

NEWS NO.	DATE	COMMENT
PE0-OM-130033	Jul.,16,2013	COR:FIG.18 ELECTRICAL 1 ILLUSTRATION CORRECTION
PE0-OM-130053	Nov.,20,2013	COR:FIG.13 ILLUSTRATION CORRECTION
PE0-OM-130065	Dec.,17,2013	MOD:FIG.3,4 LIST/ILLUSTRATION REVISION
PE0-OM-200014	Nov.,2,2020	MOD:F(L)200C/F(L)225B CYLINDER&CRANKCASE 1 LIST REVISION

F200CET/F225BET  
FL200CET/FL225BET  
PARTS CATALOGUE  
©2013 by Yamaha Motor Co., Ltd.  
1st edition, May 2013  
All rights reserved.  
Any reprinting or unauthorized use  
without the written permission of  
Yamaha Motor Co., Ltd.  
is expressly prohibited.  
Printed in Japan.

F200CET/F225BET  
FL200CET/FL225BET  
CATALOGUE DE PIECES DETACHEES  
©2013 par Yamaha Motor Co., Ltd.  
1<sup>re</sup> édition, mai 2013  
Tous droits réservés  
Toute réimpression ou utilisation  
non autorisée sans la permission écrite  
de la Yamaha Motor Co., Ltd.  
est formellement interdite.  
Imprimé au Japon

# FOREWORD

This Parts Catalogue is related to the parts for the model(s) on the cover page. When you are ordering replacement parts, please refer to this Parts Catalogue and quote both part numbers and part names correctly.

1. Modifications or additions which have been made after the issue of the Parts Catalogue will be announced in the Parts News. It is advisable that you make the necessary corrections to the Parts Catalogue according to the Parts News.

## 2. Abbreviations

The following abbreviations are used in this Parts Catalogue.

“UR” Use specified parts number.

“UN” Use as many as needed.

“AP” Alternate Parts

“LM” Locally Made (Parts need to be ordered locally)

“F#” Frame No. (Applicable machine No.)

“O/S” Over Size

## 3. The number of components for assembly

- Parts, which are to be supplied in an assembly, are listed with a dot (.) in front of the part name as shown below.
- The numeral appearing to the right of each component part indicates the quantity of parts for each assembly unit.

PART NO.	DESCRIPTION	Q'TY	REMARKS
2F5-83310-60	FRONT FLASHER LIGHT ASSY	2	
115-83311-60	.BULB (6V-18W)	1	

## 4. Applicable colours of graphics are represented in the “REMARKS” as shown below.

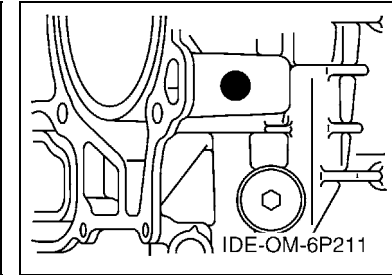
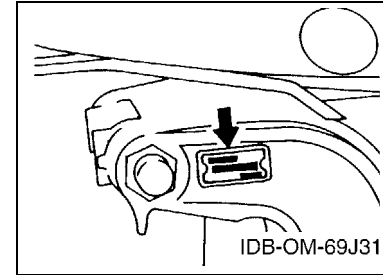
PART NO.	DESCRIPTION	Q'TY	REMARKS
2N4-24110-00-X5	FUEL TANK COMP.	2	MXR
3J1-24240-10	.GRAPHIC, FUEL TANK	1	FOR MXR

## 5. Note that the illustrations for reference in finding parts numbers are not to be used for assembling. When assembling, please use the applicable service manual.

## 6. The asterisk (\*) before a reference number indicates modified items after the first edition.

## 7. Applicable Serial No.

Engine Serial No.



## 8. Applicable Engine Starting Serial No.

Model	Serial No.	Model	Serial No.
F200C	6AL-1004302	FL200C	6AM-1000519
F225B	6AS-1002878	FL225B	6AT-1000301

## 9. Applicable Colour Code

Abbreviation	Colour Name	Colour Code
DBN1	DARK BLUISH GRAY 1	008D

## 10. Quantity Column Information

Column No.	Name Of Q'ty Column	Applicable Model
1	6AL9	F200CET
2	6AS8	F225BET
3	6AM9	FL200CET
4	6AT8	FL225BET

## AVANT-PROPOS

Ce catalogue de pièces détachées concerne les pièces pour le(s) modèle(s) indiqué(s) sur la page de couverture. Lorsque vous commandez des pièces de rechange, veuillez vous référer à ce catalogue de pièces détachées et indiquer clairement les numéros et les noms des pièces détachées.

1. Les modifications ou ajouts ayant été effectués après la parution du catalogue de pièces détachées seront décrits dans les Bulletins d'information concernant les pièces détachées.

Il est recommandé que vous apportiez les corrections nécessaires au catalogue des pièces détachées en vous référant aux Bulletins d'information.

2. Abréviations

Dans ce catalogue, les abréviations suivantes sont utilisées:

“UR” Utiliser le numéro de pièces spécifié.

“UN” Utiliser autant que nécessaire.

“AP” Pièces de substitution

“LM” Fabrication locale (les pièces doivent être commandées localement.)

“F#” N° de cadre (applicable au N° de série)

“O/S” Surdimensionné

3. Nombre de pièces d'un assemblage

- Les pièces fournies comme composants d'un assemblage sont précédées d'un point (.) de la manière indiquée ci-dessous.
- Le chiffre apparaissant à la droite de chaque composant indique la quantité de pièces pour chaque unité d'assemblage.

N° PIECES	DESCRIPTION	QTE	REMARQUES
2F5-83310-60	ENS. CLIGNOTANT AVANT	2	
115-83311-60	.AMPOULE (6V-18W)	1	

4. Les couleurs concernant les graphiques sont indiquées dans la colonne “REMARQUES”, comme indiqué ci-dessous.

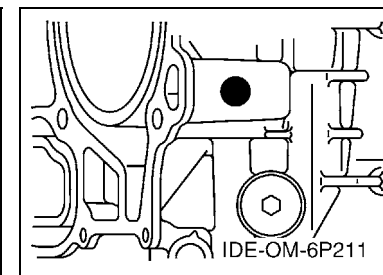
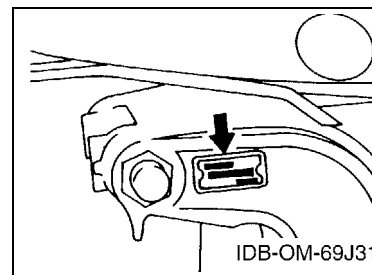
N° PIECES	DESCRIPTION	QTE	REMARQUES
2N4-24110-00-X5	RESERVOIR A ESSENCE.	2	MXR
3J1-24240-10	.GRAPHIQUE	1	POUR MXR

5. Veuillez noter que les illustrations sont indiquées à titre de référence pour trouver les numéros de pièces, non pour être utilisées lors de l'assemblage. Lors de l'assemblage, veuillez utiliser le manuel d'entretien adéquat.

6. L'astérisque (\*) placé devant un numéro de référence indique des éléments qui ont été modifiés après la première édition.

7. N° de série applicable

N° de Série du moteur



8. N° de série initial du moteur applicable

Modèle	N° de série	Modèle	N° de série
F200C	6AL-1004302	FL200C	6AM-1000519
F225B	6AS-1002878	FL225B	6AT-1000301

9. Code couleur applicable

Abréviation	Nom de la couleur	Code couleur
DBN1	DARK BLUISH GRAY 1	008D

10. Informations relatives à la colonne Quantité

N° de la colonne	Nom de la colonne Qté	Modèle applicable
1	6AL9	F200CET
2	6AS8	F225BET
3	6AM9	FL200CET
4	6AT8	FL225BET

# CONTENTS

SCHEDULED SERVICE PARTS .....	1
TOP COWLING .....	2
CYLINDER & CRANKCASE 1 .....	4
CRANKSHAFT & PISTON .....	7
CYLINDER & CRANKCASE 2 .....	8
CYLINDER & CRANKCASE 3 .....	10
VALVE .....	12
INTAKE 1 .....	15
INTAKE 2 .....	17
THROTTLE BODY ASSY 1 .....	19
THROTTLE BODY ASSY 2 .....	20
THROTTLE BODY ASSY 3 .....	21
FUEL INJECTION PUMP 1 .....	22
FUEL INJECTION PUMP 2 .....	24
FUEL 1 .....	25
FUEL 2 .....	27
GENERATOR .....	28
ELECTRICAL 1 .....	29
ELECTRICAL 2 .....	31
ELECTRICAL 3 .....	34
STARTING MOTOR .....	35
BOTTOM COWLING 1 .....	37
BOTTOM COWLING 2 .....	40
CONTROL .....	41
BRACKET 1 .....	43
BRACKET 2 .....	45
POWER TRIM & TILT ASSY 1 .....	47
POWER TRIM & TILT ASSY 2 .....	50
UPPER CASING .....	51
OIL PAN .....	53
LOWER CASING & DRIVE 1 .....	54
LOWER CASING & DRIVE 2 .....	58
LOWER CASING & DRIVE 3 .....	60
LOWER CASING & DRIVE 4 .....	64
STEERING GUIDE .....	66
OPTIONAL PARTS .....	67
REPAIR KIT 1 .....	68
REPAIR KIT 2 .....	69

## INDEX

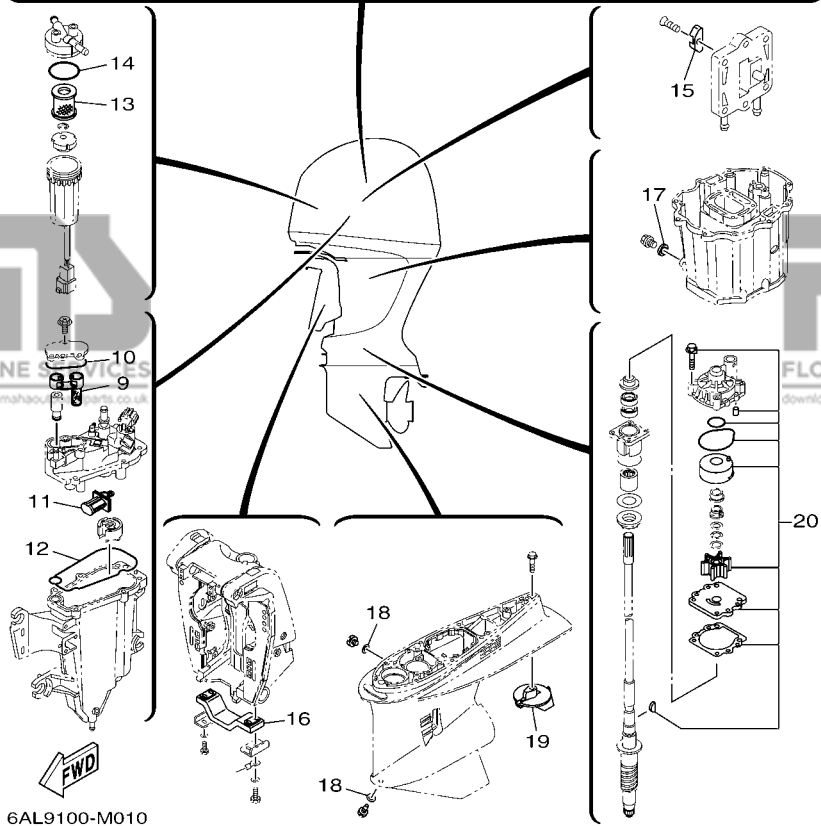
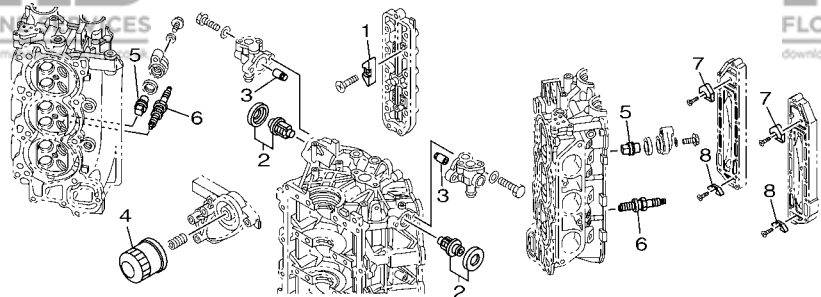
NUMERICAL INDEX .....	71
-----------------------	----

# TABLE DES MATIERES

PIECES MAINTENANCE PERIODIQUE .....	1
CAPOT SUPERIEUR .....	2
CYLINDRE & CARTER 1 .....	4
VILEBREQUIN & PISTON .....	7
CYLINDRE & CARTER 2 .....	8
CYLINDRE & CARTER 3 .....	10
SOUPAPE .....	12
ADMISSION 1 .....	15
ADMISSION 2 .....	17
CARTER D'ACCELERATEUR 1 .....	19
CARTER D'ACCELERATEUR 2 .....	20
CARTER D'ACCELERATEUR 3 .....	21
POMPE A INJECTEUR 1 .....	22
POMPE A INJECTEUR 2 .....	24
CARBURANT 1 .....	25
CARBURANT 2 .....	27
GENERATRICE .....	28
PARTIE ELECTRIQUE 1 .....	29
PARTIE ELECTRIQUE 2 .....	31
PARTIE ELECTRIQUE 3 .....	34
DEMARREUR ELECTRIQUE .....	35
CAPOT INFERIEUR 1 .....	37
CAPOT INFERIEUR 2 .....	40
COMMANDE .....	41
SUPPORT 1 .....	43
SUPPORT 2 .....	45
PUISSANCE PARER ET INCLINER 1 .....	47
PUISSANCE PARER ET INCLINER 2 .....	50
FOURREAU .....	51
VENTILATEUR D'HUILE .....	53
BOITIER D'HELICE TRANSMISSION1 .....	54
BOITIER D'HELICE TRANSMISSION2 .....	58
BOITIER D'HELICE TRANSMISSION3 .....	60
BOITIER D'HELICE TRANSMISSION4 .....	64
FIXATION DE DIRECTION .....	66
PIECES OPTIONNELLES .....	67
KITS DE REPARATION 1 .....	68
KITS DE REPARATION 2 .....	69

## INDEX

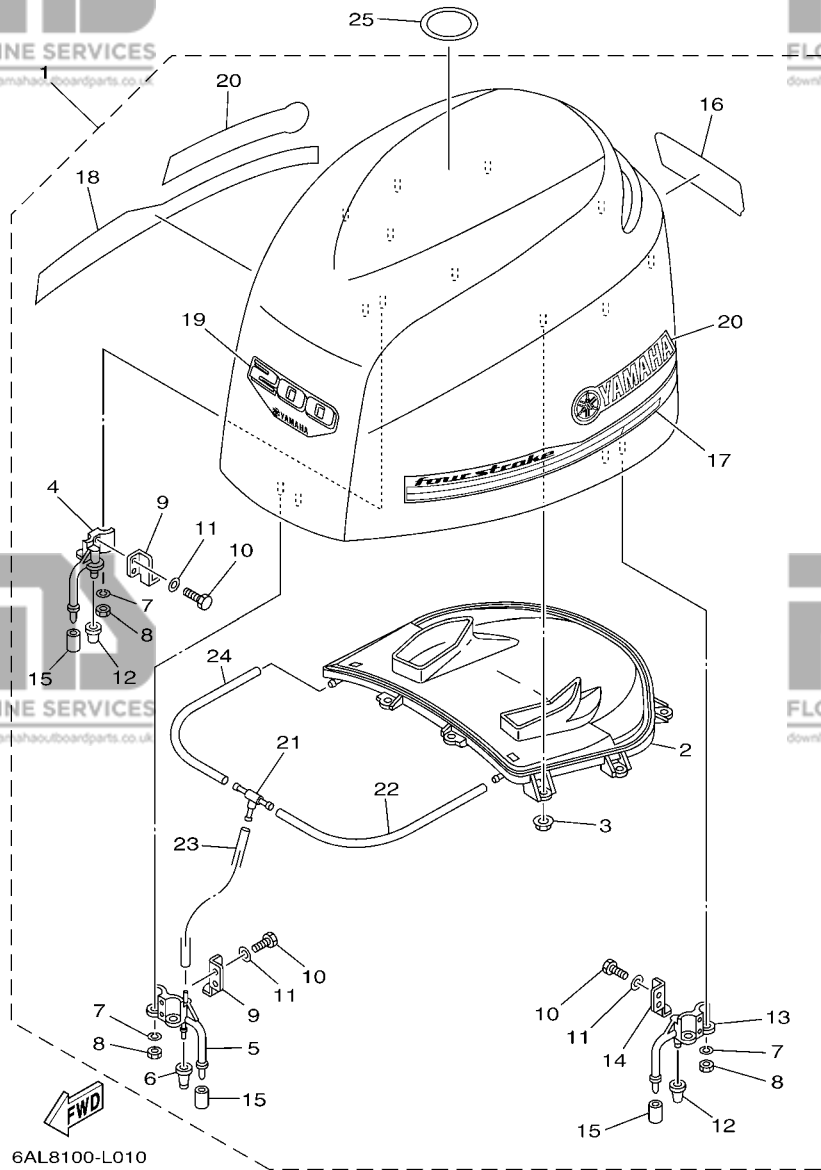
INDEX NUMERIQUE .....	71
-----------------------	----



6AL9100-M010

**FIG. 1 SCHEDULED SERVICE PARTS PIÈCES MAINTENANCE PERIODIQUE**

REF. NO.	PART NO. N° PIECES	DESCRIPTION DESCRIPTION	6AL9	6AS8	6AM9	6AT8	REMARKS REMARQUES
1	6E5-11325-00	ANODE ANODE	4	4	4	4	
2	67F-12411-01	THERMOSTAT THERMOSTAT	2	2	2	2	
3	6P3-11325-00	ANODE ANODE	2	2	2	2	
4	69J-13440-01	ELEMENT ASSY, OIL CLEANER ELEMENT, FILTRE A HUILE	1	1	1	1	
5	67F-11325-01	ANODE ANODE	4	4	4	4	
6	94702-00400	PLUG, SPARK (NGK LFR6A-11) BOUGIE D'ALLUMAGE(NGK LFR6A-11)	6	6	6	6	
7	6P2-11325-00	ANODE ANODE	2	2	2	2	
8	6E5-11325-00	ANODE ANODE	2	2	2	2	
9	6CB-24501-01	FILTER, FUEL FILTRE	1	1	1	1	
10	6CB-13016-00	O-RING JOINT TORIQUE	1	1	1	1	
11	63P-13915-00	FILTER FILTRE	1	1	1	1	
12	6CB-14984-00	GASKET, FLOAT CHAMBER JOINT, CUVE DE FLOTTEUR	1	1	1	1	
13	6P3-24563-01	ELEMENT, FILTER ELEMENT, FILTRE	1	1	1	1	
14	6P3-24564-00	GASKET JOINT	1	1	1	1	
15	6E5-11325-00	ANODE ANODE	1	1	1	1	
16	6G5-45251-02	ANODE ANODE	1	1	1	1	
17	90430-14M09	GASKET JOINT	1	1	1	1	
18	90430-08020	GASKET JOINT	2	2	2	2	
19	61A-45371-00	TAB-TRIM ANODE DERIVE	1	1	1	1	
20	61A-W0078-A3	WATER PUMP REPAIR KIT KIT DE REPARATION DE LA POMPE	1	1	1	1	



6AL8100-L010

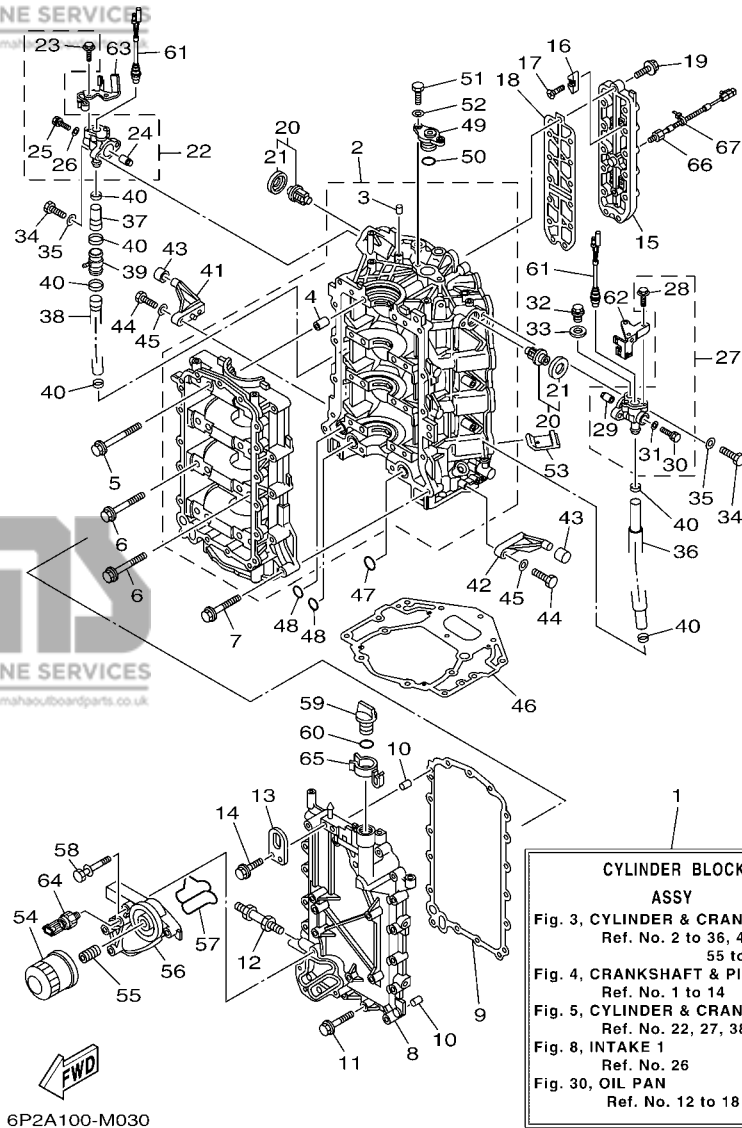
**FIG. 2 TOP COWLING**

**CAPOT SUPERIEUR**

REF. NO.	PART NO. N° PIECES	DESCRIPTION DESCRIPTION	6AL9	6AS8	6AM9	6AT8	REMARKS REMARQUES
1	6AL-42610-20	TOP COWLING ASSY CAPOT (ENS.)	1		1		
	6AS-42610-20	TOP COWLING ASSY CAPOT (ENS.)		1		1	
2	6P2-42613-00	.MOLDING, AIR DUCT .MANCHON A AIR	1	1	1	1	
3	90179-06M28	.NUT .ECROU	9	9	9	9	
4	68F-42647-01	.HOLDER, CLAMP BAND .SUPPORT, SANDOW DE SERRAGE	1	1	1	1	
5	69J-42647-01	.HOLDER, CLAMP BAND .SUPPORT, SANDOW DE SERRAGE	1	1	1	1	
6	69J-42663-00	.DAMPER .AMORTISSEUR	1	1	1	1	
7	92990-06100	.WASHER, SPRING .RONDELLE, GROWER	6	6	6	6	
8	95380-06600	.NUT, HEXAGON .ECROU	6	6	6	6	
9	60V-42651-01	.HOOK .CROCHET	2	2	2	2	
10	97095-06016	.BOLT .BOULON	6	6	6	6	
11	92995-06600	.WASHER .RONDELLE	6	6	6	6	
12	68F-42663-00	.DAMPER .AMORTISSEUR	2	2	2	2	
13	68F-42648-01	.HOLDER, CLAMP BAND .SUPPORT, SANDOW DE SERRAGE	1	1	1	1	
14	60V-42652-00	.HOOK .CROCHET	1	1	1	1	
15	67F-13448-00	.CAP .CAPUCHON	3	3	3	3	
16	6AL-42678-10	.GRAPHIC, REAR .ADHESIF, ARRIERE	1		1		
	6AS-42678-10	.GRAPHIC, REAR .ADHESIF, ARRIERE		1		1	
17	6AS-42675-00	.GRAPHIC, SIDE 1 .EMBLEME	1	1	1	1	
18	6AS-42676-00	.GRAPHIC, SIDE 2 .EMBLEME	1	1	1	1	
19	6AL-42677-00	.GRAPHIC, FRONT .ADHESIF, AVANT	1		1		
	6AS-42677-00	.GRAPHIC, FRONT .ADHESIF, AVANT		1		1	
20	63P-42681-20	.MARK, COWLING .ADHESIF, CAPOT	2	2	2	2	
21	69J-24378-00	.PIPE, JOINT 3 .DURITE RACCORDEMENT 3	1	1	1	1	
22	90445-11M27	.HOSE (L240) .DURITE (L240)	1	1	1	1	
23	90445-11699	.HOSE (L500) .DURITE (L500)	1	1	1	1	
24	90445-11182	.HOSE (L300) .DURITE (L300)	1	1	1	1	





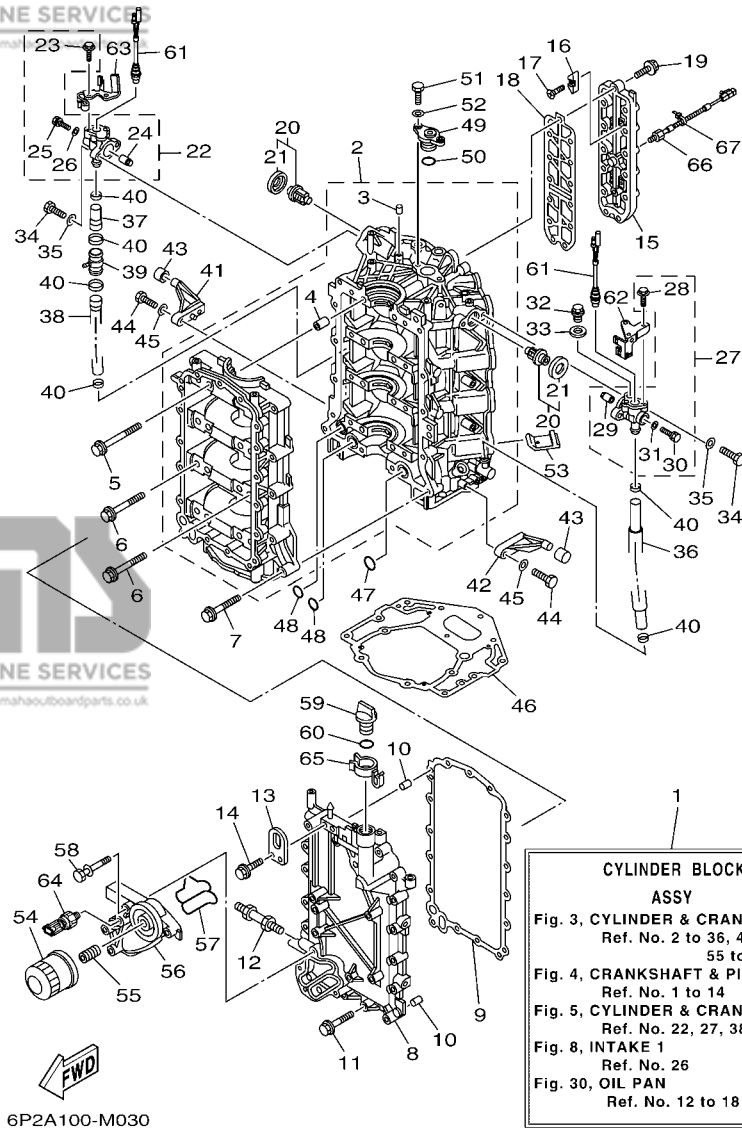


**CYLINDER BLOCK ASSY**  
 Fig. 3, CYLINDER & CRANKCASE 1  
 Ref. No. 2 to 36, 40 to 53  
 55 to 60, 64  
 Fig. 4, CRANKSHAFT & PISTON  
 Ref. No. 1 to 14  
 Fig. 5, CYLINDER & CRANKCASE 2  
 Ref. No. 22, 27, 38, 44  
 Fig. 8, INTAKE 1  
 Ref. No. 26  
 Fig. 30, OIL PAN  
 Ref. No. 12 to 18

6P2A100-M030

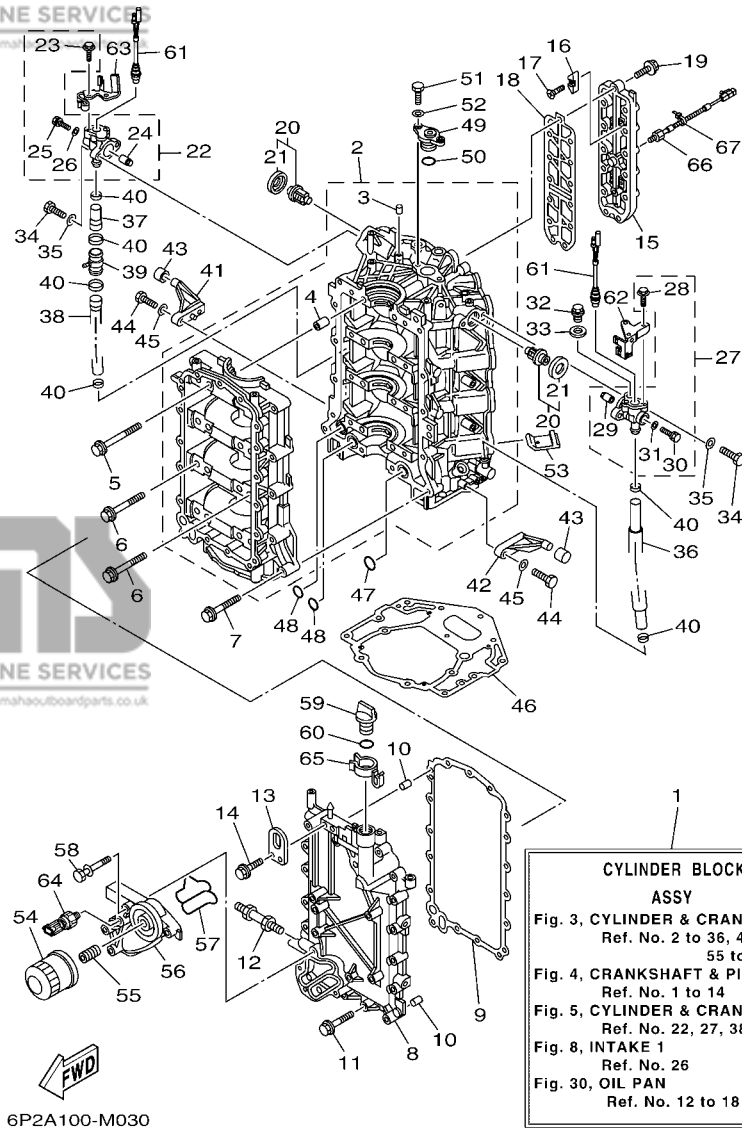
**FIG. 3 CYLINDER & CRANKCASE 1 CYLINDRE & CARTER 1**

REF. NO.	PART NO. N° PIECES	DESCRIPTION DESCRIPTION	6AL9	6AS8	6AM9	6AT8	REMARKS REMARQUES
1	6P2-W009B-07-9S	CYLINDER BLOCK ASSY CYLINDRE GROUPE (ENS.)	1	1	1	1	Go to P/N:PE0-OM-130065
2	6P2-15100-10	CRANKCASE ASSY CARTER DE MOTEUR COMPLET	1	1	1	1	
3	93606-12019	.PIN, DOWEL .GOUPILLE	1	1	1	1	
4	91814-18002	.PIN, DOWEL .GOUJON, D'ASSEMBLAGE	8	8	8	8	
5	6P2-15187-00	BOLT BOULON	8	8	8	8	
6	6P2-15481-00	BOLT 1 BOULON 1	8	8	8	8	
7	90119-08M66	BOLT, WITH WASHER BOULON, AVEC RONDELLE	13	13	13	13	
8	6P2-15411-01-9S	COVER, CRANKCASE 1 COUVERCLE 1, CARTER MOTEUR	1	1	1	1	
9	69J-15451-00	GASKET, CRANKCASE COVER 1 JOINT, COUVERCLE DE CARTER 1	1	1	1	1	
10	93606-12019	PIN, DOWEL GOUPILLE	2	2	2	2	
11	90119-08009	BOLT, WITH WASHER BOULON, AVEC RONDELLE	17	17	17	17	
12	90116-10027	BOLT, STUD GOUJON	1	1	1	1	
13	69J-11119-00	HANGER, ENGINE ANNEAU, LEVAGE	1	1	1	1	
14	90105-06M09	BOLT, FLANGE BOULON	2	2	2	2	
15	6P2-1131C-00-9S	COVER, JOINT COUVERCLE, RACCORDEMENT	1	1	1	1	
16	6E5-11325-00	ANODE ANODE	4	4	4	4	
17	98780-04015	SCREW, FLAT HEAD VIS A TETE FRAISEE	4	4	4	4	
18	6P2-1131B-00	GASKET, COVER JOINT, COUVERCLE	1	1	1	1	
19	90119-06MA4	BOLT, WITH WASHER BOULON, AVEC RONDELLE	13	13	13	13	
20	67F-12411-01	THERMOSTAT THERMOSTAT	2	2	2	2	
21	67F-12412-00	.SEAL, THERMOSTAT .JOINT, THERMOSTAT	1	1	1	1	
22	6P2-1240H-00-9S	ANODE ASSY ANODE COMPLET	1	1	1	1	
23	90109-06M80	.BOLT .BOULON	2	2	2	2	
24	6P3-11325-00	.ANODE .ANODE	1	1	1	1	
25	90105-05012	.BOLT, FLANGE .BOULON	1	1	1	1	
26	90430-05002	.GASKET .JOINT	1	1	1	1	
27	6P3-1240H-00-9S	ANODE ASSY ANODE COMPLET	1	1	1	1	



**FIG. 3 CYLINDER & CRANKCASE 1      CYLINDRE & CARTER 1**

REF. NO.	PART NO. N° PIECES	DESCRIPTION DESCRIPTION	GAL9	6A98	6AM9	6AT8	REMARKS REMARQUES
28	90109-06M80	.BOLT .BOULON	2	2	2	2	
29	6P3-11325-00	.ANODE .ANODE	1	1	1	1	
30	90105-05012	.BOLT, FLANGE .BOULON	1	1	1	1	
31	90430-05002	.GASKET .JOINT	1	1	1	1	
32	90340-14M06	PLUG, STRAIGHT SCREW PLOT, FILETE DROIT	1	1	1	1	
33	90430-14115	GASKET .JOINT	1	1	1	1	
34	97095-06025	BOLT BOULON	4	4	4	4	
35	92995-06600	WASHER RONDELLE	4	4	4	4	
36	6P2-1243A-00	HOSE 1 DURITE 1	1	1	1	1	
37	6P2-1243E-00	HOSE 2 DURITE 2	1	1	1	1	
38	6P2-1243F-00	HOSE,3 DURITE 3	1	1	1	1	
39	6S1-24378-00	PIPE, JOINT 3 DURITE RACCORDEMENT 3	1	1	1	1	
40	90465-11M59	CLAMP BRIDE	6	6	6	6	
41	67F-42761-01	STOPPER PLAQUETTE	1	1	1	1	
42	6P2-42761-00	STOPPER PLAQUETTE	1	1	1	1	
43	68F-44533-01	DAMPER, UPPER MOUNT RUBBER COUVERCLE, SUSPENSION INFERIEUR	2	2	2	2	
44	97095-06025	BOLT BOULON	4	4	4	4	
45	92995-06600	WASHER RONDELLE	4	4	4	4	
46	69J-11351-11	GASKET, CYLINDER JOINT, D'EMBASE	1	1	1	1	
47	93210-25552	O-RING JOINT TORIQUE	1	1	1	1	
48	93210-19MJ1	O-RING JOINT TORIQUE	2	2	2	2	
49	69J-11313-00	PLUG, BLIND PLOT, BORGNE	1	1	1	1	
50	93210-25647	O-RING JOINT TORIQUE	1	1	1	1	
51	97095-06020	BOLT BOULON	2	2	2	2	
52	92995-06600	WASHER RONDELLE	2	2	2	2	
53	69J-14664-00	GROMMET, WATER SHUT PASSE-FIL	2	2	2	2	
54	69J-13440-01	ELEMENT ASSY, OIL CLEANER ELEMENT, FILTRE A HUILE	1	1	1	1	



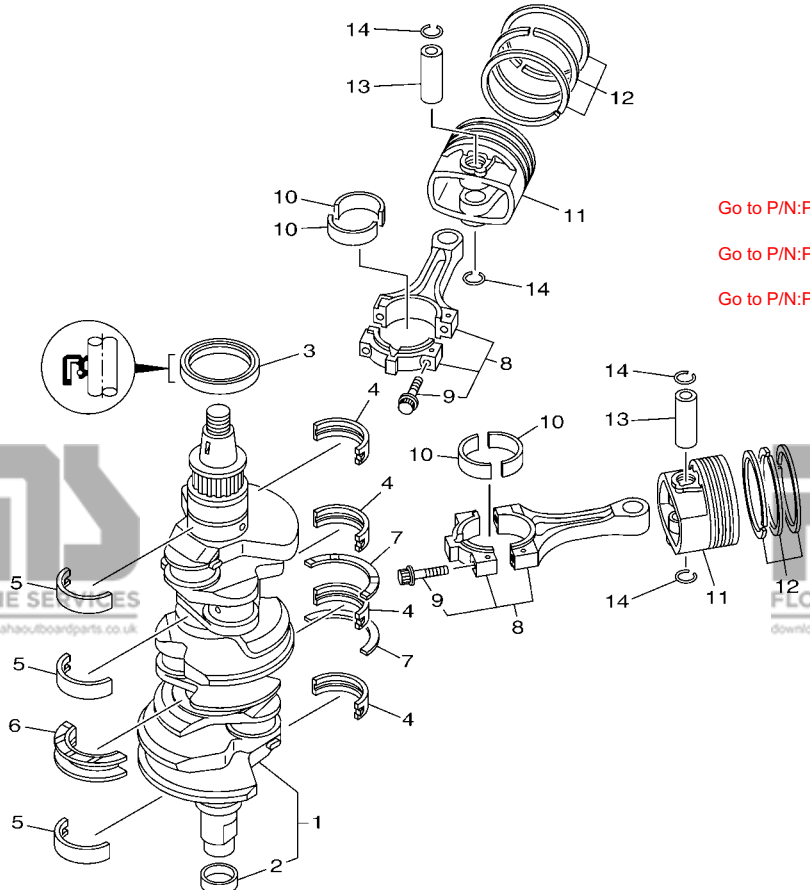
6P2A100-M030

**FIG. 3 CYLINDER & CRANKCASE 1      CYLINDRE & CARTER 1**

REF. NO.	PART NO. N° PIECES	DESCRIPTION DESCRIPTION	6AL9	6AS8	6AM9	6AT8	REMARKS REMARQUES
55	6S5-12858-00	BOLT, UNION BOULON, RACCORD	1	1	1	1	
56	6P2-13446-00-9S	CONNECTOR CONNECTEUR	1	1	1	1	
57	6P2-13477-00	GASKET JOINT	1	1	1	1	
58	90119-06025	BOLT, WITH WASHER BOULON, AVEC RONDELLE	5	5	5	5	
59	6G8-15363-00	PLUG, OIL PLOT, HUILE	1	1	1	1	
60	93210-24M79	O-RING JOINT TORIQUE	1	1	1	1	
61	6P2-82560-01	THERMO SWITCH ASSY THERMO-CONTACT COMPLET	2	2	2	2	
62	6P2-82588-01	PLATE PLAQUE	1	1	1	1	
63	6P2-82389-00	PLATE 2 PLAQUETTE 2	1	1	1	1	
64	6AW-83651-00	SENDER, OIL PRESSURE RACCORD, PRESSION D'HUILE	1	1	1	1	
65	6P2-83597-00	CLAMP COLLIER	1	1	1	1	
66	6P2-85780-00	SENSOR, KNOCK SONDE DE COGNEMENT	1	1	1	1	
67	90465-11M10	CLAMP BRIDE	1	1	1	1	

**FIG. 4 CRANKSHAFT & PISTON VILEBREQUIN & PISTON**

REF. NO.	PART NO. N° PIECES	DESCRIPTION DESCRIPTION	6AL9	6AS8	6AM9	6AT8	REMARKS REMARQUES
1	6P2-11410-10	CRANKSHAFT VILEBREQUIN COMPLET	1	1	1	1	
2	6CB-11478-00	.COLLAR .COLLERETTE	1	1	1	1	
3	93102-63004	OIL SEAL JOINT SPY	1	1	1	1	
4	6P2-11416-00	PLANE BEARING, CRANKSHAFT 1 COUSSINET DE VILEBREQUIN 1	4	4	4	4	UR YELLOW UR YELLOW
	6P2-11416-10	PLANE BEARING, CRANKSHAFT 1 COUSSINET DE VILEBREQUIN 1	4	4	4	4	UR GREEN UR GREEN
	6P2-11416-20	PLANE BEARING, CRANKSHAFT 1 COUSSINET DE VILEBREQUIN 1	4	4	4	4	UR BLUE UR BLUE
	6P2-11417-00	PLANE BEARING, CRANKSHAFT 2 COUSSINET DE VILEBREQUIN 2	3	3	3	3	UR YELLOW UR YELLOW
	6P2-11417-10	PLANE BEARING, CRANKSHAFT 2 COUSSINET DE VILEBREQUIN 2	3	3	3	3	UR GREEN UR GREEN
	6P2-11417-20	PLANE BEARING, CRANKSHAFT 2 COUSSINET DE VILEBREQUIN 2	3	3	3	3	UR BLUE UR BLUE
6	69J-11426-01	BEARING, THRUST 1 ROULEMENT DE BUTEE 1	1	1	1	1	UR #1 Go to P/N:PE0-OM-130065 UR #1
	69J-11426-11	BEARING, THRUST 1 ROULEMENT DE BUTEE 1	1	1	1	1	UR #2 Go to P/N:PE0-OM-130065 UR #2
	69J-11426-21	BEARING, THRUST 1 ROULEMENT DE BUTEE 1	1	1	1	1	UR #3 Go to P/N:PE0-OM-130065 UR #3
7	69J-11427-00	BEARING, THRUST 2 ROULEMENT DE BUTEE 2	2	2	2	2	Go to P/N:PE0-OM-130065
8	6P2-11650-00	CONNECTING ROD ASSY BIELLE COMPLETE	6	6	6	6	
9	63P-11654-10	.BOLT, CONNECTING ROD .BOULON, BIELLE	2	2	2	2	
10	6P2-11656-00	PLANE BEARING, CONNECTING ROD ROULEMENT DE BIELLE	12	12	12	12	UR YELLOW UR YELLOW
	6P2-11656-10	PLANE BEARING, CONNECTING ROD ROULEMENT DE BIELLE	12	12	12	12	UR GREEN UR GREEN
	6P2-11656-20	PLANE BEARING, CONNECTING ROD ROULEMENT DE BIELLE	12	12	12	12	UR BLUE UR BLUE
11	6P2-11631-10-93	PISTON (STD) PISTON (STD)	6	6	6	6	
	6P2-11635-10	PISTON (0.25MM O/S) PISTON (0.25MM O/S)	6	6	6	6	AP AP
12	63P-11603-01	PISTON RING SET (STD) JEU DE SEGMENTS (STD)	6	6	6	6	
	63P-11604-00	PISTON RING SET (0.25MM O/S) JEU DE SEGMENTS (0.25MM O/S)	6	6	6	6	AP AP
13	63P-11633-10	PIN, PISTON AXE, PISTON	6	6	6	6	
14	63P-11634-00	CLIP, PISTON PIN AGRAFE, AXE DE PISTON	12	12	12	12	



**FWD**  
6P2A100-M040

News No. PE0-OM-130065 **Revise** (1/3)

Date:2013/12/17

**1**\*Change BEARING, THRUST 1,2 of mounting position. (Revise : Feb.,24,2014)

**2**\*Change BEARING, THRUST 1,2 of mounting position. (Revise : Oct.,28,2014)

Signature:S.Ishibashi

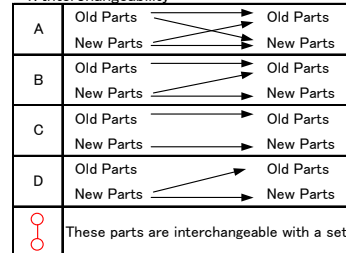
Cause :  Revision Notice  Correction  Sales Unit Change  Others

Model	(L)F200A, F(L)200CET / (L)F225A, F(L)225BET
Subject	PARTS CATALOGUE CORRECTIONS
CATALOGUE NO.	See the"List of Models and CATALOGUE No's below."
Time of YPEC Revision Text, Illustration --> Mar./10/2014	PDF Replace --> Mar./10/2014
(YPEC = Yamaha Parts Electrical Catalogue = Website parts catalogue)	

### Applicable Engine Serial No.

MODEL NAME	MODEL CODE	Applicable Engine Serial No.
F200C	6AL9	6AL:1004847-
FL200C	6AM9	6AM:1000559-
F225B	6AS8	6AS:1003343-
FL225B	6AT8	6AT:1000359-

\*1: Interchangeability



### 1. LIST CORRECTION

#### FIG.3 CYLINDER & CRANKCASE 1

Fig. No.	Ref. No.	OLD P/No.	NEW P/No.	DESCRIPTION (REMARKS)	Q'TY	*Interchangeability	REMARKS
3	1	6P2-W009B-07-9S	6P2-W009B-10-9S	CYLINDER BLOCK ASSY	1	D	*Part number revision

#### FIG.4 CRANKSHAFT & PISTON

4	5	6P2-11417-00	-	PLANE BEARING, CRANKSHAFT 2 (UR YELLOW)	3 --> 4	○	*Q'TY change	
		6P2-11417-10	-	PLANE BEARING, CRANKSHAFT 2 (UR GREEN)	3 --> 4			
		6P2-11417-20	-	PLANE BEARING, CRANKSHAFT 2 (UR BLUE)	3 --> 4			
	6	4	69J-11426-01	6AW-11426-01	BEARING, THRUST 1 (UR #1)	1 --> 2	○	*Part number revision *Q'TY change
			69J-11426-11	-	BEARING, THRUST 1 (UR #2)	4		○
		69J-11426-21	-	BEARING, THRUST 1 (UR #3)	4	○	*Part number revision	
		7	69J-11427-00	6AW-11427-01	BEARING, THRUST 2			2

D

Parts Manager Check  
Service Manager Check  
Parts Manager File

YAMAHA MOTOR CO.,LTD  
2500 Shingai Iwata Shizuoka 438-8501.Japan  
Technical Publication Dept.



GENUINE  
Parts & Accessories

# PARTS NEWS

FLOOD MARINE SERVICES  
downloaded from www.yamahaoutboardparts.co.uk

FLOOD MARINE SERVICES  
downloaded from www.yamahaoutboardparts.co.uk



YAMAHA MOTOR CO., LTD.  
2500 SHINGAI IWATA SHIZUOKA JAPAN

FLOOD MARINE SERVICES  
downloaded from www.yamahaoutboardparts.co.uk

News No. PE0-OM-130065 **Revise** (2/3)

Date:2013/12/17

**△**\*Change BEARING, THRUST 1,2 of mounting position. (Revise : Feb.,24,2014)

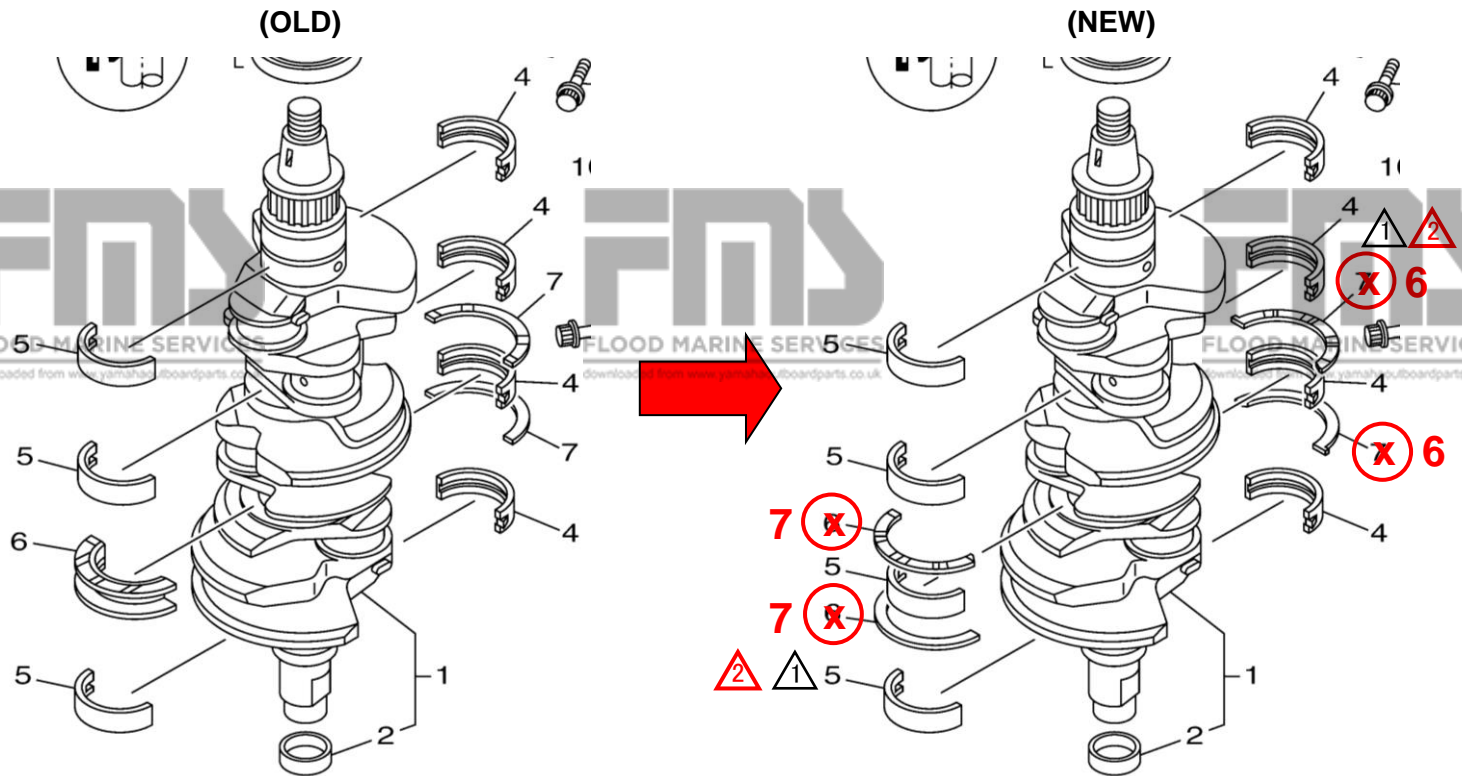
**△**\*Change BEARING, THRUST 1,2 of mounting position. (Revise : Oct.,28,2014)

Signature:S.Ishibashi

Cause :  Revision Notice  Correction  Sales Unit Change  Others

Model	(L)F200A, F(L)200CET / (L)F225A, F(L)225BET
Subject	PARTS CATALOGUE CORRECTIONS
CATALOGUE NO.	See the"List of Models and CATALOGUE No's below."
Time of YPEC Revision	Text, Illustration --> Mar./10/2014
	PDF Replace --> Mar./10/2014
(YPEC = Yamaha Parts Electrical Catalogue = Website parts catalogue)	

## 2. ILLUSTRATION CORRECTION FIG.4 CRANKSHAFT & PISTON



Thank you very much for your cooperation.

Parts  
Manager  
Check

Service  
Manager  
Check

Parts  
Manager  
File

YAMAHA MOTOR CO.,LTD  
2500 Shingai Iwata Shizuoka 438-8501.Japan  
Technical Publication Dept.



FLOOD MARINE SERVICES  
downloaded from www.yamahaoutboardparts.co.uk

FLOOD MARINE SERVICES  
downloaded from www.yamahaoutboardparts.co.uk

FLOOD MARINE SERVICES  
downloaded from www.yamahaoutboardparts.co.uk

News No. PE0-OM-130065 **Revise** (3/3)

Date:2013/12/17

**1**\*Change BEARING, THRUST 1,2 of mounting position. (Revise : Feb.,24,2014)

**2**\*Change BEARING, THRUST 1,2 of mounting position. (Revise : Oct.,28,2014)

Signature:S.Ishibashi

Cause :  Revision Notice    Correction    Sales Unit Change    Others

Model	(L)F200A, F(L)200CET / (L)F225A, F(L)225BET
Subject	PARTS CATALOGUE CORRECTIONS
CATALOGUE NO.	See the"List of Models and CATALOGUE No's below."
Time of YPEC Revision Text, Illustration --> Mar./10/2014	PDF Replace --> Mar./10/2014
(YPEC = Yamaha Parts Electrical Catalogue = Website parts catalogue)	

### 3. LIST of Models and CATALOGUE No's.

The applicable MODELS, MODEL CODES, and CATALOGUE No's are as follows.

MODEL NAME	MODEL CODE	MODEL YEAR	CATALOGUE NO.
F200A	6AL9	2013	1M6AL-100E1
LF200A	6AM9	2013	1M6AM-100E1
F225A	6AS8	2013	1M6AS-100E1
LF225A	6AT8	2013	1M6AT-100E1
F200CET FL200CET F225BET FL225BET	6AL9 6AM9 6AS8 6AT8	2013	1M6AL-300F1
F200CET FL200CET F225BET FL225BET	6AL9 6AM9 6AS8 6AT8	2013	1M6AL-370E1
F200CET FL200CET	6AL9 6AM9	2013	1M6AL-700E1
F200CET FL200CET F225BET FL225BET	6AL9 6AM9 6AS8 6AT8	2013	1M6AL-200S1

Thank you very much for your cooperation.

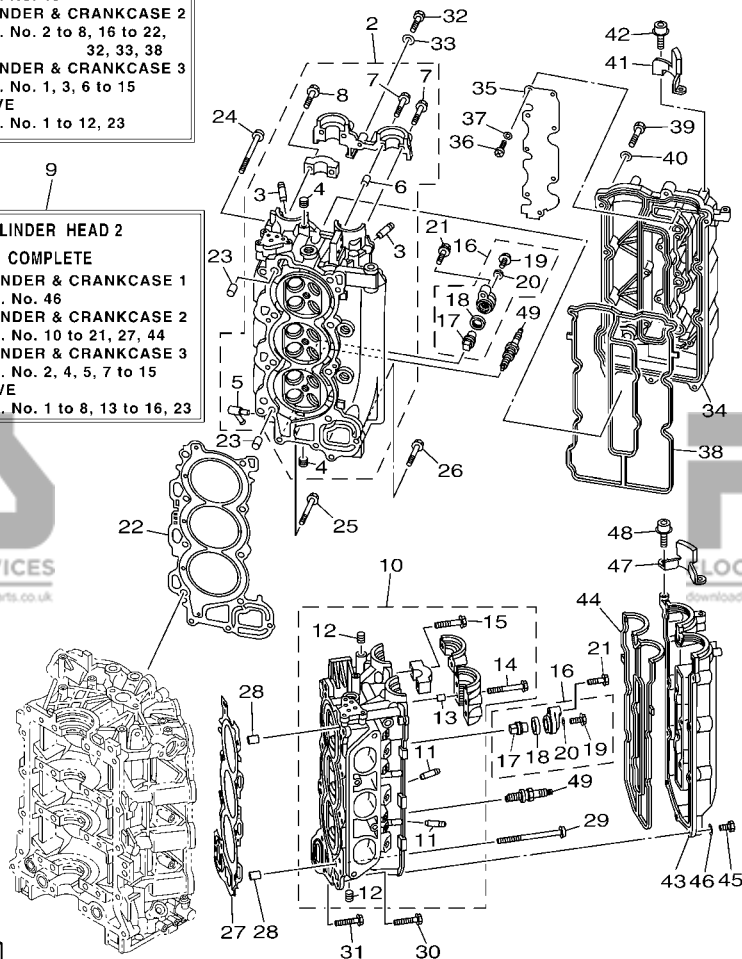


**CYLINDER HEAD COMPLETE**

Fig. 3, CYLINDER & CRANKCASE 1  
Ref. No. 46  
Fig. 5, CYLINDER & CRANKCASE 2  
Ref. No. 2 to 8, 16 to 22,  
32, 33, 38  
Fig. 6, CYLINDER & CRANKCASE 3  
Ref. No. 1, 3, 6 to 15  
Fig. 7, VALVE  
Ref. No. 1 to 12, 23

**CYLINDER HEAD 2 COMPLETE**

Fig. 3, CYLINDER & CRANKCASE 1  
Ref. No. 46  
Fig. 5, CYLINDER & CRANKCASE 2  
Ref. No. 10 to 21, 27, 44  
Fig. 6, CYLINDER & CRANKCASE 3  
Ref. No. 2, 4, 5, 7 to 15  
Fig. 7, VALVE  
Ref. No. 1 to 8, 13 to 16, 23



6P2A100-M050

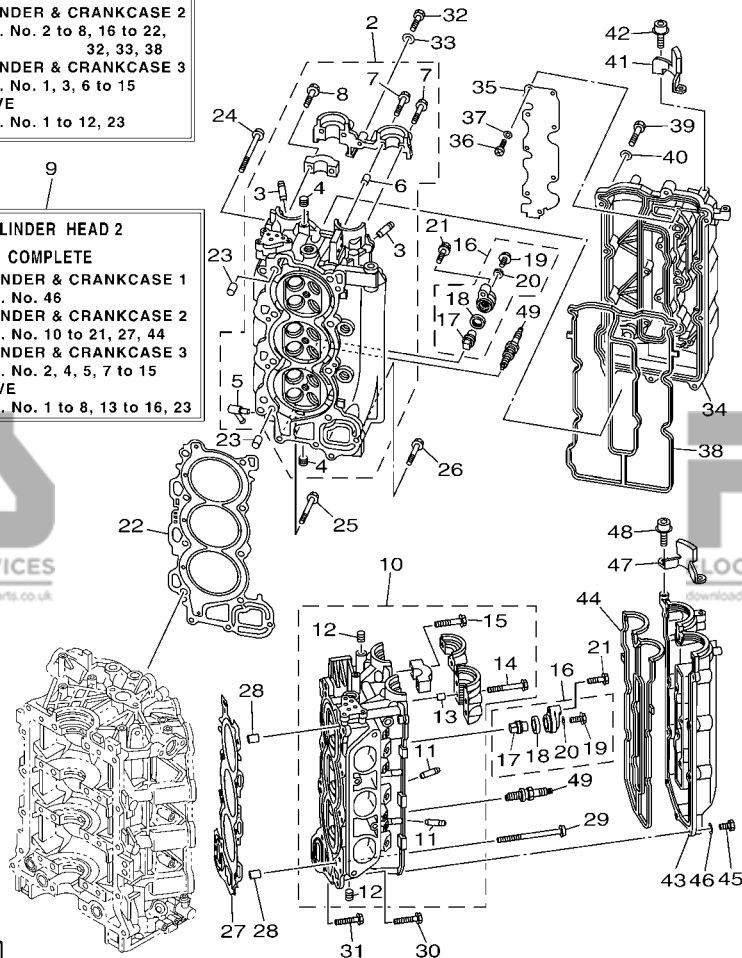
**FIG. 5 CYLINDER & CRANKCASE 2 CYLINDRE & CARTER 2**

REF. NO.	PART NO. N° PIECES	DESCRIPTION DESCRIPTION	GAL9	6A98	6AM9	6AT8	REMARKS REMARQUES
1	6P2-W009A-03-9S	CYLINDER HEAD COMPLETE CULASSE (ENS.)	1	1	1	1	
2	6P2-11110-10-9S	CYLINDER HEAD ASSY JEU DE CULASSE	1	1	1	1	
3	6S5-11133-10	.GUIDE, VALVE 1 .GUIDE, SOUPAPE 1	12	12	12	12	
4	90344-51019	.PLUG, TAPER SCREW .PLOT, FILETE CONIQUE	7	7	7	7	
5	676-11372-00	.NIPPLE, HOSE .RACCORD, TUYAU	1	1	1	1	
6	91809-08006	.PIN, DOWEL .GOUJON, D'ASSEMBLAGE	2	2	2	2	
7	90119-07001	.BOLT, WITH WASHER .BOULON, AVEC RONDELLE	4	4	4	4	
8	90119-07234	.BOLT, WITH WASHER .BOULON, AVEC RONDELLE	14	14	14	14	
9	6P2-W009C-03-9S	CYLINDER HEAD 2 COMPLETE CULASSE 2	1	1	1	1	
10	6P2-11120-10-9S	CYLINDER HEAD ASSY 2 CULASSE 2	1	1	1	1	
11	6S5-11133-10	.GUIDE, VALVE 1 .GUIDE, SOUPAPE 1	12	12	12	12	
12	90344-51019	.PLUG, TAPER SCREW .PLOT, FILETE CONIQUE	3	3	3	3	
13	91809-08006	.PIN, DOWEL .GOUJON, D'ASSEMBLAGE	4	4	4	4	
14	90119-07235	.BOLT/WASHER-CAM CAPS .BOULON, AVEC RONDELLE	6	6	6	6	
15	90119-07234	.BOLT, WITH WASHER .BOULON, AVEC RONDELLE	12	12	12	12	
16	69J-11301-00	ANODE COVER ASSY COUVERCLE ANODE (ENS.)	4	4	4	4	
17	67F-11325-01	.ANODE .ANODE	1	1	1	1	
18	67F-11328-00	.GROMMET, ANODE .PASSE-FIL	1	1	1	1	
19	90105-06M07	.BOLT, FLANGE .BOULON	1	1	1	1	
20	90430-06M03	.GASKET .JOINT	1	1	1	1	
21	97575-08540	BOLT, WITH WASHER VIS HEXAGONAL AVEC RONDELLE	4	4	4	4	
22	6P2-11181-00	GASKET, CYLINDER HEAD 1 JOINT, DE CULASSE 1	1	1	1	1	
23	99530-14016	PIN, DOWEL GOUJON, D'ASSEMBLAGE	2	2	2	2	
24	90155-10004	SCREW, FLAT FILLISTER VIS, TETE OVALE PLATE	8	8	8	8	
25	90119-08M91	BOLT, WITH WASHER BOULON, AVEC RONDELLE	2	2	2	2	
26	90119-08021	BOLT, WITH WASHER BOULON, AVEC RONDELLE	1	1	1	1	
27	6P2-11182-00	GASKET, CYLINDER HEAD 2 JOINT, CULASSE 2	1	1	1	1	

**FIG. 5 CYLINDER & CRANKCASE 2 CYLINDRE & CARTER 2**

**CYLINDER HEAD COMPLETE**  
Fig. 3, CYLINDER & CRANKCASE 1  
Ref. No. 46  
Fig. 5, CYLINDER & CRANKCASE 2  
Ref. No. 2 to 8, 16 to 22,  
32, 33, 38  
Fig. 6, CYLINDER & CRANKCASE 3  
Ref. No. 1, 3, 6 to 15  
Fig. 7, VALVE  
Ref. No. 1 to 12, 23

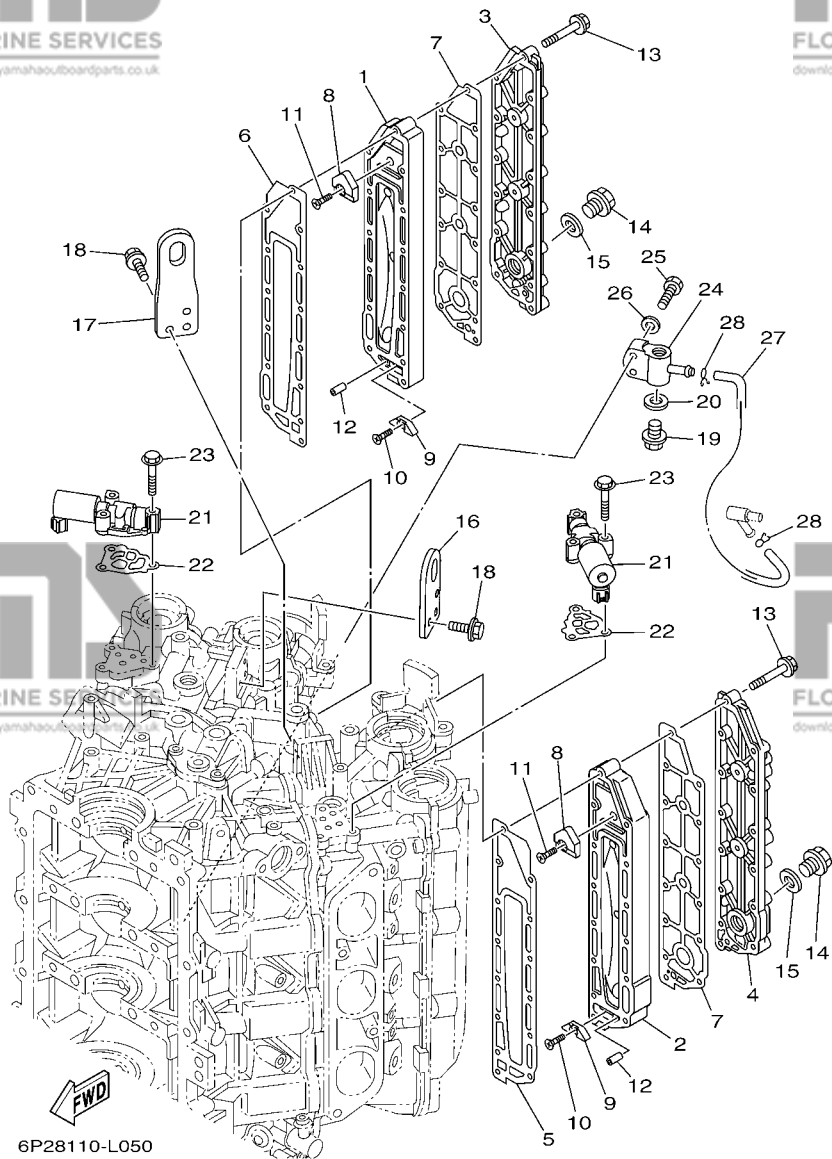
**CYLINDER HEAD 2 COMPLETE**  
Fig. 3, CYLINDER & CRANKCASE 1  
Ref. No. 46  
Fig. 5, CYLINDER & CRANKCASE 2  
Ref. No. 10 to 21, 27, 44  
Fig. 6, CYLINDER & CRANKCASE 3  
Ref. No. 2, 4, 5, 7 to 15  
Fig. 7, VALVE  
Ref. No. 1 to 8, 13 to 16, 23



**FWD**  
6P2A100-M050

REF. NO.	PART NO. N° PIECES	DESCRIPTION DESCRIPTION	GAL9	6A98	6AM9	6AT8	REMARKS REMARQUES
28	99530-14016	PIN, DOWEL GOUJON, D'ASSEMBLAGE	2	2	2	2	
29	90155-10004	SCREW, FLAT FILLISTER VIS, TETE OVALE PLATE	8	8	8	8	
30	90119-08M91	BOLT, WITH WASHER BOULON, AVEC RONDELLE	2	2	2	2	
31	90119-08021	BOLT, WITH WASHER BOULON, AVEC RONDELLE	1	1	1	1	
32	97095-06030	BOLT BOULON	1	1	1	1	
33	92995-06600	WASHER RONDELLE	1	1	1	1	
34	6P2-11191-00-9S	COVER, CYLINDER HEAD 1 COUVERCLE, CULASSE 1	1	1	1	1	
35	6P2-11135-00	PLATE, BREATHER 3 PLAQUE, RENIFLARD 3	1	1	1	1	
36	98507-04008	SCREW, PAN HEAD VIS, TETE TRONCONIQUE	9	9	9	9	
37	92907-04600	WASHER RONDELLE	9	9	9	9	
38	6P2-11193-00	GASKET, HEAD COVER 1 JOINT, COUVERCLE DE CULASSE 1	1	1	1	1	
39	97095-06030	BOLT BOULON	14	14	14	14	
40	92995-06600	WASHER RONDELLE	14	14	14	14	
41	6P2-15142-00	GUIDE 1 GUIDE 1	1	1	1	1	
42	90110-06150	BOLT, HEXAGON SOCKET HEAD BOULON, TETE HEXAGONALE CREUSE	2	2	2	2	
43	6P2-11192-00-9S	COVER, CYLINDER HEAD 2 COUVERCLE, CULASSE 2	1	1	1	1	
44	6P2-11194-00	GASKET, HEAD COVER 2 JOINT, COUVERCLE DE CULASSE 2	1	1	1	1	
45	97095-06030	BOLT BOULON	14	14	14	14	
46	92995-06600	WASHER RONDELLE	14	14	14	14	
47	6P2-15143-00	GUIDE GUIDE	1	1	1	1	
48	90110-06150	BOLT, HEXAGON SOCKET HEAD BOULON, TETE HEXAGONALE CREUSE	2	2	2	2	
49	94702-00400	PLUG, SPARK (NGK LFR6A-11) BOUGIE D'ALLUMAGE(NGK LFR6A-11)	6	6	6	6	

**FIG. 6 CYLINDER & CRANKCASE 3 CYLINDRE & CARTER 3**



6P28110-L050

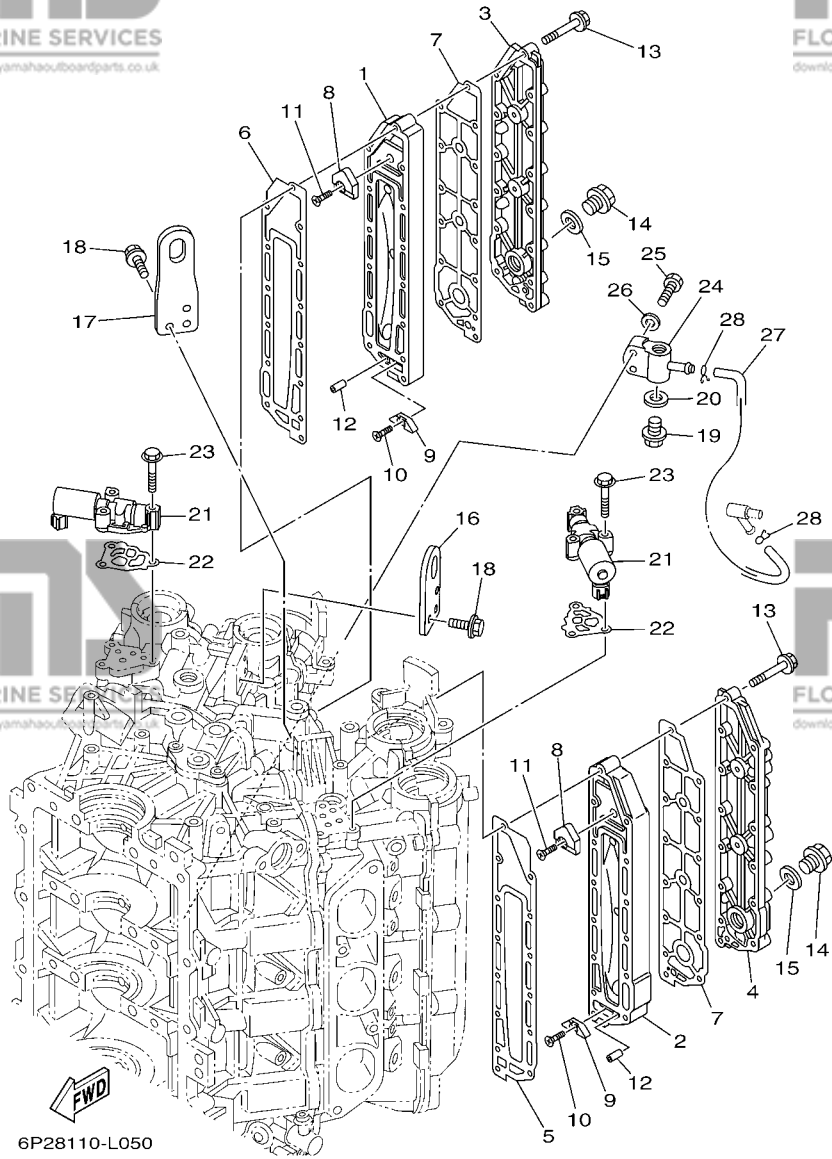
REF. NO.	PART NO. N° PIECES	DESCRIPTION DESCRIPTION	6AL9	6AS8	6AM9	6AT8	REMARKS REMARQUES
1	69J-41111-01-9S	INNER COVER, EXHAUST PLAQUE, ECHAPPEMENT	1	1	1	1	
2	69J-41121-01-9S	INNER COVER, EXHAUST PLAQUE, ECHAPPEMENT	1	1	1	1	
3	69J-41113-02-9S	OUTER COVER, EXHAUST COUVERCLE, ECHAPPEMENT	1	1	1	1	
4	69J-41123-02-9S	OUTER COVER, EXHAUST COUVERCLE, ECHAPPEMENT	1	1	1	1	
5	6P2-41112-00	GASKET, EXHAUST INNER COVER JOINT, PLAQUE D'ECHAPPEMENT	1	1	1	1	
6	6P2-41122-00	GASKET, EXHAUST INNER COVER JOINT, PLAQUE D'ECHAPPEMENT	1	1	1	1	
7	6P2-41114-00	GASKET, EXHAUST OUTER COVER JOINT, COUVERCLE D'ECHAPPEMENT	2	2	2	2	
8	6P2-11325-00	ANODE ANODE	2	2	2	2	
9	6E5-11325-00	ANODE ANODE	2	2	2	2	
10	98780-04015	SCREW, FLAT HEAD VIS A TETE FRAISEE	2	2	2	2	
11	90151-06M02	SCREW, COUNTERSUNK VIS, TETE NOYEE	2	2	2	2	
12	91690-40010	PIN, SPRING AGRAFFE	2	2	2	2	
13	90119-06027	BOLT, WITH WASHER BOULON, AVEC RONDELLE	28	28	28	28	
14	90340-18M09	PLUG, STRAIGHT SCREW PLOT, FILETE DROIT	2	2	2	2	
15	90430-18130	GASKET JOINT	2	2	2	2	
16	6P2-11119-00	HANGER, ENGINE ANNEAU, LEVAGE	1	1	1	1	
17	6P2-1111E-00	HANGER, ENGINE 2 ANNEAU, LEVAGE 2	1	1	1	1	
18	90105-06M09	BOLT, FLANGE BOULON	6	6	6	6	
19	90340-14M06	PLUG, STRAIGHT SCREW PLOT, FILETE DROIT	1	1	1	1	
20	90430-14115	GASKET JOINT	1	1	1	1	
21	6CB-86120-00	SOLENOID VALVE ASSY SOLENOIDE	2	2	2	2	
22	6CB-1242F-00	GASKET, FILTER JOINT, FILTRE	2	2	2	2	
23	90105-06035	BOLT, FLANGE BOULON	6	6	6	6	
24	6P2-83652-00	CONNECTOR CONNECTEUR	1	1	1	1	
25	97095-06030	BOLT BOULON	2	2	2	2	
26	92995-06600	WASHER RONDELLE	2	2	2	2	
27	6H4-24311-00	PIPE, FUEL 1 DURITE A ESSENCE	1	1	1	1	

**FIG. 6 CYLINDER & CRANKCASE 3**

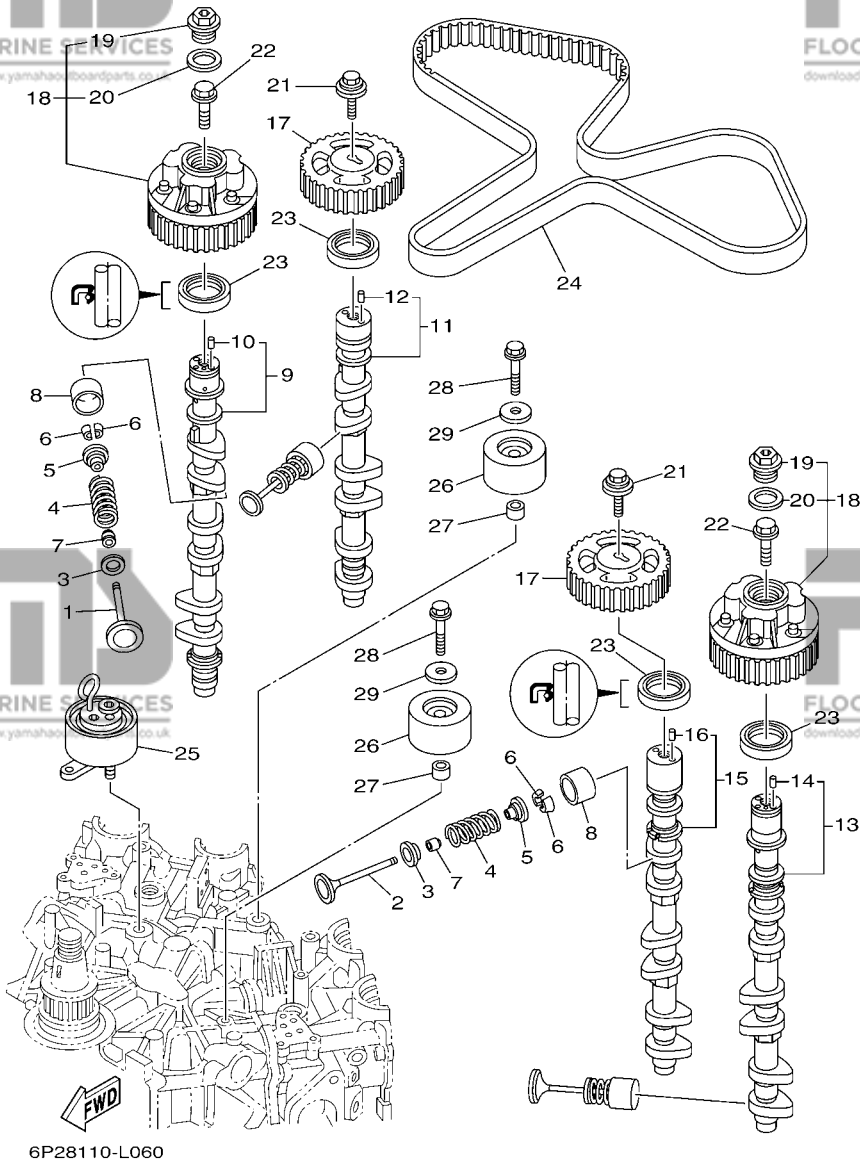
**CYLINDRE & CARTER 3**

REF. NO.	PART NO. N° PIECES	DESCRIPTION DESCRIPTION	GAL9	GA98	GAM9	GAT8	REMARKS REMARQUES
----------	--------------------	-------------------------	------	------	------	------	-------------------

28	90467-08M18	CLIP JONC	2	2	2	2	
----	-------------	-----------	---	---	---	---	--



6P28110-L050

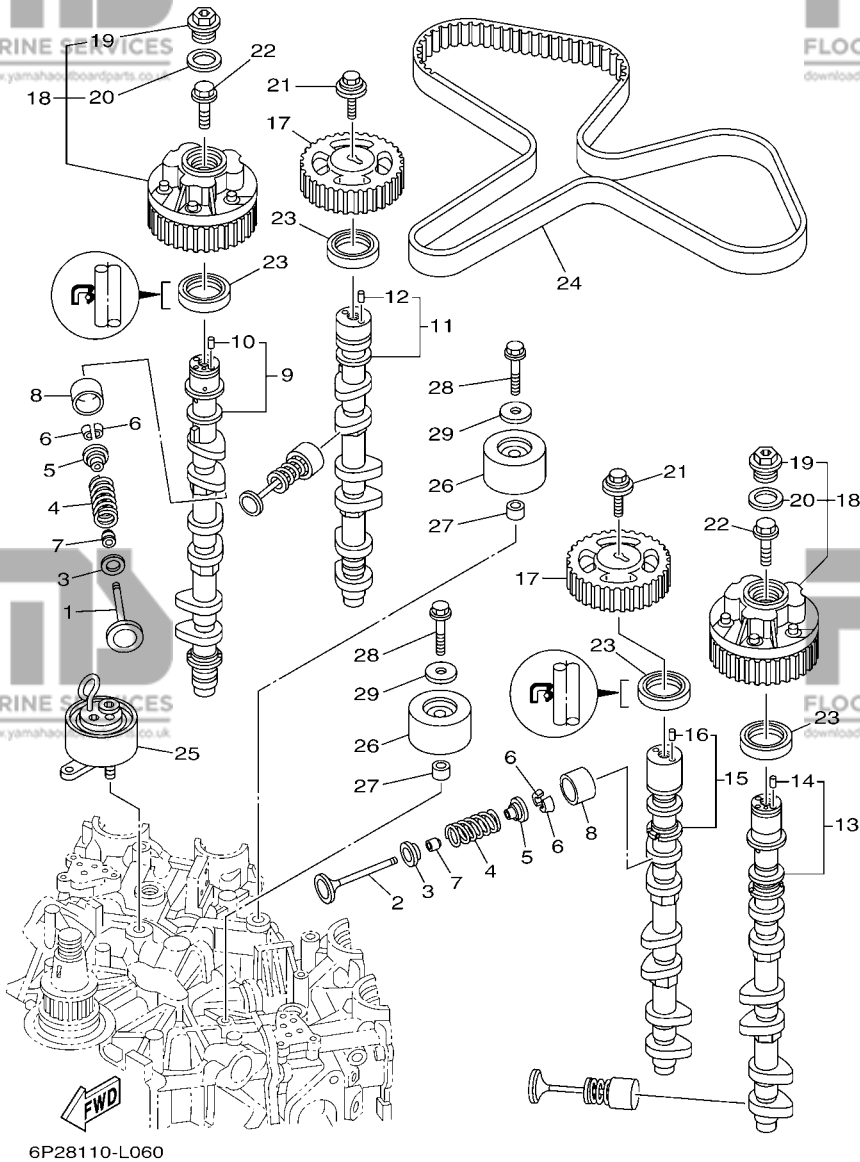


6P28110-L060

FIG. 7 VALVE

SOUPAPE

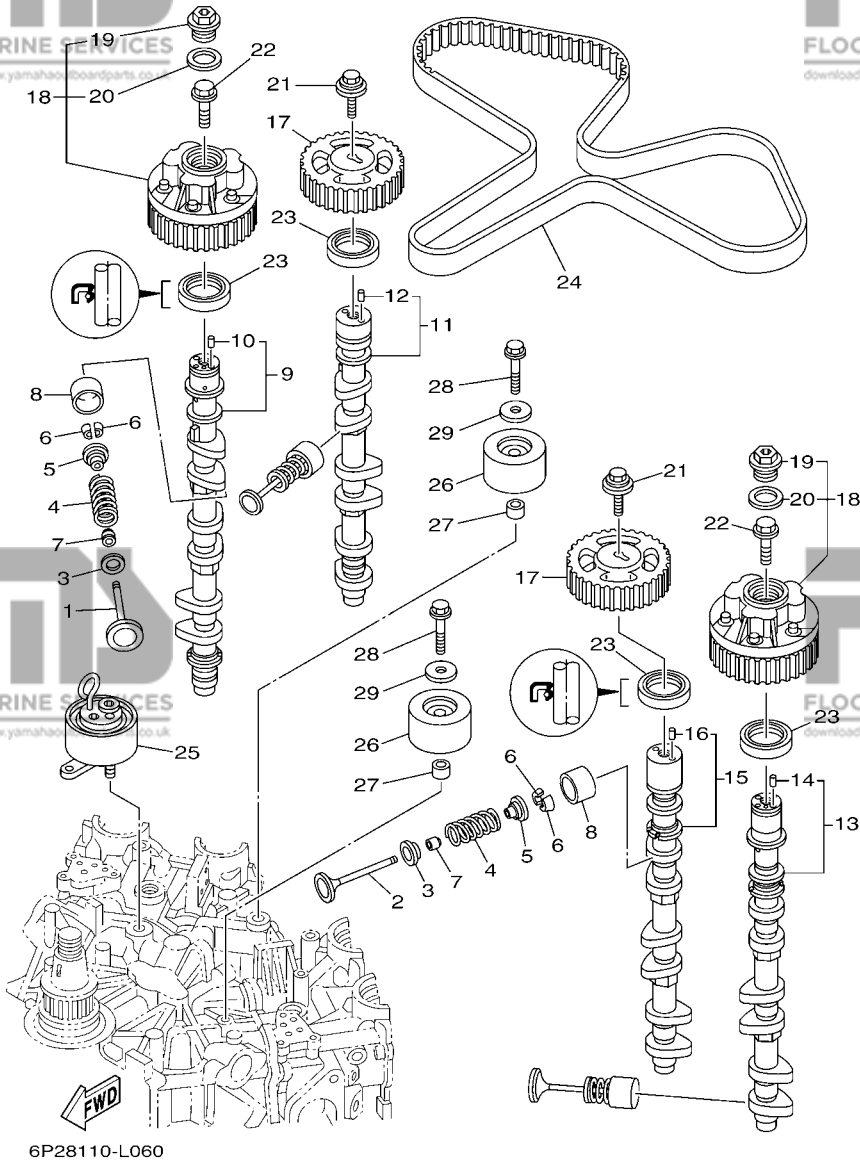
REF. NO.	PART NO. N° PIECES	DESCRIPTION DESCRIPTION	6AL9	6A98	6AM9	6AT8	REMARKS REMARQUES
1	6P2-12111-10	VALVE, INTAKE SOUPAPE, ADMISSION	12	12	12	12	
2	6P2-12121-10	VALVE, EXHAUST SOUPAPE, ECHAPPEMENT	12	12	12	12	
3	K0F-A3743-00	SEAT, VALVE SPRING SIEGE, RESSORT DE SOUPAPE	24	24	24	24	
4	6CB-12113-00	SPRING, VALVE INNER RESSORT DE SOUPAPE, INTERNE	24	24	24	24	
5	K0F-A3741-00	RETAINER, VALVE SPRING BUTEE DE RESSORT DE SOUPAPE	24	24	24	24	
6	K0F-A3742-00	LOCK, VALVE SPRING RETAINER FRAISE, SOUPAPE	48	48	48	48	
7	51Y-12119-00	SEAL, VALVE STEM JOINT, QUEUE DE SOUPAPE	24	24	24	24	
8	K0F-A3751-00	LIFTER, VALVE (3.000) LEVE-SOUPAPE (3.000)	24	24	24	24	UR
	K0F-A3751-10	LIFTER, VALVE (3.025) LEVE-SOUPAPE (3.025)	24	24	24	24	UR
	K0F-A3751-20	LIFTER, VALVE (3.050) LEVE-SOUPAPE (3.050)	24	24	24	24	UR
	K0F-A3751-30	LIFTER, VALVE (3.075) LEVE-SOUPAPE (3.075)	24	24	24	24	UR
	K0F-A3751-40	LIFTER, VALVE (3.100) LEVE-SOUPAPE (3.100)	24	24	24	24	UR
	K0F-A3751-50	LIFTER, VALVE (3.122) LEVE-SOUPAPE (3.122)	24	24	24	24	UR
	K0F-A3751-60	LIFTER, VALVE (3.142) LEVE-SOUPAPE (3.142)	24	24	24	24	UR
	K0F-A3751-70	LIFTER, VALVE (3.162) LEVE-SOUPAPE (3.162)	24	24	24	24	UR
	K0F-A3751-80	LIFTER, VALVE (3.182) LEVE-SOUPAPE (3.182)	24	24	24	24	UR
	K0F-A3751-90	LIFTER, VALVE (3.202) LEVE-SOUPAPE (3.202)	24	24	24	24	UR
	K0F-A3751-A0	LIFTER, VALVE (3.222) LEVE-SOUPAPE (3.222)	24	24	24	24	UR
	K0F-A3751-B0	LIFTER, VALVE (3.242) LEVE-SOUPAPE (3.242)	24	24	24	24	UR
	K0F-A3751-C0	LIFTER, VALVE (3.262) LEVE-SOUPAPE (3.262)	24	24	24	24	UR
	K0F-A3751-D0	LIFTER, VALVE (3.282) LEVE-SOUPAPE (3.282)	24	24	24	24	UR
	K0F-A3751-E0	LIFTER, VALVE (3.302) LEVE-SOUPAPE (3.302)	24	24	24	24	UR
	K0F-A3751-F0	LIFTER, VALVE (3.322) LEVE-SOUPAPE (3.322)	24	24	24	24	UR
	K0F-A3751-G0	LIFTER, VALVE (3.342) LEVE-SOUPAPE (3.342)	24	24	24	24	UR
	K0F-A3751-H0	LIFTER, VALVE (3.362) LEVE-SOUPAPE (3.362)	24	24	24	24	UR
	K0F-A3751-J0	LIFTER, VALVE ((3.382) LEVE-SOUPAPE ((3.382)	24	24	24	24	UR
	K0F-A3751-K0	LIFTER, VALVE (3.402) LEVE-SOUPAPE (3.402)	24	24	24	24	UR



**FIG. 7 VALVE**

**SOUPAPE**

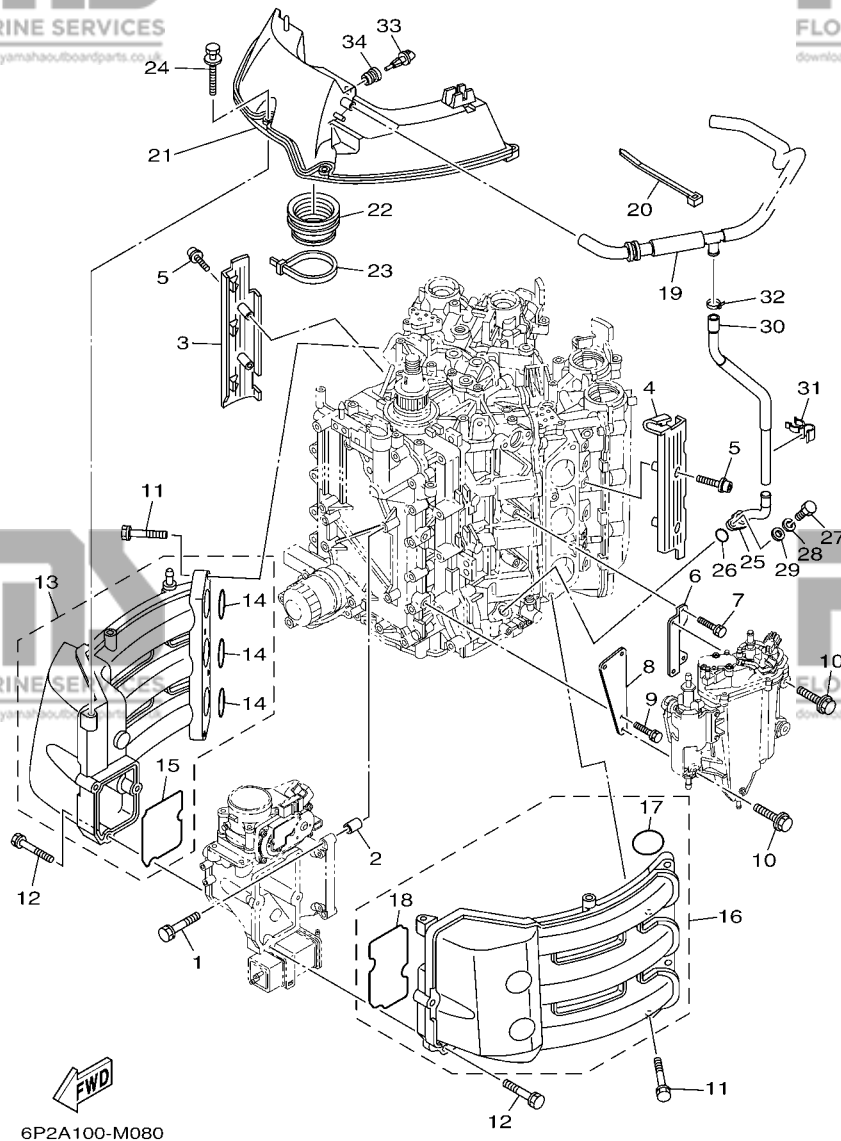
REF. NO.	PART NO. N° PIECES	DESCRIPTION DESCRIPTION	6AL9	6AS8	6AM9	6AT8	REMARKS REMARQUES
8	K0F-A3751-L0	LIFTER, VALVE (3.422) LEVE-SOUPAPE (3.422)	24	24	24	24	UR
	K0F-A3751-M0	LIFTER, VALVE (3.442) LEVE-SOUPAPE (3.442)	24	24	24	24	UR
	K0F-A3751-N0	LIFTER, VALVE (3.462) LEVE-SOUPAPE (3.462)	24	24	24	24	UR
	K0F-A3751-P0	LIFTER, VALVE (3.482) LEVE-SOUPAPE (3.482)	24	24	24	24	UR
	K0F-A3751-R0	LIFTER, VALVE (3.502) LEVE-SOUPAPE (3.502)	24	24	24	24	UR
	K0F-A3751-S0	LIFTER, VALVE (3.522) LEVE-SOUPAPE (3.522)	24	24	24	24	UR
	K0F-A3751-T0	LIFTER, VALVE (3.542) LEVE-SOUPAPE (3.542)	24	24	24	24	UR
	K0F-A3753-00	LIFTER, VALVE (3.562) LEVE-SOUPAPE (3.562)	24	24	24	24	UR
	K0F-A3753-10	LIFTER, VALVE (3.582) LEVE-SOUPAPE (3.582)	24	24	24	24	UR
	K0F-A3753-20	LIFTER, VALVE (3.602) LEVE-SOUPAPE (3.602)	24	24	24	24	UR
	K0F-A3753-30	LIFTER, VALVE (3.625) LEVE-SOUPAPE (3.625)	24	24	24	24	UR
	K0F-A3753-40	LIFTER, VALVE (3.650) LEVE-SOUPAPE (3.650)	24	24	24	24	UR
	K0F-A3753-50	LIFTER, VALVE (3.675) LEVE-SOUPAPE (3.675)	24	24	24	24	UR
	K0F-A3753-60	LIFTER, VALVE (3.700) LEVE-SOUPAPE (3.700)	24	24	24	24	UR
	K0F-A3753-70	LIFTER, VALVE (3.725) LEVE-SOUPAPE (3.725)	24	24	24	24	UR
9	6P2-12171-10	CAMSHAFT 1 ARBRE A CAMES 1	1	1	1	1	
10	93605-10108	.PIN, DOWEL .AXE	1	1	1	1	
11	6P2-12181-10	CAMSHAFT 2 ARBRE A CAMES 2	1	1	1	1	
12	93605-10108	.PIN, DOWEL .AXE	1	1	1	1	
13	6P2-12172-10	CAMSHAFT 3 ARBRE A CAMES 3	1	1	1	1	
14	93605-10108	.PIN, DOWEL .AXE	1	1	1	1	
15	6P2-12182-10	CAMSHAFT 4 ARBRE A CAMES 4	1	1	1	1	
16	93605-10108	.PIN, DOWEL .AXE	1	1	1	1	
17	6P2-11537-01	GEAR, DRIVEN PIGNON SECONDAIRE	2	2	2	2	
18	6P2-12645-20	PULLEY ASSY 1 POULIE COMPLET 1	2	2	2	2	
19	6P2-12623-00	.BOLT .BOULON	1	1	1	1	
20	6P2-12663-00	.GASKET .JOINT	1	1	1	1	



**FIG. 7 VALVE**

**SOUPAPE**

REF. NO.	PART NO. N° PIECES	DESCRIPTION DESCRIPTION	6AL9	6AS8	6AM9	6AT8	REMARKS REMARQUES
21	90119-10050	BOLT, WITH WASHER BOULON, AVEC RONDELLE	2	2	2	2	
22	6P2-12615-00	BOLT BOULON	2	2	2	2	
23	93102-38008	OIL SEAL JOINT SPY	4	4	4	4	
24	6P2-46241-01	BELT COURROIE TRAPEZOIDALE	1	1	1	1	
25	6P2-11590-01	TENSIONER ASSY TENDEUR (ENS.)	1	1	1	1	
26	6P2-15512-00	GEAR, IDLER 1 PIGNON, INTERMEDIAIRE 1	2	2	2	2	
27	99530-14016	PIN, DOWEL GOUJON, D'ASSEMBLAGE	2	2	2	2	
28	90119-10M07	BOLT, WITH WASHER BOULON, AVEC RONDELLE	2	2	2	2	
29	90201-10M01	WASHER, PLATE RONDELLE, PLATE	2	2	2	2	



**FIG. 8 INTAKE 1**

**ADMISSION 1**

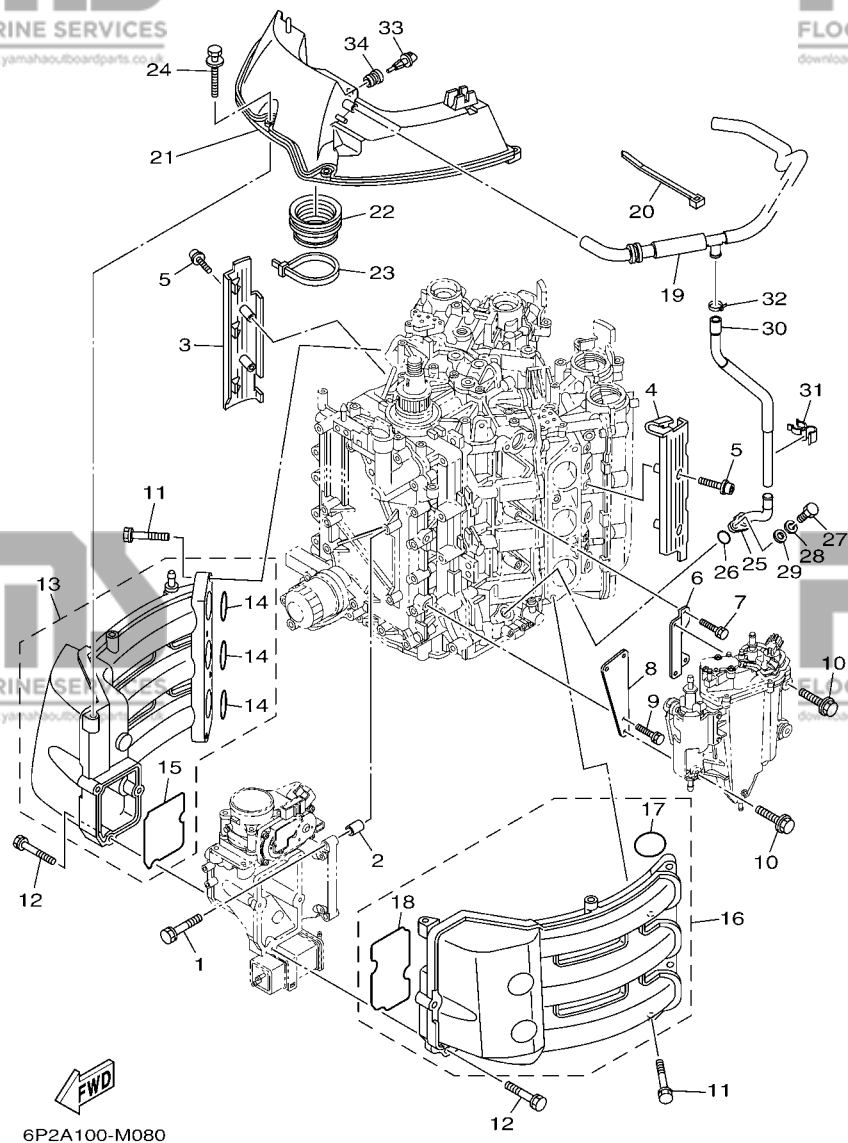
REF. NO.	PART NO. N° PIECES	DESCRIPTION DESCRIPTION	6AL9	6AS8	6AM9	6AT8	REMARKS REMARQUES
1	97575-08540	BOLT, WITH WASHER VIS HEXAGONAL AVC RONDELLE	4	4	4	4	
2	99530-10114	PIN, DOWEL GOIJON, D'ASSEMBLAGE	2	2	2	2	
3	6P2-13564-00	COVER, MANIFOLD COUVERCLE, TUBULURE	1	1	1	1	
4	6P2-13594-00	COVER, MANIFOLD 2 COUVERCLE, TUBULURE 2	1	1	1	1	
5	90110-06038	BOLT, HEXAGON SOCKET HEAD BOULON, TETE HEXAGONALE CREUSE	4	4	4	4	
6	6P2-24422-10	PLATE PLAQUETTE	1	1	1	1	
7	97575-06516	BOLT, WITH WASHER VIS HEXAGONAL AVC RONDELLE	2	2	2	2	
8	6P2-24419-00	BRKT., SEPARATOR SUPPORT	1	1	1	1	
9	97575-06516	BOLT, WITH WASHER VIS HEXAGONAL AVC RONDELLE	2	2	2	2	
10	90119-06M24	BOLT, WITH WASHER BOULON, AVEC RONDELLE	4	4	4	4	
11	97575-08540	BOLT, WITH WASHER VIS HEXAGONAL AVC RONDELLE	8	8	8	8	
12	90119-06MA6	BOLT, WITH WASHER BOULON, AVEC RONDELLE	7	7	7	7	
13	6P2-13641-00	MANIFOLD, INTAKE 1 TUBULURE, ADMISSION 1	1	1	1	1	
14	6P2-13645-00	.GASKET, MANIFOLD 1 .JOINT, TUBULURE 1	3	3	3	3	
15	6P2-13646-00	.GASKET, MANIFOLD 2 .JOINT, TUBULURE 2	1	1	1	1	
16	6P2-13642-00	MANIFOLD 2 TUBULURE 2	1	1	1	1	
17	6P2-13645-00	.GASKET, MANIFOLD 1 .JOINT, TUBULURE 1	3	3	3	3	
18	6P2-13647-00	.GASKET, MANIFOLD 3 .JOINT, TUBULURE 3	1	1	1	1	
19	6P2-15373-01	PIPE, BREATHER DURITE DE RENIFLARD	1	1	1	1	
20	90465-13M18	CLAMP BRIDE	1	1	1	1	
21	6P2-14440-00	SILENCER ASSY, INTAKE SIENCIEUX D'ADMISSION	1	1	1	1	
22	6P2-1441J-00	PIPE, SILENCER DURITE, DE SIENCIEUX	1	1	1	1	
23	90464-99004	CLAMP BRIDE	1	1	1	1	
24	90119-06M35	BOLT, WITH WASHER BOULON, AVEC RONDELLE	4	4	4	4	
25	6P2-11372-00	NIPPLE, HOSE RACCORD, TUYAU	1	1	1	1	
26	93210-19MJ3	O-RING JOINT TORIQUE	1	1	1	1	
27	97095-06020	BOLT BOULON	1	1	1	1	

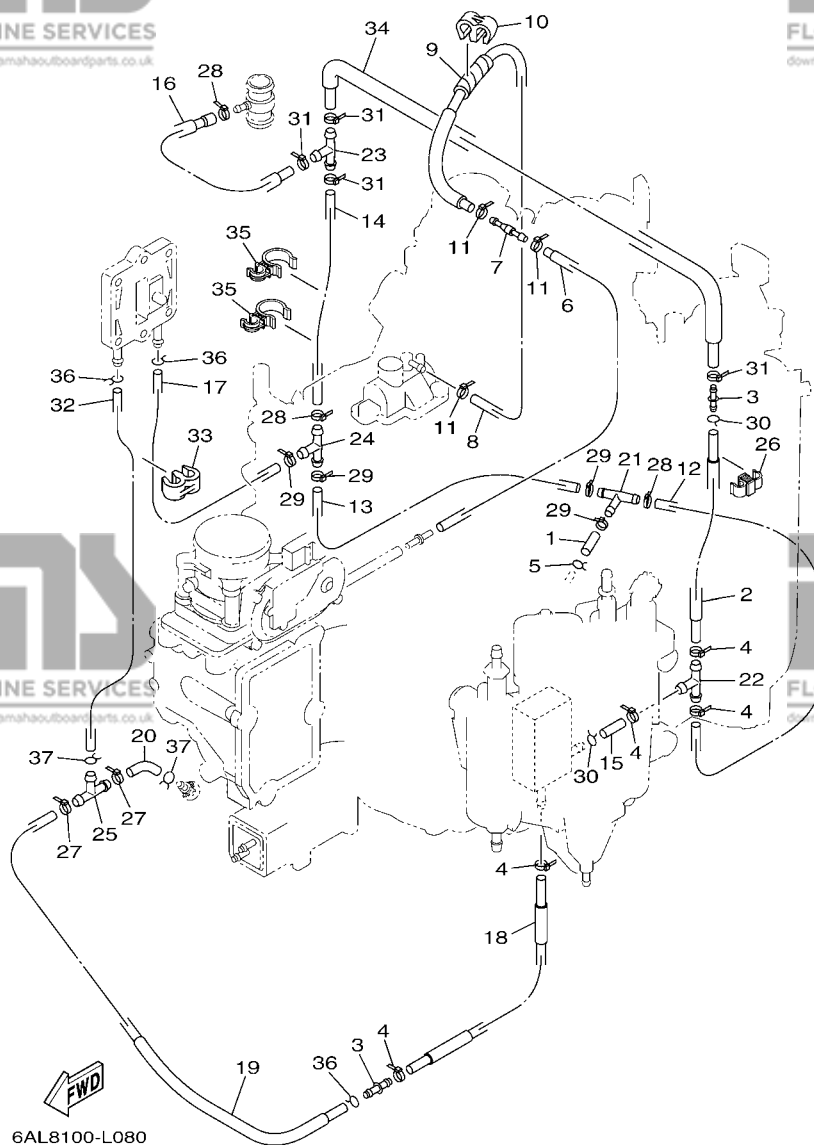


FIG. 8 INTAKE 1

ADMISSION 1

REF. NO.	PART NO. N° PIECES	DESCRIPTION DESCRIPTION	6AL9	6AS8	6AM9	6AT8	REMARKS REMARQUES
28	92995-06100	WASHER, SPRING RONDELLE, GROWER	1	1	1	1	
29	92995-06600	WASHER RONDELLE	1	1	1	1	
30	6P2-11377-00	HOSE DURITE	1	1	1	1	
31	90464-20011	CLAMP BRIDE	1	1	1	1	
32	90465-11M10	CLAMP BRIDE	1	1	1	1	
33	63P-85886-00	SENSOR, AIR TEMPERATURE SONDE	1	1	1	1	
34	63P-14435-00	GROMMET RONDELLE CAOUTCHOUC	1	1	1	1	





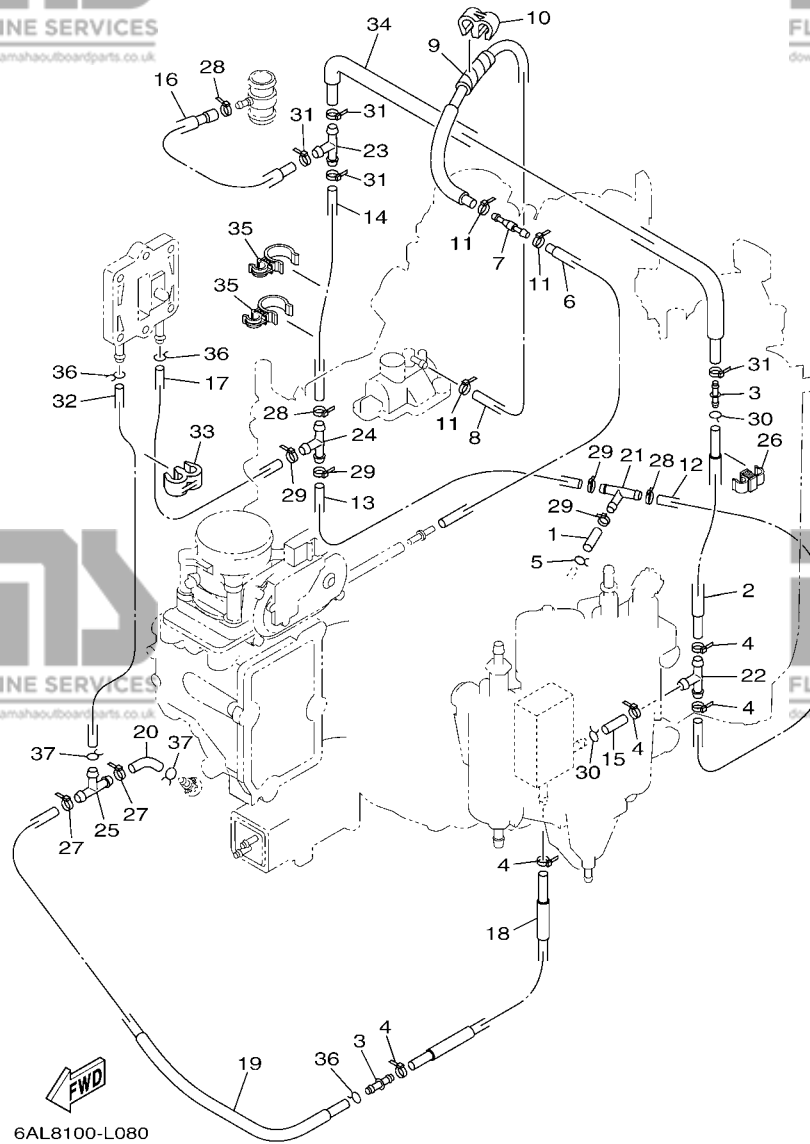
**FIG. 9 INTAKE 2**

**ADMISSION 2**

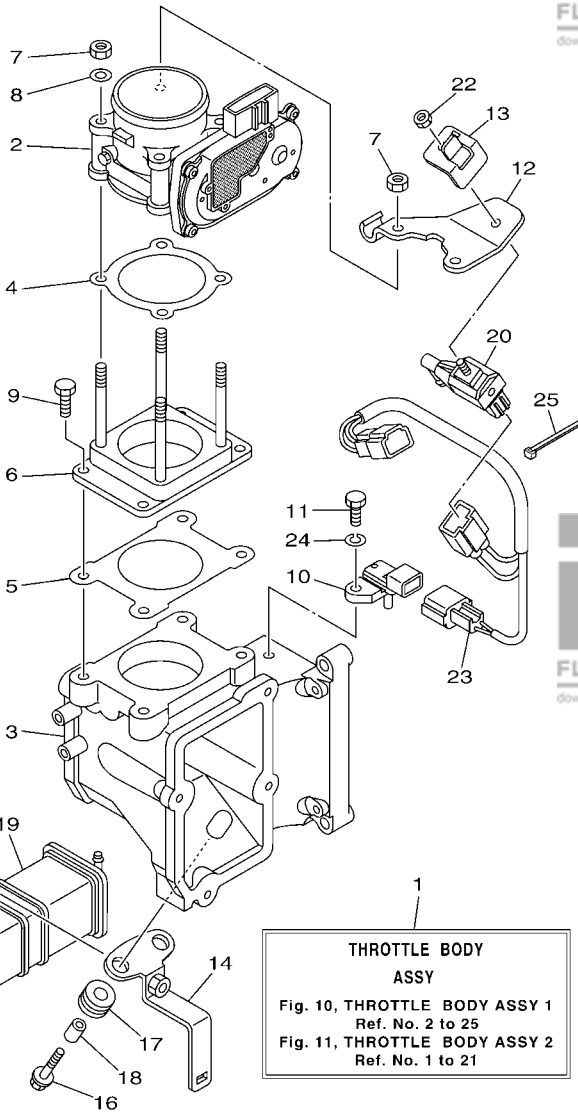
REF. NO.	PART NO. N° PIECES	DESCRIPTION DESCRIPTION	6AL9	6AS8	6AM9	6AT8	REMARKS REMARQUES
1	90445-09040	HOSE (L50) DURITE (L50)	1	1	1	1	
2	6P2-12484-01	PIPE 4 DURITE 4	1	1	1	1	
3	6CE-24376-00	PIPE, JOINT 1 DURITE 1, RACCORDEMENT	2	2	2	2	
4	90465-11M10	CLAMP BRIDE	5	5	5	5	
5	90467-09M03	CLIP JONC	1	1	1	1	
6	6P2-12482-00	PIPE 2 DURITE 2	1	1	1	1	
7	6E5-21744-00	BREATHER RENIFLARD	1	1	1	1	
8	6P2-12483-00	PIPE 3 DURITE 3	1	1	1	1	
9	90446-10M01	HOSE (L60) DURITE (L60)	1	1	1	1	
10	90464-60067	CLAMP BRIDE	1	1	1	1	
11	90465-11M10	CLAMP BRIDE	3	3	3	3	
12	90445-09041	HOSE (L500) DURITE (L500)	1	1	1	1	
13	90445-09224	HOSE (L270) DURITE (L270)	1	1	1	1	
14	90445-09097	HOSE (L250) DURITE (L250)	1	1	1	1	
15	90445-09220	HOSE (L30) DURITE (L30)	1	1	1	1	
16	6P2-12485-00	PIPE 5 DURITE 5	1	1	1	1	
17	6P2-1248A-00	PIPE 8 DURITE 8	1	1	1	1	
18	6P2-1248E-00	PIPE 9 DURITE	1	1	1	1	
19	6P2-14752-00	PIPE, OUTLET PMBOUT DE SILENCIEUX	1	1	1	1	
20	61A-24316-00	PIPE 6 DURITE 6	1	1	1	1	
21	688-24378-00	PIPE, JOINT 3 DURITE RACCORDEMENT 3	1	1	1	1	
22	688-24378-00	PIPE, JOINT 3 DURITE RACCORDEMENT 3	1	1	1	1	
23	688-24378-00	PIPE, JOINT 3 DURITE RACCORDEMENT 3	1	1	1	1	
24	688-24378-00	PIPE, JOINT 3 DURITE RACCORDEMENT 3	1	1	1	1	
25	688-24378-00	PIPE, JOINT 3 DURITE RACCORDEMENT 3	1	1	1	1	
26	90464-09013	CLAMP BRIDE	1	1	1	1	
27	90465-11M10	CLAMP BRIDE	2	2	2	2	

FIG. 9 INTAKE 2

ADMISSION 2



REF. NO.	PART NO. N° PIECES	DESCRIPTION DESCRIPTION	6AL9	6AS8	6AM9	6AT8	REMARKS REMARQUES
28	90465-11M10	CLAMP BRIDE	3	3	3	3	
29	90465-11M10	CLAMP BRIDE	4	4	4	4	
30	90467-08M18	CLIP JONC	2	2	2	2	
31	90465-11M10	CLAMP BRIDE	4	4	4	4	
32	90445-09304	HOSE (L310) DURITE (L310)	1	1	1	1	
33	90464-60067	CLAMP BRIDE	1	1	1	1	
34	6P2-12481-12	PIPE 1 DURITE 1	1	1	1	1	
35	90464-21002	CLAMP BRIDE	2	2	2	2	
36	90467-08M18	CLIP JONC	3	3	3	3	
37	90467-09M09	CLIP JONC	2	2	2	2	



6P2A100-M100

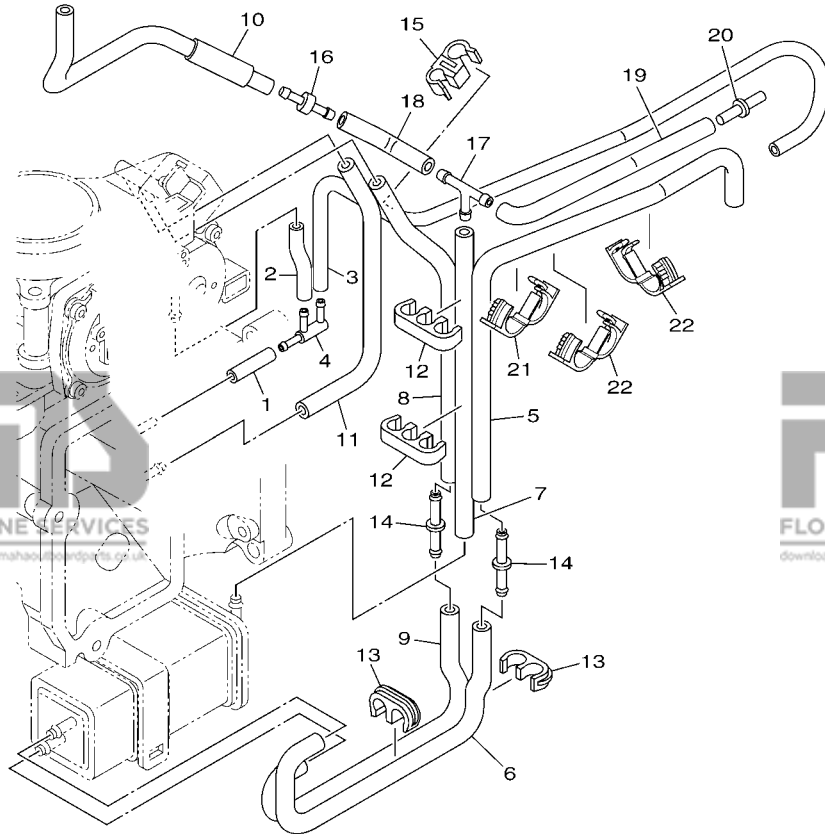
**FIG. 10 THROTTLE BODY ASSY 1**

**CARTER D'ACCELERATEUR 1**

REF. NO.	PART NO. N° PIECES	DESCRIPTION DESCRIPTION	6AL9	6AS8	6AM9	6AT8	REMARKS REMARQUES
1	6P2-13750-10	THROTTLE BODY ASSY CARTER D'ACCELERATEUR COMPLET	1	1	1	1	
2	6P2-13751-01	BODY, THROTTLE 1 CARTER 1	1	1	1	1	
3	6P2-13711-00	MIXING BODY CHAMBRE DE MELANGE	1	1	1	1	
4	6P2-13556-00	GASKET, MANIFOLD JOINT, TUBULURE	1	1	1	1	
5	6P2-13557-00	GASKET JOINT	1	1	1	1	
6	6P2-14360-00	THROTTLE DAMPER ASSY AMORISSEUR D'ACCELERATEUR	1	1	1	1	
7	6P2-13588-00	NUT ECROU	4	4	4	4	
8	6P2-13578-00	WASHER RONDELLE	2	2	2	2	
9	6P2-14496-00	BOLT BOULON	4	4	4	4	
10	6P2-82380-00	SENSOR, PRESSURE SONDE DE PRESSION	1	1	1	1	
11	6P2-13573-00	BOLT 1 BOULON 1	1	1	1	1	
12	6P2-14255-00	PLATE PLAQUE	1	1	1	1	
13	6P2-14159-00	CLIP JONC	1	1	1	1	
14	6P2-2134X-00	BRACKET, CANISTER SUPPORT	1	1	1	1	
15	6P2-2419A-00	HOLDER SUPPORT	1	1	1	1	
16	90119-06M59	BOLT, WITH WASHER BOULON, AVEC RONDELLE	2	2	2	2	
17	90480-10M23	GROMMET PASSE-FIL	2	2	2	2	
18	90387-06M60	COLLAR COLLERETTE	2	2	2	2	
19	6P2-24170-00	CANISTER ASSY BANDE, RESERVOIR A ESSENCE	1	1	1	1	
20	6C5-86120-00	SOLENOID VALVE ASSY SOLENOIDE	1	1	1	1	
21	6P2-13574-00	BOLT 2 BOULON 2	1	1	1	1	
22	69J-14164-00	NUT, HOLDING ECROU, FIXATION	1	1	1	1	
23	6P2-8258A-00	EXTENSION, WIRE HARNESS EXTENSION, FAISCEAU DE FILS	1	1	1	1	
24	68V-14356-00	WASHER, SPRING RONDELLE	1	1	1	1	
25	68V-2481H-00	CLAMP BRIDE	1	1	1	1	

**FIG. 11 THROTTLE BODY ASSY 2**

**CARTER D'ACCELERATEUR 2**

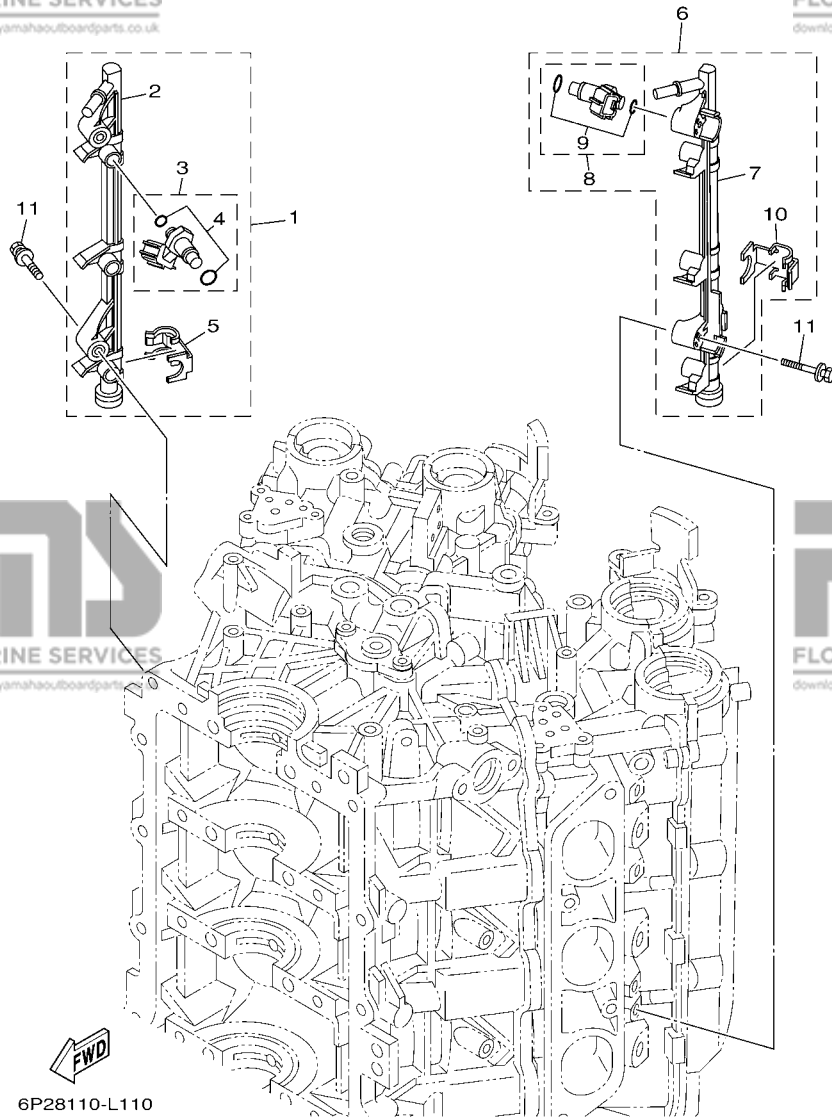


6P28110-L100

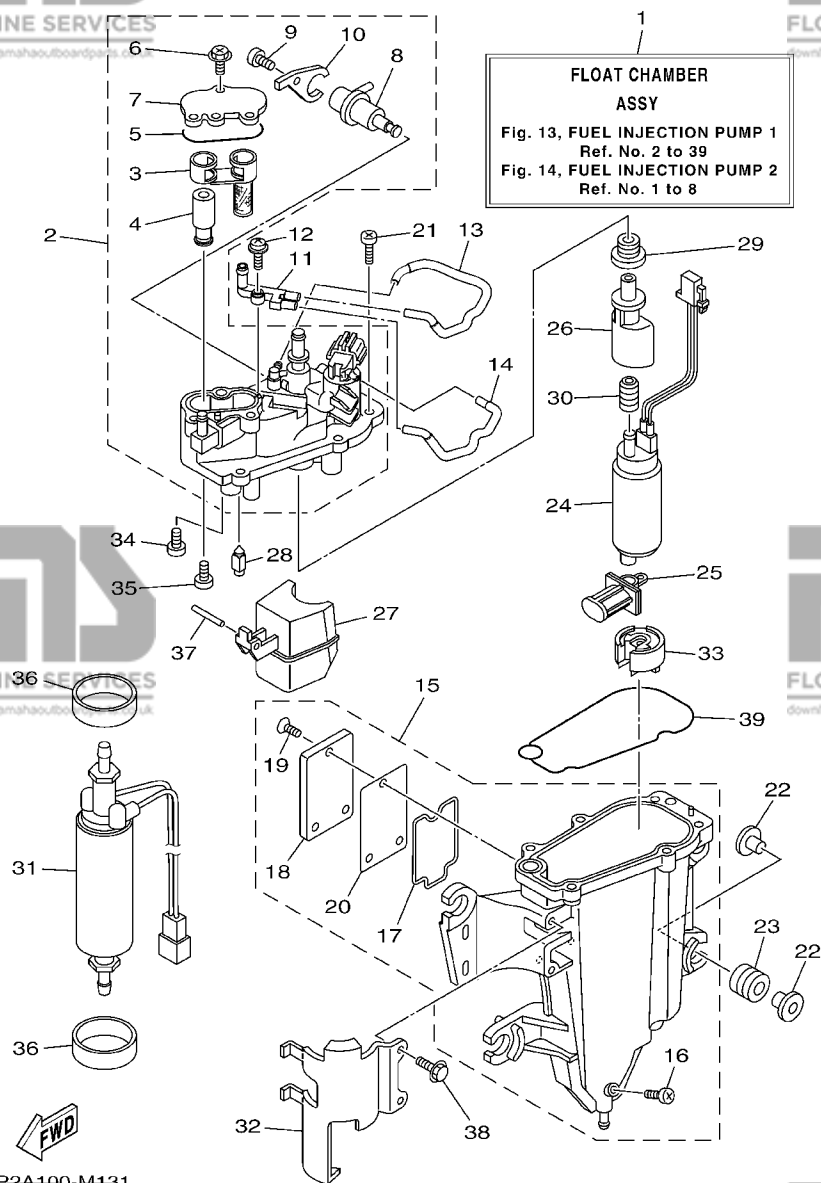
REF. NO.	PART NO. N° PIECES	DESCRIPTION DESCRIPTION	6AL9	6AS8	6AM9	6AT8	REMARKS REMARQUES
1	6P2-14349-00	PIPE DURITE	1	1	1	1	
2	6P2-13533-00	HOSE, VACUUM SENSING 4 DURITE 4	1	1	1	1	
3	6P2-13532-10	HOSE, VACUUM SENSING 3 DURITE 3	1	1	1	1	
4	6P2-13595-00	JOINT RACCORD	1	1	1	1	
5	6P2-1475A-10	PIPE 1 DURITE 1	1	1	1	1	
6	6P2-1475E-00	PIPE 2 DURITE	1	1	1	1	
7	6P2-13545-00	HOSE 1 DURITE 1	1	1	1	1	
8	6P2-1475F-00	PIPE 3 DURITE 3	1	1	1	1	
9	6P2-1475G-00	PIPE 4 DURITE 4	1	1	1	1	
10	6P2-13546-00	HOSE 2 DURITE 2	1	1	1	1	
11	6P2-2416A-00	HOSE DURITE	1	1	1	1	
12	6P2-24135-00	CLAMP 1 COLLIER 1	2	2	2	2	
13	6P2-24136-00	CLAMP 2 COLLIER 2	2	2	2	2	
14	6P2-13758-00	PIPE, JOINT DURITE	2	2	2	2	
15	6P2-24137-00	CLAMP 3 COLLIER 3	1	1	1	1	
16	6E5-21744-00	BREATHER RENIFLARD	1	1	1	1	
17	688-24378-00	PIPE, JOINT 3 DURITE RACCORDEMENT 3	1	1	1	1	
18	6P2-13547-00	HOSE 3 DURITE 3	1	1	1	1	
19	6P2-13548-10	HOSE, AIR 4 DURITE, A AIR 4	1	1	1	1	
20	6P2-24376-00	PIPE, JOINT 1 DURITE 1, RACCORDEMENT	1	1	1	1	
21	90464-18004	CLAMP BRIDE	1	1	1	1	
22	90464-18004	CLAMP BRIDE	2	2	2	2	

**FIG. 12 THROTTLE BODY ASSY 3**

**CARTER D'ACCELERATEUR 3**



REF. NO.	PART NO. N° PIECES	DESCRIPTION DESCRIPTION	6AL9	6AS8	6AM9	6AT8	REMARKS REMARQUES
1	6P2-13160-10	DELIVERY PIPE ASSY 1 ENS. TUBE DE REFOULEMENT 1	1	1	1	1	
2	6P2-13161-00	.PIPE, DELIVERY 1 .DURITE REFOULEMENT 1	1	1	1	1	
3	6P2-13761-10	.INJECTOR .INJECTEUR	3	3	3	3	
4	6C5-1410B-00	..PACKING KIT ..POCHETTE DE JOINTS	1	1	1	1	
5	6P2-13577-00	.CLIP .AGRAFE	3	3	3	3	
6	6P2-13170-10	DELIVERY PIPE ASSY 2 ENS. TUBE DE REFOULEMENT 2	1	1	1	1	
7	6P2-13171-00	.PIPE, DELIVERY 2 .DURITE REFOULEMENT	1	1	1	1	
8	6P2-13761-10	.INJECTOR .INJECTEUR	3	3	3	3	
9	6C5-1410B-00	..PACKING KIT ..POCHETTE DE JOINTS	1	1	1	1	
10	6P2-13577-00	.CLIP .AGRAFE	3	3	3	3	
11	90119-06122	BOLT, WITH WASHER BOULON, AVEC RONDELLE	4	4	4	4	

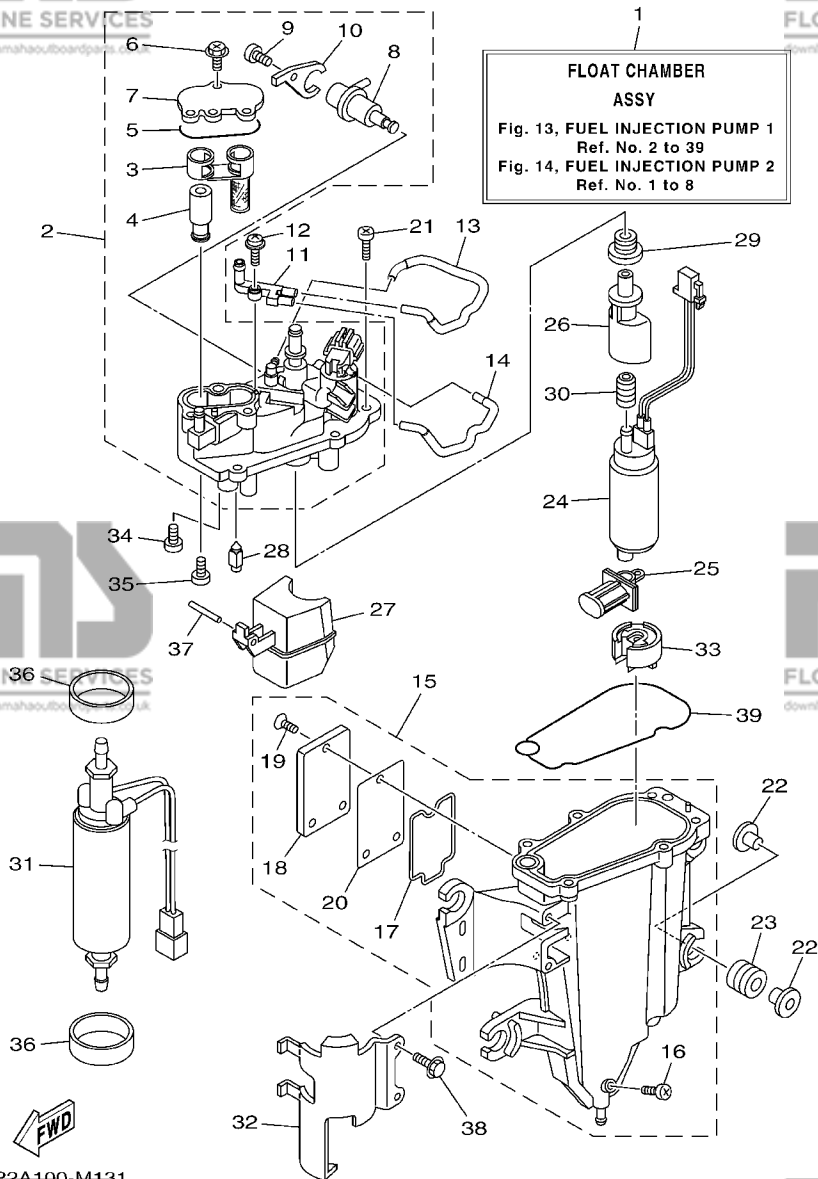


6P2A100-M131

FIG. 13 FUEL INJECTION PUMP 1

POMPE A INJECTEUR 1

REF. NO.	PART NO. N° PIECES	DESCRIPTION DESCRIPTION	6AL9	6A98	6AM9	6AT8	REMARKS REMARQUES
1	6P2-14180-31	FLOAT CHAMBER ASSY CUVE DE FLOTTEUR	1	1	1	1	
2	6AW-14182-11	COVER, FLOAT CHAMBER COUVERCLE, CUVE DE FLOTTEUR	1	1	1	1	
3	6CB-24501-01	.FILTER, FUEL .FILTRE	1	1	1	1	
4	6CB-24460-00	.RELIEF VALVE ASSY .SOUPEAPE DE SECURITE COMPLET	1	1	1	1	
5	6CB-13016-00	.O-RING JOINT TORIQUE	1	1	1	1	
6	6CB-14216-00	.SCREW .VIS	3	3	3	3	
7	6CB-24217-00	.COVER COUVERCLE	1	1	1	1	
8	6CB-13906-01	.REGULATOR, PRESSURE .REGULATEUR DE PRESSION	1	1	1	1	
9	6CB-14564-00	.SCREW .VIS	1	1	1	1	
10	6CB-14146-00	.PLATE PLAQUE	1	1	1	1	
11	68V-24379-10	PIPE, JOINT 4 DURITE RACCORDEMENT 4	1	1	1	1	
12	68V-14216-00	SCREW VIS	1	1	1	1	
13	68V-1475H-00	PIPE 5 DURITE 5	1	1	1	1	
14	68V-1475J-00	PIPE 6 DURITE 6	1	1	1	1	
15	6AW-14181-11	BODY, FLOAT CHAMBER 1 CORPS, CUVE DE FLOTTEUR 1	1	1	1	1	
16	6P2-14191-00	.PLUG, DRAIN .PLOT, VIDANGE	1	1	1	1	
17	6CB-14239-00	.SEAL JOINT	1	1	1	1	
18	6CB-24452-10	.COVER COUVERCLE	1	1	1	1	
19	6CB-14429-01	.SCREW .VIS	3	3	3	3	
20	6CB-24482-00	.GASKET 1 JOINT 1	1	1	1	1	
21	63P-14567-00	SCREW VIS	6	6	6	6	
22	69J-13716-00	COLLAR COLLERETTE	8	8	8	8	
23	6CB-13593-00	DAMPER AMORTISSEUR	4	4	4	4	
24	6P2-13907-20	FUEL PUMP COMP. POMPE A CARBURANT COMP.	1	1	1	1	
25	63P-13915-00	FILTER FILTRE	1	1	1	1	
26	6AW-13132-00	JOINT RACCORD	1	1	1	1	
27	6CB-14985-00	FLOAT FLOTTEUR	1	1	1	1	



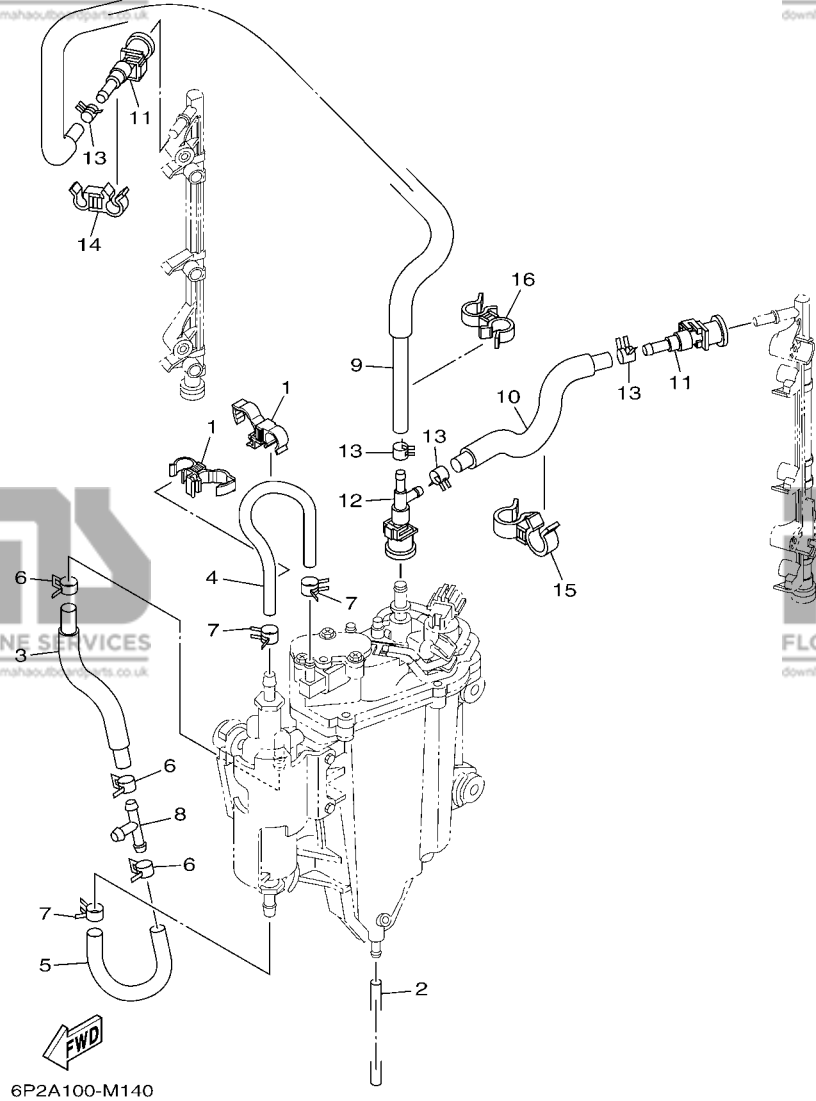
6P2A100-M131

FIG. 13 FUEL INJECTION PUMP 1

POMPE A INJECTEUR 1

REF. NO.	PART NO. N° PIECES	DESCRIPTION DESCRIPTION	6AL9	6AS8	6AM9	6AT8	REMARKS REMARQUES
28	6CB-14546-00	VALVE, NEEDLE POINTEAU	1	1	1	1	
29	6CB-1447B-00	BUSH 1 DOUILLE 1	1	1	1	1	
30	6AW-13781-00	DAMPER, PUMP AMORTISSEUR, POMPE	1	1	1	1	
31	6CB-24410-00	FUEL PUMP ASSY POMPE A ESSENCE	1	1	1	1	
32	6AW-24491-10	BRACKET, FUEL PUMP SUPPORT, POMPE A ESSENCE	1	1	1	1	
33	6AW-13784-00	COVER, PUMP COUVERCLE, POMPE	1	1	1	1	
34	4SV-24453-00	SCREW VIS	1	1	1	1	
35	98507-04008	SCREW, PAN HEAD VIS, TETE TRONCONIQUE	1	1	1	1	
36	6CB-24492-00	BUSH, FUEL PUMP BAGUE	2	2	2	2	
37	6P2-14386-00	PIN, FLOAT AXE, FLOTTEUR	1	1	1	1	
38	6CB-24592-00	BOLT BOLTE	2	2	2	2	
39	6CB-14984-00	GASKET, FLOAT CHAMBER JOINT, CUVE DE FLOTTEUR	1	1	1	1	

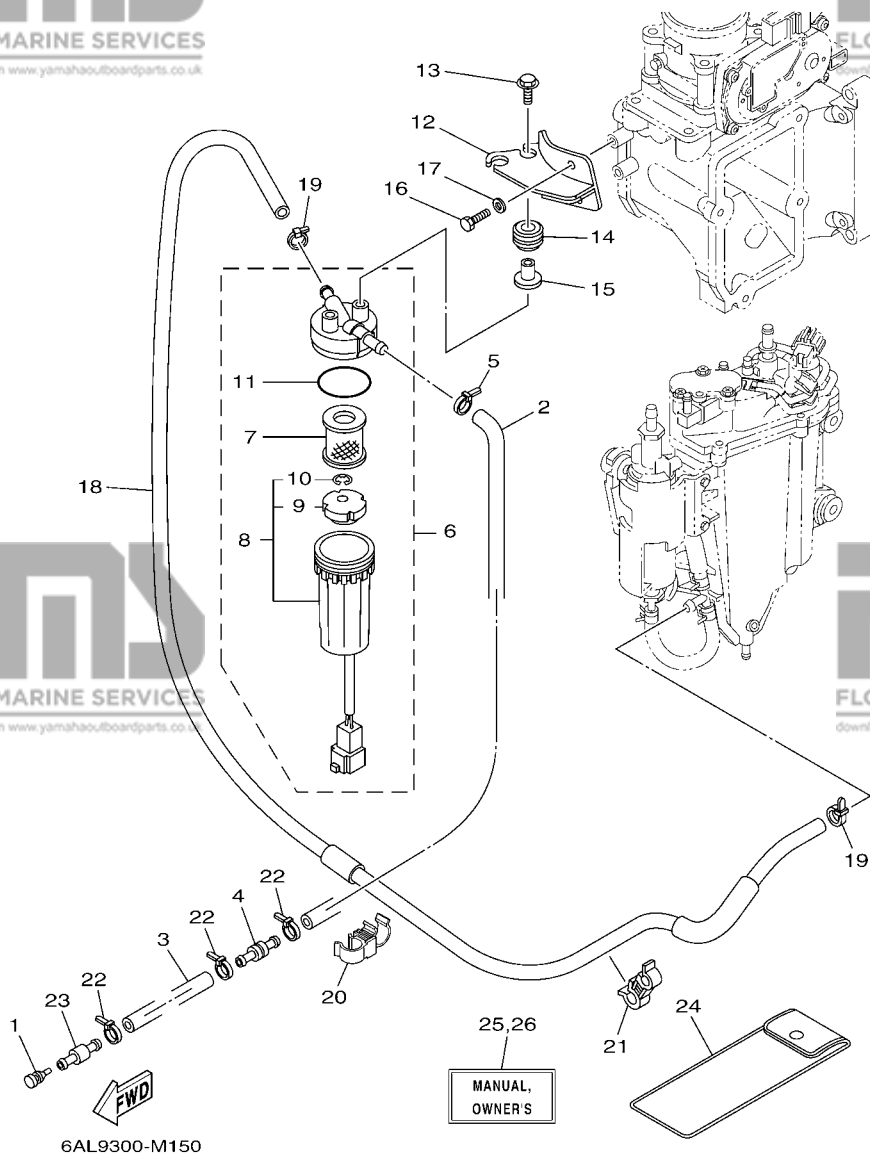




**FIG. 14 FUEL INJECTION PUMP 2**

**POMPE A INJECTEUR 2**

REF. NO.	PART NO. N° PIECES	DESCRIPTION DESCRIPTION	6AL9	6AS8	6AM9	6AT8	REMARKS REMARQUES
1	90464-12012	CLAMP BRIDE	2	2	2	2	
2	6P2-14149-00	PIPE DURITE	1	1	1	1	
3	6AW-24323-20	PIPE 12 DURITE 12	1	1	1	1	
4	6AW-24324-20	PIPE 13 DURITE 13	1	1	1	1	
5	6AW-24317-20	PIPE 7 DURITE 7	1	1	1	1	
6	69J-14137-00	CLIP JONC	3	3	3	3	
7	68V-13577-00	CLIP AGRAFE	3	3	3	3	
8	6E5-24378-00	PIPE, JOINT 3 DURITE, RACCORDEMENT 3	1	1	1	1	
9	6P2-13973-30	PIPE, FUEL 3 TUBE 3, CARBURANT	1	1	1	1	
10	6P2-13974-30	PIPE, FUEL 4 TUBE 4, CARBURANT	1	1	1	1	
11	6AW-24300-10	FUEL PIPE JOINT DURITE RACCORDEMT. A ESSENCE	2	2	2	2	
12	6P2-24300-00	FUEL PIPE JOINT DURITE RACCORDEMT. A ESSENCE	1	1	1	1	
13	68V-13577-00	CLIP AGRAFE	4	4	4	4	
14	90464-12010	CLAMP BRIDE	1	1	1	1	
15	90464-18005	CLAMP BRIDE	1	1	1	1	
16	90464-12009	CLAMP BRIDE	1	1	1	1	

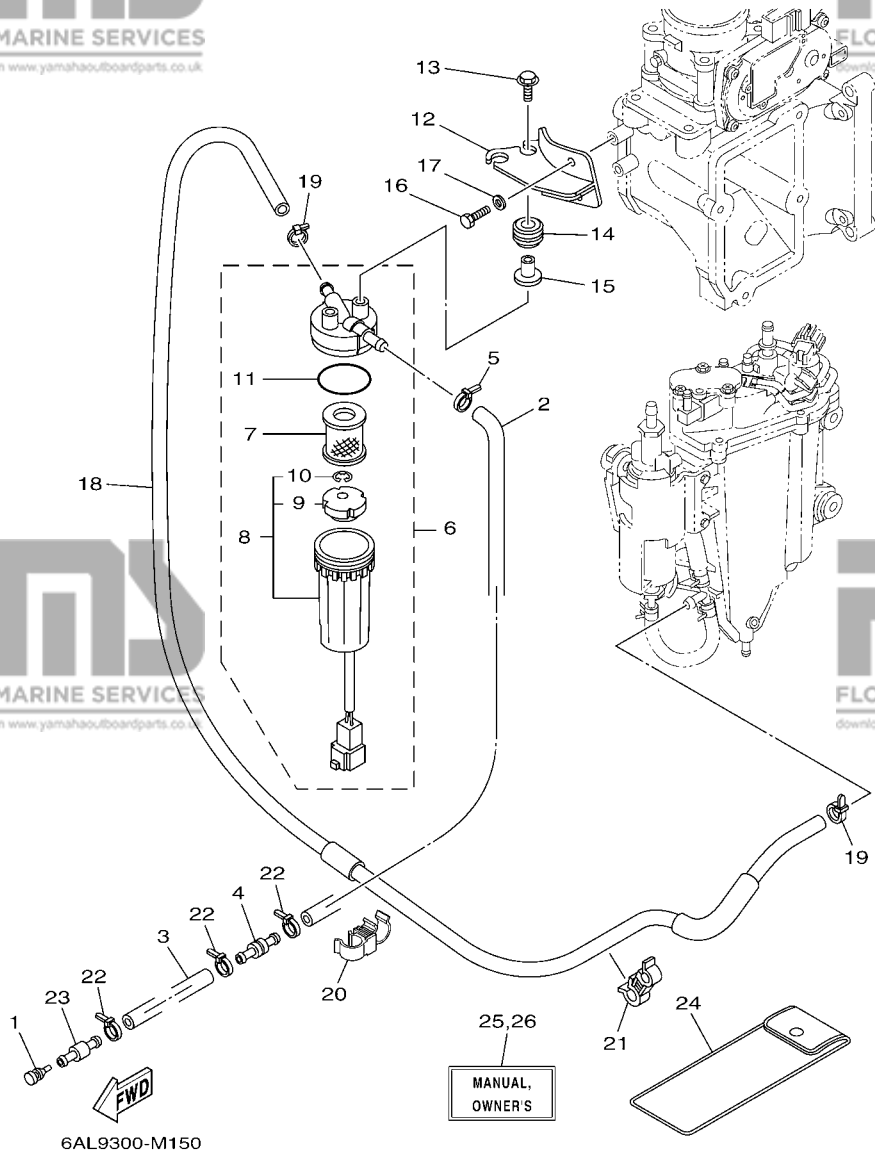


6AL9300-M150

FIG. 15 FUEL 1

CARBURANT 1

REF. NO.	PART NO. N° PIECES	DESCRIPTION DESCRIPTION	6AL9	6AS8	6AM9	6AT8	REMARKS REMARQUES
1	689-85547-00	DAMPER AMORTISSEUR	1	1	1	1	
2	6P2-24314-00	PIPE 4 DURITE 4	1	1	1	1	
3	90445-13511	HOSE (L2000) DURITE (L2000)	1	1	1	1	
4	6R3-24377-10	PIPE, JOINT 2 DURITE RACCORDEMENT 2	1	1	1	1	
5	90465-11M10	CLAMP BRIDE	1	1	1	1	
6	6P3-24560-03	FILTER ASSY ENS FILTRE	1	1	1	1	
7	6P3-24563-01	.ELEMENT, FILTER .ELEMENT, FILTRE	1	1	1	1	
8	6P3-24562-03	.CUP, FILTER .CUVETTE, FILTRE	1	1	1	1	
9	6P3-24469-00	..FLOAT, WATER LEVEL ..FLOTTEUR	1	1	1	1	
10	6P3-24519-00	..CLIP ..JONC	1	1	1	1	
11	6P3-24564-00	.GASKET .JOINT	1	1	1	1	
12	6P2-24566-11	BRACKET, FILTER SUPPORT, FILTRE	1	1	1	1	
13	90119-06M17	BOLT, WITH WASHER BOULON, AVEC RONDELLE	2	2	2	2	
14	90480-14018	GROMMET PASSE-FIL	2	2	2	2	
15	90387-06M60	COLLAR COLLERETTE	2	2	2	2	
16	97095-06014	BOLT BOULON	2	2	2	2	
17	92995-06600	WASHER RONDELLE	2	2	2	2	
18	6P2-24313-30	PIPE 3 DURITE 3	1	1	1	1	
19	90465-11M10	CLAMP BRIDE	2	2	2	2	
20	90464-12009	CLAMP BRIDE	1	1	1	1	
21	90464-12010	CLAMP BRIDE	1	1	1	1	
22	90465-11M10	CLAMP BRIDE	3	3	3	3	
23	6R3-24377-00	PIPE, JOINT 2 DURITE RACCORDEMENT 2	1	1	1	1	
24	69J-28100-01	TOOL KIT TROUSSE A OUTILS	1	1	1	1	AP AP
25	6P2-28199-79-E0	MANUAL, OWNER'S MANUEL D'UTILISATION	1	1	1	1	UR (E) UR (E)
26	6P2-28199-79-F0	MANUAL, OWNER'S MANUEL D'UTILISATION	1	1	1	1	UR (F) UR (F)
27	6P2-28199-79-S0	MANUAL, OWNER'S MANUEL D'UTILISATION	1	1	1	1	UR (ES) UR (ES)



**FIG. 15 FUEL 1**

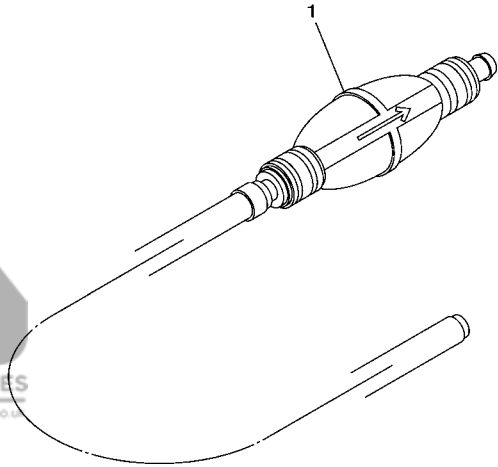
**CARBURANT 1**

REF. NO.	PART NO. N° PIECES	DESCRIPTION DESCRIPTION	6AL9	6AS8	6AM9	6AT8	REMARKS REMARQUES
25	6P2-28199-79-G0	MANUAL,OWNER'S MANUEL D'UTILISATION	1	1	1	1	UR (D) UR (D)
	6P2-28199-79-D0	MANUAL,OWNER'S MANUEL D'UTILISATION	1	1	1	1	UR (NL) UR (NL)
	6P2-28199-79-H0	MANUAL,OWNER'S MANUEL D'UTILISATION	1	1	1	1	UR (I) UR (I)
26	6P2-28199-89-K0	MANUAL,OWNER'S MANUEL D'UTILISATION	1	1	1	1	UR (DK) UR (DK)
	6P2-28199-89-R0	MANUAL,OWNER'S MANUEL D'UTILISATION	1	1	1	1	UR (GR) UR (GR)
	6P2-28199-89-P0	MANUAL,OWNER'S MANUEL D'UTILISATION	1	1	1	1	UR (P) UR (P)
	6P2-28199-89-N0	MANUAL,OWNER'S MANUEL D'UTILISATION	1	1	1	1	UR (N) UR (N)
	6P2-28199-89-M0	MANUAL,OWNER'S MANUEL D'UTILISATION	1	1	1	1	UR (S) UR (S)
	6P2-28199-89-L0	MANUAL,OWNER'S MANUEL D'UTILISATION	1	1	1	1	UR (SF) UR (SF)

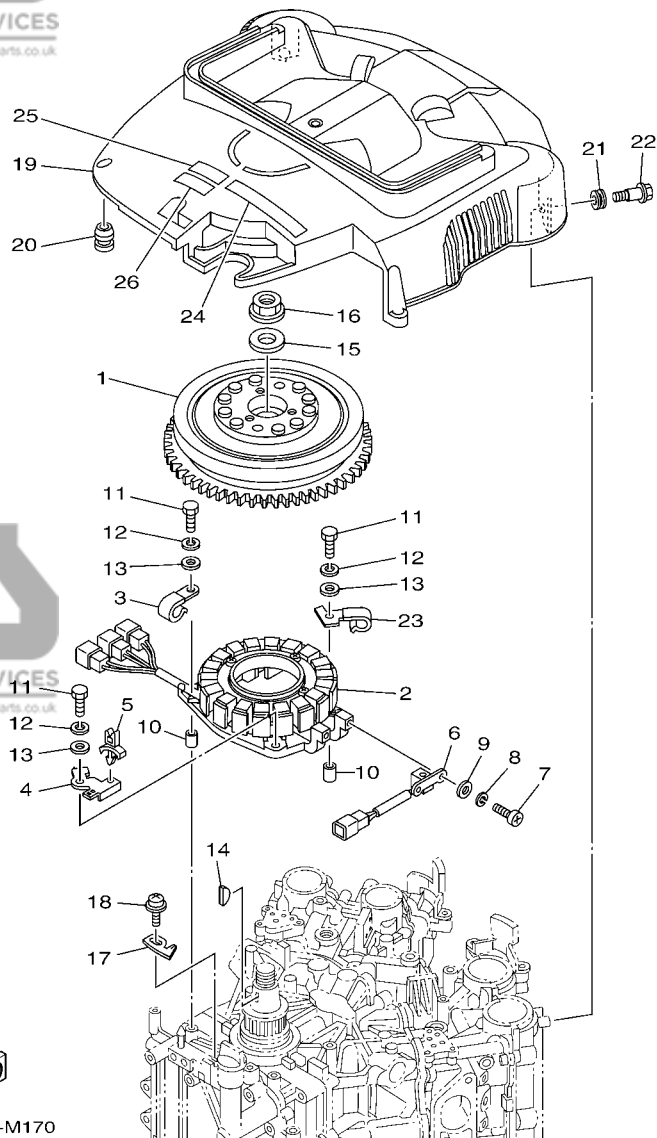
**FIG. 16 FUEL 2**

**CARBURANT 2**

REF. NO.	PART NO. N° PIECES	DESCRIPTION DESCRIPTION	6AL9	6A98	6AM9	6AT8	REMARKS REMARQUES
1	6YK-24307-42	FUEL PIPE COMP. 2 DURITE A ESSENCE 2	1	1	1	1	AP AP
-----							
-----							
-----							
-----							
-----							
-----							
-----							
-----							
-----							
-----							
-----							



69J2300-3140

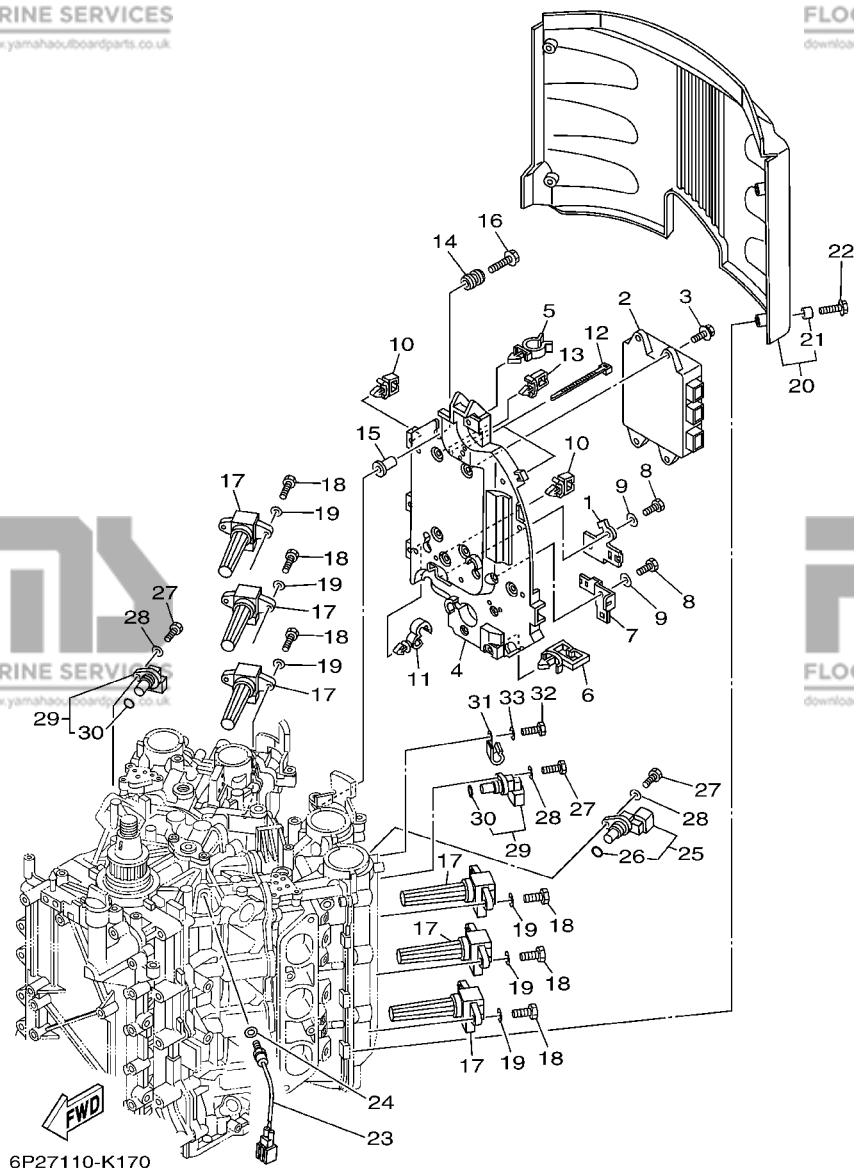


6AL9300-M170

**FIG. 17 GENERATOR**

**GENERATRICE**

REF. NO.	PART NO. N° PIECES	DESCRIPTION DESCRIPTION	6AL9	6AS8	6AM9	6AT8	REMARKS REMARQUES
1	6P2-81450-00	ROTOR ASSY ROTOR COMPLET	1	1	1	1	
2	6P2-81460-00	BASE ASSY ENS. FLASQUE	1	1	1	1	
3	90462-08032	CLAMP BRIDE	1	1	1	1	
4	6P2-8257V-00	PLATE, CONNECTOR PLAQUE, CONNECTEUR	1	1	1	1	
5	90464-06001	CLAMP BRIDE	1	1	1	1	
6	6P2-85580-00	COIL, PULSER BOBINE, PULSEUR	1	1	1	1	
7	97880-05012	SCREW, PAN HEAD VIS, TETE TRONCONIQUE	2	2	2	2	
8	92990-05100	WASHER, SPRING RONDELLE, GROWER	2	2	2	2	
9	92990-05600	WASHER, PLATE RONDELLE, PLATE	2	2	2	2	
10	99530-08012	PIN, DOWEL GOUJON, D'ASSEMBLAGE	2	2	2	2	
11	97095-06035	BOLT BOULON	4	4	4	4	
12	92995-06100	WASHER, SPRING RONDELLE, GROWER	4	4	4	4	
13	92995-06600	WASHER RONDELLE	4	4	4	4	
14	90280-05015	KEY, WOODRUFF CLAVETTE, DEMI-LUNE	1	1	1	1	
15	90201-24014	WASHER, PLATE RONDELLE, PLATE	1	1	1	1	
16	90179-24002	NUT ECROU	1	1	1	1	
17	6P2-81332-00	PLATE, TIMING PLATEAU, ALLUMAGE	1	1	1	1	
18	97985-06210	SCREW, WITH WASHER VIS, AVEC RONDELLE	1	1	1	1	
19	6P2-81337-01	COVER, FLYWHEEL COUVERCLE, VOLANT	1	1	1	1	
20	663-82317-01	DAMPER, IGNITION COIL AMORTISSEUR, BOBINE D'ALLUM	4	4	4	4	
21	90480-12314	GROMMET PASSE-FIL	2	2	2	2	
22	90109-06MA1	BOLT BOULON	2	2	2	2	
23	6P2-81128-00	CLAMP BRIDE	1	1	1	1	
24	60L-13437-62	MARK, CAUTION MAKER	1	1	1	1	
25	6AH-81994-40	LABEL, SAFETY ETIQUETTE, SECURITE	1	1	1	1	
26	6AH-81994-50	LABEL, SAFETY ETIQUETTE, SECURITE	1	1	1	1	



6P27110-K170

FIG. 18 ELECTRICAL 1

PARTIE ELECTRIQUE 1

REF. NO.	PART NO. N° PIECES	DESCRIPTION DESCRIPTION	6AL9	6AS8	6AM9	6AT8	REMARKS REMARQUES
1	6P2-8257V-00	PLATE, CONNECTOR PLAQUE, CONNECTEUR	1	1	1	1	
2	6AL-8591A-12	ENGINE CONTROL UNIT ASSY BLOC DE CONTROL	1	1			
	6AS-8591A-12	ENGINE CONTROL UNIT ASSY BLOC DE CONTROL			1	1	
3	90119-06M82	BOLT, WITH WASHER BOULON, AVEC RONDELLE	4	4	4	4	
4	6P2-82316-00	BRACKET, IGNITION COIL SUPPORT, BOBINE D'ALLUMAGE	1	1	1	1	
5	90464-19M45	CLAMP BRIDE	1	1	1	1	
6	90464-23199	CLAMP BRIDE	1	1	1	1	
7	6P2-81845-00	PLATE PLAQUE	1	1	1	1	
8	97095-06016	BOLT BOULON	2	2	2	2	
9	92995-06600	WASHER RONDELLE	2	2	2	2	
10	90464-11121	CLAMP BRIDE	4	4	4	4	
11	90464-13249	CLAMP BRIDE	2	2	2	2	
12	90465-14M66	CLAMP BRIDE	2	2	2	2	
13	90464-08004	CLAMP BRIDE	1	1	1	1	
14	6A0-82317-00	DAMPER, IGNITION COIL AMORTISSEUR, BOBINE D'ALLUM	4	4	4	4	
15	90387-06119	COLLAR COLLERETTE	4	4	4	4	
16	90119-06M59	BOLT, WITH WASHER BOULON, AVEC RONDELLE	4	4	4	4	
17	6P2-82310-01	IGNITION COIL ASSY BOBINE D'ALLUMAGE	6	6	6	6	
18	97095-06020	BOLT BOULON	12	12	12	12	
19	92995-06600	WASHER RONDELLE	12	12	12	12	
20	6P2-82314-00	COVER, IGNITION COIL COUVERCLE, BOBINE D'ALLUMAGE	1	1	1	1	
21	90387-06044	.COLLAR .COLLERETTE	4	4	4	4	
22	90119-06M92	BOLT, WITH WASHER BOULON, AVEC RONDELLE	4	4	4	4	
23	61A-85790-00	THERMOSENSOR ASSY SENSITOMETRE	1	1	1	1	
24	92990-10600	WASHER, PLATE RONDELLE, PLATE	1	1	1	1	
25	6P2-85896-00	SENSOR, CAM POSITION SONDE DE CAME	1	1	1	1	
26	6P2-85075-00	.O-RING .JOINT TORIQUE	1	1	1	1	

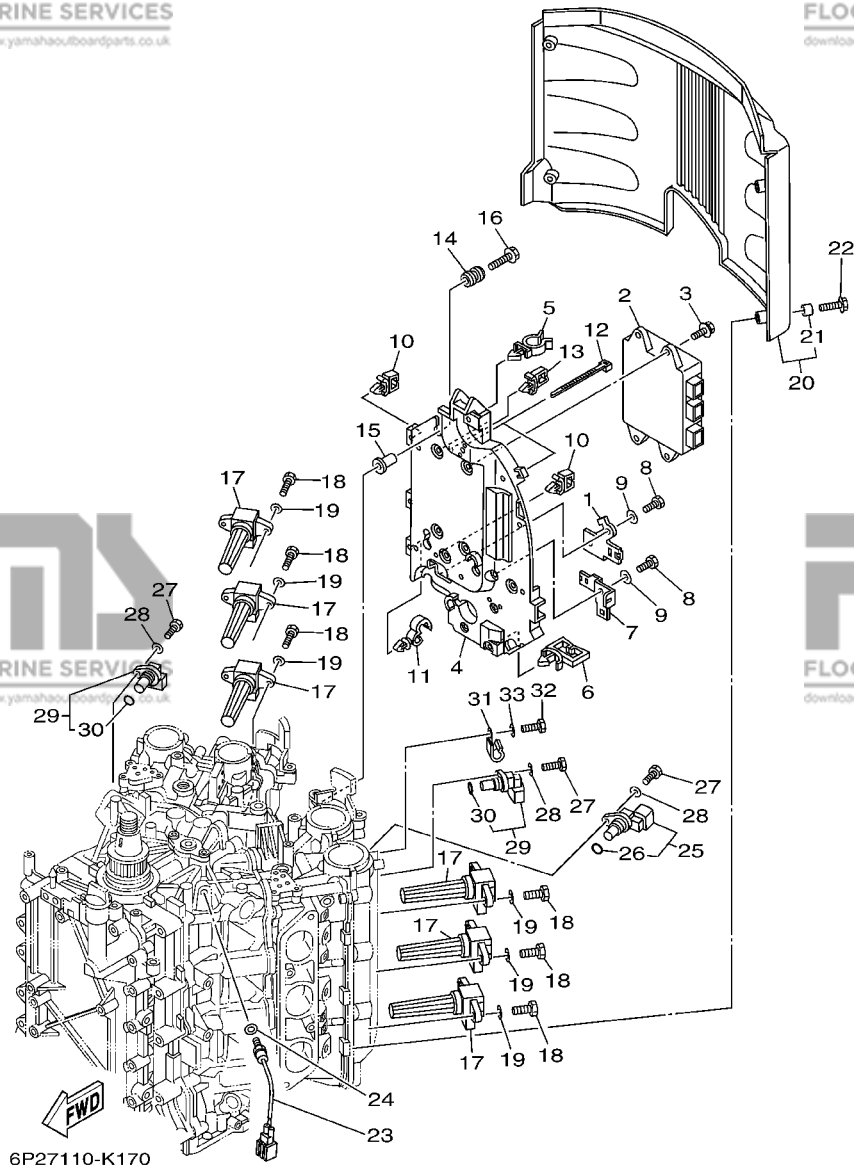
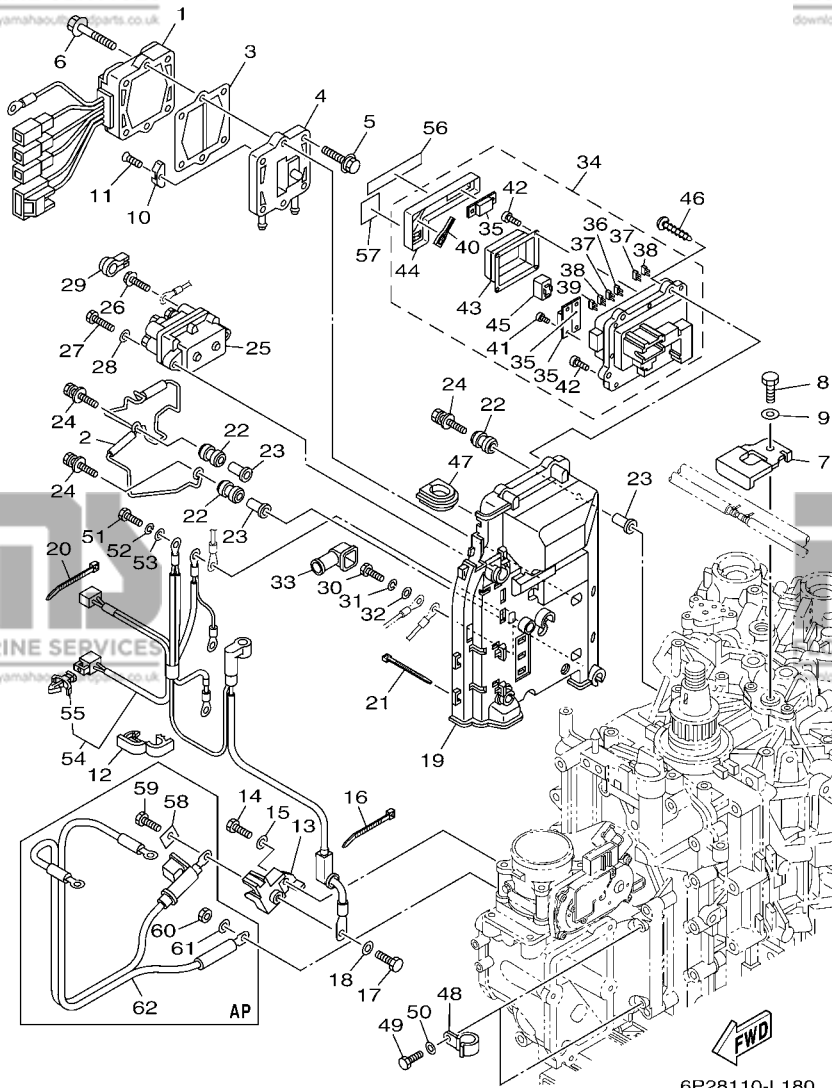


FIG. 18 ELECTRICAL 1

PARTIE ELECTRIQUE 1

REF. NO.	PART NO. N° PIECES	DESCRIPTION DESCRIPTION	6AL9	6AS8	6AM9	6AT8	REMARKS REMARQUES
27	97095-06020	BOLT BOULON	3	3	3	3	
28	92995-06600	WASHER RONDELLE	3	3	3	3	
29	6P2-85897-00	SENSOR, CAM POSITION 2 SONDE DE CAME 2	2	2	2	2	
30	6P2-85075-00	O-RING JOINT TORIQUE	1	1	1	1	
31	90462-08032	CLAMP BRIDE	1	1	1	1	
32	97095-06012	BOLT BOULON	1	1	1	1	
33	92995-06600	WASHER RONDELLE	1	1	1	1	



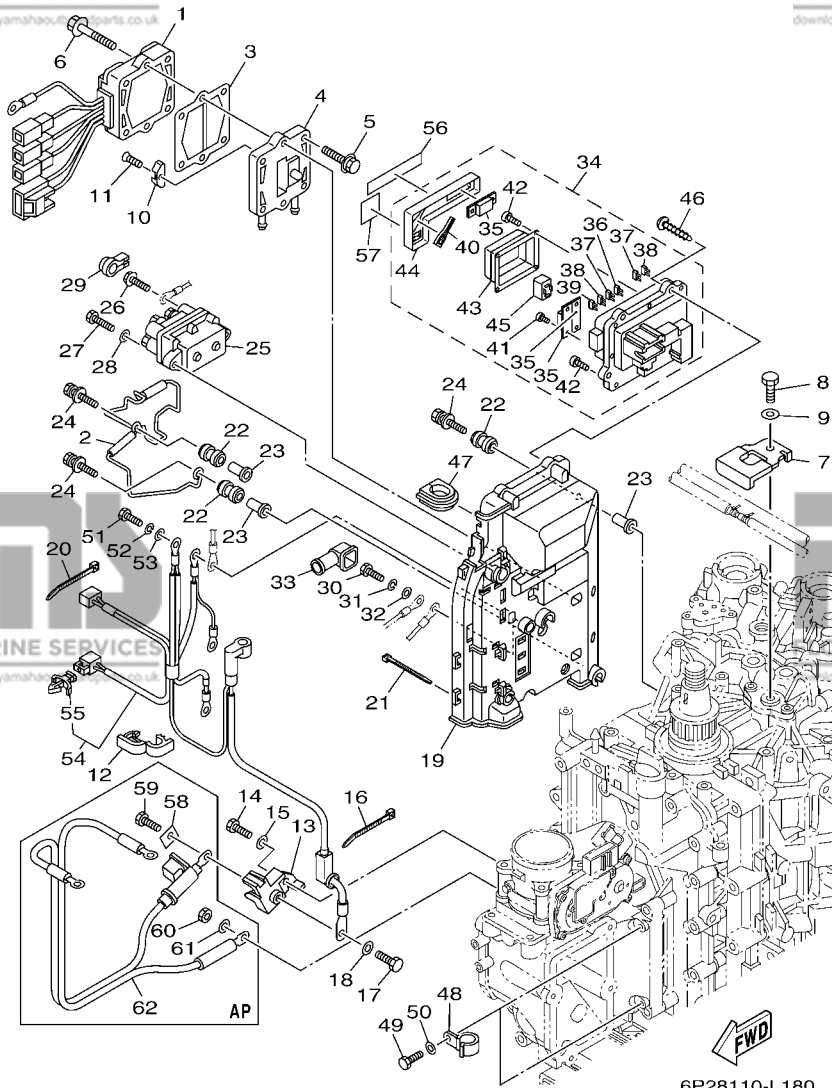
6P28110-L180

FIG. 19 ELECTRICAL 2

PARTIE ELECTRIQUE 2

REF. NO.	PART NO. N° PIECES	DESCRIPTION DESCRIPTION	6AL9	6AS8	6AM9	6AT8	REMARKS REMARQUES
1	6P2-81960-02	RECTIFIER & REGULATOR ASSY REDRESSEUR REGULATEUR CPLT	1	1	1	1	
2	6P2-81614-00	PROTECTOR PROTECTEUR	1	1	1	1	
3	60V-81975-A0	PLATE, RECTIFIER FITTING PLAQUE, FIXATION DU REDRESSEUR	1	1	1	1	
4	6P2-81972-00-9S	COVER, RECTIFIER COUVERCLE, REDRESSEUR	1	1	1	1	
5	90119-06MA3	BOLT, WITH WASHER BOULON, AVEC RONDELLE	4	4	4	4	
6	90119-06MA5	BOLT, WITH WASHER BOULON, AVEC RONDELLE	2	2	2	2	
7	6P2-12491-00	CLAMP 1 COLLIER 1	1	1	1	1	
8	97095-06012	BOLT BOULON	1	1	1	1	
9	92995-06600	WASHER RONDELLE	1	1	1	1	
10	6E5-11325-00	ANODE ANODE	1	1	1	1	
11	98780-04015	SCREW, FLAT HEAD VIS A TETE FRAISEE	1	1	1	1	
12	90464-18004	CLAMP BRIDE	5	5	5	5	
13	6P2-81925-01	TERMINAL BORNE	1	1	1	1	
14	97095-08020	BOLT BOULON	1	1	1	1	
15	92995-08600	WASHER RONDELLE	1	1	1	1	
16	90465-13M18	CLAMP BRIDE	1	1	1	1	
17	97095-08016	BOLT BOULON	1	1	1	1	
18	92995-08600	WASHER RONDELLE	1	1	1	1	
19	6P2-81948-00	BRACKET SUPPORT	1	1	1	1	
20	90465-13M18	CLAMP BRIDE	6	6	6	6	
21	90465-14M66	CLAMP BRIDE	3	3	3	3	
22	6A0-82317-00	DAMPER, IGNITION COIL AMORTISSEUR, BOBINE D'ALLUM	5	5	5	5	
23	90387-06119	COLLAR COLLERETTE	5	5	5	5	
24	90119-06M95	BOLT, WITH WASHER BOULON, AVEC RONDELLE	5	5	5	5	
25	63P-81950-00	RELAY ASSY RELAIS COMPLET	1	1	1	1	
26	97595-06610	BOLT, WITH WASHER VIS HEXAGONAL AVC RONDELLE	2	2	2	2	
27	97013-06025	BOLT BOULON	2	2	2	2	



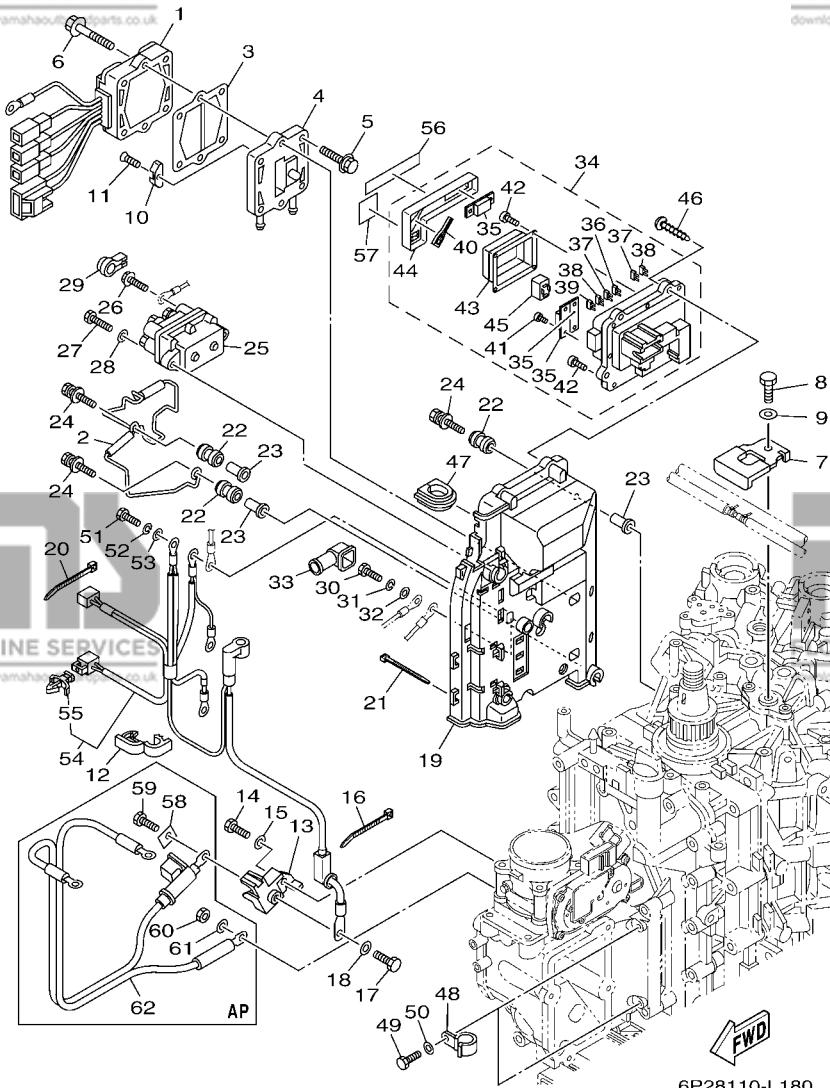


6P28110-L180

FIG. 19 ELECTRICAL 2

PARTIE ELECTRIQUE 2

REF. NO.	PART NO. N° PIECES	DESCRIPTION DESCRIPTION	6AL9	6A98	6AM9	6AT8	REMARKS REMARQUES
28	92903-06600	WASHER, PLATE RONDELLE, PLATE	2	2	2	2	
29	6P2-8183X-00	CAP, TERMINAL COUVERCLE, BORNE	2	2	2	2	
30	97095-06016	BOLT BOULON	1	1	1	1	
31	92995-06100	WASHER, SPRING RONDELLE, GROUWER	1	1	1	1	
32	92995-06600	WASHER RONDELLE	1	1	1	1	
33	6P2-82119-00	COVER, LEAD WIRE GARNITURE, FIL	1	1	1	1	
34	6P2-82170-10	FUSE BOX ASSY BOITE A FUSIBLES	1	1	1	1	
35	6P2-82151-00	.FUSE (60A) .FUSIBLE (60A)	3	3	3	3	
36	67F-82151-00	.FUSE (20A) .FUSIBLE (20A)	2	2	2	2	
37	67F-82151-10	.FUSE (30A) .FUSIBLE (30A)	3	3	3	3	
38	67F-82151-40	.FUSE (10A) .FUSIBLE (10A)	3	3	3	3	
39	67F-82151-50	.FUSE (15A) .FUSIBLE (15A)	2	2	2	2	
40	67F-2812A-00	.PULLER, FUSE .TENDEUR, FUSIBLE	1	1	1	1	
41	68F-82846-00	.SCREW, PAN HEAD (M5) .VIS, TETE TRONCONIQUE (M5)	4	4	4	4	
42	6P2-82113-00	.SCREW .VIS	12	12	12	12	
43	6P2-81639-00	.RELAY COVER .COUVERCLE	1	1	1	1	
44	6P2-85544-00	.CASE .BOITIER	1	1	1	1	
45	68F-8195A-00	.RELAY ASSY .RELAIS COMPLET	4	4	4	4	
46	97780-50620	SCREW, TAPPING VIS, TETE BOMBEE	4	4	4	4	
47	6P2-81336-00	GROMMET OEILLET CAOUTCHOUC	1	1	1	1	
48	90462-08026	CLAMP BRIDE	2	2	2	2	
49	97095-06016	BOLT BOULON	2	2	2	2	
50	92995-06600	WASHER RONDELLE	2	2	2	2	
51	97095-06016	BOLT BOULON	3	3	3	3	
52	92995-06100	WASHER, SPRING RONDELLE, GROUWER	3	3	3	3	
53	92995-06600	WASHER RONDELLE	3	3	3	3	
54	6P2-8259M-00	WIRE HARNESS ASSY 2 FAISCEAU DE FILS	1	1	1	1	



6P28110-L180

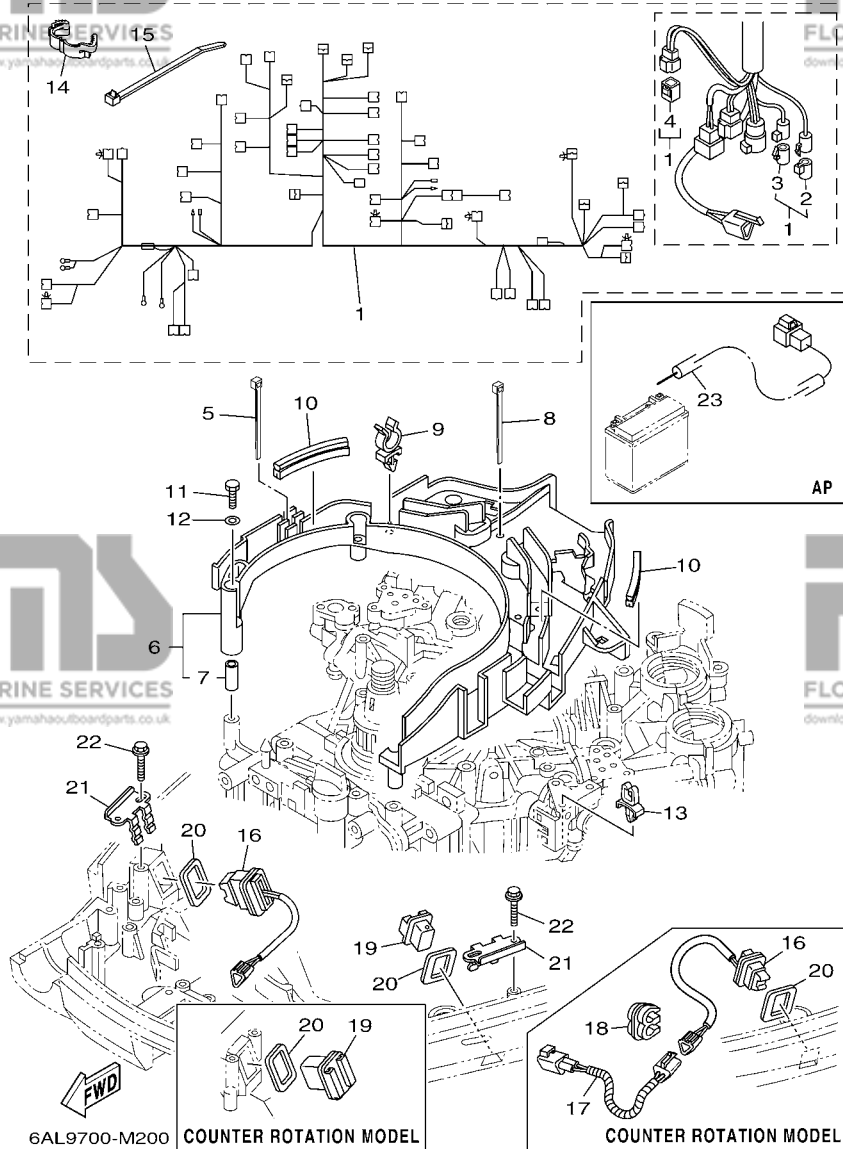
FIG. 19 ELECTRICAL 2

PARTIE ELECTRIQUE 2

REF. NO.	PART NO. N° PIECES	DESCRIPTION DESCRIPTION	6AL9	6AS8	6AM9	6AT8	REMARKS REMARQUES
55	90464-09M47	.CLAMP .BRIDE	1	1	1	1	
56	6P2-81919-40	GRAPHIC, REGULATOR ADHESIF, REGULATEUR	1	1	1	1	
57	6P2-81919-31	GRAPHIC, REGULATOR ADHESIF, REGULATEUR	1	1	1	1	
58	6P2-81923-00	WASHER RONDELLE	1	1	1	1	AP
59	97095-08016	BOLT BOULON	1	1	1	1	AP
60	95333-08600	NUT ECROU	1	1	1	1	AP
61	92903-08100	WASHER, SPRING RONDELLE, GROUVER	1	1	1	1	AP
62	6P2-82105-01	BATTERY CABLE CABLE DE BATTERIE	1	1	1	1	AP

FIG. 20 ELECTRICAL 3

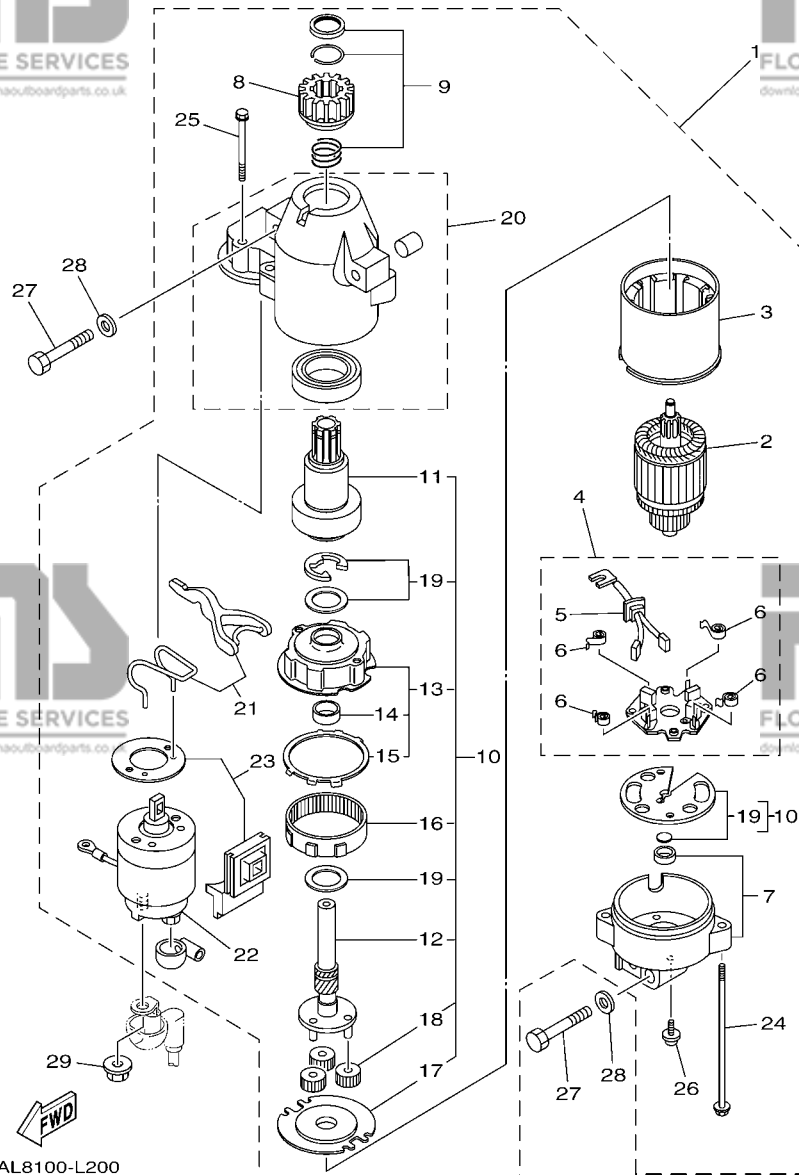
PARTIE ELECTRIQUE 3



REF. NO.	PART NO. N° PIECES	DESCRIPTION DESCRIPTION	6AL9	6AS8	6AM9	6AT8	REMARKS REMARQUES
1	6P2-82590-41	WIRE HARNESS ASSY FAISCEAU DE FILS COMPLET	1	1	1	1	
2	6DA-82582-00	.CAP 1 (FEMALE) .BOUCHON 1 (FEMME)	1	1	1	1	
3	6DA-82582-10	.CAP 1 (MALE) .BOUCHON 1 (MALE)	1	1	1	1	
4	6Y8-82582-11	.CAP 1 (4PIN) .COUVERCLE, FAISCEAU DE FILS	1	1	1	1	
5	90465-14M66	CLAMP BRIDE	1	1	1	1	
6	6P2-82589-00	PROTECTOR, WIRE HARNESS PROTECTEUR, FAISCEAU DE FILS	1	1	1	1	
7	90387-06M26	.COLLAR .COLLERETTE	6	6	6	6	
8	90465-14M66	CLAMP BRIDE	2	2	2	2	
9	90464-19M45	CLAMP BRIDE	4	4	4	4	
10	6P2-85722-00	INSULATOR ISOLATEUR	2	2	2	2	
11	97095-06035	BOLT BOULON	6	6	6	6	
12	92995-06600	WASHER RONDELLE	6	6	6	6	
13	90464-06001	CLAMP BRIDE	1	1	1	1	
14	90464-14010	CLAMP BRIDE	1	1	1	1	
15	90465-13M18	CLAMP BRIDE	3	3	3	3	
16	69J-82563-00	TRIM & TILT SWITCH ASSY INCLINER ET PARER COMMUTATEUR	1	1	1	1	
17	6P3-82553-00	EXTENSION, WIRE LEAD EXTENSION, FAISCEAU			1	1	
18	90464-10M57	CLAMP BRIDE			1	1	
19	69J-42723-01	COVER, BOTTOM COUVERCLE	1	1	1	1	
20	69J-82587-00	GASKET JOINT	2	2	2	2	
21	69J-83614-10	BRACKET SUPPORT	2	2	2	2	
22	90109-06M86	BOLT BOULON	4	4	4	4	
23	69J-81949-02	WIRE, LEAD (ISOLATOR, 3.8M) FIL (ISOLATOR, 3.8M)	1	1	1	1	AP AP

**FIG. 21 STARTING MOTOR**

**DEMARREUR ELECTRIQUE**

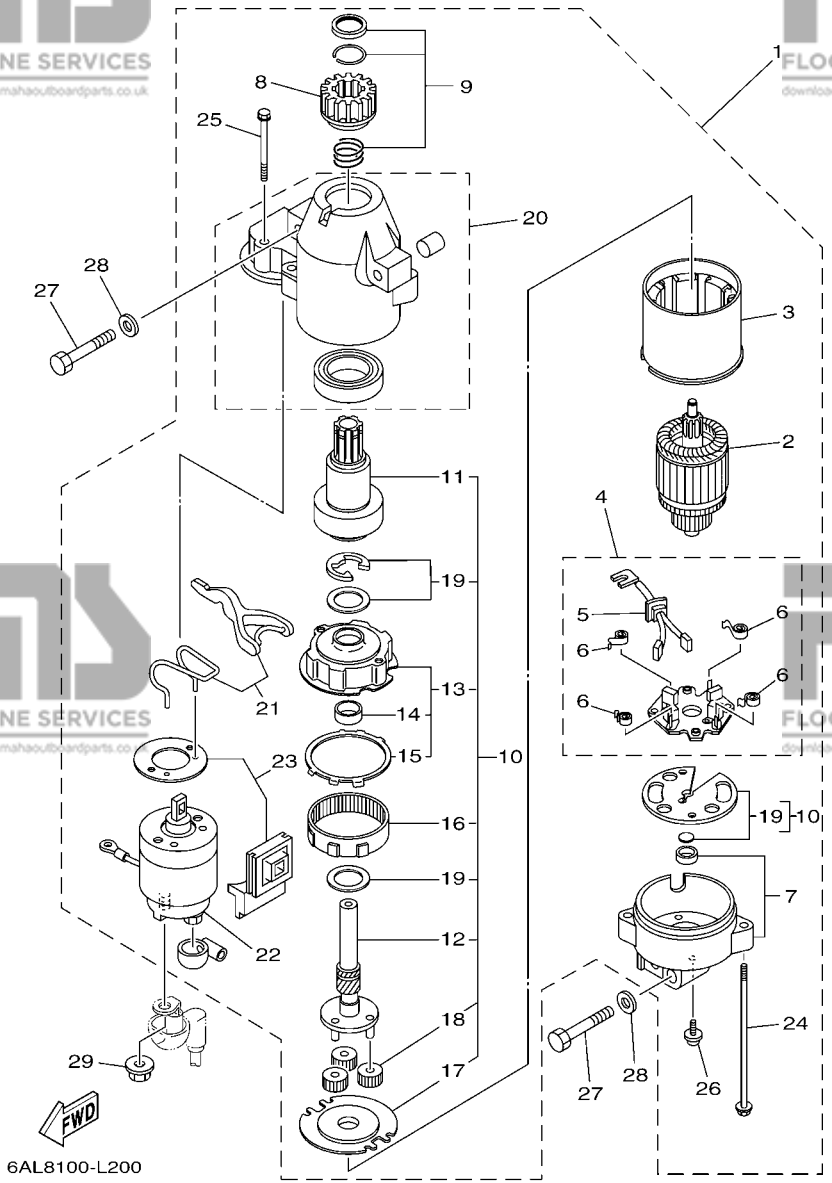


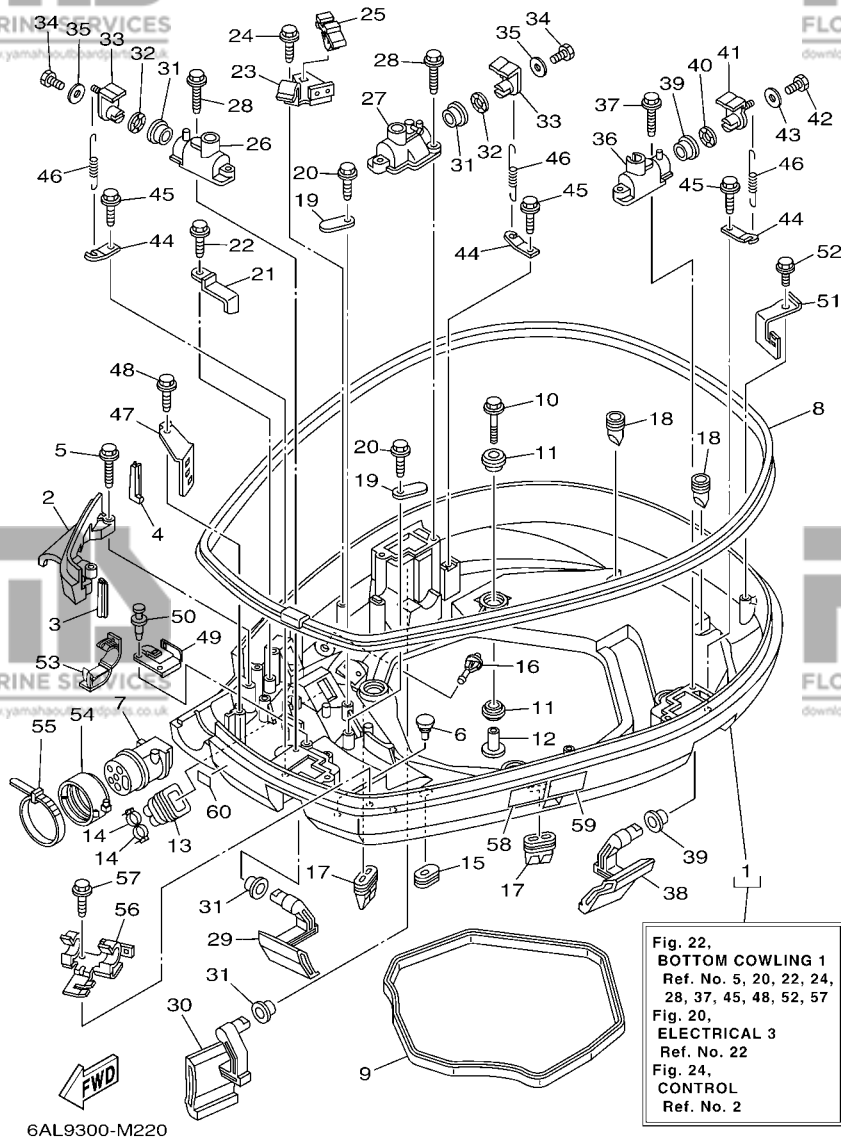
REF. NO.	PART NO. N° PIECES	DESCRIPTION DESCRIPTION	6AL9	6AS8	6AM9	6AT8	REMARKS REMARQUES
1	6BR-81800-01	STARTING MOTOR ASSY DEMARREUR ELECTRIQUE COMPLET	1	1	1	1	
2	67F-81850-00	.ARMATURE ASSY .INDUIT	1	1	1	1	
3	67F-81810-00	.STATOR ASSY .STATOR COMPLET	1	1	1	1	
4	69J-81840-00	.BRUSH HOLDER ASSY .SUPPORT DE CHARBON	1	1	1	1	
5	69J-81801-00	..BRUSH SET ..CHARBON	1	1	1	1	
6	67F-81813-00	..SPRING, BRUSH ..RESSORT, DE CHARBON	4	4	4	4	
7	67F-81820-00	.REAR BRACKET ASSY .SUPPORT ARRIERE COMPLET	1	1	1	1	
8	67F-81808-00	.PINION ASSY .PIGNON	1	1	1	1	
9	67F-81857-00	.PINION STOPPER SET .BUTEE PIGNON	1	1	1	1	
10	67F-81807-00	.GEAR ASSY, STARTING MOTOR .PIGNON, DEMARREUR ELECTRIQUE	1	1	1	1	
11	67F-81832-00	..CLUTCH, OVER RUN ..EMBAYAGE, ROUE LIBRE	1	1	1	1	
12	67F-81836-00	..SHAFT, PINION ..AXE, PIGNON	1	1	1	1	
13	67F-81821-00	..BRACKET, CENTER 1 ..SUPPORT, CENTRE 1	1	1	1	1	
14	67F-81841-00	..BEARING ..ROULEMENT	1	1	1	1	
15	67F-8183R-00	..GASKET ..JOINT	1	1	1	1	
16	67F-81891-00	..GEAR, RING ..ROUE DENTEE	1	1	1	1	WITH 67F-8183R-00 WITH 67F-8183R-00
17	67F-81830-00	..BRACKET, CENTER 2 ..SUPPORT, CENTRE 2	1	1	1	1	
18	60V-8183T-00	..GEAR, IDLER ..PIGNON, INTERMEDIAIRE	3	3	3	3	
19	67F-81809-00	..WASHER KIT ..JEU DE RONDELLES	1	1	1	1	
20	69J-81842-00	.COVER .COUVERCLE	1	1	1	1	
21	6C5-81839-00	.LEVER ASSY .LEVIER COMPLET	1	1	1	1	
22	63P-81941-00	.STARTER RELAY ASSY .LANCEUR RELAIS (ENS.)	1	1	1	1	
23	6C5-81869-00	.COVER, DUST .COUVERCLE, POUSSIERE	1	1	1	1	
24	6K7-81826-11	.BOLT .BOULON	2	2	2	2	
25	69J-81828-00	.SCREW 2 .VIS 2	2	2	2	2	
26	67F-81846-00	.SCREW .VIS	2	2	2	2	
27	97013-08045	BOLT BOULON	3	3	3	3	

**FIG. 21 STARTING MOTOR**

**DEMARREUR ELECTRIQUE**

REF. NO.	PART NO. N° PIECES	DESCRIPTION DESCRIPTION	6AL9	6AS8	6AM9	6AT8	REMARKS REMARQUES
28	92903-08600	WASHER, PLATE RONDELLE, PLATE	3	3	3	3	
29	90179-08003	NUT ECROU	1	1	1	1	





6AL9300-M220

FIG. 22 BOTTOM COWLING 1

CAPOT INFERIEUR 1

REF. NO.	PART NO. N° PIECES	DESCRIPTION DESCRIPTION	6AL9	6AS8	6AM9	6AT8	REMARKS REMARQUES
1	6P2-42710-00-8D	BOTTOM COWLING ASSY ENS. EMBASE	1	1	1	1	
2	6P2-42738-00-8D	PLATE, FITTING ETRIER	1	1	1	1	
3	6P2-42717-00	RUBBER, SEAL 2 JOINT EN CAOUTCHOUC 2	1	1	1	1	
4	6P2-42718-00	RUBBER, SEAL 3 JOINT	1	1	1	1	
5	90109-06M82	BOLT BOULON	2	2	2	2	
6	6H4-42748-00	GROMMET PASSE-FIL	2	2	2	2	
7	6P2-42725-00	GROMMET PASSE-FIL	1	1	1	1	
8	6P2-42615-00	SEAL JOINT	1	1	1	1	
9	69J-42716-00	RUBBER, SEAL 1 JOINT EN CAOUTCHOUC 1	1	1	1	1	
10	90119-08M22	BOLT, WITH WASHER BOULON, AVEC RONDELLE	4	4	4	4	
11	90480-22M81	GROMMET PASSE-FIL	8	8	8	8	
12	90387-08M37	COLLAR COLLERETTE	4	4	4	4	
13	6H1-42726-21	GROMMET PASSE-FIL	1	1	1	1	
14	90465-11M10	CLAMP BRIDE	2	2	2	2	
15	61A-42727-00	GROMMET PASSE-FIL	1	1	1	1	
16	6P2-44391-00	NIPPLE, HOSE RACCORD D'ESSENCE	1	1	1	1	
17	69J-42717-00	RUBBER, SEAL 2 JOINT EN CAOUTCHOUC 2	2	2	2	2	
18	61A-42717-00	RUBBER, SEAL 2 JOINT EN CAOUTCHOUC 2	2	2	2	2	
19	6E5-82588-00	PLATE PLAQUE	2	2	2	2	
20	90109-06M81	BOLT BOULON	2	2	2	2	
21	90462-20001	CLAMP BRIDE	1	1			
22	90109-06M86	BOLT BOULON	1	1			
23	6P2-82554-00	STAY, NEUTRAL SWITCH SUPPORT, CONT DE POINT-MORT	1	1	1	1	
24	90109-06M86	BOLT BOULON	1	1	1	1	
25	90464-09M47	CLAMP BRIDE	1	1	1	1	
26	69J-42828-02-9S	PLATE, CLAMP PLAQUE, PRESSE	1	1	1	1	
27	6P2-42828-00-9S	PLATE, CLAMP PLAQUE, PRESSE	1	1	1	1	

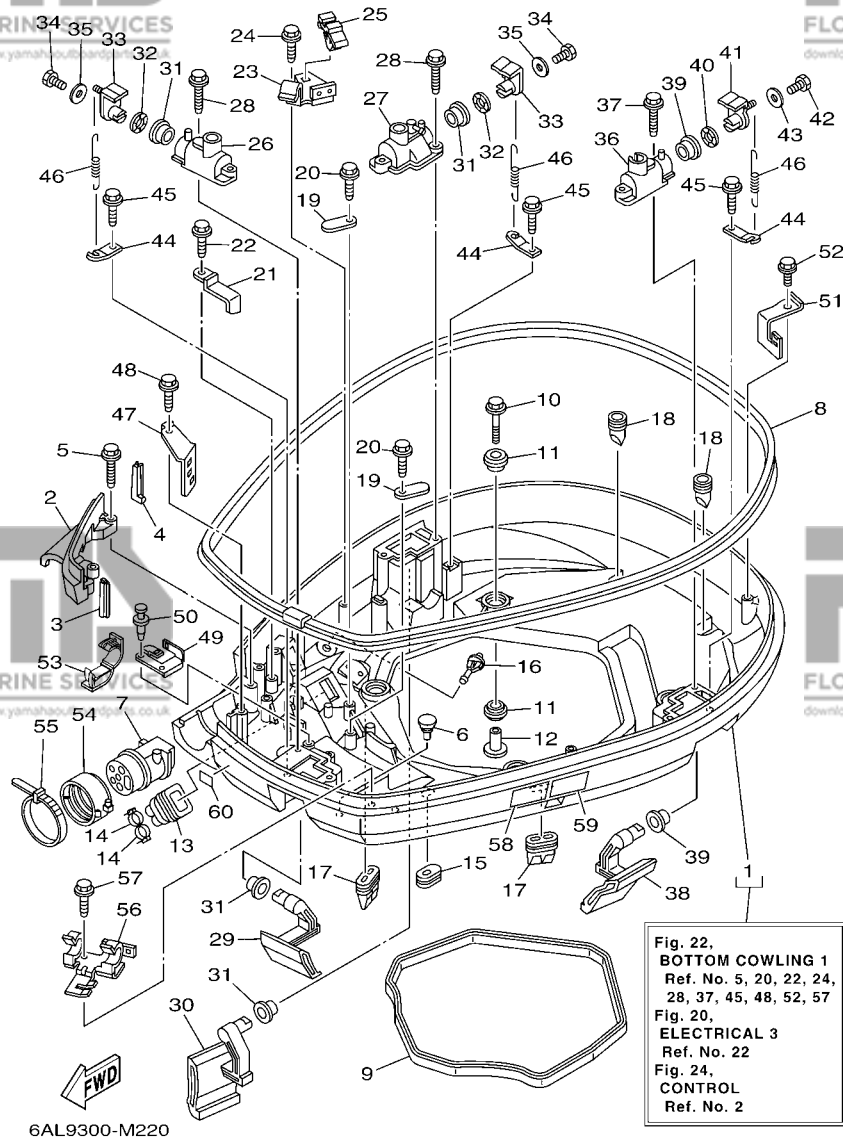


Fig. 22,  
BOTTOM COWLING 1  
Ref. No. 5, 20, 22, 24,  
28, 37, 45, 48, 52, 57  
Fig. 20,  
ELECTRICAL 3  
Ref. No. 22  
Fig. 24,  
CONTROL  
Ref. No. 2

6AL9300-M220

FIG. 22 BOTTOM COWLING 1

CAPOT INFERIEUR 1

REF. NO.	PART NO. N° PIECES	DESCRIPTION DESCRIPTION	6AL9	6AS8	6AM9	6AT8	REMARKS REMARQUES
28	90109-06M82	BOLT BOULON	4	4	4	4	
29	69J-42815-00-8D	LEVER, CLAMP LEVIER, PRESSE	1	1	1	1	
30	69J-42817-00-8D	LEVER, CLAMP LEVIER, PRESSE	1	1	1	1	
31	90386-15M73	BUSH DOUILLE	4	4	4	4	
32	90206-15M18	WASHER, WAVE RONDELLE, ONDULEE	2	2	2	2	
33	63P-42818-01	LEVER, CLAMP LEVIER, PRESSE	2	2	2	2	
34	97095-06020	BOLT BOULON	2	2	2	2	
35	90201-06068	WASHER, PLATE RONDELLE, PLATE	2	2	2	2	
36	68F-42828-11-9S	PLATE, CLAMP PLAQUE, PRESSE	1	1	1	1	
37	90109-06M82	BOLT BOULON	2	2	2	2	
38	69J-42816-00-8D	LEVER, CLAMP LEVIER, PRESSE	1	1	1	1	
39	90386-15M73	BUSH DOUILLE	2	2	2	2	
40	90206-15M18	WASHER, WAVE RONDELLE, ONDULEE	1	1	1	1	
41	68V-42818-01	LEVER, CLAMP LEVIER, PRESSE	1	1	1	1	
42	97095-06020	BOLT BOULON	1	1	1	1	
43	90201-06068	WASHER, PLATE RONDELLE, PLATE	1	1	1	1	
44	64D-43144-00	HOOK, SPRING CROCHET	3	3	3	3	
45	90109-06M86	BOLT BOULON	3	3	3	3	
46	90506-18M40	SPRING, TENSION RESSORT, TENSION	3	3	3	3	
47	6P2-42743-00	BRACKET SUPPORT	1	1	1	1	
48	90109-06M82	BOLT BOULON	1	1	1	1	
49	6P2-42766-10	BRACKET 2 SUPPORT 2	1	1	1	1	
50	90269-05005	RIVET RIVET	2	2	2	2	
51	69J-8366G-02	BRACKET 3 SUPPORT 3	1	1	1	1	
52	90109-06M86	BOLT BOULON	1	1	1	1	
53	90464-18004	CLAMP BRIDE	2	2	2	2	
54	68F-42753-00	FASTNER ATTACHE	1	1	1	1	AP AP

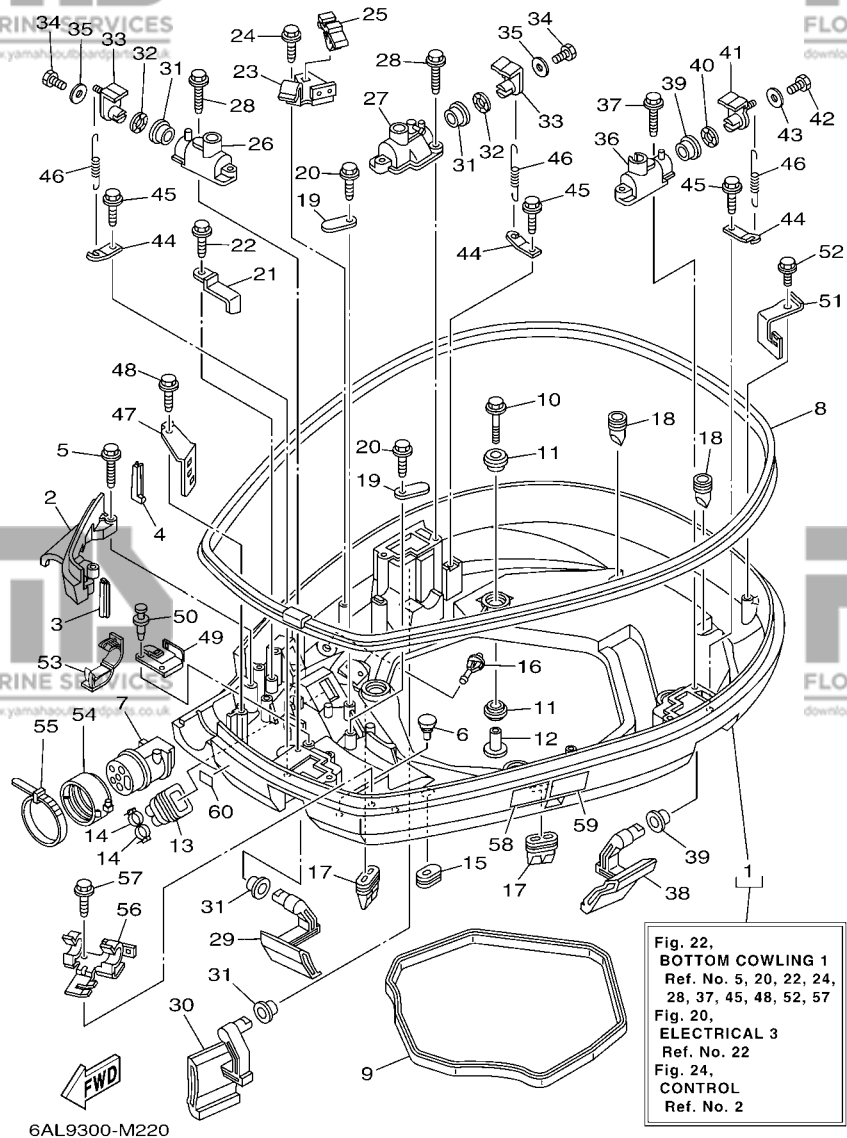


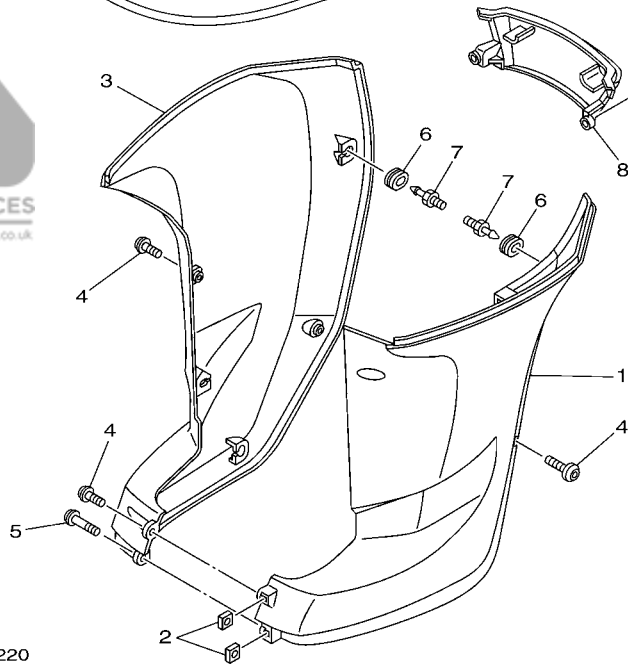
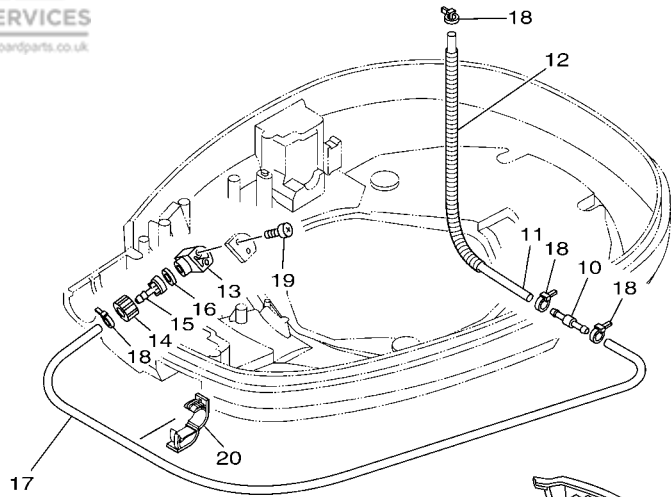
Fig. 22,  
BOTTOM COWLING 1  
Ref. No. 5, 20, 22, 24,  
28, 37, 45, 48, 52, 57  
Fig. 20,  
ELECTRICAL 3  
Ref. No. 22  
Fig. 24,  
CONTROL  
Ref. No. 2

FIG. 22 BOTTOM COWLING 1

CAPOT INFERIEUR 1

REF. NO.	PART NO. N° PIECES	DESCRIPTION DESCRIPTION	6AL9	6AS8	6AM9	6AT8	REMARKS REMARQUES
55	90464-20258	CLAMP BRIDE	1	1	1	1	AP AP
56	6P2-82594-00	CLAMP BRIDE	1	1	1	1	
57	90109-06M86	BOLT BOULON	1	1	1	1	
58	6AH-42794-40	LABEL, WARNING (GENERAL) ETIQUETTE, AVERTISSEMENT	1	1	1	1	
59	6AH-42794-50	LABEL, WARNING (GENERAL) ETIQUETTE, AVERTISSEMENT	1	1	1	1	
60	6AH-81996-00	MARK MARQUE	1	1	1	1	



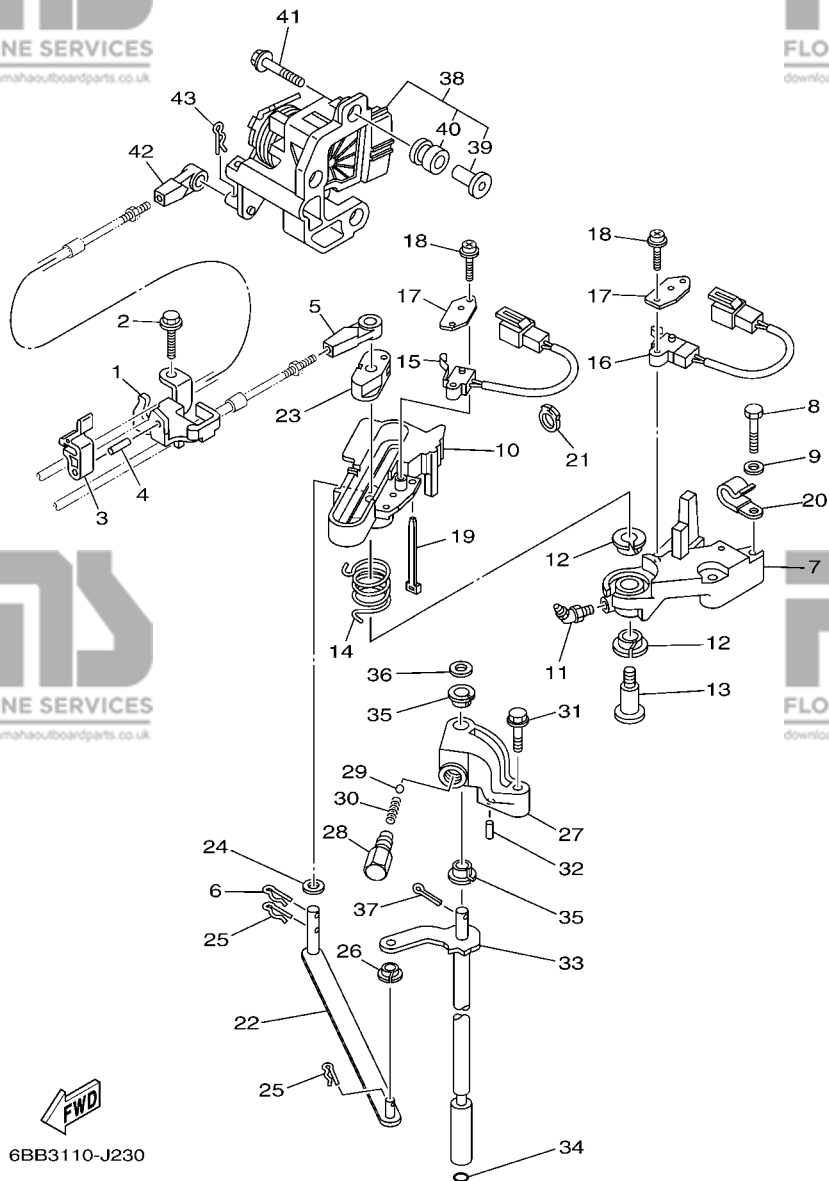


6P21110-D220

**FIG. 23 BOTTOM COWLING 2**

**CAPOT INFERIEUR 2**

REF. NO.	PART NO. N° PIECES	DESCRIPTION DESCRIPTION	6AL9	6AS8	6AM9	6AT8	REMARKS REMARQUES
1	69J-42741-00-8D	APRON CAPOT LATERAL	1	1	1	1	
2	90173-06001	NUT, SQUARE ECROU, CARRE	2	2	2	2	
3	69J-42771-00-8D	APRON CAPOT LATERAL	1	1	1	1	
4	90111-06144	BOLT,HEX. SOCKET BUTTON BOULON	5	5	5	5	
5	90111-06142	BOLT,HEX. SOCKET BUTTON BOULON	1	1	1	1	
6	90480-14M17	GROMMET PASSE-FIL	6	6	6	6	
7	69J-42774-10	STAY, APRON 1 COUSSINET	6	6	6	6	
8	69J-45151-00-8D	COVER, UPPER CASING CAPUCHON, FOURREAU	1	1	1	1	
9	90111-06144	BOLT,HEX. SOCKET BUTTON BOULON	2	2	2	2	
10	6E5-24379-00	PIPE, JOINT 4 DURITE RACCORDEMENT 4	1	1	1	1	
11	90445-11M47	HOSE (L370) DURITE (L370)	1	1	1	1	
12	90447-13009	TUBE DURITE	1	1	1	1	
13	68T-12572-00	ADAPTER ADAPTATEUR	1	1	1	1	
14	6R3-12581-00	JOINT, HOSE 1 JOINT DE TUYAU	1	1	1	1	
15	6R3-12582-00	JOINT, HOSE 2 RACCORD DE TUYAU 1	1	1	1	1	
16	6R3-12583-00	GASKET, HOSE JOINT JOINT	1	1	1	1	
17	90445-11028	HOSE (L1050) DURITE (L1050)	1	1	1	1	
18	90465-11M10	CLAMP BRIDE	4	4	4	4	
19	97780-60520	SCREW, TAPPING VIS, TETE BOMBEE	2	2	2	2	
20	90464-18004	CLAMP BRIDE	1	1	1	1	

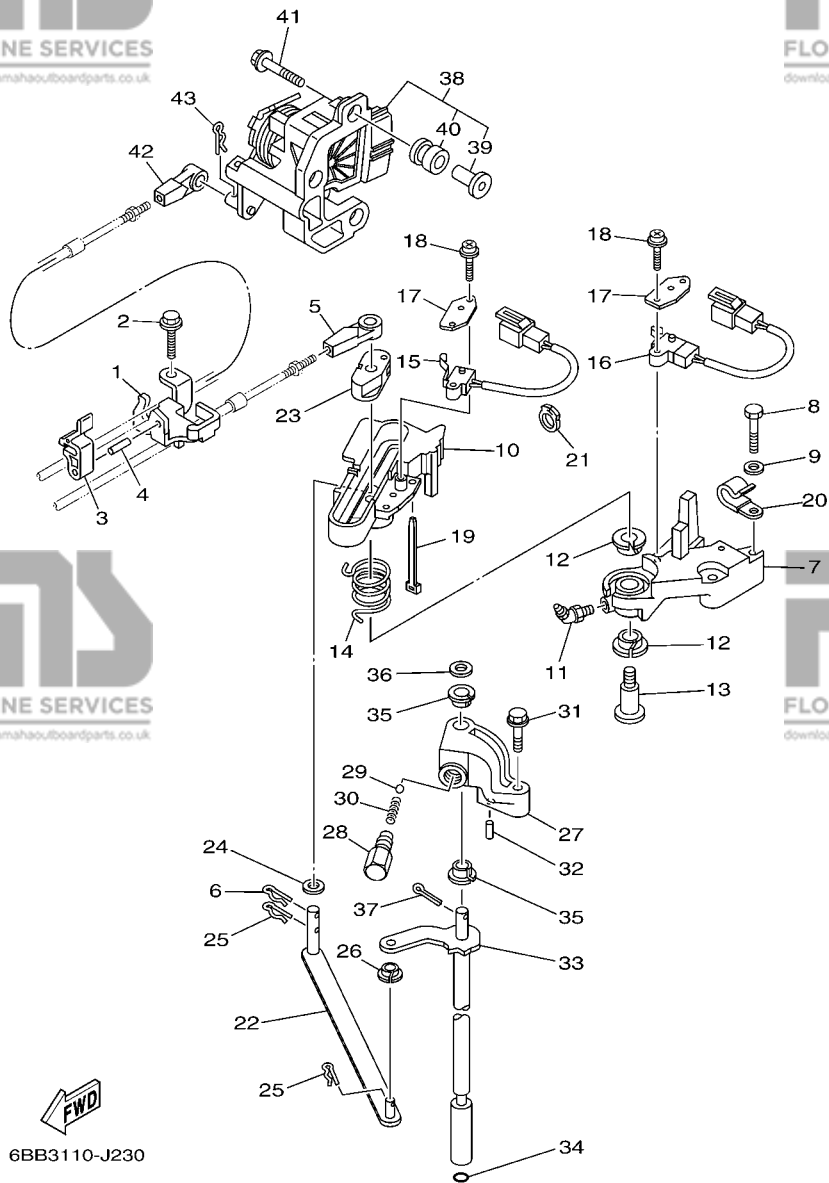


6BB3110-J230

**FIG. 24 CONTROL**

**COMMANDE**

REF. NO.	PART NO. N° PIECES	DESCRIPTION DESCRIPTION	6AL9	6A98	6AM9	6AT8	REMARKS REMARQUES
1	6P2-48531-00	BRACKET, REMOTE CONTROL 1 ETRIER 1, COMMANDE A DISTANCE	1	1	1	1	
2	90109-06M86	BOLT BOULON	2	2	2	2	
3	63P-48538-00	CLAMP, CABLE 1 COLLIER	1	1	1	1	
4	91690-30010	PIN, SPRING AGRAFFE	1	1	1	1	
5	6E5-48344-00	CABLE END, REMOTE CONTROL CHAPE CABLE	1	1	1	1	
6	90468-18008	CLIP JONC	1	1	1	1	
7	69J-44117-00	BRACKET SUPPORT	1	1	1	1	
8	97095-06035	BOLT BOULON	2	2	2	2	
9	92995-06600	WASHER RONDELLE	2	2	2	2	
10	69J-44176-01	BRACKET SUPPORT	1	1	1	1	
11	93700-06M01	NIPPLE, GREASE PION	1	1	1	1	
12	90386-12069	BUSH DOUILLE	2	2	2	2	
13	90109-08019	BOLT BOULON	1	1	1	1	
14	90508-20020	SPRING, TORSION RESSORT, TORSION	1	1	1	1	
15	60V-8259F-00	SWITCH ASSY COMMUTATEUR	1	1	1	1	
16	69J-8259F-00	SWITCH ASSY COMMUTATEUR	1	1	1	1	
17	61A-82588-01	PLATE PLAQUE	2	2	2	2	
18	97985-04116	SCREW, WITH WASHER VIS, AVEC RONDELLE	4	4	4	4	
19	90465-11M10	CLAMP BRIDE	1	1	1	1	
20	90465-06M86	CLAMP BRIDE	1	1	1	1	
21	90464-09010	CLAMP BRIDE	1	1	1	1	
22	6P2-44121-00	LEVER, SHIFT ROD LEVIER, TIGE D'INVERSION	1	1	1	1	
23	69J-44122-00	BUSHING, SHIFT ROD LEVER DOUILLE, LEVIER D'EMBRAYAGE	1	1	1	1	
24	90202-08M20	WASHER, PLATE RONDELLE, PLATE	1	1	1	1	
25	90468-18008	CLIP JONC	2	2	2	2	
26	90386-06M12	BUSH DOUILLE	1	1	1	1	
27	69J-44118-00	BRACKET SUPPORT	1	1	1	1	

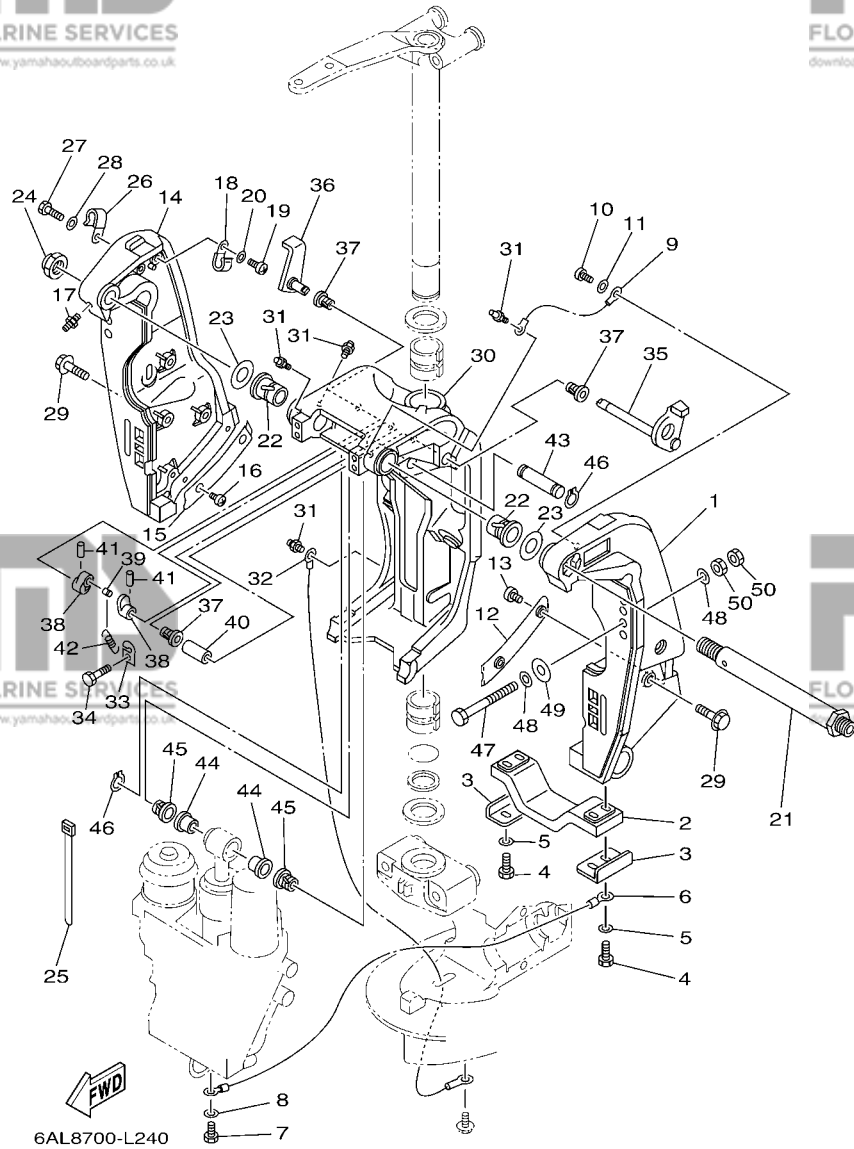


**FIG. 24 CONTROL**

**COMMANDE**

REF. NO.	PART NO. N° PIECES	DESCRIPTION DESCRIPTION	6AL9	6AS8	6AM9	6AT8	REMARKS REMARQUES
28	648-42715-00	BUSHING COUSSINET	1	1	1	1	
29	93501-04M02	BALL BILLE	1	1	1	1	
30	90501-12082	SPRING, COMPRESSION RESSORT, COMPRESSION	1	1	1	1	
31	97575-06535	BOLT, WITH WASHER VIS HEXAGONAL AVEC RONDELLE	1	1	1	1	
32	91690-30010	PIN, SPRING AGRAFFE	1	1	1	1	
33	69J-44120-00	HANDLE GEAR SHIFT ASSY LEVIER D'EMBRAYAGE	1	1	1	1	X(25.3") X(25.3")
34	93210-09165	O-RING JOINT TORIQUE	1	1	1	1	
35	90386-90M90	BUSH DOUILLE	2	2	2	2	
36	90201-09M02	WASHER, PLATE RONDELLE, PLATE	1	1	1	1	
37	91490-20015	PIN, COTTER GOUPILLE	1	1	1	1	
38	6P2-8A410-01	SENSOR UNIT UNITE DE CAPTEUR	1	1	1	1	
39	6P2-44139-00	.COLLAR .COLLIER	3	3	3	3	
40	6CB-41273-00	.GROMMET .PASSE-FIL	3	3	3	3	
41	90119-06126	BOLT, WITH WASHER BOULON, AVEC RONDELLE	3	3	3	3	
42	6E5-48344-00	CABLE END, REMOTE CONTROL CHAPE CABLE	1	1	1	1	
43	90468-18008	CLIP JONC	1	1	1	1	

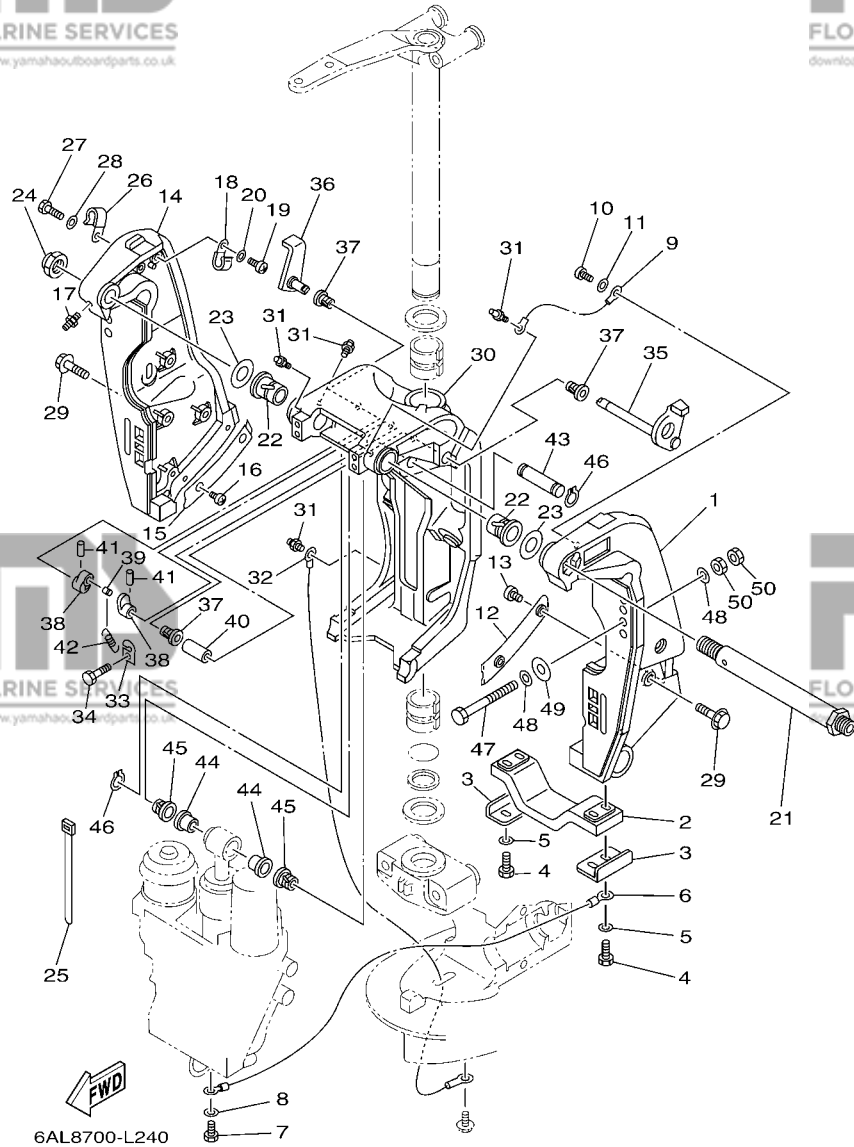
6BB3110-J230



**FIG. 25 BRACKET 1**

**SUPPORT 1**

REF. NO.	PART NO. N° PIECES	DESCRIPTION DESCRIPTION	6AL9	6AS8	6AM9	6AT8	REMARKS REMARQUES
1	69J-43111-02-8D	BRACKET, CLAMP 1 PRESSE 1	1	1	1	1	
2	6G5-45251-02	ANODE ANODE	1	1	1	1	
3	6G5-44526-00	PLATE PLAQUE	2	2	2	2	
4	97095-06025	BOLT BOULON	4	4	4	4	
5	92995-06600	WASHER RONDELLE	4	4	4	4	
6	6H1-82148-00	WIRE, LEAD 4 FIL 4	1	1	1	1	
7	97095-06010	BOLT BOULON	1	1	1	1	
8	92995-06600	WASHER RONDELLE	1	1	1	1	
9	6E5-82148-00	WIRE, LEAD 4 FIL 4	1	1	1	1	
10	97885-06012	SCREW, PAN HEAD VIS, A ENCOCHE	1	1	1	1	
11	92995-06600	WASHER RONDELLE	1	1	1	1	
12	61A-43132-00	WASHER, FRICTION RONDELLE, FRICTION	1	1	1	1	
13	97885-06010	SCREW, PAN HEAD VIS, A ENCOCHE	2	2	2	2	
14	69J-43112-01-8D	BRACKET, CLAMP 2 PRESSE 2	1	1	1	1	
15	61A-43133-00	WASHER, FRICTION RONDELLE	1	1	1	1	
16	97885-06010	SCREW, PAN HEAD VIS, A ENCOCHE	2	2	2	2	
17	93700-06M03	NIPPLE, GREASE PION	1	1	1	1	
18	90465-08M83	CLAMP BRIDE	1	1	1	1	
19	97885-06012	SCREW, PAN HEAD VIS, A ENCOCHE	1	1	1	1	
20	92995-06600	WASHER RONDELLE	1	1	1	1	
21	6R3-43131-00	BOLT, CLAMP BRACKET BOULON, PRESSE	1	1	1	1	
22	90386-25M31	BUSH DOUILLE	2	2	2	2	
23	90201-26M59	WASHER, PLATE RONDELLE, PLATE	2	2	2	2	
24	90185-22M11	NUT, SELF-LOCKING ECROU, AUTO-BLOQUANT	1	1	1	1	
25	90465-11M10	CLAMP BRIDE	4	4	4	4	
26	90465-08M83	CLAMP BRIDE	1	1	1	1	
27	97095-06014	BOLT BOULON	1	1	1	1	



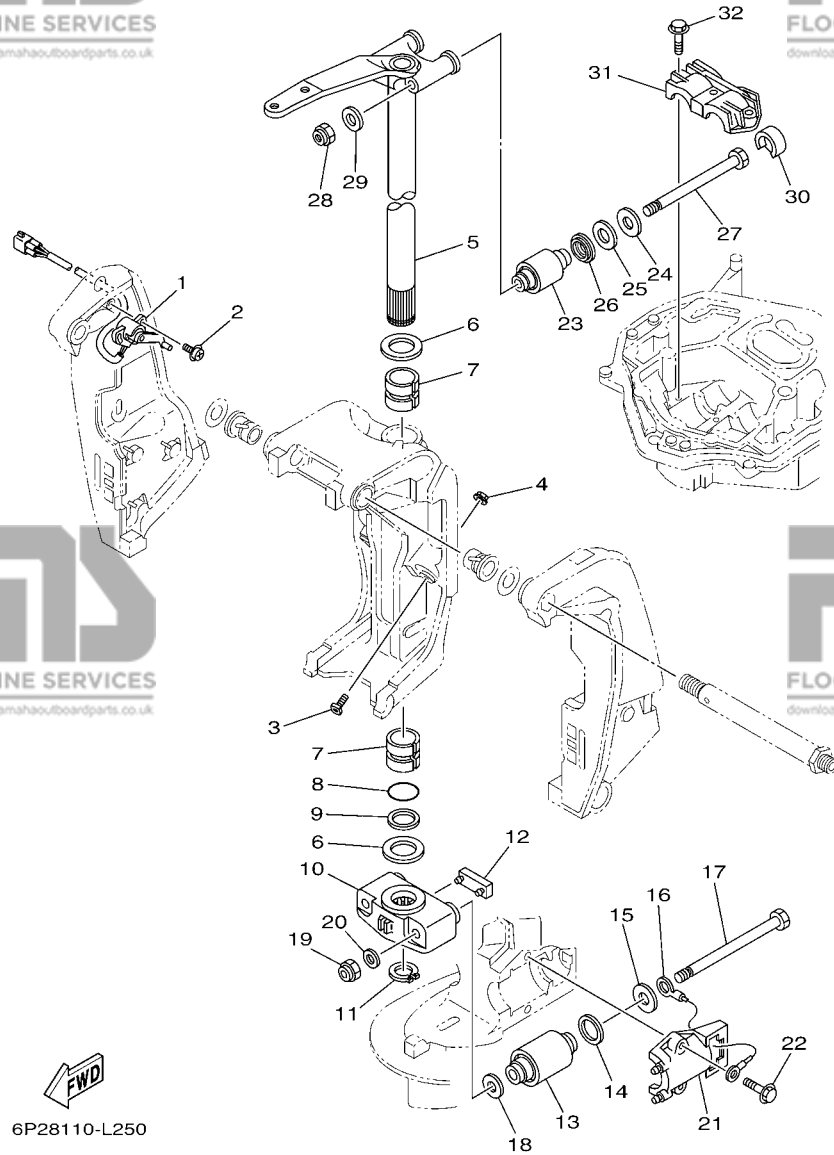
**FIG. 25 BRACKET 1**

**SUPPORT 1**

REF. NO.	PART NO. N° PIECES	DESCRIPTION DESCRIPTION	6AL9	6AS8	6AM9	6AT8	REMARKS REMARQUES
28	92995-06600	WASHER RONDELLE	1	1	1	1	
29	90119-10024	BOLT, WITH WASHER BOULON, AVEC RONDELLE	8	8	8	8	
30	61A-43311-22-8D	BRACKET, SWIVEL 1 SUPPORT, PIVOT 1	1	1	1	1	
31	93700-06M03	NIPPLE, GREASE PION	5	5	5	5	
32	69J-82147-00	WIRE, LEAD 5 FIL 5	1	1	1	1	
33	6G5-43144-00	HOOK, SPRING CROCHET	1	1	1	1	
34	97095-06010	BOLT BOULON	1	1	1	1	
35	61A-43181-01	LEVER, TILT STOP 1 LEVIER VERROUILLAGE RELEVAGE 1	1	1	1	1	
36	6G5-43185-02	LEVER, TILT STOP 2 LEVIER VERROUILLAGE RELEVAGE 2	1	1	1	1	
37	90386-10M16	BUSH DOUILLE	3	3	3	3	
38	6G5-43148-00	COLLAR, DISTANCE ENTRETOISE	2	2	2	2	
39	90249-06M19	PIN GOUPILLE	1	1	1	1	
40	90387-10M05	COLLAR COLLERETTE	1	1	1	1	
41	91690-30020	PIN, SPRING AGRAFFE	2	2	2	2	
42	90506-16003	SPRING, TENSION RESSORT, TENSION	1	1	1	1	
43	6E5-43126-10	PIN, UPPER SHOCK MOUNT AXE, SUPERIEUR AMORTISSEUR	1	1	1	1	
44	90386-18M63	BUSH DOUILLE	2	2	2	2	
45	90386-18M14	BUSH DOUILLE	2	2	2	2	
46	93410-18M05	CIRCLIP CLIPS	2	2	2	2	
47	90101-12M05	BOLT (L:130MM) BOULON (L:130MM)	4	4	4	4	
48	90201-13M01	WASHER, PLATE RONDELLE, PLATE	8	8	8	8	
49	90201-12426	WASHER, PLATE RONDELLE, PLATE	4	4	4	4	
50	95380-12600	NUT ECROU	8	8	8	8	

**FIG. 26 BRACKET 2**

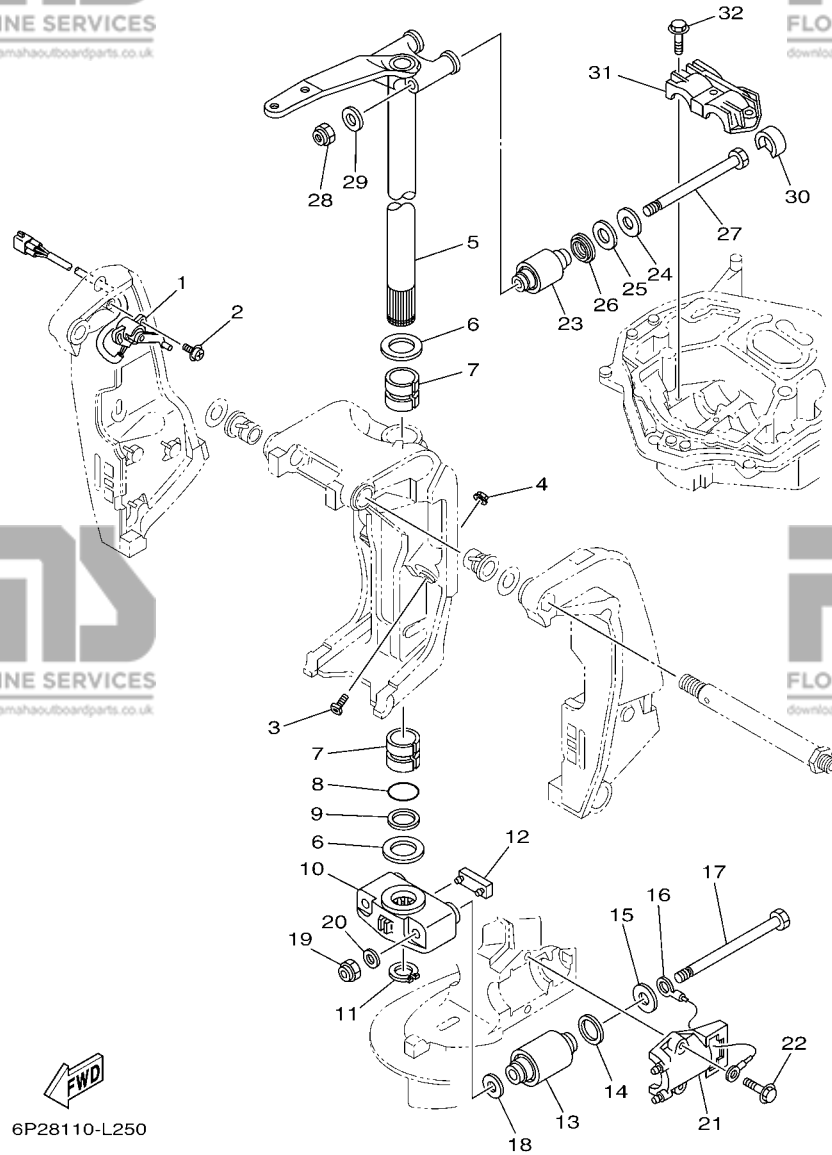
**SUPPORT 2**



REF. NO.	PART NO. N° PIECES	DESCRIPTION DESCRIPTION	6AL9	6A98	6AM9	6AT8	REMARKS REMARQUES
1	69J-83672-11	TRIM SENDER INCLINER RACCORD	1	1	1	1	
2	97985-06216	SCREW, WITH WASHER VIS, AVEC RONDELLE	2	2	2	2	
3	61A-43376-00	BOLT, THRUST RECEIVER BOULON	2	2	2	2	
4	95780-10300	NUT, FLANGE ECROU	2	2	2	2	
5	69J-42510-00-8D	STEERING BRACKET ASSY DIRECTION SUPPORT (ENS.)	1	1	1	1	
6	90201-40M00	WASHER, PLATE RONDELLE, PLATE	2	2	2	2	
7	90386-39M89	BUSH DOUILLE	2	2	2	2	
8	93210-35321	O-RING JOINT TORIQUE	1	1	1	1	
9	90202-40M47	WASHER, PLATE RONDELLE, PLATE	1	1	1	1	
10	69J-44551-00-8D	HOUSING, LOWER MOUNT RUBBER 1 BOITIER, SILENT-BLOC INFÉRIEUR	1	1	1	1	
11	93410-37M04	CIRCLIP CLIPS	1	1	1	1	
12	61A-44575-00	DAMPER, LOWER MOUNT RUBBER SILENT-BLOC, INFÉRIEUR	1	1	1	1	
13	60X-44555-00	MOUNT DAMPER, LOWER SIDE SILENT-BLOC, INFÉRIEUR LATERAL	2	2	2	2	
14	90202-32M19	WASHER, PLATE RONDELLE, PLATE	2	2	2	2	
15	90201-16016	WASHER, PLATE RONDELLE, PLATE	2	2	2	2	
16	6E5-82149-00	WIRE, LEAD 3 FIL 3	1	1	1	1	
17	90101-14002	BOLT BOULON	2	2	2	2	
18	90201-15M58	WASHER, PLATE RONDELLE, PLATE	2	2	2	2	
19	90185-14M00	NUT, SELF-LOCKING ECROU, AUTO-BLOQUANT	2	2	2	2	
20	92995-14600	WASHER RONDELLE	2	2	2	2	
21	61A-44552-01-CA	HOUSING, LOWER MOUNT RUBBER 2 BOITIER, SILENT-BLOC INFÉRIEUR	2	2	2	2	
22	90119-10024	BOLT, WITH WASHER BOULON, AVEC RONDELLE	4	4	4	4	
23	69J-44514-00	MOUNT DAMPER, UPPER SIDE SILENT-BLOC, SUPÉRIEUR LATERAL	2	2	2	2	
24	90201-16015	WASHER, PLATE RONDELLE, PLATE	2	2	2	2	
25	90202-28M46	WASHER, PLATE RONDELLE, PLATE	2	2	2	2	
26	69J-44532-00	STOPPER, UPPER MOUNT PLAQUETTE	2	2	2	2	
27	90101-14003	BOLT BOULON	2	2	2	2	

**FIG. 26 BRACKET 2**

**SUPPORT 2**



6P28110-L250

REF. NO.	PART NO. N° PIECES	DESCRIPTION DESCRIPTION	6AL9	6AS8	6AM9	6AT8	REMARKS REMARQUES
28	90185-14M00	NUT, SELF-LOCKING ECROU, AUTO-BLOQUANT	2	2	2	2	
29	92995-14600	WASHER RONDELLE	2	2	2	2	
30	69J-44533-00	DAMPER, UPPER MOUNT RUBBER COUVERCLE, SUSPENSION INFERIEU	2	2	2	2	
31	61A-44511-01	COVER, UPPER MOUNT COUVERCLE, SUSPENSION SUPERIEU	1	1	1	1	
32	90119-10024	BOLT, WITH WASHER BOULON, AVEC RONDELLE	3	3	3	3	

REFER TO FIG.28

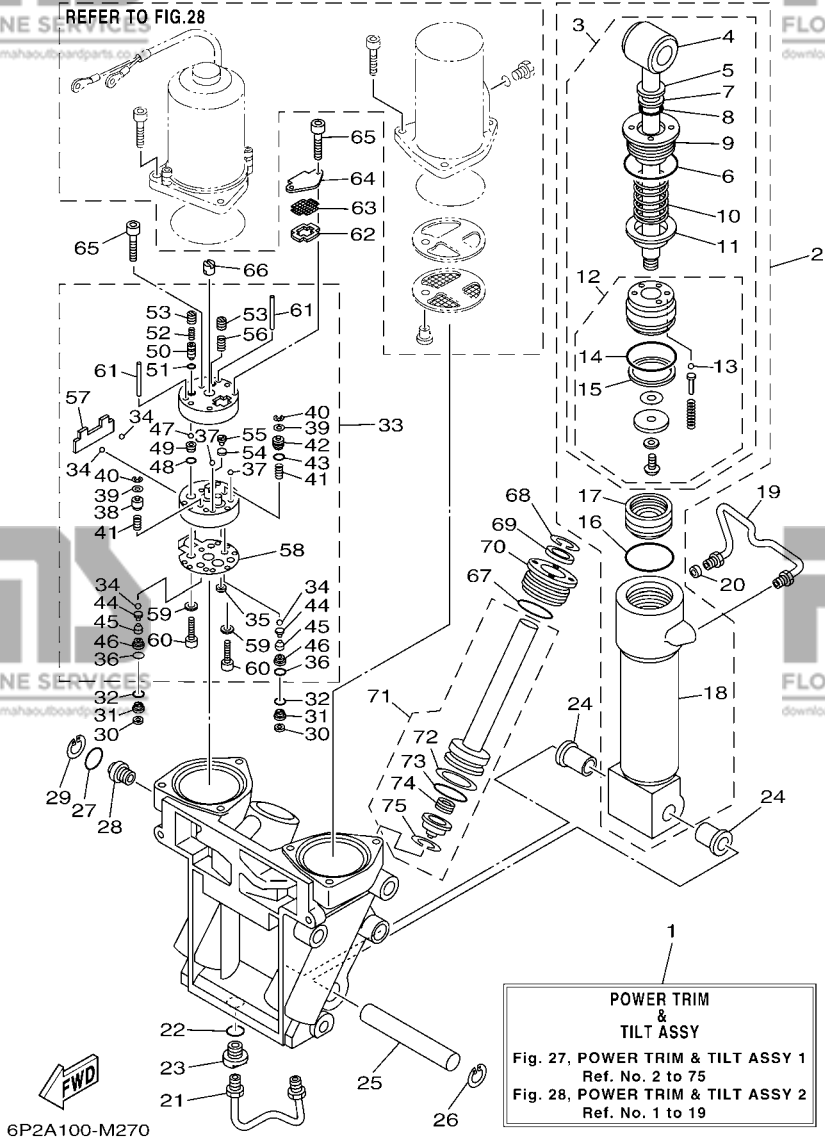


FIG. 27 POWER TRIM & TILT ASSY 1

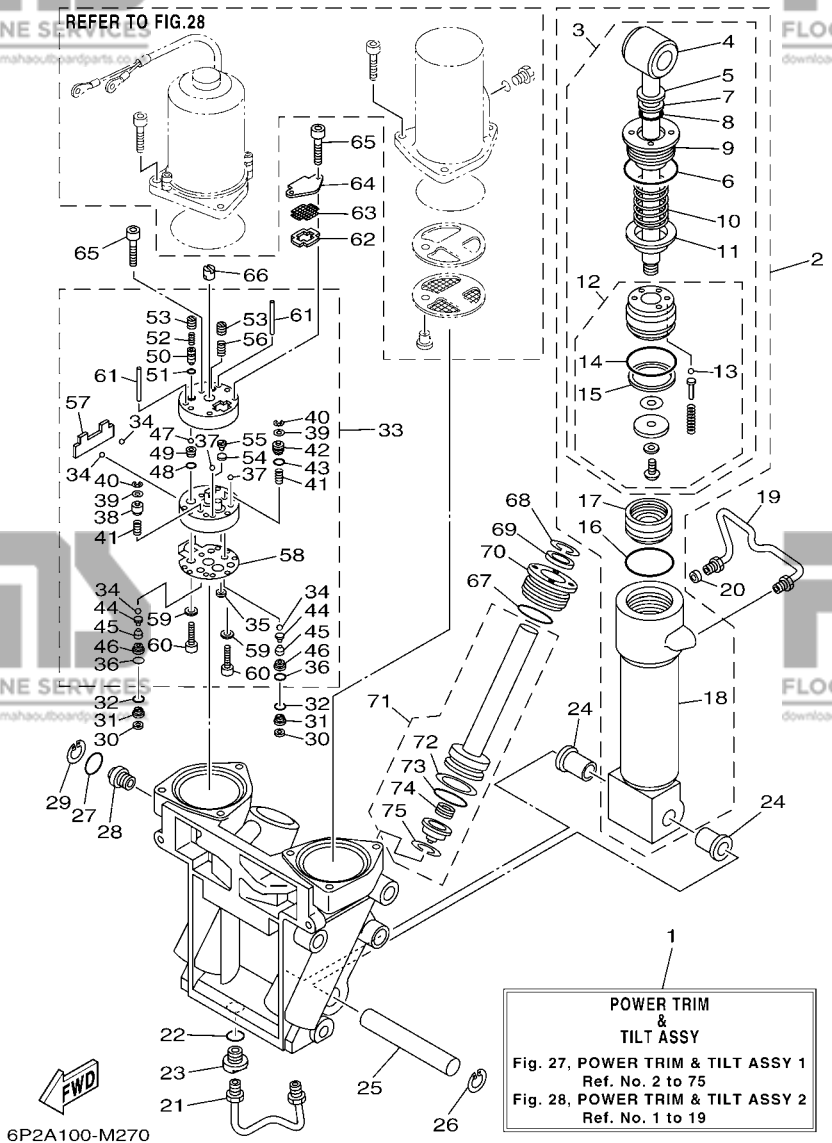
PUISSANCE PARER ET INCLINER 1

REF. NO.	PART NO. N° PIECES	DESCRIPTION DESCRIPTION	6AL9	6AS8	6AM9	6AT8	REMARKS REMARQUES
1	69J-43800-05-8D	POWER TRIM & TILT ASSY PUISSANCE PARER ET INCLINER (E	1	1	1	1	
2	6CE-43840-00	POWER TILT ASSY PUISSANCE INCLINER (ENS.)	1	1	1	1	
3	6CE-43810-00	.TILT PISTON SUB ASSY .INCLINER PISTON AUXILIAIRE(ENS	1	1	1	1	
4	69J-43801-01	..ROD ..TIGE	1	1	1	1	
5	93106-19N50	..OIL SEAL ..JOINT SPY	1	1	1	1	
6	6H1-43861-00	..O-RING ..JOINT TORIQUE	1	1	1	1	
7	6H1-43872-00	..RING, BACK UP ..RESSORT	1	1	1	1	
8	61A-4389H-01	..O-RING ..JOINT TORIQUE	1	1	1	1	
9	61A-43811-00	..SCREW, CYLINDER END ..VIS, CYLINDRE RACCORD	1	1	1	1	
10	69J-4384H-00	..SPRING ..RESSORT	1	1	1	1	
11	69J-4382E-00	..ADAPTOR 2 ..ADAPTEUR 2	1	1	1	1	
12	6CE-4380P-00	..PISTON SUB ASSY ..PISTON AUXILIAIRE (ENS.)	1	1	1	1	
13	93505-32038	...BALL ...BILLE	5	5	5	5	
14	61A-43861-00	...O-RING ...JOINT TORIQUE	1	1	1	1	
15	61A-43871-00	...RING, BACK UP ...SEGMENT	1	1	1	1	
16	61A-43861-00	.O-RING .JOINT TORIQUE	1	1	1	1	
17	6H1-43814-00	.PISTON, FREE .PISTON	1	1	1	1	
18	61A-43813-01	.CYLINDER, TILT .CYLINDRE	1	1	1	1	
19	61A-43835-01	PIPE TUYAU	1	1	1	1	
20	69J-4388J-00	PLUG 2 BOUCHON 2	1	1	1	1	
21	69J-43833-00	PIPE TUYAU	1	1	1	1	
22	93210-17239	O-RING JOINT TORIQUE	1	1	1	1	
23	69J-4388E-01	BOLT ,SCREW VIS	1	1	1	1	
24	90386-18M14	BUSH DOUILLE	2	2	2	2	
25	61A-43818-00	PIN, LOWER SHOCK MOUNT AXE, INFERIEUR AMORTISSEUR	1	1	1	1	
26	61A-43876-00	RING, SNAP RESSORT	1	1	1	1	
27	6D8-43863-00	O-RING JOINT TORIQUE	1	1	1	1	



FIG. 27 POWER TRIM & TILT ASSY 1

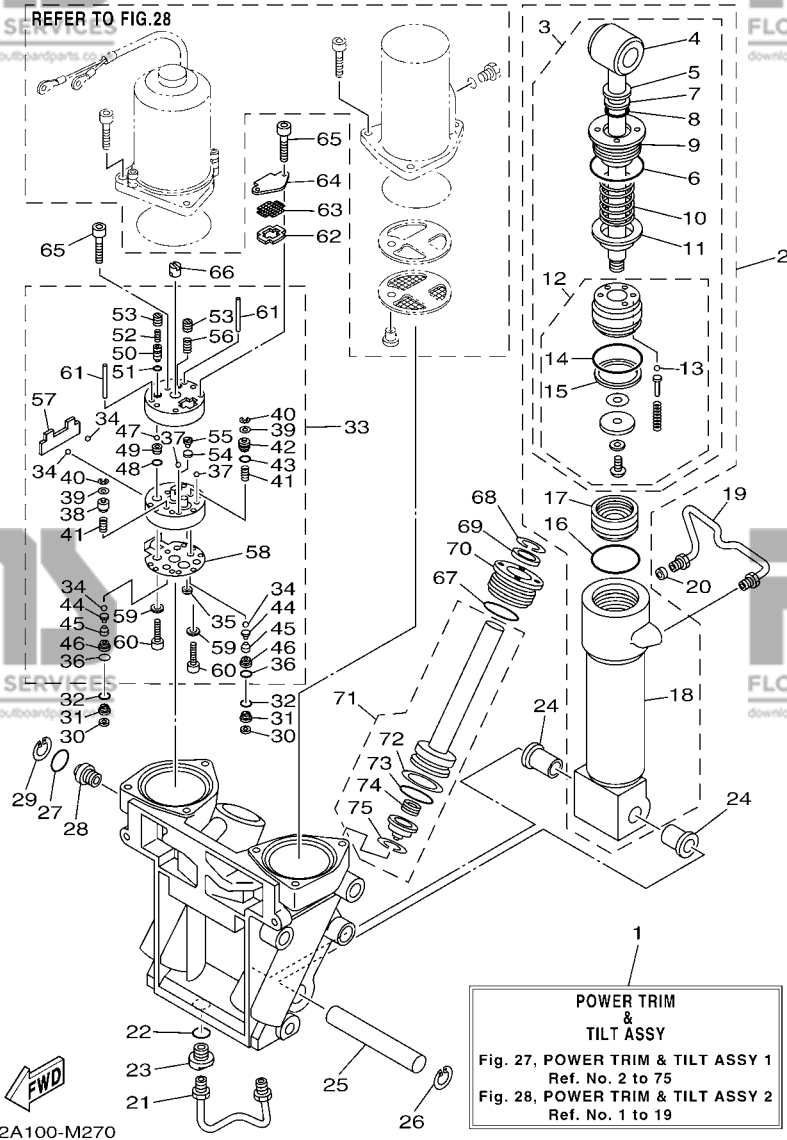
PUISSANCE PARER ET INCLINER 1



REF. NO.	PART NO. N° PIECES	DESCRIPTION DESCRIPTION	6AL9	6AS8	6AM9	6AT8	REMARKS REMARQUES
28	69J-43845-00	SCREW, MANUAL RELEASE VIS	1	1	1	1	
29	6H1-43875-00	RING, SNAP RESSORT	1	1	1	1	
30	69J-4381C-00	FILTER 3 FILTRE 3	2	2	2	2	
31	69J-43899-01	PLATE STOPPER PLAQUETTE	2	2	2	2	
32	69J-4389J-00	O-RING JOINT TORIQUE	2	2	2	2	
33	69J-43830-01	GEAR PUMP ASSY POMPE A PIGNON (ENS.)	1	1	1	1	
34	93505-32038	.BALL .BILLE	4	4	4	4	
35	69J-4381C-00	.FILTER 3 .FILTRE 3	1	1	1	1	
36	69J-4389J-00	.O-RING .JOINT TORIQUE	2	2	2	2	
37	93503-16003	.BALL .BILLES	2	2	2	2	
38	6CJ-4384M-00	.PISTON, SHUTTLE 2 .PISTON 2	1	1	1	1	
39	69A-4384F-00	.SEAL, MAIN VALVE .JOINT	2	2	2	2	
40	99002-03600	.CLIP .CIRCLIP	2	2	2	2	
41	69J-43894-00	.SPRING, SHUTTLE RETURN .RESSORT	2	2	2	2	
42	6CJ-43841-00	.PISTON, SHUTTLE .PISTON	1	1	1	1	
43	6H1-43883-00	.O-RING .JOINT TORIQUE	1	1	1	1	
44	60V-4386A-00	.PIN, ABSORBER VALVE .GOUPILLE, SOUPAPE	2	2	2	2	
45	69J-43853-00	.SPRING, MAIN VALVE .RESSORT	2	2	2	2	
46	6CJ-43893-00	.WASHER .RONDELLE	2	2	2	2	
47	93501-08001	.BALL .BILLE	2	2	2	2	
48	93210-08391	.O-RING .JOINT TORIQUE	1	1	1	1	
49	69J-43851-00	.SEAT, RELIEF VALVE .SIEGE	1	1	1	1	
50	6CJ-43844-00	.PIN, VALVE SUPPORT .GOUPILLE	1	1	1	1	
51	93210-064A5	.O-RING .JOINT TORIQUE	1	1	1	1	
52	69J-43855-00	.SPRING, UP RELIEF .RESSORT	1	1	1	1	
53	6CJ-43843-00	.SCREW, VALVE LOCK .VIS	2	2	2	2	
54	6H1-4384G-11	.SEAL, RELIEF VALVE .JOINT	1	1	1	1	

FIG. 27 POWER TRIM & TILT ASSY 1

PUISSANCE PARER ET INCLINER 1



REF. NO.	PART NO. N° PIECES	DESCRIPTION DESCRIPTION	6AL9	6AS8	6AM9	6AT8	REMARKS REMARQUES
55	6H1-43844-10	.PIN, VALVE SUPPORT .GOUILLE	1	1	1	1	
56	6H1-43856-10	.SPRING, DOWN RELIEF .RESSORT	1	1	1	1	
57	69J-43854-00	.SPRING, MANUAL RELEASE .RESSORT	1	1	1	1	
58	69J-4384G-00	.SEAL, RELIEF VALVE .JOINT	1	1	1	1	
59	CS3-4387G-00	.WASHER .RONDELLE	2	2	2	2	
60	91318-05025	.BOLT .BOULON	2	2	2	2	
61	93604-35236	.PIN, DOWEL .CLAVETTE	2	2	2	2	
62	69J-43871-00	RING, BACK UP SEGMENT	1	1	1	1	
63	69J-43816-00	FILTER 1 FILTRE 1	1	1	1	1	
64	69J-4381J-00	PLATE PLAQUE	1	1	1	1	
65	91318-05040	BOLT BOULON	3	3	3	3	
66	69J-43831-00	CONNECTOR, SHAFT RACCORD	1	1	1	1	
67	61A-43861-00	O-RING JOINT TORIQUE	2	2	2	2	
68	6T4-43875-01	RING, SNAP RESSORT	2	2	2	2	
69	61A-43822-00	SEAL, TRIM DUST JOINT	2	2	2	2	
70	61A-43821-01	SCREW, TRIM CYLINDER END VIS	2	2	2	2	
71	69J-43820-01	TRIM PISTON SUB ASSY PARER PISTON AUXILIAIRE (ENS.)	2	2	2	2	
72	61A-43874-00	.RING, BACK UP .RESSORT	1	1	1	1	
73	61A-43864-00	.O-RING JOINT TORIQUE	1	1	1	1	
74	61A-4384H-10	.SPRING .RESSORT	1	1	1	1	
75	61A-43875-10	.RING, SNAP .RESSORT	1	1	1	1	

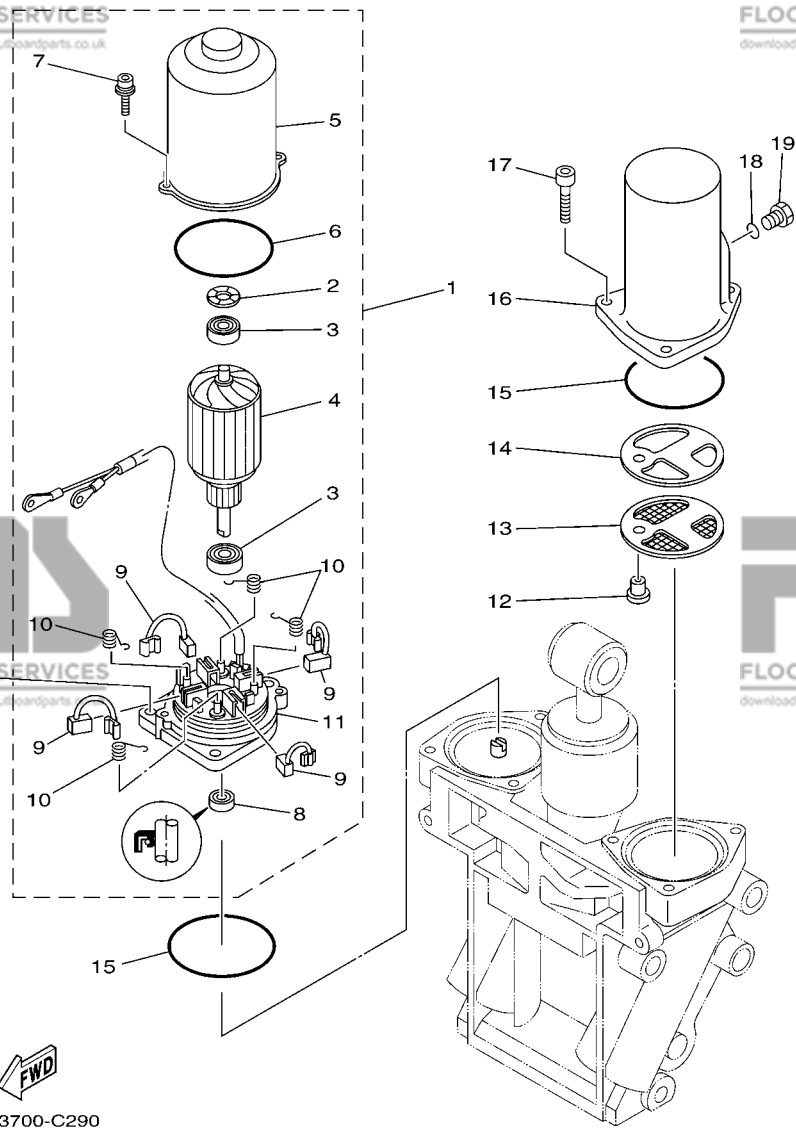


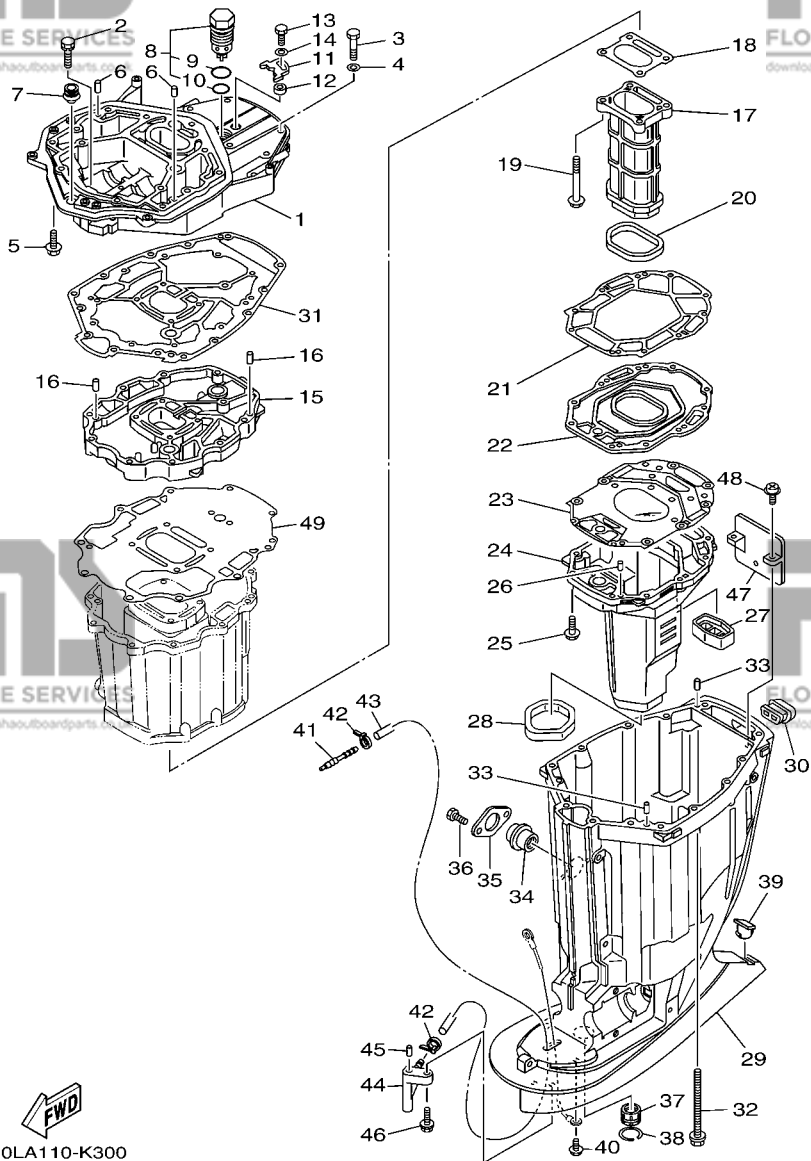
FIG. 28 POWER TRIM & TILT ASSY 2

PUISSANCE PARER ET INCLINER 2

REF. NO.	PART NO. N° PIECES	DESCRIPTION DESCRIPTION	6AL9	6AS8	6AM9	6AT8	REMARKS REMARQUES
1	69J-43880-01	MOTOR ASSY MOTEUR (ENS.)	1	1	1	1	
2	90206-14N50	.WASHER, WAVE .RONDELLE, ONDULEE	1	1	1	1	
3	93399-999T6	.BEARING .ROULEMENT	2	2	2	2	
4	69J-43805-00	.ARMATURE ASSY .INDUIT (ENS.)	1	1	1	1	
5	69J-43804-00	.STATOR ASSY .STATOR (ENS.)	1	1	1	1	
6	69J-43861-00	.O-RING .JOINT TORIQUE	1	1	1	1	
7	69J-43886-00	.BOLT .BOULON	2	2	2	2	
8	69J-43882-00	.OIL SEAL .JOINT SPI	1	1	1	1	
9	69J-43891-00	.BRUSH 1 .BALAI 1	4	4	4	4	
10	69J-4386K-00	.SPRING, BRUSH .RESSORT, BALAI	4	4	4	4	
11	69J-43881-01	.FRAME, END .BATI	1	1	1	1	
12	69J-4388H-00	PLUG BOUCHON	1	1	1	1	
13	69J-43817-00	FILTER 2 FILTRE 2	1	1	1	1	
14	69J-4388F-00	SPACER ENTRETOISE	1	1	1	1	
15	93210-66001	O-RING .JOINT TORIQUE	2	2	2	2	
16	69J-43828-00	BODY, RESERVOIR CORPS	1	1	1	1	
17	69J-43888-00	BOLT, SOCKET BOULON	6	6	6	6	
18	93210-09165	O-RING .JOINT TORIQUE	1	1	1	1	
19	6H1-43829-00	PLUG, RESERVOIR BOUCHON	1	1	1	1	

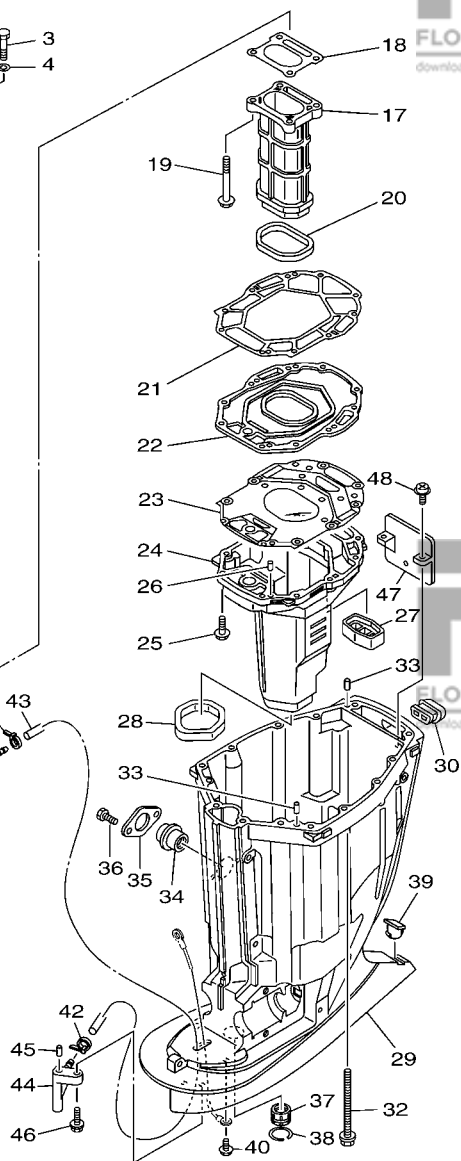
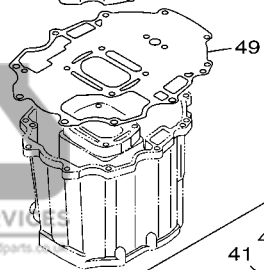
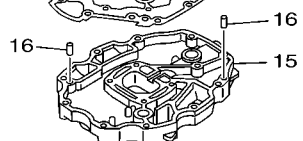
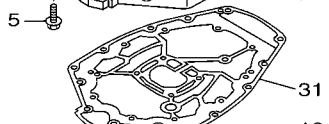
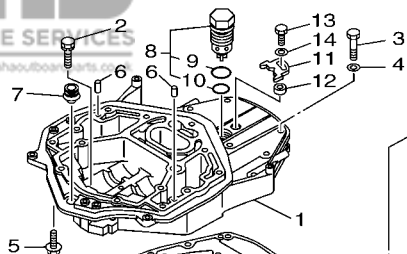
FIG. 29 UPPER CASING

FOURREAU



60LA110-K300

REF. NO.	PART NO. N° PIECES	DESCRIPTION DESCRIPTION	6AL9	6AS8	6AM9	6AT8	REMARKS REMARQUES
1	69J-41137-10-CA	GUIDE, EXHAUST COLLECTEUR D'ÉCHAPPEMENT	1	1	1	1	
2	90119-08102	BOLT, WITH WASHER BOULON, AVEC RONDELLE	2	2	2	2	
3	97075-10045	BOLT BOULON	7	7	7	7	
4	92995-10600	WASHER RONDELLE	7	7	7	7	
5	97575-10535	BOLT, WITH WASHER VIS HEXAGONAL AVEC RONDELLE	7	7	7	7	
6	93608-16M16	PIN, DOWEL AXE	2	2	2	2	
7	6E5-42724-00	GROMMET PASSE-FIL	1	1	1	1	
8	6AW-11371-10	PRESSURE CONTROL VALVE ASSY SOUPAPE, COMMANDE DE PRESSION	1	1	1	1	
9	93210-347A1	.O-RING .JOINT TORIQUE	1	1	1	1	
10	93210-28543	.O-RING .JOINT TORIQUE	1	1	1	1	
11	69J-12233-00	PLATE, GUIDE STOPPER 1 PLAQUE, GUIDE BUTEE 1	1	1	1	1	
12	90387-06037	COLLAR COLLERETTE	1	1	1	1	
13	97095-06020	BOLT BOULON	1	1	1	1	
14	92995-06600	WASHER RONDELLE	1	1	1	1	
15	69J-41131-11-CA	MANIFOLD, EXT. 1 PIPE D'ÉCHAPPEMENT	1	1	1	1	
16	93608-16M16	PIN, DOWEL AXE	2	2	2	2	
17	69J-41132-20-9S	MANIFOLD, EXHAUST PIPE D'ÉCHAPPEMENT	1	1	1	1	
18	6P2-41134-00	GASKET, EXHAUST MANIFOLD JOINT, PIPE D'ÉCHAPPEMENT	1	1	1	1	
19	97575-08590	BOLT, WITH WASHER VIS HEXAGONAL AVEC RONDELLE	4	4	4	4	
20	69J-41138-00	SEAL, EXT. 1 JOINT DE GROUPE 1	1	1	1	1	
21	69J-41135-A0	GASKET, EXHAUST MANIFOLD JOINT, PIPE D'ÉCHAPPEMENT	1	1	1	1	
22	69J-45181-10-9S	PLATE PLAQUETTE	1	1	1	1	
23	6S1-41136-00	GASKET, EXHAUST MANIFOLD 4 JOINT, PIPE D'ÉCHAPPEMENT 4	1	1	1	1	
24	69J-14711-21-9S	MUFFLER 1 POT D'ÉCHAPPEMENT 1	1	1	1	1	
25	97575-08535	BOLT, WITH WASHER VIS HEXAGONAL AVEC RONDELLE	10	10	10	10	
26	93606-19M23	PIN, DOWEL GOUPILLE	2	2	2	2	
27	69J-45127-00	SEAL JOINT	1	1	1	1	

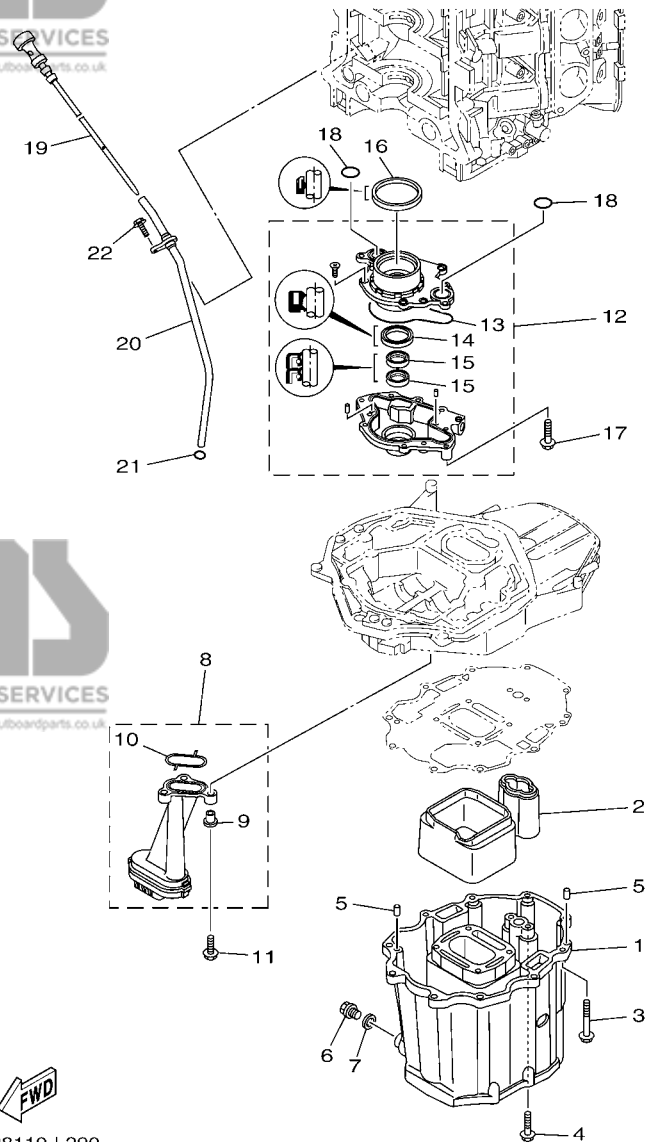


**FWD**  
60LA110-K300

**FIG. 29 UPPER CASING**

**FOURREAU**

REF. NO.	PART NO. N° PIECES	DESCRIPTION DESCRIPTION	6AL9	6AS8	6AM9	6AT8	REMARKS REMARQUES
28	69J-45123-00	GASKET, MUFFLER JOINT, POT DE DETENTE	1	1	1	1	
29	69J-45111-10-8D	CASING, UPPER FOURREAU	1	1	1	1	
30	69J-42769-00	SEAL, RUBBER BOURRELET, CAOUTCHOUC	1	1	1	1	
31	69J-45113-20	GASKET, UPPER CASING JOINT, TUBE D'ARBRE	1	1	1	1	
32	90119-10007	BOLT, WITH WASHER BOULON, AVEC RONDELLE	6	6	6	6	
33	93608-16M16	PIN, DOWEL AXE	2	2	2	2	
34	69J-15316-00	DAMPER 1 AMORTISSEUR 1	1	1	1	1	
35	69J-45152-10	COVER, UPPER CASING 2 CAPUCHON FOURREAU	1	1	1	1	
36	97095-06012	BOLT BOULON	2	2	2	2	
37	69J-45318-01	BUSHING, DRIVE SHAFT DOUILLE, ARBRE MOTEUR	1	1	1	1	
38	93420-36M01	CIRCLIP CIRCLIP, TYPE S	1	1	1	1	
39	61A-45155-00	CAP CAPUCHON	1	1	1	1	
40	95895-06010	BOLT, FLANGE BOULON	1	1	1	1	
41	6E5-83558-00	END, NIPPLE RACCORD DE NIPPLE	1	1	1	1	
42	90465-11M10	CLAMP BRIDE	2	2	2	2	
43	90445-07010	HOSE (L1330) DURITE (L1330)	1	1	1	1	X(25.3") X(25.3")
44	61A-45378-00	NIPPLE, HOSE RACCORD, TUYAU	1	1	1	1	
45	93606-12019	PIN, DOWEL GOUPILLE	1	1	1	1	
46	90119-06M17	BOLT, WITH WASHER BOULON, AVEC RONDELLE	1	1	1	1	
47	69J-14624-01	COVER, EXHAUST CACHE D'ECHAPPEMENT	1	1	1	1	
48	97980-06216	SCREW, WITH WASHER VIS, AVEC RONDELLE	2	2	2	2	
49	69J-15312-01	GASKET, OIL PAN JOINT DE VENTILATEUR D'HUILE	1	1	1	1	



6P28110-L290

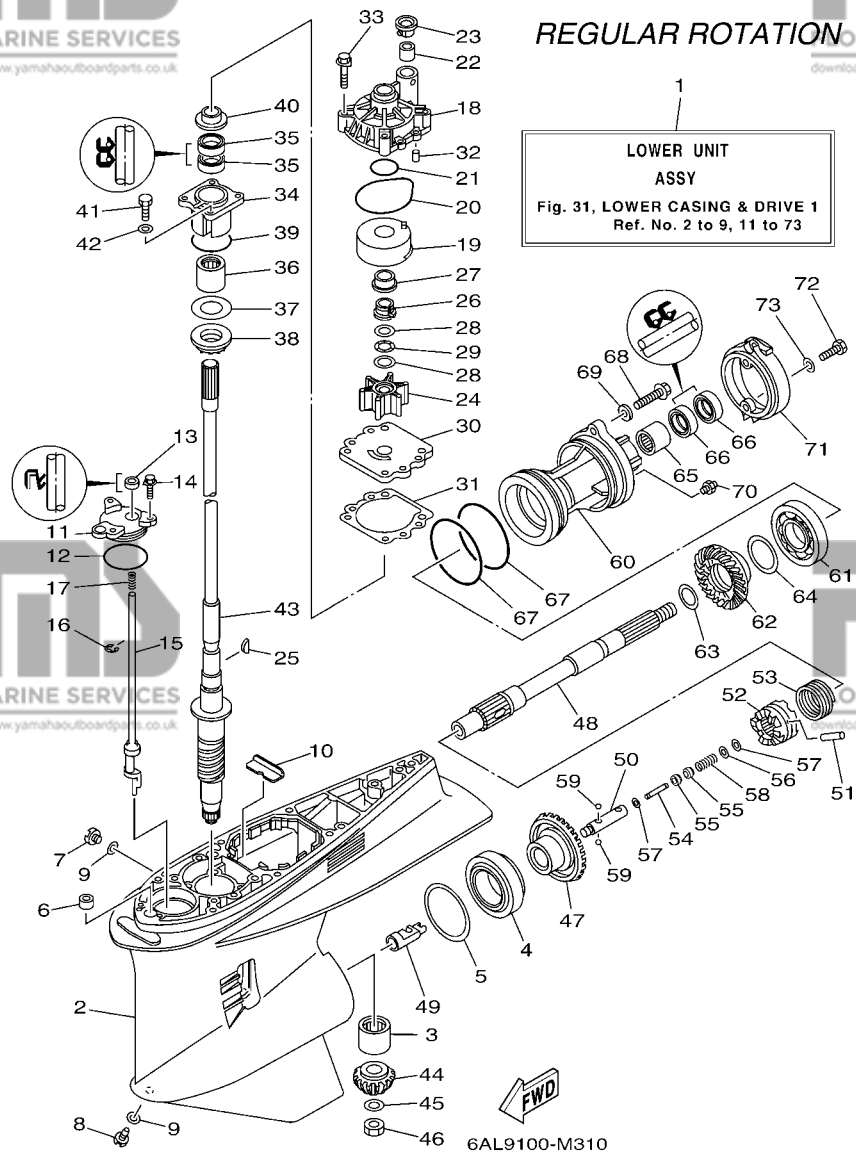
**FIG. 30 OIL PAN**

**VENTILATEUR D'HUILE**

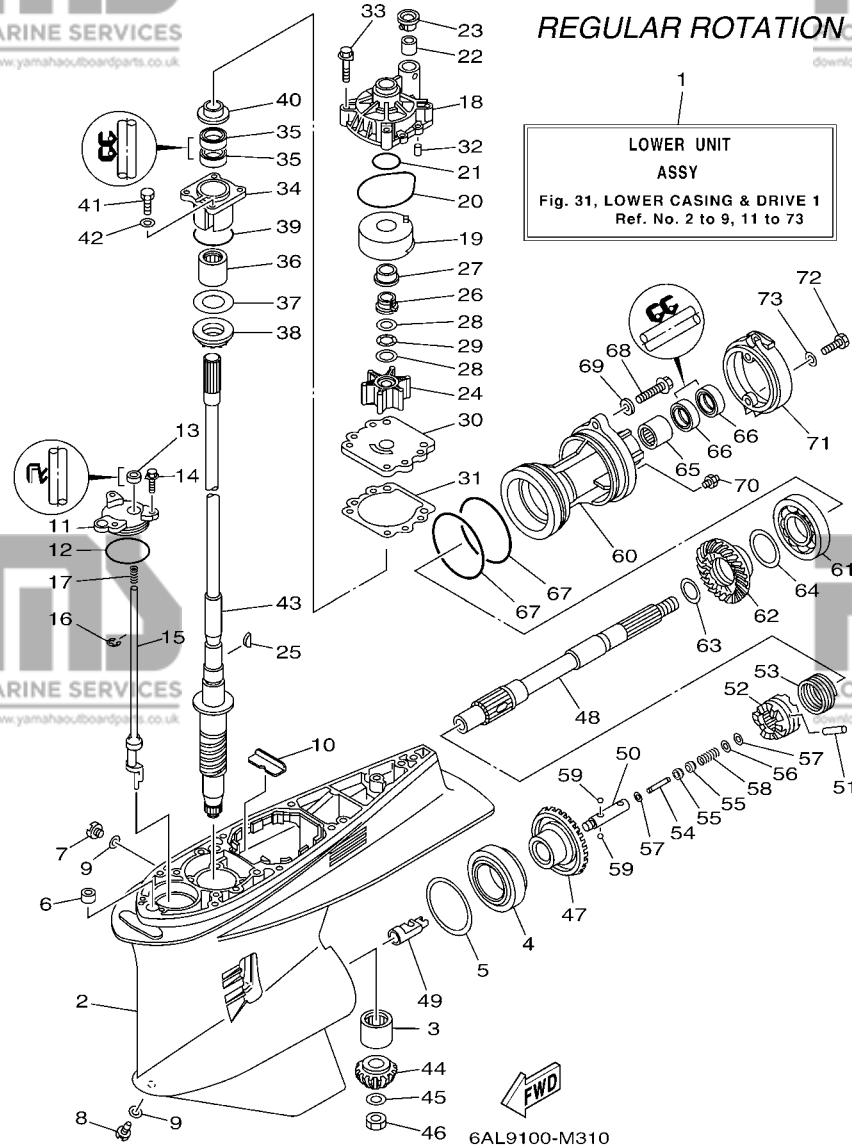
REF. NO.	PART NO. N° PIECES	DESCRIPTION DESCRIPTION	6AL9	6AS8	6AM9	6AT8	REMARKS REMARQUES
1	69J-15311-10-CA	OIL PAN VENTILATEUR D'HUILE	1	1	1	1	
2	69J-15761-00	SEAL, RUBBER 1 JOINT CAOUTCHOUC 1	1	1	1	1	
3	97575-08560	BOLT, WITH WASHER VIS HEXAGONAL AVC RONDELLE	10	10	10	10	
4	97575-08535	BOLT, WITH WASHER VIS HEXAGONAL AVC RONDELLE	2	2	2	2	
5	93608-16M16	PIN, DOWEL AXE	2	2	2	2	
6	90340-14M06	PLUG, STRAIGHT SCREW PLOT, FILETE DROIT	1	1	1	1	
7	90430-14M09	GASKET JOINT	1	1	1	1	
8	69J-13411-00	STRAINER, OIL FILTRE, HUILE	1	1	1	1	
9	90387-06263	.COLLAR .COLLERETTE	3	3	3	3	
10	69J-13415-00	.SEAL, OIL STRAINER .JOINT, FILTRE A HUILE	1	1	1	1	
11	95812-06025	BOLT, FLANGE BOULON	3	3	3	3	
12	6P2-13300-00	OIL PUMP ASSY POMPE A HUILE COMPLETE	1	1	1	1	
13	69J-13329-01	.GASKET, PUMP COVER .JOINT, COUVERCLE DE POMPE	1	1	1	1	
14	6AW-13119-00	.OIL SEAL .JOINT SPY	1	1	1	1	
15	69J-13631-00	.OIL SEAL .JOINT SPY	2	2	2	2	
16	69J-11355-00	SEAL, CYLINDER 1 JOINT, SPY CYLINDRE	1	1	1	1	
17	97575-06540	BOLT, WITH WASHER VIS HEXAGONAL AVC RONDELLE	4	4	4	4	
18	93210-25552	O-RING JOINT TORIQUE	2	2	2	2	
19	6P2-15362-10	PLUG, OIL LEVEL PLOT, NIVEAU D'HUILE	1	1	1	1	
20	6P2-15377-10	GUIDE, INLET GUIDE D'ADMISSION	1	1	1	1	
21	93210-19MJ3	O-RING JOINT TORIQUE	1	1	1	1	
22	95895-06016	BOLT, FLANGE BOULON	1	1	1	1	

**FIG. 31 LOWER CASING & DRIVE 1**

**BOITIER D'HELICE TRANSMISSION1**



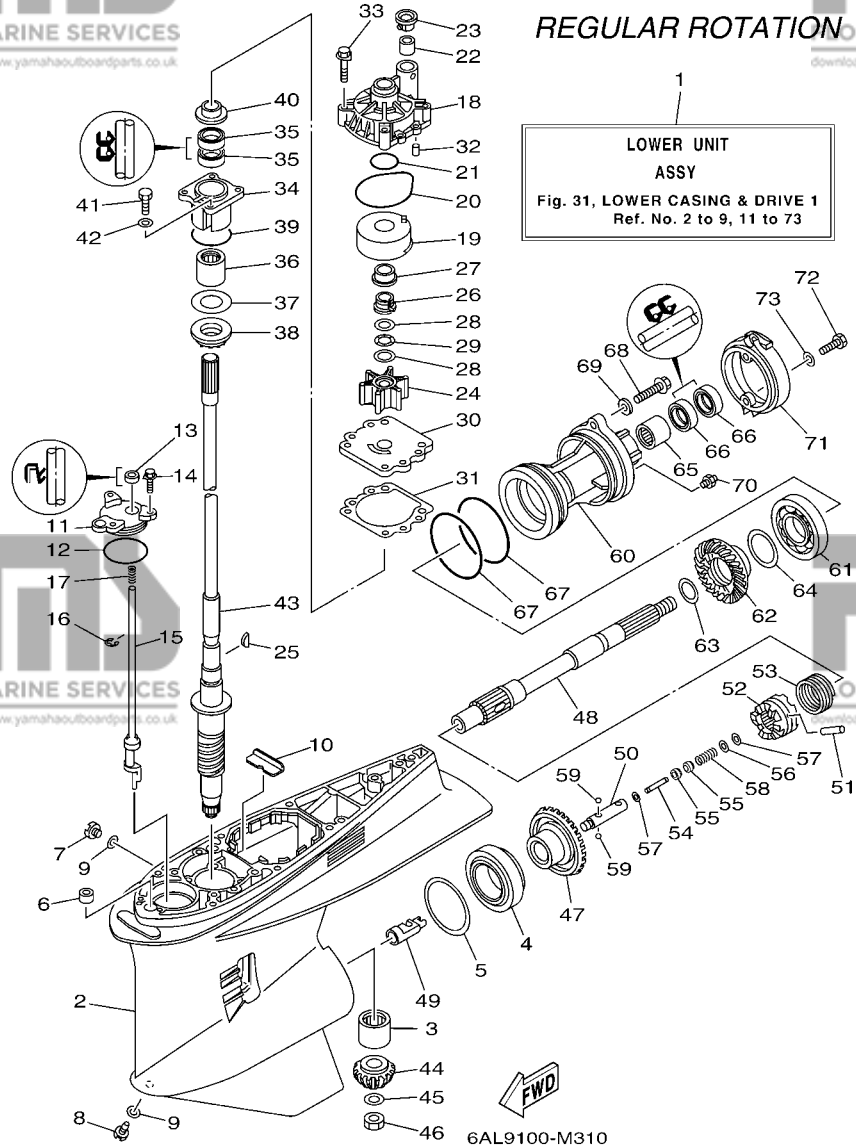
REF. NO.	PART NO. N° PIECES	DESCRIPTION DESCRIPTION	6AL9	6A98	6AM9	6AT8	REMARKS REMARQUES
1	69J-45300-23-8D	LOWER UNIT ASSY UNITE INFERIEURE (ENS.)	1	1			X(25.3"),RH X(25.3"),RH
2	61A-45301-10-8D	CASING, LOWER BEQUILLE	1	1			
3	93311-83280	BEARING ROULEMENT	1	1			
4	93332-000W1	BEARING ROULEMENT	1	1			
5	61A-45567-00	SHIM (T:0.10MM) CALE (T:0.10MM)	1	1			UR UR
61A-45567-10	SHIM (T:0.12MM) CALE (T:0.12MM)	1	1			UR UR	
61A-45567-20	SHIM (T:0.15MM) CALE (T:0.15MM)	1	1			UR UR	
61A-45567-30	SHIM (T:0.18MM) CALE (T:0.18MM)	1	1			UR UR	
61A-45567-40	SHIM (T:0.30MM) CALE (T:0.30MM)	1	1			UR UR	
61A-45567-50	SHIM (T:0.40MM) CALE (T:0.40MM)	1	1			UR UR	
61A-45567-60	SHIM (T:0.50MM) CALE (T:0.50MM)	1	1			UR UR	
6	663-44366-00	DAMPER, WATER SEAL 2 JOINT, TUBE D'EAU 2	1	1			
7	90340-08002	PLUG, STRAIGHT SCREW PLOT, FILET DROIT	1	1			
8	688-45341-10	PLUG, DRAIN BOUCHON DE VIDANGE	1	1			
9	90430-08020	GASKET JOINT	2	2			
10	61A-45376-00	GUIDE, SEAL DAMPER BUTEE, JOINT CAOUTCHOUC	1	1			
11	61A-45321-01	PLATE PLAQUETTE	1	1			
12	93210-64488	O-RING JOINT TORIQUE	1	1			
13	93106-09014	OIL SEAL JOINT SPY	1	1			
14	90119-06M10	BOLT, WITH WASHER BOULON, AVEC RONDELLE	3	3			
15	69J-44150-00	SHIFT CAM ASSY CAME D'INVERSION	1	1			
16	99001-08600	CIRCLIP CIRCLIP	1	1			
17	90501-11M10	SPRING, COMPRESSION RESSORT, COMPRESSION	1	1			
18	61A-44311-01	HOUSING, WATER PUMP CORPS, POMPE A EAU	1	1			
19	61A-44322-02	INSERT, CARTRIDGE CUVETTE	1	1			
20	93210-86M38	O-RING JOINT TORIQUE	1	1			
21	93210-37160	O-RING JOINT TORIQUE	1	1			



**FIG. 31 LOWER CASING & DRIVE 1 BOITIER D'HELICE TRANSMISSION1**

REF. NO.	PART NO. N° PIECES	DESCRIPTION DESCRIPTION	6AL9	6A98	6AM9	6AT8	REMARKS REMARQUES
22	6E5-44365-00	DAMPER, WATER SEAL 1 JOINT, TUBE D'EAU 1	1	1			
23	6E5-44312-00	COVER, WATER PUMP HOUSING COUVERCLE	1	1			
24	6E5-44352-01	IMPELLER TURBINE	1	1			
25	90280-04M05	KEY, WOODRUFF CLAVETTE, DEMI-LUNE	1	1			
26	61A-45538-00	SPACER 1 ENTRETOISE	1	1			
27	61A-45527-00	COLLAR, DRIVE SHAFT ENTRETOISE	1	1			
28	90201-22M01	WASHER, PLATE RONDELLE, PLATE	2	2			
29	90206-22M19	WASHER, WAVE RONDELLE, ONDULEE	1	1			
30	6G5-44323-01	OUTER PLATE, CARTRIDGE PLAQUE EXTERIEURE	1	1			
31	6E5-44315-A0	GASKET, WATER PUMP JOINT, POMPE A EAU	1	1			
32	93606-12019	PIN, DOWEL GOUILLE	2	2			
33	90119-08M14	BOLT, WITH WASHER BOULON, AVEC RONDELLE	4	4			
34	61A-45331-00-9S	HOUSING, BEARING FLASQUE, ROULEMENT	1	1			
35	93101-28M16	OIL SEAL JOINT SPY	2	2			
36	93317-330U2	BEARING ROULEMENT	1	1			
37	61A-45587-00	SHIM (T:0.10MM) CALE (T:0.10MM)	1	1			UR
	61A-45587-10	SHIM (T:0.12MM) CALE (T:0.12MM)	1	1			UR
	61A-45587-20	SHIM (T:0.15MM) CALE (T:0.15MM)	1	1			UR
	61A-45587-30	SHIM (T:0.18MM) CALE (T:0.18MM)	1	1			UR
	61A-45587-40	SHIM (T:0.30MM) CALE (T:0.30MM)	1	1			UR
	61A-45587-50	SHIM (T:0.40MM) CALE (T:0.40MM)	1	1			UR
	61A-45587-60	SHIM (T:0.50MM) CALE (T:0.50MM)	1	1			UR
38	93341-93020	BEARING CERVEAUX DE DIRECTION	1	1			
39	93210-55M14	O-RING JOINT TORIQUE	1	1			
40	6E5-45344-00	COVER, OIL SEAL FLASQUE, JOINT D'HUILE	1	1			
41	97095-08025	BOLT BOULON	4	4			
42	92995-08600	WASHER RONDELLE	4	4			



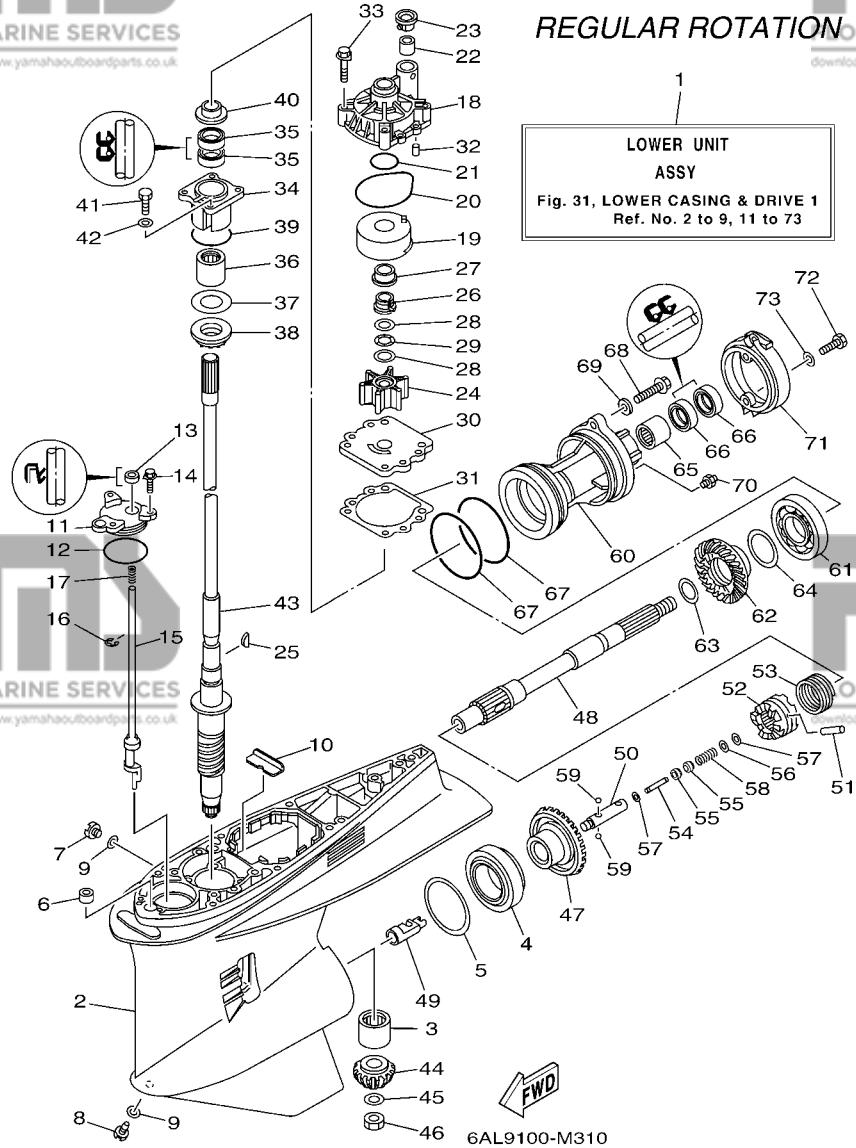


**FIG. 31 LOWER CASING & DRIVE 1 BOITIER D'HELICE TRANSMISSION1**

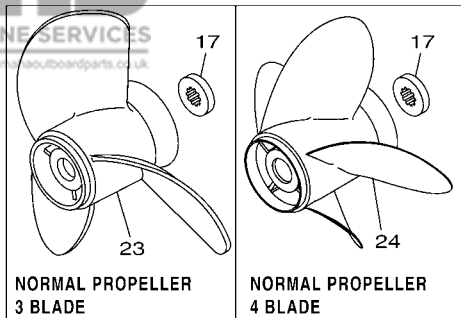
REF. NO.	PART NO. N° PIECES	DESCRIPTION DESCRIPTION	6AL9	6A98	6AM9	6AT8	REMARKS REMARQUES
43	69J-45501-00	DRIVE SHAFT COMP. ARBRE MOTEUR COMP.	1	1			X(25.3") X(25.3")
44	6P2-45551-02	PINION (15T) PIGNON D'ATTAQUE (15D)	1	1			
45	90201-16M00	WASHER, PLATE RONDELLE, PLATE	1	1			
46	90170-16M19	NUT ECROU	1	1			
47	6P2-45560-01	GEAR 1 (30T) PIGNON 1 (30T)	1	1			
48	69J-45611-00	SHAFT, PROPELLER ARBRE, HELICE	1	1			
49	61A-45641-02	SHIFTER EMBAYAGE	1	1			
50	61A-45634-01	SLIDE, SHIFT CONTRE-POUSSOIR	1	1			
51	61A-45632-00	PIN, CROSS GOUPILLE DE CRABOT	1	1			
52	69J-45631-00	CLUTCH, DOG CRABOT	1	1			
53	61A-45633-00	RING, CROSS PIN JONC, GOUPILLE CRABOT	1	1			
54	6H1-45668-00	SHAFT, FREE 1 AXE 1	1	1			
55	61A-45635-00	PLUNGER, SHIFT POUSSOIR D'EMBAYAGE	2	2			
56	90201-02M00	WASHER, PLATE RONDELLE, PLATE	1	1			
57	90183-02M03	NUT, SPRING ECROU, RESSORT	2	2			
58	90501-10M77	SPRING, COMPRESSION RESSORT, COMPRESSION	1	1			
59	93501-04011	BALL BILLE	2	2			
60	69J-45332-00	HOUSING, BEARING FLASQUE, ROULEMENT	1	1			
61	93306-210U0	BEARING ROULEMENT	1	1			
62	6P2-45571-00	GEAR 2 (30T) PIGNON 2 (30T)	1	1			
63	90201-31M00	WASHER, PLATE RONDELLE, PLATE	1	1			
64	61A-45577-00	SHIM (T:0.10MM) CALE (T:0.10MM)	1	1			UR UR
	61A-45577-10	SHIM (T:0.12MM) CALE (T:0.12MM)	1	1			UR UR
	61A-45577-20	SHIM (T:0.15MM) CALE (T:0.15MM)	1	1			UR UR
	61A-45577-30	SHIM (T:0.18MM) CALE (T:0.18MM)	1	1			UR UR
	61A-45577-40	SHIM (T:0.30MM) CALE (T:0.30MM)	1	1			UR UR
	61A-45577-50	SHIM (T:0.40MM) CALE (T:0.40MM)	1	1			UR UR

**FIG. 31 LOWER CASING & DRIVE 1**

**BOITIER D'HELICE TRANSMISSION1**



REF. NO.	PART NO. N° PIECES	DESCRIPTION DESCRIPTION	6AL9	6AS8	6AM9	6AT8	REMARKS REMARQUES
64	61A-45577-60	SHIM (T:0.50MM) CALE (T:0.50MM)	1	1			UR UR
65	93315-43061	BEARING ROULEMENT	1	1			
66	93101-30M17	OIL SEAL JOINT SPY	2	2			
67	93211-04384	O-RING JOINT TORIQUE	2	2			
68	90105-08049	BOLT, FLANGE BOULON	2	2			
69	90201-08023	WASHER, PLATE RONDELLE, PLATE	2	2			
70	93700-09M00	NIPPLE, GREASE PION	1	1			
71	69J-45361-00-8D	CAP, LOWER CASING COUVERCLE, BOITIER D'HELICE	1	1			
72	97095-08020	BOLT BOULON	2	2			
73	92995-08600	WASHER RONDELLE	2	2			



REGULAR ROTATION

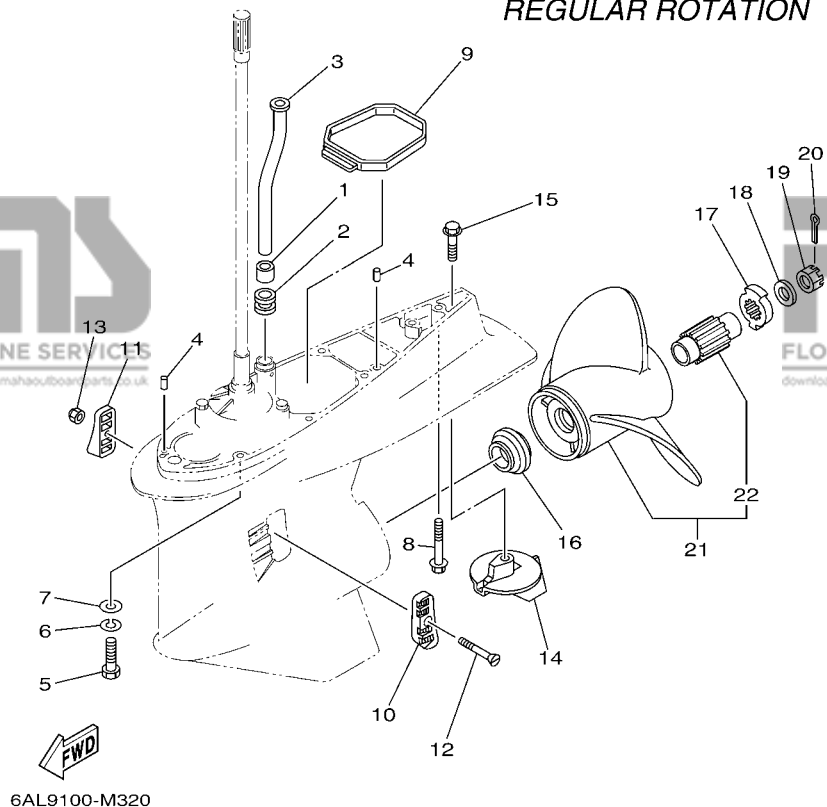
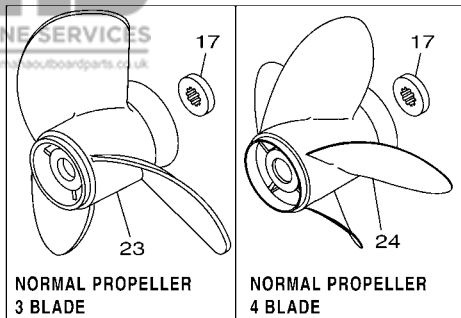


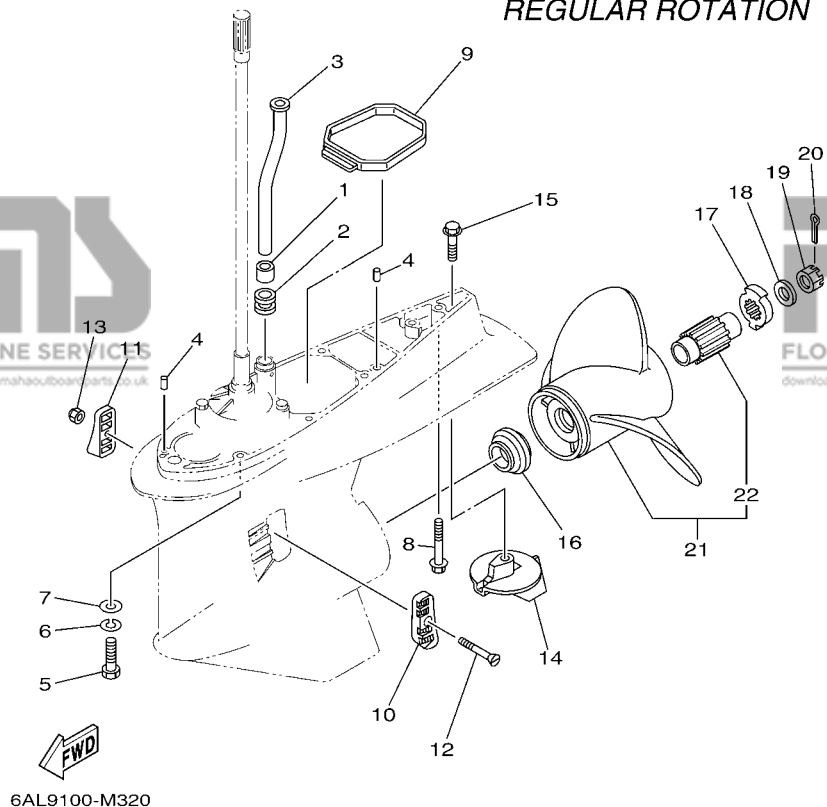
FIG. 32 LOWER CASING & DRIVE 2

BOITIER D'HELICE TRANSMISSION2

REF. NO.	PART NO. N° PIECES	DESCRIPTION DESCRIPTION	6AL9	6AS8	6AM9	6AT8	REMARKS REMARQUES
1	6E5-44365-00	DAMPER, WATER SEAL 1 JOINT, TUBE D'EAU 1	1	1			
2	6E5-44366-00	DAMPER, WATER SEAL 2 JOINT, TUBE D'EAU 2	1	1			
3	6S1-44361-01	TUBE, WATER 1 TUBE D'EAU 1	1	1			X(25.3") X(25.3")
4	93608-12M05	PIN, DOWEL AXE	2	2			
5	97095-10045	BOLT BOULON	7	7			X(25.3") X(25.3")
6	92995-10100	WASHER RONDELLE	7	7			X(25.3") X(25.3")
7	92995-10600	WASHER RONDELLE	7	7			X(25.3") X(25.3")
8	90119-10MA2	BOLT, WITH WASHER BOULON, AVEC RONDELLE	1	1			X(25.3") X(25.3")
9	69J-45375-00	DAMPER, SEAL BOURRELET, CAOUTCHOUC	1	1			
10	61A-45214-11	COVER, WATER INLET 1 GRILLE, ENTREE D'EAU 1	1	1			
11	61A-45215-11	COVER, WATER INLET 2 GRILLE, ENTREE D'EAU 2	1	1			
12	90152-05003	SCREW, COUNTERSUNK VIS, TETE NOYEE	1	1			
13	90185-05002	NUT, NYLON ECROU, AUTO-BLOQUANT	1	1			
14	61A-45371-00	TAB-TRIM ANODE DERIVE	1	1			
15	90105-10M00	BOLT, FLANGE BOULON	1	1			
16	69J-45987-00	SPACER 1 ENTRETOISE 1	1	1			
17	6CE-45997-00	SPACER 2 ENTRETOISE 2	1	1			FOR SDS PROP. FOR SDS PROP.
	688-45997-01	SPACER 2 ENTRETOISE 2	1	1			FOR NORMAL PROP. FOR NORMAL PROP.
18	92990-18200	WASHER RONDELLE, PLATE	1	1			
19	90171-18M04	NUT, CASTLE ECROU, CRENELE	1	1			
20	91490-40030	PIN, COTTER GOUPILLE	1	1			
21	6CE-45930-00	PROPELLER (3X15-3/4"X13"-T) HELICE (3X15-3/4"X13"-T)	1	1			UR SDS PROP. UR SDS PROP.
	6CE-45976-00	PROPELLER (3X15-3/4"X15"-T) HELICE (3X15-3/4"X15"-T)	1	1			UR SDS PROP. UR SDS PROP.
	6CE-45978-00	PROPELLER (3X15-1/2"X17"-T) HELICE (3X15-1/2"X17"-T)	1	1			UR SDS PROP. UR SDS PROP.
	6CE-45934-00	PROPELLER (3X15-1/4"X18"-T) HELICE (3X15-1/4"X18"-T)	1	1			UR SDS PROP. UR SDS PROP.
	6CE-45970-00	PROPELLER (3X15-1/4"X19"-T) HELICE (3X15-1/4"X19"-T)	1	1			UR SDS PROP. UR SDS PROP.
	6CE-45932-00	PROPELLER (3X15"X20"-T) HELICE (3X15"X20"-T)	1	1			UR SDS PROP. UR SDS PROP.



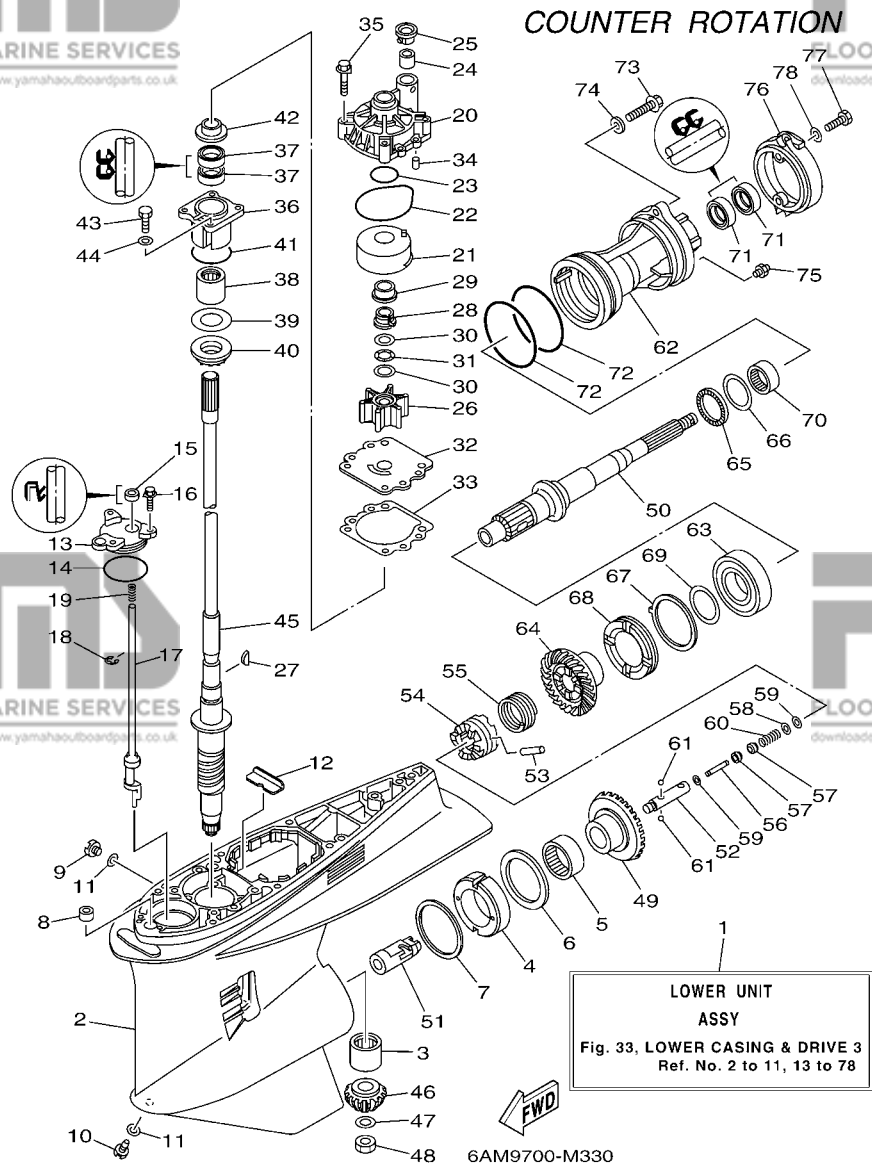
*REGULAR ROTATION*



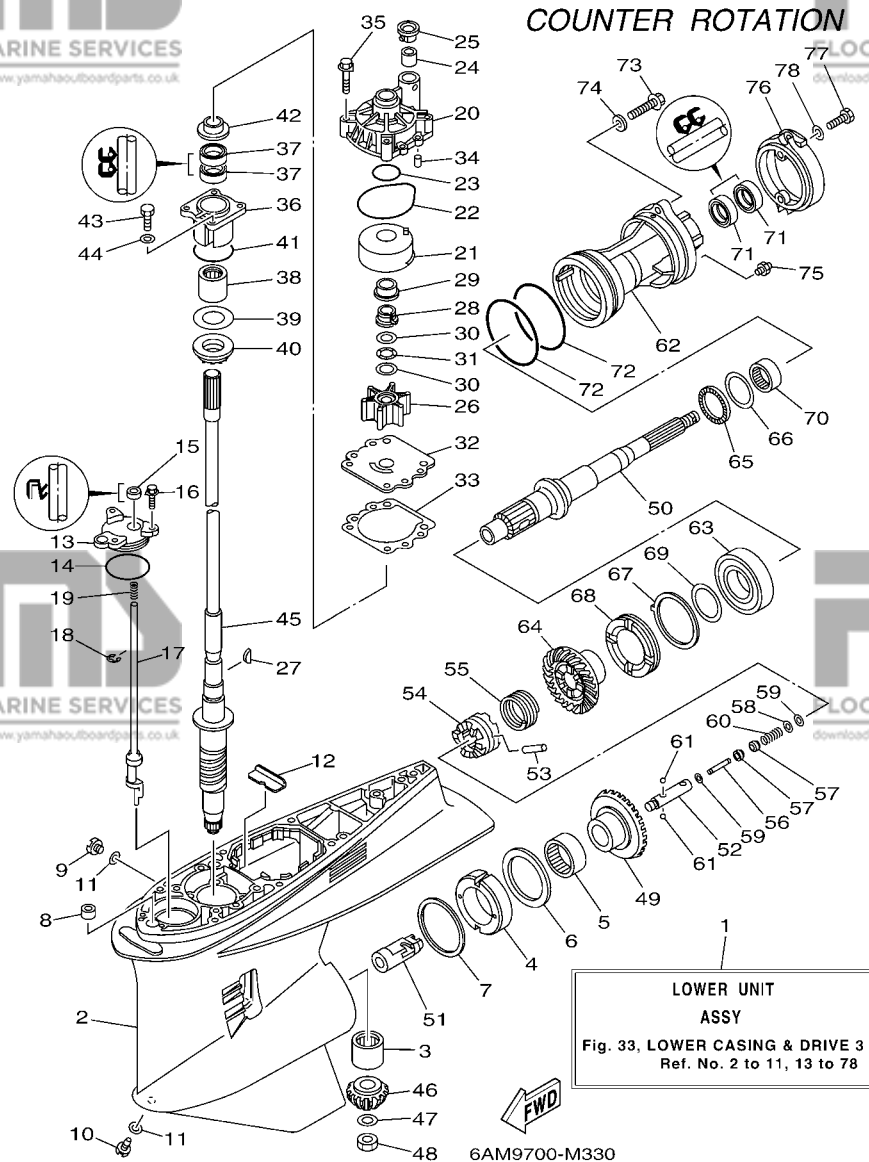
**FIG. 32 LOWER CASING & DRIVE 2 BOITIER D'HELICE TRANSMISSION2**

REF. NO.	PART NO. N° PIECES	DESCRIPTION DESCRIPTION	6AL9	6AS8	6AM9	6AT8	REMARKS REMARQUES
21	6CE-45972-00	PROPELLER (3X15"X21"-T) HELICE (3X15"X21"-T)	1	1			UR SDS PROP. UR SDS PROP.
	6CE-45974-00	PROPELLER (3X14-3/4"X23"-T) HELICE (3X14-3/4"X23"-T)	1	1			UR SDS PROP. UR SDS PROP.
22	6CE-45C81-00	.DAMPER RUBBER, PROPELLER 1 .AMORTISSEUR HELICE 1	1	1			UR SDS PROP.
23	6G5-45970-02	PROPELLER (3X15-1/4"X15"-M) HELICE (3X15-1/4"X15"-M)	1	1			UR NORMAL 3 BLADE UR NORMAL 3 BLADE
	6G5-45972-02	PROPELLER (3X13-3/4"X21"-M) HELICE (3X13-3/4"X21"-M)	1	1			UR NORMAL 3 BLADE UR NORMAL 3 BLADE
	6G5-45974-03	PROPELLER (3X13-3/4"X19"-M2) HELICE (3X13-3/4"X19"-M2)	1	1			UR NORMAL 3 BLADE UR NORMAL 3 BLADE
	6G5-45978-03	PROPELLER (3X13-3/4"X17"-M2) HELICE (3X13-3/4"X17"-M2)	1	1			UR NORMAL 3 BLADE UR NORMAL 3 BLADE
	61A-45972-00	PROPELLER (3X14-1/2"X21"-T) HELICE (3X14-1/2"X21"-T)	1	1			UR NORMAL 3 BLADE UR NORMAL 3 BLADE
	61A-45974-00	PROPELLER (3X14-1/2"X19"-T) HELICE (3X14-1/2"X19"-T)	1	1			UR NORMAL 3 BLADE UR NORMAL 3 BLADE
	61A-45978-00	PROPELLER (3X15"X17"-T) HELICE (3X15"X17"-T)	1	1			UR NORMAL 3 BLADE UR NORMAL 3 BLADE
	6R4-45970-A1	PROPELLER (3X15-1/4"X19"-M) HELICE (3X15-1/4"X19"-M)	1	1			UR NORMAL 3 BLADE UR NORMAL 3 BLADE
	6R4-45972-A0	PROPELLER (3X14-7/8"X21"-M) HELICE (3X14-7/8"X21"-M)	1	1			UR NORMAL 3 BLADE UR NORMAL 3 BLADE
	6R4-45974-A0	PROPELLER (3X14-1/2"X23"-M) HELICE (3X14-1/2"X23"-M)	1	1			UR NORMAL 3 BLADE UR NORMAL 3 BLADE
	6R4-45976-A0	PROPELLER (3X14-1/2"X15"-M) HELICE (3X14-1/2"X15"-M)	1	1			UR NORMAL 3 BLADE UR NORMAL 3 BLADE
	6R4-45978-A0	PROPELLER (3X15-1/4"X17"-M) HELICE (3X15-1/4"X17"-M)	1	1			UR NORMAL 3 BLADE UR NORMAL 3 BLADE
24	6BR-45B70-00	PROPELLER (4X15"X21"-T) HELICE (4X15"X21"-T)	1	1			UR NORMAL 4 BLADE UR NORMAL 4 BLADE
	6BR-45B72-00	PROPELLER (4X15"X22"-T) HELICE (4X15"X22"-T)	1	1			UR NORMAL 4 BLADE UR NORMAL 4 BLADE
	6BR-45B74-00	PROPELLER (4X15"X23"-T) HELICE (4X15"X23"-T)	1	1			UR NORMAL 4 BLADE UR NORMAL 4 BLADE

**FIG. 33 LOWER CASING & DRIVE 3 BOITIER D'HELICE TRANSMISSION3**



REF. NO.	PART NO. N° PIECES	DESCRIPTION DESCRIPTION	6AL9	6AS8	6AM9	6AT8	REMARKS REMARQUES
1	69K-45300-23-8D	LOWER UNIT ASSY UNITE INFERIEURE (ENS.)			1	1	X(25.3"),LH X(25.3"),LH
2	61A-45301-10-8D	CASING, LOWER BEQUILLE			1	1	
3	93311-83280	BEARING ROULEMENT			1	1	
4	61B-45538-01	SPACER 1 ENTRETOISE			1	1	
5	93315-660W3	BEARING ROULEMENT			1	1	
6	93341-670V0	BEARING CERVEAUX DE DIRECTION			1	1	
7	61A-45567-00	SHIM (T:0.10MM) CALE (T:0.10MM)			1	1	UR UR
	61A-45567-10	SHIM (T:0.12MM) CALE (T:0.12MM)			1	1	UR UR
	61A-45567-20	SHIM (T:0.15MM) CALE (T:0.15MM)			1	1	UR UR
	61A-45567-30	SHIM (T:0.18MM) CALE (T:0.18MM)			1	1	UR UR
	61A-45567-40	SHIM (T:0.30MM) CALE (T:0.30MM)			1	1	UR UR
	61A-45567-50	SHIM (T:0.40MM) CALE (T:0.40MM)			1	1	UR UR
	61A-45567-60	SHIM (T:0.50MM) CALE (T:0.50MM)			1	1	UR UR
8	663-44366-00	DAMPER, WATER SEAL 2 JOINT, TUBE D'EAU 2			1	1	
9	90340-08002	PLUG, STRAIGHT SCREW PLOT, FILETE DROIT			1	1	
10	688-45341-10	PLUG, DRAIN BOUCHON DE VIDANGE			1	1	
11	90430-08020	GASKET JOINT			2	2	
12	61A-45376-00	GUIDE, SEAL DAMPER BUTEE, JOINT CAOUTCHOUC			1	1	
13	61A-45321-01	PLATE PLAQUETTE			1	1	
14	93210-64488	O-RING JOINT TORIQUE			1	1	
15	93106-09014	OIL SEAL JOINT SPY			1	1	
16	90119-06M10	BOLT, WITH WASHER BOULON, AVEC RONDELLE			3	3	
17	69K-44150-00	SHIFT CAM ASSY CAME D'INVERSION			1	1	
18	99001-08600	CIRCLIP CIRCLIP			1	1	
19	90501-11M10	SPRING, COMPRESSION RESSORT, COMPRESSION			1	1	
20	61A-44311-01	HOUSING, WATER PUMP CORPS, POMPE A EAU			1	1	
21	61A-44322-02	INSERT, CARTRIDGE CUVETTE			1	1	

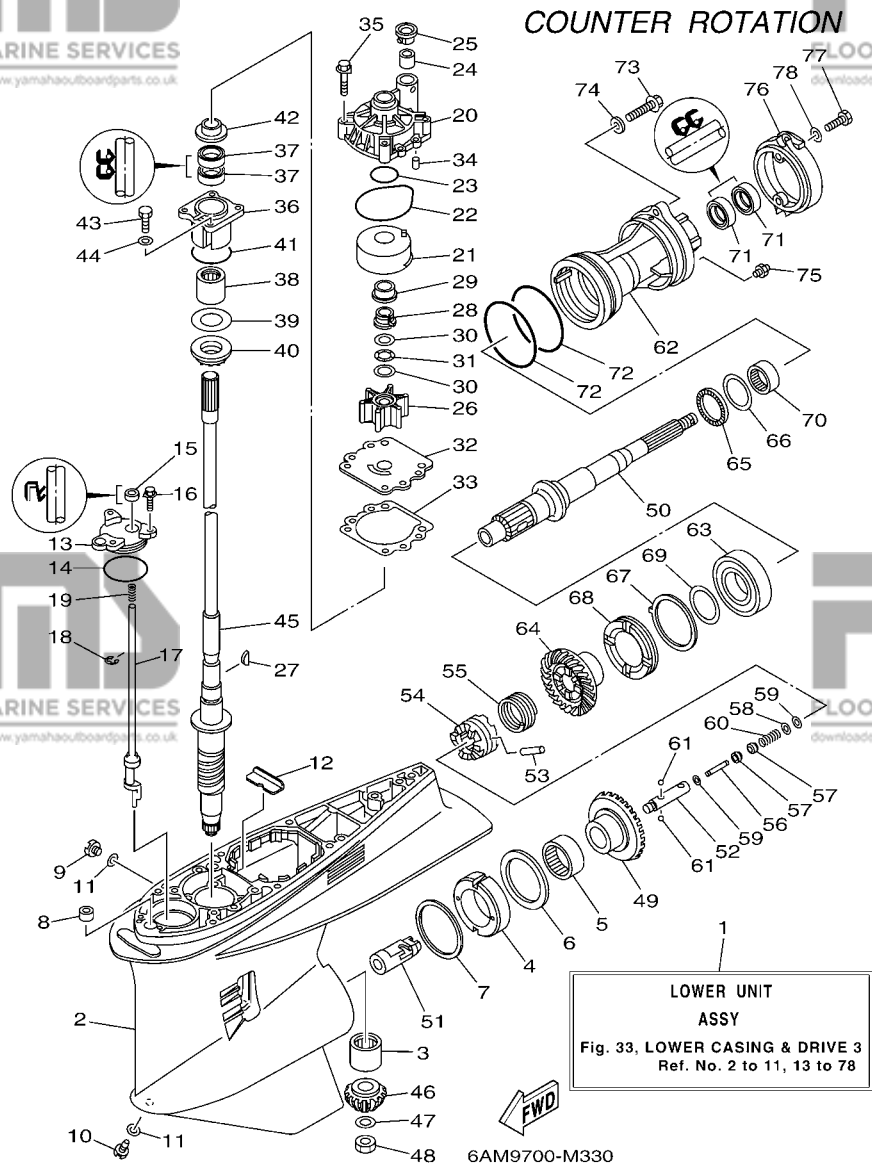


**FIG. 33 LOWER CASING & DRIVE 3 BOITIER D'HELICE TRANSMISSION3**

REF. NO.	PART NO. N° PIECES	DESCRIPTION DESCRIPTION	6AL9	6AS8	6AM9	6AT8	REMARKS REMARQUES
22	93210-86M38	O-RING JOINT TORIQUE			1	1	
23	93210-37160	O-RING JOINT TORIQUE			1	1	
24	6E5-44365-00	DAMPER, WATER SEAL 1 JOINT, TUBE D'EAU 1			1	1	
25	6E5-44312-00	COVER, WATER PUMP HOUSING COUVERCLE			1	1	
26	6E5-44352-01	IMPELLER TURBINE			1	1	
27	90280-04M05	KEY, WOODRUFF CLAVETTE, DEMI-LUNE			1	1	
28	61A-45538-00	SPACER 1 ENTRETOISE			1	1	
29	61A-45527-00	COLLAR, DRIVE SHAFT ENTRETOISE			1	1	
30	90201-22M01	WASHER, PLATE RONDELLE, PLATE			2	2	
31	90206-22M19	WASHER, WAVE RONDELLE, ONDULEE			1	1	
32	6G5-44323-01	OUTER PLATE, CARTRIDGE PLAQUE EXTERIEURE			1	1	
33	6E5-44315-A0	GASKET, WATER PUMP JOINT, POMPE A EAU			1	1	
34	93606-12019	PIN, DOWEL GOUPILLE			2	2	
35	90119-08M14	BOLT, WITH WASHER BOULON, AVEC RONDELLE			4	4	
36	61A-45331-00-9S	HOUSING, BEARING FLASQUE, ROULEMENT			1	1	
37	93101-28M16	OIL SEAL JOINT SPY			2	2	
38	93317-330U2	BEARING ROULEMENT			1	1	
39	61A-45587-00	SHIM (T:0.10MM) CALE (T:0.10MM)			1	1	UR
	61A-45587-10	SHIM (T:0.12MM) CALE (T:0.12MM)			1	1	UR
	61A-45587-20	SHIM (T:0.15MM) CALE (T:0.15MM)			1	1	UR
	61A-45587-30	SHIM (T:0.18MM) CALE (T:0.18MM)			1	1	UR
	61A-45587-40	SHIM (T:0.30MM) CALE (T:0.30MM)			1	1	UR
	61A-45587-50	SHIM (T:0.40MM) CALE (T:0.40MM)			1	1	UR
	61A-45587-60	SHIM (T:0.50MM) CALE (T:0.50MM)			1	1	UR
40	93341-93020	BEARING CERVEAUX DE DIRECTION			1	1	
41	93210-55M14	O-RING JOINT TORIQUE			1	1	
42	6E5-45344-00	COVER, OIL SEAL FLASQUE, JOINT D'HUILE			1	1	

**FIG. 33 LOWER CASING & DRIVE 3**

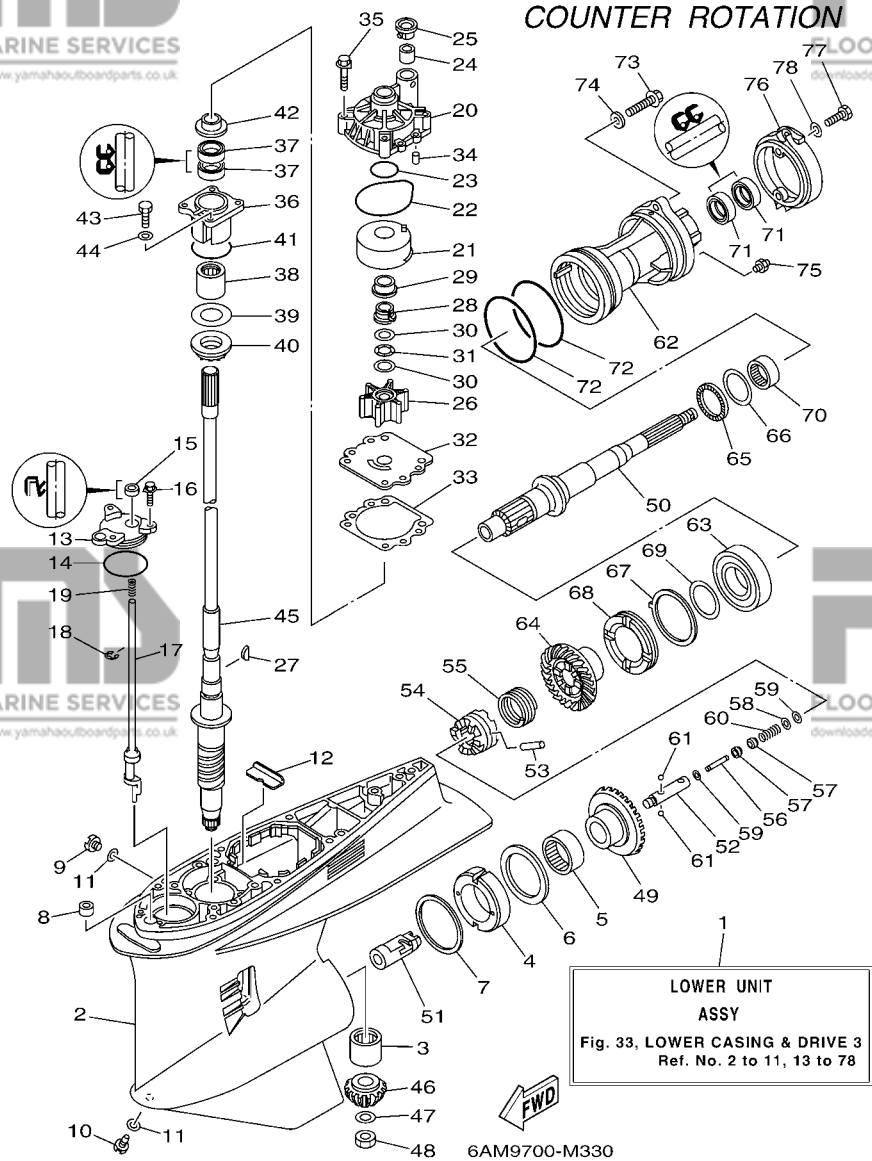
**BOITIER D'HELICE TRANSMISSION3**



REF. NO.	PART NO. N° PIECES	DESCRIPTION DESCRIPTION	6AL9	6AS8	6AM9	6AT8	REMARKS REMARQUES
43	97095-08025	BOLT BOULON			4	4	
44	92995-08600	WASHER RONDELLE			4	4	
45	69J-45501-00	DRIVE SHAFT COMP. ARBRE MOTEUR COMP.			1	1	X(25.3") X(25.3")
46	6P2-45551-02	PINION (15T) PIGNON D'ATTAQUE (15D)			1	1	
47	90201-16M00	WASHER, PLATE RONDELLE, PLATE			1	1	
48	90170-16M19	NUT ECROU			1	1	
49	6P3-45560-00	GEAR 1 (30T) PIGNON 1 (30T)			1	1	
50	69K-45611-00	SHAFT, PROPELLER ARBRE, HELICE			1	1	
51	61B-45641-01	SHIFTER EMBRAYAGE			1	1	
52	61A-45634-01	SLIDE, SHIFT CONTRE-POUSSOIR			1	1	
53	61A-45632-00	PIN, CROSS GOUPILLE DE CRABOT			1	1	
54	69J-45631-00	CLUTCH, DOG CRABOT			1	1	
55	61A-45633-00	RING, CROSS PIN JONC, GOUPILLE CRABOT			1	1	
56	6H1-45668-00	SHAFT, FREE 1 AXE 1			1	1	
57	61A-45635-00	PLUNGER, SHIFT POUSSOIR D'EMBAYAGE			2	2	
58	90201-02M00	WASHER, PLATE RONDELLE, PLATE			1	1	
59	90183-02M03	NUT, SPRING ECROU, RESSORT			2	2	
60	90501-10M77	SPRING, COMPRESSION RESSORT, COMPRESSION			1	1	
61	93501-04011	BALL BILLE			2	2	
62	69K-45332-00	HOUSING, BEARING FLASQUE, ROULEMENT			1	1	
63	93332-00048	BEARING ROULEMENT			1	1	
64	6P3-45571-01	GEAR 2 (30T) PIGNON 2 (30T)			1	1	
65	93341-440U5	BEARING CERVEAUX DE DIRECTION			1	1	
66	6K1-45578-01	SHIM (T:0.10MM) CALE (T:0.10MM)			1	1	UR UR
	6K1-45578-10	SHIM (T:0.12MM) CALE (T:0.12MM)			1	1	UR UR
	6K1-45578-20	SHIM (T:0.15MM) CALE (T:0.15MM)			1	1	UR UR
	6K1-45578-30	SHIM (T:0.18MM) CALE (T:0.18MM)			1	1	UR UR

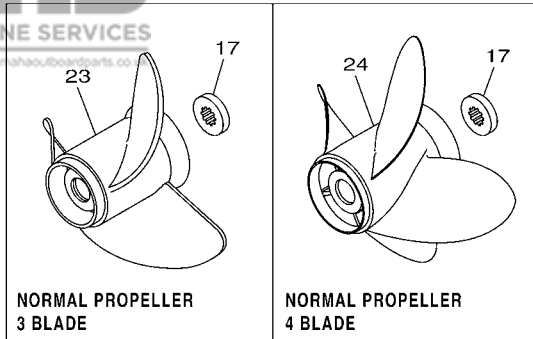
**FIG. 33 LOWER CASING & DRIVE 3**

**BOITIER D'HELICE TRANSMISSION3**



REF. NO.	PART NO. N° PIECES	DESCRIPTION DESCRIPTION	6AL9	6AS8	6AM9	6AT8	REMARKS REMARQUES
66	6K1-45578-40	SHIM (T:0.30MM) CALE (T:0.30MM)			1	1	UR UR
	6K1-45578-50	SHIM (T:0.40MM) CALE (T:0.40MM)			1	1	UR UR
	6K1-45578-60	SHIM (T:0.50MM) CALE (T:0.50MM)			1	1	UR UR
67	61B-45383-00	WASHER, CLAW FREIN D'ECROU			1	1	
68	69K-45384-00	NUT ECROU			1	1	
69	69K-45577-00	SHIM (T:0.10MM) CALE (T:0.10MM)			1	1	UR UR
	69K-45577-10	SHIM (T:0.12MM) CALE (T:0.12MM)			1	1	UR UR
	69K-45577-20	SHIM (T:0.15MM) CALE (T:0.15MM)			1	1	UR UR
	69K-45577-30	SHIM (T:0.18MM) CALE (T:0.18MM)			1	1	UR UR
	69K-45577-40	SHIM (T:0.30MM) CALE (T:0.30MM)			1	1	UR UR
	69K-45577-50	SHIM (T:0.40MM) CALE (T:0.40MM)			1	1	UR UR
	69K-45577-60	SHIM (T:0.50MM) CALE (T:0.50MM)			1	1	UR UR
70	93315-43061	BEARING ROULEMENT			1	1	
71	93101-30M17	OIL SEAL JOINT SPY			2	2	
72	93211-04384	O-RING JOINT TORIQUE			2	2	
73	90105-08049	BOLT, FLANGE BOULON			2	2	
74	90201-08023	WASHER, PLATE RONDELLE, PLATE			2	2	
75	93700-09M00	NIPPLE, GREASE PION			1	1	
76	69J-45361-00-8D	CAP, LOWER CASING COUVERCLE, BOITIER D'HELICE			1	1	
77	97095-08020	BOLT BOULON			2	2	
78	92995-08600	WASHER RONDELLE			2	2	

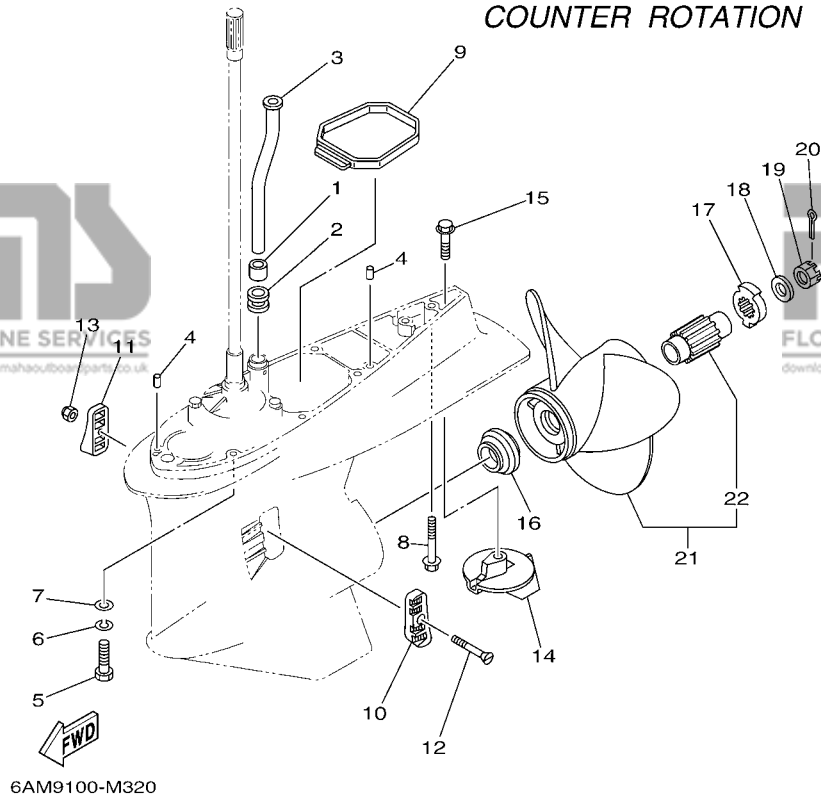




NORMAL PROPELLER  
3 BLADE

NORMAL PROPELLER  
4 BLADE

COUNTER ROTATION

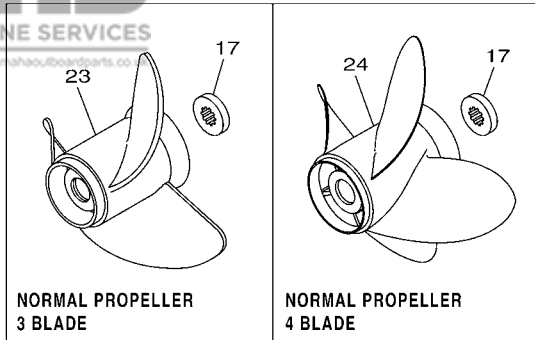


6AM9100-M320

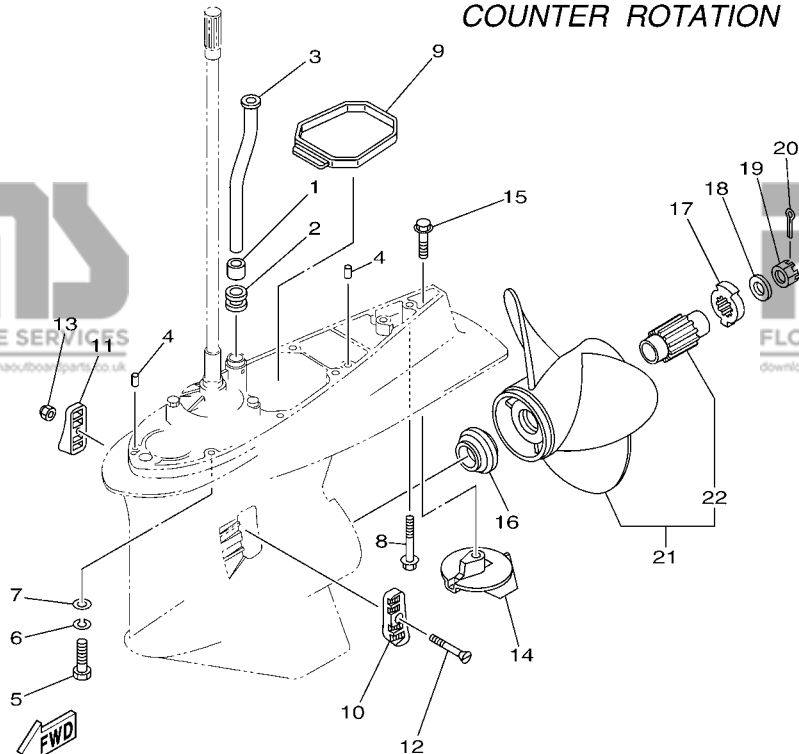
FIG. 34 LOWER CASING & DRIVE 4

BOITIER D'HELICE TRANSMISSION4

REF. NO.	PART NO. N° PIECES	DESCRIPTION DESCRIPTION	6AL9	6AS8	6AM9	6AT8	REMARKS REMARQUES
1	6E5-44365-00	DAMPER, WATER SEAL 1 JOINT, TUBE D'EAU 1			1	1	
2	6E5-44366-00	DAMPER, WATER SEAL 2 JOINT, TUBE D'EAU 2			1	1	
3	6S1-44361-01	TUBE, WATER 1 TUBE D'EAU 1			1	1	X(25.3") X(25.3")
4	93608-12M05	PIN, DOWEL AXE			2	2	
5	97095-10045	BOLT BOULON			7	7	X(25.3") X(25.3")
6	92995-10100	WASHER RONDELLE			7	7	X(25.3") X(25.3")
7	92995-10600	WASHER RONDELLE			7	7	X(25.3") X(25.3")
8	90119-10MA2	BOLT, WITH WASHER BOULON, AVEC RONDELLE			1	1	X(25.3") X(25.3")
9	69J-45375-00	DAMPER, SEAL BOURRELET, CAOUTCHOUC			1	1	
10	61A-45214-11	COVER, WATER INLET 1 GRILLE, ENTREE D'EAU 1			1	1	
11	61A-45215-11	COVER, WATER INLET 2 GRILLE, ENTREE D'EAU 2			1	1	
12	90152-05003	SCREW, COUNTERSUNK VIS, TETE NOYEE			1	1	
13	90185-05002	NUT, NYLON ECROU, AUTO-BLOQUANT			1	1	
14	61A-45371-00	TAB-TRIM ANODE DERIVE			1	1	
15	90105-10M00	BOLT, FLANGE BOULON			1	1	
16	69J-45987-00	SPACER 1 ENTRETOISE 1			1	1	
17	6CE-45997-00	SPACER 2 ENTRETOISE 2			1	1	FOR SDS PROP. FOR SDS PROP.
	688-45997-01	SPACER 2 ENTRETOISE 2			1	1	FOR NORMAL PROP. FOR NORMAL PROP.
18	92990-18200	WASHER RONDELLE, PLATE			1	1	
19	90171-18M04	NUT, CASTLE ECROU, CRENELE			1	1	
20	91490-40030	PIN, COTTER GOUPILLE			1	1	
21	6CF-45930-00	PROPELLER (3X15-3/4"X13"-TL) HELICE (3X15-3/4"X13"-TL)			1	1	UR SDS PROP. UR SDS PROP.
	6CF-45976-00	PROPELLER (3X15-3/4"X15"-TL) HELICE (3X15-3/4"X15"-TL)			1	1	UR SDS PROP. UR SDS PROP.
	6CF-45978-00	PROPELLER (3X15-1/2"X17"-TL) HELICE (3X15-1/2"X17"-TL)			1	1	UR SDS PROP. UR SDS PROP.
	6CF-45934-00	PROPELLER (3X15-1/4"X18"-TL) HELICE (3X15-1/4"X18"-TL)			1	1	UR SDS PROP. UR SDS PROP.
	6CF-45970-00	PROPELLER (3X15-1/4"X19"-TL) HELICE (3X15-1/4"X19"-TL)			1	1	UR SDS PROP. UR SDS PROP.
	6CF-45932-00	PROPELLER (3X15"X20"-TL) HELICE (3X15"X20"-TL)			1	1	UR SDS PROP. UR SDS PROP.



COUNTER ROTATION

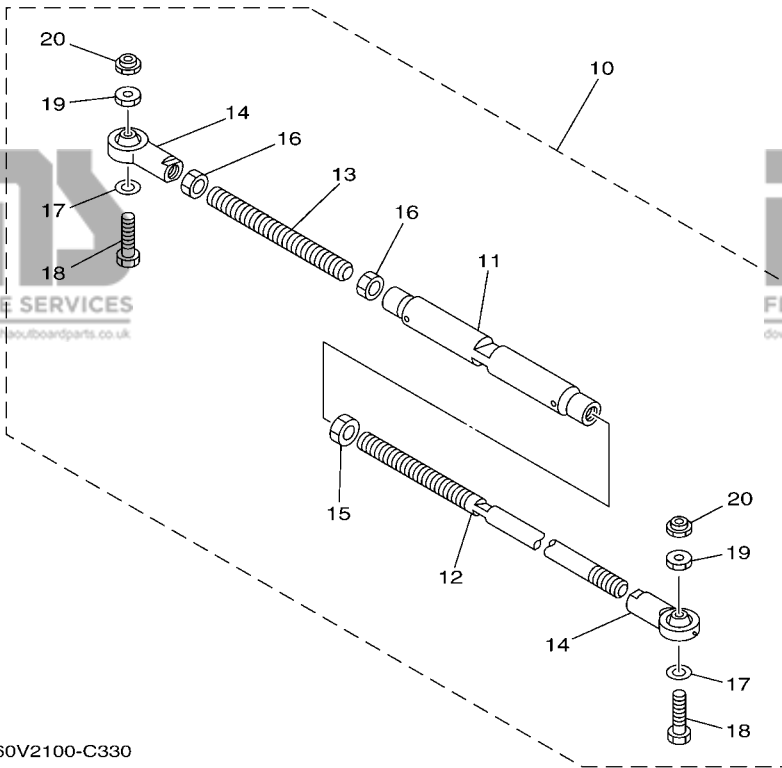
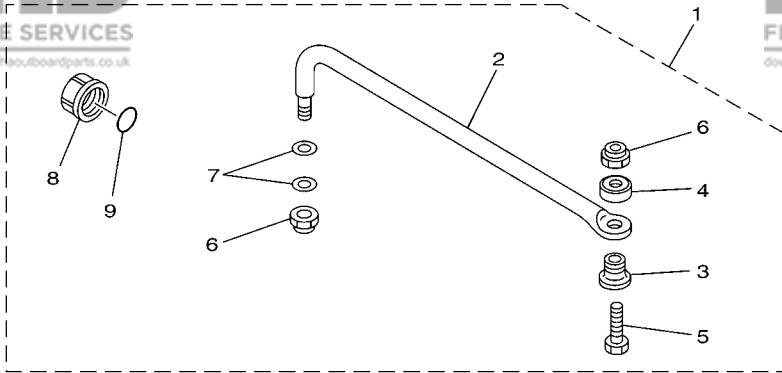


6AM9100-M320

FIG. 34 LOWER CASING & DRIVE 4

BOITIER D'HELICE TRANSMISSION4

REF. NO.	PART NO. N° PIECES	DESCRIPTION DESCRIPTION	6AL9	6AS8	6AM9	6AT8	REMARKS REMARQUES
21	6CF-45972-00	PROPELLER (3X15"X21"-TL) HELICE (3X15"X21"-TL)			1	1	UR SDS PROP. UR SDS PROP.
	6CF-45974-00	PROPELLER (3X14-3/4"X23"-TL) HELICE (3X14-3/4"X23"-TL)			1	1	UR SDS PROP. UR SDS PROP.
22	6CE-45C81-00	.DAMPER RUBBER, PROPELLER 1 .AMORTISSEUR HELICE 1			1	1	
23	6K1-45970-01	PROPELLER (3X15-1/4"X15"-ML) HELICE (3X15-1/4"X15"-ML)			1	1	UR NORMAL 3 BLADE UR NORMAL 3 BLADE
	6K1-45972-01	PROPELLER (3X13-3/4"X21"-ML) HELICE (3X13-3/4"X21"-ML)			1	1	UR NORMAL 3 BLADE UR NORMAL 3 BLADE
	6K1-45974-02	PROPELLER (3X13-3/4"X19"-ML1) HELICE (3X13-3/4"X19"-ML1)			1	1	UR NORMAL 3 BLADE UR NORMAL 3 BLADE
	6K1-45978-02	PROPELLER (3X13-3/4"X17"-ML1) HELICE (3X13-3/4"X17"-ML1)			1	1	UR NORMAL 3 BLADE UR NORMAL 3 BLADE
	61B-45972-00	PROPELLER (3X14-1/2"X21"-TL) HELICE (3X14-1/2"X21"-TL)			1	1	UR NORMAL 3 BLADE UR NORMAL 3 BLADE
	61B-45974-00	PROPELLER (3X14-1/2"X19"-TL) HELICE (3X14-1/2"X19"-TL)			1	1	UR NORMAL 3 BLADE UR NORMAL 3 BLADE
	61B-45978-00	PROPELLER (3X15"X17"-TL) HELICE (3X15"X17"-TL)			1	1	UR NORMAL 3 BLADE UR NORMAL 3 BLADE
	6R1-45970-A1	PROPELLER (3X15-1/4"X19"-ML) HELICE (3X15-1/4"X19"-ML)			1	1	UR NORMAL 3 BLADE UR NORMAL 3 BLADE
	6R1-45972-A0	PROPELLER (3X14-7/8"X21"-ML) HELICE (3X14-7/8"X21"-ML)			1	1	UR NORMAL 3 BLADE UR NORMAL 3 BLADE
	6R1-45974-A0	PROPELLER (3X14-1/2"X23"-ML) HELICE (3X14-1/2"X23"-ML)			1	1	UR NORMAL 3 BLADE UR NORMAL 3 BLADE
	6R1-45976-A0	PROPELLER (3X15-1/4"X15"-ML) HELICE (3X15-1/4"X15"-ML)			1	1	UR NORMAL 3 BLADE UR NORMAL 3 BLADE
	6R1-45978-A0	PROPELLER (3X15-1/4"X17"-ML) HELICE (3X15-1/4"X17"-ML)			1	1	UR NORMAL 3 BLADE UR NORMAL 3 BLADE
24	6BS-45B70-00	PROPELLER (4X15"X21"-TL) HELICE (4X15"X21"-TL)			1	1	UR NORMAL 4 BLADE UR NORMAL 4 BLADE
	6BS-45B72-00	PROPELLER (4X15"X22"-TL) HELICE (4X15"X22"-TL)			1	1	UR NORMAL 4 BLADE UR NORMAL 4 BLADE
	6BS-45B74-00	PROPELLER (4X15"X23"-TL) HELICE (4X15"X23"-TL)			1	1	UR NORMAL 4 BLADE UR NORMAL 4 BLADE



60V2100-C330

FIG. 35 STEERING GUIDE

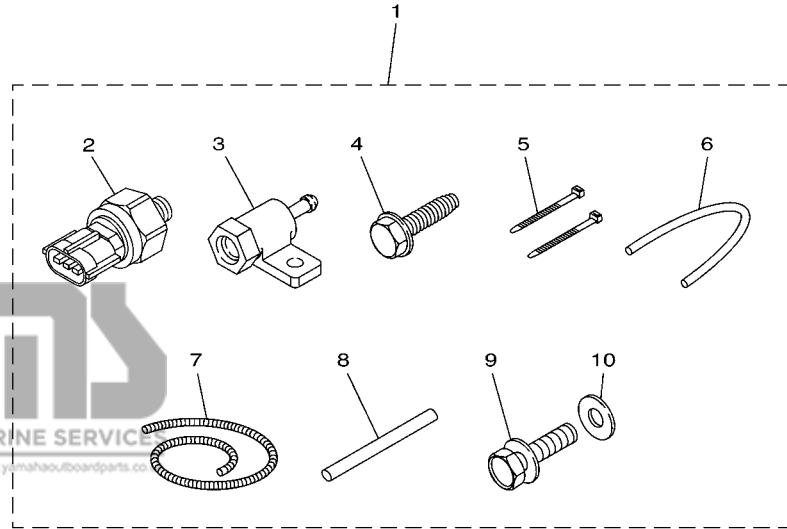
FIXATION DE DIRECTION

REF. NO.	PART NO. N° PIECES	DESCRIPTION DESCRIPTION	6AL9	6AS8	6AM9	6AT8	REMARKS REMARQUES
1	6E5-61350-02	STEERING GUIDE ATTACHMENT KIT FIXATIONS DE DIRECTION	1	1			AP AP
2	6E5-61351-01	.ROD, STEERING LINK .RENOI DE DIRECTION	1	1			
3	90387-10M61	.COLLAR .COLLERETTE	1	1			
4	90560-12M01	.SPACER .ENTRETOISE	1	1			
5	6E5-61355-00	.BOLT .BOULON	1	1			
6	90185-09M01	.NUT, SELF-LOCKING .ECROU,AUTO-BLOQUANT	2	2			
7	90201-10M20	.WASHER, PLATE .RONDELLE, PLATE	2	2			
8	6E5-43145-01	.CAP CLAMP BRACKET .CAPUCHON, PRESSE	1	1			
9	93210-16275	.O-RING .JOINT TORIQUE	1	1			
10	6E5-61301-01	TWIN KIT (L:600-800MM) JUMELE KIT (L:600-800MM)			1	1	AP AP
11	6E5-61313-00	.ADJUSTER .TENDEUR			1	1	
12	6E5-61311-11	.TIE BAR .BARRE D'ACCOUPEMENT			1	1	
13	6E5-61315-00	.TIE BAR .BARRE D'ACCOUPEMENT			1	1	
14	6E5-61303-00	.STEERING AXLE COMP. .AXLE COMP.			2	2	
15	90170-14M06	.NUT .ECROU			1	1	
16	95380-14700	.NUT .ECROU			2	2	
17	90201-10M76	.WASHER, PLATE .RONDELLE, PLATE			2	2	
18	90101-09M70	.BOLT .BOULON			2	2	
19	90170-09M05	.NUT .ECROU			2	2	
20	90185-09M01	.NUT, SELF-LOCKING .ECROU,AUTO-BLOQUANT			2	2	

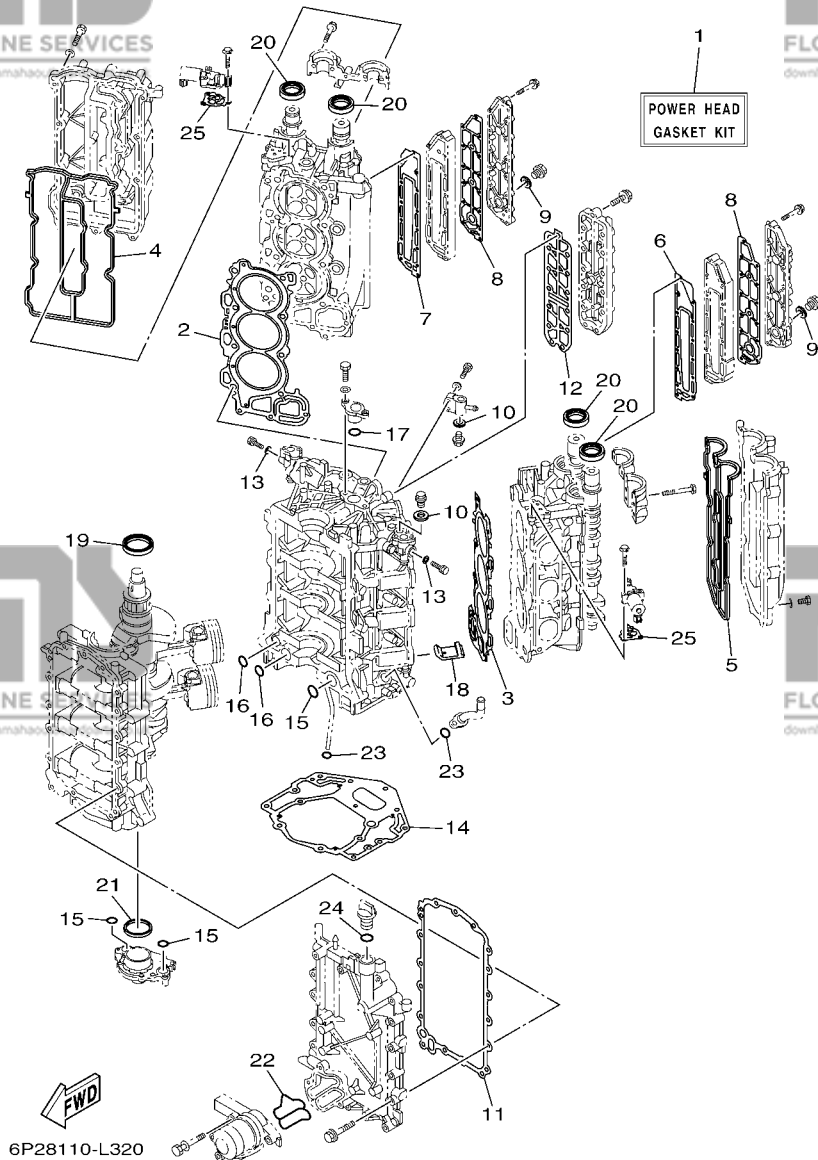
**FIG. 36 OPTIONAL PARTS**

**PIECES OPTIONNELLES**

REF. NO.	PART NO. N° PIECES	DESCRIPTION DESCRIPTION	6AL9	6AS8	6AM9	6AT8	REMARKS REMARQUES
1	60V-8A4L1-11	SENSOR, MODULE 1 SENSOR (ENS.) 1	1	1	1	1	
2	6AW-8366B-00	.SENSOR, WATER PRESSURE .SONDE DE PRESSION D'EAU	1	1	1	1	
3	60V-8366D-00	.ADAPTOR, INPUT .CONNECTEUR 3	1	1	1	1	
4	90109-06M81	.BOLT .BOULON	1	1	1	1	
5	90465-11M10	.CLAMP .BRIDE	2	2	2	2	
6	90445-07017	.HOSE (L: 550MM) .DURITE (L: 550MM)	1	1	1	1	
7	90447-07013	.HOSE, COVER (L: 700MM) .DURITE, COUVERCLE (L: 700MM)	1	1	1	1	
8	60V-42629-00	.SEAL .JOINT	1	1	1	1	
9	97095-06016	.BOLT .BOULON	1	1	1	1	
10	92995-06600	.WASHER .RONDELLE	1	1	1	1	



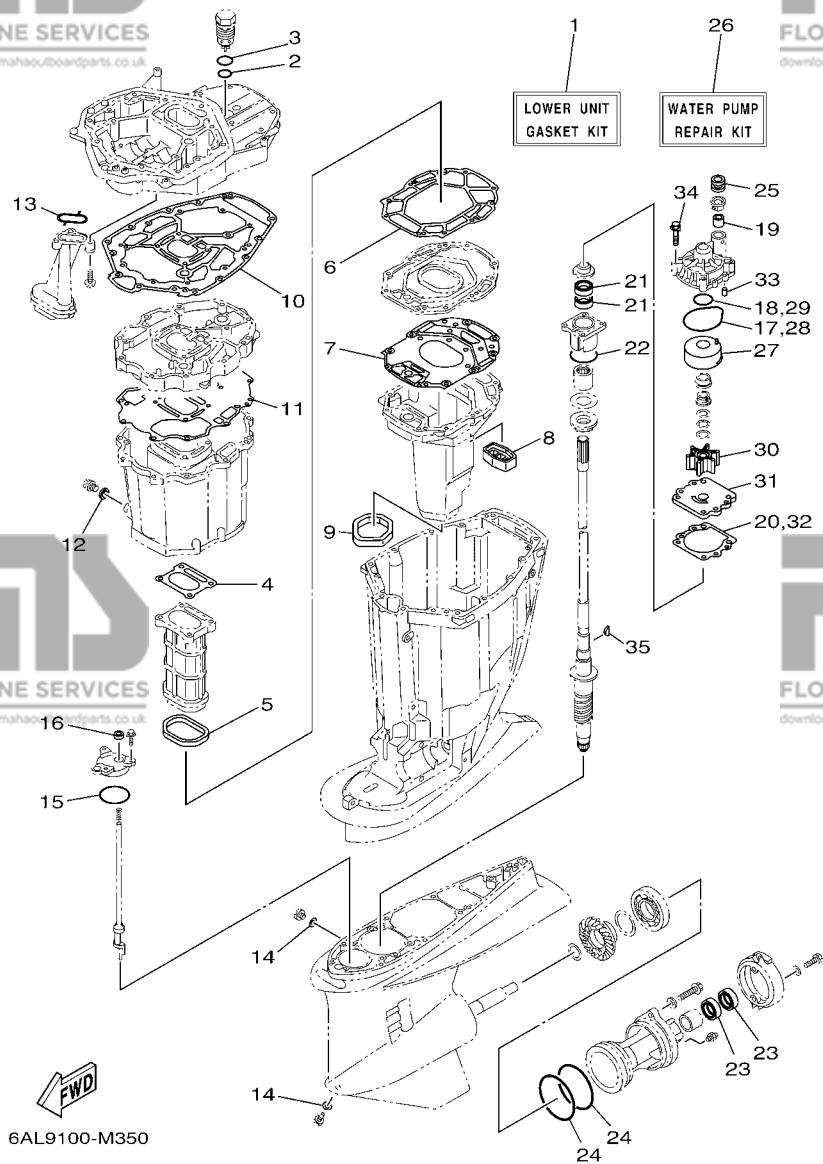
6C1A300-M350



**FIG. 37 REPAIR KIT 1**

**KITS DE REPARATION 1**

REF. NO.	PART NO. N° PIECES	DESCRIPTION DESCRIPTION	6AL9	6AS8	6AM9	6AT8	REMARKS REMARQUES
1	6P2-W0001-02	POWER HEAD GASKET KIT POCHETTE DE JINTS TETE MOTRICE	1	1	1	1	
2	6P2-11181-00	.GASKET, CYLINDER HEAD 1 .JOINT, DE CULASSE 1	1	1	1	1	
3	6P2-11182-00	.GASKET, CYLINDER HEAD 2 .JOINT, CULASSE 2	1	1	1	1	
4	6P2-11193-00	.GASKET, HEAD COVER 1 .JOINT, COUVERCLE DE CULASSE 1	1	1	1	1	
5	6P2-11194-00	.GASKET, HEAD COVER 2 .JOINT, COUVERCLE DE CULASSE 2	1	1	1	1	
6	6P2-41112-00	.GASKET, EXHAUST INNER COVER .JOINT, PLAQUE D'ECHAPPEMENT	1	1	1	1	
7	6P2-41122-00	.GASKET, EXHAUST INNER COVER .JOINT, PLAQUE D'EHAPPEMENT	1	1	1	1	
8	6P2-41114-00	.GASKET, EXHAUST OUTER COVER .JOINT, COUVERCLE D'ECHAPPEMENT	2	2	2	2	
9	90430-18130	.GASKET .JOINT	2	2	2	2	
10	90430-14115	.GASKET .JOINT	2	2	2	2	
11	69J-15451-00	.GASKET, CRANKCASE COVER 1 .JOINT, COUVERCLE DE CARTER 1	1	1	1	1	
12	6P2-1131B-00	.GASKET, COVER .JOINT, COUVERCLE	1	1	1	1	
13	90430-05002	.GASKET .JOINT	2	2	2	2	
14	69J-11351-11	.GASKET, CYLINDER .JOINT, D'EMBASE	1	1	1	1	
15	93210-25552	.O-RING .JOINT TORIQUE	3	3	3	3	
16	93210-19MJ1	.O-RING .JOINT TORIQUE	2	2	2	2	
17	93210-25647	.O-RING .JOINT TORIQUE	1	1	1	1	
18	69J-14664-00	.GROMMET, WATER SHUT .PASSE-FIL	2	2	2	2	
19	93102-63004	.OIL SEAL .JOINT SPY	1	1	1	1	
20	93102-38008	.OIL SEAL .JOINT SPY	4	4	4	4	
21	69J-11355-00	.SEAL, CYLINDER 1 .JOINT, SPY CYLINDRE	1	1	1	1	
22	6P2-13477-00	.GASKET .JOINT	1	1	1	1	
23	93210-19MJ3	.O-RING .JOINT TORIQUE	2	2	2	2	
24	93210-24M79	.O-RING .JOINT TORIQUE	1	1	1	1	
25	6CB-1242F-00	.GASKET, FILTER .JOINT, FILTRE	2	2	2	2	



**FIG. 38 REPAIR KIT 2**

**KITS DE REPARATION 2**

REF. NO.	PART NO. N° PIECES	DESCRIPTION DESCRIPTION	6AL9	6AS8	6AM9	6AT8	REMARKS REMARQUES
1	69J-W0001-22	LOWER UNIT GASKET KIT POCHETTE DE JOINTS EMBASE	1	1	1	1	
2	93210-28543	.O-RING .JOINT TORIQUE	1	1	1	1	
3	93210-347A1	.O-RING .JOINT TORIQUE	1	1	1	1	
4	6P2-41134-00	.GASKET, EXHAUST MANIFOLD .JOINT, PIPE D'ECHAPPEMENT	1	1	1	1	
5	69J-41138-00	.SEAL, EXT. 1 .JOINT DE GROUPE 1	1	1	1	1	
6	69J-41135-A0	.GASKET, EXHAUST MANIFOLD .JOINT, PIPE D'ECHAPPEMENT	1	1	1	1	
7	6S1-41136-00	.GASKET, EXHAUST MANIFOLD 4 .JOINT, PIPE D'ECHAPPEMENT 4	1	1	1	1	
8	69J-45127-00	.SEAL .JOINT	1	1	1	1	
9	69J-45123-00	.GASKET, MUFFLER .JOINT, POT DE DETENTE	1	1	1	1	
10	69J-45113-20	.GASKET, UPPER CASING .JOINT, TUBE D'ARBRE	1	1	1	1	
11	69J-15312-01	.GASKET, OIL PAN .JOINT DE VENTILATEUR D'HUILE	1	1	1	1	
12	90430-14M09	.GASKET .JOINT	1	1	1	1	
13	69J-13415-00	.SEAL, OIL STRAINER .JOINT, FILTRE A HUILE	1	1	1	1	
14	90430-08020	.GASKET .JOINT	2	2	2	2	
15	93210-64488	.O-RING .JOINT TORIQUE	1	1	1	1	
16	93106-09014	.OIL SEAL .JOINT SPY	1	1	1	1	
17	93210-86M38	.O-RING .JOINT TORIQUE	1	1	1	1	
18	93210-37160	.O-RING .JOINT TORIQUE	1	1	1	1	
19	6E5-44365-00	.DAMPER, WATER SEAL 1 .JOINT, TUBE D'EAU 1	1	1	1	1	
20	6E5-44315-A0	.GASKET, WATER PUMP .JOINT, POMPE A EAU	1	1	1	1	
21	93101-28M16	.OIL SEAL .JOINT SPY	2	2	2	2	
22	93210-55M14	.O-RING .JOINT TORIQUE	1	1	1	1	
23	93101-30M17	.OIL SEAL .JOINT SPY	2	2	2	2	
24	93211-04384	.O-RING .JOINT TORIQUE	2	2	2	2	
25	6E5-44366-00	.DAMPER, WATER SEAL 2 .JOINT, TUBE D'EAU 2	1	1	1	1	
26	61A-W0078-A3	WATER PUMP REPAIR KIT KIT DE REPARATION DE LA POMPE	1	1	1	1	
27	61A-44322-02	.INSERT, CARTRIDGE .CUVETTE	1	1	1	1	

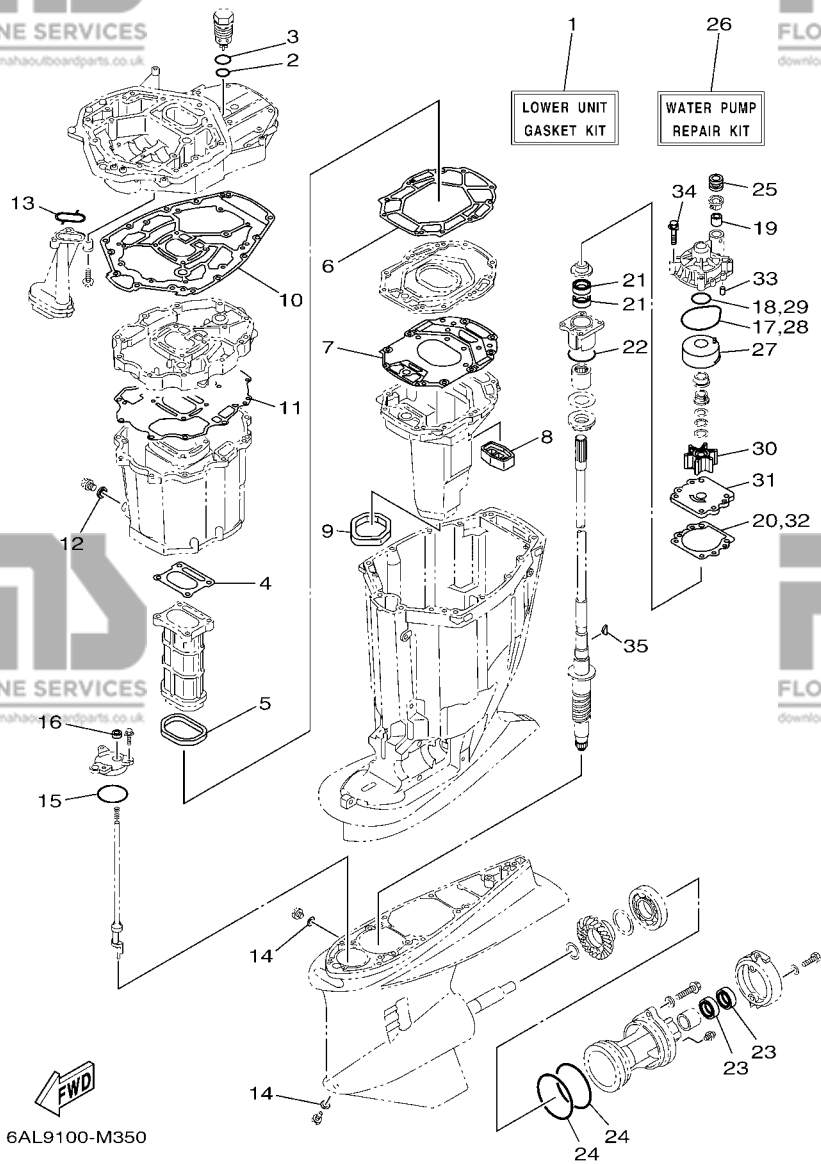


FIG. 38 REPAIR KIT 2

KITS DE REPARATION 2

REF. NO.	PART NO. N° PIECES	DESCRIPTION DESCRIPTION	6AL9	6A98	6AM9	6AT8	REMARKS REMARQUES
28	93210-86M38	.O-RING .JOINT TORIQUE	1	1	1	1	
29	93210-37160	.O-RING .JOINT TORIQUE	1	1	1	1	
30	6E5-44352-01	.IMPELLER .TURBINE	1	1	1	1	
31	6G5-44323-01	.OUTER PLATE, CARTRIDGE .PLAQUE EXTERIEURE	1	1	1	1	
32	6E5-44315-A0	.GASKET, WATER PUMP .JOINT, POMPE A EAU	1	1	1	1	
33	93606-12019	.PIN, DOWEL .GOUILLE	2	2	2	2	
34	90119-08M14	.BOLT, WITH WASHER .BOULON, AVEC RONDELLE	4	4	4	4	
35	90280-04M05	.KEY, WOODRUFF .CLAVETTE, DEMI-LUNE	1	1	1	1	

PART NO. N° PIECES	REF. NO.
6P2-11110-10-9S	5 - 2
69J-11119-00	3 - 13
6P2-11119-00	6 - 16
6P2-1111E-00	6 - 17
6P2-11120-10-9S	5 - 10
6S5-11133-10	5 - 3
	5 - 11
6P2-11135-00	5 - 35
6P2-11181-00	5 - 22
	37 - 2
6P2-11182-00	5 - 27
	37 - 3
6P2-11191-00-9S	5 - 34
6P2-11192-00-9S	5 - 43
6P2-11193-00	5 - 38
	37 - 4
6P2-11194-00	5 - 44
	37 - 5
69J-11301-00	5 - 16
69J-11313-00	3 - 49
6P2-1131B-00	3 - 18
	37 - 12
6P2-1131C-00-9S	3 - 15
6E5-11325-00	1 - 1
	1 - 8
	1 - 15
	3 - 16
	6 - 9
	19 - 10
6P2-11325-00	1 - 7
	6 - 8
6P3-11325-00	1 - 3
	3 - 24
	3 - 29
67F-11325-01	1 - 5
	5 - 17
67F-11328-00	5 - 18
69J-11351-11	3 - 46
	37 - 14
69J-11355-00	30 - 16
	37 - 21
6AW-11371-10	29 - 8
676-11372-00	5 - 5
6P2-11372-00	8 - 25
6P2-11377-00	8 - 30
6P2-11410-10	4 - 1
6P2-11416-00	4 - 4
6P2-11416-10	4 - 4

PART NO. N° PIECES	REF. NO.
6P2-11416-20	4 - 4
6P2-11417-00	4 - 5
6P2-11417-10	4 - 5
6P2-11417-20	4 - 5
6P2-11426-01	4 - 6
69J-11426-11	4 - 6
69J-11426-21	4 - 6
69J-11427-00	4 - 7
6CB-11478-00	4 - 2
6P2-11537-01	7 - 17
6P2-11590-01	7 - 25
63P-11603-01	4 - 12
63P-11604-00	4 - 12
6P2-11631-10-93	4 - 11
63P-11633-10	4 - 13
63P-11634-00	4 - 14
6P2-11635-10	4 - 11
6P2-11650-00	4 - 8
63P-11654-10	4 - 9
6P2-11656-00	4 - 10
6P2-11656-10	4 - 10
6P2-11656-20	4 - 10
6P2-12111-10	7 - 1
6CB-12113-00	7 - 4
51Y-12119-00	7 - 7
6P2-12121-10	7 - 2
6P2-12171-10	7 - 9
6P2-12172-10	7 - 13
6P2-12181-10	7 - 11
6P2-12182-10	7 - 15
69J-12233-00	29 - 11
6P2-1240H-00-9S	3 - 22
6P3-1240H-00-9S	3 - 27
67F-12411-01	1 - 2
	3 - 20
67F-12412-00	3 - 21
6CB-1242F-00	6 - 22
	37 - 25
6P2-1243A-00	3 - 36
6P2-1243E-00	3 - 37
6P2-1243F-00	3 - 38
6P2-12481-12	9 - 34
6P2-12482-00	9 - 6
6P2-12483-00	9 - 8
6P2-12484-01	9 - 2
6P2-12485-00	9 - 16
6P2-1248A-00	9 - 17
6P2-1248E-00	9 - 18

PART NO. N° PIECES	REF. NO.
6P2-12491-00	19 - 7
68T-12572-00	23 - 13
6R3-12581-00	23 - 14
6R3-12582-00	23 - 15
6R3-12583-00	23 - 16
6P2-12615-00	7 - 22
6P2-12623-00	7 - 19
6P2-12645-20	7 - 18
6P2-12663-00	7 - 20
6S5-12858-00	3 - 55
6CB-13016-00	1 - 10
	13 - 5
6AW-13119-00	30 - 14
6AW-13132-00	13 - 26
6P2-13160-10	12 - 1
6P2-13161-00	12 - 2
6P2-13170-10	12 - 6
6P2-13171-00	12 - 7
6P2-13300-00	30 - 12
69J-13329-01	30 - 13
69J-13411-00	30 - 8
69J-13415-00	30 - 10
	38 - 13
67F-13434-20	2 - 25
60L-13437-62	17 - 24
69J-13440-01	1 - 4
	3 - 54
	3 - 56
6P2-13446-00-9S	2 - 15
67F-13448-00	3 - 57
6P2-13477-00	37 - 22
6P2-13532-10	11 - 3
6P2-13533-00	11 - 2
6P2-13545-00	11 - 7
6P2-13546-00	11 - 10
6P2-13547-00	11 - 18
6P2-13548-10	11 - 19
6P2-13556-00	10 - 4
6P2-13557-00	10 - 5
6P2-13564-00	8 - 3
6P2-13573-00	10 - 11
6P2-13574-00	10 - 21
68V-13577-00	14 - 7
	14 - 13
6P2-13577-00	12 - 5
	12 - 10
6P2-13578-00	10 - 8
6P2-13588-00	10 - 7

PART NO. N° PIECES	REF. NO.
6CB-13593-00	13 - 23
6P2-13594-00	8 - 4
6P2-13595-00	11 - 4
69J-13631-00	30 - 15
6P2-13641-00	8 - 13
6P2-13642-00	8 - 16
6P2-13645-00	8 - 14
	8 - 17
6P2-13646-00	8 - 15
6P2-13647-00	8 - 18
6P2-13711-00	10 - 3
69J-13716-00	13 - 22
6P2-13750-10	10 - 1
6P2-13751-01	10 - 2
6P2-13758-00	11 - 14
6P2-13761-10	12 - 3
	12 - 8
6AW-13781-00	13 - 30
6AW-13784-00	13 - 33
6CB-13906-01	13 - 8
6P2-13907-20	13 - 24
63P-13915-00	1 - 11
	13 - 25
6P2-13973-30	14 - 9
6P2-13974-30	14 - 10
6C5-1410B-00	12 - 4
	12 - 9
69J-14137-00	14 - 6
6CB-14146-00	13 - 10
6P2-14149-00	14 - 2
6P2-14159-00	10 - 13
69J-14164-00	10 - 22
6P2-14180-31	13 - 1
6AW-14181-11	13 - 15
6AW-14182-11	13 - 2
6P2-14191-00	13 - 16
68V-14216-00	13 - 12
6CB-14216-00	13 - 6
6CB-14239-00	13 - 17
6P2-14255-00	10 - 12
6P2-14349-00	11 - 1
68V-14356-00	10 - 24
6P2-14360-00	10 - 6
6P2-14386-00	13 - 37
6P2-1441J-00	8 - 22
6CB-14429-01	13 - 19
63P-14435-00	8 - 34
6P2-14440-00	8 - 21

PART NO. N° PIECES	REF. NO.
6CB-1447B-00	13 - 29
6P2-14496-00	10 - 9
6CB-14546-00	13 - 28
6CB-14564-00	13 - 9
63P-14567-00	13 - 21
69J-14624-01	29 - 47
69J-14664-00	3 - 53
	37 - 18
69J-14711-21-9S	29 - 24
6P2-14752-00	9 - 19
6P2-1475A-10	11 - 5
6P2-1475E-00	11 - 6
6P2-1475F-00	11 - 8
6P2-1475G-00	11 - 9
68V-1475H-00	13 - 13
68V-1475J-00	13 - 14
6CB-14984-00	1 - 12
	13 - 39
6CB-14985-00	13 - 27
6P2-15100-10	3 - 2
6P2-15142-00	5 - 41
6P2-15143-00	5 - 47
6P2-15187-00	3 - 5
69J-15311-10-CA	30 - 1
69J-15312-01	29 - 49
	38 - 11
69J-15316-00	29 - 34
6P2-15362-10	30 - 19
6G8-15363-00	3 - 59
6P2-15373-01	8 - 19
6P2-15377-10	30 - 20
6P2-15411-01-9S	3 - 8
69J-15451-00	3 - 9
	37 - 11
6P2-15481-00	3 - 6
6P2-15512-00	7 - 26
69J-15761-00	30 - 2
6P2-2134X-00	10 - 14
6E5-21744-00	9 - 7
	11 - 16
6P2-24135-00	11 - 12
6P2-24136-00	11 - 13
6P2-24137-00	11 - 15
6P2-2416A-00	11 - 11
6P2-24170-00	10 - 19
6P2-2419A-00	10 - 15
6CB-24217-00	13 - 7
6P2-24300-00	14 - 12

PART NO. N° PIECES	REF. NO.
6AW-24300-10	14 - 11
6YK-24307-42	16 - 1
6H4-24311-00	6 - 27
6P2-24313-30	15 - 18
6P2-24314-00	15 - 2
61A-24316-00	9 - 20
6AW-24317-20	14 - 5
6AW-24323-20	14 - 3
6AW-24324-20	14 - 4
6CE-24376-00	9 - 3
6P2-24376-00	11 - 20
6R3-24377-00	15 - 23
6R3-24377-10	15 - 4
688-24378-00	9 - 21
	9 - 22
	9 - 23
	9 - 24
	9 - 25
	11 - 17
69J-24378-00	2 - 21
6CE-24378-00	3 - 39
6E5-24378-00	14 - 8
6E5-24379-00	23 - 10
68V-24379-10	13 - 11
6CB-24410-00	13 - 31
6P2-24419-00	8 - 8
6P2-24422-10	8 - 6
6CB-24452-10	13 - 18
4SV-24453-00	13 - 34
6CB-24460-00	13 - 4
6P3-24469-00	15 - 9
6CB-24482-00	13 - 20
6AW-24491-10	13 - 32
6CB-24492-00	13 - 36
6CB-24501-01	1 - 9
	13 - 3
6P3-24519-00	15 - 10
6P3-24560-03	15 - 6
6P3-24562-03	15 - 8
6P3-24563-01	1 - 13
	15 - 7
6P3-24564-00	1 - 14
	15 - 11
6P2-24566-11	15 - 12
6CB-24592-00	13 - 38
68V-2481H-00	10 - 25
69J-28100-01	15 - 24
67F-2812A-00	19 - 40





PART NO. N° PIECES	REF. NO.
61A-45567-30	31 - 5
	33 - 7
61A-45567-40	31 - 5
	33 - 7
61A-45567-50	31 - 5
	33 - 7
61A-45567-60	31 - 5
	33 - 7
6P2-45571-00	31 - 62
6P3-45571-01	33 - 64
61A-45577-00	31 - 64
69K-45577-00	33 - 69
61A-45577-10	31 - 64
61A-45577-20	31 - 64
69K-45577-20	33 - 69
61A-45577-30	31 - 64
69K-45577-30	33 - 69
61A-45577-40	31 - 64
69K-45577-40	33 - 69
61A-45577-50	31 - 64
69K-45577-50	33 - 69
61A-45577-60	31 - 64
69K-45577-60	33 - 69
6K1-45578-01	33 - 66
6K1-45578-10	33 - 66
6K1-45578-20	33 - 66
6K1-45578-30	33 - 66
6K1-45578-40	33 - 66
6K1-45578-50	33 - 66
6K1-45578-60	33 - 66
61A-45587-00	31 - 37
	33 - 39
61A-45587-10	31 - 37
	33 - 39
61A-45587-20	31 - 37
	33 - 39
61A-45587-30	31 - 37
	33 - 39
61A-45587-40	31 - 37
	33 - 39
61A-45587-50	31 - 37
	33 - 39
61A-45587-60	31 - 37
	33 - 39
69J-45611-00	31 - 48
69K-45611-00	33 - 50
69J-45631-00	31 - 52

PART NO. N° PIECES	REF. NO.
69J-45631-00	33 - 54
61A-45632-00	31 - 51
	33 - 53
61A-45633-00	31 - 53
	33 - 55
61A-45634-01	31 - 50
	33 - 52
61A-45635-00	31 - 55
	33 - 57
61B-45641-01	33 - 51
61A-45641-02	31 - 49
6H1-45668-00	31 - 54
	33 - 56
6CE-45930-00	32 - 21
6CF-45930-00	34 - 21
6CE-45932-00	32 - 21
6CF-45932-00	34 - 21
6CE-45934-00	32 - 21
6CF-45934-00	34 - 21
6CE-45970-00	32 - 21
6CF-45970-00	34 - 21
6K1-45970-01	34 - 23
6G5-45970-02	32 - 23
6R1-45970-A1	34 - 23
6R4-45970-A1	32 - 23
61A-45972-00	32 - 23
6K1-45972-00	34 - 23
6CE-45972-00	32 - 21
6CF-45972-00	34 - 21
6K1-45972-01	34 - 23
6G5-45972-02	32 - 23
6R1-45972-A0	34 - 23
6R4-45972-A0	32 - 23
61A-45974-00	32 - 23
61B-45974-00	34 - 23
6CE-45974-00	32 - 21
6CF-45974-00	34 - 21
6K1-45974-02	34 - 23
6G5-45974-03	32 - 23
6R1-45974-A0	34 - 23
6R4-45974-A0	32 - 23
6CE-45976-00	32 - 21
6CF-45976-00	34 - 21
6R1-45976-A0	34 - 23
6R4-45976-A0	32 - 23
61A-45978-00	32 - 23
61B-45978-00	34 - 23
6CE-45978-00	32 - 21

NUMERICAL INDEX  
INDEX NUMERIQUE

PART NO. N° PIECES	REF. NO.
6CF-45978-00	34 - 21
6K1-45978-02	34 - 23
6G5-45978-03	32 - 23
6R1-45978-A0	34 - 23
6R4-45978-A0	32 - 23
69J-45987-00	32 - 16
	34 - 16
6CE-45997-00	32 - 17
	34 - 17
688-45997-01	32 - 17
	34 - 17
6BR-45B70-00	32 - 24
6BS-45B70-00	34 - 24
6BR-45B72-00	32 - 24
6BS-45B72-00	34 - 24
6BR-45B74-00	32 - 24
6BS-45B74-00	34 - 24
6CE-45C81-00	32 - 22
	34 - 22
6P2-46241-01	7 - 24
6E5-48344-00	24 - 5
	24 - 42
6P2-48531-00	24 - 1
63P-48538-00	24 - 3
6E5-61301-01	35 - 10
6E5-61303-00	35 - 14
6E5-61311-11	35 - 12
6E5-61313-00	35 - 11
6E5-61315-00	35 - 13
6E5-61350-02	35 - 1
6E5-61351-01	35 - 2
6E5-61355-00	35 - 5
6P2-81128-00	17 - 23
6P2-81332-00	17 - 17
6P2-81336-00	19 - 47
6P2-81337-01	17 - 19
6P2-81450-00	17 - 1
6P2-81460-00	17 - 2
6P2-81614-00	19 - 2
6P2-81639-00	19 - 43
6BR-81800-01	21 - 1
69J-81801-00	21 - 5
67F-81807-00	21 - 10
67F-81808-00	21 - 8
67F-81809-00	21 - 19
67F-81810-00	21 - 3
67F-81813-00	21 - 6
67F-81820-00	21 - 7

PART NO. N° PIECES	REF. NO.
67F-81821-00	21 - 13
6K7-81826-11	21 - 24
69J-81828-00	21 - 25
67F-81830-00	21 - 17
67F-81832-00	21 - 11
67F-81836-00	21 - 12
6C5-81839-00	21 - 21
67F-8183R-00	21 - 15
60V-8183T-00	21 - 18
6P2-8183X-00	19 - 29
69J-81840-00	21 - 4
67F-81841-00	21 - 14
69J-81842-00	21 - 20
6P2-81845-00	18 - 7
67F-81846-00	21 - 26
67F-81850-00	21 - 2
67F-81857-00	21 - 9
6C5-81869-00	21 - 23
67F-81891-00	21 - 16
6P2-81919-31	19 - 57
6P2-81919-40	19 - 56
6P2-81923-00	19 - 58
6P2-81925-01	19 - 13
63P-81941-00	21 - 22
6P2-81948-00	19 - 19
69J-81949-02	20 - 23
63P-81950-00	19 - 25
68F-8195A-00	19 - 45
6P2-81960-02	19 - 1
6P2-81972-00-9S	19 - 4
60V-81975-A0	19 - 3
6AH-81994-40	17 - 25
6AH-81994-50	17 - 26
6AH-81996-00	22 - 60
6P2-82105-01	19 - 42
6P2-82113-00	19 - 62
6P2-82119-00	19 - 33
69J-82147-00	25 - 32
6E5-82148-00	25 - 9
6H1-82148-00	25 - 6
6E5-82149-00	26 - 16
67F-82151-00	19 - 36
6P2-82151-00	19 - 35
67F-82151-10	19 - 37
67F-82151-40	19 - 38
67F-82151-50	19 - 39
6P2-82170-10	19 - 34
6P2-82310-01	18 - 17

PART NO. N° PIECES	REF. NO.
6P2-82314-00	18 - 20
6P2-82316-00	18 - 4
6A0-82317-00	18 - 14
	19 - 22
663-82317-01	17 - 20
6P2-82380-00	10 - 10
6P2-82389-00	3 - 63
6P3-82553-00	20 - 17
6P2-82554-00	22 - 23
6P2-82560-01	3 - 61
6P2-82563-00	20 - 16
6P2-8257V-00	17 - 4
	18 - 1
6DA-82582-00	20 - 2
6DA-82582-10	20 - 3
6Y8-82582-11	20 - 4
6E5-82588-00	20 - 20
61A-82588-01	22 - 19
6P2-82588-01	24 - 17
6P2-82589-00	3 - 62
6P2-82599-00	20 - 6
6P2-8258A-00	10 - 23
6P2-82590-41	20 - 1
6P2-82594-00	22 - 56
60V-8259F-00	24 - 15
69J-8259F-00	24 - 16
6P2-8259M-00	19 - 54
68F-82846-00	19 - 41
6E5-83558-00	29 - 41
6P2-83597-00	3 - 65
69J-83614-10	20 - 21
6AW-83651-00	3 - 64
6P2-83652-00	6 - 24
6AW-8366B-00	36 - 2
60V-8366D-00	36 - 3
69J-8366G-02	22 - 51
69J-83672-11	26 - 1
6P2-85075-00	18 - 26
	18 - 30
6P2-85544-00	19 - 44
689-85547-00	15 - 1
6P2-85580-00	17 - 6
6P2-85722-00	20 - 10
6P2-85780-00	3 - 66
61A-85790-00	18 - 23
63P-85886-00	8 - 33
6P2-85896-00	18 - 25
6P2-85897-00	18 - 29

PART NO. N° PIECES	REF. NO.
6AL-8591A-12	18 - 2
6AS-8591A-12	18 - 2
6C5-86120-00	10 - 20
6CB-86120-00	6 - 21
6P2-8A410-01	24 - 38
60V-8A4L1-11	36 - 1
K0F-A3741-00	7 - 5
K0F-A3742-00	7 - 6
K0F-A3743-00	7 - 3
K0F-A3751-00	7 - 8
K0F-A3751-10	7 - 8
K0F-A3751-20	7 - 8
K0F-A3751-30	7 - 8
K0F-A3751-40	7 - 8
K0F-A3751-50	7 - 8
K0F-A3751-60	7 - 8
K0F-A3751-70	7 - 8
K0F-A3751-80	7 - 8
K0F-A3751-90	7 - 8
K0F-A3751-A0	7 - 8
K0F-A3751-B0	7 - 8
K0F-A3751-C0	7 - 8
K0F-A3751-D0	7 - 8
K0F-A3751-E0	7 - 8
K0F-A3751-F0	7 - 8
K0F-A3751-G0	7 - 8
K0F-A3751-H0	7 - 8
K0F-A3751-J0	7 - 8
K0F-A3751-K0	7 - 8
K0F-A3751-L0	7 - 8
K0F-A3751-M0	7 - 8
K0F-A3751-N0	7 - 8
K0F-A3751-P0	7 - 8
K0F-A3751-R0	7 - 8
K0F-A3751-S0	7 - 8
K0F-A3751-T0	7 - 8
K0F-A3753-00	7 - 8
K0F-A3753-10	7 - 8
K0F-A3753-20	7 - 8
K0F-A3753-30	7 - 8
K0F-A3753-40	7 - 8
K0F-A3753-50	7 - 8
K0F-A3753-60	7 - 8
K0F-A3753-70	7 - 8
6P2-W0001-02	37 - 1
69J-W0001-22	38 - 1
61A-W0078-A3	1 - 20
	38 - 26

PART NO. N° PIECES	REF. NO.
6P2-W009A-03-9S	5 - 1
6P2-W009B-07-9S	3 - 1
6P2-W009C-03-9S	5 - 9
90101-09M70	35 - 18
90101-12M05	25 - 47
90101-14002	26 - 17
90101-14003	26 - 27
90105-05012	3 - 25
	3 - 30
90105-06035	6 - 23
90105-06M07	5 - 19
90105-06M09	3 - 14
	6 - 18
90105-08049	31 - 68
	33 - 73
90105-10M00	32 - 15
	34 - 15
90109-06M80	3 - 23
	3 - 28
90109-06M81	22 - 20
	36 - 4
90109-06M82	22 - 5
	22 - 38
	22 - 27
	22 - 48
90109-06M86	20 - 22
	22 - 22
	22 - 24
	22 - 45
	22 - 52
	22 - 57
	24 - 2
90109-06MA1	17 - 22
90109-08019	24 - 13
90110-06038	8 - 5
90110-06150	5 - 42
	5 - 48
90111-06142	23 - 5
90111-06144	23 - 4
	23 - 9
90116-10027	3 - 12
90119-06025	3 - 58
90119-06027	6 - 13
90119-06122	12 - 11
90119-06126	24 - 41
90119-06M10	31 - 14
	33 - 16
90119-06M17	15 - 13

NUMERICAL INDEX  
INDEX NUMERIQUE

PART NO. N° PIECES	REF. NO.	PART NO. N° PIECES	REF. NO.
90179-08003	21 - 29	90280-05015	17 - 14
90179-24002	17 - 16	90340-08002	31 - 7
90183-02M03	31 - 57		33 - 9
	33 - 59	90340-14M06	3 - 32
	32 - 13		6 - 19
	34 - 13		30 - 6
90185-05002	35 - 6	90340-18M09	6 - 14
	35 - 20	90344-51019	5 - 4
90185-09M01	26 - 19		5 - 12
	26 - 28	90386-06M12	24 - 26
90185-14M00	25 - 24	90386-10M16	25 - 37
	31 - 56	90386-12069	24 - 12
	33 - 58	90386-15M73	22 - 31
90201-02M00	22 - 35		22 - 39
	22 - 43	90386-18M14	25 - 45
90201-06068	31 - 69		27 - 24
	33 - 74	90386-18M63	25 - 44
90201-08023	24 - 36	90386-25M31	25 - 22
	7 - 29	90386-39M89	26 - 7
90201-09M02	35 - 7	90386-90M90	24 - 35
90201-10M01	35 - 17	90387-06037	29 - 12
90201-10M20	25 - 49	90387-06044	18 - 21
90201-10M76	25 - 48	90387-06119	18 - 15
90201-12426	26 - 18		19 - 23
90201-13M01	26 - 24	90387-06263	30 - 9
90201-15M58	26 - 15	90387-06M26	20 - 7
90201-16015	31 - 45	90387-06M60	10 - 18
90201-16016	33 - 47		15 - 15
90201-16M00	31 - 28	90387-08M37	22 - 12
	33 - 30	90387-10M05	25 - 40
90201-22M01	17 - 15	90387-10M61	35 - 3
	25 - 23	90430-05002	3 - 26
90201-24014	31 - 63		3 - 31
90201-26M59	26 - 6		37 - 13
90201-31M00	24 - 24	90430-06M03	5 - 20
90201-40M00	26 - 25	90430-08020	1 - 18
90202-08M20	26 - 14		31 - 9
90202-28M46	26 - 9		33 - 11
90202-32M19	28 - 2		38 - 14
90202-40M47	22 - 32	90430-14115	3 - 33
90206-14N50	22 - 40		6 - 20
90206-15M18	31 - 29		37 - 10
	33 - 31	90430-14M09	1 - 17
90206-22M19	25 - 39		30 - 7
	22 - 50		38 - 12
90249-06M19	31 - 25	90430-18130	6 - 15
90269-05005	33 - 27		37 - 9
90280-04M05	38 - 35	90445-07010	29 - 43

PART NO. N° PIECES	REF. NO.
90445-07017	36 - 6
90445-09040	9 - 1
90445-09041	9 - 12
90445-09097	9 - 14
90445-09220	9 - 15
90445-09224	9 - 13
90445-09304	9 - 32
90445-11028	23 - 17
90445-11182	2 - 24
90445-11699	2 - 23
90445-11M27	2 - 22
90445-11M47	23 - 11
90445-13511	15 - 3
90446-10M01	9 - 9
90447-07013	36 - 7
90447-13009	23 - 12
90462-08026	19 - 48
90462-08032	17 - 3
	18 - 31
90462-20001	22 - 21
90464-06001	17 - 5
	20 - 13
90464-08004	18 - 13
90464-09010	24 - 21
90464-09013	9 - 26
90464-09M47	19 - 55
	22 - 25
	20 - 18
90464-10M57	18 - 10
90464-11121	14 - 16
90464-12009	14 - 16
	15 - 20
90464-12010	14 - 14
	15 - 21
90464-12012	14 - 1
90464-13249	18 - 11
90464-14010	20 - 14
90464-18004	11 - 21
	11 - 22
	19 - 12
	22 - 53
	23 - 20
90464-18005	14 - 15
90464-19M45	18 - 5
	20 - 9
90464-20011	8 - 31
90464-20258	22 - 55
90464-21002	9 - 35
90464-23199	18 - 6

PART NO. N° PIECES	REF. NO.
90464-60067	9 - 10
	9 - 33
90464-99004	8 - 23
90465-06M86	24 - 20
90465-08M83	25 - 18
	25 - 26
90465-11M10	3 - 67
	8 - 32
	9 - 4
	9 - 11
	9 - 27
	9 - 28
	9 - 29
	9 - 31
	15 - 5
	15 - 19
	15 - 22
	22 - 14
	23 - 18
	24 - 19
	25 - 25
	29 - 42
	36 - 5
90465-11M59	3 - 40
90465-13M18	8 - 20
	19 - 16
	19 - 20
	20 - 15
	18 - 12
90465-14M66	19 - 21
	20 - 5
	20 - 8
90467-08M18	6 - 28
	9 - 30
	9 - 36
90467-09M03	9 - 5
90467-09M09	9 - 37
90468-18008	24 - 6
	24 - 25
	24 - 43
	10 - 17
90480-10M23	17 - 21
90480-12314	15 - 14
90480-14018	23 - 6
90480-14M17	23 - 6
90480-22M81	22 - 11
90501-10M77	31 - 58
	33 - 60
90501-11M10	31 - 17

PART NO. N° PIECES	REF. NO.
90501-11M10	33 - 19
90501-12082	24 - 30
90506-16003	25 - 42
90506-18M40	22 - 46
90508-20020	24 - 14
90560-12M01	35 - 4
91318-05025	27 - 60
91318-05040	27 - 65
91490-20015	24 - 37
91490-40030	32 - 20
	34 - 20
91690-30010	24 - 4
	24 - 32
91690-30020	25 - 41
91690-40010	6 - 12
91809-08006	5 - 6
	5 - 13
91814-18002	3 - 4
92903-06600	19 - 28
92903-08100	19 - 61
92903-08600	21 - 28
92907-04600	5 - 37
92990-05100	17 - 8
92990-05600	17 - 9
92990-06100	2 - 7
92990-10600	18 - 24
92990-18200	32 - 18
	34 - 18
92995-06100	8 - 28
	17 - 12
	19 - 31
	19 - 52
92995-06600	2 - 11
	3 - 35
	3 - 45
	3 - 52
	5 - 33
	5 - 40
	5 - 46
	6 - 26
	8 - 29
	15 - 17
	17 - 13
	18 - 9
	18 - 19
	18 - 28
	18 - 33
	19 - 9

NUMERICAL INDEX  
INDEX NUMERIQUE

PART NO. N° PIECES	REF. NO.
92995-06600	19 - 32
	19 - 50
	19 - 53
	20 - 12
	24 - 9
	25 - 5
	25 - 8
	25 - 11
	25 - 20
	25 - 28
	29 - 14
	36 - 10
92995-08600	19 - 15
	19 - 18
	31 - 42
	31 - 73
	33 - 44
	33 - 78
92995-10100	32 - 6
	34 - 6
92995-10600	29 - 4
	32 - 7
	34 - 7
92995-14600	26 - 20
	26 - 29
93101-28M16	31 - 35
	33 - 37
	38 - 21
93101-30M17	31 - 66
	33 - 71
	38 - 23
93102-38008	7 - 23
	37 - 20
93102-63004	4 - 3
	37 - 19
93106-09014	31 - 13
	33 - 15
	38 - 16
93106-19N50	27 - 5
93210-064A5	27 - 51
93210-08391	27 - 48
93210-09165	24 - 34
	28 - 18
93210-16275	35 - 9
93210-17239	27 - 22
93210-19MJ1	3 - 48
	37 - 16
93210-19MJ3	8 - 26

PART NO. N° PIECES	REF. NO.
93210-19MJ3	30 - 21
	37 - 23
93210-24M79	3 - 60
	37 - 24
93210-25552	3 - 47
	30 - 18
	37 - 15
93210-25647	3 - 50
	37 - 17
93210-28543	29 - 10
	38 - 2
93210-347A1	29 - 9
	38 - 3
93210-35321	26 - 8
93210-37160	31 - 21
	33 - 23
	38 - 18
	38 - 29
93210-55M14	31 - 39
	33 - 41
	38 - 22
93210-64488	31 - 12
	33 - 14
	38 - 15
93210-66001	28 - 15
93210-86M38	31 - 20
	33 - 22
	38 - 17
	38 - 28
93211-04384	31 - 67
	33 - 72
	38 - 24
93306-210U0	31 - 61
93311-83280	31 - 3
	33 - 3
93315-43061	31 - 65
	33 - 70
93315-660W3	33 - 5
93317-330U2	31 - 36
	33 - 38
	33 - 63
93332-00048	31 - 4
93332-000W1	33 - 65
93341-440U5	33 - 6
93341-670V0	31 - 38
93341-93020	33 - 40
	28 - 3
93399-999T6	25 - 46
93410-18M05	

PART NO. N° PIECES	REF. NO.
93410-37M04	26 - 11
93420-36M01	29 - 38
93501-04011	31 - 59
	33 - 61
93501-04M02	24 - 29
93501-08001	27 - 47
93503-16003	27 - 37
93505-32038	27 - 13
	27 - 34
	27 - 61
93604-35236	7 - 10
93605-10108	7 - 12
	7 - 14
	7 - 16
93606-12019	3 - 3
	3 - 10
	29 - 45
	31 - 32
	33 - 34
	38 - 33
	29 - 26
93606-19M23	32 - 4
93608-12M05	34 - 4
	29 - 6
93608-16M16	29 - 16
	29 - 33
	30 - 5
93700-06M01	24 - 11
93700-06M03	25 - 17
	25 - 31
93700-09M00	31 - 70
	33 - 75
94702-00400	1 - 6
	5 - 49
95333-08600	19 - 60
95380-06600	2 - 8
95380-12600	25 - 50
95380-14700	35 - 16
95780-10300	26 - 4
95812-06025	30 - 11
95895-06010	29 - 40
95895-06016	30 - 22
97013-06025	19 - 27
97013-08045	21 - 27
97075-10045	29 - 3
97095-06010	25 - 7
	25 - 34
97095-06012	18 - 32

PART NO. N° PIECES	REF. NO.
97095-06012	19 - 8
	29 - 36
97095-06014	15 - 16
	25 - 27
97095-06016	2 - 10
	18 - 8
	19 - 30
	19 - 49
	19 - 51
	36 - 9
97095-06020	3 - 51
	8 - 27
	18 - 18
	18 - 27
	22 - 34
	22 - 42
	29 - 13
97095-06025	3 - 34
	3 - 44
97095-06030	25 - 4
	5 - 32
	5 - 39
	5 - 45
	6 - 25
97095-06035	17 - 11
	20 - 11
	24 - 8
97095-08016	19 - 17
	19 - 59
97095-08020	19 - 14
	31 - 72
	33 - 77
97095-08025	31 - 41
	33 - 43
97095-10045	32 - 5
	34 - 5
97575-06516	8 - 7
	8 - 9
97575-06535	24 - 31
97575-06540	30 - 17
97575-08535	29 - 25
	30 - 4
97575-08540	5 - 21
	8 - 1
	8 - 11
97575-08560	30 - 3
97575-08590	29 - 19
97575-10535	29 - 5

PART NO. N° PIECES	REF. NO.
97595-06610	19 - 26
97780-50620	19 - 46
97780-60520	23 - 19
97880-05012	17 - 7
97885-06010	25 - 13
	25 - 16
97885-06012	25 - 10
	25 - 19
97980-06216	29 - 48
97985-04116	24 - 18
97985-06210	17 - 18
97985-06216	26 - 2
98507-04008	5 - 36
98780-04015	13 - 35
	3 - 17
	6 - 10
	19 - 11
99001-08600	31 - 16
	33 - 18
99002-03600	27 - 40
99530-08012	17 - 10
99530-10114	8 - 2
99530-14016	5 - 23
	5 - 28
	7 - 27