

**PARTS
CATALOGUE
CATALOGUE
DE PIÈCES DÉTACHÉES**

F80BET'13 (6D7A)

F100DET'13 (6D9A)

1M6D7-300F1

()



2016/4/18

NEWS NO.	DATE	COMMENT
PE0-OM-130039	Aug.,28,2013	COR:FIG.24 LIST/ILLUSTRATION CORRECTION
PE0-OM-150023	Sep.,1,2015	COR:FUEL INJECTION PUMP 1 ILLUSTRATION CORRECTION
PE0-OM-160004	Apr.,11,2016	MOD:F75A,B/F80A,B/F90A,B/F100A,D FUEL (1) LIST/ILLUSTRATION REVISION

F80BET/F100DET
PARTS CATALOGUE
©2013 by Yamaha Motor Co., Ltd.
1st edition, May 2013
All rights reserved.
Any reprinting or unauthorized use
without the written permission of
Yamaha Motor Co., Ltd.
is expressly prohibited.
Printed in Japan.

F80BET/F100DET
CATALOGUE DE PIÈCES DÉTACHÉES
©2013 par Yamaha Motor Co., Ltd.
1^{re} édition, mai 2013
Tous droits réservés
Toute réimpression ou utilisation
non autorisée sans la permission écrite
de la Yamaha Motor Co., Ltd.
est formellement interdite.
Imprimé au Japon

FOREWORD

This Parts Catalogue is related to the parts for the model(s) on the cover page. When you are ordering replacement parts, please refer to this Parts Catalogue and quote both part numbers and part names correctly.

1. Modifications or additions which have been made after the issue of the Parts Catalogue will be announced in the Parts News.
It is advisable that you make the necessary corrections to the Parts Catalogue according to the Parts News.

2. Abbreviations
The following abbreviations are used in this Parts Catalogue.

“UR” Use specified parts number.
 “UN” Use as many as needed.
 “AP” Alternate Parts
 “LM” Locally Made (Parts need to be ordered locally)
 “F#” Frame No. (Applicable machine No.)
 “O/S” Over Size

3. The number of components for assembly
 - Parts, which are to be supplied in an assembly, are listed with a dot (.) in front of the part name as shown below.
 - The numeral appearing to the right of each component part indicates the quantity of parts for each assembly unit.

PART NO.	DESCRIPTION	Q'TY	REMARKS
2F5-83310-60	FRONT FLASHER LIGHT ASSY	2	
115-83311-60	.BULB (6V-18W)	1	

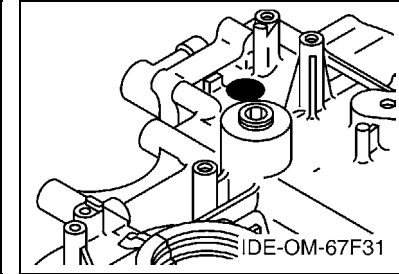
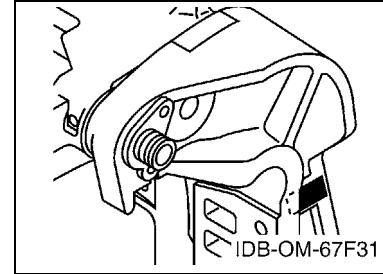
4. Applicable colours of graphics are represented in the “REMARKS” as shown below.

PART NO.	DESCRIPTION	Q'TY	REMARKS
2N4-24110-00-X5	FUEL TANK COMP.	2	MXR
3J1-24240-10	.GRAPHIC, FUEL TANK	1	FOR MXR

5. Note that the illustrations for reference in finding parts numbers are not to be used for assembling. When assembling, please use the applicable service manual.

6. The asterisk (*) before a reference number indicates modified items after the first edition.
7. Applicable Serial No.

Engine Serial No.



8. Applicable Engine Starting Serial No.

Model	Serial No.	Model	Serial No.
F80B	6D7-1015449	F100D	6D9-1022040

9. Applicable Colour Code

Abbreviation	Colour Name	Colour Code
DBN1	DARK BLUISH GRAY 1	008D

10. Quantity Column Information

Column No.	Name Of Q'ty Column	Applicable Model
1	6D7A	F80BET
2	6D9A	F100DET

AVANT-PROPOS

Ce catalogue de pièces détachées concerne les pièces pour le(s) modèle(s) indiqué(s) sur la page de couverture. Lorsque vous commandez des pièces de rechange, veuillez vous référer à ce catalogue de pièces détachées et indiquer clairement les numéros et les noms des pièces détachées.

1. Les modifications ou ajouts ayant été effectués après la parution du catalogue de pièces détachées seront décrits dans les Bulletins d'information concernant les pièces détachées.

Il est recommandé que vous apportiez les corrections nécessaires au catalogue des pièces détachées en vous référant aux Bulletins d'information.

2. Abréviations

Dans ce catalogue, les abréviations suivantes sont utilisées:

“UR” Utiliser le numéro de pièces spécifié.

“UN” Utiliser autant que nécessaire.

“AP” Pièces de substitution

“LM” Fabrication locale (les pièces doivent être commandées localement.)

“F#” N° de cadre (applicable au N° de série)

“O/S” Surdimensionné

3. Nombre de pièces d'un assemblage

- Les pièces fournies comme composants d'un assemblage sont précédées d'un point (.) de la manière indiquée ci-dessous.
- Le chiffre apparaissant à la droite de chaque composant indique la quantité de pièces pour chaque unité d'assemblage.

N° PIECES	DESCRIPTION	QTE	REMARQUES
2F5-83310-60	ENS. CLIGNOTANT AVANT	2	
115-83311-60	.AMPOULE (6V-18W)	1	

4. Les couleurs concernant les graphiques sont indiquées dans la colonne “REMARQUES”, comme indiqué ci-dessous.

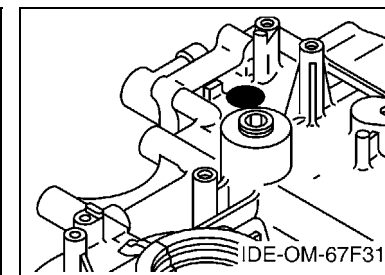
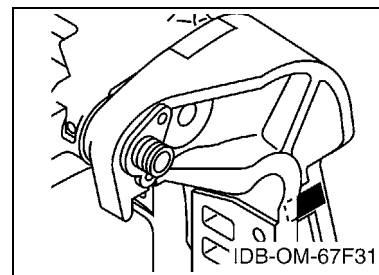
N° PIECES	DESCRIPTION	QTE	REMARQUES
2N4-24110-00-X5	RESERVOIR A ESSENCE.	2	MXR
3J1-24240-10	.GRAPHIQUE	1	POUR MXR

5. Veuillez noter que les illustrations sont indiquées à titre de référence pour trouver les numéros de pièces, non pour être utilisées lors de l'assemblage. Lors de l'assemblage, veuillez utiliser le manuel d'entretien adéquat.

6. L'astérisque (*) placé devant un numéro de référence indique des éléments qui ont été modifiés après la première édition.

7. N° de série applicable

N° de Série du moteur



8. N° de série initial du moteur applicable

Modèle	N° de série	Modèle	N° de série
F80B	6D7-1015449	F100D	6D9-1022040

9. Code couleur applicable

Abréviation	Nom de la couleur	Code couleur
DBN1	DARK BLUISH GRAY 1	008D

10. Informations relatives à la colonne Quantité

N° de la colonne	Nom de la colonne Qté	Modèle applicable
1	6D7A	F80BET
2	6D9A	F100DET

CONTENTS

SCHEDULED SERVICE PARTS	1
TOP COWLING	2
CYLINDER & CRANKCASE 1	3
CRANKSHAFT & PISTON	5
CYLINDER & CRANKCASE 2	6
VALVE	8
INTAKE 1	10
INTAKE 2	11
INTAKE 3	12
FUEL INJECTION PUMP 1	14
FUEL INJECTION PUMP 2	15
FUEL	16
GENERATOR	18
ELECTRICAL 1	19
ELECTRICAL 2	21
ELECTRICAL 3	23
ELECTRICAL 4	25
STARTING MOTOR	26
BOTTOM COWLING	28
CONTROL	31
BRACKET 1	33
BRACKET 2	35
OPTIONAL PARTS 1	37
POWER TRIM & TILT ASSY 1	38
POWER TRIM & TILT ASSY 2	42
UPPER CASING	43
OIL PAN	45
LOWER CASING & DRIVE 1	46
LOWER CASING & DRIVE 2	50
FUEL TANK	52
STEERING GUIDE	53
OPTIONAL PARTS 2	54
OPTIONAL PARTS 3	55
OPTIONAL PARTS 4	56
REPAIR KIT 1	57
REPAIR KIT 2	58

INDEX

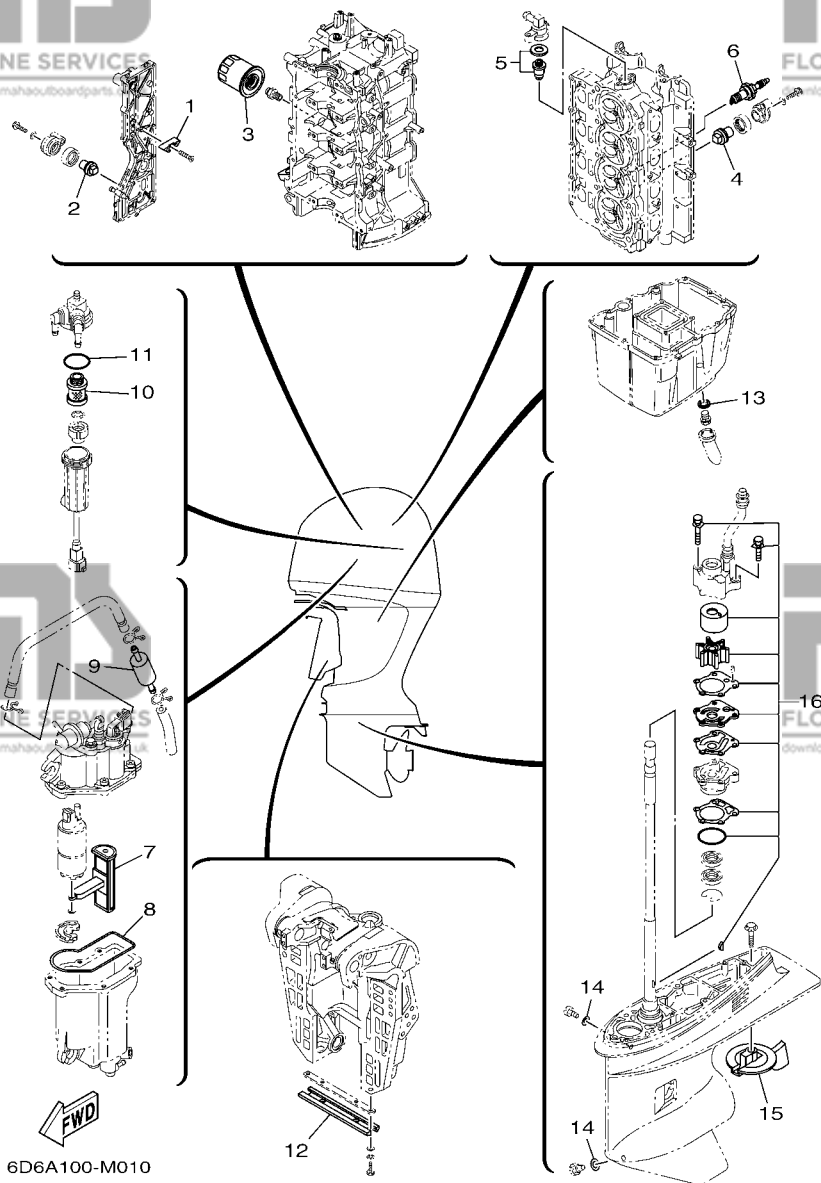
NUMERICAL INDEX	60
-----------------------	----

TABLE DES MATIERES

PIECES MAINTENANCE PERIODIQUE	1
CAPOT SUPERIEUR	2
CYLINDRE & CARTER 1	3
VILEBREQUIN & PISTON	5
CYLINDRE & CARTER 2	6
SOUPAPE	8
ADMISSION 1	10
ADMISSION 2	11
ADMISSION 3	12
POMPE A INJECTEUR 1	14
POMPE A INJECTEUR 2	15
CARBURANT	16
GENERATRICE	18
PARTIE ELECTRIQUE 1	19
PARTIE ELECTRIQUE 2	21
PARTIE ELECTRIQUE 3	23
PARTIE ELECTRIQUE 4	25
DEMARREUR ELECTRIQUE	26
CAPOT INFERIEUR	28
COMMANDE	31
SUPPORT 1	33
SUPPORT 2	35
PIECES OPTIONNELLES 1	37
PUISSANCE PARER ET INCLINER 1	38
PUISSANCE PARER ET INCLINER 2	42
FOURREAU	43
VENTILATEUR D'HUILE	45
BOITIER D'HELICE TRANSMISSION1	46
BOITIER D'HELICE TRANSMISSION2	50
RESERVOIR A CARBURANT	52
FIXATION DE DIRECTION	53
PIECES OPTIONNELLES 2	54
PIECES OPTIONNELLES 3	55
PIECES OPTIONNELLES 4	56
KITS DE REPARATION 1	57
KITS DE REPARATION 2	58

INDEX

INDEX NUMERIQUE	60
-----------------------	----



6D6A100-M010

FIG. 1 SCHEDULED SERVICE PARTS PIÈCES MAINTENANCE PERIODIQUE

REF. NO.	PART NO. N° PIÈCES	DESCRIPTION DESCRIPTION	6D7A	6D9A	REMARKS REMARQUES
1	6E5-11325-00	ANODE ANODE	3	3	
2	67F-11325-01	ANODE ANODE	1	1	
3	5GH-13440-30	ELEMENT ASSY, OIL CLEANER ELEMENT, FILTRE A HUILE	1	1	
4	67F-11325-01	ANODE ANODE	2	2	
5	67F-12411-01	THERMOSTAT THERMOSTAT	1		
6	6D9-12411-00	THERMOSTAT THERMOSTAT		1	
6	94702-00391	PLUG, SPARK (NGK LFR5A-11) BOUGIE D'ALLUMAGE(NGK LFR5A-11)	4	4	
7	6C5-13915-00	FILTER FILTRE	1	1	
8	6C5-14984-00	GASKET, FLOAT CHAMBER JOINT, CUVE DE FLOTTEUR	1	1	
9	6C5-24251-00	STRAINER 1 FILTRE 1	1	1	
10	6D8-24563-00	ELEMENT, FILTER ELEMENT, FILTRE	1	1	
11	6D8-24564-00	GASKET JOINT	1	1	
12	6H1-45251-03	ANODE ANODE	1	1	
13	90430-14M09	GASKET JOINT	1	1	
14	90430-08020	GASKET JOINT	2	2	
15	67F-45371-00	TAB-TRIM ANODE DERIVE	1	1	
16	67F-W0078-00	WATER PUMP REPAIR KIT KIT DE REPARATION DE LA POMPE	1	1	

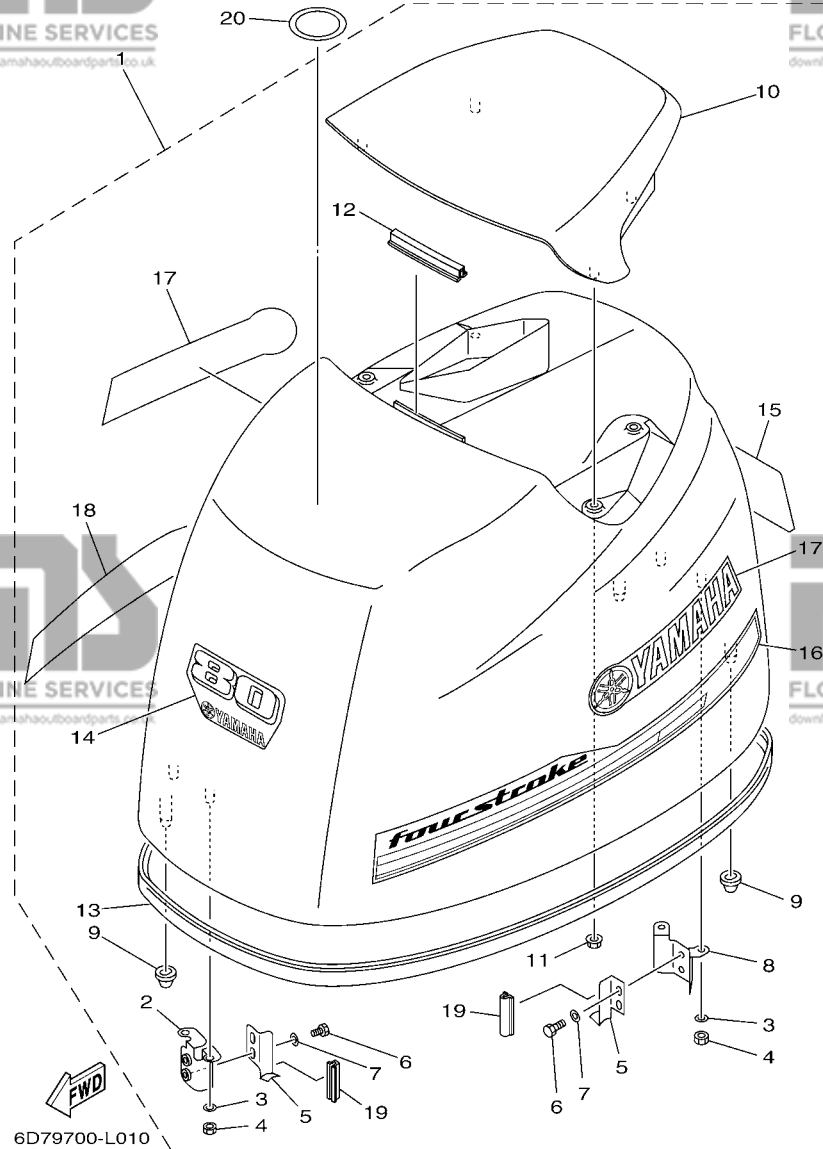


FIG. 2 TOP COWLING

CAPOT SUPERIEUR

REF. NO.	PART NO. N° PIECES	DESCRIPTION DESCRIPTION	6D7A	6D9A	REMARKS REMARQUES
1	6D7-42610-20	TOP COWLING ASSY CAPOT (ENS.)	1		
	6D9-42610-20	TOP COWLING ASSY CAPOT (ENS.)		1	
2	67F-42647-00	.HOLDER, CLAMP BAND .SUPPORT, SANDOW DE SERRAGE	1	1	
3	92990-06100	.WASHER, SPRING .RONDELLE, GROWER	4	4	
4	95380-06600	.NUT, HEXAGON .ECROU	4	4	
5	68V-42652-00	.HOOK .CROCHET	2	2	
6	97095-06012	.BOLT .BOULON	4	4	
7	92995-06600	.WASHER .RONDELLE	4	4	
8	67F-42649-00	.HOLDER, CLAMP BAND .SUPPORT, SANDOW DE SERRAGE	1	1	
9	67F-42662-00	.DAMPER .AMORTISSEUR	3	3	
10	67F-42613-00-8D	.MOLDING, AIR DUCT .MANCHON A AIR	1	1	
11	90179-06M24	.NUT .ECROU	4	4	
12	61N-42628-00	.SEAL .JOINT	1	1	
13	67F-42615-00	.SEAL .JOINT	1	1	
14	6D7-42677-10	.GRAPHIC, FRONT .ADHESIF, AVANT	1		
	60C-42677-10	.GRAPHIC, FRONT .ADHESIF, AVANT		1	
15	6D7-42678-20	.GRAPHIC, REAR .ADHESIF, ARRIERE	1		
	6D9-42678-20	.GRAPHIC, REAR .ADHESIF, ARRIERE		1	
16	6D6-42675-00	.GRAPHIC, SIDE 1 .EMBLEME	1	1	
17	6D6-42681-00	.MARK, COWLING .ADHESIF, CAPOT	2	2	
18	6D6-42676-00	.GRAPHIC, SIDE 2 .EMBLEME	1	1	
19	67F-42628-00	.SEAL .JOINT	2	2	
20	67F-13434-20	LABEL, CAUTION ETIQUETTE, ATTENTION	1	1	

FIG. 3 CYLINDER & CRANKCASE 1 CYLINDRE & CARTER 1

CYLINDER BLOCK ASSY

Fig. 3, CYLINDER & CRANKCASE 1
Ref. No. 2 to 10, 12 to 27,
29 to 40, 44 to 46

Fig. 4, CRANKSHAFT & PISTON
Ref. No. 1 to 10

Fig. 5, CYLINDER & CRANKCASE 2
Ref. No. 14

Fig. 6, VALVE
Ref. No. 21 to 23

Fig. 8, INTAKE 2
Ref. No. 22 to 26

Fig. 11, FUEL INJECTION PUMP 2
Ref. No. 7, 16

Fig. 13, GENERATOR
Ref. No. 8

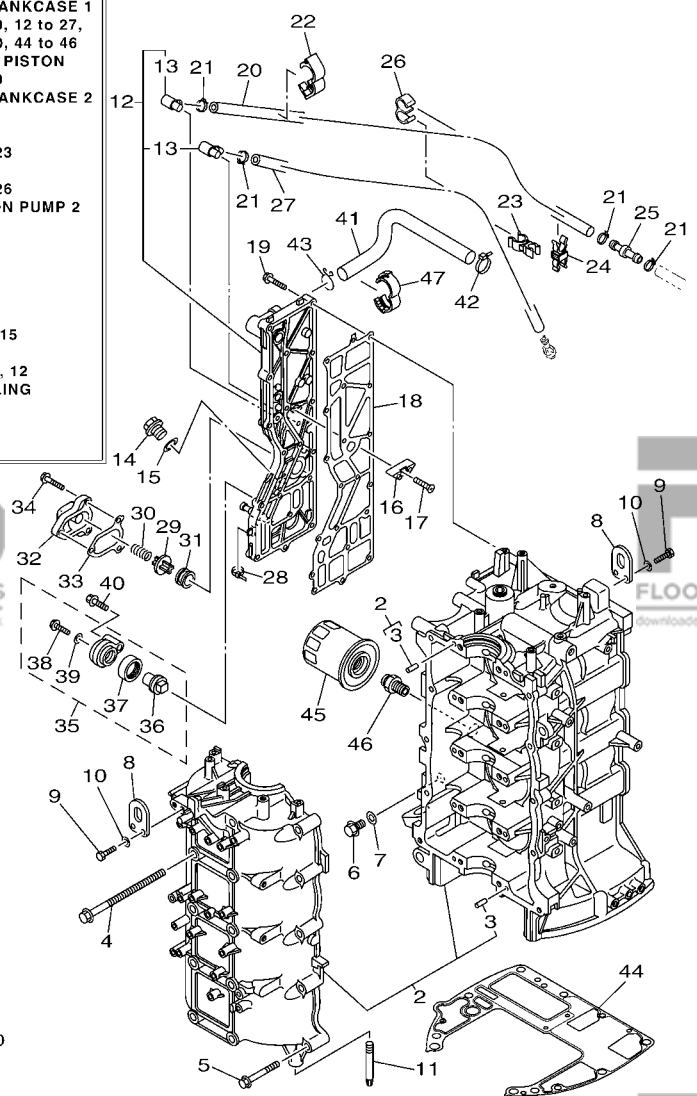
Fig. 14, ELECTRICAL 1
Ref. No. 14

Fig. 16, ELECTRICAL 3
Ref. No. 13 to 15

Fig. 17, ELECTRICAL 4
Ref. No. 4 to 8, 12

Fig. 19, BOTTOM COWLING
Ref. No. 25

Fig. 27, OIL PAN
Ref. No. 27

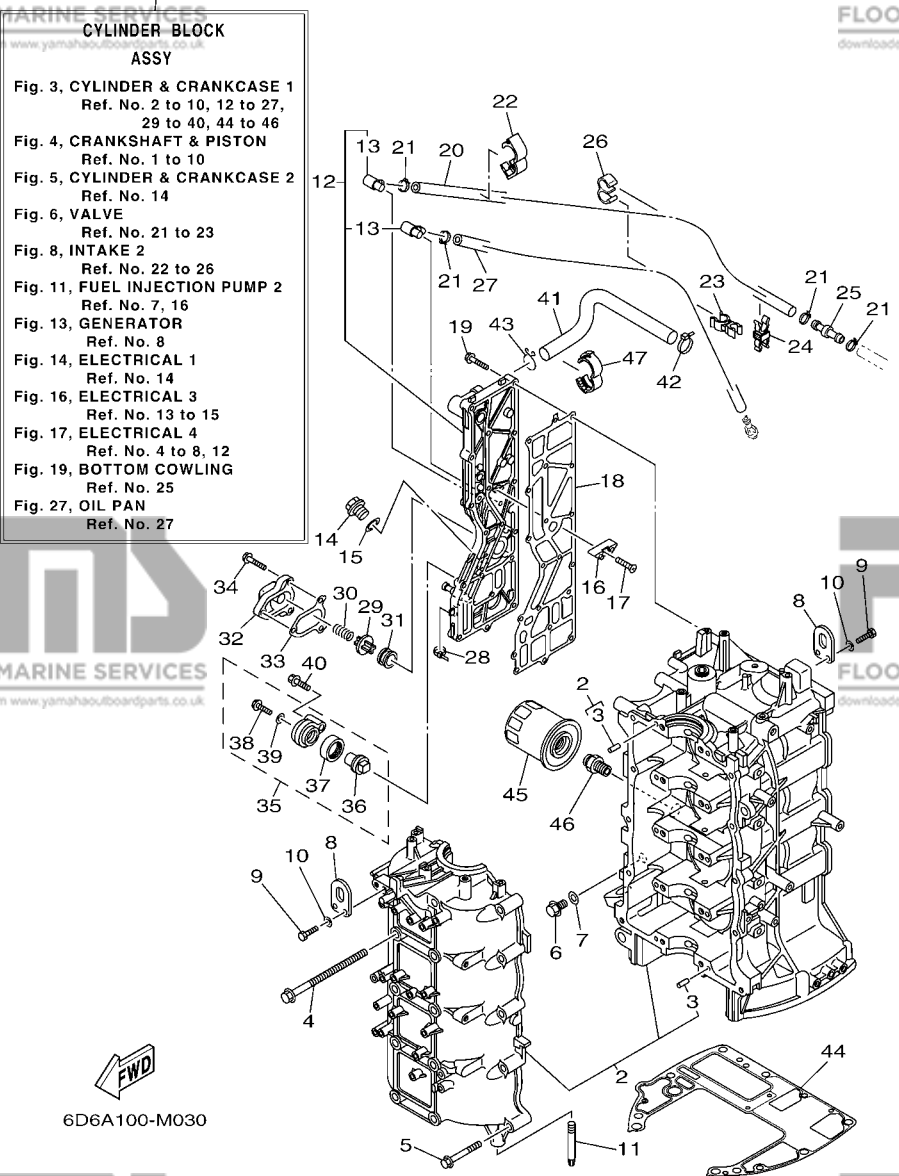


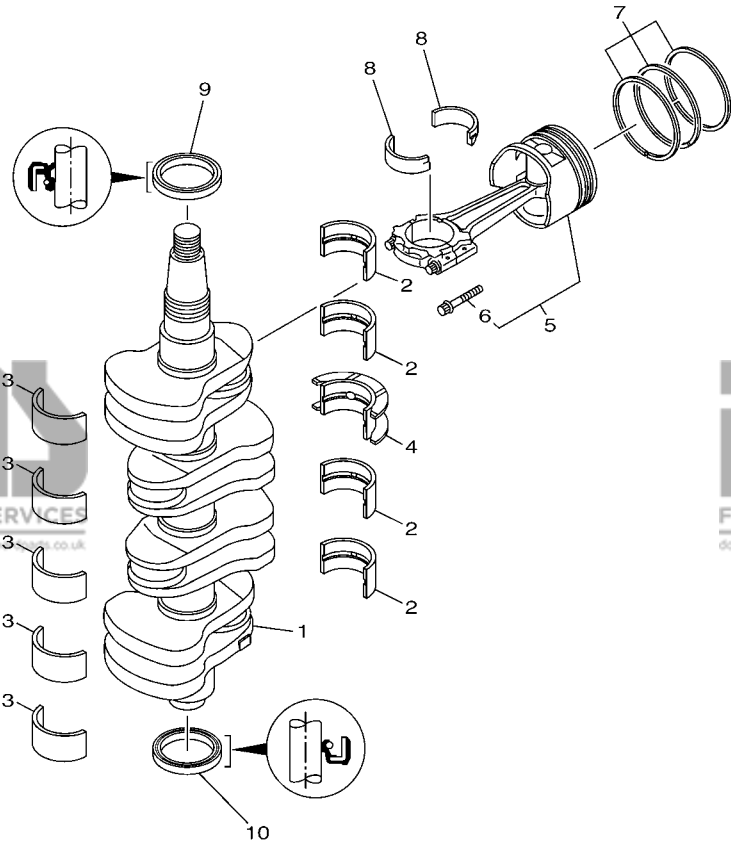
6D6A100-M030

REF. NO.	PART NO. N° PIECES	DESCRIPTION DESCRIPTION	6D7A	6D9A	REMARKS REMARQUES
1	6D8-W009B-07-9S	CYLINDER BLOCK ASSY CYLINDRE GROUPE (ENS.)	1	1	
2	6D8-15100-02	CRANKCASE ASSY CARTER DE MOTEUR COMPLET	1	1	
3	93606-12019	.PIN, DOWEL .GOUILLE	10	10	
4	90119-10M88	BOLT, WITH WASHER BOULON, AVEC RONDELLE	10	10	
5	90119-08M66	BOLT, WITH WASHER BOULON, AVEC RONDELLE	10	10	
6	90340-14M06	PLUG, STRAIGHT SCREW PLOT, FILETE DROIT	1	1	
7	90430-14115	GASKET JOINT	1	1	
8	62Y-11119-00	HANGER, ENGINE ANNEAU, LEVAGE	2	2	
9	97095-06020	BOLT BOULON	4	4	
10	92995-06600	WASHER RONDELLE	4	4	
11	67F-15142-00	GUIDE 1 GUIDE 1	2	2	
12	6D8-41113-50-9S	OUTER COVER, EXHAUST COUVERCLE, ECHAPPEMENT	1	1	
13	676-11372-00	.NIPPLE, HOSE .RACCORD, TUYAU	2	2	
14	90340-18M09	PLUG, STRAIGHT SCREW PLOT, FILETE DROIT	1	1	
15	90430-18130	GASKET JOINT	1	1	
16	6E5-11325-00	ANODE ANODE	3	3	
17	98780-04016	SCREW, FLAT HEAD VIS A TETE FRAISEE	3	3	
18	67F-41114-A2	GASKET, EXHAUST OUTER COVER JOINT, COUVERCLE D'ECHAPPEMENT	1	1	
19	90119-06MA4	BOLT, WITH WASHER BOULON, AVEC RONDELLE	18	18	
20	6D8-42541-00	PIPE 1 TUYAU 1	1	1	
21	90465-11M10	CLAMP BRIDE	4	4	
22	90464-18004	CLAMP BRIDE	1	1	
23	90464-10010	CLAMP BRIDE	1	1	
24	90464-11009	CLAMP BRIDE	1	1	
25	6D8-24378-00	PIPE, JOINT 3 DURITE RACCORDEMENT 3	1	1	
26	90464-09M31	CLAMP BRIDE	1	1	
27	68V-42541-20	PIPE 1 TUYAU 1	1	1	

FIG. 3 CYLINDER & CRANKCASE 1 CYLINDRE & CARTER 1

REF. NO.	PART NO. N° PIECES	DESCRIPTION DESCRIPTION	6D7A	6D9A	REMARKS REMARQUES
28	90465-11M10	CLAMP BRIDE	1	1	
29	6G5-12416-00	VALVE, PRESSURE CONTROL SOUPAPE DE CONTROLEUR PRESS	1	1	
30	90501-16M11	SPRING, COMPRESSION RESSORT, COMPRESSION	1	1	
31	90480-20M05	GROMMET PASSE-FIL	1	1	
32	67F-1246A-01-9S	COVER 1 COUVERCLE 1	1	1	
33	67F-12435-A0	GASKET JOINT	1	1	
34	90119-06MA2	BOLT, WITH WASHER BOULON, AVEC RONDELLE	3	3	
35	69J-11301-00	ANODE COVER ASSY COUVERCLE ANODE (ENS.)	1	1	
36	67F-11325-01	.ANODE .ANODE	1	1	
37	67F-11328-00	.GROMMET, ANODE .PASSE-FIL	1	1	
38	90105-06M07	.BOLT, FLANGE .BOULON	1	1	
39	90430-06M03	.GASKET .JOINT	1	1	
40	97575-08540	BOLT, WITH WASHER VIS HEXAGONAL AVC RONDELLE	1	1	
41	67F-1243A-00	HOSE 1 DURITE 1	1	1	
42	90465-11M59	CLAMP BRIDE	1	1	
43	90467-20M15	CLIP JONC	1	1	
44	68V-11351-00	GASKET, CYLINDER JOINT, D'EMBASE	1	1	
45	5GH-13440-30	ELEMENT ASSY, OIL CLEANER ELEMENT, FILTRE A HUILE	1	1	
46	90401-20007	BOLT, UNION BOULON, RACCORD	1	1	
47	90464-16001	CLAMP BRIDE	1	1	





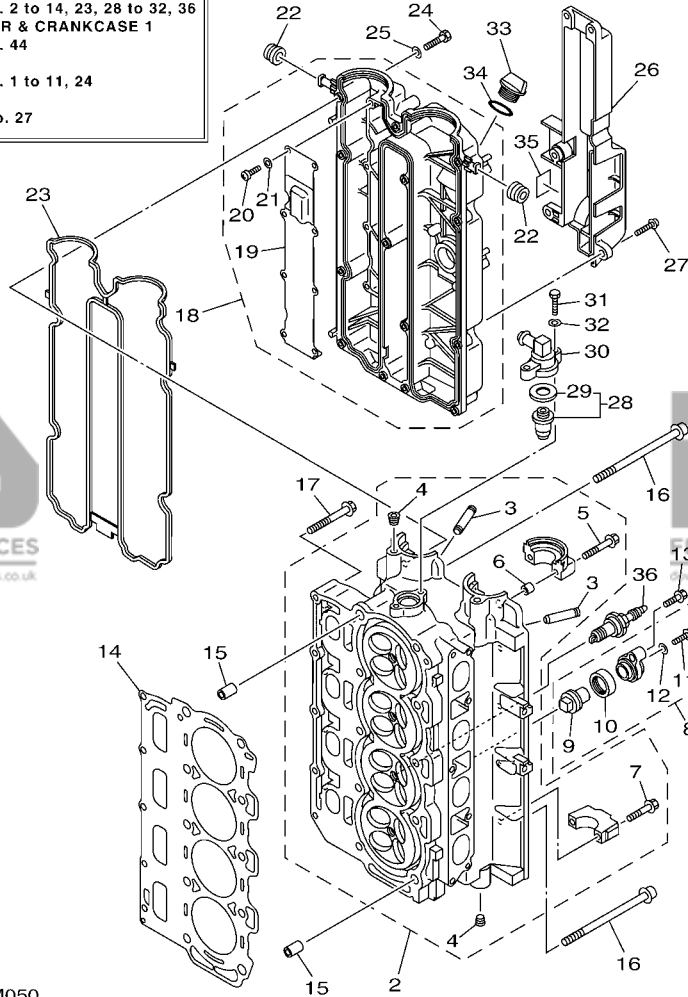
FWD
6D67110-K030

FIG. 4 CRANKSHAFT & PISTON VILEBREQUIN & PISTON

REF. NO.	PART NO. N° PIECES	DESCRIPTION DESCRIPTION	6D7A	6D9A	REMARKS REMARQUES
1	6D8-11411-01	CRANKSHAFT VILEBREQUIN COMPLET	1	1	
2	6D8-11416-00	PLANE BEARING, CRANKSHAFT 1 COUSSINET DE VILEBREQUIN 1	4	4	UR GREEN UR GREEN
	6D8-11416-10	PLANE BEARING, CRANKSHAFT 1 COUSSINET DE VILEBREQUIN 1	4	4	UR BLUE UR BLUE
	6D8-11416-20	PLANE BEARING, CRANKSHAFT 1 COUSSINET DE VILEBREQUIN 1	4	4	UR RED UR RED
3	6D8-11417-00	PLANE BEARING, CRANKSHAFT 2 COUSSINET DE VILEBREQUIN 2	5	5	UR YELLOW UR YELLOW
	6D8-11417-10	PLANE BEARING, CRANKSHAFT 2 COUSSINET DE VILEBREQUIN 2	5	5	UR GREEN UR GREEN
	6D8-11417-20	PLANE BEARING, CRANKSHAFT 2 COUSSINET DE VILEBREQUIN 2	5	5	UR BLUE UR BLUE
	6D8-11417-30	PLANE BEARING, CRANKSHAFT 2 COUSSINET DE VILEBREQUIN 2	5	5	UR RED UR RED
4	6D8-11418-00	PLANE BEARING, CRANKSHAFT 3 COUSSINET DE VILEBREQUIN 3	1	1	UR GREEN UR GREEN
	6D8-11418-10	PLANE BEARING, CRANKSHAFT 3 COUSSINET DE VILEBREQUIN 3	1	1	UR BLUE UR BLUE
	6D8-11418-20	PLANE BEARING, CRANKSHAFT 3 COUSSINET DE VILEBREQUIN 3	1	1	UR RED UR RED
5	6D8-W1164-21	PISTON/CON-ROD ASSY(STD) PISTON/BIELLE COMPLETE(STD)	4	4	
	6D8-W1164-31	PISTON/CON-ROD ASSY(0.25MM OS) PISTON/BIELLE COMPLETE:0.25MM	4	4	AP AP
6	K1C-A3275-00	.BOLT, CONNECTING ROD .BOULON, BIELLE	2	2	
7	6D8-11603-10	PISTON RING SET (STD) JEU DE SEGMENTS (STD)	4	4	
	6D8-11604-10	PISTON RING SET (0.25MM O/S) JEU DE SEGMENTS (0.25MM O/S)	4	4	AP AP
8	6D8-11656-00	PLANE BEARING, CONNECTING ROD ROULEMENT DE BIELLE	8	8	UR YELLOW UR YELLOW
	6D8-11656-10	PLANE BEARING, CONNECTING ROD ROULEMENT DE BIELLE	8	8	UR GREEN UR GREEN
	6D8-11656-20	PLANE BEARING, CONNECTING ROD ROULEMENT DE BIELLE	8	8	UR BLUE UR BLUE
	6D8-11656-30	PLANE BEARING, CONNECTING ROD ROULEMENT DE BIELLE	8	8	UR RED UR RED
9	93102-48017	OIL SEAL JOINT SPY	1	1	
10	93101-48001	OIL SEAL JOINT SPY	1	1	

CYLINDER HEAD COMPLETE

Fig. 5, CYLINDER & CRANKCASE 2
Ref. No. 2 to 14, 23, 28 to 32, 36
Fig. 3, CYLINDER & CRANKCASE 1
Ref. No. 44
Fig. 6, VALVE
Ref. No. 1 to 11, 24
Fig. 12, FUEL
Ref. No. 27



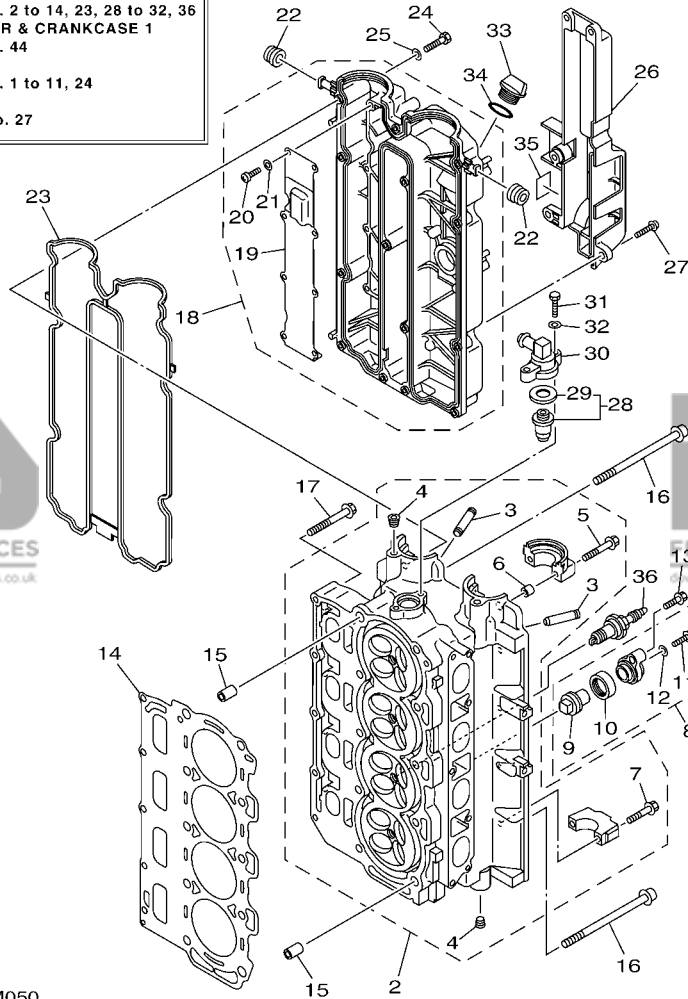
6D7A300-M050

FIG. 5 CYLINDER & CRANKCASE 2 CYLINDRE & CARTER 2

REF. NO.	PART NO. N° PIECES	DESCRIPTION DESCRIPTION	6D7A	6D9A	REMARKS REMARQUES
1	6D8-W009A-04-9S	CYLINDER HEAD COMPLETE CULASSE (ENS.)	1		
	6D9-W009A-04-9S	CYLINDER HEAD COMPLETE CULASSE (ENS.)		1	
2	6D8-11110-20-9S	CYLINDER HEAD ASSY JEU DE CULASSE	1	1	
3	67F-11133-10	.GUIDE, VALVE 1 .GUIDE, SOUPAPE 1	16	16	
4	90344-51019	.PLUG, TAPER SCREW .PLOT, FILETE CONIQUE	4	4	
5	90119-07235	.BOLT/WASHER-CAM CAPS .BOULON, AVEC RONDELLE	4	4	
6	91809-08006	.PIN, DOWEL .GOUJON, D'ASSEMBLAGE	4	4	
7	90119-07234	.BOLT, WITH WASHER .BOULON, AVEC RONDELLE	16	16	
8	69J-11301-00	ANODE COVER ASSY COUVERCLE ANODE (ENS.)	2	2	
9	67F-11325-01	.ANODE .ANODE	1	1	
10	67F-11328-00	.GROMMET, ANODE .PASSE-FIL	1	1	
11	90105-06M07	.BOLT, FLANGE .BOULON	1	1	
12	90430-06M03	.GASKET .JOINT	1	1	
13	97575-08540	BOLT, WITH WASHER VIS HEXAGONAL AVC RONDELLE	2	2	
14	67F-11181-03	GASKET, CYLINDER HEAD 1 JOINT, DE CULASSE 1	1	1	
15	99530-14016	PIN, DOWEL GOUJON, D'ASSEMBLAGE	2	2	
16	90155-10005	SCREW, FLAT FILLISTER VIS, TETE OVALE PLATE	10	10	
17	90119-08M91	BOLT, WITH WASHER BOULON, AVEC RONDELLE	5	5	
18	6D8-11191-01-9S	COVER, CYLINDER HEAD 1 COUVERCLE, CULASSE 1	1	1	
19	67F-11168-00	.COVER, BREATHER .COUVERCLE, RENIFLARD	1	1	
20	98507-04008	.SCREW, PAN HEAD .VIS, TETE TRONCONIQUE	8	8	
21	92907-04600	.WASHER .RONDELLE	8	8	
22	90480-12072	GROMMET PASSE-FIL	2	2	
23	6D8-11356-01	SEAL, CYLINDER 2 JOINT, SPY CYLINDRE	1	1	
24	97095-06030	BOLT BOULON	14	14	
25	92995-06600	WASHER RONDELLE	14	14	
26	67F-11192-01	COVER, CYLINDER HEAD 2 COUVERCLE, CULASSE 2	1	1	

**CYLINDER HEAD
COMPLETE**

Fig. 5, CYLINDER & CRANKCASE 2
Ref. No. 2 to 14, 23, 28 to 32, 36
Fig. 3, CYLINDER & CRANKCASE 1
Ref. No. 44
Fig. 6, VALVE
Ref. No. 1 to 11, 24
Fig. 12, FUEL
Ref. No. 27

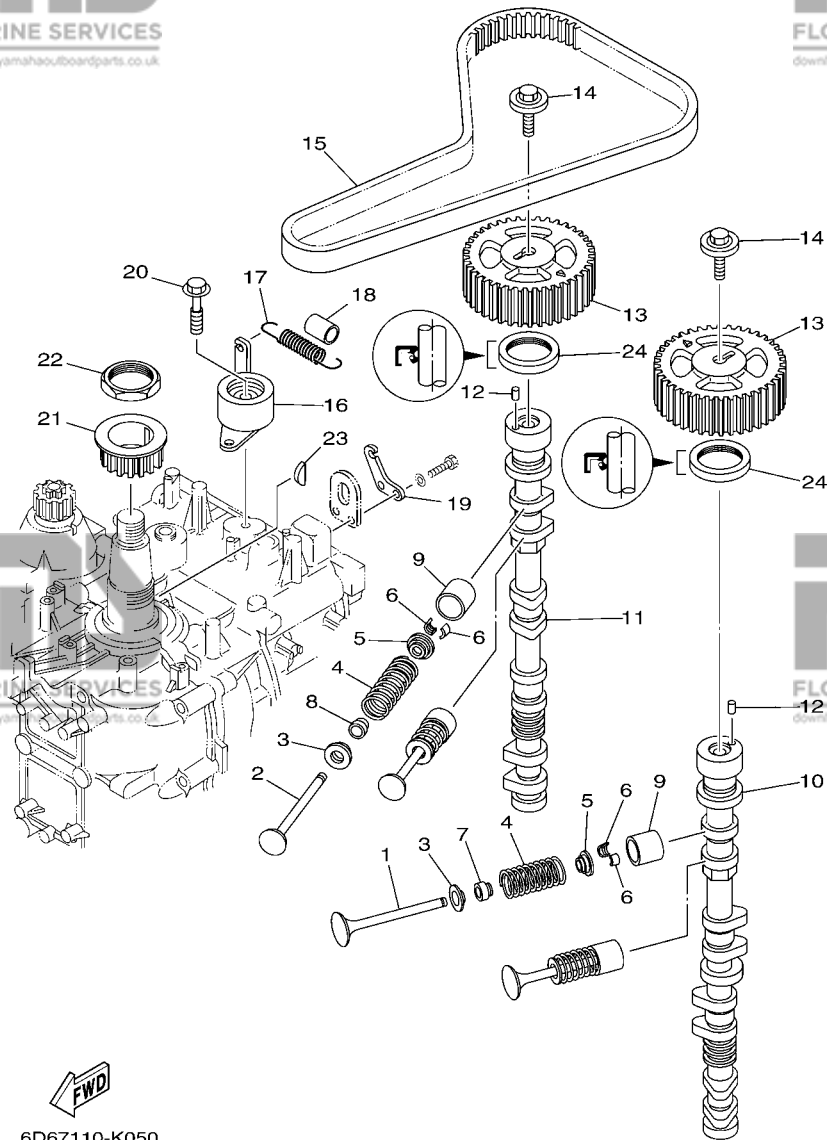


6D7A300-M050

FIG. 5 CYLINDER & CRANKCASE 2

CYLINDRE & CARTER 2

REF. NO.	PART NO. N° PIECES	DESCRIPTION DESCRIPTION	6D7A	6D9A	REMARKS REMARQUES
27	90119-06M79	BOLT, WITH WASHER BOULON, AVEC RONDELLE	5	5	
28	67F-12411-01	THERMOSTAT THERMOSTAT	1		
	6D9-12411-00	THERMOSTAT THERMOSTAT		1	
29	67F-12412-00	.SEAL, THERMOSTAT JOINT, THERMOSTAT	1	1	
30	68V-12413-00-9S	COVER, THERMOSTAT COUVERCLE, THERMOSTAT	1	1	
31	97095-06025	BOLT BOULON	2	2	
32	92995-06600	WASHER RONDELLE	2	2	
33	6G8-15363-00	PLUG, OIL PLOT, HUILE	1	1	
34	93210-24M79	O-RING JOINT TORIQUE	1	1	
35	6D8-83626-00	MARK 6 MARK 6	1	1	
36	94702-00391	PLUG, SPARK (NGK LFR5A-11) BOUGIE D'ALLUMAGE(NGK LFR5A-11)	4	4	



6D67110-K050

FIG. 6 VALVE

SOUPAPE

REF. NO.	PART NO. N° PIECES	DESCRIPTION DESCRIPTION	6D7A	6D9A	REMARKS REMARQUES
1	6D8-12111-00	VALVE, INTAKE SOUPAPE, ADMISSION	8	8	
2	6D8-12121-10	VALVE, EXHAUST SOUPAPE, ECHAPPEMENT	8	8	
3	6D8-12116-00	SEAT, VALVE SPRING SIEGE, RESSORT DE SOUPAPE	16	16	
4	6D8-12113-00	SPRING, VALVE INNER RESSORT DE SOUPAPE, INTERNE	16	16	
5	26H-12117-00	RETAINER, VALVE SPRING BUTEE DE RESSORT DE SOUPAPE	16	16	
6	4G0-12118-00	LOCK, VALVE SPRING RETAINER FRAISE, SOUPAPE	32	32	
7	K0A-A3721-00	SEAL, VALVE STEM JOINT, QUEUE DE SOUPAPE	8	8	
8	K0A-A3722-00	SEAL, VALVE STEM 2 JOINT, QUEUE DE SOUPAPE 2	8	8	
9	6D8-12153-00	LIFTER, VALVE (12) LEVE-SOUPAPE (12)	16	16	UR
	6D8-12153-10	LIFTER, VALVE (14) LEVE-SOUPAPE (14)	16	16	UR
	6D8-12153-20	LIFTER, VALVE (16) LEVE-SOUPAPE (16)	16	16	UR
	6D8-12153-30	LIFTER, VALVE (18) LEVE-SOUPAPE (18)	16	16	UR
	6D8-12153-40	LIFTER, VALVE (20) LEVE-SOUPAPE (20)	16	16	UR
	6D8-12153-50	LIFTER, VALVE (22) LEVE-SOUPAPE (22)	16	16	UR
	6D8-12153-60	LIFTER, VALVE (24) LEVE-SOUPAPE (24)	16	16	UR
	6D8-12153-70	LIFTER, VALVE (26) LEVE-SOUPAPE (26)	16	16	UR
	6D8-12153-80	LIFTER, VALVE (28) LEVE-SOUPAPE (28)	16	16	UR
	6D8-12153-90	LIFTER, VALVE (30) LEVE-SOUPAPE (30)	16	16	UR
	6D8-12153-A0	LIFTER, VALVE (32) LEVE-SOUPAPE (32)	16	16	UR
	6D8-12153-B0	LIFTER, VALVE (34) LEVE-SOUPAPE (34)	16	16	UR
	6D8-12153-C0	LIFTER, VALVE (36) LEVE-SOUPAPE (36)	16	16	UR
	6D8-12153-D0	LIFTER, VALVE (38) LEVE-SOUPAPE (38)	16	16	UR
	6D8-12153-E0	LIFTER, VALVE (40) LEVE-SOUPAPE (40)	16	16	UR
	6D8-12153-F0	LIFTER, VALVE (42) LEVE-SOUPAPE (42)	16	16	UR
	6D8-12153-G0	LIFTER, VALVE (44) LEVE-SOUPAPE (44)	16	16	UR
	6D8-12153-H0	LIFTER, VALVE (46) LEVE-SOUPAPE (46)	16	16	UR
	6D8-12153-J0	LIFTER, VALVE (48) LEVE-SOUPAPE (48)	16	16	UR

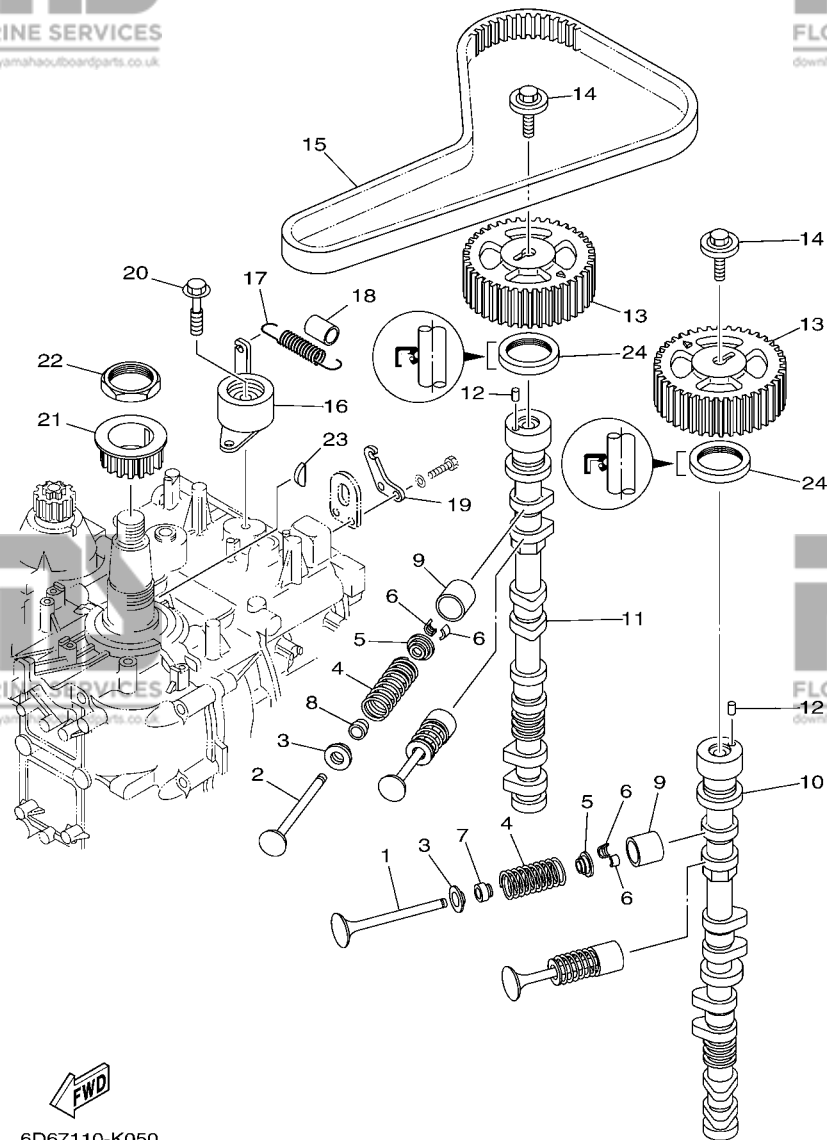


FIG. 6 VALVE

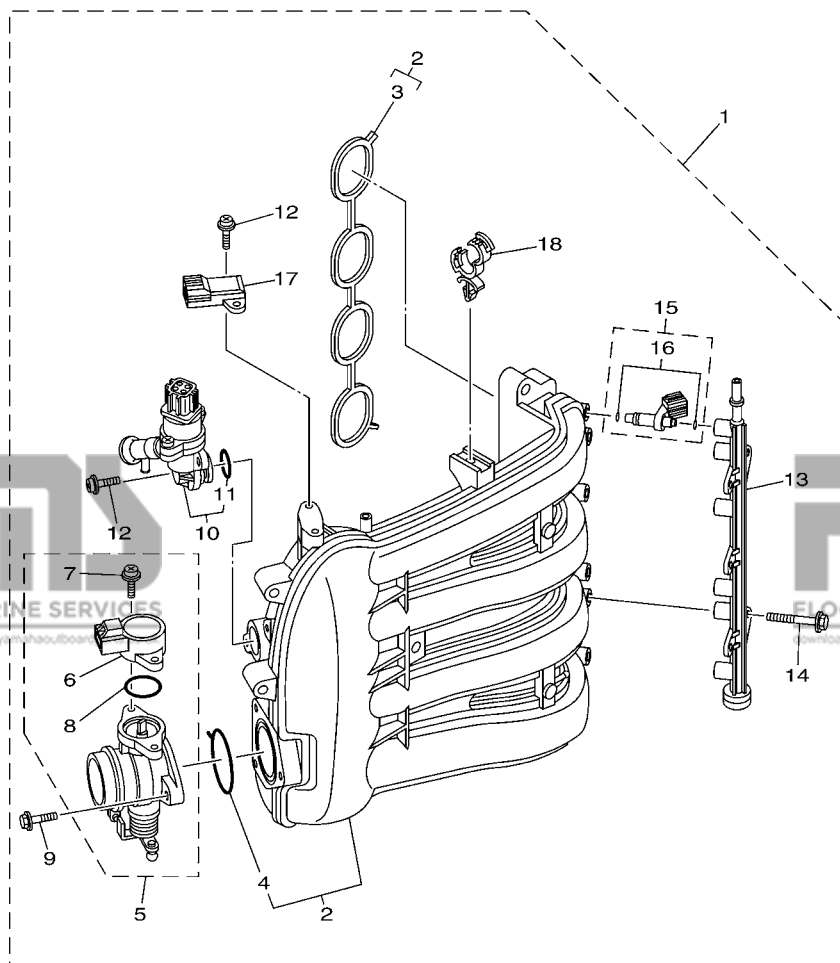
SOUPAPE

REF. NO.	PART NO. N° PIECES	DESCRIPTION DESCRIPTION	6D7A	6D9A	REMARKS REMARQUES
9	6D8-12153-K0	LIFTER, VALVE (50) LEVE-SOUPAPE (50)	16	16	UR
	6D8-12153-L0	LIFTER, VALVE (52) LEVE-SOUPAPE (52)	16	16	UR
	6D8-12153-M0	LIFTER, VALVE (54) LEVE-SOUPAPE (54)	16	16	UR
	6D8-12153-N0	LIFTER, VALVE (56) LEVE-SOUPAPE (56)	16	16	UR
	6D8-12153-P0	LIFTER, VALVE (58) LEVE-SOUPAPE (58)	16	16	UR
	6D8-12153-R0	LIFTER, VALVE (60) LEVE-SOUPAPE (60)	16	16	UR
	6D8-12153-S0	LIFTER, VALVE (62) LEVE-SOUPAPE (62)	16	16	UR
	6D8-12153-T0	LIFTER, VALVE (64) LEVE-SOUPAPE (64)	16	16	UR
	6D8-12153-U0	LIFTER, VALVE (66) LEVE-SOUPAPE (66)	16	16	UR
	6D8-12153-V0	LIFTER, VALVE (68) LEVE-SOUPAPE (68)	16	16	UR
10	6D8-12171-00	CAMSHAFT 1 ARBRE A CAMES 1	1		
	6D9-12171-00	CAMSHAFT 1 ARBRE A CAMES 1		1	
11	6D8-12181-00	CAMSHAFT 2 ARBRE A CAMES 2	1	1	
12	93605-10108	PIN, DOWEL AXE	2	2	
13	67F-11537-00	GEAR, DRIVEN PIGNON SECONDAIRE	2	2	
14	90119-10050	BOLT, WITH WASHER BOULON, AVEC RONDELLE	2	2	
15	67F-46241-00	BELT COURROIE TRAPEZOIDALE	1	1	
16	67F-11590-00	TENSIONER ASSY TENDEUR (ENS.)	1	1	
17	90506-16M39	SPRING, TENSION RESSORT, TENSION	1	1	
18	90445-15M03	HOSE (L23) DURITE (L23)	1	1	
19	67F-11595-00	PLATE, VALVE PLAQUE DE SOUPAPE	1	1	
20	90119-10M72	BOLT, WITH WASHER BOULON, AVEC RONDELLE	1	1	
21	6D8-11536-01	GEAR, DRIVE ENGRENAGE, MENANT	1	1	
22	90170-40008	NUT ECROU	1	1	
23	90280-04008	KEY, WOODRUFF CLAVETTE, DEMI-LUNE	1	1	
24	93102-38008	OIL SEAL JOINT SPY	2	2	

FIG. 7 INTAKE 1

ADMISSION 1

REF. NO.	PART NO. N° PIECES	DESCRIPTION DESCRIPTION	6D7A	6D9A	REMARKS REMARQUES
1	6D8-14200-00	INTAKE ASSY ADMISSION (ENS.)	1	1	
2	6D8-13641-00	..MANIFOLD, INTAKE 1 ..TUBULURE, ADMISSION 1	1	1	
3	6D8-13645-00	..GASKET, MANIFOLD 1 ..JOINT, TUBULURE 1	1	1	
4	6D8-13557-00	..GASKET ..JOINT	1	1	
5	6D8-13750-00	..THROTTLE BODY ASSY ..CARTER D'ACCELERATEUR COMPLET	1	1	
6	6C5-85885-00	..THROTTLE SENSOR ASSY ..SENSITOMETRE (ENS.)	1	1	
7	6C5-81145-00	..SCREW 1 ..VIS 1	2	2	
8	6C5-8182L-00	..O-RING 1 ..JOINT TORIQUE 1	1	1	
9	6C5-14496-00	..BOLT ..BOULON	3	3	
10	6D8-13105-01	..CONTROL VALVE ASSY ..SOUPAPE DE CONTROLE COMPLET	1	1	
11	6C5-1319C-00	..O-RING ..JOINT TORIQUE	1	1	
12	6C5-81146-10	..SCREW 2 ..VIS 2	4	4	
13	6D8-13161-00	..PIPE, DELIVERY 1 ..DURITE REFOULEMENT 1	1	1	
14	6C5-14446-00	..BOLT ..BOULON	2	2	
15	6D8-13761-00	..INJECTOR ..INJECTEUR	4	4	
16	6C5-1410B-00	..PACKING KIT ..POCHETTE DE JOINTS	1	1	
17	68F-83688-00	..SENSOR ASSY ..SONDE (ENS.)	1	1	
18	90464-18246	..CLAMP ..BRIDE	1	1	



FWD
6D81100-D060

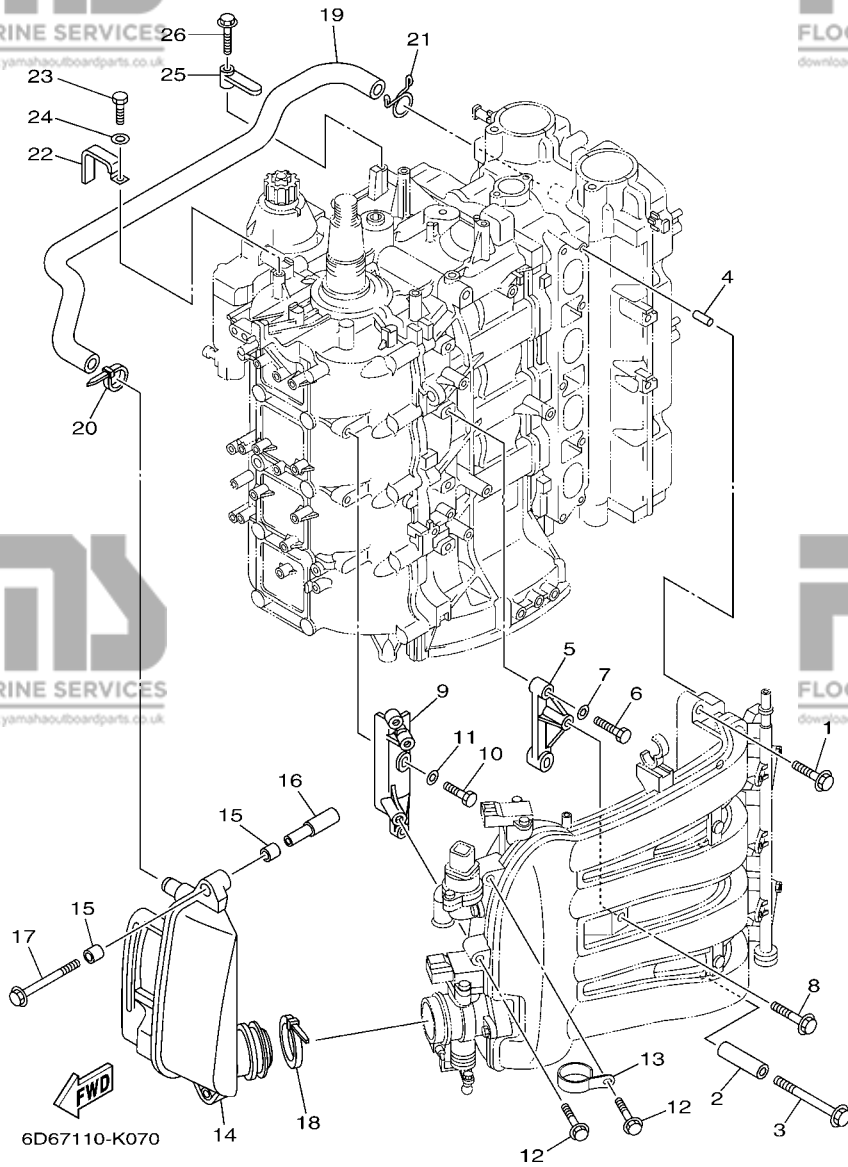


FIG. 8 INTAKE 2

ADMISSION 2

REF. NO.	PART NO. N° PIECES	DESCRIPTION DESCRIPTION	6D7A	6D9A	REMARKS REMARQUES
1	90119-08069	BOLT, WITH WASHER BOULON, AVEC RONDELLE	4	4	
2	90387-08033	COLLAR COLLERETTE	1	1	
3	90119-08M03	BOLT, WITH WASHER BOULON, AVEC RONDELLE	1	1	
4	91690-50014	PIN, SPRING AGRAFFE	2	2	
5	6D8-14291-00	BRACKET 1 SUPPORT 1	1	1	
6	97095-06030	BOLT BOULON	2	2	
7	92995-06600	WASHER RONDELLE	2	2	
8	90119-06087	BOLT, WITH WASHER BOULON, AVEC RONDELLE	1	1	
9	6D8-14292-00	BRACKET 2 SUPPORT 2	1	1	
10	97095-06020	BOLT BOULON	2	2	
11	92995-06600	WASHER RONDELLE	2	2	
12	90119-06087	BOLT, WITH WASHER BOULON, AVEC RONDELLE	2	2	
13	6D8-13782-00	STAY SUPPORT	1	1	
14	6D6-14440-00 6D9-14440-01	SILENCER ASSY, INTAKE SIENCIEUX D'ADMISSION SILENCER ASSY, INTAKE SIENCIEUX D'ADMISSION	1	1	
15	90386-08001	BUSH DOUILLE	4	4	
16	90387-07013	COLLAR COLLERETTE	2	2	
17	90119-06113	BOLT, WITH WASHER BOULON, AVEC RONDELLE	2	2	
18	90464-76001	CLAMP BRIDE	1	1	
19	6D8-15373-00	PIPE, BREATHER DURITE DE RENIFLARD	1	1	
20	90465-11M59	CLAMP BRIDE	1	1	
21	90467-20M15	CLIP JONC	1	1	
22	90465-12M03	CLAMP BRIDE	1	1	
23	97095-06012	BOLT BOULON	1	1	
24	92995-06600	WASHER RONDELLE	1	1	
25	6D8-82544-00	CLAMP COLLIER	1	1	
26	95895-06025	BOLT, FLANGE BOULON	1	1	

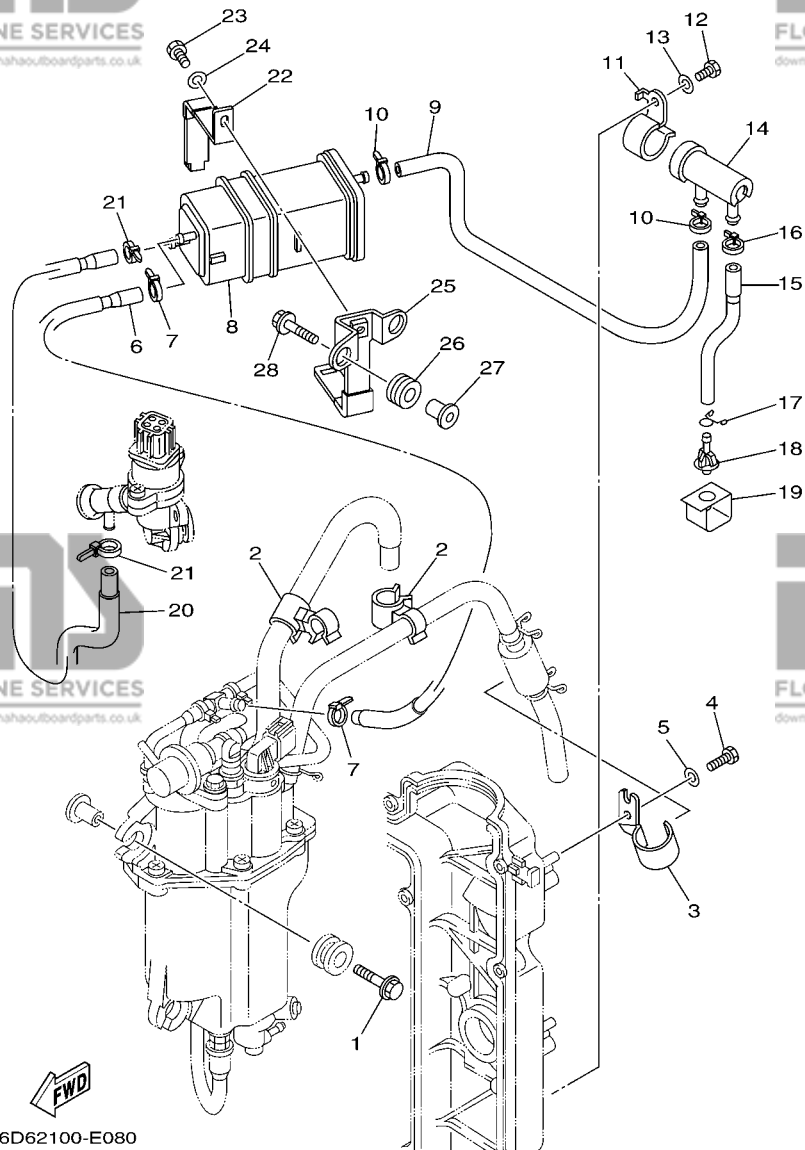


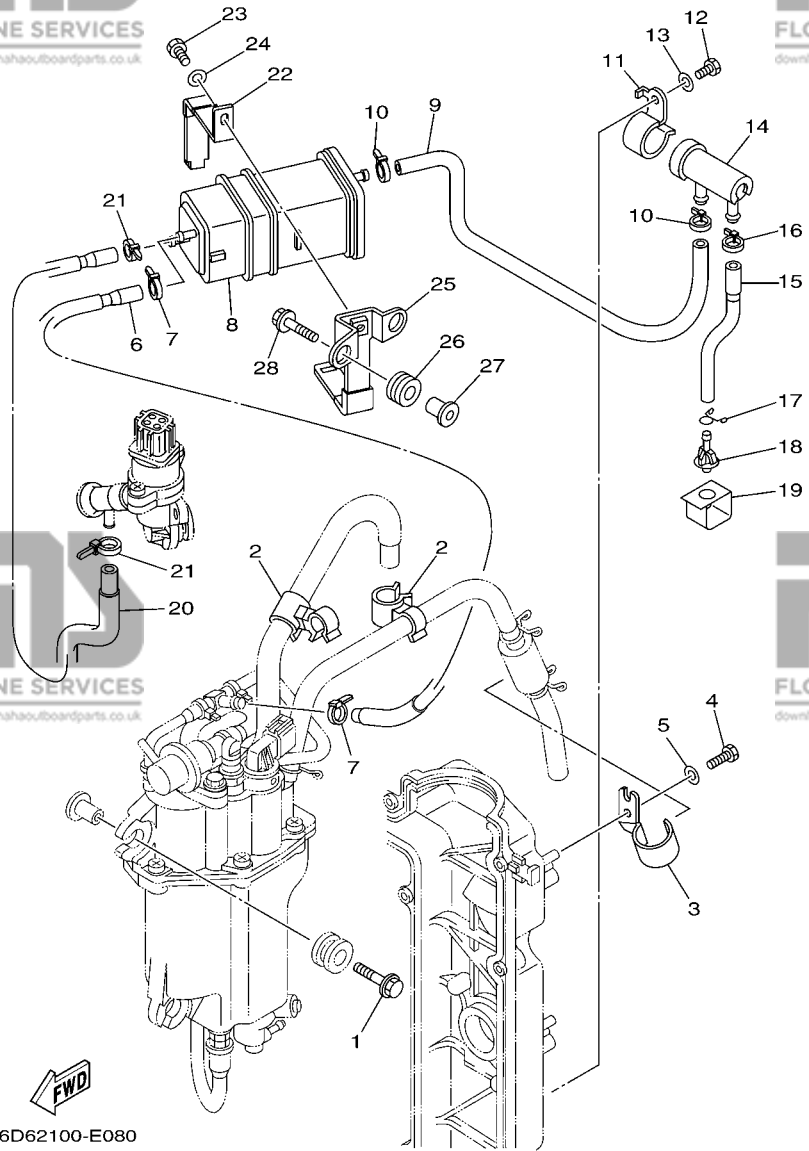
FIG. 9 INTAKE 3

ADMISSION 3

REF. NO.	PART NO. N° PIECES	DESCRIPTION DESCRIPTION	6D7A	6D9A	REMARKS REMARQUES
1	90119-06M08	BOLT, WITH WASHER BOULON, AVEC RONDELLE	3	3	
2	90464-15007	CLAMP BRIDE	2	2	
3	6D8-13428-01	BRACKET, STRAINER 1 SUPPORT, FILTRE 1	1	1	
4	97095-06012	BOLT BOULON	1	1	
5	92995-06600	WASHER RONDELLE	1	1	
6	6D8-24314-01	PIPE 4 DURITE 4	1	1	
7	90465-11M10	CLAMP BRIDE	2	2	
8	69J-24170-00	CANISTER ASSY BANDE, RASERVOIR A ESSENCE	1	1	
9	6D8-24315-00	PIPE 5 DURITE 5	1	1	
10	90465-11M10	CLAMP BRIDE	2	2	
11	6D8-2417H-01	CLAMP 1 COLLIER 1	1	1	
12	97095-06010	BOLT BOULON	1	1	
13	92995-06600	WASHER RONDELLE	1	1	
14	69J-24502-00	FILTER, FUEL FILTRE	1	1	
15	6D8-24316-00	PIPE 6 DURITE 6	1	1	
16	90465-11M10	CLAMP BRIDE	1	1	
17	90467-09M03	CLIP JONC	1	1	
18	69J-44391-00	NIPPLE, HOSE RACCORD D'ESSENCE	1	1	
19	6D8-2413X-01	PLATE PLAQUE	1	1	
20	6D8-24317-01	PIPE 7 DURITE 7	1	1	
21	90465-11M10	CLAMP BRIDE	2	2	
22	69J-2419A-01	HOLDER SUPPORT	1	1	
23	97095-06016	BOLT BOULON	1	1	
24	92995-06600	WASHER RONDELLE	1	1	
25	6D8-2134X-00	BRACKET, CANISTER SUPPORT	1	1	
26	90480-10M23	GROMMÉT PASSE-FIL	2	2	
27	90387-06M60	COLLAR COLLERETTE	2	2	

FIG. 9 INTAKE 3

ADMISSION 3



6D62100-E080

REF. NO.	PART NO. N° PIECES	DESCRIPTION DESCRIPTION	6D7A	6D9A	REMARKS REMARQUES
----------	--------------------	-------------------------	------	------	-------------------

28	90119-06M59	BOLT, WITH WASHER BOULON, AVEC RONDELLE	2	2	
----	-------------	--	---	---	--

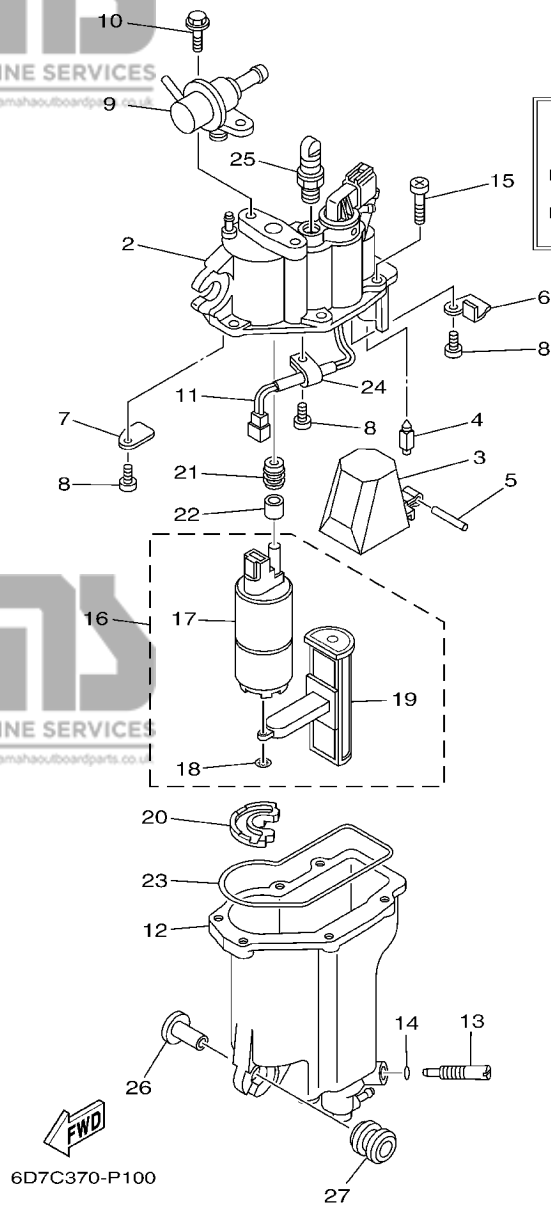


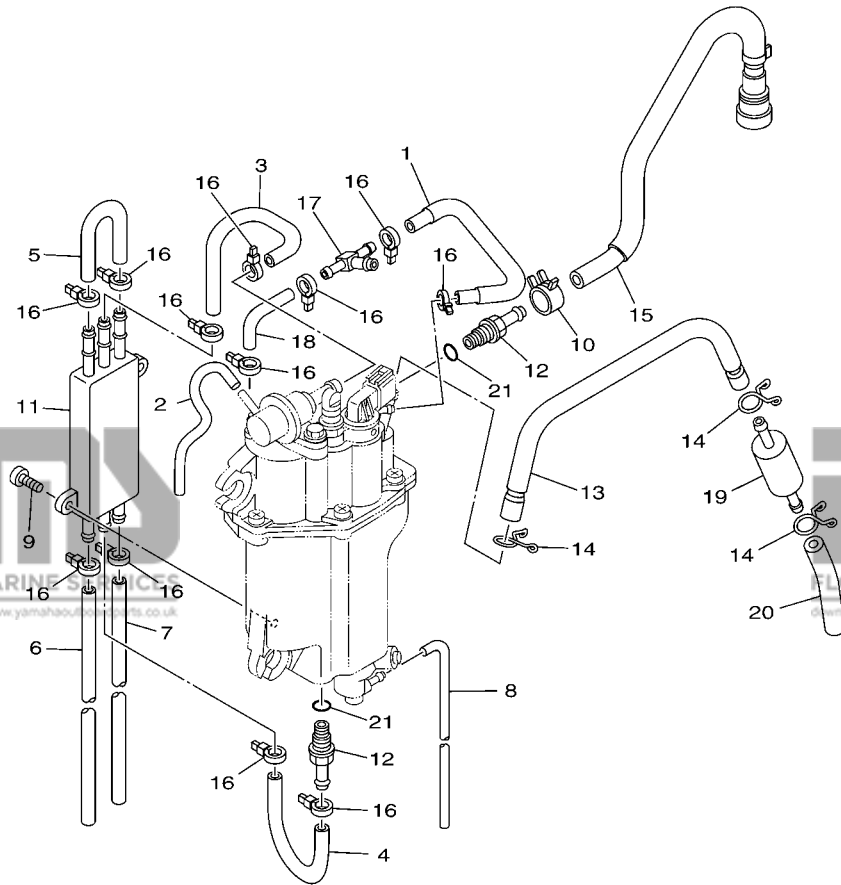
FIG. 10 FUEL INJECTION PUMP 1

POMPE A INJECTEUR 1

REF. NO.	PART NO. N° PIECES	DESCRIPTION DESCRIPTION	6D7A	6D9A	REMARKS REMARQUES
1	6D8-14180-21	FLOAT CHAMBER ASSY CUVE DE FLOTTEUR	1	1	
2	6D8-14182-10	COVER, FLOAT CHAMBER COUVERCLE, CUVE DE FLOTTEUR	1	1	
3	6C5-14985-00	FLOAT FLOTTEUR	1	1	
4	6C5-14546-10	VALVE, NEEDLE POINTEAU	1	1	
5	6C5-14386-00	PIN, FLOAT AXE, FLOTTEUR	1	1	
6	6C5-2441R-10	PLATE, BAFFLE 1 SEPARATEUR 1	1	1	
7	6C5-2441T-10	PLATE, BAFFLE 2 SEPARATEUR 2	1	1	
8	6C5-24453-00	SCREW VIS	3	3	
9	6C5-13906-01	REGULATOR, PRESSURE REGULATEUR DE PRESSION	1	1	
10	6C5-24592-00	BOLT BOLTE	2	2	
11	6C5-87226-00	WIRE HARNESS ASSY ENS. FAISCEAU ELECTRIQUE	1	1	
12	6D8-14960-10	BODY ASSY CARTER (ENS.)	1	1	
13	6C5-14191-00	PLUG, DRAIN PLOT, VIDANGE	1	1	
14	6C5-14397-00	O-RING JOINT TORIQUE	1	1	
15	6C5-14567-00	SCREW VIS	6	6	
16	6C5-13910-10	FUEL PUMP ASSY POMPE A ESSENCE COMPLET	1	1	
17	6C5-13907-00	.FUEL PUMP COMP. .POMPE A CARBURANT COMP.	1	1	
18	6C5-14127-10	.CLIP .JONC	1	1	
19	6C5-13915-00	.FILTER .FILTRE	1	1	
20	6C5-13593-00	DAMPER AMORTISSEUR	1	1	
21	6C5-13781-00	DAMPÉR, PUMP AMORTISSEUR, POMPE	1	1	
22	6C5-13716-00	COLLAR COLLERETTE	1	1	
23	6C5-14984-00	GASKET, FLOAT CHAMBER JOINT, CUVE DE FLOTTEUR	1	1	
24	6C5-21337-10	CLAMP, CABLE COLLIER, CABLE	1	1	
25	6C5-14225-00	CAP COUVERCLE	1	1	
26	90387-06M69	COLLAR COLLERETTE	3	3	
27	90480-09M12	GROMMET PASSE-FIL	3	3	

FIG. 11 FUEL INJECTION PUMP 2

POMPE A INJECTEUR 2



6D67110-K100

REF. NO.	PART NO. N° PIECES	DESCRIPTION DESCRIPTION	6D7A	6D9A	REMARKS REMARQUES
1	6D8-13546-01	HOSE 2 DURITE 2	1	1	
2	6D8-13542-01	HOSE, VACUUM SENSING 1 DURITE 1	1	1	
3	6C5-24321-00	PIPE 10 DURITE 10	1	1	
4	6C5-24322-00	PIPE 11 DURITE 11	1	1	
5	6C5-24323-00	PIPE 12 DURITE 12	1	1	
6	6D8-24324-01	PIPE 13 DURITE 13	1	1	
7	6D8-24325-10	PIPE 14 DURITE 14	1	1	
8	6BG-14149-00	PIPE DURITE	1	1	
9	6C5-24444-00	SCREW VIS	2	2	
10	6C5-13577-00	CLIP AGRAFE	1	1	
11	6C5-21841-00	COOLER RADIATEUR	1	1	
12	6C5-14251-00	NIPPLE RACCORD	2	2	
13	6D8-14148-00	PIPE DURITE	1	1	
14	6C5-24387-00	CLIP SANDOW	3	3	
15	6D8-13974-00	PIPE, FUEL 4 TUBE 4, CARBURANT	1	1	
16	90465-11M10	CLAMP BRIDE	12	12	
17	6C5-24379-00	PIPE, JOINT 4 DURITE RACCORDEMENT 4	1	1	
18	6C5-13545-00	HOSE 1 DURITE 1	1	1	
19	6C5-24251-00	STRAINER 1 FILTRE 1	1	1	
20	6D8-2451B-00	HOSE, FUEL INLET DURITE	1	1	
21	6C5-13739-00	O-RING JOINT TORIQUE	2	2	

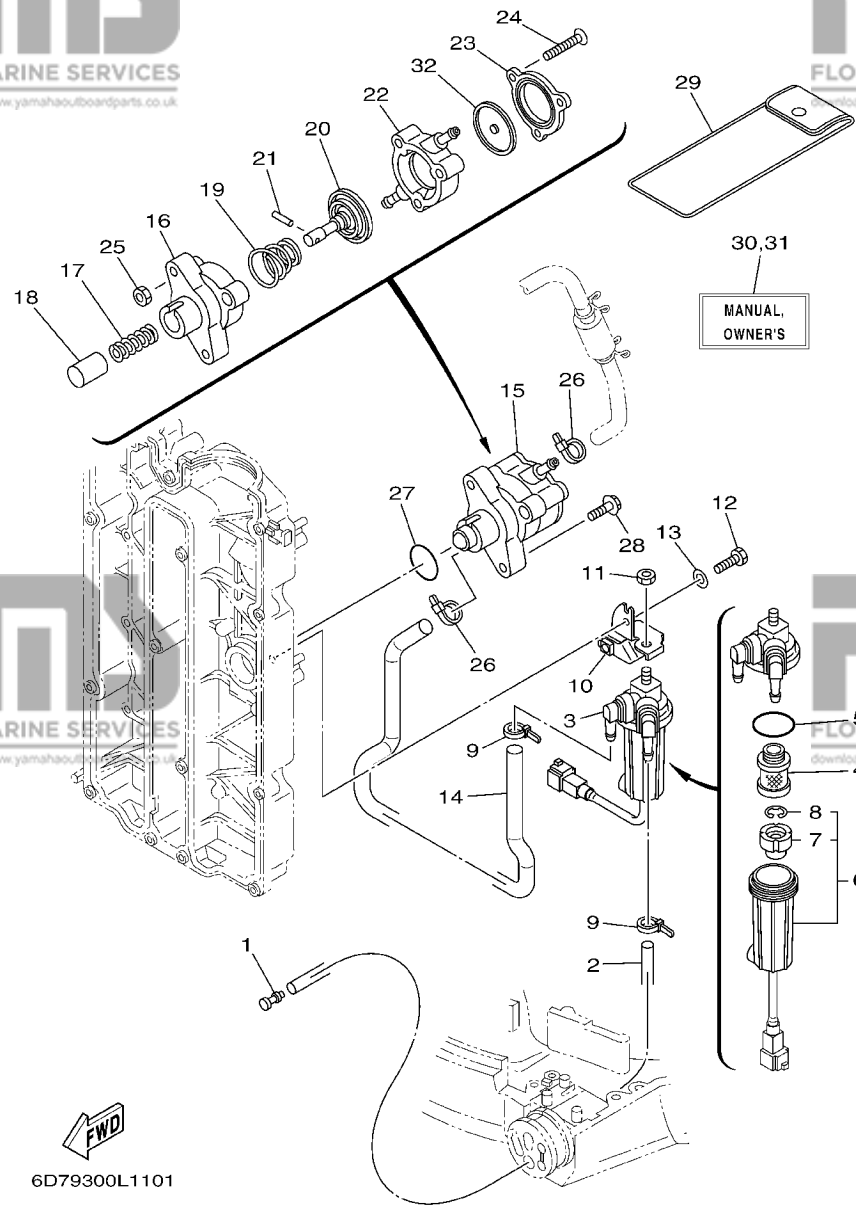


FIG. 12 FUEL

CARBURANT

REF. NO.	PART NO. N° PIECES	DESCRIPTION DESCRIPTION	6D7A	6D9A	REMARKS REMARQUES
1	689-85547-00	DAMPER AMORTISSEUR	1	1	
2	90445-13M37	HOSE (L2300) DURITE (L2300)	1	1	
3	6D8-24560-00	FILTER ASSY ENS FILTRE	1	1	
4	6D8-24563-00	.ELEMENT, FILTER .ELEMENT, FILTRE	1	1	
5	6D8-24564-00	.GASKET .JOINT	1	1	
6	6D8-24562-00	.CUP, FILTER .CUVETTE, FILTRE	1	1	
7	6D8-24469-00	..FLOAT, WATER LEVEL ..FLOTTEUR	1	1	
8	6D8-24519-00	..CLIP ..JONC	1	1	
9	90465-11M10	CLAMP BRIDE	2	2	
10	6D8-24566-00	BRACKET, FILTER SUPPORT, FILTRE	1	1	
11	95380-08600	NUT ECROU	1	1	
12	97095-06016	BOLT BOULON	1	1	
13	92995-06600	WASHER RONDELLE	1	1	
14	6D8-24311-00	PIPE, FUEL 1 DURITE A ESSENCE	1	1	
15	6D8-24410-10	FUEL PUMP ASSY POMPE A ESSENCE	1	1	
16	68V-24412-00	.BODY 1 .CORPS 1	1	1	
17	68V-24454-00	.SPRING .RESSORT	1	1	
18	63P-13131-00	.PLUNGER .PLONGEUR	1	1	
19	68V-24423-00	.SPRING, DIAPHRAGM .RESSORT, DIAPHRAGME	1	1	
20	68V-24411-00	.DIAPHRAGM .DIAPHRAGME	1	1	
21	68V-24374-00	.PIN .GOUPILLE	1	1	
22	68V-24413-10	.BODY 2 .CORPS 2	1	1	
23	6D8-24414-00	.BODY 3 .CORPS 3	1	1	
24	68V-24444-00	.SCREW .VIS	3	3	
25	68V-24149-00	.NUT .ECROU	3	3	
26	90465-11M10	CLAMP BRIDE	2	2	
27	93210-30682	O-RING JOINT TORIQUE	1	1	

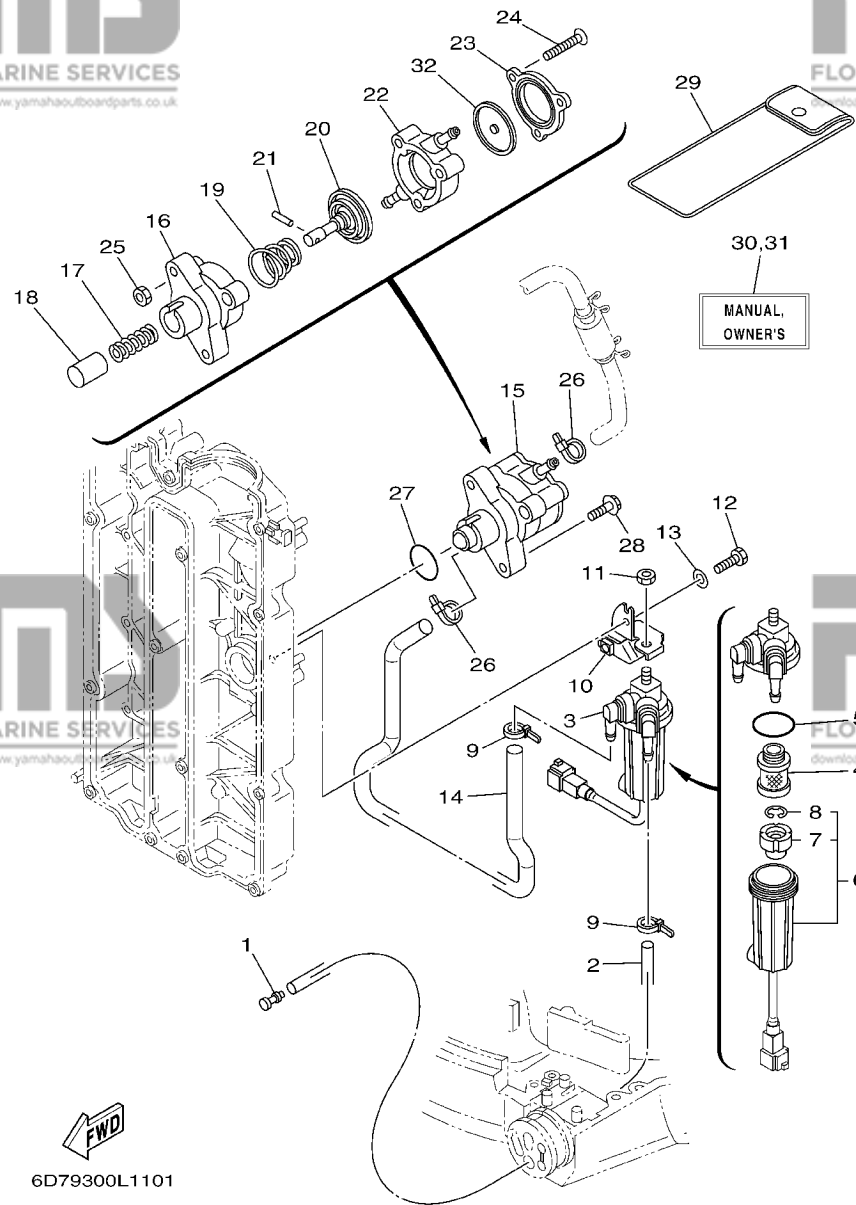
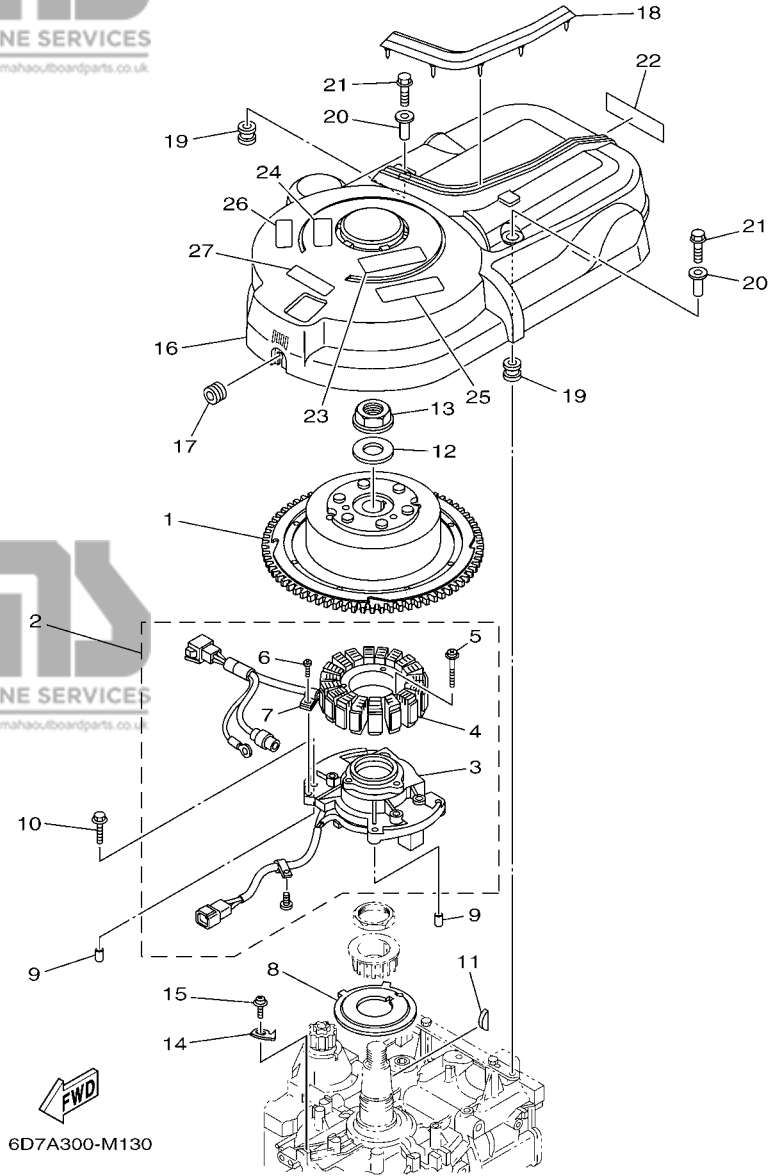


FIG. 12 FUEL

CARBURANT

REF. NO.	PART NO. N° PIECES	DESCRIPTION DESCRIPTION	6D7A	6D9A	REMARKS REMARQUES
28	90119-06M83	BOLT, WITH WASHER BOULON, AVEC RONDELLE	2	2	
29	67F-28100-01	TOOL KIT TROUSSE A OUTILS	1	1	AP AP
30	6D7-28199-7A-E0	MANUAL, OWNER'S MANUEL D'UTILISATION	1	1	UR (E) UR (E)
	6D7-28199-7A-F0	MANUAL, OWNER'S MANUEL D'UTILISATION	1	1	UR (F) UR (F)
	6D7-28199-7A-S0	MANUAL, OWNER'S MANUEL D'UTILISATION	1	1	UR (ES) UR (ES)
	6D7-28199-7A-G0	MANUAL, OWNER'S MANUEL D'UTILISATION	1	1	UR (D) UR (D)
	6D7-28199-7A-D0	MANUAL, OWNER'S MANUEL D'UTILISATION	1	1	UR (NL) UR (NL)
	6D7-28199-7A-H0	MANUAL, OWNER'S MANUEL D'UTILISATION	1	1	UR (I) UR (I)
31	6D7-28199-8A-K0	MANUAL, OWNER'S MANUEL D'UTILISATION	1	1	UR (DK) UR (DK)
	6D7-28199-8A-R0	MANUAL, OWNER'S MANUEL D'UTILISATION	1	1	UR (GR) UR (GR)
	6D7-28199-8A-P0	MANUAL, OWNER'S MANUEL D'UTILISATION	1	1	UR (P) UR (P)
	6D7-28199-8A-N0	MANUAL, OWNER'S MANUEL D'UTILISATION	1	1	UR (N) UR (N)
	6D7-28199-8A-M0	MANUAL, OWNER'S MANUEL D'UTILISATION	1	1	UR (S) UR (S)
	6D7-28199-8A-L0	MANUAL, OWNER'S MANUEL D'UTILISATION	1	1	UR (SF) UR (SF)
32	68V-24471-10	.DIAPHRAGM .DIAPHRAGME	1	1	



6D7A300-M130

FIG. 13 GENERATOR

GENERATRICE

REF. NO.	PART NO. N° PIECES	DESCRIPTION DESCRIPTION	6D7A	6D9A	REMARKS REMARQUES
1	6D8-81450-00	ROTOR ASSY ROTOR COMPLET	1	1	
2	6D8-81460-00	BASE ASSY ENS. FLASQUE	1	1	
3	6D8-85580-00	.COIL, PULSER .BOBINE, PULSEUR	1	1	
4	6D8-81410-00	.STATOR ASSY .STATOR COMPLET	1	1	
5	63D-81345-20	.SCREW, WITH WASHER (M6X30) .VIS, AVEC RONDELLE (M6X30)	3	3	
6	97607-04110	.SCREW, WITH WASHER .VIS HEXAGONAL	1	1	
7	445-81328-20	.CLAMP .COLLIER	1	1	
8	68V-81673-10	ROTOR ROTOR	1	1	
9	99530-08012	PIN, DOWEL GOUJON, D'ASSEMBLAGE	2	2	
10	97595-06630	BOLT, WITH WASHER VIS HEXAGONAL AVEC RONDELLE	4	4	
11	90280-05015	KEY, WOODRUFF CLAVETTE, DEMI-LUNE	1	1	
12	90201-24014	WASHER, PLATE RONDELLE, PLATE	1	1	
13	90179-24002	NUT ECROU	1	1	
14	6D8-81332-00	PLATE, TIMING PLATEAU, ALLUMAGE	1	1	
15	97985-06210	SCREW, WITH WASHER VIS, AVEC RONDELLE	1	1	
16	6D8-81337-00	COVER, FLYWHEEL COUVERCLE, VOLANT	1	1	
17	90480-12314	GROMMET PASSE-FIL	1	1	
18	6D8-85547-00	DAMPER AMORTISSEUR	1	1	
19	663-82317-01	DAMPER, IGNITION COIL AMORTISSEUR, BOBINE D'ALLUM	2	2	
20	90387-06119	COLLAR COLLERETTE	2	2	
21	95895-06020	BOLT, FLANGE BOULON	2	2	
22	68V-13437-62	MARK, CAUTION MARKER	1	1	
23	6AH-81995-40	LABEL, WARNING ETIQUETTE, AVERTISSEMENT	1	1	
24	6AH-81995-50	LABEL, WARNING ETIQUETTE, AVERTISSEMENT	1	1	
25	6AH-81994-40	LABEL, SAFETY ETIQUETTE, SECURITE	1	1	
26	6AH-81994-50	LABEL, SAFETY ETIQUETTE, SECURITE	1	1	
27	6AG-81996-00	MARK MARQUE	1	1	

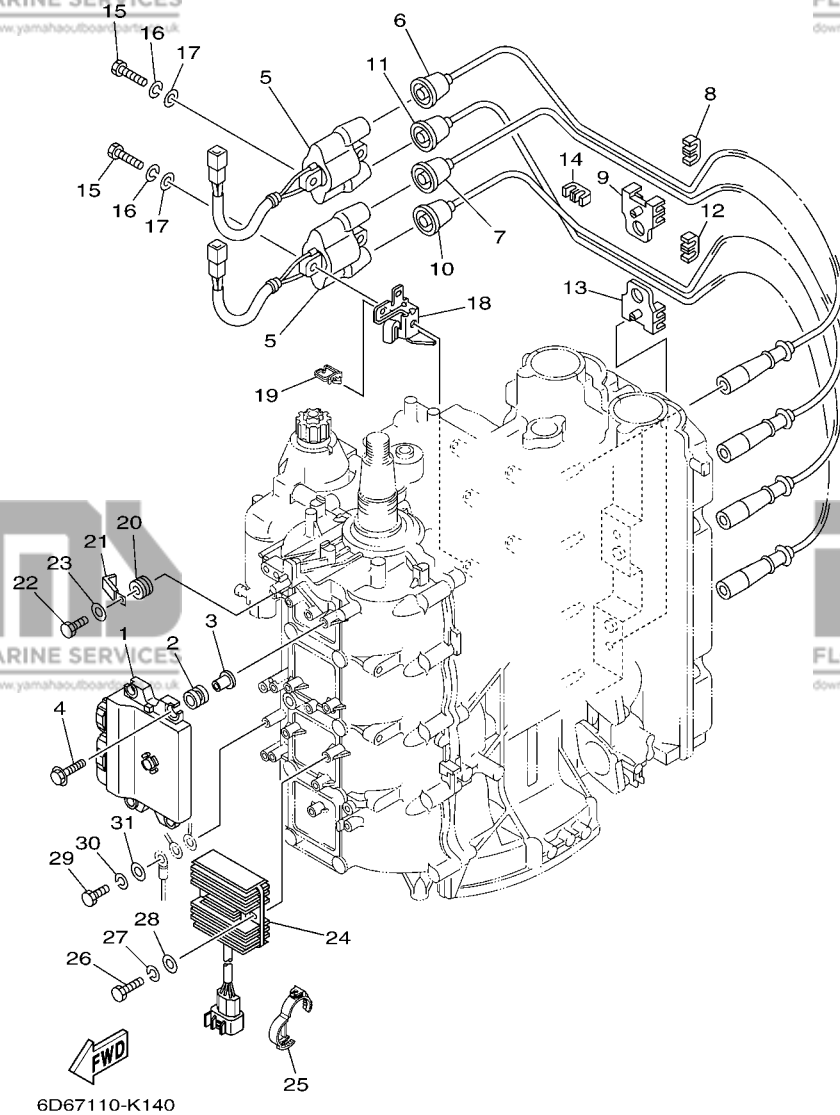


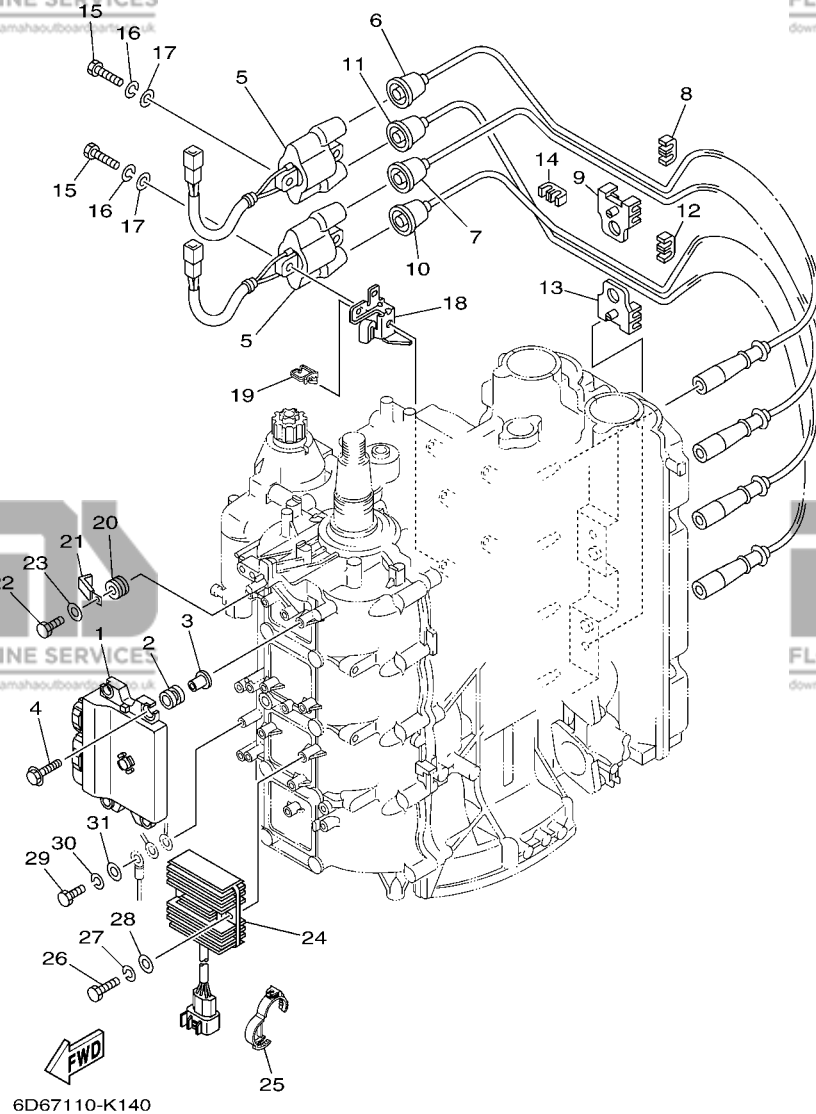
FIG. 14 ELECTRICAL 1

PARTIE ELECTRIQUE 1

REF. NO.	PART NO. N° PIECES	DESCRIPTION DESCRIPTION	6D7A	6D9A	REMARKS REMARQUES
1	6D7-8591A-14	ENGINE CONTROL UNIT ASSY BLOC DE CONTROL	1		
	6D9-8591A-14	ENGINE CONTROL UNIT ASSY BLOC DE CONTROL		1	
2	68V-82317-00	DAMPER, IGNITION COIL AMORTISSEUR, BOBINE D'ALLUM	4	4	
3	90387-06119	COLLAR COLLERETTE	4	4	
4	90119-06M59	BOLT, WITH WASHER BOULON, AVEC RONDELLE	4	4	
5	63P-82310-01	IGNITION COIL ASSY BOBINE D'ALLUMAGE	2	2	
6	67F-82341-00	CORD, HIGH TENSION 1 CORDON, HAUTE-TENSION 1	1	1	#1
7	67F-82342-00	CORD, HIGH TENSION 2 CORDON, HAUTE-TENSION 2	1	1	#2
8	67F-82361-00	CLAMP, CORD COLLIER, CORDON	1	1	
9	67F-82362-00	CLAMP, CORD 2 COLLIER, CABLE 2	1	1	
10	67F-82343-00	CORD, HIGH TENSION 3 CORDON, HAUTE-TENSION 3	1	1	#3
11	67F-82344-00	CORD, HIGH TENSION 4 CORDON, HAUTE TENSION 4	1	1	#4
12	67F-82361-00	CLAMP, CORD COLLIER, CORDON	1	1	
13	67F-82362-00	CLAMP, CORD 2 COLLIER, CABLE 2	1	1	
14	67F-82361-00	CLAMP, CORD COLLIER, CORDON	1	1	
15	97095-06025	BOLT BOULON	4	4	
16	92995-06100	WASHER, SPRING RONDELLE, GROWER	4	4	
17	92995-06600	WASHER RONDELLE	4	4	
18	6D8-82388-01	PLATE PLAQUETTE	2	2	
19	90464-08004	CLAMP BRIDE	2	2	
20	90480-14329	GROMMET PASSE-FIL	1	1	
21	90465-08M23	CLAMP BRIDE	1	1	
22	97095-06014	BOLT BOULON	1	1	
23	92995-06600	WASHER RONDELLE	1	1	
24	6D8-81960-10	RECTIFIER & REGULATOR ASSY REDRESSEUR REGULATEUR CPLT	1	1	
25	90464-30003	CLAMP BRIDE	1	1	
26	97095-06025	BOLT BOULON	2	2	

FIG. 14 ELECTRICAL 1

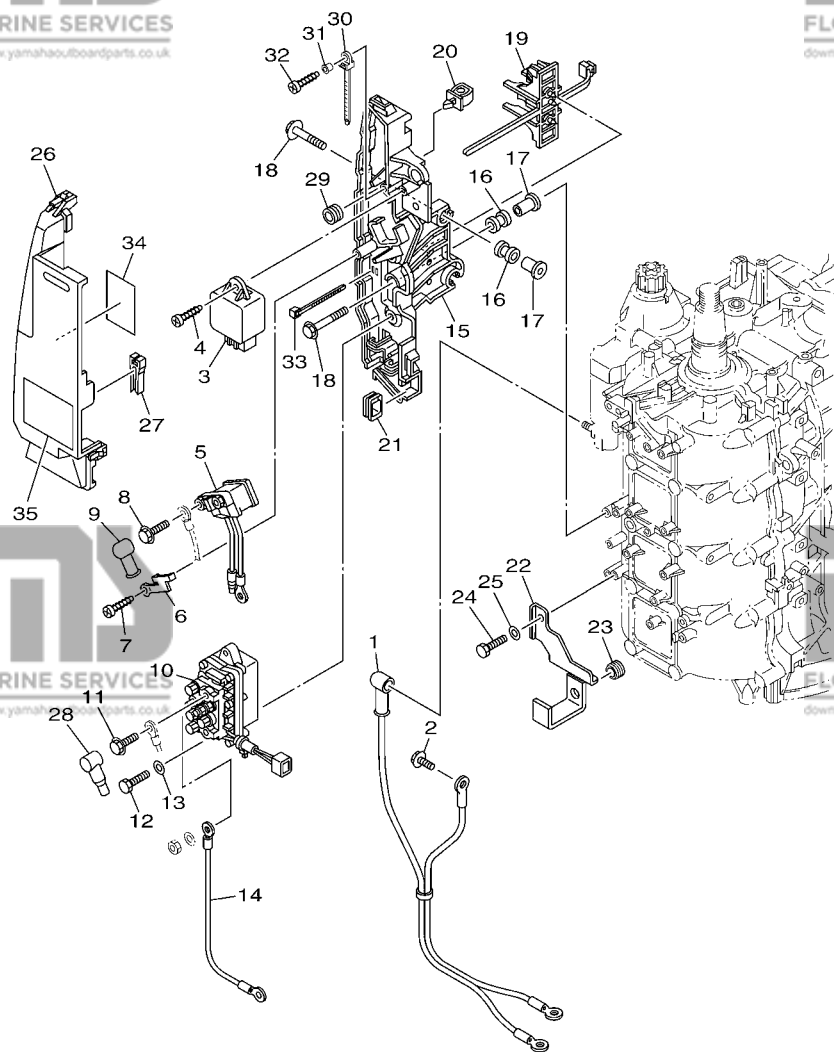
PARTIE ELECTRIQUE 1



REF. NO.	PART NO. N° PIECES	DESCRIPTION DESCRIPTION	6D7A	6D9A	REMARKS REMARQUES
27	92995-06100	WASHER, SPRING RONDELLE, GROWER	2	2	
28	92995-06600	WASHER RONDELLE	2	2	
29	97095-06016	BOLT BOULON	1	1	
30	92995-06100	WASHER, SPRING RONDELLE, GROWER	1	1	
31	92995-06600	WASHER RONDELLE	1	1	

FIG. 15 ELECTRICAL 2

PARTIE ELECTRIQUE 2

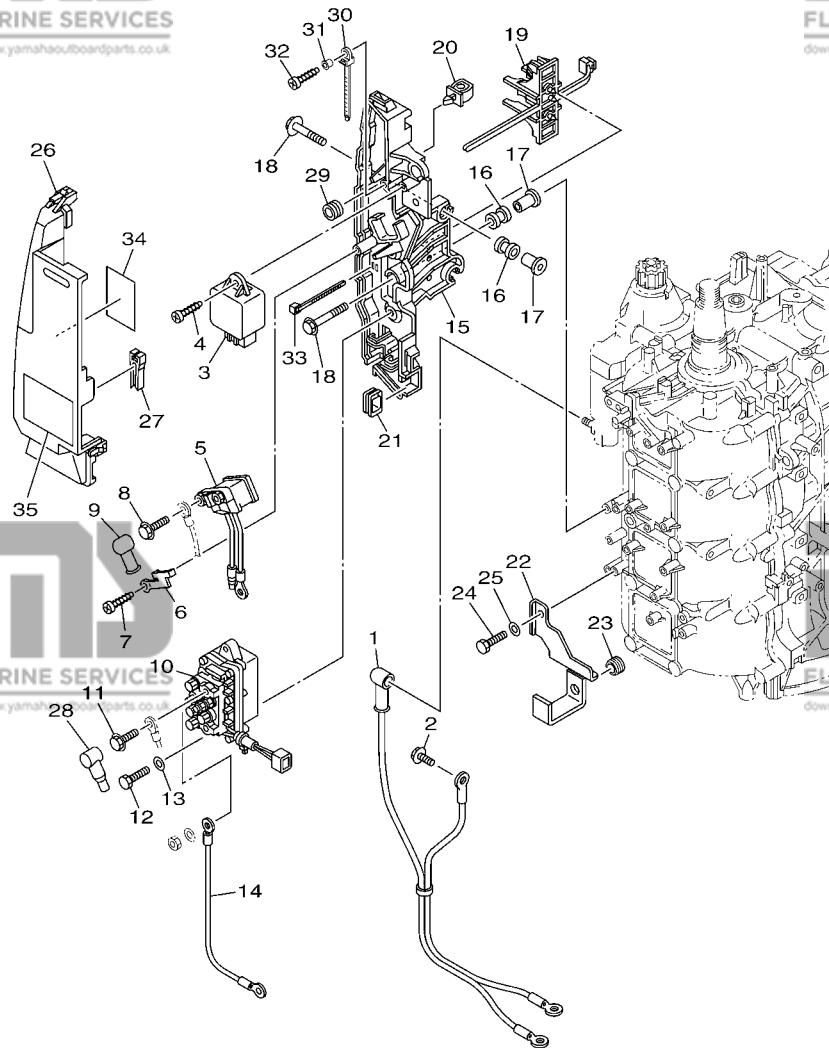


FWD
6D79700-L150

REF. NO.	PART NO. N° PIECES	DESCRIPTION DESCRIPTION	6D7A	6D9A	REMARKS REMARQUES
1	68V-82105-00	BATTERY CABLE CABLE DE BATTERIE	1	1	
2	90105-06M14	BOLT FLANGE BOULON	1	1	
3	60E-81950-00	RELAY ASSY RELAIS COMPLET	1	1	
4	97780-60625	SCREW, TAPPING VIS, TETE BOMBEE	1	1	
5	68V-8194A-00	RELAY RELAIS	1	1	
6	68V-81953-00	STAY, RELAY SUPPORT, RELAIS	1	1	
7	97780-60620	SCREW, TAPPING VIS, TETE BOMBEE	1	1	
8	97595-06610	BOLT, WITH WASHER VIS HEXAGONAL AVEC RONDELLE	2	2	
9	6G5-82119-00	COVER, LEAD WIRE GARNITURE, FIL	2	2	
10	63P-81950-00	RELAY ASSY RELAIS COMPLET	1	1	
11	97595-06610	BOLT, WITH WASHER VIS HEXAGONAL AVEC RONDELLE	2	2	
12	97013-06020	BOLT BOULON	2	2	
13	92903-06600	WASHER, PLATE RONDELLE, PLATE	2	2	
14	61A-81949-00	WIRE, LEAD FIL	1	1	
15	68V-81948-02	BRACKET SUPPORT	1	1	
16	6A0-82317-00	DAMPER, IGNITION COIL AMORTISSEUR, BOBINE D'ALLUM	5	5	
17	90387-06119	COLLAR COLLERETTE	5	5	
18	90119-06M59	BOLT, WITH WASHER BOULON, AVEC RONDELLE	5	5	
19	68V-82594-00	CLAMP BRIDE	1	1	
20	90464-12M58	CLAMP BRIDE	1	1	
21	6D8-81518-00	GROMMET PASSE-FIL	1	1	
22	6D8-81528-02	CLAMP 1 COLLIER 1	1	1	
23	90480-13M24	GROMMET PASSE-FIL	1	1	
24	97095-06014	BOLT BOULON	1	1	
25	92995-06600	WASHER RONDELLE	1	1	
26	68V-81942-03	COVER COUVERCLE	1	1	
27	67F-2812A-00	PULLER, FUSE TENDEUR, FUSIBLE	1	1	

PARTIE ELECTRIQUE 2

FIG. 15 ELECTRICAL 2



REF. NO.	PART NO. N° PIECES	DESCRIPTION DESCRIPTION	6D7A	6D9A	REMARKS REMARQUES
28	682-82119-01	COVER, LEAD WIRE GARNITURE, FIL	2	2	
29	6A0-82317-00	DAMPER, IGNITION COIL AMORTISSEUR, BOBINE D'ALLUM	1	1	
30	90465-12M53	CLAMP BRIDE	1	1	
31	90387-06M05	COLLAR COLLERETTE	1	1	
32	97780-60625	SCREW, TAPPING VIS, TETE BOMBEE	1	1	
33	90465-13M18	CLAMP BRIDE	2	2	
34	6D8-81919-00	GRAPHIC, REGULATOR ADHESIF, REGULATEUR	1	1	
35	6D8-81919-10	GRAPHIC, REGULATOR ADHESIF, REGULATEUR	1	1	



6D79700-L150

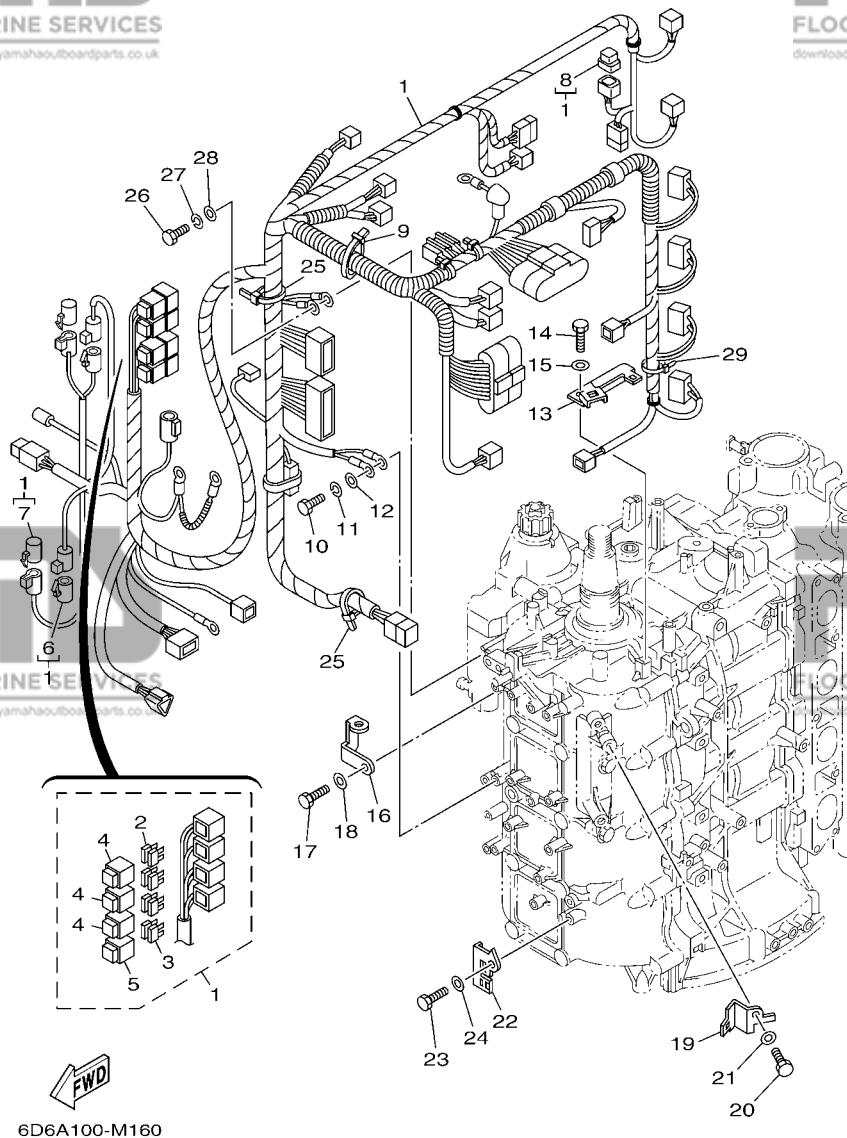


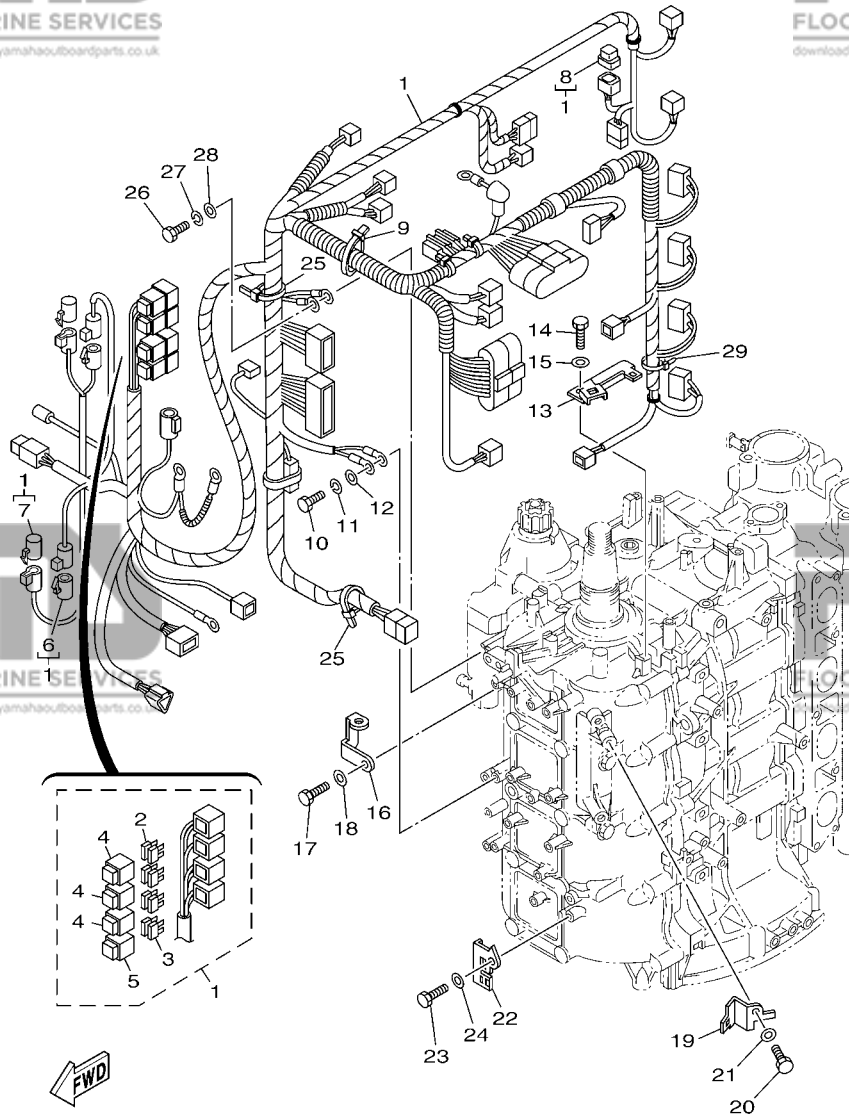
FIG. 16 ELECTRICAL 3

REF. NO.	PART NO. N° PIECES	DESCRIPTION DESCRIPTION	6D7A	6D9A	REMARKS REMARQUES
1	6D8-82590-41	WIRE HARNESS ASSY FAISCEAU DE FILS COMPLET	1	1	FOR TILT LIMIT FOR TILT LIMIT
2	67F-82151-00	.FUSE (20A) .FUSIBLE (20A)	6	6	
3	67F-82151-10	.FUSE (30A) .FUSIBLE (30A)	2	2	
4	67F-8215B-10	.CAP (YELLOW) .BOUCHON (YELLOW)	3	3	
5	67F-8215B-20	.CAP (GREEN) .BOUCHON (GREEN)	1	1	
6	6DA-82582-00	.CAP 1 (FEMALE) .BOUCHON 1 (FEMME)	1	1	
7	6DA-82582-10	.CAP 1 (MALE) .BOUCHON 1 (MALE)	1	1	
8	6Y8-82582-11	.CAP 1 (4PIN) .COUVERCLE, FAISCEAU DE FILS	1	1	
9	90464-76001	CLAMP BRIDE	1	1	
10	97095-06016	BOLT BOULON	1	1	
11	92995-06100	WASHER, SPRING RONDELLE, GROWER	1	1	
12	92995-06600	WASHER RONDELLE	1	1	
13	6D8-82588-01	PLATE PLAQUE	1	1	
14	97095-06012	BOLT BOULON	1	1	
15	92995-06600	WASHER RONDELLE	1	1	
16	6D8-82581-01	STAY, CORD CLAMP SUPPORT, COLLIER DE CORDON	1	1	
17	97095-06014	BOLT BOULON	1	1	
18	92995-06600	WASHER RONDELLE	1	1	
19	6D8-82389-01	PLATE 2 PLAQUETTE 2	1	1	
20	97095-06012	BOLT BOULON	1	1	
21	92995-06600	WASHER RONDELLE	1	1	
22	6D8-82398-01	PLATE 3 PLAQUETTE 3	1	1	
23	97095-06012	BOLT BOULON	1	1	
24	92995-06600	WASHER RONDELLE	1	1	
25	90465-13M18	CLAMP BRIDE	2	2	
26	97095-06016	BOLT BOULON	1	1	
27	92995-06100	WASHER, SPRING RONDELLE, GROWER	1	1	

FIG. 16 ELECTRICAL 3

PARTIE ELECTRIQUE 3

REF. NO.	PART NO. N° PIECES	DESCRIPTION DESCRIPTION	6D7A	6D9A	REMARKS REMARQUES
28	92995-06600	WASHER RONDELLE	1	1	
29	90465-13M11	CLAMP BRIDE	1	1	



6D6A100-M160

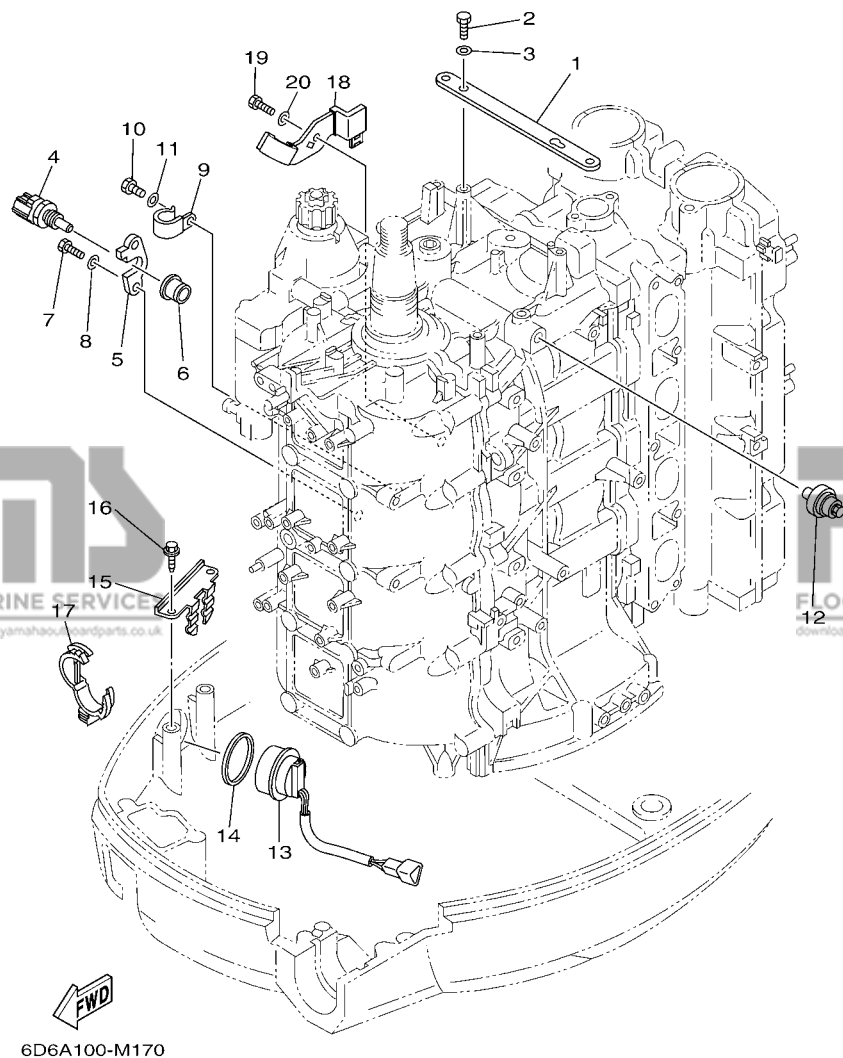
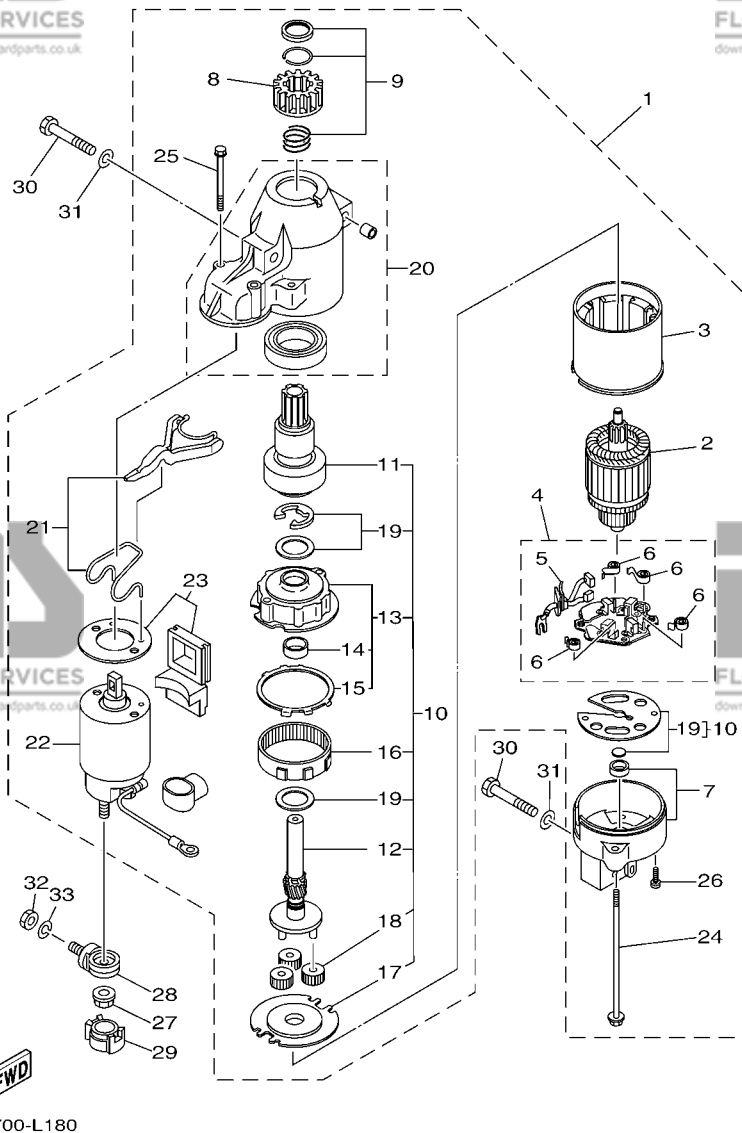


FIG. 17 ELECTRICAL 4

PARTIE ELECTRIQUE 4

REF. NO.	PART NO. N° PIECES	DESCRIPTION DESCRIPTION	6D7A	6D9A	REMARKS REMARQUES
1	6D8-8132G-10	PLATE PLAQUE	1	1	
2	97095-06016	BOLT BOULON	2	2	
3	92995-06600	WASHER RONDELLE	2	2	
4	67F-85790-00	THERMOSENSOR ASSY SENSITOMETRE	1	1	
5	67F-85757-00	RETAINER ARRETOIR	1	1	
6	68V-85753-00	GASKET, SENDER UNIT JOINT, DE PERCEPTION	1	1	
7	97095-06016	BOLT BOULON	2	2	
8	92995-06600	WASHER RONDELLE	2	2	
9	90465-06M86	CLAMP BRIDE	1	1	
10	97095-06012	BOLT BOULON	1	1	
11	92995-06600	WASHER RONDELLE	1	1	
12	68V-82504-00	OIL PRESSURE SWITCH ASSY CONTACTEUR DE PRESSION D'HUILE	1	1	
13	63D-82563-10	TRIM & TILT SWITCH ASSY INCLINER ET PARER COMMUTATEUR	1	1	
14	6E5-82587-00	GASKET JOINT	1	1	
15	67F-83614-00	BRACKET SUPPORT	1	1	
16	90109-06M86	BOLT BOULON	2	2	
17	90464-30003	CLAMP BRIDE	2	2	
18	6D8-8252H-01	PLATE, HOLDER PLAQUE, SUPPORT	1	1	
19	97095-06012	BOLT BOULON	1	1	
20	92995-06600	WASHER RONDELLE	1	1	



6D79700-L180

FIG. 18 STARTING MOTOR

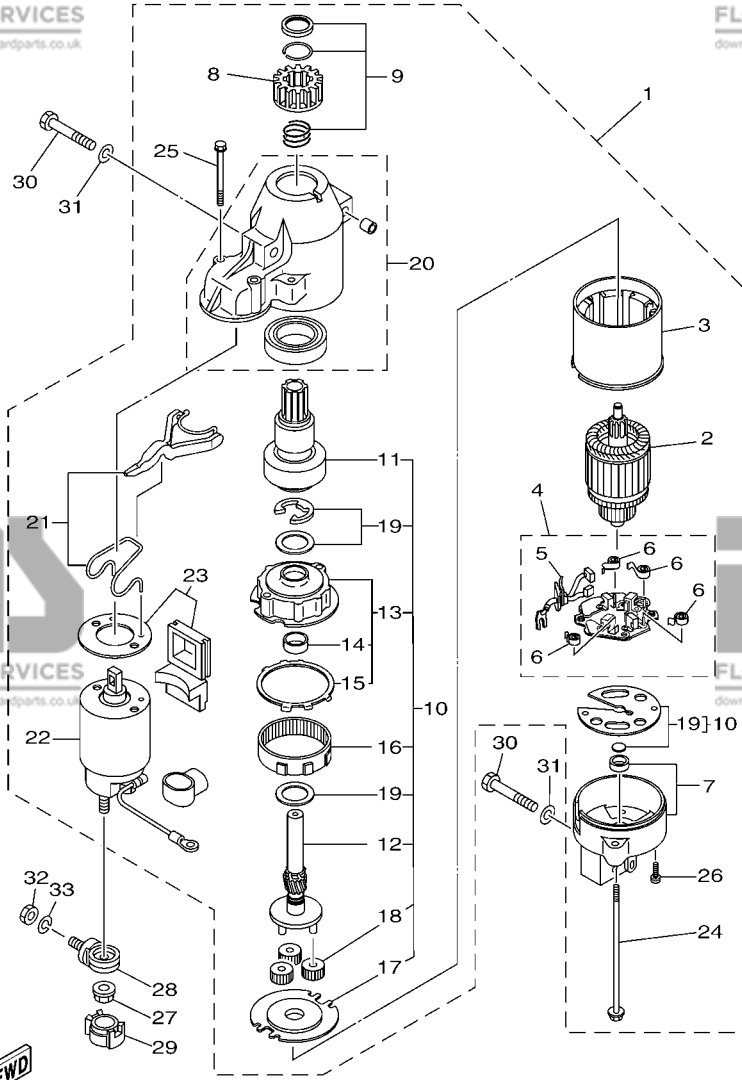
DEMARREUR ELECTRIQUE

REF. NO.	PART NO. N° PIECES	DESCRIPTION DESCRIPTION	6D7A	6D9A	REMARKS REMARQUES
1	68V-81800-02	STARTING MOTOR ASSY DEMARREUR ELECTRIQUE COMPLET	1	1	
2	67F-81850-00	.ARMATURE ASSY .INDUIT	1	1	
3	67F-81810-00	.STATOR ASSY .STATOR COMPLET	1	1	
4	69J-81840-00	.BRUSH HOLDER ASSY .SUPPORT DE CHARBON	1	1	
5	69J-81801-00	..BRUSH SET ..CHARBON	1	1	
6	67F-81813-00	..SPRING, BRUSH ..RESSORT, DE CHARBON	4	4	
7	68F-81820-00	.REAR BRACKET ASSY .SUPPORT ARRIERE COMPLET	1	1	
8	67F-81808-00	.PINION ASSY .PIGNON	1	1	
9	67F-81857-00	.PINION STOPPER SET .BUTEE PIGNON	1	1	
10	67F-81807-00	.GEAR ASSY, STARTING MOTOR .PIGNON, DEMARREUR ELECTRIQUE	1	1	
11	67F-81832-00	..CLUTCH, OVER RUN ..EMBAYAGE, ROUE LIBRE	1	1	
12	67F-81836-00	..SHAFT, PINION ..AXE, PIGNON	1	1	
13	67F-81821-00	..BRACKET, CENTER 1 ..SUPPORT, CENTRE 1	1	1	
14	67F-81841-00	..BEARING ..ROULEMENT	1	1	
15	67F-8183R-00	..GASKET ..JOINT	1	1	
16	67F-81891-00	..GEAR, RING ..ROUE DENTEE	1	1	WITH 67F-8183R-00 WITH 67F-8183R-00
17	67F-81830-00	..BRACKET, CENTER 2 ..SUPPORT, CENTRE 2	1	1	
18	60V-8183T-00	..GEAR, IDLER ..PIGNON, INTERMEDIAIRE	3	3	
19	67F-81809-00	..WASHER KIT ..JEU DE RONDELLES	1	1	
20	60X-81842-00	.COVER .COUVERCLE	1	1	
21	6C5-81839-00	.LEVER ASSY .LEVIER COMPLET	1	1	
22	68V-81941-02	.STARTER RELAY ASSY .LANCEUR RELAIS (ENS.)	1	1	
23	6C5-81869-00	.COVER, DUST .COUVERCLE, POUSSIERE	1	1	
24	6K7-81826-11	.BOLT .BOULON	2	2	
25	69J-81828-00	.SCREW 2 .VIS 2	2	2	
26	67F-81846-00	.SCREW .VIS	2	2	
27	90179-08003	NUT ECROU	1	1	

FIG. 18 STARTING MOTOR

DEMARREUR ELECTRIQUE

REF. NO.	PART NO. N° PIECES	DESCRIPTION DESCRIPTION	6D7A	6D9A	REMARKS REMARQUES
28	60V-81925-00	TERMINAL BORNE	1	1	
29	68F-82582-00	COVER, WIRE HARNESS COUVERCLE, FAISCEAU DE FILS	1	1	
30	97013-08045	BOLT BOULON	3	3	
31	92903-08600	WASHER, PLATE RONDELLE, PLATE	3	3	
32	95333-08600	NUT ECROU	1	1	
33	92903-08100	WASHER, SPRING RONDELLE, GROWER	1	1	



6D79700-L180

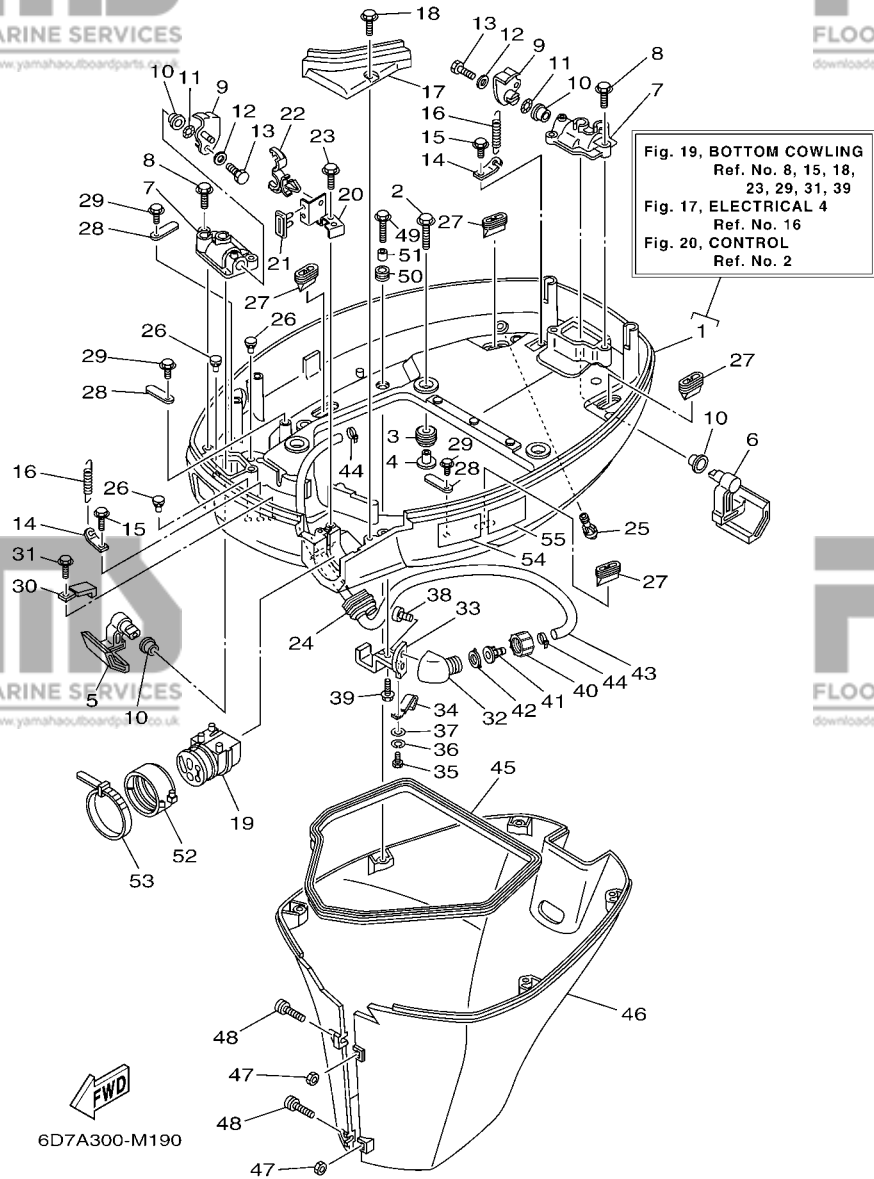


FIG. 19 BOTTOM COWLING

CAPOT INFERIEUR

REF. NO.	PART NO. N° PIECES	DESCRIPTION DESCRIPTION	6D7A	6D9A	REMARKS REMARQUES
1	6D8-42710-00-8D	BOTTOM COWLING ASSY ENS. EMBASE	1	1	
2	90119-08M22	BOLT, WITH WASHER BOULON, AVEC RONDELLE	4	4	
3	90480-22M15	GROMMET PASSE-FIL	4	4	
4	90387-08M37	COLLAR COLLERETTE	4	4	
5	67F-42815-00-8D	LEVER, CLAMP LEVIER, PRESSE	1	1	
6	67F-42816-00-8D	LEVER, CLAMP LEVIER, PRESSE	1	1	
7	67F-42828-00-9S	PLATE, CLAMP PLAQUE, PRESSE	2	2	
8	90109-06M82	BOLT BOULON	4	4	
9	68V-42818-01	LEVER, CLAMP LEVIER, PRESSE	2	2	
10	90386-15M73	BUSH DOUILLE	4	4	
11	90206-15M18	WASHER, WAVE RONDELLE, ONDULEE	2	2	
12	90201-06068	WASHER, PLATE RONDELLE, PLATE	2	2	
13	97095-06016	BOLT BOULON	2	2	
14	64D-43144-00	HOOK, SPRING CROCHET	2	2	
15	90109-06M86	BOLT BOULON	2	2	
16	90506-16M34	SPRING, TENSION RESSORT, TENSION	2	2	
17	67F-42738-00-8D	PLATE, FITTING ETRIER	1	1	
18	90109-06M96	BOLT BOULON	2	2	
19	68V-42725-00	GROMMET PASSE-FIL	1	1	
20	6D8-42756-02	STAY, CLAMP SUPPORT, COLLIER	1	1	
21	6D8-42717-00	RUBBER, SEAL 2 JOINT EN CAOUTCHOUC 2	1	1	
22	90464-18246	CLAMP BRIDE	1	1	
23	90109-06M86	BOLT BOULON	1	1	
24	6H1-42726-21	GROMMET PASSE-FIL	1	1	FLUSHING KIT FLUSHING KIT
25	6BL-44391-00	NIPPLE, HOSE RACCORD D'ESSENCE	1	1	
26	6H4-42748-00	GROMMET PASSE-FIL	3	3	
27	67F-42717-00	RUBBER, SEAL 2 JOINT EN CAOUTCHOUC 2	4	4	

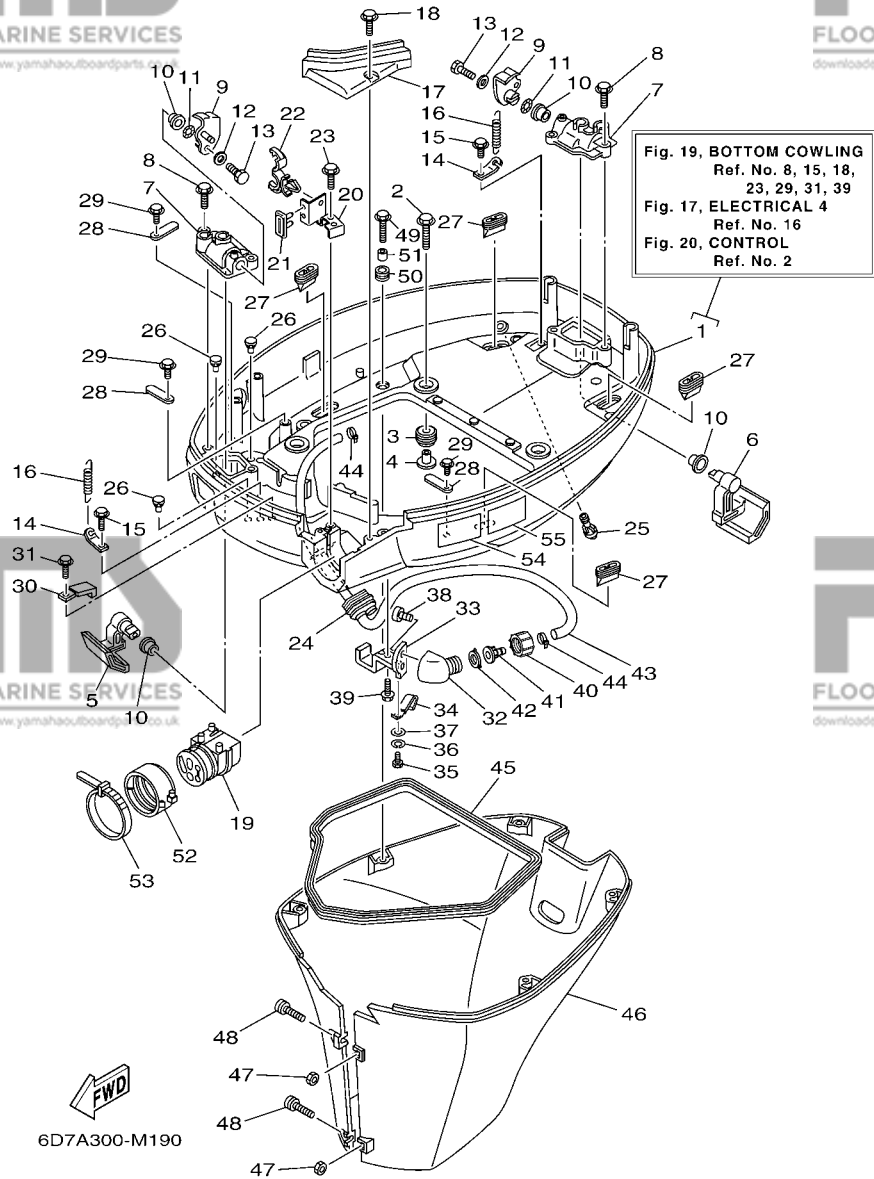


FIG. 19 BOTTOM COWLING

CAPOT INFERIEUR

REF. NO.	PART NO. N° PIECES	DESCRIPTION DESCRIPTION	6D7A	6D9A	REMARKS REMARQUES
28	6E5-82588-00	PLATE PLAQUE	3	3	
29	90109-06M81	BOLT BOULON	3	3	
30	90465-08M23	CLAMP BRIDE	1	1	
31	90109-06M86	BOLT BOULON	1	1	
32	68T-12572-00	ADAPTER ADAPTATEUR	1	1	FLUSHING KIT FLUSHING KIT
33	67F-12535-01	PLATE PLAQUE	1	1	FLUSHING KIT FLUSHING KIT
34	90462-06018	CLAMP BRIDE	1	1	FLUSHING KIT FLUSHING KIT
35	97095-06008	BOLT BOULON	1	1	FLUSHING KIT FLUSHING KIT
36	92995-06100	WASHER, SPRING RONDELLE, GROWER	1	1	FLUSHING KIT FLUSHING KIT
37	92995-06200	WASHER RONDELLE	1	1	FLUSHING KIT FLUSHING KIT
38	90167-06002	SCREW, TAPPING VIS, TETE FRAISEE	2	2	FLUSHING KIT FLUSHING KIT
39	90109-06M86	BOLT BOULON	1	1	FLUSHING KIT FLUSHING KIT
40	6R3-12581-00	JOINT, HOSE 1 JOINT DE TUYAU	1	1	FLUSHING KIT FLUSHING KIT
41	6R3-12582-00	JOINT, HOSE 2 RACCORD DE TUYAU	1	1	FLUSHING KIT FLUSHING KIT
42	6R3-12583-00	GASKET, HOSE JOINT	1	1	FLUSHING KIT FLUSHING KIT
43	67F-24312-00	PIPE 2 DURITE 2	1	1	FLUSHING KIT FLUSHING KIT
44	90465-11M10	CLAMP BRIDE	2	2	FLUSHING KIT FLUSHING KIT
45	61A-42716-00	RUBBER, SEAL 1 JOINT EN CAOUTCHOUC 1	1	1	
46	67F-42741-01-8D	APRON CAPOT LATERAL	1	1	
47	95380-06600	NUT, HEXAGON ECROU	2	2	
48	90159-06M28	SCREW, WITH WASHER VIS, AVEC RONDELLE	2	2	
49	90109-06M80	BOLT BOULON	5	5	
50	90480-13M24	GROMMET PASSE-FIL	5	5	
51	90387-06M43	COLLAR COLLERETTE	5	5	
52	68F-42753-00	FASTNER ATTACHE	1	1	AP AP
53	90464-20258	CLAMP BRIDE	1	1	AP AP
54	6AH-42794-40	LABEL, WARNING (GENERAL) ETIQUETTE, AVERTISSEMENT	1	1	

FIG. 19 BOTTOM COWLING

CAPOT INFERIEUR

REF. NO.	PART NO. N° PIECES	DESCRIPTION DESCRIPTION	6D7A	6D9A	REMARKS REMARQUES
55	6AH-42794-50	LABEL, WARNING (GENERAL) ETIQUETTE, AVERTISSEMENT	1	1	

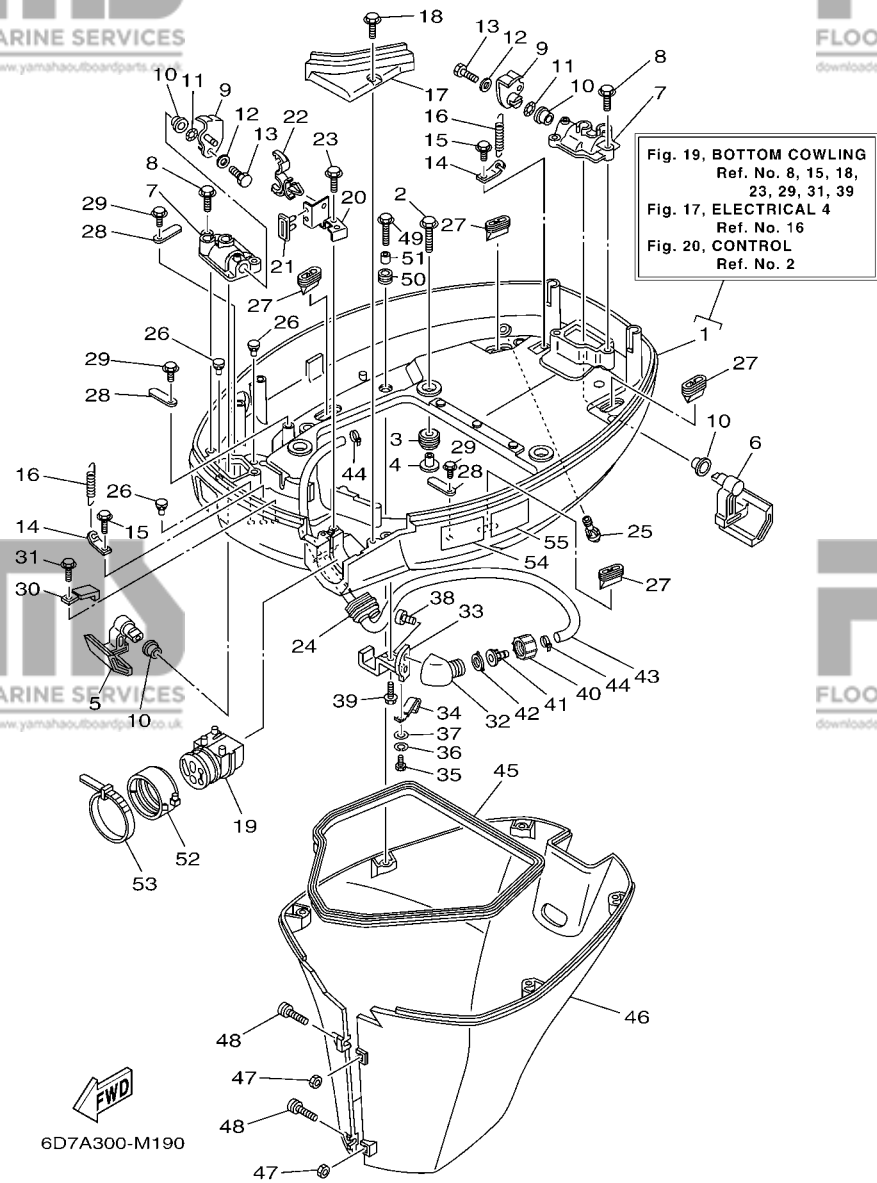
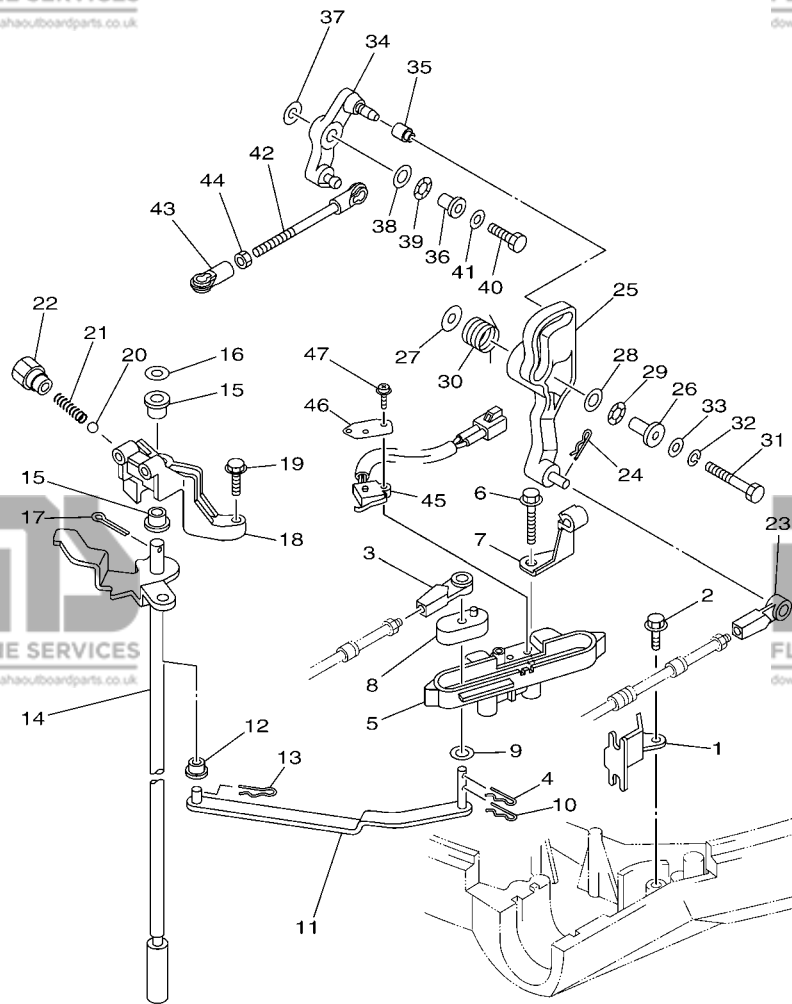


Fig. 19, BOTTOM COWLING
Ref. No. 8, 15, 18,
23, 29, 31, 39
Fig. 17, ELECTRICAL 4
Ref. No. 16
Fig. 20, CONTROL
Ref. No. 2



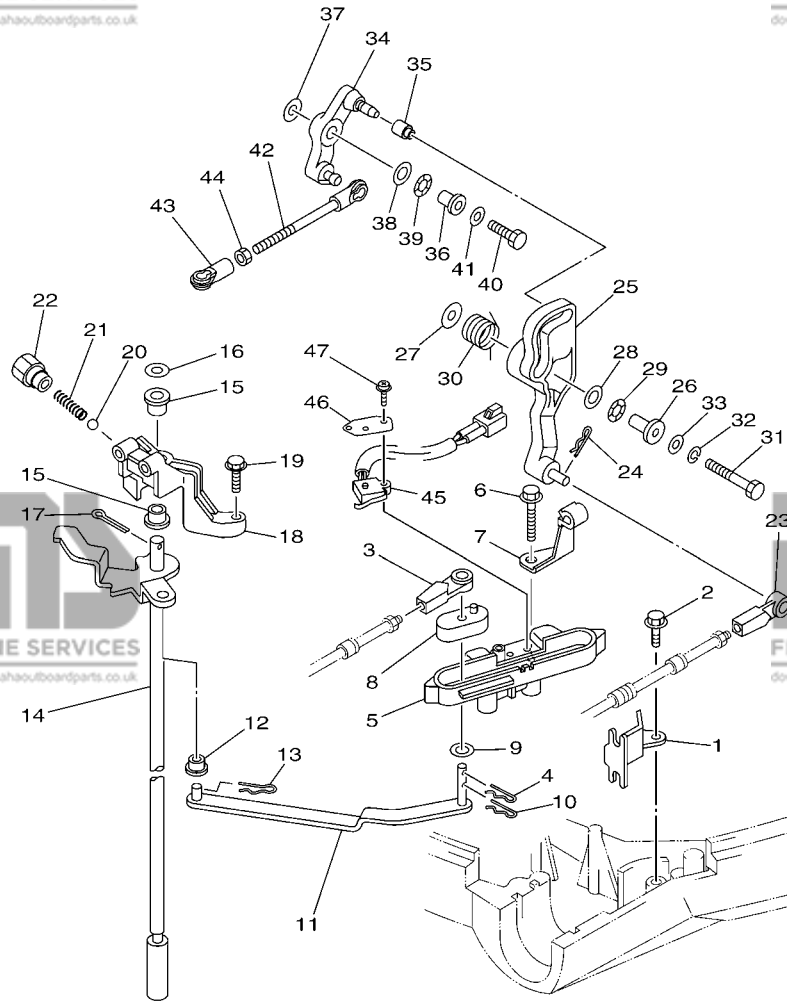
6D67110-K200

FIG. 20 CONTROL

REF. NO.	PART NO. N° PIECES	DESCRIPTION DESCRIPTION	6D7A	6D9A	REMARKS REMARQUES
1	67F-48538-00	CLAMP, CABLE 1 COLLIER	1	1	
2	90109-06M86	BOLT BOULON	1	1	
3	663-48344-00	CABLE END, REMOTE CONTROL CHAPE CABLE	1	1	
4	90468-18008	CLIP JONC	1	1	
5	6D8-44117-00-94	BRACKET SUPPORT	1	1	
6	97595-06550	BOLT, WITH WASHER VIS HEXAGONAL AVC RONDELLE	2	2	
7	90462-10027	CLAMP BRIDE	1	1	
8	68V-44122-01	BUSHING, SHIFT ROD LEVER DOUILLE, LEVIER D'EMBRAYAGE	1	1	
9	90202-07M07	WASHER, PLATE RONDELLE, PLATE	1	1	
10	90468-18008	CLIP JONC	1	1	
11	67F-44121-00	LEVER, SHIFT ROD LEVIER, TIGE D'INVERSION	1	1	
12	90386-06M12	BUSH DOUILLE	1	1	
13	90468-18008	CLIP JONC	1	1	
14	67F-44120-10 67F-44120-30	HANDLE GEAR SHIFT ASSY LEVIER D'EMBRAYAGE HANDLE GEAR SHIFT ASSY LEVIER D'EMBRAYAGE	1	1	L(21.1") L(21.1") X(26.1") X(26.1")
15	90386-90M90	BUSH DOUILLE	2	2	
16	90201-09M02	WASHER, PLATE RONDELLE, PLATE	1	1	
17	91490-20015	PIN, COTTER GOUPILLE	1	1	
18	67F-44118-00-94	BRACKET SUPPORT	1	1	
19	97575-06525	BOLT, WITH WASHER VIS HEXAGONAL AVC RONDELLE	2	2	
20	93501-04M02	BALL BILLE	1	1	
21	90501-12082	SPRING, COMPRESSION RESSORT, COMPRESSION	1	1	
22	648-42715-00	BUSHING COUSSINET	1	1	
23	663-48344-00	CABLE END, REMOTE CONTROL CHAPE CABLE	1	1	
24	90468-18008	CLIP JONC	1	1	
25	6D8-42154-00	LEVER, THROTTLE CONTROL LEVIER DE COMMANDE D'AVANCE	1	1	
26	90387-06M21	COLLAR COLLERETTE	1	1	

FIG. 20 CONTROL

COMMANDE



6D67110-K200

REF. NO.	PART NO. N° PIECES	DESCRIPTION DESCRIPTION	6D7A	6D9A	REMARKS REMARQUES
27	90201-06M62	WASHER, PLATE RONDELLE, PLATE	1	1	
28	90201-10M02	WASHER, PLATE RONDELLE, PLATE	1	1	
29	90206-10M04	WASHER, WAVE RONDELLE, ONDULEE	1	1	
30	67F-44135-00	SPRING RESSORT	1	1	
31	97095-06035	BOLT BOULON	1	1	
32	92995-06100	WASHER, SPRING RONDELLE, GROWER	1	1	
33	92995-06600	WASHER RONDELLE	1	1	
34	6D8-42157-00	LEVER, THROTTLE LEVIER DE AVANCE	1	1	
35	68V-42171-00	BUSHING COUSSINET	1	1	
36	90387-06013	COLLAR COLLERETTE	1	1	
37	90201-06M31	WASHER, PLATE RONDELLE, PLATE	1	1	
38	90201-10M02	WASHER, PLATE RONDELLE, PLATE	1	1	
39	90206-10M04	WASHER, WAVE RONDELLE, ONDULEE	1	1	
40	97095-06025	BOLT BOULON	1	1	
41	92995-06600	WASHER RONDELLE	1	1	
42	6D8-41237-00	JOINT, LINK RACCORD	1	1	
43	682-41237-00	JOINT, LINK RACCORD	1	1	
44	95380-05600	NUT ECROU	1	1	
45	60V-8259F-00	SWITCH ASSY COMMUTATEUR	1	1	
46	61A-82588-01	PLATE PLAQUE	1	1	
47	97985-04116	SCREW, WITH WASHER VIS, AVEC RONDELLE	2	2	

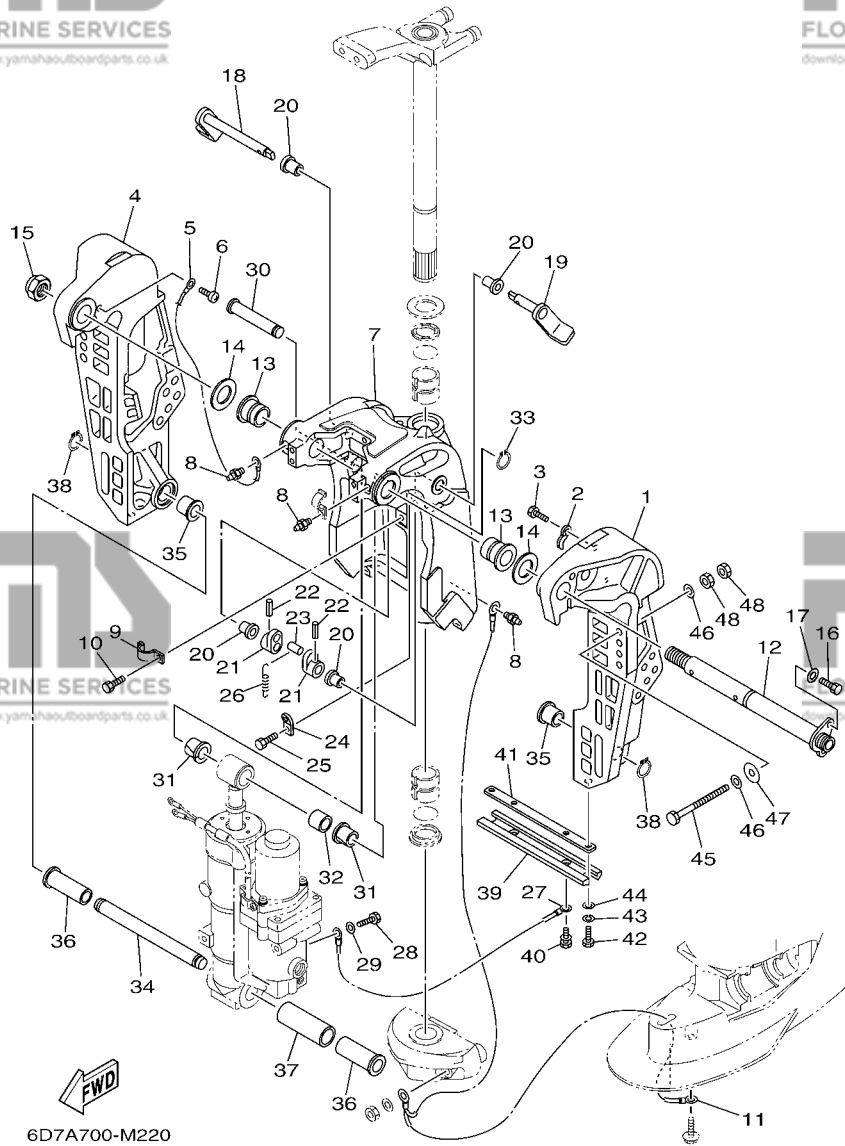


FIG. 21 BRACKET 1

SUPPORT 1

REF. NO.	PART NO. N° PIECES	DESCRIPTION DESCRIPTION	6D7A	6D9A	REMARKS REMARQUES
1	67F-43111-00-8D	BRACKET, CLAMP 1 PRESSE 1	1	1	
2	90465-10M77	CLAMP BRIDE	2	2	
3	97095-06010	BOLT BOULON	2	2	
4	67F-43112-00-8D	BRACKET, CLAMP 2 PRESSE 2	1	1	
5	6E5-82148-00	WIRE, LEAD 4 FIL 4	1	1	
6	97880-06012	SCREW, PAN HEAD VIS, TETE TRONCONIQUE	1	1	
7	6D8-43311-01-8D	BRACKET, SWIVEL 1 SUPPORT, PIVOT 1	1	1	
8	93700-06M03	NIPPLE, GREASE PION	3	3	
9	90465-08M63	CLAMP BRIDE	1	1	
10	97095-06010	BOLT BOULON	1	1	
11	67F-82127-00	WIRE, LEAD 2 FIL 2	1	1	
12	64E-43131-30	BOLT, CLAMP BRACKET BOULON, PRESSE	1	1	FOR TILT LIMIT FOR TILT LIMIT
13	90386-25M31	BUSH DOUILLE	2	2	
14	90201-26M59	WASHER, PLATE RONDELLE, PLATE	2	2	
15	90185-22M11	NUT, SELF-LOCKING ECROU, AUTO-BLOQUANT	1	1	
16	97095-08020	BOLT BOULON	1	1	
17	92995-08600	WASHER RONDELLE	1	1	
18	6D8-43181-00	LEVER, TILT STOP 1 LEVIER VERROUILLAGE RELEVAGE 1	1	1	
19	6D8-43185-00	LEVER, TILT STOP 2 LEVIER VERROUILLAGE RELEVAGE 2	1	1	
20	90386-10M16	BUSH DOUILLE	4	4	
21	6G5-43148-00	COLLAR, DISTANCE ENTRETOISE	2	2	
22	91690-30020	PIN, SPRING AGRAFFE	2	2	
23	90249-06M19	PIN GOUPILLE	1	1	
24	66T-43144-00	HOOK, SPRING CROCHET	1	1	
25	97095-06010	BOLT BOULON	1	1	
26	90506-14M24	SPRING, TENSION RESSORT, TENSION	1	1	
27	6D8-82148-00	WIRE, LEAD 4 FIL 4	1	1	

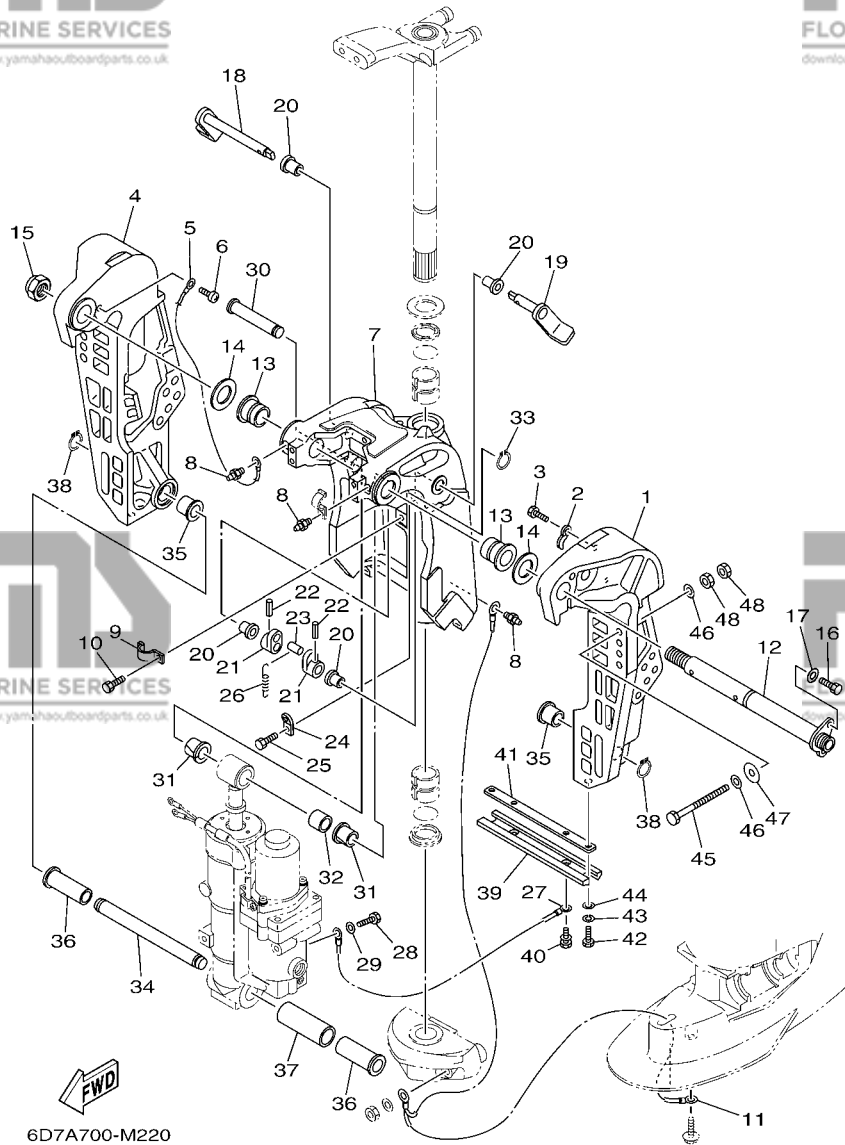


FIG. 21 BRACKET 1

SUPPORT 1

REF. NO.	PART NO. N° PIECES	DESCRIPTION DESCRIPTION	6D7A	6D9A	REMARKS REMARQUES
28	97095-06010	BOLT BOULON	1	1	
29	92995-06600	WASHER RONDELLE	1	1	
30	6D8-43126-00	PIN, UPPER SHOCK MOUNT AXE, SUPERIEUR AMORTISSEUR	1	1	
31	90386-18M35	BUSH DOUILLE	2	2	
32	90386-18001	BUSH DOUILLE	1	1	
33	93410-18M05	CIRCLIP CLIPS	1	1	
34	67F-43818-00	PIN, LOWER SHOCK MOUNT AXE, INFERIEUR AMORTISSEUR	1	1	
35	90387-18M01	COLLAR COLLERETTE	2	2	
36	90386-18MA0	BUSH DOUILLE	2	2	
37	90387-22M01	COLLAR COLLERETTE	1	1	
38	93410-18M05	CIRCLIP CLIPS	2	2	
39	6H1-45251-03	ANODE ANODE	1	1	
40	90119-06M81	BOLT, WITH WASHER BOULON, AVEC RONDELLE	2	2	
41	6H1-44526-00	PLATE PLAQUE	1	1	
42	97095-06016	BOLT BOULON	2	2	
43	92995-06100	WASHER, SPRING RONDELLE, GROWER	2	2	
44	92995-06600	WASHER RONDELLE	2	2	
45	90101-12M03	BOLT (L:115MM) BOULON (L:115MM)	4	4	
46	90201-13M01	WASHER, PLATE RONDELLE, PLATE	8	8	
47	90201-12426	WASHER, PLATE RONDELLE, PLATE	4	4	
48	95380-12600	NUT ECROU	8	8	

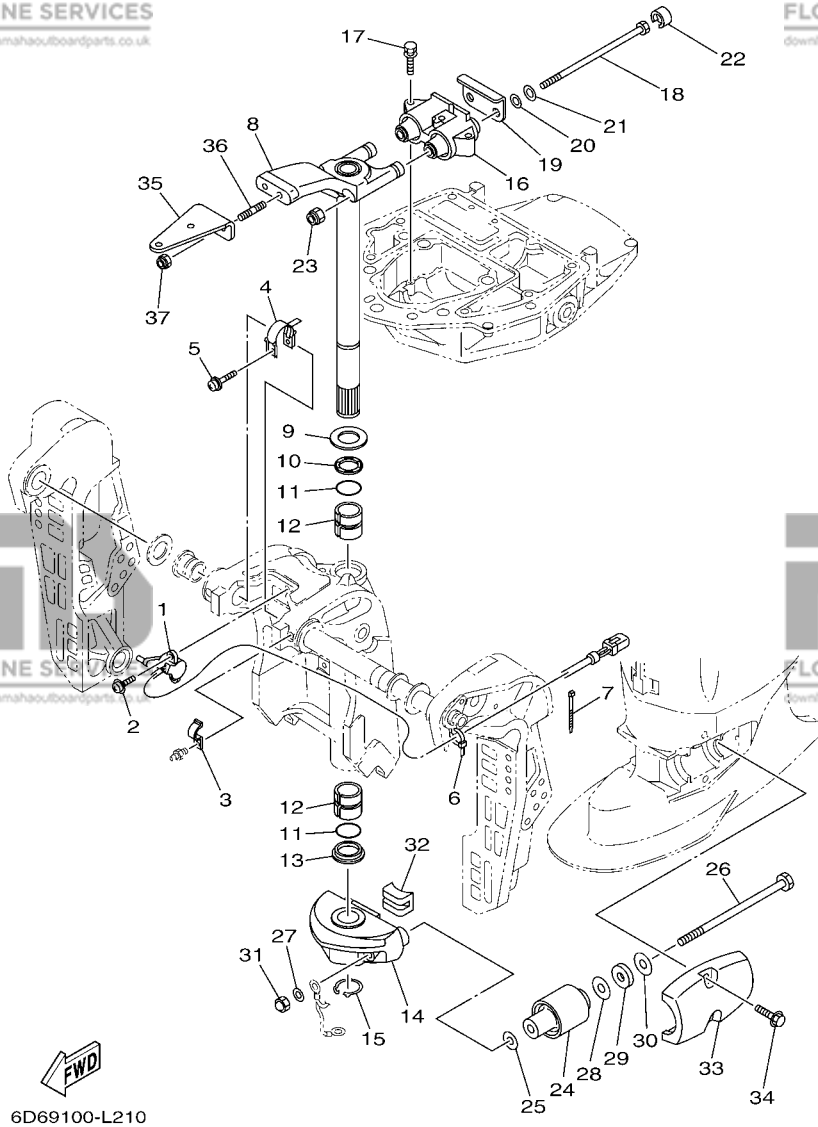


FIG. 22 BRACKET 2

SUPPORT 2

REF. NO.	PART NO. N° PIECES	DESCRIPTION DESCRIPTION	6D7A	6D9A	REMARKS REMARQUES
1	67H-83672-01	TRIM SENDER INCLINER RACCORD	1	1	
2	97985-06216	SCREW, WITH WASHER VIS, AVEC RONDELLE	2	2	
3	90465-08M63	CLAMP BRIDE	1	1	
4	64E-43139-10	CAM, TRIM SENDER VILEBREQUIN TRUM	1	1	
5	90159-05059	SCREW, WITH WASHER VIS, AVEC RONDELLE	1	1	
6	90465-11M10	CLAMP BRIDE	1	1	
7	90465-11M10	CLAMP BRIDE	3	3	
8	67F-42510-11-8D	STEERING BRACKET ASSY DIRECTION SUPPORT (ENS.)	1	1	
9	90201-30M00	WASHER, PLATE RONDELLE, PLATE	1	1	
10	90386-30M78	BUSH DOUILLE	1	1	
11	93210-29M94	O-RING JOINT TORIQUE	2	2	
12	90386-30M77	BUSH DOUILLE	2	2	
13	90386-30M60	BUSH DOUILLE	1	1	
14	67F-44551-00-8D	HOUSING, LOWER MOUNT RUBBER 1 BOITIER, SILENT-BLOC INFERIEUR	1	1	
15	93410-28M06	CIRCLIP CLIPS	1	1	
16	67F-44514-01	MOUNT DAMPER, UPPER SIDE SILENT-BLOC, SUPERIEUR LATERAL	1	1	
17	90119-08091	BOLT, WITH WASHER BOULON, AVEC RONDELLE	3	3	
18	90109-12007	BOLT BOULON	2	2	
19	67F-44526-00	PLATE PLAQUE	1	1	
20	90201-12M16	WASHER, PLATE RONDELLE, PLATE	2	2	
21	90201-13M01	WASHER, PLATE RONDELLE, PLATE	2	2	
22	67F-44533-00	DAMPER, UPPER MOUNT RUBBER COUVERCLE, SUSPENSION INFERIEUR	2	2	
23	95780-12300	NUT, FLANGE ECROU	2	2	
24	67F-44555-00	MOUNT DAMPER, LOWER SIDE SILENT-BLOC, INFERIEUR LATERAL	2	2	
25	90201-13M03	WASHER, PLATE RONDELLE, PLATE	2	2	
26	90109-12012	BOLT BOULON	2	2	
27	90201-12M16	WASHER, PLATE RONDELLE, PLATE	2	2	

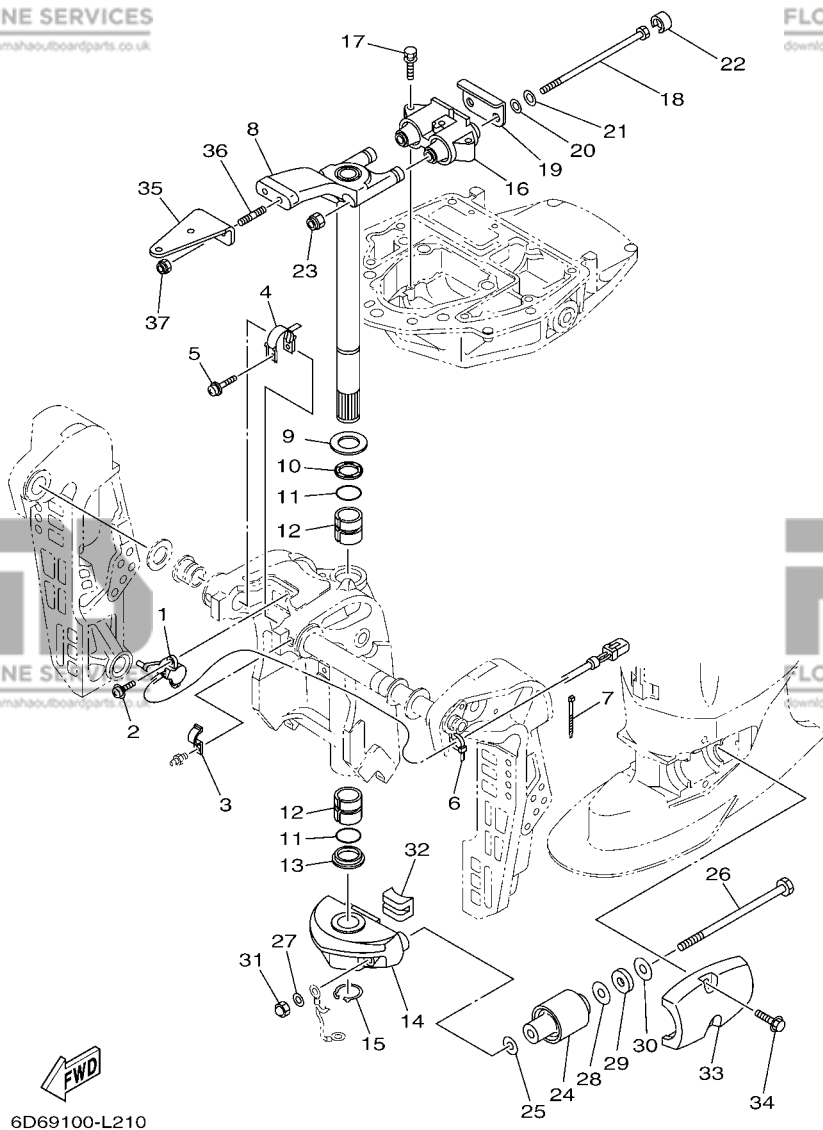


FIG. 22 BRACKET 2

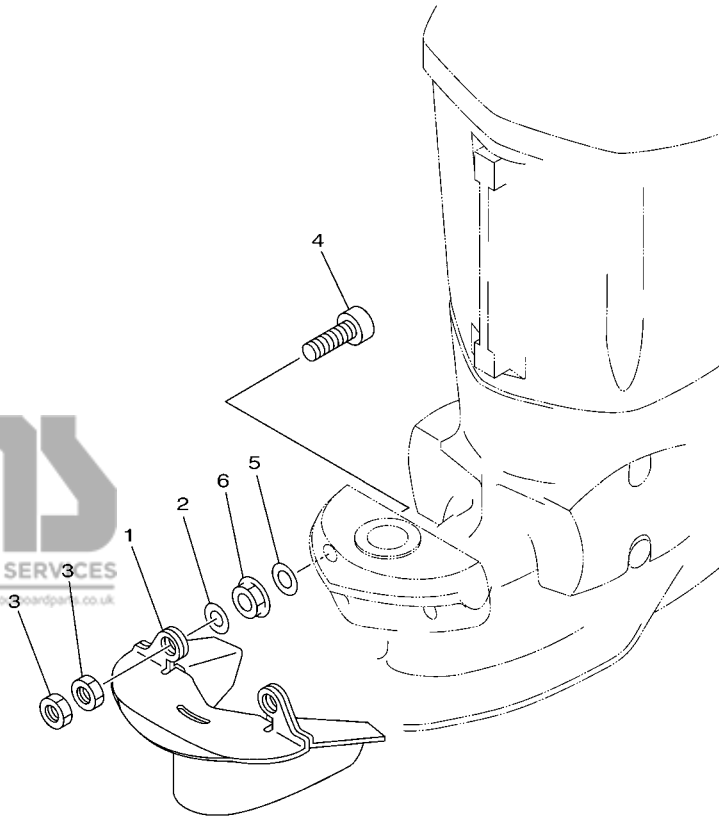
SUPPORT 2

REF. NO.	PART NO. N° PIECES	DESCRIPTION DESCRIPTION	6D7A	6D9A	REMARKS REMARQUES
28	90201-24M02	WASHER, PLATE RONDELLE, PLATE	2	2	
29	90202-25M04	WASHER, PLATE RONDELLE, PLATE	2	2	
30	90201-13M19	WASHER, PLATE RONDELLE, PLATE	2	2	
31	95380-12800	NUT, CROWN ECROU, BORGNE	2	2	
32	67F-44575-00	DAMPER, LOWER MOUNT RUBBER SILENT-BLOC, INFERIEUR	1	1	
33	67F-44553-00-8D	COVER, LOWER MOUNT COUVERCLE, SUSPENSION INFERIEUR	2	2	
34	97575-10540	BOLT, WITH WASHER VIS HEXAGONAL AVEC RONDELLE	4	4	
35	67F-48511-01	HOOK, STEERING ATTACHE, DIRECTION	1	1	
36	90116-10175	BOLT, STUD GOUJON	2	2	
37	90185-10051	NUT, SELF-LOCKING ECROU, AUTO-BLOQUANT	2	2	

FIG. 23 OPTIONAL PARTS 1

PIECES OPTIONNELLES 1

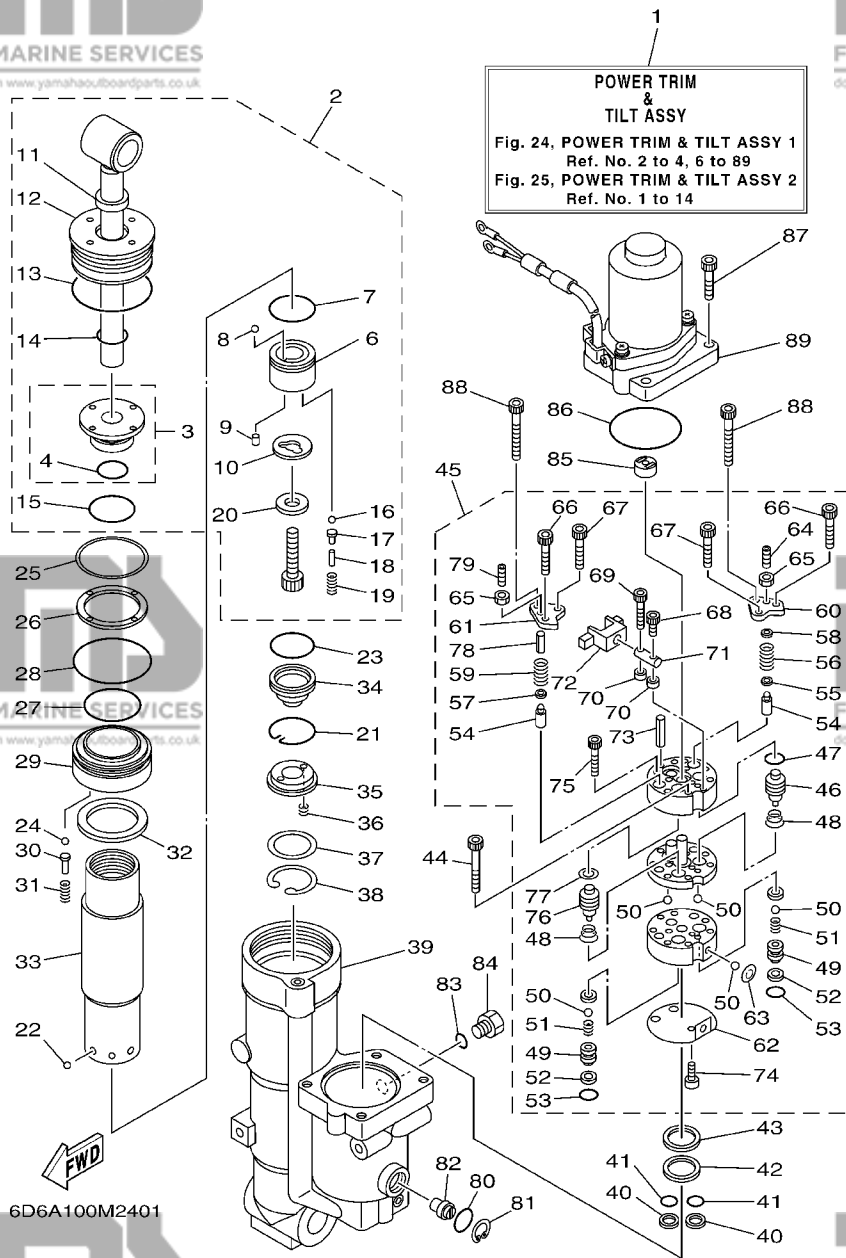
REF. NO.	PART NO. N° PIECES	DESCRIPTION DESCRIPTION	6D7A	6D9A	REMARKS REMARQUES
1	67F-45180-00-4D	PLATE, SPLASH PLAQUE, EAU	1	1	AP AP
2	90201-12M01	WASHER, PLATE RONDELLE, PLATE	2	2	AP AP
3	95380-12700	NUT ECROU	4	4	AP AP AP
4	90110-12M00	BOLT, HEXAGON SOCKET HEAD BOULON, TETE HEXAGONALE CREUSE	2	2	AP AP
5	90201-12M16	WASHER, PLATE RONDELLE, PLATE	2	2	AP AP
6	95780-12300	NUT, FLANGE ECROU	2	2	AP AP



6D62100-E230

FIG. 24 POWER TRIM & TILT ASSY 1

PUISSANCE PARER ET INCLINER 1

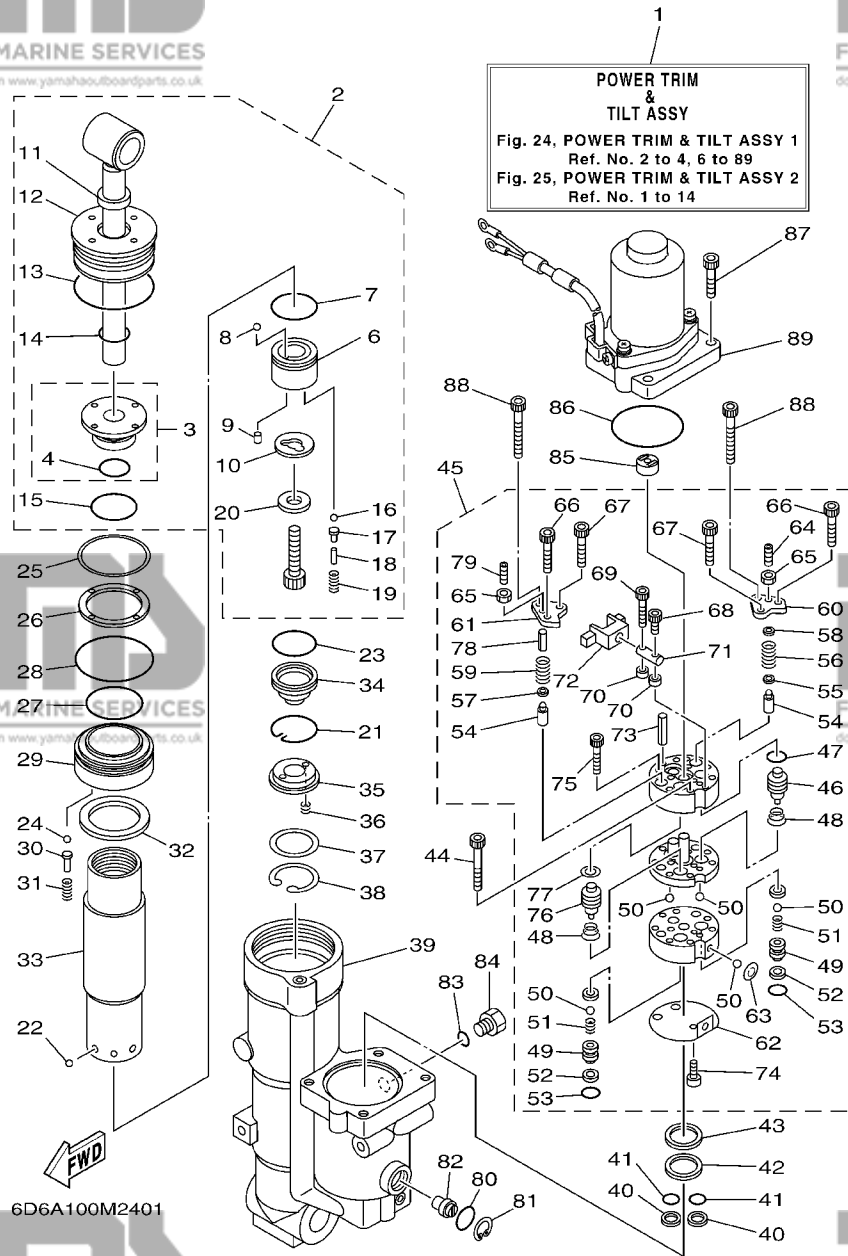


6D6A100M2401

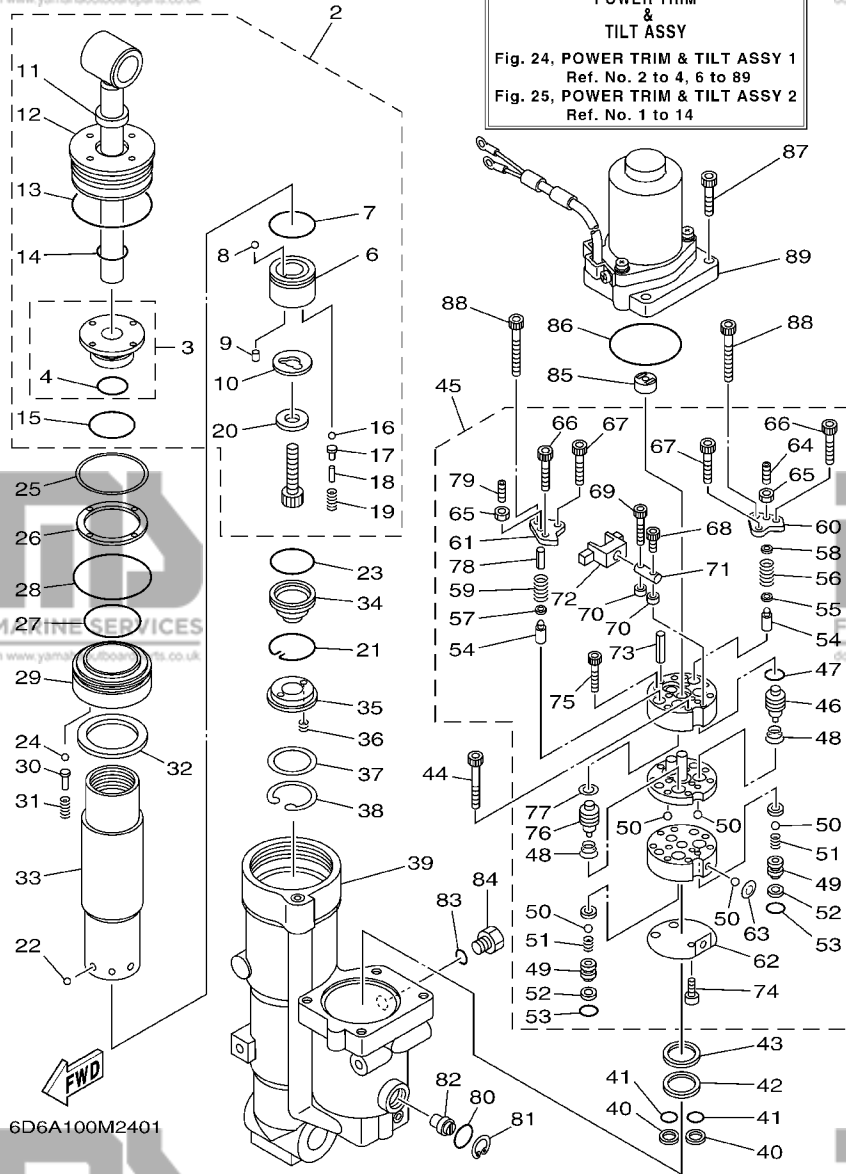
REF. NO.	PART NO. N° PIECES	DESCRIPTION DESCRIPTION	6D7A	6D9A	REMARKS REMARQUES
1	6D8-43800-10-8D	POWER TRIM & TILT ASSY PUISSANCE PARER ET INCLINER (E	1	1	
2	67F-43810-02	TILT PISTON SUB ASSY INCLINER PISTON AUXILIAIRE(ENS	1	1	
3	67F-4380R-01	.CYLINDER END SUB ASSY .CYLINDRE RACCORD (ENS.)	1	1	
4	6D8-43861-00	..O-RING ..JOINT TORIQUE	1	1	
6	67F-4385A-02	.PISTON, TILT .PISTON	1	1	
7	67F-43863-00	.O-RING .JOINT TORIQUE	1	1	
8	93501-08001	.BALL .BILLE	1	1	
9	93602-07244	.PIN, DOWEL .GOUJON	2	2	
10	67F-22435-00	.PLATE, VALVE 2 .PLAQUE, CLAPET 2	1	1	
11	6H1-43812-00	.SEAL, DUST .JOINT	1	1	
12	67F-43821-01	.SCREW, TRIM CYLINDER END .VIS	1	1	
13	67F-43861-00	.O-RING .JOINT TORIQUE	1	1	
14	6D8-43861-00	.O-RING .JOINT TORIQUE	1	1	
15	62X-43862-00	.O-RING .JOINT TORIQUE	1	1	
16	93501-08001	.BALL .BILLE	2	2	
17	65W-4386A-00	.PIN, ABSORBER VALVE .GOUPILLE, SOUPAPE	2	2	
18	688-4386F-00	.PIN, STRAIGHT .RESSORT	2	2	
19	65W-43853-00	.SPRING, MAIN VALVE .RESSORT	2	2	
20	67F-43893-00	.WASHER .RONDELLE	1	1	
21	67F-43875-00	RING, SNAP RESSORT	1	1	
22	93503-16003	BALL BILLES	6	6	
23	67F-43863-00	O-RING JOINT TORIQUE	1	1	
24	93501-08001	BALL BILLE	5	5	
25	67F-43899-00	PLATE STOPPER PLAQUETTE	1	1	
26	67F-43816-00	FILTER 1 FILTRE 1	1	1	
27	67F-43862-00	O-RING JOINT TORIQUE	1	1	

FIG. 24 POWER TRIM & TILT ASSY 1

PUISSANCE PARER ET INCLINER 1



REF. NO.	PART NO. N° PIECES	DESCRIPTION DESCRIPTION	6D7A	6D9A	REMARKS REMARQUES
28	67F-43865-00	O-RING JOINT TORIQUE	1	1	
29	67F-4388A-01	PISTON, TRIM PISTON	1	1	
30	6T4-4386A-00	PIN, ABSORBER VALVE GOUPILLE, SOUPAPE	5	5	
31	67F-43857-00	SPRING, ABSORBER VALVE RESSORT	5	5	
32	67F-4381J-00	PLATE PLAQUE	1	1	
33	67F-22471-01	CYLINDER, SHOCK ABSORBER CYLINDRE, AMORTISSEUR	1	1	
34	67F-4381B-00	FREE PISTON SUB ASSY PISTON AUXILIAIRE (ENS.)	1	1	
35	62X-43899-00	PLATE STOPPER PLAQUETTE	1	1	
36	62X-4384H-00	SPRING RESSORT	2	2	
37	1UF-22434-00	PLATE, VALVE 1 PLATEAU, SOUPAPE 1	1	1	
38	62X-43875-00	RING, SNAP RESSORT	1	1	
39	6D8-4380K-01	CYLINDER, TILT SUB ASSY CYLINDRE	1	1	
40	6C6-43817-00	FILTER 2 FILTRE 2	2	2	
41	69J-4389J-00	O-RING JOINT TORIQUE	2	2	
42	6C5-43816-00	FILTER 1 FILTRE 1	1	1	
43	6C5-4380G-00	PLATE PLAQUE	1	1	
44	91318-05045	BOLT BOULON	2	2	
45	6D8-43830-00	GEAR PUMP ASSY POMPE A PIGNON (ENS.)	1	1	
46	6C6-43841-00	.PISTON, SHUTTLE .PISTON	1	1	
47	6H1-43883-00	.O-RING .JOINT TORIQUE	1	1	
48	6C6-43894-00	.SPRING, SHUTTLE RETURN .RESSORT	2	2	
49	6C6-4382E-00	.ADAPTOR 2 .ADAPTEUR 2	2	2	
50	93505-32038	.BALL .BILLE	6	6	
51	6C6-43853-00	.SPRING, MAIN VALVE .RESSORT	2	2	
52	6C6-4387G-00	.WASHER .RONDELLE	2	2	
53	69J-4389J-00	.O-RING .JOINT TORIQUE	2	2	
54	6C5-43851-00	.SEAT, RELIEF VALVE .SIEGE	2	2	



6D6A100M2401

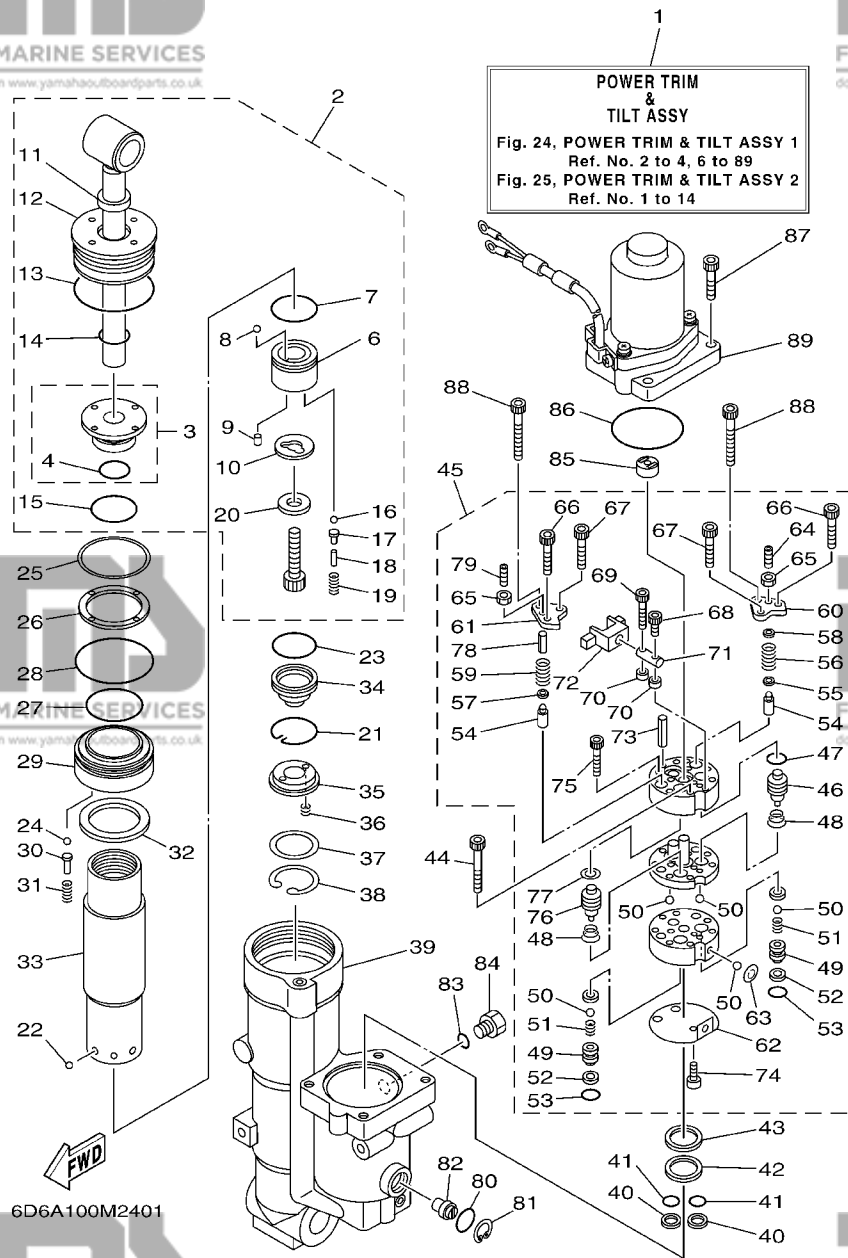
FIG. 24 POWER TRIM & TILT ASSY 1

PUISSANCE PARER ET INCLINER 1

REF. NO.	PART NO. N° PIECES	DESCRIPTION DESCRIPTION	6D7A	6D9A	REMARKS REMARQUES
55	6C5-43893-00	.WASHER .RONDELLE	1	1	
56	6D8-43855-00	.SPRING, UP RELIEF .RESSORT	1	1	
57	6C6-43893-00	.WASHER .RONDELLE	1	1	
58	6C5-4381K-00	.HOLDER .SUPPORT	1	1	
59	6D8-43856-00	.SPRING, DOWN RELIEF .RESSORT	1	1	
60	6C5-4382K-00	.CAP, RELIEF VALVE .CHAPEAU	1	1	
61	6C5-4382L-00	.CAP, RELIEF VALVE .CAPUCHON	1	1	
62	6C5-43895-00	.SEAT, RELIEF VALVE .SIEGE	1	1	
63	6C5-43854-00	.SPRING, MANUAL RELEASE .RESSORT	1	1	
64	92A08-03110	.SCREW SET .VIS	1	1	
65	95302-03600	.NUT .ECROU	2	2	
66	91318-05030	.BOLT .BOULON	2	2	
67	91318-04030	.BOLT .BOULON	2	2	
68	91318-03016	.BOLT .BOULON	1	1	
69	6C6-4388E-00	.PLUG, TAPER SCREW .BOUCHON	1	1	
70	6C6-4388F-00	.SPACER .ENTRETOISE	2	2	
71	6C6-4386G-00	.PIN, STRAIGHT 2 .RESSORT 2	1	1	
72	6C6-4386E-00	.LEVER 1 .LEVIER 1	1	1	
73	91609-50028	.PIN, SPRING .AXE DE RESSORT	2	2	
74	91318-03005	.BOLT .BOULON	1	1	
75	91318-05025	.BOLT .BOULON	2	2	
76	6C5-43841-00	.PISTON, SHUTTLE .PISTON	1	1	
77	6C5-43872-00	.RING, BACK UP .RESSORT	1	1	
78	6D8-4381G-00	.PIN 1 .GOUPILLE 1	1	1	
79	92A08-03012	.SCREW SET .VIS	1	1	
80	6D8-43863-00	O-RING .JOINT TORIQUE	1	1	
81	6H1-43875-00	RING, SNAP .RESSORT	1	1	

FIG. 24 POWER TRIM & TILT ASSY 1

PUISSANCE PARER ET INCLINER 1

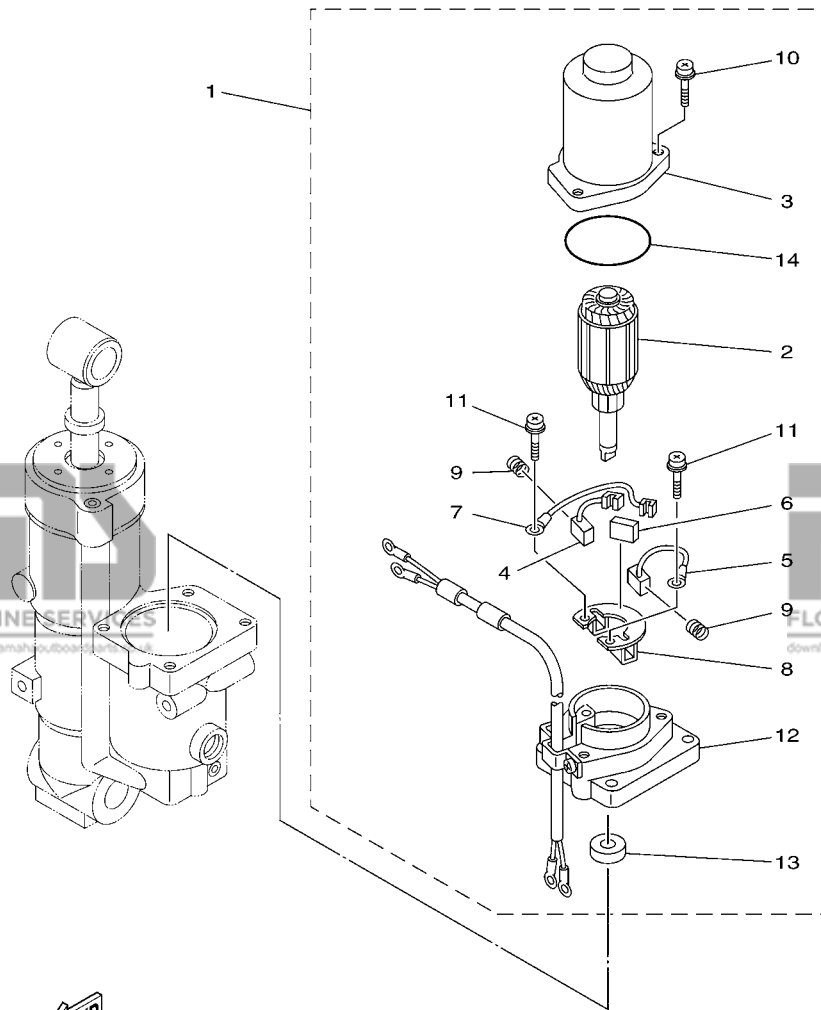


REF. NO.	PART NO. N° PIECES	DESCRIPTION DESCRIPTION	6D7A	6D9A	REMARKS REMARQUES
82	6D8-43845-00	SCREW, MANUAL RELEASE VIS	1	1	
83	93210-09165	O-RING JOINT TORIQUE	1	1	
84	6H1-43829-00	PLUG, RESERVOIR BOUCHON	1	1	
85	6D8-43831-00	CONNECTOR, SHAFT RACCORD	1	1	
86	93210-64488	O-RING JOINT TORIQUE	1	1	
87	91380-06020	BOLT BOULON	4	4	
88	91318-05050	BOLT BOULON	2	2	
89	6D8-43880-01	MOTOR ASSY MOTEUR (ENS.)	1	1	REFER TO FIG.25 REFER TO FIG.25

FIG. 25 POWER TRIM & TILT ASSY 2

PUISSANCE PARER ET INCLINER 2

REF. NO.	PART NO. N° PIECES	DESCRIPTION DESCRIPTION	6D7A	6D9A	REMARKS REMARQUES
1	6D8-43880-01	MOTOR ASSY MOTEUR (ENS.)	1	1	
2	6D8-43805-01	.ARMATURE ASSY .INDUIT (ENS.)	1	1	
3	6D8-43804-01	.STATOR ASSY .STATOR (ENS.)	1	1	
4	6H1-43891-11	.BRUSH 1 .BALAI 1	1	1	
5	6H1-43892-11	.BRUSH 2 .BALAI 2	1	1	
6	6H1-82181-10	.CIRCUIT BREAKER COMP. .RUPTEUR COMPLET	1	1	
7	62X-43807-00	.WIRE SUB ASSY .AUXILIAIRE CABLE (ENS.)	1	1	
8	6H1-4380F-11	.PLATE, BRUSH HOLDER .PLAQUE	1	1	
9	62X-4386K-00	.SPRING, BRUSH .RESSORT, BALAI	2	2	
10	97980-05225	.SCREW, WITH WASHER .VIS, AVEC RONDELLE	3	3	
11	97602-04216	.SCREW, PAN HEAD WITH WASHER .VIS	2	2	
12	6D8-43881-01	.FRAME, END .BATI	1	1	
13	93102-08414	.OIL SEAL .JOINT SPY	1	1	
14	93210-554A9	.O-RING .JOINT TORIQUE	1	1	



FWD
6D63100-F250

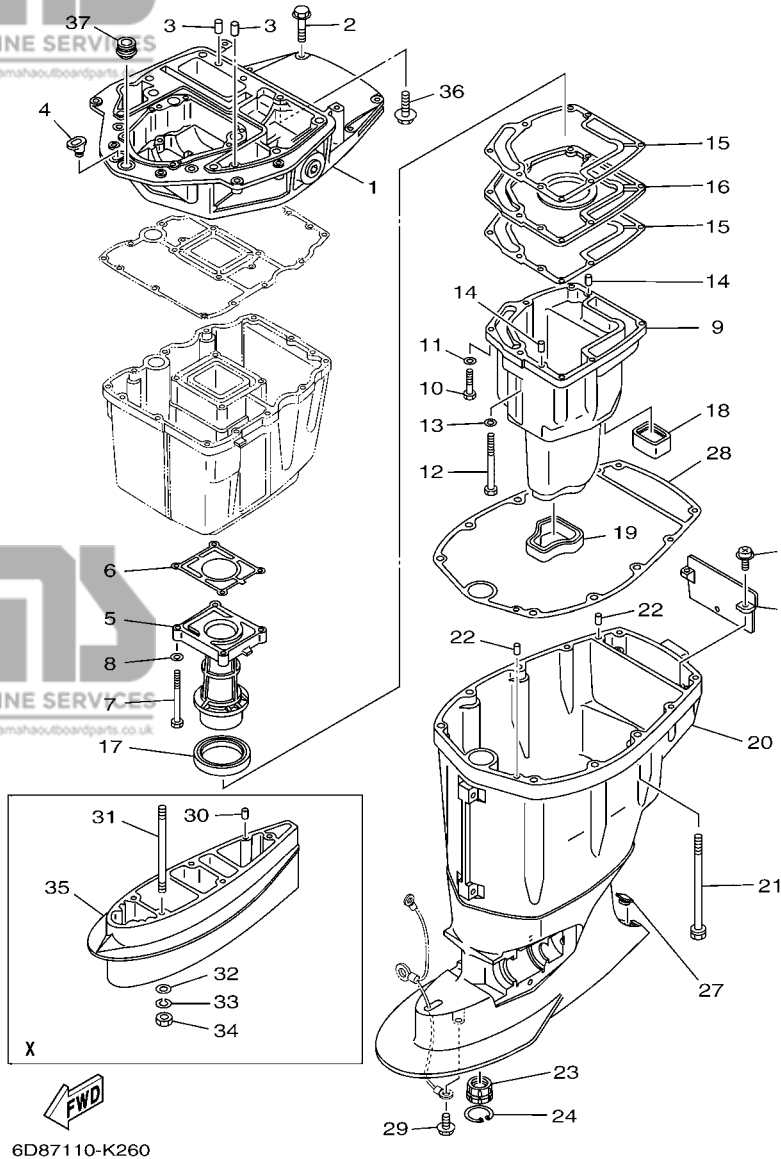
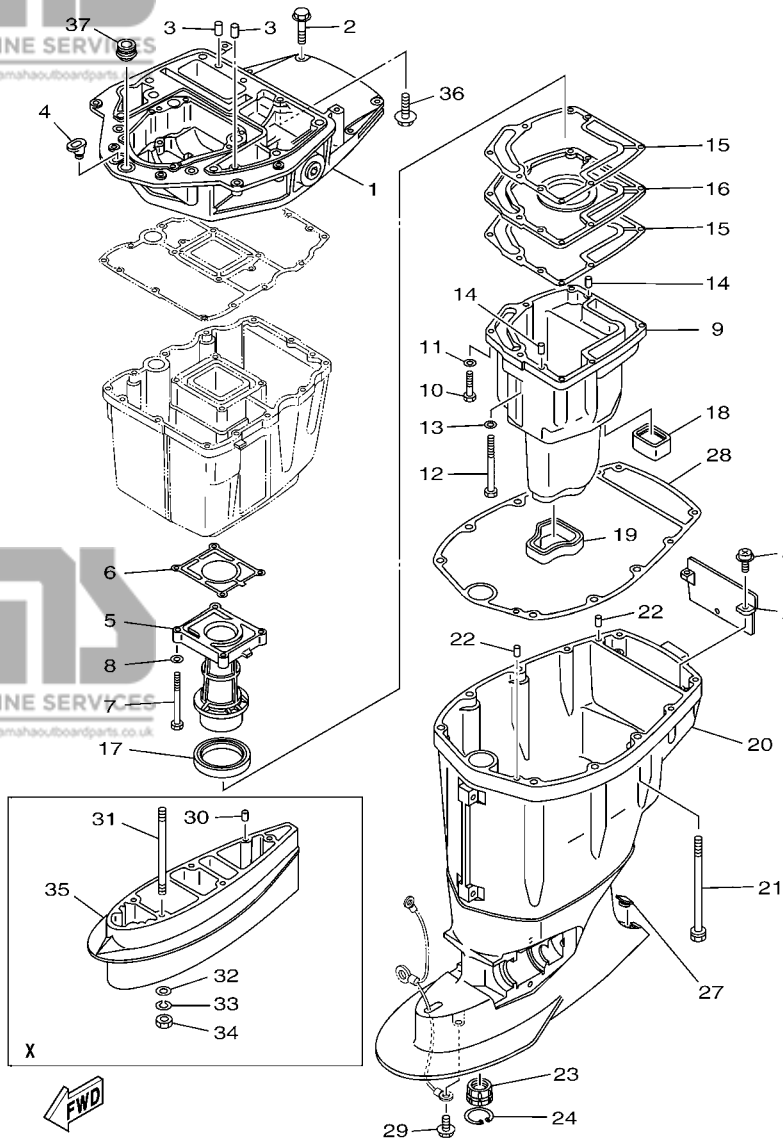


FIG. 26 UPPER CASING

FOURREAU

REF. NO.	PART NO. N° PIECES	DESCRIPTION DESCRIPTION	6D7A	6D9A	REMARKS REMARQUES
1	6D8-41137-00-CA	GUIDE, EXHAUST COLLECTEUR D'ÉCHAPPEMENT	1	1	
2	97575-08540	BOLT, WITH WASHER VIS HEXAGONAL AVEC RONDELLE	4	4	
3	93608-16M16	PIN, DOWEL AXE	2	2	
4	6G1-42727-00	GROMMET PASSE-FIL	1	1	
5	67F-41131-01-CA	MANIFOLD, EXT. 1 PIPE D'ÉCHAPPEMENT	1	1	
6	67F-41133-A1	GASKET, EXHAUST MANIFOLD 1 JOINT, PIPE D'ÉCHAPPEMENT	1	1	
7	97075-06070	BOLT BOULON	4	4	
8	92995-06600	WASHER RONDELLE	4	4	
9	67F-14711-00-CA	MUFFLER 1 POT D'ÉCHAPPEMENT 1	1	1	
10	97075-06030	BOLT BOULON	6	6	
11	92995-06600	WASHER RONDELLE	6	6	
12	97075-06050	BOLT BOULON	1	1	
13	92995-06600	WASHER RONDELLE	1	1	
14	93606-19M23	PIN, DOWEL GOUPILLE	2	2	
15	67F-41134-A0	GASKET, EXHAUST MANIFOLD JOINT, PIPE D'ÉCHAPPEMENT	2	2	
16	67F-45181-00-CA	PLATE PLAQUETTE	1	1	
17	67F-41138-00	SEAL, EXT. 1 JOINT DE GROUPE 1	1	1	
18	67F-45127-00	SEAL JOINT	1	1	
19	67F-45123-00	GASKET, MUFFLER JOINT, POT DE DETENTE	1	1	
20	67F-45111-11-8D	CASING, UPPER FOURREAU	1	1	
21	90119-10M08	BOLT, WITH WASHER BOULON, AVEC RONDELLE	6	6	
22	93608-16M16	PIN, DOWEL AXE	2	2	
23	67F-45318-00	BUSHING, DRIVE SHAFT DOUILLE, ARBRE MOTEUR	1	1	
24	93420-36M01	CIRCLIP CIRCLIP, TYPE S	1	1	
25	67F-45151-00	COVER, UPPER CASING CAPUCHON, FOURREAU	1	1	
26	97980-06216	SCREW, WITH WASHER VIS, AVEC RONDELLE	2	2	
27	67F-45155-00	CAP CAPUCHON	1	1	



6D87110-K260

FIG. 26 UPPER CASING

FOURREAU

REF. NO.	PART NO. N° PIECES	DESCRIPTION DESCRIPTION	6D7A	6D9A	REMARKS REMARQUES
28	67F-45113-00	GASKET, UPPER CASING JOINT, TUBE D'ARBRE	1	1	
29	95895-08014	BOLT, FLANGE BOULON	1	1	
30	93606-12019	PIN, DOWEL GOUPILLE	2	2	X(26.1")
31	90116-10M05	BOLT, STUD GOUJON	4	4	X(26.1")
32	92995-10600	WASHER RONDELLE	4	4	X(26.1")
33	92990-10100	WASHER, SPRING RONDELLE, GROWER	4	4	X(26.1")
34	95380-10600	NUT ECROU	4	4	X(26.1")
35	688-45211-01-8D	EXTENSION EXTENSION	1	1	X(26.1")
36	90119-08M58	BOLT, WITH WASHER BOULON, AVEC RONDELLE	2	2	X(26.1")
37	67F-42724-00	GROMMET PASSE-FIL	1	1	

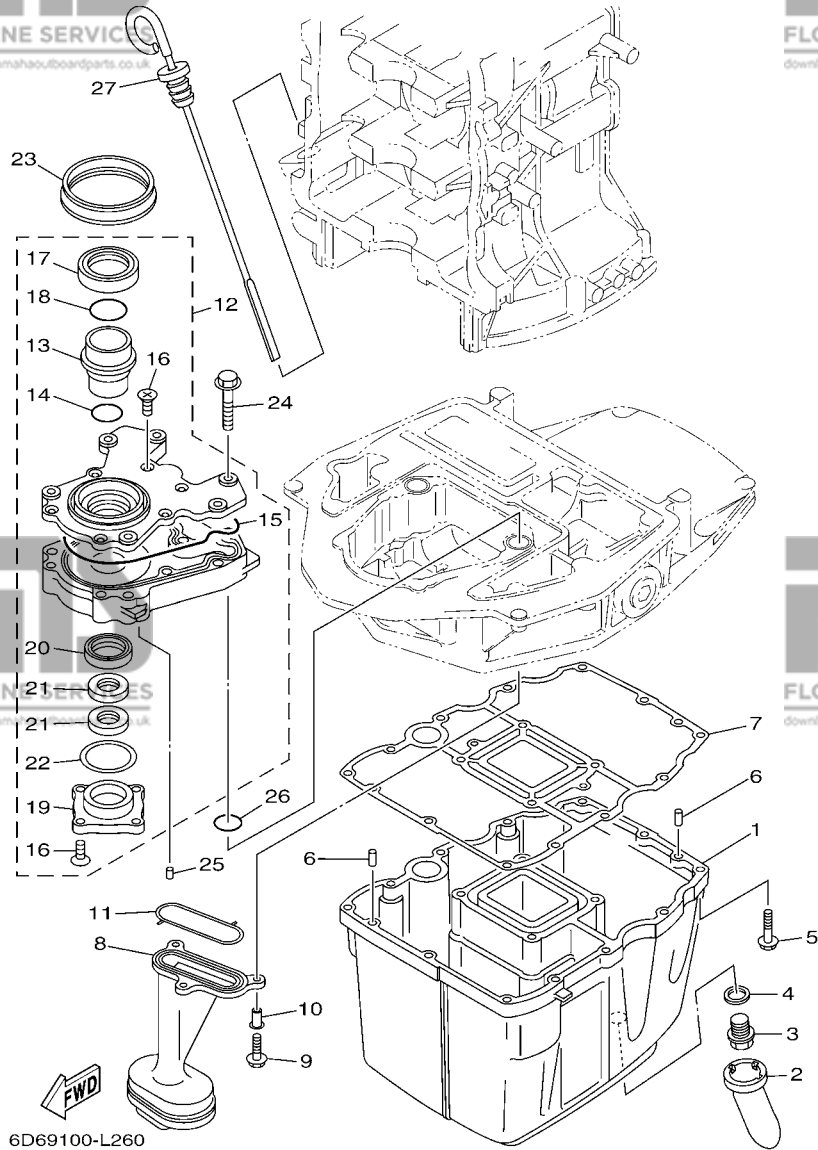


FIG. 27 OIL PAN

VENTILATEUR D'HUILE

REF. NO.	PART NO. N° PIECES	DESCRIPTION DESCRIPTION	6D7A	6D9A	REMARKS REMARQUES
1	67F-15311-03-CA	OIL PAN VENTILATEUR D'HUILE	1	1	
2	63P-15316-00	DAMPER 1 AMORTISSEUR 1	1	1	
3	90340-14M06	PLUG, STRAIGHT SCREW PLOT, FILETE DROIT	1	1	
4	90430-14M09	GASKET JOINT	1	1	
5	97575-06525	BOLT, WITH WASHER VIS HEXAGONAL AVC RONDELLE	12	12	
6	93606-12019	PIN, DOWEL GOUPILLE	2	2	
7	68V-15312-00	GASKET, OIL PAN JOINT DE VENTILATEUR D'HUILE	1	1	
8	67F-13411-00	STRAINER, OIL FILTRE, HUILE	1	1	
9	95812-06025	BOLT, FLANGE BOULON	3	3	
10	90387-06263	COLLAR COLLERETTE	3	3	
11	67F-13415-00	SEAL, OIL STRAINER JOINT, FILTRE A HUILE	1	1	
12	67F-13300-10	OIL PUMP ASSY POMPE A HUILE COMPLETE	1	1	
13	67F-13314-02	.SHAFT, PUMP .AXE DE POMPE	1	1	
14	67F-13473-01	.O-RING .JOINT TORIQUE	1	1	
15	67F-13329-00	.GASKET, PUMP COVER .JOINT, COUVERCLE DE POMPE	1	1	
16	67F-13495-00	.SCREW .VIS	10	10	
17	67F-13119-01	.OIL SEAL JOINT SPY	1	1	
18	67F-13769-00	.O-RING JOINT TORIQUE	1	1	
19	67F-13914-00	.HOUSING, PUMP .CORPS, POMPE	1	1	
20	67F-13631-03	.OIL SEAL JOINT SPY	1	1	
21	67F-13149-00	.OIL SEAL JOINT SPY	2	2	
22	67F-13339-00	.GASKET, PUMP COVER .BAIN, COUVERCLE DE POME	1	1	
23	67F-13338-00	SEAL JOINT	1	1	
24	97595-06545	BOLT, WITH WASHER VIS HEXAGONAL AVC RONDELLE	6	6	
25	93604-12M07	PIN, DOWEL CLAVETTE	2	2	
26	93210-19MJ1	O-RING JOINT TORIQUE	2	2	
27	6D8-15362-00	PLUG, OIL LEVEL PLOT, NIVEAU D'HUILE	1	1	

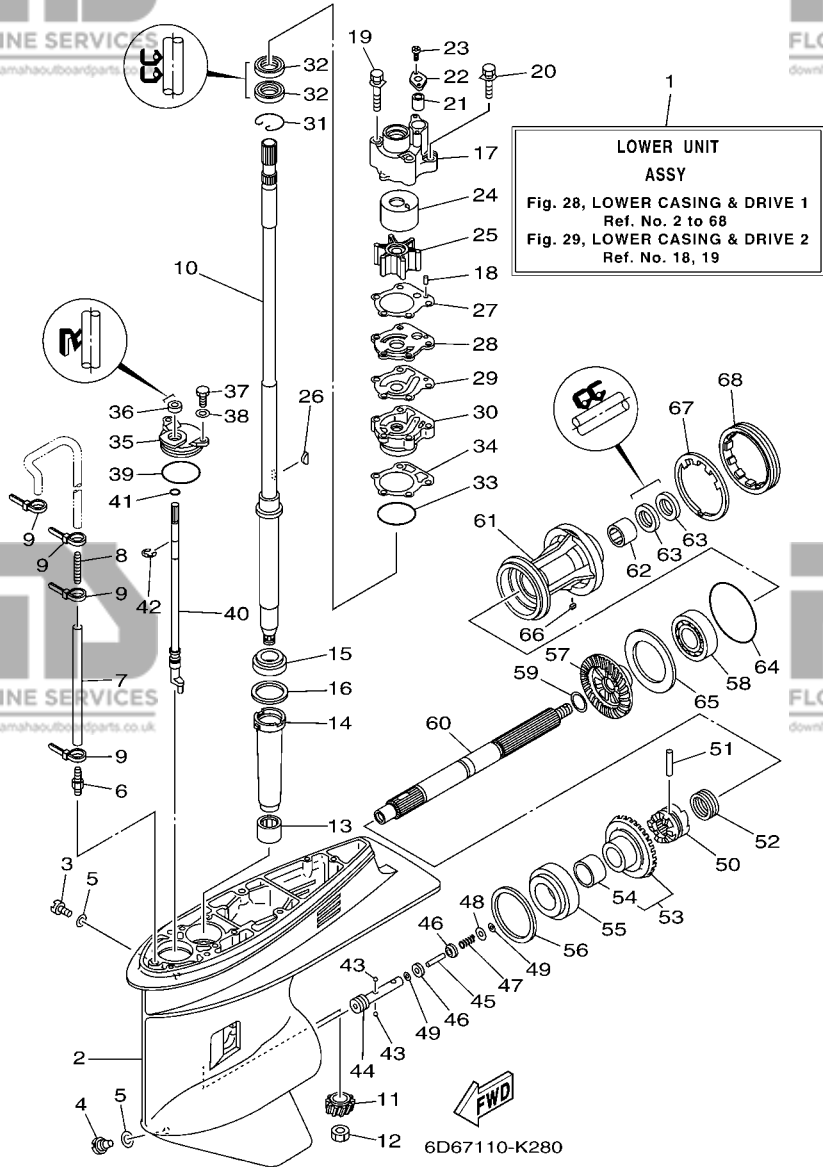


FIG. 28 LOWER CASING & DRIVE 1

BOITIER D'HELICE TRANSMISSION1

REF. NO.	PART NO. N° PIECES	DESCRIPTION DESCRIPTION	6D7A	6D9A	REMARKS REMARQUES
1	6D9-45300-13-8D	LOWER UNIT ASSY UNITE INFÉRIEURE (ENS.)	1	1	L(21.1") L(21.1")
	6D9-45300-33-8D	LOWER UNIT ASSY UNITE INFÉRIEURE (ENS.)	1	1	X(26.1") X(26.1")
2	67F-45301-00-8D	CASING, LOWER BEQUILLE	1	1	
3	90340-08002	PLUG, STRAIGHT SCREW PLOT, FILETE DROIT	1	1	
4	688-45341-10	PLUG, DRAIN BOUCHON DE VIDANGE	1	1	
5	90430-08020	GASKET JOINT	2	2	
6	6E5-45378-00	NIPPLE, HOSE RACCORD, TUYAU	1	1	
7	90445-07M31	HOSE (L200) DURITE (L200)	1	1	L(21.1") L(21.1")
	90445-07M38	HOSE (L300) DURITE (L300)	1	1	X(26.1") X(26.1")
8	6E5-83558-10	END, NIPPLE RACCORD DE NIPPLE	1	1	
9	90465-11M10	CLAMP BRIDE	4	4	
10	67F-45501-10	DRIVE SHAFT COMP. ARBRE MOTEUR COMP.	1	1	L(21.1") L(21.1")
	67F-45501-30	DRIVE SHAFT COMP. ARBRE MOTEUR COMP.	1	1	X(26.1") X(26.1")
11	6D9-45511-10	PINION (11T) PIGNON D'ATTAQUE (11D)	1	1	
12	90170-16M01	NUT ECROU	1	1	
13	93315-52563	BEARING ROULEMENT	1	1	
14	688-45536-01	SLEEVE, DRIVE SHAFT MANCHON, ARBRE MOTEUR	1	1	
15	93332-000U3	BEARING ROULEMENT	1	1	
16	688-45587-01	SHIM (T:0.10MM) CALE (T:0.10MM)	1	1	UR UR
	688-45587-10	SHIM (T:0.12MM) CALE (T:0.12MM)	1	1	UR UR
	688-45587-20	SHIM (T:0.15MM) CALE (T:0.15MM)	1	1	UR UR
	688-45587-30	SHIM (T:0.18MM) CALE (T:0.18MM)	1	1	UR UR
	688-45587-40	SHIM (T:0.30MM) CALE (T:0.30MM)	1	1	UR UR
	688-45587-50	SHIM (T:0.40MM) CALE (T:0.40MM)	1	1	UR UR
	688-45587-60	SHIM (T:0.50MM) CALE (T:0.50MM)	1	1	UR UR
17	67F-44311-01	HOUSING, WATER PUMP CORPS, POMPE A EAU	1	1	
18	93604-10M03	PIN, DOWEL CLAVETTE	2	2	

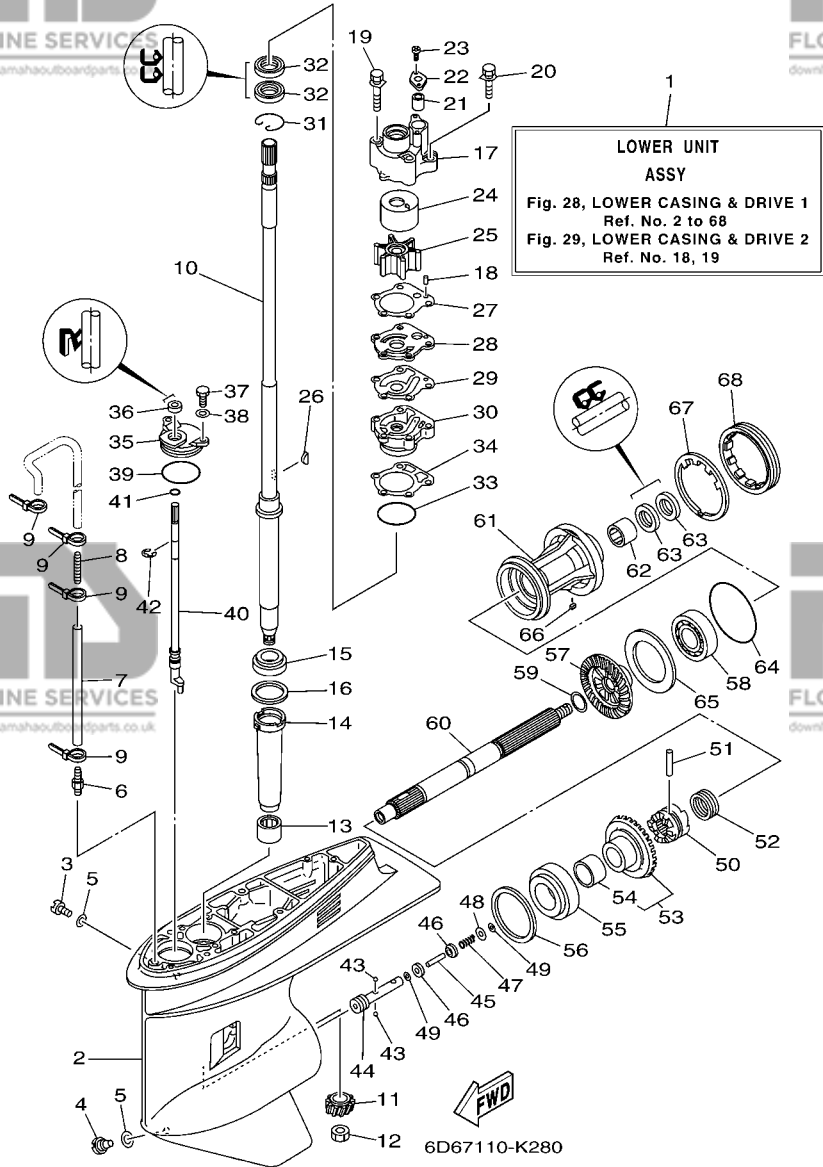


FIG. 28 LOWER CASING & DRIVE 1

BOITIER D'HELICE TRANSMISSION1

REF. NO.	PART NO. N° PIECES	DESCRIPTION DESCRIPTION	6D7A	6D9A	REMARKS REMARQUES
19	90119-08M87	BOLT, WITH WASHER BOULON, AVEC RONDELLE	2	2	
20	90119-08M13	BOLT, WITH WASHER BOULON, AVEC RONDELLE	2	2	
21	663-44366-00	DAMPER, WATER SEAL 2 JOINT, TUBE D'EAU 2	1	1	
22	90480-19M06	GROMMET PASSE-FIL	1	1	
23	90160-04006	SCREW, ROUND TAPPING VIS, TETE RONDE FRAISEE	2	2	
24	67F-44322-00	INSERT, CARTRIDGE CUVETTE	1	1	
25	67F-44352-00	IMPELLER TURBINE	1	1	
26	90280-04M04	KEY, WOODRUFF CLAVETTE, DEMI-LUNE	1	1	
27	688-44315-A0	GASKET, WATER PUMP JOINT, POMPE A EAU	1	1	
28	67F-44323-00	OUTER PLATE, CARTRIDGE PLAQUE EXTERIEURE	1	1	
29	688-44324-A0	GASKET, CARTRIDGE JOINT	1	1	
30	6D8-44341-01-CA	HOUSING, WATER PUMP CORPS, POMPE A EAU	1	1	
31	93450-44166	CIRCLIP CIRCLIP, TYPE S	1	1	
32	93101-25M03	OIL SEAL JOINT SPY	2	2	
33	93210-46044	O-RING JOINT TORIQUE	1	1	
34	688-44316-A0	GASKET, WATER PUMP JOINT, POMPE A EAU	1	1	
35	688-45321-00	PLATE PLAQUETTE	1	1	
36	93106-09014	OIL SEAL JOINT SPY	1	1	
37	97095-06016	BOLT BOULON	2	2	
38	92995-06600	WASHER RONDELLE	2	2	
39	93210-49046	O-RING JOINT TORIQUE	1	1	
40	67F-44150-01	SHIFT CAM ASSY CAME D'INVERSION	1	1	
41	93210-07003	O-RING JOINT TORIQUE	1	1	
42	99001-08600	CIRCLIP CIRCLIP	1	1	
43	93503-16003	BALL BILLES	2	2	
44	67F-45634-00	SLIDE, SHIFT CONTRE-POUSSOIR	1	1	
45	6H1-45668-00	SHAFT, FREE 1 AXE 1	1	1	

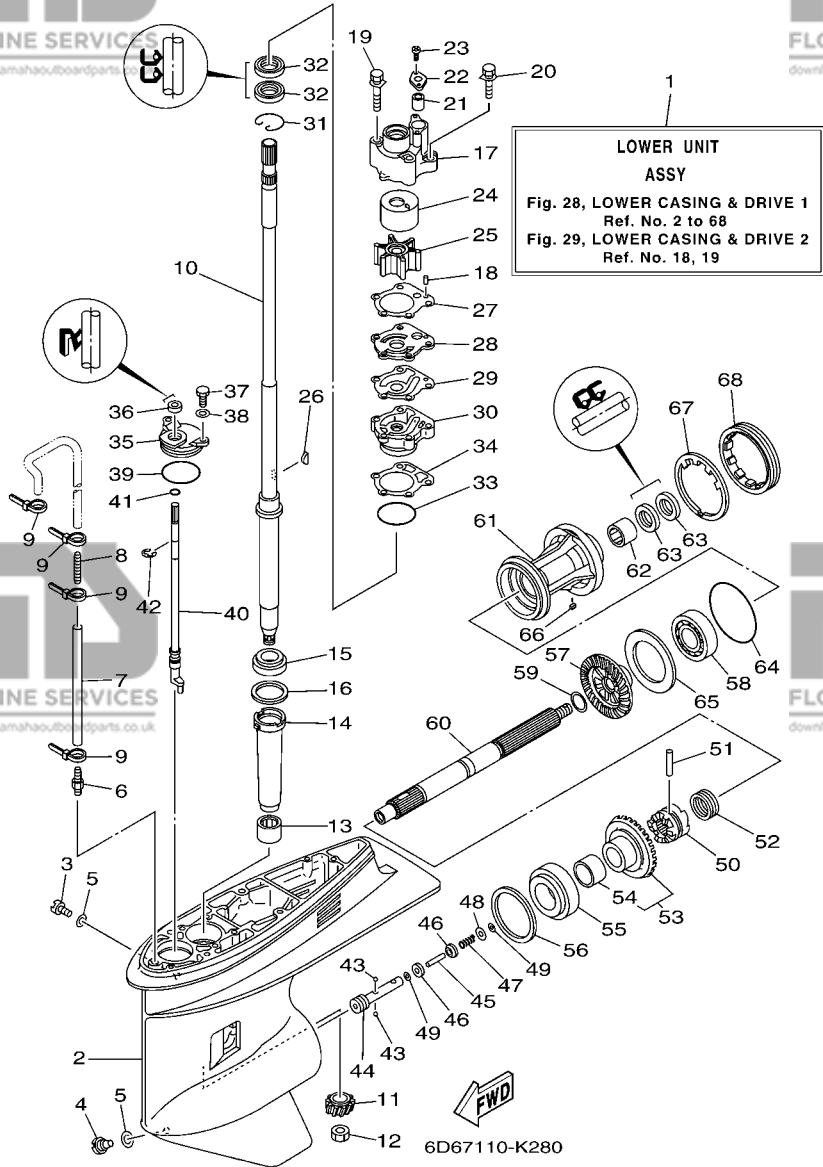


FIG. 28 LOWER CASING & DRIVE 1

BOITIER D'HELICE TRANSMISSION1

REF. NO.	PART NO. N° PIECES	DESCRIPTION DESCRIPTION	6D7A	6D9A	REMARKS REMARQUES
46	6H1-45635-00	PLUNGER, SHIFT POUSSOIR D'EMBRAYAGE	2	2	
47	90501-12M48	SPRING, COMPRESSION RESSORT, COMPRESSION	1	1	
48	90201-03313	WASHER, PLATE RONDELLE, PLATE	1	1	
49	90183-02M03	NUT, SPRING ECROU, RESSORT	2	2	
50	6D8-45631-00	CLUTCH, DOG CRABOT	1	1	
51	90250-07M02	PIN, STRAIGHT GOUPILLE, DROITE	1	1	
52	688-45633-00	RING, CROSS PIN JONC, GOUPILLE CRABOT	1	1	
53	6D9-45560-10	GEAR 1 (25T) PIGNON 1 (25T)	1	1	
54	93317-322V0	.BEARING .ROULEMENT	1	1	
55	93332-000UD	BEARING ROULEMENT	1	1	
56	688-45567-01	SHIM (T:0.10MM) CALE (T:0.10MM)	1	1	UR
	688-45567-10	SHIM (T:0.12MM) CALE (T:0.12MM)	1	1	UR
	688-45567-20	SHIM (T:0.15MM) CALE (T:0.15MM)	1	1	UR
	688-45567-30	SHIM (T:0.18MM) CALE (T:0.18MM)	1	1	UR
	688-45567-40	SHIM (T:0.30MM) CALE (T:0.30MM)	1	1	UR
	688-45567-50	SHIM (T:0.40MM) CALE (T:0.40MM)	1	1	UR
	688-45567-60	SHIM (T:0.50MM) CALE (T:0.50MM)	1	1	UR
57	6D9-45571-10	GEAR 2 (25T) PIGNON 2 (25T)	1	1	
58	93306-207U0	BEARING ROULEMENT	1	1	
59	90201-25M05	WASHER, PLATE RONDELLE, PLATE	1	1	
60	67F-45611-01	SHAFT, PROPELLER ARBRE, HELICE	1	1	
61	67F-45331-00-CA	HOUSING, BEARING FLASQUE, ROULEMENT	1	1	
62	93317-325U0	BEARING ROULEMENT	1	1	
63	93101-25M03	OIL SEAL JOINT SPY	2	2	
64	93210-86M39	O-RING JOINT TORIQUE	1	1	
65	67F-45576-00	WASHER, THRUST 2 RONDELLE DE CALAGE 2	1	1	
66	90282-04010	KEY, STRAIGHT CLAVETTE, DROITE	1	1	

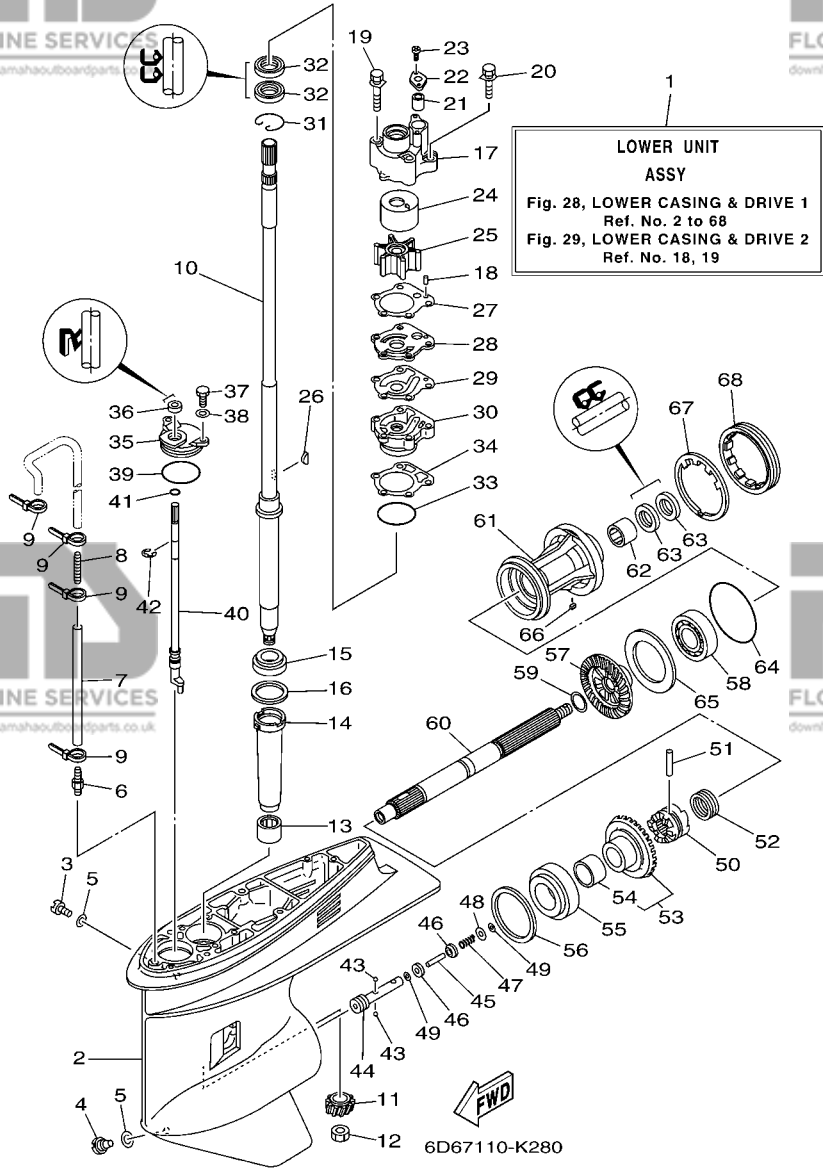


FIG. 28 LOWER CASING & DRIVE 1

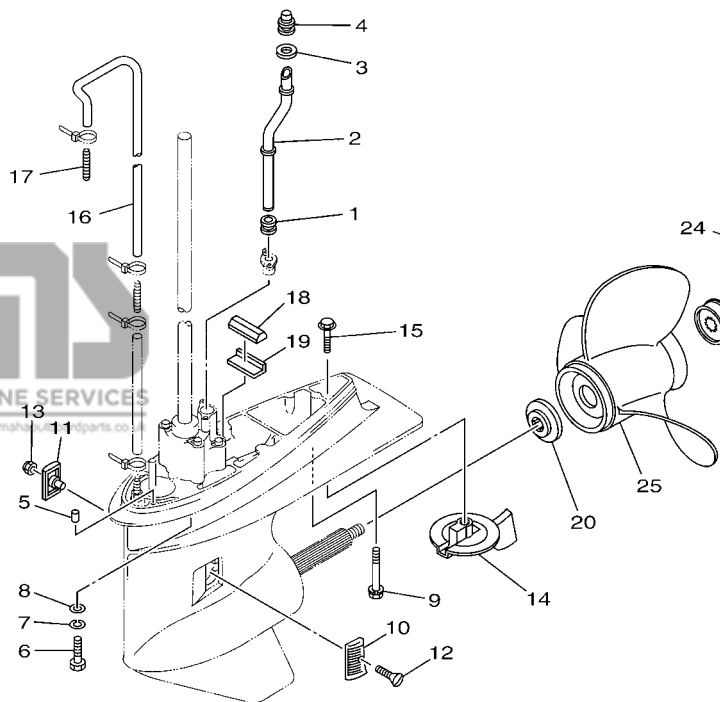
BOITIER D'HELICE TRANSMISSION1

REF. NO.	PART NO. N° PIECES	DESCRIPTION DESCRIPTION	6D7A	6D9A	REMARKS REMARQUES
67	688-45383-02	WASHER, CLAW FREIN D'ECROU	1	1	
68	688-45384-02	NUT ECROU	1	1	

FIG. 29 LOWER CASING & DRIVE 2

BOITIER D'HELICE TRANSMISSION2

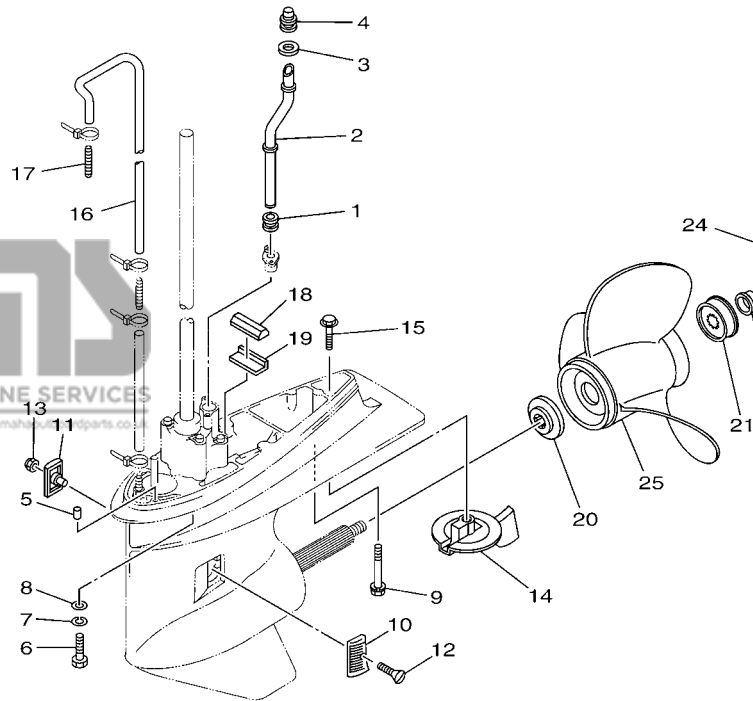
REF. NO.	PART NO. N° PIECES	DESCRIPTION DESCRIPTION	6D7A	6D9A	REMARKS REMARQUES
1	663-44367-00	DAMPER, WATER SEAL 3 JOINT TUBE D'EAU 3	1	1	
2	6D8-44361-00	TUBE, WATER 1 TUBE D'EAU 1	1	1	L(21.1")
	6D8-44361-10	TUBE, WATER 1 TUBE D'EAU 1	1	1	L(21.1") X(26.1") X(26.1")
3	6D8-44314-00	SPACER ENTRETOISE	1	1	
4	67F-44365-00	DAMPER, WATER SEAL 1 JOINT, TUBE D'EAU 1	1	1	
5	93606-12019	PIN, DOWEL GOUPILLE	2	2	
6	97075-10040	BOLT BOULON	4	4	L(21.1") L(21.1")
7	92995-10100	WASHER RONDELLE	4	4	L(21.1") L(21.1")
8	92995-10600	WASHER RONDELLE	4	4	L(21.1") L(21.1")
9	90119-08M84	BOLT, WITH WASHER BOULON, AVEC RONDELLE	1	1	L(21.1") L(21.1")
	90119-08M86	BOLT, WITH WASHER BOULON, AVEC RONDELLE	1	1	X(26.1") X(26.1")
10	6H1-45214-00	COVER, WATER INLET 1 GRILLE, ENTREE D'EAU 1	1	1	
11	6H1-45215-00	COVER, WATER INLET 2 GRILLE, ENTREE D'EAU 2	1	1	
12	90151-05M00	SCREW, COUNTERSUNK VIS, TETE NOYEE	1	1	
13	90185-05002	NUT, NYLON ECROU, AUTO-BLOQUANT	1	1	
14	67F-45371-00	TAB-TRIM ANODE DERIVE	1	1	
15	90105-10M67	BOLT, FLANGE BOULON	1	1	
16	90445-07ME0	HOSE (L1220) DURITE (L1220)	1	1	
17	6E5-83558-00	END, NIPPLE RACCORD DE NIPPLE	1	1	
18	688-45375-00	DAMPER, SEAL BOURRELET, CAOUTCHOUC	1	1	
19	663-45376-00	GUIDE, SEAL DAMPER BUTEE, JOINT CAOUTCHOUC	1	1	
20	688-45987-01	SPACER 1 ENTRETOISE 1	1	1	
21	67F-45997-00	SPACER 2 ENTRETOISE 2	1	1	
22	90389-25M00	BUSH DOUILLE	1	1	
23	90171-16011	NUT, CASTLE ECROU, CRENELE	1	1	
24	91490-40030	PIN, COTTER GOUPILLE	1	1	
25	6E5-45941-00	PROPELLER (3X13"X19"-K) HELICE (3X13"X19"-K)	1	1	UR UR



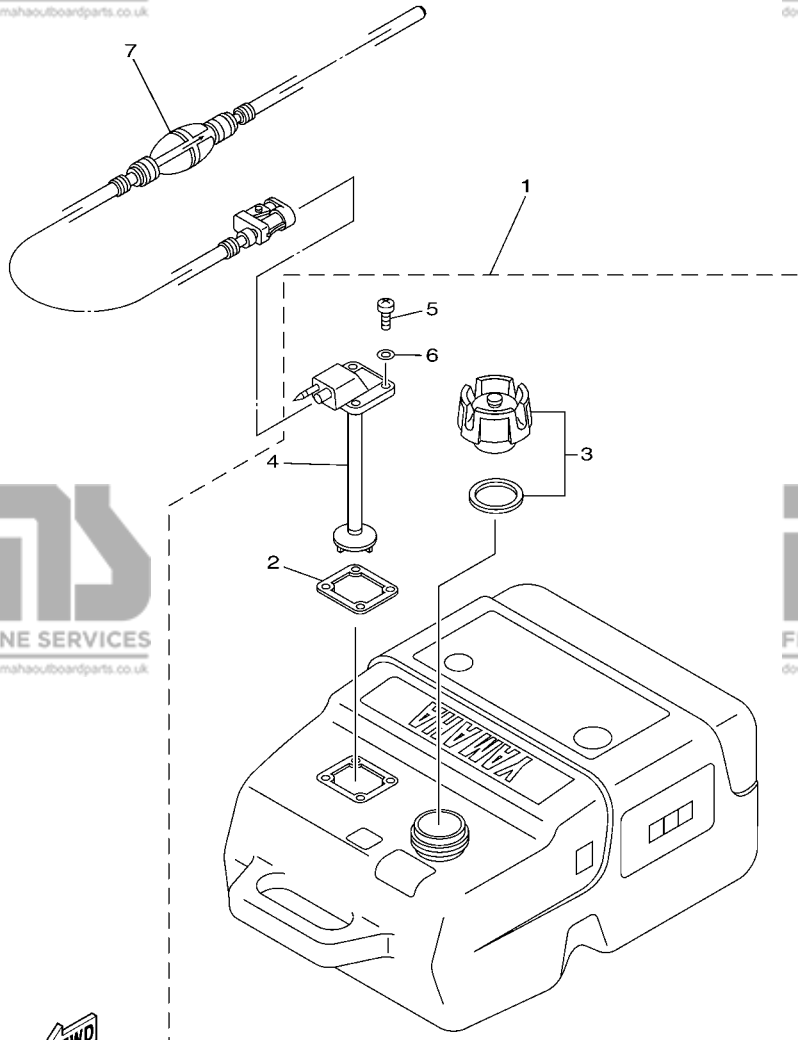
FWD
6D81100-D320

FIG. 29 LOWER CASING & DRIVE 2 BOITIER D'HELICE TRANSMISSION2

REF. NO.	PART NO. N° PIECES	DESCRIPTION DESCRIPTION	6D7A	6D9A	REMARKS REMARQUES
25	6E5-45943-00	PROPELLER (3X12-5/8"X21"-K) HELICE (3X12-5/8"X21"-K)	1	1	UR
	6E5-45945-01	PROPELLER (3X13-1/4"X17"-K) HELICE (3X13-1/4"X17"-K)	1	1	UR
	6E5-45947-00	PROPELLER (3X13-1/2"X15"-K) HELICE (3X13-1/2"X15"-K)	1	1	UR
	6E5-45949-00	PROPELLER (3X13-5/8"X13"-K) HELICE (3X13-5/8"X13"-K)	1	1	UR
	6E5-45952-00	PROPELLER (3X13"X23"-K) HELICE (3X13"X23"-K)	1	1	UR
	6E5-45954-00	PROPELLER (3X14"X11"-K) HELICE (3X14"X11"-K)	1	1	UR
	6E5-45956-00	PROPELLER (3X13"X25"-K) HELICE (3X13"X25"-K)	1	1	UR
	6E5-45958-00	PROPELLER (3X13-5/8"X14"-K) HELICE (3X13-5/8"X14"-K)	1	1	UR
	688-45970-03	PROPELLER (3X13"X19"-K) HELICE (3X13"X19"-K)	1	1	UR
	688-45972-02	PROPELLER (3X13"X21"-K) HELICE (3X13"X21"-K)	1	1	UR
	688-45974-02	PROPELLER (3X13"X23"-K) HELICE (3X13"X23"-K)	1	1	UR
	688-45976-01	PROPELLER (3X13"X25"-K) HELICE (3X13"X25"-K)	1	1	UR
	688-45978-60	PROPELLER (3X13-1/2"X16"-K) HELICE (3X13-1/2"X16"-K)	1	1	UR
	688-45930-02	PROPELLER (3X13"X17"-K2) HELICE (3X13"X17"-K2)	1	1	UR
	688-45932-60	PROPELLER (3X13-1/2"X14"-K) HELICE (3X13-1/2"X14"-K)	1	1	UR



6D81100-D320



6D71300-D320

FIG. 30 FUEL TANK

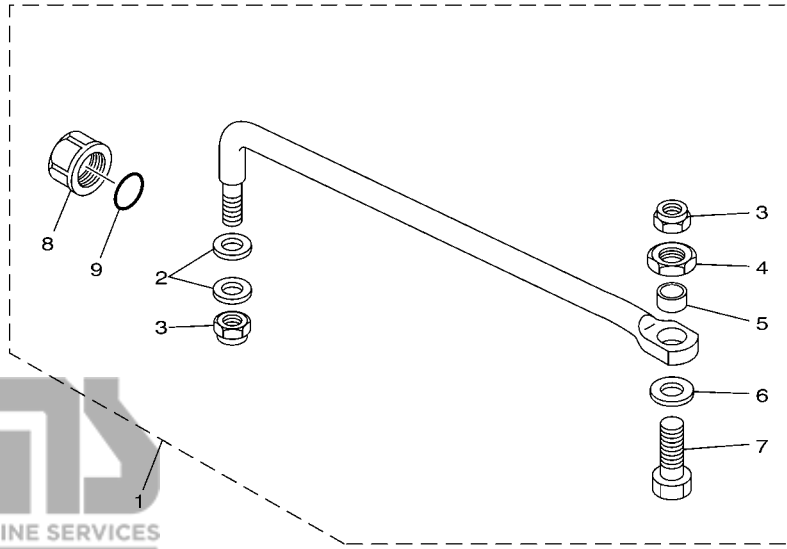
RESERVOIR A CARBURANT

REF. NO.	PART NO. N° PIECES	DESCRIPTION DESCRIPTION	6D7A	6D9A	REMARKS REMARQUES
1	6YK-24201-03	FUEL TANK ASSY (25L) RESERVOIR A ESSENCE (ENS.) 25L	1	1	AP AP
2	6YL-24268-01	.GASKET, FUEL METER .JOINT, JAUGE A CARBURANT	1	1	
3	6YK-24610-01	.CAP ASSY .BOUCHON	1	1	
4	6YK-24260-01	.FUEL METER ASSY .INDICATEUR DE CARBURANT	1	1	
5	90157-05M16	.SCREW, PAN HEAD .VIS, TETE TRONCONIQUE	4	4	
6	6YL-24329-00	.SEAL .JOINT	4	4	
7	6YK-24306-44	FUEL PIPE COMP. 1 DURITE A ESSENCE 1	1	1	AP AP

FIG. 31 STEERING GUIDE

FIXATION DE DIRECTION

REF. NO.	PART NO. N° PIECES	DESCRIPTION DESCRIPTION	6D7A	6D9A	REMARKS REMARQUES
1	67F-61350-00	STEERING GUIDE ATTACHMENT KIT FIXATIONS DE DIRECTION	1	1	AP AP
2	90201-10M20	.WASHER, PLATE .RONDELLE, PLATE	2	2	
3	90185-09M01	.NUT, SELF-LOCKING .ECROU,AUTO-BLOQUANT	2	2	
4	90170-09M03	.NUT .ECROU	1	1	
5	90387-10M42	.COLLAR .COLLERETTE	1	1	
6	90201-10M63	.WASHER, PLATE .RONDELLE, PLATE	1	1	
7	90101-09M01	.BOLT .BOULON	1	1	
8	6E5-43145-01	.CAP CLAMP BRACKET .CAPUCHON, PRESSE	1	1	
9	93210-16275	.O-RING .JOINT TORIQUE	1	1	



67F0010-9250

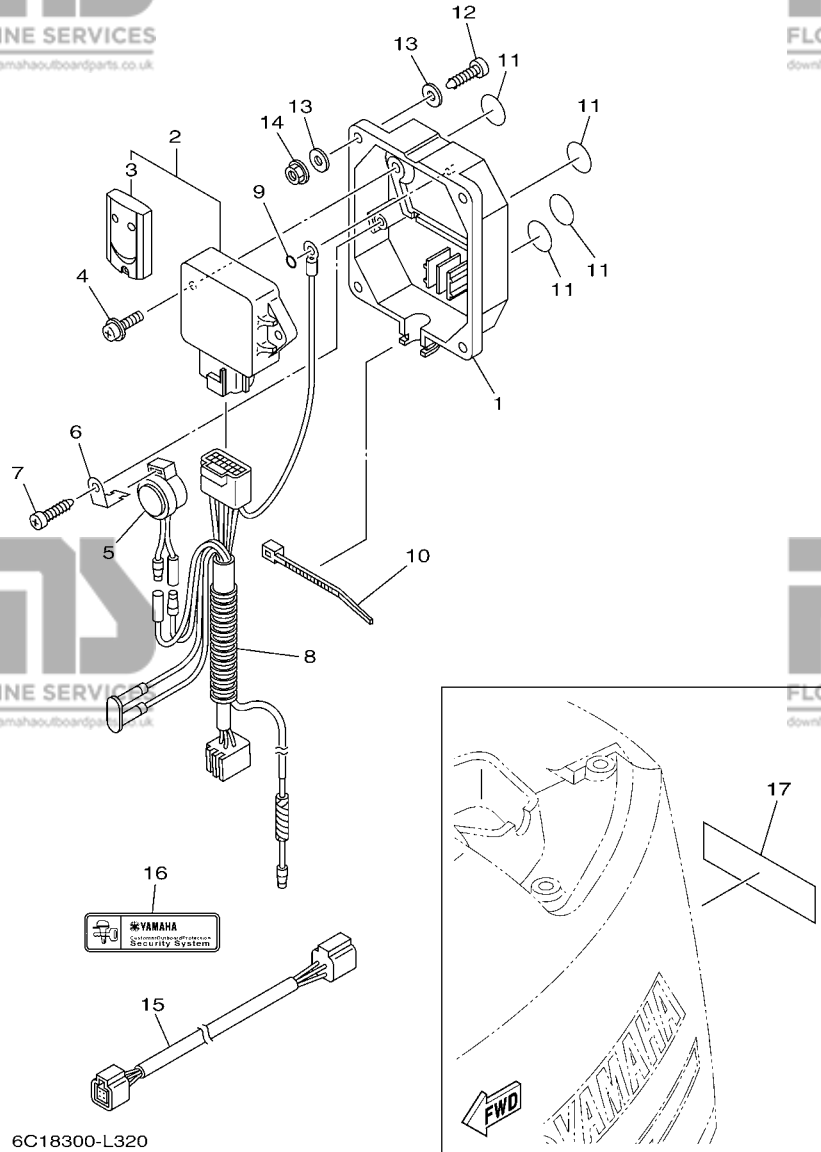


FIG. 32 OPTIONAL PARTS 2

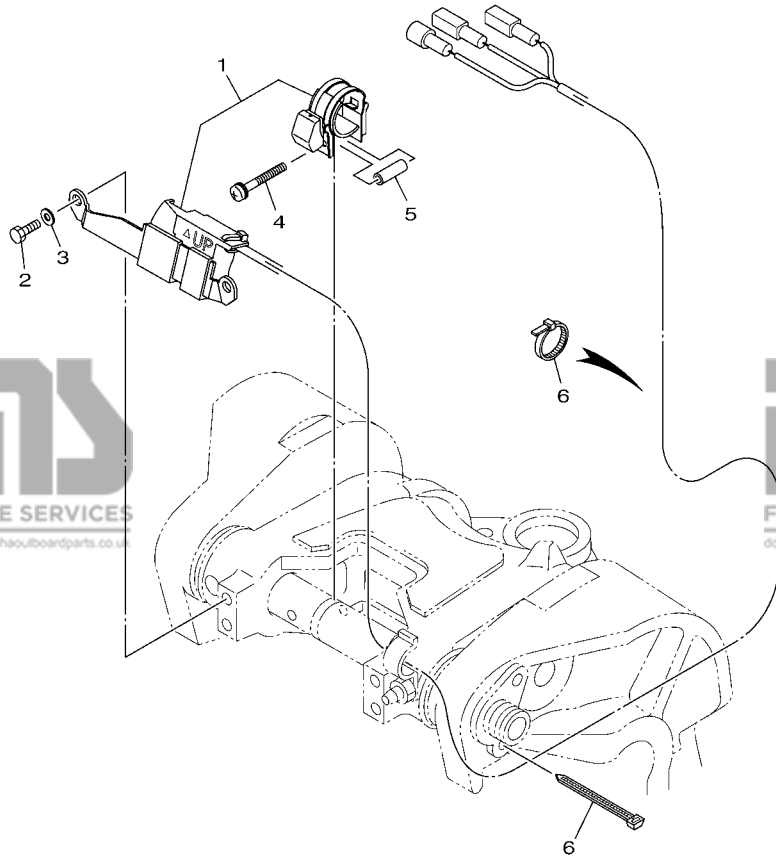
PIECES OPTIONNELLES 2

REF. NO.	PART NO. N° PIECES	DESCRIPTION DESCRIPTION	6D7A	6D9A	REMARKS REMARQUES
1	6Y8-86267-00	CASE COMPLETE 1 CARTER (ENS.) 1	1	1	
2	6Y8-86260-02	REMOTE CONTROL UNIT ASSY UNITE DE TELECOMMANDE (ENS.)	1	1	
3	6AA-86261-00	.TRANSMITTER COMP .TRANSMETTEUR	2	2	
4	97980-06216	SCREW, WITH WASHER VIS, AVEC RONDELLE	2	2	
5	6X4-83383-00	BUZZER RONFLEUR	1	1	
6	6X4-83386-00	STAY, BUZZER SUPPOR, RONFLEUR	1	1	
7	97780-60620	SCREW, TAPPING VIS, TETE BOMBEE	1	1	
8	6Y8-82509-10	WIRE, SUB LEAD FIL, SECONDAIRE	1	1	
9	93210-04279	O-RING JOINT TORIQUE	1	1	
10	90465-11M10	CLAMP BRIDE	1	1	
11	6Y8-8454G-00	PATCH 1 TAMPON 1	4	4	
12	90167-06M00	SCREW, TAPPING VIS, TETE FRAISEE	4	4	UR
	97880-06035	SCREW, PAN HEAD VIS, TETE TRONCONIQUE	4	4	UR
13	90201-06M30	WASHER, PLATE RONDELLE, PLATE	8	8	UR
14	95780-06300	NUT, FLANGE ECROU	4	4	
15	6Y8-82521-11	2FT PIGTAIL BUS FAISCEAU (L: 2FT.)	1	1	
16	6Y8-48277-00	STICKER 1 ETIQUETTE 1	1	1	
17	6Y8-48277-00	STICKER 1 ETIQUETTE 1	1	1	

FIG. 33 OPTIONAL PARTS 3

PIECES OPTIONNELLES 3

REF. NO.	PART NO. N° PIECES	DESCRIPTION DESCRIPTION	6D7A	6D9A	REMARKS REMARQUES
1	6D8-825E0-00	TILT LIMIT SWITCH ASSY COMMUTATEUR, LIMIT INCLINAISON	1	1	
2	97095-06012	BOLT BOULON	2	2	
3	92995-06600	WASHER RONDELLE	2	2	
4	90159-05059	SCREW, WITH WASHER VIS, AVEC RONDELLE	1	1	
5	90387-05004	COLLAR COLLERETTE	1	1	
6	90465-11M10	CLAMP BRIDE	4	4	

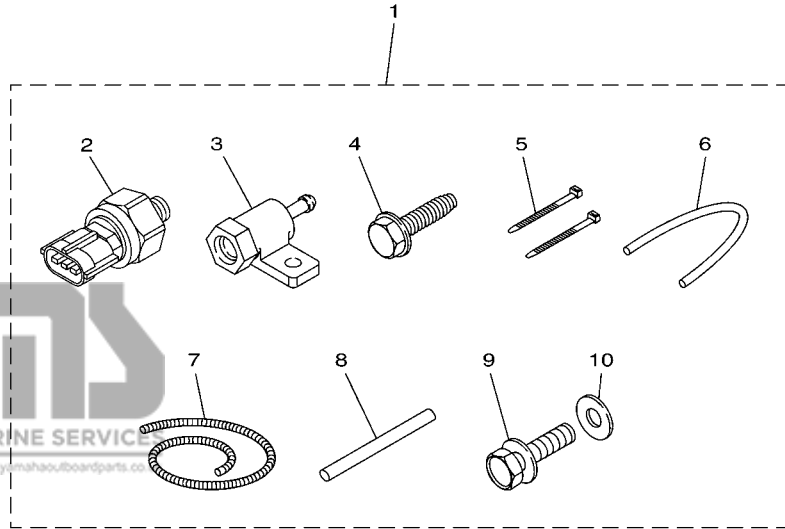


FWD
6D69100-L320

FIG. 34 OPTIONAL PARTS 4

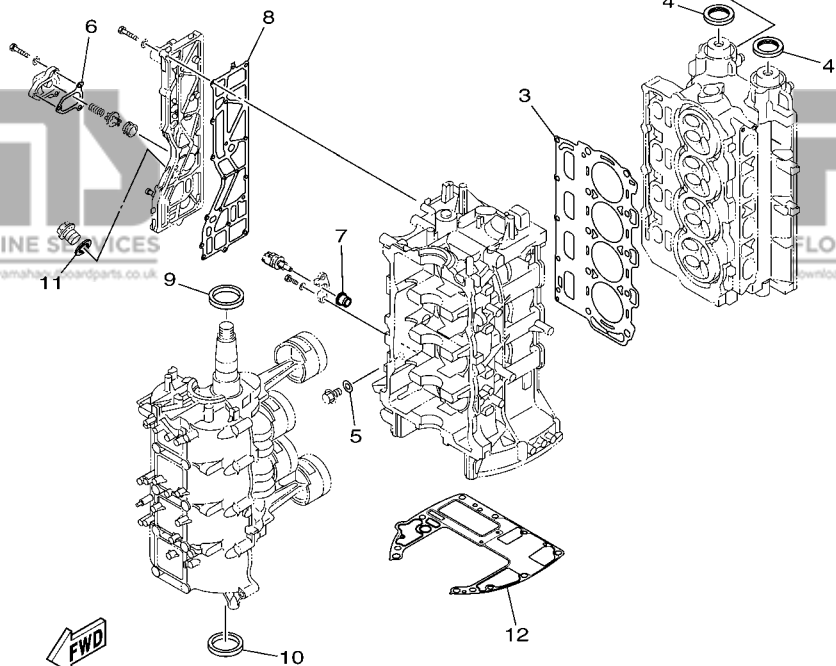
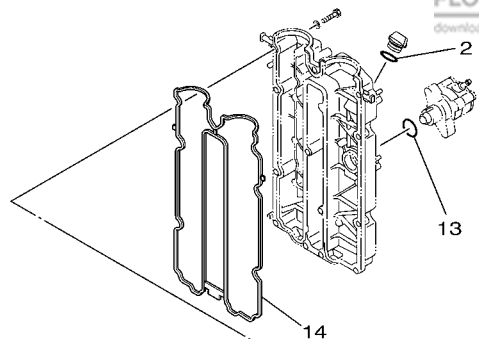
PIECES OPTIONNELLES 4

REF. NO.	PART NO. N° PIECES	DESCRIPTION DESCRIPTION	6D7A	6D9A	REMARKS REMARQUES
1	60V-8A4L1-11	SENSOR, MODULE 1 SENSOR (ENS.) 1	1	1	
2	6AW-8366B-00	.SENSOR, WATER PRESSURE .SONDE DE PRESSION D'EAU	1	1	
3	60V-8366D-00	.ADAPTOR, INPUT .CONNECTEUR 3	1	1	
4	90109-06M81	.BOLT .BOULON	1	1	
5	90465-11M10	.CLAMP .BRIDE	2	2	
6	90445-07017	.HOSE (L: 550MM) .DURITE (L: 550MM)	1	1	
7	90447-07013	.HOSE, COVER (L: 700MM) .DURITE, COUVERCLE (L: 700MM)	1	1	
8	60V-42629-00	.SEAL .JOINT	1	1	
9	97095-06016	.BOLT .BOULON	1	1	
10	92995-06600	.WASHER .RONDELLE	1	1	



6C1A300-M350

POWER HEAD
GASKET KIT

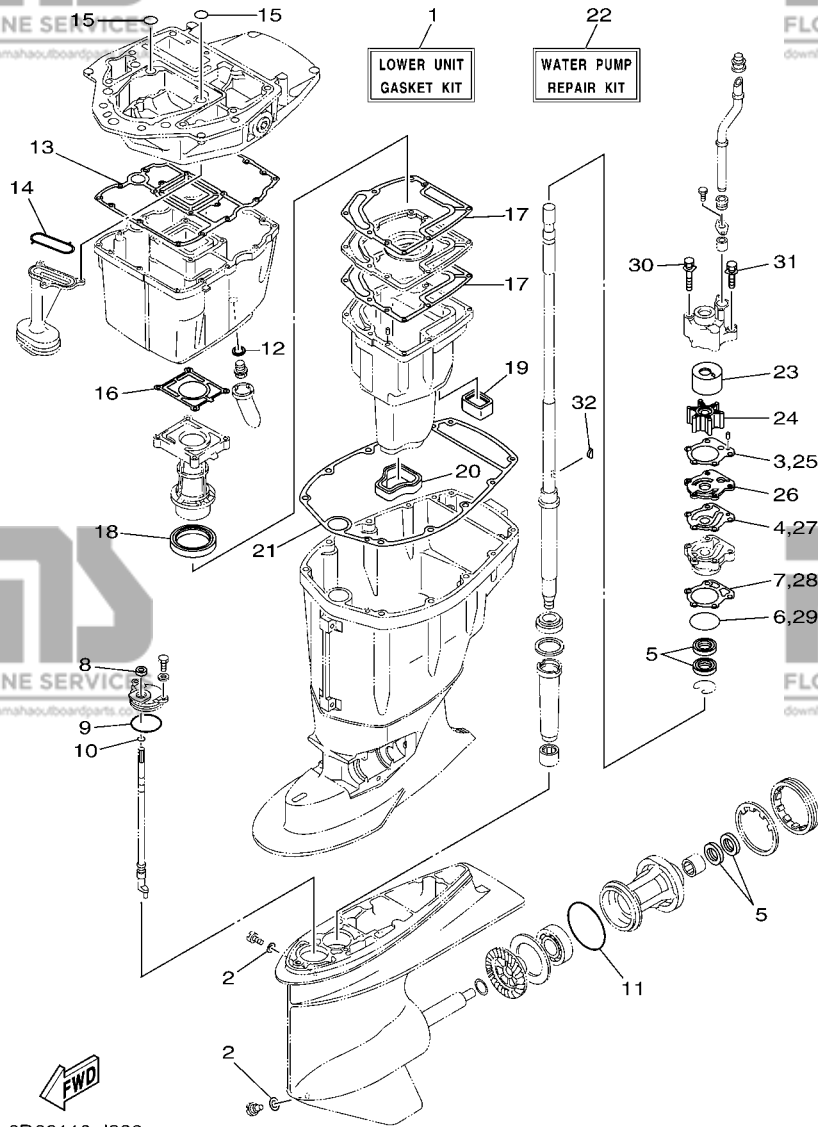


6D67110-K320

FIG. 35 REPAIR KIT 1

KITS DE REPARATION 1

REF. NO.	PART NO. N° PIECES	DESCRIPTION DESCRIPTION	6D7A	6D9A	REMARKS REMARQUES
1	6D8-W0001-03	POWER HEAD GASKET KIT POCHETTE DE JINTS TETE MOTRICE	1	1	
2	93210-24M79	.O-RING .JOINT TORIQUE	1	1	
3	67F-11181-03	.GASKET, CYLINDER HEAD 1 .JOINT, DE CULASSE 1	1	1	
4	93102-38008	.OIL SEAL .JOINT SPY	2	2	
5	90430-14115	.GASKET .JOINT	1	1	
6	67F-12435-A0	.GASKET .JOINT	1	1	
7	68V-85753-00	.GASKET, SENDER UNIT .JOINT, DE PERCEPTION	1	1	
8	67F-41114-A2	.GASKET, EXHAUST OUTER COVER .JOINT, COUVERCLE D'ECHAPPEMENT	1	1	
9	93102-48017	.OIL SEAL .JOINT SPY	1	1	
10	93101-48001	.OIL SEAL .JOINT SPY	1	1	
11	90430-18130	.GASKET .JOINT	1	1	
12	68V-11351-00	.GASKET, CYLINDER .JOINT, D'EMBASE	1	1	
13	93210-30682	.O-RING .JOINT TORIQUE	1	1	
14	6D8-11356-01	.SEAL, CYLINDER 2 .JOINT, SPY CYLINDRE	1	1	

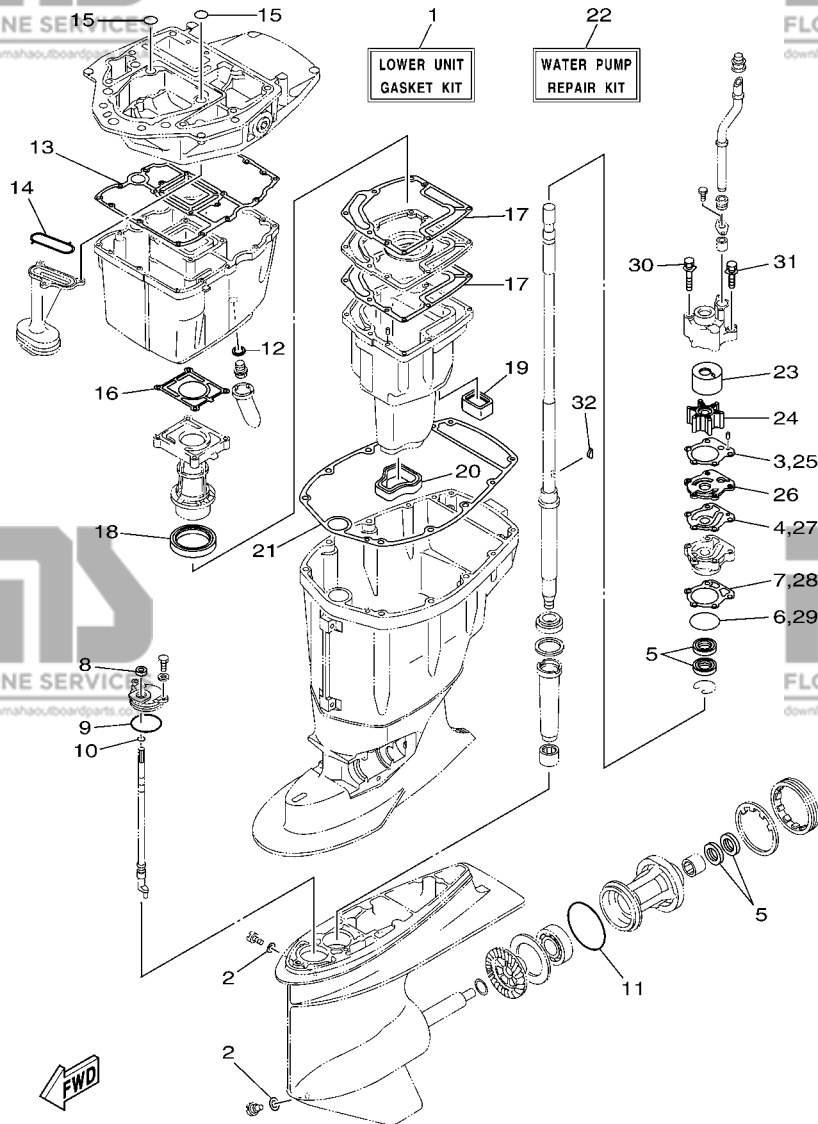


6D66110-J320

FIG. 36 REPAIR KIT 2

KITS DE REPARATION 2

REF. NO.	PART NO. N° PIECES	DESCRIPTION DESCRIPTION	6D7A	6D9A	REMARKS REMARQUES
1	67F-W0001-21	LOWER UNIT GASKET KIT POCHETTE DE JOINTS EMBASE	1	1	
2	90430-08020	.GASKET .JOINT	2	2	
3	688-44315-A0	.GASKET, WATER PUMP .JOINT, POMPE A EAU	1	1	
4	688-44324-A0	.GASKET, CARTRIDGE .JOINT	1	1	
5	93101-25M03	.OIL SEAL .JOINT SPY	4	4	
6	93210-46044	.O-RING .JOINT TORIQUE	1	1	
7	688-44316-A0	.GASKET, WATER PUMP .JOINT, POMPE A EAU	1	1	
8	93106-09014	.OIL SEAL .JOINT SPY	1	1	
9	93210-49046	.O-RING .JOINT TORIQUE	1	1	
10	93210-07003	.O-RING .JOINT TORIQUE	1	1	
11	93210-86M39	.O-RING .JOINT TORIQUE	1	1	
12	90430-14M09	.GASKET .JOINT	1	1	
13	68V-15312-00	.GASKET, OIL PAN .JOINT DE VENTILATEUR D'HUILE	1	1	
14	67F-13415-00	.SEAL, OIL STRAINER .JOINT, FILTRE A HUILE	1	1	
15	93210-19MJ1	.O-RING .JOINT TORIQUE	2	2	
16	67F-41133-A1	.GASKET, EXHAUST MANIFOLD 1 .JOINT, PIPE D'ECHAPPEMENT	1	1	
17	67F-41134-A0	.GASKET, EXHAUST MANIFOLD .JOINT, PIPE D'ECHAPPEMENT	2	2	
18	67F-41138-00	.SEAL, EXT. 1 .JOINT DE GROUPE 1	1	1	
19	67F-45127-00	.SEAL .JOINT	1	1	
20	67F-45123-00	.GASKET, MUFFLER .JOINT, POT DE DETENTE	1	1	
21	67F-45113-00	.GASKET, UPPER CASING .JOINT, TUBE D'ARBRE	1	1	
22	67F-W0078-00	WATER PUMP REPAIR KIT KIT DE REPARATION DE LA POMPE	1	1	
23	67F-44322-00	.INSERT, CARTRIDGE .CUVETTE	1	1	
24	67F-44352-00	.IMPELLER .TURBINE	1	1	
25	688-44315-A0	.GASKET, WATER PUMP .JOINT, POMPE A EAU	1	1	
26	67F-44323-00	.OUTER PLATE, CARTRIDGE .PLAQUE EXTERIEURE	1	1	
27	688-44324-A0	.GASKET, CARTRIDGE .JOINT	1	1	



6D66110-J320

FIG. 36 REPAIR KIT 2

KITS DE REPARATION 2

REF. NO.	PART NO. N° PIECES	DESCRIPTION DESCRIPTION	6D7A	6D9A	REMARKS REMARQUES
28	688-44316-A0	.GASKET, WATER PUMP .JOINT, POMPE A EAU	1	1	
29	93210-46044	.O-RING .JOINT TORIQUE	1	1	
30	90119-08M87	.BOLT, WITH WASHER .BOULON, AVEC RONDELLE	2	2	
31	90119-08M13	.BOLT, WITH WASHER .BOULON, AVEC RONDELLE	2	2	
32	90280-04M04	.KEY, WOODRUFF .CLAVETTE, DEMI-LUNE	1	1	

PART NO. N° PIECES	REF. NO.	PART NO. N° PIECES	REF. NO.
6D8-11110-20-9S	5 - 2	4G0-12118-00	6 - 6
62Y-11119-00	3 - 8	6D8-12121-10	6 - 2
67F-11133-10	5 - 3	6D8-12153-00	6 - 9
67F-11168-00	5 - 19	6D8-12153-10	6 - 9
67F-11181-03	5 - 14	6D8-12153-20	6 - 9
	35 - 3	6D8-12153-30	6 - 9
6D8-11191-01-9S	5 - 18	6D8-12153-40	6 - 9
67F-11192-01	5 - 26	6D8-12153-50	6 - 9
69J-11301-00	3 - 35	6D8-12153-60	6 - 9
	5 - 8	6D8-12153-70	6 - 9
6E5-11325-00	1 - 1	6D8-12153-80	6 - 9
	3 - 16	6D8-12153-90	6 - 9
67F-11325-01	1 - 2	6D8-12153-A0	6 - 9
	1 - 4	6D8-12153-B0	6 - 9
	3 - 36	6D8-12153-C0	6 - 9
	5 - 9	6D8-12153-D0	6 - 9
67F-11328-00	3 - 37	6D8-12153-E0	6 - 9
	5 - 10	6D8-12153-F0	6 - 9
68V-11351-00	3 - 44	6D8-12153-G0	6 - 9
	35 - 12	6D8-12153-H0	6 - 9
6D8-11356-01	5 - 23	6D8-12153-J0	6 - 9
	35 - 14	6D8-12153-K0	6 - 9
676-11372-00	3 - 13	6D8-12153-L0	6 - 9
6D8-11411-01	4 - 1	6D8-12153-M0	6 - 9
6D8-11416-00	4 - 2	6D8-12153-N0	6 - 9
6D8-11416-10	4 - 2	6D8-12153-P0	6 - 9
6D8-11416-20	4 - 2	6D8-12153-R0	6 - 9
6D8-11417-00	4 - 3	6D8-12153-S0	6 - 9
6D8-11417-10	4 - 3	6D8-12153-T0	6 - 9
6D8-11417-20	4 - 3	6D8-12153-U0	6 - 9
6D8-11417-30	4 - 3	6D8-12153-V0	6 - 9
6D8-11418-00	4 - 4	6D8-12171-00	6 - 10
6D8-11418-10	4 - 4	6D9-12171-00	6 - 10
6D8-11418-20	4 - 4	6D8-12181-00	6 - 11
6D8-11536-01	6 - 21	6D9-12411-00	1 - 5
67F-11537-00	6 - 13		5 - 28
67F-11590-00	6 - 16	67F-12411-01	1 - 5
67F-11595-00	6 - 19		5 - 28
6D8-11603-10	4 - 7	67F-12412-00	5 - 29
6D8-11604-10	4 - 7	68V-12413-00-9S	5 - 30
6D8-11656-00	4 - 8	6G5-12416-00	3 - 29
6D8-11656-10	4 - 8	67F-12435-A0	3 - 33
6D8-11656-20	4 - 8		35 - 6
6D8-11656-30	4 - 8	67F-1243A-00	3 - 41
6D8-12111-00	6 - 1	67F-1246A-01-9S	3 - 32
6D8-12113-00	6 - 4	67F-12535-01	19 - 33
6D8-12116-00	6 - 3	68T-12572-00	19 - 32
26H-12117-00	6 - 5	6R3-12581-00	19 - 40

NUMERICAL INDEX
INDEX NUMERIQUE

PART NO. N° PIECES	REF. NO.	PART NO. N° PIECES	REF. NO.
6R3-12582-00	19 - 41	6D8-14148-00	11 - 13
6R3-12583-00	19 - 42	6BG-14149-00	11 - 8
6D8-13105-01	7 - 10	6D8-14180-21	10 - 1
67F-13119-01	27 - 17	6D8-14182-10	10 - 2
63P-13131-00	12 - 18	6C5-14191-00	10 - 13
67F-13149-00	27 - 21	6D8-14200-00	7 - 1
6D8-13161-00	7 - 13	6C5-14225-00	10 - 25
6C5-1319C-00	7 - 11	6C5-14251-00	11 - 12
67F-13300-10	27 - 12	6D8-14291-00	8 - 5
67F-13314-02	27 - 13	6D8-14292-00	8 - 9
67F-13329-00	27 - 15	6C5-14386-00	10 - 5
67F-13338-00	27 - 23	6C5-14397-00	10 - 14
67F-13339-00	27 - 22	6D6-14440-00	8 - 14
67F-13411-00	27 - 8	6D9-14440-01	8 - 14
67F-13415-00	27 - 11	6C5-14446-00	7 - 14
	36 - 14	6C5-14496-00	7 - 9
6D8-13428-01	9 - 3	6C5-14546-10	10 - 4
67F-13434-20	2 - 20	6C5-14567-00	10 - 15
68V-13437-62	13 - 22	67F-14711-00-CA	26 - 9
5GH-13440-30	1 - 3	6D8-14960-10	10 - 12
	3 - 45	6C5-14984-00	1 - 8
67F-13473-01	27 - 14		10 - 23
67F-13495-00	27 - 16	6C5-14985-00	10 - 3
6D8-13542-01	11 - 2	6D8-15100-02	3 - 2
6C5-13545-00	11 - 18	67F-15142-00	3 - 11
6D8-13546-01	11 - 1	67F-15311-03-CA	27 - 1
6D8-13557-00	7 - 4	68V-15312-00	27 - 7
6C5-13577-00	11 - 10		36 - 13
6C5-13593-00	10 - 20	63P-15316-00	27 - 2
67F-13631-03	27 - 20	6D8-15362-00	27 - 27
6D8-13641-00	7 - 2	6G8-15363-00	5 - 33
6D8-13645-00	7 - 3	6D8-15373-00	8 - 19
6C5-13716-00	10 - 22	6C5-21337-10	10 - 24
6C5-13739-00	11 - 21	6D8-2134X-00	9 - 25
6D8-13750-00	7 - 5	6C5-21841-00	11 - 11
6D8-13761-00	7 - 15	1UF-22434-00	24 - 37
67F-13769-00	27 - 18	67F-22435-00	24 - 10
6C5-13781-00	10 - 21	67F-22471-01	24 - 33
6D8-13782-00	8 - 13	6D8-2413X-01	9 - 19
6C5-13906-01	10 - 9	68V-24149-00	12 - 25
6C5-13907-00	10 - 17	69J-24170-00	9 - 8
6C5-13910-10	10 - 16	6D8-2417H-01	9 - 11
67F-13914-00	27 - 19	69J-2419A-01	9 - 22
6C5-13915-00	1 - 7	6YK-24201-03	30 - 1
	10 - 19	6C5-24251-00	1 - 9
6D8-13974-00	11 - 15		11 - 19
6C5-1410B-00	7 - 16	6YK-24260-01	30 - 4
6C5-14127-10	10 - 18	6YL-24268-01	30 - 2

PART NO. N° PIECES	REF. NO.	PART NO. N° PIECES	REF. NO.
6YK-24306-44	30 - 7	6D7-28199-7A-H0	12 - 30
6D8-24311-00	12 - 14	6D7-28199-7A-S0	12 - 30
67F-24312-00	19 - 43	6D7-28199-8A-K0	12 - 31
6D8-24314-01	9 - 6	6D7-28199-8A-L0	12 - 31
6D8-24315-00	9 - 9	6D7-28199-8A-M0	12 - 31
6D8-24316-00	9 - 15	6D7-28199-8A-N0	12 - 31
6D8-24317-01	9 - 20	6D7-28199-8A-P0	12 - 31
6C5-24321-00	11 - 3	6D7-28199-8A-R0	12 - 31
6C5-24322-00	11 - 4	6D8-41113-50-9S	3 - 12
6C5-24323-00	11 - 5	67F-41114-A2	3 - 18
6D8-24324-01	11 - 6		35 - 8
6D8-24325-10	11 - 7	67F-41131-01-CA	26 - 5
6YL-24329-00	30 - 6	67F-41133-A1	26 - 6
6D8-24374-00	12 - 21		36 - 16
6D8-24378-00	3 - 25	67F-41134-A0	26 - 15
6C5-24379-00	11 - 17		36 - 17
6C5-24387-00	11 - 14	6D8-41137-00-CA	26 - 1
6D8-24410-10	12 - 15	67F-41138-00	26 - 17
68V-24411-00	12 - 20		36 - 18
68V-24412-00	12 - 16	682-41237-00	20 - 43
68V-24413-10	12 - 22	6D8-41237-00	20 - 42
6D8-24414-00	12 - 23	6D8-42154-00	20 - 25
6C5-2441R-10	10 - 6	6D8-42157-00	20 - 34
6C5-2441T-10	10 - 7	68V-42171-00	20 - 35
68V-24423-00	12 - 19	67F-42510-11-8D	22 - 8
68V-24444-00	12 - 24	6D8-42541-00	3 - 20
6C5-24444-00	11 - 9	68V-42541-20	3 - 27
6C5-24453-00	10 - 8	6D7-42610-20	2 - 1
68V-24454-00	12 - 17	6D9-42610-20	2 - 1
6D8-24469-00	12 - 7	67F-42613-00-8D	2 - 10
69J-24502-00	9 - 14	67F-42615-00	2 - 13
6D8-24519-00	12 - 8	61N-42628-00	2 - 12
6D8-2451B-00	11 - 20	67F-42628-00	2 - 19
6D8-24560-00	12 - 3	60V-42629-00	34 - 8
6D8-24562-00	12 - 6	67F-42647-00	2 - 2
6D8-24563-00	1 - 10	67F-42649-00	2 - 8
	12 - 4	68V-42652-00	2 - 5
6D8-24564-00	1 - 11	67F-42662-00	2 - 9
	12 - 5	6D6-42675-00	2 - 16
6D8-24566-00	12 - 10	6D6-42676-00	2 - 18
6C5-24592-00	10 - 10	60C-42677-10	2 - 14
6YK-24610-01	30 - 3	6D7-42677-10	2 - 14
67F-28100-01	12 - 29	6D7-42678-20	2 - 15
67F-2812A-00	15 - 27	6D9-42678-20	2 - 15
6D7-28199-7A-D0	12 - 30	6D6-42681-00	2 - 17
6D7-28199-7A-E0	12 - 30	6D8-42710-00-8D	19 - 1
6D7-28199-7A-F0	12 - 30	648-42715-00	20 - 22
6D7-28199-7A-G0	12 - 30	61A-42716-00	19 - 45

PART NO. N° PIECES	REF. NO.
67F-82127-00	21 - 11
6D8-82148-00	21 - 27
6E5-82148-00	21 - 5
67F-82151-00	16 - 2
67F-82151-10	16 - 3
67F-8215B-10	16 - 4
67F-8215B-20	16 - 5
6H1-82341-10	25 - 6
63P-82310-01	14 - 5
68V-82317-00	14 - 2
6A0-82317-00	15 - 16
	15 - 29
663-82317-01	13 - 19
67F-82341-00	14 - 6
67F-82342-00	14 - 7
67F-82343-00	14 - 10
67F-82344-00	14 - 11
67F-82361-00	14 - 8
	14 - 12
	14 - 14
67F-82362-00	14 - 9
	14 - 13
6D8-82388-01	14 - 18
6D8-82389-01	16 - 19
6D8-82398-01	16 - 22
68V-82504-00	17 - 12
6Y8-82509-10	32 - 8
6Y8-82521-11	32 - 15
6D8-8252H-01	17 - 18
	8 - 25
63D-82563-10	17 - 13
6D8-82581-01	16 - 16
68F-82582-00	18 - 29
6DA-82582-00	16 - 6
6DA-82582-10	16 - 7
6Y8-82582-11	16 - 8
6E5-82587-00	17 - 14
6E5-82588-00	19 - 28
61A-82588-01	20 - 46
6D8-82588-01	16 - 13
6D8-82590-41	16 - 1
68V-82594-00	15 - 19
60V-8259F-00	20 - 45
6D8-825E0-00	33 - 1
6X4-83383-00	32 - 5
6X4-83386-00	32 - 6
6E5-83558-00	29 - 17
6E5-83558-10	28 - 8

NUMERICAL INDEX
INDEX NUMERIQUE

PART NO. N° PIECES	REF. NO.
90109-06M86	19 - 39
	20 - 2
90109-06M96	19 - 18
90109-12007	22 - 18
90109-12012	22 - 26
90110-12M00	23 - 4
90116-10175	22 - 36
90116-10M05	26 - 31
90119-06087	8 - 8
	8 - 12
90119-06113	8 - 17
90119-06M08	9 - 1
90119-06M59	9 - 28
	14 - 4
	15 - 18
	5 - 27
90119-06M79	21 - 40
90119-06M81	12 - 28
90119-06M83	12 - 28
90119-06MA2	3 - 34
90119-06MA4	3 - 19
90119-07234	5 - 7
90119-07235	5 - 5
90119-08069	8 - 1
90119-08091	22 - 17
90119-08M03	8 - 3
90119-08M13	28 - 20
	36 - 31
90119-08M22	19 - 2
90119-08M58	26 - 36
90119-08M66	3 - 5
90119-08M84	29 - 9
90119-08M86	29 - 9
90119-08M87	28 - 19
	36 - 30
90119-08M91	5 - 17
90119-10050	6 - 14
90119-10M08	26 - 21
90119-10M72	6 - 20
90119-10M88	3 - 4
90151-05M00	29 - 12
90155-10005	5 - 16
90157-05M16	30 - 5
90159-05059	22 - 5
	33 - 4
90159-06M28	19 - 48
90160-04006	28 - 23
90167-06002	19 - 38
90167-06M00	32 - 12

PART NO. N° PIECES	REF. NO.
90170-09M03	31 - 4
90170-16M01	28 - 12
90170-40008	6 - 22
90171-16011	29 - 23
90179-06M24	2 - 11
90179-08003	18 - 27
90179-24002	13 - 13
90183-02M03	28 - 49
90185-05002	29 - 13
90185-09M01	31 - 3
90185-10051	22 - 37
90185-22M11	21 - 15
90201-03313	28 - 48
90201-06068	19 - 12
90201-06M30	32 - 13
90201-06M31	20 - 37
90201-06M62	20 - 27
90201-09M02	20 - 16
90201-10M02	20 - 28
	20 - 38
90201-10M20	31 - 2
90201-10M63	31 - 6
90201-12426	21 - 47
90201-12M01	23 - 2
90201-12M16	22 - 20
	22 - 20
	22 - 27
	23 - 5
90201-13M01	21 - 46
	22 - 21
90201-13M03	22 - 25
90201-13M19	22 - 30
90201-24014	13 - 12
90201-24M02	22 - 28
90201-25M05	28 - 59
90201-26M59	21 - 14
90201-30M00	22 - 9
90202-07M07	20 - 9
90202-25M04	22 - 29
90206-10M04	20 - 29
	20 - 39
	19 - 11
90206-15M18	19 - 11
90249-06M19	21 - 23
90250-07M02	28 - 51
90280-04008	6 - 23
90280-04M04	28 - 26
	36 - 32
	13 - 11
90280-05015	13 - 11
90282-04010	28 - 66

PART NO. N° PIECES	REF. NO.
90340-08002	28 - 3
90340-14M06	3 - 6
	27 - 3
90340-18M09	3 - 14
90344-51019	5 - 4
90386-06M12	20 - 12
90386-08001	8 - 15
90386-10M16	21 - 20
90386-15M73	19 - 10
90386-18001	21 - 32
90386-18M35	21 - 31
90386-18MA0	21 - 36
90386-25M31	21 - 13
90386-30M60	22 - 13
90386-30M77	22 - 12
90386-30M78	22 - 10
90386-90M90	20 - 15
90387-05004	33 - 5
90387-06013	20 - 36
90387-06119	13 - 20
	14 - 3
	15 - 17
90387-06263	27 - 10
90387-06M05	15 - 31
90387-06M21	20 - 26
90387-06M43	19 - 51
90387-06M60	9 - 27
90387-06M69	10 - 26
90387-07013	8 - 16
90387-08033	8 - 2
90387-08M37	19 - 4
90387-10M42	31 - 5
90387-18M01	21 - 35
90387-22M01	21 - 37
90389-25M00	29 - 22
90401-20007	3 - 46
90430-06M03	3 - 39
	5 - 12
90430-08020	1 - 14
	28 - 5
	36 - 2
90430-14115	3 - 7
	35 - 5
	1 - 13
90430-14M09	27 - 4
	36 - 12
90430-18130	3 - 15
	35 - 11

PART NO. N° PIECES	REF. NO.
90445-07017	34 - 6
90445-07M31	28 - 7
90445-07M38	28 - 7
90445-07ME0	29 - 16
90445-13M37	12 - 2
90445-15M03	6 - 18
90447-07013	34 - 7
90462-06018	19 - 34
90462-10027	20 - 7
90464-08004	14 - 19
90464-09M31	3 - 26
90464-10010	3 - 23
90464-11009	3 - 24
90464-12M58	15 - 20
90464-15007	9 - 2
90464-16001	3 - 47
90464-18004	3 - 22
90464-18246	7 - 18
	19 - 22
90464-20258	19 - 53
90464-30003	14 - 25
	17 - 17
90464-76001	8 - 18
	16 - 9
	17 - 9
90465-06M86	14 - 21
90465-08M23	19 - 30
	21 - 9
90465-08M63	22 - 3
	21 - 3
90465-10M77	3 - 21
90465-11M10	3 - 28
	9 - 7
	9 - 10
	9 - 16
	9 - 21
	11 - 16
	12 - 9
	12 - 26
	19 - 44
	22 - 6
	22 - 7
	28 - 9
	32 - 10
	33 - 6
	34 - 5
90465-11M59	3 - 42
	8 - 20

PART NO. N° PIECES	REF. NO.
90465-12M03	8 - 22
90465-12M53	15 - 30
90465-13M11	16 - 29
90465-13M18	15 - 33
	16 - 25
90467-09M03	9 - 17
90467-20M15	3 - 43
	8 - 21
90468-18008	20 - 4
	20 - 10
	20 - 13
	20 - 24
	10 - 27
90480-09M12	9 - 26
90480-10M23	5 - 22
90480-12072	5 - 22
90480-12314	13 - 17
90480-13M24	15 - 23
	19 - 50
	14 - 20
90480-14329	14 - 20
90480-19M06	28 - 22
90480-20M05	3 - 31
90480-22M15	19 - 3
90501-12082	20 - 21
90501-12M48	28 - 47
90501-16M11	3 - 30
90506-14M24	21 - 26
90506-16M34	19 - 16
90506-16M39	6 - 17
91318-03005	24 - 74
91318-03016	24 - 68
91318-04030	24 - 67
91318-05025	24 - 75
91318-05030	24 - 66
91318-05045	24 - 44
91318-05050	24 - 88
91380-06020	24 - 87
91490-20015	20 - 17
91490-40030	29 - 24
91609-50028	24 - 73
91690-30020	21 - 22
91690-50014	8 - 4
91809-08006	5 - 6
92903-06600	15 - 13
92903-08100	18 - 33
92903-08600	18 - 31
92907-04600	5 - 21
92990-06100	2 - 3
92990-10100	26 - 33

PART NO. N° PIECES	REF. NO.
92995-06100	14 - 16
	14 - 27
	14 - 30
	16 - 11
	16 - 27
	19 - 36
	20 - 32
	21 - 43
92995-06200	19 - 37
92995-06600	2 - 7
	3 - 10
	5 - 25
	5 - 32
	8 - 7
	8 - 11
	8 - 24
	9 - 5
	9 - 13
	9 - 24
	12 - 13
	14 - 17
	14 - 23
	14 - 28
	14 - 31
	15 - 25
	16 - 12
	16 - 15
	16 - 18
	16 - 21
	16 - 24
	16 - 28
	17 - 3
	17 - 8
	17 - 11
	17 - 20
	20 - 33
	20 - 41
	21 - 29
	21 - 44
	26 - 8
	26 - 11
	26 - 13
	28 - 38
	33 - 3
	34 - 10
92995-08600	21 - 17
92995-10100	29 - 7
92995-10600	26 - 32

PART NO. N° PIECES	REF. NO.
92995-10600	29 - 8
92A08-03012	24 - 79
92A08-03110	24 - 64
93101-25M03	28 - 32
	28 - 63
	36 - 5
	4 - 10
	35 - 10
	25 - 13
	6 - 24
	35 - 4
	4 - 9
	35 - 9
93106-09014	28 - 36
	36 - 8
93210-04279	32 - 9
93210-07003	28 - 41
	36 - 10
93210-09165	24 - 83
93210-16275	31 - 9
93210-19MJ1	27 - 26
	36 - 15
93210-24M79	5 - 34
	35 - 2
	22 - 11
93210-29M94	12 - 27
93210-30682	35 - 13
	28 - 33
93210-46044	36 - 6
	36 - 29
	28 - 39
	36 - 9
	25 - 14
	24 - 86
	28 - 64
	36 - 11
	28 - 58
	28 - 13
	28 - 54
	28 - 62
	28 - 15
	28 - 55
	21 - 33
	21 - 38
	22 - 15
	26 - 24
	28 - 31
	20 - 20

PART NO. N° PIECES	REF. NO.
93501-08001	24 - 8
	24 - 16
	24 - 24
93503-16003	24 - 22
	28 - 43
	24 - 50
	24 - 9
	28 - 18
	27 - 25
	6 - 12
	3 - 3
	26 - 30
	27 - 6
	29 - 5
	26 - 14
	26 - 3
	26 - 22
	21 - 8
	1 - 6
	5 - 36
	24 - 65
	18 - 32
	20 - 44
	2 - 4
	19 - 47
	12 - 11
	26 - 34
	21 - 48
	23 - 3
	22 - 31
	32 - 14
	22 - 23
	23 - 6
	27 - 9
	13 - 21
	8 - 26
	26 - 29
	15 - 12
	18 - 30
	26 - 10
	26 - 12
	26 - 7
	29 - 6
	19 - 35
	9 - 12
	21 - 3
	21 - 10
	21 - 25

PART NO. N° PIECES	REF. NO.
97095-06010	21 - 28
97095-06012	2 - 6
	8 - 23
	9 - 4
	16 - 14
	16 - 20
	16 - 23
	17 - 10
	17 - 19
	33 - 2
97095-06014	14 - 22
	15 - 24
	16 - 17
97095-06016	9 - 23
	12 - 12
	14 - 29
	16 - 10
	16 - 26
	17 - 2
	17 - 7
	19 - 13
	21 - 42
	28 - 37
	34 - 9
97095-06020	3 - 9
	8 - 10
97095-06025	5 - 31
	14 - 15
	14 - 26
	20 - 40
97095-06030	5 - 24
	8 - 6
97095-06035	20 - 31
97095-08020	21 - 16
97575-06525	20 - 19
	27 - 5
97575-08540	3 - 40
	5 - 13
	26 - 2
97575-10540	22 - 34
97595-06545	27 - 24
97595-06550	20 - 6
97595-06610	15 - 8
	15 - 11
97595-06630	13 - 10
97602-04216	25 - 11
97607-04110	13 - 6
97780-60620	15 - 7

PART NO. N° PIECES	REF. NO.
97780-60620	32 - 7
97780-60625	15 - 4
	15 - 32
97880-06012	21 - 6
97880-06035	32 - 12
97980-05225	25 - 10
97980-06216	26 - 26
	32 - 4
97985-04116	20 - 47
97985-06210	13 - 15
97985-06216	22 - 2
98507-04008	5 - 20
98780-04016	3 - 17
99001-08600	28 - 42
99530-08012	13 - 9
99530-14016	5 - 15