

**PARTS
CATALOGUE
CATALOGUE
DE PIÈCES DÉTACHÉES**

F4BMH'13 (6BV5)

F5AMH'13 (6BW5)

F6CMH'13 (6BX5)



2015/2/23

1M6BV-300F1

()

| NEWS NO. | DATE | COMMENT |
|---------------|--------------|---|
| PE0-OM-130046 | Sep.,30,2013 | MOD:FIG.4 CYLINDER & CRANKCASE 2 LIST REVISION |
| PE0-OM-140002 | Apr.,14,2014 | MOD:FIG.22 REPAIR KIT 1 LIST REVISION |
| PE0-OM-150002 | Feb.,17,2015 | COR:FIG.8 CARBURETOR, FIG.24 REPAIR KIT 2 ILLUSTRATION CORRECTION |

F4BMH
F5AMH/F6CMH
PARTS CATALOGUE
©2013 by Yamaha Motor Co., Ltd.
1st edition, April 2013
All rights reserved.
Any reprinting or unauthorized use
without the written permission of
Yamaha Motor Co., Ltd.
is expressly prohibited.
Printed in Japan.

F4BMH
F5AMH/F6CMH
CATALOGUE DE PIECES DETACHEES
©2013 par Yamaha Motor Co., Ltd.
1^{re} édition, avril 2013
Tous droits réservés
Toute réimpression ou utilisation
non autorisée sans la permission écrite
de la Yamaha Motor Co., Ltd.
est formellement interdite.
Imprimé au Japon

FOREWORD

This Parts Catalogue is related to the parts for the model(s) on the cover page. When you are ordering replacement parts, please refer to this Parts Catalogue and quote both part numbers and part names correctly.

1. Modifications or additions which have been made after the issue of the Parts Catalogue will be announced in the Parts News. It is advisable that you make the necessary corrections to the Parts Catalogue according to the Parts News.

2. Abbreviations
The following abbreviations are used in this Parts Catalogue.

- “UR” Use specified parts number.
- “UN” Use as many as needed.
- “AP” Alternate Parts
- “LM” Locally Made (Parts need to be ordered locally)
- “F#” Frame No. (Applicable machine No.)
- “O/S” Over Size

3. The number of components for assembly

- Parts, which are to be supplied in an assembly, are listed with a dot (.) in front of the part name as shown below.
- The numeral appearing to the right of each component part indicates the quantity of parts for each assembly unit.

| PART NO. | DESCRIPTION | Q'TY | REMARKS |
|--------------|--------------------------|------|---------|
| 2F5-83310-60 | FRONT FLASHER LIGHT ASSY | 2 | |
| 115-83311-60 | .BULB (6V-18W) | 1 | |

4. Applicable colours of graphics are represented in the “REMARKS” as shown below.

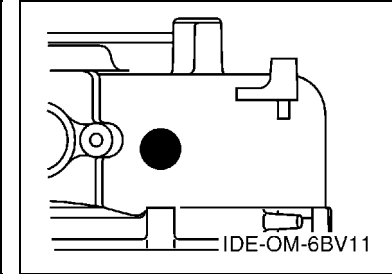
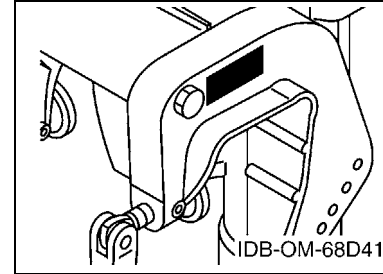
| PART NO. | DESCRIPTION | Q'TY | REMARKS |
|-----------------|---------------------|------|---------|
| 2N4-24110-00-X5 | FUEL TANK COMP. | 2 | MXR |
| 3J1-24240-10 | .GRAPHIC, FUEL TANK | 1 | FOR MXR |

5. Note that the illustrations for reference in finding parts numbers are not to be used for assembling. When assembling, please use the applicable service manual.

6. The asterisk (*) before a reference number indicates modified items after the first edition.

7. Applicable Serial No.

Engine Serial No.



8. Applicable Engine Starting Serial No.

| Model | Serial No. | Model | Serial No. |
|-------|-------------|-------|-------------|
| F4B | 6BV-1022923 | F5A | 6BW-1014351 |
| F6C | 6BX-1027448 | | |
| | | | |

9. Applicable Colour Code

| Abbreviation | Colour Name | Colour Code |
|--------------|-----------------------------|-------------|
| DBNM2 | DARK BLUISH GRAY METALLIC 2 | 004D |

10. Quantity Column Information

| Column No. | Name Of Q'ty Column | Applicable Model |
|------------|---------------------|------------------|
| 1 | 6BV5 | F4BMH |
| 2 | 6BW5 | F5AMH |
| 3 | 6BX5 | F6CMH |
| | | |
| | | |

AVANT-PROPOS

Ce catalogue de pièces détachées concerne les pièces pour le(s) modèle(s) indiqué(s) sur la page de couverture. Lorsque vous commandez des pièces de rechange, veuillez vous référer à ce catalogue de pièces détachées et indiquer clairement les numéros et les noms des pièces détachées.

1. Les modifications ou ajouts ayant été effectués après la parution du catalogue de pièces détachées seront décrits dans les Bulletins d'information concernant les pièces détachées.

Il est recommandé que vous apportiez les corrections nécessaires au catalogue des pièces détachées en vous référant aux Bulletins d'information.

2. Abréviations

Dans ce catalogue, les abréviations suivantes sont utilisées:

“UR” Utiliser le numéro de pièces spécifié.

“UN” Utiliser autant que nécessaire.

“AP” Pièces de substitution

“LM” Fabrication locale (les pièces doivent être commandées localement.)

“F#” N° de cadre (applicable au N° de série)

“O/S” Surdimensionné

3. Nombre de pièces d'un assemblage

- Les pièces fournies comme composants d'un assemblage sont précédées d'un point (.) de la manière indiquée ci-dessous.
- Le chiffre apparaissant à la droite de chaque composant indique la quantité de pièces pour chaque unité d'assemblage.

| N° PIECES | DESCRIPTION | QTE | REMARQUES |
|--------------|-----------------------|-----|-----------|
| 2F5-83310-60 | ENS. CLIGNOTANT AVANT | 2 | |
| 115-83311-60 | .AMPOULE (6V-18W) | 1 | |

4. Les couleurs concernant les graphiques sont indiquées dans la colonne “REMARQUES”, comme indiqué ci-dessous.

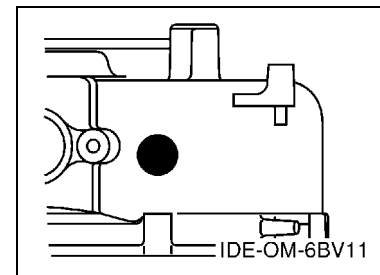
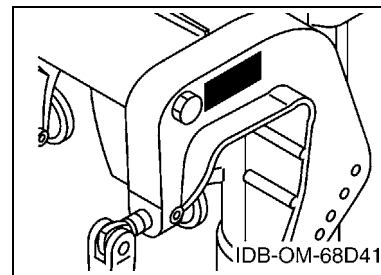
| N° PIECES | DESCRIPTION | QTE | REMARQUES |
|-----------------|----------------------|-----|-----------|
| 2N4-24110-00-X5 | RESERVOIR A ESSENCE. | 2 | MXR |
| 3J1-24240-10 | .GRAPHIQUE | 1 | POUR MXR |

5. Veuillez noter que les illustrations sont indiquées à titre de référence pour trouver les numéros de pièces, non pour être utilisées lors de l'assemblage. Lors de l'assemblage, veuillez utiliser le manuel d'entretien adéquat.

6. L'astérisque (*) placé devant un numéro de référence indique des éléments qui ont été modifiés après la première édition.

7. N° de série applicable

N° de Série du moteur



8. N° de série initial du moteur applicable

| Modèle | N° de série | Modèle | N° de série |
|--------|-------------|--------|-------------|
| F4B | 6BV-1022923 | F5A | 6BW-1014351 |
| F6C | 6BX-1027448 | | |

9. Code couleur applicable

| Abréviation | Nom de la couleur | Code couleur |
|-------------|-----------------------------|--------------|
| DBNM2 | DARK BLUISH GRAY METALLIC 2 | 004D |

10. Informations relatives à la colonne Quantité

| N° de la colonne | Nom de la colonne Qté | Modèle applicable |
|------------------|-----------------------|-------------------|
| 1 | 6BV5 | F4BMH |
| 2 | 6BW5 | F5AMH |
| 3 | 6BX5 | F6CMH |
| | | |
| | | |

CONTENTS

| | |
|-------------------------------|----|
| SCHEDULED SERVICE PARTS | 1 |
| TOP COWLING | 2 |
| CYLINDER & CRANKCASE 1 | 4 |
| CRANKSHAFT & PISTON | 5 |
| CYLINDER & CRANKCASE 2 | 6 |
| VALVE | 8 |
| INTAKE | 9 |
| CARBURETOR | 10 |
| FUEL 1 | 11 |
| FUEL 2 | 12 |
| STARTER | 15 |
| GENERATOR | 17 |
| ELECTRICAL | 18 |
| BOTTOM COWLING | 19 |
| STEERING | 20 |
| CONTROL | 22 |
| BRACKET | 23 |
| UPPER CASING | 25 |
| LOWER CASING & DRIVE 1 | 26 |
| LOWER CASING & DRIVE 2 | 28 |
| FUEL TANK | 29 |
| OPTIONAL PARTS | 30 |
| REPAIR KIT 1 | 31 |
| REPAIR KIT 2 | 32 |
| REPAIR KIT 3 | 33 |

INDEX

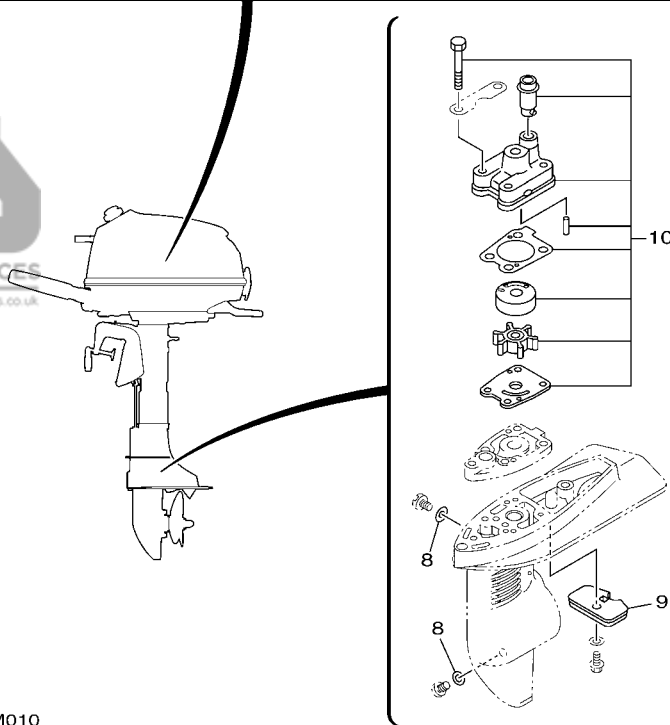
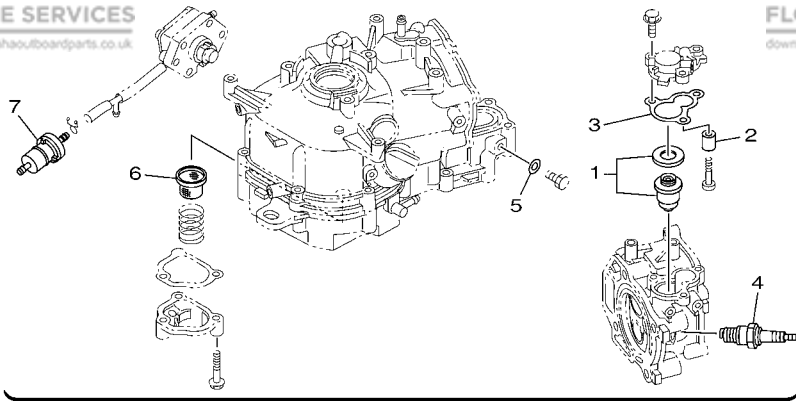
| | |
|-----------------------|----|
| NUMERICAL INDEX | 34 |
|-----------------------|----|

TABLE DES MATIERES

| | |
|--------------------------------------|----|
| PIECES MAINTENANCE PERIODIQUE | 1 |
| CAPOT SUPERIEUR | 2 |
| CYLINDRE & CARTER 1 | 4 |
| VILEBREQUIN & PISTON | 5 |
| CYLINDRE & CARTER 2 | 6 |
| SOUPAPE | 8 |
| ADMISSION | 9 |
| CARBURATEUR | 10 |
| CARBURANT 1 | 11 |
| CARBURANT 2 | 12 |
| DEMARREUR | 15 |
| GENERATRICE | 17 |
| ELECTRIQUE | 18 |
| CAPOT INFERIEUR | 19 |
| DIRECTION | 20 |
| COMMANDE | 22 |
| SUPPORT | 23 |
| FOURREAU | 25 |
| BOITIER D'HELICE TRANSMISSION1 | 26 |
| BOITIER D'HELICE TRANSMISSION2 | 28 |
| RESERVOIR A CARBURANT | 29 |
| PIECES OPTIONNELLES | 30 |
| KITS DE REPARATION 1 | 31 |
| KITS DE REPARATION 2 | 32 |
| KITS DE PEPARATION 3 | 33 |

INDEX

| | |
|-----------------------|----|
| INDEX NUMERIQUE | 34 |
|-----------------------|----|



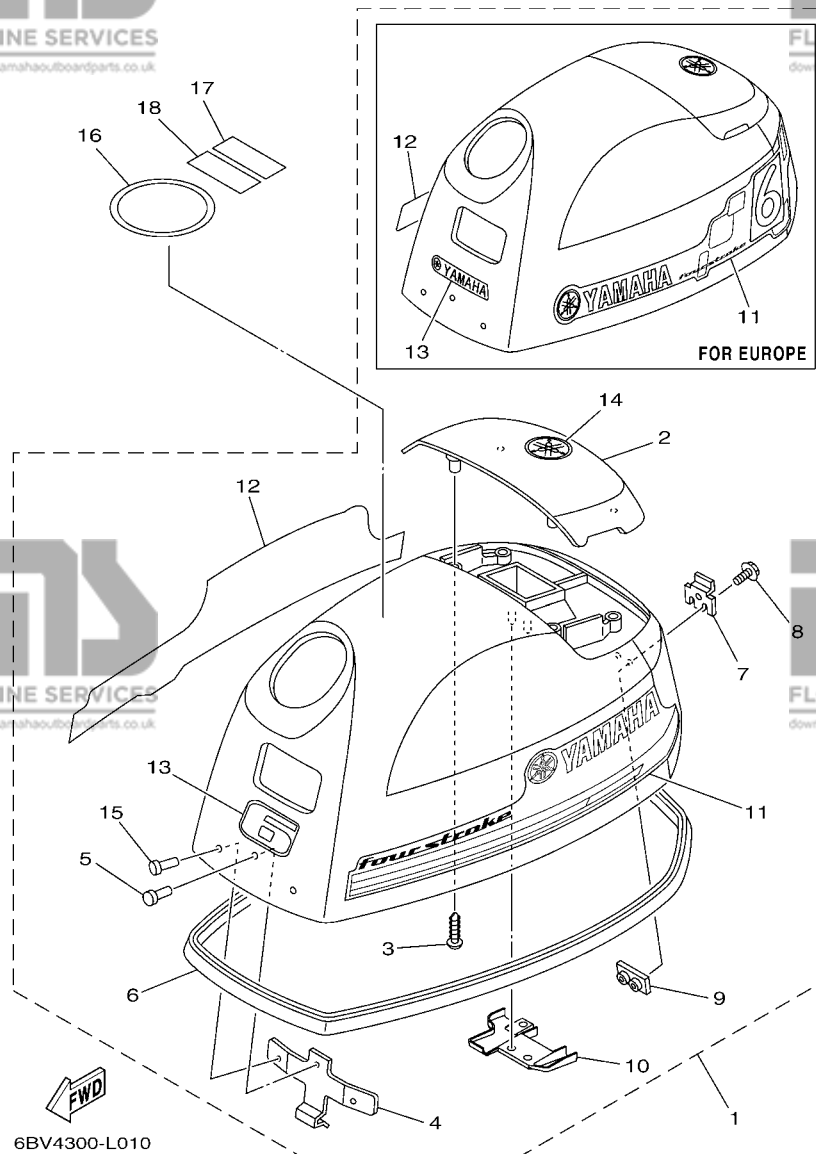
FWD
6BV5100-M010

FIG. 1 SCHEDULED SERVICE PARTS PIÈCES MAINTENANCE PERIODIQUE

| REF. NO. | PART NO. N° PIÈCES | DESCRIPTION DESCRIPTION | 6BV5 | 6BW5 | 6BX5 | REMARKS REMARQUES |
|----------|--------------------|--|------|------|------|-------------------|
| 1 | 66M-12411-01 | THERMOSTAT THERMOSTAT | 1 | 1 | 1 | |
| 2 | 68D-E1325-00 | ANODE ANODE | 1 | 1 | 1 | |
| 3 | 68D-E2414-A0 | GASKET, COVER JOINT, COUVERCLE | 1 | 1 | 1 | |
| 4 | 94702-00372 | PLUG, SPARK (NGK CR6HSB) BOUGIE D,ALLUMAGE | 1 | 1 | 1 | |
| 5 | 90430-08800 | GASKET JOINT | 1 | 1 | 1 | |
| 6 | 51Y-13411-00 | STRAINER, OIL FILTRE, HUILE | 1 | 1 | 1 | |
| 7 | 68T-24251-01 | STRAINER 1 FILTRE 1 | 1 | 1 | 1 | |
| 8 | 90430-08020 | GASKET JOINT | 3 | 3 | 3 | |
| 9 | 68D-G5251-00 | ANODE ANODE | 1 | 1 | 1 | |
| 10 | 6BX-WG078-00 | WATER PUMP REPAIR KIT KIT DE REPARATION DE LA POMPE | 1 | 1 | 1 | |

FIG. 2 TOP COWLING

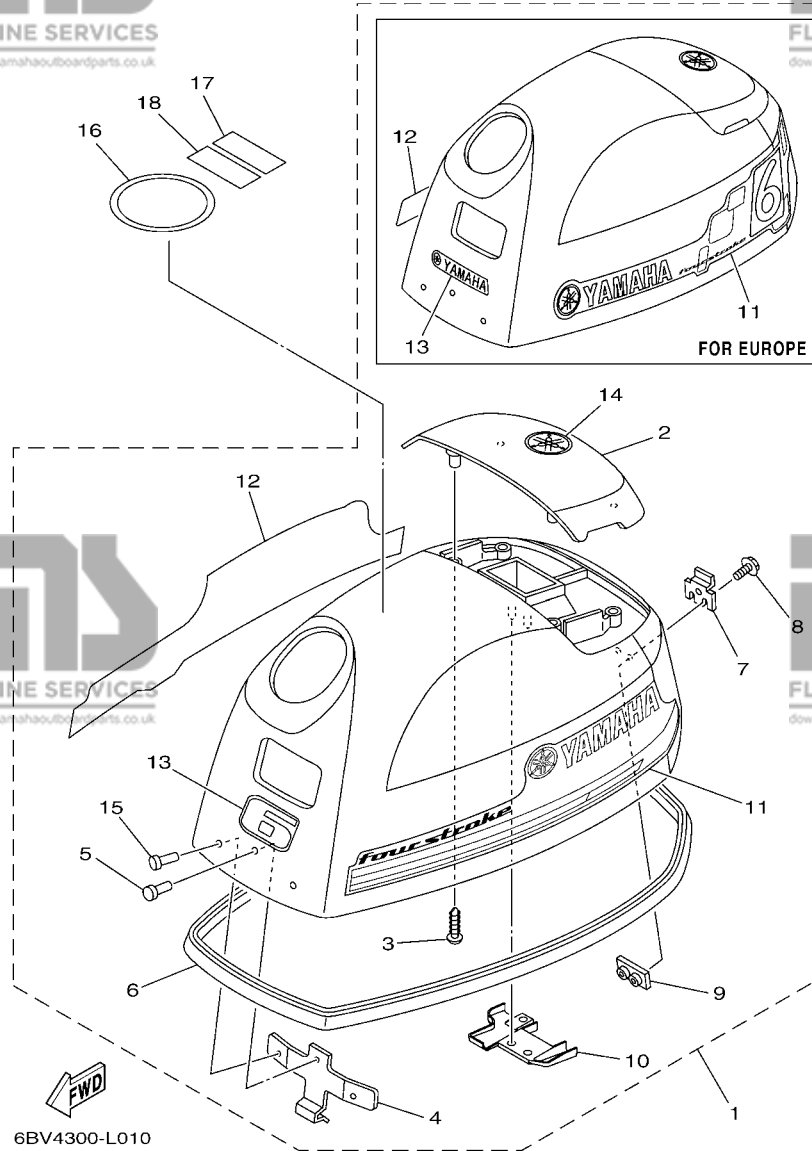
CAPOT SUPERIEUR



| REF. NO. | PART NO. N° PIECES | DESCRIPTION DESCRIPTION | 6BV5 | 6BW5 | 6BX5 | REMARKS REMARQUES |
|----------|--------------------|--|------|------|------|--------------------|
| 1 | 6BV-G2610-00 | TOP COWLING ASSY (WHITE) CAPOT (ENS.) (BLANC) | 1 | | | |
| | 6BV-G2610-20 | TOP COWLING ASSY (GRAY) CAPOT (ENS.) (GRIS) | 1 | | | FOR RUS FOR RUS |
| | 6BW-G2610-00 | TOP COWLING ASSY (WHITE) CAPOT (ENS.) (BLANC) | | 1 | | |
| | 6BW-G2610-20 | TOP COWLING ASSY (GRAY) CAPOT (ENS.) (GRIS) | | 1 | | FOR RUS FOR RUS |
| | 6BX-G2610-00 | TOP COWLING ASSY (WHITE) CAPOT (ENS.) (BLANC) | | | 1 | |
| | 6BX-G2610-20 | TOP COWLING ASSY (GRAY) CAPOT (ENS.) (GRIS) | | | 1 | FOR RUS FOR RUS |
| 2 | 6BX-G2613-00 | .MOLDING, AIR DUCT .MANCHON A AIR | 1 | 1 | 1 | |
| | 6BX-G2613-10 | .MOLDING, AIR DUCT .MANCHON A AIR | 1 | 1 | 1 | FOR RUS FOR RUS |
| 3 | 97780-40012 | .SCREW, TAPPING .VIS, TETE BOMBEE | 4 | 4 | 4 | |
| 4 | 6BX-G2651-00 | .HOOK .CROCHET | 1 | 1 | 1 | |
| 5 | 90266-04M04 | .RIVET .RIVET | 1 | 1 | 1 | |
| 6 | 6BX-42615-00 | .SEAL .JOINT | 1 | 1 | 1 | |
| 7 | 60R-42652-00 | .HOOK .CROCHET | 1 | 1 | 1 | |
| 8 | 97595-05514 | .BOLT, WITH WASHER .VIS HEXAGONAL AVC RONDELLE | 2 | 2 | 2 | |
| 9 | 68T-42649-00 | .HOLDER, CLAMP BAND .SUPPORT, SANDOW DE SERRAGE | 1 | 1 | 1 | |
| 10 | 6BX-G2134-00 | .COVER .CAPOT | 1 | 1 | 1 | |
| 11 | 6BV-42675-00 | .GRAPHIC, SIDE 1 .EMBLEME | 1 | | | |
| | 6BW-42675-00 | .GRAPHIC, SIDE 1 .EMBLEME | | 1 | | |
| | 6BX-42675-00 | .GRAPHIC, SIDE 1 .EMBLEME | | | 1 | |
| | 6BV-42675-10 | .GRAPHIC, SIDE 1 .EMBLEME | 1 | 1 | 1 | FOR RUS FOR RUS |
| 12 | 6BV-42676-00 | .GRAPHIC, SIDE 2 .EMBLEME | 1 | | | |
| | 6BW-42676-00 | .GRAPHIC, SIDE 2 .EMBLEME | | 1 | | |
| | 6BX-42676-00 | .GRAPHIC, SIDE 2 .EMBLEME | | | 1 | |
| | 6BV-42676-10 | .GRAPHIC, SIDE 2 .EMBLEME | 1 | 1 | 1 | FOR RUS FOR RUS |
| 13 | 6BX-42681-00 | .MARK, COWLING .ADHESIF, CAPOT | 1 | 1 | 1 | |
| | 6BV-42677-10 | .GRAPHIC, FRONT .ADHESIF, AVANT | 1 | | | FOR RUS FOR RUS |
| | 6BW-42677-10 | .GRAPHIC, FRONT .ADHESIF, AVANT | | 1 | | FOR RUS FOR RUS |

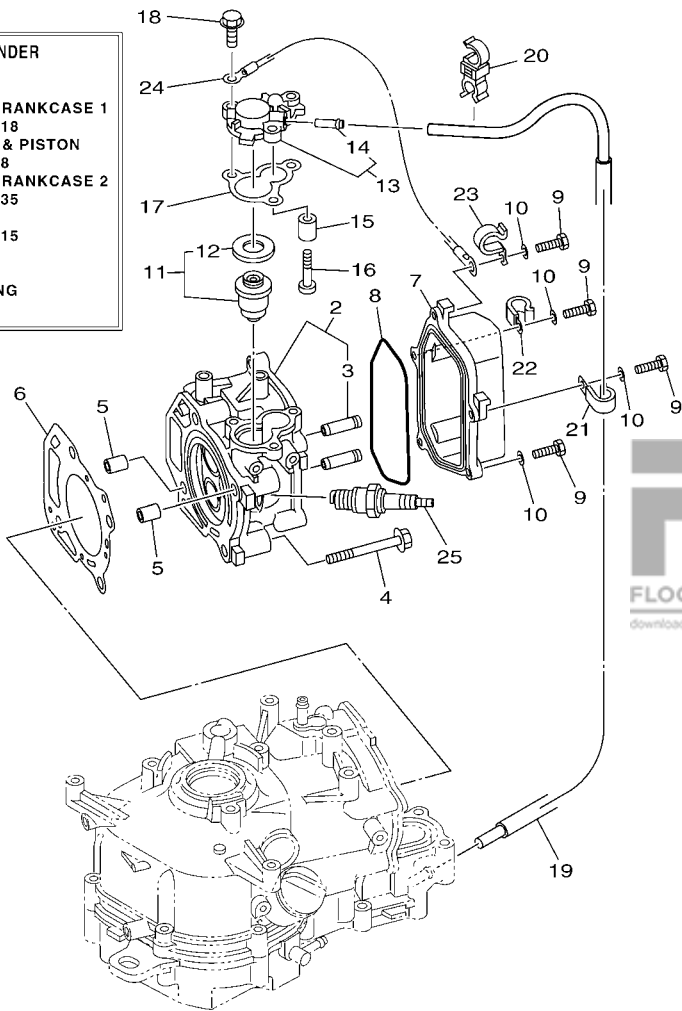
FIG. 2 TOP COWLING

CAPOT SUPERIEUR



| REF. NO. | PART NO. N° PIECES | DESCRIPTION DESCRIPTION | 6BV5 | 6BW5 | 6BX5 | REMARKS REMARQUES |
|----------|--------------------|---|------|------|------|--------------------|
| 13 | 6BX-42677-10 | .GRAPHIC, FRONT .ADHESIF, AVANT | | | 1 | FOR RUS FOR RUS |
| 14 | 6BX-42697-00 | .TUNING FORK MARK .MARQUE, YAMAHA | 1 | 1 | 1 | |
| | 6BX-42697-10 | .TUNING FORK MARK .MARQUE, YAMAHA | | | 1 | FOR RUS FOR RUS |
| 15 | 90266-04M00 | .RIVET .RIVET | 2 | 2 | 2 | |
| 16 | 60R-E3434-00 | LABEL, CAUTION ETIQUETTE, ATTENTION | 1 | 1 | 1 | |
| 17 | 6S7-42698-40 | LABEL, WARNING (FUEL) ETIQUETTE, AVERTISSEMENT | 1 | 1 | 1 | |
| 18 | 6S7-42698-50 | LABEL, WARNING (FUEL) ETIQUETTE, AVERTISSEMENT | 1 | 1 | 1 | |

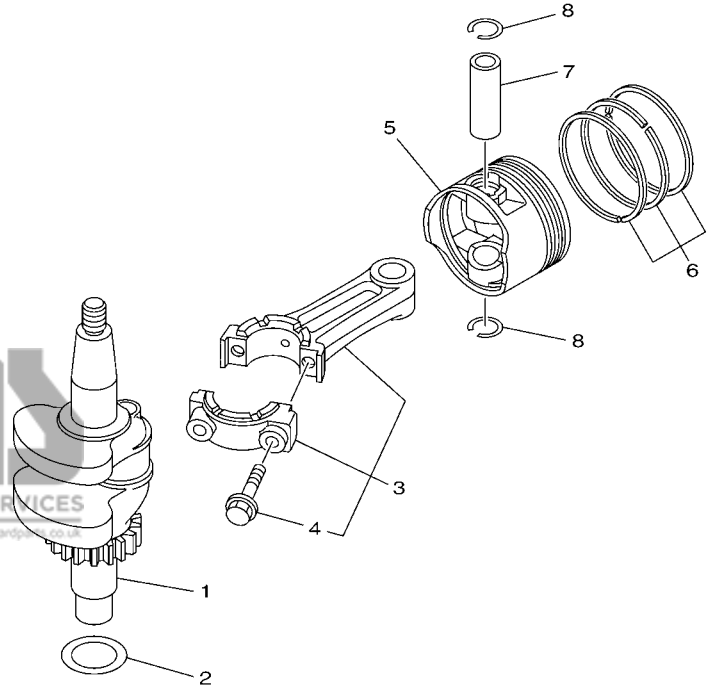
CRANK CYLINDER ASSY
Fig. 3, CYLINDER & CRANKCASE 1
Ref. No. 2 to 18
Fig. 4, CRANKSHAFT & PISTON
Ref. No. 1 to 8
Fig. 5, CYLINDER & CRANKCASE 2
Ref. No. 1 to 35
Fig. 6, VALVE
Ref. No. 1 to 15
Fig. 7, INTAKE
Ref. No. 12
Fig. 18, UPPER CASING
Ref. No. 6



FWD
6BV5100-M030

FIG. 3 CYLINDER & CRANKCASE 1 CYLINDRE & CARTER 1

| REF. NO. | PART NO. N° PIECES | DESCRIPTION DESCRIPTION | 6BV5 | 6BW5 | 6BX5 | REMARKS REMARQUES |
|----------|--------------------|---|------|------|------|-------------------|
| 1 | 6BX-WE090-00-1S | CRANK CYLINDER ASSY EMBIELLAGE CYLINDRE (ENS.) | 1 | 1 | 1 | |
| 2 | 6BX-E1111-00-1S | HEAD, CYLINDER 1 CULASSE | 1 | 1 | 1 | |
| 3 | 67D-11133-10 | .GUIDE, VALVE 1 .GUIDE, SOUPAPE 1 | 2 | 2 | 2 | |
| 4 | 90105-08M36 | BOLT, FLANGE BOULON | 4 | 4 | 4 | |
| 5 | 99510-10114 | PIN, DOWEL GOUJON, D'ASSEMBLAGE | 2 | 2 | 2 | |
| 6 | 6BX-11181-00 | GASKET, CYLINDER HEAD 1 JOINT, DE CULASSE 1 | 1 | 1 | 1 | |
| 7 | 6BX-E1191-00-5B | COVER, CYLINDER HEAD 1 COUVERCLE, CULASSE 1 | 1 | 1 | 1 | |
| 8 | 6BX-11356-00 | SEAL, CYLINDER 2 JOINT, SPY CYLINDRE | 1 | 1 | 1 | |
| 9 | 97095-06020 | BOLT BOULON | 5 | 5 | 5 | |
| 10 | 92995-06600 | WASHER RONDELLE | 5 | 5 | 5 | |
| 11 | 66M-12411-01 | THERMOSTAT THERMOSTAT | 1 | 1 | 1 | |
| 12 | 688-12412-00 | .SEAL, THERMOSTAT .JOINT, THERMOSTAT | 1 | 1 | 1 | |
| 13 | 68D-E2413-00-1S | COVER, THERMOSTAT COUVERCLE, THERMOSTAT | 1 | 1 | 1 | |
| 14 | 650-24378-00 | .PIPE, JOINT 4 .DURITE RACCORDEMENT 3 | 1 | 1 | 1 | |
| 15 | 68D-E1325-00 | ANODE ANODE | 1 | 1 | 1 | |
| 16 | 97880-05025 | SCREW, PAN HEAD VIS, TETE TRONCONIQUE | 1 | 1 | 1 | |
| 17 | 68D-E2414-A0 | GASKET, COVER JOINT, COUVERCLE | 1 | 1 | 1 | |
| 18 | 90119-06MA2 | BOLT, WITH WASHER BOULON, AVEC RONDELLE | 3 | 3 | 3 | |
| 19 | 6BX-F4323-00 | PIPE 12 DURITE 12 | 1 | 1 | 1 | |
| 20 | 90464-09021 | CLAMP BRIDE | 1 | 1 | 1 | |
| 21 | 90465-06M86 | CLAMP BRIDE | 1 | 1 | 1 | |
| 22 | 90465-06M86 | CLAMP BRIDE | 1 | 1 | 1 | |
| 23 | 90465-08371 | CLAMP BRIDE | 1 | 1 | 1 | |
| 24 | 6G0-82519-00 | WIRE, EARTH LEAD FIL, MASSE | 1 | 1 | 1 | |
| 25 | 94702-00372 | PLUG, SPARK (NGK CR6HSB) BOUGIE D,ALLUMAGE | 1 | 1 | 1 | |

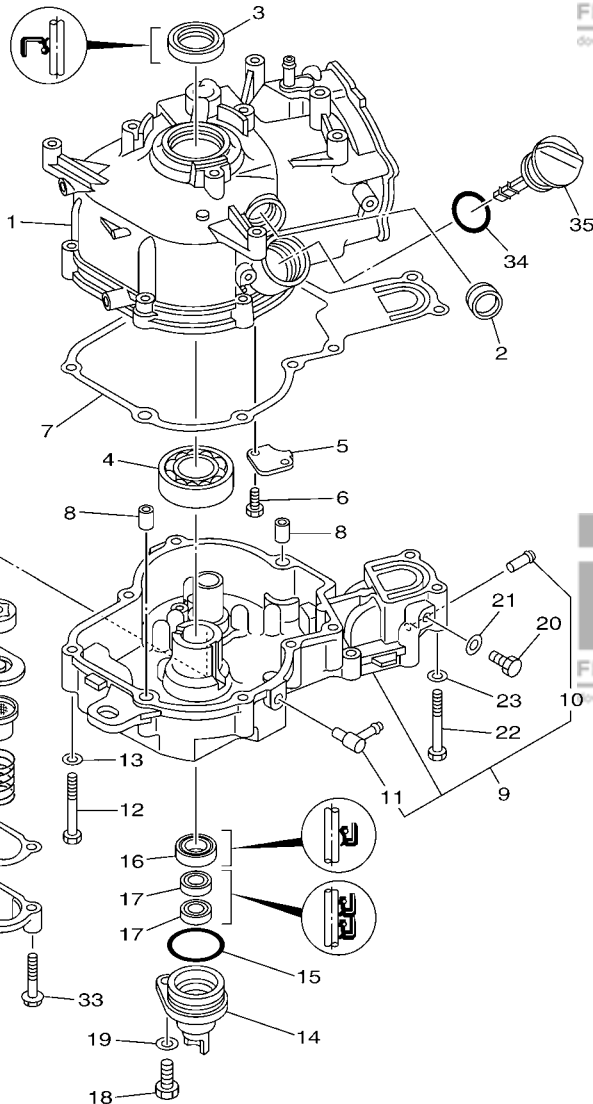



6BV1100-J030

FIG. 4 CRANKSHAFT & PISTON

VILEBREQUIN & PISTON

| REF. NO. | PART NO. N° PIECES | DESCRIPTION DESCRIPTION | 6BV5 | 6BW5 | 6BX5 | REMARKS REMARQUES |
|----------|--------------------|--|------|------|------|-------------------|
| 1 | 6BX-E1410-00 | CRANKSHAFT VILEBREQUIN COMPLET | 1 | 1 | 1 | |
| 2 | 90201-266P2 | WASHER, PLATE RONDELLE, PLATE | 1 | 1 | 1 | |
| 3 | 6BX-11650-00 | CONNECTING ROD ASSY BIELLE COMPLETE | 1 | 1 | 1 | |
| 4 | 67D-11654-00 | .BOLT, CONNECTING ROD .BOULON, BIELLE | 2 | 2 | 2 | |
| 5 | 6BX-E1631-00-96 | PISTON (STD) PISTON (STD) | 1 | 1 | 1 | |
| 6 | 6BX-E1635-00 | PISTON (0.25MM O/S) PISTON (0.25MM O/S) | 1 | 1 | 1 | AP AP |
| 7 | 6BX-E1636-00 | PISTON (0.50MM O/S) PISTON (0.50MM O/S) | 1 | 1 | 1 | AP AP |
| 8 | 6BX-E1603-00 | PISTON RING SET (STD) JEU DE SEGMENTS (STD) | 1 | 1 | 1 | |
| 9 | 6BX-E1604-00 | PISTON RING SET (0.25MM O/S) JEU DE SEGMENTS (0.25MM O/S) | 1 | 1 | 1 | AP AP |
| 10 | 6BX-E1605-00 | PISTON RING SET (0.50MM O/S) JEU DE SEGMENTS (0.50MM O/S) | 1 | 1 | 1 | AP AP |
| 11 | 7 6BX-11633-00 | PIN, PISTON AXE, PISTON | 1 | 1 | 1 | |
| 12 | 8 93450-16068 | CIRCLIP CIRCLIP, TYPE S | 2 | 2 | 2 | |



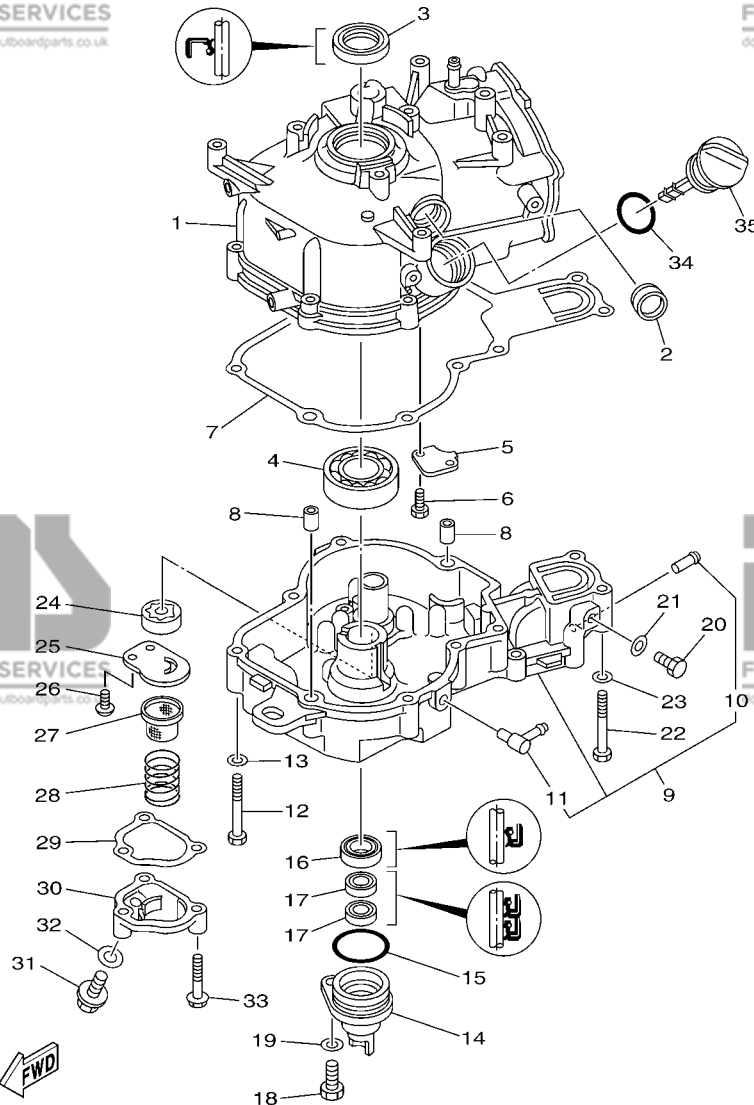
6BV3200-L040

FIG. 5 CYLINDER & CRANKCASE 2 CYLINDRE & CARTER 2

| REF. NO. | PART NO. N° PIECES | DESCRIPTION DESCRIPTION | 6BV5 | 6BW5 | 6BX5 | REMARKS REMARQUES |
|----------|--------------------|--|------|------|------|-------------------|
| 1 | 6BX-E1311-00-1S | CYLINDER 1 CYLINDRE 1 | 1 | 1 | 1 | |
| 2 | 3Y6-15361-00 | GAUGE, LEVEL JAUGE A HUILE | 1 | 1 | 1 | |
| 3 | 93102-25022 | OIL SEAL JOINT SPY | 1 | 1 | 1 | |
| 4 | 93306-205B2 | BEARING ROULEMENT | 1 | 1 | 1 | |
| 5 | 6BX-E1168-00 | COVER, BREATHER COUVERCLE, RENIFLARD | 1 | 1 | 1 | |
| 6 | 97013-05010 | BOLT BOULON | 2 | 2 | 2 | |
| 7 | 6BX-11351-00 | GASKET, CYLINDER JOINT, D'EMBASE | 1 | 1 | 1 | |
| 8 | 99510-10114 | PIN, DOWEL GOIJON, D'ASSEMBLAGE | 2 | 2 | 2 | |
| 9 | 6BX-E5111-00-1S | CRANKCASE 1 CARTER DE MOTEUR | 1 | 1 | 1 | |
| 10 | 650-24378-00 | .PIPE, JOINT 4 .DURITE RACCORDEMENT 3 | 1 | 1 | 1 | |
| 11 | 676-11372-00 | .NIPPLE, HOSE .RACCORD, TUYAU | 1 | 1 | 1 | |
| 12 | 97013-06050 | BOLT BOULON | 8 | 8 | 8 | |
| 13 | 92903-06600 | WASHER, PLATE RONDELLE, PLATE | 8 | 8 | 8 | |
| 14 | 68D-E5396-00-5B | HOUSING, OIL SEAL LOGEMENT DE JOINT SPY | 1 | 1 | 1 | |
| 15 | 93210-35537 | O-RING JOINT TORIQUE | 1 | 1 | 1 | |
| 16 | 93102-20108 | OIL SEAL JOINT SPY | 1 | 1 | 1 | |
| 17 | 93102-10004 | OIL SEAL JOINT SPY | 2 | 2 | 2 | |
| 18 | 97095-08020 | BOLT BOULON | 1 | 1 | 1 | |
| 19 | 92995-08600 | WASHER RONDELLE | 1 | 1 | 1 | |
| 20 | 97095-08014 | BOLT BOULON | 1 | 1 | 1 | |
| 21 | 90430-08800 | GASKET JOINT | 1 | 1 | 1 | |
| 22 | 97013-06050 | BOLT BOULON | 2 | 2 | 2 | |
| 23 | 92903-06600 | WASHER, PLATE RONDELLE, PLATE | 2 | 2 | 2 | |
| 24 | 6BX-E3310-00 | ROTOR ASSY 1 ROTOR COMPLET | 1 | 1 | 1 | |
| 25 | 6BX-E3316-00 | COVER, PUMP COUVERCLE DE POMPE | 1 | 1 | 1 | |
| 26 | 98517-06012 | SCREW, PAN HEAD VIS, TETE TRONCONIQUE | 2 | 2 | 2 | |
| 27 | 51Y-13411-00 | STRAINER, OIL FILTRE, HUILE | 1 | 1 | 1 | |

FIG. 5 CYLINDER & CRANKCASE 2 CYLINDRE & CARTER 2

| REF. NO. | PART NO. N° PIECES | DESCRIPTION DESCRIPTION | 6BV5 | 6BW5 | 6BX5 | REMARKS REMARQUES |
|----------|--------------------|---|------|------|------|-------------------|
| 28 | 90501-18576 | SPRING, COMPRESSION RESSORT, COMPRESSION | 1 | 1 | 1 | |
| 29 | 6BX-E3475-00 | GASKET JOINT | 1 | 1 | 1 | |
| 30 | 6BX-E3417-00-1S | COVER, STRAINER COUVERCLE, FILTRE | 1 | 1 | 1 | |
| 31 | 90105-08M76 | BOLT, FLANGE BOULON | 1 | 1 | 1 | |
| 32 | 90201-08818 | WASHER, PLATE RONDELLE, PLATE | 1 | 1 | 1 | |
| 33 | 97575-06535 | BOLT, WITH WASHER VIS HEXAGONAL AVC RONDELLE | 3 | 3 | 3 | |
| 34 | 93210-24M79 | O-RING JOINT TORIQUE | 1 | 1 | 1 | |
| 35 | 68D-E5362-00 | PLUG, OIL LEVEL PLOT, NIVEAU D'HUILE | 1 | 1 | 1 | |



6BV3200-L040

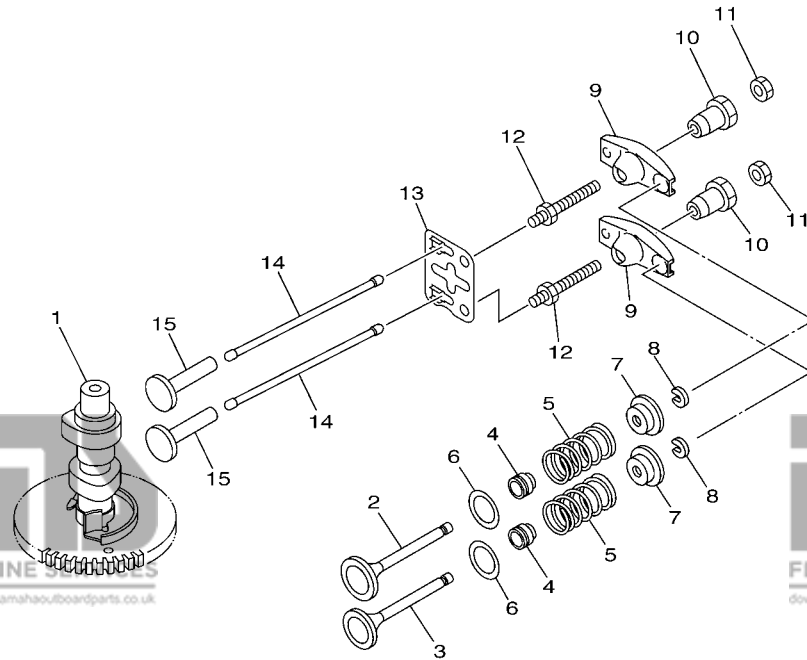


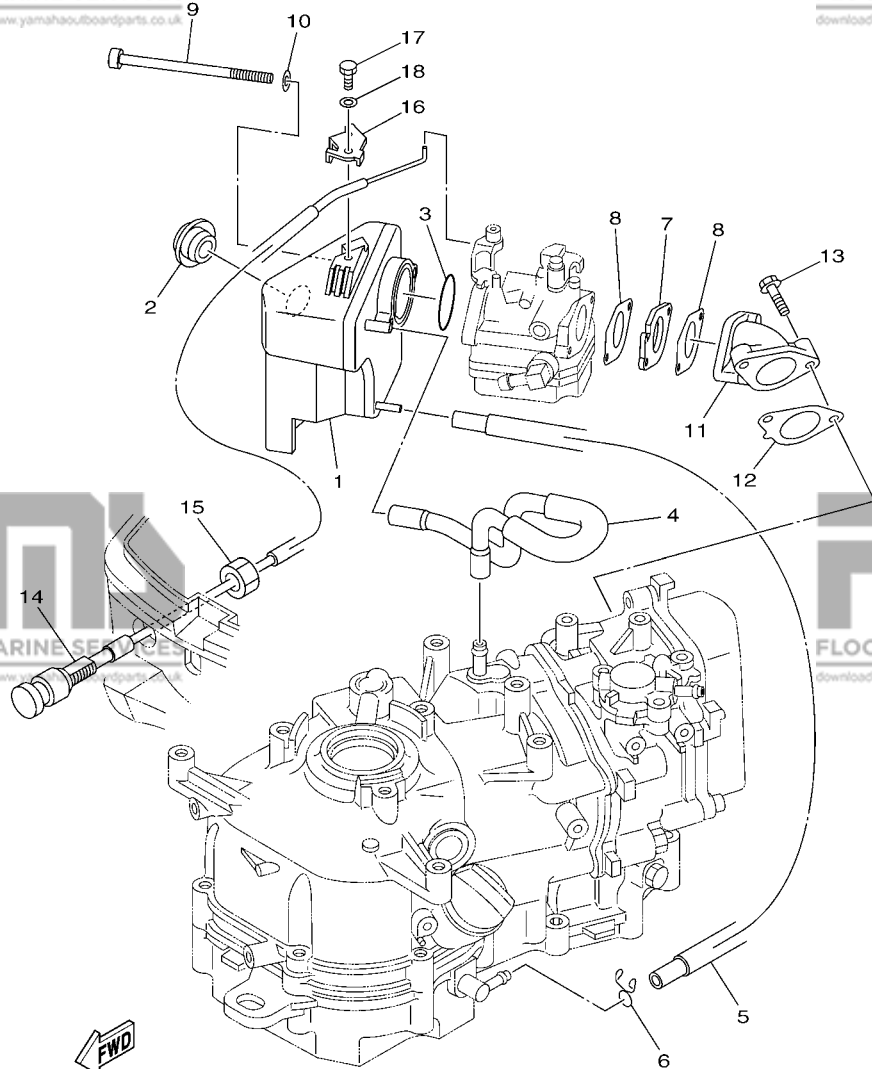
FIG. 6 VALVE

SOUPAPE

| REF. NO. | PART NO. N° PIECES | DESCRIPTION DESCRIPTION | 6BV5 | 6BW5 | 6BX5 | REMARKS REMARQUES |
|----------|--------------------|---|------|------|------|-------------------|
| 1 | 6BX-E2170-00 | CAMSHAFT ASSY 1 ENS ARBRE A CAMES 1 | 1 | 1 | 1 | |
| 2 | 6BX-12111-00 | VALVE, INTAKE SOUPAPE, ADMISSION | 1 | 1 | 1 | |
| 3 | 6AU-12121-00 | VALVE, EXHAUST SOUPAPE, ECHAPPEMENT | 1 | 1 | 1 | |
| 4 | 51Y-12119-00 | SEAL, VALVE STEM JOINT, QUEUE DE SOUPAPE | 2 | 2 | 2 | |
| 5 | 60R-12113-00 | SPRING, VALVE INNER RESSORT DE SOUPAPE, INTERNE | 2 | 2 | 2 | |
| 6 | 68T-12116-00 | SEAT, VALVE SPRING SIEGE, RESSORT DE SOUPAPE | 2 | 2 | 2 | |
| 7 | 7NJ-12117-00 | RETAINER, VALVE SPRING BUTEE DE RESSORT DE SOUPAPE | 2 | 2 | 2 | |
| 8 | 7NJ-12118-00 | LOCK, VALVE SPRING RETAINER FRAISE, SOUPAPE | 2 | 2 | 2 | |
| 9 | 67D-12151-00 | ARM, VALVE ROCKER CULBUTEUR | 2 | 2 | 2 | |
| 10 | 7FK-12165-00 | PIVOT, ROCKER ARM PIVOT, CULBUTEUR | 2 | 2 | 2 | |
| 11 | 7FK-12158-00 | NUT, LOCK CONTRE-ECROU | 2 | 2 | 2 | |
| 12 | 67D-12157-00 | BOLT BOULON | 2 | 2 | 2 | |
| 13 | 6BX-E2155-00 | GUIDE, PUSH ROD GUIDE, TIGE-POUSSOIR | 1 | 1 | 1 | |
| 14 | 6BX-12154-00 | ROD, VALVE PUSH TIGE DE LEVE-SOUPAPE | 2 | 2 | 2 | |
| 15 | JA9-12153-00 | LIFTER, VALVE LEVE-SOUPAPE | 2 | 2 | 2 | |



6BV1100-J050

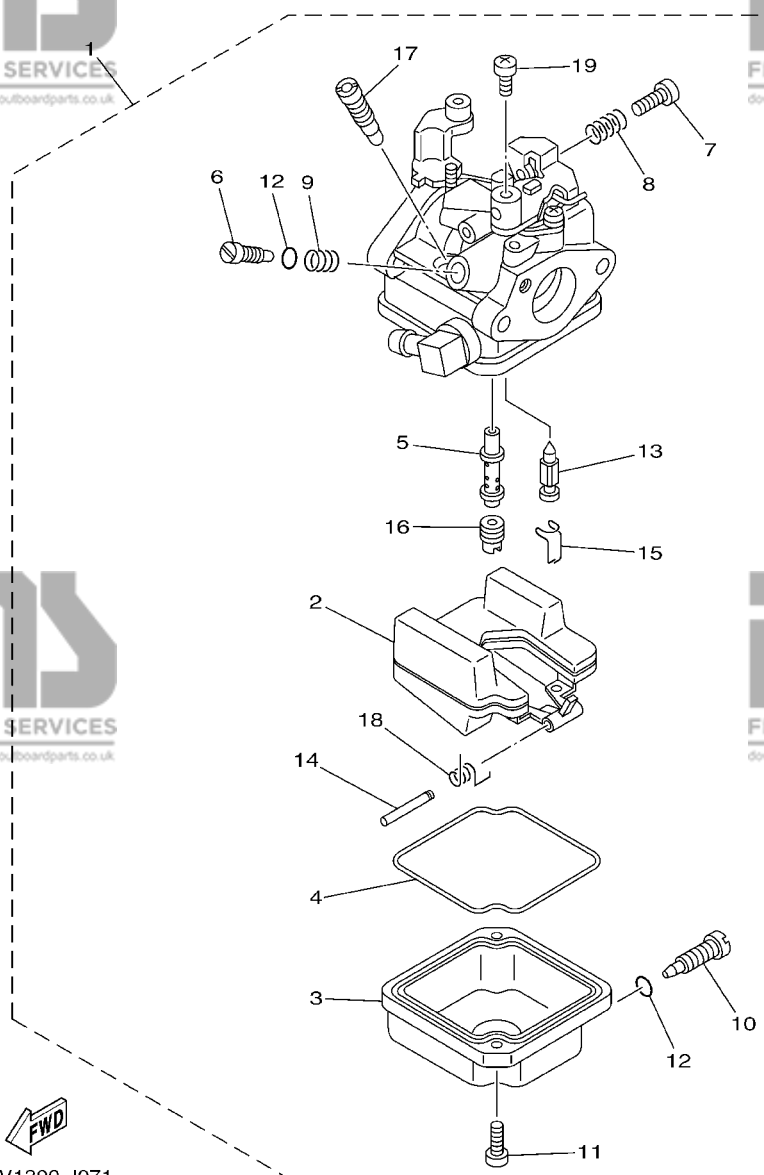


6BV1100-J060

FIG. 7 INTAKE

ADMISSION

| REF. NO. | PART NO. N° PIECES | DESCRIPTION DESCRIPTION | 6BV5 | 6BW5 | 6BX5 | REMARKS REMARQUES |
|----------|--------------------|---|------|------|------|-------------------|
| 1 | 6BX-14440-00 | SILENCER ASSY, INTAKE SIENCIEUX D'ADMISSION | 1 | 1 | 1 | |
| 2 | 90480-18M74 | GROMMET PASSE-FIL | 1 | 1 | 1 | |
| 3 | 93210-320A7 | O-RING JOINT TORIQUE | 1 | 1 | 1 | |
| 4 | 6BX-F4314-00 | PIPE 4 DURITE 4 | 1 | 1 | 1 | |
| 5 | 6BX-E316F-00 | HOSE, OIL 1 DURITE A HUILE 1 | 1 | 1 | 1 | |
| 6 | 90467-09M09 | CLIP JONC | 1 | 1 | 1 | |
| 7 | 6BX-E3647-00 | GASKET, MANIFOLD 3 JOINT, TUBULURE 3 | 1 | 1 | 1 | |
| 8 | 6BX-E3646-00 | GASKET, MANIFOLD 2 JOINT, TUBULURE 2 | 2 | 2 | 2 | |
| 9 | 90110-06350 | BOLT, HEXAGON SOCKET HEAD BOULON, TETE HEXAGONALE CREUSE | 2 | 2 | 2 | |
| 10 | 90201-06106 | WASHER, PLATE RONDELLE, PLATE | 2 | 2 | 2 | |
| 11 | 6BX-E3641-10-94 | MANIFOLD, INTAKE 1 TUBULURE, ADMISSION 1 | 1 | 1 | 1 | |
| 12 | 6BX-E3645-00 | GASKET, MANIFOLD 1 JOINT, TUBULURE 1 | 1 | 1 | 1 | |
| 13 | 90119-06MA3 | BOLT, WITH WASHER BOULON, AVEC RONDELLE | 2 | 2 | 2 | |
| 14 | 6BX-F6330-01 | STARTER CABLE ASSY CABLE DE STARTER | 1 | 1 | 1 | |
| 15 | 6BX-F6333-00 | NUT ECROU | 1 | 1 | 1 | |
| 16 | 6BX-E3151-00 | STAY SUPPORT | 1 | 1 | 1 | |
| 17 | 97095-05010 | BOLT BOULON | 1 | 1 | 1 | |
| 18 | 92995-05600 | WASHER RONDELLE | 1 | 1 | 1 | |

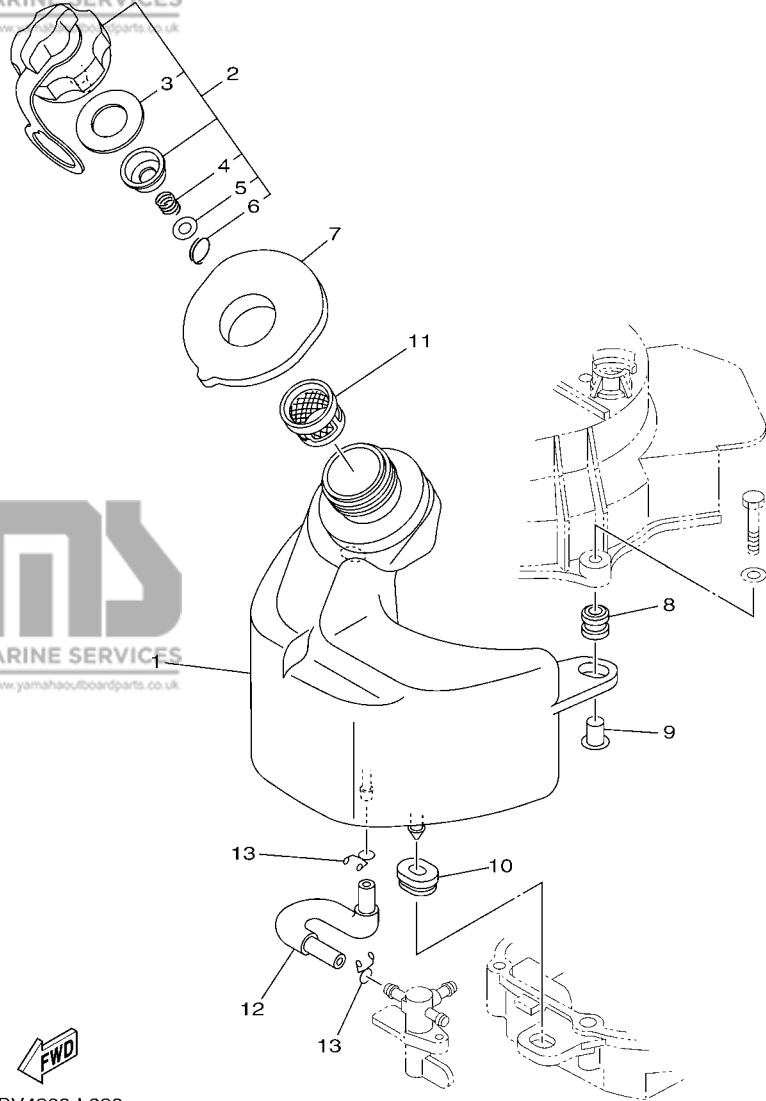


6BV1300-J071

FIG. 8 CARBURETOR

CARBURATEUR

| REF. NO. | PART NO. N° PIECES | DESCRIPTION DESCRIPTION | 6BV5 | 6BW5 | 6BX5 | REMARKS REMARQUES |
|----------|--------------------|--|------|------|------|-------------------|
| 1 | 6BV-14301-01 | CARBURETOR ASSY 1 CARBURATEUR COMPLET 1 | 1 | | | |
| | 6BW-14301-01 | CARBURETOR ASSY 1 CARBURATEUR COMPLET 1 | | 1 | | |
| | 6BX-14301-00 | CARBURETOR ASSY 1 CARBURATEUR COMPLET 1 | | | 1 | |
| 2 | 6BX-14985-00 | .FLOAT .FLOTTEUR | 1 | 1 | 1 | |
| 3 | 6BX-14980-00 | .BODY, FLOAT CHAMBER .CORPS, CUVE DE FLOTTEUR | 1 | 1 | 1 | |
| 4 | 6BX-14984-00 | .GASKET, FLOAT CHAMBER .JOINT, CUVE DE FLOTTEUR | 1 | 1 | 1 | |
| 5 | 6BV-14947-00 | .JET, NEEDLE .GICLEUR DE STARTER | 1 | | | |
| | 6BW-14947-00 | .JET, NEEDLE .GICLEUR DE STARTER | | 1 | | |
| | 6BX-14947-00 | .JET, NEEDLE .GICLEUR DE STARTER | | | 1 | |
| 6 | 6BW-14923-20 | .SCREW, PILOT .VIS, RALENTI | 1 | 1 | | |
| | 6BX-14923-20 | .SCREW, PILOT .VIS, RALENTI | | | 1 | |
| 7 | 6BX-14523-00 | .SCREW, STOP .VIS, BUTEE | 1 | 1 | 1 | |
| 8 | 6BX-14555-00 | .SPRING .RESSORT | 1 | 1 | 1 | |
| 9 | 6BX-14935-00 | .SPRING .RESSORT | 1 | 1 | 1 | |
| 10 | 6BX-14991-00 | .SCREW .VIS | 1 | 1 | 1 | |
| 11 | 6BX-14592-00 | .SCREW .VIS | 2 | 2 | 2 | |
| 12 | 4JH-14562-00 | .O-RING .JOINT TORIQUE | 2 | 2 | 2 | |
| 13 | 6BX-14546-00 | .VALVE, NEEDLE .POINTEAU | 1 | 1 | 1 | |
| 14 | 6BX-14548-00 | .PIN, FLOAT ARM .AXE, BRAS DE FLOTTEUR | 1 | 1 | 1 | |
| 15 | 6BX-14937-00 | .CLIP .JONC | 1 | 1 | 1 | |
| 16 | 6BV-14943-11 | .JET, MAIN (#60) .GICLEUR, PRINCIPAL (#60) | 1 | | | |
| | 6BW-14943-15 | .JET, MAIN (#70) .GICLEUR, PRINCIPAL (#70) | | 1 | | |
| | 6BX-14943-17 | .JET, MAIN (#75) .GICLEUR, PRINCIPAL (#75) | | | 1 | |
| 17 | 6BV-14948-01 | .JET (#35) .GICLEUR (#35) | 1 | 1 | | |
| | 6BX-14948-04 | .JET (#42) .GICLEUR (#42) | | | 1 | |
| 18 | 6BX-14556-00 | .SPRING .RESSORT | 1 | 1 | 1 | |
| 19 | 98580-04006 | .SCREW, PAN HEAD .VIS | 1 | 1 | 1 | |



6BV4300-L080

FIG. 9 FUEL 1

CARBURANT 1

| REF. NO. | PART NO. N° PIECES | DESCRIPTION DESCRIPTION | | | | REMARKS REMARQUES |
|----------|--------------------|---|------|------|------|-------------------|
| | | | 6BV5 | 6BW5 | 6BX5 | |
| 1 | 6BX-F4111-00 | TANK, FUEL RESERVOIR, A ESSENCE | 1 | 1 | 1 | |
| 2 | 6BX-24610-01 | CAP ASSY BOUCHON | 1 | 1 | 1 | |
| 3 | 68D-24612-00 | .PACKING, CAP .JOINT, BOUCHON | 1 | 1 | 1 | |
| 4 | 90501-100A5 | .SPRING, COMPRESSION .RESSORT, COMPRESSION | 1 | 1 | 1 | |
| 5 | 92990-04200 | .WASHER, PLAIN .RONDELLE, PLATE | 1 | 1 | 1 | |
| 6 | 90468-100A0 | .CLIP .JONC | 1 | 1 | 1 | |
| 7 | 6BX-24641-00 | GASKET, CAP 1 JOINT 1, BOUCHON | 1 | 1 | 1 | |
| 8 | 6A0-82317-00 | DAMPER, IGNITION COIL AMORTISSEUR, BOBINE D'ALLUM | 2 | 2 | 2 | |
| 9 | 90387-06119 | COLLAR COLLERETTE | 2 | 2 | 2 | |
| 10 | 90480-01559 | GROMMET PASSE-FIL | 1 | 1 | 1 | |
| 11 | 6BX-24167-00 | STRAINER FILTRE | 1 | 1 | 1 | |
| 12 | 6BX-F4311-00 | PIPE, FUEL 1 DURITE A ESSENCE | 1 | 1 | 1 | |
| 13 | 90467-09M09 | CLIP JONC | 2 | 2 | 2 | |

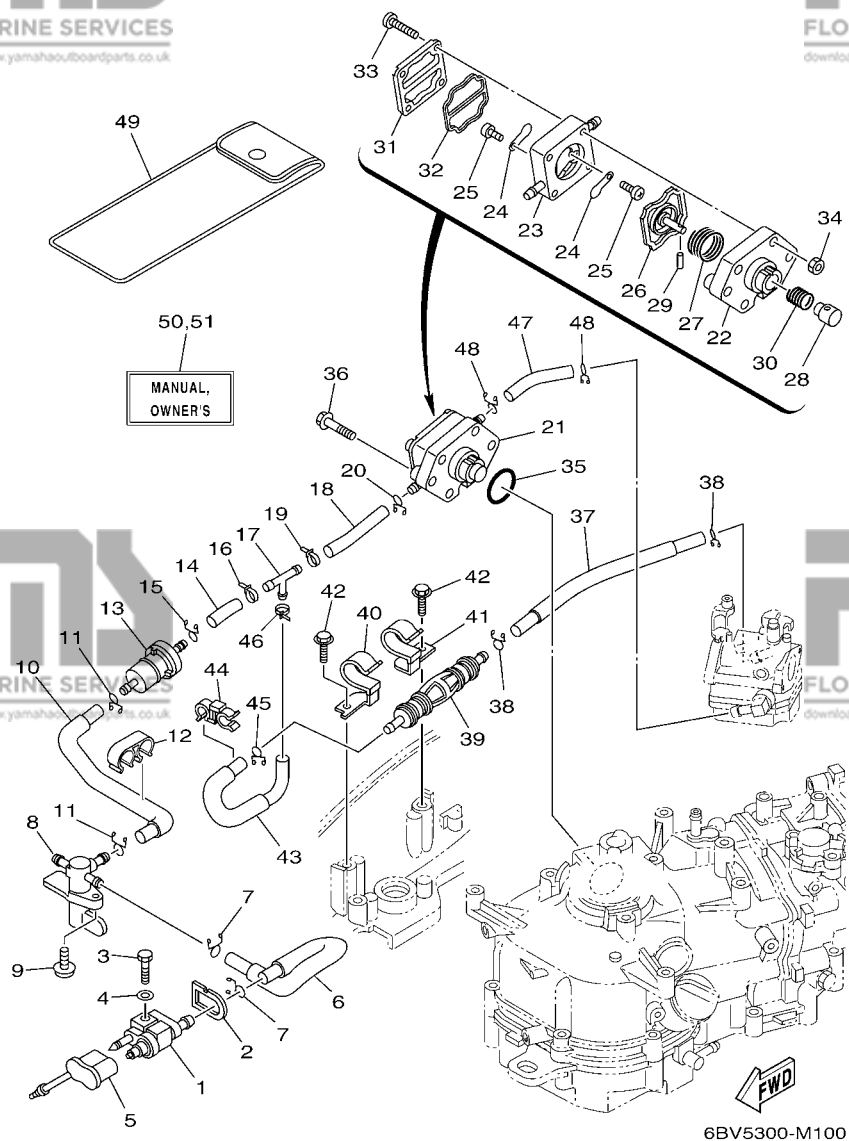


FIG. 10 FUEL 2 CARBURANT 2

| REF. NO. | PART NO. N° PIECES | DESCRIPTION DESCRIPTION | 6BV5 | 6BW5 | 6BX5 | REMARKS REMARQUES |
|----------|--------------------|---|------|------|------|--------------------|
| 28 | 6BX-13131-00 | .PLUNGER .PLONGEUR | 1 | 1 | 1 | |
| 29 | 66M-24374-00 | .PIN .GOUPILLE | 1 | 1 | 1 | |
| 30 | 6BX-24454-00 | .SPRING .RESSORT | 1 | 1 | 1 | |
| 31 | 67D-24414-01 | .BODY 3 .CORPS 3 | 1 | 1 | 1 | |
| 32 | 66M-24471-01 | .DIAPHRAGM .DIAPHRAGME | 1 | 1 | 1 | |
| 33 | 67D-24444-00 | .SCREW .VIS | 4 | 4 | 4 | |
| 34 | 95380-04600 | .NUT .ECROU | 4 | 4 | 4 | |
| 35 | 93210-27ME3 | O-RING JOINT TORIQUE | 1 | 1 | 1 | |
| 36 | 97595-06630 | BOLT, WITH WASHER VIS HEXAGONAL AVC RONDELLE | 2 | 2 | 2 | |
| 37 | 6BX-F247B-00 | HOSE 2 DURITE 2 | 1 | 1 | 1 | |
| 38 | 90467-09M09 | CLIP JONC | 2 | 2 | 2 | |
| 39 | 6BX-24360-00 | PRIMER PUMP ASSY POMPE D'AMORCAGE | 1 | 1 | 1 | |
| 40 | 6BX-24135-00 | CLAMP 1 COLLIER 1 | 1 | 1 | 1 | |
| 41 | 6BX-24136-00 | CLAMP 2 COLLIER 2 | 1 | 1 | 1 | |
| 42 | 90109-06M80 | BOLT BOULON | 2 | 2 | 2 | |
| 43 | 6BX-F247A-00 | HOSE 1 DURITE 1 | 1 | 1 | 1 | |
| 44 | 90464-09021 | CLAMP BRIDE | 1 | 1 | 1 | |
| 45 | 90467-09M09 | CLIP JONC | 1 | 1 | 1 | |
| 46 | 90465-11M10 | CLAMP BRIDE | 1 | 1 | 1 | |
| 47 | 6BX-E3971-00 | PIPE, FUEL 1 TUBE 1, CARBURANT | 1 | 1 | 1 | |
| 48 | 90467-09M09 | CLIP JONC | 2 | 2 | 2 | |
| 49 | 6BX-F8100-00 | TOOL KIT Trousse à outils | 1 | 1 | 1 | AP AP |
| 50 | 6BV-F8199-73-E0 | MANUAL, OWNER'S MANUEL D'UTILISATION | 1 | 1 | 1 | UR (E) UR (E) |
| | 6BV-F8199-73-F0 | MANUAL, OWNER'S MANUEL D'UTILISATION | 1 | 1 | 1 | UR (F) UR (F) |
| | 6BV-F8199-73-S0 | MANUAL, OWNER'S MANUEL D'UTILISATION | 1 | 1 | 1 | UR (ES) UR (ES) |
| | 6BV-F8199-73-G0 | MANUAL, OWNER'S MANUEL D'UTILISATION | 1 | 1 | 1 | UR (D) UR (D) |
| | 6BV-F8199-73-D0 | MANUAL, OWNER'S MANUEL D'UTILISATION | 1 | 1 | 1 | UR (NL) UR (NL) |

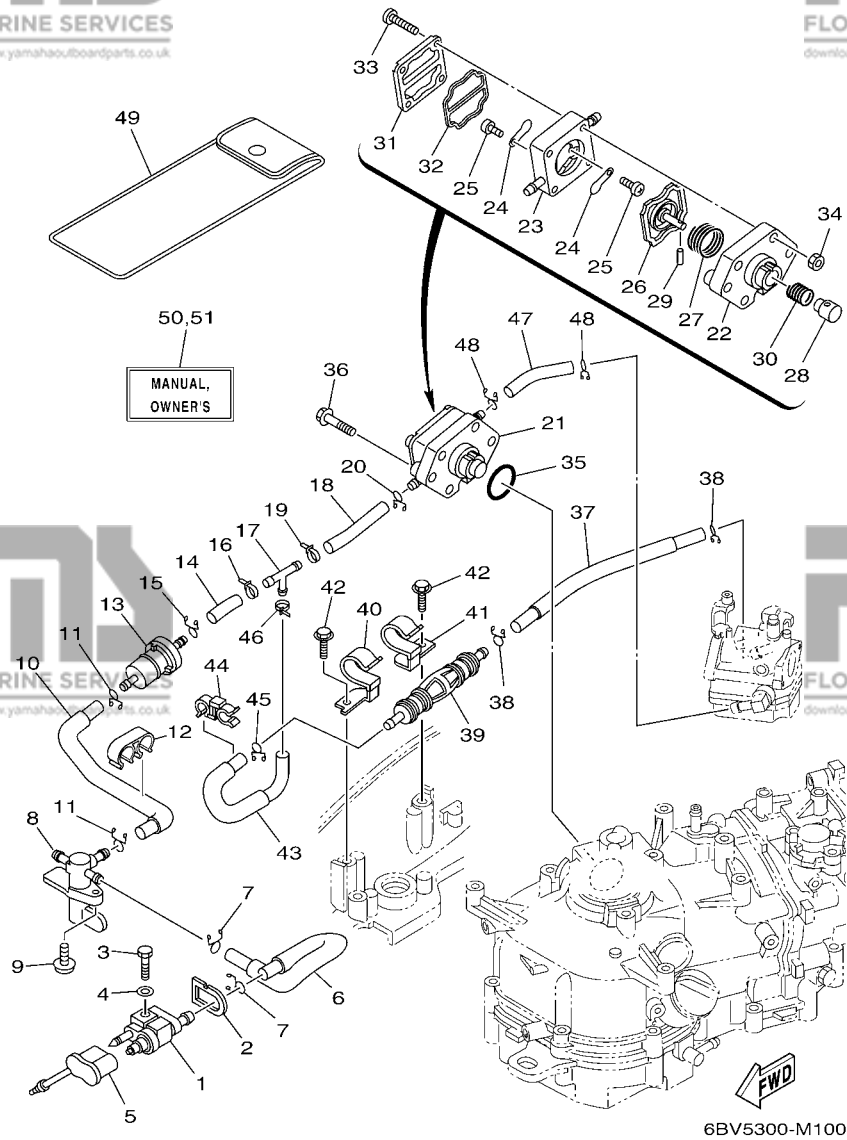


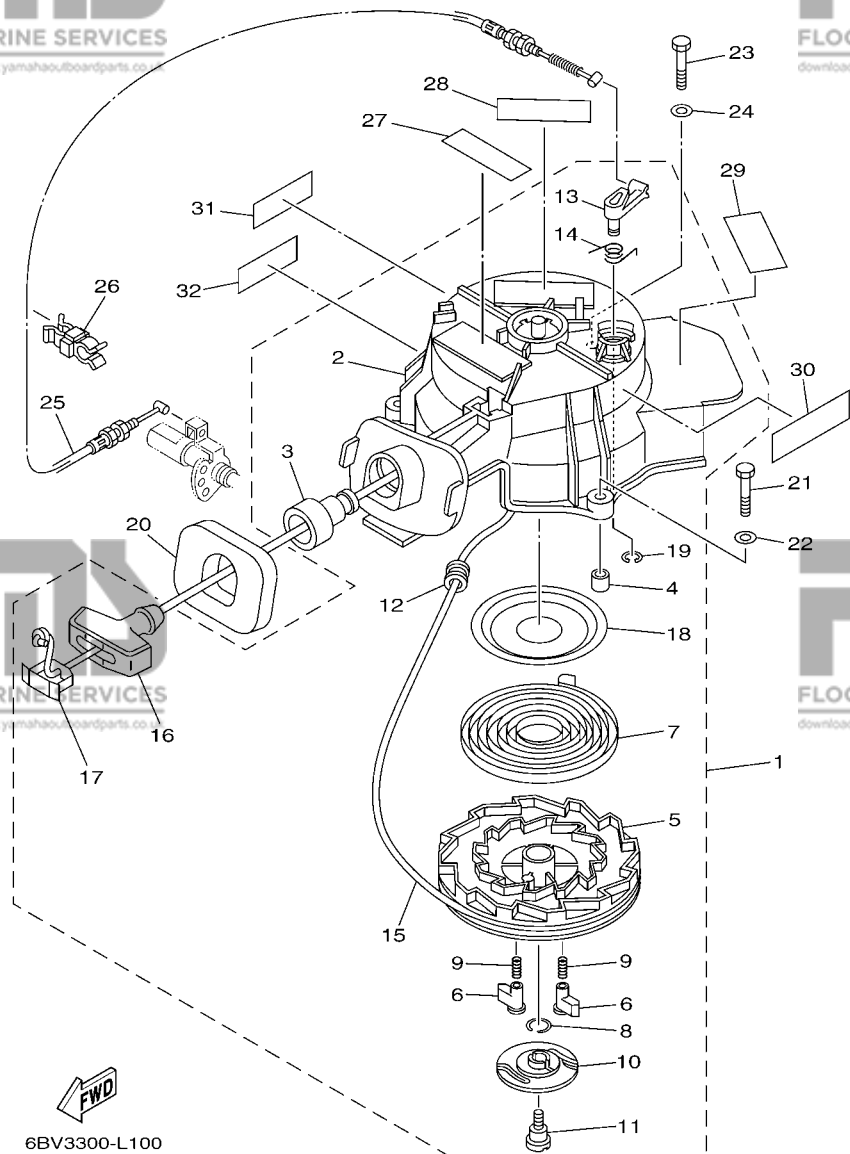
FIG. 10 FUEL 2

CARBURANT 2

| REF. NO. | PART NO. N° PIECES | DESCRIPTION DESCRIPTION | 6BV5 | 6BW5 | 6BX5 | REMARKS REMARQUES |
|----------|--------------------|--|------|------|------|--------------------|
| 50 | 6BV-F8199-73-H0 | MANUAL,OWNER'S MANUEL D'UTILISATION | 1 | 1 | 1 | UR (I) UR (I) |
| 51 | 6BV-F8199-83-K0 | MANUAL,OWNER'S MANUEL D'UTILISATION | 1 | 1 | 1 | UR (DK) UR (DK) |
| | 6BV-F8199-83-R0 | MANUAL,OWNER'S MANUEL D'UTILISATION | 1 | 1 | 1 | UR (GR) UR (GR) |
| | 6BV-F8199-83-P0 | MANUAL,OWNER'S MANUEL D'UTILISATION | 1 | 1 | 1 | UR (P) UR (P) |
| | 6BV-F8199-83-N0 | MANUAL,OWNER'S MANUEL D'UTILISATION | 1 | 1 | 1 | UR (N) UR (N) |
| | 6BV-F8199-83-M0 | MANUAL,OWNER'S MANUEL D'UTILISATION | 1 | 1 | 1 | UR (S) UR (S) |
| | 6BV-F8199-83-L0 | MANUAL,OWNER'S MANUEL D'UTILISATION | 1 | 1 | 1 | UR (SF) UR (SF) |

FIG. 11 STARTER

DEMARREUR



6BV3300-L100

*1: CUT FROM 50M ROLLS, PART NO. 90790-48192, CUTTING LENGTH 1.8M

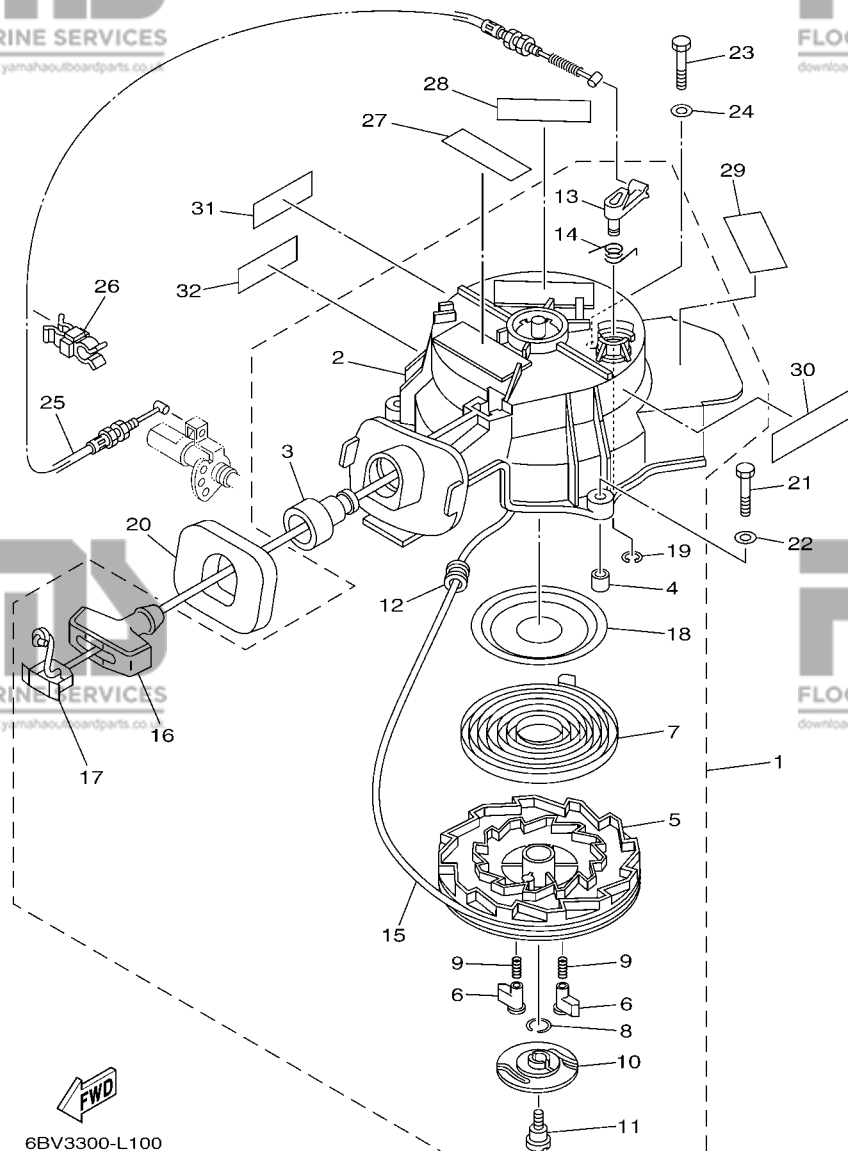
*1: A PRELEVER SUR BOBINE 50M, REFERENCE 90790-48192, LONGUEUR DE COUPE 1.8M

| REF. NO. | PART NO. N° PIECES | DESCRIPTION DESCRIPTION | 6BV5 | 6BW5 | 6BX5 | REMARKS REMARQUES |
|----------|--------------------|---|------|------|------|-------------------|
| 1 | 6BX-15710-00 | STARTER ASSY DEMARREUR COMPLET | 1 | 1 | 1 | |
| 2 | 6BX-15711-00 | .CASE, STARTER .CARTER DE DEMARREUR | 1 | 1 | 1 | |
| 3 | 63V-15795-01 | .GUIDE, ROPE .GUIDE DE CABLE | 1 | 1 | 1 | |
| 4 | 67D-15764-00 | .COLLAR 1 .COLLERETTE 1 | 3 | 3 | 3 | |
| 5 | 67D-15714-00 | .DRUM, SHEAVE .TAMBOUR, POULIE | 1 | 1 | 1 | |
| 6 | 67D-15741-00 | .PAWL, DRIVE .CLIQUET, ENTRAINEMENT | 2 | 2 | 2 | |
| 7 | 67D-15713-00 | .SPRING, STARTER .RESSORT DE DEMARREUR | 1 | 1 | 1 | |
| 8 | 6BX-15705-00 | .SPRING, DRIVE PAWL .RESSORT DE CLIQUET | 1 | 1 | 1 | |
| 9 | 67D-15767-00 | .SPRING .RESSORT | 2 | 2 | 2 | |
| 10 | 67D-15735-00 | .GUIDE, CAM .COULISSEAU | 1 | 1 | 1 | |
| 11 | 67D-15793-00 | .SCREW .VIS | 1 | 1 | 1 | |
| 12 | 63V-15764-00 | .COLLAR 1 .COLLERETTE 1 | 1 | 1 | 1 | |
| 13 | 67D-15794-01 | .STOPPER .BUTEE | 1 | 1 | 1 | |
| 14 | 67D-15734-00 | .SPRING, RETURN .RESSORT, RAPPEL | 1 | 1 | 1 | |
| 15 | * | .WIRE, STARTER (L:1800MM) .CABLE DE DEMARREUR (L:1800MM) | 1 | 1 | 1 | *1 |
| 16 | 6G1-15755-00 | .HANDLE, STARTER .POIGNEE, DE DEMARREUR | 1 | 1 | 1 | |
| 17 | 6G1-15779-00 | .COVER .COUVERCLE | 1 | 1 | 1 | |
| 18 | 67D-15739-00 | .WASHER, THRUST .RONDELLE, DE BUTEE | 1 | 1 | 1 | |
| 19 | 67D-15744-00 | .CIRCLIP .CIRCLIP | 1 | 1 | 1 | |
| 20 | 6BX-15762-00 | SEAL, RUBBER 2 JOINT CAOUTCHOUC 2 | 1 | 1 | 1 | |
| 21 | 97095-06035 | BOLT BOULON | 2 | 2 | 2 | |
| 22 | 92995-06600 | WASHER RONDELLE | 2 | 2 | 2 | |
| 23 | 97095-06020 | BOLT BOULON | 1 | 1 | 1 | |
| 24 | 92995-06600 | WASHER RONDELLE | 1 | 1 | 1 | |
| 25 | 6BX-E5770-00 | CABLE COMP., STARTER STOP CABLE, BUTEE DE DEMAR | 1 | 1 | 1 | |
| 26 | 90464-07008 | CLAMP BRIDE | 1 | 1 | 1 | |
| 27 | 6AH-81995-40 | LABEL, WARNING ETIQUETTE, AVERTISSEMENT | 1 | 1 | 1 | |

FIG. 11 STARTER

DEMARREUR

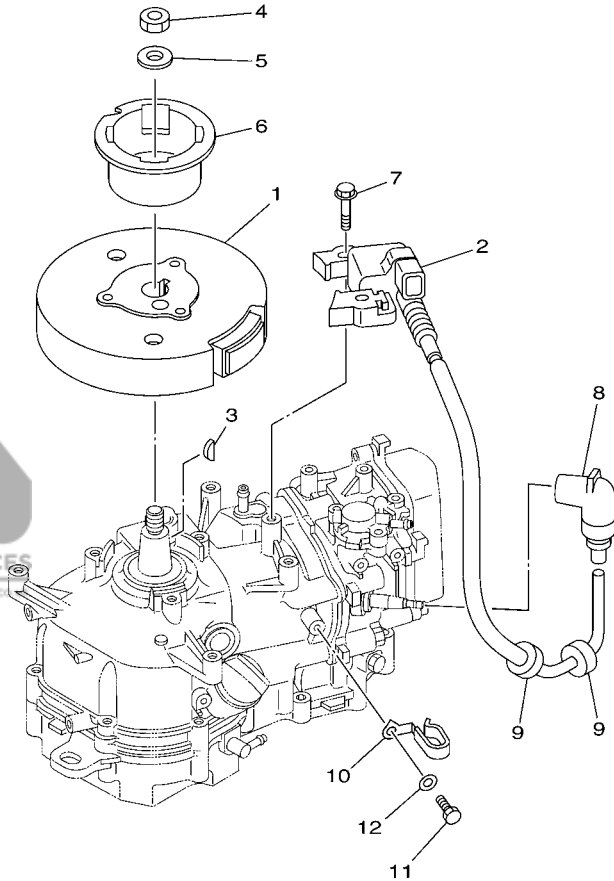
| REF. NO. | PART NO. N° PIECES | DESCRIPTION DESCRIPTION | 6BV5 | 6BW5 | 6BX5 | REMARKS REMARQUES |
|----------|--------------------|--|------|------|------|-------------------|
| 28 | 6AH-81995-50 | LABEL, WARNING ETIQUETTE, AVERTISSEMENT | 1 | 1 | 1 | |
| 29 | 6BX-E3437-60 | MARK, CAUTION MAKER | 1 | 1 | 1 | |
| 30 | 6BX-E4427-60 | LABEL, INSTRUCTION ETIQUETTE, INSTRUCTION | 1 | 1 | 1 | |
| 31 | 6AH-81994-40 | LABEL, SAFETY ETIQUETTE, SECURITE | 1 | 1 | 1 | |
| 32 | 6AH-81994-50 | LABEL, SAFETY ETIQUETTE, SECURITE | 1 | 1 | 1 | |



6BV3300-L100

*1: CUT FROM 50M ROLLS, PART NO. 90790-48192, CUTTING LENGTH 1.8M

*1:A PRELEVER SUR BOBINE 50M ,REFERENCE 90790-48192, LONGUEUR DE COUPE 1.8M



FWD
6BV1100-J110

FIG. 12 GENERATOR

GENERATRICE

| REF. NO. | PART NO. N° PIECES | DESCRIPTION DESCRIPTION | 6BV5 | 6BW5 | 6BX5 | REMARKS REMARQUES |
|----------|--------------------|---|------|------|------|-------------------|
| 1 | 6BX-85550-00 | ROTOR ASSY ROTOR CPLT | 1 | 1 | 1 | |
| 2 | 6BV-85571-01 | IGNITION COIL WITH CDI UNIT BOBINE D'ALLUMAGE AVEC CDI | 1 | | | |
| | 6BW-85571-01 | IGNITION COIL WITH CDI UNIT BOBINE D'ALLUMAGE AVEC CDI | | 1 | | |
| | 6BX-85571-00 | IGNITION COIL WITH CDI UNIT BOBINE D'ALLUMAGE AVEC CDI | | | 1 | |
| 3 | 90280-04M06 | KEY, WOODRUFF CLAVETTE, DEMI-LUNE | 1 | 1 | 1 | |
| 4 | 90170-12066 | NUT ECROU | 1 | 1 | 1 | |
| 5 | 90201-12472 | WASHER, PLATE RONDELLE, PLATE | 1 | 1 | 1 | |
| 6 | 6BX-15723-00 | PULLEY, STARTER POULIE DE DEMARREUR | 1 | 1 | 1 | |
| 7 | 90105-06037 | BOLT, FLANGE BOULON | 2 | 2 | 2 | |
| 8 | 6BX-82370-00 | PLUG CAP ASSY ANTIPARASITE | 1 | 1 | 1 | |
| 9 | 90480-25161 | GROMMET PASSE-FIL | 2 | 2 | 2 | |
| 10 | 90465-08361 | CLAMP BRIDE | 1 | 1 | 1 | |
| 11 | 97095-06012 | BOLT BOULON | 1 | 1 | 1 | |
| 12 | 92995-06600 | WASHER RONDELLE | 1 | 1 | 1 | |

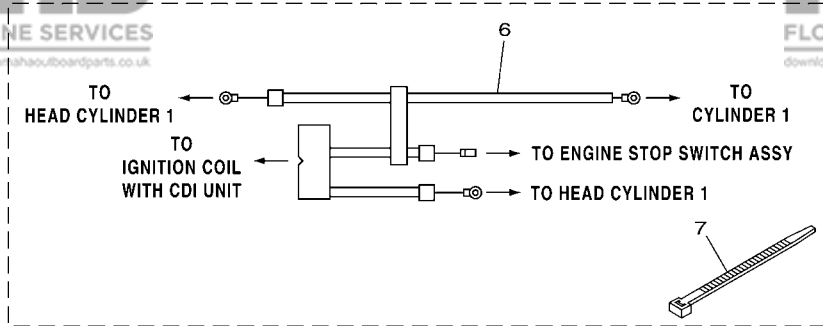
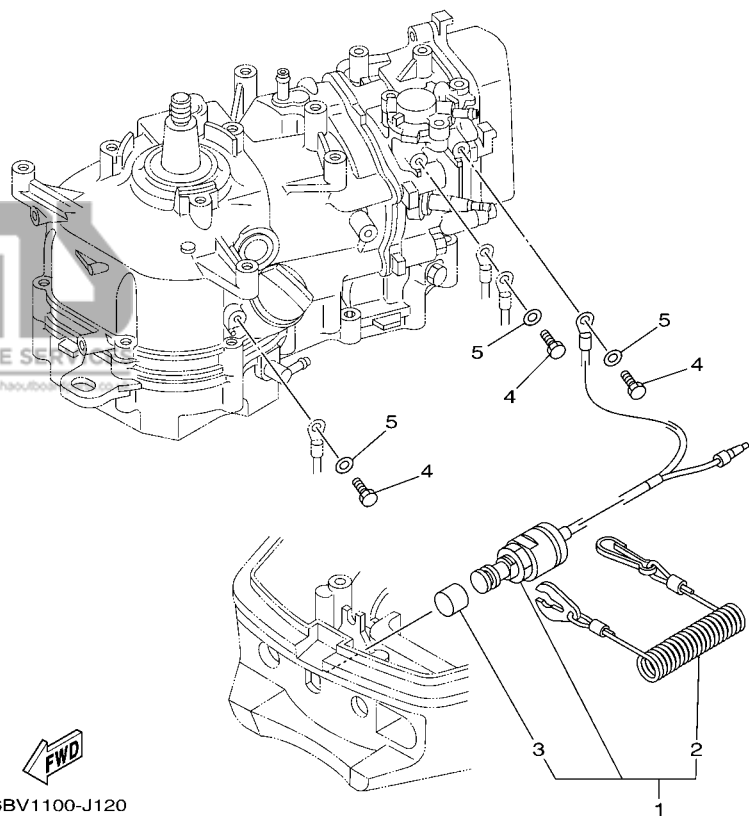


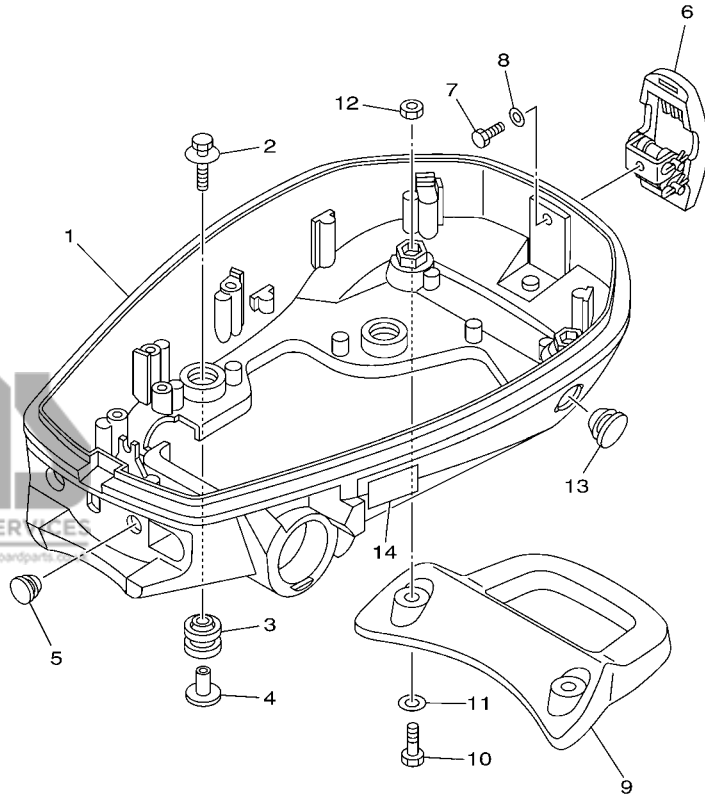
FIG. 13 ELECTRICAL

ELECTRIQUE

| REF. NO. | PART NO. N° PIECES | DESCRIPTION DESCRIPTION | 6BV5 | 6BW5 | 6BX5 | REMARKS REMARQUES |
|----------|--------------------|---|------|------|------|-------------------|
| 1 | 6BX-82575-00 | ENGINE STOP SWITCH ASSY COUPE CIRCUIT CPLT | 1 | 1 | 1 | |
| 2 | 682-82556-00 | .LANYARD, STOP SWITCH .CORDON DU COUPE CIRCUIT | 1 | 1 | 1 | |
| 3 | 689-8257Y-00 | .CAP .COUVERCLE | 1 | 1 | 1 | |
| 4 | 97095-06012 | BOLT BOULON | 3 | 3 | 3 | |
| 5 | 92995-06600 | WASHER RONDELLE | 3 | 3 | 3 | |
| 6 | 6BX-82531-00 | WIRE, LEAD FIL | 1 | 1 | 1 | |
| 7 | 90465-13M97 | CLAMP BRIDE | 4 | 4 | 4 | |



6BV1100-J120



6BV2100-K130

FIG. 14 BOTTOM COWLING

CAPOT INFERIEUR

| REF. NO. | PART NO. N° PIECES | DESCRIPTION DESCRIPTION | 6BV5 | 6BW5 | 6BX5 | REMARKS REMARQUES |
|----------|--------------------|--|------|------|------|-------------------|
| 1 | 6BX-G2711-00-4D | COWLING, BOTTOM 1 CUVETTE 1 | 1 | 1 | 1 | |
| 2 | 68F-85119-00 | BOLT BOULON | 4 | 4 | 4 | |
| 3 | 90480-21M82 | GROMMET PASSE-FIL | 4 | 4 | 4 | |
| 4 | 90387-06176 | COLLAR COLLERETTE | 4 | 4 | 4 | |
| 5 | 90480-14M14 | GROMMET PASSE-FIL | 1 | 1 | 1 | |
| 6 | 68T-42801-00 | COWLING CLAMP COMP. BRIDE DE CAPOT COMP. | 1 | 1 | 1 | |
| 7 | 97095-06012 | BOLT BOULON | 1 | 1 | 1 | |
| 8 | 92995-06600 | WASHER RONDELLE | 1 | 1 | 1 | |
| 9 | 6BX-G2731-00 | CARRYING HANDLE POIGNEE DE PORTAGE | 1 | 1 | 1 | |
| 10 | 97095-08020 | BOLT BOULON | 2 | 2 | 2 | |
| 11 | 92995-08600 | WASHER RONDELLE | 2 | 2 | 2 | |
| 12 | 95380-08600 | NUT ECROU | 2 | 2 | 2 | |
| 13 | 90480-22M72 | GROMMET PASSE-FIL | 1 | 1 | 1 | |
| 14 | 6AH-42794-50 | LABEL, WARNING (GENERAL) ETIQUETTE, AVERTISSEMENT | 1 | 1 | 1 | |

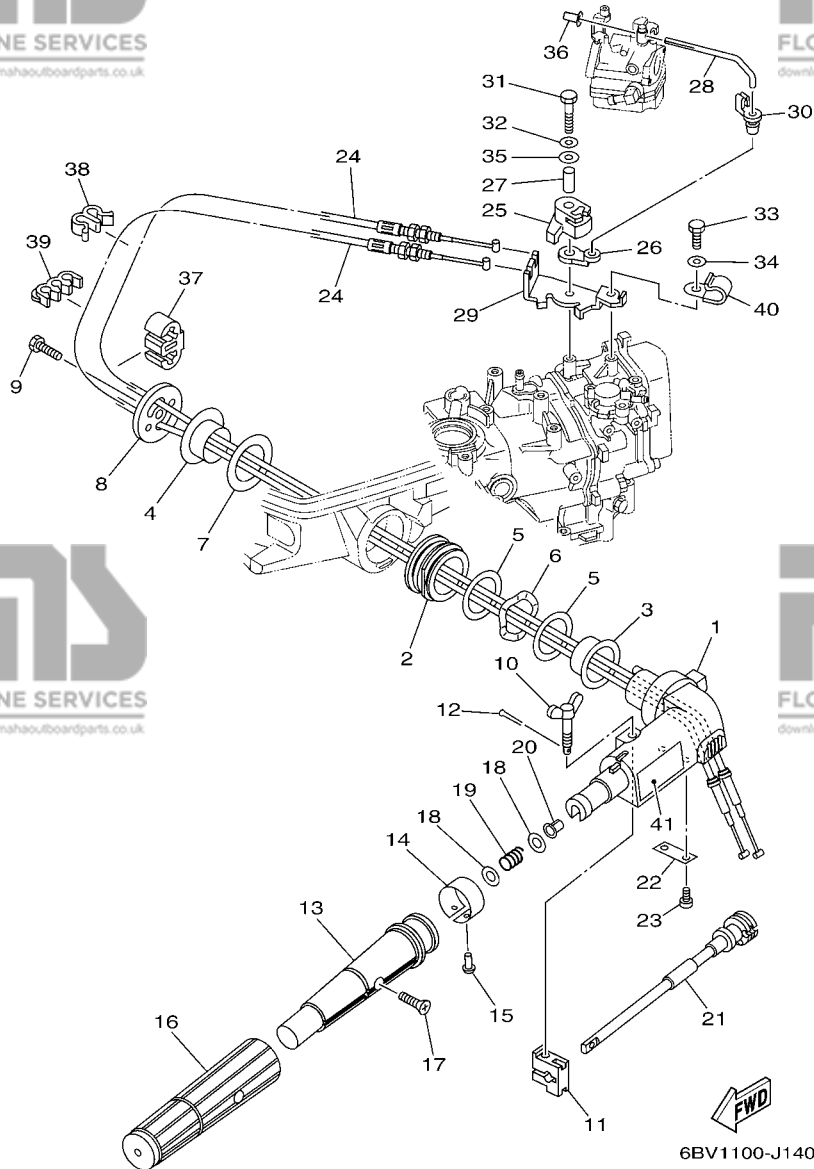


FIG. 15 STEERING

DIRECTION

| REF. NO. | PART NO. N° PIECES | DESCRIPTION DESCRIPTION | DIRECTION | | | REMARKS REMARQUES |
|----------|--------------------|---|-----------|------|------|-------------------|
| | | | 6BV5 | 6BW5 | 6BX5 | |
| 1 | 6BX-G2111-00-4D | HANDLE, STEERING POIGNEE | 1 | 1 | 1 | |
| 2 | 6BX-42129-00 | BUSHING, RUBBER DOUILLE, CAOUTCHOUC | 1 | 1 | 1 | |
| 3 | 6BX-G2171-00 | BUSHING COUSSINET | 1 | 1 | 1 | |
| 4 | 6BX-G2172-00 | BUSHING 2 DOUILLE 2 | 1 | 1 | 1 | |
| 5 | 6BX-G2181-00 | WASHER RONDELLE | 2 | 2 | 2 | |
| 6 | 6BX-G2188-00 | WASHER, WAVE RONDELLE, ONDULEE | 1 | 1 | 1 | |
| 7 | 6BX-G2182-00 | WASHER 2 RONDELLE 2 | 1 | 1 | 1 | |
| 8 | 6BX-42131-00 | COVER, HANDLE STEERING COUVERCLE | 1 | 1 | 1 | |
| 9 | 97075-08025 | BOLT BOULON | 1 | 1 | 1 | |
| 10 | 6G1-42125-01 | BOLT, FRICTION ADJUSTING BOULON | 1 | 1 | 1 | |
| 11 | 6G1-42126-00 | FRICTION, STEERING HANDLE GRIP CUVETTE, POIGNEE DE DIRECTION | 1 | 1 | 1 | |
| 12 | 91490-16010 | PIN, COTTER GOUPILLE | 1 | 1 | 1 | |
| 13 | 68D-G2119-01 | GRIP, STEERING HANDLE POIGNEE, BARRE FRANCHE | 1 | 1 | 1 | |
| 14 | 60P-G2137-00 | INDICATOR, THROTTLE INDICATEUR, ACCELERATION | 1 | 1 | 1 | |
| 15 | 90269-02M09 | RIVET RIVET | 1 | 1 | 1 | |
| 16 | 68D-G2177-10 | RUBBER, HANDLE CAOUTCHOUC, POIGNEE | 1 | 1 | 1 | |
| 17 | 90152-05011 | SCREW, COUNTERSUNK VIS, TETE NOYEE | 1 | 1 | 1 | |
| 18 | 90201-10M02 | WASHER, PLATE RONDELLE, PLATE | 2 | 2 | 2 | |
| 19 | 90501-23215 | SPRING, COMPRESSION RESSORT, COMPRESSION | 1 | 1 | 1 | |
| 20 | 90386-08032 | BUSH DOUILLE | 1 | 1 | 1 | |
| 21 | 6BX-42138-00 | LEVER, THROTTLE LEVIER, ACCELERATEUR | 1 | 1 | 1 | |
| 22 | 68D-G2159-00 | STAY SUPPORT | 1 | 1 | 1 | |
| 23 | 97885-05012 | SCREW, PAN HEAD VIS, A ENCOCHE | 2 | 2 | 2 | |
| 24 | 6BX-F6301-00 | THROTTLE CABLE ASSY CABLE D'ACCELERATEUR | 2 | 2 | 2 | |
| 25 | 6BX-41638-00 | PULLEY POULIE | 1 | 1 | 1 | |
| 26 | 6BX-41283-00 | LEVER, FREE ACCEL. LEVIER | 1 | 1 | 1 | |
| 27 | 90387-06252 | COLLAR COLLERETTE | 1 | 1 | 1 | |

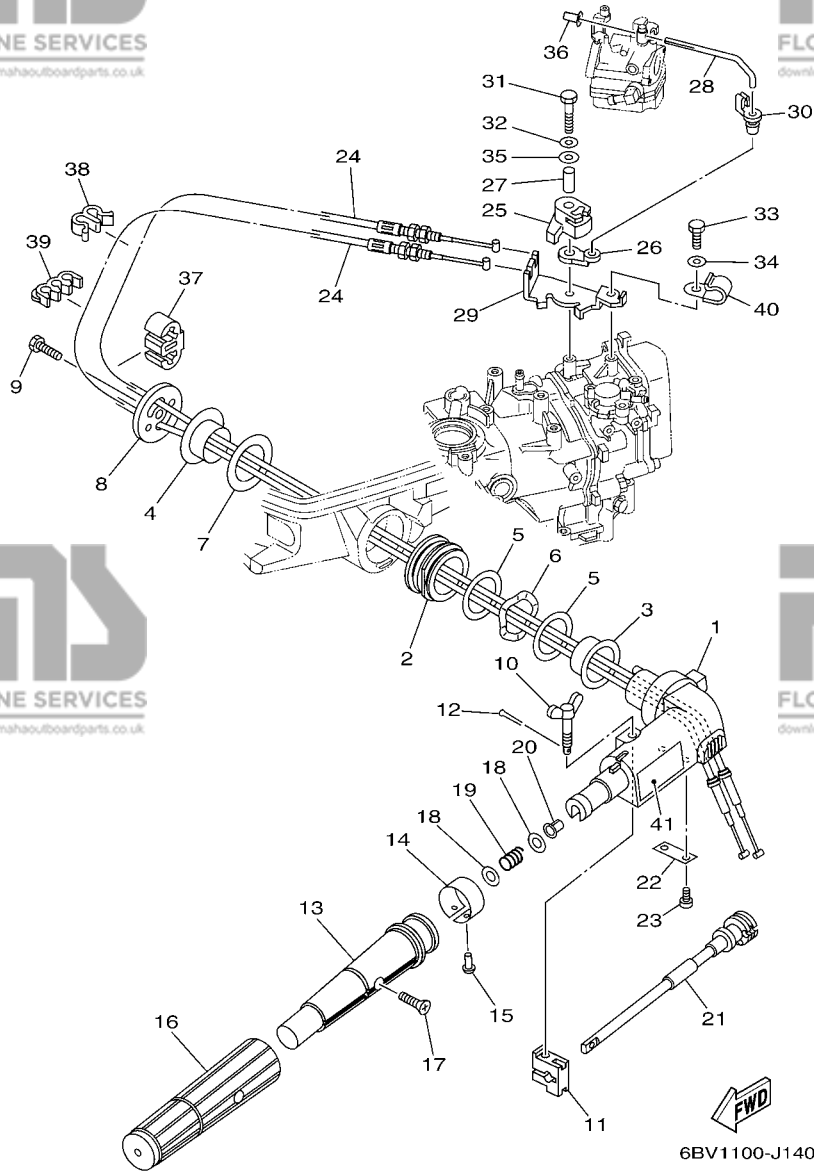
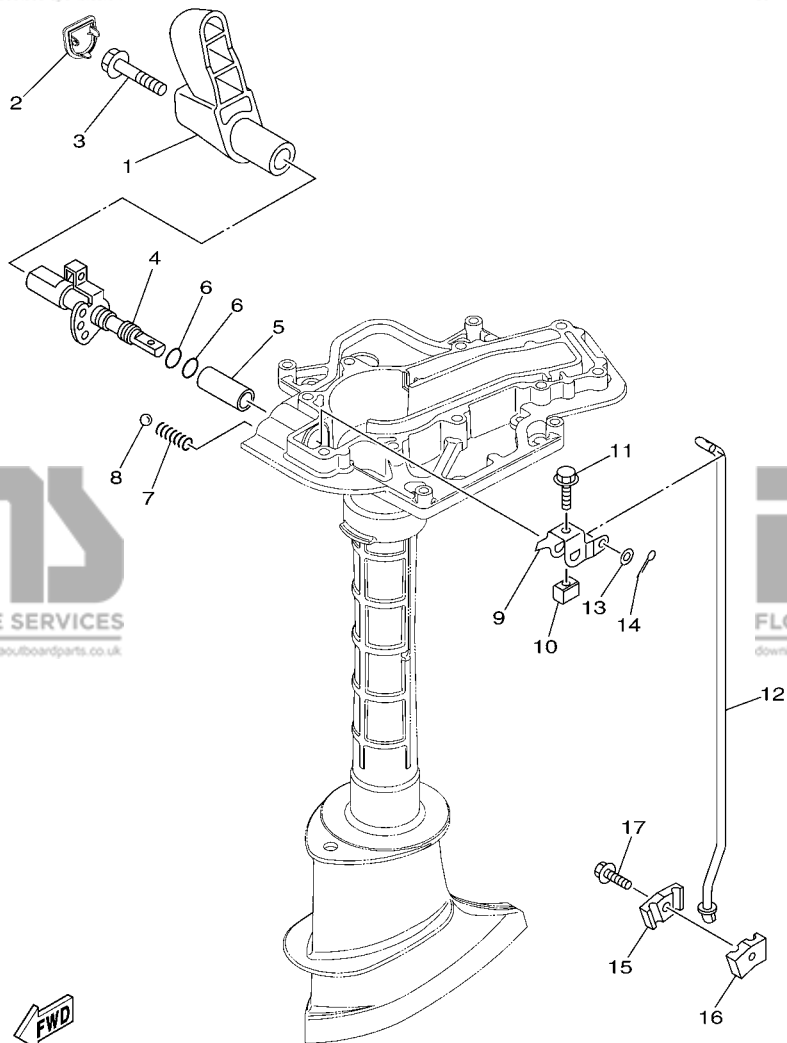


FIG. 15 STEERING

DIRECTION

| REF. NO. | PART NO. N° PIECES | DESCRIPTION DESCRIPTION | DIRECTION | | | REMARKS REMARQUES |
|----------|--------------------|--|-----------|------|------|-------------------|
| | | | 6BV5 | 6BW5 | 6BX5 | |
| 28 | 6BX-41211-00 | LINK, ACCEL. BIELLETTE, ACCELERATION | 1 | 1 | 1 | |
| 29 | 6BX-E4497-00 | STAY, THROTTLE WIRE SUPPORT DE BOISSEAU | 1 | 1 | 1 | |
| 30 | 661-41262-02 | JOINT, CHOKE LEVER RACCORD, LEVIER DE STARTER | 1 | 1 | 1 | |
| 31 | 97095-06035 | BOLT BOULON | 1 | 1 | 1 | |
| 32 | 92995-06600 | WASHER RONDELLE | 1 | 1 | 1 | |
| 33 | 97095-06012 | BOLT BOULON | 1 | 1 | 1 | |
| 34 | 92995-06600 | WASHER RONDELLE | 1 | 1 | 1 | |
| 35 | 90201-06M62 | WASHER, PLATE RONDELLE, PLATE | 1 | 1 | 1 | |
| 36 | 647-14395-60 | CAP, OVERFLOW PIPE COUVRE DE DURITE REFOULEMENT | 1 | 1 | 1 | |
| 37 | 90464-06006 | CLAMP BRIDE | 2 | 2 | 2 | |
| 38 | 90464-07M20 | CLAMP BRIDE | 1 | 1 | 1 | |
| 39 | 90464-07M05 | CLAMP BRIDE | 1 | 1 | 1 | |
| 40 | 90465-08395 | CLAMP BRIDE | 1 | 1 | 1 | |
| 41 | 6AH-42794-40 | LABEL, WARNING (GENERAL) ETIQUETTE, AVERTISSEMENT | 1 | 1 | 1 | |

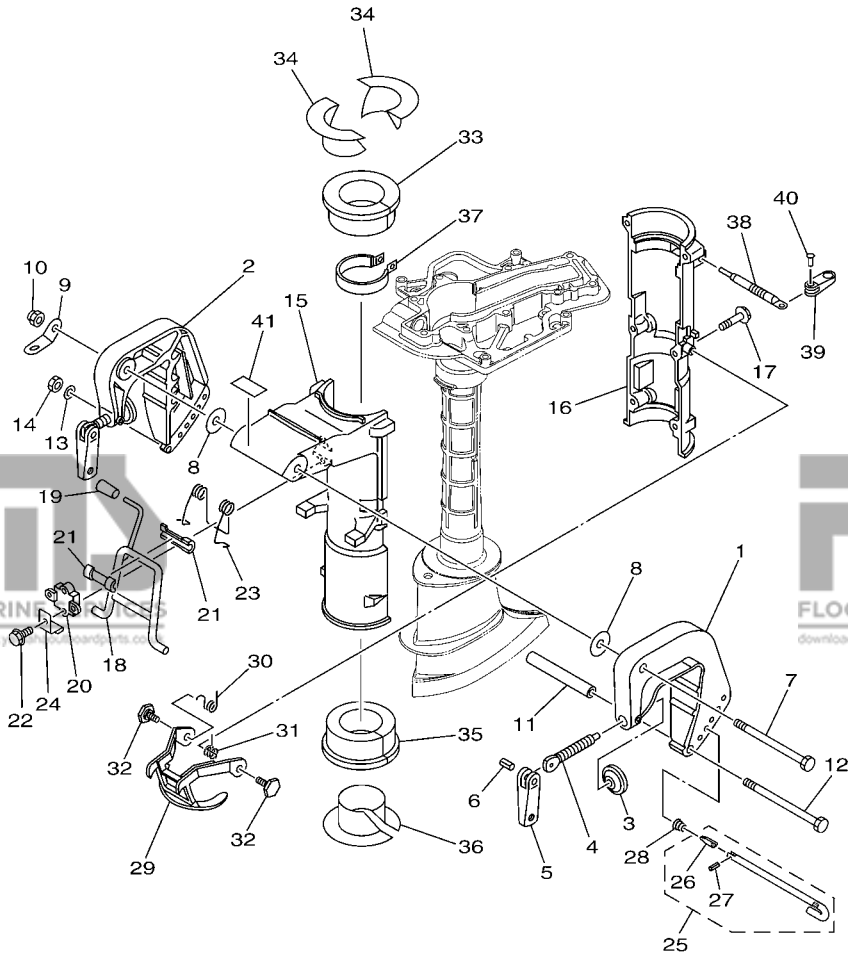


6BV5100-M160

FIG. 16 CONTROL

COMMANDE

| REF. NO. | PART NO. N° PIECES | DESCRIPTION DESCRIPTION | 6BV5 | 6BW5 | 6BX5 | REMARKS REMARQUES |
|----------|--------------------|---|------|------|------|-------------------|
| 1 | 6BX-G4111-00 | HANDLE, GEAR SHIFT POIGNEE, LEVIER D'EMBRAYAGE | 1 | 1 | 1 | |
| 2 | 6BX-G3679-00 | STOPPER, HOOK BUTEE | 1 | 1 | 1 | |
| 3 | 90105-08046 | BOLT, FLANGE BOULON | 1 | 1 | 1 | |
| 4 | 6BX-G4119-01-CA | SHAFT, CHANGE ARBRE, SELECTION | 1 | 1 | 1 | |
| 5 | 6BX-G4122-00 | BUSHING, SHIFT ROD LEVER DOUILLE, LEVIER D'EMBRAYAGE | 1 | 1 | 1 | |
| 6 | 93210-09350 | O-RING JOINT TORIQUE | 2 | 2 | 2 | |
| 7 | 90501-12802 | SPRING, COMPRESSION RESSORT, COMPRESSION | 1 | 1 | 1 | |
| 8 | 93505-16024 | BALL BILLE | 1 | 1 | 1 | |
| 9 | 6BX-G4121-00 | LEVER, SHIFT ROD LEVIER, TIGE D'INVERSION | 1 | 1 | 1 | |
| 10 | 6BX-18175-00 | SPACER ENTRETOISE | 1 | 1 | 1 | |
| 11 | 90119-05M04 | BOLT, WITH WASHER BOULON, AVEC RONDELLE | 1 | 1 | 1 | |
| 12 | 6BX-44143-00 | ROD, SHIFT TIGE D'EMBRAYAGE | 1 | 1 | 1 | |
| 13 | 92990-05600 | WASHER, PLATE RONDELLE, PLATE | 1 | 1 | 1 | |
| 14 | 91490-16010 | PIN, COTTER GOUILLE | 1 | 1 | 1 | |
| 15 | 68D-G4145-00 | CONNECTOR, SHIFT ROD CONNECTEUR, TIGE D'INVERSION | 1 | 1 | 1 | |
| 16 | 68D-G4146-00 | CONNECTOR, SHIFT ROD CONNECTEUR, TIGE D'INVERSION | 1 | 1 | 1 | |
| 17 | 90119-06256 | BOLT, WITH WASHER BOULON, AVEC RONDELLE | 1 | 1 | 1 | |

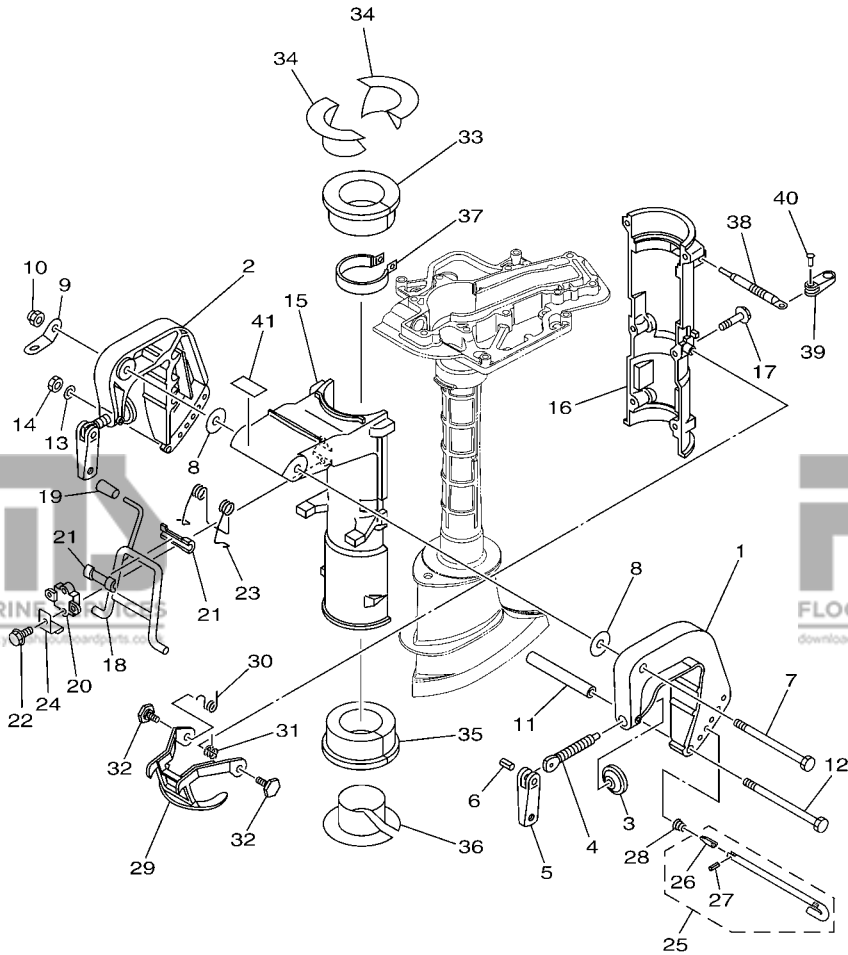


FWD
6BV1110-J160

FIG. 17 BRACKET

SUPPORT

| REF. NO. | PART NO. N° PIECES | DESCRIPTION DESCRIPTION | 6BV5 | 6BW5 | 6BX5 | REMARKS REMARQUES |
|----------|--------------------|---|------|------|------|-------------------|
| 1 | 6L8-G3111-01-4D | BRACKET, CLAMP 1 PRESSE 1 | 1 | 1 | 1 | |
| 2 | 6L8-G3112-00-4D | BRACKET, CLAMP 2 PRESSE 2 | 1 | 1 | 1 | |
| 3 | 620-43114-00 | PAD, TRANSOM CLAMP RONDELLE D'APPUI | 2 | 2 | 2 | |
| 4 | 6E0-43116-01 | SCREW, TRANSOM CLAMP VIS DE PRESSE | 2 | 2 | 2 | |
| 5 | 6L8-G3118-01 | HANDLE, TRANSOM CLAMP POIGNEE DE VIS DE PRESSE | 2 | 2 | 2 | |
| 6 | 90243-04M01 | PIN GOUPILLE | 2 | 2 | 2 | |
| 7 | 90101-08M07 | BOLT BOULON | 1 | 1 | 1 | |
| 8 | 90202-08M58 | WASHER, PLATE RONDELLE, PLATE | 2 | 2 | 2 | |
| 9 | 68D-G3113-00 | PLATE, CLAMP BRACKET PLAQUETTE, PRESSE | 1 | 1 | 1 | |
| 10 | 90185-08057 | NUT, SELF-LOCKING ECROU, AUTO-BLOQUANT | 1 | 1 | 1 | |
| 11 | 90387-06M11 | COLLAR COLLERETTE | 1 | 1 | 1 | |
| 12 | 90101-06335 | BOLT BOULON | 1 | 1 | 1 | |
| 13 | 92990-06600 | WASHER, PLATE RONDELLE, PLATE | 1 | 1 | 1 | |
| 14 | 95380-06600 | NUT, HEXAGON ECROU | 1 | 1 | 1 | |
| 15 | 68D-G3311-01-4D | BRACKET, SWIVEL 1 SUPPORT, PIVOT 1 | 1 | 1 | 1 | |
| 16 | 68D-G3312-01-4D | BRACKET, SWIVEL 2 SUPPORT, PIVOT 2 | 1 | 1 | 1 | |
| 17 | 95895-06035 | BOLT, FLANGE BOULON | 6 | 6 | 6 | |
| 18 | 6BX-43181-00 | LEVER, TILT STOP 1 LEVIER VERROUILLAGE RELEVAGE 1 | 1 | 1 | 1 | |
| 19 | 6E0-43632-00 | KNOB, TILT POIGNEE, LEVIER DE RELEVAGE | 1 | 1 | 1 | |
| 20 | 6E0-43313-00-94 | BRACKET, SWIVEL 3 SUPPORT, PIVOT 3 | 1 | 1 | 1 | |
| 21 | 620-43189-00 | BUSHING COUSSINET | 2 | 2 | 2 | |
| 22 | 95895-06020 | BOLT, FLANGE BOULON | 2 | 2 | 2 | |
| 23 | 6BX-48561-00 | SPRING 1 RESSORT 1 | 1 | 1 | 1 | |
| 24 | 6BX-G3319-00 | PLATE PLAQUE | 1 | 1 | 1 | |
| 25 | 68D-G3160-00 | TILT ROD ASSY BROCHE D'INCLINAISON (ENS.) | 1 | 1 | 1 | |
| 26 | 6N0-G3165-00 | PLATE, TILT LOCK TAQUET, BROCHE INCLINAISON | 1 | 1 | 1 | |
| 27 | 91690-30008 | PIN, SPRING AGRASSE | 1 | 1 | 1 | |

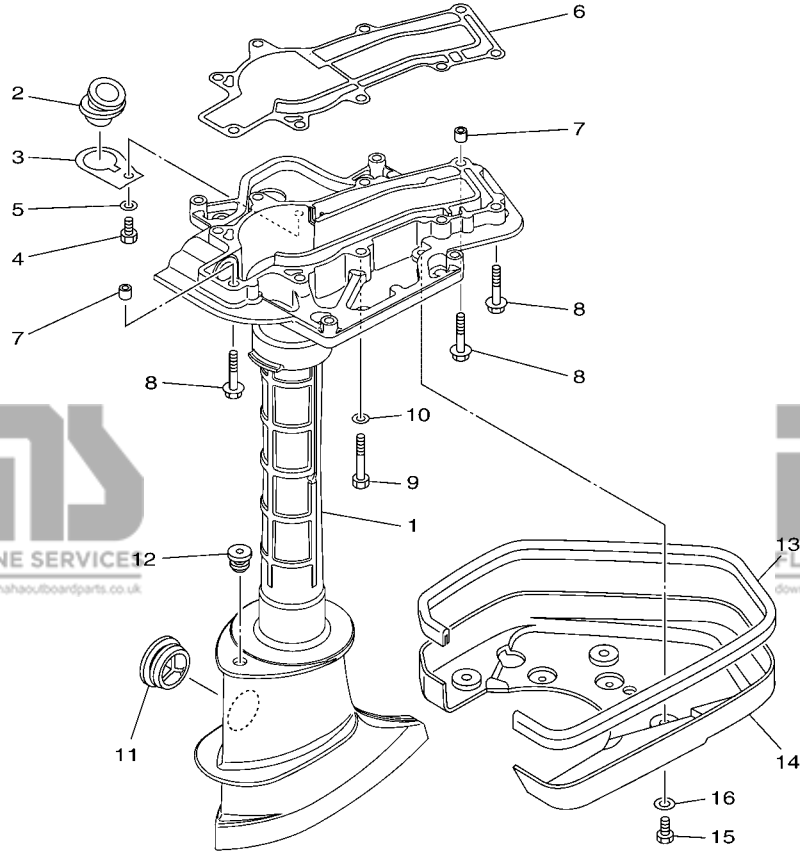


FWD
6BV1110-J160

FIG. 17 BRACKET

SUPPORT

| REF. NO. | PART NO. N° PIECES | DESCRIPTION DESCRIPTION | 6BV5 | 6BW5 | 6BX5 | REMARKS REMARQUES |
|----------|--------------------|--|------|------|------|-------------------|
| 28 | 90502-08M05 | SPRING, CONICAL RESSORT, CONIQUE | 1 | 1 | 1 | |
| 29 | 6BX-43614-00 | PLATE, TILT LOCK ETRIER, VERROUILLAGE MARCHE AR | 1 | 1 | 1 | |
| 30 | 6BX-43188-00 | SPRING RESSORT | 1 | 1 | 1 | |
| 31 | 6BX-43198-00 | SPRING 2 RESSORT 2 | 1 | 1 | 1 | |
| 32 | 90109-06M84 | BOLT BOULON | 2 | 2 | 2 | |
| 33 | 68D-G2537-00 | BUSHING, PIVOT SHAFT COUSSINET | 1 | 1 | 1 | |
| 34 | 68D-G2539-00 | BUSHING, PIVOT SHAFT COUSSINET | 2 | 2 | 2 | |
| 35 | 6BX-G2538-00 | BUSHING, PIVOT SHAFT COUSSINET | 1 | 1 | 1 | |
| 36 | 6BX-G2549-00 | BUSHING, PIVOT SHAFT COUSSINET | 1 | 1 | 1 | |
| 37 | 6E0-42528-03 | PLATE, FRICTION PLAQUE, FRICTION | 1 | 1 | 1 | |
| 38 | 6L5-42529-01 | SCREW, FRICTION PIECE VIS, PIECE DE FRICTION | 1 | 1 | 1 | |
| 39 | 68D-G2561-01 | KNOB, STEERING LOCK BOUTON | 1 | 1 | 1 | |
| 40 | 90266-04M05 | RIVET RIVET | 1 | 1 | 1 | |
| 41 | 6BX-F4591-00 | EMBLEM, FUEL COCK ADHESIF | 1 | 1 | 1 | |



FWD
6BV2110-K170

FIG. 18 UPPER CASING

FOURREAU

| REF. NO. | PART NO. N° PIECES | DESCRIPTION DESCRIPTION | 6BV5 | 6BW5 | 6BX5 | REMARKS REMARQUES |
|----------|--------------------|--|------|------|------|-------------------|
| 1 | 6BX-G5111-00-4D | CASING, UPPER FOURREAU | 1 | 1 | 1 | |
| 2 | 6BX-15316-00 | DAMPER 1 AMORTISSEUR 1 | 1 | 1 | 1 | |
| 3 | 6BX-G5321-00 | PLATE PLAQUETTE | 1 | 1 | 1 | |
| 4 | 97095-06014 | BOLT BOULON | 1 | 1 | 1 | |
| 5 | 92995-06600 | WASHER RONDELLE | 1 | 1 | 1 | |
| 6 | 6BX-45113-00 | GASKET, UPPER CASING JOINT, TUBE D'ARBRE | 1 | 1 | 1 | |
| 7 | 90387-06806 | COLLAR COLLERETTE | 2 | 2 | 2 | |
| 8 | 97575-06540 | BOLT, WITH WASHER VIS HEXAGONAL AVC RONDELLE | 5 | 5 | 5 | |
| 9 | 97075-06050 | BOLT BOULON | 4 | 4 | 4 | |
| 10 | 92995-06600 | WASHER RONDELLE | 4 | 4 | 4 | |
| 11 | 647-45151-01 | COVER, UPPER CASING CAPUCHON, FOURREAU | 2 | 2 | 2 | |
| 12 | 90480-10M13 | GROMMET PASSE-FIL | 1 | 1 | 1 | |
| 13 | 6BX-42716-00 | RUBBER, SEAL 1 JOINT EN CAOUTCHOUC 1 | 1 | 1 | 1 | |
| 14 | 6BX-G2723-00 | COVER, BOTTOM COUVERCLE | 1 | 1 | 1 | |
| 15 | 97095-06014 | BOLT BOULON | 4 | 4 | 4 | |
| 16 | 92995-06600 | WASHER RONDELLE | 4 | 4 | 4 | |

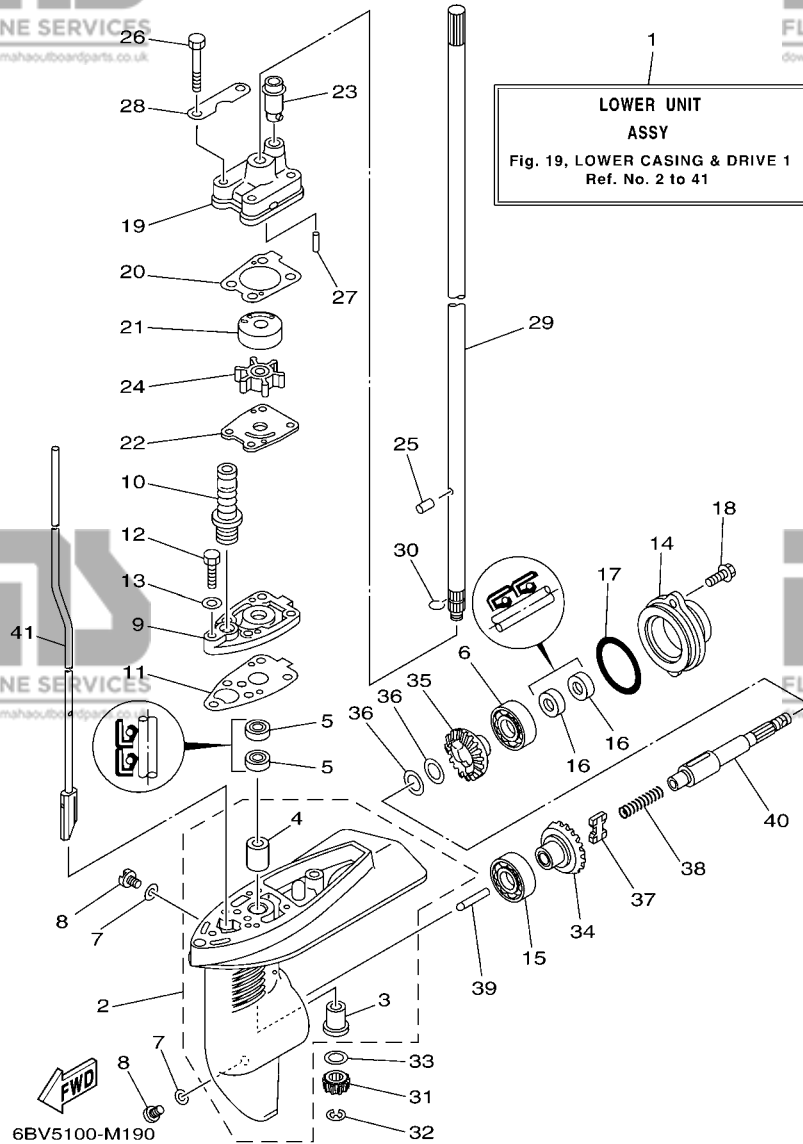


FIG. 19 LOWER CASING & DRIVE 1

BOITIER D'HELICE TRANSMISSION1

| REF. NO. | PART NO. N° PIECES | DESCRIPTION DESCRIPTION | 6BV5 | 6BW5 | 6BX5 | REMARKS REMARQUES |
|----------|--------------------|--|------|------|------|----------------------|
| 1 | 6BX-G5300-01-4D | LOWER UNIT ASSY UNITE INFERIEURE (ENS.) | 1 | 1 | 1 | S(17.1") S(17.1") |
| | 6BX-G5300-11-4D | LOWER UNIT ASSY UNITE INFERIEURE (ENS.) | 1 | 1 | 1 | L(22.1") L(22.1") |
| 2 | 68D-G5311-00-4D | CASING, LOWER BOITIER D'HELICE | 1 | 1 | 1 | |
| 3 | 6E0-45317-09 | .BUSHING, DRIVE SHAFT .DOUILLE, ARBRE MOTEUR | 1 | 1 | 1 | |
| 4 | 6E0-45316-09 | .BUSHING, DRIVE SHAFT .DOUILLE, ARBRE MOTEUR | 1 | 1 | 1 | |
| 5 | 93101-10M14 | OIL SEAL JOINT SPY | 2 | 2 | 2 | |
| 6 | 93306-004YH | BEARING ROULEMENT | 1 | 1 | 1 | |
| 7 | 90430-08020 | GASKET JOINT | 3 | 3 | 3 | |
| 8 | 90340-08002 | PLUG, STRAIGHT SCREW PLOT, FILETE DROIT | 3 | 3 | 3 | |
| 9 | 68D-G5321-00 | PLATE PLAQUETTE | 1 | 1 | 1 | |
| 10 | 6L2-44147-00 | BOOT, SHIFT ROD SOUFFLET, TIGE D'INVERSION | 1 | 1 | 1 | |
| 11 | 68D-G5315-A0 | PACKING, LOWER CASING JOINT, BOITIER D'HELICE | 1 | 1 | 1 | |
| 12 | 97095-06025 | BOLT BOULON | 1 | 1 | 1 | |
| 13 | 92995-06600 | WASHER RONDELLE | 1 | 1 | 1 | |
| 14 | 68D-G5361-00-4D | CAP, LOWER CASING COUVERCLE, BOITIER D'HELICE | 1 | 1 | 1 | |
| 15 | 93306-004YH | BEARING ROULEMENT | 1 | 1 | 1 | |
| 16 | 93101-13M12 | OIL SEAL JOINT SPY | 2 | 2 | 2 | |
| 17 | 93210-48214 | O-RING JOINT TORIQUE | 1 | 1 | 1 | |
| 18 | 95895-06016 | BOLT, FLANGE BOULON | 2 | 2 | 2 | |
| 19 | 6BX-44311-00 | HOUSING, WATER PUMP CORPS, POMPE A EAU | 1 | 1 | 1 | |
| 20 | 6BX-G4315-01 | GASKET, WATER PUMP JOINT, POMPE A EAU | 1 | 1 | 1 | |
| 21 | 6BX-44322-00 | INSERT, CARTRIDGE CUVETTE | 1 | 1 | 1 | |
| 22 | 6BX-44323-00 | OUTER PLATE, CARTRIDGE PLAQUE EXTERIEURE | 1 | 1 | 1 | |
| 23 | 67D-44366-00 | DAMPER, WATER SEAL 2 JOINT, TUBE D'EAU 2 | 1 | 1 | 1 | |
| 24 | 6E0-44352-00 | IMPELLER TURBINE | 1 | 1 | 1 | |
| 25 | 93604-09066 | PIN, DOWEL CLAVETTE | 1 | 1 | 1 | |
| 26 | 97095-06045 | BOLT BOULON | 4 | 4 | 4 | |

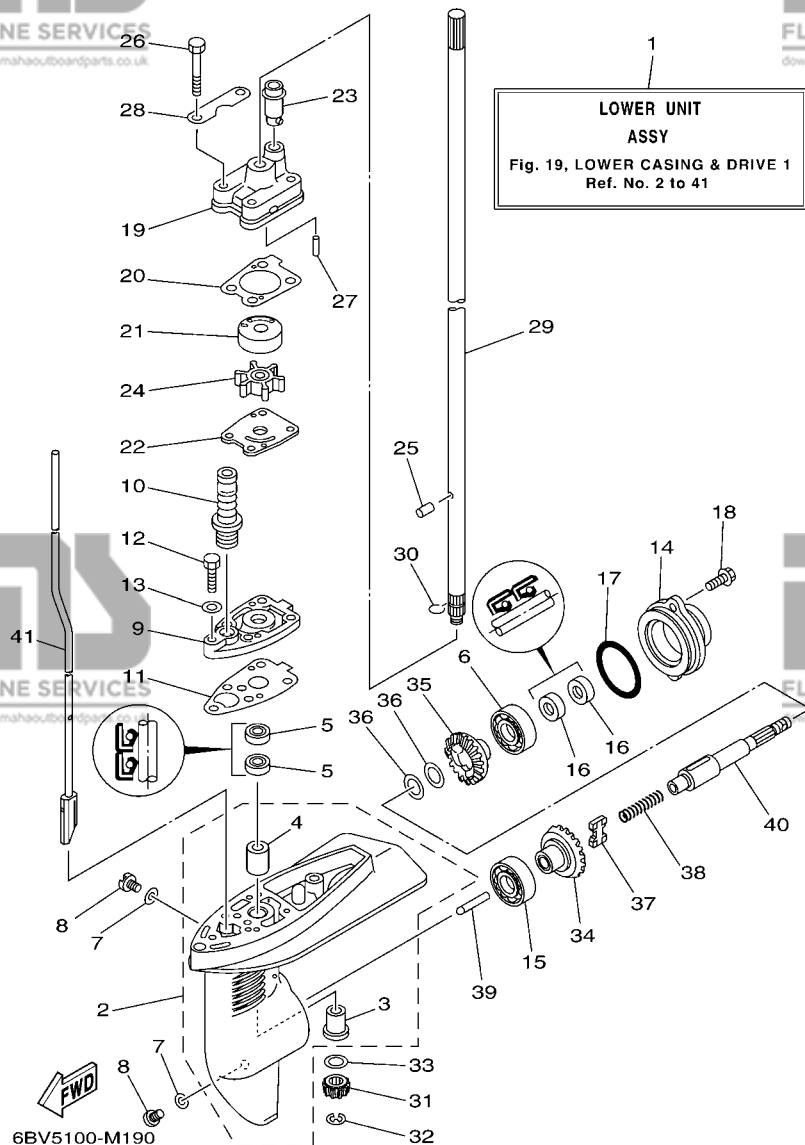


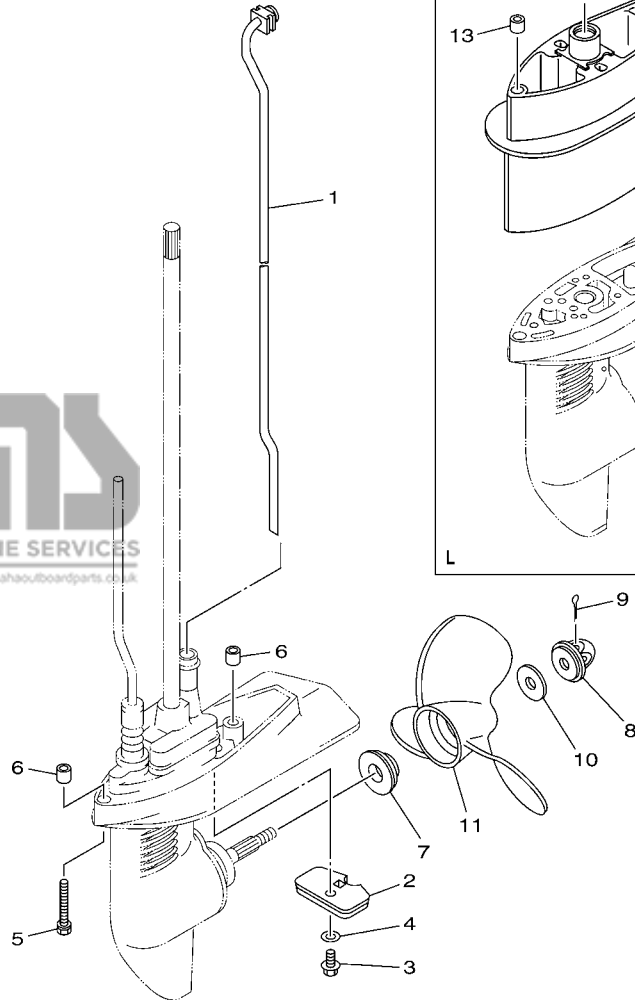
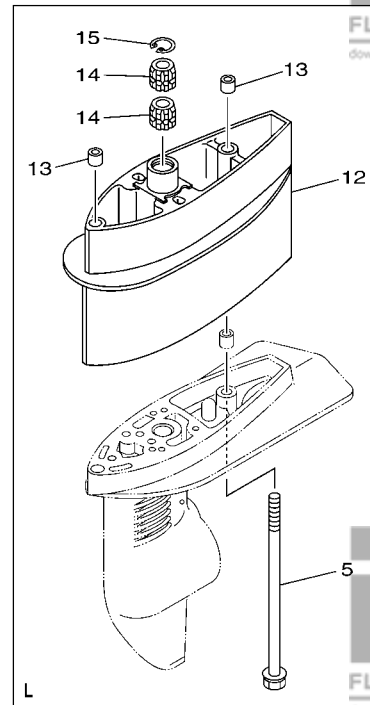
FIG. 19 LOWER CASING & DRIVE 1

BOITIER D'HELICE TRANSMISSION1

| REF. NO. | PART NO. N° PIECES | DESCRIPTION DESCRIPTION | 6BV5 | 6BW5 | 6BX5 | REMARKS REMARQUES |
|----------|--------------------|---|------|------|------|----------------------|
| 27 | 93604-18080 | PIN, DOWEL CLAVETTE | 2 | 2 | 2 | |
| 28 | 68D-G4328-00 | PLATE PLAQUETTE | 2 | 2 | 2 | |
| 29 | 68D-G5511-00 | SHAFT, DRIVE ARBRE, MOTEUR | 1 | 1 | 1 | S(17.1") S(17.1") |
| | 68D-G5511-10 | SHAFT, DRIVE ARBRE, MOTEUR | 1 | 1 | 1 | L(22.1") L(22.1") |
| 30 | 90467-08M01 | CLIP JONC | 1 | 1 | 1 | |
| 31 | 6BX-45551-00 | PINION (13T) PIGNON D'ATTAQUE (13D) | 1 | 1 | 1 | |
| 32 | 99001-06600 | CIRCLIP CIRCLIP | 1 | 1 | 1 | |
| 33 | 90201-11M49 | WASHER, PLATE RONDELLE, PLATE | 1 | 1 | 1 | |
| 34 | 67D-45560-00 | GEAR 1 (27T) PIGNON 1 (27T) | 1 | 1 | 1 | |
| 35 | 67D-45570-00 | GEAR 2 (27T) PIGNON 2 (27T) | 1 | 1 | 1 | |
| 36 | 67D-45576-00 | WASHER, THRUST 2 RONDELLE DE CALAGE 2 | 2 | 2 | 2 | |
| 37 | 67D-45631-01 | CLUTCH, DOG CRABOT | 1 | 1 | 1 | |
| 38 | 90501-120A9 | SPRING, COMPRESSION RESSORT, COMPRESSION | 1 | 1 | 1 | |
| 39 | 67D-45635-00 | PLUNGER, SHIFT POUSSOIR D'EMBRAYAGE | 1 | 1 | 1 | |
| 40 | 68D-G5611-10 | SHAFT, PROPELLER ARBRE, HELICE | 1 | 1 | 1 | |
| 41 | 6BX-G4150-00 | SHIFT CAM ASSY CAME D'INVERSION | 1 | 1 | 1 | S(17.1") S(17.1") |
| | 6BX-G4150-10 | SHIFT CAM ASSY CAME D'INVERSION | 1 | 1 | 1 | L(22.1") L(22.1") |

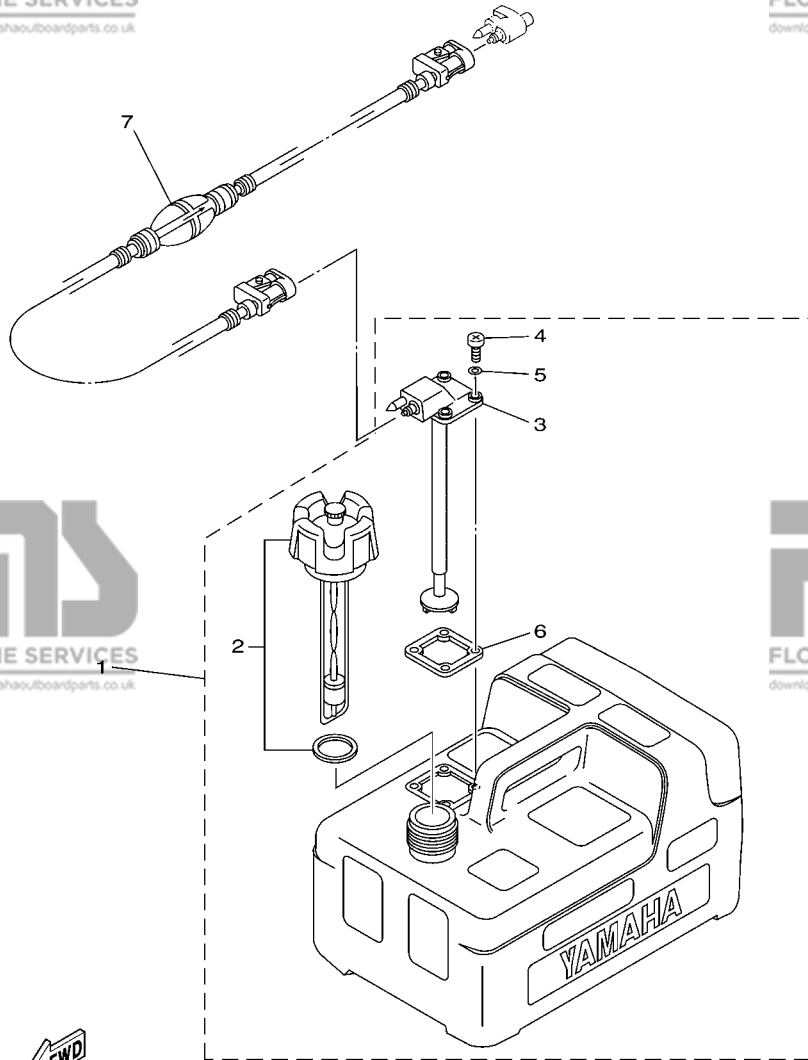
FIG. 20 LOWER CASING & DRIVE 2

BOITIER D'HELICE TRANSMISSION2



6BV1100-J190

| REF. NO. | PART NO. N° PIECES | DESCRIPTION DESCRIPTION | 6BV5 | 6BW5 | 6BX5 | REMARKS REMARQUES |
|----------|--------------------|---|------|------|------|----------------------|
| 1 | 6BX-G4360-00 | WATER TUBE ASSY TUYAU,EAU | 1 | 1 | 1 | S(17.1") S(17.1") |
| | 6BX-G4360-10 | WATER TUBE ASSY TUYAU,EAU | 1 | 1 | 1 | L(22.1") L(22.1") |
| 2 | 68D-G5251-00 | ANODE ANODE | 1 | 1 | 1 | |
| 3 | 95895-06012 | BOLT, FLANGE BOULON | 1 | 1 | 1 | |
| 4 | 92990-06300 | WASHER, INTERNAL TOOTH RONDELLE, DENTURE INTERNE | 1 | 1 | 1 | |
| 5 | 90119-06253 | BOLT, WITH WASHER BOULON, AVEC RONDELLE | 2 | 2 | 2 | S(17.1") S(17.1") |
| | 90119-06254 | BOLT, WITH WASHER BOULON, AVEC RONDELLE | 2 | 2 | 2 | L(22.1") L(22.1") |
| 6 | 90387-06806 | COLLAR COLLERETTE | 2 | 2 | 2 | |
| 7 | 68D-G5987-00 | SPACER 1 ENTRETOISE 1 | 1 | 1 | 1 | |
| 8 | 6L5-45616-00 | NUT, PROPELLER CONE, HELICE | 1 | 1 | 1 | |
| 9 | 91490-25030 | PIN, COTTER GOUPILLE | 1 | 1 | 1 | |
| 10 | 90201-08M54 | WASHER, PLATE RONDELLE, PLATE | 1 | 1 | 1 | |
| 11 | 6E0-45941-01 | PROPELLER (3X7-1/2"X8"-BA) HELICE (3X7-1/2"X8"-BA) | 1 | 1 | 1 | UR UR |
| | 6E0-45943-01 | PROPELLER (3X7-1/2"X7"-BA) HELICE (3X7-1/2"X7"-BA) | 1 | 1 | 1 | UR UR |
| | 6E0-45949-00 | PROPELLER (3X7-1/4"X6-1/2"-BA) HELICE (3X7-1/4"X6-1/2"-BA) | 1 | 1 | 1 | UR UR |
| | 6E0-45952-00 | PROPELLER (3X7-1/4"X8-1/4"-BA) HELICE (3X7-1/4"X8-1/4"-BA) | 1 | 1 | 1 | UR UR |
| | 6E0-45954-00 | PROPELLER (3X7-1/2"X9"-BA) HELICE (3X7-1/2"X9"-BA) | 1 | 1 | 1 | UR UR |
| 12 | 6BX-G5211-00-4D | EXTENSION EXTENSION | 1 | 1 | 1 | L(22.1") L(22.1") |
| 13 | 90387-06806 | COLLAR COLLERETTE | 2 | 2 | 2 | L(22.1") L(22.1") |
| 14 | 6BX-45318-01 | BUSHING, DRIVE SHAFT DOUILLE, ARBRE MOTEUR | 2 | 2 | 2 | L(22.1") L(22.1") |
| 15 | 93420-22M03 | CIRCLIP CIRCLIP, TYPE S | 1 | 1 | 1 | L(22.1") L(22.1") |

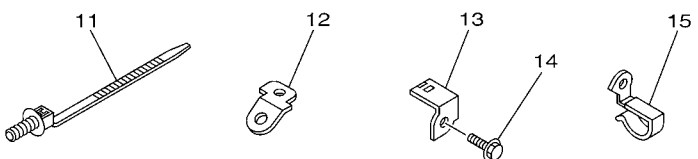
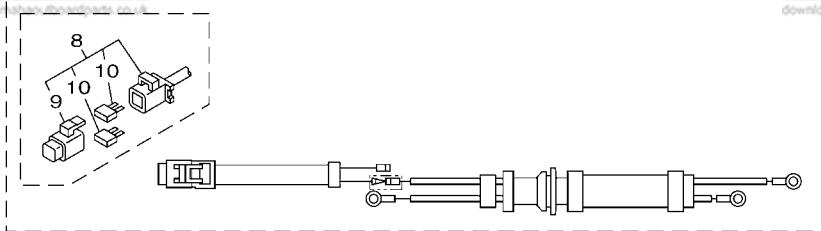
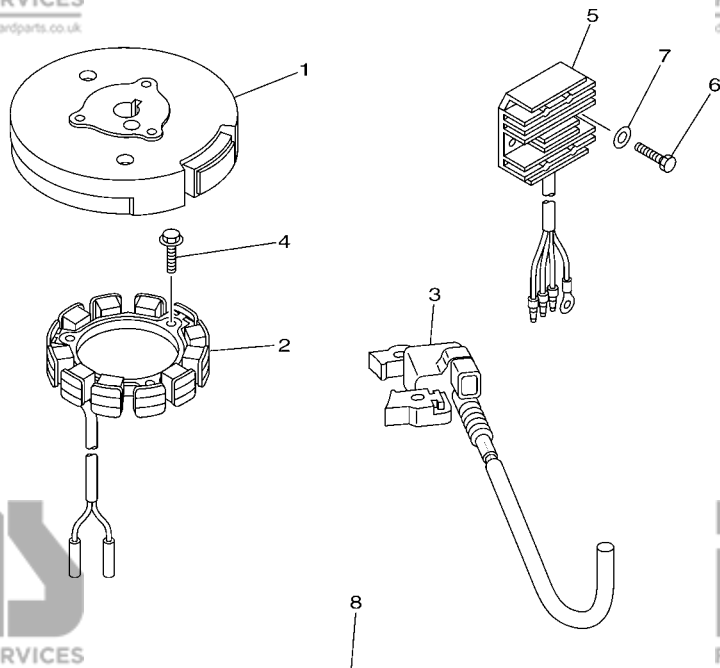



 66M4100-D270

FIG. 21 FUEL TANK

RESERVOIR A CARBURANT

| REF. NO. | PART NO. N° PIECES | DESCRIPTION DESCRIPTION | 6BV5 | 6BW5 | 6BX5 | REMARKS REMARQUES |
|----------|--------------------|--|------|------|------|--|
| 1 | 6YL-24201-05 | FUEL TANK ASSY (12L) RESERVOIR A ESSENCE (ENS.) 12L | 1 | 1 | 1 | AP EXCEPT FOR RUS AP EXCEPT FOR RUS |
| 2 | 6YL-24610-01 | .CAP ASSY .BOUCHON | 1 | 1 | 1 | |
| 3 | 6YL-24260-01 | .FUEL METER ASSY .INDICATEUR DE CARBURANT | 1 | 1 | 1 | |
| 4 | 90157-05M16 | .SCREW, PAN HEAD .VIS, TETE TRONCONIQUE | 4 | 4 | 4 | |
| 5 | 6YL-24329-00 | .SEAL .JOINT | 4 | 4 | 4 | |
| 6 | 6YL-24268-01 | .GASKET, FUEL METER .JOINT, JAUGE A CARBURANT | 1 | 1 | 1 | |
| 7 | 6YL-24306-54 | FUEL PIPE COMP. 1 DURITE A ESSENCE 1 | 1 | 1 | 1 | AP EXCEPT FOR RUS AP EXCEPT FOR RUS |



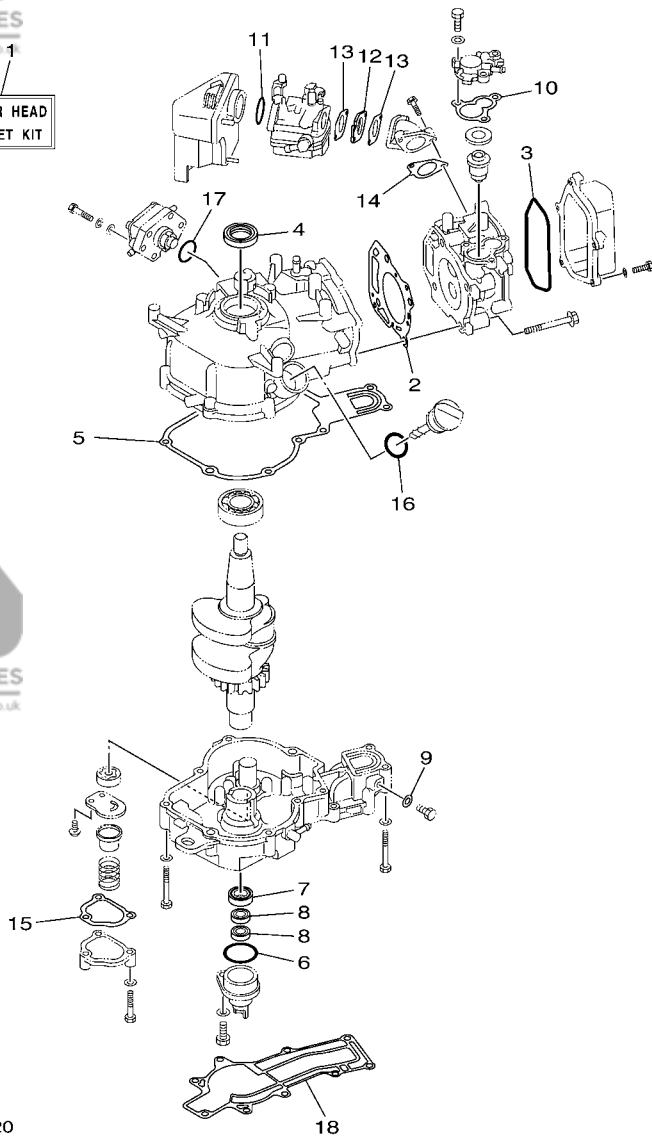
6BV3010-L200

FIG. 22 OPTIONAL PARTS

PIECES OPTIONNELLES

| REF. NO. | PART NO. N° PIECES | DESCRIPTION DESCRIPTION | 6BV5 | 6BW5 | 6BX5 | REMARKS REMARQUES |
|----------|--------------------|---|------|------|------|--|
| 1 | 6BX-85550-A0 | ROTOR ASSY ROTOR CPLT | 1 | 1 | 1 | AP EXCEPT FOR RUS AP EXCEPT FOR RUS |
| 2 | 6BX-85510-A0 | LIGHTING COIL ASSY BOBINE D'ECLAIRAGE | 1 | 1 | 1 | AP EXCEPT FOR RUS AP EXCEPT FOR RUS |
| 3 | 6BV-85571-01 | IGNITION COIL WITH CDI UNIT BOBINE D'ALLUMAGE AVEC CDI | 1 | | | AP EXCEPT FOR RUS AP EXCEPT FOR RUS |
| | 6BW-85571-01 | IGNITION COIL WITH CDI UNIT BOBINE D'ALLUMAGE AVEC CDI | | 1 | | AP EXCEPT FOR RUS AP EXCEPT FOR RUS |
| | 6BX-85571-00 | IGNITION COIL WITH CDI UNIT BOBINE D'ALLUMAGE AVEC CDI | | | 1 | AP EXCEPT FOR RUS AP EXCEPT FOR RUS |
| 4 | 97595-06520 | BOLT, WITH WASHER VIS HEXAGONAL AVEC RONDELLE | 3 | 3 | 3 | AP EXCEPT FOR RUS AP EXCEPT FOR RUS |
| 5 | 6BX-81960-00 | RECTIFIER & REGULATOR ASSY REDRESSEUR REGULATEUR CPLT | 1 | 1 | 1 | AP EXCEPT FOR RUS AP EXCEPT FOR RUS |
| 6 | 97095-06016 | BOLT BOULON | 2 | 2 | 2 | AP EXCEPT FOR RUS AP EXCEPT FOR RUS |
| 7 | 92995-06600 | WASHER RONDELLE | 2 | 2 | 2 | AP EXCEPT FOR RUS AP EXCEPT FOR RUS |
| 8 | 6BX-81949-00 | WIRE, LEAD FIL | 1 | 1 | 1 | AP EXCEPT FOR RUS AP EXCEPT FOR RUS |
| 9 | 67F-8215B-00 | .CAP (BLACK) .BOUCHON (NOIR) | 1 | 1 | 1 | |
| 10 | 67F-82151-00 | .FUSE (20A) .FUSIBLE (20A) | 2 | 2 | 2 | |
| 11 | 90464-30009 | CLAMP BRIDE | 1 | 1 | 1 | AP EXCEPT FOR RUS AP EXCEPT FOR RUS |
| 12 | 6BX-82581-00 | STAY, CORD CLAMP SUPPORT, COLLIER DE CORDON | 1 | 1 | 1 | AP EXCEPT FOR RUS AP EXCEPT FOR RUS |
| 13 | 6BX-82388-00 | PLATE PLAQUETTE | 1 | 1 | 1 | AP EXCEPT FOR RUS AP EXCEPT FOR RUS |
| 14 | 90109-06M80 | BOLT BOULON | 1 | 1 | 1 | AP EXCEPT FOR RUS AP EXCEPT FOR RUS |
| 15 | 90465-08371 | CLAMP BRIDE | 1 | 1 | 1 | AP EXCEPT FOR RUS AP EXCEPT FOR RUS |

1
**POWER HEAD
GASKET KIT**



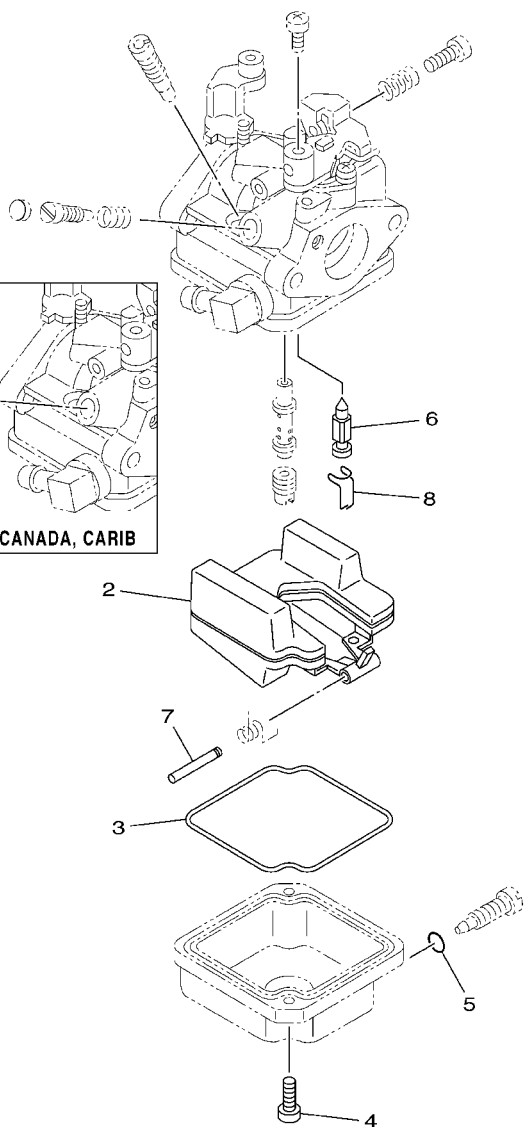
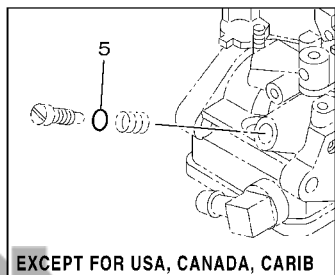
6BV1100-J220

FIG. 23 REPAIR KIT 1

KITS DE REPARATION 1

| REF. NO. | PART NO. N° PIECES | DESCRIPTION DESCRIPTION | 6BV5 | 6BW5 | 6BX5 | REMARKS REMARQUES |
|----------|--------------------|---|------|------|------|-------------------|
| 1 | 6BX-WE001-00 | POWER HEAD GASKET KIT POCHETTE DE JINTS TETE MOTRICE | 1 | 1 | 1 | |
| 2 | 6BX-11181-00 | .GASKET, CYLINDER HEAD 1 .JOINT, DE CULASSE 1 | 1 | 1 | 1 | |
| 3 | 6BX-11356-00 | .SEAL, CYLINDER 2 .JOINT, SPY CYLINDRE | 1 | 1 | 1 | |
| 4 | 93102-25022 | .OIL SEAL .JOINT SPY | 1 | 1 | 1 | |
| 5 | 6BX-11351-00 | .GASKET, CYLINDER .JOINT, D'EMBASE | 1 | 1 | 1 | |
| 6 | 93210-35537 | .O-RING .JOINT TORIQUE | 1 | 1 | 1 | |
| 7 | 93102-20108 | .OIL SEAL .JOINT SPY | 1 | 1 | 1 | |
| 8 | 93102-10004 | .OIL SEAL .JOINT SPY | 2 | 2 | 2 | |
| 9 | 90430-08800 | .GASKET .JOINT | 1 | 1 | 1 | |
| 10 | 68D-E2414-A0 | .GASKET, COVER .JOINT, COUVERCLE | 1 | 1 | 1 | |
| 11 | 93210-320A7 | .O-RING .JOINT TORIQUE | 1 | 1 | 1 | |
| 12 | 6BX-E3647-00 | .GASKET, MANIFOLD 3 .JOINT, TUBULURE 3 | 1 | 1 | 1 | |
| 13 | 6BX-E3646-00 | .GASKET, MANIFOLD 2 .JOINT, TUBULURE 2 | 2 | 2 | 2 | |
| 14 | 6BX-E3645-00 | .GASKET, MANIFOLD 1 .JOINT, TUBULURE 1 | 1 | 1 | 1 | |
| 15 | 6BX-E3475-00 | .GASKET .JOINT | 1 | 1 | 1 | |
| 16 | 93210-24M79 | .O-RING .JOINT TORIQUE | 1 | 1 | 1 | |
| 17 | 93210-27ME3 | .O-RING .JOINT TORIQUE | 1 | 1 | 1 | |
| 18 | 6BX-45113-00 | .GASKET, UPPER CASING .JOINT, TUBE D'ARBRE | 1 | 1 | 1 | |

CARBURETOR
REPAIR KIT



FWD
6BV1100-J231

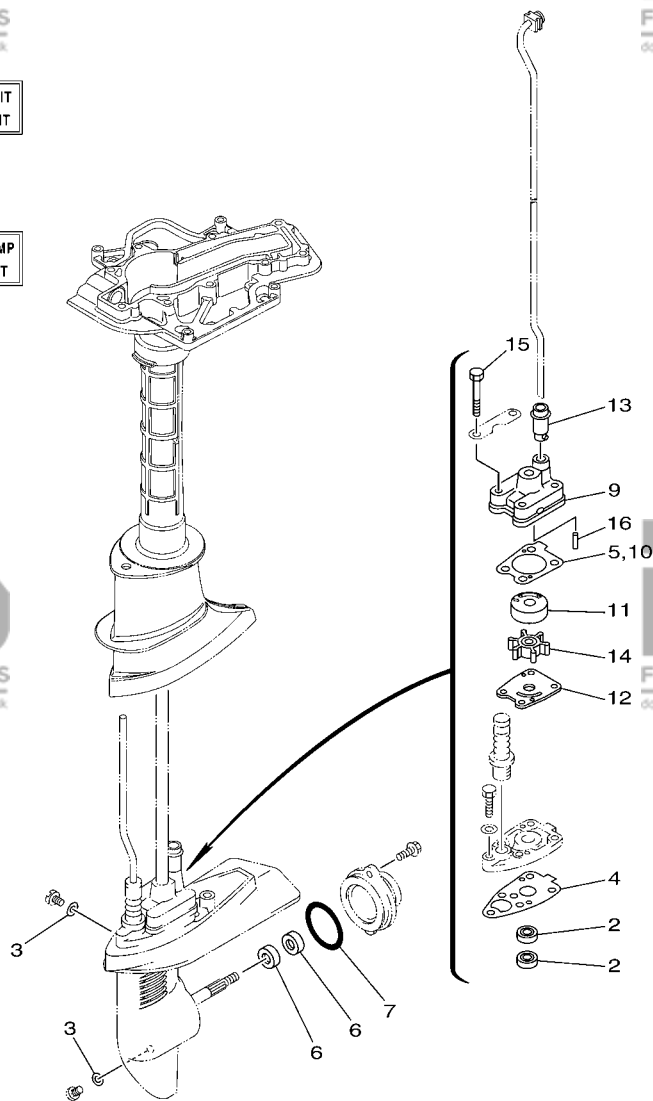
FIG. 24 REPAIR KIT 2

KITS DE REPARATION 2

| REF. NO. | PART NO. N° PIECES | DESCRIPTION DESCRIPTION | 6BV5 | 6BW5 | 6BX5 | REMARKS REMARQUES |
|----------|--------------------|--|------|------|------|-------------------|
| 1 | 6BX-W0093-00 | CARBURETOR REPAIR KIT KIT DE REPARATION CARBURATEUR | 1 | 1 | 1 | |
| 2 | 6BX-14985-00 | .FLOAT .FLOTTEUR | 1 | 1 | 1 | |
| 3 | 6BX-14984-00 | .GASKET, FLOAT CHAMBER .JOINT, CUVE DE FLOTTEUR | 1 | 1 | 1 | |
| 4 | 6BX-14592-00 | .SCREW .VIS | 2 | 2 | 2 | |
| 5 | 4JH-14562-00 | .O-RING .JOINT TORIQUE | 2 | 2 | 2 | |
| 6 | 6BX-14546-00 | .VALVE, NEEDLE .POINTEAU | 1 | 1 | 1 | |
| 7 | 6BX-14548-00 | .PIN, FLOAT ARM .AXE, BRAS DE FLOTTEUR | 1 | 1 | 1 | |
| 8 | 6BX-14937-00 | .CLIP .JONC | 1 | 1 | 1 | |

LOWER UNIT
GASKET KIT

8
WATER PUMP
REPAIR KIT



6BV1100-J240

FIG. 25 REPAIR KIT 3

KITS DE PERARATION 3

| REF. NO. | PART NO. N° PIECES | DESCRIPTION DESCRIPTION | 6BV5 | 6BW5 | 6BX5 | REMARKS REMARQUES |
|----------|--------------------|--|------|------|------|-------------------|
| 1 | 6BX-WG001-20 | LOWER UNIT GASKET KIT POCHETTE DE JOINTS EMBASE | 1 | 1 | 1 | |
| 2 | 93101-10M14 | .OIL SEAL .JOINT SPY | 2 | 2 | 2 | |
| 3 | 90430-08020 | .GASKET .JOINT | 3 | 3 | 3 | |
| 4 | 68D-G5315-A0 | .PACKING, LOWER CASING .JOINT, BOITIER D'HELICE | 1 | 1 | 1 | |
| 5 | 6BX-G4315-01 | .GASKET, WATER PUMP .JOINT, POMPE A EAU | 1 | 1 | 1 | |
| 6 | 93101-13M12 | .OIL SEAL .JOINT SPY | 2 | 2 | 2 | |
| 7 | 93210-48214 | .O-RING .JOINT TORIQUE | 1 | 1 | 1 | |
| 8 | 6BX-WG078-00 | WATER PUMP REPAIR KIT KIT DE REPARATION DE LA POMPE | 1 | 1 | 1 | |
| 9 | 6BX-44311-00 | .HOUSING, WATER PUMP .CORPS, POMPE A EAU | 1 | 1 | 1 | |
| 10 | 6BX-G4315-01 | .GASKET, WATER PUMP .JOINT, POMPE A EAU | 1 | 1 | 1 | |
| 11 | 6BX-44322-00 | .INSERT, CARTRIDGE .CUVETTE | 1 | 1 | 1 | |
| 12 | 6BX-44323-00 | .OUTER PLATE, CARTRIDGE .PLAQUE EXTERIEURE | 1 | 1 | 1 | |
| 13 | 67D-44366-00 | .DAMPER, WATER SEAL 2 .JOINT, TUBE D'EAU 2 | 1 | 1 | 1 | |
| 14 | 6E0-44352-00 | .IMPELLER .TURBINE | 1 | 1 | 1 | |
| 15 | 97095-06045 | .BOLT .BOULON | 4 | 4 | 4 | |
| 16 | 93604-18080 | .PIN, DOWEL .CLAVETTE | 2 | 2 | 2 | |

| PART NO. N° PIECES | REF. NO. |
|-----------------------|-------------|
| 67D-11133-10 | 3 - 3 |
| 6BX-11181-00 | 3 - 6 |
| | 23 - 2 |
| 6BX-11351-00 | 5 - 7 |
| | 23 - 5 |
| 6BX-11356-00 | 3 - 8 |
| | 23 - 3 |
| 676-11372-00 | 5 - 11 |
| 6BX-11633-00 | 4 - 7 |
| 6BX-11650-00 | 4 - 3 |
| 67D-11654-00 | 4 - 4 |
| 6BX-12111-00 | 6 - 2 |
| 60R-12113-00 | 6 - 5 |
| 68T-12116-00 | 6 - 6 |
| 7NJ-12117-00 | 6 - 7 |
| 7NJ-12118-00 | 6 - 8 |
| 51Y-12119-00 | 6 - 4 |
| 6AU-12121-00 | 6 - 3 |
| 67D-12151-00 | 6 - 9 |
| JA9-12153-00 | 6 - 15 |
| 6BX-12154-00 | 6 - 14 |
| 67D-12157-00 | 6 - 12 |
| 7FK-12158-00 | 6 - 11 |
| 7FK-12165-00 | 6 - 10 |
| 66M-12411-01 | 1 - 1 |
| | 3 - 11 |
| 688-12412-00 | 3 - 12 |
| 6BX-13131-00 | 10 - 28 |
| 51Y-13411-00 | 1 - 6 |
| | 5 - 27 |
| 6BX-14301-00 | 8 - 1 |
| 6BV-14301-01 | 8 - 1 |
| 6BW-14301-01 | 8 - 1 |
| 6E7-14325-00 | 10 - 25 |
| 647-14395-60 | 15 - 36 |
| 6BX-14440-00 | 7 - 1 |
| 6BX-14523-00 | 8 - 7 |
| 6BX-14546-00 | 8 - 13 |
| | 24 - 6 |
| 6BX-14548-00 | 8 - 14 |
| | 24 - 7 |
| 6BX-14555-00 | 8 - 8 |
| 6BX-14556-00 | 8 - 18 |
| 4JH-14562-00 | 8 - 12 |
| | 24 - 5 |
| 6BX-14592-00 | 8 - 11 |
| | 24 - 4 |
| 6BW-14923-20 | 8 - 6 |

| PART NO. N° PIECES | REF. NO. |
|-----------------------|-------------|
| 6BX-14923-20 | 8 - 6 |
| 6BX-14935-00 | 8 - 9 |
| 6BX-14937-00 | 8 - 15 |
| | 24 - 8 |
| 6BV-14943-11 | 8 - 16 |
| 6BW-14943-15 | 8 - 16 |
| 6BX-14943-17 | 8 - 16 |
| 6BV-14947-00 | 8 - 5 |
| 6BW-14947-00 | 8 - 5 |
| 6BX-14947-00 | 8 - 5 |
| 6BV-14948-01 | 8 - 17 |
| 6BX-14948-04 | 8 - 17 |
| 6BX-14980-00 | 8 - 3 |
| 6BX-14984-00 | 8 - 4 |
| | 24 - 3 |
| 6BX-14985-00 | 8 - 2 |
| | 24 - 2 |
| 6BX-14991-00 | 8 - 10 |
| 6BX-15316-00 | 18 - 2 |
| 3Y6-15361-00 | 5 - 2 |
| 6BX-15705-00 | 11 - 8 |
| 6BX-15710-00 | 11 - 1 |
| 6BX-15711-00 | 11 - 2 |
| 67D-15713-00 | 11 - 7 |
| 67D-15714-00 | 11 - 5 |
| 6BX-15723-00 | 12 - 6 |
| 67D-15734-00 | 11 - 14 |
| 67D-15735-00 | 11 - 10 |
| 67D-15739-00 | 11 - 18 |
| 67D-15741-00 | 11 - 6 |
| 67D-15744-00 | 11 - 19 |
| 6G1-15755-00 | 11 - 16 |
| 6BX-15762-00 | 11 - 20 |
| 63V-15764-00 | 11 - 12 |
| 67D-15764-00 | 11 - 4 |
| 67D-15767-00 | 11 - 9 |
| 6G1-15779-00 | 11 - 17 |
| 67D-15793-00 | 11 - 11 |
| 67D-15794-01 | 11 - 13 |
| 63V-15795-01 | 11 - 3 |
| 6BX-18175-00 | 16 - 10 |
| 6BX-24135-00 | 10 - 40 |
| 6BX-24136-00 | 10 - 41 |
| 6BX-24167-00 | 9 - 11 |
| 6YL-24201-05 | 21 - 1 |
| 68T-24251-01 | 1 - 7 |
| | 10 - 13 |
| 6YL-24260-01 | 21 - 3 |

NUMERICAL INDEX
INDEX NUMERIQUE

| PART NO. N° PIECES | REF. NO. |
|-----------------------|-------------|
| 6YL-24268-01 | 21 - 6 |
| 6G1-24304-02 | 10 - 1 |
| 6YL-24306-54 | 21 - 7 |
| 6YL-24329-00 | 21 - 5 |
| 6BX-24360-00 | 10 - 39 |
| 66M-24374-00 | 10 - 29 |
| 650-24378-00 | 3 - 14 |
| | 5 - 10 |
| 688-24378-00 | 10 - 17 |
| 6BX-24410-00 | 10 - 21 |
| 6BX-24411-00 | 10 - 26 |
| 67D-24412-00 | 10 - 22 |
| 67D-24413-02 | 10 - 23 |
| 67D-24414-01 | 10 - 31 |
| 6A0-24421-01 | 10 - 24 |
| 67D-24423-00 | 10 - 27 |
| 67D-24444-00 | 10 - 33 |
| 6BX-24454-00 | 10 - 30 |
| 66M-24471-01 | 10 - 32 |
| 6BX-24500-01 | 10 - 8 |
| 6BX-24610-01 | 9 - 2 |
| 6YL-24610-01 | 21 - 2 |
| 68D-24612-00 | 9 - 3 |
| 6BX-24641-00 | 9 - 7 |
| 6BX-2476U-00 | 10 - 5 |
| 6BX-41211-00 | 15 - 28 |
| 661-41262-02 | 15 - 30 |
| 6BX-41283-00 | 15 - 26 |
| 6BX-41638-00 | 15 - 25 |
| 6G1-42125-01 | 15 - 10 |
| 6G1-42126-00 | 15 - 11 |
| 6BX-42129-00 | 15 - 2 |
| 6BX-42131-00 | 15 - 8 |
| 6BX-42138-00 | 15 - 21 |
| 6E0-42528-03 | 17 - 37 |
| 6L5-42529-01 | 17 - 38 |
| 6BX-42615-00 | 2 - 6 |
| 68T-42649-00 | 2 - 9 |
| 60R-42652-00 | 2 - 7 |
| 6BV-42675-00 | 2 - 11 |
| 6BW-42675-00 | 2 - 11 |
| 6BX-42675-00 | 2 - 11 |
| 6BV-42675-10 | 2 - 11 |
| 6BV-42676-00 | 2 - 12 |
| 6BW-42676-00 | 2 - 12 |
| 6BV-42676-10 | 2 - 12 |
| 6BV-42677-10 | 2 - 13 |

| PART NO. N° PIECES | REF. NO. |
|-----------------------|-------------|
| 6BW-42677-10 | 2 - 13 |
| 6BX-42677-10 | 2 - 13 |
| 6BX-42681-00 | 2 - 13 |
| 6BX-42697-00 | 2 - 14 |
| 6BX-42697-10 | 2 - 14 |
| 6S7-42698-40 | 2 - 17 |
| 6S7-42698-50 | 2 - 18 |
| 6BX-42716-00 | 18 - 13 |
| 6AH-42794-40 | 15 - 41 |
| 6AH-42794-50 | 14 - 14 |
| 68T-42801-00 | 14 - 6 |
| 620-43114-00 | 17 - 3 |
| 6E0-43116-01 | 17 - 4 |
| 6BX-43181-00 | 17 - 18 |
| 6BX-43188-00 | 17 - 30 |
| 620-43189-00 | 17 - 21 |
| 6BX-43198-00 | 17 - 31 |
| 6E0-43313-00-94 | 17 - 20 |
| 6BX-43614-00 | 17 - 29 |
| 6E0-43632-00 | 17 - 19 |
| 6BX-44143-00 | 16 - 12 |
| 6L2-44147-00 | 19 - 10 |
| 6BX-44311-00 | 19 - 19 |
| 6BX-85550-A0 | 25 - 9 |
| 6BX-44322-00 | 19 - 21 |
| | 25 - 11 |
| 6BX-44323-00 | 19 - 22 |
| 6E0-44352-00 | 25 - 12 |
| | 19 - 24 |
| 67D-44366-00 | 25 - 14 |
| | 19 - 23 |
| | 25 - 13 |
| 6BX-45113-00 | 18 - 6 |
| | 23 - 18 |
| 647-45151-01 | 18 - 11 |
| 6E0-45316-09 | 19 - 4 |
| 6E0-45317-09 | 19 - 3 |
| 6BX-45318-01 | 20 - 14 |
| 6BX-45551-00 | 19 - 31 |
| 67D-45560-00 | 19 - 34 |
| 67D-45570-00 | 19 - 35 |
| 67D-45576-00 | 19 - 36 |
| 6L5-45616-00 | 20 - 8 |
| 67D-45631-01 | 19 - 37 |
| 67D-45635-00 | 19 - 39 |
| 6E0-45941-01 | 20 - 11 |
| 6E0-45943-01 | 20 - 11 |
| 6E0-45949-00 | 20 - 11 |

| PART NO. N° PIECES | REF. NO. |
|-----------------------|-------------|
| 6E0-45952-00 | 20 - 11 |
| 6E0-45954-00 | 20 - 11 |
| 6BX-48561-00 | 17 - 23 |
| 6BX-81949-00 | 22 - 8 |
| 6BX-81960-00 | 22 - 5 |
| 6AH-81994-40 | 11 - 31 |
| 6AH-81994-50 | 11 - 32 |
| 6AH-81995-50 | 11 - 27 |
| 6AH-81995-50 | 11 - 28 |
| 67F-82151-00 | 22 - 10 |
| 67F-8215B-00 | 22 - 9 |
| 6A0-82317-00 | 9 - 8 |
| 6BX-82370-00 | 12 - 8 |
| 6BX-82388-00 | 22 - 13 |
| 6G0-82519-00 | 3 - 24 |
| 6BX-82531-00 | 13 - 6 |
| 682-82556-00 | 13 - 2 |
| 6BX-82575-00 | 13 - 1 |
| 689-8257Y-00 | 13 - 3 |
| 6BX-82581-00 | 22 - 12 |
| 68F-85119-00 | 14 - 2 |
| 6BX-85510-A0 | 22 - 2 |
| 6BX-85550-00 | 12 - 1 |
| 6BX-85550-A0 | 22 - 1 |
| 6BX-85571-00 | 12 - 2 |
| | 22 - 3 |
| 6BV-85571-01 | 12 - 2 |
| | 22 - 3 |
| 6BX-E1111-00-1S | 3 - 2 |
| 6BX-E1168-00 | 5 - 5 |
| 6BX-E1191-00-5B | 3 - 7 |
| 6BX-E1311-00-1S | 5 - 1 |
| 68D-E1325-00 | 1 - 2 |
| | 3 - 15 |
| 6BX-E1410-00 | 4 - 1 |
| 6BX-E1603-00 | 4 - 6 |
| 6BX-E1604-00 | 4 - 6 |
| 6BX-E1605-00 | 4 - 6 |
| 6BX-E1631-00-96 | 4 - 5 |
| 6BV-E1635-00 | 4 - 5 |
| 6BX-E1636-00 | 4 - 5 |
| 6BX-E2155-00 | 6 - 13 |
| 6BX-E2170-00 | 6 - 1 |
| 68D-E2413-00-1S | 3 - 13 |
| 68D-E2414-A0 | 1 - 3 |
| | 3 - 17 |

| PART NO. N° PIECES | REF. NO. |
|-----------------------|-------------|
| 68D-E2414-A0 | 23 - 10 |
| 6BX-E3151-00 | 7 - 16 |
| 6BX-E316F-00 | 7 - 5 |
| 6BX-E3310-00 | 5 - 24 |
| 6BX-E3316-00 | 5 - 25 |
| 6BX-E3417-00-1S | 5 - 30 |
| 60R-E3434-00 | 2 - 16 |
| 6BX-E3437-60 | 11 - 29 |
| 6BX-E3475-00 | 5 - 29 |
| | 23 - 15 |
| 6BX-E3641-10-94 | 7 - 11 |
| 6BX-E3645-00 | 7 - 12 |
| | 23 - 14 |
| 6BX-E3646-00 | 7 - 8 |
| | 23 - 13 |
| 6BX-E3647-00 | 7 - 7 |
| | 23 - 12 |
| 6BX-E3971-00 | 10 - 47 |
| 6BX-E4427-60 | 11 - 30 |
| 6BX-E4497-00 | 15 - 29 |
| 6BX-E5111-00-1S | 5 - 9 |
| 68D-E5362-00 | 5 - 35 |
| 68D-E5396-00-5B | 5 - 14 |
| 6BX-E5770-00 | 11 - 25 |
| 6BX-F247A-00 | 10 - 43 |
| 6BX-F247B-00 | 10 - 37 |
| 6BX-F247C-00 | 10 - 14 |
| 6BX-F247D-00 | 10 - 18 |
| 6BX-F4111-00 | 9 - 1 |
| 6BX-F4311-00 | 9 - 12 |
| 6BX-F4312-00 | 10 - 6 |
| 6BX-F4313-00 | 10 - 10 |
| 6BX-F4314-00 | 7 - 4 |
| 6BX-F4323-00 | 3 - 19 |
| 60R-F4329-00 | 10 - 2 |
| 6BX-F4591-00 | 17 - 41 |
| 6BX-F6301-00 | 15 - 24 |
| 6BX-F6330-01 | 7 - 14 |
| 6BX-F6333-00 | 7 - 15 |
| 6BX-F8100-00 | 10 - 49 |
| 6BV-F8199-73-D0 | 10 - 50 |
| 6BV-F8199-73-E0 | 10 - 50 |
| 6BV-F8199-73-F0 | 10 - 50 |
| 6BV-F8199-73-G0 | 10 - 50 |
| 6BV-F8199-73-H0 | 10 - 50 |
| 6BV-F8199-73-S0 | 10 - 50 |
| 6BV-F8199-83-K0 | 10 - 51 |
| 6BV-F8199-83-L0 | 10 - 51 |

| PART NO. N° PIECES | REF. NO. |
|-----------------------|-------------|
| 6BV-F8199-83-M0 | 10 - 51 |
| 6BV-F8199-83-N0 | 10 - 51 |
| 6BV-F8199-83-P0 | 10 - 51 |
| 6BV-F8199-83-R0 | 10 - 51 |
| 6BX-G2111-00-4D | 15 - 1 |
| 68D-G2119-01 | 15 - 13 |
| 6BX-G2134-00 | 2 - 10 |
| 60P-G2137-00 | 15 - 14 |
| 68D-G2159-00 | 15 - 22 |
| 6BX-G2171-00 | 15 - 3 |
| 6BX-G2172-00 | 15 - 4 |
| 68D-G2177-10 | 15 - 16 |
| 6BX-G2181-00 | 15 - 5 |
| 6BX-G2182-00 | 15 - 7 |
| 6BX-G2188-00 | 15 - 6 |
| 68D-G2537-00 | 17 - 33 |
| 6BX-G2538-00 | 17 - 35 |
| 68D-G2539-00 | 17 - 34 |
| 6BX-G2549-00 | 17 - 36 |
| 68D-G2561-01 | 17 - 39 |
| 6BV-G2610-00 | 2 - 1 |
| 6BW-G2610-00 | 2 - 1 |
| 6BX-G2610-00 | 2 - 1 |
| 6BV-G2610-20 | 2 - 1 |
| 6BW-G2610-20 | 2 - 1 |
| 6BX-G2610-20 | 2 - 1 |
| 6BX-G2613-00 | 2 - 2 |
| 6BX-G2613-10 | 2 - 2 |
| 6BX-G2651-00 | 2 - 4 |
| 6BX-G2711-00-4D | 14 - 1 |
| 6BX-G2723-00 | 18 - 14 |
| 6BX-G2731-00 | 14 - 9 |
| 6L8-G3111-01-4D | 17 - 1 |
| 6L8-G3112-00-4D | 17 - 2 |
| 68D-G3113-00 | 17 - 9 |
| 6L8-G3118-01 | 17 - 5 |
| 68D-G3160-00 | 17 - 25 |
| 6N0-G3165-00 | 17 - 26 |
| 68D-G3311-01-4D | 17 - 15 |
| 68D-G3312-01-4D | 17 - 16 |
| 6BX-G3319-00 | 17 - 24 |
| 6BX-G3679-00 | 16 - 2 |
| 6BX-G4111-00 | 16 - 1 |
| 6BX-G4119-01-CA | 16 - 4 |
| 6BX-G4121-00 | 16 - 9 |
| 6BX-G4122-00 | 16 - 5 |
| 68D-G4145-00 | 16 - 15 |
| 68D-G4146-00 | 16 - 16 |

| PART NO. N° PIECES | REF. NO. |
|-----------------------|-------------|
| 90159-06M10 | 10 - 9 |
| 90170-12066 | 12 - 4 |
| 90185-08057 | 17 - 10 |
| 90201-06106 | 7 - 10 |
| 90201-06M62 | 15 - 35 |
| 90201-08818 | 5 - 32 |
| 90201-08M54 | 20 - 10 |
| 90201-10M02 | 15 - 18 |
| 90201-11M49 | 19 - 33 |
| 90201-12472 | 12 - 5 |
| 90201-266P2 | 4 - 2 |
| 90202-08M58 | 17 - 8 |
| 90243-04M01 | 17 - 6 |
| 90266-04M00 | 2 - 15 |
| 90266-04M04 | 2 - 5 |
| 90266-04M05 | 17 - 40 |
| 90269-02M09 | 15 - 15 |
| 90280-04M06 | 12 - 3 |
| 90340-08002 | 19 - 8 |
| 90386-08032 | 15 - 20 |
| 90387-06119 | 9 - 9 |
| 90387-06176 | 14 - 4 |
| 90387-06252 | 15 - 27 |
| 90387-06806 | 18 - 7 |
| 90387-06M11 | 20 - 6 |
| 90430-08020 | 20 - 13 |
| 90430-08800 | 17 - 11 |
| 90430-08800 | 1 - 8 |
| 90430-08800 | 19 - 7 |
| 90430-08800 | 25 - 3 |
| 90430-08800 | 1 - 5 |
| 90430-08800 | 5 - 21 |
| 90430-08800 | 23 - 9 |
| 90464-06006 | 15 - 37 |
| 90464-07008 | 11 - 26 |
| 90464-07M05 | 15 - 39 |
| 90464-07M20 | 15 - 38 |
| 90464-09021 | 3 - 20 |
| 90464-12809 | 10 - 44 |
| 90464-30009 | 10 - 12 |
| 90465-06M86 | 22 - 11 |
| 90465-06M86 | 3 - 21 |
| 90465-08361 | 3 - 22 |
| 90465-08371 | 12 - 10 |
| 90465-08395 | 3 - 23 |
| 90465-11M10 | 22 - 15 |
| 90465-11M10 | 15 - 40 |
| 90465-11M10 | 10 - 16 |

| PART NO. N° PIECES | REF. NO. |
|-----------------------|-------------|
| 90465-11M10 | 10 - 19 |
| 90465-13M97 | 10 - 46 |
| 90467-08M01 | 13 - 7 |
| 90467-09M09 | 19 - 30 |
| 90468-100A0 | 7 - 6 |
| 90480-01559 | 9 - 13 |
| 90480-10M13 | 10 - 7 |
| 90480-14M14 | 25 - 2 |
| 90480-18M74 | 19 - 16 |
| 90480-21M82 | 25 - 6 |
| 90480-22M72 | 5 - 17 |
| 90480-25161 | 23 - 8 |
| 90501-100A5 | 10 - 48 |
| 90501-120A9 | 9 - 6 |
| 90501-12802 | 9 - 10 |
| 90501-18576 | 18 - 12 |
| 90501-23215 | 14 - 5 |
| 90502-08M05 | 7 - 2 |
| 91490-16010 | 14 - 3 |
| 91490-25030 | 14 - 13 |
| 91690-30008 | 12 - 9 |
| 92903-06600 | 9 - 4 |
| 92990-04200 | 19 - 38 |
| 92990-05600 | 16 - 7 |
| 92990-06300 | 5 - 28 |
| 92990-06600 | 15 - 19 |
| 92995-05600 | 17 - 28 |
| 92995-06600 | 15 - 12 |
| 91490-25030 | 16 - 14 |
| 91690-30008 | 20 - 9 |
| 92903-06600 | 17 - 27 |
| 92990-04200 | 5 - 13 |
| 92990-05600 | 5 - 23 |
| 92990-06300 | 9 - 5 |
| 92990-06600 | 16 - 13 |
| 92995-05600 | 20 - 4 |
| 92995-06600 | 17 - 13 |
| 94702-00372 | 7 - 18 |
| 95380-04600 | 3 - 10 |
| 95380-06600 | 10 - 4 |
| 95380-08600 | 10 - 4 |
| 95895-06012 | 11 - 22 |
| 95895-06016 | 11 - 24 |
| 95895-06020 | 12 - 12 |
| 95895-06035 | 13 - 5 |
| 97013-05010 | 14 - 8 |
| 97013-06050 | 15 - 32 |
| 97013-06050 | 15 - 34 |
| 97013-06050 | 5 - 12 |
| 97013-06050 | 5 - 22 |

| PART NO. N° PIECES | REF. NO. |
|-----------------------|-------------|
| 92995-06600 | 18 - 10 |
| 92995-08600 | 18 - 16 |
| 93101-10M14 | 19 - 13 |
| 93101-13M12 | 22 - 7 |
| 93102-10004 | 5 - 19 |
| 93102-20108 | 14 - 11 |
| 93102-25090 | 19 - 5 |
| 93210-09350 | 25 - 2 |
| 93210-24M79 | 19 - 16 |
| 93210-27ME3 | 25 - 6 |
| 93210-320A7 | 5 - 17 |
| 93210-35537 | 23 - 8 |
| 93210-48214 | 5 - 16 |
| 93306-004YH | 23 - 7 |
| 93306-205B2 | 7 - 3 |
| 93420-22M03 | 23 - 11 |
| 93450-16068 | 5 - 15 |
| 93505-16024 | 23 - 6 |
| 93604-09066 | 19 - 17 |
| 93604-18080 | 25 - 7 |
| 94702-00372 | 19 - 6 |
| 95380-04600 | 19 - 15 |
| 95380-06600 | 5 - 4 |
| 95380-08600 | 20 - 15 |
| 95895-06012 | 4 - 8 |
| 95895-06016 | 16 - 8 |
| 95895-06020 | 19 - 25 |
| 95895-06035 | 19 - 27 |
| 97013-05010 | 25 - 16 |
| 97013-06050 | 1 - 4 |
| 97013-06050 | 3 - 25 |
| 97013-06050 | 10 - 34 |
| 97013-06050 | 17 - 14 |
| 97013-06050 | 14 - 12 |
| 97013-06050 | 20 - 3 |
| 97013-06050 | 19 - 18 |
| 97013-06050 | 17 - 22 |
| 97013-06050 | 17 - 17 |
| 97013-06050 | 5 - 6 |
| 97013-06050 | 5 - 12 |
| 97013-06050 | 5 - 22 |

| PART NO. N° PIECES | REF. NO. |
|-----------------------|-------------|
| 97075-06050 | 18 - 9 |
| 97075-08025 | 15 - 9 |
| 97095-05010 | 7 - 17 |
| 97095-06012 | 12 - 11 |
| 97095-06014 | 13 - 4 |
| 97095-06016 | 14 - 7 |
| 97095-06020 | 15 - 33 |
| 97095-06035 | 18 - 4 |
| 97095-06045 | 18 - 15 |
| 97095-08014 | 22 - 6 |
| 97095-08020 | 3 - 9 |
| 97575-06535 | 11 - 23 |
| 97575-06540 | 10 - 3 |
| 97595-05514 | 19 - 12 |
| 97595-06520 | 11 - 21 |
| 97595-06630 | 15 - 31 |
| 97780-40012 | 19 - 26 |
| 97880-05025 | 25 - 15 |
| 97885-05012 | 5 - 20 |
| 98517-06012 | 5 - 18 |
| 98580-04006 | 14 - 10 |
| 99001-06600 | 5 - 33 |
| 99510-10114 | 18 - 8 |
| 99510-10114 | 2 - 8 |
| 99510-10114 | 22 - 4 |
| 99510-10114 | 10 - 36 |
| 99510-10114 | 2 - 3 |
| 99510-10114 | 3 - 16 |
| 99510-10114 | 15 - 23 |
| 99510-10114 | 5 - 26 |
| 99510-10114 | 8 - 19 |
| 99510-10114 | 19 - 32 |
| 99510-10114 | 3 - 5 |
| 99510-10114 | 5 - 8 |