

**PARTS
CATALOGUE
CATALOGUE
DE PIECES DETACHEES**

**F300BET'12 (6CE2)
FL300BET'12 (6CF2)**

1L6CE-300F1

()



2012/6/27

NEWS NO.	DATE	COMMENT
PE0-OM-110043	Nov.,21,2011	MOD:FIG.25 BOTTOM COWLING 3 LIST REVISION
PE0-OM-120042	Jun.,22,2012	MOD:FIG.31 UPPER CASING LIST/ILLUSTRATION REVISION

F300BET/FL300BET
PARTS CATALOGUE
©2011 by Yamaha Motor Co., Ltd.
1st edition, August 2011
All rights reserved.
Any reprinting or unauthorized use
without the written permission of
Yamaha Motor Co., Ltd.
is expressly prohibited.
Printed in Japan.

F300BET/FL300BET
CATALOGUE DE PIECES DETACHEES
©2011 par Yamaha Motor Co., Ltd.
1^{re} édition, août 2011
Tous droits réservés
Toute réimpression ou utilisation
non autorisée sans la permission écrite
de la Yamaha Motor Co., Ltd.
est formellement interdite.
Imprimé au Japon

FOREWORD

This Parts Catalogue is related to the parts for the model(s) on the cover page. When you are ordering replacement parts, please refer to this Parts Catalogue and quote both part numbers and part names correctly.

1. Modifications or additions which have been made after the issue of the Parts Catalogue will be announced in the Parts News. It is advisable that you make the necessary corrections to the Parts Catalogue according to the Parts News.

2. Abbreviations
The following abbreviations are used in this Parts Catalogue.

- “UR” Use specified parts number.
- “UN” Use as many as needed.
- “AP” Alternate Parts
- “LM” Locally Made (Parts need to be ordered locally)
- “F#” Frame No. (Applicable machine No.)
- “O/S” Over Size

3. The number of components for assembly

- Parts, which are to be supplied in an assembly, are listed with a dot (.) in front of the part name as shown below.
- The numeral appearing to the right of each component part indicates the quantity of parts for each assembly unit.

PART NO.	DESCRIPTION	Q'TY	REMARKS
2F5-83310-60	FRONT FLASHER LIGHT ASSY	2	
115-83311-60	.BULB (6V-18W)	1	

4. Applicable colours of graphics are represented in the “REMARKS” as shown below.

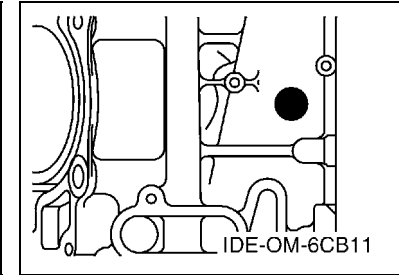
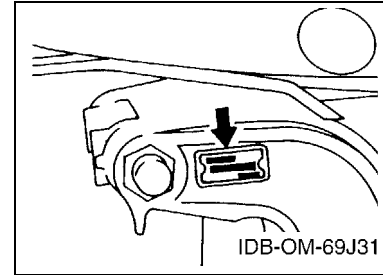
PART NO.	DESCRIPTION	Q'TY	REMARKS
2N4-24110-00-X5	FUEL TANK COMP.	2	MXR
3J1-24240-10	.GRAPHIC, FUEL TANK	1	FOR MXR

5. Note that the illustrations for reference in finding parts numbers are not to be used for assembling. When assembling, please use the applicable service manual.

6. The asterisk (*) before a reference number indicates modified items after the first edition.

7. Applicable Serial No.

Engine Serial No.



8. Applicable Engine Starting Serial No.

Model	Serial No.	Model	Serial No.
F300B	6CE-1003590	FL300B	6CF-1001446

9. Applicable Colour Code

Abbreviation	Colour Name	Colour Code
DBN1	DARK BLUISH GRAY 1	008D

10. Quantity Column Information

Column No.	Name Of Q'ty Column	Applicable Model
1	6CE2	F300BET
2	6CF2	FL300BET

AVANT-PROPOS

Ce catalogue de pièces détachées concerne les pièces pour le(s) modèle(s) indiqué(s) sur la page de couverture. Lorsque vous commandez des pièces de rechange, veuillez vous référer à ce catalogue de pièces détachées et indiquer clairement les numéros et les noms des pièces détachées.

1. Les modifications ou ajouts ayant été effectués après la parution du catalogue de pièces détachées seront décrits dans les Bulletins d'information concernant les pièces détachées.
Il est recommandé que vous apportiez les corrections nécessaires au catalogue des pièces détachées en vous référant aux Bulletins d'information.

2. Abréviations

Dans ce catalogue, les abréviations suivantes sont utilisées:

- “UR” Utiliser le numéro de pièces spécifié.
- “UN” Utiliser autant que nécessaire.
- “AP” Pièces de substitution
- “LM” Fabrication locale (les pièces doivent être commandées localement.)
- “F#” N° de cadre (applicable au N° de série)
- “O/S” Surdimensionné

3. Nombre de pièces d'un assemblage

- Les pièces fournies comme composants d'un assemblage sont précédées d'un point (.) de la manière indiquée ci-dessous.
- Le chiffre apparaissant à la droite de chaque composant indique la quantité de pièces pour chaque unité d'assemblage.

N° PIECES	DESCRIPTION	QTE	REMARQUES
2F5-83310-60	ENS. CLIGNOTANT AVANT	2	
115-83311-60	.AMPOULE (6V-18W)	1	

4. Les couleurs concernant les graphiques sont indiquées dans la colonne “REMARQUES”, comme indiqué ci-dessous.

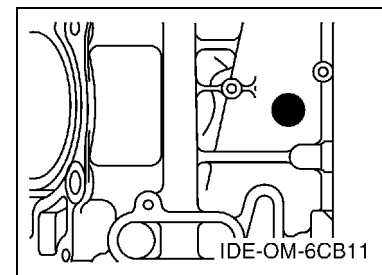
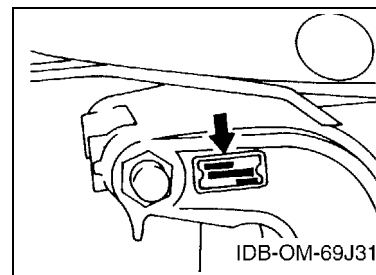
N° PIECES	DESCRIPTION	QTE	REMARQUES
2N4-24110-00-X5	RESERVOIR A ESSENCE.	2	MXR
3J1-24240-10	.GRAPHIQUE	1	POUR MXR

5. Veuillez noter que les illustrations sont indiquées à titre de référence pour trouver les numéros de pièces, non pour être utilisées lors de l'assemblage. Lors de l'assemblage, veuillez utiliser le manuel d'entretien adéquat.

6. L'astérisque (*) placé devant un numéro de référence indique des éléments qui ont été modifiés après la première édition.

7. N° de série applicable

N° de Série du moteur



8. N° de série initial du moteur applicable

Modèle	N° de série	Modèle	N° de série
F300B	6CE-1003590	FL300B	6CF-1001446

9. Code couleur applicable

Abréviation	Nom de la couleur	Code couleur
DBN1	DARK BLUISH GRAY 1	008D

10. Informations relatives à la colonne Quantité

N° de la colonne	Nom de la colonne Qté	Modèle applicable
1	6CE2	F300BET
2	6CF2	FL300BET

CONTENTS

TOP COWLING	1
CYLINDER & CRANKCASE 1	2
CRANKSHAFT & PISTON	4
CYLINDER & CRANKCASE 2	5
CYLINDER & CRANKCASE 3	7
CYLINDER & CRANKCASE 4	8
VALVE	9
INTAKE 1	12
INTAKE 2	13
THROTTLE BODY ASSY 1	15
THROTTLE BODY ASSY 2	16
FUEL INJECTION PUMP 1	17
FUEL INJECTION PUMP 2	19
FUEL 1	20
FUEL 2	22
GENERATOR	23
ELECTRICAL 1	24
ELECTRICAL 2	26
ELECTRICAL 3	27
ELECTRICAL 4	29
ELECTRICAL 5	31
STARTING MOTOR	32
BOTTOM COWLING 1	33
BOTTOM COWLING 2	35
BOTTOM COWLING 3	37
CONTROL	38
BRACKET 1	39
BRACKET 2	41
POWER TRIM & TILT ASSY 1	43
POWER TRIM & TILT ASSY 2	46
UPPER CASING	47
OIL PAN	49
LOWER CASING & DRIVE 1	50
LOWER CASING & DRIVE 2	54
LOWER CASING & DRIVE 3	56
LOWER CASING & DRIVE 4	60
STEERING GUIDE ATTACHMENT 1	62
STEERING GUIDE ATTACHMENT 2	63
OPTIONAL PARTS 1	64
OPTIONAL PARTS 2	65
REPAIR KIT 1	66

REPAIR KIT 2	67
--------------------	----

INDEX

NUMERICAL INDEX	69
-----------------------	----

TABLE DES MATIERES

CAPOT SUPERIEUR	1
CYLINDRE & CARTER 1	2
VILEBREQUIN & PISTON	4
CYLINDRE & CARTER 2	5
CYLINDRE & CARTER 3	7
CYLINDRE & CARTER 4	8
SOUPAPE	9
ADMISSION 1	12
ADMISSION 2	13
CARTER D'ACCELERATEUR 1	15
CARTER D'ACCELERATEUR 2	16
POMPE A INJECTEUR 1	17
POMPE A INJECTEUR 2	19
CARBURANT 1	20
CARBURANT 2	22
GENERATRICE	23
PARTIE ELECTRIQUE 1	24
PARTIE ELECTRIQUE 2	26
PARTIE ELECTRIQUE 3	27
PARTIE ELECTRIQUE 4	29
PARTIE ELECTRIQUE 5	31
DEMARREUR ELECTRIQUE	32
CAPOT INFERIEUR 1	33
CAPOT INFERIEUR 2	35
CAPOT INFERIEUR 3	37
COMMANDE	38
SUPPORT 1	39
SUPPORT 2	41
PUISSANCE PAYER ET INCLINER 1	43
PUISSANCE PAYER ET INCLINER 2	46
FOURREAU	47
VENTILATEUR D'HUILE	49
BOITIER D'HELICE TRANSMISSION1	50
BOITIER D'HELICE TRANSMISSION2	54
BOITIER D'HELICE TRANSMISSION3	56
BOITIER D'HELICE TRANSMISSION4	60
DIRECTION GUIDE ACCESSOIRE 1	62
DIRECTION GUIDE ACCESSOIRE 2	63
PIECES OPTIONNELLES 1	64
PIECES OPTIONNELLES 2	65
KITS DE REPARATION 1	66

KITS DE REPARATION 2	67
----------------------------	----

INDEX

INDEX NUMERIQUE	69
-----------------------	----

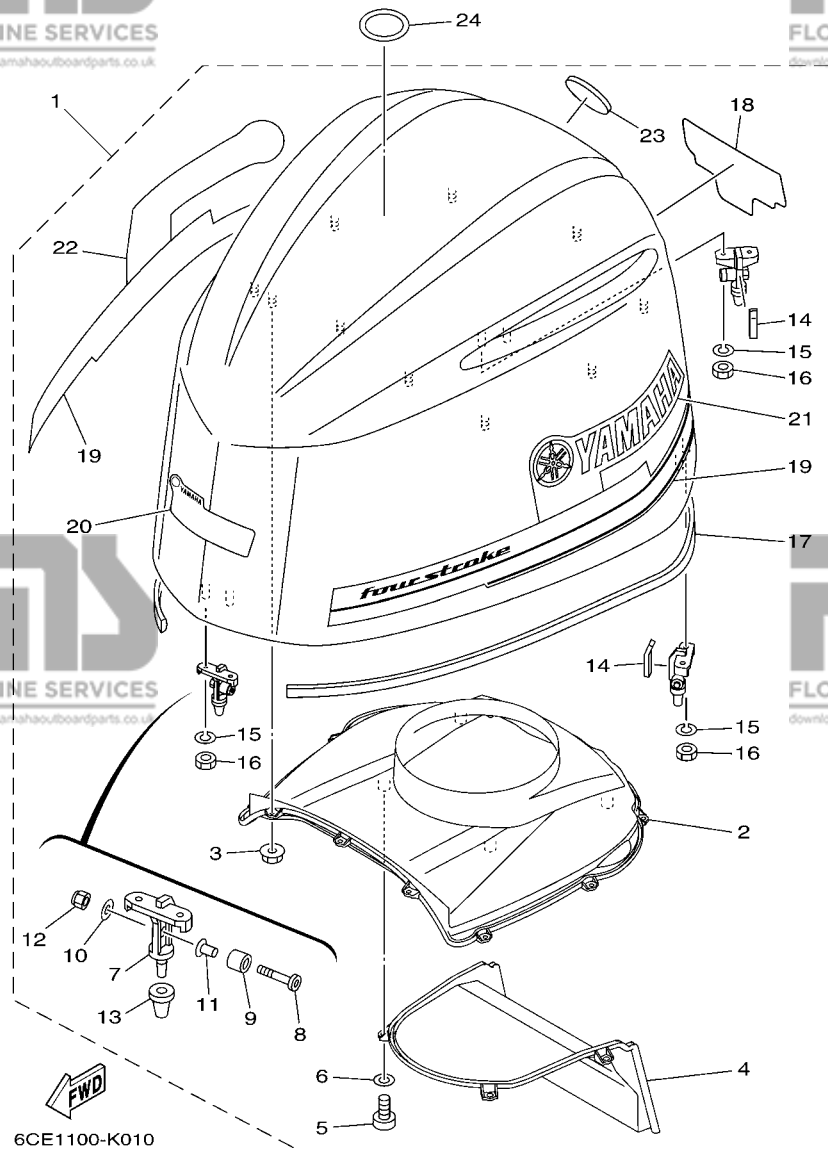


FIG. 1 TOP COWLING

CAPOT SUPERIEUR

REF. NO.	PART NO. N° PIECES	DESCRIPTION DESCRIPTION	6CE2	6CF2	REMARKS REMARQUES
1	6CE-42610-00	TOP COWLING ASSY CAPOT (ENS.)	1	1	
2	6CE-42613-00	.MOLDING, AIR DUCT .MANCHON A AIR	1	1	
3	90179-06M28	.NUT .ECROU	10	10	
4	6CE-42635-00	.DUCT, WATER SEPARATOR .CONDUIT, SEPARATEUR DE L'EAU	1	1	
5	97780-60516	.SCREW, TAPPING .VIS, TETE BOMBEE	4	4	
6	92990-06200	.WASHER, PLAIN .RONDELLE, PLATE	4	4	
7	6CB-42647-00	.HOLDER, CLAMP BAND .SUPPORT, SANDOW DE SERRAGE	3	3	
8	90111-08078	.BOLT, HEX. SOCKET BUTTON .BOULON	3	3	
9	90387-10094	.COLLAR .COLLERETTE	3	3	
10	92990-08600	.WASHER, PLATE .RONDELLE, PLATE	3	3	
11	90387-08M45	.COLLAR .COLLERETTE	3	3	
12	95780-08300	.NUT, FLANGE .ECROU	3	3	
13	6AW-42663-00	.DAMPER .AMORTISSEUR	3	3	
14	6CB-42134-00	.COVER .CAPOT	2	2	
15	92990-06100	.WASHER, SPRING .RONDELLE, GROWER	6	6	
16	95380-06600	.NUT, HEXAGON .ECROU	6	6	
17	6CB-42628-00	.SEAL .JOINT	1	1	
18	6CE-42678-00	.GRAPHIC, REAR .ADHESIF, ARRIERE	1	1	
19	6CE-W0070-00	.GRAPHIC SET .JEU DIEMBLEMES	1	1	
20	6CE-42677-00	.GRAPHIC, FRONT .ADHESIF, AVANT	1	1	
21	6CE-42681-01	.MARK, COWLING .ADHESIF, CAPOT	1	1	
22	6CE-42682-01	.MARK, COWLING .ADHESIF, CAPOT	1	1	
23	6AW-42697-10	.TUNING FORK MARK .MARQUE, YAMAHA	1	1	
24	67F-13434-20	LABEL, CAUTION ETIQUETTE, ATTENTION	1	1	

**CYLINDER BLOCK
ASSY**

- Fig. 2, CYLINDER & CRANKCASE 1
Ref. No. 2 to 35, 37 to 40
- Fig. 3, CRANKSHAFT & PISTON
Ref. No. 1 to 15
- Fig. 4, CYLINDER & CRANKCASE 2
Ref. No. 25, 31, 35
- Fig. 5, CYLINDER & CRANKCASE 3
Ref. No. 2, 4 to 7, 10
- Fig. 6, CYLINDER & CRANKCASE 4
Ref. No. 11 to 15
- Fig. 16, GENERATOR
Ref. No. 2
- Fig. 20, ELECTRICAL 4
Ref. No. 19 to 21, 23
- Fig. 32, OIL PAN
Ref. No. 9 to 17

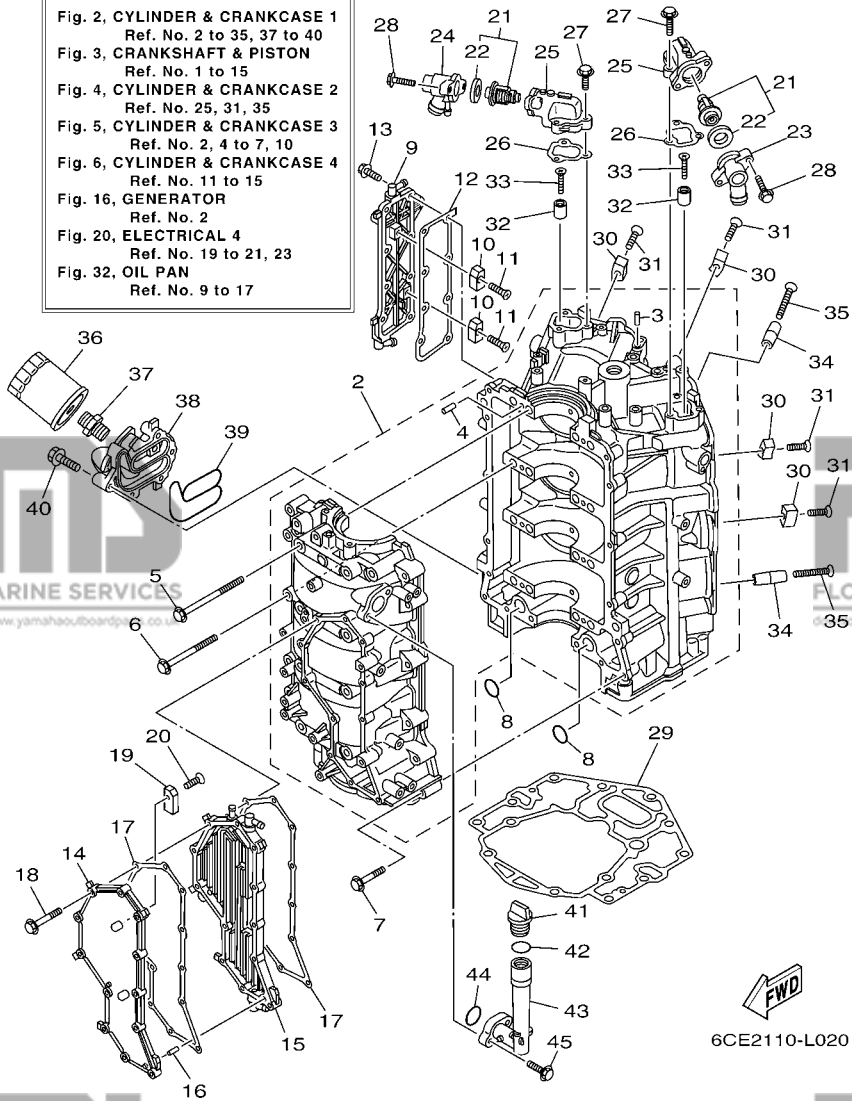
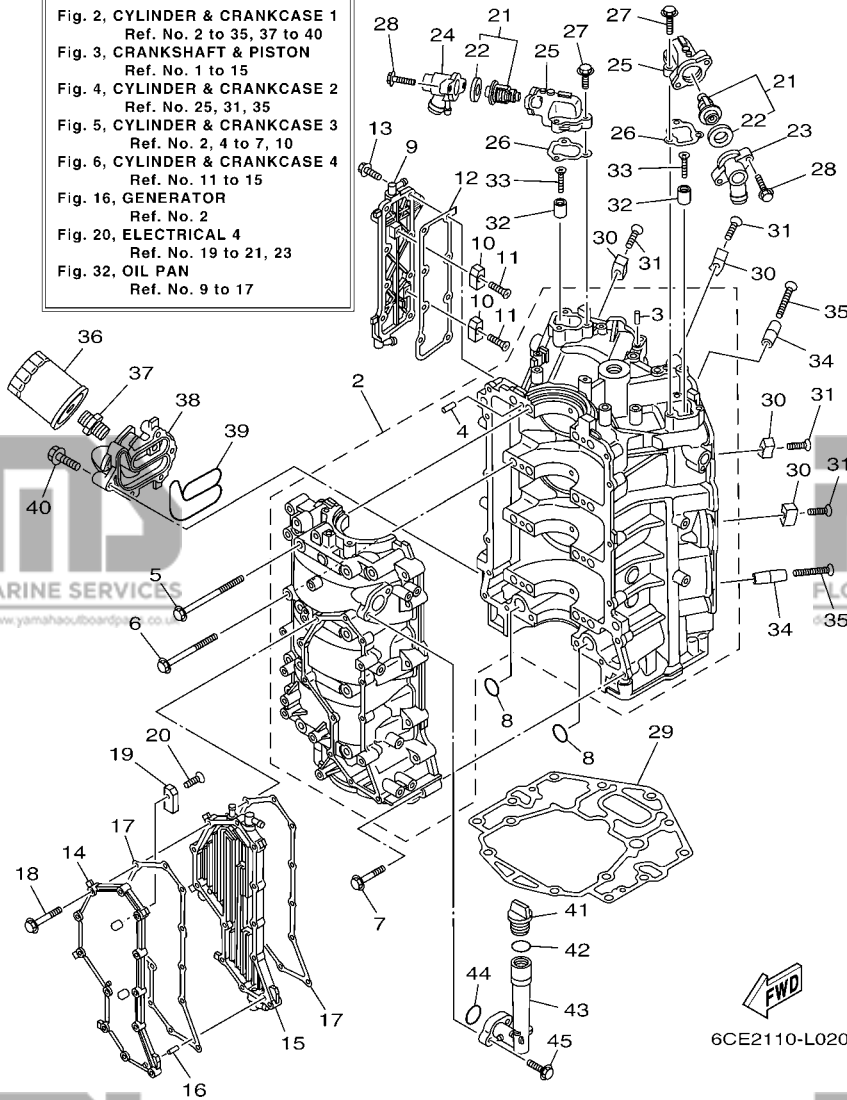


FIG. 2 CYLINDER & CRANKCASE 1 CYLINDRE & CARTER 1

REF. NO.	PART NO. N° PIECES	DESCRIPTION DESCRIPTION	6CE2	6CF2	REMARKS REMARQUES
1	6CE-W009B-03-9S	CYLINDER BLOCK ASSY CYLINDRE GROUPE (ENS.)	1	1	
2	6CE-15100-10	CRANKCASE ASSY CARTER DE MOTEUR COMPLET	1	1	
3	93606-12019	.PIN, DOWEL .GOUILLE	3	3	
4	93606-12019	.PIN, DOWEL .GOUILLE	8	8	
5	6CB-15187-00	BOLT BOULON	8	8	
6	6CB-15481-00	BOLT 1 BOULON 1	8	8	
7	90105-08175	BOLT, FLANGE BOULON	16	16	
8	93210-26658	O-RING JOINT TORIQUE	2	2	
9	6CE-1131C-00-9S	COVER, JOINT COUVERCLE, RACCORDEMENT	1	1	
10	63P-11325-01	ANODE ANODE	2	2	
11	90151-06M02	SCREW, COUNTERSUNK VIS, TETE NOYEE	2	2	
12	6CB-1131B-00	GASKET, COVER JOINT, COUVERCLE	1	1	
13	90105-06M07	BOLT, FLANGE BOULON	8	8	
14	6CE-15411-00-9S	COVER, CRANKCASE 1 COUVERCLE 1, CARTER MOTEUR	1	1	
15	6CE-15421-10-9S	COVER, CRANKCASE 2 COUVERCLE 2, CARTER MOTEUR	1	1	
16	91690-40010	PIN, SPRING AGRAFFE	1	1	
17	6CB-15451-00	GASKET, CRANKCASE COVER 1 JOINT, COUVERCLE DE CARTER 1	2	2	
18	90105-06151	BOLT, FLANGE BOULON	12	12	
19	63P-11325-01	ANODE ANODE	2	2	
20	90151-06M02	SCREW, COUNTERSUNK VIS, TETE NOYEE	2	2	
21	6CE-12411-00	THERMOSTAT THERMOSTAT	2	2	
22	67F-12412-00	.SEAL, THERMOSTAT JOINT, THERMOSTAT	1	1	
23	6CE-12413-10-9S	COVER, THERMOSTAT COUVERCLE, THERMOSTAT	1	1	
24	6CE-12413-00-9S	COVER, THERMOSTAT COUVERCLE, THERMOSTAT	1	1	
25	6CB-12422-10-9S	COVER, HOUSING COUVERCLE DE CARTER DE POMPE	2	2	
26	6CB-12427-10	GASKET, HOUSING COVER 1 JOINT, COUVERCLE DE CARTER 1	2	2	
27	95027-06025	BOLT, FLANGE BOULON, A COLLERETTE	6	6	

FIG. 2 CYLINDER & CRANKCASE 1 CYLINDRE & CARTER 1

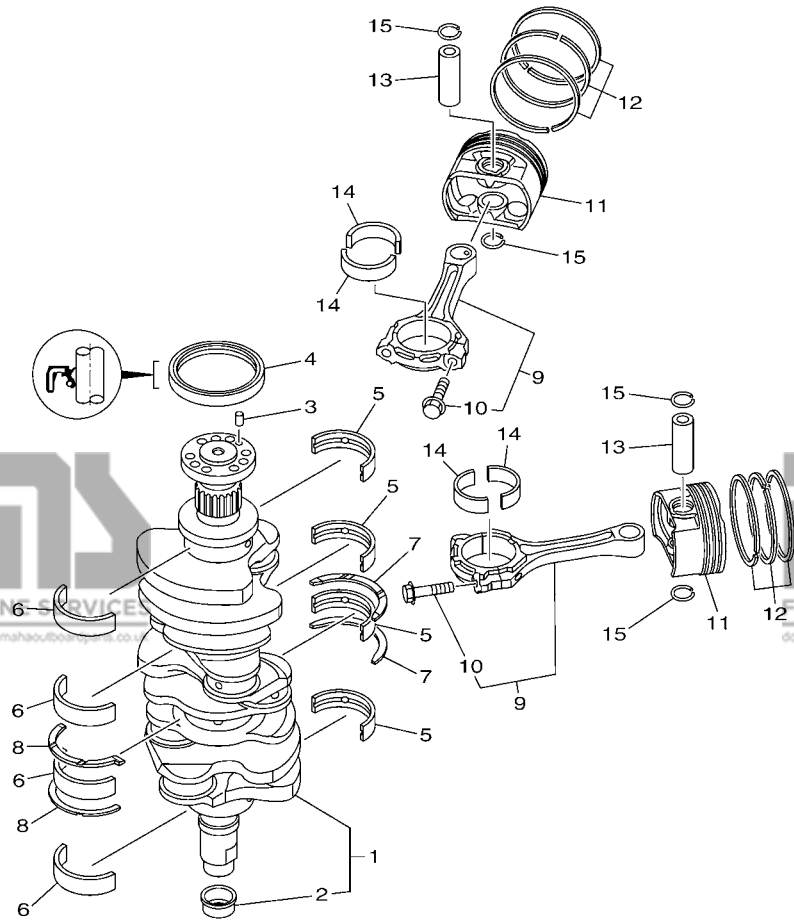
CYLINDER BLOCK ASSY
 Fig. 2, CYLINDER & CRANKCASE 1
 Ref. No. 2 to 35, 37 to 40
 Fig. 3, CRANKSHAFT & PISTON
 Ref. No. 1 to 15
 Fig. 4, CYLINDER & CRANKCASE 2
 Ref. No. 25, 31, 35
 Fig. 5, CYLINDER & CRANKCASE 3
 Ref. No. 2, 4 to 7, 10
 Fig. 6, CYLINDER & CRANKCASE 4
 Ref. No. 11 to 15
 Fig. 16, GENERATOR
 Ref. No. 2
 Fig. 20, ELECTRICAL 4
 Ref. No. 19 to 21, 23
 Fig. 32, OIL PAN
 Ref. No. 9 to 17



REF. NO.	PART NO. N° PIECES	DESCRIPTION DESCRIPTION	6CE2	6CF2	REMARKS REMARQUES
28	90105-06037	BOLT, FLANGE BOULON	4	4	
29	6CB-11351-00	GASKET, CYLINDER JOINT, D'EMBASE	1	1	
30	6AW-1132P-00	ANODE 5 ANODE 5	4	4	
31	98780-06530	SCREW, FLAT HEAD VIS A TETE FRAISEE	4	4	
32	68T-11325-00	ANODE ANODE	2	2	
33	90151-05M05	SCREW, COUNTERSUNK VIS, TETE NOYEE	2	2	
34	6AW-1132N-01	ANODE 4 ANODE 4	2	2	
35	98780-06550	SCREW, FLAT HEAD VIS A TETE FRAISEE	2	2	
36	N26-13440-00	ELEMENT ASSY, OIL CLEANER ELEMENT, FILTRE A HUILE	1	1	
37	90401-19001	BOLT, UNION BOULON, RACCORD	1	1	
38	6CE-13446-10-9S	CONNECTOR CONNECTEUR	1	1	
39	6CB-13477-00	GASKET JOINT	1	1	
40	90105-06151	BOLT, FLANGE BOULON	5	5	
41	6G8-15363-00	PLUG, OIL PLOT, HUILE	1	1	
42	93210-24M79	O-RING JOINT TORIQUE	1	1	
43	6CB-15319-00	JOINT JOINT	1	1	
44	93210-27370	O-RING JOINT TORIQUE	1	1	
45	90105-06037	BOLT, FLANGE BOULON	2	2	

FIG. 3 CRANKSHAFT & PISTON

VILEBREQUIN & PISTON



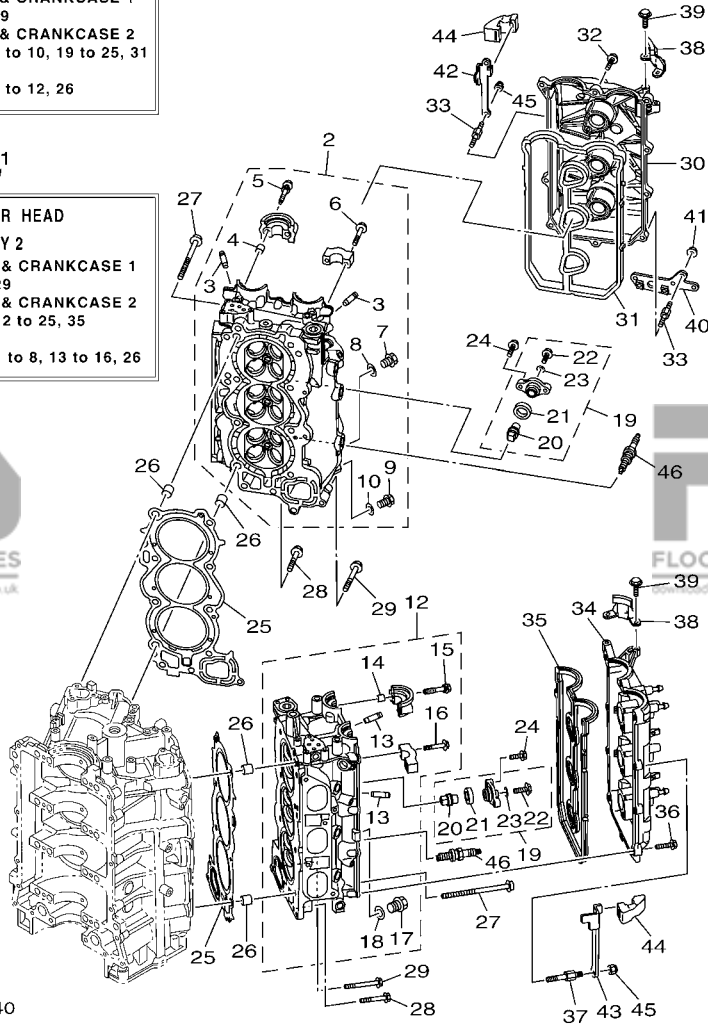
FWD
6CB3110-L030

REF. NO.	PART NO. N° PIECES	DESCRIPTION DESCRIPTION	6CE2	6CF2	REMARKS REMARQUES
1	6CB-11410-00	CRANKSHAFT VILEBREQUIN COMPLET	1	1	
2	6CB-11478-00	.COLLAR .COLLERETTE	1	1	
3	93606-12019	PIN, DOWEL GOUPILLE	1	1	
4	93102-85008	OIL SEAL JOINT SPY	1	1	
5	6CB-11416-00	PLANE BEARING, CRANKSHAFT 1 COUSSINET DE VILEBREQUIN 1	4	4	UR PURPLE
6CB-11416-10	PLANE BEARING, CRANKSHAFT 1 COUSSINET DE VILEBREQUIN 1	4	4	UR YELLOW	
6CB-11416-20	PLANE BEARING, CRANKSHAFT 1 COUSSINET DE VILEBREQUIN 1	4	4	UR RED	
6CB-11416-30	PLANE BEARING, CRANKSHAFT 1 COUSSINET DE VILEBREQUIN 1	4	4	UR GREEN	
6CB-11416-40	PLANE BEARING, CRANKSHAFT 1 COUSSINET DE VILEBREQUIN 1	4	4	UR BROWN	
6	6CB-11417-00	PLANE BEARING, CRANKSHAFT 2 COUSSINET DE VILEBREQUIN 2	4	4	UR PURPLE
6CB-11417-10	PLANE BEARING, CRANKSHAFT 2 COUSSINET DE VILEBREQUIN 2	4	4	UR YELLOW	
6CB-11417-20	PLANE BEARING, CRANKSHAFT 2 COUSSINET DE VILEBREQUIN 2	4	4	UR RED	
6CB-11417-30	PLANE BEARING, CRANKSHAFT 2 COUSSINET DE VILEBREQUIN 2	4	4	UR GREEN	
6CB-11417-40	PLANE BEARING, CRANKSHAFT 2 COUSSINET DE VILEBREQUIN 2	4	4	UR GREEN	
7	6CB-11426-01	BEARING, THRUST 1 ROULEMENT DE BUTEE 1	2	2	UR BROWN
8	6CB-11427-00	BEARING, THRUST 2 ROULEMENT DE BUTEE 2	2	2	
9	6CB-W1165-00	CONNECTING ROD ASSY BIELLE COMPLETE	6	6	
10	6CB-11654-00	.BOLT, CONNECTING ROD .BOULON, BIELLE	2	2	
11	6CE-11631-00	PISTON (STD) PISTON (STD)	6	6	
12	6CB-11603-00	PISTON RING SET (STD) JEU DE SEGMENTS (STD)	6	6	
13	6CB-11633-00	PIN, PISTON AXE, PISTON	6	6	
14	6CB-11656-00	PLANE BEARING, CONNECTING ROD ROULEMENT DE BIELLE	12	12	UR YELLOW
6CB-11656-10	PLANE BEARING, CONNECTING ROD ROULEMENT DE BIELLE	12	12	UR GREEN	
6CB-11656-20	PLANE BEARING, CONNECTING ROD ROULEMENT DE BIELLE	12	12	UR BLUE	
15	K0F-A3233-00	RING,HOLE SNAP JONC	12	12	UR BLUE

FIG. 4 CYLINDER & CRANKCASE 2 CYLINDRE & CARTER 2

CYLINDER HEAD ASSY
Fig. 2, CYLINDER & CRANKCASE 1
Ref. No. 29
Fig. 4, CYLINDER & CRANKCASE 2
Ref. No. 2 to 10, 19 to 25, 31
Fig. 7, VALVE
Ref. No. 1 to 12, 26

CYLINDER HEAD ASSY 2
Fig. 2, CYLINDER & CRANKCASE 1
Ref. No. 29
Fig. 4, CYLINDER & CRANKCASE 2
Ref. No. 12 to 25, 35
Fig. 7, VALVE
Ref. No. 1 to 8, 13 to 16, 26



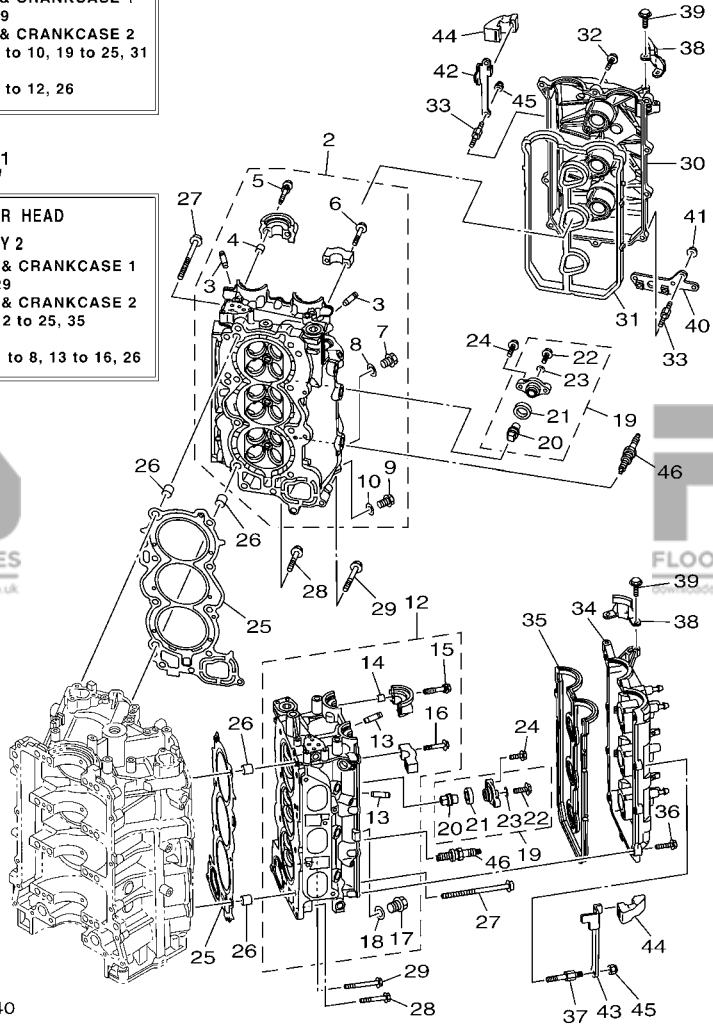
6CE2110-L040

REF. NO.	PART NO. N° PIECES	DESCRIPTION DESCRIPTION	6CE2	6CF2	REMARKS REMARQUES
1	6CE-W009A-00-9S	CYLINDER HEAD ASSY CULASSE (ENS.)	1	1	
2	6CE-11110-00-9S	CYLINDER HEAD ASSY JEU DE CULASSE	1	1	
3	6S5-11133-10	.GUIDE, VALVE 1 .GUIDE, SOUPAPE 1	12	12	
4	91809-08006	.PIN, DOWEL .GOUJON, D'ASSEMBLAGE	4	4	
5	90119-07001	.BOLT, WITH WASHER .BOULON, AVEC RONDELLE	4	4	
6	90119-07234	.BOLT, WITH WASHER .BOULON, AVEC RONDELLE	12	12	
7	90340-18M09	.PLUG, STRAIGHT SCREW .PLOT, FILETE DROIT	1	1	
8	90430-18130	.GASKET .JOINT	1	1	
9	90340-14M06	.PLUG, STRAIGHT SCREW .PLOT, FILETE DROIT	1	1	
10	90430-14115	.GASKET .JOINT	1	1	
11	6CE-W009C-00-9S	CYLINDER HEAD ASSY 2 CULASSE 2	1	1	
12	6CE-11120-00-9S	CYLINDER HEAD ASSY 2 CULASSE 2	1	1	
13	6S5-11133-10	.GUIDE, VALVE 1 .GUIDE, SOUPAPE 1	12	12	
14	91809-08006	.PIN, DOWEL .GOUJON, D'ASSEMBLAGE	4	4	
15	90119-07001	.BOLT, WITH WASHER .BOULON, AVEC RONDELLE	4	4	
16	90119-07234	.BOLT, WITH WASHER .BOULON, AVEC RONDELLE	12	12	
17	90340-18M09	.PLUG, STRAIGHT SCREW .PLOT, FILETE DROIT	1	1	
18	90430-18130	.GASKET .JOINT	1	1	
19	67F-11301-00	ANODE COVER ASSY COUVERCLE ANODE (ENS.)	8	8	
20	67F-11325-01	.ANODE .ANODE	1	1	
21	67F-11328-00	.GROMMET, ANODE .PASSE-FIL	1	1	
22	90105-06M07	.BOLT, FLANGE .BOULON	1	1	
23	90430-06M03	.GASKET .JOINT	1	1	
24	95885-08025	BOLT, FLANGE BOULON, A COLLERETTE	16	16	
25	6CB-11181-00	GASKET, CYLINDER HEAD 1 JOINT, DE CULASSE 1	2	2	
26	90387-11005	COLLAR COLLERETTE	4	4	
27	90155-11002	SCREW, FLAT FILLISTER VIS, TETE OVALE PLATE	16	16	

FIG. 4 CYLINDER & CRANKCASE 2 CYLINDRE & CARTER 2

CYLINDER HEAD ASSY
Fig. 2, CYLINDER & CRANKCASE 1
Ref. No. 29
Fig. 4, CYLINDER & CRANKCASE 2
Ref. No. 2 to 10, 19 to 25, 31
Fig. 7, VALVE
Ref. No. 1 to 12, 26

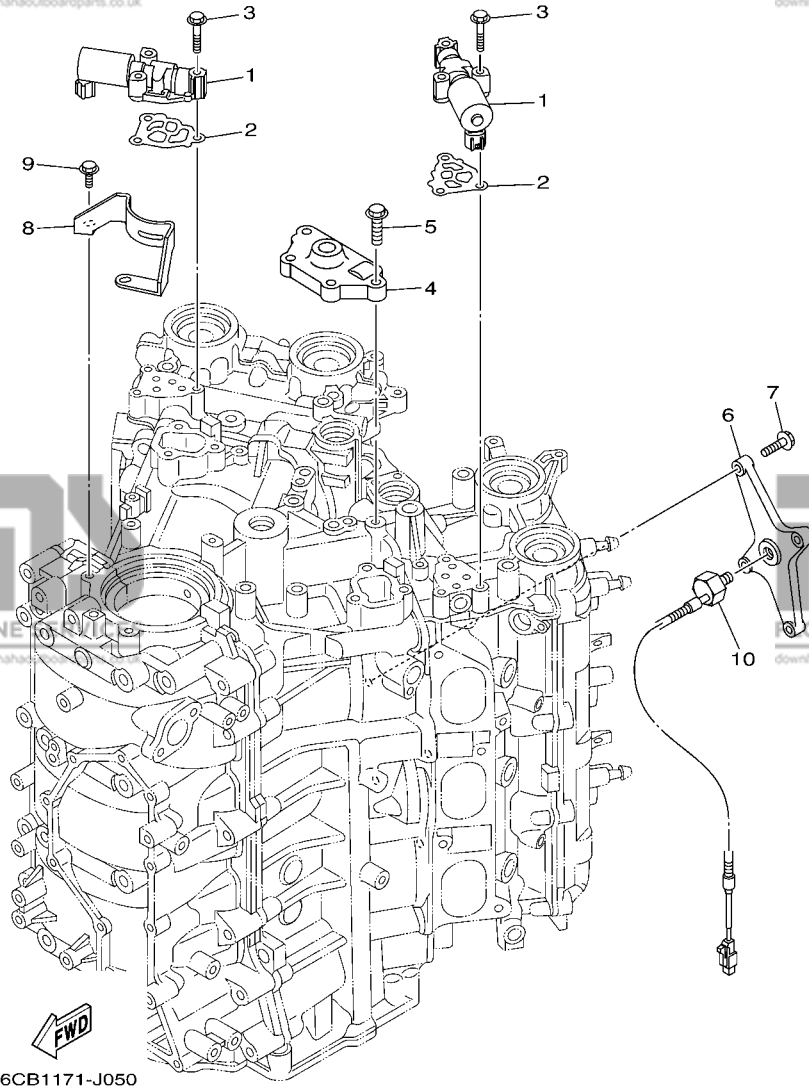
CYLINDER HEAD ASSY 2
Fig. 2, CYLINDER & CRANKCASE 1
Ref. No. 29
Fig. 4, CYLINDER & CRANKCASE 2
Ref. No. 12 to 25, 35
Fig. 7, VALVE
Ref. No. 1 to 8, 13 to 16, 26



6CE2110-L040

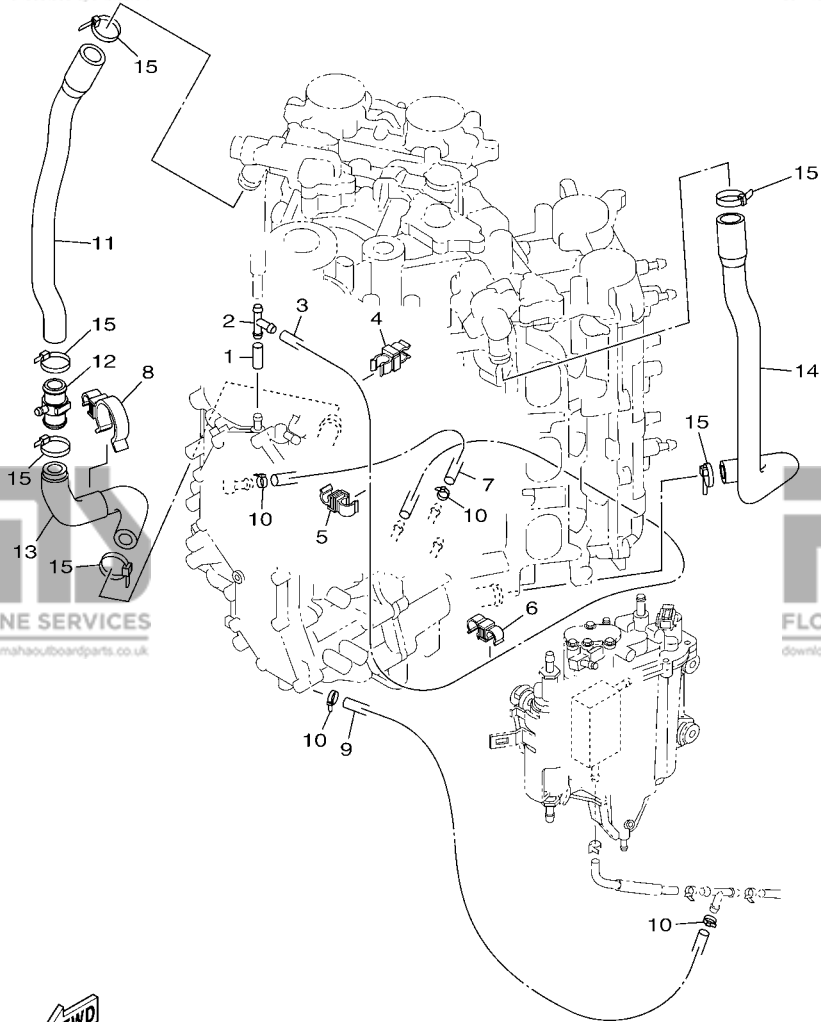
REF. NO.	PART NO. N° PIECES	DESCRIPTION DESCRIPTION	6CE2	6CF2	REMARKS REMARQUES
28	90105-08175	BOLT, FLANGE BOULON	4	4	
29	90105-08220	BOLT, FLANGE BOULON	2	2	
30	6CB-11191-02	COVER, CYLINDER HEAD 1 COUVERCLE, CULASSE 1	1	1	
31	6CB-11193-00	GASKET, HEAD COVER 1 JOINT, COUVERCLE DE CULASSE 1	1	1	
32	95895-06030	BOLT, FLANGE BOULON	9	9	
33	90109-06277	BOLT BOULON	4	4	
34	6CB-11192-02	COVER, CYLINDER HEAD 2 COUVERCLE, CULASSE 2	1	1	
35	6CB-11194-00	GASKET, HEAD COVER 2 JOINT, COUVERCLE DE CULASSE 2	1	1	
36	95895-06030	BOLT, FLANGE BOULON	11	11	
37	90109-06277	BOLT BOULON	2	2	
38	6AW-15142-00	GUIDE 1 GUIDE 1	2	2	
39	95885-06014	BOLT, FLANGE BOULON, A COLLERETTE	4	4	
40	6CB-2134V-00	BRACKET SUPPORT	1	1	
41	90179-06M28	NUT ECROU	2	2	
42	6CB-11998-00	BRACKET 1 SUPPORT 1	1	1	
43	6CB-11999-00	BRACKET 2 SUPPORT 2	1	1	
44	6CB-42662-00	DAMPER AMORTISSEUR	2	2	
45	90185-06M07	NUT, SELF-LOCKING ECROU, AUTO-BLOQUANT	4	4	
46	94702-00400	PLUG, SPARK (NGK LFR6A-11) BOUGIE D'ALLUMAGE(NGK LFR6A-11)	6	6	

FIG. 5 CYLINDER & CRANKCASE 3 CYLINDRE & CARTER 3



REF. NO.	PART NO. N° PIECES	DESCRIPTION DESCRIPTION	6CE2	6CF2	REMARKS REMARQUES
1	6CB-86120-00	SOLENOID VALVE ASSY SOLENOIDE	2	2	
2	6CB-1242F-00	GASKET, FILTER JOINT, FILTRE	2	2	
3	90105-06035	BOLT, FLANGE BOULON	6	6	
4	6CB-15544-00	STAY 1 SUPPORT 1	1	1	
5	90105-08178	BOLT, FLANGE BOULON	4	4	
6	6CB-1135A-00	BRACKET SUPPORT	1	1	
7	90105-06037	BOLT, FLANGE BOULON	4	4	
8	6CB-15142-00	GUIDE 1 GUIDE 1	1	1	
9	95885-06014	BOLT, FLANGE BOULON, A COLLERETTE	2	2	
10	6P2-85780-00	SENSOR, KNOCK SONDE DE COGNEMENT	1	1	

FIG. 6 CYLINDER & CRANKCASE 4 CYLINDRE & CARTER 4



FWD
 6CE2110-L060

REF. NO.	PART NO. N° PIECES	DESCRIPTION DESCRIPTION	6CE2	6CF2	REMARKS REMARQUES
1	90445-09220	HOSE (L30) DURITE (L30)	1	1	
2	688-24378-00	PIPE, JOINT 3 DURITE RACCORDEMENT 3	1	1	
3	6CB-12576-10	HOSE 1 TUYAU 1	1	1	
4	90464-10M59	CLAMP BRIDE	1	1	
5	90464-09013	CLAMP BRIDE	1	1	
6	90464-12010	CLAMP BRIDE	1	1	
7	6CB-12577-00	HOSE 2 TUYAU 2	1	1	
8	90464-26002	CLAMP BRIDE	1	1	
9	90445-096H2	HOSE (L280) DURITE (L280)	1	1	
10	90465-11M10	CLAMP BRIDE	4	4	
11	6CE-1244G-00	HOSE, 4 DURITE 4	1	1	
12	6CE-24378-00	PIPE, JOINT 3 DURITE RACCORDEMENT 3	1	1	
13	6CE-1244H-00	HOSE 5 DURITE 5	1	1	
14	6CB-1243E-00	HOSE 2 DURITE 2	1	1	
15	90465-11M59	CLAMP BRIDE	6	6	

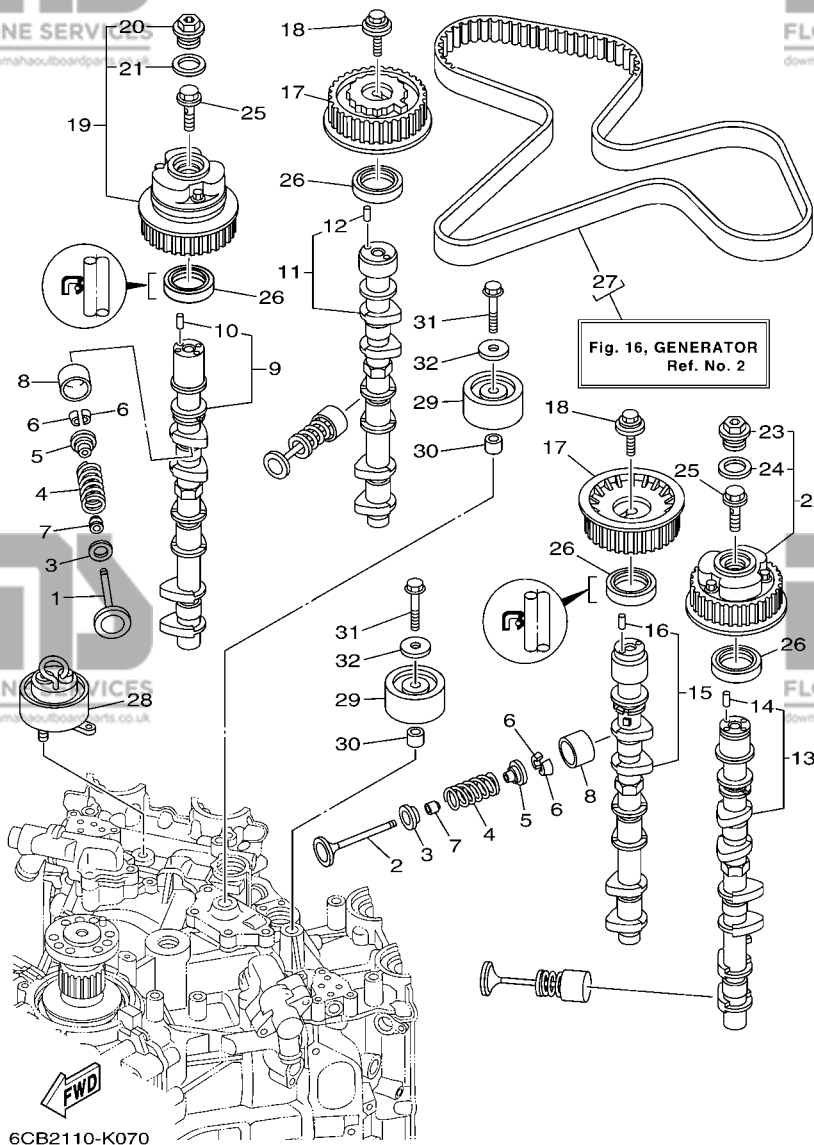


FIG. 7 VALVE

SOUPAPE

REF. NO.	PART NO. N° PIECES	DESCRIPTION DESCRIPTION	6CEZ	6CFZ	REMARKS REMARQUES
1	6CB-12111-00	VALVE, INTAKE SOUPAPE, ADMISSION	12	12	
2	6CB-12121-00	VALVE, EXHAUST SOUPAPE, ECHAPPEMENT	12	12	
3	K0F-A3743-00	SEAT, VALVE SPRING SIEGE, RESSORT DE SOUPAPE	24	24	
4	6CB-12113-00	SPRING, VALVE INNER RESSORT DE SOUPAPE, INTERNE	24	24	
5	K0F-A3741-00	RETAINER, VALVE SPRING BUTEE DE RESSORT DE SOUPAPE	24	24	
6	K0F-A3742-00	LOCK, VALVE SPRING RETAINER FRAISE, SOUPAPE	48	48	
7	51Y-12119-00	SEAL, VALVE STEM JOINT, QUEUE DE SOUPAPE	24	24	
8	K0F-A3751-00	LIFTER, VALVE (000) LEVE-SOUPAPE (000)	24	24	UR
	K0F-A3751-10	LIFTER, VALVE (025) LEVE-SOUPAPE (025)	24	24	UR
	K0F-A3751-20	LIFTER, VALVE (050) LEVE-SOUPAPE (050)	24	24	UR
	K0F-A3751-30	LIFTER, VALVE (075) LEVE-SOUPAPE (075)	24	24	UR
	K0F-A3751-40	LIFTER, VALVE (100) LEVE-SOUPAPE (100)	24	24	UR
	K0F-A3751-50	LIFTER, VALVE (122) LEVE-SOUPAPE (122)	24	24	UR
	K0F-A3751-60	LIFTER, VALVE (142) LEVE-SOUPAPE (142)	24	24	UR
	K0F-A3751-70	LIFTER, VALVE (162) LEVE-SOUPAPE (162)	24	24	UR
	K0F-A3751-80	LIFTER, VALVE (182) LEVE-SOUPAPE (182)	24	24	UR
	K0F-A3751-90	LIFTER, VALVE (202) LEVE-SOUPAPE (202)	24	24	UR
	K0F-A3751-A0	LIFTER, VALVE (222) LEVE-SOUPAPE (222)	24	24	UR
	K0F-A3751-B0	LIFTER, VALVE (242) LEVE-SOUPAPE (242)	24	24	UR
	K0F-A3751-C0	LIFTER, VALVE (262) LEVE-SOUPAPE (262)	24	24	UR
	K0F-A3751-D0	LIFTER, VALVE (282) LEVE-SOUPAPE (282)	24	24	UR
	K0F-A3751-E0	LIFTER, VALVE (302) LEVE-SOUPAPE (302)	24	24	UR
	K0F-A3751-F0	LIFTER, VALVE (322) LEVE-SOUPAPE (322)	24	24	UR
	K0F-A3751-G0	LIFTER, VALVE (342) LEVE-SOUPAPE (342)	24	24	UR
	K0F-A3751-H0	LIFTER, VALVE (362) LEVE-SOUPAPE (362)	24	24	UR
	K0F-A3751-J0	LIFTER, VALVE (382) LEVE-SOUPAPE (382)	24	24	UR
	K0F-A3751-K0	LIFTER, VALVE (402) LEVE-SOUPAPE (402)	24	24	UR

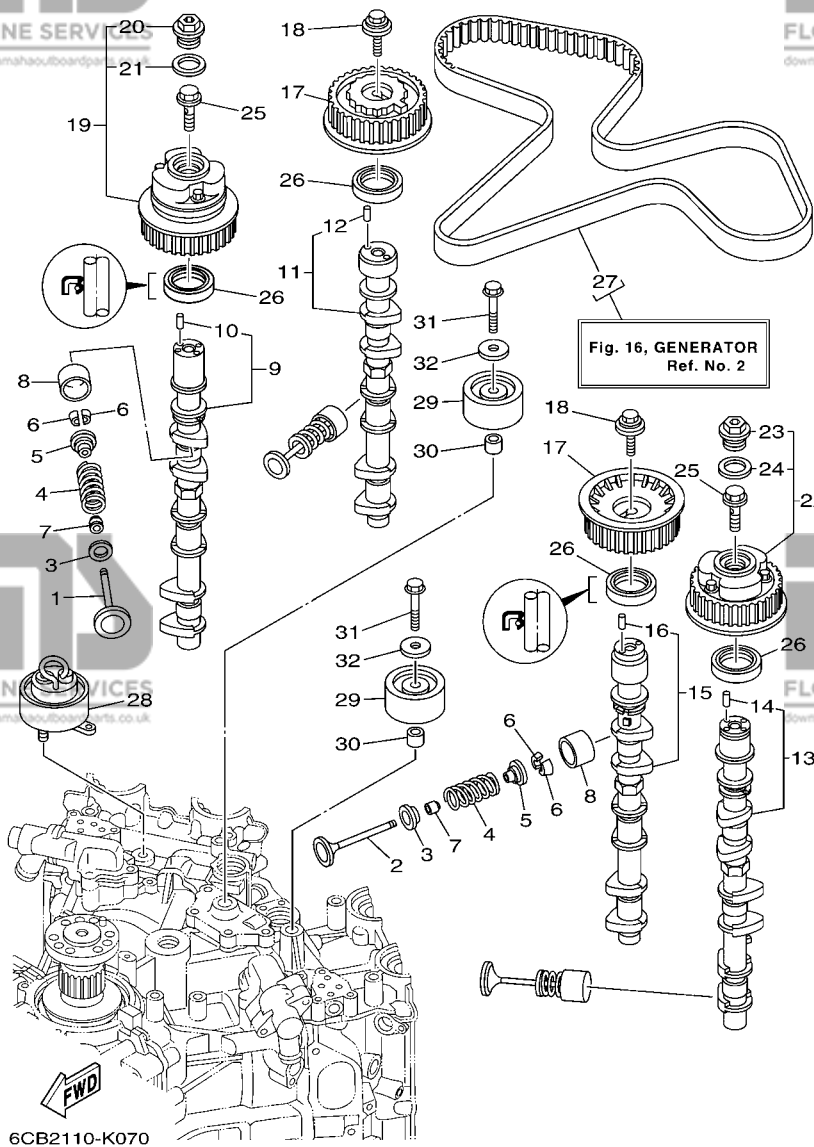


FIG. 7 VALVE

SOUPAPE

REF. NO.	PART NO. N° PIECES	DESCRIPTION DESCRIPTION	6CEZ	6CFZ	REMARKS REMARQUES
8	K0F-A3751-L0	LIFTER, VALVE (422) LEVE-SOUPAPE (422)	24	24	UR
	K0F-A3751-M0	LIFTER, VALVE (442) LEVE-SOUPAPE (442)	24	24	UR
	K0F-A3751-N0	LIFTER, VALVE (462) LEVE-SOUPAPE (462)	24	24	UR
	K0F-A3751-P0	LIFTER, VALVE (482) LEVE-SOUPAPE (482)	24	24	UR
	K0F-A3751-R0	LIFTER, VALVE (502) LEVE-SOUPAPE (502)	24	24	UR
	K0F-A3751-S0	LIFTER, VALVE (522) LEVE-SOUPAPE (522)	24	24	UR
	K0F-A3751-T0	LIFTER, VALVE (542) LEVE-SOUPAPE (542)	24	24	UR
	K0F-A3753-00	LIFTER, VALVE (562) LEVE-SOUPAPE (562)	24	24	UR
	K0F-A3753-10	LIFTER, VALVE (582) LEVE-SOUPAPE (582)	24	24	UR
	K0F-A3753-20	LIFTER, VALVE (602) LEVE-SOUPAPE (602)	24	24	UR
	K0F-A3753-30	LIFTER, VALVE (625) LEVE-SOUPAPE (625)	24	24	UR
	K0F-A3753-40	LIFTER, VALVE (650) LEVE-SOUPAPE (650)	24	24	UR
	K0F-A3753-50	LIFTER, VALVE (675) LEVE-SOUPAPE (675)	24	24	UR
	K0F-A3753-60	LIFTER, VALVE (700) LEVE-SOUPAPE (700)	24	24	UR
	K0F-A3753-70	LIFTER, VALVE (725) LEVE-SOUPAPE (725)	24	24	UR
9	6CB-12171-00	CAMSHAFT 1 ARBRE A CAMES 1	1	1	
10	93605-10108	.PIN, DOWEL .AXE	1	1	
11	6CB-12181-00	CAMSHAFT 2 ARBRE A CAMES 2	1	1	
12	93605-10108	.PIN, DOWEL .AXE	1	1	
13	6CB-12172-00	CAMSHAFT 3 ARBRE A CAMES 3	1	1	
14	93605-10108	.PIN, DOWEL .AXE	1	1	
15	6CB-12182-00	CAMSHAFT 4 ARBRE A CAMES 4	1	1	
16	93605-10108	.PIN, DOWEL .AXE	1	1	
17	6CB-11567-00	GEAR, DRIVEN 2 PIGNON SECONDAIRE 2	2	2	
18	90119-10050	BOLT, WITH WASHER BOULON, AVEC RONDELLE	2	2	
19	6CB-12645-01	PULLEY ASSY 1 POULIE COMPLET 1	1	1	
20	6P2-12623-00	.BOLT .BOULON	1	1	

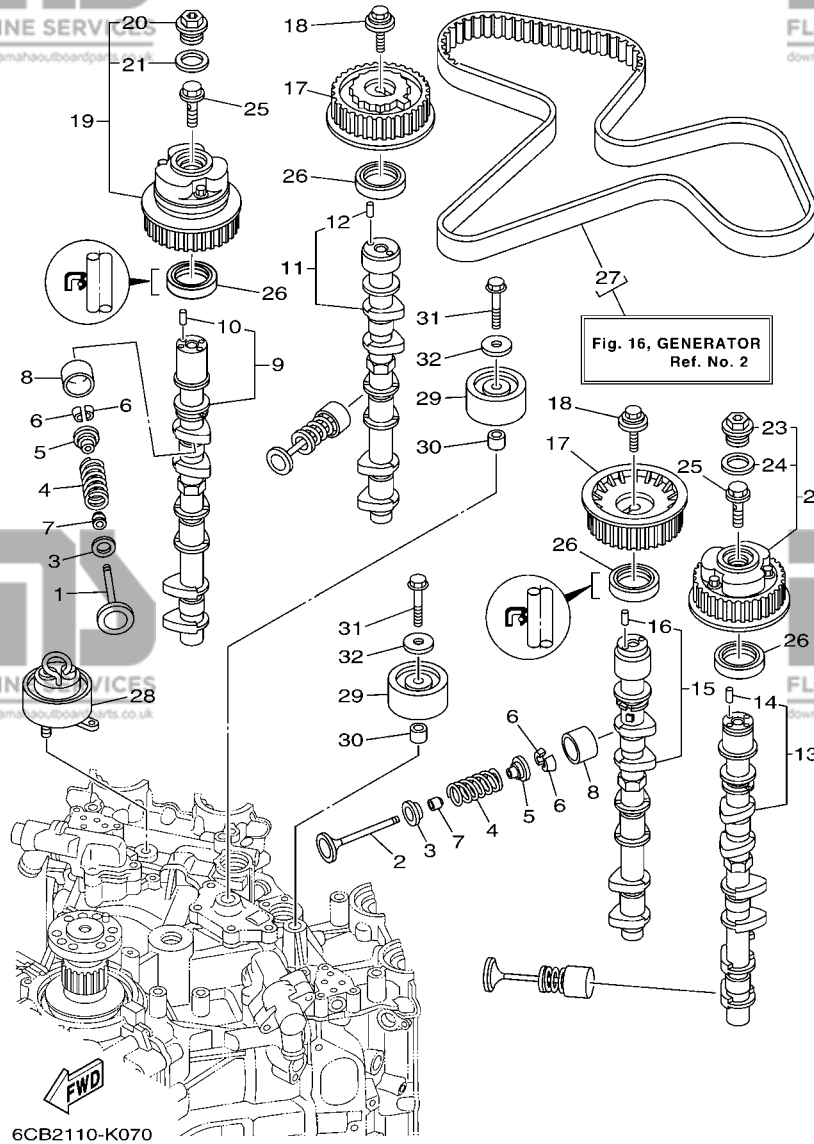


FIG. 7 VALVE

SOUPAPE

REF. NO.	PART NO. N° PIECES	DESCRIPTION DESCRIPTION	6CE2	6CF2	REMARKS REMARQUES
21	6P2-12663-00	.GASKET .JOINT	1	1	
22	6CB-1264A-01	PULLEY ASSY 2 POULIE COMPLET 2	1	1	
23	6P2-12623-00	.BOLT .BOULON	1	1	
24	6P2-12663-00	.GASKET .JOINT	1	1	
25	6P2-12615-00	BOLT BOULON	2	2	
26	93102-38008	OIL SEAL JOINT SPY	4	4	
27	6CB-W4624-00	BELT (WITH ROTOR BOLTS) COURROIE (AVEC BOULON)	1	1	
28	6CB-11590-01	TENSIONER ASSY TENDEUR (ENS.)	1	1	
29	6CB-15512-00	GEAR, IDLER 1 PIGNON, INTERMEDIAIRE 1	2	2	
30	99530-14016	PIN, DOWEL GOIJON, D'ASSEMBLAGE	2	2	
31	90119-10M07	BOLT, WITH WASHER BOULON, AVEC RONDELLE	2	2	
32	90201-10M01	WASHER, PLATE RONDELLE, PLATE	2	2	

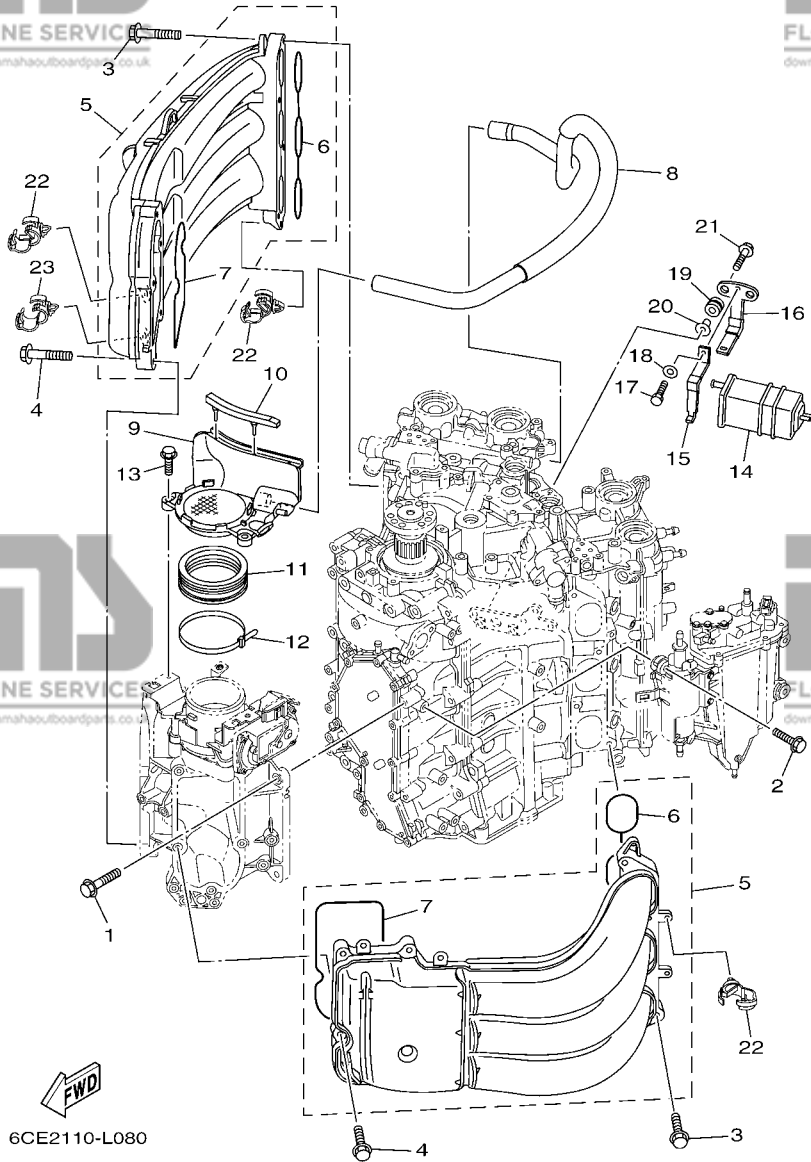


FIG. 8 INTAKE 1

ADMISSION 1

REF. NO.	PART NO. N° PIECES	DESCRIPTION DESCRIPTION	6CE2	6CF2	REMARKS REMARQUES
1	95875-08030	BOLT, FLANGE BOULON, A COLLERETTE	4	4	
2	90119-06M24	BOLT, WITH WASHER BOULON, AVEC RONDELLE	4	4	
3	90119-08020	BOLT, WITH WASHER BOULON, AVEC RONDELLE	8	8	
4	90105-06035	BOLT, FLANGE BOULON	10	10	
5	6CE-13641-00	MANIFOLD 1 TUBULURE 1	2	2	
6	6CB-13645-00	.GASKET, MANIFOLD 1 .JOINT, TUBULURE 1	1	1	
7	6CB-13646-00	.GASKET, MANIFOLD 2 .JOINT, TUBULURE 2	1	1	
8	6CB-15373-00	PIPE, BREATHER DURITE DE RENIFLARD	1	1	
9	6CB-14440-01	SILENCER ASSY, INTAKE SIENCIEUX D'ADMISSION	1	1	
10	6CB-85547-00	DAMPER AMORTISSEUR	1	1	
11	6AW-1441J-00	PIPE, SILENCER DURITE, DE SIENCIEUX	1	1	
12	90464-99004	CLAMP BRIDE	1	1	
13	95895-06020	BOLT, FLANGE BOULON	2	2	
14	69J-24170-00	CANISTER ASSY BANDE, RASERVOIR A ESSENCE	1	1	
15	69J-2419A-01	HOLDER SUPPORT	1	1	
16	69J-2134X-00	BRACKET, CANISTER SUPPORT	1	1	
17	97095-06016	BOLT BOULON	1	1	
18	92995-06600	WASHER RONDELLE	1	1	
19	90480-10M23	GROMMET PASSE-FIL	2	2	
20	90387-06M60	COLLAR COLLERETTE	2	2	
21	90119-06M17	BOLT, WITH WASHER BOULON, AVEC RONDELLE	2	2	
22	90464-13249	CLAMP BRIDE	8	8	
23	90464-20181	CLAMP BRIDE	1	1	

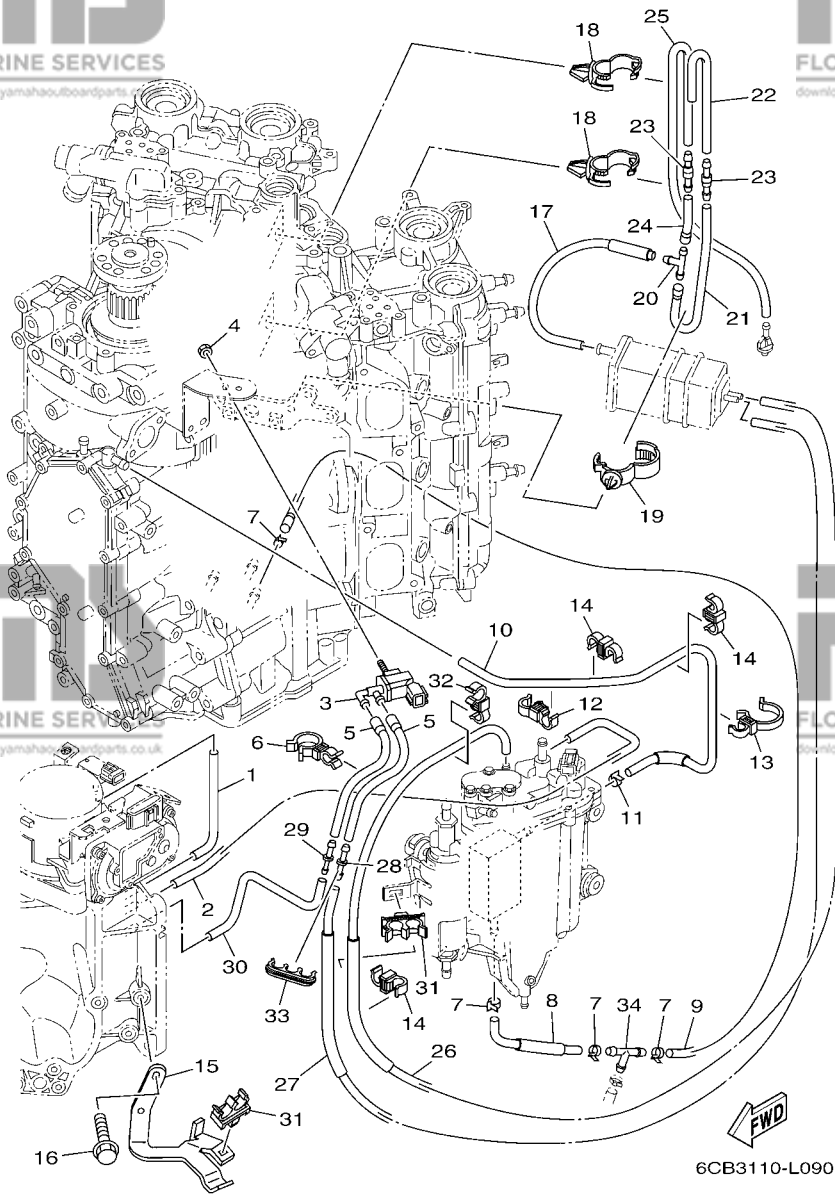


FIG. 9 INTAKE 2

ADMISSION 2

REF. NO.	PART NO. N° PIECES	DESCRIPTION DESCRIPTION	6CE2	6CF2	REMARKS REMARQUES
1	6CB-13533-00	HOSE, VACUUM SENSING 4 DURITE 4	1	1	
2	6CB-13532-00	HOSE, VACUUM SENSING 3 DURITE 3	1	1	
3	6C5-86120-00	SOLENOID VALVE ASSY SOLENOIDE	1	1	
4	95380-06600	NUT, HEXAGON ECROU	1	1	
5	6CB-2416A-00	HOSE DURITE	2	2	
6	90464-23001	CLAMP BRIDE	2	2	
7	90465-11M10	CLAMP BRIDE	4	4	
8	6CE-12482-10	PIPE 2 DURITE 2	1	1	
9	90445-097F7	HOSE (L780) DURITE (L780)	1	1	
10	6CB-12484-00	PIPE 4 DURITE 4	1	1	
11	90465-11M10	CLAMP BRIDE	1	1	
12	90464-12010	CLAMP BRIDE	1	1	
13	90464-26002	CLAMP BRIDE	1	1	
14	90464-09013	CLAMP BRIDE	3	3	
15	6CB-13782-00	STAY SUPPORT	1	1	
16	95895-06016	BOLT, FLANGE BOULON	2	2	
17	6CB-13545-00	HOSE 1 DURITE 1	1	1	
18	90464-20181	CLAMP BRIDE	2	2	
19	90464-07209	CLAMP BRIDE	1	1	
20	688-24378-00	PIPE, JOINT 3 DURITE RACCORDEMENT 3	1	1	
21	6CB-13546-00	HOSE 2 DURITE 2	1	1	
22	6CB-13547-00	HOSE 3 DURITE 3	1	1	
23	6E5-21744-00	BREATHER RENIFLARD	2	2	
24	6CB-13548-00	HOSE, AIR 4 DURITE, A AIR 4	1	1	
25	6CB-12483-00	PIPE 3 DURITE 3	1	1	
26	6CB-1475A-00	PIPE 1 DURITE 1	1	1	
27	6CB-1475F-00	PIPE 3 DURITE 3	1	1	

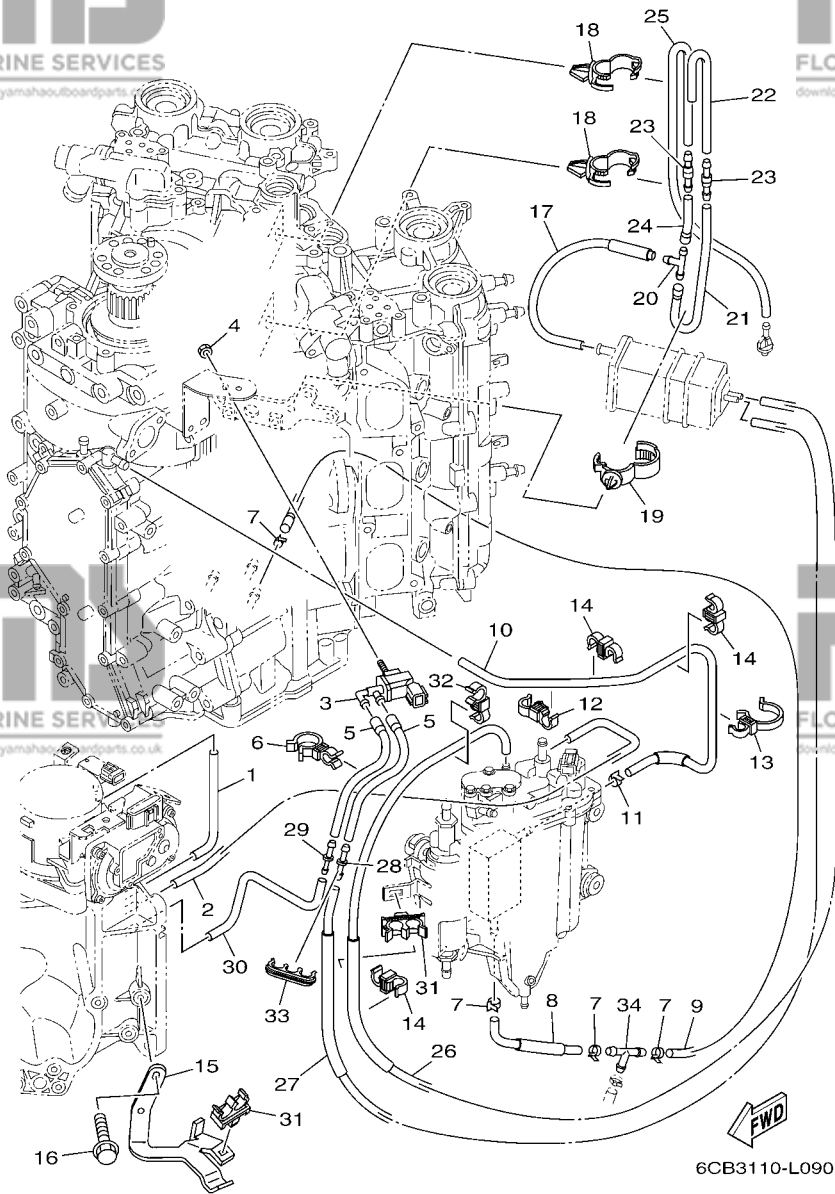
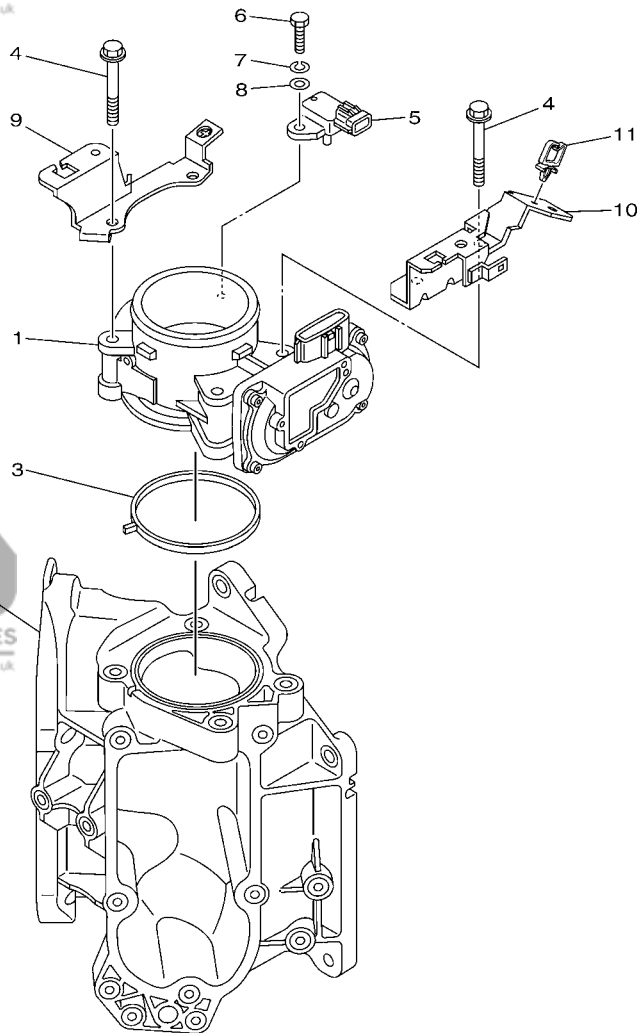


FIG. 9 INTAKE 2

ADMISSION 2

REF. NO.	PART NO. N° PIECES	DESCRIPTION DESCRIPTION	6CE2	6CF2	REMARKS REMARQUES
28	6G8-24376-00	PIPE, JOINT 1 DURITE 1, RACCORDEMENT	1	1	
29	6CB-14989-00	ORIFICE, AIR VENT ORIFICE	1	1	
30	6CB-1475G-00	PIPE 4 DURITE 4	1	1	
31	90464-11012	CLAMP BRIDE	2	2	
32	90464-12010	CLAMP BRIDE	1	1	
33	90464-10011	CLAMP BRIDE	1	1	
34	688-24378-00	PIPE, JOINT 3 DURITE RACCORDEMENT 3	1	1	

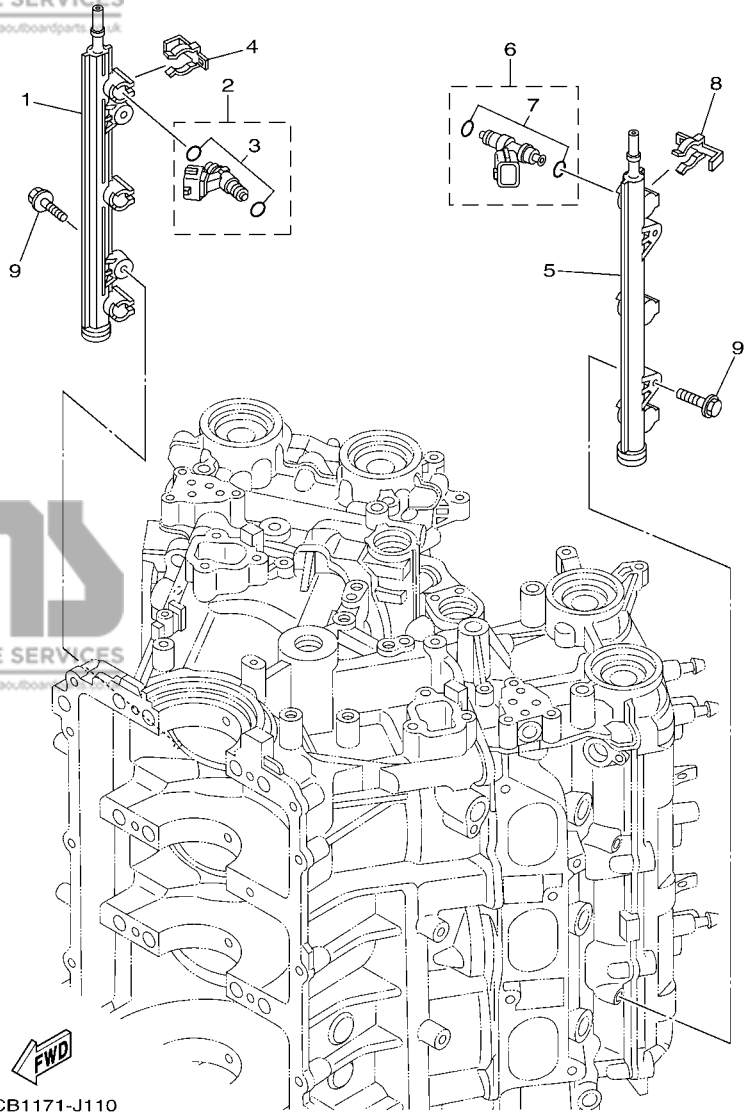


6CB3110-L100

FIG. 10 THROTTLE BODY ASSY 1

CARTER D'ACCELERATEUR 1

REF. NO.	PART NO. N° PIECES	DESCRIPTION DESCRIPTION	6CE2	6CF2	REMARKS REMARQUES
1	6CB-13751-00	BODY, THROTTLE 1 CARTER 1	1	1	
2	6CB-13711-00	MIXING BODY CHAMBRE DE MELANGE	1	1	
3	6CB-13556-00	GASKET, MANIFOLD JOINT, TUBULURE	1	1	
4	95875-08060	BOLT, FLANGE BOULON, A COLLERETTE	4	4	
5	6P2-82380-00	SENSOR, PRESSURE SONDE DE PRESSION	1	1	
6	97075-06020	BOLT BOULON	1	1	
7	92995-06100	WASHER, SPRING RONDELLE, GROWER	1	1	
8	92995-06600	WASHER RONDELLE	1	1	
9	6CB-13898-00	HOLDER SUPPORT	1	1	
10	6CB-13898-10	HOLDER SUPPORT	1	1	
11	90464-08004	CLAMP BRIDE	1	1	



6CB1171-J110

FIG. 11 THROTTLE BODY ASSY 2

CARTER D'ACCELERATEUR 2

REF. NO.	PART NO. N° PIECES	DESCRIPTION DESCRIPTION	6CE2	6CF2	REMARKS REMARQUES
1	6CB-13161-00	PIPE, DELIVERY 1 DURITE REFOULEMENT 1	1	1	
2	6AW-13761-00	INJECTOR INJECTEUR	3	3	
3	6AW-1410B-00	.PACKING KIT .POCHETTE DE JOINTS	1	1	
4	6CB-13577-00	CLIP AGRAFE	3	3	
5	6CB-13171-00	PIPE, DELIVERY 2 DURITE REFOULEMENT	1	1	
6	6AW-13761-00	INJECTOR INJECTEUR	3	3	
7	6AW-1410B-00	.PACKING KIT .POCHETTE DE JOINTS	1	1	
8	6CB-13577-00	CLIP AGRAFE	3	3	
9	90105-06M08	BOLT, FLANGE BOULON	4	4	

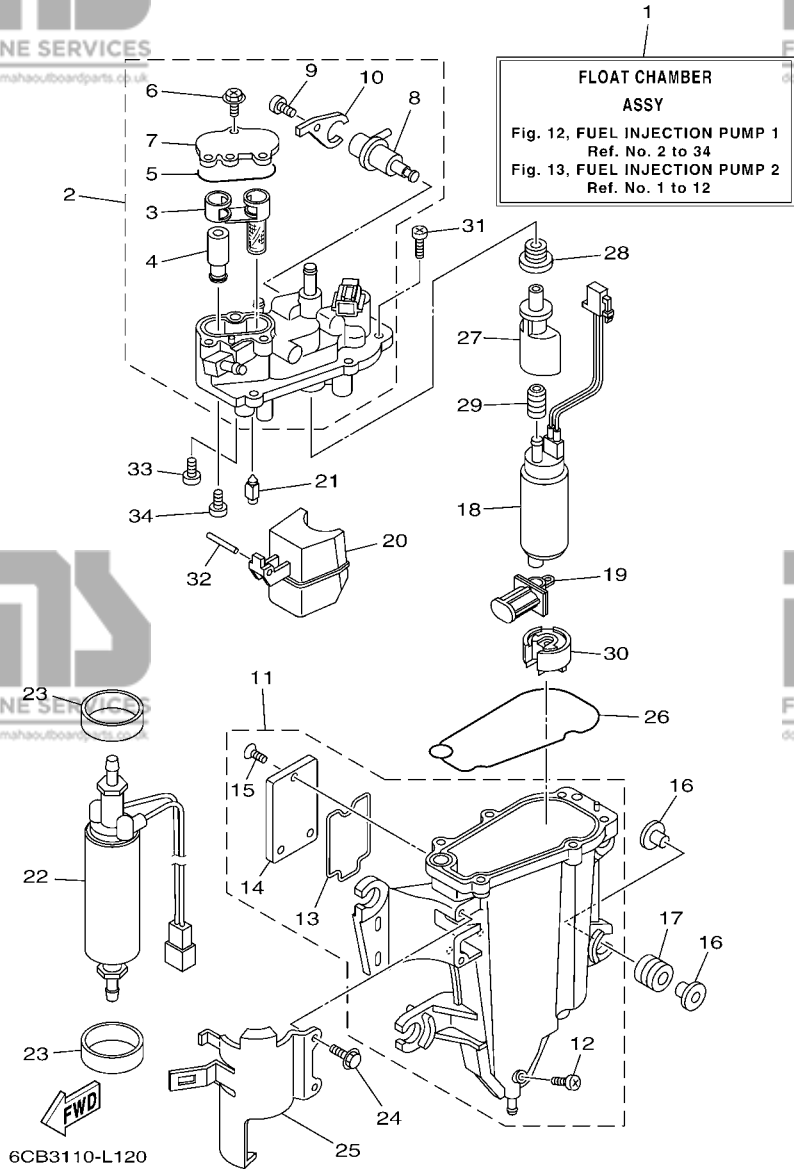


FIG. 12 FUEL INJECTION PUMP 1

POMPE A INJECTEUR 1

REF. NO.	PART NO. N° PIECES	DESCRIPTION DESCRIPTION	6CE2	6CF2	REMARKS REMARQUES
1	6CB-14180-03	FLOAT CHAMBER ASSY CUVE DE FLOTTEUR	1	1	
2	6CB-14182-01	COVER, FLOAT CHAMBER COUVERCLE, CUVE DE FLOTTEUR	1	1	
3	6CB-24501-01	.FILTER, FUEL .FILTRE	1	1	
4	6CB-24460-00	.RELIEF VALVE ASSY .SOUPAPE DE SECURITE COMPLET	1	1	
5	6CB-13016-00	.O-RING JOINT TORIQUE	1	1	
6	6CB-14216-00	.SCREW .VIS	3	3	
7	6CB-24217-00	.COVER COUVERCLE	1	1	
8	6CB-13906-01	.REGULATOR, PRESSURE .REGULATEUR DE PRESSION	1	1	
9	6CB-14564-00	.SCREW .VIS	1	1	
10	6CB-14146-00	.PLATE PLAQUE	1	1	
11	6CB-14181-00	BODY, FLOAT CHAMBER 1 CORPS, CUVE DE FLOTTEUR 1	1	1	
12	6P2-14191-00	.PLUG, DRAIN .PLOT, VIDANGE	1	1	
13	6CB-14239-00	.SEAL JOINT	1	1	
14	6CB-24452-00	.COVER COUVERCLE	1	1	
15	6CB-14429-00	.SCREW .VIS	3	3	
16	69J-13716-00	COLLAR COLLERETTE	8	8	
17	6CB-13593-00	DAMPER AMORTISSEUR	4	4	
18	6CB-13907-10	FUEL PUMP COMP. POMPE A CARBURANT COMP.	1	1	
19	63P-13915-00	FILTER FILTRE	1	1	
20	6CB-14985-00	FLOAT FLOTTEUR	1	1	
21	6CB-14546-00	VALVE, NEEDLE POINTEAU	1	1	
22	6CB-24410-00	FUEL PUMP ASSY POMPE A ESSENCE	1	1	
23	6CB-24492-00	BUSH, FUEL PUMP BAGUE	2	2	
24	6CB-24592-00	BOLT BOLTE	2	2	
25	6CB-24491-00	BRACKET, FUEL PUMP SUPPORT, POMPE A ESSENCE	1	1	
26	6CB-14984-00	GASKET, FLOAT CHAMBER JOINT, CUVE DE FLOTTEUR	1	1	
27	6AW-13132-00	JOINT RACCORD	1	1	

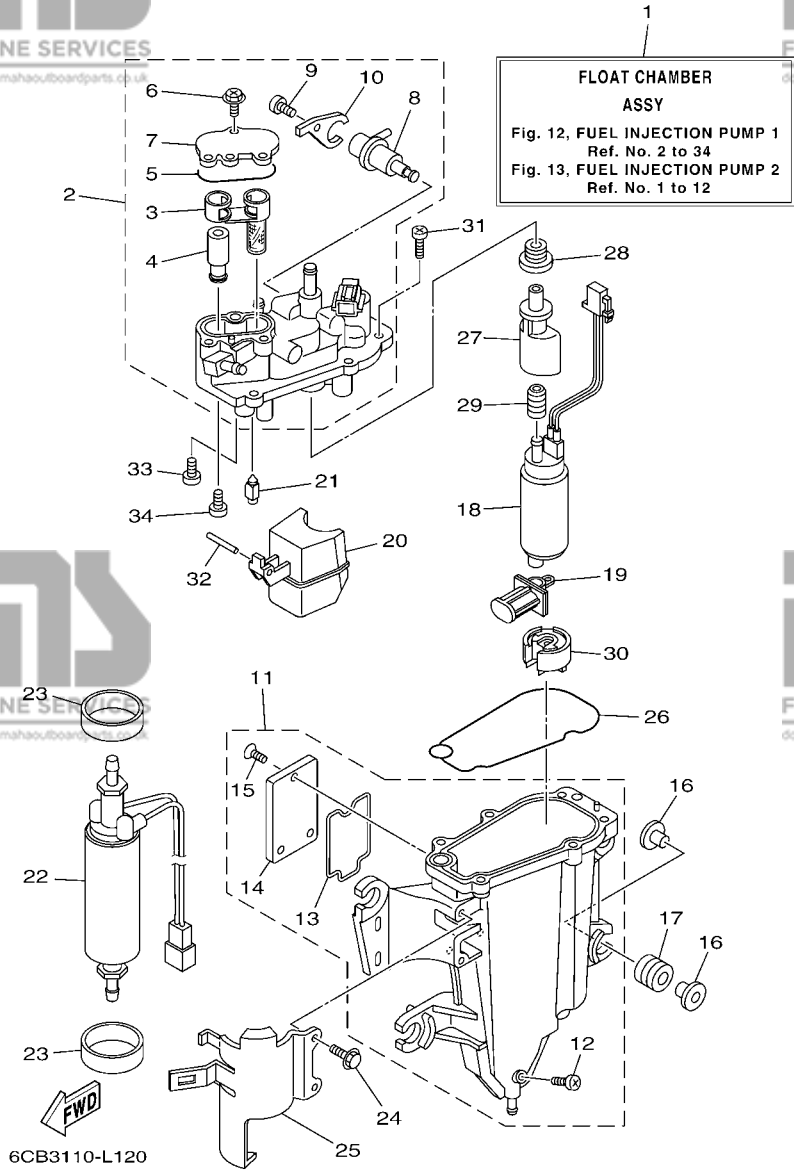


FIG. 12 FUEL INJECTION PUMP 1

POMPE A INJECTEUR 1

REF. NO.	PART NO. N° PIECES	DESCRIPTION DESCRIPTION	6CE2	6CF2	REMARKS REMARQUES
28	6CB-1447B-00	BUSH 1 DOUILLE 1	1	1	
29	6AW-13781-00	DAMPER, PUMP AMORTISSEUR, POMPE	1	1	
30	6AW-13784-00	COVER, PUMP COUVERCLE, POMPE	1	1	
31	63P-14567-00	SCREW VIS	6	6	
32	6P2-14386-00	PIN, FLOAT AXE, FLOTTEUR	1	1	
33	4SV-24453-00	SCREW VIS	1	1	
34	98507-04008	SCREW, PAN HEAD VIS, TETE TRONCONIQUE	1	1	

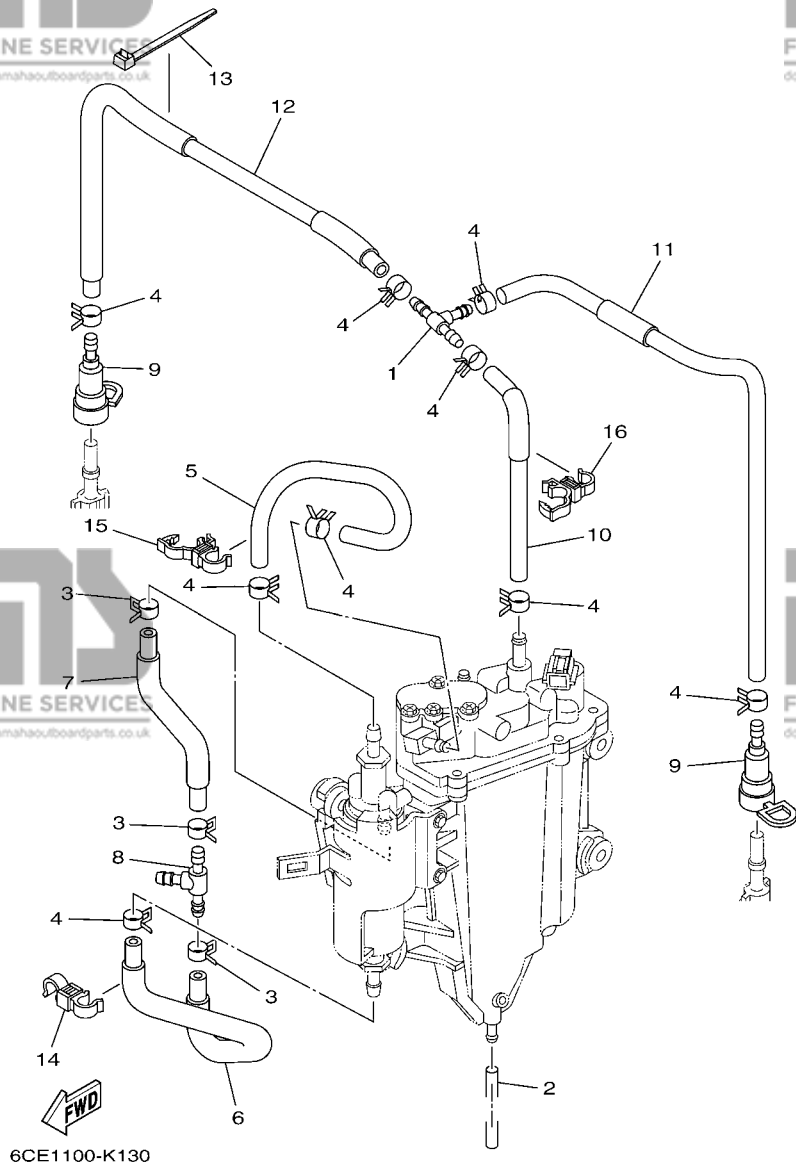


FIG. 13 FUEL INJECTION PUMP 2

POMPE A INJECTEUR 2

REF. NO.	PART NO. N° PIECES	DESCRIPTION DESCRIPTION	6CE2	6CF2	REMARKS REMARQUES
1	6CB-24461-00	PIPE, JOINT DURITE, RACCORDEMENT	1	1	
2	6P2-14149-00	PIPE DURITE	1	1	
3	69J-14137-00	CLIP JONC	3	3	
4	68V-13577-00	CLIP AGRAFE	9	9	
5	6CB-24324-00	PIPE 13 DURITE 13	1	1	
6	6CB-24317-00	PIPE 7 DURITE 7	1	1	
7	6CB-24323-00	PIPE 12 DURITE 12	1	1	
8	6E5-24378-00	PIPE, JOINT 3 DURITE, RACCORDEMENT 3	1	1	
9	60E-24300-01	FUEL PIPE JOINT DURITE RACCORDEMT. A ESSENCE	2	2	
10	6CB-13971-01	PIPE, FUEL 1 TUBE 1, CARBURANT	1	1	
11	6CB-13974-00	PIPE, FUEL 4 TUBE 4, CARBURANT	1	1	
12	6CB-13972-00	PIPE, FUEL 2 TUBE 2, CARBURANT	1	1	
13	90465-14M66	CLAMP BRIDE	1	1	
14	90464-12009	CLAMP BRIDE	1	1	
15	90464-12012	CLAMP BRIDE	1	1	
16	90464-12012	CLAMP BRIDE	1	1	

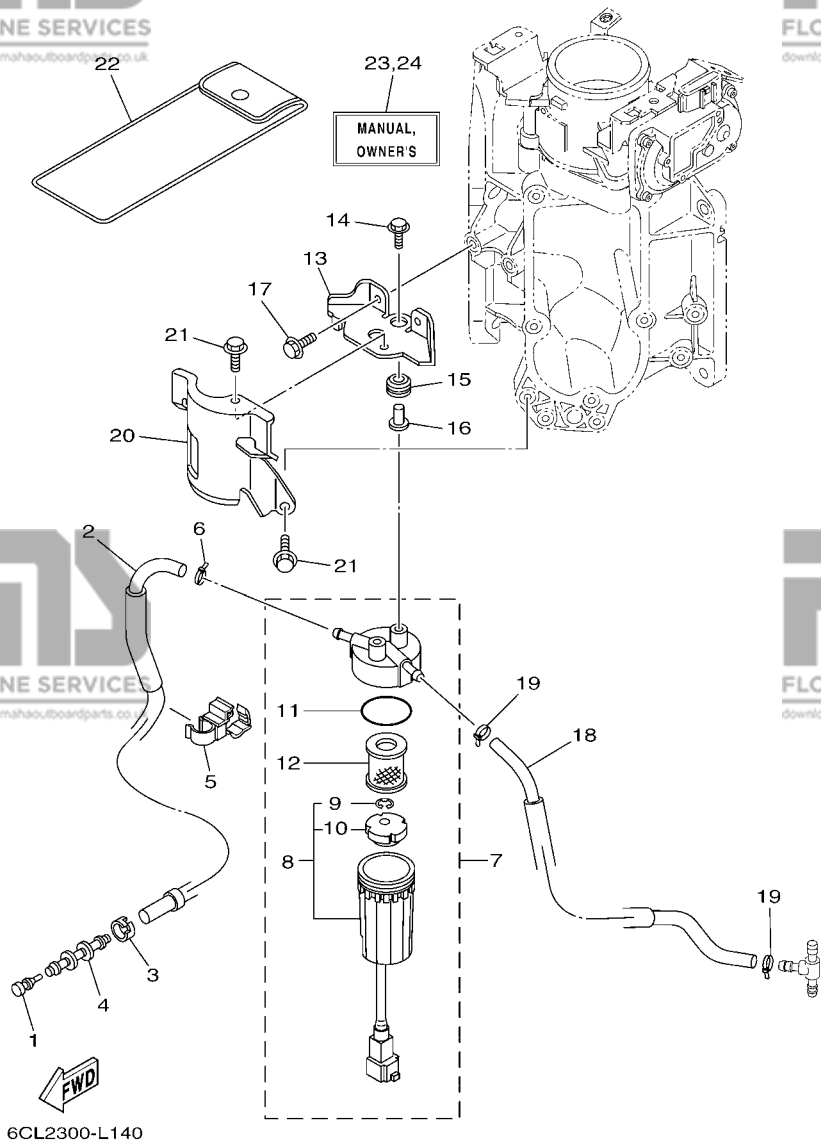


FIG. 14 FUEL 1

CARBURANT 1

REF. NO.	PART NO. N° PIECES	DESCRIPTION DESCRIPTION	6CE2	6CF2	REMARKS REMARQUES
1	689-85547-00	DAMPER AMORTISSEUR	1	1	
2	6CB-24314-01	PIPE 4 DURITE 4	1	1	FOR F(L)300BET
	6CB-24314-11	PIPE 4 DURITE 4	1	1	FOR F(L)300BET1
3	6E5-24351-51	BAND 1 COLLIER 1	1	1	
4	6AW-24377-01	PIPE, JOINT 2 DURITE RACCORDEMENT 2	1	1	
5	90464-12012	CLAMP BRIDE	1	1	
6	90465-11M10	CLAMP BRIDE	1	1	
7	6P3-24560-22	FILTER ASSY ENS FILTRE	1	1	
8	6P3-24562-21	.CUP, FILTER .CUVETTE, FILTRE	1	1	
9	6P3-24519-00	..CLIP ..JONC	1	1	
10	6P3-24469-00	..FLOAT, WATER LEVEL ..FLOTTEUR	1	1	
11	6P3-24564-00	.GASKET .JOINT	1	1	
12	6P3-24563-01	.ELEMENT, FILTER .ELEMENT, FILTRE	1	1	
13	6CB-24566-00	BRACKET, FILTER SUPPORT, FILTRE	1	1	
14	90119-06M17	BOLT, WITH WASHER BOULON, AVEC RONDELLE	2	2	
15	90480-10M23	GROMMET PASSE-FIL	2	2	
16	90387-06M60	COLLAR COLLERETTE	2	2	
17	95895-06016	BOLT, FLANGE BOULON	2	2	
18	6CB-24313-00	PIPE 3 DURITE 3	1	1	FOR F(L)300BET
	6CB-24313-10	PIPE 3 DURITE 3	1	1	FOR F(L)300BET1
19	90465-11M10	CLAMP BRIDE	2	2	
20	6CB-24596-01	COVER COUVERCLE	1	1	
21	95895-06014	BOLT, FLANGE BOULON	2	2	
22	69J-28100-01	TOOL KIT TROUSSE A OUTILS	1	1	AP
23	6CE-28199-71-E0	MANUAL, OWNER'S MANUEL D'UTILISATION	1	1	UR (E)
	6CE-28199-71-F0	MANUAL, OWNER'S MANUEL D'UTILISATION	1	1	UR (F)
	6CE-28199-71-S0	MANUAL, OWNER'S MANUEL D'UTILISATION	1	1	UR (ES)

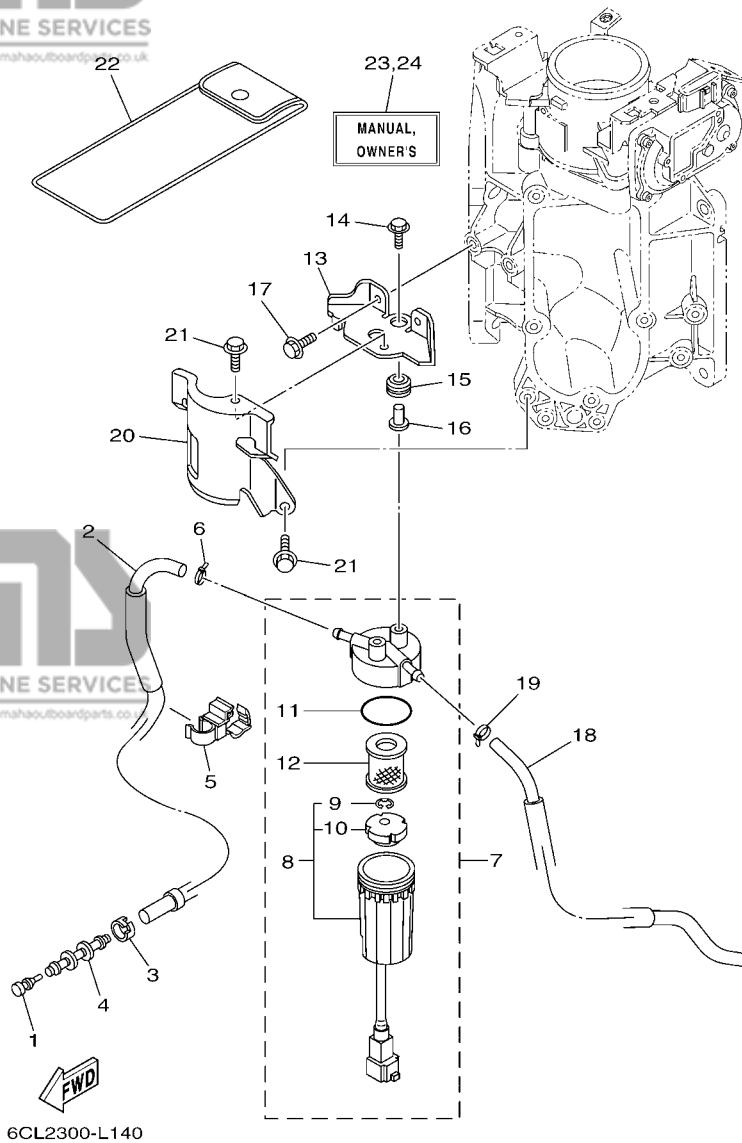
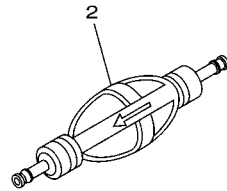
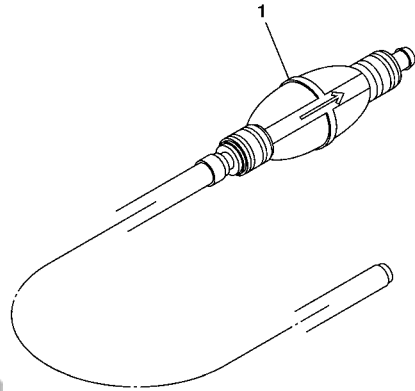


FIG. 14 FUEL 1

CARBURANT 1

REF. NO.	PART NO. N° PIECES	DESCRIPTION DESCRIPTION	6CE2	6CF2	REMARKS REMARQUES
23	6CE-28199-71-G0	MANUAL,OWNER'S MANUEL D'UTILISATION	1	1	UR (D) UR (D)
	6CE-28199-71-D0	MANUAL,OWNER'S MANUEL D'UTILISATION	1	1	UR (NL) UR (NL)
	6CE-28199-71-H0	MANUAL,OWNER'S MANUEL D'UTILISATION	1	1	UR (I) UR (I)
24	6CE-28199-81-K0	MANUAL,OWNER'S MANUEL D'UTILISATION	1	1	UR (DK) UR (DK)
	6CE-28199-81-R0	MANUAL,OWNER'S MANUEL D'UTILISATION	1	1	UR (GR) UR (GR)
	6CE-28199-81-P0	MANUAL,OWNER'S MANUEL D'UTILISATION	1	1	UR (P) UR (P)
	6CE-28199-81-N0	MANUAL,OWNER'S MANUEL D'UTILISATION	1	1	UR (N) UR (N)
	6CE-28199-81-M0	MANUAL,OWNER'S MANUEL D'UTILISATION	1	1	UR (S) UR (S)
	6CE-28199-81-L0	MANUAL,OWNER'S MANUEL D'UTILISATION	1	1	UR (SF) UR (SF)

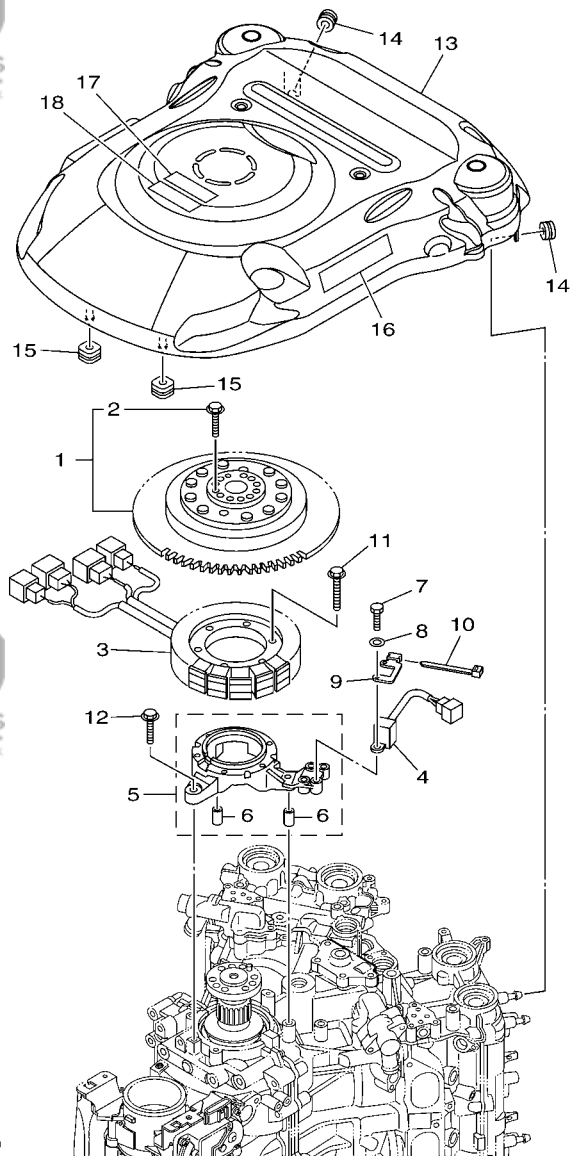



 63P7300-J130

FIG. 15 FUEL 2

CARBURANT 2

REF. NO.	PART NO. N° PIECES	DESCRIPTION DESCRIPTION	6CE2	6CF2	REMARKS REMARQUES
1	6YK-24307-42	FUEL PIPE COMP. 2 DURITE A ESSENCE 2	1	1	AP F(L)300BET AP F(L)300BET
2	6AW-24360-01	PRIMER PUMP ASSY POMPE D'AMORCAGE	1	1	AP F(L)300BET1 AP F(L)300BET1



6CE1300-K160

FIG. 16 GENERATOR

GENERATRICE

REF. NO.	PART NO. N° PIECES	DESCRIPTION DESCRIPTION	6CE2	6CF2	REMARKS REMARQUES
1	6CE-W8145-01	ROTOR ASSY WITH BOLTS ROTOR COMPLET AVEC BOULON	1	1	
2	6AW-W9011-00	.BOLT SET (FOR ROTOR ASSY) .BOULON ENS. (POUR ROTOR COMPL)	1	1	
3	6CE-81410-00	STATOR ASSY STATOR COMPLET	1	1	
4	6CB-85580-00	COIL, PULSER BOBINE, PULSEUR	1	1	
5	6CB-85561-00	BASE, MAGNETO BASE, MAGNETO	1	1	
6	99530-08012	.PIN, DOWEL .GOUJON, D'ASSEMBLAGE	2	2	
7	97095-05020	BOLT BOULON	2	2	
8	92995-05600	WASHER RONDELLE	2	2	
9	6CE-85592-00	STAY, PULSER SUPPORT, PULSATION BOBINE	1	1	
10	90465-11M10	CLAMP BRIDE	1	1	
11	95022-06035	BOLT, FLANGE BOULON, A COLLERETTE	6	6	
12	95895-06030	BOLT, FLANGE BOULON	4	4	
13	6CB-81337-00	COVER, FLYWHEEL COUVERCLE, VOLANT	1	1	
14	90480-12314	GROMMET PASSE-FIL	2	2	
15	6CB-85516-00	SPACER ENTRETOISE	2	2	
16	6CE-13437-60	MARK, CAUTION MAKER	1	1	
17	6AH-81994-40	LABEL, SAFETY ETIQUETTE, SECURITE	1	1	
18	6AH-81994-50	LABEL, SAFETY ETIQUETTE, SECURITE	1	1	

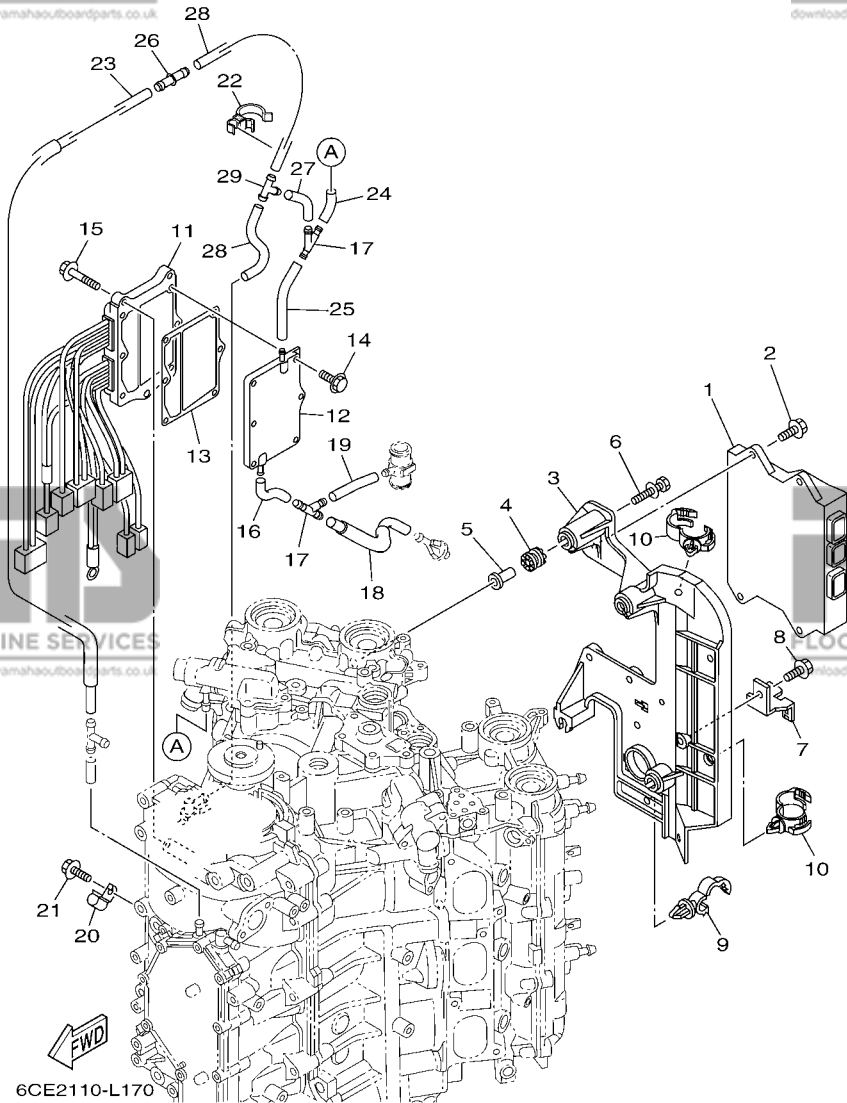


FIG. 17 ELECTRICAL 1

PARTIE ELECTRIQUE 1

REF. NO.	PART NO. N° PIECES	DESCRIPTION DESCRIPTION	6CE2	6CF2	REMARKS REMARQUES
1	6CE-8591A-00	ENGINE CONTROL UNIT ASSY BLOC DE CONTROL	1	1	
2	95895-06020	BOLT, FLANGE BOULON	4	4	
3	6CB-82316-01	BRACKET, IGNITION COIL SUPPORT, BOBINE D'ALLUMAGE	1	1	
4	64J-85516-00	SPACER ENTRETOISE	4	4	
5	69M-42758-01	COLLAR ENTRETOISE	4	4	
6	90119-06M56	BOLT, WITH WASHER BOULON, AVEC RONDELLE	4	4	
7	6BR-81845-00	PLATE PLAQUE	1	1	
8	95895-06012	BOLT, FLANGE BOULON	1	1	
9	90464-13249	CLAMP BRIDE	1	1	
10	90464-20181	CLAMP BRIDE	2	2	
11	6CE-81960-00	RECTIFIER & REGULATOR ASSY REDRESSEUR REGULATEUR CPLT	1	1	
12	6CE-81972-00-9S	COVER, RECTIFIER COUVERCLE, REDRESSEUR	1	1	
13	6CE-81975-00	PLATE, RECTIFIER FITTING PLAQUE, FIXATION DU REDRESSEUR	1	1	
14	90119-06MA3	BOLT, WITH WASHER BOULON, AVEC RONDELLE	6	6	
15	95895-06025	BOLT, FLANGE BOULON	3	3	
16	6CE-1248A-00	PIPE 8 DURITE 8	1	1	
17	6CE-24377-00	PIPE, JOINT 2 DURITE RACCORDEMENT 2	2	2	
18	6CE-12483-00	PIPE 3 DURITE 3	1	1	
19	90445-107A5	HOSE (L30) DURITE (L30)	1	1	
20	90462-06013	CLAMP BRIDE	1	1	
21	95023-06012	BOLT BOULON, A COLLERETTE	1	1	
22	90464-26002	CLAMP BRIDE	1	1	
23	6CE-12481-10	PIPE 1 DURITE 1	1	1	
24	6CE-14872-00	PIPE 2 DURITE 2	1	1	
25	6CE-12485-00	PIPE 5 DURITE 5	1	1	
26	6CE-24376-00	PIPE, JOINT 1 DURITE 1, RACCORDEMENT	1	1	
27	6CE-14872-00	PIPE 2 DURITE 2	1	1	

FIG. 17 ELECTRICAL 1

PARTIE ELECTRIQUE 1

REF. NO.	PART NO. N° PIECES	DESCRIPTION DESCRIPTION	6CE2	6CF2	REMARKS REMARQUES
28	90445-09068	HOSE (L110) DURITE (L110)	2	2	
29	688-24378-00	PIPE, JOINT 3 DURITE RACCORDEMENT 3	1	1	

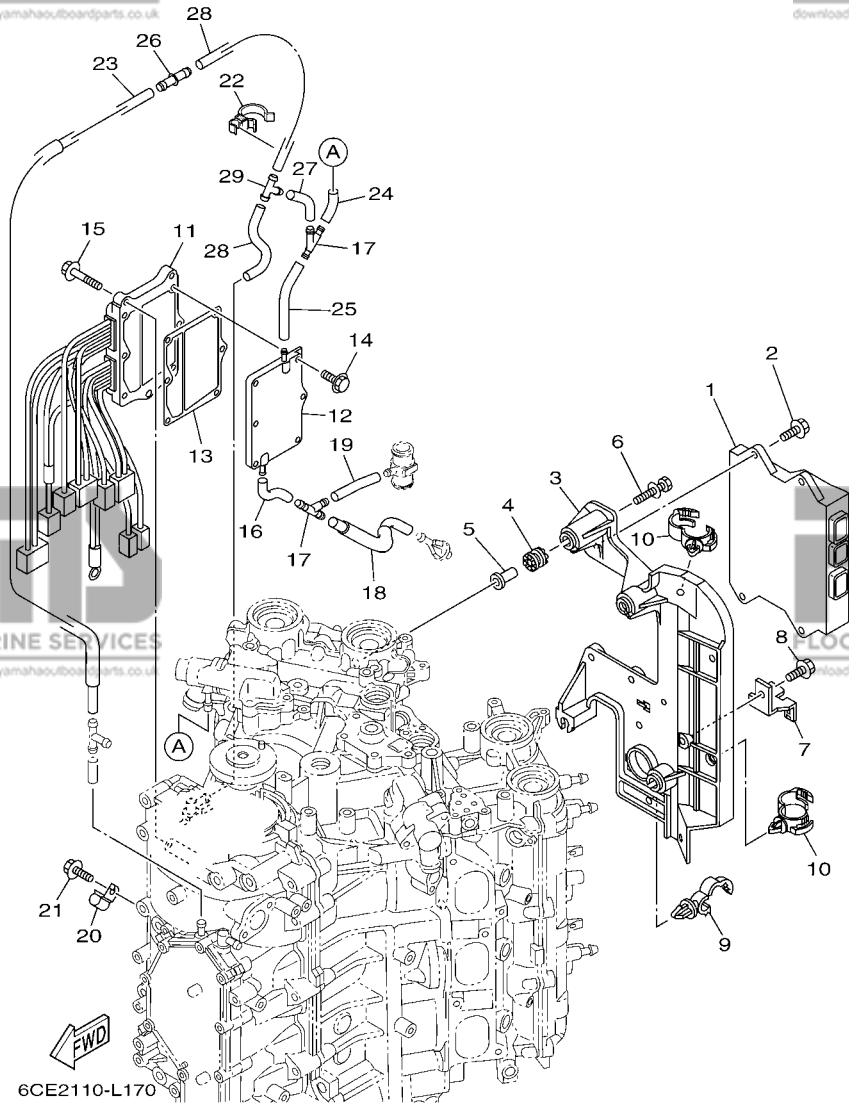
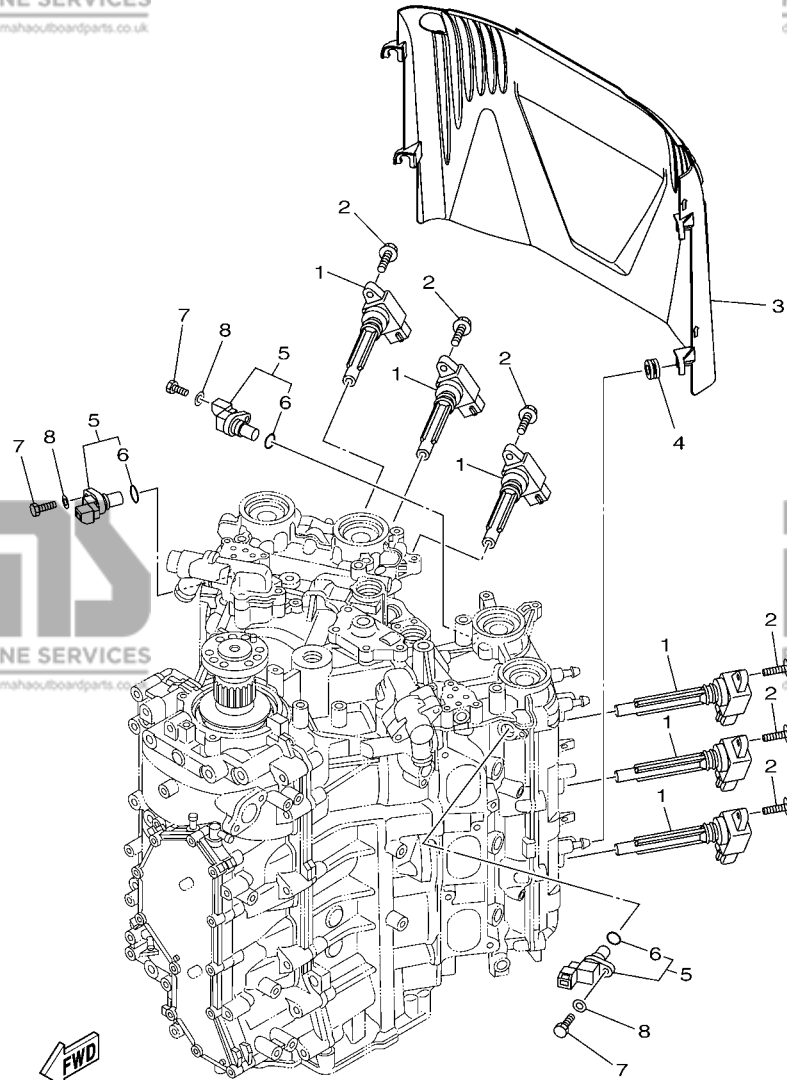


FIG. 18 ELECTRICAL 2

PARTIE ELECTRIQUE 2

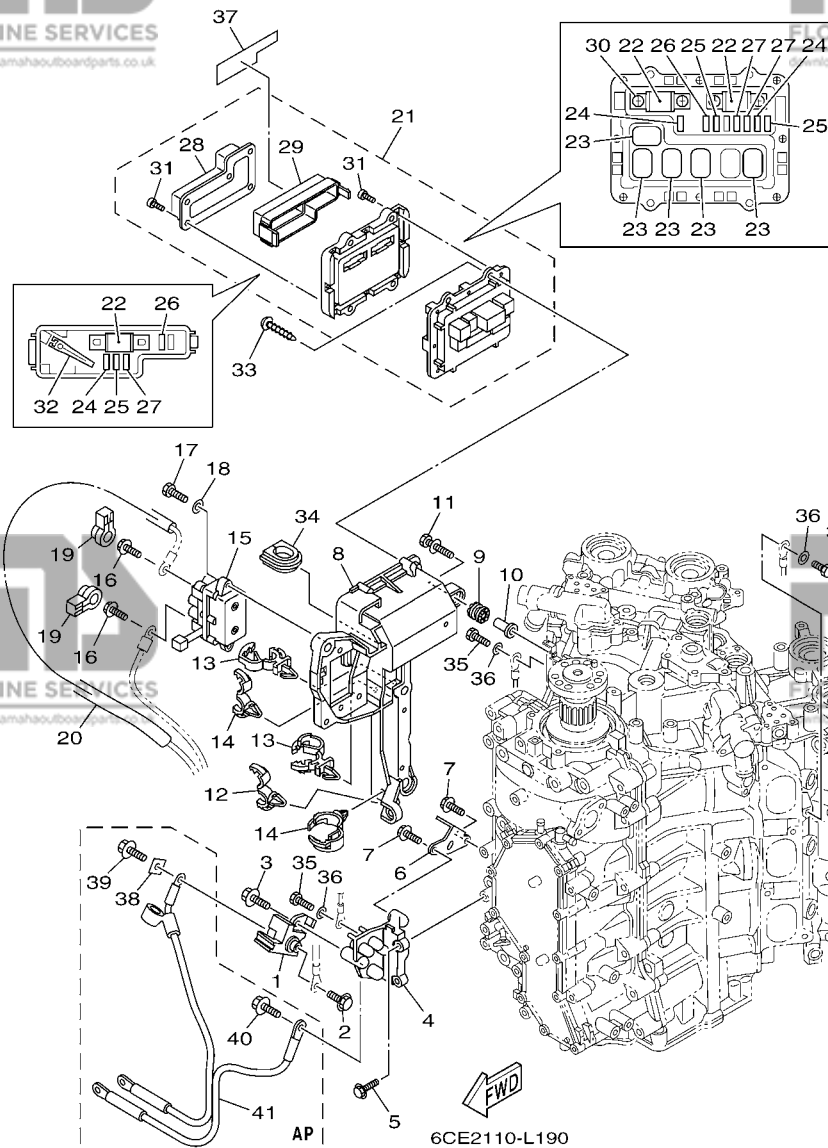


6CB2110-K180

REF. NO.	PART NO. N° PIECES	DESCRIPTION DESCRIPTION	6CE2	6CF2	REMARKS REMARQUES
1	6CB-82310-00	IGNITION COIL ASSY BOBINE D'ALLUMAGE	6	6	
2	95895-06025	BOLT, FLANGE BOULON	6	6	
3	6CB-82314-00	COVER, IGNITION COIL COUVERCLE, BOBINE D'ALLUMAGE	1	1	
4	90480-12314	GROMMET PASSE-FIL	4	4	
5	6P2-85896-00	SENSOR, CAM POSITION SONDE DE CAME	3	3	
6	6P2-85075-00	O-RING JOINT TORIQUE	1	1	
7	97095-06020	BOLT BOULON	3	3	
8	92995-06600	WASHER RONDELLE	3	3	

FIG. 19 ELECTRICAL 3

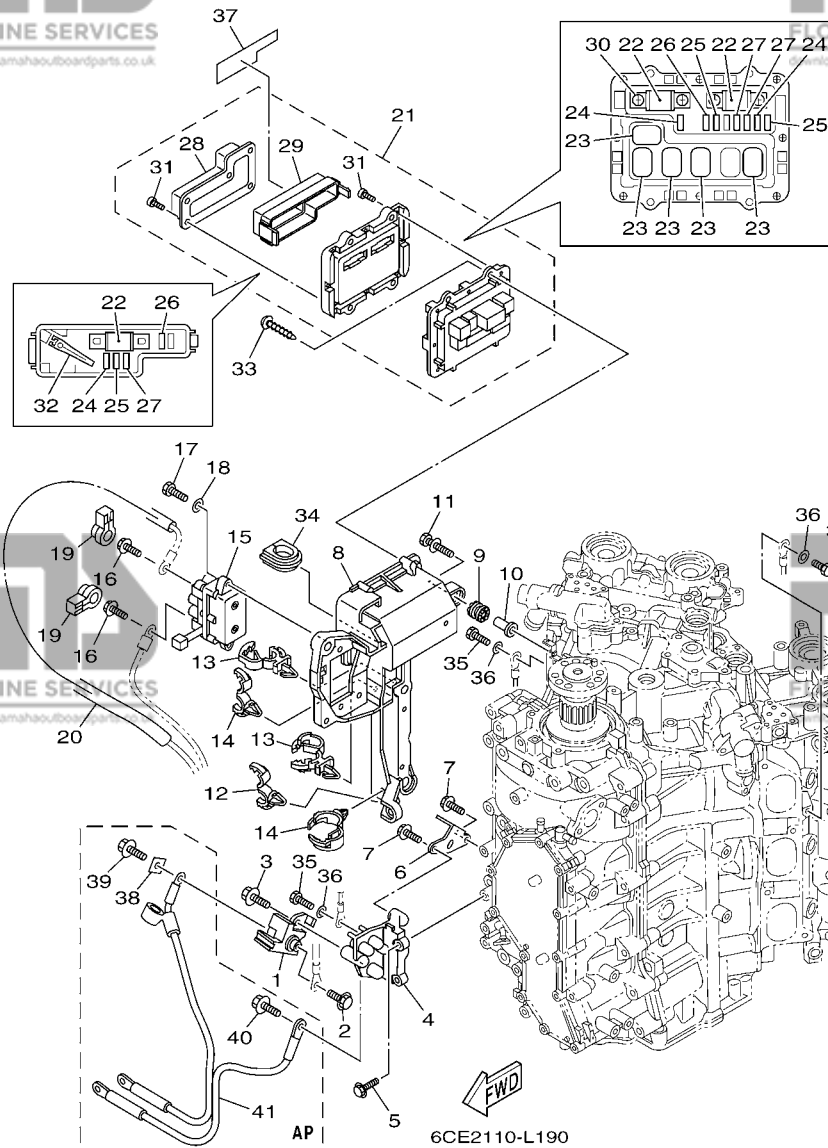
PARTIE ELECTRIQUE 3



REF. NO.	PART NO. N° PIECES	DESCRIPTION DESCRIPTION	6CE2	6CF2	REMARKS REMARQUES
1	6P2-81925-01	TERMINAL BORNE	1	1	
2	95895-08016	BOLT, FLANGE BOULON	1	1	
3	95814-08020	BOLT, FLANGE BOULON, A COLLERETTE	1	1	
4	6CB-81929-00	BRACKET, TERMINAL SUPPORT	1	1	
5	95895-06020	BOLT, FLANGE BOULON	2	2	
6	6CE-82588-00	PLATE PLAQUE	1	1	
7	95895-06016	BOLT, FLANGE BOULON	2	2	
8	6CB-81948-01	BRACKET SUPPORT	1	1	
9	64J-85516-00	SPACER ENTRETOISE	5	5	
10	69M-42758-01	COLLAR ENTRETOISE	5	5	
11	90119-06M56	BOLT, WITH WASHER BOULON, AVEC RONDELLE	5	5	
12	90464-13249	CLAMP BRIDE	1	1	
13	90464-12183	CLAMP BRIDE	2	2	
14	90464-20181	CLAMP BRIDE	2	2	
15	6AW-81950-00	RELAY ASSY RELAIS COMPLET	1	1	
16	97595-06610	BOLT, WITH WASHER VIS HEXAGONAL AVEC RONDELLE	2	2	
17	97013-06020	BOLT BOULON	2	2	
18	92903-06600	WASHER, PLATE RONDELLE, PLATE	2	2	
19	6P2-8183X-00	CAP, TERMINAL COUVERCLE, BORNE	2	2	
20	90446-15003	HOSE (L100) DURITE (L100)	1	1	
21	6CE-82170-00	FUSE BOX ASSY BOITE A FUSIBLES	1	1	
22	6CE-82151-00	.FUSE (100A) .FUSIBLE (100A)	3	3	
23	68F-8195A-00	.RELAY ASSY .RELAIS COMPLET	5	5	
24	67F-82151-40	.FUSE (10A) .FUSIBLE (10A)	3	3	
25	67F-82151-50	.FUSE (15A) .FUSIBLE (15A)	3	3	
26	67F-82151-00	.FUSE (20A) .FUSIBLE (20A)	2	2	
27	67F-82151-10	.FUSE (30A) .FUSIBLE (30A)	3	3	

FIG. 19 ELECTRICAL 3

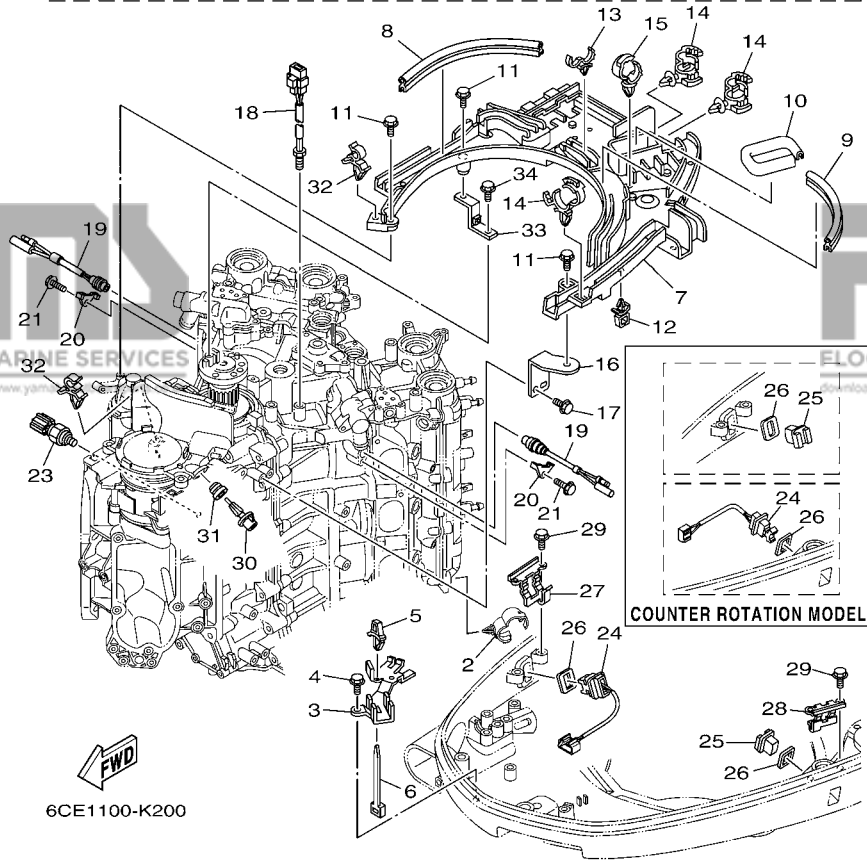
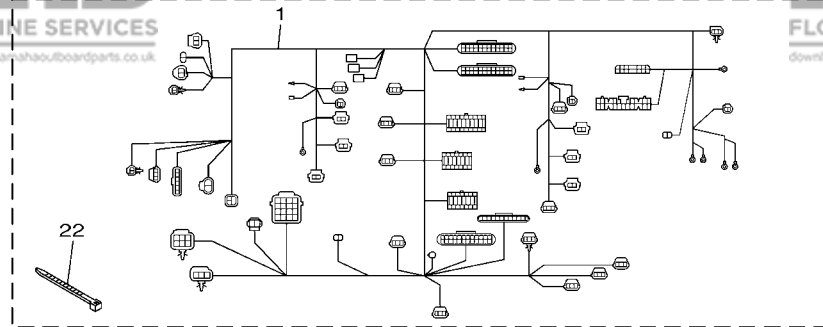
PARTIE ELECTRIQUE 3



REF. NO.	PART NO. N° PIECES	DESCRIPTION DESCRIPTION	6CE2	6CF2	REMARKS REMARQUES
28	6CB-81639-00	.PLATE, ARMATURE FITTING .PLAQUE, FIXATION D'INDUIT	1	1	
29	6CB-85544-00	.CASE .BOITIER	1	1	
30	68F-82846-00	.SCREW, PAN HEAD (M5) .VIS, TETE TRONCONIQUE (M5)	4	4	
31	6P2-82113-00	.SCREW .VIS	13	13	
32	67F-2812A-00	.PULLER, FUSE .TENDEUR, FUSIBLE	1	1	
33	97780-50620	SCREW, TAPPING VIS, TETE BOMBEE	4	4	
34	6P2-81336-00	GROMMET OEILLET CAOUTCHOUC	1	1	
35	97095-06016	BOLT BOULON	5	5	
36	92995-06600	WASHER RONDELLE	5	5	
37	6CE-81919-20	GRAPHIC, REGULATOR ADHESIF, REGULATEUR	1	1	
38	6CB-81923-00	WASHER RONDELLE	1	1	AP
39	95895-08016	BOLT, FLANGE BOULON	1	1	AP
40	95895-08016	BOLT, FLANGE BOULON	1	1	AP
41	6CB-82105-00	WIRE HARNESS FAISCEAU DE FILS	1	1	AP

FIG. 20 ELECTRICAL 4

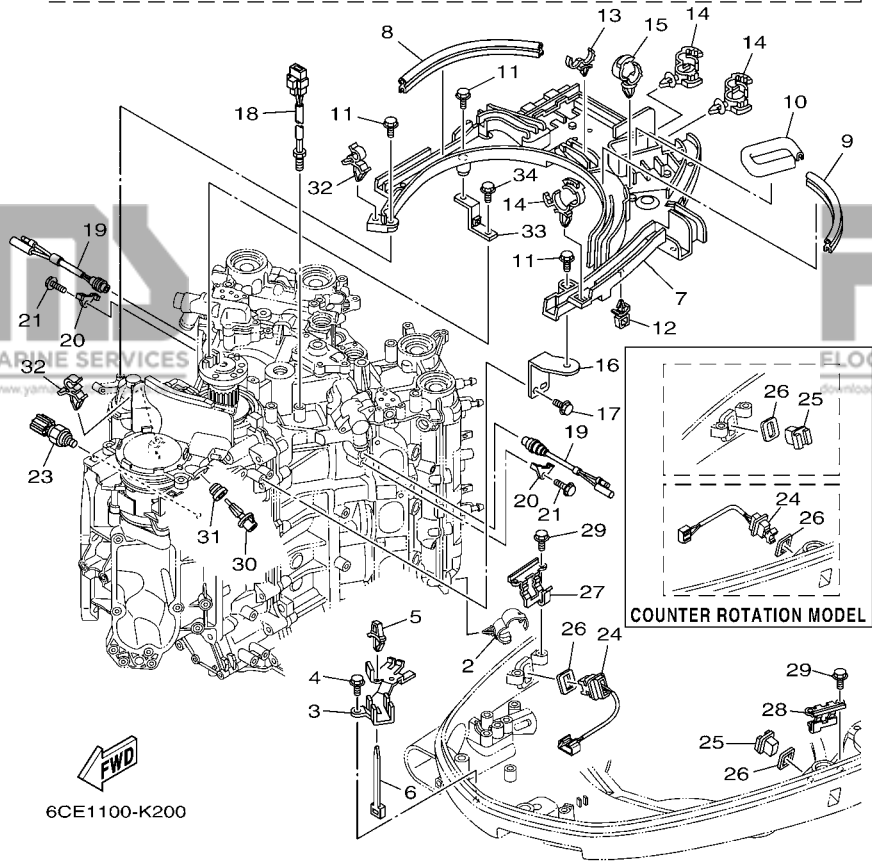
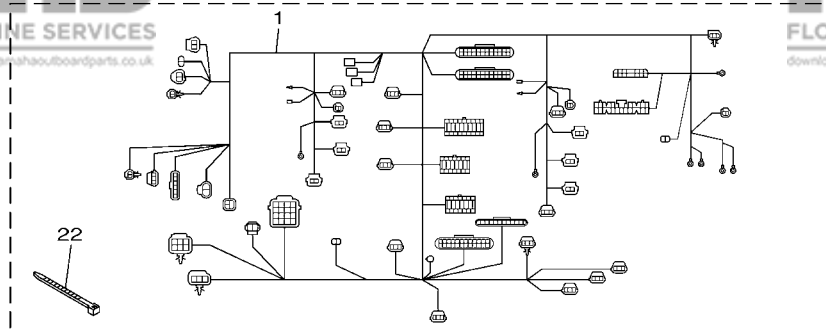
PARTIE ELECTRIQUE 4



REF. NO.	PART NO. N° PIECES	DESCRIPTION DESCRIPTION	6CE2	6CF2	REMARKS REMARQUES
1	6CE-82590-01	WIRE HARNESS ASSY FAISCEAU DE FILS COMPLET	1	1	
2	90464-20181	CLAMP BRIDE	4	4	
3	6CB-82594-00	CLAMP BRIDE	1	1	
4	95895-06012	BOLT, FLANGE BOULON	2	2	
5	90464-06001	CLAMP BRIDE	1	1	
6	90465-13M24	CLAMP BRIDE	1	1	
7	6CB-82589-00	PROTECTOR, WIRE HARNESS PROTECTEUR, FAISCEAU DE FILS	1	1	
8	6BG-42617-00	DAMPER, FORM BOURRELET, CAOUTCHOUC	1	1	
9	6CB-42617-00	DAMPER, FORM BOURRELET, CAOUTCHOUC	1	1	
10	6CB-42629-00	SEAL JOINT	1	1	
11	95895-06020	BOLT, FLANGE BOULON	5	5	
12	90464-11121	CLAMP BRIDE	1	1	
13	90464-18246	CLAMP BRIDE	1	1	
14	90464-12183	CLAMP BRIDE	4	4	
15	90464-20181	CLAMP BRIDE	2	2	
16	6CB-82388-00	PLATE PLAQUETTE	1	1	
17	95895-06016	BOLT, FLANGE BOULON	2	2	
18	6CB-85790-00	THERMOSENSOR ASSY SENSITOMETRE	1	1	
19	6P2-82560-01	THERMO SWITCH ASSY THERMO-CONTACT COMPLET	2	2	
20	6E9-82588-00	PLATE PLAQUE	2	2	
21	95895-06012	BOLT, FLANGE BOULON	2	2	
22	90465-14M66	CLAMP BRIDE	1	1	
23	6AW-83651-00	SENDER, OIL PRESSURE RACCORD, PRESSION D'HUILE	1	1	
24	6BR-82563-00	TRIM & TILT SWITCH ASSY INCLINER ET PARER COMMUTATEUR	1	1	
25	69J-42723-01	COVER, BOTTOM COUVERCLE	1	1	
26	69J-82587-00	GASKET JOINT	2	2	
27	63P-83614-01	BRACKET SUPPORT	1	1	

FIG. 20 ELECTRICAL 4

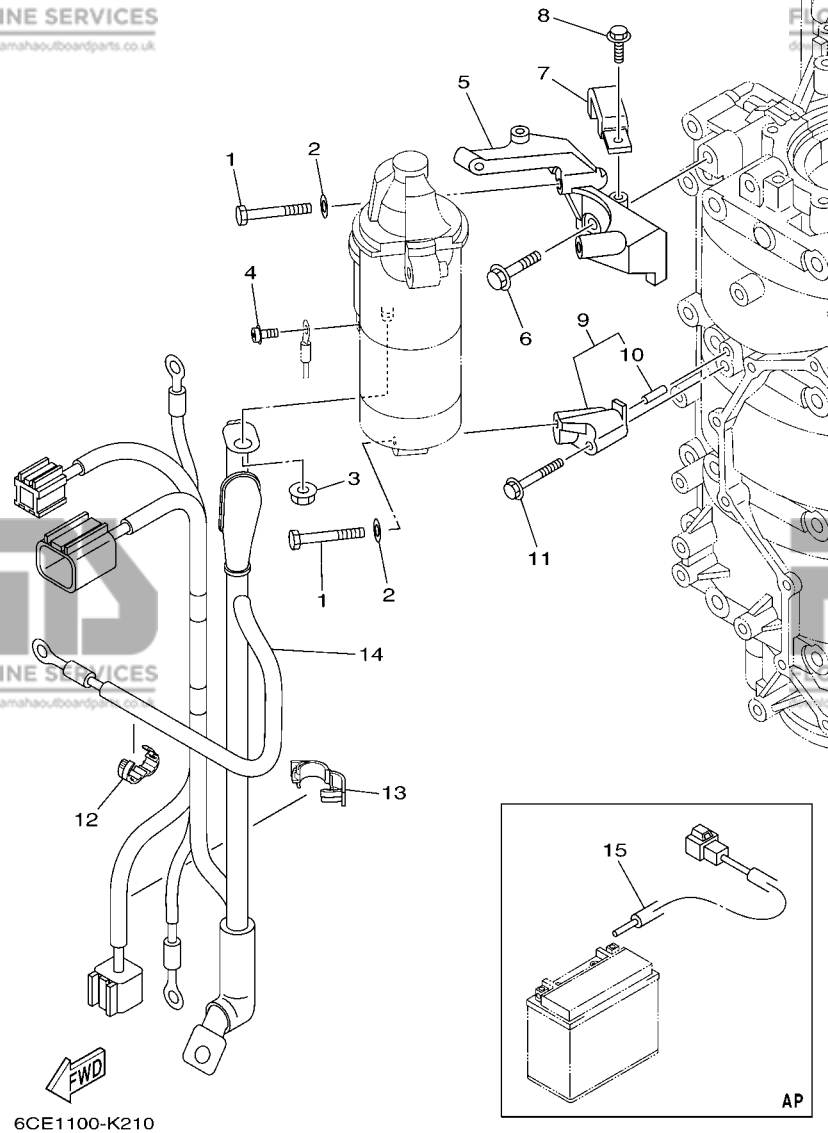
PARTIE ELECTRIQUE 4



REF. NO.	PART NO. N° PIECES	DESCRIPTION DESCRIPTION	6CE2	6CF2	REMARKS REMARQUES
28	63P-83614-01	BRACKET SUPPORT	1	1	
29	95895-06012	BOLT, FLANGE BOULON	4	4	
30	63P-85886-00	SENSOR, AIR TEMPERATURE SONDE	1	1	
31	63P-14435-00	GROMMET RONDELLE CAOUTCHOUC	1	1	
32	90464-09129	CLAMP BRIDE	2	2	
33	6CB-81952-00	HOLDER, RELAY SUPPORT, RELAIS	1	1	
34	95895-06016	BOLT, FLANGE BOULON	1	1	

FIG. 21 ELECTRICAL 5

PARTIE ELECTRIQUE 5



REF. NO.	PART NO. N° PIECES	DESCRIPTION DESCRIPTION	6CE2	6CF2	REMARKS REMARQUES
1	97013-08045	BOLT BOULON	3	3	
2	92903-08600	WASHER, PLATE RONDELLE, PLATE	3	3	
3	90179-08003	NUT ECROU	1	1	
4	90159-04005	SCREW, WITH WASHER VIS, AVEC RONDELLE	1	1	
5	6CB-81822-01	BRACKET, STARTING MOTOR SUPPORT, DEMARREUR ELECTRIQUE	1	1	
6	90105-08M87	BOLT, FLANGE BOULON	2	2	
7	6CB-81443-00	CLAMP, LEAD 1 BRIDE, FIL 1	1	1	
8	95895-06016	BOLT, FLANGE BOULON	1	1	
9	6CB-81823-00	STAY, STARTING MOTOR SUPPORT	1	1	
10	93606-12019	.PIN, DOWEL .GOUILLE	1	1	
11	90105-06151	BOLT, FLANGE BOULON	1	1	
12	90464-13227	CLAMP BRIDE	1	1	
13	90464-18004	CLAMP BRIDE	1	1	
14	6CE-8259M-00	WIRE HARNESS ASSY 2 FAISCEAU DE FILS	1	1	
15	6CE-81949-00	WIRE, LEAD (ISOLATOR CABLE) FIL (ISOLATOR CABLE)	1	1	AP AP

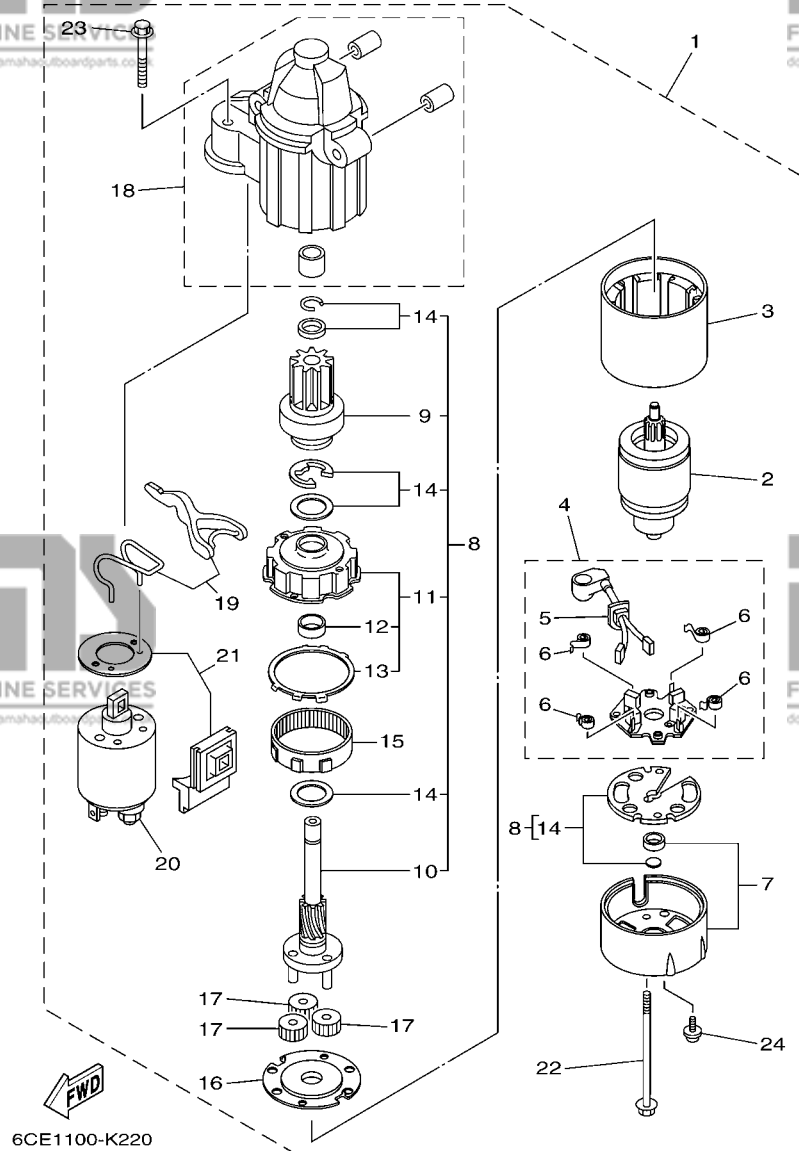


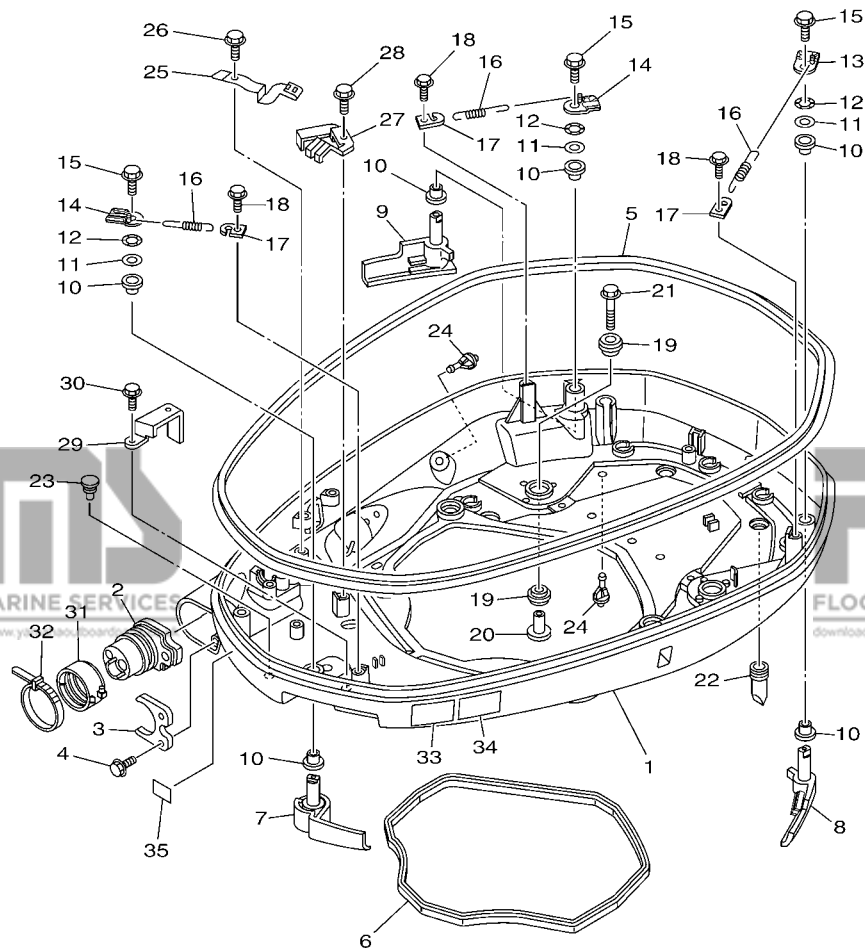
FIG. 22 STARTING MOTOR

DEMARREUR ELECTRIQUE

REF. NO.	PART NO. N° PIECES	DESCRIPTION DESCRIPTION	6CE2	6CF2	REMARKS REMARQUES
1	6CE-81800-00	STARTING MOTOR ASSY DEMARREUR ELECTRIQUE COMPLET	1	1	
2	6CE-81850-00	.ARMATURE ASSY .INDUIT	1	1	
3	6CE-81810-00	.STATOR ASSY .STATOR COMPLET	1	1	
4	6CE-81840-00	.BRUSH HOLDER ASSY .SUPPORT DE CHARBON	1	1	
5	6CE-81801-00	..BRUSH SET ..CHARBON	1	1	
6	67F-81813-00	..SPRING, BRUSH ..RESSORT, DE CHARBON	4	4	
7	6CE-81820-00	.REAR BRACKET ASSY .SUPPORT ARRIERE COMPLET	1	1	
8	6CE-81807-00	.GEAR ASSY, STARTING MOTOR .PIGNON, DEMARREUR ELECTRIQUE	1	1	
9	6CB-81832-00	..CLUTCH, OVER RUN ..EMBAYAGE, ROUE LIBRE	1	1	
10	6CB-81836-00	..SHAFT, PINION ..AXE, PIGNON	1	1	
11	6CE-81821-00	..BRACKET, CENTER 1 ..SUPPORT, CENTRE 1	1	1	
12	67F-81841-00	..BEARING ..ROULEMENT	1	1	
13	67F-8183R-00	..GASKET ..JOINT	1	1	
14	6CB-81809-00	..WASHER KIT ..JEU DE RONDELLES	1	1	
15	67F-81891-00	.GEAR, RING .ROUE DENTEE	1	1	
16	6CE-81830-00	.BRACKET, CENTER 2 .SUPPORT, CENTRE 2	1	1	
17	60V-8183T-00	.GEAR, IDLER .PIGNON, INTERMEDIAIRE	3	3	
18	6CE-81842-00	.COVER .COUVERCLE	1	1	
19	6CE-81839-00	.LEVER ASSY .LEVIER COMPLET	1	1	
20	6C5-81941-00	.STARTER RELAY ASSY .LANCEUR RELAIS (ENS.)	1	1	
21	6CE-81869-00	.COVER, DUST .COUVERCLE, POUSSIERE	1	1	
22	6CB-81826-00	.BOLT .BOULON	2	2	
23	69J-81828-00	.SCREW 2 .VIS 2	2	2	
24	67F-81846-00	.SCREW .VIS	2	2	

FIG. 23 BOTTOM COWLING 1

CAPOT INFERIEUR 1

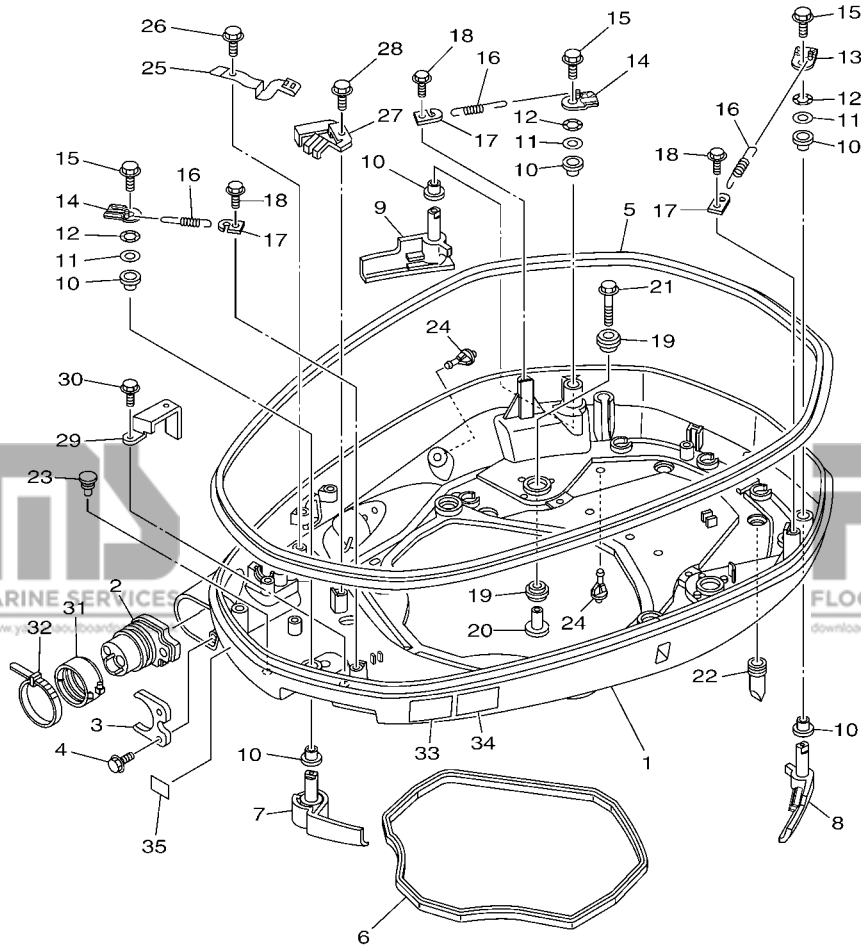


6CE2100-L230

REF. NO.	PART NO. N° PIECES	DESCRIPTION DESCRIPTION	6CE2	6CF2	REMARKS REMARQUES
1	6CB-42711-01-8D	COWLING, BOTTOM 1 CUVETTE 1	1	1	
2	6CE-42725-01	GROMMET PASSE-FIL	1	1	
3	6CB-42761-00	STOPPER PLAQUETTE	1	1	
4	95895-06014	BOLT, FLANGE BOULON	2	2	
5	6CB-42615-00	SEAL JOINT	1	1	
6	6CB-42716-00	RUBBER, SEAL 1 JOINT EN CAOUTCHOUC 1	1	1	
7	6CB-42815-01-8D	LEVER, CLAMP LEVIER, PRESSE	1	1	
8	6CB-42816-01-8D	LEVER, CLAMP LEVIER, PRESSE	1	1	
9	6CB-42817-01-8D	LEVER, CLAMP LEVIER, PRESSE	1	1	
10	90386-15M73	BUSH DOUILLE	6	6	
11	90201-156J2	WASHER, PLATE RONDELLE, PLATE	3	3	
12	90206-15M18	WASHER, WAVE RONDELLE, ONDULEE	3	3	
13	6CB-42818-00	LEVER, CLAMP LEVIER, PRESSE	1	1	
14	6CB-42819-00	LEVER, CLAMP LEVIER, PRESSE	2	2	
15	95880-08012	BOLT, FLANGE BOULON, A COLLERETTE	3	3	
16	90506-22001	SPRING, TENSION RESSORT, TENSION	3	3	
17	66T-43144-00	HOOK, SPRING CROCHET	3	3	
18	95895-06012	BOLT, FLANGE BOULON	3	3	
19	90480-22M81	GROMMET PASSE-FIL	12	12	
20	90387-08M37	COLLAR COLLERETTE	6	6	
21	90119-08M22	BOLT, WITH WASHER BOULON, AVEC RONDELLE	6	6	
22	6D0-42717-00	RUBBER, SEAL 2 JOINT EN CAOUTCHOUC 2	2	2	
23	6H4-42748-00	GROMMET PASSE-FIL	1	1	
24	6P2-44391-00	NIPPLE, HOSE RACCORD D'ESSENCE	2	2	
25	6CB-42743-00	BRACKET SUPPORT	1	1	
26	95895-06012	BOLT, FLANGE BOULON	1	1	
27	6CB-42766-00	BRACKET 2 SUPPORT 2	1	1	

FIG. 23 BOTTOM COWLING 1

CAPOT INFERIEUR 1

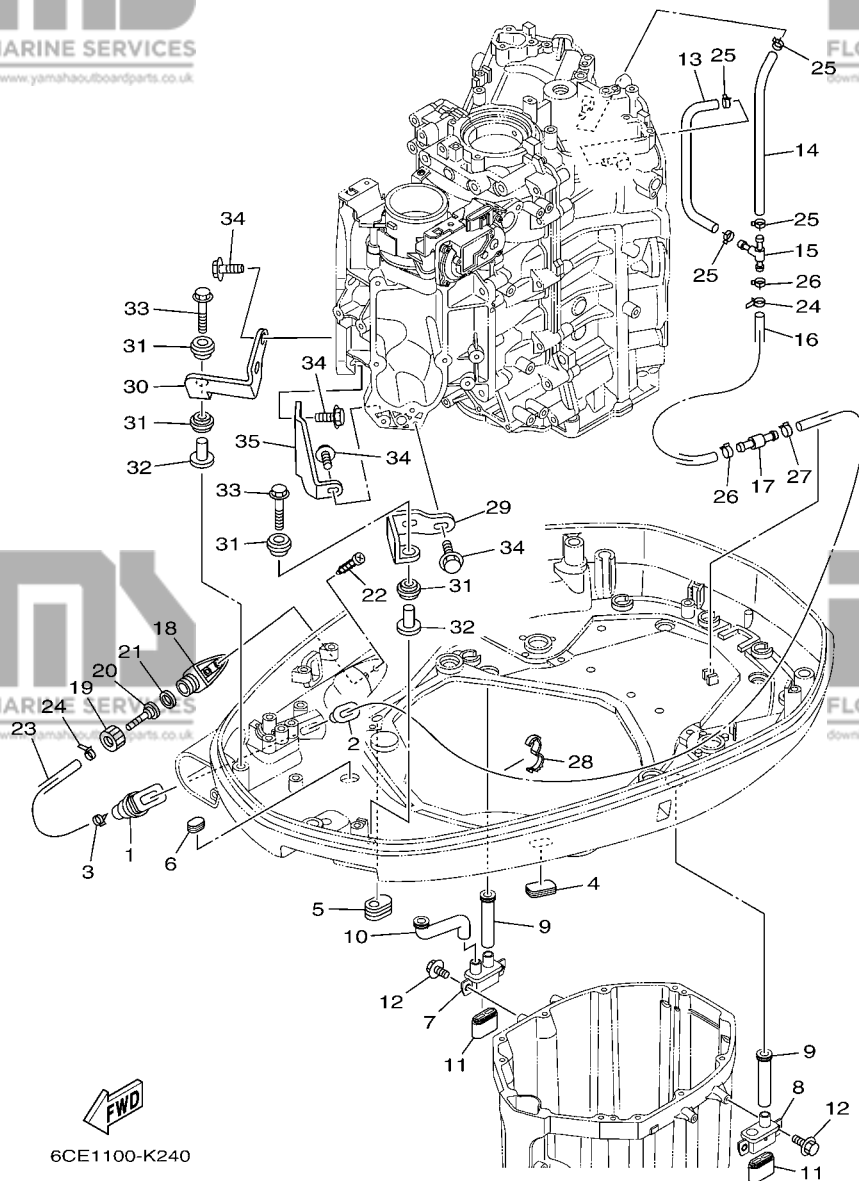


6CE2100-L230

REF. NO.	PART NO. N° PIECES	DESCRIPTION DESCRIPTION	6CE2	6CF2	REMARKS REMARQUES
28	95895-06012	BOLT, FLANGE BOULON	1	1	
29	6CB-42756-00	STAY, CLAMP SUPPORT, COLLIER	1	1	
30	95895-06012	BOLT, FLANGE BOULON	1	1	
31	68F-42753-00	FASTNER ATTACHE	1	1	AP AP
32	90464-20258	CLAMP BRIDE	1	1	AP AP
33	6AH-42794-40	LABEL, WARNING (GENERAL) ETIQUETTE, AVERTISSEMENT	1	1	
34	6AH-42794-50	LABEL, WARNING (GENERAL) ETIQUETTE, AVERTISSEMENT	1	1	
35	6AH-81996-00	MARK MARQUE	1	1	

FIG. 24 BOTTOM COWLING 2

CAPOT INFERIEUR 2

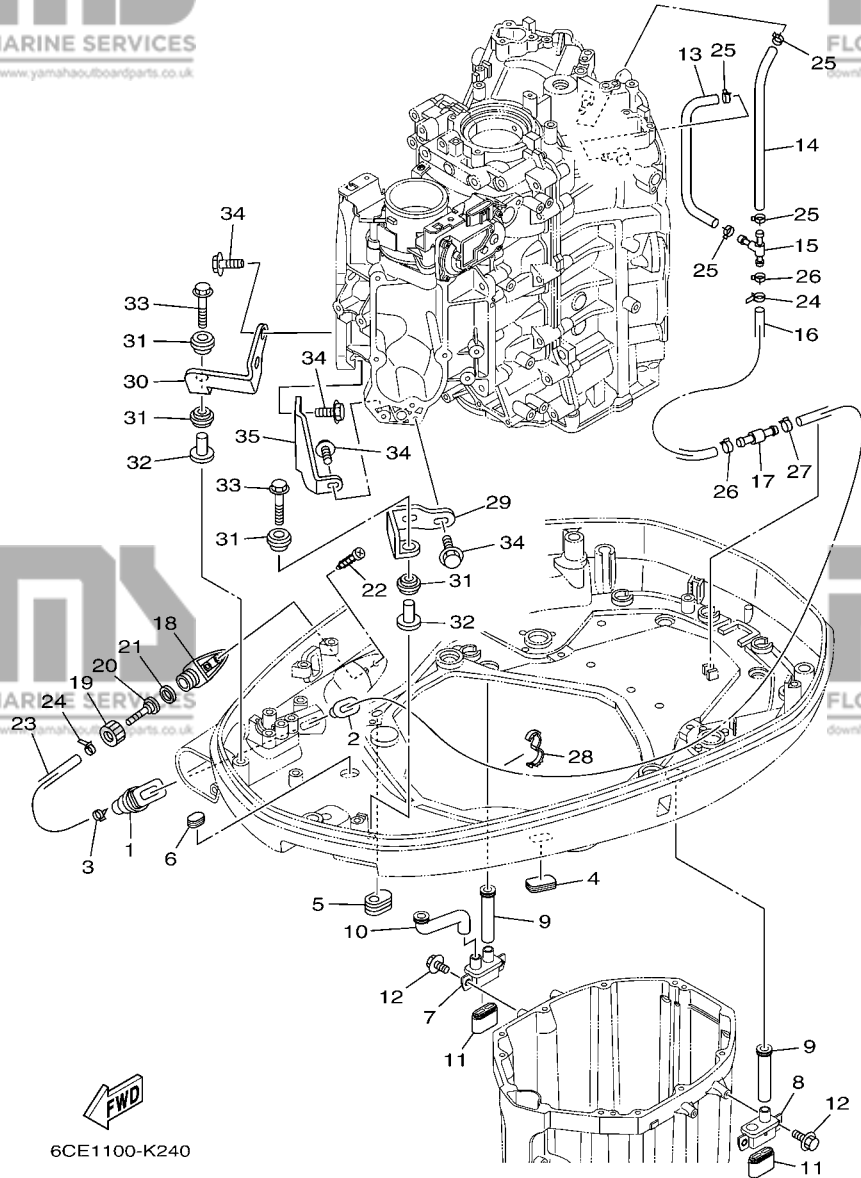


REF. NO.	PART NO. N° PIECES	DESCRIPTION DESCRIPTION	6CE2	6CF2	REMARKS REMARQUES
1	6H1-42726-21	GROMMET PASSE-FIL	1	1	
2	6BG-42384-00	SEAL, CAP JOINT, CAPUCHON	1	1	
3	90465-11M10	CLAMP BRIDE	2	2	
4	6H4-42726-00	GROMMET PASSE-FIL	1	1	
5	61A-42727-00	GROMMET PASSE-FIL	1	1	
6	64G-42727-00	GROMMET PASSE-FIL	1	1	
7	6CE-42733-00	BOX, DRAIN BOITIER, VIDANGE	1	1	
8	6CE-42734-00	BOX, DRAIN 2 BOITIER, VIDANGE 2	1	1	
9	6CE-42786-00	HOSE, DRAIN 1 DURITE, VIDANGE 1	2	2	
10	6CE-42787-00	HOSE, DRAIN 2 DURITE, VIDANGE 2	1	1	
11	69J-42717-00	RUBBER, SEAL 2 JOINT EN CAOUTCHOUC 2	2	2	
12	95895-06016	BOLT, FLANGE BOULON	4	4	
13	6CB-24315-00	PIPE 5 DURITE 5	1	1	
14	90445-14021	HOSE (L185) DURITE (L185)	1	1	
15	6AW-42169-00	JOINT AXE	1	1	
16	90445-16015	HOSE (L300) DURITE (L300)	1	1	
17	6AW-42785-00	PIPE DURITE	1	1	
18	6AW-12572-00	ADAPTER ADAPTATEUR	1	1	
19	6R3-12581-00	JOINT, HOSE 1 JOINT DE TUYAU	1	1	
20	6AW-12582-00	JOINT, HOSE 2 RACCORD DE TUYAU 1	1	1	
21	6R3-12583-00	GASKET, HOSE JOINT JOINT	1	1	
22	97780-60520	SCREW, TAPPING VIS, TETE BOMBEE	2	2	
23	90445-14019	HOSE (L1460) DURITE (L1460)	1	1	
24	90465-11M10	CLAMP BRIDE	2	2	
25	90467-130A5	CLIP JONC	4	4	
26	90467-140A8	CLIP JONC	2	2	
27	90467-140A9	CLIP JONC	1	1	

6CE1100-K240

FIG. 24 BOTTOM COWLING 2

CAPOT INFERIEUR 2



REF. NO.	PART NO. N° PIECES	DESCRIPTION DESCRIPTION	6CE2	6CF2	REMARKS REMARQUES
28	90464-16001	CLAMP BRIDE	1	1	
29	6CB-42643-00	PLATE, CLAMP PLAQUE, PRESSE	1	1	
30	6CB-42644-00	PLATE, CLAMP 2 PLAQUE, PRESSE 2	1	1	
31	90480-14029	GROMMET PASSE-FIL	4	4	
32	90387-06M03	COLLAR COLLERETTE	2	2	
33	90119-06M61	BOLT, WITH WASHER BOULON, AVEC RONDELLE	2	2	
34	90105-06039	BOLT, FLANGE BOULON	6	6	
35	6CB-42744-00	STAY SUPPORT	1	1	

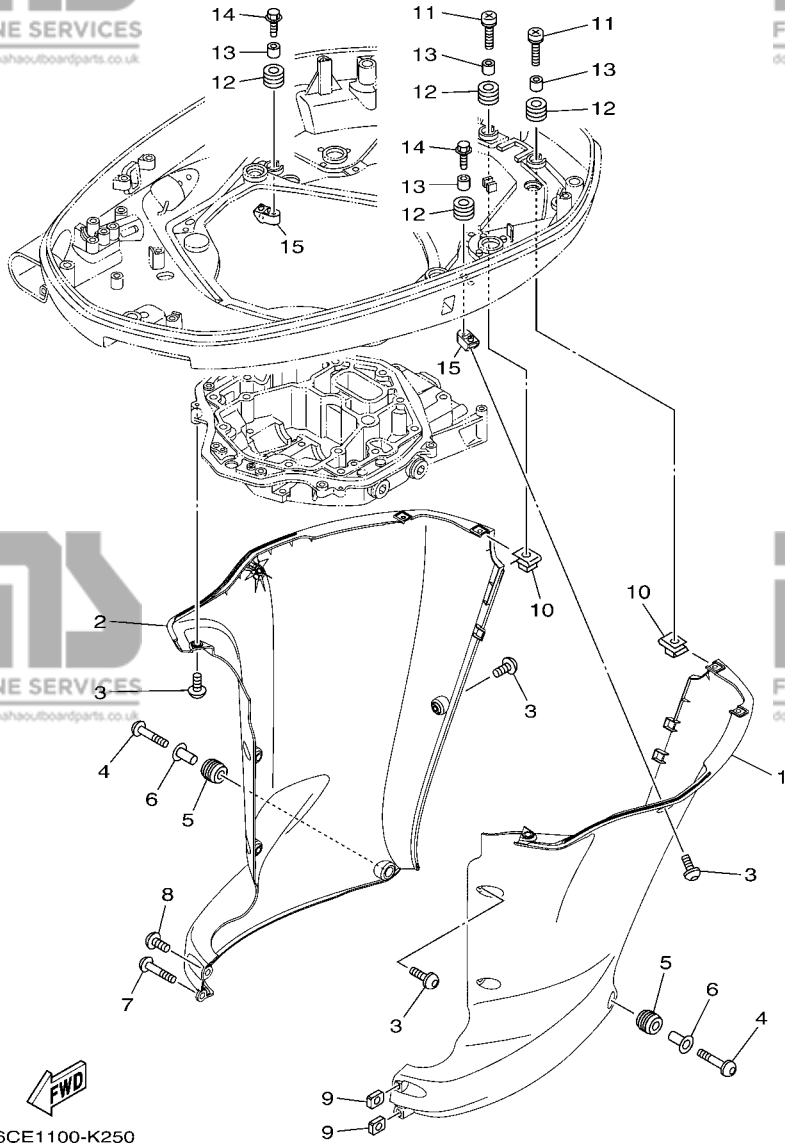


FIG. 25 BOTTOM COWLING 3

CAPOT INFERIEUR 3

REF. NO.	PART NO. N° PIECES	DESCRIPTION DESCRIPTION	6CE2	6CF2	REMARKS REMARQUES
1	6CE-42741-00-8D	APRON CAPOT LATERAL	1	1	Go to P/N : PE0-OM-110043
2	6CE-42771-00-8D	APRON CAPOT LATERAL	1	1	Go to P/N : PE0-OM-110043
3	90111-06111	BOLT,HEX. SOCKET BUTTON BOULON	10	10	
4	90111-06113	BOLT,HEX. SOCKET BUTTON BOULON	2	2	
5	90480-16009	GROMMET PASSE-FIL	2	2	
6	90387-07028	COLLAR COLLERETTE	2	2	
7	90111-06113	BOLT,HEX. SOCKET BUTTON BOULON	1	1	
8	90111-06111	BOLT,HEX. SOCKET BUTTON BOULON	1	1	
9	90173-06001	NUT, SQUARE ECROU, CARRE	2	2	
10	90183-061A6	NUT, SPRING ECROU, RESSORT	4	4	
11	90159-06053	SCREW, WITH WASHER VIS, AVEC RONDELLE	4	4	
12	90480-13M24	GROMMET PASSE-FIL	6	6	
13	90387-06M43	COLLAR COLLERETTE	6	6	
14	90109-06M80	BOLT BOULON	2	2	
15	6CE-42774-00	STAY, APRON 1 COUSSINET	2	2	

PARTS NEWS

FLOOD MARINE SERVICES

downloaded from www.yamahaoutboardparts.co.uk

FLOOD MARINE SERVICES

downloaded from www.yamahaoutboardparts.co.uk



downloaded from www.yamahaoutboardparts.co.uk

News No. PE0-OM-110043(1/2)

Date: November 21, 2011

Signature: S. Ishibashi

Cause : Revision Notice Correction Sales Unit Change Others

Model	F(L)300B (6CE2/6CF2) / F(L)250D (6CG2/6CH2) / F(L)225F (6CL2/6CM2)
Subject	PARTS CATALOGUE CORRECTIONS
CATALOGUE NO.	See the "List of Models and CATALOGUE No's below."
Time of YPEC Revision	Text, Illustration --> Dec./20/2011
	PDF Replace --> Dec./20/2011
(YPEC = Yamaha Parts Electrical Catalogue = Website parts catalogue)	

Applicable Engine Serial No.

MODEL NAME	MODEL CODE	Applicable Engine Serial No.
F300CA, F300B	6CE2	6CE:1004332-
LF300CA, FL300B	6CF2	6CF:1001743-
F250CA, F250D	6CG2	6CG:1002401-
LF250CA, FL250D	6CH2	6CH:1000701-
F225CA, F225F	6CL2	6CL:1001179-
LF225CA, FL225F	6CM2	6CM:1000200-

*1: Interchangeability

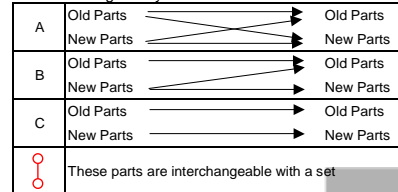


FIG.25 BOTTOM COWLING 3

1. LIST CORRECTION

Fig. No.	Ref. No.	OLD P/No.	NEW P/No.	PART NAME	Q'TY	*Interchangeability	
							REMARKS
25	1	6CE-42741-00-8D	6CE-42741-01-8D	APRON	1		*Part number revision
	2	6CE-42771-00-8D	6CE-42771-01-8D	APRON	1		



downloaded from www.yamahaoutboardparts.co.uk



downloaded from www.yamahaoutboardparts.co.uk



downloaded from www.yamahaoutboardparts.co.uk

Parts Manager Check

Service Manager Check

Parts Manager File

YAMAHA MOTOR CO.,LTD
2500 Shingai Iwata Shizuoka 438-8501.Japan
Technical Publication Dept.

News No. PE0-OM-110043(2/2)

Date: November 21, 2011

Signature: S. Ishibashi

Cause : Revision Notice Correction Sales Unit Change Others

Model	F(L)300B (6CE2/6CF2) / F(L)250D (6CG2/6CH2) / F(L)225F (6CL2/6CM2)
Subject	PARTS CATALOGUE CORRECTIONS
CATALOGUE NO.	See the "List of Models and CATALOGUE No's below."
Time of YPEC Revision	Text, Illustration --> Dec./20/2011
	PDF Replace --> Dec./20/2011
(YPEC = Yamaha Parts Electrical Catalogue = Website parts catalogue)	

2. LIST of Models and CATALOGUE No's.

The applicable MODELS, MODEL CODES, and CATALOGUE No's are as follows.

MODEL NAME	MODEL CODE	MODEL YEAR	CATALOGUE NO.
F300CA, F300BET	6CE2	2012	1L6CE-100E1
LF300CA, FL300BET	6CF2		
F300CA	6CE2	2012	1L6CE-110E1
LF300CA	6CF2	2012	1L6CF-110E1
F300BET	6CE2	2012	1L6CE-200S1
FL300BET	6CF2		
F300BET	6CE2	2012	1L6CE-300F1
FL300BET	6CF2		
F250CA, F250DET	6CG2	2012	1L6CG-100E1
LF250CA, FL250DET	6CH2		
F250CA	6CG2	2012	1L6CG-110E1
LF250CA	6CH2	2012	1L6CH-110E1
F250DET	6CG2	2012	1L6CG-200S1
FL250DET	6CH2		
F250DET	6CG2	2012	1L6CG-300F1
FL250DET	6CH2		
F225CA, F225FET	6CL2	2012	1L6CL-100E1
LF225CA, FL225FET	6CM2		
F225CA	6CL2	2012	1L6CL-110E1
LF225CA	6CM2	2012	1L6CM-110E1
F225FET	6CL2	2012	1L6CL-200S1
FL225FET	6CM2		
F225FET	6CL2	2012	1L6CL-300F1
FL225FET	6CM2		
F225FET	6CL2	2012	1L6CL-370E1
F250DET	6CG2		
FL225FET	6CM2		
FL250DET	6CH2		

Thank you very much for your cooperation.

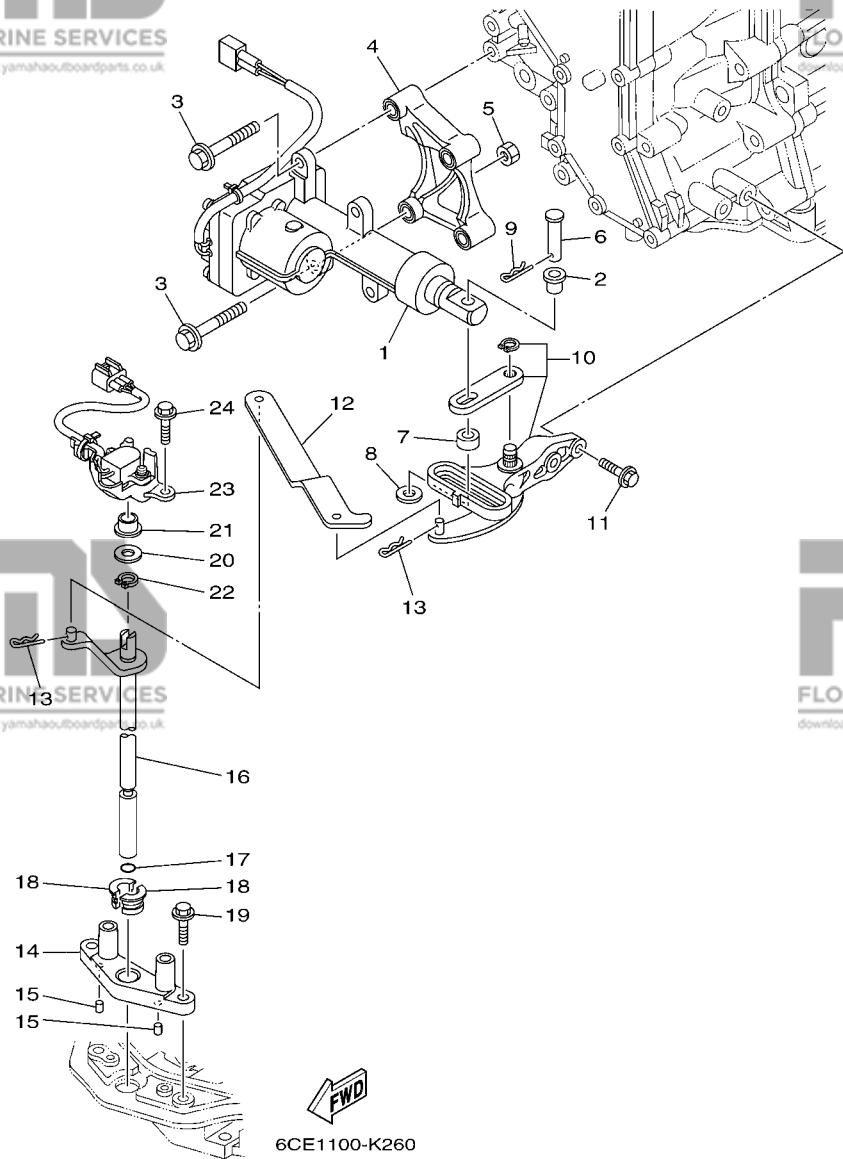


FIG. 26 CONTROL

COMMANDE

REF. NO.	PART NO. N° PIECES	DESCRIPTION DESCRIPTION	6CE2	6CF2	REMARKS REMARQUES
1	6CE-4820A-01	ACTUATOR UNIT ACTUATOR UNIT	1	1	
2	90386-08008	BUSH DOUILLE	1	1	
3	97575-08555	BOLT, WITH WASHER VIS HEXAGONAL AVC RONDELLE	4	4	
4	6CE-44142-10	JOINT AXE	1	1	
5	95380-08600	NUT ECROU	1	1	
6	6CE-42195-00	PIN, JOINT 1 GOUPILLE	1	1	
7	6CE-44122-00	BUSHING, SHIFT ROD LEVER DOUILLE, LEVIER D'EMBRAYAGE	1	1	
8	90201-08M09	WASHER, PLATE RONDELLE, PLATE	1	1	
9	90468-18008	CLIP JONC	1	1	
10	6CE-44100-00	SHIFT LINK ASSY MAILLON DE SELECTEUR	1	1	
11	97575-06525	BOLT, WITH WASHER VIS HEXAGONAL AVC RONDELLE	2	2	
12	6CE-44121-00	LEVER, SHIFT ROD LEVIER, TIGE D'INVERSION	1	1	
13	90468-18008	CLIP JONC	2	2	
14	6CE-44118-00-94	BRACKET SUPPORT	1	1	
15	93604-07M13	PIN, DOWEL CLAVETTE	2	2	
16	6CE-44120-00	HANDLE GEAR SHIFT ASSY LEVIER D'EMBRAYAGE	1	1	X(25.3")
	6CE-44120-10	HANDLE GEAR SHIFT ASSY LEVIER D'EMBRAYAGE	1	1	X(25.3") U(30.3") U(30.3")
17	93210-09165	O-RING JOINT TORIQUE	1	1	
18	90386-11001	BUSH DOUILLE	2	2	
19	95875-06025	BOLT, FLANGE BOULON, A COLLERETTE	2	2	
20	90201-11008	WASHER, PLATE RONDELLE, PLATE	1	1	
21	90386-10001	BUSH DOUILLE	1	1	
22	93410-10082	CIRCLIP CLIPS	1	1	
23	6CE-68303-00	SENSOR ASSY SONDE (ENS.)	1	1	
24	95875-06025	BOLT, FLANGE BOULON, A COLLERETTE	2	2	

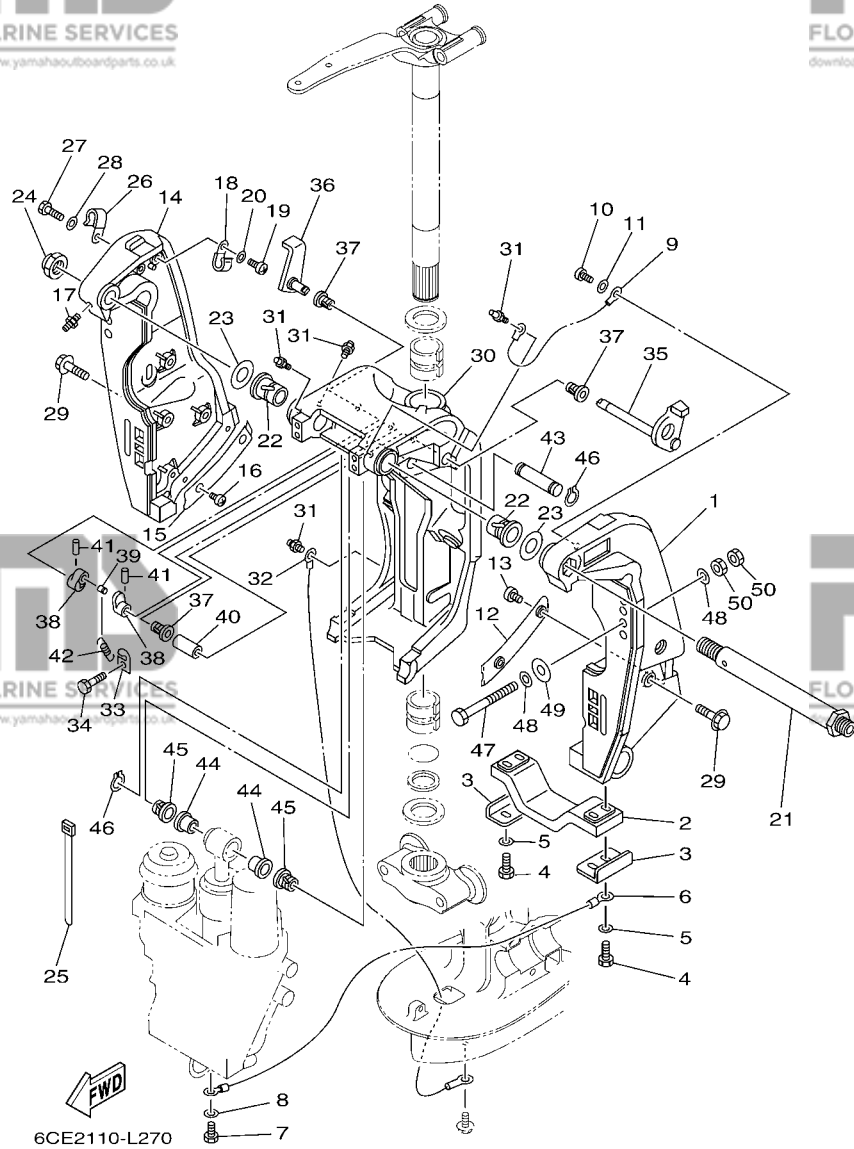


FIG. 27 BRACKET 1

SUPPORT 1

REF. NO.	PART NO. N° PIECES	DESCRIPTION DESCRIPTION	6CE2	6CF2	REMARKS REMARQUES
1	69J-43111-01-8D	BRACKET, CLAMP 1 PRESSE 1	1	1	
2	6G5-45251-02	ANODE ANODE	1	1	
3	6G5-44526-00	PLATE PLAQUE	2	2	
4	97095-06025	BOLT BOULON	4	4	
5	92995-06600	WASHER RONDELLE	4	4	
6	6H1-82148-00	WIRE, LEAD 4 FIL 4	1	1	
7	97095-06010	BOLT BOULON	1	1	
8	92995-06600	WASHER RONDELLE	1	1	
9	6E5-82148-00	WIRE, LEAD 4 FIL 4	1	1	
10	97885-06012	SCREW, PAN HEAD VIS, A ENCOCHE	1	1	
11	92995-06600	WASHER RONDELLE	1	1	
12	61A-43132-00	WASHER, FRICTION RONDELLE, FRICTION	1	1	
13	97885-06010	SCREW, PAN HEAD VIS, A ENCOCHE	2	2	
14	69J-43112-01-8D	BRACKET, CLAMP 2 PRESSE 2	1	1	
15	61A-43133-00	WASHER, FRICTION RONDELLE	1	1	
16	97885-06010	SCREW, PAN HEAD VIS, A ENCOCHE	2	2	
17	93700-06M03	NIPPLE, GREASE PION	1	1	
18	90465-08M83	CLAMP BRIDE	1	1	
19	97885-06012	SCREW, PAN HEAD VIS, A ENCOCHE	1	1	
20	92995-06600	WASHER RONDELLE	1	1	
21	6R3-43131-00	BOLT, CLAMP BRACKET BOULON, PRESSE	1	1	
22	90386-25M31	BUSH DOUILLE	2	2	
23	90201-26M59	WASHER, PLATE RONDELLE, PLATE	2	2	
24	90185-22M11	NUT, SELF-LOCKING ECROU, AUTO-BLOQUANT	1	1	
25	90465-11M10	CLAMP BRIDE	4	4	
26	90465-08M83	CLAMP BRIDE	1	1	
27	97095-06014	BOLT BOULON	1	1	

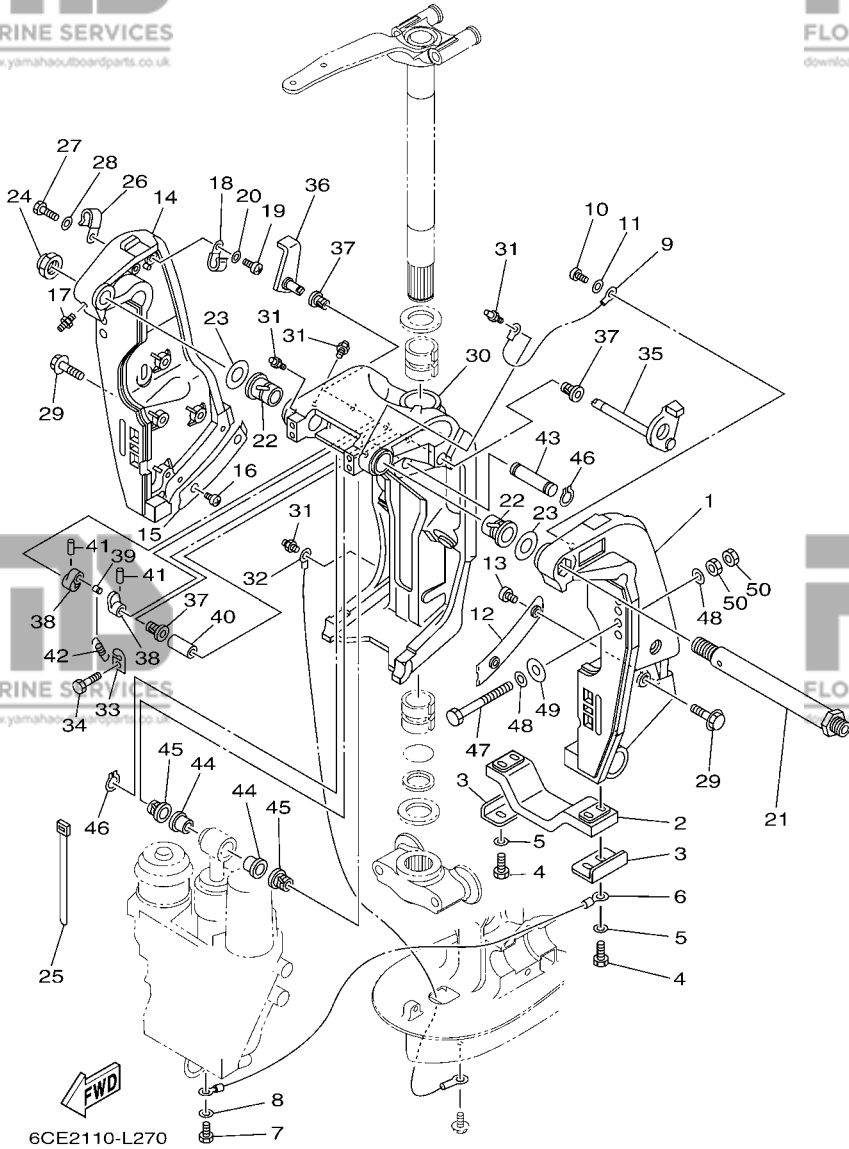


FIG. 27 BRACKET 1

SUPPORT 1

REF. NO.	PART NO. N° PIECES	DESCRIPTION DESCRIPTION	6CE2	6CF2	REMARKS REMARQUES
28	92995-06600	WASHER RONDELLE	1	1	
29	90119-10024	BOLT, WITH WASHER BOULON, AVEC RONDELLE	8	8	
30	61A-43311-21-8D	BRACKET, SWIVEL 1 SUPPORT, PIVOT 1	1	1	
31	93700-06M03	NIPPLE, GREASE PION	5	5	
32	69J-82147-00	WIRE, LEAD 5 FIL 5	1	1	
33	6G5-43144-00	HOOK, SPRING CROCHET	1	1	
34	97095-06010	BOLT BOULON	1	1	
35	61A-43181-01	LEVER, TILT STOP 1 LEVIER VERROUILLAGE RELEVAGE 1	1	1	
36	6G5-43185-02	LEVER, TILT STOP 2 LEVIER VERROUILLAGE RELEVAGE 2	1	1	
37	90386-10M16	BUSH DOUILLE	3	3	
38	6G5-43148-00	COLLAR, DISTANCE ENTRETOISE	2	2	
39	90249-06M19	PIN GOUPILLE	1	1	
40	90387-10M05	COLLAR COLLERETTE	1	1	
41	91690-30020	PIN, SPRING AGRAFFE	2	2	
42	90506-16003	SPRING, TENSION RESSORT, TENSION	1	1	
43	6E5-43126-10	PIN, UPPER SHOCK MOUNT AXE, SUPERIEUR AMORTISSEUR	1	1	
44	90386-18M63	BUSH DOUILLE	2	2	
45	90386-18M14	BUSH DOUILLE	2	2	
46	93410-18M05	CIRCLIP CLIPS	2	2	
47	90101-12M05	BOLT (L:130MM) BOULON (L:130MM)	4	4	UR
	90101-12M77	BOLT (L:150MM) BOULON (L:150MM)	2	2	UR F(L)300BET1 UR F(L)300BET1
48	90201-13M01	WASHER, PLATE RONDELLE, PLATE	8	8	
49	90201-12426	WASHER, PLATE RONDELLE, PLATE	4	4	
50	95380-12600	NUT ECROU	8	8	

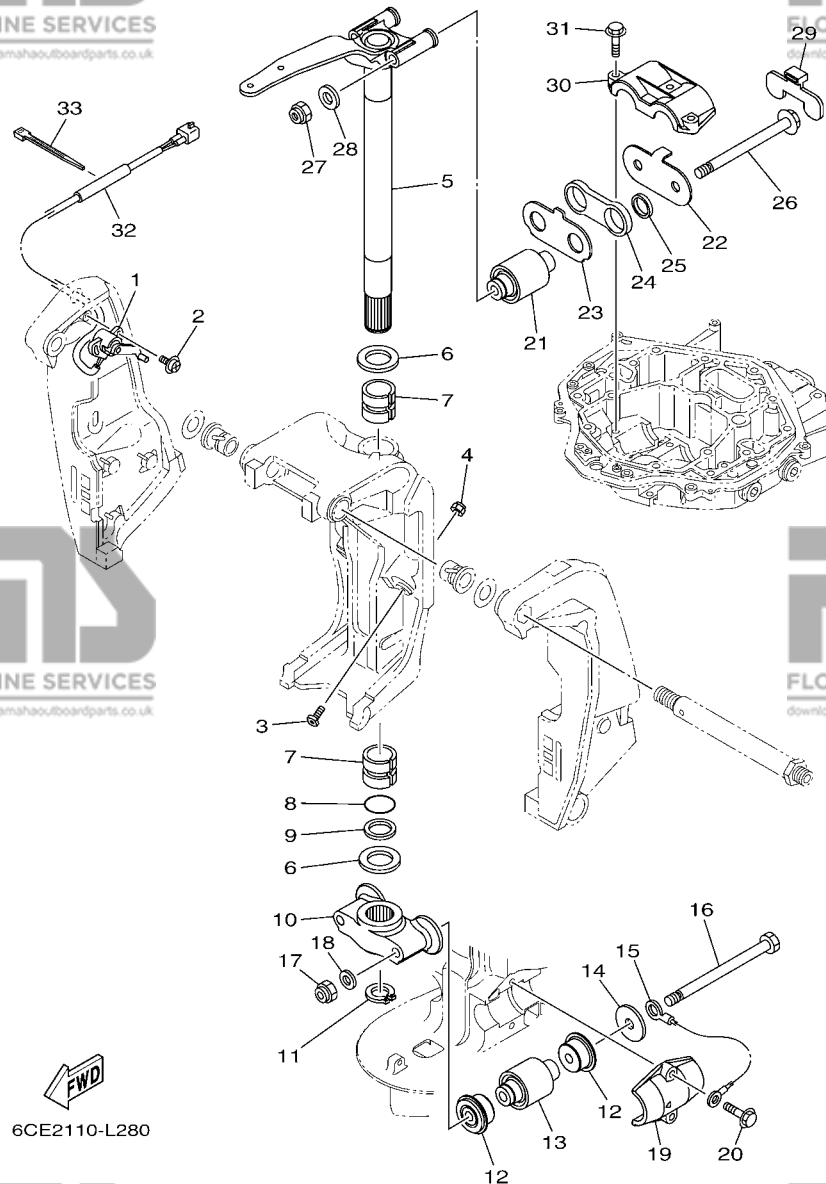


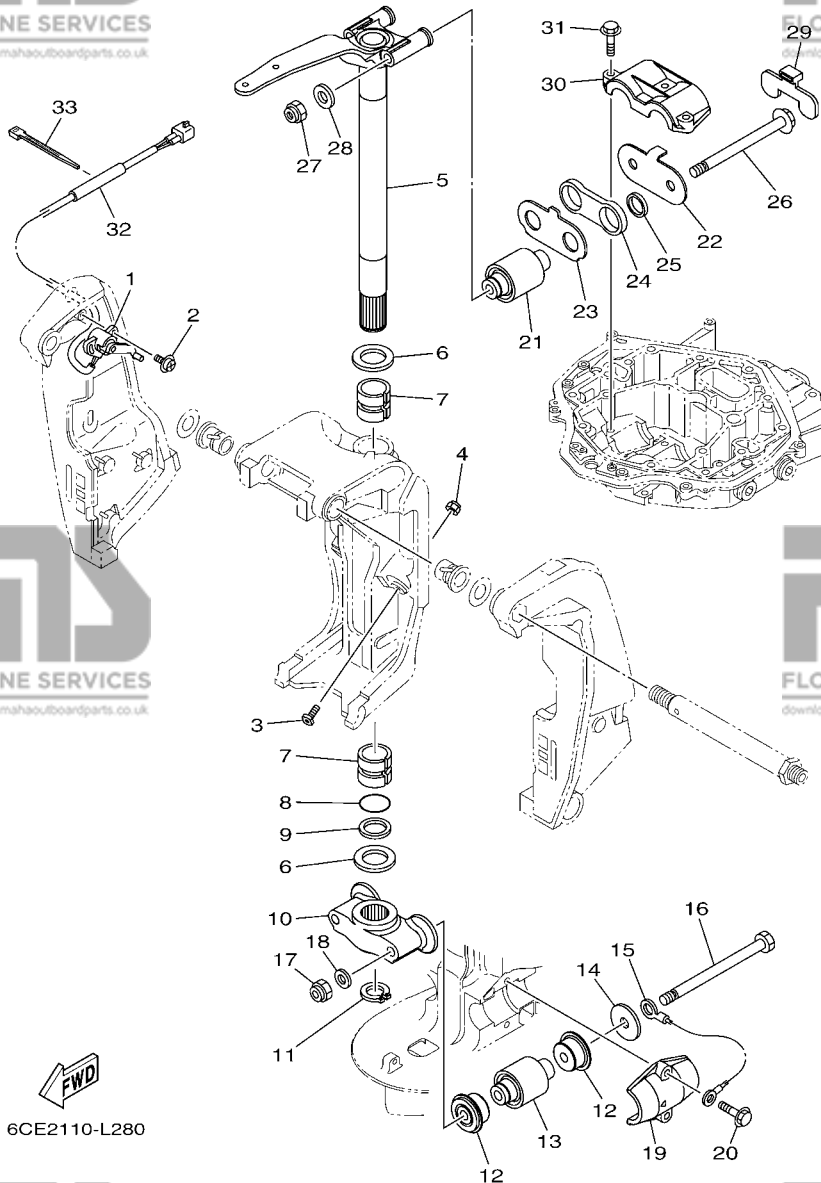
FIG. 28 BRACKET 2

SUPPORT 2

REF. NO.	PART NO. N° PIECES	DESCRIPTION DESCRIPTION	6CE2	6CF2	REMARKS REMARQUES
1	69J-83672-11	TRIM SENDER INCLINER RACCORD	1	1	
2	97985-06216	SCREW, WITH WASHER VIS, AVEC RONDELLE	2	2	
3	61A-43376-00	BOLT, THRUST RECEIVER BOULON	2	2	
4	95780-10300	NUT, FLANGE ECROU	2	2	
5	6CE-42510-00-8D	STEERING BRACKET ASSY DIRECTION SUPPORT (ENS.)	1	1	
6	90201-40M00	WASHER, PLATE RONDELLE, PLATE	2	2	
7	90386-39M89	BUSH DOUILLE	2	2	
8	93210-35321	O-RING JOINT TORIQUE	1	1	
9	90202-40M47	WASHER, PLATE RONDELLE, PLATE	1	1	
10	6CE-44551-00-8D	HOUSING, LOWER MOUNT RUBBER 1 BOITIER, SILENT-BLOC INFERIEUR	1	1	
11	93410-37M04	CIRCLIP CLIPS	1	1	
12	6CE-44575-00-94	DAMPER, LOWER MOUNT RUBBER SILENT-BLOC, INFERIEUR	4	4	
13	6CE-44555-00-94	MOUNT DAMPER, LOWER SIDE SILENT-BLOC, INFERIEUR LATERAL	2	2	
14	90201-16032	WASHER, PLATE RONDELLE, PLATE	2	2	
15	6AW-82149-00	WIRE, LEAD 3 FIL 3	1	1	
16	90101-14004	BOLT BOULON	2	2	
17	90185-14M00	NUT, SELF-LOCKING ECROU,AUTO-BLOQUANT	2	2	
18	92995-14600	WASHER RONDELLE	2	2	
19	6CE-44552-00-CA	HOUSING, LOWER MOUNT RUBBER 2 BOITIER, SILENT-BLOC INFERIEUR	2	2	
20	90119-10024	BOLT, WITH WASHER BOULON, AVEC RONDELLE	4	4	
21	6CE-44514-00-94	MOUNT DAMPER, UPPER SIDE SILENT-BLOC, SUPERIEUR LATERAL	2	2	
22	6CE-44526-00	PLATE PLAQUE	1	1	
23	6CE-44536-00	PLATE 2 PLAQUETTE 2	1	1	
24	6CE-44532-00	STOPPER, UPPER MOUNT PLAQUETTE	1	1	
25	90387-28013	COLLAR COLLERETTE	2	2	
26	90105-14005	BOLT, FLANGE BOULON	2	2	
27	90185-14M00	NUT, SELF-LOCKING ECROU,AUTO-BLOQUANT	2	2	

FIG. 28 BRACKET 2

SUPPORT 2



REF. NO.	PART NO. N° PIECES	DESCRIPTION DESCRIPTION	6CE2	6CF2	REMARKS REMARQUES
28	92995-14600	WASHER RONDELLE	2	2	
29	6CE-44533-00	DAMPER, UPPER MOUNT RUBBER COUVERCLE, SUSPENSION INFERIEU	1	1	
30	6CE-44511-00-94	COVER, UPPER MOUNT COUVERCLE, SUSPENSION SUPERIEU	1	1	
31	90119-10024	BOLT, WITH WASHER BOULON, AVEC RONDELLE	3	3	
32	90446-15003	HOSE (L100) DURITE (L100)	1	1	
33	90465-11M10	CLAMP BRIDE	1	1	

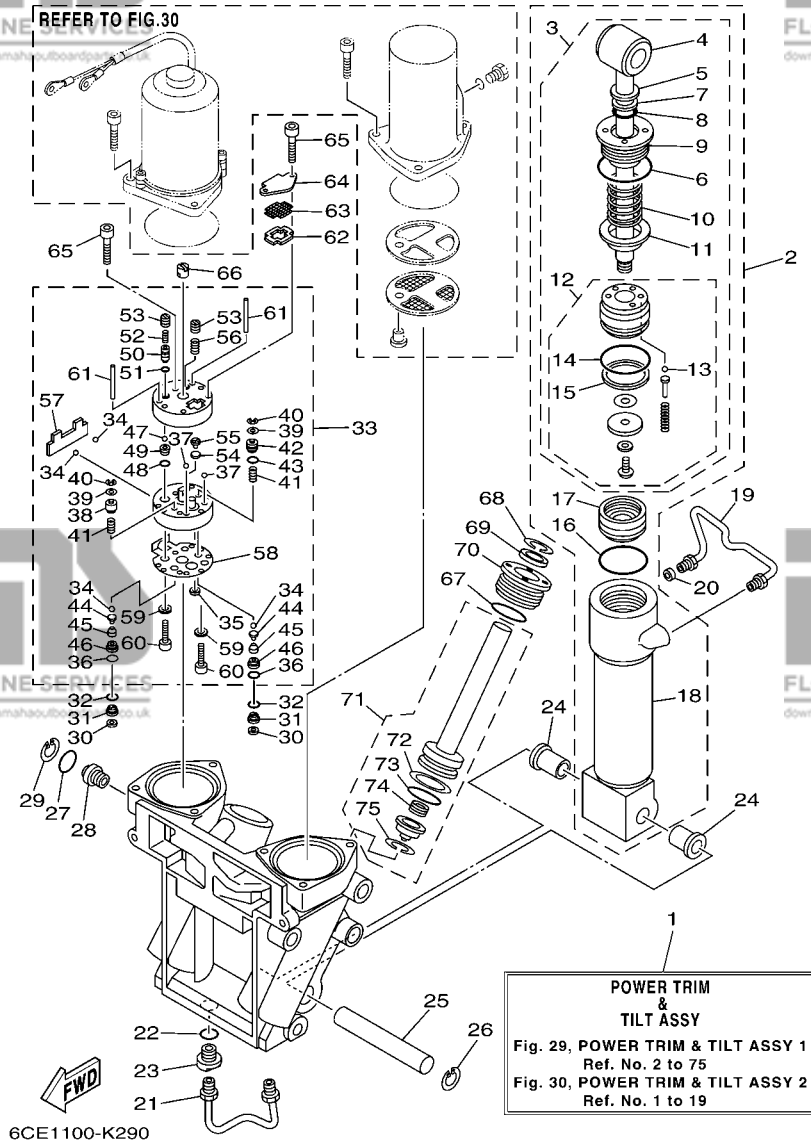


FIG. 29 POWER TRIM & TILT ASSY 1

PUISSANCE PARER ET INCLINER 1

REF. NO.	PART NO. N° PIECES	DESCRIPTION DESCRIPTION	6CE2	6CF2	REMARKS REMARQUES
1	69J-43800-04-8D	POWER TRIM & TILT ASSY PUISSANCE PARER ET INCLINER (E	1	1	
2	6CE-43840-00	POWER TILT ASSY PUISSANCE INCLINER (ENS.)	1	1	
3	6CE-43810-00	.TILT PISTON SUB ASSY .INCLINER PISTON AUXILIAIRE(ENS	1	1	
4	69J-43801-01	..ROD ..TIGE	1	1	
5	93106-19N50	..OIL SEAL ..JOINT SPY	1	1	
6	6H1-43861-00	..O-RING ..JOINT TORIQUE	1	1	
7	6H1-43872-00	..RING, BACK UP ..RESSORT	1	1	
8	61A-4389H-01	..O-RING ..JOINT TORIQUE	1	1	
9	61A-43811-00	..SCREW, CYLINDER END ..VIS, CYLINDRE RACCORD	1	1	
10	69J-4384H-00	..SPRING ..RESSORT	1	1	
11	69J-4382E-00	..ADAPTOR 2 ..ADAPTEUR 2	1	1	
12	6CE-4380P-00	..PISTON SUB ASSY ..PISTON AUXILIAIRE (ENS.)	1	1	
13	93505-32038	...BALL ...BILLE	5	5	
14	61A-43861-00	...O-RING ...JOINT TORIQUE	1	1	
15	61A-43871-00	...RING, BACK UP ...SEGMENT	1	1	
16	61A-43861-00	.O-RING .JOINT TORIQUE	1	1	
17	6H1-43814-00	.PISTON, FREE .PISTON	1	1	
18	61A-43813-01	.CYLINDER, TILT .CYLINDRE	1	1	
19	61A-43835-01	PIPE TUYAU	1	1	
20	69J-4388J-00	PLUG 2 BOUCHON 2	1	1	
21	69J-43833-00	PIPE TUYAU	1	1	
22	93210-17239	O-RING JOINT TORIQUE	1	1	
23	69J-4388E-01	BOLT ,SCREW VIS	1	1	
24	90386-18M14	BUSH DOUILLE	2	2	
25	61A-43818-00	PIN, LOWER SHOCK MOUNT AXE, INFERIEUR AMORTISSEUR	1	1	
26	61A-43876-00	RING, SNAP RESSORT	1	1	
27	6D8-43863-00	O-RING JOINT TORIQUE	1	1	

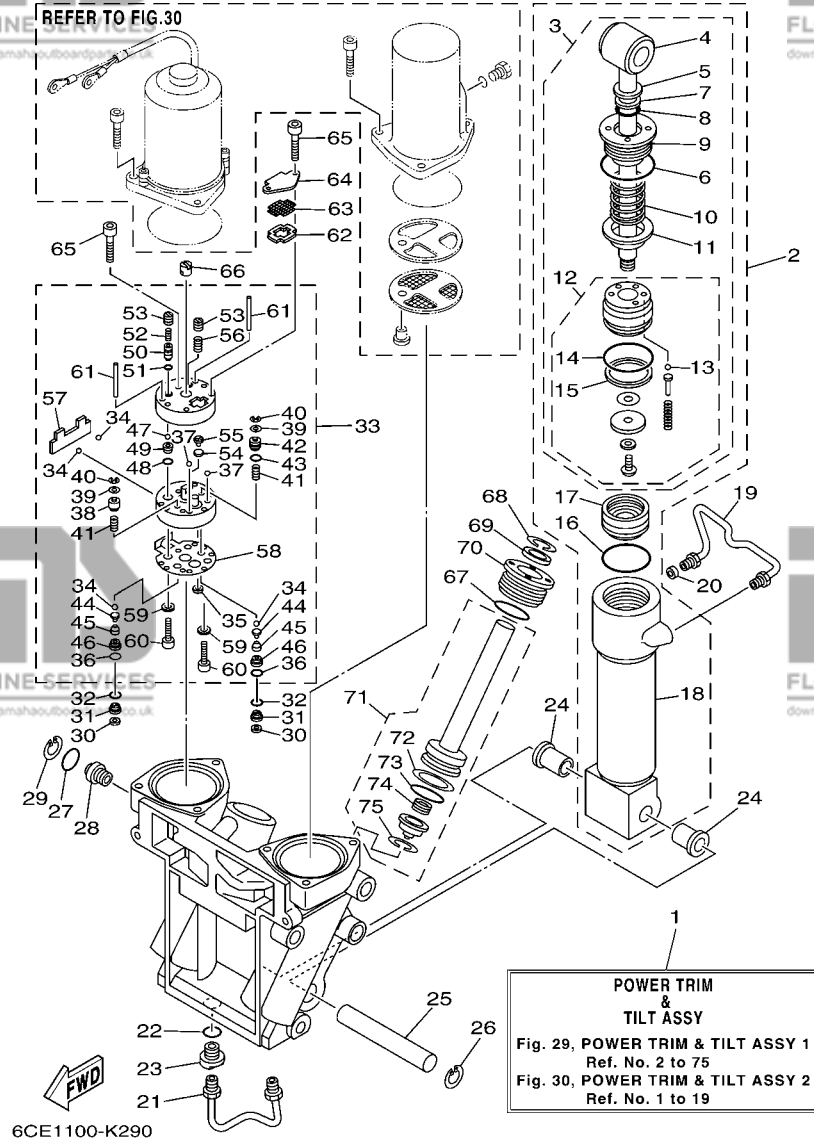


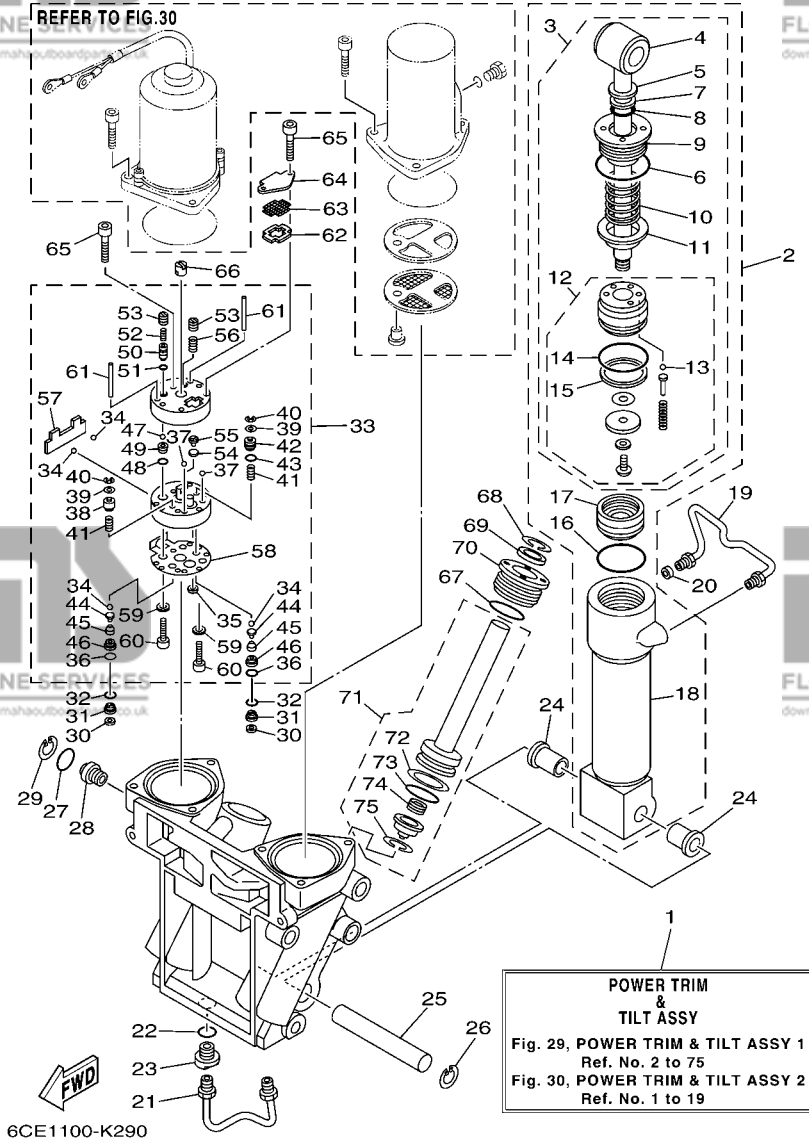
FIG. 29 POWER TRIM & TILT ASSY 1

PUISSANCE PARER ET INCLINER 1

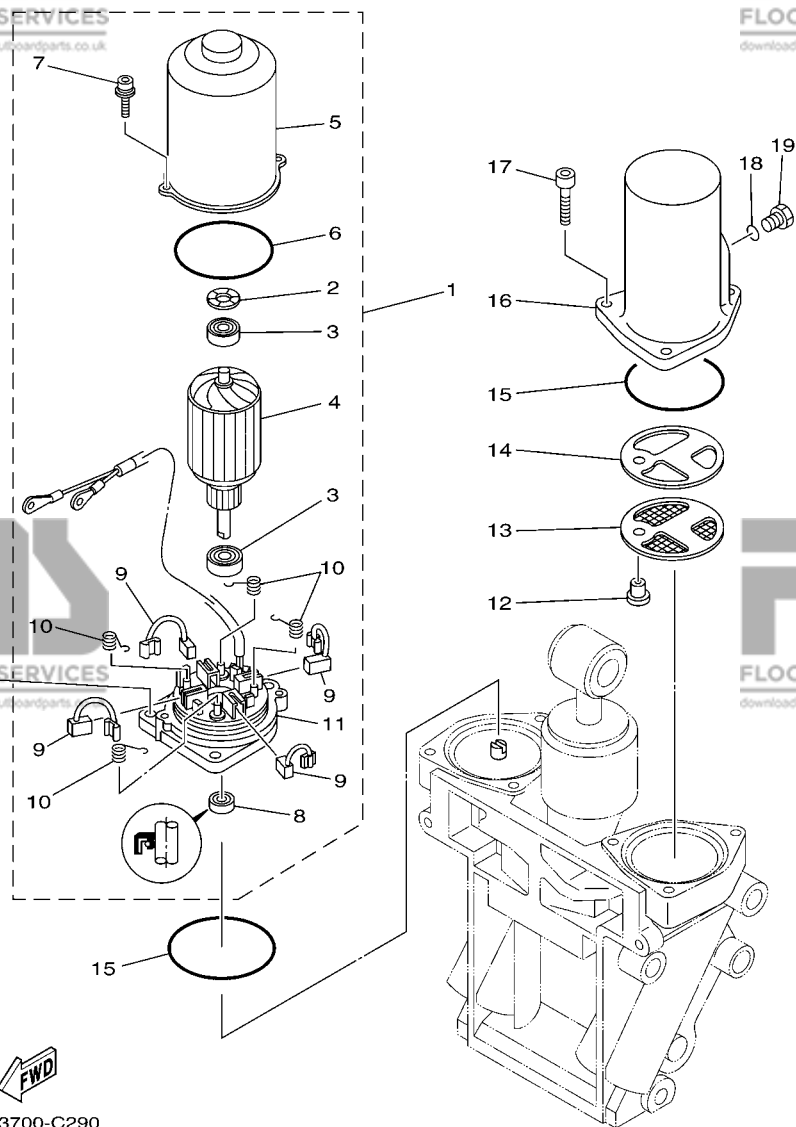
REF. NO.	PART NO. N° PIECES	DESCRIPTION DESCRIPTION	6CE2	6CF2	REMARKS REMARQUES
28	69J-43845-00	SCREW, MANUAL RELEASE VIS	1	1	
29	6H1-43875-00	RING, SNAP RESSORT	1	1	
30	69J-4381C-00	FILTER 3 FILTRE 3	2	2	
31	69J-43899-01	PLATE STOPPER PLAQUETTE	2	2	
32	69J-4389J-00	O-RING JOINT TORIQUE	2	2	
33	69J-43830-01	GEAR PUMP ASSY POMPE A PIGNON (ENS.)	1	1	
34	93505-32038	.BALL .BILLE	4	4	
35	69J-4381C-00	.FILTER 3 .FILTRE 3	1	1	
36	69J-4389J-00	.O-RING .JOINT TORIQUE	2	2	
37	93503-16003	.BALL .BILLES	2	2	
38	6CJ-4384M-00	.PISTON, SHUTTLE 2 .PISTON 2	1	1	
39	69A-4384F-00	.SEAL, MAIN VALVE .JOINT	2	2	
40	99002-03600	.CLIP .CIRCLIP	2	2	
41	69J-43894-00	.SPRING, SHUTTLE RETURN .RESSORT	2	2	
42	6CJ-43841-00	.PISTON, SHUTTLE .PISTON	1	1	
43	6H1-43883-00	.O-RING .JOINT TORIQUE	1	1	
44	60V-4386A-00	.PIN, ABSORBER VALVE .GOUPILLE, SOUPAPE	2	2	
45	69J-43853-00	.SPRING, MAIN VALVE .RESSORT	2	2	
46	6CJ-43893-00	.WASHER .RONDELLE	2	2	
47	93501-08001	.BALL .BILLE	2	2	
48	93210-08391	.O-RING .JOINT TORIQUE	1	1	
49	69J-43851-00	.SEAT, RELIEF VALVE .SIEGE	1	1	
50	6CJ-43844-00	.PIN, VALVE SUPPORT .GOUPILLE	1	1	
51	93210-064A5	.O-RING .JOINT TORIQUE	1	1	
52	69J-43855-00	.SPRING, UP RELIEF .RESSORT	1	1	
53	6CJ-43843-00	.SCREW, VALVE LOCK .VIS	2	2	
54	6H1-4384G-11	.SEAL, RELIEF VALVE .JOINT	1	1	

FIG. 29 POWER TRIM & TILT ASSY 1

PUISSANCE PARER ET INCLINER 1



REF. NO.	PART NO. N° PIECES	DESCRIPTION DESCRIPTION	6CE2	6CF2	REMARKS REMARQUES
55	6H1-43844-10	.PIN, VALVE SUPPORT .GOUILLE	1	1	
56	6H1-43856-10	.SPRING, DOWN RELIEF .RESSORT	1	1	
57	69J-43854-00	.SPRING, MANUAL RELEASE .RESSORT	1	1	
58	69J-4384G-00	.SEAL, RELIEF VALVE .JOINT	1	1	
59	CS3-4387G-00	.WASHER .RONDELLE	2	2	
60	91318-05025	.BOLT .BOULON	2	2	
61	93604-35236	.PIN, DOWEL .CLAVETTE	2	2	
62	69J-43871-00	RING, BACK UP SEGMENT	1	1	
63	69J-43816-00	FILTER 1 FILTRE 1	1	1	
64	69J-4381J-00	PLATE PLAQUE	1	1	
65	91318-05040	BOLT BOULON	3	3	
66	69J-43831-00	CONNECTOR, SHAFT RACCORD	1	1	
67	61A-43861-00	O-RING JOINT TORIQUE	2	2	
68	6T4-43875-01	RING, SNAP RESSORT	2	2	
69	61A-43822-00	SEAL, TRIM DUST JOINT	2	2	
70	61A-43821-00	SCREW, TRIM CYLINDER END VIS	2	2	
71	69J-43820-00	TRIM PISTON SUB ASSY PARER PISTON AUXILIAIRE (ENS.)	2	2	
72	61A-43874-00	.RING, BACK UP .RESSORT	1	1	
73	61A-43864-00	.O-RING JOINT TORIQUE	1	1	
74	61A-4384H-10	.SPRING .RESSORT	1	1	
75	61A-43875-10	.RING, SNAP .RESSORT	1	1	



69J3700-C290

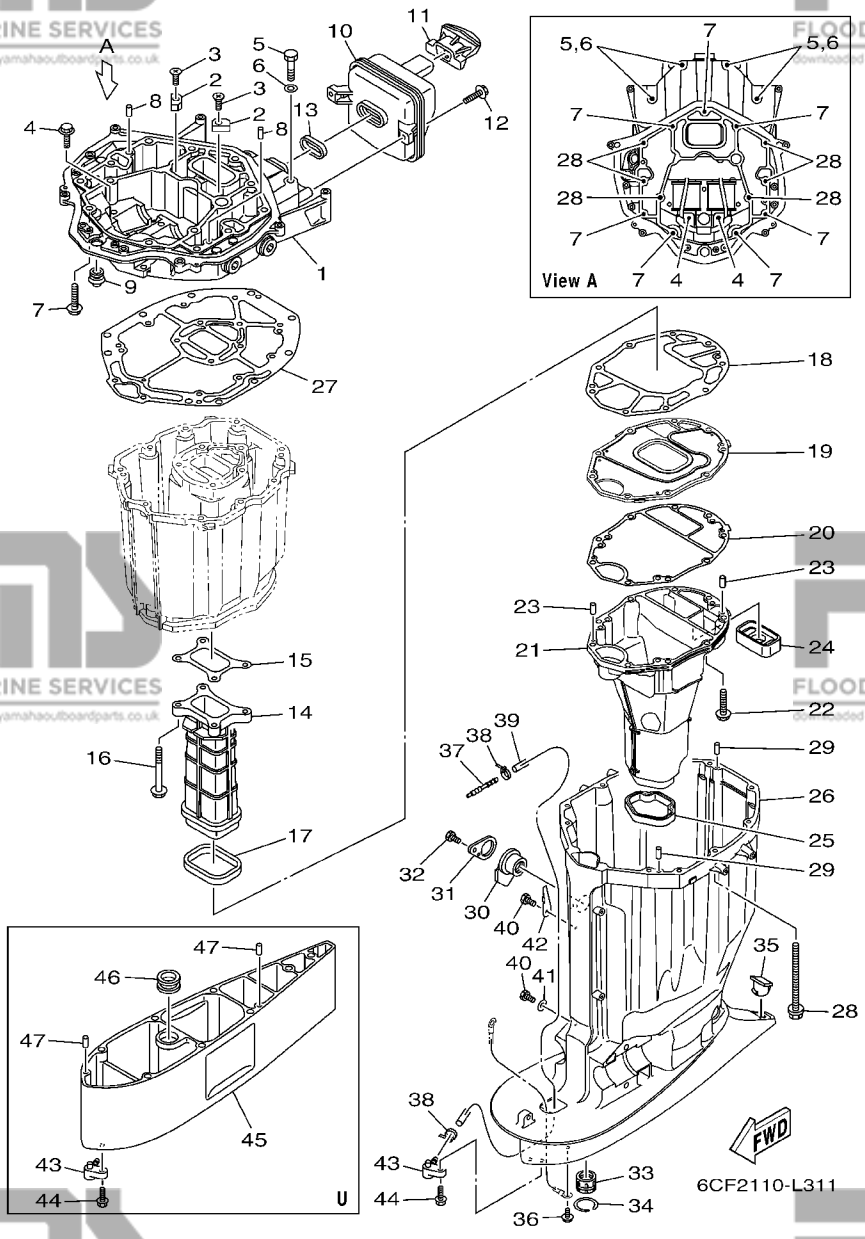
FIG. 30 POWER TRIM & TILT ASSY 2

PUISSANCE PARER ET INCLINER 2

REF. NO.	PART NO. N° PIECES	DESCRIPTION DESCRIPTION	6CE2	6CF2	REMARKS REMARQUES
1	69J-43880-01	MOTOR ASSY MOTEUR (ENS.)	1	1	
2	90206-14N50	.WASHER, WAVE .RONDELLE, ONDULEE	1	1	
3	93399-999T6	.BEARING .ROULEMENT	2	2	
4	69J-43805-00	.ARMATURE ASSY .INDUIT (ENS.)	1	1	
5	69J-43804-00	.STATOR ASSY .STATOR (ENS.)	1	1	
6	69J-43861-00	.O-RING .JOINT TORIQUE	1	1	
7	69J-43886-00	.BOLT .BOULON	2	2	
8	69J-43882-00	.OIL SEAL .JOINT SPI	1	1	
9	69J-43891-00	.BRUSH 1 .BALAI 1	4	4	
10	69J-4386K-00	.SPRING, BRUSH .RESSORT, BALAI	4	4	
11	69J-43881-01	.FRAME, END .BATI	1	1	
12	69J-4388H-00	PLUG BOUCHON	1	1	
13	69J-43817-00	FILTER 2 FILTRE 2	1	1	
14	69J-4388F-00	SPACER ENTRETOISE	1	1	
15	6H1-43869-00	O-RING .JOINT TORIQUE	2	2	
16	69J-43828-00	BODY, RESERVOIR CORPS	1	1	
17	69J-43888-00	BOLT, SOCKET BOULON	6	6	
18	93210-09165	O-RING .JOINT TORIQUE	1	1	
19	6H1-43829-00	PLUG, RESERVOIR BOUCHON	1	1	

FIG. 31 UPPER CASING

FOURREAU



REF. NO.	PART NO. N° PIECES	DESCRIPTION DESCRIPTION	6CE2	6CF2	REMARKS REMARQUES
1	6CE-41137-00-CA	GUIDE, EXHAUST COLLECTEUR D'ÉCHAPPEMENT	1	1	
2	63P-11325-11	ANODE ANODE	2	2	
3	90151-06M02	SCREW, COUNTERSUNK VIS, TÊTE NOYÉE	2	2	
4	90119-08102	BOLT, WITH WASHER BOULON, AVEC RONDELLE	2	2	
5	97075-10045	BOLT BOULON	4	4	
6	92995-10600	WASHER RONDELLE	4	4	
7	97575-10535	BOLT, WITH WASHER VIS HEXAGONAL AVEC RONDELLE	7	7	
8	93608-16M16	PIN, DOWEL AXE	2	2	
9	6E5-42724-00	GROMMET PASSE-FIL	1	1	
10	6CB-14750-00	SILENCER ASSY 2 SILENCIEUX 2	1	1	Go to P/N : PE0-OM-120042
11	6CB-42769-01	SEAL, RUBBER BOURRELET, CAOUTCHOUC	1	1	Go to P/N : PE0-OM-120042
12	95875-06020	BOLT, FLANGE BOULON, A COLLERETTE	2	2	
13	6CB-14755-00	GASKET, SILENCER JOINT, SILENCIEUX	1	1	
14	6CB-41132-00-9S	MANIFOLD, EXHAUST PIPE D'ÉCHAPPEMENT	1	1	
15	6CB-41134-00	GASKET, EXHAUST MANIFOLD JOINT, PIPE D'ÉCHAPPEMENT	1	1	
16	97575-08560	BOLT, WITH WASHER VIS HEXAGONAL AVEC RONDELLE	4	4	
17	6CB-41138-00	SEAL, EXT. 1 JOINT DE GROUPE 1	1	1	
18	6CB-41135-00	GASKET, EXHAUST MANIFOLD JOINT, PIPE D'ÉCHAPPEMENT	1	1	
19	6CE-45181-00-9S	PLATE PLAQUETTE	1	1	
20	6CE-41136-00	GASKET, EXHAUST MANIFOLD 4 JOINT, PIPE D'ÉCHAPPEMENT 4	1	1	
21	6CE-14711-00-9S	MUFFLER 1 POT D'ÉCHAPPEMENT 1	1	1	
22	97575-08535	BOLT, WITH WASHER VIS HEXAGONAL AVEC RONDELLE	9	9	
23	93606-19M23	PIN, DOWEL GOUPILLE	2	2	
24	6CE-45127-00	SEAL JOINT	1	1	
25	6CE-45123-00	GASKET, MUFFLER JOINT, POT DE DÉTENTE	1	1	
26	6CE-45111-00-8D	CASING, UPPER FOURREAU	1	1	
27	6CB-45113-00	GASKET, UPPER CASING JOINT, TUBE D'ARBRE	1	1	

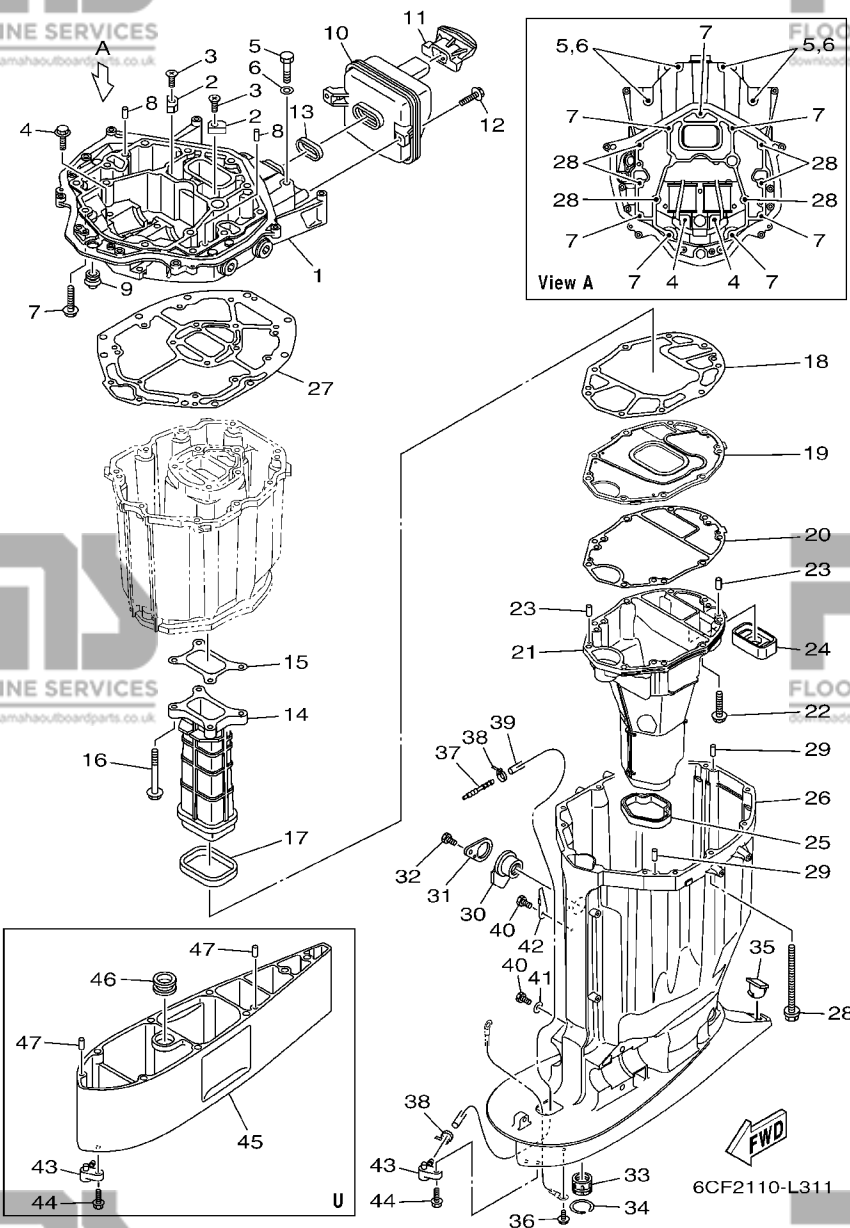


FIG. 31 UPPER CASING

FOURREAU

REF. NO.	PART NO. N° PIECES	DESCRIPTION DESCRIPTION	6CE2	6CF2	REMARKS REMARQUES
28	90119-10007	BOLT, WITH WASHER BOULON, AVEC RONDELLE	6	6	
29	93608-16M16	PIN, DOWEL AXE	2	2	
30	6BB-15316-00	DAMPER 1 AMORTISSEUR 1	1	1	
31	6BB-45152-01	COVER, UPPER CASING 2 CAPUCHON FOURREAU	1	1	
32	97095-06014	BOLT BOULON	1	1	
33	69J-45318-01	BUSHING, DRIVE SHAFT DOUILLE, ARBRE MOTEUR	1	1	
34	93420-36M01	CIRCLIP CIRCLIP, TYPE S	1	1	
35	61A-45155-00	CAP CAPUCHON	1	1	
36	95895-06010	BOLT, FLANGE BOULON	1	1	
37	6E5-83558-00	END, NIPPLE RACCORD DE NIPPLE	1	1	EXCEPT FOR LAN EXCEPT FOR LAN
38	90465-11M10	CLAMP BRIDE	1		FOR LAN SPEED FOR LAN SPEED
	90465-11M10	CLAMP BRIDE	2	2	EXCEPT FOR LAN EXCEPT FOR LAN
39	90445-07034	HOSE (L2470) DURITE (L2470)	1		X(25.3") FOR LAN X(25.3") FOR LAN
	90445-07032	HOSE (L1920) DURITE (L1920)	1	1	X(25.3") X(25.3")
	90445-07043	HOSE (L2600) DURITE (L2600)	1		U(30.3") FOR LAN U(30.3") FOR LAN
	90445-07033	HOSE (L2050) DURITE (L2050)	1	1	U(30.3") U(30.3")
40	97095-06010	BOLT BOULON	2	2	
41	90201-06M02	WASHER, PLATE RONDELLE, PLATE	1	1	
42	90462-10061	CLAMP BRIDE	1	1	
43	63P-45379-00	NIPPLE, HOSE RACCORD D'ESSENCE	1	1	
44	90119-06M18	BOLT, WITH WASHER BOULON, AVEC RONDELLE	1	1	
45	6CE-45211-00-8D	EXTENSION EXTENSION	1	1	U(30.3") U(30.3")
46	6AW-44366-00	DAMPER, WATER SEAL 2 JOINT, TUBE D'EAU 2	1	1	U(30.3") U(30.3")
47	93608-16M16	PIN, DOWEL AXE	2	2	U(30.3") U(30.3")

PARTS NEWS

FLOOD MARINE SERVICES
downloaded from www.yamahaoutboardparts.co.uk

FLOOD MARINE SERVICES
downloaded from www.yamahaoutboardparts.co.uk

YAMAHA
YAMAHA MOTOR CO., LTD
2500 SHINGAI IWATA SHIZUOKA JAPAN
FLOOD MARINE SERVICES
downloaded from www.yamahaoutboardparts.co.uk

News No. PE0-OM-120042(1/3)

Date:2012/6/22

Signature:S. Ishibashi

Cause: Revision Notice Correction Sales Unit Change Others

Model	(L)F225CA,F(L)225FET / (L)F250CA,F(L)250DET / (L)F300CA,F(L)300BET
Subject	PARTS CATALOGUE CORRECTIONS
CATALOGUE NO.	See the"List of Models and CATALOGUE No's below."
Time of YPEC Revision	Text, Illustration --> Jul./20/2012
	PDF Replace --> Jul./20/2012
(YPEC = Yamaha Parts Electrical Catalogue = Website parts catalogue)	

Applicable Engine Serial No.

MODEL NAME	MODEL CODE	Applicable Engine Serial No.
F300CA,F300B	6CE2,3	6CE:1007224-
LF300CA,FL300B	6CF2,3	6CF:1002887-
F250CA,F250D	6CG2,3	6CG:1003986-
LF250CA,FL250D	6CH2,3	6CH:1001105-
F225CA,F225F	6CL2,3	6CL:1001604-
LF225CA,FL225F	6CM2,3	6CM:1000310-

*1: Interchangeability

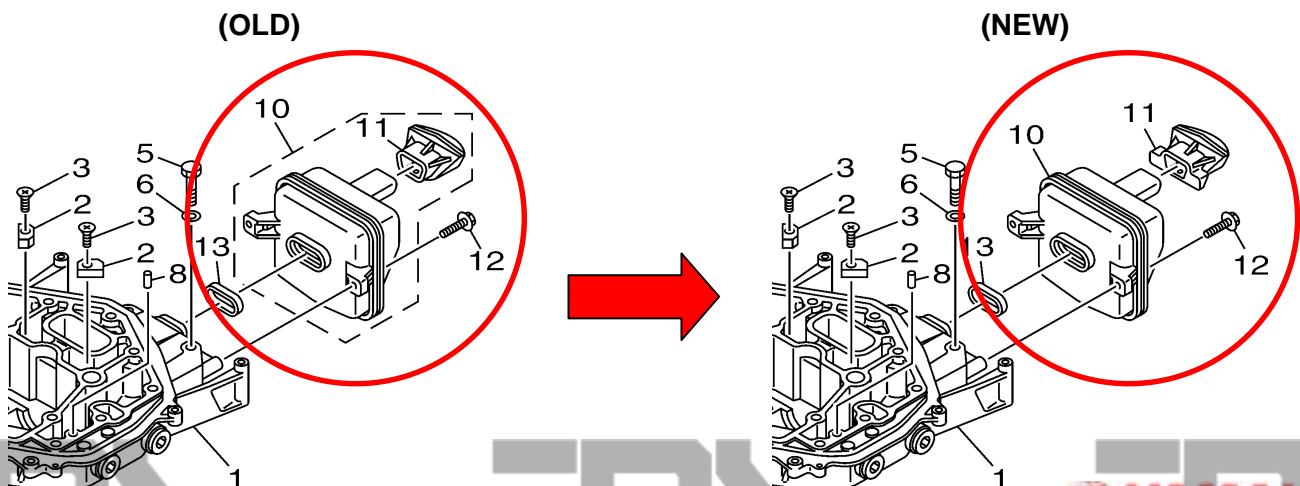
A	Old Parts	→	Old Parts
	New Parts	→	New Parts
B	Old Parts	→	Old Parts
	New Parts	→	New Parts
C	Old Parts	→	Old Parts
	New Parts	→	New Parts
	○ ○ These parts are interchangeable with a set		

FIG.31 UPPER CASING

1. LIST CORRECTION

Ref. No.	PART NO.		DESCRIPTION	QTY	*Interchangeability	REMARKS
	OLD	NEW				
10	OLD	6CB-14760-00	SILENCER ASSY 2	1	○	*Part number revision
	NEW	6CB-14750-00	SILENCER ASSY			
11	OLD	6CB-42769-00	. SEAL, RUBBER	1	○	
	NEW	6CB-42769-01	SEAL, RUBBER			

2. ILLUSTRATION CORRECTION



Parts Manager Check

Service Manager Check

Parts Manager File

YAMAHA MOTOR CO.,LTD
2500 Shingai Iwata Shizuoka 438-8501.Japan
Technical Publication Dept.

YAMAHA
GENUINE
Parts & Accessories
FLOOD MARINE SERVICES
downloaded from www.yamahaoutboardparts.co.uk

PARTS NEWS

FLOOD MARINE SERVICES

downloaded from www.yamahaoutboardparts.co.uk

FLOOD MARINE SERVICES

downloaded from www.yamahaoutboardparts.co.uk



FLOOD MARINE SERVICES

downloaded from www.yamahaoutboardparts.co.uk

News No. PE0-OM-120042(2/3)

Date:2012/6/22

Signature:S. Ishibashi

Cause: Revision Notice Correction Sales Unit Change Others

Model	(L)F225CA,F(L)225FET / (L)F250CA,F(L)250DET / (L)F300CA,F(L)300BET
Subject	PARTS CATALOGUE CORRECTIONS
CATALOGUE NO.	See the"List of Models and CATALOGUE No's below."

Time of YPEC Revision Text, Illustration --> Jul./20/2012 PDF Replace --> Jul./20/2012
(YPEC = Yamaha Parts Electrical Catalogue = Website parts catalogue)

3.LIST of Models and CATALOGUE No's.

The applicable MODELS, MODEL CODES, and CATALOGUE No's are as follows.

MODEL NAME	MODEL CODE	CATALOGUE NO.
F300CA	6CE2	1L6CE-110E1
LF300CA	6CF2	1L6CF-110E1
F300CA,F300BET	6CE2	1L6CE-100E1
LF300CA,FL300BET	6CF2	
F300BET	6CE2	1L6CE-300F1
FL300BET	6CF2	
F300BET	6CE2	1L6CE-200S1
FL300BET	6CF2	
F300CA	6CE3	1L6CE-100EA
LF300CA	6CF3	
F300BET	6CE3	1L6CE-700EA
FL300BET	6CF3	
F300BET	6CE3	1L6CE-300FA
FL300BET	6CF3	
F250CA	6CG2	1L6CG-110E1
LF250CA	6CH2	1L6CH-110E1
F250CA,F250DET	6CG2	1L6CG-100E1
LF250CA,FL250DET	6CH2	
F250DET	6CG2	1L6CG-300F1
FL250DET	6CH2	
F250DET	6CG2	1L6CG-200S1
FL250DET	6CH2	
F250CA	6CG3	1L6CG-100EA
LF250CA	6CH3	1L6CH-100EA
F250DET	6CG3	1L6CG-700EA
FL250DET	6CH3	
F250DET	6CG3	1L6CG-300FA
FL250DET	6CH3	



Parts Manager Check

Service Manager Check

Parts Manager File

YAMAHA MOTOR CO.,LTD
2500 Shingai Iwata Shizuoka 438-8501.Japan
Technical Publication Dept.



YAMAHA
GENUINE
Parts & Accessories

PARTS NEWS

FLOOD MARINE SERVICES

downloaded from www.yamahaoutboardparts.co.uk

FLOOD MARINE SERVICES

downloaded from www.yamahaoutboardparts.co.uk



FLOOD MARINE SERVICES

downloaded from www.yamahaoutboardparts.co.uk

News No. PE0-OM-120042(3/3)

Date:2012/6/22

Signature:S. Ishibashi

Cause: Revision Notice Correction Sales Unit Change Others

Model	(L)F225CA,F(L)225FET / (L)F250CA,F(L)250DET / (L)F300CA,F(L)300BET
Subject	PARTS CATALOGUE CORRECTIONS
CATALOGUE NO.	See the"List of Models and CATALOGUE No's below."

Time of YPEC Revision Text, Illustration --> Jul./20/2012 PDF Replace --> Jul./20/2012
(YPEC = Yamaha Parts Electrical Catalogue = Website parts catalogue)

3.LIST of Models and CATALOGUE No's.

The applicable MODELS, MODEL CODES, and CATALOGUE No's are as follows.

MODEL NAME	MODEL CODE	CATALOGUE NO.
F225CA	6CL2	1L6CL-110E1
LF225CA	6CM2	1L6CM-110E1
F225CA,F225FET	6CL2	1L6CL-100E1
LF225CA,FL225FET	6CM2	
F250DET	6CG2	
F225FET	6CL2	1L6CL-370E1
FL250DET	6CH2	
FL225FET	6CM2	
F225FET	6CL2	1L6CL-300F1
FL225FET	6CM2	
F225FET	6CL2	1L6CL-200S1
FL225FET	6CM2	
F225CA	6CL3	1L6CL-100EA
LF225CA	6CM3	1L6CM-100EA
F225FET	6CL3	1L6CL-700EA
FL225FET	6CM3	
F250DET	6CG3	
F225FET	6CL3	1L6CL-370EA
FL250DET	6CH3	
FL225FET	6CM3	
F225FET	6CL3	1L6CL-300FA
FL225FET	6CM3	

Thank you very much for your cooperation.



Parts
Manager
Check

Service
Manager
Check

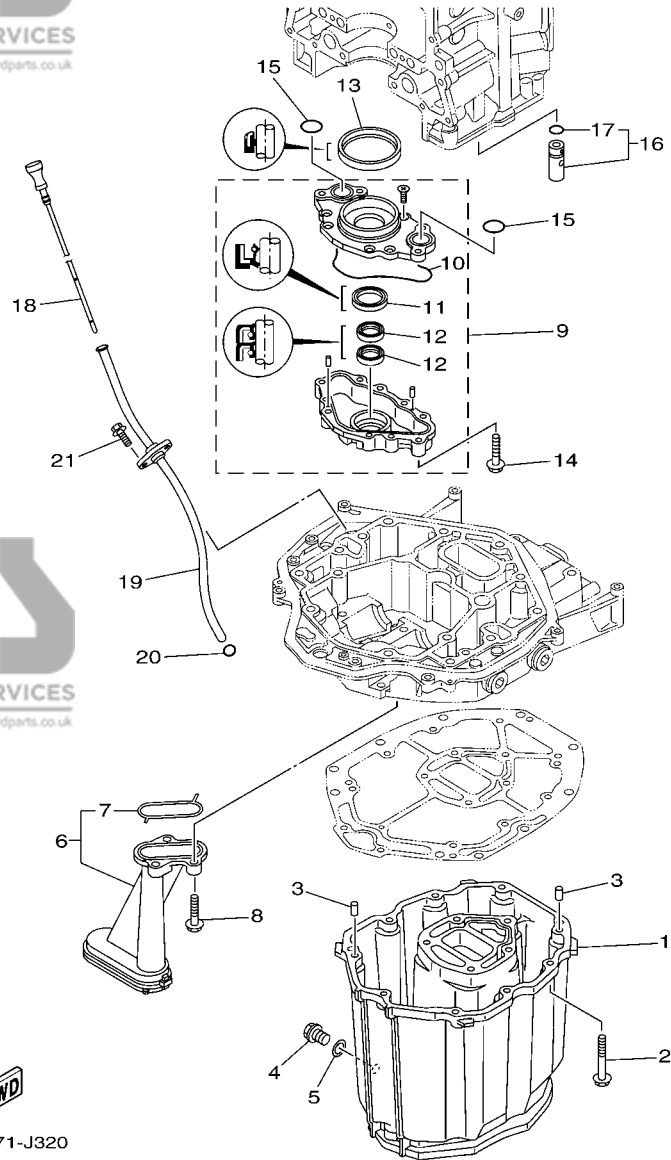
Parts
Manager
File



YAMAHA MOTOR CO.,LTD
2500 Shingai Iwata Shizuoka 438-8501.Japan
Technical Publication Dept.



YAMAHA
GENUINE
Parts & Accessories



6CB1171-J320

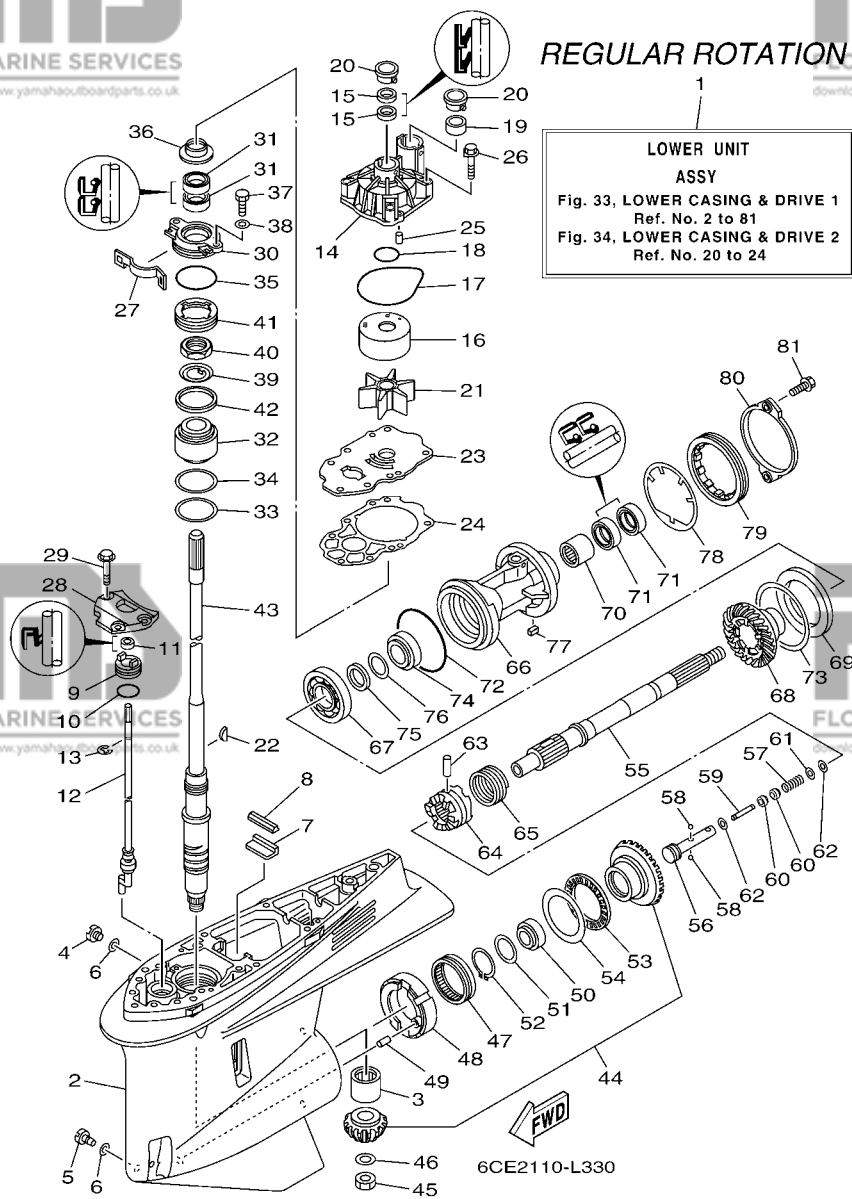
FIG. 32 OIL PAN

VENTILATEUR D'HUILE

REF. NO.	PART NO. N° PIECES	DESCRIPTION DESCRIPTION	6CE2	6CF2	REMARKS REMARQUES
1	6CB-15311-00-CA	OIL PAN VENTILATEUR D'HUILE	1	1	
2	97575-08535	BOLT, WITH WASHER VIS HEXAGONAL AVC RONDELLE	10	10	
3	93608-16M16	PIN, DOWEL AXE	2	2	
4	90340-14M06	PLUG, STRAIGHT SCREW PLOT, FILETE DROIT	1	1	
5	90430-14M09	GASKET JOINT	1	1	
6	6CB-13411-00	STRAINER, OIL FILTRE, HUILE	1	1	
7	6AW-13415-00	.SEAL, OIL STRAINER .JOINT, FILTRE A HUILE	1	1	
8	95812-06025	BOLT, FLANGE BOULON	3	3	
9	6CB-13300-00	OIL PUMP ASSY POMPE A HUILE COMPLETE	1	1	
10	6CB-13329-00	.GASKET, PUMP COVER .JOINT, COUVERCLE DE POMPE	1	1	
11	6AW-13119-00	.OIL SEAL .JOINT SPY	1	1	
12	69J-13631-00	.OIL SEAL .JOINT SPY	2	2	
13	6CB-11355-00	SEAL, CYLINDER 1 JOINT, SPY CYLINDRE	1	1	
14	95875-06040	BOLT, FLANGE BOULON, A COLLERETTE	4	4	
15	93210-26658	O-RING JOINT TORIQUE	2	2	
16	6CB-13490-00	RELIEF VALVE ASSY SOUPAPE DE SECURITE COMPLET	1	1	
17	6CB-13473-00	.O-RING .JOINT TORIQUE	1	1	
18	6CB-15362-00	PLUG, OIL LEVEL PLOT, NIVEAU D'HUILE	1	1	
19	6CB-15377-00	GUIDE, INLET GUIDE D'ADMISSION	1	1	
20	93210-19MJ3	O-RING JOINT TORIQUE	1	1	
21	95875-06016	BOLT, FLANGE BOULON, A COLLERETTE	2	2	

FIG. 33 LOWER CASING & DRIVE 1

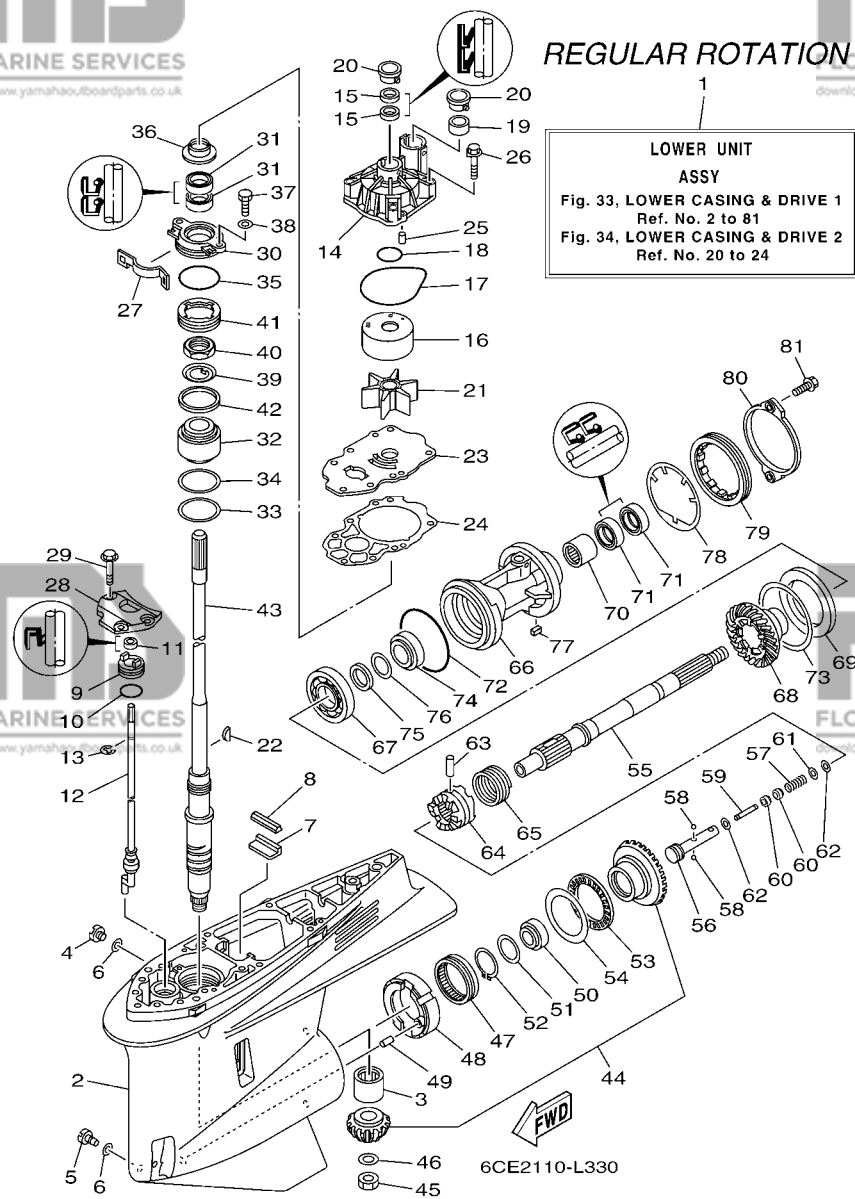
BOITIER D'HELICE TRANSMISSION1



REF. NO.	PART NO. N° PIECES	DESCRIPTION DESCRIPTION	6CE2	6CF2	REMARKS REMARQUES
1	6CE-45300-00-8D	LOWER UNIT ASSY UNITE INFÉRIEURE (ENS.)	1		X(25.3") X(25.3")
	6CE-45300-10-8D	LOWER UNIT ASSY UNITE INFÉRIEURE (ENS.)	1		U(30.3") U(30.3")
2	6CE-45301-00-8D	CASING, LOWER BEQUILLE	1		
3	93311-83280	BEARING ROULEMENT	1		
4	90340-08002	PLUG, STRAIGHT SCREW PLOT, FILETE DROIT	1		
5	688-45341-10	PLUG, DRAIN BOUCHON DE VIDANGE	1		
6	90430-08020	GASKET JOINT	2		
7	663-45376-00	GUIDE, SEAL DAMPER BUTÉE, JOINT CAOUTCHOUC	1		
8	6CE-45375-00	DAMPER, SEAL BOURRELET, CAOUTCHOUC	1		
9	65N-45321-00	PLATE PLAQUETTE	1		
10	93210-33M49	O-RING JOINT TORIQUE	1		
11	93106-09014	OIL SEAL JOINT SPY	1		
12	6CE-44150-00	SHIFT CAM ASSY CAME D'INVERSION	1		
13	99001-08600	CIRCLIP CIRCLIP	1		
14	6CE-44311-00	HOUSING, WATER PUMP CORPS, POMPE A EAU	1		
15	93104-22M07	OIL SEAL JOINT SPY	2		
16	6AW-44322-00	INSERT, CARTRIDGE CUVETTE	1		
17	93210-94003	O-RING JOINT TORIQUE	1		
18	93210-37160	O-RING JOINT TORIQUE	1		
19	6AW-44365-00	DAMPER, WATER SEAL 1 JOINT, TUBE D'EAU 1	1		
20	6AW-44312-00	COVER, WATER PUMP HOUSING COUVERCLE	2		
21	6CE-44352-00	IMPELLER TURBINE	1		
22	90280-04002	KEY, WOODRUFF CLAVETTE, DEMI-LUNE	1		
23	6CE-44323-00	OUTER PLATE, CARTRIDGE PLAQUE EXTERIEURE	1		
24	6CE-44315-00	GASKET, WATER PUMP JOINT, POMPE A EAU	1		
25	93606-12019	PIN, DOWEL GOUILLE	2		
26	90119-08M14	BOLT, WITH WASHER BOULON, AVEC RONDELLE	4		

FIG. 33 LOWER CASING & DRIVE 1

BOITIER D'HELICE TRANSMISSION1



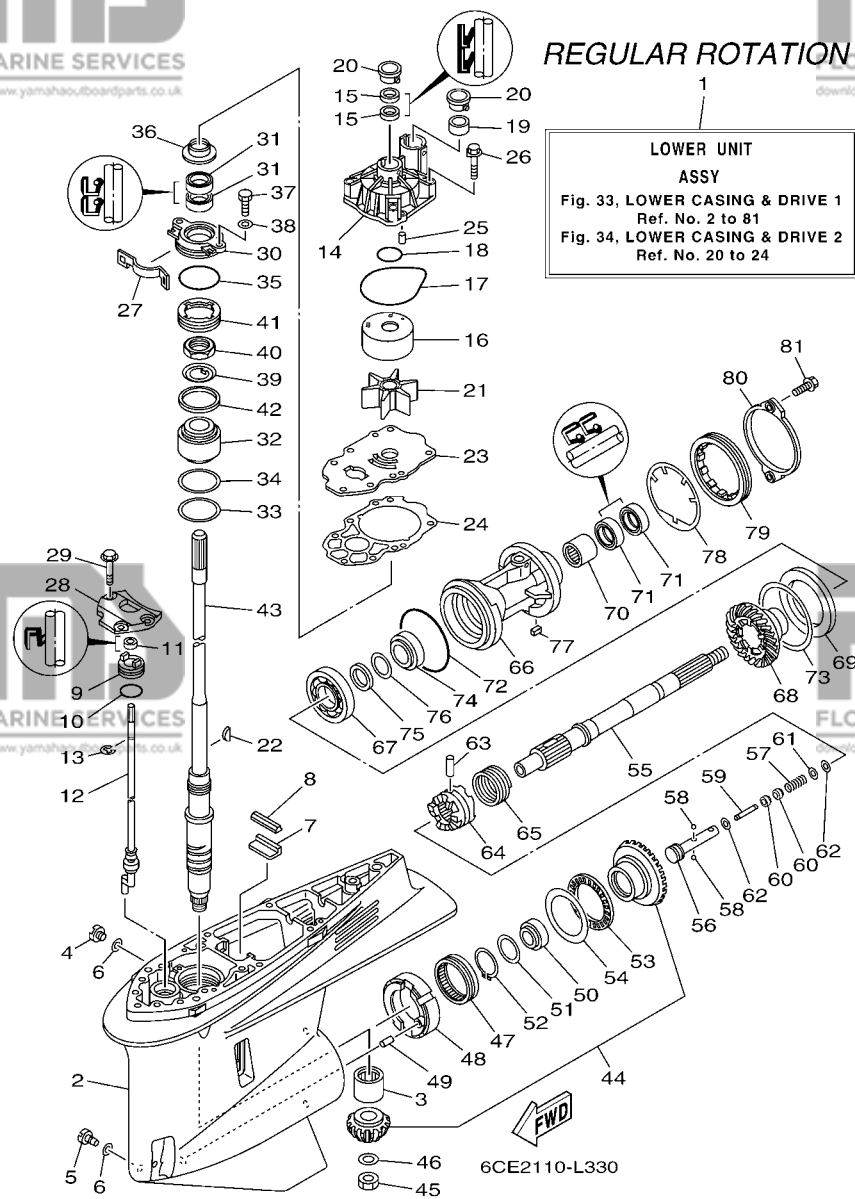
REGULAR ROTATION

LOWER UNIT ASSY
Fig. 33, LOWER CASING & DRIVE 1
Ref. No. 2 to 81
Fig. 34, LOWER CASING & DRIVE 2
Ref. No. 20 to 24

REF. NO.	PART NO. N° PIECES	DESCRIPTION DESCRIPTION	6CE2	6CF2	REMARKS REMARQUES
27	6AW-45723-00	PLATE, SEAL PLAQUE, JOINT	1		
28	6CB-44312-00	COVER, WATER PUMP HOUSING COUVERCLE	1		
29	90119-08M32	BOLT, WITH WASHER BOULON, AVEC RONDELLE	3		
30	6CE-45335-00-9S	HOUSING, OIL SEAL LOGEMENT DE JOINT SPY	1		
31	93101-28M16	OIL SEAL JOINT SPY	2		
32	93399-99966	BEARING ROULEMENT	1		
33	90201-62008	WASHER, PLATE RONDELLE, PLATE	1		
34	6CE-45587-00	SHIM (T:0.10MM) CALE (T:0.10MM)	1		UR
	6CE-45587-10	SHIM (T:0.12MM) CALE (T:0.12MM)	1		UR
	6CE-45587-20	SHIM (T:0.15MM) CALE (T:0.15MM)	1		UR
	6CE-45587-30	SHIM (T:0.18MM) CALE (T:0.18MM)	1		UR
	6CE-45587-40	SHIM (T:0.30MM) CALE (T:0.30MM)	1		UR
	6CE-45587-50	SHIM (T:0.40MM) CALE (T:0.40MM)	1		UR
	6CE-45587-60	SHIM (T:0.50MM) CALE (T:0.50MM)	1		UR
35	93210-64488	O-RING JOINT TORIQUE	1		
36	6AW-45344-00	COVER, OIL SEAL FLASQUE, JOINT D'HUILE	1		
37	97095-08020	BOLT BOULON	2		
38	92995-08600	WASHER RONDELLE	2		
39	90214-30003	WASHER, CLAW RONDELLE, A GRIFFES	1		
40	90170-30M18	NUT ECROU	1		
41	6CE-45244-00	NUT ECROU	1		
42	6CE-45539-00	SPACER 2 ENTRETOISE 2	1		
43	6CE-45501-00	DRIVE SHAFT COMP. ARBRE MOTEUR COMP.	1		X(25.3") X(25.3")
	6CE-45501-10	DRIVE SHAFT COMP. ARBRE MOTEUR COMP.	1		U(30.3") U(30.3")
44	6CE-45550-00	GEAR SET KIT, PIGNON	1		
45	90170-16M19	NUT ECROU	1		
46	90201-16M00	WASHER, PLATE RONDELLE, PLATE	1		

FIG. 33 LOWER CASING & DRIVE 1

BOITIER D'HELICE TRANSMISSION1



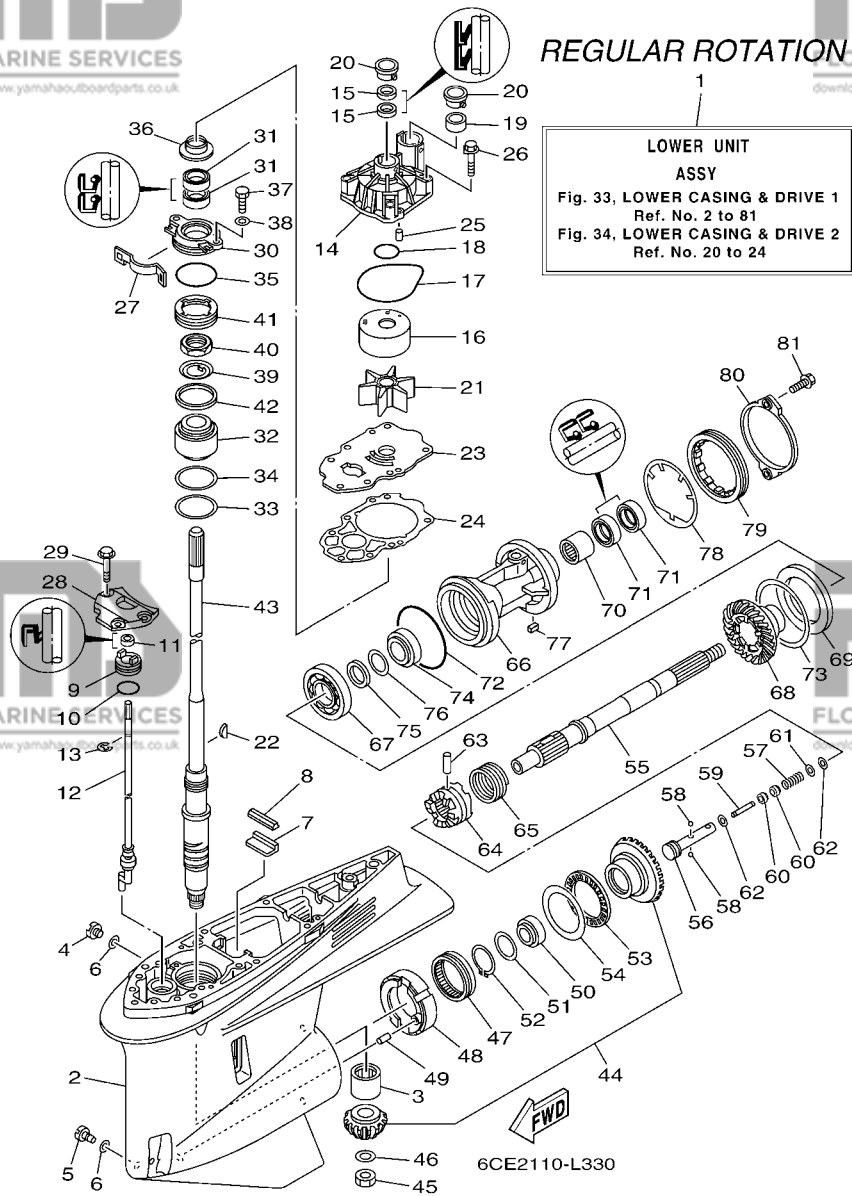
REGULAR ROTATION

LOWER UNIT ASSY
Fig. 33, LOWER CASING & DRIVE 1
Ref. No. 2 to 81
Fig. 34, LOWER CASING & DRIVE 2
Ref. No. 20 to 24

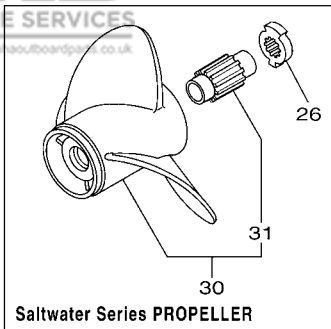
REF. NO.	PART NO. N° PIECES	DESCRIPTION DESCRIPTION	6CE2	6CF2	REMARKS REMARQUES
47	93311-85894	BEARING ROULEMENT	1		
48	6CB-45824-00	ADAPTER ADAPTATEUR	1		
49	93608-16M16	PIN, DOWEL AXE	1		
50	93332-000A4	BEARING ROULEMENT	1		
51	90201-41008	WASHER, PLATE RONDELLE, PLATE	1		
52	99009-47500	CIRCLIP CIRCLIP	1		
53	93340-67011	BEARING CERVEAUX DE DIRECTION	1		
54	6CB-45567-00	SHIM (T:2.00MM) CALE (T:2.00MM)	1		UR
	6CB-45567-10	SHIM (T:2.03MM) CALE (T:2.03MM)	1		UR
	6CB-45567-20	SHIM (T:2.06MM) CALE (T:2.06MM)	1		UR
	6CB-45567-30	SHIM (T:2.09MM) CALE (T:2.09MM)	1		UR
	6CB-45567-40	SHIM (T:2.12MM) CALE (T:2.12MM)	1		UR
	6CB-45567-50	SHIM (T:2.15MM) CALE (T:2.15MM)	1		UR
55	6CB-45611-00	SHAFT, PROPELLER ARBRE, HELICE	1		
56	6CB-45634-00	SLIDE, SHIFT CONTRE-POUSSOIR	1		
57	90501-10M77	SPRING, COMPRESSION RESSORT, COMPRESSION	1		
58	93501-04011	BALL BILLE	2		
59	6H1-45668-00	SHAFT, FREE 1 AXE 1	1		
60	61A-45635-00	PLUNGER, SHIFT POUSSOIR D'EMBRAYAGE	2		
61	90201-02M00	WASHER, PLATE RONDELLE, PLATE	1		
62	90183-02M03	NUT, SPRING ECROU, RESSORT	2		
63	90250-08M07	PIN, STRAIGHT GOUPILLE, DROITE	1		
64	6CE-45631-00	CLUTCH, DOG CRABOT	1		
65	6E5-45633-01	RING, CROSS PIN JONC, GOUPILLE CRABOT	1		
66	6CB-45332-00-CA	HOUSING, BEARING FLASQUE, ROULEMENT	1		
67	93306-209U0	BEARING ROULEMENT	1		
68	6CE-45571-00	GEAR 2 (21T) PIGNON 2 (21T)	1		

FIG. 33 LOWER CASING & DRIVE 1

BOITIER D'HELICE TRANSMISSION1



REF. NO.	PART NO. N° PIECES	DESCRIPTION DESCRIPTION	6CE2	6CF2	REMARKS REMARQUES
69	6CB-45576-00	WASHER, THRUST 2 RONDELLE DE CALAGE 2	1		
70	93315-43061	BEARING ROULEMENT	1		
71	93101-30M17	OIL SEAL JOINT SPY	2		
72	93211-02001	O-RING JOINT TORIQUE	1		
73	6CB-45577-00	SHIM (T:0.10MM) CALE (T:0.10MM)	1		UR
	6CB-45577-10	SHIM (T:0.12MM) CALE (T:0.12MM)	1		UR
	6CB-45577-20	SHIM (T:0.15MM) CALE (T:0.15MM)	1		UR
	6CB-45577-30	SHIM (T:0.18MM) CALE (T:0.18MM)	1		UR
	6CB-45577-40	SHIM (T:0.30MM) CALE (T:0.30MM)	1		UR
	6CB-45577-50	SHIM (T:0.40MM) CALE (T:0.40MM)	1		UR
	6CB-45577-60	SHIM (T:0.50MM) CALE (T:0.50MM)	1		UR
74	93332-000A5	BEARING ROULEMENT	1		
75	90201-32008	WASHER, PLATE RONDELLE, PLATE	1		
76	676-45567-00	SHIM (T:0.7MM) CALE	1		UR
	676-45567-10	SHIM (T:0.8MM) CALE	1		UR
	676-45567-20	SHIM (T:0.9MM) CALE	1		UR
	676-45567-30	SHIM (T:1.0MM) CALE	1		UR
	676-45567-40	SHIM (T:1.1MM) CALE	1		UR
	676-45567-50	SHIM (T:1.2MM) CALE	1		UR
77	90282-05008	KEY, STRAIGHT CLAVETTE, DROITE	1		
78	6CB-45383-00	WASHER, CLAW FREIN D'ECROU	1		
79	6CB-45384-00	NUT ECROU	1		
80	6CE-45361-10	CAP, LOWER CASING COUVERCLE, BOITIER D'HELICE	1		
81	90105-08M61	BOLT, FLANGE BOULON	2		



Saltwater Series PROPELLER

REGULAR ROTATION

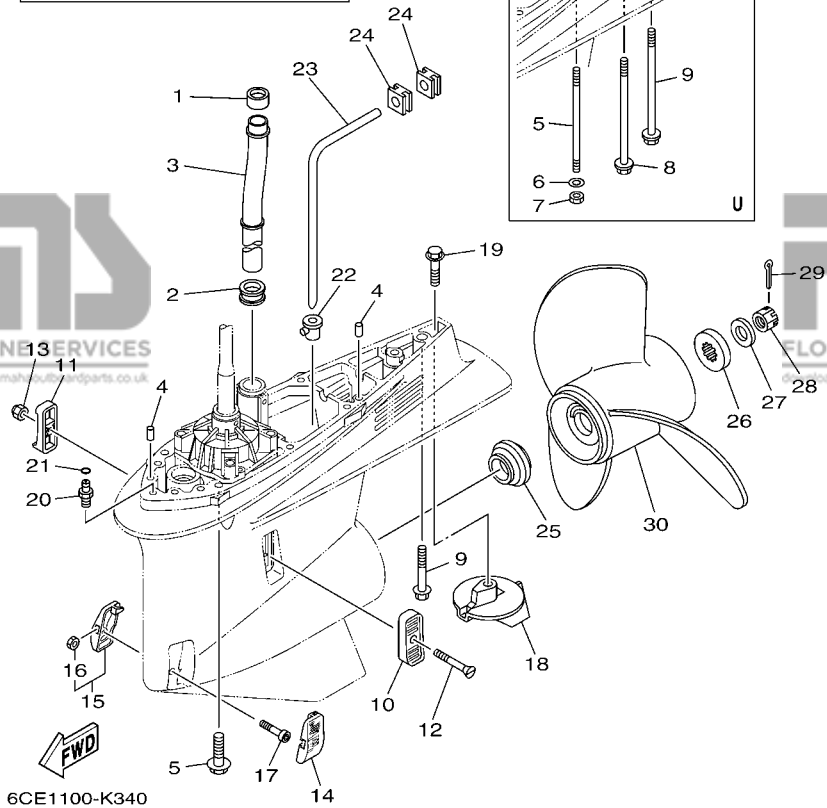
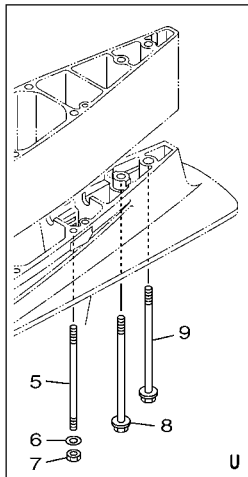


FIG. 34 LOWER CASING & DRIVE 2

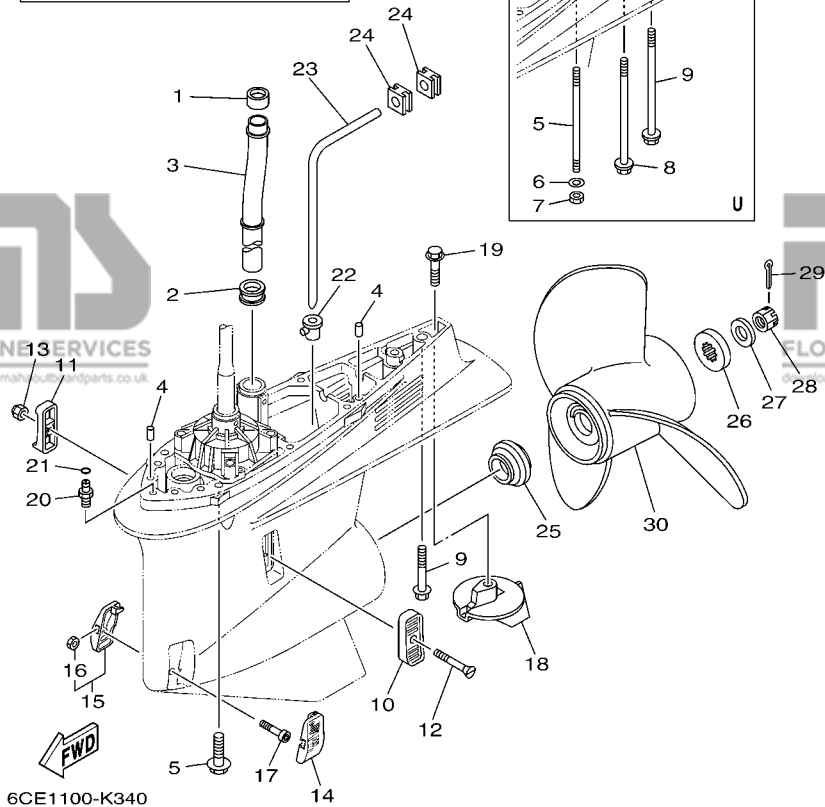
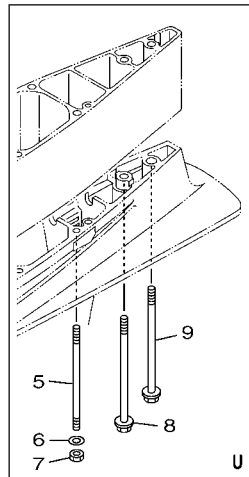
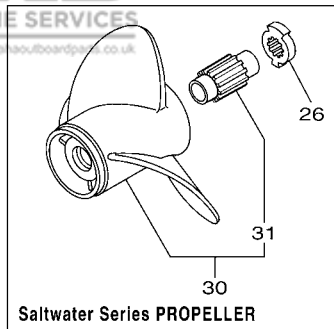
BOITIER D'HELICE TRANSMISSION2

REF. NO.	PART NO. N° PIECES	DESCRIPTION DESCRIPTION	6CE2	6CF2	REMARKS REMARQUES
1	6AW-44365-00	DAMPER, WATER SEAL 1 JOINT, TUBE D'EAU 1	1		
2	6AW-44366-00	DAMPER, WATER SEAL 2 JOINT, TUBE D'EAU 2	1		
3	6CE-44361-00	TUBE, WATER 1 TUBE D'EAU 1	1		X(25.3") X(25.3")
	6CE-44361-10	TUBE, WATER 1 TUBE D'EAU 1	1		U(30.3") U(30.3")
4	93608-16M16	PIN, DOWEL AXE	2		
5	90119-10038	BOLT, WITH WASHER BOULON, AVEC RONDELLE	7		X(25.3") X(25.3")
	90116-10041	BOLT, STUD GOIJON	6		U(30.3") U(30.3")
6	90201-10048	WASHER, PLATE RONDELLE, PLATE	6		U(30.3") U(30.3")
7	90170-10009	NUT ECROU	6		U(30.3") U(30.3")
8	90119-10009	BOLT, WITH WASHER BOULON, AVEC RONDELLE	1		U(30.3") U(30.3")
9	97575-10570	BOLT, WITH WASHER VIS HEXAGONAL AVC RONDELLE	1		X(25.3") X(25.3")
	90119-10008	BOLT, WITH WASHER BOULON, AVEC RONDELLE	1		U(30.3") U(30.3")
10	6P2-45214-00	COVER, WATER INLET 1 GRILLE, ENTREE D'EAU 1	1		
11	6P2-45215-00	COVER, WATER INLET 2 GRILLE, ENTREE D'EAU 2	1		
12	90152-05M08	SCREW, COUNTERSUNK VIS, TETE NOYEE	1		
13	90185-05002	NUT, NYLON ECROU, AUTO-BLOQUANT	1		
14	6CE-45224-00	COVER, WATER INLET 3 GRILLE, ENTREE D'EAU 3	1		
15	6CE-45225-00	COVER, WATER INLET 4 GRILLE, ENTREE D'EAU 4	1		
16	90185-05002	NUT, NYLON ECROU, AUTO-BLOQUANT	1		
17	90110-05039	BOLT, HEXAGON SOCKET HEAD BOULON, TETE HEXAGONALE CREUSE	1		
18	61A-45371-00	TAB-TRIM ANODE DERIVE	1		
19	90105-10M00	BOLT, FLANGE BOULON	1		
20	63P-45378-00	NIPPLE, HOSE RACCORD, TUYAU	1		
21	93210-07003	O-RING JOINT TORIQUE	1		
22	6D0-44367-00	DAMPER, WATER SEAL 3 JOINT TUBE D'EAU 3	1		
23	6D0-44362-01	TUBE, WATER 2 TUBE D'EAU 2	1		
24	6D0-44366-00	DAMPER, WATER SEAL 2 JOINT, TUBE D'EAU 2	2		

FIG. 34 LOWER CASING & DRIVE 2

BOITIER D'HELICE TRANSMISSION2

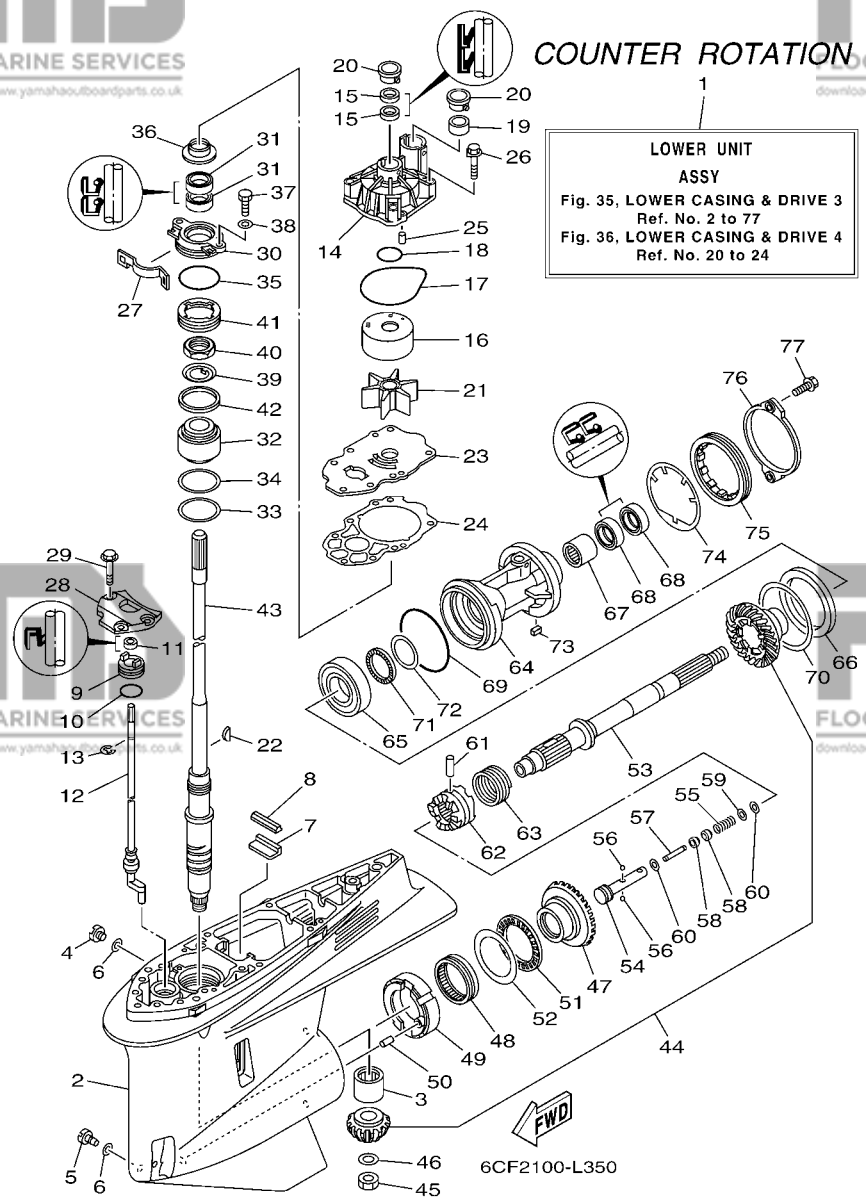
REGULAR ROTATION



REF. NO.	PART NO. N° PIECES	DESCRIPTION DESCRIPTION	6CE2	6CF2	REMARKS REMARQUES
25	69J-45987-00	SPACER 1 ENTRETOISE 1	1		
26	688-45997-01	SPACER 2 ENTRETOISE 2	1		UR FOR 6D0 PROP. UR FOR 6D0 PROP.
	6CE-45997-00	SPACER 2 ENTRETOISE 2	1		UR FOR 6CE PROP. UR FOR 6CE PROP.
27	92990-18200	WASHER RONDELLE, PLATE	1		
28	90171-18M04	NUT, CASTLE ECROU, CRENELE	1		
29	91490-40030	PIN, COTTER GOUPILLE	1		
30	6D0-45970-00	PROPELLER (3X15-1/4"X19"-T) HELICE (3X15-1/4"X19"-T)	1		UR SWS PROP. UR SWS PROP.
	6CE-45930-00	PROPELLER (3X15-3/4"X13"-T) HELICE (3X15-3/4"X13"-T)	1		UR SWS PROP. UR SWS PROP.
	6CE-45970-00	PROPELLER (3X15-1/4"X19"-T) HELICE (3X15-1/4"X19"-T)	1		UR SWS PROP. UR SWS PROP.
	6CE-45972-00	PROPELLER (3X15"X21"-T) HELICE (3X15"X21"-T)	1		UR SWS PROP. UR SWS PROP.
	6CE-45974-00	PROPELLER (3X14-3/4"X23"-T) HELICE (3X14-3/4"X23"-T)	1		UR SWS PROP. UR SWS PROP.
	6CE-45976-00	PROPELLER (3X15-3/4"X15"-T) HELICE (3X15-3/4"X15"-T)	1		UR SWS PROP. UR SWS PROP.
	6CE-45978-00	PROPELLER (3X15-1/2"X17"-T) HELICE (3X15-1/2"X17"-T)	1		UR SWS PROP. UR SWS PROP.
	6CE-45B70-00	PROPELLER (4X15"X21"-T) HELICE (4X15"X21"-T)	1		UR SWS SH4 PROP. UR SWS SH4 PROP.
	6CE-45B72-00	PROPELLER (4X15"X22"-T) HELICE (4X15"X22"-T)	1		UR SWS SH4 PROP. UR SWS SH4 PROP.
	6CE-45B74-00	PROPELLER (4X15"X23"-T) HELICE (4X15"X23"-T)	1		UR SWS SH4 PROP. UR SWS SH4 PROP.
31	6CE-45C81-00	.DAMPER RUBBER, PROPELLER 1 .AMORTISSEUR HELICE 1	1		FOR 6CE PROP. FOR 6CE PROP.

FIG. 35 LOWER CASING & DRIVE 3

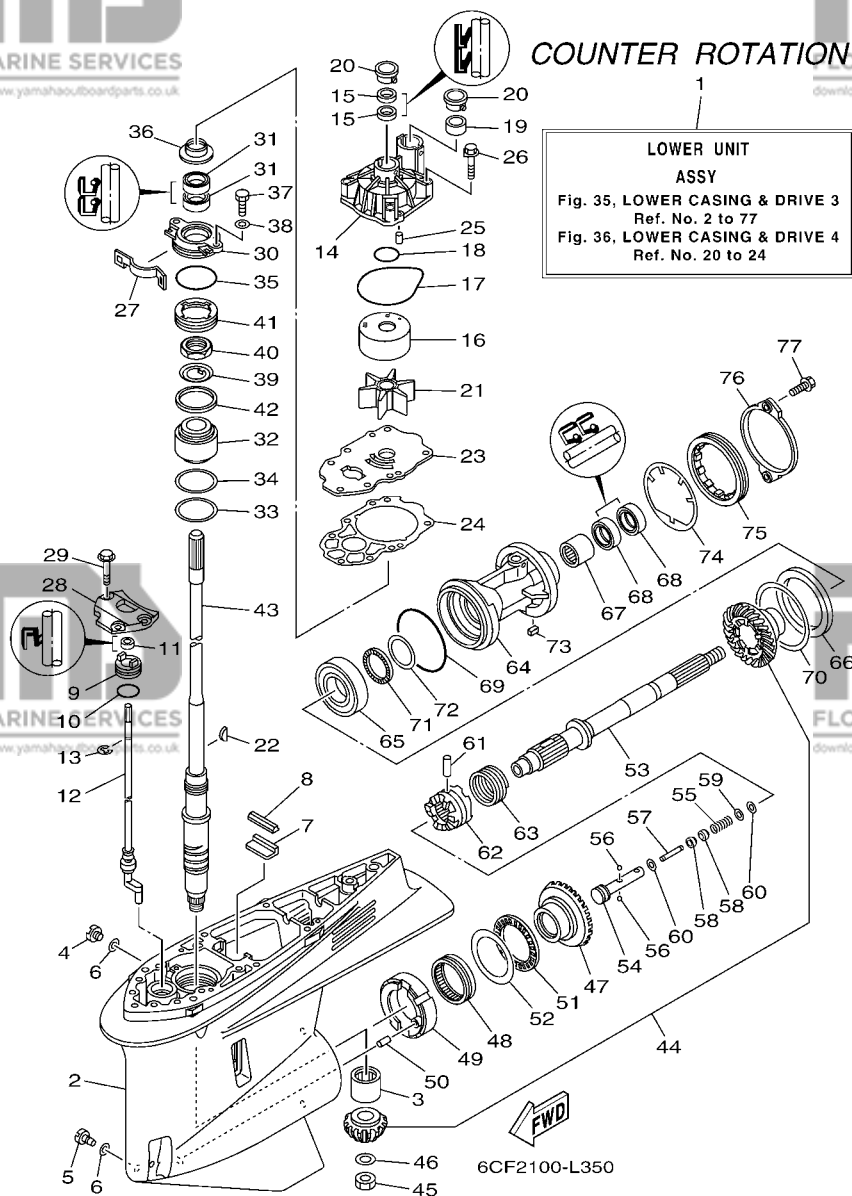
BOITIER D'HELICE TRANSMISSION3



REF. NO.	PART NO. N° PIECES	DESCRIPTION DESCRIPTION	6CE2	6CF2	REMARKS REMARQUES
1	6CF-45300-00-8D	LOWER UNIT ASSY UNITE INFERIEURE (ENS.)		1	X(25.3") X(25.3")
	6CF-45300-10-8D	LOWER UNIT ASSY UNITE INFERIEURE (ENS.)		1	U(30.3") U(30.3")
2	6CE-45301-00-8D	CASING, LOWER BEQUILLE		1	
3	93311-83280	BEARING ROULEMENT		1	
4	90340-08002	PLUG, STRAIGHT SCREW PLOT, FILETE DROIT		1	
5	688-45341-10	PLUG, DRAIN BOUCHON DE VIDANGE		1	
6	90430-08020	GASKET JOINT		2	
7	663-45376-00	GUIDE, SEAL DAMPER BUTEE, JOINT CAOUTCHOUC		1	
8	6CE-45375-00	DAMPER, SEAL BOURRELET, CAOUTCHOUC		1	
9	65N-45321-00	PLATE PLAQUETTE		1	
10	93210-33M49	O-RING JOINT TORIQUE		1	
11	93106-09014	OIL SEAL JOINT SPY		1	
12	6CF-44150-00	SHIFT CAM ASSY CAME D'INVERSION		1	
13	99001-08600	CIRCLIP CIRCLIP		1	
14	6CE-44311-00	HOUSING, WATER PUMP CORPS, POMPE A EAU		1	
15	93104-22M07	OIL SEAL JOINT SPY		2	
16	6AW-44322-00	INSERT, CARTRIDGE CUVETTE		1	
17	93210-94003	O-RING JOINT TORIQUE		1	
18	93210-37160	O-RING JOINT TORIQUE		1	
19	6AW-44365-00	DAMPER, WATER SEAL 1 JOINT, TUBE D'EAU 1		1	
20	6AW-44312-00	COVER, WATER PUMP HOUSING COUVERCLE		2	
21	6CE-44352-00	IMPELLER TURBINE		1	
22	90280-04002	KEY, WOODRUFF CLAVETTE, DEMI-LUNE		1	
23	6CE-44323-00	OUTER PLATE, CARTRIDGE PLAQUE EXTERIEURE		1	
24	6CE-44315-00	GASKET, WATER PUMP JOINT, POMPE A EAU		1	
25	93606-12019	PIN, DOWEL GOUILLE		2	
26	90119-08M14	BOLT, WITH WASHER BOULON, AVEC RONDELLE		4	

FIG. 35 LOWER CASING & DRIVE 3

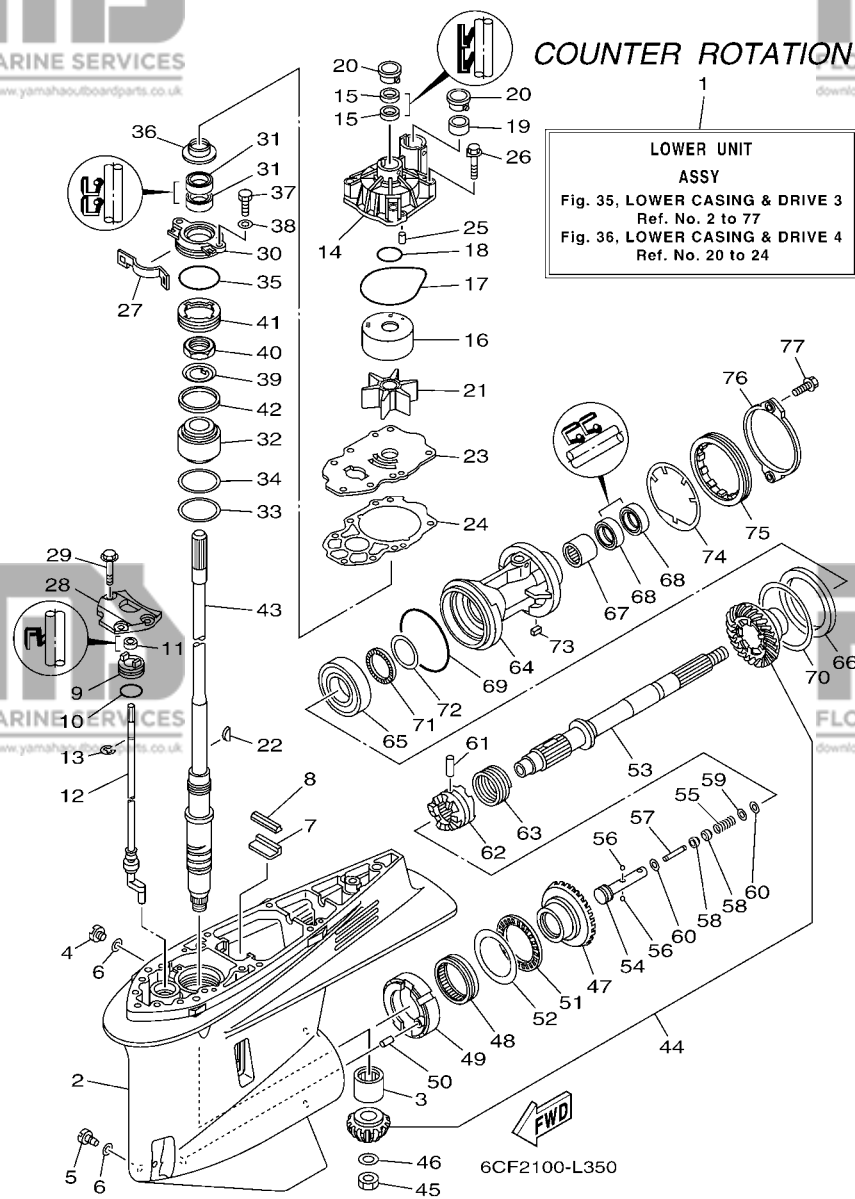
BOITIER D'HELICE TRANSMISSION3



REF. NO.	PART NO. N° PIECES	DESCRIPTION DESCRIPTION	6CE2	6CF2	REMARKS REMARQUES
27	6AW-45723-00	PLATE, SEAL PLAQUE, JOINT		1	
28	6CB-44312-00	COVER, WATER PUMP HOUSING COUVERCLE		1	
29	90119-08M32	BOLT, WITH WASHER BOULON, AVEC RONDELLE		3	
30	6CE-45335-00-9S	HOUSING, OIL SEAL LOGEMENT DE JOINT SPY		1	
31	93101-28M16	OIL SEAL JOINT SPY		2	
32	93399-99966	BEARING ROULEMENT		1	
33	90201-62008	WASHER, PLATE RONDELLE, PLATE		1	
34	6CE-45587-00	SHIM (T:0.10MM) CALE (T:0.10MM)		1	UR
	6CE-45587-10	SHIM (T:0.12MM) CALE (T:0.12MM)		1	UR
	6CE-45587-20	SHIM (T:0.15MM) CALE (T:0.15MM)		1	UR
	6CE-45587-30	SHIM (T:0.18MM) CALE (T:0.18MM)		1	UR
	6CE-45587-40	SHIM (T:0.30MM) CALE (T:0.30MM)		1	UR
	6CE-45587-50	SHIM (T:0.40MM) CALE (T:0.40MM)		1	UR
	6CE-45587-60	SHIM (T:0.50MM) CALE (T:0.50MM)		1	UR
35	93210-64488	O-RING JOINT TORIQUE		1	
36	6AW-45344-00	COVER, OIL SEAL FLASQUE, JOINT D'HUILE		1	
37	97095-08020	BOLT BOULON		2	
38	92995-08600	WASHER RONDELLE		2	
39	90214-30003	WASHER, CLAW RONDELLE, A GRIFFES		1	
40	90170-30M18	NUT ECROU		1	
41	6CE-45244-00	NUT ECROU		1	
42	6CE-45539-00	SPACER 2 ENTRETOISE 2		1	
43	6CE-45501-00	DRIVE SHAFT COMP. ARBRE MOTEUR COMP.		1	X(25.3") X(25.3")
	6CE-45501-10	DRIVE SHAFT COMP. ARBRE MOTEUR COMP.		1	U(30.3") U(30.3")
44	6CF-45550-00	GEAR SET KIT, PIGNON		1	
45	90170-16M19	NUT ECROU		1	
46	90201-16M00	WASHER, PLATE RONDELLE, PLATE		1	

FIG. 35 LOWER CASING & DRIVE 3

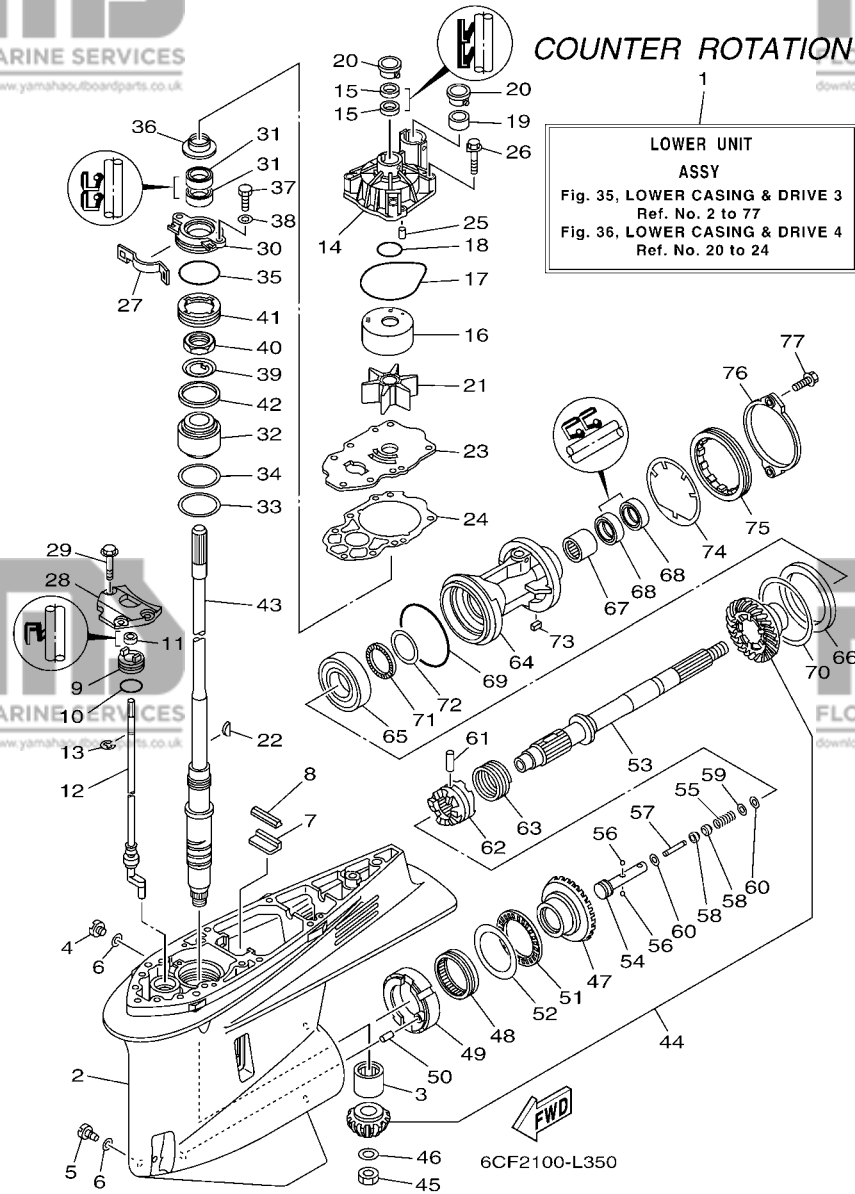
BOITIER D'HELICE TRANSMISSION3



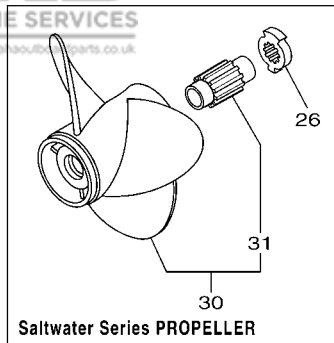
REF. NO.	PART NO. N° PIECES	DESCRIPTION DESCRIPTION	6CE2	6CF2	REMARKS REMARQUES
47	6CF-45560-00	GEAR 1 (21T) PIGNON 1 (21T)		1	
48	93311-85894	BEARING ROULEMENT		1	
49	6CB-45824-00	ADAPTER ADAPTATEUR		1	
50	93608-16M16	PIN, DOWEL AXE		1	
51	93340-67011	BEARING CERVEAUX DE DIRECTION		1	
52	6CB-45567-00	SHIM (T:2.00MM) CALE (T:2.00MM)		1	UR
	6CB-45567-10	SHIM (T:2.03MM) CALE (T:2.03MM)		1	UR
	6CB-45567-20	SHIM (T:2.06MM) CALE (T:2.06MM)		1	UR
	6CB-45567-30	SHIM (T:2.09MM) CALE (T:2.09MM)		1	UR
	6CB-45567-40	SHIM (T:2.12MM) CALE (T:2.12MM)		1	UR
	6CB-45567-50	SHIM (T:2.15MM) CALE (T:2.15MM)		1	UR
53	6CF-45611-00	SHAFT, PROPELLER ARBRE, HELICE		1	
54	6CB-45634-00	SLIDE, SHIFT CONTRE-POUSSOIR		1	
55	90501-10M77	SPRING, COMPRESSION RESSORT, COMPRESSION		1	
56	93501-04011	BALL BILLE		2	
57	6H1-45668-00	SHAFT, FREE 1 AXE 1		1	
58	61A-45635-00	PLUNGER, SHIFT POUSSOIR D'EMBRAYAGE		2	
59	90201-02M00	WASHER, PLATE RONDELLE, PLATE		1	
60	90183-02M03	NUT, SPRING ECROU, RESSORT		2	
61	90250-08M07	PIN, STRAIGHT GOUPILLE, DROITE		1	
62	6CE-45631-00	CLUTCH, DOG CRABOT		1	
63	6E5-45633-01	RING, CROSS PIN JONC, GOUPILLE CRABOT		1	
64	6CF-45332-00-CA	HOUSING, BEARING FLASQUE, ROULEMENT		1	
65	93332-00048	BEARING ROULEMENT		1	
66	6CF-45576-00	WASHER, THRUST 2 RONDELLE DE CALAGE 2		1	
67	93315-43061	BEARING ROULEMENT		1	
68	93101-30M17	OIL SEAL JOINT SPY		2	

FIG. 35 LOWER CASING & DRIVE 3

BOITIER D'HELICE TRANSMISSION3

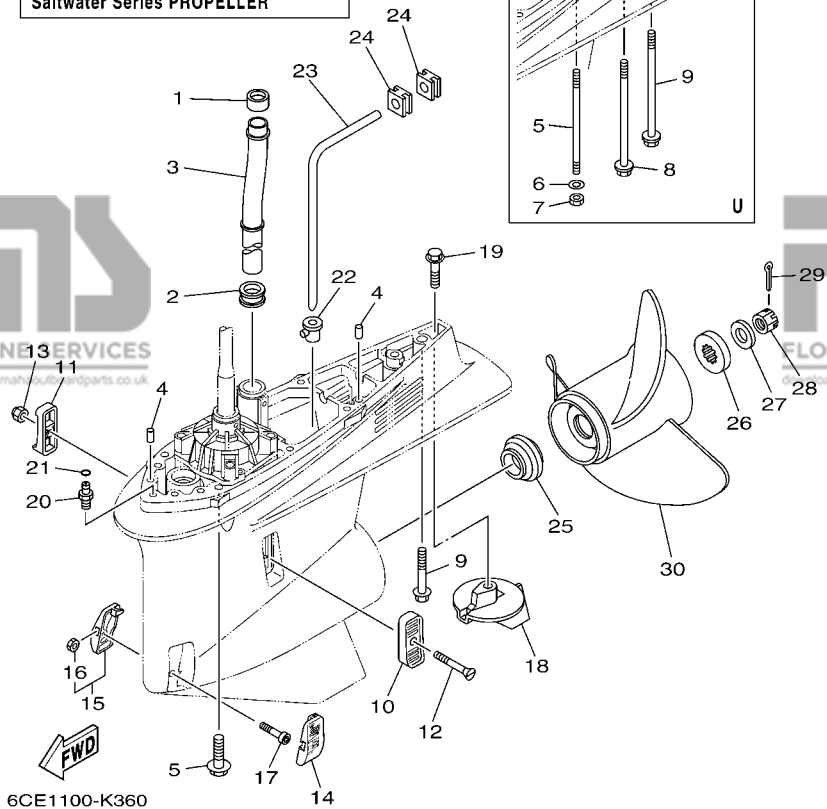
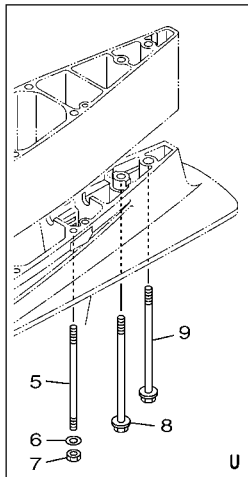


REF. NO.	PART NO. N° PIECES	DESCRIPTION DESCRIPTION	6CE2	6CF2	REMARKS REMARQUES
69	93211-02001	O-RING JOINT TORIQUE		1	
70	6CB-45577-00	SHIM (T:0.10MM) CALE (T:0.10MM)		1	UR
	6CB-45577-10	SHIM (T:0.12MM) CALE (T:0.12MM)		1	UR
	6CB-45577-20	SHIM (T:0.15MM) CALE (T:0.15MM)		1	UR
	6CB-45577-30	SHIM (T:0.18MM) CALE (T:0.18MM)		1	UR
	6CB-45577-40	SHIM (T:0.30MM) CALE (T:0.30MM)		1	UR
	6CB-45577-50	SHIM (T:0.40MM) CALE (T:0.40MM)		1	UR
	6CB-45577-60	SHIM (T:0.50MM) CALE (T:0.50MM)		1	UR
71	93341-440U5	BEARING CERVAUX DE DIRECTION		1	
72	6K1-45578-01	SHIM (T:0.10MM) CALE (T:0.10MM)		1	UR
	6K1-45578-10	SHIM (T:0.12MM) CALE (T:0.12MM)		1	UR
	6K1-45578-20	SHIM (T:0.15MM) CALE (T:0.15MM)		1	UR
	6K1-45578-30	SHIM (T:0.18MM) CALE (T:0.18MM)		1	UR
	6K1-45578-40	SHIM (T:0.30MM) CALE (T:0.30MM)		1	UR
	6K1-45578-50	SHIM (T:0.40MM) CALE (T:0.40MM)		1	UR
	6K1-45578-60	SHIM (T:0.50MM) CALE (T:0.50MM)		1	UR
73	90282-05008	KEY, STRAIGHT CLAVETTE, DROITE		1	
74	6CB-45383-00	WASHER, CLAW FREIN D'ECROU		1	
75	6CB-45384-00	NUT ECROU		1	
76	6CE-45361-10	CAP, LOWER CASING COUVERCLE, BOITIER D'HELICE		1	
77	90105-08M61	BOLT, FLANGE BOULON		2	



Saltwater Series PROPELLER

COUNTER ROTATION



6CE1100-K360

FIG. 36 LOWER CASING & DRIVE 4

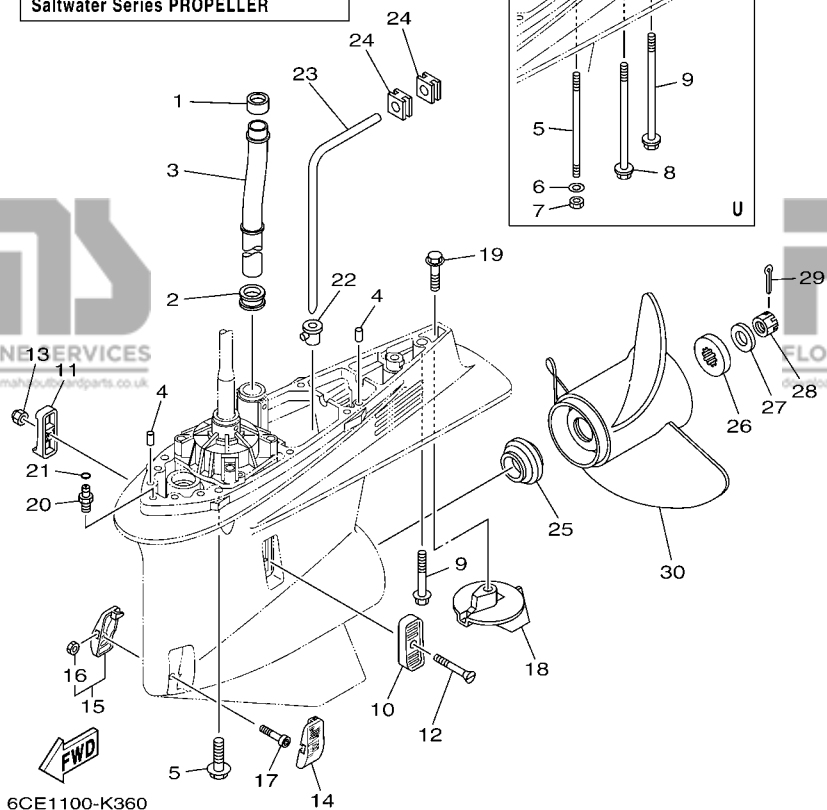
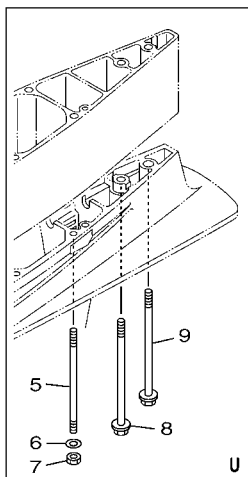
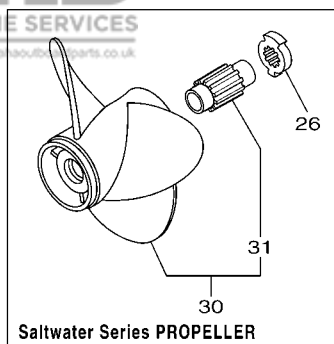
BOITIER D'HELICE TRANSMISSION4

REF. NO.	PART NO. N° PIECES	DESCRIPTION DESCRIPTION	6CE2	6CF2	REMARKS REMARQUES
1	6AW-44365-00	DAMPER, WATER SEAL 1 JOINT, TUBE D'EAU 1		1	
2	6AW-44366-00	DAMPER, WATER SEAL 2 JOINT, TUBE D'EAU 2		1	
3	6CE-44361-00	TUBE, WATER 1 TUBE D'EAU 1		1	X(25.3") X(25.3")
	6CE-44361-10	TUBE, WATER 1 TUBE D'EAU 1		1	U(30.3") U(30.3")
4	93608-16M16	PIN, DOWEL AXE		2	
5	90119-10038	BOLT, WITH WASHER BOULON, AVEC RONDELLE		7	X(25.3") X(25.3")
	90116-10041	BOLT, STUD GOIJON		6	U(30.3") U(30.3")
6	90201-10048	WASHER, PLATE RONDELLE, PLATE		6	U(30.3") U(30.3")
7	90170-10009	NUT ECROU		6	U(30.3") U(30.3")
8	90119-10009	BOLT, WITH WASHER BOULON, AVEC RONDELLE		1	U(30.3") U(30.3")
9	97575-10570	BOLT, WITH WASHER VIS HEXAGONAL AVC RONDELLE		1	X(25.3") X(25.3")
	90119-10008	BOLT, WITH WASHER BOULON, AVEC RONDELLE		1	U(30.3") U(30.3")
10	6P2-45214-00	COVER, WATER INLET 1 GRILLE, ENTREE D'EAU 1		1	
11	6P2-45215-00	COVER, WATER INLET 2 GRILLE, ENTREE D'EAU 2		1	
12	90152-05M08	SCREW, COUNTERSUNK VIS, TETE NOYEE		1	
13	90185-05002	NUT, NYLON ECROU, AUTO-BLOQUANT		1	
14	6CE-45224-00	COVER, WATER INLET 3 GRILLE, ENTREE D'EAU 3		1	
15	6CE-45225-00	COVER, WATER INLET 4 GRILLE, ENTREE D'EAU 4		1	
16	90185-05002	NUT, NYLON ECROU, AUTO-BLOQUANT		1	
17	90110-05039	BOLT, HEXAGON SOCKET HEAD BOULON, TETE HEXAGONALE CREUSE		1	
18	61A-45371-00	TAB-TRIM ANODE DERIVE		1	
19	90105-10M00	BOLT, FLANGE BOULON		1	
20	63P-45378-00	NIPPLE, HOSE RACCORD, TUYAU		1	
21	93210-07003	O-RING JOINT TORIQUE		1	
22	6D0-44367-00	DAMPER, WATER SEAL 3 JOINT TUBE D'EAU 3		1	
23	6D0-44362-01	TUBE, WATER 2 TUBE D'EAU 2		1	
24	6D0-44366-00	DAMPER, WATER SEAL 2 JOINT, TUBE D'EAU 2		2	

FIG. 36 LOWER CASING & DRIVE 4

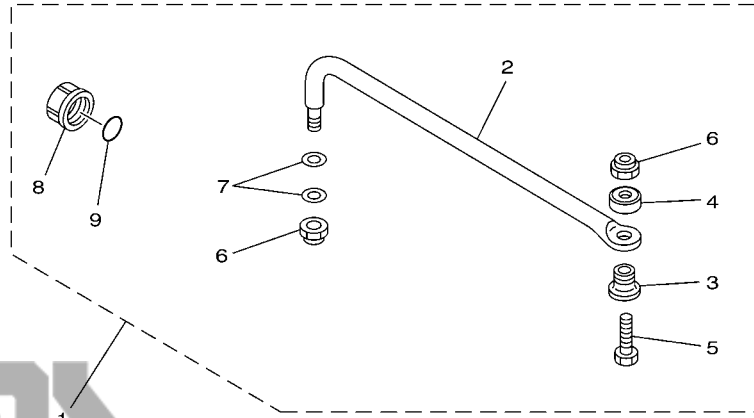
BOITIER D'HELICE TRANSMISSION4

COUNTER ROTATION



REF. NO.	PART NO. N° PIECES	DESCRIPTION DESCRIPTION	6CE2	6CF2	REMARKS REMARQUES
25	69J-45987-00	SPACER 1 ENTRETOISE 1		1	
26	688-45997-01	SPACER 2 ENTRETOISE 2		1	UR FOR 6D1 PROP. UR FOR 6D1 PROP.
	6CE-45997-00	SPACER 2 ENTRETOISE 2		1	UR FOR 6CF PROP. UR FOR 6CF PROP.
27	92990-18200	WASHER RONDELLE, PLATE		1	
28	90171-18M04	NUT, CASTLE ECROU, CRENELE		1	
29	91490-40030	PIN, COTTER GOUPILLE		1	
30	6D1-45970-00	PROPELLER (3X15-1/4"X19"-TL) HELICE (3X15-1/4"X19"-TL)		1	UR SWS PROP. UR SWS PROP.
	6CF-45930-00	PROPELLER (3X15-3/4"X13"-TL) HELICE (3X15-3/4"X13"-TL)		1	UR SWS PROP. UR SWS PROP.
	6CF-45970-00	PROPELLER (3X15-1/4"X19"-TL) HELICE (3X15-1/4"X19"-TL)		1	UR SWS PROP. UR SWS PROP.
	6CF-45972-00	PROPELLER (3X15"X21"-TL) HELICE (3X15"X21"-TL)		1	UR SWS PROP. UR SWS PROP.
	6CF-45974-00	PROPELLER (3X14-3/4"X23"-TL) HELICE (3X14-3/4"X23"-TL)		1	UR SWS PROP. UR SWS PROP.
	6CF-45976-00	PROPELLER (3X15-3/4"X15"-TL) HELICE (3X15-3/4"X15"-TL)		1	UR SWS PROP. UR SWS PROP.
	6CF-45978-00	PROPELLER (3X15-1/2"X17"-TL) HELICE (3X15-1/2"X17"-TL)		1	UR SWS PROP. UR SWS PROP.
	6CF-45B70-00	PROPELLER (4X15"X21"-TL) HELICE (4X15"X21"-TL)		1	UR SWS SH4 PROP. UR SWS SH4 PROP.
	6CF-45B72-00	PROPELLER (4X15"X22"-TL) HELICE (4X15"X22"-TL)		1	UR SWS SH4 PROP. UR SWS SH4 PROP.
	6CF-45B74-00	PROPELLER (4X15"X23"-TL) HELICE (4X15"X23"-TL)		1	UR SWS SH4 PROP. UR SWS SH4 PROP.
31	6CE-45C81-00	.DAMPER RUBBER, PROPELLER 1 .AMORTISSEUR HELICE 1		1	FOR 6CF PROP. FOR 6CF PROP.

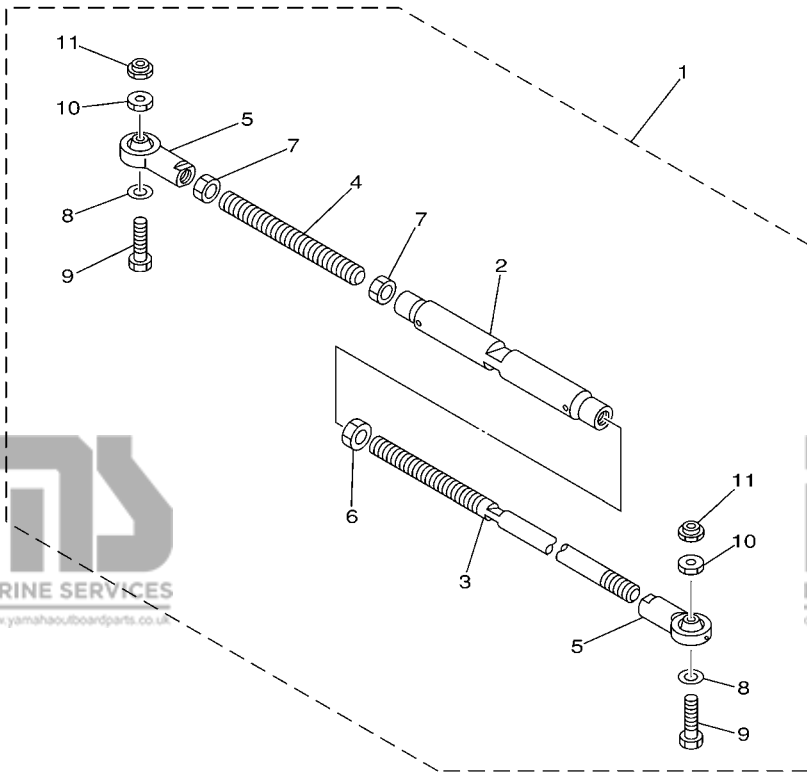
FIG. 37 STEERING GUIDE ATTACHMENT 1 DIRECTION GUIDE ACCESSOIRE 1



REF. NO.	PART NO. N° PIECES	DESCRIPTION DESCRIPTION	6CE2	6CF2	REMARKS REMARQUES
1	6E5-61350-02	STEERING GUIDE ATTACHMENT KIT FIXATIONS DE DIRECTION	1		AP AP
2	6E5-61351-01	.ROD, STEERING LINK .RENOI DE DIRECTION	1		
3	90387-10M61	.COLLAR .COLLERETTE	1		
4	90560-12M01	.SPACER .ENTRETOISE	1		
5	6E5-61355-00	.BOLT .BOULON	1		
6	90185-09M01	.NUT, SELF-LOCKING .ECROU,AUTO-BLOQUANT	2		
7	90201-10M20	.WASHER, PLATE .RONDELLE, PLATE	2		
8	6E5-43145-01	.CAP CLAMP BRACKET .CAPUCHON, PRESSE	1		
9	93210-16275	.O-RING .JOINT TORIQUE	1		

67H0100-9290

FIG. 38 STEERING GUIDE ATTACHMENT 2 DIRECTION GUIDE ACCESSOIRE 2



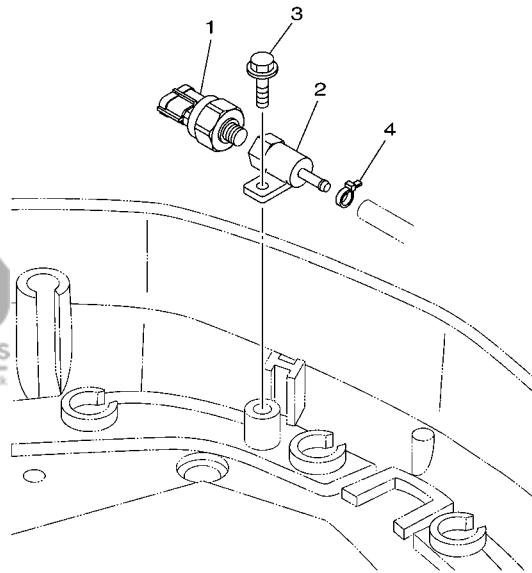
REF. NO.	PART NO. N° PIECES	DESCRIPTION DESCRIPTION	6CE2	6CF2	REMARKS REMARQUES
1	6E5-61301-01	TWIN KIT (L:600-800MM) JUMELE KIT (L:600-800MM)		1	AP AP
2	6E5-61313-00	.ADJUSTER .TENDEUR		1	
3	6E5-61311-11	.TIE BAR .BARRE D'ACCOUPEMENT		1	
4	6E5-61315-00	.TIE BAR .BARRE D'ACCOUPEMENT		1	
5	6E5-61303-00	.STEERING AXLE COMP. .AXLE COMP.		2	
6	90170-14M06	.NUT .ECROU		1	
7	95380-14700	.NUT .ECROU		2	
8	90201-10M76	.WASHER, PLATE .RONDELLE, PLATE		2	
9	90101-09M70	.BOLT .BOULON		2	
10	90170-09M05	.NUT .ECROU		2	
11	90185-09M01	.NUT, SELF-LOCKING .ECROU,AUTO-BLOQUANT		2	

67H0100-0300

FIG. 39 OPTIONAL PARTS 1

PIECES OPTIONNELLES 1

REF. NO.	PART NO. N° PIECES	DESCRIPTION DESCRIPTION	6CE2	6CF2	REMARKS REMARQUES
1	6AW-8366B-00	SENSOR, WATER PRESSURE SONDE DE PRESSION D'EAU	1		FOR LAN SPEED FOR LAN SPEED
2	60V-8366D-00	ADAPTOR, INPUT CONNECTEUR 3	1		FOR LAN SPEED FOR LAN SPEED
3	95895-06016	BOLT, FLANGE BOULON	1		FOR LAN SPEED FOR LAN SPEED
4	90465-11M10	CLAMP BRIDE	1		FOR LAN SPEED FOR LAN SPEED



6CE1100-K390

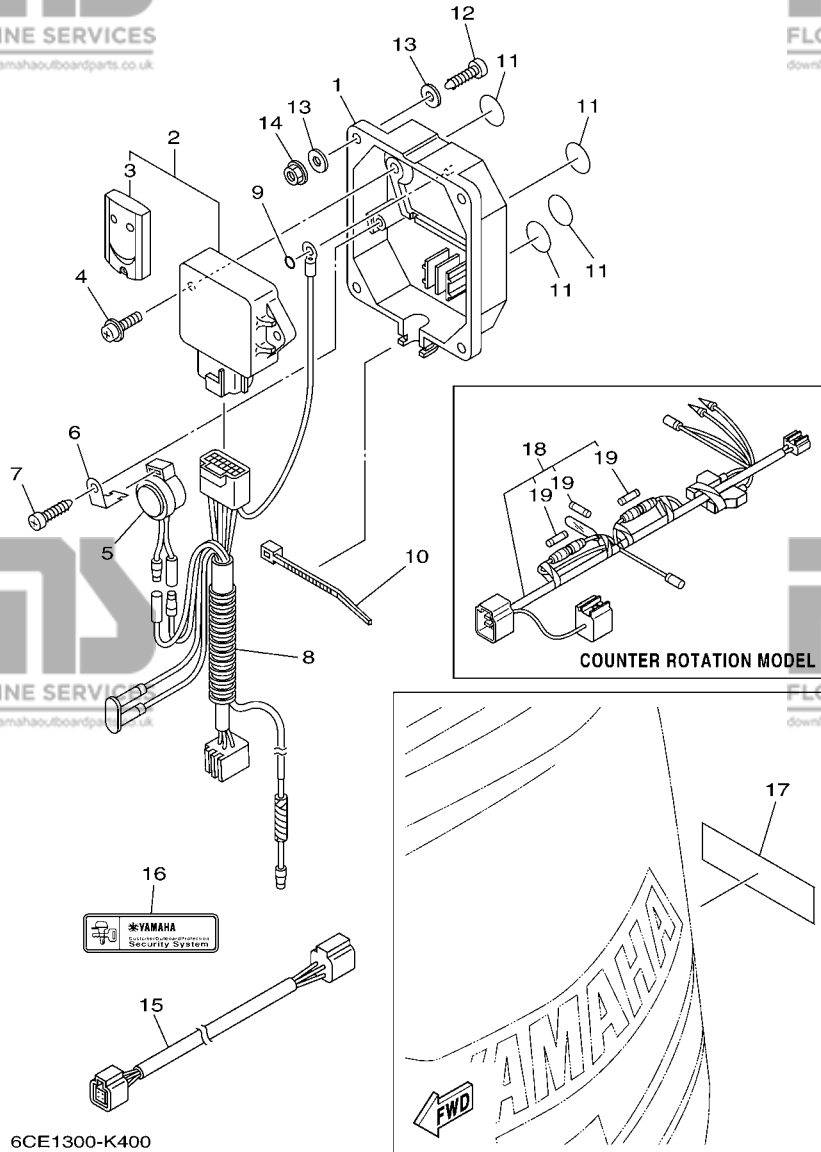
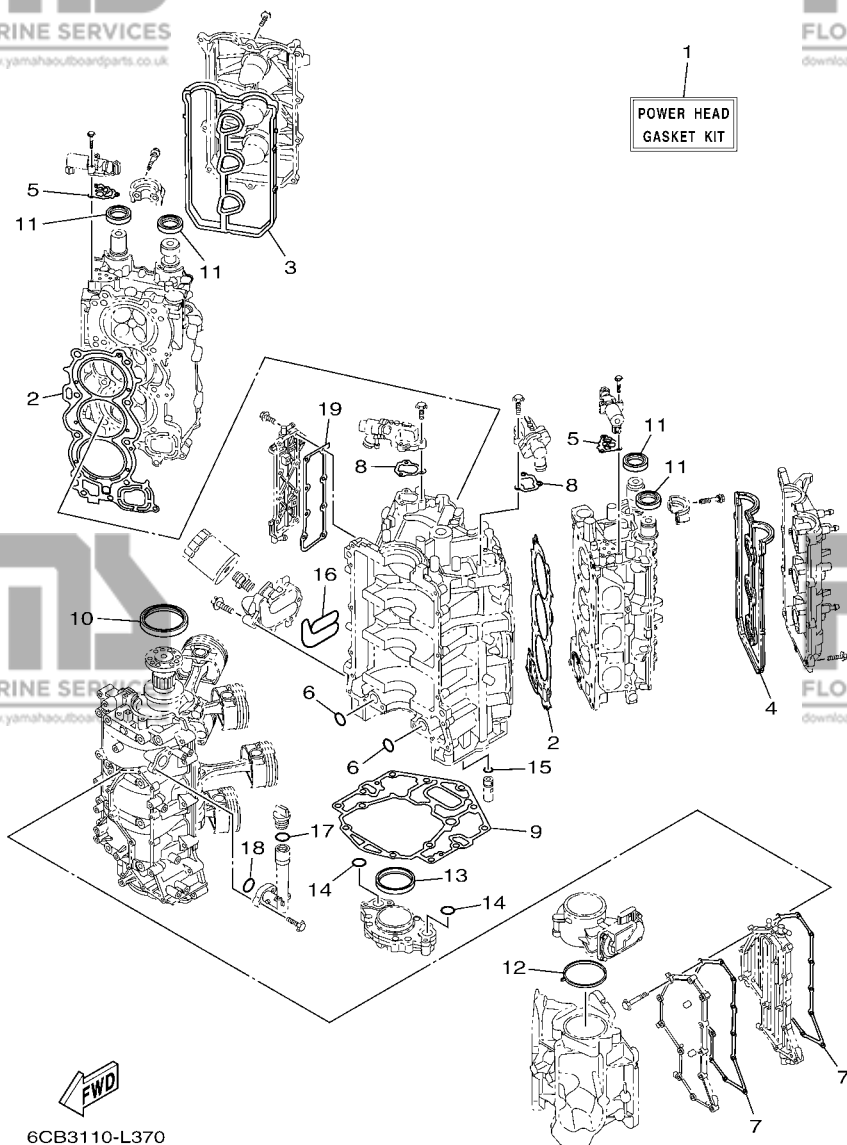


FIG. 40 OPTIONAL PARTS 2

PIECES OPTIONNELLES 2

REF. NO.	PART NO. N° PIECES	DESCRIPTION DESCRIPTION	6CE2	6CF2	REMARKS REMARQUES
1	6Y8-86267-00	CASE COMPLETE 1 CARTER (ENS.) 1	1		
2	6Y8-86260-02	REMOTE CONTROL UNIT ASSY UNITE DE TELECOMMANDE (ENS.)	1		
3	6AA-86261-00	.TRANSMITTER COMP .TRANSMETTEUR	2		
4	97980-06216	SCREW, WITH WASHER VIS, AVEC RONDELLE	2		
5	6X4-83383-00	BUZZER RONFLEUR	1		
6	6X4-83386-00	STAY, BUZZER SUPPOR, RONFLEUR	1		
7	97780-60620	SCREW, TAPPING VIS, TETE BOMBEE	1		
8	6Y8-82509-10	WIRE, SUB LEAD FIL, SECONDAIRE	1		
9	93210-04279	O-RING JOINT TORIQUE	1		
10	90465-11M10	CLAMP BRIDE	1		
11	6Y8-8454G-00	PATCH 1 TAMPON 1	4		
12	90167-06M00	SCREW, TAPPING VIS, TETE FRAISEE	4		UR
	97880-06035	SCREW, PAN HEAD VIS, TETE TRONCONIQUE	4		UR
13	90201-06M30	WASHER, PLATE RONDELLE, PLATE	8		UR
14	95780-06300	NUT, FLANGE ECROU	4		
15	6Y8-82521-11	2FT PIGTAIL BUS FIL	1		
16	6Y8-48277-00	STICKER 1 ETIQUETTE 1	1		
17	6Y8-48277-00	STICKER 1 ETIQUETTE 1	1	1	
18	6Y8-81315-00	LEAD WIRE ASSY FIL	1		
19	6TA-82151-00	.FUSE(5A) .FUSIBLE (5A)		3	

6CE1300-K400



6CB3110-L370

FIG. 41 REPAIR KIT 1

KITS DE REPARATION 1

REF. NO.	PART NO. N° PIECES	DESCRIPTION DESCRIPTION	6CE2	6CF2	REMARKS REMARQUES
1	6CB-W0001-02	POWER HEAD GASKET KIT POCHETTE DE JINTS TETE MOTRICE	1	1	
2	6CB-11181-00	.GASKET, CYLINDER HEAD 1 .JOINT, DE CULASSE 1	2	2	
3	6CB-11193-00	.GASKET, HEAD COVER 1 .JOINT, COUVERCLE DE CULASSE 1	1	1	
4	6CB-11194-00	.GASKET, HEAD COVER 2 .JOINT, COUVERCLE DE CULASSE 2	1	1	
5	6CB-1242F-00	.GASKET, FILTER .JOINT, FILTRE	2	2	
6	93210-26658	.O-RING .JOINT TORIQUE	2	2	
7	6CB-15451-00	.GASKET, CRANKCASE COVER 1 .JOINT, COUVERCLE DE CARTER 1	2	2	
8	6CB-12427-10	.GASKET, HOUSING COVER 1 .JOINT, COUVERCLE DE CARTER 1	2	2	
9	6CB-11351-00	.GASKET, CYLINDER .JOINT, D'EMBASE	1	1	
10	93102-85008	.OIL SEAL .JOINT SPY	1	1	
11	93102-38008	.OIL SEAL .JOINT SPY	4	4	
12	6CB-13556-00	.GASKET, MANIFOLD .JOINT, TUBULURE	1	1	
13	6CB-11355-00	.SEAL, CYLINDER 1 .JOINT, SPY CYLINDRE	1	1	
14	93210-26658	.O-RING .JOINT TORIQUE	2	2	
15	6CB-13473-00	.O-RING .JOINT TORIQUE	1	1	
16	6CB-13477-00	.GASKET .JOINT	1	1	
17	93210-24M79	.O-RING .JOINT TORIQUE	1	1	
18	93210-27370	.O-RING .JOINT TORIQUE	1	1	
19	6CB-1131B-00	.GASKET, COVER .JOINT, COUVERCLE	1	1	

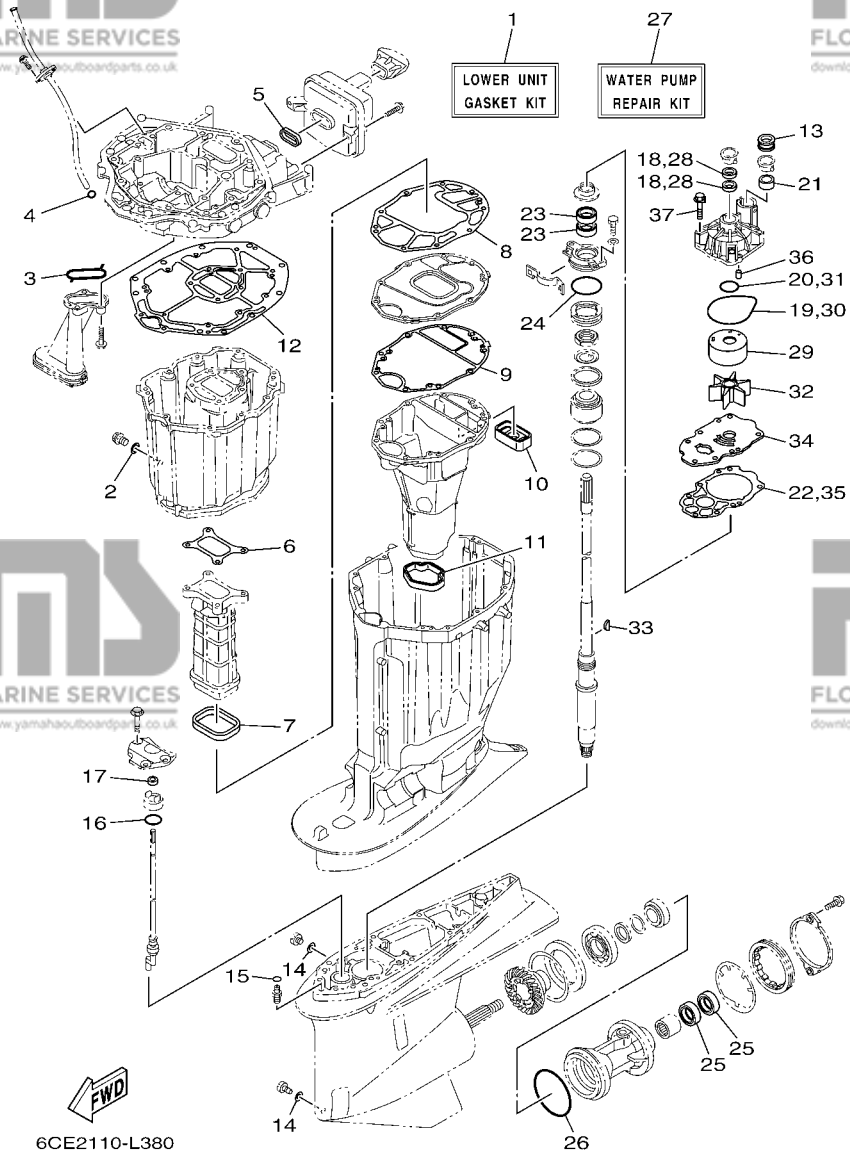


FIG. 42 REPAIR KIT 2

KITS DE REPARATION 2

REF. NO.	PART NO. N° PIECES	DESCRIPTION DESCRIPTION	6CE2	6CF2	REMARKS REMARQUES
1	6CE-W0001-20	LOWER UNIT GASKET KIT POCHETTE DE JOINTS EMBASE	1	1	
2	90430-14M09	.GASKET .JOINT	1	1	
3	6AW-13415-00	.SEAL, OIL STRAINER .JOINT, FILTRE A HUILE	1	1	
4	93210-19MJ3	.O-RING .JOINT TORIQUE	1	1	
5	6CB-14755-00	.GASKET, SILENCER .JOINT, SILENCIEUX	1	1	
6	6CB-41134-00	.GASKET, EXHAUST MANIFOLD .JOINT, PIPE D'ECHAPPEMENT	1	1	
7	6CB-41138-00	.SEAL, EXT. 1 .JOINT DE GROUPE 1	1	1	
8	6CB-41135-00	.GASKET, EXHAUST MANIFOLD .JOINT, PIPE D'ECHAPPEMENT	1	1	
9	6CE-41136-00	.GASKET, EXHAUST MANIFOLD 4 .JOINT, PIPE D'ECHAPPEMENT 4	1	1	
10	6CE-45127-00	.SEAL .JOINT	1	1	
11	6CE-45123-00	.GASKET, MUFFLER .JOINT, POT DE DETENTE	1	1	
12	6CB-45113-00	.GASKET, UPPER CASING .JOINT, TUBE D'ARBRE	1	1	
13	6AW-44366-00	.DAMPER, WATER SEAL 2 .JOINT, TUBE D'EAU 2	1	1	
14	90430-08020	.GASKET .JOINT	2	2	
15	93210-07003	.O-RING .JOINT TORIQUE	1	1	
16	93210-33M49	.O-RING .JOINT TORIQUE	1	1	
17	93106-09014	.OIL SEAL .JOINT SPY	1	1	
18	93104-22M07	.OIL SEAL .JOINT SPY	2	2	
19	93210-94003	.O-RING .JOINT TORIQUE	1	1	
20	93210-37160	.O-RING .JOINT TORIQUE	1	1	
21	6AW-44365-00	.DAMPER, WATER SEAL 1 .JOINT, TUBE D'EAU 1	1	1	
22	6CE-44315-00	.GASKET, WATER PUMP .JOINT, POMPE A EAU	1	1	
23	93101-28M16	.OIL SEAL .JOINT SPY	2	2	
24	93210-64488	.O-RING .JOINT TORIQUE	1	1	
25	93101-30M17	.OIL SEAL .JOINT SPY	2	2	
26	93211-02001	.O-RING .JOINT TORIQUE	1	1	
27	6CE-W0078-00	WATER PUMP REPAIR KIT KIT DE REPARATION DE LA POMPE	1	1	

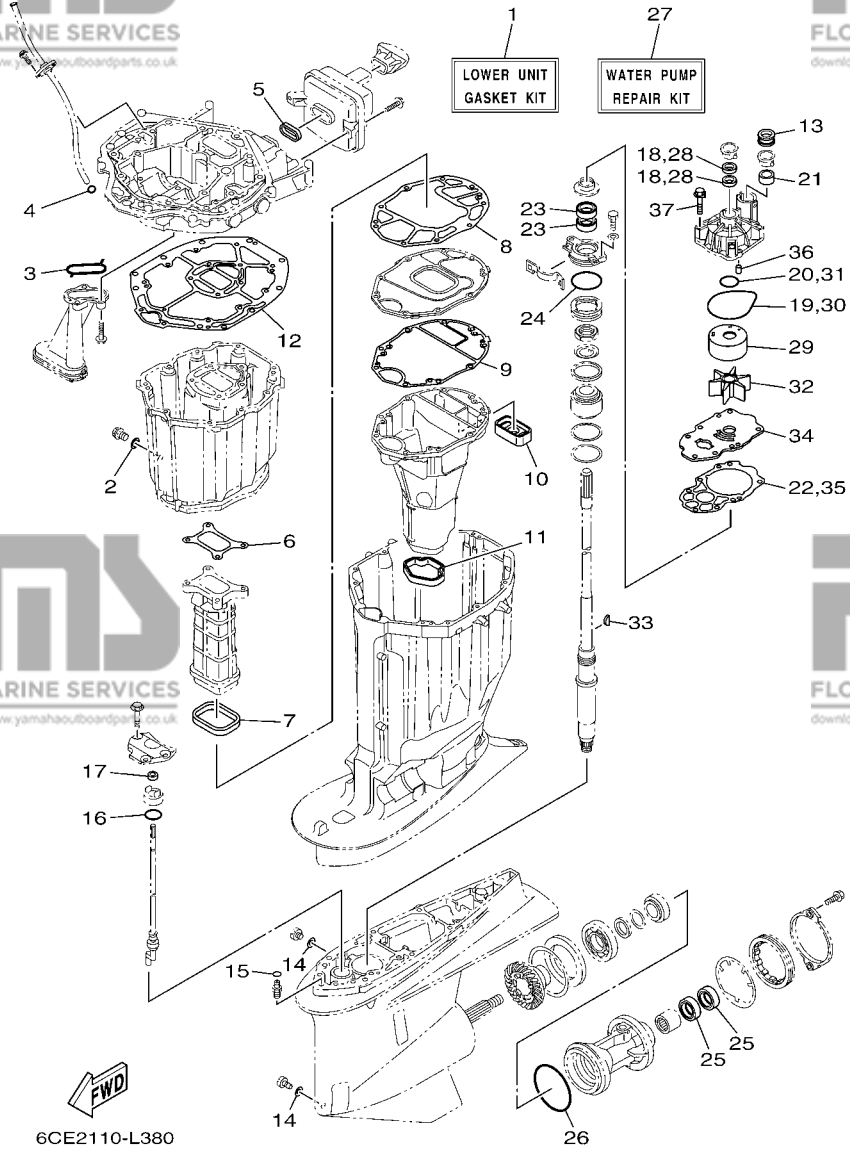


FIG. 42 REPAIR KIT 2

KITS DE REPARATION 2

REF. NO.	PART NO. N° PIECES	DESCRIPTION DESCRIPTION	6CE2	6CF2	REMARKS REMARQUES
28	93104-22M07	.OIL SEAL .JOINT SPY	2	2	
29	6AW-44322-00	.INSERT, CARTRIDGE .CUVETTE	1	1	
30	93210-94003	.O-RING .JOINT TORIQUE	1	1	
31	93210-37160	.O-RING .JOINT TORIQUE	1	1	
32	6CE-44352-00	.IMPELLER .TURBINE	1	1	
33	90280-04002	.KEY, WOODRUFF .CLAVETTE, DEMI-LUNE	1	1	
34	6CE-44323-00	.OUTER PLATE, CARTRIDGE .PLAQUE EXTERIEURE	1	1	
35	6CE-44315-00	.GASKET, WATER PUMP .JOINT, POMPE A EAU	1	1	
36	93606-12019	.PIN, DOWEL .GOUPILLE	2	2	
37	90119-08M14	.BOLT, WITH WASHER .BOULON, AVEC RONDELLE	4	4	

PART NO. N° PIECES	REF. NO.
6CE-11110-00-9S	4 - 2
6CE-11120-00-9S	4 - 12
6S5-11133-10	4 - 3
	4 - 13
6CB-11181-00	4 - 25
	41 - 2
6CB-11191-02	4 - 30
6CB-11192-02	4 - 34
6CB-11193-00	4 - 31
	41 - 3
6CB-11194-00	4 - 35
	41 - 4
67F-11301-00	4 - 19
6CB-1131B-00	2 - 12
	41 - 19
6CE-1131C-00-9S	2 - 9
68T-11325-00	2 - 32
63P-11325-01	2 - 10
	2 - 19
67F-11325-01	4 - 20
63P-11325-11	31 - 2
67F-11328-00	4 - 21
6AW-1132N-01	2 - 34
6AW-1132P-00	2 - 30
6CB-11351-00	2 - 29
	41 - 9
6CB-11355-00	32 - 13
	41 - 13
6CB-1135A-00	5 - 6
6CB-11410-00	3 - 1
6CB-11416-00	3 - 5
6CB-11416-10	3 - 5
6CB-11416-20	3 - 5
6CB-11416-30	3 - 5
6CB-11416-40	3 - 5
6CB-11417-00	3 - 6
6CB-11417-10	3 - 6
6CB-11417-20	3 - 6
6CB-11417-30	3 - 6
6CB-11417-40	3 - 6
6CB-11426-01	3 - 7
6CB-11427-00	3 - 8
6CB-11478-00	3 - 2
6CB-11567-00	7 - 17
6CB-11590-01	7 - 28
6CB-11603-00	3 - 12
6CE-11631-00	3 - 11
6CB-11633-00	3 - 13

PART NO. N° PIECES	REF. NO.
6CB-11654-00	3 - 10
6CB-11656-00	3 - 14
6CB-11656-10	3 - 14
6CB-11656-20	3 - 14
6CB-11998-00	4 - 42
6CB-11999-00	4 - 43
6CB-12111-00	7 - 1
6CB-12113-00	7 - 4
51Y-12119-00	7 - 7
6CB-12121-00	7 - 2
6CB-12171-00	7 - 9
6CB-12172-00	7 - 13
6CB-12181-00	7 - 11
6CB-12182-00	7 - 15
6CE-12411-00	2 - 21
67F-12412-00	2 - 22
6CE-12413-00-9S	2 - 24
6CE-12413-10-9S	2 - 23
6CB-12422-10-9S	2 - 25
6CB-12427-10	2 - 26
	41 - 8
6CB-1242F-00	5 - 2
	41 - 5
6CB-1243E-00	6 - 14
6CE-1244G-00	6 - 11
6CE-1244H-00	6 - 13
6CE-12481-10	17 - 23
6CE-12482-10	9 - 8
6CB-12483-00	9 - 25
6CE-12483-00	17 - 18
6CB-12484-00	9 - 10
6CE-12485-00	17 - 25
6CE-1248A-00	17 - 16
6AW-12572-00	24 - 18
6CB-12576-10	6 - 3
6CB-12577-00	6 - 7
6R3-12581-00	24 - 19
6AW-12582-00	24 - 20
6R3-12583-00	24 - 21
6P2-12615-00	7 - 25
6P2-12623-00	7 - 20
	7 - 23
6CB-12645-01	7 - 19
6CB-1264A-01	7 - 22
6P2-12663-00	7 - 21
	7 - 24
6CB-13016-00	12 - 5
6AW-13119-00	32 - 11

NUMERICAL INDEX
INDEX NUMERIQUE

PART NO. N° PIECES	REF. NO.
6AW-13132-00	12 - 27
6CB-13161-00	11 - 1
6CB-13171-00	11 - 5
6CB-13300-00	32 - 9
6CB-13329-00	32 - 10
6CB-13411-00	32 - 6
6AW-13415-00	32 - 7
	42 - 3
67F-13434-20	1 - 24
6CE-13437-60	16 - 16
N26-13440-00	2 - 36
6CE-13446-10-9S	2 - 38
6CB-13473-00	32 - 17
	41 - 15
6CB-13477-00	2 - 39
	41 - 16
6CB-13490-00	32 - 16
6CB-13532-00	9 - 2
6CB-13533-00	9 - 1
6CB-13545-00	9 - 17
6CB-13546-00	9 - 21
6CB-13547-00	9 - 22
6CB-13548-00	9 - 24
6CB-13556-00	10 - 3
	41 - 12
68V-13577-00	13 - 4
6CB-13577-00	11 - 4
	11 - 8
6CB-13593-00	12 - 17
69J-13631-00	32 - 12
6CE-13641-00	8 - 5
6CB-13645-00	8 - 6
6CB-13646-00	8 - 7
6CB-13711-00	10 - 2
69J-13716-00	12 - 16
6CB-13751-00	10 - 1
6AW-13761-00	11 - 2
	11 - 6
6AW-13781-00	12 - 29
6CB-13782-00	9 - 15
6AW-13784-00	12 - 30
6CB-13898-00	10 - 9
6CB-13898-10	10 - 10
6CB-13906-01	12 - 8
6CB-13907-10	12 - 18
63P-13915-00	12 - 19
6CB-13971-01	13 - 10
6CB-13972-00	13 - 12

PART NO. N° PIECES	REF. NO.
6CB-13974-00	13 - 11
6AW-1410B-00	11 - 3
	11 - 7
69J-14137-00	13 - 3
6CB-14146-00	12 - 10
6P2-14149-00	13 - 2
6CB-14180-03	12 - 1
6CB-14181-00	12 - 11
6CB-14182-01	12 - 2
6P2-14191-00	12 - 12
6CB-14216-00	12 - 6
6CB-14239-00	12 - 13
6P2-14386-00	12 - 32
6AW-1441J-00	8 - 11
6CB-14429-00	12 - 15
63P-14435-00	20 - 31
6CB-14440-01	8 - 9
6CB-1447B-00	12 - 28
6CB-14546-00	12 - 21
6CB-14564-00	12 - 9
63P-14567-00	12 - 31
6CE-14711-00-9S	31 - 21
6CB-14755-00	31 - 13
	42 - 5
6CB-1475A-00	9 - 26
6CB-1475F-00	9 - 27
6CB-1475G-00	9 - 30
6CB-14760-00	31 - 10
6CE-14872-00	17 - 24
	17 - 27
6CB-14984-00	12 - 26
6CB-14985-00	12 - 20
6CB-14989-00	9 - 29
6CE-15100-10	2 - 2
6AW-15142-00	4 - 38
6CB-15142-00	5 - 8
6CB-15187-00	2 - 5
6CB-15311-00-CA	32 - 1
6BB-15316-00	31 - 30
6CB-15319-00	2 - 43
6CB-15362-00	32 - 18
6G8-15363-00	2 - 41
6CB-15373-00	8 - 8
6CB-15377-00	32 - 19
6CE-15411-00-9S	2 - 14
6CE-15421-10-9S	2 - 15
6CB-15451-00	2 - 17
	41 - 7

PART NO. N° PIECES	REF. NO.
6CB-15481-00	2 - 6
6CB-15512-00	7 - 29
6CB-15544-00	5 - 4
6CB-2134V-00	4 - 40
69J-2134X-00	8 - 16
6E5-21744-00	9 - 23
6CB-2416A-00	9 - 5
69J-24170-00	8 - 14
69J-2419A-01	8 - 15
6CB-24217-00	12 - 7
6CE-24300-01	13 - 9
6YK-24307-42	15 - 1
6CB-24313-00	14 - 18
6CB-24313-10	14 - 18
6CB-24314-01	14 - 2
6CB-24314-11	14 - 2
6CB-24315-00	24 - 13
6CB-24317-00	13 - 6
6CB-24323-00	13 - 7
6CB-24324-00	13 - 5
6E5-24351-51	14 - 3
6AW-24360-01	15 - 2
6CE-24376-00	17 - 26
6G8-24376-00	9 - 28
6CE-24377-00	17 - 17
6AW-24377-01	14 - 4
688-24378-00	6 - 2
	9 - 20
	9 - 34
	17 - 29
6CE-24378-00	6 - 12
6E5-24378-00	13 - 8
6CB-24410-00	12 - 22
6CB-24452-00	12 - 14
4SV-24453-00	12 - 33
6CB-24460-00	12 - 4
6CB-24461-00	13 - 1
6P3-24469-00	14 - 10
6CB-24491-00	12 - 25
6CB-24492-00	12 - 23
6CB-24501-01	12 - 3
6P3-24519-00	14 - 9
6P3-24560-22	14 - 7
6P3-24562-21	14 - 8
6P3-24563-01	14 - 12
6P3-24564-00	14 - 11
6CB-24566-00	14 - 13
6CB-24592-00	12 - 24

PART NO. N° PIECES	REF. NO.
6CB-24596-01	14 - 20
69J-28100-01	14 - 22
67F-2812A-00	19 - 32
6CE-28199-71-DO	14 - 23
6CE-28199-71-E0	14 - 23
6CE-28199-71-F0	14 - 23
6CE-28199-71-G0	14 - 23
6CE-28199-71-H0	14 - 23
6CE-28199-71-S0	14 - 23
6CE-28199-81-K0	14 - 24
6CE-28199-81-L0	14 - 24
6CE-28199-81-M0	14 - 24
6CE-28199-81-N0	14 - 24
6CE-28199-81-P0	14 - 24
6CE-28199-81-R0	14 - 24
6CB-41132-00-9S	31 - 14
6CB-41134-00	31 - 15
	42 - 6
6CB-41135-00	31 - 18
	42 - 8
6CE-41136-00	31 - 20
	42 - 9
6CE-41137-00-CA	31 - 1
6CB-41138-00	31 - 17
	42 - 7
6CB-42134-00	1 - 14
6AW-42169-00	24 - 15
6CE-42195-00	26 - 6
6BG-42384-00	24 - 2
6CE-42510-00-8D	28 - 5
6CE-42610-00	1 - 1
6CE-42613-00	1 - 2
6CB-42615-00	23 - 5
6BG-42617-00	20 - 8
6CB-42617-00	20 - 9
6CB-42628-00	1 - 17
6CB-42629-00	20 - 10
6CE-42635-00	1 - 4
6CB-42643-00	24 - 29
6CB-42644-00	24 - 30
6CB-42647-00	1 - 7
6CB-42662-00	4 - 44
6AW-42663-00	1 - 13
6CE-42677-00	1 - 20
6CE-42678-00	1 - 18
6CE-42681-01	1 - 21
6CE-42682-01	1 - 22
6AW-42697-10	1 - 23

PART NO. N° PIECES	REF. NO.
6CB-42711-01-8D	23 - 1
6CB-42716-00	23 - 6
69J-42717-00	24 - 11
6D0-42717-00	23 - 22
69J-42723-01	20 - 25
6E5-42724-00	31 - 9
6CE-42725-01	23 - 2
6H4-42726-00	24 - 4
6H1-42726-21	24 - 1
61A-42727-00	24 - 5
64G-42727-00	24 - 6
6CE-42733-00	24 - 7
6CE-42734-00	24 - 8
6CE-42741-00-8D	25 - 1
6CB-42743-00	23 - 25
6CB-42744-00	24 - 35
6H4-42748-00	23 - 23
68F-42753-00	23 - 31
6CB-42756-00	23 - 29
69M-42758-01	17 - 5
	19 - 10
6CB-42761-00	23 - 3
6CB-42766-00	23 - 27
6CB-42769-00	31 - 11
6CE-42771-00-8D	25 - 2
6CE-42774-00	25 - 15
6AW-42785-00	24 - 17
6CE-42786-00	24 - 9
6CE-42787-00	24 - 10
6AH-42794-40	23 - 33
6AH-42794-50	23 - 34
6CB-42815-01-8D	23 - 7
6CB-42816-01-8D	23 - 8
6CB-42817-01-8D	23 - 9
6CB-42818-00	23 - 13
6CB-42819-00	23 - 14
69J-43111-01-8D	27 - 1
69J-43112-01-8D	27 - 14
6E5-43126-10	27 - 43
6R3-43131-00	27 - 21
61A-43132-00	27 - 12
61A-43133-00	27 - 15
66T-43144-00	23 - 17
6G5-43144-00	27 - 33
6E5-43145-01	37 - 8
6G5-43148-00	27 - 38
61A-43181-01	27 - 35
6G5-43185-02	27 - 36

PART NO. N° PIECES	REF. NO.
61A-43311-21-8D	27 - 30
61A-43376-00	28 - 3
69J-43800-04-8D	29 - 1
69J-43801-01	29 - 4
69J-43804-00	30 - 5
69J-43805-00	30 - 4
6CE-4380P-00	29 - 12
6CE-43810-00	29 - 3
61A-43811-00	29 - 9
61A-43813-01	29 - 18
6H1-43814-00	29 - 17
69J-43816-00	29 - 63
69J-43817-00	30 - 13
61A-43818-00	29 - 25
69J-4381C-00	29 - 30
	29 - 35
69J-4381J-00	29 - 64
69J-43820-00	29 - 71
61A-43821-00	29 - 70
61A-43822-00	29 - 69
69J-43828-00	30 - 16
6H1-43829-00	30 - 19
69J-4382E-00	29 - 11
69J-43830-01	29 - 33
69J-43831-00	29 - 66
69J-43833-00	29 - 21
61A-43835-01	29 - 19
6CE-43840-00	29 - 2
6CJ-43841-00	29 - 42
6CJ-43843-00	29 - 53
6CJ-43844-00	29 - 50
6H1-43844-10	29 - 55
69J-43845-00	29 - 28
69A-4384F-00	29 - 39
69J-4384G-00	29 - 58
6H1-4384G-11	29 - 54
69J-4384H-00	29 - 10
61A-4384H-10	29 - 74
6CJ-4384M-00	29 - 38
69J-43851-00	29 - 49
69J-43853-00	29 - 45
69J-43854-00	29 - 57
69J-43855-00	29 - 52
6H1-43856-10	29 - 56
61A-43861-00	29 - 14
	29 - 16
	29 - 67
69J-43861-00	30 - 6

PART NO. N° PIECES	REF. NO.
6H1-43861-00	29 - 6
6D8-43863-00	29 - 27
61A-43864-00	29 - 73
6H1-43869-00	30 - 15
60V-4386A-00	29 - 44
69J-4386K-00	30 - 10
61A-43871-00	29 - 15
69J-43871-00	29 - 62
6H1-43872-00	29 - 7
61A-43874-00	29 - 72
6H1-43875-00	29 - 29
6T4-43875-01	29 - 68
61A-43875-10	29 - 75
61A-43876-00	29 - 26
CS3-4387G-00	29 - 59
69J-43880-01	30 - 1
69J-43881-01	30 - 11
69J-43882-00	30 - 8
6H1-43883-00	29 - 43
69J-43886-00	30 - 7
69J-43888-00	30 - 17
69J-4388E-01	29 - 23
69J-4388F-00	30 - 14
69J-4388H-00	30 - 12
69J-4388J-00	29 - 20
69J-43891-00	30 - 9
6CJ-43893-00	29 - 46
69J-43894-00	29 - 41
69J-43899-01	29 - 31
61A-4389H-01	29 - 8
69J-4389J-00	29 - 32
	29 - 36
6CE-44100-00	26 - 10
6CE-44118-00-94	26 - 14
6CE-44120-00	26 - 16
6CE-44120-10	26 - 16
6CE-44121-00	26 - 12
6CE-44122-00	26 - 7
6CE-44142-10	26 - 4
6CE-44150-00	33 - 12
6CF-44150-00	35 - 12
6CE-44311-00	33 - 14
	35 - 14
6AW-44312-00	33 - 20
	35 - 20
6CB-44312-00	33 - 28
	35 - 28
6CE-44315-00	33 - 24
	35 - 24
	42 - 22
	42 - 35
6AW-44322-00	33 - 16
	35 - 16
	42 - 29
6CE-44323-00	33 - 23
	35 - 23
	42 - 34
6CE-44352-00	33 - 21
	35 - 21
	42 - 32
6CE-44361-00	34 - 3
	36 - 3
6CE-44361-10	34 - 3
	36 - 3
6D0-44362-01	34 - 23
	36 - 23
6AW-44365-00	33 - 19
	34 - 1
	36 - 2
	35 - 19
	36 - 1
	42 - 21
6AW-44366-00	31 - 46
	34 - 2
	36 - 2
	42 - 13
6D0-44366-00	34 - 24
	36 - 24
6D0-44367-00	34 - 22
	36 - 22
	23 - 24
6P2-44391-00	28 - 30
6CE-44511-00-94	28 - 21
6CE-44514-00-94	28 - 21
6CE-44526-00	28 - 22
6G5-44526-00	27 - 3
6CE-44532-00	28 - 24
6CE-44533-00	28 - 29
6CE-44536-00	28 - 23
6CE-44551-00-8D	28 - 10
6CE-44552-00-CA	28 - 19
6CE-44555-00-94	28 - 13
6CE-44575-00-94	28 - 12
6CE-45111-00-8D	31 - 26
6CB-45113-00	31 - 27
	42 - 12
6CE-45123-00	31 - 25
	42 - 11
6CE-45127-00	31 - 24
	42 - 10
6BB-45152-01	31 - 31
61A-45155-00	31 - 35
6CE-45181-00-9S	31 - 19
6CE-45211-00-8D	31 - 45
6P2-45214-00	34 - 10
	36 - 10
6P2-45215-00	34 - 11
	36 - 11
6CE-45224-00	34 - 14
	36 - 14
6CE-45225-00	34 - 15
	36 - 15
6CE-45244-00	33 - 41
	35 - 41
6G5-45251-02	27 - 2
6CE-45300-00-8D	33 - 1
6CF-45300-00-8D	35 - 1
6CE-45300-10-8D	33 - 1
6CF-45300-10-8D	35 - 1
6CE-45301-00-8D	33 - 2
	35 - 2
69J-45318-01	31 - 33
65N-45321-00	33 - 9
	33 - 9
6CB-45332-00-CA	33 - 66
6CF-45332-00-CA	35 - 64
6CE-45335-00-9S	33 - 30
	35 - 30
688-45341-10	33 - 5
	35 - 5
6AW-45344-00	33 - 36
	35 - 36
6CE-45361-10	33 - 80
	35 - 76
61A-45371-00	34 - 18
	36 - 18
6CE-45375-00	33 - 8
	35 - 8
663-45376-00	33 - 7
	35 - 7
63P-45378-00	34 - 20
	36 - 20
63P-45379-00	31 - 43
6CB-45383-00	33 - 78
	35 - 74
6CB-45384-00	33 - 79

PART NO. N° PIECES	REF. NO.
6CB-45384-00	35 - 75
6CE-45501-00	33 - 43
	35 - 43
6CE-45501-10	33 - 43
	35 - 43
6CE-45539-00	33 - 42
	35 - 42
6CE-45550-00	33 - 44
6CF-45550-00	35 - 44
6CF-45560-00	35 - 47
676-45567-00	33 - 76
6CB-45567-00	33 - 54
	35 - 52
676-45567-10	33 - 76
6CB-45567-10	33 - 54
	35 - 52
676-45567-20	33 - 76
6CB-45567-20	33 - 54
	35 - 52
676-45567-30	33 - 76
6CB-45567-30	33 - 54
	35 - 52
676-45567-40	33 - 76
6CB-45567-40	33 - 54
	35 - 52
676-45567-50	33 - 76
6CB-45567-50	33 - 54
	35 - 52
6CE-45571-00	33 - 68
6CB-45576-00	33 - 69
6CF-45576-00	35 - 66
6CB-45577-00	33 - 73
	35 - 70
6CB-45577-10	33 - 73
	35 - 70
6CB-45577-20	33 - 73
	35 - 70
6CB-45577-30	33 - 73
	35 - 70
6CB-45577-40	33 - 73
	35 - 70
6CB-45577-50	33 - 73
	35 - 70
6CB-45577-60	33 - 73
	35 - 70
6K1-45578-01	35 - 72
6K1-45578-10	35 - 72
6K1-45578-20	35 - 72



FLOOD MARINE SERVICES
downloaded from www.yamahaoutboardparts.co.uk

PART NO. N° PIECES	REF. NO.
6K1-45578-30	35 - 72
6K1-45578-40	35 - 72
6K1-45578-50	35 - 72
6K1-45578-60	35 - 72
6CE-45587-00	33 - 34
	35 - 34
6CE-45587-10	33 - 34
	35 - 34
6CE-45587-20	33 - 34
	35 - 34
6CE-45587-30	33 - 34
	35 - 34
6CE-45587-40	33 - 34
	35 - 34
6CE-45587-50	33 - 34
	35 - 34
6CE-45587-60	33 - 34
	35 - 34
6CB-45611-00	33 - 55
6CF-45611-00	35 - 53
6CE-45631-00	33 - 64
	35 - 62
6E5-45633-01	33 - 65
	35 - 63
6CB-45634-00	33 - 56
	35 - 54
61A-45635-00	33 - 60
	35 - 58
6H1-45668-00	33 - 59
	35 - 57
6AW-45723-00	33 - 27
	35 - 27
6CB-45824-00	33 - 48
	35 - 49
6CE-45930-00	34 - 30
6CF-45930-00	36 - 30
6CE-45970-00	34 - 30
6CF-45970-00	36 - 30
6D0-45970-00	34 - 30
6D1-45970-00	36 - 30
6CE-45972-00	34 - 30
6CF-45972-00	36 - 30
6CE-45974-00	34 - 30
6CF-45974-00	36 - 30
6CE-45976-00	34 - 30
6CF-45976-00	36 - 30
6CE-45978-00	34 - 30
6CF-45978-00	36 - 30

PART NO. N° PIECES	REF. NO.
69J-45987-00	34 - 25
	36 - 25
6CE-45997-00	34 - 26
	36 - 26
688-45997-01	34 - 26
	36 - 26
6CE-45B70-00	34 - 30
6CF-45B70-00	36 - 30
6CE-45B72-00	34 - 30
6CF-45B72-00	36 - 30
6CE-45B74-00	34 - 30
6CF-45B74-00	36 - 30
6CE-45C81-00	34 - 31
	36 - 31
6CE-4820A-01	26 - 1
6Y8-48277-00	40 - 16
	40 - 17
6E5-61301-01	38 - 1
6E5-61303-00	38 - 5
6E5-61311-11	38 - 3
6E5-61313-00	38 - 2
6E5-61315-00	38 - 4
6E5-61350-02	37 - 1
6E5-61351-01	37 - 2
6E5-61355-00	37 - 5
6CE-68303-00	26 - 23
6Y8-81315-00	40 - 18
6P2-81336-00	19 - 34
6CB-81337-00	16 - 13
6CE-81410-00	16 - 3
6CB-81443-00	21 - 7
6CB-81639-00	19 - 28
6CE-81800-00	22 - 1
6CE-81801-00	22 - 5
6CE-81807-00	22 - 8
6CB-81809-00	22 - 14
6CE-81810-00	22 - 3
67F-81813-00	22 - 6
6CE-81820-00	22 - 7
6CE-81821-00	22 - 11
6CB-81822-01	21 - 5
6CB-81823-00	21 - 9
6CB-81826-00	22 - 22
69J-81828-00	22 - 23
6CE-81830-00	22 - 16
6CB-81832-00	22 - 9
6CB-81836-00	22 - 10
6CE-81839-00	22 - 19



NUMERICAL INDEX
 INDEX NUMERIQUE

PART NO. N° PIECES	REF. NO.
67F-8183R-00	22 - 13
60V-8183T-00	22 - 17
6P2-8183X-00	19 - 19
6CE-81840-00	22 - 4
67F-81841-00	22 - 12
6CE-81842-00	22 - 18
6BR-81845-00	17 - 7
67F-81846-00	22 - 24
6CE-81850-00	22 - 2
6CE-81869-00	22 - 21
67F-81891-00	22 - 15
6CE-81919-20	19 - 37
6CB-81923-00	19 - 38
6P2-81925-01	19 - 1
6CB-81929-00	19 - 4
6C5-81941-00	22 - 20
6CB-81948-01	19 - 8
6CE-81949-00	21 - 15
6AW-81950-00	19 - 15
6CB-81952-00	20 - 33
68F-8195A-00	19 - 23
6CE-81960-00	17 - 11
6CE-81972-00-9S	17 - 12
6CE-81975-00	17 - 13
689-85547-00	16 - 17
6AH-81994-40	16 - 18
6AH-81994-50	23 - 35
6AH-81996-00	19 - 41
6CB-82105-00	19 - 31
6P2-82113-00	27 - 32
69J-82147-00	27 - 9
6E5-82148-00	27 - 6
6H1-82148-00	28 - 15
6AW-82149-00	19 - 26
67F-82151-00	19 - 22
6CE-82151-00	40 - 19
6TA-82151-00	19 - 27
67F-82151-10	19 - 24
67F-82151-40	19 - 25
67F-82151-50	19 - 21
6CE-82170-00	18 - 1
6CB-82310-00	18 - 3
K0F-A3742-00	7 - 6
K0F-A3743-00	7 - 3
6P2-82380-00	10 - 5
6CB-82388-00	20 - 16
6Y8-82509-10	40 - 8
6Y8-82521-11	40 - 15
6P2-82560-01	20 - 19

FLOOD MARINE SERVICES
downloaded from www.yamahaoutboardparts.co.uk

PART NO. N° PIECES	REF. NO.
6BR-82563-00	20 - 24
69J-82587-00	20 - 26
6CE-82588-00	19 - 6
6E9-82588-00	20 - 20
6CB-82589-00	20 - 7
6CE-82590-01	20 - 1
6CB-82594-00	20 - 3
6CE-8259M-00	21 - 14
68F-82846-00	19 - 30
6X4-83383-00	40 - 5
6X4-83386-00	40 - 6
6E5-83558-00	31 - 37
63P-83614-01	20 - 27
	20 - 28
6AW-83651-00	20 - 23
6AW-8366B-00	39 - 1
60V-8366D-00	39 - 2
69J-83672-11	28 - 1
6Y8-8454G-00	40 - 11
6P2-85075-00	18 - 6
64J-85516-00	17 - 4
	19 - 9
6CB-85516-00	16 - 15
6CB-85544-00	19 - 29
689-85547-00	14 - 1
6CB-85547-00	8 - 10
6CB-85561-00	16 - 5
6CB-85580-00	16 - 4
6CE-85592-00	16 - 9
6P2-85780-00	5 - 10
6CB-85790-00	20 - 18
63P-85886-00	20 - 30
6P2-85896-00	18 - 5
6CE-8591A-00	17 - 1
6C5-86120-00	9 - 3
6CB-86120-00	5 - 1
6Y8-86260-02	40 - 2
6AA-86261-00	40 - 3
6Y8-86267-00	40 - 1
K0F-A3233-00	3 - 15
K0F-A3741-00	7 - 5
K0F-A3742-00	7 - 6
K0F-A3743-00	7 - 3
K0F-A3751-00	7 - 8
K0F-A3751-10	7 - 8
K0F-A3751-20	7 - 8
K0F-A3751-30	7 - 8
K0F-A3751-40	7 - 8

FLOOD MARINE SERVICES
downloaded from www.yamahaoutboardparts.co.uk

PART NO. N° PIECES	REF. NO.
K0F-A3751-50	7 - 8
K0F-A3751-60	7 - 8
K0F-A3751-70	7 - 8
K0F-A3751-80	7 - 8
K0F-A3751-90	7 - 8
K0F-A3751-A0	7 - 8
K0F-A3751-B0	7 - 8
K0F-A3751-C0	7 - 8
K0F-A3751-D0	7 - 8
K0F-A3751-E0	7 - 8
K0F-A3751-F0	7 - 8
K0F-A3751-G0	7 - 8
K0F-A3751-H0	7 - 8
K0F-A3751-J0	7 - 8
K0F-A3751-K0	7 - 8
K0F-A3751-L0	7 - 8
K0F-A3751-M0	7 - 8
K0F-A3751-N0	7 - 8
K0F-A3751-P0	7 - 8
K0F-A3751-R0	7 - 8
K0F-A3751-S0	7 - 8
K0F-A3751-T0	7 - 8
K0F-A3753-00	7 - 8
K0F-A3753-10	7 - 8
K0F-A3753-20	7 - 8
K0F-A3753-30	7 - 8
K0F-A3753-40	7 - 8
K0F-A3753-50	7 - 8
K0F-A3753-60	7 - 8
K0F-A3753-70	7 - 8
6CB-W0001-02	41 - 1
6CE-W0001-20	42 - 1
6CE-W0070-00	1 - 19
6CE-W0078-00	42 - 27
6CE-W009A-00-9S	4 - 1
6CE-W009B-03-9S	2 - 1
6CE-W009C-00-9S	4 - 11
6CB-W1165-00	3 - 9
6CB-W4624-00	7 - 27
6CE-W8145-01	16 - 1
6AW-W9011-00	16 - 2
90101-09M70	38 - 9
90101-12M05	27 - 47
90101-12M77	27 - 47
90101-14004	28 - 16
90105-06035	5 - 3
	8 - 4
90105-06037	2 - 28



FLOOD MARINE SERVICES
downloaded from www.yamahaoutboardparts.co.uk

PART NO. N° PIECES	REF. NO.
90105-06037	2 - 45
	5 - 7
90105-06039	24 - 34
90105-06151	2 - 18
	2 - 40
	21 - 11
90105-06M07	2 - 13
	4 - 22
90105-06M08	11 - 9
90105-08175	2 - 7
	4 - 28
90105-08178	5 - 5
90105-08220	4 - 29
90105-08M61	33 - 81
	35 - 77
90105-08M87	21 - 6
90105-10M00	34 - 19
	36 - 19
90105-14005	28 - 26
90109-06277	4 - 33
	4 - 37
90109-06M80	25 - 14
90110-05039	34 - 17
	36 - 17
90111-06111	25 - 3
	25 - 8
90111-06113	25 - 4
	25 - 7
90111-08078	1 - 8
90116-10041	34 - 5
	36 - 5
90119-06M17	8 - 21
	14 - 14
90119-06M18	31 - 44
90119-06M24	8 - 2
90119-06M56	17 - 6
	19 - 11
90119-06M61	24 - 33
90119-06MA3	17 - 14
90119-07001	4 - 5
	4 - 15
90119-07234	4 - 6
	4 - 16
90119-08020	8 - 3
90119-08102	31 - 4
90119-08M14	33 - 26
	35 - 26
	42 - 37



FLOOD MARINE SERVICES
downloaded from www.yamahaoutboardparts.co.uk



FLOOD MARINE SERVICES
downloaded from www.yamahaoutboardparts.co.uk



FLOOD MARINE SERVICES
downloaded from www.yamahaoutboardparts.co.uk

PART NO. N° PIECES	REF. NO.
90119-08M22	23 - 21
90119-08M32	33 - 29
	35 - 29
90119-10007	31 - 28
90119-10008	34 - 9
	36 - 9
90119-10009	34 - 8
	36 - 8
90119-10024	27 - 29
	28 - 20
	28 - 31
90119-10038	34 - 5
	36 - 5
90119-10050	7 - 18
90119-10M07	7 - 31
90151-05M05	2 - 33
90151-06M02	2 - 11
	2 - 20
	31 - 3
90152-05M08	34 - 12
	36 - 12
	4 - 27
90155-11002	21 - 4
90159-04005	25 - 11
90159-06053	40 - 12
90167-06M00	38 - 10
90170-09M05	34 - 7
90170-10009	36 - 7
90170-14M06	38 - 6
90170-16M19	33 - 45
	35 - 45
90170-30M18	33 - 40
	35 - 40
90171-18M04	34 - 28
	36 - 28
90173-06001	25 - 9
90179-06M28	1 - 3
	4 - 41
90179-08003	21 - 3
90183-02M03	33 - 62
	35 - 60
90183-061A6	25 - 10
90185-05002	34 - 13
	34 - 16
	36 - 13
	36 - 16
90185-06M07	4 - 45
90185-09M01	37 - 6

NUMERICAL INDEX
INDEX NUMERIQUE

PART NO. N° PIECES	REF. NO.
90386-10M16	27 - 37
90386-11001	26 - 18
90386-15M73	23 - 10
90386-18M14	27 - 45
	29 - 24
90386-18M63	27 - 44
90386-25M31	27 - 22
90386-39M89	28 - 7
90387-06M03	24 - 32
90387-06M43	25 - 13
90387-06M60	8 - 20
	14 - 16
90387-07028	25 - 6
90387-08M37	23 - 20
90387-08M45	1 - 11
90387-10094	1 - 9
90387-10M05	27 - 40
90387-10M61	37 - 3
90387-11005	4 - 26
90387-28013	28 - 25
90401-19001	2 - 37
90430-06M03	4 - 23
90430-08020	33 - 6
	35 - 6
	42 - 14
90430-14115	4 - 10
90430-14M09	32 - 5
	42 - 2
90430-18130	4 - 8
	4 - 18
90445-07032	31 - 39
90445-07033	31 - 39
90445-07034	31 - 39
90445-07043	31 - 39
90445-09068	17 - 28
90445-09220	6 - 1
90445-096H2	6 - 9
90445-097F7	9 - 9
90445-107A5	17 - 19
90445-14019	24 - 23
90445-14021	24 - 14
90445-16015	24 - 16
90446-15003	19 - 20
	28 - 32
90462-06013	17 - 20
90462-10061	31 - 42
90464-06001	20 - 5
90464-07209	9 - 19

PART NO. N° PIECES	REF. NO.
90464-08004	10 - 11
90464-09013	6 - 5
	9 - 14
90464-09129	20 - 32
90464-10011	9 - 33
90464-10M59	6 - 4
90464-11012	9 - 31
90464-11121	20 - 12
90464-12009	13 - 14
90464-12010	6 - 6
	9 - 12
	9 - 32
90464-12012	13 - 15
	13 - 16
	14 - 5
90464-12183	19 - 13
	20 - 14
90464-13227	21 - 12
90464-13249	8 - 22
	17 - 9
	19 - 12
	24 - 28
90464-16001	21 - 13
90464-18004	20 - 13
90464-18246	20 - 13
90464-20181	8 - 23
	9 - 18
	17 - 10
	19 - 14
	20 - 2
	20 - 15
90464-20258	23 - 32
90464-23001	9 - 6
90464-26002	6 - 8
	9 - 13
	17 - 22
90464-99004	8 - 12
90465-08M83	27 - 18
	27 - 26
90465-11M10	6 - 10
	9 - 7
	9 - 11
	14 - 6
	14 - 19
	16 - 10
	24 - 3
	24 - 24
	27 - 25
	28 - 33

PART NO. N° PIECES	REF. NO.
90465-11M10	31 - 38
	31 - 38
	39 - 4
	40 - 10
90465-11M59	6 - 15
90465-13M24	20 - 6
90465-14M66	13 - 13
	20 - 22
90467-130A5	24 - 25
90467-140A8	24 - 26
90467-140A9	24 - 27
90468-18008	26 - 9
	26 - 13
90480-10M23	8 - 19
	14 - 15
90480-12314	16 - 14
	18 - 4
90480-13M24	25 - 12
90480-14029	24 - 31
90480-16009	25 - 5
90480-22M81	23 - 19
90501-10M77	33 - 57
	35 - 55
90506-16003	27 - 42
90506-22001	23 - 16
90560-12M01	37 - 4
91318-05025	29 - 60
91318-05040	29 - 65
91490-40030	34 - 29
	36 - 29
91690-30020	27 - 41
91690-40010	2 - 16
91809-08006	4 - 4
	4 - 14
92903-06600	19 - 18
92903-08600	21 - 2
92990-06100	1 - 15
92990-06200	1 - 6
92990-08600	1 - 10
92990-18200	34 - 27
	36 - 27
92995-05600	16 - 8
92995-06100	10 - 7
92995-06600	8 - 18
	10 - 8
	18 - 8
	19 - 36
	27 - 5

PART NO. N° PIECES	REF. NO.
92995-06600	27 - 8
	27 - 11
	27 - 20
	27 - 28
92995-08600	33 - 38
	35 - 38
92995-10600	31 - 6
92995-14600	28 - 18
	28 - 28
93101-28M16	33 - 31
	35 - 31
	42 - 23
93101-30M17	33 - 71
	35 - 68
	42 - 25
93102-38008	7 - 26
	41 - 11
93102-85008	3 - 4
	41 - 10
93104-22M07	33 - 15
	35 - 15
	42 - 18
	42 - 28
93106-09014	33 - 11
	35 - 11
	42 - 17
93106-19N50	29 - 5
93210-04279	40 - 9
93210-064A5	29 - 51
93210-07003	34 - 21
	36 - 21
	42 - 15
93210-08391	29 - 48
93210-09165	26 - 17
	30 - 18
93210-16275	37 - 9
93210-17239	29 - 22
93210-19MJ3	32 - 20
	42 - 4
93210-24M79	2 - 42
	41 - 17
93210-26658	2 - 8
	32 - 15
	41 - 6
	41 - 14
93210-27370	2 - 44
	41 - 18
93210-33M49	33 - 10

PART NO. N° PIECES	REF. NO.
93210-33M49	35 - 10
	42 - 16
93210-35321	28 - 8
93210-37160	33 - 18
	35 - 18
	42 - 20
	42 - 31
93210-64488	33 - 35
	35 - 35
	42 - 24
93210-94003	33 - 17
	35 - 17
	42 - 19
	42 - 30
93211-02001	33 - 72
	35 - 69
	42 - 26
93306-209U0	33 - 67
93311-83280	33 - 3
	35 - 3
93311-85894	33 - 47
	35 - 48
93315-43061	33 - 70
	35 - 67
93332-00048	35 - 65
93332-000A4	33 - 50
93332-000A5	33 - 74
93340-67011	33 - 53
	35 - 51
93341-440U5	35 - 71
93399-99966	33 - 32
	35 - 32
93399-999T6	30 - 3
93410-10082	26 - 22
93410-18M05	27 - 46
93410-37M04	28 - 11
93420-36M01	31 - 34
93501-04011	33 - 58
	35 - 56
93501-08001	29 - 47
93503-16003	29 - 37
93505-32038	29 - 13
	29 - 34
93604-07M13	26 - 15
93604-35236	29 - 61
93605-10108	7 - 10
	7 - 12
	7 - 14

NUMERICAL INDEX
INDEX NUMERIQUE

PART NO. N° PIECES	REF. NO.
95895-06012	20 - 29
	23 - 18
	23 - 26
	23 - 28
	23 - 30
95895-06014	14 - 21
	23 - 4
95895-06016	9 - 16
	14 - 17
	19 - 7
	20 - 17
	20 - 34
	21 - 8
	24 - 12
	39 - 3
95895-06020	8 - 13
	17 - 2
	19 - 5
	20 - 11
	17 - 15
	18 - 2
95895-06030	4 - 32
	4 - 36
	16 - 12
	19 - 2
	19 - 39
	19 - 40
	19 - 17
	21 - 1
	10 - 6
	31 - 5
	16 - 7
	27 - 7
	27 - 34
	31 - 40
	27 - 27
	31 - 32
	8 - 17
	19 - 35
	18 - 7
	27 - 4
	33 - 37
	35 - 37
	26 - 11
	31 - 22
	32 - 2
	26 - 3
	31 - 16

PART NO. N° PIECES	REF. NO.
	31 - 7
	34 - 9
	36 - 9
	19 - 16
	19 - 33
	1 - 5
	24 - 22
	40 - 7
	40 - 12
	27 - 13
	27 - 16
	27 - 10
	27 - 19
	40 - 4
	28 - 2
	12 - 34
	2 - 31
	2 - 35
	33 - 13
	35 - 13
	29 - 40
	33 - 52
	16 - 6
	7 - 30

PART NO. N° PIECES	REF. NO.
	31 - 7
	34 - 9
	36 - 9
	19 - 16
	19 - 33
	1 - 5
	24 - 22
	40 - 7
	40 - 12
	27 - 13
	27 - 16
	27 - 10
	27 - 19
	40 - 4
	28 - 2
	12 - 34
	2 - 31
	2 - 35
	33 - 13
	35 - 13
	29 - 40
	33 - 52
	16 - 6
	7 - 30