

PARTS CATALOGUE CATALOGUE DE PIÈCES DÉTACHÉES

F200CET'12 (6AL7)

F225BET'12 (6AS6)

FL200CET'12 (6AM7)

FL225BET'12 (6AT6)



2020/11/2

1L6AL-300F1

()

NEWS NO.	DATE	COMMENT
PE0-OM-130024	May, 13, 2013	MOD:FIG.2,3 LIST/ILLUSTRATION REVISION
PE0-OM-130033	Jul., 16, 2013	COR:FIG.17 ELECTRICAL 1 ILLUSTRATION CORRECTION
PE0-OM-200014	Nov., 2, 2020	MOD:F(L)200C/F(L)225B CYLINDER&CRANKCASE 1 LIST REVISION

F200CET/F225BET
FL200CET/FL225BET
PARTS CATALOGUE
©2011 by Yamaha Motor Co., Ltd.
1st edition, July 2011
All rights reserved.
Any reprinting or unauthorized use
without the written permission of
Yamaha Motor Co., Ltd.
is expressly prohibited.
Printed in Japan.

F200CET/F225BET
FL200CET/FL225BET
CATALOGUE DE PIECES DETACHEES
©2011 par Yamaha Motor Co., Ltd.
1^{re} édition, juillet 2011
Tous droits réservés
Toute réimpression ou utilisation
non autorisée sans la permission écrite
de la Yamaha Motor Co., Ltd.
est formellement interdite.
Imprimé au Japon

FOREWORD

This Parts Catalogue is related to the parts for the model(s) on the cover page. When you are ordering replacement parts, please refer to this Parts Catalogue and quote both part numbers and part names correctly.

1. Modifications or additions which have been made after the issue of the Parts Catalogue will be announced in the Parts News.
It is advisable that you make the necessary corrections to the Parts Catalogue according to the Parts News.

2. Abbreviations

The following abbreviations are used in this Parts Catalogue.

“UR” Use specified parts number.

“UN” Use as many as needed.

“AP” Alternate Parts

“LM” Locally Made (Parts need to be ordered locally)

“F#” Frame No. (Applicable machine No.)

“O/S” Over Size

3. The number of components for assembly

- Parts, which are to be supplied in an assembly, are listed with a dot (.) in front of the part name as shown below.
- The numeral appearing to the right of each component part indicates the quantity of parts for each assembly unit.

PART NO.	DESCRIPTION	Q'TY	REMARKS
2F5-83310-60	FRONT FLASHER LIGHT ASSY	2	
115-83311-60	.BULB (6V-18W)	1	

4. Applicable colours of graphics are represented in the “REMARKS” as shown below.

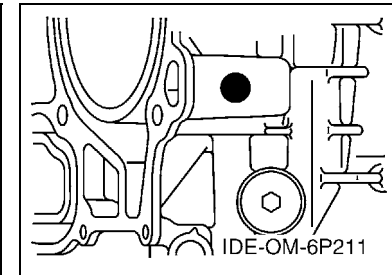
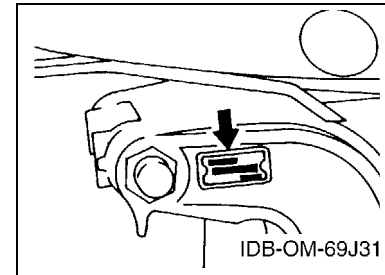
PART NO.	DESCRIPTION	Q'TY	REMARKS
2N4-24110-00-X5	FUEL TANK COMP.	2	MXR
3J1-24240-10	.GRAPHIC, FUEL TANK	1	FOR MXR

5. Note that the illustrations for reference in finding parts numbers are not to be used for assembling. When assembling, please use the applicable service manual.

6. The asterisk (*) before a reference number indicates modified items after the first edition.

7. Applicable Serial No.

Engine Serial No.



8. Applicable Engine Starting Serial No.

Model	Serial No.	Model	Serial No.
F200C	6AL-1001697	FL200C	6AM-1000232
F225B	6AS-1001490	FL225B	6AT-1000190

9. Applicable Colour Code

Abbreviation	Colour Name	Colour Code
DBN1	DARK BLUISH GRAY 1	008D

10. Quantity Column Information

Column No.	Name Of Q'ty Column	Applicable Model
1	6AL7	F200CET
2	6AS6	F225BET
3	6AM7	FL200CET
4	6AT6	FL225BET

AVANT-PROPOS

Ce catalogue de pièces détachées concerne les pièces pour le(s) modèle(s) indiqué(s) sur la page de couverture. Lorsque vous commandez des pièces de rechange, veuillez vous référer à ce catalogue de pièces détachées et indiquer clairement les numéros et les noms des pièces détachées.

1. Les modifications ou ajouts ayant été effectués après la parution du catalogue de pièces détachées seront décrits dans les Bulletins d'information concernant les pièces détachées.

Il est recommandé que vous apportiez les corrections nécessaires au catalogue des pièces détachées en vous référant aux Bulletins d'information.

2. Abréviations

Dans ce catalogue, les abréviations suivantes sont utilisées:

“UR” Utiliser le numéro de pièces spécifié.

“UN” Utiliser autant que nécessaire.

“AP” Pièces de substitution

“LM” Fabrication locale (les pièces doivent être commandées localement.)

“F#” N° de cadre (applicable au N° de série)

“O/S” Surdimensionné

3. Nombre de pièces d'un assemblage

- Les pièces fournies comme composants d'un assemblage sont précédées d'un point (.) de la manière indiquée ci-dessous.
- Le chiffre apparaissant à la droite de chaque composant indique la quantité de pièces pour chaque unité d'assemblage.

N° PIECES	DESCRIPTION	QTE	REMARQUES
2F5-83310-60	ENS. CLIGNOTANT AVANT	2	
115-83311-60	.AMPOULE (6V-18W)	1	

4. Les couleurs concernant les graphiques sont indiquées dans la colonne “REMARQUES”, comme indiqué ci-dessous.

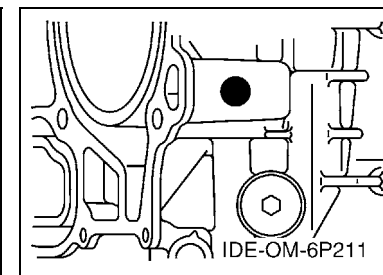
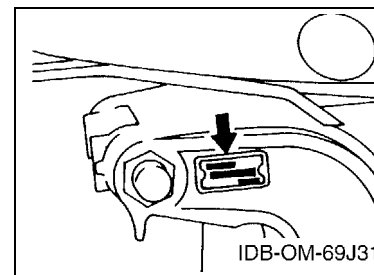
N° PIECES	DESCRIPTION	QTE	REMARQUES
2N4-24110-00-X5	RESERVOIR A ESSENCE.	2	MXR
3J1-24240-10	.GRAPHIQUE	1	POUR MXR

5. Veuillez noter que les illustrations sont indiquées à titre de référence pour trouver les numéros de pièces, non pour être utilisées lors de l'assemblage. Lors de l'assemblage, veuillez utiliser le manuel d'entretien adéquat.

6. L'astérisque (*) placé devant un numéro de référence indique des éléments qui ont été modifiés après la première édition.

7. N° de série applicable

N° de Série du moteur



8. N° de série initial du moteur applicable

Modèle	N° de série	Modèle	N° de série
F200C	6AL-1001697	FL200C	6AM-1000232
F225B	6AS-1001490	FL225B	6AT-1000190

9. Code couleur applicable

Abréviation	Nom de la couleur	Code couleur
DBN1	DARK BLUISH GRAY 1	008D

10. Informations relatives à la colonne Quantité

N° de la colonne	Nom de la colonne Qté	Modèle applicable
1	6AL7	F200CET
2	6AS6	F225BET
3	6AM7	FL200CET
4	6AT6	FL225BET

CONTENTS

TOP COWLING	1
CYLINDER & CRANKCASE 1	2
CRANKSHAFT & PISTON	5
CYLINDER & CRANKCASE 2	6
CYLINDER & CRANKCASE 3	8
VALVE	10
INTAKE 1	13
INTAKE 2	15
THROTTLE BODY ASSY 1	17
THROTTLE BODY ASSY 2	18
THROTTLE BODY ASSY 3	19
FUEL INJECTION PUMP 1	20
FUEL INJECTION PUMP 2	22
FUEL 1	23
FUEL 2	25
GENERATOR	26
ELECTRICAL 1	27
ELECTRICAL 2	29
ELECTRICAL 3	32
STARTING MOTOR	33
BOTTOM COWLING 1	35
BOTTOM COWLING 2	38
CONTROL	39
BRACKET 1	41
BRACKET 2	43
POWER TRIM & TILT ASSY 1	45
POWER TRIM & TILT ASSY 2	48
UPPER CASING	49
OIL PAN	52
LOWER CASING & DRIVE 1	53
LOWER CASING & DRIVE 2	57
LOWER CASING & DRIVE 3	59
LOWER CASING & DRIVE 4	63
STEERING GUIDE	65
REPAIR KIT 1	66
REPAIR KIT 2	67

INDEX

NUMERICAL INDEX	69
-----------------------	----

TABLE DES MATIERES

CAPOT SUPERIEUR	1
CYLINDRE & CARTER 1	2
VILEBREQUIN & PISTON	5
CYLINDRE & CARTER 2	6
CYLINDRE & CARTER 3	8
SOUPAPE	10
ADMISSION 1	13
ADMISSION 2	15
CARTER D'ACCELERATEUR 1	17
CARTER D'ACCELERATEUR 2	18
CARTER D'ACCELERATEUR 3	19
POMPE A INJECTEUR 1	20
POMPE A INJECTEUR 2	22
CARBURANT 1	23
CARBURANT 2	25
GENERATRICE	26
PARTIE ELECTRIQUE 1	27
PARTIE ELECTRIQUE 2	29
PARTIE ELECTRIQUE 3	32
DEMARREUR ELECTRIQUE	33
CAPOT INFERIEUR 1	35
CAPOT INFERIEUR 2	38
COMMANDE	39
SUPPORT 1	41
SUPPORT 2	43
PUISSANCE PARER ET INCLINER 1	45
PUISSANCE PARER ET INCLINER 2	48
FOURREAU	49
VENTILATEUR D'HUILE	52
BOITIER D'HELICE TRANSMISSION1	53
BOITIER D'HELICE TRANSMISSION2	57
BOITIER D'HELICE TRANSMISSION3	59
BOITIER D'HELICE TRANSMISSION4	63
FIXATION DE DIRECTION	65
KITS DE REPARATION 1	66
KITS DE REPARATION 2	67

INDEX

INDEX NUMERIQUE	69
-----------------------	----

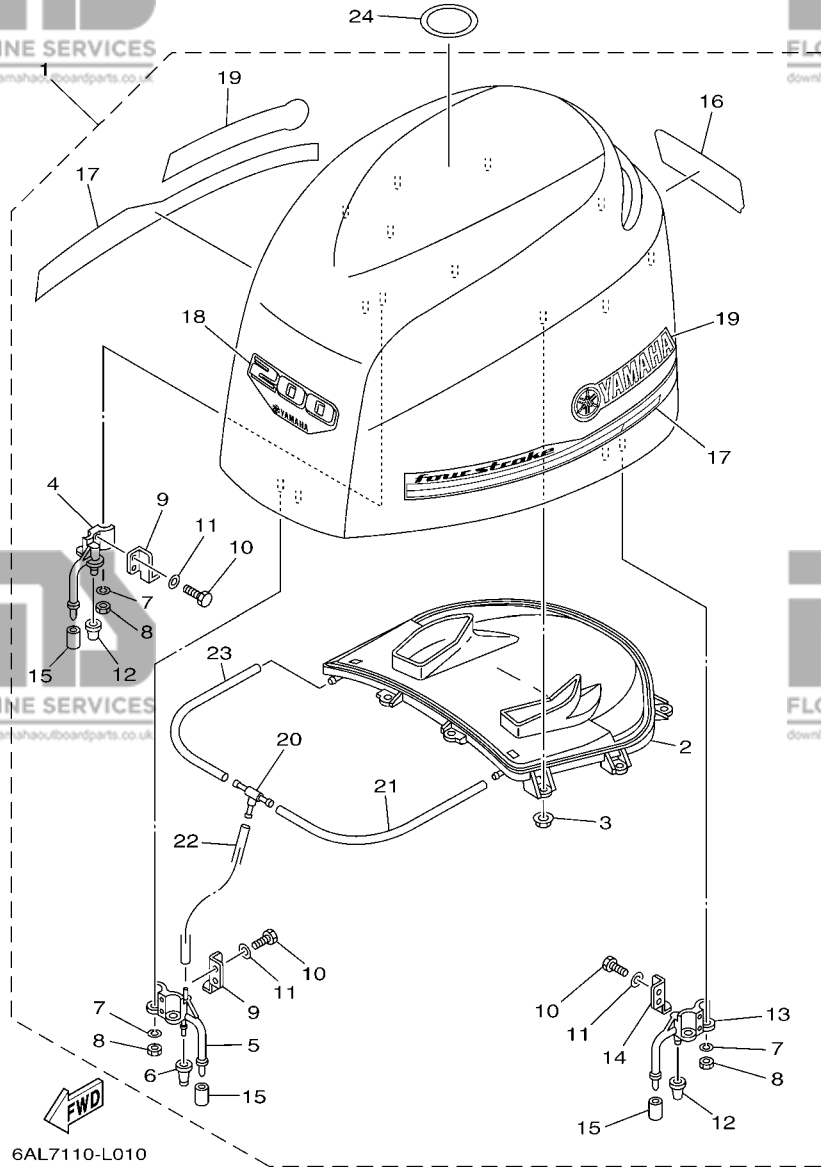


FIG. 1 TOP COWLING

CAPOT SUPERIEUR

REF. NO.	PART NO. N° PIECES	DESCRIPTION DESCRIPTION	6AL7	6AS6	6AM7	6AT6	REMARKS REMARQUES
1	6AL-42610-20	TOP COWLING ASSY CAPOT (ENS.)	1		1		
	6AS-42610-20	TOP COWLING ASSY CAPOT (ENS.)		1		1	
2	6P2-42613-00	.MOLDING, AIR DUCT .MANCHON A AIR	1	1	1	1	
3	90179-06M28	.NUT .ECROU	9	9	9	9	
4	68F-42647-01	.HOLDER, CLAMP BAND .SUPPORT, SANDOW DE SERRAGE	1	1	1	1	
5	69J-42647-01	.HOLDER, CLAMP BAND .SUPPORT, SANDOW DE SERRAGE	1	1	1	1	
6	69J-42663-00	.DAMPER .AMORTISSEUR	1	1	1	1	
7	92990-06100	.WASHER, SPRING .RONDELLE, GROWER	6	6	6	6	
8	95380-06600	.NUT, HEXAGON .ECROU	6	6	6	6	
9	60V-42651-01	.HOOK .CROCHET	2	2	2	2	
10	97095-06016	.BOLT .BOULON	6	6	6	6	
11	92995-06600	.WASHER .RONDELLE	6	6	6	6	
12	68F-42663-00	.DAMPER .AMORTISSEUR	2	2	2	2	
13	68F-42648-01	.HOLDER, CLAMP BAND .SUPPORT, SANDOW DE SERRAGE	1	1	1	1	
14	60V-42652-00	.HOOK .CROCHET	1	1	1	1	
15	67F-13448-00	.CAP .CAPUCHON	3	3	3	3	
16	6AL-42678-10	.GRAPHIC, REAR .ADHESIF, ARRIERE	1		1		
	6AS-42678-10	.GRAPHIC, REAR .ADHESIF, ARRIERE		1		1	
17	6AS-W0070-00	.GRAPHIC SET .JEU DIEMBLEMES	1	1	1	1	
18	6AL-42677-00	.GRAPHIC, FRONT .ADHESIF, AVANT	1		1		
	6AS-42677-00	.GRAPHIC, FRONT .ADHESIF, AVANT		1		1	
19	63P-42681-20	.MARK, COWLING .ADHESIF, CAPOT	2	2	2	2	
20	69J-24378-00	.PIPE, JOINT 3 .DURITE RACCORDEMENT 3	1	1	1	1	
21	90445-11M27	.HOSE (L240) .DURITE (L240)	1	1	1	1	
22	90445-11699	.HOSE (L500) .DURITE (L500)	1	1	1	1	
23	90445-11182	.HOSE (L300) .DURITE (L300)	1	1	1	1	
24	67F-13434-20	LABEL, CAUTION ETIQUETTE, ATTENTION	1	1	1	1	

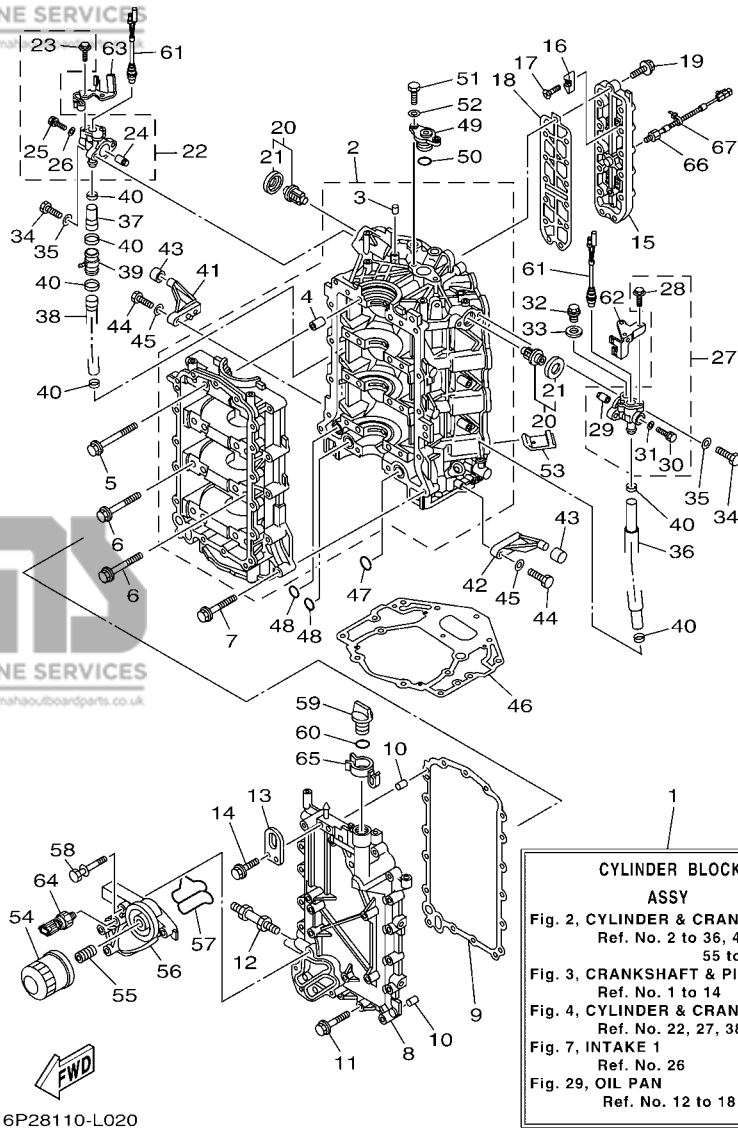


FIG. 2 CYLINDER & CRANKCASE 1 CYLINDRE & CARTER 1

REF. NO.	PART NO. N° PIECES	DESCRIPTION DESCRIPTION	6AL7	6AS6	6AM7	6AT6	REMARKS REMARQUES
1	6P2-W009B-06-9S	CYLINDER BLOCK ASSY CYLINDRE GROUPE (ENS.)	1	1	1	1	Go to P/N:PE0-OM-130024
2	6P2-15100-10	CRANKCASE ASSY CARTER DE MOTEUR COMPLET	1	1	1	1	
3	93606-12019	.PIN, DOWEL .GOUPILLE	1	1	1	1	
4	91814-18002	.PIN, DOWEL .GOUJON, D'ASSEMBLAGE	8	8	8	8	
5	6P2-15187-00	BOLT BOULON	8	8	8	8	
6	6P2-15481-00	BOLT 1 BOULON 1	8	8	8	8	
7	90119-08M66	BOLT, WITH WASHER BOULON, AVEC RONDELLE	13	13	13	13	
8	6P2-15411-01-9S	COVER, CRANKCASE 1 COUVERCLE 1, CARTER MOTEUR	1	1	1	1	
9	69J-15451-00	GASKET, CRANKCASE COVER 1 JOINT, COUVERCLE DE CARTER 1	1	1	1	1	
10	93606-12019	PIN, DOWEL GOUPILLE	2	2	2	2	
11	90119-08009	BOLT, WITH WASHER BOULON, AVEC RONDELLE	17	17	17	17	
12	90116-10027	BOLT, STUD GOUJON	1	1	1	1	
13	69J-11119-00	HANGER, ENGINE ANNEAU, LEVAGE	1	1	1	1	
14	90105-06M09	BOLT, FLANGE BOULON	2	2	2	2	
15	6P2-1131C-00-9S	COVER, JOINT COUVERCLE, RACCORDEMENT	1	1	1	1	
16	6E5-11325-00	ANODE ANODE	4	4	4	4	
17	98780-04015	SCREW, FLAT HEAD VIS A TETE FRAISEE	4	4	4	4	
18	6P2-1131B-00	GASKET, COVER JOINT, COUVERCLE	1	1	1	1	
19	90119-06MA4	BOLT, WITH WASHER BOULON, AVEC RONDELLE	13	13	13	13	
20	67F-12411-01	THERMOSTAT THERMOSTAT	2	2	2	2	
21	67F-12412-00	.SEAL, THERMOSTAT .JOINT, THERMOSTAT	1	1	1	1	
22	6P2-1240H-00-9S	ANODE ASSY ANODE COMPLET	1	1	1	1	
23	90109-06M80	.BOLT BOULON	2	2	2	2	
24	6P3-11325-00	.ANODE .ANODE	1	1	1	1	
25	90105-05012	.BOLT, FLANGE BOULON	1	1	1	1	
26	90430-05002	.GASKET .JOINT	1	1	1	1	
27	6P3-1240H-00-9S	ANODE ASSY ANODE COMPLET	1	1	1	1	

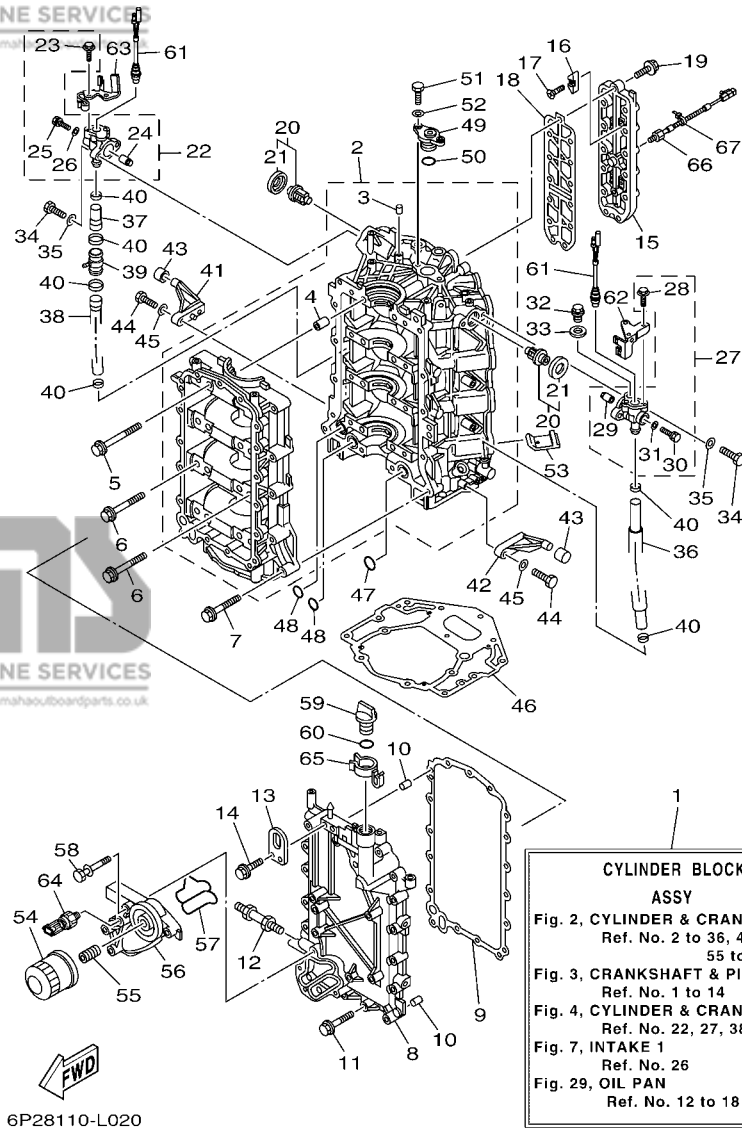
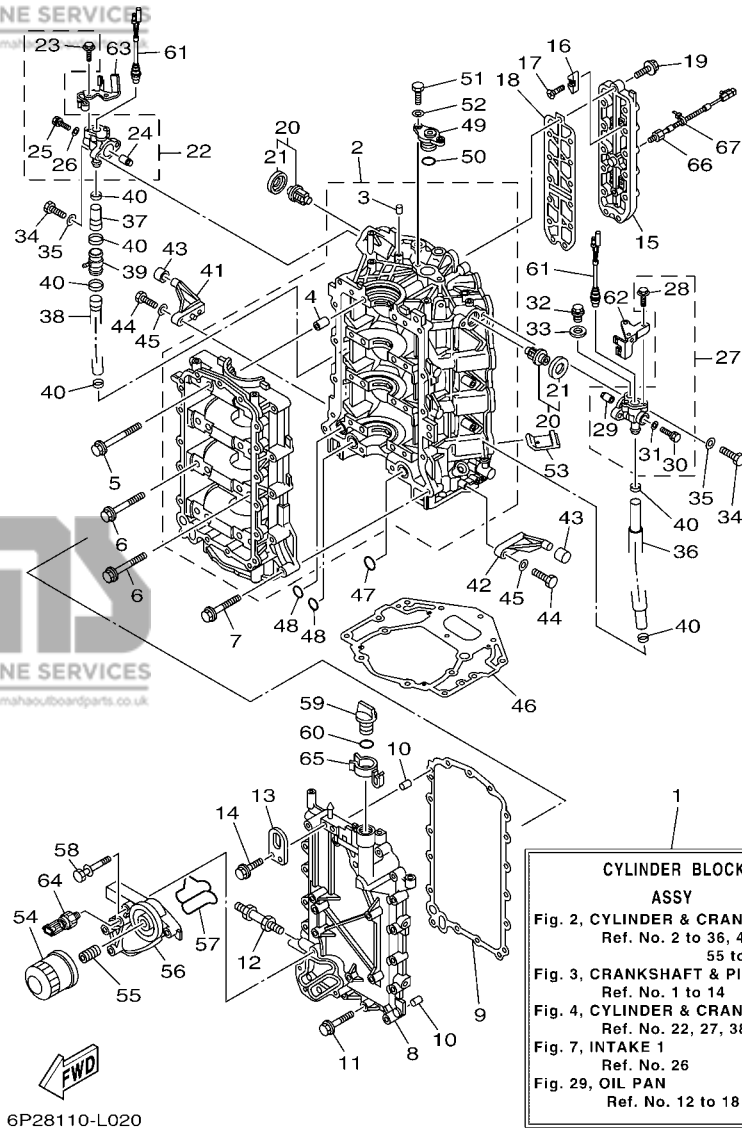


FIG. 2 CYLINDER & CRANKCASE 1 CYLINDRE & CARTER 1

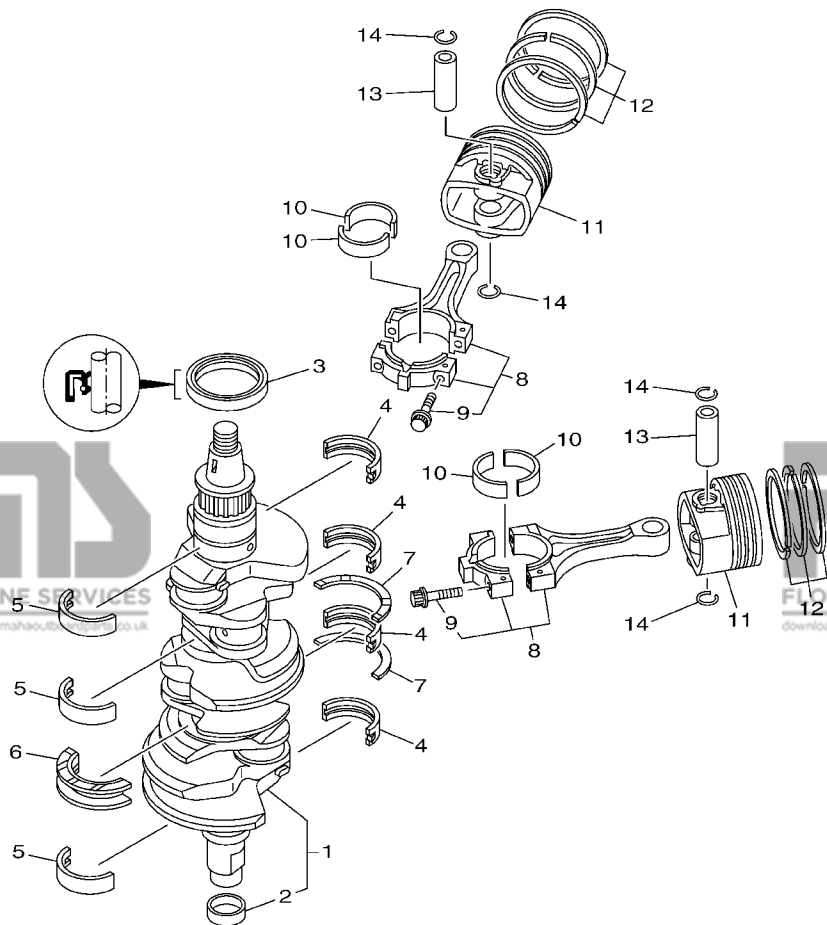
REF. NO.	PART NO. N° PIECES	DESCRIPTION DESCRIPTION	GAL7	6A56	6AM7	6AT6	REMARKS REMARQUES
28	90109-06M80	.BOLT .BOULON	2	2	2	2	
29	6P3-11325-00	.ANODE .ANODE	1	1	1	1	
30	90105-05012	.BOLT, FLANGE .BOULON	1	1	1	1	
31	90430-05002	.GASKET .JOINT	1	1	1	1	
32	90340-14M06	PLUG, STRAIGHT SCREW PLOT, FILETE DROIT	1	1	1	1	
33	90430-14115	GASKET .JOINT	1	1	1	1	
34	97095-06025	BOLT BOULON	4	4	4	4	
35	92995-06600	WASHER RONDELLE	4	4	4	4	
36	6P2-1243A-00	HOSE 1 DURITE 1	1	1	1	1	
37	6P2-1243E-00	HOSE 2 DURITE 2	1	1	1	1	
38	6P2-1243F-00	HOSE,3 DURITE 3	1	1	1	1	
39	6S1-24378-00	PIPE, JOINT 3 DURITE RACCORDEMENT 3	1	1	1	1	
40	90465-11M59	CLAMP BRIDE	6	6	6	6	
41	67F-42761-01	STOPPER PLAQUETTE	1	1	1	1	
42	6P2-42761-00	STOPPER PLAQUETTE	1	1	1	1	
43	68F-44533-01	DAMPER, UPPER MOUNT RUBBER COUVERCLE, SUSPENSION INFERIEUR	2	2	2	2	
44	97095-06025	BOLT BOULON	4	4	4	4	
45	92995-06600	WASHER RONDELLE	4	4	4	4	
46	69J-11351-11	GASKET, CYLINDER JOINT, D'EMBASE	1	1	1	1	
47	93210-25552	O-RING JOINT TORIQUE	1	1	1	1	
48	93210-19MJ1	O-RING JOINT TORIQUE	2	2	2	2	
49	69J-11313-00	PLUG, BLIND PLOT, BORGNE	1	1	1	1	
50	93210-25647	O-RING JOINT TORIQUE	1	1	1	1	
51	97095-06020	BOLT BOULON	2	2	2	2	
52	92995-06600	WASHER RONDELLE	2	2	2	2	
53	69J-14664-00	GROMMÉT, WATER SHUT PASSE-FIL	2	2	2	2	
54	69J-13440-01	ELEMENT ASSY, OIL CLEANER ELEMENT, FILTRE A HUILE	1	1	1	1	



6P28110-L020

FIG. 2 CYLINDER & CRANKCASE 1 CYLINDRE & CARTER 1

REF. NO.	PART NO. N° PIECES	DESCRIPTION DESCRIPTION	6AL7	6AS6	6AM7	6AT6	REMARKS REMARQUES
55	6S5-12858-00	BOLT, UNION BOULON, RACCORD	1	1	1	1	
56	6P2-13446-00-9S	CONNECTOR CONNECTEUR	1	1	1	1	
57	6P2-13477-00	GASKET JOINT	1	1	1	1	
58	90119-06025	BOLT, WITH WASHER BOULON, AVEC RONDELLE	5	5	5	5	
59	6G8-15363-00	PLUG, OIL PLOT, HUILE	1	1	1	1	
60	93210-24M79	O-RING JOINT TORIQUE	1	1	1	1	
61	6P2-82560-01	THERMO SWITCH ASSY THERMO-CONTACT COMPLET	2	2	2	2	
62	6P2-82588-00	PLATE PLAQUE	1	1	1	1	
63	6P2-82389-00	PLATE 2 PLAQUETTE 2	1	1	1	1	
64	6AW-83651-00	SENDER, OIL PRESSURE RACCORD, PRESSION D'HUILE	1	1	1	1	
65	6P2-83597-00	CLAMP COLLIER	1	1	1	1	
66	6P2-85780-00	SENSOR, KNOCK SONDE DE COGNEMENT	1	1	1	1	
67	90465-11M10	CLAMP BRIDE	1	1	1	1	



6P2A100-M040

FIG. 3 CRANKSHAFT & PISTON VILEBREQUIN & PISTON

REF. NO.	PART NO. N° PIECES	DESCRIPTION DESCRIPTION	6AL7	6AS6	6AM7	6AT6	REMARKS REMARQUES
1	6P2-11410-10	CRANKSHAFT VILEBREQUIN COMPLET	1	1	1	1	
2	6CB-11478-00	.COLLAR .COLLERETTE	1	1	1	1	
3	93102-63008	OIL SEAL JOINT SPY	1	1	1	1	
4	6P2-11416-00	PLANE BEARING, CRANKSHAFT 1 COUSSINET DE VILEBREQUIN 1	4	4	4	4	UR #1 UR #1
	6P2-11416-10	PLANE BEARING, CRANKSHAFT 1 COUSSINET DE VILEBREQUIN 1	4	4	4	4	UR #2 UR #2
	6P2-11416-20	PLANE BEARING, CRANKSHAFT 1 COUSSINET DE VILEBREQUIN 1	4	4	4	4	UR #3 UR #3
5	6P2-11417-00	PLANE BEARING, CRANKSHAFT 2 COUSSINET DE VILEBREQUIN 2	4	4	4	4	UR #1 Go to P/N:PE0-OM-130024 UR #1
	6P2-11417-10	PLANE BEARING, CRANKSHAFT 2 COUSSINET DE VILEBREQUIN 2	4	4	4	4	UR #2 Go to P/N:PE0-OM-130024 UR #2
	6P2-11417-20	PLANE BEARING, CRANKSHAFT 2 COUSSINET DE VILEBREQUIN 2	4	4	4	4	UR #3 Go to P/N:PE0-OM-130024 UR #3
6	6AW-11426-00	BEARING, THRUST 1 ROULEMENT DE BUTEE 1	2	2	2	2	Go to P/N:PE0-OM-130024
7	6AW-11427-00	BEARING, THRUST 2 ROULEMENT DE BUTEE 2	2	2	2	2	Go to P/N:PE0-OM-130024
8	6P2-11650-00	CONNECTING ROD ASSY BIELLE COMPLETE	6	6	6	6	
9	63P-11654-10	.BOLT, CONNECTING ROD .BOULON, BIELLE	2	2	2	2	
10	6P2-11656-00	PLANE BEARING, CONNECTING ROD ROULEMENT DE BIELLE	12	12	12	12	UR YELLOW UR YELLOW
	6P2-11656-10	PLANE BEARING, CONNECTING ROD ROULEMENT DE BIELLE	12	12	12	12	UR GREEN UR GREEN
	6P2-11656-20	PLANE BEARING, CONNECTING ROD ROULEMENT DE BIELLE	12	12	12	12	UR BLUE UR BLUE
11	6P2-11631-10-93	PISTON (STD) PISTON (STD)	6	6	6	6	
	6P2-11635-10	PISTON (0.25MM O/S) PISTON (0.25MM O/S)	6	6	6	6	AP AP
12	63P-11603-01	PISTON RING SET (STD) JEU DE SEGMENTS (STD)	6	6	6	6	
	63P-11604-00	PISTON RING SET (0.25MM O/S) JEU DE SEGMENTS (0.25MM O/S)	6	6	6	6	AP AP
13	63P-11633-10	PIN, PISTON AXE, PISTON	6	6	6	6	
14	63P-11634-00	CLIP, PISTON PIN AGRAFE, AXE DE PISTON	12	12	12	12	

PARTS NEWS

FLOOD MARINE SERVICES

downloaded from www.yamahaoutboardparts.co.uk

FLOOD MARINE SERVICES

downloaded from www.yamahaoutboardparts.co.uk



downloaded from www.yamahaoutboardparts.co.uk

News No. PE0-OM-130024(1/3)

Date:2013/5/13

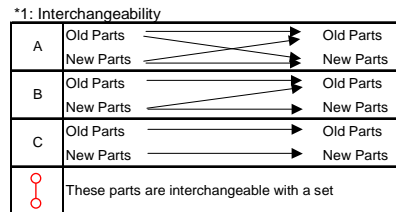
Signature:S.Ishibashi

Cause : Revision Notice Correction Sales Unit Change Others

Model	(L)F200A, F(L)200CET / (L)F225A, F(L)225BET
Subject	PARTS CATALOGUE CORRECTIONS
CATALOGUE NO.	See the"List of Models and CATALOGUE No's below."
Time of YPEC Revision	Text, Illustration --> Jun./10/2013
	PDF Replace --> Jun./10/2013
(YPEC = Yamaha Parts Electrical Catalogue = Website parts catalogue)	

Applicable Engine Serial No.

MODEL NAME	MODEL CODE	Applicable Engine Serial No.
F200C	6AL7, 6AL8	6AL:1004259-
FL200C	6AM7, 6AM8	6AM:1000514-
F225B	6AS6, 6AS7	6AS:1002815-
FL225B	6AT6, 6AT7	6AT:1000298-



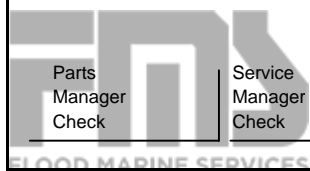
1. LIST CORRECTION

FIG.2 CYLINDER & CRANKCASE 1

Fig. No.	Ref. No.	OLD P/No.	NEW P/No.	PART NAME	Q'TY	*Interchangeability	
							REMARKS
2	1	6P2-W009B-06-9S	6P2-W009B-07-9S	CYLINDER BLOCK ASSY	1	B	*Part number revision

FIG.3 CRANKSHAFT & PISTON

3	5	6P2-11417-00	-	PLANE BEARING, CRANKSHAFT 2	4 --> 3		UR #1	*Q'TY change	
		6P2-11417-10	-	PLANE BEARING, CRANKSHAFT 2	4 --> 3		UR #2		
		6P2-11417-20	-	PLANE BEARING, CRANKSHAFT 2	4 --> 3		UR #3		
	6	6	6AW-11426-00	69J-11426-01	BEARING, THRUST 1	2 --> 1		UR #1	*Part number revision
			-	69J-11426-11	BEARING, THRUST 1	1		UR #2	*Q'TY change
			-	69J-11426-21	BEARING, THRUST 1	1		UR #3	*Added Parts
	7	6AW-11427-00	69J-11427-00	BEARING, THRUST 2	2			*Part number revision	



downloaded from www.yamahaoutboardparts.co.uk



downloaded from www.yamahaoutboardparts.co.uk



downloaded from www.yamahaoutboardparts.co.uk

Parts Manager Check

Service Manager Check

Parts Manager File

YAMAHA MOTOR CO.,LTD
2500 Shingai Iwata Shizuoka 438-8501.Japan
Technical Publication Dept.

PARTS NEWS

FLOOD MARINE SERVICES

downloaded from www.yamahaoutboardparts.co.uk

FLOOD MARINE SERVICES

downloaded from www.yamahaoutboardparts.co.uk



downloaded from www.yamahaoutboardparts.co.uk

News No. PE0-OM-130024(2/3)

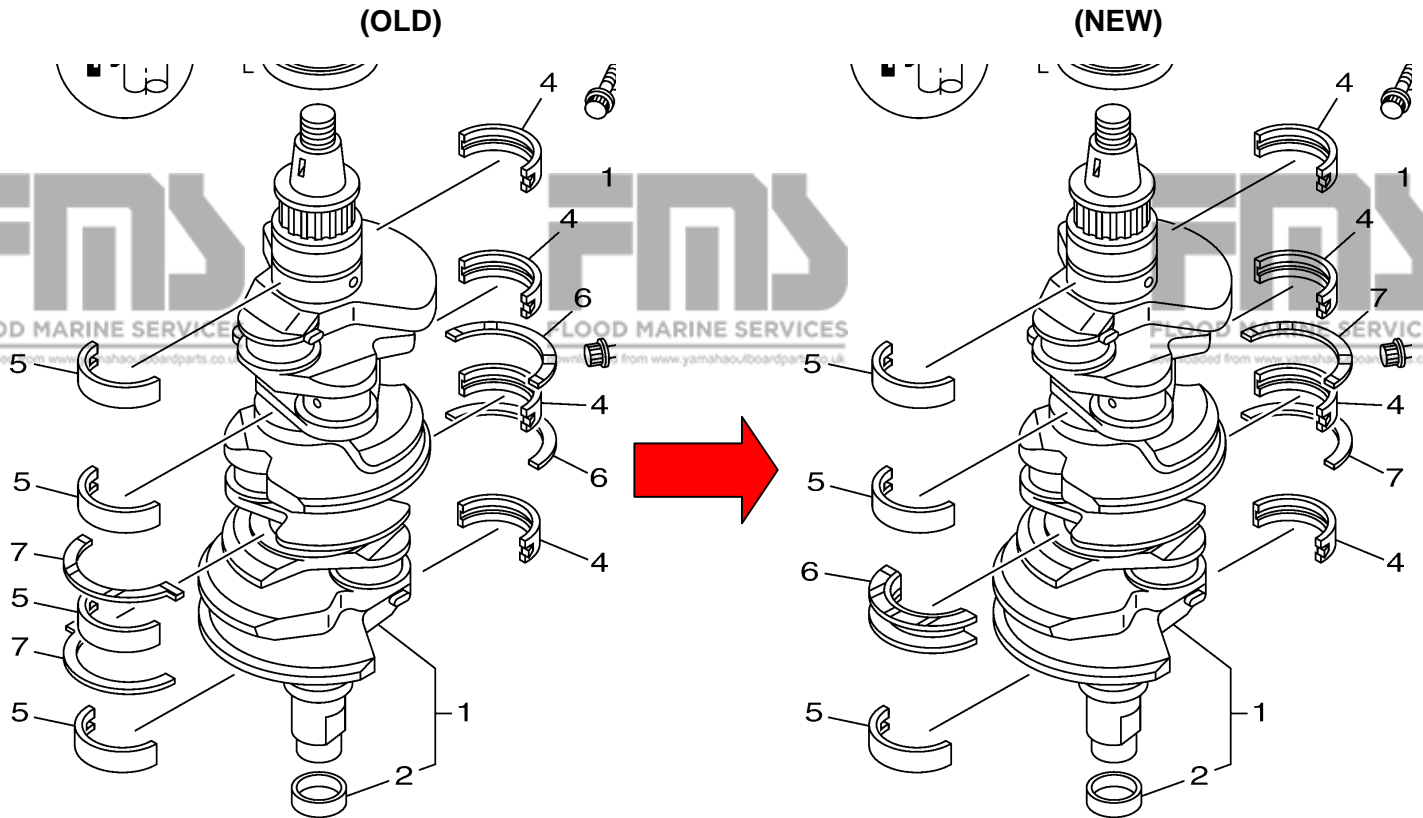
Date:2013/5/13

Signature:S.Ishibashi

Cause : Revision Notice Correction Sales Unit Change Others

Model	(L)F200A, F(L)200CET / (L)F225A, F(L)225BET
Subject	PARTS CATALOGUE CORRECTIONS
CATALOGUE NO.	See the "List of Models and CATALOGUE No's below."
Time of YPEC Revision	Text, Illustration --> Jun./10/2013
	PDF Replace --> Jun./10/2013
(YPEC = Yamaha Parts Electrical Catalogue = Website parts catalogue)	

2. ILLUSTRATION CORRECTION FIG.3 CRANKSHAFT & PISTON



3. LIST of Models and CATALOGUE No's.

The applicable MODELS, MODEL CODES, and CATALOGUE No's are as follows.

MODEL NAME	MODEL CODE	MODEL YEAR	CATALOGUE NO.
F200A	6AL7	2012	1L6AL-110E1
LF200A	6AM7	2012	1L6AM-110E1
F225A	6AS6	2012	1L6AS-110E1
LF225A	6AT6	2012	1L6AT-110E1
F200A, F200CET	6AL7	2012	1L6AL-100E1
LF200A, FL200CET	6AM7		

Parts
Manager
Check

Service
Manager
Check

Parts
Manager
File

YAMAHA MOTOR CO.,LTD
2500 Shingai Iwata Shizuoka 438-8501.Japan
Technical Publication Dept.



News No. PE0-OM-130024(3/3)

Date:2013/5/13

Signature:Ishibashi

Cause : Revision Notice Correction Sales Unit Change Others

Model	(L)F200A, F(L)200CET / (L)F225A, F(L)225BET
Subject	PARTS CATALOGUE CORRECTIONS
CATALOGUE NO.	See the "List of Models and CATALOGUE No's below."
Time of YPEC Revision	Text, Illustration --> Jun./10/2013
	PDF Replace --> Jun./10/2013
(YPEC = Yamaha Parts Electrical Catalogue = Website parts catalogue)	

3. LIST of Models and CATALOGUE No's.

The applicable MODELS, MODEL CODES, and CATALOGUE No's are as follows.

MODEL NAME	MODEL CODE	MODEL YEAR	CATALOGUE NO.
F200CET F225BET FL200CET FL225BET	6AL7 6AS6 6AM7 6AT6	2012	1L6AL-200S1
F200CET F225BET FL200CET FL225BET	6AL7 6AS6 6AM7 6AT6	2012	1L6AL-300F1
F200CET F225BET FL200CET FL225BET	6AL7 6AS6 6AM7 6AT6	2012	1L6AL-370E1
F200A	6AL8	Y2012	1L6AL-100EA
LF200A	6AM8	Y2012	1L6AM-100EA
F225A	6AS7	Y2012	1L6AS-100EA
LF225A	6AT6	Y2012	1L6AT-100EA
F200CET FL200CET	6AL8 6AM8	Y2012	1L6AL-700EA
F200CET F225BET FL200CET FL225BET	6AL8 6AS7 6AM8 6AT7	Y2012	1L6AL-200SA
F200CET F225BET FL200CET FL225BET	6AL8 6AS7 6AM8 6AT7	Y2012	1L6AL-300FA
F200CET F225BET FL200CET FL225BET	6AL8 6AS7 6AM8 6AT7	Y2012	1L6AL-370EA

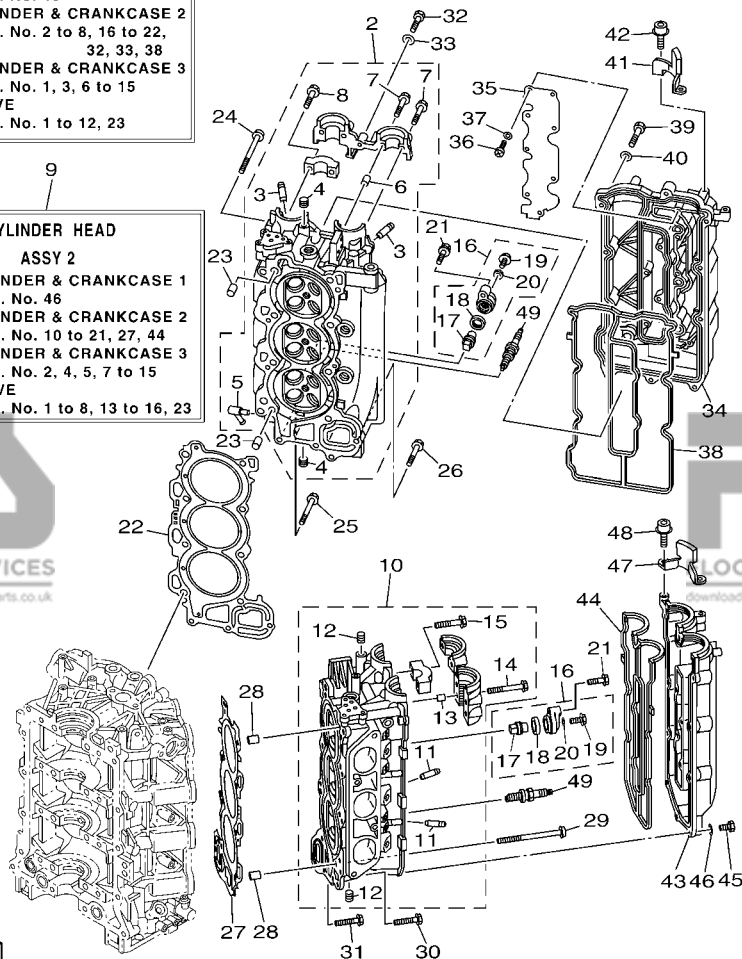
Thank you very much for your cooperation.

**CYLINDER HEAD
ASSY**

Fig. 2, CYLINDER & CRANKCASE 1
Ref. No. 46
Fig. 4, CYLINDER & CRANKCASE 2
Ref. No. 2 to 8, 16 to 22,
32, 33, 38
Fig. 5, CYLINDER & CRANKCASE 3
Ref. No. 1, 3, 6 to 15
Fig. 6, VALVE
Ref. No. 1 to 12, 23

**CYLINDER HEAD
ASSY 2**

Fig. 2, CYLINDER & CRANKCASE 1
Ref. No. 46
Fig. 4, CYLINDER & CRANKCASE 2
Ref. No. 10 to 21, 27, 44
Fig. 5, CYLINDER & CRANKCASE 3
Ref. No. 2, 4, 5, 7 to 15
Fig. 6, VALVE
Ref. No. 1 to 8, 13 to 16, 23



6P28110-L040

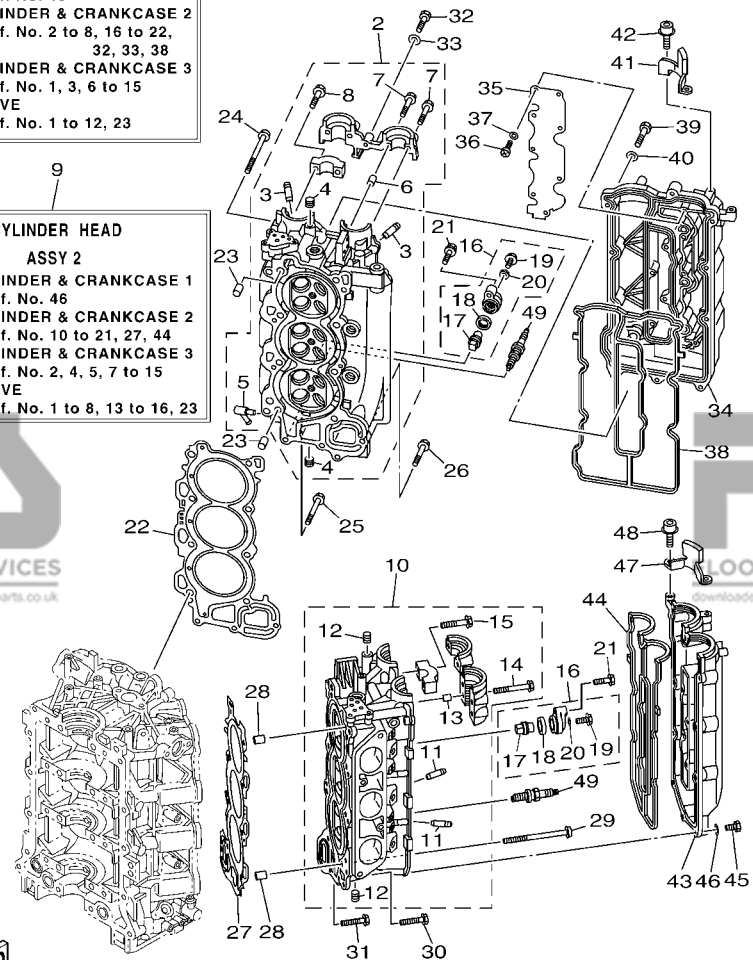
FIG. 4 CYLINDER & CRANKCASE 2 CYLINDRE & CARTER 2

REF. NO.	PART NO. N° PIECES	DESCRIPTION DESCRIPTION	GAL7	6A56	6AM7	6AT6	REMARKS REMARQUES
1	6P2-W009A-03-9S	CYLINDER HEAD ASSY CULASSE (ENS.)	1	1	1	1	
2	6P2-11110-10	CYLINDER HEAD ASSY JEU DE CULASSE	1	1	1	1	
3	6S5-11133-10	.GUIDE, VALVE 1 .GUIDE, SOUPAPE 1	12	12	12	12	
4	90344-51019	.PLUG, TAPER SCREW .PLOT, FILETE CONIQUE	7	7	7	7	
5	676-11372-00	.NIPPLE, HOSE .RACCORD, TUYAU	1	1	1	1	
6	91809-08006	.PIN, DOWEL .GOUJON, D'ASSEMBLAGE	2	2	2	2	
7	90119-07001	.BOLT, WITH WASHER .BOULON, AVEC RONDELLE	4	4	4	4	
8	90119-07234	.BOLT, WITH WASHER .BOULON, AVEC RONDELLE	14	14	14	14	
9	6P2-W009C-03-9S	CYLINDER HEAD ASSY 2 CULASSE 2	1	1	1	1	
10	6P2-11120-10	CYLINDER HEAD ASSY 2 CULASSE 2	1	1	1	1	
11	6S5-11133-10	.GUIDE, VALVE 1 .GUIDE, SOUPAPE 1	12	12	12	12	
12	90344-51019	.PLUG, TAPER SCREW .PLOT, FILETE CONIQUE	3	3	3	3	
13	91809-08006	.PIN, DOWEL .GOUJON, D'ASSEMBLAGE	4	4	4	4	
14	90119-07235	.BOLT/WASHER-CAM CAPS .BOULON, AVEC RONDELLE	6	6	6	6	
15	90119-07234	.BOLT, WITH WASHER .BOULON, AVEC RONDELLE	12	12	12	12	
16	69J-11301-00	ANODE COVER ASSY COUVERCLE ANODE (ENS.)	4	4	4	4	
17	67F-11325-01	.ANODE .ANODE	1	1	1	1	
18	67F-11328-00	.GROMMET, ANODE .PASSE-FIL	1	1	1	1	
19	90105-06M07	.BOLT, FLANGE .BOULON	1	1	1	1	
20	90430-06M03	.GASKET .JOINT	1	1	1	1	
21	97575-08540	BOLT, WITH WASHER VIS HEXAGONAL AVEC RONDELLE	4	4	4	4	
22	6P2-11181-00	GASKET, CYLINDER HEAD 1 JOINT, DE CULASSE 1	1	1	1	1	
23	99530-14016	PIN, DOWEL GOUJON, D'ASSEMBLAGE	2	2	2	2	
24	90155-10004	SCREW, FLAT FILLISTER VIS, TETE OVALE PLATE	8	8	8	8	
25	90119-08M91	BOLT, WITH WASHER BOULON, AVEC RONDELLE	2	2	2	2	
26	90119-08021	BOLT, WITH WASHER BOULON, AVEC RONDELLE	1	1	1	1	
27	6P2-11182-00	GASKET, CYLINDER HEAD 2 JOINT, CULASSE 2	1	1	1	1	

FIG. 4 CYLINDER & CRANKCASE 2 CYLINDRE & CARTER 2

CYLINDER HEAD ASSY
Fig. 2, CYLINDER & CRANKCASE 1 Ref. No. 46
Fig. 4, CYLINDER & CRANKCASE 2 Ref. No. 2 to 8, 16 to 22, 32, 33, 38
Fig. 5, CYLINDER & CRANKCASE 3 Ref. No. 1, 3, 6 to 15
Fig. 6, VALVE Ref. No. 1 to 12, 23

CYLINDER HEAD ASSY 2
Fig. 2, CYLINDER & CRANKCASE 1 Ref. No. 46
Fig. 4, CYLINDER & CRANKCASE 2 Ref. No. 10 to 21, 27, 44
Fig. 5, CYLINDER & CRANKCASE 3 Ref. No. 2, 4, 5, 7 to 15
Fig. 6, VALVE Ref. No. 1 to 8, 13 to 16, 23



6P28110-L040

REF. NO.	PART NO. N° PIECES	DESCRIPTION DESCRIPTION	GAL7	BA56	GA7	GAT6	REMARKS REMARQUES
28	99530-14016	PIN, DOWEL GOUJON, D'ASSEMBLAGE	2	2	2	2	
29	90155-10004	SCREW, FLAT FILLISTER VIS, TETE OVALE PLATE	8	8	8	8	
30	90119-08M91	BOLT, WITH WASHER BOULON, AVEC RONDELLE	2	2	2	2	
31	90119-08021	BOLT, WITH WASHER BOULON, AVEC RONDELLE	1	1	1	1	
32	97095-06030	BOLT BOULON	1	1	1	1	
33	92995-06600	WASHER RONDELLE	1	1	1	1	
34	6P2-11191-00-9S	COVER, CYLINDER HEAD 1 COUVERCLE, CULASSE 1	1	1	1	1	
35	6P2-11135-00	PLATE, BREATHER 3 PLAQUE, RENIFLARD 3	1	1	1	1	
36	98507-04008	SCREW, PAN HEAD VIS, TETE TRONCONIQUE	9	9	9	9	
37	92907-04600	WASHER RONDELLE	9	9	9	9	
38	6P2-11193-00	GASKET, HEAD COVER 1 JOINT, COUVERCLE DE CULASSE 1	1	1	1	1	
39	97095-06030	BOLT BOULON	14	14	14	14	
40	92995-06600	WASHER RONDELLE	14	14	14	14	
41	6P2-15142-00	GUIDE 1 GUIDE 1	1	1	1	1	
42	90110-06150	BOLT, HEXAGON SOCKET HEAD BOULON, TETE HEXAGONALE CREUSE	2	2	2	2	
43	6P2-11192-00-9S	COVER, CYLINDER HEAD 2 COUVERCLE, CULASSE 2	1	1	1	1	
44	6P2-11194-00	GASKET, HEAD COVER 2 JOINT, COUVERCLE DE CULASSE 2	1	1	1	1	
45	97095-06030	BOLT BOULON	14	14	14	14	
46	92995-06600	WASHER RONDELLE	14	14	14	14	
47	6P2-15143-00	GUIDE GUIDE	1	1	1	1	
48	90110-06150	BOLT, HEXAGON SOCKET HEAD BOULON, TETE HEXAGONALE CREUSE	2	2	2	2	
49	94702-00400	PLUG, SPARK (NGK LFR6A-11) BOUGIE D'ALLUMAGE(NGK LFR6A-11)	6	6	6	6	

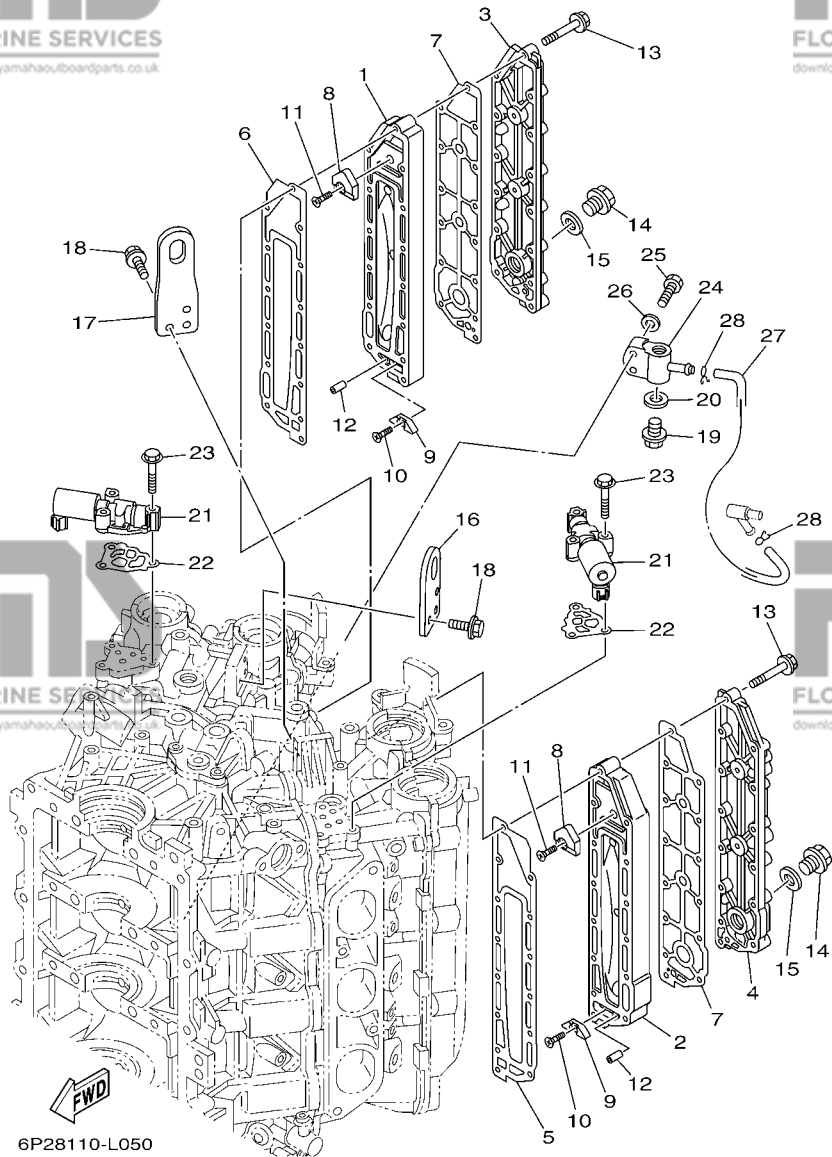


FIG. 5 CYLINDER & CRANKCASE 3 CYLINDRE & CARTER 3

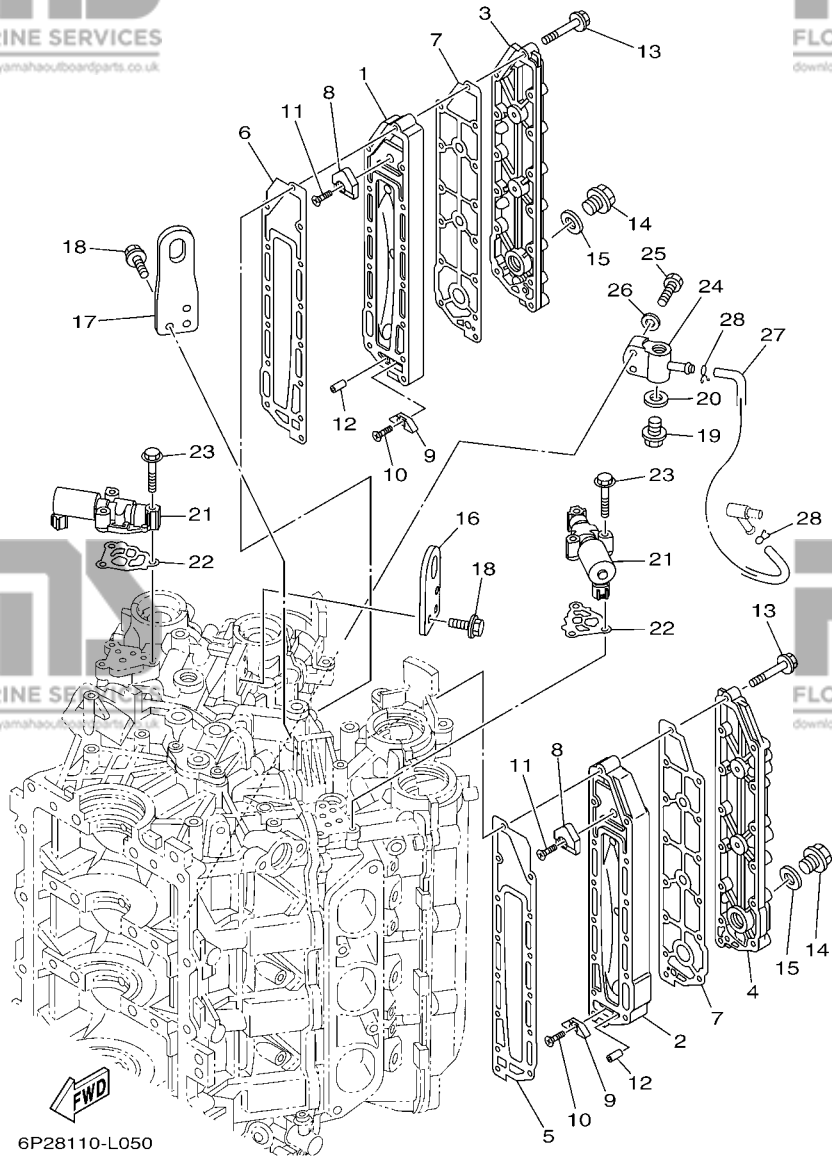
REF. NO.	PART NO. N° PIECES	DESCRIPTION DESCRIPTION	6AL7	6AS6	6AM7	6AT6	REMARKS REMARQUES
1	69J-41111-01-9S	INNER COVER, EXHAUST PLAQUE, ECHAPPEMENT	1	1	1	1	
2	69J-41121-01-9S	INNER COVER, EXHAUST PLAQUE, ECHAPPEMENT	1	1	1	1	
3	69J-41113-02-9S	OUTER COVER, EXHAUST COUVERCLE, ECHAPPEMENT	1	1	1	1	
4	69J-41123-02-9S	OUTER COVER, EXHAUST COUVERCLE, ECHAPPEMENT	1	1	1	1	
5	6P2-41112-00	GASKET, EXHAUST INNER COVER JOINT, PLAQUE D'ECHAPPEMENT	1	1	1	1	
6	6P2-41122-00	GASKET, EXHAUST INNER COVER JOINT, PLAQUE D'ECHAPPEMENT	1	1	1	1	
7	6P2-41114-00	GASKET, EXHAUST OUTER COVER JOINT, COUVERCLE D'ECHAPPEMENT	2	2	2	2	
8	6P2-11325-00	ANODE ANODE	2	2	2	2	
9	6E5-11325-00	ANODE ANODE	2	2	2	2	
10	98780-04015	SCREW, FLAT HEAD VIS A TETE FRAISEE	2	2	2	2	
11	90151-06M02	SCREW, COUNTERSUNK VIS, TETE NOYEE	2	2	2	2	
12	91690-40010	PIN, SPRING AGRAFFE	2	2	2	2	
13	90119-06027	BOLT, WITH WASHER BOULON, AVEC RONDELLE	28	28	28	28	
14	90340-18M09	PLUG, STRAIGHT SCREW PLOT, FILETE DROIT	2	2	2	2	
15	90430-18130	GASKET JOINT	2	2	2	2	
16	6P2-11119-00	HANGER, ENGINE ANNEAU, LEVAGE	1	1	1	1	
17	6P2-1111E-00	HANGER, ENGINE 2 ANNEAU, LEVAGE 2	1	1	1	1	
18	90105-06M09	BOLT, FLANGE BOULON	6	6	6	6	
19	90340-14M06	PLUG, STRAIGHT SCREW PLOT, FILETE DROIT	1	1	1	1	
20	90430-14115	GASKET JOINT	1	1	1	1	
21	6CB-86120-00	SOLENOID VALVE ASSY SOLENOIDE	2	2	2	2	
22	6CB-1242F-00	GASKET, FILTER JOINT, FILTRE	2	2	2	2	
23	90105-06035	BOLT, FLANGE BOULON	6	6	6	6	
24	6P2-83652-00	CONNECTOR CONNECTEUR	1	1	1	1	
25	97095-06030	BOLT BOULON	2	2	2	2	
26	92995-06600	WASHER RONDELLE	2	2	2	2	
27	6H4-24311-00	PIPE, FUEL 1 DURITE A ESSENCE	1	1	1	1	

FIG. 5 CYLINDER & CRANKCASE 3

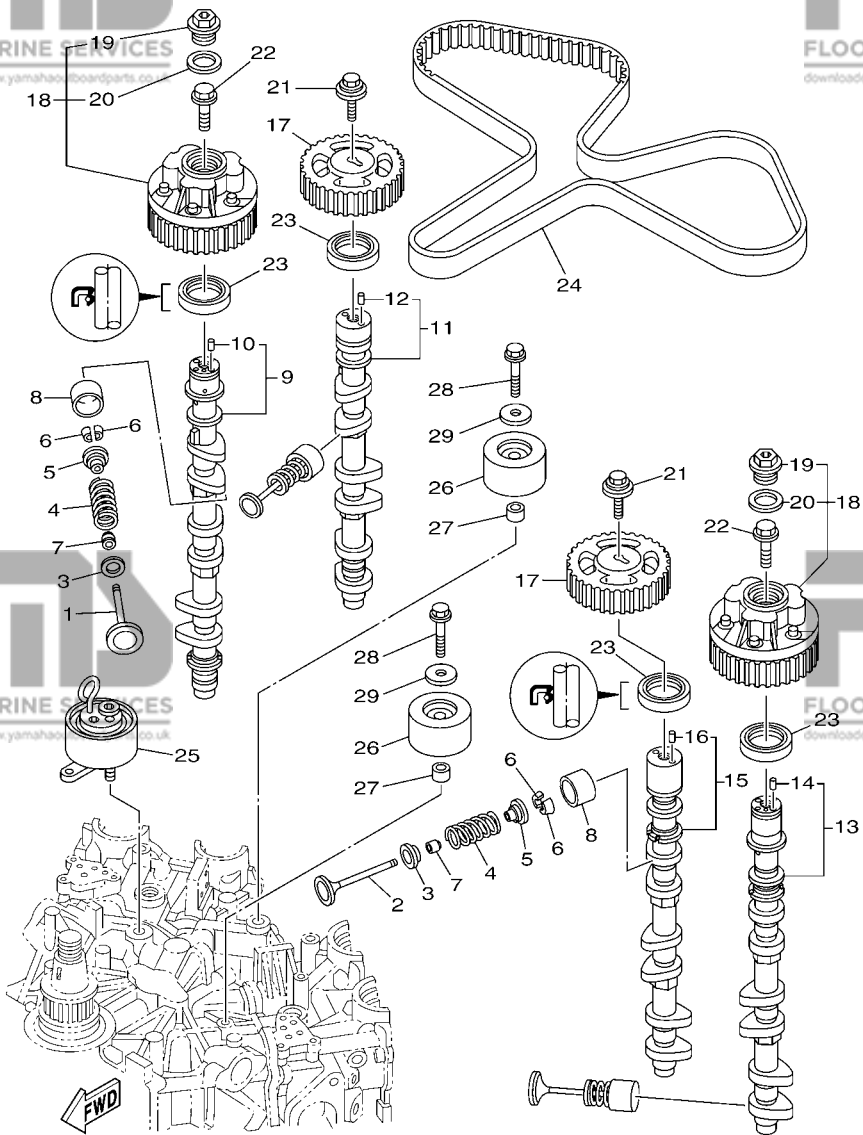
CYLINDRE & CARTER 3

REF. NO.	PART NO. N° PIECES	DESCRIPTION DESCRIPTION	GAL7	GA56	GAM7	GAT6	REMARKS REMARQUES
----------	--------------------	-------------------------	------	------	------	------	-------------------

28	90467-08M18	CLIP JONC	2	2	2	2	
----	-------------	-----------	---	---	---	---	--



6P28110-L050

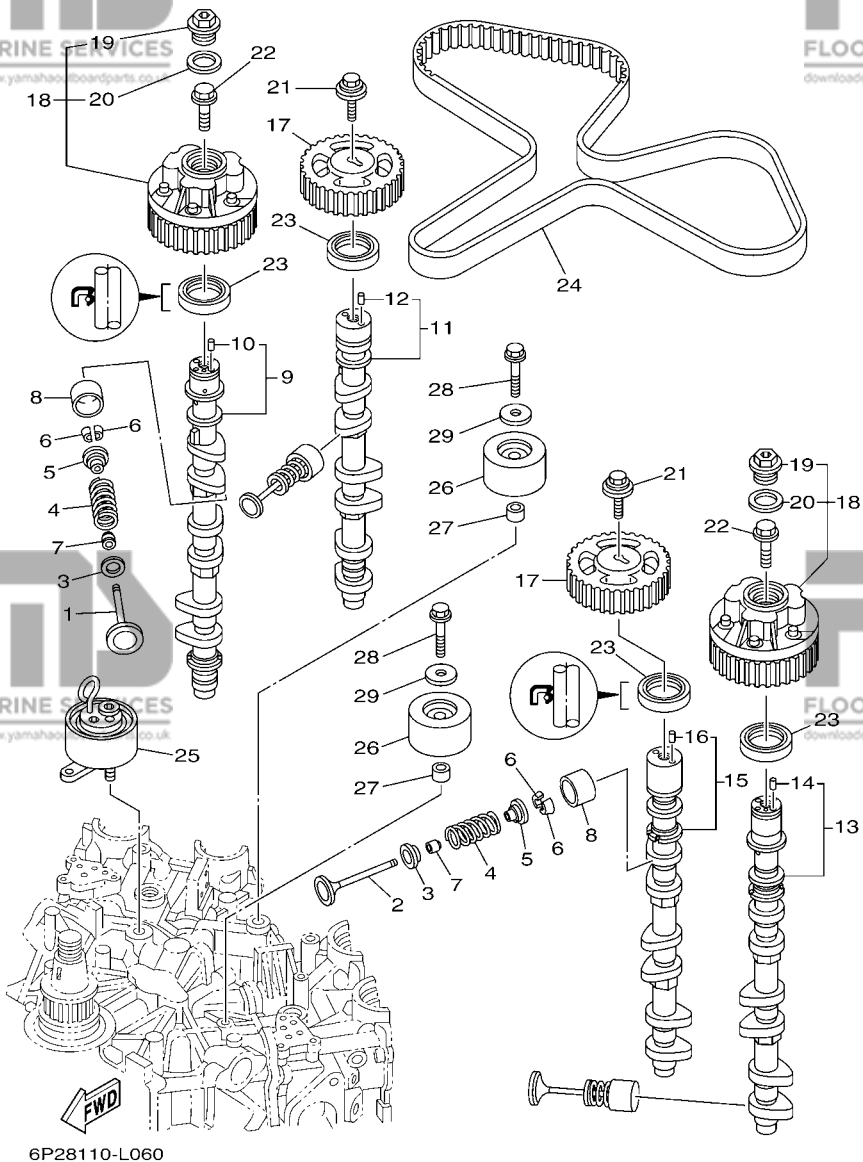


6P28110-L060

FIG. 6 VALVE

SOUPAPE

REF. NO.	PART NO. N° PIECES	DESCRIPTION DESCRIPTION	GAL7	GA96	GAM7	GAT6	REMARKS REMARQUES
1	6P2-12111-10	VALVE, INTAKE SOUPAPE, ADMISSION	12	12	12	12	
2	6P2-12121-10	VALVE, EXHAUST SOUPAPE, ECHAPPEMENT	12	12	12	12	
3	K0F-A3743-00	SEAT, VALVE SPRING SIEGE, RESSORT DE SOUPAPE	24	24	24	24	
4	6CB-12113-00	SPRING, VALVE INNER RESSORT DE SOUPAPE, INTERNE	24	24	24	24	
5	K0F-A3741-00	RETAINER, VALVE SPRING BUTEE DE RESSORT DE SOUPAPE	24	24	24	24	
6	K0F-A3742-00	LOCK, VALVE SPRING RETAINER FRAISE, SOUPAPE	48	48	48	48	
7	51Y-12119-00	SEAL, VALVE STEM JOINT, QUEUE DE SOUPAPE	24	24	24	24	
8	K0F-A3751-00	LIFTER, VALVE (000) LEVE-SOUPAPE (000)	24	24	24	24	UR
	K0F-A3751-10	LIFTER, VALVE (025) LEVE-SOUPAPE (025)	24	24	24	24	UR
	K0F-A3751-20	LIFTER, VALVE (050) LEVE-SOUPAPE (050)	24	24	24	24	UR
	K0F-A3751-30	LIFTER, VALVE (075) LEVE-SOUPAPE (075)	24	24	24	24	UR
	K0F-A3751-40	LIFTER, VALVE (100) LEVE-SOUPAPE (100)	24	24	24	24	UR
	K0F-A3751-50	LIFTER, VALVE (122) LEVE-SOUPAPE (122)	24	24	24	24	UR
	K0F-A3751-60	LIFTER, VALVE (142) LEVE-SOUPAPE (142)	24	24	24	24	UR
	K0F-A3751-70	LIFTER, VALVE (162) LEVE-SOUPAPE (162)	24	24	24	24	UR
	K0F-A3751-80	LIFTER, VALVE (182) LEVE-SOUPAPE (182)	24	24	24	24	UR
	K0F-A3751-90	LIFTER, VALVE (202) LEVE-SOUPAPE (202)	24	24	24	24	UR
	K0F-A3751-A0	LIFTER, VALVE (222) LEVE-SOUPAPE (222)	24	24	24	24	UR
	K0F-A3751-B0	LIFTER, VALVE (242) LEVE-SOUPAPE (242)	24	24	24	24	UR
	K0F-A3751-C0	LIFTER, VALVE (262) LEVE-SOUPAPE (262)	24	24	24	24	UR
	K0F-A3751-D0	LIFTER, VALVE (282) LEVE-SOUPAPE (282)	24	24	24	24	UR
	K0F-A3751-E0	LIFTER, VALVE (302) LEVE-SOUPAPE (302)	24	24	24	24	UR
	K0F-A3751-F0	LIFTER, VALVE (322) LEVE-SOUPAPE (322)	24	24	24	24	UR
	K0F-A3751-G0	LIFTER, VALVE (342) LEVE-SOUPAPE (342)	24	24	24	24	UR
	K0F-A3751-H0	LIFTER, VALVE (362) LEVE-SOUPAPE (362)	24	24	24	24	UR
	K0F-A3751-J0	LIFTER, VALVE (382) LEVE-SOUPAPE (382)	24	24	24	24	UR
	K0F-A3751-K0	LIFTER, VALVE (402) LEVE-SOUPAPE (402)	24	24	24	24	UR

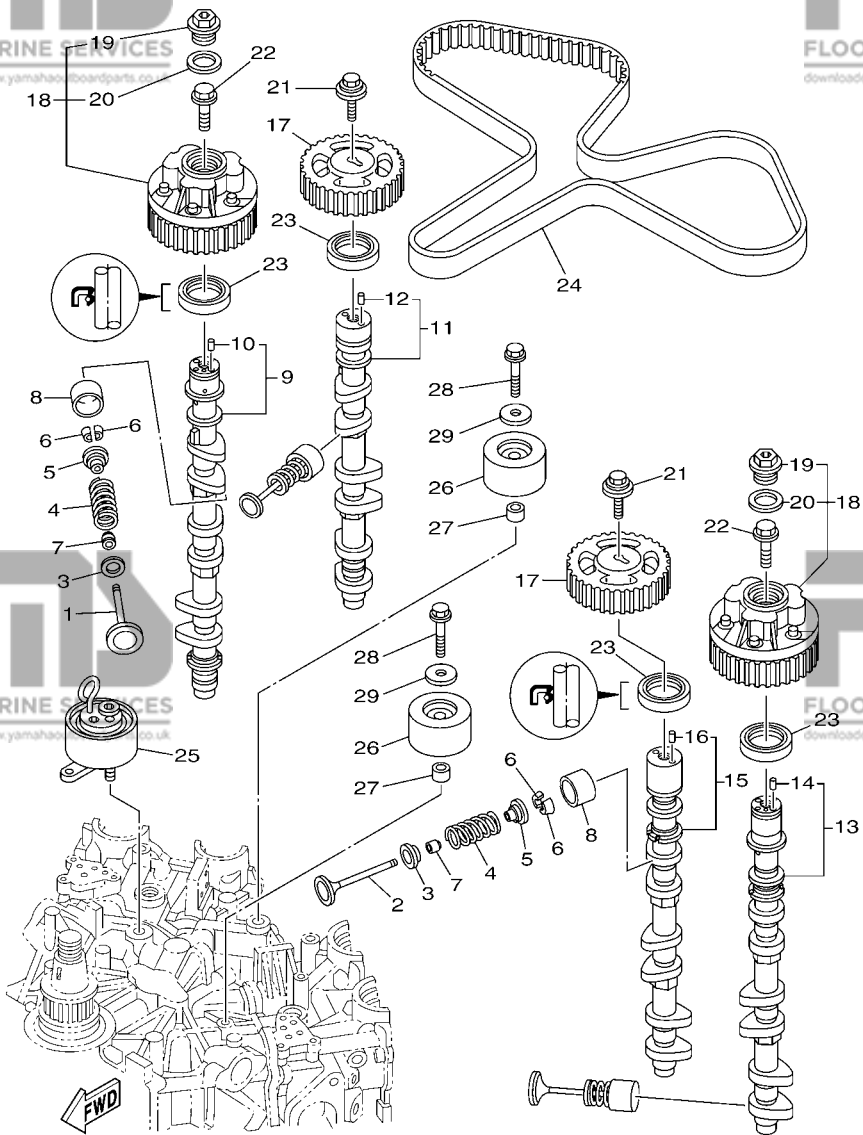


6P28110-L060

FIG. 6 VALVE

SOUPAPE

REF. NO.	PART NO. N° PIECES	DESCRIPTION DESCRIPTION	GAL7	GA96	GAM7	GAT6	REMARKS REMARQUES
8	K0F-A3751-L0	LIFTER, VALVE (422) LEVE-SOUPAPE (422)	24	24	24	24	UR UR
	K0F-A3751-M0	LIFTER, VALVE (442) LEVE-SOUPAPE (442)	24	24	24	24	UR UR
	K0F-A3751-N0	LIFTER, VALVE (462) LEVE-SOUPAPE (462)	24	24	24	24	UR UR
	K0F-A3751-P0	LIFTER, VALVE (482) LEVE-SOUPAPE (482)	24	24	24	24	UR UR
	K0F-A3751-R0	LIFTER, VALVE (502) LEVE-SOUPAPE (502)	24	24	24	24	UR UR
	K0F-A3751-S0	LIFTER, VALVE (522) LEVE-SOUPAPE (522)	24	24	24	24	UR UR
	K0F-A3751-T0	LIFTER, VALVE (542) LEVE-SOUPAPE (542)	24	24	24	24	UR UR
	K0F-A3753-00	LIFTER, VALVE (562) LEVE-SOUPAPE (562)	24	24	24	24	UR UR
	K0F-A3753-10	LIFTER, VALVE (582) LEVE-SOUPAPE (582)	24	24	24	24	UR UR
	K0F-A3753-20	LIFTER, VALVE (602) LEVE-SOUPAPE (602)	24	24	24	24	UR UR
	K0F-A3753-30	LIFTER, VALVE (625) LEVE-SOUPAPE (625)	24	24	24	24	UR UR
	K0F-A3753-40	LIFTER, VALVE (650) LEVE-SOUPAPE (650)	24	24	24	24	UR UR
	K0F-A3753-50	LIFTER, VALVE (675) LEVE-SOUPAPE (675)	24	24	24	24	UR UR
	K0F-A3753-60	LIFTER, VALVE (700) LEVE-SOUPAPE (700)	24	24	24	24	UR UR
	K0F-A3753-70	LIFTER, VALVE (725) LEVE-SOUPAPE (725)	24	24	24	24	UR UR
9	6P2-12171-10	CAMSHAFT 1 ARBRE A CAMES 1	1	1	1	1	
10	93605-10108	.PIN, DOWEL .AXE	1	1	1	1	
11	6P2-12181-10	CAMSHAFT 2 ARBRE A CAMES 2	1	1	1	1	
12	93605-10108	.PIN, DOWEL .AXE	1	1	1	1	
13	6P2-12172-10	CAMSHAFT 3 ARBRE A CAMES 3	1	1	1	1	
14	93605-10108	.PIN, DOWEL .AXE	1	1	1	1	
15	6P2-12182-10	CAMSHAFT 4 ARBRE A CAMES 4	1	1	1	1	
16	93605-10108	.PIN, DOWEL .AXE	1	1	1	1	
17	6P2-11537-01	GEAR, DRIVEN PIGNON SECONDAIRE	2	2	2	2	
18	6P2-12645-10	PULLEY ASSY 1 POULIE COMPLET 1	2	2	2	2	
19	6P2-12623-00	.BOLT .BOULON	1	1	1	1	
20	6P2-12663-00	.GASKET .JOINT	1	1	1	1	



6P28110-L060

FIG. 6 VALVE

SOUPAPE

REF. NO.	PART NO. N° PIECES	DESCRIPTION DESCRIPTION	6AL7	6AS6	6AM7	6AT6	REMARKS REMARQUES
21	90119-10050	BOLT, WITH WASHER BOULON, AVEC RONDELLE	2	2	2	2	
22	6P2-12615-00	BOLT BOULON	2	2	2	2	
23	93102-38008	OIL SEAL JOINT SPY	4	4	4	4	
24	6P2-46241-01	BELT COURROIE TRAPEZOIDALE	1	1	1	1	
25	6P2-11590-01	TENSIONER ASSY TENDEUR (ENS.)	1	1	1	1	
26	6P2-15512-00	GEAR, IDLER 1 PIGNON, INTERMEDIAIRE 1	2	2	2	2	
27	99530-14016	PIN, DOWEL GOIJON, D'ASSEMBLAGE	2	2	2	2	
28	90119-10M07	BOLT, WITH WASHER BOULON, AVEC RONDELLE	2	2	2	2	
29	90201-10M01	WASHER, PLATE RONDELLE, PLATE	2	2	2	2	

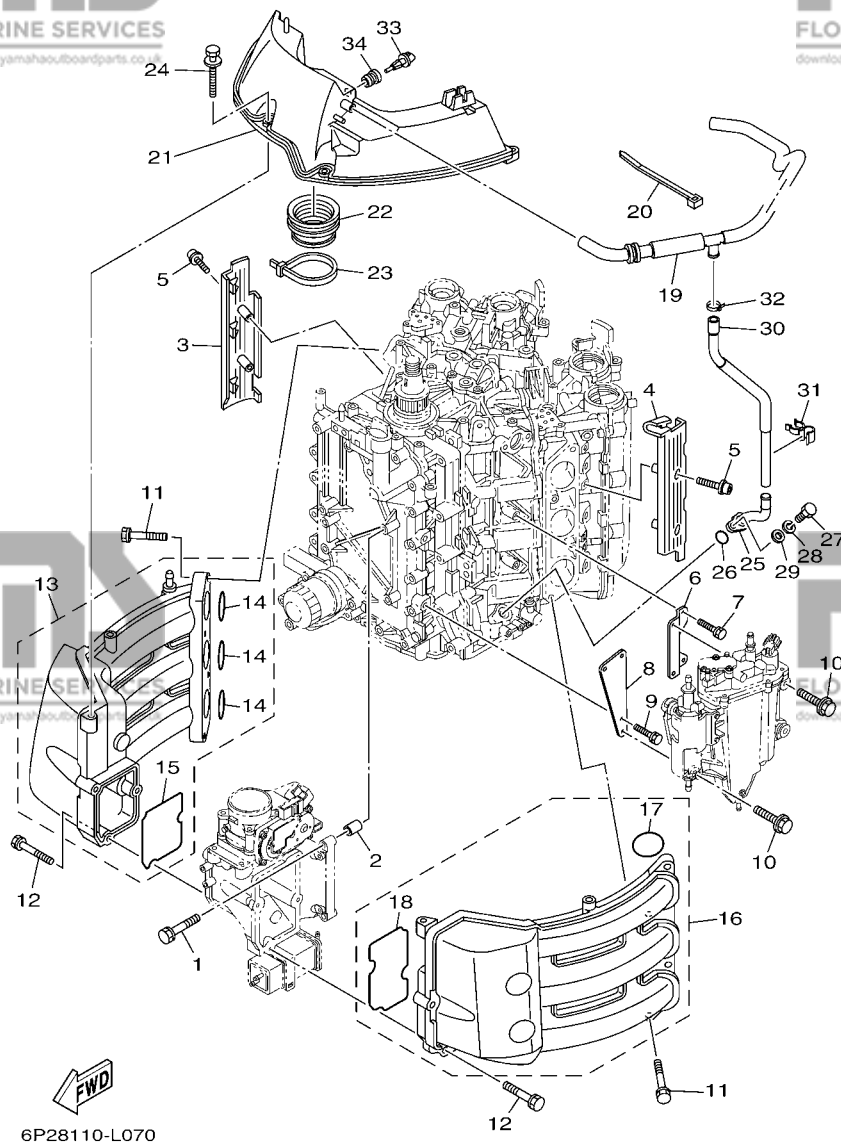


FIG. 7 INTAKE 1

ADMISSION 1

REF. NO.	PART NO. N° PIECES	DESCRIPTION DESCRIPTION	6AL7	6AS6	6AM7	6AT6	REMARKS REMARQUES
1	97575-08540	BOLT, WITH WASHER VIS HEXAGONAL AVC RONDELLE	4	4	4	4	
2	99530-10114	PIN, DOWEL GOIJON, D'ASSEMBLAGE	2	2	2	2	
3	6P2-13564-00	COVER, MANIFOLD COUVERCLE, TUBULURE	1	1	1	1	
4	6P2-13594-00	COVER, MANIFOLD 2 COUVERCLE, TUBULURE 2	1	1	1	1	
5	90110-06038	BOLT, HEXAGON SOCKET HEAD BOULON, TETE HEXAGONALE CREUSE	4	4	4	4	
6	6P2-24422-10	PLATE PLAQUETTE	1	1	1	1	
7	97575-06516	BOLT, WITH WASHER VIS HEXAGONAL AVC RONDELLE	2	2	2	2	
8	6P2-24419-00	BRKT., SEPARATOR SUPPORT	1	1	1	1	
9	97575-06516	BOLT, WITH WASHER VIS HEXAGONAL AVC RONDELLE	2	2	2	2	
10	90119-06M24	BOLT, WITH WASHER BOULON, AVEC RONDELLE	4	4	4	4	
11	97575-08540	BOLT, WITH WASHER VIS HEXAGONAL AVC RONDELLE	8	8	8	8	
12	90119-06MA6	BOLT, WITH WASHER BOULON, AVEC RONDELLE	7	7	7	7	
13	6P2-13641-00	MANIFOLD 1 TUBULURE 1	1	1	1	1	
14	6P2-13645-00	.GASKET, MANIFOLD 1 .JOINT, TUBULURE 1	3	3	3	3	
15	6P2-13646-00	.GASKET, MANIFOLD 2 .JOINT, TUBULURE 2	1	1	1	1	
16	6P2-13642-00	MANIFOLD 2 TUBULURE 2	1	1	1	1	
17	6P2-13645-00	.GASKET, MANIFOLD 1 .JOINT, TUBULURE 1	3	3	3	3	
18	6P2-13647-00	.GASKET, MANIFOLD 3 .JOINT, TUBULURE 3	1	1	1	1	
19	6P2-15373-01	PIPE, BREATHER DURITE DE RENIFLARD	1	1	1	1	
20	90465-13M18	CLAMP BRIDE	1	1	1	1	
21	6P2-14440-00	SILENCER ASSY, INTAKE SIENCIEUX D'ADMISSION	1	1	1	1	
22	6P2-1441J-00	PIPE, SILENCER DURITE, DE SIENCIEUX	1	1	1	1	
23	90464-99004	CLAMP BRIDE	1	1	1	1	
24	90119-06M35	BOLT, WITH WASHER BOULON, AVEC RONDELLE	4	4	4	4	
25	6P2-11372-00	NIPPLE, HOSE RACCORD, TUYAU	1	1	1	1	
26	93210-19MJ3	O-RING JOINT TORIQUE	1	1	1	1	
27	97095-06020	BOLT BOULON	1	1	1	1	

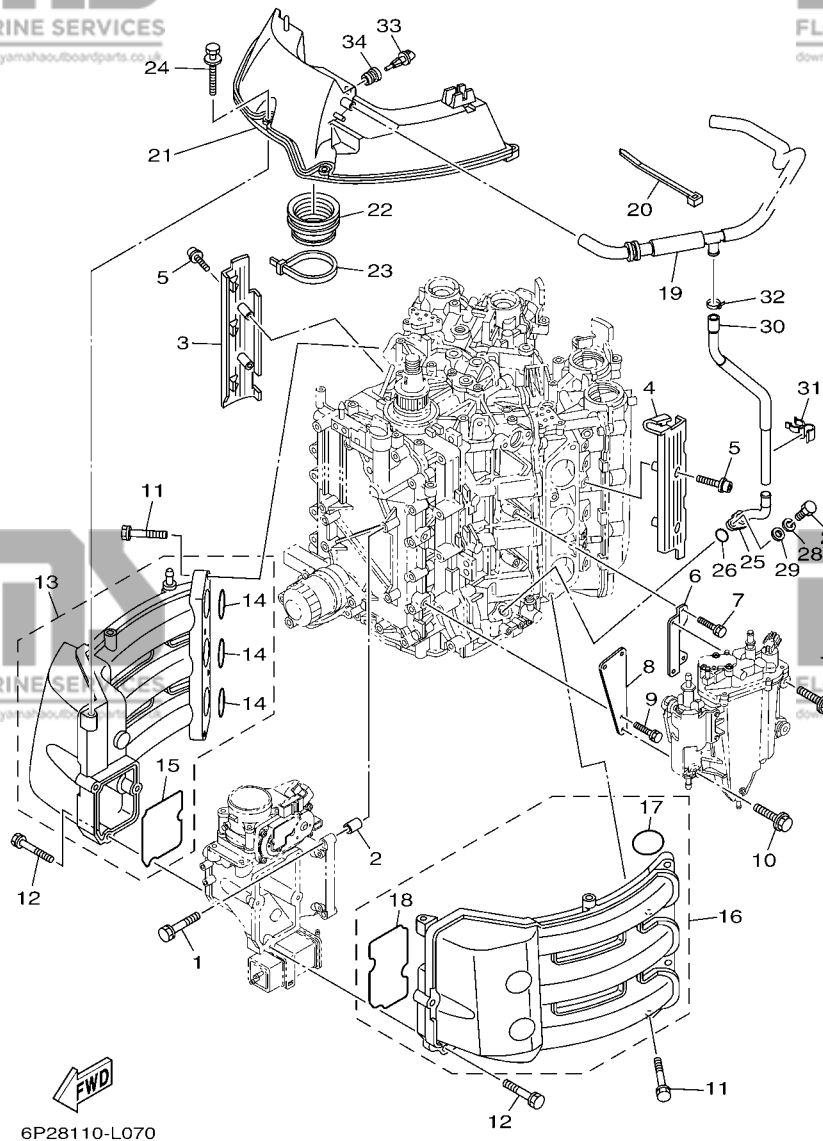


FIG. 7 INTAKE 1

ADMISSION 1

REF. NO.	PART NO. N° PIECES	DESCRIPTION DESCRIPTION	6AL7	6AS6	6AM7	6AT6	REMARKS REMARQUES
28	92995-06100	WASHER, SPRING RONDELLE, GROWER	1	1	1	1	
29	92995-06600	WASHER RONDELLE	1	1	1	1	
30	6P2-11377-00	HOSE DURITE	1	1	1	1	
31	90464-20011	CLAMP BRIDE	1	1	1	1	
32	90465-11M10	CLAMP BRIDE	1	1	1	1	
33	63P-85886-00	SENSOR, AIR TEMPERATURE SONDE	1	1	1	1	
34	63P-14435-00	GROMMET RONDELLE CAOUTCHOUC	1	1	1	1	

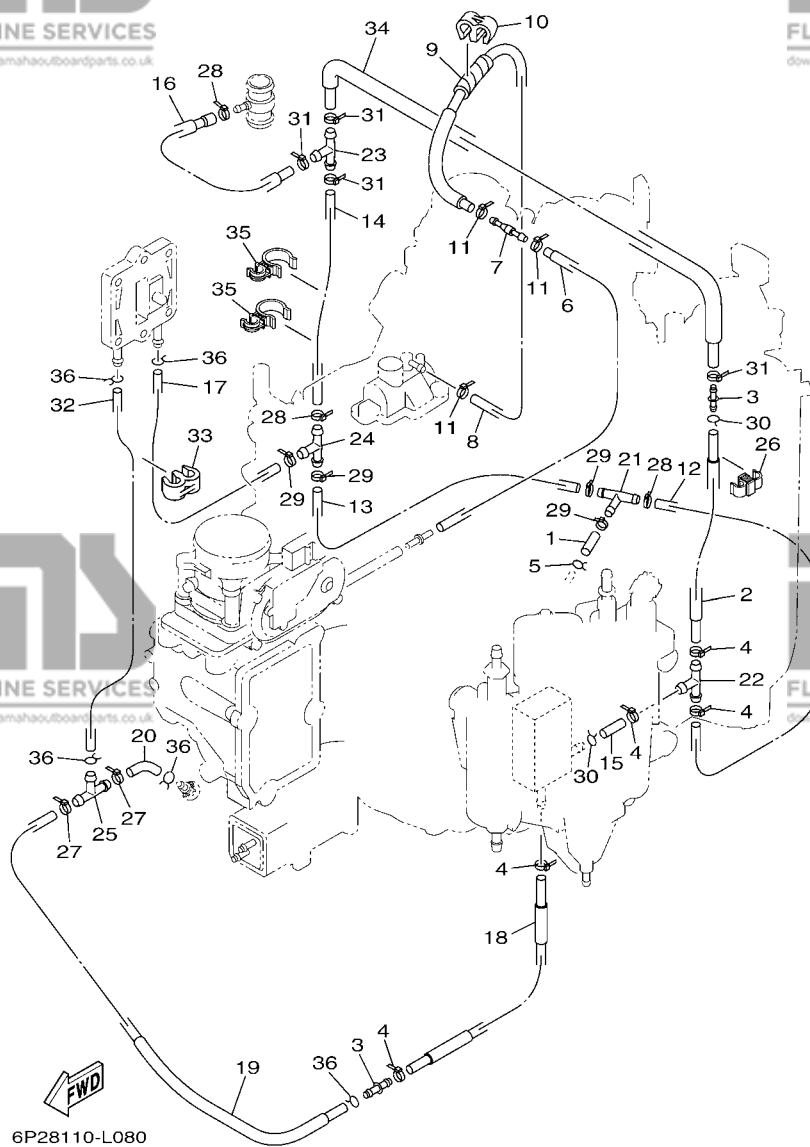


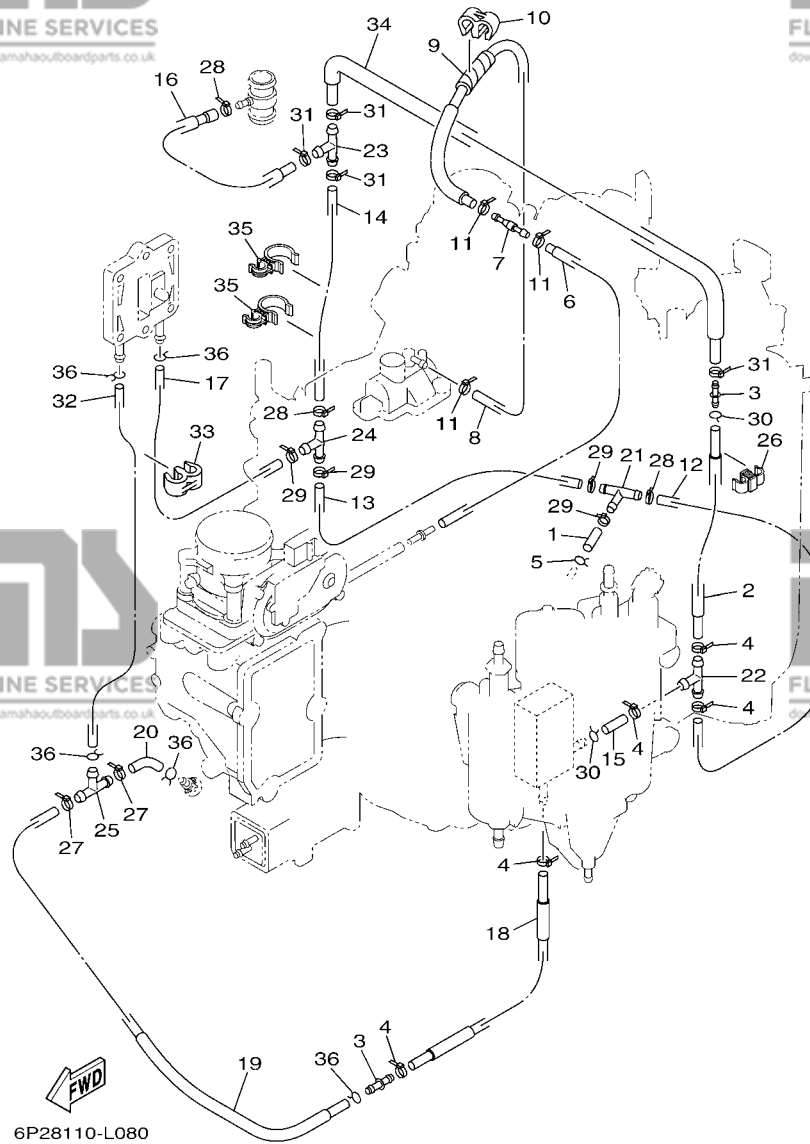
FIG. 8 INTAKE 2

ADMISSION 2

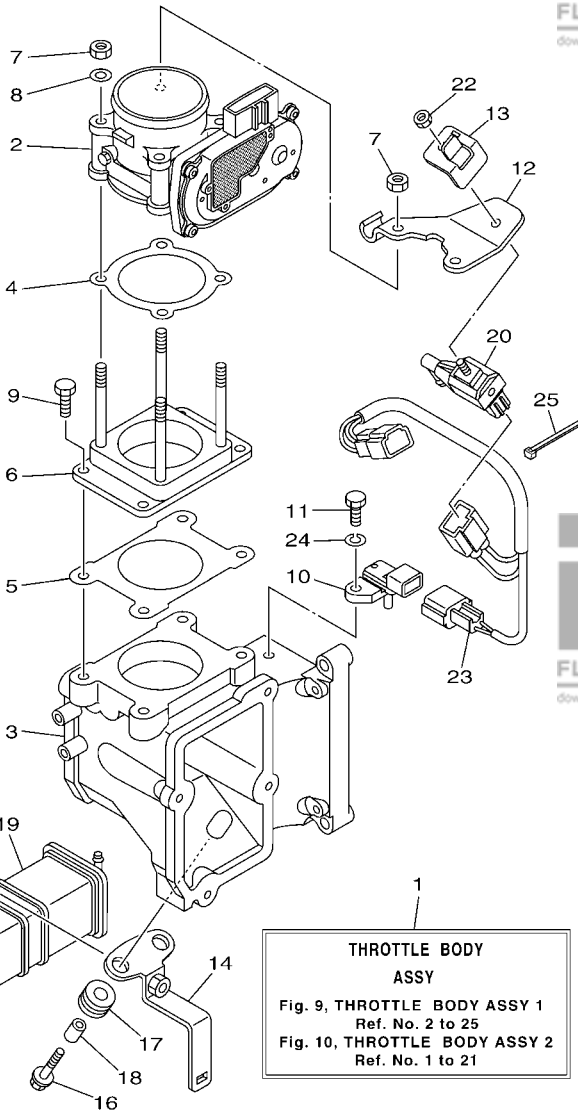
REF. NO.	PART NO. N° PIECES	DESCRIPTION DESCRIPTION	6AL7	6AS6	6AM7	6AT6	REMARKS REMARQUES
1	90445-09040	HOSE (L50) DURITE (L50)	1	1	1	1	
2	6P2-12484-01	PIPE 4 DURITE 4	1	1	1	1	
3	6CE-24376-00	PIPE, JOINT 1 DURITE 1, RACCORDEMENT	2	2	2	2	
4	90465-11M10	CLAMP BRIDE	5	5	5	5	
5	90467-09M03	CLIP JONC	1	1	1	1	
6	6P2-12482-00	PIPE 2 DURITE 2	1	1	1	1	
7	6E5-21744-00	BREATHER RENIFLARD	1	1	1	1	
8	6P2-12483-00	PIPE 3 DURITE 3	1	1	1	1	
9	90446-10M01	HOSE (L60) DURITE (L60)	1	1	1	1	
10	90464-60067	CLAMP BRIDE	1	1	1	1	
11	90465-11M10	CLAMP BRIDE	3	3	3	3	
12	90445-09041	HOSE (L500) DURITE (L500)	1	1	1	1	
13	90445-09224	HOSE (L270) DURITE (L270)	1	1	1	1	
14	90445-09097	HOSE (L250) DURITE (L250)	1	1	1	1	
15	90445-09220	HOSE (L30) DURITE (L30)	1	1	1	1	
16	6P2-12485-00	PIPE 5 DURITE 5	1	1	1	1	
17	6P2-1248A-00	PIPE 8 DURITE 8	1	1	1	1	
18	6P2-1248E-00	PIPE 9 DURITE	1	1	1	1	
19	6P2-14752-00	PIPE, OUTLET PMBOUT DE SILENCIEUX	1	1	1	1	
20	61A-24316-00	PIPE 6 DURITE 6	1	1	1	1	
21	688-24378-00	PIPE, JOINT 3 DURITE RACCORDEMENT 3	1	1	1	1	
22	688-24378-00	PIPE, JOINT 3 DURITE RACCORDEMENT 3	1	1	1	1	
23	688-24378-00	PIPE, JOINT 3 DURITE RACCORDEMENT 3	1	1	1	1	
24	688-24378-00	PIPE, JOINT 3 DURITE RACCORDEMENT 3	1	1	1	1	
25	688-24378-00	PIPE, JOINT 3 DURITE RACCORDEMENT 3	1	1	1	1	
26	90464-09013	CLAMP BRIDE	1	1	1	1	
27	90465-11M10	CLAMP BRIDE	2	2	2	2	

FIG. 8 INTAKE 2

ADMISSION 2



REF. NO.	PART NO. N° PIECES	DESCRIPTION DESCRIPTION	6AL7	6AS6	6AM7	6AT6	REMARKS REMARQUES
28	90465-11M10	CLAMP BRIDE	3	3	3	3	
29	90465-11M10	CLAMP BRIDE	4	4	4	4	
30	90467-08M18	CLIP JONC	2	2	2	2	
31	90465-11M10	CLAMP BRIDE	4	4	4	4	
32	90445-09304	HOSE (L310) DURITE (L310)	1	1	1	1	
33	90464-60067	CLAMP BRIDE	1	1	1	1	
34	6P2-12481-11	PIPE 1 DURITE 1	1	1	1	1	
35	90464-21002	CLAMP BRIDE	2	2	2	2	
36	90467-08M18	CLIP JONC	5	5	5	5	



6P28110-L090

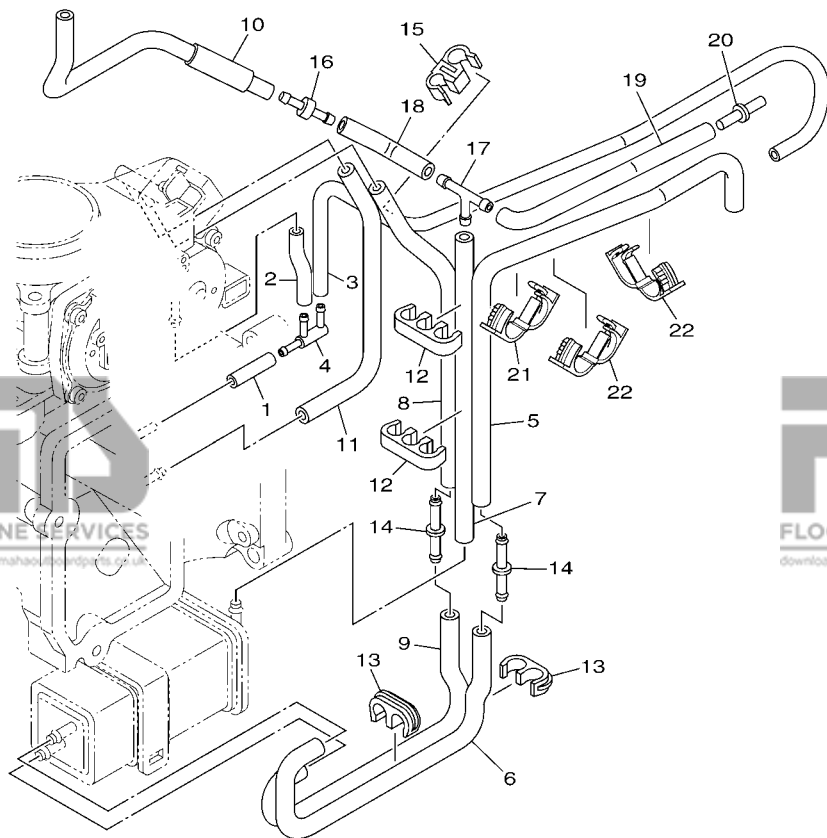
FIG. 9 THROTTLE BODY ASSY 1

CARTER D'ACCELERATEUR 1

REF. NO.	PART NO. N° PIECES	DESCRIPTION DESCRIPTION	6AL7	6AS6	6AM7	6AT6	REMARKS REMARQUES
1	6P2-13750-10	THROTTLE BODY ASSY CARTER D'ACCELERATEUR COMPLET	1	1	1	1	
2	6P2-13751-01	BODY, THROTTLE 1 CARTER 1	1	1	1	1	
3	6P2-13711-00	MIXING BODY CHAMBRE DE MELANGE	1	1	1	1	
4	6P2-13556-00	GASKET, MANIFOLD JOINT, TUBULURE	1	1	1	1	
5	6P2-13557-00	GASKET JOINT	1	1	1	1	
6	6P2-14360-00	THROTTLE DAMPER ASSY AMORISSEUR D'ACCELERATEUR	1	1	1	1	
7	6P2-13588-00	NUT ECROU	4	4	4	4	
8	6P2-13578-00	WASHER RONDELLE	2	2	2	2	
9	6P2-14496-00	BOLT BOULON	4	4	4	4	
10	6P2-82380-00	SENSOR, PRESSURE SONDE DE PRESSION	1	1	1	1	
11	6P2-13573-00	BOLT 1 BOULON 1	1	1	1	1	
12	6P2-14255-00	PLATE PLAQUE	1	1	1	1	
13	6P2-14159-00	CLIP JONC	1	1	1	1	
14	6P2-2134X-00	BRACKET, CANISTER SUPPORT	1	1	1	1	
15	6P2-2419A-00	HOLDER SUPPORT	1	1	1	1	
16	90119-06M59	BOLT, WITH WASHER BOULON, AVEC RONDELLE	2	2	2	2	
17	90480-10M23	GROMMET PASSE-FIL	2	2	2	2	
18	90387-06M60	COLLAR COLLERETTE	2	2	2	2	
19	6P2-24170-00	CANISTER ASSY BANDE, RASERVOIR A ESSENCE	1	1	1	1	
20	6C5-86120-00	SOLENOID VALVE ASSY SOLENOIDE	1	1	1	1	
21	6P2-13574-00	BOLT 2 BOULON 2	1	1	1	1	
22	69J-14164-00	NUT, HOLDING ECROU, FIXATION	1	1	1	1	
23	6P2-8258A-00	EXTENSION, WIRE HARNESS EXTENSION, FAISCEAU DE FILS	1	1	1	1	
24	68V-14356-00	WASHER, SPRING RONDELLE	1	1	1	1	
25	68V-2481H-00	CLAMP BRIDE	1	1	1	1	

FIG. 10 THROTTLE BODY ASSY 2

CARTER D'ACCELERATEUR 2

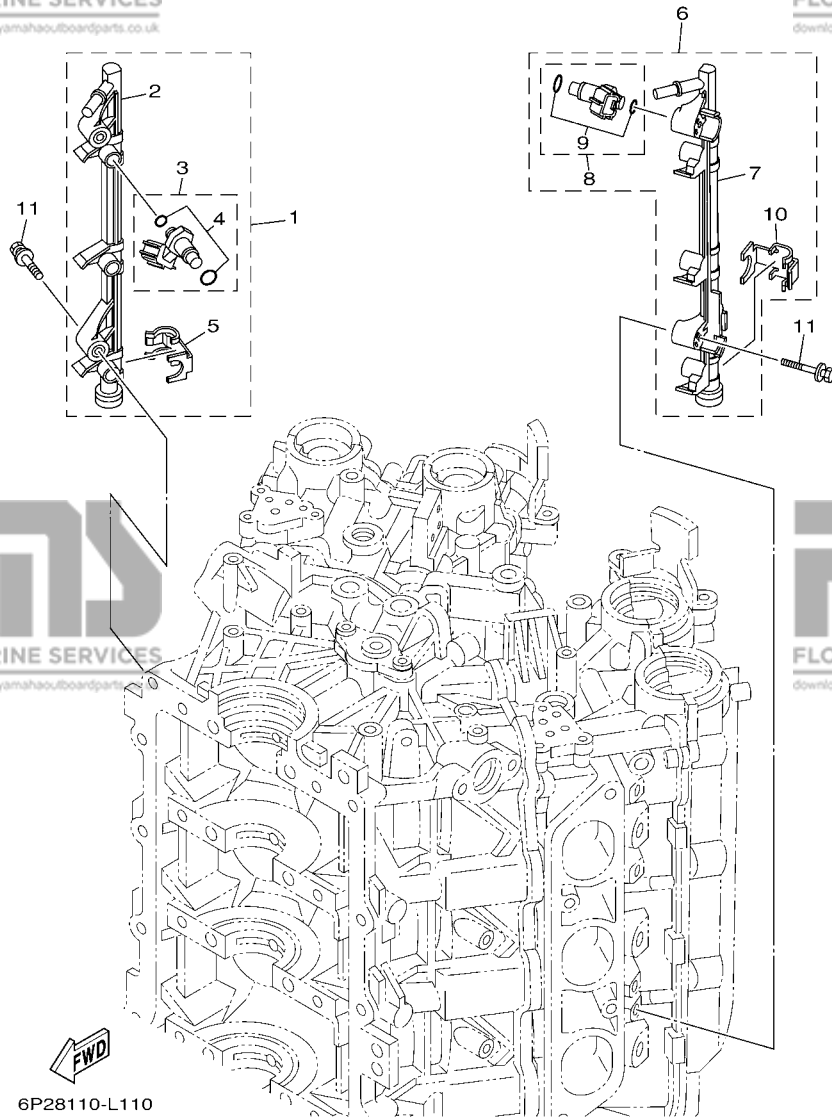


6P28110-L100

REF. NO.	PART NO. N° PIECES	DESCRIPTION DESCRIPTION	6AL7	6AS6	6AM7	6AT6	REMARKS REMARQUES
1	6P2-14349-00	PIPE DURITE	1	1	1	1	
2	6P2-13533-00	HOSE, VACUUM SENSING 4 DURITE 4	1	1	1	1	
3	6P2-13532-10	HOSE, VACUUM SENSING 3 DURITE 3	1	1	1	1	
4	6P2-13595-00	JOINT RACCORD	1	1	1	1	
5	6P2-1475A-10	PIPE 1 DURITE 1	1	1	1	1	
6	6P2-1475E-00	PIPE 2 DURITE	1	1	1	1	
7	6P2-13545-00	HOSE 1 DURITE 1	1	1	1	1	
8	6P2-1475F-00	PIPE 3 DURITE 3	1	1	1	1	
9	6P2-1475G-00	PIPE 4 DURITE 4	1	1	1	1	
10	6P2-13546-00	HOSE 2 DURITE 2	1	1	1	1	
11	6P2-2416A-00	HOSE DURITE	1	1	1	1	
12	6P2-24135-00	CLAMP 1 COLLIER 1	2	2	2	2	
13	6P2-24136-00	CLAMP 2 COLLIER 2	2	2	2	2	
14	6P2-13758-00	PIPE, JOINT DURITE	2	2	2	2	
15	6P2-24137-00	CLAMP 3 COLLIER 3	1	1	1	1	
16	6E5-21744-00	BREATHER RENIFLARD	1	1	1	1	
17	688-24378-00	PIPE, JOINT 3 DURITE RACCORDEMENT 3	1	1	1	1	
18	6P2-13547-00	HOSE 3 DURITE 3	1	1	1	1	
19	6P2-13548-10	HOSE, AIR 4 DURITE, A AIR 4	1	1	1	1	
20	6P2-24376-00	PIPE, JOINT 1 DURITE 1, RACCORDEMENT	1	1	1	1	
21	90464-18004	CLAMP BRIDE	1	1	1	1	
22	90464-18004	CLAMP BRIDE	2	2	2	2	

FIG. 11 THROTTLE BODY ASSY 3

CARTER D'ACCELERATEUR 3



REF. NO.	PART NO. N° PIECES	DESCRIPTION DESCRIPTION	6AL7	6AS6	6AM7	6AT6	REMARKS REMARQUES
1	6P2-13160-10	DELIVERY PIPE ASSY 1 ENS. TUBE DE REFOULEMENT 1	1	1	1	1	
2	6P2-13161-00	.PIPE, DELIVERY 1 .DURITE REFOULEMENT 1	1	1	1	1	
3	6P2-13761-10	.INJECTOR .INJECTEUR	3	3	3	3	
4	6C5-1410B-00	..PACKING KIT ..POCHETTE DE JOINTS	1	1	1	1	
5	6P2-13577-00	.CLIP .AGRAFE	3	3	3	3	
6	6P2-13170-10	DELIVERY PIPE ASSY 2 ENS. TUBE DE REFOULEMENT 2	1	1	1	1	
7	6P2-13171-00	.PIPE, DELIVERY 2 .DURITE REFOULEMENT	1	1	1	1	
8	6P2-13761-10	.INJECTOR .INJECTEUR	3	3	3	3	
9	6C5-1410B-00	..PACKING KIT ..POCHETTE DE JOINTS	1	1	1	1	
10	6P2-13577-00	.CLIP .AGRAFE	3	3	3	3	
11	90119-06122	BOLT, WITH WASHER BOULON, AVEC RONDELLE	4	4	4	4	

6P28110-L110

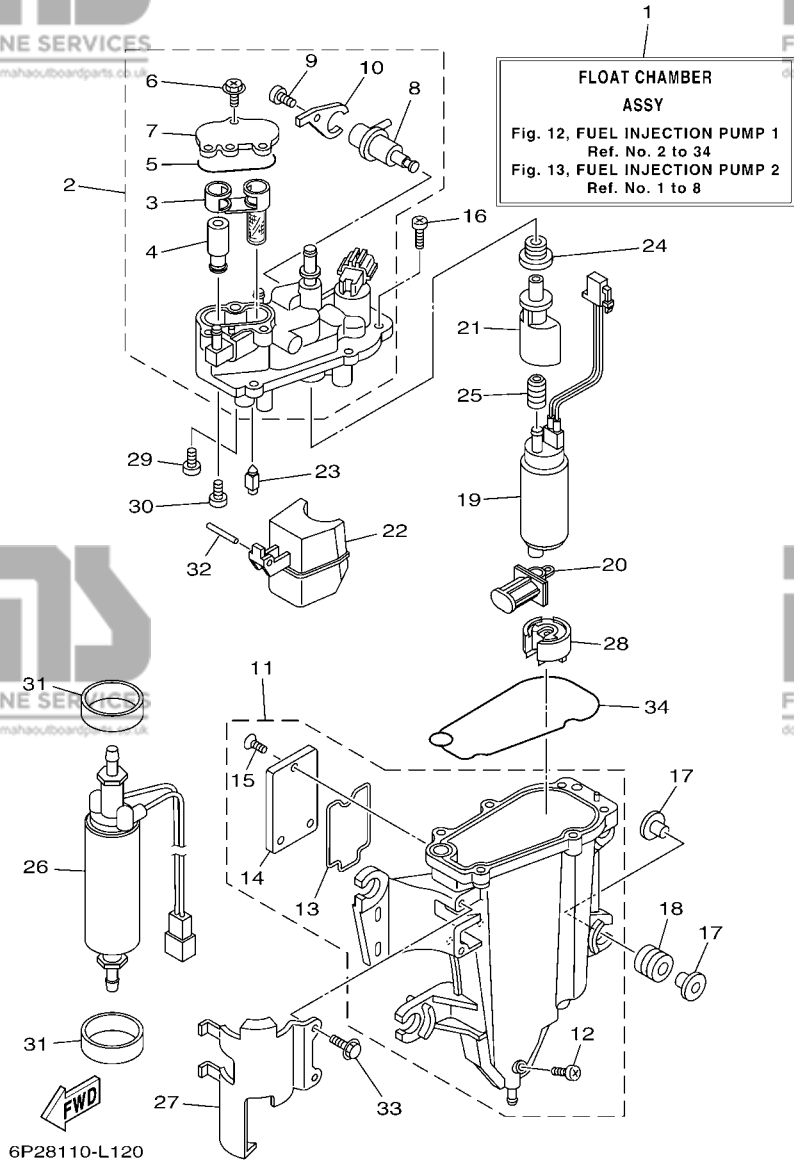


FIG. 12 FUEL INJECTION PUMP 1 POMPE A INJECTEUR 1

REF. NO.	PART NO. N° PIECES	DESCRIPTION DESCRIPTION	6AL7	6AS6	6AM7	6AT6	REMARKS REMARQUES
1	6P2-14180-30	FLOAT CHAMBER ASSY CUVE DE FLOTTEUR	1	1	1	1	
2	6AW-14182-10	COVER, FLOAT CHAMBER COUVERCLE, CUVE DE FLOTTEUR	1	1	1	1	
3	6CB-24501-01	.FILTER, FUEL .FILTRE	1	1	1	1	
4	6CB-24460-00	.RELIEF VALVE ASSY .SOUPEPE DE SECURITE COMPLET	1	1	1	1	
5	6CB-13016-00	.O-RING JOINT TORIQUE	1	1	1	1	
6	6CB-14216-00	.SCREW .VIS	3	3	3	3	
7	6CB-24217-00	.COVER COUVERCLE	1	1	1	1	
8	6CB-13906-01	.REGULATOR, PRESSURE .REGULATEUR DE PRESSION	1	1	1	1	
9	6CB-14564-00	.SCREW .VIS	1	1	1	1	
10	6CB-14146-00	.PLATE PLAQUE	1	1	1	1	
11	6AW-14181-10	BODY, FLOAT CHAMBER 1 CORPS, CUVE DE FLOTTEUR 1	1	1	1	1	
12	6P2-14191-00	.PLUG, DRAIN .PLOT, VIDANGE	1	1	1	1	
13	6CB-14239-00	.SEAL JOINT	1	1	1	1	
14	6CB-24452-00	.COVER COUVERCLE	1	1	1	1	
15	6CB-14429-00	.SCREW .VIS	3	3	3	3	
16	63P-14567-00	SCREW VIS	6	6	6	6	
17	69J-13716-00	COLLAR COLLERETTE	8	8	8	8	
18	6CB-13593-00	DAMPER AMORTISSEUR	4	4	4	4	
19	6P2-13907-20	FUEL PUMP COMP. POMPE A CARBURANT COMP.	1	1	1	1	
20	63P-13915-00	FILTER FILTRE	1	1	1	1	
21	6AW-13132-00	JOINT RACCORD	1	1	1	1	
22	6CB-14985-00	FLOAT FLOTTEUR	1	1	1	1	
23	6CB-14546-00	VALVE, NEEDLE POINTEAU	1	1	1	1	
24	6CB-1447B-00	BUSH 1 DOUILLE 1	1	1	1	1	
25	6AW-13781-00	DAMPER, PUMP AMORTISSEUR, POMPE	1	1	1	1	
26	6CB-24410-00	FUEL PUMP ASSY POMPE A ESSENCE	1	1	1	1	
27	6AW-24491-10	BRACKET, FUEL PUMP SUPPORT, POMPE A ESSENCE	1	1	1	1	

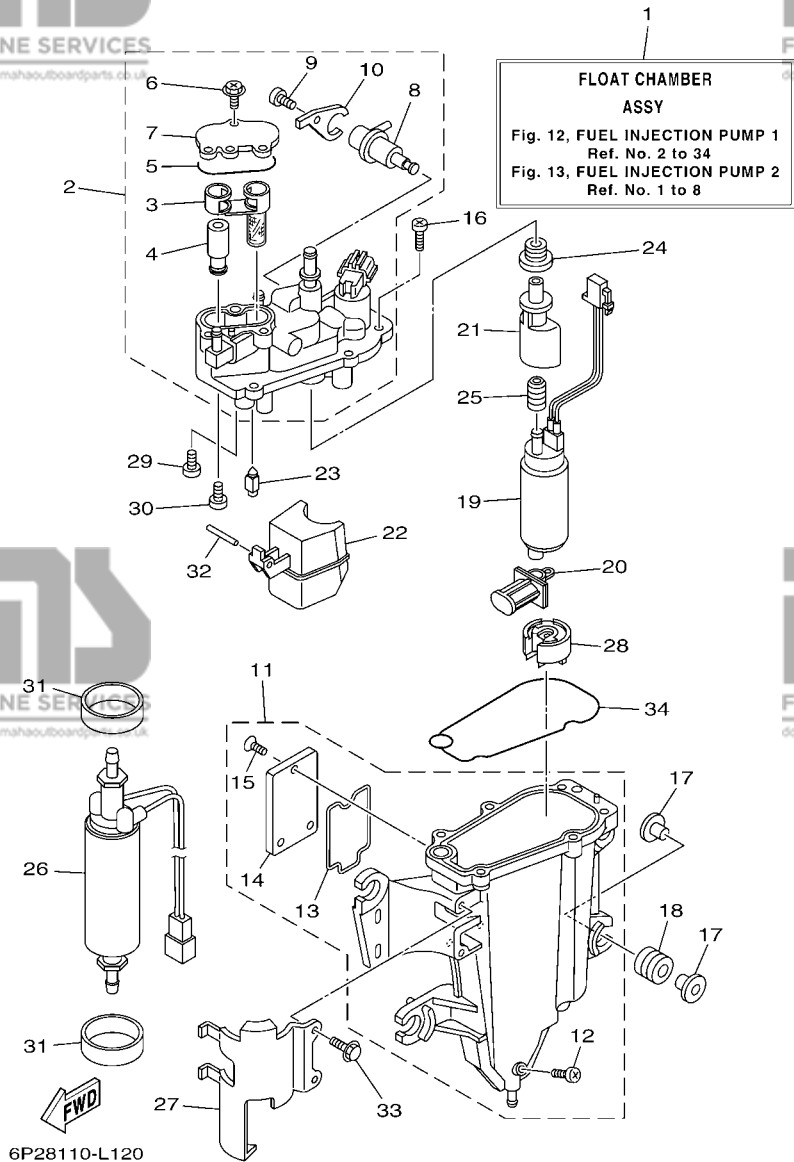


FIG. 12 FUEL INJECTION PUMP 1

POMPE A INJECTEUR 1

REF. NO.	PART NO. N° PIECES	DESCRIPTION DESCRIPTION	6AL7	6AS6	6AM7	6AT6	REMARKS REMARQUES
28	6AW-13784-00	COVER, PUMP COUVERCLE, POMPE	1	1	1	1	
29	4SV-24453-00	SCREW VIS	1	1	1	1	
30	98507-04008	SCREW, PAN HEAD VIS, TETE TRONCONIQUE	1	1	1	1	
31	6CB-24492-00	BUSH, FUEL PUMP BAGUE	2	2	2	2	
32	6P2-14386-00	PIN, FLOAT AXE, FLOTTEUR	1	1	1	1	
33	6CB-24592-00	BOLT BOLTE	2	2	2	2	
34	6CB-14984-00	GASKET, FLOAT CHAMBER JOINT, CUVE DE FLOTTEUR	1	1	1	1	

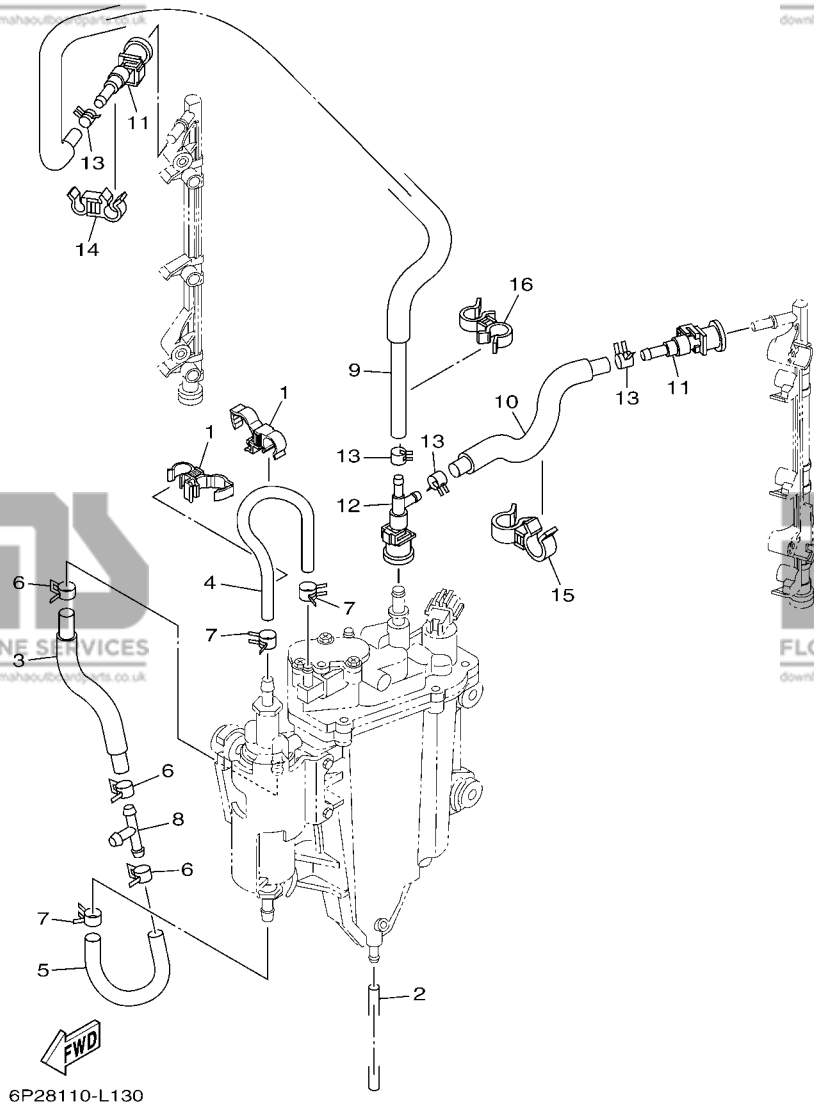


FIG. 13 FUEL INJECTION PUMP 2

POMPE A INJECTEUR 2

REF. NO.	PART NO. N° PIECES	DESCRIPTION DESCRIPTION	GAL7	GA66	GAM7	GAT6	REMARKS REMARQUES
1	90464-12012	CLAMP BRIDE	2	2	2	2	
2	6P2-14149-00	PIPE DURITE	1	1	1	1	
3	6AW-24323-20	PIPE 12 DURITE 12	1	1	1	1	
4	6AW-24324-20	PIPE 13 DURITE 13	1	1	1	1	
5	6AW-24317-20	PIPE 7 DURITE 7	1	1	1	1	
6	69J-14137-00	CLIP JONC	3	3	3	3	
7	68V-13577-00	CLIP AGRAFE	3	3	3	3	
8	6E5-24378-00	PIPE, JOINT 3 DURITE, RACCORDEMENT 3	1	1	1	1	
9	6P2-13973-30	PIPE, FUEL 3 TUBE 3, CARBURANT	1	1	1	1	
10	6P2-13974-30	PIPE, FUEL 4 TUBE 4, CARBURANT	1	1	1	1	
11	6AW-24300-10	FUEL PIPE JOINT DURITE RACCORDEMT. A ESSENCE	2	2	2	2	
12	6P2-24300-00	FUEL PIPE JOINT DURITE RACCORDEMT. A ESSENCE	1	1	1	1	
13	68V-13577-00	CLIP AGRAFE	4	4	4	4	
14	90464-12010	CLAMP BRIDE	1	1	1	1	
15	90464-18005	CLAMP BRIDE	1	1	1	1	
16	90464-12009	CLAMP BRIDE	1	1	1	1	

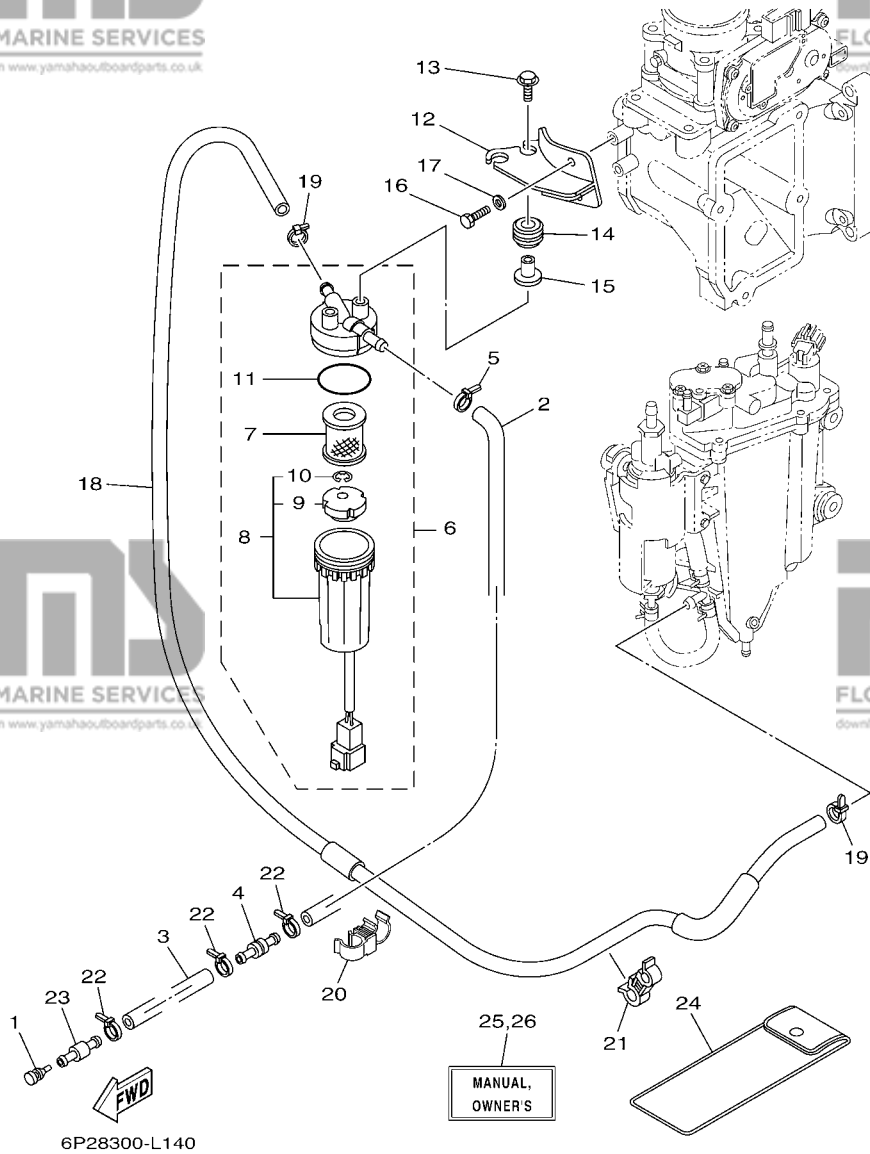


FIG. 14 FUEL 1

CARBURANT 1

REF. NO.	PART NO. N° PIECES	DESCRIPTION DESCRIPTION	6AL7	6A56	6AM7	6AT6	REMARKS REMARQUES
1	689-85547-00	DAMPER AMORTISSEUR	1	1	1	1	
2	6P2-24314-00	PIPE 4 DURITE 4	1	1	1	1	
3	90445-13511	HOSE (L2000) DURITE (L2000)	1	1	1	1	
4	6R3-24377-10	PIPE, JOINT 2 DURITE RACCORDEMENT 2	1	1	1	1	
5	90465-11M10	CLAMP BRIDE	1	1	1	1	
6	6P3-24560-03	FILTER ASSY ENS FILTRE	1	1	1	1	
7	6P3-24563-01	.ELEMENT, FILTER .ELEMENT, FILTRE	1	1	1	1	
8	6P3-24562-03	.CUP, FILTER .CUVETTE, FILTRE	1	1	1	1	
9	6P3-24469-00	..FLOAT, WATER LEVEL ..FLOTTEUR	1	1	1	1	
10	6P3-24519-00	..CLIP ..JONC	1	1	1	1	
11	6P3-24564-00	.GASKET .JOINT	1	1	1	1	
12	6P2-24566-11	BRACKET, FILTER SUPPORT, FILTRE	1	1	1	1	
13	90119-06M17	BOLT, WITH WASHER BOULON, AVEC RONDELLE	2	2	2	2	
14	90480-14018	GROMMET PASSE-FIL	2	2	2	2	
15	90387-06M60	COLLAR COLLERETTE	2	2	2	2	
16	97095-06014	BOLT BOULON	2	2	2	2	
17	92995-06600	WASHER RONDELLE	2	2	2	2	
18	6P2-24313-30	PIPE 3 DURITE 3	1	1	1	1	
19	90465-11M10	CLAMP BRIDE	2	2	2	2	
20	90464-12009	CLAMP BRIDE	1	1	1	1	
21	90464-12010	CLAMP BRIDE	1	1	1	1	
22	90465-11M10	CLAMP BRIDE	3	3	3	3	
23	6R3-24377-00	PIPE, JOINT 2 DURITE RACCORDEMENT 2	1	1	1	1	
24	69J-28100-01	TOOL KIT TROUSSE A OUTILS	1	1	1	1	AP AP
25	6P2-28199-78-E0	MANUAL, OWNER'S MANUEL D'UTILISATION	1	1	1	1	UR (E) UR (E)
26	6P2-28199-78-F0	MANUAL, OWNER'S MANUEL D'UTILISATION	1	1	1	1	UR (F) UR (F)
27	6P2-28199-78-S0	MANUAL, OWNER'S MANUEL D'UTILISATION	1	1	1	1	UR (ES) UR (ES)

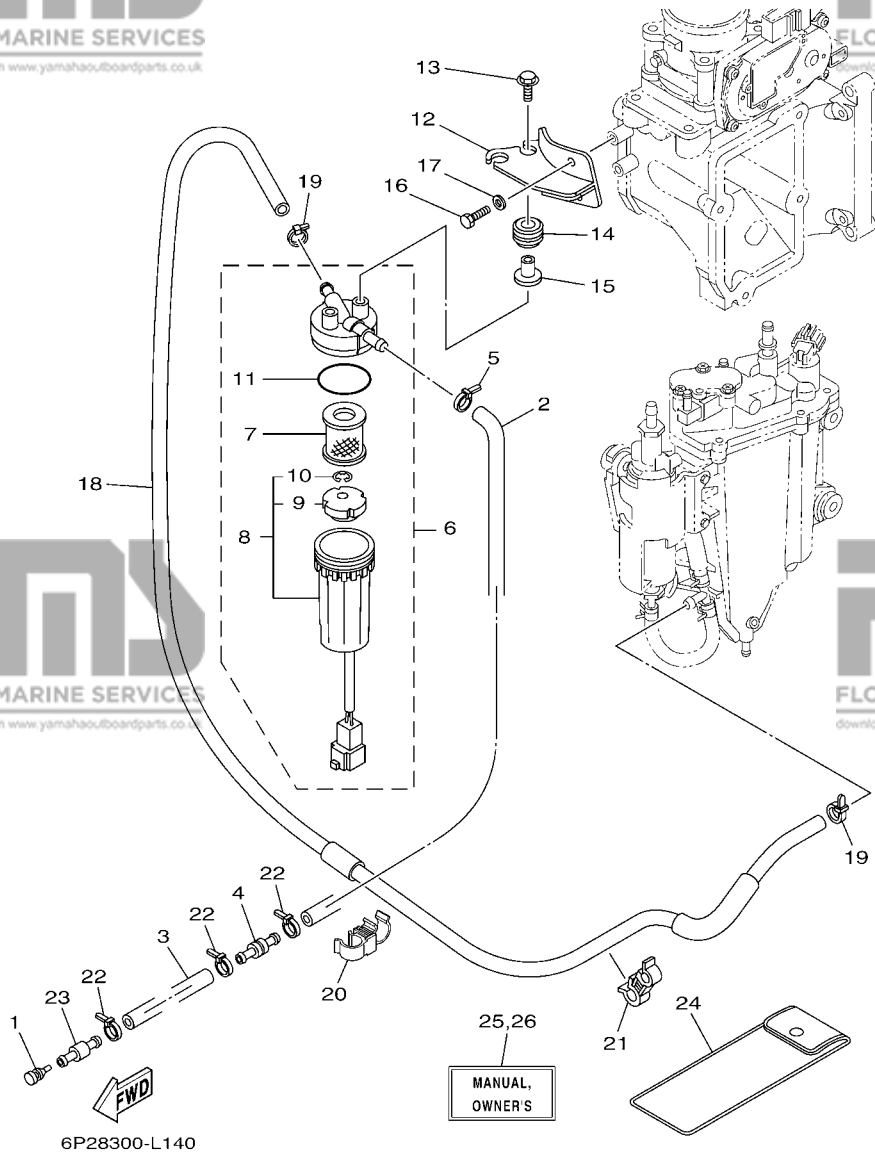


FIG. 14 FUEL 1

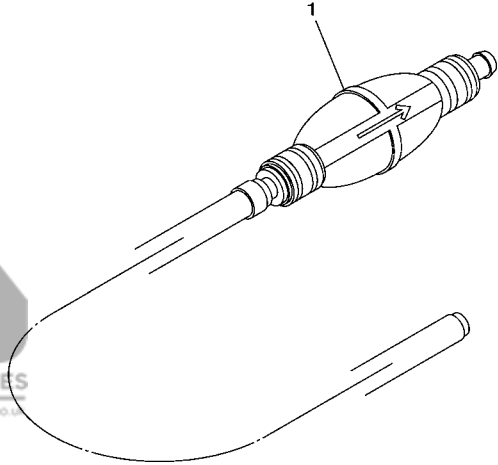
CARBURANT 1

REF. NO.	PART NO. N° PIECES	DESCRIPTION DESCRIPTION	6AL7	6AS6	6AM7	6AT6	REMARKS REMARQUES
25	6P2-28199-78-G0	MANUAL,OWNER'S MANUEL D'UTILISATION	1	1	1	1	UR (D) UR (D)
	6P2-28199-78-D0	MANUAL,OWNER'S MANUEL D'UTILISATION	1	1	1	1	UR (NL) UR (NL)
	6P2-28199-78-H0	MANUAL,OWNER'S MANUEL D'UTILISATION	1	1	1	1	UR (I) UR (I)
26	6P2-28199-88-K0	MANUAL,OWNER'S MANUEL D'UTILISATION	1	1	1	1	UR (DK) UR (DK)
	6P2-28199-88-R0	MANUAL,OWNER'S MANUEL D'UTILISATION	1	1	1	1	UR (GR) UR (GR)
	6P2-28199-88-P0	MANUAL,OWNER'S MANUEL D'UTILISATION	1	1	1	1	UR (P) UR (P)
	6P2-28199-88-N0	MANUAL,OWNER'S MANUEL D'UTILISATION	1	1	1	1	UR (N) UR (N)
	6P2-28199-88-M0	MANUAL,OWNER'S MANUEL D'UTILISATION	1	1	1	1	UR (S) UR (S)
	6P2-28199-88-L0	MANUAL,OWNER'S MANUEL D'UTILISATION	1	1	1	1	UR (SF) UR (SF)

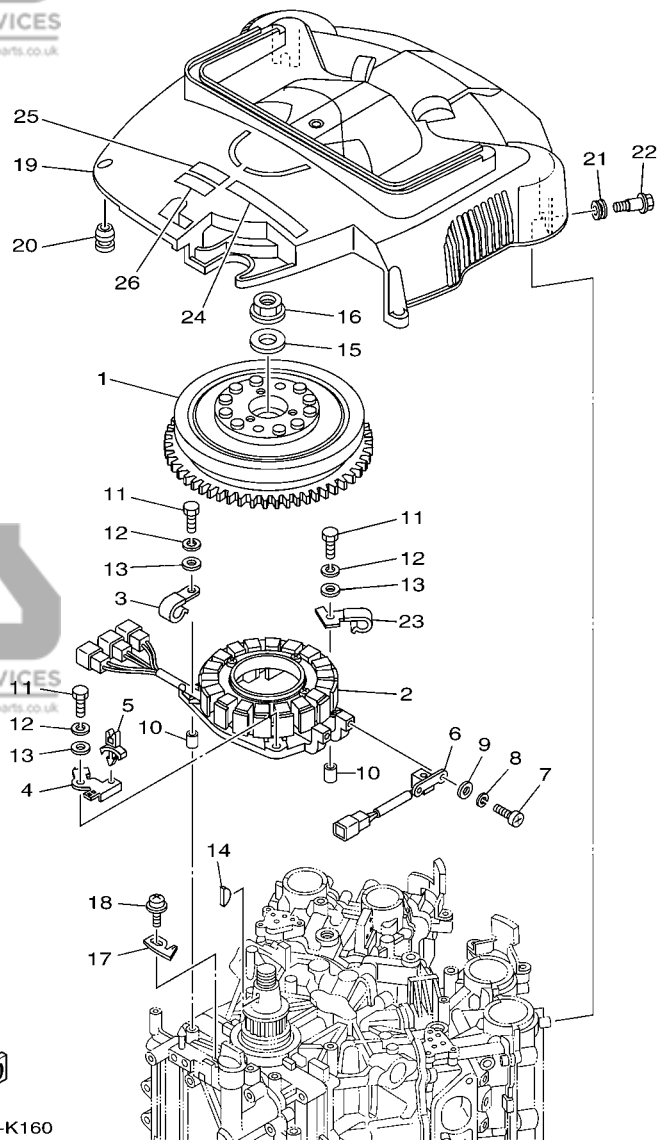
FIG. 15 FUEL 2

CARBURANT 2

REF. NO.	PART NO. N° PIECES	DESCRIPTION DESCRIPTION	6AL7	6AS6	6AM7	6AT6	REMARKS REMARQUES
1	6YK-24307-42	FUEL PIPE COMP. 2 DURITE A ESSENCE 2	1	1	1	1	AP AP



69J2300-3140

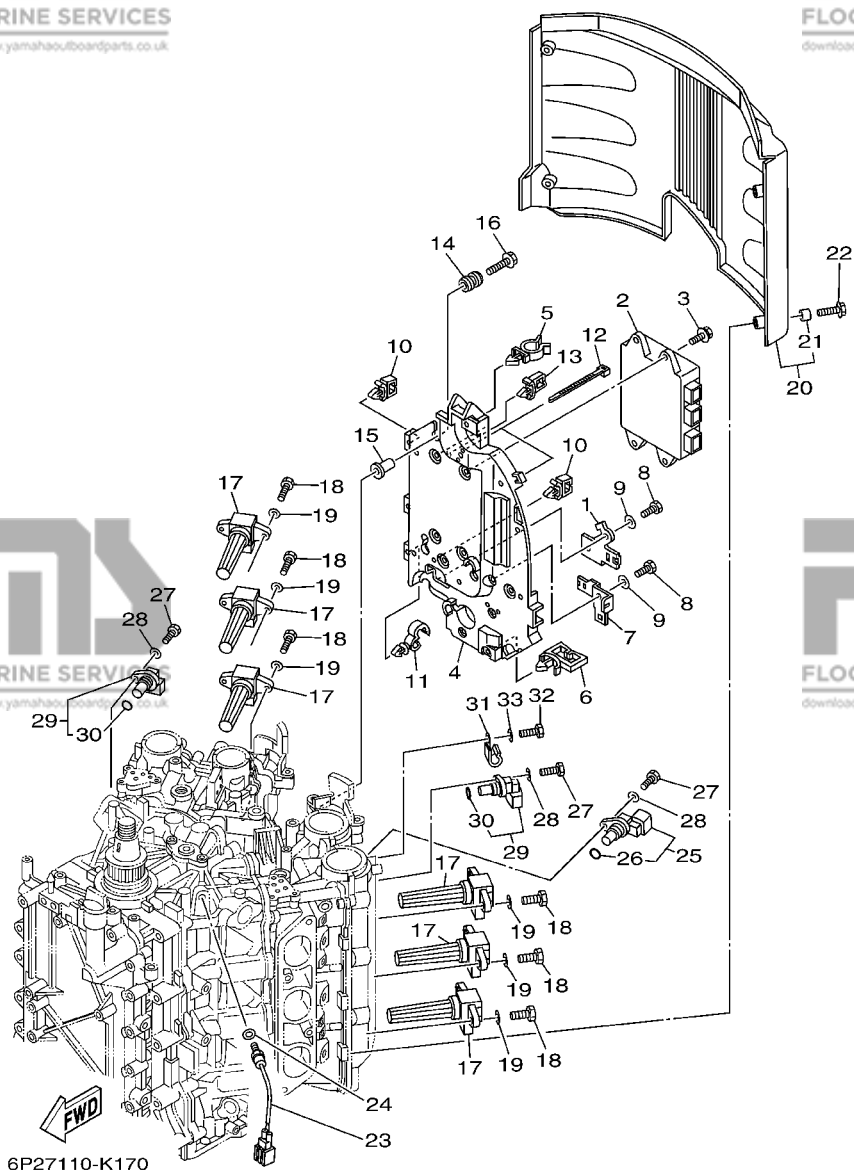


6AL6300-K160

FIG. 16 GENERATOR

GENERATRICE

REF. NO.	PART NO. N° PIECES	DESCRIPTION DESCRIPTION	6AL7	6AS6	6AM7	6AT6	REMARKS REMARQUES
1	6P2-81450-00	ROTOR ASSY ROTOR COMPLET	1	1	1	1	
2	6P2-81460-00	BASE ASSY ENS. FLASQUE	1	1	1	1	
3	90462-08032	CLAMP BRIDE	1	1	1	1	
4	6P2-8257V-00	PLATE, CONNECTOR PLAQUE, CONNECTEUR	1	1	1	1	
5	90464-06001	CLAMP BRIDE	1	1	1	1	
6	6P2-85580-00	COIL, PULSER BOBINE, PULSEUR	1	1	1	1	
7	97880-05012	SCREW, PAN HEAD VIS, TETE TRONCONIQUE	2	2	2	2	
8	92990-05100	WASHER, SPRING RONDELLE, GROWER	2	2	2	2	
9	92990-05600	WASHER, PLATE RONDELLE, PLATE	2	2	2	2	
10	99530-08012	PIN, DOWEL GOUJON, D'ASSEMBLAGE	2	2	2	2	
11	97095-06035	BOLT BOULON	4	4	4	4	
12	92995-06100	WASHER, SPRING RONDELLE, GROWER	4	4	4	4	
13	92995-06600	WASHER RONDELLE	4	4	4	4	
14	90280-05015	KEY, WOODRUFF CLAVETTE, DEMI-LUNE	1	1	1	1	
15	90201-24014	WASHER, PLATE RONDELLE, PLATE	1	1	1	1	
16	90179-24002	NUT ECROU	1	1	1	1	
17	6P2-81332-00	PLATE, TIMING PLATEAU, ALLUMAGE	1	1	1	1	
18	97985-06210	SCREW, WITH WASHER VIS, AVEC RONDELLE	1	1	1	1	
19	6P2-81337-00	COVER, FLYWHEEL COUVERCLE, VOLANT	1	1	1	1	
20	663-82317-01	DAMPER, IGNITION COIL AMORTISSEUR, BOBINE D'ALLUM	4	4	4	4	
21	90480-12314	GROMMET PASSE-FIL	2	2	2	2	
22	90109-06MA1	BOLT BOULON	2	2	2	2	
23	6P2-81128-00	CLAMP BRIDE	1	1	1	1	
24	60L-13437-62	MARK, CAUTION MAKER	1	1	1	1	
25	6AH-81994-40	LABEL, SAFETY ETIQUETTE, SECURITE	1	1	1	1	
26	6AH-81994-50	LABEL, SAFETY ETIQUETTE, SECURITE	1	1	1	1	



6P27110-K170

FIG. 17 ELECTRICAL 1

PARTIE ELECTRIQUE 1

REF. NO.	PART NO. N° PIECES	DESCRIPTION DESCRIPTION	6AL7	6AS6	6AM7	6AT6	REMARKS REMARQUES
1	6P2-8257V-00	PLATE, CONNECTOR PLAQUE, CONNECTEUR	1	1	1	1	
2	6AL-8591A-10	ENGINE CONTROL UNIT ASSY BLOC DE CONTROL	1	1			
	6AS-8591A-10	ENGINE CONTROL UNIT ASSY BLOC DE CONTROL		1	1		
3	90119-06M82	BOLT, WITH WASHER BOULON, AVEC RONDELLE	4	4	4	4	
4	6P2-82316-00	BRACKET, IGNITION COIL SUPPORT, BOBINE D'ALLUMAGE	1	1	1	1	
5	90464-19M45	CLAMP BRIDE	1	1	1	1	
6	90464-23199	CLAMP BRIDE	1	1	1	1	
7	6P2-81845-00	PLATE PLAQUE	1	1	1	1	
8	97095-06016	BOLT BOULON	2	2	2	2	
9	92995-06600	WASHER RONDELLE	2	2	2	2	
10	90464-11121	CLAMP BRIDE	4	4	4	4	
11	90464-13249	CLAMP BRIDE	2	2	2	2	
12	90465-14M66	CLAMP BRIDE	2	2	2	2	
13	90464-08004	CLAMP BRIDE	1	1	1	1	
14	6A0-82317-00	DAMPER, IGNITION COIL AMORTISSEUR, BOBINE D'ALLUM	4	4	4	4	
15	90387-06119	COLLAR COLLERETTE	4	4	4	4	
16	90119-06M59	BOLT, WITH WASHER BOULON, AVEC RONDELLE	4	4	4	4	
17	6P2-82310-01	IGNITION COIL ASSY BOBINE D'ALLUMAGE	6	6	6	6	
18	97095-06020	BOLT BOULON	12	12	12	12	
19	92995-06600	WASHER RONDELLE	12	12	12	12	
20	6P2-82314-00	COVER, IGNITION COIL COUVERCLE, BOBINE D'ALLUMAGE	1	1	1	1	
21	90387-06044	.COLLAR .COLLERETTE	4	4	4	4	
22	90119-06M92	BOLT, WITH WASHER BOULON, AVEC RONDELLE	4	4	4	4	
23	61A-85790-00	THERMOSENSOR ASSY SENSITOMETRE	1	1	1	1	
24	92990-10600	WASHER, PLATE RONDELLE, PLATE	1	1	1	1	
25	6P2-85896-00	SENSOR, CAM POSITION SONDE DE CAME	1	1	1	1	
26	6P2-85075-00	.O-RING .JOINT TORIQUE	1	1	1	1	

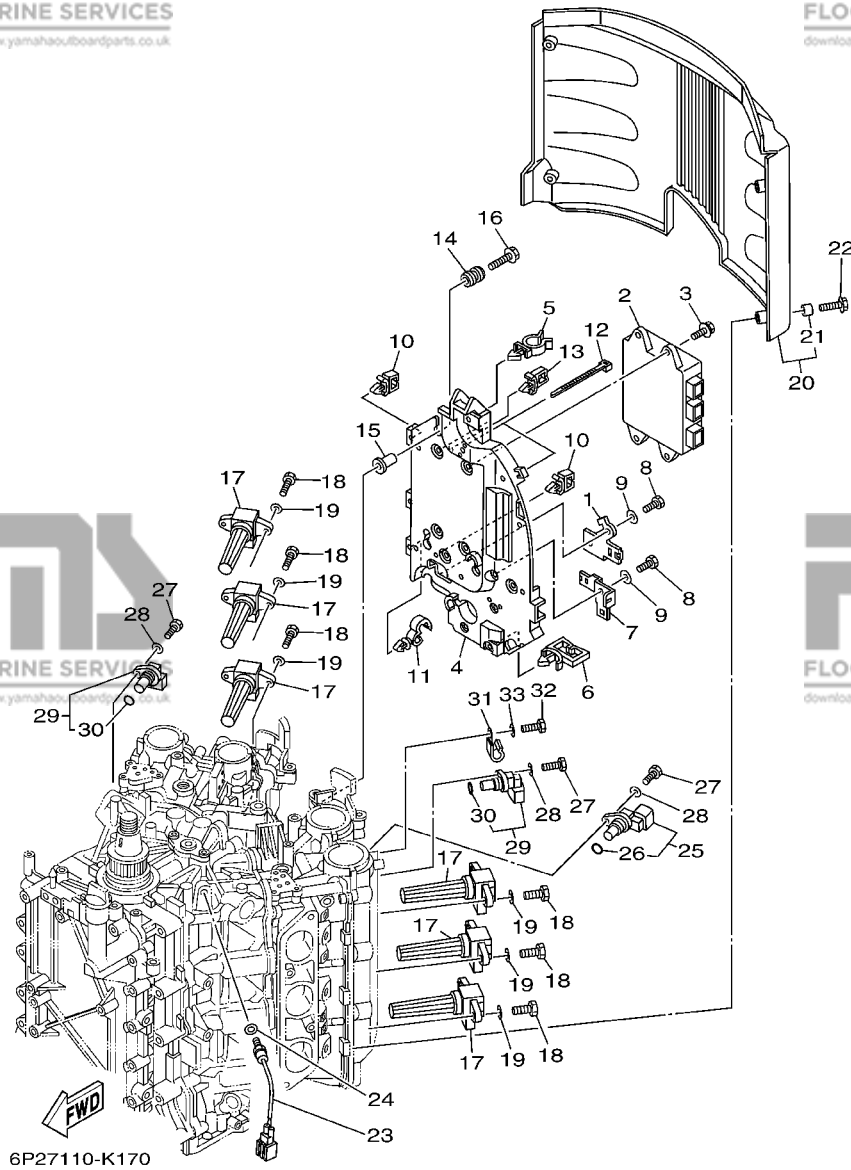
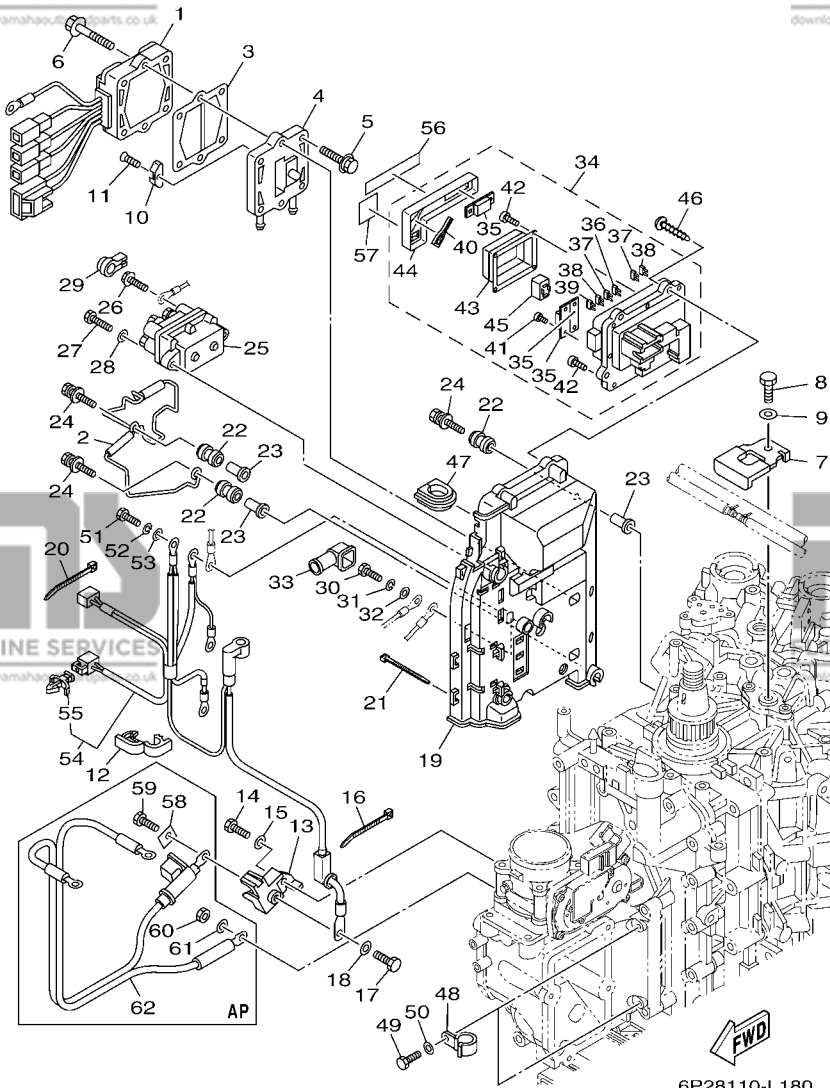


FIG. 17 ELECTRICAL 1

PARTIE ELECTRIQUE 1

REF. NO.	PART NO. N° PIECES	DESCRIPTION DESCRIPTION	6AL7	6AS6	6AM7	6AT6	REMARKS REMARQUES
27	97095-06020	BOLT BOULON	3	3	3	3	
28	92995-06600	WASHER RONDELLE	3	3	3	3	
29	6P2-85897-00	SENSOR, CAM POSITION 2 SONDE DE CAME 2	2	2	2	2	
30	6P2-85075-00	O-RING JOINT TORIQUE	1	1	1	1	
31	90462-08032	CLAMP BRIDE	1	1	1	1	
32	97095-06012	BOLT BOULON	1	1	1	1	
33	92995-06600	WASHER RONDELLE	1	1	1	1	

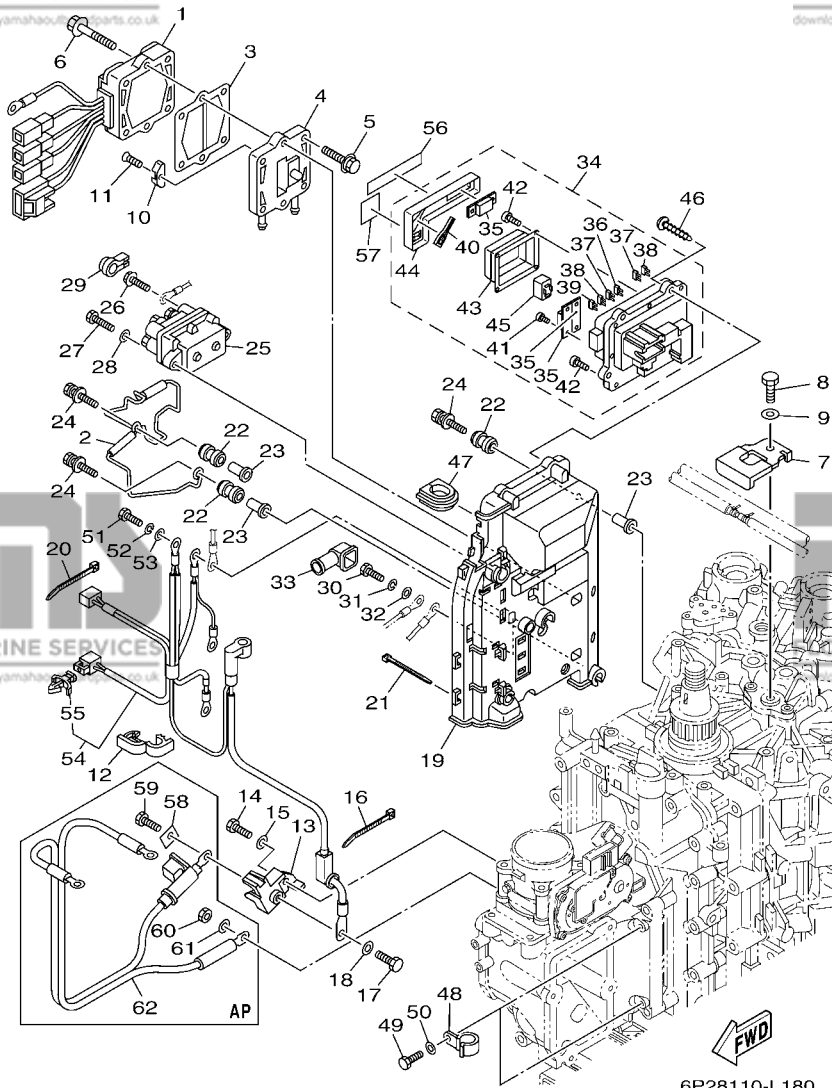


6P28110-L180

FIG. 18 ELECTRICAL 2

PARTIE ELECTRIQUE 2

REF. NO.	PART NO. N° PIECES	DESCRIPTION DESCRIPTION	6AL7	6A56	6AM7	6AT6	REMARKS REMARQUES
1	6P2-81960-02	RECTIFIER & REGULATOR ASSY REDRESSEUR REGULATEUR CPLT	1	1	1	1	
2	6P2-81614-00	PROTECTOR PROTECTEUR	1	1	1	1	
3	60V-81975-A0	PLATE, RECTIFIER FITTING PLAQUE, FIXATION DU REDRESSEUR	1	1	1	1	
4	6P2-81972-00-9S	COVER, RECTIFIER COUVERCLE, REDRESSEUR	1	1	1	1	
5	90119-06MA3	BOLT, WITH WASHER BOULON, AVEC RONDELLE	4	4	4	4	
6	90119-06MA5	BOLT, WITH WASHER BOULON, AVEC RONDELLE	2	2	2	2	
7	6P2-12491-00	CLAMP 1 COLLIER 1	1	1	1	1	
8	97095-06012	BOLT BOULON	1	1	1	1	
9	92995-06600	WASHER RONDELLE	1	1	1	1	
10	6E5-11325-00	ANODE ANODE	1	1	1	1	
11	98780-04015	SCREW, FLAT HEAD VIS A TETE FRAISEE	1	1	1	1	
12	90464-18004	CLAMP BRIDE	5	5	5	5	
13	6P2-81925-01	TERMINAL BORNE	1	1	1	1	
14	97095-08020	BOLT BOULON	1	1	1	1	
15	92995-08600	WASHER RONDELLE	1	1	1	1	
16	90465-13M18	CLAMP BRIDE	1	1	1	1	
17	97095-08016	BOLT BOULON	1	1	1	1	
18	92995-08600	WASHER RONDELLE	1	1	1	1	
19	6P2-81948-00	BRACKET SUPPORT	1	1	1	1	
20	90465-13M18	CLAMP BRIDE	6	6	6	6	
21	90465-14M66	CLAMP BRIDE	3	3	3	3	
22	6A0-82317-00	DAMPER, IGNITION COIL AMORTISSEUR, BOBINE D'ALLUM	5	5	5	5	
23	90387-06119	COLLAR COLLERETTE	5	5	5	5	
24	90119-06M95	BOLT, WITH WASHER BOULON, AVEC RONDELLE	5	5	5	5	
25	63P-81950-00	RELAY ASSY RELAIS COMPLET	1	1	1	1	
26	97595-06610	BOLT, WITH WASHER VIS HEXAGONAL AVEC RONDELLE	2	2	2	2	
27	97013-06025	BOLT BOULON	2	2	2	2	

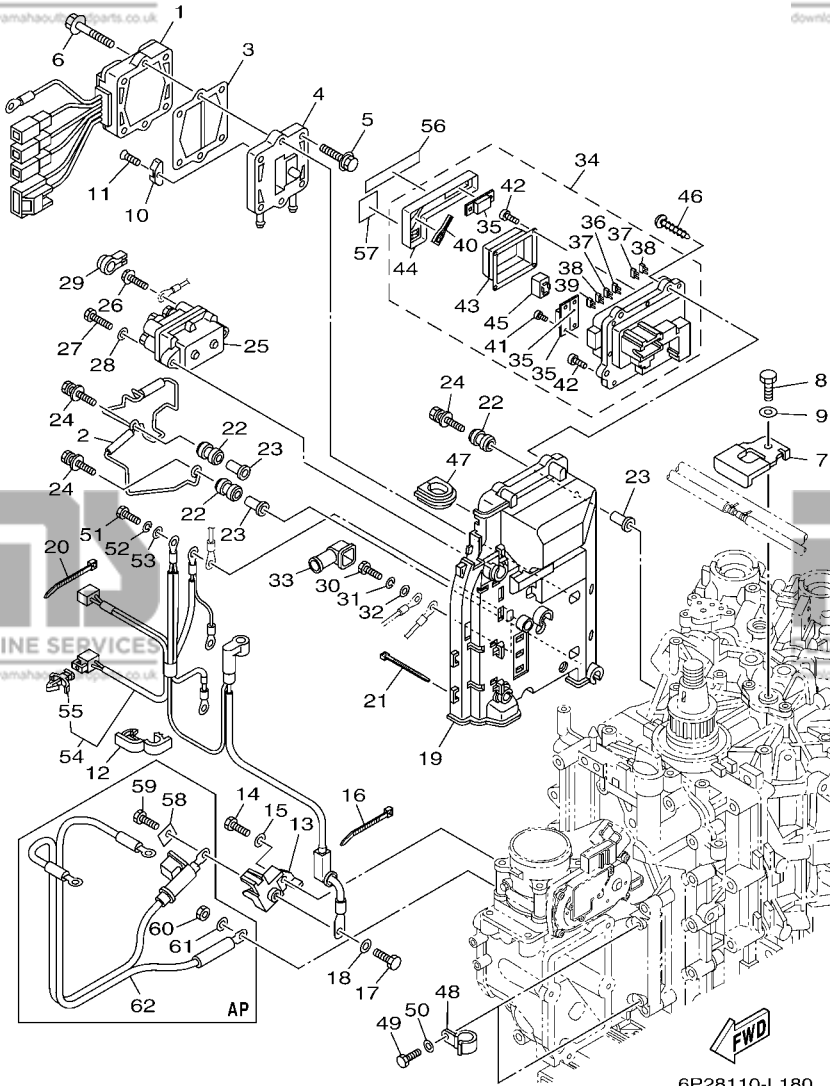


6P28110-L180

FIG. 18 ELECTRICAL 2

PARTIE ELECTRIQUE 2

REF. NO.	PART NO. N° PIECES	DESCRIPTION DESCRIPTION	GAL7	BA56	GA7	GAT6	REMARKS REMARQUES
28	92903-06600	WASHER, PLATE RONDELLE, PLATE	2	2	2	2	
29	6P2-8183X-00	CAP, TERMINAL COUVERCLE, BORNE	2	2	2	2	
30	97095-06016	BOLT BOULON	1	1	1	1	
31	92995-06100	WASHER, SPRING RONDELLE, GROUWER	1	1	1	1	
32	92995-06600	WASHER RONDELLE	1	1	1	1	
33	6P2-82119-00	COVER, LEAD WIRE GARNITURE, FIL	1	1	1	1	
34	6P2-82170-10	FUSE BOX ASSY BOITE A FUSIBLES	1	1	1	1	
35	6P2-82151-00	.FUSE (60A) .FUSIBLE (60A)	3	3	3	3	
36	67F-82151-00	.FUSE (20A) .FUSIBLE (20A)	2	2	2	2	
37	67F-82151-10	.FUSE (30A) .FUSIBLE (30A)	3	3	3	3	
38	67F-82151-40	.FUSE (10A) .FUSIBLE (10A)	3	3	3	3	
39	67F-82151-50	.FUSE (15A) .FUSIBLE (15A)	2	2	2	2	
40	67F-2812A-00	.PULLER, FUSE .TENDEUR, FUSIBLE	1	1	1	1	
41	68F-82846-00	.SCREW, PAN HEAD (M5) .VIS, TETE TRONCONIQUE (M5)	4	4	4	4	
42	6P2-82113-00	.SCREW .VIS	12	12	12	12	
43	6P2-81639-00	.RELAY COVER .COUVERCLE	1	1	1	1	
44	6P2-85544-00	.CASE .BOITIER	1	1	1	1	
45	68F-8195A-00	.RELAY ASSY .RELAIS COMPLET	4	4	4	4	
46	97780-50620	SCREW, TAPPING VIS, TETE BOMBEE	4	4	4	4	
47	6P2-81336-00	GROMMET OEILLET CAOUTCHOUC	1	1	1	1	
48	90462-08026	CLAMP BRIDE	2	2	2	2	
49	97095-06016	BOLT BOULON	2	2	2	2	
50	92995-06600	WASHER RONDELLE	2	2	2	2	
51	97095-06016	BOLT BOULON	3	3	3	3	
52	92995-06100	WASHER, SPRING RONDELLE, GROUWER	3	3	3	3	
53	92995-06600	WASHER RONDELLE	3	3	3	3	
54	6P2-8259M-00	WIRE HARNESS ASSY 2 FAISCEAU DE FILS	1	1	1	1	



6P28110-L180

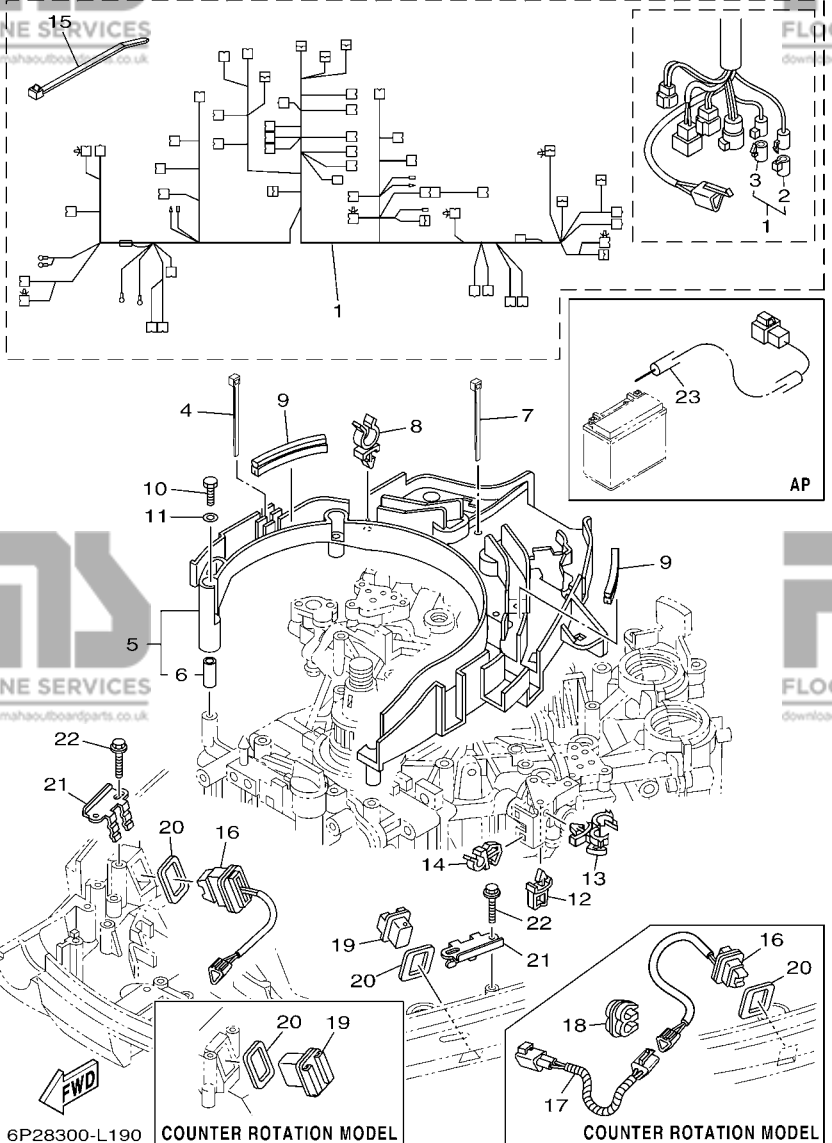
FIG. 18 ELECTRICAL 2

PARTIE ELECTRIQUE 2

REF. NO.	PART NO. N° PIECES	DESCRIPTION DESCRIPTION	6AL7	6AS6	6AM7	6AT6	REMARKS REMARQUES
55	90464-09M47	.CLAMP .BRIDE	1	1	1	1	
56	6P2-81919-40	GRAPHIC, REGULATOR ADHESIF, REGULATEUR	1	1	1	1	
57	6P2-81919-31	GRAPHIC, REGULATOR ADHESIF, REGULATEUR	1	1	1	1	
58	6P2-81923-00	WASHER RONDELLE	1	1	1	1	AP
59	97095-08016	BOLT BOULON	1	1	1	1	AP
60	95333-08600	NUT ECROU	1	1	1	1	AP
61	92903-08100	WASHER, SPRING RONDELLE, GROWER	1	1	1	1	AP
62	6P2-82105-01	WIRE HARNESS FAISCEAU DE FILS	1	1	1	1	AP

FIG. 19 ELECTRICAL 3

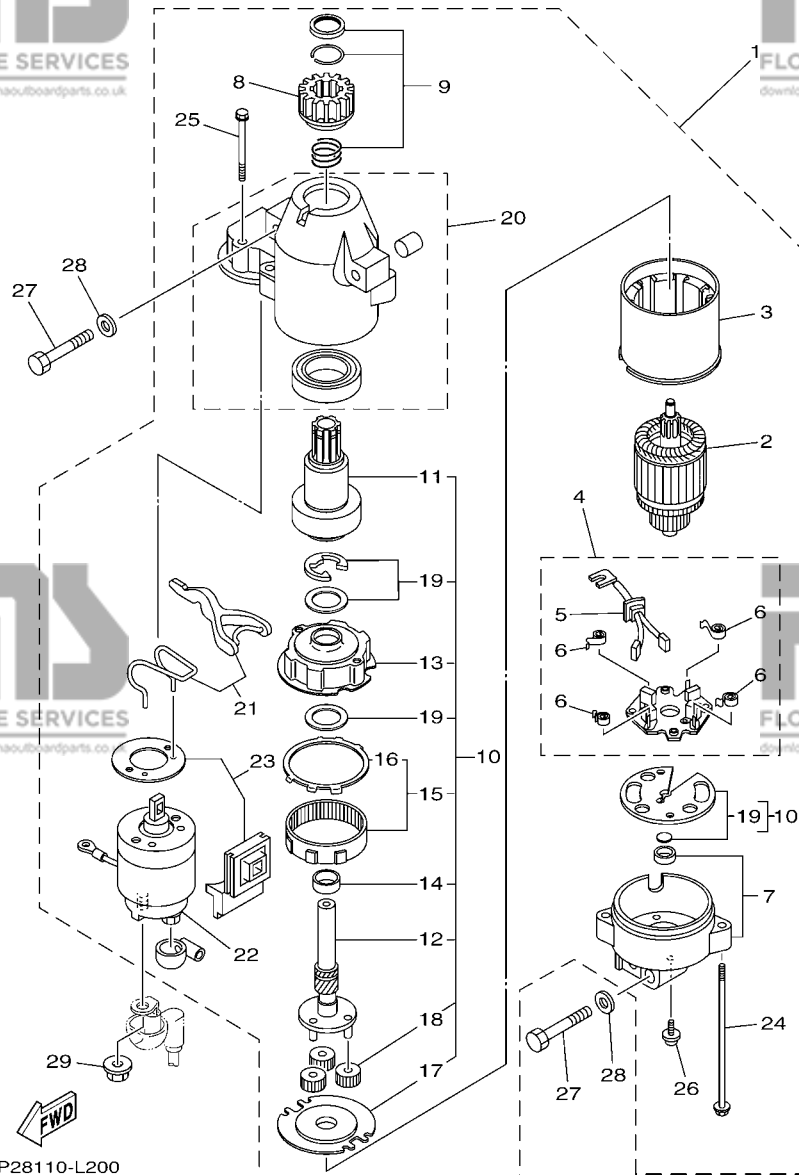
PARTIE ELECTRIQUE 3



REF. NO.	PART NO. N° PIECES	DESCRIPTION DESCRIPTION	6AL7	6AS6	6AM7	6AT6	REMARKS REMARQUES
1	6P2-82590-40	WIRE HARNESS ASSY FAISCEAU DE FILS COMPLET	1	1	1	1	
2	6P2-82582-00	.CAP 1 (FEMALE) .BOUCHON 1 (FEMME)	1	1	1	1	
3	6P2-82582-10	.CAP 1 (MALE) .BOUCHON 1 (MALE)	1	1	1	1	
4	90465-14M66	CLAMP BRIDE	1	1	1	1	
5	6P2-82589-00	PROTECTOR, WIRE HARNESS PROTECTEUR, FAISCEAU DE FILS	1	1	1	1	
6	90387-06M26	.COLLAR .COLLERETTE	6	6	6	6	
7	90465-14M66	CLAMP BRIDE	2	2	2	2	
8	90464-19M45	CLAMP BRIDE	4	4	4	4	
9	6P2-85722-00	INSULATOR ISOLATEUR	2	2	2	2	
10	97095-06035	BOLT BOULON	6	6	6	6	
11	92995-06600	WASHER RONDELLE	6	6	6	6	
12	90464-06001	CLAMP BRIDE	1	1	1	1	
13	90464-18246	CLAMP BRIDE	1	1	1	1	
14	90464-08051	CLAMP BRIDE	1	1	1	1	
15	90465-13M18	CLAMP BRIDE	3	3	3	3	
16	69J-82563-00	TRIM & TILT SWITCH ASSY INCLINER ET PARER COMMUTATEUR	1	1	1	1	
17	6P3-82553-00	EXTENSION, WIRE LEAD EXTENSION, FAISCEAU			1	1	
18	90464-10M57	CLAMP BRIDE			1	1	
19	69J-42723-01	COVER, BOTTOM COUVERCLE	1	1	1	1	
20	69J-82587-00	GASKET JOINT	2	2	2	2	
21	69J-83614-10	BRACKET SUPPORT	2	2	2	2	
22	90109-06M86	BOLT BOULON	4	4	4	4	
23	69J-81949-02	WIRE, LEAD (ISOLATOR, 3.8M) FIL (ISOLATOR, 3.8M)	1	1	1	1	AP AP

FIG. 20 STARTING MOTOR

DEMARREUR ELECTRIQUE

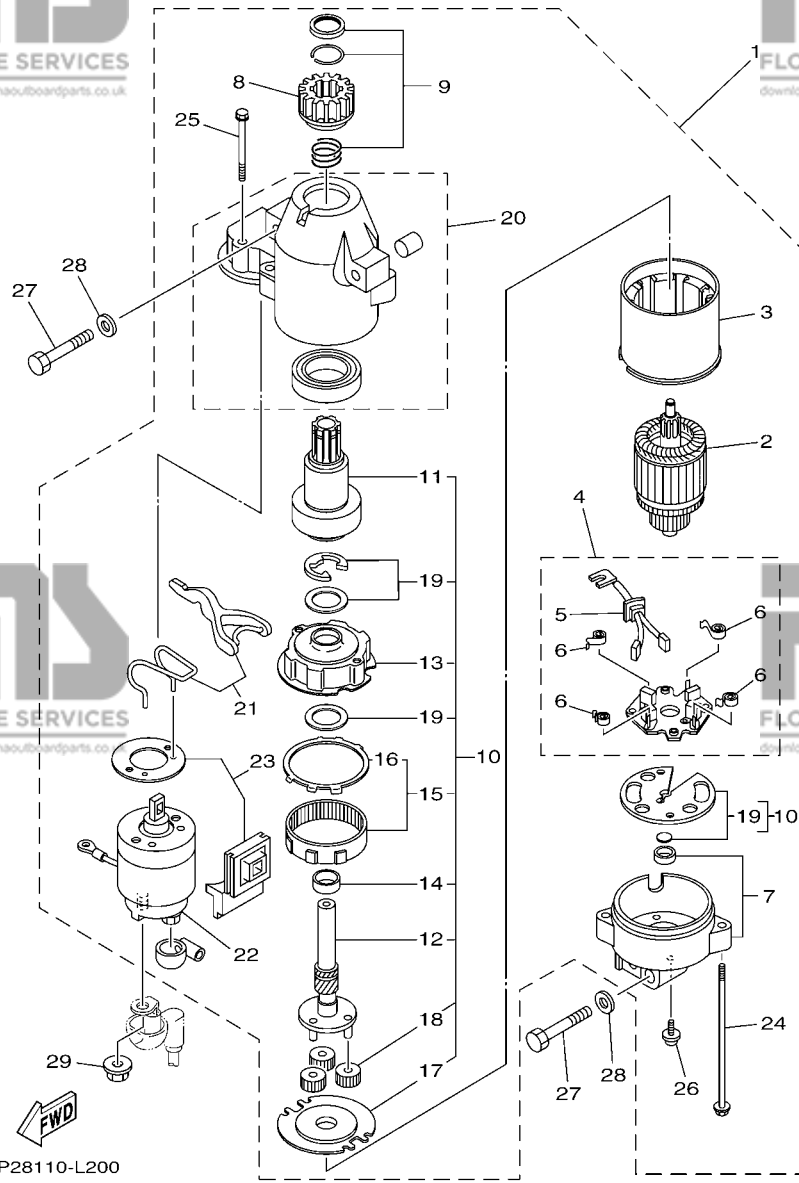


6P28110-L200

REF. NO.	PART NO. N° PIECES	DESCRIPTION DESCRIPTION	6AL7	6A56	6AM7	6AT6	REMARKS REMARQUES
1	6BR-81800-01	STARTING MOTOR ASSY DEMARREUR ELECTRIQUE COMPLET	1	1	1	1	
2	67F-81850-00	.ARMATURE ASSY .INDUIT	1	1	1	1	
3	67F-81810-00	.STATOR ASSY .STATOR COMPLET	1	1	1	1	
4	69J-81840-00	.BRUSH HOLDER ASSY .SUPPORT DE CHARBON	1	1	1	1	
5	69J-81801-00	.BRUSH SET .CHARBON	1	1	1	1	
6	67F-81813-00	.SPRING, BRUSH .RESSORT, DE CHARBON	4	4	4	4	
7	67F-81820-00	.REAR BRACKET ASSY .SUPPORT ARRIERE COMPLET	1	1	1	1	
8	67F-81808-00	.PINION ASSY .PIGNON	1	1	1	1	
9	67F-81857-00	.PINION STOPPER SET .BUTEE PIGNON	1	1	1	1	
10	67F-81807-00	.GEAR ASSY, STARTING MOTOR .PIGNON, DEMARREUR ELECTRIQUE	1	1	1	1	
11	67F-81832-00	.CLUTCH, OVER RUN .EMBAYAGE, ROUE LIBRE	1	1	1	1	
12	67F-81836-00	.SHAFT, PINION .AXE, PIGNON	1	1	1	1	
13	67F-81821-00	.BRACKET, CENTER 1 .SUPPORT, CENTRE 1	1	1	1	1	
14	67F-81841-00	.BEARING .ROULEMENT	1	1	1	1	
15	67F-81891-00	.GEAR, RING .ROUE DENTEE	1	1	1	1	
16	67F-8183R-00	.GASKET .JOINT	1	1	1	1	
17	67F-81830-00	.BRACKET, CENTER 2 .SUPPORT, CENTRE 2	1	1	1	1	
18	60V-8183T-00	.GEAR, IDLER .PIGNON, INTERMEDIAIRE	3	3	3	3	
19	67F-81809-00	.WASHER KIT .JEU DE RONDELLES	1	1	1	1	
20	69J-81842-00	.COVER .COUVERCLE	1	1	1	1	
21	6C5-81839-00	.LEVER ASSY .LEVIER COMPLET	1	1	1	1	
22	63P-81941-00	.STARTER RELAY ASSY .LANCEUR RELAIS (ENS.)	1	1	1	1	
23	6C5-81869-00	.COVER, DUST .COUVERCLE, POUSSIERE	1	1	1	1	
24	6K7-81826-11	.BOLT .BOULON	2	2	2	2	
25	69J-81828-00	.SCREW 2 .VIS 2	2	2	2	2	
26	67F-81846-00	.SCREW .VIS	2	2	2	2	
27	97013-08045	BOLT BOULON	3	3	3	3	

FIG. 20 STARTING MOTOR

DEMARREUR ELECTRIQUE



6P28110-L200

REF. NO.	PART NO. N° PIECES	DESCRIPTION DESCRIPTION	GAL7	GA56	GA7	GAT6	REMARKS REMARQUES
----------	--------------------	-------------------------	------	------	-----	------	-------------------

28	92903-08600	WASHER, PLATE RONDELLE, PLATE	3	3	3	3	
29	90179-08003	NUT ECROU	1	1	1	1	

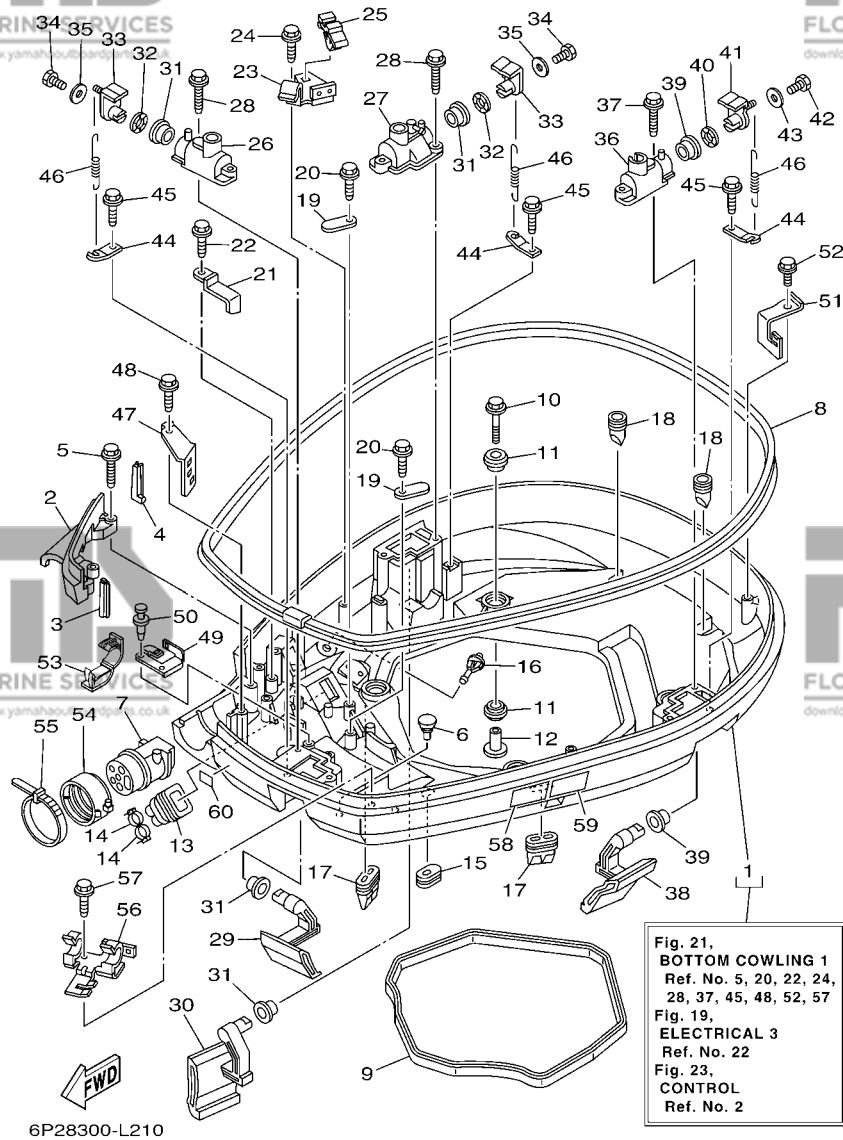


FIG. 21 BOTTOM COWLING 1

CAPOT INFERIEUR 1

REF. NO.	PART NO. N° PIECES	DESCRIPTION DESCRIPTION	6AL7	6AS6	6AM7	6AT6	REMARKS REMARQUES
1	6P2-42710-00-8D	BOTTOM COWLING ASSY ENS. EMBASE	1	1	1	1	
2	6P2-42738-00-8D	PLATE, FITTING ETRIER	1	1	1	1	
3	6P2-42717-00	RUBBER, SEAL 2 JOINT EN CAOUTCHOUC 2	1	1	1	1	
4	6P2-42718-00	RUBBER, SEAL 3 JOINT	1	1	1	1	
5	90109-06M82	BOLT BOULON	2	2	2	2	
6	6H4-42748-00	GROMMET PASSE-FIL	2	2	2	2	
7	6P2-42725-00	GROMMET PASSE-FIL	1	1	1	1	
8	6P2-42615-00	SEAL JOINT	1	1	1	1	
9	69J-42716-00	RUBBER, SEAL 1 JOINT EN CAOUTCHOUC 1	1	1	1	1	
10	90119-08M22	BOLT, WITH WASHER BOULON, AVEC RONDELLE	4	4	4	4	
11	90480-22M81	GROMMET PASSE-FIL	8	8	8	8	
12	90387-08M37	COLLAR COLLERETTE	4	4	4	4	
13	6H1-42726-21	GROMMET PASSE-FIL	1	1	1	1	
14	90465-11M10	CLAMP BRIDE	2	2	2	2	
15	61A-42727-00	GROMMET PASSE-FIL	1	1	1	1	
16	6P2-44391-00	NIPPLE, HOSE RACCORD D'ESSENCE	1	1	1	1	
17	69J-42717-00	RUBBER, SEAL 2 JOINT EN CAOUTCHOUC 2	2	2	2	2	
18	61A-42717-00	RUBBER, SEAL 2 JOINT EN CAOUTCHOUC 2	2	2	2	2	
19	6E5-82588-00	PLATE PLAQUE	2	2	2	2	
20	90109-06M81	BOLT BOULON	2	2	2	2	
21	90462-20001	CLAMP BRIDE	1	1			
22	90109-06M86	BOLT BOULON	1	1			
23	6P2-82554-00	STAY, NEUTRAL SWITCH SUPPORT, CONT DE POINT-MORT	1	1	1	1	
24	90109-06M86	BOLT BOULON	1	1	1	1	
25	90464-09M47	CLAMP BRIDE	1	1	1	1	
26	69J-42828-02-8D	PLATE, CLAMP PLAQUE, PRESSE	1	1	1	1	
27	6P2-42828-00-8D	PLATE, CLAMP PLAQUE, PRESSE	1	1	1	1	

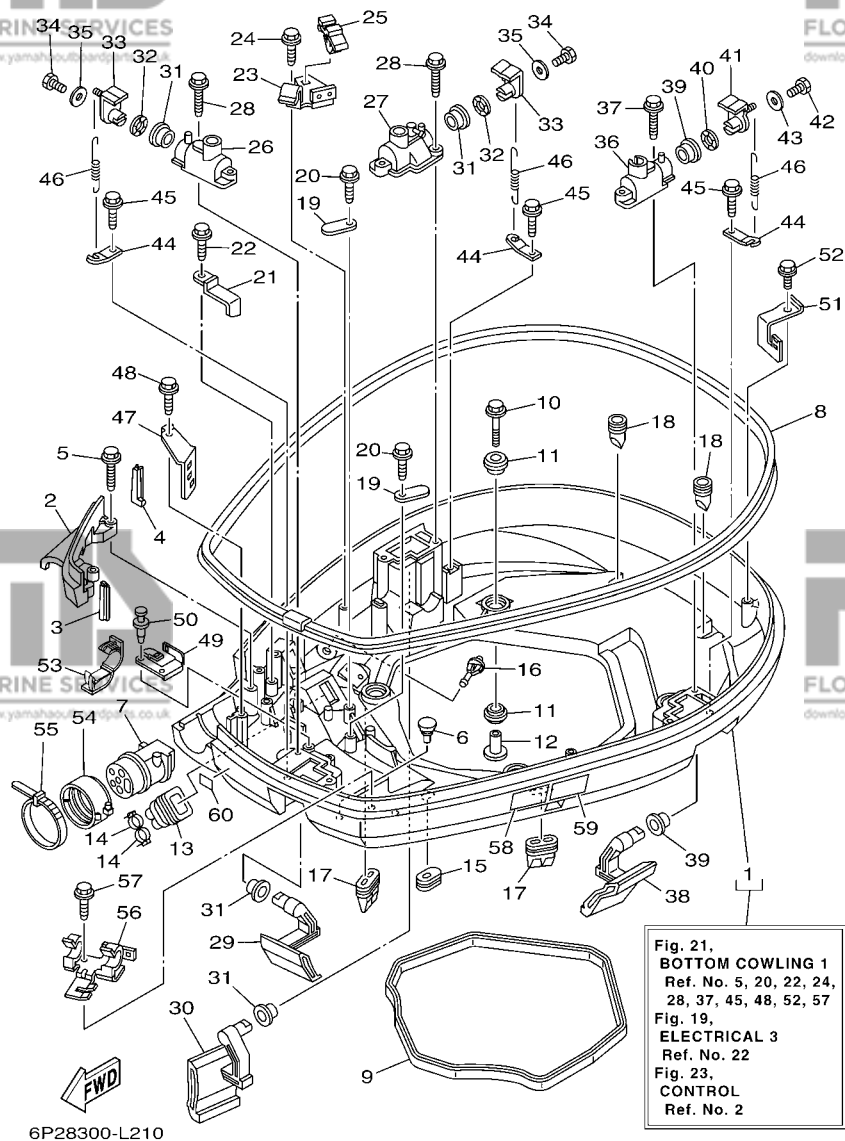


Fig. 21,
BOTTOM COWLING 1
Ref. No. 5, 20, 22, 24,
28, 37, 45, 48, 52, 57
Fig. 19,
ELECTRICAL 3
Ref. No. 22
Fig. 23,
CONTROL
Ref. No. 2

FIG. 21 BOTTOM COWLING 1

CAPOT INFERIEUR 1

REF. NO.	PART NO. N° PIECES	DESCRIPTION DESCRIPTION	GAL7	6A56	6AM7	6AT6	REMARKS REMARQUES
28	90109-06M82	BOLT BOULON	4	4	4	4	
29	69J-42815-00-8D	LEVER, CLAMP LEVIER, PRESSE	1	1	1	1	
30	69J-42817-00-8D	LEVER, CLAMP LEVIER, PRESSE	1	1	1	1	
31	90386-15M73	BUSH DOUILLE	4	4	4	4	
32	90206-15M18	WASHER, WAVE RONDELLE, ONDULEE	2	2	2	2	
33	63P-42818-01	LEVER, CLAMP LEVIER, PRESSE	2	2	2	2	
34	97095-06020	BOLT BOULON	2	2	2	2	
35	90201-06068	WASHER, PLATE RONDELLE, PLATE	2	2	2	2	
36	68F-42828-11-8D	PLATE, CLAMP PLAQUE, PRESSE	1	1	1	1	
37	90109-06M82	BOLT BOULON	2	2	2	2	
38	69J-42816-00-8D	LEVER, CLAMP LEVIER, PRESSE	1	1	1	1	
39	90386-15M73	BUSH DOUILLE	2	2	2	2	
40	90206-15M18	WASHER, WAVE RONDELLE, ONDULEE	1	1	1	1	
41	68V-42818-01	LEVER, CLAMP LEVIER, PRESSE	1	1	1	1	
42	97095-06020	BOLT BOULON	1	1	1	1	
43	90201-06068	WASHER, PLATE RONDELLE, PLATE	1	1	1	1	
44	64D-43144-00	HOOK, SPRING CROCHET	3	3	3	3	
45	90109-06M86	BOLT BOULON	3	3	3	3	
46	90506-18M40	SPRING, TENSION RESSORT, TENSION	3	3	3	3	
47	6P2-42743-00	BRACKET SUPPORT	1	1	1	1	
48	90109-06M82	BOLT BOULON	1	1	1	1	
49	6P2-42766-10	BRACKET 2 SUPPORT 2	1	1	1	1	
50	90269-05005	RIVET RIVET	2	2	2	2	
51	69J-8366G-02	BRACKET 3 SUPPORT 3	1	1	1	1	
52	90109-06M86	BOLT BOULON	1	1	1	1	
53	90464-18001	CLAMP BRIDE	2	2	2	2	
54	68F-42753-00	FASTNER ATTACHE	1	1	1	1	AP AP

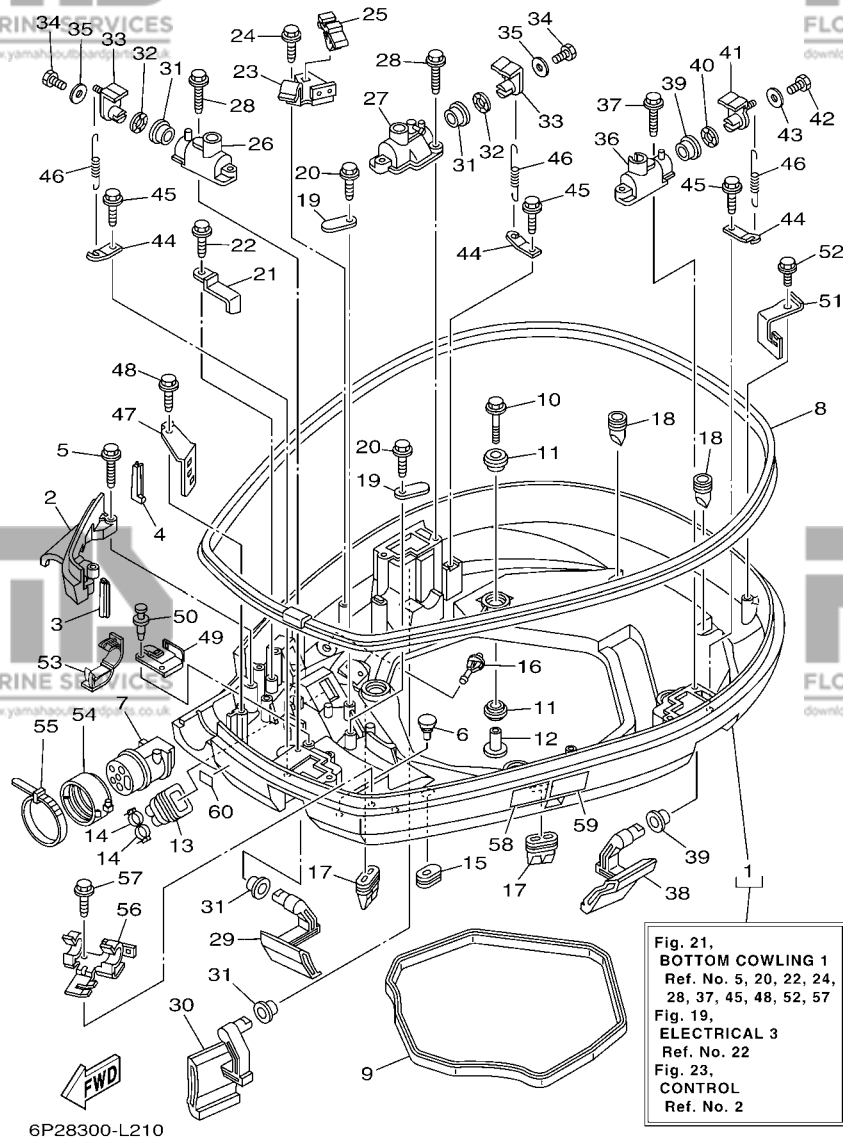
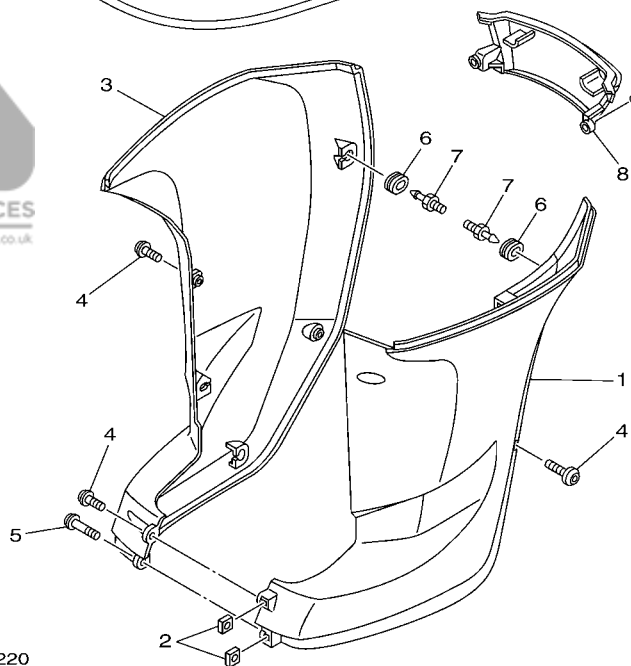
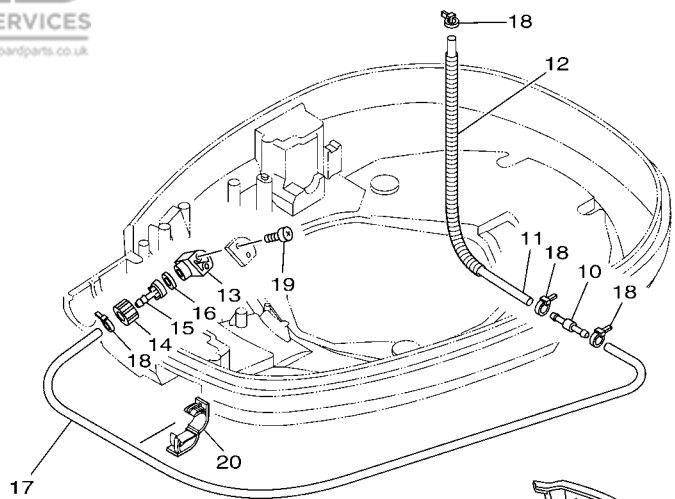


Fig. 21,
BOTTOM COWLING 1
 Ref. No. 5, 20, 22, 24,
 28, 37, 45, 48, 52, 57
 Fig. 19,
ELECTRICAL 3
 Ref. No. 22
 Fig. 23,
CONTROL
 Ref. No. 2

FIG. 21 BOTTOM COWLING 1

CAPOT INFERIEUR 1

REF. NO.	PART NO. N° PIECES	DESCRIPTION DESCRIPTION	6AL7	6AS6	6AM7	6AT6	REMARKS REMARQUES
55	90464-20258	CLAMP BRIDE	1	1	1	1	AP AP
56	6P2-82594-00	CLAMP BRIDE	1	1	1	1	
57	90109-06M86	BOLT BOULON	1	1	1	1	
58	6AH-42794-40	LABEL, WARNING (GENERAL) ETIQUETTE, AVERTISSEMENT	1	1	1	1	
59	6AH-42794-50	LABEL, WARNING (GENERAL) ETIQUETTE, AVERTISSEMENT	1	1	1	1	
60	6AH-81996-00	MARK MARQUE	1	1	1	1	

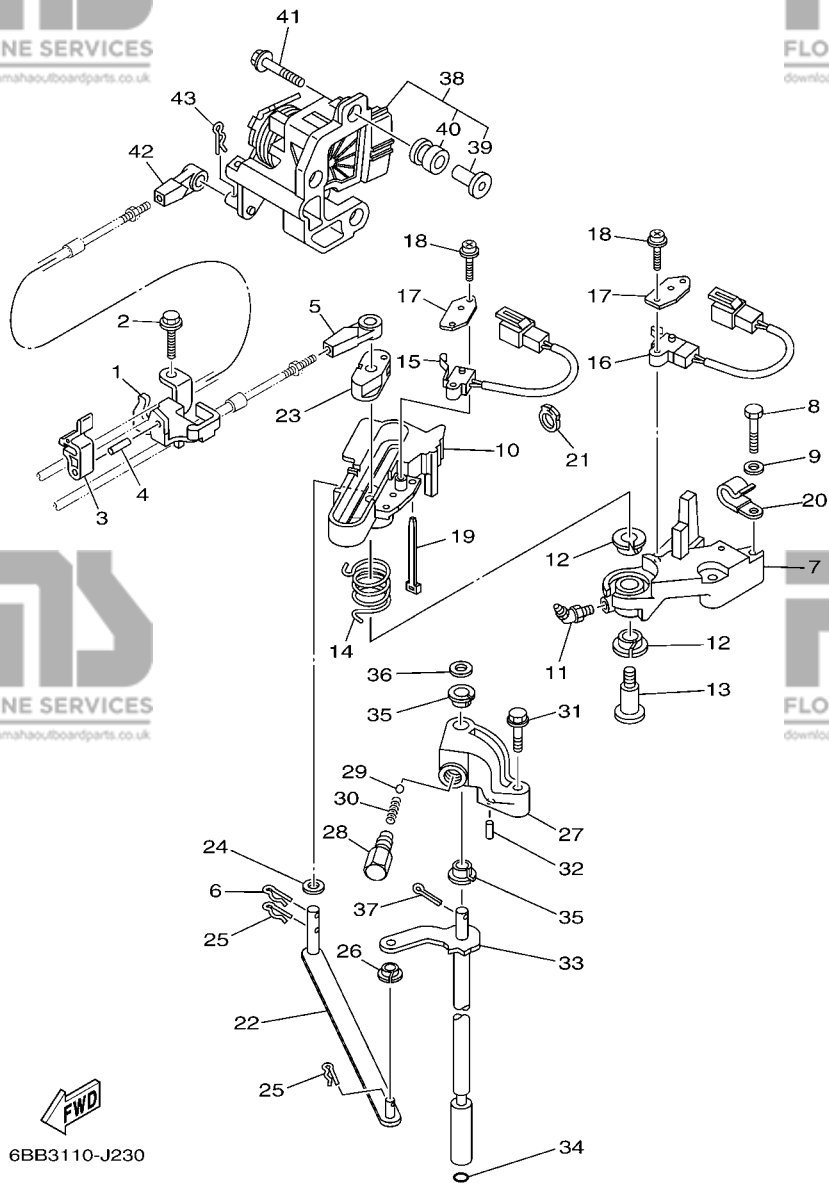


6P21110-D220

FIG. 22 BOTTOM COWLING 2

CAPOT INFERIEUR 2

REF. NO.	PART NO. N° PIECES	DESCRIPTION DESCRIPTION	6AL7	6AS6	6AM7	6AT6	REMARKS REMARQUES
1	69J-42741-00-8D	APRON CAPOT LATERAL	1	1	1	1	
2	90173-06001	NUT, SQUARE ECROU, CARRE	2	2	2	2	
3	69J-42771-00-8D	APRON CAPOT LATERAL	1	1	1	1	
4	90111-06111	BOLT,HEX. SOCKET BUTTON BOULON	5	5	5	5	
5	90111-06113	BOLT,HEX. SOCKET BUTTON BOULON	1	1	1	1	
6	90480-14M17	GROMMET PASSE-FIL	6	6	6	6	
7	69J-42774-10	STAY, APRON 1 COUSSINET	6	6	6	6	
8	69J-45151-00-8D	COVER, UPPER CASING CAPUCHON, FOURREAU	1	1	1	1	
9	90111-06111	BOLT,HEX. SOCKET BUTTON BOULON	2	2	2	2	
10	6E5-24379-00	PIPE, JOINT 4 DURITE RACCORDEMENT 4	1	1	1	1	
11	90445-11M47	HOSE (L370) DURITE (L370)	1	1	1	1	
12	90447-13009	TUBE DURITE	1	1	1	1	
13	68T-12572-00	ADAPTER ADAPTATEUR	1	1	1	1	
14	6R3-12581-00	JOINT, HOSE 1 JOINT DE TUYAU	1	1	1	1	
15	6R3-12582-00	JOINT, HOSE 2 RACCORD DE TUYAU 1	1	1	1	1	
16	6R3-12583-00	GASKET, HOSE JOINT JOINT	1	1	1	1	
17	90445-11028	HOSE (L1050) DURITE (L1050)	1	1	1	1	
18	90465-11M10	CLAMP BRIDE	4	4	4	4	
19	97780-60520	SCREW, TAPPING VIS, TETE BOMBEE	2	2	2	2	
20	90464-18004	CLAMP BRIDE	1	1	1	1	



6BB3110-J230

FIG. 23 CONTROL

COMMANDE

REF. NO.	PART NO. N° PIECES	DESCRIPTION DESCRIPTION	6AL7	6A56	6AM7	6AT6	REMARKS REMARQUES
1	6P2-48531-00	BRACKET, REMOTE CONTROL 1 ETRIER 1, COMMANDE A DISTANCE	1	1	1	1	
2	90109-06M86	BOLT BOULON	2	2	2	2	
3	63P-48538-00	CLAMP, CABLE 1 COLLIER	1	1	1	1	
4	91690-30010	PIN, SPRING AGRAFFE	1	1	1	1	
5	6E5-48344-00	CABLE END, REMOTE CONTROL CHAPE CABLE	1	1	1	1	
6	90468-18008	CLIP JONC	1	1	1	1	
7	69J-44117-00	BRACKET SUPPORT	1	1	1	1	
8	97095-06035	BOLT BOULON	2	2	2	2	
9	92995-06600	WASHER RONDELLE	2	2	2	2	
10	69J-44176-01	BRACKET SUPPORT	1	1	1	1	
11	93700-06M01	NIPPLE, GREASE PION	1	1	1	1	
12	90386-12069	BUSH DOUILLE	2	2	2	2	
13	90109-08019	BOLT BOULON	1	1	1	1	
14	90508-20020	SPRING, TORSION RESSORT, TORSION	1	1	1	1	
15	60V-8259F-00	SWITCH ASSY COMMUTATEUR	1	1	1	1	
16	69J-8259F-00	SWITCH ASSY COMMUTATEUR	1	1	1	1	
17	61A-82588-01	PLATE PLAQUE	2	2	2	2	
18	97985-04116	SCREW, WITH WASHER VIS, AVEC RONDELLE	4	4	4	4	
19	90465-11M10	CLAMP BRIDE	1	1	1	1	
20	90465-06M86	CLAMP BRIDE	1	1	1	1	
21	90464-09010	CLAMP BRIDE	1	1	1	1	
22	6P2-44121-00	LEVER, SHIFT ROD LEVIER, TIGE D'INVERSION	1	1	1	1	
23	69J-44122-00	BUSHING, SHIFT ROD LEVER DOUILLE, LEVIER D'EMBRAYAGE	1	1	1	1	
24	90202-08M20	WASHER, PLATE RONDELLE, PLATE	1	1	1	1	
25	90468-18008	CLIP JONC	2	2	2	2	
26	90386-06M12	BUSH DOUILLE	1	1	1	1	
27	69J-44118-00	BRACKET SUPPORT	1	1	1	1	

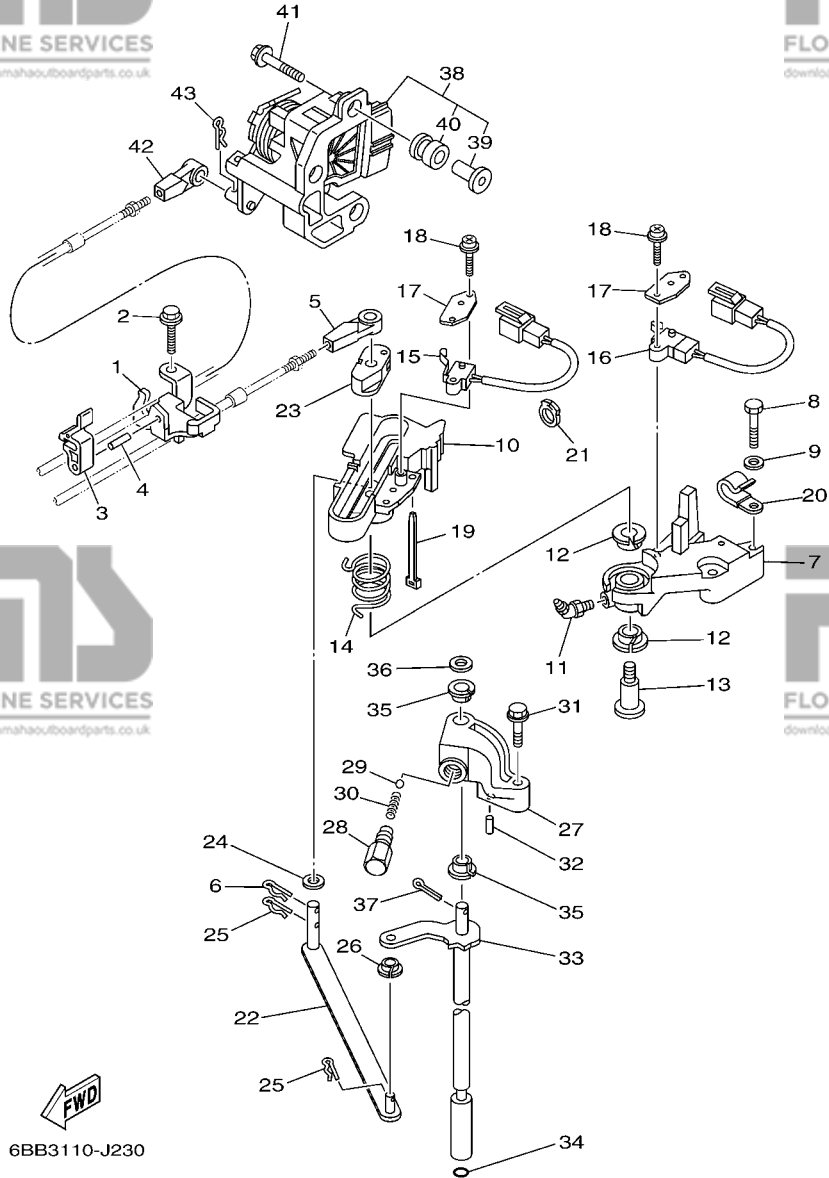


FIG. 23 CONTROL

COMMANDE

REF. NO.	PART NO. N° PIECES	DESCRIPTION DESCRIPTION	6AL7	6AS6	6AM7	6AT6	REMARKS REMARQUES
28	648-42715-00	BUSHING COUSSINET	1	1	1	1	
29	93501-04M02	BALL BILLE	1	1	1	1	
30	90501-12082	SPRING, COMPRESSION RESSORT, COMPRESSION	1	1	1	1	
31	97575-06535	BOLT, WITH WASHER VIS HEXAGONAL AVEC RONDELLE	1	1	1	1	
32	91690-30010	PIN, SPRING AGRAFFE	1	1	1	1	
33	69J-44120-00	HANDLE GEAR SHIFT ASSY LEVIER D'EMBAYAGE	1	1	1	1	X(25.3") X(25.3")
	69J-44120-10	HANDLE GEAR SHIFT ASSY LEVIER D'EMBAYAGE		1			U(30.3") U(30.3")
34	93210-09165	O-RING JOINT TORIQUE	1	1	1	1	
35	90386-90M90	BUSH DOUILLE	2	2	2	2	
36	90201-09M02	WASHER, PLATE RONDELLE, PLATE	1	1	1	1	
37	91490-20015	PIN, COTTER GOUPILLE	1	1	1	1	
38	6P2-8A410-01	SENSOR UNIT UNITE DE CAPTEUR	1	1	1	1	
39	6P2-44139-00	.COLLAR .COLLIER	3	3	3	3	
40	6CB-41273-00	.GROMMET .PASSE-FIL	3	3	3	3	
41	90119-06126	BOLT, WITH WASHER BOULON, AVEC RONDELLE	3	3	3	3	
42	6E5-48344-00	CABLE END, REMOTE CONTROL CHAPE CABLE	1	1	1	1	
43	90468-18008	CLIP JONC	1	1	1	1	

FWD
6BB3110-J230

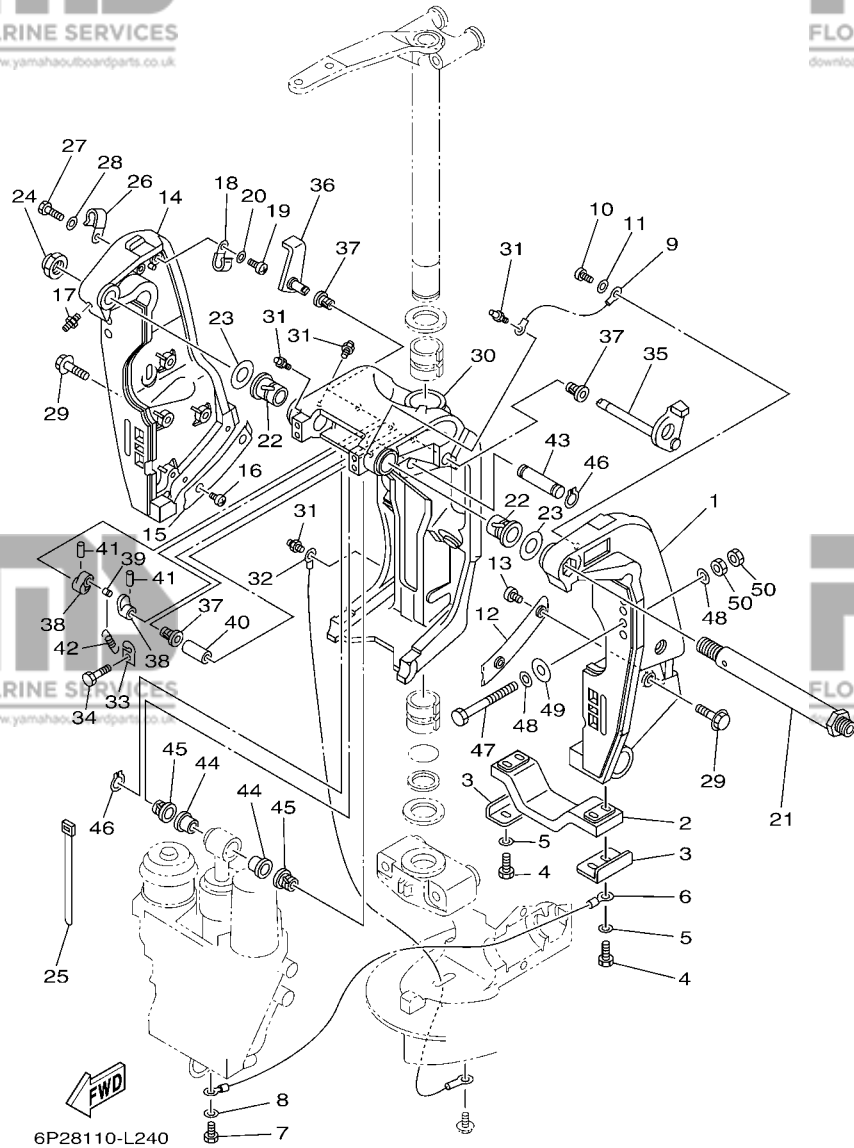


FIG. 24 BRACKET 1

SUPPORT 1

REF. NO.	PART NO. N° PIECES	DESCRIPTION DESCRIPTION	GAL7	6A56	6AM7	6AT6	REMARKS REMARQUES
1	69J-43111-01-8D	BRACKET, CLAMP 1 PRESSE 1	1	1	1	1	
2	6G5-45251-02	ANODE ANODE	1	1	1	1	
3	6G5-44526-00	PLATE PLAQUE	2	2	2	2	
4	97095-06025	BOLT BOULON	4	4	4	4	
5	92995-06600	WASHER RONDELLE	4	4	4	4	
6	6H1-82148-00	WIRE, LEAD 4 FIL 4	1	1	1	1	
7	97095-06010	BOLT BOULON	1	1	1	1	
8	92995-06600	WASHER RONDELLE	1	1	1	1	
9	6E5-82148-00	WIRE, LEAD 4 FIL 4	1	1	1	1	
10	97885-06012	SCREW, PAN HEAD VIS, A ENCOCHE	1	1	1	1	
11	92995-06600	WASHER RONDELLE	1	1	1	1	
12	61A-43132-00	WASHER, FRICTION RONDELLE, FRICTION	1	1	1	1	
13	97885-06010	SCREW, PAN HEAD VIS, A ENCOCHE	2	2	2	2	
14	69J-43112-01-8D	BRACKET, CLAMP 2 PRESSE 2	1	1	1	1	
15	61A-43133-00	WASHER, FRICTION RONDELLE	1	1	1	1	
16	97885-06010	SCREW, PAN HEAD VIS, A ENCOCHE	2	2	2	2	
17	93700-06M03	NIPPLE, GREASE PION	1	1	1	1	
18	90465-08M83	CLAMP BRIDE	1	1	1	1	
19	97885-06012	SCREW, PAN HEAD VIS, A ENCOCHE	1	1	1	1	
20	92995-06600	WASHER RONDELLE	1	1	1	1	
21	6R3-43131-00	BOLT, CLAMP BRACKET BOULON, PRESSE	1	1	1	1	
22	90386-25M31	BUSH DOUILLE	2	2	2	2	
23	90201-26M59	WASHER, PLATE RONDELLE, PLATE	2	2	2	2	
24	90185-22M11	NUT, SELF-LOCKING ECROU, AUTO-BLOQUANT	1	1	1	1	
25	90465-11M10	CLAMP BRIDE	4	4	4	4	
26	90465-08M83	CLAMP BRIDE	1	1	1	1	
27	97095-06014	BOLT BOULON	1	1	1	1	

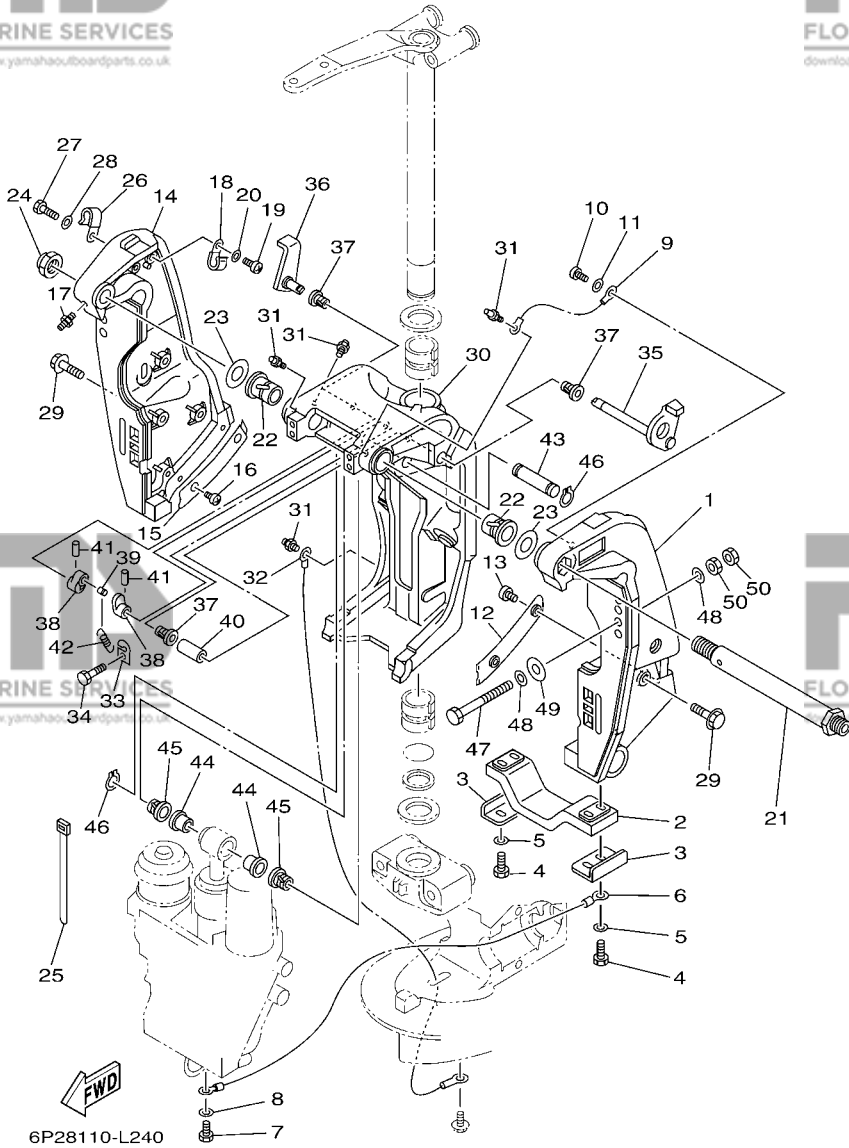


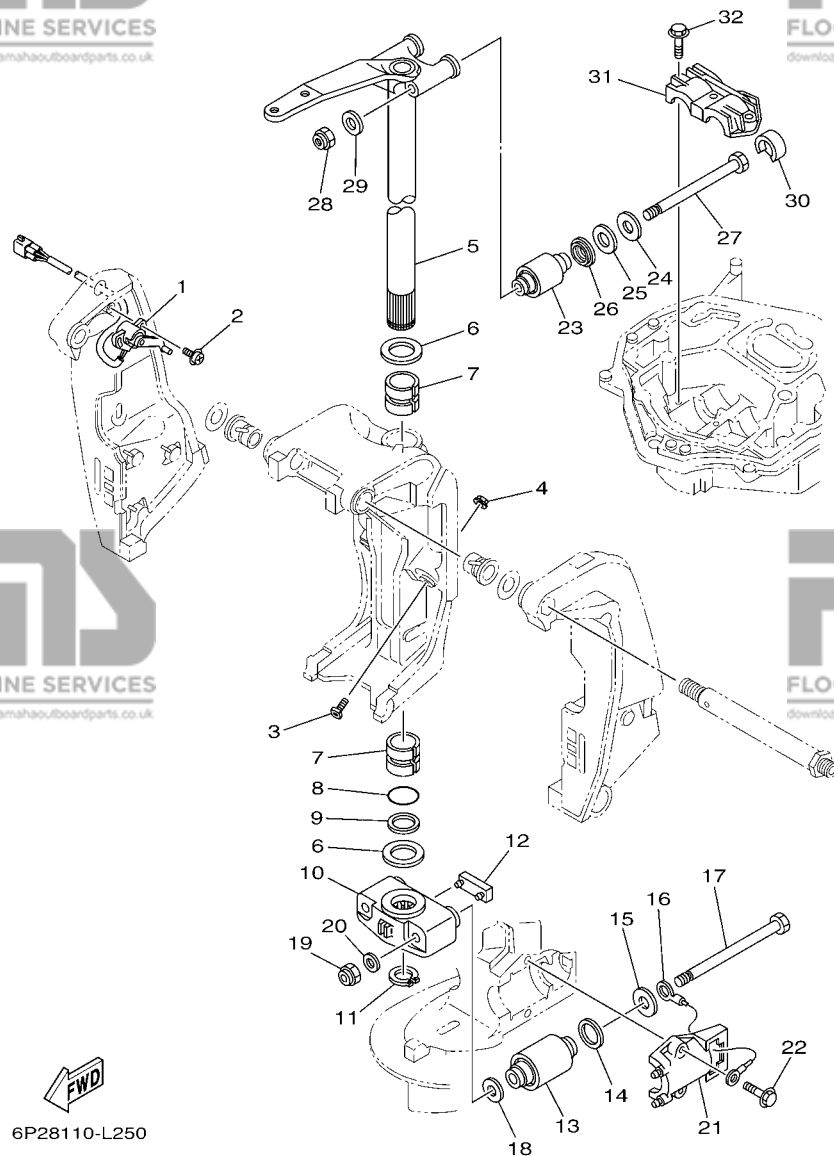
FIG. 24 BRACKET 1

SUPPORT 1

REF. NO.	PART NO. N° PIECES	DESCRIPTION DESCRIPTION	GAL7	6A56	6AM7	6AT6	REMARKS REMARQUES
28	92995-06600	WASHER RONDELLE	1	1	1	1	
29	90119-10024	BOLT, WITH WASHER BOULON, AVEC RONDELLE	8	8	8	8	
30	61A-43311-21-8D	BRACKET, SWIVEL 1 SUPPORT, PIVOT 1	1	1	1	1	
31	93700-06M03	NIPPLE, GREASE PION	5	5	5	5	
32	69J-82147-00	WIRE, LEAD 5 FIL 5	1	1	1	1	
33	6G5-43144-00	HOOK, SPRING CROCHET	1	1	1	1	
34	97095-06010	BOLT BOULON	1	1	1	1	
35	61A-43181-01	LEVER, TILT STOP 1 LEVIER VERROUILLAGE RELEVAGE 1	1	1	1	1	
36	6G5-43185-02	LEVER, TILT STOP 2 LEVIER VERROUILLAGE RELEVAGE 2	1	1	1	1	
37	90386-10M16	BUSH DOUILLE	3	3	3	3	
38	6G5-43148-00	COLLAR, DISTANCE ENTRETOISE	2	2	2	2	
39	90249-06M19	PIN GOUPILLE	1	1	1	1	
40	90387-10M05	COLLAR COLLERETTE	1	1	1	1	
41	91690-30020	PIN, SPRING AGRAFFE	2	2	2	2	
42	90506-16003	SPRING, TENSION RESSORT, TENSION	1	1	1	1	
43	6E5-43126-10	PIN, UPPER SHOCK MOUNT AXE, SUPERIEUR AMORTISSEUR	1	1	1	1	
44	90386-18M63	BUSH DOUILLE	2	2	2	2	
45	90386-18M14	BUSH DOUILLE	2	2	2	2	
46	93410-18M05	CIRCLIP CLIPS	2	2	2	2	
47	90101-12M05	BOLT (L:130MM) BOULON (L:130MM)	4	4	4	4	
48	90201-13M01	WASHER, PLATE RONDELLE, PLATE	8	8	8	8	
49	90201-12426	WASHER, PLATE RONDELLE, PLATE	4	4	4	4	
50	95380-12600	NUT ECROU	8	8	8	8	

FIG. 25 BRACKET 2

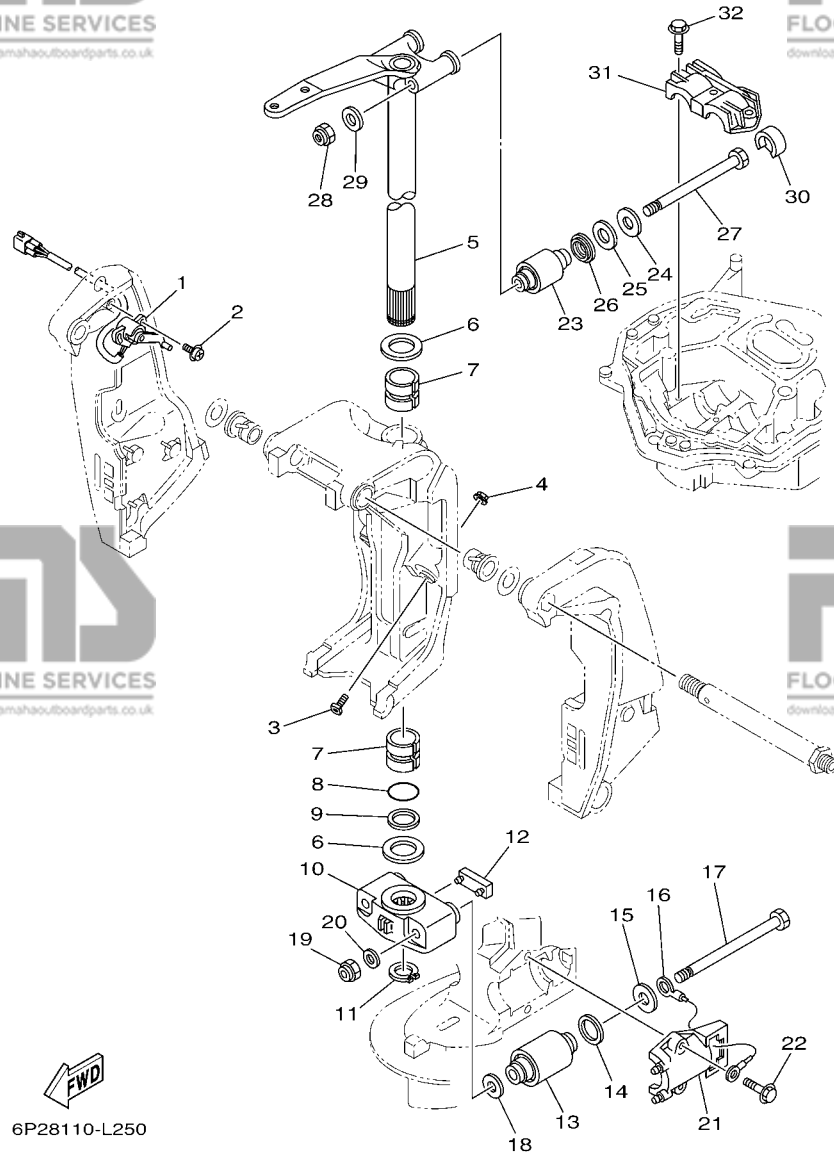
SUPPORT 2



REF. NO.	PART NO. N° PIECES	DESCRIPTION DESCRIPTION	6AL7	6AS6	6AM7	6AT6	REMARKS REMARQUES
1	69J-83672-11	TRIM SENDER INCLINER RACCORD	1	1	1	1	
2	97985-06216	SCREW, WITH WASHER VIS, AVEC RONDELLE	2	2	2	2	
3	61A-43376-00	BOLT, THRUST RECEIVER BOULON	2	2	2	2	
4	95780-10300	NUT, FLANGE ECROU	2	2	2	2	
5	69J-42510-00-8D	STEERING BRACKET ASSY DIRECTION SUPPORT (ENS.)	1	1	1	1	
6	90201-40M00	WASHER, PLATE RONDELLE, PLATE	2	2	2	2	
7	90386-39M89	BUSH DOUILLE	2	2	2	2	
8	93210-35321	O-RING JOINT TORIQUE	1	1	1	1	
9	90202-40M47	WASHER, PLATE RONDELLE, PLATE	1	1	1	1	
10	69J-44551-00-8D	HOUSING, LOWER MOUNT RUBBER 1 BOITIER, SILENT-BLOC INFERIEUR	1	1	1	1	
11	93410-37M04	CIRCLIP CLIPS	1	1	1	1	
12	61A-44575-00	DAMPER, LOWER MOUNT RUBBER SILENT-BLOC, INFERIEUR	1	1	1	1	
13	60X-44555-00	MOUNT DAMPER, LOWER SIDE SILENT-BLOC, INFERIEUR LATERAL	2	2	2	2	
14	90202-32M19	WASHER, PLATE RONDELLE, PLATE	2	2	2	2	
15	90201-16016	WASHER, PLATE RONDELLE, PLATE	2	2	2	2	
16	6E5-82149-00	WIRE, LEAD 3 FIL 3	1	1	1	1	
17	90101-14002	BOLT BOULON	2	2	2	2	
18	90201-15M58	WASHER, PLATE RONDELLE, PLATE	2	2	2	2	
19	90185-14M00	NUT, SELF-LOCKING ECROU, AUTO-BLOQUANT	2	2	2	2	
20	92995-14600	WASHER RONDELLE	2	2	2	2	
21	61A-44552-01-CA	HOUSING, LOWER MOUNT RUBBER 2 BOITIER, SILENT-BLOC INFERIEUR	2	2	2	2	
22	90119-10024	BOLT, WITH WASHER BOULON, AVEC RONDELLE	4	4	4	4	
23	69J-44514-00	MOUNT DAMPER, UPPER SIDE SILENT-BLOC, SUPERIEUR LATERAL	2	2	2	2	
24	90201-16015	WASHER, PLATE RONDELLE, PLATE	2	2	2	2	
25	90202-28M46	WASHER, PLATE RONDELLE, PLATE	2	2	2	2	
26	69J-44532-00	STOPPER, UPPER MOUNT PLAQUETTE	2	2	2	2	
27	90101-14003	BOLT BOULON	2	2	2	2	

FIG. 25 BRACKET 2

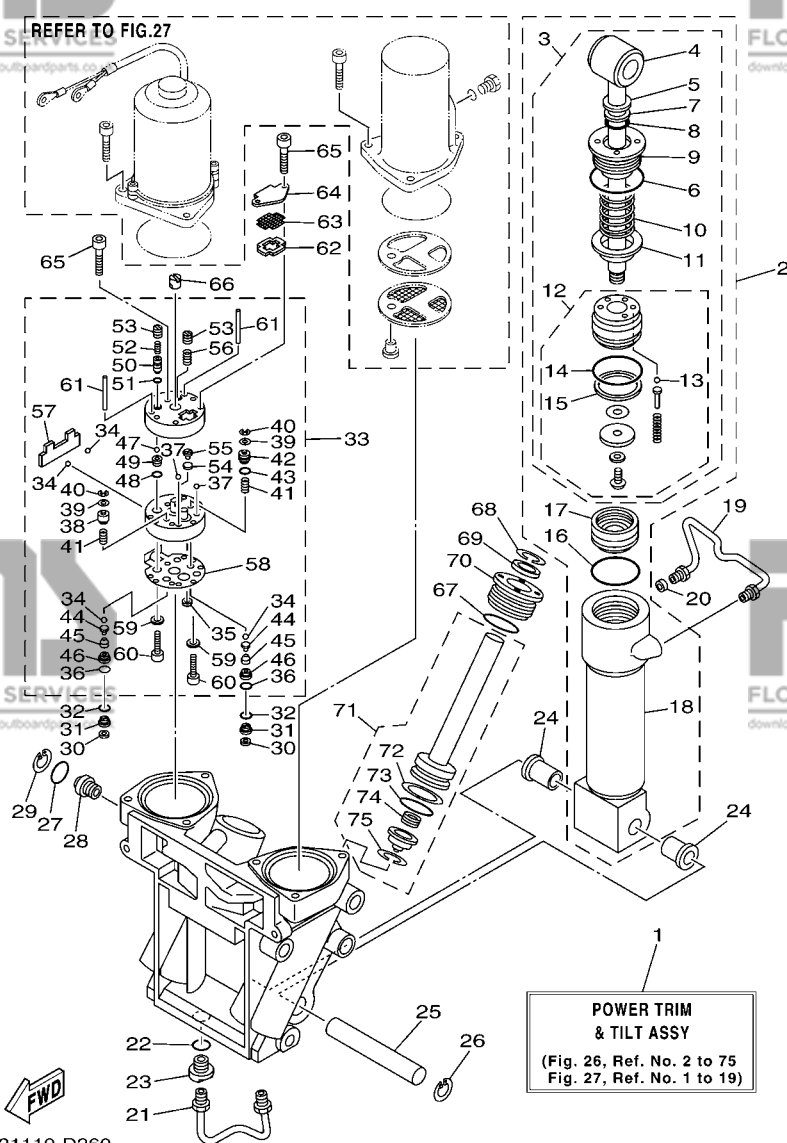
SUPPORT 2



6P28110-L250

REF. NO.	PART NO. N° PIECES	DESCRIPTION DESCRIPTION	6AL7	6AS6	6AM7	6AT6	REMARKS REMARQUES
28	90185-14M00	NUT, SELF-LOCKING ECROU, AUTO-BLOQUANT	2	2	2	2	
29	92995-14600	WASHER RONDELLE	2	2	2	2	
30	69J-44533-00	DAMPER, UPPER MOUNT RUBBER COUVERCLE, SUSPENSION INFERIEU	2	2	2	2	
31	61A-44511-01	COVER, UPPER MOUNT COUVERCLE, SUSPENSION SUPERIEU	1	1	1	1	
32	90119-10024	BOLT, WITH WASHER BOULON, AVEC RONDELLE	3	3	3	3	

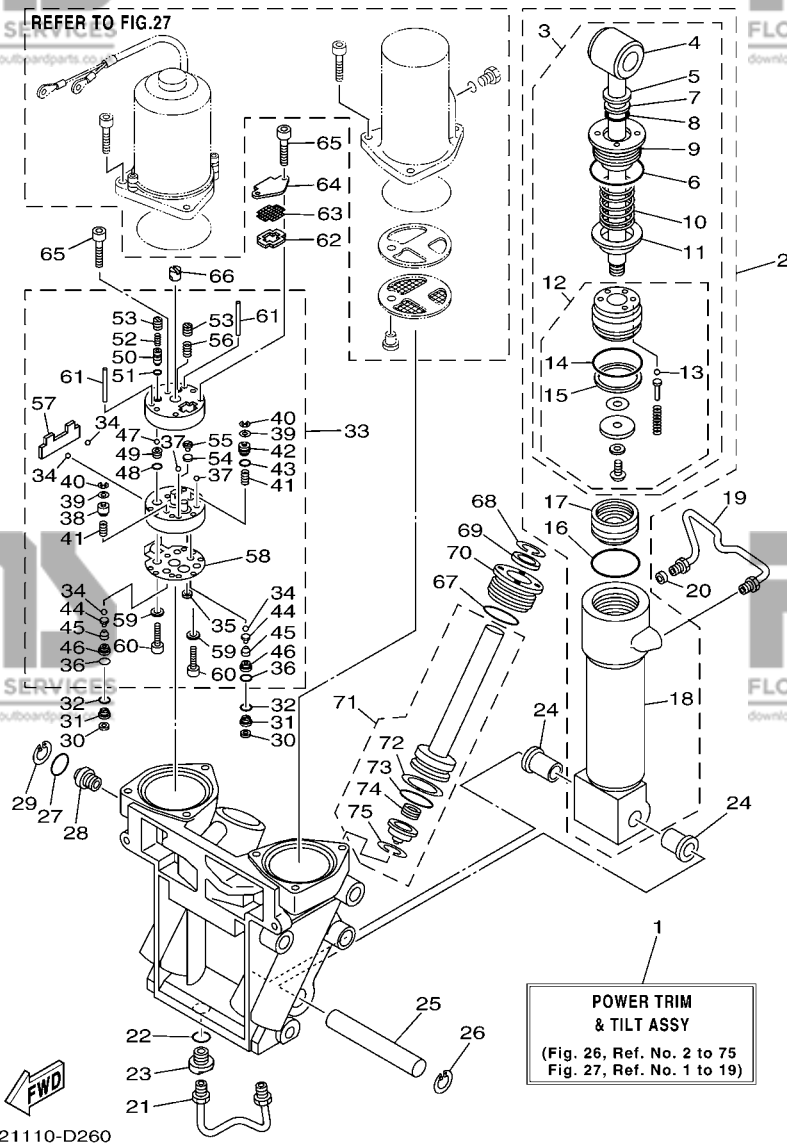
FIG. 26 POWER TRIM & TILT ASSY 1 PUISSANCE PARER ET INCLINER 1



REF. NO.	PART NO. N° PIECES	DESCRIPTION DESCRIPTION	6AL7	6AS6	6AM7	6AT6	REMARKS REMARQUES
1	69J-43800-04-8D	POWER TRIM & TILT ASSY PUISSANCE PARER ET INCLINER (E	1	1	1	1	
2	6CE-43840-00	POWER TILT ASSY PUISSANCE INCLINER (ENS.)	1	1	1	1	
3	6CE-43810-00	.TILT PISTON SUB ASSY .INCLINER PISTON AUXILIAIRE(ENS	1	1	1	1	
4	69J-43801-01	..ROD ..TIGE	1	1	1	1	
5	93106-19N50	..OIL SEAL ..JOINT SPY	1	1	1	1	
6	6H1-43861-00	..O-RING ..JOINT TORIQUE	1	1	1	1	
7	6H1-43872-00	..RING, BACK UP ..RESSORT	1	1	1	1	
8	61A-4389H-01	..O-RING ..JOINT TORIQUE	1	1	1	1	
9	61A-43811-00	..SCREW, CYLINDER END ..VIS, CYLINDRE RACCORD	1	1	1	1	
10	69J-4384H-00	..SPRING ..RESSORT	1	1	1	1	
11	69J-4382E-00	..ADAPTOR 2 ..ADAPTEUR 2	1	1	1	1	
12	6CE-4380P-00	..PISTON SUB ASSY ..PISTON AUXILIAIRE (ENS.)	1	1	1	1	
13	93505-32038	...BALL ...BILLE	5	5	5	5	
14	61A-43861-00	...O-RING ...JOINT TORIQUE	1	1	1	1	
15	61A-43871-00	...RING, BACK UP ...SEGMENT	1	1	1	1	
16	61A-43861-00	.O-RING .JOINT TORIQUE	1	1	1	1	
17	6H1-43814-00	.PISTON, FREE .PISTON	1	1	1	1	
18	61A-43813-01	.CYLINDER, TILT .CYLINDRE	1	1	1	1	
19	61A-43835-01	PIPE TUYAU	1	1	1	1	
20	69J-4388J-00	PLUG 2 BOUCHON 2	1	1	1	1	
21	69J-43833-00	PIPE TUYAU	1	1	1	1	
22	93210-17239	O-RING JOINT TORIQUE	1	1	1	1	
23	69J-4388E-01	BOLT ,SCREW VIS	1	1	1	1	
24	90386-18M14	BUSH DOUILLE	2	2	2	2	
25	61A-43818-00	PIN, LOWER SHOCK MOUNT AXE, INFERIEUR AMORTISSEUR	1	1	1	1	
26	61A-43876-00	RING, SNAP RESSORT	1	1	1	1	
27	6D8-43863-00	O-RING JOINT TORIQUE	1	1	1	1	

FIG. 26 POWER TRIM & TILT ASSY 1

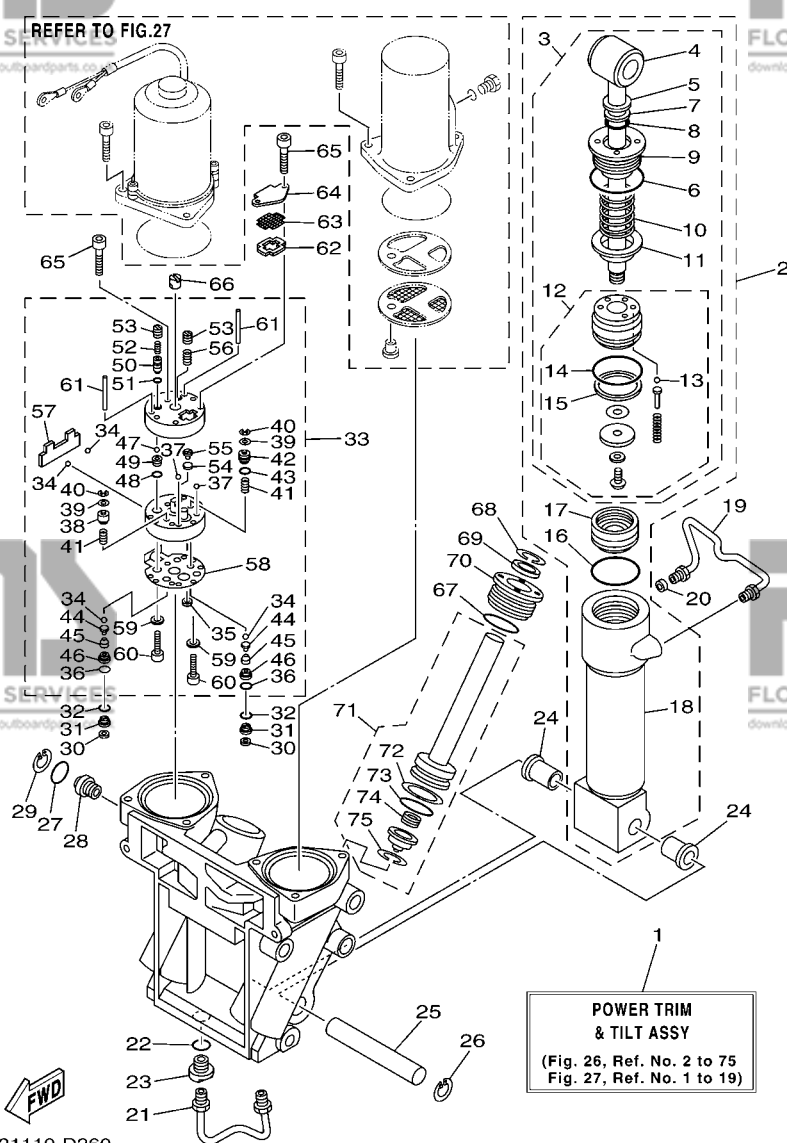
PUISSANCE PARER ET INCLINER 1



REF. NO.	PART NO. N° PIECES	DESCRIPTION DESCRIPTION	6AL7	6AS6	6AM7	6AT6	REMARKS REMARQUES
28	69J-43845-00	SCREW, MANUAL RELEASE VIS	1	1	1	1	
29	6H1-43875-00	RING, SNAP RESSORT	1	1	1	1	
30	69J-4381C-00	FILTER 3 FILTRE 3	2	2	2	2	
31	69J-43899-01	PLATE STOPPER PLAQUETTE	2	2	2	2	
32	69J-4389J-00	O-RING JOINT TORIQUE	2	2	2	2	
33	69J-43830-01	GEAR PUMP ASSY POMPE A PIGNON (ENS.)	1	1	1	1	
34	93505-32038	.BALL .BILLE	4	4	4	4	
35	69J-4381C-00	.FILTER 3 .FILTRE 3	1	1	1	1	
36	69J-4389J-00	.O-RING .JOINT TORIQUE	2	2	2	2	
37	93503-16003	.BALL .BILLES	2	2	2	2	
38	6CJ-4384M-00	.PISTON, SHUTTLE 2 .PISTON 2	1	1	1	1	
39	69A-4384F-00	.SEAL, MAIN VALVE .JOINT	2	2	2	2	
40	99002-03600	.CLIP .CIRCLIP	2	2	2	2	
41	69J-43894-00	.SPRING, SHUTTLE RETURN .RESSORT	2	2	2	2	
42	6CJ-43841-00	.PISTON, SHUTTLE .PISTON	1	1	1	1	
43	6H1-43883-00	.O-RING .JOINT TORIQUE	1	1	1	1	
44	60V-4386A-00	.PIN, ABSORBER VALVE .GOUPILLE, SOUPAPE	2	2	2	2	
45	69J-43853-00	.SPRING, MAIN VALVE .RESSORT	2	2	2	2	
46	6CJ-43893-00	.WASHER .RONDELLE	2	2	2	2	
47	93501-08001	.BALL .BILLE	2	2	2	2	
48	93210-08391	.O-RING .JOINT TORIQUE	1	1	1	1	
49	69J-43851-00	.SEAT, RELIEF VALVE .SIEGE	1	1	1	1	
50	6CJ-43844-00	.PIN, VALVE SUPPORT .GOUPILLE	1	1	1	1	
51	93210-064A5	.O-RING .JOINT TORIQUE	1	1	1	1	
52	69J-43855-00	.SPRING, UP RELIEF .RESSORT	1	1	1	1	
53	6CJ-43843-00	.SCREW, VALVE LOCK .VIS	2	2	2	2	
54	6H1-4384G-11	.SEAL, RELIEF VALVE .JOINT	1	1	1	1	

FIG. 26 POWER TRIM & TILT ASSY 1

PUISSANCE PARER ET INCLINER 1



REF. NO.	PART NO. N° PIECES	DESCRIPTION DESCRIPTION	6AL7	6AS6	6AM7	6AT6	REMARKS REMARQUES
55	6H1-43844-10	.PIN, VALVE SUPPORT .GOUILLE	1	1	1	1	
56	6H1-43856-10	.SPRING, DOWN RELIEF .RESSORT	1	1	1	1	
57	69J-43854-00	.SPRING, MANUAL RELEASE .RESSORT	1	1	1	1	
58	69J-4384G-00	.SEAL, RELIEF VALVE .JOINT	1	1	1	1	
59	CS3-4387G-00	.WASHER .RONDELLE	2	2	2	2	
60	91318-05025	.BOLT .BOULON	2	2	2	2	
61	93604-35236	.PIN, DOWEL .CLAVETTE	2	2	2	2	
62	69J-43871-00	RING, BACK UP SEGMENT	1	1	1	1	
63	69J-43816-00	FILTER 1 FILTRE 1	1	1	1	1	
64	69J-4381J-00	PLATE PLAQUE	1	1	1	1	
65	91318-05040	BOLT BOULON	3	3	3	3	
66	69J-43831-00	CONNECTOR, SHAFT RACCORD	1	1	1	1	
67	61A-43861-00	O-RING JOINT TORIQUE	2	2	2	2	
68	6T4-43875-01	RING, SNAP RESSORT	2	2	2	2	
69	61A-43822-00	SEAL, TRIM DUST JOINT	2	2	2	2	
70	61A-43821-00	SCREW, TRIM CYLINDER END VIS	2	2	2	2	
71	69J-43820-00	TRIM PISTON SUB ASSY PARER PISTON AUXILIAIRE (ENS.)	2	2	2	2	
72	61A-43874-00	.RING, BACK UP .RESSORT	1	1	1	1	
73	61A-43864-00	.O-RING JOINT TORIQUE	1	1	1	1	
74	61A-4384H-10	.SPRING .RESSORT	1	1	1	1	
75	61A-43875-10	.RING, SNAP .RESSORT	1	1	1	1	

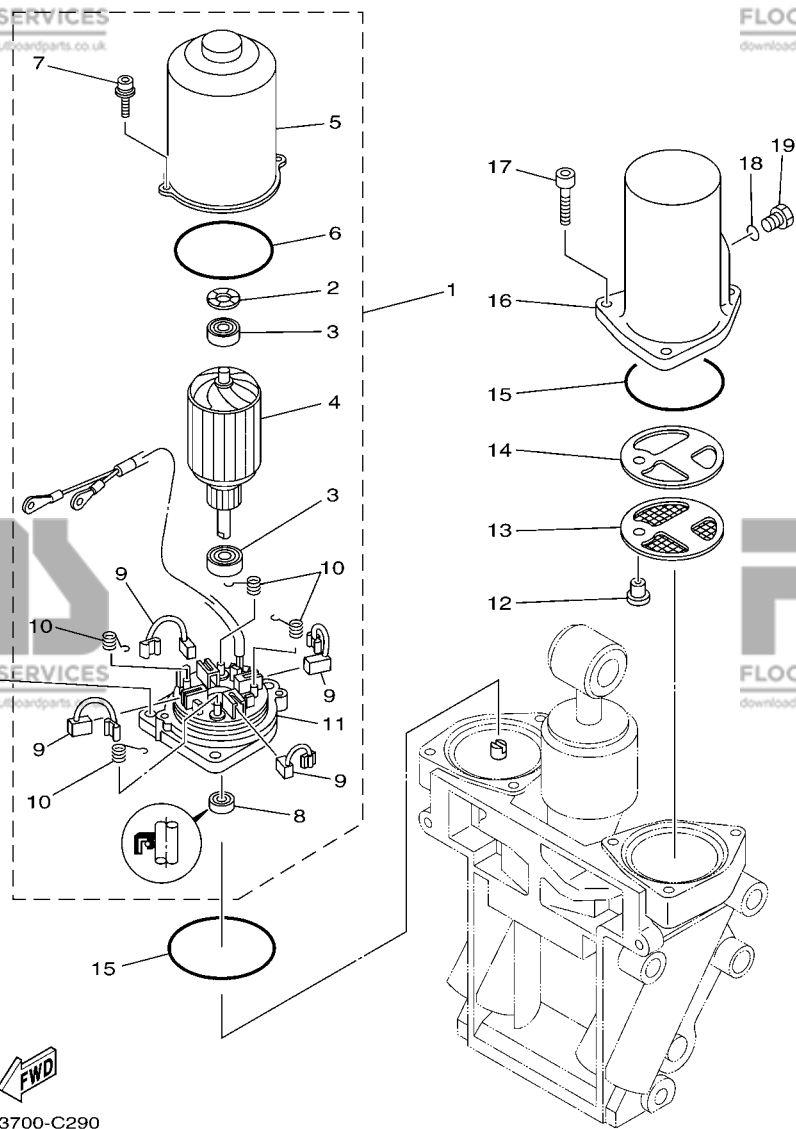


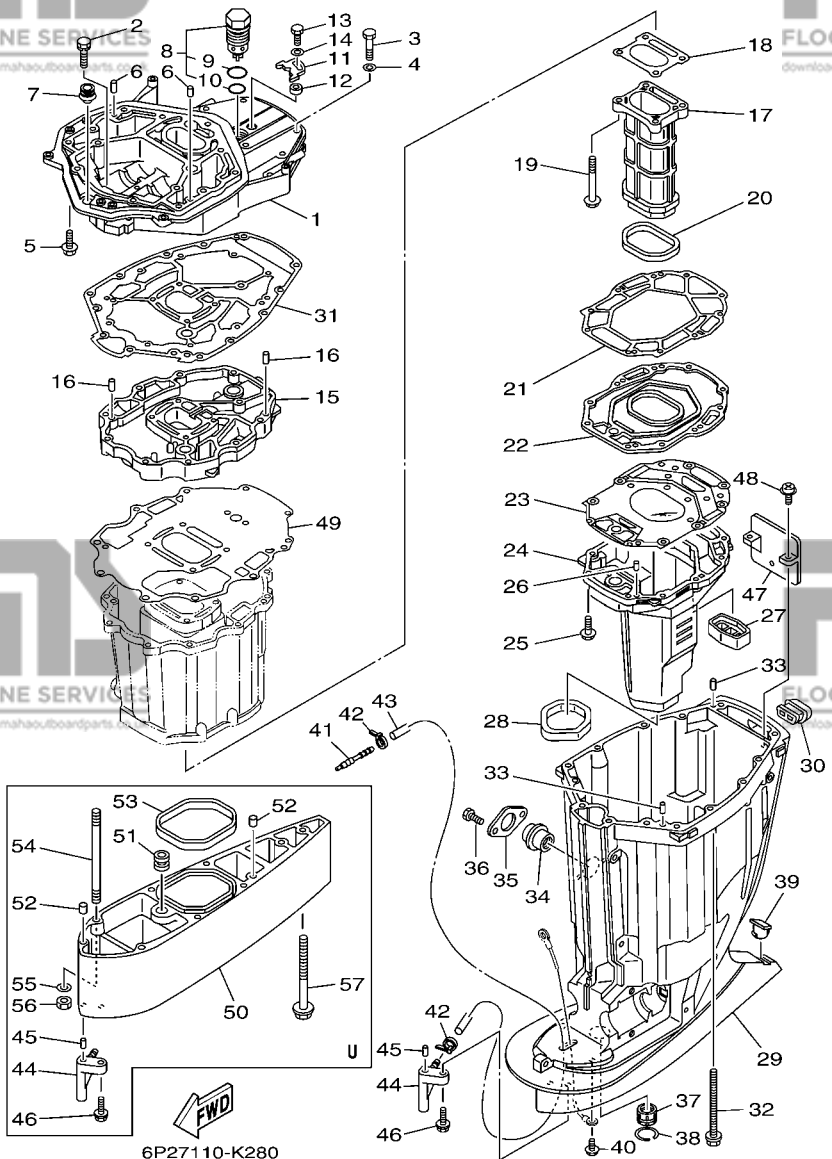
FIG. 27 POWER TRIM & TILT ASSY 2

PUISSANCE PARER ET INCLINER 2

REF. NO.	PART NO. N° PIECES	DESCRIPTION DESCRIPTION	6AL7	6AS6	6AM7	6AT6	REMARKS REMARQUES
1	69J-43880-01	MOTOR ASSY MOTEUR (ENS.)	1	1	1	1	
2	90206-14N50	.WASHER, WAVE .RONDELLE, ONDULEE	1	1	1	1	
3	93399-999T6	.BEARING .ROULEMENT	2	2	2	2	
4	69J-43805-00	.ARMATURE ASSY .INDUIT (ENS.)	1	1	1	1	
5	69J-43804-00	.STATOR ASSY .STATOR (ENS.)	1	1	1	1	
6	69J-43861-00	.O-RING .JOINT TORIQUE	1	1	1	1	
7	69J-43886-00	.BOLT .BOULON	2	2	2	2	
8	69J-43882-00	.OIL SEAL .JOINT SPI	1	1	1	1	
9	69J-43891-00	.BRUSH 1 .BALAI 1	4	4	4	4	
10	69J-4386K-00	.SPRING, BRUSH .RESSORT, BALAI	4	4	4	4	
11	69J-43881-01	.FRAME, END .BATI	1	1	1	1	
12	69J-4388H-00	PLUG BOUCHON	1	1	1	1	
13	69J-43817-00	FILTER 2 FILTRE 2	1	1	1	1	
14	69J-4388F-00	SPACER ENTRETOISE	1	1	1	1	
15	6H1-43869-00	O-RING .JOINT TORIQUE	2	2	2	2	
16	69J-43828-00	BODY, RESERVOIR CORPS	1	1	1	1	
17	69J-43888-00	BOLT, SOCKET BOULON	6	6	6	6	
18	93210-09165	O-RING .JOINT TORIQUE	1	1	1	1	
19	6H1-43829-00	PLUG, RESERVOIR BOUCHON	1	1	1	1	

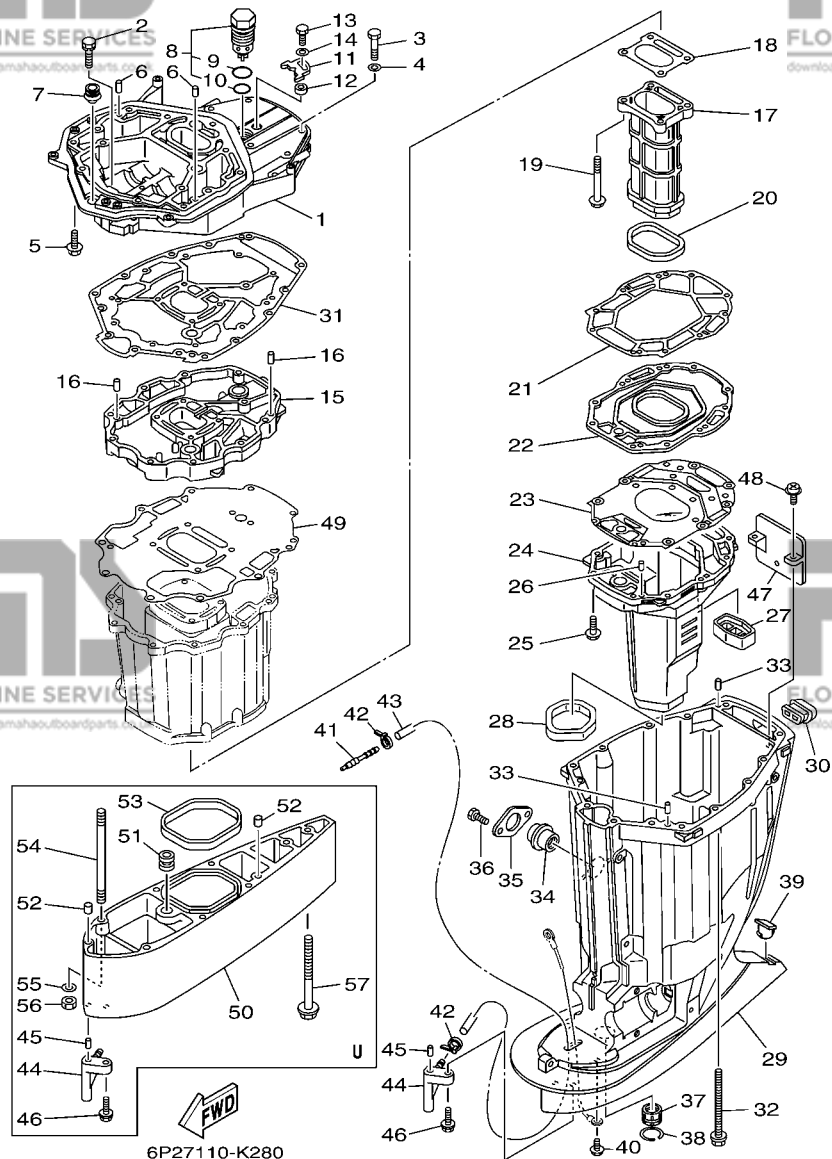
FIG. 28 UPPER CASING

FOURREAU



6P27110-K280

REF. NO.	PART NO. N° PIECES	DESCRIPTION DESCRIPTION	6AL7	6AS6	6AM7	6AT6	REMARKS REMARQUES
1	69J-41137-10-CA	GUIDE, EXHAUST COLLECTEUR D'ÉCHAPPEMENT	1	1	1	1	
2	90119-08102	BOLT, WITH WASHER BOULON, AVEC RONDELLE	2	2	2	2	
3	97075-10045	BOLT BOULON	7	7	7	7	
4	92995-10600	WASHER RONDELLE	7	7	7	7	
5	97575-10535	BOLT, WITH WASHER VIS HEXAGONAL AVEC RONDELLE	7	7	7	7	
6	93608-16M16	PIN, DOWEL AXE	2	2	2	2	
7	6E5-42724-00	GROMMET PASSE-FIL	1	1	1	1	
8	6AW-11371-10	PRESSURE CONTROL VALVE ASSY SOUPAPE, COMMANDE DE PRESSION	1	1	1	1	
9	93210-347A1	O-RING JOINT TORIQUE	1	1	1	1	
10	93210-28543	O-RING JOINT TORIQUE	1	1	1	1	
11	69J-12233-00	PLATE, GUIDE STOPPER 1 PLAQUE, GUIDE BUTEE 1	1	1	1	1	
12	90387-06037	COLLAR COLLERETTE	1	1	1	1	
13	97095-06020	BOLT BOULON	1	1	1	1	
14	92995-06600	WASHER RONDELLE	1	1	1	1	
15	69J-41131-11-CA	MANIFOLD, EXT. 1 PIPE D'ÉCHAPPEMENT	1	1	1	1	
16	93608-16M16	PIN, DOWEL AXE	2	2	2	2	
17	69J-41132-20-9S	MANIFOLD, EXHAUST PIPE D'ÉCHAPPEMENT	1	1	1	1	
18	6P2-41134-00	GASKET, EXHAUST MANIFOLD JOINT, PIPE D'ÉCHAPPEMENT	1	1	1	1	
19	97575-08590	BOLT, WITH WASHER VIS HEXAGONAL AVEC RONDELLE	4	4	4	4	
20	69J-41138-00	SEAL, EXT. 1 JOINT DE GROUPE 1	1	1	1	1	
21	69J-41135-A0	GASKET, EXHAUST MANIFOLD JOINT, PIPE D'ÉCHAPPEMENT	1	1	1	1	
22	69J-45181-10-9S	PLATE PLAQUETTE	1	1	1	1	
23	6S1-41136-00	GASKET, EXHAUST MANIFOLD 4 JOINT, PIPE D'ÉCHAPPEMENT 4	1	1	1	1	
24	69J-14711-21-9S	MUFFLER 1 POT D'ÉCHAPPEMENT 1	1	1	1	1	
25	97575-08535	BOLT, WITH WASHER VIS HEXAGONAL AVEC RONDELLE	10	10	10	10	
26	93606-19M23	PIN, DOWEL GOUPILLE	2	2	2	2	
27	69J-45127-00	SEAL JOINT	1	1	1	1	

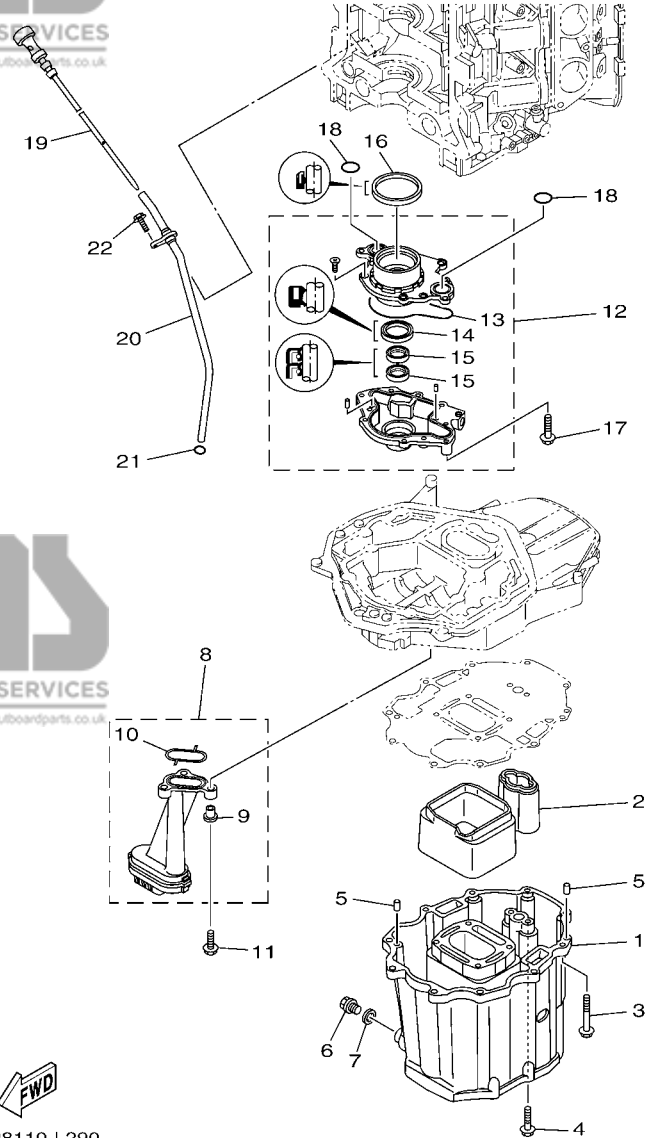


6P27110-K280

FIG. 28 UPPER CASING

FOURREAU

REF. NO.	PART NO. N° PIECES	DESCRIPTION DESCRIPTION	6AL7	6A56	6AM7	6AT6	REMARKS REMARQUES
28	69J-45123-00	GASKET, MUFFLER JOINT, POT DE DETENTE	1	1	1	1	
29	69J-45111-10-8D	CASING, UPPER FOURREAU	1	1	1	1	
30	69J-42769-00	SEAL, RUBBER BOURRELET, CAOUTCHOUC	1	1	1	1	
31	69J-45113-20	GASKET, UPPER CASING JOINT, TUBE D'ARBRE	1	1	1	1	
32	90119-10007	BOLT, WITH WASHER BOULON, AVEC RONDELLE	6	6	6	6	
33	93608-16M16	PIN, DOWEL AXE	2	2	2	2	
34	69J-15316-00	DAMPER 1 AMORTISSEUR 1	1	1	1	1	
35	69J-45152-00	COVER, UPPER CASING 2 CAPUCHON FOURREAU	1	1	1	1	
36	97095-06014	BOLT BOULON	2	2	2	2	
37	69J-45318-01	BUSHING, DRIVE SHAFT DOUILLE, ARBRE MOTEUR	1	1	1	1	
38	93420-36M01	CIRCLIP CIRCLIP, TYPE S	1	1	1	1	
39	61A-45155-00	CAP CAPUCHON	1	1	1	1	
40	95895-06010	BOLT, FLANGE BOULON	1	1	1	1	
41	6E5-83558-00	END, NIPPLE RACCORD DE NIPPLE	1	1	1	1	
42	90465-11M10	CLAMP BRIDE	2	2	2	2	
43	90445-07010	HOSE (L1330) DURITE (L1330)	1	1	1	1	X(25.3")
	90445-07012	HOSE (L1457) DURITE (L1457)		1			X(25.3") U(30.3") U(30.3")
44	61A-45378-00	NIPPLE, HOSE RACCORD, TUYAU	1	1	1	1	
45	93606-12019	PIN, DOWEL GOUPILLE	1	1	1	1	
46	90119-06M17	BOLT, WITH WASHER BOULON, AVEC RONDELLE	1	1	1	1	
47	69J-14624-01	COVER, EXHAUST CACHE D'ECHAPPEMENT	1	1	1	1	
48	97980-06216	SCREW, WITH WASHER VIS, AVEC RONDELLE	2	2	2	2	
49	69J-15312-01	GASKET, OIL PAN JOINT DE VENTILATEUR D'HUILE	1	1	1	1	
50	69J-45211-02-8D	EXTENSION EXTENSION		1			U(30.3") U(30.3")
51	6E5-44366-00	DAMPER, WATER SEAL 2 JOINT, TUBE D'EAU 2		1			U(30.3") U(30.3")
52	93608-12M05	PIN, DOWEL AXE		2			U(30.3") U(30.3")
53	69J-45159-00	DAMPER CAOUTCHOUC, JOINT		1			U(30.3") U(30.3")



6P28110-L290

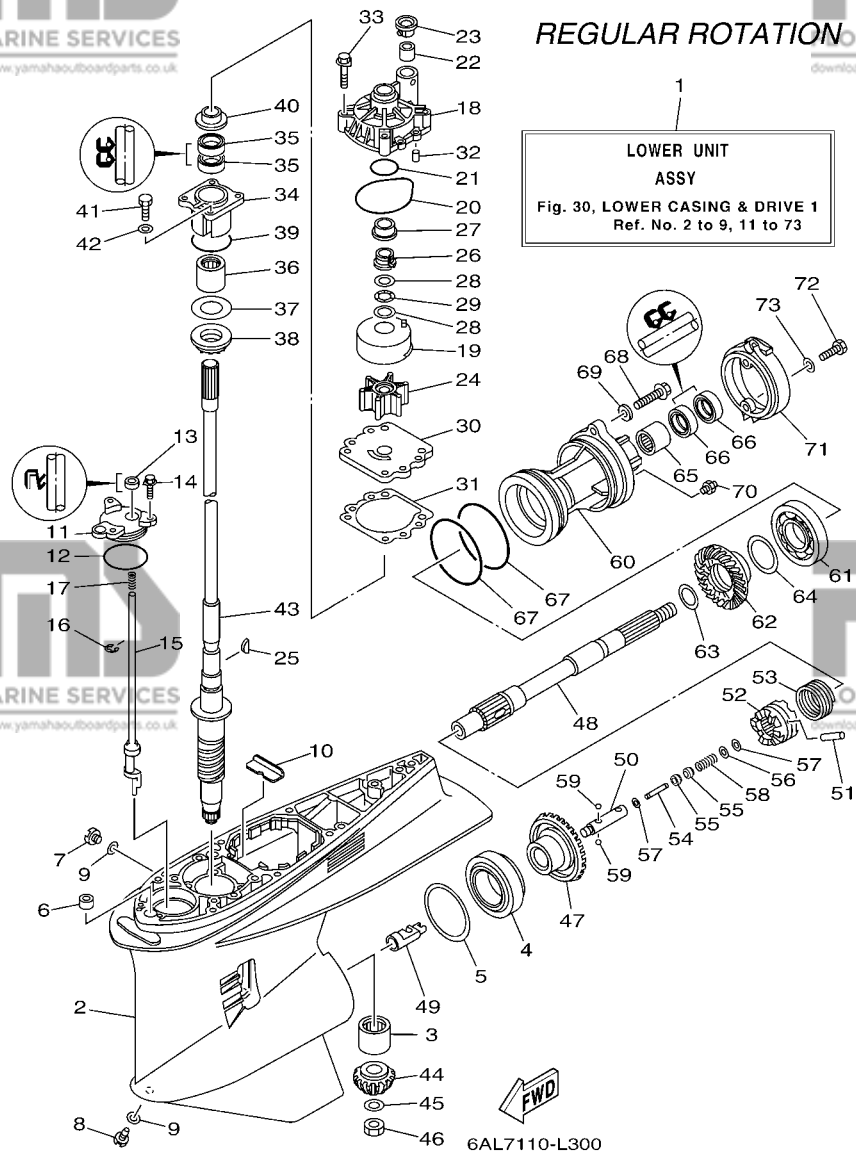
FIG. 29 OIL PAN

VENTILATEUR D'HUILE

REF. NO.	PART NO. N° PIECES	DESCRIPTION DESCRIPTION	6AL7	6AS6	6AM7	6AT6	REMARKS REMARQUES
1	69J-15311-10-CA	OIL PAN VENTILATEUR D'HUILE	1	1	1	1	
2	69J-15761-00	SEAL, RUBBER 1 JOINT CAOUTCHOUC 1	1	1	1	1	
3	97575-08560	BOLT, WITH WASHER VIS HEXAGONAL AVC RONDELLE	10	10	10	10	
4	97575-08535	BOLT, WITH WASHER VIS HEXAGONAL AVC RONDELLE	2	2	2	2	
5	93608-16M16	PIN, DOWEL AXE	2	2	2	2	
6	90340-14M06	PLUG, STRAIGHT SCREW PLOT, FILETE DROIT	1	1	1	1	
7	90430-14M09	GASKET JOINT	1	1	1	1	
8	69J-13411-00	STRAINER, OIL FILTRE, HUILE	1	1	1	1	
9	90387-06263	.COLLAR .COLLERETTE	3	3	3	3	
10	69J-13415-00	.SEAL, OIL STRAINER .JOINT, FILTRE A HUILE	1	1	1	1	
11	95812-06025	BOLT, FLANGE BOULON	3	3	3	3	
12	6P2-13300-00	OIL PUMP ASSY POMPE A HUILE COMPLETE	1	1	1	1	
13	69J-13329-01	.GASKET, PUMP COVER .JOINT, COUVERCLE DE POMPE	1	1	1	1	
14	6AW-13119-00	.OIL SEAL .JOINT SPY	1	1	1	1	
15	69J-13631-00	.OIL SEAL .JOINT SPY	2	2	2	2	
16	69J-11355-00	SEAL, CYLINDER 1 JOINT, SPY CYLINDRE	1	1	1	1	
17	97575-06540	BOLT, WITH WASHER VIS HEXAGONAL AVC RONDELLE	4	4	4	4	
18	93210-25552	O-RING JOINT TORIQUE	2	2	2	2	
19	6P2-15362-10	PLUG, OIL LEVEL PLOT, NIVEAU D'HUILE	1	1	1	1	
20	6P2-15377-10	GUIDE, INLET GUIDE D'ADMISSION	1	1	1	1	
21	93210-19MJ3	O-RING JOINT TORIQUE	1	1	1	1	
22	95895-06016	BOLT, FLANGE BOULON	1	1	1	1	

FIG. 30 LOWER CASING & DRIVE 1

BOITIER D'HELICE TRANSMISSION1



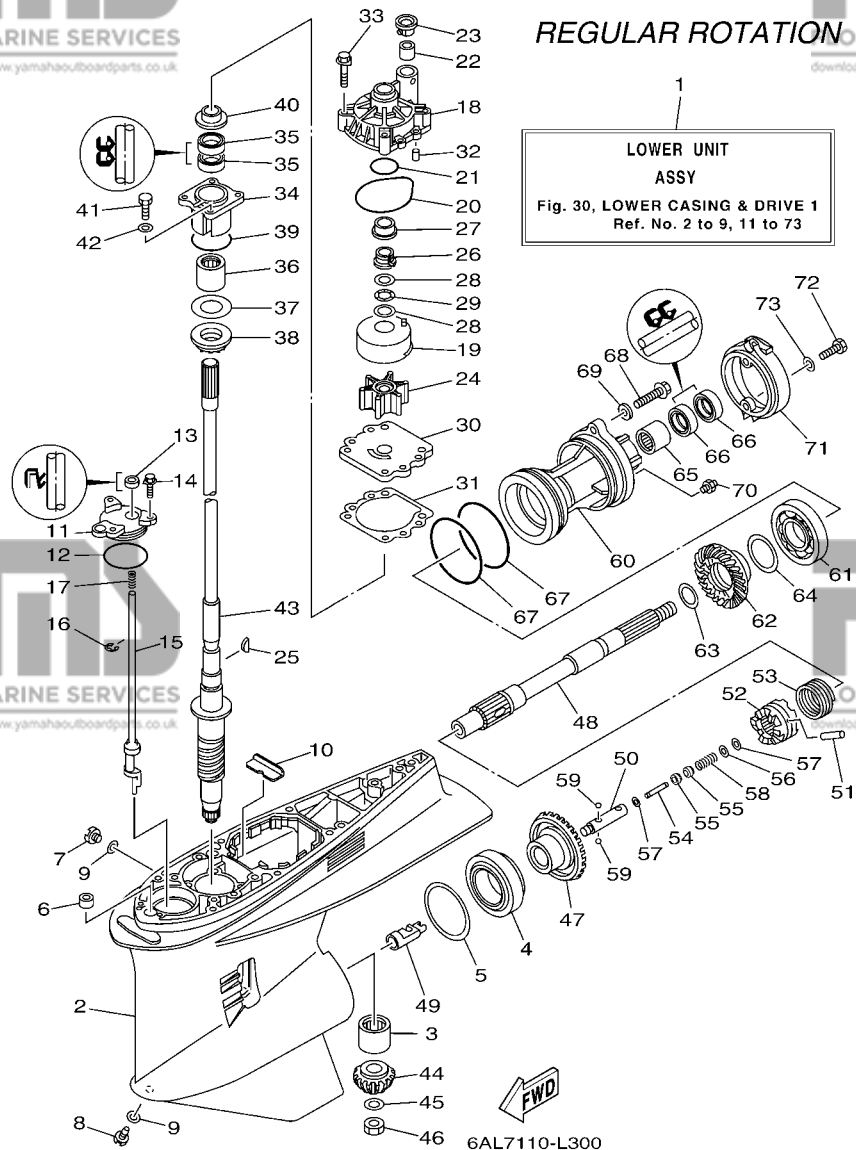
REGULAR ROTATION

1
LOWER UNIT ASSY
Fig. 30, LOWER CASING & DRIVE 1
Ref. No. 2 to 9, 11 to 73

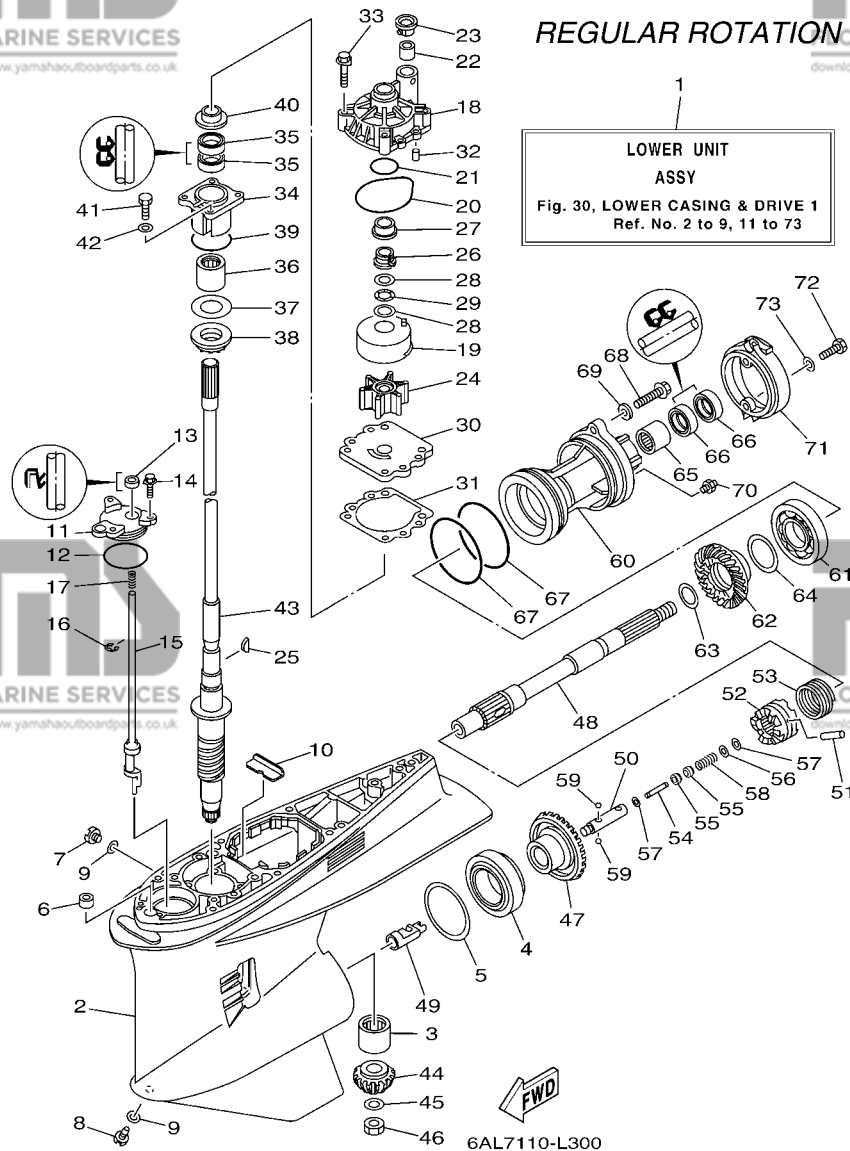
REF. NO.	PART NO. N° PIECES	DESCRIPTION DESCRIPTION	6AL7	6AS6	6AM7	6AT6	REMARKS REMARQUES
1	69J-45300-22-8D	LOWER UNIT ASSY UNITE INFERIEURE (ENS.)	1	1			X(25.3"),RH X(25.3"),RH
	69J-45300-32-8D	LOWER UNIT ASSY UNITE INFERIEURE (ENS.)		1			U(30.3"),RH U(30.3"),RH
2	61A-45301-10-8D	CASING, LOWER BEQUILLE	1	1			
3	93311-83280	BEARING ROULEMENT	1	1			
4	93332-000W1	BEARING ROULEMENT	1	1			
5	61A-45567-00	SHIM (T:0.10MM) CALE (T:0.10MM)	1	1			UR UR
	61A-45567-10	SHIM (T:0.12MM) CALE (T:0.12MM)	1	1			UR UR
	61A-45567-20	SHIM (T:0.15MM) CALE (T:0.15MM)	1	1			UR UR
	61A-45567-30	SHIM (T:0.18MM) CALE (T:0.18MM)	1	1			UR UR
	61A-45567-40	SHIM (T:0.30MM) CALE (T:0.30MM)	1	1			UR UR
	61A-45567-50	SHIM (T:0.40MM) CALE (T:0.40MM)	1	1			UR UR
	61A-45567-60	SHIM (T:0.50MM) CALE (T:0.50MM)	1	1			UR UR
6	663-44366-00	DAMPER, WATER SEAL 2 JOINT, TUBE D'EAU 2	1	1			
7	90340-08002	PLUG, STRAIGHT SCREW PLOT, FILETE DROIT	1	1			
8	688-45341-10	PLUG, DRAIN BOUCHON DE VIDANGE	1	1			
9	90430-08020	GASKET JOINT	2	2			
10	61A-45376-00	GUIDE, SEAL DAMPER BUTEE, JOINT CAOUTCHOUC	1	1			
11	61A-45321-01	PLATE PLAQUETTE	1	1			
12	93210-64488	O-RING JOINT TORIQUE	1	1			
13	93106-09014	OIL SEAL JOINT SPY	1	1			
14	90119-06M10	BOLT, WITH WASHER BOULON, AVEC RONDELLE	3	3			
15	69J-44150-00	SHIFT CAM ASSY CAME D'INVERSION	1	1			
16	99001-08600	CIRCLIP CIRCLIP	1	1			
17	90501-11M10	SPRING, COMPRESSION RESSORT, COMPRESSION	1	1			
18	61A-44311-01	HOUSING, WATER PUMP CORPS, POMPE A EAU	1	1			
19	61A-44322-02	INSERT, CARTRIDGE CUVETTE	1	1			
20	93210-86M38	O-RING JOINT TORIQUE	1	1			

FIG. 30 LOWER CASING & DRIVE 1

BOITIER D'HELICE TRANSMISSION1



REF. NO.	PART NO. N° PIECES	DESCRIPTION DESCRIPTION	6AL7	6AS6	6AM7	6AT6	REMARKS REMARQUES
21	93210-37160	O-RING JOINT TORIQUE	1	1			
22	6E5-44365-00	DAMPER, WATER SEAL 1 JOINT, TUBE D'EAU 1	1	1			
23	6E5-44312-00	COVER, WATER PUMP HOUSING COUVERCLE	1	1			
24	6E5-44352-01	IMPELLER TURBINE	1	1			
25	90280-04M05	KEY, WOODRUFF CLAVETTE, DEMI-LUNE	1	1			
26	61A-45538-00	SPACER 1 ENTRETOISE	1	1			
27	61A-45527-00	COLLAR, DRIVE SHAFT ENTRETOISE	1	1			
28	90201-22M01	WASHER, PLATE RONDELLE, PLATE	2	2			
29	90206-22M19	WASHER, WAVE RONDELLE, ONDULEE	1	1			
30	6G5-44323-00	OUTER PLATE, CARTRIDGE PLAQUE EXTERIEURE	1	1			
31	6E5-44315-A0	GASKET, WATER PUMP JOINT, POMPE A EAU	1	1			
32	93606-12019	PIN, DOWEL GOUPILE	2	2			
33	90119-08M14	BOLT, WITH WASHER BOULON, AVEC RONDELLE	4	4			
34	61A-45331-00-9S	HOUSING, BEARING FLASQUE, ROULEMENT	1	1			
35	93101-28M16	OIL SEAL JOINT SPY	2	2			
36	93317-330U2	BEARING ROULEMENT	1	1			
37	61A-45587-00	SHIM (T:0.10MM) CALE (T:0.10MM)	1	1			UR
	61A-45587-10	SHIM (T:0.12MM) CALE (T:0.12MM)	1	1			UR
	61A-45587-20	SHIM (T:0.15MM) CALE (T:0.15MM)	1	1			UR
	61A-45587-30	SHIM (T:0.18MM) CALE (T:0.18MM)	1	1			UR
	61A-45587-40	SHIM (T:0.30MM) CALE (T:0.30MM)	1	1			UR
	61A-45587-50	SHIM (T:0.40MM) CALE (T:0.40MM)	1	1			UR
	61A-45587-60	SHIM (T:0.50MM) CALE (T:0.50MM)	1	1			UR
38	93341-93020	BEARING CERVEAUX DE DIRECTION	1	1			
39	93210-55M14	O-RING JOINT TORIQUE	1	1			
40	6E5-45344-00	COVER, OIL SEAL FLASQUE, JOINT D'HUILE	1	1			
41	97095-08025	BOLT BOULON	4	4			



REGULAR ROTATION

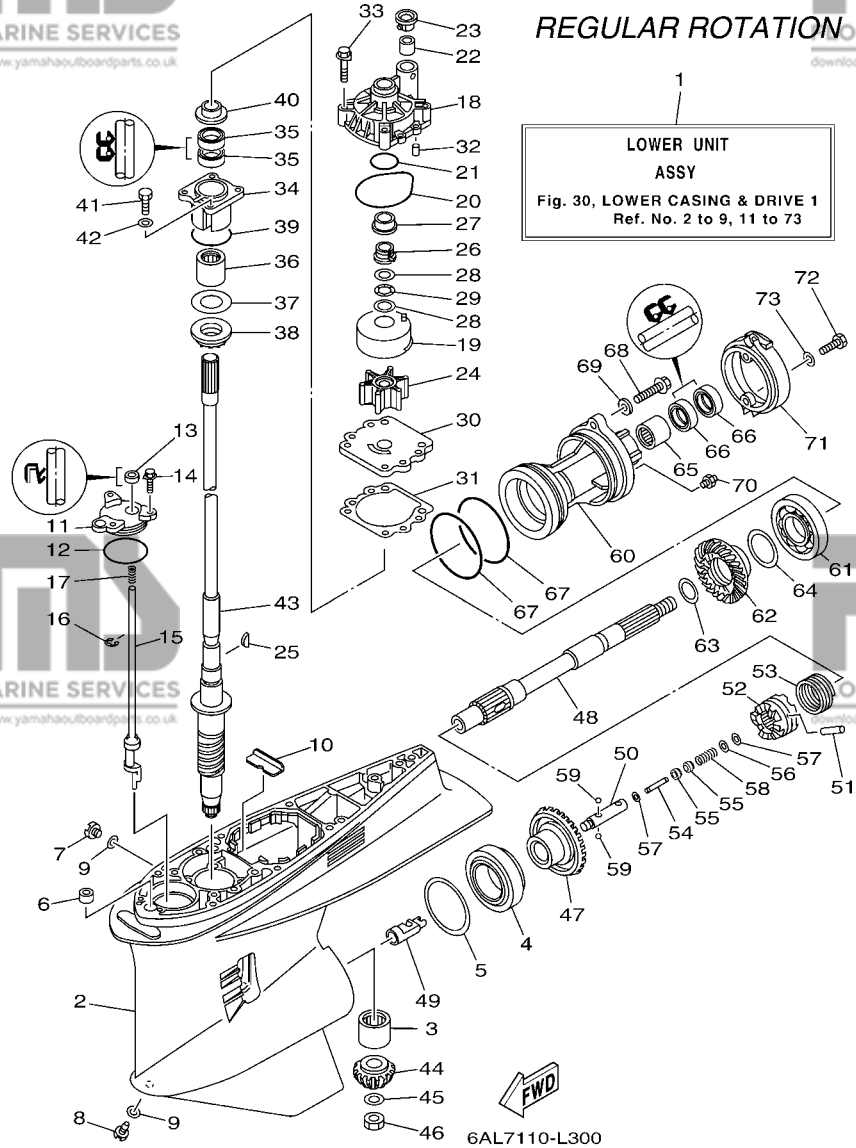
LOWER UNIT ASSY
Fig. 30, LOWER CASING & DRIVE 1
Ref. No. 2 to 9, 11 to 73

FIG. 30 LOWER CASING & DRIVE 1 BOITIER D'HELICE TRANSMISSION1

REF. NO.	PART NO. N° PIECES	DESCRIPTION DESCRIPTION	6AL7	6A56	6AM7	6AT6	REMARKS REMARQUES
42	92995-08600	WASHER RONDELLE	4	4			
43	69J-45501-00	DRIVE SHAFT COMP. ARBRE MOTEUR COMP.	1	1			X(25.3") X(25.3")
	61A-45501-30	DRIVE SHAFT COMP. ARBRE MOTEUR COMP.		1			U(30.3") U(30.3")
44	6P2-45551-01	PINION (15T) PIGNON D'ATTAQUE (15D)	1	1			
45	90201-16M00	WASHER, PLATE RONDELLE, PLATE	1	1			
46	90170-16M19	NUT ECROU	1	1			
47	6P2-45560-00	GEAR 1 (30T) PIGNON 1 (30T)	1	1			
48	69J-45611-00	SHAFT, PROPELLER ARBRE, HELICE	1	1			
49	61A-45641-02	SHIFTER EMBRAYAGE	1	1			
50	61A-45634-01	SLIDE, SHIFT CONTRE-POUSSOIR	1	1			
51	61A-45632-00	PIN, CROSS GOUPILLE DE CRABOT	1	1			
52	69J-45631-00	CLUTCH, DOG CRABOT	1	1			
53	61A-45633-00	RING, CROSS PIN JONC, GOUPILLE CRABOT	1	1			
54	6H1-45668-00	SHAFT, FREE 1 AXE 1	1	1			
55	61A-45635-00	PLUNGER, SHIFT POUSSOIR D'EMBRAYAGE	2	2			
56	90201-02M00	WASHER, PLATE RONDELLE, PLATE	1	1			
57	90183-02M03	NUT, SPRING ECROU, RESSORT	2	2			
58	90501-10M77	SPRING, COMPRESSION RESSORT, COMPRESSION	1	1			
59	93501-04011	BALL BILLE	2	2			
60	69J-45332-00	HOUSING, BEARING FLASQUE, ROULEMENT	1	1			
61	93306-210U0	BEARING ROULEMENT	1	1			
62	6P2-45571-00	GEAR 2 (30T) PIGNON 2 (30T)	1	1			
63	90201-31M00	WASHER, PLATE RONDELLE, PLATE	1	1			
64	61A-45577-00	SHIM (T:0.10MM) CALE (T:0.10MM)	1	1			UR UR
	61A-45577-10	SHIM (T:0.12MM) CALE (T:0.12MM)	1	1			UR UR
	61A-45577-20	SHIM (T:0.15MM) CALE (T:0.15MM)	1	1			UR UR
	61A-45577-30	SHIM (T:0.18MM) CALE (T:0.18MM)	1	1			UR UR

FIG. 30 LOWER CASING & DRIVE 1

BOITIER D'HELICE TRANSMISSION1

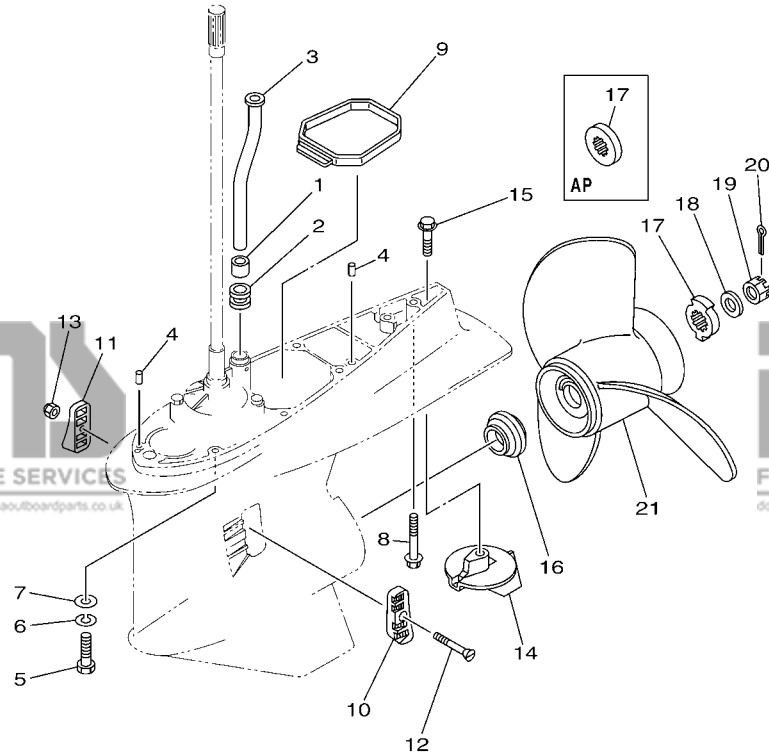


REF. NO.	PART NO. N° PIECES	DESCRIPTION DESCRIPTION	6AL7	6AS6	6AM7	6AT6	REMARKS REMARQUES
64	61A-45577-40	SHIM (T:0.30MM) CALE (T:0.30MM)	1	1			UR UR
	61A-45577-50	SHIM (T:0.40MM) CALE (T:0.40MM)	1	1			UR UR
	61A-45577-60	SHIM (T:0.50MM) CALE (T:0.50MM)	1	1			UR UR
65	93315-43061	BEARING ROULEMENT	1	1			
66	93101-30M17	OIL SEAL JOINT SPY	2	2			
67	93211-04384	O-RING JOINT TORIQUE	2	2			
68	90105-08049	BOLT, FLANGE BOULON	2	2			
69	90201-08023	WASHER, PLATE RONDELLE, PLATE	2	2			
70	93700-09M00	NIPPLE, GREASE PION	1	1			
71	69J-45361-00-8D	CAP, LOWER CASING COUVERCLE, BOITIER D'HELICE	1	1			
72	97095-08020	BOLT BOULON	2	2			
73	92995-08600	WASHER RONDELLE	2	2			

FIG. 31 LOWER CASING & DRIVE 2

BOITIER D'HELICE TRANSMISSION2

REGULAR ROTATION



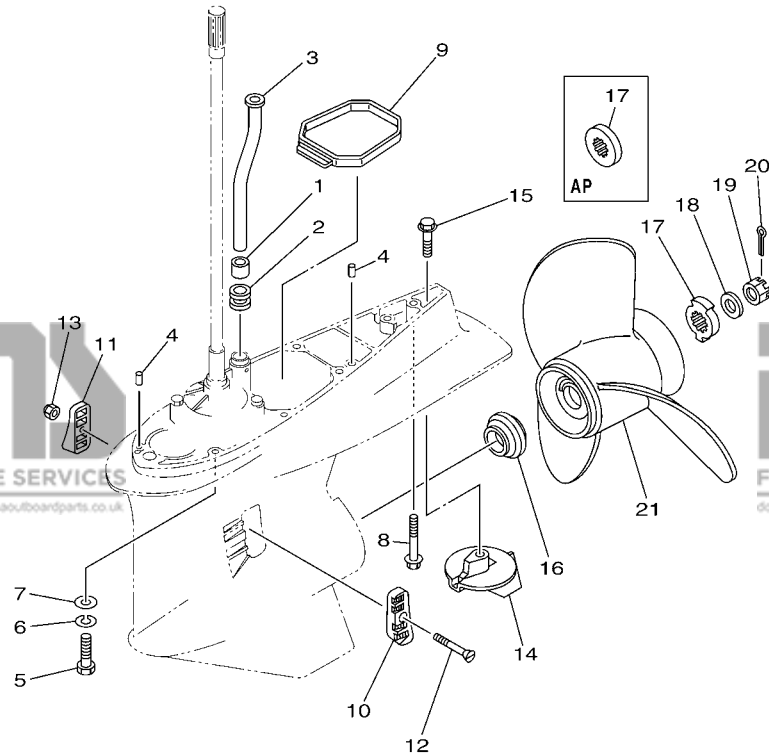
FWD
6AL7110-L310

REF. NO.	PART NO. N° PIECES	DESCRIPTION DESCRIPTION	6AL7	6AS6	6AM7	6AT6	REMARKS REMARQUES
1	6E5-44365-00	DAMPER, WATER SEAL 1 JOINT, TUBE D'EAU 1	1	1			
2	6E5-44366-00	DAMPER, WATER SEAL 2 JOINT, TUBE D'EAU 2	1	1			
3	6S1-44361-01	TUBE, WATER 1 TUBE D'EAU 1	1	1			X(25.3") X(25.3")
	6S1-44361-11	TUBE, WATER 1 TUBE D'EAU 1			1		U(30.3") U(30.3")
4	93608-12M05	PIN, DOWEL AXE	2	2			
5	97095-10045	BOLT BOULON	7	7			X(25.3") X(25.3")
6	92995-10100	WASHER RONDELLE	7	7			X(25.3") X(25.3")
7	92995-10600	WASHER RONDELLE	7	7			X(25.3") X(25.3")
8	90119-10MA2	BOLT, WITH WASHER BOULON, AVEC RONDELLE	1	1			X(25.3") X(25.3")
	90119-10008	BOLT, WITH WASHER BOULON, AVEC RONDELLE			1		U(30.3") U(30.3")
9	69J-45375-00	DAMPER, SEAL BOURRELET, CAOUTCHOUC	1	1			
10	61A-45214-11	COVER, WATER INLET 1 GRILLE, ENTREE D'EAU 1	1	1			
11	61A-45215-11	COVER, WATER INLET 2 GRILLE, ENTREE D'EAU 2	1	1			
12	90152-05003	SCREW, COUNTERSUNK VIS, TETE NOYEE	1	1			
13	90185-05002	NUT, NYLON ECROU, AUTO-BLOQUANT	1	1			
14	61A-45371-00	TAB-TRIM ANODE DERIVE	1	1			
15	90105-10M00	BOLT, FLANGE BOULON	1	1			
16	69J-45987-00	SPACER 1 ENTRETOISE 1	1	1			
17	6CE-45997-00	SPACER 2 ENTRETOISE 2	1	1			
	688-45997-01	SPACER 2 ENTRETOISE 2	1	1			AP FOR STD PROP. AP FOR STD PROP.
18	92990-18200	WASHER RONDELLE, PLATE	1	1			
19	90171-18M04	NUT, CASTLE ECROU, CRENELE	1	1			
20	91490-40030	PIN, COTTER GOUPILLE	1	1			
21	6G5-45970-02	PROPELLER (3X15-1/4"X15"-M) HELICE (3X15-1/4"X15"-M)	1	1			UR UR
	6G5-45972-02	PROPELLER (3X13-3/4"X21"-M) HELICE (3X13-3/4"X21"-M)	1	1			UR UR
	6G5-45974-03	PROPELLER (3X13-3/4"X19"-M2) HELICE (3X13-3/4"X19"-M2)	1	1			UR UR
	6G5-45978-03	PROPELLER (3X13-3/4"X17"-M2) HELICE (3X13-3/4"X17"-M2)	1	1			UR UR

FIG. 31 LOWER CASING & DRIVE 2 BOITIER D'HELICE TRANSMISSION2

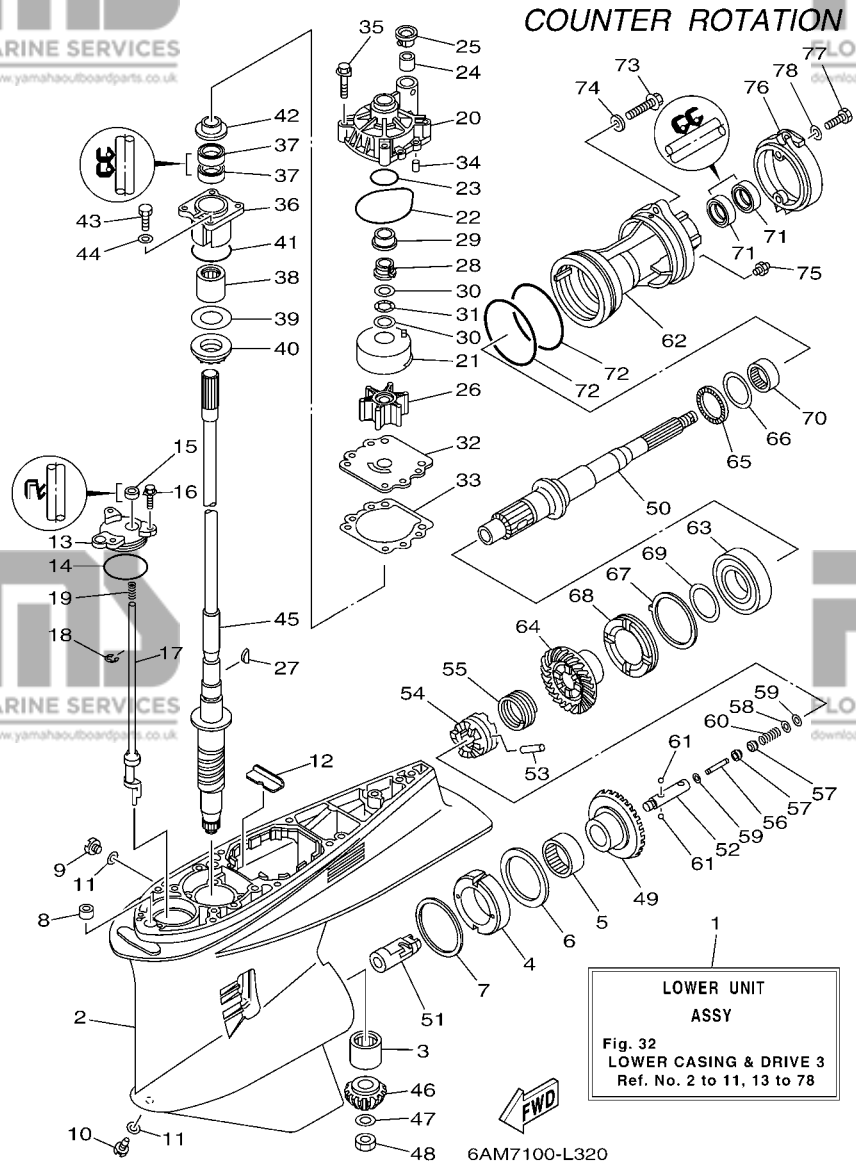
REF. NO.	PART NO. N° PIECES	DESCRIPTION DESCRIPTION	6AL7	6AS6	6AM7	6AT6	REMARKS REMARQUES
21	61A-45972-00	PROPELLER (3X14-1/2"X21"-T) HELICE (3X14-1/2"X21"-T)	1	1			UR UR
	61A-45974-00	PROPELLER (3X14-1/2"X19"-T) HELICE (3X14-1/2"X19"-T)	1	1			UR UR
	61A-45978-00	PROPELLER (3X15"X17"-T) HELICE (3X15"X17"-T)	1	1			UR UR
	6R4-45970-A1	PROPELLER (3X15-1/4"X19"-M) HELICE (3X15-1/4"X19"-M)	1	1			UR UR
	6R4-45972-A0	PROPELLER (3X14-7/8"X21"-M) HELICE (3X14-7/8"X21"-M)	1	1			UR UR
	6R4-45974-A0	PROPELLER (3X14-1/2"X23"-M) HELICE (3X14-1/2"X23"-M)	1	1			UR UR
	6R4-45976-A0	PROPELLER (3X14-1/2"X15"-M) HELICE (3X14-1/2"X15"-M)	1	1			UR UR
	6R4-45978-A0	PROPELLER (3X15-1/4"X17"-M) HELICE (3X15-1/4"X17"-M)	1	1			UR UR
	6BR-45B70-00	PROPELLER (4X15"X21"-T) HELICE (4X15"X21"-T)	1	1			UR UR
	6BR-45B72-00	PROPELLER (4X15"X22"-T) HELICE (4X15"X22"-T)	1	1			UR UR
	6BR-45B74-00	PROPELLER (4X15"X23"-T) HELICE (4X15"X23"-T)	1	1			UR UR

REGULAR ROTATION



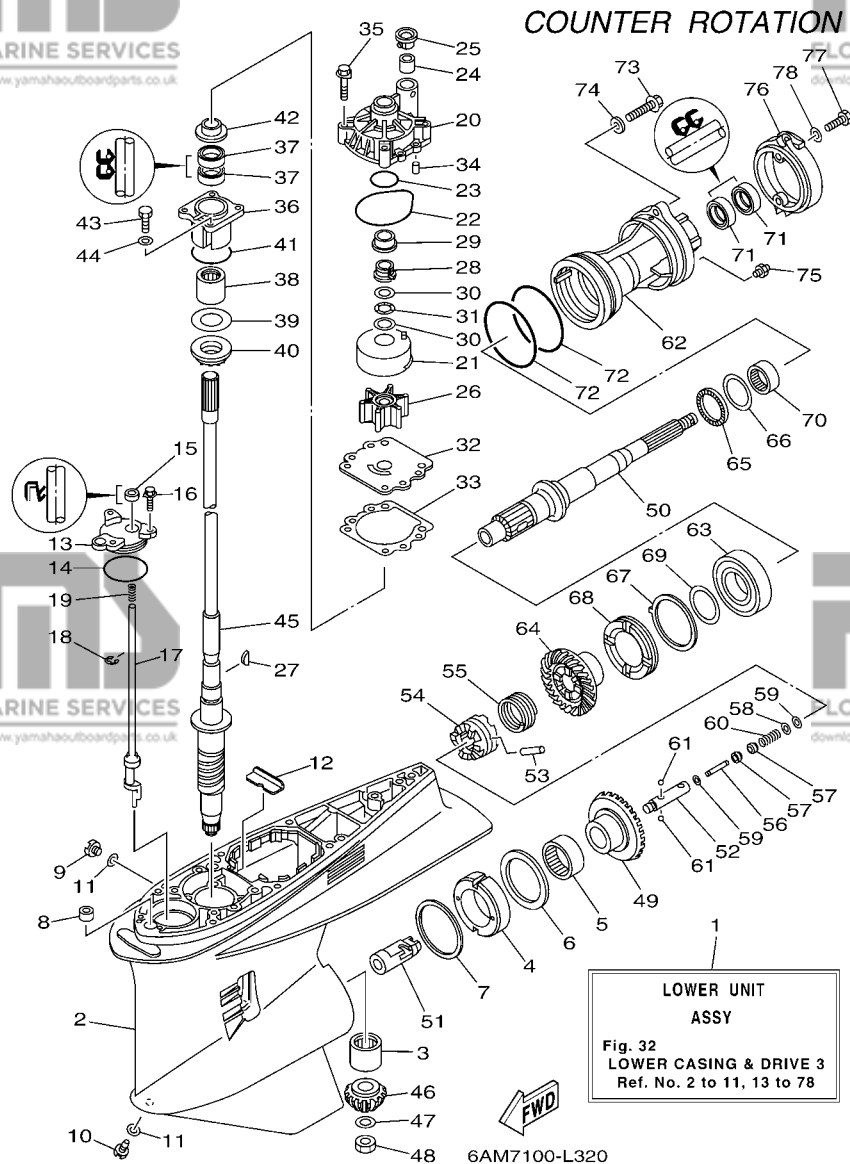
FWD
6AL7110-L310

FIG. 32 LOWER CASING & DRIVE 3 BOITIER D'HELICE TRANSMISSION3



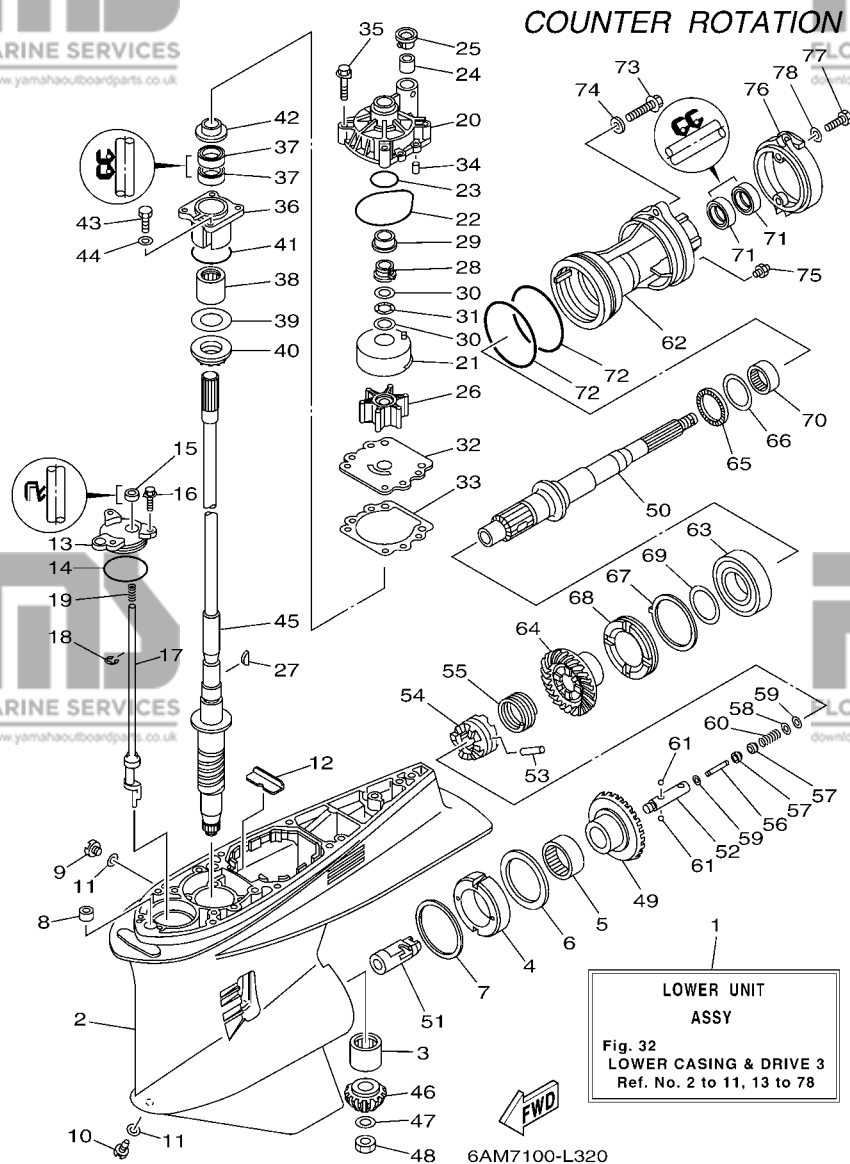
REF. NO.	PART NO. N° PIECES	DESCRIPTION DESCRIPTION	6AL7	6AS6	6AM7	6AT6	REMARKS REMARQUES
1	69K-45300-22-8D	LOWER UNIT ASSY UNITE INFERIEURE (ENS.)			1	1	X(25.3"),LH X(25.3"),LH
2	61A-45301-10-8D	CASING, LOWER BEQUILLE			1	1	
3	93311-83280	BEARING ROULEMENT			1	1	
4	61B-45538-01	SPACER 1 ENTRETOISE			1	1	
5	93315-660W3	BEARING ROULEMENT			1	1	
6	93341-670V0	BEARING CERVEAUX DE DIRECTION			1	1	
7	61A-45567-00	SHIM (T:0.10MM) CALE (T:0.10MM)			1	1	UR UR
	61A-45567-10	SHIM (T:0.12MM) CALE (T:0.12MM)			1	1	UR UR
	61A-45567-20	SHIM (T:0.15MM) CALE (T:0.15MM)			1	1	UR UR
	61A-45567-30	SHIM (T:0.18MM) CALE (T:0.18MM)			1	1	UR UR
	61A-45567-40	SHIM (T:0.30MM) CALE (T:0.30MM)			1	1	UR UR
	61A-45567-50	SHIM (T:0.40MM) CALE (T:0.40MM)			1	1	UR UR
	61A-45567-60	SHIM (T:0.50MM) CALE (T:0.50MM)			1	1	UR UR
8	663-44366-00	DAMPER, WATER SEAL 2 JOINT, TUBE D'EAU 2			1	1	
9	90340-08002	PLUG, STRAIGHT SCREW PLOT, FILETE DROIT			1	1	
10	688-45341-10	PLUG, DRAIN BOUCHON DE VIDANGE			1	1	
11	90430-08020	GASKET JOINT			2	2	
12	61A-45376-00	GUIDE, SEAL DAMPER BUTEE, JOINT CAOUTCHOUC			1	1	
13	61A-45321-01	PLATE PLAQUETTE			1	1	
14	93210-64488	O-RING JOINT TORIQUE			1	1	
15	93106-09014	OIL SEAL JOINT SPY			1	1	
16	90119-06M10	BOLT, WITH WASHER BOULON, AVEC RONDELLE			3	3	
17	69K-44150-00	SHIFT CAM ASSY CAME D'INVERSION			1	1	
18	99001-08600	CIRCLIP CIRCLIP			1	1	
19	90501-11M10	SPRING, COMPRESSION RESSORT, COMPRESSION			1	1	
20	61A-44311-01	HOUSING, WATER PUMP CORPS, POMPE A EAU			1	1	
21	61A-44322-02	INSERT, CARTRIDGE CUVETTE			1	1	

FIG. 32 LOWER CASING & DRIVE 3 BOITIER D'HELICE TRANSMISSION3



REF. NO.	PART NO. N° PIECES	DESCRIPTION DESCRIPTION	6AL7	6AS6	6AM7	6AT6	REMARKS REMARQUES
22	93210-86M38	O-RING JOINT TORIQUE			1	1	
23	93210-37160	O-RING JOINT TORIQUE			1	1	
24	6E5-44365-00	DAMPER, WATER SEAL 1 JOINT, TUBE D'EAU 1			1	1	
25	6E5-44312-00	COVER, WATER PUMP HOUSING COUVERCLE			1	1	
26	6E5-44352-01	IMPELLER TURBINE			1	1	
27	90280-04M05	KEY, WOODRUFF CLAVETTE, DEMI-LUNE			1	1	
28	61A-45538-00	SPACER 1 ENTRETOISE			1	1	
29	61A-45527-00	COLLAR, DRIVE SHAFT ENTRETOISE			1	1	
30	90201-22M01	WASHER, PLATE RONDELLE, PLATE			2	2	
31	90206-22M19	WASHER, WAVE RONDELLE, ONDULEE			1	1	
32	6G5-44323-00	OUTER PLATE, CARTRIDGE PLAQUE EXTERIEURE			1	1	
33	6E5-44315-A0	GASKET, WATER PUMP JOINT, POMPE A EAU			1	1	
34	93606-12019	PIN, DOWEL GOUPILLE			2	2	
35	90119-08M14	BOLT, WITH WASHER BOULON, AVEC RONDELLE			4	4	
36	61A-45331-00-9S	HOUSING, BEARING FLASQUE, ROULEMENT			1	1	
37	93101-28M16	OIL SEAL JOINT SPY			2	2	
38	93317-330U2	BEARING ROULEMENT			1	1	
39	61A-45587-00	SHIM (T:0.10MM) CALE (T:0.10MM)			1	1	UR
	61A-45587-10	SHIM (T:0.12MM) CALE (T:0.12MM)			1	1	UR
	61A-45587-20	SHIM (T:0.15MM) CALE (T:0.15MM)			1	1	UR
	61A-45587-30	SHIM (T:0.18MM) CALE (T:0.18MM)			1	1	UR
	61A-45587-40	SHIM (T:0.30MM) CALE (T:0.30MM)			1	1	UR
	61A-45587-50	SHIM (T:0.40MM) CALE (T:0.40MM)			1	1	UR
	61A-45587-60	SHIM (T:0.50MM) CALE (T:0.50MM)			1	1	UR
40	93341-93020	BEARING CERVEAUX DE DIRECTION			1	1	
41	93210-55M14	O-RING JOINT TORIQUE			1	1	
42	6E5-45344-00	COVER, OIL SEAL FLASQUE, JOINT D'HUILE			1	1	

FIG. 32 LOWER CASING & DRIVE 3 BOITIER D'HELICE TRANSMISSION3

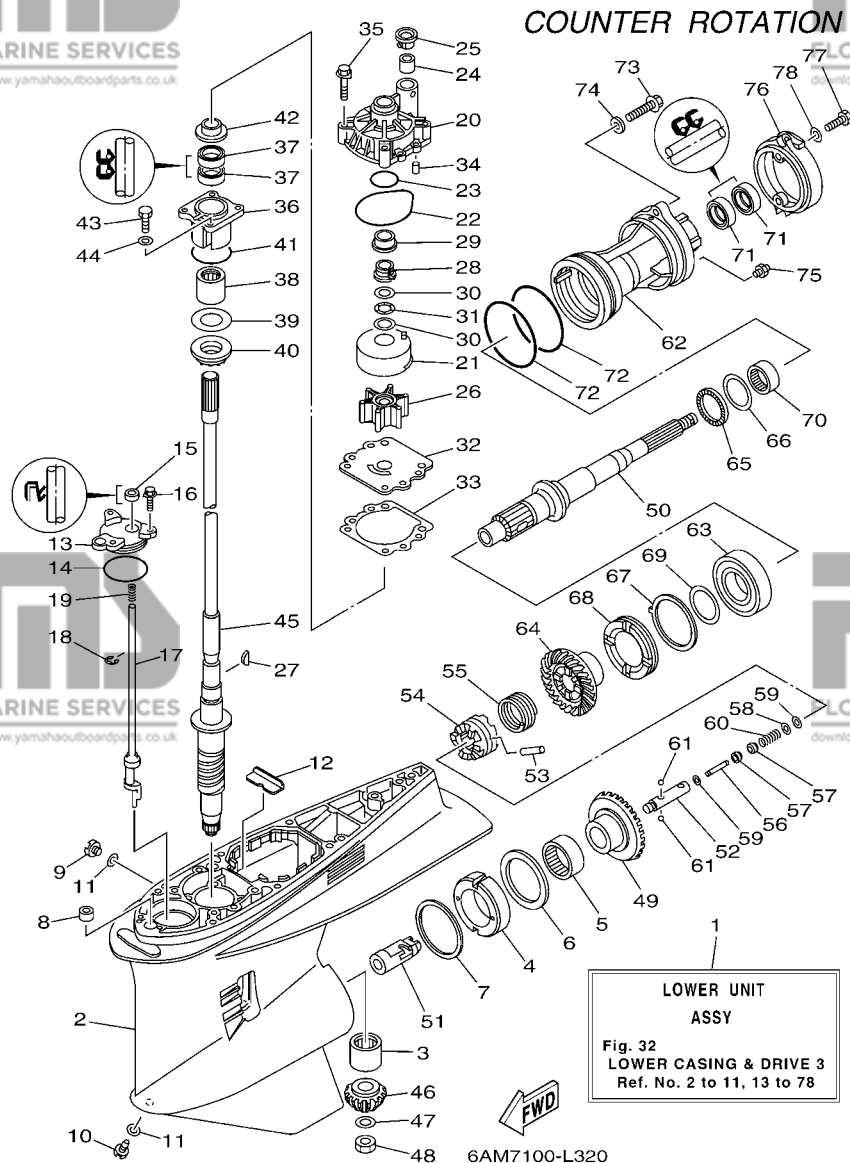


LOWER UNIT ASSY
Fig. 32
LOWER CASING & DRIVE 3
Ref. No. 2 to 11, 13 to 78

REF. NO.	PART NO. N° PIECES	DESCRIPTION DESCRIPTION	6AL7	6AS6	6AM7	6AT6	REMARKS REMARQUES
43	97095-08025	BOLT BOULON			4	4	
44	92995-08600	WASHER RONDELLE			4	4	
45	69J-45501-00	DRIVE SHAFT COMP. ARBRE MOTEUR COMP.			1	1	X(25.3") X(25.3")
46	6P2-45551-01	PINION (15T) PIGNON D'ATTAQUE (15D)			1	1	
47	90201-16M00	WASHER, PLATE RONDELLE, PLATE			1	1	
48	90170-16M19	NUT ECROU			1	1	
49	6P3-45560-00	GEAR 1 (30T) PIGNON 1 (30T)			1	1	
50	69K-45611-00	SHAFT, PROPELLER ARBRE, HELICE			1	1	
51	61B-45641-01	SHIFTER EMBRAYAGE			1	1	
52	61A-45634-01	SLIDE, SHIFT CONTRE-POUSSOIR			1	1	
53	61A-45632-00	PIN, CROSS GOUPILLE DE CRABOT			1	1	
54	69J-45631-00	CLUTCH, DOG CRABOT			1	1	
55	61A-45633-00	RING, CROSS PIN JONC, GOUPILLE CRABOT			1	1	
56	6H1-45668-00	SHAFT, FREE 1 AXE 1			1	1	
57	61A-45635-00	PLUNGER, SHIFT POUSSOIR D'EMBAYAGE			2	2	
58	90201-02M00	WASHER, PLATE RONDELLE, PLATE			1	1	
59	90183-02M03	NUT, SPRING ECROU, RESSORT			2	2	
60	90501-10M77	SPRING, COMPRESSION RESSORT, COMPRESSION			1	1	
61	93501-04011	BALL BILLE			2	2	
62	69K-45332-00	HOUSING, BEARING FLASQUE, ROULEMENT			1	1	
63	93332-00048	BEARING ROULEMENT			1	1	
64	6P3-45571-00	GEAR 2 (30T) PIGNON 2 (30T)			1	1	
65	93341-440U5	BEARING CERVEAUX DE DIRECTION			1	1	
66	6K1-45578-01	SHIM (T:0.10MM) CALE (T:0.10MM)			1	1	UR UR
	6K1-45578-10	SHIM (T:0.12MM) CALE (T:0.12MM)			1	1	UR UR
	6K1-45578-20	SHIM (T:0.15MM) CALE (T:0.15MM)			1	1	UR UR
	6K1-45578-30	SHIM (T:0.18MM) CALE (T:0.18MM)			1	1	UR UR

FIG. 32 LOWER CASING & DRIVE 3

BOITIER D'HELICE TRANSMISSION3



LOWER UNIT ASSY
Fig. 32
LOWER CASING & DRIVE 3
Ref. No. 2 to 11, 13 to 78

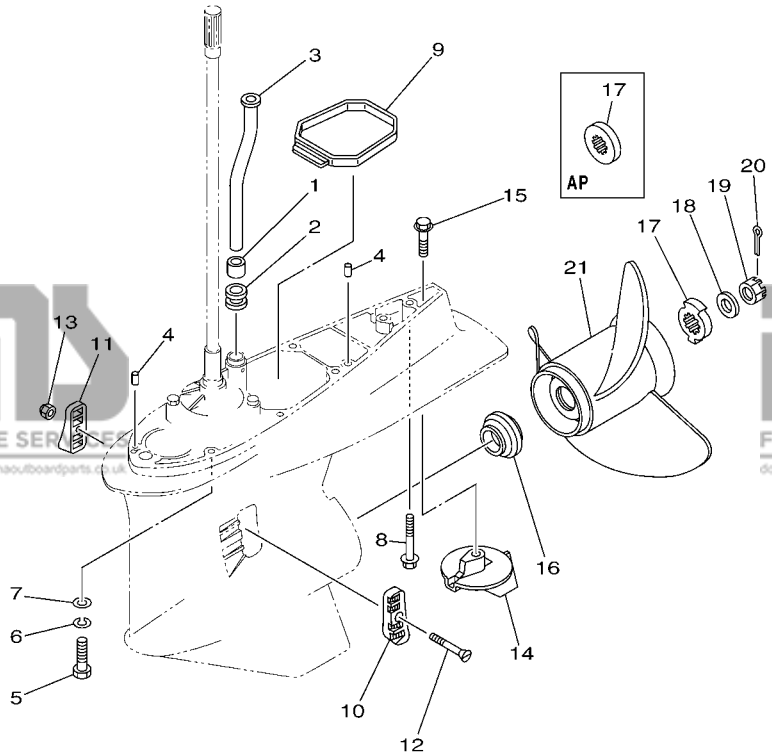
REF. NO.	PART NO. N° PIECES	DESCRIPTION DESCRIPTION	6AL7	6AS6	6AM7	6AT6	REMARKS REMARQUES
66	6K1-45578-40	SHIM (T:0.30MM)			1	1	UR
		CALE (T:0.30MM)					UR
	6K1-45578-50	SHIM (T:0.40MM)			1	1	UR
		CALE (T:0.40MM)					UR
	6K1-45578-60	SHIM (T:0.50MM)			1	1	UR
		CALE (T:0.50MM)					UR
67	61B-45383-00	WASHER, CLAW FREIN D'ECROU			1	1	
68	69K-45384-00	NUT ECROU			1	1	
69	69K-45577-00	SHIM (T:0.10MM)			1	1	UR
		CALE (T:0.10MM)					UR
	69K-45577-10	SHIM (T:0.12MM)			1	1	UR
		CALE (T:0.12MM)					UR
	69K-45577-20	SHIM (T:0.15MM)			1	1	UR
		CALE (T:0.15MM)					UR
	69K-45577-30	SHIM (T:0.18MM)			1	1	UR
		CALE (T:0.18MM)					UR
	69K-45577-40	SHIM (T:0.30MM)			1	1	UR
		CALE (T:0.30MM)					UR
	69K-45577-50	SHIM (T:0.40MM)			1	1	UR
		CALE (T:0.40MM)					UR
	69K-45577-60	SHIM (T:0.50MM)			1	1	UR
		CALE (T:0.50MM)					UR
70	93315-43061	BEARING ROULEMENT			1	1	
71	93101-30M17	OIL SEAL JOINT SPY			2	2	
72	93211-04384	O-RING JOINT TORIQUE			2	2	
73	90105-08049	BOLT, FLANGE BOULON			2	2	
74	90201-08023	WASHER, PLATE RONDELLE, PLATE			2	2	
75	93700-09M00	NIPPLE, GREASE PION			1	1	
76	69J-45361-00-8D	CAP, LOWER CASING COUVERCLE, BOITIER D'HELICE			1	1	
77	97095-08020	BOLT BOULON			2	2	
78	92995-08600	WASHER RONDELLE			2	2	

FIG. 33 LOWER CASING & DRIVE 4

BOITIER D'HELICE TRANSMISSION4

REF. NO.	PART NO. N° PIECES	DESCRIPTION DESCRIPTION	6AL7	6AS6	6AM7	6AT6	REMARKS REMARQUES
1	6E5-44365-00	DAMPER, WATER SEAL 1 JOINT, TUBE D'EAU 1			1	1	
2	6E5-44366-00	DAMPER, WATER SEAL 2 JOINT, TUBE D'EAU 2			1	1	
3	6S1-44361-01	TUBE, WATER 1 TUBE D'EAU 1			1	1	X(25.3") X(25.3")
4	93608-12M05	PIN, DOWEL AXE			2	2	
5	97095-10045	BOLT BOULON			7	7	X(25.3") X(25.3")
6	92995-10100	WASHER RONDELLE			7	7	X(25.3") X(25.3")
7	92995-10600	WASHER RONDELLE			7	7	X(25.3") X(25.3")
8	90119-10MA2	BOLT, WITH WASHER BOULON, AVEC RONDELLE			1	1	X(25.3") X(25.3")
9	69J-45375-00	DAMPER, SEAL BOURRELET, CAOUTCHOUC			1	1	
10	61A-45214-11	COVER, WATER INLET 1 GRILLE, ENTREE D'EAU 1			1	1	
11	61A-45215-11	COVER, WATER INLET 2 GRILLE, ENTREE D'EAU 2			1	1	
12	90152-05003	SCREW, COUNTERSUNK VIS, TETE NOYEE			1	1	
13	90185-05002	NUT, NYLON ECROU, AUTO-BLOQUANT			1	1	
14	61A-45371-00	TAB-TRIM ANODE DERIVE			1	1	
15	90105-10M00	BOLT, FLANGE BOULON			1	1	
16	69J-45987-00	SPACER 1 ENTRETOISE 1			1	1	
17	6CE-45997-00	SPACER 2 ENTRETOISE 2			1	1	
	688-45997-01	SPACER 2 ENTRETOISE 2			1	1	AP FOR STD PROP. AP FOR STD PROP.
18	92990-18200	WASHER RONDELLE, PLATE			1	1	
19	90171-18M04	NUT, CASTLE ECROU, CRENELE			1	1	
20	91490-40030	PIN, COTTER GOUPILLE			1	1	
21	6K1-45970-01	PROPELLER (3X15-1/4"X15"-ML) HELICE (3X15-1/4"X15"-ML)			1	1	UR UR
	6K1-45972-01	PROPELLER (3X13-3/4"X21"-ML) HELICE (3X13-3/4"X21"-ML)			1	1	UR UR
	6K1-45974-02	PROPELLER (3X13-3/4"X19"-ML1) HELICE (3X13-3/4"X19"-ML1)			1	1	UR UR
	6K1-45978-02	PROPELLER (3X13-3/4"X17"-ML1) HELICE (3X13-3/4"X17"-ML1)			1	1	UR UR
	61B-45972-00	PROPELLER (3X14-1/2"X21"-TL) HELICE (3X14-1/2"X21"-TL)			1	1	UR UR
	61B-45974-00	PROPELLER (3X14-1/2"X19"-TL) HELICE (3X14-1/2"X19"-TL)			1	1	UR UR

COUNTER ROTATION



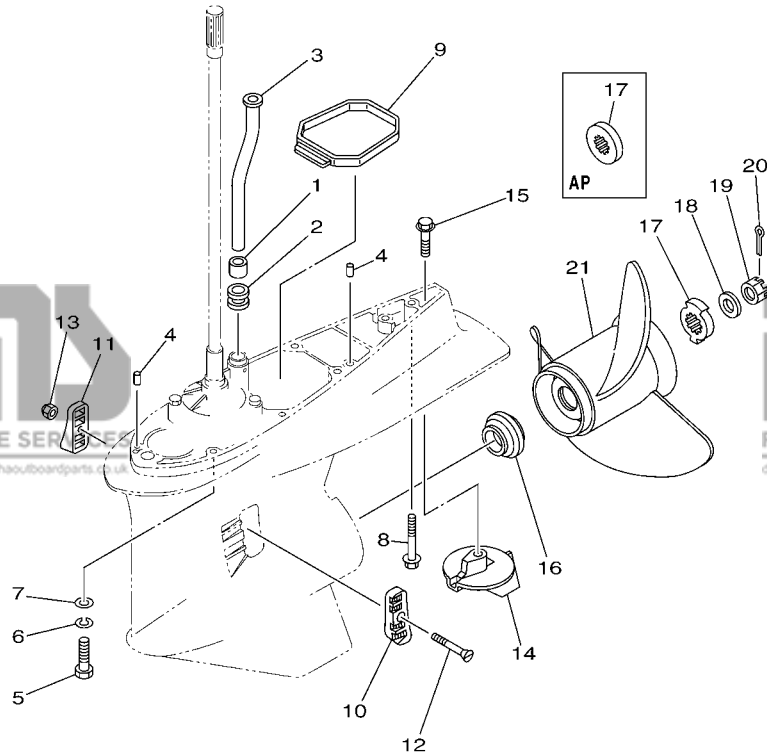
FWD
6AM7110-L310

FIG. 33 LOWER CASING & DRIVE 4

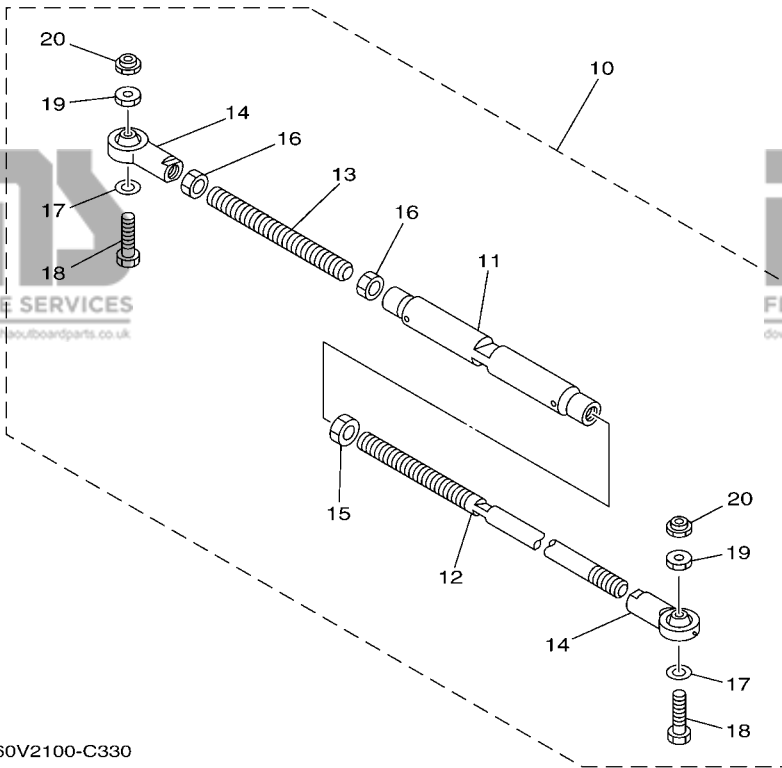
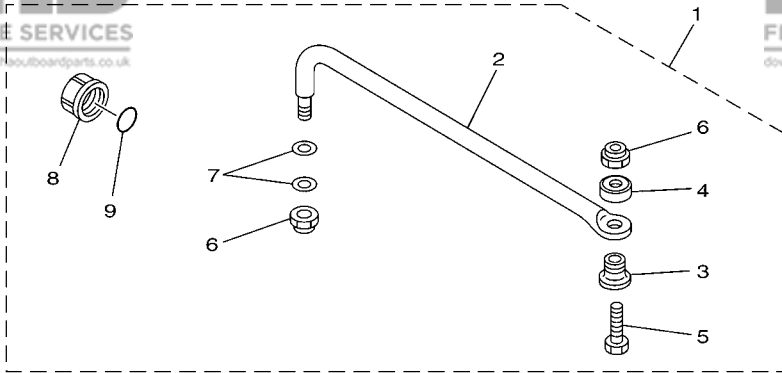
BOITIER D'HELICE TRANSMISSION4

REF. NO.	PART NO. N° PIECES	DESCRIPTION DESCRIPTION	6AL7	6AS6	6AM7	6AT6	REMARKS REMARQUES
21	61B-45978-00	PROPELLER (3X15"X17"-TL) HELICE (3X15"X17"-TL)			1	1	UR UR
	6R1-45970-A1	PROPELLER (3X15-1/4"X19"-ML) HELICE (3X15-1/4"X19"-ML)			1	1	UR UR
	6R1-45972-A0	PROPELLER (3X14-7/8"X21"-ML) HELICE (3X14-7/8"X21"-ML)			1	1	UR UR
	6R1-45974-A0	PROPELLER (3X14-1/2"X23"-ML) HELICE (3X14-1/2"X23"-ML)			1	1	UR UR
	6R1-45976-A0	PROPELLER (3X15-1/4"X15"-ML) HELICE (3X15-1/4"X15"-ML)			1	1	UR UR
	6R1-45978-A0	PROPELLER (3X15-1/4"X17"-ML) HELICE (3X15-1/4"X17"-ML)			1	1	UR UR
	6BS-45B70-00	PROPELLER (4X15"X21"-TL) HELICE (4X15"X21"-TL)			1	1	UR UR
	6BS-45B72-00	PROPELLER (4X15"X22"-TL) HELICE (4X15"X22"-TL)			1	1	UR UR
	6BS-45B74-00	PROPELLER (4X15"X23"-TL) HELICE (4X15"X23"-TL)			1	1	UR UR

COUNTER ROTATION




6AM7110-L310



60V2100-C330

FIG. 34 STEERING GUIDE

FIXATION DE DIRECTION

REF. NO.	PART NO. N° PIECES	DESCRIPTION DESCRIPTION	6AL7	6AS6	6AM7	6AT6	REMARKS REMARQUES
1	6E5-61350-02	STEERING GUIDE ATTACHMENT KIT FIXATIONS DE DIRECTION	1	1			AP AP
2	6E5-61351-01	.ROD, STEERING LINK .RENOI DE DIRECTION	1	1			
3	90387-10M61	.COLLAR .COLLERETTE	1	1			
4	90560-12M01	.SPACER .ENTRETOISE	1	1			
5	6E5-61355-00	.BOLT .BOULON	1	1			
6	90185-09M01	.NUT, SELF-LOCKING .ECROU,AUTO-BLOQUANT	2	2			
7	90201-10M20	.WASHER, PLATE .RONDELLE, PLATE	2	2			
8	6E5-43145-01	.CAP CLAMP BRACKET .CAPUCHON, PRESSE	1	1			
9	93210-16275	.O-RING .JOINT TORIQUE	1	1			
10	6E5-61301-01	TWIN KIT (L:600-800MM) JUMELE KIT (L:600-800MM)			1	1	AP AP
11	6E5-61313-00	.ADJUSTER .TENDEUR			1	1	
12	6E5-61311-11	.TIE BAR .BARRE D'ACCOUPEMENT			1	1	
13	6E5-61315-00	.TIE BAR .BARRE D'ACCOUPEMENT			1	1	
14	6E5-61303-00	.STEERING AXLE COMP. .AXLE COMP.			2	2	
15	90170-14M06	.NUT .ECROU			1	1	
16	95380-14700	.NUT .ECROU			2	2	
17	90201-10M76	.WASHER, PLATE .RONDELLE, PLATE			2	2	
18	90101-09M70	.BOLT .BOULON			2	2	
19	90170-09M05	.NUT .ECROU			2	2	
20	90185-09M01	.NUT, SELF-LOCKING .ECROU,AUTO-BLOQUANT			2	2	

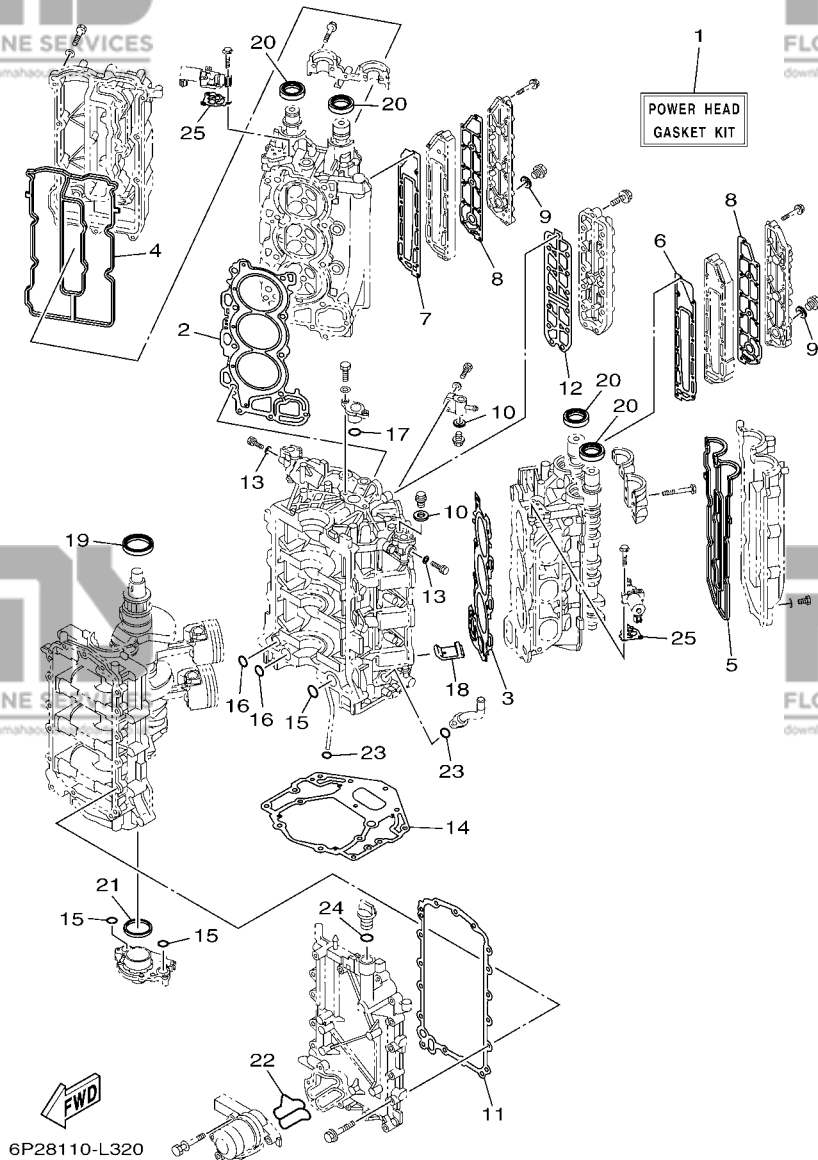


FIG. 35 REPAIR KIT 1

KITS DE REPARATION 1

REF. NO.	PART NO. N° PIECES	DESCRIPTION DESCRIPTION	6AL7	6AS6	6AM7	6AT6	REMARKS REMARQUES
1	6P2-W0001-02	POWER HEAD GASKET KIT POCHETTE DE JINTS TETE MOTRICE	1	1	1	1	
2	6P2-11181-00	.GASKET, CYLINDER HEAD 1 .JOINT, DE CULASSE 1	1	1	1	1	
3	6P2-11182-00	.GASKET, CYLINDER HEAD 2 .JOINT, CULASSE 2	1	1	1	1	
4	6P2-11193-00	.GASKET, HEAD COVER 1 .JOINT, COUVERCLE DE CULASSE 1	1	1	1	1	
5	6P2-11194-00	.GASKET, HEAD COVER 2 .JOINT, COUVERCLE DE CULASSE 2	1	1	1	1	
6	6P2-41112-00	.GASKET, EXHAUST INNER COVER .JOINT, PLAQUE D'ECHAPPEMENT	1	1	1	1	
7	6P2-41122-00	.GASKET, EXHAUST INNER COVER .JOINT, PLAQUE D'EHAPPEMENT	1	1	1	1	
8	6P2-41114-00	.GASKET, EXHAUST OUTER COVER .JOINT, COUVERCLE D'ECHAPPEMENT	2	2	2	2	
9	90430-18130	.GASKET .JOINT	2	2	2	2	
10	90430-14115	.GASKET .JOINT	2	2	2	2	
11	69J-15451-00	.GASKET, CRANKCASE COVER 1 .JOINT, COUVERCLE DE CARTER 1	1	1	1	1	
12	6P2-1131B-00	.GASKET, COVER .JOINT, COUVERCLE	1	1	1	1	
13	90430-05002	.GASKET .JOINT	2	2	2	2	
14	69J-11351-11	.GASKET, CYLINDER .JOINT, D'EMBASE	1	1	1	1	
15	93210-25552	.O-RING .JOINT TORIQUE	3	3	3	3	
16	93210-19MJ1	.O-RING .JOINT TORIQUE	2	2	2	2	
17	93210-25647	.O-RING .JOINT TORIQUE	1	1	1	1	
18	69J-14664-00	.GROMMET, WATER SHUT .PASSE-FIL	2	2	2	2	
19	93102-63008	.OIL SEAL .JOINT SPY	1	1	1	1	
20	93102-38008	.OIL SEAL .JOINT SPY	4	4	4	4	
21	69J-11355-00	.SEAL, CYLINDER 1 .JOINT, SPY CYLINDRE	1	1	1	1	
22	6P2-13477-00	.GASKET .JOINT	1	1	1	1	
23	93210-19MJ3	.O-RING .JOINT TORIQUE	2	2	2	2	
24	93210-24M79	.O-RING .JOINT TORIQUE	1	1	1	1	
25	6CB-1242F-00	.GASKET, FILTER .JOINT, FILTRE	2	2	2	2	

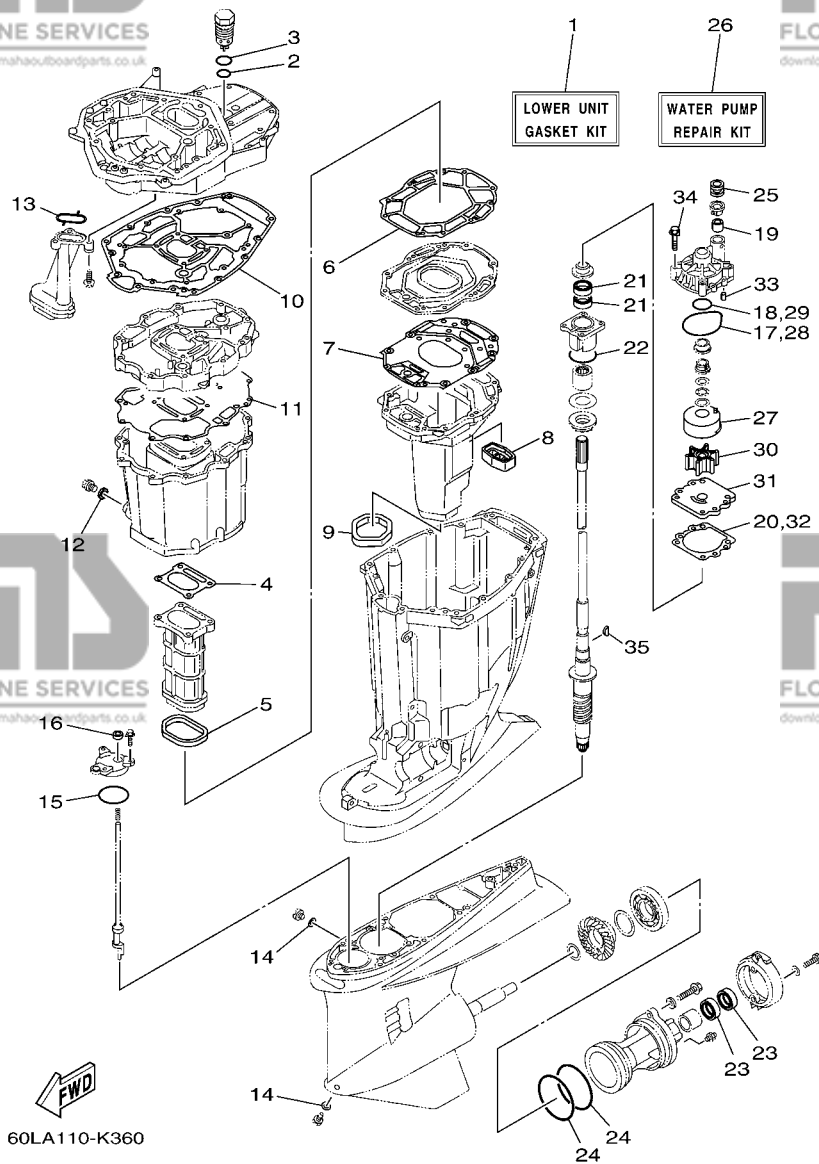


FIG. 36 REPAIR KIT 2

KITS DE REPARATION 2

REF. NO.	PART NO. N° PIECES	DESCRIPTION DESCRIPTION	6AL7	6AS6	6AM7	6AT6	REMARKS REMARQUES
1	69J-W0001-22	LOWER UNIT GASKET KIT POCHETTE DE JOINTS EMBASE	1	1	1	1	
2	93210-28543	.O-RING .JOINT TORIQUE	1	1	1	1	
3	93210-347A1	.O-RING .JOINT TORIQUE	1	1	1	1	
4	6P2-41134-00	.GASKET, EXHAUST MANIFOLD .JOINT, PIPE D'ECHAPPEMENT	1	1	1	1	
5	69J-41138-00	.SEAL, EXT. 1 .JOINT DE GROUPE 1	1	1	1	1	
6	69J-41135-A0	.GASKET, EXHAUST MANIFOLD .JOINT, PIPE D'ECHAPPEMENT	1	1	1	1	
7	6S1-41136-00	.GASKET, EXHAUST MANIFOLD 4 .JOINT, PIPE D'ECHAPPEMENT 4	1	1	1	1	
8	69J-45127-00	.SEAL .JOINT	1	1	1	1	
9	69J-45123-00	.GASKET, MUFFLER .JOINT, POT DE DETENTE	1	1	1	1	
10	69J-45113-20	.GASKET, UPPER CASING .JOINT, TUBE D'ARBRE	1	1	1	1	
11	69J-15312-01	.GASKET, OIL PAN .JOINT DE VENTILATEUR D'HUILE	1	1	1	1	
12	90430-14M09	.GASKET .JOINT	1	1	1	1	
13	69J-13415-00	.SEAL, OIL STRAINER .JOINT, FILTRE A HUILE	1	1	1	1	
14	90430-08020	.GASKET .JOINT	2	2	2	2	
15	93210-64488	.O-RING .JOINT TORIQUE	1	1	1	1	
16	93106-09014	.OIL SEAL .JOINT SPY	1	1	1	1	
17	93210-86M38	.O-RING .JOINT TORIQUE	1	1	1	1	
18	93210-37160	.O-RING .JOINT TORIQUE	1	1	1	1	
19	6E5-44365-00	.DAMPER, WATER SEAL 1 .JOINT, TUBE D'EAU 1	1	1	1	1	
20	6E5-44315-A0	.GASKET, WATER PUMP .JOINT, POMPE A EAU	1	1	1	1	
21	93101-28M16	.OIL SEAL .JOINT SPY	2	2	2	2	
22	93210-55M14	.O-RING .JOINT TORIQUE	1	1	1	1	
23	93101-30M17	.OIL SEAL .JOINT SPY	2	2	2	2	
24	93211-04384	.O-RING .JOINT TORIQUE	2	2	2	2	
25	6E5-44366-00	.DAMPER, WATER SEAL 2 .JOINT, TUBE D'EAU 2	1	1	1	1	
26	61A-W0078-A3	WATER PUMP REPAIR KIT KIT DE REPARATION DE LA POMPE	1	1	1	1	
27	61A-44322-02	.INSERT, CARTRIDGE .CUVETTE	1	1	1	1	

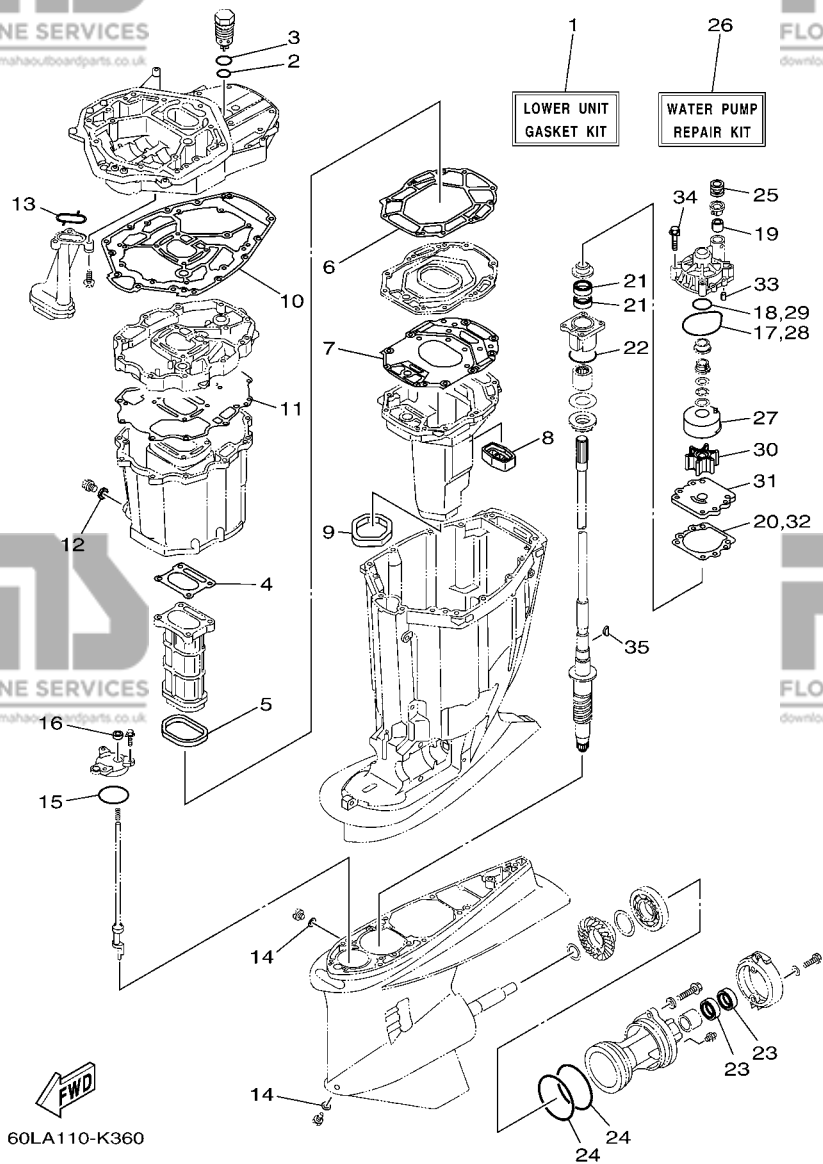


FIG. 36 REPAIR KIT 2

KITS DE REPARATION 2

REF. NO.	PART NO. N° PIECES	DESCRIPTION DESCRIPTION	6AL7	6AS6	6AM7	6AT6	REMARKS REMARQUES
28	93210-86M38	.O-RING .JOINT TORIQUE	1	1	1	1	
29	93210-37160	.O-RING .JOINT TORIQUE	1	1	1	1	
30	6E5-44352-01	.IMPELLER .TURBINE	1	1	1	1	
31	6G5-44323-00	.OUTER PLATE, CARTRIDGE .PLAQUE EXTERIEURE	1	1	1	1	
32	6E5-44315-A0	.GASKET, WATER PUMP .JOINT, POMPE A EAU	1	1	1	1	
33	93606-12019	.PIN, DOWEL .GOUPILLE	2	2	2	2	
34	90119-08M14	.BOLT, WITH WASHER .BOULON, AVEC RONDELLE	4	4	4	4	
35	90280-04M05	.KEY, WOODRUFF .CLAVETTE, DEMI-LUNE	1	1	1	1	

PART NO. N° PIECES	REF. NO.
6P2-11110-10	4 - 2
69J-11119-00	2 - 13
6P2-11119-00	5 - 16
6P2-1111E-00	5 - 17
6P2-11120-10	4 - 10
6S5-11133-10	4 - 3
	4 - 11
6P2-11135-00	4 - 35
6P2-11181-00	4 - 22
	35 - 2
6P2-11182-00	4 - 27
	35 - 3
6P2-11191-00-9S	4 - 34
6P2-11192-00-9S	4 - 43
6P2-11193-00	4 - 38
	35 - 4
6P2-11194-00	4 - 44
	35 - 5
69J-11301-00	4 - 16
69J-11313-00	2 - 49
6P2-1131B-00	2 - 18
	35 - 12
6P2-1131C-00-9S	2 - 15
6E5-11325-00	2 - 16
	5 - 9
	18 - 10
6P2-11325-00	5 - 8
6P3-11325-00	2 - 24
	2 - 29
67F-11325-01	4 - 17
67F-11328-00	4 - 18
69J-11351-11	2 - 46
	35 - 14
69J-11355-00	29 - 16
	35 - 21
6AW-11371-10	28 - 8
676-11372-00	4 - 5
6P2-11372-00	7 - 25
6P2-11377-00	7 - 30
6P2-11410-10	3 - 1
6P2-11416-00	3 - 4
6P2-11416-10	3 - 4
6P2-11416-20	3 - 4
6P2-11417-00	3 - 5
6P2-11417-10	3 - 5
6P2-11417-20	3 - 5
6AW-11426-00	3 - 6
6AW-11427-00	3 - 7

PART NO. N° PIECES	REF. NO.
6CB-11478-00	3 - 2
6P2-11537-01	6 - 17
6P2-11590-01	6 - 25
63P-11603-01	3 - 12
63P-11604-00	3 - 12
6P2-11631-10-93	3 - 11
63P-11633-10	3 - 13
63P-11634-00	3 - 14
6P2-11635-10	3 - 11
6P2-11650-00	3 - 8
63P-11654-10	3 - 9
6P2-11656-00	3 - 10
6P2-11656-10	3 - 10
6P2-11656-20	3 - 10
6P2-12111-10	6 - 1
6CB-12113-00	6 - 4
51Y-12119-00	6 - 7
6P2-12121-10	6 - 2
6P2-12171-10	6 - 9
6P2-12172-10	6 - 13
6P2-12181-10	6 - 11
6P2-12182-10	6 - 15
69J-12233-00	28 - 11
6P2-1240H-00-9S	2 - 22
6P3-1240H-00-9S	2 - 27
67F-12411-01	2 - 20
6P2-12412-00	2 - 21
6CB-1242F-00	5 - 22
	35 - 25
6P2-1243A-00	2 - 36
6P2-1243E-00	2 - 37
6P2-1243F-00	2 - 38
6P2-12481-11	8 - 34
6P2-12482-00	8 - 6
6P2-12483-00	8 - 8
6P2-12484-01	8 - 2
6P2-12485-00	8 - 16
6P2-1248A-00	8 - 17
6P2-1248E-00	8 - 18
6P2-12491-00	18 - 7
68T-12572-00	22 - 13
6R3-12581-00	22 - 14
6R3-12582-00	22 - 15
6R3-12583-00	22 - 16
6P2-12615-00	6 - 22
6P2-12623-00	6 - 19
6P2-12645-10	6 - 18
6P2-12663-00	6 - 20

NUMERICAL INDEX
INDEX NUMERIQUE

PART NO. N° PIECES	REF. NO.
6S5-12858-00	2 - 55
6CB-13016-00	12 - 5
6AW-13119-00	29 - 14
6AW-13132-00	12 - 21
6P2-13160-10	11 - 1
6P2-13161-00	11 - 2
6P2-13170-10	11 - 6
6P2-13171-00	11 - 7
6P2-13300-00	29 - 12
69J-13329-01	29 - 13
69J-13411-00	29 - 8
69J-13415-00	29 - 10
	36 - 13
67F-13434-20	1 - 24
60L-13437-62	16 - 24
69J-13440-01	2 - 54
6P2-13446-00-9S	2 - 56
67F-13448-00	1 - 15
6P2-13477-00	2 - 57
	35 - 22
6P2-13532-10	10 - 3
6P2-13533-00	10 - 2
6P2-13545-00	10 - 7
6P2-13546-00	10 - 10
6P2-13547-00	10 - 18
6P2-13548-10	10 - 19
6P2-13556-00	9 - 4
6P2-13557-00	9 - 5
6P2-13564-00	7 - 3
6P2-13573-00	9 - 11
6P2-13574-00	9 - 21
68V-13577-00	13 - 7
	13 - 13
6P2-13577-00	11 - 5
	11 - 10
6P2-13578-00	9 - 8
6P2-13588-00	9 - 7
6CB-13593-00	12 - 18
6P2-13594-00	7 - 4
6P2-13595-00	10 - 4
69J-13631-00	29 - 15
6P2-13641-00	7 - 13
6P2-13642-00	7 - 16
6P2-13645-00	7 - 14
	7 - 17
6P2-13646-00	7 - 15
6P2-13647-00	7 - 18
6P2-13711-00	9 - 3

PART NO. N° PIECES	REF. NO.
69J-13716-00	12 - 17
6P2-13750-10	9 - 1
6P2-13751-01	9 - 2
6P2-13758-00	10 - 14
6P2-13761-10	11 - 3
	11 - 8
6AW-13781-00	12 - 25
6AW-13784-00	12 - 28
6CB-13906-01	12 - 8
6P2-13907-20	12 - 19
63P-13915-00	12 - 20
6P2-13973-30	13 - 9
6P2-13974-30	13 - 10
6C5-1410B-00	11 - 4
	11 - 9
69J-14137-00	13 - 6
6CB-14146-00	12 - 10
6P2-14149-00	13 - 2
6P2-14159-00	9 - 13
69J-14164-00	9 - 22
6P2-14180-30	12 - 1
6AW-14181-10	12 - 11
6AW-14182-10	12 - 2
6P2-14191-00	12 - 12
6CB-14216-00	12 - 6
6CB-14239-00	12 - 13
6P2-14255-00	9 - 12
6P2-14349-00	10 - 1
68V-14356-00	9 - 24
6P2-14360-00	9 - 6
6P2-14386-00	12 - 32
6P2-1441J-00	7 - 22
6CB-14429-00	12 - 15
63P-14435-00	7 - 34
6P2-14440-00	7 - 21
6CB-1447B-00	12 - 24
6P2-14496-00	9 - 9
6CB-14546-00	12 - 23
6CB-14564-00	12 - 9
63P-14567-00	12 - 16
69J-14624-01	28 - 47
69J-14664-00	2 - 53
	35 - 18
69J-14711-21-9S	28 - 24
	8 - 19
6P2-14752-00	10 - 5
6P2-1475A-10	10 - 5
6P2-1475E-00	10 - 6
6P2-1475F-00	10 - 8

PART NO. N° PIECES	REF. NO.
688-24378-00	8 - 24
	8 - 25
	10 - 17
69J-24378-00	1 - 20
6CE-24378-00	2 - 39
6E5-24378-00	13 - 8
6E5-24379-00	22 - 10
6CB-24410-00	12 - 26
6P2-24419-00	7 - 8
6P2-24422-10	7 - 6
6CB-24452-00	12 - 14
4SV-24453-00	12 - 29
6CB-24460-00	12 - 4
6P3-24469-00	14 - 9
6AW-24491-10	12 - 27
6CB-24492-00	12 - 31
6CB-24501-01	12 - 3
6P3-24519-00	14 - 10
6P3-24560-03	14 - 6
6P3-24562-03	14 - 8
6P3-24563-01	14 - 7
6P3-24564-00	14 - 11
6P2-24566-11	14 - 12
6CB-24592-00	12 - 33
68V-2481H-00	9 - 25
69J-28100-01	14 - 24
67F-2812A-00	18 - 40
6P2-28199-78-D0	14 - 25
6P2-28199-78-E0	14 - 25
6P2-28199-78-F0	14 - 25
6P2-28199-78-G0	14 - 25
6P2-28199-78-H0	14 - 25
6P2-28199-78-S0	14 - 25
6P2-28199-88-K0	14 - 26
6P2-28199-88-L0	14 - 26
6P2-28199-88-M0	14 - 26
6P2-28199-88-N0	14 - 26
6P2-28199-88-P0	14 - 26
6P2-28199-88-R0	14 - 26
69J-41111-01-9S	5 - 1
6P2-41112-00	5 - 5
	35 - 6
69J-41113-02-9S	5 - 3
6P2-41114-00	5 - 7
	35 - 8
69J-41121-01-9S	5 - 2
6P2-41122-00	5 - 6
	35 - 7

PART NO. N° PIECES	REF. NO.
69J-41123-02-9S	5 - 4
69J-41131-11-CA	28 - 15
69J-41132-20-9S	28 - 17
6P2-41134-00	28 - 18
	36 - 4
69J-41135-A0	28 - 21
	36 - 6
6S1-41136-00	28 - 23
	36 - 7
69J-41137-10-CA	28 - 1
69J-41138-00	28 - 20
	36 - 5
6CB-41273-00	23 - 40
69J-42510-00-8D	25 - 5
6AL-42610-20	1 - 1
6AS-42610-20	1 - 1
6P2-42613-00	1 - 2
6P2-42615-00	21 - 8
68F-42647-01	1 - 4
69J-42647-01	1 - 5
68F-42648-01	1 - 13
60V-42651-01	1 - 9
60V-42652-00	1 - 14
68F-42663-00	1 - 12
69J-42663-00	1 - 6
6AL-42677-00	1 - 18
6AS-42677-00	1 - 18
6AL-42678-10	1 - 16
6AS-42678-10	1 - 16
63P-42681-20	1 - 19
6P2-42710-00-8D	21 - 1
648-42715-00	23 - 28
69J-42716-00	21 - 9
61A-42717-00	21 - 18
69J-42717-00	21 - 17
6P2-42717-00	21 - 3
6P2-42718-00	21 - 4
69J-42723-01	19 - 19
6E5-42724-00	28 - 7
6P2-42725-00	21 - 7
6H1-42726-21	21 - 13
61A-42727-00	21 - 15
6P2-42738-00-8D	21 - 2
69J-42741-00-8D	22 - 1
6P2-42743-00	21 - 47
6H4-42748-00	21 - 6
68F-42753-00	21 - 54
6P2-42761-00	2 - 42

PART NO. N° PIECES	REF. NO.
67F-42761-01	2 - 41
6P2-42766-10	21 - 49
69J-42769-00	28 - 30
69J-42771-00-8D	22 - 3
69J-42774-10	22 - 7
6AH-42794-40	21 - 58
6AH-42794-50	21 - 59
69J-42815-00-8D	21 - 29
69J-42816-00-8D	21 - 38
69J-42817-00-8D	21 - 30
63P-42818-01	21 - 33
68V-42818-01	21 - 41
6P2-42828-00-8D	21 - 27
69J-42828-02-8D	21 - 26
68F-42828-11-8D	21 - 36
69J-43111-01-8D	24 - 1
69J-43112-01-8D	24 - 14
6E5-43126-10	24 - 43
6R3-43131-00	24 - 21
61A-43132-00	24 - 12
61A-43133-00	24 - 15
64D-43144-00	21 - 44
6G5-43144-00	24 - 33
6E5-43145-01	34 - 8
6G5-43148-00	24 - 38
61A-43181-01	24 - 35
6G5-43185-02	24 - 36
61A-43311-21-8D	24 - 30
61A-43376-00	25 - 3
69J-43800-04-8D	26 - 1
69J-43801-01	26 - 4
69J-43804-00	27 - 5
69J-43805-00	27 - 4
6CE-4380P-00	26 - 12
6CE-43810-00	26 - 3
61A-43811-00	26 - 9
61A-43813-01	26 - 18
6H1-43814-00	26 - 17
6E5-43816-00	26 - 63
69J-43817-00	27 - 13
61A-43818-00	26 - 25
61A-43818-00	26 - 20
69J-4381C-00	26 - 30
	26 - 35
69J-4381J-00	26 - 64
69J-43820-00	26 - 71
61A-43821-00	26 - 70
61A-43822-00	26 - 69
69J-43828-00	27 - 16

PART NO. N° PIECES	REF. NO.
6H1-43829-00	27 - 19
69J-4382E-00	26 - 11
69J-43830-01	26 - 33
69J-43831-00	26 - 66
69J-43833-00	26 - 21
61A-43835-01	26 - 19
6CE-43840-00	26 - 2
6CJ-43841-00	26 - 42
6CJ-43843-00	26 - 53
6CJ-43844-00	26 - 50
6H1-43844-10	26 - 55
69J-43845-00	26 - 28
69A-4384F-00	26 - 39
69J-4384G-00	26 - 58
6H1-4384G-11	26 - 54
69J-4384H-00	26 - 10
61A-4384H-10	26 - 74
6CJ-4384M-00	26 - 38
69J-43851-00	26 - 49
69J-43853-00	26 - 45
69J-43854-00	26 - 57
69J-43855-00	26 - 52
6H1-43856-10	26 - 56
61A-43861-00	26 - 14
	26 - 16
	26 - 67
69J-43861-00	27 - 6
6H1-43861-00	26 - 6
6D8-43863-00	26 - 27
61A-43864-00	26 - 73
6H1-43869-00	27 - 15
60V-4386A-00	26 - 44
69J-4386K-00	27 - 10
61A-43871-00	26 - 15
69J-43871-00	26 - 62
6H1-43872-00	26 - 7
61A-43874-00	26 - 72
6H1-43875-00	26 - 29
6T4-43875-01	26 - 68
61A-43875-10	26 - 75
61A-43876-00	26 - 26
CS3-4387G-00	26 - 59
69J-43880-01	27 - 1
69J-43881-01	27 - 11
69J-43882-00	27 - 8
6H1-43883-00	26 - 43
69J-43886-00	27 - 7
69J-43888-00	27 - 17

PART NO. N° PIECES	REF. NO.
69J-4388E-01	26 - 23
69J-4388F-00	27 - 14
69J-4388H-00	27 - 12
69J-4388J-00	26 - 20
69J-43891-00	27 - 9
6CJ-43893-00	26 - 46
69J-43894-00	26 - 41
69J-43899-01	26 - 31
61A-4389H-01	26 - 8
69J-4389J-00	26 - 32
	26 - 36
69J-44117-00	23 - 7
69J-44118-00	23 - 27
69J-44120-00	23 - 33
69J-44120-10	23 - 33
6P2-44121-00	23 - 22
69J-44122-00	23 - 23
6P2-44139-00	23 - 39
69J-44150-00	30 - 15
69K-44150-00	32 - 17
69J-44176-01	23 - 10
61A-44311-01	30 - 18
	32 - 20
6E5-44312-00	30 - 23
	32 - 25
6E5-44315-A0	30 - 31
	32 - 33
	36 - 20
61A-44322-02	30 - 19
	32 - 21
	36 - 27
6G5-44323-00	30 - 30
	32 - 32
	36 - 31
6E5-44352-01	30 - 24
	32 - 26
	36 - 30
6S1-44361-01	31 - 3
	33 - 3
6S1-44361-11	31 - 3
6E5-44365-00	30 - 22
	31 - 1
	32 - 24
	33 - 1
	36 - 19
663-44366-00	30 - 6
	32 - 8

PART NO. N° PIECES	REF. NO.
6E5-44366-00	28 - 51
	31 - 2
	33 - 2
	36 - 25
6P2-44391-00	21 - 16
61A-44511-01	25 - 31
69J-44514-00	25 - 23
6G5-44526-00	24 - 3
69J-44532-00	25 - 26
69J-44533-00	25 - 30
68F-44533-01	2 - 43
69J-44551-00-8D	25 - 10
61A-44552-01-CA	25 - 21
60X-44555-00	25 - 13
61A-44575-00	25 - 12
69J-45111-10-8D	28 - 29
69J-45113-20	28 - 31
	36 - 10
69J-45123-00	28 - 28
	36 - 9
69J-45127-00	28 - 27
	36 - 8
69J-45151-00-8D	22 - 8
69J-45152-10	28 - 35
61A-45155-00	28 - 39
69J-45159-00	28 - 53
69J-45181-10-9S	28 - 22
69J-45211-02-8D	28 - 50
61A-45214-11	31 - 10
	33 - 10
61A-45215-11	31 - 11
	33 - 11
6G5-45251-02	24 - 2
69J-45300-22-8D	30 - 1
69K-45300-22-8D	32 - 1
69J-45300-32-8D	30 - 1
61A-45301-10-8D	30 - 2
	32 - 2
69J-45318-01	28 - 37
61A-45321-01	30 - 11
	32 - 13
61A-45331-00-9S	30 - 34
	32 - 36
69J-45332-00	30 - 60
69K-45332-00	32 - 62
688-45341-10	30 - 8
	32 - 10
6E5-45344-00	30 - 40

PART NO. N° PIECES	REF. NO.
6E5-45344-00	32 - 42
69J-45361-00-8D	30 - 71
	32 - 76
61A-45371-00	31 - 14
	33 - 14
69J-45375-00	31 - 9
	33 - 9
61A-45376-00	30 - 10
	32 - 12
61A-45378-00	28 - 44
61B-45383-00	32 - 67
69K-45384-00	32 - 68
69J-45501-00	30 - 43
	32 - 45
61A-45501-30	30 - 43
61A-45527-00	30 - 27
	32 - 29
61A-45538-00	30 - 26
	32 - 28
61B-45538-01	32 - 4
6P2-45551-01	30 - 44
	32 - 46
6P2-45560-00	30 - 47
6P3-45560-00	32 - 49
61A-45567-00	30 - 5
	32 - 7
61A-45567-10	30 - 5
	32 - 7
61A-45567-20	30 - 5
	32 - 7
61A-45567-30	30 - 5
	32 - 7
61A-45567-40	30 - 5
	32 - 7
61A-45567-50	30 - 5
	32 - 7
61A-45567-60	30 - 5
	32 - 7
6P2-45571-00	30 - 62
6P3-45571-00	32 - 64
61A-45577-00	30 - 64
69K-45577-00	32 - 69
61A-45577-10	30 - 64
69K-45577-10	32 - 69
61A-45577-20	30 - 64
69K-45577-20	32 - 69
61A-45577-30	30 - 64
69K-45577-30	32 - 69



FLOOD MARINE SERVICES
downloaded from www.yamahaboards.com

PART NO. N° PIECES	REF. NO.
61A-45577-40	30 - 64
69K-45577-40	32 - 69
61A-45577-50	30 - 64
69K-45577-50	32 - 69
61A-45577-60	30 - 64
69K-45577-60	32 - 69
6K1-45578-01	32 - 66
6K1-45578-10	32 - 66
6K1-45578-20	32 - 66
6K1-45578-30	32 - 66
6K1-45578-40	32 - 66
6K1-45578-50	32 - 66
6K1-45578-60	32 - 66
61A-45587-00	30 - 37
	32 - 39
61A-45587-10	30 - 37
	32 - 39
61A-45587-20	30 - 37
	32 - 39
61A-45587-30	30 - 37
	32 - 39
61A-45587-40	30 - 37
	32 - 39
61A-45587-50	30 - 37
	32 - 39
61A-45587-60	30 - 37
	32 - 39
69J-45611-00	30 - 48
69K-45611-00	32 - 50
69J-45631-00	30 - 52
	32 - 54
61A-45632-00	30 - 51
	32 - 53
61A-45633-00	30 - 53
	32 - 55
61A-45634-01	30 - 50
	32 - 52
61A-45635-00	30 - 55
	32 - 57
61B-45641-01	32 - 51
61A-45641-02	30 - 49
6H1-45668-00	30 - 54
	32 - 56
6K1-45970-01	33 - 21
6G5-45970-02	31 - 21
6R1-45970-A1	33 - 21
6R4-45970-A1	31 - 21
61A-45972-00	31 - 21

PART NO. N° PIECES	REF. NO.
61B-45972-00	33 - 21
6K1-45972-01	33 - 21
6G5-45972-02	31 - 21
6R1-45972-A0	33 - 21
6R4-45972-A0	31 - 21
61A-45974-00	31 - 21
61B-45974-00	33 - 21
6K1-45974-02	33 - 21
6G5-45974-03	31 - 21
6R1-45974-A0	33 - 21
6R4-45974-A0	31 - 21
61A-45978-00	31 - 21
61B-45978-00	33 - 21
6K1-45978-02	33 - 21
6G5-45978-03	31 - 21
6R1-45978-A0	33 - 21
6R4-45978-A0	31 - 21
69J-45987-00	31 - 16
	33 - 16
6CE-45997-00	31 - 17
	33 - 17
688-45997-01	31 - 17
	33 - 17
6BR-45B70-00	31 - 21
6BS-45B70-00	33 - 21
6BR-45B72-00	31 - 21
6BS-45B72-00	33 - 21
6BR-45B74-00	31 - 21
6BS-45B74-00	33 - 21
6P2-46241-01	6 - 24
6E5-48344-00	23 - 5
	23 - 42
6P2-48531-00	23 - 1
63P-48538-00	23 - 3
6E5-61301-01	34 - 10
6E5-61303-00	34 - 14
6E5-61311-11	34 - 12
6E5-61313-00	34 - 11
6E5-61315-00	34 - 13
6E5-61350-02	34 - 1
6E5-61351-01	34 - 2
6E5-61355-00	34 - 5
6P2-81128-00	16 - 23
6P2-81332-00	16 - 17
6P2-81336-00	18 - 47
6P2-81337-00	16 - 19



FLOOD MARINE SERVICES
downloaded from www.yamahaboards.com

NUMERICAL INDEX
INDEX NUMERIQUE

PART NO. N° PIECES	REF. NO.
6P2-81450-00	16 - 1
6P2-81460-00	16 - 2
6P2-81614-00	18 - 2
6P2-81639-00	18 - 43
6BR-81800-01	20 - 1
69J-81801-00	20 - 5
67F-81807-00	20 - 10
67F-81808-00	20 - 8
67F-81809-00	20 - 19
67F-81810-00	20 - 3
67F-81813-00	20 - 6
67F-81820-00	20 - 7
67F-81821-00	20 - 13
6K7-81826-11	20 - 24
69J-81828-00	20 - 25
67F-81830-00	20 - 17
67F-81832-00	20 - 11
67F-81836-00	20 - 12
6C5-81839-00	20 - 21
67F-8183R-00	20 - 16
60V-8183T-00	20 - 18
6P2-8183X-00	18 - 29
69J-81840-00	20 - 4
67F-81841-00	20 - 14
69J-81842-00	20 - 20
6P2-81845-00	17 - 7
67F-81846-00	20 - 26
67F-81850-00	20 - 2
67F-81857-00	20 - 9
6C5-81869-00	20 - 23
67F-81891-00	20 - 15
6P2-81919-31	18 - 57
6P2-81919-40	18 - 56
6P2-81923-00	18 - 58
6P2-81925-01	18 - 13
63P-81941-00	20 - 22
6P2-81948-00	18 - 19
69J-81949-02	19 - 23
63P-81950-00	18 - 25
68F-8195A-00	18 - 45
6P2-81960-02	18 - 1
6P2-81972-00-9S	18 - 4
60V-81975-A0	18 - 3
6AH-81994-40	16 - 25
6AH-81994-50	16 - 26
6AH-81996-00	21 - 60
6P2-82105-01	18 - 62
6P2-82113-00	18 - 42

FLOOD MARINE SERVICES
downloaded from www.yamahaboards.com

FLOOD MARINE SERVICES
downloaded from www.yamahaboards.com



FLOOD MARINE SERVICES
downloaded from www.yamahaboards.com

PART NO. N° PIECES	REF. NO.
6P2-82119-00	18 - 33
69J-82147-00	24 - 32
6E5-82148-00	24 - 9
6H1-82148-00	24 - 6
6E5-82149-00	25 - 16
67F-82151-00	18 - 36
6P2-82151-00	18 - 35
67F-82151-10	18 - 37
67F-82151-40	18 - 38
67F-82151-50	18 - 39
6P2-82170-10	18 - 34
6P2-82310-01	17 - 17
6P2-82314-00	17 - 20
6P2-82316-00	17 - 4
6A0-82317-00	17 - 14
	18 - 22
663-82317-01	16 - 20
6P2-82380-00	9 - 10
6P2-82389-00	2 - 63
6P3-82553-00	19 - 17
6P2-82554-00	21 - 23
6P2-82560-01	2 - 61
69J-82563-00	19 - 16
6P2-8257V-00	16 - 4
	17 - 1
6P2-82582-00	19 - 2
6P2-82582-10	19 - 3
69J-82587-00	19 - 20
6E5-82588-00	21 - 19
6P2-82588-00	2 - 62
61A-82588-01	23 - 17
6P2-82589-00	19 - 5
6P2-8258A-00	9 - 23
6P2-82590-40	19 - 1
6P2-82594-00	21 - 56
60V-8259F-00	23 - 15
69J-8259F-00	23 - 16
6P2-8259M-00	18 - 54
68F-82846-00	18 - 41
6E5-83558-00	28 - 41
6P2-83597-00	2 - 65
69J-83614-10	19 - 21
6AW-83651-00	2 - 64
6P2-83652-00	5 - 24
69J-8366G-02	21 - 51
69J-83672-11	25 - 1
6P2-85075-00	17 - 26
	17 - 30

FLOOD MARINE SERVICES
downloaded from www.yamahaboards.com

FLOOD MARINE SERVICES
downloaded from www.yamahaboards.com



FLOOD MARINE SERVICES
downloaded from www.yamahaboards.com



FLOOD MARINE SERVICES
downloaded from www.yamahaboards.com

PART NO. N° PIECES	REF. NO.
6P2-85544-00	18 - 44
689-85547-00	14 - 1
6P2-85580-00	16 - 6
6P2-85722-00	19 - 9
6P2-85780-00	2 - 66
61A-85790-00	17 - 23
63P-85886-00	7 - 33
6P2-85896-00	17 - 25
6P2-85897-00	17 - 29
6AL-8591A-10	17 - 2
6AS-8591A-10	17 - 2
6C5-86120-00	9 - 20
6CB-86120-00	5 - 21
6P2-8A410-01	23 - 38
K0F-A3741-00	6 - 5
K0F-A3742-00	6 - 6
K0F-A3743-00	6 - 3
K0F-A3751-00	6 - 8
K0F-A3751-10	6 - 8
K0F-A3751-20	6 - 8
K0F-A3751-30	6 - 8
K0F-A3751-40	6 - 8
K0F-A3751-50	6 - 8
K0F-A3751-60	6 - 8
K0F-A3751-70	6 - 8
K0F-A3751-80	6 - 8
K0F-A3751-90	6 - 8
K0F-A3751-A0	6 - 8
K0F-A3751-B0	6 - 8
K0F-A3751-C0	6 - 8
K0F-A3751-D0	6 - 8
K0F-A3751-E0	6 - 8
K0F-A3751-F0	6 - 8
K0F-A3751-G0	6 - 8
K0F-A3751-H0	6 - 8
K0F-A3751-J0	6 - 8
K0F-A3751-K0	6 - 8
K0F-A3751-L0	6 - 8
K0F-A3751-M0	6 - 8
K0F-A3751-N0	6 - 8
K0F-A3751-P0	6 - 8
K0F-A3751-R0	6 - 8
K0F-A3751-S0	6 - 8
K0F-A3751-T0	6 - 8
K0F-A3753-00	6 - 8
K0F-A3753-10	6 - 8
K0F-A3753-20	6 - 8
K0F-A3753-30	6 - 8
K0F-A3753-40	6 - 8
K0F-A3753-50	6 - 8
K0F-A3753-60	6 - 8
K0F-A3753-70	6 - 8
6P2-W0001-02	35 - 1
69J-W0001-22	36 - 1
6AS-W0070-00	1 - 17
61A-W0078-A3	36 - 26
6P2-W009A-03-9S	4 - 1
6P2-W009B-06-9S	2 - 1
6P2-W009C-03-9S	4 - 9
90101-09M70	34 - 18
90101-12M05	24 - 47
90101-14002	25 - 17
90101-14003	25 - 27
90105-05012	2 - 25
	2 - 30
90105-06035	5 - 23
90105-06M07	4 - 19
90105-06M09	2 - 14
	5 - 18
90105-08049	30 - 68
	32 - 73
90105-10M00	31 - 15
	33 - 15
90109-06M80	2 - 23
	2 - 28
90109-06M81	21 - 20
90109-06M82	21 - 5
	21 - 28
	21 - 37
	21 - 48
90109-06M86	19 - 22
	21 - 22
	21 - 24
	21 - 45
	21 - 52
	21 - 57
	23 - 2
90109-06MA1	16 - 22
90109-08019	23 - 13
90110-06038	7 - 5
90110-06150	4 - 42
	4 - 48
90111-06111	22 - 4
	22 - 9
90111-06113	22 - 5
90116-10012	28 - 54

FLOOD MARINE SERVICES
downloaded from www.yamahaboards.com

FLOOD MARINE SERVICES
downloaded from www.yamahaboards.com



FLOOD MARINE SERVICES
downloaded from www.yamahaboards.com



FLOOD MARINE SERVICES
downloaded from www.yamahaboards.com

PART NO. N° PIECES	REF. NO.
90116-10027	2 - 12
90119-06025	2 - 58
90119-06027	5 - 13
90119-06122	11 - 11
90119-06126	23 - 41
90119-06M10	30 - 14
	32 - 16
90119-06M17	14 - 13
	28 - 46
90119-06M24	7 - 10
90119-06M35	7 - 24
90119-06M59	9 - 16
	17 - 16
90119-06M82	17 - 3
90119-06M92	17 - 22
90119-06M95	18 - 24
90119-06MA3	18 - 5
90119-06MA4	2 - 19
90119-06MA5	18 - 6
90119-06MA6	7 - 12
90119-07001	4 - 7
90119-07234	4 - 8
	4 - 15
90119-07235	4 - 14
90119-08009	2 - 11
90119-08021	4 - 26
	4 - 31
90119-08102	28 - 2
90119-08M14	30 - 33
	32 - 35
	36 - 34
90119-08M22	21 - 10
90119-08M66	2 - 7
90119-08M91	4 - 25
	4 - 30
90119-10007	28 - 32
90119-10008	31 - 8
90119-10009	28 - 57
90119-10024	24 - 29
	25 - 22
	25 - 32
90119-10050	6 - 21
90119-10M07	6 - 28
90119-10MA2	31 - 8
	33 - 8
90151-06M02	5 - 11
90152-05003	31 - 12
	33 - 12

NUMERICAL INDEX
INDEX NUMERIQUE

PART NO. N° PIECES	REF. NO.
90206-14N50	27 - 2
90206-15M18	21 - 32
	21 - 40
90206-22M19	30 - 29
	32 - 31
90249-06M19	24 - 39
90269-05005	21 - 50
90280-04M05	30 - 25
	32 - 27
	36 - 35
90280-05015	16 - 14
90340-08002	30 - 7
	32 - 9
90340-14M06	2 - 32
	5 - 19
	29 - 6
90340-18M09	5 - 14
90344-51019	4 - 4
	4 - 12
90386-06M12	23 - 26
90386-10M16	24 - 37
90386-12069	23 - 12
90386-15M73	21 - 31
	21 - 39
90386-18M14	24 - 45
	26 - 24
90386-18M63	24 - 44
90386-25M31	24 - 22
90386-39M89	25 - 7
90386-90M90	23 - 35
90387-06037	28 - 12
90387-06044	17 - 21
90387-06119	17 - 15
	18 - 23
	29 - 9
90387-06263	19 - 6
90387-06M26	9 - 18
90387-06M60	14 - 15
	21 - 12
90387-08M37	24 - 40
90387-10M05	34 - 3
90387-10M61	2 - 26
90430-05002	2 - 31
	35 - 13
90430-06M03	4 - 20
90430-08020	30 - 9
	32 - 11
	36 - 14

PART NO. N° PIECES	REF. NO.
90430-14115	2 - 33
	5 - 20
	35 - 10
90430-14M09	29 - 7
	36 - 12
90430-18130	5 - 15
	35 - 9
90445-07010	28 - 43
90445-07012	28 - 43
90445-09040	8 - 1
90445-09041	8 - 12
90445-09097	8 - 14
90445-09220	8 - 15
90445-09224	8 - 13
90445-09304	8 - 32
90445-11028	22 - 17
90445-11182	1 - 23
90445-11699	1 - 22
90445-11M27	1 - 21
90445-11M47	22 - 11
90445-13511	14 - 3
90446-10M01	8 - 9
90447-13009	22 - 12
90462-08026	18 - 48
90462-08032	16 - 3
	17 - 31
90462-20001	21 - 21
90464-06001	16 - 5
90464-08004	19 - 12
90464-08051	17 - 13
90464-09010	19 - 14
90464-09013	23 - 21
90464-09M47	8 - 26
	18 - 55
	21 - 25
90464-10M57	19 - 18
90464-11121	19 - 18
90464-12009	17 - 10
	13 - 16
	14 - 20
90464-12010	13 - 14
	14 - 21
	13 - 1
90464-12012	17 - 11
90464-13249	17 - 11
90464-18001	21 - 53
90464-18004	10 - 21
	10 - 22
	18 - 12
	22 - 20

PART NO. N° PIECES	REF. NO.
90464-18005	13 - 15
90464-18246	19 - 13
90464-19M45	17 - 5
	19 - 8
90464-20011	7 - 31
90464-20258	21 - 55
90464-21002	8 - 35
90464-23199	17 - 6
90464-60067	8 - 10
	8 - 33
90464-99004	7 - 23
90465-06M86	23 - 20
90465-08M83	24 - 18
	24 - 26
90465-11M10	2 - 67
	7 - 32
	8 - 4
	8 - 11
	8 - 27
	8 - 28
	8 - 29
	8 - 31
	14 - 5
	14 - 19
	14 - 22
	21 - 14
	22 - 18
	23 - 19
	24 - 25
	28 - 42
90465-11M59	2 - 40
90465-13M18	7 - 20
	18 - 16
	18 - 20
	19 - 15
90465-14M66	17 - 12
	18 - 21
	19 - 4
	19 - 7
90467-08M18	5 - 28
	8 - 30
	8 - 36
90467-09M03	8 - 5
90468-18008	23 - 6
	23 - 25
	23 - 43
90480-10M23	9 - 17
90480-12314	16 - 21

PART NO. N° PIECES	REF. NO.
90480-14018	14 - 14
90480-14M17	22 - 6
90480-22M81	21 - 11
90501-10M77	30 - 58
	32 - 60
90501-11M10	30 - 17
	32 - 19
90501-12082	23 - 30
90506-16003	24 - 42
90506-18M40	21 - 46
90508-20020	23 - 14
90560-12M01	34 - 4
91318-05025	26 - 60
91318-05040	26 - 65
91490-20015	23 - 37
91490-40030	31 - 20
	33 - 20
91690-30010	23 - 4
	23 - 32
91690-30020	24 - 41
91690-40010	5 - 12
91809-08006	4 - 6
	4 - 13
91814-18002	2 - 4
92903-06600	18 - 28
92903-08100	18 - 61
92903-08600	20 - 28
92907-04600	4 - 37
92990-05100	16 - 8
92990-05600	16 - 9
92990-06100	1 - 7
92990-10600	17 - 24
92990-18200	31 - 18
	33 - 18
92995-06100	7 - 28
	16 - 12
	18 - 31
	18 - 52
92995-06600	1 - 11
	2 - 35
	2 - 45
	2 - 52
	4 - 33
	4 - 40
	4 - 46
	5 - 26
	7 - 29
	14 - 17



FLOOD MARINE SERVICES
downloaded from www.yamahaoutboardparts.co.uk

PART NO. N° PIECES	REF. NO.
92995-06600	16 - 13
	17 - 9
	17 - 19
	17 - 28
	17 - 33
	18 - 9
	18 - 32
	18 - 50
	18 - 53
	19 - 11
	23 - 9
	24 - 5
	24 - 8
	24 - 11
	24 - 20
	24 - 28
	28 - 14
92995-08600	18 - 15
	18 - 18
	30 - 42
	30 - 73
	32 - 44
	32 - 78
92995-10100	31 - 6
	33 - 6
92995-10600	28 - 4
	28 - 55
	31 - 7
	33 - 7
92995-14600	25 - 20
	25 - 29
	30 - 35
	32 - 37
	36 - 21
93101-28M16	30 - 66
	32 - 71
	36 - 23
93102-38008	6 - 23
	35 - 20
93102-63008	3 - 3
	35 - 19
93106-09014	30 - 13
	32 - 15
	36 - 16
93106-19N50	26 - 5
93210-064A5	26 - 51
93210-08391	26 - 48
93210-09165	23 - 34



FLOOD MARINE SERVICES
downloaded from www.yamahaoutboardparts.co.uk

PART NO. N° PIECES	REF. NO.	PART NO. N° PIECES	REF. NO.	
93341-670V0	27 - 18	93341-670V0	32 - 6	
93210-16275	34 - 9	93341-93020	30 - 38	
93210-17239	26 - 22		32 - 40	
93210-19MJ1	2 - 48	93399-999T6	27 - 3	
	35 - 16	93410-18M05	24 - 46	
93210-19MJ3	7 - 26	93410-37M04	25 - 11	
	29 - 21	93420-36M01	28 - 38	
	35 - 23	93501-04011	30 - 59	
93210-24M79	2 - 60		32 - 61	
	35 - 24	93501-04M02	23 - 29	
93210-25552	2 - 47	93501-08001	26 - 47	
	29 - 18	93503-16003	26 - 37	
	35 - 15	93505-32038	26 - 13	
93210-25647	2 - 50		26 - 34	
	35 - 17	93604-35236	26 - 61	
93210-28543	28 - 10	93605-10108	6 - 10	
	36 - 2		6 - 12	
93210-347A1	28 - 9		6 - 14	
	36 - 3		6 - 16	
93210-35321	25 - 8	93606-12019	2 - 3	
93210-37160	30 - 21		2 - 10	
	32 - 23		28 - 45	
	36 - 18		30 - 32	
	36 - 29	97095-06025	2 - 34	
93210-55M14	30 - 39		36 - 33	
	32 - 41	93606-19M23	28 - 26	
	36 - 22	93608-12M05	28 - 52	
93210-64488	30 - 12		31 - 4	
	32 - 14		33 - 4	
	36 - 15	93608-16M16	28 - 6	
93210-86M38	30 - 20		28 - 16	
	32 - 22		28 - 33	
	36 - 17		29 - 5	
	36 - 28	93700-06M01	23 - 11	
	30 - 67	93700-06M03	24 - 17	
	32 - 72		24 - 31	
	36 - 24	93700-09M00	30 - 70	
93306-210U0	30 - 61		32 - 75	
93311-83280	30 - 3	94702-00400	4 - 49	
	32 - 3	95333-08600	18 - 60	
93315-43061	30 - 65	95380-06600	1 - 8	
	32 - 70	95380-10600	28 - 56	
93315-660W3	32 - 5	95380-12600	24 - 50	
93317-330U2	30 - 36	95380-14700	34 - 16	
	32 - 38	95780-10300	25 - 4	
93332-00048	32 - 63	95812-06025	29 - 11	
93332-000W1	30 - 4	95895-06010	28 - 40	
93341-440U5	32 - 65	95895-06016	29 - 22	
			97095-06014	14 - 16
			97095-06012	17 - 32
			97095-06016	1 - 10
			97095-06020	2 - 51
			97095-06035	16 - 11
			97095-08016	18 - 17
			97095-08020	18 - 14
			97095-08025	30 - 72
			97095-10045	31 - 5
			97575-06516	7 - 7
			97575-06535	23 - 31
			97575-06540	29 - 17
			97575-08535	28 - 25
			97575-08540	4 - 21

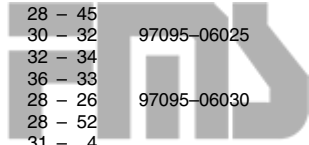


FLOOD MARINE SERVICES
downloaded from www.yamahaoutboardparts.co.uk

PART NO. N° PIECES	REF. NO.
97575-08540	7 - 1
	7 - 11
97575-08560	29 - 3
97575-08590	28 - 19
97575-10535	28 - 5
97595-06610	18 - 26
97780-50620	18 - 46
97780-60520	22 - 19
97880-05012	16 - 7
97885-06010	24 - 13
	24 - 16
97885-06012	24 - 10
	24 - 19
97980-06216	28 - 48
97985-04116	23 - 18
97985-06210	16 - 18
97985-06216	25 - 2
98507-04008	4 - 36
	12 - 30
98780-04015	2 - 17
	5 - 10
	18 - 11
99001-08600	30 - 16
	32 - 18
99002-03600	26 - 40
99530-08012	16 - 10
99530-10114	7 - 2
99530-14016	4 - 23
	4 - 28
	6 - 27



FLOOD MARINE SERVICES
downloaded from www.yamahaoutboardparts.co.uk



FLOOD MARINE SERVICES
downloaded from www.yamahaoutboardparts.co.uk



FLOOD MARINE SERVICES
downloaded from www.yamahaoutboardparts.co.uk



FLOOD MARINE SERVICES
downloaded from www.yamahaoutboardparts.co.uk



FLOOD MARINE SERVICES
downloaded from www.yamahaoutboardparts.co.uk



FLOOD MARINE SERVICES
downloaded from www.yamahaoutboardparts.co.uk