

PARTS CATALOGUE CATALOGUE DE PIÈCES DÉTACHÉES

F30B'11 (6BT3)
F40F'11 (6BG3)



1K6BT-300F1

()

F30B/F40F
PARTS CATALOGUE
©2010 by Yamaha Motor Co., Ltd.
1st edition, June 2010
All rights reserved.
Any reprinting or unauthorized use
without the written permission of
Yamaha Motor Co., Ltd.
is expressly prohibited.
Printed in Japan.

F30B/F40F
CATALOGUE DE PIÈCES DÉTACHÉES
©2010 par Yamaha Motor Co., Ltd.
1^{re} édition, juin 2010
Tous droits réservés
Toute réimpression ou utilisation
non autorisée sans la permission écrite
de la Yamaha Motor Co., Ltd.
est formellement interdite.
Imprimé au Japon

FOREWORD

This Parts Catalogue is related to the parts for the model(s) on the cover page. When you are ordering replacement parts, please refer to this Parts Catalogue and quote both part numbers and part names correctly.

1. Modifications or additions which have been made after the issue of the Parts Catalogue will be announced in the Parts News. It is advisable that you make the necessary corrections to the Parts Catalogue according to the Parts News.

2. Abbreviations
The following abbreviations are used in this Parts Catalogue.

- “UR” Use specified parts number.
- “UN” Use as many as needed.
- “AP” Alternate Parts
- “LM” Locally Made (Parts need to be ordered locally)
- “F#” Frame No. (Applicable machine No.)
- “O/S” Over Size

3. The number of components for assembly

- Parts, which are to be supplied in an assembly, are listed with a dot (.) in front of the part name as shown below.
- The numeral appearing to the right of each component part indicates the quantity of parts for each assembly unit.

| PART NO. | DESCRIPTION | Q'TY | REMARKS |
|--------------|--------------------------|------|---------|
| 2F5-83310-60 | FRONT FLASHER LIGHT ASSY | 2 | |
| 115-83311-60 | .BULB (6V-18W) | 1 | |

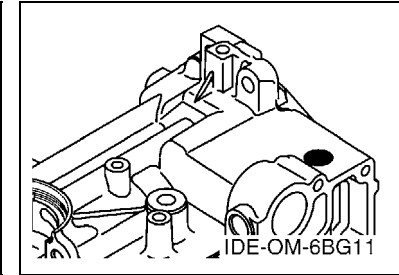
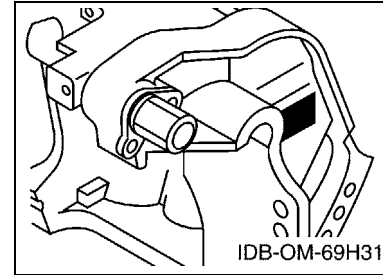
4. Applicable colours of graphics are represented in the “REMARKS” as shown below.

| PART NO. | DESCRIPTION | Q'TY | REMARKS |
|-----------------|---------------------|------|---------|
| 2N4-24110-00-X5 | FUEL TANK COMP. | 2 | MXR |
| 3J1-24240-10 | .GRAPHIC, FUEL TANK | 1 | FOR MXR |

5. Note that the illustrations for reference in finding parts numbers are not to be used for assembling. When assembling, please use the applicable service manual.

6. The asterisk (*) before a reference number indicates modified items after the first edition.
7. Applicable Serial No.

Engine Serial No.



8. Applicable Engine Starting Serial No.

| Model | Serial No. | Model | Serial No. |
|-------|-------------|-------|-------------|
| F30B | 6BT-1002256 | F40F | 6BG-1011106 |
| | | | |
| | | | |

9. Applicable Colour Code

| Abbreviation | Colour Name | Colour Code |
|--------------|--------------------|-------------|
| DBN1 | DARK BLUISH GRAY 1 | 008D |

10. Quantity Column Information

| Column No. | Name Of Q'ty Column | Applicable Model |
|------------|---------------------|------------------|
| 1 | ET | F30BET,F40FET |
| 2 | ED | F40FED |
| 3 | EHD | F30BEHD,F40FEHD |
| | | |
| | | |

AVANT-PROPOS

Ce catalogue de pièces détachées concerne les pièces pour le(s) modèle(s) indiqué(s) sur la page de couverture. Lorsque vous commandez des pièces de rechange, veuillez vous référer à ce catalogue de pièces détachées et indiquer clairement les numéros et les noms des pièces détachées.

1. Les modifications ou ajouts ayant été effectués après la parution du catalogue de pièces détachées seront décrits dans les Bulletins d'information concernant les pièces détachées.

Il est recommandé que vous apportiez les corrections nécessaires au catalogue des pièces détachées en vous référant aux Bulletins d'information.

2. Abréviations

Dans ce catalogue, les abréviations suivantes sont utilisées:

“UR” Utiliser le numéro de pièces spécifié.

“UN” Utiliser autant que nécessaire.

“AP” Pièces de substitution

“LM” Fabrication locale (les pièces doivent être commandées localement.)

“F#” N° de cadre (applicable au N° de série)

“O/S” Surdimensionné

3. Nombre de pièces d'un assemblage

- Les pièces fournies comme composants d'un assemblage sont précédées d'un point (.) de la manière indiquée ci-dessous.
- Le chiffre apparaissant à la droite de chaque composant indique la quantité de pièces pour chaque unité d'assemblage.

| N° PIECES | DESCRIPTION | QTE | REMARQUES |
|--------------|-----------------------|-----|-----------|
| 2F5-83310-60 | ENS. CLIGNOTANT AVANT | 2 | |
| 115-83311-60 | .AMPOULE (6V-18W) | 1 | |

4. Les couleurs concernant les graphiques sont indiquées dans la colonne “REMARQUES”, comme indiqué ci-dessous.

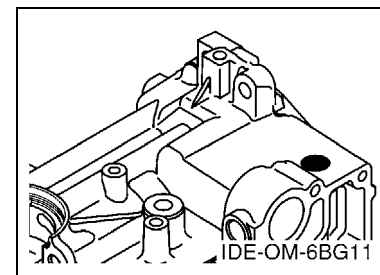
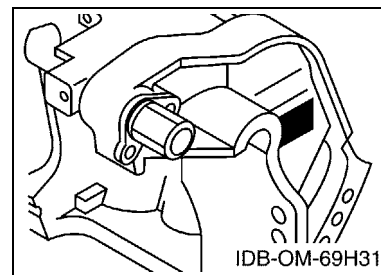
| N° PIECES | DESCRIPTION | QTE | REMARQUES |
|-----------------|----------------------|-----|-----------|
| 2N4-24110-00-X5 | RESERVOIR A ESSENCE. | 2 | MXR |
| 3J1-24240-10 | .GRAPHIQUE | 1 | POUR MXR |

5. Veuillez noter que les illustrations sont indiquées à titre de référence pour trouver les numéros de pièces, non pour être utilisées lors de l'assemblage. Lors de l'assemblage, veuillez utiliser le manuel d'entretien adéquat.

6. L'astérisque (*) placé devant un numéro de référence indique des éléments qui ont été modifiés après la première édition.

7. N° de série applicable

N° de Série du moteur



8. N° de série initial du moteur applicable

| Modèle | N° de série | Modèle | N° de série |
|--------|-------------|--------|-------------|
| F30B | 6BT-1002256 | F40F | 6BG-1011106 |
| | | | |
| | | | |

9. Code couleur applicable

| Abréviation | Nom de la couleur | Code couleur |
|-------------|--------------------|--------------|
| DBN1 | DARK BLUISH GRAY 1 | 008D |

10. Informations relatives à la colonne Quantité

| N° de la colonne | Nom de la colonne Qté | Modèle applicable |
|------------------|-----------------------|-------------------|
| 1 | ET | F30BET,F40FET |
| 2 | ED | F40FED |
| 3 | EHD | F30BEHD,F40FEHD |
| | | |
| | | |

CONTENTS

| | |
|------------------------------|----|
| TOP COWLING | 1 |
| CYLINDER & CRANKCASE 1 | 2 |
| CRANKSHAFT & PISTON | 3 |
| CYLINDER & CRANKCASE 2 | 4 |
| VALVE | 5 |
| INTAKE 1 | 6 |
| INTAKE 2 | 7 |
| FUEL INJECTION PUMP 1 | 8 |
| FUEL INJECTION PUMP 2 | 9 |
| OIL PUMP | 10 |
| FUEL | 11 |
| GENERATOR | 13 |
| ELECTRICAL 1 | 14 |
| ELECTRICAL 2 | 15 |
| ELECTRICAL 3 | 16 |
| ELECTRICAL 4 | 18 |
| ELECTRICAL 5 | 19 |
| STARTING MOTOR | 21 |
| BOTTOM COWLING 1 | 22 |
| BOTTOM COWLING 2 | 24 |
| STEERING 1 | 25 |
| STEERING 2 | 28 |
| STEERING FRICTION | 29 |
| CONTROL | 30 |
| BRACKET 1 | 32 |
| BRACKET 2 | 34 |
| BRACKET 3 | 36 |
| POWER TRIM & TILT ASSY | 38 |
| UPPER CASING | 41 |
| OIL PAN | 43 |
| LOWER CASING & DRIVE 1 | 44 |
| LOWER CASING & DRIVE 2 | 47 |
| FUEL TANK | 49 |
| STEERING GUIDE | 50 |
| OPTIONAL PARTS | 51 |
| REPAIR KIT 1 | 52 |
| REPAIR KIT 2 | 53 |

INDEX

| | |
|-----------------------|----|
| NUMERICAL INDEX | 55 |
|-----------------------|----|

TABLE DES MATIERES

| | |
|--------------------------------------|----|
| CAPOT SUPERIEUR | 1 |
| CYLINDRE & CARTER 1 | 2 |
| VILEBREQUIN & PISTON | 3 |
| CYLINDRE & CARTER 2 | 4 |
| SOUPAPE | 5 |
| ADMISSION 1 | 6 |
| ADMISSION 2 | 7 |
| POMPE A INJECTEUR 1 | 8 |
| POMPE A INJECTEUR 2 | 9 |
| POMPE A HUILE | 10 |
| CARBURANT | 11 |
| GENERATRICE | 13 |
| PARTIE ELECTRIQUE 1 | 14 |
| PARTIE ELECTRIQUE 2 | 15 |
| PARTIE ELECTRIQUE 3 | 16 |
| PARTIE ELECTRIQUE 4 | 18 |
| PARTIE ELECTRIQUE 5 | 19 |
| DEMARREUR ELECTRIQUE | 21 |
| CAPOT INFERIEUR 1 | 22 |
| CAPOT INFERIEUR 2 | 24 |
| DIRECTION 1 | 25 |
| DIRECTION 2 | 28 |
| CUVETTE POIGNEE DE DIRECTION | 29 |
| COMMANDE | 30 |
| SUPPORT 1 | 32 |
| SUPPORT 2 | 34 |
| SUPPORT 3 | 36 |
| PUISSANCE PARER ET INCLINER | 38 |
| FOURREAU | 41 |
| VENTILATEUR D'HUILE | 43 |
| BOITIER D'HELICE TRANSMISSION1 | 44 |
| BOITIER D'HELICE TRANSMISSION2 | 47 |
| RESERVOIR A CARBURANT | 49 |
| FIXATION DE DIRECTION | 50 |
| PIECES OPTIONNELLES | 51 |
| KITS DE REPARATION 1 | 52 |
| KITS DE REPARATION 2 | 53 |

INDEX

| | |
|-----------------------|----|
| INDEX NUMERIQUE | 55 |
|-----------------------|----|

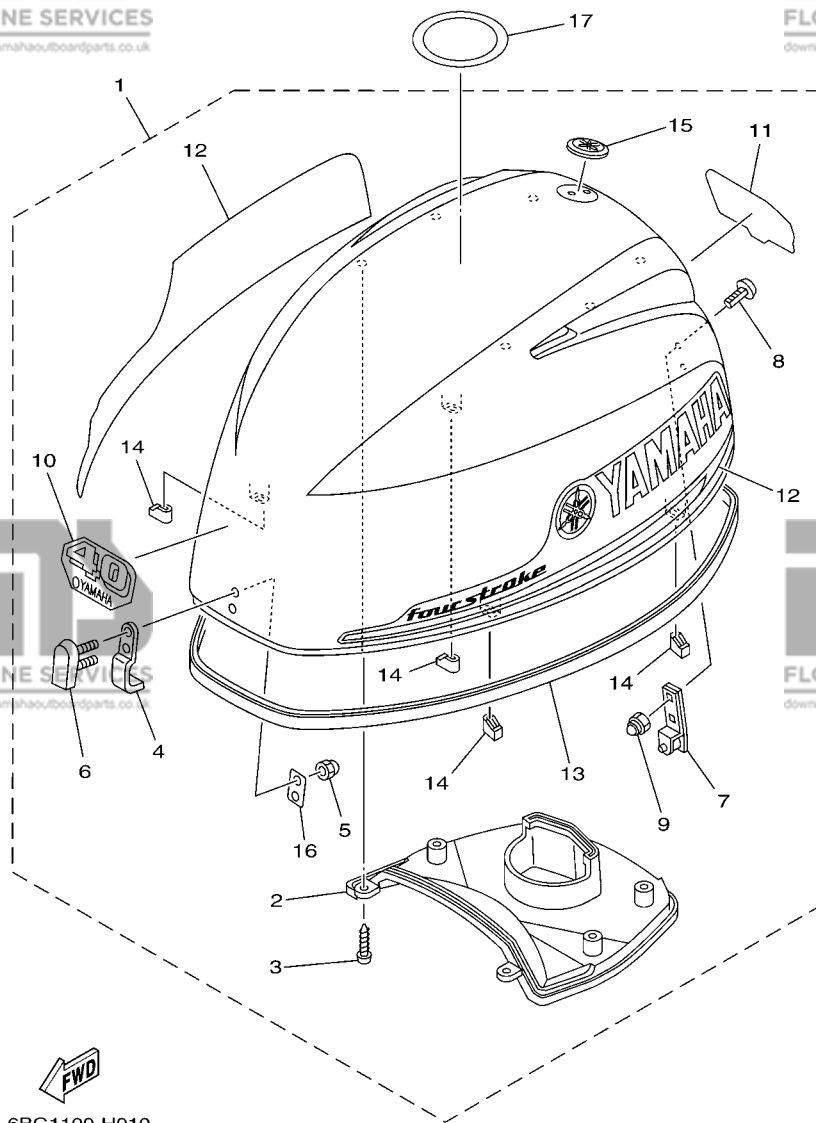
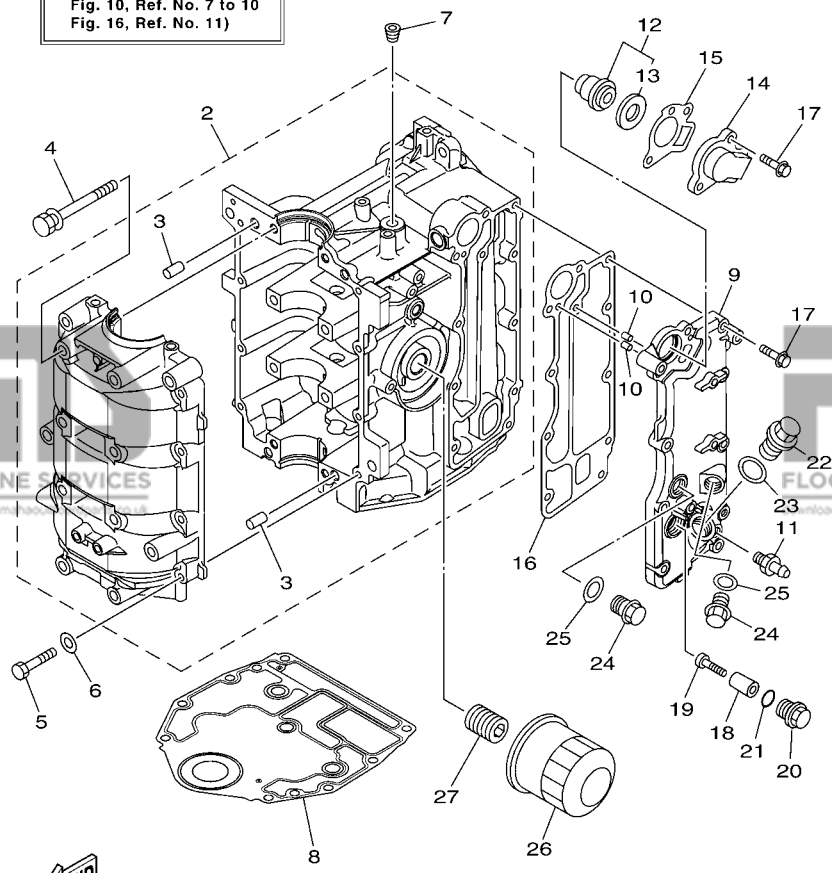


FIG. 1 TOP COWLING

CAPOT SUPERIEUR

| REF. NO. | PART NO. N° PIECES | DESCRIPTION DESCRIPTION | ET | ED | EHD | REMARKS REMARQUES |
|----------|--------------------|--|----|----|-----|-------------------|
| 1 | 6BG-42610-00 | TOP COWLING ASSY CAPOT (ENS.) | 1 | 1 | 1 | F40F F40F |
| | 6BT-42610-00 | TOP COWLING ASSY CAPOT (ENS.) | 1 | 1 | 1 | F30B F30B |
| 2 | 6BG-42613-00 | .MOLDING, AIR DUCT .MANCHON A AIR | 1 | 1 | 1 | |
| 3 | 97780-50616 | .SCREW, TAPPING .VIS, TETE BOMBEE | 6 | 6 | 6 | |
| 4 | 6BG-42651-00 | .HOOK .CROCHET | 1 | 1 | 1 | |
| 5 | 95380-05800 | .NUT .ECROU | 2 | 2 | 2 | |
| 6 | 6BG-42851-00 | .COVER, CLAMP .COUVERCLE, BRIDE | 1 | 1 | 1 | |
| 7 | 6BG-42652-00 | .HOOK .CROCHET | 1 | 1 | 1 | |
| 8 | 90109-06047 | .BOLT .BOULON | 2 | 2 | 2 | |
| 9 | 90185-06M05 | .NUT, SELF-LOCKING .ECROU, AUTO-BLOQUANT | 2 | 2 | 2 | |
| 10 | 6BG-42677-00 | .GRAPHIC, FRONT .ADHESIF, AVANT | 1 | 1 | 1 | F40F F40F |
| | 6BG-42677-10 | .GRAPHIC, FRONT .ADHESIF, AVANT | 1 | 1 | 1 | F30B F30B |
| 11 | 6BG-42678-00 | .GRAPHIC, REAR .ADHESIF, ARRIERE | 1 | 1 | 1 | F40F F40F |
| | 6BT-42678-00 | .GRAPHIC, REAR .ADHESIF, ARRIERE | 1 | 1 | 1 | F30B F30B |
| 12 | 6BG-W0070-00 | .GRAPHIC SET .JEU DIEMBLEMES | 1 | 1 | 1 | |
| 13 | 6BG-42615-00 | .SEAL .JOINT | 1 | 1 | 1 | |
| 14 | 6BG-42662-00 | .DAMPER .AMORTISSEUR | 4 | 4 | 4 | |
| 15 | 6AH-42697-01 | .TUNING FORK MARK .MARQUE, YAMAHA | 1 | 1 | 1 | |
| 16 | 6BG-42649-00 | .HOLDER, CLAMP BAND .SUPPORT, SANDOW DE SERRAGE | 1 | 1 | 1 | |
| 17 | 67F-13434-20 | LABEL, CAUTION ETIQUETTE, ATTENTION | 1 | 1 | 1 | |

CYLINDER BLOCK ASSY
 (Fig. 2, Ref. No. 2 to 27
 Fig. 3, Ref. No. 1 to 11
 Fig. 4, Ref. No. 10
 Fig. 10, Ref. No. 7 to 10
 Fig. 16, Ref. No. 11)



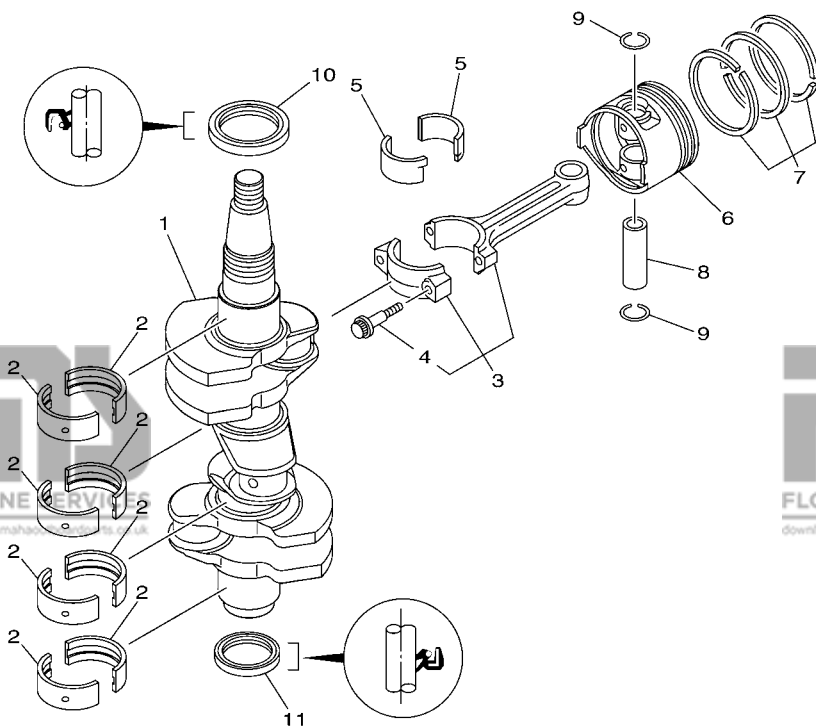
FWD
 6BG1100-H020

FIG. 2 CYLINDER & CRANKCASE 1 CYLINDRE & CARTER 1

| REF. NO. | PART NO. N° PIECES | DESCRIPTION DESCRIPTION | ET | ED | EHD | REMARKS REMARQUES |
|----------|--------------------|---|----|----|-----|-------------------|
| 1 | 6BG-W009B-00-9S | CYLINDER BLOCK ASSY CYLINDRE GROUPE (ENS.) | 1 | 1 | 1 | |
| 2 | 6BG-15100-00 | CRANKCASE ASSY CARTER DE MOTEUR COMPLET | 1 | 1 | 1 | |
| 3 | 93606-12019 | .PIN, DOWEL .GOUILLE | 4 | 4 | 4 | |
| 4 | 90119-08154 | BOLT, WITH WASHER BOULON, AVEC RONDELLE | 8 | 8 | 8 | |
| 5 | 97013-06035 | BOLT BOULON | 8 | 8 | 8 | |
| 6 | 92903-06600 | WASHER, PLATE RONDELLE, PLATE | 8 | 8 | 8 | |
| 7 | 90344-51003 | PLUG, TAPER SCREW PLOT, FILETE CONIQUE | 1 | 1 | 1 | |
| 8 | 6BG-11351-00 | GASKET, CYLINDER JOINT, D'EMBASE | 1 | 1 | 1 | |
| 9 | 6BG-41113-00-9S | OUTER COVER, EXHAUST COUVERCLE, ECHAPPEMENT | 1 | 1 | 1 | |
| 10 | 93604-10M03 | PIN, DOWEL CLAVETTE | 2 | 2 | 2 | |
| 11 | 62Y-12481-10 | PIPE 1 DURITE 1 | 1 | 1 | 1 | |
| 12 | 6G8-12411-03 | THERMOSTAT THERMOSTAT | 1 | 1 | 1 | |
| 13 | 688-12412-00 | .SEAL, THERMOSTAT .JOINT, THERMOSTAT | 1 | 1 | 1 | |
| 14 | 6C5-12413-00-9S | COVER, THERMOSTAT COUVERCLE, THERMOSTAT | 1 | 1 | 1 | |
| 15 | 62Y-12414-00 | GASKET, COVER JOINT, COUVERCLE | 1 | 1 | 1 | |
| 16 | 6BG-41114-00 | GASKET, EXHAUST OUTER COVER JOINT, COUVERCLE D'ECHAPPEMENT | 1 | 1 | 1 | |
| 17 | 90119-06MA5 | BOLT, WITH WASHER BOULON, AVEC RONDELLE | 10 | 10 | 10 | |
| 18 | 6G8-11325-00 | ANODE ANODE | 1 | 1 | 1 | |
| 19 | 97880-05025 | SCREW, PAN HEAD VIS, TETE TRONCONIQUE | 1 | 1 | 1 | |
| 20 | 6G8-11197-01 | PLUG, BLIND PLOT, BORGNE | 1 | 1 | 1 | |
| 21 | 93210-13M63 | O-RING JOINT TORIQUE | 1 | 1 | 1 | |
| 22 | 90340-18M09 | PLUG, STRAIGHT SCREW PLOT, FILETE DROIT | 1 | 1 | 1 | |
| 23 | 90430-18130 | GASKET JOINT | 1 | 1 | 1 | |
| 24 | 90340-14M06 | PLUG, STRAIGHT SCREW PLOT, FILETE DROIT | 2 | 2 | 2 | |
| 25 | 90430-14115 | GASKET JOINT | 2 | 2 | 2 | |
| 26 | 5GH-13440-20 | ELEMENT ASSY, OIL CLEANER ELEMENT, FILTRE A HUILE | 1 | 1 | 1 | |
| 27 | 6C5-12858-00 | BOLT, UNION BOULON, RACCORD | 1 | 1 | 1 | |

FIG. 3 CRANKSHAFT & PISTON VILEBREQUIN & PISTON

| REF. NO. | PART NO. N° PIECES | DESCRIPTION DESCRIPTION | ET | ED | EHD | REMARKS REMARQUES |
|----------|--------------------|--|----|----|-----|-------------------|
| 1 | 6BG-11411-00 | CRANKSHAFT VILEBREQUIN COMPLET | 1 | 1 | 1 | |
| 2 | 6BG-11416-00 | PLANE BEARING, CRANKSHAFT 1 COUSSINET DE VILEBREQUIN 1 | 8 | 8 | 8 | UR YELLOW |
| | 6BG-11416-10 | PLANE BEARING, CRANKSHAFT 1 COUSSINET DE VILEBREQUIN 1 | 8 | 8 | 8 | UR RED |
| | 6BG-11416-20 | PLANE BEARING, CRANKSHAFT 1 COUSSINET DE VILEBREQUIN 1 | 8 | 8 | 8 | UR PINK |
| | 6BG-11416-30 | PLANE BEARING, CRANKSHAFT 1 COUSSINET DE VILEBREQUIN 1 | 8 | 8 | 8 | UR GREEN |
| 3 | 6C5-11650-00 | CONNECTING ROD ASSY BIELLE COMPLETE | 3 | 3 | 3 | |
| 4 | 6C5-11654-00 | .BOLT, CONNECTING ROD .BOULON, BIELLE | 2 | 2 | 2 | |
| 5 | 6CJ-11656-00 | PLANE BEARING, CONNECTING ROD ROULEMENT DE BIELLE | 6 | 6 | 6 | UR YELLOW |
| | 6CJ-11656-10 | PLANE BEARING, CONNECTING ROD ROULEMENT DE BIELLE | 6 | 6 | 6 | UR RED |
| | 6CJ-11656-20 | PLANE BEARING, CONNECTING ROD ROULEMENT DE BIELLE | 6 | 6 | 6 | UR PINK |
| | 6CJ-11656-30 | PLANE BEARING, CONNECTING ROD ROULEMENT DE BIELLE | 6 | 6 | 6 | UR GREEN |
| 6 | 69W-11631-01-97 | PISTON (STD) | 3 | 3 | 3 | |
| | 69W-11635-01 | PISTON (0.25MM O/S) | 3 | 3 | 3 | AP |
| | 69W-11636-01 | PISTON (0.50MM O/S) | 3 | 3 | 3 | AP |
| | 69W-11637-01 | PISTON (0.50MM O/S) | 3 | 3 | 3 | AP |
| 7 | 67C-11603-00 | PISTON RING SET (STD) | 3 | 3 | 3 | |
| | 67C-11604-00 | PISTON RING SET (0.25MM O/S) | 3 | 3 | 3 | AP |
| | 67C-11605-00 | PISTON RING SET (0.50MM O/S) | 3 | 3 | 3 | AP |
| | 67C-11606-00 | PISTON RING SET (0.50MM O/S) | 3 | 3 | 3 | AP |
| 8 | 62Y-11633-00 | PIN, PISTON AXE, PISTON | 3 | 3 | 3 | |
| 9 | 93450-17129 | CIRCLIP | 6 | 6 | 6 | |
| 10 | 93102-43M42 | OIL SEAL JOINT SPY | 1 | 1 | 1 | |
| 11 | 93101-35002 | OIL SEAL JOINT SPY | 1 | 1 | 1 | |



FWD
6BG1100-H030

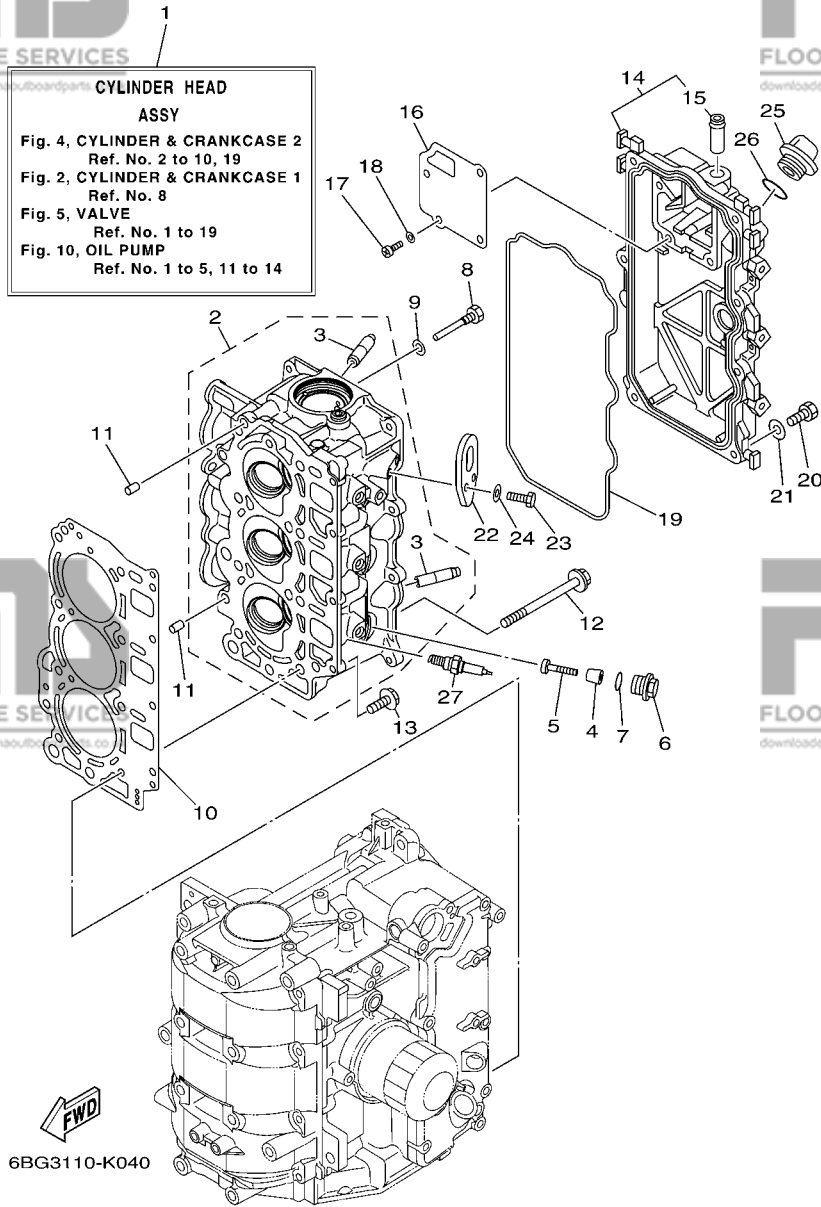
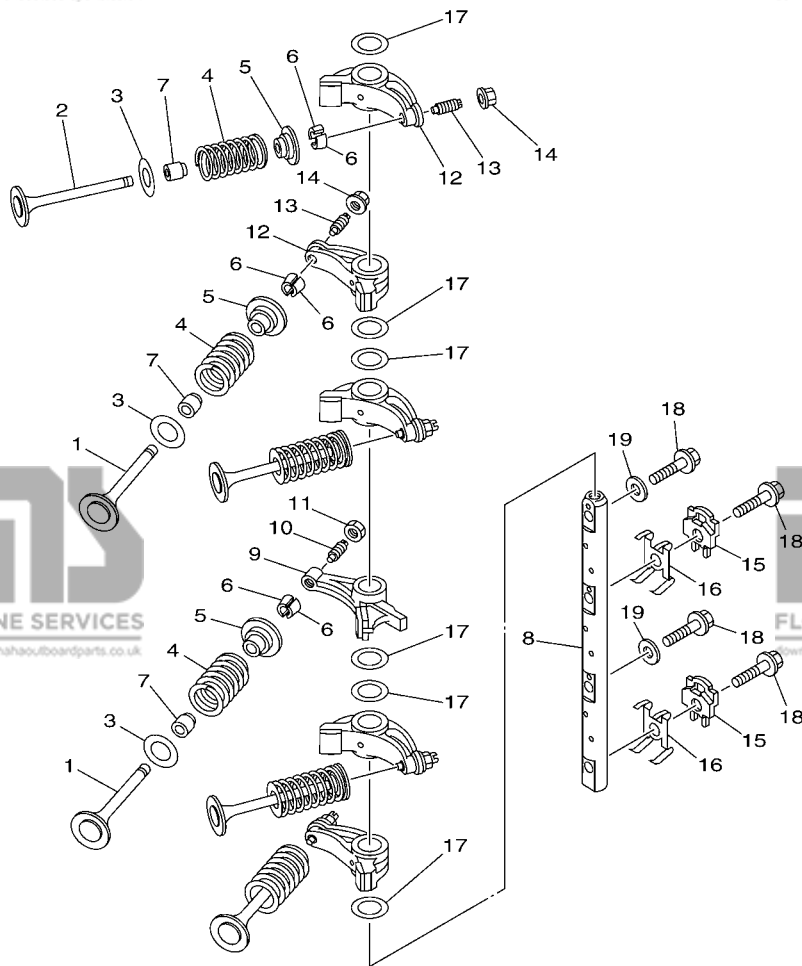


FIG. 4 CYLINDER & CRANKCASE 2

CYLINDRE & CARTER 2

| REF. NO. | PART NO. N° PIECES | DESCRIPTION DESCRIPTION | ET | ED | EHD | REMARKS REMARQUES |
|----------|--------------------|---|----|----|-----|-------------------|
| 1 | 6BG-W009A-00-9S | CYLINDER HEAD ASSY CULASSE (ENS.) | 1 | 1 | 1 | |
| 2 | 6BG-11111-00-9S | HEAD, CYLINDER 1 CULASSE | 1 | 1 | 1 | |
| 3 | 62Y-11133-30 | .GUIDE, VALVE 1 .GUIDE, SOUPAPE 1 | 6 | 6 | 6 | |
| 4 | 6G8-11325-00 | ANODE ANODE | 3 | 3 | 3 | |
| 5 | 97880-05025 | SCREW, PAN HEAD VIS, TETE TRONCONIQUE | 3 | 3 | 3 | |
| 6 | 6G8-11197-01 | PLUG, BLIND PLOT, BORGNE | 3 | 3 | 3 | |
| 7 | 93210-13M63 | O-RING JOINT TORIQUE | 3 | 3 | 3 | |
| 8 | 90109-06M65 | BOLT BOULON | 1 | 1 | 1 | |
| 9 | 90430-06014 | GASKET JOINT | 1 | 1 | 1 | |
| 10 | 6BG-11181-00 | GASKET, CYLINDER HEAD 1 JOINT, DE CULASSE 1 | 1 | 1 | 1 | |
| 11 | 99530-08012 | PIN, DOWEL GOUJON, D'ASSEMBLAGE | 2 | 2 | 2 | |
| 12 | 90105-09005 | BOLT, FLANGE BOULON | 8 | 8 | 8 | |
| 13 | 90119-06MA3 | BOLT, WITH WASHER BOULON, AVEC RONDELLE | 4 | 4 | 4 | |
| 14 | 6BG-11191-00-9S | COVER, CYLINDER HEAD 1 COUVERCLE, CULASSE 1 | 1 | 1 | 1 | |
| 15 | 62Y-14485-00 | .PIPE, JOINT .DURITE | 1 | 1 | 1 | |
| 16 | 6BG-11168-00 | COVER, BREATHER COUVERCLE, RENIFLARD | 1 | 1 | 1 | |
| 17 | 98507-04010 | SCREW, PAN HEAD VIS, TETE TRONCONIQUE | 4 | 4 | 4 | |
| 18 | 92907-04600 | WASHER RONDELLE | 4 | 4 | 4 | |
| 19 | 6BG-11356-00 | SEAL, CYLINDER 2 JOINT, SPY CYLINDRE | 1 | 1 | 1 | |
| 20 | 97095-06020 | BOLT BOULON | 7 | 7 | 7 | |
| 21 | 92995-06600 | WASHER RONDELLE | 7 | 7 | 7 | |
| 22 | 6BG-11119-00 | HANGER, ENGINE ANNEAU, LEVAGE | 1 | 1 | 1 | |
| 23 | 97095-06020 | BOLT BOULON | 2 | 2 | 2 | |
| 24 | 92995-06600 | WASHER RONDELLE | 2 | 2 | 2 | |
| 25 | 6G8-15363-00 | PLUG, OIL PLOT, HUILE | 1 | 1 | 1 | |
| 26 | 93210-24M79 | O-RING JOINT TORIQUE | 1 | 1 | 1 | |
| 27 | 94702-00418 | PLUG, SPARK (NGK DPR6EB) BOUGIE D,ALLUMAGE (NGK DPR6EB) | 3 | 3 | 3 | |



FWD
6BG1100-H050

FIG. 5 VALVE

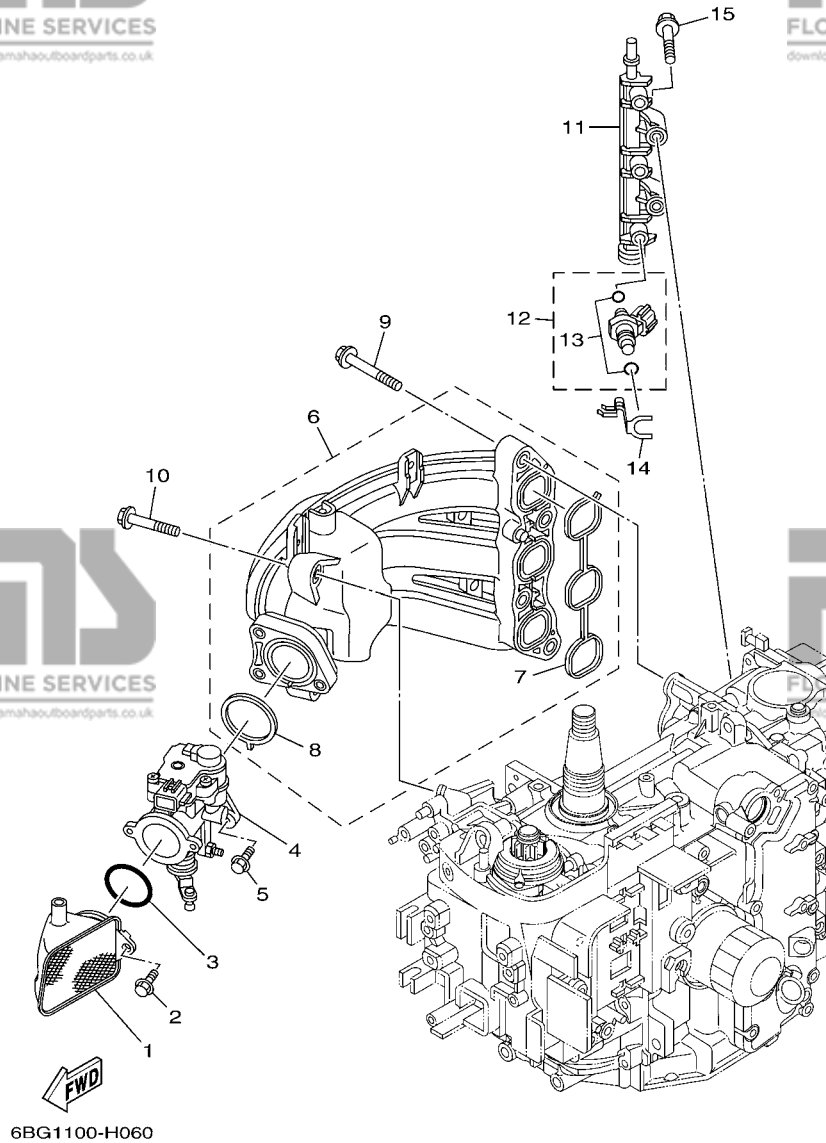
SOUPAPE

| REF. NO. | PART NO. N° PIECES | DESCRIPTION DESCRIPTION | ET | ED | EHD | REMARKS REMARQUES |
|----------|--------------------|---|----|----|-----|-------------------|
| 1 | 69W-12111-00 | VALVE, INTAKE SOUPAPE, ADMISSION | 3 | 3 | 3 | |
| 2 | 69W-12121-00 | VALVE, EXHAUST SOUPAPE, ECHAPPEMENT | 3 | 3 | 3 | |
| 3 | 62Y-12116-00 | SEAT, VALVE SPRING SIEGE, RESSORT DE SOUPAPE | 6 | 6 | 6 | |
| 4 | 51Y-12114-00 | SPRING, VALVE OUTER RESSORT DE SOUPAPE, EXTERNE | 6 | 6 | 6 | |
| 5 | 30X-12117-00 | RETAINER, VALVE SPRING BUTEE DE RESSORT DE SOUPAPE | 6 | 6 | 6 | |
| 6 | 30X-12118-00 | COTTER, VALVE FRAISE, SOUPAPE | 12 | 12 | 12 | |
| 7 | 51Y-12119-00 | SEAL, VALVE STEM JOINT, QUEUE DE SOUPAPE | 6 | 6 | 6 | |
| 8 | 6BG-12146-00 | SHAFT, ROCKER AXE, CULBUTEUR | 1 | 1 | 1 | |
| 9 | 62Y-12151-00 | ARM, VALVE ROCKER CULBUTEUR | 1 | 1 | 1 | |
| 10 | 64J-12159-00 | SCREW, VALVE ADJUSTING VIS, REGLAGE DE SOUPAPE | 1 | 1 | 1 | |
| 11 | 62Y-12158-00 | NUT, LOCK CONTRE-ECROU | 1 | 1 | 1 | |
| 12 | 6C5-12151-00 | ARM, VALVE ROCKER CULBUTEUR | 5 | 5 | 5 | |
| 13 | 6C5-12159-00 | SCREW, VALVE ADJUSTING VIS, REGLAGE DE SOUPAPE | 5 | 5 | 5 | |
| 14 | 6C5-12158-00 | NUT, LOCK CONTRE-ECROU | 5 | 5 | 5 | |
| 15 | 6C5-12231-00 | GUIDE, STOPPER 1 GUIDE, BUTEE 1 | 2 | 2 | 2 | |
| 16 | 6C5-12233-00 | PLATE, GUIDE STOPPER 1 PLAQUE, GUIDE BUTEE 1 | 2 | 2 | 2 | |
| 17 | 90201-16014 | WASHER, PLATE RONDELLE, PLATE | 6 | 6 | 6 | |
| 18 | 90105-08060 | BOLT, FLANGE BOULON | 4 | 4 | 4 | |
| 19 | 92990-08200 | WASHER, PLAIN RONDELLE, PLATE | 2 | 2 | 2 | |

FIG. 6 INTAKE 1

ADMISSION 1

| REF. NO. | PART NO. N° PIECES | DESCRIPTION DESCRIPTION | ET | ED | EHD | REMARKS REMARQUES |
|----------|--------------------|---|----|----|-----|-------------------|
| 1 | 6BG-14440-00 | SILENCER ASSY, INTAKE SIENCIEUX D'ADMISSION | 1 | 1 | 1 | F40F F40F |
| | 6BT-14440-00 | SILENCER ASSY, INTAKE SIENCIEUX D'ADMISSION | 1 | 1 | 1 | F30B F30B |
| 2 | 95895-06016 | BOLT, FLANGE BOULON | 2 | 2 | 2 | |
| 3 | 93210-42159 | O-RING JOINT TORIQUE | 1 | 1 | 1 | |
| 4 | 6BG-13750-00 | THROTTLE BODY ASSY CARTER D'ACCELERATEUR COMPLET | 1 | 1 | 1 | |
| 5 | 95895-06016 | BOLT, FLANGE BOULON | 3 | 3 | 3 | |
| 6 | 6BG-13641-00 | MANIFOLD 1 TUBULURE 1 | 1 | 1 | 1 | |
| 7 | 6BG-13645-00 | .GASKET, MANIFOLD 1 .JOINT, TUBULURE 1 | 1 | 1 | 1 | |
| 8 | 6BG-13557-00 | .GASKET .JOINT | 1 | 1 | 1 | |
| 9 | 90119-08069 | BOLT, WITH WASHER BOULON, AVEC RONDELLE | 4 | 4 | 4 | |
| 10 | 90119-06126 | BOLT, WITH WASHER BOULON, AVEC RONDELLE | 2 | 2 | 2 | |
| 11 | 6BG-13161-00 | PIPE, DELIVERY 1 DURITE REFOULEMENT 1 | 1 | 1 | 1 | |
| 12 | 6BG-13761-00 | INJECTOR INJECTEUR | 3 | 3 | 3 | |
| 13 | 6C5-1410B-00 | .PACKING KIT .POCHETTE DE JOINTS | 1 | 1 | 1 | |
| 14 | 6BG-13577-00 | CLIP AGRAFE | 3 | 3 | 3 | |
| 15 | 95895-06040 | BOLT, FLANGE BOULON | 2 | 2 | 2 | |



6BG1100-H060

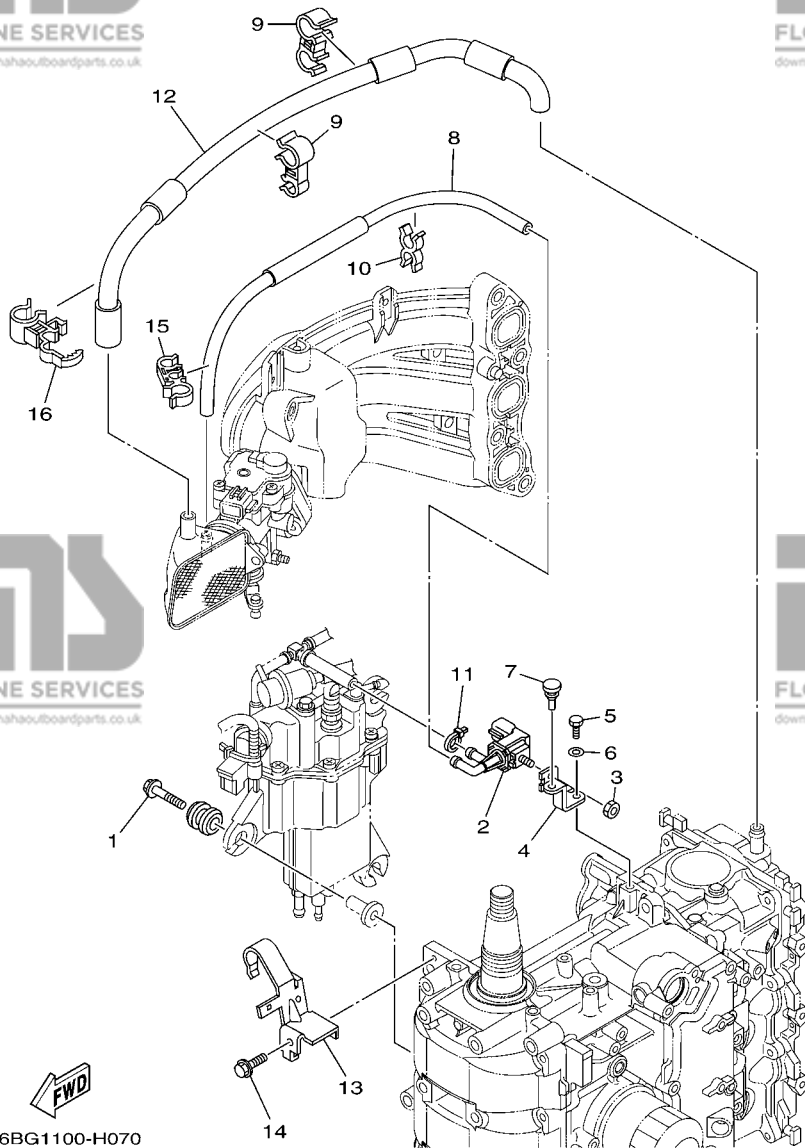
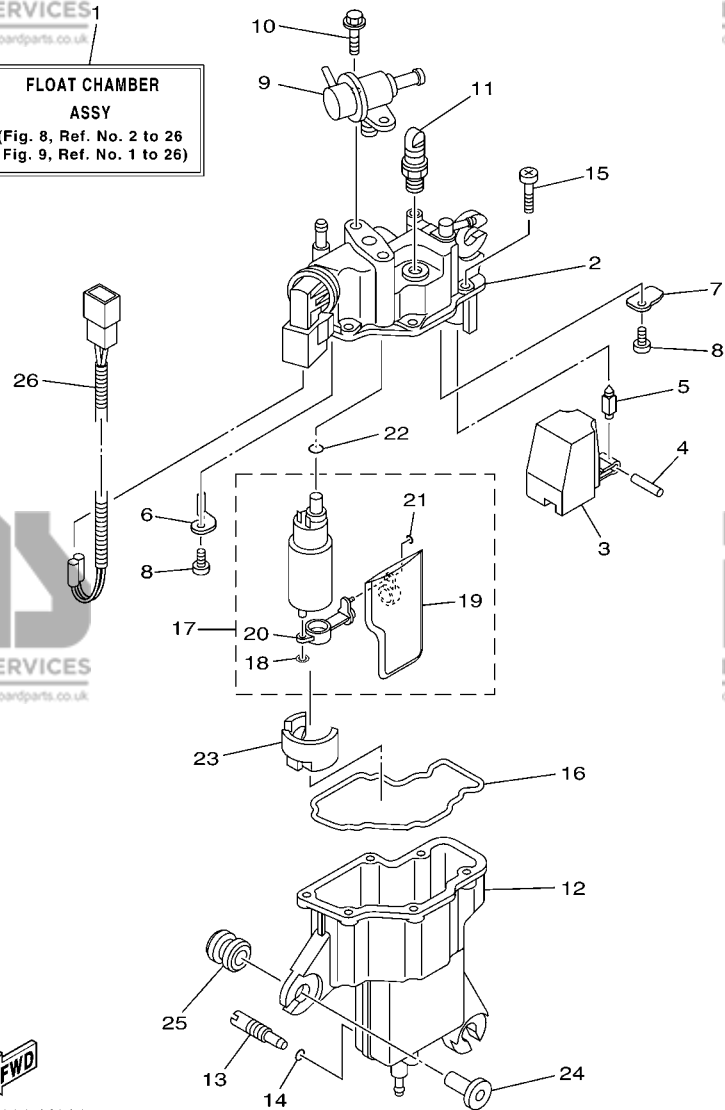


FIG. 7 INTAKE 2

ADMISSION 2

| REF. NO. | PART NO. N° PIECES | DESCRIPTION DESCRIPTION | ET | ED | EHD | REMARKS REMARQUES |
|----------|--------------------|--|----|----|-----|-------------------|
| 1 | 90119-06M61 | BOLT, WITH WASHER BOULON, AVEC RONDELLE | 3 | 3 | 3 | |
| 2 | 6C5-86120-00 | SOLENOID VALVE ASSY SOLENOIDE | 1 | 1 | 1 | |
| 3 | 95380-06600 | NUT, HEXAGON ECROU | 1 | 1 | 1 | |
| 4 | 6BG-86112-00 | STAY, SOLENOID SUPPORT, SOLENOIDE | 1 | 1 | 1 | |
| 5 | 97095-06016 | BOLT BOULON | 1 | 1 | 1 | |
| 6 | 92995-06600 | WASHER RONDELLE | 1 | 1 | 1 | |
| 7 | 90480-06M19 | GROMMET PASSE-FIL | 1 | 1 | 1 | |
| 8 | 6BG-12576-00 | HOSE 1 TUYAU 1 | 1 | 1 | 1 | |
| 9 | 90464-15007 | CLAMP BRIDE | 2 | 2 | 2 | |
| 10 | 90464-11M24 | CLAMP BRIDE | 1 | 1 | 1 | |
| 11 | 90465-11M10 | CLAMP BRIDE | 1 | 1 | 1 | |
| 12 | 6BG-1531A-00 | HOSE, BREATHER 1 DURITE DE RENIFLARD 1 | 1 | 1 | 1 | |
| 13 | 6BG-15378-00 | HOLDER SUPPORT | 1 | 1 | 1 | |
| 14 | 90119-06037 | BOLT, WITH WASHER BOULON, AVEC RONDELLE | 1 | 1 | 1 | |
| 15 | 90464-15008 | CLAMP BRIDE | 1 | 1 | 1 | |
| 16 | 90464-15011 | CLAMP BRIDE | 1 | 1 | 1 | |

FLOAT CHAMBER ASSY
(Fig. 8, Ref. No. 2 to 26
Fig. 9, Ref. No. 1 to 26)



6BG1100-H080

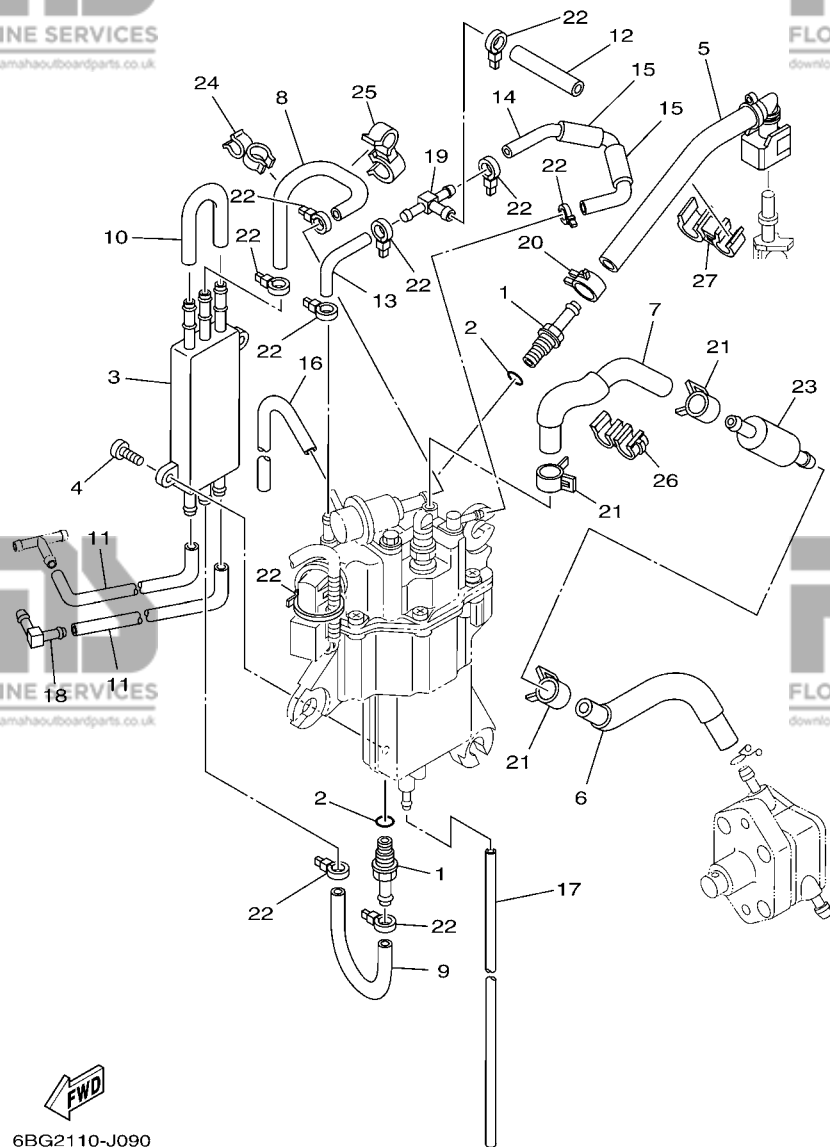
FIG. 8 FUEL INJECTION PUMP 1

POMPE A INJECTEUR 1

| REF. NO. | PART NO. N° PIECES | DESCRIPTION DESCRIPTION | ET | ED | EHD | REMARKS REMARQUES |
|----------|--------------------|---|----|----|-----|-------------------|
| 1 | 6BG-14180-00 | FLOAT CHAMBER ASSY CUVE DE FLOTTEUR | 1 | 1 | 1 | |
| 2 | 6BG-14182-00 | COVER, FLOAT CHAMBER COUVERCLE, CUVE DE FLOTTEUR | 1 | 1 | 1 | |
| 3 | 6BG-14985-00 | FLOAT FLOTTEUR | 1 | 1 | 1 | |
| 4 | 6C5-14386-00 | PIN, FLOAT AXE, FLOTTEUR | 1 | 1 | 1 | |
| 5 | 6C5-14546-00 | VALVE, NEEDLE POINTEAU | 1 | 1 | 1 | |
| 6 | 6BG-2441R-00 | PLATE, BAFFLE 1 SEPARATEUR 1 | 1 | 1 | 1 | |
| 7 | 6BG-2441T-00 | PLATE, BAFFLE 2 SEPARATEUR 2 | 1 | 1 | 1 | |
| 8 | 6C5-24453-00 | SCREW VIS | 2 | 2 | 2 | |
| 9 | 6C5-13906-01 | REGULATOR, PRESSURE REGULATEUR DE PRESSION | 1 | 1 | 1 | |
| 10 | 6C5-24592-00 | BOLT BOLTE | 2 | 2 | 2 | |
| 11 | 6C5-14225-00 | CAP COUVERCLE | 1 | 1 | 1 | |
| 12 | 6BG-14960-00 | BODY ASSY CARTER (ENS.) | 1 | 1 | 1 | |
| 13 | 6C5-14191-00 | PLUG, DRAIN PLOT, VIDANGE | 1 | 1 | 1 | |
| 14 | 6C5-14397-00 | O-RING JOINT TORIQUE | 1 | 1 | 1 | |
| 15 | 6C5-14567-00 | SCREW VIS | 6 | 6 | 6 | |
| 16 | 6BG-14984-00 | GASKET, FLOAT CHAMBER JOINT, CUVE DE FLOTTEUR | 1 | 1 | 1 | |
| 17 | 6BG-13910-00 | FUEL PUMP ASSY POMPE A ESSENCE COMPLET | 1 | 1 | 1 | |
| 18 | 6C5-14127-00 | .CLIP .JONC | 1 | 1 | 1 | |
| 19 | 6BG-13915-00 | .FILTER .FILTRE | 1 | 1 | 1 | |
| 20 | 6BG-13938-00 | .PIPE .DURITE | 1 | 1 | 1 | |
| 21 | 6BG-14137-00 | .CLIP .JONC | 1 | 1 | 1 | |
| 22 | 6BG-14561-00 | O-RING JOINT TORIQUE | 1 | 1 | 1 | |
| 23 | 6BG-13593-00 | DAMPER AMORTISSEUR | 1 | 1 | 1 | |
| 24 | 90387-06M69 | COLLAR COLLERETTE | 3 | 3 | 3 | |
| 25 | 90480-09M12 | GROMMET PASSE-FIL | 3 | 3 | 3 | |
| 26 | 6BG-82553-00 | EXTENSION, WIRE LEAD EXTENSION, FAISCEAU | 1 | 1 | 1 | |

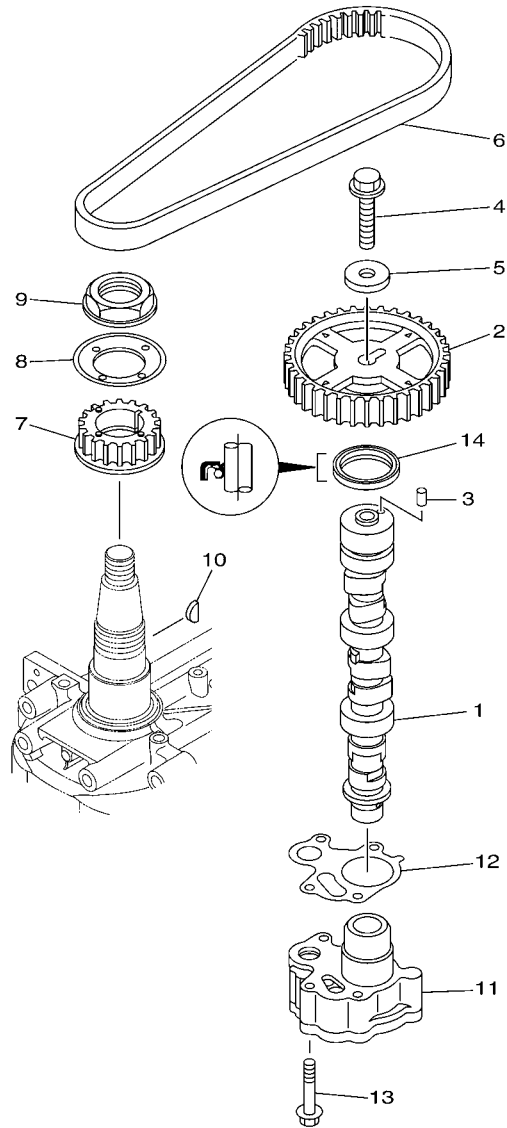
FIG. 9 FUEL INJECTION PUMP 2

POMPE A INJECTEUR 2



FWD
6BG2110-J090

| REF. NO. | PART NO. N° PIECES | DESCRIPTION DESCRIPTION | ET | ED | EHD | REMARKS REMARQUES |
|----------|--------------------|-------------------------------------|----|----|-----|-------------------|
| 1 | 6C5-14251-00 | NIPPLE RACCORD | 2 | 2 | 2 | |
| 2 | 6C5-13739-00 | O-RING JOINT TORIQUE | 2 | 2 | 2 | |
| 3 | 6C5-21841-00 | COOLER RADIATEUR | 1 | 1 | 1 | |
| 4 | 6C5-24444-00 | SCREW VIS | 2 | 2 | 2 | |
| 5 | 6BG-13974-00 | PIPE, FUEL 4 TUBE 4, CARBURANT | 1 | 1 | 1 | |
| 6 | 6BG-2451B-00 | HOSE, FUEL INLET DURITE | 1 | 1 | 1 | |
| 7 | 6BG-14148-00 | PIPE DURITE | 1 | 1 | 1 | |
| 8 | 6BG-24321-00 | PIPE 10 DURITE 10 | 1 | 1 | 1 | |
| 9 | 6BG-24322-00 | PIPE 11 DURITE 11 | 1 | 1 | 1 | |
| 10 | 6BG-24323-00 | PIPE 12 DURITE 12 | 1 | 1 | 1 | |
| 11 | 6BG-24324-00 | PIPE 13 DURITE 13 | 2 | 2 | 2 | |
| 12 | 6C5-13547-00 | HOSE 3 DURITE 3 | 1 | 1 | 1 | |
| 13 | 6BG-13545-00 | HOSE 1 DURITE 1 | 1 | 1 | 1 | |
| 14 | 6BG-13546-00 | HOSE 2 DURITE 2 | 1 | 1 | 1 | |
| 15 | 6BG-13548-00 | HOSE, AIR 4 DURITE, A AIR 4 | 2 | 2 | 2 | |
| 16 | 6BG-13542-00 | HOSE, VACUUM SENSING 1 DURITE 1 | 1 | 1 | 1 | |
| 17 | 6BG-14149-00 | PIPE DURITE | 1 | 1 | 1 | |
| 18 | 6C5-1410F-00 | CONNECTOR CONNECTEUR | 1 | 1 | 1 | |
| 19 | 6C5-24379-00 | PIPE, JOINT 4 DURITE RACCORDEMENT 4 | 1 | 1 | 1 | |
| 20 | 6C5-13577-00 | CLIP AGRAFE | 1 | 1 | 1 | |
| 21 | 6BG-24387-00 | CLIP SANDOW | 3 | 3 | 3 | |
| 22 | 90465-11M10 | CLAMP BRIDE | 10 | 10 | 10 | |
| 23 | 6C5-24251-00 | STRAINER 1 FILTRE 1 | 1 | 1 | 1 | |
| 24 | 90464-12006 | CLAMP BRIDE | 1 | 1 | 1 | |
| 25 | 90464-12010 | CLAMP BRIDE | 1 | 1 | 1 | |
| 26 | 90464-12224 | CLAMP BRIDE | 1 | 1 | 1 | |
| 27 | 90464-15007 | CLAMP BRIDE | 1 | 1 | 1 | |



FWD
6BG3110-K100

FIG. 10 OIL PUMP

POMPE A HUILE

| REF. NO. | PART NO. N° PIECES | DESCRIPTION DESCRIPTION | ET | ED | EHD | REMARKS REMARQUES |
|----------|--------------------|---|----|----|-----|-------------------|
| 1 | 6BG-12171-00 | CAMSHAFT 1 ARBRE A CAMES 1 | 1 | 1 | 1 | |
| 2 | 6C5-11537-00 | GEAR, DRIVEN PIGNON SECONDAIRE | 1 | 1 | 1 | |
| 3 | 93605-17002 | PIN, DOWEL AXE | 1 | 1 | 1 | |
| 4 | 95817-10035 | BOLT, FLANGE BOULON, A COLLERETTE | 1 | 1 | 1 | |
| 5 | 90201-10144 | WASHER, PLATE RONDELLE, PLATE | 1 | 1 | 1 | |
| 6 | 6C5-46241-00 | BELT COURROIE TRAPEZOIDALE | 1 | 1 | 1 | |
| 7 | 6C5-11536-00 | GEAR, DRIVE ENGRENAGE, MENANT | 1 | 1 | 1 | |
| 8 | 62Y-11557-00 | WASHER 1 RONDELLE 1 | 1 | 1 | 1 | |
| 9 | 90179-35001 | NUT ECROU | 1 | 1 | 1 | |
| 10 | 90280-03M01 | KEY, WOODRUFF CLAVETTE, DEMI-LUNE | 1 | 1 | 1 | |
| 11 | 6BG-13300-00 | OIL PUMP ASSY POMPE A HUILE COMPLETE | 1 | 1 | 1 | |
| 12 | 6C5-13329-00 | GASKET, PUMP COVER JOINT, COUVERCLE DE POMPE | 1 | 1 | 1 | |
| 13 | 90119-06025 | BOLT, WITH WASHER BOULON, AVEC RONDELLE | 4 | 4 | 4 | |
| 14 | 93102-37M40 | OIL SEAL JOINT SPY | 1 | 1 | 1 | |

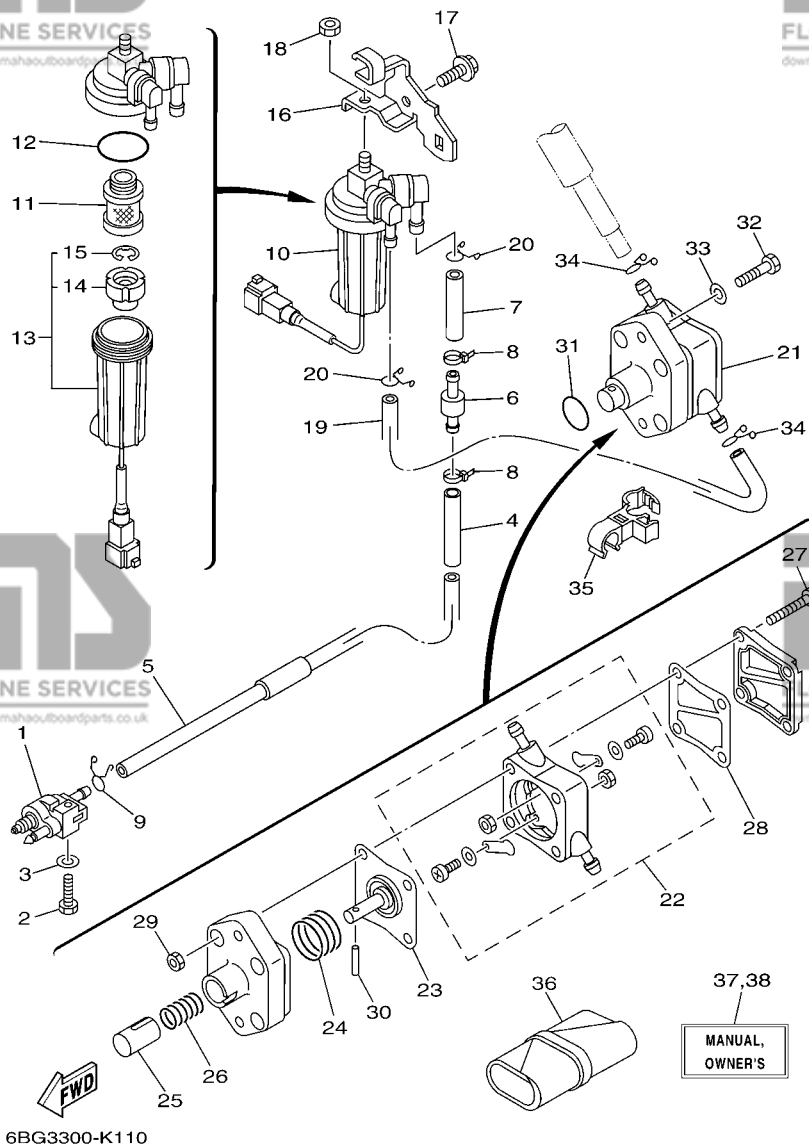
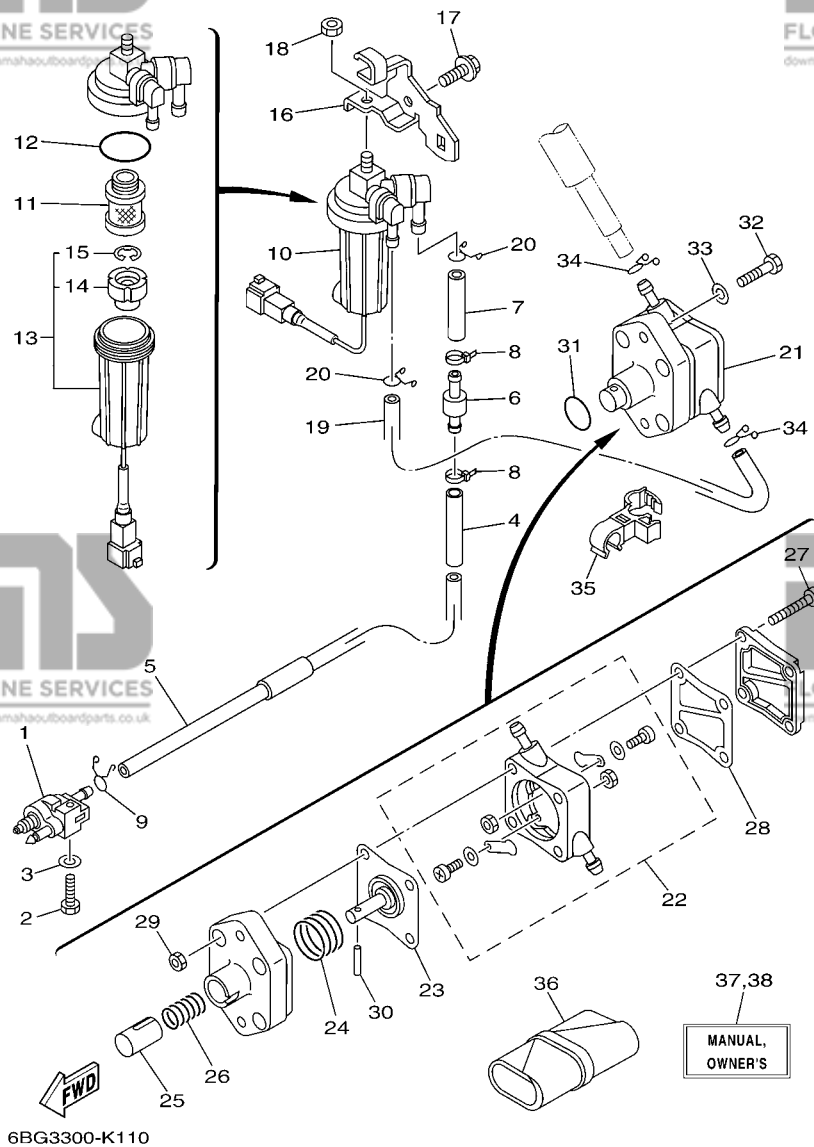


FIG. 11 FUEL

CARBURANT

| REF. NO. | PART NO. N° PIECES | DESCRIPTION DESCRIPTION | ET | ED | EHD | REMARKS REMARQUES |
|----------|--------------------|---|----|----|-----|-------------------|
| 1 | 6G1-24304-02 | FUEL PIPE JOINT COMP. 1 DURITE RACCORDEMT. A ESSENCE | 1 | 1 | 1 | |
| 2 | 97095-06025 | BOLT BOULON | 1 | 1 | 1 | |
| 3 | 92995-06600 | WASHER RONDELLE | 1 | 1 | 1 | |
| 4 | 90445-14020 | HOSE (L65) DURITE (L65) | 1 | 1 | 1 | |
| 5 | 6BG-24313-00 | PIPE 3 DURITE 3 | 1 | 1 | 1 | |
| 6 | 67F-24377-00 | PIPE, JOINT 2 DURITE RACCORDEMENT 2 | 1 | 1 | 1 | |
| 7 | 90445-13M02 | HOSE (L40) DURITE (L40) | 1 | 1 | 1 | |
| 8 | 90465-11M10 | CLAMP BRIDE | 2 | 2 | 2 | |
| 9 | 90467-09M17 | CLIP JONC | 1 | 1 | 1 | |
| 10 | 6D8-24560-00 | FILTER ASSY ENS FILTRE | 1 | 1 | 1 | |
| 11 | 6D8-24563-00 | .ELEMENT, FILTER .ELEMENT, FILTRE | 1 | 1 | 1 | |
| 12 | 6D8-24564-00 | .GASKET .JOINT | 1 | 1 | 1 | |
| 13 | 6D8-24562-00 | .CUP, FILTER .CUVETTE, FILTRE | 1 | 1 | 1 | |
| 14 | 6D8-24469-00 | ..FLOAT, WATER LEVEL ..FLOTTEUR | 1 | 1 | 1 | |
| 15 | 6D8-24519-00 | ..CLIP ..JONC | 1 | 1 | 1 | |
| 16 | 6BG-24566-00 | BRACKET, FILTER SUPPORT, FILTRE | 1 | 1 | 1 | |
| 17 | 95895-08016 | BOLT, FLANGE BOULON | 1 | 1 | 1 | |
| 18 | 95380-08600 | NUT ECROU | 1 | 1 | 1 | |
| 19 | 6BG-24311-00 | PIPE, FUEL 1 DURITE A ESSENCE | 1 | 1 | 1 | |
| 20 | 90467-11M08 | CLIP JONC | 2 | 2 | 2 | |
| 21 | 6C5-24410-00 | FUEL PUMP ASSY POMPE A ESSENCE | 1 | 1 | 1 | |
| 22 | 6C5-24415-00 | .BODY 4 .CORPS 4 | 1 | 1 | 1 | |
| 23 | 62Y-24411-02 | .DIAPHRAGM .DIAPHRAGME | 1 | 1 | 1 | |
| 24 | 62Y-24423-00 | .SPRING, DIAPHRAGM .RESSORT, DIAPHRAGME | 1 | 1 | 1 | |
| 25 | 62Y-13131-00 | .PLUNGER .PLONGEUR | 1 | 1 | 1 | |
| 26 | 62Y-24454-00 | .SPRING .RESSORT | 1 | 1 | 1 | |
| 27 | 62Y-24444-01 | .SCREW .VIS | 4 | 4 | 4 | |

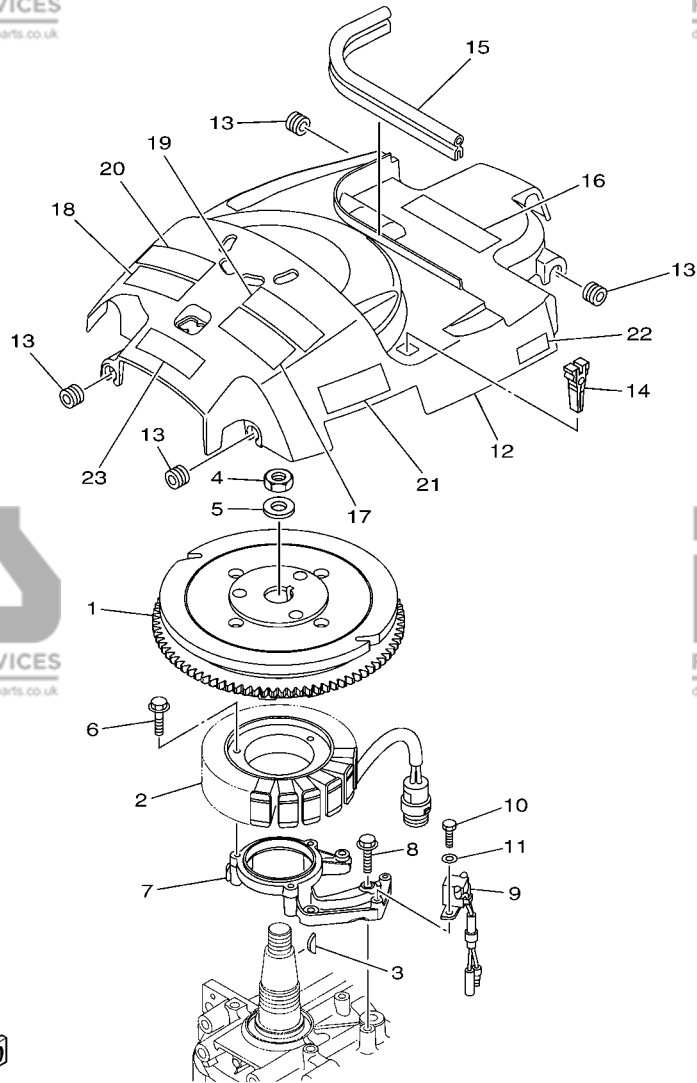


6BG3300-K110

FIG. 11 FUEL

CARBURANT

| REF. NO. | PART NO. N° PIECES | DESCRIPTION DESCRIPTION | ET | ED | EHD | REMARKS REMARQUES |
|----------|--------------------|--|----|----|-----|--------------------|
| 28 | 6C5-24471-00 | .DIAPHRAGM .DIAPHRAGME | 1 | 1 | 1 | |
| 29 | 95380-05600 | .NUT .ECROU | 4 | 4 | 4 | |
| 30 | 62Y-24374-01 | .PIN .PIN | 1 | 1 | 1 | |
| 31 | 93210-24M79 | O-RING JOINT TORIQUE | 1 | 1 | 1 | |
| 32 | 97095-06030 | BOLT BOULON | 2 | 2 | 2 | |
| 33 | 92995-06600 | WASHER RONDELLE | 2 | 2 | 2 | |
| 34 | 90467-10M04 | CLIP JONC | 2 | 2 | 2 | |
| 35 | 90464-12012 | CLAMP BRIDE | 1 | 1 | 1 | |
| 36 | 6C5-28100-00 | TOOL KIT TROUSSE A OUTILS | 1 | 1 | 1 | AP AP |
| 37 | 6BG-28199-73-E0 | MANUAL_OWNER'S MANUEL D'UTILISATION | 1 | 1 | 1 | UR (E) UR (E) |
| | 6BG-28199-73-F0 | MANUAL_OWNER'S MANUEL D'UTILISATION | 1 | 1 | 1 | UR (F) UR (F) |
| | 6BG-28199-73-S0 | MANUAL_OWNER'S MANUEL D'UTILISATION | 1 | 1 | 1 | UR (ES) UR (ES) |
| | 6BG-28199-73-G0 | MANUAL_OWNER'S MANUEL D'UTILISATION | 1 | 1 | 1 | UR (D) UR (D) |
| | 6BG-28199-73-D0 | MANUAL_OWNER'S MANUEL D'UTILISATION | 1 | 1 | 1 | UR (NL) UR (NL) |
| | 6BG-28199-73-H0 | MANUAL_OWNER'S MANUEL D'UTILISATION | 1 | 1 | 1 | UR (I) UR (I) |
| 38 | 6BG-28199-83-K0 | MANUAL_OWNER'S MANUEL D'UTILISATION | 1 | 1 | 1 | UR (DK) UR (DK) |
| | 6BG-28199-83-R0 | MANUAL_OWNER'S MANUEL D'UTILISATION | 1 | 1 | 1 | UR (GR) UR (GR) |
| | 6BG-28199-83-P0 | MANUAL_OWNER'S MANUEL D'UTILISATION | 1 | 1 | 1 | UR (P) UR (P) |
| | 6BG-28199-83-N0 | MANUAL_OWNER'S MANUEL D'UTILISATION | 1 | 1 | 1 | UR (N) UR (N) |
| | 6BG-28199-83-M0 | MANUAL_OWNER'S MANUEL D'UTILISATION | 1 | 1 | 1 | UR (S) UR (S) |
| | 6BG-28199-83-L0 | MANUAL_OWNER'S MANUEL D'UTILISATION | 1 | 1 | 1 | UR (SF) UR (SF) |



6BG3300-K120

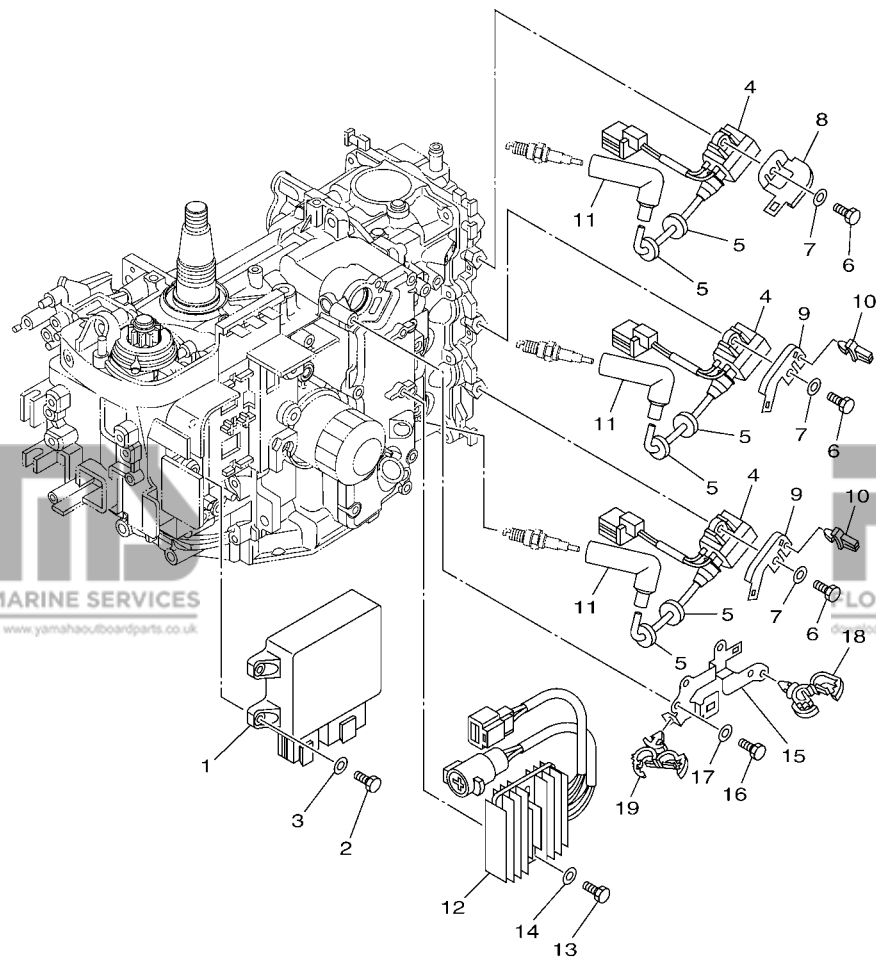
FIG. 12 GENERATOR

GENERATRICE

| REF. NO. | PART NO. N° PIECES | DESCRIPTION DESCRIPTION | ET | ED | EHD | REMARKS REMARQUES |
|----------|--------------------|--|----|----|-----|-------------------|
| 1 | 6BG-81450-00 | ROTOR ASSY ROTOR COMPLET | 1 | 1 | 1 | |
| 2 | 6BG-81410-00 | STATOR ASSY STATOR COMPLET | 1 | 1 | 1 | |
| 3 | 6H4-11545-00 | KEY, WOODRUFF CLAVETTE, DEMI-LUNE | 1 | 1 | 1 | |
| 4 | 90170-20137 | NUT ECROU | 1 | 1 | 1 | |
| 5 | 90201-21M18 | WASHER, PLATE RONDELLE, PLATE | 1 | 1 | 1 | |
| 6 | 95023-06030 | BOLT BOULON, A COLLERETTE | 3 | 3 | 3 | |
| 7 | 6BG-85561-00-94 | BASE, MAGNETO BASE, MAGNETO | 1 | 1 | 1 | |
| 8 | 95023-06030 | BOLT BOULON, A COLLERETTE | 4 | 4 | 4 | |
| 9 | 6AH-85580-00 | COIL, PULSER BOBINE, PULSEUR | 1 | 1 | 1 | |
| 10 | 97095-05016 | BOLT BOULON | 2 | 2 | 2 | |
| 11 | 92995-05600 | WASHER RONDELLE | 2 | 2 | 2 | |
| 12 | 6BG-81337-00 | COVER, FLYWHEEL COUVERCLE, VOLANT | 1 | 1 | 1 | |
| 13 | 90480-12314 | GROMMET PASSE-FIL | 4 | 4 | 4 | |
| 14 | 67F-2812A-00 | PULLER, FUSE TENDEUR, FUSIBLE | 1 | 1 | 1 | |
| 15 | 6BG-42617-00 | DAMPER, FORM BOURRELET, CAOUTCHOUC | 1 | 1 | 1 | |
| 16 | 6BG-13437-60 | MARK, CAUTION MAKER | 1 | 1 | 1 | |
| 17 | 6AH-81995-40 | LABEL, WARNING ETIQUETTE, AVERTISSEMENT | 1 | 1 | 1 | |
| 18 | 6AH-81995-50 | LABEL, WARNING ETIQUETTE, AVERTISSEMENT | 1 | 1 | 1 | |
| 19 | 6AH-81994-40 | LABEL, SAFETY ETIQUETTE, SECURITE | 1 | 1 | 1 | |
| 20 | 6AH-81994-50 | LABEL, SAFETY ETIQUETTE, SECURITE | 1 | 1 | 1 | |
| 21 | 6BG-81919-00 | GRAPHIC, REGULATOR ADHESIF, REGULATEUR | 1 | 1 | 1 | |
| 22 | 6C5-82377-00 | LABEL ETIQUETTE | 1 | 1 | 1 | |
| 23 | 6AG-81996-00 | MARK MARQUE | 1 | 1 | 1 | |

FIG. 13 ELECTRICAL 1

PARTIE ELECTRIQUE 1



| REF. NO. | PART NO. N° PIECES | DESCRIPTION DESCRIPTION | ET | ED | EHD | REMARKS REMARQUES |
|----------|--------------------|--|----|----|-----|-------------------|
| 1 | 6BG-8591A-02 | ENGINE CONTROL UNIT ASSY BLOC DE CONTROL | 1 | 1 | 1 | F40F F40F |
| | 6BT-8591A-01 | ENGINE CONTROL UNIT ASSY BLOC DE CONTROL | 1 | 1 | 1 | F30B F30B |
| 2 | 97095-06025 | BOLT BOULON | 4 | 4 | 4 | |
| 3 | 92995-06600 | WASHER RONDELLE | 4 | 4 | 4 | |
| 4 | 6BG-85570-00 | IGNITION COIL ASSY BOBINE D'ALLUMAGE (ENS.) | 3 | 3 | 3 | |
| 5 | 90480-25003 | GROMMET PASSE-FIL | 6 | 6 | 6 | |
| 6 | 97095-06025 | BOLT BOULON | 3 | 3 | 3 | |
| 7 | 92995-06600 | WASHER RONDELLE | 3 | 3 | 3 | |
| 8 | 6BG-82398-00 | PLATE 3 PLAQUETTE 3 | 1 | 1 | 1 | |
| 9 | 6BG-82389-00 | PLATE 2 PLAQUETTE 2 | 2 | 2 | 2 | |
| 10 | 90464-06001 | CLAMP BRIDE | 2 | 2 | 2 | |
| 11 | 6AH-82370-00 | PLUG CAP ASSY ANTIPARASITE | 3 | 3 | 3 | |
| 12 | 6BG-81960-00 | RECTIFIER & REGULATOR ASSY REDRESSEUR REGULATEUR CPLT | 1 | 1 | 1 | |
| 13 | 97095-06025 | BOLT BOULON | 2 | 2 | 2 | |
| 14 | 92995-06600 | WASHER RONDELLE | 2 | 2 | 2 | |
| 15 | 6BG-81528-00 | CLAMP 1 COLLIER 1 | 1 | 1 | 1 | |
| 16 | 97095-06016 | BOLT BOULON | 2 | 2 | 2 | |
| 17 | 92995-06600 | WASHER RONDELLE | 2 | 2 | 2 | |
| 18 | 90464-13249 | CLAMP BRIDE | 3 | 3 | 3 | |
| 19 | 90464-18246 | CLAMP BRIDE | 1 | 1 | 1 | |

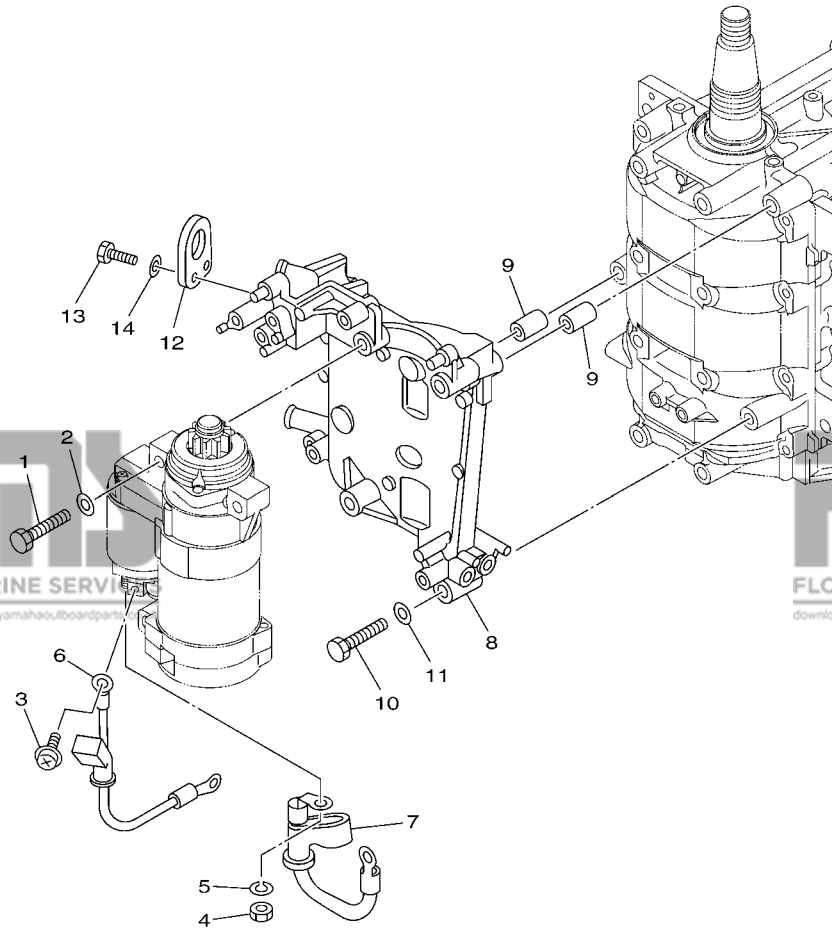


6BG1100-H130

FIG. 14 ELECTRICAL 2

PARTIE ELECTRIQUE 2

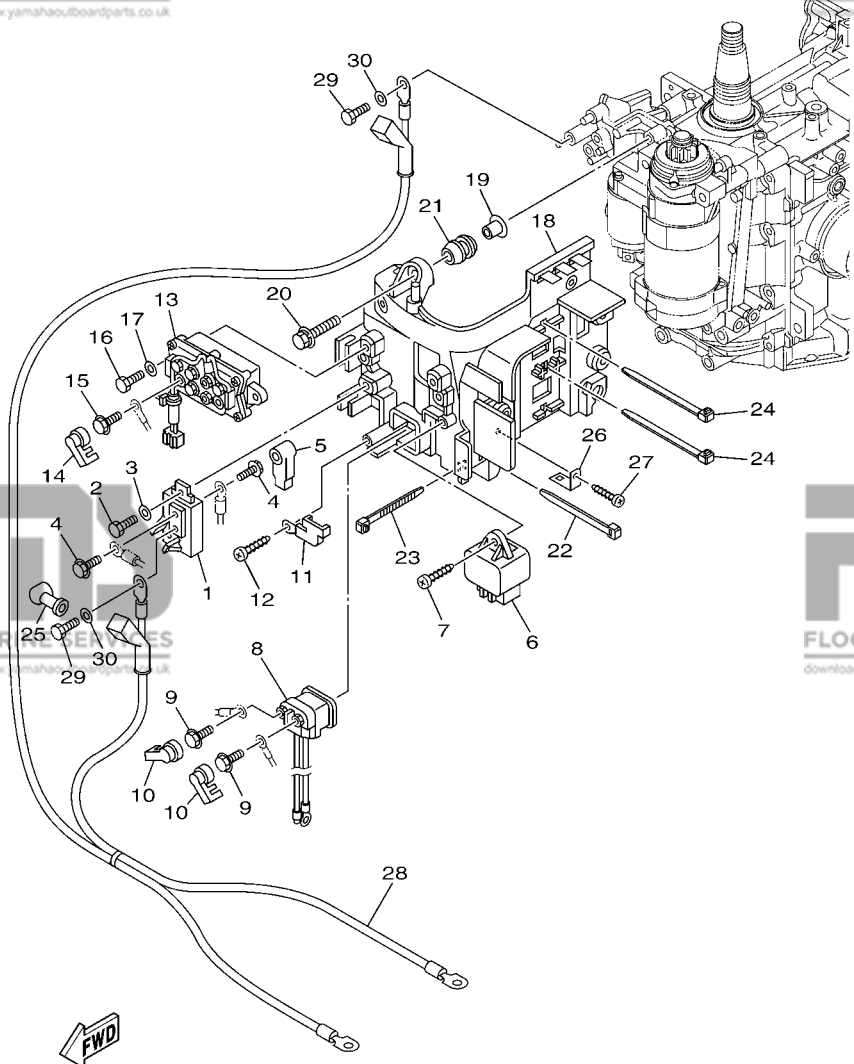
| REF. NO. | PART NO. N° PIECES | DESCRIPTION DESCRIPTION | ET | ED | EHD | REMARKS REMARQUES |
|----------|--------------------|---|----|----|-----|-------------------|
| 1 | 97013-08045 | BOLT BOULON | 3 | 3 | 3 | |
| 2 | 92903-08600 | WASHER, PLATE RONDELLE, PLATE | 3 | 3 | 3 | |
| 3 | 90159-05M12 | SCREW, WITH WASHER VIS, AVEC RONDELLE | 1 | 1 | 1 | |
| 4 | 95333-08600 | NUT ECROU | 1 | 1 | 1 | |
| 5 | 92903-08100 | WASHER, SPRING RONDELLE, GROWER | 1 | 1 | 1 | |
| 6 | 6BG-81815-00 | CORD, STARTER MOTOR FIL, DEMARREUR ELECTRIQUE | 1 | 1 | 1 | |
| 7 | 6BG-82115-00 | WIRE, PLUS LEAD FIL, POSITIF | 1 | 1 | 1 | |
| 8 | 6BG-81822-00-94 | BRACKET, STARTING MOTOR SUPPORT, DEMARREUR ELECTRIQUE | 1 | 1 | 1 | |
| 9 | 99590-10114 | PIN, DOWEL GOUJON, D'ASSEMBLAGE | 2 | 2 | 2 | |
| 10 | 97095-08045 | BOLT BOULON | 4 | 4 | 4 | |
| 11 | 92995-08600 | WASHER RONDELLE | 4 | 4 | 4 | |
| 12 | 62Y-11119-00 | HANGER, ENGINE ANNEAU, LEVAGE | 1 | 1 | 1 | |
| 13 | 97095-06020 | BOLT BOULON | 2 | 2 | 2 | |
| 14 | 92995-06600 | WASHER RONDELLE | 2 | 2 | 2 | |



6BG1100-H140

FIG. 15 ELECTRICAL 3

PARTIE ELECTRIQUE 3



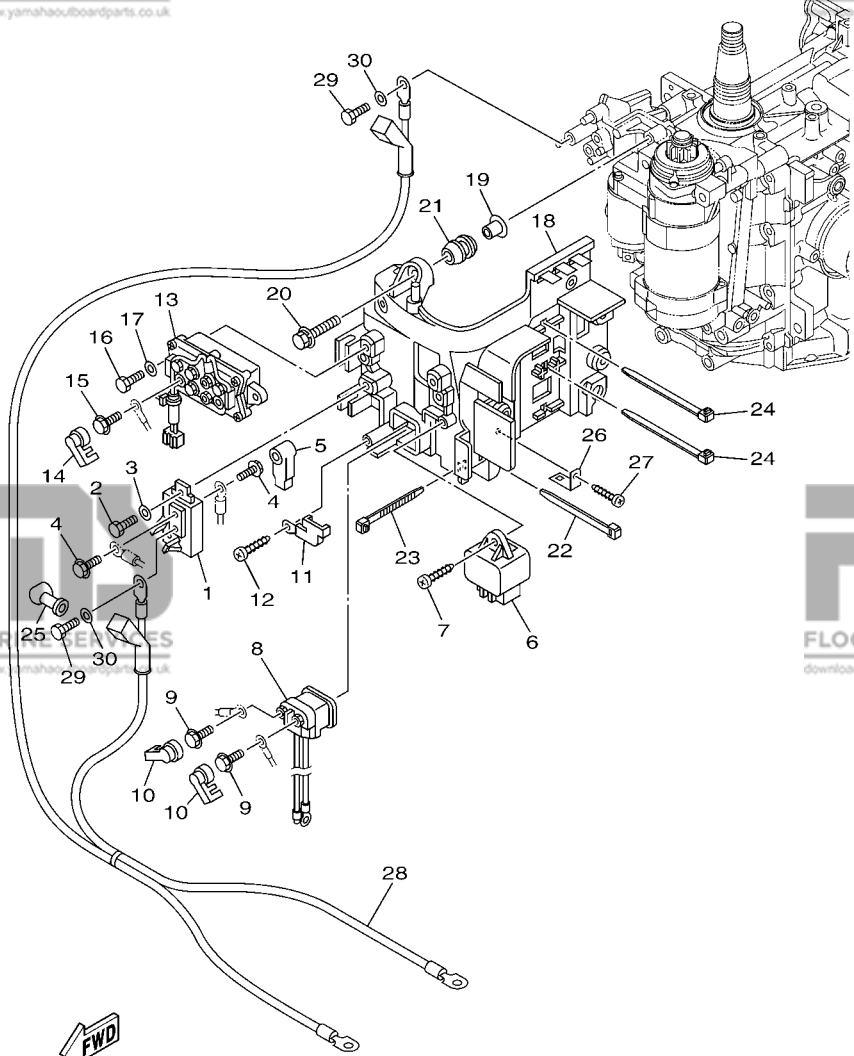
6BG3110-K160

| REF. NO. | PART NO. N° PIECES | DESCRIPTION DESCRIPTION | ET | ED | EHD | REMARKS REMARQUES |
|----------|--------------------|---|----|----|-----|-------------------|
| 1 | 6BG-81925-00 | TERMINAL BORNE | 1 | 1 | 1 | |
| 2 | 97095-06016 | BOLT BOULON | 1 | 1 | 1 | |
| 3 | 92995-06600 | WASHER RONDELLE | 1 | 1 | 1 | |
| 4 | 97595-06610 | BOLT, WITH WASHER VIS HEXAGONAL AVEC RONDELLE | 2 | 2 | 2 | |
| 5 | 682-82119-01 | COVER, LEAD WIRE GARNITURE, FIL | 1 | 1 | 1 | |
| 6 | 60E-81950-00 | RELAY ASSY RELAIS COMPLET | 1 | 1 | 1 | |
| 7 | 97780-60620 | SCREW, TAPPING VIS, TETE BOMBEE | 1 | 1 | 1 | |
| 8 | 6AW-8194A-00 | RELAY RELAIS | 1 | 1 | 1 | |
| 9 | 97595-06610 | BOLT, WITH WASHER VIS HEXAGONAL AVEC RONDELLE | 2 | 2 | 2 | |
| 10 | 6P2-8183X-00 | CAP, TERMINAL COUVERCLE, BORNE | 2 | 2 | 2 | |
| 11 | 68F-81953-00 | STAY, RELAY SUPPORT, RELAIS | 1 | 1 | 1 | |
| 12 | 97780-60620 | SCREW, TAPPING VIS, TETE BOMBEE | 1 | 1 | 1 | |
| 13 | 63P-81950-00 | RELAY ASSY RELAIS COMPLET | 1 | | | |
| 14 | 6P2-8183X-00 | CAP, TERMINAL COUVERCLE, BORNE | 2 | | | |
| 15 | 97595-06610 | BOLT, WITH WASHER VIS HEXAGONAL AVEC RONDELLE | 2 | | | |
| 16 | 97095-06020 | BOLT BOULON | 2 | | | |
| 17 | 92995-06600 | WASHER RONDELLE | 2 | | | |
| 18 | 6BG-81948-00 | BRACKET SUPPORT | 1 | 1 | 1 | |
| 19 | 90387-06119 | COLLAR COLLERETTE | 6 | 6 | 6 | |
| 20 | 90119-06M59 | BOLT, WITH WASHER BOULON, AVEC RONDELLE | 6 | 6 | 6 | |
| 21 | 6A0-82317-00 | DAMPÉR, IGNITION COIL AMORTISSEUR, BOBINE D'ALLUM | 6 | 6 | 6 | |
| 22 | 90465-13M24 | CLAMP BRIDE | 1 | 1 | 1 | |
| 23 | 90465-13M39 | CLAMP BRIDE | 1 | 1 | 1 | |
| 24 | 90465-14M66 | CLAMP BRIDE | 2 | 2 | 2 | |
| 25 | 6G5-82119-00 | COVER, LEAD WIRE GARNITURE, FIL | 1 | 1 | 1 | |
| 26 | 68V-85548-00 | HOLDER SUPPORT | 1 | 1 | 1 | |
| 27 | 97780-60620 | SCREW, TAPPING VIS, TETE BOMBEE | 1 | 1 | 1 | |

FIG. 15 ELECTRICAL 3

PARTIE ELECTRIQUE 3

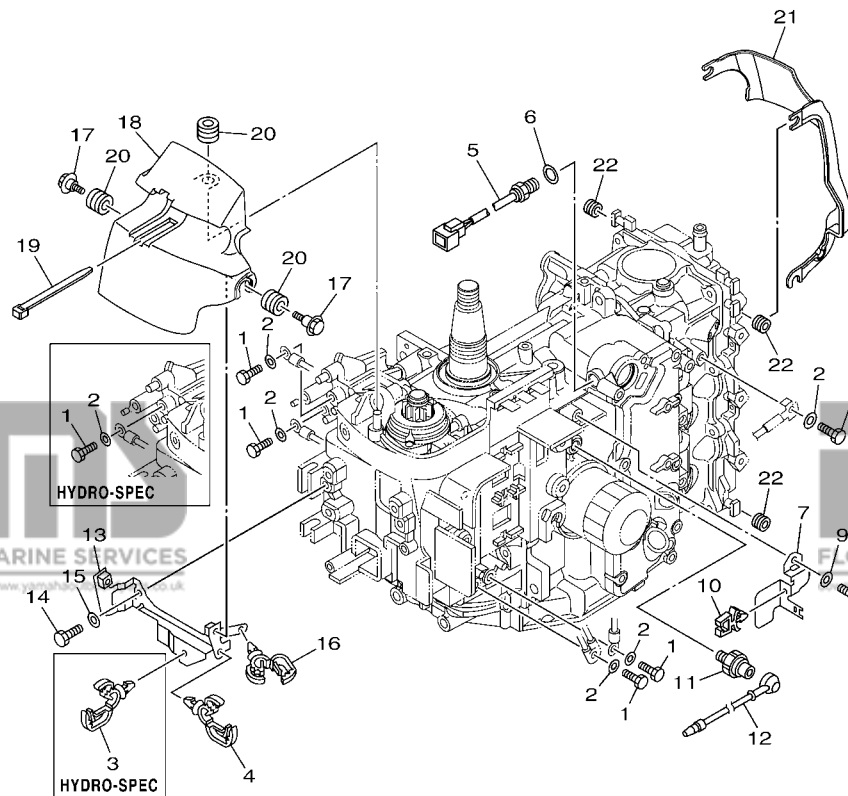
| REF. NO. | PART NO. N° PIECES | DESCRIPTION DESCRIPTION | ET | ED | EHD | REMARKS REMARQUES |
|----------|--------------------|----------------------------------|----|----|-----|-------------------|
| 28 | 6BG-82105-00 | WIRE HARNESS FAISCEAU DE FILS | 1 | 1 | 1 | AP AP |
| 29 | 97095-06016 | BOLT BOULON | 2 | 2 | 2 | AP AP |
| 30 | 92995-06600 | WASHER RONDELLE | 2 | 2 | 2 | AP AP |



6BG3110-K160

FIG. 16 ELECTRICAL 4

PARTIE ELECTRIQUE 4



FWD
6BG1100-H160

| REF. NO. | PART NO. N° PIECES | DESCRIPTION DESCRIPTION | ET | ED | EHD | REMARKS REMARQUES |
|----------|--------------------|---|----|----|-----|-------------------|
| 1 | 97095-06016 | BOLT BOULON | 5 | | | |
| | 97095-06016 | BOLT BOULON | | 4 | 4 | |
| 2 | 92995-06600 | WASHER RONDELLE | 5 | | | |
| | 92995-06600 | WASHER RONDELLE | | 4 | 4 | |
| 3 | 90464-13249 | CLAMP BRIDE | 1 | | 1 | |
| 4 | 90464-13249 | CLAMP BRIDE | 1 | 1 | 1 | |
| 5 | 6CJ-85790-00 | THERMOSENSOR ASSY SENSITOMETRE | 1 | 1 | 1 | |
| 6 | 90430-14115 | GASKET JOINT | 1 | 1 | 1 | |
| 7 | 6BG-82388-00 | PLATE PLAQUETTE | 1 | 1 | 1 | |
| 8 | 97095-06016 | BOLT BOULON | 1 | 1 | 1 | |
| 9 | 92995-06600 | WASHER RONDELLE | 1 | 1 | 1 | |
| 10 | 90464-06001 | CLAMP BRIDE | 1 | 1 | 1 | |
| 11 | 64J-82504-00 | OIL PRESSURE SWITCH ASSY CONTACTEUR DE PRESSION D'HUILE | 1 | 1 | 1 | |
| 12 | 68V-81315-00 | LEAD WIRE ASSY FIL | 1 | 1 | 1 | |
| 13 | 6BG-8257V-00 | PLATE, CONNECTOR PLAQUE, CONNECTEUR | 1 | 1 | 1 | |
| 14 | 97095-06016 | BOLT BOULON | 2 | 2 | 2 | |
| 15 | 92995-06600 | WASHER RONDELLE | 2 | 2 | 2 | |
| 16 | 90464-18246 | CLAMP BRIDE | 1 | 1 | 1 | |
| 17 | 90109-06MA1 | BOLT BOULON | 2 | 2 | 2 | |
| 18 | 6BG-81942-00 | COVER COUVERCLE | 1 | 1 | 1 | |
| 19 | 90465-13M24 | CLAMP BRIDE | 1 | 1 | 1 | |
| 20 | 90480-12314 | GROMMET PASSE-FIL | 3 | 3 | 3 | |
| 21 | 6BG-11192-00 | COVER, CYLINDER HEAD 2 COUVERCLE, CULASSE 2 | 1 | 1 | 1 | |
| 22 | 90480-12314 | GROMMET PASSE-FIL | 3 | 3 | 3 | |

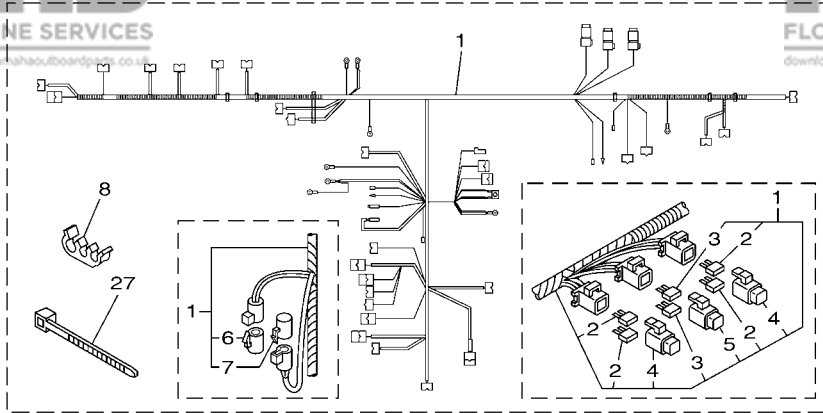


FIG. 17 ELECTRICAL 5

PARTIE ELECTRIQUE 5

| REF. NO. | PART NO. N° PIECES | DESCRIPTION DESCRIPTION | ET | ED | EHD | REMARKS REMARQUES |
|----------|--------------------|--|----|----|-----|-------------------|
| 1 | 6BG-82590-02 | WIRE HARNESS ASSY FAISCEAU DE FILS COMPLET | 1 | | | |
| | 6BG-82590-12 | WIRE HARNESS ASSY FAISCEAU DE FILS COMPLET | | 1 | 1 | |
| 2 | 67F-82151-00 | .FUSE (20A) .FUSIBLE (20A) | 4 | 4 | 4 | |
| 3 | 67F-82151-10 | .FUSE (30A) .FUSIBLE (30A) | 2 | 2 | 2 | |
| 4 | 67F-8215B-10 | .CAP (YELLOW) .BOUCHON (YELLOW) | 2 | 2 | 2 | |
| 5 | 67F-8215B-20 | .CAP (GREEN) .BOUCHON (GREEN) | 1 | 1 | 1 | |
| 6 | 6P2-82582-00 | .CAP 1 (FEMALE) .BOUCHON 1 (FEMME) | 1 | | | FOR 6BG-82590-02 |
| 7 | 6P2-82582-10 | .CAP 1 (MALE) .BOUCHON 1 (MALE) | 1 | | | FOR 6BG-82590-02 |
| 8 | 90464-11008 | CLAMP BRIDE | 1 | 1 | 1 | FOR 6BG-82590-02 |
| 9 | 60V-8259F-00 | SWITCH ASSY COMMUTATEUR | 1 | 1 | 1 | |
| 10 | 6C5-82554-01 | STAY, NEUTRAL SWITCH SUPPORT, CONT DE POINT-MORT | 1 | 1 | 1 | |
| 11 | 61A-82588-01 | PLATE PLAQUE | 1 | 1 | 1 | |
| 12 | 90387-04001 | COLLAR COLLERETTE | 1 | 1 | 1 | |
| 13 | 97985-04116 | SCREW, WITH WASHER VIS, AVEC RONDELLE | 2 | 2 | 2 | |
| 14 | 69J-82563-00 | TRIM & TILT SWITCH ASSY INCLINER ET PAPER COMMUTATEUR | 1 | | | |
| | 69J-42723-00-8D | COVER, BOTTOM COUVERCLE | 1 | 1 | 1 | |
| 15 | 6BG-83614-00 | BRACKET SUPPORT | 1 | 1 | 1 | |
| 16 | 90109-06M86 | BOLT BOULON | 2 | 2 | 2 | |
| 17 | 69J-82587-00 | GASKET JOINT | 1 | 1 | 1 | |
| 18 | 6BG-42811-00 | STAY SUPPORT | 1 | 1 | 1 | |
| 19 | 90464-20181 | CLAMP BRIDE | 1 | 1 | 1 | |
| 20 | 90109-06M86 | BOLT BOULON | 1 | 1 | 1 | |
| 21 | 6BG-42743-00 | BRACKET SUPPORT | 1 | 1 | 1 | |
| 22 | 90109-06M86 | BOLT BOULON | 1 | 1 | 1 | |
| 23 | 90464-20181 | CLAMP BRIDE | 1 | 1 | 1 | |
| 24 | 63P-42756-00 | STAY, CLAMP SUPPORT, COLLIER | 1 | 1 | 1 | |
| 25 | 90464-20181 | CLAMP BRIDE | 1 | 1 | 1 | |

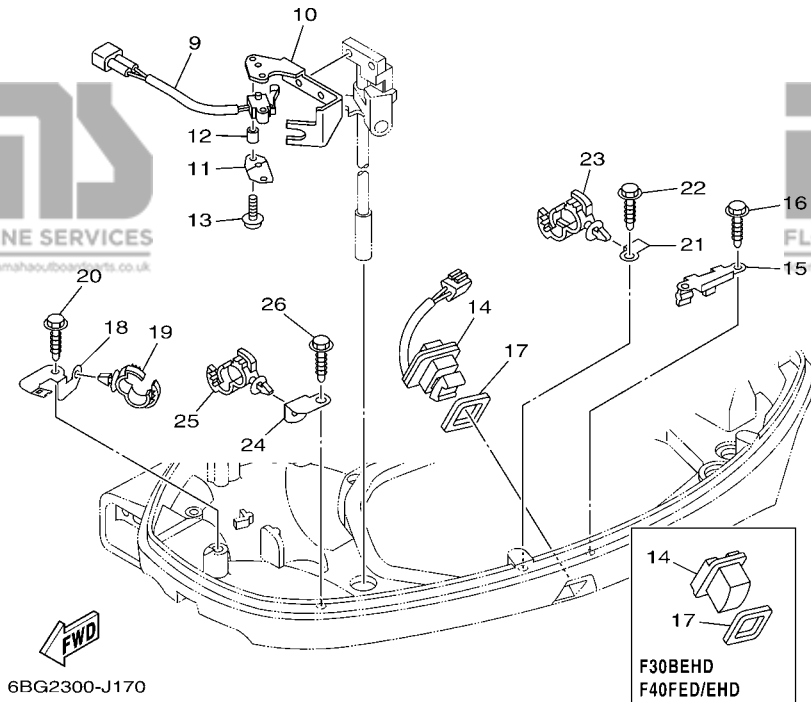
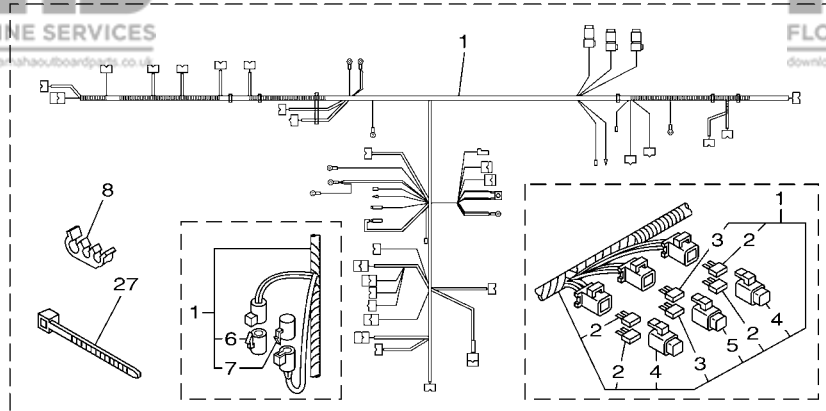


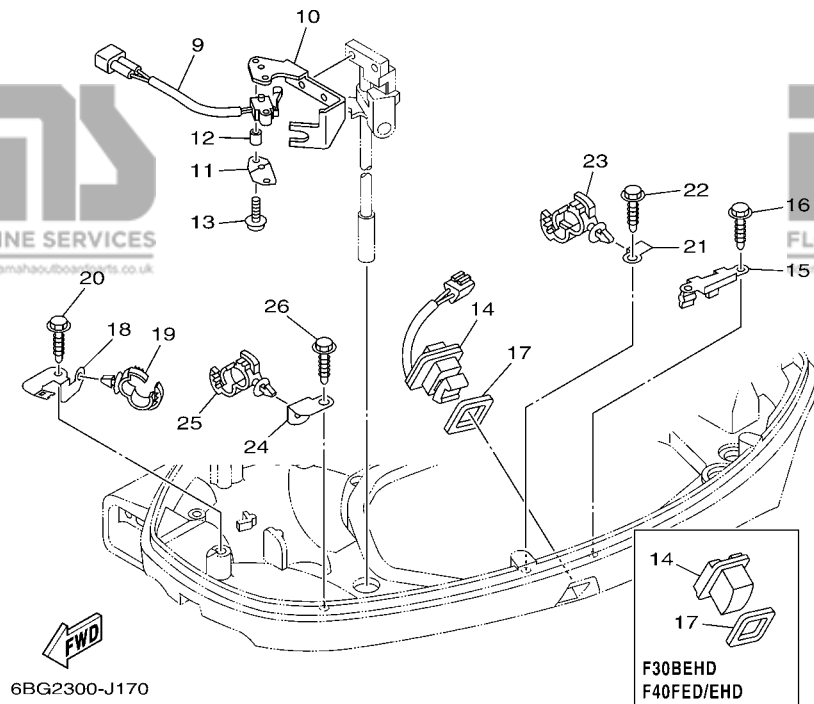
FIG. 17 ELECTRICAL 5

PARTIE ELECTRIQUE 5



| REF. NO. | PART NO. N° PIECES | DESCRIPTION DESCRIPTION | ET | ED | EHD | REMARKS REMARQUES |
|----------|--------------------|-------------------------|----|----|-----|-------------------|
|----------|--------------------|-------------------------|----|----|-----|-------------------|

| | | | | | | |
|----|-------------|-------------|---|---|---|--|
| 26 | 90109-06M86 | BOLT BOULON | 1 | 1 | 1 | |
| 27 | 90465-13M97 | CLAMP BRIDE | 1 | 1 | 1 | |

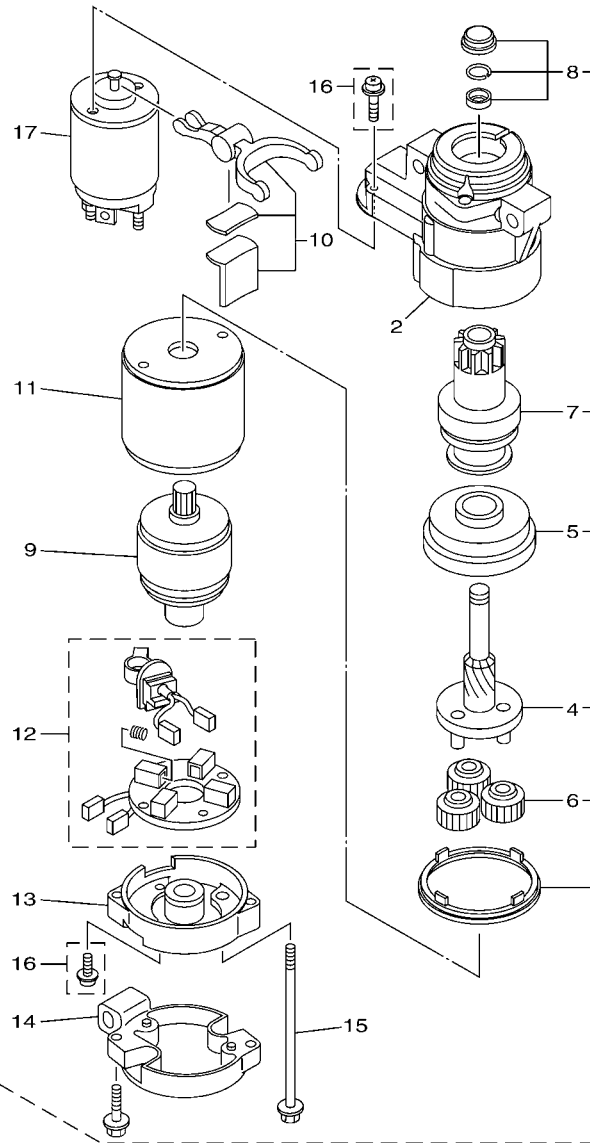


6BG2300-J170

F30BEHD
F40FED/EHD

FIG. 18 STARTING MOTOR

DEMARREUR ELECTRIQUE



6BG1100-H180

| REF. NO. | PART NO. N° PIECES | DESCRIPTION DESCRIPTION | ET | ED | EHD | REMARKS REMARQUES |
|----------|--------------------|---|----|----|-----|-------------------|
| 1 | 6BG-81800-00 | STARTING MOTOR ASSY DEMARREUR ELECTRIQUE COMPLET | 1 | 1 | 1 | |
| 2 | 6BG-81830-00 | .FRONT BRACKET ASSY .SUPPORT AVANT | 1 | 1 | 1 | |
| 3 | 6BG-81807-00 | .GEAR ASSY, STARTING MOTOR .PIGNON, DEMARREUR ELECTRIQUE | 1 | 1 | 1 | |
| 4 | 6BG-81836-00 | ..SPRING, LEVER ..RESSORT, LEVIER | 1 | 1 | 1 | |
| 5 | 6BG-81891-00 | ..GEAR, RING ..ROUE DENTEE | 1 | 1 | 1 | |
| 6 | 6AW-8183T-00 | ..GEAR, IDLER ..PIGNON, INTERMEDIAIRE | 3 | 3 | 3 | |
| 7 | 6BG-81832-00 | ..CLUTCH, OVER RUN ..EMBAYAGE, ROUE LIBRE | 1 | 1 | 1 | |
| 8 | 6BG-81857-00 | ..RETAINER ..ARRETOIR | 1 | 1 | 1 | |
| 9 | 6BG-81850-00 | .ARMATURE ASSY .INDUIT | 1 | 1 | 1 | |
| 10 | 6BG-81839-00 | .LEVER ASSY .LEVIER COMPLET | 1 | 1 | 1 | |
| 11 | 6BG-81810-00 | .STATOR ASSY .STATOR COMPLET | 1 | 1 | 1 | |
| 12 | 6BG-81840-00 | .BRUSH HOLDER ASSY .SUPPORT DE CHARBON | 1 | 1 | 1 | |
| 13 | 6BG-81820-00 | .REAR BRACKET ASSY .SUPPORT ARRIERE COMPLET | 1 | 1 | 1 | |
| 14 | 6BG-8182J-00 | .BRACKET COMPLETE .SUPPORTE COMPLETE | 1 | 1 | 1 | |
| 15 | 6BG-81826-00 | .BOLT .BOULON | 2 | 2 | 2 | |
| 16 | 6BG-81846-00 | .SCREW SET .VIS | 1 | 1 | 1 | |
| 17 | 6BG-81941-00 | .STARTER RELAY ASSY .LANCEUR RELAIS (ENS.) | 1 | 1 | 1 | |

FIG. 19 BOTTOM COWLING 1

CAPOT INFERIEUR 1

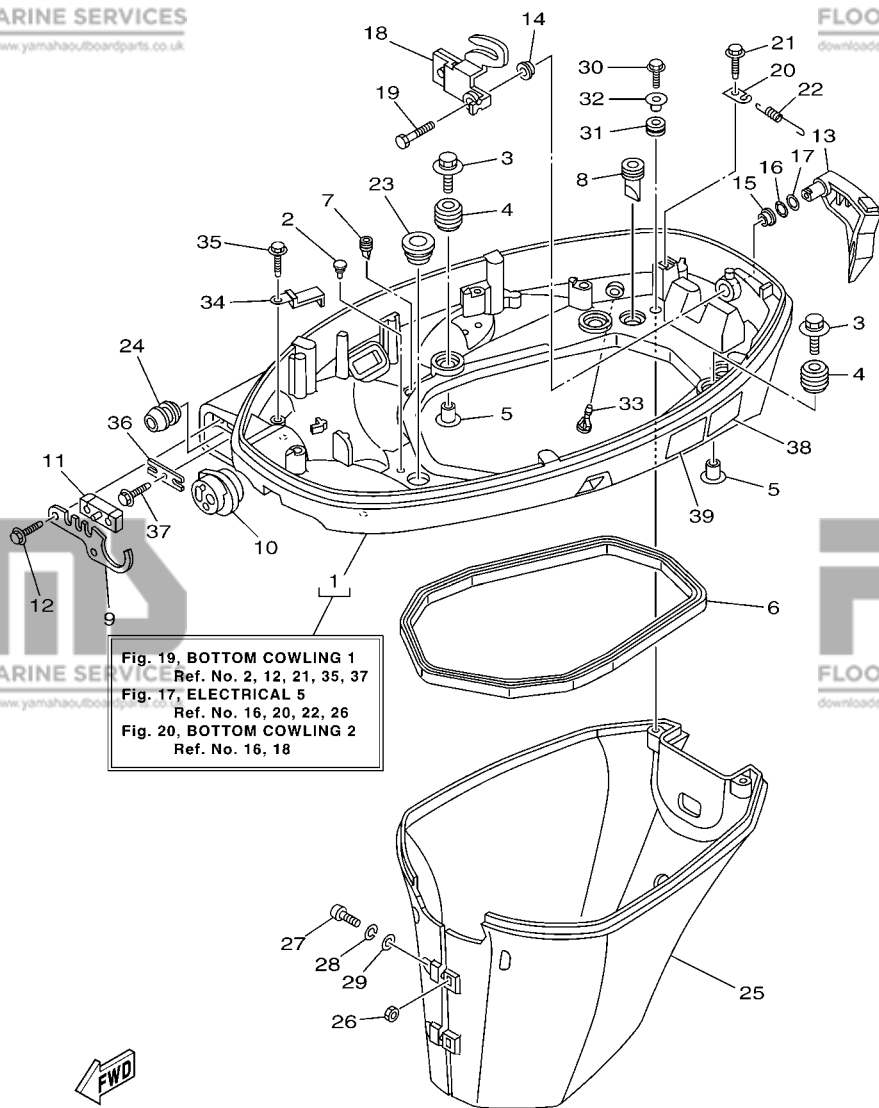


Fig. 19, BOTTOM COWLING 1
Ref. No. 2, 12, 21, 35, 37
Fig. 17, ELECTRICAL 5
Ref. No. 16, 20, 22, 26
Fig. 20, BOTTOM COWLING 2
Ref. No. 16, 18

6BG3300-K190

| REF. NO. | PART NO. N° PIECES | DESCRIPTION DESCRIPTION | ET | ED | EHD | REMARKS REMARQUES |
|----------|--------------------|--|----|----|-----|----------------------|
| 1 | 6BG-42710-01-8D | BOTTOM COWLING ASSY ENS. EMBASE | 1 | 1 | 1 | |
| 2 | 6H4-42748-00 | GROMMET PASSE-FIL | 3 | 3 | 3 | |
| 3 | 90119-06M61 | BOLT, WITH WASHER BOULON, AVEC RONDELLE | 4 | 4 | 4 | |
| 4 | 6BG-42748-00 | GROMMET PASSE-FIL | 4 | 4 | 4 | |
| 5 | 90387-06060 | COLLAR COLLERETTE | 4 | 4 | 4 | |
| 6 | 62Y-42716-00 | RUBBER, SEAL 1 JOINT EN CAOUTCHOUC 1 | 1 | 1 | 1 | |
| 7 | 65W-42717-00 | RUBBER, SEAL 2 JOINT EN CAOUTCHOUC 2 | 2 | 2 | 2 | |
| 8 | 61A-42717-00 | RUBBER, SEAL 2 JOINT EN CAOUTCHOUC 2 | 2 | 2 | 2 | |
| 9 | 6BG-42761-00 | STOPPER PLAQUETTE | 1 | 1 | 1 | |
| 10 | 6BG-42725-00 | GROMMET PASSE-FIL | 1 | 1 | 1 | |
| 11 | 6BG-42727-00 | GROMMET PASSE-FIL | 1 | 1 | 1 | |
| 12 | 90109-06M86 | BOLT BOULON | 2 | 2 | 2 | |
| 13 | 6BG-42815-00-8D | LEVER, CLAMP LEVIER, PRESSE | 1 | 1 | 1 | |
| 14 | 90386-12M37 | BUSH DOUILLE | 1 | 1 | 1 | |
| 15 | 90386-12MA2 | BUSH DOUILLE | 1 | 1 | 1 | |
| 16 | 90206-12052 | WASHER, WAVE RONDELLE, ONDULEE | 1 | 1 | 1 | |
| 17 | 90201-12M07 | WASHER, PLATE RONDELLE, PLATE | 1 | 1 | 1 | |
| 18 | 6BG-42816-00 | LEVER, CLAMP LEVIER, PRESSE | 1 | 1 | 1 | |
| 19 | 97095-06014 | BOLT BOULON | 1 | 1 | 1 | |
| 20 | 66T-43144-00 | HOOK, SPRING CROCHET | 1 | 1 | 1 | |
| 21 | 90109-06M86 | BOLT BOULON | 1 | 1 | 1 | |
| 22 | 90506-18M40 | SPRING, TENSION RESSORT, TENSION | 1 | 1 | 1 | |
| 23 | 68U-42727-00 | GROMMET PASSE-FIL | 1 | 1 | 1 | |
| 24 | 6BG-24329-00 | SEAL JOINT | 1 | 1 | 1 | |
| 25 | 6BG-42741-00-8D | APRON CAPOT LATERAL | 1 | 1 | 1 | S(16.1") S(16.1") |
| | 6BG-42741-10-8D | APRON CAPOT LATERAL | 1 | 1 | 1 | L(21.0") L(21.0") |
| 26 | 95380-06600 | NUT, HEXAGON ECROU | 2 | 2 | 2 | |

FIG. 19 BOTTOM COWLING 1

CAPOT INFERIEUR 1

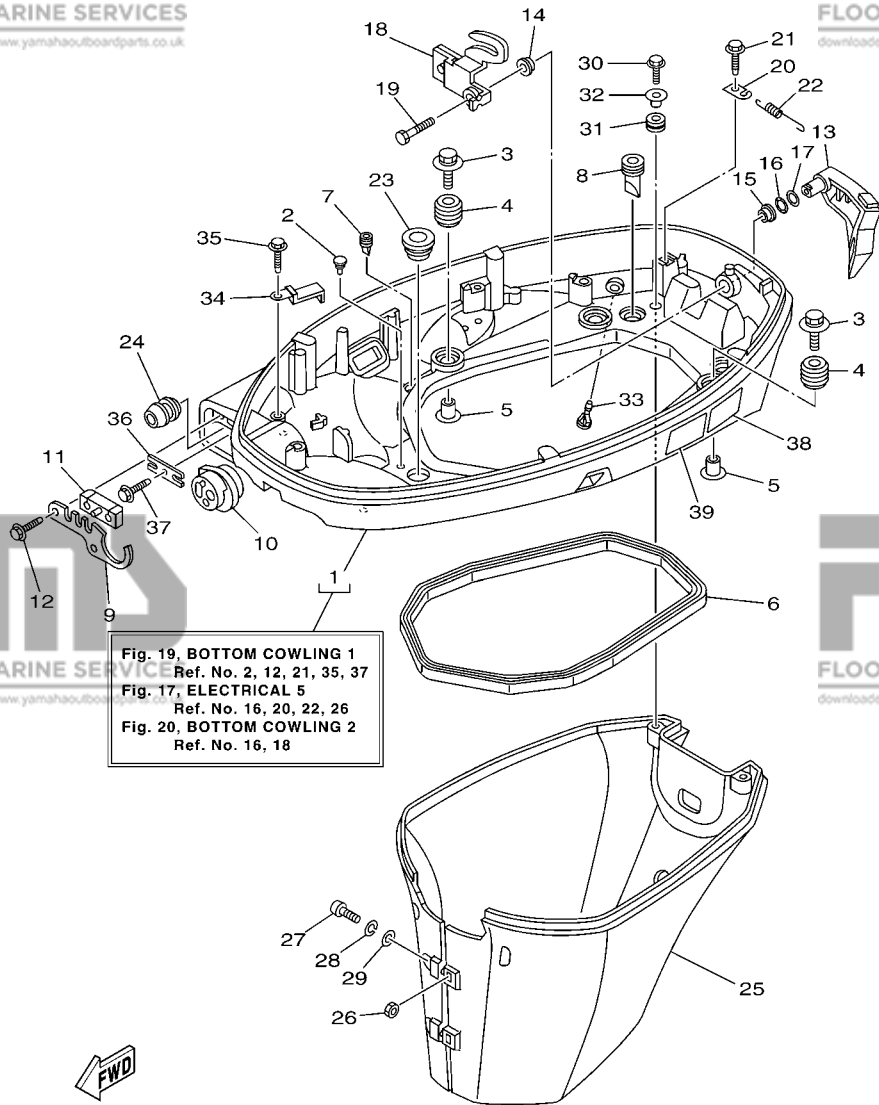


Fig. 19, BOTTOM COWLING 1
Ref. No. 2, 12, 21, 35, 37
Fig. 17, ELECTRICAL 5
Ref. No. 16, 20, 22, 26
Fig. 20, BOTTOM COWLING 2
Ref. No. 16, 18

FWD
6BG3300-K190

| REF. NO. | PART NO. N° PIECES | DESCRIPTION DESCRIPTION | ET | ED | EHD | REMARKS REMARQUES |
|----------|--------------------|--|----|----|-----|-------------------|
| 27 | 97880-06025 | SCREW, PAN HEAD VIS, TETE TRONCONIQUE | 2 | 2 | 2 | |
| 28 | 92990-06100 | WASHER, SPRING RONDELLE, GROWER | 2 | 2 | 2 | |
| 29 | 92990-06600 | WASHER, PLATE RONDELLE, PLATE | 2 | 2 | 2 | |
| 30 | 90109-06M80 | BOLT BOULON | 2 | 2 | 2 | |
| 31 | 90480-13M24 | GROMMET PASSE-FIL | 2 | 2 | 2 | |
| 32 | 90387-06M43 | COLLAR COLLERETTE | 2 | 2 | 2 | |
| 33 | 6BL-44391-00 | NIPPLE, HOSE RACCORD D'ESSENCE | 1 | 1 | 1 | |
| 34 | 90462-20005 | CLAMP BRIDE | 1 | 1 | 1 | |
| 35 | 90109-06M86 | BOLT BOULON | 1 | 1 | 1 | |
| 36 | 6BG-48538-00 | CLAMP, CABLE 1 COLLIER | 1 | 1 | 1 | |
| 37 | 90109-06M86 | BOLT BOULON | 1 | 1 | 1 | |
| 38 | 6AH-42794-40 | LABEL, WARNING (GENERAL) ETIQUETTE, AVERTISSEMENT | 1 | 1 | 1 | |
| 39 | 6AH-42794-50 | LABEL, WARNING (GENERAL) ETIQUETTE, AVERTISSEMENT | 1 | 1 | 1 | |

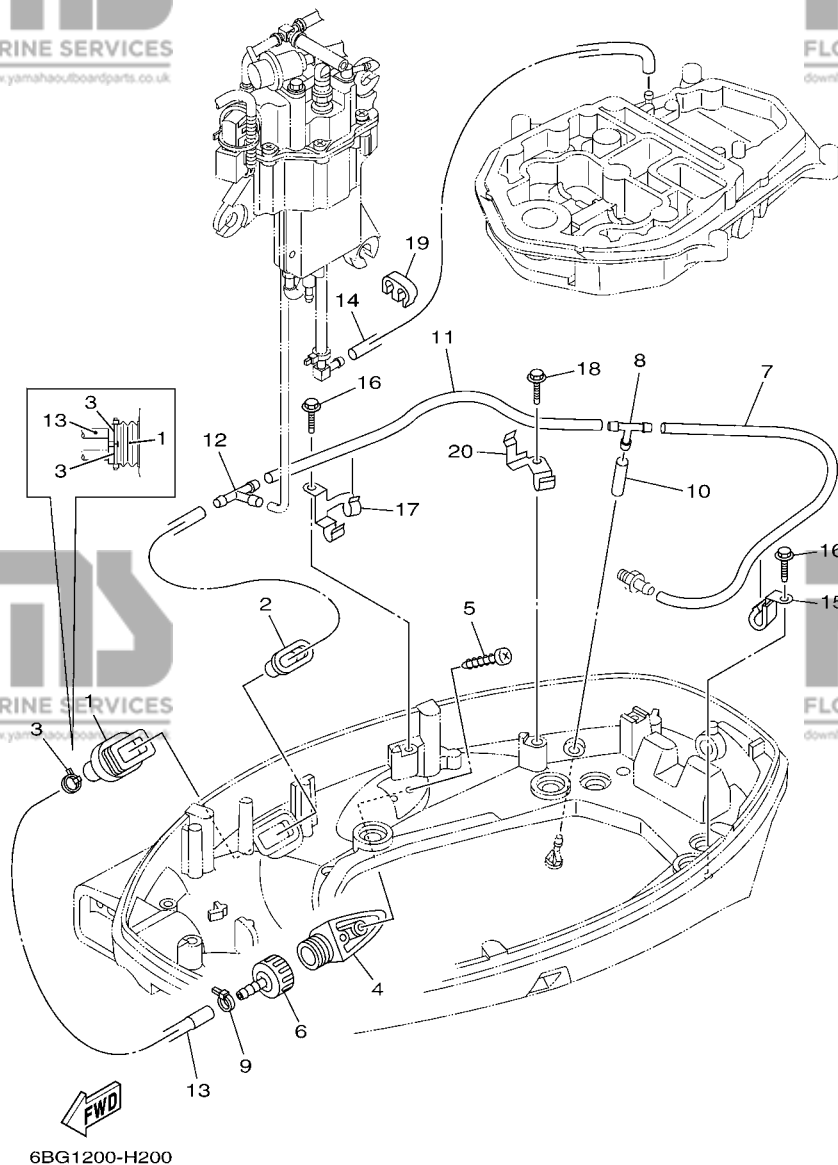
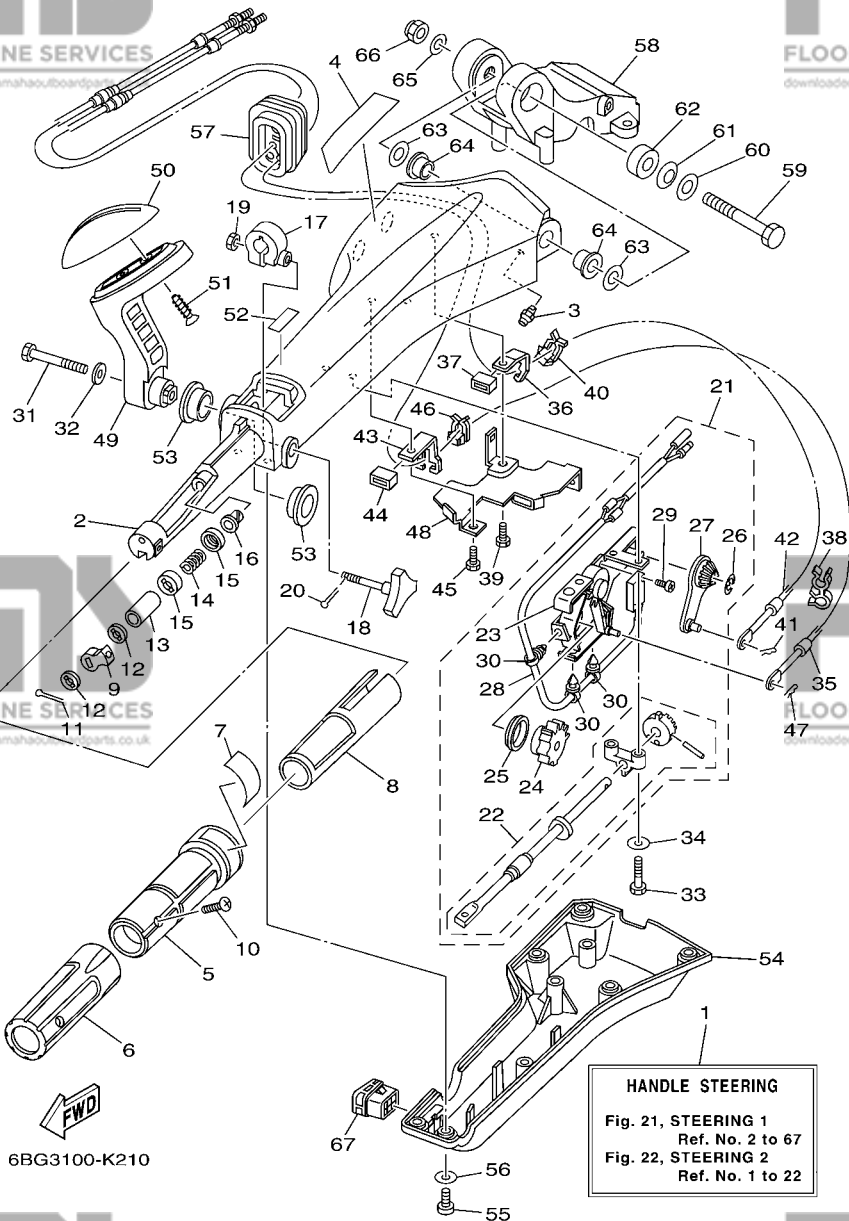


FIG. 20 BOTTOM COWLING 2

CAPOT INFERIEUR 2

| REF. NO. | PART NO. N° PIECES | DESCRIPTION DESCRIPTION | ET | ED | EHD | REMARKS REMARQUES |
|----------|--------------------|-------------------------------------|----|----|-----|-------------------|
| 1 | 6H1-42726-21 | GROMMET PASSE-FIL | 1 | 1 | 1 | |
| 2 | 6BG-42384-00 | SEAL, CAP JOINT, CAPUCHON | 1 | 1 | 1 | |
| 3 | 90465-11M10 | CLAMP BRIDE | 2 | 2 | 2 | |
| 4 | 6AW-12572-00 | ADAPTER ADAPTATEUR | 1 | 1 | 1 | |
| 5 | 97780-60520 | SCREW, TAPPING VIS, TETE BOMBEE | 2 | 2 | 2 | |
| 6 | 6R3-12580-00 | JOINT ASSY ARTICULER (ENS.) | 1 | 1 | 1 | |
| 7 | 90445-09035 | HOSE (L380) DURITE (L380) | 1 | 1 | 1 | |
| 8 | 688-24378-00 | PIPE, JOINT 3 DURITE RACCORDEMENT 3 | 1 | 1 | 1 | |
| 9 | 90465-11M10 | CLAMP BRIDE | 1 | 1 | 1 | |
| 10 | 90445-09220 | HOSE (L30) DURITE (L30) | 1 | 1 | 1 | |
| 11 | 90445-09224 | HOSE (L270) DURITE (L270) | 1 | 1 | 1 | |
| 12 | 688-24378-00 | PIPE, JOINT 3 DURITE RACCORDEMENT 3 | 1 | 1 | 1 | |
| 13 | 6BG-12481-00 | PIPE 1 DURITE 1 | 1 | 1 | 1 | |
| 14 | 6A1-24311-00 | PIPE, FUEL 1 DURITE A ESSENCE | 1 | 1 | 1 | |
| 15 | 90462-08067 | CLAMP BRIDE | 1 | 1 | 1 | |
| 16 | 90109-06M86 | BOLT BOULON | 2 | 2 | 2 | |
| 17 | 6BG-24135-01 | CLAMP 1 COLLIER 1 | 1 | 1 | 1 | |
| 18 | 90109-06M86 | BOLT BOULON | 1 | 1 | 1 | |
| 19 | 90464-09M21 | CLAMP BRIDE | 1 | 1 | 1 | |
| 20 | 6BG-24136-01 | CLAMP 2 COLLIER 2 | 1 | 1 | 1 | |



HANDLE STEERING
Fig. 21, STEERING 1
Ref. No. 2 to 67
Fig. 22, STEERING 2
Ref. No. 1 to 22

FIG. 21 STEERING 1

DIRECTION 1

| REF. NO. | PART NO. N° PIECES | DESCRIPTION DESCRIPTION | ET | ED | EHD | REMARKS REMARQUES |
|----------|--------------------|--|----|----|-----|-------------------|
| 1 | 6X4-42101-K3 | HANDLE, STEERING POIGNEE | | | 1 | |
| 2 | 6X4-42111-02-8D | HANDLE, STEERING POIGNEE | | | 1 | |
| 3 | 93700-06M03 | NIPPLE, GREASE PION | | | 1 | |
| 4 | 6X4-48215-00 | GRAPHIC ADHESIF | | | 1 | |
| 5 | 6X4-42119-01 | GRIP, STEERING HANDLE POIGNEE, BARRE FRANCHE | | | 1 | |
| 6 | 6X4-42177-00 | RUBBER, HANDLE CAOUTCHOUC, POIGNEE | | | 1 | |
| 7 | 6X4-42137-00 | INDICATOR, THROTTLE INDICATEUR, ACCELERATION | | | 1 | |
| 8 | 6X4-41291-00 | BUSHING COUSSINET | | | 1 | |
| 9 | 6X4-44139-01 | COLLAR COLLIER | | | 1 | |
| 10 | 90152-05007 | SCREW, COUNTERSUNK VIS, TETE NOYEE | | | 1 | |
| 11 | 91490-20010 | PIN, COTTER GOUPILLE | | | 1 | |
| 12 | 6X4-44177-00 | WASHER RONDELLE | | | 2 | |
| 13 | 6X4-42128-00 | COLLAR, DISTANCE 1 COLLIER, D'ENTRETOISE 1 | | | 1 | |
| 14 | 90501-23215 | SPRING, COMPRESSION RESSORT, COMPRESSION | | | 1 | |
| 15 | 6X4-44188-00 | WASHER RONDELLE | | | 2 | |
| 16 | 90386-08032 | BUSH DOUILLE | | | 1 | |
| 17 | 63D-42126-00 | FRICITION, STEERING HANDLE GRIP CUVETTE, POIGNEE DE DIRECTION | | | 1 | |
| 18 | 6X4-48154-00 | KNOB, THROTTLE BOUTON, ACCELERATEUR | | | 1 | |
| 19 | 95380-06600 | NUT, HEXAGON ECROU | | | 1 | |
| 20 | 91490-20010 | PIN, COTTER GOUPILLE | | | 1 | |
| 21 | 6X4-44100-00 | SHIFT LINK ASSY MAILLON DE SELECTEUR | | | 1 | |
| 22 | 6X4-42115-00 | .SHAFT, STEERING HANDLE .AXE, BARRE FRANCHE | | | 1 | |
| 23 | 6X4-44102-00 | .SHIFT ASSIST ASSY. .SELECTEUR DE MAINTIEN | | | 1 | |
| 24 | 6X4-47731-00 | .GEAR, DRIVE .PIGNON D'ENTRAINEMENT | | | 1 | |
| 25 | 6X4-44132-00 | .BUSHING .COUSSINET | | | 1 | |
| 26 | 6X4-14137-00 | .CLIP .JONC | | | 1 | |
| 27 | 6X4-48261-00 | .ARM, THROTTLE .BRAS, ACCELERATION | | | 1 | |

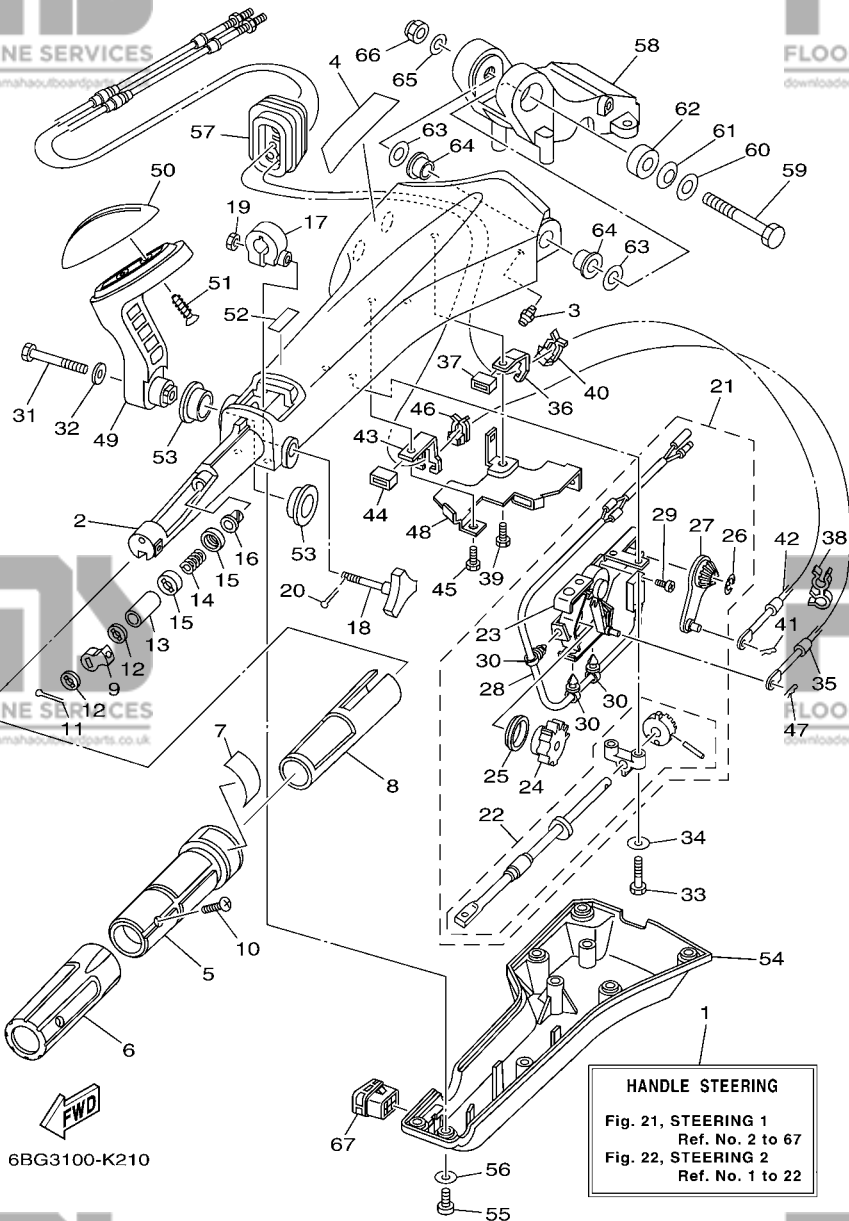


FIG. 21 STEERING 1

DIRECTION 1

| REF. NO. | PART NO. N° PIECES | DESCRIPTION DESCRIPTION | ET | ED | EHD | REMARKS REMARQUES |
|----------|--------------------|---|----|----|-----|-------------------|
| 28 | 6X4-82540-00 | .NEUTRAL SWITCH ASSY .CONTACTEUR DE POINT-MORT | | | 1 | |
| 29 | 6A5-48129-10 | .SCREW 3 .VIS 3 | | | 2 | |
| 30 | 6X4-42821-00 | .BAND, CLAMP .BRIDE, COLLIER | | | 3 | |
| 31 | 97095-08040 | BOLT BOULON | | | 1 | |
| 32 | 92995-08600 | WASHER RONDELLE | | | 1 | |
| 33 | 97095-06030 | BOLT BOULON | | | 2 | |
| 34 | 92995-06600 | WASHER RONDELLE | | | 2 | |
| 35 | 67C-48321-11 | CABLE CABLE | | | 1 | |
| 36 | 6X4-48538-00 | CLAMP, CABLE 1 COLLIER | | | 1 | |
| 37 | 6X4-26367-00 | PROTECTOR PROTECTEUR | | | 1 | |
| 38 | 90464-09M42 | CLAMP BRIDE | | | 1 | |
| 39 | 97095-06014 | BOLT BOULON | | | 1 | |
| 40 | 63D-48538-00 | CLAMP, CABLE 1 COLLIER | | | 1 | |
| 41 | 90468-10005 | CLIP JONC | | | 1 | |
| 42 | 69W-26301-00 | THROTTLE CABLE ASSY CABLE D'ACCELERATEUR | | | 1 | |
| 43 | 6X4-48538-10 | CLAMP, CABLE 1 COLLIER | | | 1 | |
| 44 | 6X4-26367-00 | PROTECTOR PROTECTEUR | | | 1 | |
| 45 | 97095-06014 | BOLT BOULON | | | 1 | |
| 46 | 63D-48538-00 | CLAMP, CABLE 1 COLLIER | | | 1 | |
| 47 | 90468-10005 | CLIP JONC | | | 1 | |
| 48 | 6X4-42159-00 | STAY SUPPORT | | | 1 | |
| 49 | 6X4-44159-00-8D | HANDLE, GEAR SHIFT POIGNEE, LEVIER D'EMBAYAGE | | | 1 | |
| 50 | 6X4-44173-00 | LEVER, SHIFT CONTROL POIGNEE, INVERSION | | | 1 | |
| 51 | 97780-60920 | SCREW, TAPPING VIS, TETE BOMBEE | | | 2 | |
| 52 | 6G8-44191-00 | INDICATOR, SHIFT ETIQUETTE, EMBRAYAGE | | | 1 | |
| 53 | 90386-26MA3 | BUSH DOUILLE | | | 2 | |
| 54 | 6X4-42131-11 | COVER, HANDLE STEERING COUVERCLE | | | 1 | |

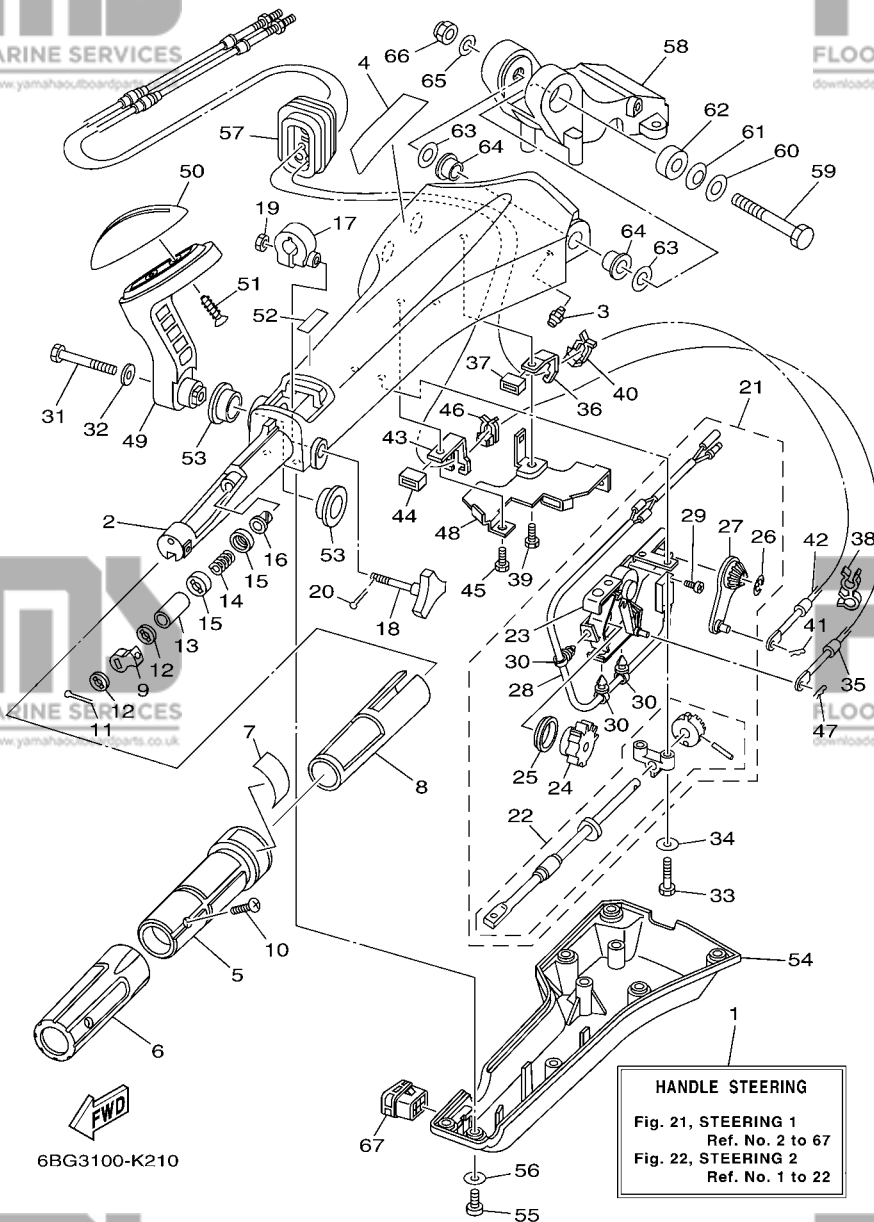


FIG. 21 STEERING 1

DIRECTION 1

| REF. NO. | PART NO. N° PIECES | DESCRIPTION DESCRIPTION | ET | ED | EHD | REMARKS REMARQUES |
|----------|--------------------|---|----|----|-----|-------------------|
| 55 | 97885-06016 | SCREW, PAN HEAD VIS, A ENCOCHE | | | 6 | |
| 56 | 92995-06600 | WASHER RONDELLE | | | 6 | |
| 57 | 6X4-42725-01 | GROMMET PASSE-FIL | | | 1 | |
| 58 | 63D-42121-22-8D | BRACKET SUPPORT | | | 1 | |
| 59 | 90101-12014 | BOLT BOULON | | | 1 | |
| 60 | 92990-12200 | WASHER, PLAIN RONDELLE, PLATE | | | 1 | |
| 61 | 90206-12M22 | WASHER, WAVE RONDELLE, ONDULEE | | | 1 | |
| 62 | 90387-12M02 | COLLAR COLLERETTE | | | 1 | |
| 63 | 90201-12035 | WASHER, PLATE RONDELLE, PLATE | | | 2 | |
| 64 | 90386-12003 | BUSH DOUILLE | | | 2 | |
| 65 | 92990-12600 | WASHER, PLATE RONDELLE, PLATE | | | 1 | |
| 66 | 90185-12M12 | NUT, SELF-LOCKING ECROU, AUTO-BLOQUANT | | | 1 | |
| 67 | 6X4-42728-10 | CAP CAPUCHON | | | 1 | |

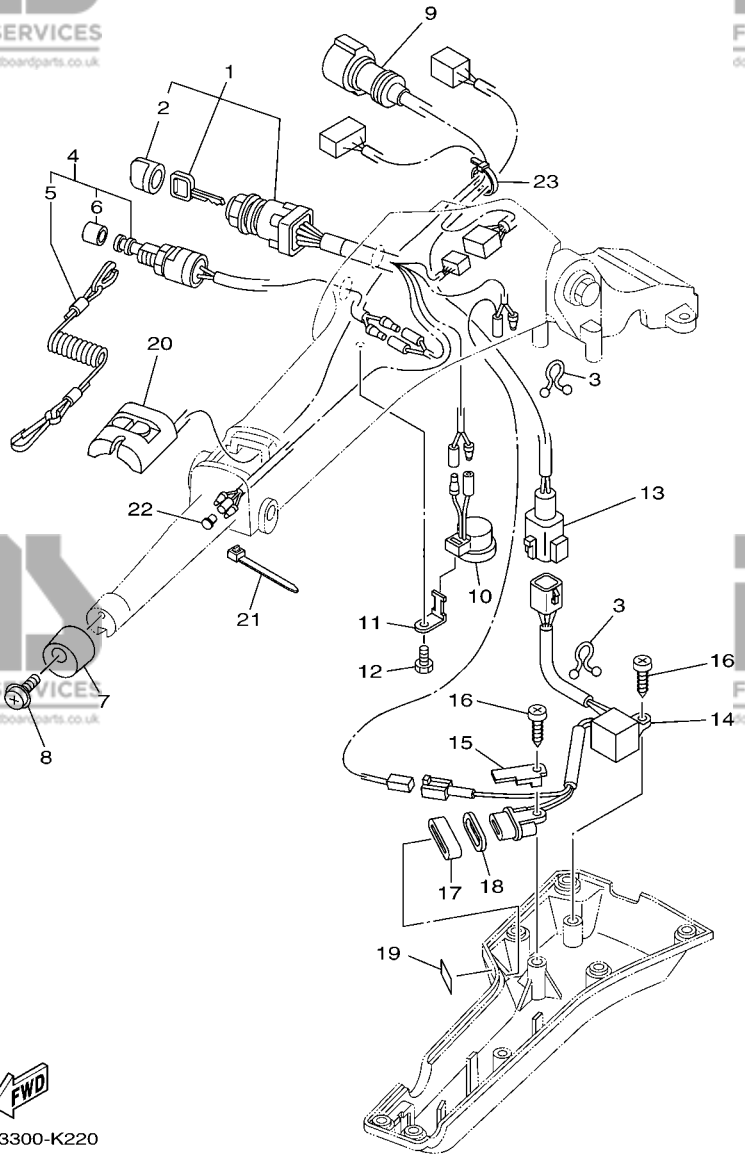


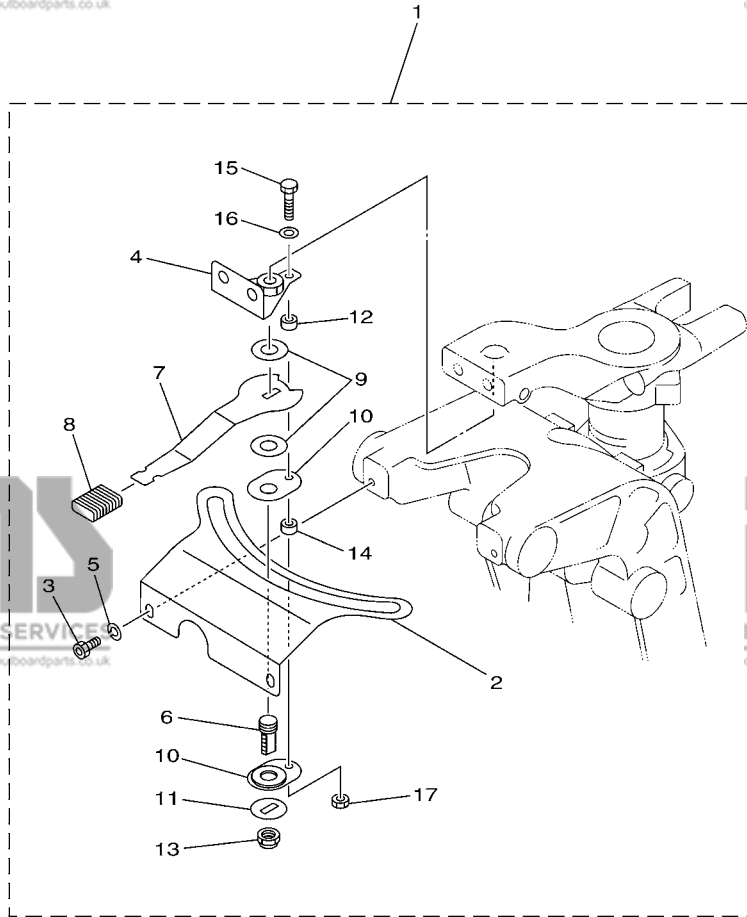
FIG. 22 STEERING 2

DIRECTION 2

| REF. NO. | PART NO. N° PIECES | DESCRIPTION DESCRIPTION | ET | ED | EHD | REMARKS REMARQUES |
|----------|--------------------|---|----|----|-----|-------------------|
| 1 | 6X4-82510-10 | MAIN SWITCH ASSY CONTACTEUR A CLEF COMPLET | | | 1 | |
| 2 | 676-82577-00 | .CAP, KEY .CABOCHON | | | 1 | |
| 3 | 90464-08M07 | CLAMP BRIDE | | | 2 | |
| 4 | 69W-82575-00 | ENGINE STOP SWITCH ASSY COUPE CIRCUIT CPLT | | | 1 | |
| 5 | 682-82556-00 | .LANYARD, STOP SWITCH .PLAQUETTE | | | 1 | |
| 6 | 689-8257Y-00 | .CAP .COUVERCLE | | | 1 | |
| 7 | 6X4-42728-00 | CAP CAPUCHON | | | 1 | |
| 8 | 97980-06216 | SCREW, WITH WASHER VIS, AVEC RONDELLE | | | 1 | |
| 9 | 6X4-82586-10 | EXT., WIRE HARNESS (L:950MM) EXT., FAISCEAU DE FILS (L:950MM) | | | 1 | |
| 10 | 6X4-83383-00 | BUZZER RONFLEUR | | | 1 | |
| 11 | 6X4-83386-00 | STAY, BUZZER SUPPOR, RONFLEUR | | | 1 | |
| 12 | 97095-06014 | BOLT BOULON | | | 1 | |
| 13 | 6X4-83653-20 | WIRE, LEAD (L:700MM) FIL (L:700MM) | | | 1 | |
| 14 | 6C5-84301-00 | PILOT LIGHT ASSY 1 LAMPE-TEMOIN 1 | | | 1 | |
| 15 | 6X4-44114-00 | STOPPER PLAQUETTE | | | 1 | |
| 16 | 97780-60620 | SCREW, TAPPING VIS, TETE BOMBEE | | | 2 | |
| 17 | 6X4-42727-00 | GROMMET PASSE-FIL | | | 1 | |
| 18 | 6H4-83589-00 | GASKET GARNITURE | | | 1 | |
| 19 | 6X4-85415-00 | MARK, SIGNAL LAMP ETIQUETTE | | | 1 | |
| 20 | 6X4-81860-00 | SWITCH ASSY COMMUTATEUR COMPLET | | | 1 | |
| 21 | 90465-13M97 | CLAMP BRIDE | | | 1 | |
| 22 | 703-82119-00 | COVER, LEAD WIRE GARNITURE, FIL | | | 1 | |
| 23 | 90465-13M36 | CLAMP BRIDE | | | 1 | |

FIG. 23 STEERING FRICTION

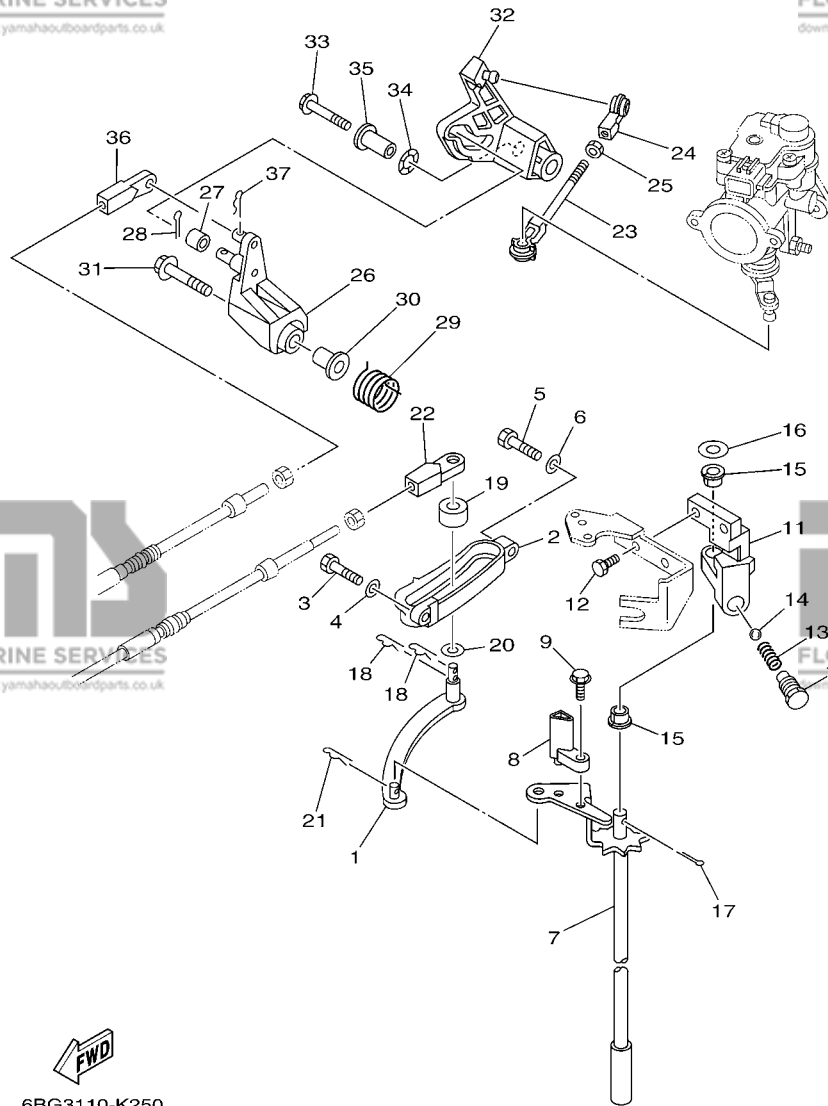
CUVETTE POIGNEE DE DIRECTION



| REF. NO. | PART NO. N° PIECES | DESCRIPTION DESCRIPTION | ET | ED | EHD | REMARKS REMARQUES |
|----------|--------------------|---|----|----|-----|-------------------|
| 1 | 67C-42508-03 | STEERING FRICTION ASSY DIRECTION FRICTION (ENS.) | | | 1 | |
| 2 | 67C-42527-03 | .PLATE, FRICTION .PLAQUE, FRICTION | | | 1 | |
| 3 | 90109-06M88 | .BOLT .BOULON | | | 2 | |
| 4 | 67C-42525-00 | .PLATE, FRICTION .PLAQUE, FRICTION | | | 1 | |
| 5 | 92990-06100 | .WASHER, SPRING .RONDELLE, GROWER | | | 2 | |
| 6 | 67C-42562-00 | .SHAFT, STEERING LOCK .ARBRE, ANTIVOL DE DIRECTION | | | 1 | |
| 7 | 67C-42561-00 | .KNOB, STEERING LOCK .BOUTON | | | 1 | |
| 8 | 689-43633-00 | .COVER, TILT LEVER .COUVERCLE | | | 1 | |
| 9 | 90202-10M56 | .WASHER, PLATE .RONDELLE, PLATE | | | 2 | |
| 10 | 65W-42528-00 | .PLATE, FRICTION .PLAQUE, FRICTION | | | 2 | |
| 11 | 90209-10M26 | .WASHER .RONDELLE | | | 1 | |
| 12 | 90387-05M05 | .COLLAR .COLLERETTE | | | 1 | |
| 13 | 90185-10M14 | .NUT, SELF-LOCKING .ECROU, AUTO-BLOQUANT | | | 1 | |
| 14 | 90387-05M11 | .COLLAR .COLLERETTE | | | 1 | |
| 15 | 97095-05020 | .BOLT .BOULON | | | 1 | |
| 16 | 92995-05600 | .WASHER .RONDELLE | | | 1 | |
| 17 | 95380-05600 | .NUT .ECROU | | | 1 | |



67C3100-C200



6BG3110-K250

FIG. 24 CONTROL

COMMANDE

| REF. NO. | PART NO. N° PIECES | DESCRIPTION DESCRIPTION | ET | ED | EHD | REMARKS REMARQUES |
|----------|------------------------------|---|----|----|-----|--|
| 1 | 69W-44121-00 | LEVER, SHIFT ROD LEVIER, TIGE D'INVERSION | 1 | 1 | 1 | |
| 2 | 62Y-44117-01-94 | BRACKET SUPPORT | 1 | 1 | 1 | |
| 3 | 97095-06020 | BOLT BOULON | 1 | 1 | 1 | |
| 4 | 92995-06600 | WASHER RONDELLE | 1 | 1 | 1 | |
| 5 | 97095-06025 | BOLT BOULON | 1 | 1 | 1 | |
| 6 | 92995-06600 | WASHER RONDELLE | 1 | 1 | 1 | |
| 7 | 6BG-44120-00 6C5-44120-01 | HANDLE GEAR SHIFT ASSY LEVIER D'EMBRAYAGE | 1 | 1 | 1 | S(16.1") S(16.1") L(21.0") L(21.0") |
| 8 | 6C5-44122-00 | BUSHING, SHIFT ROD LEVER DOUILLE, LEVIER D'EMBRAYAGE | 1 | 1 | 1 | |
| 9 | 97595-05514 | BOLT, WITH WASHER VIS HEXAGONAL AVC RONDELLE | 1 | 1 | 1 | |
| 10 | 62Y-42715-01 | BUSHING COUSSINET | 1 | 1 | 1 | |
| 11 | 62Y-44118-00-94 | BRACKET SUPPORT | 1 | 1 | 1 | |
| 12 | 90101-06054 | BOLT BOULON | 2 | 2 | 2 | |
| 13 | 90501-12082 | SPRING, COMPRESSION RESSORT, COMPRESSION | 1 | 1 | 1 | |
| 14 | 93501-04M02 | BALL BILLE | 1 | 1 | 1 | |
| 15 | 90386-90M90 | BUSH DOUILLE | 2 | 2 | 2 | |
| 16 | 90201-10M20 | WASHER, PLATE RONDELLE, PLATE | 1 | 1 | 1 | |
| 17 | 91490-20015 | PIN, COTTER GOUPILLE | 1 | 1 | 1 | |
| 18 | 90468-18008 | CLIP JONC | 2 | 2 | 2 | |
| 19 | 688-44122-00 | BUSHING, SHIFT ROD LEVER DOUILLE, LEVIER D'EMBRAYAGE | 1 | 1 | 1 | |
| 20 | 90202-07M07 | WASHER, PLATE RONDELLE, PLATE | 1 | 1 | 1 | |
| 21 | 90468-18008 | CLIP JONC | 1 | 1 | 1 | |
| 22 | 69W-48344-00 | CABLE END, REMOTE CONTROL CHAPE CABLE | 1 | 1 | 1 | |
| 23 | 6J8-41237-00 | JOINT, LINK RACCORD | 1 | 1 | 1 | |
| 24 | 682-41237-00 | JOINT, LINK RACCORD | 1 | 1 | 1 | |
| 25 | 95380-05700 | NUT ECROU | 1 | 1 | 1 | |
| 26 | 62Y-42154-00 | LEVER, THROTTLE CONTROL LEVIER DE COMMANDE D'AVANCE | 1 | 1 | 1 | |

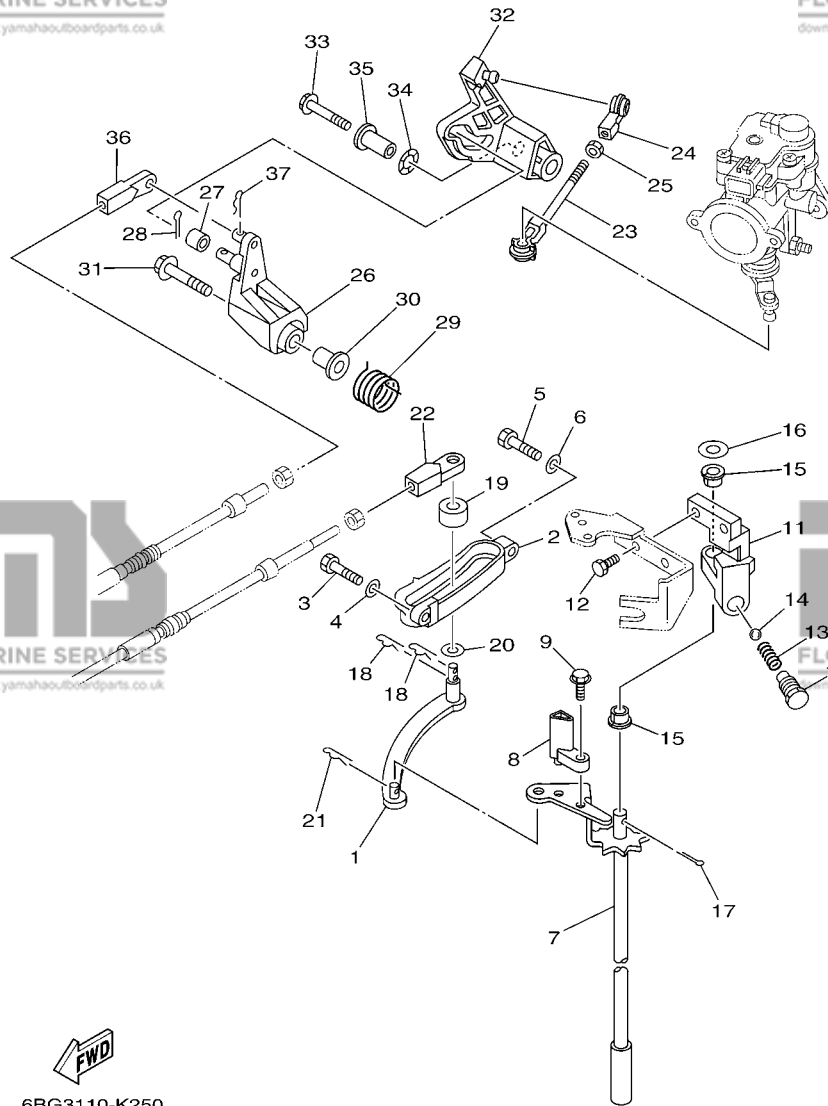
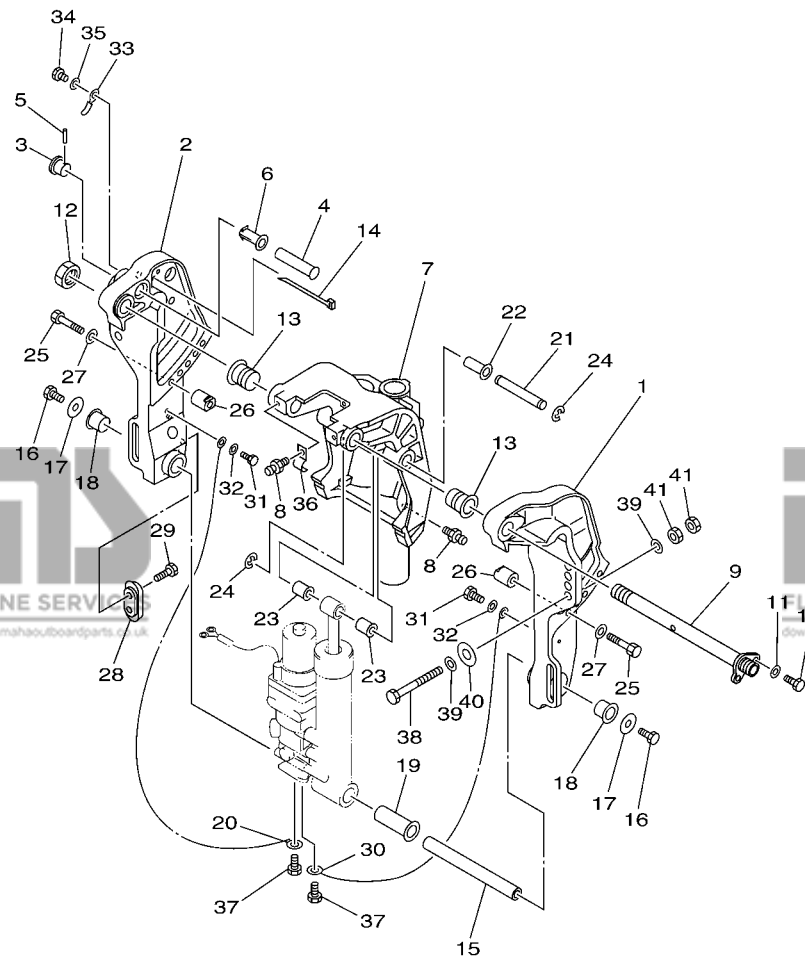


FIG. 24 CONTROL

COMMANDE

| REF. NO. | PART NO. N° PIECES | DESCRIPTION DESCRIPTION | ET | ED | EHD | REMARKS REMARQUES |
|----------|--------------------|--|----|----|-----|-------------------|
| 27 | 6C5-42171-00 | BUSHING COUSSINET | 1 | 1 | 1 | |
| 28 | 91490-16010 | PIN. COTTER GOUPILLE | 1 | 1 | 1 | |
| 29 | 62Y-44135-00 | SPRING RESSORT | 1 | 1 | 1 | |
| 30 | 90387-06M45 | COLLAR COLLERETTE | 1 | 1 | 1 | |
| 31 | 90119-06106 | BOLT, WITH WASHER BOULON, AVEC RONDELLE | 1 | 1 | 1 | |
| 32 | 6BG-42335-00 | LEVER, ACCEL. CONTROL LEVIER, ACCELERATION | 1 | 1 | 1 | |
| 33 | 95895-06045 | BOLT, FLANGE BOULON | 1 | 1 | 1 | |
| 34 | 90206-10M04 | WASHER, WAVE RONDELLE, ONDULEE | 1 | 1 | 1 | |
| 35 | 90387-06225 | COLLAR COLLERETTE | 1 | 1 | 1 | |
| 36 | 69W-48344-00 | CABLE END, REMOTE CONTROL CHAPE CABLE | 1 | 1 | 1 | |
| 37 | 90468-18008 | CLIP JONC | 1 | 1 | 1 | |

FWD
6BG3110-K250



FWD
6BG1110-H260

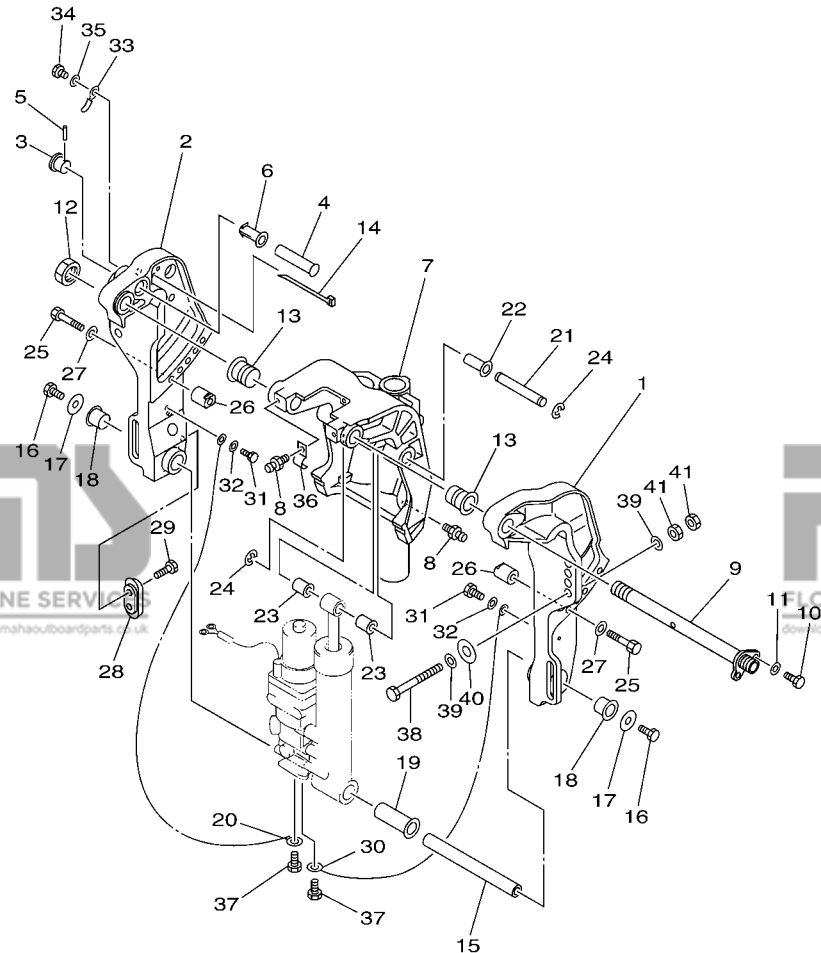
FIG. 25 BRACKET 1

SUPPORT 1

| REF. NO. | PART NO. N° PIECES | DESCRIPTION DESCRIPTION | ET | ED | EHD | REMARKS REMARQUES |
|----------|--------------------|---|----|----|-----|----------------------|
| 1 | 6K9-43111-10-8D | BRACKET, CLAMP 1 PRESSE 1 | 1 | | | |
| 2 | 6BG-43112-10-8D | BRACKET, CLAMP 2 PRESSE 2 | 1 | | | |
| 3 | 65W-43192-00 | KNOB, STOPPER BOUTON, BUTEE DE RELEVAGE | 1 | | | |
| 4 | 65W-43191-00 | SHAFT, STOPPER AXE, BUTEE | 1 | | | |
| 5 | 91690-30018 | PIN, SPRING AGRAFFE | 1 | | | |
| 6 | 90386-14MA1 | BUSH DOUILLE | 1 | | | |
| 7 | 6BG-43311-00-8D | BRACKET, SWIVEL 1 SUPPORT, PIVOT 1 | 1 | | | S(16.1") S(16.1") |
| | 6BG-43311-10-8D | BRACKET, SWIVEL 1 SUPPORT, PIVOT 1 | 1 | | | L(21.0") L(21.0") |
| 8 | 93700-06M03 | NIPPLE, GREASE PION | 3 | | | |
| 9 | 6K9-43131-01 | BOLT, CLAMP BRACKET BOULON, PRESSE | 1 | | | |
| 10 | 97095-08020 | BOLT BOULON | 1 | | | |
| 11 | 92995-08600 | WASHER RONDELLE | 1 | | | |
| 12 | 90185-22M11 | NUT, SELF-LOCKING ECROU, AUTO-BLOQUANT | 1 | | | |
| 13 | 90386-22MA4 | BUSH DOUILLE | 2 | | | |
| 14 | 90465-13M11 | CLAMP BRIDE | 2 | | | |
| 15 | 90249-18M35 | PIN GOUPILLE | 1 | | | |
| 16 | 97080-08016 | BOLT BOULON | 2 | | | |
| 17 | 90201-08M00 | WASHER, PLATE RONDELLE, PLATE | 2 | | | |
| 18 | 90386-18M44 | BUSH DOUILLE | 2 | | | |
| 19 | 90386-18MA0 | BUSH DOUILLE | 1 | | | |
| 20 | 6H1-82148-00 | WIRE, LEAD 4 FIL 4 | 1 | | | |
| 21 | 90249-12M38 | PIN GOUPILLE | 1 | | | |
| 22 | 90381-12M10 | BUSH, SOLID DOUILLE, SOLIDE | 1 | | | |
| 23 | 90381-12M11 | BUSH, SOLID DOUILLE, SOLIDE | 2 | | | |
| 24 | 99080-10600 | CIRCLIP CIRCLIP | 2 | | | |
| 25 | 97095-10050 | BOLT BOULON | 2 | | | |
| 26 | 6BG-43654-00 | NUT 1 ECROU 1 | 2 | | | |

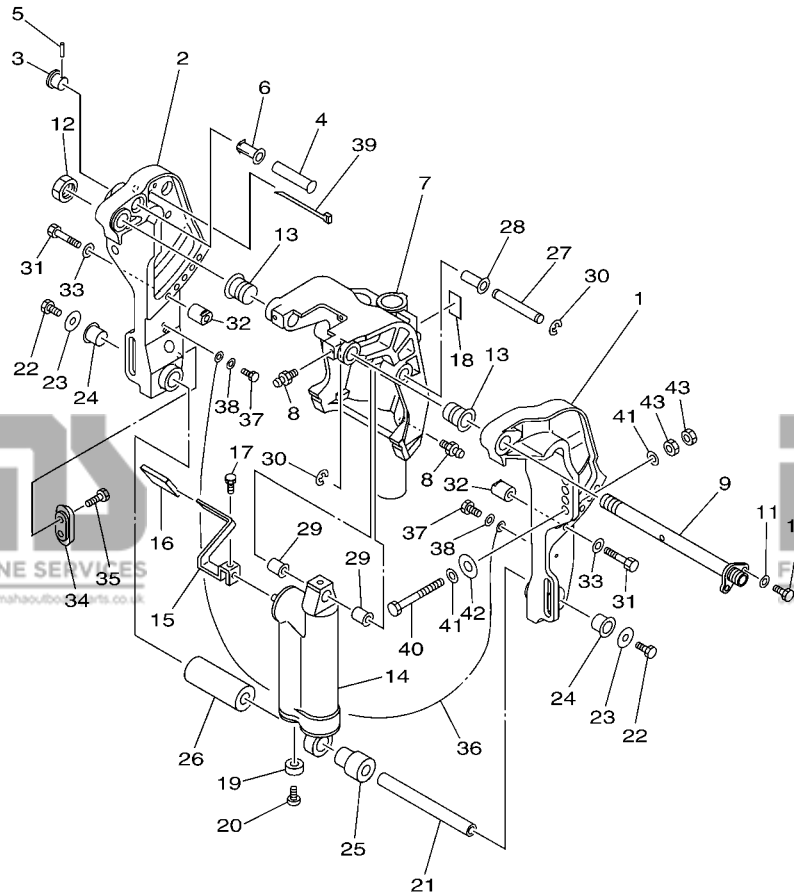
FIG. 25 BRACKET 1

SUPPORT 1



FWD
6BG1110-H260

| REF. NO. | PART NO. N° PIECES | DESCRIPTION DESCRIPTION | ET | ED | EHD | REMARKS REMARQUES |
|----------|--------------------|-------------------------------|----|----|-----|-------------------|
| 27 | 92995-10600 | WASHER RONDELLE | 2 | | | |
| 28 | 65W-45251-00 | ANODE ANODE | 1 | | | |
| 29 | 90101-06020 | BOLT BOULON | 2 | | | |
| 30 | 6U0-82127-00 | WIRE, LEAD 2 FIL 2 | 1 | | | |
| 31 | 97095-06014 | BOLT BOULON | 2 | | | |
| 32 | 92995-06600 | WASHER RONDELLE | 2 | | | |
| 33 | 90465-10M77 | CLAMP BRIDE | 1 | | | |
| 34 | 97095-06014 | BOLT BOULON | 1 | | | |
| 35 | 92995-06600 | WASHER RONDELLE | 1 | | | |
| 36 | 90465-08M63 | CLAMP BRIDE | 1 | | | |
| 37 | 97085-06010 | BOLT BOULON | 2 | | | |
| 38 | 90101-12M65 | BOLT BOULON | 4 | | | |
| 39 | 92995-12200 | WASHER RONDELLE | 8 | | | |
| 40 | 90201-12426 | WASHER, PLATE RONDELLE, PLATE | 4 | | | |
| 41 | 95380-12600 | NUT ECROU | 8 | | | |



FWD
6BG1110-H270

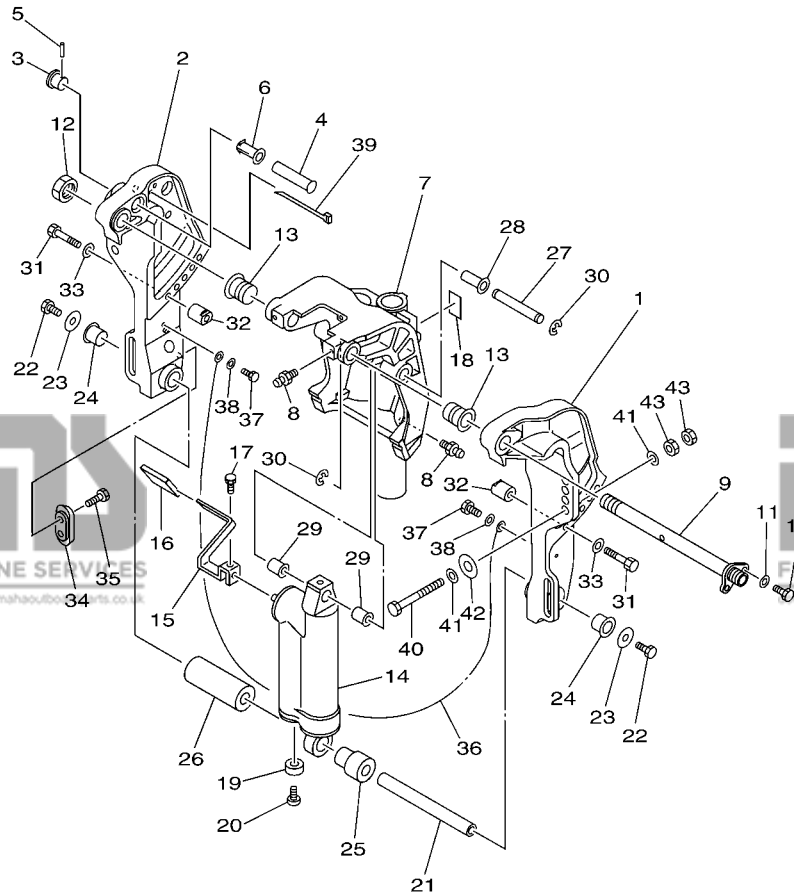
FIG. 26 BRACKET 2

SUPPORT 2

| REF. NO. | PART NO. N° PIECES | DESCRIPTION DESCRIPTION | ET | ED | EHD | REMARKS REMARQUES |
|----------|--------------------|--|----|----|-----|----------------------|
| 1 | 6K9-43111-10-8D | BRACKET, CLAMP 1 PRESSE 1 | | 1 | 1 | |
| 2 | 6BG-43112-10-8D | BRACKET, CLAMP 2 PRESSE 2 | | 1 | 1 | |
| 3 | 65W-43192-00 | KNOB, STOPPER BOUTON, BUTEE DE RELEVAGE | | 1 | 1 | |
| 4 | 65W-43191-00 | SHAFT, STOPPER AXE, BUTEE | | 1 | 1 | |
| 5 | 91690-30018 | PIN, SPRING AGRAFFE | | 1 | 1 | |
| 6 | 90386-14MA1 | BUSH DOUILLE | | 1 | 1 | |
| 7 | 6BG-43311-00-8D | BRACKET, SWIVEL 1 SUPPORT, PIVOT 1 | | | 1 | S(16.1") S(16.1") |
| | 6BG-43311-10-8D | BRACKET, SWIVEL 1 SUPPORT, PIVOT 1 | | | 1 | L(21.0") L(21.0") |
| 8 | 93700-06M03 | NIPPLE, GREASE PION | | | 3 | |
| | 93700-06M03 | NIPPLE, GREASE PION | | | 1 | |
| 9 | 6K9-43131-01 | BOLT, CLAMP BRACKET BOULON, PRESSE | | 1 | 1 | |
| 10 | 97095-08020 | BOLT BOULON | | 1 | 1 | |
| 11 | 92995-08600 | WASHER RONDELLE | | 1 | 1 | |
| 12 | 90185-22M11 | NUT, SELF-LOCKING ECROU, AUTO-BLOQUANT | | 1 | 1 | |
| 13 | 90386-22MA4 | BUSH DOUILLE | | 2 | 2 | |
| 14 | 67C-43107-01-8D | SHOCK ABSORBER SUB-ASSY AMORTISSEUR (ENS.) | | | 1 | S(16.1") S(16.1") |
| | 67C-43107-11-8D | SHOCK ABSORBER SUB-ASSY AMORTISSEUR (ENS.) | | | 1 | L(21.0") L(21.0") |
| 15 | 67C-43631-00 | LEVER, TILT LEVIER, INCLINAISON | | 1 | 1 | |
| 16 | 682-43318-01 | COVER CAPUCHON | | 1 | 1 | |
| 17 | 97095-06010 | BOLT BOULON | | 1 | 1 | |
| 18 | 63D-43691-00 | INDICATOR, TILT ETIQUETTE, RELEVAGE | | 1 | 1 | |
| 19 | 663-45251-00 | ANODE ANODE | | 1 | 1 | |
| 20 | 98680-06525 | SCREW, OVAL HEAD VIS, TETE FRAISEE BOMBEE | | 1 | 1 | |
| 21 | 90249-18M35 | PIN GOUPILLE | | 1 | 1 | |
| 22 | 97080-08016 | BOLT BOULON | | 2 | 2 | |
| 23 | 90201-08M00 | WASHER, PLATE RONDELLE, PLATE | | 2 | 2 | |
| 24 | 90386-18M44 | BUSH DOUILLE | | 2 | 2 | |

FIG. 26 BRACKET 2

SUPPORT 2

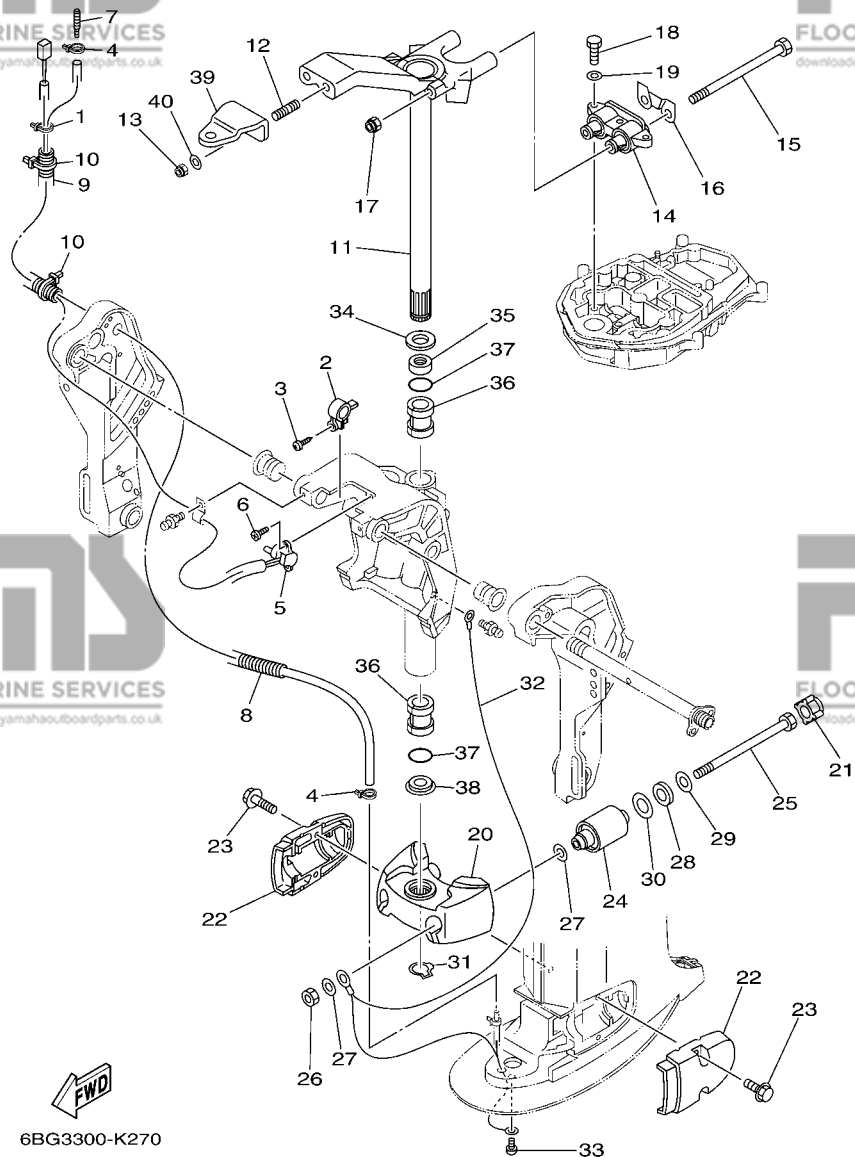


6BG1110-H270

| REF. NO. | PART NO. N° PIECES | DESCRIPTION DESCRIPTION | ET | ED | EHD | REMARKS REMARQUES |
|----------|--------------------|----------------------------------|----|----|-----|-------------------|
| 25 | 90386-18MA5 | BUSH DOUILLE | | 1 | 1 | |
| 26 | 90387-18M03 | COLLAR COLLERETTE | | 1 | 1 | |
| 27 | 90249-12M38 | PIN GOUILLE | | 1 | 1 | |
| 28 | 90381-12M10 | BUSH, SOLID DOUILLE, SOLIDE | | 1 | 1 | |
| 29 | 90381-12M11 | BUSH, SOLID DOUILLE, SOLIDE | | 2 | 2 | |
| 30 | 99080-10600 | CIRCLIP CIRCLIP | | 2 | 2 | |
| 31 | 97095-10050 | BOLT BOULON | | 2 | 2 | |
| 32 | 6BG-43654-00 | NUT 1 ECROU 1 | | 2 | 2 | |
| 33 | 92995-10600 | WASHER RONDELLE | | 2 | 2 | |
| 34 | 65W-45251-00 | ANODE ANODE | | 1 | 1 | |
| 35 | 90101-06020 | BOLT BOULON | | 2 | 2 | |
| 36 | 67C-82127-20 | WIRE, LEAD 2 FIL 2 | | 1 | 1 | |
| 37 | 97095-06014 | BOLT BOULON | | 2 | 2 | |
| 38 | 92995-06600 | WASHER RONDELLE | | 2 | 2 | |
| 39 | 90465-13M11 | CLAMP BRIDE | | 1 | 1 | |
| 40 | 90101-12M65 | BOLT BOULON | | 4 | 4 | |
| 41 | 92995-12200 | WASHER RONDELLE | | 8 | 8 | |
| 42 | 90201-12426 | WASHER, PLATE RONDELLE, PLATE | | 4 | 4 | |
| 43 | 95380-12600 | NUT ECROU | | 8 | 8 | |

FIG. 27 BRACKET 3

SUPPORT 3

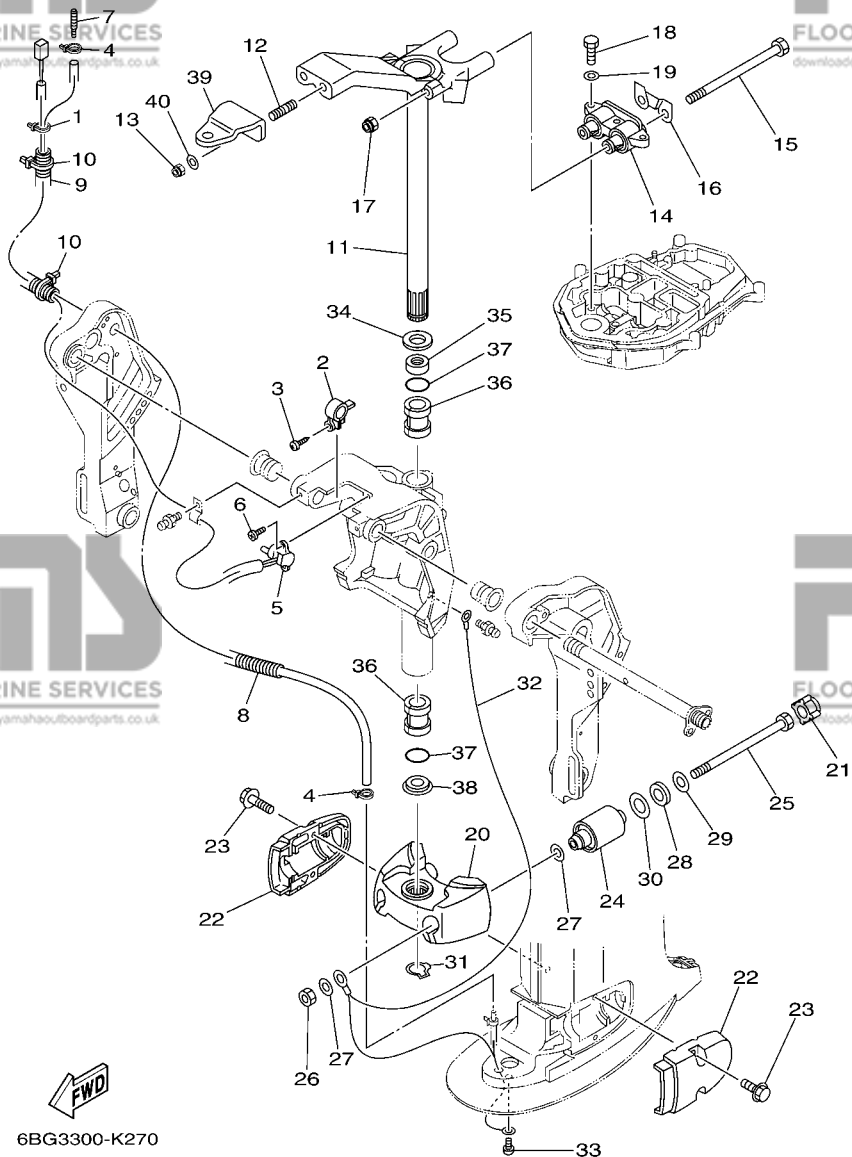


| REF. NO. | PART NO. N° PIECES | DESCRIPTION DESCRIPTION | ET | ED | EHD | REMARKS REMARQUES |
|----------|--------------------|--|----|----|-----|----------------------|
| 1 | 90465-11M10 | CLAMP BRIDE | 1 | | | |
| 2 | 6K9-43139-01 | CAM, TRIM SENDER VILEBREQUIN TRUM | 1 | | | |
| 3 | 97780-60525 | SCREW, TAPPING VIS, TETE BOMBEE | 1 | | | |
| 4 | 90465-11M10 | CLAMP BRIDE | 2 | 2 | 2 | |
| 5 | 67H-83672-01 | TRIM SENDER INCLINER RACCORD | 1 | | | |
| 6 | 97885-06016 | SCREW, PAN HEAD VIS, A ENCOCHE | 2 | | | |
| 7 | 6E5-83558-00 | END, NIPPLE RACCORD DE NIPPLE | 1 | 1 | 1 | |
| 8 | 6BG-44385-00 | HOSE, WATER 1 TUBE D'EAU 1 | 1 | 1 | 1 | S(16.1") S(16.1") |
| | 6BG-44385-10 | HOSE, WATER 1 TUBE D'EAU 1 | 1 | 1 | 1 | L(21.0") L(21.0") |
| 9 | 90447-19014 | TUBE DURITE | 1 | | | |
| 10 | 90465-13M18 | CLAMP BRIDE | 2 | | | |
| 11 | 6BG-42510-00-8D | STEERING BRACKET ASSY DIRECTION SUPPORT (ENS.) | 1 | 1 | 1 | S(16.1") S(16.1") |
| | 6BG-42510-10-8D | STEERING BRACKET ASSY DIRECTION SUPPORT (ENS.) | 1 | 1 | 1 | L(21.0") L(21.0") |
| 12 | 90116-10M28 | BOLT, STUD GOUJON | 2 | 2 | 2 | |
| 13 | 90185-10051 | NUT, SELF-LOCKING ECROU,AUTO-BLOQUANT | 2 | 2 | 2 | |
| 14 | 67C-44514-00-94 | MOUNT DAMPER, UPPER SIDE SILENT-BLOC, SUPERIEUR LATERAL | 1 | 1 | 1 | S(16.1") S(16.1") |
| | 67C-44514-10-94 | MOUNT DAMPER, UPPER SIDE SILENT-BLOC, SUPERIEUR LATERAL | 1 | 1 | 1 | L(21.0") L(21.0") |
| 15 | 90101-08M15 | BOLT BOULON | 2 | 2 | 2 | |
| 16 | 66T-44526-30 | PLATE PLAQUE | 1 | 1 | 1 | |
| 17 | 90185-08045 | NUT, SELF-LOCKING ECROU,AUTO-BLOQUANT | 2 | 2 | 2 | |
| 18 | 97075-08030 | BOLT BOULON | 3 | 3 | 3 | |
| 19 | 92995-08600 | WASHER RONDELLE | 3 | 3 | 3 | |
| 20 | 67C-44551-01-8D | HOUSING, LOWER MOUNT RUBBER 1 BOITIER, SILENT-BLOC INFERIEUR | 1 | 1 | 1 | S(16.1") S(16.1") |
| | 6C5-44551-00-8D | HOUSING, LOWER MOUNT RUBBER 1 BOITIER, SILENT-BLOC INFERIEUR | 1 | 1 | 1 | L(21.0") L(21.0") |
| 21 | 69W-44575-00 | DAMPER, LOWER MOUNT RUBBER SILENT-BLOC, INFERIEUR | 2 | 2 | 2 | |
| 22 | 6C5-44552-00-8D | HOUSING, LOWER MOUNT RUBBER 2 BOITIER, SILENT-BLOC INFERIEUR | 2 | 2 | 2 | |
| 23 | 90119-08131 | BOLT, WITH WASHER BOULON, AVEC RONDELLE | 4 | 4 | 4 | |

6BG3300-K270

FIG. 27 BRACKET 3

SUPPORT 3



| REF. NO. | PART NO. N° PIECES | DESCRIPTION DESCRIPTION | ET | ED | EHD | REMARKS REMARQUES |
|----------|--------------------|---|----|----|-----|----------------------|
| 24 | 67C-44555-21 | MOUNT DAMPER, LOWER SIDE SILENT-BLOC, INFÉRIEUR LATERAL | 2 | | 2 | S(16.1") S(16.1") |
| | 67C-44555-11 | MOUNT DAMPER, LOWER SIDE SILENT-BLOC, INFÉRIEUR LATERAL | 2 | 2 | 2 | L(21.0") L(21.0") |
| 25 | 90109-12MA3 | BOLT BOULON | 2 | 2 | 2 | |
| 26 | 95380-12700 | NUT ECROU | 2 | 2 | 2 | |
| 27 | 90201-12M16 | WASHER, PLATE RONDELLE, PLATE | 4 | 4 | 4 | |
| 28 | 90202-21100 | WASHER, PLATE RONDELLE, PLATE | 2 | 2 | 2 | |
| 29 | 90201-13M19 | WASHER, PLATE RONDELLE, PLATE | 2 | 2 | 2 | |
| 30 | 90201-22M05 | WASHER, PLATE RONDELLE, PLATE | 2 | 2 | 2 | |
| 31 | 93410-28M06 | CIRCLIP CLIPS | 1 | 1 | 1 | |
| 32 | 67C-82127-00 | WIRE, LEAD 2 FIL 2 | 1 | | 1 | S(16.1") S(16.1") |
| | 67C-82127-10 | WIRE, LEAD 2 FIL 2 | 1 | 1 | 1 | L(21.0") L(21.0") |
| 33 | 97885-06008 | SCREW, PAN HEAD VIS, A ENCOCHE | 1 | 1 | 1 | |
| 34 | 90201-30M00 | WASHER, PLATE RONDELLE, PLATE | 1 | 1 | 1 | |
| 35 | 90386-30M78 | BUSH DOUILLE | 1 | 1 | 1 | |
| 36 | 90386-30M77 | BUSH DOUILLE | 2 | 2 | 2 | |
| 37 | 93210-29M94 | O-RING JOINT TORIQUE | 2 | 2 | 2 | |
| 38 | 90386-30M60 | BUSH DOUILLE | 1 | 1 | 1 | |
| 39 | 65W-48511-10 | HOOK, STEERING ATTACHE, DIRECTION | 1 | | 1 | |
| 40 | 90201-10120 | WASHER, PLATE RONDELLE, PLATE | 2 | 2 | | |

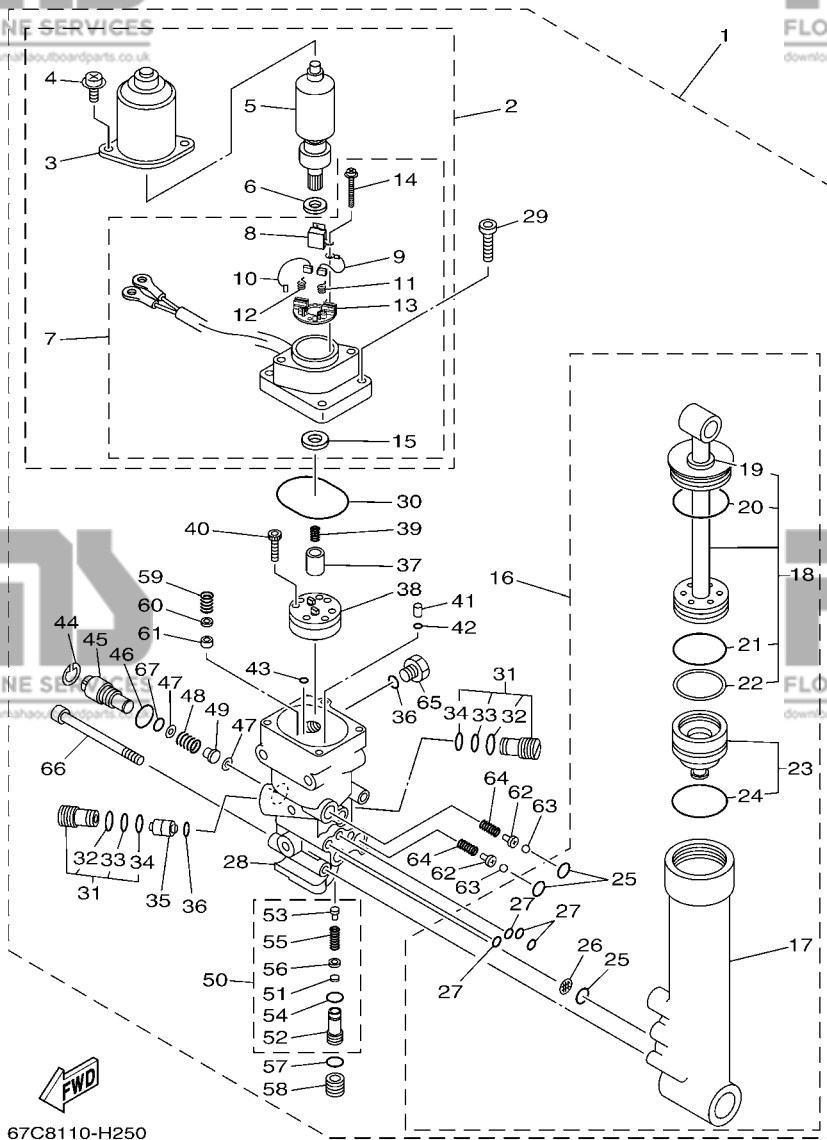
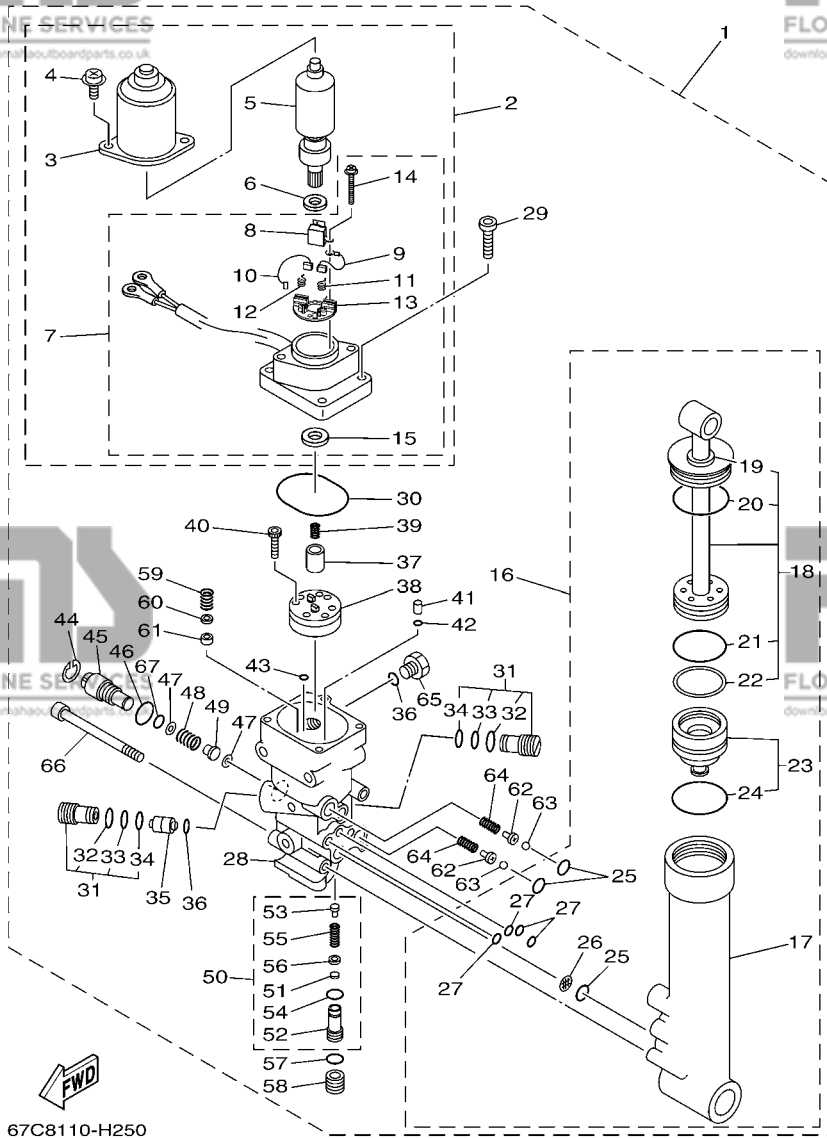


FIG. 28 POWER TRIM & TILT ASSY PUISSANCE PARER ET INCLINER

| REF. NO. | PART NO. N° PIECES | DESCRIPTION DESCRIPTION | ET | ED | EHD | REMARKS REMARQUES |
|----------|--------------------|--|----|----|-----|-------------------|
| 1 | 67C-43800-01-8D | POWER TRIM & TILT ASSY PUISSANCE PARER ET INCLINER (E | 1 | | | |
| 2 | 67C-43880-01 | ..MOTOR ASSY ..MOTEUR (ENS.) | 1 | | | |
| 3 | 65W-43804-01 | ..STATOR ASSY ..STATOR (ENS.) | 1 | | | |
| 4 | 65W-43887-01 | ..BOLT ..BOULON | 2 | | | |
| 5 | 65W-43805-01 | ..ARMATURE ASSY ..INDUIT (ENS.) | 1 | | | |
| 6 | 65W-4387G-00 | ..WASHER ..RONDELLE | 1 | | | |
| 7 | 67C-43881-01 | ..FRAME, END ..BATI | 1 | | | |
| 8 | 65W-82181-00 | ..CIRCUIT BREAKER COMP. ..RUPTEUR COMPLET | 1 | | | |
| 9 | 65W-43892-01 | ..BRUSH 2 ..BALAI 2 | 1 | | | |
| 10 | 65W-43891-01 | ..BRUSH 1 ..BALAI 1 | 1 | | | |
| 11 | 65W-4386K-01 | ..SPRING, BRUSH ..RESSORT, BALAI | 1 | | | |
| 12 | 65W-4386L-00 | ..SPRING, BRUSH 2 ..RESSORT, BALAI 2 | 1 | | | |
| 13 | 65W-4380F-01 | ..PLATE, BRUSH HOLDER ..PLAQUE | 1 | | | |
| 14 | 65W-43879-01 | ..SCREW, WITH WASHER ..VIS, AVEC RONDELLE | 2 | | | |
| 15 | 65W-43882-01 | ..OIL SEAL ..JOINT SPI | 1 | | | |
| 16 | 67C-43840-00 | ..POWER TILT ASSY ..PUISSANCE INCLINER (ENS.) | 1 | | | |
| 17 | 65W-4380K-00 | ..CYLINDER, TILT SUB ASSY ..CYLINDRE | 1 | | | |
| 18 | 67C-43810-00 | ..TILT PISTON SUB ASSY ..INCLINER PISTON AUXILIAIRE(ENS) | 1 | | | |
| 19 | 65W-43812-00 | ..SEAL, DUST ..JOINT | 1 | | | |
| 20 | 65W-43865-00 | ..O-RING ..JOINT TORIQUE | 1 | | | |
| 21 | 6H1-43861-10 | ..O-RING ..JOINT TORIQUE | 1 | | | |
| 22 | 65W-43871-00 | ..RING, BACK UP ..SEGMENT | 1 | | | |
| 23 | 65W-4381B-00 | ..FREE PISTON SUB ASSY ..PISTON AUXILIAIRE (ENS.) | 1 | | | |
| 24 | 6H1-43861-10 | ..O-RING ..JOINT TORIQUE | 1 | | | |
| 25 | 93210-11368 | ..O-RING ..JOINT TORIQUE | 3 | | | |
| 26 | 6H1-43816-00 | ..FILTER 1 ..FILTRE 1 | 1 | | | |
| 27 | 93210-064A5 | ..O-RING ..JOINT TORIQUE | 4 | | | |



67C8110-H250

FIG. 28 POWER TRIM & TILT ASSY

PUISSANCE PARER ET INCLINER

| REF. NO. | PART NO. N° PIECES | DESCRIPTION DESCRIPTION | ET | ED | EHD | REMARKS REMARQUES |
|----------|--------------------|--|----|----|-----|-------------------|
| 28 | 67C-4380L-00 | .HOUSING, TRIM & TILT SUB ASSY .CARTER | 1 | | | |
| 29 | 65W-43888-00 | .BOLT, SOCKET .BOULON | 4 | | | |
| 30 | 93210-50768 | .O-RING .JOINT TORIQUE | 1 | | | |
| 31 | 6T4-43802-03 | .VALVE SUB ASSY .CLAPET AUXILIAIRE (ENS.) | 2 | | | |
| 32 | 6H1-43866-00 | ..O-RING ..JOINT TORIQUE | 1 | | | |
| 33 | 93210-10M74 | ..O-RING ..JOINT TORIQUE | 1 | | | |
| 34 | 93210-12N52 | ..O-RING ..JOINT TORIQUE | 1 | | | |
| 35 | 62X-43841-00 | .PISTON, SHUTTLE .PISTON | 1 | | | |
| 36 | 93210-09165 | .O-RING .JOINT TORIQUE | 2 | | | |
| 37 | 65W-43831-00 | .CONNECTOR, SHAFT .RACCORD | 1 | | | |
| 38 | 65W-43830-00 | .GEAR PUMP ASSY .POMPE A PIGNON (ENS.) | 1 | | | |
| 39 | 6T4-43853-00 | .SPRING, MAIN VALVE .RESSORT | 1 | | | |
| 40 | 91318-04025 | .BOLT .BOULON | 4 | | | |
| 41 | 65W-43817-00 | .FILTER 2 .FILTRE 2 | 2 | | | |
| 42 | 93210-04N50 | .O-RING .JOINT TORIQUE | 2 | | | |
| 43 | 93210-04N51 | .O-RING .JOINT TORIQUE | 2 | | | |
| 44 | 6H1-43875-00 | .RING, SNAP .RESSORT | 1 | | | |
| 45 | 6H1-43845-00 | .SCREW, MANUAL RELEASE .VIS | 1 | | | |
| 46 | 93210-18397 | .O-RING .JOINT TORIQUE | 1 | | | |
| 47 | 6H1-43847-00 | .SEAT, MANUAL VALVE .SIEGE | 2 | | | |
| 48 | 65W-43854-00 | .SPRING, MANUAL RELEASE .RESSORT | 1 | | | |
| 49 | 65W-4382A-00 | .ADAPTOR 1 .ADAPTEUR 1 | 1 | | | |
| 50 | CS2-43803-81 | .CASE VALVE COMP. .CARTER VALVE COMP. | 1 | | | |
| 51 | 6H1-4384G-11 | ..SEAL, RELIEF VALVE ..JOINT | 1 | | | |
| 52 | 67C-43851-00 | ..SEAT, RELIEF VALVE ..SIEGE | 1 | | | |
| 53 | 67F-43843-00 | ..SCREW, VALVE LOCK ..VIS | 1 | | | |
| 54 | 93210-10M74 | ..O-RING ..JOINT TORIQUE | 1 | | | |

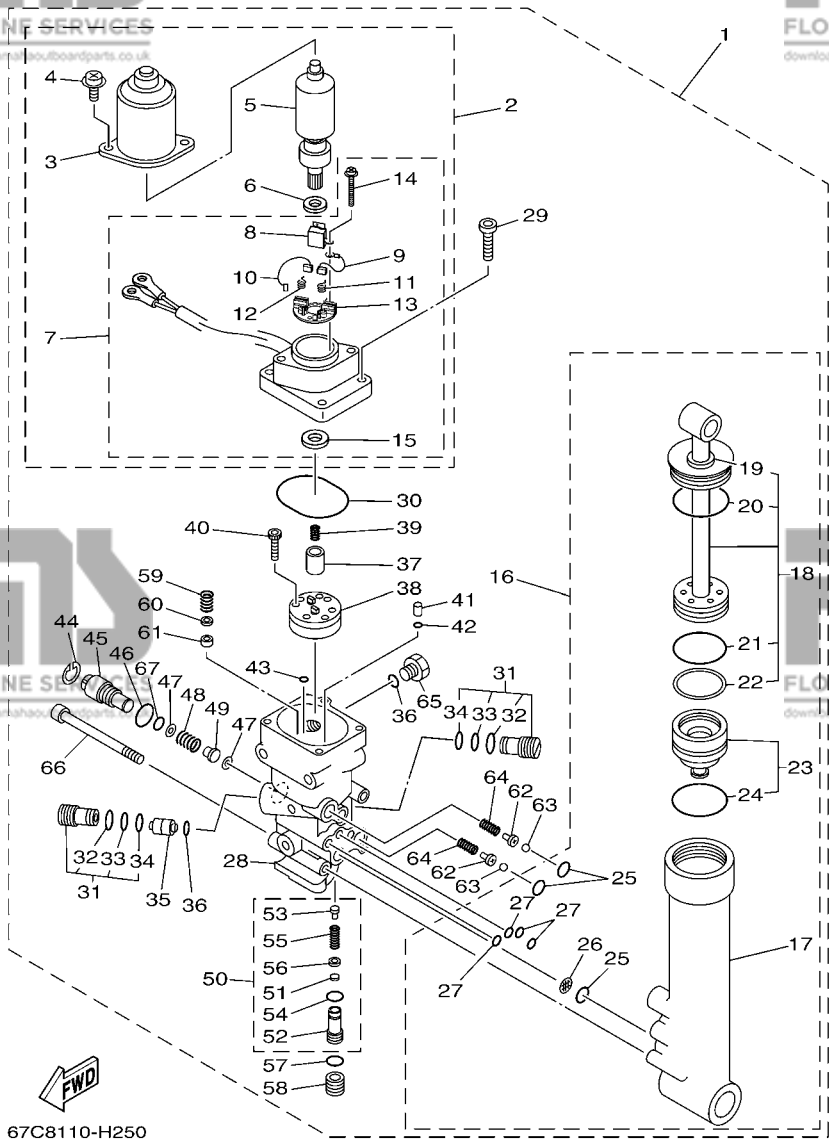


FIG. 28 POWER TRIM & TILT ASSY

PUISSANCE PARER ET INCLINER

| REF. NO. | PART NO. N° PIECES | DESCRIPTION DESCRIPTION | ET | ED | EHD | REMARKS REMARQUES |
|----------|--------------------|--|----|----|-----|-------------------|
| 55 | 6H1-43856-10 | ..SPRING, DOWN RELIEF ..RESSORT | 1 | | | |
| 56 | 6H1-43844-10 | ..PIN, VALVE SUPPORT ..GOUPILLE | 1 | | | |
| 57 | 93210-11073 | ..O-RING ..JOINT TORIQUE | 1 | | | |
| 58 | 65W-43843-00 | ..SCREW, VALVE LOCK ..VIS | 1 | | | |
| 59 | 6H1-43856-10 | ..SPRING, DOWN RELIEF ..RESSORT | 1 | | | |
| 60 | 6H1-43844-10 | ..PIN, VALVE SUPPORT ..GOUPILLE | 1 | | | |
| 61 | 6H1-4384F-10 | ..SEAL, MAIN VALVE ..JOINT | 1 | | | |
| 62 | 65W-4386A-00 | ..PIN, ABSORBER VALVE ..GOUPILLE, SOUPAPE | 2 | | | |
| 63 | 93501-08001 | ..BALL ..BILLE | 2 | | | |
| 64 | 65W-43853-00 | ..SPRING, MAIN VALVE ..RESSORT | 2 | | | |
| 65 | 6H1-43829-00 | ..PLUG, RESERVOIR ..BOUCHON | 1 | | | |
| 66 | 62X-43878-00 | ..BOLT, SOCKET ..BOULON | 3 | | | |
| 67 | 93210-10M74 | ..O-RING ..JOINT TORIQUE | 1 | | | |

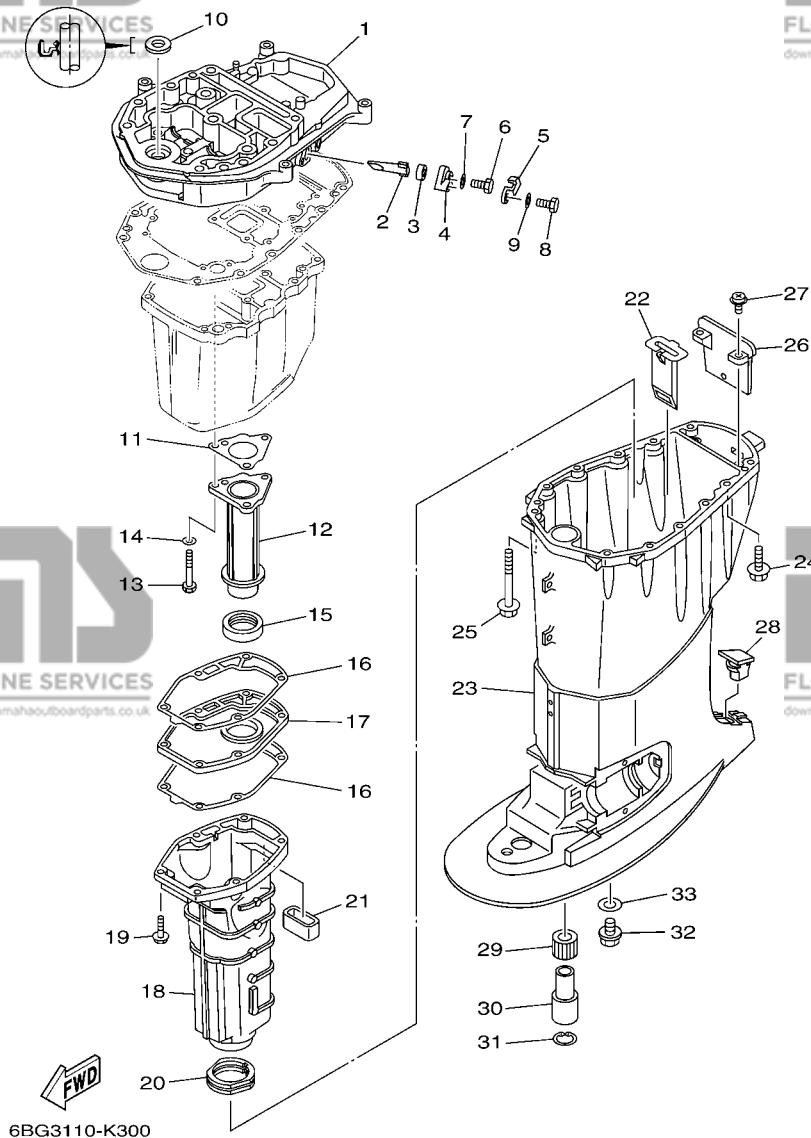


FIG. 29 UPPER CASING

FOURREAU

| REF. NO. | PART NO. N° PIECES | DESCRIPTION DESCRIPTION | ET | ED | EHD | REMARKS REMARQUES |
|----------|------------------------------------|--|--------|--------|--------|--|
| 1 | 6BG-41137-00-CA | GUIDE, EXHAUST COLLECTEUR D'ECHAPPEMENT | 1 | 1 | 1 | |
| 2 | 62Y-11325-00 | ANODE ANODE | 1 | 1 | 1 | |
| 3 | 66M-11328-00 | GROMMET, ANODE PASSE-FIL | 1 | 1 | 1 | |
| 4 | 66M-11327-00-94 | COVER, ANODE COUVERCLE ANODE | 1 | 1 | 1 | |
| 5 | 66M-12535-00 | PLATE PLAQUE | 1 | 1 | 1 | |
| 6 | 97095-05012 | BOLT BOULON | 1 | 1 | 1 | |
| 7 | 92995-05600 | WASHER RONDELLE | 1 | 1 | 1 | |
| 8 | 97013-06020 | BOLT BOULON | 1 | 1 | 1 | |
| 9 | 92903-06600 | WASHER, PLATE RONDELLE, PLATE | 1 | 1 | 1 | |
| 10 | 93110-16004 | OIL SEAL JOINT SPY | 1 | 1 | 1 | |
| 11 | 64J-41133-10 | GASKET, EXHAUST MANIFOLD 1 JOINT, PIPE D'ECHAPPEMENT | 1 | 1 | 1 | |
| 12 | 6BG-41131-00-CA | MANIFOLD, EXT. 1 PIPE D'ECHAPPEMENT | 1 | 1 | 1 | |
| 13 | 97075-06050 | BOLT BOULON | 3 | 3 | 3 | |
| 14 | 92995-06600 | WASHER RONDELLE | 3 | 3 | 3 | |
| 15 | 64J-46132-10 | GASKET 1 JOINT 1 | 1 | 1 | 1 | |
| 16 | 6BG-41134-00 | GASKET, EXHAUST MANIFOLD JOINT, PIPE D'ECHAPPEMENT | 2 | 2 | 2 | |
| 17 | 6BG-45181-00-CA | PLATE PLAQUETTE | 1 | 1 | 1 | |
| 18 | 6BG-14711-00-CA 69W-14711-00-CA | MUFFLER 1 POT D'ECHAPPEMENT 1 MUFFLER 1 POT D'ECHAPPEMENT 1 | 1 1 | 1 1 | 1 1 | S(16.1") S(16.1") L(21.0") L(21.0") |
| 19 | 97575-06525 | BOLT, WITH WASHER VIS HEXAGONAL AVC RONDELLE | 6 | 6 | 6 | |
| 20 | 67C-45123-00 | GASKET, MUFFLER JOINT, POT DE DETENTE | 1 | 1 | 1 | |
| 21 | 62Y-45127-00 | SEAL JOINT | 1 | 1 | 1 | |
| 22 | 64J-77123-00 | GUIDE 1 GUIDE 1 | 1 | 1 | 1 | |
| 23 | 6BG-45111-00-8D 6BG-45111-10-8D | CASING, UPPER FOURREAU CASING, UPPER FOURREAU | 1 1 | 1 1 | 1 1 | S(16.1") S(16.1") L(21.0") L(21.0") |
| 24 | 90119-08102 | BOLT, WITH WASHER BOULON, AVEC RONDELLE | 4 | 4 | 4 | |
| 25 | 90119-08132 | BOLT, WITH WASHER BOULON, AVEC RONDELLE | 8 | 8 | 8 | |

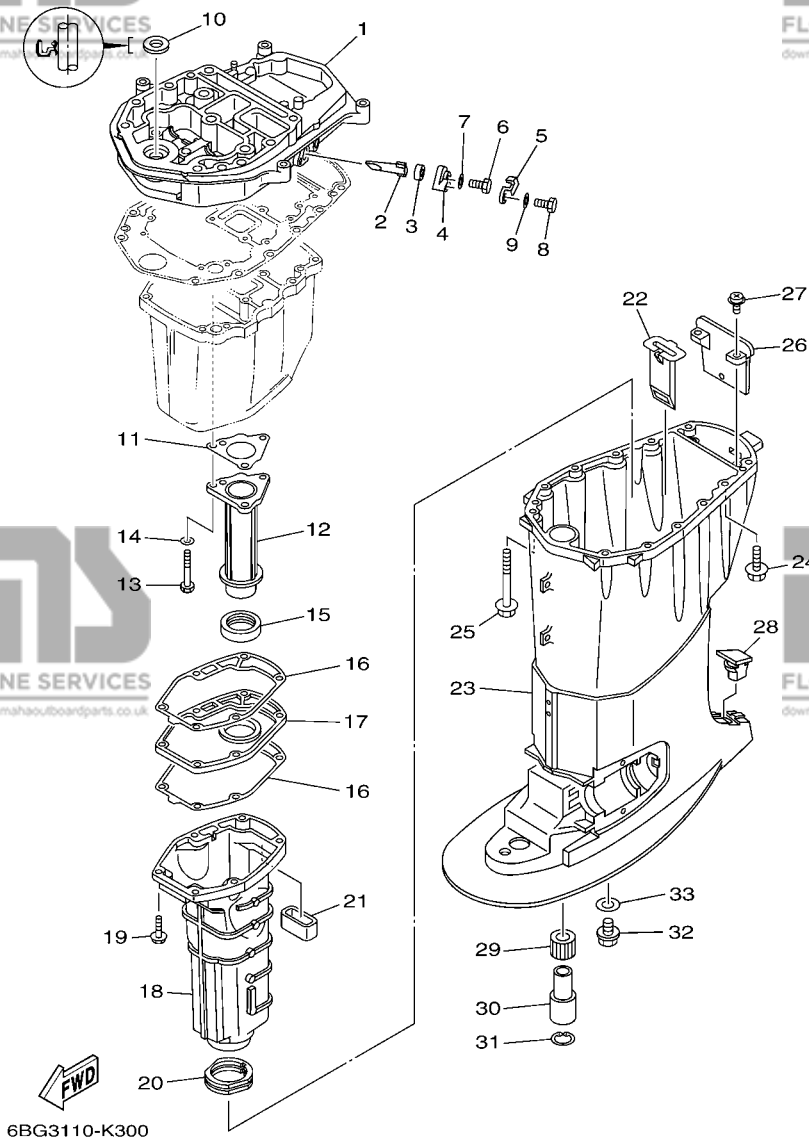


FIG. 29 UPPER CASING

FOURREAU

| REF. NO. | PART NO. N° PIECES | DESCRIPTION DESCRIPTION | ET | ED | EHD | REMARKS REMARQUES |
|----------|--------------------|---|----|----|-----|----------------------|
| 26 | 67C-45151-00 | COVER, UPPER CASING CAPUCHON, FOURREAU | 1 | 1 | 1 | |
| 27 | 97980-05216 | SCREW, WITH WASHER VIS, AVEC RONDELLE | 2 | 2 | 2 | |
| 28 | 63D-45155-00 | CAP CAPUCHON | 1 | 1 | 1 | S(16.1") S(16.1") |
| | 6C5-45155-00 | CAP CAPUCHON | 1 | 1 | 1 | L(21.0") L(21.0") |
| 29 | 679-45318-00 | BUSHING, DRIVE SHAFT DOUILLE, ARBRE MOTEUR | 1 | 1 | 1 | L(21.0") L(21.0") |
| 30 | 90387-23002 | COLLAR COLLERETTE | 1 | 1 | 1 | L(21.0") L(21.0") |
| 31 | 93420-36M01 | CIRCLIP CIRCLIP, TYPE S | 1 | 1 | 1 | L(21.0") L(21.0") |
| 32 | 90340-14M06 | PLUG, STRAIGHT SCREW PLOT, FILETE DROIT | 1 | 1 | 1 | L(21.0") L(21.0") |
| 33 | 90430-14M09 | GASKET JOINT | 1 | 1 | 1 | L(21.0") L(21.0") |

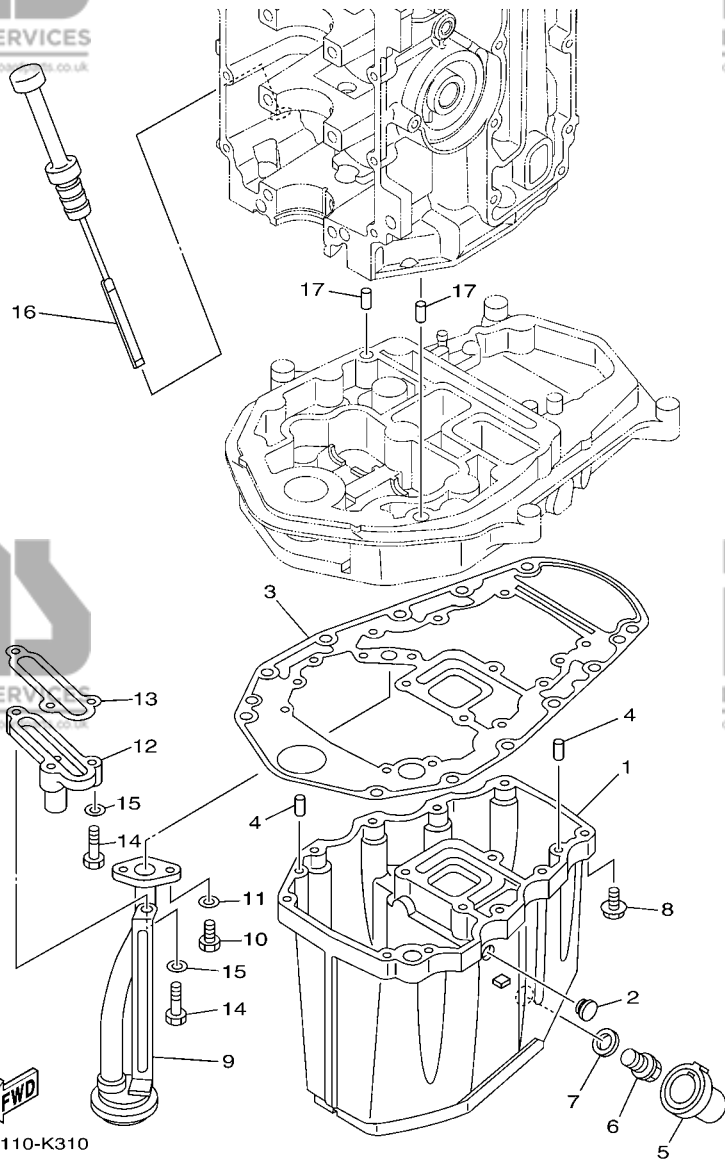


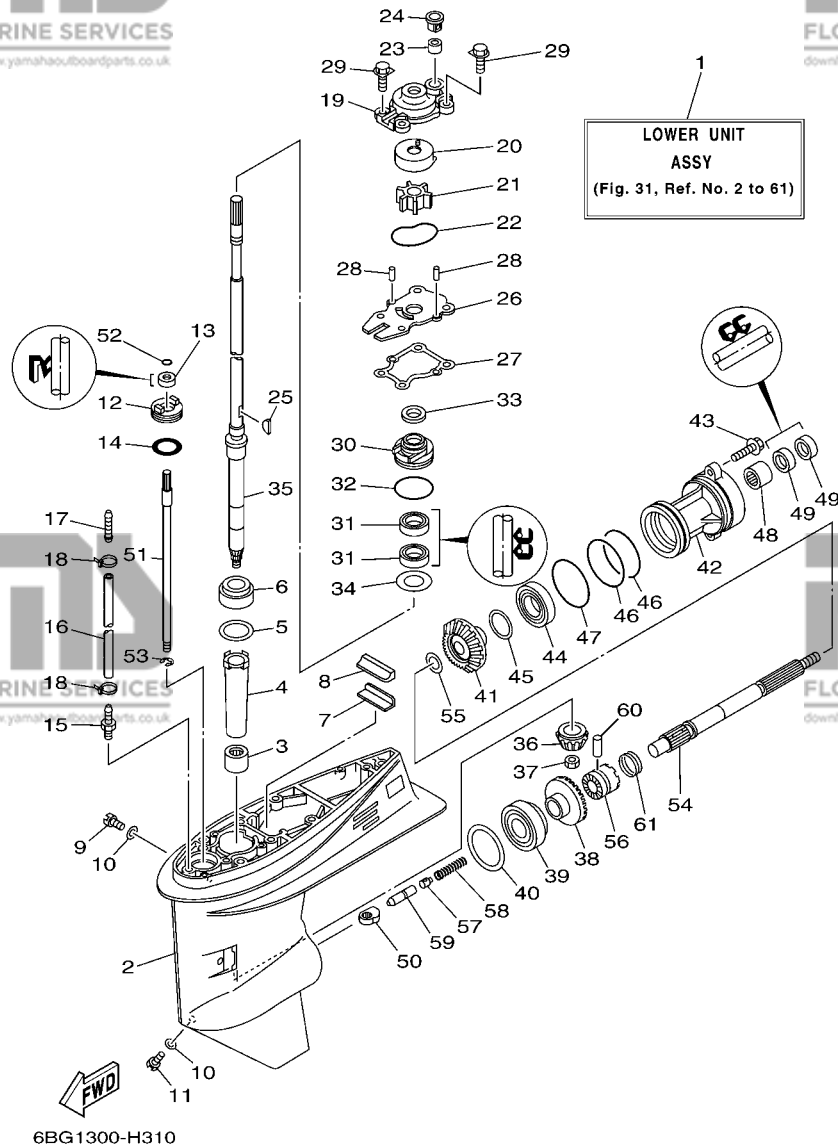
FIG. 30 OIL PAN

VENTILATEUR D'HUILE

| REF. NO. | PART NO. N° PIECES | DESCRIPTION DESCRIPTION | ET | ED | EHD | REMARKS REMARQUES |
|----------|--------------------|---|----|----|-----|----------------------|
| 1 | 6BG-15311-00-CA | OIL PAN VENTILATEUR D'HUILE | 1 | 1 | 1 | |
| 2 | 90480-12M25 | GROMMET PASSE-FIL | 1 | 1 | 1 | |
| 3 | 69W-15312-00 | GASKET, OIL PAN JOINT DE VENTILATEUR D'HUILE | 1 | 1 | 1 | |
| 4 | 93606-12019 | PIN, DOWEL GOUPILLE | 4 | 4 | 4 | |
| 5 | 67C-15316-10 | DAMPER 1 AMORTISSEUR 1 | 1 | 1 | 1 | S(16.1") S(16.1") |
| 6 | 67C-15316-00 | DAMPER 1 AMORTISSEUR 1 | 1 | 1 | 1 | L(21.0") L(21.0") |
| 6 | 90340-14M06 | PLUG, STRAIGHT SCREW PLOT, FILETE DROIT | 1 | 1 | 1 | |
| 7 | 90430-14M09 | GASKET JOINT | 1 | 1 | 1 | |
| 8 | 97575-06525 | BOLT, WITH WASHER VIS HEXAGONAL AVC RONDELLE | 10 | 10 | 10 | |
| 9 | 62Y-13411-00 | STRAINER, OIL FILTRE, HUILE | 1 | 1 | 1 | |
| 10 | 97013-06016 | BOLT BOULON | 2 | 2 | 2 | |
| 11 | 92903-06600 | WASHER, PLATE RONDELLE, PLATE | 2 | 2 | 2 | |
| 12 | 6BG-11576-00-94 | BODY, RELIEF CORPS DE SECURITE | 1 | 1 | 1 | |
| 13 | 62Y-13475-00 | GASKET JOINT | 1 | 1 | 1 | |
| 14 | 97013-06025 | BOLT BOULON | 3 | 3 | 3 | |
| 15 | 92903-06600 | WASHER, PLATE RONDELLE, PLATE | 3 | 3 | 3 | |
| 16 | 6BG-15362-00 | PLUG, OIL LEVEL PLOT, NIVEAU D'HUILE | 1 | 1 | 1 | |
| 17 | 93608-12M05 | PIN, DOWEL AXE | 2 | 2 | 2 | |

FIG. 31 LOWER CASING & DRIVE 1

BOITIER D'HELICE TRANSMISSION1



| REF. NO. | PART NO. N° PIECES | DESCRIPTION DESCRIPTION | ET | ED | EHD | REMARKS REMARQUES |
|----------|--------------------|---|----|----|-----|----------------------|
| 1 | 6BG-45300-00-8D | LOWER UNIT ASSY UNITE INFERIEURE (ENS.) | 1 | | 1 | S(16.1") S(16.1") |
| | 6BG-45300-10-8D | LOWER UNIT ASSY UNITE INFERIEURE (ENS.) | 1 | 1 | 1 | L(21.0") L(21.0") |
| 2 | 62Y-45301-00-8D | CASING, LOWER BEQUILLE | 1 | 1 | 1 | |
| 3 | 93315-32224 | BEARING ROULEMENT | 1 | 1 | 1 | |
| 4 | 6H4-45536-00 | SLEEVE, DRIVE SHAFT MANCHON, ARBRE MOTEUR | 1 | 1 | 1 | |
| 5 | 663-45587-01 | SHIM (T:0.10MM) CALE (T:0.10MM) | 1 | 1 | 1 | UR |
| | 663-45587-10 | SHIM (T:0.12MM) CALE (T:0.12MM) | 1 | 1 | 1 | UR |
| | 663-45587-20 | SHIM (T:0.15MM) CALE (T:0.15MM) | 1 | 1 | 1 | UR |
| | 663-45587-30 | SHIM (T:0.18MM) CALE (T:0.18MM) | 1 | 1 | 1 | UR |
| | 663-45587-40 | SHIM (T:0.30MM) CALE (T:0.30MM) | 1 | 1 | 1 | UR |
| | 663-45587-50 | SHIM (T:0.40MM) CALE (T:0.40MM) | 1 | 1 | 1 | UR |
| | 663-45587-60 | SHIM (T:0.50MM) CALE (T:0.50MM) | 1 | 1 | 1 | UR |
| 6 | 93332-00001 | BEARING ROULEMENT | 1 | 1 | 1 | |
| 7 | 663-45376-00 | GUIDE, SEAL DAMPER BUTEE, JOINT CAOUTCHOUC | 1 | 1 | 1 | |
| 8 | 63D-45375-00 | DAMPER, SEAL BOURRELET, CAOUTCHOUC | 1 | 1 | 1 | |
| 9 | 90340-08002 | PLUG, STRAIGHT SCREW PLOT, FILETE DROIT | 1 | 1 | 1 | |
| 10 | 90430-08020 | GASKET JOINT | 2 | 2 | 2 | |
| 11 | 688-45341-10 | PLUG, DRAIN BOUCHON DE VIDANGE | 1 | 1 | 1 | |
| 12 | 63D-45321-00 | PLATE PLAQUETTE | 1 | 1 | 1 | |
| 13 | 93106-09014 | OIL SEAL JOINT SPY | 1 | 1 | 1 | |
| 14 | 93210-33MG4 | O-RING JOINT TORIQUE | 1 | 1 | 1 | |
| 15 | 6E5-45378-00 | NIPPLE, HOSE RACCORD, TUYAU | 1 | 1 | 1 | |
| 16 | 90445-07ME8 | HOSE (L80) DURITE (L80) | 1 | 1 | 1 | |
| 17 | 6E5-83558-10 | END, NIPPLE RACCORD DE NIPPLE | 1 | 1 | 1 | |
| 18 | 90465-11M10 | CLAMP BRIDE | 2 | 2 | 2 | |
| 19 | 66T-44311-00 | HOUSING, WATER PUMP CORPS, POMPE A EAU | 1 | 1 | 1 | |
| 20 | 63D-44322-00 | INSERT, CARTRIDGE CUVETTE | 1 | 1 | 1 | |

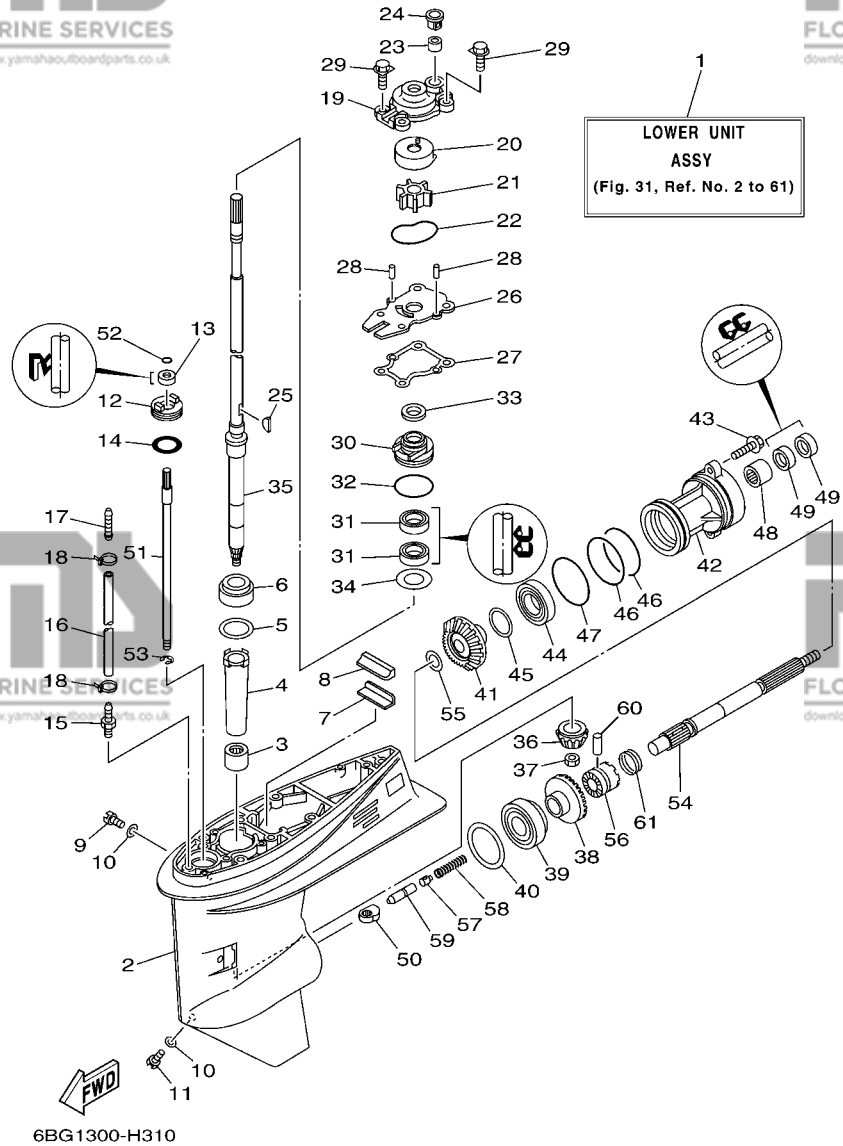


FIG. 31 LOWER CASING & DRIVE 1 BOITIER D'HELICE TRANSMISSION1

| REF. NO. | PART NO. N° PIECES | DESCRIPTION DESCRIPTION | ET | ED | EHD | REMARKS REMARQUES |
|----------|--------------------|--|----|----|-----|----------------------|
| 21 | 6H4-44352-02 | IMPELLER TURBINE | 1 | 1 | 1 | |
| 22 | 93210-59MG7 | O-RING JOINT TORIQUE | 1 | 1 | 1 | |
| 23 | 663-44366-00 | DAMPER, WATER SEAL 2 JOINT, TUBE D'EAU 2 | 1 | 1 | 1 | |
| 24 | 63D-44312-00 | COVER, WATER PUMP HOUSING COUVERCLE | 1 | 1 | 1 | |
| 25 | 90280-03M03 | KEY, WOODRUFF CLAVETTE, DEMI-LUNE | 1 | 1 | 1 | |
| 26 | 63D-44323-00 | OUTER PLATE, CARTRIDGE PLAQUE EXTERIEURE | 1 | 1 | 1 | |
| 27 | 63D-44316-00 | GASKET, WATER PUMP JOINT, POMPE A EAU | 1 | 1 | 1 | |
| 28 | 93604-08062 | PIN, DOWEL CLAVETTE | 2 | 2 | 2 | |
| 29 | 90119-08M15 | BOLT, WITH WASHER BOULON, AVEC RONDELLE | 4 | 4 | 4 | |
| 30 | 6BG-44341-00 | HOUSING, WATER PUMP CORPS, POMPE A EAU | 1 | 1 | 1 | |
| 31 | 93101-22M60 | OIL SEAL JOINT SPY | 2 | 2 | 2 | |
| 32 | 93210-48001 | O-RING JOINT TORIQUE | 1 | 1 | 1 | |
| 33 | 66T-45344-01 | COVER, OIL SEAL FLASQUE, JOINT D'HUILE | 1 | 1 | 1 | |
| 34 | 90201-27M00 | WASHER, PLATE RONDELLE, PLATE | 1 | 1 | 1 | |
| 35 | 67C-45501-00 | DRIVE SHAFT COMP. ARBRE MOTEUR COMP. | 1 | 1 | 1 | S(16.1") |
| | 67C-45501-10 | DRIVE SHAFT COMP. ARBRE MOTEUR COMP. | 1 | 1 | 1 | L(21.0") L(21.0") |
| 36 | 66T-45551-00 | PINION (13T) PIGNON D'ATTAQUE (13D) | 1 | 1 | 1 | |
| 37 | 90170-12138 | NUT ECROU | 1 | 1 | 1 | |
| 38 | 66T-45560-01 | GEAR 1 (26T) PIGNON 1 (26T) | 1 | 1 | 1 | |
| 39 | 93332-00003 | BEARING ROULEMENT | 1 | 1 | 1 | |
| 40 | 663-45567-01 | SHIM (T:0.10MM) CALE (T:0.10MM) | 1 | 1 | 1 | UR |
| | 663-45567-10 | SHIM (T:0.12MM) CALE (T:0.12MM) | 1 | 1 | 1 | UR |
| | 663-45567-20 | SHIM (T:0.15MM) CALE (T:0.15MM) | 1 | 1 | 1 | UR |
| | 663-45567-30 | SHIM (T:0.18MM) CALE (T:0.18MM) | 1 | 1 | 1 | UR |
| | 663-45567-40 | SHIM (T:0.30MM) CALE (T:0.30MM) | 1 | 1 | 1 | UR |
| | 663-45567-50 | SHIM (T:0.40MM) CALE (T:0.40MM) | 1 | 1 | 1 | UR |
| | 663-45567-60 | SHIM (T:0.50MM) CALE (T:0.50MM) | 1 | 1 | 1 | UR |

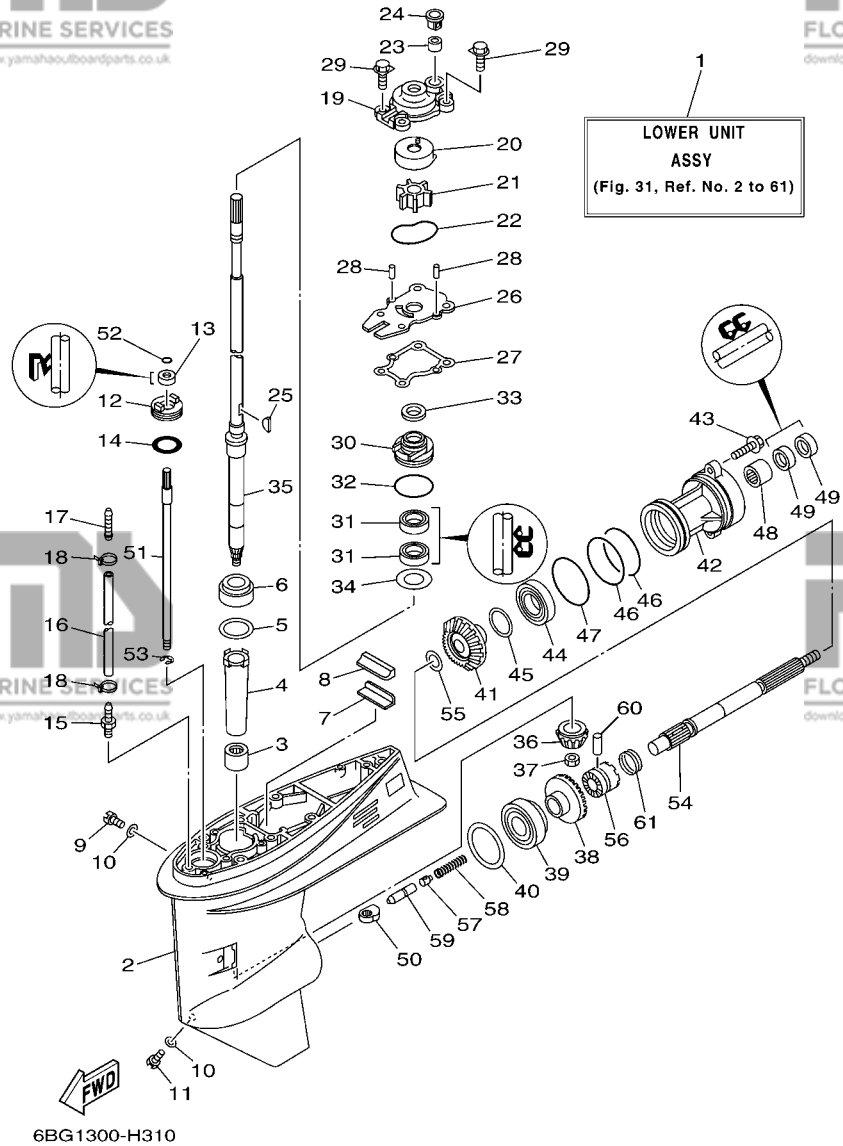
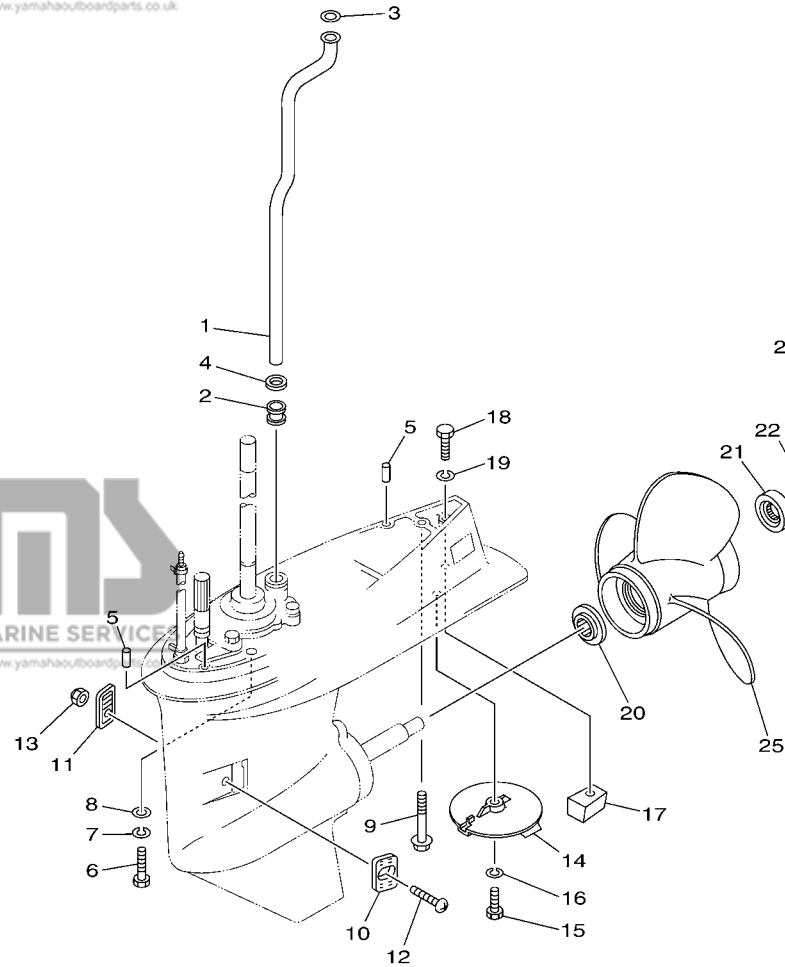


FIG. 31 LOWER CASING & DRIVE 1 BOITIER D'HELICE TRANSMISSION1

| REF. NO. | PART NO. N° PIECES | DESCRIPTION DESCRIPTION | ET | ED | EHD | REMARKS REMARQUES |
|----------|--------------------|--|----|----|-----|-------------------|
| 41 | 66T-45571-00 | GEAR 2 (26T) PIGNON 2 (26T) | 1 | 1 | 1 | |
| 42 | 63D-45361-02-8D | CAP, LOWER CASING COUVERCLE, BOITIER D'HELICE | 1 | 1 | 1 | |
| 43 | 90105-08M61 | BOLT, FLANGE BOULON | 2 | 2 | 2 | |
| 44 | 93306-001U1 | BEARING ROULEMENT | 1 | 1 | 1 | |
| 45 | 63D-45577-00 | SHIM (T:0.10MM) CALE (T:0.10MM) | 1 | 1 | 1 | UR |
| --- | 63D-45577-10 | SHIM (T:0.12MM) CALE (T:0.12MM) | 1 | 1 | 1 | UR |
| --- | 63D-45577-20 | SHIM (T:0.15MM) CALE (T:0.15MM) | 1 | 1 | 1 | UR |
| --- | 63D-45577-30 | SHIM (T:0.18MM) CALE (T:0.18MM) | 1 | 1 | 1 | UR |
| --- | 63D-45577-40 | SHIM (T:0.30MM) CALE (T:0.30MM) | 1 | 1 | 1 | UR |
| --- | 63D-45577-50 | SHIM (T:0.40MM) CALE (T:0.40MM) | 1 | 1 | 1 | UR |
| --- | 63D-45577-60 | SHIM (T:0.50MM) CALE (T:0.50MM) | 1 | 1 | 1 | UR |
| 46 | 93210-74MG5 | O-RING JOINT TORIQUE | 2 | 2 | 2 | |
| 47 | 93210-69MG6 | O-RING JOINT TORIQUE | 1 | 1 | 1 | |
| 48 | 93317-22204 | BEARING ROULEMENT | 1 | 1 | 1 | |
| 49 | 93101-22M00 | OIL SEAL JOINT SPY | 2 | 2 | 2 | |
| 50 | 62Y-44151-00 | CAM, SHIFT CAME, INVERSION | 1 | 1 | 1 | |
| 51 | 63D-44144-00 | ROD, SHIFT TIGE D'EMBAYAGE | 1 | 1 | 1 | |
| 52 | 93210-07003 | O-RING JOINT TORIQUE | 1 | 1 | 1 | |
| 53 | 99001-08600 | CIRCLIP CIRCLIP | 1 | 1 | 1 | |
| 54 | 63D-45611-00 | SHAFT, PROPELLER ARBRE, HELICE | 1 | 1 | 1 | |
| 55 | 90201-22429 | WASHER, PLATE RONDELLE, PLATE | 1 | 1 | 1 | |
| 56 | 63D-45631-01 | CLUTCH, DOG CRABOT | 1 | 1 | 1 | |
| 57 | 663-45634-00 | SLIDE, SHIFT CONTRE-POUSSOIR | 1 | 1 | 1 | |
| 58 | 90501-18001 | SPRING, COMPRESSION RESSORT, COMPRESSION | 1 | 1 | 1 | |
| 59 | 63D-45635-00 | PLUNGER, SHIFT POUSSOIR D'EMBAYAGE | 1 | 1 | 1 | |
| 60 | 90250-06023 | PIN, STRAIGHT GOUPILE, DROITE | 1 | 1 | 1 | |
| 61 | 67C-45633-00 | RING, CROSS PIN JONC, GOUPILE CRABOT | 1 | 1 | 1 | |

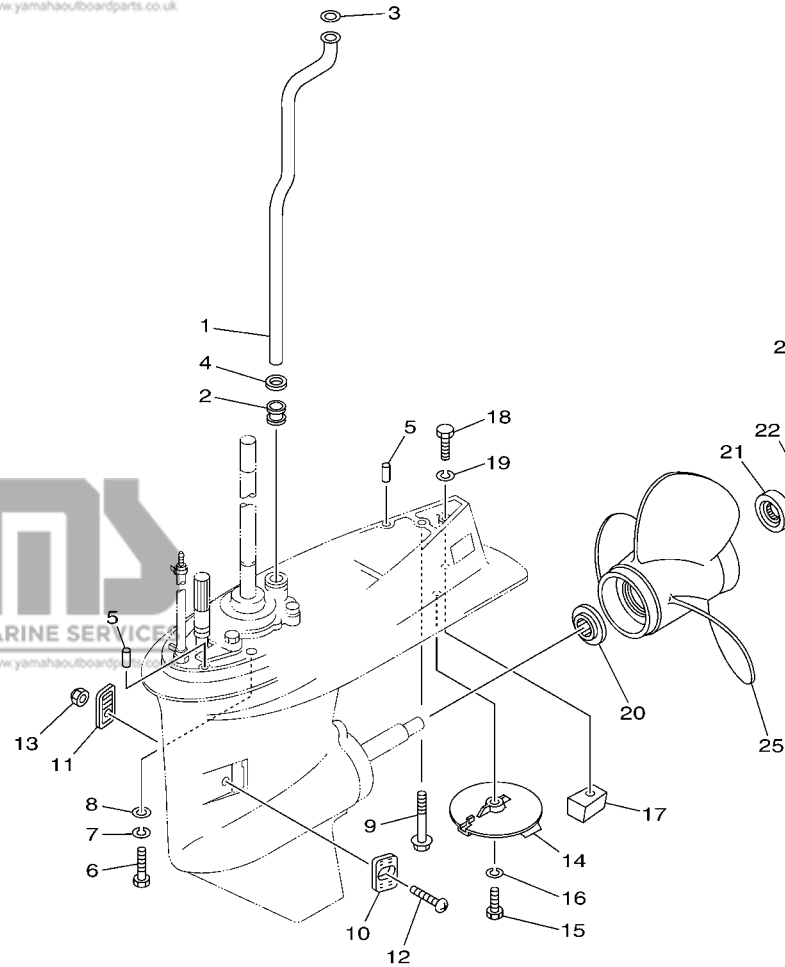


6BG1200-H280

FIG. 32 LOWER CASING & DRIVE 2

BOITIER D'HELICE TRANSMISSION2

| REF. NO. | PART NO. N° PIECES | DESCRIPTION DESCRIPTION | LT | ED | EHD | REMARKS REMARQUES |
|----------|--------------------|---|----|----|-----|----------------------|
| 1 | 67C-44361-00 | TUBE, WATER 1 TUBE D'EAU 1 | 1 | | 1 | S(16.1") S(16.1") |
| | 62Y-44361-00 | TUBE, WATER 1 TUBE D'EAU 1 | 1 | 1 | 1 | L(21.0") L(21.0") |
| 2 | 663-44367-00 | DAMPER, WATER SEAL 3 JOINT TUBE D'EAU 3 | 1 | 1 | 1 | |
| 3 | 90202-12060 | WASHER, PLATE RONDELLE, PLATE | 1 | 1 | 1 | |
| 4 | 90430-12072 | GASKET JOINT | 1 | 1 | 1 | |
| 5 | 93606-12019 | PIN, DOWEL GOUPILLE | 2 | 2 | 2 | |
| 6 | 97075-10040 | BOLT BOULON | 4 | 4 | 4 | |
| 7 | 92995-10100 | WASHER RONDELLE | 4 | 4 | 4 | |
| 8 | 92995-10600 | WASHER RONDELLE | 4 | 4 | 4 | |
| 9 | 90119-08M84 | BOLT, WITH WASHER BOULON, AVEC RONDELLE | 1 | 1 | 1 | |
| 10 | 63D-45214-00 | COVER, WATER INLET 1 GRILLE, ENTREE D'EAU 1 | 1 | 1 | 1 | |
| 11 | 63D-45215-00 | COVER, WATER INLET 2 GRILLE, ENTREE D'EAU 2 | 1 | 1 | 1 | |
| 12 | 90142-05M06 | SCREW, COUNTERSUNK VIS, TETE NOYEE | 1 | 1 | 1 | |
| 13 | 95380-05600 | NUT ECROU | 1 | 1 | 1 | |
| 14 | 67C-45371-00 | TAB-TRIM ANODE DERIVE | 1 | 1 | 1 | |
| 15 | 97095-08025 | BOLT BOULON | 1 | 1 | 1 | |
| 16 | 92995-08100 | WASHER RONDELLE | 1 | 1 | 1 | |
| 17 | 67C-45251-00 | ANODE ANODE | 1 | 1 | 1 | |
| 18 | 97095-08035 | BOLT BOULON | 1 | 1 | 1 | |
| 19 | 92995-08100 | WASHER RONDELLE | 1 | 1 | 1 | |
| 20 | 663-45987-02 | SPACER 1 ENTRETOISE 1 | 1 | 1 | 1 | |
| 21 | 66T-45997-00 | SPACER 2 ENTRETOISE 2 | 1 | 1 | 1 | |
| 22 | 90389-22M01 | BUSH DOUILLE | 1 | 1 | 1 | |
| 23 | 90171-16011 | NUT, CASTLE ECROU, CRENELE | 1 | 1 | 1 | |
| 24 | 91490-30025 | PIN, COTTER GOUPILLE | 1 | 1 | 1 | |
| 25 | 69W-45943-00-EL | PROPELLER (3X11"X15"-G) HELICE (3X11"X15"-G) | 1 | 1 | 1 | UR UR |
| | 69W-45945-00-EL | PROPELLER (3X11-1/8"X13"-G) HELICE (3X11-1/8"X13"-G) | 1 | 1 | 1 | UR UR |

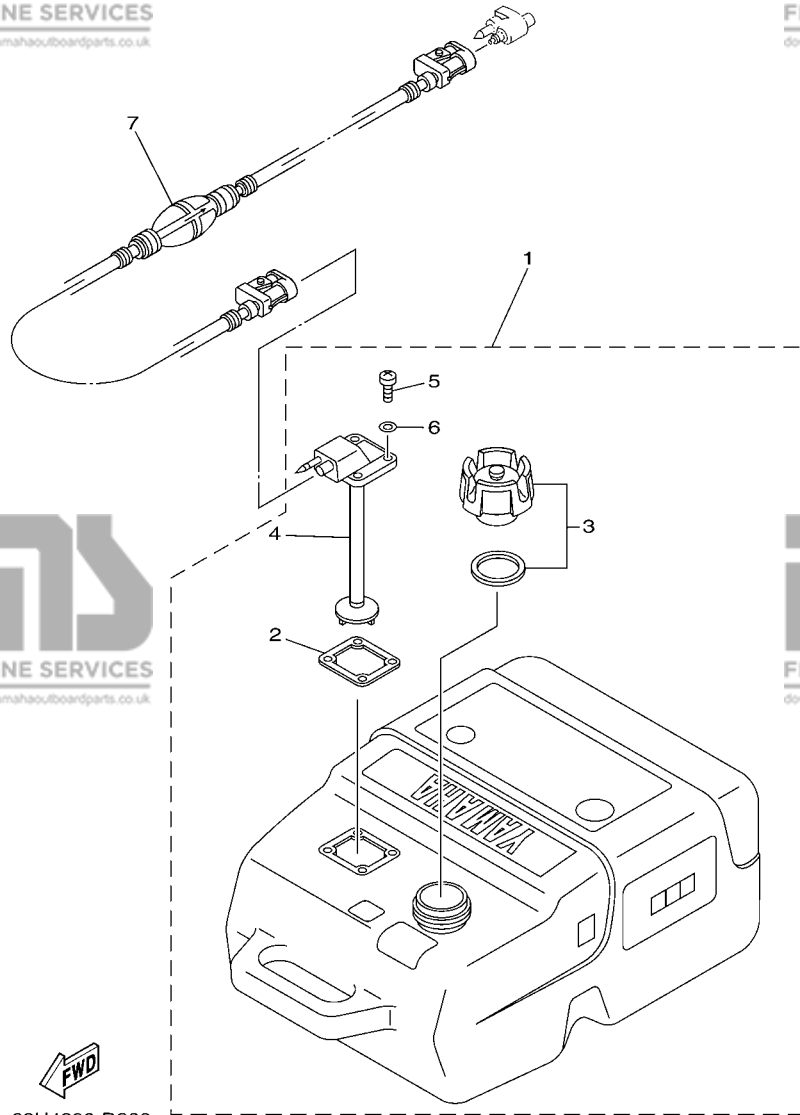


6BG1200-H280

FIG. 32 LOWER CASING & DRIVE 2

BOITIER D'HELICE TRANSMISSION2

| REF. NO. | PART NO. N° PIECES | DESCRIPTION DESCRIPTION | ET | ED | EHD | REMARKS REMARQUES |
|----------|--------------------|---|----|----|-----|------------------------------------|
| 25 | 69W-45947-00-EL | PROPELLER (3X11-5/8"X11"-G) HELICE (3X11-5/8"X11"-G) | 1 | 1 | 1 | UR UR |
| | 69W-45952-00-EL | PROPELLER (3X11-3/8"X12"-G) HELICE (3X11-3/8"X12"-G) | 1 | 1 | 1 | UR UR |
| | 663-45941-01-EL | PROPELLER (3X10-3/4"X17"-G) HELICE (3X10-3/4"X17"-G) | 1 | 1 | 1 | UR UR |
| | 663-45949-01-EL | PROPELLER (3X10-3/4"X16"-G) HELICE (3X10-3/4"X16"-G) | 1 | 1 | 1 | UR UR |
| | 663-45952-02-EL | PROPELLER (3X11-3/8"X12"-G) HELICE (3X11-3/8"X12"-G) | 1 | 1 | 1 | UR UR |
| | 663-45956-01-EL | PROPELLER (3X12-1/4"X9"-G) HELICE (3X12-1/4"X9"-G) | 1 | 1 | 1 | UR UR |
| | 663-45958-01-EL | PROPELLER (3X11-1/4"X14"-G) HELICE (3X11-1/4"X14"-G) | 1 | 1 | 1 | UR UR |
| | 6H5-45943-00-EL | PROPELLER (3X10"X15"-G) HELICE (3X10"X15"-G) | 1 | 1 | 1 | UR WITH LIP CUP UR WITH LIP CUP |
| | 6H5-45945-00-EL | PROPELLER (3X10-3/8"X13"-G) HELICE (3X10-3/8"X13"-G) | 1 | 1 | 1 | UR WITH LIP CUP UR WITH LIP CUP |
| | 6H5-45952-00-EL | PROPELLER (3X10-5/8"X12"-G) HELICE (3X10-5/8"X12"-G) | 1 | 1 | 1 | UR WITH LIP CUP UR WITH LIP CUP |
| | 6H5-45958-00-EL | PROPELLER (3X10-1/4"X14"-G) HELICE (3X10-1/4"X14"-G) | 1 | 1 | 1 | UR WITH LIP CUP UR WITH LIP CUP |
| | 663-45970-60-98 | PROPELLER (3X11-3/4"X12"-G) HELICE (3X11-3/4"X12"-G) | 1 | 1 | 1 | UR UR |
| | 663-45972-60-98 | PROPELLER (3X12"X11"-G) HELICE (3X12"X11"-G) | 1 | 1 | 1 | UR UR |
| | 663-45974-60-98 | PROPELLER (3X11-1/2"X13"-G) HELICE (3X11-1/2"X13"-G) | 1 | 1 | 1 | UR UR |
| | 697-45970-00-98 | PROPELLER (3X11-1/4"X14"-G) HELICE (3X11-1/4"X14"-G) | 1 | 1 | 1 | UR UR |
| | 663-45930-00-98 | PROPELLER (3X10-1/4"X14"-G) HELICE (3X10-1/4"X14"-G) | 1 | 1 | 1 | UR UR |
| | 663-45974-02-98 | PROPELLER (3X10-5/8"X13"-G) HELICE (3X10-5/8"X13"-G) | 1 | 1 | 1 | UR UR |
| | 663-45976-00-98 | PROPELLER (3X10-1/4"X15"-G) HELICE (3X10-1/4"X15"-G) | 1 | 1 | 1 | UR UR |
| | 663-45978-00-98 | PROPELLER (3X10-1/4"X16"-G) HELICE (3X10-1/4"X16"-G) | 1 | 1 | 1 | UR UR |



68U4300-D230

FIG. 33 FUEL TANK

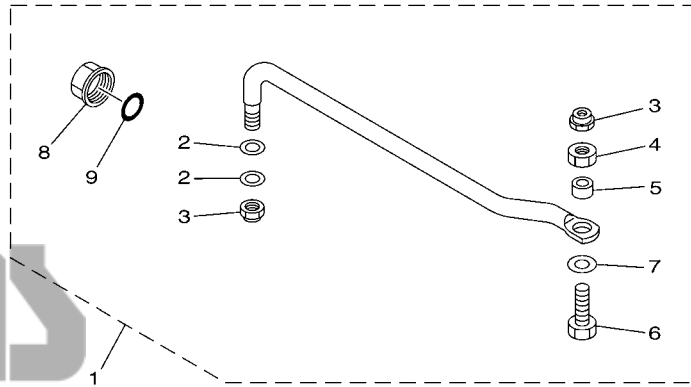
RESERVOIR A CARBURANT

| REF. NO. | PART NO. N° PIECES | DESCRIPTION DESCRIPTION | ET | ED | EHD | REMARKS REMARQUES |
|----------|--------------------|--|----|----|-----|-------------------|
| 1 | 6YK-24201-03 | FUEL TANK ASSY (25L) RESERVOIR A ESSENCE (ENS.) 25L | 1 | 1 | 1 | AP AP |
| 2 | 6YL-24268-01 | .GASKET, FUEL METER .JOINT, JAUGE A CARBURANT | 1 | 1 | 1 | |
| 3 | 6YK-24610-01 | .CAP ASSY .BOUCHON | 1 | 1 | 1 | |
| 4 | 6YK-24260-01 | .FUEL METER ASSY .INDICATEUR DE CARBURANT | 1 | 1 | 1 | |
| 5 | 90157-05M16 | .SCREW, PAN HEAD .VIS, TETE TRONCONIQUE | 4 | 4 | 4 | |
| 6 | 6YL-24329-00 | .SEAL .JOINT | 4 | 4 | 4 | |
| 7 | 6YL-24306-54 | FUEL PIPE COMP. 1 DURITE A ESSENCE 1 | 1 | 1 | 1 | AP AP |

FIG. 34 STEERING GUIDE

FIXATION DE DIRECTION

| REF. NO. | PART NO. N° PIECES | DESCRIPTION DESCRIPTION | ET | ED | EHD | REMARKS REMARQUES |
|----------|--------------------|---|----|----|-----|-------------------|
| 1 | 6BG-61350-00 | STEERING GUIDE ATTACHMENT KIT FIXATIONS DE DIRECTION | 1 | 1 | | AP AP |
| 2 | 90201-10M20 | .WASHER, PLATE .RONDELLE, PLATE | 2 | 2 | | |
| 3 | 90185-09M01 | .NUT, SELF-LOCKING .ECROU, AUTO-BLOQUANT | 2 | 2 | | |
| 4 | 90170-09M03 | .NUT .ECROU | 1 | 1 | | |
| 5 | 90387-10M42 | .COLLAR .COLLERETTE | 1 | 1 | | |
| 6 | 90101-09M01 | .BOLT .BOULON | 1 | 1 | | |
| 7 | 90201-10M63 | .WASHER, PLATE .RONDELLE, PLATE | 1 | 1 | | |
| 8 | 6E5-43145-01 | .CAP CLAMP BRACKET .CAPUCHON, PRESSE | 1 | 1 | | |
| 9 | 93210-16275 | .O-RING .JOINT TORIQUE | 1 | 1 | | |



6BG1100-H340

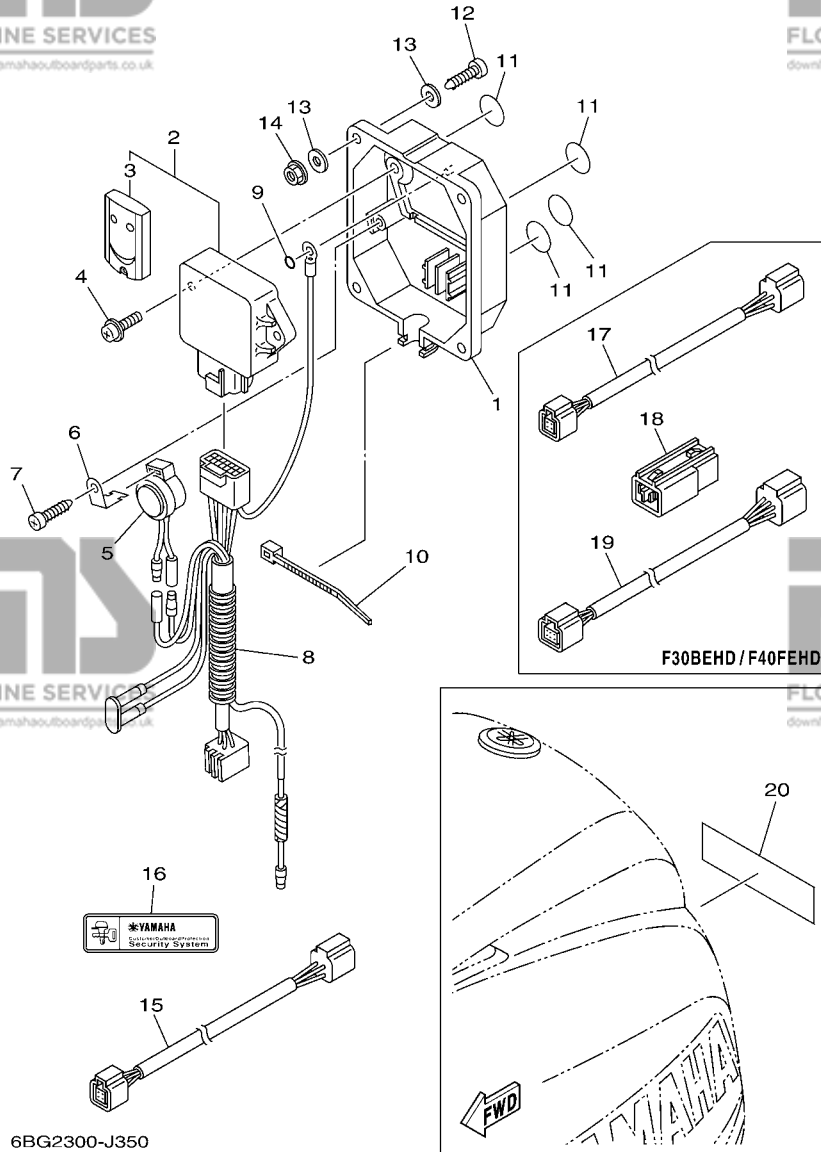
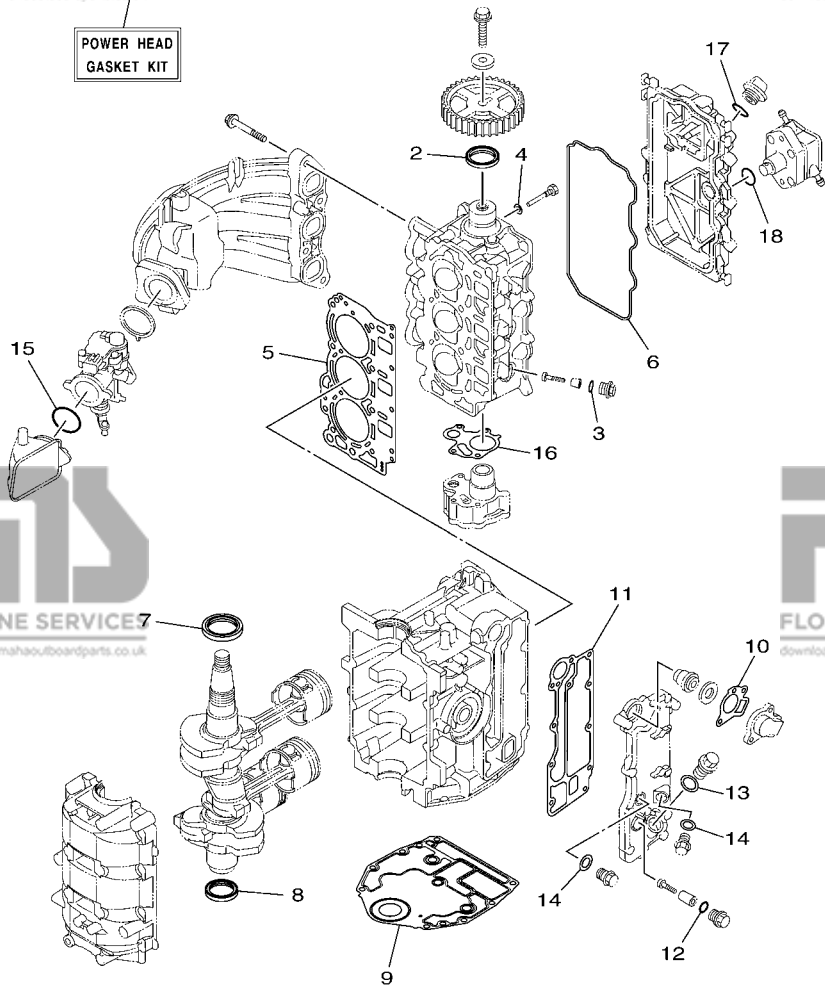


FIG. 35 OPTIONAL PARTS

PIECES OPTIONNELLES

| REF. NO. | PART NO. N° PIECES | DESCRIPTION DESCRIPTION | ET | ED | EHD | REMARKS REMARQUES |
|----------|--------------------|--|----|----|-----|-------------------|
| 1 | 6Y8-86267-00 | CASE COMPLETE 1 CARTER (ENS.) 1 | 1 | 1 | 1 | |
| 2 | 6Y8-86260-02 | REMOTE CONTROL UNIT ASSY UNITE DE TELECOMMANDE (ENS.) | 1 | 1 | 1 | |
| 3 | 6AA-86261-00 | .TRANSMITTER COMP .TRANSMETTEUR | 2 | 2 | 2 | |
| 4 | 97980-06216 | SCREW, WITH WASHER VIS, AVEC RONDELLE | 2 | 2 | 2 | |
| 5 | 6X4-83383-00 | BUZZER RONFLEUR | 1 | 1 | 1 | |
| 6 | 6X4-83386-00 | STAY, BUZZER SUPPOR, RONFLEUR | 1 | 1 | 1 | |
| 7 | 97780-60620 | SCREW, TAPPING VIS, TETE BOMBEE | 1 | 1 | 1 | |
| 8 | 6Y8-82509-10 | WIRE, SUB LEAD FIL, SECONDAIRE | 1 | 1 | | |
| | 6Y8-82509-20 | WIRE, SUB LEAD FIL, SECONDAIRE | | | 1 | |
| 9 | 93210-04279 | O-RING JOINT TORIQUE | 1 | 1 | 1 | |
| 10 | 90465-11M10 | CLAMP BRIDE | 1 | 1 | 1 | |
| 11 | 6Y8-8454G-00 | PATCH 1 TAMPON 1 | 4 | 4 | 4 | |
| 12 | 90167-06M00 | SCREW, TAPPING VIS, TETE FRAISEE | 4 | 4 | 4 | UR |
| | 97880-06035 | SCREW, PAN HEAD VIS, TETE TRONCONIQUE | 4 | 4 | 4 | UR |
| 13 | 90201-06M30 | WASHER, PLATE RONDELLE, PLATE | 8 | 8 | 8 | UR |
| 14 | 95780-06300 | NUT, FLANGE ECROU | 4 | 4 | 4 | |
| 15 | 6Y8-82521-11 | 2FT PIGTAIL BUS FIL | 1 | 1 | | |
| | 6Y8-82521-01 | 1FT PIGTAIL BUS FIL | | | 1 | |
| 16 | 6Y8-48277-00 | STICKER 1 ETIQUETTE 1 | 1 | 1 | 1 | |
| 17 | 6Y8-82521-60 | 12FT PIGTAIL BUS (4P) FAISCEAU (L: 15FT., 4P) | | | 1 | |
| 18 | 6Y8-81920-11 | IN-LINE HUB ASSY BORNE | | | 2 | |
| 19 | 6Y8-82553-01 | 1FT MAIN BUS EXTENSION, FAISCEAU | | | 1 | |
| 20 | 6Y8-48277-00 | STICKER 1 ETIQUETTE 1 | 1 | 1 | 1 | |

POWER HEAD
GASKET KIT



6BG1100-H380

FIG. 36 REPAIR KIT 1

KITS DE REPARATION 1

| REF. NO. | PART NO. N° PIECES | DESCRIPTION DESCRIPTION | ET | ED | EHD | REMARKS REMARQUES |
|----------|--------------------|---|----|----|-----|-------------------|
| 1 | 6BG-W0001-00 | POWER HEAD GASKET KIT POCHETTE DE JINTS TETE MOTRICE | 1 | 1 | 1 | |
| 2 | 93102-37M40 | .OIL SEAL .JOINT SPY | 1 | 1 | 1 | |
| 3 | 93210-13M63 | .O-RING .JOINT TORIQUE | 3 | 3 | 3 | |
| 4 | 90430-06014 | .GASKET .JOINT | 1 | 1 | 1 | |
| 5 | 6BG-11181-00 | .GASKET, CYLINDER HEAD 1 .JOINT, DE CULASSE 1 | 1 | 1 | 1 | |
| 6 | 6BG-11356-00 | .SEAL, CYLINDER 2 .JOINT, SPY CYLINDRE | 1 | 1 | 1 | |
| 7 | 93102-43M42 | .OIL SEAL .JOINT SPY | 1 | 1 | 1 | |
| 8 | 93101-35002 | .OIL SEAL .JOINT SPY | 1 | 1 | 1 | |
| 9 | 6BG-11351-00 | .GASKET, CYLINDER .JOINT, D'EMBASE | 1 | 1 | 1 | |
| 10 | 62Y-12414-00 | .GASKET, COVER .JOINT, COUVERCLE | 1 | 1 | 1 | |
| 11 | 6BG-41114-00 | .GASKET, EXHAUST OUTER COVER .JOINT, COUVERCLE D'ECHAPPEMENT | 1 | 1 | 1 | |
| 12 | 93210-13M63 | .O-RING .JOINT TORIQUE | 1 | 1 | 1 | |
| 13 | 90430-18130 | .GASKET .JOINT | 1 | 1 | 1 | |
| 14 | 90430-14115 | .GASKET .JOINT | 2 | 2 | 2 | |
| 15 | 93210-42159 | .O-RING .JOINT TORIQUE | 1 | 1 | 1 | |
| 16 | 6C5-13329-00 | .GASKET, PUMP COVER .JOINT, COUVERCLE DE POMPE | 1 | 1 | 1 | |
| 17 | 93210-24M79 | .O-RING .JOINT TORIQUE | 1 | 1 | 1 | |
| 18 | 93210-24M79 | .O-RING .JOINT TORIQUE | 1 | 1 | 1 | |

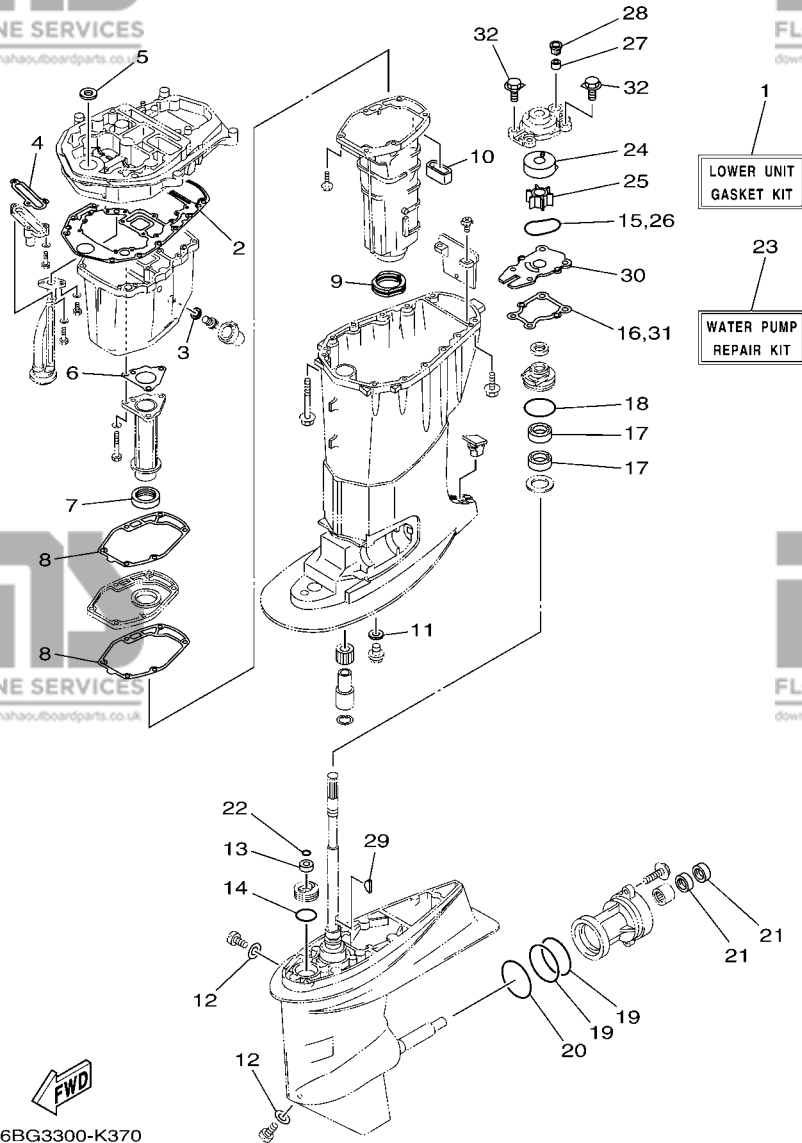


FIG. 37 REPAIR KIT 2

KITS DE REPARATION 2

| REF. NO. | PART NO. N° PIECES | DESCRIPTION DESCRIPTION | ET | ED | EHD | REMARKS REMARQUES |
|----------|--------------------|---|----|----|-----|-------------------|
| 1 | 6BG-W0001-20 | LOWER UNIT GASKET KIT POCHETTE DE JOINTS EMBASE | 1 | 1 | 1 | |
| 2 | 69W-15312-00 | .GASKET, OIL PAN .JOINT DE VENTILATEUR D'HUILE | 1 | 1 | 1 | |
| 3 | 90430-14M09 | .GASKET .JOINT | 1 | 1 | 1 | |
| 4 | 62Y-13475-00 | .GASKET .JOINT | 1 | 1 | 1 | |
| 5 | 93110-16004 | .OIL SEAL .JOINT SPY | 1 | 1 | 1 | |
| 6 | 64J-41133-10 | .GASKET, EXHAUST MANIFOLD 1 .JOINT, PIPE D'ECHAPPEMENT | 1 | 1 | 1 | |
| 7 | 64J-46132-10 | .GASKET 1 .JOINT 1 | 1 | 1 | 1 | |
| 8 | 6BG-41134-00 | .GASKET, EXHAUST MANIFOLD .JOINT, PIPE D'ECHAPPEMENT | 2 | 2 | 2 | |
| 9 | 67C-45123-00 | .GASKET, MUFFLER .JOINT, POT DE DETENTE | 1 | 1 | 1 | |
| 10 | 62Y-45127-00 | .SEAL .JOINT | 1 | 1 | 1 | |
| 11 | 90430-14M09 | .GASKET .JOINT | 1 | 1 | 1 | |
| 12 | 90430-08020 | .GASKET .JOINT | 2 | 2 | 2 | |
| 13 | 93106-09014 | .OIL SEAL .JOINT SPY | 1 | 1 | 1 | |
| 14 | 93210-33MG4 | .O-RING .JOINT TORIQUE | 1 | 1 | 1 | |
| 15 | 93210-59MG7 | .O-RING .JOINT TORIQUE | 1 | 1 | 1 | |
| 16 | 63D-44316-00 | .GASKET, WATER PUMP .JOINT, POMPE A EAU | 1 | 1 | 1 | |
| 17 | 93101-22M60 | .OIL SEAL .JOINT SPY | 2 | 2 | 2 | |
| 18 | 93210-48001 | .O-RING .JOINT TORIQUE | 1 | 1 | 1 | |
| 19 | 93210-74MG5 | .O-RING .JOINT TORIQUE | 2 | 2 | 2 | |
| 20 | 93210-69MG6 | .O-RING .JOINT TORIQUE | 1 | 1 | 1 | |
| 21 | 93101-22M00 | .OIL SEAL .JOINT SPY | 2 | 2 | 2 | |
| 22 | 93210-07003 | .O-RING .JOINT TORIQUE | 1 | 1 | 1 | |
| 23 | 6BG-W0078-00 | WATER PUMP REPAIR KIT KIT DE REPARATION DE LA POMPE | 1 | 1 | 1 | |
| 24 | 63D-44322-00 | .INSERT, CARTRIDGE .CUVETTE | 1 | 1 | 1 | |
| 25 | 6H4-44352-02 | .IMPELLER .TURBINE | 1 | 1 | 1 | |
| 26 | 93210-59MG7 | .O-RING .JOINT TORIQUE | 1 | 1 | 1 | |
| 27 | 663-44366-00 | .DAMPER, WATER SEAL 2 .JOINT, TUBE D'EAU 2 | 1 | 1 | 1 | |

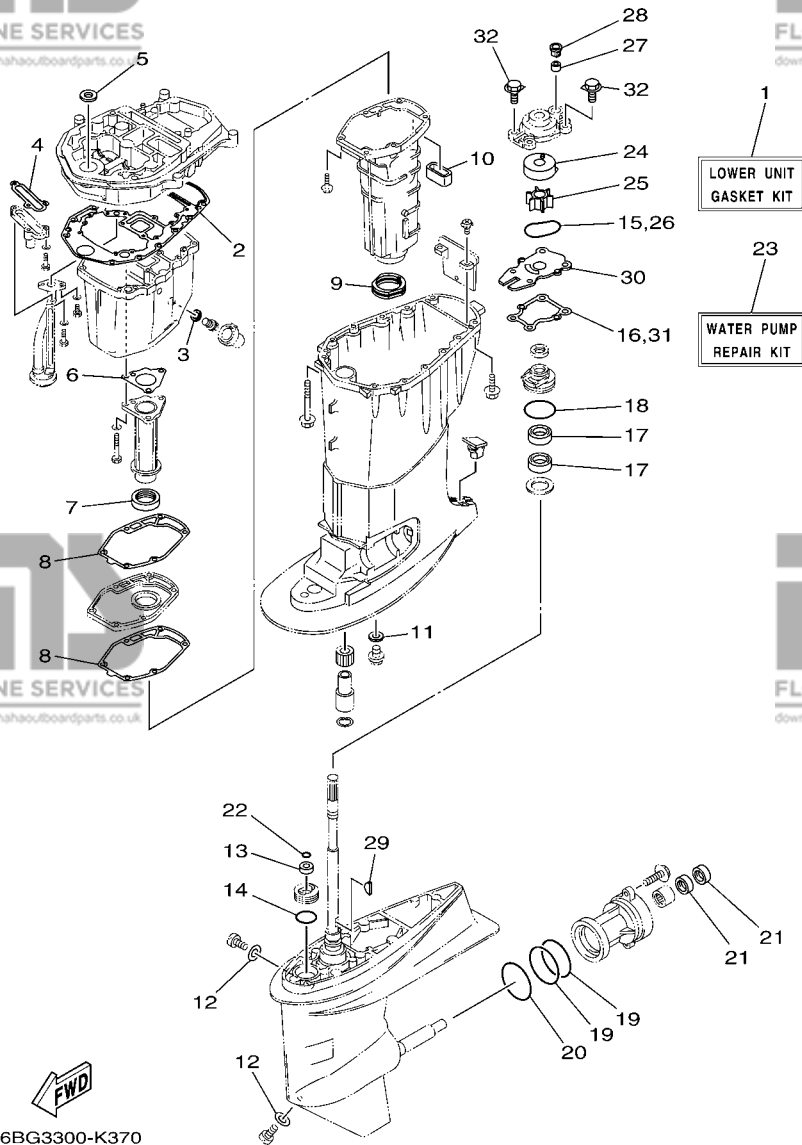


FIG. 37 REPAIR KIT 2

KITS DE REPARATION 2

| REF. NO. | PART NO. N° PIECES | DESCRIPTION DESCRIPTION | ET | ED | EHD | REMARKS REMARQUES |
|----------|--------------------|---|----|----|-----|-------------------|
| 28 | 63D-44312-00 | .COVER, WATER PUMP HOUSING .COUVERCLE | 1 | 1 | 1 | |
| 29 | 90280-03M03 | .KEY, WOODRUFF .CLAVETTE, DEMI-LUNE | 1 | 1 | 1 | |
| 30 | 63D-44323-00 | .OUTER PLATE, CARTRIDGE .PLAQUE EXTERIEURE | 1 | 1 | 1 | |
| 31 | 63D-44316-00 | .GASKET, WATER PUMP .JOINT, POMPE A EAU | 1 | 1 | 1 | |
| 32 | 90119-08M15 | .BOLT, WITH WASHER .BOULON, AVEC RONDELLE | 4 | 4 | 4 | |

| PART NO. N° PIECES | REF. NO. | PART NO. N° PIECES | REF. NO. |
|-----------------------|-------------|-----------------------|-------------|
| 6BG-11111-00-9S | 4 - 2 | 51Y-12119-00 | 5 - 7 |
| 62Y-11119-00 | 14 - 12 | 69W-12121-00 | 5 - 2 |
| 6BG-11119-00 | 4 - 22 | 6BG-12146-00 | 5 - 8 |
| 62Y-11133-30 | 4 - 3 | 62Y-12151-00 | 5 - 9 |
| 6BG-11168-00 | 4 - 16 | 6CS-12151-00 | 5 - 12 |
| 6BG-11181-00 | 4 - 10 | 62Y-12158-00 | 5 - 11 |
| | 36 - 5 | 6CS-12158-00 | 5 - 14 |
| 6BG-11191-00-9S | 4 - 14 | 64J-12159-00 | 5 - 10 |
| 6BG-11192-00 | 16 - 21 | 6CS-12159-00 | 5 - 13 |
| 6G8-11197-01 | 2 - 20 | 6BG-12171-00 | 10 - 1 |
| | 4 - 6 | 6CS-12231-00 | 5 - 15 |
| 62Y-11325-00 | 29 - 2 | 6CS-12233-00 | 5 - 16 |
| 6G8-11325-00 | 2 - 18 | 6G8-12411-03 | 2 - 12 |
| | 4 - 4 | 688-12412-00 | 2 - 13 |
| 66M-11327-00-94 | 29 - 4 | 6CS-12413-00-9S | 2 - 14 |
| 66M-11328-00 | 29 - 3 | 62Y-12414-00 | 2 - 15 |
| 6BG-11351-00 | 2 - 8 | | 36 - 10 |
| | 36 - 9 | 6BG-12481-00 | 20 - 13 |
| 6BG-11356-00 | 4 - 19 | 62Y-12481-10 | 2 - 11 |
| | 36 - 6 | 66M-12535-00 | 29 - 5 |
| 6BG-11411-00 | 3 - 1 | 6AW-12572-00 | 20 - 4 |
| 6BG-11416-00 | 3 - 2 | 6BG-12576-00 | 7 - 8 |
| 6BG-11416-10 | 3 - 2 | 6R3-12580-00 | 20 - 6 |
| 6BG-11416-20 | 3 - 2 | 6CS-12858-00 | 2 - 27 |
| 6BG-11416-30 | 3 - 2 | 62Y-13131-00 | 11 - 25 |
| 6CS-11536-00 | 10 - 7 | 6BG-13161-00 | 6 - 11 |
| 6CS-11537-00 | 10 - 2 | 6BG-13300-00 | 10 - 11 |
| 6H4-11545-00 | 12 - 3 | 6CS-13329-00 | 10 - 12 |
| 62Y-11557-00 | 10 - 8 | | 36 - 16 |
| 6BG-11576-00-94 | 30 - 12 | 62Y-13411-00 | 30 - 9 |
| 67C-11603-00 | 3 - 7 | 67F-13434-20 | 1 - 17 |
| 67C-11604-00 | 3 - 7 | 6BG-13437-60 | 12 - 16 |
| 67C-11605-00 | 3 - 7 | 5GH-13440-20 | 2 - 26 |
| 69W-11631-01-97 | 3 - 6 | 62Y-13475-00 | 30 - 13 |
| 62Y-11633-00 | 3 - 8 | | 37 - 4 |
| 69W-11635-01 | 3 - 6 | 6BG-13542-00 | 9 - 16 |
| 69W-11636-01 | 3 - 6 | 6BG-13545-00 | 9 - 13 |
| 6CS-11650-00 | 3 - 3 | 6BG-13546-00 | 9 - 14 |
| 6CS-11654-00 | 3 - 4 | 6CS-13547-00 | 9 - 12 |
| 6CJ-11656-00 | 3 - 5 | 6BG-13548-00 | 9 - 15 |
| 6CJ-11656-10 | 3 - 5 | 6BG-13557-00 | 6 - 8 |
| 6CJ-11656-20 | 3 - 5 | 6BG-13577-00 | 6 - 14 |
| 6CJ-11656-30 | 3 - 5 | 6CS-13577-00 | 9 - 20 |
| 69W-12111-00 | 5 - 1 | 6BG-13593-00 | 8 - 23 |
| 51Y-12114-00 | 5 - 4 | 6BG-13641-00 | 6 - 6 |
| 62Y-12116-00 | 5 - 3 | 6BG-13645-00 | 6 - 7 |
| 30X-12117-00 | 5 - 5 | 6CS-13739-00 | 9 - 2 |
| 30X-12118-00 | 5 - 6 | 6BG-13750-00 | 6 - 4 |

NUMERICAL INDEX
INDEX NUMERIQUE

| PART NO. N° PIECES | REF. NO. | PART NO. N° PIECES | REF. NO. |
|-----------------------|-------------|-----------------------|-------------|
| 6BG-13761-00 | 6 - 12 | 6G1-24304-02 | 11 - 1 |
| 6CS-13906-01 | 8 - 9 | 6YL-24306-54 | 33 - 7 |
| 6BG-13910-00 | 8 - 17 | 6A1-24311-00 | 20 - 14 |
| 6BG-13915-00 | 8 - 19 | 6BG-24311-00 | 11 - 19 |
| 6BG-13938-00 | 8 - 20 | 6BG-24313-00 | 11 - 5 |
| 6BG-13974-00 | 9 - 5 | 6BG-24321-00 | 9 - 8 |
| 6CS-1410B-00 | 6 - 13 | 6BG-24322-00 | 9 - 9 |
| 6CS-1410F-00 | 9 - 18 | 6BG-24323-00 | 9 - 10 |
| 6CS-14127-00 | 8 - 18 | 6BG-24324-00 | 9 - 11 |
| 6BG-14137-00 | 8 - 21 | 6BG-24329-00 | 19 - 24 |
| 6X4-14137-00 | 21 - 26 | 6YL-24329-00 | 33 - 6 |
| 6BG-14148-00 | 9 - 7 | 62Y-24374-01 | 11 - 30 |
| 6BG-14149-00 | 9 - 17 | 67F-24377-00 | 11 - 6 |
| 6BG-14180-00 | 8 - 1 | 688-24378-00 | 20 - 8 |
| 6BG-14182-00 | 8 - 2 | | 20 - 12 |
| 6CS-14191-00 | 8 - 13 | 6CS-24379-00 | 9 - 19 |
| 6CS-14225-00 | 8 - 11 | 6BG-24387-00 | 9 - 21 |
| 6CS-14251-00 | 9 - 1 | 6CS-24410-00 | 11 - 21 |
| 6CS-14386-00 | 8 - 4 | 62Y-24411-02 | 11 - 23 |
| 6CS-14397-00 | 8 - 14 | 6CS-24415-00 | 11 - 22 |
| 6BG-14440-00 | 6 - 1 | 6BG-24411R-00 | 8 - 6 |
| 6BT-14440-00 | 6 - 1 | 6BG-24411T-00 | 8 - 7 |
| 62Y-14485-00 | 4 - 15 | 62Y-24423-00 | 11 - 24 |
| 6CS-14546-00 | 8 - 5 | 6CS-24444-00 | 9 - 4 |
| 6BG-14561-00 | 8 - 22 | 62Y-24444-01 | 11 - 27 |
| 6CS-14567-00 | 8 - 15 | 6CS-24453-00 | 8 - 8 |
| 69W-14711-00-CA | 29 - 18 | 62Y-24454-00 | 11 - 26 |
| 6BG-14711-00-CA | 29 - 18 | 6D8-24469-00 | 11 - 14 |
| 6BG-14960-00 | 8 - 12 | 6CS-24471-00 | 11 - 28 |
| 6BG-14984-00 | 8 - 16 | 6D8-24519-00 | 11 - 15 |
| 6BG-14985-00 | 8 - 3 | 6BG-2451B-00 | 9 - 6 |
| 6BG-15100-00 | 2 - 2 | 6D8-24560-00 | 11 - 10 |
| 6BG-15311-00-CA | 30 - 1 | 6D8-24562-00 | 11 - 13 |
| 69W-15312-00 | 30 - 3 | 6D8-24563-00 | 11 - 11 |
| | 37 - 2 | 6D8-24564-00 | 11 - 12 |
| 67C-15316-00 | 30 - 5 | 6BG-24566-00 | 11 - 16 |
| 67C-15316-10 | 30 - 5 | 6CS-24592-00 | 8 - 10 |
| 6BG-1531A-00 | 7 - 12 | 6YK-24610-01 | 33 - 3 |
| 6BG-15362-00 | 30 - 16 | 69W-26301-00 | 21 - 42 |
| 6G8-15363-00 | 4 - 25 | 6X4-26367-00 | 21 - 37 |
| 6BG-15378-00 | 7 - 13 | | 21 - 44 |
| 6CS-21841-00 | 9 - 3 | 6CS-28100-00 | 11 - 36 |
| 6BG-24135-01 | 20 - 17 | 67F-2812A-00 | 12 - 14 |
| 6BG-24136-01 | 20 - 20 | 6BG-28199-73-D0 | 11 - 37 |
| 6YK-24201-03 | 33 - 1 | 6BG-28199-73-E0 | 11 - 37 |
| 6CS-24251-00 | 9 - 23 | 6BG-28199-73-F0 | 11 - 37 |
| 6YK-24260-01 | 33 - 4 | 6BG-28199-73-G0 | 11 - 37 |
| 6YL-24268-01 | 33 - 2 | 6BG-28199-73-H0 | 11 - 37 |

| PART NO. N° PIECES | REF. NO. | PART NO. N° PIECES | REF. NO. |
|-----------------------|-------------|-----------------------|-------------|
| 6BG-28199-73-S0 | 11 - 37 | 6BG-41131-00-CA | 29 - 12 |
| 6BG-28199-83-K0 | 11 - 38 | 64J-41133-10 | 29 - 11 |
| 6BG-28199-83-L0 | 11 - 38 | | 37 - 6 |
| 6BG-28199-83-M0 | 11 - 38 | 6BG-41134-00 | 29 - 16 |
| 6BG-28199-83-N0 | 11 - 38 | | 37 - 8 |
| 6BG-28199-83-P0 | 11 - 38 | 6BG-41137-00-CA | 29 - 1 |
| 6BG-28199-83-R0 | 11 - 38 | 682-41237-00 | 24 - 24 |
| 6BG-41113-00-9S | 2 - 9 | 6J8-41237-00 | 24 - 23 |
| 6BG-41114-00 | 2 - 16 | 6X4-41291-00 | 21 - 8 |
| | 36 - 11 | 6X4-42101-K3 | 21 - 1 |
| 6BG-41131-00-CA | 29 - 12 | 6X4-42111-02-8D | 21 - 2 |
| 64J-41133-10 | 29 - 11 | 6X4-42115-00 | 21 - 22 |
| | 37 - 6 | 6X4-42119-01 | 21 - 5 |
| 6BG-41134-00 | 29 - 16 | 63D-42121-22-8D | 21 - 58 |
| | 37 - 8 | 63D-42126-00 | 21 - 17 |
| 6BG-41137-00-CA | 29 - 1 | 6X4-42128-00 | 21 - 13 |
| 682-41237-00 | 24 - 24 | 6X4-42131-11 | 21 - 54 |
| 6J8-41237-00 | 24 - 23 | 6X4-42137-00 | 21 - 7 |
| 6X4-41291-00 | 21 - 8 | 62Y-42154-00 | 24 - 26 |
| 6X4-42101-K3 | 21 - 1 | 6X4-42159-00 | 21 - 48 |
| 6X4-42111-02-8D | 21 - 2 | 6CS-42171-00 | 24 - 27 |
| 6X4-42115-00 | 21 - 22 | 6X4-42177-00 | 21 - 6 |
| 6X4-42119-01 | 21 - 5 | 6BG-42335-00 | 24 - 32 |
| 63D-42121-22-8D | 21 - 58 | 6BG-42384-00 | 20 - 2 |
| 63D-42126-00 | 21 - 17 | 67C-42508-03 | 23 - 1 |
| 6X4-42128-00 | 21 - 13 | 6BG-42510-00-8D | 27 - 11 |
| 6H4-42748-00 | 19 - 2 | 6BG-42510-10-8D | 27 - 11 |
| 63P-42756-00 | 17 - 24 | 67C-42525-00 | 23 - 4 |
| 6BG-42761-00 | 19 - 9 | 67C-42527-03 | 23 - 2 |
| 6AH-42794-40 | 19 - 38 | 65W-42528-00 | 23 - 10 |
| 6AH-42794-50 | 19 - 39 | 67C-42561-00 | 23 - 7 |
| 6BG-42811-00 | 17 - 18 | 67C-42562-00 | 23 - 6 |
| 6BG-42815-00-8D | 19 - 13 | 6BG-42610-00 | 1 - 1 |
| 6BG-42816-00 | 19 - 18 | 6BT-42610-00 | 1 - 1 |
| 6X4-42821-00 | 21 - 30 | 6BG-42613-00 | 1 - 2 |
| 6BG-42851-00 | 1 - 6 | 6BG-42615-00 | 1 - 13 |
| 67C-43107-01-8D | 26 - 14 | 6BG-42617-00 | 12 - 15 |
| 67C-43107-11-8D | 26 - 14 | 6BG-42649-00 | 1 - 16 |
| 6K9-43111-10-8D | 25 - 1 | | |
| | 26 - 1 | | |
| | 25 - 2 | | |
| | 26 - 2 | | |
| | 26 - 9 | | |
| | 27 - 2 | | |
| | 19 - 20 | | |
| | 34 - 8 | | |
| | 25 - 4 | | |

| PART NO. N° PIECES | REF. NO. | PART NO. N° PIECES | REF. NO. |
|-----------------------|-------------|-----------------------|-------------|
| 6BG-42651-00 | 1 - 4 | | |
| 6BG-42652-00 | 1 - 7 | | |
| 6BG-42662-00 | 1 - 14 | | |
| 6BG-42677-00 | 1 - 10 | | |
| 6BG-42677-10 | 1 - 10 | | |
| 6BG-42678-00 | 1 - 11 | | |
| 6BT-42678-00 | 1 - 11 | | |
| 6AH-42697-01 | 1 - 15 | | |
| 6BG-42710-01-8D | 19 - 1 | | |
| 62Y-42715-01 | 24 - 10 | | |
| 62Y-42716-00 | 19 - 6 | | |
| 61A-42717-00 | 19 - 8 | | |
| 65W-42717-00 | 19 - 7 | | |
| 69J-42723-00-8D | 17 - 14 | | |
| 6BG-42725-00 | 19 - 10 | | |
| 6X4-42725-01 | 21 - 57 | | |
| 6H1-42726-21 | 20 - 1 | | |
| 68U-42727-00 | 19 - 23 | | |
| 6BG-42727-00 | 19 - 11 | | |
| 6X4-42727-00 | 22 - 17 | | |
| 6X4-42728-00 | 22 - 7 | | |
| 6X4-42728-10 | 21 - 67 | | |
| 6BG-42741-00-8D | 19 - 25 | | |
| 6BG-42741-10-8D | 19 - 25 | | |
| 6BG-42743-00 | 17 - 21 | | |
| 6BG-42748-00 | 19 - 4 | | |
| 6H4-42748-00 | 19 - 2 | | |
| 63P-42756-00 | 17 - 24 | | |
| 6BG-42761-00 | 19 - 9 | | |
| 6AH-42794-40 | 19 - 38 | | |
| 6AH-42794-50 | 19 - 39 | | |
| 6BG-42811-00 | 17 - 18 | | |
| 6BG-42815-00-8D | 19 - 13 | | |
| 6BG-42816-00 | 19 - 18 | | |
| 6X4-42821-00 | 21 - 30 | | |
| 6BG-42851-00 | 1 - 6 | | |
| 67C-43107-01-8D | 26 - 14 | | |
| 67C-43107-11-8D | 26 - 14 | | |
| 6K9-43111-10-8D | 25 - 1 | | |
| | 26 - 1 | | |
| | 25 - 2 | | |
| | 26 - 2 | | |
| | 26 - 9 | | |
| | 27 - 2 | | |
| | 19 - 20 | | |
| | 34 - 8 | | |
| | 25 - 4 | | |

| PART NO. N° PIECES | REF. NO. |
|-----------------------|-------------|
| 65W-43191-00 | 26 - 4 |
| 65W-43192-00 | 25 - 3 |
| | 26 - 3 |
| 6BG-43311-00-8D | 25 - 7 |
| | 26 - 7 |
| 6BG-43311-10-8D | 25 - 7 |
| | 26 - 7 |
| 682-43318-01 | 26 - 16 |
| 67C-43631-00 | 26 - 15 |
| 689-43633-00 | 23 - 8 |
| 6BG-43654-00 | 25 - 26 |
| | 26 - 32 |
| 63D-43691-00 | 26 - 18 |
| 67C-43800-01-8D | 28 - 1 |
| 6T4-43802-03 | 28 - 31 |
| CS2-43803-81 | 28 - 50 |
| 65W-43804-01 | 28 - 3 |
| 65W-43805-01 | 28 - 5 |
| 65W-4380F-01 | 28 - 13 |
| 65W-4380K-00 | 28 - 17 |
| 67C-4380L-00 | 28 - 28 |
| 67C-43810-00 | 28 - 18 |
| 65W-43812-00 | 28 - 19 |
| 6H1-43816-00 | 28 - 26 |
| 65W-43817-00 | 28 - 41 |
| 65W-4381B-00 | 28 - 23 |
| 6H1-43829-00 | 28 - 65 |
| 65W-4382A-00 | 28 - 49 |
| 65W-43830-00 | 28 - 38 |
| 65W-43831-00 | 28 - 37 |
| 67C-43840-00 | 28 - 16 |
| 62X-43841-00 | 28 - 35 |
| 65W-43843-00 | 28 - 58 |
| 67F-43843-00 | 28 - 53 |
| 6H1-43844-10 | 28 - 56 |
| | 28 - 60 |
| 6H1-43845-00 | 28 - 45 |
| 6H1-43847-00 | 28 - 47 |
| 6H1-4384F-10 | 28 - 61 |
| 6H1-4384G-11 | 28 - 51 |
| 67C-43851-00 | 28 - 52 |
| 65W-43853-00 | 28 - 64 |
| 6T4-43853-00 | 28 - 39 |
| 65W-43854-00 | 28 - 48 |
| 6H1-43856-10 | 28 - 55 |
| | 28 - 59 |
| 6H1-43861-10 | 28 - 21 |
| | 28 - 24 |

| PART NO. N° PIECES | REF. NO. |
|-----------------------|-------------|
| 65W-43865-00 | 28 - 20 |
| 6H1-43866-00 | 28 - 32 |
| 65W-4386A-00 | 28 - 62 |
| 65W-4386K-01 | 28 - 11 |
| 65W-4386L-00 | 28 - 12 |
| 65W-43871-00 | 28 - 22 |
| 6H1-43875-00 | 28 - 44 |
| 62X-43878-00 | 28 - 66 |
| 65W-43879-01 | 28 - 14 |
| 65W-4387G-00 | 28 - 6 |
| 67C-43880-01 | 28 - 2 |
| 67C-43881-01 | 28 - 7 |
| 65W-43882-01 | 28 - 15 |
| 65W-43887-01 | 28 - 4 |
| 65W-43888-00 | 28 - 29 |
| 65W-43891-01 | 28 - 10 |
| 65W-43892-01 | 28 - 9 |
| 6X4-44100-00 | 21 - 21 |
| 6X4-44102-00 | 21 - 23 |
| 6X4-44114-00 | 22 - 15 |
| 62Y-44117-01-94 | 24 - 2 |
| 62Y-44118-00-94 | 24 - 11 |
| 6BG-44120-00 | 24 - 7 |
| 6C5-44120-01 | 24 - 7 |
| 69W-44121-00 | 24 - 1 |
| 688-44122-00 | 24 - 19 |
| 6C5-44122-00 | 24 - 8 |
| 6X4-44132-00 | 21 - 25 |
| 62Y-44135-00 | 24 - 29 |
| 6X4-44139-01 | 21 - 9 |
| 63D-44144-00 | 31 - 51 |
| 62Y-44151-00 | 31 - 50 |
| 6X4-44159-00-8D | 21 - 49 |
| 6X4-44173-00 | 21 - 50 |
| 6X4-44177-00 | 21 - 12 |
| 6X4-44188-00 | 21 - 15 |
| 6G8-44191-00 | 21 - 52 |
| 66T-44311-00 | 31 - 19 |
| 63D-44312-00 | 31 - 24 |
| | 37 - 28 |
| 63D-44316-00 | 31 - 27 |
| | 37 - 16 |
| | 37 - 31 |
| 63D-44322-00 | 31 - 20 |
| | 37 - 24 |
| 63D-44323-00 | 31 - 26 |
| | 37 - 30 |
| 6BG-44341-00 | 31 - 30 |

NUMERICAL INDEX
INDEX NUMERIQUE

| PART NO. N° PIECES | REF. NO. |
|-----------------------|-------------|
| 6H4-44352-02 | 31 - 21 |
| | 37 - 25 |
| 62Y-44361-00 | 32 - 1 |
| 67C-44361-00 | 32 - 1 |
| 663-44366-00 | 31 - 23 |
| | 37 - 27 |
| 663-44367-00 | 32 - 2 |
| 6BG-44385-00 | 27 - 8 |
| 6BG-44385-10 | 27 - 8 |
| 6BL-44391-00 | 19 - 33 |
| 67C-44514-00-94 | 27 - 14 |
| 67C-44514-10-94 | 27 - 14 |
| 66T-44526-30 | 27 - 16 |
| 6C5-44551-00-8D | 27 - 20 |
| 67C-44551-01-8D | 27 - 20 |
| 6C5-44552-00-8D | 27 - 22 |
| 67C-44555-11 | 27 - 24 |
| 67C-44555-21 | 27 - 24 |
| 69W-44575-00 | 27 - 21 |
| 6BG-45111-00-8D | 29 - 23 |
| 6BG-45111-10-8D | 29 - 23 |
| 67C-45123-00 | 29 - 20 |
| | 37 - 9 |
| 62Y-45127-00 | 29 - 21 |
| | 37 - 10 |
| 67C-45151-00 | 29 - 26 |
| 63D-45155-00 | 29 - 28 |
| 6C5-45155-00 | 29 - 28 |
| 6BG-45181-00-CA | 29 - 17 |
| 63D-45214-00 | 32 - 10 |
| 63D-45215-00 | 32 - 11 |
| 65W-45251-00 | 25 - 28 |
| | 26 - 34 |
| 663-45251-00 | 26 - 19 |
| 67C-45251-00 | 32 - 17 |
| 6BG-45300-00-8D | 31 - 1 |
| 6BG-45300-10-8D | 31 - 1 |
| 62Y-45301-00-8D | 31 - 2 |
| 679-45318-00 | 29 - 29 |
| 63D-45321-00 | 31 - 12 |
| 688-45341-10 | 31 - 11 |
| 66T-45344-01 | 31 - 33 |
| 63D-45361-02-8D | 31 - 42 |
| 67C-45371-00 | 32 - 14 |
| 63D-45375-00 | 31 - 8 |
| 663-45376-00 | 31 - 7 |
| 6E5-45378-00 | 31 - 15 |
| 67C-45501-00 | 31 - 35 |

| PART NO. N° PIECES | REF. NO. |
|-----------------------|-------------|
| 67C-45501-10 | 31 - 35 |
| 6H4-45536-00 | 31 - 4 |
| 66T-45551-00 | 31 - 36 |
| 66T-45560-01 | 31 - 38 |
| 663-45567-01 | 31 - 40 |
| 663-45567-10 | 31 - 40 |
| 663-45567-20 | 31 - 40 |
| 663-45567-30 | 31 - 40 |
| 663-45567-40 | 31 - 40 |
| 663-45567-50 | 31 - 40 |
| 663-45567-60 | 31 - 40 |
| 66T-45571-00 | 31 - 41 |
| 63D-45577-00 | 31 - 45 |
| 63D-45577-10 | 31 - 45 |
| 63D-45577-20 | 31 - 45 |
| 63D-45577-30 | 31 - 45 |
| 63D-45577-40 | 31 - 45 |
| 63D-45577-50 | 31 - 45 |
| 63D-45577-60 | 31 - 45 |
| 663-45587-01 | 31 - 5 |
| 663-45587-10 | 31 - 5 |
| 663-45587-20 | 31 - 5 |
| 663-45587-30 | 31 - 5 |
| 663-45587-40 | 31 - 5 |
| 663-45587-50 | 31 - 5 |
| 663-45587-60 | 31 - 5 |
| 63D-45611-00 | 31 - 54 |
| 63D-45631-01 | 31 - 56 |
| 67C-45633-00 | 31 - 61 |
| 663-45634-00 | 31 - 57 |
| 63D-45635-00 | 31 - 59 |
| 663-45930-00-98 | 32 - 25 |
| 663-45941-01-EL | 32 - 25 |
| 69W-45943-00-EL | 32 - 25 |
| 6H5-45943-00-EL | 32 - 25 |
| 69W-45945-00-EL | 32 - 25 |
| 6H5-45945-00-EL | 32 - 25 |
| 69W-45947-00-EL | 32 - 25 |
| 663-45949-01-EL | 32 - 25 |
| 69W-45952-00-EL | 32 - 25 |
| 6H5-45952-00-EL | 32 - 25 |
| 663-45952-02-EL | 32 - 25 |
| 663-45956-01-EL | 32 - 25 |
| 6H5-45958-00-EL | 32 - 25 |
| 663-45958-01-EL | 32 - 25 |
| 697-45970-00-98 | 32 - 25 |
| 663-45970-60-98 | 32 - 25 |
| 663-45972-60-98 | 32 - 25 |

| PART NO. N° PIECES | REF. NO. |
|-----------------------|-------------|
| 663-45974-02-98 | 32 - 25 |
| 663-45974-60-98 | 32 - 25 |
| 663-45976-00-98 | 32 - 25 |
| 663-45978-00-98 | 32 - 25 |
| 663-45987-02 | 32 - 20 |
| 66T-45997-00 | 32 - 21 |
| 64J-46132-10 | 29 - 15 |
| | 37 - 7 |
| 6C5-46241-00 | 10 - 6 |
| 6X4-47731-00 | 21 - 24 |
| 6A5-48129-10 | 21 - 29 |
| 6X4-48154-00 | 21 - 18 |
| 6X4-48215-00 | 21 - 4 |
| 6X4-48261-00 | 21 - 27 |
| 6Y8-48277-00 | 35 - 16 |
| | 35 - 20 |
| 67C-48321-11 | 21 - 35 |
| 69W-48344-00 | 24 - 22 |
| | 24 - 36 |
| 65W-48511-10 | 27 - 39 |
| 63D-48538-00 | 21 - 40 |
| | 21 - 46 |
| 6BG-48538-00 | 19 - 36 |
| 6X4-48538-00 | 21 - 36 |
| 6X4-48538-10 | 21 - 43 |
| 6BG-61350-00 | 34 - 1 |
| 64J-77123-00 | 29 - 22 |
| 68V-81315-00 | 16 - 12 |
| 6BG-81337-00 | 12 - 12 |
| 6BG-81410-00 | 12 - 2 |
| 6BG-81450-00 | 12 - 1 |
| 6BG-81528-00 | 13 - 15 |
| 6BG-81800-00 | 18 - 1 |
| 6BG-81807-00 | 18 - 3 |
| 6BG-81810-00 | 18 - 11 |
| 6BG-81815-00 | 14 - 6 |
| 6BG-81820-00 | 18 - 13 |
| 6BG-81826-00 | 14 - 8 |
| 6BG-81822-00-94 | 18 - 15 |
| 6BG-81826-00 | 18 - 14 |
| 6BG-81830-00 | 18 - 2 |
| 6BG-81832-00 | 18 - 7 |
| 6BG-81836-00 | 18 - 4 |
| 6BG-81839-00 | 18 - 10 |
| 6AW-8183T-00 | 18 - 6 |
| 6P2-8183X-00 | 15 - 10 |
| | 15 - 14 |
| 6BG-81840-00 | 18 - 12 |

| PART NO. N° PIECES | REF. NO. |
|-----------------------|-------------|
| 6BG-81846-00 | 18 - 16 |
| 6BG-81850-00 | 18 - 9 |
| 6BG-81857-00 | 18 - 8 |
| 6X4-81860-00 | 22 - 20 |
| 6BG-81891-00 | 18 - 5 |
| 6BG-81919-00 | 12 - 21 |
| 6Y8-81920-11 | 35 - 18 |
| 6BG-81925-00 | 15 - 1 |
| 6BG-81941-00 | 18 - 17 |
| 6BG-81942-00 | 16 - 18 |
| 6BG-81948-00 | 15 - 18 |
| 6AW-8194A-00 | 15 - 8 |
| 60E-81950-00 | 15 - 6 |
| 63P-81950-00 | 15 - 13 |
| 68F-81953-00 | 15 - 11 |
| 6BG-81960-00 | 13 - 12 |
| 6AH-81994-40 | 12 - 19 |
| 6AH-81994-50 | 12 - 20 |
| 6AH-81995-40 | 12 - 17 |
| 6AH-81995-50 | 12 - 18 |
| 6AG-81996-00 | 12 - 23 |
| 6BG-82105-00 | 15 - 28 |
| 6BG-82115-00 | 14 - 7 |
| 6G5-82119-00 | 15 - 25 |
| 703-82119-00 | 22 - 22 |
| 682-82119-01 | 15 - 5 |
| 67C-82127-00 | 27 - 32 |
| 6U0-82127-00 | 25 - 30 |
| 67C-82127-10 | 27 - 32 |
| 67C-82127-20 | 26 - 36 |
| 6H1-82148-00 | 25 - 20 |
| 67F-82151-00 | 17 - 2 |
| 67F-82151-10 | 17 - 3 |
| 67F-8215B-10 | 17 - 4 |
| 67F-8215B-20 | 17 - 5 |
| 65W-82181-00 | 28 - 8 |
| 6A0-82317-00 | 15 - 21 |
| 6AH-82370-00 | 13 - 11 |
| 6C5-82377-00 | 12 - 22 |
| 6BG-82388-00 | 16 - 7 |
| 6BG-82389-00 | 13 - 9 |
| 6BG-82398-00 | 13 - 8 |
| 64J-82504-00 | 16 - 11 |
| 6Y8-82509-10 | 35 - 8 |
| 6Y8-82509-20 | 35 - 8 |
| 6X4-82510-10 | 22 - 1 |
| 6Y8-82521-01 | 35 - 15 |
| 6Y8-82521-11 | 35 - 15 |

| PART NO. N° PIECES | REF. NO. |
|-----------------------|-------------|
| 6Y8-82521-60 | 35 - 17 |
| 6X4-82540-00 | 21 - 28 |
| 6BG-82553-00 | 8 - 26 |
| 6Y8-82553-01 | 35 - 19 |
| 6C5-82554-01 | 17 - 10 |
| 682-82556-00 | 22 - 5 |
| 69J-82563-00 | 17 - 14 |
| 69W-82575-00 | 22 - 4 |
| 676-82577-00 | 22 - 2 |
| 6BG-8257V-00 | 16 - 13 |
| 689-8257Y-00 | 22 - 6 |
| 6P2-82582-00 | 17 - 6 |
| 6P2-82582-10 | 17 - 7 |
| 6X4-82586-10 | 22 - 9 |
| 69J-82587-00 | 17 - 17 |
| 61A-82588-01 | 17 - 11 |
| 6BG-82590-02 | 17 - 1 |
| 6BG-82590-12 | 17 - 1 |
| 60V-8259F-00 | 17 - 9 |
| 6X4-83383-00 | 22 - 10 |
| | 35 - 5 |
| 6X4-83386-00 | 22 - 11 |
| | 35 - 6 |
| 6E5-83558-00 | 27 - 7 |
| 6E5-83558-10 | 31 - 17 |
| 6H4-83589-00 | 22 - 18 |
| 6BG-83614-00 | 17 - 15 |
| 6X4-83653-20 | 22 - 13 |
| 67H-83672-01 | 27 - 5 |
| 6C5-84301-00 | 22 - 14 |
| 6Y8-8454G-00 | 35 - 11 |
| 6X4-85415-00 | 22 - 19 |
| 68V-85548-00 | 15 - 26 |
| 6BG-85561-00-94 | 12 - 7 |
| 6BG-85570-00 | 13 - 4 |
| 6AH-85580-00 | 12 - 9 |
| 6CJ-85790-00 | 16 - 5 |
| 6BT-8591A-01 | 13 - 1 |
| 6BG-8591A-02 | 13 - 1 |
| 6BG-86112-00 | 7 - 4 |
| 6C5-86120-00 | 7 - 2 |
| 6Y8-86260-02 | 35 - 2 |
| 6AA-86261-00 | 35 - 3 |
| 6Y8-86267-00 | 35 - 1 |
| 6BG-W0001-00 | 36 - 1 |
| 6BG-W0001-20 | 37 - 1 |
| 6BG-W0070-00 | 1 - 12 |
| 6BG-W0078-00 | 37 - 23 |

| PART NO. N° PIECES | REF. NO. |
|-----------------------|-------------|
| 6BG-W009A-00-9S | 4 - 1 |
| 6BG-W009B-00-9S | 2 - 1 |
| 90101-06020 | 25 - 29 |
| | 26 - 35 |
| 90101-06054 | 24 - 12 |
| 90101-08M15 | 27 - 15 |
| 90101-09M01 | 34 - 6 |
| 90101-12014 | 21 - 59 |
| 90101-12M65 | 25 - 38 |
| | 26 - 40 |
| 90105-08060 | 5 - 18 |
| 90105-08M61 | 31 - 43 |
| 90105-09005 | 4 - 12 |
| 90109-06047 | 1 - 8 |
| 90109-06M65 | 4 - 8 |
| 90109-06M80 | 19 - 30 |
| 90109-06M86 | 17 - 16 |
| | 17 - 20 |
| | 17 - 22 |
| | 17 - 26 |
| | 19 - 12 |
| | 19 - 21 |
| | 19 - 35 |
| | 19 - 37 |
| | 20 - 16 |
| | 20 - 18 |
| 90109-06M88 | 23 - 3 |
| 90109-06MA1 | 16 - 17 |
| 90109-12MA3 | 27 - 25 |
| 90116-10M28 | 27 - 12 |
| 90119-06025 | 10 - 13 |
| 90119-06037 | 7 - 14 |
| 90119-06106 | 24 - 31 |
| 90119-06126 | 6 - 10 |
| 90119-06M59 | 15 - 20 |
| 90119-06M61 | 7 - 1 |
| | 19 - 3 |
| 90119-06MA3 | 4 - 13 |
| 90119-06MA5 | 2 - 17 |
| 90119-08069 | 6 - 9 |
| 90119-08102 | 29 - 24 |
| 90119-08131 | 27 - 23 |
| 90119-08132 | 29 - 25 |
| 90119-08154 | 2 - 4 |
| 90119-08M15 | 31 - 29 |
| | 37 - 32 |
| 90119-08M84 | 32 - 9 |
| 90142-05M06 | 32 - 12 |

| NUMERICAL INDEX INDEX NUMERIQUE | |
|------------------------------------|---------|
| 90152-05007 | 21 - 10 |
| 90157-05M16 | 33 - 5 |
| 90159-05M12 | 14 - 3 |
| 90167-06M00 | 35 - 12 |
| 90170-09M03 | 34 - 4 |
| 90170-12138 | 31 - 37 |
| 90170-20137 | 12 - 4 |
| 90171-16011 | 32 - 23 |
| 90179-35001 | 10 - 9 |
| 90185-06M05 | 1 - 9 |
| 90185-08045 | 27 - 17 |
| 90185-09M01 | 34 - 3 |
| 90185-10051 | 27 - 13 |
| 90185-10M14 | 23 - 13 |
| 90185-12M12 | 21 - 66 |
| 90185-22M11 | 25 - 12 |
| | 26 - 12 |
| 90201-06M30 | 35 - 13 |
| 90201-08M00 | 25 - 17 |
| | 26 - 23 |
| | 27 - 40 |
| 90201-10120 | 10 - 5 |
| 90201-10144 | 24 - 16 |
| 90201-10M20 | 24 - 16 |
| | 34 - 2 |
| | 34 - 7 |
| 90201-10M63 | 21 - 63 |
| 90201-12035 | 25 - 40 |
| 90201-12426 | 26 - 42 |
| | 19 - 17 |
| 90201-12M07 | 27 - 27 |
| 90201-12M16 | 27 - 27 |
| 90201-13M19 | 27 - 29 |
| 90201-16014 | 5 - 17 |
| 90201-21M18 | 12 - 5 |
| 90201-22429 | 31 - 55 |
| 90201-22M05 | 27 - 30 |
| 90201-27M00 | 31 - 34 |
| 90201-30M00 | 27 - 34 |
| 90202-07M07 | 24 - 20 |
| 90202-10M56 | 23 - 9 |
| 90202-12060 | 32 - 3 |
| 90202-21100 | 27 - 28 |
| 90206-10M04 | 24 - 34 |
| 90206-12052 | 19 - 16 |
| 90206-12M22 | 21 - 61 |
| 90209-10M26 | 23 - 11 |
| 90249-12M38 | 25 - 21 |
| | 26 - 27 |
| 90249-18M35 | 25 - 15 |

| PART NO. N° PIECES | REF. NO. |
|-----------------------|-------------|
| 90249-18M35 | 26 - 21 |
| 90250-06023 | 31 - 60 |
| 90280-03M01 | 10 - 10 |
| 90280-03M03 | 31 - 25 |
| | 37 - 29 |
| 90340-08002 | 31 - 9 |
| 90340-14M06 | 2 - 24 |
| | 29 - 32 |
| | 30 - 6 |
| 90340-18M09 | 2 - 22 |
| 90344-51003 | 2 - 7 |
| 90381-12M10 | 25 - 22 |
| | 26 - 28 |
| 90381-12M11 | 25 - 23 |
| | 26 - 29 |
| 90386-08032 | 21 - 16 |
| 90386-12003 | 21 - 64 |
| 90386-12M37 | 19 - 14 |
| 90386-12MA2 | 19 - 15 |
| 90386-14MA1 | 25 - 6 |
| | 26 - 6 |
| 90386-18M44 | 25 - 18 |
| | 26 - 24 |
| 90386-18MA0 | 25 - 19 |
| 90386-18MA5 | 26 - 25 |
| 90386-22MA4 | 25 - 13 |
| | 26 - 13 |
| 90386-26MA3 | 21 - 53 |
| 90386-30M60 | 27 - 38 |
| 90386-30M77 | 27 - 36 |
| 90386-30M78 | 27 - 35 |
| 90386-90M90 | 24 - 15 |
| 90387-04001 | 17 - 12 |
| 90387-05M05 | 23 - 12 |
| 90387-05M11 | 23 - 14 |
| 90387-06060 | 19 - 5 |
| 90387-06119 | 15 - 19 |
| 90387-06225 | 24 - 35 |
| 90387-06M43 | 19 - 32 |
| 90387-06M45 | 24 - 30 |
| 90387-06M69 | 8 - 24 |
| 90387-10M42 | 34 - 5 |
| 90387-12M02 | 21 - 62 |
| 90387-18M03 | 26 - 26 |
| 90387-23002 | 29 - 30 |
| 90389-22M01 | 32 - 22 |
| 90430-06014 | 4 - 9 |
| | 36 - 4 |

| PART NO. N° PIECES | REF. NO. |
|-----------------------|-------------|
| 90430-08020 | 31 - 10 |
| | 37 - 12 |
| 90430-12072 | 32 - 4 |
| 90430-14115 | 2 - 25 |
| | 16 - 6 |
| | 36 - 14 |
| 90430-14M09 | 29 - 33 |
| | 30 - 7 |
| | 37 - 3 |
| | 37 - 11 |
| 90430-18130 | 2 - 23 |
| | 36 - 13 |
| 90445-07ME8 | 31 - 16 |
| 90445-09035 | 20 - 7 |
| 90445-09220 | 20 - 10 |
| 90445-09224 | 20 - 11 |
| 90445-13M02 | 11 - 7 |
| 90445-14020 | 11 - 4 |
| 90447-19014 | 27 - 9 |
| 90462-08067 | 20 - 15 |
| 90462-20005 | 19 - 34 |
| 90464-06001 | 13 - 10 |
| | 16 - 10 |
| 90464-08M07 | 22 - 3 |
| 90464-09M21 | 20 - 19 |
| 90464-09M42 | 21 - 38 |
| 90464-11008 | 17 - 8 |
| 90464-11M24 | 7 - 10 |
| 90464-12006 | 9 - 24 |
| 90464-12010 | 9 - 25 |
| 90464-12012 | 11 - 35 |
| 90464-12224 | 9 - 26 |
| 90464-13249 | 13 - 18 |
| | 16 - 3 |
| | 16 - 4 |
| 90464-15007 | 7 - 9 |
| | 9 - 27 |
| 90464-15008 | 7 - 15 |
| 90464-15011 | 7 - 16 |
| 90464-18246 | 13 - 19 |
| | 16 - 16 |
| | 17 - 19 |
| 90464-20181 | 17 - 23 |
| | 17 - 25 |
| 90465-08M63 | 25 - 36 |
| 90465-10M77 | 25 - 33 |
| 90465-11M10 | 7 - 11 |
| | 9 - 22 |

| PART NO. N° PIECES | REF. NO. |
|-----------------------|-------------|
| 90465-11M10 | 11 - 8 |
| | 20 - 3 |
| | 20 - 9 |
| | 27 - 1 |
| | 27 - 4 |
| | 31 - 18 |
| | 35 - 10 |
| 90465-13M11 | 25 - 14 |
| | 26 - 39 |
| 90465-13M18 | 27 - 10 |
| 90465-13M24 | 15 - 22 |
| | 16 - 19 |
| 90465-13M36 | 22 - 23 |
| 90465-13M39 | 15 - 23 |
| 90465-13M97 | 17 - 27 |
| | 22 - 21 |
| 90465-14M66 | 15 - 24 |
| 90467-09M17 | 11 - 9 |
| 90467-10M04 | 11 - 34 |
| 90467-11M08 | 11 - 20 |
| 90468-10005 | 21 - 41 |
| | 21 - 47 |
| 90468-18008 | 24 - 18 |
| | 24 - 21 |
| | 24 - 37 |
| | 7 - 7 |
| 90480-06M19 | 8 - 25 |
| 90480-09M12 | 12 - 13 |
| 90480-12314 | 16 - 20 |
| | 16 - 22 |
| 90480-12M25 | 30 - 2 |
| 90480-13M24 | 19 - 31 |
| 90480-25003 | 13 - 5 |
| 90501-12082 | 24 - 13 |
| 90501-18001 | 31 - 58 |
| 90501-23215 | 21 - 14 |
| 90506-18M40 | 19 - 22 |
| 91318-04025 | 28 - 40 |
| 91490-16010 | 24 - 28 |
| 91490-20010 | 21 - 11 |
| | 21 - 20 |
| 91490-20015 | 24 - 17 |
| 91490-30025 | 32 - 24 |
| 91690-30018 | 25 - 5 |
| | 26 - 5 |
| 92903-06600 | 2 - 6 |
| | 29 - 9 |
| | 30 - 11 |

