

**PARTS  
CATALOGUE  
CATALOGUE  
DE PIÈCES DÉTACHÉES**

**F200CET'11 (6AL6)**

**F225BET'11 (6AS5)**

**FL200CET'11 (6AM6)**

**FL225BET'11 (6AT5)**

1K6AL-300F1

( )



2013/8/1

NEWS NO.	DATE	COMMENT
PE0-OM-110014	Apr.,28,2011	MOD:FIG.2,3 LIST/ILLUSTRATION REVISION
PE0-OM-110020	May,16,2011	MOD:FIG.24 LIST/ILLUSTRATION REVISION
PE0-OM-130019	May,13,2013	MOD:FIG.2,3 LIST/ILLUSTRATION REVISION
PE0-OM-130033	Jul.,16,2013	COR:FIG.17 ELECTRICAL 1 ILLUSTRATION CORRECTION

F200CET/F225BET  
FL200CET/FL225BET  
PARTS CATALOGUE  
©2010 by Yamaha Motor Co., Ltd.  
1st edition, June 2010  
All rights reserved.  
Any reprinting or unauthorized use  
without the written permission of  
Yamaha Motor Co., Ltd.  
is expressly prohibited.  
Printed in Japan.

F200CET/F225BET  
FL200CET/FL225BET  
CATALOGUE DE PIECES DETACHEES  
©2010 par Yamaha Motor Co., Ltd.  
1<sup>re</sup> édition, juin 2010  
Tous droits réservés  
Toute réimpression ou utilisation  
non autorisée sans la permission écrite  
de la Yamaha Motor Co., Ltd.  
est formellement interdite.  
Imprimé au Japon

# FOREWORD

This Parts Catalogue is related to the parts for the model(s) on the cover page. When you are ordering replacement parts, please refer to this Parts Catalogue and quote both part numbers and part names correctly.

1. Modifications or additions which have been made after the issue of the Parts Catalogue will be announced in the Parts News. It is advisable that you make the necessary corrections to the Parts Catalogue according to the Parts News.

## 2. Abbreviations

The following abbreviations are used in this Parts Catalogue.

“UR” Use specified parts number.

“UN” Use as many as needed.

“AP” Alternate Parts

“LM” Locally Made (Parts need to be ordered locally)

“F#” Frame No. (Applicable machine No.)

“O/S” Over Size

## 3. The number of components for assembly

- Parts, which are to be supplied in an assembly, are listed with a dot (.) in front of the part name as shown below.
- The numeral appearing to the right of each component part indicates the quantity of parts for each assembly unit.

PART NO.	DESCRIPTION	Q'TY	REMARKS
2F5-83310-60	FRONT FLASHER LIGHT ASSY	2	
115-83311-60	.BULB (6V-18W)	1	

## 4. Applicable colours of graphics are represented in the “REMARKS” as shown below.

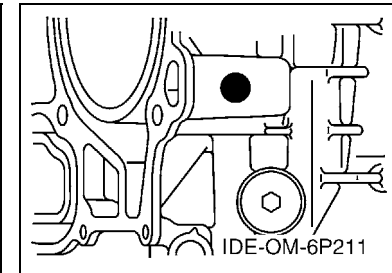
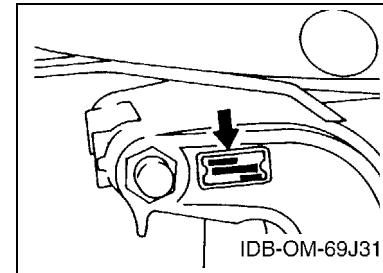
PART NO.	DESCRIPTION	Q'TY	REMARKS
2N4-24110-00-X5	FUEL TANK COMP.	2	MXR
3J1-24240-10	.GRAPHIC, FUEL TANK	1	FOR MXR

## 5. Note that the illustrations for reference in finding parts numbers are not to be used for assembling. When assembling, please use the applicable service manual.

## 6. The asterisk (\*) before a reference number indicates modified items after the first edition.

## 7. Applicable Serial No.

Engine Serial No.



## 8. Applicable Engine Starting Serial No.

Model	Serial No.	Model	Serial No.
F200C	6AL-1001345	FL200C	6AM-1000165
F225B	6AS-1001050	FL225B	6AT-1000162

## 9. Applicable Colour Code

Abbreviation	Colour Name	Colour Code
DBN1	DARK BLUISH GRAY 1	008D

## 10. Quantity Column Information

Column No.	Name Of Q'ty Column	Applicable Model
1	6AL6	F200CET
2	6AS5	F225BET
3	6AM6	FL200CET
4	6AT5	FL225BET

## AVANT-PROPOS

Ce catalogue de pièces détachées concerne les pièces pour le(s) modèle(s) indiqué(s) sur la page de couverture. Lorsque vous commandez des pièces de rechange, veuillez vous référer à ce catalogue de pièces détachées et indiquer clairement les numéros et les noms des pièces détachées.

1. Les modifications ou ajouts ayant été effectués après la parution du catalogue de pièces détachées seront décrits dans les Bulletins d'information concernant les pièces détachées.

Il est recommandé que vous apportiez les corrections nécessaires au catalogue des pièces détachées en vous référant aux Bulletins d'information.

2. Abréviations

Dans ce catalogue, les abréviations suivantes sont utilisées:

“UR” Utiliser le numéro de pièces spécifié.

“UN” Utiliser autant que nécessaire.

“AP” Pièces de substitution

“LM” Fabrication locale (les pièces doivent être commandées localement.)

“F#” N° de cadre (applicable au N° de série)

“O/S” Surdimensionné

3. Nombre de pièces d'un assemblage

- Les pièces fournies comme composants d'un assemblage sont précédées d'un point (.) de la manière indiquée ci-dessous.
- Le chiffre apparaissant à la droite de chaque composant indique la quantité de pièces pour chaque unité d'assemblage.

N° PIECES	DESCRIPTION	QTE	REMARQUES
2F5-83310-60	ENS. CLIGNOTANT AVANT	2	
115-83311-60	.AMPOULE (6V-18W)	1	

4. Les couleurs concernant les graphiques sont indiquées dans la colonne “REMARQUES”, comme indiqué ci-dessous.

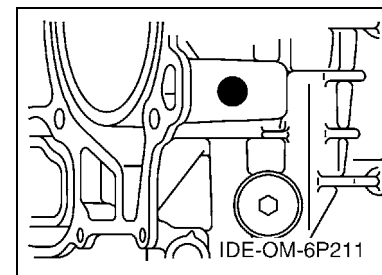
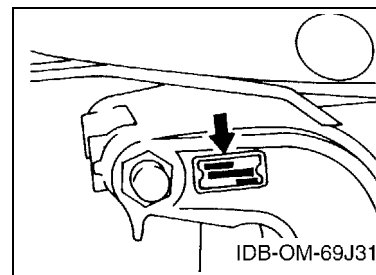
N° PIECES	DESCRIPTION	QTE	REMARQUES
2N4-24110-00-X5	RESERVOIR A ESSENCE.	2	MXR
3J1-24240-10	.GRAPHIQUE	1	POUR MXR

5. Veuillez noter que les illustrations sont indiquées à titre de référence pour trouver les numéros de pièces, non pour être utilisées lors de l'assemblage. Lors de l'assemblage, veuillez utiliser le manuel d'entretien adéquat.

6. L'astérisque (\*) placé devant un numéro de référence indique des éléments qui ont été modifiés après la première édition.

7. N° de série applicable

N° de Série du moteur



8. N° de série initial du moteur applicable

Modèle	N° de série	Modèle	N° de série
F200C	6AL-1001345	FL200C	6AM-1000165
F225B	6AS-1001050	FL225B	6AT-1000162

9. Code couleur applicable

Abréviation	Nom de la couleur	Code couleur
DBN1	DARK BLUISH GRAY 1	008D

10. Informations relatives à la colonne Quantité

N° de la colonne	Nom de la colonne Qté	Modèle applicable
1	6AL6	F200CET
2	6AS5	F225BET
3	6AM6	FL200CET
4	6AT5	FL225BET

# CONTENTS

TOP COWLING .....	1
CYLINDER & CRANKCASE 1 .....	3
CRANKSHAFT & PISTON .....	6
CYLINDER & CRANKCASE 2 .....	7
CYLINDER & CRANKCASE 3 .....	9
VALVE .....	11
INTAKE 1 .....	14
INTAKE 2 .....	16
THROTTLE BODY ASSY 1 .....	17
THROTTLE BODY ASSY 2 .....	18
THROTTLE BODY ASSY 3 .....	19
FUEL INJECTION PUMP 1 .....	20
FUEL INJECTION PUMP 2 .....	22
FUEL 1 .....	24
FUEL 2 .....	26
GENERATOR .....	27
ELECTRICAL 1 .....	28
ELECTRICAL 2 .....	30
ELECTRICAL 3 .....	33
STARTING MOTOR .....	34
BOTTOM COWLING 1 .....	36
BOTTOM COWLING 2 .....	39
CONTROL .....	40
BRACKET 1 .....	42
BRACKET 2 .....	44
POWER TRIM & TILT ASSY 1 .....	46
POWER TRIM & TILT ASSY 2 .....	49
UPPER CASING .....	50
OIL PAN .....	53
LOWER CASING & DRIVE 1 .....	54
LOWER CASING & DRIVE 2 .....	58
LOWER CASING & DRIVE 3 .....	60
LOWER CASING & DRIVE 4 .....	64
STEERING GUIDE .....	66
REPAIR KIT 1 .....	67
REPAIR KIT 2 .....	68

## INDEX

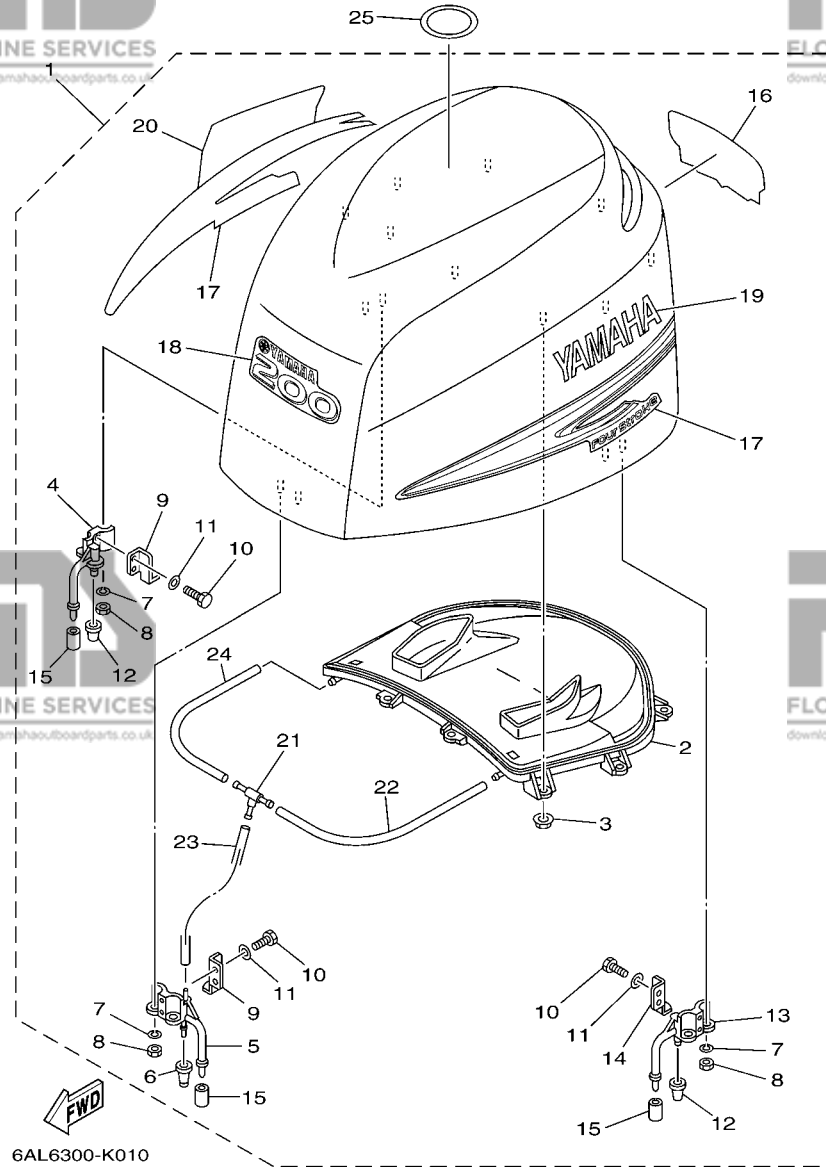
NUMERICAL INDEX .....	70
-----------------------	----

# TABLE DES MATIERES

CAPOT SUPERIEUR .....	1
CYLINDRE & CARTER 1 .....	3
VILEBREQUIN & PISTON .....	6
CYLINDRE & CARTER 2 .....	7
CYLINDRE & CARTER 3 .....	9
SOUPAPE .....	11
ADMISSION 1 .....	14
ADMISSION 2 .....	16
CARTER D'ACCELERATEUR 1 .....	17
CARTER D'ACCELERATEUR 2 .....	18
CARTER D'ACCELERATEUR 3 .....	19
POMPE A INJECTEUR 1 .....	20
POMPE A INJECTEUR 2 .....	22
CARBURANT 1 .....	24
CARBURANT 2 .....	26
GENERATRICE .....	27
PARTIE ELECTRIQUE 1 .....	28
PARTIE ELECTRIQUE 2 .....	30
PARTIE ELECTRIQUE 3 .....	33
DEMARREUR ELECTRIQUE .....	34
CAPOT INFERIEUR 1 .....	36
CAPOT INFERIEUR 2 .....	39
COMMANDE .....	40
SUPPORT 1 .....	42
SUPPORT 2 .....	44
PUISSANCE PARER ET INCLINER 1 .....	46
PUISSANCE PARER ET INCLINER 2 .....	49
FOURREAU .....	50
VENTILATEUR D'HUILE .....	53
BOITIER D'HELICE TRANSMISSION1 .....	54
BOITIER D'HELICE TRANSMISSION2 .....	58
BOITIER D'HELICE TRANSMISSION3 .....	60
BOITIER D'HELICE TRANSMISSION4 .....	64
FIXATION DE DIRECTION .....	66
KITS DE REPARATION 1 .....	67
KITS DE REPARATION 2 .....	68

## INDEX

INDEX NUMERIQUE .....	70
-----------------------	----



**FIG. 1 TOP COWLING**

**CAPOT SUPERIEUR**

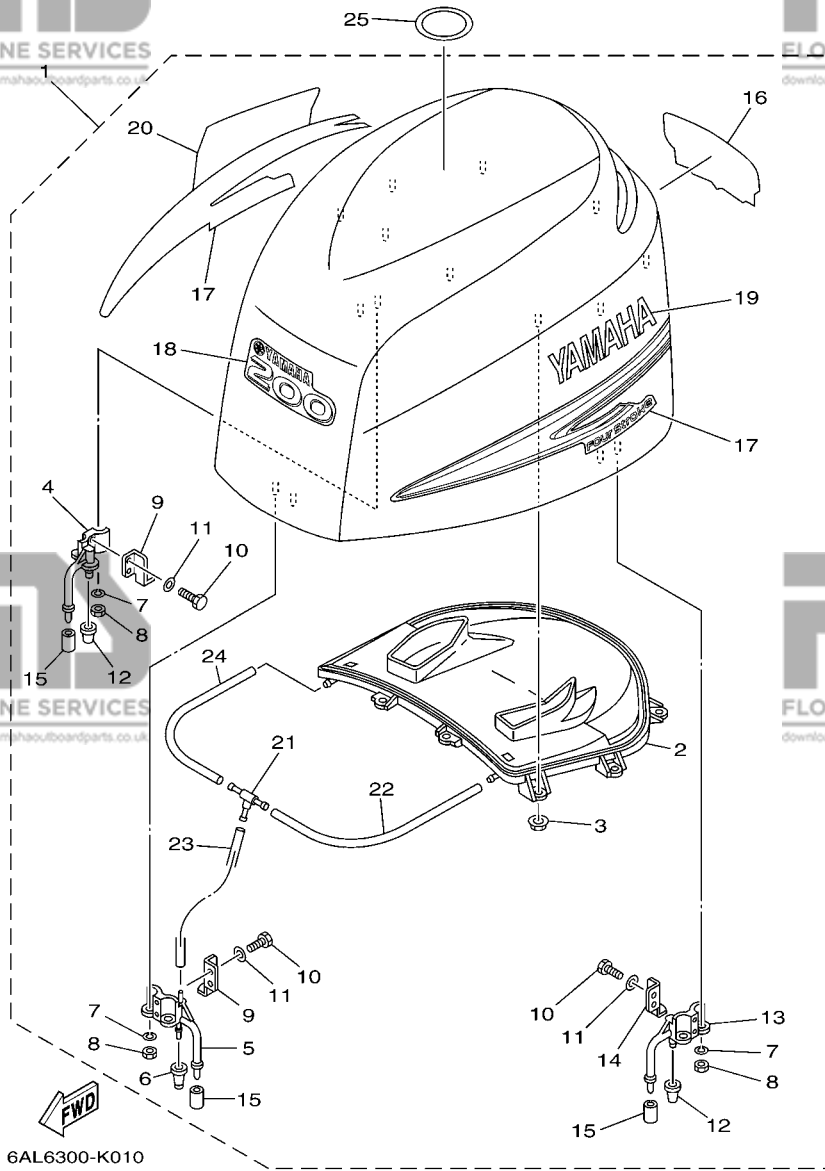
REF. NO.	PART NO. N° PIECES	DESCRIPTION DESCRIPTION	6AL6	6AS5	6AM6	6AT5	REMARKS REMARQUES
1	6AL-42610-00	TOP COWLING ASSY CAPOT (ENS.)	1		1		
	6AS-42610-00	TOP COWLING ASSY CAPOT (ENS.)		1		1	
2	6P2-42613-00	.MOLDING, AIR DUCT .MANCHON A AIR	1	1	1	1	
3	90179-06M28	.NUT .ECROU	9	9	9	9	
4	68F-42647-01	.HOLDER, CLAMP BAND .SUPPORT, SANDOW DE SERRAGE	1	1	1	1	
5	69J-42647-01	.HOLDER, CLAMP BAND .SUPPORT, SANDOW DE SERRAGE	1	1	1	1	
6	69J-42663-00	.DAMPER .AMORTISSEUR	1	1	1	1	
7	92990-06100	.WASHER, SPRING .RONDELLE, GROWER	6	6	6	6	
8	95380-06600	.NUT, HEXAGON .ECROU	6	6	6	6	
9	60V-42651-01	.HOOK .CROCHET	2	2	2	2	
10	97095-06016	.BOLT .BOULON	6	6	6	6	
11	92995-06600	.WASHER .RONDELLE	6	6	6	6	
12	68F-42663-00	.DAMPER .AMORTISSEUR	2	2	2	2	
13	68F-42648-01	.HOLDER, CLAMP BAND .SUPPORT, SANDOW DE SERRAGE	1	1	1	1	
14	60V-42652-00	.HOOK .CROCHET	1	1	1	1	
15	67F-13448-00	.CAP .CAPUCHON	3	3	3	3	
16	60L-42678-00	.GRAPHIC, REAR .ADHESIF, ARRIERE	1		1		
	69J-42678-00	.GRAPHIC, REAR .ADHESIF, ARRIERE		1		1	
17	69J-W0070-00	.GRAPHIC SET .JEU DIEMBLEMES	1	1	1	1	
18	60L-42677-00	.GRAPHIC, FRONT .ADHESIF, AVANT	1		1		
	69J-42677-00	.GRAPHIC, FRONT .ADHESIF, AVANT		1		1	
19	69J-42681-00	.MARK, COWLING .ADHESIF, CAPOT	1	1	1	1	
20	69J-42682-00	.MARK, COWLING .ADHESIF, CAPOT	1	1	1	1	
21	69J-24378-00	.PIPE, JOINT 3 .DURITE RACCORDEMENT 3	1	1	1	1	
22	90445-11M27	.HOSE (L240) .DURITE (L240)	1	1	1	1	
23	90445-11699	.HOSE (L500) .DURITE (L500)	1	1	1	1	
24	90445-11182	.HOSE (L300) .DURITE (L300)	1	1	1	1	

FIG. 1 TOP COWLING

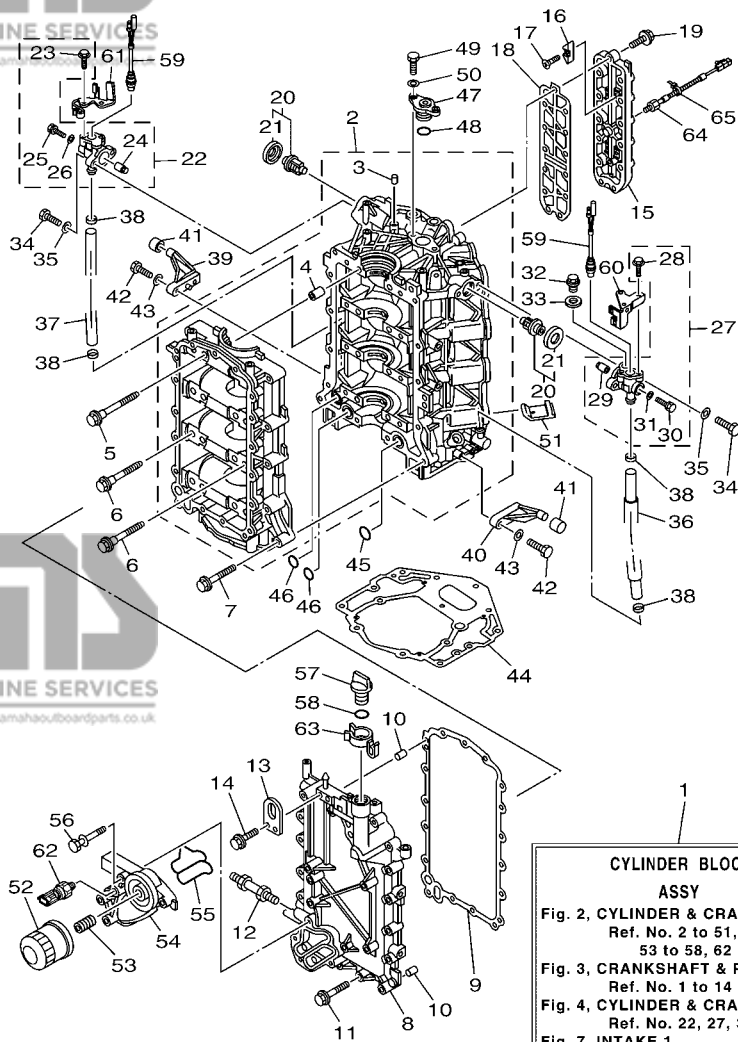
CAPOT SUPERIEUR

REF. NO.	PART NO. N° PIECES	DESCRIPTION DESCRIPTION	6AL6	6AS5	6AM6	6AT5	REMARKS REMARQUES
----------	--------------------	-------------------------	------	------	------	------	-------------------

25	67F-13434-20	LABEL, CAUTION ETIQUETTE, ATTENTION	1	1	1	1	
----	--------------	-------------------------------------	---	---	---	---	--







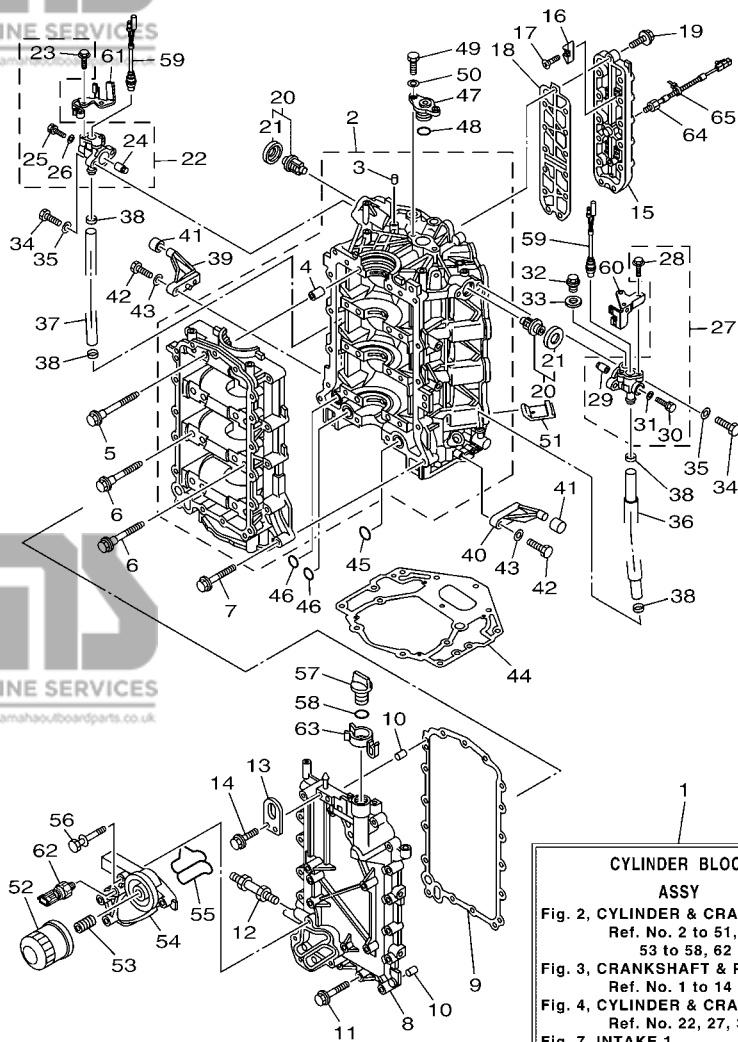
**CYLINDER BLOCK ASSY**  
 Fig. 2, CYLINDER & CRANKCASE 1  
 Ref. No. 2 to 51, 53 to 58, 62  
 Fig. 3, CRANKSHAFT & PISTON  
 Ref. No. 1 to 14  
 Fig. 4, CYLINDER & CRANKCASE 2  
 Ref. No. 22, 27, 38, 44  
 Fig. 7, INTAKE 1  
 Ref. No. 25  
 Fig. 29, OIL PAN  
 Ref. No. 12 to 19



6P27110-K020

FIG. 2 CYLINDER & CRANKCASE 1 CYLINDRE & CARTER 1

REF. NO.	PART NO. N° PIECES	DESCRIPTION DESCRIPTION	GAL6	6A55	6AM6	6AT5	REMARKS REMARQUES
1	6P2-W009B-05-9S	CYLINDER BLOCK ASSY CYLINDRE GROUPE (ENS.)	1	1	1	1	Go to P/N:PE0-OM-130019
2	6P2-15100-03-9S	CRANKCASE ASSY CARTER DE MOTEUR COMPLET	1	1	1	1	Go to P/N:PE0-OM-110014
3	93606-12019	.PIN, DOWEL .GOUPILLE	1	1	1	1	
4	91814-18001	.PIN, DOWEL .GOUJON, D'ASSEMBLAGE	8	8	8	8	
5	69J-15187-00	BOLT BOULON	8	8	8	8	
6	69J-15481-00	BOLT 1 BOULON 1	8	8	8	8	
7	90119-08M66	BOLT, WITH WASHER BOULON, AVEC RONDELLE	13	13	13	13	
8	6P2-15411-01-9S	COVER, CRANKCASE 1 COUVERCLE 1, CARTER MOTEUR	1	1	1	1	
9	69J-15451-00	GASKET, CRANKCASE COVER 1 JOINT, COUVERCLE DE CARTER 1	1	1	1	1	
10	93606-12019	PIN, DOWEL GOUPILLE	2	2	2	2	
11	90119-08009	BOLT, WITH WASHER BOULON, AVEC RONDELLE	17	17	17	17	
12	90116-10027	BOLT, STUD GOUJON	1	1	1	1	
13	69J-11119-00	HANGER, ENGINE ANNEAU, LEVAGE	1	1	1	1	
14	90105-06M09	BOLT, FLANGE BOULON	2	2	2	2	
15	6P2-1131C-00-9S	COVER, JOINT COUVERCLE, RACCORDEMENT	1	1	1	1	
16	6E5-11325-00	ANODE ANODE	4	4	4	4	
17	98780-04015	SCREW, FLAT HEAD VIS A TETE FRAISEE	4	4	4	4	
18	6P2-1131B-00	GASKET, COVER JOINT, COUVERCLE	1	1	1	1	
19	90119-06MA4	BOLT, WITH WASHER BOULON, AVEC RONDELLE	13	13	13	13	
20	67F-12411-01	THERMOSTAT THERMOSTAT	2	2	2	2	
21	67F-12412-00	.SEAL, THERMOSTAT .JOINT, THERMOSTAT	1	1	1	1	
22	6P2-1240H-00-9S	ANODE ASSY ANODE COMPLET	1	1	1	1	
23	90109-06M80	.BOLT .BOULON	2	2	2	2	
24	6P3-11325-00	.ANODE .ANODE	1	1	1	1	
25	90105-05012	.BOLT, FLANGE .BOULON	1	1	1	1	
26	90430-05002	.GASKET .JOINT	1	1	1	1	
27	6P3-1240H-00-9S	ANODE ASSY ANODE COMPLET	1	1	1	1	



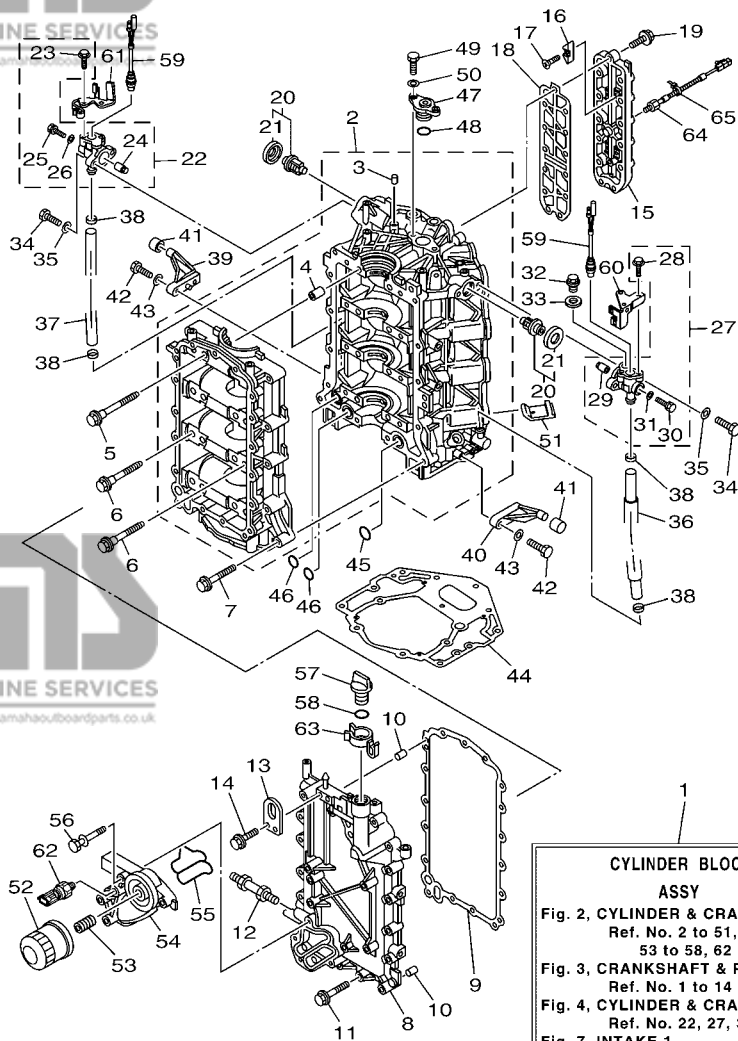
**1**

**CYLINDER BLOCK ASSY**  
**Fig. 2, CYLINDER & CRANKCASE 1**  
 Ref. No. 2 to 51, 53 to 58, 62  
**Fig. 3, CRANKSHAFT & PISTON**  
 Ref. No. 1 to 14  
**Fig. 4, CYLINDER & CRANKCASE 2**  
 Ref. No. 22, 27, 38, 44  
**Fig. 7, INTAKE 1**  
 Ref. No. 25  
**Fig. 29, OIL PAN**  
 Ref. No. 12 to 19

6P27110-K020

**FIG. 2 CYLINDER & CRANKCASE 1 CYLINDRE & CARTER 1**

REF. NO.	PART NO. N° PIECES	DESCRIPTION DESCRIPTION	GAL6	BA55	GAM6	GAT5	REMARKS REMARQUES
28	90109-06M80	.BOLT .BOULON	2	2	2	2	
29	6P3-11325-00	.ANODE .ANODE	1	1	1	1	
30	90105-05012	.BOLT, FLANGE .BOULON	1	1	1	1	
31	90430-05002	.GASKET .JOINT	1	1	1	1	
32	90340-14M06	PLUG, STRAIGHT SCREW PLOT, FILETE DROIT	1	1	1	1	
33	90430-14115	GASKET .JOINT	1	1	1	1	
34	97095-06025	BOLT BOULON	4	4	4	4	
35	92995-06600	WASHER RONDELLE	4	4	4	4	
36	6P2-1243A-00	HOSE 1 DURITE 1	1	1	1	1	
37	69J-1243E-00	HOSE 2 DURITE 2	1	1	1	1	
38	90465-11M10	CLAMP BRIDE	4	4	4	4	
39	67F-42761-01	STOPPER PLAQUETTE	1	1	1	1	
40	6P2-42761-00	STOPPER PLAQUETTE	1	1	1	1	
41	68F-44533-01	DAMPER, UPPER MOUNT RUBBER COUVERCLE, SUSPENSION INFERIEUR	2	2	2	2	
42	97095-06025	BOLT BOULON	4	4	4	4	
43	92995-06600	WASHER RONDELLE	4	4	4	4	
44	69J-11351-11	GASKET, CYLINDER JOINT, D'EMBASE	1	1	1	1	
45	93210-25552	O-RING JOINT TORIQUE	1	1	1	1	
46	93210-19MJ1	O-RING JOINT TORIQUE	2	2	2	2	
47	69J-11313-00	PLUG, BLIND PLOT, BORGNE	1	1	1	1	
48	93210-25647	O-RING JOINT TORIQUE	1	1	1	1	
49	97095-06020	BOLT BOULON	2	2	2	2	
50	92995-06600	WASHER RONDELLE	2	2	2	2	
51	69J-14664-00	GROMMET, WATER SHUT PASSE-FIL	2	2	2	2	
52	69J-13440-01	ELEMENT ASSY, OIL CLEANER ELEMENT, FILTRE A HUILE	1	1	1	1	
53	69J-12858-00	BOLT, UNION BOULON, RACCORD	1	1	1	1	
54	6P2-13446-00-9S	CONNECTOR CONNECTEUR	1	1	1	1	



**1**

**CYLINDER BLOCK ASSY**  
**Fig. 2, CYLINDER & CRANKCASE 1**  
 Ref. No. 2 to 51,  
 53 to 58, 62  
**Fig. 3, CRANKSHAFT & PISTON**  
 Ref. No. 1 to 14  
**Fig. 4, CYLINDER & CRANKCASE 2**  
 Ref. No. 22, 27, 38, 44  
**Fig. 7, INTAKE 1**  
 Ref. No. 25  
**Fig. 29, OIL PAN**  
 Ref. No. 12 to 19



6P27110-K020

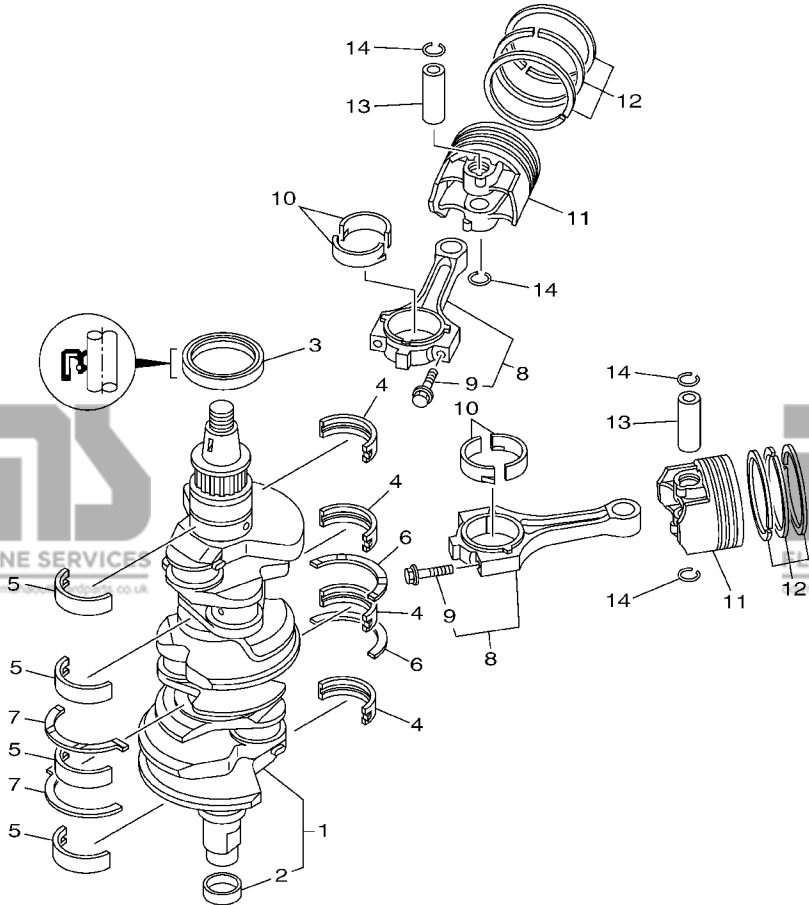
**FIG. 2 CYLINDER & CRANKCASE 1      CYLINDRE & CARTER 1**

REF. NO.	PART NO. N° PIECES	DESCRIPTION DESCRIPTION	GAL6	GA55	GAM6	GAT5	REMARKS REMARQUES
55	6P2-13477-00	GASKET JOINT	1	1	1	1	
56	90119-06025	BOLT, WITH WASHER BOULON, AVEC RONDELLE	5	5	5	5	
57	6G8-15363-00	PLUG, OIL PLOT, HUILE	1	1	1	1	
58	93210-24M79	O-RING JOINT TORIQUE	1	1	1	1	
59	6P2-82560-01	THERMO SWITCH ASSY THERMO-CONTACT COMPLET	2	2	2	2	
60	6P2-82588-00	PLATE PLAQUE	1	1	1	1	
61	6P2-82389-00	PLATE 2 PLAQUETTE 2	1	1	1	1	
62	6AW-83651-00	SENDER, OIL PRESSURE RACCORD, PRESSION D'HUILE	1	1	1	1	
63	6P2-83597-00	CLAMP COLLIER	1	1	1	1	
64	6P2-85780-00	SENSOR, KNOCK SONDE DE COGNEMENT	1	1	1	1	
65	90465-11M10	CLAMP BRIDE	1	1	1	1	

**FIG. 3 CRANKSHAFT & PISTON**

**VILEBREQUIN & PISTON**

REF. NO.	PART NO. N° PIECES	DESCRIPTION DESCRIPTION	6AL6	6AS5	6AM6	6AT5	REMARKS REMARQUES
1	6P2-11410-01	CRANKSHAFT VILEBREQUIN COMPLET	1	1	1	1	
2	69J-11478-00	.COLLAR .COLLERETTE	1	1	1	1	
3	93102-63004	OIL SEAL JOINT SPY	1	1	1	1	
4	69J-11416-01	PLANE BEARING, CRANKSHAFT 1 COUSSINET DE VILEBREQUIN 1	4	4	4	4	UR #1
	69J-11416-11	PLANE BEARING, CRANKSHAFT 1 COUSSINET DE VILEBREQUIN 1	4	4	4	4	UR #2
	69J-11416-21	PLANE BEARING, CRANKSHAFT 1 COUSSINET DE VILEBREQUIN 1	4	4	4	4	UR #3
5	69J-11417-01	PLANE BEARING, CRANKSHAFT 2 COUSSINET DE VILEBREQUIN 2	4	4	4	4	UR #1 Go to P/N:PE0-OM-130019
	69J-11417-11	PLANE BEARING, CRANKSHAFT 2 COUSSINET DE VILEBREQUIN 2	4	4	4	4	UR #2 Go to P/N:PE0-OM-130019
	69J-11417-21	PLANE BEARING, CRANKSHAFT 2 COUSSINET DE VILEBREQUIN 2	4	4	4	4	UR #3 Go to P/N:PE0-OM-130019
6	6AW-11426-00	BEARING, THRUST 1 ROULEMENT DE BUTEE 1	2	2	2	2	Go to P/N:PE0-OM-130019
7	6AW-11427-00	BEARING, THRUST 2 ROULEMENT DE BUTEE 2	2	2	2	2	Go to P/N:PE0-OM-130019
8	69J-W1165-01	CONNECTING ROD ASSY BIELLE COMPLETE	6	6	6	6	
9	69J-11654-00	.BOLT, CONNECTING ROD .BOULON, BIELLE	2	2	2	2	
10	69J-11656-00	PLANE BEARING, CONNECTING ROD ROULEMENT DE BIELLE	12	12	12	12	UR YELLOW
	69J-11656-10	PLANE BEARING, CONNECTING ROD ROULEMENT DE BIELLE	12	12	12	12	UR GREEN
	69J-11656-20	PLANE BEARING, CONNECTING ROD ROULEMENT DE BIELLE	12	12	12	12	UR BLUE
11	6P2-11631-01-93	PISTON (STD) PISTON (STD)	6	6	6	6	
12	63P-11603-01	PISTON RING SET (STD) JEU DE SEGMENTS (STD)	6	6	6	6	
13	69J-11633-00	PIN, PISTON AXE, PISTON	6	6	6	6	
14	69J-11634-01	CLIP, PISTON PIN AGRAFE, AXE DE PISTON	12	12	12	12	



6P25110H0301

# PARTS NEWS

FLOOD MARINE SERVICES

downloaded from www.yamahaoutboardparts.co.uk

FLOOD MARINE SERVICES

downloaded from www.yamahaoutboardparts.co.uk



News No. PE0-OM-110014(1/2)

Date: April 28, 2011

Signature: S. Ishibashi

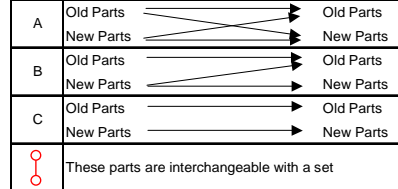
Cause :  Revision Notice  Correction  Sales Unit Change  Others

Model	F(L)200CET (6AL6/6AM6) / F(L)225BET (6AS5/6AT5)
Subject	PARTS CATALOGUE CORRECTIONS
CATALOGUE NO.	1K6AL-300F1 / 1K6AL-200S1
Time of YPEC Revision	Text, Illustration --> Jun./15/2011
PDF Replace	--> Jun./15/2011
(YPEC = Yamaha Parts Electrical Catalogue = Website parts catalogue)	

## Applicable Engine Serial No.

MODEL NAME	MODEL CODE	Applicable Engine Serial No.
F200C	6AL6	6AL:1001454-
FL200C	6AM6	6AM:1000183-
F225B	6AS5	6AS:1001104-
FL225B	6AT5	6AT:1000170-

\*1: Interchangeability



## 1. LIST CORRECTION

### FIG.2 CYLINDER & CRANKCASE 1

Fig. No.	Ref. No.	OLD P/No.	NEW P/No.	PART NAME	Q'TY	*Interchangeability	REMARKS
2	1	6P2-W009B-04-9S	6P2-W009B-05-9S	CYLINDER BLOCK ASSY	1	B	*Part number revision
	2	6P2-15100-02-9S	6P2-15100-03-9S	CRANKCASE ASSY	1	BO	

### FIG.3 CRANKSHAFT & PISTON

3	5	69J-11417-01	-	PLANE BEARING, CRANKSHAFT 2	3 --> 4		UR #1	*Q'TY change	
		69J-11417-11	-	PLANE BEARING, CRANKSHAFT 2	3 --> 4	○	UR #2		
		69J-11417-21	-	PLANE BEARING, CRANKSHAFT 2	3 --> 4		UR #3		
	6	6	69J-11426-01	6AW-11426-00	BEARING, THRUST 1	1 --> 2	○	UR #1	*Part number revision
			69J-11426-11	-	BEARING, THRUST 1	4		UR #2	*Deleted Parts
			69J-11426-21	-	BEARING, THRUST 1	4		UR #3	
	7	69J-11427-00	6AW-11427-00	BEARING, THRUST 2	2	○		*Part number revision	

Parts Manager Check

Service Manager Check

Parts Manager File

YAMAHA MOTOR CO.,LTD  
2500 Shingai Iwata Shizuoka 438-8501.Japan  
Technical Publication Dept.



FLOOD MARINE SERVICES

downloaded from www.yamahaoutboardparts.co.uk

FLOOD MARINE SERVICES

downloaded from www.yamahaoutboardparts.co.uk

FLOOD MARINE SERVICES

downloaded from www.yamahaoutboardparts.co.uk

News No. PE0-OM-110014(2/2)

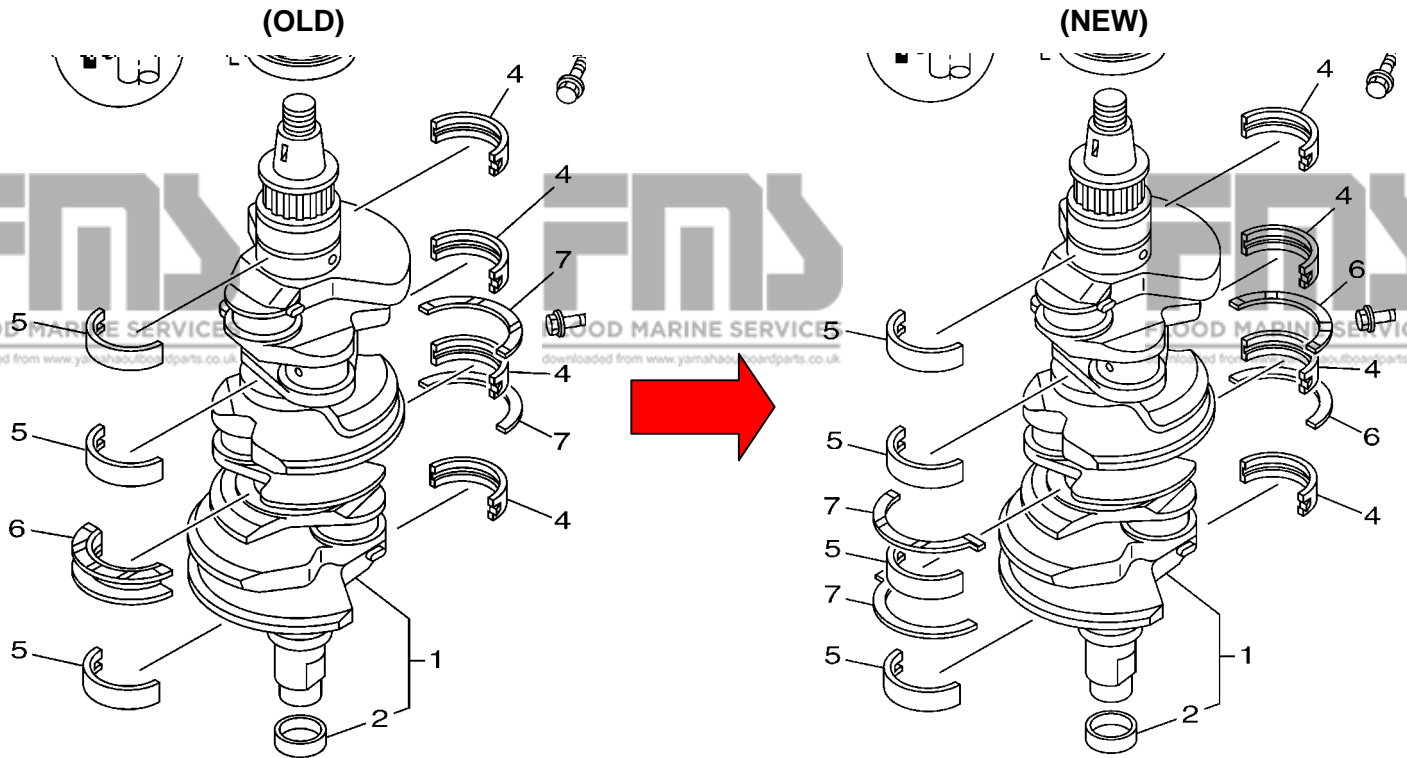
Date: April 28, 2011

Signature: S. Ishibashi

Cause :  Revision Notice  Correction  Sales Unit Change  Others

Model	F(L)200CET (6AL6/6AM6) / F(L)225BET (6AS5/6AT5)	
Subject	PARTS CATALOGUE CORRECTIONS	
CATALOGUE NO.	1K6AL-300F1 / 1K6AL-200S1	
Time of YPEC Revision	Text, Illustration --> Jun./15/2011	PDF Replace --> Jun./15/2011
(YPEC = Yamaha Parts Electrical Catalogue = Website parts catalogue)		

## 2. ILLUSTRATION CORRECTION FIG.3 CRANKSHAFT & PISTON



Thank you very much for your cooperation.

# PARTS NEWS

FLOOD MARINE SERVICES

downloaded from www.yamahaoutboardparts.co.uk

FLOOD MARINE SERVICES

downloaded from www.yamahaoutboardparts.co.uk



downloaded from www.yamahaoutboardparts.co.uk

News No. PE0-OM-130019(1/2)

Date:2013/5/13

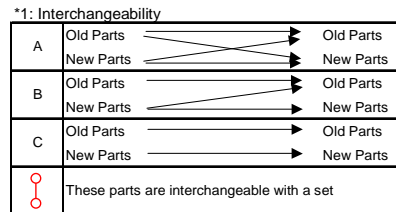
Signature:S.Ishibashi

Cause :  Revision Notice  Correction  Sales Unit Change  Others

Model	F(L)200CET (6AL6/6AM6) / F(L)225BET (6AS5/6AT5)
Subject	PARTS CATALOGUE CORRECTIONS
CATALOGUE NO.	1K6AL-300F1 / 1K6AL-200S1
Time of YPEC Revision	Text, Illustration --> Jun./10/2013
PDF Replace	--> Jun./10/2013
(YPEC = Yamaha Parts Electrical Catalogue = Website parts catalogue)	

## Applicable Engine Serial No.

MODEL NAME	MODEL CODE	Applicable Engine Serial No.
F200C	6AL6	6AL:1004259-
FL200C	6AM6	6AM:1000514-
F225B	6AS5	6AS:1002815-
FL225B	6AT5	6AT:1000298-



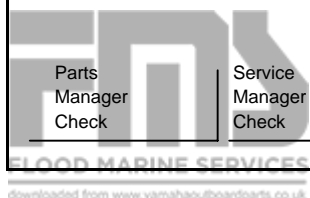
## 1. LIST CORRECTION

### FIG.2 CYLINDER & CRANKCASE 1

Fig. No.	Ref. No.	OLD P/No.	NEW P/No.	PART NAME	Q'TY	*Interchangeability	
						REMARKS	
2	1	6P2-W009B-05-9S	6P2-W009B-04-9S	CYLINDER BLOCK ASSY	1	B	*Part number revision

### FIG.3 CRANKSHAFT & PISTON

Fig. No.	Ref. No.	OLD P/No.	NEW P/No.	PART NAME	Q'TY	Interchangeability	REMARKS	
3	5	69J-11417-01	-	PLANE BEARING, CRANKSHAFT 2	4 --> 3	○	UR #1	
		69J-11417-11	-	PLANE BEARING, CRANKSHAFT 2	4 --> 3		UR #2	*Q'TY change
		69J-11417-21	-	PLANE BEARING, CRANKSHAFT 2	4 --> 3		UR #3	
	6	6AW-11426-00	69J-11426-01	BEARING, THRUST 1	2 --> 1	○	UR #1	*Part number revision *Q'TY change
		-	69J-11426-11	BEARING, THRUST 1	1		UR #2	*Added Parts
		-	69J-11426-21	BEARING, THRUST 1	1		UR #3	
	7	6AW-11427-00	69J-11427-00	BEARING, THRUST 2	2	○		*Part number revision



downloaded from www.yamahaoutboardparts.co.uk



downloaded from www.yamahaoutboardparts.co.uk



downloaded from www.yamahaoutboardparts.co.uk

Parts Manager Check

Service Manager Check

Parts Manager File

YAMAHA MOTOR CO.,LTD  
2500 Shingai Iwata Shizuoka 438-8501.Japan  
Technical Publication Dept.



News No. PE0-OM-130019(2/2)

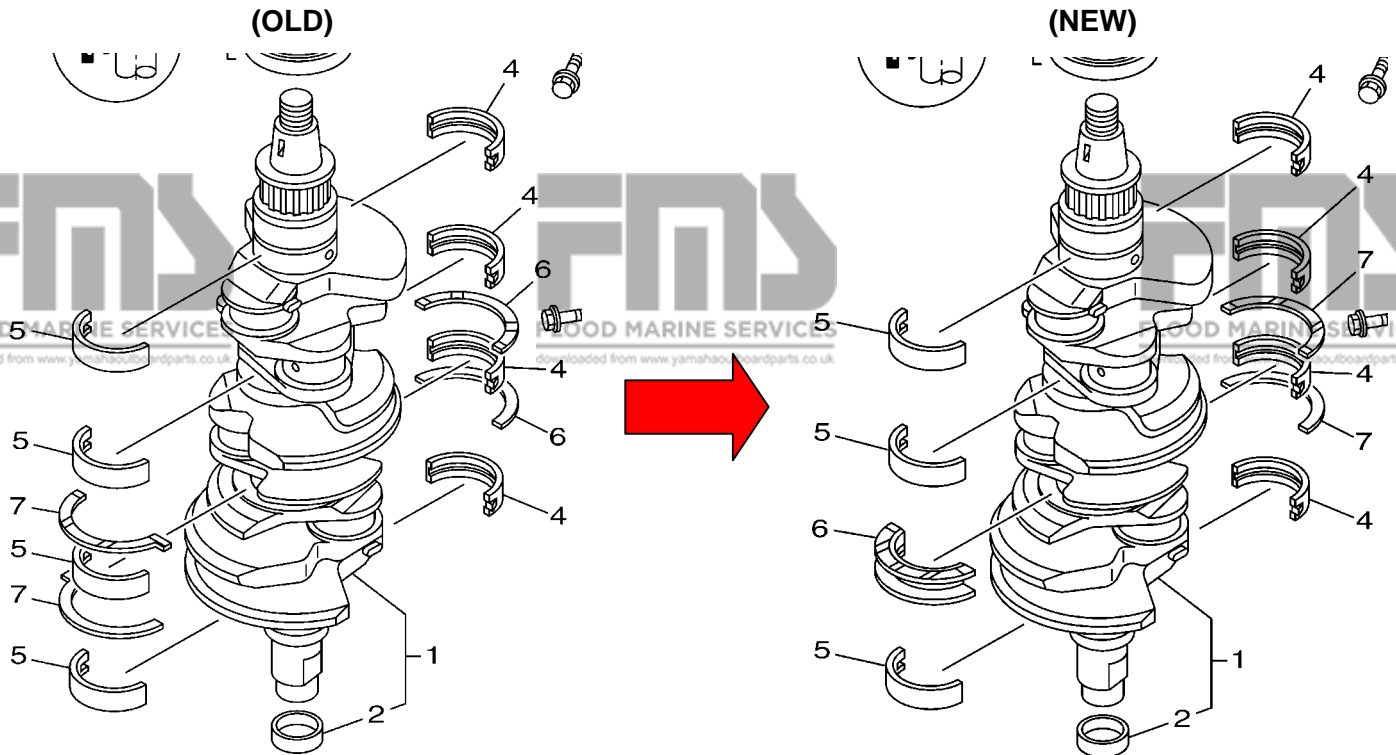
Date:2013/5/13

Signature:S.Ishibashi

Cause :  Revision Notice  Correction  Sales Unit Change  Others

Model	F(L)200CET (6AL6/6AM6) / F(L)225BET (6AS5/6AT5)	
Subject	PARTS CATALOGUE CORRECTIONS	
CATALOGUE NO.	1K6AL-300F1 / 1K6AL-200S1	
Time of YPEC Revision	Text, Illustration --> Jun./10/2013	PDF Replace --> Jun./10/2013
(YPEC = Yamaha Parts Electrical Catalogue = Website parts catalogue)		

## 2. ILLUSTRATION CORRECTION FIG.3 CRANKSHAFT & PISTON



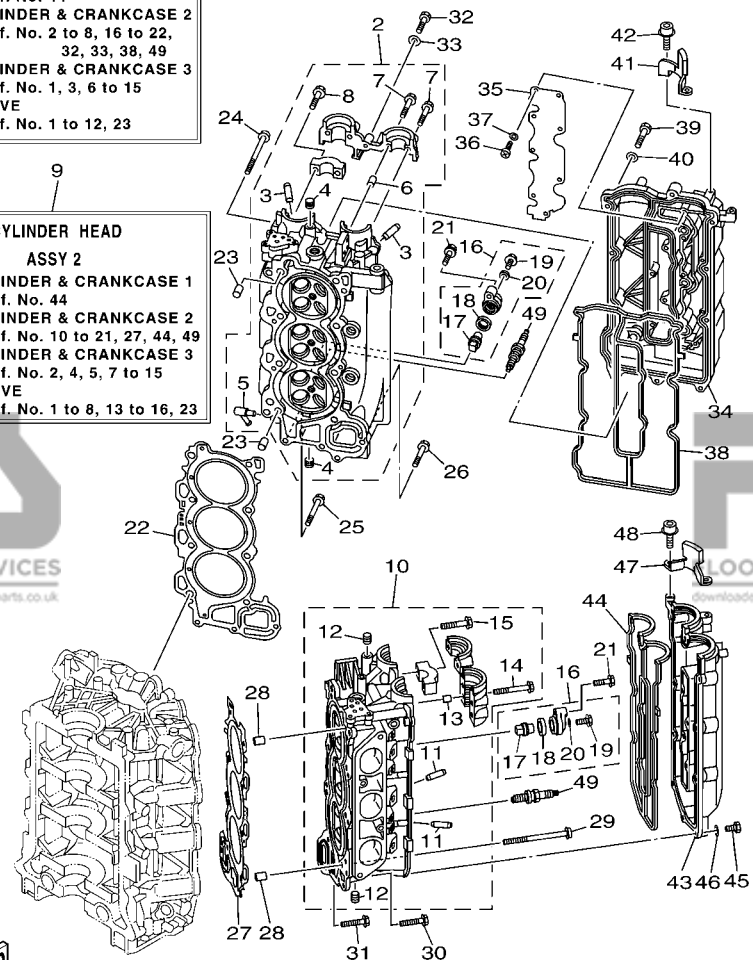
Thank you very much for your cooperation.



**FIG. 4 CYLINDER & CRANKCASE 2 CYLINDRE & CARTER 2**

**CYLINDER HEAD ASSY**  
Fig. 2, CYLINDER & CRANKCASE 1 Ref. No. 44  
Fig. 4, CYLINDER & CRANKCASE 2 Ref. No. 2 to 8, 16 to 22, 32, 33, 38, 49  
Fig. 5, CYLINDER & CRANKCASE 3 Ref. No. 1, 3, 6 to 15  
Fig. 6, VALVE Ref. No. 1 to 12, 23

**CYLINDER HEAD ASSY 2**  
Fig. 2, CYLINDER & CRANKCASE 1 Ref. No. 44  
Fig. 4, CYLINDER & CRANKCASE 2 Ref. No. 10 to 21, 27, 44, 49  
Fig. 5, CYLINDER & CRANKCASE 3 Ref. No. 2, 4, 5, 7 to 15  
Fig. 6, VALVE Ref. No. 1 to 8, 13 to 16, 23



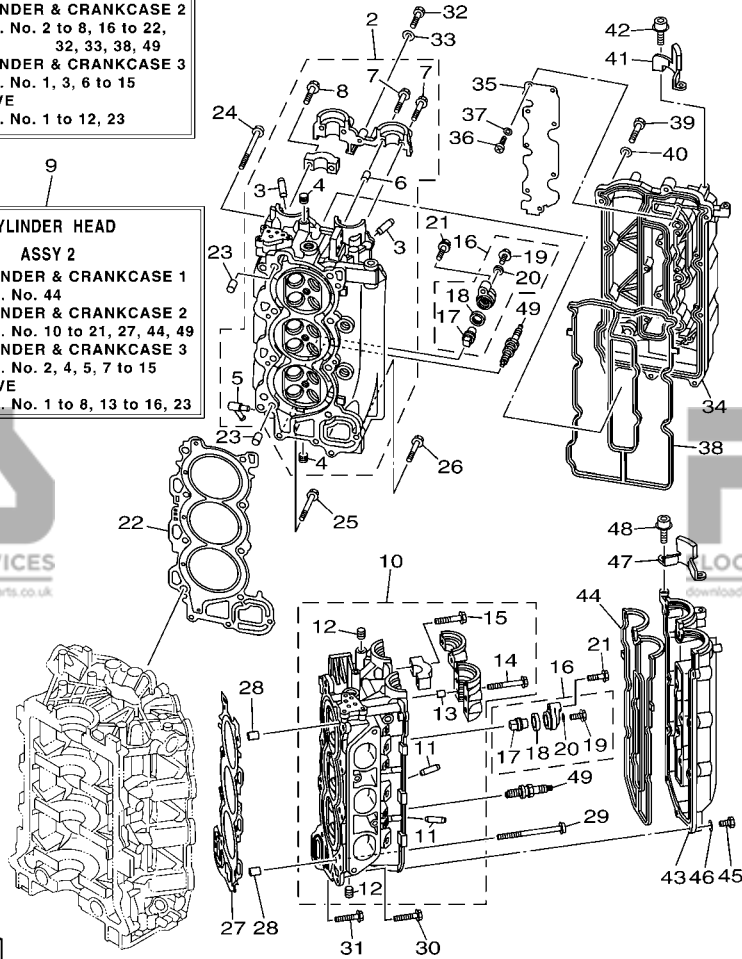
**FWD**  
6P27110-K040

REF. NO.	PART NO. N° PIECES	DESCRIPTION DESCRIPTION	GAL6	6A55	6AM6	6AT5	REMARKS REMARQUES
1	6P2-W009A-02-9S	CYLINDER HEAD ASSY CULASSE (ENS.)	1	1	1	1	
2	6P2-11110-01	CYLINDER HEAD ASSY JEU DE CULASSE	1	1	1	1	
3	69J-11133-10	.GUIDE, VALVE 1 .GUIDE, SOUPAPE 1	12	12	12	12	
4	90344-51019	.PLUG, TAPER SCREW .PLOT, FILETE CONIQUE	7	7	7	7	
5	676-11372-00	.NIPPLE, HOSE .RACCORD, TUYAU	1	1	1	1	
6	91809-08006	.PIN, DOWEL .GOUJON, D'ASSEMBLAGE	2	2	2	2	
7	90119-07001	.BOLT, WITH WASHER .BOULON, AVEC RONDELLE	4	4	4	4	
8	90119-07234	.BOLT, WITH WASHER .BOULON, AVEC RONDELLE	14	14	14	14	
9	6P2-W009C-02-9S	CYLINDER HEAD ASSY 2 CULASSE 2	1	1	1	1	
10	6P2-11120-01	CYLINDER HEAD ASSY 2 CULASSE 2	1	1	1	1	
11	69J-11133-10	.GUIDE, VALVE 1 .GUIDE, SOUPAPE 1	12	12	12	12	
12	90344-51019	.PLUG, TAPER SCREW .PLOT, FILETE CONIQUE	3	3	3	3	
13	91809-08006	.PIN, DOWEL .GOUJON, D'ASSEMBLAGE	4	4	4	4	
14	90119-07235	.BOLT/WASHER-CAM CAPS .BOULON, AVEC RONDELLE	6	6	6	6	
15	90119-07234	.BOLT, WITH WASHER .BOULON, AVEC RONDELLE	12	12	12	12	
16	69J-11301-00	ANODE COVER ASSY COUVERCLE ANODE (ENS.)	4	4	4	4	
17	67F-11325-01	.ANODE .ANODE	1	1	1	1	
18	67F-11328-00	.GROMMET, ANODE .PASSE-FIL	1	1	1	1	
19	90105-06M07	.BOLT, FLANGE .BOULON	1	1	1	1	
20	90430-06M03	.GASKET .JOINT	1	1	1	1	
21	97575-08540	BOLT, WITH WASHER VIS HEXAGONAL AVEC RONDELLE	4	4	4	4	
22	6P2-11181-00	GASKET, CYLINDER HEAD 1 JOINT, DE CULASSE 1	1	1	1	1	
23	90387-10M08	COLLAR COLLERETTE	2	2	2	2	
24	90155-10004	SCREW, FLAT FILLISTER VIS, TETE OVALE PLATE	8	8	8	8	
25	90119-08M91	BOLT, WITH WASHER BOULON, AVEC RONDELLE	2	2	2	2	
26	90119-08021	BOLT, WITH WASHER BOULON, AVEC RONDELLE	1	1	1	1	
27	6P2-11182-00	GASKET, CYLINDER HEAD 2 JOINT, CULASSE 2	1	1	1	1	

**FIG. 4 CYLINDER & CRANKCASE 2 CYLINDRE & CARTER 2**

**CYLINDER HEAD ASSY**  
Fig. 2, CYLINDER & CRANKCASE 1 Ref. No. 44  
Fig. 4, CYLINDER & CRANKCASE 2 Ref. No. 2 to 8, 16 to 22, 32, 33, 38, 49  
Fig. 5, CYLINDER & CRANKCASE 3 Ref. No. 1, 3, 6 to 15  
Fig. 6, VALVE Ref. No. 1 to 12, 23

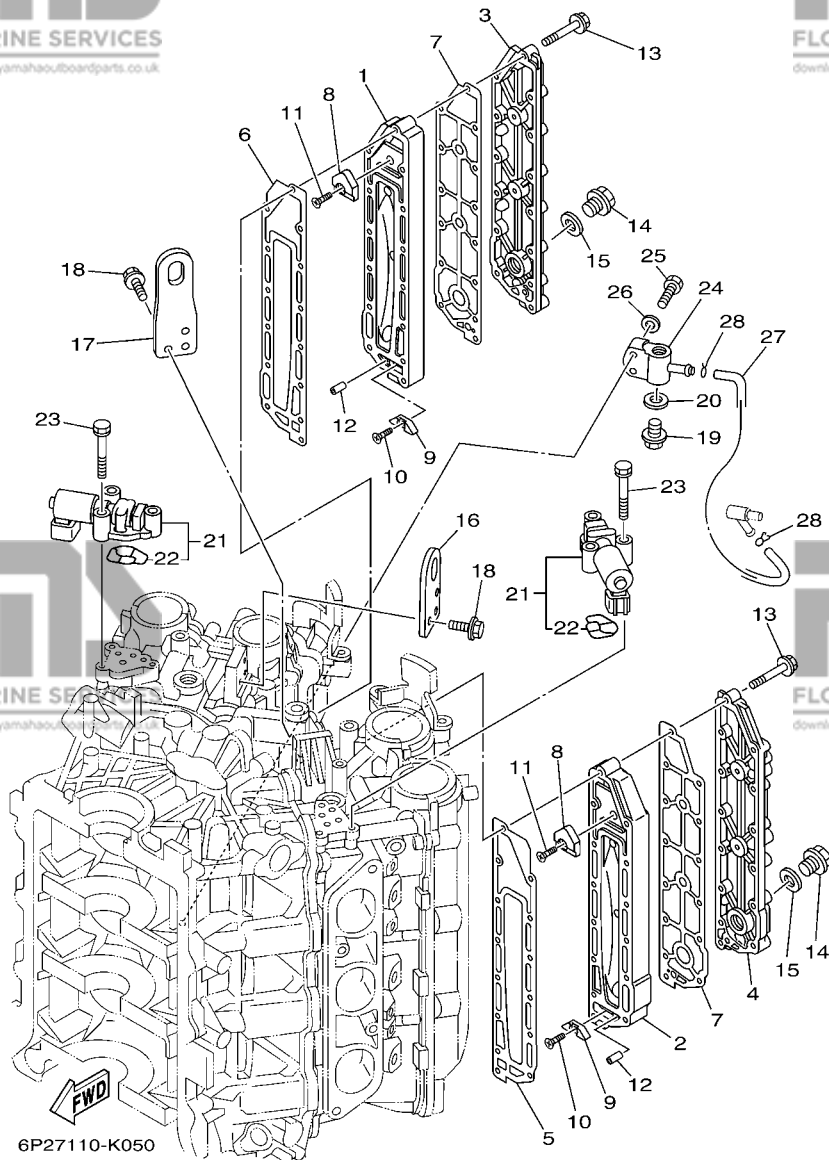
**CYLINDER HEAD ASSY 2**  
Fig. 2, CYLINDER & CRANKCASE 1 Ref. No. 44  
Fig. 4, CYLINDER & CRANKCASE 2 Ref. No. 10 to 21, 27, 44, 49  
Fig. 5, CYLINDER & CRANKCASE 3 Ref. No. 2, 4, 5, 7 to 15  
Fig. 6, VALVE Ref. No. 1 to 8, 13 to 16, 23



6P27110-K040

REF. NO.	PART NO. N° PIECES	DESCRIPTION DESCRIPTION	GAL6	BA55	GAM6	GAT5	REMARKS REMARQUES
28	90387-10M08	COLLAR COLLERETTE	2	2	2	2	
29	90155-10004	SCREW, FLAT FILLISTER VIS, TETE OVALE PLATE	8	8	8	8	
30	90119-08M91	BOLT, WITH WASHER BOULON, AVEC RONDELLE	2	2	2	2	
31	90119-08021	BOLT, WITH WASHER BOULON, AVEC RONDELLE	1	1	1	1	
32	97095-06030	BOLT BOULON	1	1	1	1	
33	92995-06600	WASHER RONDELLE	1	1	1	1	
34	6P2-11191-00-9S	COVER, CYLINDER HEAD 1 COUVERCLE, CULASSE 1	1	1	1	1	
35	6P2-11135-00	PLATE, BREATHER 3 PLAQUE, RENIFLARD 3	1	1	1	1	
36	98507-04008	SCREW, PAN HEAD VIS, TETE TRONCONIQUE	9	9	9	9	
37	92907-04600	WASHER RONDELLE	9	9	9	9	
38	6P2-11193-00	GASKET, HEAD COVER 1 JOINT, COUVERCLE DE CULASSE 1	1	1	1	1	
39	97095-06030	BOLT BOULON	14	14	14	14	
40	92995-06600	WASHER RONDELLE	14	14	14	14	
41	6P2-15142-00	GUIDE 1 GUIDE 1	1	1	1	1	
42	90110-06150	BOLT, HEXAGON SOCKET HEAD BOULON, TETE HEXAGONALE CREUSE	2	2	2	2	
43	6P2-11192-00-9S	COVER, CYLINDER HEAD 2 COUVERCLE, CULASSE 2	1	1	1	1	
44	6P2-11194-00	GASKET, HEAD COVER 2 JOINT, COUVERCLE DE CULASSE 2	1	1	1	1	
45	97095-06030	BOLT BOULON	14	14	14	14	
46	92995-06600	WASHER RONDELLE	14	14	14	14	
47	6P2-15143-00	GUIDE GUIDE	1	1	1	1	
48	90110-06150	BOLT, HEXAGON SOCKET HEAD BOULON, TETE HEXAGONALE CREUSE	2	2	2	2	
49	94702-00400	PLUG, SPARK (NGK LFR6A-11) BOUGIE D'ALLUMAGE(NGK LFR6A-11)	6	6	6	6	

**FIG. 5 CYLINDER & CRANKCASE 3 CYLINDRE & CARTER 3**

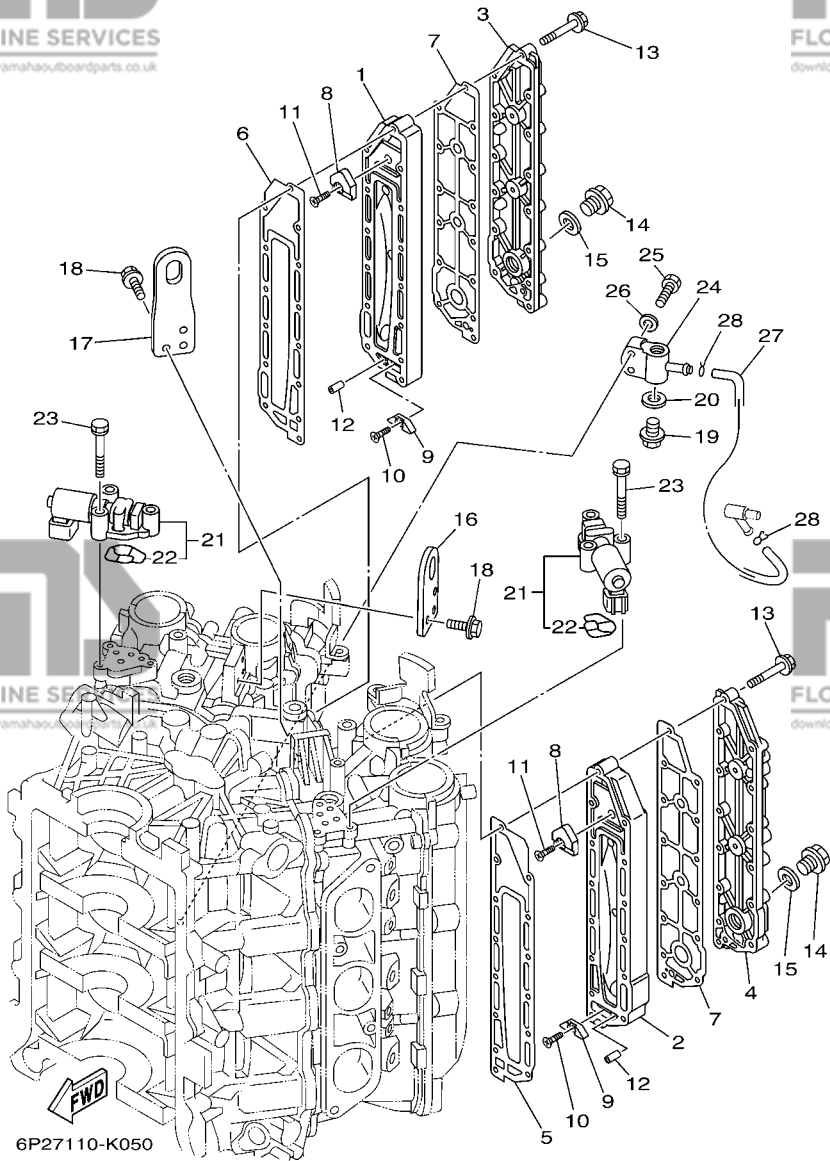


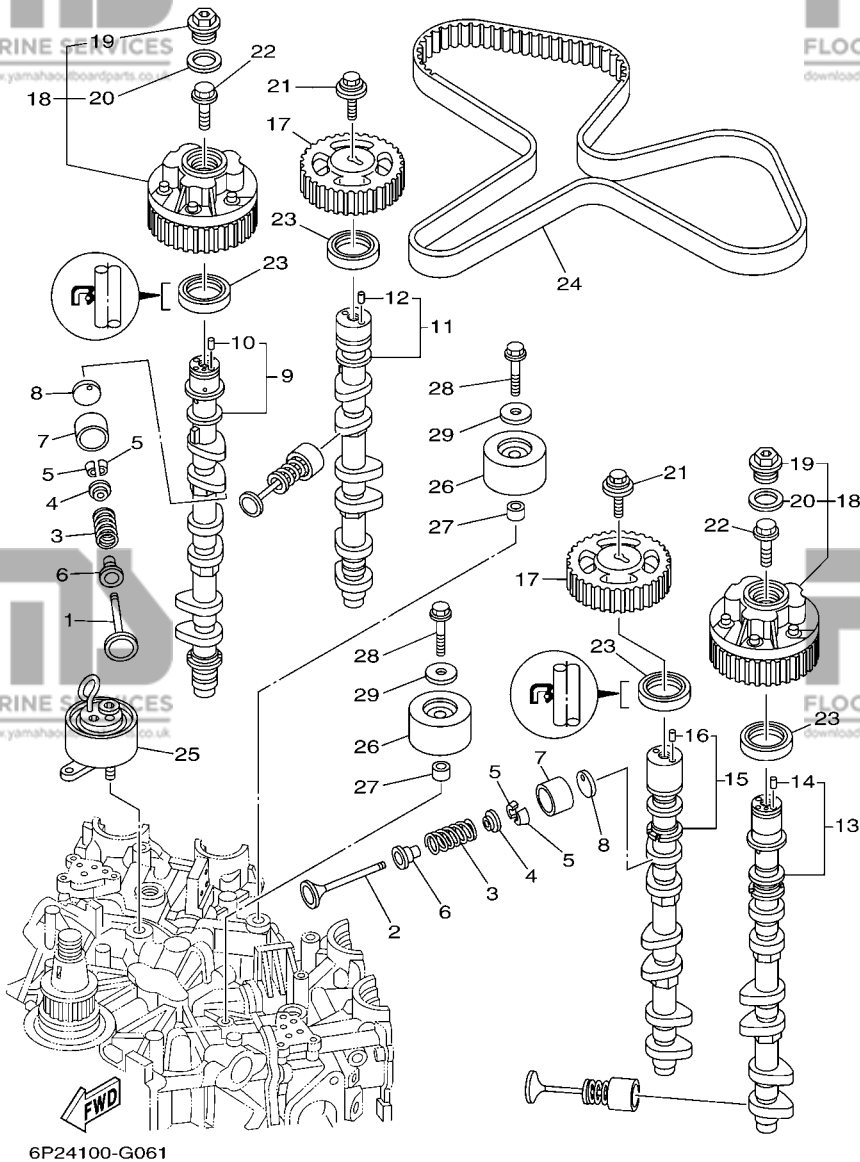
REF. NO.	PART NO. N° PIECES	DESCRIPTION DESCRIPTION	6AL6	6AS5	6AM6	6AT5	REMARKS REMARQUES
1	69J-41111-01-9S	INNER COVER, EXHAUST PLAQUE, ECHAPPEMENT	1	1	1	1	
2	69J-41121-01-9S	INNER COVER, EXHAUST PLAQUE, ECHAPPEMENT	1	1	1	1	
3	69J-41113-02-9S	OUTER COVER, EXHAUST COUVERCLE, ECHAPPEMENT	1	1	1	1	
4	69J-41123-02-9S	OUTER COVER, EXHAUST COUVERCLE, ECHAPPEMENT	1	1	1	1	
5	6P2-41112-00	GASKET, EXHAUST INNER COVER JOINT, PLAQUE D'ECHAPPEMENT	1	1	1	1	
6	6P2-41122-00	GASKET, EXHAUST INNER COVER JOINT, PLAQUE D'ECHAPPEMENT	1	1	1	1	
7	6P2-41114-00	GASKET, EXHAUST OUTER COVER JOINT, COUVERCLE D'ECHAPPEMENT	2	2	2	2	
8	6P2-11325-00	ANODE ANODE	2	2	2	2	
9	6E5-11325-00	ANODE ANODE	2	2	2	2	
10	98780-04015	SCREW, FLAT HEAD VIS A TETE FRAISEE	2	2	2	2	
11	90151-06M02	SCREW, COUNTERSUNK VIS, TETE NOYEE	2	2	2	2	
12	91690-40010	PIN, SPRING AGRAFFE	2	2	2	2	
13	90119-06027	BOLT, WITH WASHER BOULON, AVEC RONDELLE	28	28	28	28	
14	90340-18M09	PLUG, STRAIGHT SCREW PLOT, FILETE DROIT	2	2	2	2	
15	90430-18130	GASKET JOINT	2	2	2	2	
16	6P2-11119-00	HANGER, ENGINE ANNEAU, LEVAGE	1	1	1	1	
17	6P2-1111E-00	HANGER, ENGINE 2 ANNEAU, LEVAGE 2	1	1	1	1	
18	90105-06M09	BOLT, FLANGE BOULON	6	6	6	6	
19	90340-14M06	PLUG, STRAIGHT SCREW PLOT, FILETE DROIT	1	1	1	1	
20	90430-14115	GASKET JOINT	1	1	1	1	
21	6P2-86120-00	SOLENOID VALVE ASSY SOLENOIDE	2	2	2	2	
22	6P2-12403-00	.FILTER .ELEMENT	1	1	1	1	
23	90119-06MA6	BOLT, WITH WASHER BOULON, AVEC RONDELLE	6	6	6	6	
24	6P2-83652-00	CONNECTOR CONNECTEUR	1	1	1	1	
25	97095-06030	BOLT BOULON	2	2	2	2	
26	92995-06600	WASHER RONDELLE	2	2	2	2	
27	6H4-24311-00	PIPE, FUEL 1 DURITE A ESSENCE	1	1	1	1	

**FIG. 5 CYLINDER & CRANKCASE 3**

**CYLINDRE & CARTER 3**

REF. NO.	PART NO. N° PIECES	DESCRIPTION DESCRIPTION	6AL6	6AS5	6AM6	6AT5	REMARKS REMARQUES
28	90467-08M18	CLIP JONC	2	2	2	2	



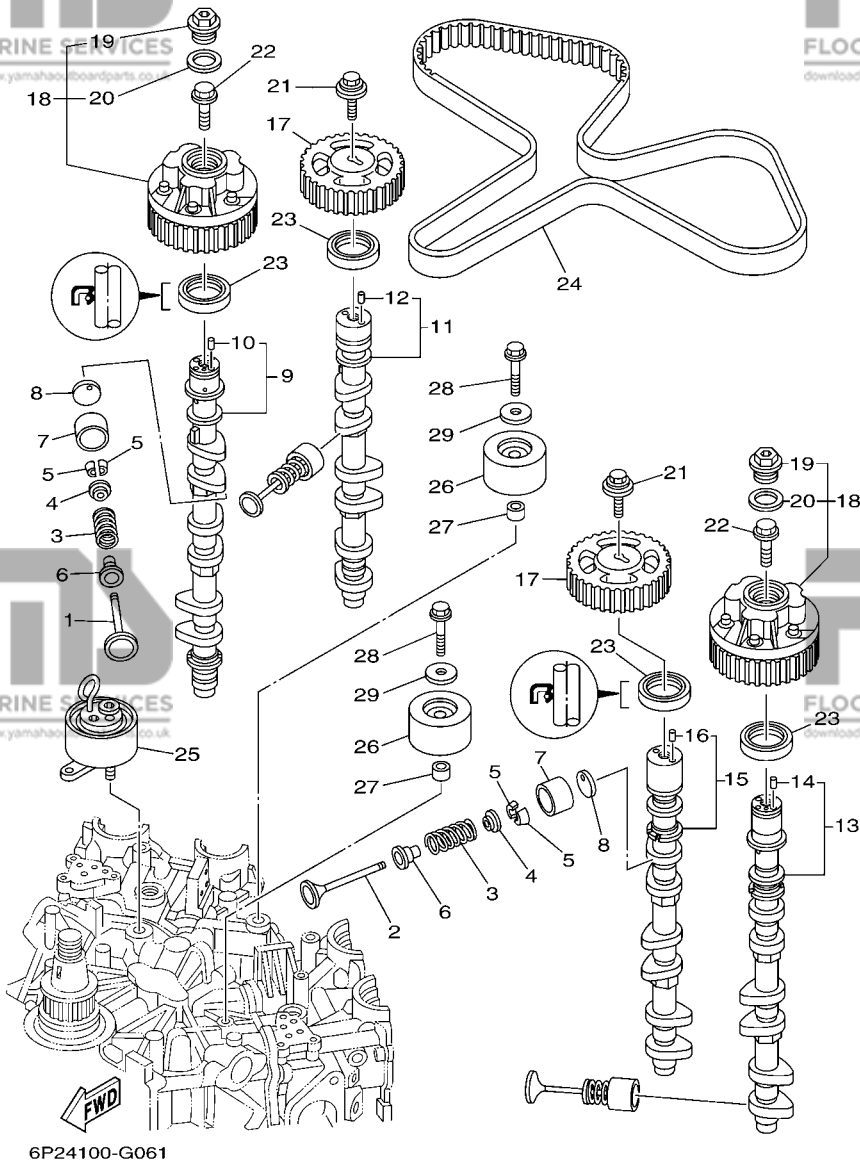


6P24100-G061

FIG. 6 VALVE

SOUPAPE

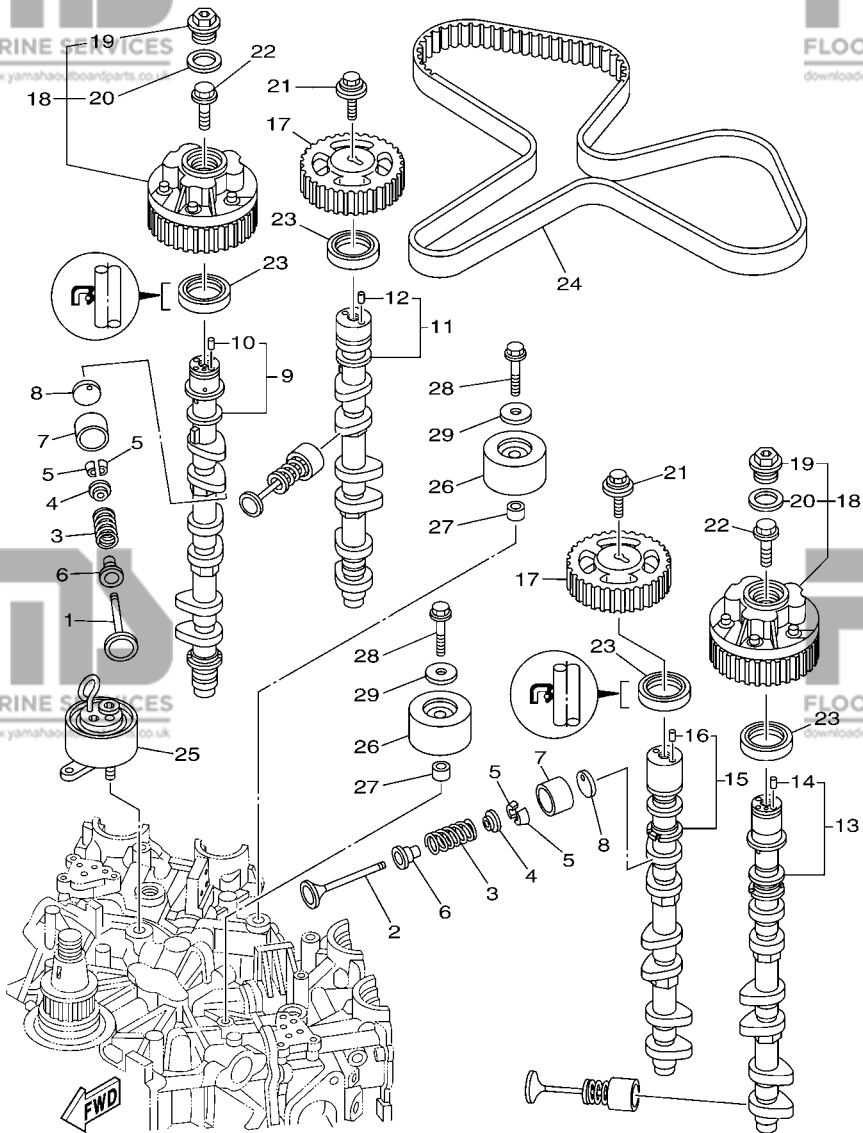
REF. NO.	PART NO. N° PIECES	DESCRIPTION DESCRIPTION	GAL6	GA55	GAM6	GAT5	REMARKS REMARQUES
1	6P2-12111-00	VALVE, INTAKE SOUPAPE, ADMISSION	12	12	12	12	
2	6P2-12121-00	VALVE, EXHAUST SOUPAPE, ECHAPPEMENT	12	12	12	12	
3	69J-12113-01	SPRING, VALVE INNER RESSORT DE SOUPAPE, INTERNE	24	24	24	24	
4	69J-12117-01	RETAINER, VALVE SPRING BUTEE DE RESSORT DE SOUPAPE	24	24	24	24	
5	69J-12118-00	COTTER, VALVE FRAISE, SOUPAPE	48	48	48	48	
6	69J-12119-00	SEAL, VALVE STEM JOINT, QUEUE DE SOUPAPE	24	24	24	24	
7	69J-12153-00	LIFTER, VALVE LEVE-SOUPAPE	24	24	24	24	
8	6S1-12168-00	PAD, ADJUSTING (2.320) PASTILLE, REGLAGE (2.320)	24	24	24	24	UR
	6S1-12168-10	PAD, ADJUSTING (2.340) PASTILLE, REGLAGE (2.340)	24	24	24	24	UR
	6S1-12168-20	PAD, ADJUSTING (2.360) PASTILLE, REGLAGE (2.360)	24	24	24	24	UR
	6S1-12168-30	PAD, ADJUSTING (2.380) PASTILLE, REGLAGE (2.380)	24	24	24	24	UR
	6S1-12168-40	PAD, ADJUSTING (2.400) PASTILLE, REGLAGE (2.400)	24	24	24	24	UR
	6S1-12168-50	PAD, ADJUSTING (2.420) PASTILLE, REGLAGE (2.420)	24	24	24	24	UR
	6S1-12168-60	PAD, ADJUSTING (2.440) PASTILLE, REGLAGE (2.440)	24	24	24	24	UR
	6S1-12168-70	PAD, ADJUSTING (2.460) PASTILLE, REGLAGE (2.460)	24	24	24	24	UR
	6S1-12168-80	PAD, ADJUSTING (2.480) PASTILLE, REGLAGE (2.480)	24	24	24	24	UR
	6S1-12168-90	PAD, ADJUSTING (2.500) PASTILLE, REGLAGE (2.500)	24	24	24	24	UR
	6S1-12168-A0	PAD, ADJUSTING (2.520) PASTILLE, REGLAGE (2.520)	24	24	24	24	UR
	6S1-12168-B0	PAD, ADJUSTING (2.540) PASTILLE, REGLAGE (2.540)	24	24	24	24	UR
	6S1-12168-C0	PAD, ADJUSTING (2.560) PASTILLE, REGLAGE (2.560)	24	24	24	24	UR
	6S1-12168-D0	PAD, ADJUSTING (2.580) PASTILLE, REGLAGE (2.580)	24	24	24	24	UR
	6S1-12168-E0	PAD, ADJUSTING (2.600) PASTILLE, REGLAGE (2.600)	24	24	24	24	UR
	6S1-12168-F0	PAD, ADJUSTING (2.620) PASTILLE, REGLAGE (2.620)	24	24	24	24	UR
	6S1-12168-G0	PAD, ADJUSTING (2.640) PASTILLE, REGLAGE (2.640)	24	24	24	24	UR
	6S1-12168-H0	PAD, ADJUSTING (2.660) PASTILLE, REGLAGE (2.660)	24	24	24	24	UR
	6S1-12168-J0	PAD, ADJUSTING (2.680) PASTILLE, REGLAGE (2.680)	24	24	24	24	UR
	6S1-12168-K0	PAD, ADJUSTING (2.700) PASTILLE, REGLAGE (2.700)	24	24	24	24	UR



**FIG. 6 VALVE**

**SOUPAPE**

REF. NO.	PART NO. N° PIECES	DESCRIPTION DESCRIPTION	GAL6	GA55	GAM6	GAT5	REMARKS REMARQUES
8	6S1-12168-L0	PAD, ADJUSTING (2.720)	24	24	24	24	UR
		PASTILLE, REGLAGE (2.720)					UR
	6S1-12168-M0	PAD, ADJUSTING (2.740)	24	24	24	24	UR
		PASTILLE, REGLAGE (2.740)					UR
	6S1-12168-N0	PAD, ADJUSTING (2.760)	24	24	24	24	UR
		PASTILLE, REGLAGE (2.760)					UR
	6S1-12168-P0	PAD, ADJUSTING (2.780)	24	24	24	24	UR
		PASTILLE, REGLAGE (2.780)					UR
	6S1-12168-R0	PAD, ADJUSTING (2.800)	24	24	24	24	UR
		PASTILLE, REGLAGE (2.800)					UR
	6S1-12168-S0	PAD, ADJUSTING (2.820)	24	24	24	24	UR
		PASTILLE, REGLAGE (2.820)					UR
	6S1-12168-T0	PAD, ADJUSTING (2.840)	24	24	24	24	UR
		PASTILLE, REGLAGE (2.840)					UR
	6S1-12168-U0	PAD, ADJUSTING (2.860)	24	24	24	24	UR
		PASTILLE, REGLAGE (2.860)					UR
	6S1-12168-V0	PAD, ADJUSTING (2.880)	24	24	24	24	UR
		PASTILLE, REGLAGE (2.880)					UR
	6S1-12168-W0	PAD, ADJUSTING (2.900)	24	24	24	24	UR
		PASTILLE, REGLAGE (2.900)					UR
	6S1-12168-X0	PAD, ADJUSTING (2.920)	24	24	24	24	UR
		PASTILLE, REGLAGE (2.920)					UR
	6S1-12168-Y0	PAD, ADJUSTING (2.940)	24	24	24	24	UR
		PASTILLE, REGLAGE (2.940)					UR
	6S1-12169-00	PAD, ADJUSTING (2.960)	24	24	24	24	UR
		PASTILLE, REGLAGE (2.960)					UR
9	6P2-12171-02	CAMSHAFT 1	1	1	1	1	
		ARBRE A CAMES 1					
10	93605-10108	.PIN, DOWEL	1	1	1	1	
		.AXE					
11	6P2-12181-01	CAMSHAFT 2	1	1	1	1	
		ARBRE A CAMES 2					
12	93605-10108	.PIN, DOWEL	1	1	1	1	
		.AXE					
13	6P2-12172-02	CAMSHAFT 3	1	1	1	1	
		ARBRE A CAMES 3					
14	93605-10108	.PIN, DOWEL	1	1	1	1	
		.AXE					
15	6P2-12182-01	CAMSHAFT 4	1	1	1	1	
		ARBRE A CAMES 4					
16	93605-10108	.PIN, DOWEL	1	1	1	1	
		.AXE					
17	6P2-11537-01	GEAR, DRIVEN	2	2	2	2	
		PIGNON SECONDAIRE					
18	6P2-12645-10	PULLEY ASSY 1	2	2	2	2	
		POULIE COMPLET 1					
19	6P2-12623-00	.BOLT	1	1	1	1	
		.BOULON					
20	6P2-12663-00	.GASKET	1	1	1	1	
		.JOINT					
21	68V-12157-00	BOLT	2	2	2	2	
		BOULON					
22	6P2-12615-00	BOLT	2	2	2	2	
		BOULON					

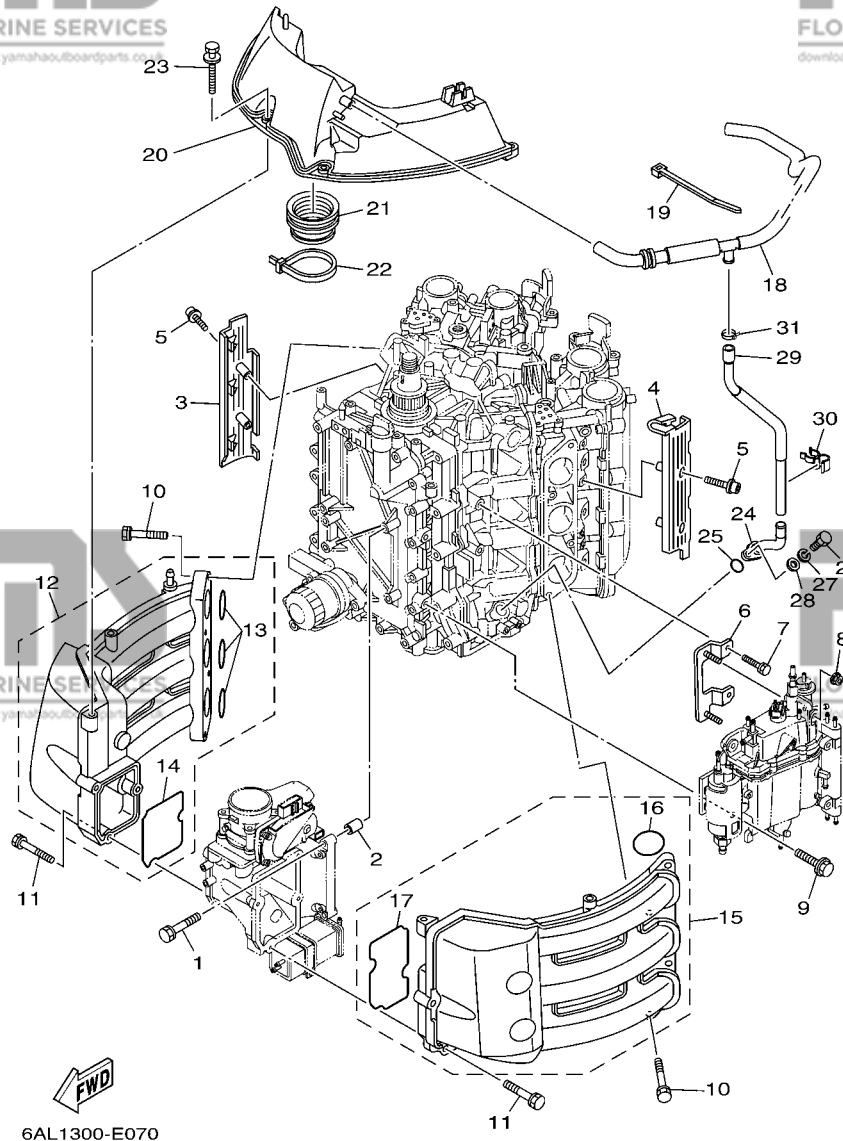


6P24100-G061

FIG. 6 VALVE

SOUPAPE

REF. NO.	PART NO. N° PIECES	DESCRIPTION DESCRIPTION	6AL6	6A55	6AM6	6AT5	REMARKS REMARQUES
23	93102-38008	OIL SEAL JOINT SPY	4	4	4	4	
24	6P2-46241-00	BELT COURROIE TRAPEZOIDALE	1	1	1	1	
25	6P2-11590-00	TENSIONER ASSY TENDEUR (ENS.)	1	1	1	1	
26	6P2-15512-00	GEAR, IDLER 1 PIGNON, INTERMEDIAIRE 1	2	2	2	2	
27	90387-10M08	COLLAR COLLERETTE	2	2	2	2	
28	90119-10M07	BOLT, WITH WASHER BOULON, AVEC RONDELLE	2	2	2	2	
29	90201-10M01	WASHER, PLATE RONDELLE, PLATE	2	2	2	2	



6AL1300-E070

**FIG. 7 INTAKE 1**

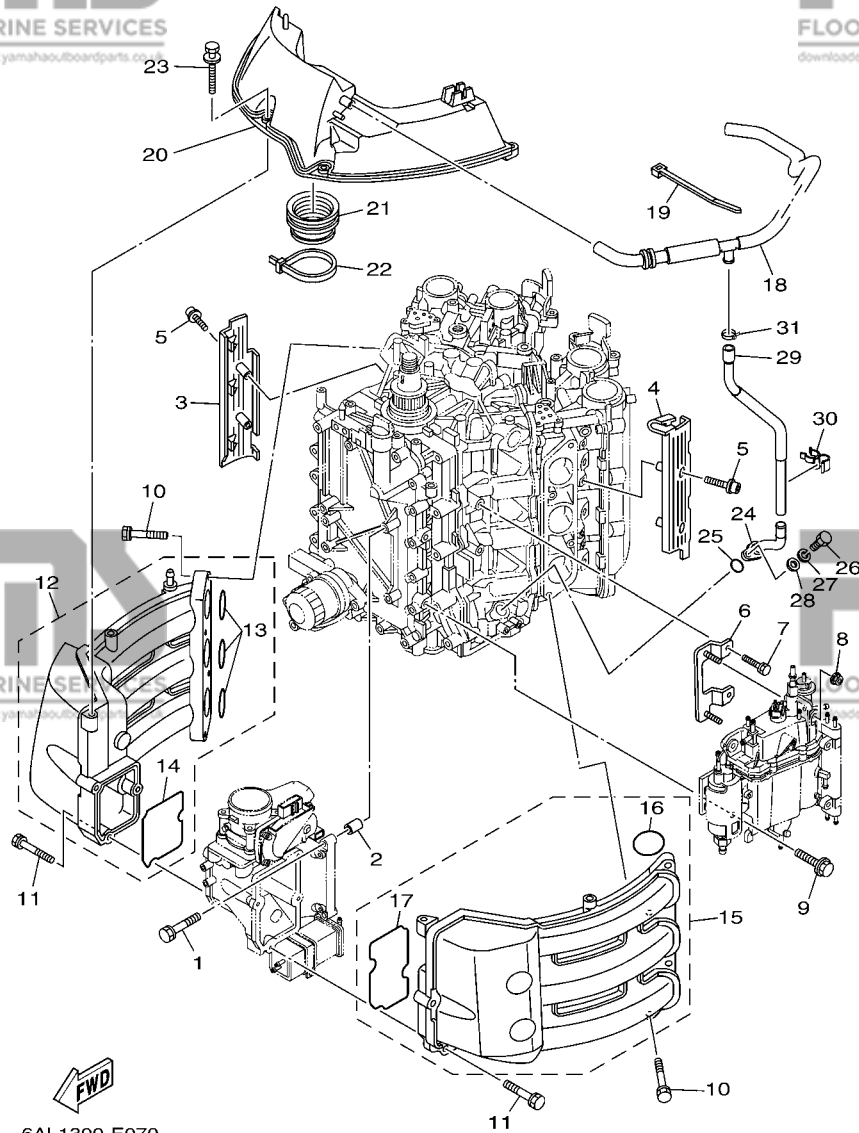
**ADMISSION 1**

REF. NO.	PART NO. N° PIECES	DESCRIPTION DESCRIPTION	6AL6	6AS5	6AM6	6AT5	REMARKS REMARQUES
1	97575-08540	BOLT, WITH WASHER VIS HEXAGONAL AVEC RONDELLE	4	4	4	4	
2	99530-10114	PIN, DOWEL GOUJON, D'ASSEMBLAGE	2	2	2	2	
3	6P2-13564-00	COVER, MANIFOLD COUVERCLE, TUBULURE	1	1	1	1	
4	6P2-13594-00	COVER, MANIFOLD 2 COUVERCLE, TUBULURE 2	1	1	1	1	
5	90110-06038	BOLT, HEXAGON SOCKET HEAD BOULON, TETE HEXAGONALE CREUSE	4	4	4	4	
6	6P2-24422-00	PLATE PLAQUETTE	1	1	1	1	
7	97575-06516	BOLT, WITH WASHER VIS HEXAGONAL AVEC RONDELLE	2	2	2	2	
8	90179-06M28	NUT ECROU	2	2	2	2	
9	90119-06M24	BOLT, WITH WASHER BOULON, AVEC RONDELLE	2	2	2	2	
10	97575-08540	BOLT, WITH WASHER VIS HEXAGONAL AVEC RONDELLE	8	8	8	8	
11	90119-06MA6	BOLT, WITH WASHER BOULON, AVEC RONDELLE	7	7	7	7	
12	6P2-13641-00	MANIFOLD 1 TUBULURE 1	1	1	1	1	
13	6P2-13645-00	.GASKET, MANIFOLD 1 .JOINT, TUBULURE 1	3	3	3	3	
14	6P2-13646-00	.GASKET, MANIFOLD 2 .JOINT, TUBULURE 2	1	1	1	1	
15	6P2-13642-00	MANIFOLD 2 TUBULURE 2	1	1	1	1	
16	6P2-13645-00	.GASKET, MANIFOLD 1 .JOINT, TUBULURE 1	3	3	3	3	
17	6P2-13647-00	.GASKET, MANIFOLD 3 .JOINT, TUBULURE 3	1	1	1	1	
18	6P2-15373-01	PIPE, BREATHER DURITE DE RENIFLARD	1	1	1	1	
19	90465-13M18	CLAMP BRIDE	1	1	1	1	
20	6P2-14440-00	SILENCER ASSY, INTAKE SIENCIEUX D'ADMISSION	1	1	1	1	
21	6P2-1441J-00	PIPE, SILENCER DURITE, DE SILENCIEUX	1	1	1	1	
22	90464-99004	CLAMP BRIDE	1	1	1	1	
23	90119-06M35	BOLT, WITH WASHER BOULON, AVEC RONDELLE	4	4	4	4	
24	6P2-11372-00	NIPPLE, HOSE RACCORD, TUYAU	1	1	1	1	
25	93210-19MJ3	O-RING JOINT TORIQUE	1	1	1	1	
26	97095-06020	BOLT BOULON	1	1	1	1	
27	92995-06100	WASHER, SPRING RONDELLE, GROWER	1	1	1	1	



**FIG. 7 INTAKE 1**

**ADMISSION 1**

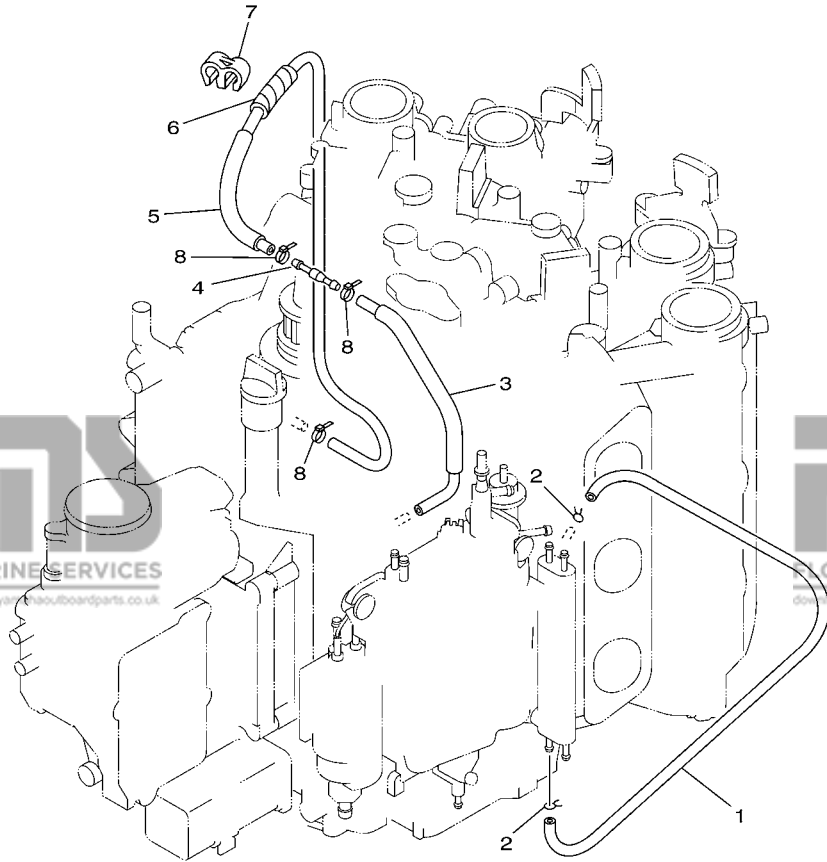


REF. NO.	PART NO. N° PIECES	DESCRIPTION DESCRIPTION	6AL6	6AS5	6AM6	6AT5	REMARKS REMARQUES
28	92995-06600	WASHER RONDELLE	1	1	1	1	
29	6P2-11377-00	HOSE DURITE	1	1	1	1	
30	90464-20011	CLAMP BRIDE	1	1	1	1	
31	90465-11M10	CLAMP BRIDE	1	1	1	1	

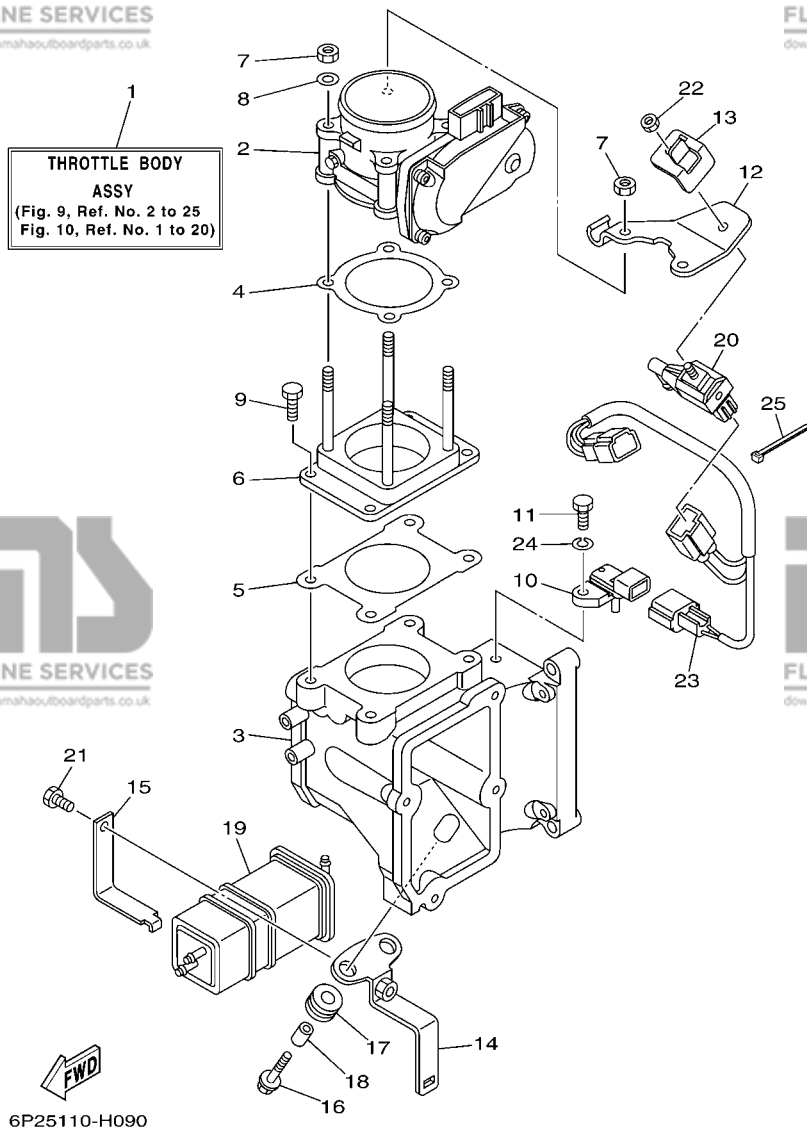
**FIG. 8 INTAKE 2**

**ADMISSION 2**

REF. NO.	PART NO. N° PIECES	DESCRIPTION DESCRIPTION	6AL6	6A55	6AM6	6AT5	REMARKS REMARQUES
1	90445-09120	HOSE (L600) DURITE (L600)	1	1	1	1	
2	90467-09M03	CLIP JONC	2	2	2	2	
3	6P2-12482-00	PIPE 2 DURITE 2	1	1	1	1	
4	6E5-21744-00	BREATHER RENIFLARD	1	1	1	1	
5	6P2-12483-00	PIPE 3 DURITE 3	1	1	1	1	
6	90446-10M01	HOSE (L60) DURITE (L60)	1	1	1	1	
7	90464-09M21	CLAMP BRIDE	1	1	1	1	
8	90465-11M10	CLAMP BRIDE	3	3	3	3	



**FWD**  
6P21110-D081



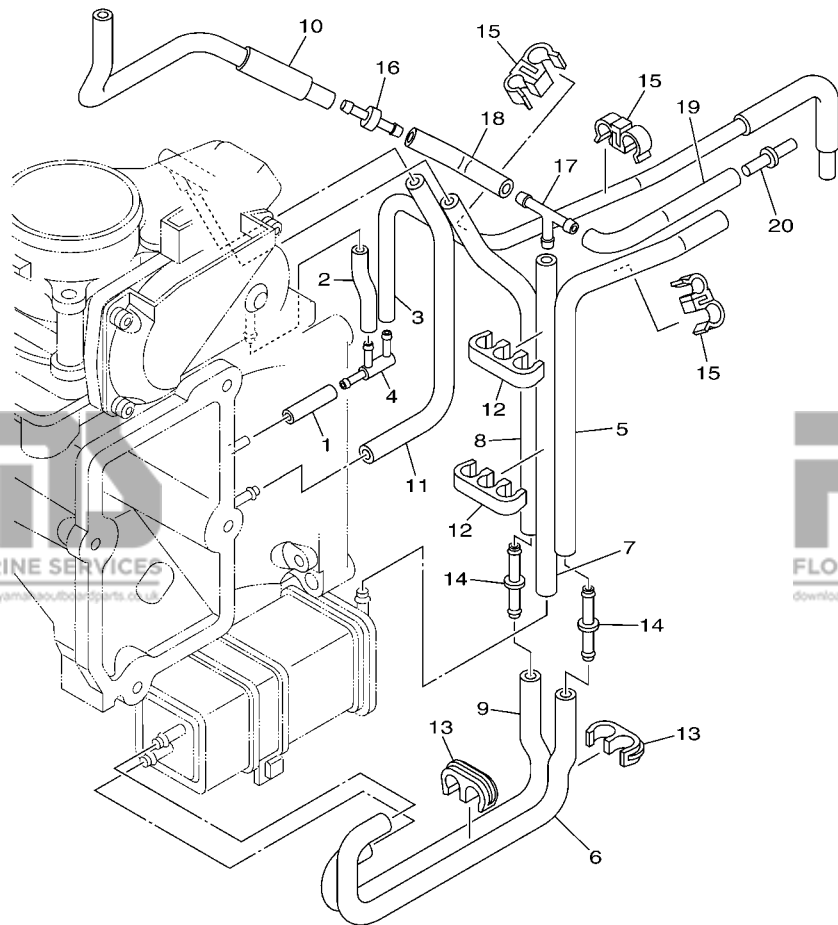
**FIG. 9 THROTTLE BODY ASSY 1**

**CARTER D'ACCELERATEUR 1**

REF. NO.	PART NO. N° PIECES	DESCRIPTION DESCRIPTION	6AL6	6AS5	6AM6	6AT5	REMARKS REMARQUES
1	6P2-13750-00	THROTTLE BODY ASSY CARTER D'ACCELERATEUR COMPLET	1	1	1	1	
2	6P2-13751-00	BODY, THROTTLE 1 CARTER 1	1	1	1	1	
3	6P2-13711-00	MIXING BODY CHAMBRE DE MELANGE	1	1	1	1	
4	6P2-13556-00	GASKET, MANIFOLD JOINT, TUBULURE	1	1	1	1	
5	6P2-13557-00	GASKET JOINT	1	1	1	1	
6	6P2-14360-00	THROTTLE DAMPER ASSY AMORISSEUR D'ACCELERATEUR	1	1	1	1	
7	6P2-13588-00	NUT ECROU	4	4	4	4	
8	6P2-13578-00	WASHER RONDELLE	2	2	2	2	
9	6P2-14496-00	BOLT BOULON	4	4	4	4	
10	6P2-82380-00	SENSOR, PRESSURE SONDE DE PRESSION	1	1	1	1	
11	6P2-13573-00	BOLT 1 BOULON 1	1	1	1	1	
12	6P2-14255-00	PLATE PLAQUE	1	1	1	1	
13	6P2-14159-00	CLIP JONC	1	1	1	1	
14	6P2-2134X-00	BRACKET, CANISTER SUPPORT	1	1	1	1	
15	6P2-2419A-00	HOLDER SUPPORT	1	1	1	1	
16	90119-06M59	BOLT, WITH WASHER BOULON, AVEC RONDELLE	2	2	2	2	
17	90480-10M23	GROMMET PASSE-FIL	2	2	2	2	
18	90387-06M60	COLLAR COLLERETTE	2	2	2	2	
19	6P2-24170-00	CANISTER ASSY BANDE, RASERVOIR A ESSENCE	1	1	1	1	
20	6C5-86120-00	SOLENOID VALVE ASSY SOLENOIDE	1	1	1	1	
21	6P2-13574-00	BOLT 2 BOULON 2	1	1	1	1	
22	69J-14164-00	NUT, HOLDING ECROU, FIXATION	1	1	1	1	
23	6P2-8258A-00	EXTENSION, WIRE HARNESS EXTENSION, FAISCEAU DE FILS	1	1	1	1	
24	68V-14356-00	WASHER, SPRING RONDELLE	1	1	1	1	
25	68V-2481H-00	CLAMP BRIDE	1	1	1	1	

**FIG. 10 THROTTLE BODY ASSY 2**

**CARTER D'ACCELERATEUR 2**

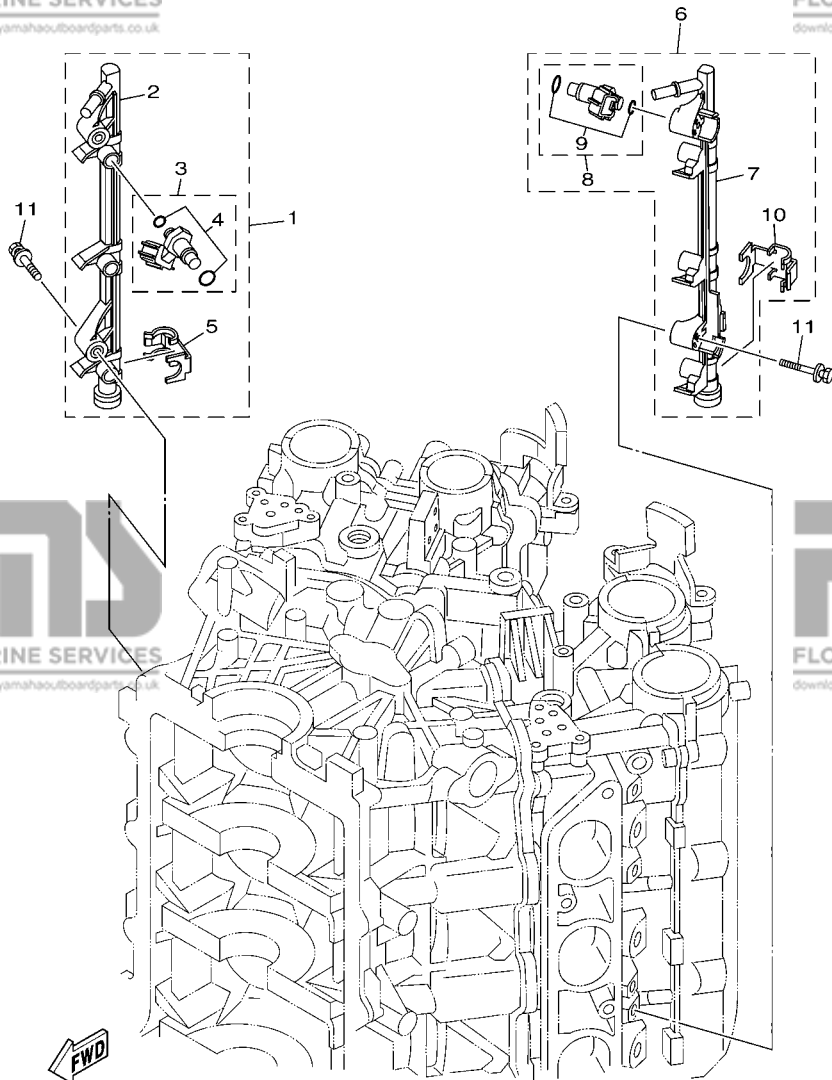


6P21110-D100

REF. NO.	PART NO. N° PIECES	DESCRIPTION DESCRIPTION	6AL6	6AS5	6AM6	6AT5	REMARKS REMARQUES
1	6P2-14349-00	PIPE DURITE	1	1	1	1	
2	6P2-13533-00	HOSE, VACUUM SENSING 4 DURITE 4	1	1	1	1	
3	6P2-13532-00	HOSE, VACUUM SENSING 3 DURITE 3	1	1	1	1	
4	6P2-13595-00	JOINT RACCORD	1	1	1	1	
5	6P2-1475A-00	PIPE 1 DURITE 1	1	1	1	1	
6	6P2-1475E-00	PIPE 2 DURITE	1	1	1	1	
7	6P2-13545-00	HOSE 1 DURITE 1	1	1	1	1	
8	6P2-1475F-00	PIPE 3 DURITE 3	1	1	1	1	
9	6P2-1475G-00	PIPE 4 DURITE 4	1	1	1	1	
10	6P2-13546-00	HOSE 2 DURITE 2	1	1	1	1	
11	6P2-2416A-00	HOSE DURITE	1	1	1	1	
12	6P2-24135-00	CLAMP 1 COLLIER 1	2	2	2	2	
13	6P2-24136-00	CLAMP 2 COLLIER 2	2	2	2	2	
14	6P2-13758-00	PIPE, JOINT DURITE	2	2	2	2	
15	6P2-24137-00	CLAMP 3 COLLIER 3	3	3	3	3	
16	6E5-21744-00	BREATHER RENIFLARD	1	1	1	1	
17	688-24378-00	PIPE, JOINT 3 DURITE RACCORDEMENT 3	1	1	1	1	
18	6P2-13547-00	HOSE 3 DURITE 3	1	1	1	1	
19	6P2-13548-00	HOSE, AIR 4 DURITE, A AIR 4	1	1	1	1	
20	6P2-24376-00	PIPE, JOINT 1 DURITE 1, RACCORDEMENT	1	1	1	1	

**FIG. 11 THROTTLE BODY ASSY 3**

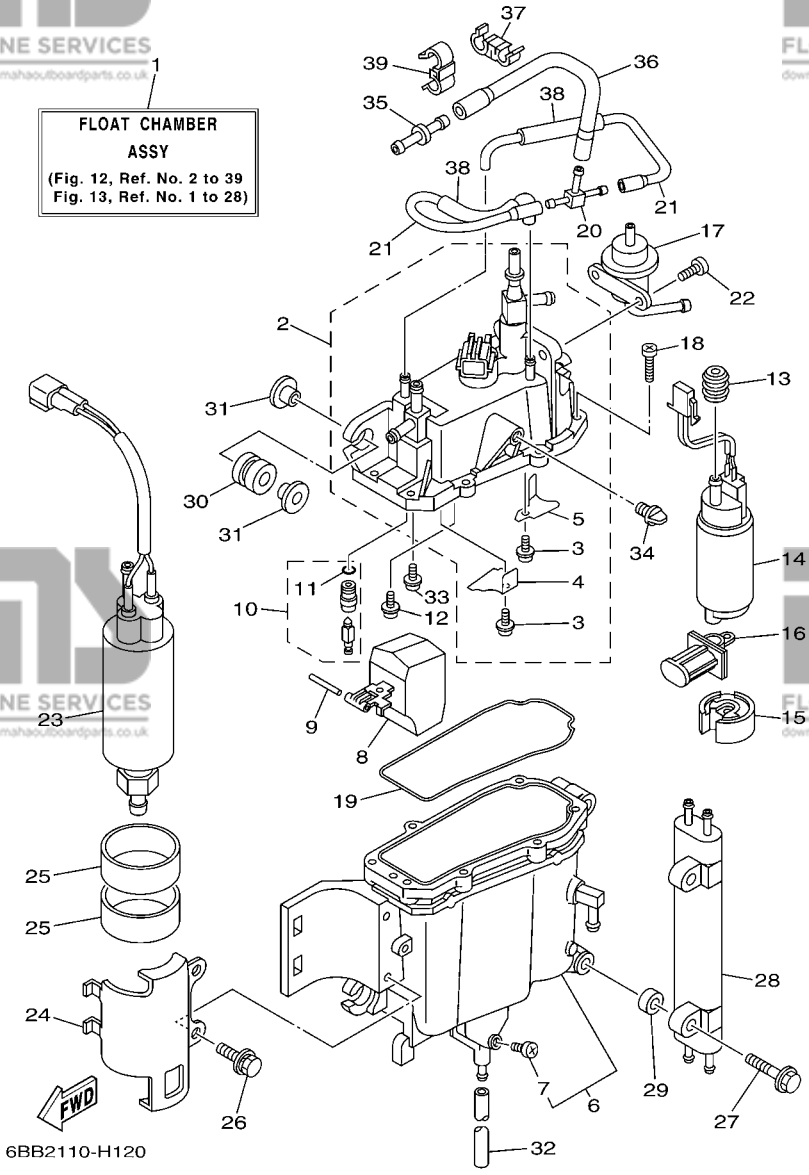
**CARTER D'ACCELERATEUR 3**



6P23100-F110

REF. NO.	PART NO. N° PIECES	DESCRIPTION DESCRIPTION	6AL6	6AS5	6AM6	6AT5	REMARKS REMARQUES
1	6P2-13160-10	DELIVERY PIPE ASSY 1 ENS. TUBE DE REFOULEMENT 1	1	1	1	1	
2	6P2-13161-00	.PIPE, DELIVERY 1 .DURITE REFOULEMENT 1	1	1	1	1	
3	6P2-13761-10	.INJECTOR .INJECTEUR	3	3	3	3	
4	6C5-1410B-00	..PACKING KIT ..POCHETTE DE JOINTS	1	1	1	1	
5	6P2-13577-00	.CLIP .AGRAFE	3	3	3	3	
6	6P2-13170-10	DELIVERY PIPE ASSY 2 ENS. TUBE DE REFOULEMENT 2	1	1	1	1	
7	6P2-13171-00	.PIPE, DELIVERY 2 .DURITE REFOULEMENT	1	1	1	1	
8	6P2-13761-10	.INJECTOR .INJECTEUR	3	3	3	3	
9	6C5-1410B-00	..PACKING KIT ..POCHETTE DE JOINTS	1	1	1	1	
10	6P2-13577-00	.CLIP .AGRAFE	3	3	3	3	
11	90119-06122	BOLT, WITH WASHER BOULON, AVEC RONDELLE	4	4	4	4	

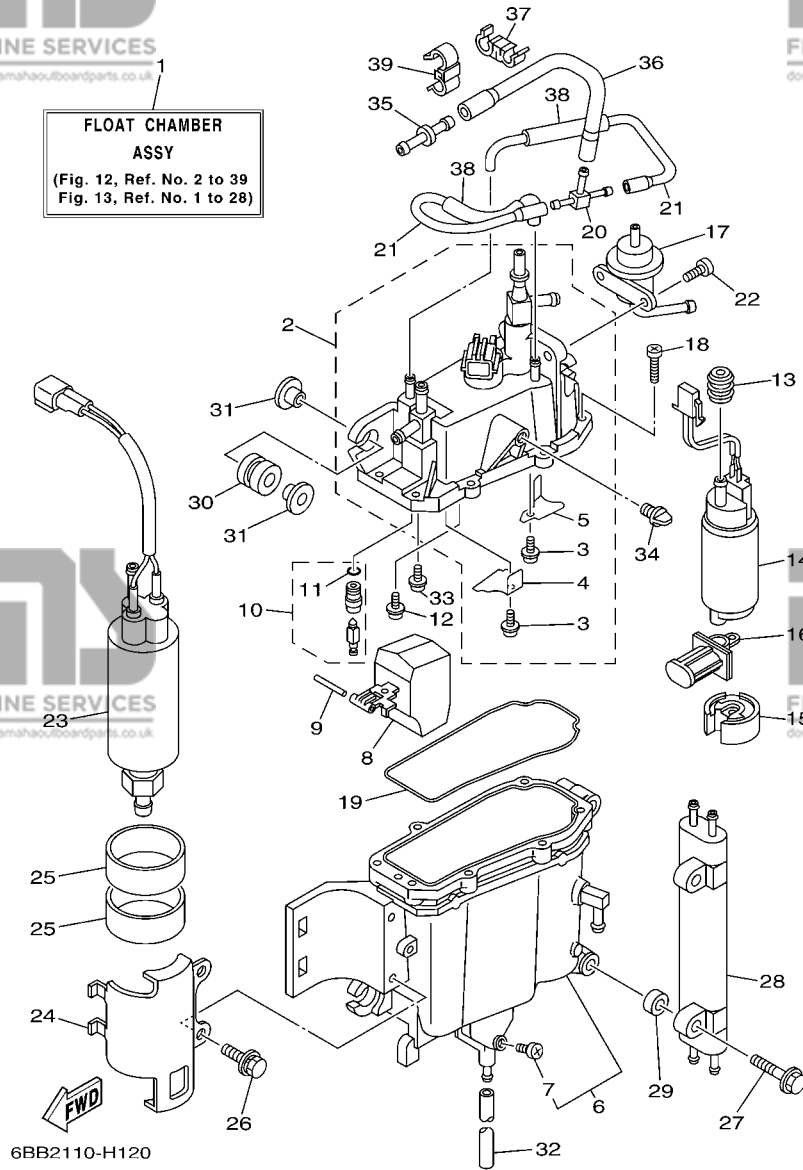
**FLOAT CHAMBER ASSY**  
(Fig. 12, Ref. No. 2 to 39)  
(Fig. 13, Ref. No. 1 to 28)



**FIG. 12 FUEL INJECTION PUMP 1 POMPE A INJECTEUR 1**

REF. NO.	PART NO. N° PIECES	DESCRIPTION DESCRIPTION	6AL6	6AS5	6AM6	6AT5	REMARKS REMARQUES
1	6P2-14180-04	FLOAT CHAMBER ASSY CUVE DE FLOTTEUR	1	1	1	1	
2	6P2-14182-00	COVER, FLOAT CHAMBER COUVERCLE, CUVE DE FLOTTEUR	1	1	1	1	
3	4SV-24453-00	.SCREW .VIS	2	2	2	2	
4	6P2-2411T-00	.PLATE 2 .PLAQUE 2	1	1	1	1	
5	63P-2411R-00	.PLATE 1 .PLAQUE 1	1	1	1	1	
6	6P2-14181-00	BODY, FLOAT CHAMBER 1 CORPS, CUVE DE FLOTTEUR 1	1	1	1	1	
7	6P2-14191-00	.PLUG, DRAIN .PLOT, VIDANGE	1	1	1	1	
8	6P2-14985-00	FLOAT FLOTTEUR	1	1	1	1	
9	6P2-14386-00	PIN, FLOAT AXE, FLOTTEUR	1	1	1	1	
10	6P2-14546-00	VALVE, NEEDLE POINTEAU	1	1	1	1	
11	6P2-13769-00	.O-RING .JOINT TORIQUE	1	1	1	1	
12	4SV-24453-00	SCREW VIS	1	1	1	1	
13	68V-13781-10	DAMPER, PUMP AMORTISSEUR, POMPE	1	1	1	1	
14	6P2-13907-00	FUEL PUMP COMP. POMPE A CARBURANT COMP.	1	1	1	1	
15	63P-13784-00	COVER, PUMP COUVERCLE, POMPE	1	1	1	1	
16	63P-13915-00	FILTER FILTRE	1	1	1	1	
17	6P2-13906-00	REGULATOR, PRESSURE REGULATEUR DE PRESSION	1	1	1	1	
18	63P-14567-00	SCREW VIS	7	7	7	7	
19	6P2-14984-00	GASKET, FLOAT CHAMBER JOINT, CUVE DE FLOTTEUR	1	1	1	1	
20	69J-24379-00	PIPE, JOINT 4 DURITE RACCORDEMENT 4	1	1	1	1	
21	63P-14148-00	PIPE DURITE	2	2	2	2	
22	68V-14564-00	SCREW VIS	2	2	2	2	
23	69J-24410-02	FUEL PUMP ASSY POMPE A ESSENCE	1	1	1	1	
24	6P2-24491-00	BRACKET, FUEL PUMP SUPPORT, POMPE A ESSENCE	1	1	1	1	
25	69J-24492-00	BUSH, FUEL PUMP BAGUE	2	2	2	2	
26	6P2-24592-00	BOLT BOLTE	2	2	2	2	
27	6P2-14446-00	BOLT BOULON	2	2	2	2	

**FLOAT CHAMBER  
ASSY**  
(Fig. 12, Ref. No. 2 to 39  
Fig. 13, Ref. No. 1 to 28)



**FIG. 12 FUEL INJECTION PUMP 1**

**POMPE A INJECTEUR 1**

REF. NO.	PART NO. N° PIECES	DESCRIPTION DESCRIPTION	6AL6	6A55	6AM6	6AT5	REMARKS REMARQUES
28	69J-21841-02	COOLER RADIATEUR	1	1	1	1	
29	68V-14265-00	COLLAR COLLERETTE	2	2	2	2	
30	69J-13593-00	DAMPER AMORTISSEUR	4	4	4	4	
31	69J-13716-00	COLLAR COLLERETTE	8	8	8	8	
32	6P2-14149-00	PIPE DURITE	1	1	1	1	
33	98507-04008	SCREW, PAN HEAD VIS, TETE TRONCONIQUE	1	1	1	1	
34	69J-14225-01	CAP COUVERCLE	1	1	1	1	
35	6P2-1410F-00	NIPPLE 1 RACCORD 1	1	1	1	1	
36	6P2-14197-00	PIPE DURITE	1	1	1	1	
37	6P2-2417J-00	CLAMP 2 COLLIER 2	1	1	1	1	
38	6P2-24321-00	PIPE 10 DURITE 10	2	2	2	2	
39	6P2-2417K-00	CLAMP 3 COLLIER 3	1	1	1	1	
-----							
-----							
-----							
-----							

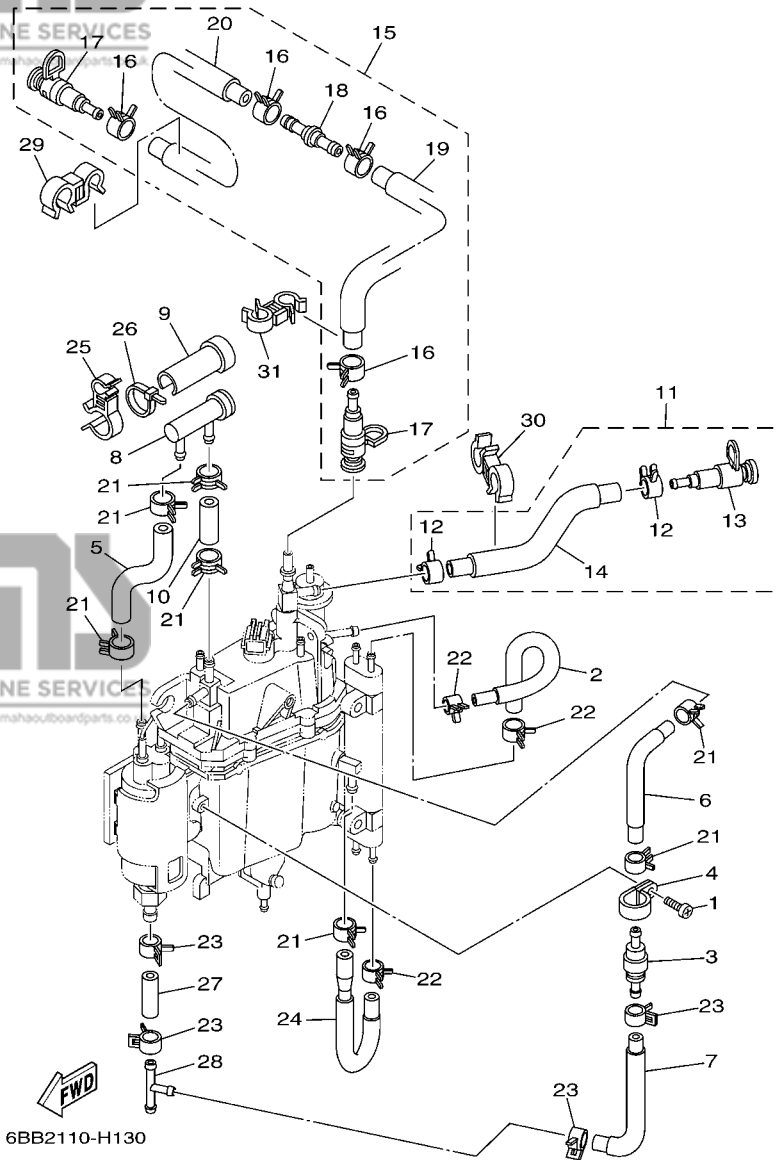
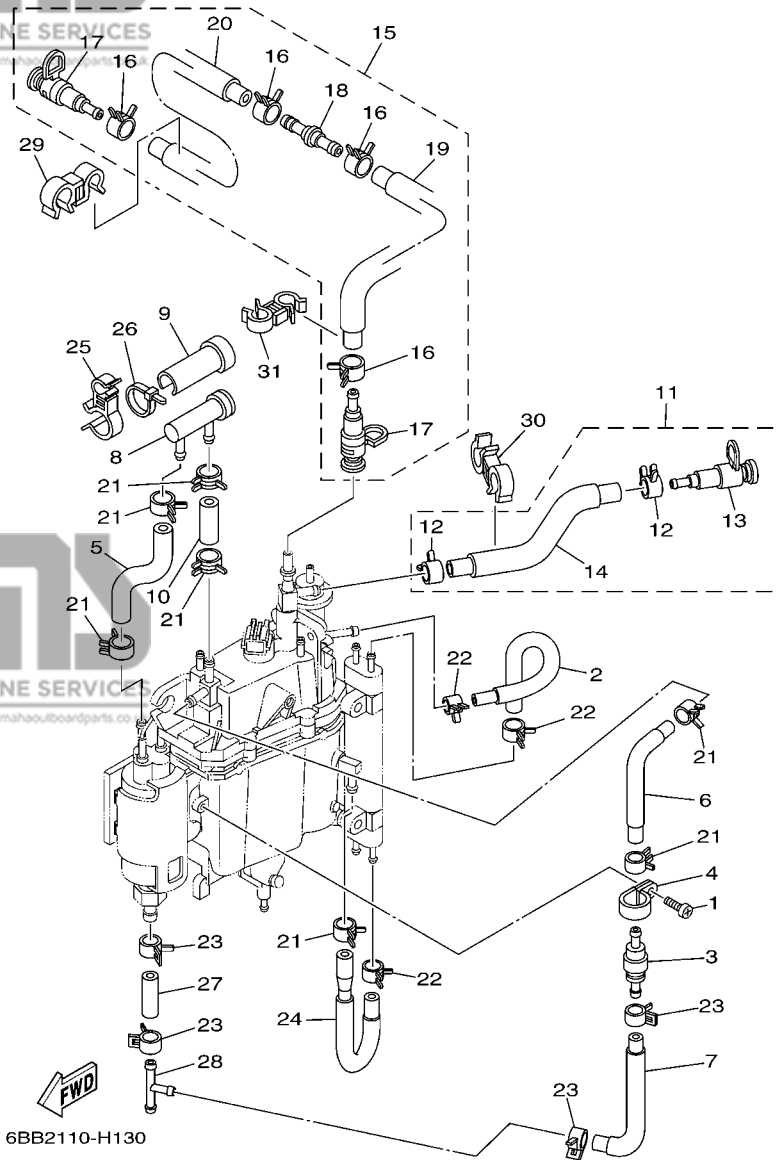


FIG. 13 FUEL INJECTION PUMP 2

POMPE A INJECTEUR 2

REF. NO.	PART NO. N° PIECES	DESCRIPTION DESCRIPTION	6AL6	6AS5	6AM6	6AT5	REMARKS REMARQUES
1	98580-05008	SCREW, PAN HEAD VIS	1	1	1	1	
2	6P2-13976-00	PIPE, FUEL 6 TUBE 6, CARBURANT	1	1	1	1	
3	69J-24460-00	RELIEF VALVE ASSY SOUPAPE DE SECURITE COMPLET	1	1	1	1	
4	6P2-24367-00	CLAMP, FUEL PIPE 2 COLLIER DE DURITE A ESSENCE	1	1	1	1	
5	6P2-24324-00	PIPE 13 DURITE 13	1	1	1	1	
6	6P2-24322-00	PIPE 11 DURITE 11	1	1	1	1	
7	6P2-24323-00	PIPE 12 DURITE 12	1	1	1	1	
8	69J-24501-10	FILTER, FUEL FILTRE	1	1	1	1	
9	69J-24599-10	CAP CAPUCHON	1	1	1	1	
10	69J-24325-00	PIPE 14 DURITE 14	1	1	1	1	
11	6P2-1257A-10	HOSE ASSY 1 ENS. MANGUERA 1	1	1	1	1	
12	68V-13577-00	.CLIP .AGRAFE	2	2	2	2	
13	60E-24300-01	.FUEL PIPE JOINT .DURITE RACCORDEMT. A ESSENCE	1	1	1	1	
14	6P2-13974-10	.PIPE, FUEL 4 .TUBE 4, CARBURANT	1	1	1	1	
15	6P2-1257E-10	HOSE ASSY 2 ENS. MANGUERA 2	1	1	1	1	
16	68V-13577-00	.CLIP .AGRAFE	4	4	4	4	
17	60E-24300-01	.FUEL PIPE JOINT .DURITE RACCORDEMT. A ESSENCE	2	2	2	2	
18	6P2-24461-10	.PIPE, JOINT .DURITE, RACCORDEMENT	1	1	1	1	
19	6P2-13973-10	.PIPE, FUEL 3 .TUBE 3, CARBURANT	1	1	1	1	
20	6P2-13972-10	.PIPE, FUEL 2 .TUBE 2, CARBURANT	1	1	1	1	
21	68V-13577-00	CLIP AGRAFE	7	7	7	7	
22	68V-24519-00	CLIP JONC	3	3	3	3	
23	69J-14137-00	CLIP JONC	4	4	4	4	
24	6P2-24315-00	PIPE 5 DURITE 5	1	1	1	1	
25	6P2-2417H-00	CLAMP 1 COLLIER 1	1	1	1	1	
26	68V-2481H-00	CLAMP BRIDE	1	1	1	1	
27	6P2-24317-00	PIPE 7 DURITE 7	1	1	1	1	





6BB2110-H130

FIG. 13 FUEL INJECTION PUMP 2

POMPE A INJECTEUR 2

REF. NO.	PART NO. N° PIECES	DESCRIPTION DESCRIPTION	6AL6	6AS5	6AM6	6AT5	REMARKS REMARQUES
28	6E5-24378-00	PIPE, JOINT 3 DURITE, RACCORDEMENT 3	1	1	1	1	
29	90464-12010	CLAMP BRIDE	1	1	1	1	
30	90464-18005	CLAMP BRIDE	1	1	1	1	
31	90464-12009	CLAMP BRIDE	1	1	1	1	

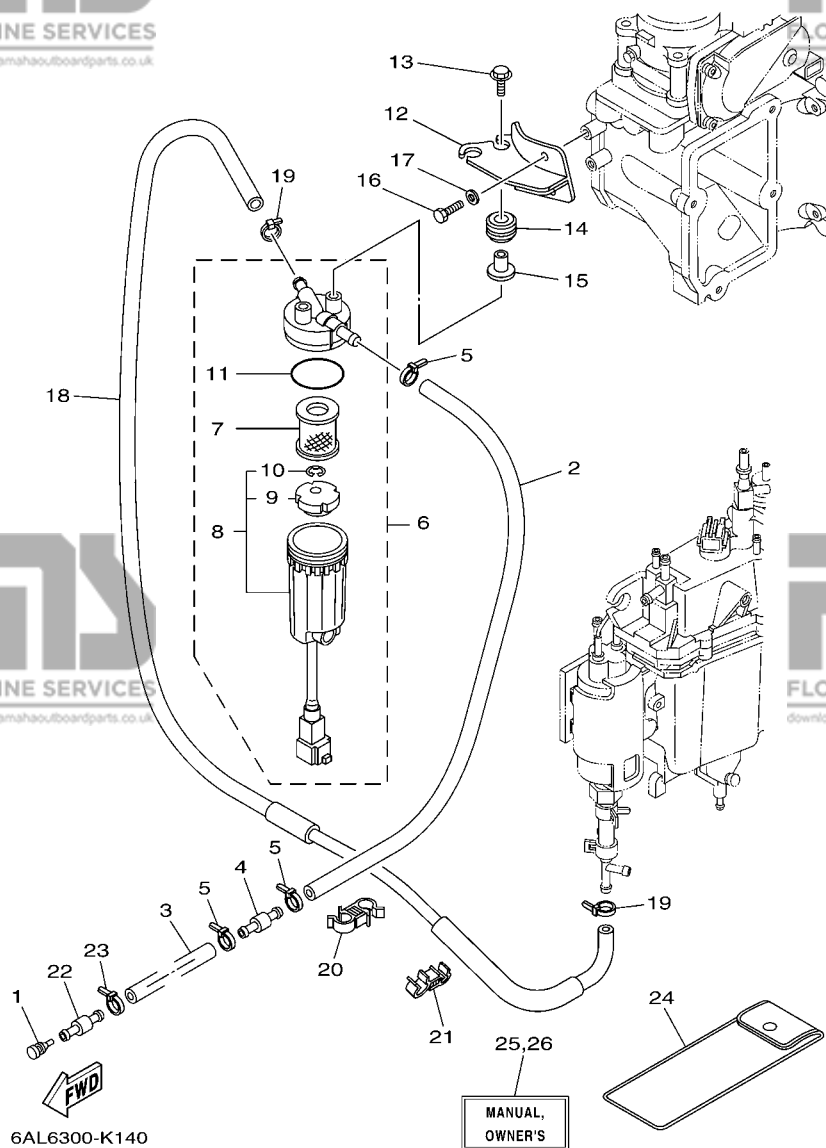
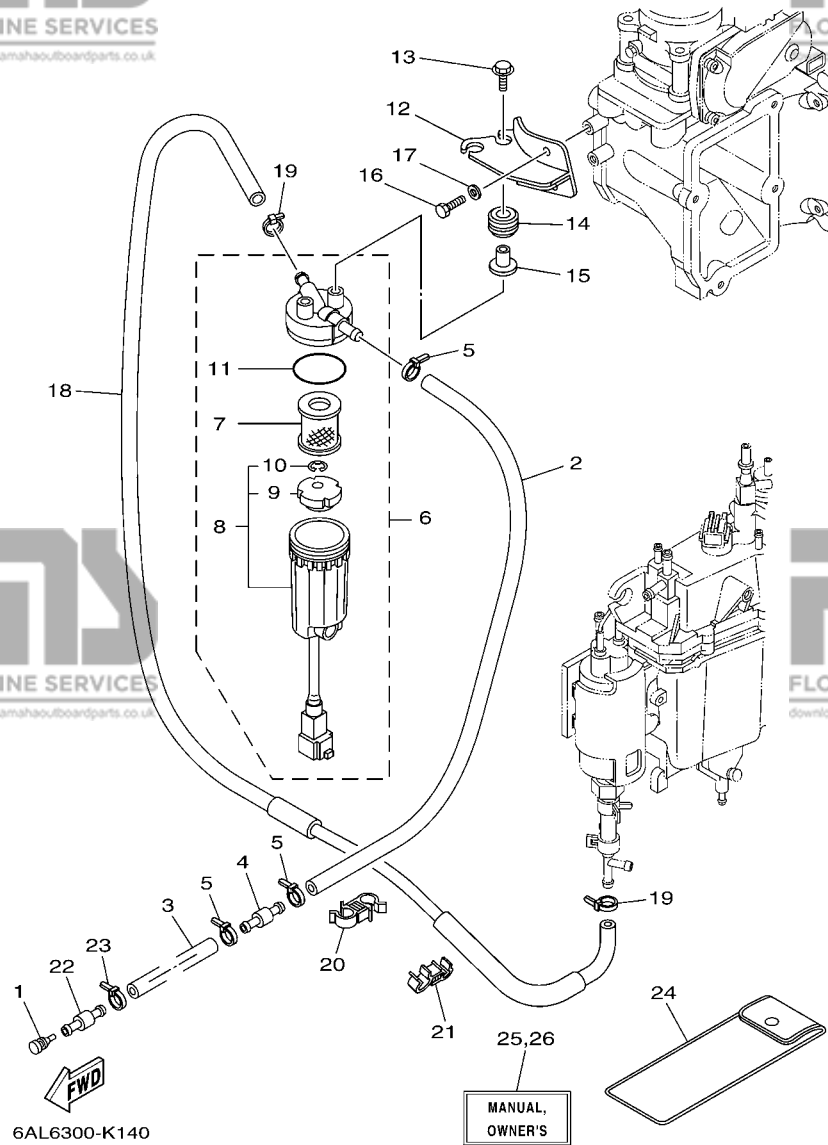


FIG. 14 FUEL 1

CARBURANT 1

REF. NO.	PART NO. N° PIECES	DESCRIPTION DESCRIPTION	6AL6	6AS5	6AM6	6AT5	REMARKS REMARQUES
1	689-85547-00	DAMPER AMORTISSEUR	1	1	1	1	
2	6P2-24314-00	PIPE 4 DURITE 4	1	1	1	1	
3	90445-13511	HOSE (L2000) DURITE (L2000)	1	1	1	1	
4	6R3-24377-10	PIPE, JOINT 2 DURITE RACCORDEMENT 2	1	1	1	1	
5	90465-11M10	CLAMP BRIDE	3	3	3	3	
6	6P3-24560-01	FILTER ASSY ENS FILTRE	1	1	1	1	
7	6P3-24563-00	.ELEMENT, FILTER .ELEMENT, FILTRE	1	1	1	1	
8	6P3-24562-02	.CUP, FILTER .CUVETTE, FILTRE	1	1	1	1	
9	6P3-24469-00	..FLOAT, WATER LEVEL ..FLOTTEUR	1	1	1	1	
10	6P3-24519-00	..CLIP ..JONC	1	1	1	1	
11	6P3-24564-00	.GASKET .JOINT	1	1	1	1	
12	6P2-24566-11	BRACKET, FILTER SUPPORT, FILTRE	1	1	1	1	
13	90119-06M17	BOLT, WITH WASHER BOULON, AVEC RONDELLE	2	2	2	2	
14	90480-14018	GROMMET PASSE-FIL	2	2	2	2	
15	90387-06M60	COLLAR COLLERETTE	2	2	2	2	
16	97095-06014	BOLT BOULON	2	2	2	2	
17	92995-06600	WASHER RONDELLE	2	2	2	2	
18	6P2-24313-10	PIPE 3 DURITE 3	1	1	1	1	
19	90465-11M10	CLAMP BRIDE	2	2	2	2	
20	90464-12009	CLAMP BRIDE	1	1	1	1	
21	90464-12010	CLAMP BRIDE	1	1	1	1	
22	6R3-24377-00	PIPE, JOINT 2 DURITE RACCORDEMENT 2	1	1	1	1	
23	90465-11M10	CLAMP BRIDE	1	1	1	1	
24	69J-28100-01	TOOL KIT TROUSSE A OUTILS	1	1	1	1	AP AP
25	6AL-28199-76-E0	MANUAL, OWNER'S MANUEL D'UTILISATION	1	1	1	1	UR (E) UR (E)
26	6AL-28199-76-F0	MANUAL, OWNER'S MANUEL D'UTILISATION	1	1	1	1	UR (F) UR (F)
27	6AL-28199-76-S0	MANUAL, OWNER'S MANUEL D'UTILISATION	1	1	1	1	UR (ES) UR (ES)



**FIG. 14 FUEL 1**

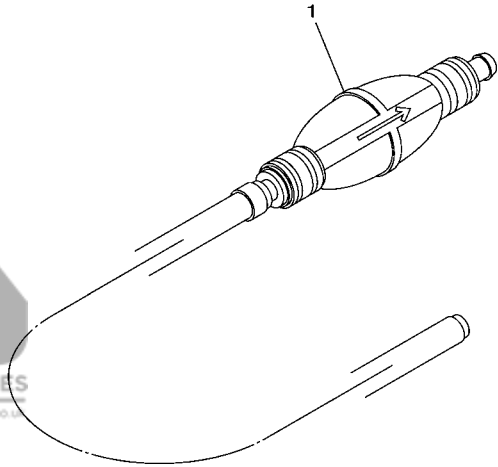
**CARBURANT 1**

REF. NO.	PART NO. N° PIECES	DESCRIPTION DESCRIPTION	6AL6	6AS5	6AM6	6AT5	REMARKS REMARQUES
25	6AL-28199-76-G0	MANUAL,OWNER'S MANUEL D'UTILISATION	1	1	1	1	UR (D) UR (D)
	6AL-28199-76-D0	MANUAL,OWNER'S MANUEL D'UTILISATION	1	1	1	1	UR (NL) UR (NL)
	6AL-28199-76-H0	MANUAL,OWNER'S MANUEL D'UTILISATION	1	1	1	1	UR (I) UR (I)
26	6AL-28199-86-K0	MANUAL,OWNER'S MANUEL D'UTILISATION	1	1	1	1	UR (DK) UR (DK)
	6AL-28199-86-R0	MANUAL,OWNER'S MANUEL D'UTILISATION	1	1	1	1	UR (GR) UR (GR)
	6AL-28199-86-P0	MANUAL,OWNER'S MANUEL D'UTILISATION	1	1	1	1	UR (P) UR (P)
	6AL-28199-86-N0	MANUAL,OWNER'S MANUEL D'UTILISATION	1	1	1	1	UR (N) UR (N)
	6AL-28199-86-M0	MANUAL,OWNER'S MANUEL D'UTILISATION	1	1	1	1	UR (S) UR (S)
	6AL-28199-86-L0	MANUAL,OWNER'S MANUEL D'UTILISATION	1	1	1	1	UR (SF) UR (SF)

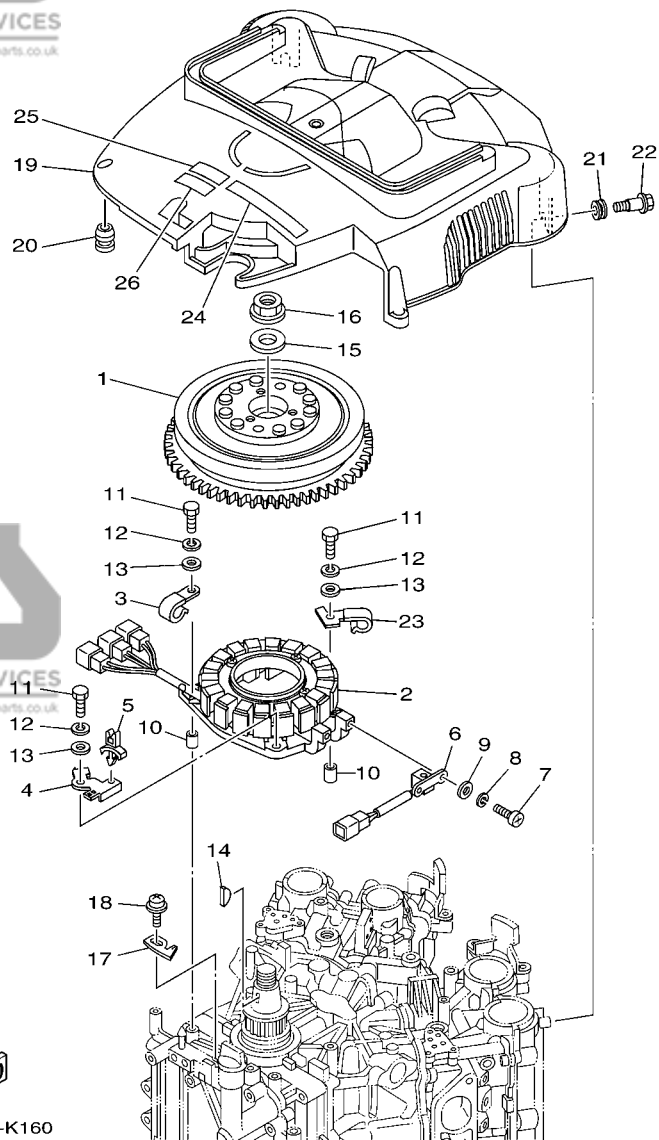
**FIG. 15 FUEL 2**

**CARBURANT 2**

REF. NO.	PART NO. N° PIECES	DESCRIPTION DESCRIPTION	6AL6	6A55	6AM6	6AT5	REMARKS REMARQUES
1	6YK-24307-42	FUEL PIPE COMP. 2 DURITE A ESSENCE 2	1	1	1	1	AP AP



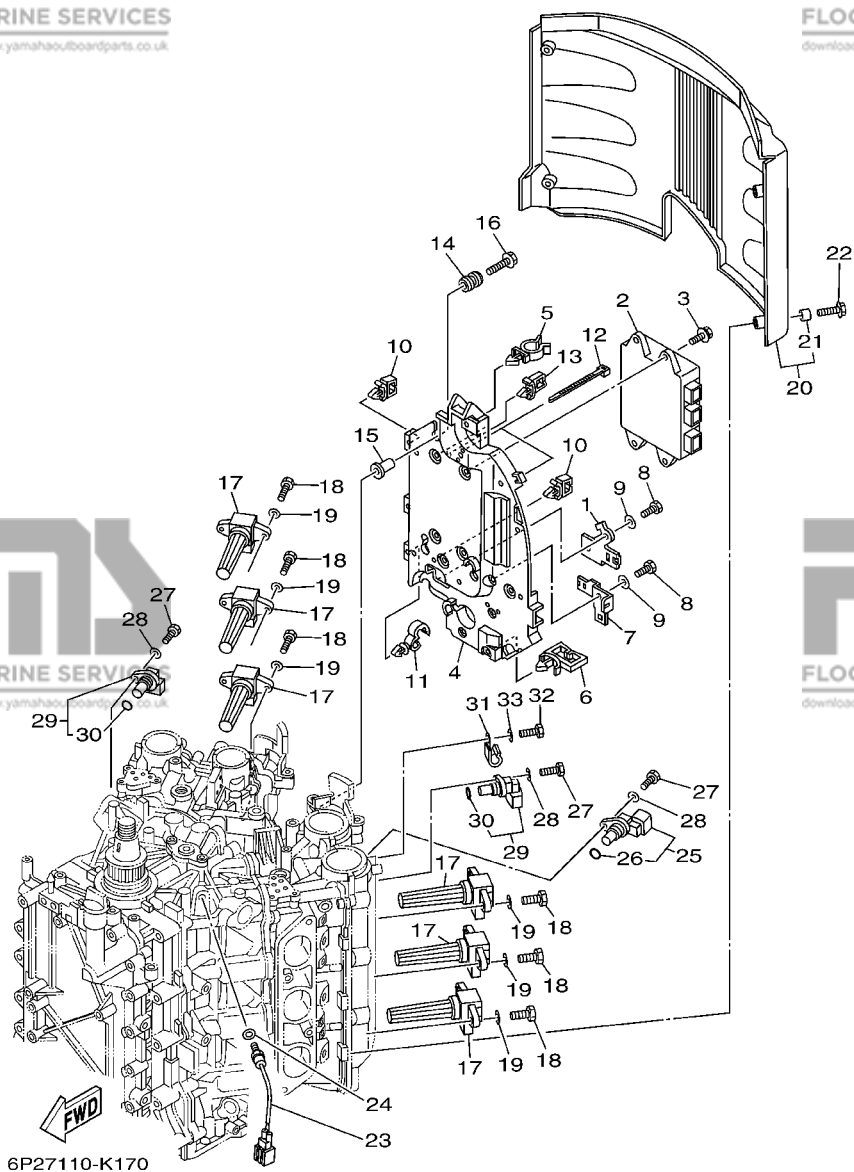
69J2300-3140



**FIG. 16 GENERATOR**

**GENERATRICE**

REF. NO.	PART NO. N° PIECES	DESCRIPTION DESCRIPTION	6AL6	6AS5	6AM6	6AT5	REMARKS REMARQUES
1	6P2-81450-00	ROTOR ASSY ROTOR COMPLET	1	1	1	1	
2	6P2-81460-00	BASE ASSY ENS. FLASQUE	1	1	1	1	
3	90462-08032	CLAMP BRIDE	1	1	1	1	
4	6P2-8257V-00	PLATE, CONNECTOR PLAQUE, CONNECTEUR	1	1	1	1	
5	90464-06001	CLAMP BRIDE	1	1	1	1	
6	6P2-85580-00	COIL, PULSER BOBINE, PULSEUR	1	1	1	1	
7	97880-05012	SCREW, PAN HEAD VIS, TETE TRONCONIQUE	2	2	2	2	
8	92990-05100	WASHER, SPRING RONDELLE, GROWER	2	2	2	2	
9	92990-05600	WASHER, PLATE RONDELLE, PLATE	2	2	2	2	
10	99530-08012	PIN, DOWEL GOUJON, D'ASSEMBLAGE	2	2	2	2	
11	97095-06035	BOLT BOULON	4	4	4	4	
12	92995-06100	WASHER, SPRING RONDELLE, GROWER	4	4	4	4	
13	92995-06600	WASHER RONDELLE	4	4	4	4	
14	90280-05015	KEY, WOODRUFF CLAVETTE, DEMI-LUNE	1	1	1	1	
15	90201-24014	WASHER, PLATE RONDELLE, PLATE	1	1	1	1	
16	90179-24002	NUT ECROU	1	1	1	1	
17	6P2-81332-00	PLATE, TIMING PLATEAU, ALLUMAGE	1	1	1	1	
18	97985-06210	SCREW, WITH WASHER VIS, AVEC RONDELLE	1	1	1	1	
19	6P2-81337-00	COVER, FLYWHEEL COUVERCLE, VOLANT	1	1	1	1	
20	663-82317-01	DAMPER, IGNITION COIL AMORTISSEUR, BOBINE D'ALLUM	4	4	4	4	
21	90480-12314	GROMMET PASSE-FIL	2	2	2	2	
22	90109-06MA1	BOLT BOULON	2	2	2	2	
23	6P2-81128-00	CLAMP BRIDE	1	1	1	1	
24	60L-13437-62	MARK, CAUTION MAKER	1	1	1	1	
25	6AH-81994-40	LABEL, SAFETY ETIQUETTE, SECURITE	1	1	1	1	
26	6AH-81994-50	LABEL, SAFETY ETIQUETTE, SECURITE	1	1	1	1	



6P27110-K170

FIG. 17 ELECTRICAL 1

PARTIE ELECTRIQUE 1

REF. NO.	PART NO. N° PIECES	DESCRIPTION DESCRIPTION	6AL6	6AS5	6AM6	6AT5	REMARKS REMARQUES
1	6P2-8257V-00	PLATE, CONNECTOR PLAQUE, CONNECTEUR	1	1	1	1	
2	6AL-8591A-03	ENGINE CONTROL UNIT ASSY BLOC DE CONTROL	1	1			
	6AS-8591A-02	ENGINE CONTROL UNIT ASSY BLOC DE CONTROL			1	1	
3	90119-06M82	BOLT, WITH WASHER BOULON, AVEC RONDELLE	4	4	4	4	
4	6P2-82316-00	BRACKET, IGNITION COIL SUPPORT, BOBINE D'ALLUMAGE	1	1	1	1	
5	90464-19M45	CLAMP BRIDE	1	1	1	1	
6	90464-23199	CLAMP BRIDE	1	1	1	1	
7	6P2-81845-00	PLATE PLAQUE	1	1	1	1	
8	97095-06016	BOLT BOULON	2	2	2	2	
9	92995-06600	WASHER RONDELLE	2	2	2	2	
10	90464-11121	CLAMP BRIDE	4	4	4	4	
11	90464-13249	CLAMP BRIDE	2	2	2	2	
12	90465-14M66	CLAMP BRIDE	2	2	2	2	
13	90464-08004	CLAMP BRIDE	1	1	1	1	
14	6A0-82317-00	DAMPER, IGNITION COIL AMORTISSEUR, BOBINE D'ALLUM	4	4	4	4	
15	90387-06119	COLLAR COLLERETTE	4	4	4	4	
16	90119-06M59	BOLT, WITH WASHER BOULON, AVEC RONDELLE	4	4	4	4	
17	6P2-82310-01	IGNITION COIL ASSY BOBINE D'ALLUMAGE	6	6	6	6	
18	97095-06020	BOLT BOULON	12	12	12	12	
19	92995-06600	WASHER RONDELLE	12	12	12	12	
20	6P2-82314-00	COVER, IGNITION COIL COUVERCLE, BOBINE D'ALLUMAGE	1	1	1	1	
21	90387-06044	.COLLAR .COLLERETTE	4	4	4	4	
22	90119-06M92	BOLT, WITH WASHER BOULON, AVEC RONDELLE	4	4	4	4	
23	61A-85790-00	THERMOSENSOR ASSY SENSITOMETRE	1	1	1	1	
24	92990-10600	WASHER, PLATE RONDELLE, PLATE	1	1	1	1	
25	6P2-85896-00	SENSOR, CAM POSITION SONDE DE CAME	1	1	1	1	
26	6P2-85075-00	.O-RING .JOINT TORIQUE	1	1	1	1	

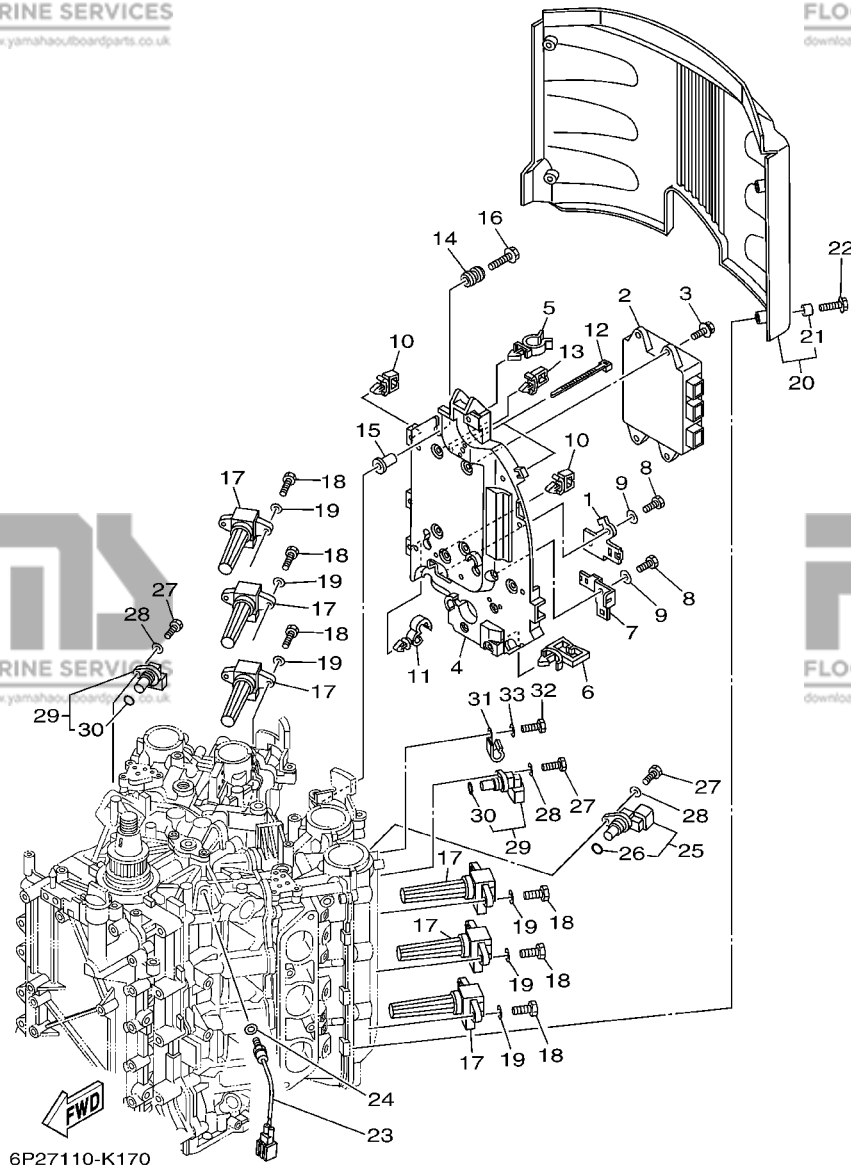
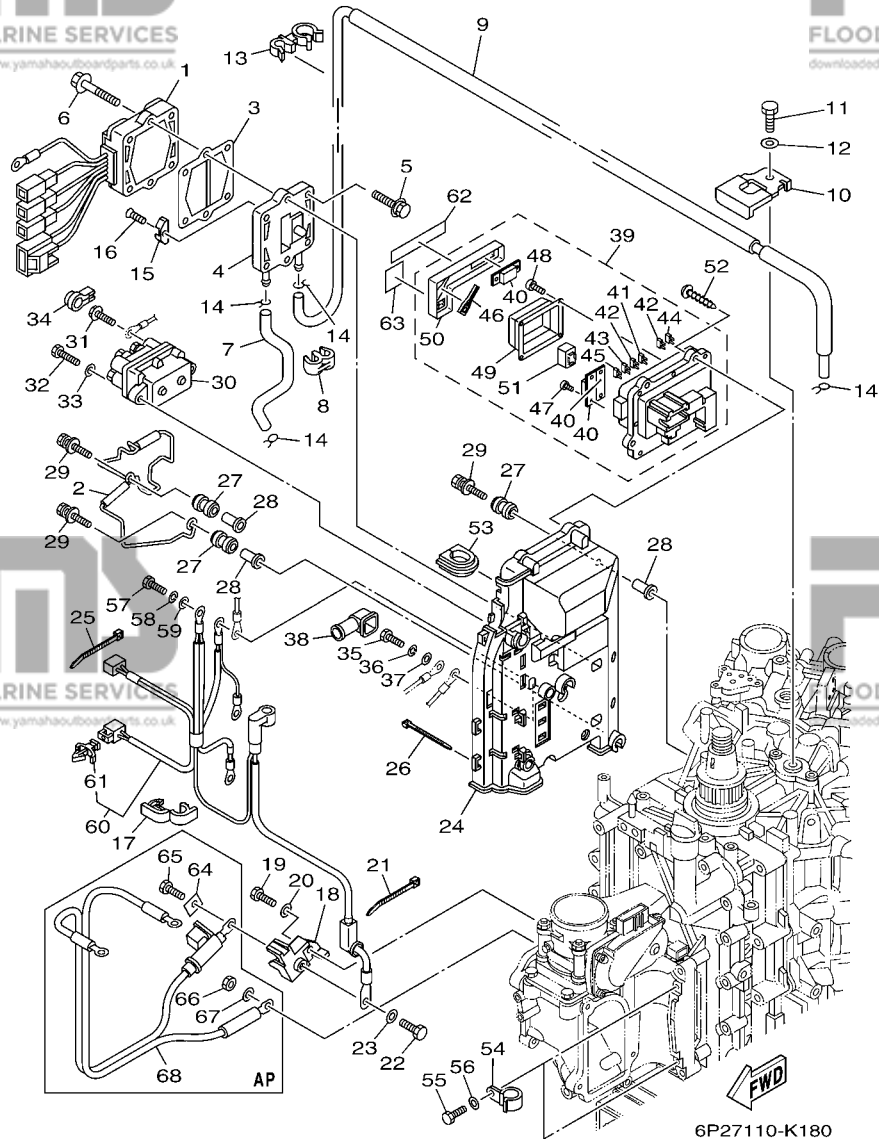


FIG. 17 ELECTRICAL 1

PARTIE ELECTRIQUE 1

REF. NO.	PART NO. N° PIECES	DESCRIPTION DESCRIPTION	6AL6	6AS5	6AM6	6AT5	REMARKS REMARQUES
27	97095-06020	BOLT BOULON	3	3	3	3	
28	92995-06600	WASHER RONDELLE	3	3	3	3	
29	6P2-85897-00	SENSOR, CAM POSITION 2 SONDE DE CAME 2	2	2	2	2	
30	6P2-85075-00	O-RING JOINT TORIQUE	1	1	1	1	
31	90462-08032	CLAMP BRIDE	1	1	1	1	
32	97095-06012	BOLT BOULON	1	1	1	1	
33	92995-06600	WASHER RONDELLE	1	1	1	1	



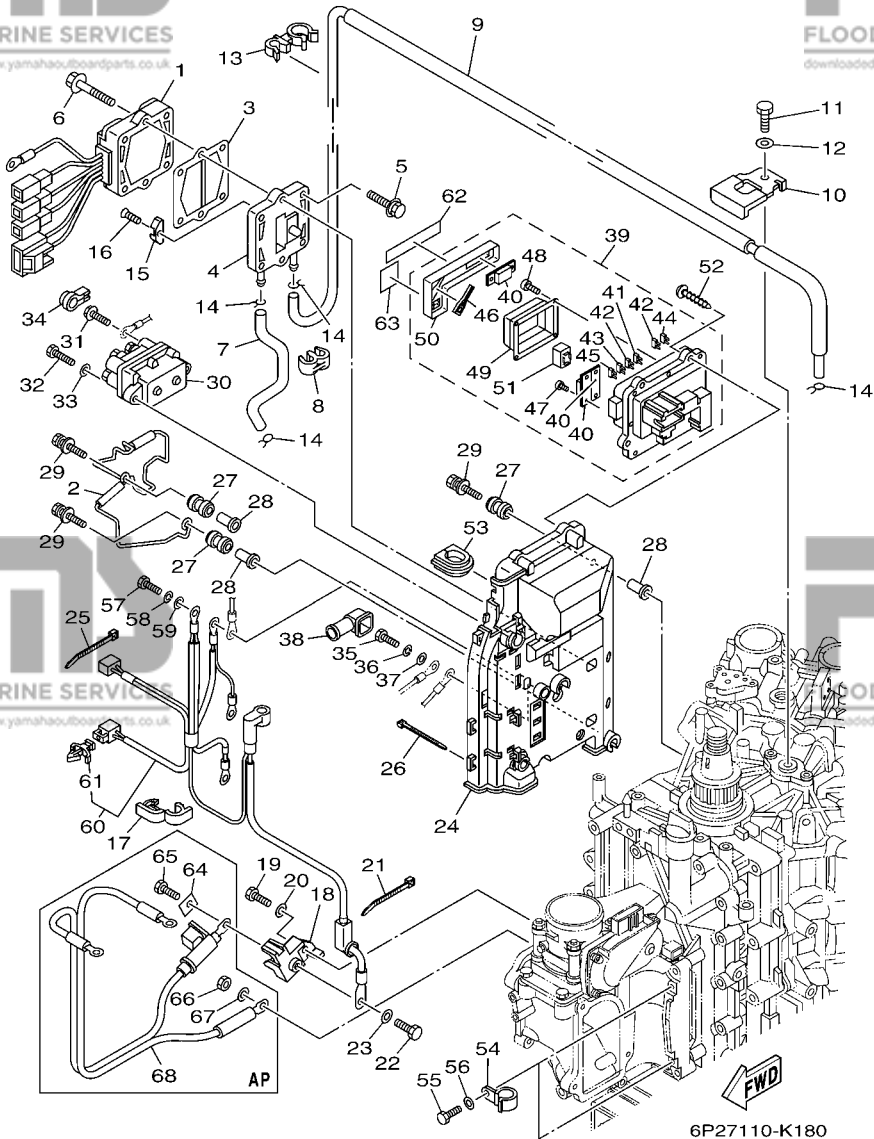
6P27110-K180

FIG. 18 ELECTRICAL 2

PARTIE ELECTRIQUE 2

REF. NO.	PART NO. N° PIECES	DESCRIPTION DESCRIPTION	6AL6	6AS5	6AM6	6AT5	REMARKS REMARQUES
1	6P2-81960-02	RECTIFIER & REGULATOR ASSY REDRESSEUR REGULATEUR CPLT	1	1	1	1	
2	6P2-81614-00	PROTECTOR PROTECTEUR	1	1	1	1	
3	60V-81975-A0	PLATE, RECTIFIER FITTING PLAQUE, FIXATION DU REDRESSEUR	1	1	1	1	
4	6P2-81972-00-9S	COVER, RECTIFIER COUVERCLE, REDRESSEUR	1	1	1	1	
5	90119-06MA3	BOLT, WITH WASHER BOULON, AVEC RONDELLE	4	4	4	4	
6	90119-06MA5	BOLT, WITH WASHER BOULON, AVEC RONDELLE	2	2	2	2	
7	90445-09304	HOSE (L310) DURITE (L310)	1	1	1	1	
8	90464-09M21	CLAMP BRIDE	1	1	1	1	
9	6P2-12481-00	PIPE 1 DURITE 1	1	1	1	1	
10	6P2-12491-00	CLAMP 1 COLLIER 1	1	1	1	1	
11	97095-06012	BOLT BOULON	1	1	1	1	
12	92995-06600	WASHER RONDELLE	1	1	1	1	
13	90464-21002	CLAMP BRIDE	2	2	2	2	
14	90467-08M18	CLIP JONC	4	4	4	4	
15	6E5-11325-00	ANODE ANODE	1	1	1	1	
16	98780-04015	SCREW, FLAT HEAD VIS A TETE FRAISEE	1	1	1	1	
17	90464-18004	CLAMP BRIDE	5	5	5	5	
18	6P2-81925-01	TERMINAL BORNE	1	1	1	1	
19	97095-08020	BOLT BOULON	1	1	1	1	
20	92995-08600	WASHER RONDELLE	1	1	1	1	
21	90465-13M18	CLAMP BRIDE	1	1	1	1	
22	97095-08016	BOLT BOULON	1	1	1	1	
23	92995-08600	WASHER RONDELLE	1	1	1	1	
24	6P2-81948-00	BRACKET SUPPORT	1	1	1	1	
25	90465-13M18	CLAMP BRIDE	6	6	6	6	
26	90465-14M66	CLAMP BRIDE	3	3	3	3	
27	6A0-82317-00	DAMPER, IGNITION COIL AMORTISSEUR, BOBINE D'ALLUM	5	5	5	5	





6P27110-K180

**FIG. 18 ELECTRICAL 2**

**PARTIE ELECTRIQUE 2**

REF. NO.	PART NO. N° PIECES	DESCRIPTION DESCRIPTION	GAL6	BA55	GAM6	GAT5	REMARKS REMARQUES
28	90387-06119	COLLAR COLLERETTE	5	5	5	5	
29	90119-06M95	BOLT, WITH WASHER BOULON, AVEC RONDELLE	5	5	5	5	
30	63P-81950-00	RELAY ASSY RELAIS COMPLET	1	1	1	1	
31	97595-06610	BOLT, WITH WASHER VIS HEXAGONAL AVC RONDELLE	2	2	2	2	
32	97013-06025	BOLT BOULON	2	2	2	2	
33	92903-06600	WASHER, PLATE RONDELLE, PLATE	2	2	2	2	
34	6P2-8183X-00	CAP, TERMINAL COUVERCLE, BORNE	2	2	2	2	
35	97095-06020	BOLT BOULON	1	1	1	1	
36	92995-06100	WASHER, SPRING RONDELLE, GROWER	1	1	1	1	
37	92995-06600	WASHER RONDELLE	1	1	1	1	
38	6P2-82119-00	COVER, LEAD WIRE GARNITURE, FIL	1	1	1	1	
39	6P2-82170-01	FUSE BOX ASSY BOITE A FUSIBLES	1	1	1	1	
40	6P2-82151-00	.FUSE (60A)	3	3	3	3	
41	67F-82151-00	.FUSE (20A)	2	2	2	2	
42	67F-82151-10	.FUSE (30A)	3	3	3	3	
43	67F-82151-20	.FUSE (5A)	2	2	2	2	
44	67F-82151-40	.FUSE (10A)	2	2	2	2	
45	67F-82151-50	.FUSE (15A)	2	2	2	2	
46	67F-2812A-00	.PULLER, FUSE .TENDEUR, FUSIBLE	1	1	1	1	
47	68F-82846-00	.SCREW, PAN HEAD (M5) .VIS, TETE TRONCONIQUE (M5)	4	4	4	4	
48	6P2-82113-00	.SCREW .VIS	4	4	4	4	
49	6P2-81639-00	.RELAY COVER .COUVERCLE	1	1	1	1	
50	6P2-85544-00	.CASE .BOITIER	1	1	1	1	
51	68F-8195A-00	.RELAY ASSY .RELAIS COMPLET	4	4	4	4	
52	97780-50620	SCREW, TAPPING VIS, TETE BOMBEE	4	4	4	4	
53	6P2-81336-00	GROMMET OEILLET CAOUTCHOUC	1	1	1	1	
54	90462-08026	CLAMP BRIDE	2	2	2	2	

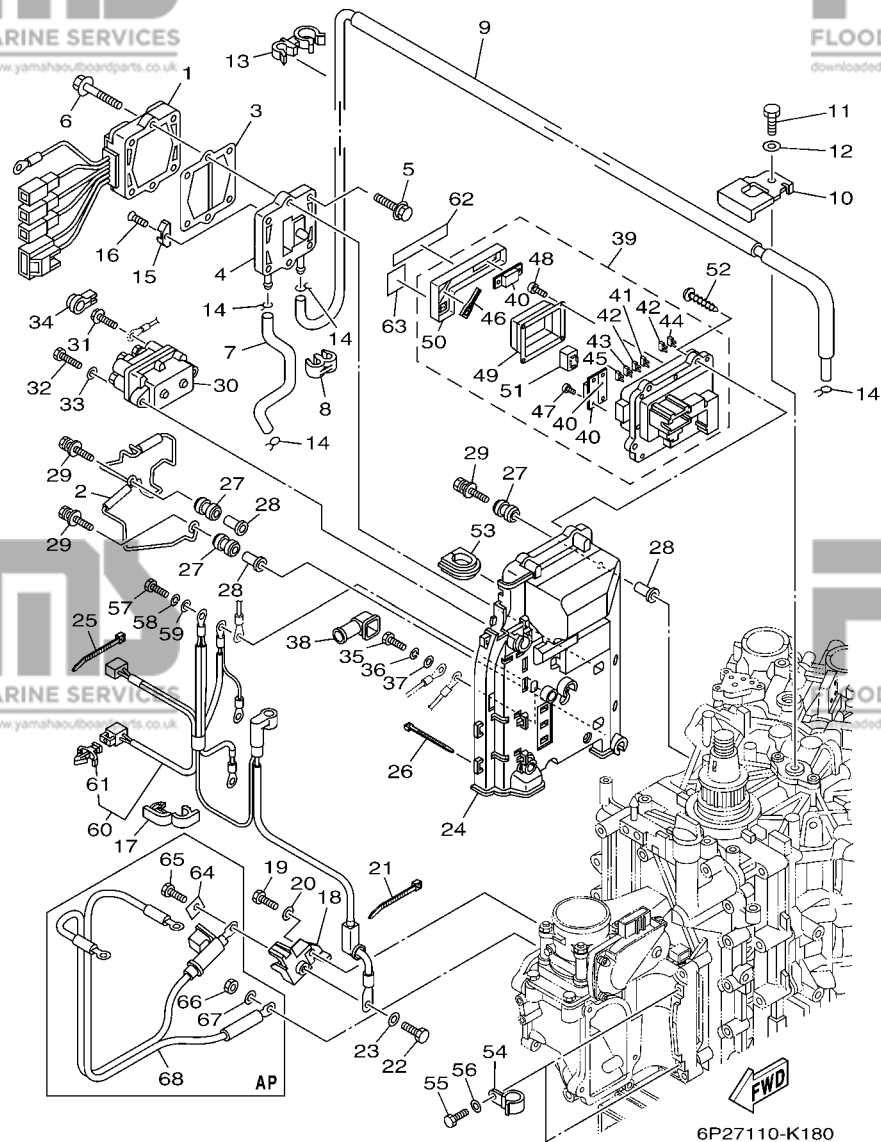


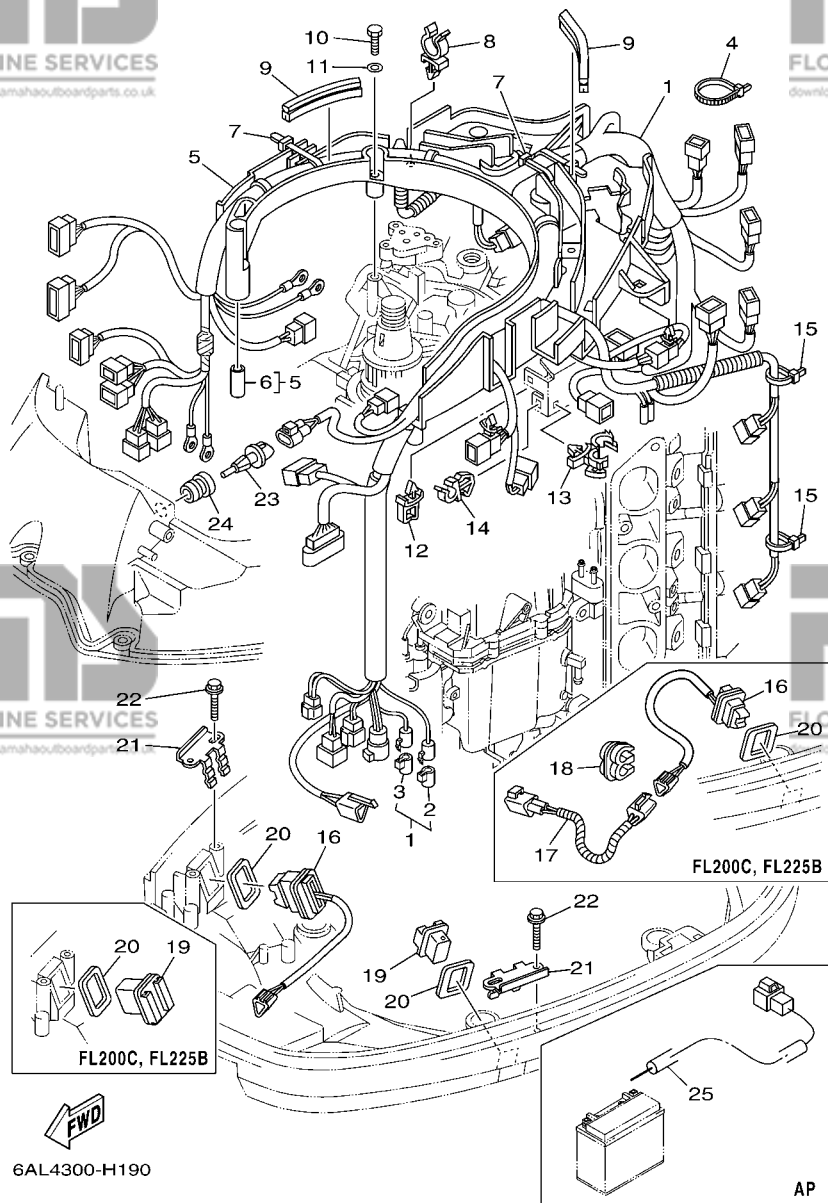
FIG. 18 ELECTRICAL 2

PARTIE ELECTRIQUE 2

REF. NO.	PART NO. N° PIECES	DESCRIPTION DESCRIPTION	6AL6	6A55	6AM6	6AT5	REMARKS REMARQUES
55	97095-06016	BOLT BOULON	2	2	2	2	
56	92995-06600	WASHER RONDELLE	2	2	2	2	
57	97095-06020	BOLT BOULON	3	3	3	3	
58	92995-06100	WASHER, SPRING RONDELLE, GROWER	3	3	3	3	
59	92995-06600	WASHER RONDELLE	3	3	3	3	
60	6P2-8259M-00	WIRE HARNESS ASSY 2 FAISCEAU DE FILS	1	1	1	1	
61	90464-09M47	.CLAMP BRIDE	1	1	1	1	
62	6P2-81919-20	GRAPHIC, REGULATOR ADHESIF, REGULATEUR	1	1	1	1	
63	6P2-81919-31	GRAPHIC, REGULATOR ADHESIF, REGULATEUR	1	1	1	1	
64	6P2-81923-00	WASHER RONDELLE	1	1	1	1	AP
65	97095-08016	BOLT BOULON	1	1	1	1	AP
66	95333-08600	NUT ECROU	1	1	1	1	AP
67	92903-08100	WASHER, SPRING RONDELLE, GROWER	1	1	1	1	AP
68	6P2-82105-01	WIRE HARNESS FAISCEAU DE FILS	1	1	1	1	AP

FIG. 19 ELECTRICAL 3

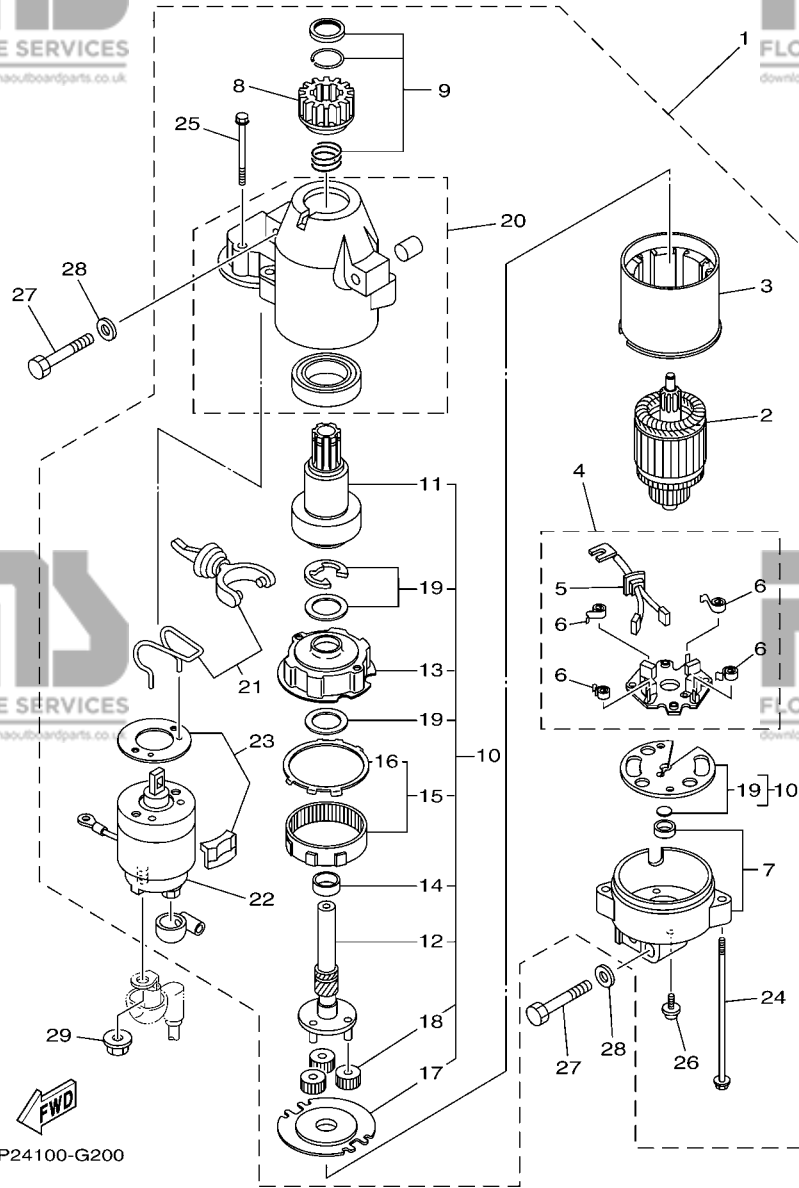
PARTIE ELECTRIQUE 3



REF. NO.	PART NO. N° PIECES	DESCRIPTION DESCRIPTION	6AL6	6A55	6AM6	6AT5	REMARKS REMARQUES
1	6P2-82590-31	WIRE HARNESS ASSY FAISCEAU DE FILS COMPLET	1	1	1	1	
2	6P2-82582-00	.CAP 1 (FEMALE) .BOUCHON 1 (FEMME)	1	1	1	1	
3	6P2-82582-10	.CAP 1 (MALE) .BOUCHON 1 (MALE)	1	1	1	1	
4	90465-14M66	CLAMP BRIDE	1	1	1	1	
5	6P2-82589-00	PROTECTOR, WIRE HARNESS PROTECTEUR, FAISCEAU DE FILS	1	1	1	1	
6	90387-06M26	.COLLAR .COLLERETTE	6	6	6	6	
7	90465-14M66	CLAMP BRIDE	2	2	2	2	
8	90464-19M45	CLAMP BRIDE	4	4	4	4	
9	6P2-85722-00	INSULATOR ISOLATEUR	2	2	2	2	
10	97095-06035	BOLT BOULON	6	6	6	6	
11	92995-06600	WASHER RONDELLE	6	6	6	6	
12	90464-06001	CLAMP BRIDE	1	1	1	1	
13	90464-18246	CLAMP BRIDE	1	1	1	1	
14	90464-08051	CLAMP BRIDE	1	1	1	1	
15	90465-13M18	CLAMP BRIDE	3	3	3	3	
16	69J-82563-00	TRIM & TILT SWITCH ASSY INCLINER ET PARER COMMUTATEUR	1	1	1	1	
17	6P3-82553-00	EXTENSION, WIRE LEAD EXTENSION, FAISCEAU			1	1	
18	90464-10M57	CLAMP BRIDE			1	1	
19	69J-42723-00-8D	COVER, BOTTOM COUVERCLE	1	1	1	1	
20	69J-82587-00	GASKET JOINT	2	2	2	2	
21	69J-83614-10	BRACKET SUPPORT	2	2	2	2	
22	90109-06M86	BOLT BOULON	4	4	4	4	
23	63P-85886-00	SENSOR, AIR TEMPERATURE SONDE	1	1	1	1	
24	63P-14435-00	GROMMET RONDELLE CAOUTCHOUC	1	1	1	1	
25	69J-81949-02	WIRE, LEAD (ISOLATOR, 3.8M ) FIL (ISOLATOR, 3.8M)	1	1	1	1	AP AP

**FIG. 20 STARTING MOTOR**

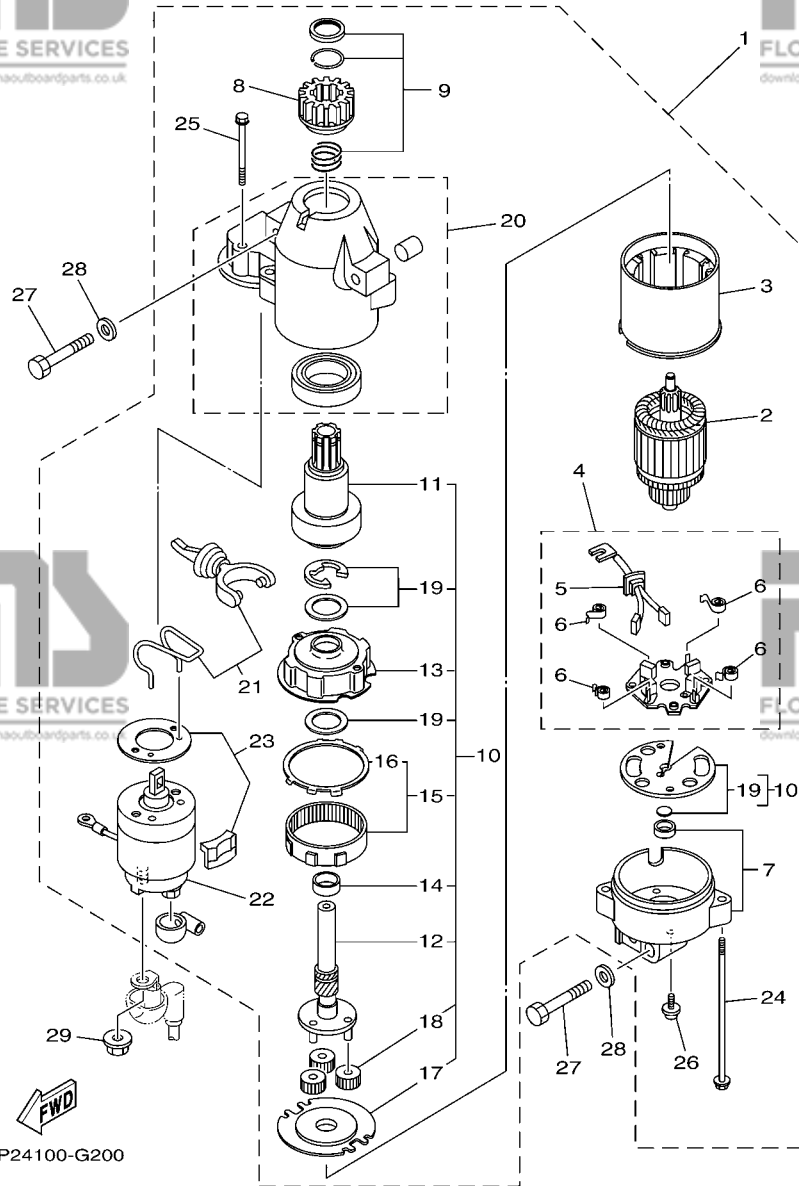
**DEMARREUR ELECTRIQUE**



REF. NO.	PART NO. N° PIECES	DESCRIPTION DESCRIPTION	6AL6	6AS5	6AM6	6AT5	REMARKS REMARQUES
1	6BR-81800-00	STARTING MOTOR ASSY DEMARREUR ELECTRIQUE COMPLET	1	1	1	1	
2	67F-81850-00	.ARMATURE ASSY .INDUIT	1	1	1	1	
3	67F-81810-00	.STATOR ASSY .STATOR COMPLET	1	1	1	1	
4	69J-81840-00	.BRUSH HOLDER ASSY .SUPPORT DE CHARBON	1	1	1	1	
5	69J-81801-00	.BRUSH SET ..CHARBON	1	1	1	1	
6	67F-81813-00	.SPRING, BRUSH ..RESSORT, DE CHARBON	4	4	4	4	
7	67F-81820-00	.REAR BRACKET ASSY .SUPPORT ARRIERE COMPLET	1	1	1	1	
8	67F-81808-00	.PINION ASSY .PIGNON	1	1	1	1	
9	67F-81857-00	.PINION STOPPER SET .BUTEE PIGNON	1	1	1	1	
10	67F-81807-00	.GEAR ASSY, STARTING MOTOR .PIGNON, DEMARREUR ELECTRIQUE	1	1	1	1	
11	67F-81832-00	.CLUTCH, OVER RUN ..EMBRAYAGE, ROUE LIBRE	1	1	1	1	
12	67F-81836-00	.SHAFT, PINION ..AXE, PIGNON	1	1	1	1	
13	67F-81821-00	.BRACKET, CENTER 1 ..SUPPORT, CENTRE 1	1	1	1	1	
14	67F-81841-00	.BEARING ..ROULEMENT	1	1	1	1	
15	67F-81891-00	.GEAR, RING ..ROUE DENTEE	1	1	1	1	
16	67F-8183R-00	.GASKET ..JOINT	1	1	1	1	
17	67F-81830-00	.BRACKET, CENTER 2 ..SUPPORT, CENTRE 2	1	1	1	1	
18	60V-8183T-00	.GEAR, IDLER ..PIGNON, INTERMEDIAIRE	3	3	3	3	
19	67F-81809-00	.WASHER KIT ..JEU DE RONDELLES	1	1	1	1	
20	69J-81842-00	.COVER ..COUVERCLE	1	1	1	1	
21	69J-81839-00	.LEVER ASSY ..LEVIER COMPLET	1	1	1	1	
22	63P-81941-00	.STARTER RELAY ASSY ..LANCEUR RELAIS (ENS.)	1	1	1	1	
23	69J-81869-00	.COVER, DUST ..COUVERCLE, POUSSIERE	1	1	1	1	
24	6K7-81826-11	.BOLT ..BOULON	2	2	2	2	
25	69J-81828-00	.BOLT 2 ..RONDELLE, BUTEE 2	2	2	2	2	
26	67F-81846-00	.SCREW ..VIS	2	2	2	2	
27	97013-08045	BOLT BOULON	3	3	3	3	

**FIG. 20 STARTING MOTOR**

**DEMARREUR ELECTRIQUE**



6P24100-G200

REF. NO.	PART NO. N° PIECES	DESCRIPTION DESCRIPTION	GAL6	BA55	GA66	GAT5	REMARKS REMARQUES
----------	--------------------	-------------------------	------	------	------	------	-------------------

28	92903-08600	WASHER, PLATE RONDELLE, PLATE	3	3	3	3	
29	90179-08003	NUT ECROU	1	1	1	1	

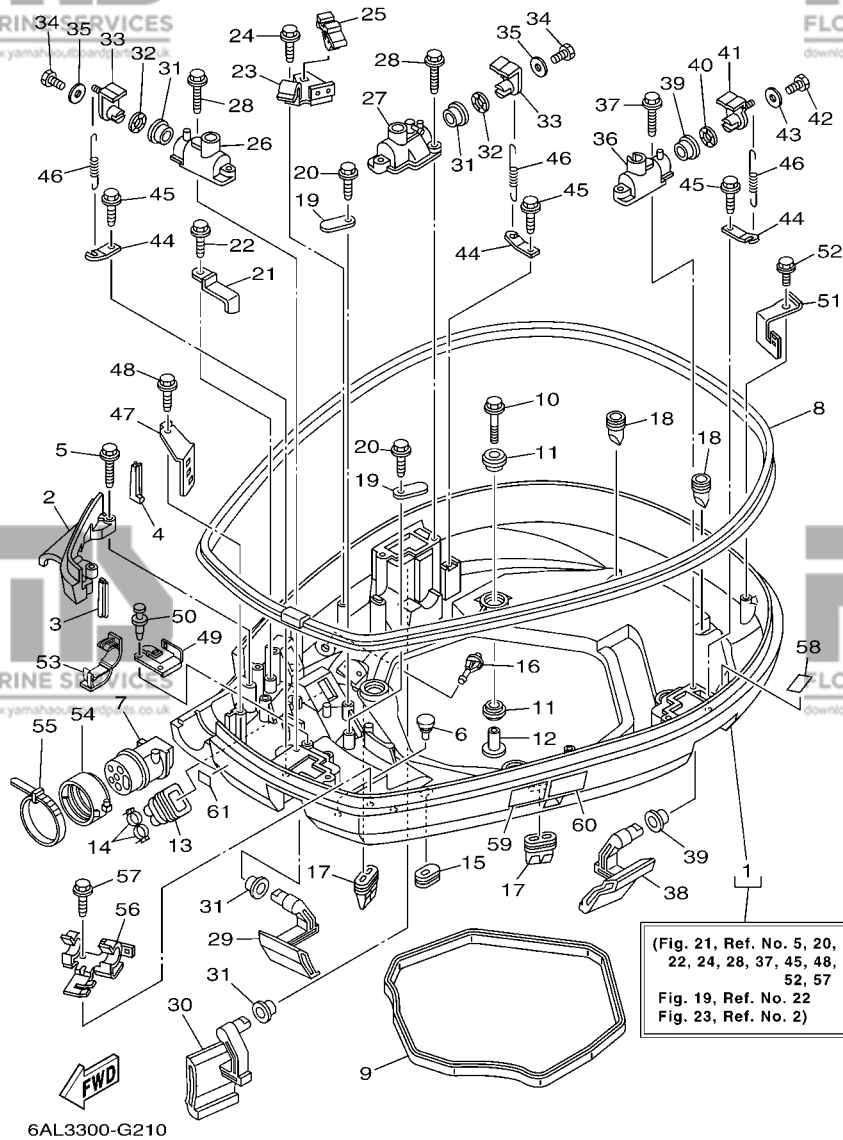


FIG. 21 BOTTOM COWLING 1

CAPOT INFERIEUR 1

REF. NO.	PART NO. N° PIECES	DESCRIPTION DESCRIPTION	6AL6	6AS5	6AM6	6AT5	REMARKS REMARQUES
1	6P2-42710-00-8D	BOTTOM COWLING ASSY ENS. EMBASE	1	1	1	1	
2	6P2-42738-00-8D	PLATE, FITTING ETRIER	1	1	1	1	
3	6P2-42717-00	RUBBER, SEAL 2 JOINT EN CAOUTCHOUC 2	1	1	1	1	
4	6P2-42718-00	RUBBER, SEAL 3 JOINT	1	1	1	1	
5	90109-06M82	BOLT BOULON	2	2	2	2	
6	6H4-42748-00	GROMMET PASSE-FIL	2	2	2	2	
7	6P2-42725-00	GROMMET PASSE-FIL	1	1	1	1	
8	6P2-42615-00	SEAL JOINT	1	1	1	1	
9	69J-42716-00	RUBBER, SEAL 1 JOINT EN CAOUTCHOUC 1	1	1	1	1	
10	90119-08M22	BOLT, WITH WASHER BOULON, AVEC RONDELLE	4	4	4	4	
11	90480-22M81	GROMMET PASSE-FIL	8	8	8	8	
12	90387-08M37	COLLAR COLLERETTE	4	4	4	4	
13	6H1-42726-21	GROMMET PASSE-FIL	1	1	1	1	
14	90465-11M10	CLAMP BRIDE	2	2	2	2	
15	61A-42727-00	GROMMET PASSE-FIL	1	1	1	1	
16	6P2-44391-00	NIPPLE, HOSE RACCORD D'ESSENCE	1	1	1	1	
17	69J-42717-00	RUBBER, SEAL 2 JOINT EN CAOUTCHOUC 2	2	2	2	2	
18	61A-42717-00	RUBBER, SEAL 2 JOINT EN CAOUTCHOUC 2	2	2	2	2	
19	6E5-82588-00	PLATE PLAQUE	2	2	2	2	
20	90109-06M81	BOLT BOULON	2	2	2	2	
21	90462-20001	CLAMP BRIDE	1	1			
22	90109-06M86	BOLT BOULON	1	1			
23	6P2-82554-00	STAY, NEUTRAL SWITCH SUPPORT, CONT DE POINT-MORT	1	1	1	1	
24	90109-06M86	BOLT BOULON	1	1	1	1	
25	90464-09M47	CLAMP BRIDE	1	1	1	1	
26	69J-42828-02-8D	PLATE, CLAMP PLAQUE, PRESSE	1	1	1	1	
27	6P2-42828-00-8D	PLATE, CLAMP PLAQUE, PRESSE	1	1	1	1	

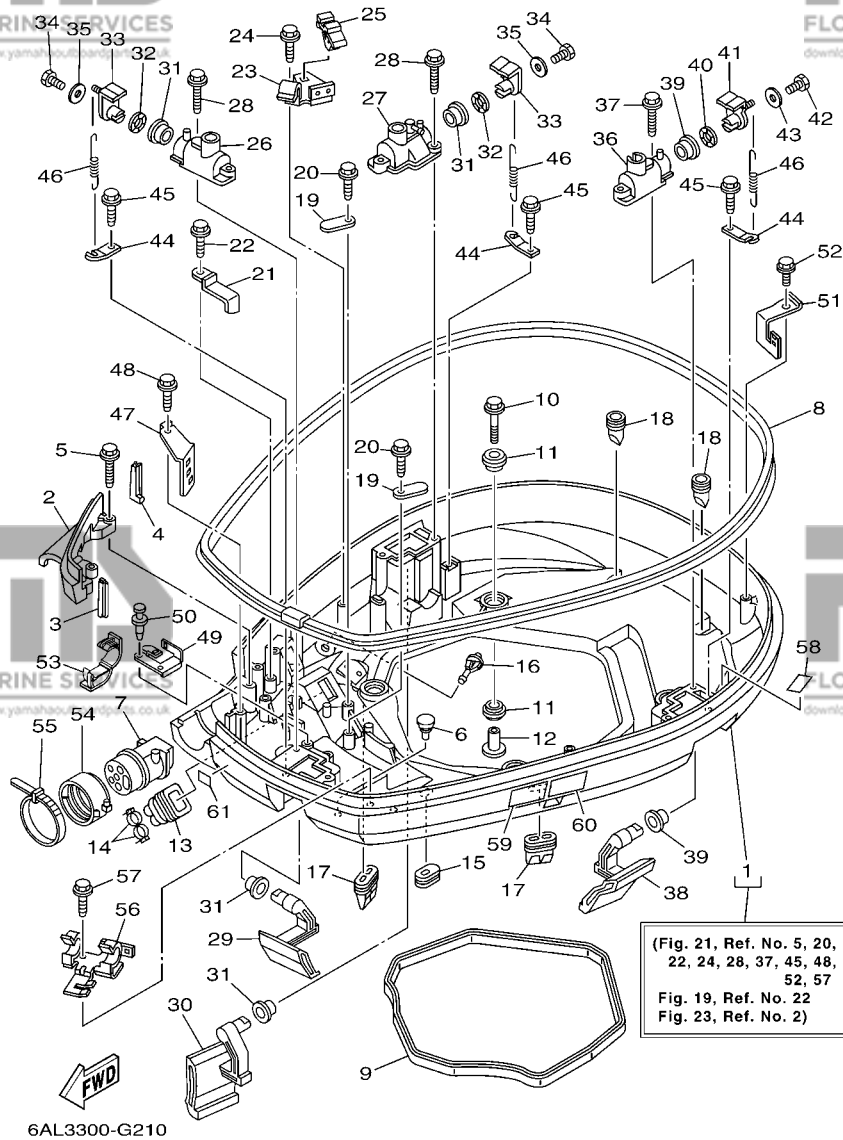
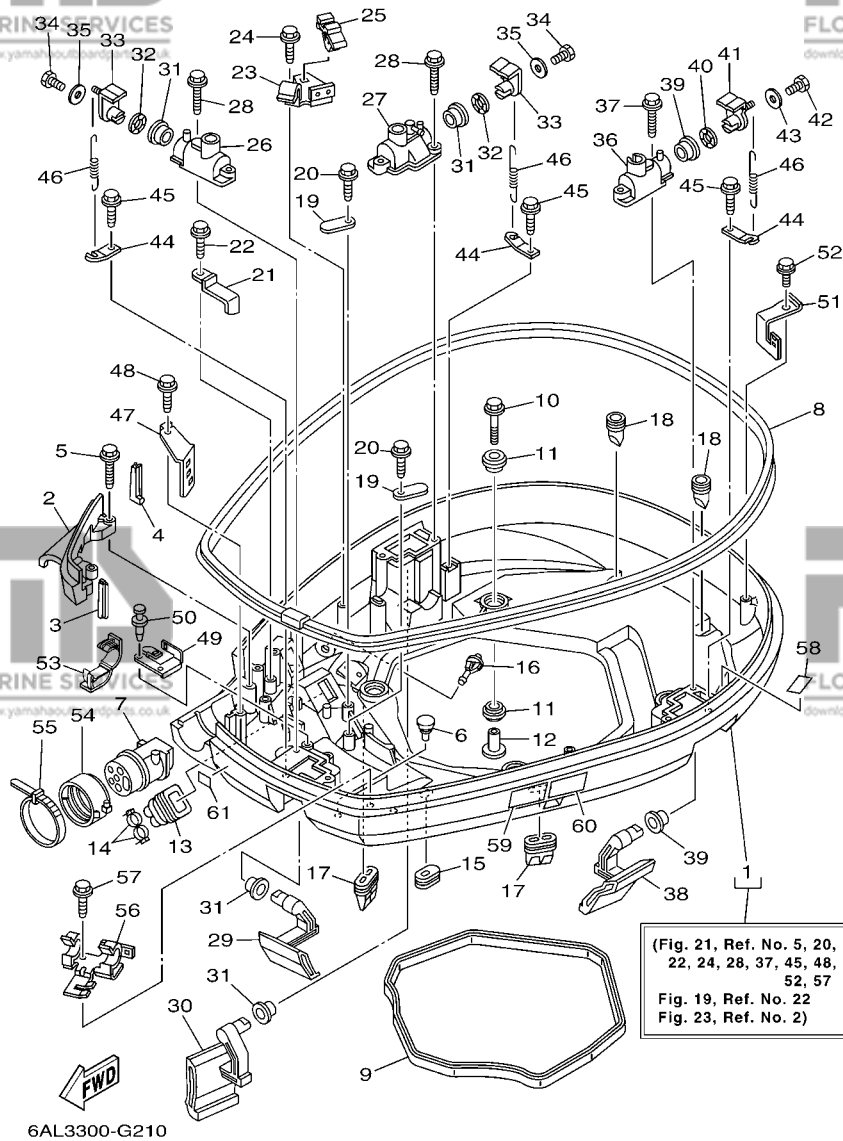


FIG. 21 BOTTOM COWLING 1

CAPOT INFERIEUR 1

REF. NO.	PART NO. N° PIECES	DESCRIPTION DESCRIPTION	6AL6	6AS5	6AM6	6AT5	REMARKS REMARQUES
28	90109-06M82	BOLT BOULON	4	4	4	4	
29	69J-42815-00-8D	LEVER, CLAMP LEVIER, PRESSE	1	1	1	1	
30	69J-42817-00-8D	LEVER, CLAMP LEVIER, PRESSE	1	1	1	1	
31	90386-15M73	BUSH DOUILLE	4	4	4	4	
32	90206-15M18	WASHER, WAVE RONDELLE, ONDULEE	2	2	2	2	
33	63P-42818-01	LEVER, CLAMP LEVIER, PRESSE	2	2	2	2	
34	97095-06020	BOLT BOULON	2	2	2	2	
35	90201-06068	WASHER, PLATE RONDELLE, PLATE	2	2	2	2	
36	68F-42828-10-8D	PLATE, CLAMP PLAQUE, PRESSE	1	1	1	1	
37	90109-06M82	BOLT BOULON	2	2	2	2	
38	69J-42816-00-8D	LEVER, CLAMP LEVIER, PRESSE	1	1	1	1	
39	90386-15M73	BUSH DOUILLE	2	2	2	2	
40	90206-15M18	WASHER, WAVE RONDELLE, ONDULEE	1	1	1	1	
41	68V-42818-01	LEVER, CLAMP LEVIER, PRESSE	1	1	1	1	
42	97095-06020	BOLT BOULON	1	1	1	1	
43	90201-06068	WASHER, PLATE RONDELLE, PLATE	1	1	1	1	
44	64D-43144-00	HOOK, SPRING CROCHET	3	3	3	3	
45	90109-06M86	BOLT BOULON	3	3	3	3	
46	90506-18M40	SPRING, TENSION RESSORT, TENSION	3	3	3	3	
47	6P2-42743-00	BRACKET SUPPORT	1	1	1	1	
48	90109-06M82	BOLT BOULON	1	1	1	1	
49	6P2-42766-10	BRACKET 2 SUPPORT 2	1	1	1	1	
50	90269-05005	RIVET RIVET	2	2	2	2	
51	69J-8366G-02	BRACKET 3 SUPPORT 3	1	1	1	1	
52	90109-06M86	BOLT BOULON	1	1	1	1	
53	90464-18001	CLAMP BRIDE	2	2	2	2	
54	68F-42753-00	FASTNER ATTACHE	1	1	1	1	AP AP



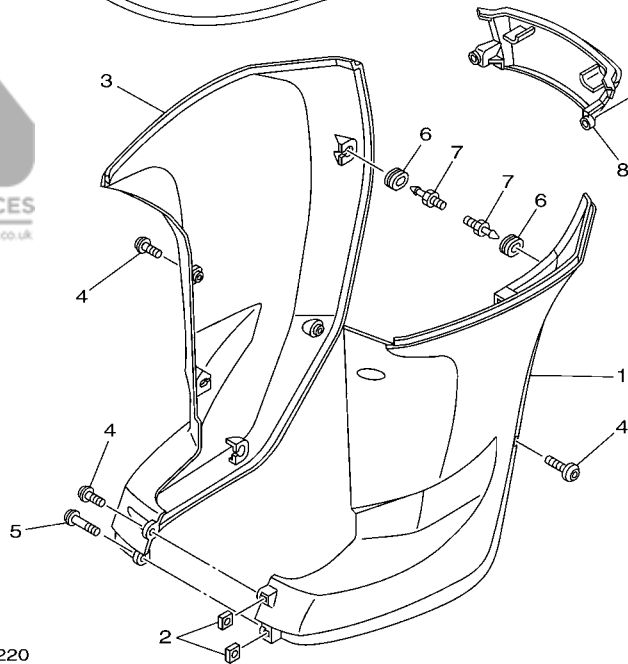
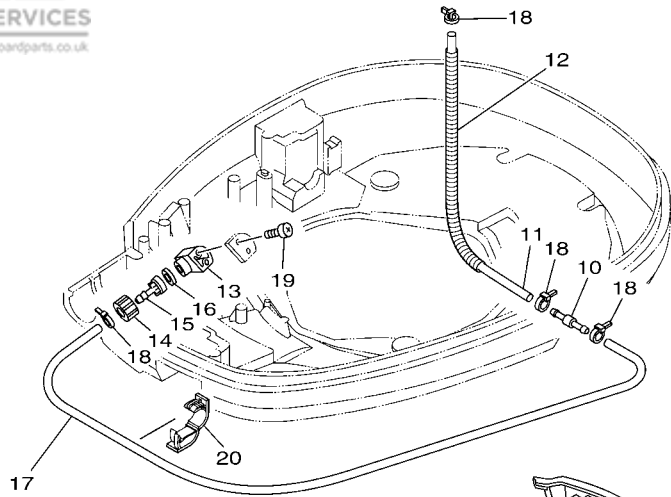
6AL3300-G210

FIG. 21 BOTTOM COWLING 1

CAPOT INFERIEUR 1

REF. NO.	PART NO. N° PIECES	DESCRIPTION DESCRIPTION	6AL6	6AS5	6AM6	6AT5	REMARKS REMARQUES
55	90464-20258	CLAMP BRIDE	1	1	1	1	AP AP
56	6P2-82594-00	CLAMP BRIDE	1	1	1	1	
57	90109-06M86	BOLT BOULON	1	1	1	1	
58	68V-82377-00	LABEL ETIQUETTE	1	1	1	1	
59	6AH-42794-40	LABEL, WARNING (GENERAL) ETIQUETTE, AVERTISSEMENT	1	1	1	1	
60	6AH-42794-50	LABEL, WARNING (GENERAL) ETIQUETTE, AVERTISSEMENT	1	1	1	1	
61	6AH-81996-00	MARK MARQUE	1	1	1	1	



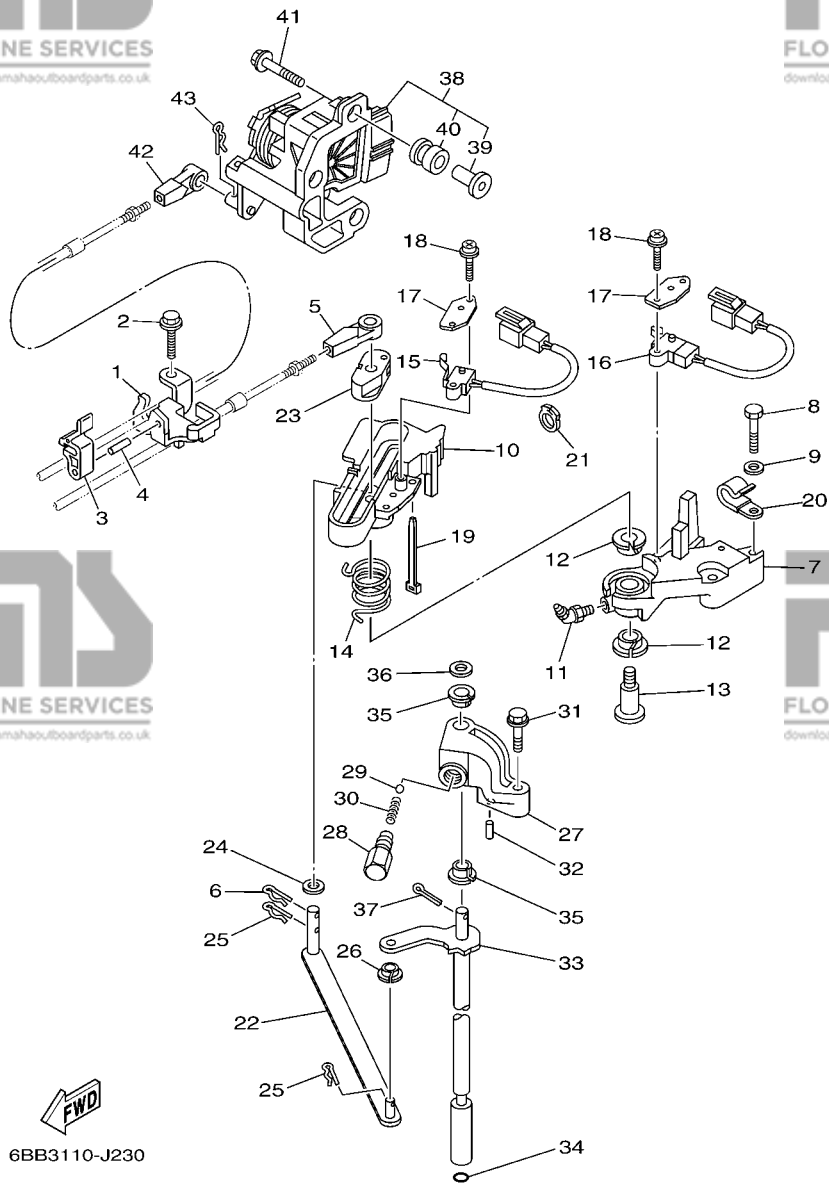


6P21110-D220

**FIG. 22 BOTTOM COWLING 2**

**CAPOT INFERIEUR 2**

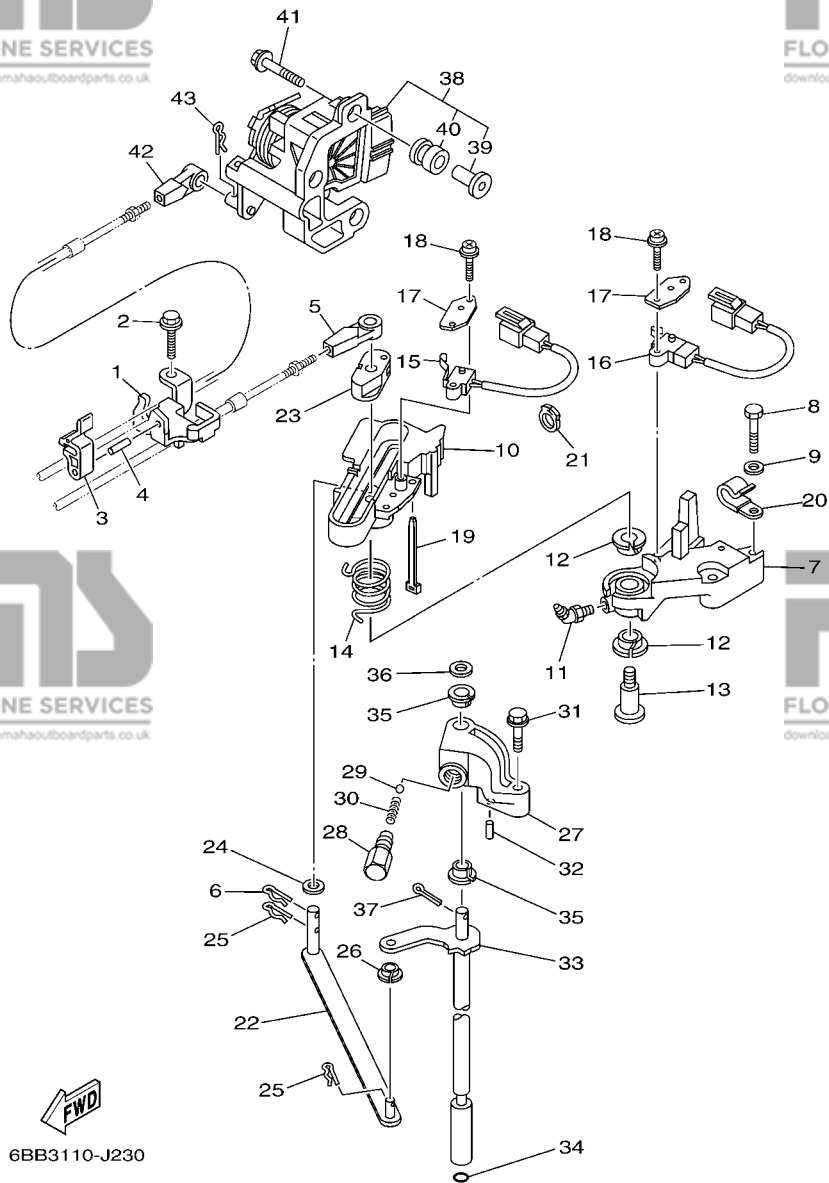
REF. NO.	PART NO. N° PIECES	DESCRIPTION DESCRIPTION	6AL6	6AS5	6AM6	6AT5	REMARKS REMARQUES
1	69J-42741-00-8D	APRON CAPOT LATERAL	1	1	1	1	
2	90173-06001	NUT, SQUARE ECROU, CARRE	2	2	2	2	
3	69J-42771-00-8D	APRON CAPOT LATERAL	1	1	1	1	
4	90111-06111	BOLT,HEX. SOCKET BUTTON BOULON	5	5	5	5	
5	90111-06113	BOLT,HEX. SOCKET BUTTON BOULON	1	1	1	1	
6	90480-14M17	GROMMET PASSE-FIL	6	6	6	6	
7	69J-42774-10	STAY, APRON 1 COUSSINET	6	6	6	6	
8	69J-45151-00-8D	COVER, UPPER CASING CAPUCHON, FOURREAU	1	1	1	1	
9	90111-06111	BOLT,HEX. SOCKET BUTTON BOULON	2	2	2	2	
10	6E5-24379-00	PIPE, JOINT 4 DURITE RACCORDEMENT 4	1	1	1	1	
11	90445-11M47	HOSE (L370) DURITE (L370)	1	1	1	1	
12	90447-13009	TUBE DURITE	1	1	1	1	
13	68T-12572-00	ADAPTER ADAPTATEUR	1	1	1	1	
14	6R3-12581-00	JOINT, HOSE 1 JOINT DE TUYAU	1	1	1	1	
15	6R3-12582-00	JOINT, HOSE 2 RACCORD DE TUYAU 1	1	1	1	1	
16	6R3-12583-00	GASKET, HOSE JOINT JOINT	1	1	1	1	
17	90445-11028	HOSE (L1050) DURITE (L1050)	1	1	1	1	
18	90465-11M10	CLAMP BRIDE	4	4	4	4	
19	97780-60520	SCREW, TAPPING VIS, TETE BOMBEE	2	2	2	2	
20	90464-18004	CLAMP BRIDE	1	1	1	1	



**FIG. 23 CONTROL**

**COMMANDE**

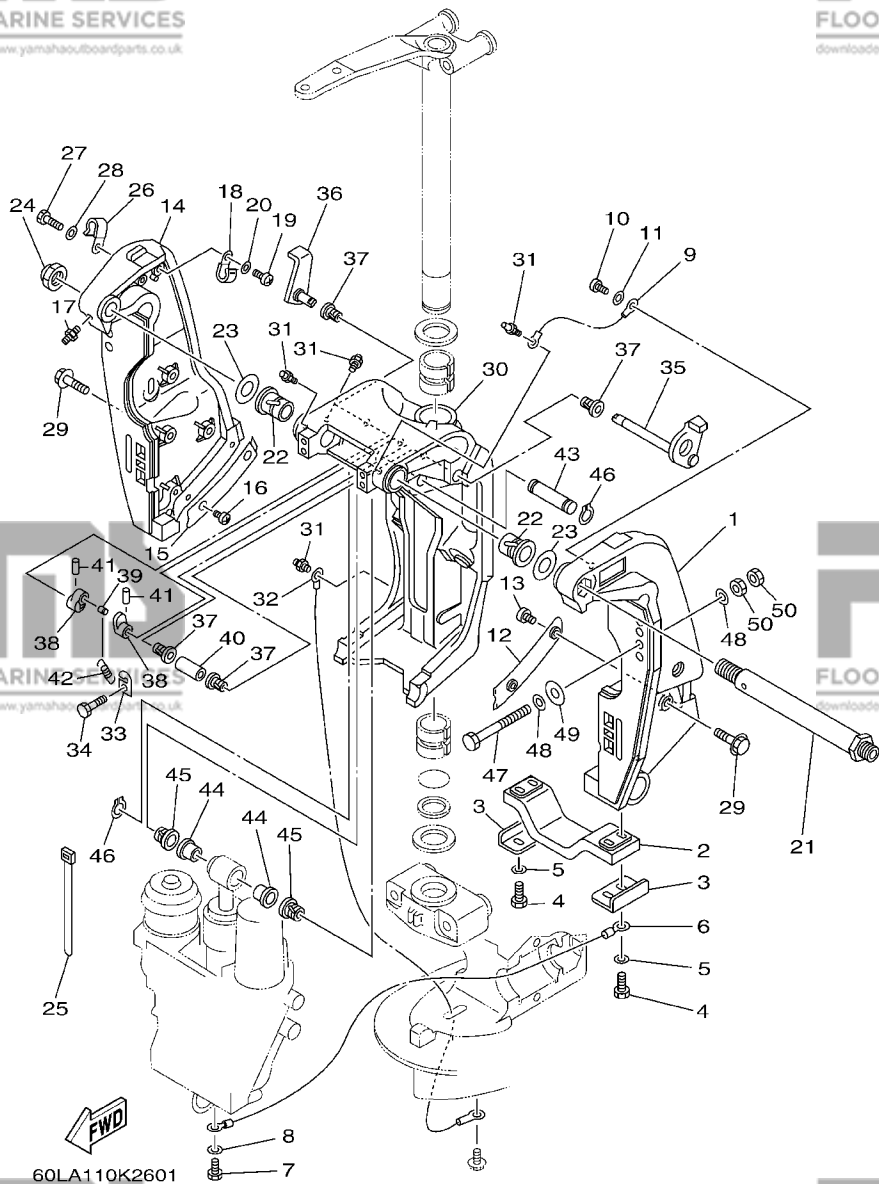
REF. NO.	PART NO. N° PIECES	DESCRIPTION DESCRIPTION	6AL6	6AS5	6AM6	6AT5	REMARKS REMARQUES
1	6P2-48531-00	BRACKET, REMOTE CONTROL 1 ETRIER 1, COMMANDE A DISTANCE	1	1	1	1	
2	90109-06M86	BOLT BOULON	2	2	2	2	
3	63P-48538-00	CLAMP, CABLE 1 COLLIER	1	1	1	1	
4	91690-30010	PIN, SPRING AGRAFFE	1	1	1	1	
5	6E5-48344-00	CABLE END, REMOTE CONTROL CHAPE CABLE	1	1	1	1	
6	90468-18008	CLIP JONC	1	1	1	1	
7	69J-44117-00	BRACKET SUPPORT	1	1	1	1	
8	97095-06035	BOLT BOULON	2	2	2	2	
9	92995-06600	WASHER RONDELLE	2	2	2	2	
10	69J-44176-01	BRACKET SUPPORT	1	1	1	1	
11	93700-06M01	NIPPLE, GREASE PION	1	1	1	1	
12	90386-12069	BUSH DOUILLE	2	2	2	2	
13	90109-08019	BOLT BOULON	1	1	1	1	
14	90508-20020	SPRING, TORSION RESSORT, TORSION	1	1	1	1	
15	60V-8259F-00	SWITCH ASSY COMMUTATEUR	1	1	1	1	
16	69J-8259F-00	SWITCH ASSY COMMUTATEUR	1	1	1	1	
17	61A-82588-01	PLATE PLAQUE	2	2	2	2	
18	97985-04116	SCREW, WITH WASHER VIS, AVEC RONDELLE	4	4	4	4	
19	90465-11M10	CLAMP BRIDE	1	1	1	1	
20	90465-06M86	CLAMP BRIDE	1	1	1	1	
21	90464-09010	CLAMP BRIDE	1	1	1	1	
22	6P2-44121-00	LEVER, SHIFT ROD LEVIER, TIGE D'INVERSION	1	1	1	1	
23	69J-44122-00	BUSHING, SHIFT ROD LEVER DOUILLE, LEVIER D'EMBRAYAGE	1	1	1	1	
24	90202-08M20	WASHER, PLATE RONDELLE, PLATE	1	1	1	1	
25	90468-18008	CLIP JONC	2	2	2	2	
26	90386-06M12	BUSH DOUILLE	1	1	1	1	
27	69J-44118-00	BRACKET SUPPORT	1	1	1	1	



**FIG. 23 CONTROL**

**COMMANDE**

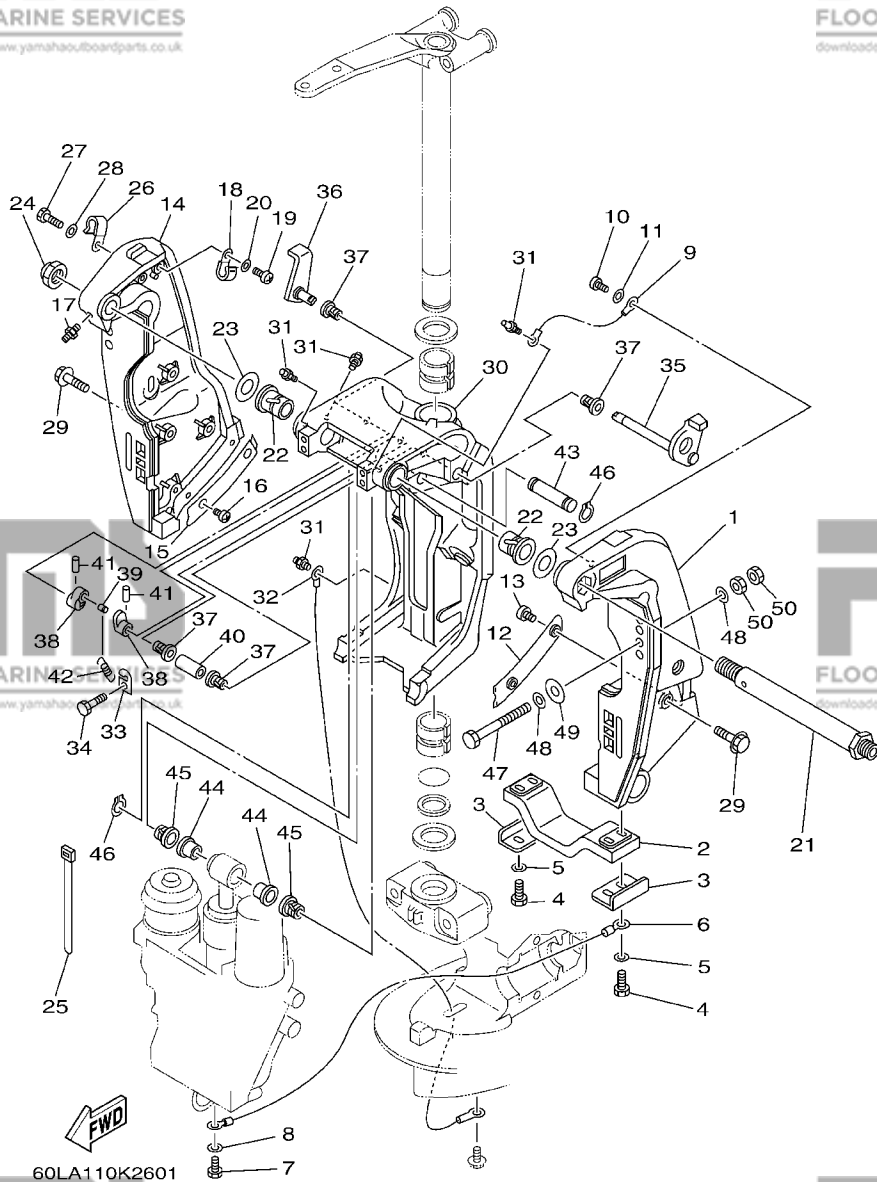
REF. NO.	PART NO. N° PIECES	DESCRIPTION DESCRIPTION	6AL6	6AS5	6AM6	6AT5	REMARKS REMARQUES
28	648-42715-00	BUSHING COUSSINET	1	1	1	1	
29	93501-04M02	BALL BILLE	1	1	1	1	
30	90501-12082	SPRING, COMPRESSION RESSORT, COMPRESSION	1	1	1	1	
31	97575-06535	BOLT, WITH WASHER VIS HEXAGONAL AVEC RONDELLE	1	1	1	1	
32	91690-30010	PIN, SPRING AGRAFFE	1	1	1	1	
33	69J-44120-00	HANDLE GEAR SHIFT ASSY LEVIER D'EMBAYAGE	1	1	1	1	X(25.3") X(25.3")
	69J-44120-10	HANDLE GEAR SHIFT ASSY LEVIER D'EMBAYAGE		1			U(30.3") U(30.3")
34	93210-09165	O-RING JOINT TORIQUE	1	1	1	1	
35	90386-90M90	BUSH DOUILLE	2	2	2	2	
36	90201-09M02	WASHER, PLATE RONDELLE, PLATE	1	1	1	1	
37	91490-20015	PIN, COTTER GOUPILLE	1	1	1	1	
38	6P2-8A410-00	SENSOR UNIT UNITE DE CAPTEUR	1	1	1	1	
39	6P2-44139-00	.COLLAR .COLLIER	3	3	3	3	
40	6P2-41273-00	.GROMMET .PASSE-FIL	3	3	3	3	
41	90119-06126	BOLT, WITH WASHER BOULON, AVEC RONDELLE	3	3	3	3	
42	6E5-48344-00	CABLE END, REMOTE CONTROL CHAPE CABLE	1	1	1	1	
43	90468-18008	CLIP JONC	1	1	1	1	



**FIG. 24 BRACKET 1**

**SUPPORT 1**

REF. NO.	PART NO. N° PIECES	DESCRIPTION DESCRIPTION	6AL6	6AS5	6AM6	6AT5	REMARKS REMARQUES
1	69J-43111-01-8D	BRACKET, CLAMP 1 PRESSE 1	1	1	1	1	
2	6G5-45251-02	ANODE ANODE	1	1	1	1	
3	6G5-44526-00	PLATE PLAQUE	2	2	2	2	
4	97095-06025	BOLT BOULON	4	4	4	4	
5	92995-06600	WASHER RONDELLE	4	4	4	4	
6	6H1-82148-00	WIRE, LEAD 4 FIL 4	1	1	1	1	
7	97095-06010	BOLT BOULON	1	1	1	1	
8	92995-06600	WASHER RONDELLE	1	1	1	1	
9	6E5-82148-00	WIRE, LEAD 4 FIL 4	1	1	1	1	
10	97885-06012	SCREW, PAN HEAD VIS, A ENCOCHE	1	1	1	1	
11	92995-06600	WASHER RONDELLE	1	1	1	1	
12	61A-43132-00	WASHER, FRICTION RONDELLE, FRICTION	1	1	1	1	
13	97885-06010	SCREW, PAN HEAD VIS, A ENCOCHE	2	2	2	2	
14	69J-43112-01-8D	BRACKET, CLAMP 2 PRESSE 2	1	1	1	1	
15	61A-43133-00	WASHER, FRICTION RONDELLE	1	1	1	1	
16	97885-06010	SCREW, PAN HEAD VIS, A ENCOCHE	2	2	2	2	
17	93700-06M03	NIPPLE, GREASE PION	1	1	1	1	
18	90465-08M83	CLAMP BRIDE	1	1	1	1	
19	97885-06012	SCREW, PAN HEAD VIS, A ENCOCHE	1	1	1	1	
20	92995-06600	WASHER RONDELLE	1	1	1	1	
21	6R3-43131-00	BOLT, CLAMP BRACKET BOULON, PRESSE	1	1	1	1	
22	90386-25M31	BUSH DOUILLE	2	2	2	2	
23	90201-26M59	WASHER, PLATE RONDELLE, PLATE	2	2	2	2	
24	90185-22M11	NUT, SELF-LOCKING ECROU, AUTO-BLOQUANT	1	1	1	1	
25	90465-11M10	CLAMP BRIDE	4	4	4	4	
26	90465-08M83	CLAMP BRIDE	1	1	1	1	
27	97095-06014	BOLT BOULON	1	1	1	1	



**FIG. 24 BRACKET 1**

**SUPPORT 1**

REF. NO.	PART NO. N° PIECES	DESCRIPTION DESCRIPTION	6AL6	6AS5	6AM6	6AT5	REMARKS REMARQUES
28	92995-06600	WASHER RONDELLE	1	1	1	1	
29	90119-10024	BOLT, WITH WASHER BOULON, AVEC RONDELLE	8	8	8	8	
30	61A-43311-21-8D	BRACKET, SWIVEL 1 SUPPORT, PIVOT 1	1	1	1	1	
31	93700-06M03	NIPPLE, GREASE PION	5	5	5	5	
32	69J-82147-00	WIRE, LEAD 5 FIL 5	1	1	1	1	
33	6G5-43144-00	HOOK, SPRING CROCHET	1	1	1	1	
34	97095-06010	BOLT BOULON	1	1	1	1	
35	61A-43181-01	LEVER, TILT STOP 1 LEVIER VERROUILLAGE RELEVAGE 1	1	1	1	1	
36	6G5-43185-02	LEVER, TILT STOP 2 LEVIER VERROUILLAGE RELEVAGE 2	1	1	1	1	
37	90386-10M16	BUSH DOUILLE	4	4	4	4	
38	6G5-43148-00	COLLAR, DISTANCE ENTRETOISE	2	2	2	2	
39	90249-06M19	PIN GOUPILLE	1	1	1	1	
40	90387-10M05	COLLAR COLLERETTE	1	1	1	1	
41	91690-30020	PIN, SPRING AGRAFFE	2	2	2	2	
42	90506-16003	SPRING, TENSION RESSORT, TENSION	1	1	1	1	
43	6E5-43126-10	PIN, UPPER SHOCK MOUNT AXE, SUPERIEUR AMORTISSEUR	1	1	1	1	Go to P/N:PE0-OM-110020
44	90386-18M63	BUSH DOUILLE	2	2	2	2	
45	90386-18M14	BUSH DOUILLE	2	2	2	2	
46	93410-18M02	CIRCLIP CLIPS	2	2	2	2	Go to P/N:PE0-OM-110020
47	90101-12M05	BOLT (L:130MM) BOULON (L:130MM)	4	4	4	4	
48	90201-13M01	WASHER, PLATE RONDELLE, PLATE	8	8	8	8	
49	90201-12M05	WASHER, PLATE RONDELLE, PLATE	4	4	4	4	
50	95380-12600	NUT ECROU	8	8	8	8	

# PARTS NEWS

FLOOD MARINE SERVICES  
downloaded from www.yamahaoutboardparts.co.uk

FLOOD MARINE SERVICES  
downloaded from www.yamahaoutboardparts.co.uk

**YAMAHA**  
YAMAHA MOTOR CO., LTD.  
2500 SHINGAI IWATA SHIZUOKA JAPAN  
FLOOD MARINE SERVICES  
downloaded from www.yamahaoutboardparts.co.uk

News No. PE0-OM-110020

Date: May 16, 2011

Signature: S. Ishibashi

Cause :  Revision Notice  Correction  Sales Unit Change  Others

Model	F(L)200CET (6AL6/6AM6) / F(L)225BET (6AS5/6AT5)
Subject	PARTS CATALOGUE CORRECTIONS
CATALOGUE NO.	1K6AL-300F1 / 1K6AL-200S1
Time of YPEC Revision	Text, Illustration --> Jun./20/2011
	PDF Replace --> Jun./20/2011
(YPEC = Yamaha Parts Electrical Catalogue = Website parts catalogue)	

## Applicable Engine Serial No.

MODEL NAME	MODEL CODE	Applicable Engine Serial No.
F200C	6AL6	6AL:1001393-
FL200C	6AM6	6AM:1000171-
F225B	6AS5	6AS:1001081-
FL225B	6AT5	6AT:1000166-

\*1: Interchangeability

A	Old Parts	→	Old Parts
	New Parts	→	New Parts
B	Old Parts	→	Old Parts
	New Parts	→	New Parts
C	Old Parts	→	Old Parts
	New Parts	→	New Parts
	These parts are interchangeable with a set		

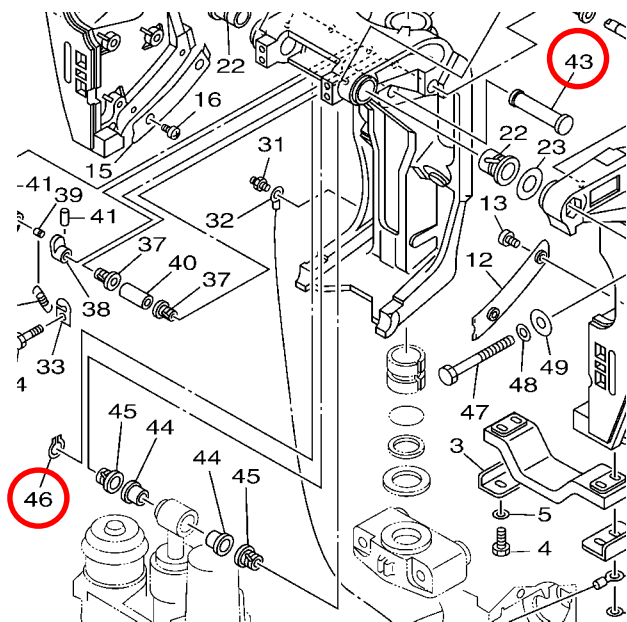
## FIG.24 BRACKET 1

### 1. LIST CORRECTION

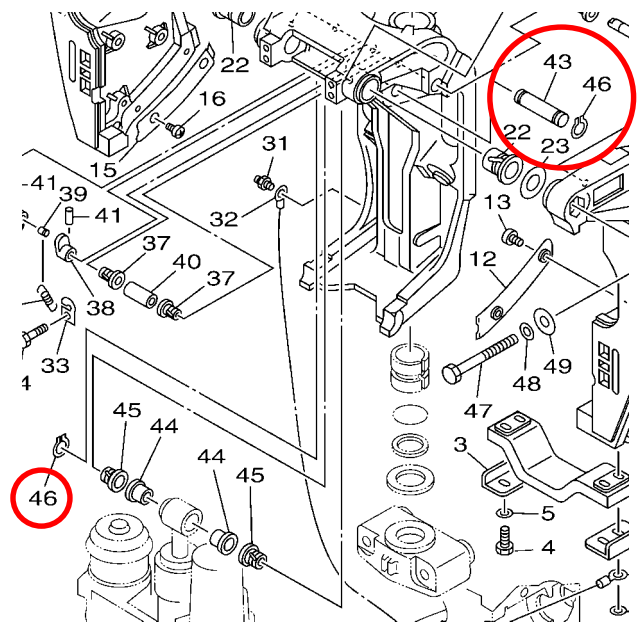
Fig. No.	Ref. No.	OLD P/No.	NEW P/No.	PART NAME	Q'TY	*Interchangeability	
						REMARKS	
24	43	6E5-43126-02	6E5-43126-10	PIN, UPPER SHOCK MOUNT	1		*Part number revision
	46	93410-18M02	-	CIRCLIP	1 --> 2		*Q'TY change

### 2. ILLUSTRATION CORRECTION

(OLD)



(NEW)



Thank you very much for your cooperation.

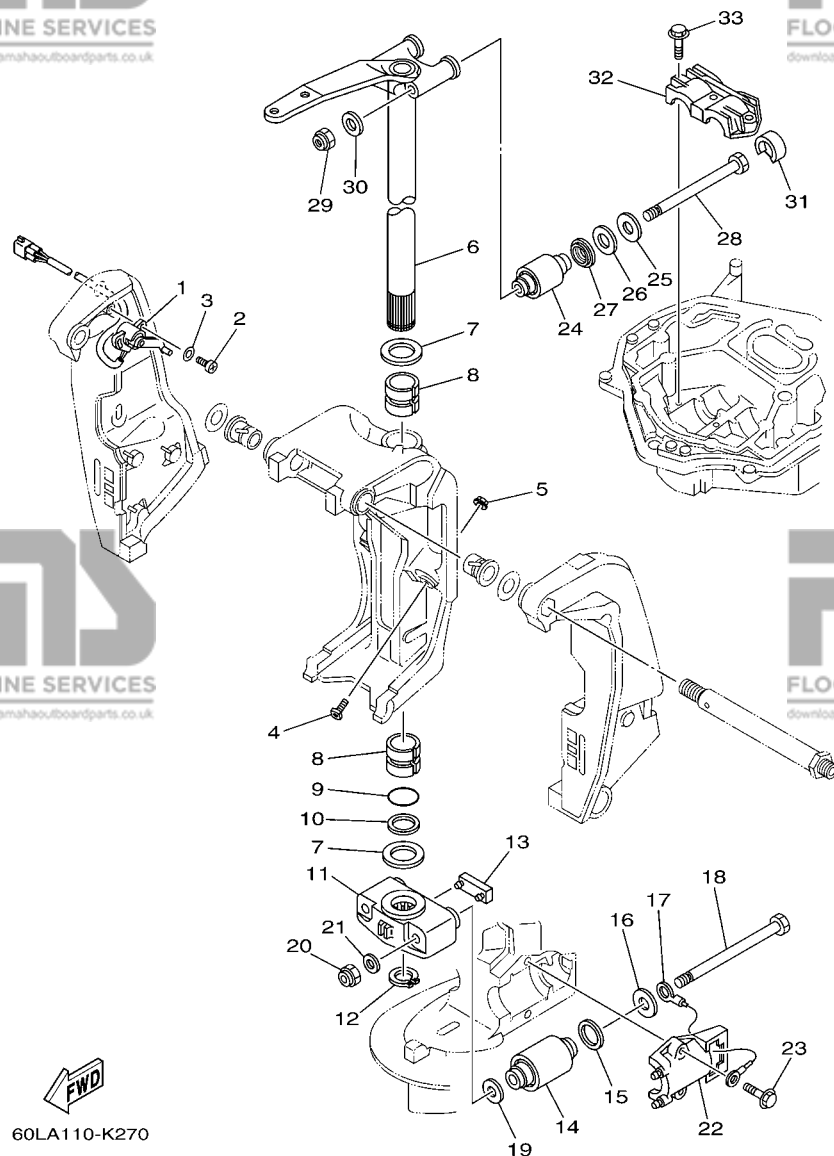
Parts Manager  
Check

Service Manager  
Check

Parts Manager  
File

YAMAHA MOTOR CO., LTD.  
2500 Shingai Iwata Shizuoka 438-8501 Japan  
Technical Publication Dept.

**YAMAHA**  
GENUINE  
Parts & Accessories



**FIG. 25 BRACKET 2**

**SUPPORT 2**

REF. NO.	PART NO. N° PIECES	DESCRIPTION DESCRIPTION	6AL6	6AS5	6AM6	6AT5	REMARKS REMARQUES
1	69J-83672-11	TRIM SENDER INCLINER RACCORD	1	1	1	1	
2	97885-06016	SCREW, PAN HEAD VIS, A ENCOCHE	2	2	2	2	
3	92995-06600	WASHER RONDELLE	2	2	2	2	
4	61A-43376-00	BOLT, THRUST RECEIVER BOULON	2	2	2	2	
5	95780-10300	NUT, FLANGE ECROU	2	2	2	2	
6	69J-42510-00-8D	STEERING BRACKET ASSY DIRECTION SUPPORT (ENS.)	1	1	1	1	
7	90201-40M00	WASHER, PLATE RONDELLE, PLATE	2	2	2	2	
8	90386-39M89	BUSH DOUILLE	2	2	2	2	
9	93210-35321	O-RING JOINT TORIQUE	1	1	1	1	
10	90202-40M47	WASHER, PLATE RONDELLE, PLATE	1	1	1	1	
11	69J-44551-00-8D	HOUSING, LOWER MOUNT RUBBER 1 BOITIER, SILENT-BLOC INFÉRIEUR	1	1	1	1	
12	93410-37M04	CIRCLIP CLIPS	1	1	1	1	
13	61A-44575-00	DAMPER, LOWER MOUNT RUBBER SILENT-BLOC, INFÉRIEUR	1	1	1	1	
14	60X-44555-00	MOUNT DAMPER, LOWER SIDE SILENT-BLOC, INFÉRIEUR LATERAL	2	2	2	2	
15	90202-32M19	WASHER, PLATE RONDELLE, PLATE	2	2	2	2	
16	90201-16016	WASHER, PLATE RONDELLE, PLATE	2	2	2	2	
17	6E5-82149-00	WIRE, LEAD 3 FIL 3	1	1	1	1	
18	90101-14002	BOLT BOULON	2	2	2	2	
19	90201-15M58	WASHER, PLATE RONDELLE, PLATE	2	2	2	2	
20	90185-14M00	NUT, SELF-LOCKING ECROU, AUTO-BLOQUANT	2	2	2	2	
21	92995-14600	WASHER RONDELLE	2	2	2	2	
22	61A-44552-01-CA	HOUSING, LOWER MOUNT RUBBER 2 BOITIER, SILENT-BLOC INFÉRIEUR	2	2	2	2	
23	90119-10024	BOLT, WITH WASHER BOULON, AVEC RONDELLE	4	4	4	4	
24	69J-44514-00	MOUNT DAMPER, UPPER SIDE SILENT-BLOC, SUPÉRIEUR LATERAL	2	2	2	2	
25	90201-16015	WASHER, PLATE RONDELLE, PLATE	2	2	2	2	
26	90202-28M46	WASHER, PLATE RONDELLE, PLATE	2	2	2	2	
27	69J-44532-00	STOPPER, UPPER MOUNT PLAQUETTE	2	2	2	2	

FIG. 25 BRACKET 2

SUPPORT 2

REF. NO.	PART NO. N° PIECES	DESCRIPTION DESCRIPTION	6AL6	6AS5	6AM6	6AT5	REMARKS REMARQUES
28	90101-14003	BOLT BOULON	2	2	2	2	
29	90185-14M00	NUT, SELF-LOCKING ECROU, AUTO-BLOQUANT	2	2	2	2	
30	92995-14600	WASHER RONDELLE	2	2	2	2	
31	69J-44533-00	DAMPER, UPPER MOUNT RUBBER COUVERCLE, SUSPENSION INFERIEU	2	2	2	2	
32	61A-44511-01	COVER, UPPER MOUNT COUVERCLE, SUSPENSION SUPERIEU	1	1	1	1	
33	90119-10024	BOLT, WITH WASHER BOULON, AVEC RONDELLE	3	3	3	3	

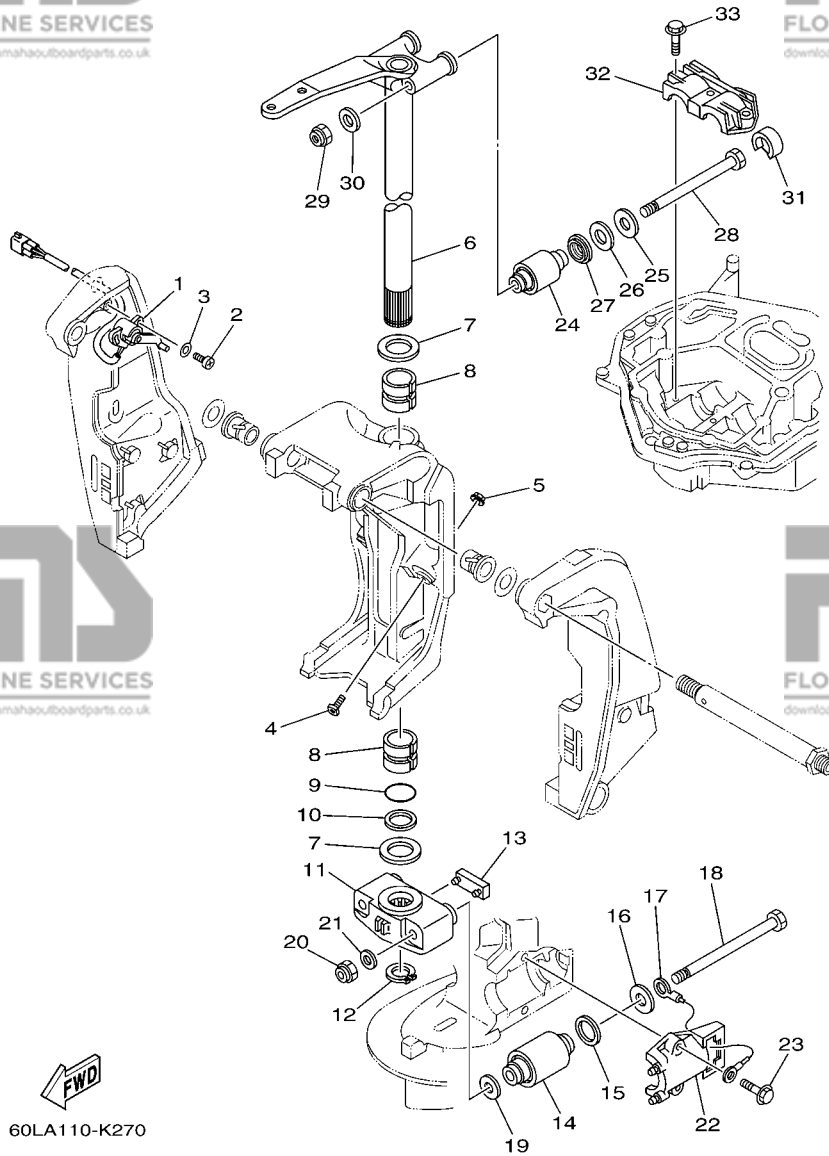
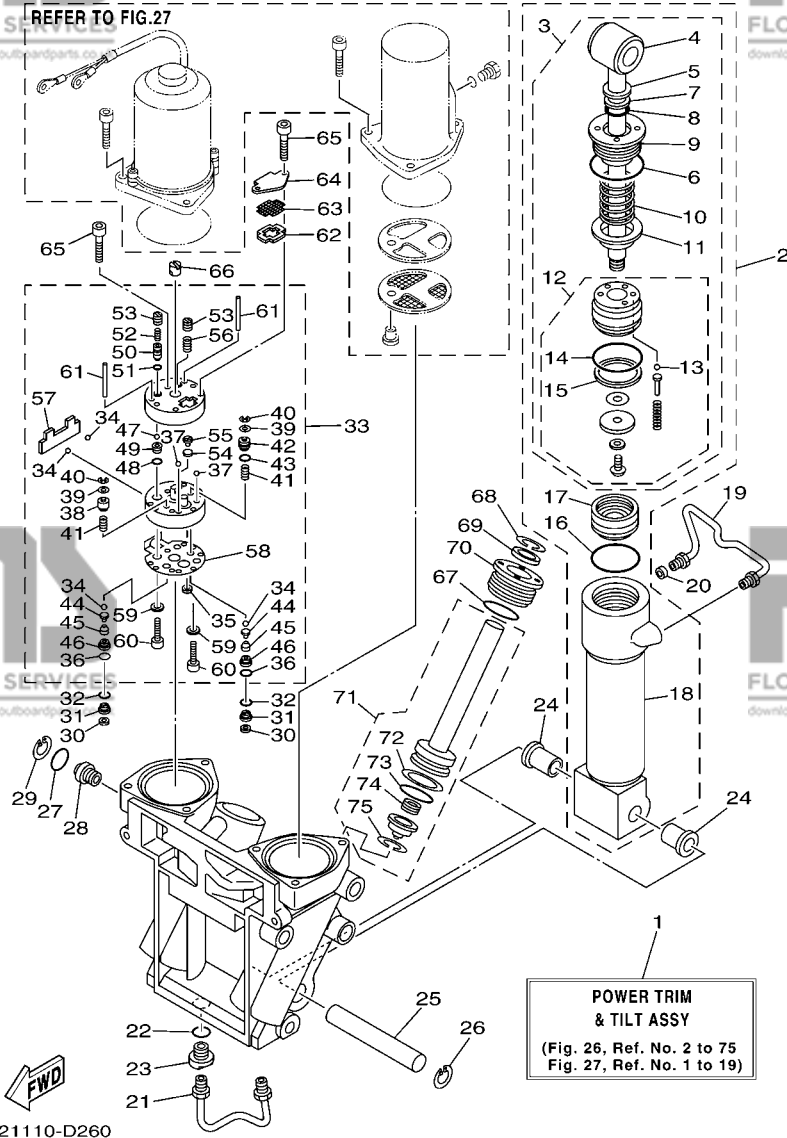
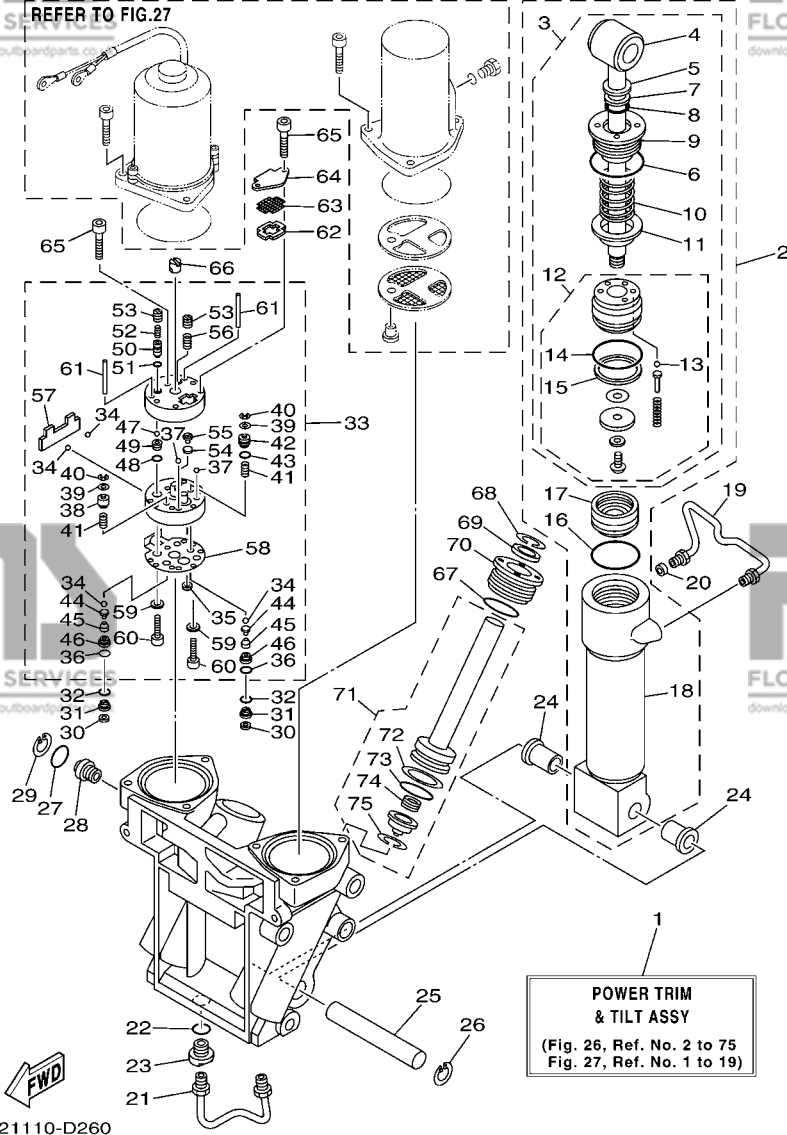




FIG. 26 POWER TRIM & TILT ASSY 1 PUISSANCE PARER ET INCLINER 1



REF. NO.	PART NO. N° PIECES	DESCRIPTION DESCRIPTION	6AL6	6AS5	6AM6	6AT5	REMARKS REMARQUES
1	69J-43800-04-8D	POWER TRIM & TILT ASSY PUISSANCE PARER ET INCLINER (E	1	1	1	1	
2	6CE-43840-00	POWER TILT ASSY PUISSANCE INCLINER (ENS.)	1	1	1	1	
3	6CE-43810-00	.TILT PISTON SUB ASSY .INCLINER PISTON AUXILIAIRE(ENS	1	1	1	1	
4	69J-43801-01	..ROD ..TIGE	1	1	1	1	
5	93106-19N50	..OIL SEAL ..JOINT SPY	1	1	1	1	
6	6H1-43861-00	..O-RING ..JOINT TORIQUE	1	1	1	1	
7	6H1-43872-00	..RING, BACK UP ..RESSORT	1	1	1	1	
8	61A-4389H-00	..O-RING ..JOINT TORIQUE	1	1	1	1	
9	61A-43811-00	..SCREW, CYLINDER END ..VIS, CYLINDRE RACCORD	1	1	1	1	
10	69J-4384H-00	..SPRING ..RESSORT	1	1	1	1	
11	69J-4382E-00	..ADAPTOR 2 ..ADAPTEUR 2	1	1	1	1	
12	6CE-4380P-00	..PISTON SUB ASSY ..PISTON AUXILIAIRE (ENS.)	1	1	1	1	
13	93505-32038	...BALL ...BILLE	5	5	5	5	
14	61A-43861-00	...O-RING ...JOINT TORIQUE	1	1	1	1	
15	61A-43871-00	...RING, BACK UP ...SEGMENT	1	1	1	1	
16	61A-43861-00	.O-RING .JOINT TORIQUE	1	1	1	1	
17	6H1-43814-00	.PISTON, FREE .PISTON	1	1	1	1	
18	61A-43813-01	.CYLINDER, TILT .CYLINDRE	1	1	1	1	
19	61A-43835-01	PIPE TUYAU	1	1	1	1	
20	69J-4388J-00	PLUG 2 BOUCHON 2	1	1	1	1	
21	69J-43833-00	PIPE TUYAU	1	1	1	1	
22	93210-17239	O-RING JOINT TORIQUE	1	1	1	1	
23	69J-4388E-01	BOLT ,SCREW VIS	1	1	1	1	
24	90386-18M14	BUSH DOUILLE	2	2	2	2	
25	61A-43818-00	PIN, LOWER SHOCK MOUNT AXE, INFERIEUR AMORTISSEUR	1	1	1	1	
26	61A-43876-00	RING, SNAP RESSORT	1	1	1	1	
27	93210-18397	O-RING JOINT TORIQUE	1	1	1	1	

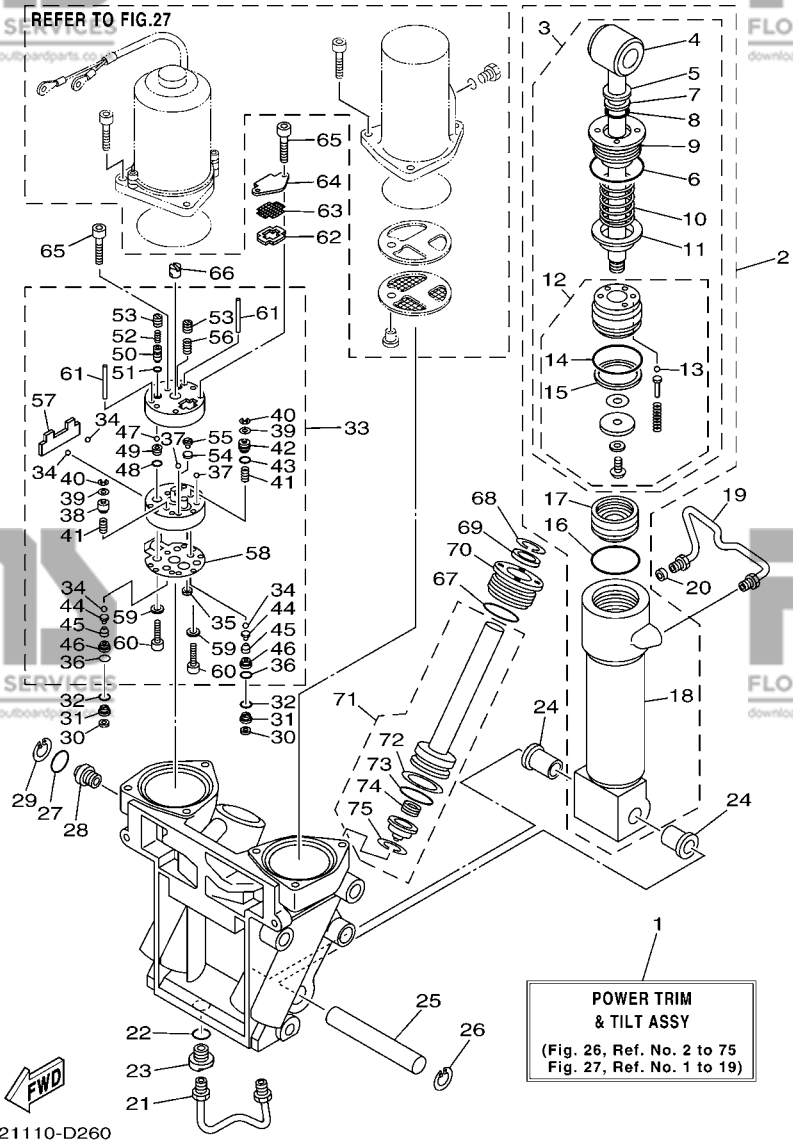


**FIG. 26 POWER TRIM & TILT ASSY 1**      **PUISSANCE PARER ET INCLINER 1**

REF. NO.	PART NO. N° PIECES	DESCRIPTION DESCRIPTION	6AL6	6AS5	6AM6	6AT5	REMARKS REMARQUES
28	69J-43845-00	SCREW, MANUAL RELEASE VIS	1	1	1	1	
29	6H1-43875-00	RING, SNAP RESSORT	1	1	1	1	
30	69J-4381C-00	FILTER 3 FILTRE 3	2	2	2	2	
31	69J-43899-01	PLATE STOPPER PLAQUETTE	2	2	2	2	
32	69J-4389J-00	O-RING JOINT TORIQUE	2	2	2	2	
33	69J-43830-01	GEAR PUMP ASSY POMPE A PIGNON (ENS.)	1	1	1	1	
34	93505-32038	.BALL .BILLE	4	4	4	4	
35	69J-4381C-00	.FILTER 3 .FILTRE 3	1	1	1	1	
36	69J-4389J-00	.O-RING .JOINT TORIQUE	2	2	2	2	
37	93503-16003	.BALL .BILLES	2	2	2	2	
38	6CJ-4384M-00	.PISTON, SHUTTLE 2 .PISTON 2	1	1	1	1	
39	69A-4384F-00	.SEAL, MAIN VALVE .JOINT	2	2	2	2	
40	99002-03600	.CLIP .CIRCLIP	2	2	2	2	
41	69J-43894-00	.SPRING, SHUTTLE RETURN .RESSORT	2	2	2	2	
42	6CJ-43841-00	.PISTON, SHUTTLE .PISTON	1	1	1	1	
43	6H1-43883-00	.O-RING .JOINT TORIQUE	1	1	1	1	
44	60V-4386A-00	.PIN, ABSORBER VALVE .GOUPILLE, SOUPAPE	2	2	2	2	
45	69J-43853-00	.SPRING, MAIN VALVE .RESSORT	2	2	2	2	
46	6CJ-43893-00	.WASHER .RONDELLE	2	2	2	2	
47	93501-08001	.BALL .BILLE	2	2	2	2	
48	93210-08391	.O-RING .JOINT TORIQUE	1	1	1	1	
49	69J-43851-00	.SEAT, RELIEF VALVE .SIEGE	1	1	1	1	
50	6CJ-43844-00	.PIN, VALVE SUPPORT .GOUPILLE	1	1	1	1	
51	93210-064A5	.O-RING .JOINT TORIQUE	1	1	1	1	
52	69J-43855-00	.SPRING, UP RELIEF .RESSORT	1	1	1	1	
53	6CJ-43843-00	.SCREW, VALVE LOCK .VIS	2	2	2	2	
54	6H1-4384G-11	.SEAL, RELIEF VALVE .JOINT	1	1	1	1	

FIG. 26 POWER TRIM & TILT ASSY 1

PUISSANCE PARER ET INCLINER 1



REF. NO.	PART NO. N° PIECES	DESCRIPTION DESCRIPTION	GAL6	BA55	GAM6	GAT5	REMARKS REMARQUES
55	6H1-43844-10	.PIN, VALVE SUPPORT .GOUILLE	1	1	1	1	
56	6H1-43856-10	.SPRING, DOWN RELIEF .RESSORT	1	1	1	1	
57	69J-43854-00	.SPRING, MANUAL RELEASE .RESSORT	1	1	1	1	
58	69J-4384G-00	.SEAL, RELIEF VALVE .JOINT	1	1	1	1	
59	CS3-4387G-00	.WASHER .RONDELLE	2	2	2	2	
60	91318-05025	.BOLT .BOULON	2	2	2	2	
61	93604-35236	.PIN, DOWEL .CLAVETTE	2	2	2	2	
62	69J-43871-00	RING, BACK UP SEGMENT	1	1	1	1	
63	69J-43816-00	FILTER 1 FILTRE 1	1	1	1	1	
64	69J-4381J-00	PLATE PLAQUE	1	1	1	1	
65	91318-05040	BOLT BOULON	3	3	3	3	
66	69J-43831-00	CONNECTOR, SHAFT RACCORD	1	1	1	1	
67	61A-43861-00	O-RING JOINT TORIQUE	2	2	2	2	
68	6T4-43875-01	RING, SNAP RESSORT	2	2	2	2	
69	61A-43822-00	SEAL, TRIM DUST JOINT	2	2	2	2	
70	61A-43821-00	SCREW, TRIM CYLINDER END VIS	2	2	2	2	
71	69J-43820-00	TRIM PISTON SUB ASSY PARER PISTON AUXILIAIRE (ENS.)	2	2	2	2	
72	61A-43874-00	.RING, BACK UP .RESSORT	1	1	1	1	
73	61A-43864-00	.O-RING JOINT TORIQUE	1	1	1	1	
74	61A-4384H-10	.SPRING .RESSORT	1	1	1	1	
75	61A-43875-10	.RING, SNAP .RESSORT	1	1	1	1	

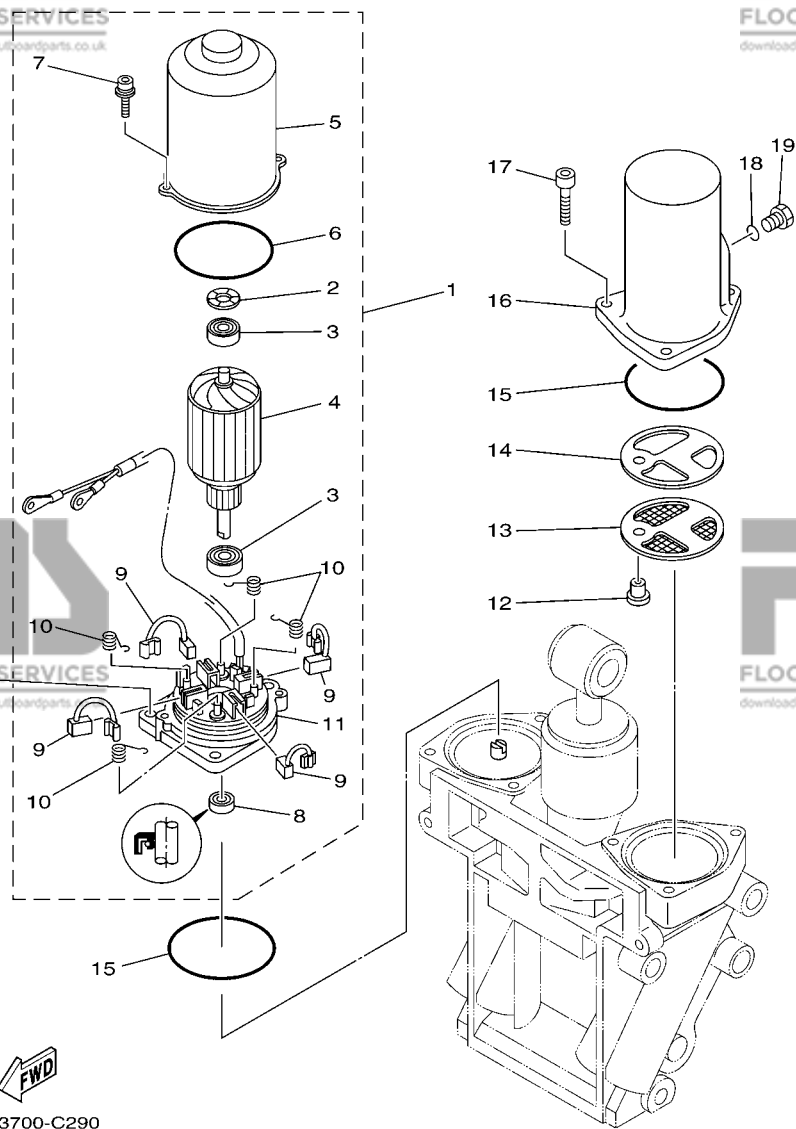


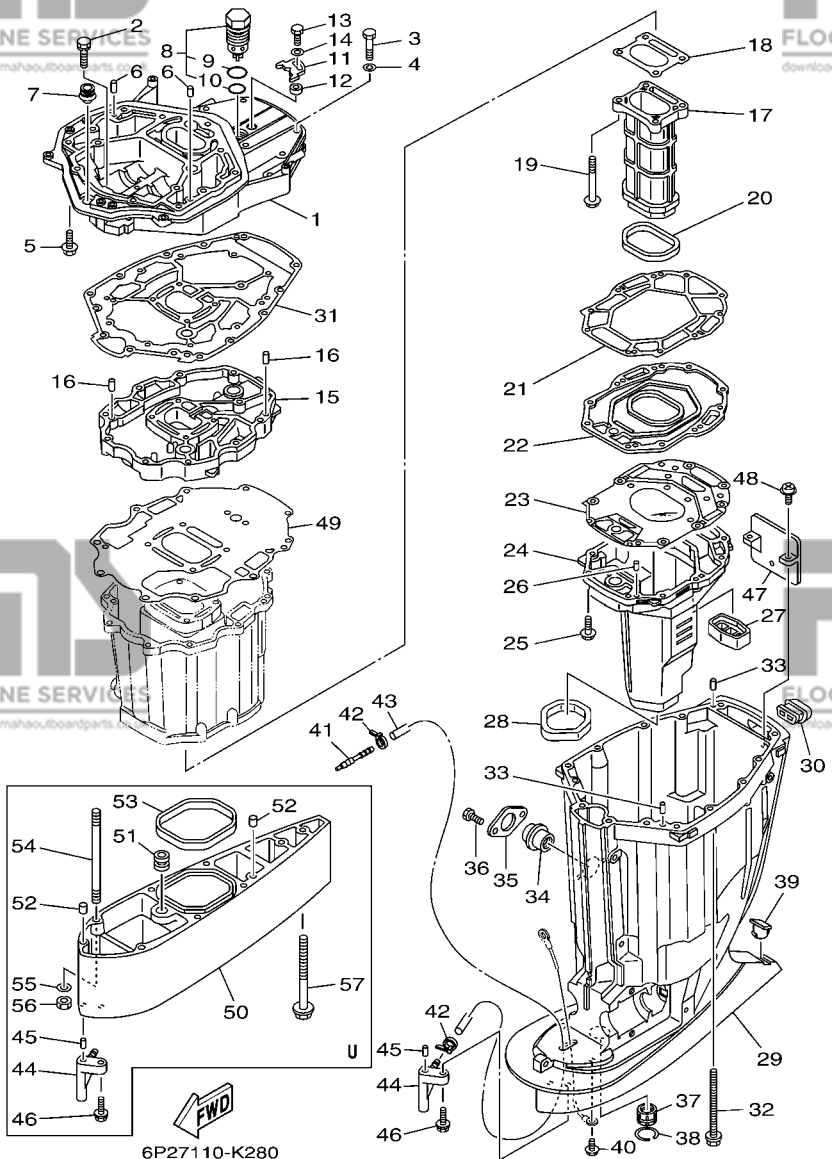
FIG. 27 POWER TRIM & TILT ASSY 2

PUISSANCE PARER ET INCLINER 2

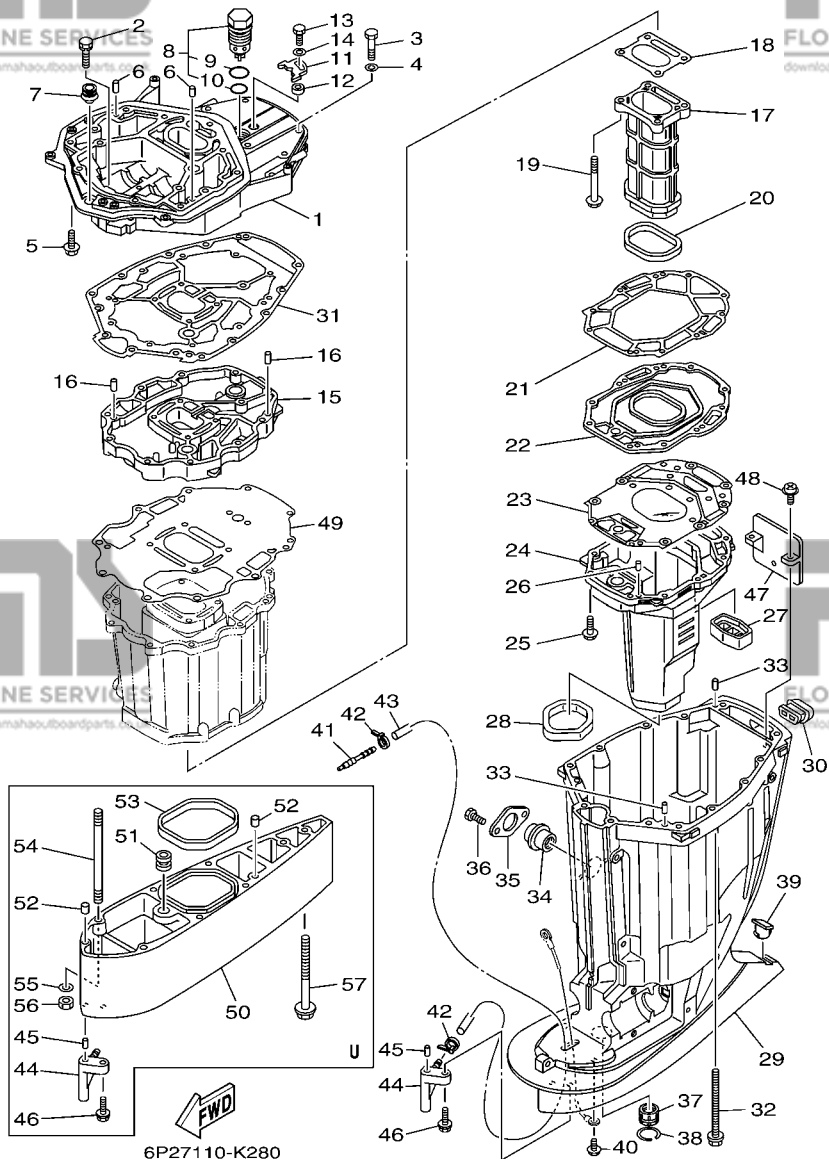
REF. NO.	PART NO. N° PIECES	DESCRIPTION DESCRIPTION	6AL6	6AS5	6AM6	6AT5	REMARKS REMARQUES
1	69J-43880-01	MOTOR ASSY MOTEUR (ENS.)	1	1	1	1	
2	90206-14N50	.WASHER, WAVE .RONDELLE, ONDULEE	1	1	1	1	
3	93399-999T6	.BEARING .ROULEMENT	2	2	2	2	
4	69J-43805-00	.ARMATURE ASSY .INDUIT (ENS.)	1	1	1	1	
5	69J-43804-00	.STATOR ASSY .STATOR (ENS.)	1	1	1	1	
6	69J-43861-00	.O-RING .JOINT TORIQUE	1	1	1	1	
7	69J-43886-00	.BOLT .BOULON	2	2	2	2	
8	69J-43882-00	.OIL SEAL .JOINT SPI	1	1	1	1	
9	69J-43891-00	.BRUSH 1 .BALAI 1	4	4	4	4	
10	69J-4386K-00	.SPRING, BRUSH .RESSORT, BALAI	4	4	4	4	
11	69J-43881-01	.FRAME, END .BATI	1	1	1	1	
12	69J-4388H-00	PLUG BOUCHON	1	1	1	1	
13	69J-43817-00	FILTER 2 FILTRE 2	1	1	1	1	
14	69J-4388F-00	SPACER ENTRETOISE	1	1	1	1	
15	6H1-43869-00	O-RING JOINT TORIQUE	2	2	2	2	
16	69J-43828-00	BODY, RESERVOIR CORPS	1	1	1	1	
17	69J-43888-00	BOLT, SOCKET BOULON	6	6	6	6	
18	93210-09165	O-RING JOINT TORIQUE	1	1	1	1	
19	6H1-43829-00	PLUG, RESERVOIR BOUCHON	1	1	1	1	

FIG. 28 UPPER CASING

FOURREAU



REF. NO.	PART NO. N° PIECES	DESCRIPTION DESCRIPTION	6AL6	6AS5	6AM6	6AT5	REMARKS REMARQUES
1	69J-41137-10-CA	GUIDE, EXHAUST COLLECTEUR D'ÉCHAPPEMENT	1	1	1	1	
2	90119-08102	BOLT, WITH WASHER BOULON, AVEC RONDELLE	2	2	2	2	
3	97075-10045	BOLT BOULON	7	7	7	7	
4	92995-10600	WASHER RONDELLE	7	7	7	7	
5	97575-10535	BOLT, WITH WASHER VIS HEXAGONAL AVEC RONDELLE	7	7	7	7	
6	93608-16M16	PIN, DOWEL AXE	2	2	2	2	
7	6E5-42724-00	GROMMET PASSE-FIL	1	1	1	1	
8	6AW-11371-10	PRESSURE CONTROL VALVE ASSY SOUPAPE, COMMANDE DE PRESSION	1	1	1	1	
9	93210-347A1	.O-RING .JOINT TORIQUE	1	1	1	1	
10	93210-28543	.O-RING .JOINT TORIQUE	1	1	1	1	
11	69J-12233-00	PLATE, GUIDE STOPPER 1 PLAQUE, GUIDE BUTEE 1	1	1	1	1	
12	90387-06037	COLLAR COLLERETTE	1	1	1	1	
13	97095-06020	BOLT BOULON	1	1	1	1	
14	92995-06600	WASHER RONDELLE	1	1	1	1	
15	69J-41131-11-CA	MANIFOLD, EXT. 1 PIPE D'ÉCHAPPEMENT	1	1	1	1	
16	93608-16M16	PIN, DOWEL AXE	2	2	2	2	
17	69J-41132-20-9S	MANIFOLD, EXHAUST PIPE D'ÉCHAPPEMENT	1	1	1	1	
18	6P2-41134-00	GASKET, EXHAUST MANIFOLD JOINT, PIPE D'ÉCHAPPEMENT	1	1	1	1	
19	97575-08590	BOLT, WITH WASHER VIS HEXAGONAL AVEC RONDELLE	4	4	4	4	
20	69J-41138-00	SEAL, EXT. 1 JOINT DE GROUPE 1	1	1	1	1	
21	69J-41135-A0	GASKET, EXHAUST MANIFOLD JOINT, PIPE D'ÉCHAPPEMENT	1	1	1	1	
22	69J-45181-10-9S	PLATE PLAQUETTE	1	1	1	1	
23	6S1-41136-00	GASKET, EXHAUST MANIFOLD 4 JOINT, PIPE D'ÉCHAPPEMENT 4	1	1	1	1	
24	69J-14711-20-9S	MUFFLER 1 POT D'ÉCHAPPEMENT 1	1	1	1	1	
25	97575-08535	BOLT, WITH WASHER VIS HEXAGONAL AVEC RONDELLE	10	10	10	10	
26	93606-19M23	PIN, DOWEL GOUPILLE	2	2	2	2	
27	69J-45127-00	SEAL JOINT	1	1	1	1	



6P27110-K280

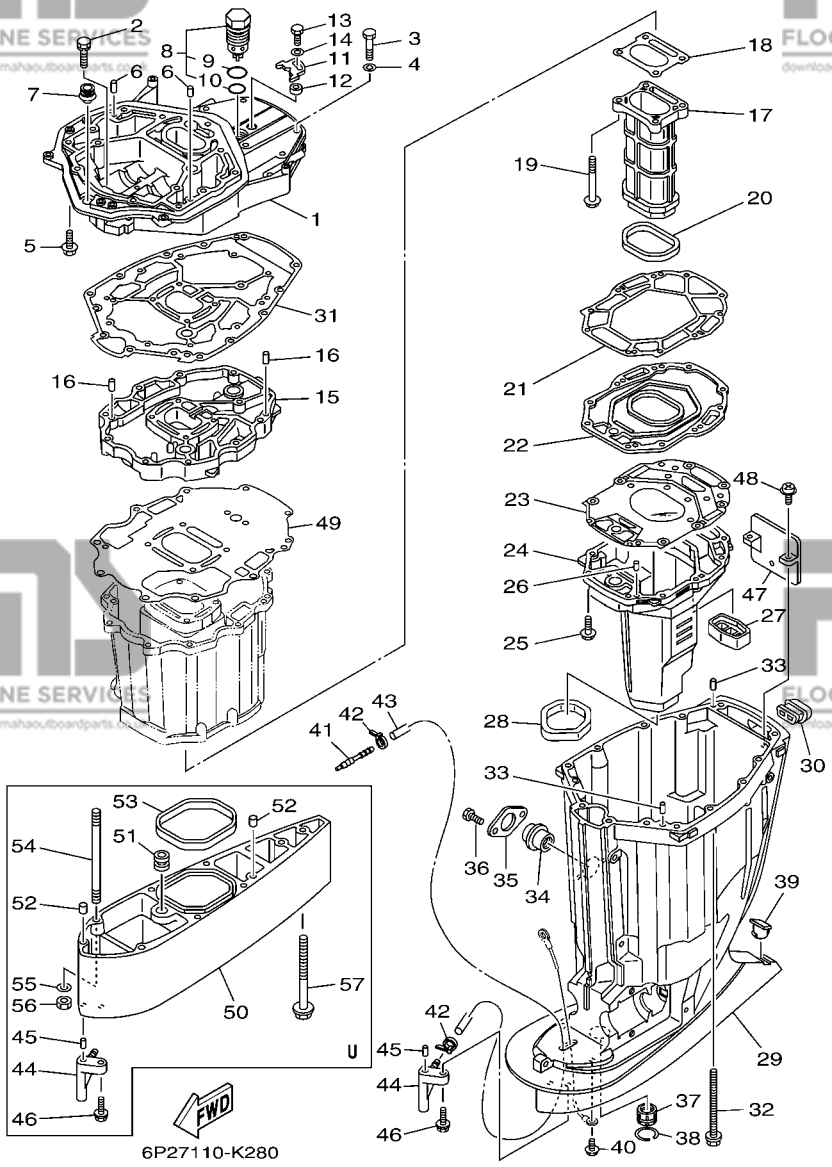
FIG. 28 UPPER CASING

FOURREAU

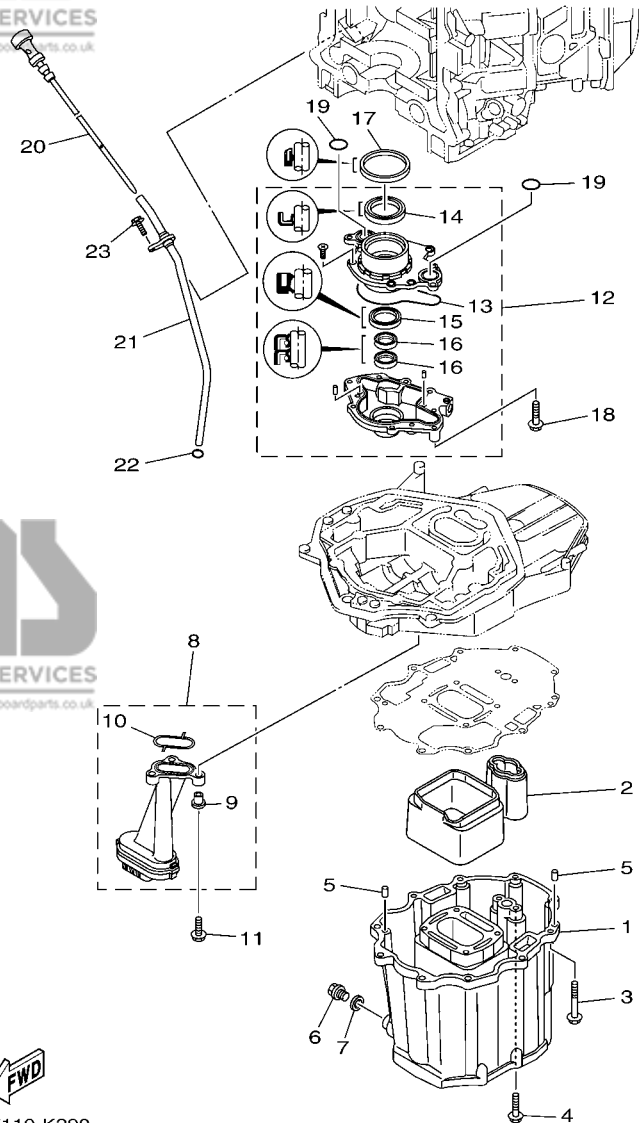
REF. NO.	PART NO. N° PIECES	DESCRIPTION DESCRIPTION	6AL6	6AS5	6AM6	6AT5	REMARKS REMARQUES
28	69J-45123-00	GASKET, MUFFLER JOINT, POT DE DETENTE	1	1	1	1	
29	69J-45111-10-8D	CASING, UPPER FOURREAU	1	1	1	1	
30	69J-42769-00	SEAL, RUBBER BOURRELET, CAOUTCHOUC	1	1	1	1	
31	69J-45113-20	GASKET, UPPER CASING JOINT, TUBE D'ARBRE	1	1	1	1	
32	90119-10007	BOLT, WITH WASHER BOULON, AVEC RONDELLE	6	6	6	6	
33	93608-16M16	PIN, DOWEL AXE	2	2	2	2	
34	69J-15316-00	DAMPER 1 AMORTISSEUR 1	1	1	1	1	
35	69J-45152-00	COVER, UPPER CASING 2 CAPUCHON FOURREAU	1	1	1	1	
36	97095-06014	BOLT BOULON	2	2	2	2	
37	69J-45318-01	BUSHING, DRIVE SHAFT DOUILLE, ARBRE MOTEUR	1	1	1	1	
38	93420-36M01	CIRCLIP CIRCLIP, TYPE S	1	1	1	1	
39	61A-45155-00	CAP CAPUCHON	1	1	1	1	
40	95895-06010	BOLT, FLANGE BOULON	1	1	1	1	
41	6E5-83558-00	END, NIPPLE RACCORD DE NIPPLE	1	1	1	1	
42	90465-11M10	CLAMP BRIDE	2	2	2	2	
43	90445-07010	HOSE (L1330) DURITE (L1330)	1	1	1	1	X(25.3")
	90445-07012	HOSE (L1457) DURITE (L1457)		1			U(30.3")
44	61A-45378-00	NIPPLE, HOSE RACCORD, TUYAU	1	1	1	1	U(30.3")
45	93606-12019	PIN, DOWEL GOUPILLE	1	1	1	1	
46	90119-06M17	BOLT, WITH WASHER BOULON, AVEC RONDELLE	1	1	1	1	
47	69J-14624-01	COVER, EXHAUST CACHE D'ECHAPPEMENT	1	1	1	1	
48	97980-06216	SCREW, WITH WASHER VIS, AVEC RONDELLE	2	2	2	2	
49	69J-15312-01	GASKET, OIL PAN JOINT DE VENTILATEUR D'HUILE	1	1	1	1	
50	69J-45211-02-8D	EXTENSION EXTENSION		1			U(30.3")
51	6E5-44366-00	DAMPER, WATER SEAL 2 JOINT, TUBE D'EAU 2		1			U(30.3")
52	93608-12M05	PIN, DOWEL AXE		2			U(30.3")
53	69J-45159-00	DAMPER CAOUTCHOUC, JOINT		1			U(30.3")

FIG. 28 UPPER CASING

FOURREAU



REF. NO.	PART NO. N° PIECES	DESCRIPTION DESCRIPTION	6AL6	6AS5	6AM6	6AT5	REMARKS REMARQUES
54	90116-10012	BOLT, STUD GOUJON				6	U(30.3") U(30.3")
55	92995-10600	WASHER RONDELLE				6	U(30.3") U(30.3")
56	95380-10600	NUT ECROU				6	U(30.3") U(30.3")
57	90119-10009	BOLT, WITH WASHER BOULON, AVEC RONDELLE				1	U(30.3") U(30.3")

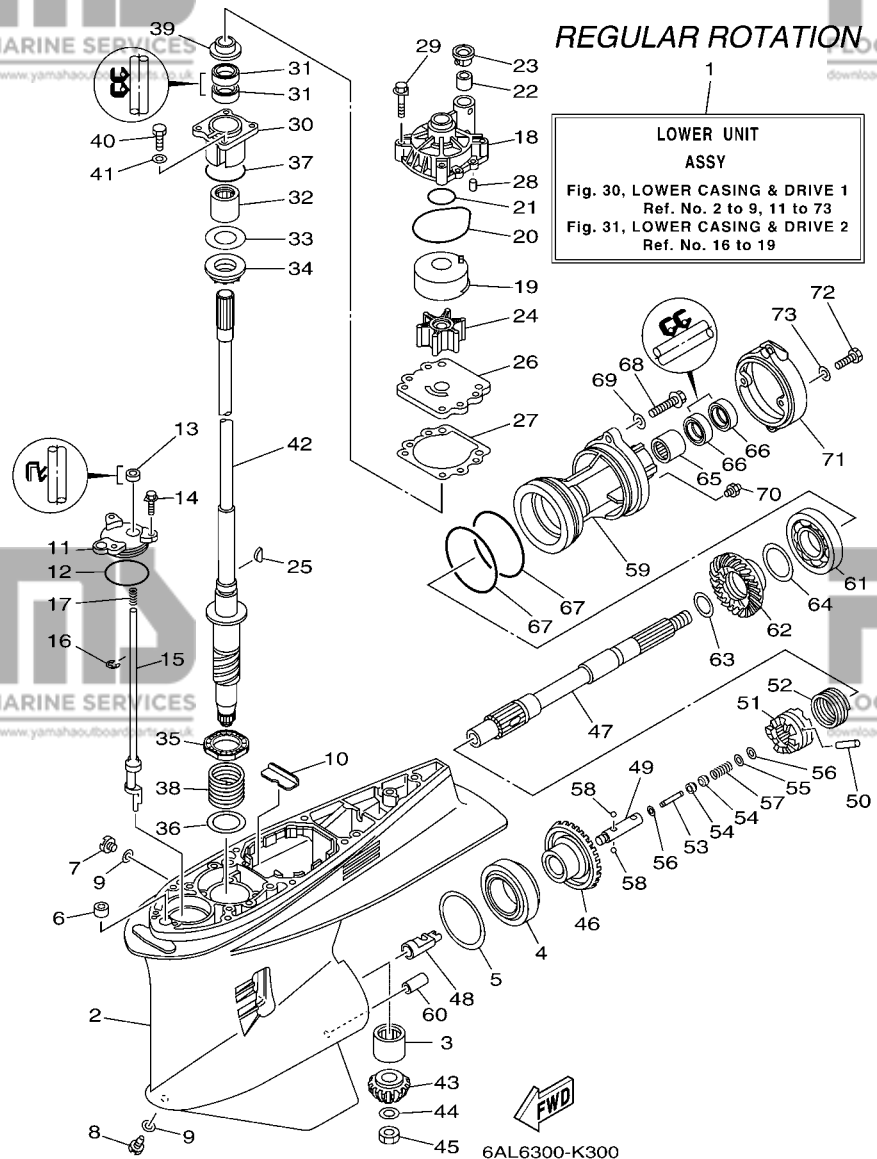


**FIG. 29 OIL PAN**

**VENTILATEUR D'HUILE**

REF. NO.	PART NO. N° PIECES	DESCRIPTION DESCRIPTION	6AL6	6A55	6AM6	6AT5	REMARKS REMARQUES
1	69J-15311-00-CA	OIL PAN VENTILATEUR D'HUILE	1	1	1	1	
2	69J-15761-00	SEAL, RUBBER 1 JOINT CAOUTCHOUC 1	1	1	1	1	
3	97575-08560	BOLT, WITH WASHER VIS HEXAGONAL AVC RONDELLE	10	10	10	10	
4	97575-08535	BOLT, WITH WASHER VIS HEXAGONAL AVC RONDELLE	2	2	2	2	
5	93608-16M16	PIN, DOWEL AXE	2	2	2	2	
6	90340-14M06	PLUG, STRAIGHT SCREW PLOT, FILETE DROIT	1	1	1	1	
7	90430-14M09	GASKET JOINT	1	1	1	1	
8	69J-13411-00	STRAINER, OIL FILTRE, HUILE	1	1	1	1	
9	90387-06263	.COLLAR .COLLERETTE	3	3	3	3	
10	69J-13415-00	.SEAL, OIL STRAINER .JOINT, FILTRE A HUILE	1	1	1	1	
11	95812-06025	BOLT, FLANGE BOULON	3	3	3	3	
12	69J-13300-02	OIL PUMP ASSY POMPE A HUILE COMPLETE	1	1	1	1	
13	69J-13329-00	.GASKET, PUMP COVER .JOINT, COUVERCLE DE POMPE	1	1	1	1	
14	69J-13338-00	.OIL SEAL .JOINT SPY	1	1	1	1	
15	6AW-13119-00	.OIL SEAL .JOINT SPY	1	1	1	1	
16	69J-13631-00	.OIL SEAL .JOINT SPY	2	2	2	2	
17	69J-11355-00	SEAL, CYLINDER 1 JOINT, SPY CYLINDRE	1	1	1	1	
18	97575-06540	BOLT, WITH WASHER VIS HEXAGONAL AVC RONDELLE	4	4	4	4	
19	93210-25552	O-RING JOINT TORIQUE	2	2	2	2	
20	6P2-15362-10	PLUG, OIL LEVEL PLOT, NIVEAU D'HUILE	1	1	1	1	
21	6P2-15377-10	GUIDE, INLET GUIDE D'ADMISSION	1	1	1	1	
22	93210-19MJ3	O-RING JOINT TORIQUE	1	1	1	1	
23	95895-06016	BOLT, FLANGE BOULON	1	1	1	1	





**FIG. 30 LOWER CASING & DRIVE 1 BOITIER D'HELICE TRANSMISSION1**

REF. NO.	PART NO. N° PIECES	DESCRIPTION DESCRIPTION	6AL6	6AS5	6AM6	6AT5	REMARKS REMARQUES
1	6P2-45300-20-8D	LOWER UNIT ASSY UNITE INFERIEURE (ENS.)	1	1			X(25.3"),RH X(25.3"),RH
	6P2-45300-30-8D	LOWER UNIT ASSY UNITE INFERIEURE (ENS.)		1			U(30.3"),RH U(30.3"),RH
2	6P2-45301-00-8D	CASING, LOWER BEQUILLE	1	1			
3	93311-83280	BEARING ROULEMENT	1	1			
4	93332-000W1	BEARING ROULEMENT	1	1			
5	61A-45567-00	SHIM (T:0.10MM) CALE (T:0.10MM)	1	1			UR UR
	61A-45567-10	SHIM (T:0.12MM) CALE (T:0.12MM)	1	1			UR UR
	61A-45567-20	SHIM (T:0.15MM) CALE (T:0.15MM)	1	1			UR UR
	61A-45567-30	SHIM (T:0.18MM) CALE (T:0.18MM)	1	1			UR UR
	61A-45567-40	SHIM (T:0.30MM) CALE (T:0.30MM)	1	1			UR UR
	61A-45567-50	SHIM (T:0.40MM) CALE (T:0.40MM)	1	1			UR UR
	61A-45567-60	SHIM (T:0.50MM) CALE (T:0.50MM)	1	1			UR UR
6	663-44366-00	DAMPER, WATER SEAL 2 JOINT, TUBE D'EAU 2	1	1			
7	90340-08002	PLUG, STRAIGHT SCREW PLOT, FILETE DROIT	1	1			
8	688-45341-10	PLUG, DRAIN BOUCHON DE VIDANGE	1	1			
9	90430-08020	GASKET JOINT	2	2			
10	61A-45376-00	GUIDE, SEAL DAMPER BUTEE, JOINT CAOUTCHOUC	1	1			
11	61A-45321-01	PLATE PLAQUETTE	1	1			
12	93210-64488	O-RING JOINT TORIQUE	1	1			
13	93106-09014	OIL SEAL JOINT SPY	1	1			
14	90119-06M10	BOLT, WITH WASHER BOULON, AVEC RONDELLE	3	3			
15	69J-44150-00	SHIFT CAM ASSY CAME D'INVERSION	1	1			
16	99001-08600	CIRCLIP CIRCLIP	1	1			
17	90501-11M10	SPRING, COMPRESSION RESSORT, COMPRESSION	1	1			
18	61A-44311-01	HOUSING, WATER PUMP CORPS, POMPE A EAU	1	1			
19	61A-44322-02	INSERT, CARTRIDGE CUVETTE	1	1			
20	93210-86M38	O-RING JOINT TORIQUE	1	1			

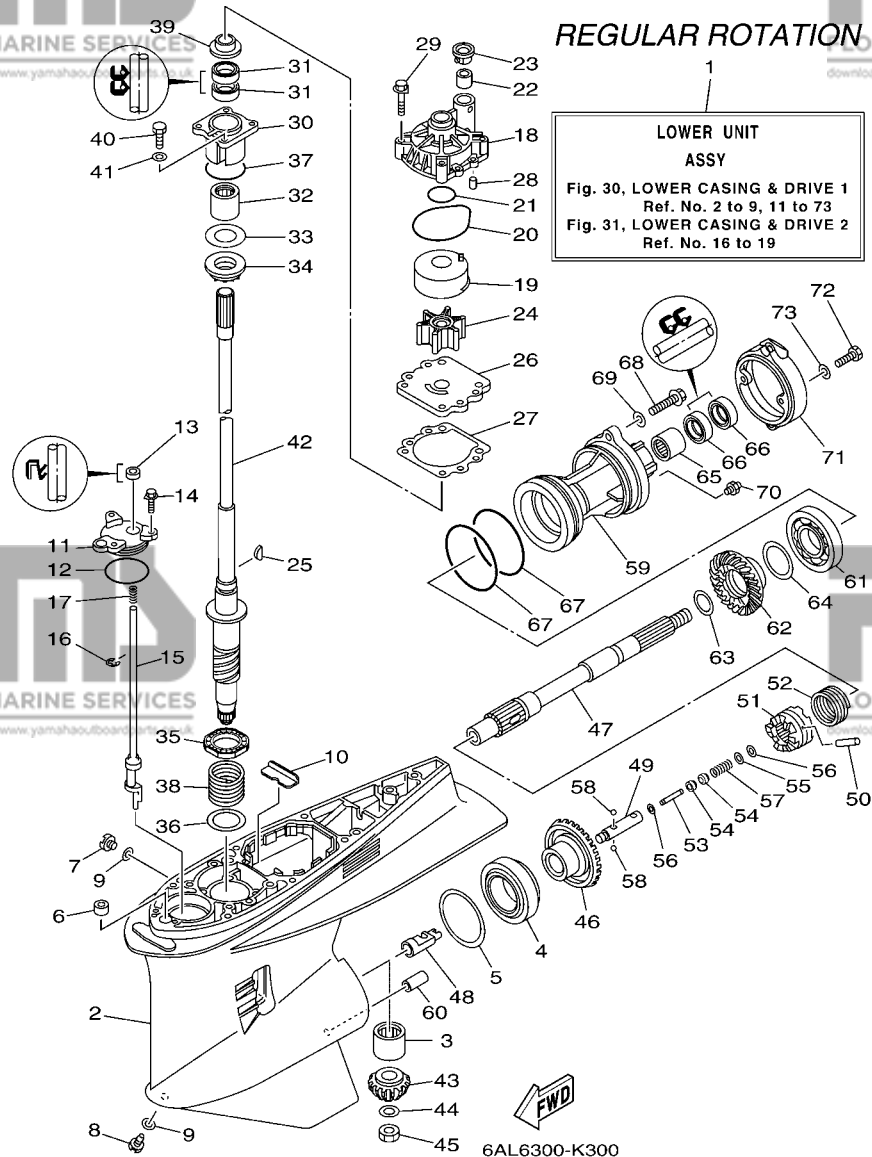
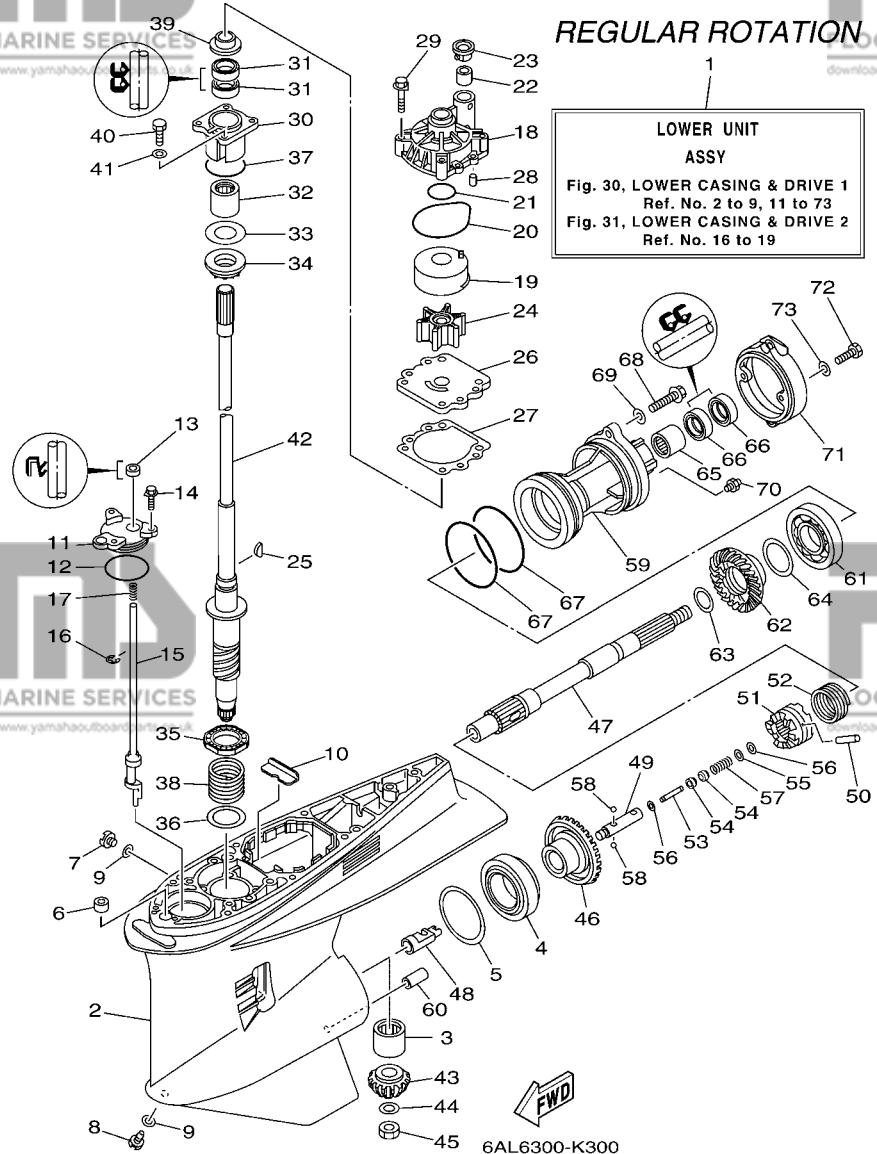


FIG. 30 LOWER CASING & DRIVE 1

BOITIER D'HELICE TRANSMISSION1

REF. NO.	PART NO. N° PIECES	DESCRIPTION DESCRIPTION	6AL6	6AS5	6AM6	6AT5	REMARKS REMARQUES
21	93210-37160	O-RING JOINT TORIQUE	1	1			
22	6E5-44365-00	DAMPER, WATER SEAL 1 JOINT, TUBE D'EAU 1	1	1			
23	6E5-44312-00	COVER, WATER PUMP HOUSING COUVERCLE	1	1			
24	6E5-44352-01	IMPELLER TURBINE	1	1			
25	90280-04M05	KEY, WOODRUFF CLAVETTE, DEMI-LUNE	1	1			
26	6G5-44323-00	OUTER PLATE, CARTRIDGE PLAQUE EXTERIEURE	1	1			
27	6E5-44315-A0	GASKET, WATER PUMP JOINT, POMPE A EAU	1	1			
28	93606-12019	PIN, DOWEL GOUPILLE	2	2			
29	90119-08M14	BOLT, WITH WASHER BOULON, AVEC RONDELLE	4	4			
30	61A-45331-00-9S	HOUSING, BEARING FLASQUE, ROULEMENT	1	1			
31	93101-28M16	OIL SEAL JOINT SPY	2	2			
32	93317-330U2	BEARING ROULEMENT	1	1			
33	61A-45587-00	SHIM (T:0.10MM) CALE (T:0.10MM)	1	1			UR
	61A-45587-10	SHIM (T:0.12MM) CALE (T:0.12MM)	1	1			UR
	61A-45587-20	SHIM (T:0.15MM) CALE (T:0.15MM)	1	1			UR
	61A-45587-30	SHIM (T:0.18MM) CALE (T:0.18MM)	1	1			UR
	61A-45587-40	SHIM (T:0.30MM) CALE (T:0.30MM)	1	1			UR
	61A-45587-50	SHIM (T:0.40MM) CALE (T:0.40MM)	1	1			UR
	61A-45587-60	SHIM (T:0.50MM) CALE (T:0.50MM)	1	1			UR
34	93341-930U9	BEARING CERVEAUX DE DIRECTION	1	1			
35	93341-34019	BEARING CERVEAUX DE DIRECTION	1	1			
36	90201-42014	WASHER, PLATE RONDELLE, PLATE	1	1			
37	93210-55M14	O-RING JOINT TORIQUE	1	1			
38	90501-450A2	SPRING, COMPRESSION RESSORT, COMPRESSION	1	1			
39	6E5-45344-00	COVER, OIL SEAL FLASQUE, JOINT D'HUILE	1	1			
40	97095-08025	BOLT BOULON	4	4			
41	92995-08600	WASHER RONDELLE	4	4			



**FIG. 30 LOWER CASING & DRIVE 1**

**BOITIER D'HELICE TRANSMISSION1**

REF. NO.	PART NO. N° PIECES	DESCRIPTION DESCRIPTION	6AL6	6AS5	6AM6	6AT5	REMARKS REMARQUES
42	6P2-45501-00	DRIVE SHAFT COMP. ARBRE MOTEUR COMP.	1	1			X(25.3") X(25.3")
	6P2-45501-10	DRIVE SHAFT COMP. ARBRE MOTEUR COMP.		1			U(30.3") U(30.3")
43	6P2-45551-01	PINION (15T) PIGNON D'ATTAQUE (15D)	1	1			
44	90201-16M00	WASHER, PLATE RONDELLE, PLATE	1	1			
45	90170-16M19	NUT ECROU	1	1			
46	6P2-45560-00	GEAR 1 (30T) PIGNON 1 (30T)	1	1			
47	69J-45611-00	SHAFT, PROPELLER ARBRE, HELICE	1	1			
48	61A-45641-02	SHIFTER EMBRAYAGE	1	1			
49	61A-45634-01	SLIDE, SHIFT CONTRE-POUSOIR	1	1			
50	61A-45632-00	PIN, CROSS GOUPILLE DE CRABOT	1	1			
51	69J-45631-00	CLUTCH, DOG CRABOT	1	1			
52	61A-45633-00	RING, CROSS PIN JONC, GOUPILLE CRABOT	1	1			
53	6H1-45668-00	SHAFT, FREE 1 AXE 1	1	1			
54	61A-45635-00	PLUNGER, SHIFT POUSSOIR D'EMBRAYAGE	2	2			
55	90201-02M00	WASHER, PLATE RONDELLE, PLATE	1	1			
56	90183-02M03	NUT, SPRING ECROU, RESSORT	2	2			
57	90501-10M77	SPRING, COMPRESSION RESSORT, COMPRESSION	1	1			
58	93501-04011	BALL BILLE	2	2			
59	6D0-45332-00-CA	HOUSING, BEARING FLASQUE, ROULEMENT	1	1			
60	99590-10114	PIN, DOWEL GOUJON, D'ASSEMBLAGE	1	1			
61	93306-210U0	BEARING ROULEMENT	1	1			
62	6P2-45571-00	GEAR 2 (30T) PIGNON 2 (30T)	1	1			
63	6P2-45578-00	SHIM (T:1.80MM) CALE (T:1.80MM)	1	1			UR UR
	6P2-45578-10	SHIM (T:1.90MM) CALE (T:1.90MM)	1	1			UR UR
	6P2-45578-20	SHIM (T:2.00MM) CALE (T:2.00MM)	1	1			UR UR
	6P2-45578-30	SHIM (T:2.10MM) CALE (T:2.10MM)	1	1			UR UR
	6P2-45578-40	SHIM (T:2.20MM) CALE (T:2.20MM)	1	1			UR UR

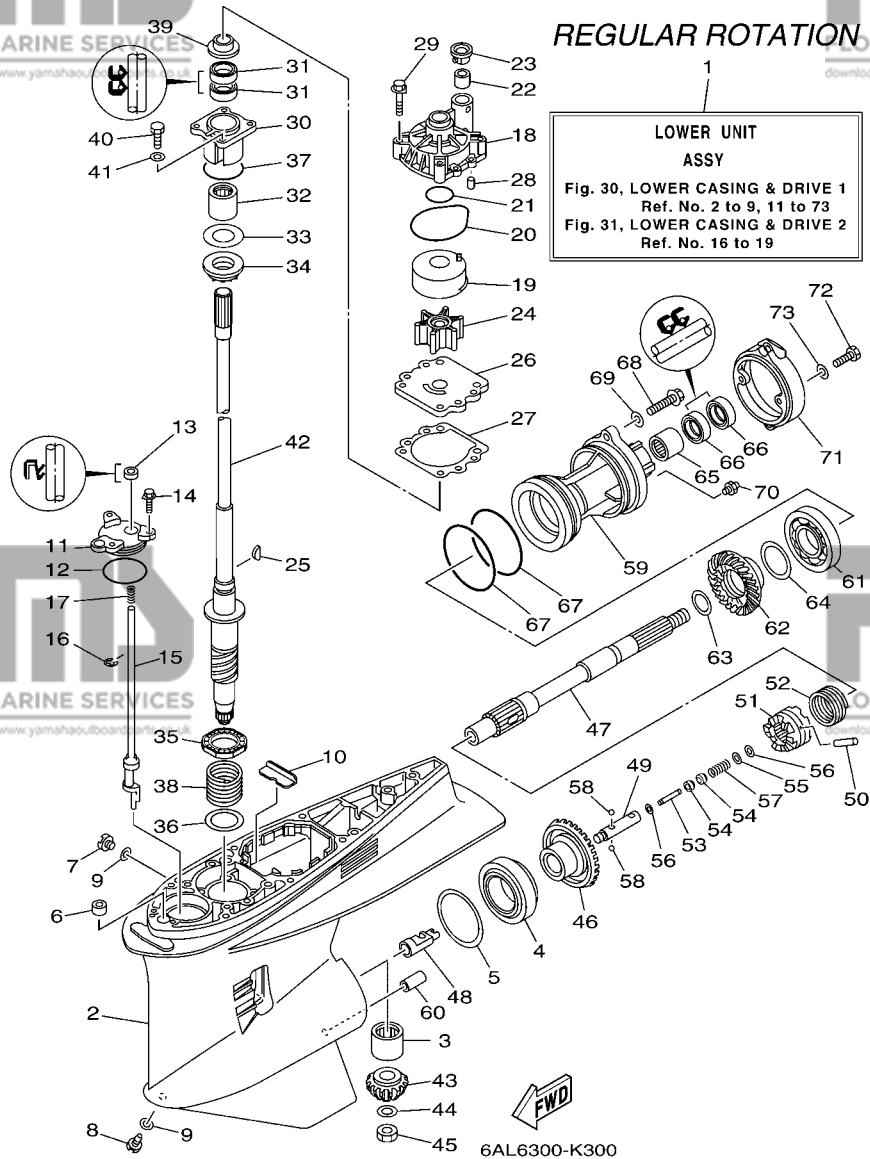


FIG. 30 LOWER CASING & DRIVE 1

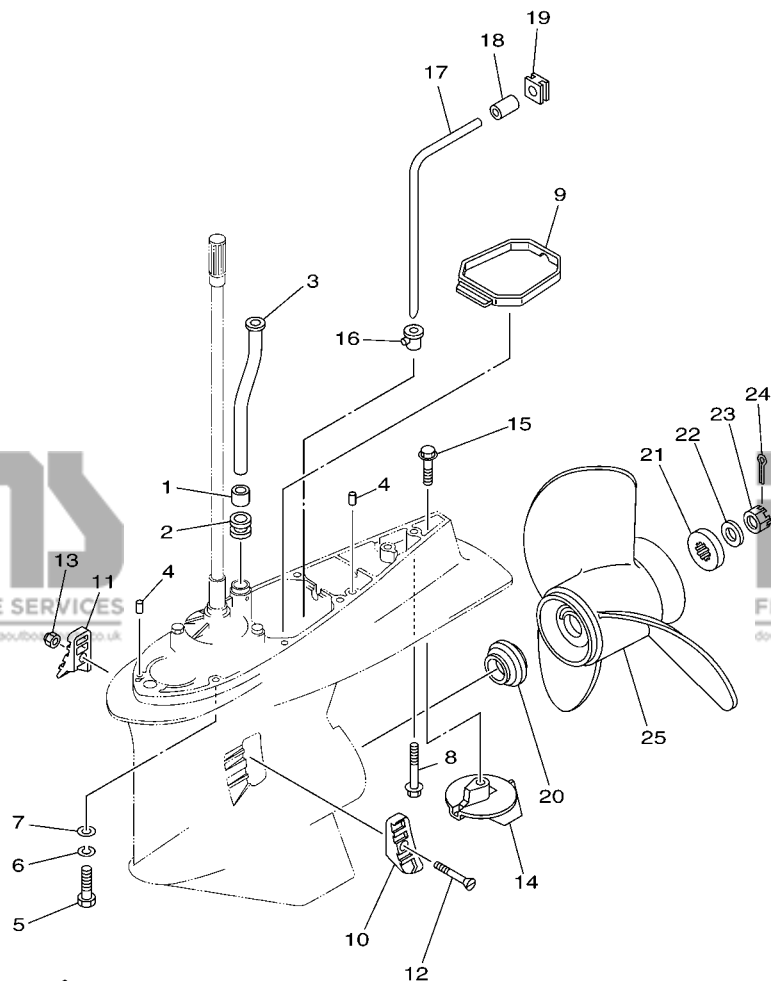
BOITIER D'HELICE TRANSMISSION1

REF. NO.	PART NO. N° PIECES	DESCRIPTION DESCRIPTION	6AL6	6AS5	6AM6	6AT5	REMARKS REMARQUES
64	61A-45577-00	SHIM (T:0.10MM) CALE (T:0.10MM)	1	1			UR UR
	61A-45577-10	SHIM (T:0.12MM) CALE (T:0.12MM)	1	1			UR UR
	61A-45577-20	SHIM (T:0.15MM) CALE (T:0.15MM)	1	1			UR UR
	61A-45577-30	SHIM (T:0.18MM) CALE (T:0.18MM)	1	1			UR UR
	61A-45577-40	SHIM (T:0.30MM) CALE (T:0.30MM)	1	1			UR UR
	61A-45577-50	SHIM (T:0.40MM) CALE (T:0.40MM)	1	1			UR UR
	61A-45577-60	SHIM (T:0.50MM) CALE (T:0.50MM)	1	1			UR UR
65	93315-43064	BEARING ROULEMENT	1	1			
66	93101-30002	OIL SEAL JOINT SPY	2	2			
67	93211-04384	O-RING JOINT TORIQUE	2	2			
68	90105-08049	BOLT, FLANGE BOULON	2	2			
69	90201-08023	WASHER, PLATE RONDELLE, PLATE	2	2			
70	93700-09M00	NIPPLE, GREASE PION	1	1			
71	6D0-45361-00-8D	CAP, LOWER CASING COUVERCLE, BOITIER D'HELICE	1	1			
72	97095-08020	BOLT BOULON	2	2			
73	92995-08600	WASHER RONDELLE	2	2			

**FIG. 31 LOWER CASING & DRIVE 2**

**BOITIER D'HELICE TRANSMISSION2**

*REGULAR ROTATION*

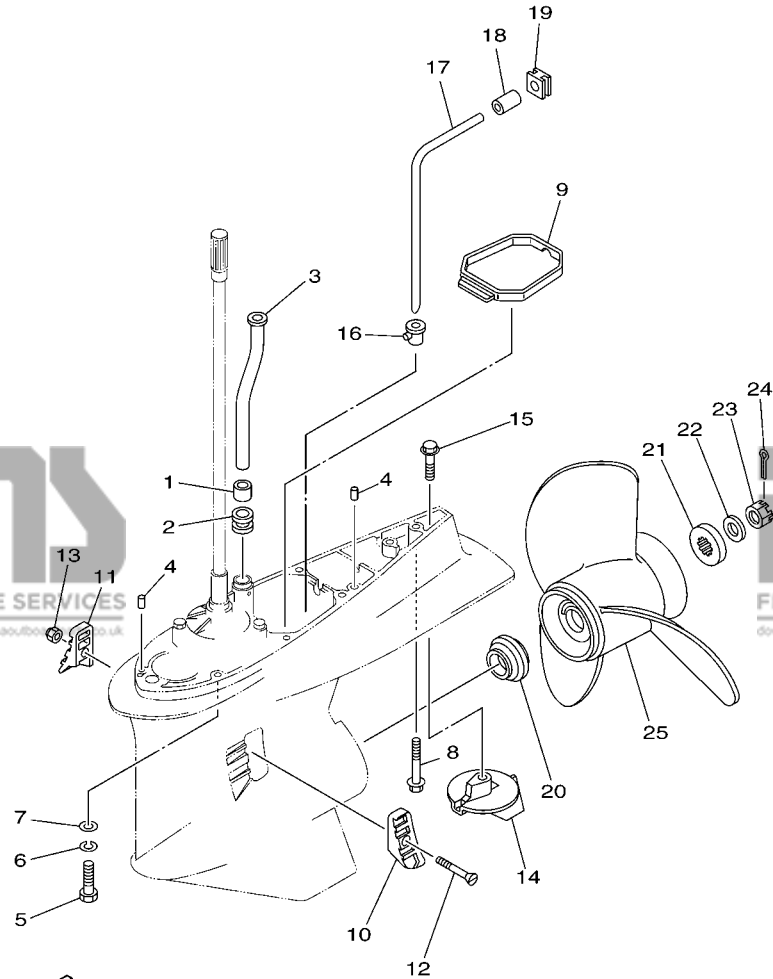


6AL6300-K310

REF. NO.	PART NO. N° PIECES	DESCRIPTION DESCRIPTION	6AL6	6AS5	6AM6	6AT5	REMARKS REMARQUES
1	6E5-44365-00	DAMPER, WATER SEAL 1 JOINT, TUBE D'EAU 1	1	1			
2	6E5-44366-00	DAMPER, WATER SEAL 2 JOINT, TUBE D'EAU 2	1	1			
3	6S1-44361-01	TUBE, WATER 1 TUBE D'EAU 1	1	1			X(25.3") X(25.3")
	6S1-44361-11	TUBE, WATER 1 TUBE D'EAU 1			1		U(30.3") U(30.3")
4	93608-12M05	PIN, DOWEL AXE	2	2			
5	97095-10045	BOULON	7	7			X(25.3") X(25.3")
6	92995-10100	WASHER RONDELLE	7	7			X(25.3") X(25.3")
7	92995-10600	WASHER RONDELLE	7	7			X(25.3") X(25.3")
8	90119-10MA2	BOULON, WITH WASHER BOULON, AVEC RONDELLE	1	1			X(25.3") X(25.3")
	90119-10008	BOULON, WITH WASHER BOULON, AVEC RONDELLE			1		U(30.3") U(30.3")
9	6D0-45375-00	DAMPER, SEAL BOURRELET, CAOUTCHOUC	1	1			
10	61A-45214-11	COVER, WATER INLET 1 GRILLE, ENTREE D'EAU 1	1	1			
11	61A-45215-11	COVER, WATER INLET 2 GRILLE, ENTREE D'EAU 2	1	1			
12	90152-05003	SCREW, COUNTERSUNK VIS, TETE NOYEE	1	1			
13	90185-05002	NUT, NYLON ECROU, AUTO-BLOQUANT	1	1			
14	61A-45371-00	TAB-TRIM ANODE DERIVE	1	1			
15	90105-10M00	BOULON, FLANGE BOULON	1	1			
16	6D0-44367-00	DAMPER, WATER SEAL 3 JOINT TUBE D'EAU 3	1	1			
17	6D0-44362-01	TUBE, WATER 2 TUBE D'EAU 2	1	1			
18	6D0-44365-00	DAMPER, WATER SEAL 1 JOINT, TUBE D'EAU 1	1	1			
19	6D0-44366-00	DAMPER, WATER SEAL 2 JOINT, TUBE D'EAU 2	1	1			
20	69J-45987-00	SPACER 1 ENTRETOISE 1	1	1			
21	688-45997-01	SPACER 2 ENTRETOISE 2	1	1			
22	92990-18200	WASHER RONDELLE, PLATE	1	1			
23	90171-18M04	NUT, CASTLE ECROU, CRENELE	1	1			
24	91490-40030	PIN, COTTER GOUPILLE	1	1			
25	6G5-45970-02-98	PROPELLER (3X15-1/4"X15"-M) HELICE (3X15-1/4"X15"-M)	1	1			UR UR

**FIG. 31 LOWER CASING & DRIVE 2 BOITIER D'HELICE TRANSMISSION2**

REGULAR ROTATION



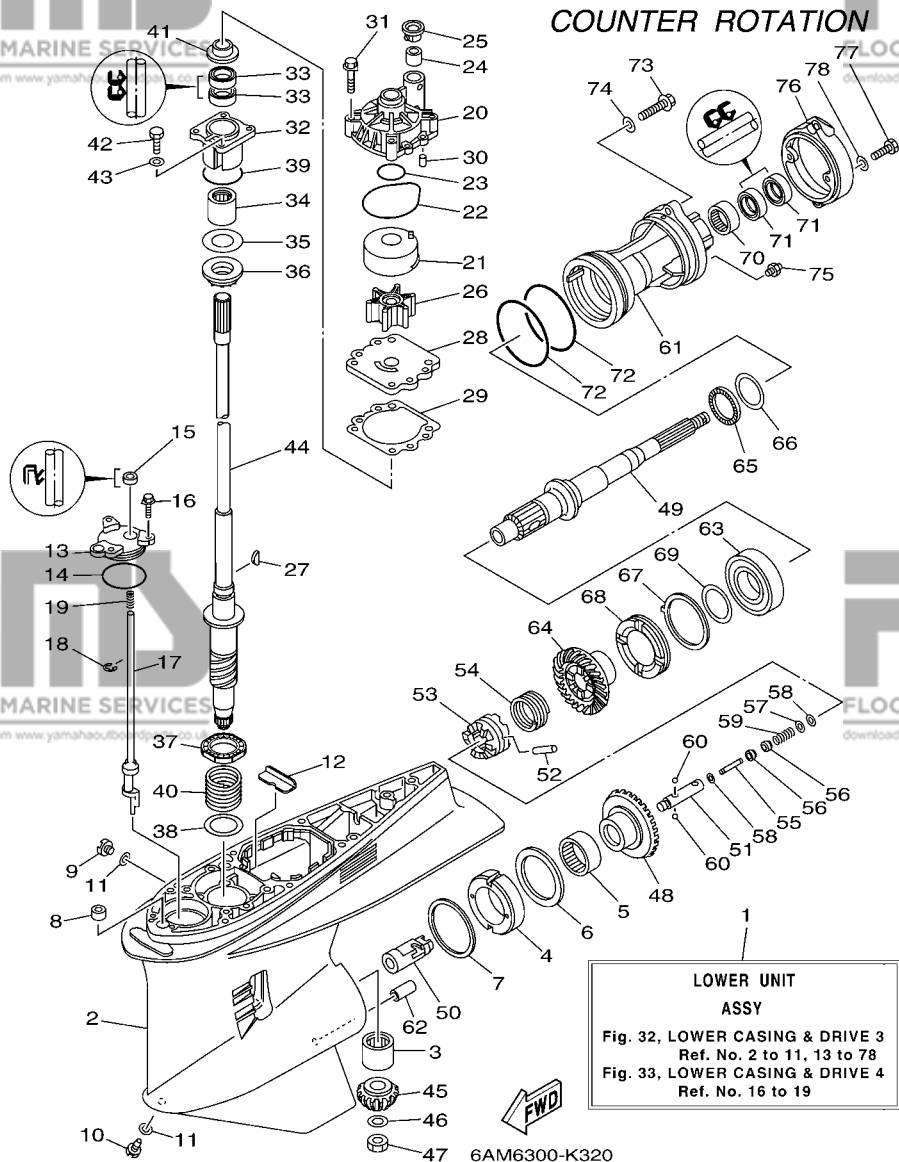
6AL6300-K310

REF. NO.	PART NO. N° PIECES	DESCRIPTION DESCRIPTION	6AL6	6AS5	6AM6	6AT5	REMARKS REMARQUES
25	6G5-45972-02-98	PROPELLER (3X13-3/4"X21"-M) HELICE (3X13-3/4"X21"-M)	1	1			UR UR
	6G5-45974-03-98	PROPELLER (3X13-3/4"X19"-M2) HELICE (3X13-3/4"X19"-M2)	1	1			UR UR
	6G5-45978-03-98	PROPELLER (3X13-3/4"X17"-M2) HELICE (3X13-3/4"X17"-M2)	1	1			UR UR
	61A-45972-00-98	PROPELLER (3X14-1/2"X21"-T) HELICE (3X14-1/2"X21"-T)	1	1			UR UR
	61A-45974-00-98	PROPELLER (3X14-1/2"X19"-T) HELICE (3X14-1/2"X19"-T)	1	1			UR UR
	61A-45978-00-98	PROPELLER (3X15"X17"-T) HELICE (3X15"X17"-T)	1	1			UR UR
	6R4-45970-A1	PROPELLER (3X15-1/4"X19"-M) HELICE (3X15-1/4"X19"-M)	1	1			UR UR
	6R4-45972-A0	PROPELLER (3X14-7/8"X21"-M) HELICE (3X14-7/8"X21"-M)	1	1			UR UR
	6R4-45974-A0	PROPELLER (3X14-1/2"X23"-M) HELICE (3X14-1/2"X23"-M)	1	1			UR UR
	6R4-45976-A0	PROPELLER (3X14-1/2"X15"-M) HELICE (3X14-1/2"X15"-M)	1	1			UR UR
	6R4-45978-A0	PROPELLER (3X15-1/4"X17"-M) HELICE (3X15-1/4"X17"-M)	1	1			UR UR
	6D0-45970-00	PROPELLER (3X15-1/4"X19"-T) HELICE (3X15-1/4"X19"-T)	1	1			UR UR
	6D0-45972-00	PROPELLER (3X15"X21"-T) HELICE (3X15"X21"-T)	1	1			UR UR
	6D0-45978-00	PROPELLER (3X15-1/2"X17"-T) HELICE (3X15-1/2"X17"-T)	1	1			UR UR
	6BR-45B70-00	PROPELLER (4X15"X21"-T) HELICE (4X15"X21"-T)	1	1			UR UR
	6BR-45B72-00	PROPELLER (4X15"X22"-T) HELICE (4X15"X22"-T)	1	1			UR UR
	6BR-45B74-00	PROPELLER (4X15"X23"-T) HELICE (4X15"X23"-T)	1	1			UR UR

FIG. 32 LOWER CASING & DRIVE 3

BOITIER D'HELICE TRANSMISSION3

REF. NO.	PART NO. N° PIECES	DESCRIPTION DESCRIPTION	6AL6	6AS5	6AM6	6AT5	REMARKS REMARQUES
1	6P3-45300-20-8D	LOWER UNIT ASSY UNITE INFERIEURE (ENS.)				1	X(25.3"),LH X(25.3"),LH
2	6P2-45301-00-8D	CASING, LOWER BEQUILLE			1	1	
3	93311-83280	BEARING ROULEMENT			1	1	
4	61B-45538-01	SPACER 1 ENTRETOISE			1	1	
5	93315-660W3	BEARING ROULEMENT			1	1	
6	93341-670V0	BEARING CERVEAUX DE DIRECTION			1	1	
7	61A-45567-00	SHIM (T:0.10MM) CALE (T:0.10MM)			1	1	UR UR
	61A-45567-10	SHIM (T:0.12MM) CALE (T:0.12MM)			1	1	UR UR
	61A-45567-20	SHIM (T:0.15MM) CALE (T:0.15MM)			1	1	UR UR
	61A-45567-30	SHIM (T:0.18MM) CALE (T:0.18MM)			1	1	UR UR
	61A-45567-40	SHIM (T:0.30MM) CALE (T:0.30MM)			1	1	UR UR
	61A-45567-50	SHIM (T:0.40MM) CALE (T:0.40MM)			1	1	UR UR
	61A-45567-60	SHIM (T:0.50MM) CALE (T:0.50MM)			1	1	UR UR
8	663-44366-00	DAMPER, WATER SEAL 2 JOINT, TUBE D'EAU 2			1	1	
9	90340-08002	PLUG, STRAIGHT SCREW PLOT, FILETE DROIT			1	1	
10	688-45341-10	PLUG, DRAIN BOUCHON DE VIDANGE			1	1	
11	90430-08020	GASKET JOINT			2	2	
12	61A-45376-00	GUIDE, SEAL DAMPER BUTEE, JOINT CAOUTCHOUC			1	1	
13	61A-45321-01	PLATE PLAQUETTE			1	1	
14	93210-64488	O-RING JOINT TORIQUE			1	1	
15	93106-09014	OIL SEAL JOINT SPY			1	1	
16	90119-06M10	BOLT, WITH WASHER BOULON, AVEC RONDELLE			3	3	
17	69K-44150-00	SHIFT CAM ASSY CAME D'INVERSION			1	1	
18	99001-08600	CIRCLIP CIRCLIP			1	1	
19	90501-11M10	SPRING, COMPRESSION RESSORT, COMPRESSION			1	1	
20	61A-44311-01	HOUSING, WATER PUMP CORPS, POMPE A EAU			1	1	
21	61A-44322-02	INSERT, CARTRIDGE CUVETTE			1	1	



**LOWER UNIT ASSY**  
 Fig. 32, LOWER CASING & DRIVE 3  
 Ref. No. 2 to 11, 13 to 78  
 Fig. 33, LOWER CASING & DRIVE 4  
 Ref. No. 16 to 19

6AM6300-K320

FIG. 32 LOWER CASING & DRIVE 3 BOITIER D'HELICE TRANSMISSION3

REF. NO.	PART NO. N° PIECES	DESCRIPTION DESCRIPTION	6AL6	6AS5	6AM6	6AT5	REMARKS REMARQUES
22	93210-86M38	O-RING JOINT TORIQUE			1	1	
23	93210-37160	O-RING JOINT TORIQUE			1	1	
24	6E5-44365-00	DAMPER, WATER SEAL 1 JOINT, TUBE D'EAU 1			1	1	
25	6E5-44312-00	COVER, WATER PUMP HOUSING COUVERCLE			1	1	
26	6E5-44352-01	IMPELLER TURBINE			1	1	
27	90280-04M05	KEY, WOODRUFF CLAVETTE, DEMI-LUNE			1	1	
28	6G5-44323-00	OUTER PLATE, CARTRIDGE PLAQUE EXTERIEURE			1	1	
29	6E5-44315-A0	GASKET, WATER PUMP JOINT, POMPE A EAU			1	1	
30	93606-12019	PIN, DOWEL GOUPILLE			2	2	
31	90119-08M14	BOLT, WITH WASHER BOULON, AVEC RONDELLE			4	4	
32	61A-45331-00-9S	HOUSING, BEARING FLASQUE, ROULEMENT			1	1	
33	93101-28M16	OIL SEAL JOINT SPY			2	2	
34	93317-330U2	BEARING ROULEMENT			1	1	
35	61A-45587-00	SHIM (T:0.10MM) CALE (T:0.10MM)			1	1	UR
	61A-45587-10	SHIM (T:0.12MM) CALE (T:0.12MM)			1	1	UR
	61A-45587-20	SHIM (T:0.15MM) CALE (T:0.15MM)			1	1	UR
	61A-45587-30	SHIM (T:0.18MM) CALE (T:0.18MM)			1	1	UR
	61A-45587-40	SHIM (T:0.30MM) CALE (T:0.30MM)			1	1	UR
	61A-45587-50	SHIM (T:0.40MM) CALE (T:0.40MM)			1	1	UR
	61A-45587-60	SHIM (T:0.50MM) CALE (T:0.50MM)			1	1	UR
36	93341-930U9	BEARING CERVEAUX DE DIRECTION			1	1	
37	93341-34019	BEARING CERVEAUX DE DIRECTION			1	1	
38	90201-42014	WASHER, PLATE RONDELLE, PLATE			1	1	
39	93210-55M14	O-RING JOINT TORIQUE			1	1	
40	90501-450A2	SPRING, COMPRESSION RESSORT, COMPRESSION			1	1	
41	6E5-45344-00	COVER, OIL SEAL FLASQUE, JOINT D'HUILE			1	1	
42	97095-08025	BOLT BOULON			4	4	

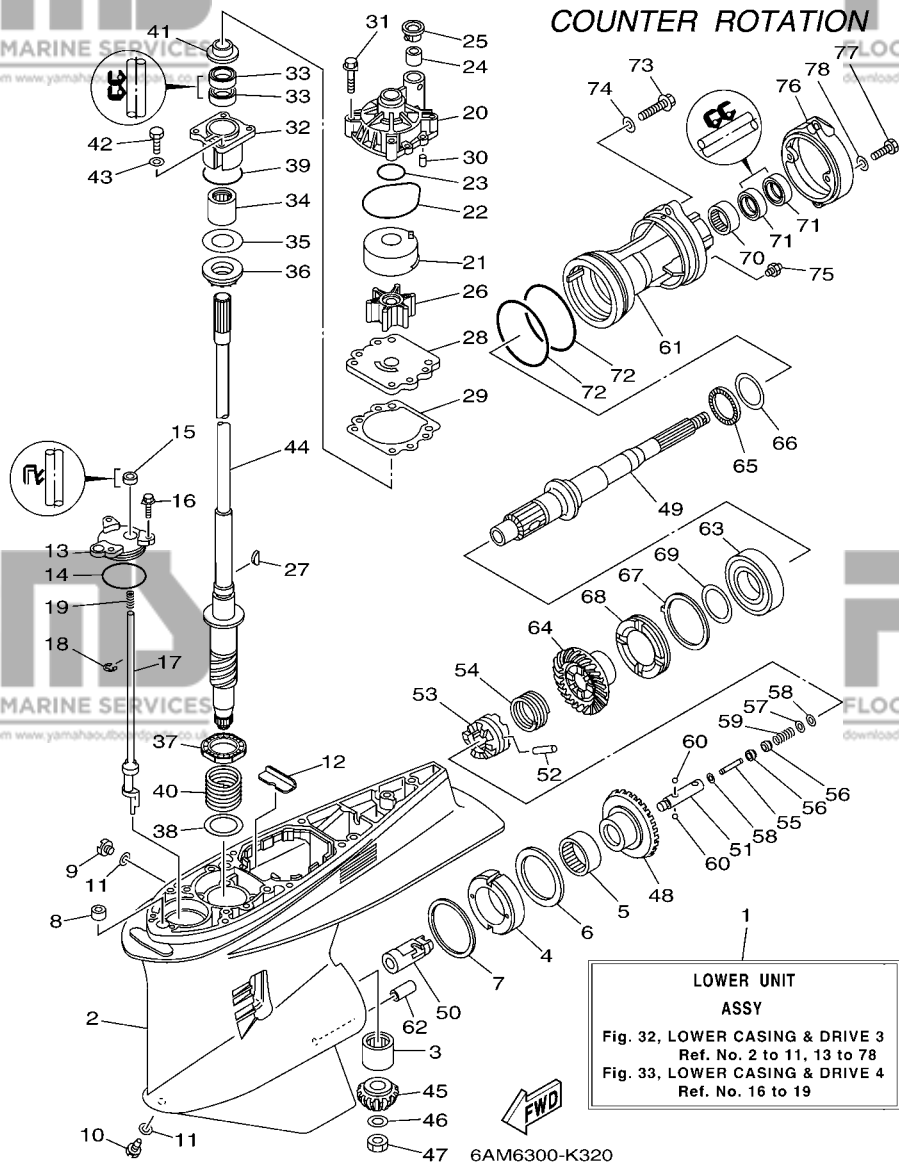
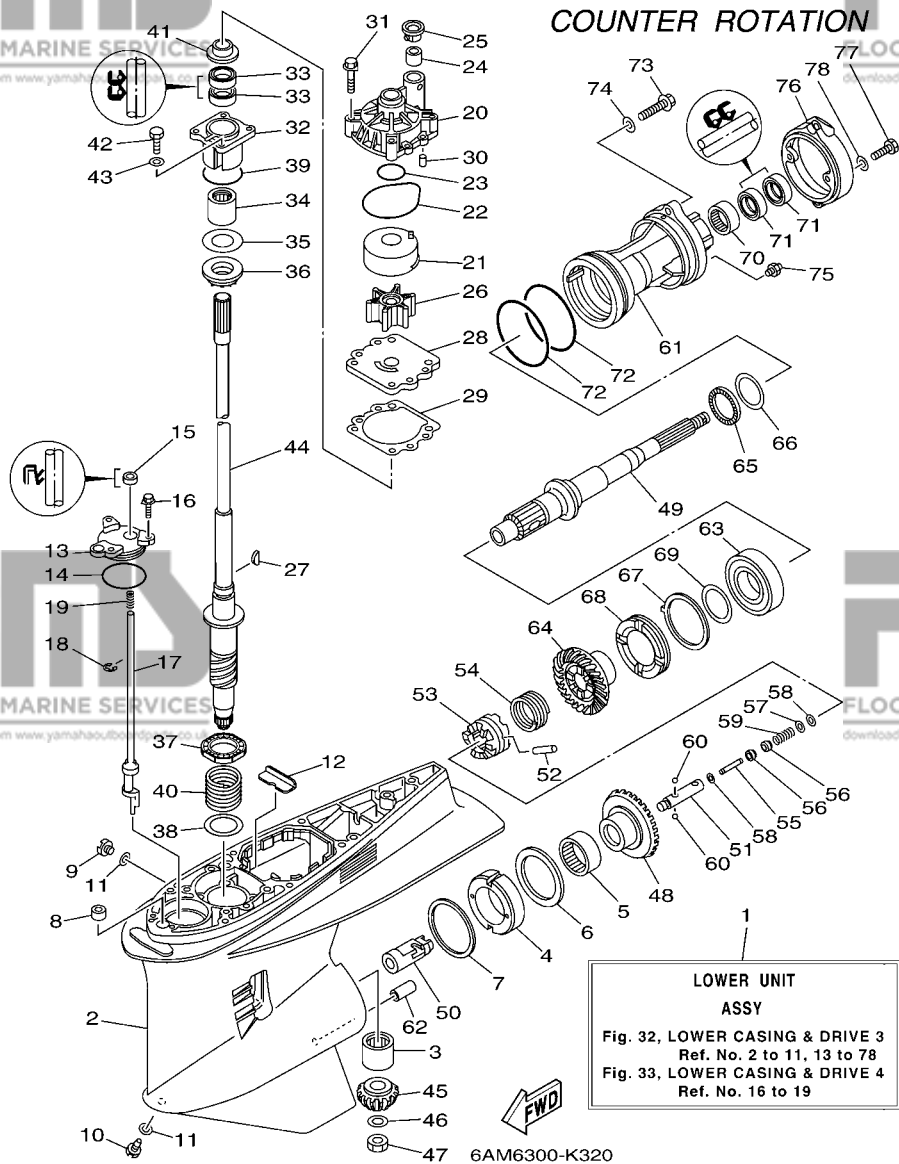




FIG. 32 LOWER CASING & DRIVE 3 BOITIER D'HELICE TRANSMISSION3

REF. NO.	PART NO. N° PIECES	DESCRIPTION DESCRIPTION	6AL6	6AS5	6AM6	6AT5	REMARKS REMARQUES	
43	92995-08600	WASHER RONDELLE				4	4	
44	6P2-45501-00	DRIVE SHAFT COMP. ARBRE MOTEUR COMP.				1	1	X(25.3") X(25.3")
45	6P2-45551-01	PINION (15T) PIGNON D'ATTAQUE (15D)				1	1	
46	90201-16M00	WASHER, PLATE RONDELLE, PLATE				1	1	
47	90170-16M19	NUT ECROU				1	1	
48	6P3-45560-00	GEAR 1 (30T) PIGNON 1 (30T)				1	1	
49	69K-45611-00	SHAFT, PROPELLER ARBRE, HELICE				1	1	
50	61B-45641-01	SHIFTER EMBRAYAGE				1	1	
51	61A-45634-01	SLIDE, SHIFT CONTRE-POUSOIR				1	1	
52	61A-45632-00	PIN, CROSS GOUPILLE DE CRABOT				1	1	
53	69J-45631-00	CLUTCH, DOG CRABOT				1	1	
54	61A-45633-00	RING, CROSS PIN JONC, GOUPILLE CRABOT				1	1	
55	6H1-45668-00	SHAFT, FREE 1 AXE 1				1	1	
56	61A-45635-00	PLUNGER, SHIFT POUSSOIR D'EMBRAYAGE				2	2	
57	90201-02M00	WASHER, PLATE RONDELLE, PLATE				1	1	
58	90183-02M03	NUT, SPRING ECROU, RESSORT				2	2	
59	90501-10M77	SPRING, COMPRESSION RESSORT, COMPRESSION				1	1	
60	93501-04011	BALL BILLE				2	2	
61	6D1-45332-00-CA	HOUSING, BEARING FLASQUE, ROULEMENT				1	1	
62	99590-10114	PIN, DOWEL GOUJON, D'ASSEMBLAGE				1	1	
63	93332-00048	BEARING ROULEMENT				1	1	
64	6P3-45571-00	GEAR 2 (30T) PIGNON 2 (30T)				1	1	
65	93341-440U5	BEARING CERVEAUX DE DIRECTION				1	1	
66	6K1-45578-01	SHIM (T:0.10MM) CALE (T:0.10MM)				1	1	UR
	6K1-45578-10	SHIM (T:0.12MM) CALE (T:0.12MM)				1	1	UR
	6K1-45578-20	SHIM (T:0.15MM) CALE (T:0.15MM)				1	1	UR
	6K1-45578-30	SHIM (T:0.18MM) CALE (T:0.18MM)				1	1	UR

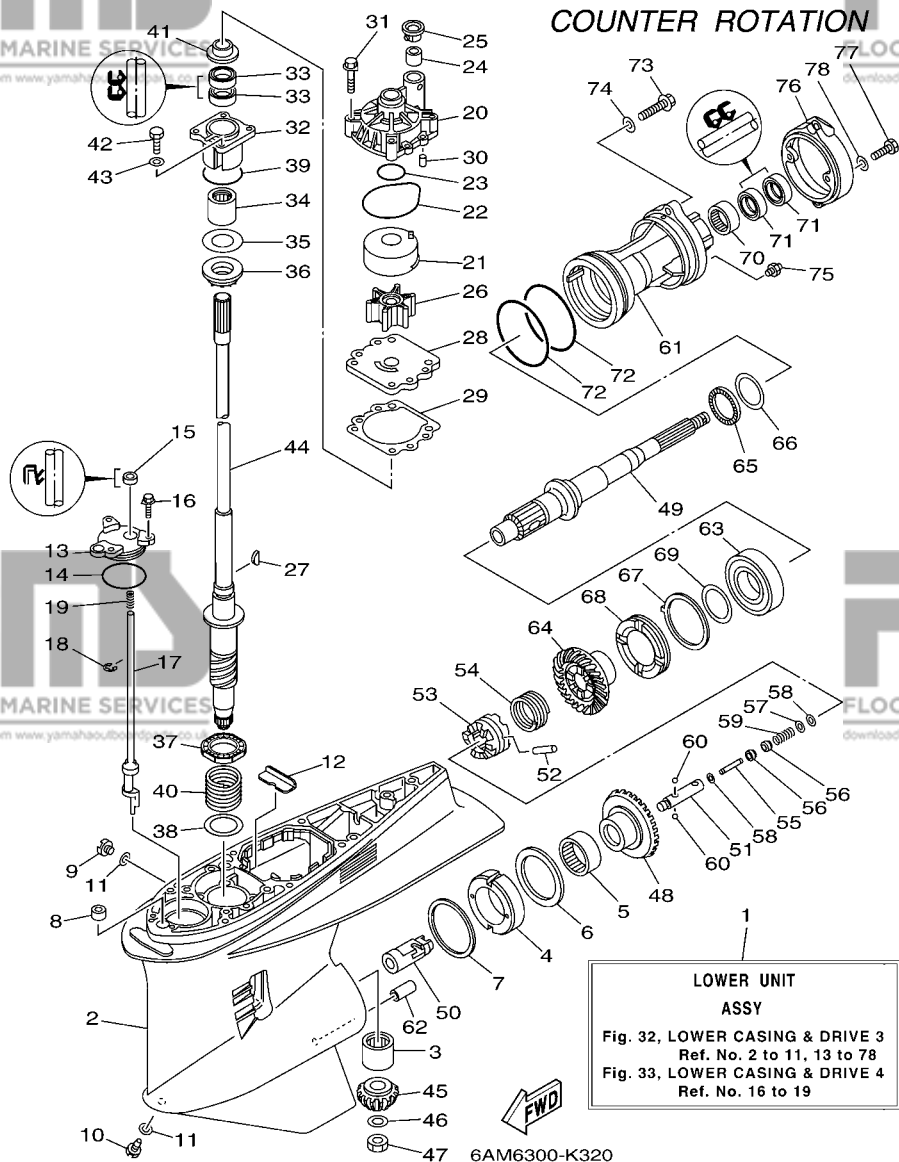


LOWER UNIT ASSY  
Fig. 32, LOWER CASING & DRIVE 3  
Ref. No. 2 to 11, 13 to 78  
Fig. 33, LOWER CASING & DRIVE 4  
Ref. No. 16 to 19

FIG. 32 LOWER CASING & DRIVE 3

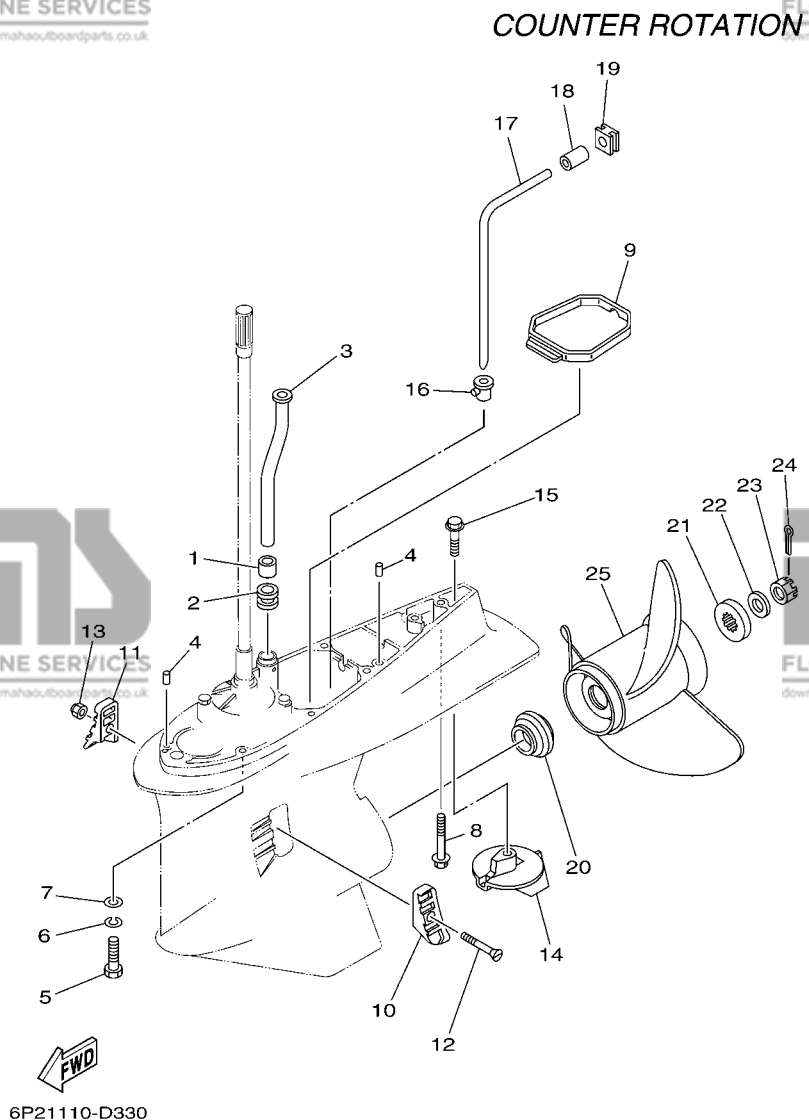
BOITIER D'HELICE TRANSMISSION3

REF. NO.	PART NO. N° PIECES	DESCRIPTION DESCRIPTION	6AL6	6AS5	6AM6	6AT5	REMARKS REMARQUES
66	6K1-45578-40	SHIM (T:0.30MM) CALE (T:0.30MM)			1	1	UR UR
	6K1-45578-50	SHIM (T:0.40MM) CALE (T:0.40MM)			1	1	UR UR
	6K1-45578-60	SHIM (T:0.50MM) CALE (T:0.50MM)			1	1	UR UR
67	61B-45383-00	WASHER, CLAW FREIN D'ECROU			1	1	
68	69K-45384-00	NUT ECROU			1	1	
69	69K-45577-00	SHIM (T:0.10MM) CALE (T:0.10MM)			1	1	UR UR
	69K-45577-10	SHIM (T:0.12MM) CALE (T:0.12MM)			1	1	UR UR
	69K-45577-20	SHIM (T:0.15MM) CALE (T:0.15MM)			1	1	UR UR
	69K-45577-30	SHIM (T:0.18MM) CALE (T:0.18MM)			1	1	UR UR
	69K-45577-40	SHIM (T:0.30MM) CALE (T:0.30MM)			1	1	UR UR
	69K-45577-50	SHIM (T:0.40MM) CALE (T:0.40MM)			1	1	UR UR
	69K-45577-60	SHIM (T:0.50MM) CALE (T:0.50MM)			1	1	UR UR
70	93315-43064	BEARING ROULEMENT			1	1	
71	93101-30002	OIL SEAL JOINT SPY			2	2	
72	93211-04384	O-RING JOINT TORIQUE			2	2	
73	90105-08049	BOLT, FLANGE BOULON			2	2	
74	90201-08023	WASHER, PLATE RONDELLE, PLATE			2	2	
75	93700-09M00	NIPPLE, GREASE PION			1	1	
76	6D0-45361-00-8D	CAP, LOWER CASING COUVERCLE, BOITIER D'HELICE			1	1	
77	97095-08020	BOLT BOULON			2	2	
78	92995-08600	WASHER RONDELLE			2	2	



**FIG. 33 LOWER CASING & DRIVE 4**

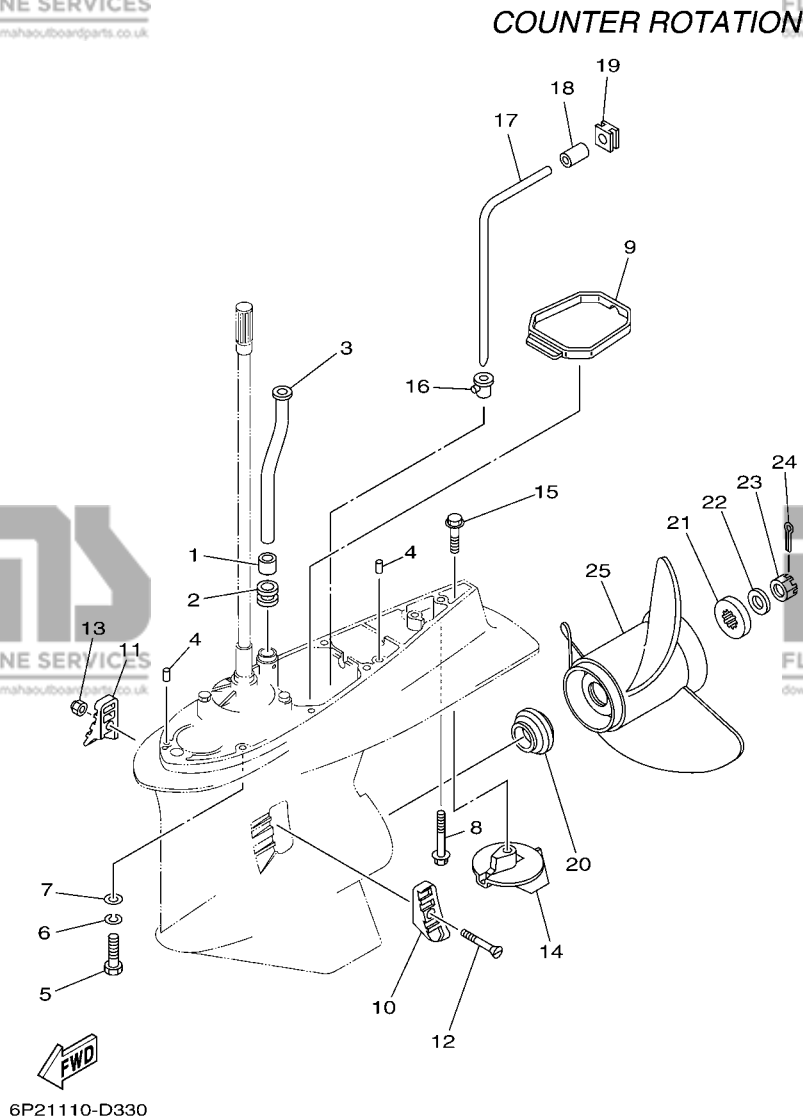
**BOITIER D'HELICE TRANSMISSION4**



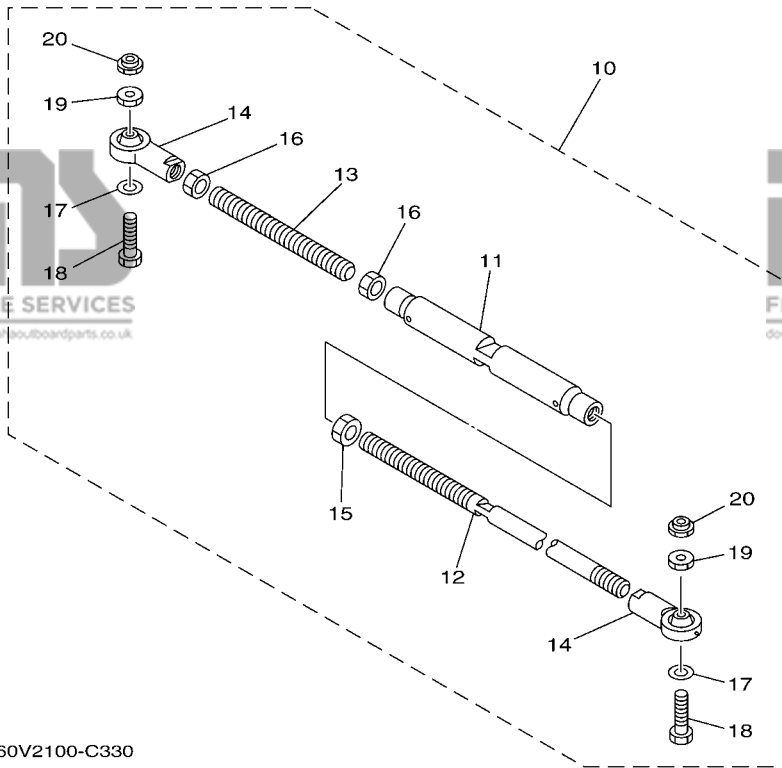
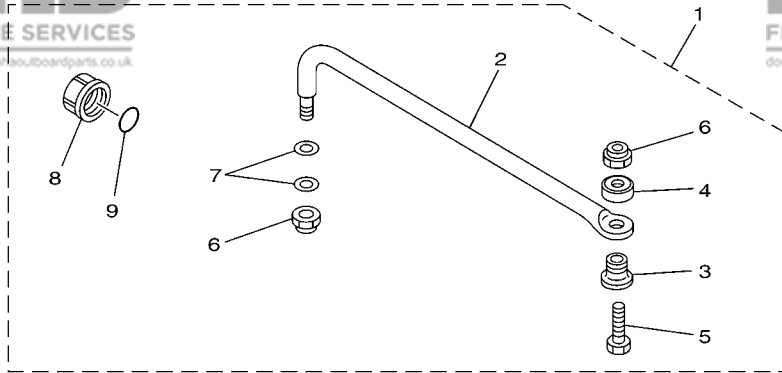
6P21110-D330

REF. NO.	PART NO. N° PIECES	DESCRIPTION DESCRIPTION	6AL6	6AS5	6AM6	6AT5	REMARKS REMARQUES
1	6E5-44365-00	DAMPER, WATER SEAL 1 JOINT, TUBE D'EAU 1				1	
2	6E5-44366-00	DAMPER, WATER SEAL 2 JOINT, TUBE D'EAU 2				1	
3	6S1-44361-01	TUBE, WATER 1 TUBE D'EAU 1				1	X(25.3") X(25.3")
4	93608-12M05	PIN, DOWEL AXE				2	
5	97095-10045	BOLT BOULON				7	X(25.3") X(25.3")
6	92995-10100	WASHER RONDELLE				7	X(25.3") X(25.3")
7	92995-10600	WASHER RONDELLE				7	X(25.3") X(25.3")
8	90119-10MA2	BOLT, WITH WASHER BOULON, AVEC RONDELLE				1	X(25.3") X(25.3")
9	6D0-45375-00	DAMPER, SEAL BOURRELET, CAOUTCHOUC				1	
10	61A-45214-11	COVER, WATER INLET 1 GRILLE, ENTREE D'EAU 1				1	
11	61A-45215-11	COVER, WATER INLET 2 GRILLE, ENTREE D'EAU 2				1	
12	90152-05003	SCREW, COUNTERSUNK VIS, TETE NOYEE				1	
13	90185-05002	NUT, NYLON ECROU, AUTO-BLOQUANT				1	
14	61A-45371-00	TAB-TRIM ANODE DERIVE				1	
15	90105-10M00	BOLT, FLANGE BOULON				1	
16	6D0-44367-00	DAMPER, WATER SEAL 3 JOINT TUBE D'EAU 3				1	
17	6D0-44362-01	TUBE, WATER 2 TUBE D'EAU 2				1	
18	6D0-44365-00	DAMPER, WATER SEAL 1 JOINT, TUBE D'EAU 1				1	
19	6D0-44366-00	DAMPER, WATER SEAL 2 JOINT, TUBE D'EAU 2				1	
20	69J-45987-00	SPACER 1 ENTRETOISE 1				1	
21	688-45997-01	SPACER 2 ENTRETOISE 2				1	
22	92990-18200	WASHER RONDELLE, PLATE				1	
23	90171-18M04	NUT, CASTLE ECROU, CRENELE				1	
24	91490-40030	PIN, COTTER GOUPILE				1	
25	6K1-45970-01-98	PROPELLER (3X15-1/4"X15"-ML) HELICE (3X15-1/4"X15"-ML)				1	UR UR
	6K1-45972-01-98	PROPELLER (3X13-3/4"X21"-ML) HELICE (3X13-3/4"X21"-ML)				1	UR UR
	6K1-45974-02-98	PROPELLER (3X13-3/4"X19"-ML1) HELICE (3X13-3/4"X19"-ML1)				1	UR UR

**FIG. 33 LOWER CASING & DRIVE 4 BOITIER D'HELICE TRANSMISSION4**



REF. NO.	PART NO. N° PIECES	DESCRIPTION DESCRIPTION	6AL6	6AS5	6AM6	6AT5	REMARKS REMARQUES
25	6K1-45978-02-98	PROPELLER (3X13-3/4"X17"-ML1) HELICE (3X13-3/4"X17"-ML1)				1	UR
	61B-45972-00-98	PROPELLER (3X14-1/2"X21"-TL) HELICE (3X14-1/2"X21"-TL)				1	UR
	61B-45974-00-98	PROPELLER (3X14-1/2"X19"-TL) HELICE (3X14-1/2"X19"-TL)				1	UR
	61B-45978-00-98	PROPELLER (3X15"X17"-TL) HELICE (3X15"X17"-TL)				1	UR
	6R1-45970-A1	PROPELLER (3X15-1/4"X19"-ML) HELICE (3X15-1/4"X19"-ML)				1	UR
	6R1-45972-A0	PROPELLER (3X14-7/8"X21"-ML) HELICE (3X14-7/8"X21"-ML)				1	UR
	6R1-45974-A0	PROPELLER (3X14-1/2"X23"-ML) HELICE (3X14-1/2"X23"-ML)				1	UR
	6R1-45976-A0	PROPELLER (3X15-1/4"X15"-ML) HELICE (3X15-1/4"X15"-ML)				1	UR
	6R1-45978-A0	PROPELLER (3X15-1/4"X17"-ML) HELICE (3X15-1/4"X17"-ML)				1	UR
	6D1-45970-00	PROPELLER (3X15-1/4"X19"-TL) HELICE (3X15-1/4"X19"-TL)				1	UR
	6D1-45972-00	PROPELLER (3X15"X21"-TL) HELICE (3X15"X21"-TL)				1	UR
	6D1-45978-00	PROPELLER (3X15-1/2"X17"-TL) HELICE (3X15-1/2"X17"-TL)				1	UR
	6BS-45B70-00	PROPELLER (4X15"X21"-TL) HELICE (4X15"X21"-TL)				1	UR
	6BS-45B72-00	PROPELLER (4X15"X22"-TL) HELICE (4X15"X22"-TL)				1	UR
	6BS-45B74-00	PROPELLER (4X15"X23"-TL) HELICE (4X15"X23"-TL)				1	UR

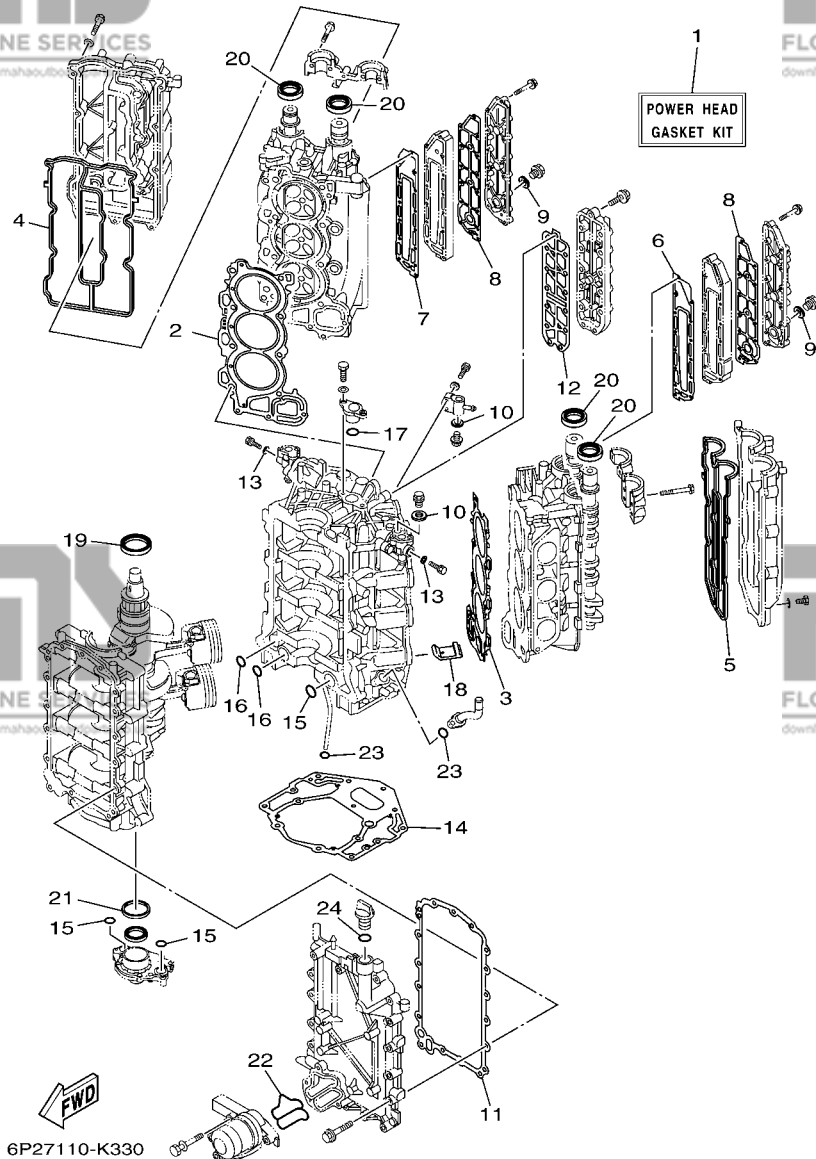


60V2100-C330

**FIG. 34 STEERING GUIDE**

**FIXATION DE DIRECTION**

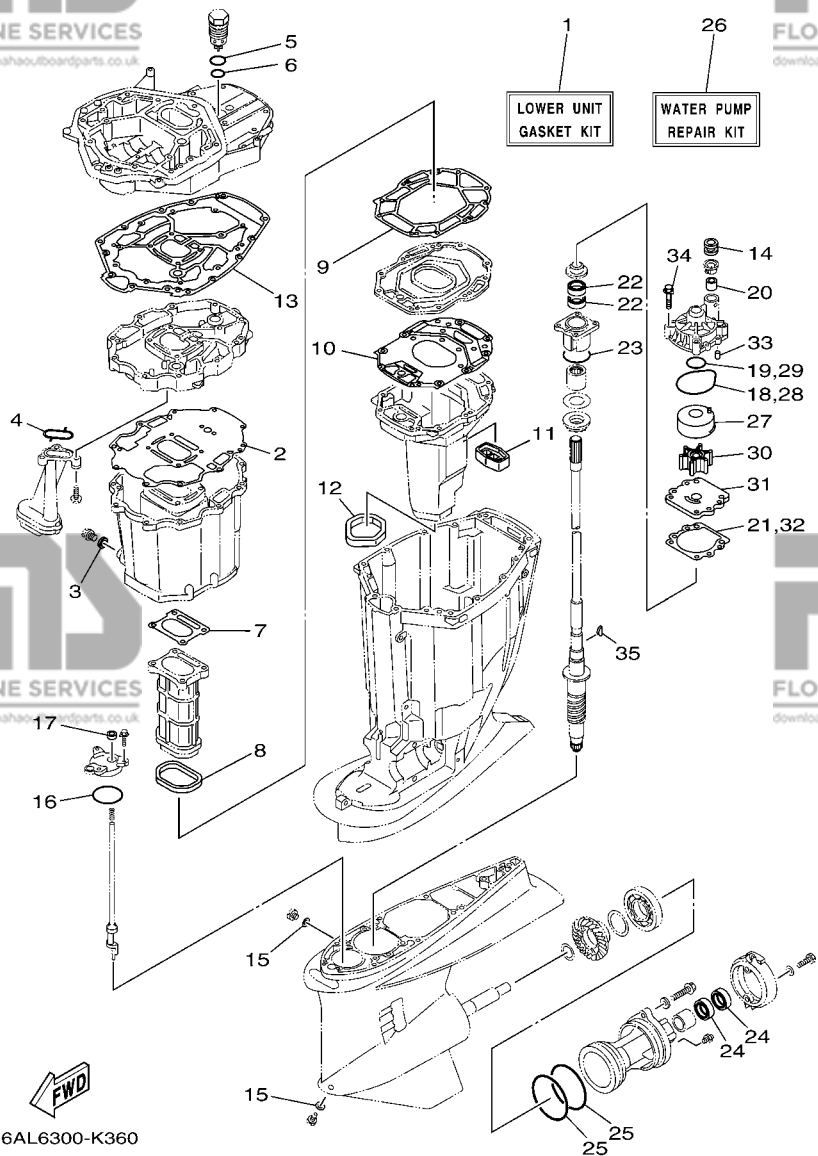
REF. NO.	PART NO. N° PIECES	DESCRIPTION DESCRIPTION	6AL6	6AS5	6AM6	6AT5	REMARKS REMARQUES
1	6E5-61350-02	STEERING GUIDE ATTACHMENT KIT FIXATIONS DE DIRECTION	1	1			AP AP
2	6E5-61351-01	.ROD, STEERING LINK .RENOI DE DIRECTION	1	1			
3	90387-10M61	.COLLAR .COLLERETTE	1	1			
4	90560-12M01	.SPACER .ENTRETOISE	1	1			
5	6E5-61355-00	.BOLT .BOULON	1	1			
6	90185-09M01	.NUT, SELF-LOCKING .ECROU,AUTO-BLOQUANT	2	2			
7	90201-10M20	.WASHER, PLATE .RONDELLE, PLATE	2	2			
8	6E5-43145-01	.CAP CLAMP BRACKET .CAPUCHON, PRESSE	1	1			
9	93210-16275	.O-RING .JOINT TORIQUE	1	1			
10	6E5-61301-01	TWIN KIT (L:600-800MM) JUMELE KIT (L:600-800MM)			1	1	AP AP
11	6E5-61313-00	.ADJUSTER .TENDEUR			1	1	
12	6E5-61311-11	.TIE BAR .BARRE D'ACCOUPEMENT			1	1	
13	6E5-61315-00	.TIE BAR .BARRE D'ACCOUPEMENT			1	1	
14	6E5-61303-00	.STEERING AXLE COMP. .AXLE COMP.			2	2	
15	90170-14M06	.NUT .ECROU			1	1	
16	95380-14700	.NUT .ECROU			2	2	
17	90201-10M76	.WASHER, PLATE .RONDELLE, PLATE			2	2	
18	90101-09M70	.BOLT .BOULON			2	2	
19	90170-09M05	.NUT .ECROU			2	2	
20	90185-09M01	.NUT, SELF-LOCKING .ECROU,AUTO-BLOQUANT			2	2	



**FIG. 35 REPAIR KIT 1**

**KITS DE REPARATION 1**

REF. NO.	PART NO. N° PIECES	DESCRIPTION DESCRIPTION	6AL6	6AS5	6AM6	6AT5	REMARKS REMARQUES
1	6P2-W0001-01	POWER HEAD GASKET KIT POCHETTE DE JINTS TETE MOTRICE	1	1	1	1	
2	6P2-11181-00	.GASKET, CYLINDER HEAD 1 .JOINT, DE CULASSE 1	1	1	1	1	
3	6P2-11182-00	.GASKET, CYLINDER HEAD 2 .JOINT, CULASSE 2	1	1	1	1	
4	6P2-11193-00	.GASKET, HEAD COVER 1 .JOINT, COUVERCLE DE CULASSE 1	1	1	1	1	
5	6P2-11194-00	.GASKET, HEAD COVER 2 .JOINT, COUVERCLE DE CULASSE 2	1	1	1	1	
6	6P2-41112-00	.GASKET, EXHAUST INNER COVER .JOINT, PLAQUE D'ECHAPPEMENT	1	1	1	1	
7	6P2-41122-00	.GASKET, EXHAUST INNER COVER .JOINT, PLAQUE D'EHAPPEMENT	1	1	1	1	
8	6P2-41114-00	.GASKET, EXHAUST OUTER COVER .JOINT, COUVERCLE D'ECHAPPEMENT	2	2	2	2	
9	90430-18130	.GASKET .JOINT	2	2	2	2	
10	90430-14115	.GASKET .JOINT	2	2	2	2	
11	69J-15451-00	.GASKET, CRANKCASE COVER 1 .JOINT, COUVERCLE DE CARTER 1	1	1	1	1	
12	6P2-1131B-00	.GASKET, COVER .JOINT, COUVERCLE	1	1	1	1	
13	90430-05002	.GASKET .JOINT	2	2	2	2	
14	69J-11351-11	.GASKET, CYLINDER .JOINT, D'EMBASE	1	1	1	1	
15	93210-25552	.O-RING .JOINT TORIQUE	3	3	3	3	
16	93210-19MJ1	.O-RING .JOINT TORIQUE	2	2	2	2	
17	93210-25647	.O-RING .JOINT TORIQUE	1	1	1	1	
18	69J-14664-00	.GROMMET, WATER SHUT .PASSE-FIL	2	2	2	2	
19	93102-63004	.OIL SEAL .JOINT SPY	1	1	1	1	
20	93102-38008	.OIL SEAL .JOINT SPY	4	4	4	4	
21	69J-11355-00	.SEAL, CYLINDER 1 .JOINT, SPY CYLINDRE	1	1	1	1	
22	6P2-13477-00	.GASKET .JOINT	1	1	1	1	
23	93210-19MJ3	.O-RING .JOINT TORIQUE	2	2	2	2	
24	93210-24M79	.O-RING .JOINT TORIQUE	1	1	1	1	



**FIG. 36 REPAIR KIT 2**

**KITS DE REPARATION 2**

REF. NO.	PART NO. N° PIECES	DESCRIPTION DESCRIPTION	6AL6	6AS5	6AM6	6AT5	REMARKS REMARQUES
1	6P2-W0001-21	LOWER UNIT GASKET KIT POCHETTE DE JOINTS EMBASE	1	1	1	1	
2	69J-15312-01	.GASKET, OIL PAN .JOINT DE VENTILATEUR D'HUILE	1	1	1	1	
3	90430-14M09	.GASKET .JOINT	1	1	1	1	
4	69J-13415-00	.SEAL, OIL STRAINER .JOINT, FILTRE A HUILE	1	1	1	1	
5	93210-347A1	.O-RING .JOINT TORIQUE	1	1	1	1	
6	93210-28543	.O-RING .JOINT TORIQUE	1	1	1	1	
7	6P2-41134-00	.GASKET, EXHAUST MANIFOLD .JOINT, PIPE D'ECHAPPEMENT	1	1	1	1	
8	69J-41138-00	.SEAL, EXT. 1 .JOINT DE GROUPE 1	1	1	1	1	
9	69J-41135-A0	.GASKET, EXHAUST MANIFOLD .JOINT, PIPE D'ECHAPPEMENT	1	1	1	1	
10	6S1-41136-00	.GASKET, EXHAUST MANIFOLD 4 .JOINT, PIPE D'ECHAPPEMENT 4	1	1	1	1	
11	69J-45127-00	.SEAL .JOINT	1	1	1	1	
12	69J-45123-00	.GASKET, MUFFLER .JOINT, POT DE DETENTE	1	1	1	1	
13	69J-45113-20	.GASKET, UPPER CASING .JOINT, TUBE D'ARBRE	1	1	1	1	
14	6E5-44366-00	.DAMPER, WATER SEAL 2 .JOINT, TUBE D'EAU 2	1	1	1	1	
15	90430-08020	.GASKET .JOINT	2	2	2	2	
16	93210-64488	.O-RING .JOINT TORIQUE	1	1	1	1	
17	93106-09014	.OIL SEAL .JOINT SPY	1	1	1	1	
18	93210-86M38	.O-RING .JOINT TORIQUE	1	1	1	1	
19	93210-37160	.O-RING .JOINT TORIQUE	1	1	1	1	
20	6E5-44365-00	.DAMPER, WATER SEAL 1 .JOINT, TUBE D'EAU 1	1	1	1	1	
21	6E5-44315-A0	.GASKET, WATER PUMP .JOINT, POMPE A EAU	1	1	1	1	
22	93101-28M16	.OIL SEAL .JOINT SPY	2	2	2	2	
23	93210-55M14	.O-RING .JOINT TORIQUE	1	1	1	1	
24	93101-30002	.OIL SEAL .JOINT SPY	2	2	2	2	
25	93211-04384	.O-RING .JOINT TORIQUE	2	2	2	2	
26	61A-W0078-A3	WATER PUMP REPAIR KIT KIT DE REPARATION DE LA POMPE	1	1	1	1	
27	61A-44322-02	.INSERT, CARTRIDGE .CUVETTE	1	1	1	1	

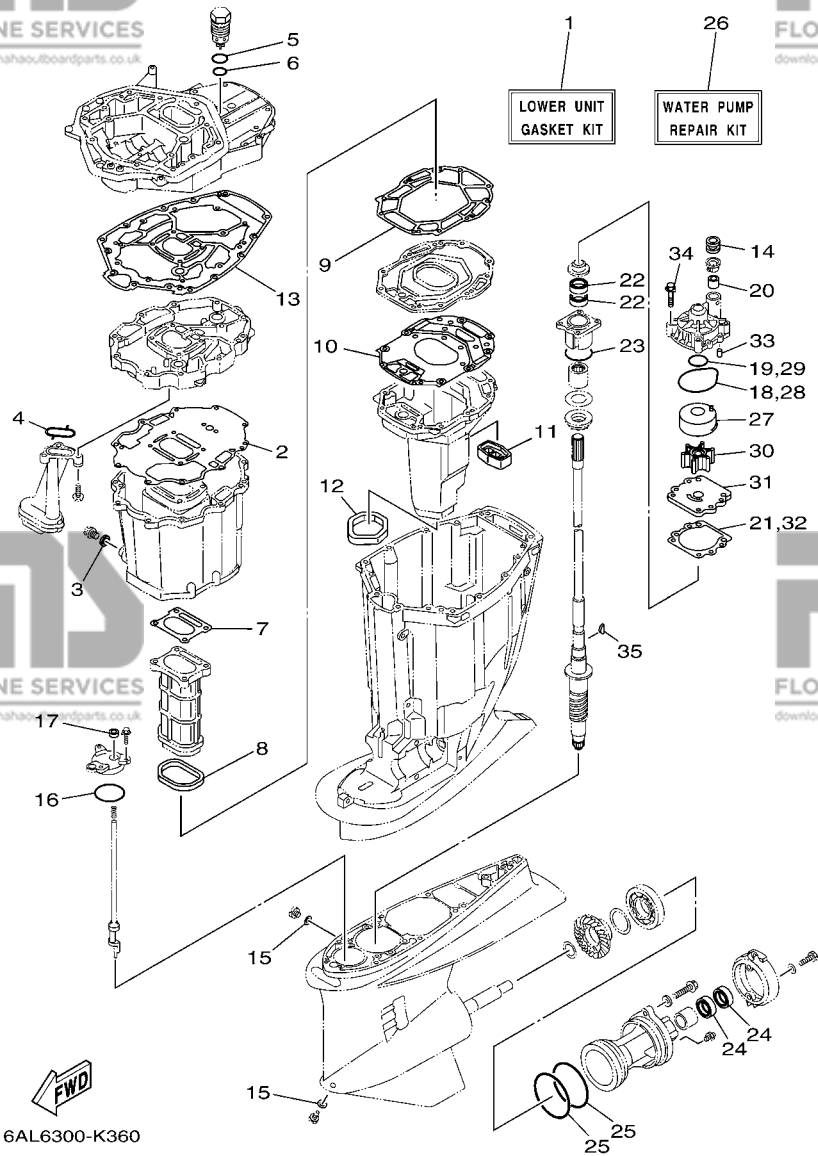


FIG. 36 REPAIR KIT 2

KITS DE REPARATION 2

REF. NO.	PART NO. N° PIECES	DESCRIPTION DESCRIPTION	6AL6	6A55	6AM6	6AT5	REMARKS REMARQUES
28	93210-86M38	.O-RING .JOINT TORIQUE	1	1	1	1	
29	93210-37160	.O-RING .JOINT TORIQUE	1	1	1	1	
30	6E5-44352-01	.IMPELLER .TURBINE	1	1	1	1	
31	6G5-44323-00	.OUTER PLATE, CARTRIDGE .PLAQUE EXTERIEURE	1	1	1	1	
32	6E5-44315-A0	.GASKET, WATER PUMP .JOINT, POMPE A EAU	1	1	1	1	
33	93606-12019	.PIN, DOWEL .GOUPILLE	2	2	2	2	
34	90119-08M14	.BOLT, WITH WASHER .BOULON, AVEC RONDELLE	4	4	4	4	
35	90280-04M05	.KEY, WOODRUFF .CLAVETTE, DEMI-LUNE	1	1	1	1	











PART NO. N° PIECES	REF. NO.
92995-06600	2 - 50
	4 - 33
	4 - 40
	4 - 46
	5 - 26
	7 - 28
	14 - 17
	16 - 13
	17 - 9
	17 - 19
	17 - 28
	17 - 33
	18 - 12
	18 - 37
	18 - 56
	18 - 59
	19 - 11
	23 - 9
	24 - 5
	24 - 8
	24 - 11
	24 - 20
	24 - 28
	25 - 3
	28 - 14
92995-08600	18 - 20
	18 - 23
	30 - 41
	30 - 73
	32 - 43
	32 - 78
92995-10100	31 - 6
	33 - 6
92995-10600	28 - 4
	28 - 55
	31 - 7
	33 - 7
92995-14600	25 - 21
	25 - 30
93101-28M16	30 - 31
	32 - 33
	36 - 22
93101-30002	30 - 66
	32 - 71
	36 - 24
93102-38008	6 - 23
	35 - 20
93102-63004	3 - 3

PART NO. N° PIECES	REF. NO.	PART NO. N° PIECES	REF. NO.
93311-83280	32 - 3	93700-09M00	32 - 75
93315-43064	30 - 65	94702-00400	4 - 49
	32 - 70	95333-08600	18 - 66
93315-660W3	32 - 5	95380-06600	1 - 8
93317-330U2	30 - 32	95380-10600	28 - 56
	32 - 34	95380-12600	24 - 50
93332-00048	32 - 63	95380-14700	34 - 16
93332-000W1	30 - 4	95780-10300	25 - 5
93341-34019	30 - 35	95812-06025	29 - 11
	32 - 37	95895-06010	28 - 40
93341-440U5	32 - 65	95895-06016	29 - 23
93341-670V0	32 - 6	97013-06025	18 - 32
93341-930U9	30 - 34	97013-08045	20 - 27
	32 - 36	97075-10045	28 - 3
93399-999T6	27 - 3	97095-06010	24 - 7
93410-18M02	24 - 46		24 - 34
93410-37M04	25 - 12	97095-06012	17 - 32
93420-36M01	28 - 38		18 - 11
93501-04011	30 - 58	97095-06014	14 - 16
	32 - 60		24 - 27
93501-04M02	23 - 29		28 - 36
93501-08001	26 - 47	97095-06016	1 - 10
93503-16003	26 - 37		17 - 8
93505-32038	26 - 13		18 - 55
	26 - 34	97095-06020	2 - 49
93604-35236	26 - 61		7 - 26
93605-10108	6 - 10		17 - 18
	6 - 12		17 - 27
	6 - 14		18 - 35
	6 - 16		18 - 57
	2 - 3		21 - 34
	2 - 10		21 - 42
	28 - 45		28 - 13
93606-12019	30 - 28	97095-06025	2 - 34
	32 - 30		2 - 42
	36 - 33		24 - 4
	28 - 26	97095-06030	4 - 32
	28 - 52		4 - 39
	31 - 4		4 - 45
	33 - 4		5 - 25
	28 - 6	97095-06035	16 - 11
	28 - 16		19 - 10
	28 - 33		23 - 8
	29 - 5	97095-08016	18 - 22
	23 - 11		18 - 65
93700-06M01	24 - 17	97095-08020	18 - 19
93700-06M03	24 - 31		30 - 72
93700-09M00	30 - 70		32 - 77

PART NO. N° PIECES	REF. NO.	PART NO. N° PIECES	REF. NO.
97095-08025	30 - 40		
	32 - 42		
97095-10045	31 - 5		
	33 - 5		
97575-06516	7 - 7		
97575-06535	23 - 31		
97575-06540	29 - 18		
97575-08535	28 - 25		
	29 - 4		
97575-08540	4 - 21		
	7 - 1		
	7 - 10		
97575-08560	29 - 3		
97575-08590	28 - 19		
97575-10535	28 - 5		
97595-06610	18 - 31		
97780-50620	18 - 52		
97780-60520	22 - 19		
97880-05012	16 - 7		
97885-06010	24 - 13		
	24 - 16		
97885-06012	24 - 10		
	24 - 19		
97885-06016	25 - 2		
97980-06216	28 - 48		
97985-04116	23 - 18		
97985-06210	16 - 18		
98507-04008	4 - 36		
	12 - 33		
98580-05008	13 - 1		
98780-04015	2 - 17		
	5 - 10		
	18 - 16		
99001-08600	30 - 16		
	32 - 18		
99002-03600	26 - 40		
99530-08012	16 - 10		
99530-10114	7 - 2		
99590-10114	30 - 60		
	32 - 62		