



PARTS CATALOGUE CATALOGO DE REPUESTOS

F80CED'11 (6CK3)

1K6CK-300F1

()



2016/4/18

| NEWS NO. | DATE | COMMENT |
|---------------|--------------|---|
| PE0-OM-110050 | Dec.,22,2011 | MOD:FIG.6 INTAKE 1 LIST REVISION |
| PE0-OM-150025 | Sep.,1,2015 | COR:FUEL INJECTION PUMP 1 ILLUSTRATION CORRECTION |
| PE0-OM-160006 | Apr.,11,2016 | MOD:F80C FUEL LIST/ILLUSTRATION REVISION |

F80CED
PARTS CATALOGUE
©2010 by Yamaha Motor Co., Ltd.
1st edition, June 2010
All rights reserved.
Any reprinting or unauthorized use
without the written permission of
Yamaha Motor Co., Ltd.
is expressly prohibited.
Printed in Japan.

F80CED
CATALOGUE DE PIECES DETACHEES
©2010 par Yamaha Motor Co., Ltd.
1^{re} édition, juin 2010
Tous droits réservés
Toute réimpression ou utilisation
non autorisée sans la permission écrite
de la Yamaha Motor Co., Ltd.
est formellement interdite.
Imprimé au Japon

FOREWORD

This Parts Catalogue is related to the parts for the model(s) on the cover page. When you are ordering replacement parts, please refer to this Parts Catalogue and quote both part numbers and part names correctly.

1. Modifications or additions which have been made after the issue of the Parts Catalogue will be announced in the Parts News. It is advisable that you make the necessary corrections to the Parts Catalogue according to the Parts News.

2. Abbreviations
The following abbreviations are used in this Parts Catalogue.

“UR” Use specified parts number.
 “UN” Use as many as needed.
 “AP” Alternate Parts
 “LM” Locally Made (Parts need to be ordered locally)
 “F#” Frame No. (Applicable machine No.)
 “O/S” Over Size

3. The number of components for assembly
 - Parts, which are to be supplied in an assembly, are listed with a dot (.) in front of the part name as shown below.
 - The numeral appearing to the right of each component part indicates the quantity of parts for each assembly unit.

| PART NO. | DESCRIPTION | Q'TY | REMARKS |
|--------------|--------------------------|------|---------|
| 2F5-83310-60 | FRONT FLASHER LIGHT ASSY | 2 | |
| 115-83311-60 | .BULB (6V-18W) | 1 | |

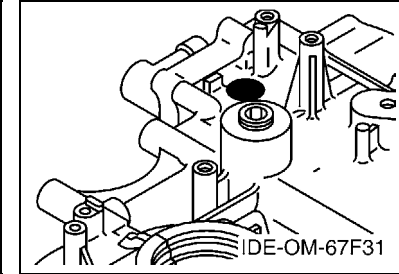
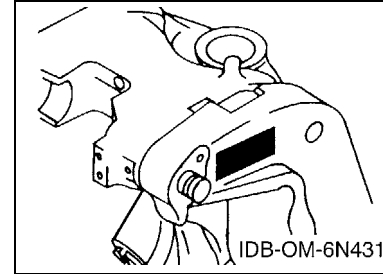
4. Applicable colours of graphics are represented in the “REMARKS” as shown below.

| PART NO. | DESCRIPTION | Q'TY | REMARKS |
|-----------------|---------------------|------|---------|
| 2N4-24110-00-X5 | FUEL TANK COMP. | 2 | MXR |
| 3J1-24240-10 | .GRAPHIC, FUEL TANK | 1 | FOR MXR |

5. Note that the illustrations for reference in finding parts numbers are not to be used for assembling. When assembling, please use the applicable service manual.

6. The asterisk (*) before a reference number indicates modified items after the first edition.
7. Applicable Serial No.

Engine Serial No.



8. Applicable Engine Starting Serial No.

| Model | Serial No. | Model | Serial No. |
|-------|-------------|-------|------------|
| F80C | 6CK-1000026 | | |
| | | | |
| | | | |

9. Applicable Colour Code

| Abbreviation | Colour Name | Colour Code |
|--------------|--------------------|-------------|
| DBN1 | DARK BLUISH GRAY 1 | 008D |

10. Quantity Column Information

| Column No. | Name Of Q'ty Column | Applicable Model |
|------------|---------------------|------------------|
| 1 | 6CK3 | F80CED |
| | | |
| | | |
| | | |

AVANT-PROPOS

Ce catalogue de pièces détachées concerne les pièces pour le(s) modèle(s) indiqué(s) sur la page de couverture. Lorsque vous commandez des pièces de rechange, veuillez vous référer à ce catalogue de pièces détachées et indiquer clairement les numéros et les noms des pièces détachées.

1. Les modifications ou ajouts ayant été effectués après la parution du catalogue de pièces détachées seront décrits dans les Bulletins d'information concernant les pièces détachées.

Il est recommandé que vous apportiez les corrections nécessaires au catalogue des pièces détachées en vous référant aux Bulletins d'information.

2. Abréviations

Dans ce catalogue, les abréviations suivantes sont utilisées:

“UR” Utiliser le numéro de pièces spécifié.

“UN” Utiliser autant que nécessaire.

“AP” Pièces de substitution

“LM” Fabrication locale (les pièces doivent être commandées localement.)

“F#” N° de cadre (applicable au N° de série)

“O/S” Surdimensionné

3. Nombre de pièces d'un assemblage

- Les pièces fournies comme composants d'un assemblage sont précédées d'un point (.) de la manière indiquée ci-dessous.
- Le chiffre apparaissant à la droite de chaque composant indique la quantité de pièces pour chaque unité d'assemblage.

| N° PIECES | DESCRIPTION | QTE | REMARQUES |
|--------------|-----------------------|-----|-----------|
| 2F5-83310-60 | ENS. CLIGNOTANT AVANT | 2 | |
| 115-83311-60 | .AMPOULE (6V-18W) | 1 | |

4. Les couleurs concernant les graphiques sont indiquées dans la colonne “REMARQUES”, comme indiqué ci-dessous.

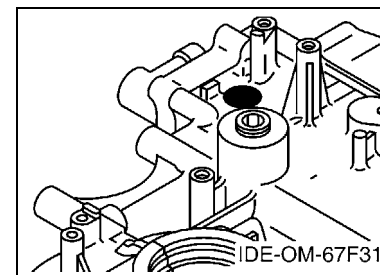
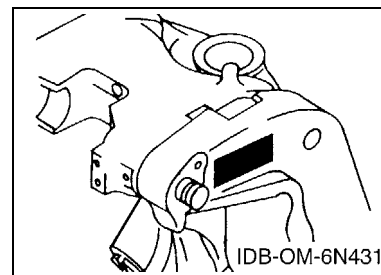
| N° PIECES | DESCRIPTION | QTE | REMARQUES |
|-----------------|----------------------|-----|-----------|
| 2N4-24110-00-X5 | RESERVOIR A ESSENCE. | 2 | MXR |
| 3J1-24240-10 | .GRAPHIQUE | 1 | POUR MXR |

5. Veuillez noter que les illustrations sont indiquées à titre de référence pour trouver les numéros de pièces, non pour être utilisées lors de l'assemblage. Lors de l'assemblage, veuillez utiliser le manuel d'entretien adéquat.

6. L'astérisque (*) placé devant un numéro de référence indique des éléments qui ont été modifiés après la première édition.

7. N° de série applicable

N° de Série du moteur



8. N° de série initial du moteur applicable

| Modèle | N° de série | Modèle | N° de série |
|--------|-------------|--------|-------------|
| F80C | 6CK-1000026 | | |
| | | | |
| | | | |
| | | | |

9. Code couleur applicable

| Abréviation | Nom de la couleur | Code couleur |
|-------------|--------------------|--------------|
| DBN1 | DARK BLUISH GRAY 1 | 008D |

10. Informations relatives à la colonne Quantité

| N° de la colonne | Nom de la colonne Qté | Modèle applicable |
|------------------|-----------------------|-------------------|
| 1 | 6CK3 | F80CED |
| | | |
| | | |
| | | |

| | |
|------------------------------|----|
| TOP COWLING | 1 |
| CYLINDER & CRANKCASE 1 | 2 |
| CRANKSHAFT & PISTON | 4 |
| CYLINDER & CRANKCASE 2 | 5 |
| VALVE | 7 |
| INTAKE 1 | 9 |
| INTAKE 2 | 10 |
| INTAKE 3 | 11 |
| FUEL INJECTION PUMP 1 | 13 |
| FUEL INJECTION PUMP 2 | 14 |
| FUEL | 15 |
| GENERATOR | 17 |
| ELECTRICAL 1 | 18 |
| ELECTRICAL 2 | 20 |
| ELECTRICAL 3 | 22 |
| ELECTRICAL 4 | 23 |
| STARTING MOTOR | 24 |
| BOTTOM COWLING | 26 |
| CONTROL | 28 |
| BRACKET 1 | 30 |
| BRACKET 2 | 32 |
| BRACKET 3 | 33 |
| UPPER CASING | 34 |
| OIL PAN | 36 |
| LOWER CASING & DRIVE 1 | 38 |
| LOWER CASING & DRIVE 2 | 42 |
| FUEL TANK | 44 |
| STEERING GUIDE | 45 |
| REPAIR KIT 1 | 46 |
| REPAIR KIT 2 | 47 |

INDEX

| | |
|-----------------------|----|
| NUMERICAL INDEX | 49 |
|-----------------------|----|

TABLE DES MATIERES

| | |
|--------------------------------------|----|
| CAPOT SUPERIEUR | 1 |
| CYLINDRE & CARTER 1 | 2 |
| VILEBREQUIN & PISTON | 4 |
| CYLINDRE & CARTER 2 | 5 |
| SOUPAPE | 7 |
| ADMISSION 1 | 9 |
| ADMISSION 2 | 10 |
| ADMISSION 3 | 11 |
| POMPE A INJECTEUR 1 | 13 |
| POMPE A INJECTEUR 2 | 14 |
| CARBURANT | 15 |
| GENERATRICE | 17 |
| PARTIE ELECTRIQUE 1 | 18 |
| PARTIE ELECTRIQUE 2 | 20 |
| PARTIE ELECTRIQUE 3 | 22 |
| PARTIE ELECTRIQUE 4 | 23 |
| DEMARREUR ELECTRIQUE | 24 |
| CAPOT INFERIEUR | 26 |
| COMMANDE | 28 |
| SUPPORT 1 | 30 |
| SUPPORT 2 | 32 |
| SUPPORT 3 | 33 |
| FOURREAU | 34 |
| VENTILATEUR D'HUILE | 36 |
| BOITIER D'HELICE TRANSMISSION1 | 38 |
| BOITIER D'HELICE TRANSMISSION2 | 42 |
| RESERVOIR A CARBURANT | 44 |
| FIXATION DE DIRECTION | 45 |
| KITS DE REPARATION 1 | 46 |
| KITS DE REPARATION 2 | 47 |

INDEX

| | |
|-----------------------|----|
| INDEX NUMERIQUE | 49 |
|-----------------------|----|

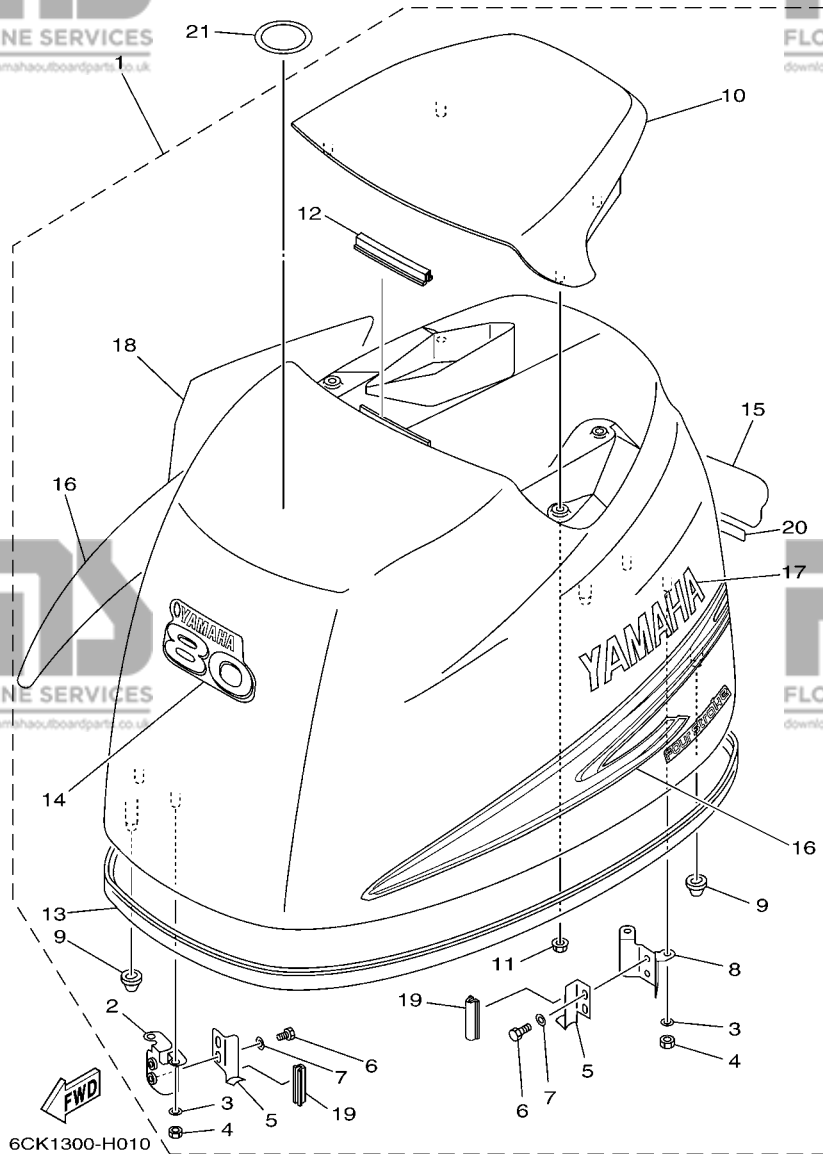


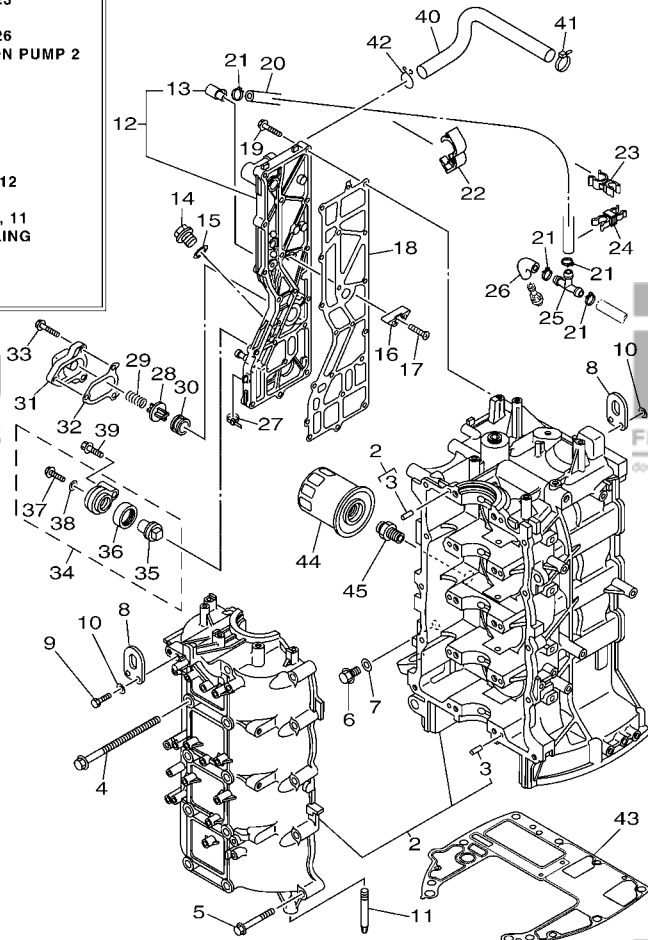
FIG. 1 TOP COWLING

CAPOT SUPERIEUR

| REF. NO. | PART NO. N° PIECES | DESCRIPTION DESCRIPTION | 6CK3 | REMARKS REMARQUES |
|----------|--------------------|--|------|-------------------|
| 1 | 6CK-42610-00 | TOP COWLING ASSY CAPOT (ENS.) | 1 | |
| 2 | 67F-42647-00 | .HOLDER, CLAMP BAND .SUPPORT, SANDOW DE SERRAGE | 1 | |
| 3 | 92990-06100 | .WASHER, SPRING .RONDELLE, GROWER | 4 | |
| 4 | 95380-06600 | .NUT, HEXAGON .ECROU | 4 | |
| 5 | 68V-42652-00 | .HOOK .CROCHET | 2 | |
| 6 | 97095-06012 | .BOLT .BOULON | 4 | |
| 7 | 92995-06600 | .WASHER .RONDELLE | 4 | |
| 8 | 67F-42649-00 | .HOLDER, CLAMP BAND .SUPPORT, SANDOW DE SERRAGE | 1 | |
| 9 | 67F-42662-00 | .DAMPER .AMORTISSEUR | 3 | |
| 10 | 67F-42613-00-8D | .MOLDING, AIR DUCT .MANCHON A AIR | 1 | |
| 11 | 90179-06M24 | .NUT .ECROU | 4 | |
| 12 | 61N-42628-00 | .SEAL .JOINT | 1 | |
| 13 | 67F-42615-00 | .SEAL .JOINT | 1 | |
| 14 | 67G-42677-10 | .GRAPHIC, FRONT .ADHESIF, AVANT | 1 | |
| 15 | 6D7-42678-00 | .GRAPHIC, REAR .ADHESIF, ARRIERE | 1 | |
| 16 | 67F-W0070-10 | .GRAPHIC SET JEU DIEMBLEMES | 1 | |
| 17 | 67F-42681-10 | .MARK, COWLING .ADHESIF, CAPOT | 1 | |
| 18 | 67F-42682-10 | .MARK, COWLING .ADHESIF, CAPOT | 1 | |
| 19 | 67F-42628-00 | .SEAL .JOINT | 2 | |
| 20 | 6BC-42681-00 | .MARK, COWLING .ADHESIF, CAPOT | 1 | |
| 21 | 67F-13434-20 | LABEL, CAUTION ETIQUETTE, ATTENTION | 1 | |

**CYLINDER BLOCK
ASSY**

- Fig. 2, CYLINDER & CRANKCASE 1
Ref. No. 2 to 10, 12 to 26,
28 to 39, 43 to 45
- Fig. 3, CRANKSHAFT & PISTON
Ref. No. 1 to 10
- Fig. 4, CYLINDER & CRANKCASE 2
Ref. No. 14
- Fig. 5, VALVE
Ref. No. 21 to 23
- Fig. 7, INTAKE 2
Ref. No. 22 to 26
- Fig. 10, FUEL INJECTION PUMP 2
Ref. No. 7, 16
- Fig. 12, GENERATOR
Ref. No. 8
- Fig. 13, ELECTRICAL 1
Ref. No. 14
- Fig. 15, ELECTRICAL 3
Ref. No. 10 to 12
- Fig. 16, ELECTRICAL 4
Ref. No. 4 to 7, 11
- Fig. 18, BOTTOM COWLING
Ref. No. 25
- Fig. 24, OIL PAN
Ref. No. 28



6CK3300-K020

FIG. 2 CYLINDER & CRANKCASE 1 CYLINDRE & CARTER 1

| REF. NO. | PART NO. N° PIECES | DESCRIPTION DESCRIPTION | 6CK3 | | REMARKS REMARQUES |
|----------|--------------------|---|------|--|-------------------|
| 1 | 6D8-W009B-05-9S | CYLINDER BLOCK ASSY CYLINDRE GROUPE (ENS.) | 1 | | |
| 2 | 6D8-15100-01 | CRANKCASE ASSY CARTER DE MOTEUR COMPLET | 1 | | |
| 3 | 93606-12019 | .PIN, DOWEL .GOUILLE | 10 | | |
| 4 | 90119-10M88 | BOLT, WITH WASHER BOULON, AVEC RONDELLE | 10 | | |
| 5 | 90119-08M66 | BOLT, WITH WASHER BOULON, AVEC RONDELLE | 10 | | |
| 6 | 90340-14M06 | PLUG, STRAIGHT SCREW PLOT, FILETE DROIT | 1 | | |
| 7 | 90430-14115 | GASKET JOINT | 1 | | |
| 8 | 62Y-11119-00 | HANGER, ENGINE ANNEAU, LEVAGE | 2 | | |
| 9 | 97095-06020 | BOLT BOULON | 4 | | |
| 10 | 92995-06600 | WASHER RONDELLE | 4 | | |
| 11 | 67F-15142-00 | GUIDE 1 GUIDE 1 | 2 | | |
| 12 | 6D8-41113-30-9S | OUTER COVER, EXHAUST COUVERCLE, ECHAPPEMENT | 1 | | |
| 13 | 676-11372-00 | .NIPPLE, HOSE .RACCORD, TUYAU | 1 | | |
| 14 | 90340-18M09 | PLUG, STRAIGHT SCREW PLOT, FILETE DROIT | 1 | | |
| 15 | 90430-18130 | GASKET JOINT | 1 | | |
| 16 | 6E5-11325-00 | ANODE ANODE | 3 | | |
| 17 | 98780-04016 | SCREW, FLAT HEAD VIS A TETE FRAISEE | 3 | | |
| 18 | 67F-41114-A2 | GASKET, EXHAUST OUTER COVER JOINT, COUVERCLE D'ECHAPPEMENT | 1 | | |
| 19 | 90119-06MA4 | BOLT, WITH WASHER BOULON, AVEC RONDELLE | 18 | | |
| 20 | 6D8-42541-00 | PIPE 1 TUYAU 1 | 1 | | |
| 21 | 90465-11M10 | CLAMP BRIDE | 4 | | |
| 22 | 90464-18004 | CLAMP BRIDE | 1 | | |
| 23 | 90464-10010 | CLAMP BRIDE | 1 | | |
| 24 | 90464-11009 | CLAMP BRIDE | 1 | | |
| 25 | 688-24378-00 | PIPE, JOINT 3 DURITE RACCORDEMENT 3 | 1 | | |
| 26 | 61A-24316-00 | PIPE 6 DURITE 6 | 1 | | |
| 27 | 90465-11M10 | CLAMP BRIDE | 1 | | |

FIG. 2 CYLINDER & CRANKCASE 1 CYLINDRE & CARTER 1

CYLINDER BLOCK ASSY

Fig. 2, CYLINDER & CRANKCASE 1
Ref. No. 2 to 10, 12 to 26,
28 to 39, 43 to 45

Fig. 3, CRANKSHAFT & PISTON
Ref. No. 1 to 10

Fig. 4, CYLINDER & CRANKCASE 2
Ref. No. 14

Fig. 5, VALVE
Ref. No. 21 to 23

Fig. 7, INTAKE 2
Ref. No. 22 to 26

Fig. 10, FUEL INJECTION PUMP 2
Ref. No. 7, 16

Fig. 12, GENERATOR
Ref. No. 8

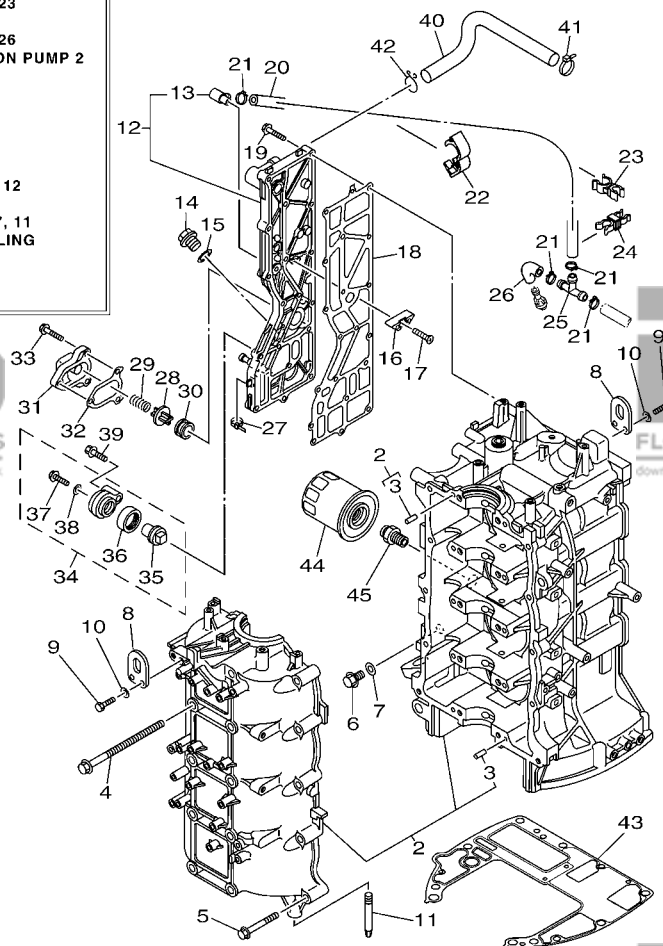
Fig. 13, ELECTRICAL 1
Ref. No. 14

Fig. 15, ELECTRICAL 3
Ref. No. 10 to 12

Fig. 16, ELECTRICAL 4
Ref. No. 4 to 7, 11

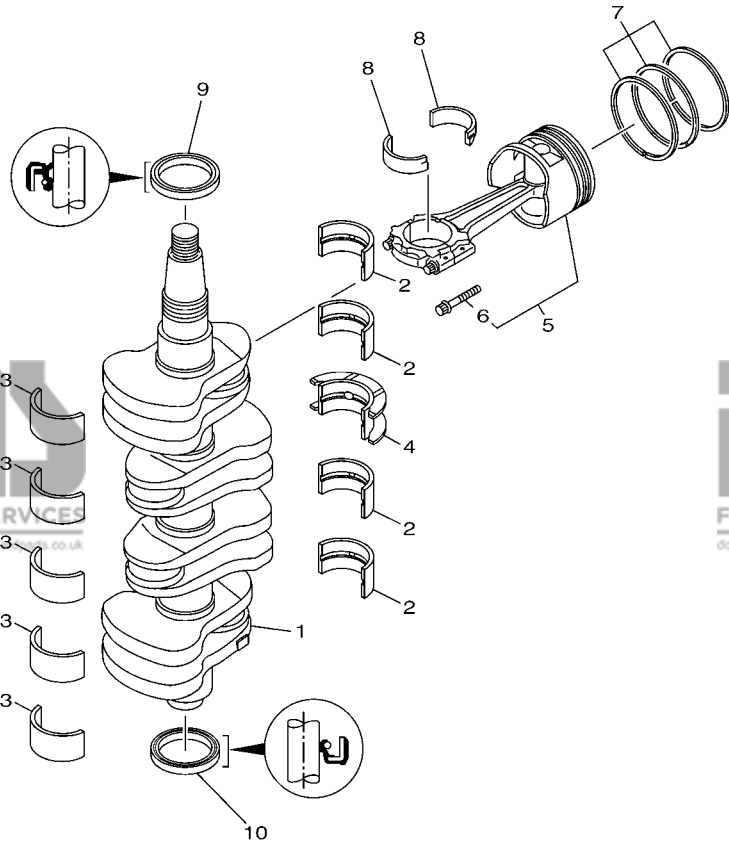
Fig. 18, BOTTOM COWLING
Ref. No. 25

Fig. 24, OIL PAN
Ref. No. 28



6CK3300-K020

| REF. NO. | PART NO. N° PIECES | DESCRIPTION DESCRIPTION | 6CK3 | REMARKS REMARQUES |
|----------|--------------------|--|------|-------------------|
| 28 | 6G5-12416-00 | VALVE, PRESSURE CONTROL SOUPAPE DE CONTROLEUR PRESS | 1 | |
| 29 | 90501-16M11 | SPRING, COMPRESSION RESSORT, COMPRESSION | 1 | |
| 30 | 90480-20M05 | GROMMET PASSE-FIL | 1 | |
| 31 | 67F-1246A-01-9S | COVER 1 COUVERCLE 1 | 1 | |
| 32 | 67F-12435-A0 | GASKET JOINT | 1 | |
| 33 | 90119-06MA2 | BOLT, WITH WASHER BOULON, AVEC RONDELLE | 3 | |
| 34 | 69J-11301-00 | ANODE COVER ASSY COUVERCLE ANODE (ENS.) | 1 | |
| 35 | 67F-11325-01 | .ANODE .ANODE | 1 | |
| 36 | 67F-11328-00 | .GROMMET, ANODE .PASSE-FIL | 1 | |
| 37 | 90105-06M07 | .BOLT, FLANGE .BOULON | 1 | |
| 38 | 90430-06M03 | .GASKET .JOINT | 1 | |
| 39 | 97575-08540 | BOLT, WITH WASHER VIS HEXAGONAL AVC RONDELLE | 1 | |
| 40 | 67F-1243A-00 | HOSE 1 DURITE 1 | 1 | |
| 41 | 90465-11M10 | CLAMP BRIDE | 1 | |
| 42 | 90467-20M15 | CLIP JONC | 1 | |
| 43 | 68V-11351-00 | GASKET, CYLINDER JOINT, D'EMBASE | 1 | |
| 44 | 5GH-13440-00 | ELEMENT ASSY, OIL CLEANER ELEMENT, FILTRE A HUILE | 1 | |
| 45 | 90401-20007 | BOLT, UNION BOULON, RACCORD | 1 | |



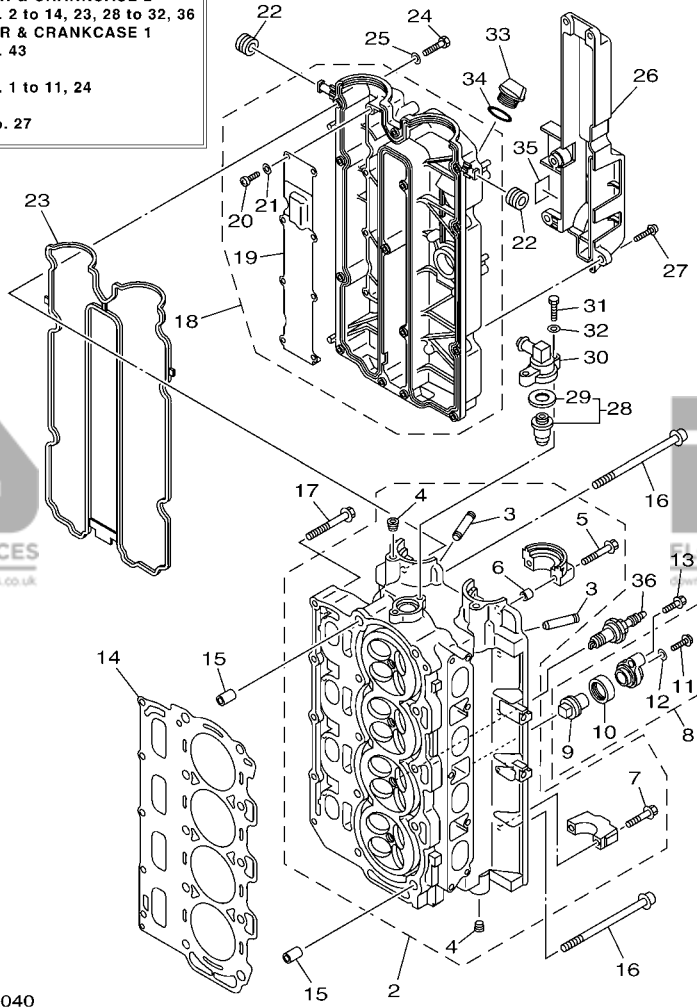
FWD
6D67110-K030

FIG. 3 CRANKSHAFT & PISTON VILEBREQUIN & PISTON

| REF. NO. | PART NO. N° PIECES | DESCRIPTION DESCRIPTION | 6CK3 | REMARKS REMARQUES |
|----------|--------------------|---|------|------------------------|
| 1 | 6D8-11411-00 | CRANKSHAFT VILEBREQUIN COMPLET | 1 | |
| 2 | 6D8-11416-00 | PLANE BEARING, CRANKSHAFT 1 COUSSINET DE VILEBREQUIN 1 | 4 | UR GREEN UR GREEN |
| | 6D8-11416-10 | PLANE BEARING, CRANKSHAFT 1 COUSSINET DE VILEBREQUIN 1 | 4 | UR BLUE UR BLUE |
| | 6D8-11416-20 | PLANE BEARING, CRANKSHAFT 1 COUSSINET DE VILEBREQUIN 1 | 4 | UR RED UR RED |
| 3 | 6D8-11417-00 | PLANE BEARING, CRANKSHAFT 2 COUSSINET DE VILEBREQUIN 2 | 5 | UR YELLOW UR YELLOW |
| | 6D8-11417-10 | PLANE BEARING, CRANKSHAFT 2 COUSSINET DE VILEBREQUIN 2 | 5 | UR GREEN UR GREEN |
| | 6D8-11417-20 | PLANE BEARING, CRANKSHAFT 2 COUSSINET DE VILEBREQUIN 2 | 5 | UR BLUE UR BLUE |
| | 6D8-11417-30 | PLANE BEARING, CRANKSHAFT 2 COUSSINET DE VILEBREQUIN 2 | 5 | UR RED UR RED |
| 4 | 6D8-11418-00 | PLANE BEARING, CRANKSHAFT 3 COUSSINET DE VILEBREQUIN 3 | 1 | UR GREEN UR GREEN |
| | 6D8-11418-10 | PLANE BEARING, CRANKSHAFT 3 COUSSINET DE VILEBREQUIN 3 | 1 | UR BLUE UR BLUE |
| | 6D8-11418-20 | PLANE BEARING, CRANKSHAFT 3 COUSSINET DE VILEBREQUIN 3 | 1 | UR RED UR RED |
| 5 | 6D8-W1164-21 | PISTON/CON-ROD ASSY(STD) PISTON/BIELLE COMPLETE(STD) | 4 | |
| | 6D8-W1164-31 | PISTON/CON-ROD ASSY(0.25MM OS) PISTON/BIELLE COMPLETE:0.25MM | 4 | AP AP |
| 6 | K1C-A3275-00 | .BOLT, CONNECTING ROD .BOULON, BIELLE | 2 | |
| 7 | 6D8-11603-01 | PISTON RING SET (STD) JEU DE SEGMENTS (STD) | 4 | |
| | 6D8-11604-01 | PISTON RING SET (0.25MM O/S) JEU DE SEGMENTS (0.25MM O/S) | 4 | AP AP |
| 8 | 6D8-11656-00 | PLANE BEARING, CONNECTING ROD ROULEMENT DE BIELLE | 8 | UR YELLOW UR YELLOW |
| | 6D8-11656-10 | PLANE BEARING, CONNECTING ROD ROULEMENT DE BIELLE | 8 | UR GREEN UR GREEN |
| | 6D8-11656-20 | PLANE BEARING, CONNECTING ROD ROULEMENT DE BIELLE | 8 | UR BLUE UR BLUE |
| | 6D8-11656-30 | PLANE BEARING, CONNECTING ROD ROULEMENT DE BIELLE | 8 | UR RED UR RED |
| 9 | 93102-48008 | OIL SEAL JOINT SPY | 1 | |
| 10 | 93101-48001 | OIL SEAL JOINT SPY | 1 | |

**CYLINDER HEAD
ASSY**

Fig. 4, CYLINDER & CRANKCASE 2
Ref. No. 2 to 14, 23, 28 to 32, 36
Fig. 2, CYLINDER & CRANKCASE 1
Ref. No. 43
Fig. 5, VALVE
Ref. No. 1 to 11, 24
Fig. 11, FUEL
Ref. No. 27



6CK3300-K040

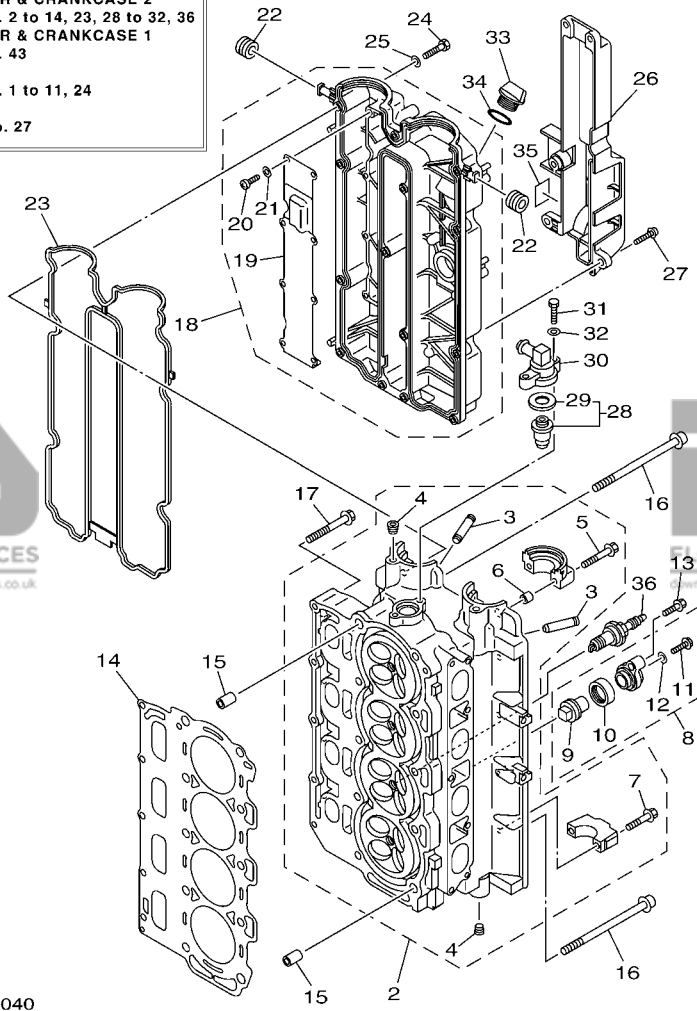
FIG. 4 CYLINDER & CRANKCASE 2

CYLINDRE & CARTER 2

| REF. NO. | PART NO. N° PIECES | DESCRIPTION DESCRIPTION | 6CK3 | REMARKS REMARQUES |
|----------|-----------------------|---|------|----------------------|
| 1 | 6D8-W009A-03-9S | CYLINDER HEAD ASSY CULASSE (ENS.) | 1 | |
| 2 | 6D8-11110-13-9S | CYLINDER HEAD ASSY JEU DE CULASSE | 1 | |
| 3 | 67F-11133-10 | .GUIDE, VALVE 1 .GUIDE, SOUPAPE 1 | 16 | |
| 4 | 90344-51019 | .PLUG, TAPER SCREW .PLOT, FILETE CONIQUE | 4 | |
| 5 | 90119-07235 | .BOLT/WASHER-CAM CAPS .BOULON, AVEC RONDELLE | 4 | |
| 6 | 91809-08006 | .PIN, DOWEL .GOUJON, D'ASSEMBLAGE | 4 | |
| 7 | 90119-07234 | .BOLT, WITH WASHER .BOULON, AVEC RONDELLE | 16 | |
| 8 | 69J-11301-00 | ANODE COVER ASSY COUVERCLE ANODE (ENS.) | 2 | |
| 9 | 67F-11325-01 | .ANODE .ANODE | 1 | |
| 10 | 67F-11328-00 | .GROMMET, ANODE .PASSE-FIL | 1 | |
| 11 | 90105-06M07 | .BOLT, FLANGE .BOULON | 1 | |
| 12 | 90430-06M03 | .GASKET .JOINT | 1 | |
| 13 | 97575-08540 | BOLT, WITH WASHER VIS HEXAGONAL AVC RONDELLE | 2 | |
| 14 | 67F-11181-03 | GASKET, CYLINDER HEAD 1 JOINT, DE CULASSE 1 | 1 | |
| 15 | 90387-10M08 | COLLAR COLLERETTE | 2 | |
| 16 | 90155-10005 | SCREW, FLAT FILLISTER VIS, TETE OVALE PLATE | 10 | |
| 17 | 90119-08M91 | BOLT, WITH WASHER BOULON, AVEC RONDELLE | 5 | |
| 18 | 6D8-11191-01-9S | COVER, CYLINDER HEAD 1 COUVERCLE, CULASSE 1 | 1 | |
| 19 | 67F-11168-00 | .COVER, BREATHER .COUVERCLE, RENIFLARD | 1 | |
| 20 | 98507-04008 | .SCREW, PAN HEAD .VIS, TETE TRONCONIQUE | 8 | |
| 21 | 92907-04600 | .WASHER .RONDELLE | 8 | |
| 22 | 90480-12314 | GROMMET PASSE-FIL | 2 | |
| 23 | 6D8-11356-01 | SEAL, CYLINDER 2 JOINT, SPY CYLINDRE | 1 | |
| 24 | 97095-06030 | BOLT BOULON | 14 | |
| 25 | 92995-06600 | WASHER RONDELLE | 14 | |
| 26 | 67F-11192-01 | COVER, CYLINDER HEAD 2 COUVERCLE, CULASSE 2 | 1 | |
| 27 | 90159-06M29 | SCREW, WITH WASHER VIS, AVEC RONDELLE | 5 | |

**CYLINDER HEAD
ASSY**

Fig. 4, CYLINDER & CRANKCASE 2
Ref. No. 2 to 14, 23, 28 to 32, 36
Fig. 2, CYLINDER & CRANKCASE 1
Ref. No. 43
Fig. 5, VALVE
Ref. No. 1 to 11, 24
Fig. 11, FUEL
Ref. No. 27

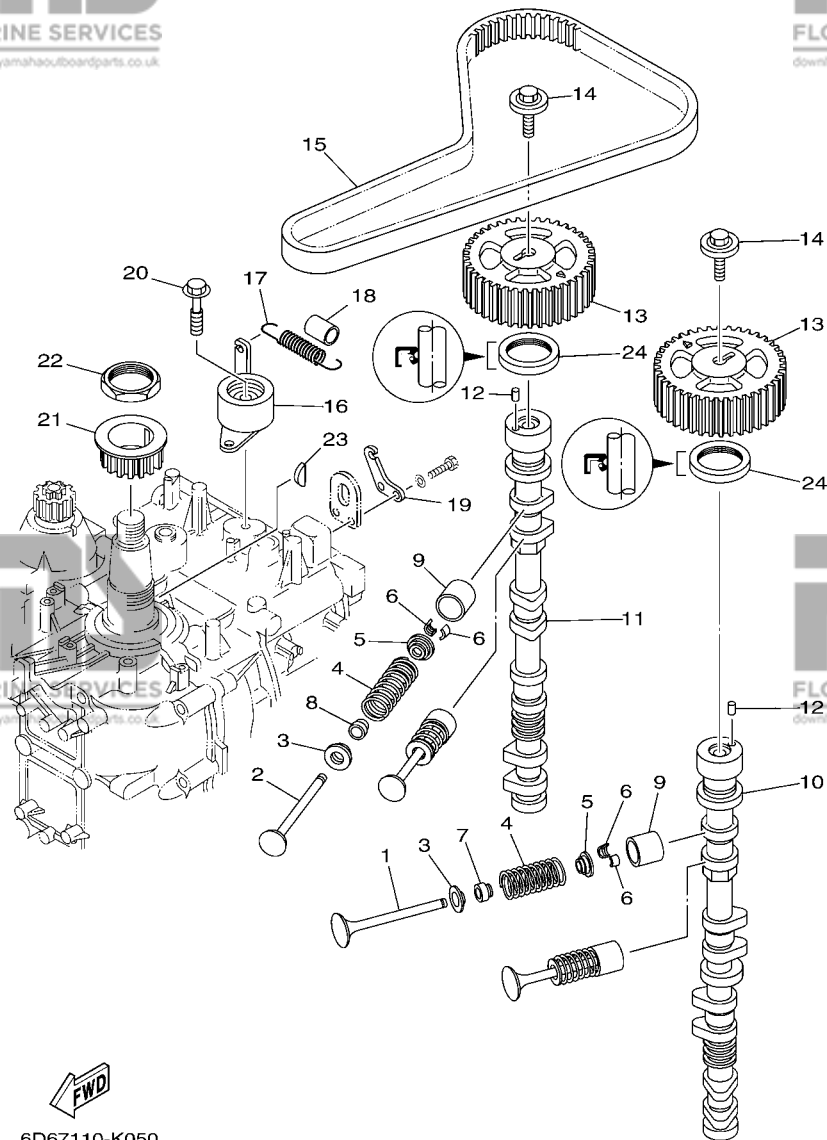


6CK3300-K040

FIG. 4 CYLINDER & CRANKCASE 2

CYLINDRE & CARTER 2

| REF. NO. | PART NO. N° PIECES | DESCRIPTION DESCRIPTION | 6CK3 | REMARKS REMARQUES |
|----------|--------------------|---------------------------------|------|-------------------|
| 28 | 67F-12411-01 | THERMOSTAT | 1 | |
| | | THERMOSTAT | | |
| 29 | 67F-12412-00 | .SEAL, THERMOSTAT | 1 | |
| | | .JOINT, THERMOSTAT | | |
| 30 | 68V-12413-00-9S | COVER, THERMOSTAT | 1 | |
| | | COUVERCLE, THERMOSTAT | | |
| 31 | 97095-06025 | BOLT | 2 | |
| | | BOULON | | |
| 32 | 92995-06600 | WASHER | 2 | |
| | | RONDELLE | | |
| 33 | 6G8-15363-00 | PLUG, OIL | 1 | |
| | | PLOT, HUILE | | |
| 34 | 93210-24M79 | O-RING | 1 | |
| | | JOINT TORIQUE | | |
| 35 | 6D8-83626-00 | MARK 6 | 1 | |
| | | MARK 6 | | |
| 36 | 94702-00391 | PLUG, SPARK (NGK LFR5A-11) | 4 | |
| | | BOUGIE D'ALLUMAGE(NGK LFR5A-11) | | |

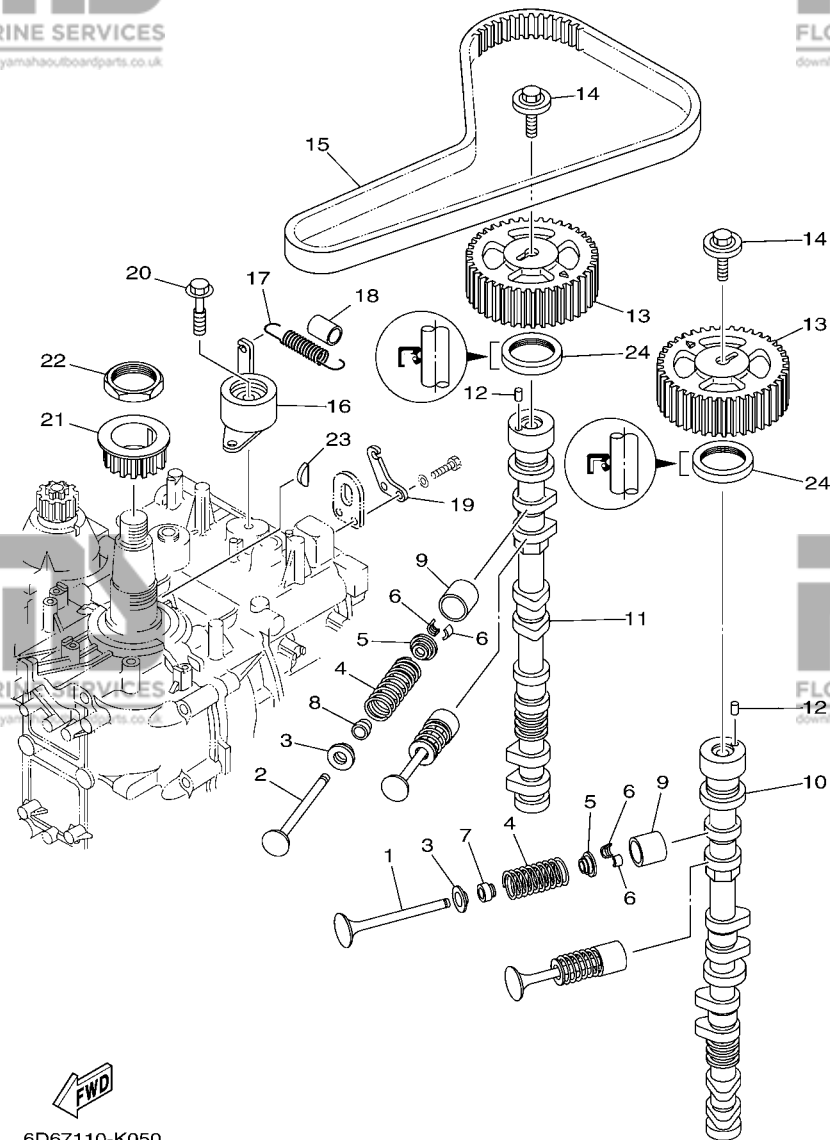


6D67110-K050

FIG. 5 VALVE

SOUPAPE

| REF. NO. | PART NO. N° PIECES | DESCRIPTION DESCRIPTION | 6CK3 | REMARKS REMARQUES |
|----------|--------------------|---|------|-------------------|
| 1 | 6D8-12111-00 | VALVE, INTAKE SOUPAPE, ADMISSION | 8 | |
| 2 | 6D8-12121-00 | VALVE, EXHAUST SOUPAPE, ECHAPPEMENT | 8 | |
| 3 | 6D8-12116-00 | SEAT, VALVE SPRING SIEGE, RESSORT DE SOUPAPE | 16 | |
| 4 | 6D8-12113-00 | SPRING, VALVE INNER RESSORT DE SOUPAPE, INTERNE | 16 | |
| 5 | 26H-12117-00 | RETAINER, VALVE SPRING BUTEE DE RESSORT DE SOUPAPE | 16 | |
| 6 | 4G0-12118-00 | COTTER, VALVE FRAISE, SOUPAPE | 32 | |
| 7 | K0A-A3721-00 | SEAL, VALVE STEM JOINT, QUEUE DE SOUPAPE | 8 | |
| 8 | K0A-A3722-00 | SEAL, VALVE STEM 2 JOINT, QUEUE DE SOUPAPE 2 | 8 | |
| 9 | 6D8-12153-00 | LIFTER, VALVE (12) LEVE-SOUPAPE (12) | 16 | UR |
| | 6D8-12153-10 | LIFTER, VALVE (14) LEVE-SOUPAPE (14) | 16 | UR |
| | 6D8-12153-20 | LIFTER, VALVE (16) LEVE-SOUPAPE (16) | 16 | UR |
| | 6D8-12153-30 | LIFTER, VALVE (18) LEVE-SOUPAPE (18) | 16 | UR |
| | 6D8-12153-40 | LIFTER, VALVE (20) LEVE-SOUPAPE (20) | 16 | UR |
| | 6D8-12153-50 | LIFTER, VALVE (22) LEVE-SOUPAPE (22) | 16 | UR |
| | 6D8-12153-60 | LIFTER, VALVE (24) LEVE-SOUPAPE (24) | 16 | UR |
| | 6D8-12153-70 | LIFTER, VALVE (26) LEVE-SOUPAPE (26) | 16 | UR |
| | 6D8-12153-80 | LIFTER, VALVE (28) LEVE-SOUPAPE (28) | 16 | UR |
| | 6D8-12153-90 | LIFTER, VALVE (30) LEVE-SOUPAPE (30) | 16 | UR |
| | 6D8-12153-A0 | LIFTER, VALVE (32) LEVE-SOUPAPE (32) | 16 | UR |
| | 6D8-12153-B0 | LIFTER, VALVE (34) LEVE-SOUPAPE (34) | 16 | UR |
| | 6D8-12153-C0 | LIFTER, VALVE (36) LEVE-SOUPAPE (36) | 16 | UR |
| | 6D8-12153-D0 | LIFTER, VALVE (38) LEVE-SOUPAPE (38) | 16 | UR |
| | 6D8-12153-E0 | LIFTER, VALVE (40) LEVE-SOUPAPE (40) | 16 | UR |
| | 6D8-12153-F0 | LIFTER, VALVE (42) LEVE-SOUPAPE (42) | 16 | UR |
| | 6D8-12153-G0 | LIFTER, VALVE (44) LEVE-SOUPAPE (44) | 16 | UR |
| | 6D8-12153-H0 | LIFTER, VALVE (46) LEVE-SOUPAPE (46) | 16 | UR |
| | 6D8-12153-J0 | LIFTER, VALVE (48) LEVE-SOUPAPE (48) | 16 | UR |



6D67110-K050

FIG. 5 VALVE

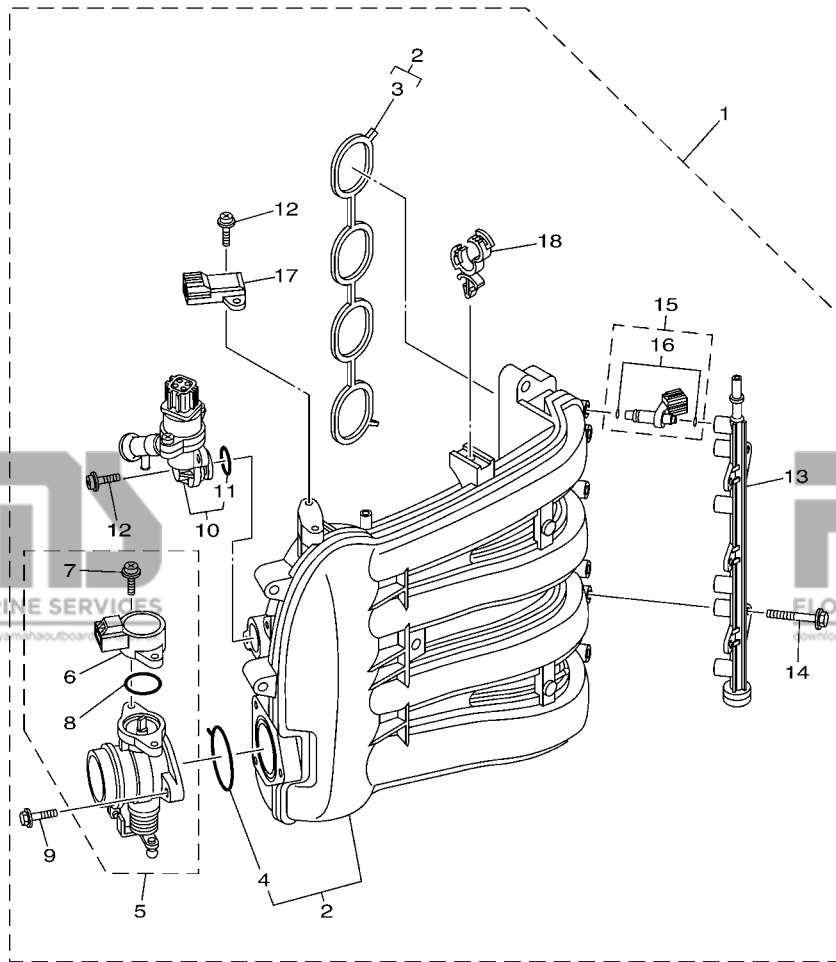
SOUPAPE

| REF. NO. | PART NO. N° PIECES | DESCRIPTION DESCRIPTION | 6CK3 | REMARKS REMARQUES |
|----------|--------------------|--|------|-------------------|
| 9 | 6D8-12153-K0 | LIFTER, VALVE (50) LEVE-SOUPAPE (50) | 16 | UR |
| | 6D8-12153-L0 | LIFTER, VALVE (52) LEVE-SOUPAPE (52) | 16 | UR |
| | 6D8-12153-M0 | LIFTER, VALVE (54) LEVE-SOUPAPE (54) | 16 | UR |
| | 6D8-12153-N0 | LIFTER, VALVE (56) LEVE-SOUPAPE (56) | 16 | UR |
| | 6D8-12153-P0 | LIFTER, VALVE (58) LEVE-SOUPAPE (58) | 16 | UR |
| | 6D8-12153-R0 | LIFTER, VALVE (60) LEVE-SOUPAPE (60) | 16 | UR |
| | 6D8-12153-S0 | LIFTER, VALVE (62) LEVE-SOUPAPE (62) | 16 | UR |
| | 6D8-12153-T0 | LIFTER, VALVE (64) LEVE-SOUPAPE (64) | 16 | UR |
| | 6D8-12153-U0 | LIFTER, VALVE (66) LEVE-SOUPAPE (66) | 16 | UR |
| | 6D8-12153-V0 | LIFTER, VALVE (68) LEVE-SOUPAPE (68) | 16 | UR |
| 10 | 6D8-12171-00 | CAMSHAFT 1 ARBRE A CAMES 1 | 1 | |
| 11 | 6D8-12181-00 | CAMSHAFT 2 ARBRE A CAMES 2 | 1 | |
| 12 | 93605-10108 | PIN, DOWEL AXE | 2 | |
| 13 | 67F-11537-00 | GEAR, DRIVEN PIGNON SECONDAIRE | 2 | |
| 14 | 90119-10050 | BOLT, WITH WASHER BOULON, AVEC RONDELLE | 2 | |
| 15 | 67F-46241-00 | BELT COURROIE TRAPEZOIDALE | 1 | |
| 16 | 67F-11590-00 | TENSIONER ASSY TENDEUR (ENS.) | 1 | |
| 17 | 90506-16M39 | SPRING, TENSION RESSORT, TENSION | 1 | |
| 18 | 90445-15M03 | HOSE (L23) DURITE (L23) | 1 | |
| 19 | 67F-11595-00 | PLATE, VALVE PLAQUE DE SOUPAPE | 1 | |
| 20 | 90119-10M72 | BOLT, WITH WASHER BOULON, AVEC RONDELLE | 1 | |
| 21 | 6D8-11536-00 | GEAR, DRIVE ENGRENAGE, MENANT | 1 | |
| 22 | 90170-40008 | NUT ECROU | 1 | |
| 23 | 90280-04008 | KEY, WOODRUFF CLAVETTE, DEMI-LUNE | 1 | |
| 24 | 93102-38008 | OIL SEAL JOINT SPY | 2 | |

FIG. 6 INTAKE 1

ADMISSION 1

| REF. NO. | PART NO. N° PIECES | DESCRIPTION DESCRIPTION | 6CK3 | REMARKS REMARQUES |
|----------|--------------------|---|------|-------------------|
| 1 | 6D8-14200-00 | INTAKE ASSY ADMISSION (ENS.) | 1 | |
| 2 | 6D8-13641-00 | ..MANIFOLD 1 ..TUBULURE 1 | 1 | |
| 3 | 6D8-13645-00 | ..GASKET, MANIFOLD 1 ..JOINT, TUBULURE 1 | 1 | |
| 4 | 6D8-13557-00 | ..GASKET ..JOINT | 1 | |
| 5 | 6D8-13750-00 | ..THROTTLE BODY ASSY ..CARTER D'ACCELERATEUR COMPLET | 1 | |
| 6 | 6C5-85885-00 | ..THROTTLE SENSOR ASSY ..SENSITOMETRE (ENS.) | 1 | |
| 7 | 6C5-81145-00 | ..SCREW 1 ..VIS 1 | 2 | |
| 8 | 6C5-8182L-00 | ..O-RING 1 ..JOINT TORIQUE 1 | 1 | |
| 9 | 6C5-14496-00 | ..BOLT ..BOULON | 3 | |
| 10 | 6D8-13105-01 | ..CONTROL VALVE ASSY ..SOUPAPE DE CONTROLE COMPLET | 1 | |
| 11 | 6C5-1319C-00 | ..O-RING ..JOINT TORIQUE | 1 | |
| 12 | 6C5-81146-00 | ..SCREW 2 ..VIS 2 | 4 | |
| 13 | 6D8-13161-00 | ..PIPE, DELIVERY 1 ..DURITE REFOULEMENT 1 | 1 | |
| 14 | 6C5-14446-00 | ..BOLT ..BOULON | 2 | |
| 15 | 6D8-13761-00 | ..INJECTOR ..INJECTEUR | 4 | |
| 16 | 6C5-1410B-00 | ..PACKING KIT ..POCHETTE DE JOINTS | 1 | |
| 17 | 68F-83688-00 | ..SENSOR ASSY ..SONDE (ENS.) | 1 | |
| 18 | 90464-18246 | ..CLAMP ..BRIDE | 1 | |



FWD
6D81100-D060

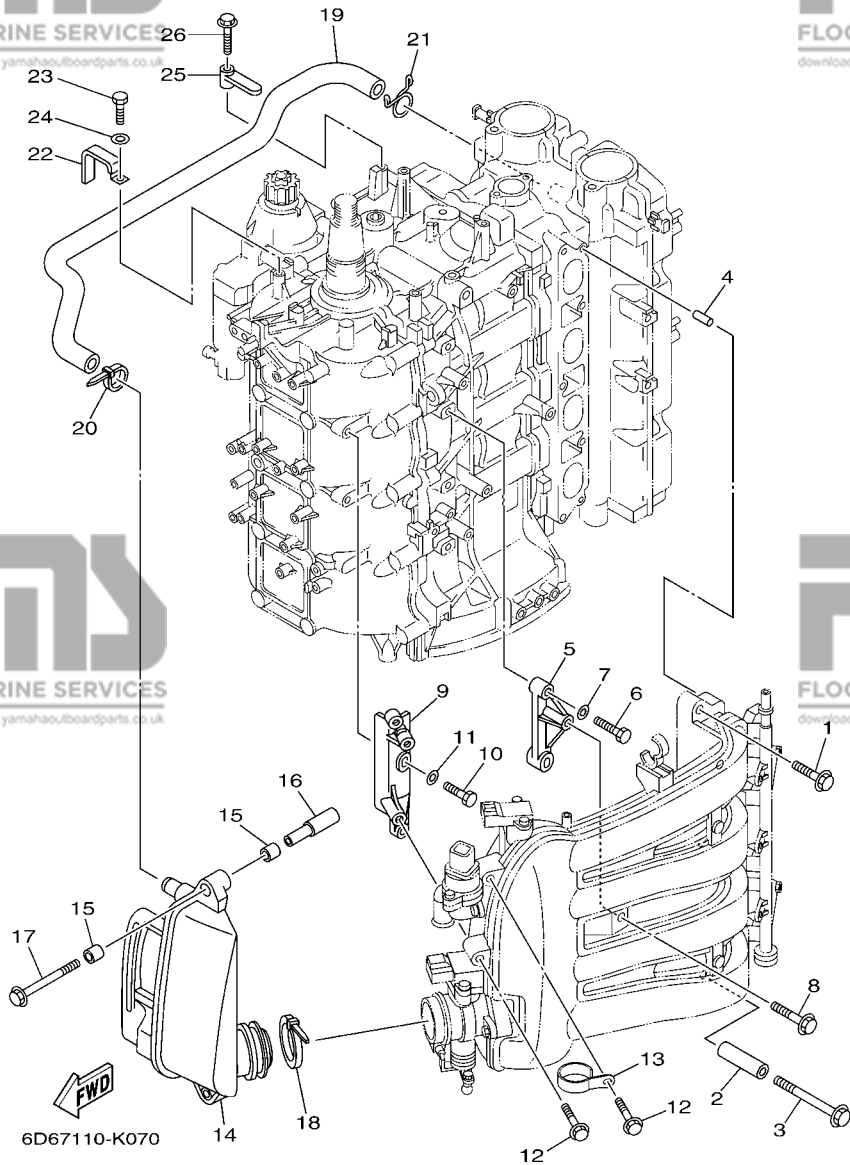


FIG. 7 INTAKE 2

ADMISSION 2

| REF. NO. | PART NO. N° PIECES | DESCRIPTION DESCRIPTION | 6CK3 | REMARKS REMARQUES |
|----------|--------------------|--|------|-------------------|
| 1 | 90119-08069 | BOLT, WITH WASHER BOULON, AVEC RONDELLE | 4 | |
| 2 | 90387-08033 | COLLAR COLLERETTE | 1 | |
| 3 | 90119-08M03 | BOLT, WITH WASHER BOULON, AVEC RONDELLE | 1 | |
| 4 | 91690-50014 | PIN, SPRING AGRAFFE | 2 | |
| 5 | 6D8-14291-00 | BRACKET 1 SUPPORT 1 | 1 | |
| 6 | 97095-06030 | BOLT BOULON | 2 | |
| 7 | 92995-06600 | WASHER RONDELLE | 2 | |
| 8 | 90119-06087 | BOLT, WITH WASHER BOULON, AVEC RONDELLE | 1 | |
| 9 | 6D8-14292-00 | BRACKET 2 SUPPORT 2 | 1 | |
| 10 | 97095-06020 | BOLT BOULON | 2 | |
| 11 | 92995-06600 | WASHER RONDELLE | 2 | |
| 12 | 90119-06087 | BOLT, WITH WASHER BOULON, AVEC RONDELLE | 2 | |
| 13 | 6D8-13782-00 | STAY SUPPORT | 1 | |
| 14 | 6D6-14440-00 | SILENCER ASSY, INTAKE SIENCIEUX D'ADMISSION | 1 | |
| 15 | 90386-08001 | BUSH DOUILLE | 4 | |
| 16 | 90387-07013 | COLLAR COLLERETTE | 2 | |
| 17 | 90119-06113 | BOLT, WITH WASHER BOULON, AVEC RONDELLE | 2 | |
| 18 | 90464-76001 | CLAMP BRIDE | 1 | |
| 19 | 6D8-15373-00 | PIPE, BREATHER DURITE DE RENIFLARD | 1 | |
| 20 | 90465-11M59 | CLAMP BRIDE | 1 | |
| 21 | 90467-20M15 | CLIP JONC | 1 | |
| 22 | 90465-12M03 | CLAMP BRIDE | 1 | |
| 23 | 97095-06012 | BOLT BOULON | 1 | |
| 24 | 92995-06600 | WASHER RONDELLE | 1 | |
| 25 | 6D8-82544-00 | CLAMP COLLIER | 1 | |
| 26 | 95895-06025 | BOLT, FLANGE BOULON | 1 | |

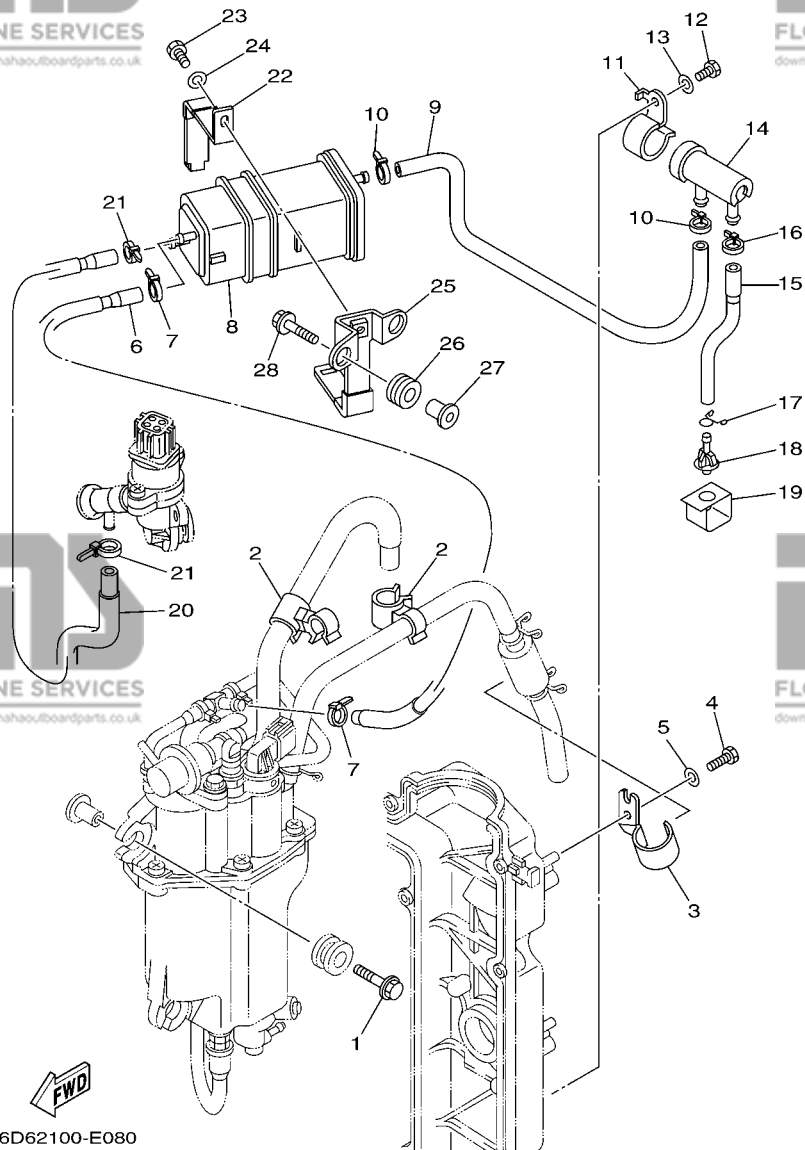
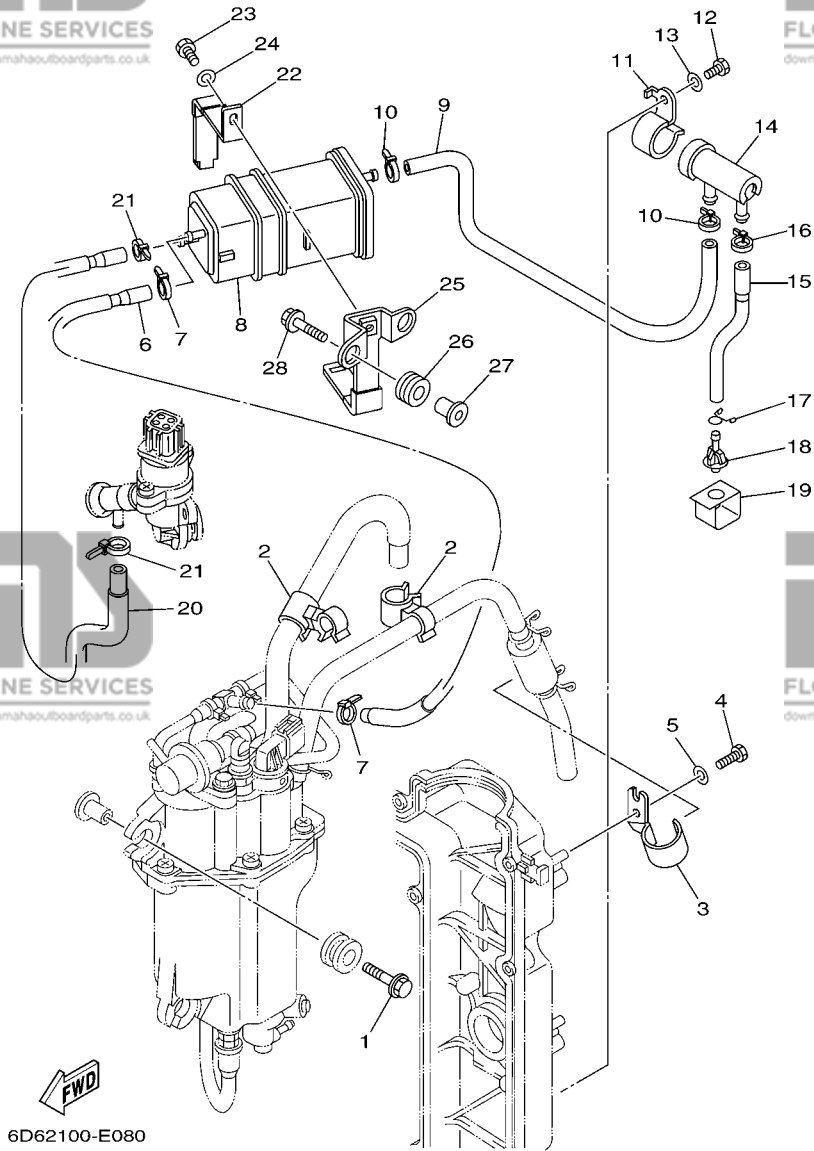


FIG. 8 INTAKE 3

ADMISSION 3

| REF. NO. | PART NO. N° PIECES | DESCRIPTION DESCRIPTION | QTY | REMARKS REMARQUES |
|----------|--------------------|---|-----|-------------------|
| 1 | 90119-06M08 | BOLT, WITH WASHER BOULON, AVEC RONDELLE | 3 | |
| 2 | 90464-15007 | CLAMP BRIDE | 2 | |
| 3 | 6D8-13428-01 | BRACKET, STRAINER 1 SUPPORT, FILTRE 1 | 1 | |
| 4 | 97095-06012 | BOLT BOULON | 1 | |
| 5 | 92995-06600 | WASHER RONDELLE | 1 | |
| 6 | 6D8-24314-01 | PIPE 4 DURITE 4 | 1 | |
| 7 | 90465-11M10 | CLAMP BRIDE | 2 | |
| 8 | 69J-24170-00 | CANISTER ASSY BANDE, RASERVOIR A ESSENCE | 1 | |
| 9 | 6D8-24315-00 | PIPE 5 DURITE 5 | 1 | |
| 10 | 90465-11M10 | CLAMP BRIDE | 2 | |
| 11 | 6D8-2417H-01 | CLAMP 1 COLLIER 1 | 1 | |
| 12 | 97095-06010 | BOLT BOULON | 1 | |
| 13 | 92995-06600 | WASHER RONDELLE | 1 | |
| 14 | 69J-24502-00 | FILTER, FUEL FILTRE | 1 | |
| 15 | 6D8-24316-00 | PIPE 6 DURITE 6 | 1 | |
| 16 | 90465-11M10 | CLAMP BRIDE | 1 | |
| 17 | 90467-09M03 | CLIP JONC | 1 | |
| 18 | 69J-44391-00 | NIPPLE, HOSE RACCORD D'ESSENCE | 1 | |
| 19 | 6D8-2413X-01 | PLATE PLAQUE | 1 | |
| 20 | 6D8-24317-01 | PIPE 7 DURITE 7 | 1 | |
| 21 | 90465-11M10 | CLAMP BRIDE | 2 | |
| 22 | 69J-2419A-01 | HOLDER SUPPORT | 1 | |
| 23 | 97095-06016 | BOLT BOULON | 1 | |
| 24 | 92995-06600 | WASHER RONDELLE | 1 | |
| 25 | 6D8-2134X-00 | BRACKET, CANISTER SUPPORT | 1 | |
| 26 | 90480-10M23 | GROMMÉT PASSE-FIL | 2 | |
| 27 | 90387-06M60 | COLLAR COLLERETTE | 2 | |



6D62100-E080

FIG. 8 INTAKE 3

ADMISSION 3

| REF. NO. | PART NO. N° PIECES | DESCRIPTION DESCRIPTION | 6CK3 | REMARKS REMARQUES |
|----------|--------------------|--|------|-------------------|
| 28 | 90119-06M59 | BOLT, WITH WASHER BOULON, AVEC RONDELLE | 2 | |
| ----- | | | | |
| ----- | | | | |
| ----- | | | | |
| ----- | | | | |
| ----- | | | | |
| ----- | | | | |
| ----- | | | | |
| ----- | | | | |

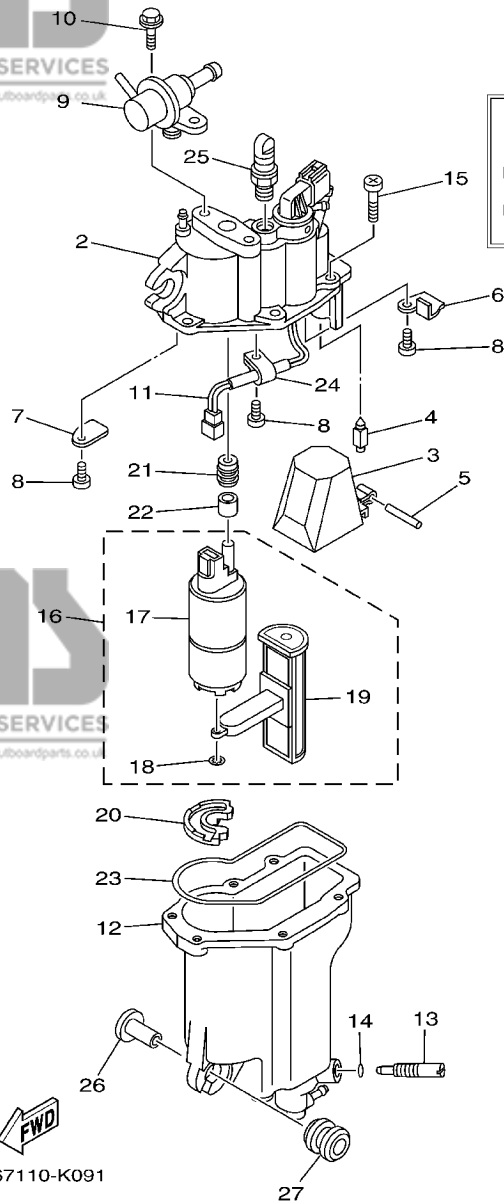


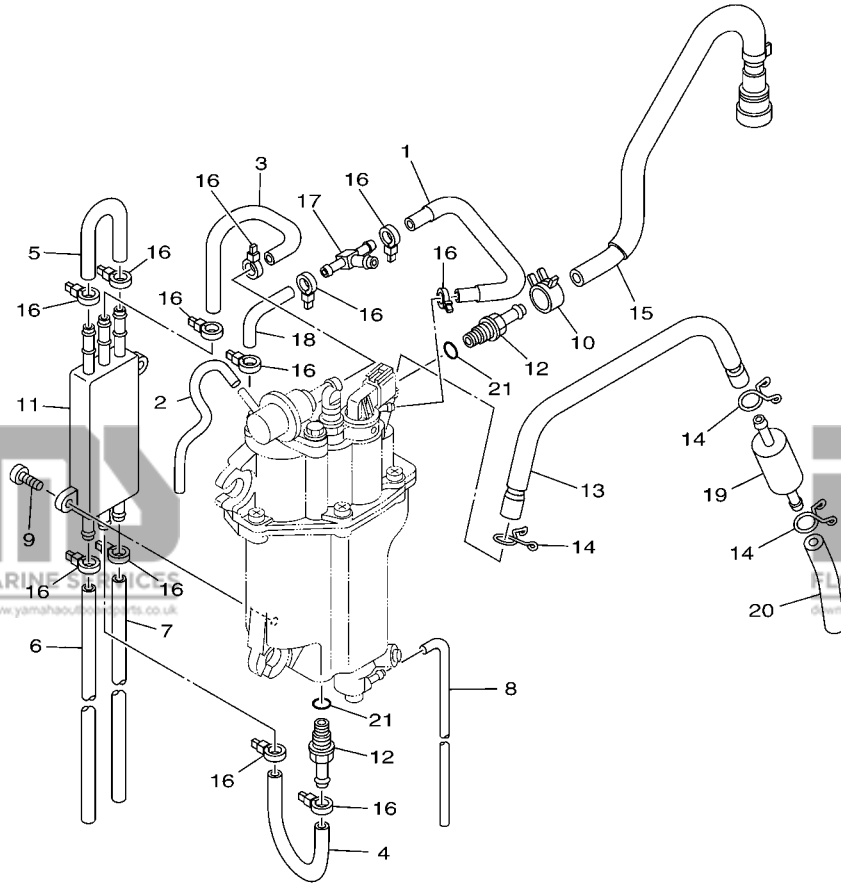
FIG. 9 FUEL INJECTION PUMP 1

POMPE A INJECTEUR 1

| REF. NO. | PART NO. N° PIECES | DESCRIPTION DESCRIPTION | 6CK3 | | REMARKS REMARQUES |
|----------|--------------------|---|------|--|-------------------|
| 1 | 6D8-14180-20 | FLOAT CHAMBER ASSY CUVE DE FLOTTEUR | 1 | | |
| 2 | 6D8-14182-00 | COVER, FLOAT CHAMBER COUVERCLE, CUVE DE FLOTTEUR | 1 | | |
| 3 | 6C5-14985-00 | FLOAT FLOTTEUR | 1 | | |
| 4 | 6C5-14546-00 | VALVE, NEEDLE POINTEAU | 1 | | |
| 5 | 6C5-14386-00 | PIN, FLOAT AXE, FLOTTEUR | 1 | | |
| 6 | 6C5-2441R-00 | PLATE, BAFFLE 1 SEPARATEUR 1 | 1 | | |
| 7 | 6C5-2441T-00 | PLATE, BAFFLE 2 SEPARATEUR 2 | 1 | | |
| 8 | 6C5-24453-00 | SCREW VIS | 3 | | |
| 9 | 6C5-13906-01 | REGULATOR, PRESSURE REGULATEUR DE PRESSION | 1 | | |
| 10 | 6C5-24592-00 | BOLT BOLTE | 2 | | |
| 11 | 6C5-87226-00 | WIRE HARNESS ASSY ENS. FAISCEAU ELECTRIQUE | 1 | | |
| 12 | 6D8-14960-00 | BODY ASSY CARTER (ENS.) | 1 | | |
| 13 | 6C5-14191-00 | PLUG, DRAIN PLOT, VIDANGE | 1 | | |
| 14 | 6C5-14397-00 | O-RING JOINT TORIQUE | 1 | | |
| 15 | 6C5-14567-00 | SCREW VIS | 6 | | |
| 16 | 6C5-13910-00 | FUEL PUMP ASSY POMPE A ESSENCE COMPLET | 1 | | |
| 17 | 6C5-13907-00 | .FUEL PUMP COMP. .POMPE A CARBURANT COMP. | 1 | | |
| 18 | 6C5-14127-00 | .CLIP .JONC | 1 | | |
| 19 | 6C5-13915-00 | .FILTER .FILTRE | 1 | | |
| 20 | 6C5-13593-00 | DAMPER AMORTISSEUR | 1 | | |
| 21 | 6C5-13781-00 | DAMPÉR, PUMP AMORTISSEUR, POMPE | 1 | | |
| 22 | 6C5-13716-00 | COLLAR COLLERETTE | 1 | | |
| 23 | 6C5-14984-00 | GASKET, FLOAT CHAMBER JOINT, CUVE DE FLOTTEUR | 1 | | |
| 24 | 6C5-21337-00 | CLAMP, CABLE COLLIER, CABLE | 1 | | |
| 25 | 6C5-14225-00 | CAP COUVERCLE | 1 | | |
| 26 | 90387-06M69 | COLLAR COLLERETTE | 3 | | |
| 27 | 90480-09M12 | GROMMET PASSE-FIL | 3 | | |

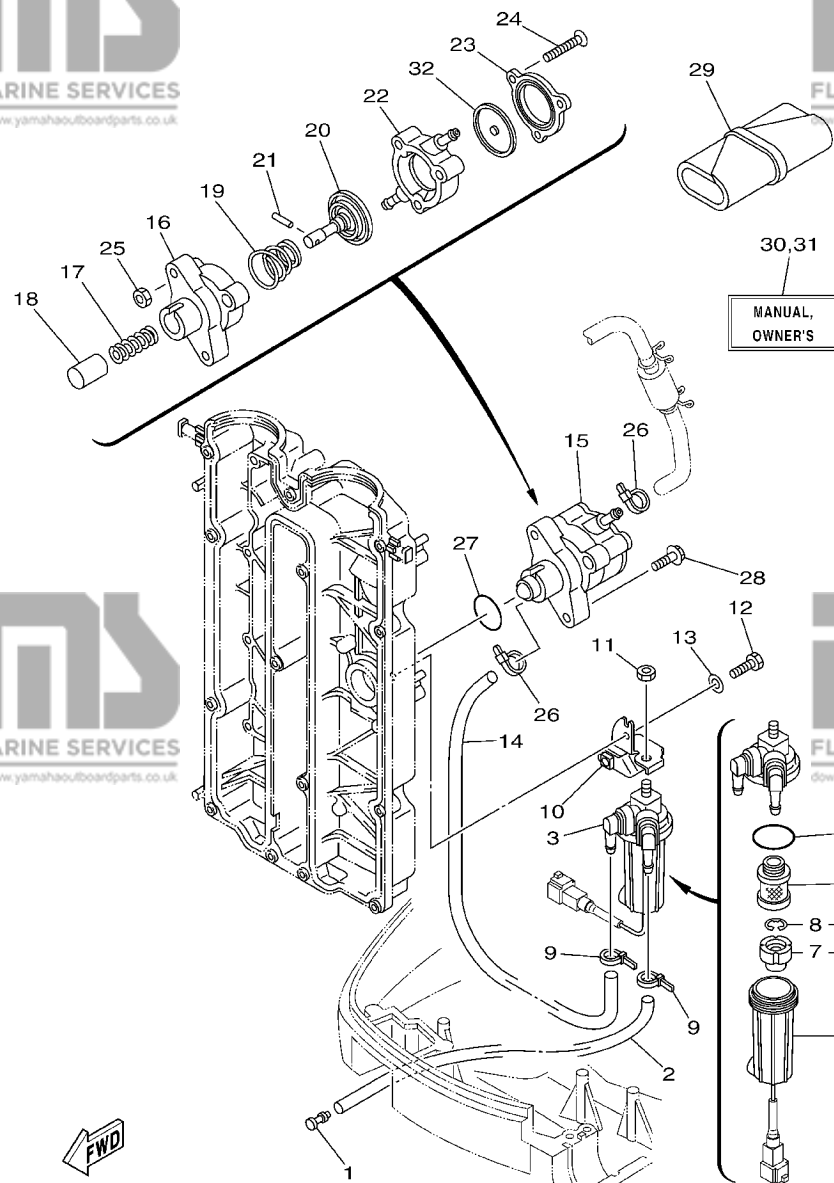
FIG. 10 FUEL INJECTION PUMP 2

POMPE A INJECTEUR 2



6D67110-K100

| REF. NO. | PART NO. N° PIECES | DESCRIPTION DESCRIPTION | QTY | REMARKS REMARQUES |
|----------|--------------------|--|-----|-------------------|
| 1 | 6D8-13546-01 | HOSE 2 DURITE 2 | 1 | |
| 2 | 6D8-13542-01 | HOSE, VACUUM SENSING 1 DURITE 1 | 1 | |
| 3 | 6C5-24321-00 | PIPE 10 DURITE 10 | 1 | |
| 4 | 6C5-24322-00 | PIPE 11 DURITE 11 | 1 | |
| 5 | 6C5-24323-00 | PIPE 12 DURITE 12 | 1 | |
| 6 | 6D8-24324-01 | PIPE 13 DURITE 13 | 1 | |
| 7 | 6D8-24325-10 | PIPE 14 DURITE 14 | 1 | |
| 8 | 6BG-14149-00 | PIPE DURITE | 1 | |
| 9 | 6C5-24444-00 | SCREW VIS | 2 | |
| 10 | 6C5-13577-00 | CLIP AGRAFE | 1 | |
| 11 | 6C5-21841-00 | COOLER RADIATEUR | 1 | |
| 12 | 6C5-14251-00 | NIPPLE RACCORD | 2 | |
| 13 | 6D8-14148-00 | PIPE DURITE | 1 | |
| 14 | 6C5-24387-00 | CLIP SANDOW | 3 | |
| 15 | 6D8-13974-00 | PIPE, FUEL 4 TUBE 4, CARBURANT | 1 | |
| 16 | 90465-11M10 | CLAMP BRIDE | 12 | |
| 17 | 6C5-24379-00 | PIPE, JOINT 4 DURITE RACCORDEMENT 4 | 1 | |
| 18 | 6C5-13545-00 | HOSE 1 DURITE 1 | 1 | |
| 19 | 6C5-24251-00 | STRAINER 1 FILTRE 1 | 1 | |
| 20 | 6D8-2451B-00 | HOSE, FUEL INLET DURITE | 1 | |
| 21 | 6C5-13739-00 | O-RING JOINT TORIQUE | 2 | |

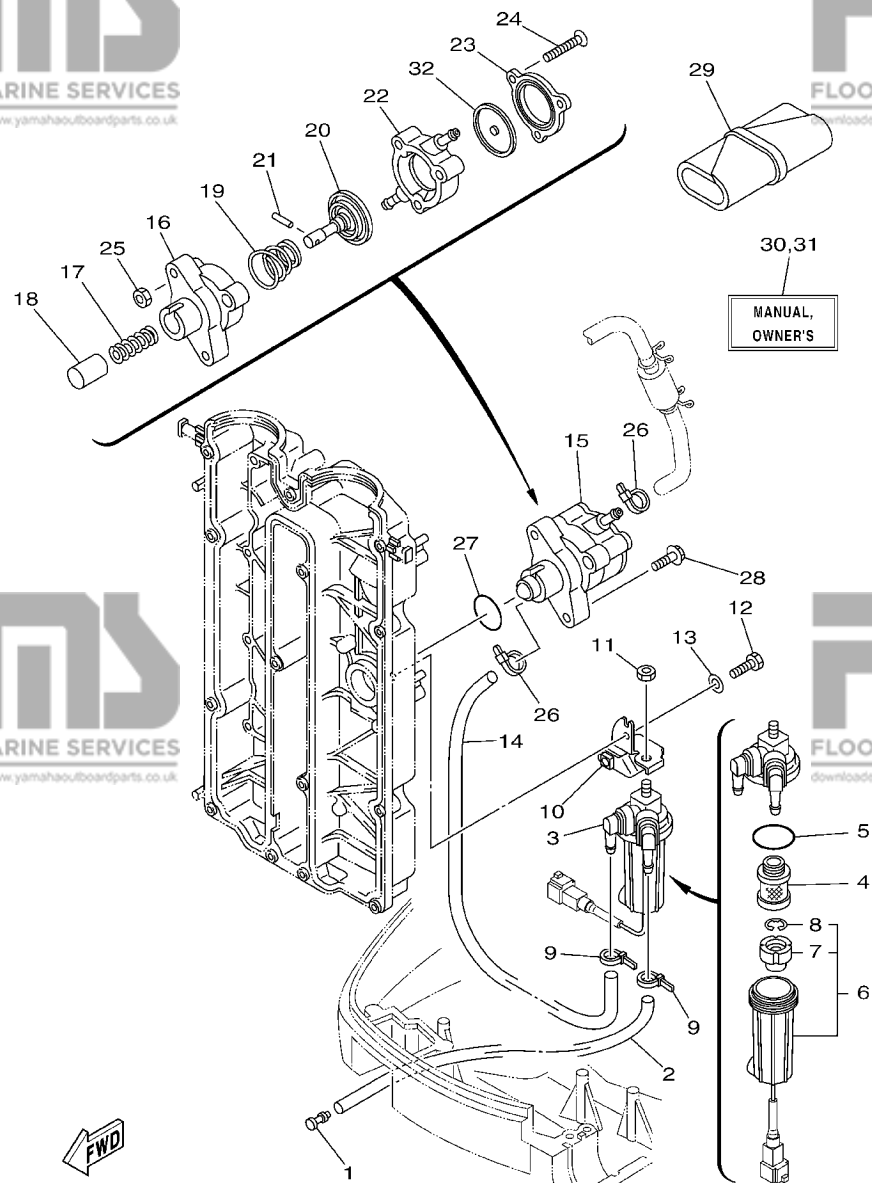


6D74300G1101

FIG. 11 FUEL

CARBURANT

| REF. NO. | PART NO. N° PIECES | DESCRIPTION DESCRIPTION | QTY | REMARKS REMARQUES |
|----------|--------------------|---|-----|-------------------|
| 1 | 689-85547-00 | DAMPER AMORTISSEUR | 1 | |
| 2 | 90445-13M37 | HOSE (L2300) DURITE (L2300) | 1 | |
| 3 | 6D8-24560-00 | FILTER ASSY ENS FILTRE | 1 | |
| 4 | 6D8-24563-00 | .ELEMENT, FILTER .ELEMENT, FILTRE | 1 | |
| 5 | 6D8-24564-00 | .GASKET .JOINT | 1 | |
| 6 | 6D8-24562-00 | .CUP, FILTER .CUVETTE, FILTRE | 1 | |
| 7 | 6D8-24469-00 | ..FLOAT, WATER LEVEL ..FLOTTEUR | 1 | |
| 8 | 6D8-24519-00 | ..CLIP ..JONC | 1 | |
| 9 | 90465-11M10 | CLAMP BRIDE | 2 | |
| 10 | 6D8-24566-00 | BRACKET, FILTER SUPPORT, FILTRE | 1 | |
| 11 | 95380-08600 | NUT ECROU | 1 | |
| 12 | 97095-06016 | BOLT BOULON | 1 | |
| 13 | 92995-06600 | WASHER RONDELLE | 1 | |
| 14 | 6D8-24311-00 | PIPE, FUEL 1 DURITE A ESSENCE | 1 | |
| 15 | 6D8-24410-10 | FUEL PUMP ASSY POMPE A ESSENCE | 1 | |
| 16 | 68V-24412-00 | .BODY 1 .CORPS 1 | 1 | |
| 17 | 68V-24454-00 | .SPRING .RESSORT | 1 | |
| 18 | 63P-13131-00 | .PLUNGER .PLONGEUR | 1 | |
| 19 | 68V-24423-00 | .SPRING, DIAPHRAGM .RESSORT, DIAPHRAGME | 1 | |
| 20 | 68V-24411-00 | .DIAPHRAGM .DIAPHRAGME | 1 | |
| 21 | 68V-24374-00 | .PIN .GOUILLE | 1 | |
| 22 | 68V-24413-00 | .BODY 2 .CORPS 2 | 1 | |
| 23 | 6D8-24414-00 | .BODY 3 .CORPS 3 | 1 | |
| 24 | 68V-24444-00 | .SCREW .VIS | 3 | |
| 25 | 68V-24149-00 | .NUT .ECROU | 3 | |
| 26 | 90465-11M10 | CLAMP BRIDE | 2 | |
| 27 | 93210-30682 | O-RING JOINT TORIQUE | 1 | |



6D74300G1101

FIG. 11 FUEL

CARBURANT

| REF. NO. | PART NO. N° PIECES | DESCRIPTION DESCRIPTION | 6CK3 | REMARKS REMARQUES |
|----------|--------------------|--|------|--------------------|
| 28 | 90119-06M83 | BOLT, WITH WASHER BOULON, AVEC RONDELLE | 2 | |
| 29 | 67F-28100-01 | TOOL KIT TROUSSE A OUTILS | 1 | AP AP |
| 30 | 6D7-28199-77-E0 | MANUAL, OWNER'S MANUEL D'UTILISATION | 1 | UR (E) UR (E) |
| | 6D7-28199-77-F0 | MANUAL, OWNER'S MANUEL D'UTILISATION | 1 | UR (F) UR (F) |
| | 6D7-28199-77-S0 | MANUAL, OWNER'S MANUEL D'UTILISATION | 1 | UR (ES) UR (ES) |
| | 6D7-28199-77-G0 | MANUAL, OWNER'S MANUEL D'UTILISATION | 1 | UR (D) UR (D) |
| | 6D7-28199-77-D0 | MANUAL, OWNER'S MANUEL D'UTILISATION | 1 | UR (NL) UR (NL) |
| | 6D7-28199-77-H0 | MANUAL, OWNER'S MANUEL D'UTILISATION | 1 | UR (I) UR (I) |
| 31 | 6D7-28199-87-K0 | MANUAL, OWNER'S MANUEL D'UTILISATION | 1 | UR (DK) UR (DK) |
| | 6D7-28199-87-R0 | MANUAL, OWNER'S MANUEL D'UTILISATION | 1 | UR (GR) UR (GR) |
| | 6D7-28199-87-P0 | MANUAL, OWNER'S MANUEL D'UTILISATION | 1 | UR (P) UR (P) |
| | 6D7-28199-87-N0 | MANUAL, OWNER'S MANUEL D'UTILISATION | 1 | UR (N) UR (N) |
| | 6D7-28199-87-M0 | MANUAL, OWNER'S MANUEL D'UTILISATION | 1 | UR (S) UR (S) |
| | 6D7-28199-87-L0 | MANUAL, OWNER'S MANUEL D'UTILISATION | 1 | UR (SF) UR (SF) |
| 32 | 68V-24471-10 | .DIAPHRAGM .DIAPHRAGME | 1 | |

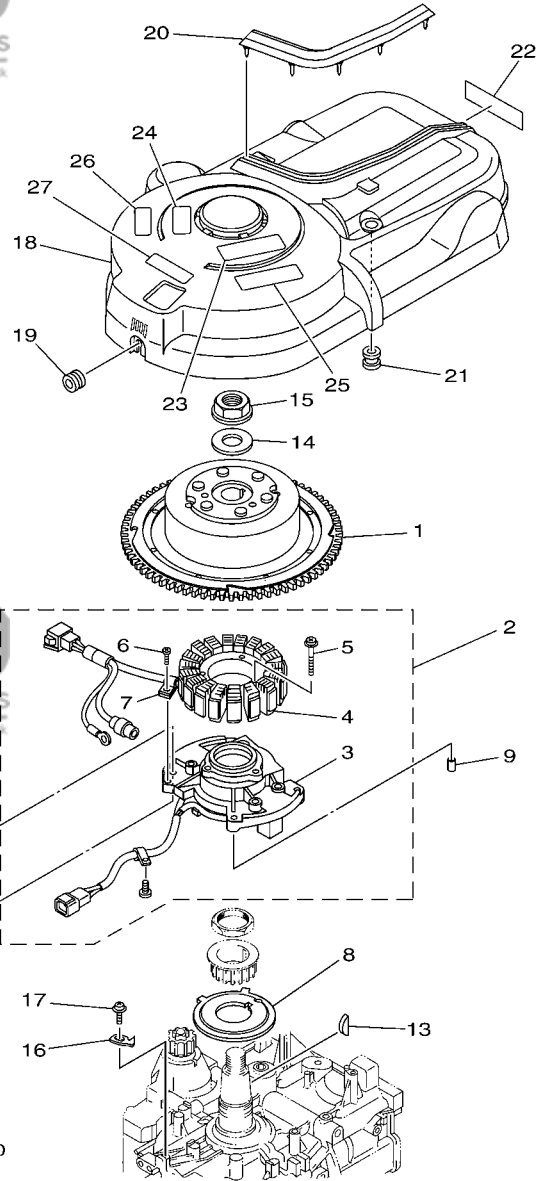


FIG. 12 GENERATOR

GENERATRICE

| REF. NO. | PART NO. N° PIECES | DESCRIPTION DESCRIPTION | 6CK3 | REMARKS REMARQUES |
|----------|--------------------|--|------|-------------------|
| 1 | 6D8-81450-00 | ROTOR ASSY ROTOR COMPLET | 1 | |
| 2 | 6D8-81460-00 | BASE ASSY ENS. FLASQUE | 1 | |
| 3 | 6D8-85580-00 | .COIL, PULSER .BOBINE, PULSEUR | 1 | |
| 4 | 6D8-81410-00 | .STATOR ASSY .STATOR COMPLET | 1 | |
| 5 | 63D-81345-20 | .SCREW, WITH WASHER (M6X30) .VIS, AVEC RONDELLE (M6X30) | 3 | |
| 6 | 97607-04110 | .SCREW, WITH WASHER .VIS HEXAGONAL | 1 | |
| 7 | 445-81328-20 | .CLAMP .COLLIER | 1 | |
| 8 | 68V-81673-00 | ROTOR ROTOR | 1 | |
| 9 | 99530-08012 | PIN, DOWEL GOUJON, D'ASSEMBLAGE | 2 | |
| 10 | 97095-06030 | BOLT BOULON | 4 | |
| 11 | 92995-06100 | WASHER, SPRING RONDELLE, GROWER | 4 | |
| 12 | 92995-06600 | WASHER RONDELLE | 4 | |
| 13 | 90280-05015 | KEY, WOODRUFF CLAVETTE, DEMI-LUNE | 1 | |
| 14 | 90201-24014 | WASHER, PLATE RONDELLE, PLATE | 1 | |
| 15 | 90179-24002 | NUT ECROU | 1 | |
| 16 | 6D8-81332-00 | PLATE, TIMING PLATEAU, ALLUMAGE | 1 | |
| 17 | 97985-06210 | SCREW, WITH WASHER VIS, AVEC RONDELLE | 1 | |
| 18 | 6D8-81337-00 | COVER, FLYWHEEL COUVERCLE, VOLANT | 1 | |
| 19 | 90480-12314 | GROMMET PASSE-FIL | 1 | |
| 20 | 6D8-85547-00 | DAMPER AMORTISSEUR | 1 | |
| 21 | 663-82317-01 | DAMPÉR, IGNITION COIL AMORTISSEUR, BOBINE D'ALLUM | 2 | |
| 22 | 68V-13437-62 | MARK, CAUTION MARKER | 1 | |
| 23 | 6AH-81995-40 | LABEL, WARNING ETIQUETTE, AVERTISSEMENT | 1 | |
| 24 | 6AH-81995-50 | LABEL, WARNING ETIQUETTE, AVERTISSEMENT | 1 | |
| 25 | 6AH-81994-40 | LABEL, SAFETY ETIQUETTE, SECURITE | 1 | |
| 26 | 6AH-81994-50 | LABEL, SAFETY ETIQUETTE, SECURITE | 1 | |
| 27 | 6AG-81996-00 | MARK MARQUE | 1 | |

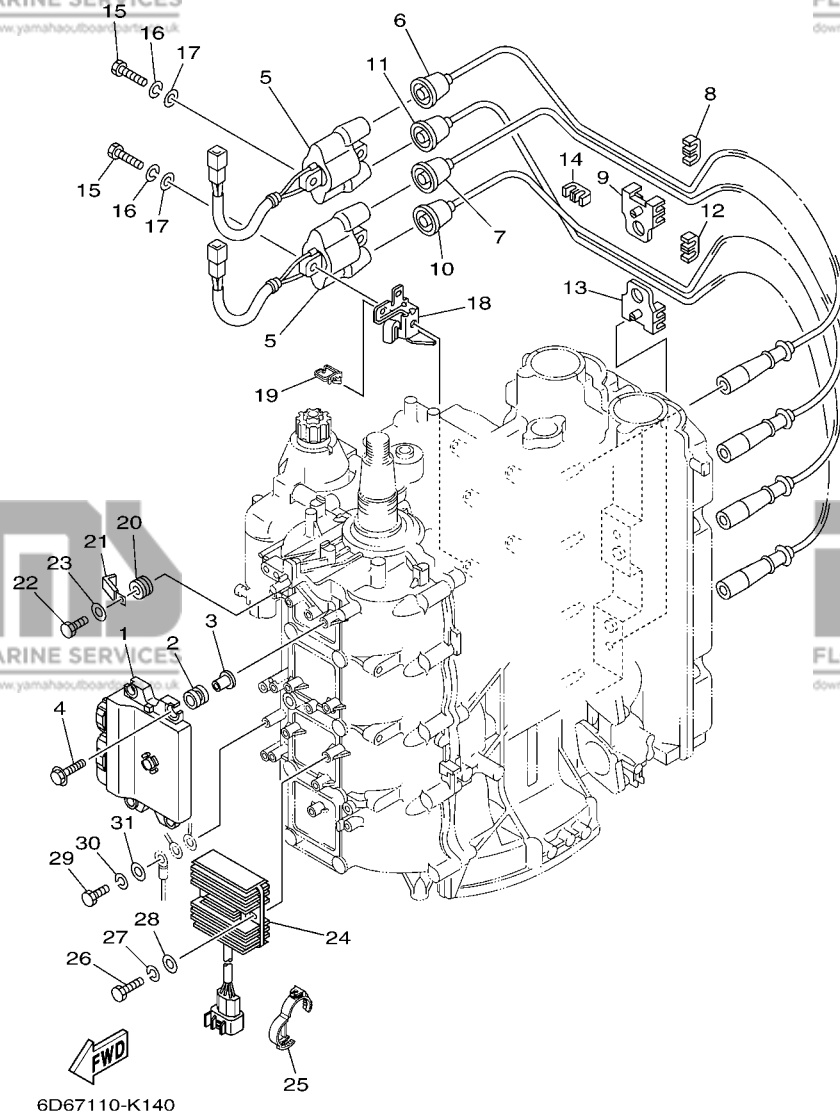


FIG. 13 ELECTRICAL 1

PARTIE ELECTRIQUE 1

| REF. NO. | PART NO. N° PIECES | DESCRIPTION DESCRIPTION | QTY | 6CK3 | REMARKS REMARQUES |
|----------|--------------------|--|-----|------|-------------------|
| 1 | 6D7-8591A-13 | ENGINE CONTROL UNIT ASSY BLOC DE CONTROL | 1 | | |
| 2 | 68V-82317-00 | DAMPER, IGNITION COIL AMORTISSEUR, BOBINE D'ALLUM | 4 | | |
| 3 | 90387-06119 | COLLAR COLLERETTE | 4 | | |
| 4 | 90119-06M59 | BOLT, WITH WASHER BOULON, AVEC RONDELLE | 4 | | |
| 5 | 63P-82310-01 | IGNITION COIL ASSY BOBINE D'ALLUMAGE | 2 | | |
| 6 | 67F-82341-00 | CORD, HIGH TENSION 1 CORDON, HAUTE-TENSION 1 | 1 | | #1 |
| 7 | 67F-82342-00 | CORD, HIGH TENSION 2 CORDON, HAUTE-TENSION 2 | 1 | | #2 |
| 8 | 67F-82361-00 | CLAMP, CORD COLLIER, CORDON | 1 | | |
| 9 | 67F-82362-00 | CLAMP, CORD 2 COLLIER, CABLE 2 | 1 | | |
| 10 | 67F-82343-00 | CORD, HIGH TENSION 3 CORDON, HAUTE-TENSION 3 | 1 | | #3 |
| 11 | 67F-82344-00 | CORD, HIGH TENSION 4 CORDON, HAUTE TENSION 4 | 1 | | #4 |
| 12 | 67F-82361-00 | CLAMP, CORD COLLIER, CORDON | 1 | | |
| 13 | 67F-82362-00 | CLAMP, CORD 2 COLLIER, CABLE 2 | 1 | | |
| 14 | 67F-82361-00 | CLAMP, CORD COLLIER, CORDON | 1 | | |
| 15 | 97095-06025 | BOLT BOULON | 4 | | |
| 16 | 92995-06100 | WASHER, SPRING RONDELLE, GROWER | 4 | | |
| 17 | 92995-06600 | WASHER RONDELLE | 4 | | |
| 18 | 6D8-82388-01 | PLATE PLAQUETTE | 2 | | |
| 19 | 90464-08004 | CLAMP BRIDE | 2 | | |
| 20 | 90480-14329 | GROMMET PASSE-FIL | 1 | | |
| 21 | 90465-08M23 | CLAMP BRIDE | 1 | | |
| 22 | 97095-06014 | BOLT BOULON | 1 | | |
| 23 | 92995-06600 | WASHER RONDELLE | 1 | | |
| 24 | 6D8-81960-10 | RECTIFIER & REGULATOR ASSY REDRESSEUR REGULATEUR CPLT | 1 | | |
| 25 | 90464-30003 | CLAMP BRIDE | 1 | | |
| 26 | 97095-06025 | BOLT BOULON | 2 | | |
| 27 | 92995-06100 | WASHER, SPRING RONDELLE, GROWER | 2 | | |

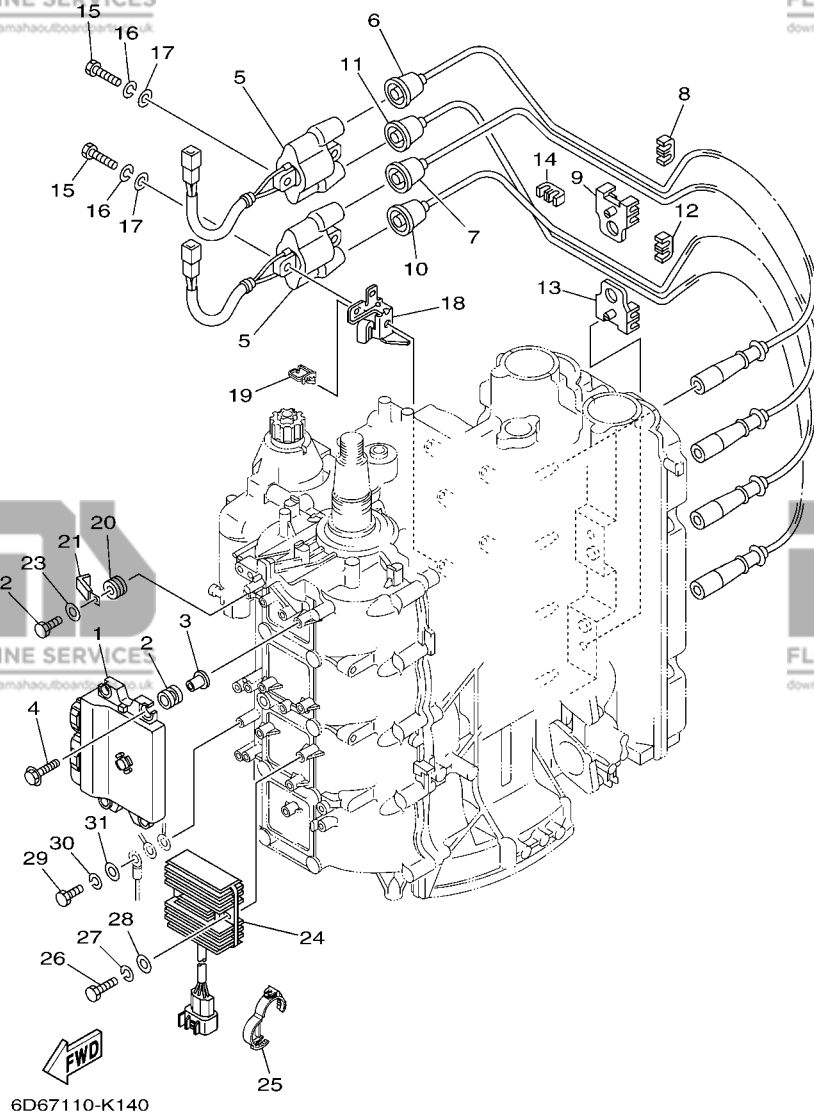


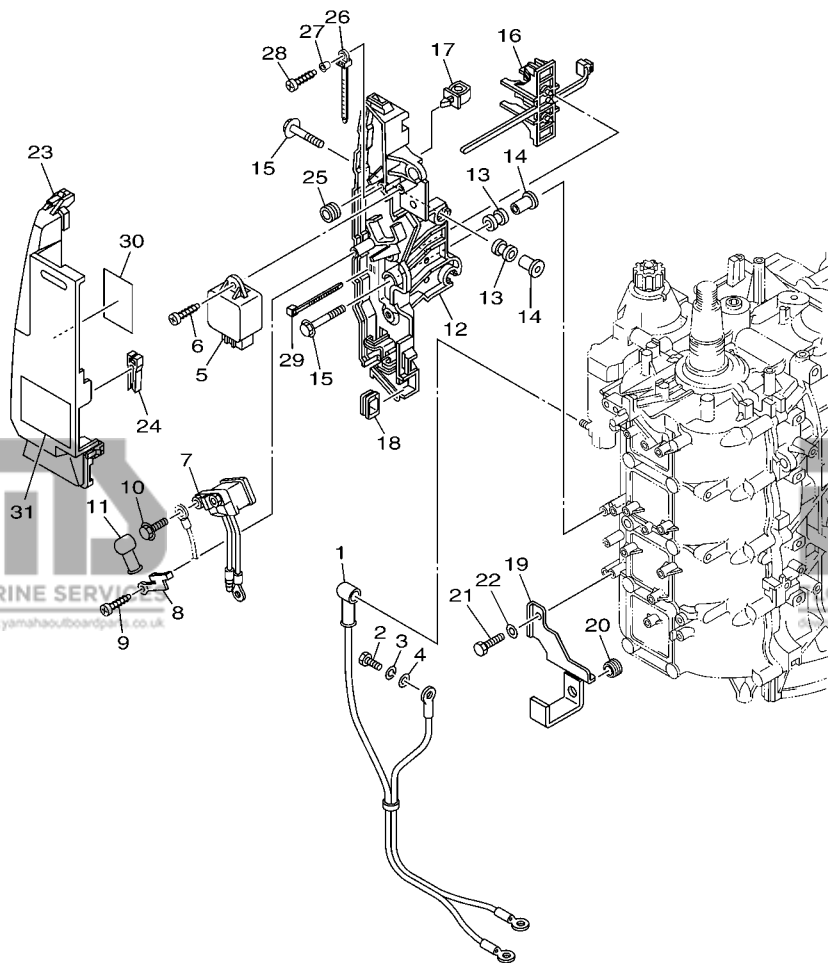
FIG. 13 ELECTRICAL 1

PARTIE ELECTRIQUE 1

| REF. NO. | PART NO. N° PIECES | DESCRIPTION DESCRIPTION | QTY | REMARKS REMARQUES |
|----------|--------------------|---------------------------------|-----|-------------------|
| 28 | 92995-06600 | WASHER RONDELLE | 2 | |
| 29 | 97095-06016 | BOLT BOULON | 1 | |
| 30 | 92995-06100 | WASHER, SPRING RONDELLE, GROWER | 1 | |
| 31 | 92995-06600 | WASHER RONDELLE | 1 | |

FIG. 14 ELECTRICAL 2

PARTIE ELECTRIQUE 2



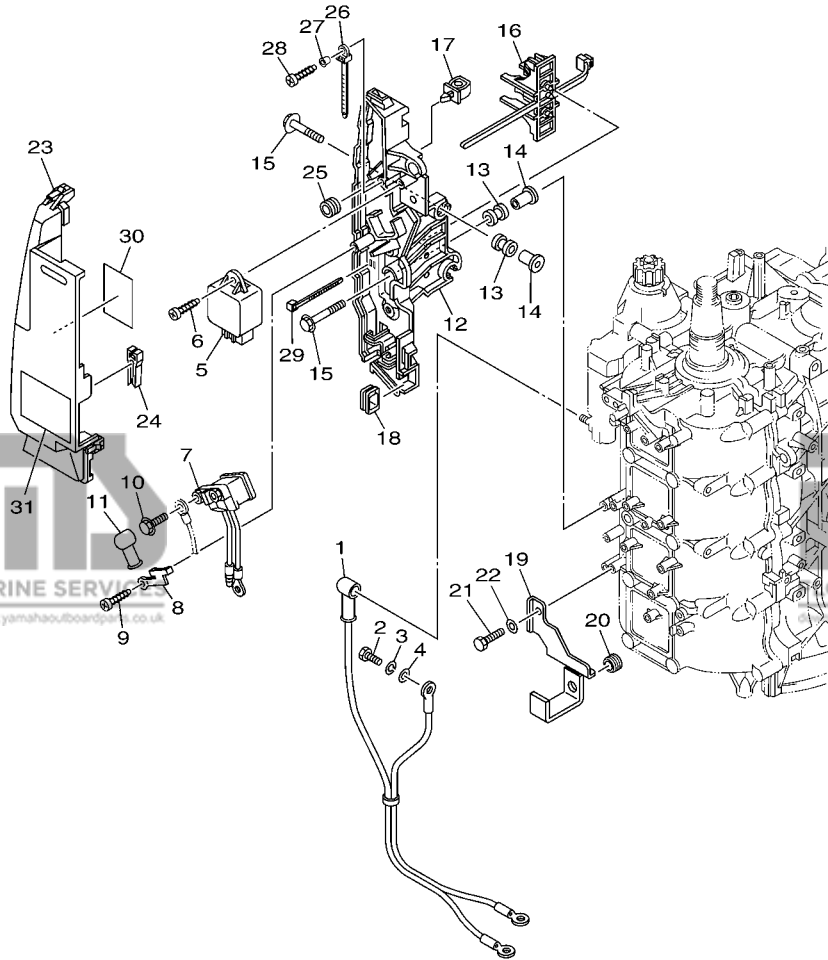
6CK3300-K140

| REF. NO. | PART NO. N° PIECES | DESCRIPTION DESCRIPTION | 6CK3 | REMARKS REMARQUES |
|----------|--------------------|--|------|-------------------|
| 1 | 68V-82105-00 | WIRE HARNESS FAISCEAU DE FILS | 1 | |
| 2 | 97013-06020 | BOLT BOULON | 1 | |
| 3 | 92903-06100 | WASHER, SPRING RONDELLE, GROUVER | 1 | |
| 4 | 92903-06600 | WASHER, PLATE RONDELLE, PLATE | 1 | |
| 5 | 60E-81950-00 | RELAY ASSY RELAIS COMPLET | 1 | |
| 6 | 97780-60625 | SCREW, TAPPING VIS, TETE BOMBEE | 1 | |
| 7 | 68V-8194A-00 | RELAY RELAIS | 1 | |
| 8 | 68V-81953-00 | STAY, RELAY SUPPORT, RELAIS | 1 | |
| 9 | 97780-60620 | SCREW, TAPPING VIS, TETE BOMBEE | 1 | |
| 10 | 97595-06610 | BOLT, WITH WASHER VIS HEXAGONAL AVEC RONDELLE | 2 | |
| 11 | 6G5-82119-00 | COVER, LEAD WIRE GARNITURE, FIL | 2 | |
| 12 | 68V-81948-02 | BRACKET SUPPORT | 1 | |
| 13 | 6A0-82317-00 | DAMPER, IGNITION COIL AMORTISSEUR, BOBINE D'ALLUM | 5 | |
| 14 | 90387-06119 | COLLAR COLLERETTE | 5 | |
| 15 | 90119-06M59 | BOLT, WITH WASHER BOULON, AVEC RONDELLE | 5 | |
| 16 | 68V-82594-00 | CLAMP BRIDE | 1 | |
| 17 | 90464-12M58 | CLAMP BRIDE | 1 | |
| 18 | 6D8-81518-00 | GROMMET PASSE-FIL | 1 | |
| 19 | 6D8-81528-02 | CLAMP 1 COLLIER 1 | 1 | |
| 20 | 90480-13M24 | GROMMET PASSE-FIL | 1 | |
| 21 | 97095-06014 | BOLT BOULON | 1 | |
| 22 | 92995-06600 | WASHER RONDELLE | 1 | |
| 23 | 68V-81942-03 | COVER COUVERCLE | 1 | |
| 24 | 67F-2812A-00 | PULLER, FUSE TENDEUR, FUSIBLE | 1 | |
| 25 | 6A0-82317-00 | DAMPER, IGNITION COIL AMORTISSEUR, BOBINE D'ALLUM | 1 | |
| 26 | 90465-12M53 | CLAMP BRIDE | 1 | |
| 27 | 90387-06M05 | COLLAR COLLERETTE | 1 | |

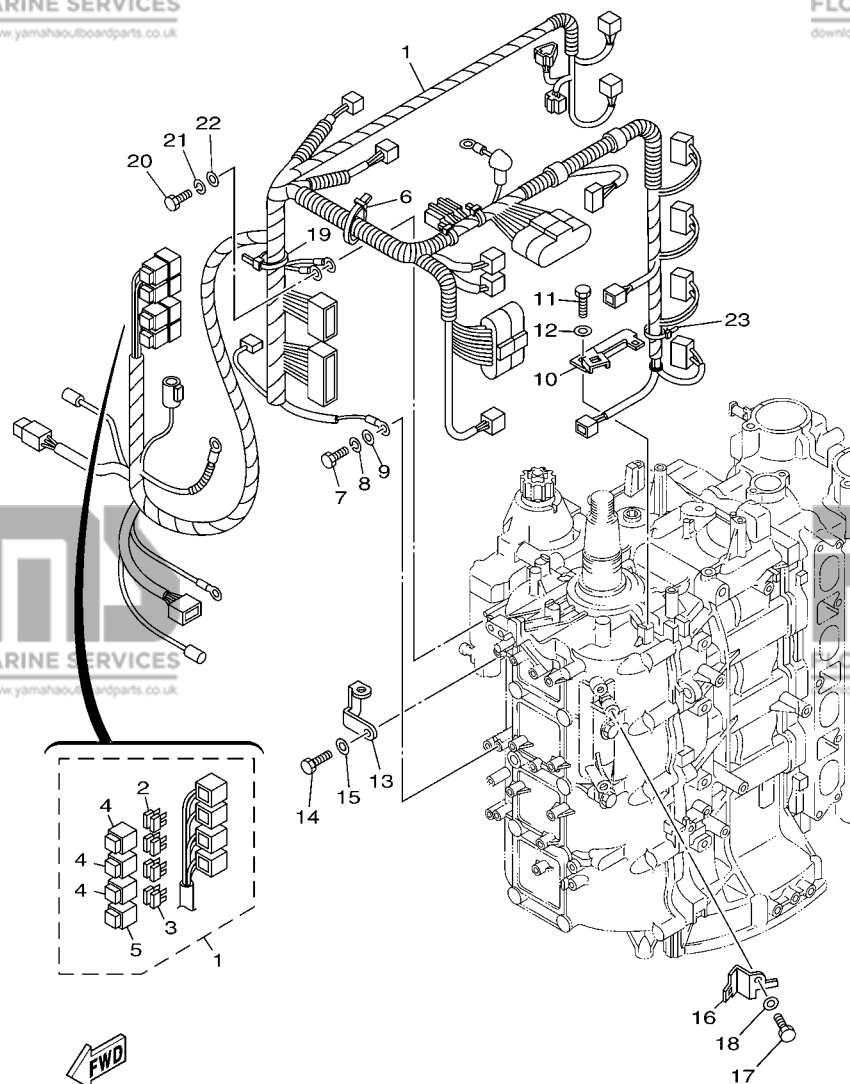
FIG. 14 ELECTRICAL 2

PARTIE ELECTRIQUE 2

| REF. NO. | PART NO. N° PIECES | DESCRIPTION DESCRIPTION | 6CK3 | REMARKS REMARQUES |
|----------|--------------------|---|------|-------------------|
| 28 | 97780-60625 | SCREW, TAPPING VIS, TETE BOMBEE | 1 | |
| 29 | 90465-13M18 | CLAMP BRIDE | 2 | |
| 30 | 6D8-81919-00 | GRAPHIC, REGULATOR ADHESIF, REGULATEUR | 1 | |
| 31 | 6D8-81919-10 | GRAPHIC, REGULATOR ADHESIF, REGULATEUR | 1 | |



6CK3300-K140

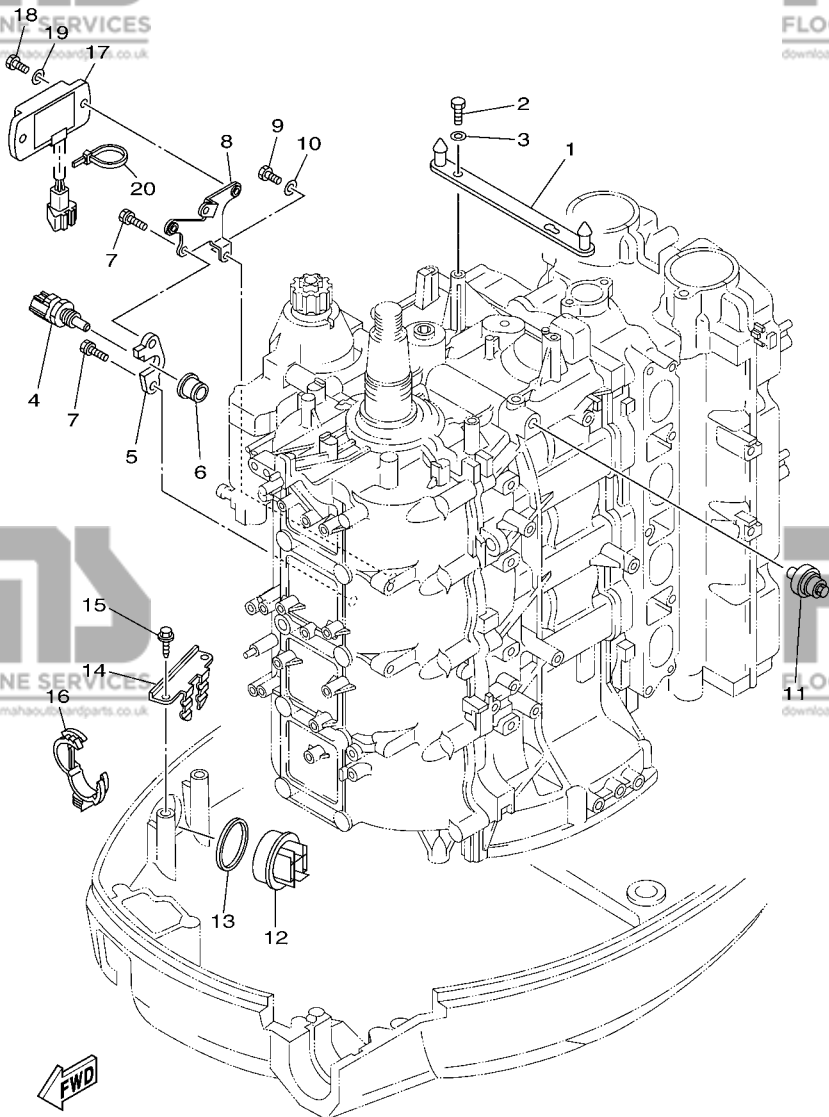


6BC1200-F150

FIG. 15 ELECTRICAL 3

PARTIE ELECTRIQUE 3

| REF. NO. | PART NO. N° PIECES | DESCRIPTION DESCRIPTION | 6CK3 | REMARKS REMARQUES |
|----------|--------------------|--|------|-------------------|
| 1 | 6BC-82590-00 | WIRE HARNESS ASSY FAISCEAU DE FILS COMPLET | 1 | |
| 2 | 67F-82151-00 | .FUSE (20A) .FUSIBLE (20A) | 6 | |
| 3 | 67F-82151-10 | .FUSE (30A) .FUSIBLE (30A) | 2 | |
| 4 | 67F-8215B-10 | .CAP (YELLOW) .BOUCHON (YELLOW) | 3 | |
| 5 | 67F-8215B-20 | .CAP (GREEN) .BOUCHON (GREEN) | 1 | |
| 6 | 90464-76001 | CLAMP BRIDE | 1 | |
| 7 | 97095-06016 | BOLT BOULON | 1 | |
| 8 | 92995-06100 | WASHER, SPRING RONDELLE, GROUVER | 1 | |
| 9 | 92995-06600 | WASHER RONDELLE | 1 | |
| 10 | 6D8-82588-01 | PLATE PLAQUE | 1 | |
| 11 | 97095-06012 | BOLT BOULON | 1 | |
| 12 | 92995-06600 | WASHER RONDELLE | 1 | |
| 13 | 6D8-82581-01 | STAY, CORD CLAMP SUPPORT, COLLIER DE CORDON | 1 | |
| 14 | 97095-06014 | BOLT BOULON | 1 | |
| 15 | 92995-06600 | WASHER RONDELLE | 1 | |
| 16 | 6D8-82389-01 | PLATE 2 PLAQUETTE 2 | 1 | |
| 17 | 97095-06012 | BOLT BOULON | 1 | |
| 18 | 92995-06600 | WASHER RONDELLE | 1 | |
| 19 | 90465-13M18 | CLAMP BRIDE | 1 | |
| 20 | 97095-06016 | BOLT BOULON | 1 | |
| 21 | 92995-06100 | WASHER, SPRING RONDELLE, GROUVER | 1 | |
| 22 | 92995-06600 | WASHER RONDELLE | 1 | |
| 23 | 90465-13M11 | CLAMP BRIDE | 1 | |



6BC3200-H160

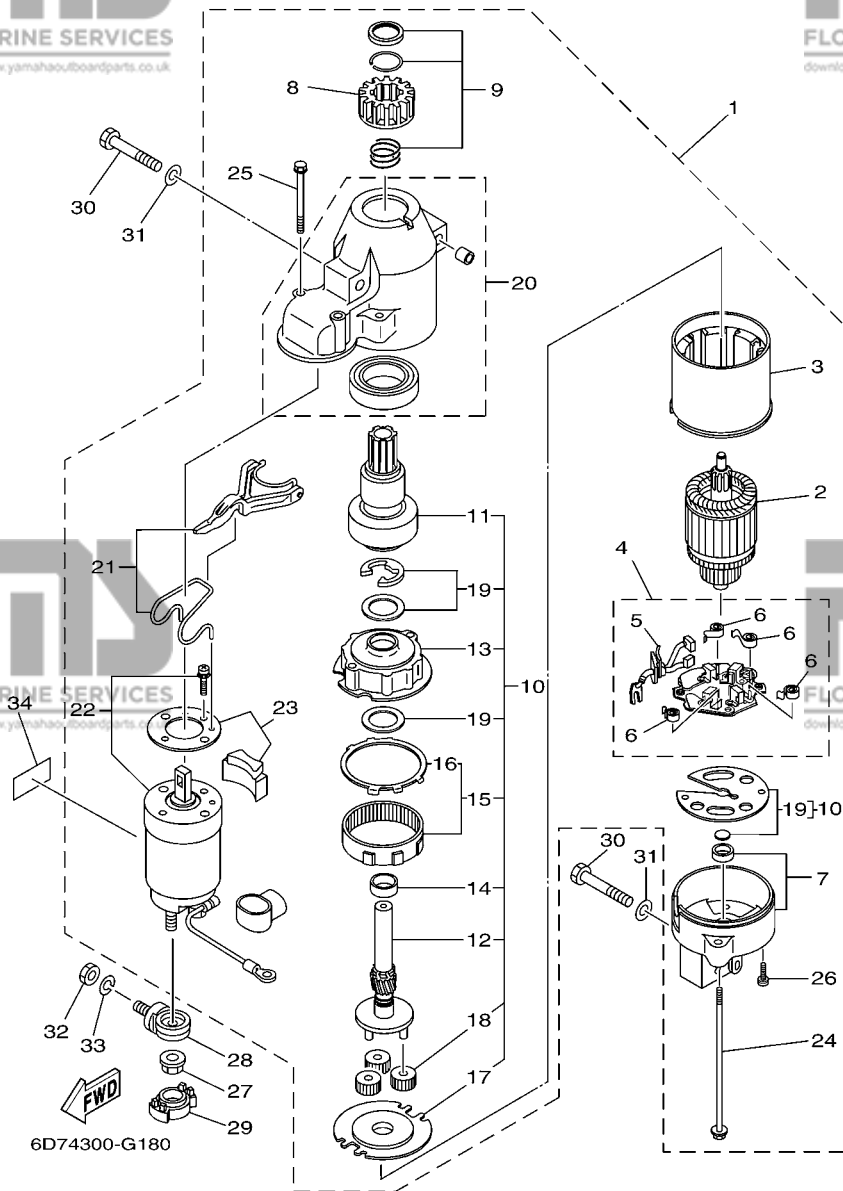
FIG. 16 ELECTRICAL 4

PARTIE ELECTRIQUE 4

| REF. NO. | PART NO. N° PIECES | DESCRIPTION DESCRIPTION | QTY | REMARKS REMARQUES |
|----------|--------------------|---|-----|-------------------|
| 1 | 6D8-8132G-00 | PLATE PLAQUE | 1 | |
| 2 | 97095-06016 | BOLT BOULON | 2 | |
| 3 | 92995-06600 | WASHER RONDELLE | 2 | |
| 4 | 67F-85790-00 | THERMOSENSOR ASSY SENSITOMETRE | 1 | |
| 5 | 67F-85757-00 | RETAINER ARRETOIR | 1 | |
| 6 | 68V-85753-00 | GASKET, SENDER UNIT JOINT, DE PERCEPTION | 1 | |
| 7 | 90119-06MA2 | BOLT, WITH WASHER BOULON, AVEC RONDELLE | 2 | |
| 8 | 6BC-83519-00 | BRACKET, METER SUPPORT, COMPTEUR | 1 | |
| 9 | 97095-06012 | BOLT BOULON | 1 | |
| 10 | 92995-06600 | WASHER RONDELLE | 1 | |
| 11 | 68V-82504-00 | OIL PRESSURE SWITCH ASSY CONTACTEUR DE PRESSION D'HUILE | 1 | |
| 12 | 68F-42723-10-8D | COVER, BOTTOM COUVERCLE | 1 | |
| 13 | 6E5-82587-00 | GASKET JOINT | 1 | |
| 14 | 67F-83614-00 | BRACKET SUPPORT | 1 | |
| 15 | 90109-06M86 | BOLT BOULON | 2 | |
| 16 | 90464-30003 | CLAMP BRIDE | 2 | |
| 17 | 6Y5-83504-22 | HOUR METER ASSY COMPTEUR D'HEURES (ENS.) | 1 | |
| 18 | 97880-05014 | SCREW, PAN HEAD VIS, TETE TRONCONIQUE | 2 | |
| 19 | 92990-05600 | WASHER, PLATE RONDELLE, PLATE | 2 | |
| 20 | 90465-11M10 | CLAMP BRIDE | 1 | |

FIG. 17 STARTING MOTOR

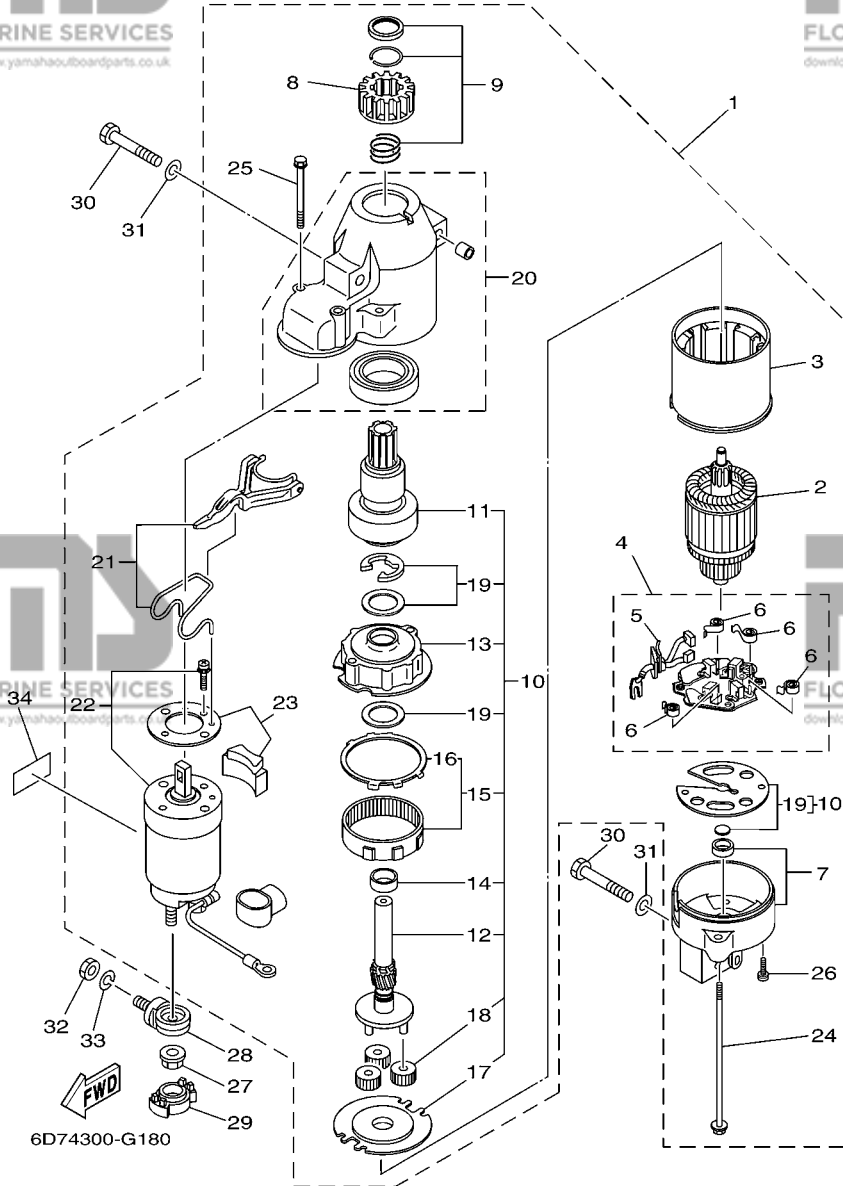
DEMARREUR ELECTRIQUE



| REF. NO. | PART NO. N° PIECES | DESCRIPTION DESCRIPTION | 6CK3 | REMARKS REMARQUES |
|----------|--------------------|---|------|-------------------|
| 1 | 68V-81800-01 | STARTING MOTOR ASSY DEMARREUR ELECTRIQUE COMPLET | 1 | |
| 2 | 67F-81850-00 | .ARMATURE ASSY .INDUIT | 1 | |
| 3 | 67F-81810-00 | .STATOR ASSY .STATOR COMPLET | 1 | |
| 4 | 68F-81840-00 | .BRUSH HOLDER ASSY .SUPPORT DE CHARBON | 1 | |
| 5 | 67F-81801-00 | ..BRUSH SET ..CHARBON | 1 | |
| 6 | 67F-81813-00 | ..SPRING, BRUSH ..RESSORT, DE CHARBON | 4 | |
| 7 | 68F-81820-00 | .REAR BRACKET ASSY .SUPPORT ARRIERE COMPLET | 1 | |
| 8 | 67F-81808-00 | .PINION ASSY .PIGNON | 1 | |
| 9 | 67F-81857-00 | .PINION STOPPER SET .BUTEE PIGNON | 1 | |
| 10 | 67F-81807-00 | .GEAR ASSY, STARTING MOTOR .PIGNON, DEMARREUR ELECTRIQUE | 1 | |
| 11 | 67F-81832-00 | ..CLUTCH, OVER RUN ..EMBAYAGE, ROUE LIBRE | 1 | |
| 12 | 67F-81836-00 | ..SHAFT, PINION ..AXE, PIGNON | 1 | |
| 13 | 67F-81821-00 | ..BRACKET, CENTER 1 ..SUPPORT, CENTRE 1 | 1 | |
| 14 | 67F-81841-00 | ..BEARING ..ROULEMENT | 1 | |
| 15 | 67F-81891-00 | ..GEAR, RING ..ROUE DENTEE | 1 | |
| 16 | 67F-8183R-00 | ...GASKET ...JOINT | 1 | |
| 17 | 67F-81830-00 | ..BRACKET, CENTER 2 ..SUPPORT, CENTRE 2 | 1 | |
| 18 | 60V-8183T-00 | ..GEAR, IDLER ..PIGNON, INTERMEDIAIRE | 3 | |
| 19 | 67F-81809-00 | ..WASHER KIT ..JEU DE RONDELLES | 1 | |
| 20 | 67F-81842-00 | .COVER .COUVERCLE | 1 | |
| 21 | 67F-81839-00 | .LEVER ASSY .LEVIER COMPLET | 1 | |
| 22 | 68V-81941-01 | .STARTER RELAY ASSY .LANCEUR RELAIS (ENS.) | 1 | |
| 23 | 67F-81869-00 | .COVER, DUST .COUVERCLE, POUSSIERE | 1 | |
| 24 | 6K7-81826-11 | .BOLT .BOULON | 2 | |
| 25 | 67F-81828-00 | .BOLT 2 ..RONDELLE, BUTEE 2 | 2 | |
| 26 | 67F-81846-00 | .SCREW .VIS | 2 | |
| 27 | 90179-08003 | NUT ECROU | 1 | |

FIG. 17 STARTING MOTOR

DEMARREUR ELECTRIQUE



| REF. NO. | PART NO. N° PIECES | DESCRIPTION DESCRIPTION | 6CK3 | REMARKS REMARQUES |
|----------|--------------------|---|------|-------------------|
| 28 | 60V-81925-00 | TERMINAL BORNE | 1 | |
| 29 | 68F-82582-00 | COVER, WIRE HARNESS COUVERCLE, FAISCEAU DE FILS | 1 | |
| 30 | 97013-08045 | BOLT BOULON | 3 | |
| 31 | 92903-08600 | WASHER, PLATE RONDELLE, PLATE | 3 | |
| 32 | 95333-08600 | NUT ECROU | 1 | |
| 33 | 92903-08100 | WASHER, SPRING RONDELLE, GROWER | 1 | |
| 34 | 67F-83627-01 | LABEL, CAUTION 7 ETIQUETTE, RECOMMANDATION 7 | 1 | |

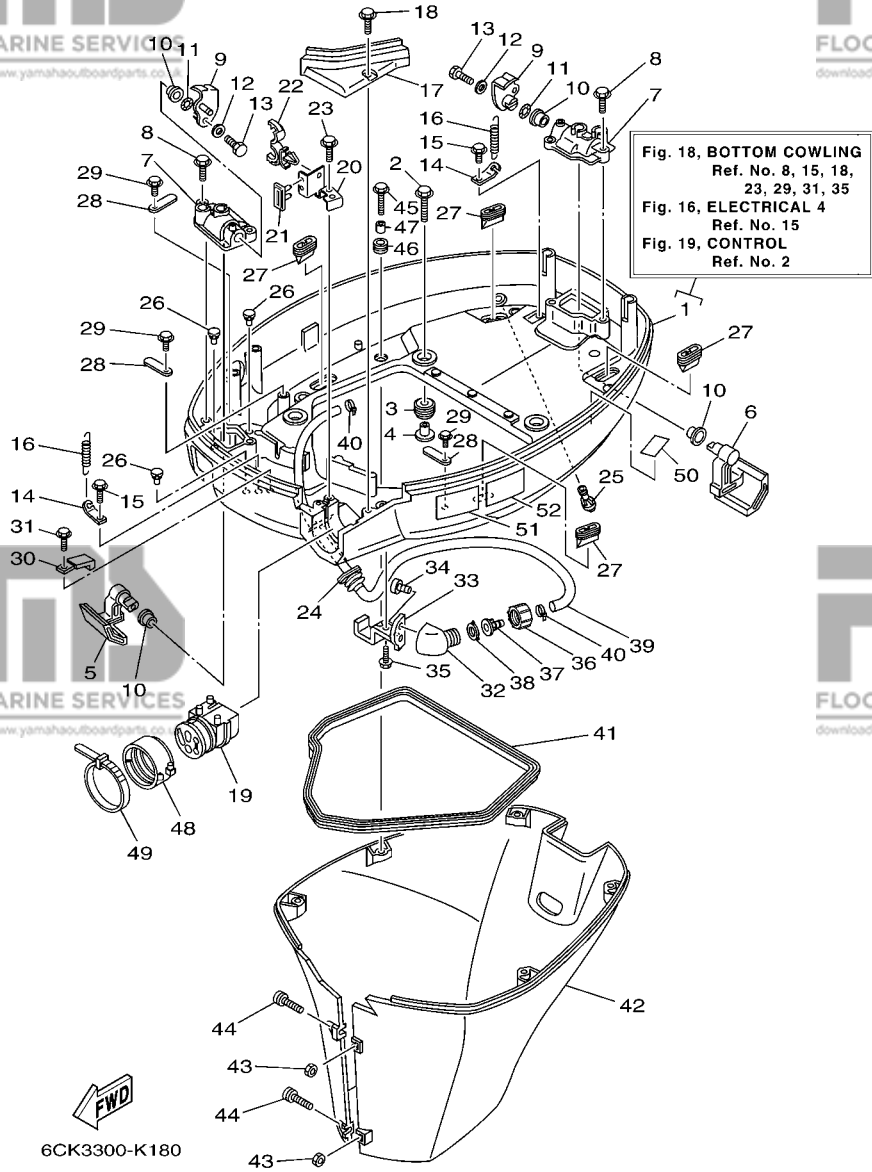


FIG. 18 BOTTOM COWLING

CAPOT INFERIEUR

| REF. NO. | PART NO. N° PIECES | DESCRIPTION DESCRIPTION | 6CK3 | REMARKS REMARQUES |
|----------|--------------------|--|------|------------------------------|
| 1 | 6D8-42710-00-8D | BOTTOM COWLING ASSY ENS. EMBASE | 1 | |
| 2 | 90119-08M22 | BOLT, WITH WASHER BOULON, AVEC RONDELLE | 4 | |
| 3 | 90480-22M15 | GROMMET PASSE-FIL | 4 | |
| 4 | 90387-08M37 | COLLAR COLLERETTE | 4 | |
| 5 | 67F-42815-00-8D | LEVER, CLAMP LEVIER, PRESSE | 1 | |
| 6 | 67F-42816-00-8D | LEVER, CLAMP LEVIER, PRESSE | 1 | |
| 7 | 67F-42828-00-8D | PLATE, CLAMP PLAQUE, PRESSE | 2 | |
| 8 | 90109-06M82 | BOLT BOULON | 4 | |
| 9 | 68V-42818-01 | LEVER, CLAMP LEVIER, PRESSE | 2 | |
| 10 | 90386-15M73 | BUSH DOUILLE | 4 | |
| 11 | 90206-15M18 | WASHER, WAVE RONDELLE, ONDULEE | 2 | |
| 12 | 90201-06068 | WASHER, PLATE RONDELLE, PLATE | 2 | |
| 13 | 97095-06016 | BOLT BOULON | 2 | |
| 14 | 64D-43144-00 | HOOK, SPRING CROCHET | 2 | |
| 15 | 90109-06M86 | BOLT BOULON | 2 | |
| 16 | 90506-16M34 | SPRING, TENSION RESSORT, TENSION | 2 | |
| 17 | 67F-42738-00-8D | PLATE, FITTING ETRIER | 1 | |
| 18 | 90109-06M96 | BOLT BOULON | 2 | |
| 19 | 68V-42725-00 | GROMMET PASSE-FIL | 1 | |
| 20 | 6D8-42756-02 | STAY, CLAMP SUPPORT, COLLIER | 1 | |
| 21 | 6D8-42717-00 | RUBBER, SEAL 2 JOINT EN CAOUTCHOUC 2 | 1 | |
| 22 | 90464-18246 | CLAMP BRIDE | 1 | |
| 23 | 90109-06M86 | BOLT BOULON | 1 | |
| 24 | 688-42726-10 | GROMMET PASSE-FIL | 1 | FLUSHING KIT FLUSHING KIT |
| 25 | 6BL-44391-00 | NIPPLE, HOSE RACCORD D'ESSENCE | 1 | |
| 26 | 6H4-42748-00 | GROMMET PASSE-FIL | 3 | |
| 27 | 67F-42717-00 | RUBBER, SEAL 2 JOINT EN CAOUTCHOUC 2 | 4 | |

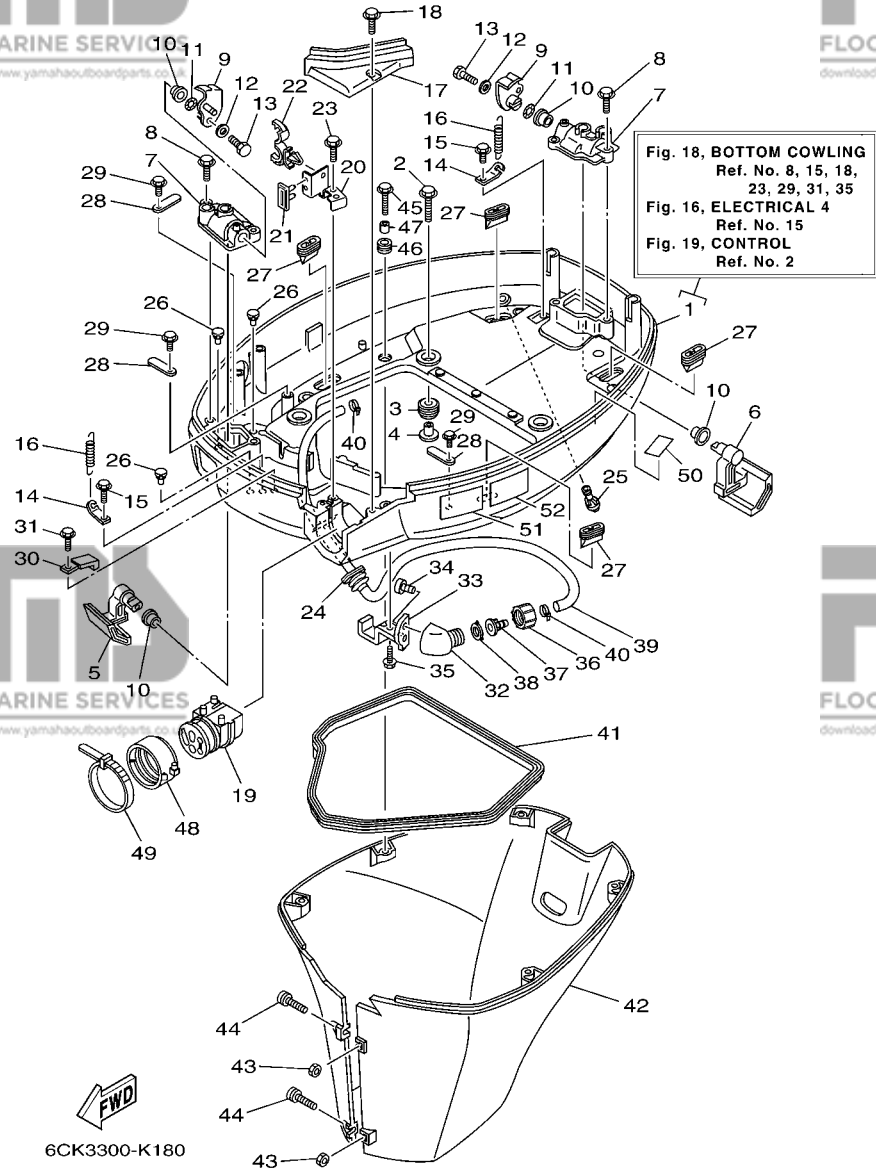
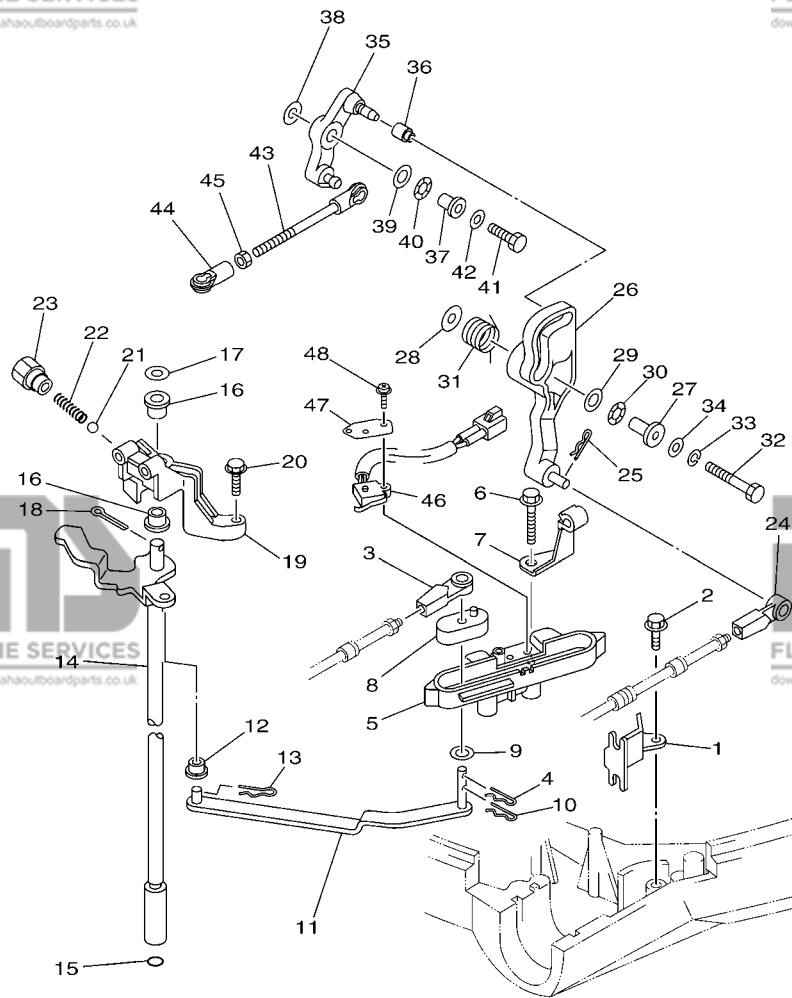


FIG. 18 BOTTOM COWLING

CAPOT INFERIEUR

| REF. NO. | PART NO. N° PIECES | DESCRIPTION DESCRIPTION | 6CK3 | REMARKS REMARQUES |
|----------|--------------------|---|------|------------------------------|
| 28 | 6E5-82588-00 | PLATE PLAQUE | 3 | |
| 29 | 90109-06M81 | BOLT BOULON | 3 | |
| 30 | 90465-08M23 | CLAMP BRIDE | 1 | |
| 31 | 90109-06M86 | BOLT BOULON | 1 | |
| 32 | 68T-12572-00 | ADAPTER ADAPTATEUR | 1 | FLUSHING KIT FLUSHING KIT |
| 33 | 67F-12535-01 | PLATE PLAQUE | 1 | FLUSHING KIT FLUSHING KIT |
| 34 | 90167-06002 | SCREW, TAPPING VIS, TETE FRAISEE | 2 | FLUSHING KIT FLUSHING KIT |
| 35 | 90109-06M86 | BOLT BOULON | 1 | FLUSHING KIT FLUSHING KIT |
| 36 | 6R3-12581-00 | JOINT, HOSE 1 JOINT DE TUYAU | 1 | FLUSHING KIT FLUSHING KIT |
| 37 | 6R3-12582-00 | JOINT, HOSE 2 RACCORD DE TUYAU 1 | 1 | FLUSHING KIT FLUSHING KIT |
| 38 | 6R3-12583-00 | GASKET, HOSE JOINT JOINT | 1 | FLUSHING KIT FLUSHING KIT |
| 39 | 67F-24312-00 | PIPE 2 DURITE 2 | 1 | FLUSHING KIT FLUSHING KIT |
| 40 | 90465-11M10 | CLAMP BRIDE | 2 | FLUSHING KIT FLUSHING KIT |
| 41 | 61A-42716-00 | RUBBER, SEAL 1 JOINT EN CAOUTCHOUC 1 | 1 | FLUSHING KIT |
| 42 | 67F-42741-01-8D | APRON CAPOT LATERAL | 1 | |
| 43 | 95380-06600 | NUT, HEXAGON ECROU | 2 | |
| 44 | 90159-06M28 | SCREW, WITH WASHER VIS, AVEC RONDELLE | 2 | |
| 45 | 90109-06M80 | BOLT BOULON | 5 | |
| 46 | 90480-13M24 | GROMMET PASSE-FIL | 5 | |
| 47 | 90387-06M43 | COLLAR COLLERETTE | 5 | |
| 48 | 68F-42753-00 | FASTNER ATTACHE | 1 | AP AP |
| 49 | 90464-20258 | CLAMP BRIDE | 1 | AP AP |
| 50 | 67F-82377-00 | LABEL ETIQUETTE | 1 | |
| 51 | 6AH-42794-40 | LABEL, WARNING (GENERAL) ETIQUETTE, AVERTISSEMENT | 1 | |
| 52 | 6AH-42794-50 | LABEL, WARNING (GENERAL) ETIQUETTE, AVERTISSEMENT | 1 | |



6CK3300-K190

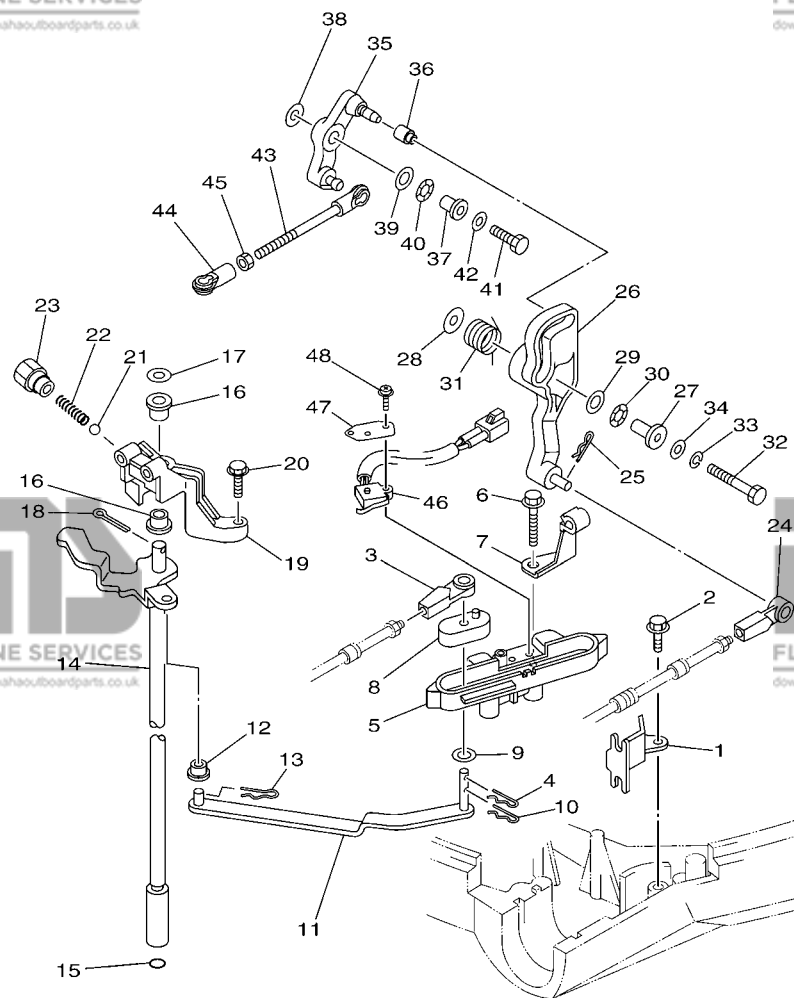
FIG. 19 CONTROL

COMMANDE

| REF. NO. | PART NO. N° PIECES | DESCRIPTION DESCRIPTION | 6CK3 | REMARKS REMARQUES |
|----------|--------------------|---|------|----------------------|
| 1 | 67F-48538-00 | CLAMP, CABLE 1 COLLIER | 1 | |
| 2 | 90109-06M86 | BOLT BOULON | 1 | |
| 3 | 663-48344-00 | CABLE END, REMOTE CONTROL CHAPE CABLE | 1 | |
| 4 | 90468-18008 | CLIP JONC | 1 | |
| 5 | 6D8-44117-00-94 | BRACKET SUPPORT | 1 | |
| 6 | 97595-06550 | BOLT, WITH WASHER VIS HEXAGONAL AVC RONDELLE | 2 | |
| 7 | 90462-10027 | CLAMP BRIDE | 1 | |
| 8 | 68V-44122-01 | BUSHING, SHIFT ROD LEVER DOUILLE, LEVIER D'EMBRAYAGE | 1 | |
| 9 | 90202-07M07 | WASHER, PLATE RONDELLE, PLATE | 1 | |
| 10 | 90468-18008 | CLIP JONC | 1 | |
| 11 | 67F-44121-00 | LEVER, SHIFT ROD LEVIER, TIGE D'INVERSION | 1 | |
| 12 | 90386-06M12 | BUSH DOUILLE | 1 | |
| 13 | 90468-18008 | CLIP JONC | 1 | |
| 14 | 60C-44120-10 | HANDLE GEAR SHIFT ASSY LEVIER D'EMBRAYAGE | 1 | L(20.3") L(20.3") |
| 15 | 93210-09165 | O-RING JOINT TORIQUE | 1 | |
| 16 | 90386-90M90 | BUSH DOUILLE | 2 | |
| 17 | 90201-09M02 | WASHER, PLATE RONDELLE, PLATE | 1 | |
| 18 | 91490-20015 | PIN, COTTER GOUPILLE | 1 | |
| 19 | 68V-44118-00-94 | BRACKET SUPPORT | 1 | |
| 20 | 97575-06525 | BOLT, WITH WASHER VIS HEXAGONAL AVC RONDELLE | 2 | |
| 21 | 93501-04M02 | BALL BILLE | 1 | |
| 22 | 90501-12082 | SPRING, COMPRESSION RESSORT, COMPRESSION | 1 | |
| 23 | 648-42715-00 | BUSHING COUSSINET | 1 | |
| 24 | 663-48344-00 | CABLE END, REMOTE CONTROL CHAPE CABLE | 1 | |
| 25 | 90468-18008 | CLIP JONC | 1 | |
| 26 | 6D8-42154-00 | LEVER, THROTTLE CONTROL LEVIER DE COMMANDE D'AVANCE | 1 | |
| 27 | 90387-06M21 | COLLAR COLLERETTE | 1 | |

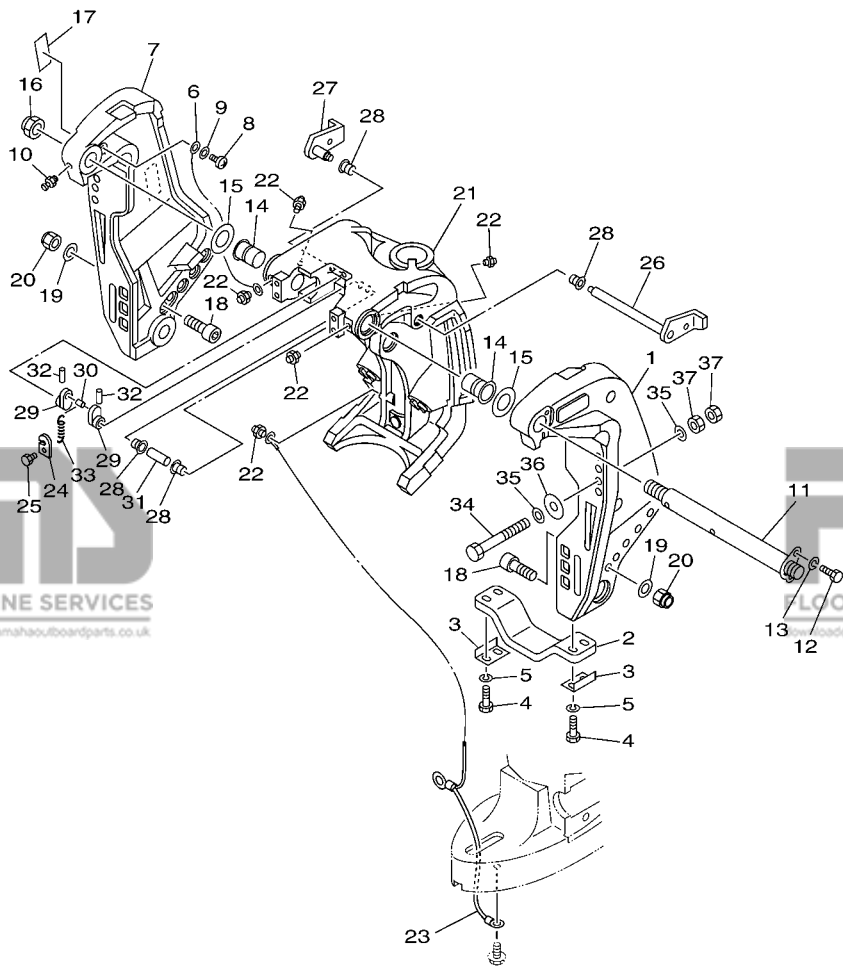
FIG. 19 CONTROL

COMMANDE



6CK3300-K190

| REF. NO. | PART NO. N° PIECES | DESCRIPTION DESCRIPTION | 6CK3 | REMARKS REMARQUES |
|----------|--------------------|--|------|-------------------|
| 28 | 90201-06M62 | WASHER, PLATE RONDELLE, PLATE | 1 | |
| 29 | 90201-10M02 | WASHER, PLATE RONDELLE, PLATE | 1 | |
| 30 | 90206-10M04 | WASHER, WAVE RONDELLE, ONDULEE | 1 | |
| 31 | 67F-44135-00 | SPRING RESSORT | 1 | |
| 32 | 97095-06035 | BOLT BOULON | 1 | |
| 33 | 92995-06100 | WASHER, SPRING RONDELLE, GROWER | 1 | |
| 34 | 92995-06600 | WASHER RONDELLE | 1 | |
| 35 | 6D8-42157-00 | LEVER, THROTTLE LEVIER DE AVANCE | 1 | |
| 36 | 68V-42171-00 | BUSHING COUSSINET | 1 | |
| 37 | 90387-06013 | COLLAR COLLERETTE | 1 | |
| 38 | 90201-06M31 | WASHER, PLATE RONDELLE, PLATE | 1 | |
| 39 | 90201-10M02 | WASHER, PLATE RONDELLE, PLATE | 1 | |
| 40 | 90206-10M04 | WASHER, WAVE RONDELLE, ONDULEE | 1 | |
| 41 | 97095-06025 | BOLT BOULON | 1 | |
| 42 | 92995-06600 | WASHER RONDELLE | 1 | |
| 43 | 6D8-41237-00 | JOINT, LINK RACCORD | 1 | |
| 44 | 682-41237-00 | JOINT, LINK RACCORD | 1 | |
| 45 | 95380-05600 | NUT ECROU | 1 | |
| 46 | 60V-8259F-00 | SWITCH ASSY COMMUTATEUR | 1 | |
| 47 | 61A-82588-01 | PLATE PLAQUE | 1 | |
| 48 | 97985-04116 | SCREW, WITH WASHER VIS, AVEC RONDELLE | 2 | |

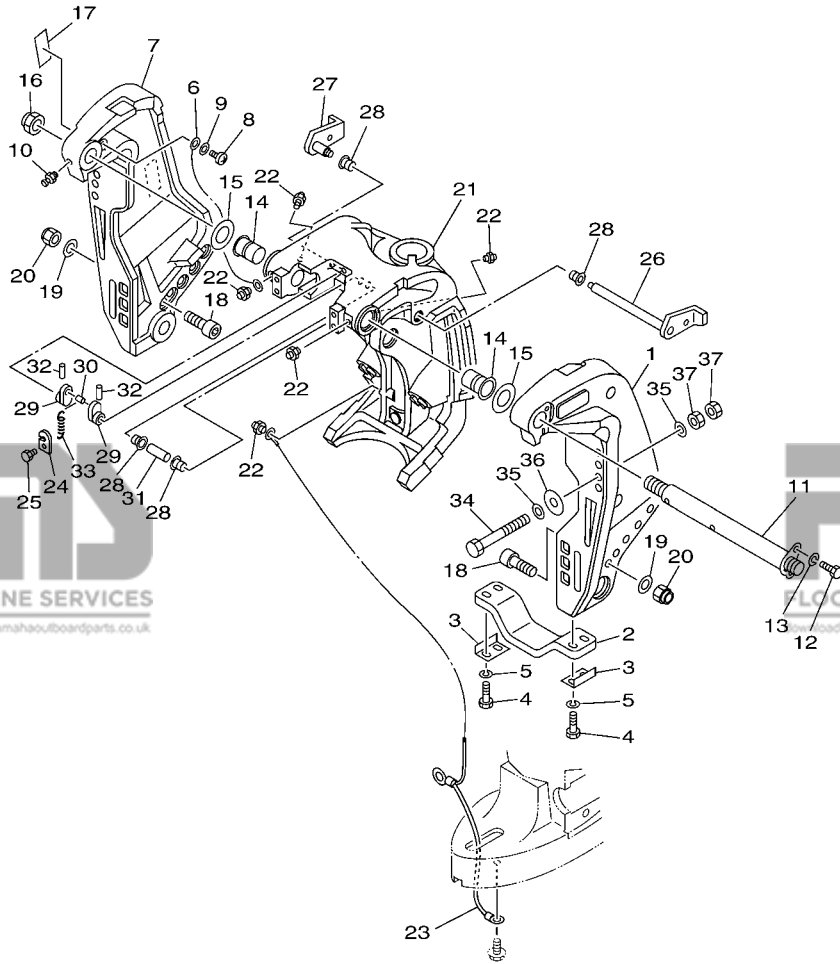


6CK3300-K200

FIG. 20 BRACKET 1

SUPPORT 1

| REF. NO. | PART NO. N° PIECES | DESCRIPTION DESCRIPTION | 6CK3 | REMARKS REMARQUES |
|----------|--------------------|--|------|----------------------|
| 1 | 6BC-43111-00-8D | BRACKET, CLAMP 1 PRESSE 1 | 1 | |
| 2 | 6G5-45251-02 | ANODE ANODE | 1 | |
| 3 | 6G5-44526-00 | PLATE PLAQUE | 2 | |
| 4 | 97095-06030 | BOLT BOULON | 4 | |
| 5 | 92995-06100 | WASHER, SPRING RONDELLE, GROWER | 4 | |
| 6 | 6E5-82148-00 | WIRE, LEAD 4 FIL 4 | 1 | |
| 7 | 6BC-43112-00-8D | BRACKET, CLAMP 2 PRESSE 2 | 1 | |
| 8 | 97885-06012 | SCREW, PAN HEAD VIS, A ENCOCHE | 1 | |
| 9 | 92995-06600 | WASHER RONDELLE | 1 | |
| 10 | 93700-06M03 | NIPPLE, GREASE PION | 1 | |
| 11 | 64E-43131-01 | BOLT, CLAMP BRACKET BOULON, PRESSE | 1 | |
| 12 | 97095-08020 | BOLT BOULON | 1 | |
| 13 | 92995-08100 | WASHER RONDELLE | 1 | |
| 14 | 90386-25M31 | BUSH DOUILLE | 2 | |
| 15 | 90201-26M59 | WASHER, PLATE RONDELLE, PLATE | 2 | |
| 16 | 90185-22M11 | NUT, SELF-LOCKING ECROU, AUTO-BLOQUANT | 1 | |
| 17 | 63D-43691-00 | INDICATOR, TILT ETIQUETTE, RELEVAGE | 1 | |
| 18 | 90110-12M00 | BOLT, HEXAGON SOCKET HEAD BOULON, TETE HEXAGONALE CREUSE | 2 | |
| 19 | 92990-12200 | WASHER, PLAIN RONDELLE, PLATE | 2 | |
| 20 | 90185-12M12 | NUT, SELF-LOCKING ECROU, AUTO-BLOQUANT | 2 | |
| 21 | 6BC-43311-00-8D | BRACKET, SWIVEL 1 SUPPORT, PIVOT 1 | 1 | L(20.3") L(20.3") |
| 22 | 93700-06M03 | NIPPLE, GREASE PION | 5 | |
| 23 | 66K-82149-00 | WIRE, LEAD 3 FIL 3 | 1 | L(20.3") L(20.3") |
| 24 | 66T-43144-00 | HOOK, SPRING CROCHET | 1 | |
| 25 | 97095-06010 | BOLT BOULON | 1 | |
| 26 | 6BC-43181-00 | LEVER, TILT STOP 1 LEVIER VERROUILLAGE RELEVAGE 1 | 1 | |
| 27 | 6BC-43185-00 | LEVER, TILT STOP 2 LEVIER VERROUILLAGE RELEVAGE 2 | 1 | |

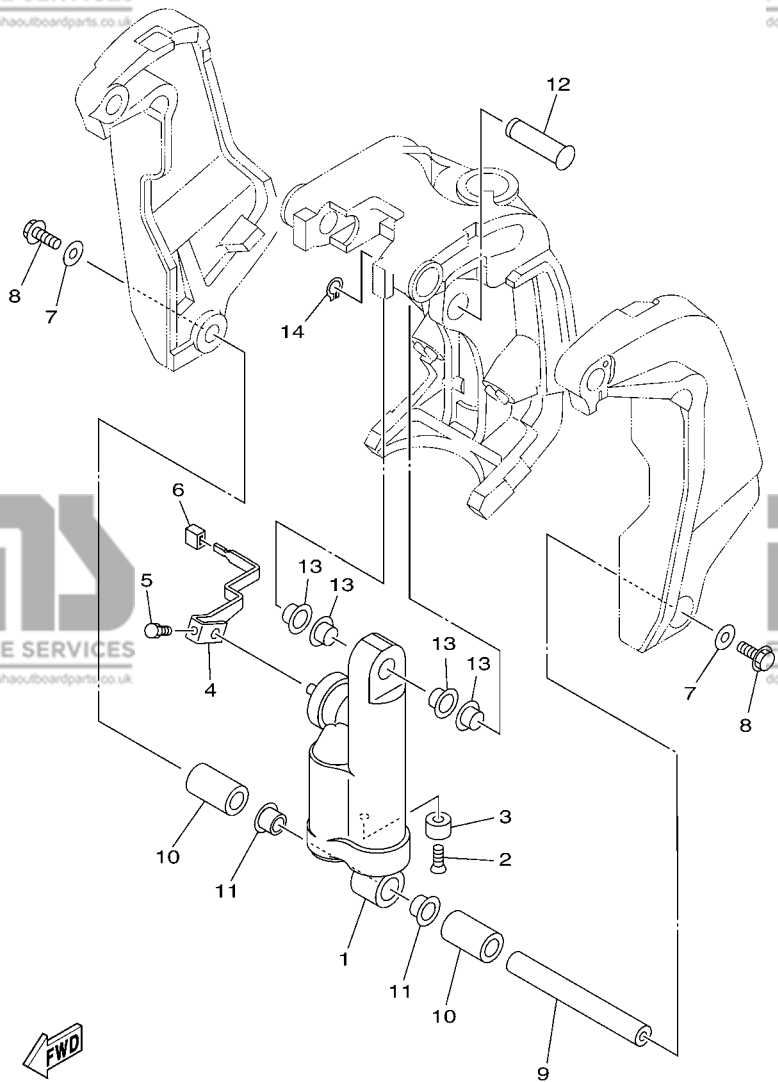


6CK3300-K200

FIG. 20 BRACKET 1

SUPPORT 1

| REF. NO. | PART NO. N° PIECES | DESCRIPTION DESCRIPTION | 6CK3 | REMARKS REMARQUES |
|----------|--------------------|----------------------------------|------|-------------------|
| 28 | 90386-10M16 | BUSH DOUILLE | 4 | |
| 29 | 6G5-43148-00 | COLLAR, DISTANCE ENTRETOISE | 2 | |
| 30 | 90249-06M19 | PIN GOUPILLE | 1 | |
| 31 | 90387-10M05 | COLLAR COLLERETTE | 1 | |
| 32 | 91690-30020 | PIN, SPRING AGRAFFE | 2 | |
| 33 | 90506-14M24 | SPRING, TENSION RESSORT, TENSION | 1 | |
| 34 | 90101-12M03 | BOLT (L:115MM) BOULON (L:115MM) | 4 | |
| 35 | 90201-13M01 | WASHER, PLATE RONDELLE, PLATE | 8 | |
| 36 | 90201-12M05 | WASHER, PLATE RONDELLE, PLATE | 4 | |
| 37 | 95380-12600 | NUT ECROU | 8 | |

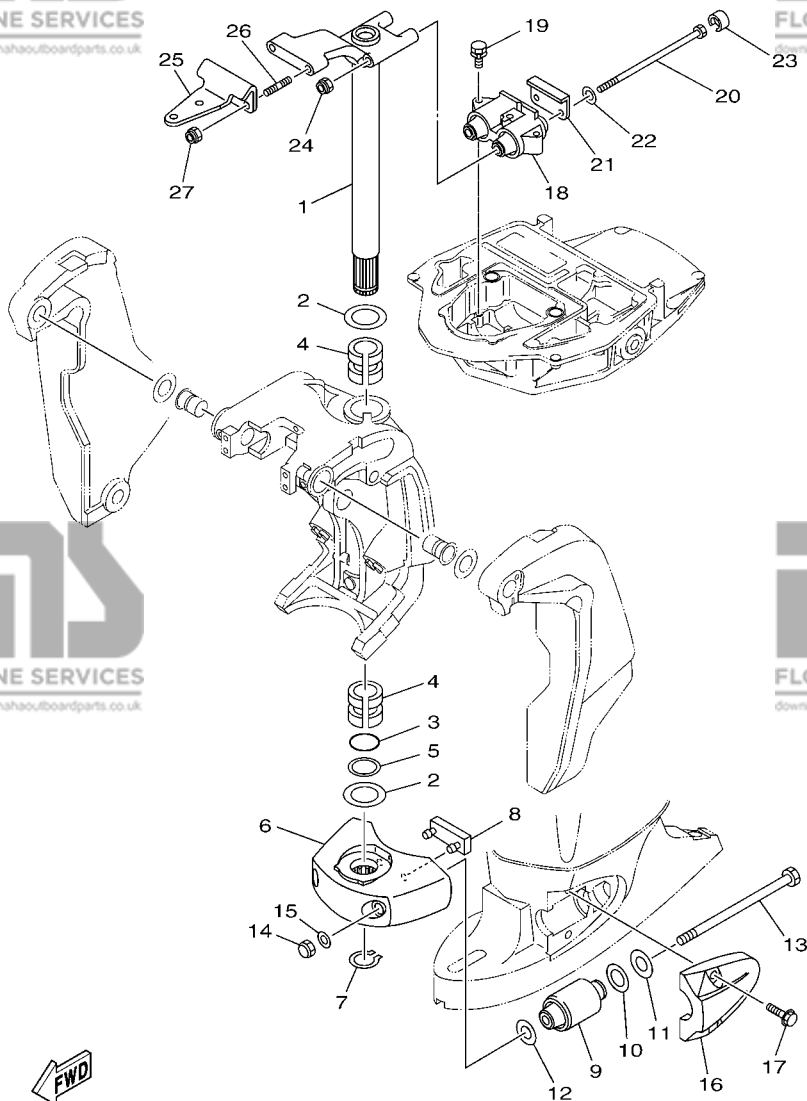


6BC3200-H250

FIG. 21 BRACKET 2

SUPPORT 2

| REF. NO. | PART NO. N° PIECES | DESCRIPTION DESCRIPTION | 6CK3 | REMARKS REMARQUES |
|----------|--------------------|---|------|-------------------|
| 1 | 6BC-43107-00-8D | SHOCK ABSORBER SUB-ASSY AMORTISSEUR (ENS.) | 1 | |
| 2 | 90152-06M01 | SCREW, COUNTERSUNK VIS, TETE NOYEE | 1 | |
| 3 | 663-45251-00 | ANODE ANODE | 1 | |
| 4 | 6BC-43631-00 | LEVER, TILT LEVIER, INCLINAISON | 1 | |
| 5 | 90101-06057 | BOLT BOULON | 1 | |
| 6 | 6G1-43318-01 | COVER CAPUCHON | 1 | |
| 7 | 90201-10060 | WASHER, PLATE RONDELLE, PLATE | 2 | |
| 8 | 97575-10530 | BOLT, WITH WASHER VIS HEXAGONAL AVC RONDELLE | 2 | |
| 9 | 6BC-43818-00 | PIN, LOWER SHOCK MOUNT AXE, INFERIEUR AMORTISSEUR | 1 | |
| 10 | 90387-22018 | COLLAR COLLERETTE | 2 | |
| 11 | 90386-22M98 | BUSH DOUILLE | 2 | |
| 12 | 64E-43126-00 | PIN, UPPER SHOCK MOUNT AXE, SUPERIEUR AMORTISSEUR | 1 | |
| 13 | 90386-22M98 | BUSH DOUILLE | 4 | |
| 14 | 93410-22M11 | CIRCLIP CLIPS | 1 | |

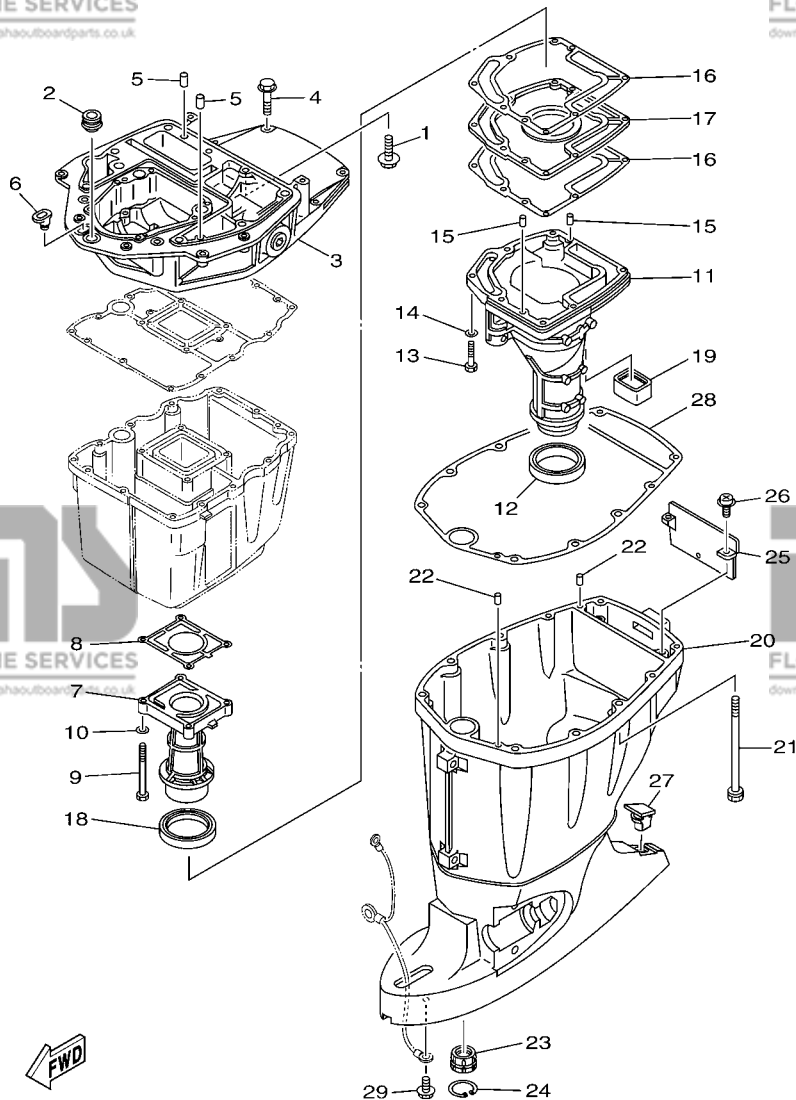


FWD
6CK2300-J220

FIG. 22 BRACKET 3

SUPPORT 3

| REF. NO. | PART NO. N° PIECES | DESCRIPTION DESCRIPTION | 6CK3 | REMARKS REMARQUES |
|----------|--------------------|---|------|----------------------|
| 1 | 68V-42510-11-8D | STEERING BRACKET ASSY DIRECTION SUPPORT (ENS.) | 1 | L(20.3") L(20.3") |
| 2 | 90201-38M60 | WASHER, PLATE RONDELLE, PLATE | 2 | |
| 3 | 93210-37MH7 | O-RING JOINT TORIQUE | 1 | |
| 4 | 90386-38M32 | BUSH DOUILLE | 2 | |
| 5 | 90202-40M47 | WASHER, PLATE RONDELLE, PLATE | 1 | |
| 6 | 68V-44551-00-8D | HOUSING, LOWER MOUNT RUBBER BOITIER, SILENT-BLOC INFÉRIEUR | 1 | |
| 7 | 93410-37M04 | CIRCLIP CLIPS | 1 | |
| 8 | 61A-44575-00 | DAMPER, LOWER MOUNT RUBBER SILENT-BLOC, INFÉRIEUR | 1 | |
| 9 | 61A-44555-01-94 | MOUNT DAMPER, LOWER SIDE SILENT-BLOC, INFÉRIEUR LATERAL | 2 | |
| 10 | 90202-32M19 | WASHER, PLATE RONDELLE, PLATE | 2 | |
| 11 | 90201-16M55 | WASHER, PLATE RONDELLE, PLATE | 2 | |
| 12 | 90201-15M58 | WASHER, PLATE RONDELLE, PLATE | 2 | |
| 13 | 90109-14007 | BOLT BOULON | 2 | |
| 14 | 95380-14600 | NUT ECROU | 2 | |
| 15 | 92995-14600 | WASHER RONDELLE | 2 | |
| 16 | 68V-44553-00-8D | COVER, LOWER MOUNT COUVERCLE, SUSPENSION INFÉRIEUR | 2 | |
| 17 | 90119-10049 | BOLT, WITH WASHER BOULON, AVEC RONDELLE | 4 | |
| 18 | 67F-44514-01 | MOUNT DAMPER, UPPER SIDE SILENT-BLOC, SUPÉRIEUR LATERAL | 1 | |
| 19 | 90119-08091 | BOLT, WITH WASHER BOULON, AVEC RONDELLE | 3 | |
| 20 | 90109-12007 | BOLT BOULON | 2 | |
| 21 | 67F-44526-00 | PLATE PLAQUE | 1 | |
| 22 | 90201-12M09 | WASHER, PLATE RONDELLE, PLATE | 2 | |
| 23 | 67F-44533-00 | DAMPER, UPPER MOUNT RUBBER COUVERCLE, SUSPENSION INFÉRIEUR | 2 | |
| 24 | 90185-12M12 | NUT, SELF-LOCKING ECROU, AUTO-BLOQUANT | 2 | |
| 25 | 68V-48511-10 | HOOK, STEERING ATTACHE, DIRECTION | 1 | |
| 26 | 90116-10175 | BOLT, STUD GOIJON | 2 | |
| 27 | 90185-10051 | NUT, SELF-LOCKING ECROU, AUTO-BLOQUANT | 2 | |



6CK3300-K230

FIG. 23 UPPER CASING

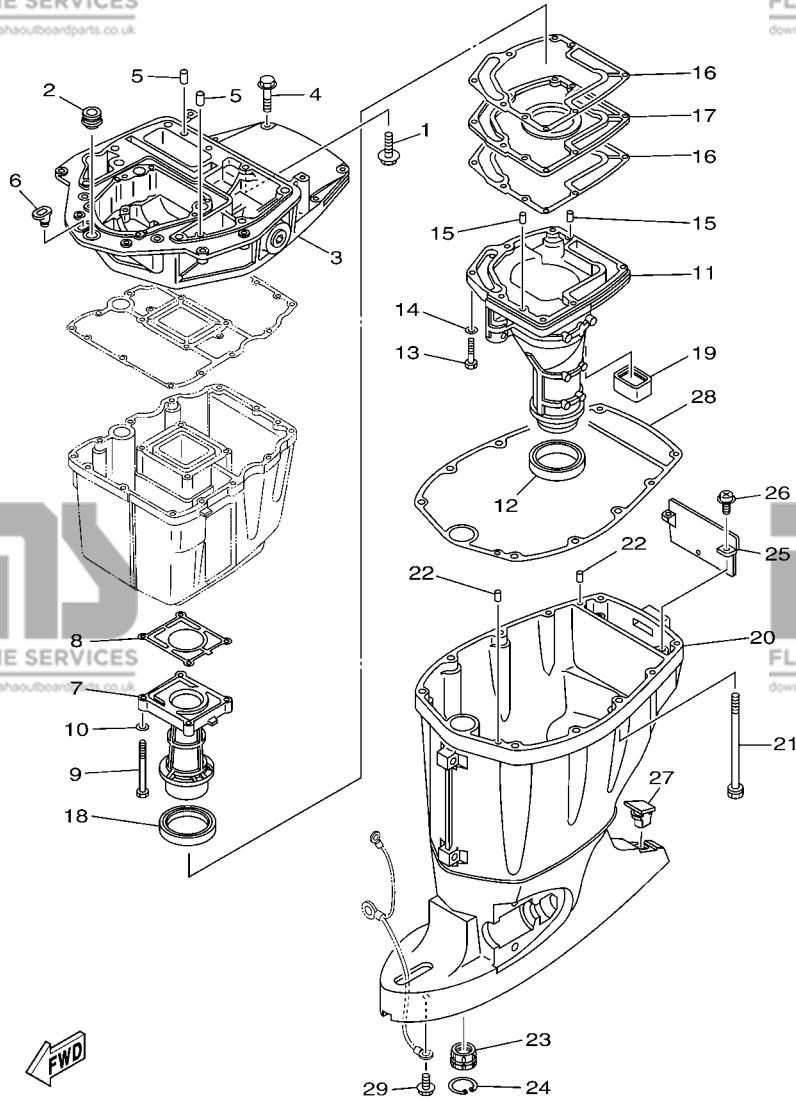
FOURREAU

| REF. NO. | PART NO. N° PIECES | DESCRIPTION DESCRIPTION | 6CK3 | REMARKS REMARQUES |
|----------|--------------------|---|------|----------------------|
| 1 | 90119-08M58 | BOLT, WITH WASHER BOULON, AVEC RONDELLE | 2 | |
| 2 | 67F-42724-00 | GROMMET PASSE-FIL | 1 | |
| 3 | 67F-41137-02-CA | GUIDE, EXHAUST COLLECTEUR D'ECHAPPEMENT | 1 | |
| 4 | 97575-08540 | BOLT, WITH WASHER VIS HEXAGONAL AVEC RONDELLE | 4 | |
| 5 | 93608-16M16 | PIN, DOWEL AXE | 2 | |
| 6 | 6G1-42727-00 | GROMMET PASSE-FIL | 1 | |
| 7 | 60C-41131-01-9S | MANIFOLD, EXT. 1 PIPE D'ECHAPPEMENT | 1 | |
| 8 | 67F-41133-A1 | GASKET, EXHAUST MANIFOLD 1 JOINT, PIPE D'ECHAPPEMENT | 1 | |
| 9 | 97075-06070 | BOLT BOULON | 4 | |
| 10 | 92995-06600 | WASHER RONDELLE | 4 | |
| 11 | 60C-14711-10-9S | MUFFLER 1 POT D'ECHAPPEMENT 1 | 1 | L(20.3") L(20.3") |
| 12 | 68V-45123-00 | GASKET, MUFFLER JOINT, POT DE DETENTE | 1 | |
| 13 | 97075-06030 | BOLT BOULON | 7 | |
| 14 | 92995-06600 | WASHER RONDELLE | 7 | |
| 15 | 93606-19M23 | PIN, DOWEL GOUPILLE | 2 | |
| 16 | 67F-41134-A0 | GASKET, EXHAUST MANIFOLD JOINT, PIPE D'ECHAPPEMENT | 2 | |
| 17 | 67F-45181-00-CA | PLATE PLAQUETTE | 1 | |
| 18 | 67F-41138-00 | SEAL, EXT. 1 JOINT DE GROUPE 1 | 1 | |
| 19 | 67F-45127-00 | SEAL JOINT | 1 | |
| 20 | 68V-45111-11-8D | CASING, UPPER FOURREAU | 1 | L(20.3") L(20.3") |
| 21 | 90119-10M08 | BOLT, WITH WASHER BOULON, AVEC RONDELLE | 6 | |
| 22 | 93608-16M16 | PIN, DOWEL AXE | 2 | |
| 23 | 6E5-45318-00 | BUSHING, DRIVE SHAFT DOUILLE, ARBRE MOTEUR | 1 | |
| 24 | 93420-36M01 | CIRCLIP CIRCLIP, TYPE S | 1 | |
| 25 | 67F-45151-00 | COVER, UPPER CASING CAPUCHON, FOURREAU | 1 | |
| 26 | 97980-06216 | SCREW, WITH WASHER VIS, AVEC RONDELLE | 2 | |
| 27 | 6C5-45155-00 | CAP CAPUCHON | 1 | |

FIG. 23 UPPER CASING

FOURREAU

| REF. NO. | PART NO. N° PIECES | DESCRIPTION DESCRIPTION | 6CK3 | REMARKS REMARQUES |
|----------|--------------------|--|------|-------------------|
| 28 | 67F-45113-00 | GASKET, UPPER CASING JOINT, TUBE D'ARBRE | 1 | |
| 29 | 95895-06010 | BOLT, FLANGE BOULON | 1 | |



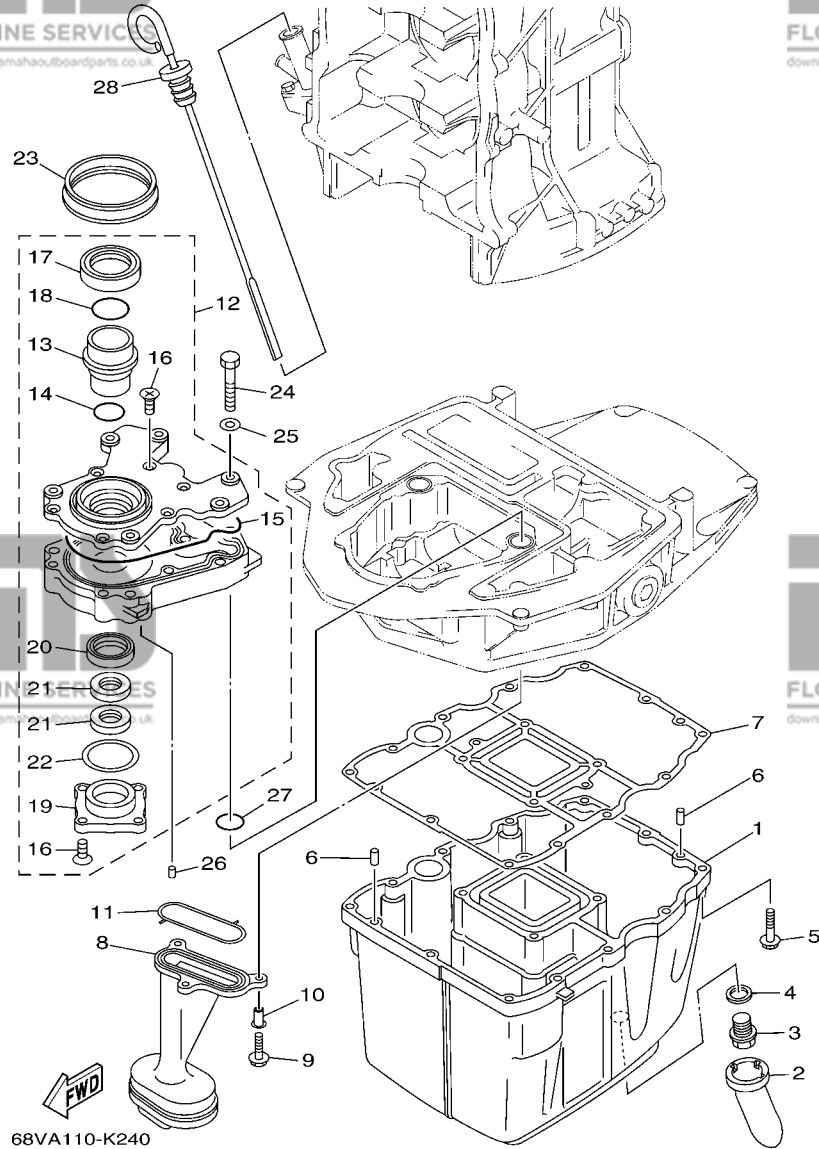


FIG. 24 OIL PAN

VENTILATEUR D'HUILE

| REF. NO. | PART NO. N° PIECES | DESCRIPTION DESCRIPTION | QTY | 6CK3 | REMARKS REMARQUES |
|----------|--------------------|---|-----|------|-------------------|
| 1 | 68V-15311-00-CA | OIL PAN VENTILATEUR D'HUILE | 1 | | |
| 2 | 63P-15316-00 | DAMPER 1 AMORTISSEUR 1 | 1 | | |
| 3 | 90340-14M06 | PLUG, STRAIGHT SCREW PLOT, FILETE DROIT | 1 | | |
| 4 | 90430-14M09 | GASKET JOINT | 1 | | |
| 5 | 97575-06525 | BOLT, WITH WASHER VIS HEXAGONAL AVC RONDELLE | 12 | | |
| 6 | 93606-12019 | PIN, DOWEL GOUPILLE | 2 | | |
| 7 | 68V-15312-00 | GASKET, OIL PAN JOINT DE VENTILATEUR D'HUILE | 1 | | |
| 8 | 67F-13411-00 | STRAINER, OIL FILTRE, HUILE | 1 | | |
| 9 | 95812-06025 | BOLT, FLANGE BOULON | 3 | | |
| 10 | 90387-06263 | COLLAR COLLERETTE | 3 | | |
| 11 | 67F-13415-00 | SEAL, OIL STRAINER JOINT, FILTRE A HUILE | 1 | | |
| 12 | 67F-13300-10 | OIL PUMP ASSY POMPE A HUILE COMPLETE | 1 | | |
| 13 | 67F-13314-02 | .SHAFT, PUMP .AXE DE POMPE | 1 | | |
| 14 | 67F-13473-01 | .O-RING .JOINT TORIQUE | 1 | | |
| 15 | 67F-13329-00 | .GASKET, PUMP COVER .JOINT, COUVERCLE DE POMPE | 1 | | |
| 16 | 67F-13495-00 | .SCREW .VIS | 10 | | |
| 17 | 67F-13119-01 | .OIL SEAL JOINT SPY | 1 | | |
| 18 | 67F-13769-00 | .O-RING JOINT TORIQUE | 1 | | |
| 19 | 67F-13914-00 | .HOUSING, PUMP .CORPS, POMPE | 1 | | |
| 20 | 67F-13631-03 | .OIL SEAL JOINT SPY | 1 | | |
| 21 | 67F-13149-00 | .OIL SEAL JOINT SPY | 2 | | |
| 22 | 67F-13339-00 | .GASKET, PUMP COVER .BAINT, COUVERCLE DE POME | 1 | | |
| 23 | 67F-13338-00 | SEAL JOINT | 1 | | |
| 24 | 97095-06045 | BOLT BOULON | 6 | | |
| 25 | 92995-06600 | WASHER RONDELLE | 6 | | |
| 26 | 93604-12M07 | PIN, DOWEL CLAVETTE | 2 | | |
| 27 | 93210-19MJ1 | O-RING JOINT TORIQUE | 2 | | |

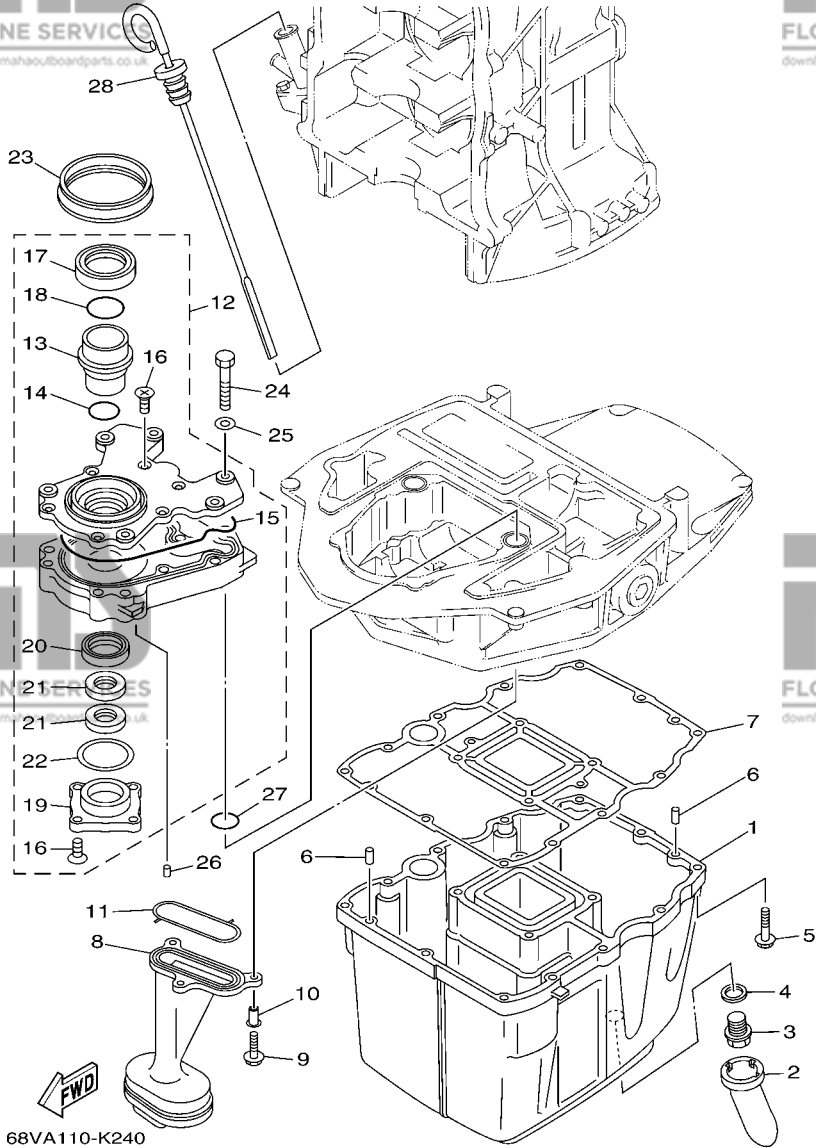


FIG. 24 OIL PAN

VENTILATEUR D'HUILE

| REF. NO. | PART NO. N° PIECES | DESCRIPTION DESCRIPTION | 6CK3 | REMARKS REMARQUES |
|----------|--------------------|--------------------------------------|------|-------------------|
| 28 | 6D8-15362-00 | PLUG, OIL LEVEL PLOT, NIVEAU D'HUILE | 1 | |

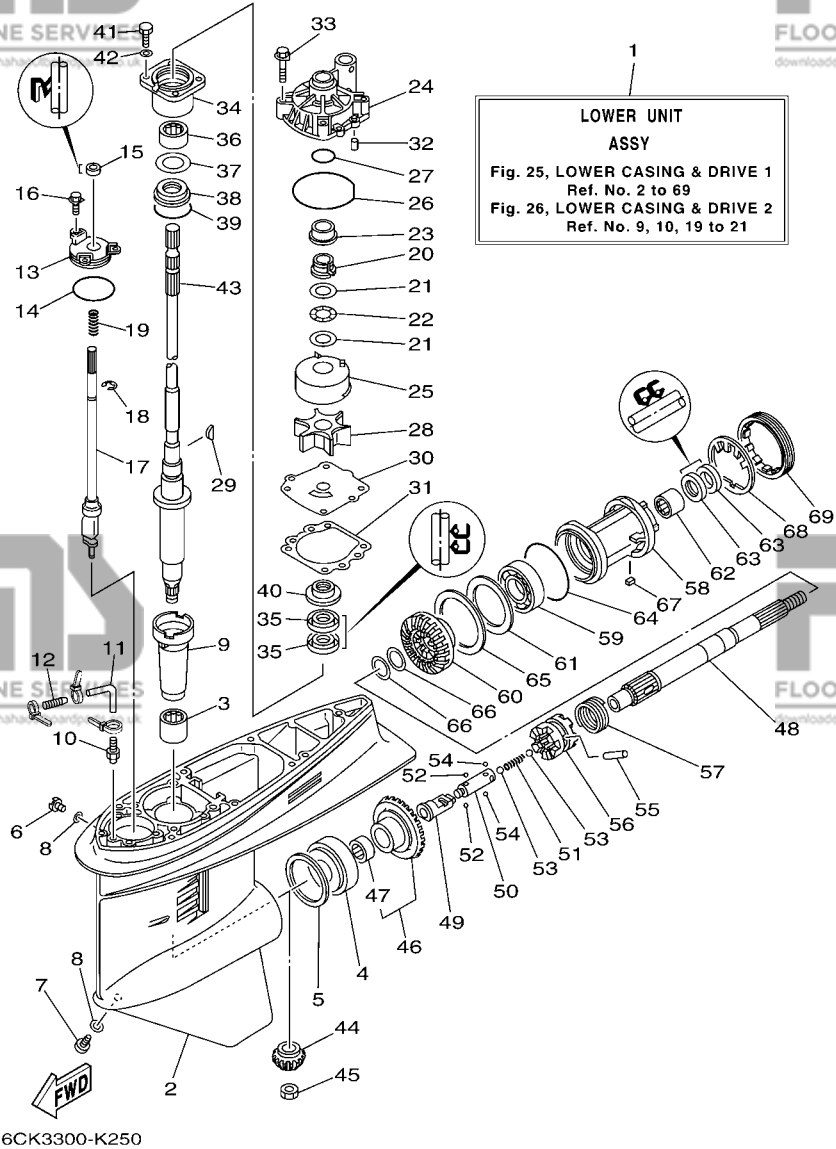


FIG. 25 LOWER CASING & DRIVE 1

BOITIER D'HELICE TRANSMISSION1

| REF. NO. | PART NO. N° PIECES | DESCRIPTION DESCRIPTION | 6CK3 | REMARKS REMARQUES |
|--------------|------------------------------------|--|----------|----------------------|
| 1 | 60C-45300-11-8D | LOWER UNIT ASSY UNITE INFERIEURE (ENS.) | 1 | L(20.3") L(20.3") |
| 2 | 6E5-45301-05-8D | CASING, LOWER BEQUILLE | 1 | |
| 3 | 93315-628U9 | BEARING ROULEMENT | 1 | |
| 4 | 93332-000U7 | BEARING ROULEMENT | 1 | |
| 5 | 6E5-45567-01 | SHIM (T:0.10MM) CALE (T:0.10MM) | 1 | UR UR |
| 6E5-45567-10 | SHIM (T:0.12MM) CALE (T:0.12MM) | 1 | UR UR | |
| 6E5-45567-20 | SHIM (T:0.15MM) CALE (T:0.15MM) | 1 | UR UR | |
| 6E5-45567-30 | SHIM (T:0.18MM) CALE (T:0.18MM) | 1 | UR UR | |
| 6E5-45567-40 | SHIM (T:0.30MM) CALE (T:0.30MM) | 1 | UR UR | |
| 6E5-45567-50 | SHIM (T:0.40MM) CALE (T:0.40MM) | 1 | UR UR | |
| 6E5-45567-60 | SHIM (T:0.50MM) CALE (T:0.50MM) | 1 | UR UR | |
| 6 | 90340-08002 | PLUG, STRAIGHT SCREW PLOT, FILETE DROIT | 1 | |
| 7 | 688-45341-10 | PLUG, DRAIN BOUCHON DE VIDANGE | 1 | |
| 8 | 90430-08020 | GASKET JOINT | 2 | |
| 9 | 6E5-45536-00 | SLEEVE, DRIVE SHAFT MANCHON, ARBRE MOTEUR | 1 | |
| 10 | 6E5-45378-00 | NIPPLE, HOSE RACCORD, TUYAU | 1 | |
| 11 | 90445-07ME8 | HOSE (L80) DURITE (L80) | 1 | L(20.3") L(20.3") |
| 12 | 6E5-83558-10 | END, NIPPLE RACCORD DE NIPPLE | 1 | |
| 13 | 6E5-45321-00 | PLATE PLAQUETTE | 1 | |
| 14 | 93210-58144 | O-RING JOINT TORIQUE | 1 | |
| 15 | 93106-09014 | OIL SEAL JOINT SPY | 1 | |
| 16 | 90119-06M10 | BOLT, WITH WASHER BOULON, AVEC RONDELLE | 3 | |
| 17 | 6L6-44150-01 | SHIFT CAM ASSY CAME D'INVERSION | 1 | |
| 18 | 99001-08600 | CIRCLIP CIRCLIP | 1 | |
| 19 | 90501-11M10 | SPRING, COMPRESSION RESSORT, COMPRESSION | 1 | |
| 20 | 61A-45538-00 | SPACER 1 ENTRETOISE | 1 | |
| 21 | 90201-22M01 | WASHER, PLATE RONDELLE, PLATE | 2 | |

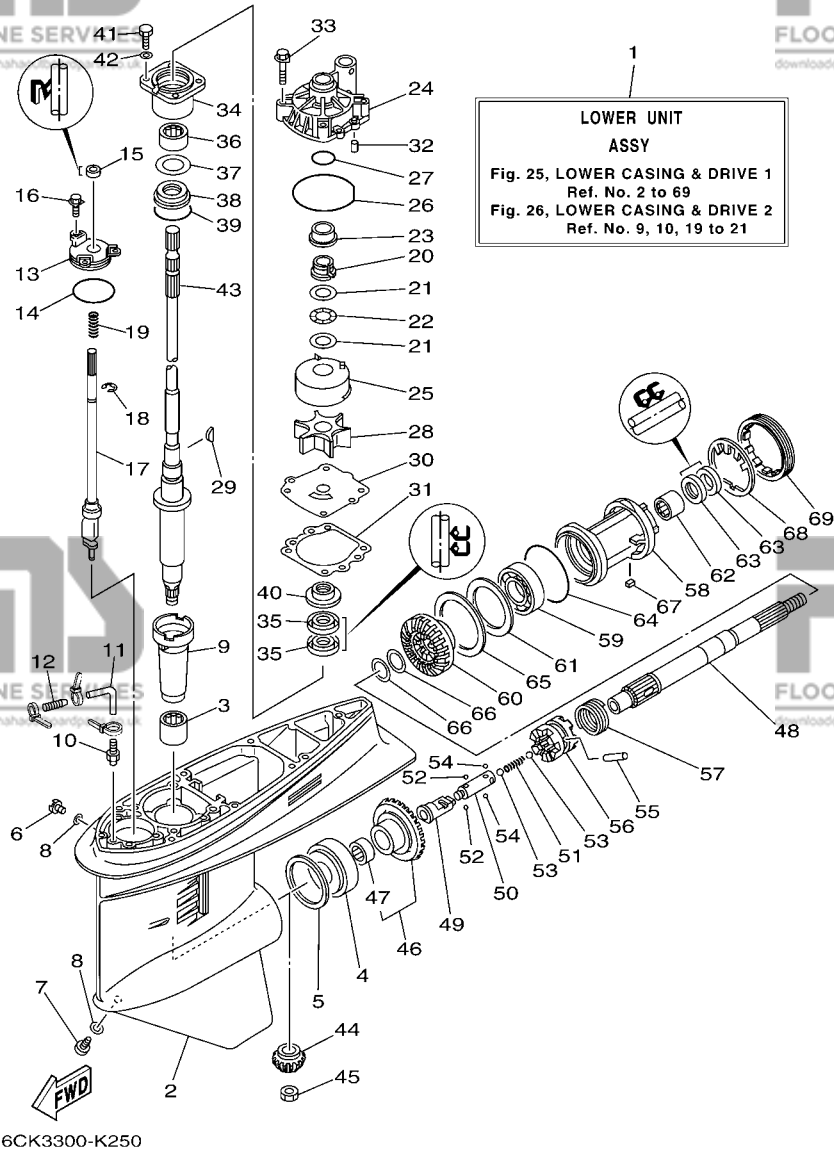
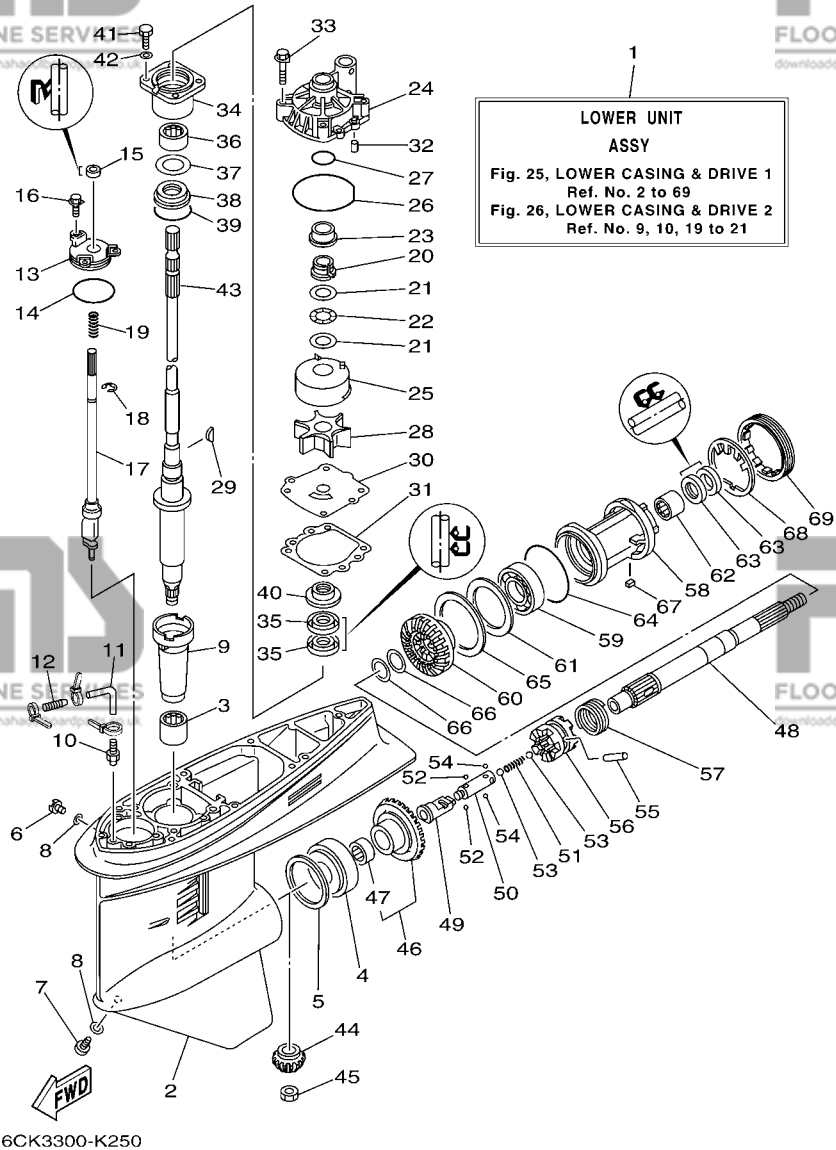


FIG. 25 LOWER CASING & DRIVE 1

BOITIER D'HELICE TRANSMISSION1

| REF. NO. | PART NO. N° PIECES | DESCRIPTION DESCRIPTION | 6CK3 | REMARKS REMARQUES |
|----------|--------------------|--|------|---------------------------|
| 22 | 90206-22M19 | WASHER, WAVE RONDELLE, ONDULEE | 1 | |
| 23 | 61A-45527-00 | COLLAR, DRIVE SHAFT ENTRETOISE | 1 | |
| 24 | 61A-44311-01 | HOUSING, WATER PUMP CORPS, POMPE A EAU | 1 | |
| 25 | 6R3-44322-42 | INSERT, CARTRIDGE CUVETTE | 1 | FOR CHROMATE FOR CHROMATE |
| 26 | 93210-86M38 | O-RING JOINT TORIQUE | 1 | |
| 27 | 93210-37160 | O-RING JOINT TORIQUE | 1 | |
| 28 | 6E5-44352-01 | IMPELLER TURBINE | 1 | |
| 29 | 90280-04M05 | KEY, WOODRUFF CLAVETTE, DEMI-LUNE | 1 | |
| 30 | 60C-44323-40 | OUTER PLATE, CARTRIDGE PLAQUE EXTERIEURE | 1 | FOR CHROMATE FOR CHROMATE |
| 31 | 6E5-44315-A0 | GASKET, WATER PUMP JOINT, POMPE A EAU | 1 | |
| 32 | 93606-12019 | PIN, DOWEL GOUPILLE | 2 | |
| 33 | 90119-08M14 | BOLT, WITH WASHER BOULON, AVEC RONDELLE | 4 | |
| 34 | 6E5-45331-00-9S | HOUSING, BEARING FLASQUE, ROULEMENT | 1 | |
| 35 | 93101-28M16 | OIL SEAL JOINT SPY | 2 | |
| 36 | 93317-330U2 | BEARING ROULEMENT | 1 | |
| 37 | 6E5-45587-01 | SHIM (T:0.10MM) CALE (T:0.10MM) | 1 | UR |
| | 6E5-45587-10 | SHIM (T:0.12MM) CALE (T:0.12MM) | 1 | UR |
| | 6E5-45587-20 | SHIM (T:0.15MM) CALE (T:0.15MM) | 1 | UR |
| | 6E5-45587-30 | SHIM (T:0.18MM) CALE (T:0.18MM) | 1 | UR |
| | 6E5-45587-40 | SHIM (T:0.30MM) CALE (T:0.30MM) | 1 | UR |
| | 6E5-45587-50 | SHIM (T:0.40MM) CALE (T:0.40MM) | 1 | UR |
| | 6E5-45587-60 | SHIM (T:0.50MM) CALE (T:0.50MM) | 1 | UR |
| 38 | 93341-930V2 | BEARING CERVEAUX DE DIRECTION | 1 | |
| 39 | 93210-55M14 | O-RING JOINT TORIQUE | 1 | |
| 40 | 6E5-45344-00 | COVER, OIL SEAL FLASQUE, JOINT D'HUILE | 1 | |
| 41 | 97095-08025 | BOLT BOULON | 4 | |
| 42 | 92995-08600 | WASHER RONDELLE | 4 | |



6CK3300-K250

FIG. 25 LOWER CASING & DRIVE 1

BOITIER D'HELICE TRANSMISSION1

| REF. NO. | PART NO. N° PIECES | DESCRIPTION DESCRIPTION | 6CK3 | REMARKS REMARQUES |
|----------|--------------------|--|------|-------------------|
| 43 | 68V-45501-10 | DRIVE SHAFT COMP. ARBRE MOTEUR COMP. | 1 | L(20.3") |
| 44 | 68V-45551-00 | PINION (13T) PIGNON D'ATTAQUE (13D) | 1 | L(20.3") |
| 45 | 90170-16M01 | NUT ECROU | 1 | |
| 46 | 68V-45560-00 | GEAR 1 (28T) PIGNON 1 (28T) | 1 | |
| 47 | 93315-425U7 | .BEARING .ROULEMENT | 1 | |
| 48 | 6E5-45611-01 | SHAFT, PROPELLER ARBRE, HELICE | 1 | |
| 49 | 6K1-45641-01 | SHIFTER EMBRAYAGE | 1 | |
| 50 | 6E5-45634-01 | SLIDE, SHIFT CONTRE-POUSSOIR | 1 | |
| 51 | 90501-16M37 | SPRING, COMPRESSION RESSORT, COMPRESSION | 1 | |
| 52 | 93507-32009 | BALL BILLE | 2 | |
| 53 | 93511-32017 | BALL BILLES | 2 | |
| 54 | 93503-16003 | BALL BILLES | 2 | |
| 55 | 90250-08M07 | PIN, STRAIGHT GOUPILLE, DROITE | 1 | |
| 56 | 68V-45631-01 | CLUTCH, DOG CRABOT | 1 | |
| 57 | 6E5-45633-01 | RING, CROSS PIN JONC, GOUPILLE CRABOT | 1 | |
| 58 | 6E5-45332-00-CA | HOUSING, BEARING FLASQUE, ROULEMENT | 1 | |
| 59 | 93306-208U0 | BEARING ROULEMENT | 1 | |
| 60 | 68V-45571-00 | GEAR 2 (28T) PIGNON 2 (28T) | 1 | |
| 61 | 6E5-45576-00 | WASHER, THRUST 2 RONDELLE DE CALAGE 2 | 1 | |
| 62 | 93315-430U8 | BEARING ROULEMENT | 1 | |
| 63 | 93101-30M17 | OIL SEAL JOINT SPY | 2 | |
| 64 | 93210-86M39 | O-RING JOINT TORIQUE | 1 | |
| 65 | 6L6-45577-00 | SHIM (T:0.10MM) CALE (T:0.10MM) | 1 | UR |
| | 6L6-45577-10 | SHIM (T:0.12MM) CALE (T:0.12MM) | 1 | UR |
| | 6L6-45577-20 | SHIM (T:0.15MM) CALE (T:0.15MM) | 1 | UR |
| | 6L6-45577-30 | SHIM (T:0.18MM) CALE (T:0.18MM) | 1 | UR |
| | 6L6-45577-40 | SHIM (T:0.30MM) CALE (T:0.30MM) | 1 | UR |

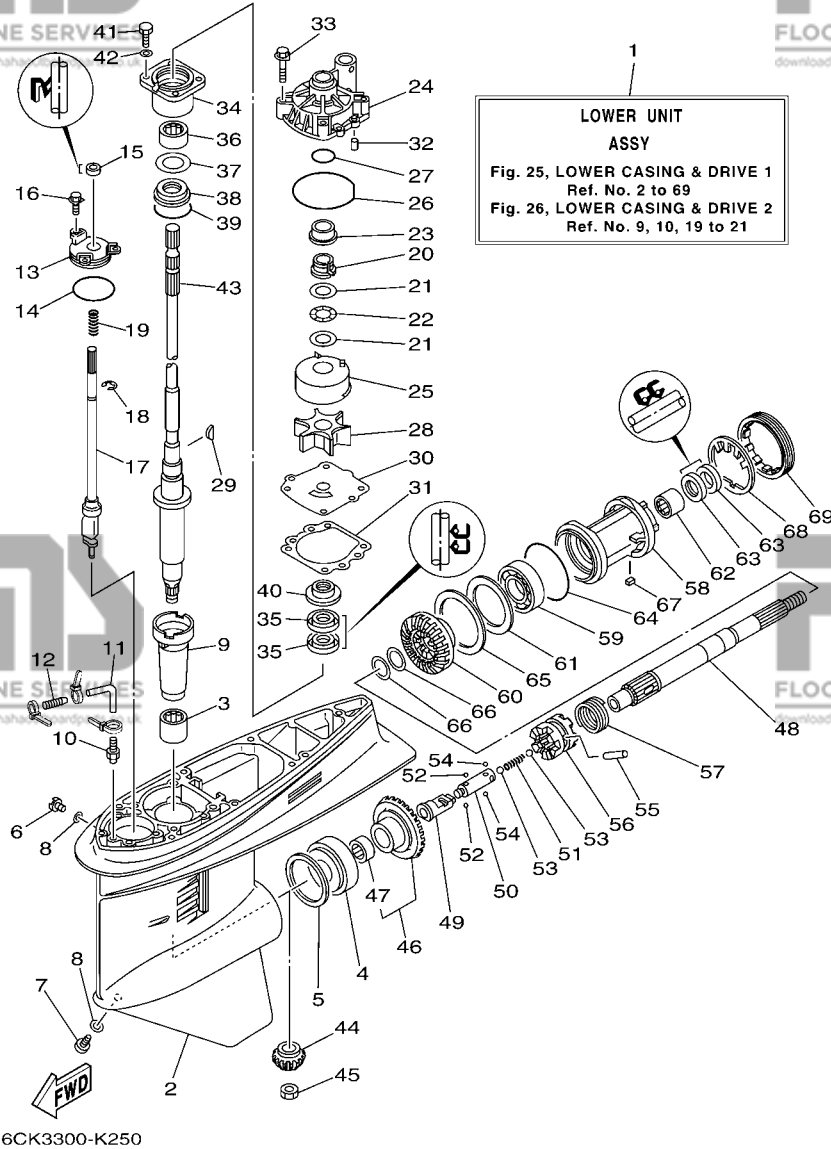
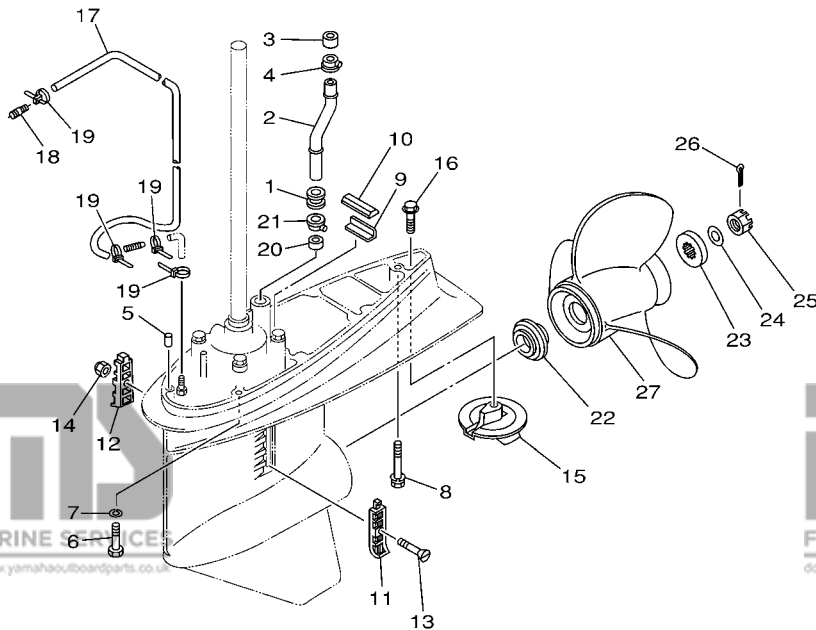


FIG. 25 LOWER CASING & DRIVE 1

BOITIER D'HELICE TRANSMISSION1

| REF. NO. | PART NO. N° PIECES | DESCRIPTION DESCRIPTION | 6CK3 | REMARKS REMARQUES |
|----------|--------------------|------------------------------------|------|-------------------|
| 65 | 6L6-45577-50 | SHIM (T:0.40MM) CALE (T:0.40MM) | 1 | UR |
| | 6L6-45577-60 | SHIM (T:0.50MM) CALE (T:0.50MM) | 1 | UR |
| 66 | 90201-30M92 | WASHER, PLATE RONDELLE, PLATE | 2 | UR |
| 67 | 90282-04010 | KEY, STRAIGHT CLAVETTE, DROITE | 1 | |
| 68 | 688-45383-02 | WASHER, CLAW FREIN D'ECROU | 1 | |
| 69 | 688-45384-02 | NUT ECROU | 1 | |

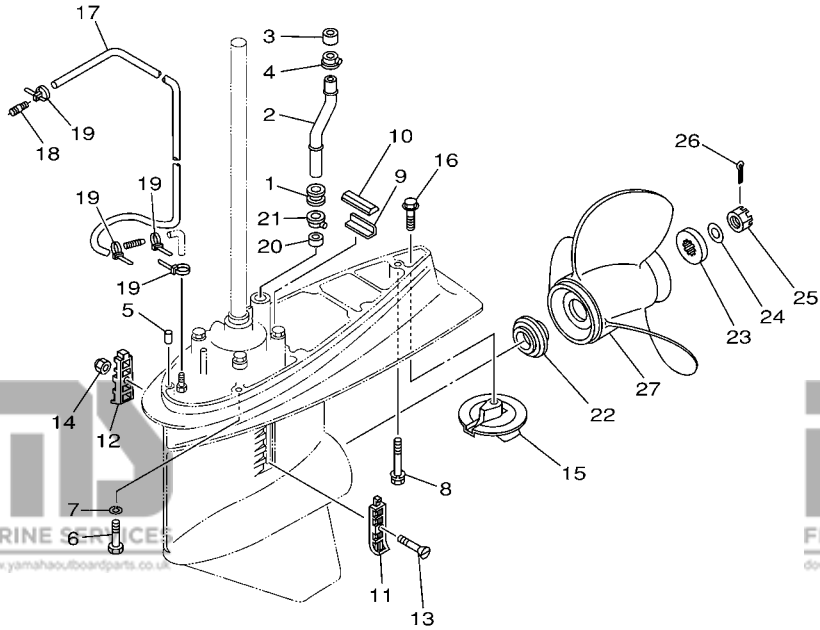


68V0010-0280

FIG. 26 LOWER CASING & DRIVE 2

BOITIER D'HELICE TRANSMISSION2

| REF. NO. | PART NO. N° PIECES | DESCRIPTION DESCRIPTION | 6CK3 | REMARKS REMARQUES |
|----------|--------------------|---|------|----------------------|
| 1 | 6E5-44366-00 | DAMPER, WATER SEAL 2 JOINT, TUBE D'EAU 2 | 1 | |
| 2 | 6BC-44361-10 | TUBE, WATER 1 TUBE D'EAU 1 | 1 | L(20.3") L(20.3") |
| 3 | 6E5-44365-00 | DAMPER, WATER SEAL 1 JOINT, TUBE D'EAU 1 | 1 | |
| 4 | 6E5-44312-00 | COVER, WATER PUMP HOUSING COUVERCLE | 1 | |
| 5 | 93608-12M05 | PIN, DOWEL AXE | 2 | |
| 6 | 97075-10045 | BOLT BOULON | 6 | |
| 7 | 92995-10100 | WASHER RONDELLE | 6 | |
| 8 | 90119-10M89 | BOLT, WITH WASHER BOULON, AVEC RONDELLE | 1 | |
| 9 | 663-45376-00 | GUIDE, SEAL DAMPER BUTEE, JOINT CAOUTCHOUC | 1 | |
| 10 | 688-45375-00 | DAMPER, SEAL BOURRELET, CAOUTCHOUC | 1 | |
| 11 | 688-45214-02 | COVER, WATER INLET 1 GRILLE, ENTREE D'EAU 1 | 1 | |
| 12 | 688-45215-02 | COVER, WATER INLET 2 GRILLE, ENTREE D'EAU 2 | 1 | |
| 13 | 90152-05M07 | SCREW, COUNTERSUNK VIS, TETE NOYEE | 1 | |
| 14 | 90185-05002 | NUT, NYLON ECROU, AUTO-BLOQUANT | 1 | |
| 15 | 6E5-45371-01 | TAB-TRIM ANODE DERIVE | 1 | |
| 16 | 90105-10M00 | BOLT, FLANGE BOULON | 1 | |
| 17 | 90445-076K2 | HOSE (L1550) DURITE (L1550) | 1 | |
| 18 | 6E5-83558-00 | END, NIPPLE RACCORD DE NIPPLE | 1 | |
| 19 | 90465-11M10 | CLAMP BRIDE | 4 | |
| 20 | 6E5-44365-00 | DAMPER, WATER SEAL 1 JOINT, TUBE D'EAU 1 | 1 | |
| 21 | 6E5-44312-00 | COVER, WATER PUMP HOUSING COUVERCLE | 1 | |
| 22 | 63P-45987-00 | SPACER 1 ENTRETOISE 1 | 1 | |
| 23 | 688-45997-01 | SPACER 2 ENTRETOISE 2 | 1 | |
| 24 | 92990-18200 | WASHER RONDELLE, PLATE | 1 | |
| 25 | 90171-18M04 | NUT, CASTLE ECROU, CRENELE | 1 | |
| 26 | 91490-40030 | PIN, COTTER GOUPILLE | 1 | |
| 27 | 6E5-45941-00-EL | PROPELLER (3X13"X19"-K) HELICE (3X13"X19"-K) | 1 | UR UR |

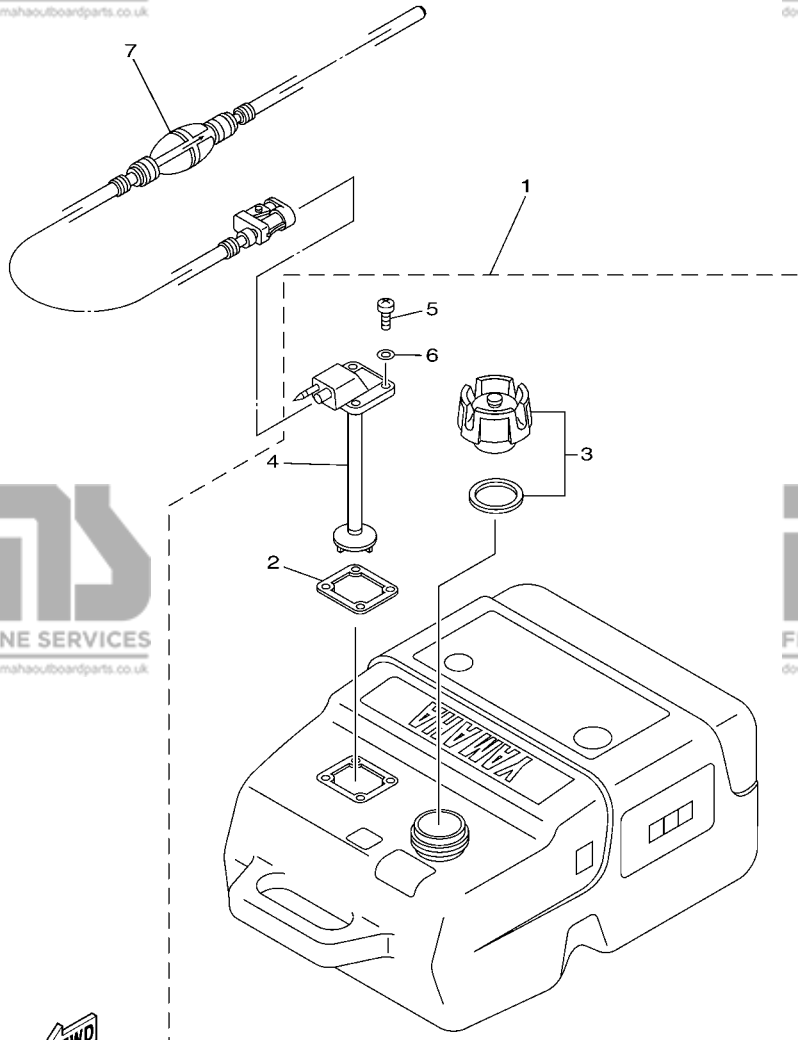


68V0010-0280

FIG. 26 LOWER CASING & DRIVE 2

BOITIER D'HELICE TRANSMISSION2

| REF. NO. | PART NO. N° PIECES | DESCRIPTION DESCRIPTION | 6CK3 | REMARKS REMARQUES |
|----------|--------------------|---|------|-------------------|
| 27 | 6E5-45943-00-EL | PROPELLER (3X12-5/8"X21"-K) HELICE (3X12-5/8"X21"-K) | 1 | UR |
| | 6E5-45945-01-EL | PROPELLER (3X13-1/4"X17"-K) HELICE (3X13-1/4"X17"-K) | 1 | UR |
| | 6E5-45947-00-EL | PROPELLER (3X13-1/2"X15"-K) HELICE (3X13-1/2"X15"-K) | 1 | UR |
| | 6E5-45949-00-EL | PROPELLER (3X13-5/8"X13"-K) HELICE (3X13-5/8"X13"-K) | 1 | UR |
| | 6E5-45952-00-EL | PROPELLER (3X13"X23"-K) HELICE (3X13"X23"-K) | 1 | UR |
| | 6E5-45954-00-EL | PROPELLER (3X14"X11"-K) HELICE (3X14"X11"-K) | 1 | UR |
| | 6E5-45956-00-EL | PROPELLER (3X13"X25"-K) HELICE (3X13"X25"-K) | 1 | UR |
| | 688-45930-02-98 | PROPELLER (3X13"X17"-K) HELICE (3X13"X17"-K) | 1 | UR |
| | 688-45932-60-98 | PROPELLER (3X13-1/2"X14"-K) HELICE (3X13-1/2"X14"-K) | 1 | UR |
| | 688-45970-03-98 | PROPELLER (3X13"X19"-K) HELICE (3X13"X19"-K) | 1 | UR |
| | 688-45972-02-98 | PROPELLER (3X13"X21"-K) HELICE (3X13"X21"-K) | 1 | UR |
| | 688-45974-02-98 | PROPELLER (3X13"X23"-K) HELICE (3X13"X23"-K) | 1 | UR |
| | 688-45976-01-98 | PROPELLER (3X13"X25"-K) HELICE (3X13"X25"-K) | 1 | UR |
| | 688-45978-60-98 | PROPELLER (3X13-1/2"X16"-K) HELICE (3X13-1/2"X16"-K) | 1 | UR |



FWD
6D71300-D320

FIG. 27 FUEL TANK

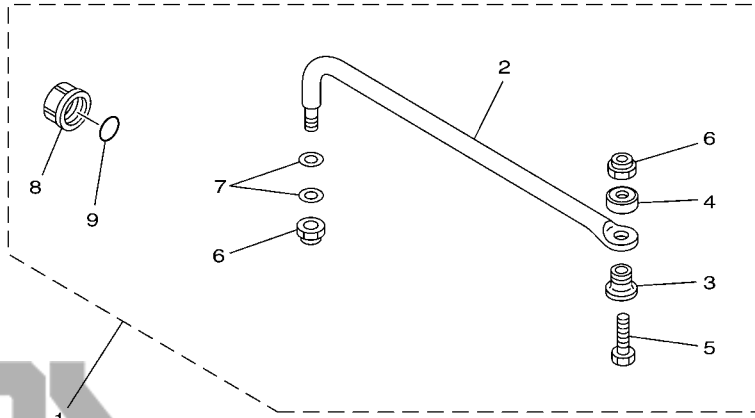
RESERVOIR A CARBURANT

| REF. NO. | PART NO. N° PIECES | DESCRIPTION DESCRIPTION | QTY | REMARKS REMARQUES |
|----------|--------------------|--|-----|-------------------|
| 1 | 6YK-24201-03 | FUEL TANK ASSY (25L) RESERVOIR A ESSENCE (ENS.) 25L | 1 | AP AP |
| 2 | 6YL-24268-01 | .GASKET, FUEL METER .JOINT, JAUGE A CARBURANT | 1 | |
| 3 | 6YK-24610-01 | .CAP ASSY .BOUCHON | 1 | |
| 4 | 6YK-24260-01 | .FUEL METER ASSY .INDICATEUR DE CARBURANT | 1 | |
| 5 | 90157-05M16 | .SCREW, PAN HEAD .VIS, TETE TRONCONIQUE | 4 | |
| 6 | 6YL-24329-00 | .SEAL .JOINT | 4 | |
| 7 | 6YK-24306-44 | FUEL PIPE COMP. 1 DURITE A ESSENCE 1 | 1 | AP AP |

FIG. 28 STEERING GUIDE

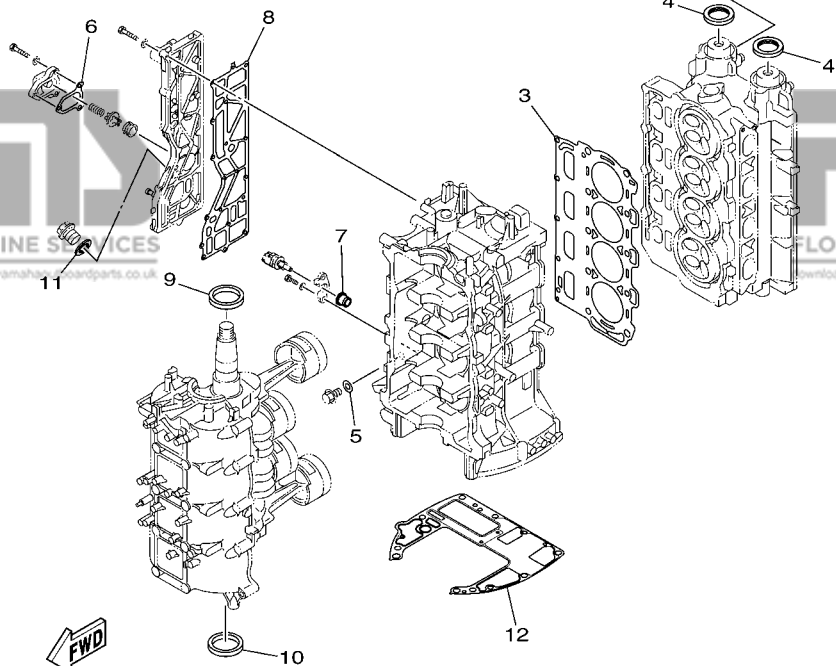
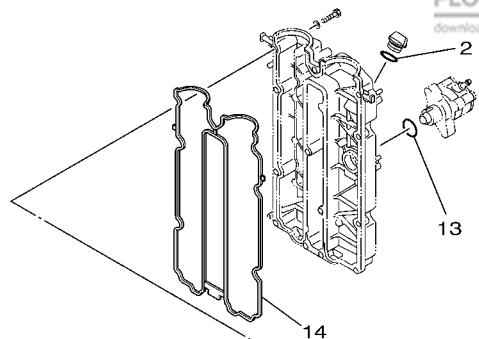
FIXATION DE DIRECTION

| REF. NO. | PART NO. N° PIECES | DESCRIPTION DESCRIPTION | QTY | REMARKS REMARQUES |
|----------|--------------------|---|-----|-------------------|
| 1 | 6E5-61350-02 | STEERING GUIDE ATTACHMENT KIT FIXATIONS DE DIRECTION | 1 | AP AP |
| 2 | 6E5-61351-01 | .ROD, STEERING LINK .RENOI DE DIRECTION | 1 | |
| 3 | 90387-10M61 | .COLLAR .COLLERETTE | 1 | |
| 4 | 90560-12M01 | .SPACER .ENTRETOISE | 1 | |
| 5 | 6E5-61355-00 | .BOLT .BOULON | 1 | |
| 6 | 90185-09M01 | .NUT, SELF-LOCKING .ECROU, AUTO-BLOQUANT | 2 | |
| 7 | 90201-10M20 | .WASHER, PLATE .RONDELLE, PLATE | 2 | |
| 8 | 6E5-43145-01 | .CAP CLAMP BRACKET .CAPUCHON, PRESSE | 1 | |
| 9 | 93210-16275 | .O-RING .JOINT TORIQUE | 1 | |



67H0100-9290

POWER HEAD
GASKET KIT



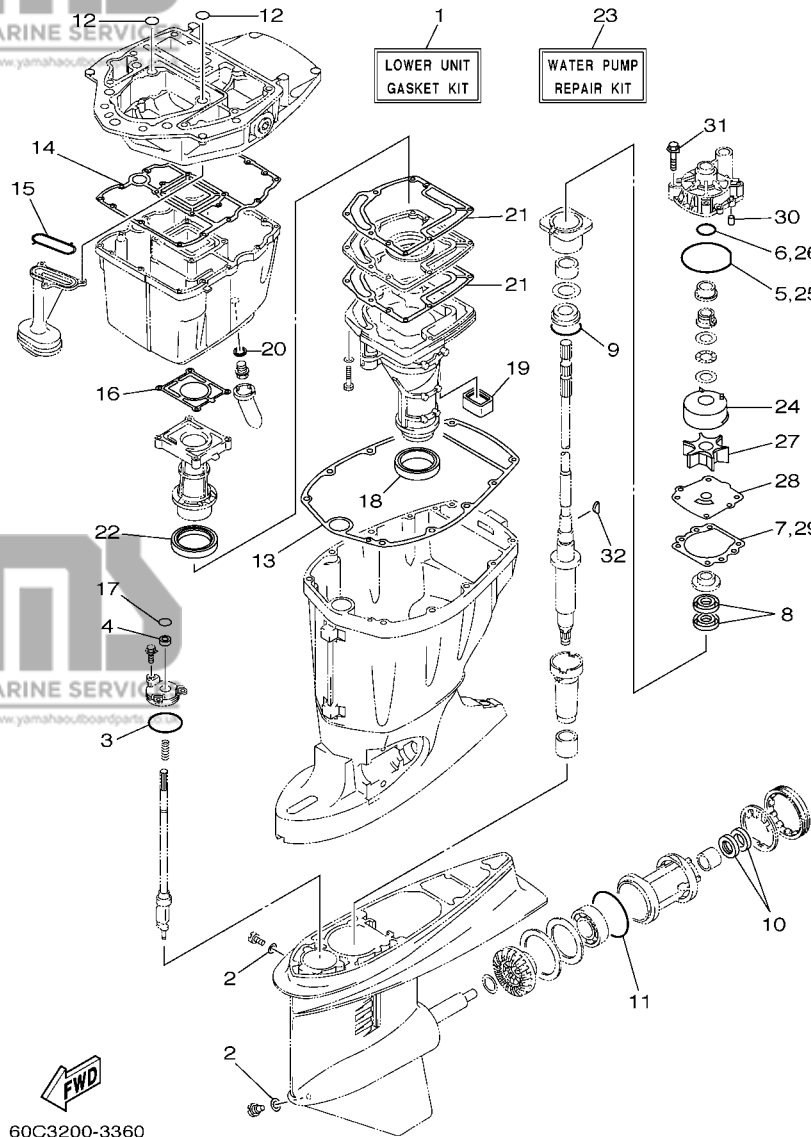
6D67110-K320



FIG. 29 REPAIR KIT 1

KITS DE REPARATION 1

| REF. NO. | PART NO. N° PIECES | DESCRIPTION DESCRIPTION | 6CK3 | REMARKS REMARQUES |
|----------|--------------------|---|------|-------------------|
| 1 | 6D8-W0001-02 | POWER HEAD GASKET KIT POCHETTE DE JINTS TETE MOTRICE | 1 | |
| 2 | 93210-24M79 | .O-RING .JOINT TORIQUE | 1 | |
| 3 | 67F-11181-03 | .GASKET, CYLINDER HEAD 1 .JOINT, DE CULASSE 1 | 1 | |
| 4 | 93102-38008 | .OIL SEAL .JOINT SPY | 2 | |
| 5 | 90430-14115 | .GASKET .JOINT | 1 | |
| 6 | 67F-12435-A0 | .GASKET .JOINT | 1 | |
| 7 | 68V-85753-00 | .GASKET, SENDER UNIT .JOINT, DE PERCEPTION | 1 | |
| 8 | 67F-41114-A2 | .GASKET, EXHAUST OUTER COVER .JOINT, COUVERCLE D'ECHAPPEMENT | 1 | |
| 9 | 93102-48008 | .OIL SEAL .JOINT SPY | 1 | |
| 10 | 93101-48001 | .OIL SEAL .JOINT SPY | 1 | |
| 11 | 90430-18130 | .GASKET .JOINT | 1 | |
| 12 | 68V-11351-00 | .GASKET, CYLINDER .JOINT, D'EMBASE | 1 | |
| 13 | 93210-30682 | .O-RING .JOINT TORIQUE | 1 | |
| 14 | 6D8-11356-01 | .SEAL, CYLINDER 2 .JOINT, SPY CYLINDRE | 1 | |



60C3200-3360

FIG. 30 REPAIR KIT 2

KITS DE REPARATION 2

| REF. NO. | PART NO. N° PIECES | DESCRIPTION DESCRIPTION | 60K3 | REMARKS REMARQUES |
|----------|--------------------|---|------|-------------------|
| 1 | 68V-W0001-21 | LOWER UNIT GASKET KIT POCHETTE DE JOINTS EMBASE | 1 | |
| 2 | 90430-08020 | .GASKET .JOINT | 2 | |
| 3 | 93210-58144 | .O-RING .JOINT TORIQUE | 1 | |
| 4 | 93106-09014 | .OIL SEAL .JOINT SPY | 1 | |
| 5 | 93210-86M38 | .O-RING .JOINT TORIQUE | 1 | |
| 6 | 93210-37160 | .O-RING .JOINT TORIQUE | 1 | |
| 7 | 6E5-44315-A0 | .GASKET, WATER PUMP .JOINT, POMPE A EAU | 1 | |
| 8 | 93101-28M16 | .OIL SEAL .JOINT SPY | 2 | |
| 9 | 93210-55M14 | .O-RING .JOINT TORIQUE | 1 | |
| 10 | 93101-30M17 | .OIL SEAL .JOINT SPY | 2 | |
| 11 | 93210-86M39 | .O-RING .JOINT TORIQUE | 1 | |
| 12 | 93210-19MJ1 | .O-RING .JOINT TORIQUE | 2 | |
| 13 | 67F-45113-00 | .GASKET, UPPER CASING .JOINT, TUBE D'ARBRE | 1 | |
| 14 | 68V-15312-00 | .GASKET, OIL PAN .JOINT DE VENTILATEUR D'HUILE | 1 | |
| 15 | 67F-13415-00 | .SEAL, OIL STRAINER .JOINT, FILTRE A HUILE | 1 | |
| 16 | 67F-41133-A1 | .GASKET, EXHAUST MANIFOLD 1 .JOINT, PIPE D'ECHAPPEMENT | 1 | |
| 17 | 93210-09165 | .O-RING .JOINT TORIQUE | 1 | |
| 18 | 68V-45123-00 | .GASKET, MUFFLER .JOINT, POT DE DETENTE | 1 | |
| 19 | 67F-45127-00 | .SEAL .JOINT | 1 | |
| 20 | 90430-14M09 | .GASKET .JOINT | 1 | |
| 21 | 67F-41134-A0 | .GASKET, EXHAUST MANIFOLD .JOINT, PIPE D'ECHAPPEMENT | 2 | |
| 22 | 67F-41138-00 | .SEAL, EXT. 1 .JOINT DE GROUPE 1 | 1 | |
| 23 | 60C-W0078-00 | WATER PUMP REPAIR KIT KIT DE REPARATION DE LA POMPE | 1 | |
| 24 | 6R3-44322-42 | .INSERT, CARTRIDGE .CUVETTE | 1 | |
| 25 | 93210-86M38 | .O-RING .JOINT TORIQUE | 1 | |
| 26 | 93210-37160 | .O-RING .JOINT TORIQUE | 1 | |
| 27 | 6E5-44352-01 | .IMPELLER .TURBINE | 1 | |

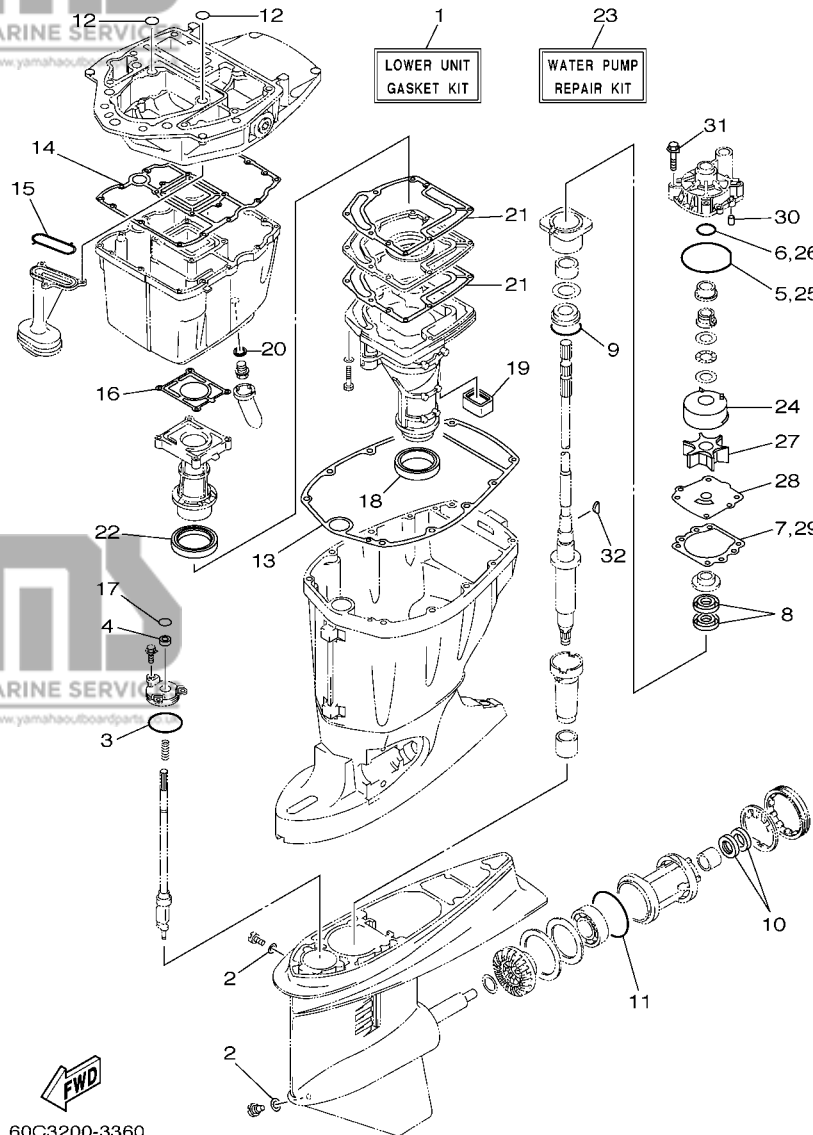


FIG. 30 REPAIR KIT 2

KITS DE REPARATION 2

| REF. NO. | PART NO. N° PIECES | DESCRIPTION DESCRIPTION | 6CK3 | REMARKS REMARQUES |
|----------|--------------------|---|------|-------------------|
| 28 | 60C-44323-40 | .OUTER PLATE, CARTRIDGE .PLAQUE EXTERIEURE | 1 | |
| 29 | 6E5-44315-A0 | .GASKET, WATER PUMP .JOINT, POMPE A EAU | 1 | |
| 30 | 93606-12019 | .PIN, DOWEL .GOUILLE | 2 | |
| 31 | 90119-08M14 | .BOLT, WITH WASHER .BOULON, AVEC RONDELLE | 4 | |
| 32 | 90280-04M05 | .KEY, WOODRUFF .CLAVETTE, DEMI-LUNE | 1 | |

| PART NO. N° PIECES | REF. NO. | PART NO. N° PIECES | REF. NO. | PART NO. N° PIECES | REF. NO. |
|-----------------------|-------------|-----------------------|-------------|-----------------------|-------------|
| 6D8-11110-13-9S | 4 - 2 | 6D8-12153-10 | 5 - 9 | 67F-13300-10 | 24 - 12 |
| 62Y-11119-00 | 2 - 8 | 6D8-12153-20 | 5 - 9 | 67F-13314-02 | 24 - 13 |
| 67F-11133-10 | 4 - 3 | 6D8-12153-30 | 5 - 9 | 67F-13329-00 | 24 - 15 |
| 67F-11168-00 | 4 - 19 | 6D8-12153-40 | 5 - 9 | 67F-13338-00 | 24 - 23 |
| 67F-11181-03 | 4 - 14 | 6D8-12153-50 | 5 - 9 | 67F-13339-00 | 24 - 22 |
| | 29 - 3 | 6D8-12153-60 | 5 - 9 | 67F-13411-00 | 24 - 8 |
| 6D8-11191-01-9S | 4 - 18 | 6D8-12153-70 | 5 - 9 | 67F-13415-00 | 24 - 11 |
| 67F-11192-01 | 4 - 26 | 6D8-12153-80 | 5 - 9 | | 30 - 15 |
| 69J-11301-00 | 2 - 34 | 6D8-12153-90 | 5 - 9 | 6D8-13428-01 | 8 - 3 |
| | 4 - 8 | 6D8-12153-A0 | 5 - 9 | 67F-13434-20 | 1 - 21 |
| 6E5-11325-00 | 2 - 16 | 6D8-12153-B0 | 5 - 9 | 68V-13437-62 | 12 - 22 |
| 67F-11325-01 | 2 - 35 | 6D8-12153-C0 | 5 - 9 | 5GH-13440-00 | 2 - 44 |
| | 4 - 9 | 6D8-12153-D0 | 5 - 9 | 67F-13473-01 | 24 - 14 |
| 67F-11328-00 | 2 - 36 | 6D8-12153-E0 | 5 - 9 | 67F-13495-00 | 24 - 16 |
| | 4 - 10 | 6D8-12153-F0 | 5 - 9 | 6D8-13542-01 | 10 - 2 |
| 68V-11351-00 | 2 - 43 | 6D8-12153-G0 | 5 - 9 | 6C5-13545-00 | 10 - 18 |
| | 29 - 12 | 6D8-12153-H0 | 5 - 9 | 6D8-13546-01 | 10 - 1 |
| 6D8-11356-01 | 4 - 23 | 6D8-12153-J0 | 5 - 9 | 6D8-13557-00 | 6 - 4 |
| | 29 - 14 | 6D8-12153-K0 | 5 - 9 | 6C5-13577-00 | 10 - 10 |
| 676-11372-00 | 2 - 13 | 6D8-12153-L0 | 5 - 9 | 6C5-13593-00 | 9 - 20 |
| 6D8-11411-00 | 3 - 1 | 6D8-12153-M0 | 5 - 9 | 67F-13631-03 | 24 - 20 |
| 6D8-11416-00 | 3 - 2 | 6D8-12153-N0 | 5 - 9 | 6D8-13641-00 | 6 - 2 |
| 6D8-11416-10 | 3 - 2 | 6D8-12153-P0 | 5 - 9 | 6D8-13645-00 | 6 - 3 |
| 6D8-11416-20 | 3 - 2 | 6D8-12153-R0 | 5 - 9 | 6C5-13716-00 | 9 - 22 |
| 6D8-11417-00 | 3 - 3 | 6D8-12153-S0 | 5 - 9 | 6C5-13739-00 | 10 - 21 |
| 6D8-11417-10 | 3 - 3 | 6D8-12153-T0 | 5 - 9 | 6D8-13750-00 | 6 - 5 |
| 6D8-11417-20 | 3 - 3 | 6D8-12153-U0 | 5 - 9 | 6D8-13761-00 | 6 - 15 |
| 6D8-11417-30 | 3 - 3 | 6D8-12153-V0 | 5 - 9 | 67F-13769-00 | 24 - 18 |
| 6D8-11418-00 | 3 - 4 | 6D8-12171-00 | 5 - 10 | 6C5-13781-00 | 9 - 21 |
| 6D8-11418-10 | 3 - 4 | 6D8-12181-00 | 5 - 11 | 6D8-13782-00 | 7 - 13 |
| 6D8-11418-20 | 3 - 4 | 67F-12411-01 | 4 - 28 | 6C5-13906-01 | 9 - 9 |
| 6D8-11536-00 | 5 - 21 | 67F-12412-00 | 4 - 29 | 6C5-13907-00 | 9 - 17 |
| 67F-11537-00 | 5 - 13 | 68V-12413-00-9S | 4 - 30 | 6C5-13910-00 | 9 - 16 |
| 67F-11590-00 | 5 - 16 | 6G5-12416-00 | 2 - 28 | 67F-13914-00 | 24 - 19 |
| 67F-11595-00 | 5 - 19 | 67F-12435-A0 | 2 - 32 | 6C5-13915-00 | 9 - 19 |
| 6D8-11603-01 | 3 - 7 | | 29 - 6 | 6D8-13974-00 | 10 - 15 |
| 6D8-11604-01 | 3 - 7 | 67F-1243A-00 | 2 - 40 | 6C5-1410B-00 | 6 - 16 |
| 6D8-11656-00 | 3 - 8 | 67F-1246A-01-9S | 2 - 31 | 6C5-14127-00 | 9 - 18 |
| 6D8-11656-10 | 3 - 8 | 67F-12535-01 | 18 - 33 | 6D8-14148-00 | 10 - 13 |
| 6D8-11656-20 | 3 - 8 | 68T-12572-00 | 18 - 32 | 6BG-14149-00 | 10 - 8 |
| 6D8-11656-30 | 3 - 8 | 6R3-12581-00 | 18 - 36 | 6D8-14180-20 | 9 - 1 |
| 6D8-12111-00 | 5 - 1 | 6R3-12582-00 | 18 - 37 | 6D8-14182-00 | 9 - 2 |
| 6D8-12113-00 | 5 - 4 | 6R3-12583-00 | 18 - 38 | 6C5-14191-00 | 9 - 13 |
| 6D8-12116-00 | 5 - 3 | 6D8-13105-01 | 6 - 10 | 6D8-14200-00 | 6 - 1 |
| 26H-12117-00 | 5 - 5 | 67F-13119-01 | 24 - 17 | 6C5-14225-00 | 9 - 25 |
| 4G0-12118-00 | 5 - 6 | 63P-13131-00 | 11 - 18 | 6C5-14251-00 | 10 - 12 |
| 6D8-12121-00 | 5 - 2 | 67F-13149-00 | 24 - 21 | 6D8-14291-00 | 7 - 5 |
| 6D8-12153-00 | 5 - 9 | 6D8-13161-00 | 6 - 13 | 6D8-14292-00 | 7 - 9 |

| PART NO. N° PIECES | REF. NO. | PART NO. N° PIECES | REF. NO. | PART NO. N° PIECES | REF. NO. |
|-----------------------|-------------|-----------------------|-------------|-----------------------|-------------|
| 6C5-14386-00 | 9 - 5 | 688-24378-00 | 2 - 25 | 688-24378-00 | 2 - 25 |
| 6C5-14397-00 | 6 - 11 | 6C5-24379-00 | 10 - 17 | 6C5-24379-00 | 10 - 17 |
| | 9 - 14 | 6C5-24387-00 | 10 - 14 | 6C5-24387-00 | 10 - 14 |
| 6D6-14440-00 | 7 - 14 | 6D8-24410-00 | 11 - 15 | 6D8-24410-00 | 11 - 15 |
| 6C5-14446-00 | 6 - 14 | 68V-24411-00 | 11 - 20 | 68V-24411-00 | 11 - 20 |
| 6C5-14496-00 | 6 - 9 | 68V-24412-00 | 11 - 16 | 68V-24412-00 | 11 - 16 |
| 6C5-14546-00 | 9 - 4 | 68V-24413-00 | 11 - 22 | 68V-24413-00 | 11 - 22 |
| 6C5-14567-00 | 9 - 15 | 6D8-24414-00 | 11 - 23 | 6D8-24414-00 | 11 - 23 |
| 60C-14711-10-9S | 23 - 11 | 6C5-2441R-00 | 9 - 6 | 6C5-2441R-00 | 9 - 6 |
| 6D8-14960-00 | 9 - 12 | 6C5-2441T-00 | 9 - 7 | 6C5-2441T-00 | 9 - 7 |
| 6C5-14984-00 | 9 - 23 | 68V-24423-00 | 11 - 19 | 68V-24423-00 | 11 - 19 |
| 6C5-14985-00 | 9 - 3 | 68V-24444-00 | 11 - 24 | 68V-24444-00 | 11 - 24 |
| 6D8-15100-01 | 2 - 2 | 6C5-24444-00 | 10 - 9 | 6C5-24444-00 | 10 - 9 |
| 67F-15142-00 | 2 - 11 | 6C5-24453-00 | 9 - 8 | 6C5-24453-00 | 9 - 8 |
| 68V-15311-00-CA | 24 - 1 | 68V-24454-00 | 11 - 17 | 68V-24454-00 | 11 - 17 |
| 68V-15312-00 | 24 - 7 | 6D8-24469-00 | 11 - 7 | 6D8-24469-00 | 11 - 7 |
| | 30 - 14 | 69J-42649-00 | 8 - 14 | 69J-42649-00 | 8 - 14 |
| 63P-15316-00 | 24 - 2 | 6D8-24519-00 | 11 - 8 | 6D8-24519-00 | 11 - 8 |
| 6D8-15362-00 | 24 - 28 | 6D8-2451B-00 | 10 - 20 | 6D8-2451B-00 | 10 - 20 |
| 6G8-15363-00 | 4 - 33 | 6D8-24560-00 | 11 - 3 | 6D8-24560-00 | 11 - 3 |
| 6D8-15373-00 | 7 - 19 | 6D8-24562-00 | 11 - 6 | 6D8-24562-00 | 11 - 6 |
| 6C5-21337-00 | 9 - 24 | 6D8-24563-00 | 11 - 4 | 6D8-24563-00 | 11 - 4 |
| 6D8-2134X-00 | 8 - 25 | 6D8-24564-00 | 11 - 5 | 6D8-24564-00 | 11 - 5 |
| 6C5-21841-00 | 10 - 11 | 6D8-24566-00 | 11 - 10 | 6D8-24566-00 | 11 - 10 |
| 6D8-2413X-01 | 8 - 19 | 6C5-24592-00 | 9 - 10 | 6C5-24592-00 | 9 - 10 |
| 68V-24149-00 | 11 - 25 | 6YK-24610-01 | 27 - 3 | 6YK-24610-01 | 27 - 3 |
| 69J-24170-00 | 8 - 8 | 67F-28100-01 | 11 - 29 | 67F-28100-01 | 11 - 29 |
| 6D8-2417H-01 | 8 - 11 | 67F-2812A-00 | 14 - 24 | 67F-2812A-00 | 14 - 24 |
| 69J-2419A-01 | 8 - 22 | 6D7-28199-77-D0 | 11 - 30 | 6D7-28199-77-D0 | 11 - 30 |
| 6YK-24201-03 | 27 - 1 | 6D7-28199-77-E0 | 11 - 30 | 6D7-28199-77-E0 | 11 - 30 |
| 6C5-24251-00 | 10 - 19 | 6D7-28199-77-F0 | 11 - 30 | 6D7-28199-77-F0 | 11 - 30 |
| 6YK-24260-01 | 27 - 4 | 6D7-28199-77-G0 | 11 - 30 | 6D7-28199-77-G0 | 11 - 30 |
| 6YL-24268-01 | 27 - 2 | 6D7-28199-77-H0 | 11 - 30 | 6D7-28199-77-H0 | 11 - 30 |
| 6YK-24306-44 | 27 - 7 | 6D7-28199-77-S0 | 11 - 30 | 6D7-28199-77-S0 | 11 - 30 |
| 6D8-24311-00 | 11 - 14 | 6D7-28199-87-K0 | 11 - 31 | 6D7-28199-87-K0 | 11 - 31 |
| 67F-24312-00 | 18 - 39 | 6D7-28199-87-L0 | 11 - 31 | 6D7-28199-87-L0 | 11 - 31 |
| 6D8-24314-01 | 8 - 6 | 6D7-28199-87-M0 | 11 - 31 | 6D7-28199-87-M0 | 11 - 31 |
| 6D8-24315-00 | 8 - 9 | 6D7-28199-87-N0 | 11 - 31 | 6D7-28199-87-N0 | 11 - 31 |
| 61A-24316-00 | 2 - 26 | 6D7-28199-87-P0 | 11 - 31 | 6D7-28199-87-P0 | 11 - 31 |
| 6D8-24316-00 | 8 - 15 | 6D7-28199-87-R0 | 11 - 31 | 6D7-28199-87-R0 | 11 - 31 |
| 6D8-24317-01 | 8 - 20 | 6D8-41113-30-9S | 2 - 12 | 6D8-41113-30-9S | 2 - 12 |
| 6C5-24321-00 | 10 - 3 | 67F-41114-A2 | 2 - 18 | 67F-41114-A2 | 2 - 18 |
| 6C5-24322-00 | 10 - 4 | | 29 - 8 | | 29 - 8 |
| 6C5-24323-00 | 10 - 5 | 60C-41131-01-9S | 23 - 7 | 60C-41131-01-9S | 23 - 7 |
| 6D8-24324-01 | 10 - 6 | 67F-41133-A1 | 30 - 16 | 67F-41133-A1 | 30 - 16 |
| 6D8-24325-10 | 10 - 7 | | 23 - 16 | | 23 - 16 |
| 6YL-24329-00 | 27 - 6 | 67F-41134-A0 | 30 - 21 | 67F-41134-A0 | 30 - 21 |
| 68V-24374-00 | 11 - 21 | | | | |

| PART NO. N° PIECES | REF. NO. | PART NO. N° PIECES | REF. NO. | PART NO. N° PIECES | REF. NO. |
|-----------------------|-------------|-----------------------|-------------|-----------------------|-------------|
| 67F-41137-02-CA | 23 - 3 | 682-41237-00 | 19 - 44 | 67F-41137-02-CA | 23 - 3 |
| 67F-41138-00 | 23 - 18 | 6D8-41237-00 | 19 - 43 | 67F-41138-00 | 23 - 18 |
| | 30 - 22 | 6D8-42154-00 | 19 - 26 | | 30 - 22 |
| | 19 - 44 | 6D8-42157-00 | 19 - 35 | | 19 - 44 |
| | 19 - 43 | 68V-42171-00 | 19 - 36 | | 19 - 43 |
| | 19 - 26 | 68V-42510-11-8D | 22 - 1 | | 19 - 26 |
| | 19 - 35 | 6D8-42541-00 | 2 - 20 | | 19 - 35 |
| | 19 - 36 | 6CK-42610-00 | 1 - 1 | | 19 - 36 |
| | 22 - 1 | 67F-42613-00-8D | 1 - 10 | | 22 - 1 |
| | 2 - 20 | 67F-42615-00 | 1 - 13 | | 2 - 20 |
| | 1 - 1 | 61N-42628-00 | 1 - 12 | | 1 - 1 |
| | 1 - 10 | 67F-42628-00 | 1 - 19 | | 1 - 10 |
| | 1 - 13 | 67F-42628-00 | 1 - 19 | | 1 - 13 |
| | 1 - 12 | 67F-42647-00 | 1 - 2 | | 1 - 12 |
| | 1 - 19 | 67F-42647-00 | 1 - 2 | | 1 - 19 |
| | 1 - 5 | 68V-42652-00 | 1 - 5 | | 1 - 5 |
| | 1 - 9 | 67F-42662-00 | 1 - 9 | | 1 - 9 |
| | 1 - 14 | 67G-42677-10 | 1 - 14 | | 1 - 14 |
| | 1 - 15 | 6D7-42678-00 | 1 - 15 | | 1 - 15 |
| | 1 - 20 | 6BC-42681-00 | 1 - 20 | | 1 - 20 |
| | 1 - 17 | 67F-42681-10 | 1 - 17 | | 1 - 17 |
| | 1 - 18 | 67F-42682-10 | 1 - 18 | | 1 - 18 |
| | 18 - 1 | 6D8-42710-00-8D | 18 - 1 | | 18 - 1 |
| | 19 - 23 | 648-42715-00 | 19 - 23 | | 19 - 23 |
| | 18 - 41 | 61A-42716-00 | 18 - 41 | | 18 - 41 |
| | 18 - 27 | 67F-42717-00 | 18 - 27 | | 18 - 27 |
| | 18 - 21 | 6D8-42717-00 | 18 - 21 | | 18 - 21 |
| | 23 - 2 | 68F-42723-10-8D | 23 - 2 | | 23 - 2 |
| | 18 - 19 | 67F-42724-00 | 18 - 19 | | 18 - 19 |
| | 18 - 24 | 68V-42725-00 | 18 - 19 | | 18 - 24 |
| | 23 - 6 | 688-42726-10 | 18 - 24 | | 23 - 6 |
| | 18 - 17 | 6G1-42727-00 | 23 - 6 | | 18 - 17 |
| | 18 - 42 | 67F-42738-00-8D | 18 - 17 | | 18 - 42 |
| | 18 - 26 | 67F-42741-01-8D | 18 - 42 | | 18 - 26 |
| | 18 - 48 | 6H4-42748-00 | 18 - 26 | | 18 - 48 |
| | 18 - 20 | 68F-42753-00 | 18 - 48 | | 18 - 20 |
| | 18 - 51 | 6D8-42756-02 | 18 - 20 | | 18 - 51 |
| | 18 - 52 | 6AH-42794-40 | 18 - 51 | | 18 - 52 |
| | 18 - 5 | 6AH-42794-50 | 18 - 52 | | 18 - 5 |
| | 18 - 6 | 67F-42815-00-8D | 18 - 5 | | 18 - 6 |
| | 18 - 9 | 67F-42816-00-8D | 18 - 6 | | 18 - 9 |
| | 18 - 7 | 68V-42818-01 | 18 - 9 | | 18 - 7 |
| | 21 - 1 | 67F-42828-00-8D | 18 - 7 | | 21 - 1 |
| | 20 - 1 | 6BC-43107-00-8D | 21 - 1 | | 20 - 1 |
| | 20 - 7 | 6BC-43111-00-8D | 20 - 1 | | 20 - 7 |
| | | 6BC-43112-00-8D | 20 - 7 | | |



FLOOD MARINE SERVICES
downloaded from www.yamahaboatboardparts.co.uk

| PART NO. N° PIECES | REF. NO. |
|-----------------------|-------------|
| 90119-08M14 | 25 - 33 |
| | 30 - 31 |
| 90119-08M22 | 18 - 2 |
| 90119-08M58 | 23 - 1 |
| 90119-08M66 | 2 - 5 |
| 90119-08M91 | 4 - 17 |
| 90119-10049 | 22 - 17 |
| 90119-10050 | 5 - 14 |
| 90119-10M08 | 23 - 21 |
| 90119-10M72 | 5 - 20 |
| 90119-10M88 | 2 - 4 |
| 90119-10M89 | 26 - 8 |
| 90152-05M07 | 26 - 13 |
| 90152-06M01 | 21 - 2 |
| 90155-10005 | 4 - 16 |
| 90157-05M16 | 27 - 5 |
| 90159-06M28 | 18 - 44 |
| 90159-06M29 | 4 - 27 |
| 90167-06002 | 18 - 34 |
| 90170-16M01 | 25 - 45 |
| 90170-40008 | 5 - 22 |
| 90171-18M04 | 26 - 25 |
| 90179-06M24 | 1 - 11 |
| 90179-08003 | 17 - 27 |
| 90179-24002 | 12 - 15 |
| 90185-05002 | 26 - 14 |
| 90185-09M01 | 28 - 6 |
| 90185-10051 | 22 - 27 |
| 90185-12M12 | 20 - 20 |
| | 22 - 24 |
| 90185-22M11 | 20 - 16 |
| 90201-06068 | 18 - 12 |
| 90201-06M31 | 19 - 38 |
| 90201-06M62 | 19 - 28 |
| 90201-09M02 | 19 - 17 |
| 90201-10060 | 21 - 7 |
| 90201-10M02 | 19 - 29 |
| | 19 - 39 |
| 90201-10M20 | 28 - 7 |
| 90201-12M05 | 20 - 36 |
| 90201-12M09 | 22 - 22 |
| 90201-13M01 | 20 - 35 |
| 90201-15M58 | 22 - 12 |
| 90201-16M55 | 22 - 11 |
| 90201-22M01 | 25 - 21 |
| 90201-24014 | 12 - 14 |
| 90201-26M59 | 20 - 15 |
| 90201-30M92 | 25 - 66 |

| PART NO. N° PIECES | REF. NO. |
|-----------------------|-------------|
| 90201-38M60 | 22 - 2 |
| 90202-07M07 | 19 - 9 |
| 90202-32M19 | 22 - 10 |
| 90202-40M47 | 22 - 5 |
| 90206-10M04 | 19 - 30 |
| | 19 - 40 |
| 90206-15M18 | 18 - 11 |
| 90206-22M19 | 25 - 22 |
| 90249-06M19 | 20 - 30 |
| 90250-08M07 | 25 - 55 |
| 90280-04008 | 5 - 23 |
| 90280-04M05 | 25 - 29 |
| | 30 - 32 |
| 90280-05015 | 12 - 13 |
| 90282-04010 | 25 - 67 |
| 90340-08002 | 25 - 6 |
| 90340-14M06 | 2 - 6 |
| | 24 - 3 |
| 90340-18M09 | 2 - 14 |
| 90344-51019 | 4 - 4 |
| 90386-06M12 | 19 - 12 |
| 90386-08001 | 7 - 15 |
| 90386-10M16 | 20 - 28 |
| 90386-15M73 | 18 - 10 |
| 90386-22M98 | 21 - 11 |
| | 21 - 13 |
| 90386-25M31 | 20 - 14 |
| 90386-38M32 | 22 - 4 |
| 90386-90M90 | 19 - 16 |
| 90387-06013 | 19 - 37 |
| 90387-06119 | 13 - 3 |
| | 14 - 14 |
| 90387-06263 | 24 - 10 |
| 90387-06M05 | 14 - 27 |
| 90387-06M21 | 19 - 27 |
| 90387-06M43 | 18 - 47 |
| 90387-06M60 | 8 - 27 |
| 90387-06M69 | 9 - 26 |
| 90387-07013 | 7 - 16 |
| 90387-08033 | 7 - 2 |
| 90387-08M37 | 18 - 4 |
| 90387-10M05 | 20 - 31 |
| 90387-10M08 | 4 - 15 |
| 90387-10M61 | 28 - 3 |
| 90387-22018 | 21 - 10 |
| 90401-20007 | 2 - 45 |
| 90430-06M03 | 2 - 38 |
| | 4 - 12 |



**NUMERICAL INDEX
 INDEX NUMERIQUE**

| PART NO. N° PIECES |
|-----------------------|
| 90430-08020 |
| 90430-14115 |
| 90430-14M09 |
| 90430-18130 |
| 90445-076K2 |
| 90445-07ME8 |
| 90445-13M37 |
| 90445-15M03 |
| 90462-10027 |
| 90464-08004 |
| 90464-10010 |
| 90464-11009 |
| 90464-12M58 |
| 90464-15007 |
| 90464-18004 |
| 90464-18246 |
| 90464-20258 |
| 90464-30003 |
| 90464-76001 |
| 90465-08M23 |
| 90465-11M10 |
| 90465-11M59 |
| 90465-12M03 |
| 90465-12M53 |
| 90465-13M11 |
| 90465-13M18 |
| 90467-09M03 |

| PART NO. N° PIECES | REF. NO. |
|-----------------------|-------------|
| 25 - 8 | |
| 30 - 2 | |
| 2 - 7 | |
| 29 - 5 | |
| 24 - 4 | |
| 30 - 20 | |
| 2 - 15 | |
| 29 - 11 | |
| 26 - 17 | |
| 25 - 11 | |
| 11 - 2 | |
| 5 - 18 | |
| 19 - 7 | |
| 13 - 19 | |
| 2 - 23 | |
| 2 - 24 | |
| 14 - 17 | |
| 8 - 2 | |
| 2 - 22 | |
| 6 - 18 | |
| 18 - 22 | |
| 18 - 49 | |
| 13 - 25 | |
| 16 - 16 | |
| 7 - 18 | |
| 15 - 6 | |
| 13 - 21 | |
| 18 - 30 | |
| 2 - 21 | |
| 2 - 27 | |
| 2 - 41 | |
| 8 - 7 | |
| 8 - 10 | |
| 8 - 16 | |
| 8 - 21 | |
| 10 - 16 | |
| 11 - 9 | |
| 11 - 26 | |
| 16 - 20 | |
| 18 - 40 | |
| 26 - 19 | |
| 7 - 20 | |
| 7 - 22 | |
| 14 - 26 | |
| 15 - 23 | |
| 14 - 29 | |
| 15 - 19 | |
| 8 - 17 | |

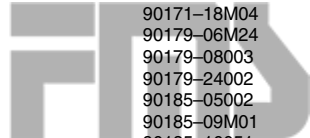
| PART NO. N° PIECES | REF. NO. |
|-----------------------|-------------|
| 90467-20M15 | 2 - 42 |
| | 7 - 21 |
| 90468-18008 | 19 - 4 |
| | 19 - 10 |
| | 19 - 13 |
| | 19 - 25 |
| | 9 - 27 |
| 90480-10M23 | 8 - 26 |
| 90480-12314 | 4 - 22 |
| | 12 - 19 |
| 90480-13M24 | 14 - 20 |
| | 18 - 46 |
| | 13 - 20 |
| 90480-14329 | 2 - 30 |
| 90480-20M05 | 8 - 26 |
| 90480-22M15 | 18 - 3 |
| 90501-11M10 | 25 - 19 |
| 90501-12082 | 19 - 22 |
| 90501-16M11 | 2 - 29 |
| 90501-16M37 | 25 - 51 |
| 90506-14M24 | 20 - 33 |
| 90506-16M34 | 18 - 16 |
| 90506-16M39 | 5 - 17 |
| 90560-12M01 | 28 - 4 |
| 91490-20015 | 19 - 18 |
| 91490-40030 | 26 - 26 |
| 91690-30020 | 20 - 32 |
| 91690-50014 | 7 - 4 |
| 91809-08006 | 4 - 6 |
| 92903-06100 | 14 - 3 |
| 92903-06600 | 14 - 4 |
| 92903-08100 | 17 - 33 |
| 92903-08600 | 17 - 31 |
| 92907-04600 | 4 - 21 |
| 92990-05600 | 16 - 19 |
| 92990-06100 | 1 - 3 |
| 92990-12200 | 20 - 19 |
| 92990-18200 | 26 - 24 |
| 92995-06100 | 12 - 11 |
| | 13 - 16 |
| | 13 - 27 |
| | 13 - 30 |
| | 15 - 8 |
| | 15 - 21 |
| | 19 - 33 |
| | 20 - 5 |
| 92995-06600 | 1 - 7 |
| | 2 - 10 |
| | 4 - 25 |

| PART NO. N° PIECES | REF. NO. |
|-----------------------|-------------|
| 92995-06600 | 4 - 32 |
| | 7 - 7 |
| | 7 - 11 |
| | 7 - 24 |
| | 8 - 5 |
| | 8 - 13 |
| | 8 - 24 |
| | 11 - 13 |
| | 12 - 12 |
| | 13 - 17 |
| | 13 - 23 |
| | 13 - 28 |
| | 13 - 31 |
| | 14 - 22 |
| | 15 - 9 |
| | 15 - 12 |
| | 15 - 15 |
| | 15 - 18 |
| | 15 - 22 |
| | 16 - 3 |
| | 16 - 10 |
| | 19 - 34 |
| | 19 - 42 |
| | 20 - 9 |
| | 23 - 10 |
| | 23 - 14 |
| | 24 - 25 |
| | 20 - 13 |
| 92995-08100 | 25 - 42 |
| 92995-08600 | 26 - 7 |
| 92995-10100 | 22 - 15 |
| 92995-14600 | 25 - 35 |
| 93101-28M16 | 30 - 8 |
| | 25 - 63 |
| 93101-30M17 | 30 - 10 |
| | 3 - 10 |
| 93101-48001 | 29 - 10 |
| | 5 - 24 |
| 93102-38008 | 29 - 4 |
| | 3 - 9 |
| 93102-48008 | 29 - 9 |
| | 25 - 15 |
| 93106-09014 | 30 - 4 |
| | 19 - 15 |
| 93210-09165 | 30 - 17 |
| | 28 - 9 |
| 93210-16275 | 24 - 27 |
| 93210-19MJ1 | 30 - 12 |

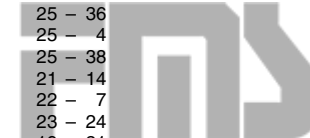
| PART NO. N° PIECES | REF. NO. |
|-----------------------|-------------|
| 93210-24M79 | 4 - 34 |
| | 29 - 2 |
| 93210-30682 | 11 - 27 |
| | 29 - 13 |
| 93210-37160 | 25 - 27 |
| | 30 - 6 |
| | 30 - 26 |
| | 22 - 3 |
| 93210-37MH7 | 25 - 39 |
| 93210-55M14 | 30 - 9 |
| 93210-58144 | 25 - 14 |
| | 30 - 3 |
| 93210-86M38 | 25 - 26 |
| | 30 - 5 |
| | 30 - 25 |
| 93210-86M39 | 25 - 64 |
| | 30 - 11 |
| 93306-208U0 | 25 - 59 |
| 93315-425U7 | 25 - 47 |
| 93315-430U8 | 25 - 62 |
| 93315-628U9 | 25 - 3 |
| 93317-330U2 | 25 - 36 |
| 93332-000U7 | 25 - 4 |
| 93341-930V2 | 25 - 38 |
| 93410-22M11 | 21 - 14 |
| 93410-37M04 | 22 - 7 |
| 93420-36M01 | 23 - 24 |
| 93501-04M02 | 19 - 21 |
| 93503-16003 | 25 - 54 |
| 93507-32009 | 25 - 52 |
| 93511-32017 | 25 - 53 |
| 93604-12M07 | 24 - 26 |
| 93605-10108 | 5 - 12 |
| 93606-12019 | 2 - 3 |
| | 24 - 6 |
| | 25 - 32 |
| | 30 - 30 |
| | 23 - 15 |
| 93606-19M23 | 26 - 5 |
| 93608-12M05 | 23 - 5 |
| 93608-16M16 | 23 - 22 |
| 93700-06M03 | 20 - 10 |
| | 20 - 22 |
| 94702-00391 | 4 - 36 |
| 95333-08600 | 17 - 32 |
| 95380-05600 | 19 - 45 |
| 95380-06600 | 1 - 4 |
| | 18 - 43 |



FLOOD MARINE SERVICES
downloaded from www.yamahaboatboardparts.co.uk



FLOOD MARINE SERVICES
downloaded from www.yamahaboatboardparts.co.uk



FLOOD MARINE SERVICES
downloaded from www.yamahaboatboardparts.co.uk



FLOOD MARINE SERVICES
downloaded from www.yamahaboatboardparts.co.uk



FLOOD MARINE SERVICES
downloaded from www.yamahaboatboardparts.co.uk



FLOOD MARINE SERVICES
downloaded from www.yamahaboatboardparts.co.uk



FLOOD MARINE SERVICES
downloaded from www.yamahaoutboardparts.co.uk

| PART NO. N° PIECES | REF. NO. |
|-----------------------|-------------|
| 95380-08600 | 11 - 11 |
| 95380-12600 | 20 - 37 |
| 95380-14600 | 22 - 14 |
| 95812-06025 | 24 - 9 |
| 95895-06010 | 23 - 29 |
| 95895-06025 | 7 - 26 |
| 97013-06020 | 14 - 2 |
| 97013-08045 | 17 - 30 |
| 97075-06030 | 23 - 13 |
| 97075-06070 | 23 - 9 |
| 97075-10045 | 26 - 6 |
| 97095-06010 | 8 - 12 |
| | 20 - 25 |
| 97095-06012 | 1 - 6 |
| | 7 - 23 |
| | 8 - 4 |
| | 15 - 11 |
| | 15 - 17 |
| | 16 - 9 |
| 97095-06014 | 13 - 22 |
| | 14 - 21 |
| | 15 - 14 |
| 97095-06016 | 8 - 23 |
| | 11 - 12 |
| | 13 - 29 |
| | 15 - 7 |
| | 15 - 20 |
| | 16 - 2 |
| | 18 - 13 |
| 97095-06020 | 2 - 9 |
| | 7 - 10 |
| 97095-06025 | 4 - 31 |
| | 13 - 15 |
| | 13 - 26 |
| | 19 - 41 |
| 97095-06030 | 4 - 24 |
| | 7 - 6 |
| | 12 - 10 |
| | 20 - 4 |
| 97095-06035 | 19 - 32 |
| 97095-06045 | 24 - 24 |
| 97095-08020 | 20 - 12 |
| 97095-08025 | 25 - 41 |
| 97575-06525 | 19 - 20 |
| | 24 - 5 |
| 97575-08540 | 2 - 39 |
| | 4 - 13 |
| | 23 - 4 |



FLOOD MARINE SERVICES
downloaded from www.yamahaoutboardparts.co.uk



NUMERICAL INDEX
INDEX NUMERIQUE

| PART NO. N° PIECES | REF. NO. | PART NO. N° PIECES | REF. NO. |
|-----------------------|-------------|-----------------------|-------------|
| 97575-10530 | 21 - 8 | | |
| 97595-06550 | 19 - 6 | | |
| 97595-06610 | 14 - 10 | | |
| 97607-04110 | 12 - 6 | | |
| 97780-60620 | 14 - 9 | | |
| 97780-60625 | 14 - 6 | | |
| | 14 - 28 | | |
| 97880-05014 | 16 - 18 | | |
| 97885-06012 | 20 - 8 | | |
| 97980-06216 | 23 - 26 | | |
| 97985-04116 | 19 - 48 | | |
| 97985-06210 | 12 - 17 | | |
| 98507-04008 | 4 - 20 | | |
| 98780-04016 | 2 - 17 | | |
| 99001-08600 | 25 - 18 | | |
| 99530-08012 | 12 - 9 | | |



FLOOD MARINE SERVICES
downloaded from www.yamahaoutboardparts.co.uk



FLOOD MARINE SERVICES
downloaded from www.yamahaoutboardparts.co.uk

| PART NO. N° PIECES | REF. NO. |
|-----------------------|-------------|
|-----------------------|-------------|



FLOOD MARINE SERVICES
downloaded from www.yamahaoutboardparts.co.uk



FLOOD MARINE SERVICES
downloaded from www.yamahaoutboardparts.co.uk



FLOOD MARINE SERVICES
downloaded from www.yamahaoutboardparts.co.uk



FLOOD MARINE SERVICES
downloaded from www.yamahaoutboardparts.co.uk