

**PARTS  
CATALOGUE  
CATALOGUE  
DE PIÈCES DÉTACHÉES**

**F40D'10 (6AK5)**

**F50F'10 (6C16)**

**F60C'10 (6C56)**



2015/9/9

1J6C1-300F1

( )

NEWS NO.	DATE	COMMENT
PE0-OM-100004	Feb.,18,2010	MOD:FIG.4 CYLINDER & CRANKCASE 2 LIST/ILLUSTRATION REVISION
PE0-OM-100049	Aug.,5,2010	MOD:FIG.27 OIL PAN LIST/ILLUSTRATION REVISION
PE0-OM-110001	Jan.,6,2011	COR:FIG.25 PTT LIST/ILLUSTRATION CORRECTION
PE0-OM-110047	Dec.,22,2011	MOD:FIG.6 INTAKE 1 LIST REVISION
PE0-OM-150022	Sep.,1,2015	COR:FUEL INJECTION PUMP 1 ILLUSTRATION CORRECTION

F40D  
F50F/F60C  
PARTS CATALOGUE  
©2009 by Yamaha Motor Co., Ltd.  
1st edition, June 2009  
All rights reserved.  
Any reprinting or unauthorized use  
without the written permission of  
Yamaha Motor Co., Ltd.  
is expressly prohibited.  
Printed in Japan.

F40D  
F50F/F60C  
CATALOGUE DE PIECES DETACHEES  
©2009 par Yamaha Motor Co., Ltd.  
1<sup>re</sup> édition, juin 2009  
Tous droits réservés  
Toute réimpression ou utilisation  
non autorisée sans la permission écrite  
de la Yamaha Motor Co., Ltd.  
est formellement interdite.  
Imprimé au Japon

# FOREWORD

This Parts Catalogue is related to the parts for the model(s) on the cover page. When you are ordering replacement parts, please refer to this Parts Catalogue and quote both part numbers and part names correctly.

1. Modifications or additions which have been made after the issue of the Parts Catalogue will be announced in the Parts News. It is advisable that you make the necessary corrections to the Parts Catalogue according to the Parts News.

2. Abbreviations  
The following abbreviations are used in this Parts Catalogue.

- “UR” Use specified parts number.
- “UN” Use as many as needed.
- “AP” Alternate Parts
- “LM” Locally Made (Parts need to be ordered locally)
- “F#” Frame No. (Applicable machine No.)
- “O/S” Over Size

3. The number of components for assembly

- Parts, which are to be supplied in an assembly, are listed with a dot (.) in front of the part name as shown below.
- The numeral appearing to the right of each component part indicates the quantity of parts for each assembly unit.

PART NO.	DESCRIPTION	Q'TY	REMARKS
2F5-83310-60	FRONT FLASHER LIGHT ASSY	2	
115-83311-60	.BULB (6V-18W)	1	

4. Applicable colours of graphics are represented in the “REMARKS” as shown below.

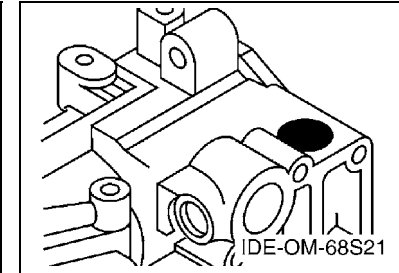
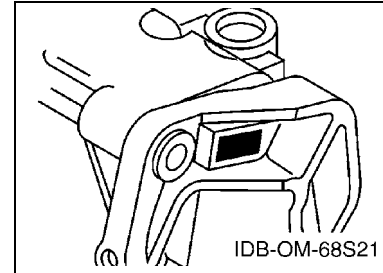
PART NO.	DESCRIPTION	Q'TY	REMARKS
2N4-24110-00-X5	FUEL TANK COMP.	2	MXR
3J1-24240-10	.GRAPHIC, FUEL TANK	1	FOR MXR

5. Note that the illustrations for reference in finding parts numbers are not to be used for assembling. When assembling, please use the applicable service manual.

6. The asterisk (\*) before a reference number indicates modified items after the first edition.

7. Applicable Serial No.

Engine Serial No.



8. Applicable Engine Starting Serial No.

Model	Serial No.	Model	Serial No.
F40D	6AK-1006455	F50F	6C1-1030972
F60C	6C5-1038579		

9. Applicable Colour Code

Abbreviation	Colour Name	Colour Code
DBN1	DARK BLUISH GRAY 1	008D

10. Quantity Column Information

Column No.	Name Of Q'ty Column	Applicable Model
1	ED	F50FED
2	ET	F40DET,F50FET,F60CET

## AVANT-PROPOS

Ce catalogue de pièces détachées concerne les pièces pour le(s) modèle(s) indiqué(s) sur la page de couverture. Lorsque vous commandez des pièces de rechange, veuillez vous référer à ce catalogue de pièces détachées et indiquer clairement les numéros et les noms des pièces détachées.

1. Les modifications ou ajouts ayant été effectués après la parution du catalogue de pièces détachées seront décrits dans les Bulletins d'information concernant les pièces détachées.

Il est recommandé que vous apportiez les corrections nécessaires au catalogue des pièces détachées en vous référant aux Bulletins d'information.

2. Abréviations

Dans ce catalogue, les abréviations suivantes sont utilisées:

“UR” Utiliser le numéro de pièces spécifié.

“UN” Utiliser autant que nécessaire.

“AP” Pièces de substitution

“LM” Fabrication locale (les pièces doivent être commandées localement.)

“F#” N° de cadre (applicable au N° de série)

“O/S” Surdimensionné

3. Nombre de pièces d'un assemblage

- Les pièces fournies comme composants d'un assemblage sont précédées d'un point (.) de la manière indiquée ci-dessous.
- Le chiffre apparaissant à la droite de chaque composant indique la quantité de pièces pour chaque unité d'assemblage.

N° PIECES	DESCRIPTION	QTE	REMARQUES
2F5-83310-60	ENS. CLIGNOTANT AVANT	2	
115-83311-60	.AMPOULE (6V-18W)	1	

4. Les couleurs concernant les graphiques sont indiquées dans la colonne “REMARQUES”, comme indiqué ci-dessous.

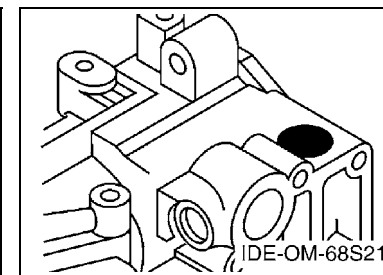
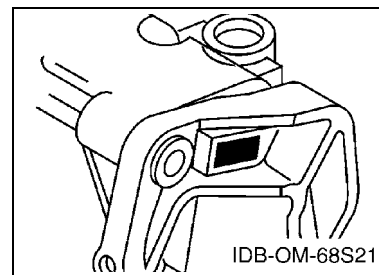
N° PIECES	DESCRIPTION	QTE	REMARQUES
2N4-24110-00-X5	RESERVOIR A ESSENCE.	2	MXR
3J1-24240-10	.GRAPHIQUE	1	POUR MXR

5. Veuillez noter que les illustrations sont indiquées à titre de référence pour trouver les numéros de pièces, non pour être utilisées lors de l'assemblage. Lors de l'assemblage, veuillez utiliser le manuel d'entretien adéquat.

6. L'astérisque (\*) placé devant un numéro de référence indique des éléments qui ont été modifiés après la première édition.

7. N° de série applicable

N° de Série du moteur



8. N° de série initial du moteur applicable

Modèle	N° de série	Modèle	N° de série
F40D	6AK-1006455	F50F	6C1-1030972
F60C	6C5-1038579		

9. Code couleur applicable

Abréviation	Nom de la couleur	Code couleur
DBN1	DARK BLUISH GRAY 1	008D

10. Informations relatives à la colonne Quantité

N° de la colonne	Nom de la colonne Qté	Modèle applicable
1	ED	F50FED
2	ET	F40DET,F50FET,F60CET

# CONTENTS

TOP COWLING .....	1
CYLINDER & CRANKCASE 1 .....	2
CRANKSHAFT & PISTON .....	4
CYLINDER & CRANKCASE 2 .....	5
VALVE .....	7
INTAKE 1 .....	8
INTAKE 2 .....	9
FUEL INJECTION PUMP 1 .....	10
FUEL INJECTION PUMP 2 .....	11
OIL PUMP .....	12
FUEL .....	13
GENERATOR .....	15
ELECTRICAL 1 .....	16
ELECTRICAL 2 .....	18
ELECTRICAL 3 .....	20
ELECTRICAL 4 .....	22
STARTING MOTOR .....	23
BOTTOM COWLING 1 .....	24
BOTTOM COWLING 2 .....	26
CONTROL .....	27
BRACKET 1 .....	29
BRACKET 2 .....	31
BRACKET 3 .....	33
POWER TRIM & TILT ASSY 1 .....	35
POWER TRIM & TILT ASSY 2 .....	38
UPPER CASING .....	39
OIL PAN .....	40
LOWER CASING & DRIVE 1 .....	41
LOWER CASING & DRIVE 2 .....	44
FUEL TANK .....	46
STEERING GUIDE .....	47
OPTIONAL PARTS .....	48
REPAIR KIT 1 .....	49
REPAIR KIT 2 .....	50

## INDEX

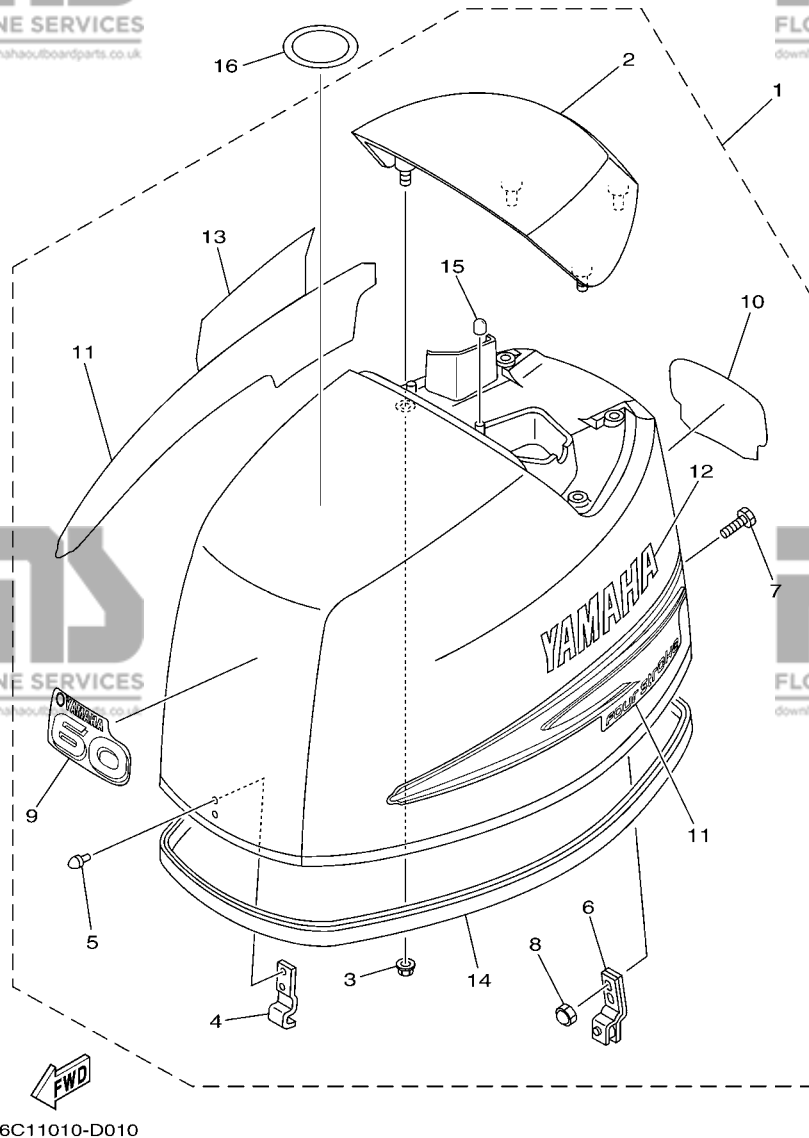
NUMERICAL INDEX .....	52
-----------------------	----

# TABLE DES MATIERES

CAPOT SUPERIEUR .....	1
CYLINDRE & CARTER 1 .....	2
VILEBREQUIN & PISTON .....	4
CYLINDRE & CARTER 2 .....	5
SOUPAPE .....	7
ADMISSION 1 .....	8
ADMISSION 2 .....	9
POMPE A INJECTEUR 1 .....	10
POMPE A INJECTEUR 2 .....	11
POMPE A HUILE .....	12
CARBURANT .....	13
GENERATRICE .....	15
PARTIE ELECTRIQUE 1 .....	16
PARTIE ELECTRIQUE 2 .....	18
PARTIE ELECTRIQUE 3 .....	20
PARTIE ELECTRIQUE 4 .....	22
DEMARREUR ELECTRIQUE .....	23
CAPOT INFERIEUR 1 .....	24
CAPOT INFERIEUR 2 .....	26
COMMANDE .....	27
SUPPORT 1 .....	29
SUPPORT 2 .....	31
SUPPORT 3 .....	33
PUISSANCE PARER ET INCLINER 1 .....	35
PUISSANCE PARER ET INCLINER 2 .....	38
FOURREAU .....	39
VENTILATEUR D'HUILE .....	40
BOITIER D'HELICE TRANSMISSION1 .....	41
BOITIER D'HELICE TRANSMISSION2 .....	44
RESERVOIR A CARBURANT .....	46
FIXATION DE DIRECTION .....	47
PIECES OPTIONNELLES .....	48
KITS DE REPARATION 1 .....	49
KITS DE REPARATION 2 .....	50

## INDEX

INDEX NUMERIQUE .....	52
-----------------------	----

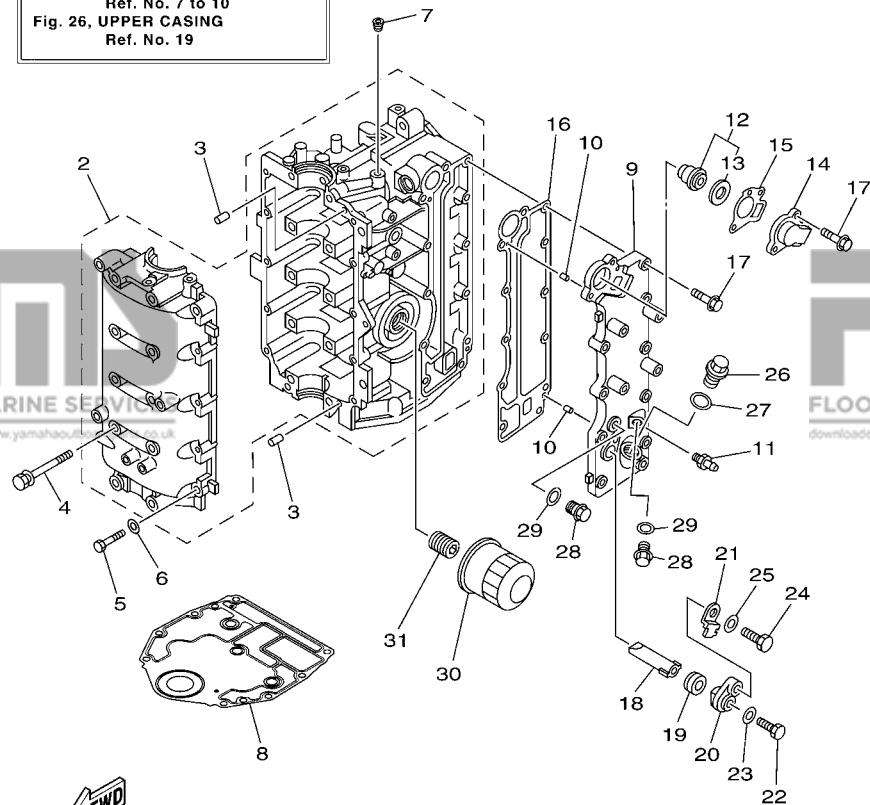


**FIG. 1 TOP COWLING**

**CAPOT SUPERIEUR**

REF. NO.	PART NO. N° PIECES	DESCRIPTION DESCRIPTION	QTY	UNIT	REMARKS REMARQUES
1	6C1-42610-00-8D	TOP COWLING ASSY CAPOT (ENS.)	1	1	F50F F50F
	6C5-42610-00-8D	TOP COWLING ASSY CAPOT (ENS.)		1	F60C F60C
	6AK-42610-00-8D	TOP COWLING ASSY CAPOT (ENS.)		1	F40D F40D
2	67C-42613-00-8D	.MOLDING, AIR DUCT .MANCHON A AIR	1	1	
3	90179-06029	.NUT .ECROU	4	4	
4	6C5-42651-00	.HOOK .CROCHET	1	1	
5	90266-06M02	.RIVET .RIVET	2	2	
6	67C-42652-02	.HOOK .CROCHET	1	1	
7	90109-06047	.BOLT .BOULON	2	2	
8	90185-06M05	.NUT, SELF-LOCKING .ECROU,AUTO-BLOQUANT	2	2	
9	62Y-42677-30	.GRAPHIC, FRONT .ADHESIF, AVANT	1	1	F50F F50F
	69W-42677-00	.GRAPHIC, FRONT .ADHESIF, AVANT		1	F60C F60C
	62Y-42677-50	.GRAPHIC, FRONT .ADHESIF, AVANT		1	F40D F40D
10	6C1-42678-00	.GRAPHIC, REAR .ADHESIF, ARRIERE	1	1	F50F F50F
	6C5-42678-00	.GRAPHIC, REAR .ADHESIF, ARRIERE		1	F60C F60C
	6AK-42678-00	.GRAPHIC, REAR .ADHESIF, ARRIERE		1	F40D F40D
11	69W-W0070-00	.GRAPHIC SET JEU DIEMBLEMES	1	1	
12	69W-42681-00	.MARK, COWLING .ADHESIF, CAPOT	1	1	
13	69W-42682-00	.MARK, COWLING .ADHESIF, CAPOT	1	1	
14	6C5-42615-00	.SEAL .JOINT	1	1	
15	69W-13448-00	.CAP .CAPUCHON	2	2	
16	67F-13434-10	LABEL, CAUTION ETIQUETTE, ATTENTION	1	1	

**CYLINDER BLOCK  
ASSY**  
Fig. 2, CYLINDER & CRANKCASE 1  
Ref. No. 2 to 31  
Fig. 3, CRANKSHAFT & PISTON  
Ref. No. 1 to 11  
Fig. 4, CYLINDER & CRANKCASE 2  
Ref. No. 10  
Fig. 10, OIL PUMP  
Ref. No. 7 to 10  
Fig. 26, UPPER CASING  
Ref. No. 19



6C16110-J020

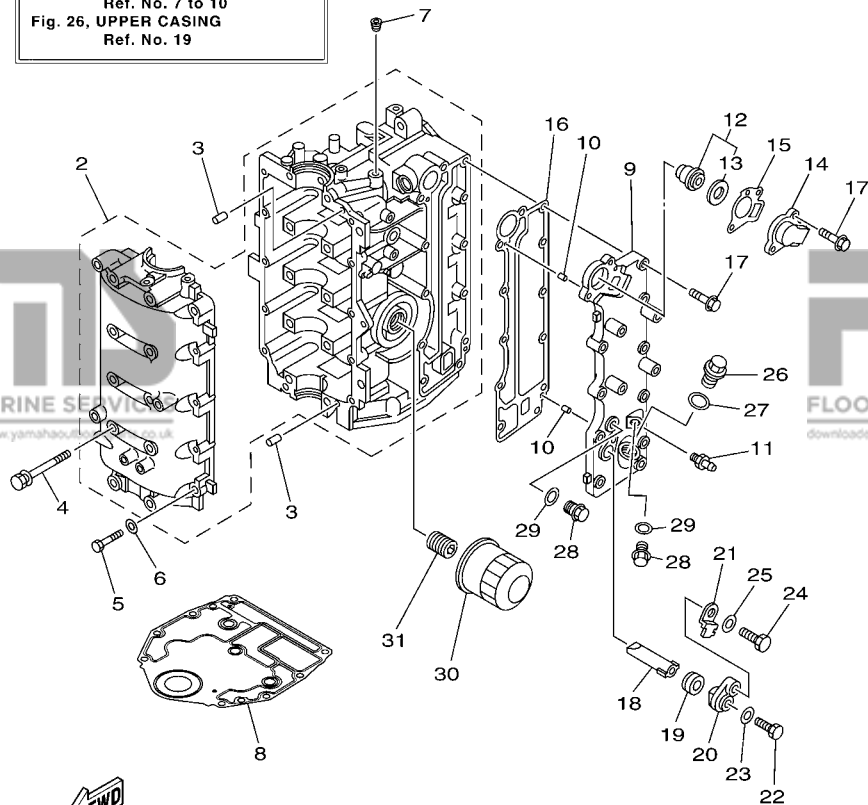
**FIG. 2 CYLINDER & CRANKCASE 1 CYLINDRE & CARTER 1**

REF. NO.	PART NO. N° PIECES	DESCRIPTION DESCRIPTION	QTY	UNIT	REMARKS REMARQUES
1	6C5-W009B-03-9S	CYLINDER BLOCK ASSY CYLINDRE GROUPE (ENS.)	1	1	
2	6C5-15100-10-9S	CRANKCASE ASSY CARTER DE MOTEUR COMPLET	1	1	
3	93606-12019	PIN, DOWEL GOUPILLE	4	4	
4	90119-08M01	BOLT, WITH WASHER BOULON, AVEC RONDELLE	10	10	
5	97013-06035	BOLT BOULON	10	10	
6	92903-06600	WASHER, PLATE RONDELLE, PLATE	10	10	
7	90344-51003	PLUG, TAPER SCREW PLOT, FILETE CONIQUE	1	1	
8	6BG-11351-00	GASKET, CYLINDER JOINT, D'EMBASE	1	1	
9	6C5-41113-11-9S	OUTER COVER, EXHAUST COUVERCLE, ECHAPPEMENT	1	1	
10	93604-10M03	PIN, DOWEL CLAVETTE	2	2	
11	62Y-12481-10	PIPE 1 DURITE 1	1	1	
12	6G8-12411-03	THERMOSTAT THERMOSTAT	1	1	
13	688-12412-00	.SEAL, THERMOSTAT JOINT, THERMOSTAT	1	1	
14	6C5-12413-00-9S	COVER, THERMOSTAT COUVERCLE, THERMOSTAT	1	1	
15	62Y-12414-00	GASKET, COVER JOINT, COUVERCLE	1	1	
16	6C5-41114-10	GASKET, EXHAUST OUTER COVER JOINT, COUVERCLE D'ECHAPPEMENT	1	1	
17	90119-06MA5	BOLT, WITH WASHER BOULON, AVEC RONDELLE	12	12	
18	62Y-11325-00	ANODE ANODE	1	1	
19	66M-11328-00	GROMMET, ANODE PASSE-FIL	1	1	
20	66M-11327-00-94	COVER, ANODE COUVERCLE ANODE	1	1	
21	66M-12535-00	PLATE PLAQUE	1	1	
22	97095-05012	BOLT BOULON	1	1	
23	92995-05600	WASHER RONDELLE	1	1	
24	97095-06020	BOLT BOULON	1	1	
25	92995-06600	WASHER RONDELLE	1	1	
26	90340-18M09	PLUG, STRAIGHT SCREW PLOT, FILETE DROIT	1	1	
27	90430-18130	GASKET JOINT	1	1	



**CYLINDER BLOCK  
ASSY**

Fig. 2, CYLINDER & CRANKCASE 1  
Ref. No. 2 to 31  
Fig. 3, CRANKSHAFT & PISTON  
Ref. No. 1 to 11  
Fig. 4, CYLINDER & CRANKCASE 2  
Ref. No. 10  
Fig. 10, OIL PUMP  
Ref. No. 7 to 10  
Fig. 26, UPPER CASING  
Ref. No. 19



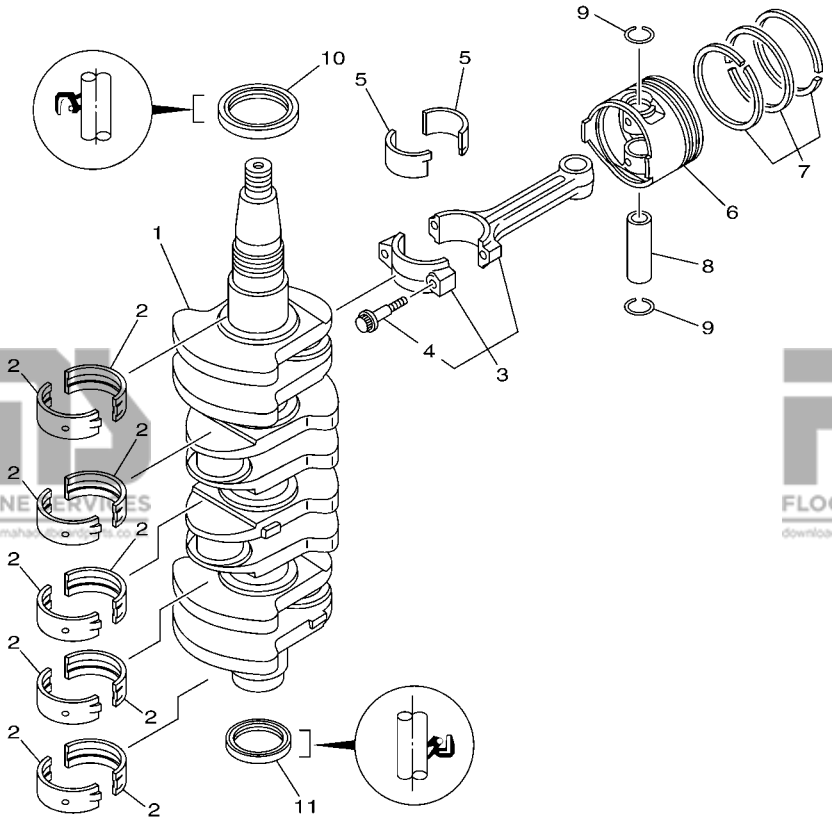
6C16110-J020

**FIG. 2 CYLINDER & CRANKCASE 1 CYLINDRE & CARTER 1**

REF. NO.	PART NO. N° PIECES	DESCRIPTION DESCRIPTION	QTY	UNIT	REMARKS REMARQUES
28	90340-14M06	PLUG, STRAIGHT SCREW PLOT, FILETE DROIT	2	2	
29	90430-14115	GASKET JOINT	2	2	
30	5GH-13440-20	ELEMENT ASSY, OIL CLEANER ELEMENT, FILTRE A HUILE	1	1	
31	6C5-12858-00	BOLT, UNION BOULON, RACCORD	1	1	

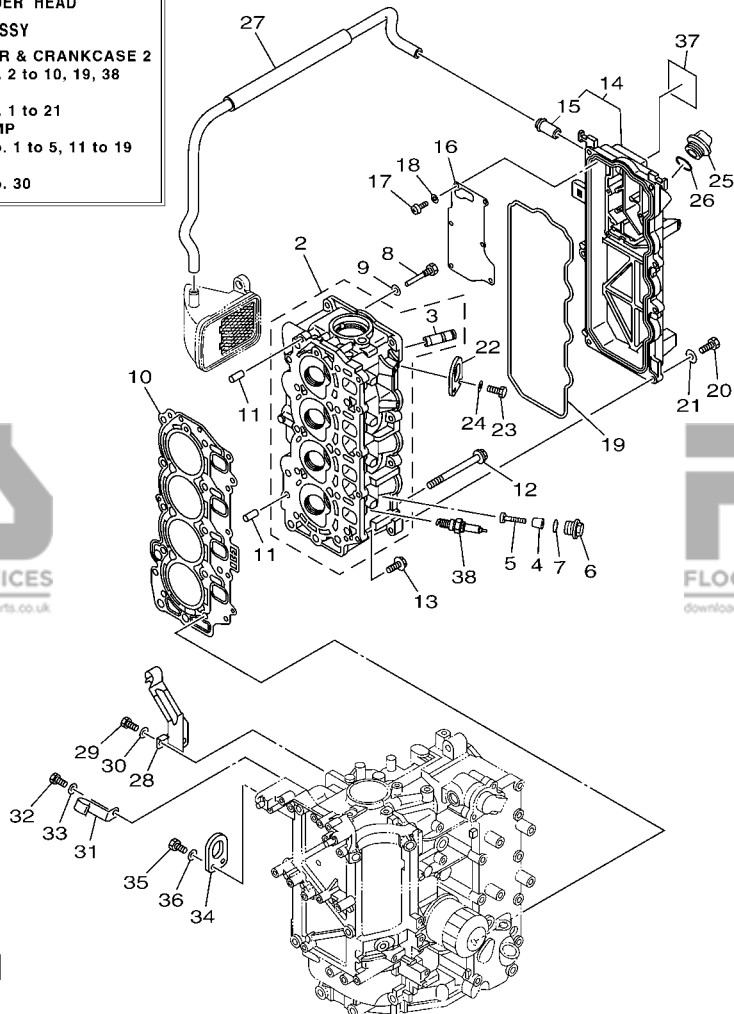
**FIG. 3 CRANKSHAFT & PISTON VILEBREQUIN & PISTON**

REF. NO.	PART NO. N° PIECES	DESCRIPTION DESCRIPTION	QTY	QTY	REMARKS REMARQUES
1	6C5-11411-00	CRANKSHAFT VILEBREQUIN COMPLET	1	1	
2	6C5-11416-00	PLANE BEARING, CRANKSHAFT 1 COUSSINET DE VILEBREQUIN 1	10	10	UR YELLOW
	6C5-11416-10	PLANE BEARING, CRANKSHAFT 1 COUSSINET DE VILEBREQUIN 1	10	10	UR RED
	6C5-11416-20	PLANE BEARING, CRANKSHAFT 1 COUSSINET DE VILEBREQUIN 1	10	10	UR PINK
	6C5-11416-30	PLANE BEARING, CRANKSHAFT 1 COUSSINET DE VILEBREQUIN 1	10	10	UR GREEN
3	6C5-11650-00	CONNECTING ROD ASSY BIELLE COMPLETE	4	4	
4	6C5-11654-00	.BOLT, CONNECTING ROD .BOULON, BIELLE	2	2	
5	6C5-11656-00	PLANE BEARING, CONNECTING ROD ROULEMENT DE BIELLE	8	8	UR YELLOW
	6C5-11656-10	PLANE BEARING, CONNECTING ROD ROULEMENT DE BIELLE	8	8	UR RED
	6C5-11656-20	PLANE BEARING, CONNECTING ROD ROULEMENT DE BIELLE	8	8	UR PINK
	6C5-11656-30	PLANE BEARING, CONNECTING ROD ROULEMENT DE BIELLE	8	8	UR GREEN
6	69W-11631-01-97	PISTON (STD) PISTON (STD)	4	4	
	69W-11635-01	PISTON (0.25MM O/S) PISTON (0.25MM O/S)	4	4	AP
	69W-11636-01	PISTON (0.50MM O/S) PISTON (0.50MM O/S)	4	4	AP
7	67C-11603-00	PISTON RING SET (STD) JEU DE SEGMENTS (STD)	4	4	
	67C-11604-00	PISTON RING SET (0.25MM O/S) JEU DE SEGMENTS (0.25MM O/S)	4	4	AP
	67C-11605-00	PISTON RING SET (0.50MM O/S) JEU DE SEGMENTS (0.50MM O/S)	4	4	AP
8	62Y-11633-00	PIN, PISTON AXE, PISTON	4	4	
9	93450-17129	CIRCLIP CIRCLIP, TYPE S	8	8	
10	93102-43M42	OIL SEAL JOINT SPY	1	1	
11	93101-35002	OIL SEAL JOINT SPY	1	1	



6C11010-D030

**CYLINDER HEAD  
ASSY**  
Fig. 4, CYLINDER & CRANKCASE 2  
Ref. No. 2 to 10, 19, 38  
Fig. 5, VALVE  
Ref. No. 1 to 21  
Fig. 10, OIL PUMP  
Ref. No. 1 to 5, 11 to 19  
Fig. 11, FUEL  
Ref. No. 30



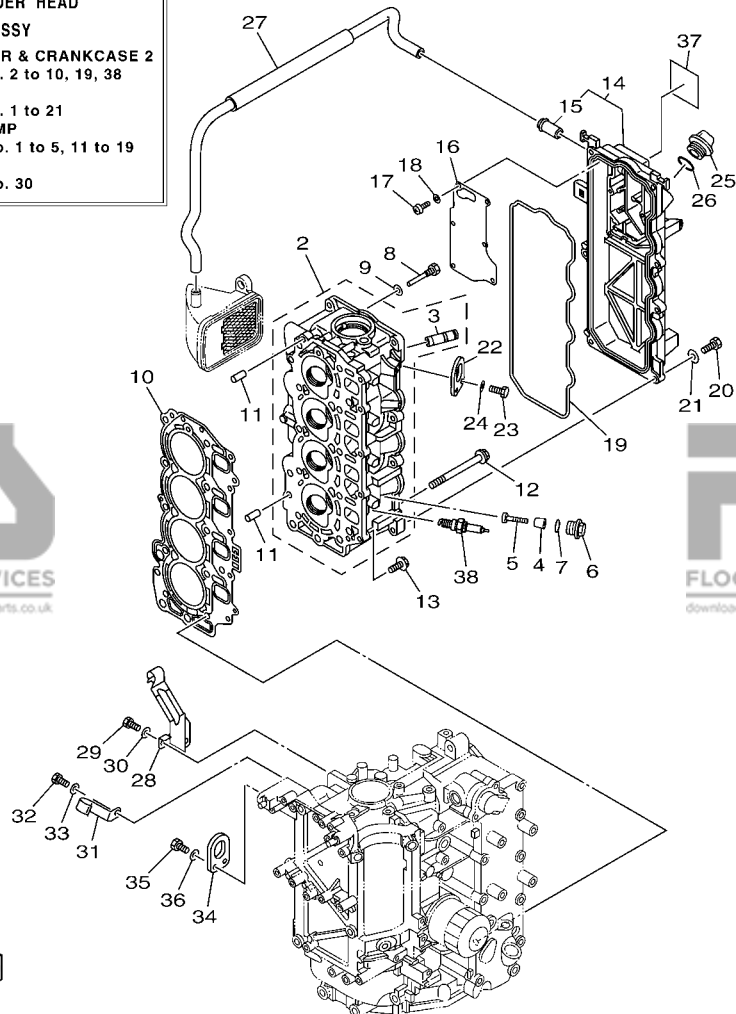
6C16300-J040

**FIG. 4 CYLINDER & CRANKCASE 2**

**CYLINDRE & CARTER 2**

REF. NO.	PART NO. N° PIECES	DESCRIPTION DESCRIPTION	QTY	UNIT	REMARKS REMARQUES
1	6C5-W009A-12-9S	CYLINDER HEAD ASSY CULASSE (ENS.)	1	1	Go to P/N : PE0-OM-100004
2	6C5-11111-01-9S	HEAD, CYLINDER 1 CULASSE	1	1	Go to P/N : PE0-OM-100004
3	62Y-11133-30	.GUIDE, VALVE 1 .GUIDE, SOUPAPE 1	8	8	
4	6G8-11325-00	ANODE ANODE	4	4	Go to P/N : PE0-OM-100004
5	97880-05025	SCREW, PAN HEAD VIS, TETE TRONCONIQUE	4	4	Go to P/N : PE0-OM-100004
6	6G8-11197-01	PLUG, BLIND PLOT, BORGNE	4	4	Go to P/N : PE0-OM-100004
7	93210-13M63	O-RING JOINT TORIQUE	4	4	Go to P/N : PE0-OM-100004
8	90109-06M65	BOLT BOULON	1	1	
9	90430-06014	GASKET JOINT	1	1	
10	6C5-11181-01	GASKET, CYLINDER HEAD 1 JOINT, DE CULASSE 1	1	1	
11	99530-08012	PIN, DOWEL GOUJON, D'ASSEMBLAGE	2	2	
12	90105-09005	BOLT, FLANGE BOULON	10	10	
13	90119-06MA3	BOLT, WITH WASHER BOULON, AVEC RONDELLE	5	5	
14	6C5-11191-01-9S	COVER, CYLINDER HEAD 1 COUVERCLE, CULASSE 1	1	1	
15	62Y-14485-00	.PIPE, JOINT .DURITE	1	1	
16	6C5-11168-00	COVER, BREATHER COUVERCLE, RENIFLARD	1	1	
17	98507-04010	SCREW, PAN HEAD VIS, TETE TRONCONIQUE	6	6	
18	92907-04600	WASHER RONDELLE	6	6	
19	62Y-11356-00	SEAL, CYLINDER 2 JOINT, SPY CYLINDRE	1	1	
20	97095-06020	BOLT BOULON	7	7	
21	92995-06600	WASHER RONDELLE	7	7	
22	62Y-11119-00	HANGER, ENGINE ANNEAU, LEVAGE	1	1	
23	97095-06020	BOLT BOULON	2	2	
24	92995-06600	WASHER RONDELLE	2	2	
25	6G8-15363-00	PLUG, OIL PLOT, HUILE	1	1	
26	93210-24M79	O-RING JOINT TORIQUE	1	1	
27	6C5-1531A-01	HOSE, BREATHER 1 DURITE DE RENIFLARD 1	1	1	

**CYLINDER HEAD  
ASSY**  
Fig. 4, CYLINDER & CRANKCASE 2  
Ref. No. 2 to 10, 19, 38  
Fig. 5, VALVE  
Ref. No. 1 to 21  
Fig. 10, OIL PUMP  
Ref. No. 1 to 5, 11 to 19  
Fig. 11, FUEL  
Ref. No. 30



6C16300-J040

**FIG. 4 CYLINDER & CRANKCASE 2**

**CYLINDRE & CARTER 2**

REF. NO.	PART NO. N° PIECES	DESCRIPTION DESCRIPTION	QTY	UNIT	REMARKS REMARQUES
28	6C5-15378-00	HOLDER SUPPORT	1	1	
29	97095-06014	BOLT BOULON	1	1	
30	92995-06600	WASHER RONDELLE	1	1	
31	6C5-15378-11	HOLDER SUPPORT	1	1	
32	97095-06014	BOLT BOULON	1	1	
33	92995-06600	WASHER RONDELLE	1	1	
34	62Y-11119-00	HANGER, ENGINE ANNEAU, LEVAGE	1	1	
35	97095-06020	BOLT BOULON	2	2	
36	92995-06600	WASHER RONDELLE	2	2	
37	62Y-12138-60	MARK, CAUTION MAKER	1	1	
38	94702-00418	PLUG, SPARK (NGK DPR6EB) BOUGIE D,ALLUMAGE (NGK DPR6EB)	4	4	

# PARTS NEWS

FLOOD MARINE SERVICES

downloaded from www.yamahaoutboardparts.co.uk

FLOOD MARINE SERVICES

downloaded from www.yamahaoutboardparts.co.uk



downloaded from www.yamahaoutboardparts.co.uk

News No. PE0-OM-100004(1/4)

Date: February 18, 2010

Signature: F. Takahashi

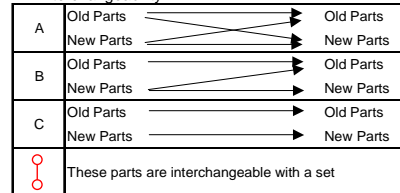
Cause: Cause  Revision Notice  Correction  Sales Unit Change  Others

Model	F40D (6AK5) / F50,F50F (6C16) / F60,F60C (6C56)
Subject	PARTS CATALOGUE CORRECTIONS
CATALOGUE NO.	1J6C1-100E1/1J6C1-110E1/1J6C5-110E1/1J6C1-370E1/1J6C1-300F1/1J6C1-415M1
Time of YPEC Revision	Text, Illustration --> Mar./23/2010
	PDF Replace --> Mar./23/2010
(YPEC = Yamaha Parts Electrical Catalogue = Website parts catalogue)	

## Applicable Engine Serial No.

MODEL NAME	MODEL CODE	Applicable Engine Serial No.
F40D	6AK5	6AK:1006829-
F50,F50F	6C16	6C1:1032042-
F60,F60C	6C56	6C5:1040030-

\*1: Interchangeability



## FIG.4 CYLINDER & CRANKCASE 2

### 1. LIST CORRECTION

Fig. No.	Ref. No.	OLD P/No.	NEW P/No.	PART NAME	Q'TY	*Interchangeability	
							REMARKS
4	1	6C5-W009A-11-9S	6C5-W009A-12-9S	CYLINDER HEAD ASSY	1	B	
	2	6C5-11111-00-9S	6C5-11111-01-9S	HEAD,CYLINDER 1	1	○	*Part number revision
	4	62Y-11325-00	6G8-11325-00	ANODE	4	○	
	5	66M-11328-00	-	GROMMET,ANODE	4		
	6	66M-11327-00-94	-	COVER,ANODE	4		
	7	66M-12535-00	-	PLATE	4		
	8	97095-05012	-	BOLT	4		*Deleted Parts
	9	92995-05600	-	WASHER	4		
	10	97095-06020	-	BOLT	4		
	11	92995-06600	-	WASHER	4		
	5	-	97880-05025	SCREW,PAN HEAD	4	○	*Added Parts
	6	-	6G8-11197-01	PLUG,BLIND	4	○	
	7	-	93210-13M63	O-RING	4	○	
12	8	90109-06M65	-	BOLT	1		
13	9	90430-06014	-	GASKET	1		
14	10	6C5-11181-01	-	GASKET,CYLINDER HEAD 1	1		*Ref.No. change
15	11	99530-08012	-	PIN,DOWEL	2		
16	12	90105-09005	-	BOLT,FLANGE	10		
17	13	90119-06MA3	-	BOLT,WITH WASHER	5		

Parts Manager Check

Service Manager Check

Parts Manager File

YAMAHA MOTOR CO.,LTD  
2500 Shingai Iwata Shizuoka 438-8501 Japan  
Technical Publication Dept.



News No. PE0-OM-100004(2/4)

Date: February 18, 2010

Signature: F. Takahashi

Cause: Cause  Revision Notice  Correction  Sales Unit Change  Others

Model	F40D (6AK5) / F50,F50F (6C16) / F60,F60D (6C56)
Subject	PARTS CATALOGUE CORRECTIONS
CATALOGUE NO.	1J6C1-100E1/1J6C1-110E1/1J6C5-110E1/1J6C1-370E1/1J6C1-300F1/1J6C1-415M1
Time of YPEC Revision	Text, Illustration --> Mar./23/2010
	PDF Replace --> Mar./23/2010
(YPEC = Yamaha Parts Electrical Catalogue = Website parts catalogue)	

## FIG.4 CYLINDER & CRANKCASE 2

### 1. LIST CORRECTION

Fig. No.	Ref. No.	OLD P/No.	NEW P/No.	PART NAME	Q'TY	*Interchangeability	
							REMARKS
4	<del>18</del> 14	6C5-11191-01-9S	-	COVER,CYLINDER HEAD 1	1		
	<del>19</del> 15	62Y-14485-00	-	PIPE,JOINT	1		
	<del>20</del> 16	6C5-11168-00	-	COVER,BREATHER	1		
	<del>24</del> 17	98507-04010	-	SCREW,PAN HEAD	6		
	<del>22</del> 18	92907-04600	-	WASHER	6		
	<del>23</del> 19	62Y-11356-00	-	SEAL,CYLINDER 2	1		
	<del>24</del> 20	97095-06020	-	BOLT	7		
	<del>25</del> 21	92995-06600	-	WASHER	7		
	<del>26</del> 22	62Y-11119-00	-	HANGER,ENGINE	1		*Ref.No. change
	<del>27</del> 23	97095-06020	-	BOLT	2		
	<del>28</del> 24	92995-06600	-	WASHER	2		
	<del>29</del> 25	6G8-15363-00	-	PLUG,OIL	1		
	<del>30</del> 26	93210-24M79	-	O-RING	1		
	<del>34</del> 27	6C5-1531A-01	-	HOSE,BREATHER 1	1		
	<del>32</del> 28	6C5-15378-00	-	HOLDER	1		
	<del>33</del> 29	97095-06014	-	BOLT	1		

News No. PE0-OM-100004(3/4)

Date: February 18, 2010

Signature: F. Takahashi

Cause: Cause  Revision Notice  Correction  Sales Unit Change  Others

Model	F40D (6AK5) / F50,F50F (6C16) / F60,F60D (6C56)
Subject	PARTS CATALOGUE CORRECTIONS
CATALOGUE NO.	1J6C1-100E1/1J6C1-110E1/1J6C5-110E1/1J6C1-370E1/1J6C1-300F1/1J6C1-415M1
Time of YPEC Revision	Text, Illustration --> Mar./23/2010 PDF Replace --> Mar./23/2010
(YPEC = Yamaha Parts Electrical Catalogue = Website parts catalogue)	

## FIG.4 CYLINDER & CRANKCASE 2

### 1. LIST CORRECTION

Fig. No.	Ref. No.	OLD P/No.	NEW P/No.	PART NAME	Q'TY	*Interchangeability	
							REMARKS
4	<del>34</del> <b>30</b>	92995-06600	-	WASHER	1		
	<del>35</del> <b>31</b>	6C5-15378-11	-	HOLDER	1		
	<del>36</del> <b>32</b>	97095-06014	-	BOLT	1		
	<del>37</del> <b>33</b>	92995-06600	-	WASHER	1		
	<del>38</del> <b>34</b>	62Y-11119-00	-	HANGER,ENGINE	1		*Ref.No. change
	<del>39</del> <b>35</b>	97095-06020	-	BOLT	2		
	<del>40</del> <b>36</b>	92995-06600	-	WASHER	2		
	<del>44</del> <b>37</b>	62Y-12138-**	-	MARK,CAUTION	1		
	<del>42</del> <b>38</b>	94702-00418	-	PLUG,SPARK (NGK DPR6EB)	4		

# PARTS NEWS

FLOOD MARINE SERVICES

downloaded from www.yamahaparts.co.uk

FLOOD MARINE SERVICES

downloaded from www.yamahaparts.co.uk



downloaded from www.yamahaparts.co.uk

News No. PE0-OM-100004(4/4)

Date: February 18, 2010

Signature: F. Takahashi

Cause: Cause  Revision Notice  Correction  Sales Unit Change  Others

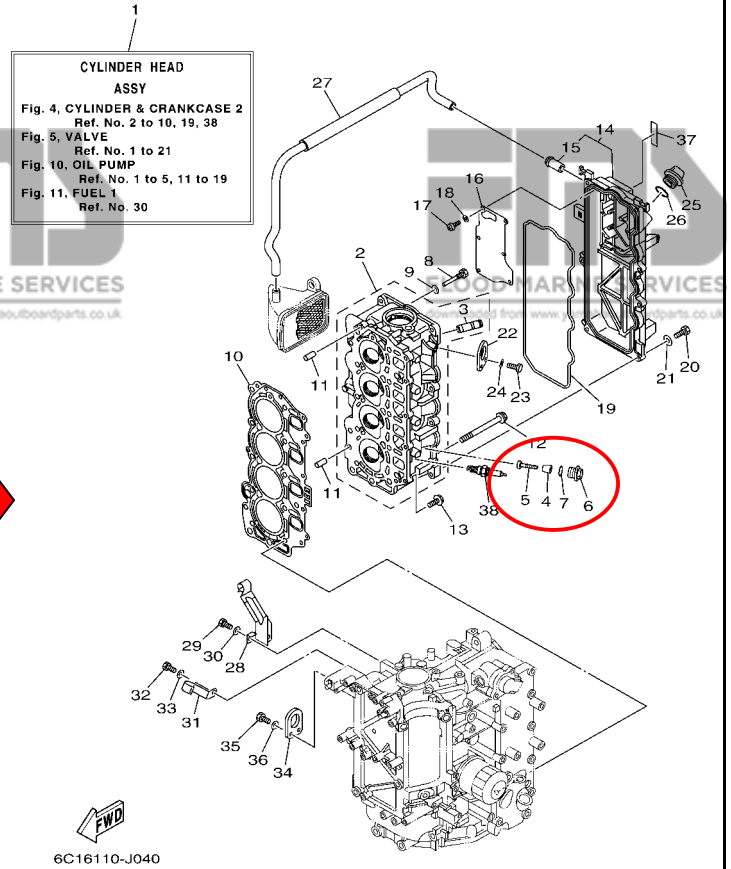
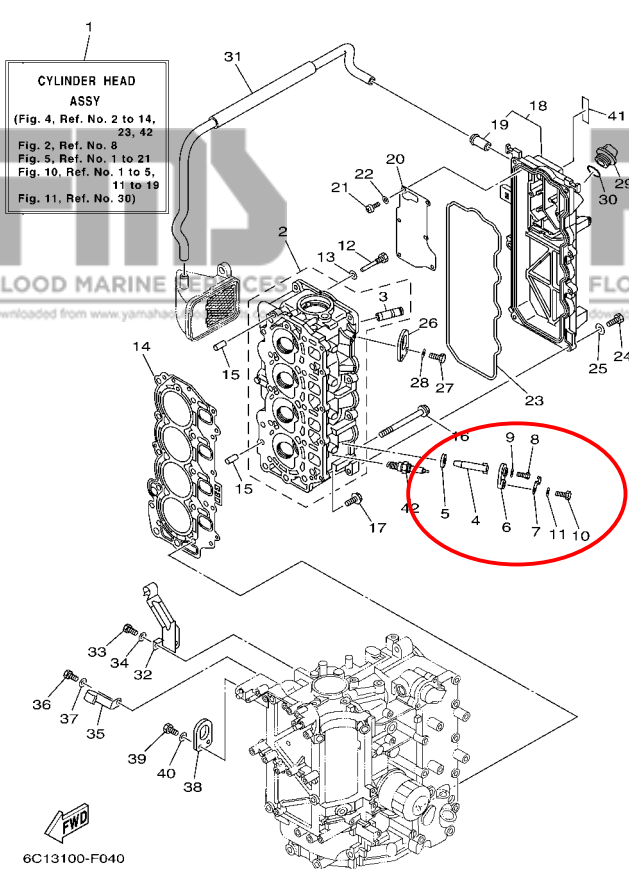
Model	F40D (6AK5) / F50,F50F (6C16) / F60,F60D (6C56)	
Subject	PARTS CATALOGUE CORRECTIONS	
CATALOGUE NO.	1J6C1-100E1/1J6C1-110E1/1J6C5-110E1/1J6C1-370E1/1J6C1-300F1/1J6C1-415M1	
Time of YPEC Revision	Text, Illustration --> Mar./23/2010	PDF Replace --> Mar./23/2010
(YPEC = Yamaha Parts Electrical Catalogue = Website parts catalogue)		

## FIG.4 CYLINDER & CRANKCASE 2

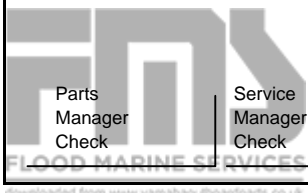
### 2. ILLUSTRATION CORRECTION

(OLD)

(NEW)



Thank you very much for your cooperation.



downloaded from www.yamahaparts.co.uk



downloaded from www.yamahaparts.co.uk



downloaded from www.yamahaparts.co.uk

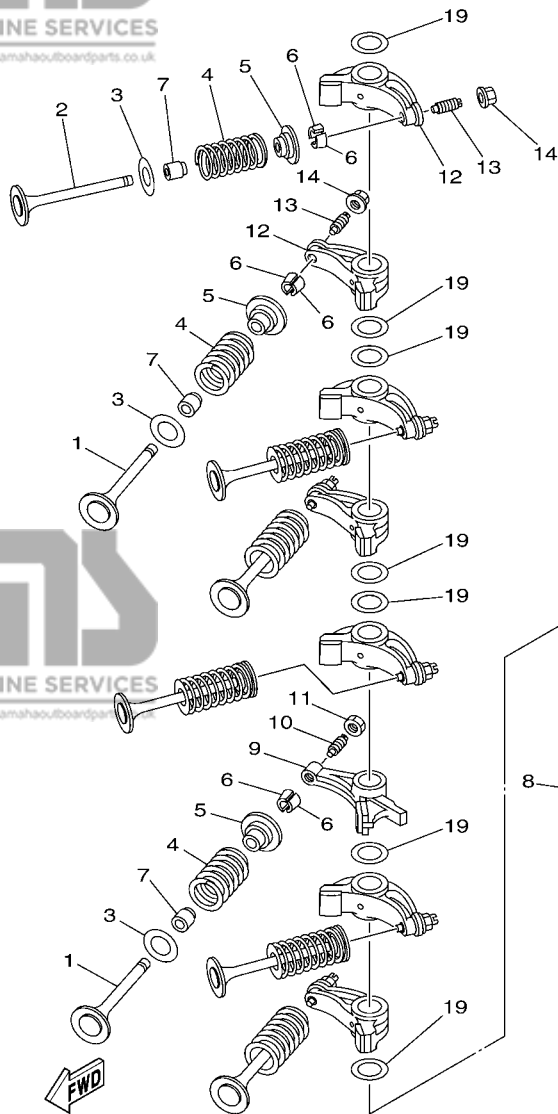
Parts Manager Check

Service Manager Check

Parts Manager File

YAMAHA MOTOR CO.,LTD  
 2500 Shingai Iwata Shizuoka 438-8501.Japan  
 Technical Publication Dept.





6C12100-E050

FIG. 5 VALVE

SOUPAPE

REF. NO.	PART NO. N° PIECES	DESCRIPTION DESCRIPTION	Q	Q	REMARKS REMARQUES
1	69W-12111-00	VALVE, INTAKE SOUPAPE, ADMISSION	4	4	
2	69W-12121-00	VALVE, EXHAUST SOUPAPE, ECHAPPEMENT	4	4	
3	62Y-12116-00	SEAT, VALVE SPRING SIEGE, RESSORT DE SOUPAPE	8	8	
4	51Y-12114-00	SPRING, VALVE OUTER RESSORT DE SOUPAPE, EXTERNE	8	8	
5	30X-12117-00	RETAINER, VALVE SPRING BUTEE DE RESSORT DE SOUPAPE	8	8	
6	30X-12118-00	COTTER, VALVE FRAISE, SOUPAPE	16	16	
7	51Y-12119-00	SEAL, VALVE STEM JOINT, QUEUE DE SOUPAPE	8	8	
8	6C5-12146-00	SHAFT, ROCKER AXE, CULBUTEUR	1	1	
9	62Y-12151-00	ARM, VALVE ROCKER CULBUTEUR	1	1	
10	64J-12159-00	SCREW, VALVE ADJUSTING VIS, REGLAGE DE SOUPAPE	1	1	
11	62Y-12158-00	NUT, LOCK CONTRE-ECROU	1	1	
12	6C5-12151-00	ARM, VALVE ROCKER CULBUTEUR	7	7	
13	6C5-12159-00	SCREW, VALVE ADJUSTING VIS, REGLAGE DE SOUPAPE	7	7	
14	6C5-12158-00	NUT, LOCK CONTRE-ECROU	7	7	
15	6C5-12231-00	GUIDE, STOPPER 1 GUIDE, BUTEE 1	1	1	
16	6C5-12233-00	PLATE, GUIDE STOPPER 1 PLAQUE, GUIDE BUTEE 1	1	1	
17	6C5-12241-00	GUIDE, STOPPER 2 GUIDE, BUTEE 2	1	1	
18	6C5-12243-00	PLATE, GUIDE STOPPER 2 PLAQUE, GUIDE BUTEE 2	1	1	
19	90201-16014	WASHER, PLATE RONDELLE, PLATE	7	7	
20	90105-08060	BOLT, FLANGE BOULON	5	5	
21	92990-08200	WASHER, PLAIN RONDELLE, PLATE	3	3	

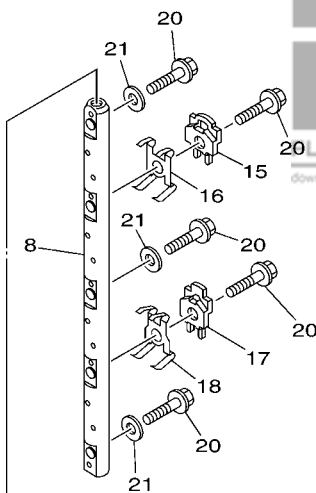
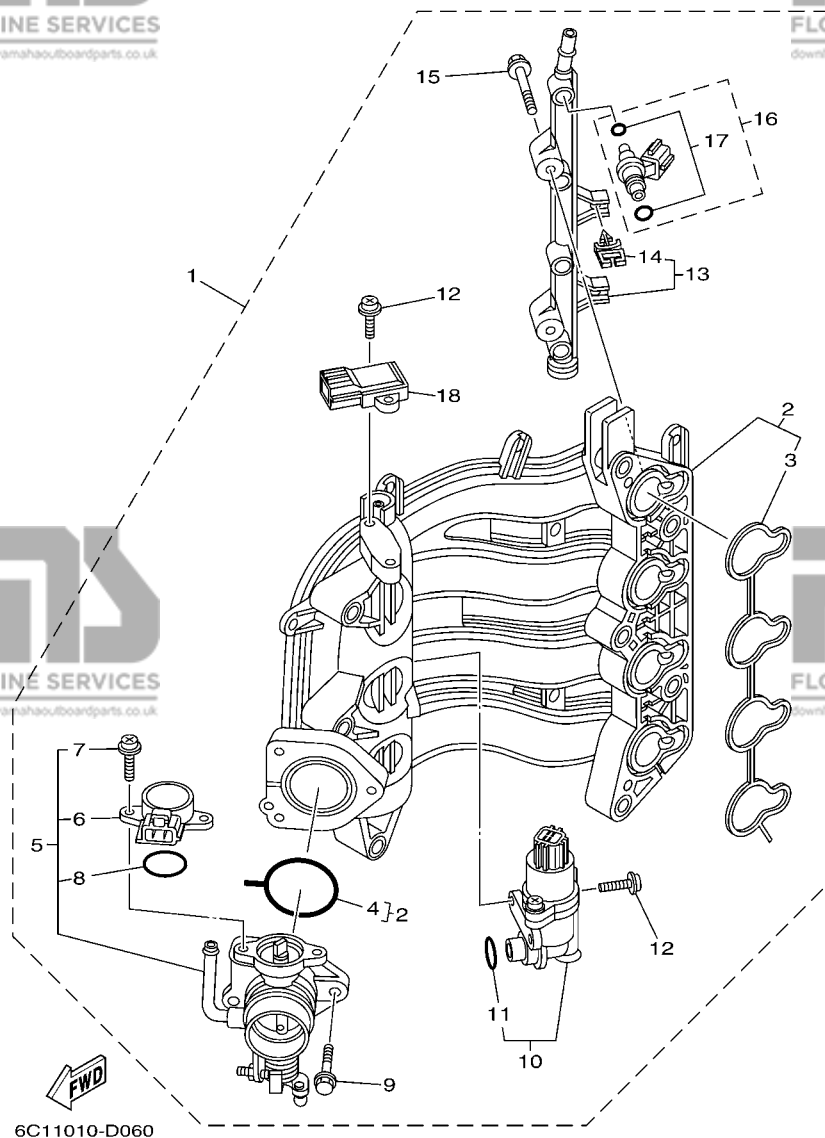


FIG. 6 INTAKE 1

ADMISSION 1



REF. NO.	PART NO. N° PIECES	DESCRIPTION DESCRIPTION	QTY	UNIT	REMARKS REMARQUES
1	6C5-14200-00	INTAKE ASSY ADMISSION (ENS.)	1	1	
2	6C5-13641-00	..MANIFOLD 1 ..TUBULURE 1	1	1	
3	6C5-13645-00	..GASKET, MANIFOLD 1 ..JOINT, TUBULURE 1	1	1	
4	6C5-13557-00	..GASKET ..JOINT	1	1	
5	6C5-13750-00	..THROTTLE BODY ASSY ..CARTER D'ACCELERATEUR COMPLET	1	1	
6	6C5-85885-00	..THROTTLE SENSOR ASSY ..SENSITOMETRE (ENS.)	1	1	
7	6C5-81145-00	..SCREW 1 ..VIS 1	2	2	
8	6C5-8182L-00	..O-RING 1 ..JOINT TORIQUE 1	1	1	
9	6C5-14496-00	..BOLT ..BOULON	3	3	
10	6C5-13105-01	..CONTROL VALVE ASSY ..SOUPAPE DE CONTROLE COMPLET	1	1	
11	6C5-1319C-00	..O-RING ..JOINT TORIQUE	1	1	
12	6C5-81146-00	..SCREW 2 ..VIS 2	4	4	
13	6C5-13161-00	..PIPE, DELIVERY 1 ..DURITE REFOULEMENT 1	1	1	
14	90464-07M56	..CLAMP ..BRIDE	2	2	
15	6C5-14446-00	..BOLT ..BOULON	2	2	
16	6C5-13761-00	..INJECTOR ..INJECTEUR	4	4	
17	6C5-1410B-00	..PACKING KIT ..POCHETTE DE JOINTS	1	1	
18	68F-83688-00	..SENSOR ASSY ..SONDE (ENS.)	1	1	

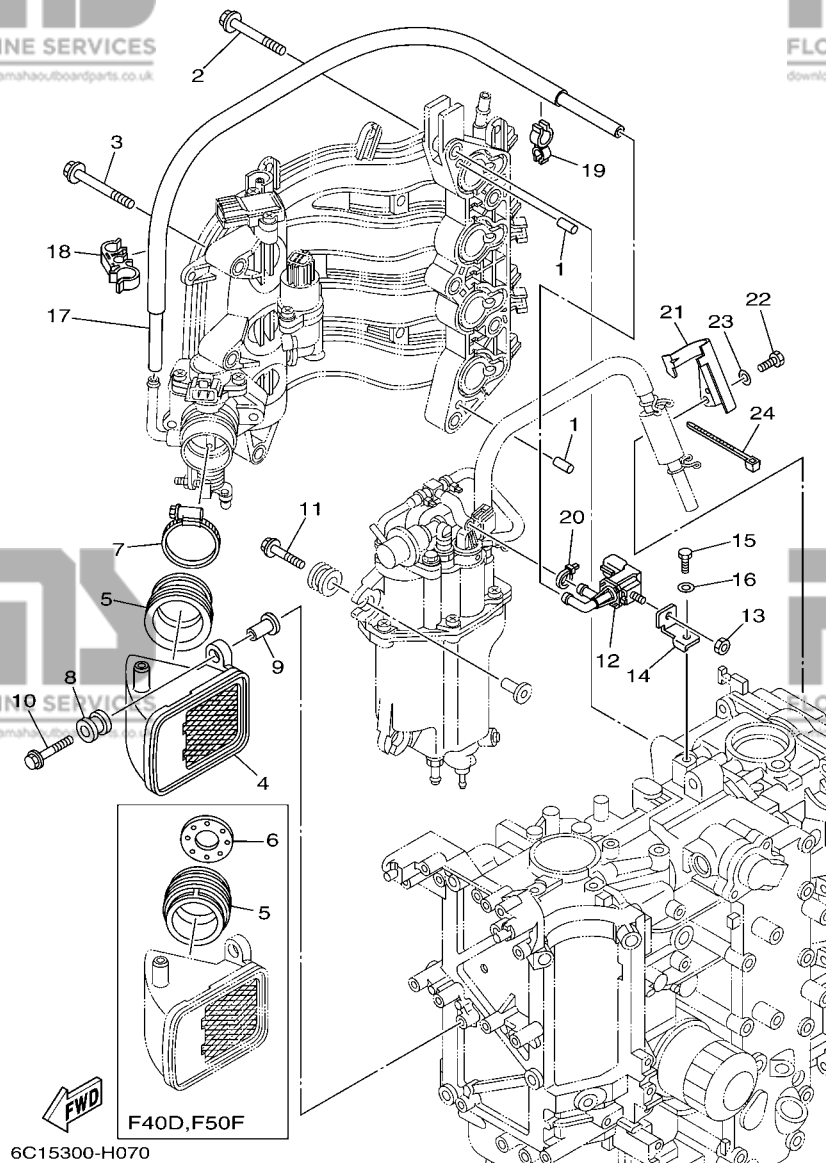
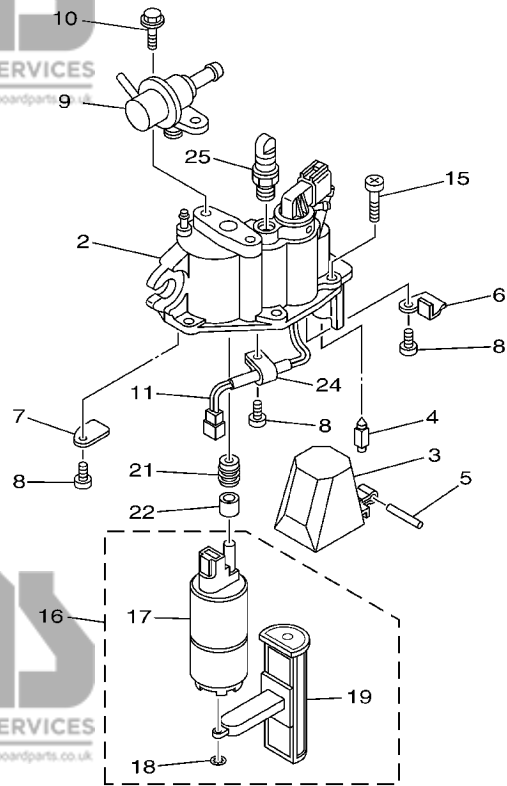


FIG. 7 INTAKE 2

ADMISSION 2

REF. NO.	PART NO. N° PIECES	DESCRIPTION DESCRIPTION	QTY	LT	REMARKS REMARQUES
1	93608-12M05	PIN, DOWEL AXE	2	2	
2	90119-08069	BOLT, WITH WASHER BOULON, AVEC RONDELLE	5	5	
3	90119-06087	BOLT, WITH WASHER BOULON, AVEC RONDELLE	3	3	
4	6C5-14440-00	SILENCER ASSY, INTAKE SIENCIEUX D'ADMISSION	1	1	
5	6C1-14453-01	JOINT, AIR CLEANER 1 RACCORD, FILTRE A AIR 1	1	1	F40D,F50F F40D,F50F
6	6C5-14453-01	JOINT, AIR CLEANER 1 RACCORD, FILTRE A AIR 1	1	1	F60C F60C F50F F50F F40D F40D
7	90450-50001	HOSE CLAMP ASSY BRIDE, DE DURITE	1	1	
8	6A0-82317-00	DAMPER, IGNITION COIL AMORTISSEUR, BOBINE D'ALLUM	2	2	
9	90387-06119	COLLAR COLLERETTE	2	2	
10	90119-06106	BOLT, WITH WASHER BOULON, AVEC RONDELLE	2	2	
11	90119-06M61	BOLT, WITH WASHER BOULON, AVEC RONDELLE	3	3	
12	6C5-86120-00	SOLENOID VALVE ASSY SOLENOIDE	1	1	
13	95380-06600	NUT, HEXAGON ECROU	1	1	
14	6C5-86112-00	STAY, SOLENOID SUPPORT, SOLENOIDE	1	1	
15	97095-06016	BOLT BOULON	1	1	
16	92995-06600	WASHER RONDELLE	1	1	
17	6C5-12576-00	HOSE 1 TUYAU 1	1	1	
18	90464-15008	CLAMP BRIDE	1	1	
19	90464-12006	CLAMP BRIDE	1	1	
20	90465-11M10	CLAMP BRIDE	1	1	
21	6C5-13428-01	BRACKET, STRAINER 1 SUPPORT, FILTRE 1	1	1	
22	97095-06016	BOLT BOULON	1	1	
23	92995-06600	WASHER RONDELLE	1	1	
24	90465-13M18	CLAMP BRIDE	1	1	



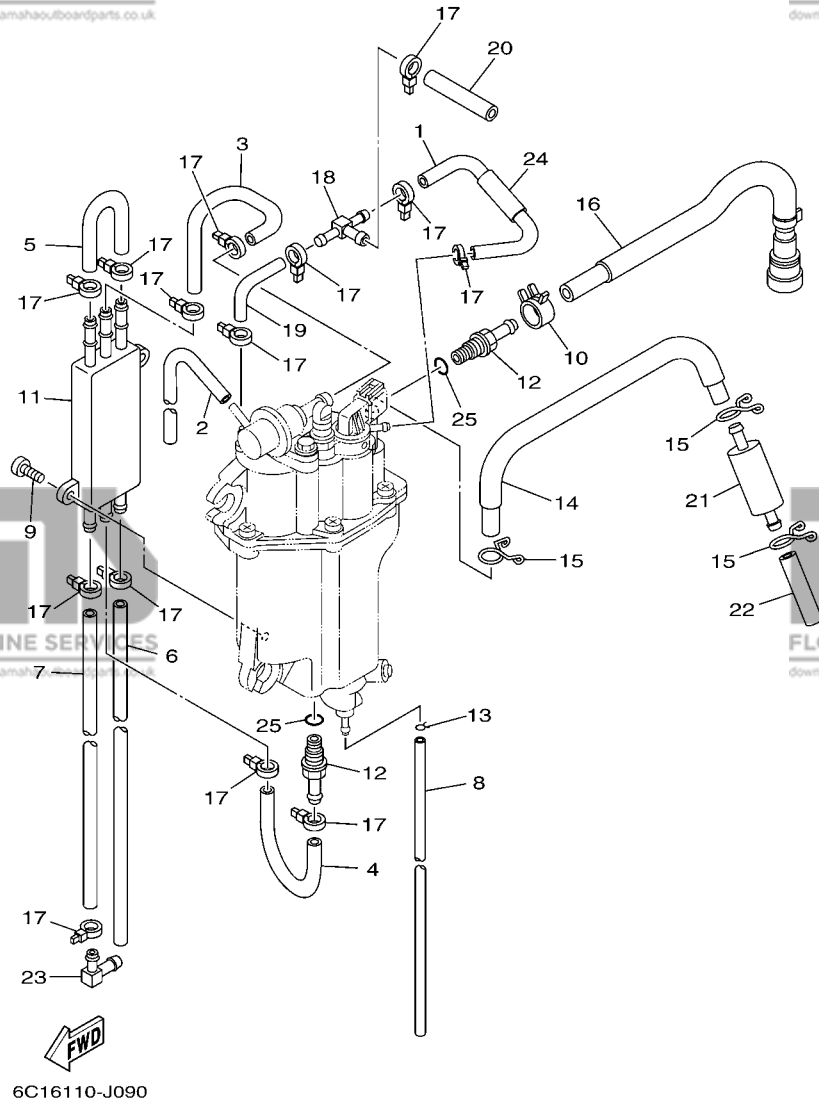
**1**  
**FLOAT CHAMBER ASSY**  
(Fig. 8, Ref. No. 2 to 27  
Fig. 9, Ref. No. 1 to 25)

**FIG. 8 FUEL INJECTION PUMP 1 POMPE A INJECTEUR 1**

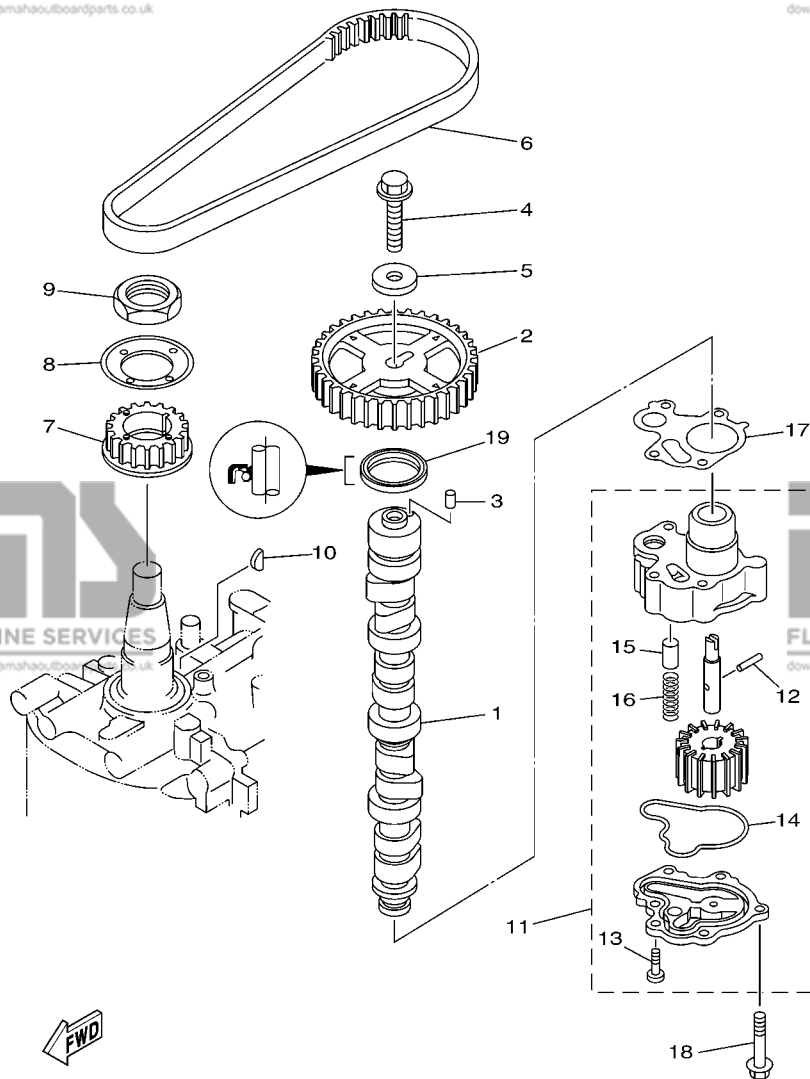
REF. NO.	PART NO. N° PIECES	DESCRIPTION DESCRIPTION	QTY	UNIT	REMARKS REMARQUES
1	6C5-14180-00	FLOAT CHAMBER ASSY CUVE DE FLOTTEUR	1	1	
2	6C5-14182-00	COVER, FLOAT CHAMBER COUVERCLE, CUVE DE FLOTTEUR	1	1	
3	6C5-14985-00	FLOAT FLOTTEUR	1	1	
4	6C5-14546-00	VALVE, NEEDLE POINTEAU	1	1	
5	6C5-14386-00	PIN, FLOAT AXE, FLOTTEUR	1	1	
6	6C5-2441R-00	PLATE, BAFFLE 1 SEPARATEUR 1	1	1	
7	6C5-2441T-00	PLATE, BAFFLE 2 SEPARATEUR 2	1	1	
8	6C5-24453-00	SCREW VIS	3	3	
9	6C5-13906-01	REGULATOR, PRESSURE REGULATEUR DE PRESSION	1	1	
10	6C5-24592-00	BOLT BOLTE	2	2	
11	6C5-87226-00	WIRE HARNESS ASSY ENS. FAISCEAU ELECTRIQUE	1	1	
12	6C5-14960-00	BODY ASSY CARTER (ENS.)	1	1	
13	6C5-14191-00	PLUG, DRAIN PLOT, VIDANGE	1	1	
14	6C5-14397-00	O-RING JOINT TORIQUE	1	1	
15	6C5-14567-00	SCREW VIS	6	6	
16	6C5-13910-00	FUEL PUMP ASSY POMPE A ESSENCE COMPLET	1	1	
17	6C5-13907-00	.FUEL PUMP COMP. .POMPE A CARBURANT COMP.	1	1	
18	6C5-14127-00	.CLIP .JONC	1	1	
19	6C5-13915-00	.FILTER .FILTRE	1	1	
20	6C5-13593-00	DAMPER AMORTISSEUR	1	1	
21	6C5-13781-00	DAMPÉR, PUMP AMORTISSEUR, POMPE	1	1	
22	6C5-13716-00	COLLAR COLLERETTE	1	1	
23	6C5-14984-00	GASKET, FLOAT CHAMBER JOINT, CUVE DE FLOTTEUR	1	1	
24	6C5-21337-00	CLAMP, CABLE COLLIER, CABLE	1	1	
25	6C5-14225-00	CAP COUVERCLE	1	1	
26	90387-06M69	COLLAR COLLERETTE	3	3	
27	90480-09M12	GROMMET PASSE-FIL	3	3	

**FIG. 9 FUEL INJECTION PUMP 2**

**POMPE A INJECTEUR 2**



REF. NO.	PART NO. N° PIECES	DESCRIPTION DESCRIPTION	QTY	UNIT	REMARKS REMARQUES
1	6C5-13546-00	HOSE 2 DURITE 2	1	1	
2	6C5-13542-00	HOSE, VACUUM SENSING 1 DURITE 1	1	1	
3	6C5-24321-00	PIPE 10 DURITE 10	1	1	
4	6C5-24322-00	PIPE 11 DURITE 11	1	1	
5	6C5-24323-00	PIPE 12 DURITE 12	1	1	
6	6C5-24324-00	PIPE 13 (L150) DURITE 13 (L150)	1	1	
7	6C5-24325-00	PIPE 14 (L110) DURITE 14 (L110)	1	1	
8	6C5-14149-00	PIPE (L200) DURITE (L200)	1	1	
9	6C5-24444-00	SCREW VIS	2	2	
10	6C5-13577-00	CLIP AGRAFE	1	1	
11	6C5-21841-00	COOLER RADIATEUR	1	1	
12	6C5-14251-00	NIPPLE RACCORD	2	2	
13	6C5-2411M-00	CLIP JONC	1	1	
14	6C5-14148-00	PIPE DURITE	1	1	
15	6C5-24387-00	CLIP SANDOW	3	3	
16	6C5-13974-00	PIPE, FUEL 4 TUBE 4, CARBURANT	1	1	
17	90465-11M10	CLAMP BRIDE	14	14	
18	6C5-24379-00	PIPE, JOINT 4 DURITE RACCORDEMENT 4	1	1	
19	6C5-13545-00	HOSE 1 DURITE 1	1	1	
20	6C5-13547-00	HOSE 3 DURITE 3	1	1	
21	6C5-24251-00	STRAINER 1 FILTRE 1	1	1	
22	6C5-2451B-00	HOSE, FUEL INLET DURITE	1	1	
23	6C5-1410F-00	CONNECTOR CONNECTEUR	1	1	
24	6C5-13548-00	HOSE, AIR 4 DURITE, A AIR 4	1	1	
25	6C5-13739-00	O-RING JOINT TORIQUE	2	2	

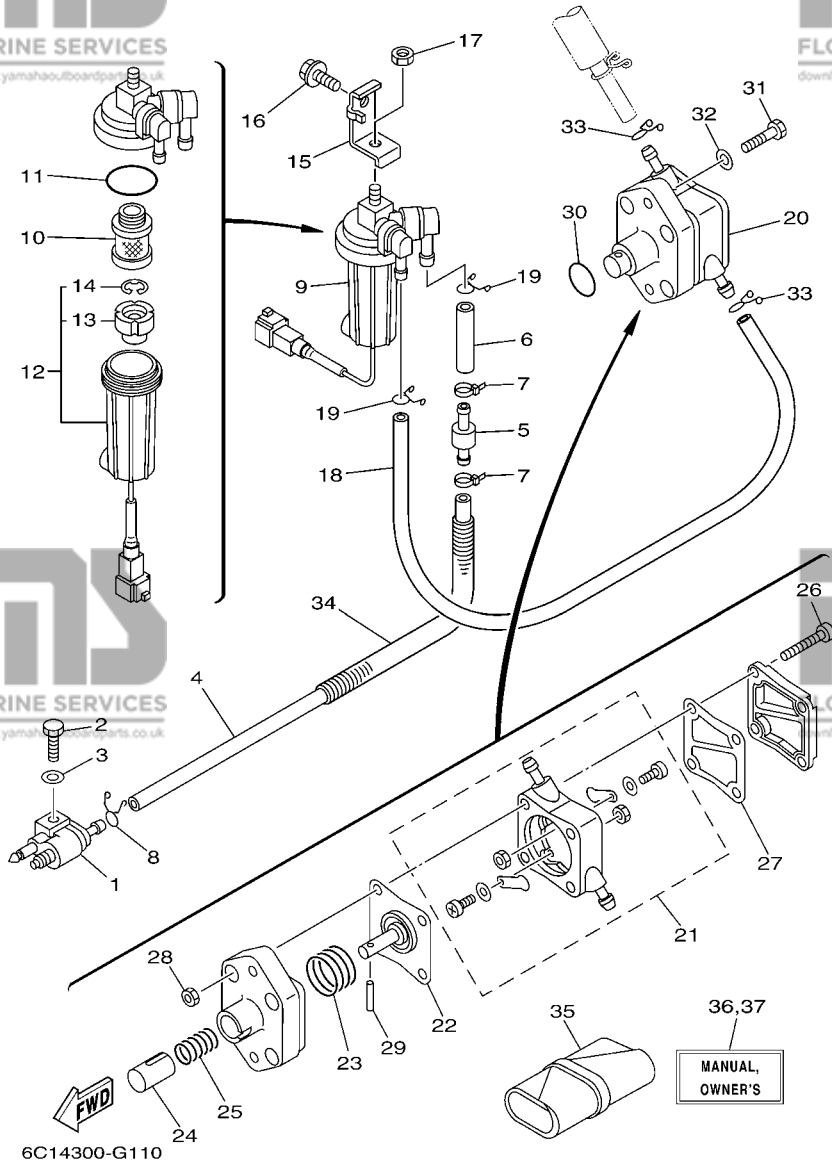


**FWD**  
6C11010-D100

**FIG. 10 OIL PUMP**

**POMPE A HUILE**

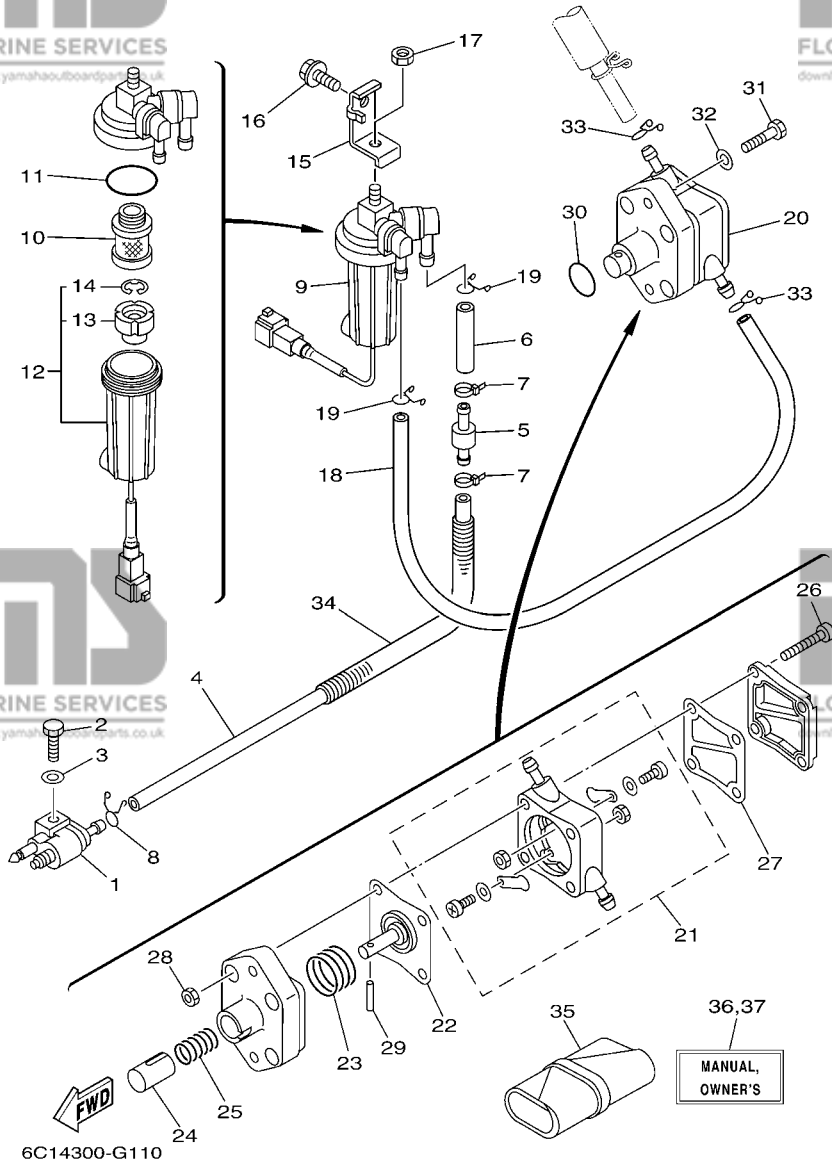
REF. NO.	PART NO. N° PIECES	DESCRIPTION DESCRIPTION	QTY	UNIT	REMARKS REMARQUES
1	6C5-12171-00	CAMSHAFT 1 ARBRE A CAMES 1	1	1	
2	6C5-11537-00	GEAR, DRIVEN PIGNON SECONDAIRE	1	1	
3	93605-17002	PIN, DOWEL AXE	1	1	
4	95817-10035	BOLT, FLANGE BOULON, A COLLERETTE	1	1	
5	90201-10144	WASHER, PLATE RONDELLE, PLATE	1	1	
6	6C5-46241-00	V-BELT COURROIE TRAPEZOIDALE	1	1	
7	6C5-11536-00	GEAR, DRIVE ENGRENAGE, MENANT	1	1	
8	62Y-11557-00	WASHER 1 RONDELLE 1	1	1	
9	90170-35008	NUT ECROU	1	1	
10	90280-03M01	KEY, WOODRUFF CLAVETTE, DEMI-LUNE	1	1	
11	6C5-13300-00	OIL PUMP ASSY POMPE A HUILE COMPLETE	1	1	
12	93603-17070	.PIN, DOWEL .CLAVETTE	1	1	
13	98580-06016	.SCREW, PAN HEAD .VIS	2	2	
14	6C5-13142-00	.GASKET .JOINT	1	1	
15	6G8-11577-00	.PLUNGER, RELIEF .PLONGEUR DE SECURITE	1	1	
16	90501-6C500	.SPRING, COMPRESSION .RESSORT, COMPRESSION	1	1	
17	6C5-13329-00	GASKET, PUMP COVER JOINT, COUVERCLE DE POMPE	1	1	
18	90119-06025	BOLT, WITH WASHER BOULON, AVEC RONDELLE	4	4	
19	93102-37M40	OIL SEAL JOINT SPY	1	1	



**FIG. 11 FUEL**

**CARBURANT**

REF. NO.	PART NO. N° PIECES	DESCRIPTION DESCRIPTION	QTY	UNIT	REMARKS REMARQUES
1	6G1-24304-02	FUEL PIPE JOINT COMP. 1 DURITE RACCORDEMT. A ESSENCE	1	1	
2	97095-06025	BOLT BOULON	1	1	
3	92995-06600	WASHER RONDELLE	1	1	
4	6C5-2247A-00	HOSE 1 DURITE 1	1	1	
5	67F-24377-00	PIPE, JOINT 2 DURITE RACCORDEMENT 2	1	1	
6	90445-13M02	HOSE (L40) DURITE (L40)	1	1	
7	90465-11M10	CLAMP BRIDE	2	2	
8	90467-09M17	CLIP JONC	1	1	
9	6D8-24560-00	FILTER ASSY ENS FILTRE	1	1	
10	6D8-24563-00	.ELEMENT, FILTER .ELEMENT, FILTRE	1	1	
11	6D8-24564-00	.GASKET .JOINT	1	1	
12	6D8-24562-00	.CUP, FILTER .CUVETTE, FILTRE	1	1	
13	6D8-24469-00	..FLOAT, WATER LEVEL ..FLOTTEUR	1	1	
14	6D8-24519-00	..CLIP ..JONC	1	1	
15	6C5-24566-01	BRACKET, FILTER SUPPORT, FILTRE	1	1	
16	95895-08016	BOLT, FLANGE BOULON	1	1	
17	95380-08600	NUT ECROU	1	1	
18	90445-13M36	HOSE (L350) DURITE (L350)	1	1	
19	90467-10M04	CLIP JONC	2	2	
20	6C5-24410-00	FUEL PUMP ASSY POMPE A ESSENCE	1	1	
21	6C5-24415-00	.BODY 4 .CORPS 4	1	1	
22	62Y-24411-02	.DIAPHRAGM .DIAPHRAGME	1	1	
23	62Y-24423-00	.SPRING, DIAPHRAGM .RESSORT, DIAPHRAGME	1	1	
24	62Y-13131-00	.PLUNGER .PLONGEUR	1	1	
25	62Y-24454-00	.SPRING .RESSORT	1	1	
26	62Y-24444-01	.SCREW .VIS	4	4	
27	6C5-24471-00	.DIAPHRAGM .DIAPHRAGME	1	1	

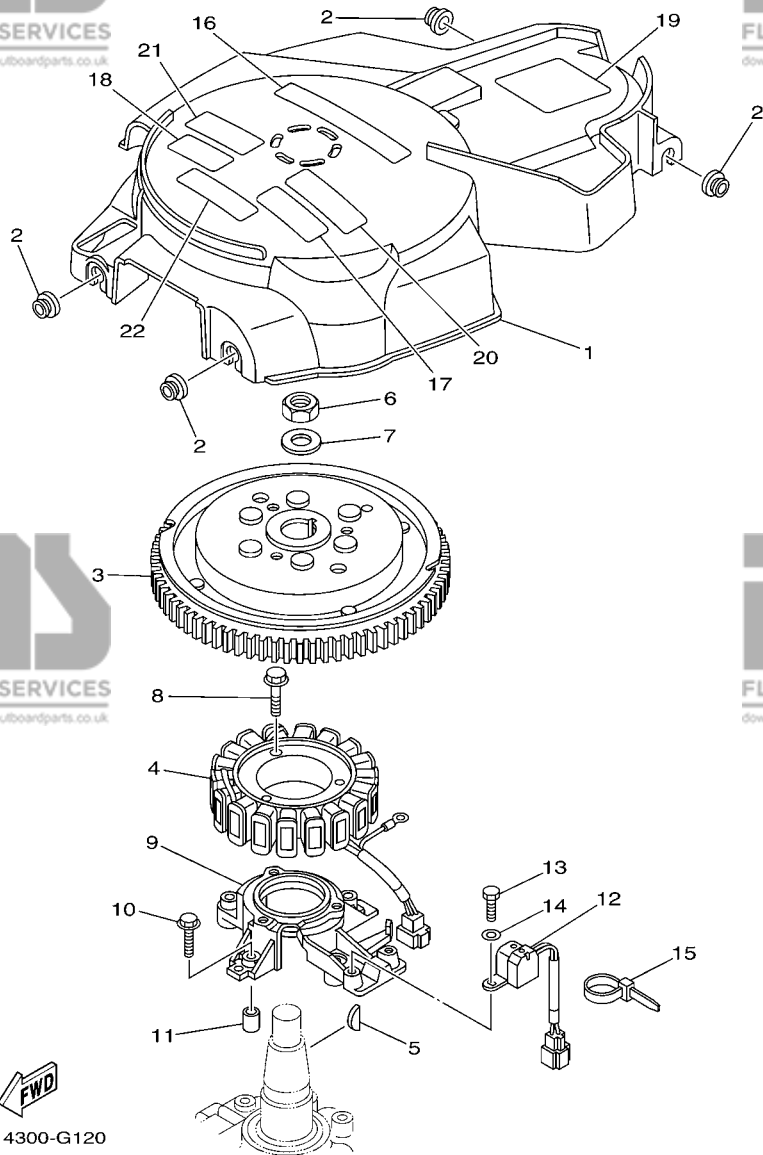


**FIG. 11 FUEL**

**CARBURANT**

REF. NO.	PART NO. N° PIECES	DESCRIPTION DESCRIPTION	QTY	QTY	REMARKS REMARQUES
28	95380-05600	.NUT .ECROU	4	4	
29	62Y-24374-01	.PIN .PIN	1	1	
30	93210-24M79	O-RING JOINT TORIQUE	1	1	
31	97095-06030	BOLT BOULON	2	2	
32	92995-06600	WASHER RONDELLE	2	2	
33	90467-10M04	CLIP JONC	2	2	
34	90446-14M62	HOSE (L320) DURITE (L320)	1	1	
35	6C5-28100-00	TOOL KIT TROUSSE A OUTILS	1	1	
36	6C1-28199-76-E0	MANUAL, OWNER'S MANUEL D'UTILISATION	1	1	UR (E) UR (E)
	6C1-28199-76-F0	MANUAL, OWNER'S MANUEL D'UTILISATION	1	1	UR (F) UR (F)
	6C1-28199-76-S0	MANUAL, OWNER'S MANUEL D'UTILISATION	1	1	UR (ES) UR (ES)
	6C1-28199-76-G0	MANUAL, OWNER'S MANUEL D'UTILISATION	1	1	UR (D) UR (D)
	6C1-28199-76-D0	MANUAL, OWNER'S MANUEL D'UTILISATION	1	1	UR (NL) UR (NL)
	6C1-28199-76-H0	MANUAL, OWNER'S MANUEL D'UTILISATION	1	1	UR (I) UR (I)
37	6C1-28199-86-K0	MANUAL, OWNER'S MANUEL D'UTILISATION	1	1	UR (DK) UR (DK)
	6C1-28199-86-R0	MANUAL, OWNER'S MANUEL D'UTILISATION	1	1	UR (GR) UR (GR)
	6C1-28199-86-P0	MANUAL, OWNER'S MANUEL D'UTILISATION	1	1	UR (P) UR (P)
	6C1-28199-86-N0	MANUAL, OWNER'S MANUEL D'UTILISATION	1	1	UR (N) UR (N)
	6C1-28199-86-M0	MANUAL, OWNER'S MANUEL D'UTILISATION	1	1	UR (S) UR (S)
	6C1-28199-86-L0	MANUAL, OWNER'S MANUEL D'UTILISATION	1	1	UR (SF) UR (SF)





6C14300-G120

**FIG. 12 GENERATOR**

**GENERATRICE**

REF. NO.	PART NO. N° PIECES	DESCRIPTION DESCRIPTION	QTY	UNIT	REMARKS REMARQUES
1	6C5-81337-00	COVER, FLYWHEEL COUVERCLE, VOLANT	1	1	
2	90480-12072	GROMMET PASSE-FIL	4	4	
3	6C5-81450-00	ROTOR ASSY ROTOR COMPLET	1	1	
4	6C5-81410-00	STATOR ASSY STATOR COMPLET	1	1	
5	6H4-11545-00	KEY, WOODRUFF CLAVETTE, DEMI-LUNE	1	1	
6	90170-20137	NUT ECROU	1	1	
7	90201-21M18	WASHER, PLATE RONDELLE, PLATE	1	1	
8	95023-06030	BOLT BOULON, A COLLERETTE	3	3	
9	6C5-85561-00-94	BASE, MAGNETO BASE, MAGNETO	1	1	
10	95023-06030	BOLT BOULON, A COLLERETTE	4	4	
11	99530-08012	PIN, DOWEL GOUJON, D'ASSEMBLAGE	2	2	
12	62Y-85580-00	COIL, PULSER BOBINE, PULSEUR	1	1	
13	97095-05012	BOLT BOULON	2	2	
14	92995-05600	WASHER RONDELLE	2	2	
15	90465-13M97	CLAMP BRIDE	1	1	
16	6C5-13437-62	MARK, CAUTION MAKER	1	1	
17	6AH-81995-40	LABEL, WARNING ETIQUETTE, AVERTISSEMENT	1	1	
18	6AH-81995-50	LABEL, WARNING ETIQUETTE, AVERTISSEMENT	1	1	
19	62Y-83626-00	MARK 6 MARK 6	1	1	
20	6AH-81994-40	LABEL, SAFETY ETIQUETTE, SECURITE	1	1	
21	6AH-81994-50	LABEL, SAFETY ETIQUETTE, SECURITE	1	1	
22	6AG-81996-00	MARK MARQUE	1	1	

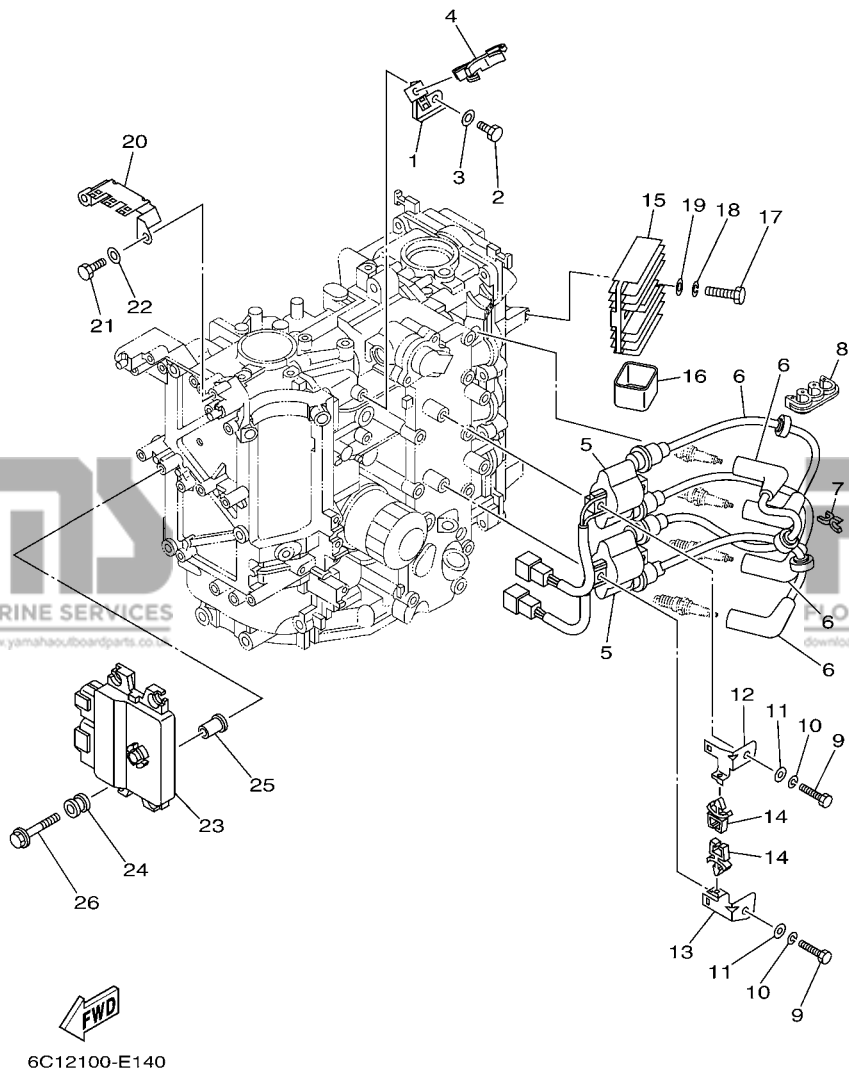
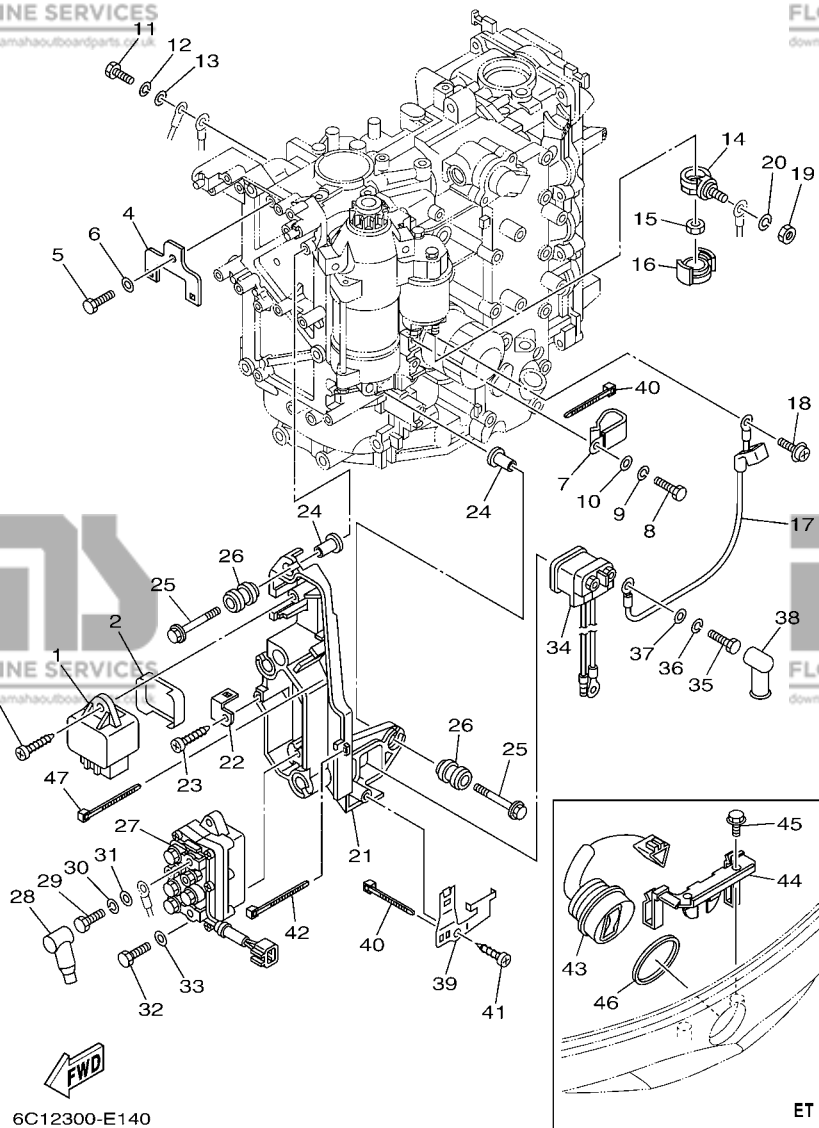


FIG. 13 ELECTRICAL 1

PARTIE ELECTRIQUE 1

REF. NO.	PART NO. N° PIECES	DESCRIPTION DESCRIPTION	QTY	UNIT	REMARKS REMARQUES
1	6C5-85525-00	COVER CAPUCHON	1	1	
2	97095-06014	BOLT BOULON	1	1	
3	92995-06600	WASHER RONDELLE	1	1	
4	90464-18246	CLAMP BRIDE	1	1	
5	63P-82310-01	IGNITION COIL ASSY BOBINE D'ALLUMAGE	2	2	
6	6C5-82340-01	HIGH TENSION CORD ASSY 1 CABLE HAUTE TENSION 1	4	4	
7	90464-07M41	CLAMP BRIDE	2	2	
8	90464-07M05	CLAMP BRIDE	1	1	
9	97095-06030	BOLT BOULON	4	4	
10	92995-06100	WASHER, SPRING RONDELLE, GROWER	4	4	
11	92995-06600	WASHER RONDELLE	4	4	
12	6C5-82316-01	BRACKET, IGNITION COIL SUPPORT, BOBINE D'ALLUMAGE	1	1	
13	6C5-82316-11	BRACKET, IGNITION COIL SUPPORT, BOBINE D'ALLUMAGE	1	1	
14	90464-06001	CLAMP BRIDE	2	2	
15	6D3-81960-00	RECTIFIER & REGULATOR ASSY REDRESSEUR REGULATEUR CPLT	1	1	
16	6C5-81961-00	COVER COUVERCLE	1	1	
17	97095-06025	BOLT BOULON	2	2	
18	92995-06100	WASHER, SPRING RONDELLE, GROWER	2	2	
19	92995-06600	WASHER RONDELLE	2	2	
20	6C5-82171-00	STAY, FUSE BOX SUPPORT, BOITE A FUSIBLES	1	1	
21	97095-06014	BOLT BOULON	2	2	
22	92995-06600	WASHER RONDELLE	2	2	
23	6C1-8591A-22	ENGINE CONTROL UNIT ASSY BLOC DE CONTROL	1	1	F50F F50F
	6C5-8591A-22	ENGINE CONTROL UNIT ASSY BLOC DE CONTROL	1	1	F60C F60C
	6AK-8591A-02	ENGINE CONTROL UNIT ASSY BLOC DE CONTROL	1	1	F40D F40D
24	6C5-82317-00	DAMPER, IGNITION COIL AMORTISSEUR, BOBINE D'ALLUM	4	4	
25	90387-06119	COLLAR COLLERETTE	4	4	





6C12300-E140

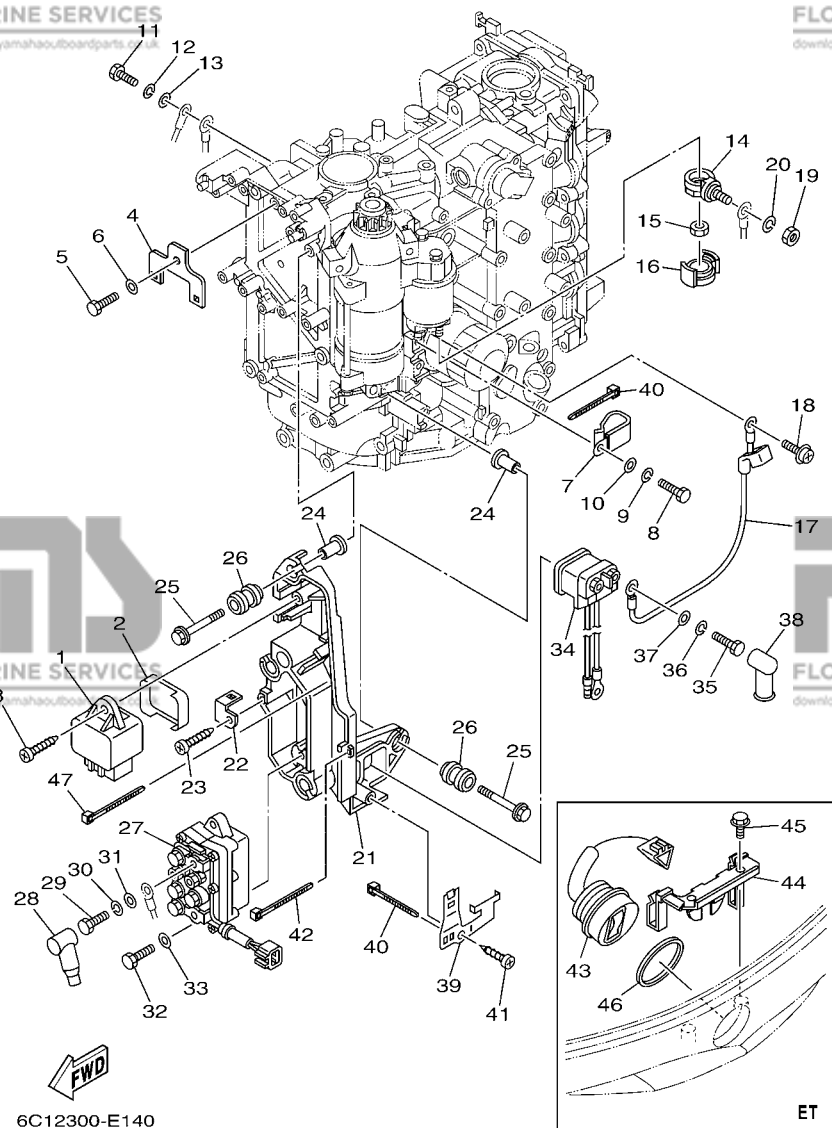
**FIG. 14 ELECTRICAL 2**

**PARTIE ELECTRIQUE 2**

REF. NO.	PART NO. N° PIECES	DESCRIPTION DESCRIPTION	QTY	QTY	REMARKS REMARQUES
1	60E-81950-00	RELAY ASSY RELAIS COMPLET	1	1	
2	6C5-81336-00	GROMMET OUILLET CAOUTCHOUC	1	1	
3	97780-60620	SCREW, TAPPING VIS, TETE BOMBEE	1	1	
4	6C5-8257V-00	PLATE, CONNECTOR PLAQUE, CONNECTEUR	1	1	
5	97095-06014	BOLT BOULON	1	1	
6	92995-06600	WASHER RONDELLE	1	1	
7	90465-05M87	CLAMP BRIDE	1	1	
8	97095-06020	BOLT BOULON	4	4	
9	92995-06100	WASHER, SPRING RONDELLE, GROWER	4	4	
10	92995-06600	WASHER RONDELLE	4	4	
11	97095-06020	BOLT BOULON	1	1	
12	92995-06100	WASHER, SPRING RONDELLE, GROWER	1	1	
13	92995-06600	WASHER RONDELLE	1	1	
14	60V-81925-00	TERMINAL BORNE	1	1	
15	90179-08003	NUT ECROU	1	1	
16	68F-82582-00	COVER, WIRE HARNESS COUVERCLE, FAISCEAU DE FILS	1	1	
17	6C5-81815-00	CORD, STARTER MOTOR FIL, DEMARREUR ELECTRIQUE	1	1	
18	90159-04005	SCREW, WITH WASHER VIS, AVEC RONDELLE	1	1	
19	95333-08600	NUT ECROU	1	1	
20	92903-08100	WASHER, SPRING RONDELLE, GROWER	1	1	
21	6C5-81948-00	BRACKET SUPPORT	1	1	
22	6C5-85548-00	HOLDER SUPPORT	1	1	
23	97780-60620	SCREW, TAPPING VIS, TETE BOMBEE	1	1	
24	90387-06119	COLLAR COLLERETTE	4	4	
25	90119-06M59	BOLT, WITH WASHER BOULON, AVEC RONDELLE	4	4	
26	6A0-82317-00	DAMPER, IGNITION COIL AMORTISSEUR, BOBINE D'ALLUM	4	4	
27	63P-81950-00	RELAY ASSY RELAIS COMPLET	1	1	

FIG. 14 ELECTRICAL 2

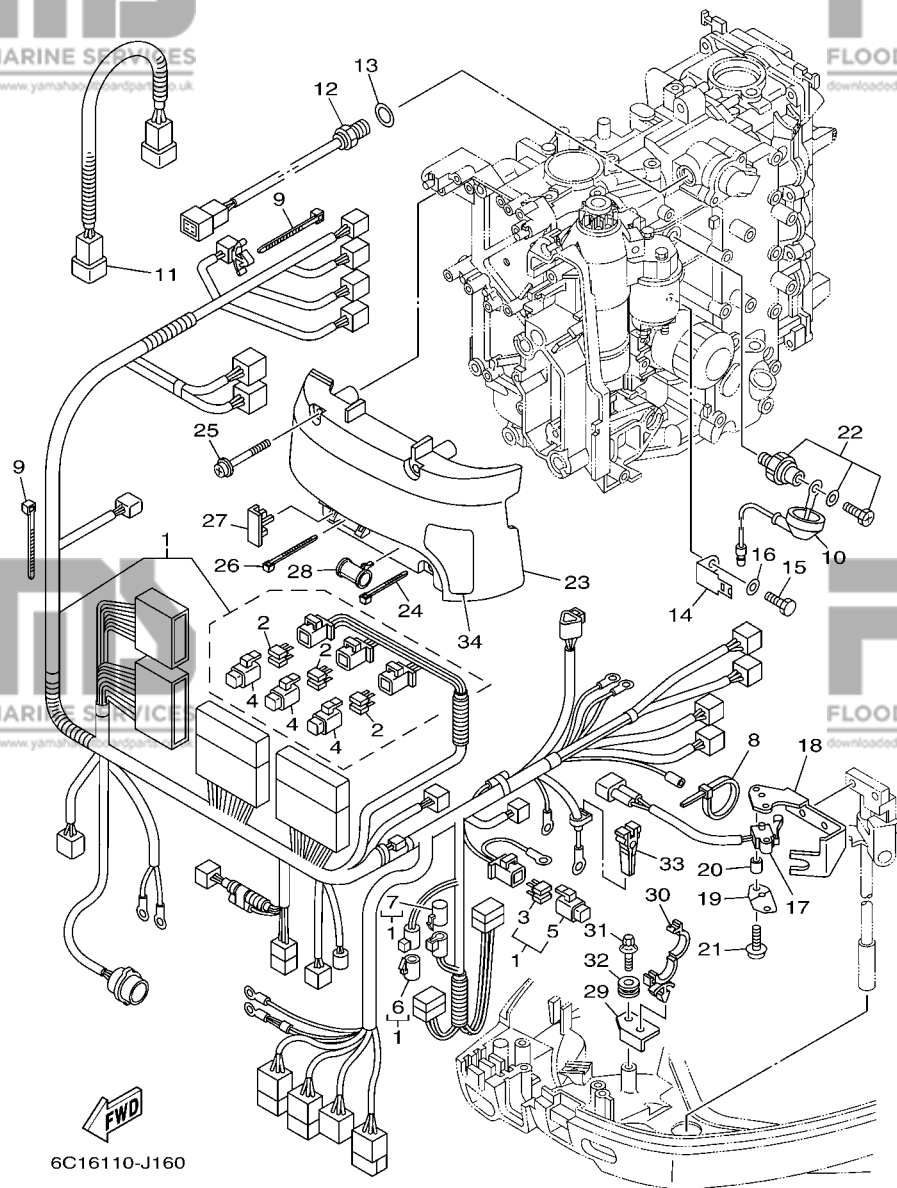
PARTIE ELECTRIQUE 2



REF. NO.	PART NO. N° PIECES	DESCRIPTION DESCRIPTION	ED	ET	REMARKS REMARQUES
28	682-82119-01	COVER, LEAD WIRE GARNITURE, FIL		2	
29	97095-06010	BOLT BOULON		2	
30	92995-06100	WASHER, SPRING RONDELLE, GROWER		2	
31	92995-06600	WASHER RONDELLE		2	
32	97013-06020	BOLT BOULON		2	
33	92903-06600	WASHER, PLATE RONDELLE, PLATE		2	
34	68V-8194A-00	RELAY RELAIS	1	1	
35	97095-06010	BOLT BOULON	2	2	
36	92995-06100	WASHER, SPRING RONDELLE, GROWER	2	2	
37	92995-06600	WASHER RONDELLE	2	2	
38	6G5-82119-00	COVER, LEAD WIRE GARNITURE, FIL	2	2	
39	6C5-81953-00	STAY, RELAY SUPPORT, RELAIS	1	1	
40	90465-11M10	CLAMP BRIDE	2	2	
41	97780-60620	SCREW, TAPPING VIS, TETE BOMBEE	1	1	
42	90465-13M97	CLAMP BRIDE	1	1	
43	63D-82563-10	TRIM & TILT SWITCH ASSY INCLINER ET PARER COMMUTATEUR	1	1	
44	6C5-83614-01	BRACKET SUPPORT		1	
45	90109-06M86	BOLT BOULON	1	1	
	90109-06M86	BOLT BOULON		2	
46	6E5-82587-00	GASKET JOINT		1	
47	90465-13M97	CLAMP BRIDE	2	2	

FIG. 15 ELECTRICAL 3

PARTIE ELECTRIQUE 3



REF. NO.	PART NO. N° PIECES	DESCRIPTION DESCRIPTION	QTY	QTY	REMARKS REMARQUES
1	6C5-82590-50	WIRE HARNESS ASSY FAISCEAU DE FILS COMPLET	1	1	
	6C5-82590-40	WIRE HARNESS ASSY FAISCEAU DE FILS COMPLET		1	
2	67F-82151-00	.FUSE (20A) .FUSIBLE (20A)	6	6	
3	67F-82151-10	.FUSE (30A) .FUSIBLE (30A)	2	2	
4	67F-8215B-10	.CAP (YELLOW) .BOUCHON (YELLOW)	3	3	
5	67F-8215B-20	.CAP (GREEN) .BOUCHON (GREEN)	1	1	
6	6P2-82582-00	.CAP 1 (FEMALE) .BOUCHON 1 (FEMME)	1	1	FOR 6C5-82590-40 FOR 6C5-82590-40
7	6P2-82582-10	.CAP 1 (MALE) .BOUCHON 1 (MALE)	1	1	FOR 6C5-82590-40 FOR 6C5-82590-40
8	90465-13M24	CLAMP BRIDE	1	1	
9	90465-13M11	CLAMP BRIDE	2	2	
10	68V-81315-00	LEAD WIRE ASSY FIL	1	1	
11	6C5-82553-00	EXTENSION, WIRE LEAD EXTENSION, FAISCEAU	1	1	
12	6C5-85790-00	THERMOSENSOR ASSY SENSITOMETRE	1	1	
13	90430-14115	GASKET JOINT	1	1	
14	6C5-82388-00	PLATE PLAQUETTE	1	1	
15	97095-06014	BOLT BOULON	1	1	
16	92995-06600	WASHER RONDELLE	1	1	
17	60V-8259F-00	SWITCH ASSY COMMUTATEUR	1	1	
18	6C5-82554-01	STAY, NEUTRAL SWITCH SUPPORT, CONT DE POINT-MORT	1	1	
19	61A-82588-01	PLATE PLAQUE	1	1	
20	90387-04001	COLLAR COLLERETTE	1	1	
21	97985-04116	SCREW, WITH WASHER VIS, AVEC RONDELLE	2	2	
22	64J-82504-00	OIL PRESSURE SWITCH ASSY CONTACTEUR DE PRESSION D'HUILE	1	1	
23	6C5-81942-00	COVER COUVERCLE	1	1	
24	90465-13M39	CLAMP BRIDE	1	1	
25	90159-06M14	SCREW, WITH WASHER VIS, AVEC RONDELLE	4	4	
26	90465-13M24	CLAMP BRIDE	1	1	

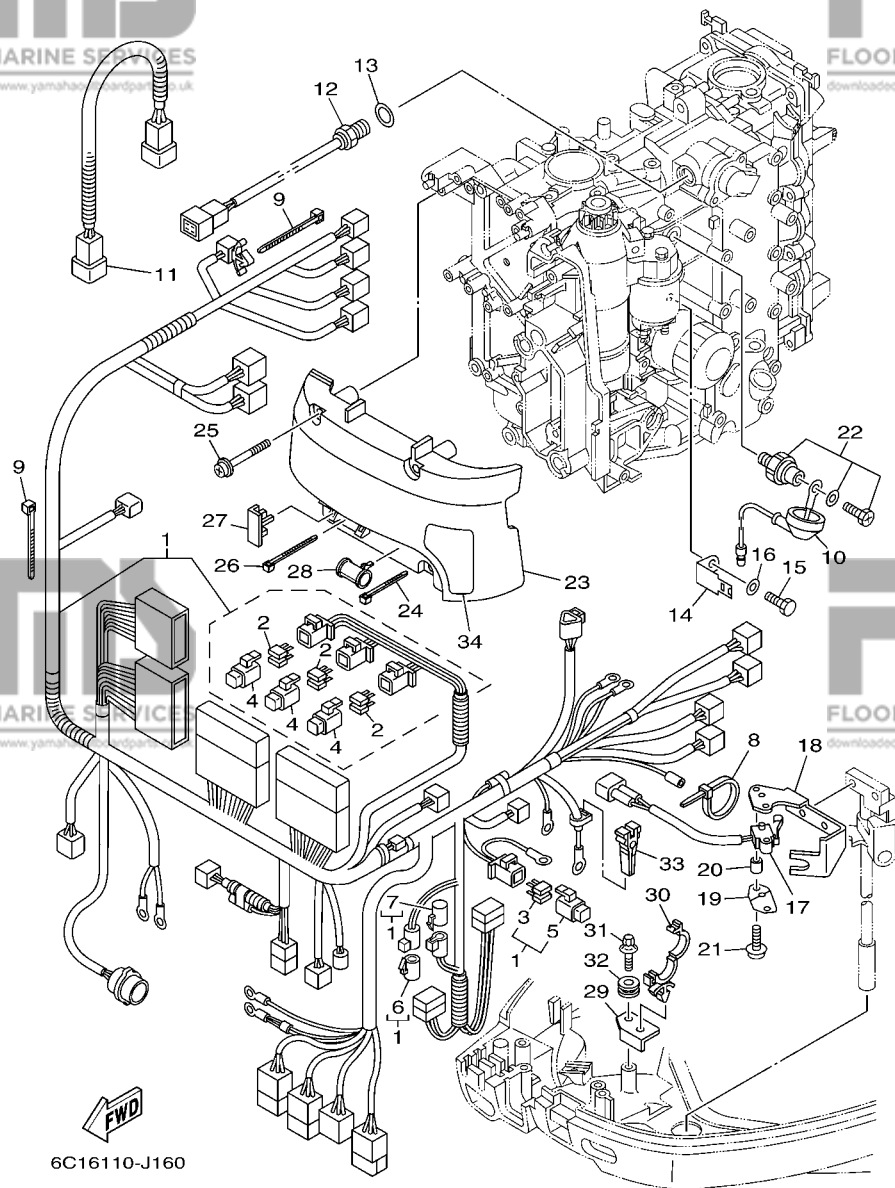


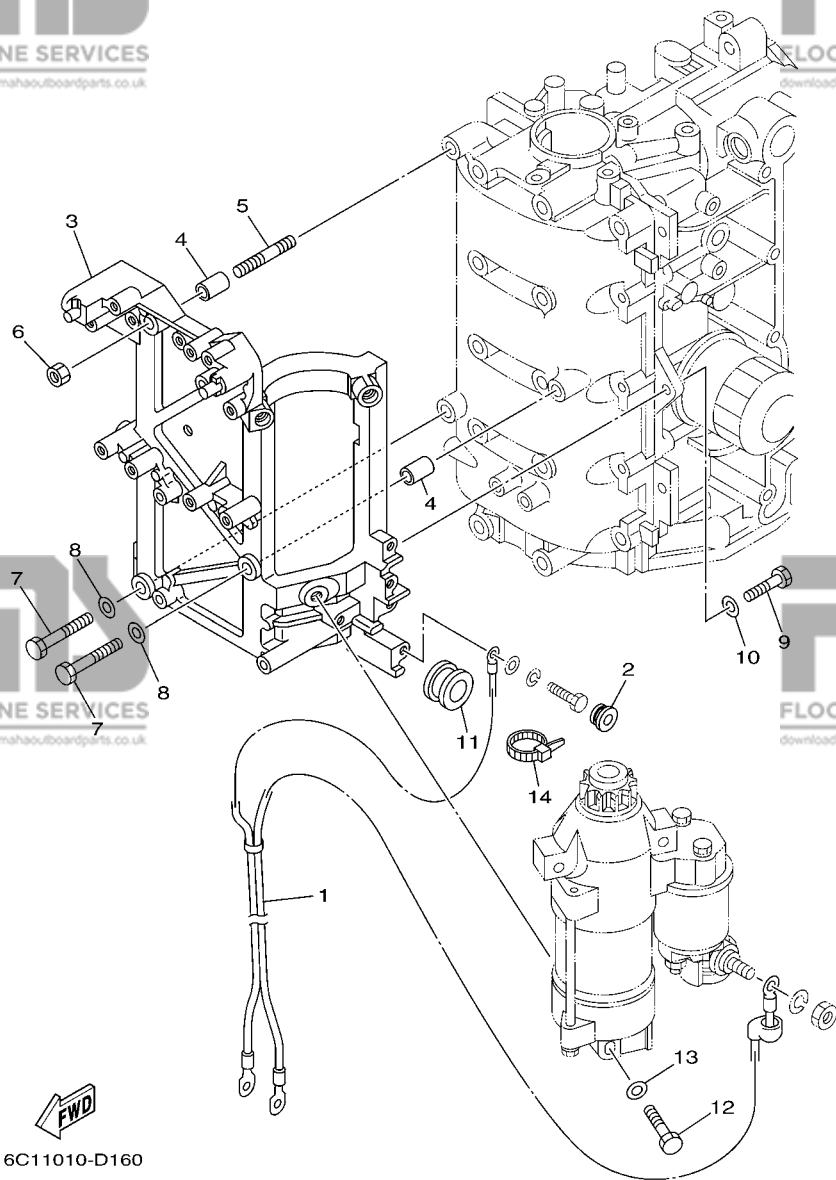
FIG. 15 ELECTRICAL 3

PARTIE ELECTRIQUE 3

REF. NO.	PART NO. N° PIECES	DESCRIPTION DESCRIPTION	QTY	QTY	REMARKS REMARQUES
27	6C5-82176-00	DAMPER AMORTISSEUR	2	2	
28	6C5-8252R-00	DAMPER AMORTISSEUR	1	1	
29	6C5-42811-00	STAY SUPPORT	1	1	
30	90464-18007	CLAMP BRIDE	1	1	
31	90119-06077	BOLT, WITH WASHER BOULON, AVEC RONDELLE	1	1	
32	90480-13598	GROMMET PASSE-FIL	1	1	
33	67F-2812A-00	PULLER, FUSE TENDEUR, FUSIBLE	1	1	
34	6C5-81919-00	GRAPHIC, REGULATOR ADHESIF, REGULATEUR	1	1	

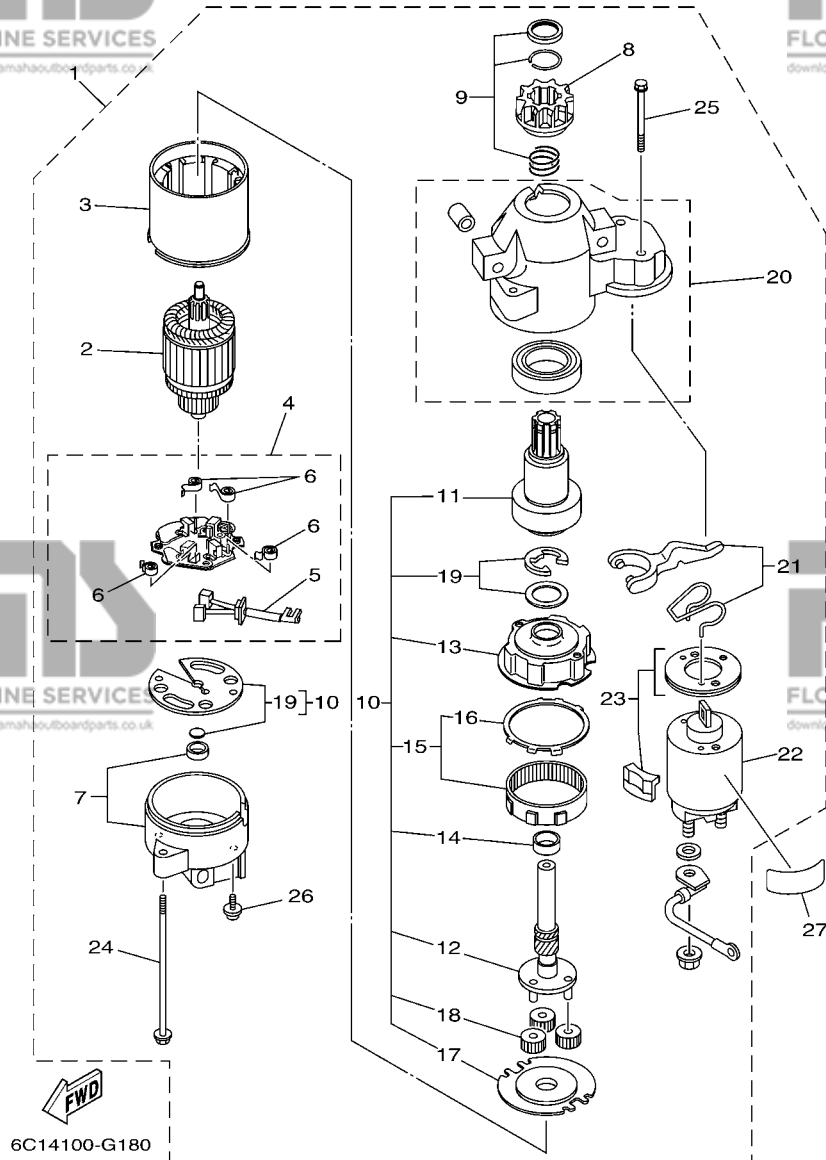
FIG. 16 ELECTRICAL 4

PARTIE ELECTRIQUE 4



REF. NO.	PART NO. N° PIECES	DESCRIPTION DESCRIPTION	QTY	UNIT	REMARKS REMARQUES
1	6C5-82105-00	WIRE HARNESS FAISCEAU DE FILS	1	1	
2	90480-12072	GROMMET PASSE-FIL	1	1	
3	6C5-81822-00-94	BRACKET, STARTING MOTOR SUPPORT, DEMARREUR ELECTRIQUE	1	1	
4	99590-10114	PIN, DOWEL GOIJON, D'ASSEMBLAGE	2	2	
5	95680-08330	BOLT, STUD GOIJON	1	1	
6	95380-08600	NUT ECROU	1	1	
7	97095-08035	BOLT BOULON	2	2	
8	92995-08600	WASHER RONDELLE	2	2	
9	97095-08025	BOLT BOULON	2	2	
10	92995-08600	WASHER RONDELLE	2	2	
11	90480-24003	GROMMET PASSE-FIL	1	1	
12	97013-08045	BOLT BOULON	3	3	
13	92903-08600	WASHER, PLATE RONDELLE, PLATE	3	3	
14	90465-13M18	CLAMP BRIDE	1	1	



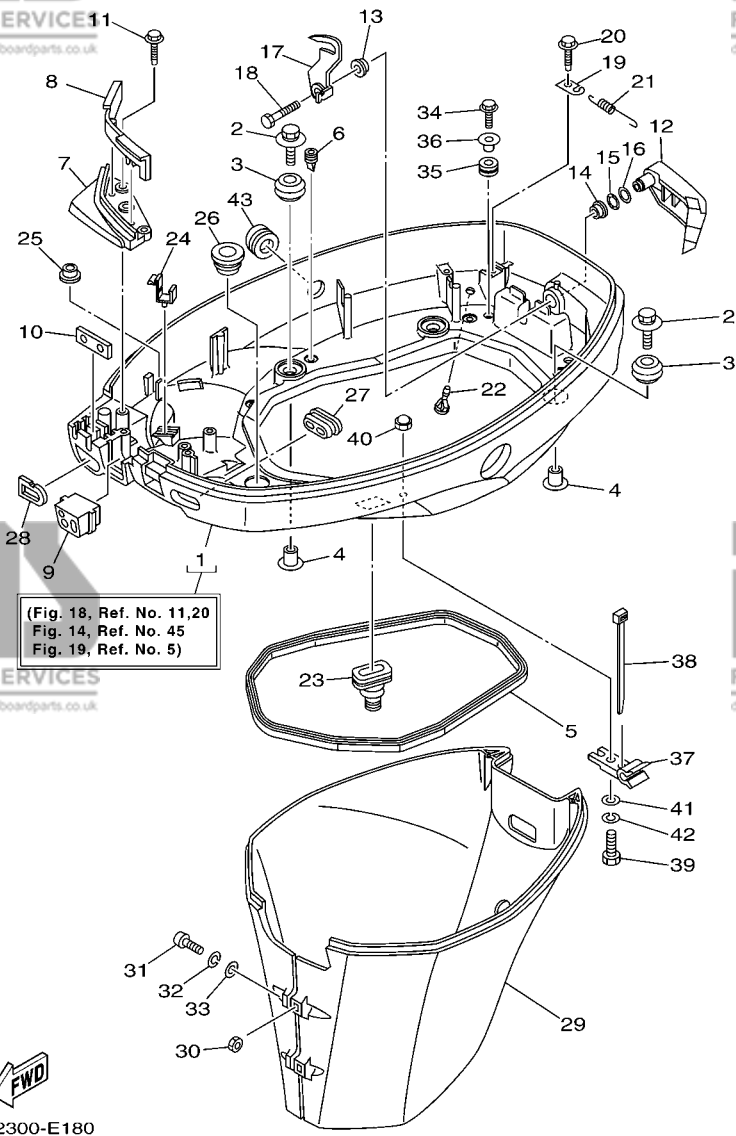


6C14100-G180

**FIG. 17 STARTING MOTOR**

**DEMARREUR ELECTRIQUE**

REF. NO.	PART NO. N° PIECES	DESCRIPTION DESCRIPTION	QTY	UNIT	REMARKS REMARQUES
1	6C5-81800-00	STARTING MOTOR ASSY DEMARREUR ELECTRIQUE COMPLET	1	1	
2	67F-81850-00	.ARMATURE ASSY .INDUIT	1	1	
3	67F-81810-00	.STATOR ASSY .STATOR COMPLET	1	1	
4	69J-81840-00	.BRUSH HOLDER ASSY .SUPPORT DE CHARBON	1	1	
5	69J-81801-00	..BRUSH SET ..CHARBON	1	1	
6	67F-81813-00	..SPRING, BRUSH ..RESSORT, DE CHARBON	4	4	
7	68F-81820-00	.REAR BRACKET ASSY .SUPPORT ARRIERE COMPLET	1	1	
8	67F-81808-00	.PINION ASSY .PIGNON	1	1	
9	67F-81857-00	.PINION STOPPER SET .BUTEE PIGNON	1	1	
10	67F-81807-00	.GEAR ASSY, STARTING MOTOR .PIGNON, DEMARREUR ELECTRIQUE	1	1	
11	67F-81832-00	..CLUTCH, OVER RUN ..EMBAYAGE, ROUE LIBRE	1	1	
12	67F-81836-00	..SHAFT, PINION ..AXE, PIGNON	1	1	
13	67F-81821-00	..BRACKET, CENTER 1 ..SUPPORT, CENTRE 1	1	1	
14	67F-81841-00	..BEARING ..ROULEMENT	1	1	
15	67F-81891-00	..GEAR, RING ..ROUE DENTEE	1	1	
16	67F-8183R-00	...GASKET ...JOINT	1	1	
17	67F-81830-00	..BRACKET, CENTER 2 ..SUPPORT, CENTRE 2	1	1	
18	60V-8183T-00	..GEAR, IDLER ..PIGNON, INTERMEDIAIRE	3	3	
19	67F-81809-00	..WASHER KIT ..JEU DE RONDELLES	1	1	
20	60X-81842-00	.COVER .COUVERCLE	1	1	
21	69J-81839-00	.LEVER ASSY .LEVIER COMPLET	1	1	
22	6C5-81941-00	.STARTER RELAY ASSY .LANCEUR RELAIS (ENS.)	1	1	
23	69J-81869-00	.COVER, DUST .COUVERCLE, POUSSIERE	1	1	
24	6K7-81826-11	.BOLT .BOULON	2	2	
25	69J-81828-00	.BOLT 2 ..RONDELLE, BUTEE 2	2	2	
26	67F-81846-00	.SCREW .VIS	2	2	
27	67F-83627-01	LABEL, CAUTION 7 ETIQUETTE, RECOMMANDATION 7	1	1	



6C22300-E180

FIG. 18 BOTTOM COWLING 1

CAPOT INFERIEUR 1

REF. NO.	PART NO. N° PIECES	DESCRIPTION DESCRIPTION	QTY	UNIT	REMARKS REMARQUES
1	6C5-42710-00-8D	BOTTOM COWLING ASSY ENS. EMBASE	1		
	6C5-42710-10-8D	BOTTOM COWLING ASSY ENS. EMBASE	1		
2	90119-06M61	BOLT, WITH WASHER BOULON, AVEC RONDELLE	4	4	
3	6BG-42748-00	GROMMET PASSE-FIL	4	4	
4	90387-06060	COLLAR COLLERETTE	4	4	
5	62Y-42716-00	RUBBER, SEAL 1 JOINT EN CAOUTCHOUC 1	1	1	
6	65W-42717-00	RUBBER, SEAL 2 JOINT EN CAOUTCHOUC 2	4	4	
7	6C5-42738-00-8D	PLATE, FITTING ETRIER	1	1	
8	6C5-42718-00	RUBBER, SEAL 3 JOINT	1	1	
9	6C5-42725-30	GROMMET PASSE-FIL	1	1	
10	62Y-42727-00	GROMMET PASSE-FIL	1	1	
11	90109-06M81	BOLT BOULON	3	3	
12	67C-42815-00-8D	LEVER, CLAMP LEVIER, PRESSE	1	1	
13	90386-12M37	BUSH DOUILLE	1	1	
14	90386-12MA2	BUSH DOUILLE	1	1	
15	90206-12052	WASHER, WAVE RONDELLE, ONDULEE	1	1	
16	90201-12M07	WASHER, PLATE RONDELLE, PLATE	1	1	
17	67C-42816-01	LEVER, CLAMP LEVIER, PRESSE	1	1	
18	97095-06014	BOLT BOULON	1	1	
19	66T-43144-00	HOOK, SPRING CROCHET	1	1	
20	90109-06M86	BOLT BOULON	1	1	
21	90506-18M40	SPRING, TENSION RESSORT, TENSION	1	1	
22	6BL-44391-00	NIPPLE, HOSE RACCORD D'ESSENCE	1	1	
23	6BG-42724-00	GROMMET PASSE-FIL	1	1	
24	90464-09M13	CLAMP BRIDE	1	1	
25	6E7-82317-00	DAMPER, IGNITION COIL AMORTISSEUR, BOBINE D'ALLUM	1	1	
26	68U-42727-00	GROMMET PASSE-FIL	1	1	

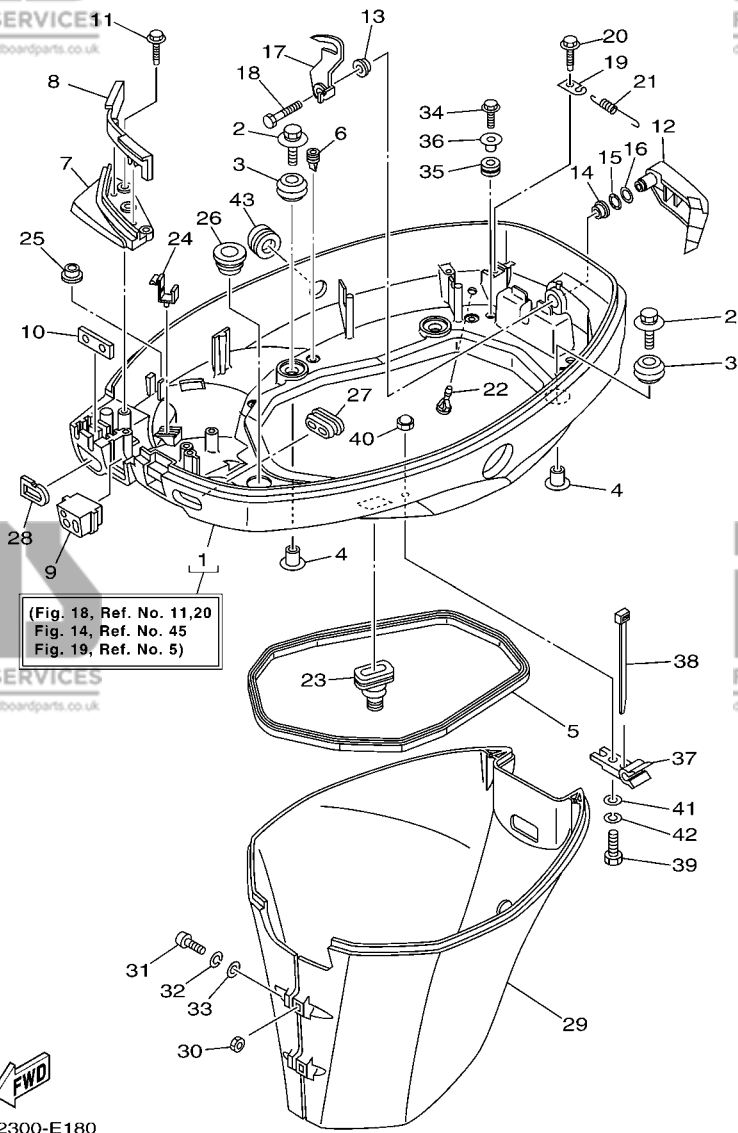


FIG. 18 BOTTOM COWLING 1

CAPOT INFERIEUR 1

REF. NO.	PART NO. N° PIECES	DESCRIPTION DESCRIPTION	Q	U	REMARKS REMARQUES
27	6H3-42727-00	GROMMET PASSE-FIL	1	1	
28	61N-24329-00	SEAL JOINT	1	1	
29	67C-42741-10-8D	APRON CAPOT LATERAL	1	1	
30	95380-06600	NUT, HEXAGON ECROU	2	2	
31	97880-06025	SCREW, PAN HEAD VIS, TETE TRONCONIQUE	2	2	
32	92990-06100	WASHER, SPRING RONDELLE, GROWER	2	2	
33	92990-06600	WASHER, PLATE RONDELLE, PLATE	2	2	
34	90109-06M80	BOLT BOULON	2	2	
35	90480-13M24	GROMMET PASSE-FIL	2	2	
36	90387-06M43	COLLAR COLLERETTE	2	2	
37	90464-09M49	CLAMP BRIDE	1	1	
38	90465-11M10	CLAMP BRIDE	2	2	
39	97095-06020	BOLT BOULON	1	1	
40	95380-06800	NUT ECROU	1	1	
41	92990-06600	WASHER, PLATE RONDELLE, PLATE	1	1	
42	92995-06100	WASHER, SPRING RONDELLE, GROWER	1	1	
43	6C5-42726-00	GROMMET PASSE-FIL	1	1	

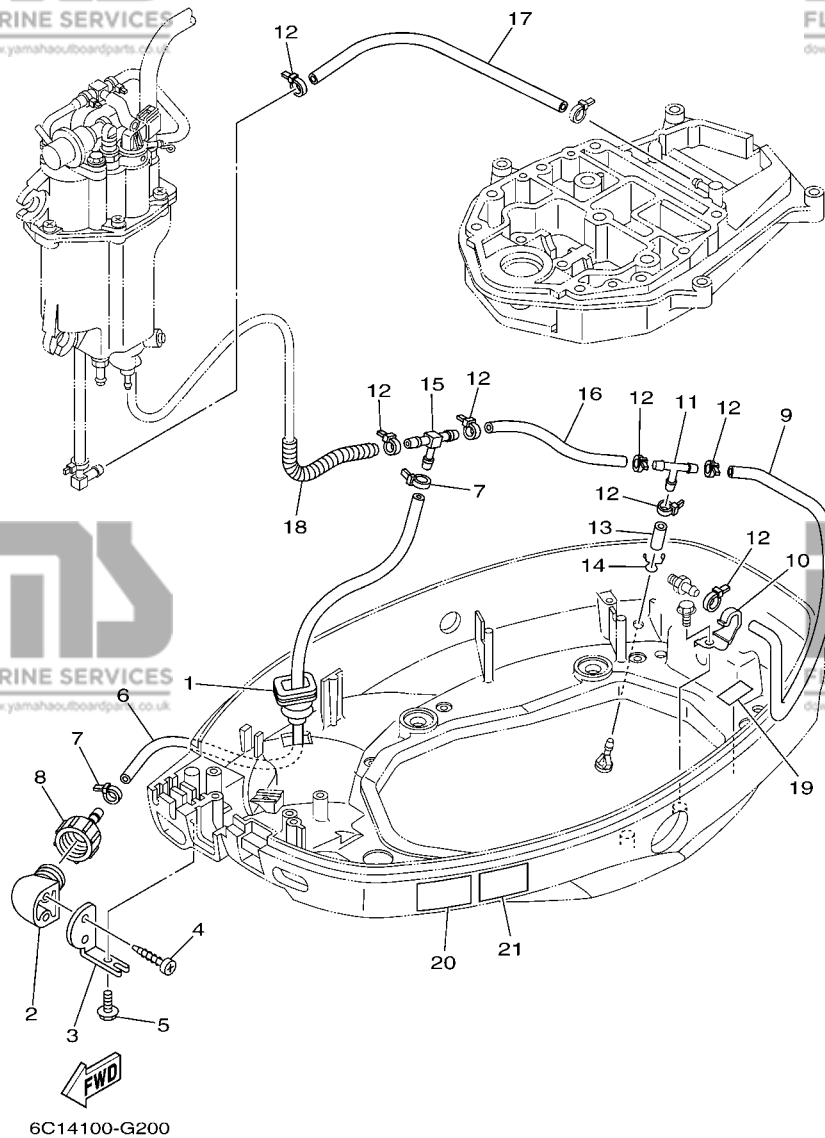
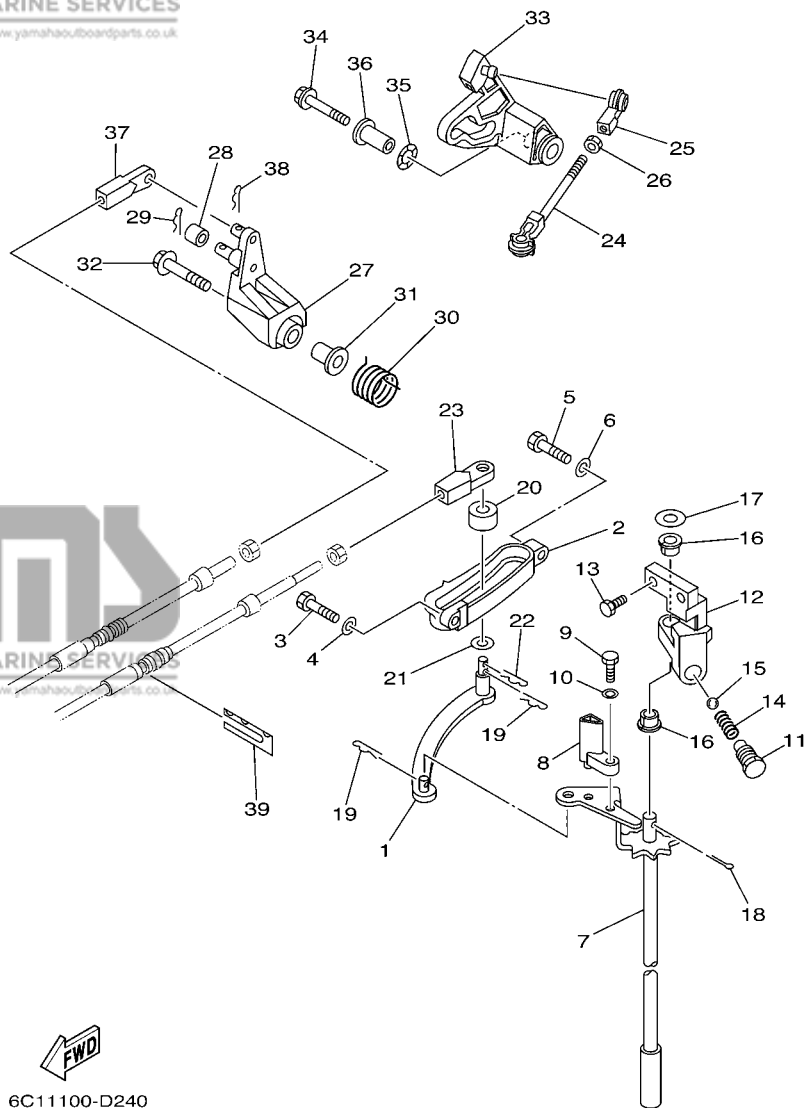


FIG. 19 BOTTOM COWLING 2

CAPOT INFERIEUR 2

REF. NO.	PART NO. N° PIECES	DESCRIPTION DESCRIPTION	QTY	UNIT	REMARKS REMARQUES
1	65W-42724-10	GROMMET PASSE-FIL	1	1	
2	68T-12572-00	ADAPTER ADAPTATEUR	1	1	
3	69W-12535-00	PLATE PLAQUE	1	1	
4	90167-06002	SCREW, TAPPING VIS, TETE FRAISEE	2	2	
5	90109-06M80	BOLT BOULON	1	1	
6	6C5-24312-00	PIPE 2 DURITE 2	1	1	
7	90465-11M10	CLAMP BRIDE	2	2	
8	6R3-12580-00	JOINT ASSY ARTICULER (ENS.)	1	1	
9	90445-09226	HOSE (L390) DURITE (L390)	1	1	
10	90462-08031	CLAMP BRIDE	1	1	
11	688-24378-00	PIPE, JOINT 3 DURITE RACCORDEMENT 3	1	1	
12	90465-11M10	CLAMP BRIDE	7	7	
13	90445-09220	HOSE (L30) DURITE (L30)	1	1	
14	90467-08M18	CLIP JONC	1	1	
15	6C5-24378-00	PIPE, JOINT 3 DURITE RACCORDEMENT 3	1	1	
16	90445-09091	HOSE (L135) DURITE (L135)	1	1	
17	90445-09104	HOSE (L300) DURITE (L300)	1	1	
18	90447-10006	TUBE DURITE	1	1	
19	6C5-82377-00	LABEL ETIQUETTE	1	1	
20	6AH-42794-40	LABEL, WARNING (GENERAL) ETIQUETTE, AVERTISSEMENT	1	1	
21	6AH-42794-50	LABEL, WARNING (GENERAL) ETIQUETTE, AVERTISSEMENT	1	1	

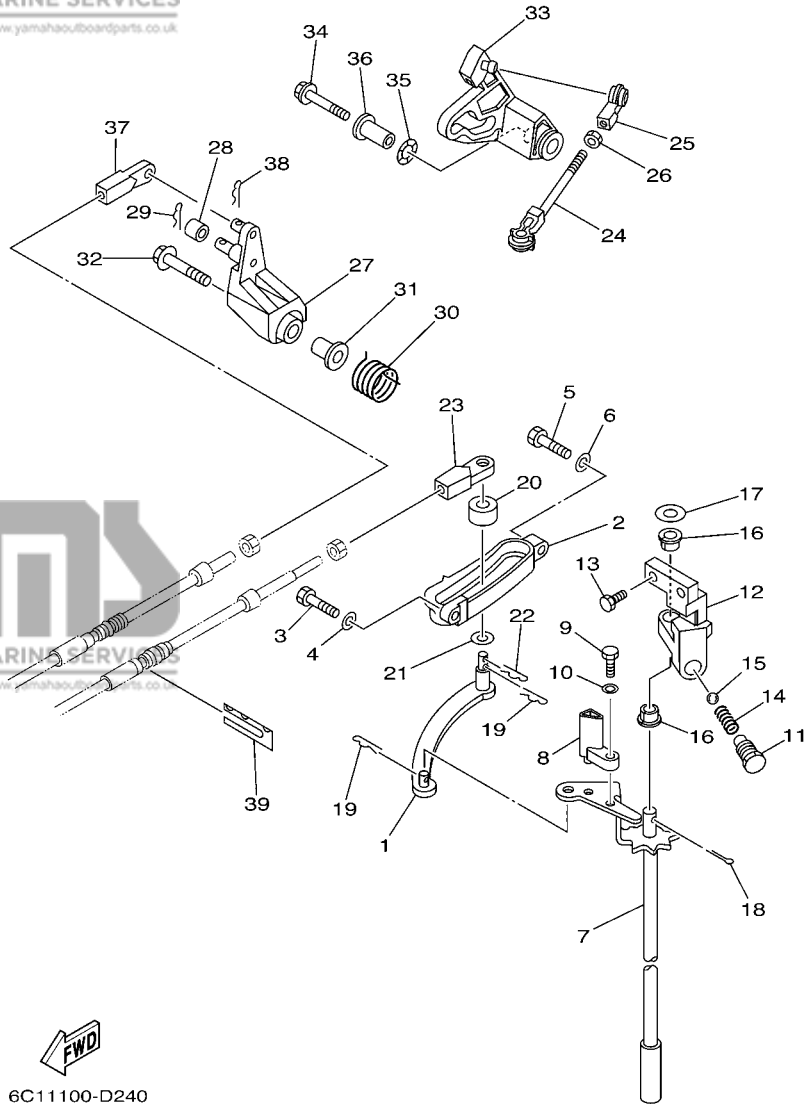


6C11100-D240

**FIG. 20 CONTROL**

**COMMANDE**

REF. NO.	PART NO. N° PIECES	DESCRIPTION DESCRIPTION	QTY	UNIT	REMARKS REMARQUES
1	69W-44121-00	LEVER, SHIFT ROD LEVIER, TIGE D'INVERSION	1	1	
2	62Y-44117-01-9S	BRACKET SUPPORT	1	1	
3	97095-06020	BOLT BOULON	1	1	
4	92995-06600	WASHER RONDELLE	1	1	
5	97095-06025	BOLT BOULON	1	1	
6	92995-06600	WASHER RONDELLE	1	1	
7	6C5-44120-01	HANDLE GEAR SHIFT ASSY LEVIER D'EMBRAYAGE	1	1	L(20.7") L(20.7")
8	6C5-44122-00	BUSHING, SHIFT ROD LEVER DOUILLE, LEVIER D'EMBRAYAGE	1	1	
9	97095-05014	BOLT BOULON	1	1	
10	92995-05600	WASHER RONDELLE	1	1	
11	62Y-42715-01	BUSHING COUSSINET	1	1	
12	62Y-44118-00-94	BRACKET SUPPORT	1	1	
13	90101-06054	BOLT BOULON	2	2	
14	90501-12082	SPRING, COMPRESSION RESSORT, COMPRESSION	1	1	
15	93501-04M02	BALL BILLE	1	1	
16	90386-90M90	BUSH DOUILLE	2	2	
17	90201-10M20	WASHER, PLATE RONDELLE, PLATE	1	1	
18	91490-20015	PIN, COTTER GOUPILLE	1	1	
19	90468-18008	CLIP JONC	2	2	
20	688-44122-00	BUSHING, SHIFT ROD LEVER DOUILLE, LEVIER D'EMBRAYAGE	1	1	
21	90202-07M07	WASHER, PLATE RONDELLE, PLATE	1	1	
22	90468-18008	CLIP JONC	1	1	
23	69W-48344-00	CABLE END, REMOTE CONTROL CHAPE CABLE	1	1	
24	688-41211-01	LINK, ACCEL. BIELLETTE, ACCELERATION	1	1	
25	6H4-41237-00	JOINT, LINK RACCORD	1	1	
26	95380-05700	NUT ECROU	1	1	
27	62Y-42154-00	LEVER, THROTTLE CONTROL LEVIER DE COMMANDE D'AVANCE	1	1	



6C11100-D240

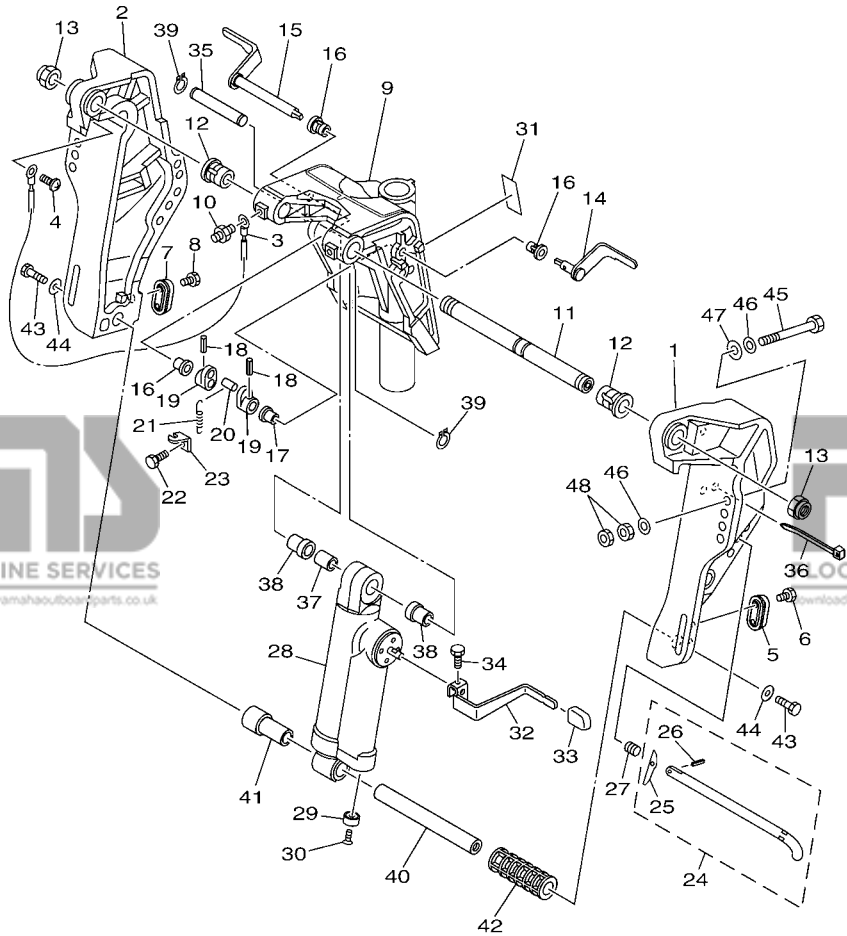
FIG. 20 CONTROL

COMMANDE

REF. NO.	PART NO. N° PIECES	DESCRIPTION DESCRIPTION	QTY	UNIT	REMARKS REMARQUES
28	6C5-42171-00	BUSHING COUSSINET	1	1	
29	91490-16010	PIN. COTTER GOUIPILLE	1	1	
30	62Y-44135-00	SPRING RESSORT	1	1	
31	90387-06M45	COLLAR COLLERETTE	1	1	
32	90119-06106	BOLT, WITH WASHER BOULON, AVEC RONDELLE	1	1	
33	6C5-42335-00	LEVER, ACCEL. CONTROL LEVIER, ACCELERATION	1	1	
34	95895-06035	BOLT, FLANGE BOULON	1	1	
35	90206-10M04	WASHER, WAVE RONDELLE, ONDULEE	1	1	
36	90387-06M82	COLLAR COLLERETTE	1	1	
37	69W-48344-00	CABLE END, REMOTE CONTROL CHAPE CABLE	1	1	
38	90468-18008	CLIP JONC	1	1	
39	62Y-48538-00	CLAMP, CABLE 1 COLLIER	1	1	

**FIG. 21 BRACKET 1**

**SUPPORT 1**

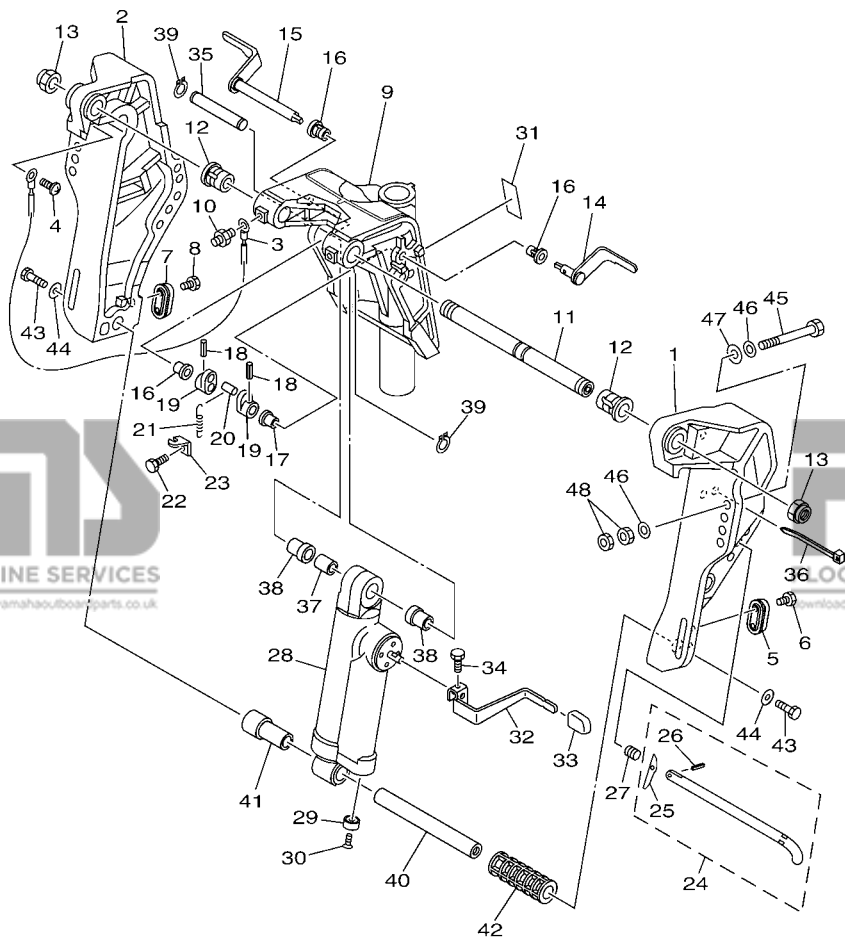


6C14300-G210

REF. NO.	PART NO. N° PIECES	DESCRIPTION DESCRIPTION	QTY	UNIT	REMARKS REMARQUES
1	6C1-43111-00-8D	BRACKET, CLAMP 1 PRESSE 1	1		
2	6C1-43112-00-8D	BRACKET, CLAMP 2 PRESSE 2	1		
3	6E5-82148-00	WIRE, LEAD 4 FIL 4	1		
4	97885-06008	SCREW, PAN HEAD VIS, A ENCOCHE	1		
5	65W-45251-00	ANODE ANODE	1		
6	90101-06020	BOLT BOULON	2		
7	65W-45251-00	ANODE ANODE	1		
8	90101-06020	BOLT BOULON	2		
9	6C5-43311-01-8D	BRACKET, SWIVEL 1 SUPPORT, PIVOT 1	1		
10	93700-06M03	NIPPLE, GREASE PION	3		
11	63D-43131-01	BOLT, CLAMP BRACKET BOULON, PRESSE	1		
12	90386-22MA4	BUSH DOUILLE	2		
13	90185-22M11	NUT, SELF-LOCKING ECROU, AUTO-BLOQUANT	2		
14	6C5-43181-00	LEVER, TILT STOP LEVIER, VERROUILLAGE RELEVAGE	1		
15	6C5-43185-00	LEVER, TILT STOP LEVIER, VERROUILLAGE RELEVAGE	1		
16	90386-10M16	BUSH DOUILLE	3		
17	90386-10025	BUSH DOUILLE	1		
18	91690-30020	PIN, SPRING AGRAFFE	2		
19	6G5-43148-00	COLLAR, DISTANCE ENTRETOISE	2		
20	90249-06M19	PIN GOUPILLE	1		
21	90506-14M24	SPRING, TENSION RESSORT, TENSION	1		
22	97095-06010	BOLT BOULON	1		
23	6G5-43144-00	HOOK, SPRING CROCHET	1		
24	688-43160-01	TILT ROD ASSY BROCHE D'INCLINAISON (ENS.)	1		
25	688-43165-00	PLATE, TILT LOCK TAQUET, BROCHE INCLINAISON	1		
26	91690-30012	PIN, SPRING AGRAFFE	1		
27	90502-16M02	SPRING, CONICAL RESSORT, CONIQUE	1		

FIG. 21 BRACKET 1

SUPPORT 1



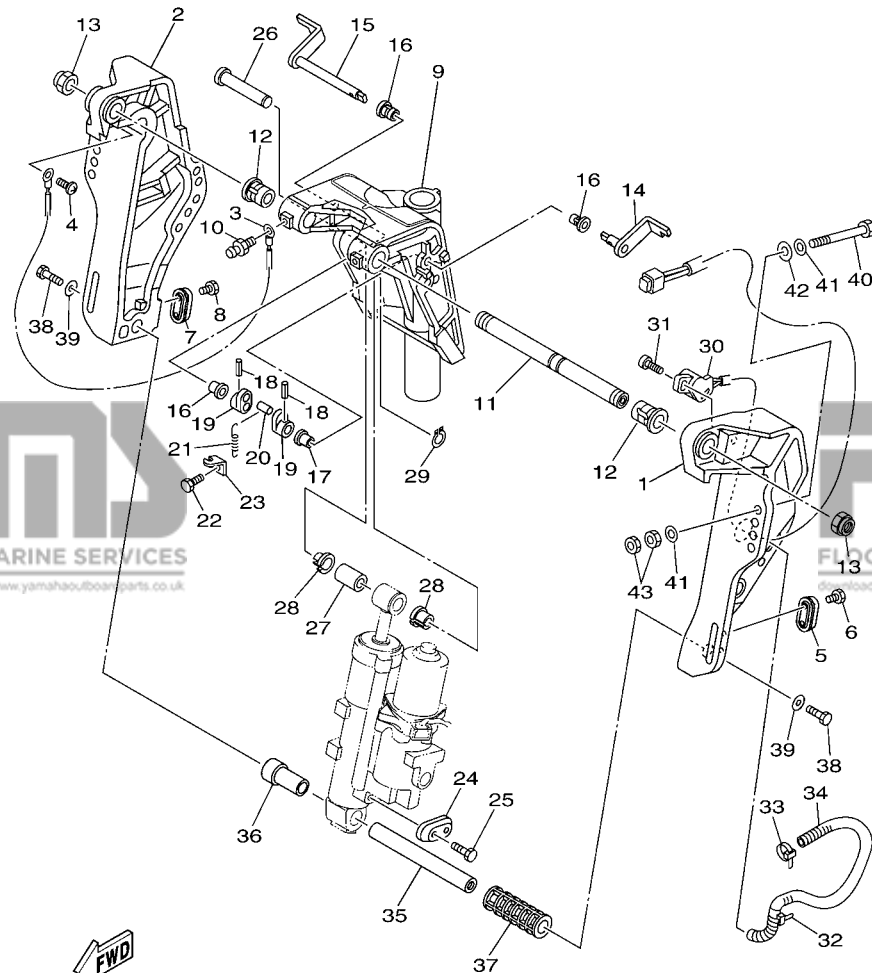
6C14300-G210

REF. NO.	PART NO. N° PIECES	DESCRIPTION DESCRIPTION	QU	LT	REMARKS REMARQUES
28	64J-43107-01-8D	SHOCK ABSORBER SUB-ASSY AMORTISSEUR (ENS.)	1		
29	663-45251-00	ANODE ANODE	1		
30	90152-06M01	SCREW, COUNTERSUNK VIS, TETE NOYEE	1		
31	63D-43691-00	INDICATOR, TILT ETIQUETTE, RELEVAGE	1		
32	6C1-43631-00	LEVER, TILT LEVIER, INCLINAISON	1		
33	682-43318-01	COVER CAPUCHON	1		
34	97095-06010	BOLT BOULON	1		
35	69D-43126-00	PIN, UPPER SHOCK MOUNT AXE, SUPERIEUR AMORTISSEUR	1		
36	90464-76001	CLAMP BRIDE	1		
37	90387-16003	COLLAR COLLERETTE	1		
38	90387-16004	COLLAR COLLERETTE	2		
39	93410-16006	CIRCLIP CLIPS	2		
40	6C5-43818-00	PIN, LOWER SHOCK MOUNT AXE, INFERIEUR AMORTISSEUR	1		
41	6C5-43833-00	PIPE TUYAU	1		
42	6C5-43834-00	PIPE TUYAU	1		
43	97080-08020	BOLT BOULON	2		
44	90201-08M14	WASHER, PLATE RONDELLE, PLATE	2		
45	90101-12M65	BOLT BOULON	4		
46	92995-12200	WASHER RONDELLE	8		
47	90201-12426	WASHER, PLATE RONDELLE, PLATE	4		
48	95380-12600	NUT ECROU	8		



**FIG. 22 BRACKET 2**

**SUPPORT 2**



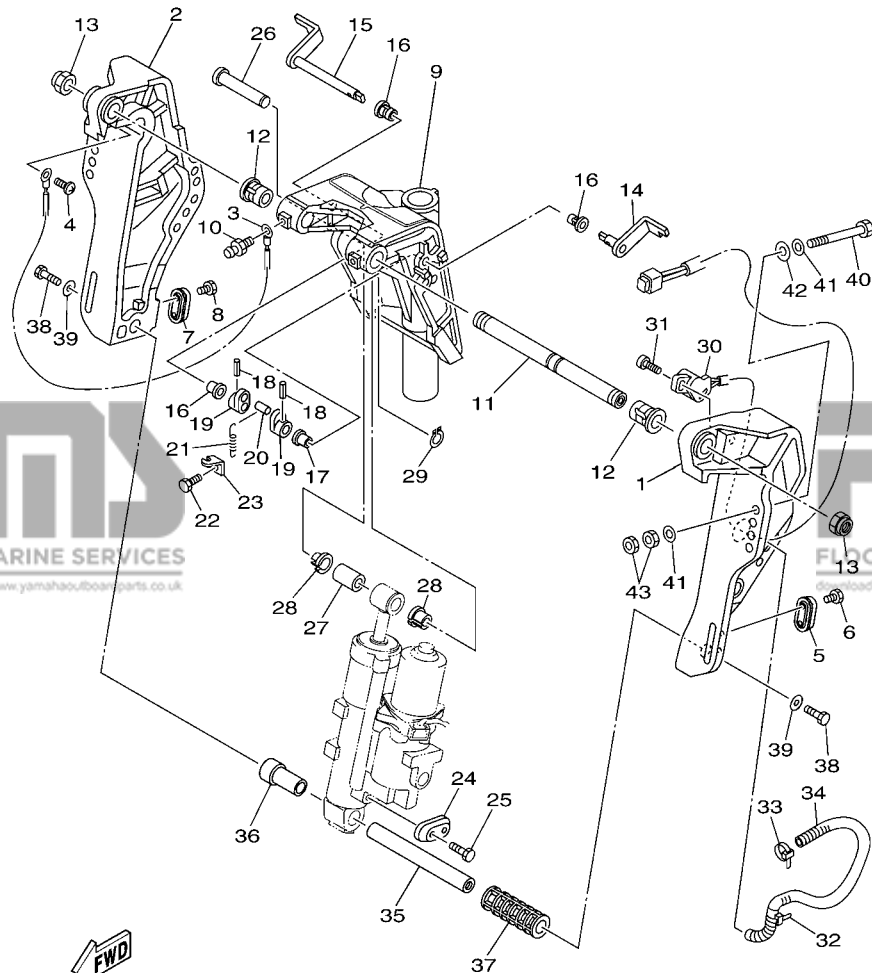
6C11110-D220

REF. NO.	PART NO. N° PIECES	DESCRIPTION DESCRIPTION	ED	ET	REMARKS REMARQUES
1	6C5-43111-01-8D	BRACKET, CLAMP 1 PRESSE 1		1	
2	6C5-43112-01-8D	BRACKET, CLAMP 2 PRESSE 2		1	
3	6E5-82148-00	WIRE, LEAD 4 FIL 4		1	
4	97885-06008	SCREW, PAN HEAD VIS, A ENCOCHE		1	
5	65W-45251-00	ANODE ANODE		1	
6	90101-06020	BOLT BOULON		2	
7	65W-45251-00	ANODE ANODE		1	
8	90101-06020	BOLT BOULON		2	
9	6C5-43311-01-8D	BRACKET, SWIVEL 1 SUPPORT, PIVOT 1		1	
10	93700-06M03	NIPPLE, GREASE PION		3	
11	63D-43131-01	BOLT, CLAMP BRACKET BOULON, PRESSE		1	
12	90386-22MA4	BUSH DOUILLE		2	
13	90185-22M11	NUT, SELF-LOCKING ECROU, AUTO-BLOQUANT		2	
14	6C5-43181-00	LEVER, TILT STOP LEVIER, VERROUILLAGE RELEVAGE		1	
15	6C5-43185-00	LEVER, TILT STOP LEVIER, VERROUILLAGE RELEVAGE		1	
16	90386-10M16	BUSH DOUILLE		3	
17	90386-10025	BUSH DOUILLE		1	
18	91690-30020	PIN, SPRING AGRAFFE		2	
19	6G5-43148-00	COLLAR, DISTANCE ENTRETOISE		2	
20	90249-06M19	PIN GOUPILLE		1	
21	90506-14M24	SPRING, TENSION RESSORT, TENSION		1	
22	97095-06010	BOLT BOULON		1	
23	6G5-43144-00	HOOK, SPRING CROCHET		1	
24	65W-45251-00	ANODE ANODE		1	
25	90101-06020	BOLT BOULON		2	
26	6E5-43126-02	PIN, UPPER SHOCK MOUNT AXE, SUPERIEUR AMORTISSEUR		1	
27	90386-18M92	BUSH DOUILLE		1	

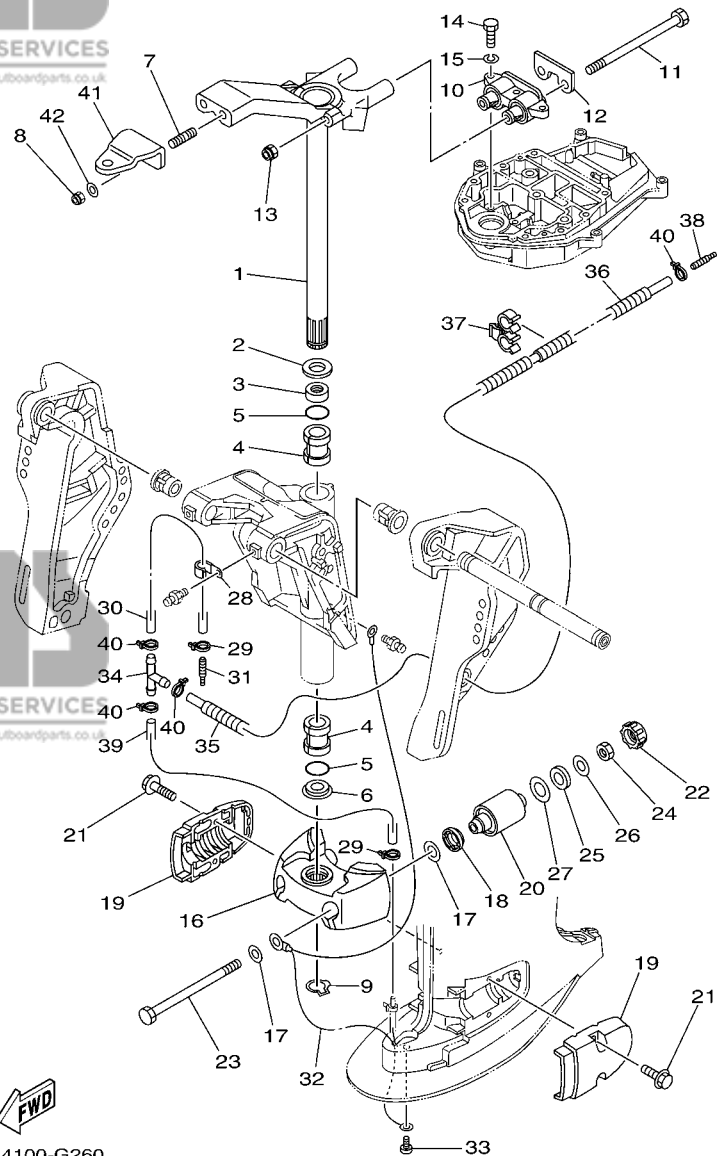
FIG. 22 BRACKET 2

SUPPORT 2

REF. NO.	PART NO. N° PIECES	DESCRIPTION DESCRIPTION	ED	ET	REMARKS REMARQUES
28	90386-18M35	BUSH DOUILLE		2	
29	93410-18M02	CIRCLIP CLIPS		1	
30	63D-83672-11	TRIM SENDER INCLINER RACCORD		1	
31	97885-06016	SCREW, PAN HEAD VIS, A ENCOCHE		2	
32	90464-76001	CLAMP BRIDE		1	
33	90465-11M10	CLAMP BRIDE		1	
34	90447-19009	TUBE DURITE		1	
35	6C5-43818-00	PIN, LOWER SHOCK MOUNT AXE, INFERIEUR AMORTISSEUR		1	
36	6C5-43833-00	PIPE TUYAU		1	
37	6C5-43834-00	PIPE TUYAU		1	
38	97080-08020	BOLT BOULON		2	
39	90201-08M14	WASHER, PLATE RONDELLE, PLATE		2	
40	90101-12M65	BOLT BOULON		4	
41	92995-12200	WASHER RONDELLE		8	
42	90201-12426	WASHER, PLATE RONDELLE, PLATE		4	
43	95380-12600	NUT ECROU		8	



6C11110-D220

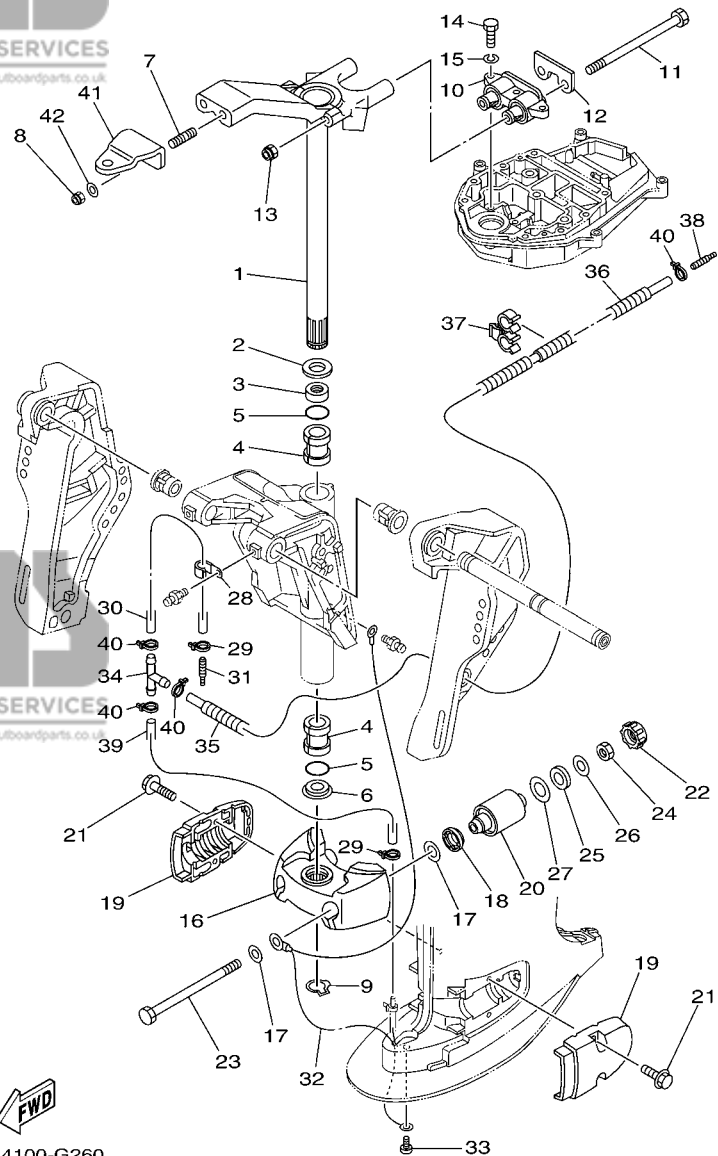


6C14100-G260

**FIG. 23 BRACKET 3**

**SUPPORT 3**

REF. NO.	PART NO. N° PIECES	DESCRIPTION DESCRIPTION	QTY	UNIT	REMARKS REMARQUES
1	69W-42510-01-8D	STEERING BRACKET ASSY DIRECTION SUPPORT (ENS.)	1	1	
2	90201-30M00	WASHER, PLATE RONDELLE, PLATE	1	1	
3	90386-30M78	BUSH DOUILLE	1	1	
4	90386-30M77	BUSH DOUILLE	2	2	
5	93210-29M94	O-RING JOINT TORIQUE	2	2	
6	90386-30M60	BUSH DOUILLE	1	1	
7	90116-10038	BOLT, STUD GOIJON	2	2	
8	90185-10051	NUT, SELF-LOCKING ECROU, AUTO-BLOQUANT	2	2	
9	93410-28M06	CIRCLIP CLIPS	1	1	
10	69W-44514-00-4D	MOUNT DAMPER, UPPER SIDE SILENT-BLOC, SUPERIEUR LATERAL	1	1	L(20.7") L(20.7")
11	90101-08M15	BOLT BOULON	2	2	
12	69W-44526-01	PLATE PLAQUE	1	1	
13	90185-08045	NUT, SELF-LOCKING ECROU, AUTO-BLOQUANT	2	2	
14	97075-08030	BOLT BOULON	3	3	
15	92995-08100	WASHER RONDELLE	3	3	
16	6C5-44551-00-8D	HOUSING, LOWER MOUNT RUBBER BOITIER, SILENT-BLOC INFERIEUR	1	1	
17	90201-12M16	WASHER, PLATE RONDELLE, PLATE	4	4	
18	6C5-43885-00	GROMMET PASSE-FIL	2	2	
19	6C5-44552-00-8D	HOUSING, LOWER MOUNT RUBBER BOITIER, SILENT-BLOC INFERIEUR	2	2	
20	69W-44555-00-4D	MOUNT DAMPER, LOWER SIDE SILENT-BLOC, INFERIEUR LATERAL	2	2	
21	90119-08101	BOLT, WITH WASHER BOULON, AVEC RONDELLE	4	4	
22	6C5-44575-00	DAMPER, LOWER MOUNT RUBBER SILENT-BLOC, INFERIEUR	2	2	
23	90109-12MA3	BOLT BOULON	2	2	
24	95380-12700	NUT ECROU	2	2	
25	90202-21100	WASHER, PLATE RONDELLE, PLATE	2	2	
26	90201-13M19	WASHER, PLATE RONDELLE, PLATE	2	2	
27	90201-22M05	WASHER, PLATE RONDELLE, PLATE	2	2	



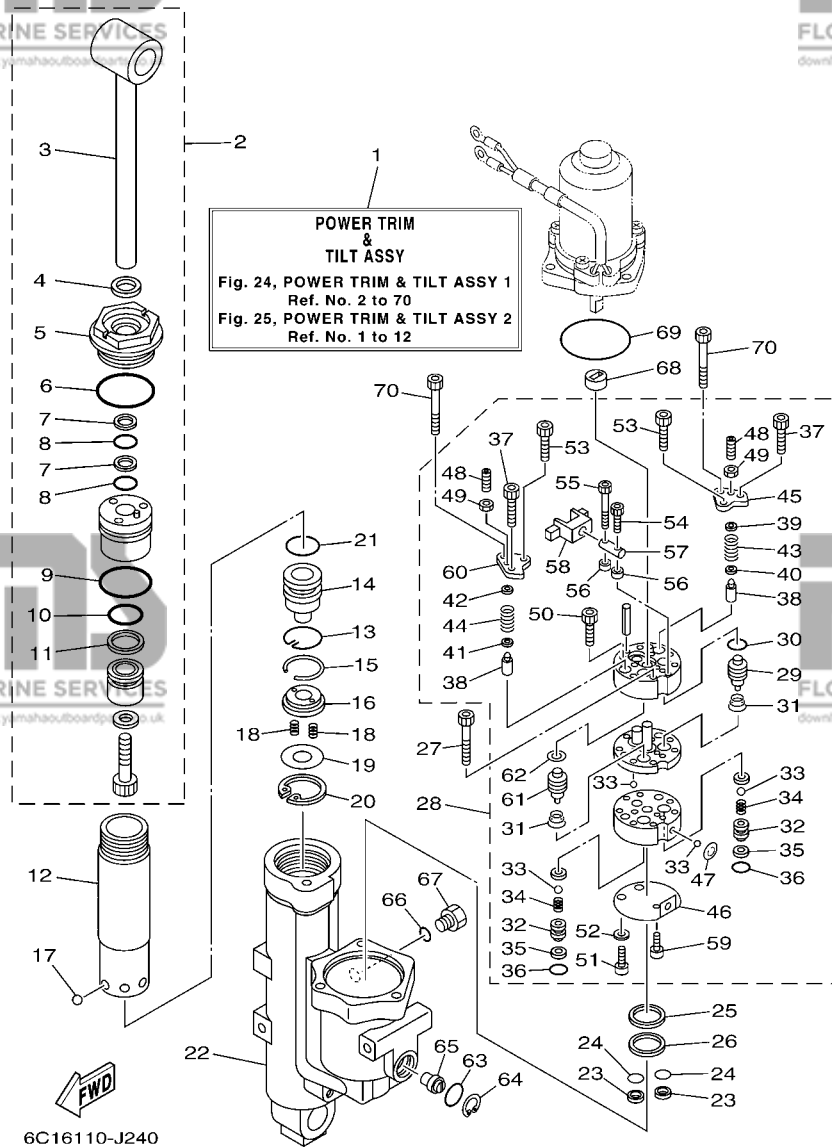
**FIG. 23 BRACKET 3**

**SUPPORT 3**

REF. NO.	PART NO. N° PIECES	DESCRIPTION DESCRIPTION	QTY	UNIT	REMARKS REMARQUES
28	90465-06M86	CLAMP BRIDE	1	1	
29	90465-11M10	CLAMP BRIDE	2	2	
30	90445-07MF2	HOSE (L250) DURITE (L250)	1	1	
31	6E5-83558-00	END, NIPPLE RACCORD DE NIPPLE	1	1	
32	67C-82127-10	WIRE, LEAD 2 FIL 2	1	1	
33	97885-06008	SCREW, PAN HEAD VIS, A ENCOCHE	1	1	
34	90413-05014	WAY 3 RAINURE 3	1	1	
35	6C5-44385-00	HOSE, WATER 1 TUBE D'EAU 1	1	1	
36	90447-07001	HOSE, WITH SPRING (L400) DURITE, AVEC RESSORT (L400)	1	1	
37	90464-10006	CLAMP BRIDE	1	1	
38	6E5-83558-00	END, NIPPLE RACCORD DE NIPPLE	1	1	
39	90445-07M30	HOSE (L450) DURITE (L450)	1	1	
40	90465-11M10	CLAMP BRIDE	4	4	
41	65W-48511-10	HOOK, STEERING ATTACHE, DIRECTION	1	1	
42	90201-10120	WASHER, PLATE RONDELLE, PLATE	2	2	

**FIG. 24 POWER TRIM & TILT ASSY 1**

**PUISSANCE PARER ET INCLINER 1**



REF. NO.	PART NO. N° PIECES	DESCRIPTION DESCRIPTION	QTY	REMARKS REMARQUES
1	6C5-43800-01-8D	POWER TRIM & TILT ASSY PUISSANCE PARER ET INCLINER (E	1	
2	6C5-43810-00	TILT PISTON SUB ASSY INCLINER PISTON AUXILIAIRE(ENS	1	
3	6C5-43801-00	.ROD .TIGE	1	
4	62Y-43822-00	.SEAL, TRIM DUST .JOINT	1	
5	6C5-43821-00	.SCREW, TRIM CYLINDER END .VIS	1	
6	62Y-43863-00	.O-RING .JOINT TORIQUE	1	
7	62X-43872-00	.RING, BACK UP .RESSORT	2	
8	6C5-43863-00	.O-RING .JOINT TORIQUE	2	
9	6C5-43862-00	.O-RING .JOINT TORIQUE	1	
10	6C5-43861-00	.O-RING .JOINT TORIQUE	1	
11	6C5-43871-00	.RING, BACK UP .SEGMENT	1	
12	6C5-22471-00	CYLINDER, SHOCK ABSORBER CYLINDRE, AMORTISSEUR	1	
13	6C5-43875-00	RING, SNAP RESSORT	1	
14	6C5-4381B-00	FREE PISTON SUB ASSY PISTON AUXILIAIRE (ENS.)	1	
15	93450-32116	CIRCLIP CIRCLIP, TYPE S	1	
16	6C5-43899-00	PLATE STOPPER PLAQUETTE	1	
17	93503-16003	BALL BILLES	6	
18	62X-4384H-00	SPRING RESSORT	2	
19	6C5-22435-00	PLATE, VALVE 2 PLAQUE, CLAPET 2	1	
20	99009-32500	CIRCLIP CIRCLIP	1	
21	6C5-43861-00	O-RING JOINT TORIQUE	1	
22	6C5-4380K-00	CYLINDER, TILT SUB ASSY CYLINDRE	1	
23	6C5-43817-10	FILTER 2 FILTRE 2	2	
24	69J-4389J-00	O-RING JOINT TORIQUE	2	
25	6C5-43816-00	FILTER 1 FILTRE 1	1	
26	6C5-4380G-00	PLATE PLAQUE	1	
27	91312-05045	BOLT BOULON	2	

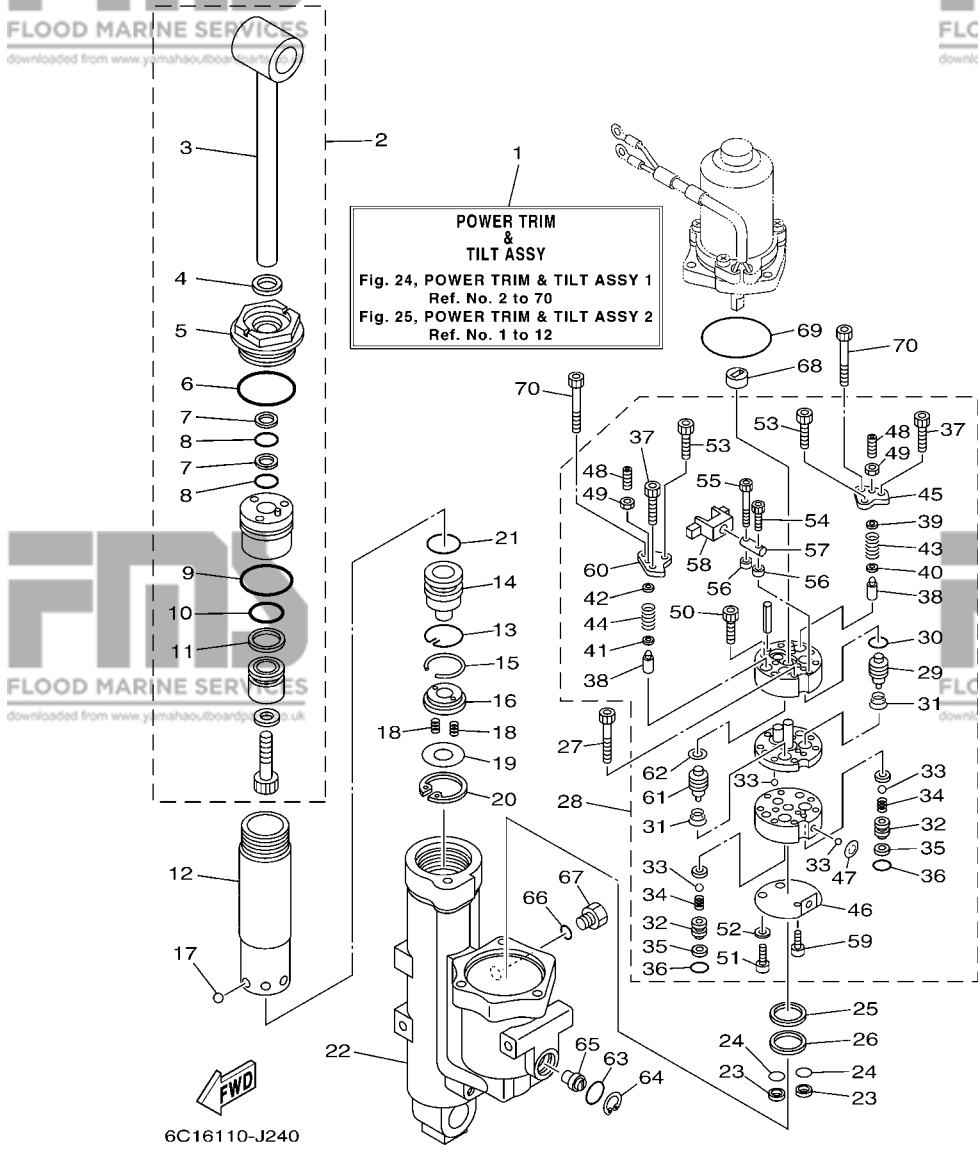


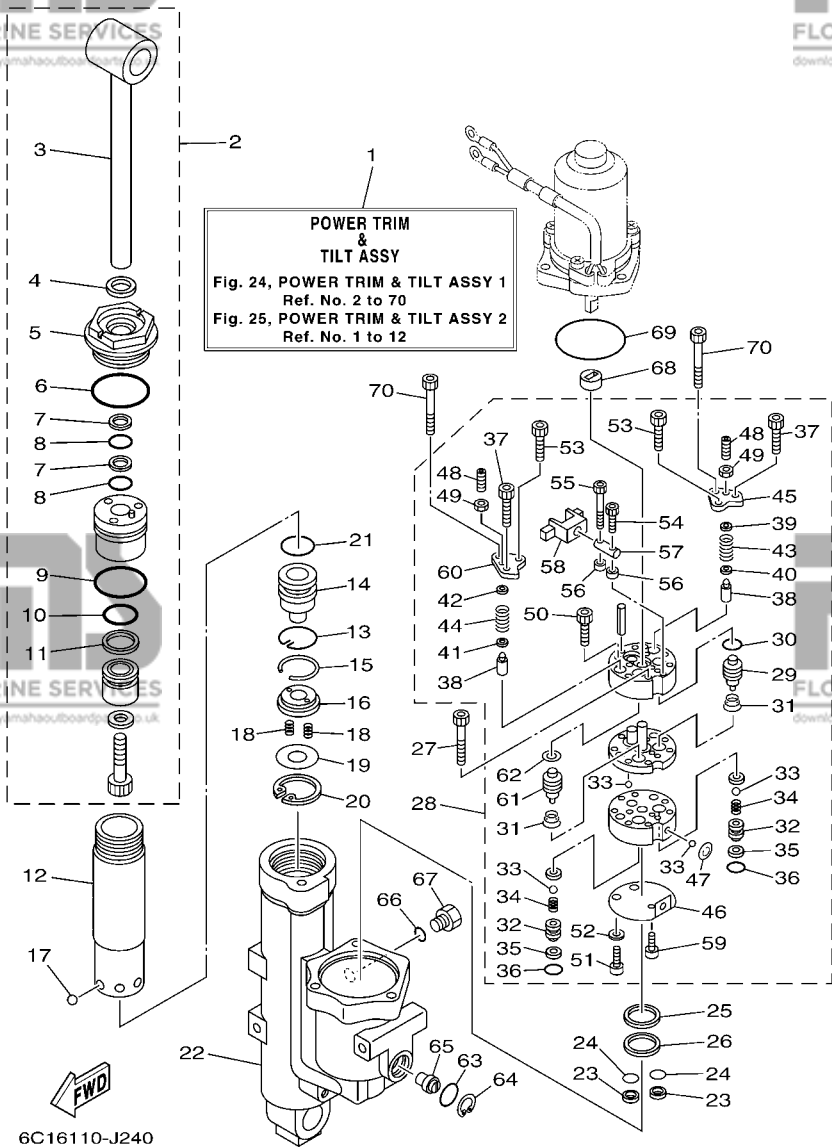
FIG. 24 POWER TRIM & TILT ASSY 1

PUISSANCE PARER ET INCLINER 1

REF. NO.	PART NO. N° PIECES	DESCRIPTION DESCRIPTION	ED	ET	REMARKS REMARQUES
28	6C5-43830-00	GEAR PUMP ASSY POMPE A PIGNON (ENS.)		1	
29	6C6-43841-00	.PISTON, SHUTTLE .PISTON		1	
30	6H1-43883-00	.O-RING .JOINT TORIQUE		1	
31	6C6-43894-00	.SPRING, SHUTTLE RETURN .RESSORT		2	
32	6C6-4382E-00	.ADAPTOR 2 .ADAPTEUR 2		2	
33	93505-32038	.BALL .BILLE		6	
34	6C6-43853-00	.SPRING, MAIN VALVE .RESSORT		2	
35	6C6-4387G-00	.WASHER .RONDELLE		2	
36	69J-4389J-00	.O-RING .JOINT TORIQUE		2	
37	91312-05030	.BOLT .BOULON		2	
38	6C5-43851-00	.SEAT, RELIEF VALVE .SIEGE		2	
39	6C5-4381K-00	.HOLDER .SUPPORT		1	
40	6C5-43893-00	.WASHER .RONDELLE		1	
41	6C6-43893-00	.WASHER .RONDELLE		1	
42	6C6-4381K-00	.HOLDER .SUPPORT		1	
43	6C5-43855-00	.SPRING, UP RELIEF .RESSORT		1	
44	6C5-43856-00	.SPRING, DOWN RELIEF .RESSORT		1	
45	6C5-4382K-00	.CAP, RELIEF VALVE .CHAPEAU		1	
46	6C5-43895-00	.SEAT, RELIEF VALVE .SIEGE		1	
47	6C5-43854-00	.SPRING, MANUAL RELEASE .RESSORT		1	
48	92A08-03110	.SCREW SET .VIS		2	
49	95302-03600	.NUT .ECROU		2	
50	91312-05025	.BOLT .BOULON		2	
51	6C6-43878-00	.BOLT, SOCKET .BOULON		2	
52	62Y-4387G-00	.WASHER .RONDELLE		2	
53	91312-04030	.BOLT .BOULON		2	
54	91312-03016	.BOLT .BOULON		1	

**FIG. 24 POWER TRIM & TILT ASSY 1**

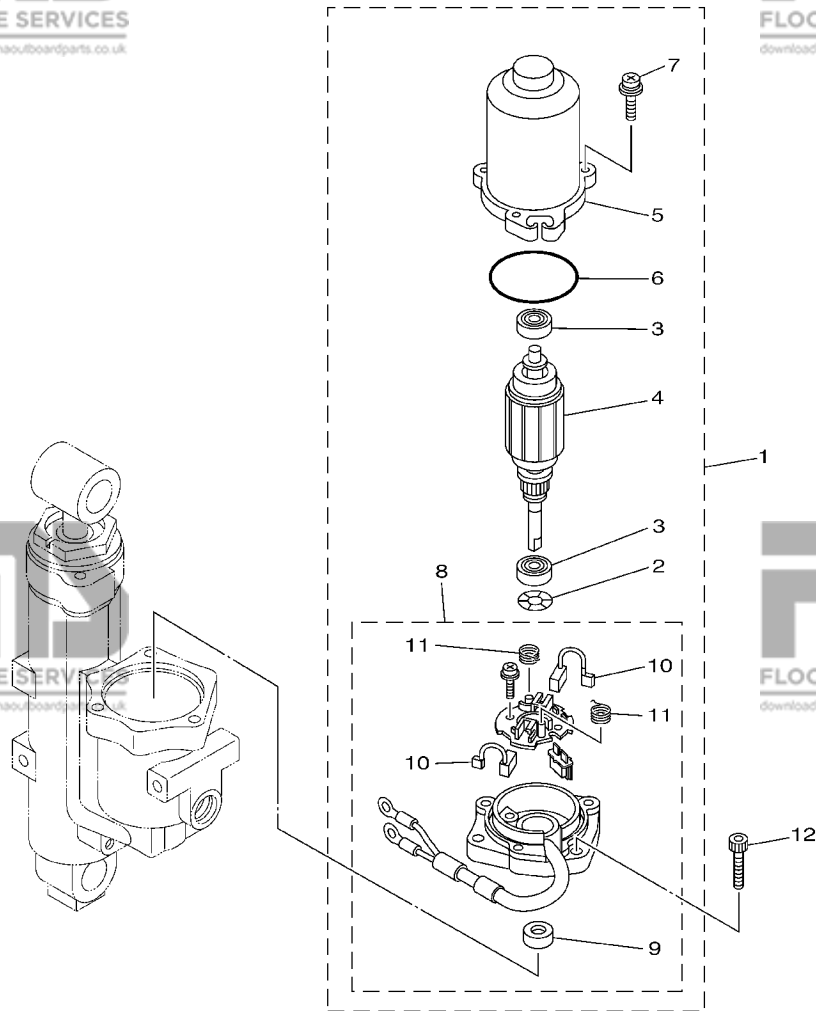
**PUISSANCE PARER ET INCLINER 1**



REF. NO.	PART NO. N° PIECES	DESCRIPTION DESCRIPTION	ED	ET	REMARKS REMARQUES
55	6C6-4388E-00	.PLUG, TAPER SCREW .BOUCHON		1	
56	6C6-4388F-00	.SPACER .ENTRETOISE		2	
57	6C6-4386G-00	.PIN, STRAIGHT 2 .RESSORT 2		1	
58	6C6-4386E-00	.LEVER 1 .LEVIER 1		1	
59	91312-03005	.BOLT .BOULON		1	
60	6C5-4382L-00	.CAP, RELIEF VALVE .CAPUCHON		1	
61	6C5-4384I-00	.PISTON, SHUTTLE .PISTON		1	
62	6C5-43872-00	.RING, BACK UP .RESSORT		1	
63	93210-18397	O-RING JOINT TORIQUE		1	
64	6H1-43875-00	RING, SNAP RESSORT		1	
65	6C5-43845-00	SCREW, MANUAL RELEASE VIS		1	
66	93210-09165	O-RING JOINT TORIQUE		1	
67	6H1-43829-00	PLUG, RESERVOIR BOUCHON		1	
68	6C5-43831-00	CONNECTOR, SHAFT RACCORD		1	
69	93210-64488	O-RING JOINT TORIQUE		1	
70	91312-05050	BOLT BOULON		2	

**FIG. 25 POWER TRIM & TILT ASSY 2**

**PUISSANCE PARER ET INCLINER 2**

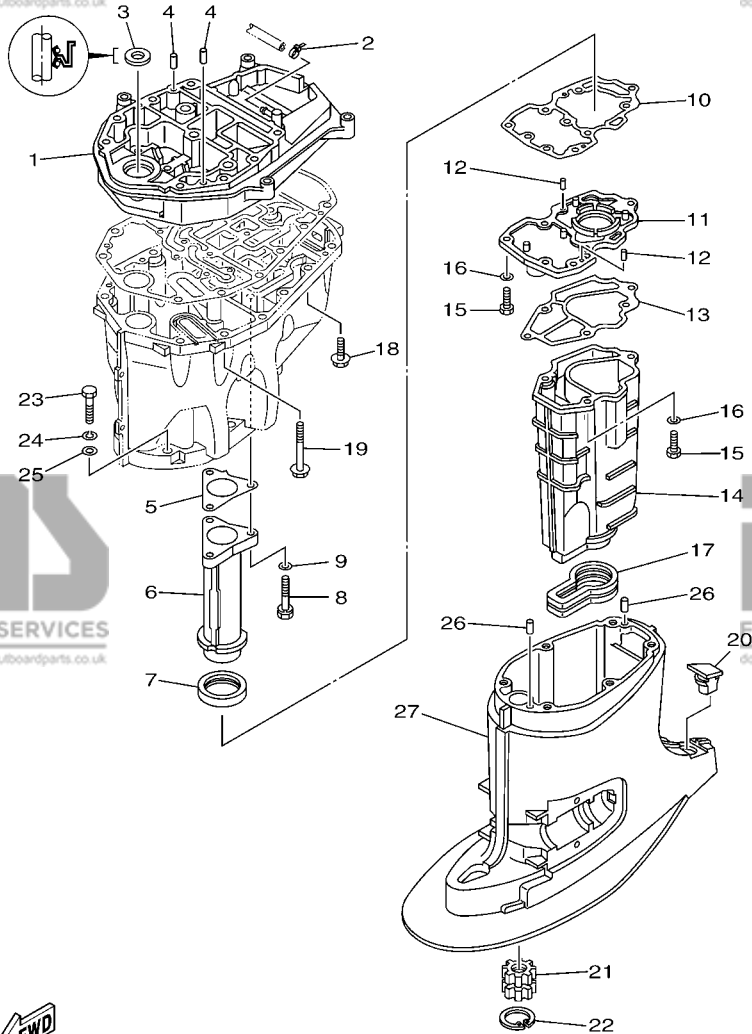


REF. NO.	PART NO. N° PIECES	DESCRIPTION DESCRIPTION	ED	ET	REMARKS REMARQUES
1	6C5-43880-01	MOTOR ASSY MOTEUR (ENS.)		1	
2	90206-08N51	.WASHER, WAVE .RONDELLE, ONDULEE		1	
3	93399-999T8	.BEARING .ROULEMENT		2	
4	6C5-43805-00	.ARMATURE ASSY .INDUIT (ENS.)		1	
5	6C5-43804-01	.STATOR ASSY .STATOR (ENS.)		1	
6	6C5-43869-00	.O-RING .JOINT TORIQUE		1	
7	6C5-43879-00	.SCREW, WITH WASHER .VIS, AVEC RONDELLE		3	
8	6C5-43881-01	.FRAME, END .BATI		1	WITH CIRCUIT BREAKER WITH CIRCUIT BREAKER
9	6C5-43882-00	..OIL SEAL ..JOINT SPI		1	
10	6C5-43891-00	..BRUSH 1 ..BALAI 1		2	
11	6C5-4386K-00	..SPRING, BRUSH ..RESSORT, BALAI		2	
12	62X-43888-00	BOLT, SOCKET BOULON		3	



6C11010D2801



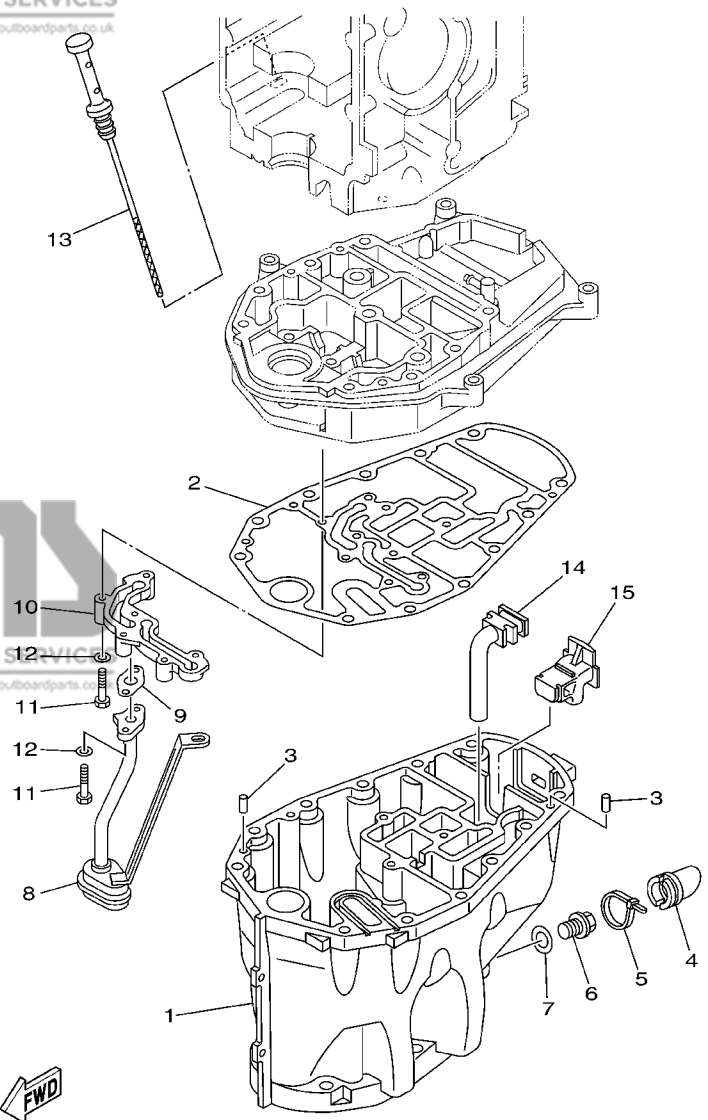


6C16110-J260

**FIG. 26 UPPER CASING**

**FOURREAU**

REF. NO.	PART NO. N° PIECES	DESCRIPTION DESCRIPTION	Q	U	REMARKS REMARQUES
1	6C5-41137-00-CA	GUIDE, EXHAUST COLLECTEUR D'ÉCHAPPEMENT	1	1	
2	90465-11M10	CLAMP BRIDE	1	1	
3	93103-18011	OIL SEAL JOINT SPY	1	1	
4	93608-12M05	PIN, DOWEL AXE	2	2	
5	6C5-41133-00	GASKET, EXHAUST MANIFOLD 1 JOINT, PIPE D'ÉCHAPPEMENT	1	1	
6	6C5-41131-00-CA	MANIFOLD, EXT. 1 PIPE D'ÉCHAPPEMENT	1	1	
7	6C5-46132-00	GASKET 1 JOINT 1	1	1	
8	90119-06120	BOLT, WITH WASHER BOULON, AVEC RONDELLE	3	3	
9	90201-06015	WASHER, PLATE RONDELLE, PLATE	3	3	
10	6C5-41134-00	GASKET, EXHAUST MANIFOLD JOINT, PIPE D'ÉCHAPPEMENT	1	1	
11	6C5-45181-00-CA	PLATE PLAQUETTE	1	1	
12	93604-10M03	PIN, DOWEL CLAVETTE	2	2	
13	6C5-41135-00	GASKET, EXHAUST MANIFOLD JOINT, PIPE D'ÉCHAPPEMENT	1	1	
14	6C5-14711-00-CA	MUFFLER 1 POT D'ÉCHAPPEMENT 1	1	1	
15	97075-06025	BOLT BOULON	6	6	
16	92995-06600	WASHER RONDELLE	6	6	
17	6C5-45123-00	GASKET, MUFFLER JOINT, POT DE DÉTENTE	1	1	
18	90119-08102	BOLT, WITH WASHER BOULON, AVEC RONDELLE	4	4	
19	90119-08132	BOLT, WITH WASHER BOULON, AVEC RONDELLE	8	8	
20	6C5-45155-00	CAP CAPUCHON	1	1	
21	69W-45318-00	BUSHING, DRIVE SHAFT DOUILLE, ARBRE MOTEUR	1	1	
22	93420-36M01	CIRCLIP CIRCLIP, TYPE S	1	1	
23	97075-10045	BOLT BOULON	6	6	
24	92995-10100	WASHER RONDELLE	6	6	
25	92995-10600	WASHER RONDELLE	6	6	
26	93606-12019	PIN, DOWEL GOUPILLE	2	2	
27	6C5-45111-00-8D	CASING, UPPER FOURREAU	1	1	



6C11010D3002

FIG. 27 OIL PAN

VENTILATEUR D'HUILE

REF. NO.	PART NO. N° PIECES	DESCRIPTION DESCRIPTION	Q	U	REMARKS REMARQUES
1	6C5-15311-01-CA	OIL PAN VENTILATEUR D'HUILE	1	1	
2	6C5-15312-00	GASKET, OIL PAN JOINT DE VENTILATEUR D'HUILE	1	1	
3	93606-12019	PIN, DOWEL GOUPILLE	2	2	
4	6C5-15316-00	DAMPER 1 AMORTISSEUR 1	1	1	
5	90465-11M59	CLAMP BRIDE	1	1	
6	90340-14M06	PLUG, STRAIGHT SCREW PLOT, FILETE DROIT	1	1	
7	90430-14M09	GASKET JOINT	1	1	
8	6CJ-13411-00	STRAINER, OIL FILTRE, HUILE	1	1	Go to P/N : PE0-OM-100049
9	6C5-13414-00	GASKET, STRAINER COVER JOINT, COUVERCLE DE FILTRE	1	1	
10	6CJ-15333-00	COVER COUVERCLE	1	1	Go to P/N : PE0-OM-100049
11	97013-06030	BOLT BOULON	6	6	
12	92903-06600	WASHER, PLATE RONDELLE, PLATE	6	6	
13	6C5-15362-00	PLUG, OIL LEVEL PLOT, NIVEAU D'HUILE	1	1	
14	6C5-45135-01	PIPE TUYAU	1	1	
15	6C5-45136-01	PIPE DURITE	1	1	

# PARTS NEWS

FLOOD MARINE SERVICES

downloaded from www.yamahaoutboardparts.co.uk

FLOOD MARINE SERVICES

downloaded from www.yamahaoutboardparts.co.uk



News No. PE0-OM-100049(1/2)

Date: August 5, 2010

Signature: F. Takahashi

Cause  Revision Notice  Correction  Sales Unit Change  Others

Model	F40D'10 (6AK5) / F50, F50F'10 (6C16) / F60, F60C'10 (6C56)
Subject	PARTS CATALOGUE CORRECTIONS
CATALOGUE NO.	See the "List of Models and CATALOGUE No's below."
Time of YPEC Revision	Text, Illustration --> Sep./10/2010 PDF Replace --> Sep./10/2010
(YPEC = Yamaha Parts Electrical Catalogue = Website parts catalogue)	

## OIL PAN

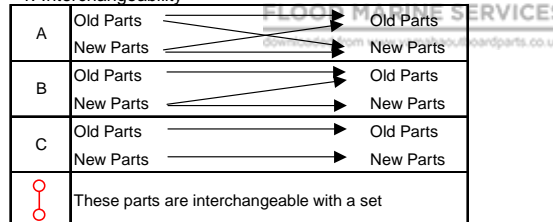
### 1. LIST CORRECTION

Fig. No.	Ref. No.	PART NO.		DESCRIPTION	Q'TY	*Interchangeability		REMARKS
*1	8	OLD	6C5-13411-00	STRAINER, OIL	1	B		*Part number revision <b>SET NO.</b> <b>99999-03981</b>
		NEW	<b>6CJ-13411-00</b>					
	10	OLD	6C5-15333-00	COVER	1			
		NEW	<b>6CJ-15333-00</b>					

\*Applicable Engine Serial No.

MODEL NAME	MODEL CODE	Applicable Engine Serial No.
F40D	6AK5	6AK:1007602-
F50, F50F	6C16	6C1:1034797-
F60, F60C	6C56	6C5:1046207-

\*1: Interchangeability



### 2. LIST of Models and CATALOGUE No's.

The applicable MODELS, MODEL CODES, and CATALOGUE No's are as follows.

MODEL NAME	MODEL CODE	CATALOGUE NO.	Fig.No. *1
F50-2010, F50F'10 F60-2010, F60C'10	6C16 6C56	1J6C1-100E1	30
F50TR-2010 F60TR-2010	6C16 6C56	1J6C1-110E1 1J6C5-110E1	27
F50FET'10 F60CET'10	6C16 6C56	1J6C1-370E1	26
F40D'10 F50F'10 F60C'10	6AK5 6C16 6C56	1J6C1-300F1	27
F50F'10 F60C'10	6C16 6C56	1J6C1-415M1	30

Parts Manager Check

Service Manager Check

Parts Manager File

YAMAHA MOTOR CO.,LTD  
2500 Shingai Iwata Shizuoka 438-8501.Japan  
Technical Publication Dept.



# PARTS NEWS

FLOOD MARINE SERVICES  
downloaded from www.yamahaoutboardparts.co.uk

FLOOD MARINE SERVICES  
downloaded from www.yamahaoutboardparts.co.uk

**YAMAHA**  
YAMAHA MOTOR CO., LTD  
2500 SHINGAI IWATA SHIZUOKA JAPAN  
FLOOD MARINE SERVICES  
downloaded from www.yamahaoutboardparts.co.uk

News No. PE0-OM-100049(2/2)

Date: August 5, 2010

Signature: F. Takahashi

Cause  Revision Notice  Correction  Sales Unit Change  Others

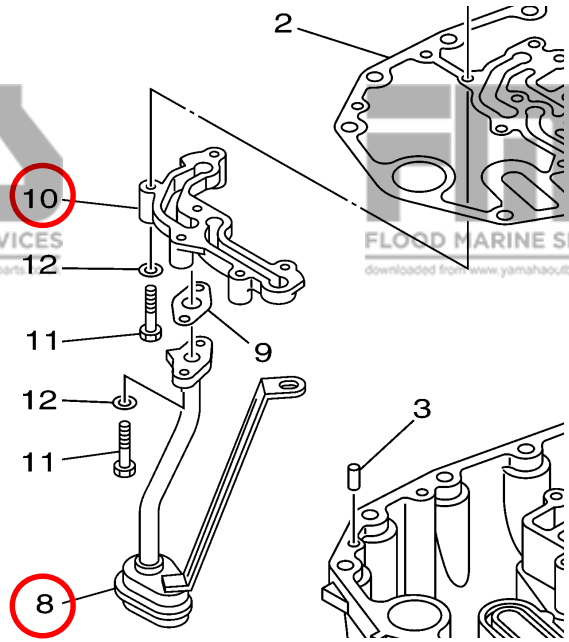
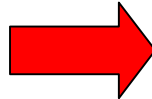
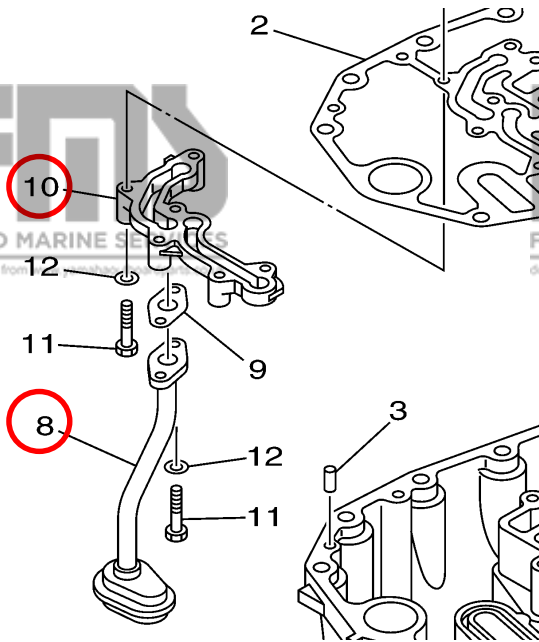
Model	F40D'10 (6AK5) / F50, F50F'10 (6C16) / F60, F60C'10 (6C56)
Subject	PARTS CATALOGUE CORRECTIONS
CATALOGUE NO.	See the "List of Models and CATALOGUE No's below."
Time of YPEC Revision	Text, Illustration --> Sep./10/2010 PDF Replace --> Sep./10/2010 (YPEC = Yamaha Parts Electrical Catalogue = Website parts catalogue)

## OIL PAN

### 3. ILLUSTRATION CORRECTION

(OLD)

(NEW)



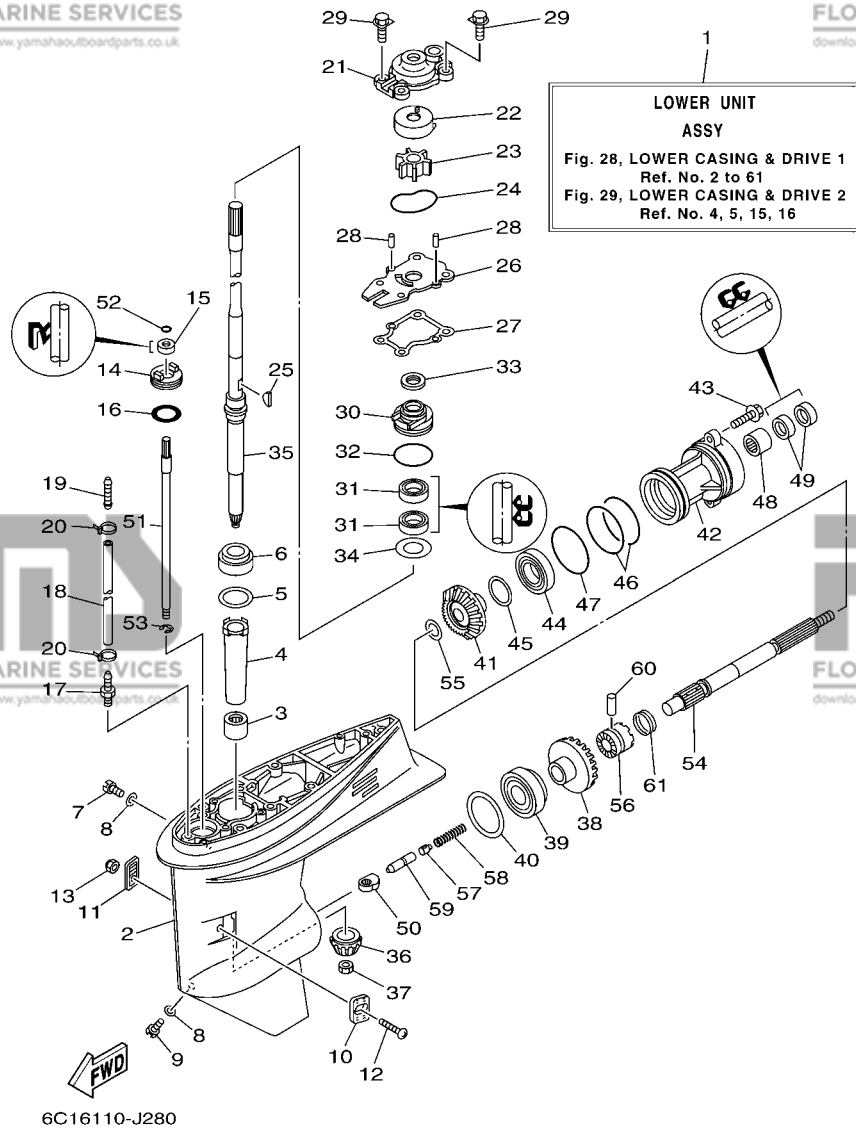
Thank you very much for your cooperation.

Parts Manager Check  
Service Manager Check  
FLOOD MARINE SERVICES  
downloaded from www.yamahaoutboardparts.co.uk

Parts Manager File

YAMAHA MOTOR CO., LTD  
2500 Shingai Iwata Shizuoka 438-8501 Japan  
Technical Publication Dept.  
FLOOD MARINE SERVICES  
downloaded from www.yamahaoutboardparts.co.uk

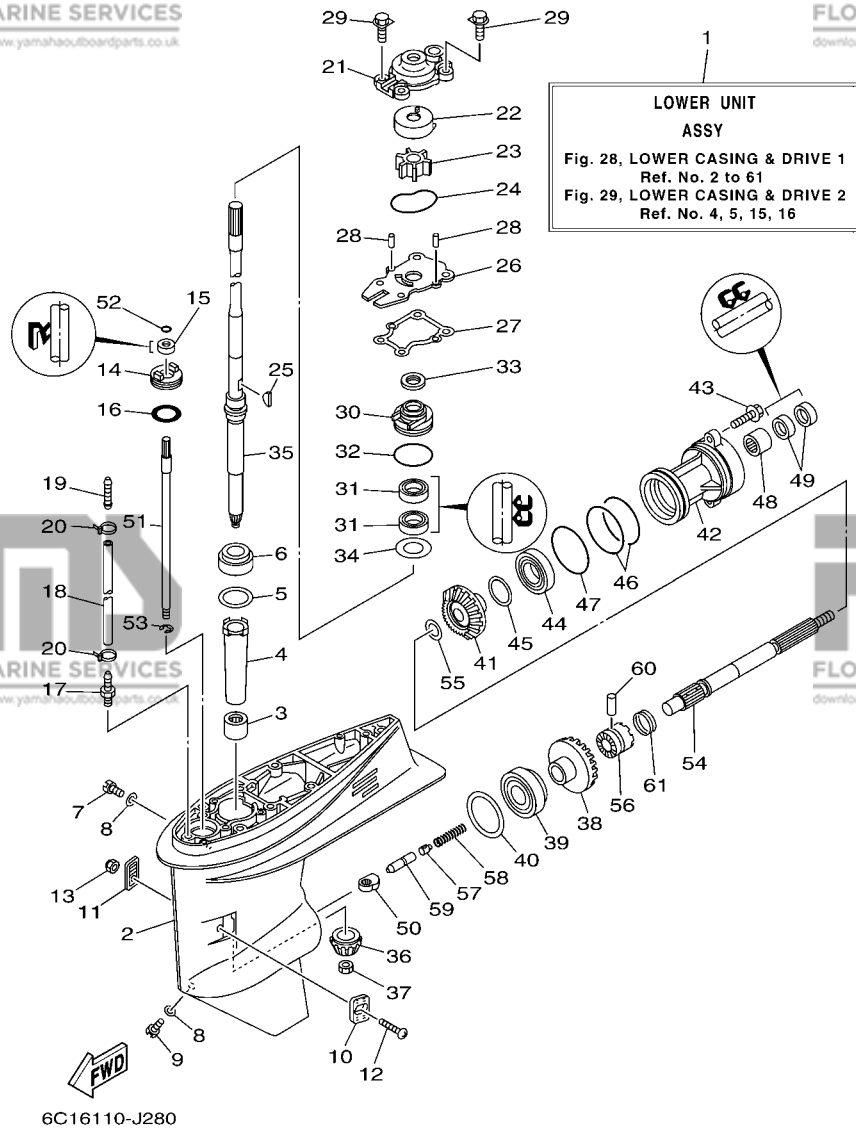
**YAMAHA**  
GENUINE  
Parts & Accessories  
FLOOD MARINE SERVICES  
downloaded from www.yamahaoutboardparts.co.uk



**FIG. 28 LOWER CASING & DRIVE 1**

**BOITIER D'HELICE TRANSMISSION1**

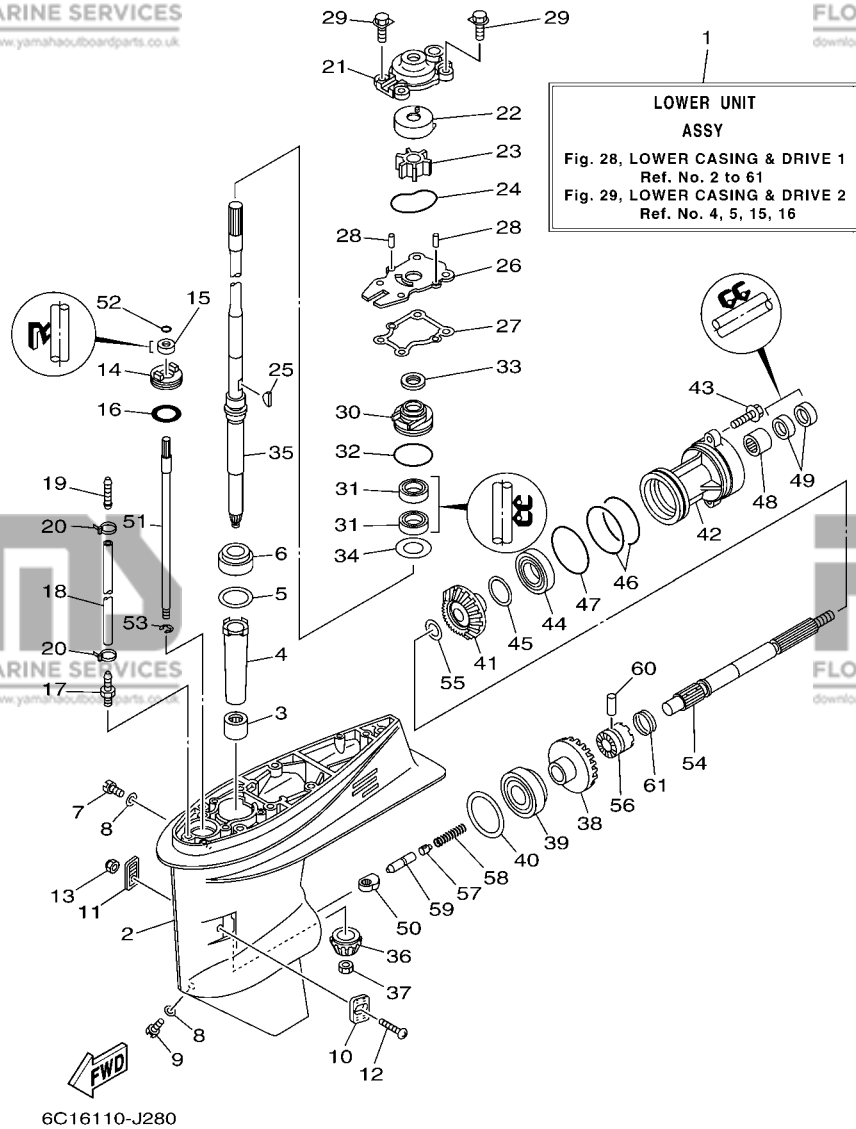
REF. NO.	PART NO. N° PIECES	DESCRIPTION DESCRIPTION	QTY	UNIT	REMARKS REMARQUES
1	69W-45300-01-8D	LOWER UNIT ASSY UNITE INFERIEURE (ENS.)	1	1	L(20.7") L(20.7")
2	69W-45301-00-8D	CASING, LOWER BEQUILLE	1	1	
3	93315-32224	BEARING ROULEMENT	1	1	
4	6H4-45536-00	SLEEVE, DRIVE SHAFT MANCHON, ARBRE MOTEUR	1	1	
5	663-45587-01	SHIM (T:0.10MM) CALE (T:0.10MM)	1	1	UR
	663-45587-10	SHIM (T:0.12MM) CALE (T:0.12MM)	1	1	UR
	663-45587-20	SHIM (T:0.15MM) CALE (T:0.15MM)	1	1	UR
	663-45587-30	SHIM (T:0.18MM) CALE (T:0.18MM)	1	1	UR
	663-45587-40	SHIM (T:0.30MM) CALE (T:0.30MM)	1	1	UR
	663-45587-50	SHIM (T:0.40MM) CALE (T:0.40MM)	1	1	UR
	663-45587-60	SHIM (T:0.50MM) CALE (T:0.50MM)	1	1	UR
6	93332-00001	BEARING ROULEMENT	1	1	
7	90340-08002	PLUG, STRAIGHT SCREW PLOT, FILETE DROIT	1	1	
8	90430-08020	GASKET JOINT	2	2	
9	688-45341-10	PLUG, DRAIN BOUCHON DE VIDANGE	1	1	
10	63D-45214-00	COVER, WATER INLET 1 GRILLE, ENTREE D'EAU 1	1	1	
11	63D-45215-00	COVER, WATER INLET 2 GRILLE, ENTREE D'EAU 2	1	1	
12	90142-05M06	SCREW, COUNTERSUNK VIS, TETE NOYEE	1	1	
13	95380-05600	NUT ECROU	1	1	
14	63D-45321-00	PLATE PLAQUETTE	1	1	
15	93106-09014	OIL SEAL JOINT SPY	1	1	
16	93210-33MG4	O-RING JOINT TORIQUE	1	1	
17	6E5-45378-00	NIPPLE, HOSE RACCORD, TUYAU	1	1	
18	90445-07ME8	HOSE (L80) DURITE (L80)	1	1	L(20.7") L(20.7")
19	6E5-83558-10	END, NIPPLE RACCORD DE NIPPLE	1	1	
20	90465-11M10	CLAMP BRIDE	2	2	
21	63D-44311-00	HOUSING, WATER PUMP CORPS, POMPE A EAU	1	1	



**FIG. 28 LOWER CASING & DRIVE 1**

**BOITIER D'HELICE TRANSMISSION1**

REF. NO.	PART NO. N° PIECES	DESCRIPTION DESCRIPTION	QTY	UNIT	REMARKS REMARQUES
22	63D-44322-00	INSERT, CARTRIDGE CUVETTE	1	1	
23	6H3-44352-00	IMPELLER TURBINE	1	1	
24	93210-59MG7	O-RING JOINT TORIQUE	1	1	
25	90280-03024	KEY, WOODRUFF CLAVETTE, DEMI-LUNE	1	1	
26	63D-44323-00	OUTER PLATE, CARTRIDGE PLAQUE EXTERIEURE	1	1	
27	63D-44316-00	GASKET, WATER PUMP JOINT, POMPE A EAU	1	1	
28	93604-08062	PIN, DOWEL CLAVETTE	2	2	
29	90119-08M15	BOLT, WITH WASHER BOULON, AVEC RONDELLE	4	4	
30	6BG-44341-00	HOUSING, WATER PUMP CORPS, POMPE A EAU	1	1	
31	93101-25M57	OIL SEAL JOINT SPY	2	2	
32	93210-48001	O-RING JOINT TORIQUE	1	1	
33	63D-45344-00	COVER, OIL SEAL FLASQUE, JOINT D'HUILE	1	1	
34	90201-27M00	WASHER, PLATE RONDELLE, PLATE	1	1	
35	69W-45501-00	DRIVE SHAFT COMP. ARBRE MOTEUR COMP.	1	1	L(20.7") L(20.7")
36	69W-45551-00	PINION (13T)	1	1	
37	90170-12138	PIGNON D'ATTAQUE (13D)	1	1	
38	69W-45560-00	NUT ECROU	1	1	
39	93332-00092	GEAR 1 (24T) PIGNON 1 (24T)	1	1	
40	663-45567-01	BEARING ROULEMENT	1	1	UR
	663-45567-10	SHIM (T:0.10MM) CALE (T:0.10MM)	1	1	UR
	663-45567-12	SHIM (T:0.12MM) CALE (T:0.12MM)	1	1	UR
	663-45567-15	SHIM (T:0.15MM) CALE (T:0.15MM)	1	1	UR
	663-45567-18	SHIM (T:0.18MM) CALE (T:0.18MM)	1	1	UR
	663-45567-30	SHIM (T:0.30MM) CALE (T:0.30MM)	1	1	UR
	663-45567-40	SHIM (T:0.40MM) CALE (T:0.40MM)	1	1	UR
	663-45567-50	SHIM (T:0.50MM) CALE (T:0.50MM)	1	1	UR
	663-45567-60	SHIM (T:0.60MM) CALE (T:0.60MM)	1	1	UR
41	62Y-45571-00	GEAR 2 (24T) PIGNON 2 (24T)	1	1	
42	63D-45361-02-8D	CAP, LOWER CASING COUVERCLE, BOITIER D'HELICE	1	1	



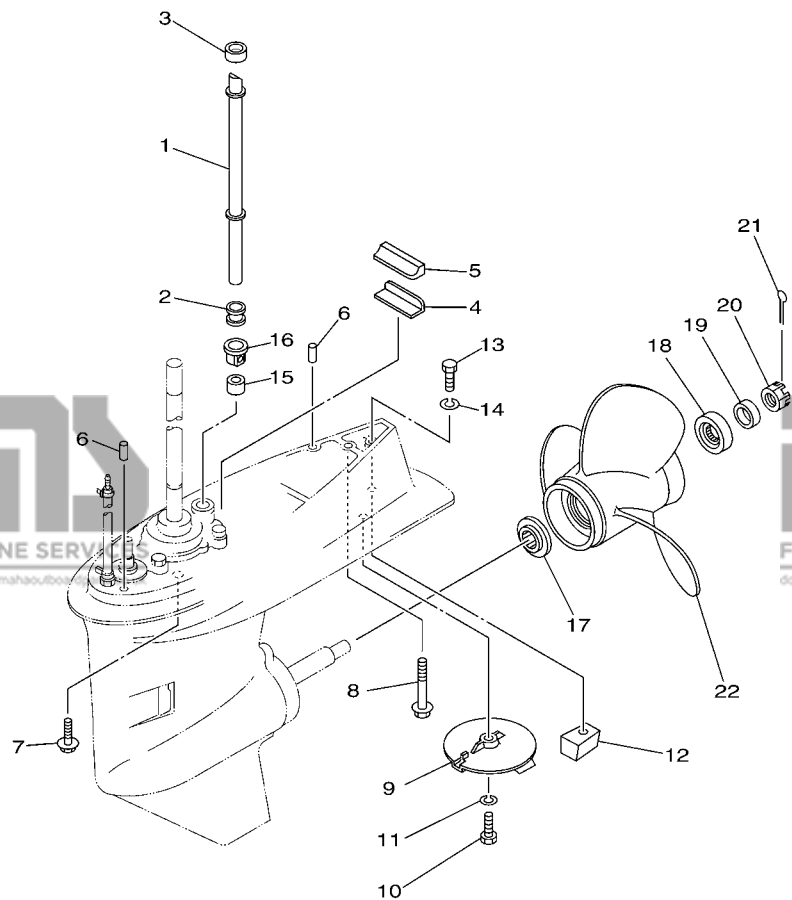
**FIG. 28 LOWER CASING & DRIVE 1**

**BOITIER D'HELICE TRANSMISSION1**

REF. NO.	PART NO. N° PIECES	DESCRIPTION DESCRIPTION	QTY	QTY	REMARKS REMARQUES
43	90105-08148	BOLT, FLANGE BOULON	2	2	
44	93306-001U1	BEARING ROULEMENT	1	1	
45	63D-45577-00	SHIM (T:0.10MM) CALE (T:0.10MM)	1	1	UR
	63D-45577-10	SHIM (T:0.12MM) CALE (T:0.12MM)	1	1	UR
	63D-45577-20	SHIM (T:0.15MM) CALE (T:0.15MM)	1	1	UR
	63D-45577-30	SHIM (T:0.18MM) CALE (T:0.18MM)	1	1	UR
	63D-45577-40	SHIM (T:0.30MM) CALE (T:0.30MM)	1	1	UR
	63D-45577-50	SHIM (T:0.40MM) CALE (T:0.40MM)	1	1	UR
	63D-45577-60	SHIM (T:0.50MM) CALE (T:0.50MM)	1	1	UR
46	93210-74MG5	O-RING JOINT TORIQUE	2	2	
47	93210-69MG6	O-RING JOINT TORIQUE	1	1	
48	93317-22204	BEARING ROULEMENT	1	1	
49	93101-22M00	OIL SEAL JOINT SPY	2	2	
50	62Y-44151-00	CAM, SHIFT CAME, INVERSION	1	1	
51	63D-44144-00	ROD, SHIFT TIGE D'EMBAYAGE	1	1	
52	93210-07003	O-RING JOINT TORIQUE	1	1	
53	99001-08600	CIRCLIP CIRCLIP	1	1	
54	63D-45611-00	SHAFT, PROPELLER ARBRE, HELICE	1	1	
55	90201-22008	WASHER, PLATE RONDELLE, PLATE	1	1	
56	62Y-45631-00	CLUTCH, DOG CRABOT	1	1	
57	663-45634-00	SLIDE, SHIFT CONTRE-POUSSOIR	1	1	
58	90501-18001	SPRING, COMPRESSION RESSORT, COMPRESSION	1	1	
59	63D-45635-00	PLUNGER, SHIFT POUSSOIR D'EMBAYAGE	1	1	
60	90250-06023	PIN, STRAIGHT GOUPILLE, DROITE	1	1	
61	67C-45633-00	RING, CROSS PIN JONC, GOUPILLE CRABOT	1	1	

**FIG. 29 LOWER CASING & DRIVE 2**

**BOITIER D'HELICE TRANSMISSION2**

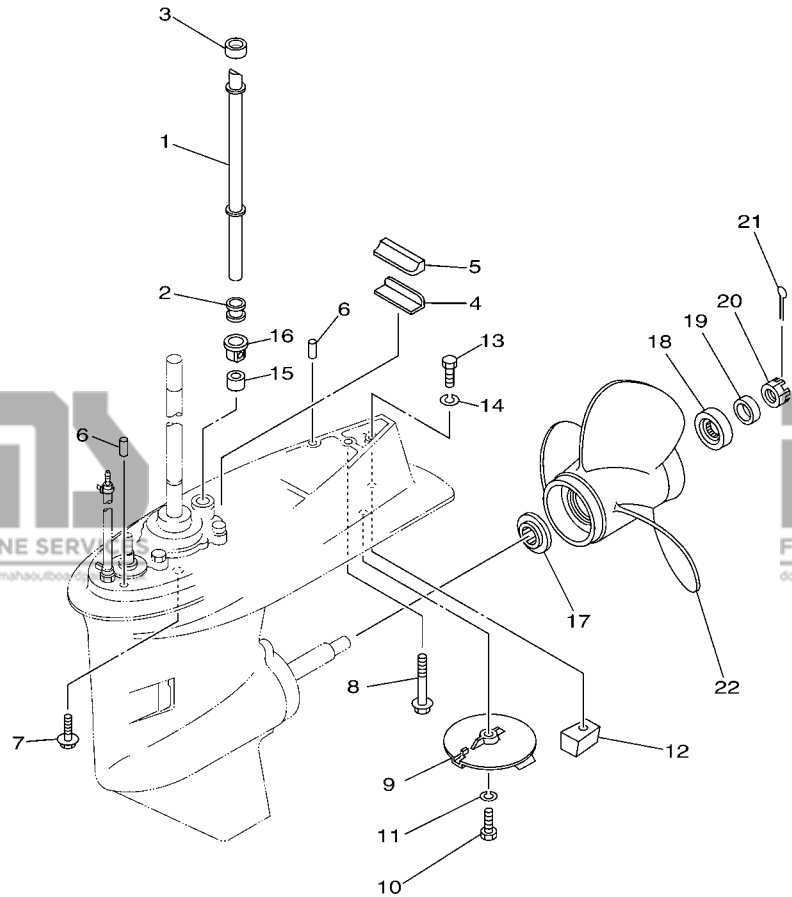


**FWD**  
6C14100-G321

REF. NO.	PART NO. N° PIECES	DESCRIPTION DESCRIPTION	QTY	UNIT	REMARKS REMARQUES
1	6C5-44361-00	TUBE, WATER TUBE D'EAU	1	1	L(20.7") L(20.7")
2	663-44367-00	DAMPER, WATER SEAL JOINT TUBE D'EAU	1	1	
3	663-44366-00	DAMPER, WATER SEAL JOINT, TUBE D'EAU	1	1	
4	663-45376-00-94	GUIDE, SEAL DAMPER BUTEE, JOINT CAOUTCHOUC	1	1	
5	63D-45375-00	DAMPER, SEAL BOURRELET, CAOUTCHOUC	1	1	
6	93606-12019	PIN, DOWEL GOUPILLE	2	2	
7	90119-10030	BOLT, WITH WASHER BOULON, AVEC RONDELLE	4	4	L(20.7") L(20.7")
8	90119-08M84	BOLT, WITH WASHER BOULON, AVEC RONDELLE	1	1	L(20.7") L(20.7")
9	67C-45371-00	TAB-TRIM ANODE DERIVE	1	1	
10	97095-08025	BOLT BOULON	1	1	
11	92995-08100	WASHER RONDELLE	1	1	
12	67C-45251-00	ANODE ANODE	1	1	
13	97095-08035	BOLT BOULON	1	1	
14	92995-08100	WASHER RONDELLE	1	1	
15	663-44366-00	DAMPER, WATER SEAL JOINT, TUBE D'EAU	1	1	
16	63D-44312-00	COVER, WATER PUMP HOUSING COUVERCLE	1	1	
17	663-45987-02	SPACER ENTRETOISE	1	1	
18	66T-45997-00	SPACER ENTRETOISE	1	1	
19	90389-22M01	BUSH DOUILLE	1	1	
20	90171-16011	NUT, CASTLE ECROU, CRENELE	1	1	
21	91490-30025	PIN, COTTER GOUPILLE	1	1	
22	69W-45943-00-EL	PROPELLER (3X11"X15"-G) HELICE (3X11"X15"-G)	1	1	UR UR
	69W-45945-00-EL	PROPELLER (3X11-1/8"X13"-G) HELICE (3X11-1/8"X13"-G)	1	1	UR UR
	69W-45947-00-EL	PROPELLER (3X11-5/8"X11"-G) HELICE (3X11-5/8"X11"-G)	1	1	UR UR
	69W-45952-00-EL	PROPELLER (3X11-3/8"X12"-G) HELICE (3X11-3/8"X12"-G)	1	1	UR UR
	663-45941-01-EL	PROPELLER (3X10-3/4"X17"-G) HELICE (3X10-3/4"X17"-G)	1	1	UR UR
	663-45949-01-EL	PROPELLER (3X10-3/4"X16"-G) HELICE (3X10-3/4"X16"-G)	1	1	UR UR

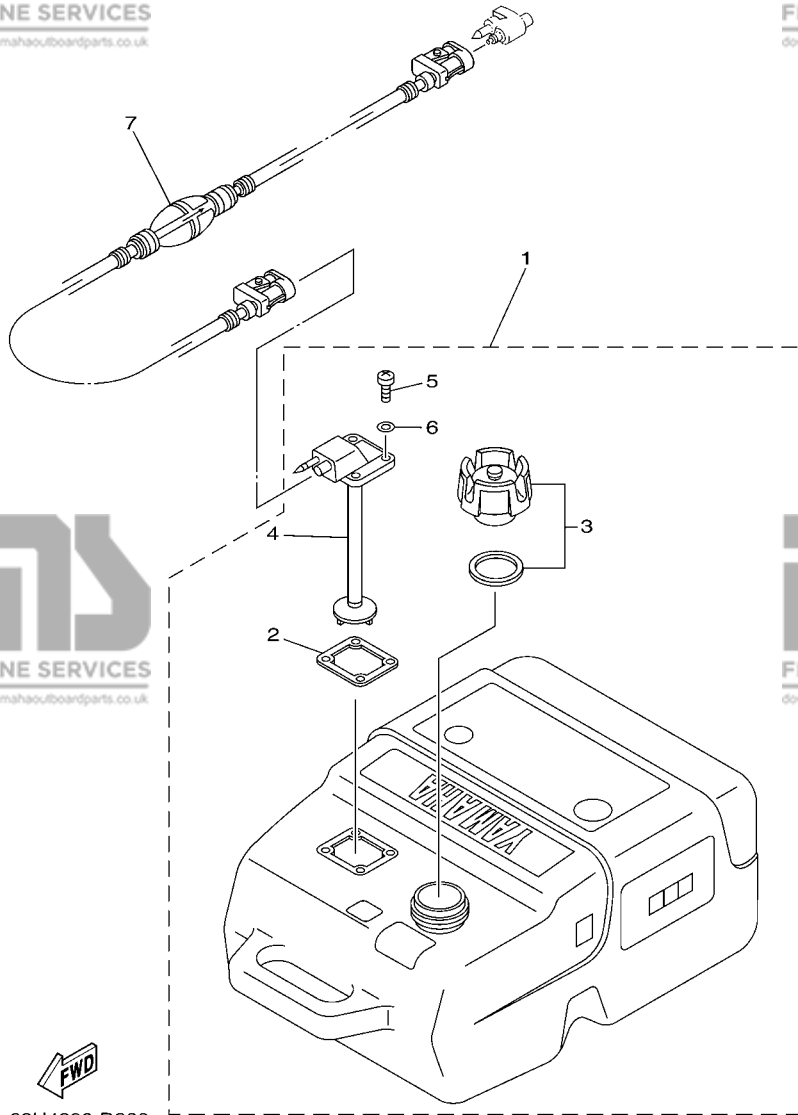


**FIG. 29 LOWER CASING & DRIVE 2 BOITIER D'HELICE TRANSMISSION2**



6C14100-G321

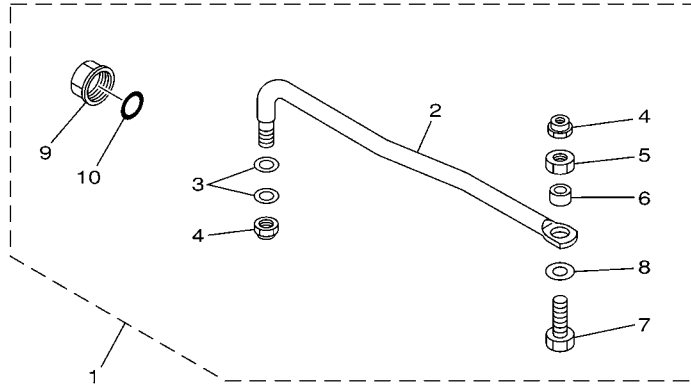
REF. NO.	PART NO. N° PIECES	DESCRIPTION DESCRIPTION	QTY	QTY	REMARKS REMARQUES
22	663-45952-02-EL	PROPELLER (3X11-3/8"X12"-G) HELICE (3X11-3/8"X12"-G)	1	1	UR UR
	663-45956-01-EL	PROPELLER (3X12-1/4"X9"-G) HELICE (3X12-1/4"X9"-G)	1	1	UR UR
	663-45958-01-EL	PROPELLER (3X11-1/4"X14"-G) HELICE (3X11-1/4"X14"-G)	1	1	UR UR
	6H5-45943-00-EL	PROPELLER (3X10"X15"-G) HELICE (3X10"X15"-G)	1	1	UR WITH LIP CUP UR WITH LIP CUP
	6H5-45945-00-EL	PROPELLER (3X10-3/8"X13"-G) HELICE (3X10-3/8"X13"-G)	1	1	UR WITH LIP CUP UR WITH LIP CUP
	6H5-45952-00-EL	PROPELLER (3X10-5/8"X12"-G) HELICE (3X10-5/8"X12"-G)	1	1	UR WITH LIP CUP UR WITH LIP CUP
	6H5-45958-00-EL	PROPELLER (3X10-1/4"X14"-G) HELICE (3X10-1/4"X14"-G)	1	1	UR WITH LIP CUP UR WITH LIP CUP
	663-45970-60-98	PROPELLER (3X11-3/4"X12"-G) HELICE (3X11-3/4"X12"-G)	1	1	UR UR
	663-45972-60-98	PROPELLER (3X12"X11"-G) HELICE (3X12"X11"-G)	1	1	UR UR
	663-45974-60-98	PROPELLER (3X11-1/2"X13"-G) HELICE (3X11-1/2"X13"-G)	1	1	UR UR
	697-45970-00-98	PROPELLER (3X11-1/4"X14"-G) HELICE (3X11-1/4"X14"-G)	1	1	UR UR
	663-45930-00-98	PROPELLER (3X10-1/4"X14"-G) HELICE (3X10-1/4"X14"-G)	1	1	UR UR
	663-45974-02-98	PROPELLER (3X10-5/8"X13"-G) HELICE (3X10-5/8"X13"-G)	1	1	UR UR
	663-45976-00-98	PROPELLER (3X10-1/4"X15"-G) HELICE (3X10-1/4"X15"-G)	1	1	UR UR
	663-45978-00-98	PROPELLER (3X10-1/4"X16"-G) HELICE (3X10-1/4"X16"-G)	1	1	UR UR



**FIG. 30 FUEL TANK**

**RESERVOIR A CARBURANT**

REF. NO.	PART NO. N° PIECES	DESCRIPTION DESCRIPTION	QTY	UNIT	REMARKS REMARQUES
1	6YK-24201-03	FUEL TANK ASSY (25L) RESERVOIR A ESSENCE (ENS.) 25L	1	1	AP AP
2	6YL-24268-01	.GASKET, FUEL METER .JOINT, JAUGE A CARBURANT	1	1	
3	6YK-24610-01	.CAP ASSY .BOUCHON	1	1	
4	6YK-24260-01	.FUEL METER ASSY .INDICATEUR DE CARBURANT	1	1	
5	90157-05M16	.SCREW, PAN HEAD .VIS, TETE TRONCONIQUE	4	4	
6	6YL-24329-00	.SEAL .JOINT	4	4	
7	6YL-24306-54	FUEL PIPE COMP. 1 DURITE A ESSENCE 1	1	1	AP AP

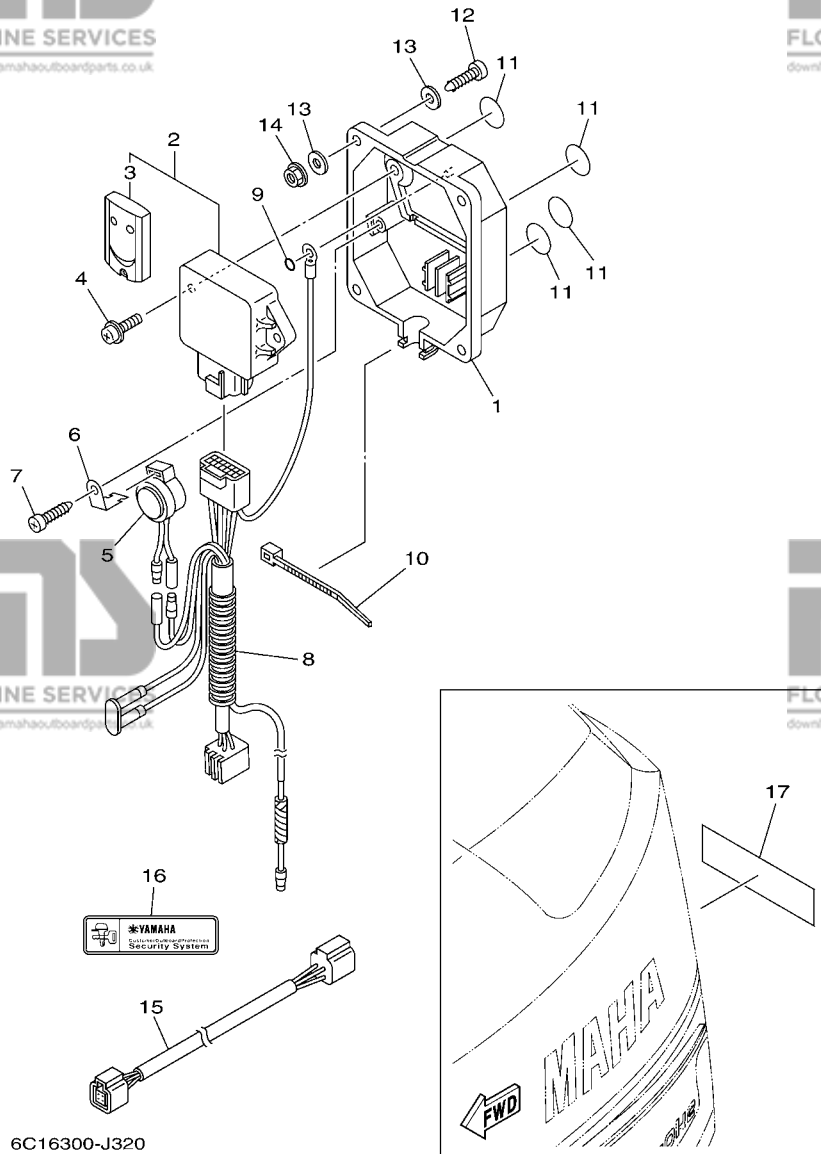


65W0010-8210

**FIG. 31 STEERING GUIDE**

**FIXATION DE DIRECTION**

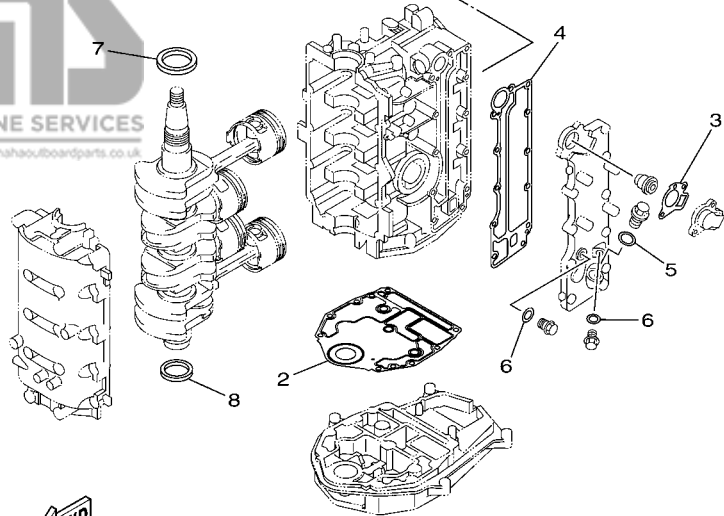
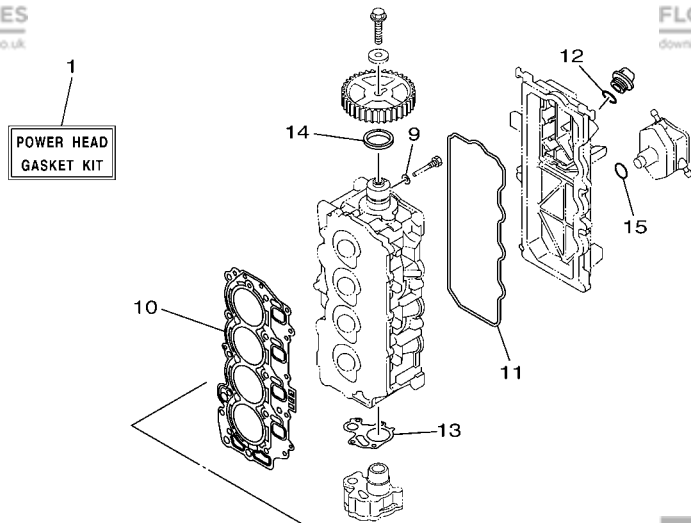
REF. NO.	PART NO. N° PIECES	DESCRIPTION DESCRIPTION	Q	U	REMARKS REMARQUES
1	65W-61350-00	STEERING GUIDE ATTACHMENT KIT FIXATIONS DE DIRECTION	1	1	AP
2	65W-61351-00	.ROD, STEERING LINK .RENOI DE DIRECTION	1	1	AP
3	90201-10M20	.WASHER, PLATE .RONDELLE, PLATE	2	2	
4	90185-09M01	.NUT, SELF-LOCKING .ECROU,AUTO-BLOQUANT	2	2	
5	90170-09M03	.NUT .ECROU	1	1	
6	90387-10M42	.COLLAR .COLLERETTE	1	1	
7	90101-09M01	.BOLT .BOULON	1	1	
8	90201-10M63	.WASHER, PLATE .RONDELLE, PLATE	1	1	
9	6E5-43145-01	.CAP CLAMP BRACKET .CAPUCHON, PRESSE	1	1	
10	93210-16275	.O-RING .JOINT TORIQUE	1	1	



**FIG. 32 OPTIONAL PARTS**

**PIECES OPTIONNELLES**

REF. NO.	PART NO. N° PIECES	DESCRIPTION DESCRIPTION	QTY	UNIT	REMARKS REMARQUES
1	6Y8-86267-00	CASE COMPLETE 1 CARTER (ENS.) 1	1	1	
2	6Y8-86260-01	REMOTE CONTROL UNIT ASSY UNITE DE TELECOMMANDE (ENS.)	1	1	
3	6AA-86261-00	.TRANSMITTER COMP .TRANSMETTEUR	2	2	
4	97980-06216	SCREW, WITH WASHER VIS, AVEC RONDELLE	2	2	
5	6X4-83383-00	BUZZER RONFLEUR	1	1	
6	6X4-83386-00	STAY, BUZZER SUPPOR, RONFLEUR	1	1	
7	97780-60620	SCREW, TAPPING VIS, TETE BOMBEE	1	1	
8	6Y8-82509-10	WIRE, SUB LEAD FIL, SECONDAIRE	1	1	
9	93210-04279	O-RING JOINT TORIQUE	1	1	
10	90465-11M10	CLAMP BRIDE	1	1	
11	6Y8-8454G-00	PATCH 1 TAMPON 1	4	4	
12	90167-06M00	SCREW, TAPPING VIS, TETE FRAISEE	4	4	UR
	97880-06035	SCREW, PAN HEAD VIS, TETE TRONCONIQUE	4	4	UR
13	90201-06M30	WASHER, PLATE RONDELLE, PLATE	8	8	UR
14	95780-06300	NUT, FLANGE ECROU	4	4	
15	6Y8-82521-11	2FT PIGTAIL BUS FIL	1	1	
16	6Y8-48277-00	STICKER 1 ETIQUETTE 1	1	1	
17	6Y8-48277-00	STICKER 1 ETIQUETTE 1	1	1	

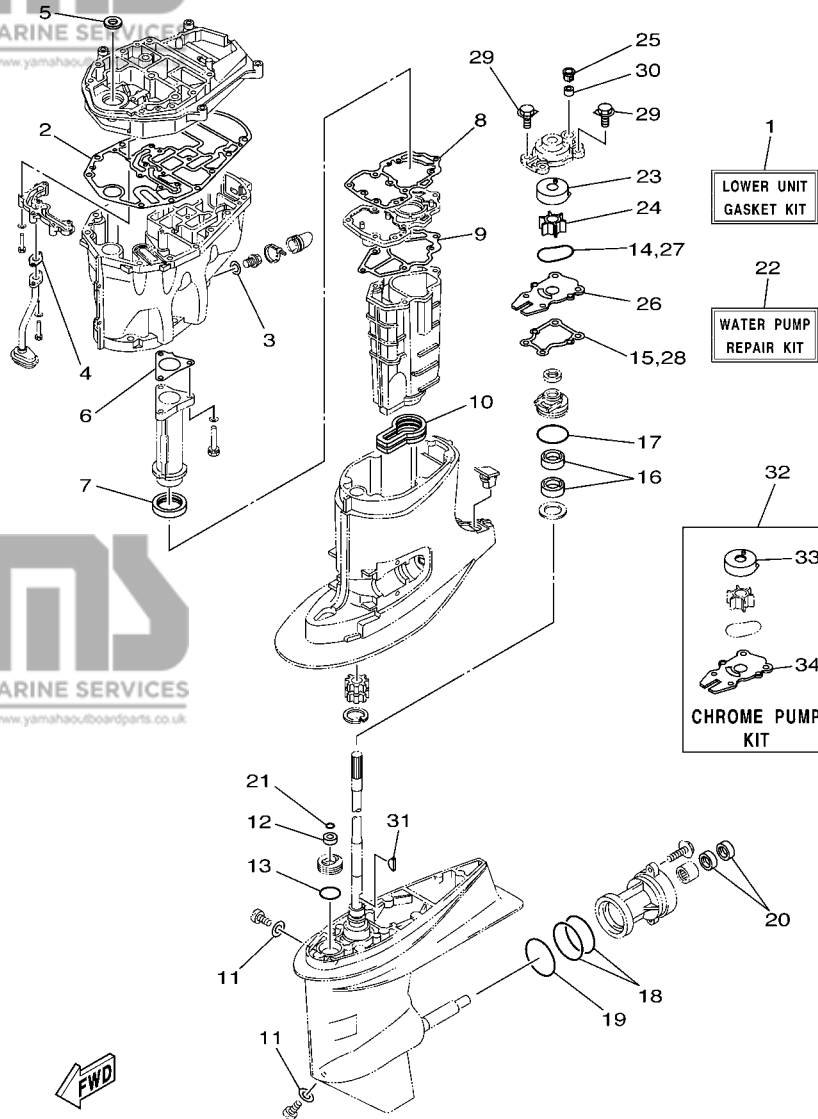


**FWD**  
6C16110-J310

**FIG. 33 REPAIR KIT 1**

**KITS DE REPARATION 1**

REF. NO.	PART NO. N° PIECES	DESCRIPTION DESCRIPTION	QTY	UNIT	REMARKS REMARQUES
1	6C5-W0001-02	POWER HEAD GASKET KIT POCHETTE DE JINTS TETE MOTRICE	1	1	
2	6BG-11351-00	.GASKET, CYLINDER .JOINT, D'EMBASE	1	1	
3	62Y-12414-00	.GASKET, COVER .JOINT, COUVERCLE	1	1	
4	6C5-41114-10	.GASKET, EXHAUST OUTER COVER .JOINT, COUVERCLE D'ECHAPPEMENT	1	1	
5	90430-18130	.GASKET .JOINT	1	1	
6	90430-14115	.GASKET .JOINT	2	2	
7	93102-43M42	.OIL SEAL .JOINT SPY	1	1	
8	93101-35002	.OIL SEAL .JOINT SPY	1	1	
9	90430-06014	.GASKET .JOINT	1	1	
10	6C5-11181-01	.GASKET, CYLINDER HEAD 1 .JOINT, DE CULASSE 1	1	1	
11	62Y-11356-00	.SEAL, CYLINDER 2 .JOINT, SPY CYLINDRE	1	1	
12	93210-24M79	.O-RING .JOINT TORIQUE	1	1	
13	6C5-13329-00	.GASKET, PUMP COVER .JOINT, COUVERCLE DE POMPE	1	1	
14	93102-37M40	.OIL SEAL .JOINT SPY	1	1	
15	93210-24M79	.O-RING .JOINT TORIQUE	1	1	

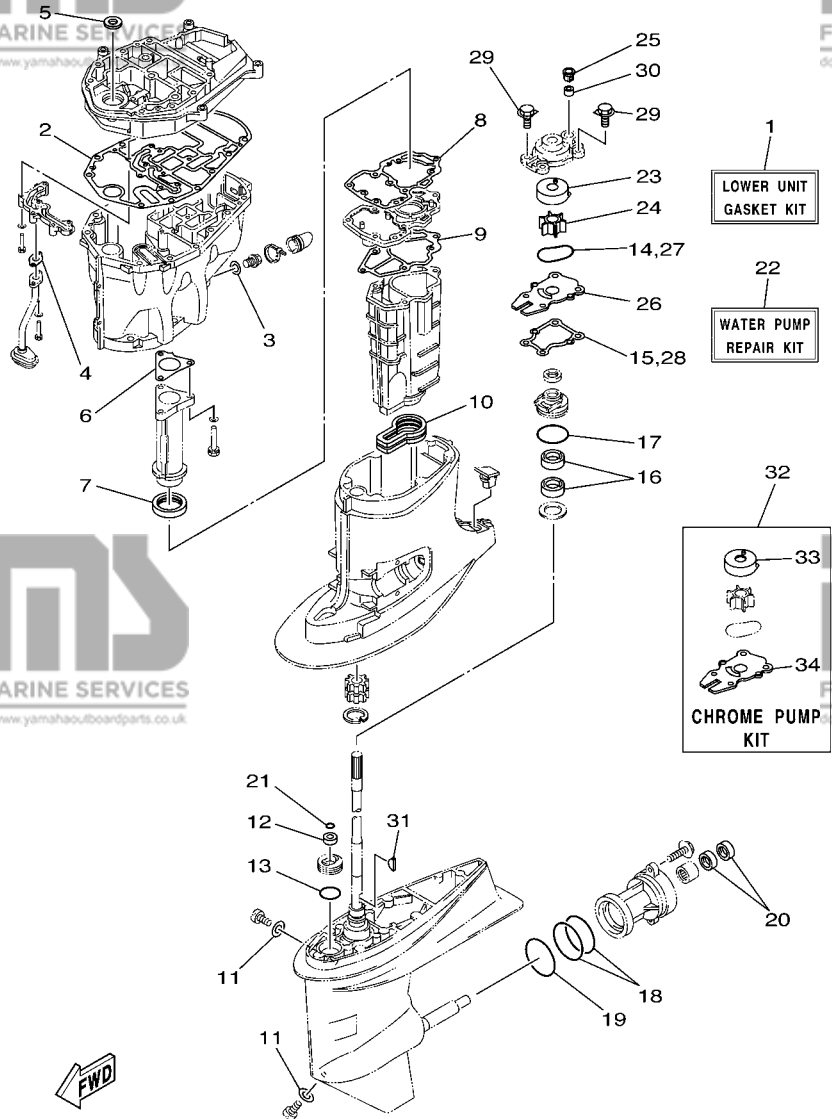


6C11100-D400

**FIG. 34 REPAIR KIT 2**

**KITS DE REPARATION 2**

REF. NO.	PART NO. N° PIECES	DESCRIPTION DESCRIPTION	QTY	UNIT	REMARKS REMARQUES
1	6C5-W0001-21	LOWER UNIT GASKET KIT POCHETTE DE JOINTS EMBASE	1	1	
2	6C5-15312-00	.GASKET, OIL PAN .JOINT DE VENTILATEUR D'HUILE	1	1	
3	90430-14M09	.GASKET .JOINT	1	1	
4	6C5-13414-00	.GASKET, STRAINER COVER .JOINT, COUVERCLE DE FILTRE	1	1	
5	93103-18011	.OIL SEAL .JOINT SPY	1	1	
6	6C5-41133-00	.GASKET, EXHAUST MANIFOLD 1 .JOINT, PIPE D'ECHAPPEMENT	1	1	
7	6C5-46132-00	.GASKET 1 .JOINT 1	1	1	
8	6C5-41134-00	.GASKET, EXHAUST MANIFOLD .JOINT, PIPE D'ECHAPPEMENT	1	1	
9	6C5-41135-00	.GASKET, EXHAUST MANIFOLD .JOINT, PIPE D'ECHAPPEMENT	1	1	
10	6C5-45123-00	.GASKET, MUFFLER .JOINT, POT DE DETENTE	1	1	
11	90430-08020	.GASKET .JOINT	2	2	
12	93106-09014	.OIL SEAL .JOINT SPY	1	1	
13	93210-33MG4	.O-RING .JOINT TORIQUE	1	1	
14	93210-59MG7	.O-RING .JOINT TORIQUE	1	1	
15	63D-44316-00	.GASKET, WATER PUMP .JOINT, POMPE A EAU	1	1	
16	93101-25M57	.OIL SEAL .JOINT SPY	2	2	
17	93210-48001	.O-RING .JOINT TORIQUE	1	1	
18	93210-74MG5	.O-RING .JOINT TORIQUE	2	2	
19	93210-69MG6	.O-RING .JOINT TORIQUE	1	1	
20	93101-22M00	.OIL SEAL .JOINT SPY	2	2	
21	93210-07003	.O-RING .JOINT TORIQUE	1	1	
22	63D-W0078-01	WATER PUMP REPAIR KIT KIT DE REPARATION DE LA POMPE	1	1	
23	63D-44322-00	.INSERT, CARTRIDGE .CUVETTE	1	1	
24	6H3-44352-00	.IMPELLER .TURBINE	1	1	
25	63D-44312-00	.COVER, WATER PUMP HOUSING .COUVERCLE	1	1	
26	63D-44323-00	.OUTER PLATE, CARTRIDGE .PLAQUE EXTERIEURE	1	1	
27	93210-59MG7	.O-RING .JOINT TORIQUE	1	1	



6C11100-D400

FIG. 34 REPAIR KIT 2

KITS DE REPARATION 2

REF. NO.	PART NO. N° PIECES	DESCRIPTION DESCRIPTION	QTY	QTY	REMARKS REMARQUES
28	63D-44316-00	.GASKET, WATER PUMP .JOINT, POMPE A EAU	1	1	
29	90119-08M15	.BOLT, WITH WASHER .BOULON, AVEC RONDELLE	4	4	
30	663-44366-00	.DAMPER, WATER SEAL .JOINT, TUBE D'EAU	1	1	
31	90280-03024	.KEY, WOODRUFF .CLAVETTE, DEMI-LUNE	1	1	
32	63D-W0078-0A	CHROME PUMP KIT KIT DE POMPE A EAU CHROMEE	1	1	
33	63D-44322-40	.INSERT, CARTRIDGE .CUVETTE	1	1	
34	63D-44323-40	.OUTER PLATE, CARTRIDGE .PLAQUE EXTERIEURE	1	1	

PART NO. N° PIECES	REF. NO.
6C5-11111-01-9S	4 - 2
62Y-11119-00	4 - 22
	4 - 34
62Y-11133-30	4 - 3
6C5-11168-00	4 - 16
6C5-11181-01	4 - 10
	33 - 10
6C5-11191-01-9S	4 - 14
6G8-11197-01	4 - 6
62Y-11325-00	2 - 18
6G8-11325-00	4 - 4
66M-11327-00-94	2 - 20
66M-11328-00	2 - 19
6BG-11351-00	2 - 8
	33 - 2
62Y-11356-00	4 - 19
	33 - 11
6C5-11411-00	3 - 1
6C5-11416-00	3 - 2
6C5-11416-10	3 - 2
6C5-11416-20	3 - 2
6C5-11416-30	3 - 2
6C5-11536-00	10 - 7
6C5-11537-00	10 - 2
6H4-11545-00	12 - 5
62Y-11557-00	10 - 8
6G8-11577-00	10 - 15
67C-11603-00	3 - 7
67C-11604-00	3 - 7
67C-11605-00	3 - 7
69W-11631-01-97	3 - 6
62Y-11633-00	3 - 8
69W-11635-01	3 - 6
69W-11636-01	3 - 6
6C5-11650-00	3 - 3
6C5-11654-00	3 - 4
6C5-11656-00	3 - 5
6C5-11656-10	3 - 5
6C5-11656-20	3 - 5
6C5-11656-30	3 - 5
69W-12111-00	5 - 1
51Y-12114-00	5 - 4
62Y-12116-00	5 - 3
30X-12117-00	5 - 5
30X-12118-00	5 - 6
51Y-12119-00	5 - 7
69W-12121-00	5 - 2
62Y-12138-60	4 - 37

PART NO. N° PIECES	REF. NO.
6C5-12146-00	5 - 8
62Y-12151-00	5 - 9
6C5-12151-00	5 - 12
62Y-12158-00	5 - 11
6C5-12158-00	5 - 14
64J-12159-00	5 - 10
6C5-12159-00	5 - 13
6C5-12171-00	10 - 1
6C5-12231-00	5 - 15
6C5-12233-00	5 - 16
6C5-12241-00	5 - 17
6C5-12243-00	5 - 18
6G8-12411-03	2 - 12
688-12412-00	2 - 13
6C5-12413-00-9S	2 - 14
62Y-12414-00	2 - 15
	33 - 3
62Y-12481-10	2 - 11
66M-12535-00	2 - 21
69W-12535-00	19 - 3
68T-12572-00	19 - 2
6C5-12576-00	7 - 17
6R3-12580-00	19 - 8
6C5-12858-00	2 - 31
6C5-13105-01	6 - 10
62Y-13131-00	11 - 24
6C5-13142-00	10 - 14
6C5-13161-00	6 - 13
6C5-13300-00	10 - 11
6C5-13329-00	10 - 17
	33 - 13
6C5-13411-00	27 - 8
6C5-13414-00	27 - 9
	34 - 4
6C5-13428-01	7 - 21
67F-13434-10	1 - 16
6C5-13437-62	12 - 16
5GH-13440-20	2 - 30
69W-13448-00	1 - 15
6C5-13542-00	9 - 2
6C5-13545-00	9 - 19
6C5-13546-00	9 - 1
6C5-13547-00	9 - 20
6C5-13548-00	9 - 24
6C5-13557-00	6 - 4
6C5-13577-00	9 - 10
6C5-13593-00	8 - 20
6C5-13641-00	6 - 2

PART NO. N° PIECES	REF. NO.
6C5-13645-00	6 - 3
6C5-13716-00	8 - 22
6C5-13739-00	9 - 25
6C5-13750-00	6 - 5
6C5-13761-00	6 - 16
6C5-13781-00	8 - 21
6C5-13906-01	8 - 9
6C5-13907-00	8 - 17
6C5-13910-00	8 - 16
6C5-13915-00	8 - 19
6C5-13974-00	9 - 16
6C5-1410B-00	6 - 17
6C5-1410F-00	9 - 23
6C5-14127-00	8 - 18
6C5-14148-00	9 - 14
6C5-14149-00	9 - 8
6C5-14180-00	8 - 1
6C5-14182-00	8 - 2
6C5-14191-00	8 - 13
6C5-14200-00	6 - 1
6C5-14225-00	8 - 25
6C5-14251-00	9 - 12
6C5-14386-00	8 - 5
6C5-14397-00	6 - 11
	8 - 14
6C5-14440-00	7 - 4
6C5-14446-00	6 - 15
6C1-14453-01	7 - 5
6C5-14453-01	7 - 5
6AK-14477-00	7 - 6
6C1-14477-00	7 - 6
62Y-14485-00	4 - 15
6C5-14496-00	6 - 9
6C5-14546-00	8 - 4
6C5-14567-00	8 - 15
6C5-14711-00-CA	26 - 14
6C5-14960-00	8 - 12
6C5-14984-00	8 - 23
6C5-14985-00	8 - 3
6C5-15100-10-9S	2 - 2
6C5-15311-01-CA	27 - 1
6C5-15312-00	27 - 2
	34 - 2
6C5-15316-00	27 - 4
6C5-1531A-01	4 - 27
6C5-15333-00	27 - 10
6C5-15362-00	27 - 13
6G8-15363-00	4 - 25

PART NO. N° PIECES	REF. NO.
6C5-15378-00	4 - 28
6C5-15378-11	4 - 31
6C5-21337-00	8 - 24
6C5-21841-00	9 - 11
6C5-22435-00	24 - 19
6C5-22471-00	24 - 12
6C5-2247A-00	11 - 4
6C5-2411M-00	9 - 13
6YK-24201-03	30 - 1
6C5-24251-00	9 - 21
6YK-24260-01	30 - 4
6YL-24268-01	30 - 2
6G1-24304-02	11 - 1
6YL-24306-54	30 - 7
6C5-24312-00	19 - 6
6C5-24321-00	9 - 3
6C5-24322-00	9 - 4
6C5-24323-00	9 - 5
6C5-24324-00	9 - 6
6C5-24325-00	9 - 7
61N-24329-00	18 - 28
6YL-24329-00	30 - 6
62Y-24374-01	11 - 29
67F-24377-00	11 - 5
688-24378-00	19 - 11
6C5-24378-00	19 - 15
6C5-24379-00	9 - 18
6C5-24387-00	9 - 15
6C5-24410-00	11 - 20
62Y-24411-02	11 - 22
6C5-24415-00	11 - 21
6C5-2441R-00	8 - 6
6C5-2441T-00	8 - 7
62Y-24423-00	11 - 23
6C5-24444-00	9 - 9
62Y-24444-01	11 - 26
6C5-24453-00	8 - 8
62Y-24454-00	11 - 25
6D8-24469-00	11 - 13
6C5-24471-00	11 - 27
6D8-24519-00	11 - 14
6C5-24516-00	9 - 22
6D8-24560-00	11 - 9
6D8-24562-00	11 - 12
6D8-24563-00	11 - 10
6D8-24564-00	11 - 11
6C5-24566-01	11 - 15
6C5-24592-00	8 - 10

PART NO. N° PIECES	REF. NO.
6YK-24610-01	30 - 3
6C5-28100-00	11 - 35
67F-2812A-00	15 - 33
6C1-28199-76-D0	11 - 36
6C1-28199-76-E0	11 - 36
6C1-28199-76-F0	11 - 36
6C1-28199-76-G0	11 - 36
6C1-28199-76-H0	11 - 36
6C1-28199-76-S0	11 - 36
6C1-28199-86-K0	11 - 37
6C1-28199-86-L0	11 - 37
6C1-28199-86-M0	11 - 37
6C1-28199-86-N0	11 - 37
6C1-28199-86-P0	11 - 37
6C1-28199-86-R0	11 - 37
6C5-41113-11-9S	2 - 9
6C5-41114-10	2 - 16
	33 - 4
6C5-41131-00-CA	26 - 6
6C5-41133-00	34 - 6
	26 - 10
6C5-41134-00	34 - 8
	26 - 13
6C5-41135-00	34 - 9
	26 - 1
6C5-41137-00-CA	26 - 1
688-41211-01	20 - 24
6H4-41237-00	20 - 25
62Y-42154-00	20 - 27
6C5-42171-00	20 - 28
6C5-42335-00	20 - 33
69W-42510-01-8D	23 - 1
6AK-42610-00-8D	1 - 1
6C1-42610-00-8D	1 - 1
6C5-42610-00-8D	1 - 1
67C-42613-00-8D	1 - 2
6C5-42615-00	1 - 14
6C5-42651-00	1 - 4
67C-42652-02	1 - 6
69W-42677-00	1 - 9
62Y-42677-30	1 - 9
62Y-42677-50	1 - 9
6AK-42678-00	1 - 10
6C1-42678-00	1 - 10
6C5-42678-00	1 - 10
69W-42681-00	1 - 12
69W-42682-00	1 - 13
6C5-42710-00-8D	18 - 1

PART NO. N° PIECES	REF. NO.
6C5-42710-10-8D	18 - 1
62Y-42715-01	20 - 11
62Y-42716-00	18 - 5
65W-42717-00	18 - 6
6C5-42718-00	18 - 8
6BG-42724-00	18 - 23
65W-42724-10	19 - 1
6C5-42725-30	18 - 9
6C5-42726-00	18 - 43
62Y-42727-00	18 - 10
68U-42727-00	18 - 26
6H3-42727-00	18 - 27
6C5-42738-00-8D	18 - 7
67C-42741-10-8D	18 - 29
6BG-42748-00	18 - 3
6AH-42794-40	19 - 20
6AH-42794-50	19 - 21
6C5-42811-00	15 - 29
67C-42815-00-8D	18 - 12
67C-42816-01	18 - 17
64J-43107-01-8D	21 - 28
6C1-43111-00-8D	21 - 1
6C5-43111-01-8D	22 - 1
6C1-43112-00-8D	21 - 2
6C5-43112-01-8D	22 - 2
69D-43126-00	21 - 35
6E5-43126-02	22 - 26
63D-43131-01	21 - 11
	22 - 11
66T-43144-00	18 - 19
6G5-43144-00	21 - 23
	22 - 23
6E5-43145-01	31 - 9
6G5-43148-00	21 - 19
	22 - 19
688-43160-01	21 - 24
688-43165-00	21 - 25
6C5-43181-00	21 - 14
	22 - 14
6C5-43185-00	21 - 15
	22 - 15
6C5-43311-01-8D	21 - 9
	22 - 9
682-43318-01	21 - 33
6C1-43631-00	21 - 32
63D-43691-00	21 - 31
6C5-43800-01-8D	24 - 1
6C5-43801-00	24 - 3



PART NO. N° PIECES	REF. NO.
6C5-43804-01	25 - 5
6C5-43805-00	25 - 4
6C5-4380G-00	24 - 26
6C5-4380K-00	24 - 22
6C5-43810-00	24 - 2
6C5-43816-00	24 - 25
6C5-43817-10	24 - 23
6C5-43818-00	21 - 40
	22 - 35
6C5-4381B-00	24 - 14
6C5-4381K-00	24 - 39
6C6-4381K-00	24 - 42
6C5-43821-00	24 - 5
62Y-43822-00	24 - 4
6H1-43829-00	24 - 67
6C6-4382E-00	24 - 32
6C5-4382K-00	24 - 45
6C5-4382L-00	24 - 60
6C5-43830-00	24 - 28
6C5-43831-00	24 - 68
6C5-43833-00	21 - 41
	22 - 36
6C5-43834-00	21 - 42
	22 - 37
6C5-43841-00	24 - 61
6C6-43841-00	24 - 29
6C5-43845-00	24 - 65
62X-4384H-00	24 - 18
6C5-43851-00	24 - 38
6C6-43853-00	24 - 34
6C5-43854-00	24 - 47
6C5-43855-00	24 - 43
6C5-43856-00	24 - 44
6C5-43861-00	24 - 10
	24 - 21
6C5-43862-00	24 - 9
62Y-43863-00	24 - 6
6C5-43863-00	24 - 8
6C5-43869-00	25 - 6
6C6-4386E-00	24 - 58
6C6-4386G-00	24 - 57
6C5-4386K-00	25 - 10
6C5-43871-00	24 - 11
62X-43872-00	24 - 7
6C5-43872-00	24 - 62
6C5-43875-00	24 - 13
6H1-43875-00	24 - 64
6C6-43878-00	24 - 51

PART NO. N° PIECES	REF. NO.
6C5-43879-00	25 - 7
62Y-4387G-00	24 - 52
6C6-4387G-00	24 - 35
6C5-43880-01	25 - 1
6C5-43881-01	25 - 11
6C5-43882-00	25 - 8
6H1-43883-00	24 - 30
6C5-43885-00	23 - 18
62X-43888-00	25 - 12
6C6-4388E-00	24 - 55
6C6-4388F-00	24 - 56
6C5-43891-00	25 - 9
6C5-43893-00	24 - 40
6C6-43893-00	24 - 41
6C6-43894-00	24 - 31
6C5-43895-00	24 - 46
6C5-43899-00	24 - 16
69J-4389J-00	24 - 24
	24 - 36
62Y-44117-01-9S	20 - 2
62Y-44118-00-94	20 - 12
6C5-44120-01	20 - 7
69W-44121-00	20 - 1
688-44122-00	20 - 20
6C5-44122-00	20 - 8
62Y-44135-00	20 - 30
63D-44144-00	28 - 51
62Y-44151-00	28 - 50
63D-44311-00	28 - 21
63D-44312-00	29 - 16
	34 - 25
63D-44316-00	28 - 27
	34 - 15
	34 - 28
63D-44322-00	28 - 22
	34 - 23
63D-44322-40	34 - 33
63D-44323-00	28 - 26
	34 - 26
63D-44323-40	34 - 34
6BG-44341-00	28 - 30
6H3-44352-00	28 - 23
	34 - 24
6C5-44361-00	29 - 1
663-44366-00	29 - 3
	29 - 15
	34 - 30
663-44367-00	29 - 2

PART NO. N° PIECES	REF. NO.
6C5-44385-00	23 - 35
6BL-44391-00	18 - 22
69W-44514-00-4D	23 - 10
69W-44526-01	23 - 12
6C5-44551-00-8D	23 - 16
6C5-44552-00-8D	23 - 19
69W-44555-00-4D	23 - 20
6C5-44575-00	23 - 22
6C5-45111-00-8D	26 - 27
6C5-45123-00	26 - 17
	34 - 10
6C5-45135-01	27 - 14
6C5-45136-01	27 - 15
6C5-45155-00	26 - 20
6C5-45181-00-CA	26 - 11
63D-45214-00	28 - 10
63D-45215-00	28 - 11
65W-45251-00	21 - 5
	21 - 7
	22 - 5
	22 - 7
	22 - 24
663-45251-00	21 - 29
67C-45251-00	29 - 12
69W-45300-01-8D	28 - 1
69W-45301-00-8D	28 - 2
69W-45318-00	26 - 21
63D-45321-00	28 - 14
688-45341-10	28 - 9
63D-45344-00	28 - 33
63D-45361-02-8D	28 - 42
67C-45371-00	29 - 9
63D-45375-00	29 - 5
663-45376-00-94	29 - 4
6E5-45378-00	28 - 17
69W-45501-00	28 - 35
6H4-45536-00	28 - 4
69W-45551-00	28 - 36
69W-45560-00	28 - 38
663-45567-01	28 - 40
663-45567-10	28 - 40
663-45567-20	28 - 40
663-45567-30	28 - 40
663-45567-40	28 - 40
663-45567-50	28 - 40
663-45567-60	28 - 40
62Y-45571-00	28 - 41
63D-45577-00	28 - 45

PART NO. N° PIECES	REF. NO.
63D-45577-10	28 - 45
63D-45577-20	28 - 45
63D-45577-30	28 - 45
63D-45577-40	28 - 45
63D-45577-50	28 - 45
63D-45577-60	28 - 45
663-45587-01	28 - 5
663-45587-10	28 - 5
663-45587-20	28 - 5
663-45587-30	28 - 5
663-45587-40	28 - 5
663-45587-50	28 - 5
663-45587-60	28 - 5
63D-45611-00	28 - 54
62Y-45631-00	28 - 56
67C-45633-00	28 - 61
663-45634-00	28 - 57
63D-45635-00	28 - 59
663-45930-00-98	29 - 22
663-45941-01-EL	29 - 22
69W-45943-00-EL	29 - 22
6H5-45943-00-EL	29 - 22
69W-45945-00-EL	29 - 22
6H5-45945-00-EL	29 - 22
69W-45947-00-EL	29 - 22
663-45949-01-EL	29 - 22
69W-45952-00-EL	29 - 22
6H5-45952-00-EL	29 - 22
663-45952-02-EL	29 - 22
663-45956-01-EL	29 - 22
6H5-45958-00-EL	29 - 22
663-45958-01-EL	29 - 22
697-45970-00-98	29 - 22
663-45970-60-98	29 - 22
663-45972-60-98	29 - 22
663-45974-02-98	29 - 22
663-45974-60-98	29 - 22
663-45976-00-98	29 - 22
663-45978-00-98	29 - 22
663-45987-02	29 - 17
66T-45997-00	29 - 18
6C5-46132-00	26 - 7
	34 - 7
6C5-46241-00	10 - 6
6Y8-48277-00	32 - 16
	32 - 17
69W-48344-00	20 - 23
	20 - 37

PART NO. N° PIECES	REF. NO.
65W-48511-10	23 - 41
62Y-48538-00	20 - 39
65W-61350-00	31 - 1
65W-61351-00	31 - 2
6C5-81145-00	6 - 7
6C5-81146-00	6 - 12
68V-81315-00	15 - 10
6C5-81336-00	14 - 2
6C5-81337-00	12 - 1
6C5-81410-00	12 - 4
6C5-81450-00	12 - 3
6C5-81800-00	17 - 1
69J-81801-00	17 - 5
67F-81807-00	17 - 10
67F-81808-00	17 - 8
67F-81809-00	17 - 19
67F-81810-00	17 - 3
67F-81813-00	17 - 6
6C5-81815-00	14 - 17
68F-81820-00	17 - 7
67F-81821-00	17 - 13
6C5-81822-00-94	16 - 3
6K7-81826-11	17 - 24
69J-81828-00	17 - 25
6C5-8182L-00	6 - 8
67F-81830-00	17 - 17
67F-81832-00	17 - 11
67F-81836-00	17 - 12
69J-81839-00	17 - 21
67F-8183R-00	17 - 16
60V-8183T-00	17 - 18
69J-81840-00	17 - 4
67F-81841-00	17 - 14
60X-81842-00	17 - 20
67F-81846-00	17 - 26
67F-81850-00	17 - 2
67F-81857-00	17 - 9
69J-81869-00	17 - 23
67F-81891-00	17 - 15
6C5-81919-00	15 - 34
60V-81925-00	14 - 14
6C5-81941-00	17 - 22
6C5-81942-00	15 - 23
6C5-81948-00	14 - 21
68V-8194A-00	14 - 34
60E-81950-00	14 - 1
63P-81950-00	14 - 27
6C5-81953-00	14 - 39

PART NO. N° PIECES	REF. NO.
6D3-81960-00	13 - 15
6C5-81961-00	13 - 16
6AH-81994-40	12 - 20
6AH-81994-50	12 - 21
6AH-81995-40	12 - 17
6AH-81995-50	12 - 18
6AG-81996-00	12 - 22
6C5-82105-00	16 - 1
6G5-82119-00	14 - 38
682-82119-01	14 - 28
67C-82127-10	23 - 32
6E5-82148-00	21 - 3
	22 - 3
67F-82151-00	15 - 2
67F-82151-10	15 - 3
67F-8215B-10	15 - 4
67F-8215B-20	15 - 5
6C5-82171-00	13 - 20
6C5-82176-00	15 - 27
63P-82310-01	13 - 5
6C5-82316-01	13 - 12
6C5-82316-11	13 - 13
6A0-82317-00	7 - 8
	14 - 26
	13 - 24
6C5-82317-00	18 - 25
6C5-82340-01	13 - 6
6C5-82377-00	19 - 19
6C5-82388-00	15 - 14
64J-82504-00	15 - 22
6Y8-82509-10	32 - 8
6Y8-82521-11	32 - 15
6C5-8252FR-00	15 - 28
6C5-82553-00	15 - 11
6C5-82554-01	15 - 18
63D-82563-10	14 - 43
6C5-8257V-00	14 - 4
68F-82582-00	14 - 16
6P2-82582-00	15 - 6
6P2-82582-10	15 - 7
6E5-82587-00	14 - 46
61A-82588-01	15 - 19
6C5-82590-40	15 - 1
6C5-82590-50	15 - 1
60V-8259F-00	15 - 17
6X4-83383-00	32 - 5
6X4-83386-00	32 - 6
6E5-83558-00	23 - 31

PART NO. N° PIECES	REF. NO.
6E5-83558-00	23 - 38
6E5-83558-10	28 - 19
6C5-83614-01	14 - 44
62Y-83626-00	12 - 19
67F-83627-01	17 - 27
63D-83672-11	22 - 30
68F-83688-00	6 - 18
6Y8-8454G-00	32 - 11
6C5-85525-00	13 - 1
6C5-85548-00	14 - 22
6C5-85561-00-94	12 - 9
62Y-85580-00	12 - 12
6C5-85790-00	15 - 12
6C5-85885-00	6 - 6
6AK-8591A-02	13 - 23
6C1-8591A-22	13 - 23
6C5-8591A-22	13 - 23
6C5-86112-00	7 - 14
6C5-86120-00	7 - 12
6Y8-86260-01	32 - 2
6AA-86261-00	32 - 3
6Y8-86267-00	32 - 1
6C5-87226-00	8 - 11
6C5-W0001-02	33 - 1
6C5-W0001-21	34 - 1
69W-W0070-00	1 - 11
63D-W0078-01	34 - 22
63D-W0078-0A	34 - 32
6C5-W009A-12-9S	4 - 1
6C5-W009B-03-9S	2 - 1
90101-06020	21 - 6
	21 - 8
	22 - 6
	22 - 8
	22 - 25
90101-06054	20 - 13
90101-08M15	23 - 11
90101-09M01	31 - 7
90101-12M65	21 - 45
	22 - 40
90105-08060	5 - 20
90105-08148	28 - 43
90105-09005	4 - 12
90109-06047	1 - 7
90109-06M65	4 - 8
90109-06M80	18 - 34
	19 - 5
90109-06M81	18 - 11

NUMERICAL INDEX  
INDEX NUMERIQUE

PART NO. N° PIECES	REF. NO.
90109-06M86	14 - 45
	14 - 45
	18 - 20
90109-12MA3	23 - 23
90116-10038	23 - 7
90119-06025	10 - 18
90119-06077	15 - 31
90119-06087	7 - 3
90119-06106	7 - 10
	20 - 32
90119-06120	26 - 8
90119-06M59	13 - 26
	14 - 25
90119-06M61	7 - 11
	18 - 2
90119-06MA3	4 - 13
90119-06MA5	2 - 17
90119-08069	7 - 2
90119-08101	23 - 21
90119-08102	26 - 18
90119-08132	26 - 19
90119-08M01	2 - 4
90119-08M15	28 - 29
	34 - 29
90119-08M84	29 - 8
90119-10030	29 - 7
90142-05M06	28 - 12
90152-06M01	21 - 30
90157-05M16	30 - 5
90159-04005	14 - 18
90159-06M14	15 - 25
90167-06002	19 - 4
90167-06M00	32 - 12
90170-09M03	31 - 5
90170-12138	28 - 37
90170-20137	12 - 6
90170-35008	10 - 9
90171-16011	29 - 20
90179-06029	1 - 3
90179-08003	14 - 15
90185-06M05	1 - 8
90185-08045	23 - 13
90185-09M01	31 - 4
90185-10051	23 - 8
90185-22M11	21 - 13
	22 - 13
90201-06015	26 - 9
90201-06M30	32 - 13

PART NO. N° PIECES	REF. NO.
90201-08M14	21 - 44
	22 - 39
90201-10120	23 - 42
90201-10144	10 - 5
90201-10M20	20 - 17
	31 - 3
90201-10M63	31 - 8
90201-12426	21 - 47
	22 - 42
90201-12M07	18 - 16
90201-12M16	23 - 17
90201-13M19	23 - 26
90201-16014	5 - 19
90201-21M18	12 - 7
90201-22008	28 - 55
90201-22M05	23 - 27
90201-27M00	28 - 34
90201-30M00	23 - 2
90202-07M07	20 - 21
90202-21100	23 - 25
90206-08N51	25 - 2
90206-10M04	20 - 35
90206-12052	18 - 15
90249-06M19	21 - 20
	22 - 20
90250-06023	28 - 60
90266-06M02	1 - 5
90280-03024	28 - 25
	34 - 31
90280-03M01	10 - 10
90340-08002	28 - 7
90340-14M06	2 - 28
	27 - 6
90340-18M09	2 - 26
90344-51003	2 - 7
90386-10025	21 - 17
	22 - 17
90386-10M16	21 - 16
	22 - 16
	18 - 13
90386-12M37	18 - 14
90386-12MA2	22 - 28
90386-18M35	22 - 27
90386-18M92	21 - 12
90386-22MA4	22 - 12
	23 - 6
90386-30M60	23 - 4
90386-30M77	23 - 3
90386-30M78	23 - 3

PART NO. N° PIECES	REF. NO.
90386-90M90	20 - 16
90387-04001	15 - 20
90387-06060	18 - 4
90387-06119	7 - 9
	13 - 25
	14 - 24
90387-06M43	18 - 36
90387-06M45	20 - 31
90387-06M69	8 - 26
90387-06M82	20 - 36
90387-10M42	31 - 6
90387-16003	21 - 37
90387-16004	21 - 38
90389-22M01	29 - 19
90413-05014	23 - 34
90430-06014	4 - 9
	33 - 9
90430-08020	28 - 8
	34 - 11
90430-14115	2 - 29
	15 - 13
	33 - 6
90430-14M09	27 - 7
	34 - 3
90430-18130	2 - 27
	33 - 5
90445-07M30	23 - 39
90445-07ME8	28 - 18
90445-07MF2	23 - 30
90445-09091	19 - 16
90445-09104	19 - 17
90445-09220	19 - 13
90445-09226	19 - 9
90445-13M02	11 - 6
90445-13M36	11 - 18
90446-14M62	11 - 34
90447-07001	23 - 36
90447-10006	19 - 18
90447-19009	22 - 34
90450-50001	7 - 7
90462-08031	19 - 10
90464-06001	13 - 14
90464-07M05	13 - 8
90464-07M41	13 - 7
90464-07M56	6 - 14
90464-09M13	18 - 24
90464-09M49	18 - 37
90464-10006	23 - 37

PART NO. N° PIECES	REF. NO.
90464-12006	7 - 19
90464-15008	7 - 18
90464-18007	15 - 30
90464-18246	13 - 4
90464-76001	21 - 36
	22 - 32
90465-05M87	14 - 7
90465-06M86	23 - 28
90465-11M10	7 - 20
	9 - 17
	11 - 7
	14 - 40
	18 - 38
	19 - 7
	19 - 12
	22 - 33
	23 - 29
	23 - 40
	26 - 2
	28 - 20
	32 - 10
90465-11M59	27 - 5
90465-13M11	15 - 9
90465-13M18	7 - 24
	16 - 14
90465-13M24	15 - 8
	15 - 26
90465-13M39	15 - 24
90465-13M97	12 - 15
	14 - 42
	14 - 47
90467-08M18	19 - 14
90467-09M17	11 - 8
90467-10M04	11 - 19
	11 - 33
90468-18008	20 - 19
	20 - 22
	20 - 38
90480-09M12	8 - 27
90480-12072	12 - 2
	16 - 2
90480-13598	15 - 32
90480-13M24	18 - 35
90480-24003	16 - 11
90501-12082	20 - 14
90501-18001	28 - 58
90501-6C500	10 - 16
90502-16M02	21 - 27

PART NO. N° PIECES	REF. NO.
90506-14M24	21 - 21
	22 - 21
90506-18M40	18 - 21
91312-03005	24 - 59
91312-03016	24 - 54
91312-04030	24 - 53
91312-05025	24 - 50
91312-05030	24 - 37
91312-05045	24 - 27
91312-05050	24 - 70
91490-16010	20 - 29
91490-20015	20 - 18
91490-30025	29 - 21
91690-30012	21 - 26
91690-30020	21 - 18
	22 - 18
92903-06600	2 - 6
	14 - 33
	27 - 12
92903-08100	14 - 20
92903-08600	16 - 13
92907-04600	4 - 18
92990-06100	18 - 32
92990-06600	18 - 33
	18 - 41
92990-08200	5 - 21
92995-05600	2 - 23
	12 - 14
	20 - 10
92995-06100	13 - 10
	13 - 18
	14 - 9
	14 - 12
	14 - 30
	14 - 36
	18 - 42
92995-06600	2 - 25
	4 - 21
	4 - 24
	4 - 30
	4 - 33
	4 - 36
	7 - 16
	7 - 23
	11 - 3
	11 - 32
	13 - 3
	13 - 11

PART NO. N° PIECES	REF. NO.
92995-06600	13 - 19
	13 - 22
	14 - 6
	14 - 10
	14 - 13
	14 - 31
	14 - 37
	15 - 16
	20 - 4
	20 - 6
	26 - 16
92995-08100	23 - 15
	29 - 11
	29 - 14
92995-08600	16 - 8
	16 - 10
92995-10100	26 - 24
92995-10600	26 - 25
92995-12200	21 - 46
	22 - 41
92A08-03110	24 - 48
93101-22M00	28 - 49
	34 - 20
93101-25M57	28 - 31
	34 - 16
93101-35002	3 - 11
	33 - 8
93102-37M40	10 - 19
	33 - 14
93102-43M42	3 - 10
	33 - 7
93103-18011	26 - 3
	34 - 5
93106-09014	28 - 15
	34 - 12
93210-04279	32 - 9
93210-07003	28 - 52
	34 - 21
93210-09165	24 - 66
93210-13M63	4 - 7
93210-16275	31 - 10
93210-18397	24 - 63
93210-24M79	4 - 26
	11 - 30
	33 - 12
	33 - 15
93210-29M94	23 - 5
93210-33MG4	28 - 16

NUMERICAL INDEX  
INDEX NUMERIQUE

PART NO. N° PIECES	REF. NO.
93210-33MG4	34 - 13
93210-48001	28 - 32
	34 - 17
93210-59MG7	28 - 24
	34 - 14
	34 - 27
93210-64488	24 - 69
93210-69MG6	28 - 47
	34 - 19
93210-74MG5	28 - 46
	34 - 18
93306-001U1	28 - 44
93315-32224	28 - 3
93317-22204	28 - 48
93332-00001	28 - 6
93332-00092	28 - 39
93399-999T8	25 - 3
93410-16006	21 - 39
93410-18M02	22 - 29
93410-28M06	23 - 9
93420-36M01	26 - 22
93450-17129	3 - 9
93450-32116	24 - 15
93501-04M02	20 - 15
93503-16003	24 - 17
93505-32038	24 - 33
93603-17070	10 - 12
93604-08062	28 - 28
93604-10M03	2 - 10
	26 - 12
93605-17002	10 - 3
93606-12019	2 - 3
	26 - 26
	27 - 3
	29 - 6
93608-12M05	7 - 1
	26 - 4
93700-06M03	21 - 10
	22 - 10
94702-00418	4 - 38
95023-06030	12 - 8
	12 - 10
95302-03600	24 - 49
95333-08600	14 - 19
95380-05600	11 - 28
	28 - 13
95380-05700	20 - 26
95380-06600	7 - 13

PART NO. N° PIECES	REF. NO.
95380-06600	18 - 30
95380-06800	18 - 40
95380-08600	11 - 17
	16 - 6
95380-12600	21 - 48
	22 - 43
95380-12700	23 - 24
95680-08330	16 - 5
95780-06300	32 - 14
95817-10035	10 - 4
95895-06035	20 - 34
95895-08016	11 - 16
97013-06020	14 - 32
97013-06030	27 - 11
97013-06035	2 - 5
97013-08045	16 - 12
97075-06025	26 - 15
97075-08030	23 - 14
97075-10045	26 - 23
97080-08020	21 - 43
	22 - 38
97095-05012	2 - 22
	12 - 13
97095-05014	20 - 9
97095-06010	14 - 29
	14 - 35
	21 - 22
	21 - 34
	22 - 22
97095-06014	4 - 29
	4 - 32
	13 - 2
	13 - 21
	14 - 5
	15 - 15
	18 - 18
97095-06016	7 - 15
	7 - 22
97095-06020	2 - 24
	4 - 20
	4 - 23
	4 - 35
	14 - 8
	14 - 11
	18 - 39
	20 - 3
97095-06025	11 - 2
	13 - 17

PART NO. N° PIECES	REF. NO.
97095-06025	20 - 5
97095-06030	11 - 31
	13 - 9
97095-08025	16 - 9
	29 - 10
97095-08035	16 - 7
	29 - 13
97780-60620	14 - 3
	14 - 23
	14 - 41
	32 - 7
97880-05025	4 - 5
97880-06025	18 - 31
97880-06035	32 - 12
97885-06008	21 - 4
	22 - 4
	23 - 33
97885-06016	22 - 31
97980-06216	32 - 4
97985-04116	15 - 21
98507-04010	4 - 17
98580-06016	10 - 13
99001-08600	28 - 53
99009-32500	24 - 20
99530-08012	4 - 11
	12 - 11
99590-10114	16 - 4

PART NO. N° PIECES	REF. NO.
97095-06025	20 - 5
97095-06030	11 - 31
	13 - 9
97095-08025	16 - 9
	29 - 10
97095-08035	16 - 7
	29 - 13
97780-60620	14 - 3
	14 - 23
	14 - 41
	32 - 7
97880-05025	4 - 5
97880-06025	18 - 31
97880-06035	32 - 12
97885-06008	21 - 4
	22 - 4
	23 - 33
97885-06016	22 - 31
97980-06216	32 - 4
97985-04116	15 - 21
98507-04010	4 - 17
98580-06016	10 - 13
99001-08600	28 - 53
99009-32500	24 - 20
99530-08012	4 - 11
	12 - 11
99590-10114	16 - 4

PART NO. N° PIECES	REF. NO.
97095-06025	20 - 5
97095-06030	11 - 31
	13 - 9
97095-08025	16 - 9
	29 - 10
97095-08035	16 - 7
	29 - 13
97780-60620	14 - 3
	14 - 23
	14 - 41
	32 - 7
97880-05025	4 - 5
97880-06025	18 - 31
97880-06035	32 - 12
97885-06008	21 - 4
	22 - 4
	23 - 33
97885-06016	22 - 31
97980-06216	32 - 4
97985-04116	15 - 21
98507-04010	4 - 17
98580-06016	10 - 13
99001-08600	28 - 53
99009-32500	24 - 20
99530-08012	4 - 11
	12 - 11
99590-10114	16 - 4