

**PARTS
CATALOGUE
CATALOGUE
DE PIÈCES DÉTACHÉES**

F150AET'09 (63P6)

FL150AET'09 (64P6)



1H63P-300F1

()

2018/8/28

| NEWS NO. | DATE | COMMENT |
|---------------|--------------|--|
| PE0-OM-090032 | Mar.,19,2009 | MOD:FIG.9,10,11 INTAKE ASSY LIST/ILLUSTRATION REVISION |
| PE0-OM-180023 | Aug.,22,2018 | MOD:FIG.3 CRANKSHAFT & PISTON LIST/ILLUSTRATION REVISION |

F150AET/FL150AET
PARTS CATALOGUE
©2008 by Yamaha Motor Co., Ltd.
1st edition, June 2008
All rights reserved.
Any reprinting or unauthorized use
without the written permission of
Yamaha Motor Co., Ltd.
is expressly prohibited.
Printed in Japan.

F150AET/FL150AET
CATALOGUE DE PIÈCES DÉTACHÉES
©2008 par Yamaha Motor Co., Ltd.
1^{re} édition, juin 2008
Tous droits réservés
Toute réimpression ou utilisation
non autorisée sans la permission écrite
de la Yamaha Motor Co., Ltd.
est formellement interdite.
Imprimé au Japon

FOREWORD

This Parts Catalogue is related to the parts for the model(s) on the cover page. When you are ordering replacement parts, please refer to this Parts Catalogue and quote both part numbers and part names correctly.

1. Modifications or additions which have been made after the issue of the Parts Catalogue will be announced in the Parts News.
It is advisable that you make the necessary corrections to the Parts Catalogue according to the Parts News.

2. Abbreviations
The following abbreviations are used in this Parts Catalogue.

“UR” Use specified parts number.
 “UN” Use as many as needed.
 “AP” Alternate Parts
 “LM” Locally Made (Parts need to be ordered locally)
 “F#” Frame No. (Applicable machine No.)
 “O/S” Over Size

3. The number of components for assembly
 - Parts, which are to be supplied in an assembly, are listed with a dot (.) in front of the part name as shown below.
 - The numeral appearing to the right of each component part indicates the quantity of parts for each assembly unit.

| PART NO. | DESCRIPTION | Q'TY | REMARKS |
|--------------|--------------------------|------|---------|
| 2F5-83310-60 | FRONT FLASHER LIGHT ASSY | 2 | |
| 115-83311-60 | .BULB (6V-18W) | 1 | |

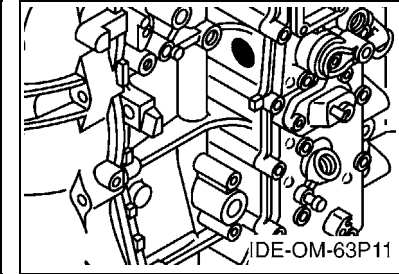
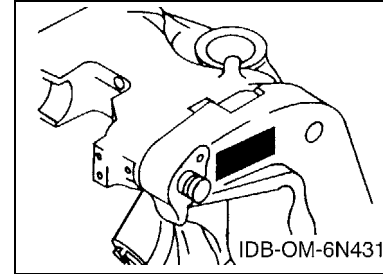
4. Applicable colours of graphics are represented in the “REMARKS” as shown below.

| PART NO. | DESCRIPTION | Q'TY | REMARKS |
|-----------------|---------------------|------|---------|
| 2N4-24110-00-X5 | FUEL TANK COMP. | 2 | MXR |
| 3J1-24240-10 | .GRAPHIC, FUEL TANK | 1 | FOR MXR |

5. Note that the illustrations for reference in finding parts numbers are not to be used for assembling. When assembling, please use the applicable service manual.

6. The asterisk (*) before a reference number indicates modified items after the first edition.
7. Applicable Serial No.

Engine Serial No.



8. Applicable Engine Starting Serial No.

| Model | Serial No. | Model | Serial No. |
|-------|-------------|--------|-------------|
| F150A | 63P-1079661 | FL150A | 64P-1010645 |
| | | | |
| | | | |

9. Applicable Colour Code

| Abbreviation | Colour Name | Colour Code |
|--------------|--------------------|-------------|
| DBN1 | DARK BLUISH GRAY 1 | 008D |

10. Quantity Column Information

| Column No. | Name Of Q'ty Column | Applicable Model |
|------------|---------------------|------------------|
| 1 | 63P6 | F150AET |
| 2 | 64P6 | FL150AET |
| | | |
| | | |

AVANT-PROPOS

Ce catalogue de pièces détachées concerne les pièces pour le(s) modèle(s) indiqué(s) sur la page de couverture. Lorsque vous commandez des pièces de rechange, veuillez vous référer à ce catalogue de pièces détachées et indiquer clairement les numéros et les noms des pièces détachées.

1. Les modifications ou ajouts ayant été effectués après la parution du catalogue de pièces détachées seront décrits dans les Bulletins d'information concernant les pièces détachées.

Il est recommandé que vous apportiez les corrections nécessaires au catalogue des pièces détachées en vous référant aux Bulletins d'information.

2. Abréviations

Dans ce catalogue, les abréviations suivantes sont utilisées:

“UR” Utiliser le numéro de pièces spécifié.

“UN” Utiliser autant que nécessaire.

“AP” Pièces de substitution

“LM” Fabrication locale (les pièces doivent être commandées localement.)

“F#” N° de cadre (applicable au N° de série)

“O/S” Surdimensionné

3. Nombre de pièces d'un assemblage

- Les pièces fournies comme composants d'un assemblage sont précédées d'un point (.) de la manière indiquée ci-dessous.
- Le chiffre apparaissant à la droite de chaque composant indique la quantité de pièces pour chaque unité d'assemblage.

| N° PIECES | DESCRIPTION | QTE | REMARQUES |
|--------------|-----------------------|-----|-----------|
| 2F5-83310-60 | ENS. CLIGNOTANT AVANT | 2 | |
| 115-83311-60 | .AMPOULE (6V-18W) | 1 | |

4. Les couleurs concernant les graphiques sont indiquées dans la colonne “REMARQUES”, comme indiqué ci-dessous.

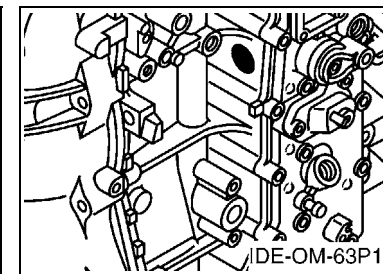
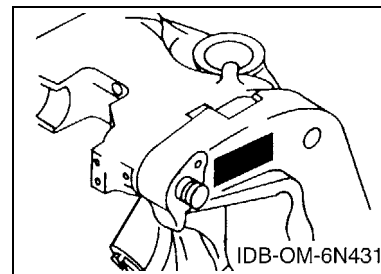
| N° PIECES | DESCRIPTION | QTE | REMARQUES |
|-----------------|----------------------|-----|-----------|
| 2N4-24110-00-X5 | RESERVOIR A ESSENCE. | 2 | MXR |
| 3J1-24240-10 | .GRAPHIQUE | 1 | POUR MXR |

5. Veuillez noter que les illustrations sont indiquées à titre de référence pour trouver les numéros de pièces, non pour être utilisées lors de l'assemblage. Lors de l'assemblage, veuillez utiliser le manuel d'entretien adéquat.

6. L'astérisque (*) placé devant un numéro de référence indique des éléments qui ont été modifiés après la première édition.

7. N° de série applicable

N° de Série du moteur



8. N° de série initial du moteur applicable

| Modèle | N° de série | Modèle | N° de série |
|--------|-------------|--------|-------------|
| F150A | 63P-1079661 | FL150A | 64P-1010645 |
| | | | |
| | | | |

9. Code couleur applicable

| Abréviation | Nom de la couleur | Code couleur |
|-------------|--------------------|--------------|
| DBN1 | DARK BLUISH GRAY 1 | 008D |

10. Informations relatives à la colonne Quantité

| N° de la colonne | Nom de la colonne Qté | Modèle applicable |
|------------------|-----------------------|-------------------|
| 1 | 63P6 | F150AET |
| 2 | 64P6 | FL150AET |
| | | |
| | | |

| | |
|--------------------------------|----|
| TOP COWLING | 1 |
| CYLINDER & CRANKCASE 1 | 2 |
| CRANKSHAFT & PISTON | 4 |
| CYLINDER & CRANKCASE 2 | 5 |
| CYLINDER & CRANKCASE 3 | 7 |
| VALVE | 9 |
| INTAKE 1 | 11 |
| INTAKE 2 | 12 |
| INTAKE 3 | 13 |
| FUEL INJECTION PUMP 1 | 15 |
| FUEL INJECTION PUMP 2 | 16 |
| FUEL 1 | 17 |
| FUEL 2 | 19 |
| GENERATOR | 20 |
| ELECTRICAL 1 | 21 |
| ELECTRICAL 2 | 22 |
| ELECTRICAL 3 | 24 |
| STARTING MOTOR | 26 |
| BOTTOM COWLING | 28 |
| CONTROL | 30 |
| BRACKET 1 | 33 |
| BRACKET 2 | 35 |
| POWER TRIM & TILT ASSY 1 | 37 |
| POWER TRIM & TILT ASSY 2 | 39 |
| UPPER CASING | 41 |
| OIL PAN | 43 |
| LOWER CASING & DRIVE 1 | 45 |
| LOWER CASING & DRIVE 2 | 49 |
| LOWER CASING & DRIVE 3 | 51 |
| LOWER CASING & DRIVE 4 | 55 |
| STEERING GUIDE | 57 |
| REPAIR KIT 1 | 58 |
| REPAIR KIT 2 | 59 |

INDEX

| | |
|-----------------------|----|
| NUMERICAL INDEX | 61 |
|-----------------------|----|

TABLE DES MATIERES

| | |
|--------------------------------------|----|
| CAPOT SUPERIEUR | 1 |
| CYLINDRE & CARTER 1 | 2 |
| VILEBREQUIN & PISTON | 4 |
| CYLINDRE & CARTER 2 | 5 |
| CYLINDRE & CARTER 3 | 7 |
| SOUPAPE | 9 |
| ADMISSION 1 | 11 |
| ADMISSION 2 | 12 |
| ADMISSION 3 | 13 |
| POMPE A INJECTEUR 1 | 15 |
| POMPE A INJECTEUR 2 | 16 |
| CARBURANT 1 | 17 |
| CARBURANT 2 | 19 |
| GENERATRICE | 20 |
| PARTIE ELECTRIQUE 1 | 21 |
| PARTIE ELECTRIQUE 2 | 22 |
| PARTIE ELECTRIQUE 3 | 24 |
| DEMARREUR ELECTRIQUE | 26 |
| CAPOT INFERIEUR | 28 |
| COMMANDE | 30 |
| SUPPORT 1 | 33 |
| SUPPORT 2 | 35 |
| PUISSANCE PARER ET INCLINER 1 | 37 |
| PUISSANCE PARER ET INCLINER 2 | 39 |
| FOURREAU | 41 |
| VENTILATEUR D'HUILE | 43 |
| BOITIER D'HELICE TRANSMISSION1 | 45 |
| BOITIER D'HELICE TRANSMISSION2 | 49 |
| BOITIER D'HELICE TRANSMISSION3 | 51 |
| BOITIER D'HELICE TRANSMISSION4 | 55 |
| FIXATION DE DIRECTION | 57 |
| KITS DE REPARATION 1 | 58 |
| KITS DE REPARATION 2 | 59 |

INDEX

| | |
|-----------------------|----|
| INDEX NUMERIQUE | 61 |
|-----------------------|----|

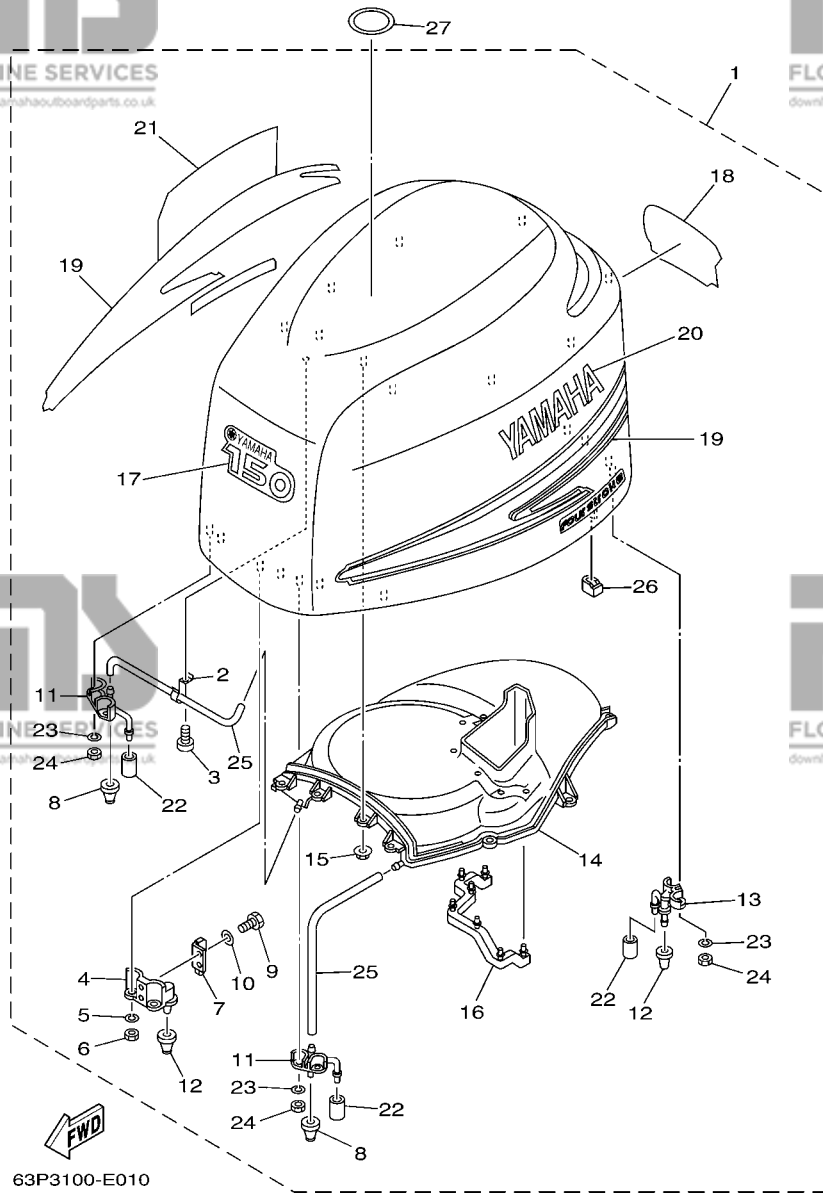


FIG. 1 TOP COWLING

CAPOT SUPERIEUR

| REF. NO. | PART NO. N° PIECES | DESCRIPTION DESCRIPTION | 63P6 | 64P6 | REMARKS REMARQUES |
|----------|--------------------|--|------|------|-------------------|
| 1 | 63P-42610-01-8D | TOP COWLING ASSY CAPOT (ENS.) | 1 | 1 | |
| 2 | 90465-10032 | .CLAMP .BRIDE | 1 | 1 | |
| 3 | 97780-50620 | .SCREW, TAPPING .VIS, TETE BOMBEE | 1 | 1 | |
| 4 | 63P-42647-00-94 | .HOLDER, CLAMP BAND .SUPPORT, SANDOW DE SERRAGE | 2 | 2 | |
| 5 | 92990-06100 | .WASHER, SPRING .RONDELLE, GROWER | 4 | 4 | |
| 6 | 95380-06600 | .NUT, HEXAGON .ECROU | 4 | 4 | |
| 7 | 60V-42651-01 | .HOOK .CROCHET | 2 | 2 | |
| 8 | 69J-42663-00 | .DAMPER .AMORTISSEUR | 2 | 2 | |
| 9 | 97095-06016 | .BOLT .BOULON | 4 | 4 | |
| 10 | 92995-06600 | .WASHER .RONDELLE | 4 | 4 | |
| 11 | 63P-42643-00-94 | .PLATE, CLAMP .PLAQUE, PRESSE | 2 | 2 | |
| 12 | 68F-42663-00 | .DAMPER .AMORTISSEUR | 4 | 4 | |
| 13 | 63P-42644-00-94 | .PLATE, CLAMP 2 .PLAQUE, PRESSE 2 | 2 | 2 | |
| 14 | 63P-42613-00 | .MOLDING, AIR DUCT .MANCHON A AIR | 1 | 1 | |
| 15 | 90179-06M24 | .NUT .ECROU | 10 | 10 | |
| 16 | 63P-42617-00 | .DAMPER, FORM .BOURRELET, CAOUTCHOUC | 1 | 1 | |
| 17 | 63P-42677-00 | .GRAPHIC, FRONT .ADHESIF, AVANT | 1 | 1 | |
| 18 | 63P-42678-00 | .GRAPHIC, REAR .ADHESIF, ARRIERE | 1 | 1 | |
| 19 | 63P-W0070-00 | .GRAPHIC SET .JEU DIEMBLEMES | 1 | 1 | |
| 20 | 63P-42681-00 | .MARK, COWLING .ADHESIF, CAPOT | 1 | 1 | |
| 21 | 63P-42682-00 | .MARK, COWLING .ADHESIF, CAPOT | 1 | 1 | |
| 22 | 67F-13448-00 | .CAP .CAPUCHON | 4 | 4 | |
| 23 | 92990-06100 | .WASHER, SPRING .RONDELLE, GROWER | 8 | 8 | |
| 24 | 95380-06600 | .NUT, HEXAGON .ECROU | 8 | 8 | |
| 25 | 90445-11020 | .HOSE (L400) .DURITE (L400) | 2 | 2 | |
| 26 | 63P-42662-00 | .DAMPER .AMORTISSEUR | 4 | 4 | |
| 27 | 67F-13434-10 | LABEL, CAUTION ETIQUETTE, ATTENTION | 1 | 1 | |

CYLINDER BLOCK ASSY
(Fig. 2, Ref. No. 2 to 29, 34
Fig. 3, Ref. No. 1 to 10
Fig. 4, Ref. No. 18
Fig. 5, Ref. No. 1 to 24, 26 to 41
Fig. 6, Ref. No. 17 to 19
Fig. 12, Ref. No. 36
Fig. 14, Ref. No. 6
Fig. 15, Ref. No. 17, 18, 19
Fig. 17, Ref. No. 20
Fig. 26, Ref. No. 14 to 22)

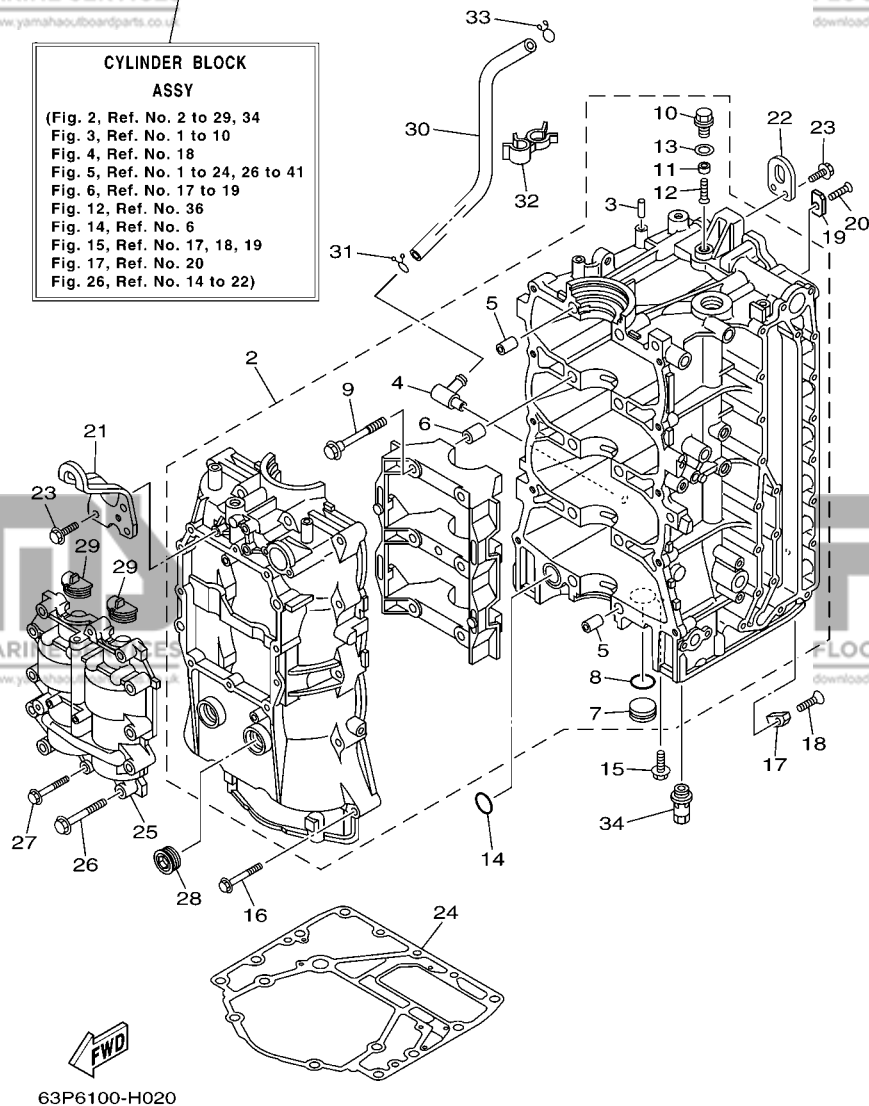
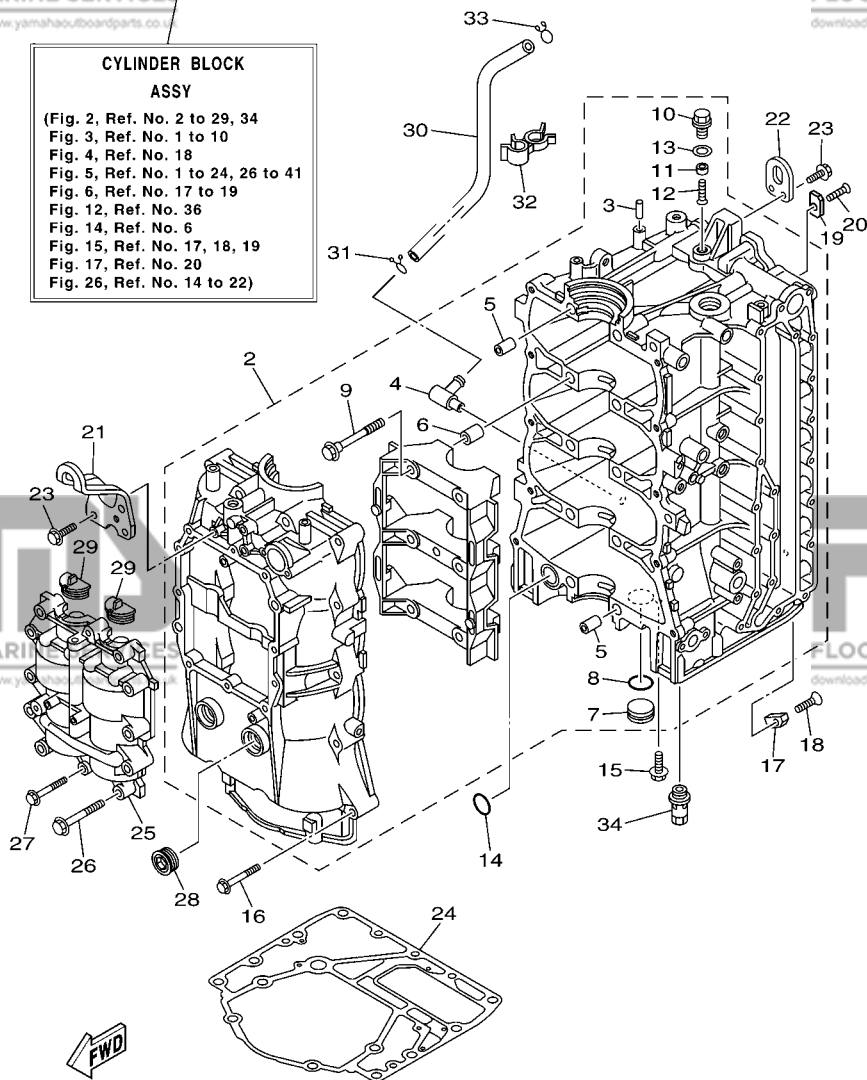


FIG. 2 CYLINDER & CRANKCASE 1 CYLINDRE & CARTER 1

| REF. NO. | PART NO. N° PIECES | DESCRIPTION DESCRIPTION | 63P6 | 64P6 | REMARKS REMARQUES |
|----------|--------------------|---|------|------|-------------------|
| 1 | 63P-W009B-05-9S | CYLINDER BLOCK ASSY CYLINDRE GROUPE (ENS.) | 1 | 1 | |
| 2 | 63P-W1510-03-9S | CRANKCASE ASSY CARTER DE MOTEUR COMPLET | 1 | 1 | |
| 3 | 93606-12019 | .PIN, DOWEL .GOUILLE | 1 | 1 | |
| 4 | 63P-11372-00 | .NIPPLE, HOSE .RACCORD, TUYAU | 1 | 1 | |
| 5 | 91814-18001 | .PIN, DOWEL .GOIJON, D'ASSEMBLAGE | 4 | 4 | |
| 6 | 91814-18001 | .PIN, DOWEL .GOIJON, D'ASSEMBLAGE | 6 | 6 | |
| 7 | 90338-25004 | .PLUG .PLOT | 1 | 1 | |
| 8 | 93210-25647 | .O-RING .JOINT TORIQUE | 1 | 1 | |
| 9 | 90105-10071 | .BOLT, FLANGE .BOULON | 10 | 10 | |
| 10 | 63P-11197-00 | .PLUG, BLIND .PLOT, BORGNE | 1 | 1 | |
| 11 | 63P-11325-21 | .ANODE .ANODE | 1 | 1 | |
| 12 | 98780-05016 | .SCREW, FLAT HEAD .VIS A TETE FRAISEE | 1 | 1 | |
| 13 | 90430-14115 | .GASKET .JOINT | 1 | 1 | |
| 14 | 93210-25552 | O-RING JOINT TORIQUE | 1 | 1 | |
| 15 | 90119-06M81 | BOLT, WITH WASHER BOULON, AVEC RONDELLE | 1 | 1 | |
| 16 | 90119-08M66 | BOLT, WITH WASHER BOULON, AVEC RONDELLE | 10 | 10 | |
| 17 | 63P-11325-01 | ANODE ANODE | 1 | 1 | |
| 18 | 90151-06M02 | SCREW, COUNTERSUNK VIS, TETE NOYEE | 1 | 1 | |
| 19 | 63P-11325-11 | ANODE ANODE | 4 | 4 | |
| 20 | 90151-06M02 | SCREW, COUNTERSUNK VIS, TETE NOYEE | 4 | 4 | |
| 21 | 63P-11119-00 | HANGER, ENGINE ANNEAU, LEVAGE | 1 | 1 | |
| 22 | 68F-11119-00 | HANGER, ENGINE ANNEAU, LEVAGE | 1 | 1 | |
| 23 | 90119-06MA2 | BOLT, WITH WASHER BOULON, AVEC RONDELLE | 5 | 5 | |
| 24 | 63P-11351-00 | GASKET, CYLINDER JOINT, D'EMBASE | 1 | 1 | |
| 25 | 63P-11500-02 | BALANCER ASSY ARBRE D'EQUILIBRAGE COMPLET | 1 | 1 | |
| 26 | 90119-08M66 | BOLT, WITH WASHER BOULON, AVEC RONDELLE | 10 | 10 | |
| 27 | 90119-06MA6 | BOLT, WITH WASHER BOULON, AVEC RONDELLE | 2 | 2 | |

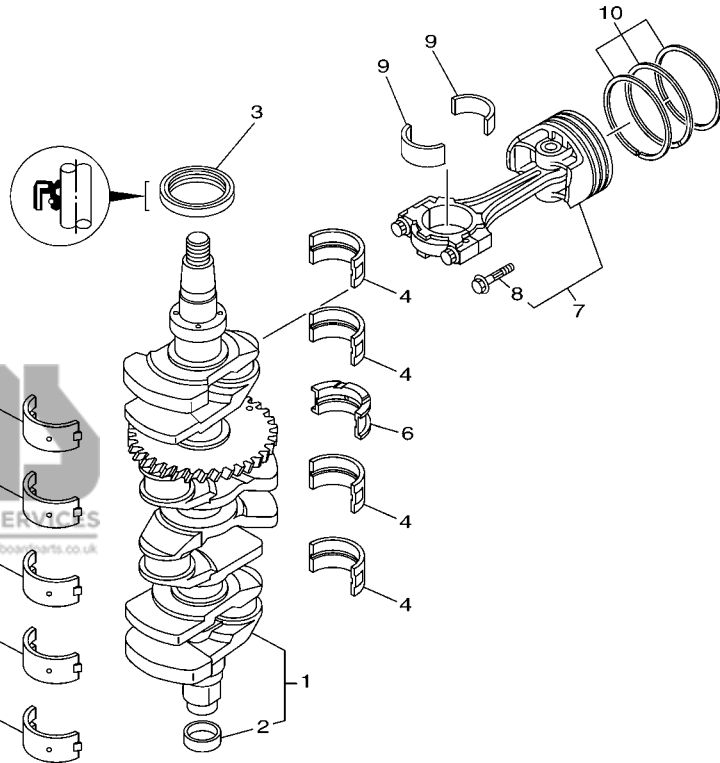
FIG. 2 CYLINDER & CRANKCASE 1 CYLINDRE & CARTER 1

CYLINDER BLOCK ASSY
(Fig. 2, Ref. No. 2 to 29, 34
Fig. 3, Ref. No. 1 to 10
Fig. 4, Ref. No. 18
Fig. 5, Ref. No. 1 to 24, 26 to 41
Fig. 6, Ref. No. 17 to 19
Fig. 12, Ref. No. 36
Fig. 14, Ref. No. 6
Fig. 15, Ref. No. 17, 18, 19
Fig. 17, Ref. No. 20
Fig. 26, Ref. No. 14 to 22)



63P6100-H020

| REF. NO. | PART NO. N° PIECES | DESCRIPTION DESCRIPTION | 63P6 | 64P6 | REMARKS REMARQUES |
|----------|--------------------|--|------|------|-------------------|
| 28 | 90340-27129 | PLUG, STRAIGHT SCREW PLOT, FILETE DROIT | 2 | 2 | |
| 29 | 63P-11512-00 | SEAL, CRANK COVER JOINT, COUV DE VILEBREQUIN | 2 | 2 | |
| 30 | 63P-11377-00 | HOSE DURITE | 1 | 1 | |
| 31 | 90467-15M14 | CLIP JONC | 1 | 1 | |
| 32 | 90464-16013 | CLAMP BRIDE | 1 | 1 | |
| 33 | 90467-15M14 | CLIP JONC | 1 | 1 | |
| 34 | 63P-13490-00 | RELIEF VALVE ASSY SOUPAPE DE SECURITE COMPLET | 1 | 1 | |



63P6110-H030

FIG. 3 CRANKSHAFT & PISTON

VILEBREQUIN & PISTON

| REF. NO. | PART NO. N° PIECES | DESCRIPTION DESCRIPTION | 63P6 | 64P6 | REMARKS REMARQUES |
|----------|---------------------------|---|------|------|----------------------------------|
| 1 | 63P-11410-02 | CRANKSHAFT VILEBREQUIN COMPLET | 1 | 1 | |
| 2 | 69J-11478-00 | .COLLAR .COLLERETTE | 1 | 1 | |
| 3 | 93102-60004 | OIL SEAL JOINT SPY | 1 | 1 | |
| 4 | 63P-11416-02 | PLANE BEARING, CRANKSHAFT 1 COUSSINET DE VILEBREQUIN 1 | 4 | 4 | UR GREEN UR GREEN |
| | Go to P/N : PE0-OM-180023 | | | | |
| | 63P-11416-12 | PLANE BEARING, CRANKSHAFT 1 COUSSINET DE VILEBREQUIN 1 | 4 | 4 | UR RED UR RED |
| | Go to P/N : PE0-OM-180023 | | | | |
| | 63P-11416-22 | PLANE BEARING, CRANKSHAFT 1 COUSSINET DE VILEBREQUIN 1 | 4 | 4 | UR YELLOW UR YELLOW |
| | Go to P/N : PE0-OM-180023 | | | | |
| 5 | 63P-11417-02 | PLANE BEARING, CRANKSHAFT 2 COUSSINET DE VILEBREQUIN 2 | 5 | 5 | UR GREEN UR GREEN |
| | Go to P/N : PE0-OM-180023 | | | | |
| | 63P-11417-12 | PLANE BEARING, CRANKSHAFT 2 COUSSINET DE VILEBREQUIN 2 | 5 | 5 | UR RED UR RED |
| | Go to P/N : PE0-OM-180023 | | | | |
| | 63P-11417-22 | PLANE BEARING, CRANKSHAFT 2 COUSSINET DE VILEBREQUIN 2 | 5 | 5 | UR YELLOW UR YELLOW |
| | Go to P/N : PE0-OM-180023 | | | | |
| | 63P-11417-32 | PLANE BEARING, CRANKSHAFT 2 COUSSINET DE VILEBREQUIN 2 | 5 | 5 | UR BLUE/ GREEN UR BLUE/ GREEN |
| | Go to P/N : PE0-OM-180023 | | | | |
| 6 | 63P-11426-00 | PLANE BEARING, CRANKSHAFT 1 COUSSINET, VILEBREQUIN 1 | 1 | 1 | UR GREEN UR GREEN |
| | Go to P/N : PE0-OM-180023 | | | | |
| | 63P-11426-10 | PLANE BEARING, CRANKSHAFT 1 COUSSINET, VILEBREQUIN 1 | 1 | 1 | UR RED UR RED |
| | Go to P/N : PE0-OM-180023 | | | | |
| | 63P-11426-20 | PLANE BEARING, CRANKSHAFT 1 COUSSINET, VILEBREQUIN 1 | 1 | 1 | UR YELLOW UR YELLOW |
| | Go to P/N : PE0-OM-180023 | | | | |
| 7 | 63P-W1164-01 | PISTON/CONROD ASSY(STD) PISTON/BIELLE COMPLETE(STD) | 4 | 4 | |
| | 63P-W1164-10 | PISTON/CON-ROD ASSY(0.25MM OS) PISTON/BIELLE COMPLETE:0.25MM | 4 | 4 | AP AP |
| 8 | 63P-11654-01 | .BOLT, CONNECTING ROD .BOULON, BIELLE | 2 | 2 | |
| 9 | 63P-11656-01 | PLANE BEARING, CONNECTING ROD ROULEMENT DE BIELLE | 8 | 8 | UR GREEN UR GREEN |
| | 63P-11656-11 | PLANE BEARING, CONNECTING ROD ROULEMENT DE BIELLE | 8 | 8 | UR BLUE UR BLUE |
| | 63P-11656-21 | PLANE BEARING, CONNECTING ROD ROULEMENT DE BIELLE | 8 | 8 | UR RED UR RED |
| 10 | 63P-11603-01 | PISTON RING SET (STD) JEU DE SEGMENTS (STD) | 4 | 4 | |
| | 63P-11604-00 | PISTON RING SET (0.25MM O/S) JEU DE SEGMENTS (0.25MM O/S) | 4 | 4 | AP AP |

News No. PE0-OM-180023(1/3)

Date:2018/08/22

Signature:K.Tanaka

Cause : Revision Notice Correction Sales Unit Change Others

| | |
|--|---|
| Model | F150A / FL150A (See the "List of Models and CATALOGUE No's below.") |
| Subject | PARTS CATALOGUE CORRECTIONS |
| CATALOGUE NO. | See the "List of Models and CATALOGUE No's below." |
| Time of YPEC Revision | Text, Illustration --> Sep./30/2018 |
| | PDF Replace --> Sep./30/201 |
| (YPEC = Yamaha Parts Electrical Catalogue = Website parts catalogue) | |


FIG.3 CRANKSHAFT & PISTON

1. LIST CORRECTION

| Ref. No. | OLD P/No. | NEW P/No. | DESCRIPTION | Q'TY | *Interchangeability | |
|----------|-------------------------|---------------------|--|--------------|---------------------|----------------|
| | | | | | | REMARKS |
| *1 | 63P-11416-0* | 63P-11416-31 | PLANE BEARING, CRANKSHAFT 1 UR GREEN | 4 | D | |
| | 63P-11416-1* | 63P-11416-41 | PLANE BEARING, CRANKSHAFT 1 UR RED | 4 | | |
| | 63P-11416-2* | 63P-11416-51 | PLANE BEARING, CRANKSHAFT 1 UR YELLOW | 4 | | |
| *2 | - | 63P-11417-41 | PLANE BEARING, CRANKSHAFT 2 UR BROWN | 5 | D | *Part revision |
| | 63P-11417-0* | 63P-11417-51 | PLANE BEARING, CRANKSHAFT 2 UR GREEN | 5 | | |
| | 63P-11417-1* | 63P-11417-61 | PLANE BEARING, CRANKSHAFT 2 UR RED | 5 | | |
| | 63P-11417-2* | 63P-11417-71 | PLANE BEARING, CRANKSHAFT 2 UR YELLOW | 5 | | |
| | 63P-11417-3* | - | PLANE BEARING, CRANKSHAFT 2 UR BLUE/GREEN | 5 | | |
| *3 | - | 63P-11417-81 | PLANE BEARING, CRANKSHAFT 2 UR BLUE | 5 | D | |
| | 63P-11426-00 | 63P-11426-31 | BEARING, THRUST 1 UR GREEN | 1 | | |
| | 63P-11426-10 | 63P-11426-41 | BEARING, THRUST 1 UR RED | 1 | | |
| | 63P-11426-20 | 63P-11426-51 | BEARING, THRUST 1 UR YELLOW | 1 | | |

* These changes are applied from initial production.

Interchangeability

| | | | | | | | | | | | | |
|---|-----------------------|-----------------------|---|-----------------------|-----------------------|---|-----------------------|-----------------------|---|-----------------------|-----------------------|--|
| A | Old Parts → New Parts | Old Parts → New Parts | B | Old Parts → New Parts | Old Parts → New Parts | C | Old Parts → New Parts | Old Parts → New Parts | D | Old Parts → New Parts | Old Parts → New Parts |  These parts are interchangeable with a set |
|---|-----------------------|-----------------------|---|-----------------------|-----------------------|---|-----------------------|-----------------------|---|-----------------------|-----------------------|--|

News No. PE0-OM-180023(2/3)

Date:2018/08/22

Signature:K.Tanaka

Cause : Revision Notice Correction Sales Unit Change Others

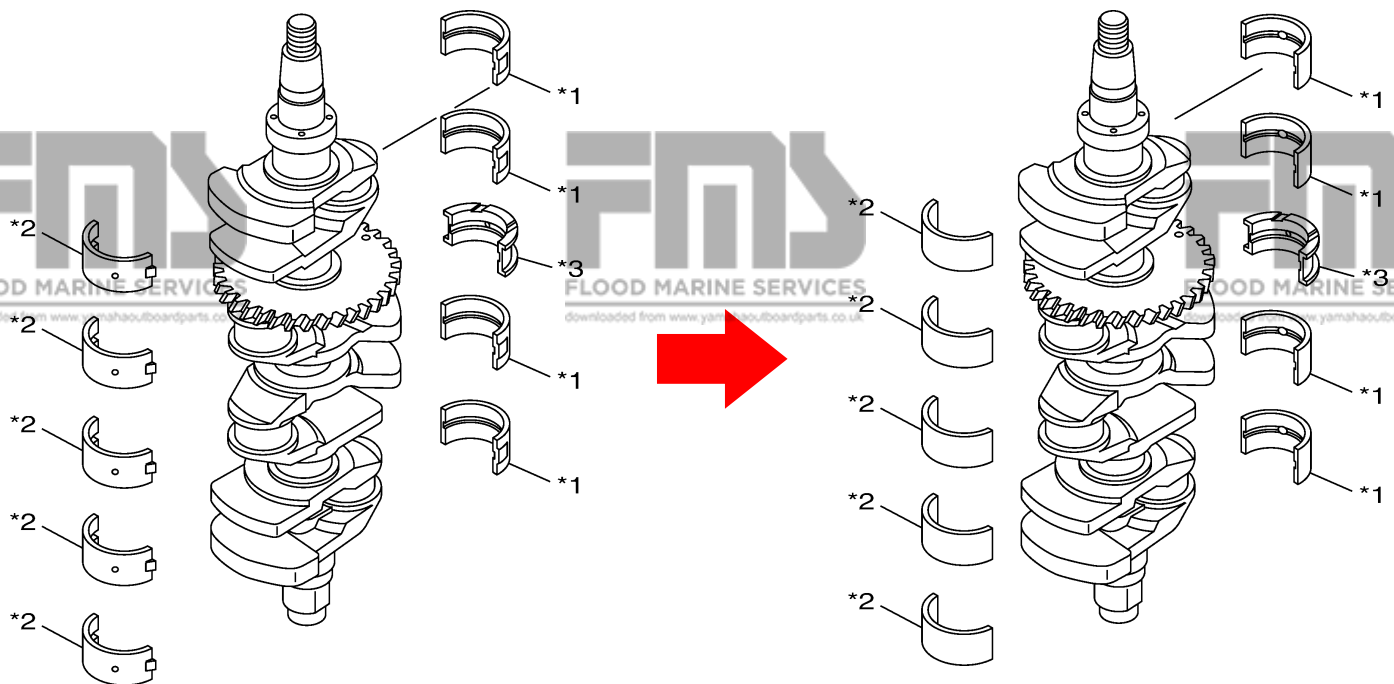
| | | |
|--|--|-----------------------------|
| Model | F150A / FL150A (See the"List of Models and CATALOGUE No's below.") | |
| Subject | PARTS CATALOGUE CORRECTIONS | |
| CATALOGUE NO. | See the"List of Models and CATALOGUE No's below." | |
| Time of YPEC Revision | Text, Illustration --> Sep./30/2018 | PDF Replace --> Sep./30/201 |
| (YPEC = Yamaha Parts Electrical Catalogue = Website parts catalogue) | | |

FIG.3 CRANKSHAFT & PISTON

2. ILLUSTRATION CORRECTION

(OLD)

(NEW)



3. LIST of Models and CATALOGUE No's.

The applicable MODELS, MODEL CODES, and CATALOGUE No's are as follows.

| MODEL NAME | MODEL CODE | MODEL YEAR | CATALOGUE NO. | Ref.No. | | |
|--|--------------|------------|---------------|---------|----|----|
| | | | | *1 | *2 | *3 |
| F150TRC, F150AET LF150TRC, FL150AET | 63P1 64P1 | 2004 | 1C63P-100E1 | 3 | 4 | 5 |
| F150AET FL150AET | 63P1 64P1 | 2004 | 1C63P-300F1 | 3 | 4 | 5 |
| F150TRD, F150AET LF150TRD, FL150AET | 63P2 64P2 | 2005 | 1D63P-100E2 | 3 | 4 | 5 |

Parts
Manager
Check

Service
Manager
Check

Parts
Manager
File

YAMAHA MOTOR CO.,LTD
Spare Parts Section
Parts & ACC. Engineering Div., YMC.

News No. PE0-OM-180023(3/3)

Date:2018/08/22

Signature:K.Tanaka

Cause : Revision Notice Correction Sales Unit Change Others

| | |
|--|--|
| Model | F150A / FL150A (See the"List of Models and CATALOGUE No's below.") |
| Subject | PARTS CATALOGUE CORRECTIONS |
| CATALOGUE NO. | See the"List of Models and CATALOGUE No's below." |
| Time of YPEC Revision | Text, Illustration --> Sep./30/2018 |
| | PDF Replace --> Sep./30/201 |
| (YPEC = Yamaha Parts Electrical Catalogue = Website parts catalogue) | |

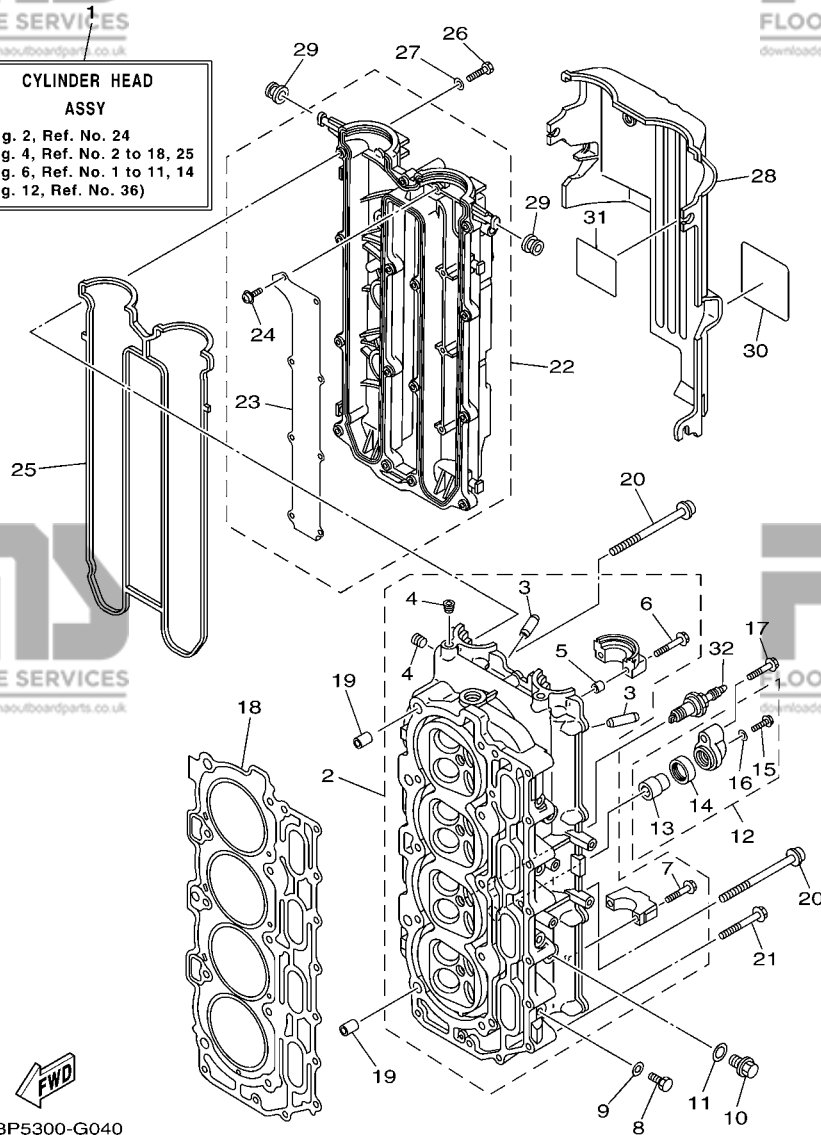
3. LIST of Models and CATALOGUE No's.

The applicable MODELS, MODEL CODES, and CATALOGUE No's are as follows.

| MODEL NAME | MODEL CODE | MODEL YEAR | CATALOGUE NO. | Ref.No. | | |
|--|--------------|------------|---------------|---------|----|----|
| | | | | *1 | *2 | *3 |
| F150AET FL150AET | 63P2 64P2 | 2005 | 1D63P-300F2 | 3 | 4 | 5 |
| F150TR, F150AET LF150TR, FL150AET | 63P3 64P3 | 2006 | 1E63P-100E1 | 3 | 4 | 5 |
| F150AET FL150AET | 63P3 64P3 | 2006 | 1E63P-300F1 | 3 | 4 | 5 |
| F150TR(F), F150AET LF150TR(F), FL150AET | 63P4 64P4 | 2007 | 1F63P-100E1 | 3 | 4 | 5 |
| F150AET FL150AET | 63P4 64P4 | 2007 | 1F63P-300F1 | 3 | 4 | 5 |
| F150TR(G), F150AET LF150TR(G), FL150AET | 63P5 64P5 | 2008 | 1G63P-100E1 | 3 | 4 | 5 |
| F150AET FL150AET | 63P5 64P5 | 2008 | 1G63P-300F1 | 3 | 4 | 5 |
| F150TRH, F150AET LF150TRH, FL150AET | 63P6 64P6 | 2009 | 1H63P-100E1 | 4 | 5 | 6 |
| F150TR | 63P6 | 2009 | 1H63P-110E1 | 4 | 5 | 6 |
| LF150TR | 64P6 | 2009 | 1H64P-110E1 | 4 | 5 | 6 |
| F150AET FL150AET | 63P6 64P6 | 2009 | 1H63P-300F1 | 4 | 5 | 6 |
| F150, F150AET LF150, FL150AET | 63P7 64P7 | 2010 | 1J63P-100E1 | 4 | 5 | 6 |
| F150TR | 63P7 | 2010 | 1J63P-110E1 | 4 | 5 | 6 |
| LF150TR | 64P7 | 2010 | 1J64P-110E1 | 4 | 5 | 6 |
| F150AET FL150AET | 63P7 64P7 | 2010 | 1J63P-300F1 | 4 | 5 | 6 |

Thank you very much for your cooperation.

CYLINDER HEAD ASSY
 (Fig. 2, Ref. No. 24
 Fig. 4, Ref. No. 2 to 18, 25
 Fig. 6, Ref. No. 1 to 11, 14
 Fig. 12, Ref. No. 36)



63P5300-G040

FIG. 4 CYLINDER & CRANKCASE 2

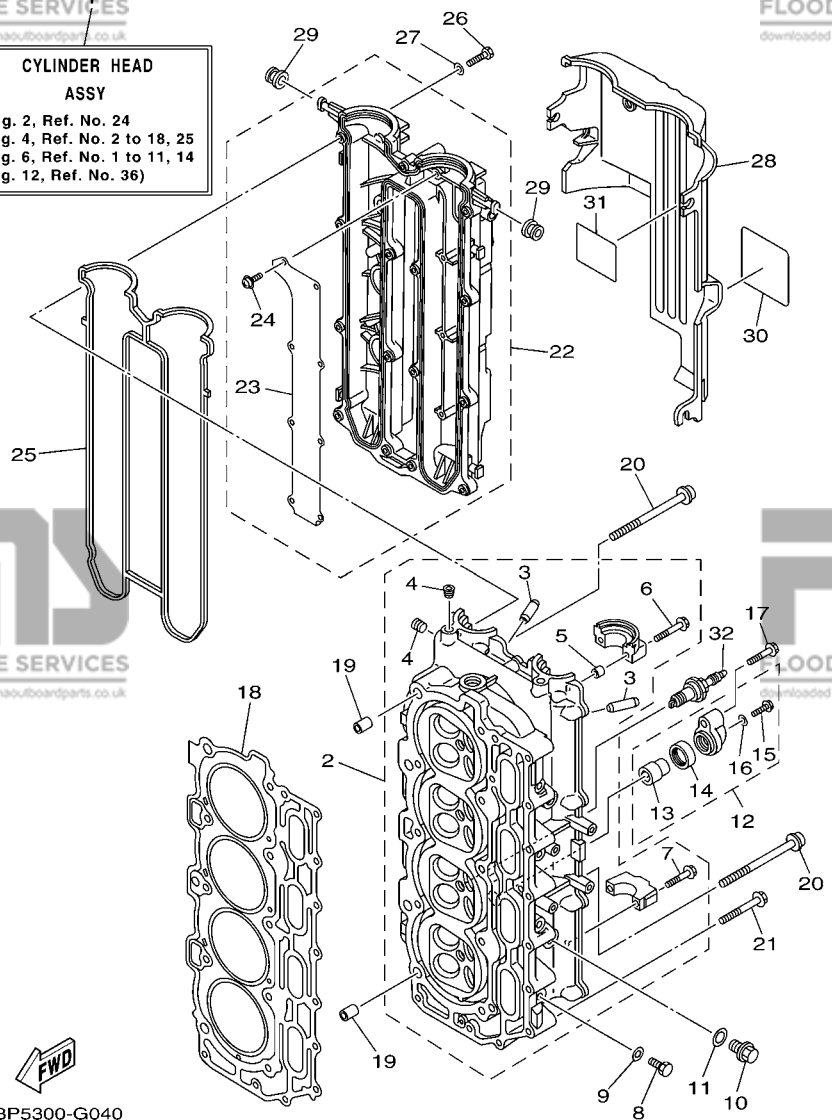
CYLINDRE & CARTER 2

| REF. NO. | PART NO. N° PIECES | DESCRIPTION DESCRIPTION | 63P6 | 64P6 | REMARKS REMARQUES |
|----------|--------------------|--|------|------|-------------------|
| 1 | 63P-W009A-02-9S | CYLINDER HEAD ASSY CULASSE (ENS.) | 1 | 1 | |
| 2 | 63P-11110-00-9S | CYLINDER HEAD ASSY JEU DE CULASSE | 1 | 1 | |
| 3 | 69J-11133-10 | .GUIDE, VALVE 1 .GUIDE, SOUPAPE 1 | 16 | 16 | |
| 4 | 90344-51019 | .PLUG, TAPER SCREW .PLOT, FILETE CONIQUE | 3 | 3 | |
| 5 | 91809-08006 | .PIN, DOWEL .GOUJON, D'ASSEMBLAGE | 4 | 4 | |
| 6 | 90119-07235 | .BOLT/WASHER-CAM CAPS .BOULON, AVEC RONDELLE | 4 | 4 | |
| 7 | 90119-07234 | .BOLT, WITH WASHER .BOULON, AVEC RONDELLE | 16 | 16 | |
| 8 | 97095-08014 | BOLT BOULON | 4 | 4 | |
| 9 | 90430-08143 | GASKET JOINT | 4 | 4 | |
| 10 | 90340-14M06 | PLUG, STRAIGHT SCREW .PLOT, FILETE DROIT | 2 | 2 | |
| 11 | 90430-14115 | GASKET JOINT | 2 | 2 | |
| 12 | 69J-11301-10 | ANODE COVER ASSY COUVERCLE ANODE (ENS.) | 2 | 2 | |
| 13 | 68V-11325-02 | .ANODE .ANODE | 1 | 1 | |
| 14 | 67F-11328-00 | .GROMMET, ANODE .PASSE-FIL | 1 | 1 | |
| 15 | 90105-06M07 | .BOLT, FLANGE .BOULON | 1 | 1 | |
| 16 | 90430-06M03 | .GASKET .JOINT | 1 | 1 | |
| 17 | 97575-08540 | BOLT, WITH WASHER VIS HEXAGONAL AVC RONDELLE | 2 | 2 | |
| 18 | 63P-11181-00 | GASKET, CYLINDER HEAD 1 JOINT, DE CULASSE 1 | 1 | 1 | |
| 19 | 90387-10M08 | COLLAR COLLERETTE | 2 | 2 | |
| 20 | 90155-10001 | SCREW, FLAT FILLISTER VIS, TETE OVALE PLATE | 10 | 10 | |
| 21 | 90119-08M91 | BOLT, WITH WASHER BOULON, AVEC RONDELLE | 10 | 10 | |
| 22 | 63P-11191-00-9S | COVER, CYLINDER HEAD 1 COUVERCLE, CULASSE 1 | 1 | 1 | |
| 23 | 63P-11135-00 | .PLATE, BREATHER 3 .PLAQUE, RENIFLARD 3 | 1 | 1 | |
| 24 | 97607-04208 | .SCREW, WITH WASHER .VIS HEXAGONAL | 8 | 8 | |
| 25 | 63P-11193-00 | GASKET, HEAD COVER 1 JOINT, COUVERCLE DE CULASSE 1 | 1 | 1 | |
| 26 | 97095-06030 | BOLT BOULON | 13 | 13 | |
| 27 | 92995-06600 | WASHER RONDELLE | 13 | 13 | |

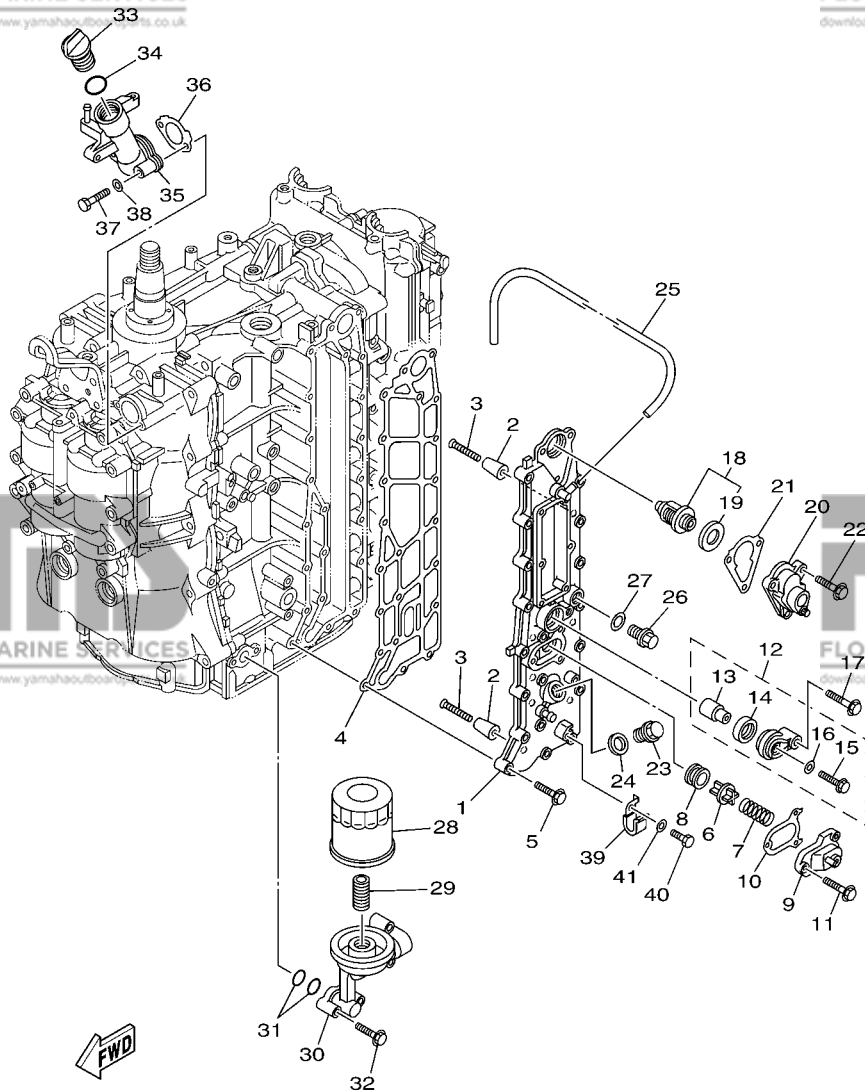
FIG. 4 CYLINDER & CRANKCASE 2 CYLINDRE & CARTER 2

| REF. NO. | PART NO. N° PIECES | DESCRIPTION DESCRIPTION | 63P6 | 64P6 | REMARKS REMARQUES |
|----------|--------------------|---|------|------|-------------------|
| 28 | 63P-11192-01 | COVER, CYLINDER HEAD 2 COUVERCLE, CULASSE 2 | 1 | 1 | |
| 29 | 90480-12072 | GROMMET PASSE-FIL | 5 | 5 | |
| 30 | 63P-83626-00 | MARK 6 MARK 6 | 1 | 1 | |
| 31 | 67F-12138-60 | MARK, CAUTION MAKER | 1 | 1 | |
| 32 | 94702-00391 | PLUG, SPARK (NGK LFR5A-11) BOUGIE D'ALLUMAGE(NGK LFR5A-11) | 4 | 4 | |

CYLINDER HEAD ASSY
(Fig. 2, Ref. No. 24
Fig. 4, Ref. No. 2 to 18, 25
Fig. 6, Ref. No. 1 to 11, 14
Fig. 12, Ref. No. 36)



63P5300-G040

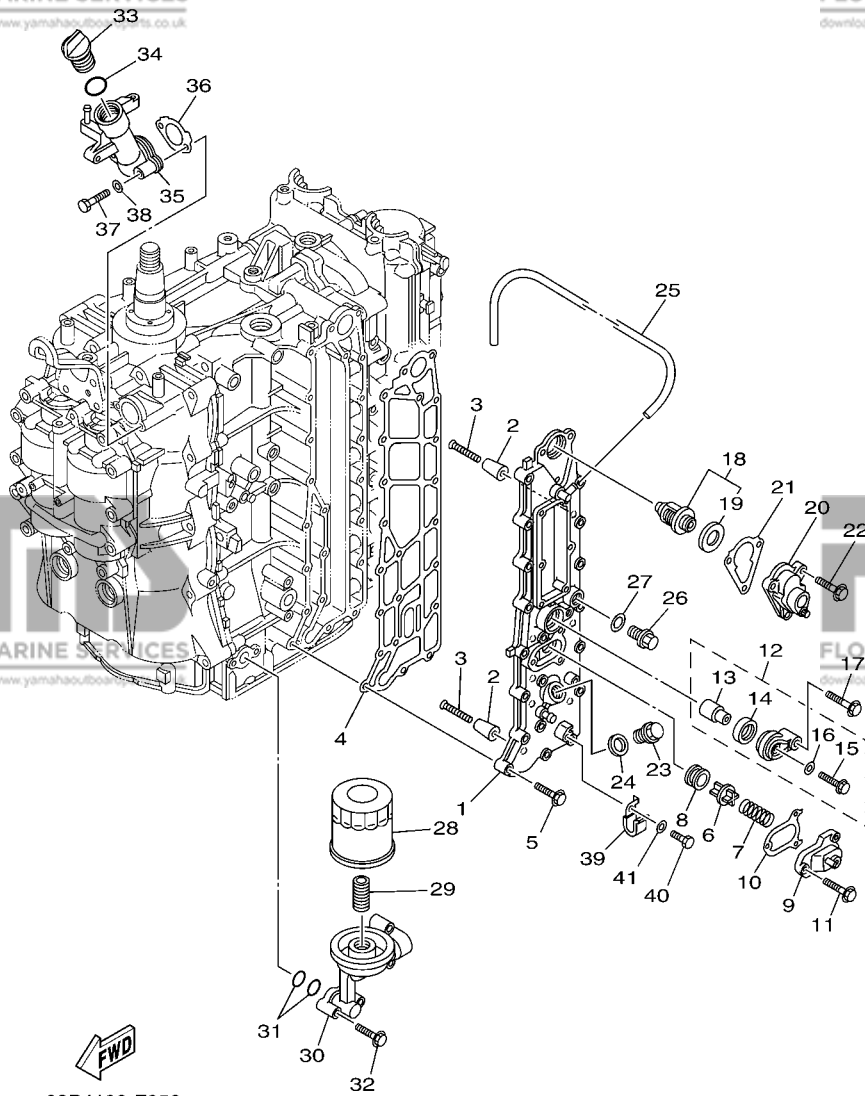


63P4100-F050

FIG. 5 CYLINDER & CRANKCASE 3 CYLINDRE & CARTER 3

| REF. NO. | PART NO. N° PIECES | DESCRIPTION DESCRIPTION | 63P6 | 64P6 | REMARKS REMARQUES |
|----------|--------------------|---|------|------|-------------------|
| 1 | 63P-41113-03-9S | OUTER COVER, EXHAUST COUVERCLE, ECHAPPEMENT | 1 | 1 | |
| 2 | 68T-11325-00 | ANODE ANODE | 8 | 8 | |
| 3 | 90151-05M05 | SCREW, COUNTERSUNK VIS, TETE NOYEE | 8 | 8 | |
| 4 | 63P-41114-A1 | GASKET, EXHAUST OUTER COVER JOINT, COUVERCLE D'ECHAPPEMENT | 1 | 1 | |
| 5 | 90119-06MA4 | BOLT, WITH WASHER BOULON, AVEC RONDELLE | 19 | 19 | |
| 6 | 6G5-12416-00 | VALVE, PRESSURE CONTROL SOUPAPE DE CONTROLEUR PRESS | 1 | 1 | |
| 7 | 90501-16M11 | SPRING, COMPRESSION RESSORT, COMPRESSION | 1 | 1 | |
| 8 | 90480-20M05 | GROMMET PASSE-FIL | 1 | 1 | |
| 9 | 67F-1246A-01-9S | COVER 1 COUVERCLE 1 | 1 | 1 | |
| 10 | 67F-12435-A0 | GASKET JOINT | 1 | 1 | |
| 11 | 90119-06MA2 | BOLT, WITH WASHER BOULON, AVEC RONDELLE | 3 | 3 | |
| 12 | 69J-11301-10 | ANODE COVER ASSY COUVERCLE ANODE (ENS.) | 1 | 1 | |
| 13 | 68V-11325-02 | .ANODE .ANODE | 1 | 1 | |
| 14 | 67F-11328-00 | .GROMMET, ANODE .PASSE-FIL | 1 | 1 | |
| 15 | 90105-06M07 | .BOLT, FLANGE .BOULON | 1 | 1 | |
| 16 | 90430-06M03 | .GASKET .JOINT | 1 | 1 | |
| 17 | 97575-08540 | BOLT, WITH WASHER VIS HEXAGONAL AVEC RONDELLE | 1 | 1 | |
| 18 | 67F-12411-01 | THERMOSTAT THERMOSTAT | 1 | 1 | |
| 19 | 67F-12412-00 | .SEAL, THERMOSTAT .JOINT, THERMOSTAT | 1 | 1 | |
| 20 | 63P-1240H-01-9S | COVER ASSEMBLY BOITIER DISTRIBUTEUR COMPLET | 1 | 1 | |
| 21 | 63P-12414-00 | GASKET, COVER JOINT, COUVERCLE | 1 | 1 | |
| 22 | 90119-06MA4 | BOLT, WITH WASHER BOULON, AVEC RONDELLE | 3 | 3 | |
| 23 | 90340-18M09 | PLUG, STRAIGHT SCREW PLOT, FILETE DROIT | 1 | 1 | |
| 24 | 90430-18130 | GASKET JOINT | 1 | 1 | |
| 25 | 90445-10027 | HOSE (L670) DURITE (L670) | 1 | 1 | |
| 26 | 90340-14M06 | PLUG, STRAIGHT SCREW PLOT, FILETE DROIT | 1 | 1 | |
| 27 | 90430-14115 | GASKET JOINT | 1 | 1 | |

FIG. 5 CYLINDER & CRANKCASE 3 CYLINDRE & CARTER 3



| REF. NO. | PART NO. N° PIECES | DESCRIPTION DESCRIPTION | 63P6 | 64P6 | REMARKS REMARQUES |
|----------|--------------------|--|------|------|-------------------|
| 28 | 69J-13440-01 | ELEMENT ASSY, OIL CLEANER ELEMENT, FILTRE A HUILE | 1 | 1 | |
| 29 | 69J-12858-00 | BOLT, UNION BOULON, RACCORD | 1 | 1 | |
| 30 | 63P-13446-00-9S | CONNECTOR CONNECTEUR | 1 | 1 | |
| 31 | 93210-19MJ1 | O-RING JOINT TORIQUE | 2 | 2 | |
| 32 | 97575-06540 | BOLT, WITH WASHER VIS HEXAGONAL AVC RONDELLE | 4 | 4 | |
| 33 | 6G8-15363-00 | PLUG, OIL PLOT, HUILE | 1 | 1 | |
| 34 | 93210-24M79 | O-RING JOINT TORIQUE | 1 | 1 | |
| 35 | 63P-15319-00-9S | JOINT JOINT | 1 | 1 | |
| 36 | 63P-15364-A0 | GASKET, OIL PLUG JOINT, PLOT D'HUILE | 1 | 1 | |
| 37 | 97095-06045 | BOLT BOULON | 2 | 2 | |
| 38 | 92995-06600 | WASHER RONDELLE | 2 | 2 | |
| 39 | 90462-06013 | CLAMP BRIDE | 1 | 1 | |
| 40 | 97095-06012 | BOLT BOULON | 1 | 1 | |
| 41 | 92995-06600 | WASHER RONDELLE | 1 | 1 | |

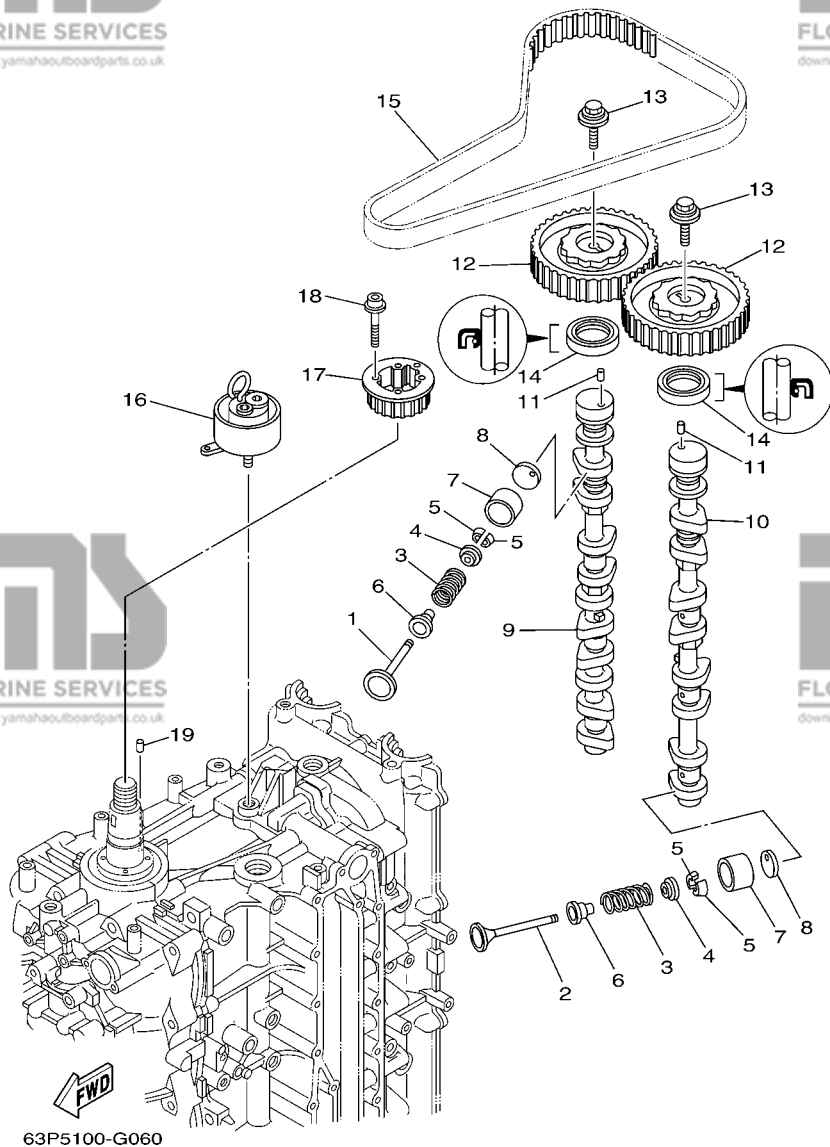


FIG. 6 VALVE

SOUPAPE

| REF. NO. | PART NO. N° PIECES | DESCRIPTION DESCRIPTION | 63P6 | 64P6 | REMARKS REMARQUES |
|----------|--------------------|---|------|------|-------------------|
| 1 | 69J-12111-00 | VALVE, INTAKE SOUPAPE, ADMISSION | 8 | 8 | |
| 2 | 69J-12121-00 | VALVE, EXHAUST SOUPAPE, ECHAPPEMENT | 8 | 8 | |
| 3 | 69J-12113-01 | SPRING, VALVE INNER RESSORT DE SOUPAPE, INTERNE | 16 | 16 | |
| 4 | 69J-12117-01 | RETAINER, VALVE SPRING BUTEE DE RESSORT DE SOUPAPE | 16 | 16 | |
| 5 | 69J-12118-00 | COTTER, VALVE FRAISE, SOUPAPE | 32 | 32 | |
| 6 | 69J-12119-00 | SEAL, VALVE STEM JOINT, QUEUE DE SOUPAPE | 16 | 16 | |
| 7 | 69J-12153-00 | LIFTER, VALVE LEVE-SOUPAPE | 16 | 16 | |
| 8 | 6S1-12168-00 | PAD, ADJUSTING (2.320) PASTILLE, REGLAGE (2.320) | 16 | 16 | UR |
| | 6S1-12168-10 | PAD, ADJUSTING (2.340) PASTILLE, REGLAGE (2.340) | 16 | 16 | UR |
| | 6S1-12168-20 | PAD, ADJUSTING (2.360) PASTILLE, REGLAGE (2.360) | 16 | 16 | UR |
| | 6S1-12168-30 | PAD, ADJUSTING (2.380) PASTILLE, REGLAGE (2.380) | 16 | 16 | UR |
| | 6S1-12168-40 | PAD, ADJUSTING (2.400) PASTILLE, REGLAGE (2.400) | 16 | 16 | UR |
| | 6S1-12168-50 | PAD, ADJUSTING (2.420) PASTILLE, REGLAGE (2.420) | 16 | 16 | UR |
| | 6S1-12168-60 | PAD, ADJUSTING (2.440) PASTILLE, REGLAGE (2.440) | 16 | 16 | UR |
| | 6S1-12168-70 | PAD, ADJUSTING (2.460) PASTILLE, REGLAGE (2.460) | 16 | 16 | UR |
| | 6S1-12168-80 | PAD, ADJUSTING (2.480) PASTILLE, REGLAGE (2.480) | 16 | 16 | UR |
| | 6S1-12168-90 | PAD, ADJUSTING (2.500) PASTILLE, REGLAGE (2.500) | 16 | 16 | UR |
| | 6S1-12168-A0 | PAD, ADJUSTING (2.520) PASTILLE, REGLAGE (2.520) | 16 | 16 | UR |
| | 6S1-12168-B0 | PAD, ADJUSTING (2.540) PASTILLE, REGLAGE (2.540) | 16 | 16 | UR |
| | 6S1-12168-C0 | PAD, ADJUSTING (2.560) PASTILLE, REGLAGE (2.560) | 16 | 16 | UR |
| | 6S1-12168-D0 | PAD, ADJUSTING (2.580) PASTILLE, REGLAGE (2.580) | 16 | 16 | UR |
| | 6S1-12168-E0 | PAD, ADJUSTING (2.600) PASTILLE, REGLAGE (2.600) | 16 | 16 | UR |
| | 6S1-12168-F0 | PAD, ADJUSTING (2.620) PASTILLE, REGLAGE (2.620) | 16 | 16 | UR |
| | 6S1-12168-G0 | PAD, ADJUSTING (2.640) PASTILLE, REGLAGE (2.640) | 16 | 16 | UR |
| | 6S1-12168-H0 | PAD, ADJUSTING (2.660) PASTILLE, REGLAGE (2.660) | 16 | 16 | UR |
| | 6S1-12168-J0 | PAD, ADJUSTING (2.680) PASTILLE, REGLAGE (2.680) | 16 | 16 | UR |
| | 6S1-12168-K0 | PAD, ADJUSTING (2.700) PASTILLE, REGLAGE (2.700) | 16 | 16 | UR |

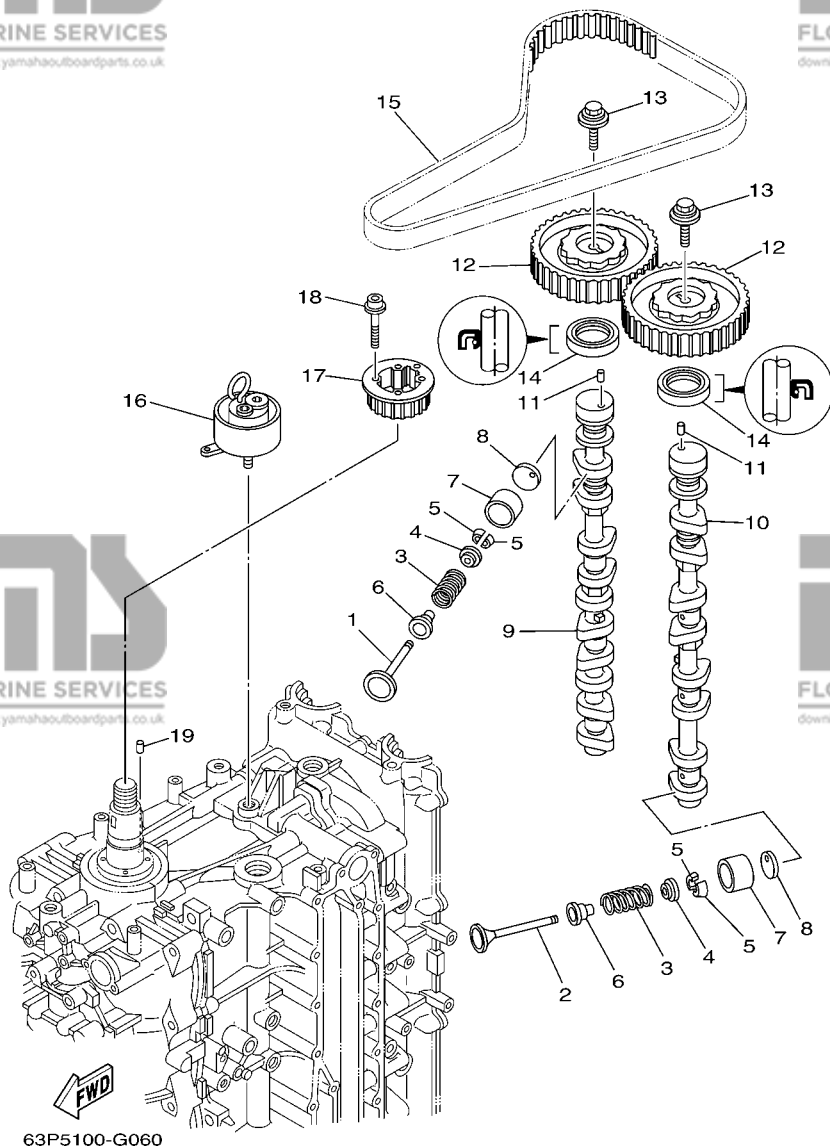


FIG. 6 VALVE

SOUPAPE

| REF. NO. | PART NO. N° PIECES | DESCRIPTION DESCRIPTION | 63P6 | 64P6 | REMARKS REMARQUES |
|----------|--------------------|--------------------------------|------|------|-------------------|
| 8 | 6S1-12168-L0 | PAD, ADJUSTING (2.720) | 16 | 16 | UR |
| | | PASTILLE, REGLAGE (2.720) | | | UR |
| | 6S1-12168-M0 | PAD, ADJUSTING (2.740) | 16 | 16 | UR |
| | | PASTILLE, REGLAGE (2.740) | | | UR |
| | 6S1-12168-N0 | PAD, ADJUSTING (2.760) | 16 | 16 | UR |
| | | PASTILLE, REGLAGE (2.760) | | | UR |
| | 6S1-12168-P0 | PAD, ADJUSTING (2.780) | 16 | 16 | UR |
| | | PASTILLE, REGLAGE (2.780) | | | UR |
| | 6S1-12168-R0 | PAD, ADJUSTING (2.800) | 16 | 16 | UR |
| | | PASTILLE, REGLAGE (2.800) | | | UR |
| | 6S1-12168-S0 | PAD, ADJUSTING (2.820) | 16 | 16 | UR |
| | | PASTILLE, REGLAGE (2.820) | | | UR |
| | 6S1-12168-T0 | PAD, ADJUSTING (2.840) | 16 | 16 | UR |
| | | PASTILLE, REGLAGE (2.840) | | | UR |
| | 6S1-12168-U0 | PAD, ADJUSTING (2.860) | 16 | 16 | UR |
| | | PASTILLE, REGLAGE (2.860) | | | UR |
| | 6S1-12168-V0 | PAD, ADJUSTING (2.880) | 16 | 16 | UR |
| | | PASTILLE, REGLAGE (2.880) | | | UR |
| | 6S1-12168-W0 | PAD, ADJUSTING (2.900) | 16 | 16 | UR |
| | | PASTILLE, REGLAGE (2.900) | | | UR |
| | 6S1-12168-X0 | PAD, ADJUSTING (2.920) | 16 | 16 | UR |
| | | PASTILLE, REGLAGE (2.920) | | | UR |
| | 6S1-12168-Y0 | PAD, ADJUSTING (2.940) | 16 | 16 | UR |
| | | PASTILLE, REGLAGE (2.940) | | | UR |
| | 6S1-12169-00 | PAD, ADJUSTING (2.960) | 16 | 16 | UR |
| | | PASTILLE, REGLAGE (2.960) | | | UR |
| 9 | 63P-12171-00 | CAMSHAFT 1 | 1 | 1 | |
| | | ARBRE A CAMES 1 | | | |
| 10 | 63P-12181-00 | CAMSHAFT 2 | 1 | 1 | |
| | | ARBRE A CAMES 2 | | | |
| 11 | 93605-10108 | PIN, DOWEL | 2 | 2 | |
| | | AXE | | | |
| 12 | 63P-11537-00 | GEAR, DRIVEN | 2 | 2 | |
| | | PIGNON SECONDAIRE | | | |
| 13 | 68V-12157-00 | BOLT | 2 | 2 | |
| | | BOULON | | | |
| 14 | 93102-38008 | OIL SEAL | 2 | 2 | |
| | | JOINT SPY | | | |
| 15 | 63P-46241-00 | V-BELT | 1 | 1 | |
| | | COURROIE TRAPEZOIDALE | | | |
| 16 | 63P-11590-01 | TENSIONER ASSY | 1 | 1 | |
| | | TENDEUR (ENS.) | | | |
| 17 | 63P-11536-01 | GEAR, DRIVE | 1 | 1 | |
| | | ENGRENAGE, MENANT | | | |
| 18 | 90110-05020 | BOLT, HEXAGON SOCKET HEAD | 4 | 4 | |
| | | BOULON, TETE HEXAGONALE CREUSE | | | |
| 19 | 93605-17002 | PIN, DOWEL | 1 | 1 | |
| | | AXE | | | |

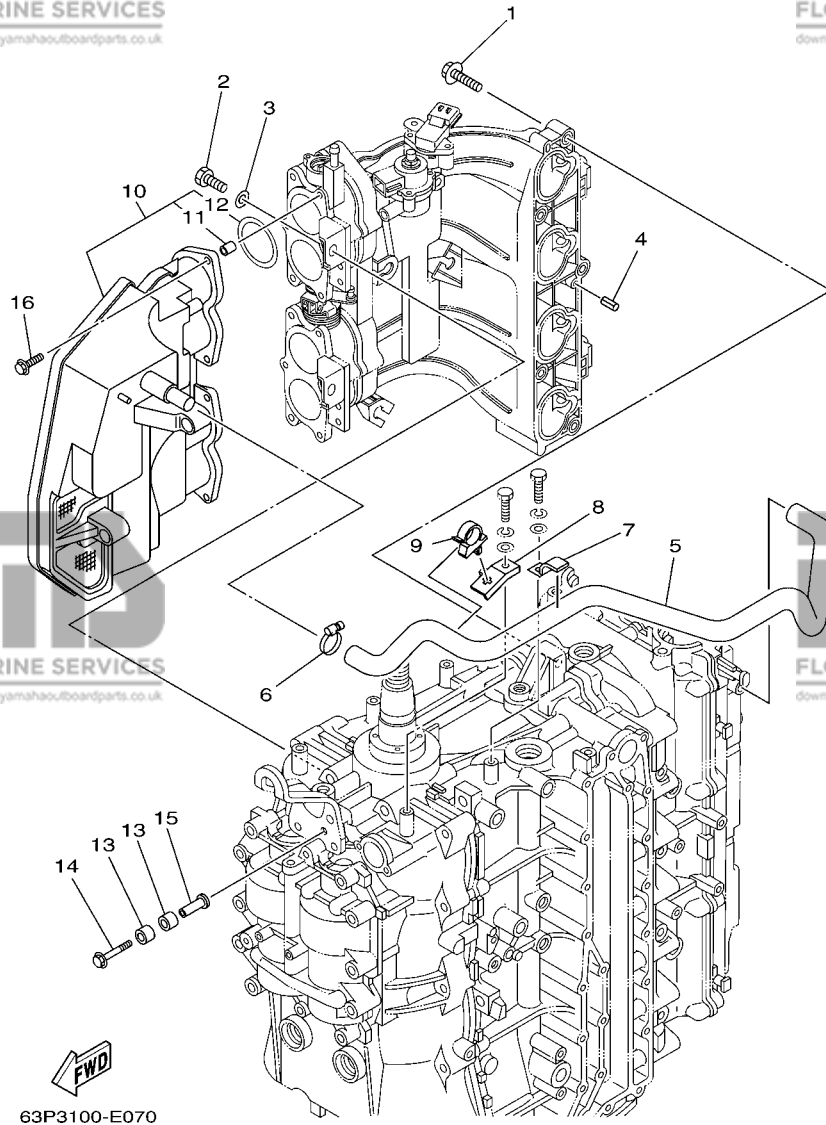


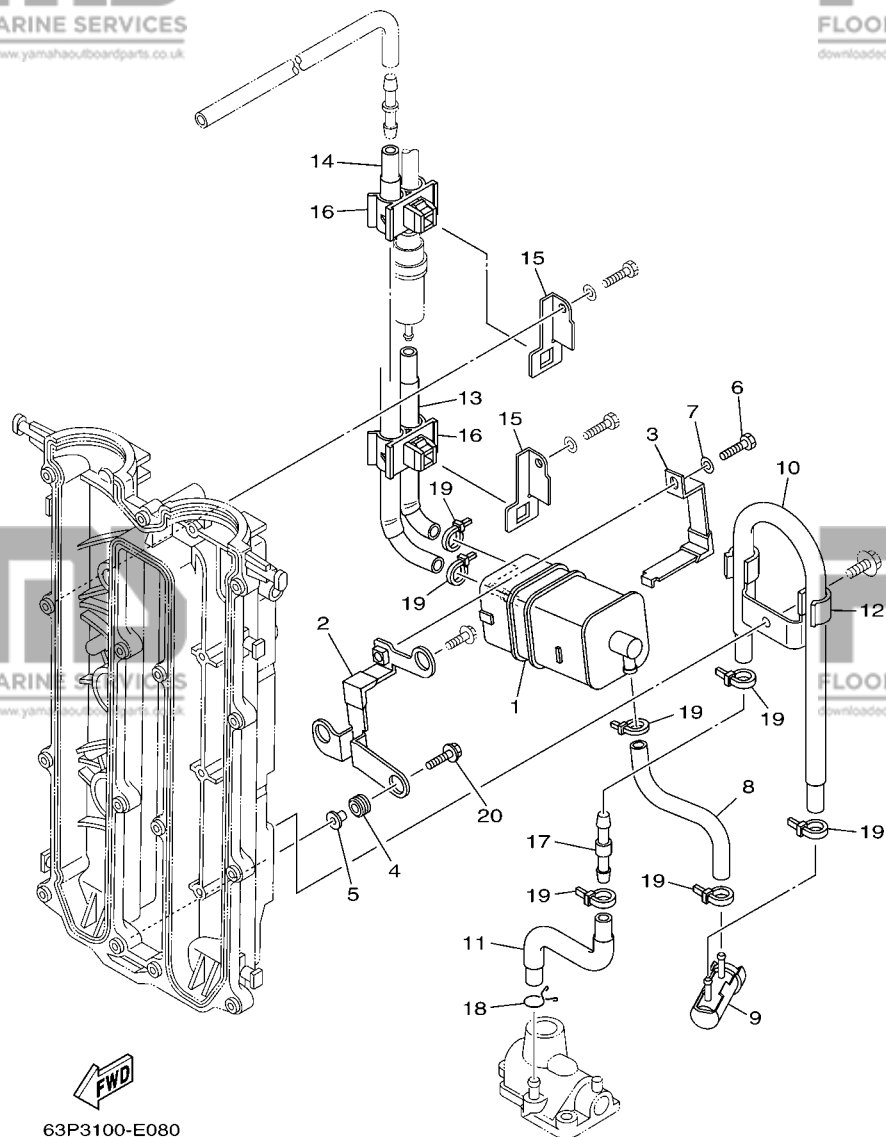
FIG. 7 INTAKE 1

ADMISSION 1

| REF. NO. | PART NO. N° PIECES | DESCRIPTION DESCRIPTION | | | REMARKS REMARQUES |
|----------|--------------------|---|------|------|-------------------|
| | | | 63P6 | 64P6 | |
| 1 | 97575-08540 | BOLT, WITH WASHER VIS HEXAGONAL AVC RONDELLE | 5 | 5 | |
| 2 | 97013-08020 | BOLT BOULON | 2 | 2 | |
| 3 | 92903-08600 | WASHER, PLATE RONDELLE, PLATE | 2 | 2 | |
| 4 | 91690-50014 | PIN, SPRING AGRAFFE | 2 | 2 | |
| 5 | 63P-15373-00 | PIPE, BREATHER DURITE DE RENIFLARD | 1 | 1 | |
| 6 | 90450-22M14 | HOSE CLAMP ASSY BRIDE, DE DURITE | 1 | 1 | |
| 7 | 90462-10023 | CLAMP BRIDE | 1 | 1 | |
| 8 | 63P-15378-00 | HOLDER SUPPORT | 1 | 1 | |
| 9 | 90464-20006 | CLAMP BRIDE | 1 | 1 | |
| 10 | 63P-14440-00 | SILENCER ASSY, INTAKE SIENCIEUX D'ADMISSION | 1 | 1 | |
| 11 | 63P-14449-00 | .COLLAR .COLLERETTE | 6 | 6 | |
| 12 | 63P-14457-00 | .SEAL .JOINT | 4 | 4 | |
| 13 | 90386-08001 | BUSH DOUILLE | 4 | 4 | |
| 14 | 90119-06076 | BOLT, WITH WASHER BOULON, AVEC RONDELLE | 2 | 2 | |
| 15 | 90387-06038 | COLLAR COLLERETTE | 2 | 2 | |
| 16 | 90119-06M82 | BOLT, WITH WASHER BOULON, AVEC RONDELLE | 6 | 6 | |

FIG. 8 INTAKE 2

ADMISSION 2



| REF. NO. | PART NO. N° PIECES | DESCRIPTION DESCRIPTION | 63P6 | 64P6 | REMARKS REMARQUES |
|----------|--------------------|---|------|------|-------------------|
| 1 | 6P2-24170-00 | CANISTER ASSY BANDE, RASERVOIR A ESSENCE | 1 | 1 | |
| 2 | 63P-2134X-00 | BRACKET, CANISTER SUPPORT | 1 | 1 | |
| 3 | 63P-2419A-00 | HOLDER SUPPORT | 1 | 1 | |
| 4 | 90480-10M23 | GROMMET PASSE-FIL | 3 | 3 | |
| 5 | 90387-06M60 | COLLAR COLLERETTE | 3 | 3 | |
| 6 | 97095-06016 | BOLT BOULON | 1 | 1 | |
| 7 | 92995-06600 | WASHER RONDELLE | 1 | 1 | |
| 8 | 64P-24313-00 | PIPE 3 DURITE 3 | 1 | 1 | |
| 9 | 69J-24502-00 | FILTER, FUEL FILTRE | 1 | 1 | |
| 10 | 64P-24312-00 | PIPE 2 DURITE 2 | 1 | 1 | |
| 11 | 64P-24311-00 | PIPE, FUEL 1 DURITE A ESSENCE | 1 | 1 | |
| 12 | 63P-24367-00 | CLAMP, FUEL PIPE 2 COLLIER DE DURITE A ESSENCE | 1 | 1 | |
| 13 | 64P-24315-00 | PIPE 5 DURITE 5 | 1 | 1 | |
| 14 | 64P-24314-00 | PIPE 4 DURITE 4 | 1 | 1 | |
| 15 | 63P-24364-00 | STAY SUPPORT | 2 | 2 | |
| 16 | 90464-11012 | CLAMP BRIDE | 2 | 2 | |
| 17 | 6E5-24379-00 | PIPE, JOINT 4 DURITE RACCORDEMENT 4 | 1 | 1 | |
| 18 | 90467-09M09 | CLIP JONC | 1 | 1 | |
| 19 | 90465-11M10 | CLAMP BRIDE | 7 | 7 | |
| 20 | 90119-06135 | BOLT, WITH WASHER BOULON, AVEC RONDELLE | 2 | 2 | |

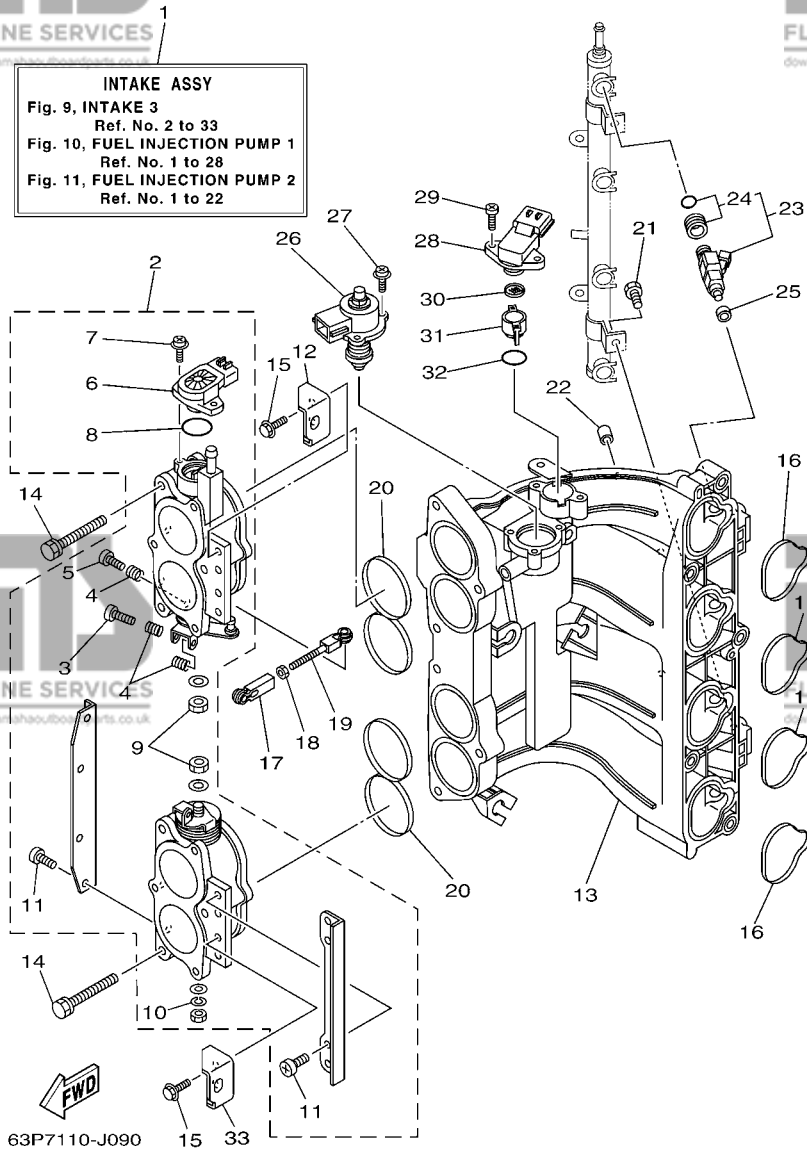


FIG. 9 INTAKE 3

ADMISSION 3

| REF. NO. | PART NO. N° PIECES | DESCRIPTION DESCRIPTION | | | REMARKS REMARQUES |
|----------|--------------------|---|------|------|-------------------|
| | | | 63P6 | 64P6 | |
| 1 | 63P-14200-21 | INTAKE ASSY ADMISSION (ENS.) | 1 | 1 | |
| 2 | 63P-13751-01 | BODY, THROTTLE 1 CARTER 1 | 1 | 1 | |
| 3 | 69J-14321-00 | .SCREW, THROTTLE .VIS, ACCELERATEUR | 1 | 1 | |
| 4 | 68V-14331-00 | .SPRING, THROTTLE VALVE .RESSORT, BOISSEAU | 3 | 3 | |
| 5 | 68V-14323-00 | .SCREW, AIR ADJUSTING .VIS DE DOSEUR D'AIR | 1 | 1 | |
| 6 | 6S1-85885-00 | .THROTTLE SENSOR ASSY .SENSITOMETRE (ENS.) | 1 | 1 | |
| 7 | 68V-81145-01 | .SCREW 1 .VIS 1 | 2 | 2 | |
| 8 | 68V-8182L-00 | .O-RING 1 .JOINT TORIQUE 1 | 1 | 1 | |
| 9 | 3CF-14594-00 | .NUT .ECROU | 2 | 2 | |
| 10 | 68V-14356-00 | .WASHER, SPRING .RONDELLE | 1 | 1 | |
| 11 | 68V-14565-00 | .SCREW .VIS | 8 | 8 | |
| 12 | 63P-14291-00 | BRACKET 1 SUPPORT 1 | 1 | 1 | |
| 13 | 63P-13641-00 | MANIFOLD 1 TUBULURE 1 | 1 | 1 | |
| 14 | 63P-14496-00 | BOLT BOULON | 6 | 6 | |
| 15 | 97595-06516 | BOLT, WITH WASHER VIS HEXAGONAL AVC RONDELLE | 4 | 4 | |
| 16 | 63P-13645-00 | GASKET, MANIFOLD 1 JOINT, TUBULURE 1 | 4 | 4 | |
| 17 | 6H4-41237-00 | JOINT, LINK RACCORD | 1 | 1 | |
| 18 | 95380-05700 | NUT ECROU | 1 | 1 | |
| 19 | 682-41238-01 | JOINT, LINK RACCORD | 1 | 1 | |
| 20 | 63P-13557-00 | GASKET JOINT | 2 | 2 | |
| 21 | 63P-14446-00 | BOLT BOULON | 2 | 2 | |
| 22 | 63P-13643-00 | COVER, MANIFOLD COUVERCLE, TUBULURE | 4 | 4 | |
| 23 | 63P-13761-00 | INJECTOR INJECTEUR | 4 | 4 | |
| 24 | 68V-1410B-00 | .PACKING KIT .POCHETTE DE JOINTS | 1 | 1 | |
| 25 | 68V-13766-00 | RUBBER, INJECTOR RONDELLE CAOUTCHOUC | 4 | 4 | |
| 26 | 63P-1312A-01 | VALVE, CONTROL EMBLEME, YAMAHA | 1 | 1 | |
| 27 | 68V-81146-01 | SCREW 2 VIS 2 | 3 | 3 | |

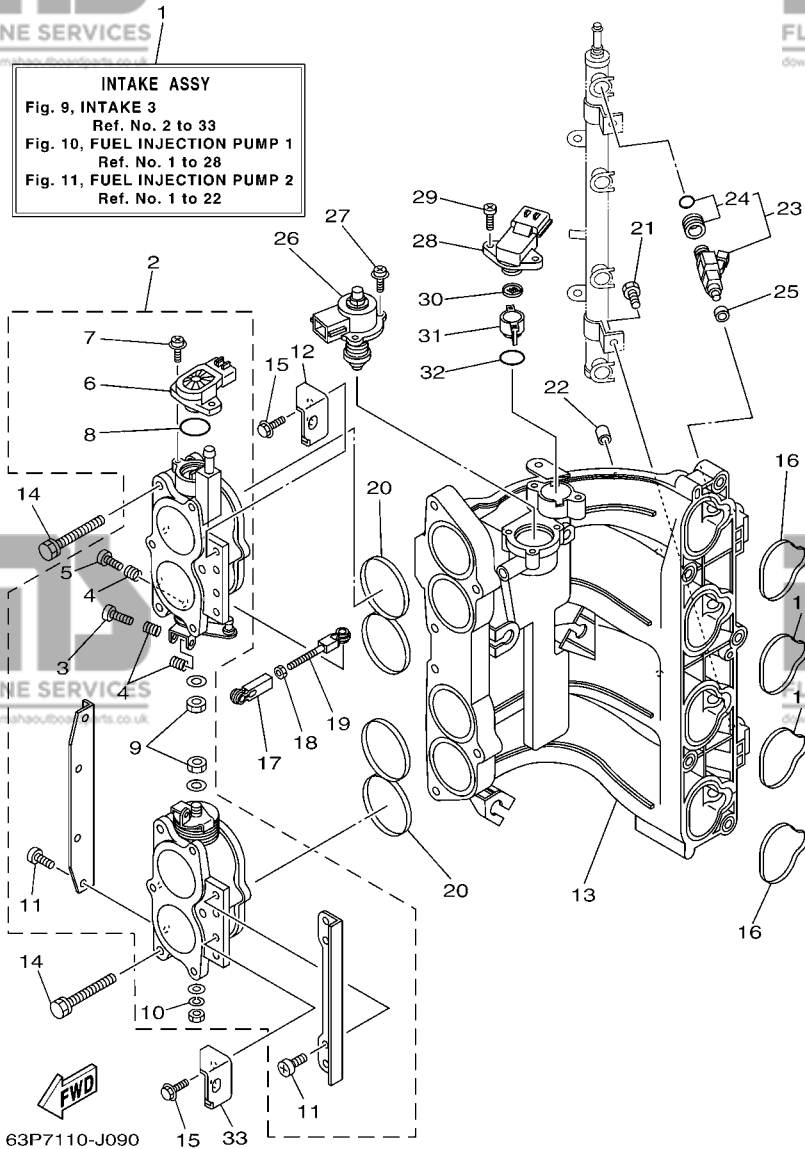


FIG. 9 INTAKE 3

ADMISSION 3

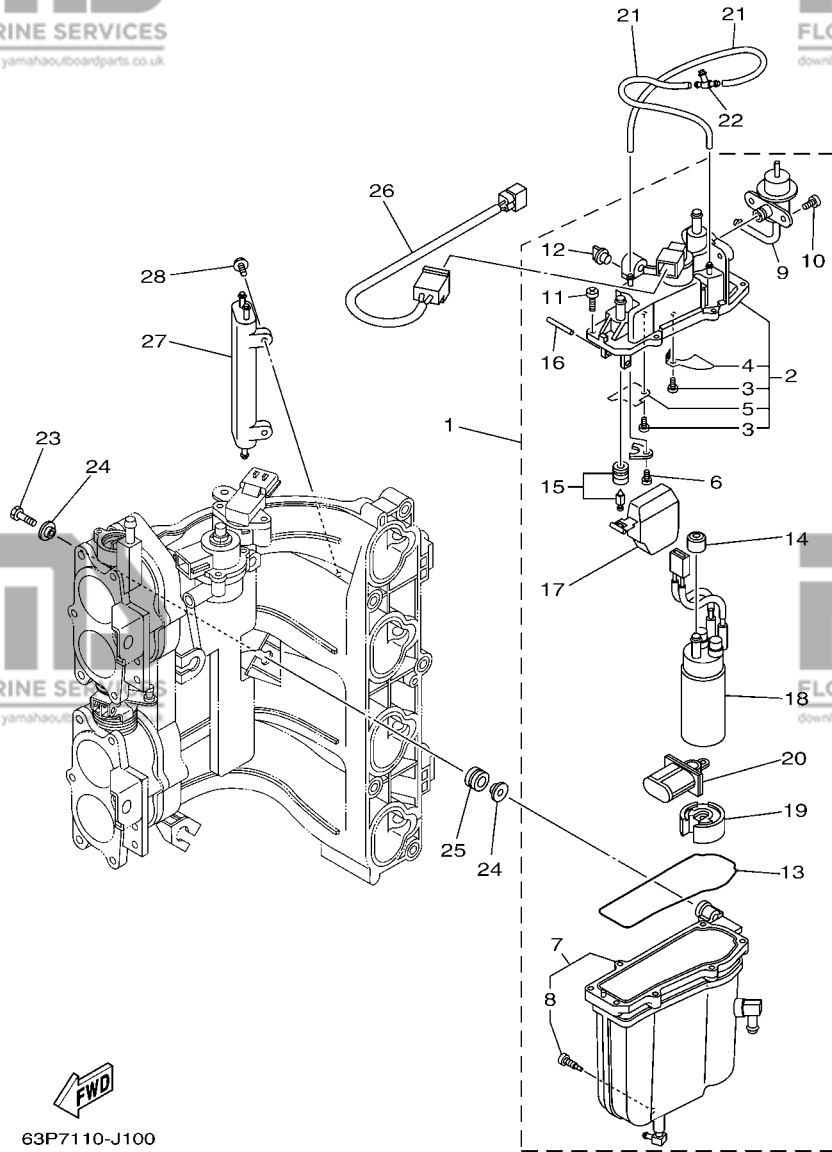
| REF. NO. | PART NO. N° PIECES | DESCRIPTION DESCRIPTION | 63P6 | 64P6 | REMARKS REMARQUES |
|----------|--------------------|---------------------------------------|------|------|-------------------|
| 28 | 63P-82380-00 | SENSOR, PRESSURE SONDE DE PRESSION | 1 | 1 | |
| 29 | 68V-81147-00 | SCREW 3 VIS 3 | 2 | 2 | |
| 30 | 63P-13905-00 | FILTER COMP. ENS FILTRE | 1 | 1 | |
| 31 | 63P-13898-00 | HOLDER SUPPORT | 1 | 1 | |
| 32 | 63P-13769-00 | O-RING JOINT TORIQUE | 1 | 1 | |
| 33 | 63P-14292-00 | BRACKET 2 SUPPORT 2 | 1 | 1 | |

FIG. 10 FUEL INJECTION PUMP 1

POMPE A INJECTEUR 1

| REF. NO. | PART NO. N° PIECES | DESCRIPTION DESCRIPTION | 63P6 | 64P6 | REMARKS REMARQUES |
|----------|--------------------|-------------------------|------|------|-------------------|
|----------|--------------------|-------------------------|------|------|-------------------|

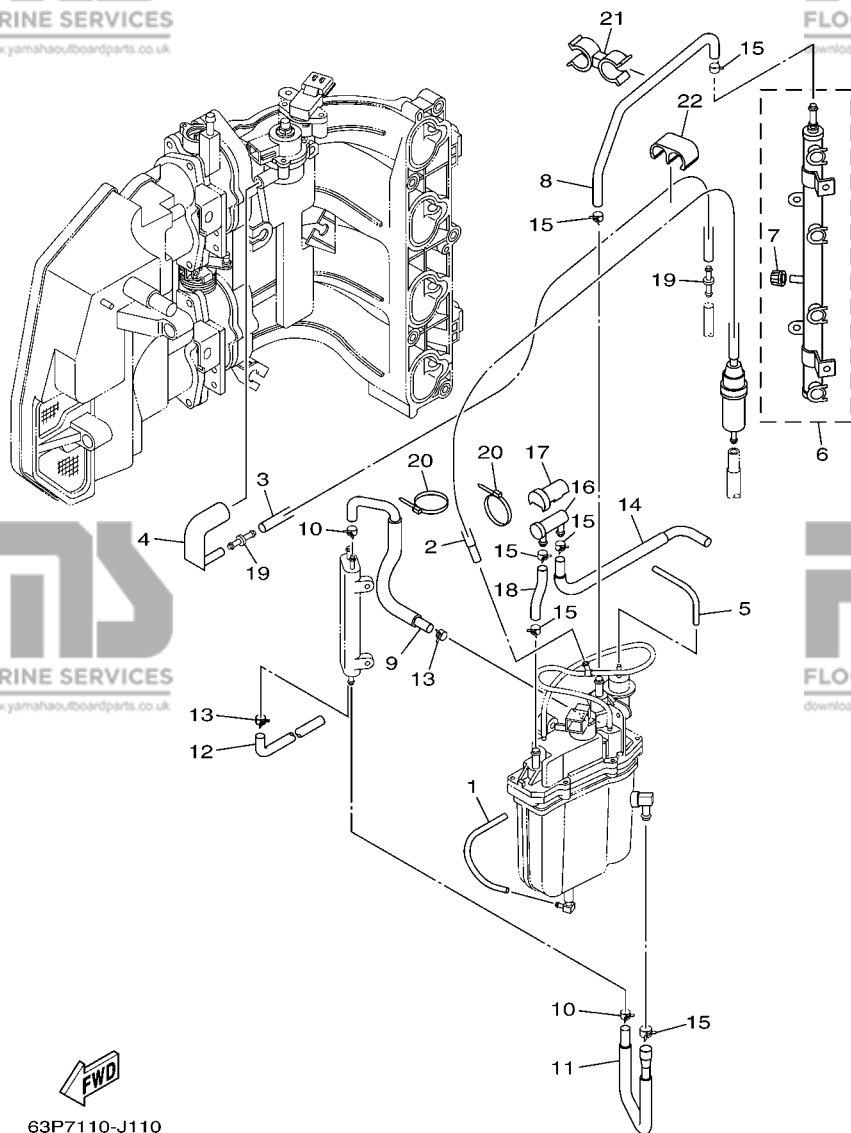
| | | | | | |
|----|--------------|-------------|---|---|--|
| 28 | 68V-14446-00 | BOLT BOULON | 2 | 2 | |
|----|--------------|-------------|---|---|--|



63P7110-J100

FIG. 11 FUEL INJECTION PUMP 2

POMPE A INJECTEUR 2



| REF. NO. | PART NO. N° PIECES | DESCRIPTION DESCRIPTION | 63P6 | 64P6 | REMARKS REMARQUES |
|----------|--------------------|---|------|------|-------------------|
| 1 | 63P-14149-00 | PIPE DURITE | 1 | 1 | |
| 2 | 63P-13971-00 | PIPE, FUEL 1 TUBE 1, CARBURANT | 1 | 1 | |
| 3 | 63P-13546-00 | HOSE 2 DURITE 2 | 1 | 1 | |
| 4 | 63P-13545-00 | HOSE 1 DURITE 1 | 1 | 1 | |
| 5 | 63P-13532-10 | HOSE, VACUUM SENSING 3 DURITE 3 | 1 | 1 | |
| 6 | 63P-13160-00 | DELIVERY PIPE ASSY 1 ENS. TUBE DE REFOULEMENT 1 | 1 | 1 | |
| 7 | 63P-14225-00 | .CAP .COUVERCLE | 1 | 1 | |
| 8 | 63P-13974-20 | PIPE, FUEL 4 TUBE 4, CARBURANT | 1 | 1 | |
| 9 | 63P-13976-00 | PIPE, FUEL 6 TUBE 6, CARBURANT | 1 | 1 | |
| 10 | 68V-2411M-00 | CLIP JONC | 2 | 2 | |
| 11 | 63P-24317-00 | PIPE 7 DURITE 7 | 1 | 1 | |
| 12 | 63P-2247B-00 | HOSE 2 DURITE 2 | 1 | 1 | |
| 13 | 68V-24519-00 | CLIP JONC | 2 | 2 | |
| 14 | 63P-24325-00 | PIPE 14 DURITE 14 | 1 | 1 | |
| 15 | 68V-13577-00 | CLIP AGRAFE | 6 | 6 | |
| 16 | 69J-24501-10 | FILTER, FUEL FILTRE | 1 | 1 | |
| 17 | 69J-24599-10 | CAP CAPUCHON | 1 | 1 | |
| 18 | 63P-13975-00 | PIPE, FUEL 5 TUBE 5, CARBURANT | 1 | 1 | |
| 19 | 6P2-13758-00 | PIPE, JOINT DURITE | 2 | 2 | |
| 20 | 68V-2481H-00 | CLAMP BRIDE | 2 | 2 | |
| 21 | 63P-2417H-00 | CLAMP 1 COLLIER 1 | 1 | 1 | |
| 22 | 63P-2417J-00 | CLAMP 2 COLLIER 2 | 1 | 1 | |

FWD
63P7110-J110

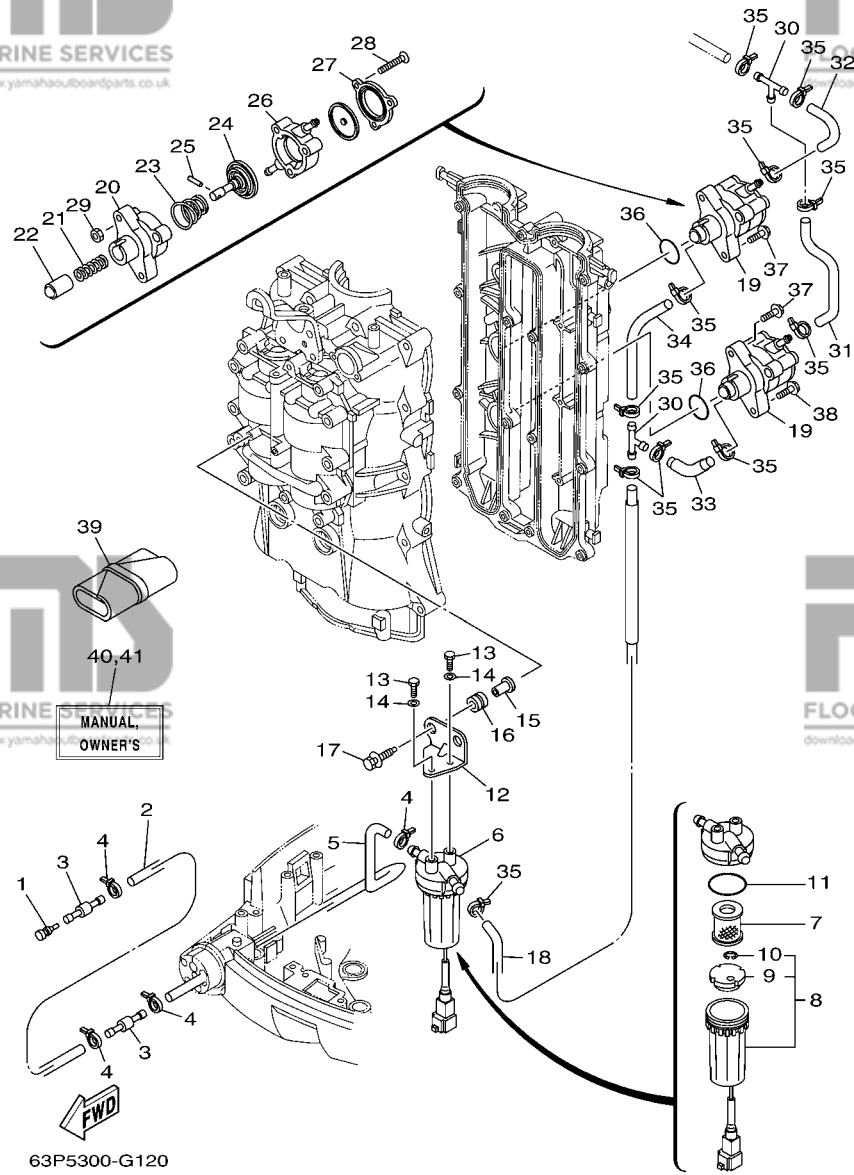


FIG. 12 FUEL 1

CARBURANT 1

| REF. NO. | PART NO. N° PIECES | DESCRIPTION DESCRIPTION | | | REMARKS REMARQUES |
|----------|--------------------|---|------|------|-------------------|
| | | | 63P6 | 64P6 | |
| 1 | 689-85547-00 | DAMPER AMORTISSEUR | 1 | 1 | |
| 2 | 90445-13511 | HOSE (L2000) DURITE (L2000) | 1 | 1 | |
| 3 | 6R3-24377-10 | PIPE, JOINT 2 DURITE RACCORDEMENT 2 | 2 | 2 | |
| 4 | 90465-11M10 | CLAMP BRIDE | 4 | 4 | |
| 5 | 63P-24316-00 | PIPE 6 DURITE 6 | 1 | 1 | |
| 6 | 6P3-24560-01 | FILTER ASSY ENS FILTRE | 1 | 1 | |
| 7 | 6P3-24563-00 | .ELEMENT, FILTER .ELEMENT, FILTRE | 1 | 1 | |
| 8 | 6P3-24562-01 | .CUP, FILTER .CUVETTE, FILTRE | 1 | 1 | |
| 9 | 6P3-24469-00 | ..FLOAT, WATER LEVEL ..FLOTTEUR | 1 | 1 | |
| 10 | 6P3-24519-00 | ..CLIP ..JONC | 1 | 1 | |
| 11 | 6P3-24564-00 | .GASKET .JOINT | 1 | 1 | |
| 12 | 63P-24566-00 | BRACKET, FILTER SUPPORT, FILTRE | 1 | 1 | |
| 13 | 97095-06014 | BOLT BOULON | 2 | 2 | |
| 14 | 92995-06600 | WASHER RONDELLE | 2 | 2 | |
| 15 | 90387-06M60 | COLLAR COLLERETTE | 2 | 2 | |
| 16 | 90480-10M23 | GRÖMMET PASSE-FIL | 2 | 2 | |
| 17 | 90119-06071 | BOLT, WITH WASHER BOULON, AVEC RONDELLE | 2 | 2 | |
| 18 | 63P-24311-10 | PIPE, FUEL 1 DURITE A ESSENCE | 1 | 1 | |
| 19 | 63P-24410-00 | FUEL PUMP ASSY POMPE A ESSENCE | 2 | 2 | |
| 20 | 68V-24412-00 | .BODY 1 .CORPS 1 | 1 | 1 | |
| 21 | 68V-24454-00 | .SPRING .RESSORT | 1 | 1 | |
| 22 | 63P-13131-00 | .PLUNGER .PLONGEUR | 1 | 1 | |
| 23 | 63P-24423-00 | .SPRING, DIAPHRAGM .RESSORT, DIAPHRAGME | 1 | 1 | |
| 24 | 68V-24411-00 | .DIAPHRAGM .DIAPHRAGME | 1 | 1 | |
| 25 | 68V-24374-00 | .PIN .GOUILLE | 1 | 1 | |
| 26 | 68V-24413-00 | .BODY 2 .CORPS 2 | 1 | 1 | |
| 27 | 63P-24414-00 | .BODY 3 .CORPS 3 | 1 | 1 | |

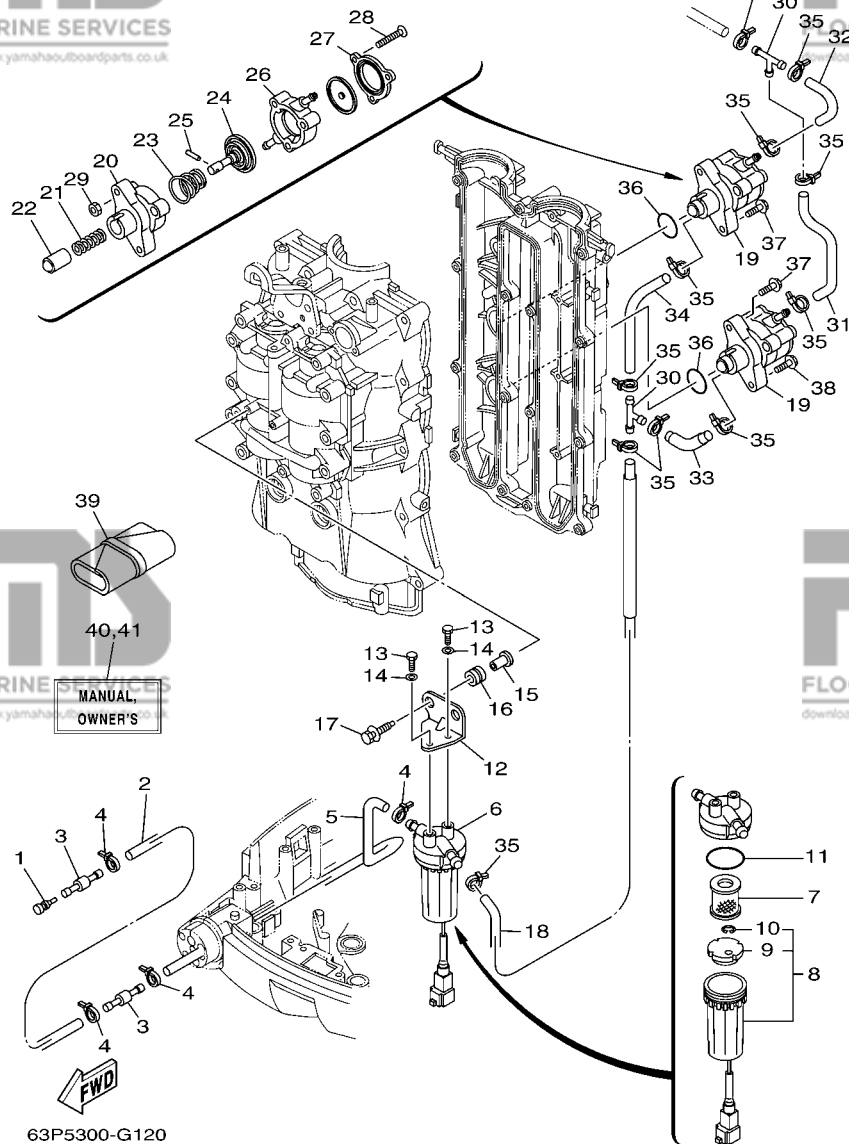


FIG. 12 FUEL 1

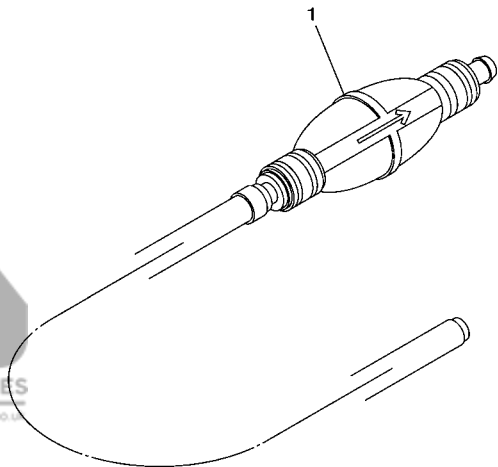
CARBURANT 1

| REF. NO. | PART NO. N° PIECES | DESCRIPTION DESCRIPTION | | | REMARKS REMARQUES |
|----------|--------------------|---|------|------|-------------------|
| | | | 63P6 | 64P6 | |
| 28 | 68V-24444-00 | .SCREW .VIS | 3 | 3 | |
| 29 | 68V-24149-00 | .NUT .ECROU | 3 | 3 | |
| 30 | 6E5-24378-00 | PIPE, JOINT 3 DURITE, RACCORDEMENT 3 | 2 | 2 | |
| 31 | 63P-24314-00 | PIPE 4 DURITE 4 | 1 | 1 | |
| 32 | 63P-24315-00 | PIPE 5 DURITE 5 | 1 | 1 | |
| 33 | 63P-24312-10 | PIPE 2 DURITE 2 | 1 | 1 | |
| 34 | 63P-24313-10 | PIPE 3 DURITE 3 | 1 | 1 | |
| 35 | 90465-11M10 | CLAMP BRIDE | 11 | 11 | |
| 36 | 93210-30682 | O-RING JOINT TORIQUE | 2 | 2 | |
| 37 | 90119-06M83 | BOLT, WITH WASHER BOULON, AVEC RONDELLE | 3 | 3 | |
| 38 | 90119-06135 | BOLT, WITH WASHER BOULON, AVEC RONDELLE | 1 | 1 | |
| 39 | 67F-28100-01 | TOOL KIT TROUSSE A OUTILS | 1 | 1 | |
| 40 | 63P-28199-77-E0 | MANUAL, OWNER'S MANUEL D'UTILISATION | 1 | 1 | UR (E) |
| | 63P-28199-77-F0 | MANUAL, OWNER'S MANUEL D'UTILISATION | 1 | 1 | UR (F) |
| | 63P-28199-77-S0 | MANUAL, OWNER'S MANUEL D'UTILISATION | 1 | 1 | UR (ES) |
| | 63P-28199-77-G0 | MANUAL, OWNER'S MANUEL D'UTILISATION | 1 | 1 | UR (ES) |
| | 63P-28199-77-D0 | MANUAL, OWNER'S MANUEL D'UTILISATION | 1 | 1 | UR (D) |
| | 63P-28199-77-H0 | MANUAL, OWNER'S MANUEL D'UTILISATION | 1 | 1 | UR (NL) |
| | 63P-28199-77-I0 | MANUAL, OWNER'S MANUEL D'UTILISATION | 1 | 1 | UR (NL) |
| 41 | 63P-28199-87-K0 | MANUAL, OWNER'S MANUEL D'UTILISATION | 1 | 1 | UR (I) |
| | 63P-28199-87-R0 | MANUAL, OWNER'S MANUEL D'UTILISATION | 1 | 1 | UR (DK) |
| | 63P-28199-87-P0 | MANUAL, OWNER'S MANUEL D'UTILISATION | 1 | 1 | UR (GR) |
| | 63P-28199-87-N0 | MANUAL, OWNER'S MANUEL D'UTILISATION | 1 | 1 | UR (P) |
| | 63P-28199-87-M0 | MANUAL, OWNER'S MANUEL D'UTILISATION | 1 | 1 | UR (P) |
| | 63P-28199-87-L0 | MANUAL, OWNER'S MANUEL D'UTILISATION | 1 | 1 | UR (N) |
| | | | | | UR (N) |
| | | | | | UR (S) |
| | | | | | UR (S) |
| | | | | | UR (SF) |
| | | | | | UR (SF) |

FIG. 13 FUEL 2

CARBURANT 2

| REF. NO. | PART NO. N° PIECES | DESCRIPTION DESCRIPTION | 63P6 | 64P6 | REMARKS REMARQUES |
|----------|--------------------|---|------|------|-------------------|
| 1 | 6YK-24307-42 | FUEL PIPE COMP. 2 DURITE A ESSENCE 2 | 1 | 1 | AP AP |



63P1300-C120

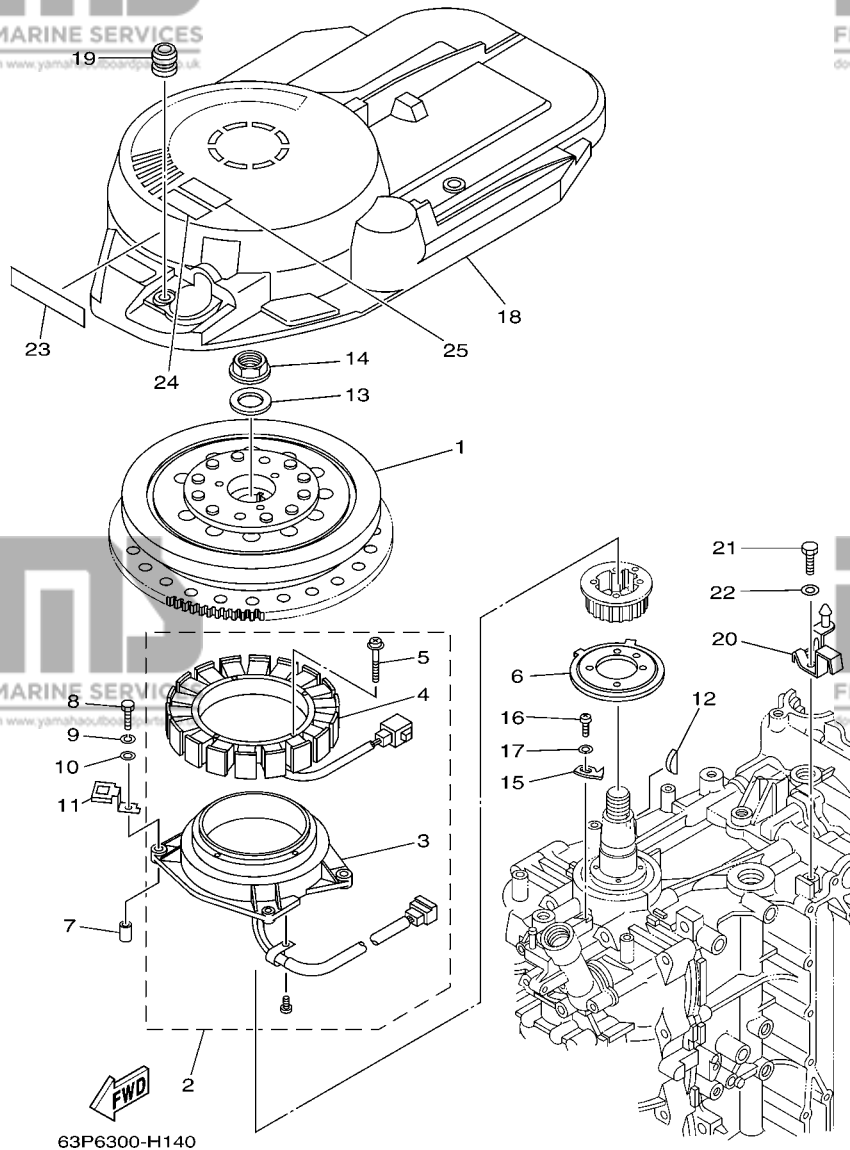
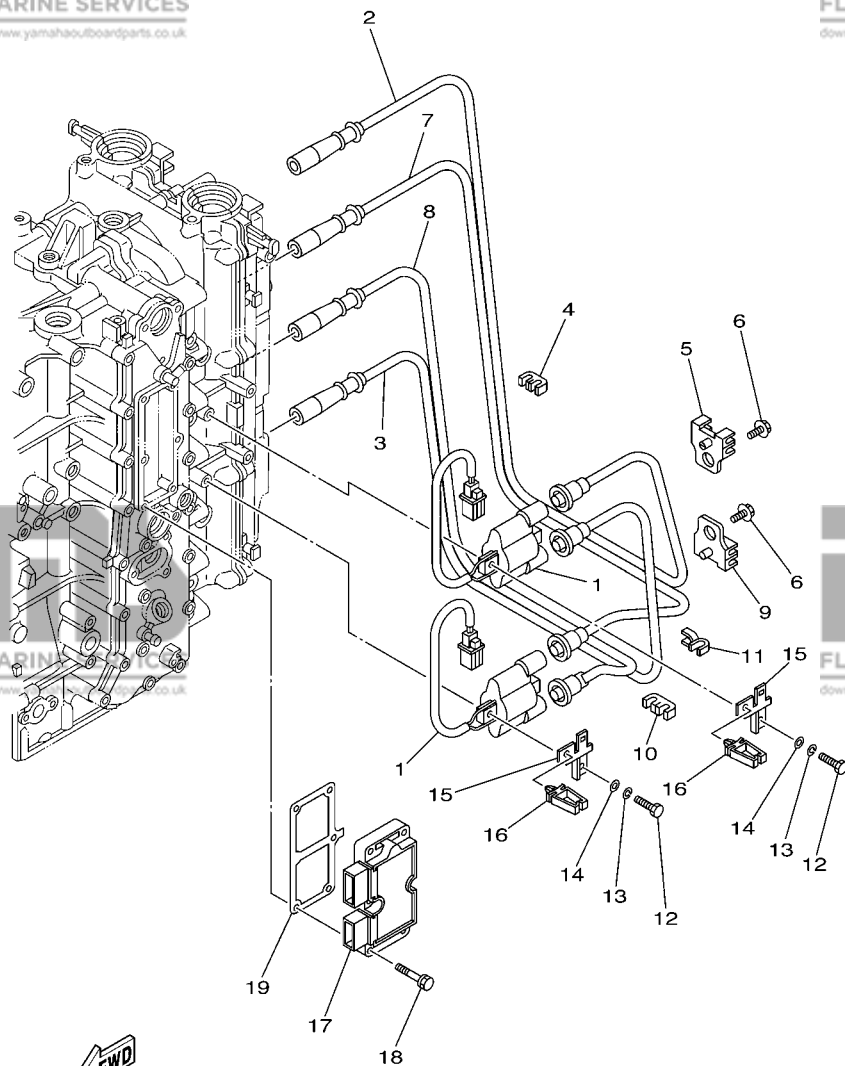


FIG. 14 GENERATOR

GENERATRICE

| REF. NO. | PART NO. N° PIECES | DESCRIPTION DESCRIPTION | | | REMARKS REMARQUES |
|----------|--------------------|--|------|------|-------------------|
| | | | 63P6 | 64P6 | |
| 1 | 63P-81450-00 | ROTOR ASSY ROTOR COMPLET | 1 | 1 | |
| 2 | 63P-81460-00 | BASE ASSY ENS. FLASQUE | 1 | 1 | |
| 3 | 63P-85580-00 | .COIL, PULSER .BOBINE, PULSEUR | 1 | 1 | |
| 4 | 63P-81410-00 | .STATOR ASSY .STATOR COMPLET | 1 | 1 | |
| 5 | 63D-81345-20 | .SCREW, WITH WASHER (M6X30) .VIS, AVEC RONDELLE (M6X30) | 4 | 4 | |
| 6 | 63P-81673-01 | ROTOR ROTOR | 1 | 1 | |
| 7 | 99530-08012 | PIN, DOWEL GOUJON, D'ASSEMBLAGE | 2 | 2 | |
| 8 | 97095-06035 | BOLT BOULON | 4 | 4 | |
| 9 | 92995-06100 | WASHER, SPRING RONDELLE, GROWER | 4 | 4 | |
| 10 | 92995-06600 | WASHER RONDELLE | 4 | 4 | |
| 11 | 63P-81845-00 | PLATE PLAQUE | 2 | 2 | |
| 12 | 90280-05015 | KEY, WOODRUFF CLAVETTE, DEMI-LUNE | 1 | 1 | |
| 13 | 90201-24014 | WASHER, PLATE RONDELLE, PLATE | 1 | 1 | |
| 14 | 90179-24002 | NUT ECROU | 1 | 1 | |
| 15 | 6P2-81332-00 | PLATE, TIMING PLATEAU, ALLUMAGE | 1 | 1 | |
| 16 | 97885-06010 | SCREW, PAN HEAD VIS, A ENCOCHE | 1 | 1 | |
| 17 | 92995-06600 | WASHER RONDELLE | 1 | 1 | |
| 18 | 63P-81337-00 | COVER, FLYWHEEL COUVERCLE, VOLANT | 1 | 1 | |
| 19 | 663-82317-01 | DAMPER, IGNITION COIL AMORTISSEUR, BOBINE D'ALLUM | 3 | 3 | |
| 20 | 63P-8132G-00 | PLATE PLAQUE | 1 | 1 | |
| 21 | 97095-06016 | BOLT BOULON | 1 | 1 | |
| 22 | 92995-06600 | WASHER RONDELLE | 1 | 1 | |
| 23 | 63P-13437-61 | MARK, CAUTION MAKER | 1 | 1 | |
| 24 | 6AH-81994-40 | LABEL, SAFETY ETIQUETTE, SECURITE | 1 | 1 | |
| 25 | 6AH-81994-50 | LABEL, SAFETY ETIQUETTE, SECURITE | 1 | 1 | |



63P2100-D140

FIG. 15 ELECTRICAL 1

PARTIE ELECTRIQUE 1

| REF. NO. | PART NO. N° PIECES | DESCRIPTION DESCRIPTION | 63P6 | 64P6 | REMARKS REMARQUES |
|----------|--------------------|--|------|------|-------------------|
| 1 | 63P-82310-01 | IGNITION COIL ASSY BOBINE D'ALLUMAGE | 2 | 2 | |
| 2 | 63P-82341-00 | CORD, HIGH TENSION 1 CORDON, HAUTE-TENSION 1 | 1 | 1 | |
| 3 | 63P-82342-00 | CORD, HIGH TENSION 2 CORDON, HAUTE-TENSION 2 | 1 | 1 | |
| 4 | 67F-82361-00 | CLAMP, CORD COLLIER, CORDON | 1 | 1 | |
| 5 | 67F-82362-00 | CLAMP, CORD 2 COLLIER, CABLE 2 | 1 | 1 | |
| 6 | 90119-06134 | BOLT, WITH WASHER BOULON, AVEC RONDELLE | 2 | 2 | |
| 7 | 63P-82343-00 | CORD, HIGH TENSION 3 CORDON, HAUTE-TENSION 3 | 1 | 1 | |
| 8 | 63P-82344-00 | CORD, HIGH TENSION 4 CORDON, HAUTE TENSION 4 | 1 | 1 | |
| 9 | 67F-82362-00 | CLAMP, CORD 2 COLLIER, CABLE 2 | 1 | 1 | |
| 10 | 67F-82361-00 | CLAMP, CORD COLLIER, CORDON | 1 | 1 | |
| 11 | 90464-07M41 | CLAMP BRIDE | 1 | 1 | |
| 12 | 97095-06025 | BOLT BOULON | 4 | 4 | |
| 13 | 92995-06100 | WASHER, SPRING RONDELLE, GROWER | 4 | 4 | |
| 14 | 92995-06600 | WASHER RONDELLE | 4 | 4 | |
| 15 | 63P-82388-00 | PLATE PLAQUETTE | 2 | 2 | |
| 16 | 90464-05141 | CLAMP BRIDE | 2 | 2 | |
| 17 | 63P-81960-01 | RECTIFIER & REGULATOR ASSY REDRESSEUR REGULATEUR CPLT | 1 | 1 | |
| 18 | 90119-06MA4 | BOLT, WITH WASHER BOULON, AVEC RONDELLE | 6 | 6 | |
| 19 | 63P-81975-00 | PLATE, RECTIFIER FITTING PLAQUE, FIXATION DU REDRESSEUR | 1 | 1 | |

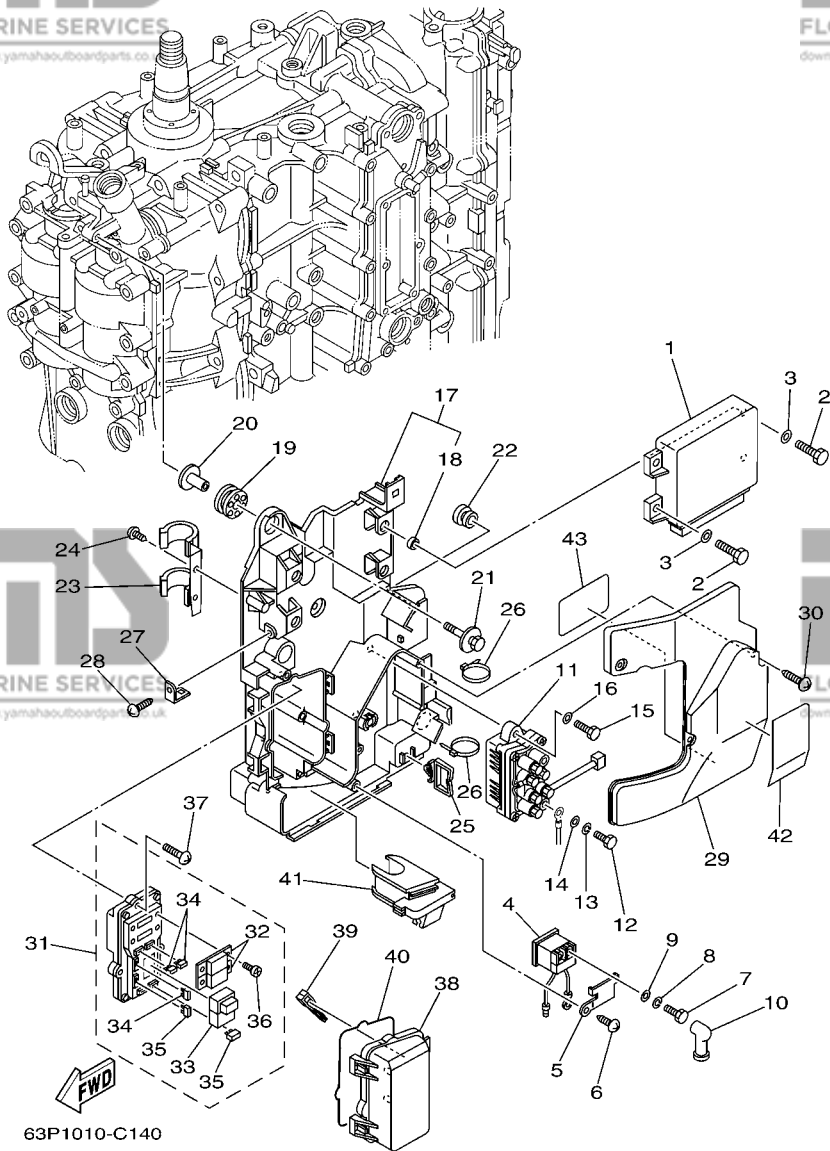


FIG. 16 ELECTRICAL 2

PARTIE ELECTRIQUE 2

| REF. NO. | PART NO. N° PIECES | DESCRIPTION DESCRIPTION | 63P6 | 64P6 | REMARKS REMARQUES |
|----------|--------------------|---|------|------|-------------------|
| 1 | 63P-8591A-61 | ENGINE CONTROL UNIT ASSY BLOC DE CONTROL | 1 | 1 | |
| 2 | 97095-06016 | BOLT BOULON | 4 | 4 | |
| 3 | 92995-06600 | WASHER RONDELLE | 4 | 4 | |
| 4 | 68V-8194A-00 | RELAY RELAIS | 1 | 1 | |
| 5 | 68V-81953-00 | STAY, RELAY SUPPORT, RELAIS | 1 | 1 | |
| 6 | 97780-60620 | SCREW, TAPPING VIS, TETE BOMBEE | 1 | 1 | |
| 7 | 97095-06010 | BOLT BOULON | 2 | 2 | |
| 8 | 92995-06100 | WASHER, SPRING RONDELLE, GROWER | 2 | 2 | |
| 9 | 92995-06600 | WASHER RONDELLE | 2 | 2 | |
| 10 | 6G5-82119-00 | COVER, LEAD WIRE GARNITURE, FIL | 2 | 2 | |
| 11 | 63P-81950-00 | RELAY ASSY RELAIS COMPLET | 1 | 1 | |
| 12 | 97095-06010 | BOLT BOULON | 2 | 2 | |
| 13 | 92995-06100 | WASHER, SPRING RONDELLE, GROWER | 2 | 2 | |
| 14 | 92995-06600 | WASHER RONDELLE | 2 | 2 | |
| 15 | 97013-06020 | BOLT BOULON | 2 | 2 | |
| 16 | 92903-06600 | WASHER, PLATE RONDELLE, PLATE | 2 | 2 | |
| 17 | 63P-81948-00 | BRACKET SUPPORT | 1 | 1 | |
| 18 | 90387-06010 | .COLLAR .COLLERETTE | 4 | 4 | |
| 19 | 68F-85516-01 | SPACER ENTRETOISE | 3 | 3 | |
| 20 | 90387-06176 | COLLAR COLLERETTE | 3 | 3 | |
| 21 | 68F-85119-00 | BOLT BOULON | 3 | 3 | |
| 22 | 90480-10627 | GROMMET PASSE-FIL | 1 | 1 | |
| 23 | 63P-82594-00 | CLAMP BRIDE | 1 | 1 | |
| 24 | 97780-60620 | SCREW, TAPPING VIS, TETE BOMBEE | 1 | 1 | |
| 25 | 90464-23199 | CLAMP BRIDE | 1 | 1 | |
| 26 | 90465-13M18 | CLAMP BRIDE | 3 | 3 | |
| 27 | 68V-85548-00 | HOLDER SUPPORT | 1 | 1 | |

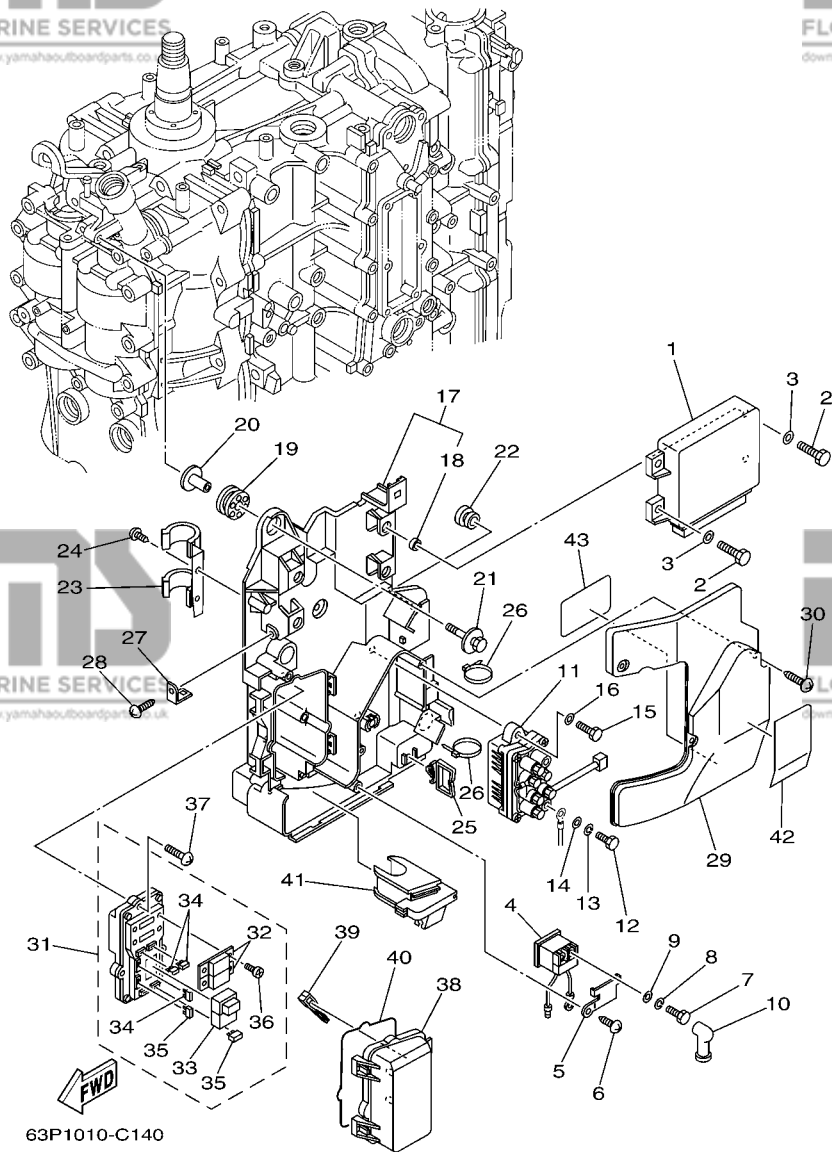
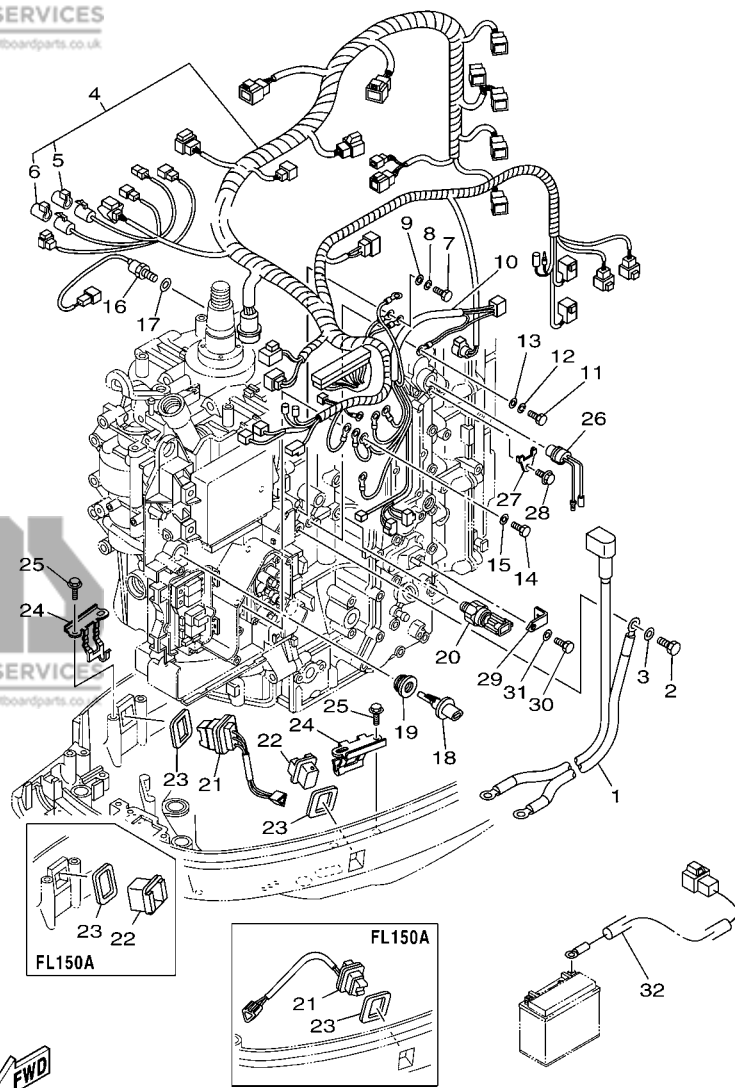


FIG. 16 ELECTRICAL 2

PARTIE ELECTRIQUE 2

| REF. NO. | PART NO. N° PIECES | DESCRIPTION DESCRIPTION | 63P6 | 64P6 | REMARKS REMARQUES |
|----------|--------------------|--|------|------|-------------------|
| 28 | 97780-60620 | SCREW, TAPPING VIS, TETE BOMBEE | 1 | 1 | |
| 29 | 63P-81942-00 | COVER COUVERCLE | 1 | 1 | |
| 30 | 90169-05M00 | SCREW, TRUSS HEAD TAPPING VIS, TETE FRAISEE | 3 | 3 | |
| 31 | 63P-82170-00 | FUSE BOX ASSY BOITE A FUSIBLES | 1 | 1 | |
| 32 | 63P-82151-00 | .FUSE (50A) .FUSIBLE (50A) | 2 | 2 | |
| 33 | 68F-8195A-00 | .RELAY ASSY .RELAIS COMPLET | 1 | 1 | |
| 34 | 67F-82151-00 | .FUSE (20A) .FUSIBLE (20A) | 3 | 3 | |
| 35 | 67F-82151-10 | .FUSE (30A) .FUSIBLE (30A) | 2 | 2 | |
| 36 | 68F-82846-00 | .SCREW, PAN HEAD (M5) .VIS, TETE TRONCONIQUE (M5) | 4 | 4 | |
| 37 | 97780-50620 | SCREW, TAPPING VIS, TETE BOMBEE | 3 | 3 | |
| 38 | 60V-85544-00 | CASE BOITIER | 1 | 1 | |
| 39 | 67F-2812A-00 | PULLER, FUSE TENDEUR, FUSIBLE | 1 | 1 | |
| 40 | 60V-82157-00 | DAMPER AMORTISSEUR | 1 | 1 | |
| 41 | 63P-81336-00 | GROMMET OUILLET CAOUTCHOUC | 1 | 1 | |
| 42 | 63P-81919-00 | GRAPHIC, REGULATOR ADHESIF, REGULATEUR | 1 | 1 | |
| 43 | 63P-81919-10 | GRAPHIC, REGULATOR ADHESIF, REGULATEUR | 1 | 1 | |

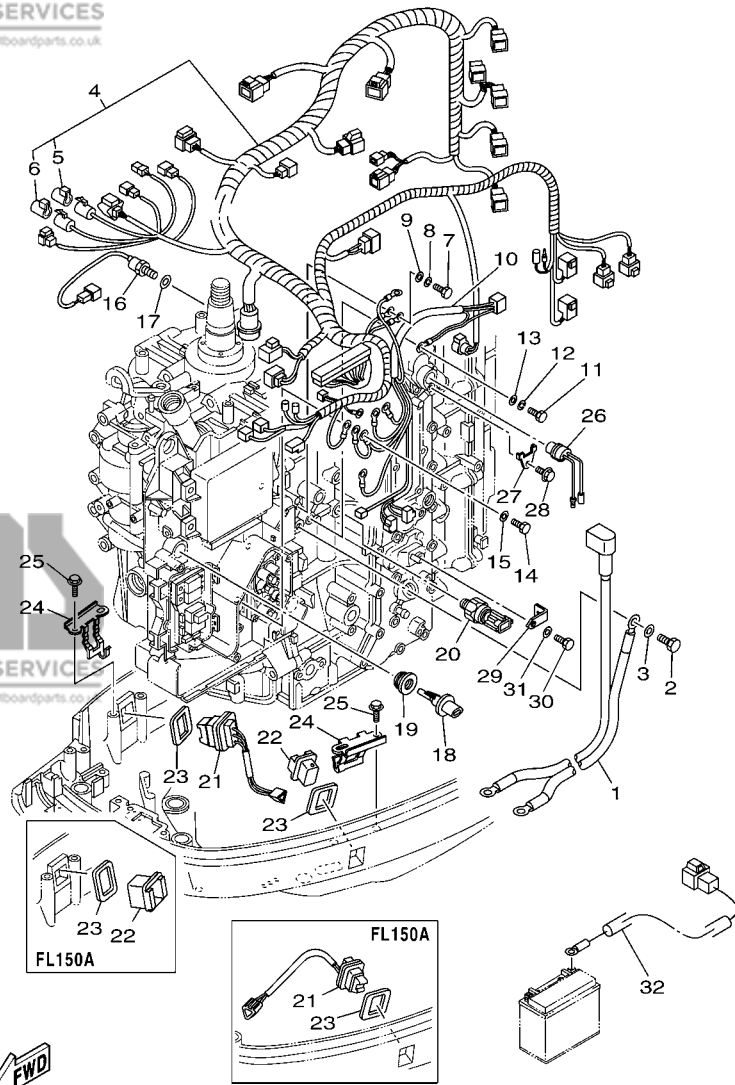


63P6300-H170

FIG. 17 ELECTRICAL 3

PARTIE ELECTRIQUE 3

| REF. NO. | PART NO. N° PIECES | DESCRIPTION DESCRIPTION | 63P6 | 64P6 | REMARKS REMARQUES |
|----------|--------------------|--|------|------|-------------------|
| 1 | 63P-82105-00 | WIRE HARNESS FAISCEAU DE FILS | 1 | 1 | |
| 2 | 97095-08016 | BOLT BOULON | 1 | 1 | |
| 3 | 92995-08600 | WASHER RONDELLE | 1 | 1 | |
| 4 | 63P-82590-30 | WIRE HARNESS ASSY FAISCEAU DE FILS COMPLET | 1 | 1 | |
| 5 | 6P2-82582-00 | .CAP 1 (FEMALE) .BOUCHON 1 (FEMME) | 1 | 1 | |
| 6 | 6P2-82582-10 | .CAP 1 (MALE) .BOUCHON 1 (MALE) | 1 | 1 | |
| 7 | 97095-06020 | BOLT BOULON | 1 | 1 | |
| 8 | 92995-06100 | WASHER, SPRING RONDELLE, GROUVER | 1 | 1 | |
| 9 | 92995-06600 | WASHER RONDELLE | 1 | 1 | |
| 10 | 63P-8259M-00 | WIRE HARNESS ASSY 2 FAISCEAU DE FILS | 1 | 1 | |
| 11 | 97095-06020 | BOLT BOULON | 1 | 1 | |
| 12 | 92995-06100 | WASHER, SPRING RONDELLE, GROUVER | 1 | 1 | |
| 13 | 92995-06600 | WASHER RONDELLE | 1 | 1 | |
| 14 | 97095-06012 | BOLT BOULON | 1 | 1 | |
| 15 | 92995-06600 | WASHER RONDELLE | 1 | 1 | |
| 16 | 61A-85790-00 | THERMOSENSOR ASSY SENSITOMETRE | 1 | 1 | |
| 17 | 92990-10600 | WASHER, PLATE RONDELLE, PLATE | 1 | 1 | |
| 18 | 63P-85886-00 | SENSOR, AIR TEMPERATURE SONDE | 1 | 1 | |
| 19 | 63P-14435-00 | GROMMET RONDELLE CAOUTCHOUC | 1 | 1 | |
| 20 | 6AW-83651-00 | SENDER, OIL PRESSURE RACCORD, PRESSION D'HUILE | 1 | 1 | |
| 21 | 69J-82563-00 | TRIM & TILT SWITCH ASSY INCLINER ET PARER COMMUTATEUR | 1 | 1 | |
| 22 | 69J-42723-00-8D | COVER, BOTTOM COUVERCLE | 1 | 1 | |
| 23 | 69J-82587-00 | GASKET JOINT | 2 | 2 | |
| 24 | 63P-83614-00 | BRACKET SUPPORT | 2 | 2 | |
| 25 | 90109-06M86 | BOLT BOULON | 4 | 4 | |
| 26 | 6P2-82560-01 | THERMO SWITCH ASSY THERMO-CONTACT COMPLET | 1 | 1 | |
| 27 | 6E9-82588-00 | PLATE PLAQUE | 1 | 1 | |

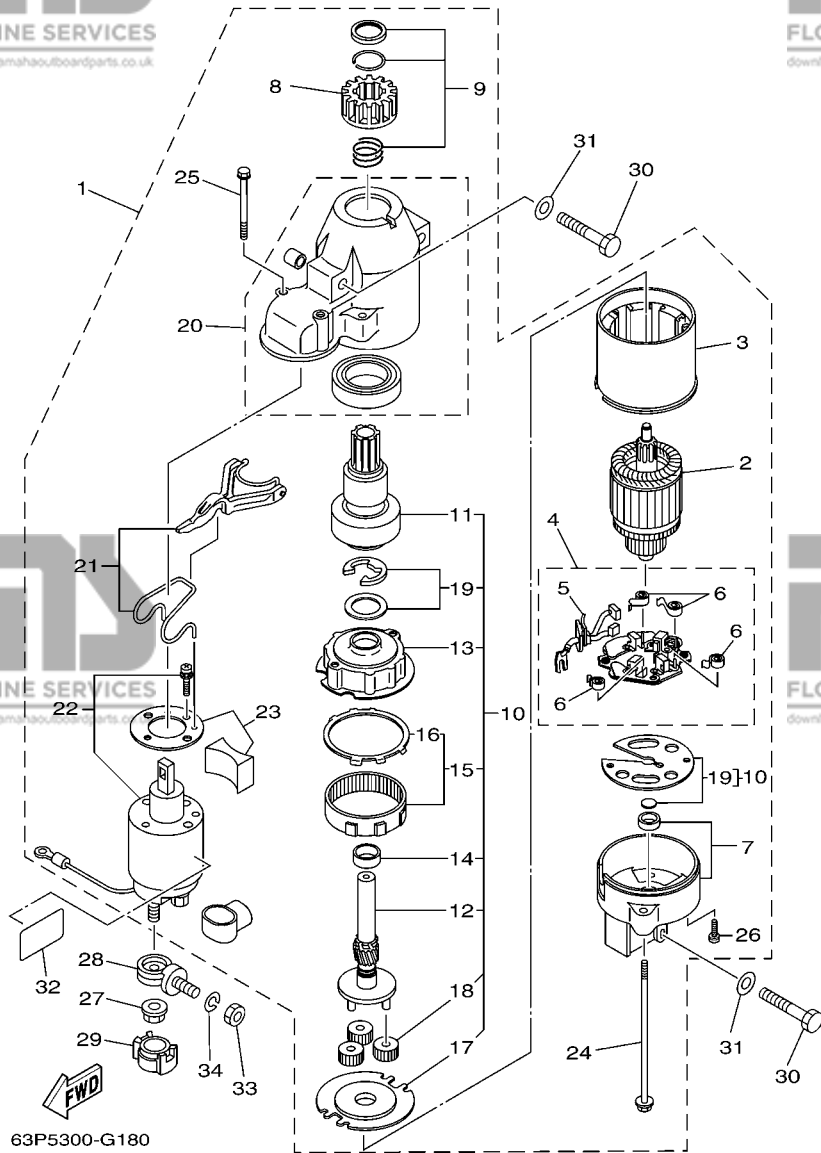


63P6300-H170

FIG. 17 ELECTRICAL 3

PARTIE ELECTRIQUE 3

| REF. NO. | PART NO. N° PIECES | DESCRIPTION DESCRIPTION | 63P6 | 64P6 | REMARKS REMARQUES |
|----------|--------------------|--|------|------|-------------------|
| 28 | 90109-06M80 | BOLT BOULON | 1 | 1 | |
| 29 | 63P-8366P-00 | BRACKET 4 SUPPORT 4 | 1 | 1 | |
| 30 | 97095-06012 | BOLT BOULON | 1 | 1 | |
| 31 | 92995-06600 | WASHER RONDELLE | 1 | 1 | |
| 32 | 68F-81949-00 | WIRE, LEAD (ISOLATOR CABLE) FIL (ISOLATOR CABLE) | 1 | 1 | AP AP |



63P5300-G180

FIG. 18 STARTING MOTOR

DEMARREUR ELECTRIQUE

| REF. NO. | PART NO. N° PIECES | DESCRIPTION DESCRIPTION | 63P6 | 64P6 | REMARKS REMARQUES |
|----------|--------------------|---|------|------|-------------------|
| 1 | 6BR-81800-00 | STARTING MOTOR ASSY DEMARREUR ELECTRIQUE COMPLET | 1 | 1 | |
| 2 | 67F-81850-00 | ..ARMATURE ASSY ..INDUIT | 1 | 1 | |
| 3 | 67F-81810-00 | ..STATOR ASSY ..STATOR COMPLET | 1 | 1 | |
| 4 | 69J-81840-00 | ..BRUSH HOLDER ASSY ..SUPPORT DE CHARBON | 1 | 1 | |
| 5 | 69J-81801-00 | ..BRUSH SET ..CHARBON | 1 | 1 | |
| 6 | 67F-81813-00 | ..SPRING, BRUSH ..RESSORT, DE CHARBON | 4 | 4 | |
| 7 | 67F-81820-00 | ..REAR BRACKET ASSY ..SUPPORT ARRIERE COMPLET | 1 | 1 | |
| 8 | 67F-81808-00 | ..PINION ASSY ..PIGNON | 1 | 1 | |
| 9 | 67F-81857-00 | ..PINION STOPPER SET ..BUTEE PIGNON | 1 | 1 | |
| 10 | 67F-81807-00 | ..GEAR ASSY, STARTING MOTOR ..PIGNON, DEMARREUR ELECTRIQUE | 1 | 1 | |
| 11 | 67F-81832-00 | ..CLUTCH, OVER RUN ..EMBAYAGE, ROUE LIBRE | 1 | 1 | |
| 12 | 67F-81836-00 | ..SHAFT, PINION ..AXE, PIGNON | 1 | 1 | |
| 13 | 67F-81821-00 | ..BRACKET, CENTER 1 ..SUPPORT, CENTRE 1 | 1 | 1 | |
| 14 | 67F-81841-00 | ..BEARING ..ROULEMENT | 1 | 1 | |
| 15 | 67F-81891-00 | ..GEAR, RING ..ROUE DENTEE | 1 | 1 | |
| 16 | 67F-8183R-00 | ..GASKET ..JOINT | 1 | 1 | |
| 17 | 67F-81830-00 | ..BRACKET, CENTER 2 ..SUPPORT, CENTRE 2 | 1 | 1 | |
| 18 | 60V-8183T-00 | ..GEAR, IDLER ..PIGNON, INTERMEDIAIRE | 3 | 3 | |
| 19 | 67F-81809-00 | ..WASHER KIT ..JEU DE RONDELLES | 1 | 1 | |
| 20 | 69J-81842-00 | ..COVER ..COUVERCLE | 1 | 1 | |
| 21 | 69J-81839-00 | ..LEVER ASSY ..LEVIER COMPLET | 1 | 1 | |
| 22 | 63P-81941-00 | ..STARTER RELAY ASSY ..LANCEUR RELAIS (ENS.) | 1 | 1 | |
| 23 | 69J-81869-00 | ..COVER, DUST ..COUVERCLE, POUSSIERE | 1 | 1 | |
| 24 | 6K7-81826-11 | ..BOLT ..BOULON | 2 | 2 | |
| 25 | 69J-81828-00 | ..BOLT 2 ..RONDELLE, BUTEE 2 | 2 | 2 | |
| 26 | 67F-81846-00 | ..SCREW ..VIS | 2 | 2 | |
| 27 | 90179-08003 | NUT ECROU | 1 | 1 | |

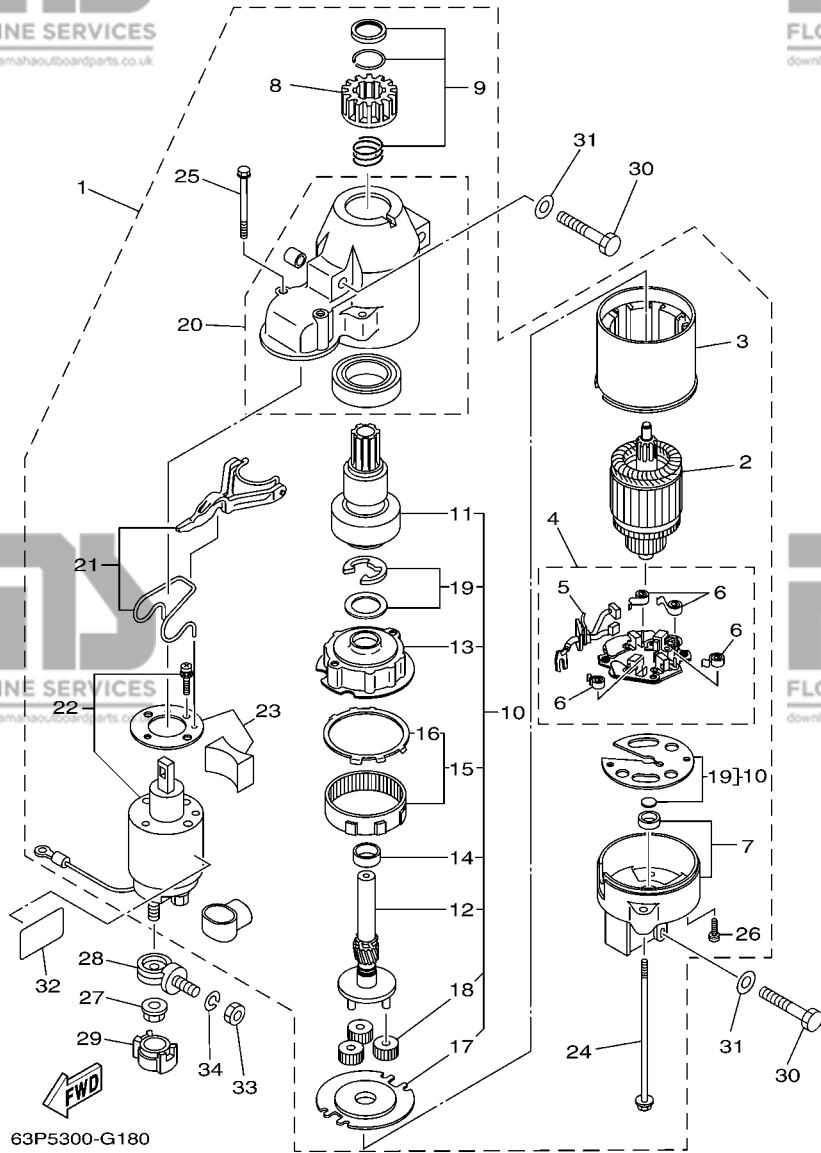
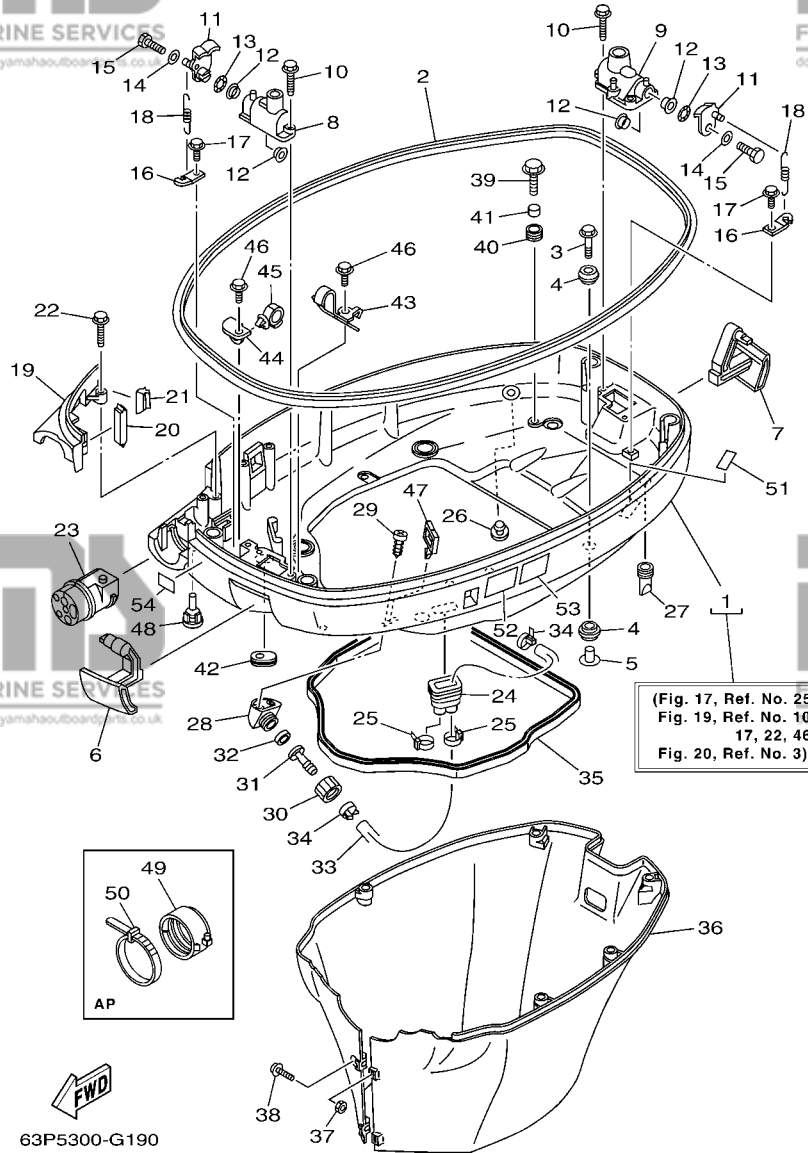


FIG. 18 STARTING MOTOR

DEMARREUR ELECTRIQUE

| REF. NO. | PART NO. N° PIECES | DESCRIPTION DESCRIPTION | 63P6 | 64P6 | REMARKS REMARQUES |
|----------|--------------------|---|------|------|-------------------|
| 28 | 60V-81925-00 | TERMINAL BORNE | 1 | 1 | |
| 29 | 68F-82582-00 | COVER, WIRE HARNESS COUVERCLE, FAISCEAU DE FILS | 1 | 1 | |
| 30 | 97013-08045 | BOLT BOULON | 3 | 3 | |
| 31 | 92903-08600 | WASHER, PLATE RONDELLE, PLATE | 3 | 3 | |
| 32 | 67F-83627-01 | LABEL, CAUTION 7 ETIQUETTE, RECOMMANDATION 7 | 1 | 1 | |
| 33 | 95333-08600 | NUT ECROU | 1 | 1 | |
| 34 | 92903-08100 | WASHER, SPRING RONDELLE, GROWER | 1 | 1 | |

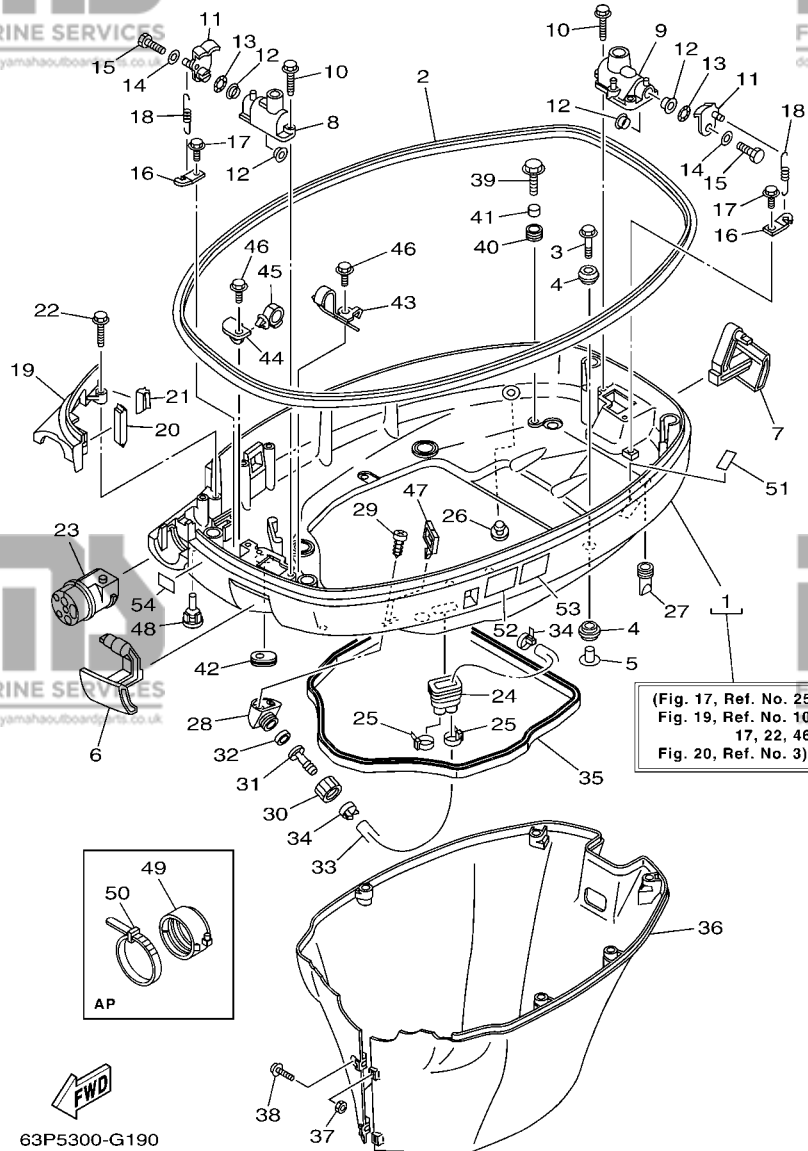


(Fig. 17, Ref. No. 25
Fig. 19, Ref. No. 10,
17, 22, 46
Fig. 20, Ref. No. 3)

FIG. 19 BOTTOM COWLING

CAPOT INFERIEUR

| REF. NO. | PART NO. N° PIECES | DESCRIPTION DESCRIPTION | 63P6 | 64P6 | REMARKS REMARQUES |
|----------|--------------------|--|------|------|-------------------|
| 1 | 63P-42710-01-8D | BOTTOM COWLING ASSY ENS. EMBASE | 1 | 1 | |
| 2 | 63P-42615-00 | SEAL JOINT | 1 | 1 | |
| 3 | 90119-08M22 | BOLT, WITH WASHER BOULON, AVEC RONDELLE | 4 | 4 | |
| 4 | 90480-22M81 | GROMMET PASSE-FIL | 8 | 8 | |
| 5 | 90387-08M37 | COLLAR COLLERETTE | 4 | 4 | |
| 6 | 63P-42815-00-8D | LEVER, CLAMP LEVIER, PRESSE | 1 | 1 | |
| 7 | 63P-42816-00-8D | LEVER, CLAMP LEVIER, PRESSE | 1 | 1 | |
| 8 | 68F-42828-03-8D | PLATE, CLAMP PLAQUE, PRESSE | 1 | 1 | |
| 9 | 63P-42828-00-8D | PLATE, CLAMP PLAQUE, PRESSE | 1 | 1 | |
| 10 | 90109-06M82 | BOLT BOULON | 4 | 4 | |
| 11 | 63P-42818-01 | LEVER, CLAMP LEVIER, PRESSE | 2 | 2 | |
| 12 | 90386-15M73 | BUSH DOUILLE | 4 | 4 | |
| 13 | 90206-15M18 | WASHER, WAVE RONDELLE, ONDULEE | 2 | 2 | |
| 14 | 90201-06068 | WASHER, PLATE RONDELLE, PLATE | 2 | 2 | |
| 15 | 97095-06020 | BOLT BOULON | 2 | 2 | |
| 16 | 64D-43144-00 | HOOK, SPRING CROCHET | 2 | 2 | |
| 17 | 90109-06M86 | BOLT BOULON | 2 | 2 | |
| 18 | 90506-16M34 | SPRING, TENSION RESSORT, TENSION | 2 | 2 | |
| 19 | 63P-42738-00-8D | PLATE, FITTING ETRIER | 1 | 1 | |
| 20 | 63P-42717-00 | RUBBER, SEAL 2 JOINT EN CAOUTCHOUC 2 | 1 | 1 | |
| 21 | 63P-42718-00 | RUBBER, SEAL 3 JOINT | 1 | 1 | |
| 22 | 90109-06M82 | BOLT BOULON | 2 | 2 | |
| 23 | 63P-42725-00 | GROMMET PASSE-FIL | 1 | 1 | |
| 24 | 6H1-42726-21 | GROMMET PASSE-FIL | 1 | 1 | |
| 25 | 90465-11M10 | CLAMP BRIDE | 2 | 2 | |
| 26 | 6P2-44391-00 | NIPPLE, HOSE RACCORD D'ESSENCE | 1 | 1 | |
| 27 | 61A-42717-00 | RUBBER, SEAL 2 JOINT EN CAOUTCHOUC 2 | 4 | 4 | |



(Fig. 17, Ref. No. 25
Fig. 19, Ref. No. 10,
17, 22, 46
Fig. 20, Ref. No. 3)

FIG. 19 BOTTOM COWLING

CAPOT INFERIEUR

| REF. NO. | PART NO. N° PIECES | DESCRIPTION DESCRIPTION | 63P6 | 64P6 | REMARKS REMARQUES |
|----------|--------------------|---|------|------|-------------------|
| 28 | 68T-12572-00 | ADAPTER ADAPTATEUR | 1 | 1 | |
| 29 | 97780-60520 | SCREW, TAPPING VIS, TETE BOMBEE | 2 | 2 | |
| 30 | 6R3-12581-00 | JOINT, HOSE 1 JOINT DE TUYAU | 1 | 1 | |
| 31 | 6R3-12582-00 | JOINT, HOSE 2 RACCORD DE TUYAU 1 | 1 | 1 | |
| 32 | 6R3-12583-00 | GASKET, HOSE JOINT JOINT | 1 | 1 | |
| 33 | 63P-42541-00 | PIPE 1 DURITE 1 | 1 | 1 | |
| 34 | 90465-11M10 | CLAMP BRIDE | 2 | 2 | |
| 35 | 63P-42716-00 | RUBBER, SEAL 1 JOINT EN CAOUTCHOUC 1 | 1 | 1 | |
| 36 | 63P-42741-01-8D | APRON CAPOT LATERAL | 1 | 1 | |
| 37 | 95380-06600 | NUT, HEXAGON ECROU | 2 | 2 | |
| 38 | 90159-06M28 | SCREW, WITH WASHER VIS, AVEC RONDELLE | 2 | 2 | |
| 39 | 90109-06M80 | BOLT BOULON | 4 | 4 | |
| 40 | 90480-13M24 | GROMMET PASSE-FIL | 4 | 4 | |
| 41 | 90387-06M43 | COLLAR COLLERETTE | 4 | 4 | |
| 42 | 61A-42727-00 | GROMMET PASSE-FIL | 1 | 1 | |
| 43 | 63P-42811-01 | STAY SUPPORT | 1 | 1 | |
| 44 | 63P-42756-00 | STAY, CLAMP SUPPORT, COLLIER | 1 | 1 | |
| 45 | 90464-20181 | CLAMP BRIDE | 1 | 1 | |
| 46 | 90109-06M86 | BOLT BOULON | 2 | 2 | |
| 47 | 90464-23199 | CLAMP BRIDE | 1 | 1 | |
| 48 | 6H4-42748-00 | GROMMET PASSE-FIL | 2 | 2 | |
| 49 | 68F-42753-00 | FASTNER ATTACHE | 1 | 1 | AP |
| 50 | 90464-20258 | CLAMP BRIDE | 1 | 1 | AP |
| 51 | 67F-82377-00 | LABEL ETIQUETTE | 1 | 1 | AP |
| 52 | 6AH-42794-40 | LABEL, WARNING (GENERAL) ETIQUETTE, AVERTISSEMENT | 1 | 1 | AP |
| 53 | 6AH-42794-50 | LABEL, WARNING (GENERAL) ETIQUETTE, AVERTISSEMENT | 1 | 1 | AP |
| 54 | 6AH-81996-00 | MARK MARQUE | 1 | 1 | |

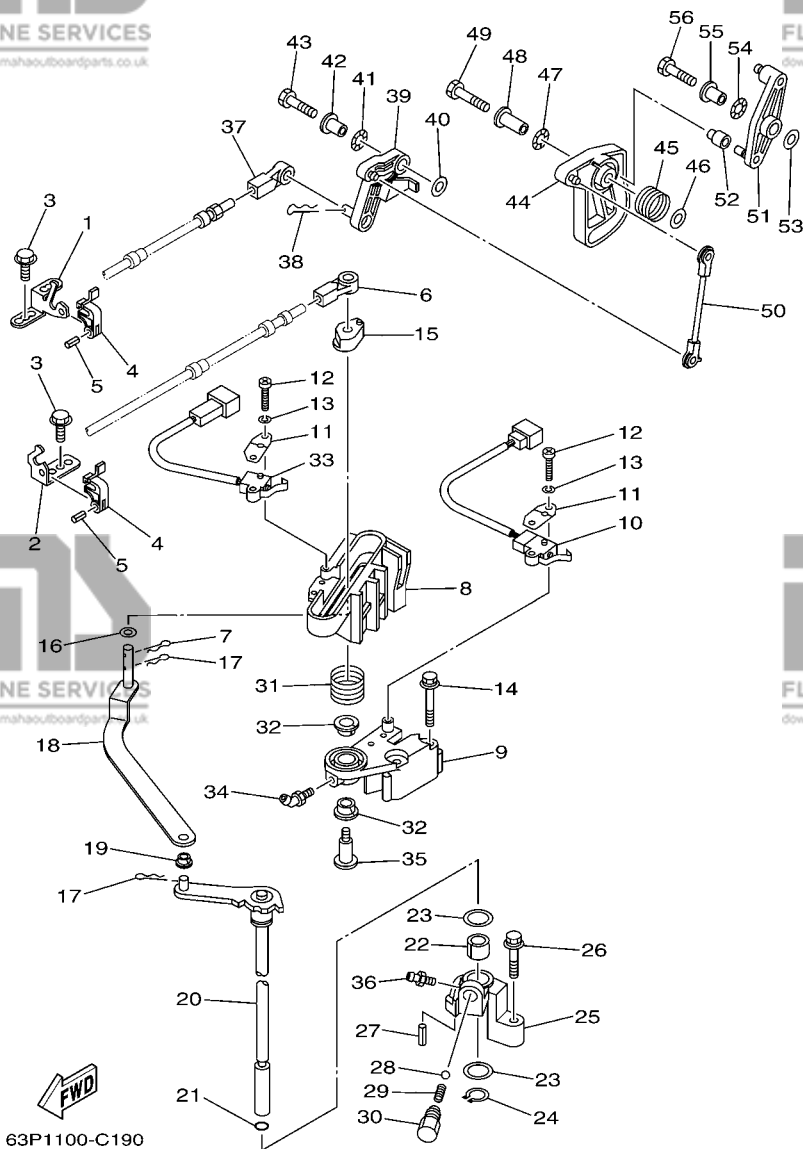


FIG. 20 CONTROL

COMMANDE

| REF. NO. | PART NO. N° PIECES | DESCRIPTION DESCRIPTION | 63P6 | 64P6 | REMARKS REMARQUES |
|----------|--------------------|--|------|------|-------------------|
| 1 | 63P-48531-00 | BRACKET, REMOTE CONTROL 1 ETRIER 1, COMMANDE A DISTANCE | 1 | 1 | |
| 2 | 63P-48532-00 | BRACKET, REMOTE CONTROL 2 ETRIER 2, COMMANDE A DISTANCE | 1 | 1 | |
| 3 | 90109-06M86 | BOLT BOULON | 3 | 3 | |
| 4 | 63P-48538-00 | CLAMP, CABLE 1 COLLIER | 2 | 2 | |
| 5 | 91690-30010 | PIN, SPRING AGRAFFE | 2 | 2 | |
| 6 | 6E5-48344-00 | CABLE END, REMOTE CONTROL CHAPE CABLE | 1 | 1 | |
| 7 | 90468-18008 | CLIP JONC | 1 | 1 | |
| 8 | 63P-44176-00-94 | BRACKET SUPPORT | 1 | 1 | |
| 9 | 63P-44117-00-94 | BRACKET SUPPORT | 1 | 1 | |
| 10 | 69J-8259F-00 | SWITCH ASSY COMMUTATEUR | 1 | 1 | |
| 11 | 61A-82588-01 | PLATE PLAQUE | 2 | 2 | |
| 12 | 97885-04016 | SCREW, PAN HEAD VIS, A ENCOCHE | 4 | 4 | |
| 13 | 92995-04100 | WASHER RONDELLE | 4 | 4 | |
| 14 | 97595-06550 | BOLT, WITH WASHER VIS HEXAGONAL AVC RONDELLE | 2 | 2 | |
| 15 | 63P-44122-00 | BUSHING, SHIFT ROD LEVER DOUILLE, LEVIER D'EMBAYAGE | 1 | 1 | |
| 16 | 90202-08M20 | WASHER, PLATE RONDELLE, PLATE | 1 | 1 | |
| 17 | 90468-18008 | CLIP JONC | 2 | 2 | |
| 18 | 63P-44121-00 | LEVER, SHIFT ROD LEVIER, TIGE D'INVERSION | 1 | 1 | |
| 19 | 90386-06M12 | BUSH DOUILLE | 1 | 1 | |
| 20 | 63P-44120-00 | HANDLE GEAR SHIFT ASSY LEVIER D'EMBAYAGE | 1 | 1 | |
| 21 | 93210-09165 | O-RING JOINT TORIQUE | 1 | 1 | |
| 22 | 90386-16M66 | BUSH DOUILLE | 1 | 1 | |
| 23 | 90202-16061 | WASHER, PLATE RONDELLE, PLATE | 2 | 2 | |
| 24 | 93410-16006 | CIRCLIP CLIPS | 1 | 1 | |
| 25 | 63P-44118-00-94 | BRACKET SUPPORT | 1 | 1 | |
| 26 | 97575-06535 | BOLT, WITH WASHER VIS HEXAGONAL AVC RONDELLE | 1 | 1 | |
| 27 | 91690-30010 | PIN, SPRING AGRAFFE | 1 | 1 | |

63P1100-C190

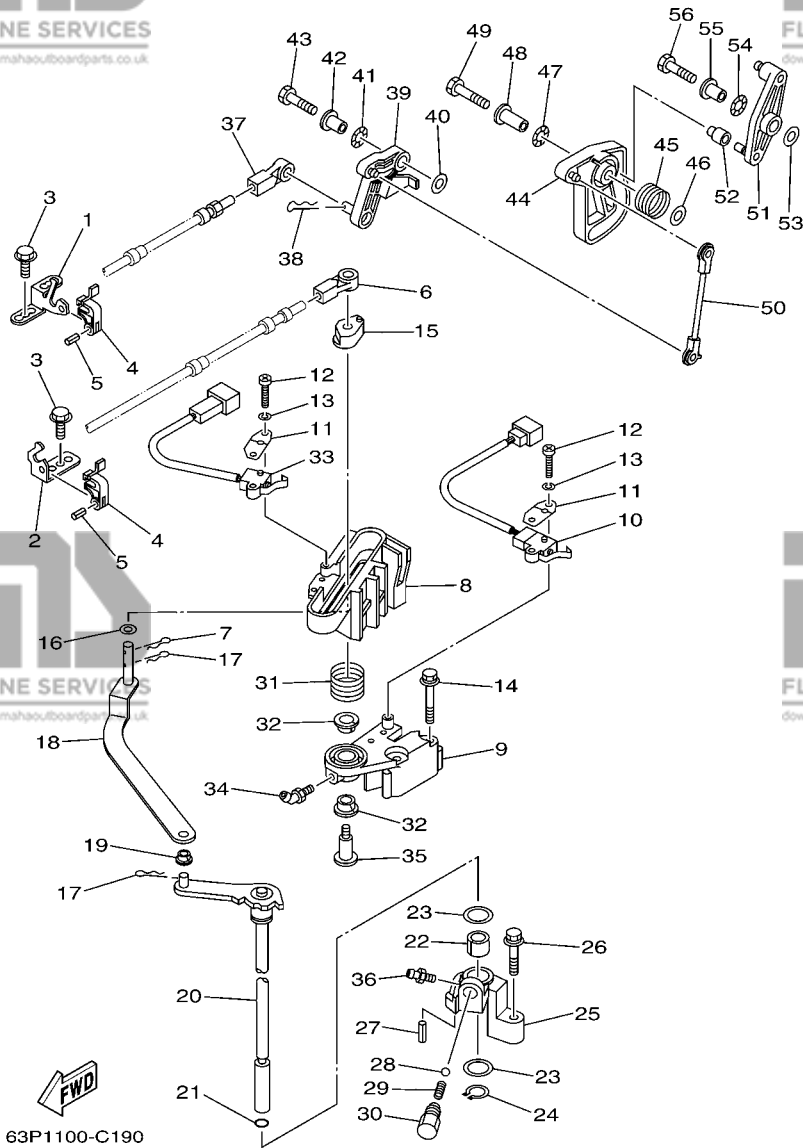


FIG. 20 CONTROL

COMMANDE

| REF. NO. | PART NO. N° PIECES | DESCRIPTION DESCRIPTION | 63P6 | 64P6 | REMARKS REMARQUES |
|----------|--------------------|--|------|------|-------------------|
| 28 | 93501-04M02 | BALL BILLE | 1 | 1 | |
| 29 | 90501-12082 | SPRING, COMPRESSION RESSORT, COMPRESSION | 1 | 1 | |
| 30 | 648-42715-00 | BUSHING COUSSINET | 1 | 1 | |
| 31 | 90508-20M31 | SPRING, TORSION RESSORT, TORSION | 1 | 1 | |
| 32 | 90386-12069 | BUSH DOUILLE | 2 | 2 | |
| 33 | 60V-8259F-00 | SWITCH ASSY COMMUTATEUR | 1 | 1 | |
| 34 | 93700-06M01 | NIPPLE, GREASE PION | 1 | 1 | |
| 35 | 90109-08019 | BOLT BOULON | 1 | 1 | |
| 36 | 93700-06M03 | NIPPLE, GREASE PION | 1 | 1 | |
| 37 | 6E5-48344-00 | CABLE END, REMOTE CONTROL CHAPE CABLE | 1 | 1 | |
| 38 | 90468-18008 | CLIP JONC | 1 | 1 | |
| 39 | 63P-42154-00 | LEVER, THROTTLE CONTROL LEVIER DE COMMANDE D'AVANCE | 1 | 1 | |
| 40 | 90201-06M31 | WASHER, PLATE RONDELLE, PLATE | 1 | 1 | |
| 41 | 90206-10M04 | WASHER, WAVE RONDELLE, ONDULEE | 1 | 1 | |
| 42 | 90387-06M29 | COLLAR COLLERETTE | 1 | 1 | |
| 43 | 97095-06025 | BOLT BOULON | 1 | 1 | |
| 44 | 63P-41213-00 | CAM, ACCEL. CAME, ACCELERATION | 1 | 1 | |
| 45 | 69J-44135-00 | SPRING RESSORT | 1 | 1 | |
| 46 | 90201-06M31 | WASHER, PLATE RONDELLE, PLATE | 1 | 1 | |
| 47 | 90206-10M04 | WASHER, WAVE RONDELLE, ONDULEE | 1 | 1 | |
| 48 | 90387-06M82 | COLLAR COLLERETTE | 1 | 1 | |
| 49 | 97095-06035 | BOLT BOULON | 1 | 1 | |
| 50 | 63P-41237-00 | JOINT, LINK RACCORD | 1 | 1 | |
| 51 | 63P-42157-00 | LEVER, THROTTLE LEVIER DE AVANCE | 1 | 1 | |
| 52 | 68V-42171-00 | BUSHING COUSSINET | 1 | 1 | |
| 53 | 90201-06M31 | WASHER, PLATE RONDELLE, PLATE | 1 | 1 | |
| 54 | 90206-10M04 | WASHER, WAVE RONDELLE, ONDULEE | 1 | 1 | |

FIG. 20 CONTROL

COMMANDE

| REF. NO. | PART NO. N° PIECES | DESCRIPTION DESCRIPTION | 63P6 | 64P6 | REMARKS REMARQUES |
|----------|--------------------|-------------------------|------|------|-------------------|
| 55 | 90387-06M29 | COLLAR COLLERETTE | 1 | 1 | |
| 56 | 97095-06025 | BOLT BOULON | 1 | 1 | |
| <hr/> | | | | | |
| <hr/> | | | | | |
| <hr/> | | | | | |
| <hr/> | | | | | |
| <hr/> | | | | | |
| <hr/> | | | | | |
| <hr/> | | | | | |
| <hr/> | | | | | |
| <hr/> | | | | | |
| <hr/> | | | | | |
| <hr/> | | | | | |
| <hr/> | | | | | |
| <hr/> | | | | | |
| <hr/> | | | | | |

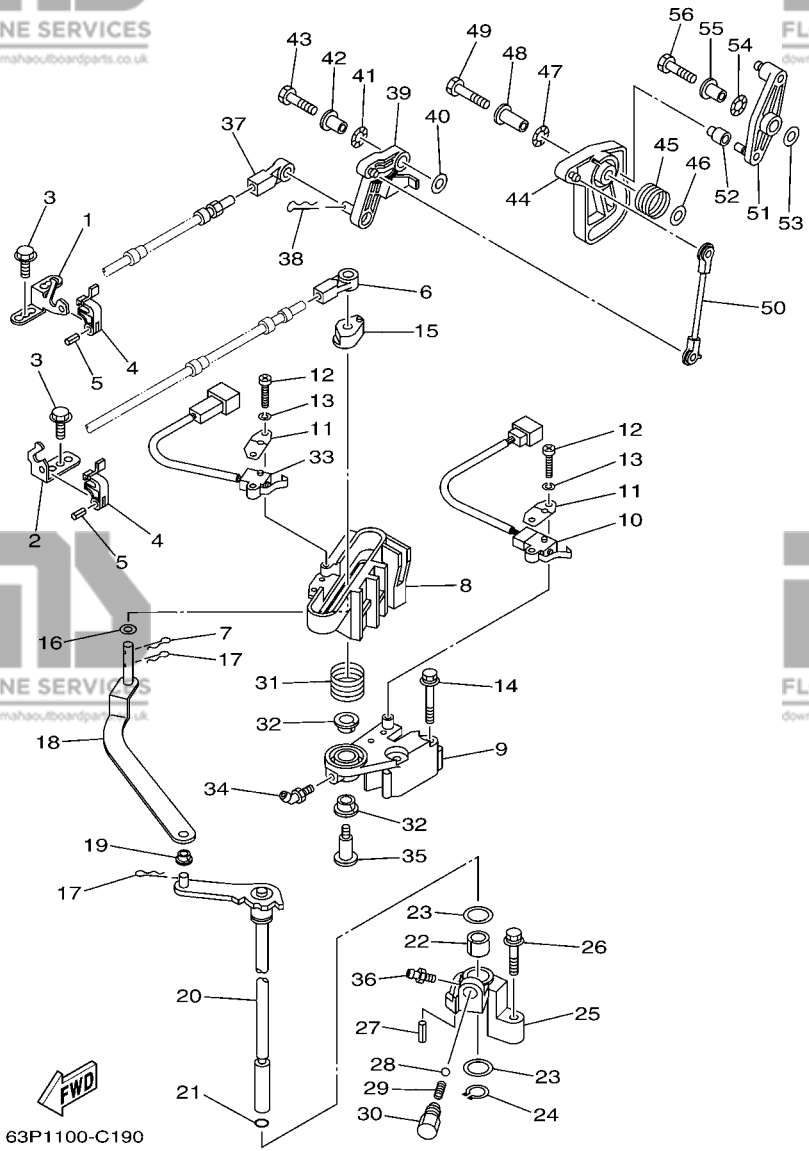
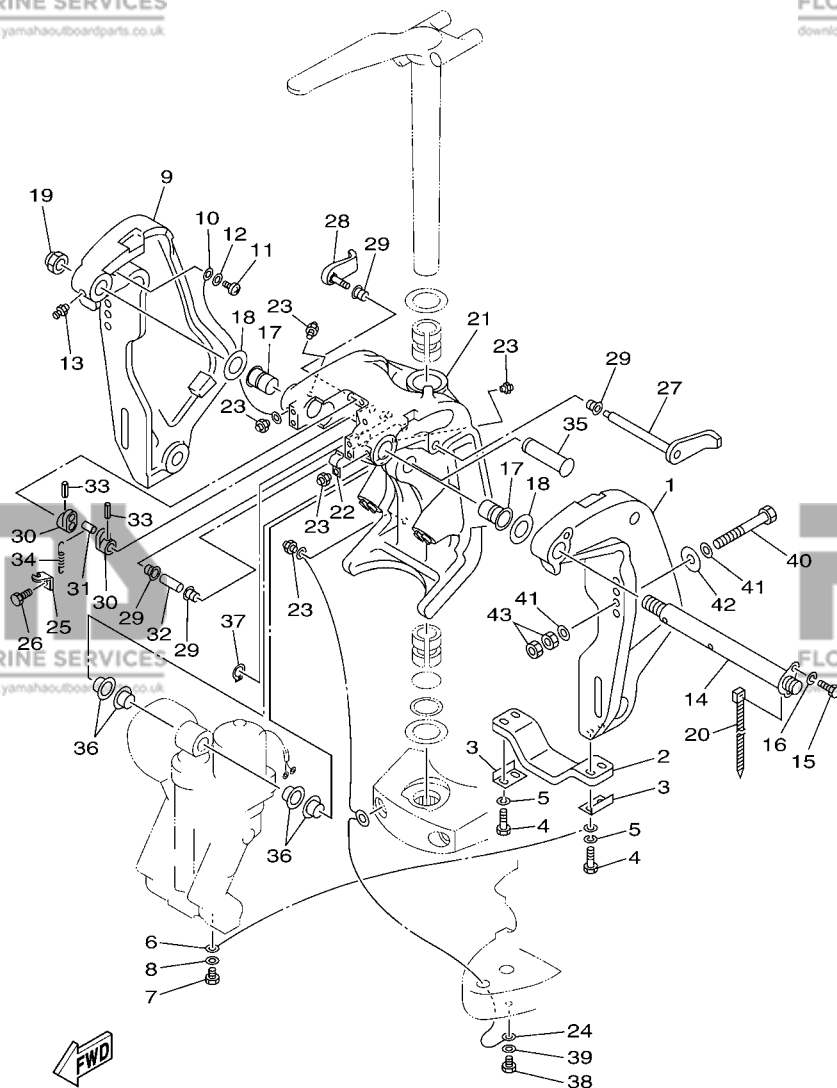


FIG. 21 BRACKET 1

SUPPORT 1



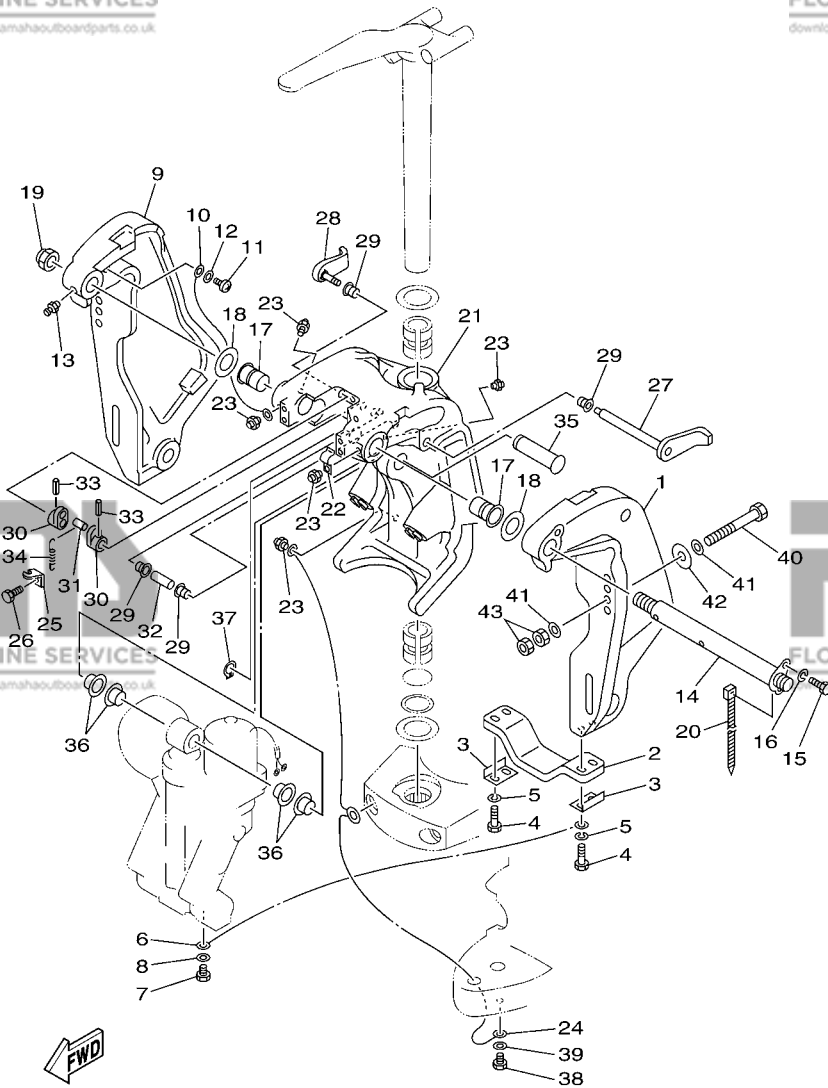
63P2110-D200

| REF. NO. | PART NO. N° PIECES | DESCRIPTION DESCRIPTION | 63P6 | 64P6 | REMARKS REMARQUES |
|----------|--------------------|--|------|------|-------------------|
| 1 | 64E-43111-02-8D | BRACKET, CLAMP 1 PRESSE 1 | 1 | 1 | |
| 2 | 6G5-45251-02 | ANODE ANODE | 1 | 1 | |
| 3 | 6G5-44526-00 | PLATE PLAQUE | 2 | 2 | |
| 4 | 97095-06030 | BOLT BOULON | 4 | 4 | |
| 5 | 92995-06100 | WASHER, SPRING RONDELLE, GROWER | 4 | 4 | |
| 6 | 6E5-82148-00 | WIRE, LEAD 4 FIL 4 | 1 | 1 | |
| 7 | 97095-06010 | BOLT BOULON | 1 | 1 | |
| 8 | 92995-06600 | WASHER RONDELLE | 1 | 1 | |
| 9 | 64E-43112-02-8D | BRACKET, CLAMP 2 PRESSE 2 | 1 | 1 | |
| 10 | 6E5-82148-00 | WIRE, LEAD 4 FIL 4 | 1 | 1 | |
| 11 | 97885-06012 | SCREW, PAN HEAD VIS, A ENCOCHE | 1 | 1 | |
| 12 | 92995-06600 | WASHER RONDELLE | 1 | 1 | |
| 13 | 93700-06M03 | NIPPLE, GREASE PION | 1 | 1 | |
| 14 | 64E-43131-10 | BOLT, CLAMP BRACKET BOULON, PRESSE | 1 | 1 | |
| 15 | 97095-08020 | BOLT BOULON | 1 | 1 | |
| 16 | 92995-08100 | WASHER RONDELLE | 1 | 1 | |
| 17 | 90386-25M31 | BUSH DOUILLE | 2 | 2 | |
| 18 | 90201-26M59 | WASHER, PLATE RONDELLE, PLATE | 2 | 2 | |
| 19 | 90185-22007 | NUT, SELF-LOCKING ECROU, AUTO-BLOQUANT | 1 | 1 | |
| 20 | 90465-11M10 | CLAMP BRIDE | 1 | 1 | |
| 21 | 64E-43311-10-8D | BRACKET, SWIVEL 1 SUPPORT, PIVOT 1 | 1 | 1 | |
| 22 | 90465-08M63 | CLAMP BRIDE | 1 | 1 | |
| 23 | 93700-06M03 | NIPPLE, GREASE PION | 5 | 5 | |
| 24 | 66K-82149-00 | WIRE, LEAD 3 FIL 3 | 1 | 1 | |
| 25 | 6G5-43144-00 | HOOK, SPRING CROCHET | 1 | 1 | |
| 26 | 97095-06010 | BOLT BOULON | 1 | 1 | |
| 27 | 6G5-43181-10 | LEVER, TILT STOP LEVIER, VERROUILLAGE RELEVAGE | 1 | 1 | |

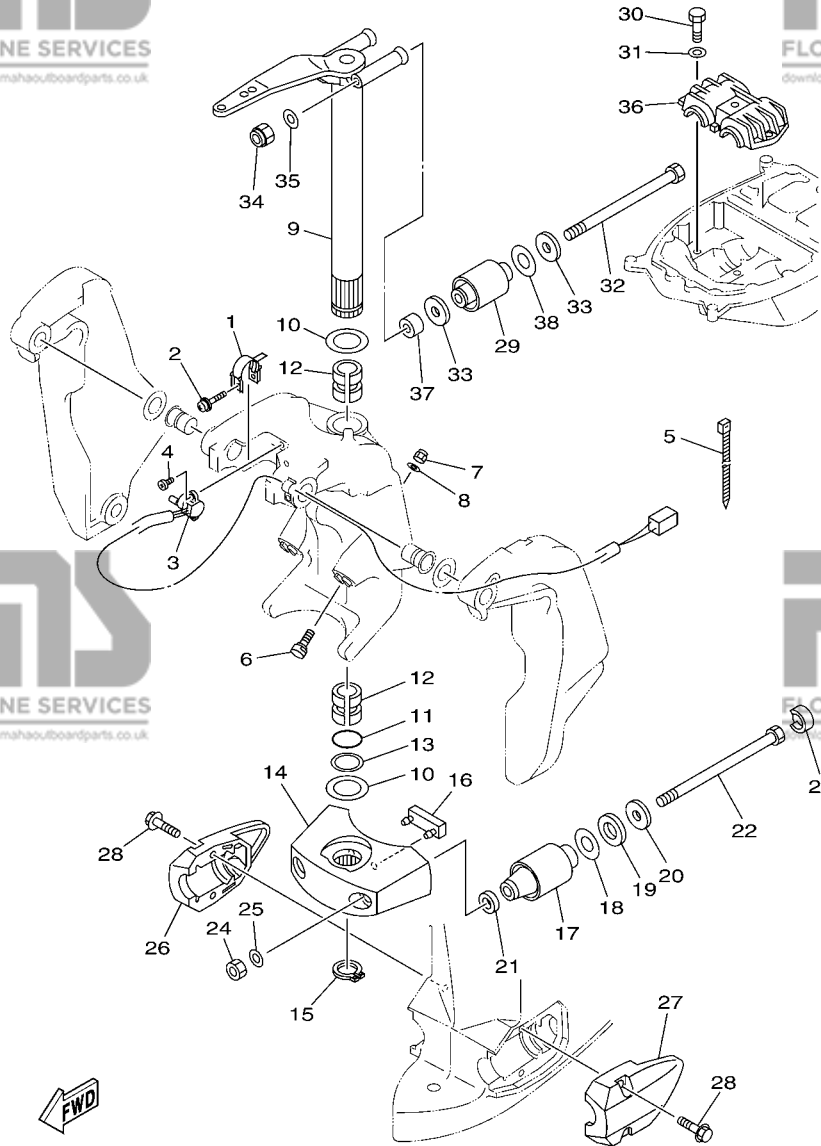
FIG. 21 BRACKET 1

SUPPORT 1

| REF. NO. | PART NO. N° PIECES | DESCRIPTION DESCRIPTION | 63P6 | 64P6 | REMARKS REMARQUES |
|----------|--------------------|--|------|------|-------------------|
| 28 | 6G5-43185-10 | LEVER, TILT STOP LEVIER, VERROUILLAGE RELEVAGE | 1 | 1 | |
| 29 | 90386-10M16 | BUSH DOUILLE | 4 | 4 | |
| 30 | 6G5-43148-00 | COLLAR, DISTANCE ENTRETOISE | 2 | 2 | |
| 31 | 90249-06M19 | PIN GOUPILLE | 1 | 1 | |
| 32 | 90387-10M05 | COLLAR COLLERETTE | 1 | 1 | |
| 33 | 91690-30020 | PIN, SPRING AGRAFFE | 2 | 2 | |
| 34 | 90506-16003 | SPRING, TENSION RESSORT, TENSION | 1 | 1 | |
| 35 | 64E-43126-00 | PIN, UPPER SHOCK MOUNT AXE, SUPERIEUR AMORTISSEUR | 1 | 1 | |
| 36 | 90386-22M98 | BUSH DOUILLE | 4 | 4 | |
| 37 | 93410-22M11 | CIRCLIP CLIPS | 1 | 1 | |
| 38 | 97095-06010 | BOLT BOULON | 1 | 1 | |
| 39 | 92995-06600 | WASHER RONDELLE | 1 | 1 | |
| 40 | 90101-12M05 | BOLT (L:130MM) BOULON (L:130MM) | 4 | 4 | |
| 41 | 90201-13M01 | WASHER, PLATE RONDELLE, PLATE | 8 | 8 | |
| 42 | 90201-12M05 | WASHER, PLATE RONDELLE, PLATE | 4 | 4 | |
| 43 | 95380-12600 | NUT ECROU | 8 | 8 | |



63P2110-D200

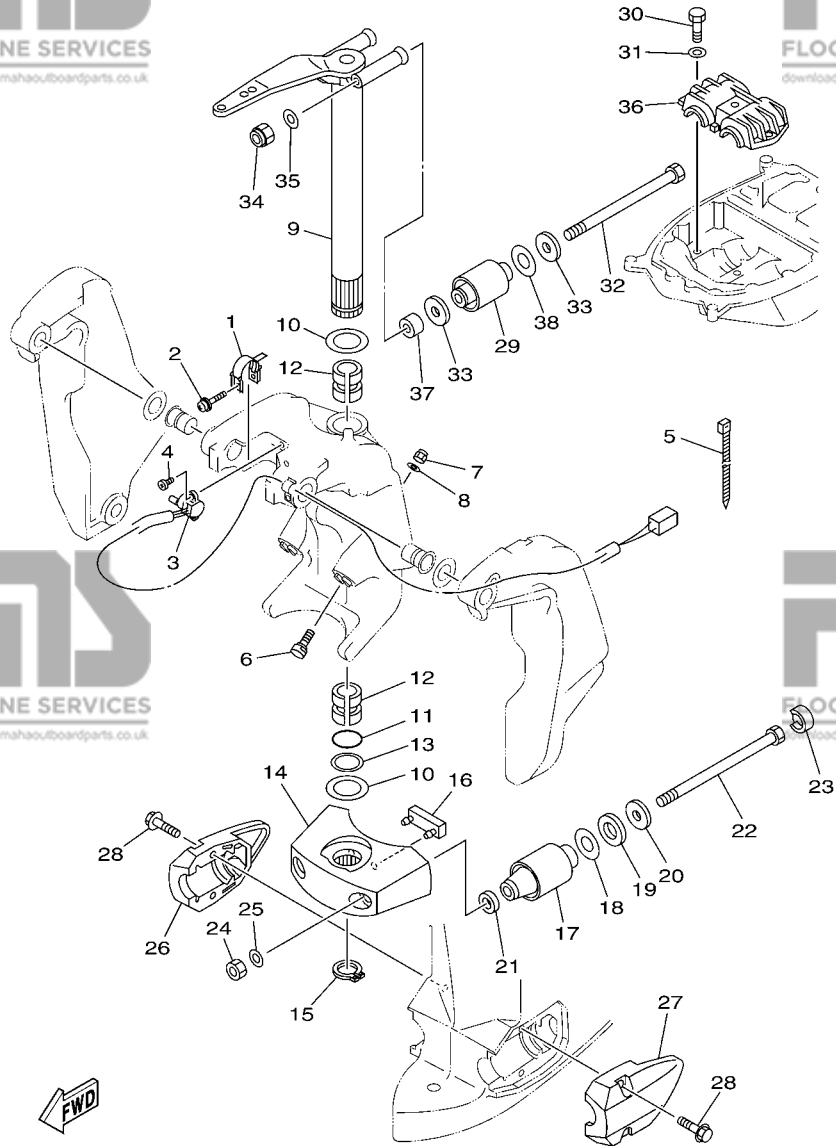


63P6110-H220

FIG. 22 BRACKET 2

SUPPORT 2

| REF. NO. | PART NO. N° PIECES | DESCRIPTION DESCRIPTION | 63P6 | 64P6 | REMARKS REMARQUES |
|----------|--------------------|--|------|------|----------------------------------|
| 1 | 64E-43139-10 | CAM, TRIM SENDER VILEBREQUIN TRUM | 1 | 1 | |
| 2 | 90159-05059 | SCREW, WITH WASHER VIS, AVEC RONDELLE | 1 | 1 | |
| 3 | 67H-83672-00 | TRIM SENDER INCLINER RACCORD | 1 | 1 | |
| 4 | 97885-06016 | SCREW, PAN HEAD VIS, A ENCOCHE | 2 | 2 | |
| 5 | 90465-11M10 | CLAMP BRIDE | 3 | 3 | |
| 6 | 63P-43376-00 | BOLT, THRUST RECEIVER BOULON | 2 | 2 | |
| 7 | 95780-10300 | NUT, FLANGE ECROU | 2 | 2 | |
| 8 | 92995-10600 | WASHER RONDELLE | 2 | 2 | |
| 9 | 66K-42510-02-8D | STEERING BRACKET ASSY DIRECTION SUPPORT (ENS.) | 1 | 1 | |
| 10 | 90201-38M60 | WASHER, PLATE RONDELLE, PLATE | 2 | 2 | |
| 11 | 93210-37MH7 | O-RING JOINT TORIQUE | 1 | 1 | |
| 12 | 90386-38M32 | BUSH DOUILLE | 2 | 2 | |
| 13 | 90202-40M47 | WASHER, PLATE RONDELLE, PLATE | 1 | 1 | |
| 14 | 68V-44551-00-8D | HOUSING, LOWER MOUNT RUBBER BOITIER, SILENT-BLOC INFERIEUR | 1 | 1 | |
| 15 | 93410-37M04 | CIRCLIP CLIPS | 1 | 1 | |
| 16 | 61A-44575-00 | DAMPER, LOWER MOUNT RUBBER SILENT-BLOC, INFERIEUR | 1 | 1 | |
| 17 | 60V-44555-00-94 | MOUNT DAMPER, LOWER SIDE SILENT-BLOC, INFERIEUR LATERAL | 2 | 2 | L(20.3") |
| | 63P-44555-00-94 | MOUNT DAMPER, LOWER SIDE SILENT-BLOC, INFERIEUR LATERAL | 2 | 2 | L(20.3") X(25.3") X(25.3") |
| 18 | 90201-35008 | WASHER, PLATE RONDELLE, PLATE | 2 | 2 | |
| 19 | 90202-32M19 | WASHER, PLATE RONDELLE, PLATE | 2 | 2 | |
| 20 | 90201-16M55 | WASHER, PLATE RONDELLE, PLATE | 2 | 2 | |
| 21 | 90201-15M58 | WASHER, PLATE RONDELLE, PLATE | 2 | 2 | |
| 22 | 90109-14007 | BOLT BOULON | 2 | 2 | |
| 23 | 69J-44533-00 | DAMPER, UPPER MOUNT RUBBER COUVERCLE, SUSPENSION INFERIEUR | 2 | 2 | |
| 24 | 95380-14600 | NUT ECROU | 2 | 2 | |
| 25 | 92995-14600 | WASHER RONDELLE | 2 | 2 | |
| 26 | 63P-44553-00-8D | COVER, LOWER MOUNT COUVERCLE, SUSPENSION INFERIEUR | 1 | 1 | |



63P6110-H220

FIG. 22 BRACKET 2

SUPPORT 2

| REF. NO. | PART NO. N° PIECES | DESCRIPTION DESCRIPTION | 63P6 | | REMARKS REMARQUES |
|----------|--------------------|--|------|------|-------------------|
| | | | 63P6 | 64P6 | |
| 27 | 63P-44556-00-8D | COVER, LOWER MOUNT 2 COUVERCLE, SUSPENSION INFERIEU | 1 | 1 | |
| 28 | 90119-10049 | BOLT, WITH WASHER BOULON, AVEC RONDELLE | 4 | 4 | |
| 29 | 63P-44514-00-94 | MOUNT DAMPER, UPPER SIDE SILENT-BLOC, SUPERIEUR LATERAL | 2 | 2 | |
| 30 | 97075-10045 | BOLT BOULON | 3 | 3 | |
| 31 | 92995-10600 | WASHER RONDELLE | 3 | 3 | |
| 32 | 90109-14005 | BOLT BOULON | 2 | 2 | |
| 33 | 90201-16M01 | WASHER, PLATE RONDELLE, PLATE | 4 | 4 | |
| 34 | 90185-14M00 | NUT, SELF-LOCKING ECROU, AUTO-BLOQUANT | 2 | 2 | |
| 35 | 92995-14600 | WASHER RONDELLE | 2 | 2 | |
| 36 | 63P-44511-00-94 | COVER, UPPER MOUNT COUVERCLE, SUSPENSION SUPERIEU | 1 | 1 | |
| 37 | 90387-14004 | COLLAR COLLERETTE | 2 | 2 | |
| 38 | 90202-28001 | WASHER, PLATE RONDELLE, PLATE | 2 | 2 | |

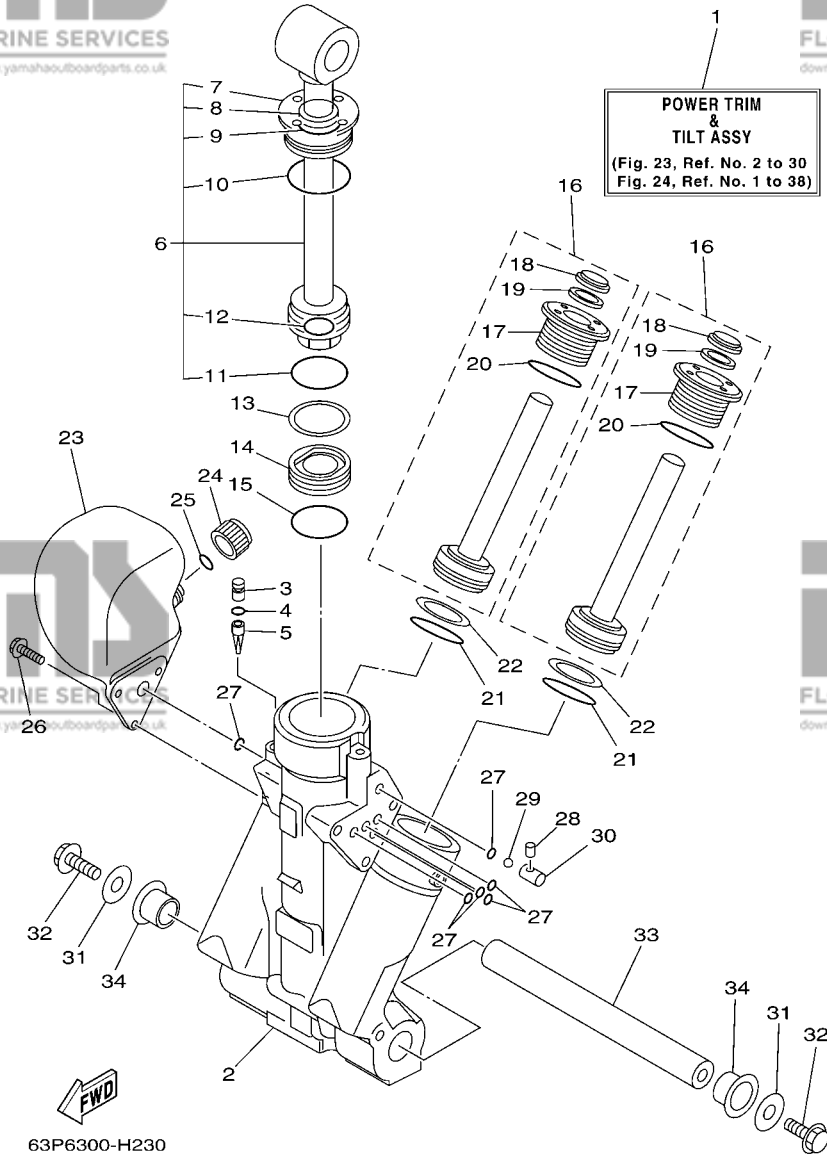


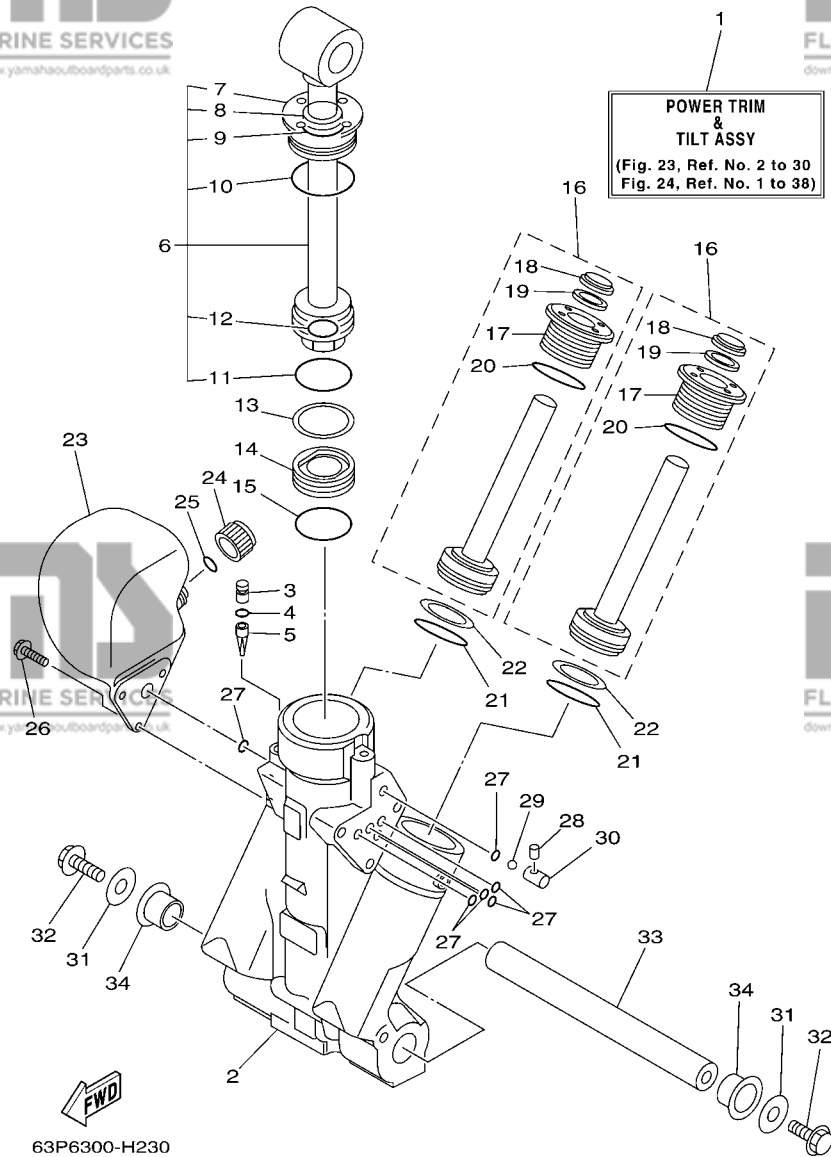
FIG. 23 POWER TRIM & TILT ASSY 1

PUISSANCE PARER ET INCLINER 1

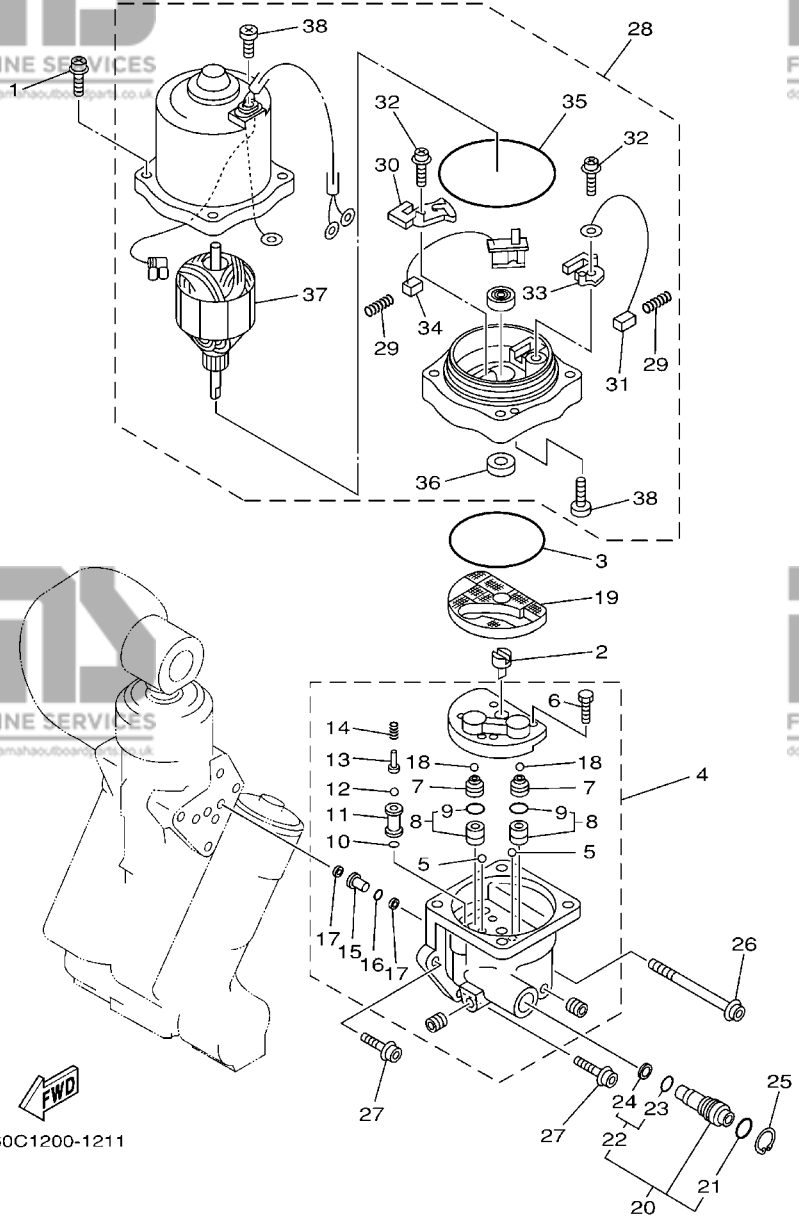
| REF. NO. | PART NO. N° PIECES | DESCRIPTION DESCRIPTION | 63P6 | 64P6 | REMARKS REMARQUES |
|----------|--------------------|--|------|------|-------------------|
| 1 | 63P-43800-02-8D | POWER TRIM & TILT ASSY PUISSANCE PARER ET INCLINER (E | 1 | 1 | |
| 2 | 64E-43825-02 | HOUSING, TRIM & TILT CARTER | 1 | 1 | |
| 3 | 64E-4388J-00 | PLUG 2 BOUCHON 2 | 1 | 1 | |
| 4 | 93210-10M74 | O-RING JOINT TORIQUE | 1 | 1 | |
| 5 | 64E-43817-00 | FILTER 2 FILTRE 2 | 1 | 1 | |
| 6 | 63P-43810-01 | TILT PISTON SUB ASSY INCLINER PISTON AUXILIAIRE(ENS | 1 | 1 | |
| 7 | 64E-43811-01 | .SCREW, CYLINDER END .VIS, CYLINDRE RACCORD | 1 | 1 | |
| 8 | 64E-43898-00 | .SEAL ,DUST 2 .JOINT ANTI-PUSSIERE | 1 | 1 | |
| 9 | 64E-43867-00 | .O-RING .JOINT TORIQUE | 1 | 1 | |
| 10 | 64E-43866-00 | .O-RING .JOINT TORIQUE | 1 | 1 | |
| 11 | 6E5-43862-00 | .O-RING .JOINT TORIQUE | 1 | 1 | |
| 12 | 64E-43883-00 | .O-RING .JOINT TORIQUE | 1 | 1 | |
| 13 | 6E5-43872-00 | RING, BACK UP RESSORT | 1 | 1 | |
| 14 | 6E5-43814-02 | PISTON, FREE PISTON | 1 | 1 | |
| 15 | 6E5-43862-00 | O-RING JOINT TORIQUE | 1 | 1 | |
| 16 | 64E-43820-01 | TRIM PISTON SUB ASSY PARER PISTON AUXILIAIRE (ENS.) | 2 | 2 | |
| 17 | 64E-43821-01 | .SCREW, TRIM CYLINDER END .VIS | 1 | 1 | |
| 18 | 64E-43822-00 | .SEAL, TRIM DUST .JOINT | 1 | 1 | |
| 19 | 64E-4384J-00 | .SEAL, TRIM DOWN .JOINT | 1 | 1 | |
| 20 | 6G5-43864-00 | .O-RING .JOINT TORIQUE | 1 | 1 | |
| 21 | 6E5-43864-00 | O-RING JOINT TORIQUE | 2 | 2 | |
| 22 | 6E5-43874-01 | RING, BACK UP RESSORT | 2 | 2 | |
| 23 | 64E-43828-00 | BODY, RESERVOIR CORPS | 1 | 1 | |
| 24 | 64E-43829-00 | PLUG, RESERVOIR BOUCHON | 1 | 1 | |
| 25 | 64E-43897-00 | O-RING JOINT TORIQUE | 1 | 1 | |
| 26 | 64E-4388E-00 | BOLT ,SCREW (L:14MM) VIS (L:14MM) | 3 | 3 | |
| 27 | 64E-43869-00 | O-RING JOINT TORIQUE | 6 | 6 | |

FIG. 23 POWER TRIM & TILT ASSY 1

PUISSANCE PARER ET INCLINER 1



| REF. NO. | PART NO. N° PIECES | DESCRIPTION DESCRIPTION | 63P6 | 64P6 | REMARKS REMARQUES |
|----------|--------------------|--|------|------|-------------------|
| 28 | 64E-4381G-00 | PIN COUPELL | 1 | 1 | |
| 29 | 6E5-43858-00 | BALL BILLE | 1 | 1 | |
| 30 | 64E-4382G-00 | VALVE, SEAT JEU DE POINTEAUX | 1 | 1 | |
| 31 | 90201-10060 | WASHER, PLATE RONDELLE, PLATE | 2 | 2 | |
| 32 | 97575-10530 | BOLT, WITH WASHER VIS HEXAGONAL AVEC RONDELLE | 2 | 2 | |
| 33 | 6BC-43818-00 | PIN, LOWER SHOCK MOUNT AXE, INFERIEUR AMORTISSEUR | 1 | 1 | |
| 34 | 90386-22M98 | BUSH DOUILLE | 2 | 2 | |



60C1200-1211

FIG. 24 POWER TRIM & TILT ASSY 2

PUISSANCE PARER ET INCLINER 2

| REF. NO. | PART NO. N° PIECES | DESCRIPTION DESCRIPTION | 63P6 | 64P6 | REMARKS REMARQUES |
|----------|--------------------|---|------|------|-------------------|
| 1 | 64E-4388E-10 | BOLT ,SCREW (L:34.7MM) VIS (L:34.7MM) | 4 | 4 | |
| 2 | 64E-43831-00 | CONNECTOR, SHAFT RACCORD | 1 | 1 | |
| 3 | 64E-43868-00 | O-RING JOINT TORIQUE | 1 | 1 | |
| 4 | 64E-43830-00 | GEAR PUMP ASSY POMPE A PIGNON (ENS.) | 1 | 1 | |
| 5 | 72X-43858-00 | .BALL .BILLE | 2 | 2 | |
| 6 | 64E-43843-00 | .SCREW, VALVE LOCK .VIS | 4 | 4 | |
| 7 | 64E-43841-00 | .PISTON, SHUTTLE .PISTON | 2 | 2 | |
| 8 | 64E-43802-00 | .VALVE SUB ASSY .CLAPET AUXILIAIRE (ENS.) | 2 | 2 | |
| 9 | 6E5-43896-00 | ..O-RING ..JOINT TORIQUE | 1 | 1 | |
| 10 | 6G5-43863-00 | O-RING JOINT TORIQUE | 1 | 1 | |
| 11 | 64E-43851-00 | .SEAT, RELIEF VALVE .SIEGE | 1 | 1 | |
| 12 | 64E-43858-00 | .BALL .BILLE | 1 | 1 | |
| 13 | 64E-43859-00 | .PIN, VALVE SUPPORT .GOUPILLE | 1 | 1 | |
| 14 | 64E-43855-00 | .SPRING, UP RELIEF .RESSORT | 1 | 1 | |
| 15 | 64E-43850-00 | .VALVE SUB ASSY .CLAPET AUXILIAIRE (ENS.) | 1 | 1 | |
| 16 | 64E-43865-00 | .O-RING JOINT TORIQUE | 1 | 1 | |
| 17 | 64E-43816-00 | .FILTER 1 .FILTRE 1 | 2 | 2 | |
| 18 | 64E-43858-00 | .BALL .BILLE | 2 | 2 | |
| 19 | 64E-43817-10 | FILTER 2 FILTRE 2 | 1 | 1 | |
| 20 | 64E-43860-00 | MANUAL VALVE SUB-ASSY SOUPAPE, MANUEL (ENS.) | 1 | 1 | |
| 21 | 72X-85075-L0 | .O-RING JOINT TORIQUE | 1 | 1 | |
| 22 | 64E-43827-00 | .RING SET .BILLE | 1 | 1 | |
| 23 | 64E-4387A-00 | ..O-RING ..JOINT TORIQUE | 1 | 1 | |
| 24 | 64E-43873-00 | ..RING, BACK UP ..RESSORT | 1 | 1 | |
| 25 | 64E-43875-00 | RING, SNAP RESSORT | 1 | 1 | |
| 26 | 64E-43879-10 | SCREW, WITH WASHER VIS, AVEC RONDELLE | 1 | 1 | |
| 27 | 64E-43879-00 | SCREW, WITH WASHER VIS, AVEC RONDELLE | 2 | 2 | |

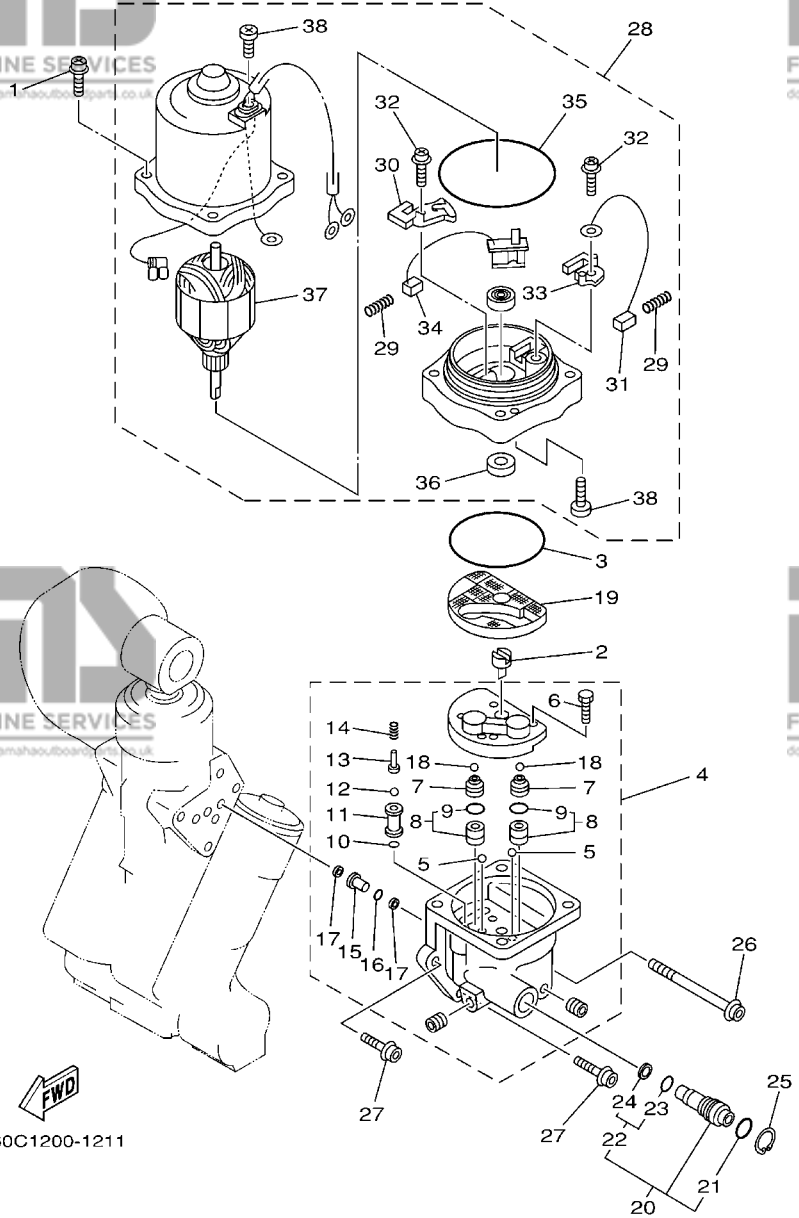
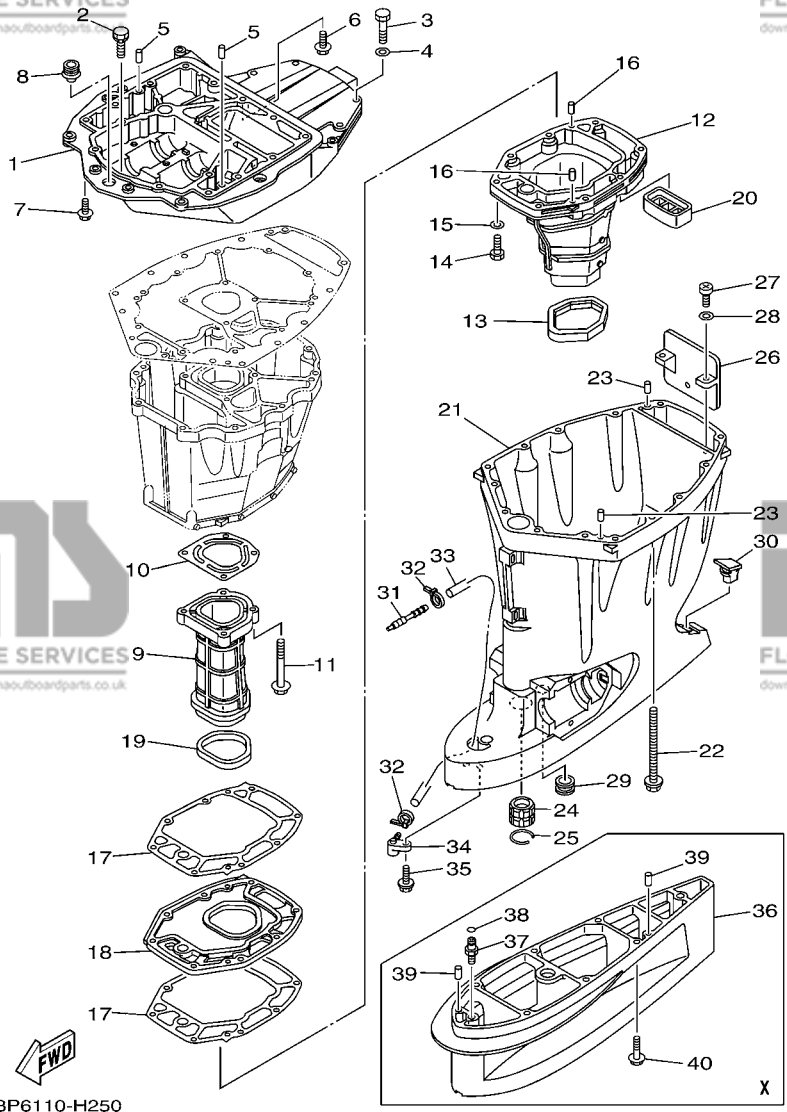


FIG. 24 POWER TRIM & TILT ASSY 2

PUISSANCE PARER ET INCLINER 2

| REF. NO. | PART NO. N° PIECES | DESCRIPTION DESCRIPTION | 63P6 | 64P6 | REMARKS REMARQUES |
|----------|--------------------|---------------------------------------|------|------|-------------------|
| 28 | 67H-43880-02 | MOTOR ASSY MOTEUR (ENS.) | 1 | 1 | |
| 29 | 6H1-4386K-10 | .SPRING, BRUSH .RESSORT, BALAI | 2 | 2 | |
| 30 | 64E-4380J-00 | .HOLDER, BRUSH .PORTE-BALAI | 1 | 1 | |
| 31 | 64E-43891-00 | .BRUSH 1 .BALAI 1 | 1 | 1 | |
| 32 | 97607-04310 | .SCREW, WITH WASHER .VIS HEXAGONAL | 2 | 2 | |
| 33 | 64E-4380F-00 | .HOLDER, BRUSH 2 .PORTE-BALAI 2 | 1 | 1 | |
| 34 | 64E-43892-00 | .BRUSH 2 .BALAI 2 | 1 | 1 | |
| 35 | 6G5-43865-00 | .O-RING .JOINT TORIQUE | 1 | 1 | |
| 36 | 93102-08M43 | .OIL SEAL .JOINT SPY | 1 | 1 | |
| 37 | 64E-43805-00 | .ARMATURE ASSY .INDUIT (ENS.) | 1 | 1 | |
| 38 | 64E-43843-10 | .SCREW, VALVE LOCK .VIS | 3 | 3 | |

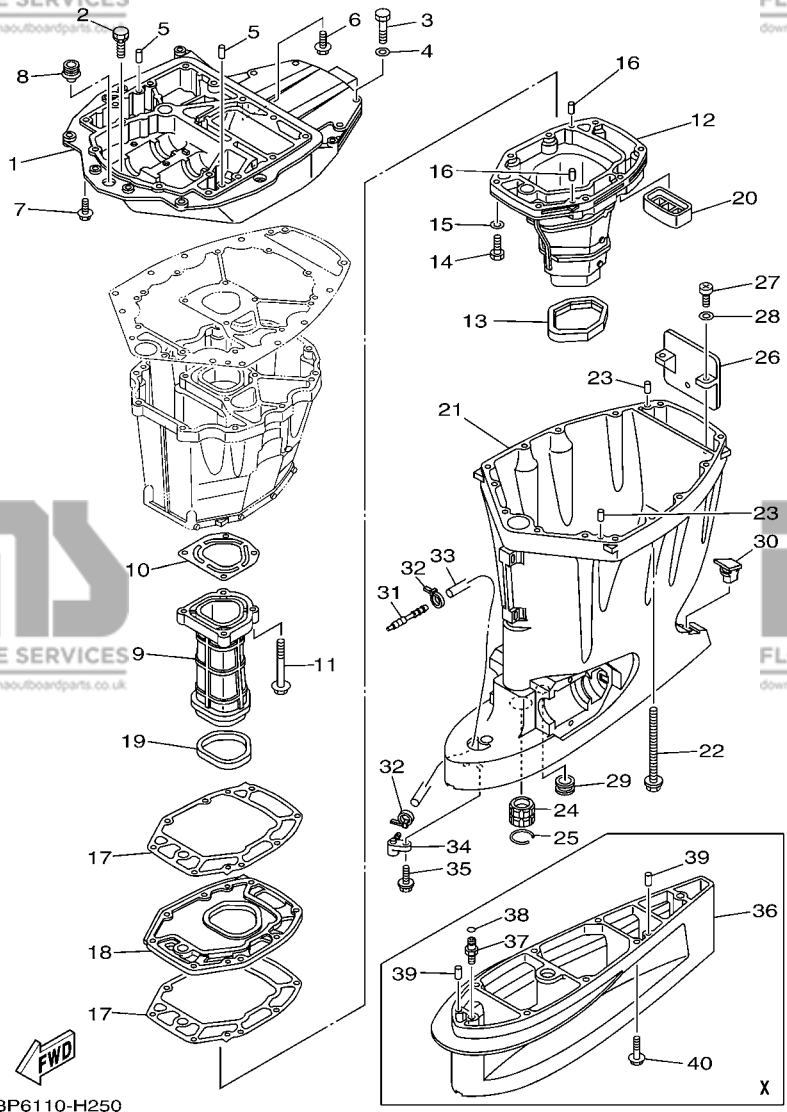


63P6110-H250

FIG. 25 UPPER CASING

FOURREAU

| REF. NO. | PART NO. N° PIECES | DESCRIPTION DESCRIPTION | 63P6 | 64P6 | REMARKS REMARQUES |
|----------|--------------------|--|------|------|-------------------|
| 1 | 63P-41137-01-CA | GUIDE, EXHAUST COLLECTEUR D'ÉCHAPPEMENT | 1 | 1 | |
| 2 | 90119-08M79 | BOLT, WITH WASHER BOULON, AVEC RONDELLE | 2 | 2 | |
| 3 | 97075-10045 | BOLT BOULON | 4 | 4 | |
| 4 | 92995-10600 | WASHER RONDELLE | 4 | 4 | |
| 5 | 93608-16M16 | PIN, DOWEL AXE | 2 | 2 | |
| 6 | 90119-08M58 | BOLT, WITH WASHER BOULON, AVEC RONDELLE | 3 | 3 | |
| 7 | 97575-10535 | BOLT, WITH WASHER VIS HEXAGONAL AVEC RONDELLE | 4 | 4 | |
| 8 | 6E5-42724-00 | GROMMET PASSE-FIL | 1 | 1 | |
| 9 | 63P-41131-01-9S | MANIFOLD, EXT. 1 PIPE D'ÉCHAPPEMENT | 1 | 1 | |
| 10 | 63P-41133-A0 | GASKET, EXHAUST MANIFOLD 1 JOINT, PIPE D'ÉCHAPPEMENT | 1 | 1 | |
| 11 | 97575-08560 | BOLT, WITH WASHER VIS HEXAGONAL AVEC RONDELLE | 4 | 4 | |
| 12 | 63P-14711-01-9S | MUFFLER 1 POT D'ÉCHAPPEMENT 1 | 1 | 1 | |
| 13 | 69J-45123-00 | GASKET, MUFFLER JOINT, POT DE DETENTE | 1 | 1 | |
| 14 | 97075-08035 | BOLT BOULON | 8 | 8 | |
| 15 | 92995-08600 | WASHER RONDELLE | 8 | 8 | |
| 16 | 93606-19M23 | PIN, DOWEL GOUILLE | 2 | 2 | |
| 17 | 63P-41134-A0 | GASKET, EXHAUST MANIFOLD JOINT, PIPE D'ÉCHAPPEMENT | 2 | 2 | |
| 18 | 63P-45181-01-9S | PLATE PLAQUETTE | 1 | 1 | |
| 19 | 63P-41138-00 | SEAL, EXT. 1 JOINT DE GROUPE 1 | 1 | 1 | |
| 20 | 69J-45127-00 | SEAL JOINT | 1 | 1 | |
| 21 | 63P-45111-00-8D | CASING, UPPER FOURREAU | 1 | 1 | |
| 22 | 90119-10007 | BOLT, WITH WASHER BOULON, AVEC RONDELLE | 8 | 8 | |
| 23 | 93608-16M16 | PIN, DOWEL AXE | 2 | 2 | |
| 24 | 6E5-45318-00 | BUSHING, DRIVE SHAFT DOUILLE, ARBRE MOTEUR | 1 | 1 | |
| 25 | 93420-36M01 | CIRCLIP CIRCLIP, TYPE S | 1 | 1 | |
| 26 | 69J-14624-01 | COVER, EXHAUST CACHE D'ÉCHAPPEMENT | 1 | 1 | |
| 27 | 97880-06016 | SCREW, PAN HEAD VIS, TÊTE TRONCONIQUE | 2 | 2 | |

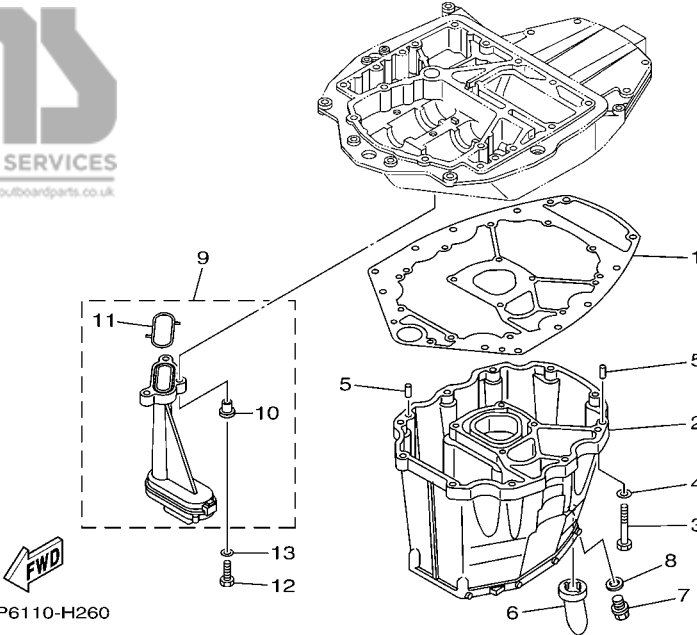
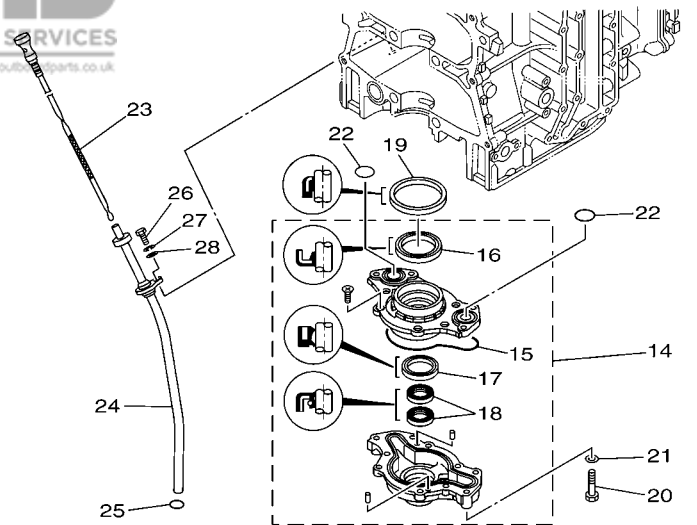


63P6110-H250

FIG. 25 UPPER CASING

FOURREAU

| REF. NO. | PART NO. N° PIECES | DESCRIPTION DESCRIPTION | 63P6 | 64P6 | REMARKS REMARQUES |
|----------|--------------------|--|------|------|----------------------|
| 28 | 92990-06600 | WASHER, PLATE RONDELLE, PLATE | 2 | 2 | |
| 29 | 6E5-44366-00 | DAMPER, WATER SEAL JOINT, TUBE D'EAU | 1 | 1 | |
| 30 | 6C5-45155-00 | CAP CAPUCHON | 1 | 1 | |
| 31 | 6E5-83558-00 | END, NIPPLE RACCORD DE NIPPLE | 1 | 1 | |
| 32 | 90465-11M10 | CLAMP BRIDE | 2 | 2 | |
| 33 | 90445-070F1 | HOSE (L950) DURITE (L950) | 1 | 1 | |
| 34 | 63P-45379-00 | NIPPLE, HOSE RACCORD D'ESSENCE | 1 | 1 | |
| 35 | 90119-06M18 | BOLT, WITH WASHER BOULON, AVEC RONDELLE | 1 | 1 | |
| 36 | 63P-45211-00-8D | EXTENSION EXTENSION | 1 | 1 | X(25.3") X(25.3") |
| 37 | 63P-45378-00 | NIPPLE, HOSE RACCORD, TUYAU | 1 | 1 | X(25.3") X(25.3") |
| 38 | 93210-07003 | O-RING JOINT TORIQUE | 1 | 1 | X(25.3") X(25.3") |
| 39 | 93608-16M16 | PIN, DOWEL AXE | 2 | 2 | X(25.3") X(25.3") |
| 40 | 90119-10038 | BOLT, WITH WASHER BOULON, AVEC RONDELLE | 6 | 6 | X(25.3") X(25.3") |



63P6110-H260

FIG. 26 OIL PAN

VENTILATEUR D'HUILE

| REF. NO. | PART NO. N° PIECES | DESCRIPTION DESCRIPTION | 63P6 | 64P6 | REMARKS REMARQUES |
|----------|--------------------|---|------|------|-------------------|
| 1 | 63P-15312-00 | GASKET, OIL PAN JOINT DE VENTILATEUR D'HUILE | 1 | 1 | |
| 2 | 63P-15311-01-CA | OIL PAN VENTILATEUR D'HUILE | 1 | 1 | |
| 3 | 97075-08035 | BOLT BOULON | 10 | 10 | |
| 4 | 92995-08600 | WASHER RONDELLE | 10 | 10 | |
| 5 | 93608-16M16 | PIN, DOWEL AXE | 2 | 2 | |
| 6 | 63P-15316-00 | DAMPER 1 AMORTISSEUR 1 | 1 | 1 | |
| 7 | 90340-14M06 | PLUG, STRAIGHT SCREW PLOT, FILETE DROIT | 1 | 1 | |
| 8 | 90430-14M09 | GASKET JOINT | 1 | 1 | |
| 9 | 63P-13411-00 | STRAINER, OIL FILTRE, HUILE | 1 | 1 | |
| 10 | 90387-06M64 | .COLLAR .COLLETTTE | 3 | 3 | |
| 11 | 63P-13415-00 | .SEAL, OIL STRAINER .JOINT, FILTRE A HUILE | 1 | 1 | |
| 12 | 97027-06025 | BOLT, HEXAGON BOULON | 3 | 3 | |
| 13 | 92907-06600 | WASHER, PLATE RONDELLE | 3 | 3 | |
| 14 | 63P-13300-01 | OIL PUMP ASSY POMPE A HUILE COMPLETE | 1 | 1 | |
| 15 | 63P-13329-00 | .GASKET, PUMP COVER .JOINT, COUVERCLE DE POMPE | 1 | 1 | |
| 16 | 69J-13338-00 | .OIL SEAL .JOINT SPY | 1 | 1 | |
| 17 | 6AW-13119-00 | .OIL SEAL .JOINT SPY | 1 | 1 | |
| 18 | 69J-13631-00 | .OIL SEAL .JOINT SPY | 2 | 2 | |
| 19 | 69J-11355-00 | SEAL, CYLINDER 1 JOINT, SPY CYLINDRE | 1 | 1 | |
| 20 | 97095-06040 | BOLT BOULON | 4 | 4 | |
| 21 | 92995-06600 | WASHER RONDELLE | 4 | 4 | |
| 22 | 93210-25552 | O-RING JOINT TORIQUE | 2 | 2 | |
| 23 | 63P-15362-00 | PLUG, OIL LEVEL PLOT, NIVEAU D'HUILE | 1 | 1 | |
| 24 | 63P-15377-00 | GUIDE, INLET GUIDE D'ADMISSION | 1 | 1 | |
| 25 | 93210-19MJ3 | O-RING JOINT TORIQUE | 1 | 1 | |
| 26 | 97095-06020 | BOLT BOULON | 1 | 1 | |
| 27 | 92995-06100 | WASHER, SPRING RONDELLE, GROWER | 1 | 1 | |

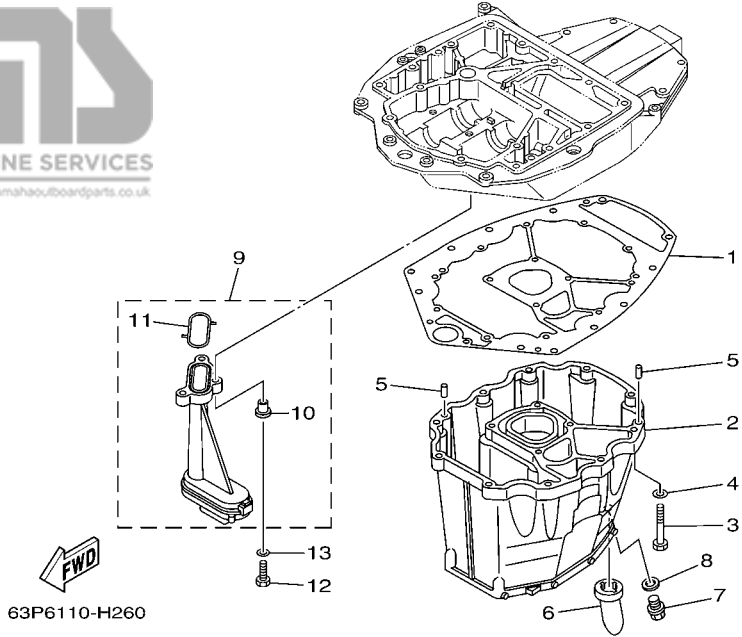
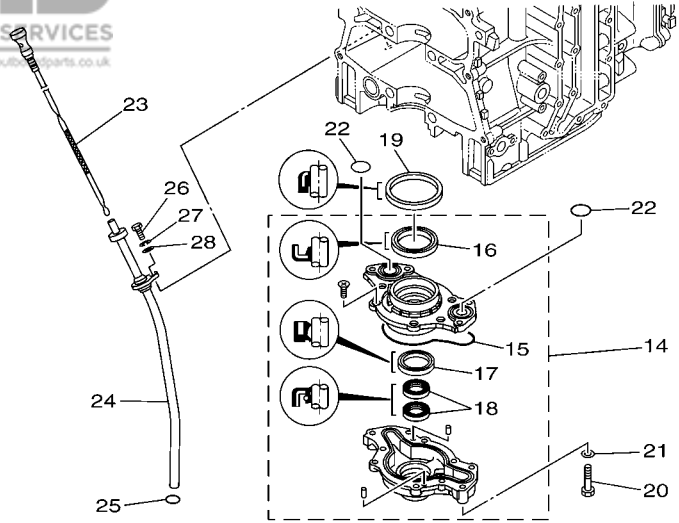


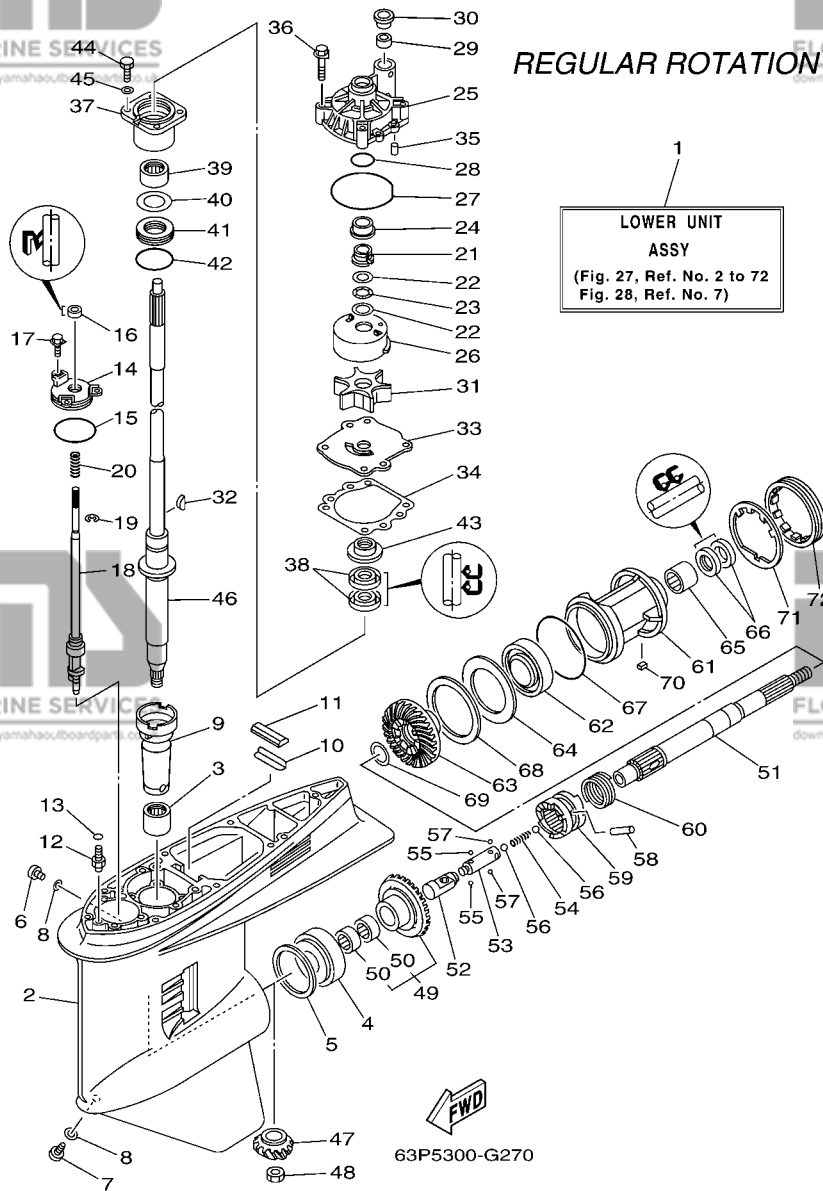
FIG. 26 OIL PAN

VENTILATEUR D'HUILE

| REF. NO. | PART NO. N° PIECES | DESCRIPTION DESCRIPTION | 63P6 | 64P6 | REMARKS REMARQUES |
|----------|--------------------|-------------------------|------|------|-------------------|
| 28 | 92995-06600 | WASHER RONDELLE | 1 | 1 | |
| ----- | | | | | |
| ----- | | | | | |
| ----- | | | | | |
| ----- | | | | | |
| ----- | | | | | |
| ----- | | | | | |

FIG. 27 LOWER CASING & DRIVE 1

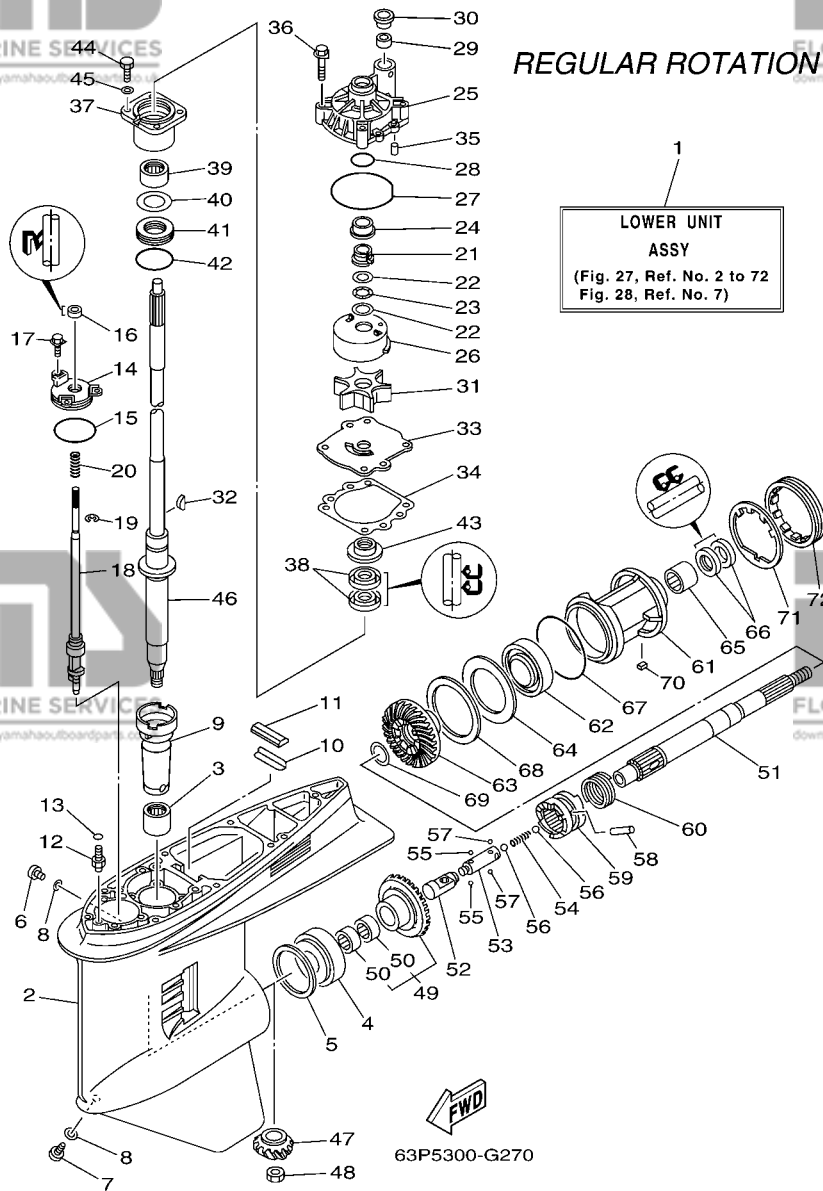
BOITIER D'HELICE TRANSMISSION1



| REF. NO. | PART NO. N° PIECES | DESCRIPTION DESCRIPTION | 63P6 | 64P6 | REMARKS REMARQUES |
|----------|--------------------|---|------|------|----------------------------|
| 1 | 63P-45300-02-8D | LOWER UNIT ASSY UNITE INFÉRIEURE (ENS.) | 1 | | L(20.3"),RH L(20.3"),RH |
| | 63P-45300-12-8D | LOWER UNIT ASSY UNITE INFÉRIEURE (ENS.) | 1 | | X(25.3"),RH X(25.3"),RH |
| 2 | 6J9-45301-05-8D | CASING, LOWER BEQUILLE | 1 | | |
| 3 | 93311-928U5 | BEARING ROULEMENT | 1 | | |
| 4 | 93332-000V3 | BEARING ROULEMENT | 1 | | |
| 5 | 6G5-45567-01 | SHIM (T:0.10MM) CALE (T:0.10MM) | 1 | | UR UR |
| | 6G5-45567-10 | SHIM (T:0.12MM) CALE (T:0.12MM) | 1 | | UR UR |
| | 6G5-45567-20 | SHIM (T:0.15MM) CALE (T:0.15MM) | 1 | | UR UR |
| | 6G5-45567-30 | SHIM (T:0.18MM) CALE (T:0.18MM) | 1 | | UR UR |
| | 6G5-45567-40 | SHIM (T:0.30MM) CALE (T:0.30MM) | 1 | | UR UR |
| | 6G5-45567-50 | SHIM (T:0.40MM) CALE (T:0.40MM) | 1 | | UR UR |
| | 6G5-45567-60 | SHIM (T:0.50MM) CALE (T:0.50MM) | 1 | | UR UR |
| 6 | 90340-08002 | PLUG, STRAIGHT SCREW PLOT, FILETE DROIT | 1 | | |
| 7 | 688-45341-10 | PLUG, DRAIN BOUCHON DE VIDANGE | 1 | | |
| 8 | 90430-08020 | GASKET JOINT | 2 | | |
| 9 | 6G5-45536-01 | SLEEVE, DRIVE SHAFT MANCHON, ARBRE MOTEUR | 1 | | |
| 10 | 663-45376-00-94 | GUIDE, SEAL DAMPER BUTÉE, JOINT CAOUTCHOUC | 1 | | |
| 11 | 688-45375-00 | DAMPER, SEAL BOURRELET, CAOUTCHOUC | 1 | | |
| 12 | 63P-45378-00 | NIPPLE, HOSE RACCORD, TUYAU | 1 | | |
| 13 | 93210-07003 | O-RING JOINT TORIQUE | 1 | | |
| 14 | 6E5-45321-00 | PLATE PLAQUETTE | 1 | | |
| 15 | 93210-58144 | O-RING JOINT TORIQUE | 1 | | |
| 16 | 93106-09014 | OIL SEAL JOINT SPY | 1 | | |
| 17 | 90119-06M10 | BOLT, WITH WASHER BOULON, AVEC RONDELLE | 3 | | |
| 18 | 63P-44150-00 | SHIFT CAM ASSY CAME D'INVERSION | 1 | | L(20.3"),RH L(20.3"),RH |
| | 63P-44150-10 | SHIFT CAM ASSY CAME D'INVERSION | 1 | | X(25.3"),RH X(25.3"),RH |
| 19 | 99001-08600 | CIRCLIP CIRCLIP | 1 | | |

FIG. 27 LOWER CASING & DRIVE 1

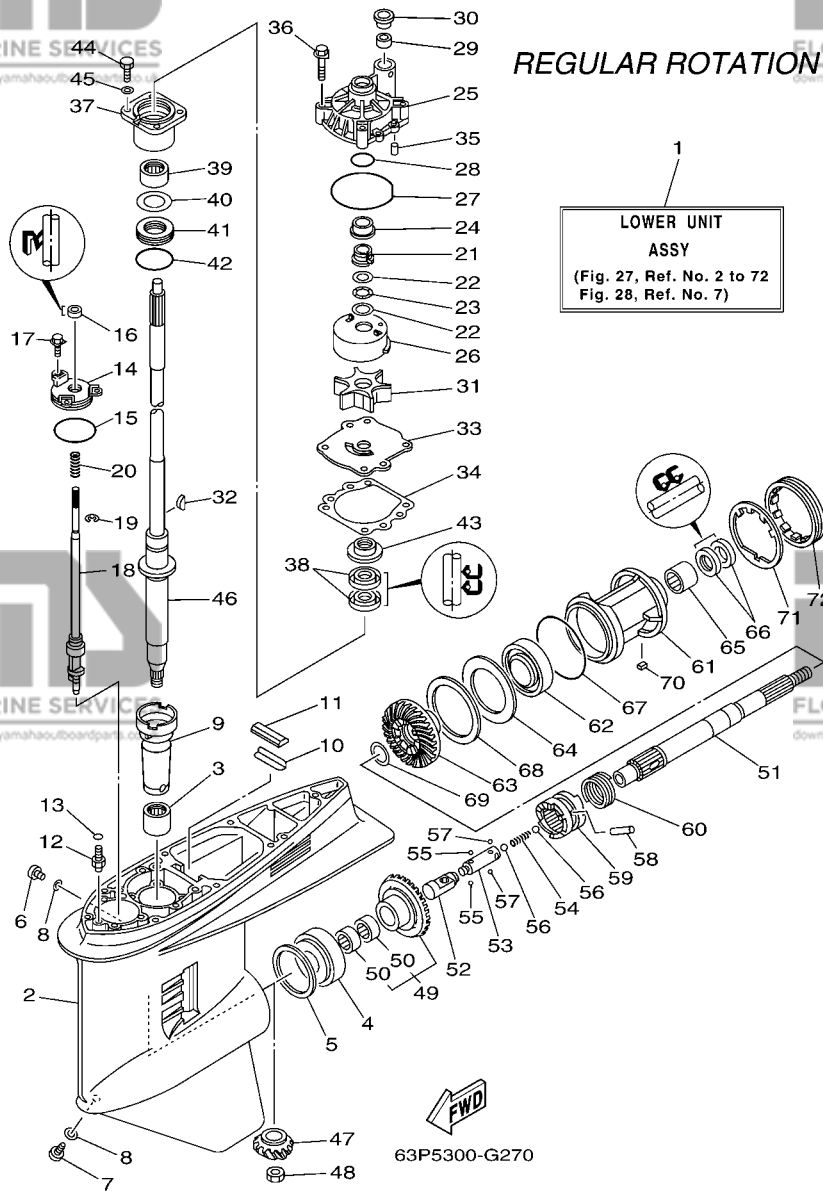
BOITIER D'HELICE TRANSMISSION1



| REF. NO. | PART NO. N° PIECES | DESCRIPTION DESCRIPTION | 63P6 | 64P6 | REMARKS REMARQUES |
|----------|--------------------|---|------|------|-------------------|
| 20 | 90501-11M10 | SPRING, COMPRESSION RESSORT, COMPRESSION | 1 | | |
| 21 | 61A-45538-00 | SPACER 1 ENTRETOISE | 1 | | |
| 22 | 90201-22M01 | WASHER, PLATE RONDELLE, PLATE | 2 | | |
| 23 | 90206-22M19 | WASHER, WAVE RONDELLE, ONDULEE | 1 | | |
| 24 | 61A-45527-00 | COLLAR, DRIVE SHAFT ENTRETOISE | 1 | | |
| 25 | 61A-44311-01 | HOUSING, WATER PUMP CORPS, POMPE A EAU | 1 | | |
| 26 | 61A-44322-02 | INSERT, CARTRIDGE CUVETTE | 1 | | |
| 27 | 93210-86M38 | O-RING JOINT TORIQUE | 1 | | |
| 28 | 93210-37160 | O-RING JOINT TORIQUE | 1 | | |
| 29 | 6E5-44365-00 | DAMPER, WATER SEAL JOINT, TUBE D'EAU | 1 | | |
| 30 | 6E5-44312-00 | COVER, WATER PUMP HOUSING COUVERCLE | 1 | | |
| 31 | 6E5-44352-01 | IMPELLER TURBINE | 1 | | |
| 32 | 90280-04M05 | KEY, WOODRUFF CLAVETTE, DEMI-LUNE | 1 | | |
| 33 | 6G5-44323-00 | OUTER PLATE, CARTRIDGE PLAQUE EXTERIEURE | 1 | | |
| 34 | 6E5-44315-A0 | GASKET, WATER PUMP JOINT, POMPE A EAU | 1 | | |
| 35 | 93606-12019 | PIN, DOWEL GOUILLE | 2 | | |
| 36 | 90119-08M14 | BOLT, WITH WASHER BOULON, AVEC RONDELLE | 4 | | |
| 37 | 6E5-45331-00-9S | HOUSING, BEARING FLASQUE, ROULEMENT | 1 | | |
| 38 | 93101-28M16 | OIL SEAL JOINT SPY | 2 | | |
| 39 | 93317-330U2 | BEARING ROULEMENT | 1 | | |
| 40 | 6E5-45587-01 | SHIM (T:0.10MM) CALE (T:0.10MM) | 1 | | UR |
| | 6E5-45587-10 | SHIM (T:0.12MM) CALE (T:0.12MM) | 1 | | UR |
| | 6E5-45587-20 | SHIM (T:0.15MM) CALE (T:0.15MM) | 1 | | UR |
| | 6E5-45587-30 | SHIM (T:0.18MM) CALE (T:0.18MM) | 1 | | UR |
| | 6E5-45587-40 | SHIM (T:0.30MM) CALE (T:0.30MM) | 1 | | UR |
| | 6E5-45587-50 | SHIM (T:0.40MM) CALE (T:0.40MM) | 1 | | UR |
| | 6E5-45587-60 | SHIM (T:0.50MM) CALE (T:0.50MM) | 1 | | UR |

FIG. 27 LOWER CASING & DRIVE 1

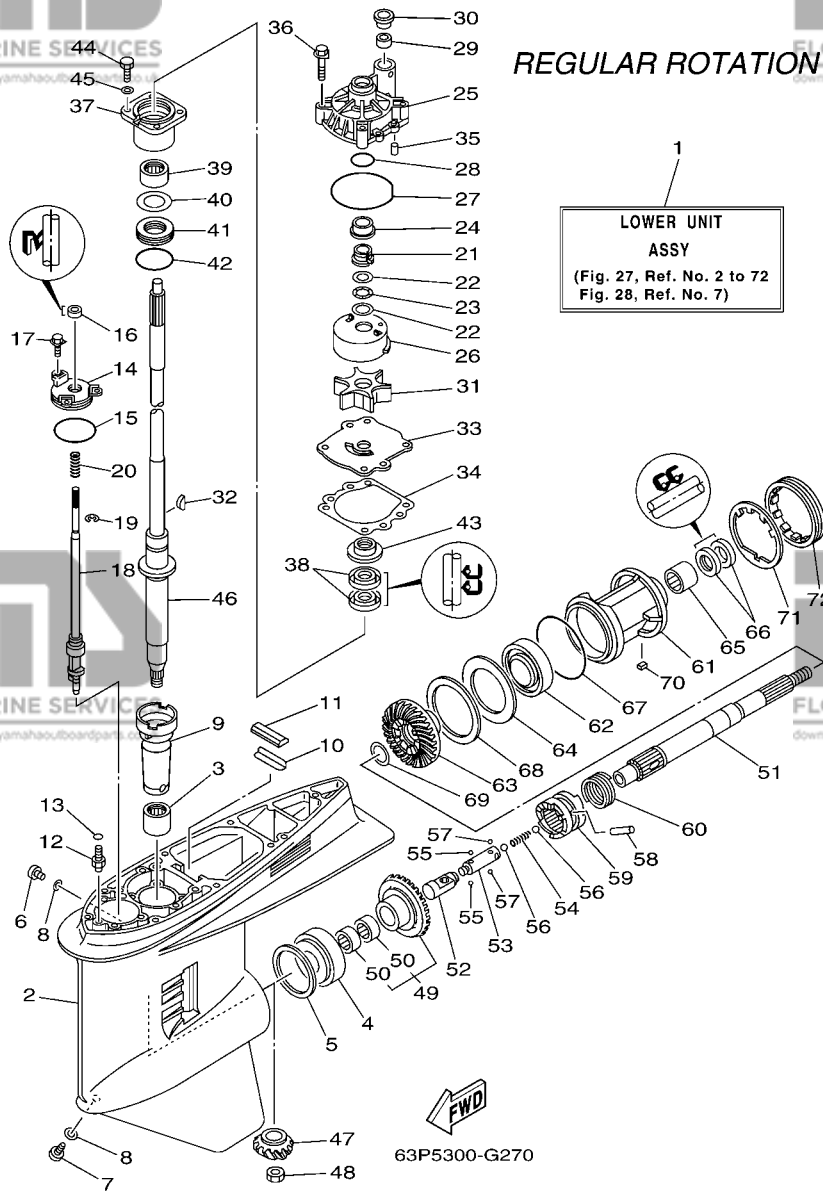
BOITIER D'HELICE TRANSMISSION1



| REF. NO. | PART NO. N° PIECES | DESCRIPTION DESCRIPTION | 63P6 | 64P6 | REMARKS REMARQUES |
|----------|--------------------|---|------|------|----------------------|
| 41 | 93341-930V2 | BEARING CERVEAUX DE DIRECTION | 1 | | |
| 42 | 93210-55M14 | O-RING JOINT TORIQUE | 1 | | |
| 43 | 6E5-45344-00 | COVER, OIL SEAL FLASQE, JOINT D'HUILE | 1 | | |
| 44 | 97095-08025 | BOLT BOULON | 4 | | |
| 45 | 92995-08600 | WASHER RONDELLE | 4 | | |
| 46 | 63P-45501-00 | DRIVE SHAFT COMP. ARBRE MOTEUR COMP. | 1 | | L(20.3") L(20.3") |
| | 63P-45501-10 | DRIVE SHAFT COMP. ARBRE MOTEUR COMP. | 1 | | X(25.3") X(25.3") |
| 47 | 63P-45551-00 | PINION (14T) PIGNON D'ATTAQUE (14D) | 1 | | |
| 48 | 90170-16M01 | NUT ECROU | 1 | | |
| 49 | 63P-45560-02 | GEAR 1 (28T) PIGNON 1 (28T) | 1 | | |
| 50 | 93315-425V3 | .BEARING .ROULEMENT | 2 | | |
| 51 | 6J9-45611-01 | SHAFT, PROPELLER ARBRE, HELICE | 1 | | |
| 52 | 6E5-45641-03 | SHIFTER EMBRAYAGE | 1 | | |
| 53 | 6E5-45634-01 | SLIDE, SHIFT CONTRE-POUSSOIR | 1 | | |
| 54 | 90501-16M37 | SPRING, COMPRESSION RESSORT, COMPRESSION | 1 | | |
| 55 | 93507-32009 | BALL BILLE | 2 | | |
| 56 | 93511-32017 | BALL BILLES | 2 | | |
| 57 | 93503-16003 | BALL BILLES | 2 | | |
| 58 | 90250-08M07 | PIN, STRAIGHT GOUPILLE, DROITE | 1 | | |
| 59 | 63P-45631-10 | CLUTCH, DOG CRABOT | 1 | | |
| 60 | 6E5-45633-01 | RING, CROSS PIN JONC, GOUPILLE CRABOT | 1 | | |
| 61 | 6J9-45332-00-CA | HOUSING, BEARING FLASQUE, ROULEMENT | 1 | | |
| 62 | 93306-209U0 | BEARING ROULEMENT | 1 | | |
| 63 | 63P-45571-02 | GEAR 2 (28T) PIGNON 2 (28T) | 1 | | |
| 64 | 6G5-45576-10 | WASHER, THRUST RONDELLE DE CALAGE | 1 | | |
| 65 | 93315-43061 | BEARING ROULEMENT | 1 | | |
| 66 | 93101-30M17 | OIL SEAL JOINT SPY | 2 | | |

FIG. 27 LOWER CASING & DRIVE 1

BOITIER D'HELICE TRANSMISSION1

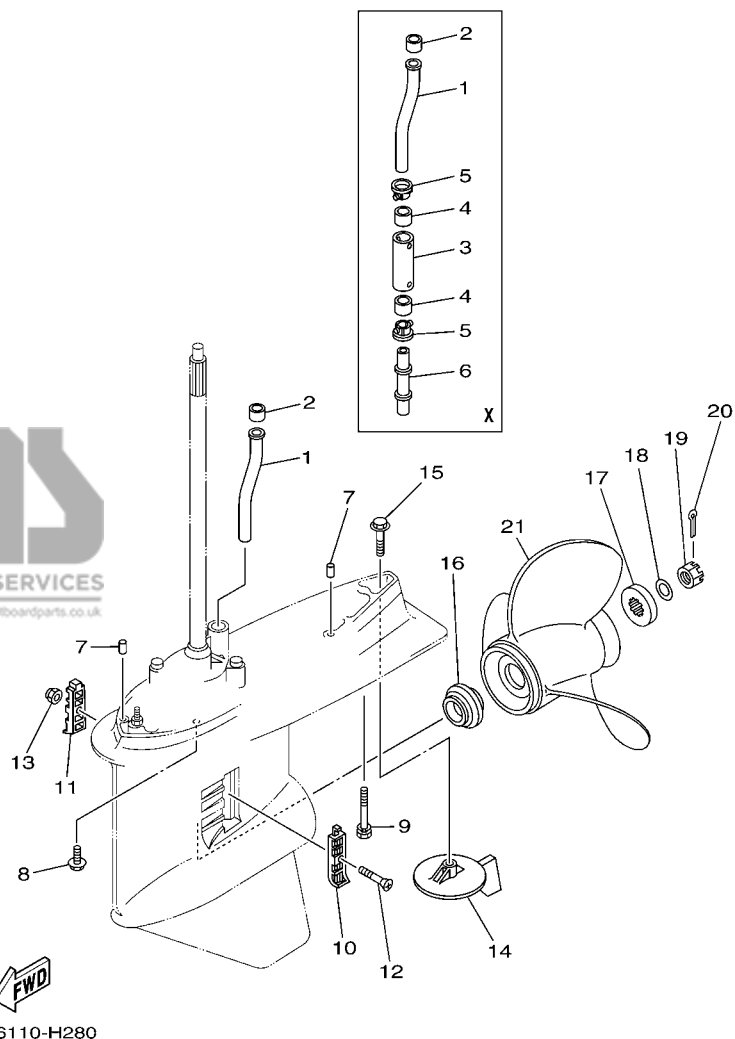


| REF. NO. | PART NO. N° PIECES | DESCRIPTION DESCRIPTION | 63P6 | 64P6 | REMARKS REMARQUES |
|----------|--------------------|------------------------------------|------|------|-------------------|
| 67 | 93210-97M55 | O-RING JOINT TORIQUE | 1 | | |
| 68 | 6G5-45577-02 | SHIM (T:0.10MM) CALE (T:0.10MM) | 1 | | UR |
| | 6G5-45577-10 | SHIM (T:0.12MM) CALE (T:0.12MM) | 1 | | UR |
| | 6G5-45577-20 | SHIM (T:0.15MM) CALE (T:0.15MM) | 1 | | UR |
| | 6G5-45577-30 | SHIM (T:0.18MM) CALE (T:0.18MM) | 1 | | UR |
| | 6G5-45577-40 | SHIM (T:0.30MM) CALE (T:0.30MM) | 1 | | UR |
| | 6G5-45577-50 | SHIM (T:0.40MM) CALE (T:0.40MM) | 1 | | UR |
| | 6G5-45577-60 | SHIM (T:0.50MM) CALE (T:0.50MM) | 1 | | UR |
| 69 | 90201-30M92 | WASHER, PLATE RONDELLE, PLATE | 1 | | |
| 70 | 90282-04M00 | KEY, STRAIGHT CLAVETTE, DROITE | 1 | | |
| 71 | 6G5-45383-01 | WASHER, CLAW FREIN D'ECROU | 1 | | |
| 72 | 6G5-45384-00 | NUT ECROU | 1 | | |

FIG. 28 LOWER CASING & DRIVE 2

BOITIER D'HELICE TRANSMISSION2

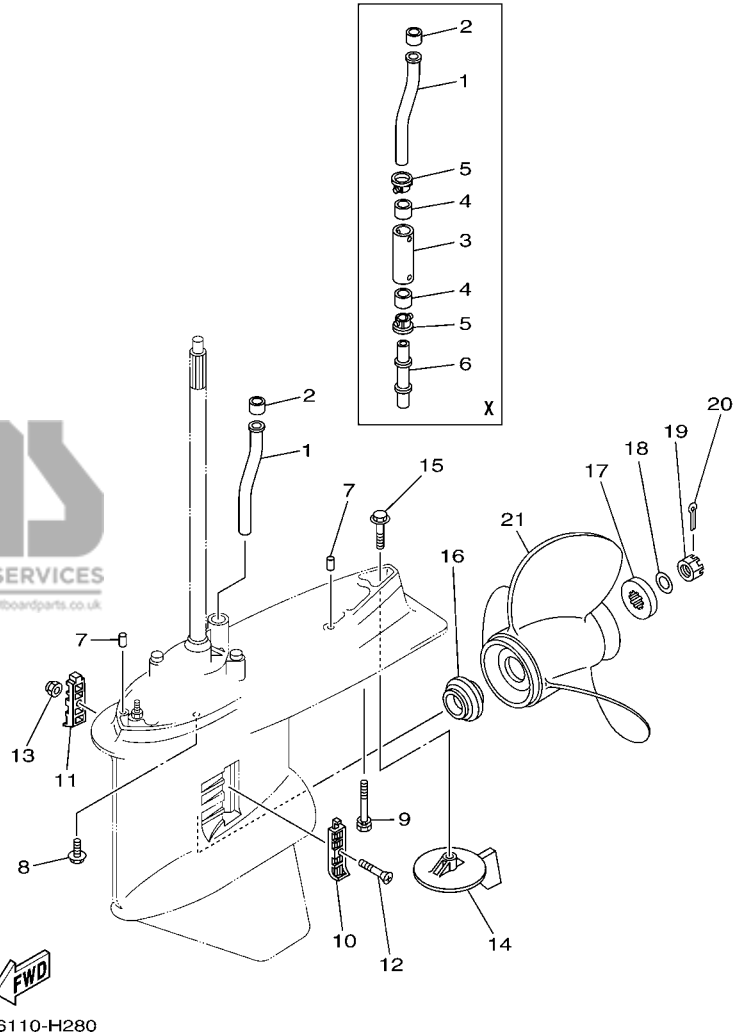
REGULAR ROTATION



| REF. NO. | PART NO. N° PIECES | DESCRIPTION DESCRIPTION | 63P6 | 64P6 | REMARKS REMARQUES |
|----------|--------------------|---|------|------|----------------------|
| 1 | 63P-44361-00 | TUBE, WATER TUBE D'EAU | 1 | | |
| 2 | 6E5-44365-00 | DAMPER, WATER SEAL JOINT, TUBE D'EAU | 1 | | |
| 3 | 63P-44362-00 | TUBE, WATER TUBE D'EAU | 1 | | X(25.3") X(25.3") |
| 4 | 6E5-44365-00 | DAMPER, WATER SEAL JOINT, TUBE D'EAU | 2 | | X(25.3") X(25.3") |
| 5 | 6E5-44312-00 | COVER, WATER PUMP HOUSING COUVERCLE | 2 | | X(25.3") X(25.3") |
| 6 | 63P-44363-00 | TUBE, WATER 3 TUBE D'EAU 3 | 1 | | X(25.3") X(25.3") |
| 7 | 93608-16M16 | PIN, DOWEL AXE | 2 | | |
| 8 | 90119-10038 | BOLT, WITH WASHER BOULON, AVEC RONDELLE | 6 | | |
| 9 | 90119-10MA2 | BOLT, WITH WASHER BOULON, AVEC RONDELLE | 1 | | L(20.3") L(20.3") |
| | 90119-10008 | BOLT, WITH WASHER BOULON, AVEC RONDELLE | 1 | | X(25.3") X(25.3") |
| 10 | 6J9-45214-00 | COVER, WATER INLET 1 GRILLE, ENTREE D'EAU 1 | 1 | | |
| 11 | 6J9-45215-00 | COVER, WATER INLET 2 GRILLE, ENTREE D'EAU 2 | 1 | | |
| 12 | 90152-05M08 | SCREW, COUNTERSUNK VIS, TETE NOYEE | 1 | | |
| 13 | 90185-05002 | NUT, SELF-LOCKING ECROU, AUTO-BLOQUANT | 1 | | |
| 14 | 6J9-45371-01 | TAB-TRIM ANODE DERIVE | 1 | | |
| 15 | 90105-10M00 | BOLT, FLANGE BOULON | 1 | | |
| 16 | 63P-45987-00 | SPACER ENTRETOISE | 1 | | |
| 17 | 688-45997-01 | SPACER ENTRETOISE | 1 | | |
| 18 | 92990-18200 | WASHER RONDELLE, PLATE | 1 | | |
| 19 | 90171-18M04 | NUT, CASTLE ECROU, CRENELE | 1 | | |
| 20 | 91490-40030 | PIN, COTTER GOUPILLE | 1 | | |
| 21 | 6G5-45941-00-98 | PROPELLER (3X15-1/4"X15"-M) HELICE (3X15-1/4"X15"-M) | 1 | | UR UR |
| | 6G5-45943-01-98 | PROPELLER (3X13-3/4"X21"-M) HELICE (3X13-3/4"X21"-M) | 1 | | UR UR |
| | 6G5-45945-01-98 | PROPELLER (3X14"X19"-M) HELICE (3X14"X19"-M) | 1 | | UR UR |
| | 6G5-45947-01-98 | PROPELLER (3X14-1/2"X17"-M) HELICE (3X14-1/2"X17"-M) | 1 | | UR UR |
| | 6G5-45949-00-98 | PROPELLER (3X13-1/2"X23"-M) HELICE (3X13-1/2"X23"-M) | 1 | | UR UR |
| | 6G5-45930-00-98 | PROPELLER (3X13-3/8"X25"-M) HELICE (3X13-3/8"X25"-M) | 1 | | UR UR |

FIG. 28 LOWER CASING & DRIVE 2 BOITIER D'HELICE TRANSMISSION2

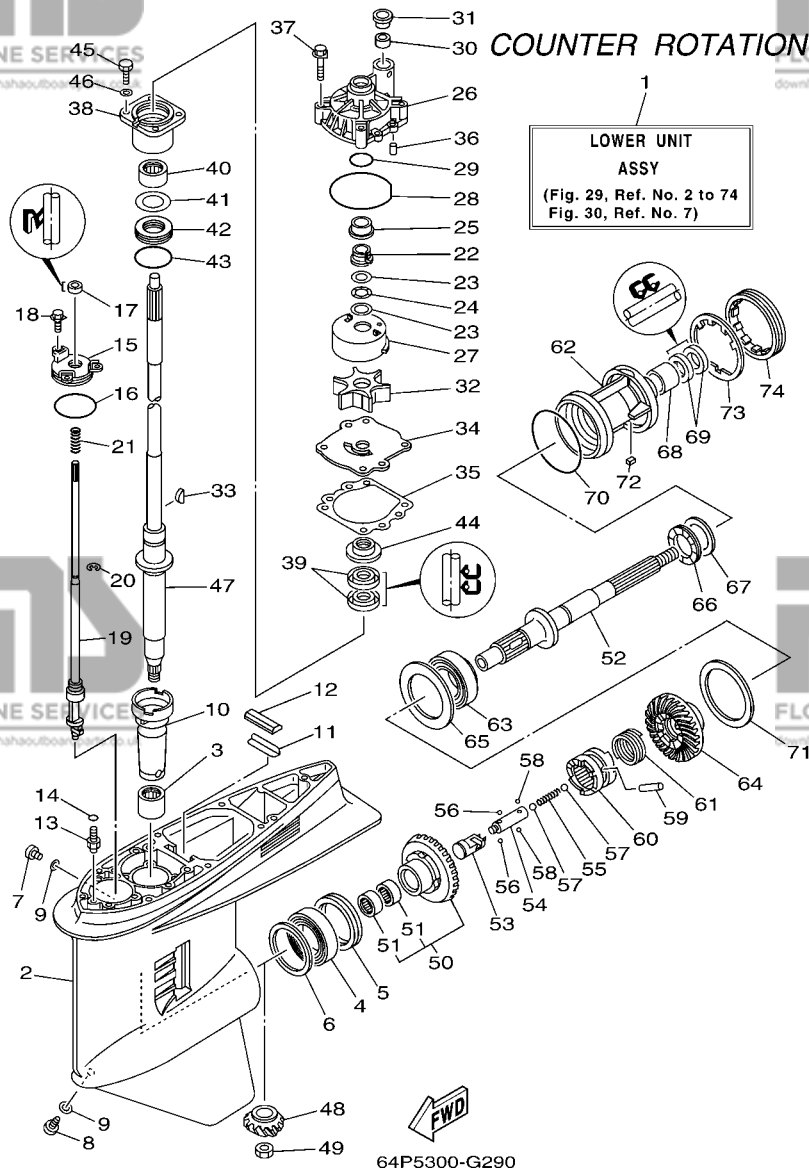
REGULAR ROTATION



| REF. NO. | PART NO. N° PIECES | DESCRIPTION DESCRIPTION | 63P6 | 64P6 | REMARKS REMARQUES |
|----------|--------------------|---|------|------|-------------------|
| 21 | 6G5-45932-00-98 | PROPELLER (3X15-3/4"X13"-M) HELICE (3X15-3/4"X13"-M) | 1 | | UR UR |
| | 6G5-45970-02-98 | PROPELLER (3X15-1/4"X15"-M) HELICE (3X15-1/4"X15"-M) | 1 | | UR UR |
| | 6G5-45972-02-98 | PROPELLER (3X13-3/4"X21"-M) HELICE (3X13-3/4"X21"-M) | 1 | | UR UR |
| | 6G5-45974-03-98 | PROPELLER (3X13-3/4"X19"-M2) HELICE (3X13-3/4"X19"-M2) | 1 | | UR UR |
| | 6G5-45976-01-98 | PROPELLER (3X13-3/8"X23"-M) HELICE (3X13-3/8"X23"-M) | 1 | | UR UR |
| | 6G5-45978-03-98 | PROPELLER (3X13-3/4"X17"-M2) HELICE (3X13-3/4"X17"-M2) | 1 | | UR UR |
| | 6R4-45970-A1 | PROPELLER (3X15-1/4"X19"-M) HELICE (3X15-1/4"X19"-M) | 1 | | UR UR |
| | 6R4-45972-A0 | PROPELLER (3X14-7/8"X21"-M) HELICE (3X14-7/8"X21"-M) | 1 | | UR UR |
| | 6R4-45974-A0 | PROPELLER (3X14-1/2"X23"-M) HELICE (3X14-1/2"X23"-M) | 1 | | UR UR |
| | 6R4-45976-A0 | PROPELLER (3X14-1/2"X15"-M) HELICE (3X14-1/2"X15"-M) | 1 | | UR UR |
| | 6R4-45978-A0 | PROPELLER (3X15-1/4"X17"-M) HELICE (3X15-1/4"X17"-M) | 1 | | UR UR |
| | 66K-45970-B0 | PROPELLER (3X14-1/2"X27"-M1) HELICE (3X14-1/2"X27"-M1) | 1 | | UR UR |
| | 66K-45972-B0 | PROPELLER (3X14-1/2"X25"-M2) HELICE (3X14-1/2"X25"-M2) | 1 | | UR UR |
| | 66K-45974-B0 | PROPELLER (3X14-1/2"X23"-M2) HELICE (3X14-1/2"X23"-M2) | 1 | | UR UR |
| | 6J9-45976-10 | PROPELLER (3X14-1/2"X21"-M1) HELICE (3X14-1/2"X21"-M1) | 1 | | UR UR |

FIG. 29 LOWER CASING & DRIVE 3

BOITIER D'HELICE TRANSMISSION3



| REF. NO. | PART NO. N° PIECES | DESCRIPTION DESCRIPTION | 63P6 | 64P6 | REMARKS REMARQUES |
|----------|--------------------|---|------|------|-------------------|
| 1 | 64P-45300-01-8D | LOWER UNIT ASSY UNITE INFERIEURE (ENS.) | | 1 | L(20.3"),LH |
| | 64P-45300-11-8D | LOWER UNIT ASSY UNITE INFERIEURE (ENS.) | | 1 | L(20.3"),LH |
| | | X(25.3"),LH | | | X(25.3"),LH |
| | | X(25.3"),LH | | | X(25.3"),LH |
| 2 | 6J9-45301-05-8D | CASING, LOWER BEQUILLE | | 1 | |
| 3 | 93311-928U5 | BEARING ROULEMENT | | 1 | |
| 4 | 93390-000U2 | BEARING ROULEMENT | | 1 | |
| 5 | 93341-465U4 | BEARING CERVEAUX DE DIRECTION | | 1 | |
| 6 | 6G5-45567-01 | SHIM (T:0.10MM) CALE (T:0.10MM) | | 1 | UR |
| | 6G5-45567-10 | SHIM (T:0.12MM) CALE (T:0.12MM) | | 1 | UR |
| | 6G5-45567-20 | SHIM (T:0.15MM) CALE (T:0.15MM) | | 1 | UR |
| | 6G5-45567-30 | SHIM (T:0.18MM) CALE (T:0.18MM) | | 1 | UR |
| | 6G5-45567-40 | SHIM (T:0.30MM) CALE (T:0.30MM) | | 1 | UR |
| | 6G5-45567-50 | SHIM (T:0.40MM) CALE (T:0.40MM) | | 1 | UR |
| | 6G5-45567-60 | SHIM (T:0.50MM) CALE (T:0.50MM) | | 1 | UR |
| 7 | 90340-08002 | PLUG, STRAIGHT SCREW PLOT, FILETE DROIT | | 1 | |
| 8 | 688-45341-10 | PLUG, DRAIN BOUCHON DE VIDANGE | | 1 | |
| 9 | 90430-08020 | GASKET JOINT | | 2 | |
| 10 | 6G5-45536-01 | SLEEVE, DRIVE SHAFT MANCHON, ARBRE MOTEUR | | 1 | |
| 11 | 663-45376-00-94 | GUIDE, SEAL DAMPER BUTEE, JOINT CAOUTCHOUC | | 1 | |
| 12 | 688-45375-00 | DAMPER, SEAL BOURRELET, CAOUTCHOUC | | 1 | |
| 13 | 63P-45378-00 | NIPPLE, HOSE RACCORD, TUYAU | | 1 | |
| 14 | 93210-07003 | O-RING JOINT TORIQUE | | 1 | |
| 15 | 6E5-45321-00 | PLATE PLAQUETTE | | 1 | |
| 16 | 93210-58144 | O-RING JOINT TORIQUE | | 1 | |
| 17 | 93106-09014 | OIL SEAL JOINT SPY | | 1 | |
| 18 | 90119-06M10 | BOLT, WITH WASHER BOULON, AVEC RONDELLE | | 3 | |
| 19 | 64P-44150-00 | SHIFT CAM ASSY CAME D'INVERSION | | 1 | L(20.3"),LH |
| | 64P-44150-10 | SHIFT CAM ASSY CAME D'INVERSION | | 1 | L(20.3"),LH |
| | | | | | X(25.3"),LH |
| | | | | | X(25.3"),LH |

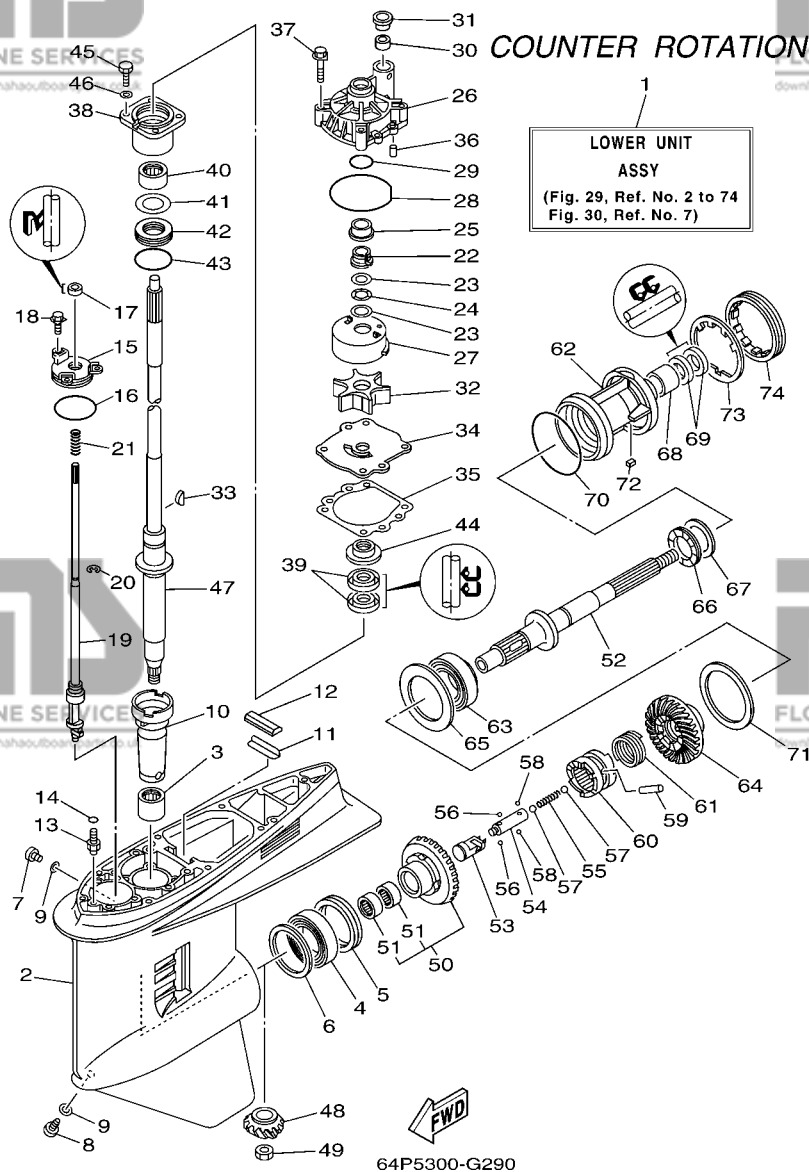


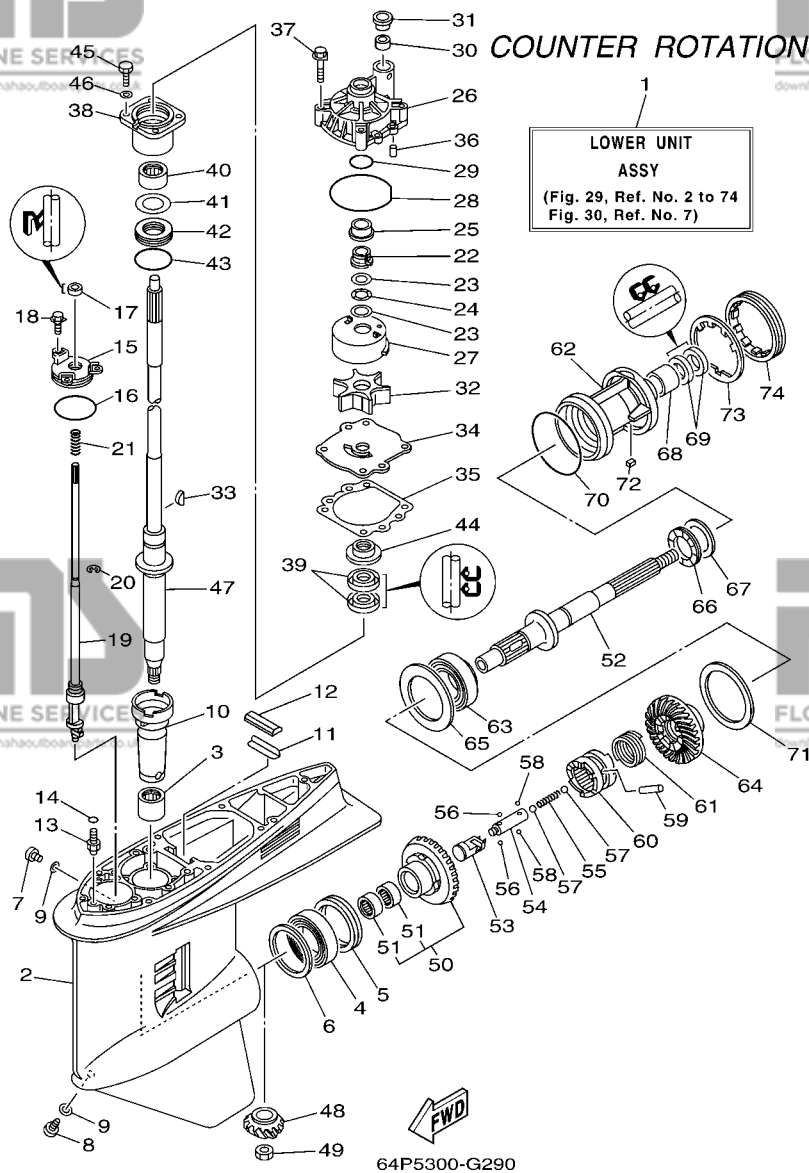
FIG. 29 LOWER CASING & DRIVE 3

BOITIER D'HELICE TRANSMISSION3

| REF. NO. | PART NO. N° PIECES | DESCRIPTION DESCRIPTION | 63P6 | 64P6 | REMARKS REMARQUES |
|----------|--------------------|---|------|------|-------------------|
| 20 | 99001-08600 | CIRCLIP CIRCLIP | | 1 | |
| 21 | 90501-11M10 | SPRING, COMPRESSION RESSORT, COMPRESSION | | 1 | |
| 22 | 61A-45538-00 | SPACER 1 ENTRETOISE | | 1 | |
| 23 | 90201-22M01 | WASHER, PLATE RONDELLE, PLATE | | 2 | |
| 24 | 90206-22M19 | WASHER, WAVE RONDELLE, ONDULEE | | 1 | |
| 25 | 61A-45527-00 | COLLAR, DRIVE SHAFT ENTRETOISE | | 1 | |
| 26 | 61A-44311-01 | HOUSING, WATER PUMP CORPS, POMPE A EAU | | 1 | |
| 27 | 61A-44322-02 | INSERT, CARTRIDGE CUVETTE | | 1 | |
| 28 | 93210-86M38 | O-RING JOINT TORIQUE | | 1 | |
| 29 | 93210-37160 | O-RING JOINT TORIQUE | | 1 | |
| 30 | 6E5-44365-00 | DAMPER, WATER SEAL JOINT, TUBE D'EAU | | 1 | |
| 31 | 6E5-44312-00 | COVER, WATER PUMP HOUSING COUVERCLE | | 1 | |
| 32 | 6E5-44352-01 | IMPELLER TURBINE | | 1 | |
| 33 | 90280-04M05 | KEY, WOODRUFF CLAVETTE, DEMI-LUNE | | 1 | |
| 34 | 6G5-44323-00 | OUTER PLATE, CARTRIDGE PLAQUE EXTERIEURE | | 1 | |
| 35 | 6E5-44315-A0 | GASKET, WATER PUMP JOINT, POMPE A EAU | | 1 | |
| 36 | 93606-12019 | PIN, DOWEL GOUPILLE | | 2 | |
| 37 | 90119-08M14 | BOLT, WITH WASHER BOULON, AVEC RONDELLE | | 4 | |
| 38 | 6E5-45331-00-9S | HOUSING, BEARING FLASQUE, ROULEMENT | | 1 | |
| 39 | 93101-28M16 | OIL SEAL JOINT SPY | | 2 | |
| 40 | 93317-330U2 | BEARING ROULEMENT | | 1 | |
| 41 | 6E5-45587-01 | SHIM (T:0.10MM) CALE (T:0.10MM) | | 1 | UR |
| | 6E5-45587-10 | SHIM (T:0.12MM) CALE (T:0.12MM) | | 1 | UR |
| | 6E5-45587-20 | SHIM (T:0.15MM) CALE (T:0.15MM) | | 1 | UR |
| | 6E5-45587-30 | SHIM (T:0.18MM) CALE (T:0.18MM) | | 1 | UR |
| | 6E5-45587-40 | SHIM (T:0.30MM) CALE (T:0.30MM) | | 1 | UR |
| | 6E5-45587-50 | SHIM (T:0.40MM) CALE (T:0.40MM) | | 1 | UR |

FIG. 29 LOWER CASING & DRIVE 3

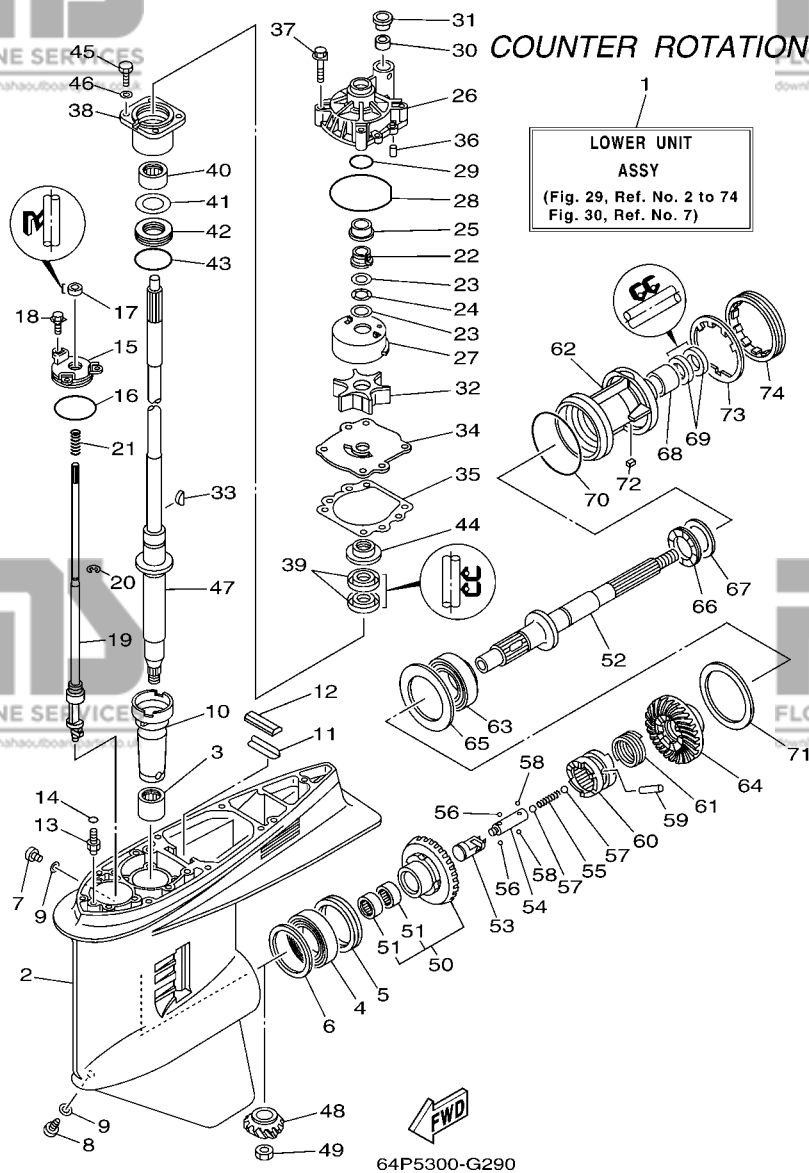
BOITIER D'HELICE TRANSMISSION3



| REF. NO. | PART NO. N° PIECES | DESCRIPTION DESCRIPTION | 63P6 | 64P6 | REMARKS REMARQUES |
|----------|--------------------|---|------|------|----------------------|
| 41 | 6E5-45587-60 | SHIM (T:0.50MM) CALE (T:0.50MM) | | 1 | UR UR |
| 42 | 93341-930V2 | BEARING CERVEAUX DE DIRECTION | | 1 | |
| 43 | 93210-55M14 | O-RING JOINT TORIQUE | | 1 | |
| 44 | 6E5-45344-00 | COVER, OIL SEAL FLASQUE, JOINT D'HUILE | | 1 | |
| 45 | 97095-08025 | BOLT BOULON | | 4 | |
| 46 | 92995-08600 | WASHER RONDELLE | | 4 | |
| 47 | 63P-45501-00 | DRIVE SHAFT COMP. ARBRE MOTEUR COMP. | | 1 | L(20.3") L(20.3") |
| | 63P-45501-10 | DRIVE SHAFT COMP. ARBRE MOTEUR COMP. | | 1 | X(25.3") X(25.3") |
| 48 | 63P-45551-00 | PINION (14T) PIGNON D'ATTAQUE (14D) | | 1 | |
| 49 | 90170-16M01 | NUT ECROU | | 1 | |
| 50 | 64P-45560-01 | GEAR 1 (28T) PIGNON 1 (28T) | | 1 | |
| 51 | 93315-425V3 | .BEARING .ROULEMENT | | 2 | |
| 52 | 6K1-45611-10 | SHAFT, PROPELLER ARBRE, HELICE | | 1 | |
| 53 | 6K1-45641-01 | SHIFTER EMBAYAGE | | 1 | |
| 54 | 6E5-45634-01 | SLIDE, SHIFT CONTRE-POUSSOIR | | 1 | |
| 55 | 90501-16M37 | SPRING, COMPRESSION RESSORT, COMPRESSION | | 1 | |
| 56 | 93507-32009 | BALL BILLE | | 2 | |
| 57 | 93511-32017 | BALL BILLES | | 2 | |
| 58 | 93503-16003 | BALL BILLES | | 2 | |
| 59 | 90250-08M07 | PIN, STRAIGHT GOUPILLE, DROITE | | 1 | |
| 60 | 63P-45631-01 | CLUTCH, DOG CRABOT | | 1 | |
| 61 | 6E5-45633-01 | RING, CROSS PIN JONC, GOUPILLE CRABOT | | 1 | |
| 62 | 6K1-45332-01-CA | HOUSING, BEARING FLASQUE, ROULEMENT | | 1 | |
| 63 | 93332-00048 | BEARING ROULEMENT | | 1 | |
| 64 | 64P-45570-01 | GEAR 2 (28T) PIGNON 2 (28T) | | 1 | |
| 65 | 6K1-45576-00 | WASHER, THRUST RONDELLE DE CALAGE | | 1 | |
| 66 | 93341-440U5 | BEARING CERVEAUX DE DIRECTION | | 1 | |

FIG. 29 LOWER CASING & DRIVE 3

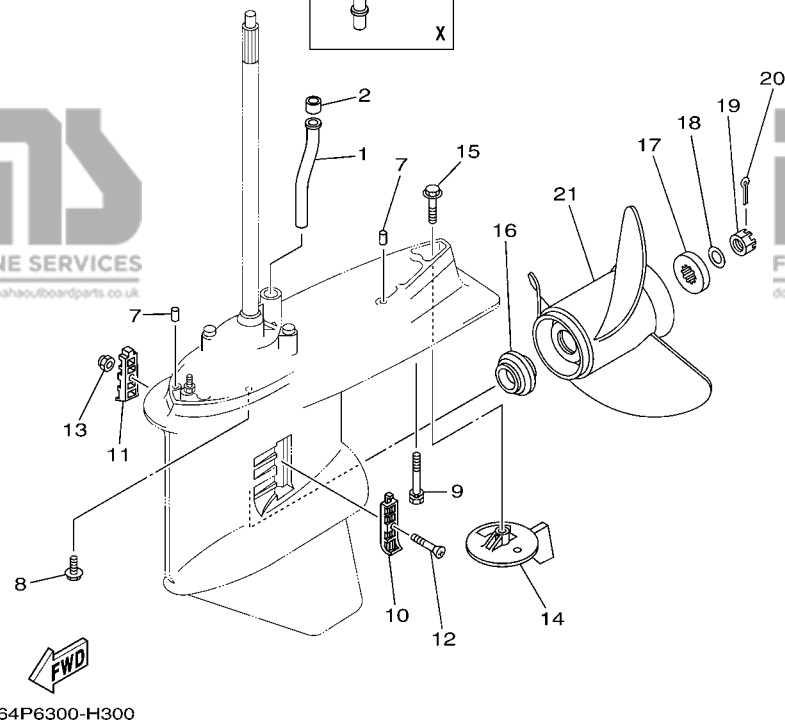
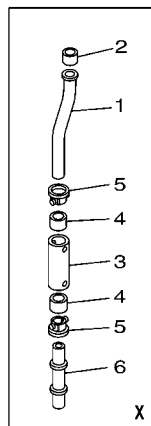
BOITIER D'HELICE TRANSMISSION3



| REF. NO. | PART NO. N° PIECES | DESCRIPTION DESCRIPTION | 63P6 | 64P6 | REMARKS REMARQUES |
|----------|--------------------|--------------------------------|------|------|-------------------|
| 67 | 6K1-45578-01 | SHIM (T:0.10MM) | | 1 | UR |
| | | CALE (T:0.10MM) | | | UR |
| | 6K1-45578-10 | SHIM (T:0.12MM) | | 1 | UR |
| | | CALE (T:0.12MM) | | | UR |
| | 6K1-45578-20 | SHIM (T:0.15MM) | | 1 | UR |
| | | CALE (T:0.15MM) | | | UR |
| | 6K1-45578-30 | SHIM (T:0.18MM) | | 1 | UR |
| | | CALE (T:0.18MM) | | | UR |
| | 6K1-45578-40 | SHIM (T:0.30MM) | | 1 | UR |
| | | CALE (T:0.30MM) | | | UR |
| | 6K1-45578-50 | SHIM (T:0.40MM) | | 1 | UR |
| | | CALE (T:0.40MM) | | | UR |
| | 6K1-45578-60 | SHIM (T:0.50MM) | | 1 | UR |
| | | CALE (T:0.50MM) | | | UR |
| 68 | 93315-43061 | BEARING ROULEMENT | | 1 | |
| 69 | 93101-30M17 | OIL SEAL JOINT SPY | | 2 | |
| 70 | 93210-97M55 | O-RING JOINT TORIQUE | | 1 | |
| 71 | 6G5-45577-02 | SHIM (T:0.10MM) | | 1 | UR |
| | | CALE (T:0.10MM) | | | UR |
| | 6G5-45577-10 | SHIM (T:0.12MM) | | 1 | UR |
| | | CALE (T:0.12MM) | | | UR |
| | 6G5-45577-20 | SHIM (T:0.15MM) | | 1 | UR |
| | | CALE (T:0.15MM) | | | UR |
| | 6G5-45577-30 | SHIM (T:0.18MM) | | 1 | UR |
| | | CALE (T:0.18MM) | | | UR |
| | 6G5-45577-40 | SHIM (T:0.30MM) | | 1 | UR |
| | | CALE (T:0.30MM) | | | UR |
| | 6G5-45577-50 | SHIM (T:0.40MM) | | 1 | UR |
| | | CALE (T:0.40MM) | | | UR |
| | 6G5-45577-60 | SHIM (T:0.50MM) | | 1 | UR |
| | | CALE (T:0.50MM) | | | UR |
| 72 | 90282-04M00 | KEY, STRAIGHT CLAVETTE, DROITE | | 1 | |
| 73 | 6G5-45383-01 | WASHER, CLAW FREIN D'ECROU | | 1 | |
| 74 | 6G5-45384-00 | NUT ECROU | | 1 | |

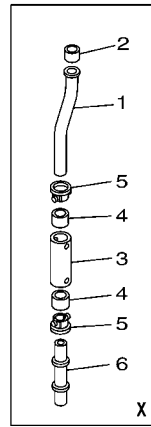
FIG. 30 LOWER CASING & DRIVE 4

BOITIER D'HELICE TRANSMISSION4

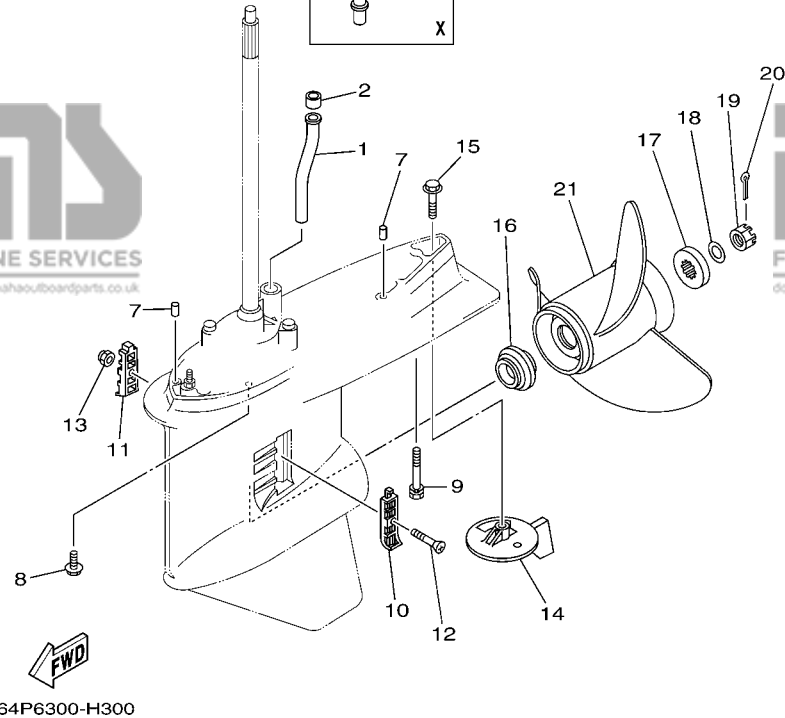


| REF. NO. | PART NO. N° PIECES | DESCRIPTION DESCRIPTION | 63P6 | 64P6 | REMARKS REMARQUES |
|----------|--------------------|---|------|------|----------------------|
| 1 | 63P-44361-00 | TUBE, WATER TUBE D'EAU | | 1 | |
| 2 | 6E5-44365-00 | DAMPER, WATER SEAL JOINT, TUBE D'EAU | | 1 | |
| 3 | 63P-44362-00 | TUBE, WATER TUBE D'EAU | | 1 | X(25.3") X(25.3") |
| 4 | 6E5-44365-00 | DAMPER, WATER SEAL JOINT, TUBE D'EAU | | 2 | X(25.3") X(25.3") |
| 5 | 6E5-44312-00 | COVER, WATER PUMP HOUSING COUVERCLE | | 2 | X(25.3") X(25.3") |
| 6 | 63P-44363-00 | TUBE, WATER 3 TUBE D'EAU 3 | | 1 | X(25.3") X(25.3") |
| 7 | 93608-16M16 | PIN, DOWEL AXE | | 2 | |
| 8 | 90119-10038 | BOLT, WITH WASHER BOULON, AVEC RONDELLE | | 6 | |
| 9 | 90119-10MA2 | BOLT, WITH WASHER BOULON, AVEC RONDELLE | | 1 | L(20.3") L(20.3") |
| | 90119-10008 | BOLT, WITH WASHER BOULON, AVEC RONDELLE | | 1 | X(25.3") X(25.3") |
| 10 | 6J9-45214-00 | COVER, WATER INLET 1 GRILLE, ENTREE D'EAU 1 | | 1 | |
| 11 | 6J9-45215-00 | COVER, WATER INLET 2 GRILLE, ENTREE D'EAU 2 | | 1 | |
| 12 | 90152-05M08 | SCREW, COUNTERSUNK VIS, TETE NOYEE | | 1 | |
| 13 | 90185-05002 | NUT, SELF-LOCKING ECROU, AUTO-BLOQUANT | | 1 | |
| 14 | 6K1-45371-02 | TAB-TRIM ANODE DERIVE | | 1 | |
| 15 | 90105-10M00 | BOLT, FLANGE BOULON | | 1 | |
| 16 | 63P-45987-00 | SPACER ENTRETOISE | | 1 | |
| 17 | 688-45997-01 | SPACER ENTRETOISE | | 1 | |
| 18 | 92990-18200 | WASHER RONDELLE, PLATE | | 1 | |
| 19 | 90171-18M04 | NUT, CASTLE ECROU, CRENELE | | 1 | |
| 20 | 91490-40030 | PIN, COTTER GOUPILLE | | 1 | |
| 21 | 6K1-45970-01-98 | PROPELLER (3X15-1/4"X15"-ML) HELICE (3X15-1/4"X15"-ML) | | 1 | UR UR |
| | 6K1-45972-01-98 | PROPELLER (3X13-3/4"X21"-ML) HELICE (3X13-3/4"X21"-ML) | | 1 | UR UR |
| | 6K1-45974-02-98 | PROPELLER (3X13-3/4"X19"-ML1) HELICE (3X13-3/4"X19"-ML1) | | 1 | UR UR |
| | 6K1-45976-00-98 | PROPELLER (3X13-3/8"X23"-ML) HELICE (3X13-3/8"X23"-ML) | | 1 | UR UR |
| | 6K1-45978-02-98 | PROPELLER (3X13-3/4"X17"-ML1) HELICE (3X13-3/4"X17"-ML1) | | 1 | UR UR |
| | 6K1-45945-00-98 | PROPELLER (3X14"X19"-ML) HELICE (3X14"X19"-ML) | | 1 | UR UR |

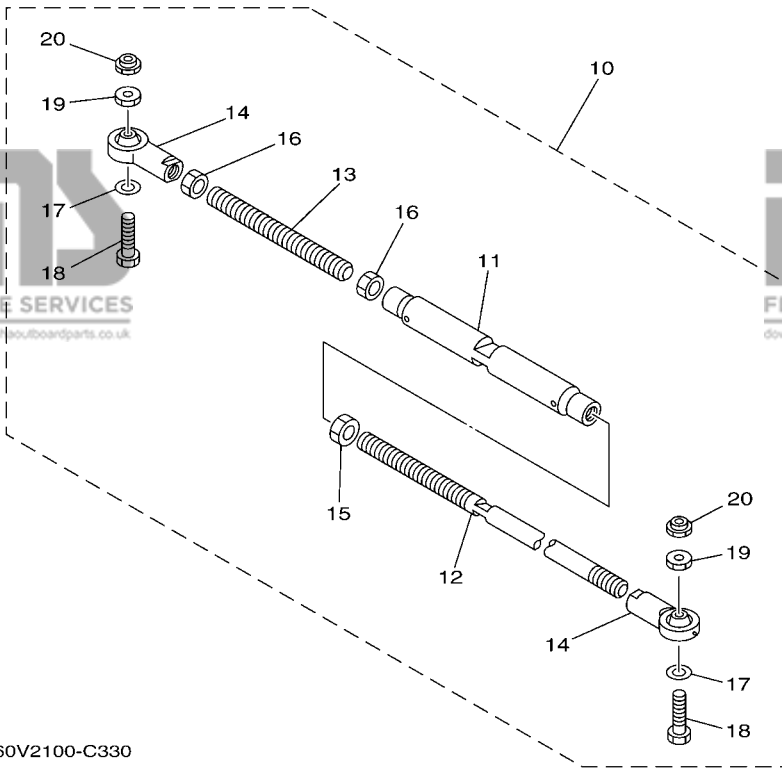
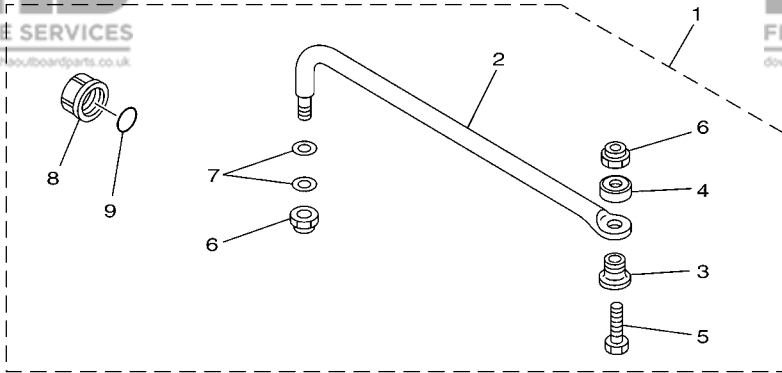
FIG. 30 LOWER CASING & DRIVE 4 BOITIER D'HELICE TRANSMISSION4



COUNTER ROTATION



| REF. NO. | PART NO. N° PIECES | DESCRIPTION DESCRIPTION | 63P6 | 64P6 | REMARKS REMARQUES |
|----------|--------------------|---|------|------|-------------------|
| 21 | 6K1-45947-00-98 | PROPELLER (3X14-1/2"X17"-ML) HELICE (3X14-1/2"X17"-ML) | | 1 | UR UR |
| | 6R1-45970-A1 | PROPELLER (3X15-1/4"X19"-ML) HELICE (3X15-1/4"X19"-ML) | | 1 | UR UR |
| | 6R1-45972-A0 | PROPELLER (3X14-7/8"X21"-ML) HELICE (3X14-7/8"X21"-ML) | | 1 | UR UR |
| | 6R1-45974-A0 | PROPELLER (3X14-1/2"X23"-ML) HELICE (3X14-1/2"X23"-ML) | | 1 | UR UR |
| | 6R1-45976-A0 | PROPELLER (3X15-1/4"X15"-ML) HELICE (3X15-1/4"X15"-ML) | | 1 | UR UR |
| | 6R1-45978-A0 | PROPELLER (3X15-1/4"X17"-ML) HELICE (3X15-1/4"X17"-ML) | | 1 | UR UR |



60V2100-C330

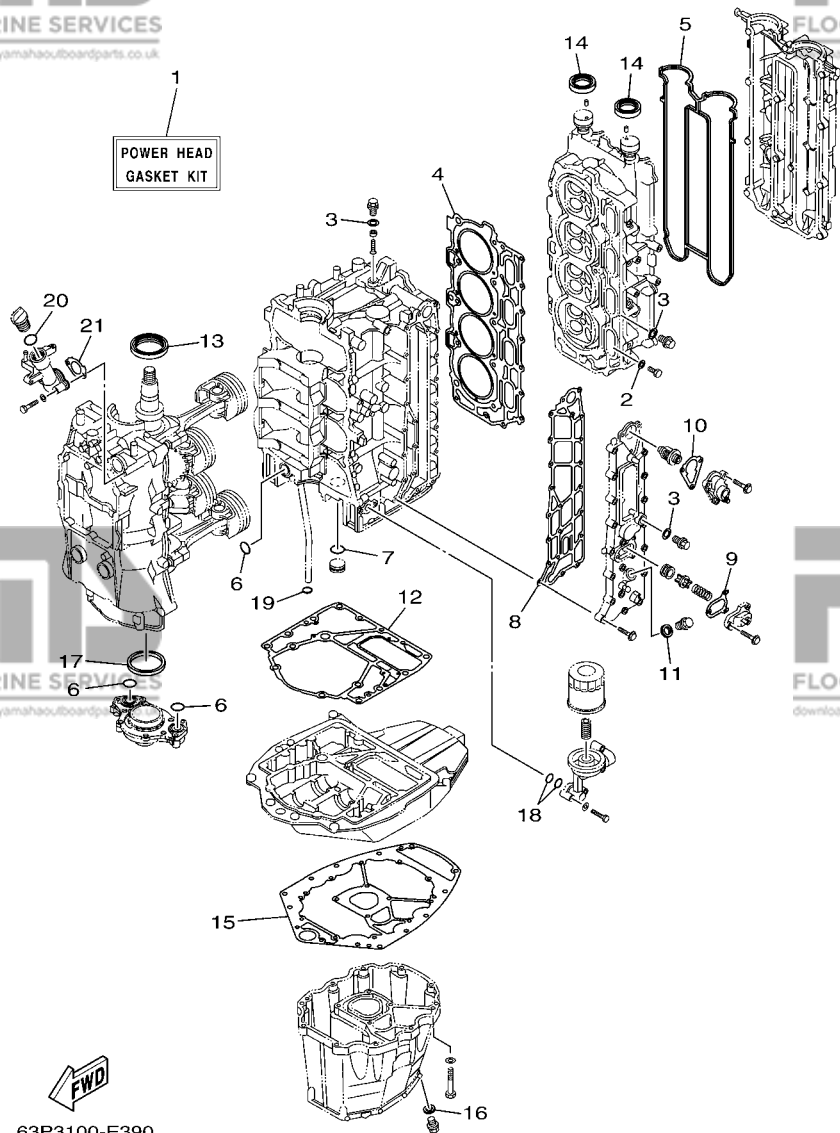
FIG. 31 STEERING GUIDE

FIXATION DE DIRECTION

| REF. NO. | PART NO. N° PIECES | DESCRIPTION DESCRIPTION | 63P6 | 64P6 | REMARKS REMARQUES |
|----------|--------------------|---|------|------|-------------------|
| 1 | 6E5-61350-02 | STEERING GUIDE ATTACHMENT KIT FIXATIONS DE DIRECTION | 1 | | AP AP |
| 2 | 6E5-61351-01 | .ROD, STEERING LINK .RENOI DE DIRECTION | 1 | | |
| 3 | 90387-10M61 | .COLLAR .COLLERETTE | 1 | | |
| 4 | 90560-12M01 | .SPACER .ENTRETOISE | 1 | | |
| 5 | 6E5-61355-00 | .BOLT .BOULON | 1 | | |
| 6 | 90185-09M01 | .NUT, SELF-LOCKING .ECROU,AUTO-BLOQUANT | 2 | | |
| 7 | 90201-10M20 | .WASHER, PLATE .RONDELLE, PLATE | 2 | | |
| 8 | 6E5-43145-01 | .CAP CLAMP BRACKET .CAPUCHON, PRESSE | 1 | | |
| 9 | 93210-16275 | .O-RING .JOINT TORIQUE | 1 | | |
| 10 | 6E5-61301-01 | TWIN KIT (L:600-800MM) JUMELE KIT (L:600-800MM) | 1 | | AP AP |
| 11 | 6E5-61313-00 | .ADJUSTER .TENDEUR | 1 | | |
| 12 | 6E5-61311-11 | .TIE BAR .BARRE D'ACCOUPEMENT | 1 | | |
| 13 | 6E5-61315-00 | .TIE BAR .BARRE D'ACCOUPEMENT | 1 | | |
| 14 | 6E5-61303-00 | .STEERING AXLE COMP. .AXLE COMP. | 2 | | |
| 15 | 90170-14M06 | .NUT .ECROU | 1 | | |
| 16 | 95380-14700 | .NUT .ECROU | 2 | | |
| 17 | 90201-10M76 | .WASHER, PLATE .RONDELLE, PLATE | 2 | | |
| 18 | 90101-09M70 | .BOLT .BOULON | 2 | | |
| 19 | 90170-09M05 | .NUT .ECROU | 2 | | |
| 20 | 90185-09M01 | .NUT, SELF-LOCKING .ECROU,AUTO-BLOQUANT | 2 | | |

FIG. 32 REPAIR KIT 1

KITS DE REPARATION 1



| REF. NO. | PART NO. N° PIECES | DESCRIPTION DESCRIPTION | 63P6 | 64P6 | REMARKS REMARQUES |
|----------|--------------------|---|------|------|-------------------|
| 1 | 63P-W0001-01 | POWER HEAD GASKET KIT POCHETTE DE JINTS TETE MOTRICE | 1 | 1 | |
| 2 | 90430-08143 | .GASKET .JOINT | 4 | 4 | |
| 3 | 90430-14115 | .GASKET .JOINT | 4 | 4 | |
| 4 | 63P-11181-00 | .GASKET, CYLINDER HEAD 1 .JOINT, DE CULASSE 1 | 1 | 1 | |
| 5 | 63P-11193-00 | .GASKET, HEAD COVER 1 .JOINT, COUVERCLE DE CULASSE 1 | 1 | 1 | |
| 6 | 93210-25552 | .O-RING .JOINT TORIQUE | 3 | 3 | |
| 7 | 93210-25647 | .O-RING .JOINT TORIQUE | 1 | 1 | |
| 8 | 63P-41114-A1 | .GASKET, EXHAUST OUTER COVER .JOINT, COUVERCLE D'ECHAPPEMENT | 1 | 1 | |
| 9 | 67F-12435-A0 | .GASKET .JOINT | 1 | 1 | |
| 10 | 63P-12414-00 | .GASKET, COVER .JOINT, COUVERCLE | 1 | 1 | |
| 11 | 90430-18130 | .GASKET .JOINT | 1 | 1 | |
| 12 | 63P-11351-00 | .GASKET, CYLINDER .JOINT, D'EMBASE | 1 | 1 | |
| 13 | 93102-60004 | .OIL SEAL .JOINT SPY | 1 | 1 | |
| 14 | 93102-38008 | .OIL SEAL .JOINT SPY | 2 | 2 | |
| 15 | 63P-15312-00 | .GASKET, OIL PAN .JOINT DE VENTILATEUR D'HUILE | 1 | 1 | |
| 16 | 90430-14M09 | .GASKET .JOINT | 1 | 1 | |
| 17 | 69J-11355-00 | .SEAL, CYLINDER 1 .JOINT, SPY CYLINDRE | 1 | 1 | |
| 18 | 93210-19MJ1 | .O-RING .JOINT TORIQUE | 2 | 2 | |
| 19 | 93210-19MJ3 | .O-RING .JOINT TORIQUE | 1 | 1 | |
| 20 | 93210-24M79 | .O-RING .JOINT TORIQUE | 1 | 1 | |
| 21 | 63P-15364-A0 | .GASKET, OIL PLUG .JOINT, PLOT D'HUILE | 1 | 1 | |

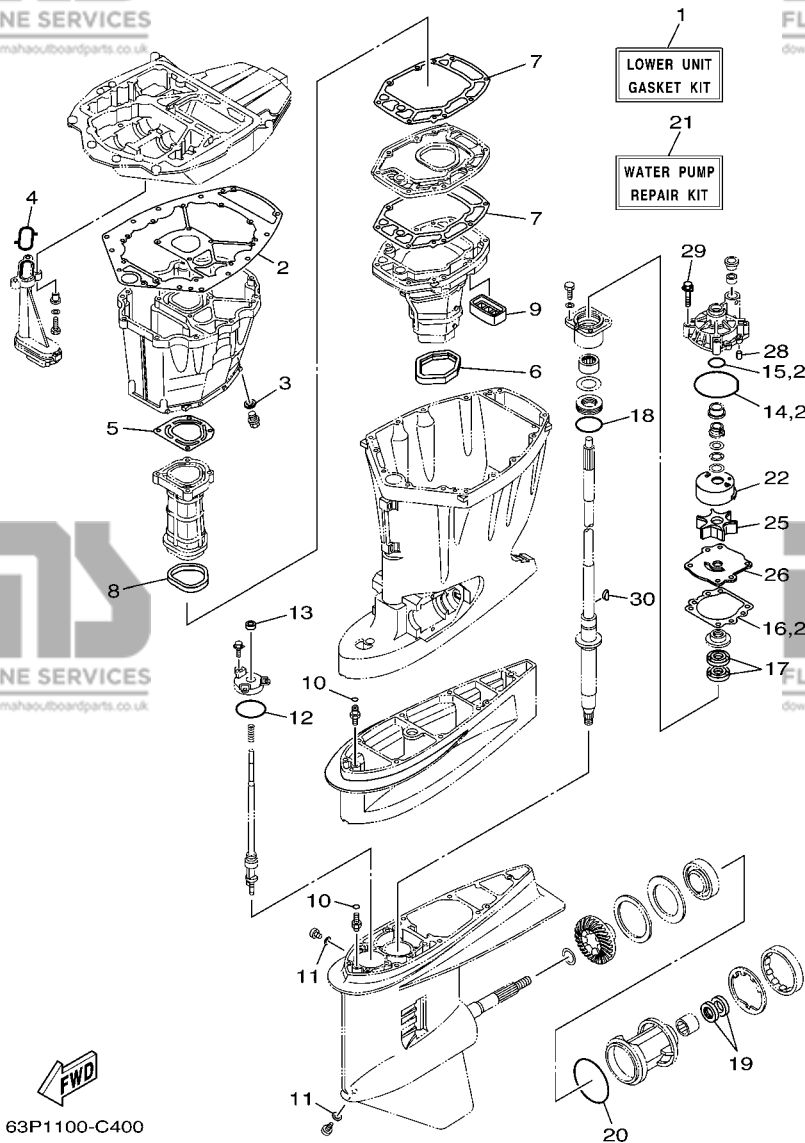
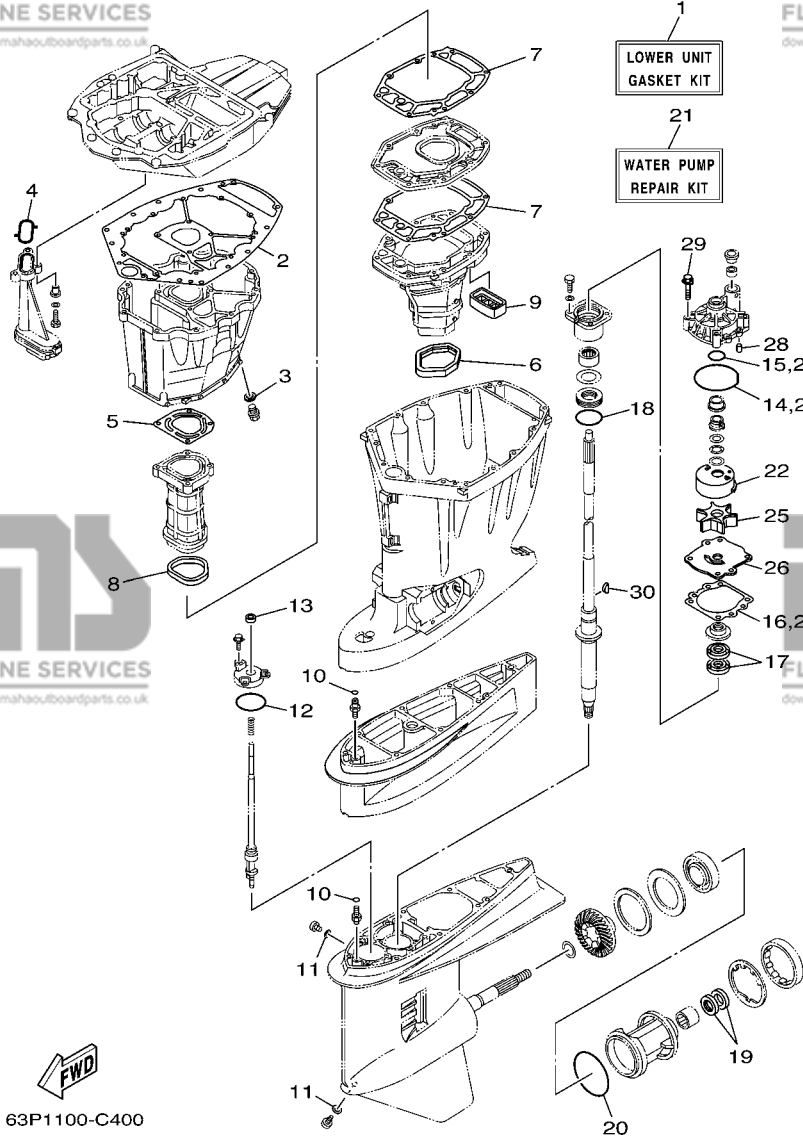


FIG. 33 REPAIR KIT 2

KITS DE REPARATION 2

| REF. NO. | PART NO. N° PIECES | DESCRIPTION DESCRIPTION | 63P6 | 64P6 | REMARKS REMARQUES |
|----------|--------------------|---|------|------|-------------------|
| 1 | 63P-W0001-20 | LOWER UNIT GASKET KIT POCHETTE DE JOINTS EMBASE | 1 | 1 | |
| 2 | 63P-15312-00 | .GASKET, OIL PAN .JOINT DE VENTILATEUR D'HUILE | 1 | 1 | |
| 3 | 90430-14M09 | .GASKET .JOINT | 1 | 1 | |
| 4 | 63P-13415-00 | .SEAL, OIL STRAINER .JOINT, FILTRE A HUILE | 1 | 1 | |
| 5 | 63P-41133-A0 | .GASKET, EXHAUST MANIFOLD 1 .JOINT, PIPE D'ECHAPPEMENT | 1 | 1 | |
| 6 | 69J-45123-00 | .GASKET, MUFFLER .JOINT, POT DE DETENTE | 1 | 1 | |
| 7 | 63P-41134-A0 | .GASKET, EXHAUST MANIFOLD .JOINT, PIPE D'ECHAPPEMENT | 2 | 2 | |
| 8 | 63P-41138-00 | .SEAL, EXT. 1 .JOINT DE GROUPE 1 | 1 | 1 | |
| 9 | 69J-45127-00 | .SEAL .JOINT | 1 | 1 | |
| 10 | 93210-07003 | .O-RING .JOINT TORIQUE | 2 | 2 | |
| 11 | 90430-08020 | .GASKET .JOINT | 2 | 2 | |
| 12 | 93210-58144 | .O-RING .JOINT TORIQUE | 1 | 1 | |
| 13 | 93106-09014 | .OIL SEAL .JOINT SPY | 1 | 1 | |
| 14 | 93210-86M38 | .O-RING .JOINT TORIQUE | 1 | 1 | |
| 15 | 93210-37160 | .O-RING .JOINT TORIQUE | 1 | 1 | |
| 16 | 6E5-44315-A0 | .GASKET, WATER PUMP .JOINT, POMPE A EAU | 1 | 1 | |
| 17 | 93101-28M16 | .OIL SEAL .JOINT SPY | 2 | 2 | |
| 18 | 93210-55M14 | .O-RING .JOINT TORIQUE | 1 | 1 | |
| 19 | 93101-30M17 | .OIL SEAL .JOINT SPY | 2 | 2 | |
| 20 | 93210-97M55 | .O-RING .JOINT TORIQUE | 1 | 1 | |
| 21 | 61A-W0078-A3 | WATER PUMP REPAIR KIT KIT DE REPARATION DE LA POMPE | 1 | 1 | |
| 22 | 61A-44322-02 | .INSERT, CARTRIDGE .CUVETTE | 1 | 1 | |
| 23 | 93210-86M38 | .O-RING .JOINT TORIQUE | 1 | 1 | |
| 24 | 93210-37160 | .O-RING .JOINT TORIQUE | 1 | 1 | |
| 25 | 6E5-44352-01 | .IMPELLER .TURBINE | 1 | 1 | |
| 26 | 6G5-44323-00 | .OUTER PLATE, CARTRIDGE .PLAQUE EXTERIEURE | 1 | 1 | |
| 27 | 6E5-44315-A0 | .GASKET, WATER PUMP .JOINT, POMPE A EAU | 1 | 1 | |



63P1100-C400

FIG. 33 REPAIR KIT 2

KITS DE REPARATION 2

| REF. NO. | PART NO. N° PIECES | DESCRIPTION DESCRIPTION | 63P6 | 64P6 | REMARKS REMARQUES |
|----------|--------------------|--|------|------|-------------------|
| 28 | 93606-12019 | .PIN, DOWEL .GOUILLE | 2 | 2 | |
| 29 | 90119-08M14 | .BOLT, WITH WASHER .BOULON, AVEC RONDELLE | 4 | 4 | |
| 30 | 90280-04M05 | .KEY, WOODRUFF .CLAVETTE, DEMI-LUNE | 1 | 1 | |

| PART NO. N° PIECES | REF. NO. | PART NO. N° PIECES | REF. NO. |
|-----------------------|-------------|-----------------------|-------------|
| 63P-11110-00-9S | 4 - 2 | 63P-11656-01 | 3 - 9 |
| 63P-11119-00 | 2 - 21 | 63P-11656-11 | 3 - 9 |
| 68F-11119-00 | 2 - 22 | 63P-11656-21 | 3 - 9 |
| 69J-11133-10 | 4 - 3 | 69J-12111-00 | 6 - 1 |
| 63P-11135-00 | 4 - 23 | 69J-12113-01 | 6 - 3 |
| 63P-11181-00 | 4 - 18 | 69J-12117-01 | 6 - 4 |
| | 32 - 4 | 69J-12118-00 | 6 - 5 |
| 63P-11191-00-9S | 4 - 22 | 69J-12119-00 | 6 - 6 |
| 63P-11192-01 | 4 - 28 | 69J-12121-00 | 6 - 2 |
| 63P-11193-00 | 4 - 25 | 67F-12138-60 | 4 - 31 |
| | 32 - 5 | 69J-12153-00 | 6 - 7 |
| 63P-11197-00 | 2 - 10 | 68V-12157-00 | 6 - 13 |
| 69J-11301-10 | 4 - 12 | 6S1-12168-00 | 6 - 8 |
| | 5 - 12 | 6S1-12168-10 | 6 - 8 |
| 68T-11325-00 | 5 - 2 | 6S1-12168-20 | 6 - 8 |
| 63P-11325-01 | 2 - 17 | 6S1-12168-30 | 6 - 8 |
| 68V-11325-02 | 4 - 13 | 6S1-12168-40 | 6 - 8 |
| | 5 - 13 | 6S1-12168-50 | 6 - 8 |
| 63P-11325-11 | 2 - 19 | 6S1-12168-60 | 6 - 8 |
| 63P-11325-21 | 2 - 11 | 6S1-12168-70 | 6 - 8 |
| 67F-11328-00 | 4 - 14 | 6S1-12168-80 | 6 - 8 |
| | 5 - 14 | 6S1-12168-90 | 6 - 8 |
| 63P-11351-00 | 2 - 24 | 6S1-12168-A0 | 6 - 8 |
| | 32 - 12 | 6S1-12168-B0 | 6 - 8 |
| 69J-11355-00 | 26 - 19 | 6S1-12168-C0 | 6 - 8 |
| | 32 - 17 | 6S1-12168-D0 | 6 - 8 |
| 63P-11372-00 | 2 - 4 | 6S1-12168-E0 | 6 - 8 |
| 63P-11377-00 | 2 - 30 | 6S1-12168-F0 | 6 - 8 |
| 63P-11410-02 | 3 - 1 | 6S1-12168-G0 | 6 - 8 |
| 63P-11416-02 | 3 - 4 | 6S1-12168-H0 | 6 - 8 |
| 63P-11416-12 | 3 - 4 | 6S1-12168-J0 | 6 - 8 |
| 63P-11416-22 | 3 - 4 | 6S1-12168-K0 | 6 - 8 |
| 63P-11417-02 | 3 - 5 | 6S1-12168-L0 | 6 - 8 |
| 63P-11417-12 | 3 - 5 | 6S1-12168-M0 | 6 - 8 |
| 63P-11417-22 | 3 - 5 | 6S1-12168-N0 | 6 - 8 |
| 63P-11417-32 | 3 - 5 | 6S1-12168-P0 | 6 - 8 |
| 63P-11426-00 | 3 - 6 | 6S1-12168-R0 | 6 - 8 |
| 63P-11426-10 | 3 - 6 | 6S1-12168-S0 | 6 - 8 |
| 63P-11426-20 | 3 - 6 | 6S1-12168-T0 | 6 - 8 |
| 69J-11478-00 | 3 - 2 | 6S1-12168-U0 | 6 - 8 |
| 63P-11500-02 | 2 - 25 | 6S1-12168-V0 | 6 - 8 |
| 63P-11512-00 | 2 - 29 | 6S1-12168-W0 | 6 - 8 |
| 63P-11536-01 | 6 - 17 | 6S1-12168-X0 | 6 - 8 |
| 63P-11537-00 | 6 - 12 | 6S1-12168-Y0 | 6 - 8 |
| 63P-11590-01 | 6 - 16 | 6S1-12169-00 | 6 - 8 |
| 63P-11603-01 | 3 - 10 | 63P-12171-00 | 6 - 9 |
| 63P-11604-00 | 3 - 10 | 63P-12181-00 | 6 - 10 |
| 63P-11654-01 | 3 - 8 | 63P-1240H-01-9S | 5 - 20 |

| PART NO. N° PIECES | REF. NO. | PART NO. N° PIECES | REF. NO. |
|-----------------------|-------------|-----------------------|-------------|
| 67F-12411-01 | 5 - 18 | 63P-13905-00 | 9 - 30 |
| 67F-12412-00 | 5 - 19 | 63P-13906-00 | 10 - 4 |
| 63P-12414-00 | 5 - 21 | 63P-13907-02 | 10 - 13 |
| | 32 - 10 | 63P-13915-00 | 10 - 15 |
| 6G5-12416-00 | 5 - 6 | 63P-13971-00 | 11 - 2 |
| 67F-12435-A0 | 5 - 10 | 63P-13974-20 | 11 - 8 |
| | 32 - 9 | 63P-13975-00 | 11 - 18 |
| 67F-1246A-01-9S | 5 - 9 | 63P-13976-00 | 11 - 9 |
| 68T-12572-00 | 19 - 28 | 68V-1410B-00 | 9 - 24 |
| 6R3-12581-00 | 19 - 30 | 63P-14148-00 | 10 - 16 |
| 6R3-12582-00 | 19 - 31 | 63P-14149-00 | 11 - 1 |
| 6R3-12583-00 | 19 - 32 | 63P-14180-00 | 10 - 1 |
| 69J-12858-00 | 5 - 29 | 63P-14182-00 | 10 - 2 |
| 6AW-13119-00 | 26 - 17 | 63P-14191-00 | 10 - 20 |
| 63P-1312A-01 | 9 - 26 | 63P-14200-21 | 9 - 1 |
| 63P-13131-00 | 12 - 22 | 63P-14225-00 | 11 - 7 |
| 63P-13160-00 | 11 - 6 | 69J-14225-01 | 10 - 7 |
| 63P-13300-01 | 26 - 14 | 63P-14291-00 | 9 - 12 |
| 63P-13329-00 | 26 - 15 | 63P-14292-00 | 9 - 33 |
| 69J-13338-00 | 26 - 16 | 69J-14321-00 | 9 - 3 |
| 63P-13411-00 | 26 - 9 | 68V-14323-00 | 9 - 5 |
| 63P-13415-00 | 26 - 11 | 68V-14331-00 | 9 - 4 |
| | 33 - 4 | 68V-14356-00 | 9 - 10 |
| 67F-13434-10 | 1 - 27 | 68V-14386-00 | 10 - 11 |
| 63P-13437-61 | 14 - 23 | 63P-14435-00 | 17 - 19 |
| 69J-13440-01 | 5 - 28 | 63P-14440-00 | 7 - 10 |
| 63P-13446-00-9S | 5 - 30 | 63P-14446-00 | 9 - 21 |
| 67F-13448-00 | 1 - 22 | 68V-14446-00 | 10 - 26 |
| 63P-13490-00 | 2 - 34 | 63P-14449-00 | 7 - 11 |
| 63P-13532-10 | 11 - 5 | 63P-14457-00 | 7 - 12 |
| 63P-13545-00 | 11 - 4 | 63P-14496-00 | 9 - 14 |
| 63P-13546-00 | 11 - 3 | 63P-14546-00 | 10 - 10 |
| 63P-13557-00 | 9 - 20 | 63P-14565-00 | 10 - 5 |
| 68V-13577-00 | 11 - 15 | 68V-14565-00 | 9 - 11 |
| 6BM-13593-00 | 10 - 23 | 63P-14567-00 | 10 - 6 |
| 69J-13631-00 | 26 - 18 | 3CF-14594-00 | 9 - 9 |
| 63P-13641-00 | 9 - 13 | 69J-14624-01 | 25 - 26 |
| 63P-13643-00 | 9 - 22 | 63P-14711-01-9S | 25 - 12 |
| 63P-13645-00 | 9 - 16 | 63P-14777-00 | 10 - 21 |
| 69J-13716-00 | 10 - 22 | 63P-14984-00 | 10 - 8 |
| 63P-13751-01 | 9 - 2 | 63P-14985-00 | 10 - 12 |
| 6P2-13758-00 | 11 - 19 | 63P-15311-01-CA | 26 - 2 |
| 63P-13761-00 | 9 - 23 | 63P-15312-00 | 26 - 1 |
| 68V-13766-00 | 9 - 25 | | 32 - 15 |
| 63P-13769-00 | 9 - 32 | | 33 - 2 |
| 68V-13781-10 | 10 - 9 | 63P-15316-00 | 26 - 6 |
| 63P-13784-00 | 10 - 14 | 63P-15319-00-9S | 5 - 35 |
| 63P-13898-00 | 9 - 31 | 63P-15362-00 | 26 - 23 |

| PART NO. N° PIECES | REF. NO. | PART NO. N° PIECES | REF. NO. |
|-----------------------|-------------|-----------------------|-------------|
| 6G8-15363-00 | 5 - 33 | 69J-24501-10 | 11 - 16 |
| 63P-15364-A0 | 5 - 36 | 69J-24502-00 | 8 - 9 |
| | 32 - 21 | 68V-24519-00 | 11 - 13 |
| 63P-15373-00 | 7 - 5 | 6P3-24519-00 | 12 - 10 |
| 63P-15377-00 | 26 - 24 | 6P3-24560-01 | 12 - 6 |
| 63P-15378-00 | 7 - 8 | 6P3-24562-01 | 12 - 8 |
| 63P-2134X-00 | 8 - 2 | 6P3-24563-00 | 12 - 7 |
| 69J-21841-02 | 10 - 25 | 6P3-24564-00 | 12 - 11 |
| 63P-2247B-00 | 11 - 12 | 63P-24566-00 | 12 - 12 |
| 68V-2411M-00 | 11 - 10 | 69J-24599-10 | 11 - 17 |
| 63P-2411R-00 | 10 - 18 | 68V-2481H-00 | 11 - 20 |
| 63P-2411T-00 | 10 - 19 | 67F-28100-01 | 12 - 39 |
| 68V-24149-00 | 12 - 29 | 67F-2812A-00 | 16 - 39 |
| 6P2-24170-00 | 8 - 1 | 63P-28199-77-D0 | 12 - 40 |
| 63P-2417H-00 | 11 - 21 | 63P-28199-77-E0 | 12 - 40 |
| 63P-2417J-00 | 11 - 22 | 63P-28199-77-F0 | 12 - 40 |
| 63P-2419A-00 | 8 - 3 | 63P-28199-77-G0 | 12 - 40 |
| 6YK-24307-42 | 13 - 1 | 63P-28199-77-H0 | 12 - 40 |
| 64P-24311-00 | 8 - 11 | 63P-28199-77-S0 | 12 - 40 |
| 63P-24311-10 | 12 - 18 | 63P-28199-87-K0 | 12 - 41 |
| 64P-24312-00 | 8 - 10 | 63P-28199-87-L0 | 12 - 41 |
| 63P-24312-10 | 12 - 33 | 63P-28199-87-M0 | 12 - 41 |
| 64P-24313-00 | 8 - 8 | 63P-28199-87-N0 | 12 - 41 |
| 63P-24313-10 | 12 - 34 | 63P-28199-87-P0 | 12 - 41 |
| 63P-24314-00 | 12 - 31 | 63P-28199-87-R0 | 12 - 41 |
| 64P-24314-00 | 8 - 14 | 63P-41113-03-9S | 5 - 1 |
| 63P-24315-00 | 12 - 32 | 63P-41114-A1 | 5 - 4 |
| 64P-24315-00 | 8 - 13 | | 32 - 8 |
| 63P-24316-00 | 12 - 5 | 63P-41131-01-9S | 25 - 9 |
| 63P-24317-00 | 11 - 11 | 63P-41133-A0 | 25 - 10 |
| 63P-24325-00 | 11 - 14 | | 33 - 5 |
| 63P-24364-00 | 8 - 15 | 63P-41134-A0 | 25 - 17 |
| 63P-24367-00 | 8 - 12 | | 33 - 7 |
| 68V-24374-00 | 12 - 25 | 63P-41137-01-CA | 25 - 1 |
| 6R3-24377-10 | 12 - 3 | 63P-41138-00 | 25 - 19 |
| 6E5-24378-00 | 12 - 30 | | 33 - 8 |
| 69J-24379-00 | 10 - 17 | 63P-41213-00 | 20 - 44 |
| 6E5-24379-00 | 8 - 17 | 63P-41237-00 | 20 - 50 |
| 63P-24410-00 | 12 - 19 | 6H4-41237-00 | 9 - 17 |
| 68V-24411-00 | 12 - 24 | 682-41238-01 | 9 - 19 |
| 68V-24412-00 | 12 - 20 | 63P-42154-00 | 20 - 39 |
| 68V-24413-00 | 12 - 26 | 63P-42157-00 | 20 - 51 |
| 63P-24414-00 | 12 - 27 | 68V-42171-00 | 20 - 52 |
| 63P-24423-00 | 12 - 23 | 66K-42510-02-8D | 22 - 9 |
| 68V-24444-00 | 12 - 28 | 63P-42541-00 | 19 - 33 |
| 4SV-24453-00 | 10 - 3 | 63P-42610-01-8D | 1 - 1 |
| 68V-24454-00 | 12 - 21 | 63P-42613-00 | 1 - 14 |
| 6P3-24469-00 | 12 - 9 | 63P-42615-00 | 19 - 2 |

| PART NO. N° PIECES | REF. NO. | PART NO. N° PIECES | REF. NO. |
|-----------------------|-------------|-----------------------|-------------|
| 69J-24501-10 | 11 - 16 | | |
| 69J-24502-00 | 8 - 9 | | |
| 68V-24519-00 | 11 - 13 | | |
| 6P3-24519-00 | 12 - 10 | | |
| 6P3-24560-01 | 12 - 6 | | |
| 6P3-24562-01 | 12 - 8 | | |
| 6P3-24563-00 | 12 - 7 | | |
| 6P3-24564-00 | 12 - 11 | | |
| 63P-24566-00 | 12 - 12 | | |
| 69J-24599-10 | 11 - 17 | | |
| 68V-2481H-00 | 11 - 20 | | |
| 67F-28100-01 | 12 - 39 | | |
| 67F-2812A-00 | 16 - 39 | | |
| 63P-28199-77-D0 | 12 - 40 | | |
| 63P-28199-77-E0 | 12 - 40 | | |
| 63P-28199-77-F0 | 12 - 40 | | |
| 63P-28199-77-G0 | 12 - 40 | | |
| 63P-28199-77-H0 | 12 - 40 | | |
| 63P-28199-77-S0 | 12 - 40 | | |
| 63P-28199-87-K0 | 12 - 41 | | |
| 63P-28199-87-L0 | 12 - 41 | | |
| 63P-28199-87-M0 | 12 - 41 | | |
| 63P-28199-87-N0 | 12 - 41 | | |
| 63P-28199-87-P0 | 12 - 41 | | |
| 63P-28199-87-R0 | 12 - 41 | | |
| 63P-41113-03-9S | 5 - 1 | | |
| 63P-41114-A1 | 5 - 4 | | |
| | 32 - 8 | | |
| 63P-41131-01-9S | 25 - 9 | | |
| 63P-41133-A0 | 25 - 10 | | |
| | 33 - 5 | | |
| 63P-41134-A0 | 25 - 17 | | |
| | 33 - 7 | | |
| 63P-41137-01-CA | 25 - 1 | | |
| 63P-41138-00 | 25 - 19 | | |
| | 33 - 8 | | |
| 63P-41213-00 | 20 - 44 | | |
| 63P-41237-00 | 20 - 50 | | |
| 6H4-41237-00 | 9 - 17 | | |
| 682-41238-01 | 9 - 19 | | |
| 63P-42154-00 | 20 - 39 | | |
| 63P-42157-00 | 20 - 51 | | |
| 68V-42171-00 | 20 - 52 | | |
| 66K-42510-02-8D | 22 - 9 | | |
| 63P-42541-00 | 19 - 33 | | |
| 63P-42610-01-8D | 1 - 1 | | |
| 63P-42613-00 | 1 - 14 | | |
| 63P-42615-00 | 19 - 2 | | |

| PART NO. N° PIECES | REF. NO. |
|-----------------------|-------------|
| 63P-42617-00 | 1 - 16 |
| 63P-42643-00-94 | 1 - 11 |
| 63P-42644-00-94 | 1 - 13 |
| 63P-42647-00-94 | 1 - 4 |
| 60V-42651-01 | 1 - 7 |
| 63P-42662-00 | 1 - 26 |
| 68F-42663-00 | 1 - 12 |
| 69J-42663-00 | 1 - 8 |
| 63P-42677-00 | 1 - 17 |
| 63P-42678-00 | 1 - 18 |
| 63P-42681-00 | 1 - 20 |
| 63P-42682-00 | 1 - 21 |
| 63P-42710-01-8D | 19 - 1 |
| 648-42715-00 | 20 - 30 |
| 63P-42716-00 | 19 - 35 |
| 61A-42717-00 | 19 - 27 |
| 63P-42717-00 | 19 - 20 |
| 63P-42718-00 | 19 - 21 |
| 69J-42723-00-8D | 17 - 22 |
| 6E5-42724-00 | 25 - 8 |
| 63P-42725-00 | 19 - 23 |
| 6H1-42726-21 | 19 - 24 |
| 61A-42727-00 | 19 - 42 |
| 63P-42738-00-8D | 19 - 19 |
| 63P-42741-01-8D | 19 - 36 |
| 6H4-42748-00 | 19 - 48 |
| 68F-42753-00 | 19 - 49 |
| 63P-42756-00 | 19 - 44 |
| 6AH-42794-40 | 19 - 52 |
| 6AH-42794-50 | 19 - 53 |
| 63P-42811-01 | 19 - 43 |
| 63P-42815-00-8D | 19 - 6 |
| 63P-42816-00-8D | 19 - 7 |
| 63P-42818-01 | 19 - 11 |
| 63P-42828-00-8D | 19 - 9 |
| 68F-42828-03-8D | 19 - 8 |
| 64E-43111-02-8D | 21 - 1 |
| 64E-43112-02-8D | 21 - 9 |
| 64E-43126-00 | 21 - 35 |
| 64E-43131-10 | 21 - 14 |
| 64E-43139-10 | 22 - 1 |
| 64D-43144-00 | 19 - 16 |
| 6G5-43144-00 | 21 - 25 |
| 6E5-43145-01 | 31 - 8 |
| 6G5-43148-00 | 21 - 30 |
| 6G5-43181-10 | 21 - 27 |
| 6G5-43185-10 | 21 - 28 |
| 64E-43311-10-8D | 21 - 21 |

| PART NO. N° PIECES | REF. NO. |
|-----------------------|-------------|
| 63P-43376-00 | 22 - 6 |
| 63P-43800-02-8D | 23 - 1 |
| 64E-43802-00 | 24 - 8 |
| 64E-43805-00 | 24 - 37 |
| 64E-4380F-00 | 24 - 33 |
| 64E-4380J-00 | 24 - 30 |
| 63P-43810-01 | 23 - 6 |
| 64E-43811-01 | 23 - 7 |
| 6E5-43814-02 | 23 - 14 |
| 64E-43816-00 | 24 - 17 |
| 64E-43817-00 | 23 - 5 |
| 64E-43817-10 | 24 - 19 |
| 6BC-43818-00 | 23 - 33 |
| 64E-4381G-00 | 23 - 28 |
| 64E-43820-01 | 23 - 16 |
| 64E-43821-01 | 23 - 17 |
| 64E-43822-00 | 23 - 18 |
| 64E-43825-02 | 23 - 2 |
| 64E-43827-00 | 24 - 22 |
| 64E-43828-00 | 23 - 23 |
| 64E-43829-00 | 23 - 24 |
| 64E-4382G-00 | 23 - 30 |
| 64E-43830-00 | 24 - 4 |
| 64E-43831-00 | 24 - 2 |
| 64E-43841-00 | 24 - 7 |
| 64E-43843-00 | 24 - 6 |
| 64E-43843-10 | 24 - 38 |
| 64E-4384J-00 | 23 - 19 |
| 64E-43850-00 | 24 - 15 |
| 64E-43851-00 | 24 - 11 |
| 64E-43855-00 | 24 - 14 |
| 64E-43858-00 | 24 - 12 |
| 6E5-43858-00 | 23 - 29 |
| 72X-43858-00 | 24 - 5 |
| 64E-43859-00 | 24 - 13 |
| 64E-43860-00 | 24 - 20 |
| 6E5-43862-00 | 23 - 11 |
| 6G5-43863-00 | 24 - 10 |
| 6E5-43864-00 | 23 - 21 |
| 6G5-43864-00 | 23 - 20 |
| 64E-43865-00 | 24 - 16 |
| 6G5-43865-00 | 24 - 35 |
| 64E-43866-00 | 23 - 10 |
| 64E-43867-00 | 23 - 9 |
| 64E-43868-00 | 24 - 3 |
| 64E-43869-00 | 23 - 27 |

| PART NO. N° PIECES | REF. NO. |
|-----------------------|-------------|
| 6H1-4386K-10 | 24 - 29 |
| 6E5-43872-00 | 23 - 13 |
| 64E-43873-00 | 24 - 24 |
| 6E5-43874-01 | 23 - 22 |
| 64E-43875-00 | 24 - 25 |
| 64E-43879-00 | 24 - 27 |
| 64E-43879-10 | 24 - 26 |
| 64E-4387A-00 | 24 - 23 |
| 67H-43880-02 | 24 - 28 |
| 64E-43883-00 | 23 - 12 |
| 64E-4388E-00 | 23 - 26 |
| 64E-4388E-10 | 24 - 1 |
| 64E-4388J-00 | 23 - 3 |
| 64E-43891-00 | 24 - 31 |
| 64E-43892-00 | 24 - 34 |
| 6E5-43896-00 | 24 - 9 |
| 64E-43897-00 | 23 - 25 |
| 64E-43898-00 | 23 - 8 |
| 63P-44117-00-94 | 20 - 9 |
| 63P-44118-00-94 | 20 - 25 |
| 63P-44120-00 | 20 - 20 |
| 63P-44121-00 | 20 - 18 |
| 63P-44122-00 | 20 - 15 |
| 69J-44135-00 | 20 - 45 |
| 63P-44150-00 | 27 - 18 |
| 64P-44150-00 | 29 - 19 |
| 63P-44150-10 | 27 - 18 |
| 64P-44150-10 | 29 - 19 |
| 63P-44176-00-94 | 20 - 8 |
| 61A-44311-01 | 27 - 25 |
| 6E5-44312-00 | 29 - 26 |
| 27 - 30 | 27 - 30 |
| 28 - 5 | 28 - 5 |
| 29 - 31 | 29 - 31 |
| 30 - 5 | 30 - 5 |
| 27 - 34 | 27 - 34 |
| 29 - 35 | 29 - 35 |
| 33 - 16 | 33 - 16 |
| 33 - 27 | 33 - 27 |
| 27 - 26 | 27 - 26 |
| 29 - 27 | 29 - 27 |
| 33 - 22 | 33 - 22 |
| 27 - 33 | 27 - 33 |
| 29 - 34 | 29 - 34 |
| 33 - 26 | 33 - 26 |
| 27 - 31 | 27 - 31 |
| 29 - 32 | 29 - 32 |
| 33 - 25 | 33 - 25 |

| PART NO. N° PIECES | REF. NO. |
|-----------------------|-------------|
| 63P-44361-00 | 28 - 1 |
| 63P-44362-00 | 28 - 3 |
| 63P-44363-00 | 28 - 6 |
| 6E5-44365-00 | 27 - 29 |
| 6E5-44366-00 | 25 - 29 |
| 6P2-44391-00 | 19 - 26 |
| 63P-44511-00-94 | 22 - 36 |
| 63P-44514-00-94 | 22 - 29 |
| 6G5-44526-00 | 21 - 3 |
| 69J-44533-00 | 22 - 23 |
| 68V-44551-00-8D | 22 - 14 |
| 63P-44553-00-8D | 22 - 26 |
| 60V-44555-00-94 | 22 - 17 |
| 63P-44555-00-94 | 22 - 17 |
| 63P-44556-00-8D | 22 - 27 |
| 61A-44575-00 | 22 - 16 |
| 63P-45111-00-8D | 25 - 21 |
| 69J-45123-00 | 25 - 13 |
| 6G5-45536-01 | 27 - 9 |
| 61A-45538-00 | 27 - 21 |
| 63P-45551-00 | 27 - 47 |
| 64P-45560-01 | 29 - 50 |
| 63P-45560-02 | 27 - 49 |
| 6G5-45567-01 | 27 - 5 |
| 6G5-45567-10 | 27 - 5 |
| 6G5-45567-20 | 27 - 5 |
| 6G5-45567-30 | 27 - 5 |
| 6G5-45567-40 | 27 - 5 |
| 6G5-45567-50 | 27 - 5 |
| 6G5-45567-60 | 27 - 5 |
| 6J9-45611-01 | 27 - 51 |
| 6K1-45611-10 | 29 - 52 |
| 63P-45631-01 | 29 - 60 |
| 63P-45631-10 | 27 - 59 |
| 6E5-45633-01 | 27 - 60 |
| 6E5-45634-01 | 29 - 61 |
| 6K1-45641-01 | 29 - 53 |

| PART NO. N° PIECES | REF. NO. |
|-----------------------|-------------|
| 64P-45570-01 | 29 - 64 |
| 63P-45571-02 | 27 - 63 |
| 6K1-45576-00 | 29 - 65 |
| 6G5-45576-10 | 27 - 64 |
| 6G5-45577-02 | 27 - 68 |
| 6G5-45577-10 | 29 - 71 |
| 6G5-45577-20 | 27 - 68 |
| 6G5-45577-30 | 29 - 71 |
| 6G5-45577-40 | 27 - 68 |
| 6G5-45577-50 | 29 - 71 |
| 6G5-45577-60 | 27 - 68 |
| 6K1-45578-01 | 29 - 67 |
| 6K1-45578-10 | 29 - 67 |
| 6K1-45578-20 | 29 - 67 |
| 6K1-45578-30 | 29 - 67 |
| 6K1-45578-40 | 29 - 67 |
| 6K1-45578-50 | 29 - 67 |
| 6K1-45578-60 | 29 - 67 |
| 6E5-45587-01 | 27 - 40 |
| 6E5-45587-10 | 27 - 40 |
| 6E5-45587-20 | 27 - 40 |
| 6E5-45587-30 | 27 - 40 |
| 6E5-45587-40 | 27 - 40 |
| 6E5-45587-50 | 27 - 40 |
| 6E5-45587-60 | 27 - 40 |
| 6J9-45611-01 | 27 - 51 |
| 6K1-45611-10 | 29 - 52 |
| 63P-45631-01 | 29 - 60 |
| 63P-45631-10 | 27 - 59 |
| 6E5-45633-01 | 27 - 60 |
| 6E5-45634-01 | 29 - 61 |
| 6K1-45641-01 | 29 - 53 |

| PART NO. N° PIECES | REF. NO. |
|-----------------------|-------------|
| 6E5-45641-03 | 27 - 52 |
| 6G5-45930-00-98 | 28 - 21 |
| 6G5-45932-00-98 | 28 - 21 |
| 6G5-45941-00-98 | 28 - 21 |
| 6G5-45943-01-98 | 28 - 21 |
| 6K1-45945-00-98 | 30 - 21 |
| 6G5-45945-01-98 | 28 - 21 |
| 6K1-45947-00-98 | 30 - 21 |
| 6G5-45947-01-98 | 28 - 21 |
| 6G5-45949-00-98 | 28 - 21 |
| 6K1-45970-01-98 | 30 - 21 |
| 6G5-45970-02-98 | 28 - 21 |
| 6R1-45970-A1 | 30 - 21 |
| 6R4-45970-A1 | 28 - 21 |
| 66K-45970-B0 | 28 - 21 |
| 6K1-45972-01-98 | 30 - 21 |
| 6G5-45972-02-98 | 28 - 21 |
| 6R1-45972-A0 | 30 - 21 |
| 6R4-45972-A0 | 28 - 21 |
| 66K-45972-B0 | 28 - 21 |
| 6K1-45974-02-98 | 30 - 21 |
| 6G5-45974-03-98 | 28 - 21 |
| 6R1-45974-A0 | 30 - 21 |
| 6R4-45974-A0 | 28 - 21 |
| 66K-45974-B0 | 28 - 21 |
| 6K1-45976-00-98 | 30 - 21 |
| 6G5-45976-01-98 | 28 - 21 |
| 6J9-45976-10 | 28 - 21 |
| 6R1-45976-A0 | 30 - 21 |
| 6R4-45976-A0 | 28 - 21 |
| 6K1-45978-02-98 | 30 - 21 |
| 6G5-45978-03-98 | 28 - 21 |
| 6R1-45978-A0 | 30 - 21 |
| 6R4-45978-A0 | 28 - 21 |
| 63P-45987-00 | 28 - 16 |
| | 30 - 16 |
| 688-45997-01 | 28 - 17 |
| | 30 - 17 |
| 63P-46241-00 | 6 - 15 |
| 6E5-48344-00 | 20 - 6 |
| | 20 - 37 |
| 63P-48531-00 | 20 - 1 |
| 63P-48532-00 | 20 - 2 |
| 63P-48538-00 | 20 - 4 |
| 6E5-61301-01 | 31 - 10 |
| 6E5-61303-00 | 31 - 14 |
| 6E5-61311-11 | 31 - 12 |
| 6E5-61313-00 | 31 - 11 |

NUMERICAL INDEX
INDEX NUMERIQUE

| PART NO. N° PIECES | REF. NO. |
|-----------------------|-------------|
| 63P-81948-00 | 16 - 17 |
| 68F-81949-00 | 17 - 32 |
| 68V-8194A-00 | 16 - 4 |
| 63P-81950-00 | 16 - 11 |
| 68V-81953-00 | 16 - 5 |
| 68F-8195A-00 | 16 - 33 |
| 63P-81960-01 | 15 - 17 |
| 63P-81975-00 | 15 - 19 |
| 6AH-81994-40 | 14 - 24 |
| 6AH-81994-50 | 14 - 25 |
| 6AH-81996-00 | 19 - 54 |
| 63P-82105-00 | 17 - 1 |
| 6G5-82119-00 | 16 - 10 |
| 6E5-82148-00 | 21 - 6 |
| | 21 - 10 |
| 66K-82149-00 | 21 - 24 |
| 63P-82151-00 | 16 - 32 |
| 67F-82151-00 | 16 - 34 |
| 67F-82151-10 | 16 - 35 |
| 60V-82157-00 | 16 - 40 |
| 63P-82170-00 | 16 - 31 |
| 63P-82310-01 | 15 - 1 |
| 663-82317-01 | 14 - 19 |
| 63P-82341-00 | 15 - 2 |
| 63P-82342-00 | 15 - 3 |
| 63P-82343-00 | 15 - 7 |
| 63P-82344-00 | 15 - 8 |
| 67F-82361-00 | 15 - 4 |
| | 15 - 10 |
| 67F-82362-00 | 15 - 5 |
| | 15 - 9 |
| 67F-82377-00 | 19 - 51 |
| 63P-82380-00 | 9 - 28 |
| 63P-82388-00 | 15 - 15 |
| 6P2-82560-01 | 17 - 26 |
| 69J-82563-00 | 17 - 21 |
| 68F-82582-00 | 18 - 29 |
| 6P2-82582-10 | 17 - 5 |
| 69J-82587-00 | 17 - 23 |
| 6E9-82588-00 | 17 - 27 |
| 61A-82588-01 | 20 - 11 |
| 63P-82590-30 | 17 - 4 |
| 63P-82594-00 | 16 - 23 |
| 60V-8259F-00 | 20 - 33 |
| 69J-8259F-00 | 20 - 10 |
| 63P-8259L-00 | 10 - 24 |
| 63P-8259M-00 | 17 - 10 |
| 68F-82846-00 | 16 - 36 |
| 6E5-83558-00 | 25 - 31 |
| 63P-83614-00 | 17 - 24 |
| 63P-83626-00 | 4 - 30 |
| 67F-83627-01 | 18 - 32 |
| 6AW-83651-00 | 17 - 20 |
| 63P-8366P-00 | 17 - 29 |
| 67H-83672-00 | 22 - 2 |
| 72X-85075-L0 | 24 - 21 |
| 68F-85119-00 | 16 - 21 |
| 68F-85516-01 | 16 - 19 |
| 60V-85544-00 | 16 - 38 |
| 689-85547-00 | 12 - 1 |
| 68V-85548-00 | 16 - 27 |
| 63P-85580-00 | 14 - 3 |
| 61A-85790-00 | 17 - 16 |
| 6S1-85885-00 | 9 - 6 |
| 63P-85886-00 | 17 - 18 |
| 63P-8591A-61 | 16 - 1 |
| 63P-W0001-01 | 32 - 1 |
| 63P-W0001-20 | 33 - 1 |
| 63P-W0070-00 | 1 - 19 |
| 61A-W0078-A3 | 33 - 21 |
| 63P-W009A-02-9S | 4 - 1 |
| 63P-W009B-05-9S | 2 - 1 |
| 63P-W1164-01 | 3 - 7 |
| 63P-W1164-10 | 3 - 7 |
| 63P-W1510-03-9S | 2 - 2 |
| 90101-09M70 | 31 - 18 |
| 90101-12M05 | 21 - 40 |
| 90105-06M07 | 4 - 15 |
| | 5 - 15 |
| 90105-10071 | 2 - 9 |
| 90105-10M00 | 28 - 15 |
| | 30 - 15 |
| 90109-06M80 | 17 - 28 |
| | 19 - 39 |
| 90109-06M82 | 19 - 10 |
| | 19 - 22 |
| 90109-06M86 | 17 - 25 |
| | 19 - 17 |
| | 19 - 46 |
| 90109-08019 | 20 - 3 |
| 90109-14005 | 22 - 32 |
| 90109-14007 | 22 - 22 |
| 90110-05020 | 6 - 18 |
| 90119-06071 | 12 - 17 |

| PART NO. N° PIECES | REF. NO. |
|-----------------------|-------------|
| 90119-06076 | 7 - 14 |
| 90119-06134 | 15 - 6 |
| 90119-06135 | 8 - 20 |
| | 12 - 38 |
| 90119-06M10 | 27 - 17 |
| | 29 - 18 |
| 90119-06M18 | 25 - 35 |
| 90119-06M81 | 2 - 15 |
| 90119-06M82 | 7 - 16 |
| 90119-06M83 | 12 - 37 |
| 90119-06MA2 | 2 - 23 |
| | 5 - 11 |
| 90119-06MA4 | 5 - 5 |
| | 5 - 22 |
| | 15 - 18 |
| 90119-06MA6 | 2 - 27 |
| 90119-07234 | 4 - 7 |
| 90119-07235 | 4 - 6 |
| 90119-08M14 | 27 - 36 |
| | 29 - 37 |
| | 33 - 29 |
| 90119-08M22 | 19 - 3 |
| 90119-08M58 | 25 - 6 |
| 90119-08M66 | 2 - 16 |
| | 2 - 26 |
| 90119-08M79 | 25 - 2 |
| 90119-08M91 | 4 - 21 |
| 90119-10007 | 25 - 22 |
| 90119-10008 | 28 - 9 |
| | 30 - 9 |
| 90119-10038 | 25 - 40 |
| | 28 - 8 |
| | 30 - 8 |
| 90119-10049 | 22 - 28 |
| 90119-10MA2 | 28 - 9 |
| | 30 - 9 |
| 90151-05M05 | 5 - 3 |
| 90151-06M02 | 2 - 18 |
| | 2 - 20 |
| 90152-05M08 | 28 - 12 |
| | 30 - 12 |
| | 4 - 20 |
| 90155-10001 | 22 - 2 |
| 90159-05059 | 19 - 38 |
| 90159-06M28 | 16 - 30 |
| 90169-05M00 | 31 - 19 |
| 90170-09M05 | 31 - 15 |
| 90170-14M06 | 27 - 48 |
| 90170-16M01 | |

| PART NO. N° PIECES | REF. NO. |
|-----------------------|-------------|
| 90170-16M01 | 29 - 49 |
| 90171-18M04 | 28 - 19 |
| | 30 - 19 |
| 90179-06M24 | 1 - 15 |
| 90179-08003 | 18 - 27 |
| 90179-24002 | 14 - 14 |
| 90185-05002 | 28 - 13 |
| | 30 - 13 |
| 90185-09M01 | 31 - 6 |
| | 31 - 20 |
| 90185-14M00 | 22 - 34 |
| 90185-22007 | 21 - 19 |
| 90201-06068 | 19 - 14 |
| 90201-06M31 | 20 - 40 |
| | 20 - 46 |
| | 20 - 53 |
| 90201-10060 | 23 - 31 |
| 90201-10M20 | 31 - 7 |
| 90201-10M76 | 31 - 17 |
| 90201-12M05 | 21 - 42 |
| 90201-13M01 | 21 - 41 |
| 90201-15M58 | 22 - 21 |
| 90201-16M01 | 22 - 33 |
| 90201-16M55 | 22 - 20 |
| 90201-22M01 | 27 - 22 |
| | 29 - 23 |
| 90201-24014 | 14 - 13 |
| 90201-26M59 | 21 - 18 |
| 90201-30M92 | 27 - 69 |
| 90201-35008 | 22 - 18 |
| 90201-38M60 | 22 - 10 |
| 90202-08M20 | 20 - 16 |
| 90202-16061 | 20 - 23 |
| 90202-28001 | 22 - 38 |
| 90202-32M19 | 22 - 19 |
| 90202-40M47 | 22 - 13 |
| 90206-10M04 | 20 - 41 |
| | 20 - 47 |
| | 20 - 54 |
| 90206-15M18 | 19 - 13 |
| 90206-22M19 | 27 - 23 |
| | 29 - 24 |
| 90249-06M19 | 21 - 31 |
| 90250-08M07 | 27 - 58 |
| | 29 - 59 |
| 90280-04M05 | 27 - 32 |
| | 29 - 33 |
| | 33 - 30 |

| PART NO. N° PIECES | REF. NO. |
|-----------------------|-------------|
| 90280-05015 | 14 - 12 |
| 90282-04M00 | 27 - 70 |
| | 29 - 72 |
| 90338-25004 | 2 - 7 |
| 90340-08002 | 27 - 6 |
| | 29 - 7 |
| 90340-14M06 | 4 - 10 |
| | 5 - 26 |
| | 26 - 7 |
| 90340-18M09 | 5 - 23 |
| 90340-27129 | 2 - 28 |
| 90344-51019 | 4 - 4 |
| 90386-06M12 | 20 - 19 |
| 90386-08001 | 7 - 13 |
| 90386-10M16 | 21 - 29 |
| 90386-12069 | 20 - 32 |
| 90386-15M73 | 19 - 12 |
| 90386-16M66 | 20 - 22 |
| 90386-22M98 | 21 - 36 |
| | 23 - 34 |
| 90386-25M31 | 21 - 17 |
| 90386-38M32 | 22 - 12 |
| 90387-06010 | 16 - 18 |
| 90387-06038 | 7 - 15 |
| 90387-06176 | 16 - 20 |
| 90387-06M29 | 20 - 42 |
| | 20 - 55 |
| 90387-06M43 | 19 - 41 |
| 90387-06M60 | 8 - 5 |
| | 12 - 15 |
| 90387-06M64 | 26 - 10 |
| 90387-06M82 | 20 - 48 |
| 90387-08M37 | 19 - 5 |
| 90387-10M05 | 21 - 32 |
| 90387-10M08 | 4 - 19 |
| 90387-10M61 | 31 - 3 |
| 90387-14004 | 22 - 37 |
| 90430-06M03 | 4 - 16 |
| | 5 - 16 |
| 90430-08020 | 27 - 8 |
| | 29 - 9 |
| | 33 - 11 |
| 90430-08143 | 4 - 9 |
| | 32 - 2 |
| 90430-14115 | 2 - 13 |
| | 4 - 11 |
| | 5 - 27 |
| | 32 - 3 |

NUMERICAL INDEX
INDEX NUMERIQUE

| PART NO. N° PIECES | REF. NO. | PART NO. N° PIECES | REF. NO. |
|-----------------------|-------------|-----------------------|-------------|
| 90501-16M11 | 5 - 7 | 92995-06600 | 16 - 14 |
| 90501-16M37 | 27 - 54 | | 17 - 9 |
| | 29 - 55 | | 17 - 13 |
| 90506-16003 | 21 - 34 | | 17 - 15 |
| 90506-16M34 | 19 - 18 | | 17 - 31 |
| 90508-20M31 | 20 - 31 | | 21 - 8 |
| 90560-12M01 | 31 - 4 | | 21 - 12 |
| 91490-40030 | 28 - 20 | | 21 - 39 |
| | 30 - 20 | | 26 - 21 |
| | 20 - 5 | | 26 - 28 |
| 91690-30010 | 20 - 27 | 92995-08100 | 21 - 16 |
| | 21 - 33 | 92995-08600 | 17 - 3 |
| 91690-30020 | 7 - 4 | | 25 - 15 |
| 91690-50014 | 4 - 5 | | 26 - 4 |
| 91809-08006 | 2 - 5 | | 27 - 45 |
| 91814-18001 | 2 - 6 | | 29 - 46 |
| | 16 - 16 | 92995-10600 | 22 - 8 |
| 92903-06600 | 18 - 34 | | 22 - 31 |
| 92903-08100 | 7 - 3 | | 25 - 4 |
| 92903-08600 | 18 - 31 | 92995-14600 | 22 - 25 |
| | 26 - 13 | | 22 - 35 |
| 92907-06600 | 1 - 5 | 93101-28M16 | 27 - 38 |
| 92990-06100 | 1 - 23 | | 29 - 39 |
| | 25 - 28 | | 33 - 17 |
| 92990-06600 | 17 - 17 | 93101-30M17 | 27 - 66 |
| 92990-10600 | 28 - 18 | | 29 - 69 |
| 92990-18200 | 30 - 18 | | 33 - 19 |
| | 20 - 13 | 93102-08M43 | 24 - 36 |
| 92995-04100 | 14 - 9 | 93102-38008 | 6 - 14 |
| 92995-06100 | 15 - 13 | | 32 - 14 |
| | 16 - 8 | 93102-60004 | 3 - 3 |
| | 16 - 13 | | 32 - 13 |
| | 17 - 8 | 93106-09014 | 27 - 16 |
| | 17 - 12 | | 29 - 17 |
| | 21 - 5 | | 33 - 13 |
| | 26 - 27 | 93210-07003 | 25 - 38 |
| 92995-06600 | 1 - 10 | | 27 - 13 |
| | 4 - 27 | | 29 - 14 |
| | 5 - 38 | | 33 - 10 |
| | 5 - 41 | 93210-09165 | 20 - 21 |
| | 8 - 7 | 93210-10M74 | 23 - 4 |
| | 12 - 14 | 93210-16275 | 31 - 9 |
| | 14 - 10 | 93210-19MJ1 | 5 - 31 |
| | 14 - 17 | | 32 - 18 |
| | 14 - 22 | 93210-19MJ3 | 26 - 25 |
| | 15 - 14 | | 32 - 19 |
| | 16 - 3 | 93210-24M79 | 5 - 34 |
| | 16 - 9 | | 32 - 20 |

| PART NO. N° PIECES | REF. NO. | PART NO. N° PIECES | REF. NO. |
|-----------------------|-------------|-----------------------|-------------|
| 93210-25552 | 2 - 14 | | |
| | 26 - 22 | | |
| | 32 - 6 | | |
| 93210-25647 | 2 - 8 | | |
| | 32 - 7 | | |
| 93210-30682 | 12 - 36 | | |
| 93210-37160 | 27 - 28 | | |
| | 29 - 29 | | |
| | 33 - 15 | | |
| | 33 - 24 | | |
| 93210-37MH7 | 22 - 11 | | |
| 93210-55M14 | 27 - 42 | | |
| | 29 - 43 | | |
| | 33 - 18 | | |
| 93210-58144 | 27 - 15 | | |
| | 29 - 16 | | |
| | 33 - 12 | | |
| 93210-86M38 | 27 - 27 | | |
| | 29 - 28 | | |
| | 33 - 14 | | |
| | 33 - 23 | | |
| 93210-97M55 | 27 - 67 | | |
| | 29 - 70 | | |
| | 33 - 20 | | |
| 93306-209U0 | 27 - 62 | | |
| 93311-928U5 | 27 - 3 | | |
| | 29 - 3 | | |
| 93315-425V3 | 27 - 50 | | |
| | 29 - 51 | | |
| 93315-43061 | 27 - 65 | | |
| | 95780-10300 | | |
| | 29 - 68 | | |
| 93317-330U2 | 27 - 39 | | |
| | 29 - 40 | | |
| 93332-00048 | 29 - 63 | | |
| 93332-000V3 | 27 - 4 | | |
| 93341-440U5 | 29 - 66 | | |
| 93341-465U4 | 29 - 5 | | |
| 93341-930V2 | 27 - 41 | | |
| | 29 - 42 | | |
| 93390-000U2 | 29 - 4 | | |
| 93410-16006 | 20 - 24 | | |
| 93410-22M11 | 21 - 37 | | |
| 93410-37M04 | 22 - 15 | | |
| 93420-36M01 | 25 - 25 | | |
| 93501-04M02 | 20 - 28 | | |
| 93503-16003 | 27 - 57 | | |
| | 29 - 58 | | |
| 93507-32009 | 27 - 55 | | |

| PART NO. N° PIECES | REF. NO. |
|-----------------------|-------------|
| 93507-32009 | 29 - 56 |
| 93511-32017 | 27 - 56 |
| | 29 - 57 |
| 93605-10108 | 6 - 11 |
| 93605-17002 | 6 - 19 |
| 93606-12019 | 2 - 3 |
| | 27 - 35 |
| | 29 - 36 |
| | 33 - 28 |
| | 25 - 16 |
| 93606-19M23 | 25 - 5 |
| 93608-16M16 | 25 - 23 |
| | 25 - 39 |
| | 26 - 5 |
| | 28 - 7 |
| | 30 - 7 |
| 93700-06M01 | 20 - 34 |
| 93700-06M03 | 20 - 36 |
| | 21 - 13 |
| | 21 - 23 |
| 94702-00391 | 4 - 32 |
| 95333-08600 | 18 - 33 |
| 95380-05700 | 9 - 18 |
| 95380-06600 | 1 - 6 |
| | 1 - 24 |
| | 19 - 37 |
| 95380-12600 | 21 - 43 |
| 95380-14600 | 22 - 24 |
| 95380-14700 | 31 - 16 |
| 95780-10300 | 22 - 7 |
| 97013-06020 | 16 - 15 |
| 97013-08020 | 7 - 2 |
| 97013-08045 | 18 - 30 |
| 97027-06025 | 26 - 12 |
| 97075-08035 | 25 - 14 |
| | 26 - 3 |
| 97075-10045 | 22 - 30 |
| | 25 - 3 |
| 97095-06010 | 16 - 7 |
| | 16 - 12 |
| | 21 - 7 |
| | 21 - 26 |
| | 21 - 38 |
| 97095-06012 | 5 - 40 |
| | 17 - 14 |
| | 17 - 30 |
| 97095-06014 | 12 - 13 |
| 97095-06016 | 1 - 9 |



FLOOD MARINE SERVICES
downloaded from www.yamahaoutboardparts.co.uk

| PART NO. N° PIECES | REF. NO. |
|-----------------------|-------------|
| 97095-06016 | 8 - 6 |
| | 14 - 21 |
| | 16 - 2 |
| 97095-06020 | 17 - 7 |
| | 17 - 11 |
| | 19 - 15 |
| | 26 - 26 |
| 97095-06025 | 15 - 12 |
| | 20 - 43 |
| | 20 - 56 |
| 97095-06030 | 4 - 26 |
| | 21 - 4 |
| 97095-06035 | 14 - 8 |
| | 20 - 49 |
| 97095-06040 | 26 - 20 |
| 97095-06045 | 5 - 37 |
| 97095-08014 | 4 - 8 |
| 97095-08016 | 17 - 2 |
| 97095-08020 | 21 - 15 |
| 97095-08025 | 27 - 44 |
| | 29 - 45 |
| 97575-06535 | 20 - 26 |
| 97575-06540 | 5 - 32 |
| 97575-08540 | 4 - 17 |
| | 5 - 17 |
| | 7 - 1 |
| 97575-08560 | 25 - 11 |
| 97575-10530 | 23 - 32 |
| 97575-10535 | 25 - 7 |
| 97595-06516 | 9 - 15 |
| 97595-06550 | 20 - 14 |
| 97607-04208 | 4 - 24 |
| 97607-04310 | 24 - 32 |
| 97780-50620 | 1 - 3 |
| | 16 - 37 |
| 97780-60520 | 19 - 29 |
| 97780-60620 | 16 - 6 |
| | 16 - 24 |
| | 16 - 28 |
| 97880-06016 | 25 - 27 |
| 97885-04016 | 20 - 12 |
| 97885-06010 | 14 - 16 |
| 97885-06012 | 21 - 11 |
| 97885-06016 | 22 - 4 |
| 98780-05016 | 2 - 12 |
| 99001-08600 | 27 - 19 |
| | 29 - 20 |
| 99530-08012 | 14 - 7 |



FLOOD MARINE SERVICES
downloaded from www.yamahaoutboardparts.co.uk

| NUMERICAL INDEX INDEX NUMERIQUE | |
|------------------------------------|-------------|
| PART NO. N° PIECES | REF. NO. |



FLOOD MARINE SERVICES
downloaded from www.yamahaoutboardparts.co.uk

| PART NO. N° PIECES | REF. NO. |
|-----------------------|-------------|
|-----------------------|-------------|



FLOOD MARINE SERVICES
downloaded from www.yamahaoutboardparts.co.uk



FLOOD MARINE SERVICES
downloaded from www.yamahaoutboardparts.co.uk



FLOOD MARINE SERVICES
downloaded from www.yamahaoutboardparts.co.uk