



PARTS CATALOGUE CATALOGO DE REPUESTOS

F80CED'09 (6CK1)

1H6CK-300F1

()



2019/8/27

NEWS NO.	DATE	COMMENT
PE0-OM-110050	Dec.,22,2011	MOD:FIG.6 INTAKE 1 LIST REVISION
PE0-OM-150025	Sep.,1,2015	COR:FUEL INJECTION PUMP 1 ILLUSTRATION CORRECTION
PE0-OM-160006	Apr.,11,2016	MOD:F80C FUEL LIST/ILLUSTRATION REVISION
PE0-OM-190029	Aug.,21,2019	MOD:FIG.4 CYLINDER & CRANKCASE 2 LIST REVISION

F80CED
PARTS CATALOGUE
©2008 by Yamaha Motor Co., Ltd.
1st edition, November 2008
All rights reserved.
Any reprinting or unauthorized use
without the written permission of
Yamaha Motor Co., Ltd.
is expressly prohibited.
Printed in Japan.

F80CED
CATALOGUE DE PIECES DETACHEES
©2008 par Yamaha Motor Co., Ltd.
1^{re} édition, novembre 2008
Tous droits réservés
Toute réimpression ou utilisation
non autorisée sans la permission écrite
de la Yamaha Motor Co., Ltd.
est formellement interdite.
Imprimé au Japon

FOREWORD

This Parts Catalogue is related to the parts for the model(s) on the cover page. When you are ordering replacement parts, please refer to this Parts Catalogue and quote both part numbers and part names correctly.

1. Modifications or additions which have been made after the issue of the Parts Catalogue will be announced in the Parts News. It is advisable that you make the necessary corrections to the Parts Catalogue according to the Parts News.

2. Abbreviations
The following abbreviations are used in this Parts Catalogue.

“UR” Use specified parts number.
 “UN” Use as many as needed.
 “AP” Alternate Parts
 “LM” Locally Made (Parts need to be ordered locally)
 “F#” Frame No. (Applicable machine No.)
 “O/S” Over Size

3. The number of components for assembly
 - Parts, which are to be supplied in an assembly, are listed with a dot (.) in front of the part name as shown below.
 - The numeral appearing to the right of each component part indicates the quantity of parts for each assembly unit.

PART NO.	DESCRIPTION	Q'TY	REMARKS
2F5-83310-60	FRONT FLASHER LIGHT ASSY	2	
115-83311-60	.BULB (6V-18W)	1	

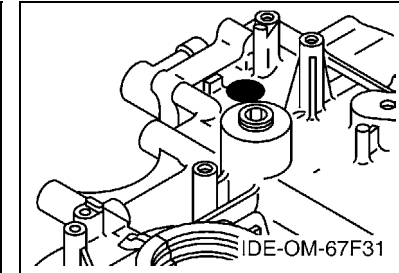
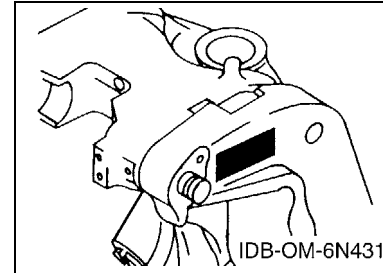
4. Applicable colours of graphics are represented in the “REMARKS” as shown below.

PART NO.	DESCRIPTION	Q'TY	REMARKS
2N4-24110-00-X5	FUEL TANK COMP.	2	MXR
3J1-24240-10	.GRAPHIC, FUEL TANK	1	FOR MXR

5. Note that the illustrations for reference in finding parts numbers are not to be used for assembling. When assembling, please use the applicable service manual.

6. The asterisk (*) before a reference number indicates modified items after the first edition.
7. Applicable Serial No.

Engine Serial No.



8. Applicable Engine Starting Serial No.

Model	Serial No.	Model	Serial No.
F80C	6CK-1000001		

9. Applicable Colour Code

Abbreviation	Colour Name	Colour Code
DBN1	DARK BLUISH GRAY 1	008D

10. Quantity Column Information

Column No.	Name Of Q'ty Column	Applicable Model
1	6CK1	F80CED

AVANT-PROPOS

Ce catalogue de pièces détachées concerne les pièces pour le(s) modèle(s) indiqué(s) sur la page de couverture. Lorsque vous commandez des pièces de rechange, veuillez vous référer à ce catalogue de pièces détachées et indiquer clairement les numéros et les noms des pièces détachées.

1. Les modifications ou ajouts ayant été effectués après la parution du catalogue de pièces détachées seront décrits dans les Bulletins d'information concernant les pièces détachées.
Il est recommandé que vous apportiez les corrections nécessaires au catalogue des pièces détachées en vous référant aux Bulletins d'information.

2. Abréviations

Dans ce catalogue, les abréviations suivantes sont utilisées:

- “UR” Utiliser le numéro de pièces spécifié.
- “UN” Utiliser autant que nécessaire.
- “AP” Pièces de substitution
- “LM” Fabrication locale (les pièces doivent être commandées localement.)
- “F#” N° de cadre (applicable au N° de série)
- “O/S” Surdimensionné

3. Nombre de pièces d'un assemblage

- Les pièces fournies comme composants d'un assemblage sont précédées d'un point (.) de la manière indiquée ci-dessous.
- Le chiffre apparaissant à la droite de chaque composant indique la quantité de pièces pour chaque unité d'assemblage.

N° PIECES	DESCRIPTION	QTE	REMARQUES
2F5-83310-60	ENS. CLIGNOTANT AVANT	2	
115-83311-60	.AMPOULE (6V-18W)	1	

4. Les couleurs concernant les graphiques sont indiquées dans la colonne “REMARQUES”, comme indiqué ci-dessous.

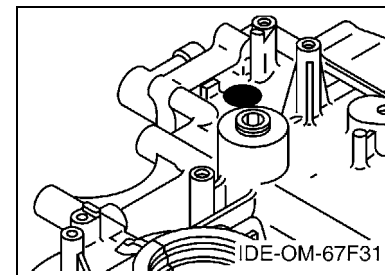
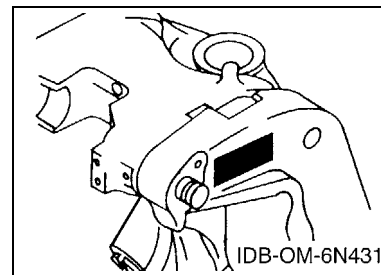
N° PIECES	DESCRIPTION	QTE	REMARQUES
2N4-24110-00-X5	RESERVOIR A ESSENCE.	2	MXR
3J1-24240-10	.GRAPHIQUE	1	POUR MXR

5. Veuillez noter que les illustrations sont indiquées à titre de référence pour trouver les numéros de pièces, non pour être utilisées lors de l'assemblage. Lors de l'assemblage, veuillez utiliser le manuel d'entretien adéquat.

6. L'astérisque (*) placé devant un numéro de référence indique des éléments qui ont été modifiés après la première édition.

7. N° de série applicable

N° de Série du moteur



8. N° de série initial du moteur applicable

Modèle	N° de série	Modèle	N° de série
F80C	6CK-1000001		

9. Code couleur applicable

Abréviation	Nom de la couleur	Code couleur
DBN1	DARK BLUIISH GRAY 1	008D

10. Informations relatives à la colonne Quantité

N° de la colonne	Nom de la colonne Qté	Modèle applicable
1	6CK1	F80CED

CONTENTS

TOP COWLING	1
CYLINDER & CRANKCASE 1	2
CRANKSHAFT & PISTON	4
CYLINDER & CRANKCASE 2	5
VALVE	7
INTAKE 1	10
INTAKE 2	11
INTAKE 3	12
FUEL INJECTION PUMP 1	14
FUEL INJECTION PUMP 2	15
FUEL	16
GENERATOR	18
ELECTRICAL 1	20
ELECTRICAL 2	22
ELECTRICAL 3	24
ELECTRICAL 4	25
STARTING MOTOR	26
BOTTOM COWLING	28
CONTROL	30
BRACKET 1	32
BRACKET 2	34
BRACKET 3	35
UPPER CASING	37
OIL PAN	39
LOWER CASING & DRIVE 1	41
LOWER CASING & DRIVE 2	45
FUEL TANK	47
STEERING GUIDE	48
REPAIR KIT 1	49
REPAIR KIT 2	50
INDEX	
NUMERICAL INDEX	52

TABLE DES MATIERES

CAPOT SUPERIEUR	1
CYLINDRE & CARTER 1	2
VILEBREQUIN & PISTON	4
CYLINDRE & CARTER 2	5
SOUPAPE	7
ADMISSION 1	10
ADMISSION 2	11
ADMISSION 3	12
POMPE A INJECTEUR 1	14
POMPE A INJECTEUR 2	15
CARBURANT	16
GENERATRICE	18
PARTIE ELECTRIQUE 1	20
PARTIE ELECTRIQUE 2	22
PARTIE ELECTRIQUE 3	24
PARTIE ELECTRIQUE 4	25
DEMARREUR ELECTRIQUE	26
CAPOT INFERIEUR	28
COMMANDE	30
SUPPORT 1	32
SUPPORT 2	34
SUPPORT 3	35
FOURREAU	37
VENTILATEUR D'HUILE	39
BOITIER D'HELICE TRANSMISSION1	41
BOITIER D'HELICE TRANSMISSION2	45
RESERVOIR A CARBURANT	47
FIXATION DE DIRECTION	48
KITS DE REPARATION 1	49
KITS DE REPARATION 2	50
INDEX	
INDEX NUMERIQUE	52

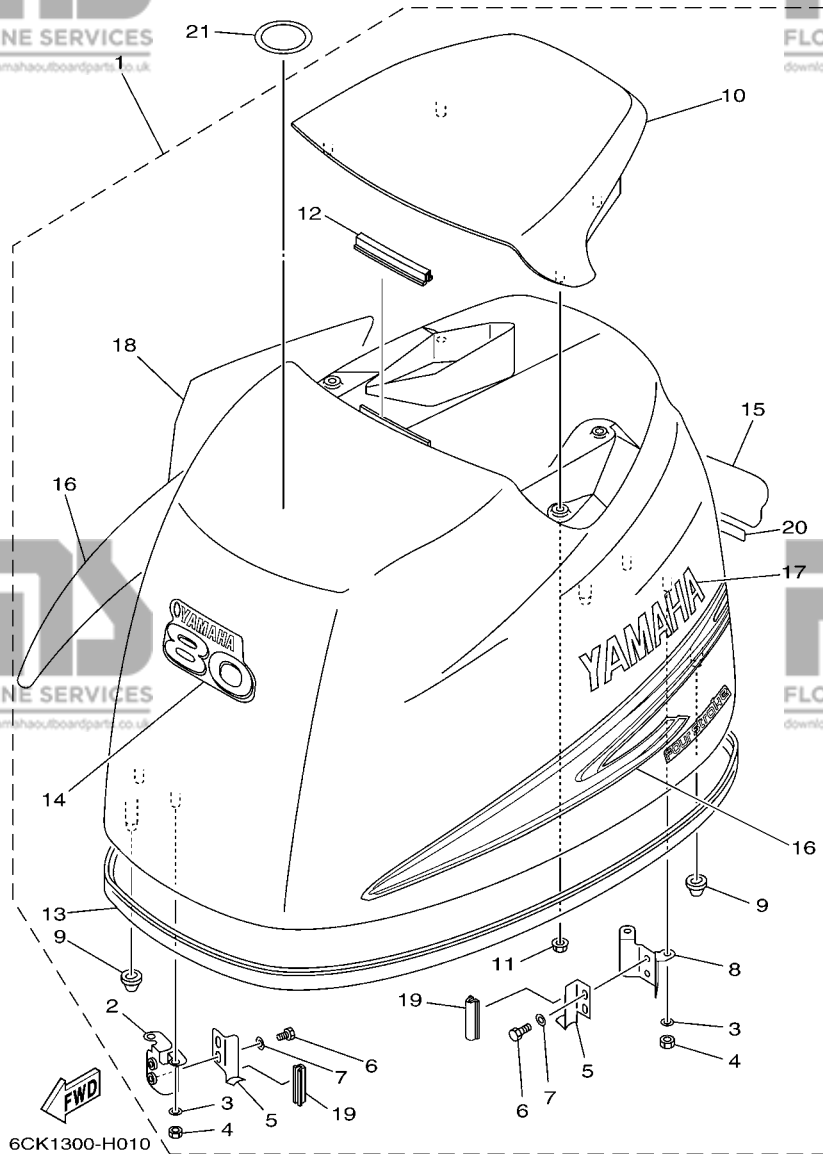


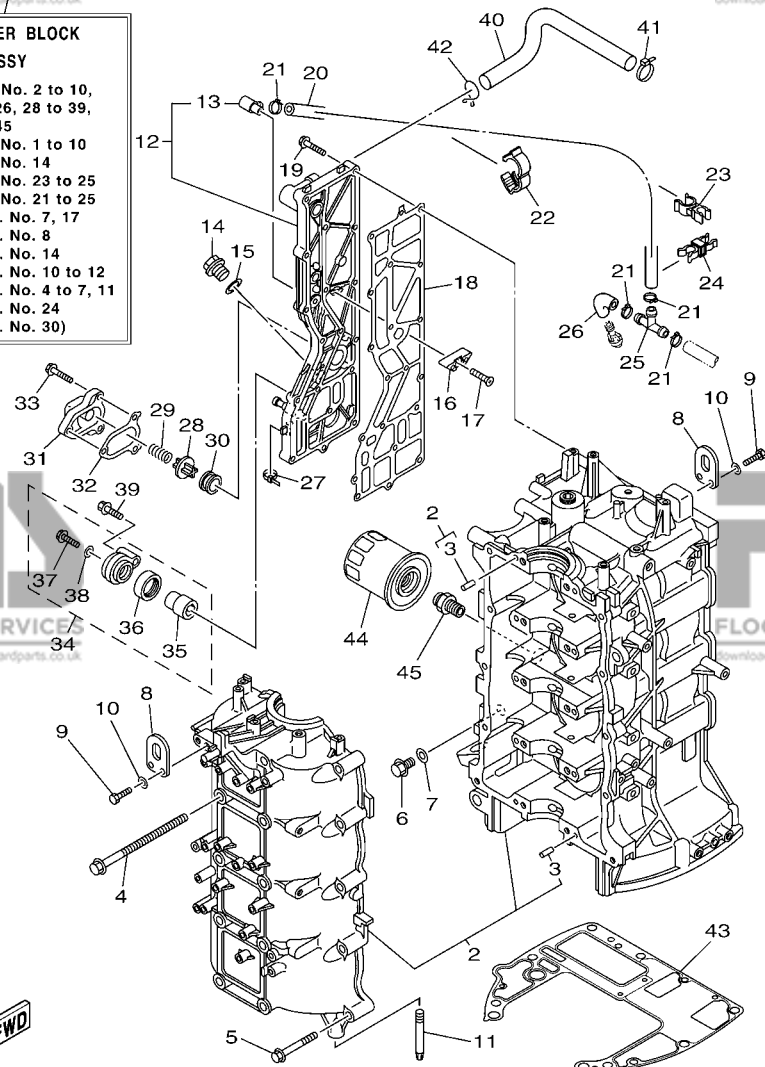
FIG. 1 TOP COWLING

CAPOT SUPERIEUR

REF. NO.	PART NO. N° PIECES	DESCRIPTION DESCRIPTION	QTY	REMARKS REMARQUES
1	6CK-42610-00-8D	TOP COWLING ASSY CAPOT (ENS.)	1	
2	67F-42647-00	.HOLDER, CLAMP BAND .SUPPORT, SANDOW DE SERRAGE	1	
3	92990-06100	.WASHER, SPRING .RONDELLE, GROWER	4	
4	95380-06600	.NUT, HEXAGON .ECROU	4	
5	68V-42652-00	.HOOK .CROCHET	2	
6	97095-06012	.BOLT .BOULON	4	
7	92995-06600	.WASHER .RONDELLE	4	
8	67F-42649-00	.HOLDER, CLAMP BAND .SUPPORT, SANDOW DE SERRAGE	1	
9	67F-42662-00	.DAMPER .AMORTISSEUR	3	
10	67F-42613-00-8D	.MOLDING, AIR DUCT .MANCHON A AIR	1	
11	90179-06M24	.NUT .ECROU	4	
12	61N-42628-00	.SEAL .JOINT	1	
13	67F-42615-00	.SEAL .JOINT	1	
14	67G-42677-10	.GRAPHIC, FRONT .ADHESIF, AVANT	1	
15	6D7-42678-00	.GRAPHIC, REAR .ADHESIF, ARRIERE	1	
16	67F-W0070-10	.GRAPHIC SET JEU DIEMBLEMES	1	
17	67F-42681-10	.MARK, COWLING .ADHESIF, CAPOT	1	
18	67F-42682-10	.MARK, COWLING .ADHESIF, CAPOT	1	
19	67F-42628-00	.SEAL .JOINT	2	
20	6BC-42681-00	.MARK, COWLING .ADHESIF, CAPOT	1	
21	67F-13434-10	LABEL, CAUTION ETIQUETTE, ATTENTION	1	

FIG. 2 CYLINDER & CRANKCASE 1 CYLINDRE & CARTER 1

CYLINDER BLOCK ASSY
(Fig. 2, Ref. No. 2 to 10, 12 to 26, 28 to 39, 43 to 45
Fig. 3, Ref. No. 1 to 10
Fig. 4, Ref. No. 14
Fig. 5, Ref. No. 23 to 25
Fig. 7, Ref. No. 21 to 25
Fig. 10, Ref. No. 7, 17
Fig. 12, Ref. No. 8
Fig. 13, Ref. No. 14
Fig. 15, Ref. No. 10 to 12
Fig. 16, Ref. No. 4 to 7, 11
Fig. 18, Ref. No. 24
Fig. 24, Ref. No. 30)

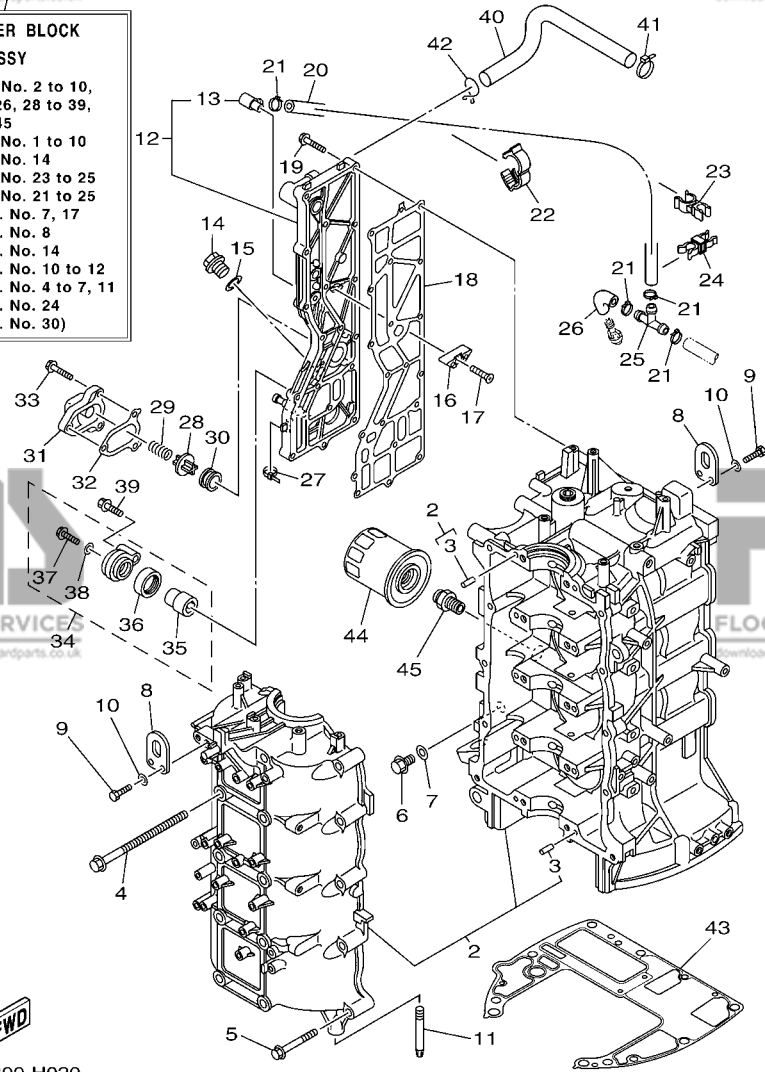


6CK1300-H020

REF. NO.	PART NO. N° PIECES	DESCRIPTION DESCRIPTION	6CK1	REMARKS REMARQUES
1	6D8-W009B-04-9S	CYLINDER BLOCK ASSY CYLINDRE GROUPE (ENS.)	1	
2	6D8-15100-01-9S	CRANKCASE ASSY CARTER DE MOTEUR COMPLET	1	
3	93606-12019	.PIN, DOWEL .GOUILLE	10	
4	90119-10M88	BOLT, WITH WASHER BOULON, AVEC RONDELLE	10	
5	90119-08M66	BOLT, WITH WASHER BOULON, AVEC RONDELLE	10	
6	90340-14M06	PLUG, STRAIGHT SCREW PLOT, FILETE DROIT	1	
7	90430-14115	GASKET JOINT	1	
8	62Y-11119-00	HANGER, ENGINE ANNEAU, LEVAGE	2	
9	97095-06020	BOLT BOULON	4	
10	92995-06600	WASHER RONDELLE	4	
11	67F-15142-00	GUIDE 1 GUIDE 1	2	
12	6D8-41113-30-9S	OUTER COVER, EXHAUST COUVERCLE, ECHAPPEMENT	1	
13	676-11372-00	.NIPPLE, HOSE .RACCORD, TUYAU	1	
14	90340-18M09	PLUG, STRAIGHT SCREW PLOT, FILETE DROIT	1	
15	90430-18130	GASKET JOINT	1	
16	6E5-11325-00	ANODE ANODE	3	
17	98780-04016	SCREW, FLAT HEAD VIS A TETE FRAISEE	3	
18	67F-41114-A2	GASKET, EXHAUST OUTER COVER JOINT, COUVERCLE D'ECHAPPEMENT	1	
19	90119-06MA4	BOLT, WITH WASHER BOULON, AVEC RONDELLE	18	
20	6D8-42541-00	PIPE 1 TUYAU 1	1	
21	90465-11M10	CLAMP BRIDE	4	
22	90464-18004	CLAMP BRIDE	1	
23	90464-10010	CLAMP BRIDE	1	
24	90464-11009	CLAMP BRIDE	1	
25	688-24378-00	PIPE, JOINT 3 DURITE RACCORDEMENT 3	1	
26	61A-24316-00	PIPE 6 DURITE 6	1	
27	90465-11M10	CLAMP BRIDE	1	

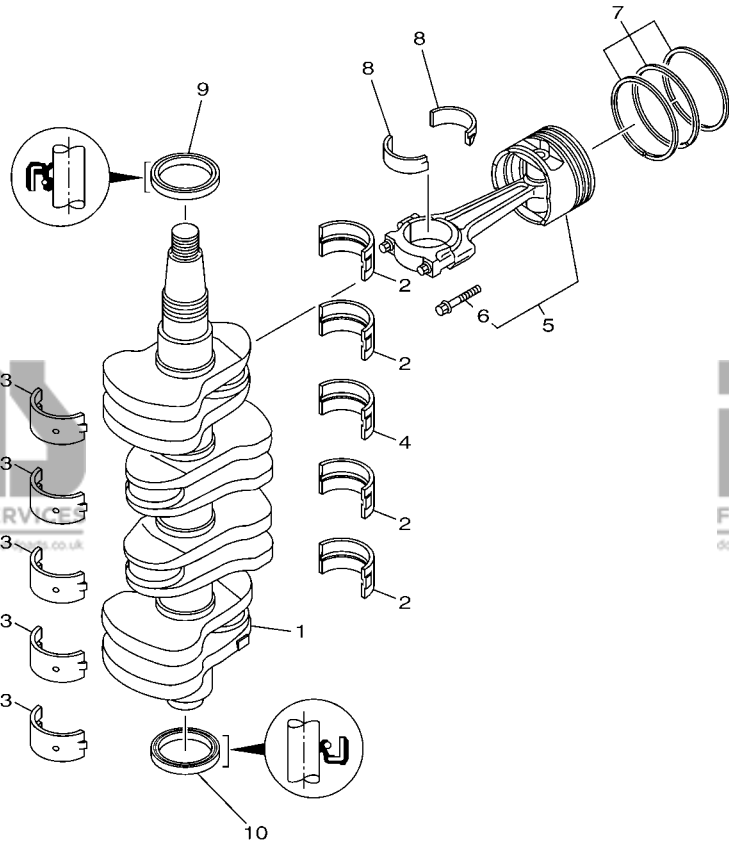
FIG. 2 CYLINDER & CRANKCASE 1 CYLINDRE & CARTER 1

CYLINDER BLOCK ASSY
(Fig. 2, Ref. No. 2 to 10, 12 to 26, 28 to 39, 43 to 45)
Fig. 3, Ref. No. 1 to 10
Fig. 4, Ref. No. 14
Fig. 5, Ref. No. 23 to 25
Fig. 7, Ref. No. 21 to 25
Fig. 10, Ref. No. 7, 17
Fig. 12, Ref. No. 8
Fig. 13, Ref. No. 14
Fig. 15, Ref. No. 10 to 12
Fig. 16, Ref. No. 4 to 7, 11
Fig. 18, Ref. No. 24
Fig. 24, Ref. No. 30)



6CK1300-H020

REF. NO.	PART NO. N° PIECES	DESCRIPTION DESCRIPTION	6CK1	REMARKS REMARQUES
28	6G5-12416-00	VALVE, PRESSURE CONTROL SOUPAPE DE CONTROLEUR PRESS	1	
29	90501-16M11	SPRING, COMPRESSION RESSORT, COMPRESSION	1	
30	90480-20M05	GROMMET PASSE-FIL	1	
31	67F-1246A-01-9S	COVER 1 COUVERCLE 1	1	
32	67F-12435-A0	GASKET JOINT	1	
33	90119-06MA2	BOLT, WITH WASHER BOULON, AVEC RONDELLE	3	
34	69J-11301-10	ANODE COVER ASSY COUVERCLE ANODE (ENS.)	1	
35	68V-11325-02	.ANODE .ANODE	1	
36	67F-11328-00	.GROMMET, ANODE .PASSE-FIL	1	
37	90105-06M07	.BOLT, FLANGE .BOULON	1	
38	90430-06M03	.GASKET .JOINT	1	
39	97575-08540	BOLT, WITH WASHER VIS HEXAGONAL AVC RONDELLE	1	
40	67F-1243A-00	HOSE 1 DURITE 1	1	
41	90465-11M10	CLAMP BRIDE	1	
42	90467-20M15	CLIP JONC	1	
43	68V-11351-00	GASKET, CYLINDER JOINT, D'EMBASE	1	
44	5GH-13440-00	ELEMENT ASSY, OIL CLEANER ELEMENT, FILTRE A HUILE	1	
45	90401-20007	BOLT, UNION BOULON, RACCORD	1	

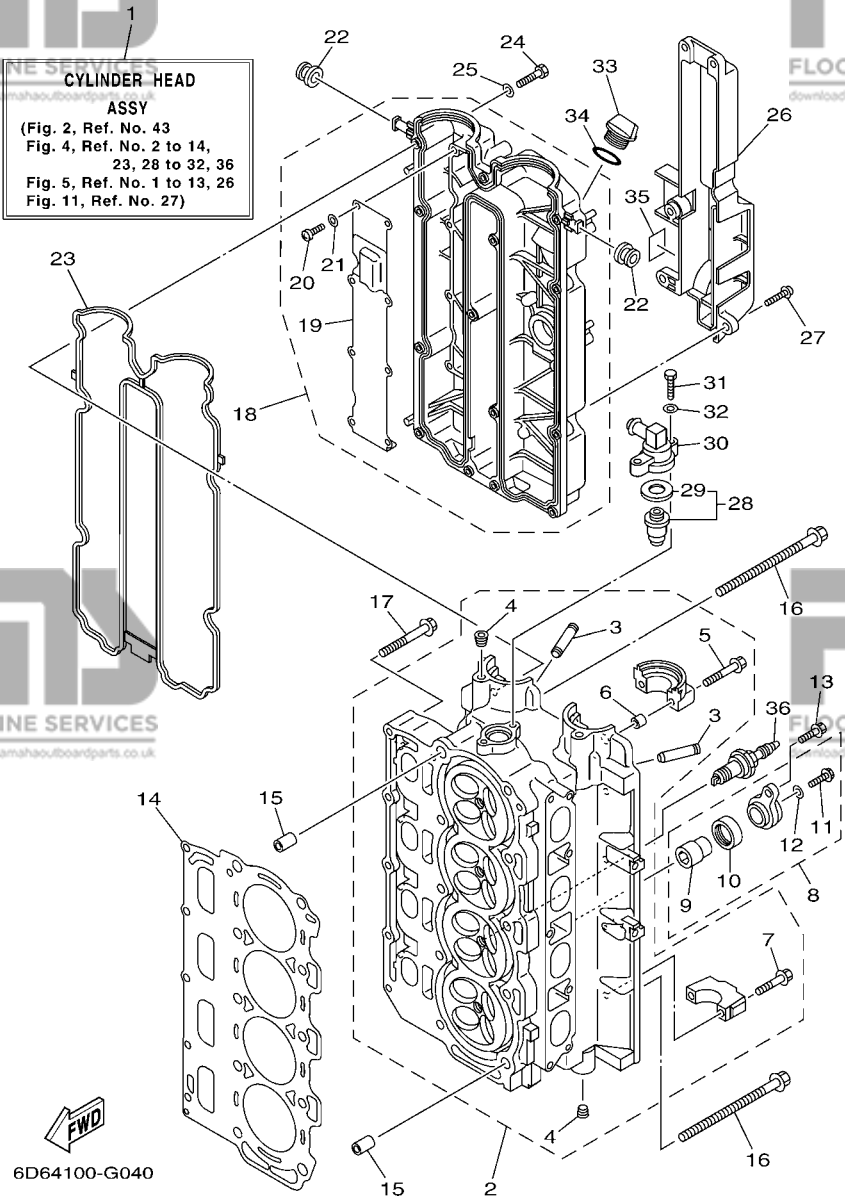


FWD
6BC1200-F030

FIG. 3 CRANKSHAFT & PISTON VILEBREQUIN & PISTON

REF. NO.	PART NO. N° PIECES	DESCRIPTION DESCRIPTION	6CK1	REMARKS REMARQUES
1	6D8-11411-00	CRANKSHAFT VILEBREQUIN COMPLET	1	
2	67F-11416-00	PLANE BEARING, CRANKSHAFT 1 COUSSINET DE VILEBREQUIN 1	4	UR GREEN UR GREEN
	67F-11416-10	PLANE BEARING, CRANKSHAFT 1 COUSSINET DE VILEBREQUIN 1	4	UR BLUE UR BLUE
	67F-11416-20	PLANE BEARING, CRANKSHAFT 1 COUSSINET DE VILEBREQUIN 1	4	UR RED UR RED
3	67F-11417-00	PLANE BEARING, CRANKSHAFT 2 COUSSINET DE VILEBREQUIN 2	5	UR YELLOW UR YELLOW
	67F-11417-10	PLANE BEARING, CRANKSHAFT 2 COUSSINET DE VILEBREQUIN 2	5	UR GREEN UR GREEN
	67F-11417-20	PLANE BEARING, CRANKSHAFT 2 COUSSINET DE VILEBREQUIN 2	5	UR BLUE UR BLUE
	67F-11417-30	PLANE BEARING, CRANKSHAFT 2 COUSSINET DE VILEBREQUIN 2	5	UR RED UR RED
4	67F-11418-00	PLANE BEARING, CRANKSHAFT 3 COUSSINET DE VILEBREQUIN 3	1	UR GREEN UR GREEN
	67F-11418-10	PLANE BEARING, CRANKSHAFT 3 COUSSINET DE VILEBREQUIN 3	1	UR BLUE UR BLUE
	67F-11418-20	PLANE BEARING, CRANKSHAFT 3 COUSSINET DE VILEBREQUIN 3	1	UR RED UR RED
5	6D8-W1164-21	PISTON/CON-ROD ASSY STD PISTON/BIELLE COMPLETE (STD)	4	
	6D8-W1164-31	PISTON/CON-ROD ASSY(0.25MM OS) PISTON/BIELLE COMPLETE:0.25MM	4	AP AP
6	K1C-A3275-00	.BOLT, CONNECTING ROD .BOULON, BIELLE	2	
7	6D8-11603-01	PISTON RING SET (STD) JEU DE SEGMENTS (STD)	4	
	6D8-11604-01	PISTON RING SET (0.25MM O/S) JEU DE SEGMENTS (0.25MM O/S)	4	AP AP
8	6D8-11656-00	PLANE BEARING, CONNECTING ROD ROULEMENT DE BIELLE	8	UR YELLOW UR YELLOW
	6D8-11656-10	PLANE BEARING, CONNECTING ROD ROULEMENT DE BIELLE	8	UR GREEN UR GREEN
	6D8-11656-20	PLANE BEARING, CONNECTING ROD ROULEMENT DE BIELLE	8	UR BLUE UR BLUE
	6D8-11656-30	PLANE BEARING, CONNECTING ROD ROULEMENT DE BIELLE	8	UR RED UR RED
9	93102-48008	OIL SEAL JOINT SPY	1	
10	93101-48001	OIL SEAL JOINT SPY	1	

CYLINDER HEAD ASSY
 (Fig. 2, Ref. No. 43
 Fig. 4, Ref. No. 2 to 14,
 23, 28 to 32, 36
 Fig. 5, Ref. No. 1 to 13, 26
 Fig. 11, Ref. No. 27)



6D64100-G040

FIG. 4 CYLINDER & CRANKCASE 2

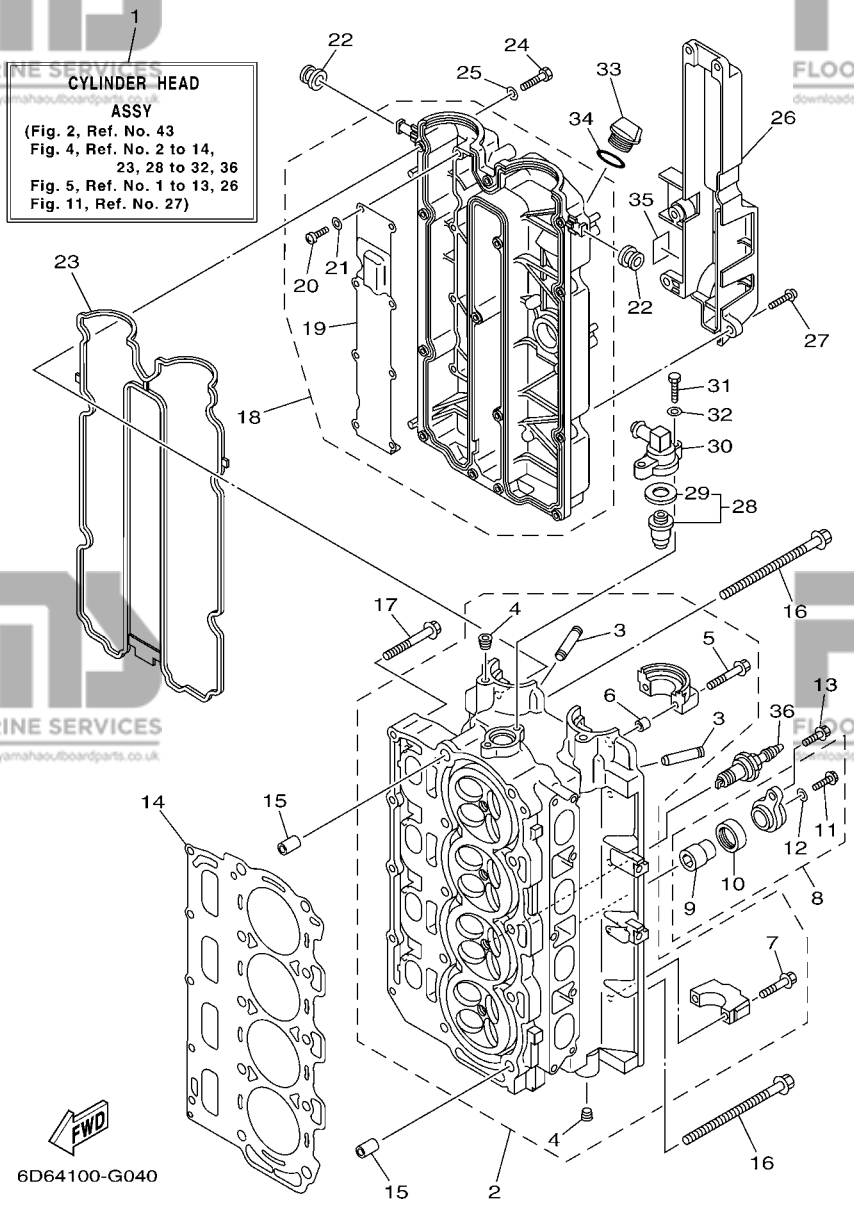
CYLINDRE & CARTER 2

REF. NO.	PART NO. N° PIECES	DESCRIPTION DESCRIPTION	QTY	REMARKS REMARQUES
1	6D8-W009A-02-9S	CYLINDER HEAD ASSY CULASSE (ENS.)	1	
2	6D8-11110-01-9S	CYLINDER HEAD ASSY JEU DE CULASSE	1	
3	67F-11133-10	.GUIDE, VALVE 1 .GUIDE, SOUPAPE 1	16	
4	90344-51019	.PLUG, TAPER SCREW .PLOT, FILETE CONIQUE	4	
5	90119-07235	.BOLT/WASHER-CAM CAPS .BOULON, AVEC RONDELLE	4	
6	91809-08006	.PIN, DOWEL .GOUJON, D'ASSEMBLAGE	4	
7	K0F-A9904-20	.BOLT, WITH WASHER .BOULON, AVEC RONDELLE	16	
8	69J-11301-10	ANODE COVER ASSY COUVERCLE ANODE (ENS.)	2	
9	68V-11325-02	.ANODE .ANODE	1	
10	67F-11328-00	.GROMMET, ANODE .PASSE-FIL	1	
11	90105-06M07	.BOLT, FLANGE .BOULON	1	
12	90430-06M03	.GASKET .JOINT	1	
13	97575-08540	BOLT, WITH WASHER VIS HEXAGONAL AVC RONDELLE	2	
14	67F-11181-03	GASKET, CYLINDER HEAD 1 JOINT, DE CULASSE 1	1	
15	90387-10M08	COLLAR COLLERETTE	2	
16	90105-10M89	BOLT, FLANGE BOULON	10	
17	90119-08M91	BOLT, WITH WASHER BOULON, AVEC RONDELLE	5	
18	6D8-11191-00-9S	COVER, CYLINDER HEAD 1 COUVERCLE, CULASSE 1	1	
19	67F-11168-00	.COVER, BREATHER .COUVERCLE, RENIFLARD	1	
20	98507-04008	.SCREW, PAN HEAD .VIS, TETE TRONCONIQUE	8	
21	92907-04600	.WASHER .RONDELLE	8	
22	90480-12072	GROMMET PASSE-FIL	2	
23	6D8-11356-01	SEAL, CYLINDER 2 JOINT, SPY CYLINDRE	1	
24	97095-06030	BOLT BOULON	14	
25	92995-06600	WASHER RONDELLE	14	
26	67F-11192-01	COVER, CYLINDER HEAD 2 COUVERCLE, CULASSE 2	1	
27	90159-06M29	SCREW, WITH WASHER VIS, AVEC RONDELLE	5	

Go to P/N : PE0-OM-190029

FIG. 4 CYLINDER & CRANKCASE 2

CYLINDRE & CARTER 2



CYLINDER HEAD ASSY
 (Fig. 2, Ref. No. 43
 Fig. 4, Ref. No. 2 to 14,
 23, 28 to 32, 36
 Fig. 5, Ref. No. 1 to 13, 26
 Fig. 11, Ref. No. 27)

6D64100-G040

REF. NO.	PART NO. N° PIECES	DESCRIPTION DESCRIPTION	QTY	REMARKS REMARQUES
28	67F-12411-01	THERMOSTAT THERMOSTAT	1	
29	67F-12412-00	.SEAL, THERMOSTAT JOINT, THERMOSTAT	1	
30	68V-12413-00-9S	COVER, THERMOSTAT COUVERCLE, THERMOSTAT	1	
31	97095-06025	BOLT BOULON	2	
32	92995-06600	WASHER RONDELLE	2	
33	6G8-15363-00	PLUG, OIL PLOT, HUILE	1	
34	93210-24M79	O-RING JOINT TORIQUE	1	
35	6D8-83626-00	MARK 6 MARK 6	1	
36	94702-00391	PLUG, SPARK (NGK LFR5A-11) BOUGIE D'ALLUMAGE(NGK LFR5A-11)	4	

News No. PE0-OM-190029(1/4)

Date:2019/08/21

Signature:K.Tanaka

Cause : Revision Notice Correction Sales Unit Change Others

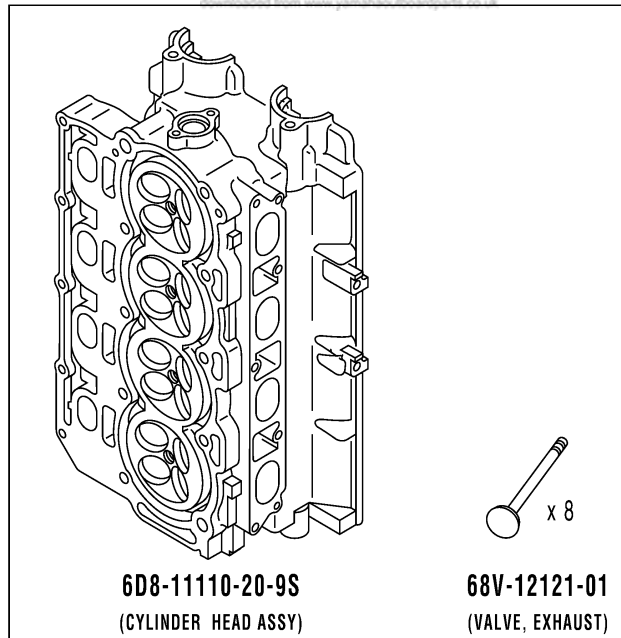
Model	F75B / F75C / F80B / F80C / F90B / F100D
Subject	PARTS CATALOGUE CORRECTIONS
CATALOGUE NO.	See the "List of Models and CATALOGUE No's below."
Time of YPEC Revision	Text, Illustration --> Sep./20/2019 PDF Replace --> Sep./20/2019 (YPEC = Yamaha Parts Electrical Catalogue = Website parts catalogue)

FIG.4 CYLINDER & CRANKCASE 2

1. LIST CORRECTION

Ref. No.	OLD P/No.	NEW P/No.	DESCRIPTION	Q'TY	REMARKS
2	6D8-11110-00-94 6D8-11110-01-94 6D8-11110-01-9S	6D8-W1110-20-9S	CYLINDER HEAD ASSY	1	*Part revision

6D8-W1110-20-9S
(CYLINDER HEAD ASSY)



***Cylinder head is set compatible with valve**

News No. PE0-OM-190029(2/4)

Date:2019/08/21

Signature:K.Tanaka

Cause : Revision Notice Correction Sales Unit Change Others

Model	F75B / F75C / F80B / F80C / F90B / F100D
Subject	PARTS CATALOGUE CORRECTIONS
CATALOGUE NO.	See the "List of Models and CATALOGUE No's below."
Time of YPEC Revision	Text, Illustration --> Sep./20/2019 PDF Replace --> Sep./20/2019 (YPEC = Yamaha Parts Electrical Catalogue = Website parts catalogue)

2. LIST of Models and CATALOGUE No's.

The applicable MODELS, MODEL CODES, and CATALOGUE No's are as follows.

MODEL NAME	MODEL CODE	MODEL YEAR	CATALOGUE NO.
F75TR,F75BET	6D61	2005	1D6D6-100E1
F80BET	6D71		
F80BET	6D71		
F90TR,F90BET	6D81	2005	1D6D8-100E1
F100DET	6D91	2005	1D6D9-100E1
F100DET	6D91	2005	1D6D9-300F1
F75TR,F75BET	6D62	2006	1E6D6-100E1
F80BET	6D72		
F90TR,F90BET	6D82		
F100DET	6D92		
F90BET	6D82		
F80BET	6D72	2006	1E6D7-300F1
F100DET	6D92		
F75TR(F)	6D63		
F80BET	6D73	2007	1F6D6-100E1
F90TR(F)	6D83		
F100DET	6D93		
F75BET	6D63		
F80BET	6D73	2007	1F6D6-200S1
F90BET	6D83		
F100DET	6D93		
F80BET	6D73		
F100DET	6D93	2007	1F6D7-300F1
F75TR(G)	6D64		
F80BET	6D74		
F90TR(G)	6D84		
F100DET	6D94	2008	1G6D6-100E1
F75BET	6D64		
F80BET	6D74		
F90BET	6D84		
F100DET	6D94		
F75BET	6D64	2008	1G6D6-200S1
F80BET	6D74		
F90BET	6D84		
F100DET	6D94		
F90BET	6D84	2008	1G6D6-415M1
F100DET	6D94		
F75BET	6D64		
F80BET	6D74		

News No. PE0-OM-190029(3/4)

Date:2019/08/21

Signature:K.Tanaka

Cause : Revision Notice Correction Sales Unit Change Others

Model	F75B / F75C / F80B / F80C / F90B / F100D
Subject	PARTS CATALOGUE CORRECTIONS
CATALOGUE NO.	See the "List of Models and CATALOGUE No's below."
Time of YPEC Revision	Text, Illustration --> Sep./20/2019 PDF Replace --> Sep./20/2019 (YPEC = Yamaha Parts Electrical Catalogue = Website parts catalogue)

2. LIST of Models and CATALOGUE No's.

The applicable MODELS, MODEL CODES, and CATALOGUE No's are as follows.

MODEL NAME	MODEL CODE	MODEL YEAR	CATALOGUE NO.
F80BET F100DET	6D74 6D94	2008	1G6D7-300F1
F75TRH F80BET F90TRH F100DET	6D65 6D75 6D85 6D95	2009	1H6D6-100E1
F75TR F90TR	6D65 6D85	2009 2009	1H6D6-110E1 1H6D8-110E1
F75BET F80BET F90BET F100DET	6D65 6D75 6D85 6D95	2009	1H6D6-200S1 1H6D6-415M1
F80BET F100DET	6D75 6D95	2009	1H6D7-300F1
F75 F80BET F90 F100DET	6D66 6D76 6D86 6D96	2010	1J6D6-100E1
F75TR F90TR	6D66 6D86	2010 2010	1J6D6-110E1 1J6D8-110E1
F75BET F80BET F90BET F100DET	6D66 6D76 6D86 6D96	2010	1J6D6-200S1 1J6D6-415M1
F80BET F100DET	6D76 6D96	2010	1J6D7-300F1
F80BET F100DET	6D76 6D96	2010	1J6D7-370E1

News No. PE0-OM-190029(4/4)

Date:2019/08/21

Signature:K.Tanaka

Cause : Revision Notice Correction Sales Unit Change Others

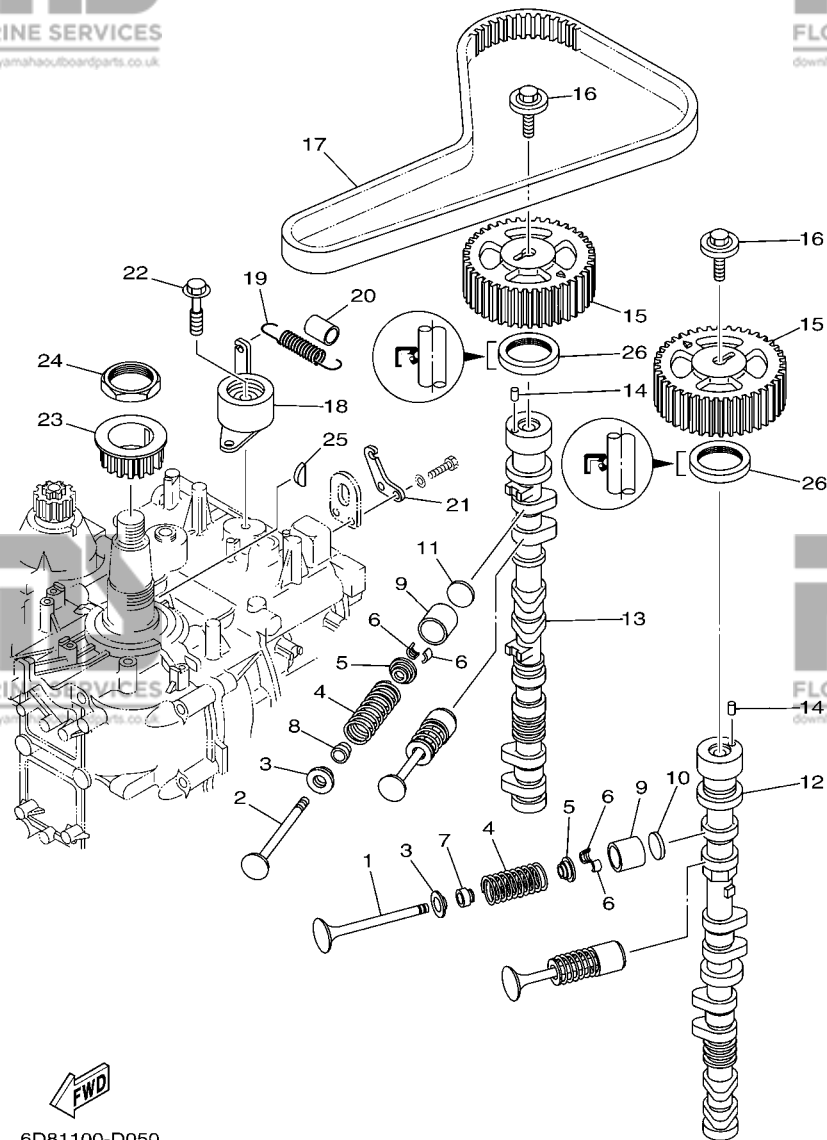
Model	F75B / F75C / F80B / F80C / F90B / F100D
Subject	PARTS CATALOGUE CORRECTIONS
CATALOGUE NO.	See the "List of Models and CATALOGUE No's below."
Time of YPEC Revision	Text, Illustration --> Sep./20/2019 PDF Replace --> Sep./20/2019 (YPEC = Yamaha Parts Electrical Catalogue = Website parts catalogue)

2. LIST of Models and CATALOGUE No's.

The applicable MODELS, MODEL CODES, and CATALOGUE No's are as follows.

MODEL NAME	MODEL CODE	MODEL YEAR	CATALOGUE NO.
F75CED,EHD	6BC1	2007	1F6BC-200S1
F75CED,EHD	6BC2	2008	1G6BC-200S1
F75CED,EHD	6BC3	2009	1H6BC-200S1
F75CED,EHD	6BC4	2010	1J6BC-200S1
F80CED	6CK1	2009	1H6CK-300F1
F80CED	6CK2	2010	1J6CK-300F1

Thank you very much for your cooperation.

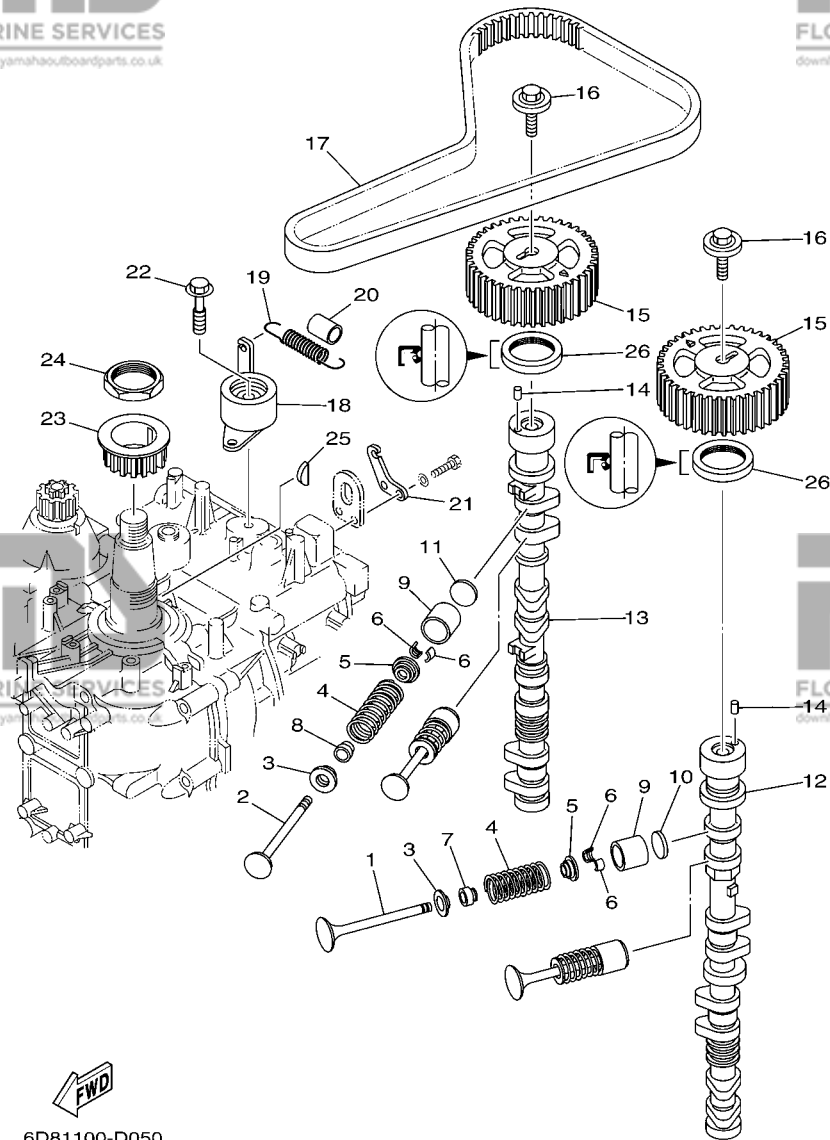


6D81100-D050

FIG. 5 VALVE

SOUPAPE

REF. NO.	PART NO. N° PIECES	DESCRIPTION DESCRIPTION	QTY	REMARKS REMARQUES
1	68V-12111-00	VALVE, INTAKE SOUPAPE, ADMISSION	8	
2	68V-12121-00	VALVE, EXHAUST SOUPAPE, ECHAPPEMENT	8	
3	67F-12116-00	SEAT, VALVE SPRING SIEGE, RESSORT DE SOUPAPE	16	
4	67F-12114-00	SPRING, VALVE OUTER RESSORT DE SOUPAPE, EXTERNE	16	
5	67F-12117-00	RETAINER, VALVE SPRING BUTEE DE RESSORT DE SOUPAPE	16	
6	67F-12118-00	COTTER, VALVE FRAISE, SOUPAPE	32	
7	K0A-A3721-00	SEAL, VALVE STEM JOINT, QUEUE DE SOUPAPE	8	
8	K0A-A3722-00	SEAL, VALVE STEM 2 JOINT, QUEUE DE SOUPAPE 2	8	
9	67F-12153-00	LIFTER, VALVE LEVE-SOUPAPE	16	
10	67F-12168-00	PAD, ADJUSTING (2.000) PASTILLE, DE REGLAGE (2.000)	16	UR
67F-12168-10	PAD, ADJUSTING (2.025) PASTILLE, DE REGLAGE (2.025)	16	UR	
67F-12168-20	PAD, ADJUSTING (2.050) PASTILLE, DE REGLAGE (2.050)	16	UR	
67F-12168-30	PAD, ADJUSTING (2.075) PASTILLE, DE REGLAGE (2.075)	16	UR	
67F-12168-40	PAD, ADJUSTING (2.100) PASTILLE, DE REGLAGE (2.100)	16	UR	
67F-12168-50	PAD, ADJUSTING (2.125) PASTILLE, DE REGLAGE (2.125)	16	UR	
67F-12168-60	PAD, ADJUSTING (2.150) PASTILLE, DE REGLAGE (2.150)	16	UR	
67F-12168-70	PAD, ADJUSTING (2.175) PASTILLE, DE REGLAGE (2.175)	16	UR	
67F-12168-80	PAD, ADJUSTING (2.200) PASTILLE, DE REGLAGE (2.200)	16	UR	
67F-12168-A0	PAD, ADJUSTING (2.225) PASTILLE, DE REGLAGE (2.225)	16	UR	
67F-12168-B0	PAD, ADJUSTING (2.250) PASTILLE, DE REGLAGE (2.250)	16	UR	
67F-12168-C0	PAD, ADJUSTING (2.275) PASTILLE, DE REGLAGE (2.275)	16	UR	
67F-12168-D0	PAD, ADJUSTING (2.300) PASTILLE, DE REGLAGE (2.300)	16	UR	
67F-12168-E0	PAD, ADJUSTING (2.325) PASTILLE, DE REGLAGE (2.325)	16	UR	
67F-12168-F0	PAD, ADJUSTING (2.350) PASTILLE, DE REGLAGE (2.350)	16	UR	
67F-12168-G0	PAD, ADJUSTING (2.375) PASTILLE, DE REGLAGE (2.375)	16	UR	
67F-12168-H0	PAD, ADJUSTING (2.400) PASTILLE, DE REGLAGE (2.400)	16	UR	
67F-12168-J0	PAD, ADJUSTING (2.425) PASTILLE, DE REGLAGE (2.425)	16	UR	

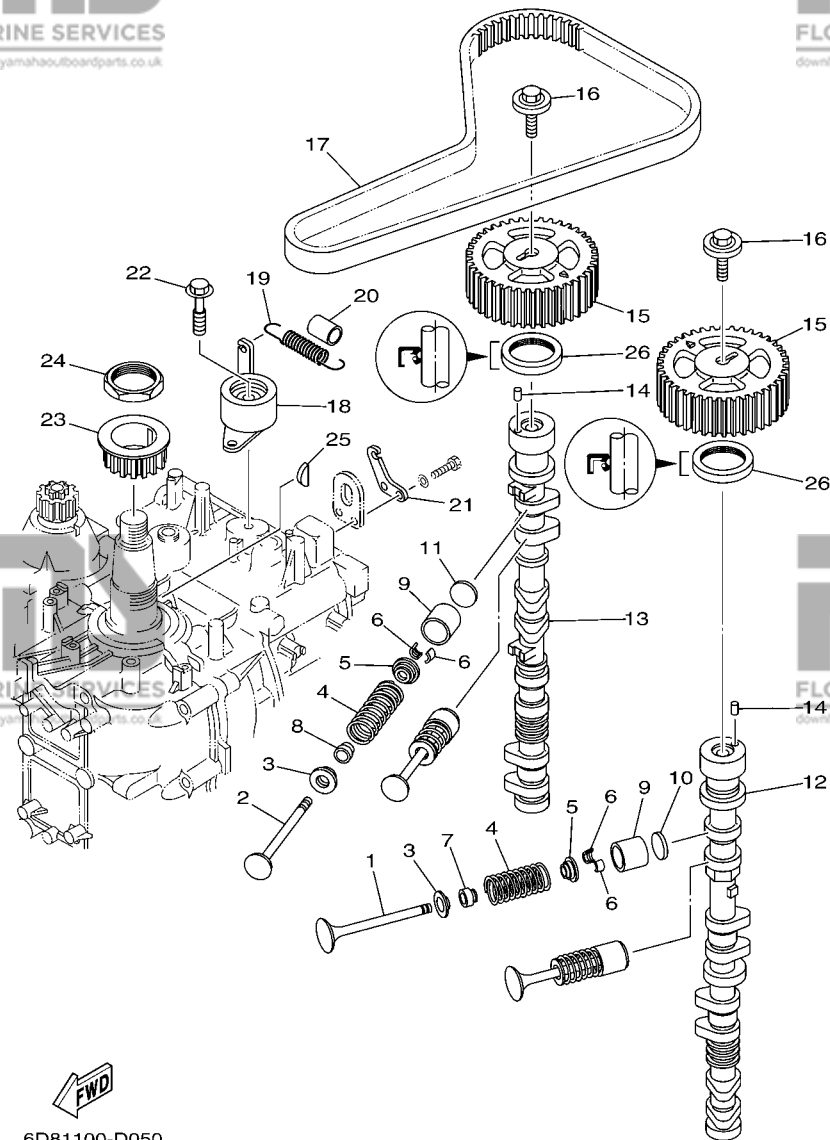


6D81100-D050

FIG. 5 VALVE

SOUPAPE

REF. NO.	PART NO. N° PIECES	DESCRIPTION DESCRIPTION	6CK1	REMARKS REMARQUES
10	67F-12168-K0	PAD, ADJUSTING (2.450) PASTILLE, DE REGLAGE (2.450)	16	UR
	67F-12168-L0	PAD, ADJUSTING (2.475) PASTILLE, DE REGLAGE (2.475)	16	UR
	67F-12168-M0	PAD, ADJUSTING (2.500) PASTILLE, DE REGLAGE (2.500)	16	UR
	67F-12168-N0	PAD, ADJUSTING (2.525) PASTILLE, DE REGLAGE (2.525)	16	UR
	67F-12168-P0	PAD, ADJUSTING (2.550) PASTILLE, DE REGLAGE (2.550)	16	UR
	67F-12168-R0	PAD, ADJUSTING (2.575) PASTILLE, DE REGLAGE (2.575)	16	UR
	67F-12168-S0	PAD, ADJUSTING (2.600) PASTILLE, DE REGLAGE (2.600)	16	UR
	67F-12168-T0	PAD, ADJUSTING (2.625) PASTILLE, DE REGLAGE (2.625)	16	UR
	67F-12168-U0	PAD, ADJUSTING (2.650) PASTILLE, DE REGLAGE (2.650)	16	UR
	67F-12168-V0	PAD, ADJUSTING (2.675) PASTILLE, DE REGLAGE (2.675)	16	UR
	67F-12168-W0	PAD, ADJUSTING (2.700) PASTILLE, DE REGLAGE (2.700)	16	UR
	67F-12168-X0	PAD, ADJUSTING (2.725) PASTILLE, DE REGLAGE (2.725)	16	UR
	67F-12168-Y0	PAD, ADJUSTING (2.750) PASTILLE, DE REGLAGE (2.750)	16	UR
11	67F-12169-00	PAD, ADJUSTING (2.775) PASTILLE, DE REGLAGE (2.775)	16	UR
	67F-12169-10	PAD, ADJUSTING (2.800) PASTILLE, DE REGLAGE (2.800)	16	UR
	67F-12169-20	PAD, ADJUSTING (2.825) PASTILLE, DE REGLAGE (2.825)	16	UR
	67F-12169-30	PAD, ADJUSTING (2.850) PASTILLE, DE REGLAGE (2.850)	16	UR
	67F-12169-40	PAD, ADJUSTING (2.875) PASTILLE, DE REGLAGE (2.875)	16	UR
	67F-12169-50	PAD, ADJUSTING (2.900) PASTILLE, DE REGLAGE (2.900)	16	UR
	67F-12169-60	PAD, ADJUSTING (2.925) PASTILLE, DE REGLAGE (2.925)	16	UR
	67F-12169-70	PAD, ADJUSTING (2.950) PASTILLE, DE REGLAGE (2.950)	16	UR
	67F-12169-80	PAD, ADJUSTING (2.975) PASTILLE, DE REGLAGE (2.975)	16	UR
	67F-12169-A0	PAD, ADJUSTING (3.000) PASTILLE, DE REGLAGE (3.000)	16	UR
	67F-12169-B0	PAD, ADJUSTING (3.025) PASTILLE, DE REGLAGE (3.025)	16	UR
	67F-12169-C0	PAD, ADJUSTING (3.050) PASTILLE, DE REGLAGE (3.050)	16	UR
	67F-12169-D0	PAD, ADJUSTING (3.075) PASTILLE, DE REGLAGE (3.075)	16	UR
	67F-12169-E0	PAD, ADJUSTING (3.100) PASTILLE, DE REGLAGE (3.100)	16	UR



6D81100-D050

FIG. 5 VALVE

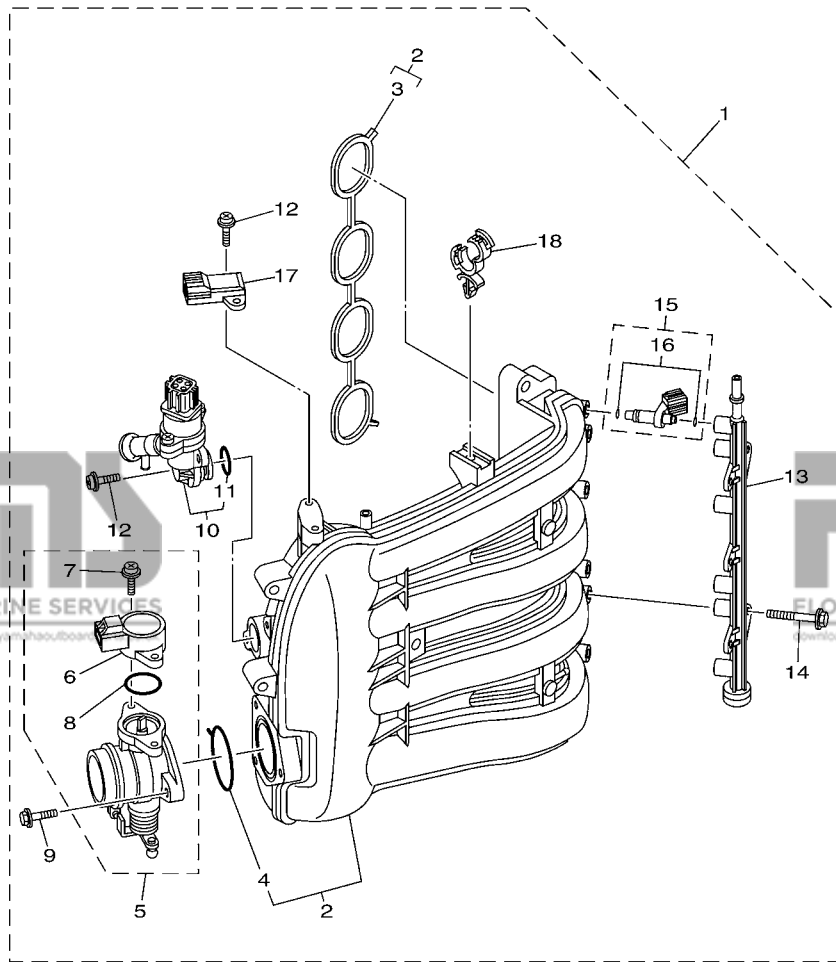
SOUPAPE

REF. NO.	PART NO. N° PIECES	DESCRIPTION DESCRIPTION	QTY	REMARKS REMARQUES
11	67F-12169-F0	PAD, ADJUSTING (3.125) PASTILLE, DE REGLAGE (3.125)	16	UR
	67F-12169-G0	PAD, ADJUSTING (3.150) PASTILLE, DE REGLAGE (3.150)	16	UR
	67F-12169-H0	PAD, ADJUSTING (3.175) PASTILLE, DE REGLAGE (3.175)	16	UR
	67F-12169-J0	PAD, ADJUSTING (3.200) PASTILLE, DE REGLAGE (3.200)	16	UR
	67F-12169-K0	PAD, ADJUSTING (3.225) PASTILLE, DE REGLAGE (3.225)	16	UR
	67F-12169-L0	PAD, ADJUSTING (3.250) PASTILLE, DE REGLAGE (3.250)	16	UR
	67F-12169-M0	PAD, ADJUSTING (3.275) PASTILLE, DE REGLAGE (3.275)	16	UR
	67F-12169-N0	PAD, ADJUSTING (3.300) PASTILLE, DE REGLAGE (3.300)	16	UR
12	6D8-12171-00	CAMSHAFT 1 ARBRE A CAMES 1	1	
13	67F-12181-00	CAMSHAFT 2 ARBRE A CAMES 2	1	
14	93605-10108	PIN, DOWEL AXE	2	
15	67F-11537-00	GEAR, DRIVEN PIGNON SECONDAIRE	2	
16	68V-12157-00	BOLT BOULON	2	
17	67F-46241-00	BELT COURROIE TRAPEZOIDALE	1	
18	67F-11590-00	TENSIONER ASSY TENDEUR (ENS.)	1	
19	90506-16M39	SPRING, TENSION RESSORT, TENSION	1	
20	90445-15M03	HOSE (L23) DURITE (L23)	1	
21	67F-11595-00	PLATE, VALVE PLAQUE DE SOUPAPE	1	
22	90119-10M72	BOLT, WITH WASHER BOULON, AVEC RONDELLE	1	
23	6D8-11536-00	GEAR, DRIVE ENGRENAGE, MENANT	1	
24	90170-40008	NUT ECROU	1	
25	90280-04008	KEY, WOODRUFF CLAVETTE, DEMI-LUNE	1	
26	93102-38008	OIL SEAL JOINT SPY	2	

FIG. 6 INTAKE 1

ADMISSION 1

REF. NO.	PART NO. N° PIECES	DESCRIPTION DESCRIPTION	6CK1	REMARKS REMARQUES
1	6D8-14200-00	INTAKE ASSY ADMISSION (ENS.)	1	
2	6D8-13641-00	..MANIFOLD 1 ..TUBULURE 1	1	
3	6D8-13645-00	..GASKET, MANIFOLD 1 ..JOINT, TUBULURE 1	1	
4	6D8-13557-00	..GASKET ..JOINT	1	
5	6D8-13750-00	..THROTTLE BODY ASSY ..CARTER D'ACCELERATEUR COMPLET	1	
6	6C5-85885-00	..THROTTLE SENSOR ASSY ..SENSITOMETRE (ENS.)	1	
7	6C5-81145-00	..SCREW 1 ..VIS 1	2	
8	6C5-8182L-00	..O-RING 1 ..JOINT TORIQUE 1	1	
9	6C5-14496-00	..BOLT ..BOULON	3	
10	6D8-13105-01	..CONTROL VALVE ASSY ..SOUPAPE DE CONTROLE COMPLET	1	
11	6C5-1319C-00	..O-RING ..JOINT TORIQUE	1	
12	6C5-81146-00	..SCREW 2 ..VIS 2	4	
13	6D8-13161-00	..PIPE, DELIVERY 1 ..DURITE REFOULEMENT 1	1	
14	6C5-14446-00	..BOLT ..BOULON	2	
15	6D8-13761-00	..INJECTOR ..INJECTEUR	4	
16	6C5-1410B-00	..PACKING KIT ..POCHETTE DE JOINTS	1	
17	68F-83688-00	..SENSOR ASSY ..SONDE (ENS.)	1	
18	90464-18246	..CLAMP ..BRIDE	1	



FWD
6D81100-D060

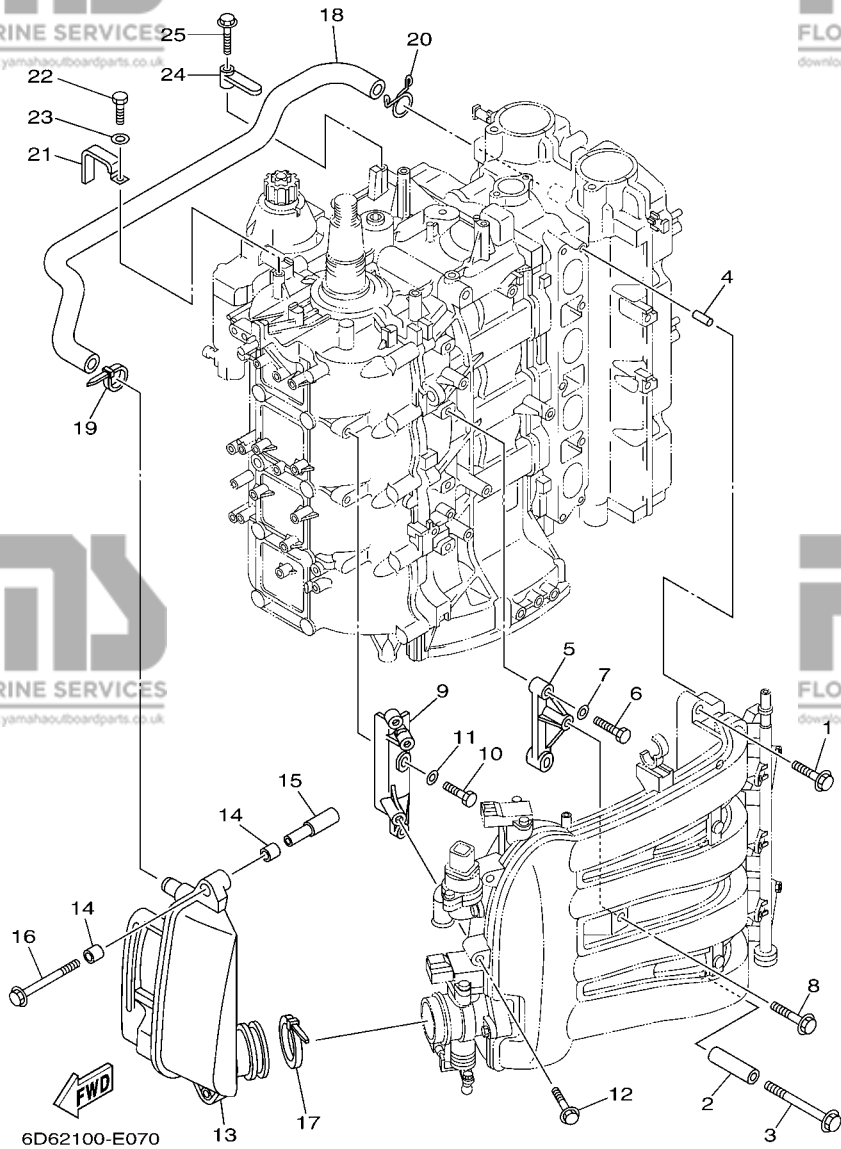


FIG. 7 INTAKE 2

ADMISSION 2

REF. NO.	PART NO. N° PIECES	DESCRIPTION DESCRIPTION	QTY	REMARKS REMARQUES
1	90119-08069	BOLT, WITH WASHER BOULON, AVEC RONDELLE	4	
2	90387-08033	COLLAR COLLERETTE	1	
3	90119-08M03	BOLT, WITH WASHER BOULON, AVEC RONDELLE	1	
4	91690-50014	PIN, SPRING AGRAFFE	2	
5	6D8-14291-00-94	BRACKET 1 SUPPORT 1	1	
6	97095-06030	BOLT BOULON	2	
7	92995-06600	WASHER RONDELLE	2	
8	90119-06087	BOLT, WITH WASHER BOULON, AVEC RONDELLE	1	
9	6D8-14292-00-94	BRACKET 2 SUPPORT 2	1	
10	97095-06020	BOLT BOULON	2	
11	92995-06600	WASHER RONDELLE	2	
12	90119-06087	BOLT, WITH WASHER BOULON, AVEC RONDELLE	2	
13	6D6-14440-00	SILENCER ASSY, INTAKE SIENCIEUX D'ADMISSION	1	
14	90386-08001	BUSH DOUILLE	4	
15	90387-07013	COLLAR COLLERETTE	2	
16	90119-06113	BOLT, WITH WASHER BOULON, AVEC RONDELLE	2	
17	90464-76001	CLAMP BRIDE	1	
18	6D8-15373-00	PIPE, BREATHER DURITE DE RENIFLARD	1	
19	90465-11M59	CLAMP BRIDE	1	
20	90467-20M15	CLIP JONC	1	
21	90465-12M03	CLAMP BRIDE	1	
22	97095-06012	BOLT BOULON	1	
23	92995-06600	WASHER RONDELLE	1	
24	6D8-82544-00	CLAMP COLLIER	1	
25	95895-06025	BOLT, FLANGE BOULON	1	

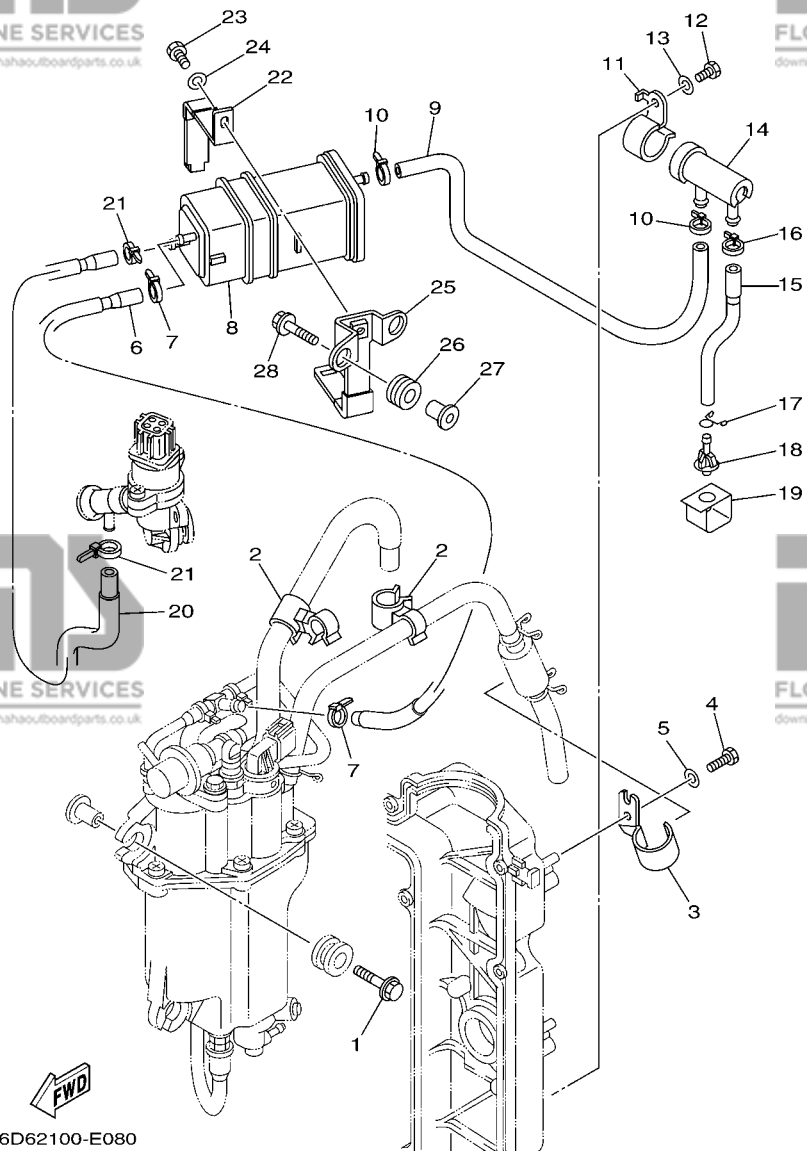


FIG. 8 INTAKE 3

ADMISSION 3

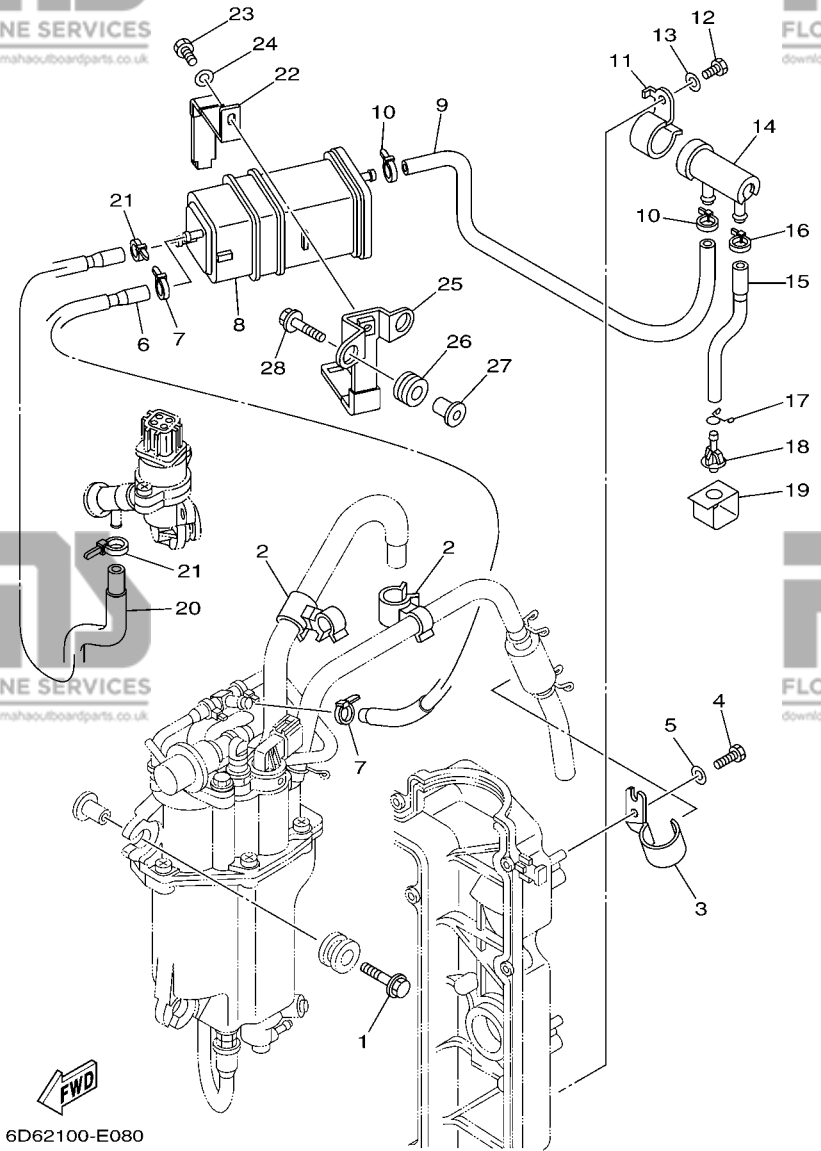
REF. NO.	PART NO. N° PIECES	DESCRIPTION DESCRIPTION	QTY	REMARKS REMARQUES
1	90119-06M08	BOLT, WITH WASHER BOULON, AVEC RONDELLE	3	
2	90464-15007	CLAMP BRIDE	2	
3	6D8-13428-00	BRACKET, STRAINER 1 SUPPORT, FILTRE 1	1	
4	97095-06012	BOLT BOULON	1	
5	92995-06600	WASHER RONDELLE	1	
6	6D8-24314-01	PIPE 4 DURITE 4	1	
7	90465-11M10	CLAMP BRIDE	2	
8	69J-24170-00	CANISTER ASSY BANDE, RASERVOIR A ESSENCE	1	
9	6D8-24315-00	PIPE 5 DURITE 5	1	
10	90465-11M10	CLAMP BRIDE	2	
11	6D8-2417H-00	CLAMP 1 COLLIER 1	1	
12	97095-06010	BOLT BOULON	1	
13	92995-06600	WASHER RONDELLE	1	
14	69J-24502-00	FILTER, FUEL FILTRE	1	
15	6D8-24316-00	PIPE 6 DURITE 6	1	
16	90465-11M10	CLAMP BRIDE	1	
17	90467-09M03	CLIP JONC	1	
18	69J-44391-00	NIPPLE, HOSE RACCORD D'ESSENCE	1	
19	6D8-2413X-00	PLATE PLAQUE	1	
20	6D8-24317-01	PIPE 7 DURITE 7	1	
21	90465-11M10	CLAMP BRIDE	2	
22	69J-2419A-00	HOLDER SUPPORT	1	
23	97095-06016	BOLT BOULON	1	
24	92995-06600	WASHER RONDELLE	1	
25	6D8-2134X-00	BRACKET, CANISTER SUPPORT	1	
26	90480-10M23	GROMMÉT PASSE-FIL	2	
27	90387-06M60	COLLAR COLLERETTE	2	

FIG. 8 INTAKE 3

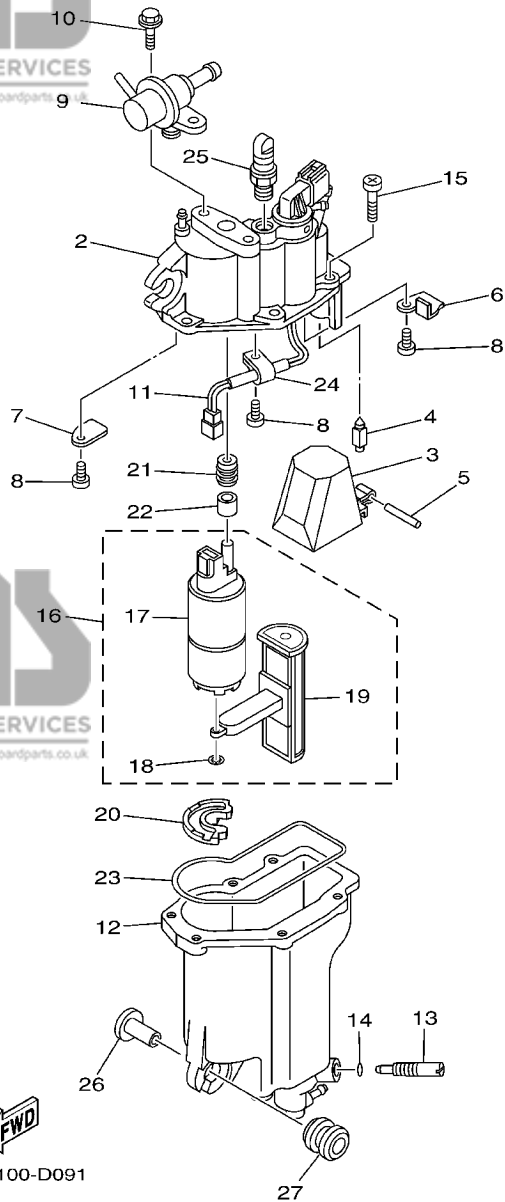
ADMISSION 3

REF. NO.	PART NO. N° PIECES	DESCRIPTION DESCRIPTION	QTY	REMARKS REMARQUES
----------	--------------------	-------------------------	-----	-------------------

28	90119-06M59	BOLT, WITH WASHER BOULON, AVEC RONDELLE	2	
----	-------------	--	---	--



6D62100-E080



FLOAT CHAMBER ASSY
(Fig. 9, Ref. No. 2 to 27
Fig. 10, Ref. No. 1 to 22)

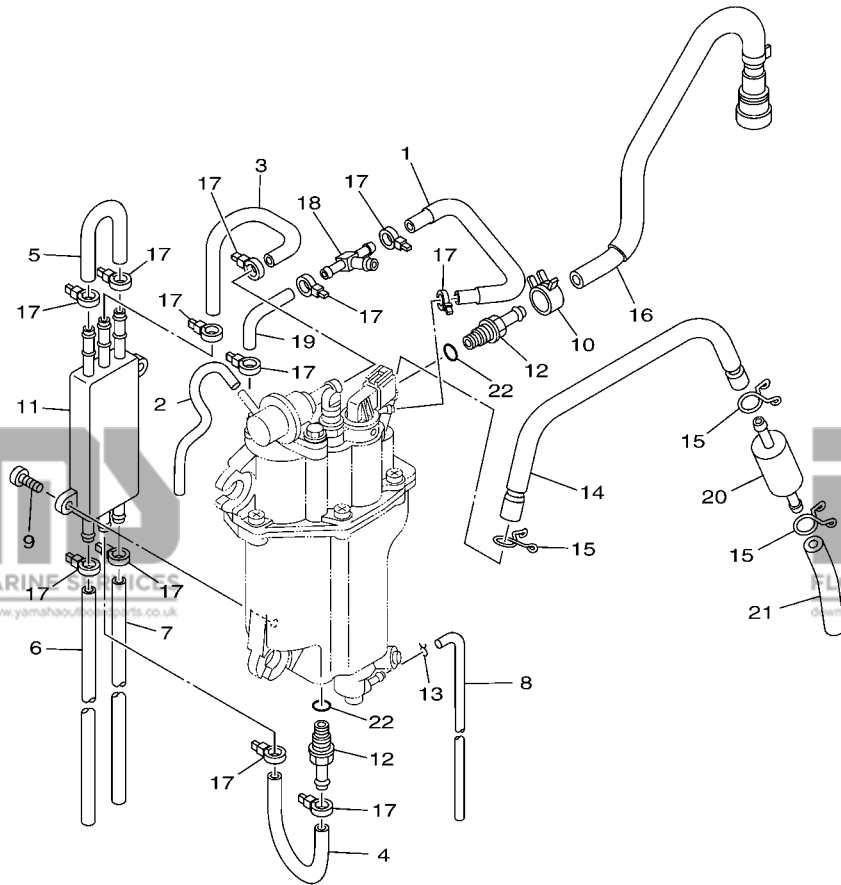
FIG. 9 FUEL INJECTION PUMP 1

POMPE A INJECTEUR 1

REF. NO.	PART NO. N° PIECES	DESCRIPTION DESCRIPTION	QTY	REMARKS REMARQUES
1	6D8-14180-20	FLOAT CHAMBER ASSY CUVE DE FLOTTEUR	1	
2	6D8-14182-00	COVER, FLOAT CHAMBER COUVERCLE, CUVE DE FLOTTEUR	1	
3	6C5-14985-00	FLOAT FLOTTEUR	1	
4	6C5-14546-00	VALVE, NEEDLE POINTEAU	1	
5	6C5-14386-00	PIN, FLOAT AXE, FLOTTEUR	1	
6	6C5-2441R-00	PLATE, BAFFLE 1 SEPARATEUR 1	1	
7	6C5-2441T-00	PLATE, BAFFLE 2 SEPARATEUR 2	1	
8	6C5-24453-00	SCREW VIS	3	
9	6C5-13906-01	REGULATOR, PRESSURE REGULATEUR DE PRESSION	1	
10	6C5-24592-00	BOLT BOLTE	2	
11	6C5-87226-00	WIRE HARNESS ASSY ENS. FAISCEAU ELECTRIQUE	1	
12	6D8-14960-00	BODY ASSY CARTER (ENS.)	1	
13	6C5-14191-00	PLUG, DRAIN PLOT, VIDANGE	1	
14	6C5-14397-00	O-RING JOINT TORIQUE	1	
15	6C5-14567-00	SCREW VIS	6	
16	6C5-13910-00	FUEL PUMP ASSY POMPE A ESSENCE COMPLET	1	
17	6C5-13907-00	.FUEL PUMP COMP. .POMPE A CARBURANT COMP.	1	
18	6C5-14127-00	.CLIP .JONC	1	
19	6C5-13915-00	.FILTER .FILTRE	1	
20	6C5-13593-00	DAMPER AMORTISSEUR	1	
21	6C5-13781-00	DAMPÉR, PUMP AMORTISSEUR, POMPE	1	
22	6C5-13716-00	COLLAR COLLERETTE	1	
23	6C5-14984-00	GASKET, FLOAT CHAMBER JOINT, CUVE DE FLOTTEUR	1	
24	6C5-21337-00	CLAMP, CABLE COLLIER, CABLE	1	
25	6C5-14225-00	CAP COUVERCLE	1	
26	90387-06M69	COLLAR COLLERETTE	3	
27	90480-09M12	GROMMET PASSE-FIL	3	

FIG. 10 FUEL INJECTION PUMP 2

POMPE A INJECTEUR 2



6D82100-E100

REF. NO.	PART NO. N° PIECES	DESCRIPTION DESCRIPTION	QTY	REMARKS REMARQUES
1	6D8-13546-01	HOSE 2 DURITE 2	1	
2	6D8-13542-01	HOSE, VACUUM SENSING 1 DURITE 1	1	
3	6C5-24321-00	PIPE 10 DURITE 10	1	
4	6C5-24322-00	PIPE 11 DURITE 11	1	
5	6C5-24323-00	PIPE 12 DURITE 12	1	
6	6D8-24324-01	PIPE 13 DURITE 13	1	
7	6D8-24325-10	PIPE 14 DURITE 14	1	
8	6C5-14149-00	PIPE (L200) DURITE (L200)	1	
9	6C5-24444-00	SCREW VIS	2	
10	6C5-13577-00	CLIP AGRAFE	1	
11	6C5-21841-00	COOLER RADIATEUR	1	
12	6C5-14251-00	NIPPLE RACCORD	2	
13	6C5-2411M-00	CLIP JONC	1	
14	6D8-14148-00	PIPE DURITE	1	
15	6C5-24387-00	CLIP SANDOW	3	
16	6D8-13974-00	PIPE, FUEL 4 TUBE 4, CARBURANT	1	
17	90465-11M10	CLAMP BRIDE	12	
18	6C5-24379-00	PIPE, JOINT 4 DURITE RACCORDEMENT 4	1	
19	6C5-13545-00	HOSE 1 DURITE 1	1	
20	6C5-24251-00	STRAINER 1 FILTRE 1	1	
21	6D8-2451B-00	HOSE, FUEL INLET DURITE	1	
22	6C5-13739-00	O-RING JOINT TORIQUE	2	

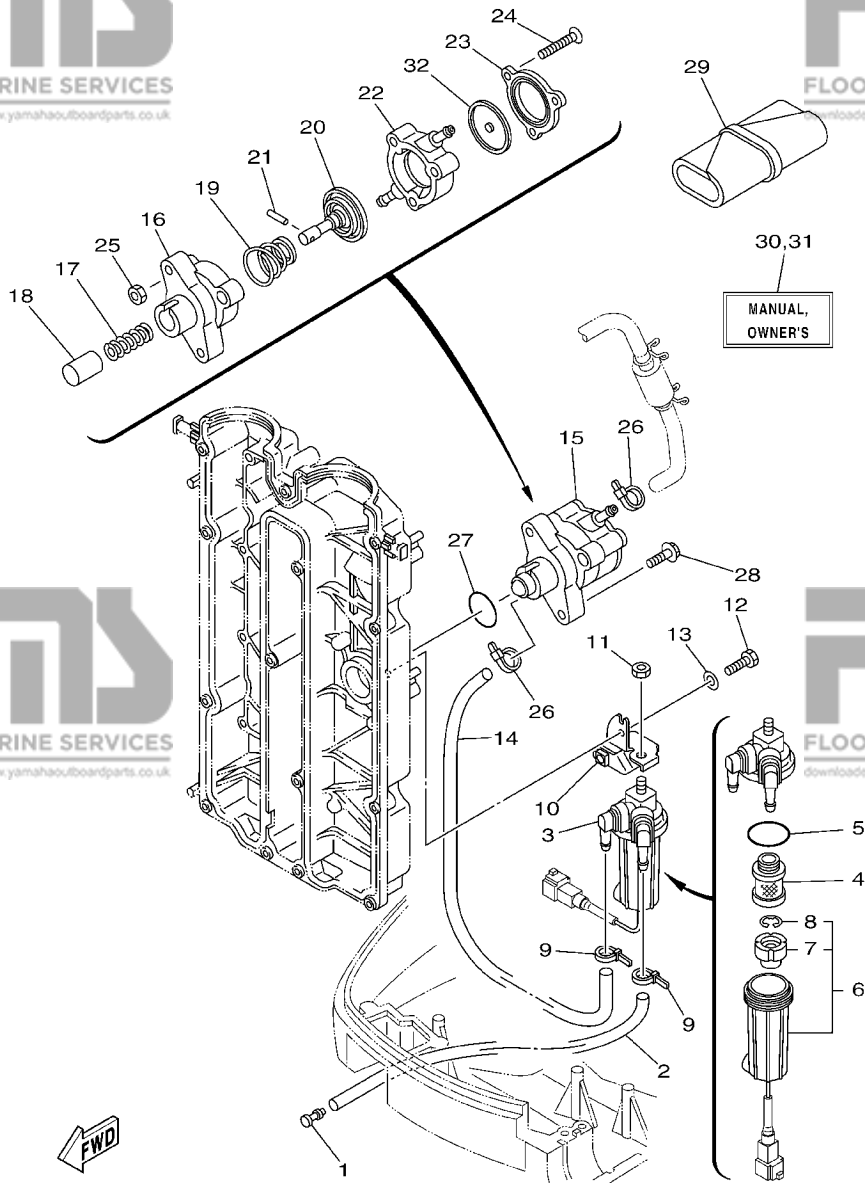


FIG. 11 FUEL

CARBURANT

REF. NO.	PART NO. N° PIECES	DESCRIPTION DESCRIPTION	QTY	REMARKS REMARQUES
1	689-85547-00	DAMPER AMORTISSEUR	1	
2	90445-13M37	HOSE (L2300) DURITE (L2300)	1	
3	6D8-24560-00	FILTER ASSY ENS FILTRE	1	
4	6D8-24563-00	.ELEMENT, FILTER .ELEMENT, FILTRE	1	
5	6D8-24564-00	.GASKET .JOINT	1	
6	6D8-24562-00	.CUP, FILTER .CUVETTE, FILTRE	1	
7	6D8-24469-00	..FLOAT, WATER LEVEL ..FLOTTEUR	1	
8	6D8-24519-00	..CLIP ..JONC	1	
9	90465-11M10	CLAMP BRIDE	2	
10	6D8-24566-00	BRACKET, FILTER SUPPORT, FILTRE	1	
11	95380-08600	NUT ECROU	1	
12	97095-06016	BOLT BOULON	1	
13	92995-06600	WASHER RONDELLE	1	
14	6D8-24311-00	PIPE, FUEL 1 DURITE A ESSENCE	1	
15	6D8-24410-10	FUEL PUMP ASSY POMPE A ESSENCE	1	
16	68V-24412-00	.BODY 1 .CORPS 1	1	
17	68V-24454-00	.SPRING .RESSORT	1	
18	63P-13131-00	.PLUNGER .PLONGEUR	1	
19	68V-24423-00	.SPRING, DIAPHRAGM .RESSORT, DIAPHRAGME	1	
20	68V-24411-00	.DIAPHRAGM .DIAPHRAGME	1	
21	68V-24374-00	.PIN .GOUILLE	1	
22	68V-24413-00	.BODY 2 .CORPS 2	1	
23	6D8-24414-00	.BODY 3 .CORPS 3	1	
24	68V-24444-00	.SCREW .VIS	3	
25	68V-24149-00	.NUT .ECROU	3	
26	90465-11M10	CLAMP BRIDE	2	
27	93210-30682	O-RING JOINT TORIQUE	1	

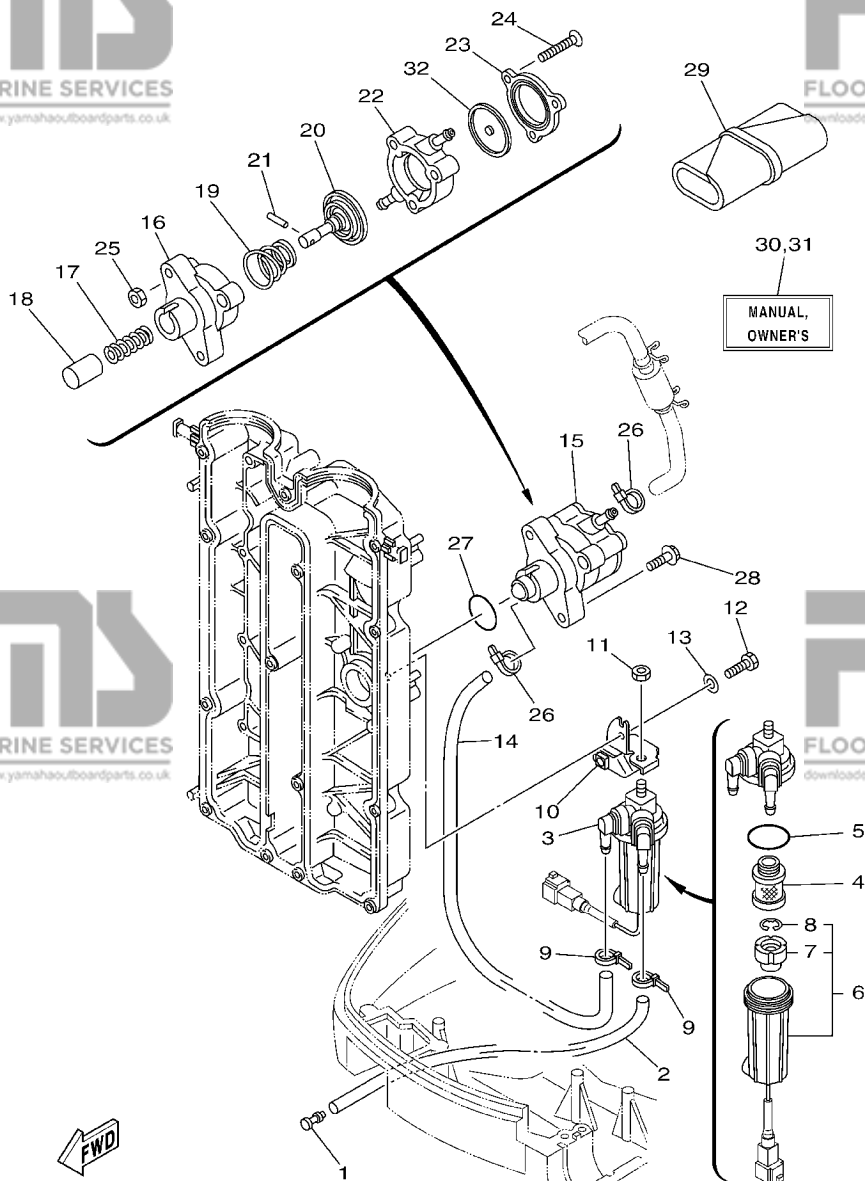


FIG. 11 FUEL

CARBURANT

REF. NO.	PART NO. N° PIECES	DESCRIPTION DESCRIPTION	QTY	REMARKS REMARQUES
28	90119-06M83	BOLT, WITH WASHER BOULON, AVEC RONDELLE	2	
29	67F-28100-01	TOOL KIT TROUSSE A OUTILS	1	
30	6D7-28199-75-E0	MANUAL, OWNER'S MANUEL D'UTILISATION	1	UR (E) UR (E)
	6D7-28199-75-F0	MANUAL, OWNER'S MANUEL D'UTILISATION	1	UR (F) UR (F)
	6D7-28199-75-S0	MANUAL, OWNER'S MANUEL D'UTILISATION	1	UR (ES) UR (ES)
	6D7-28199-75-G0	MANUAL, OWNER'S MANUEL D'UTILISATION	1	UR (D) UR (D)
	6D7-28199-75-D0	MANUAL, OWNER'S MANUEL D'UTILISATION	1	UR (NL) UR (NL)
	6D7-28199-75-H0	MANUAL, OWNER'S MANUEL D'UTILISATION	1	UR (I) UR (I)
31	6D7-28199-85-K0	MANUAL, OWNER'S MANUEL D'UTILISATION	1	UR (DK) UR (DK)
	6D7-28199-85-R0	MANUAL, OWNER'S MANUEL D'UTILISATION	1	UR (GR) UR (GR)
	6D7-28199-85-P0	MANUAL, OWNER'S MANUEL D'UTILISATION	1	UR (P) UR (P)
	6D7-28199-85-N0	MANUAL, OWNER'S MANUEL D'UTILISATION	1	UR (N) UR (N)
	6D7-28199-85-M0	MANUAL, OWNER'S MANUEL D'UTILISATION	1	UR (S) UR (S)
	6D7-28199-85-L0	MANUAL, OWNER'S MANUEL D'UTILISATION	1	UR (SF) UR (SF)
32	68V-24471-10	.DIAPHRAGM .DIAPHRAGME	1	

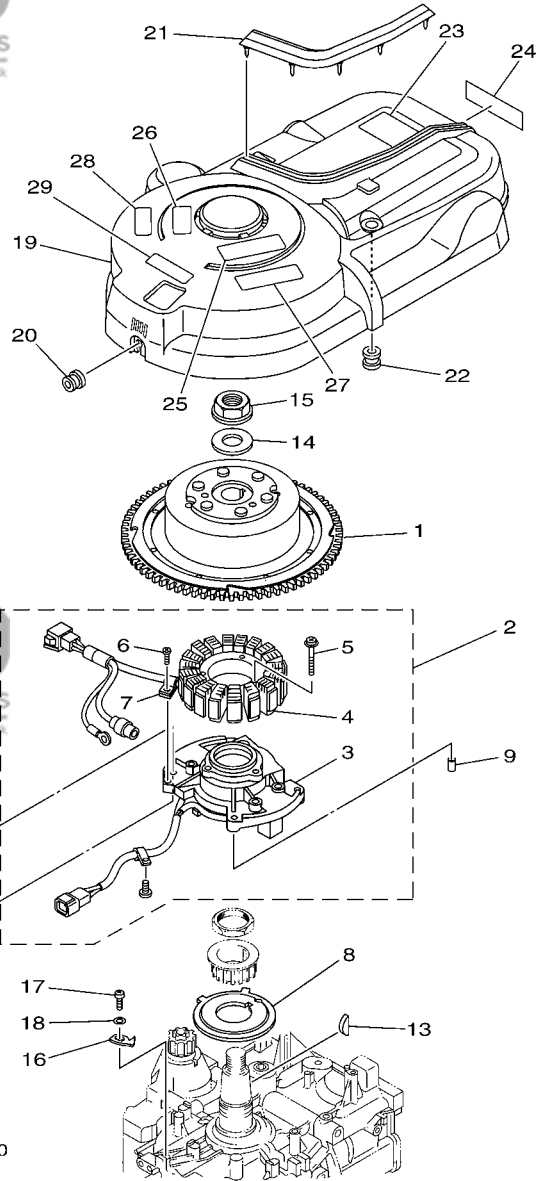
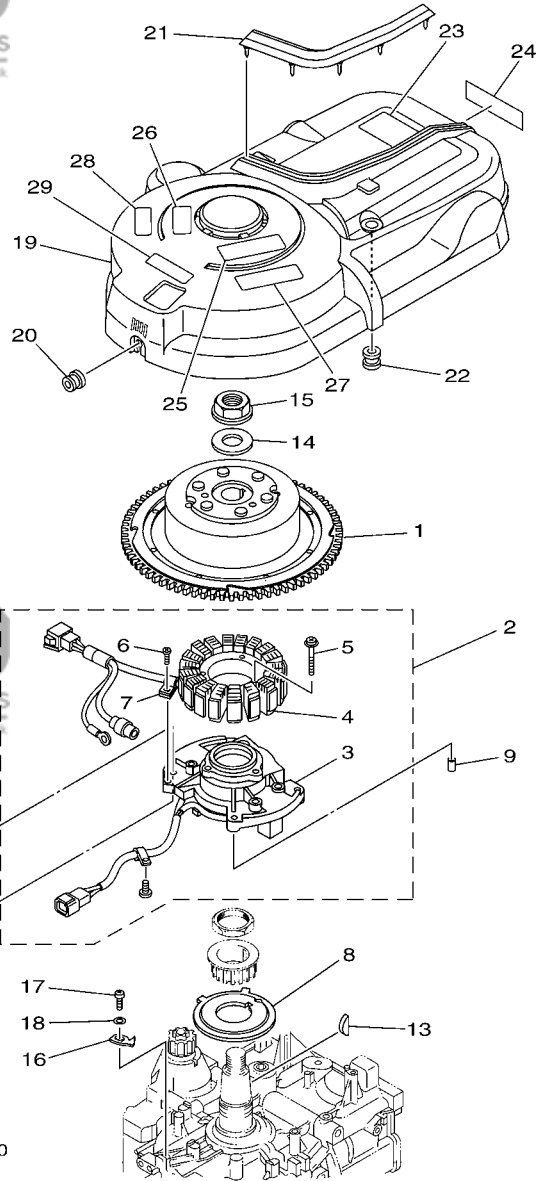


FIG. 12 GENERATOR

GENERATRICE

REF. NO.	PART NO. N° PIECES	DESCRIPTION DESCRIPTION	QTY	REMARKS REMARQUES
1	6D8-81450-00	ROTOR ASSY ROTOR COMPLET	1	
2	6D8-81460-00	BASE ASSY ENS. FLASQUE	1	
3	6D8-85580-00	.COIL, PULSER .BOBINE, PULSEUR	1	
4	6D8-81410-00	.STATOR ASSY .STATOR COMPLET	1	
5	63D-81345-20	.SCREW, WITH WASHER (M6X30) .VIS, AVEC RONDELLE (M6X30)	3	
6	97607-04110	.SCREW, WITH WASHER .VIS HEXAGONAL	1	
7	445-81328-20	.CLAMP .COLLIER	1	
8	68V-81673-00	ROTOR ROTOR	1	
9	99530-08012	PIN, DOWEL GOUJON, D'ASSEMBLAGE	2	
10	97095-06030	BOLT BOULON	4	
11	92995-06100	WASHER, SPRING RONDELLE, GROWER	4	
12	92995-06600	WASHER RONDELLE	4	
13	90280-05015	KEY, WOODRUFF CLAVETTE, DEMI-LUNE	1	
14	90201-24014	WASHER, PLATE RONDELLE, PLATE	1	
15	90179-24002	NUT ECROU	1	
16	6D8-81332-00	PLATE, TIMING PLATEAU, ALLUMAGE	1	
17	97885-06010	SCREW, PAN HEAD VIS, A ENCOCHE	1	
18	92995-06600	WASHER RONDELLE	1	
19	6D8-81337-00	COVER, FLYWHEEL COUVERCLE, VOLANT	1	
20	90480-12072	GROMMET PASSE-FIL	1	
21	6D8-85547-00	DAMPER AMORTISSEUR	1	
22	663-82317-01	DAMPER, IGNITION COIL AMORTISSEUR, BOBINE D'ALLUM	2	
23	67F-12138-60	MARK, CAUTION MAKER	1	
24	68V-13437-62	MARK, CAUTION MAKER	1	
25	6AH-81995-40	LABEL, WARNING ETIQUETTE, AVERTISSEMENT	1	
26	6AH-81995-50	LABEL, WARNING ETIQUETTE, AVERTISSEMENT	1	
27	6AH-81994-40	LABEL, SAFETY ETIQUETTE, SECURITE	1	



FWD
6D74300-G130

FIG. 12 GENERATOR

GENERATRICE

REF. NO.	PART NO. N° PIECES	DESCRIPTION DESCRIPTION	6CK1	REMARKS REMARQUES
28	6AH-81994-50	LABEL, SAFETY ETIQUETTE, SECURITE	1	
29	6AG-81996-00	MARK MARQUE	1	
<hr/>				
<hr/>				
<hr/>				
<hr/>				
<hr/>				
<hr/>				
<hr/>				
<hr/>				

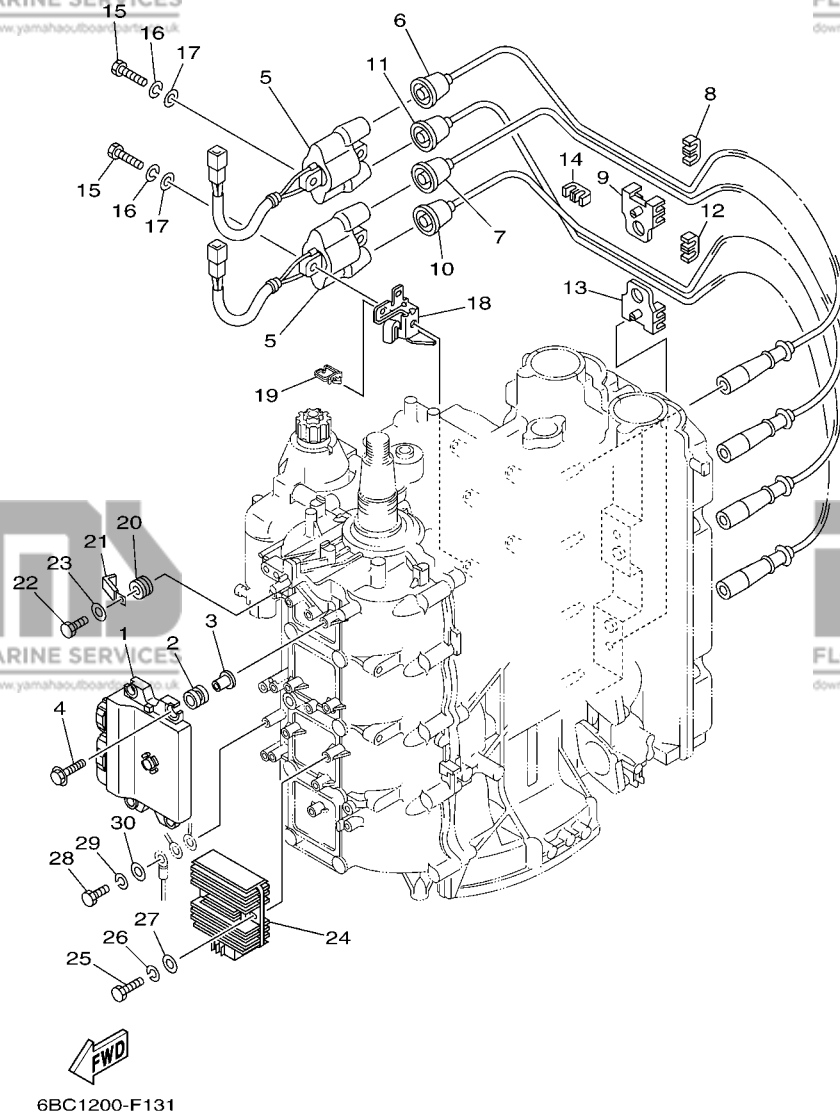


FIG. 13 ELECTRICAL 1

PARTIE ELECTRIQUE 1

REF. NO.	PART NO. N° PIECES	DESCRIPTION DESCRIPTION	QTY	6CK1	REMARKS REMARQUES
1	6D7-8591A-12	ENGINE CONTROL UNIT ASSY BLOC DE CONTROL	1		
2	68V-82317-00	DAMPER, IGNITION COIL AMORTISSEUR, BOBINE D'ALLUM	4		
3	90387-06119	COLLAR COLLERETTE	4		
4	90119-06M59	BOLT, WITH WASHER BOULON, AVEC RONDELLE	4		
5	63P-82310-01	IGNITION COIL ASSY BOBINE D'ALLUMAGE	2		
6	67F-82341-00	CORD, HIGH TENSION 1 CORDON, HAUTE-TENSION 1	1		#1
7	67F-82342-00	CORD, HIGH TENSION 2 CORDON, HAUTE-TENSION 2	1		#2
8	67F-82361-00	CLAMP, CORD COLLIER, CORDON	1		
9	67F-82362-00	CLAMP, CORD 2 COLLIER, CABLE 2	1		
10	67F-82343-00	CORD, HIGH TENSION 3 CORDON, HAUTE-TENSION 3	1		#3
11	67F-82344-00	CORD, HIGH TENSION 4 CORDON, HAUTE TENSION 4	1		#4
12	67F-82361-00	CLAMP, CORD COLLIER, CORDON	1		
13	67F-82362-00	CLAMP, CORD 2 COLLIER, CABLE 2	1		
14	67F-82361-00	CLAMP, CORD COLLIER, CORDON	1		
15	97095-06025	BOLT BOULON	4		
16	92995-06100	WASHER, SPRING RONDELLE, GROWER	4		
17	92995-06600	WASHER RONDELLE	4		
18	6D8-82388-01	PLATE PLAQUETTE	2		
19	90464-08004	CLAMP BRIDE	2		
20	90480-14329	GROMMET PASSE-FIL	1		
21	90465-08M23	CLAMP BRIDE	1		
22	97095-06014	BOLT BOULON	1		
23	92995-06600	WASHER RONDELLE	1		
24	6D3-81960-00	RECTIFIER & REGULATOR ASSY REDRESSEUR REGULATEUR CPLT	1		
25	97095-06025	BOLT BOULON	2		
26	92995-06100	WASHER, SPRING RONDELLE, GROWER	2		
27	92995-06600	WASHER RONDELLE	2		

FIG. 13 ELECTRICAL 1

PARTIE ELECTRIQUE 1

REF. NO.	PART NO. N° PIECES	DESCRIPTION DESCRIPTION	QTY	REMARKS REMARQUES
28	97095-06016	BOLT BOULON	1	
29	92995-06100	WASHER, SPRING RONDELLE, GROWER	1	
30	92995-06600	WASHER RONDELLE	1	

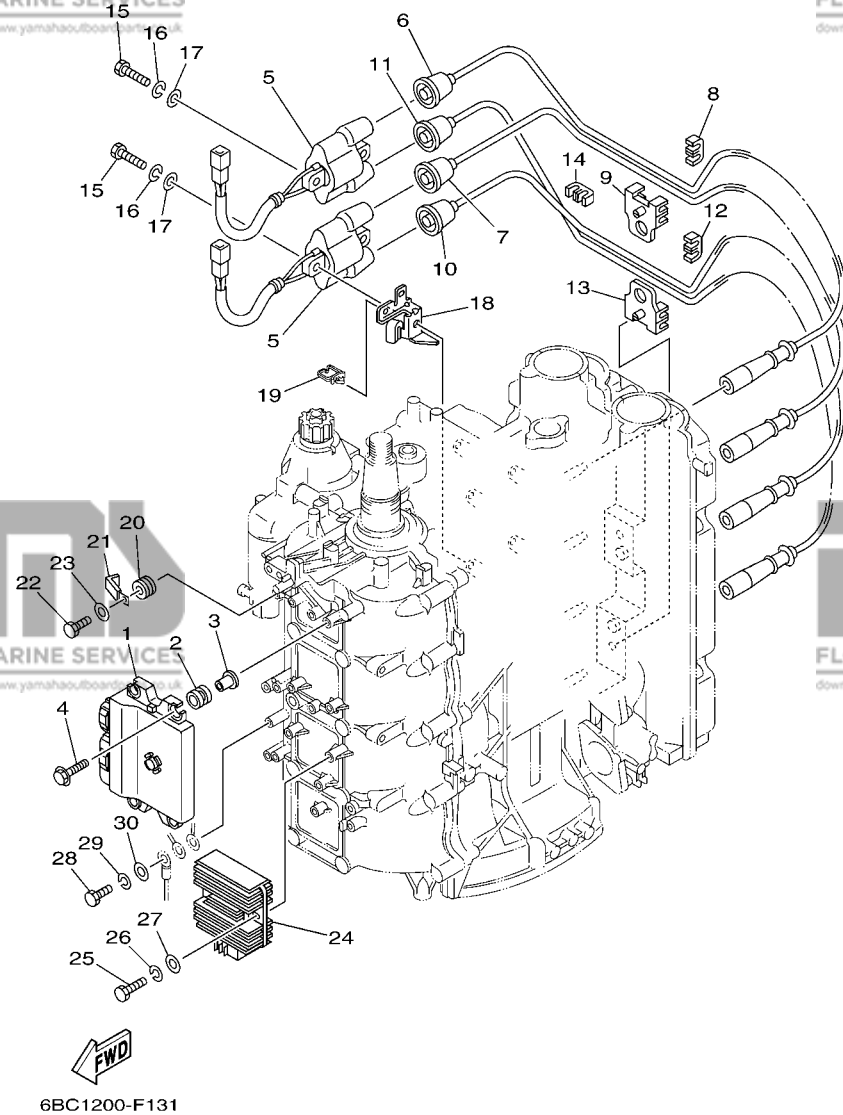
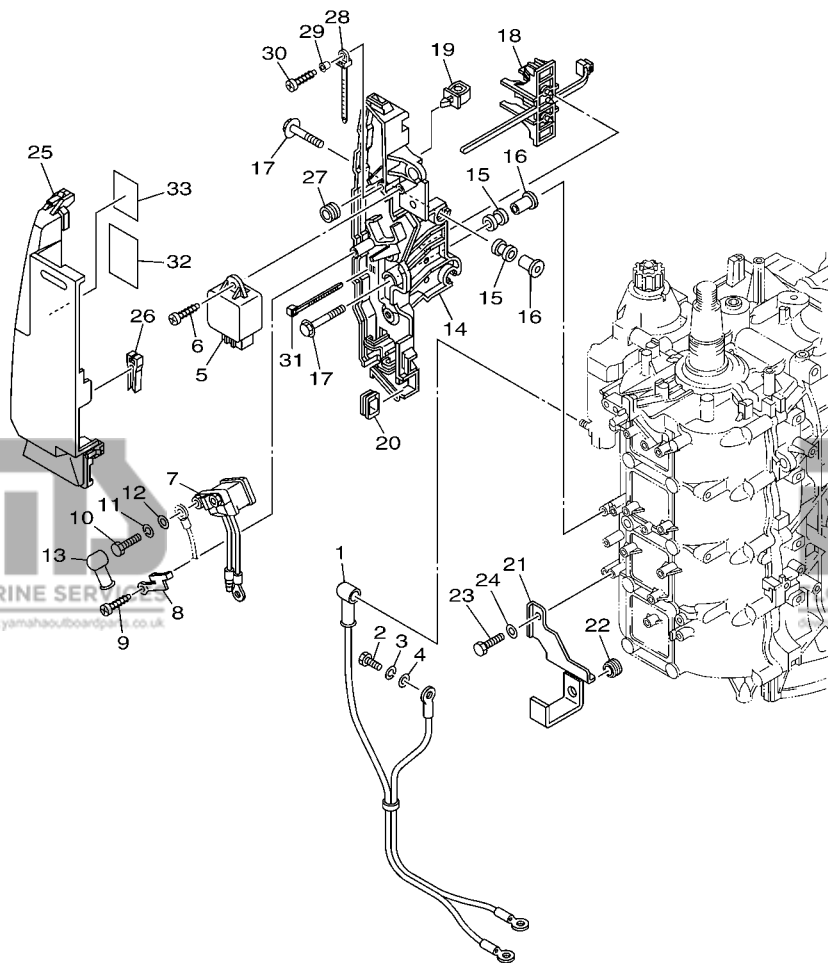


FIG. 14 ELECTRICAL 2

PARTIE ELECTRIQUE 2



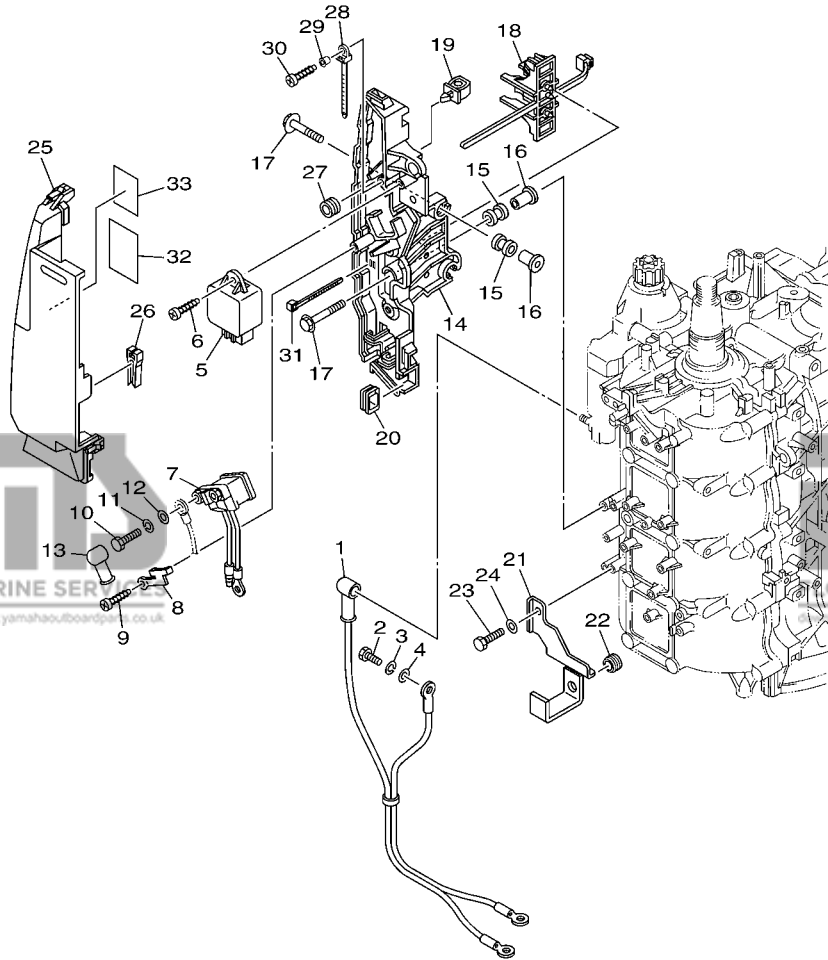
6BC1200-F140

REF. NO.	PART NO. N° PIECES	DESCRIPTION DESCRIPTION	QTY	REMARKS REMARQUES
1	68V-82105-00	WIRE HARNESS FAISCEAU DE FILS	1	
2	97013-06020	BOLT BOULON	1	
3	92903-06100	WASHER, SPRING RONDELLE, GROWER	1	
4	92903-06600	WASHER, PLATE RONDELLE, PLATE	1	
5	60E-81950-00	RELAY ASSY RELAIS COMPLET	1	
6	97780-60625	SCREW, TAPPING VIS, TETE BOMBEE	1	
7	68V-8194A-00	RELAY RELAIS	1	
8	68V-81953-00	STAY, RELAY SUPPORT, RELAIS	1	
9	97780-60620	SCREW, TAPPING VIS, TETE BOMBEE	1	
10	97095-06010	BOLT BOULON	2	
11	92995-06100	WASHER, SPRING RONDELLE, GROWER	2	
12	92995-06600	WASHER RONDELLE	2	
13	6G5-82119-00	COVER, LEAD WIRE GARNITURE, FIL	2	
14	68V-81948-02	BRACKET SUPPORT	1	
15	6A0-82317-00	DAMPER, IGNITION COIL AMORTISSEUR, BOBINE D'ALLUM	5	
16	90387-06119	COLLAR COLLERETTE	5	
17	90119-06M59	BOLT, WITH WASHER BOULON, AVEC RONDELLE	5	
18	68V-82594-00	CLAMP BRIDE	1	
19	90464-12M58	CLAMP BRIDE	1	
20	6D8-81518-00	GROMMET PASSE-FIL	1	
21	6D8-81528-00	CLAMP 1 COLLIER 1	1	
22	90480-13M24	GROMMET PASSE-FIL	1	
23	97095-06014	BOLT BOULON	1	
24	92995-06600	WASHER RONDELLE	1	
25	68V-81942-03	COVER COUVERCLE	1	
26	67F-2812A-00	PULLER, FUSE TENDEUR, FUSIBLE	1	
27	6A0-82317-00	DAMPER, IGNITION COIL AMORTISSEUR, BOBINE D'ALLUM	1	

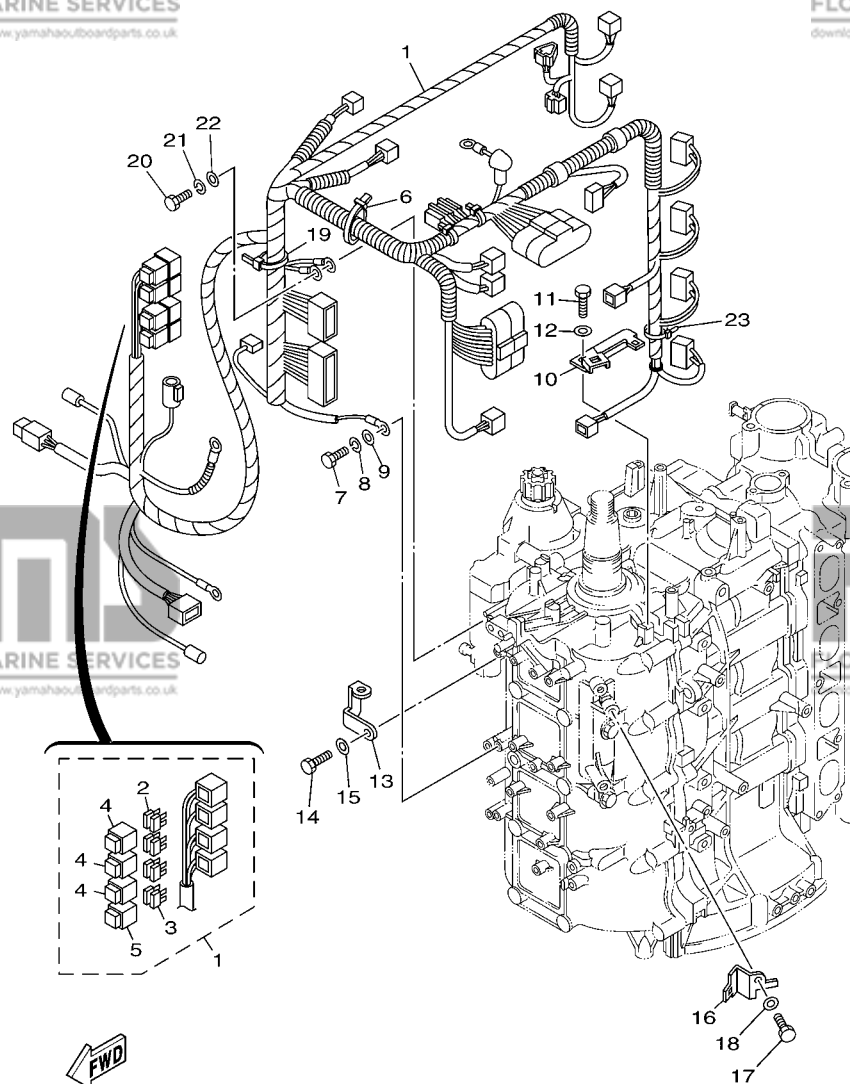
FIG. 14 ELECTRICAL 2

PARTIE ELECTRIQUE 2

REF. NO.	PART NO. N° PIECES	DESCRIPTION DESCRIPTION	6CK1	REMARKS REMARQUES
28	90465-12M53	CLAMP BRIDE	1	
29	90387-06M05	COLLAR COLLERETTE	1	
30	97780-60625	SCREW, TAPPING VIS, TETE BOMBEE	1	
31	90465-13M18	CLAMP BRIDE	2	
32	68V-81919-00	GRAPHIC, REGULATOR ADHESIF, REGULATEUR	1	
33	6D8-81919-00	GRAPHIC, REGULATOR ADHESIF, REGULATEUR	1	



FWD
6BC1200-F140

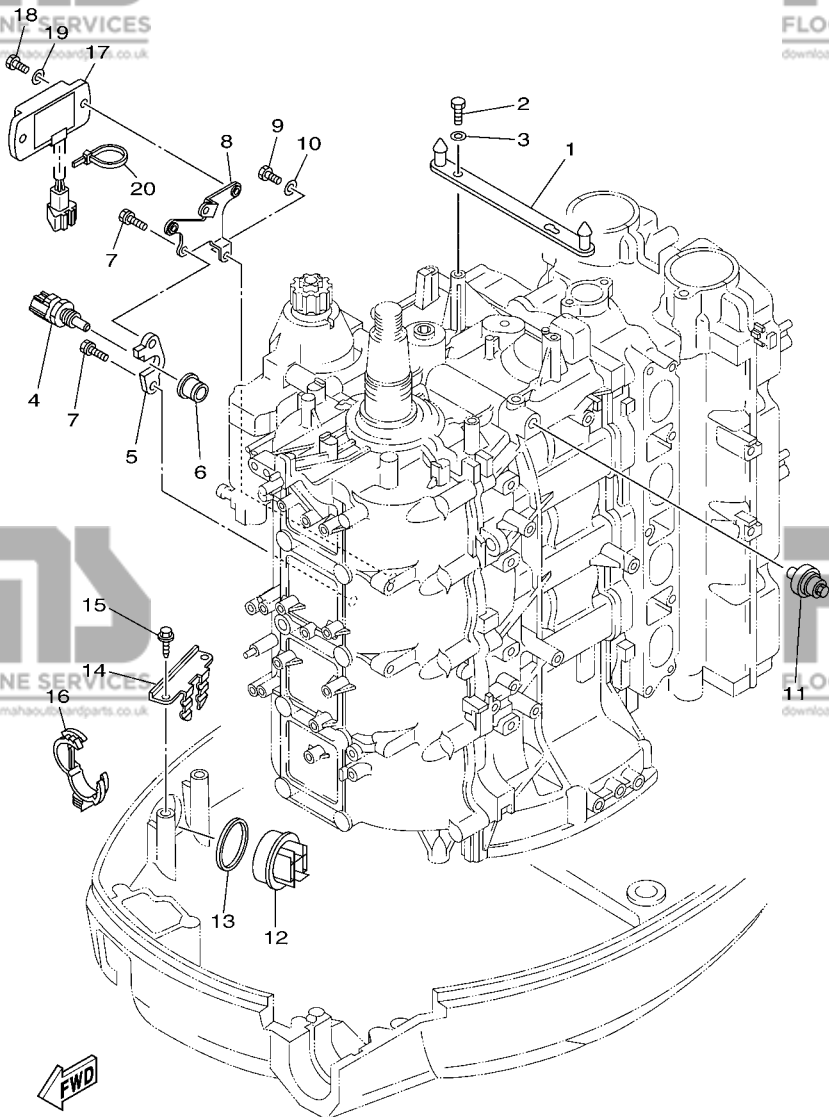


6BC1200-F150

FIG. 15 ELECTRICAL 3

PARTIE ELECTRIQUE 3

REF. NO.	PART NO. N° PIECES	DESCRIPTION DESCRIPTION	QTY	REMARKS REMARQUES
1	6BC-82590-00	WIRE HARNESS ASSY FAISCEAU DE FILS COMPLET	1	
2	67F-82151-00	.FUSE (20A) .FUSIBLE (20A)	6	
3	67F-82151-10	.FUSE (30A) .FUSIBLE (30A)	2	
4	67F-8215B-10	.CAP (YELLOW) .BOUCHON (YELLOW)	3	
5	67F-8215B-20	.CAP (GREEN) .BOUCHON (GREEN)	1	
6	90464-76001	CLAMP BRIDE	1	
7	97095-06016	BOLT BOULON	1	
8	92995-06100	WASHER, SPRING RONDELLE, GROUVER	1	
9	92995-06600	WASHER RONDELLE	1	
10	6D8-82588-00	PLATE PLAQUE	1	
11	97095-06012	BOLT BOULON	1	
12	92995-06600	WASHER RONDELLE	1	
13	6D8-82581-00	STAY, CORD CLAMP SUPPORT, COLLIER DE CORDON	1	
14	97095-06014	BOLT BOULON	1	
15	92995-06600	WASHER RONDELLE	1	
16	6D8-82389-00	PLATE 2 PLAQUETTE 2	1	
17	97095-06012	BOLT BOULON	1	
18	92995-06600	WASHER RONDELLE	1	
19	90465-13M18	CLAMP BRIDE	1	
20	97095-06016	BOLT BOULON	1	
21	92995-06100	WASHER, SPRING RONDELLE, GROUVER	1	
22	92995-06600	WASHER RONDELLE	1	
23	90465-13M11	CLAMP BRIDE	1	



6BC3200-H160

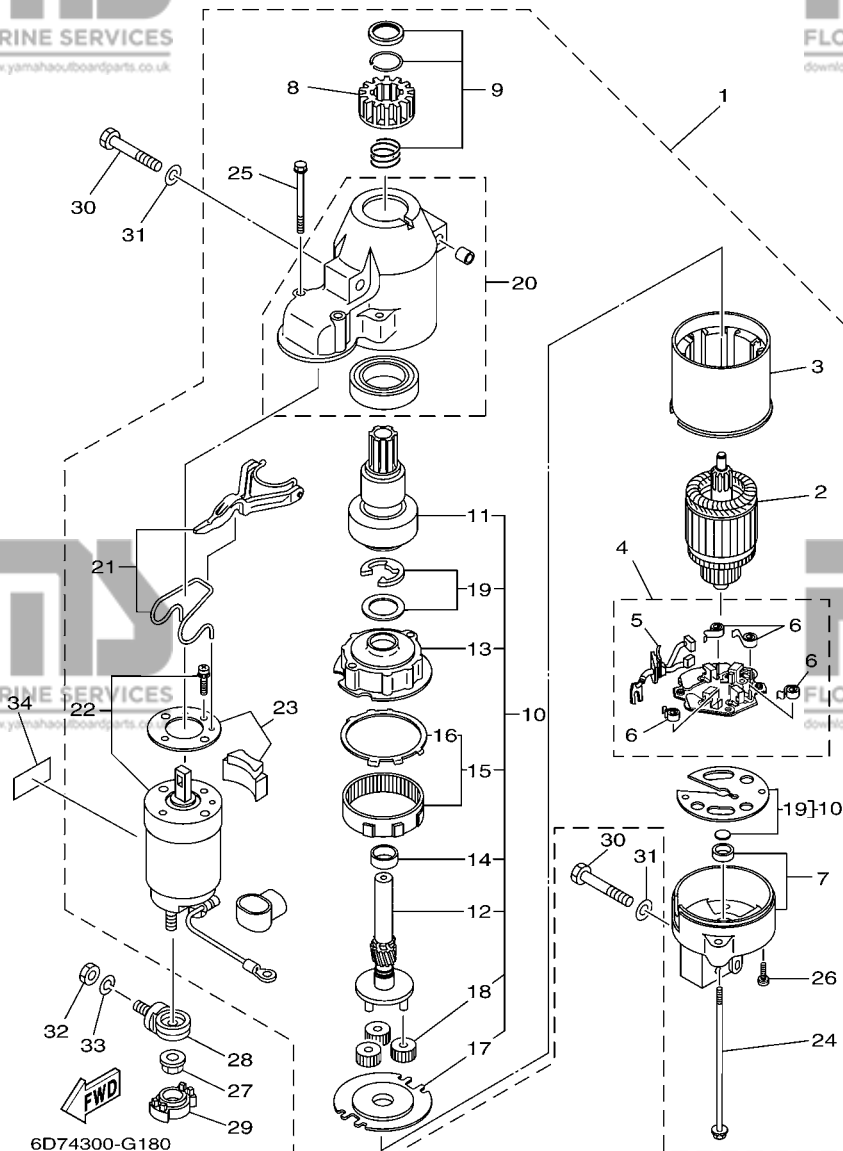
FIG. 16 ELECTRICAL 4

PARTIE ELECTRIQUE 4

REF. NO.	PART NO. N° PIECES	DESCRIPTION DESCRIPTION	QTY	REMARKS REMARQUES
1	6D8-8132G-00	PLATE PLAQUE	1	
2	97095-06016	BOLT BOULON	2	
3	92995-06600	WASHER RONDELLE	2	
4	67F-85790-00	THERMOSENSOR ASSY SENSITOMETRE	1	
5	67F-85757-00	RETAINER ARRETOIR	1	
6	68V-85753-00	GASKET, SENDER UNIT JOINT, DE PERCEPTION	1	
7	90119-06MA2	BOLT, WITH WASHER BOULON, AVEC RONDELLE	2	
8	6BC-83519-00	BRACKET, METER SUPPORT, COMPTEUR	1	
9	97095-06012	BOLT BOULON	1	
10	92995-06600	WASHER RONDELLE	1	
11	68V-82504-00	OIL PRESSURE SWITCH ASSY CONTACTEUR DE PRESSION D'HUILE	1	
12	68F-42723-10-8D	COVER, BOTTOM COUVERCLE	1	
13	6E5-82587-00	GASKET JOINT	1	
14	67F-83614-00	BRACKET SUPPORT	1	
15	90109-06M86	BOLT BOULON	2	
16	90464-30003	CLAMP BRIDE	2	
17	6Y5-83504-22	HOUR METER ASSY COMPTEUR D'HEURES (ENS.)	1	
18	97880-05014	SCREW, PAN HEAD VIS, TETE TRONCONIQUE	2	
19	92990-05600	WASHER, PLATE RONDELLE, PLATE	2	
20	90465-11M10	CLAMP BRIDE	1	

FIG. 17 STARTING MOTOR

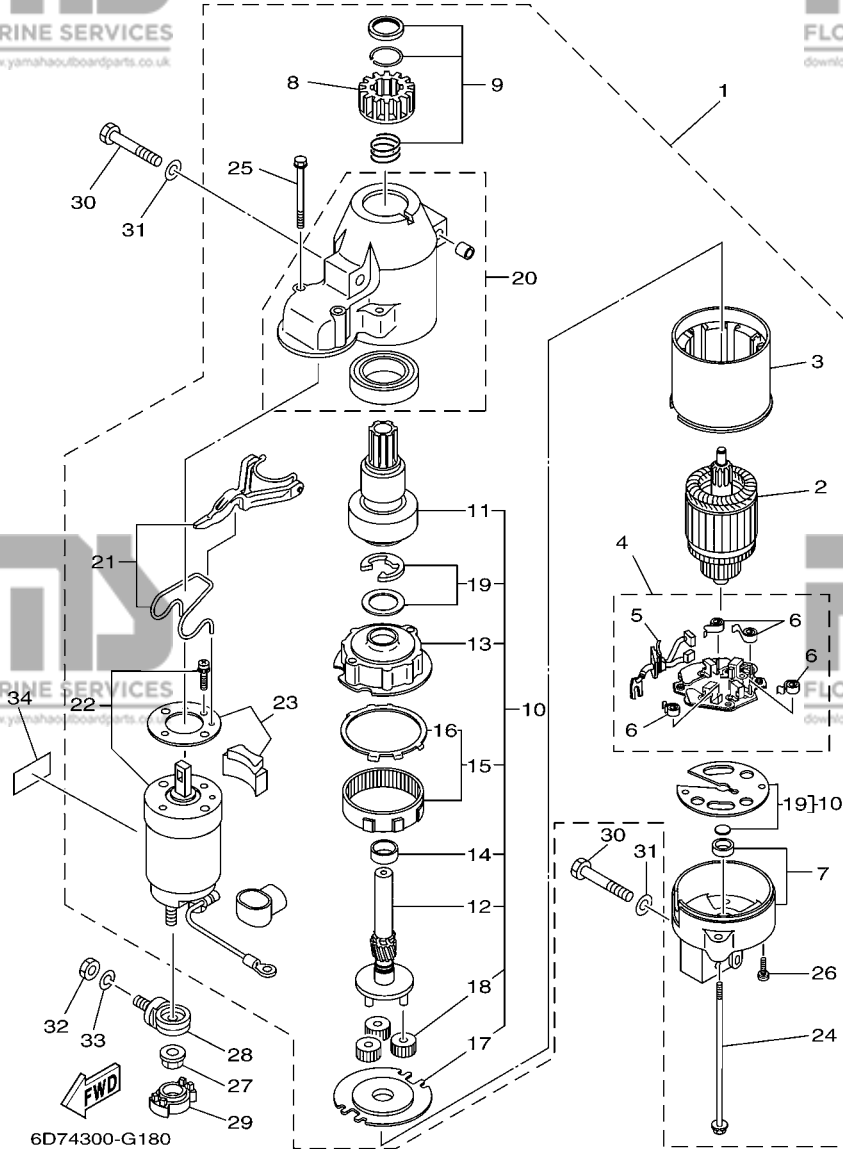
DEMARREUR ELECTRIQUE



REF. NO.	PART NO. N° PIECES	DESCRIPTION DESCRIPTION	QTY	REMARKS REMARQUES
1	68V-81800-01	STARTING MOTOR ASSY DEMARREUR ELECTRIQUE COMPLET	1	
2	67F-81850-00	.ARMATURE ASSY .INDUIT	1	
3	67F-81810-00	.STATOR ASSY .STATOR COMPLET	1	
4	68F-81840-00	.BRUSH HOLDER ASSY .SUPPORT DE CHARBON	1	
5	67F-81801-00	..BRUSH SET ..CHARBON	1	
6	67F-81813-00	..SPRING, BRUSH ..RESSORT, DE CHARBON	4	
7	68F-81820-00	.REAR BRACKET ASSY .SUPPORT ARRIERE COMPLET	1	
8	67F-81808-00	.PINION ASSY .PIGNON	1	
9	67F-81857-00	.PINION STOPPER SET .BUTEE PIGNON	1	
10	67F-81807-00	.GEAR ASSY, STARTING MOTOR .PIGNON, DEMARREUR ELECTRIQUE	1	
11	67F-81832-00	..CLUTCH, OVER RUN ..EMBAYAGE, ROUE LIBRE	1	
12	67F-81836-00	..SHAFT, PINION ..AXE, PIGNON	1	
13	67F-81821-00	..BRACKET, CENTER 1 ..SUPPORT, CENTRE 1	1	
14	67F-81841-00	..BEARING ..ROULEMENT	1	
15	67F-81891-00	..GEAR, RING ..ROUE DENTEE	1	
16	67F-8183R-00	...GASKET ...JOINT	1	
17	67F-81830-00	..BRACKET, CENTER 2 ..SUPPORT, CENTRE 2	1	
18	60V-8183T-00	..GEAR, IDLER ..PIGNON, INTERMEDIAIRE	3	
19	67F-81809-00	..WASHER KIT ..JEU DE RONDELLES	1	
20	67F-81842-00	.COVER .COUVERCLE	1	
21	67F-81839-00	.LEVER ASSY .LEVIER COMPLET	1	
22	68V-81941-01	.STARTER RELAY ASSY .LANCEUR RELAIS (ENS.)	1	
23	67F-81869-00	.COVER, DUST .COUVERCLE, POUSSIERE	1	
24	6K7-81826-11	.BOLT .BOULON	2	
25	67F-81828-00	.BOLT 2 ..RONDELLE, BUTEE 2	2	
26	67F-81846-00	.SCREW .VIS	2	
27	90179-08003	NUT ECROU	1	

FIG. 17 STARTING MOTOR

DEMARREUR ELECTRIQUE



REF. NO.	PART NO. N° PIECES	DESCRIPTION DESCRIPTION	QTY	REMARKS REMARQUES
28	60V-81925-00	TERMINAL BORNE	1	
29	68F-82582-00	COVER, WIRE HARNESS COUVERCLE, FAISCEAU DE FILS	1	
30	97013-08045	BOLT BOULON	3	
31	92903-08600	WASHER, PLATE RONDELLE, PLATE	3	
32	95333-08600	NUT ECROU	1	
33	92903-08100	WASHER, SPRING RONDELLE, GROWER	1	
34	67F-83627-01	LABEL, CAUTION 7 ETIQUETTE, RECOMMANDATION 7	1	

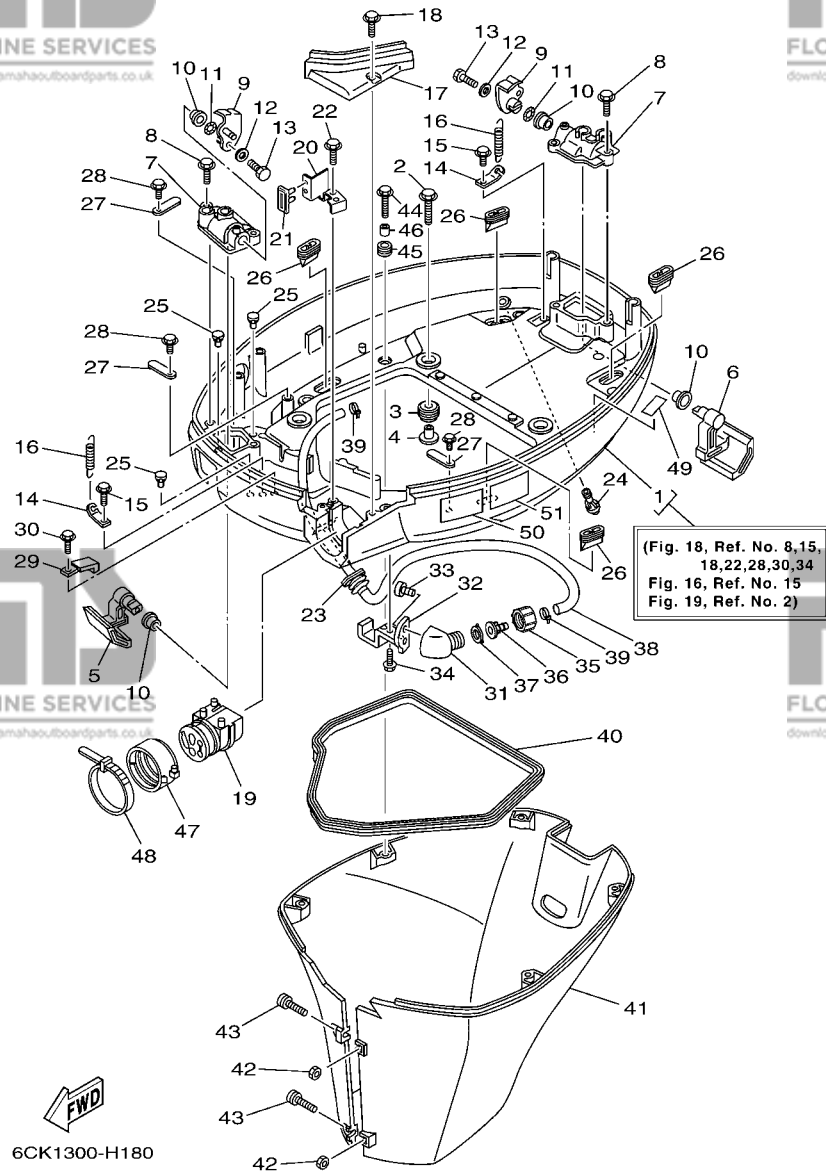
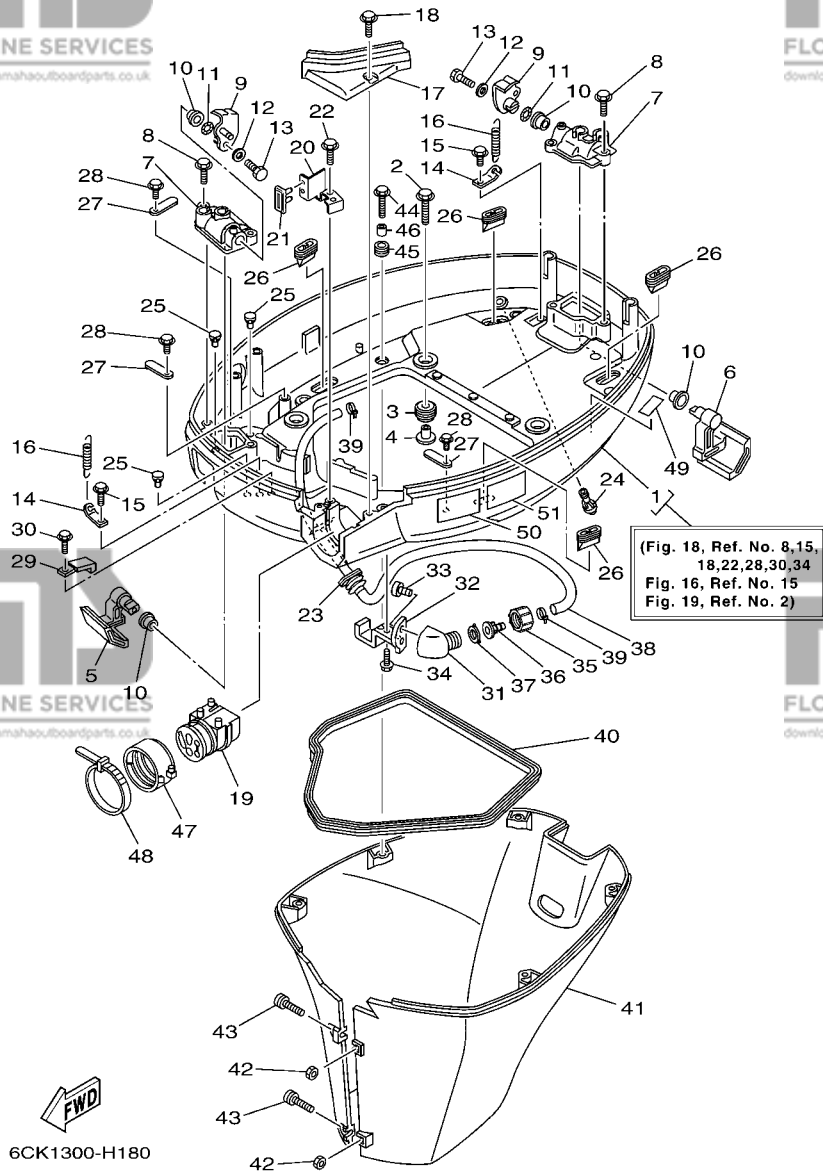


FIG. 18 BOTTOM COWLING

CAPOT INFERIEUR

REF. NO.	PART NO. N° PIECES	DESCRIPTION DESCRIPTION	6CK1	REMARKS REMARQUES
1	6D8-42710-00-8D	BOTTOM COWLING ASSY ENS. EMBASE	1	
2	90119-08M22	BOLT, WITH WASHER BOULON, AVEC RONDELLE	4	
3	90480-22M15	GROMMET PASSE-FIL	4	
4	90387-08M37	COLLAR COLLERETTE	4	
5	67F-42815-00-8D	LEVER, CLAMP LEVIER, PRESSE	1	
6	67F-42816-00-8D	LEVER, CLAMP LEVIER, PRESSE	1	
7	67F-42828-00-5B	PLATE, CLAMP PLAQUE, PRESSE	2	
8	90109-06M82	BOLT BOULON	4	
9	68V-42818-01	LEVER, CLAMP LEVIER, PRESSE	2	
10	90386-15M73	BUSH DOUILLE	4	
11	90206-15M18	WASHER, WAVE RONDELLE, ONDULEE	2	
12	90201-06068	WASHER, PLATE RONDELLE, PLATE	2	
13	97095-06016	BOLT BOULON	2	
14	64D-43144-00	HOOK, SPRING CROCHET	2	
15	90109-06M86	BOLT BOULON	2	
16	90506-16M34	SPRING, TENSION RESSORT, TENSION	2	
17	67F-42738-00-5B	PLATE, FITTING ETRIER	1	
18	90109-06M96	BOLT BOULON	2	
19	68V-42725-00	GROMMET PASSE-FIL	1	
20	6D8-42756-00	STAY, CLAMP SUPPORT, COLLIER	1	
21	6D8-42717-00	RUBBER, SEAL 2 JOINT EN CAOUTCHOUC 2	1	
22	90109-06M86	BOLT BOULON	1	
23	688-42726-10	GROMMET PASSE-FIL	1	FLUSHING KIT FLUSHING KIT
24	6H3-44391-01	NIPPLE, HOSE RACCORD D'ESSENCE	1	
25	6H4-42748-00	GROMMET PASSE-FIL	3	
26	67F-42717-00	RUBBER, SEAL 2 JOINT EN CAOUTCHOUC 2	4	
27	6E5-82588-00	PLATE PLAQUE	3	

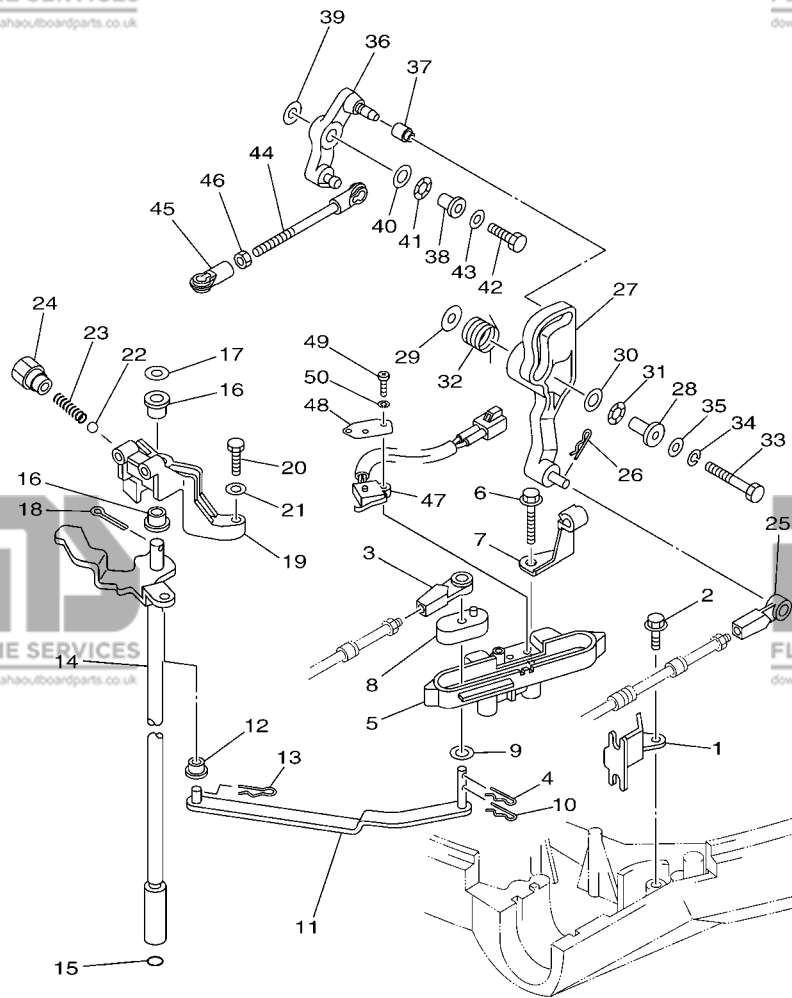


6CK1300-H180

FIG. 18 BOTTOM COWLING

CAPOT INFERIEUR

REF. NO.	PART NO. N° PIECES	DESCRIPTION DESCRIPTION	6CK1	REMARKS REMARQUES
28	90109-06M81	BOLT BOULON	3	
29	90465-08M23	CLAMP BRIDE	1	
30	90109-06M86	BOLT BOULON	1	
31	68T-12572-00	ADAPTER ADAPTATEUR	1	FLUSHING KIT FLUSHING KIT
32	67F-12535-01	PLATE PLAQUE	1	FLUSHING KIT FLUSHING KIT
33	90167-06002	SCREW, TAPPING VIS, TETE FRAISEE	2	FLUSHING KIT FLUSHING KIT
34	90109-06M86	BOLT BOULON	1	FLUSHING KIT FLUSHING KIT
35	6R3-12581-00	JOINT, HOSE 1 JOINT DE TUYAU	1	FLUSHING KIT FLUSHING KIT
36	6R3-12582-00	JOINT, HOSE 2 RACCORD DE TUYAU 1	1	FLUSHING KIT FLUSHING KIT
37	6R3-12583-00	GASKET, HOSE JOINT JOINT	1	FLUSHING KIT FLUSHING KIT
38	67F-24312-00	PIPE 2 DURITE 2	1	FLUSHING KIT FLUSHING KIT
39	90465-11M10	CLAMP BRIDE	2	FLUSHING KIT FLUSHING KIT
40	61A-42716-00	RUBBER, SEAL 1 JOINT EN CAOUTCHOUC 1	1	
41	67F-42741-01-8D	APRON CAPOT LATERAL	1	
42	95380-06600	NUT, HEXAGON ECROU	2	
43	90159-06M28	SCREW, WITH WASHER VIS, AVEC RONDELLE	2	
44	90109-06M80	BOLT BOULON	5	
45	90480-13M24	GROMMET PASSE-FIL	5	
46	90387-06M43	COLLAR COLLERETTE	5	
47	68F-42753-00	FASTNER ATTACHE	1	AP AP
48	90464-20258	CLAMP BRIDE	1	AP AP
49	67F-82377-00	LABEL ETIQUETTE	1	
50	6AH-42794-40	LABEL, WARNING (GENERAL) ETIQUETTE, AVERTISSEMENT	1	
51	6AH-42794-50	LABEL, WARNING (GENERAL) ETIQUETTE, AVERTISSEMENT	1	



6BC1200-F230

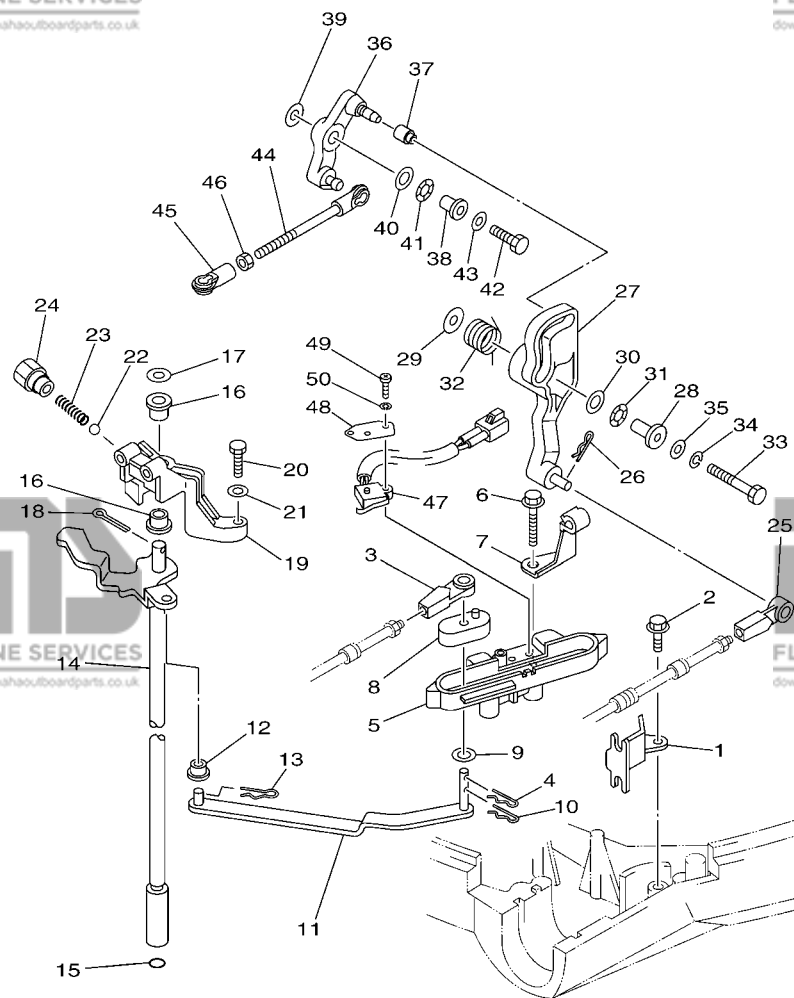
FIG. 19 CONTROL

COMMANDE

REF. NO.	PART NO. N° PIECES	DESCRIPTION DESCRIPTION	QTY	REMARKS REMARQUES
1	67F-48538-00	CLAMP, CABLE 1 COLLIER	1	
2	90109-06M86	BOLT BOULON	1	
3	663-48344-00	CABLE END, REMOTE CONTROL CHAPE CABLE	1	
4	90468-18008	CLIP JONC	1	
5	6D8-44117-00	BRACKET SUPPORT	1	
6	97595-06550	BOLT, WITH WASHER VIS HEXAGONAL AVC RONDELLE	2	
7	90462-10027	CLAMP BRIDE	1	
8	68V-44122-01	BUSHING, SHIFT ROD LEVER DOUILLE, LEVIER D'EMBRAYAGE	1	
9	90202-07M07	WASHER, PLATE RONDELLE, PLATE	1	
10	90468-18008	CLIP JONC	1	
11	67F-44121-00	LEVER, SHIFT ROD LEVIER, TIGE D'INVERSION	1	
12	90386-06M12	BUSH DOUILLE	1	
13	90468-18008	CLIP JONC	1	
14	60C-44120-10	HANDLE GEAR SHIFT ASSY LEVIER D'EMBRAYAGE	1	L(20.3") L(20.3")
15	93210-09165	O-RING JOINT TORIQUE	1	
16	90386-90M90	BUSH DOUILLE	2	
17	90201-09M02	WASHER, PLATE RONDELLE, PLATE	1	
18	91490-20015	PIN, COTTER GOUPILLE	1	
19	68V-44118-00	BRACKET SUPPORT	1	
20	97075-06025	BOLT BOULON	2	
21	92995-06600	WASHER RONDELLE	2	
22	93501-04M02	BALL BILLE	1	
23	90501-12082	SPRING, COMPRESSION RESSORT, COMPRESSION	1	
24	648-42715-00	BUSHING COUSSINET	1	
25	663-48344-00	CABLE END, REMOTE CONTROL CHAPE CABLE	1	
26	90468-18008	CLIP JONC	1	
27	6D8-42154-00	LEVER, THROTTLE CONTROL LEVIER DE COMMANDE D'AVANCE	1	

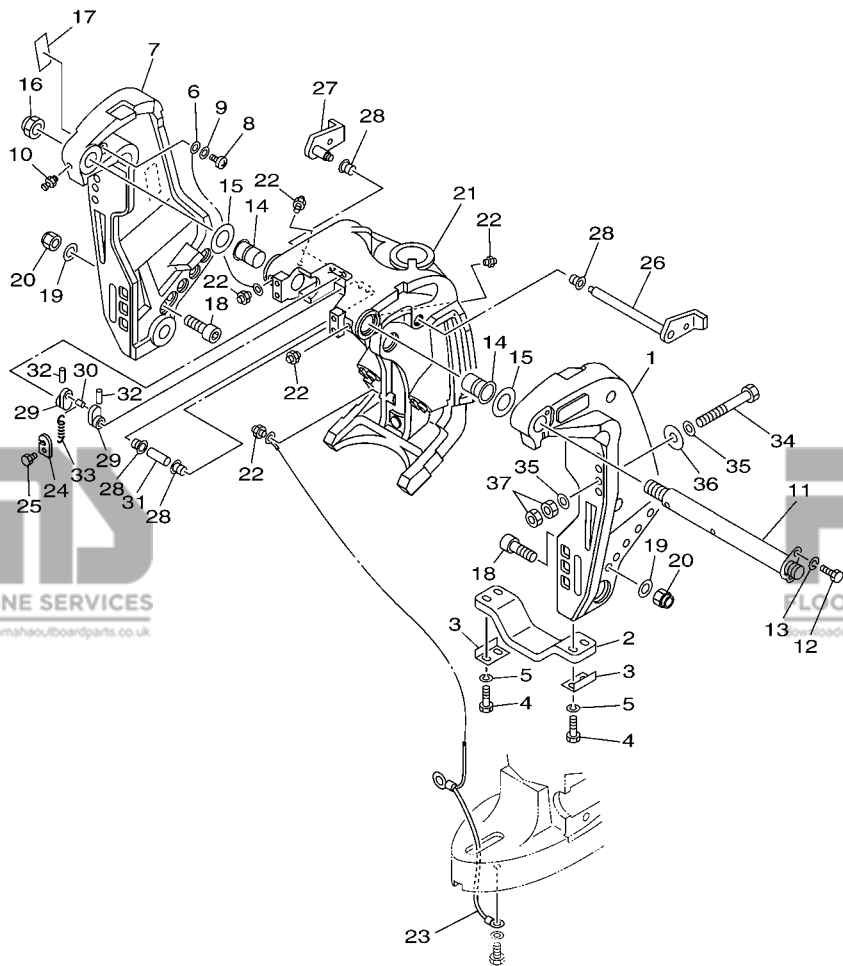
FIG. 19 CONTROL

COMMANDE



FWD
6BC1200-F230

REF. NO.	PART NO. N° PIECES	DESCRIPTION DESCRIPTION	QTY	REMARKS REMARQUES
28	90387-06M21	COLLAR COLLERETTE	1	
29	90201-06M62	WASHER, PLATE RONDELLE, PLATE	1	
30	90201-10M02	WASHER, PLATE RONDELLE, PLATE	1	
31	90206-10M04	WASHER, WAVE RONDELLE, ONDULEE	1	
32	67F-44135-00	SPRING RESSORT	1	
33	97095-06035	BOLT BOULON	1	
34	92995-06100	WASHER, SPRING RONDELLE, GROWER	1	
35	92995-06600	WASHER RONDELLE	1	
36	6D8-42157-00	LEVER, THROTTLE LEVIER DE AVANCE	1	
37	68V-42171-00	BUSHING COUSSINET	1	
38	90387-06013	COLLAR COLLERETTE	1	
39	90201-06M31	WASHER, PLATE RONDELLE, PLATE	1	
40	90201-10M02	WASHER, PLATE RONDELLE, PLATE	1	
41	90206-10M04	WASHER, WAVE RONDELLE, ONDULEE	1	
42	97095-06025	BOLT BOULON	1	
43	92995-06600	WASHER RONDELLE	1	
44	6D8-41237-00	JOINT, LINK RACCORD	1	
45	682-41237-00	JOINT, LINK RACCORD	1	
46	95380-05600	NUT ECROU	1	
47	60V-8259F-00	SWITCH ASSY COMMUTATEUR	1	
48	61A-82588-01	PLATE PLAQUE	1	
49	97885-04016	SCREW, PAN HEAD VIS, A ENCOCHE	2	
50	92995-04100	WASHER RONDELLE	2	



FWD
6BC1200-F240

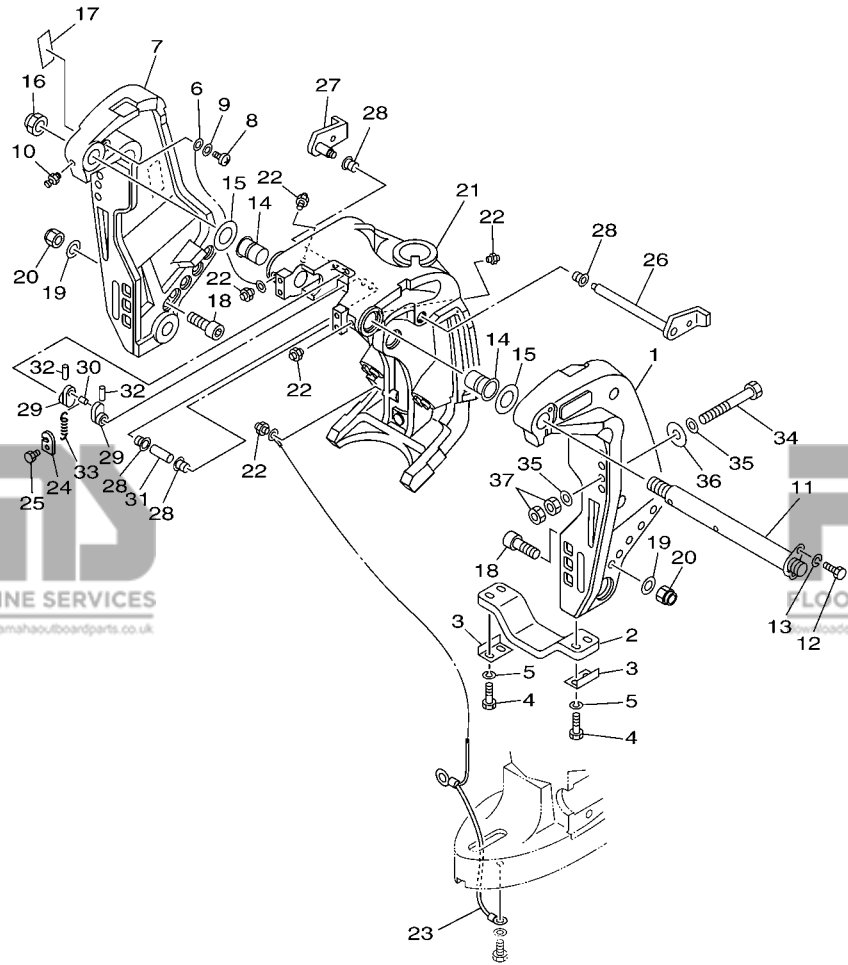
FIG. 20 BRACKET 1

SUPPORT 1

REF. NO.	PART NO. N° PIECES	DESCRIPTION DESCRIPTION	QTY	REMARKS REMARQUES
1	6BC-43111-00-8D	BRACKET, CLAMP 1 PRESSE 1	1	
2	6G5-45251-02	ANODE ANODE	1	
3	6G5-44526-00	PLATE PLAQUE	2	
4	97095-06030	BOLT BOULON	4	
5	92995-06100	WASHER, SPRING RONDELLE, GROWER	4	
6	6E5-82148-00	WIRE, LEAD 4 FIL 4	1	
7	6BC-43112-00-8D	BRACKET, CLAMP 2 PRESSE 2	1	
8	97885-06012	SCREW, PAN HEAD VIS, A ENCOCHE	1	
9	92995-06600	WASHER RONDELLE	1	
10	93700-06M03	NIPPLE, GREASE PION	1	
11	64E-43131-01	BOLT, CLAMP BRACKET BOULON, PRESSE	1	
12	97095-08020	BOLT BOULON	1	
13	92995-08100	WASHER RONDELLE	1	
14	90386-25M31	BUSH DOUILLE	2	
15	90201-26M59	WASHER, PLATE RONDELLE, PLATE	2	
16	90185-22M11	NUT, SELF-LOCKING ECROU, AUTO-BLOQUANT	1	
17	63D-43691-00	INDICATOR, TILT ETIQUETTE, RELEVAGE	1	
18	90110-12M00	BOLT, HEXAGON SOCKET HEAD BOULON, TETE HEXAGONALE CREUSE	2	
19	92990-12200	WASHER, PLAIN RONDELLE, PLATE	2	
20	90185-12M12	NUT, SELF-LOCKING ECROU, AUTO-BLOQUANT	2	
21	6BC-43311-00-8D	BRACKET, SWIVEL 1 SUPPORT, PIVOT 1	1	L(20.3") L(20.3")
22	93700-06M03	NIPPLE, GREASE PION	5	
23	66K-82149-00	WIRE, LEAD 3 FIL 3	1	L(20.3") L(20.3")
24	66T-43144-00	HOOK, SPRING CROCHET	1	
25	97095-06010	BOLT BOULON	1	
26	6BC-43181-00	LEVER, TILT STOP LEVIER, VERROUILLAGE RELEVAGE	1	
27	6BC-43185-00	LEVER, TILT STOP LEVIER, VERROUILLAGE RELEVAGE	1	

FIG. 20 BRACKET 1

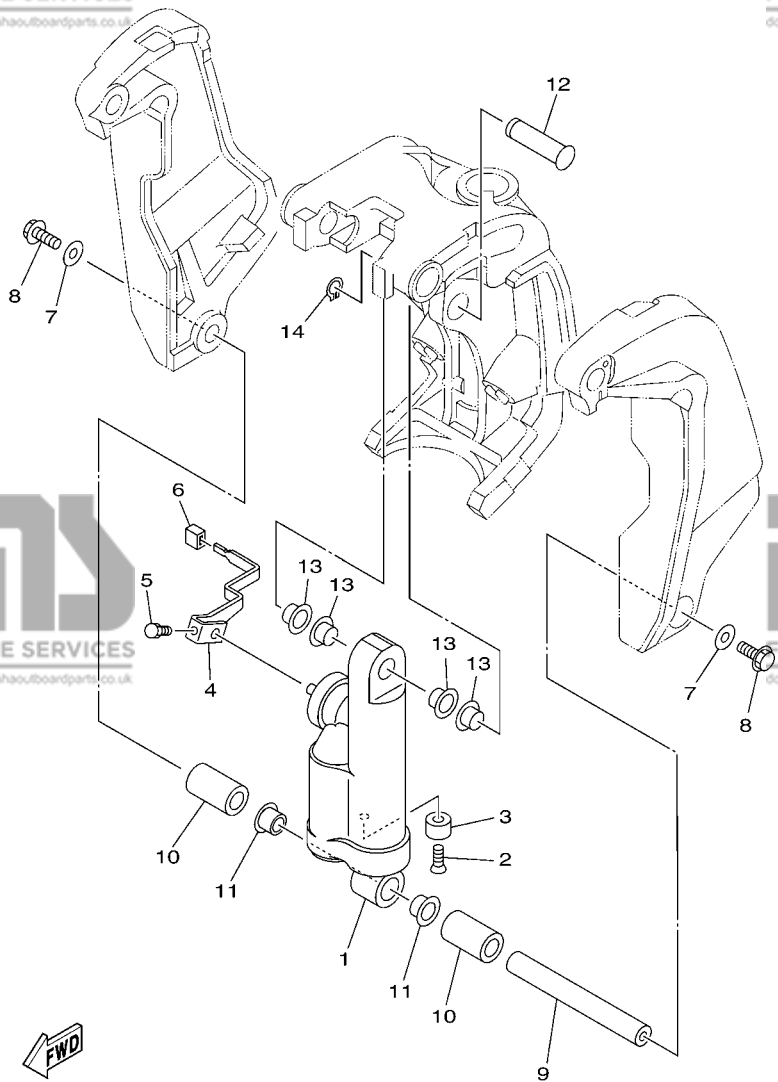
SUPPORT 1



REF. NO.	PART NO. N° PIECES	DESCRIPTION DESCRIPTION	6CK1	REMARKS REMARQUES
28	90386-10M16	BUSH DOUILLE	4	
29	6G5-43148-00	COLLAR, DISTANCE ENTRETOISE	2	
30	90249-06M19	PIN GOUPILLE	1	
31	90387-10M05	COLLAR COLLERETTE	1	
32	91690-30020	PIN, SPRING AGRAFFE	2	
33	90506-14M24	SPRING, TENSION RESSORT, TENSION	1	
34	90101-12M03	BOLT (L:115MM) BOULON (L:115MM)	4	
35	90201-13M01	WASHER, PLATE RONDELLE, PLATE	8	
36	90201-12M05	WASHER, PLATE RONDELLE, PLATE	4	
37	95380-12600	NUT ECROU	8	



6BC1200-F240

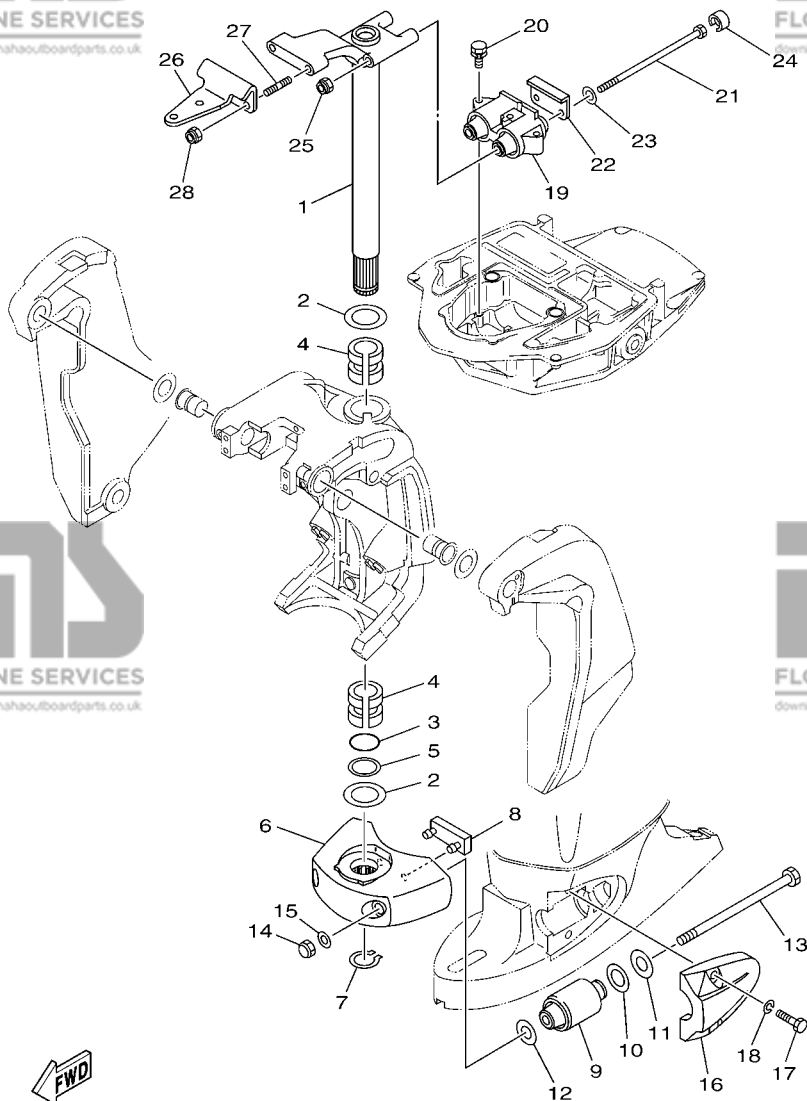


6BC3200-H250

FIG. 21 BRACKET 2

SUPPORT 2

REF. NO.	PART NO. N° PIECES	DESCRIPTION DESCRIPTION	QTY	REMARKS REMARQUES
1	6BC-43107-00-8D	SHOCK ABSORBER SUB-ASSY AMORTISSEUR (ENS.)	1	
2	90152-06M01	SCREW, COUNTERSUNK VIS, TETE NOYEE	1	
3	663-45251-00	ANODE ANODE	1	
4	6BC-43631-00-8D	LEVER, TILT LEVIER, INCLINAISON	1	
5	90101-06057	BOLT BOULON	1	
6	6G1-43318-01	COVER CAPUCHON	1	
7	90201-10060	WASHER, PLATE RONDELLE, PLATE	2	
8	97575-10530	BOLT, WITH WASHER VIS HEXAGONAL AVC RONDELLE	2	
9	6BC-43818-00	PIN, LOWER SHOCK MOUNT AXE, INFERIEUR AMORTISSEUR	1	
10	90387-22018	COLLAR COLLERETTE	2	
11	90386-22M98	BUSH DOUILLE	2	
12	64E-43126-00	PIN, UPPER SHOCK MOUNT AXE, SUPERIEUR AMORTISSEUR	1	
13	90386-22M98	BUSH DOUILLE	4	
14	93410-22M11	CIRCLIP CLIPS	1	

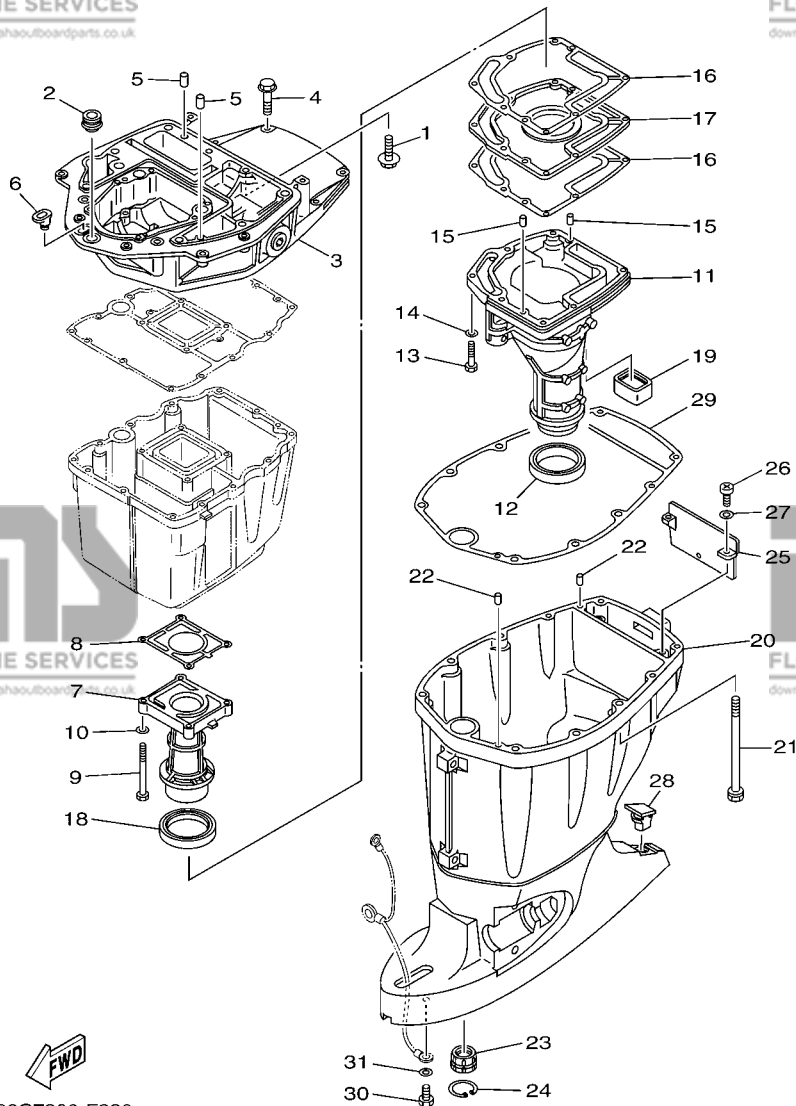


6BC1200-F260

FIG. 22 BRACKET 3

SUPPORT 3

REF. NO.	PART NO. N° PIECES	DESCRIPTION DESCRIPTION	QTY	6CK1	REMARKS REMARQUES
1	68V-42510-10-8D	STEERING BRACKET ASSY DIRECTION SUPPORT (ENS.)	1	1	L(20.3") L(20.3")
2	90201-38M60	WASHER, PLATE RONDELLE, PLATE	2	2	
3	93210-37MH7	O-RING JOINT TORIQUE	1	1	
4	90386-38M32	BUSH DOUILLE	2	2	
5	90202-40M47	WASHER, PLATE RONDELLE, PLATE	1	1	
6	68V-44551-00-8D	HOUSING, LOWER MOUNT RUBBER BOITIER, SILENT-BLOC INFERIEUR	1	1	
7	93410-37M04	CIRCLIP CLIPS	1	1	
8	61A-44575-00	DAMPER, LOWER MOUNT RUBBER SILENT-BLOC, INFERIEUR	1	1	
9	61A-44555-01-94	MOUNT DAMPER, LOWER SIDE SILENT-BLOC, INFERIEUR LATERAL	2	2	
10	90202-32M19	WASHER, PLATE RONDELLE, PLATE	2	2	
11	90201-16M55	WASHER, PLATE RONDELLE, PLATE	2	2	
12	90201-15M58	WASHER, PLATE RONDELLE, PLATE	2	2	
13	90109-14007	BOLT BOULON	2	2	
14	95380-14600	NUT ECROU	2	2	
15	92995-14600	WASHER RONDELLE	2	2	
16	68V-44553-00-8D	COVER, LOWER MOUNT COUVERCLE, SUSPENSION INFERIEUR	2	2	
17	97075-10040	BOLT BOULON	4	4	
18	92995-10100	WASHER RONDELLE	4	4	
19	67F-44514-00-94	MOUNT DAMPER, UPPER SIDE SILENT-BLOC, SUPERIEUR LATERAL	1	1	
20	90119-08091	BOLT, WITH WASHER BOULON, AVEC RONDELLE	3	3	
21	90109-12007	BOLT BOULON	2	2	
22	67F-44526-00	PLATE PLAQUE	1	1	
23	90201-12M09	WASHER, PLATE RONDELLE, PLATE	2	2	
24	67F-44533-00	DAMPER, UPPER MOUNT RUBBER COUVERCLE, SUSPENSION INFERIEUR	2	2	
25	90185-12M12	NUT, SELF-LOCKING ECROU, AUTO-BLOQUANT	2	2	
26	68V-48511-00-8D	HOOK, STEERING ATTACHE, DIRECTION	1	1	
27	90116-10175	BOLT, STUD GOUJON	2	2	

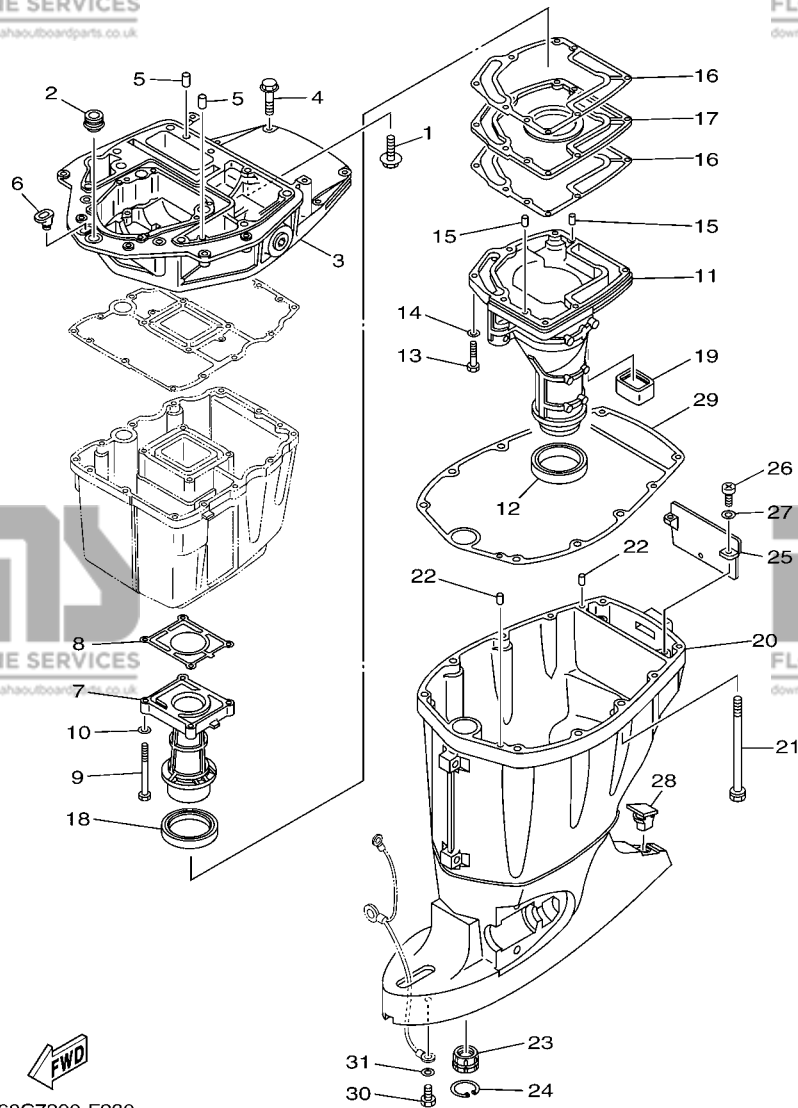


60C7300-F230

FIG. 23 UPPER CASING

FOURREAU

REF. NO.	PART NO. N° PIECES	DESCRIPTION DESCRIPTION	QTY	REMARKS REMARQUES
1	90119-08M58	BOLT, WITH WASHER BOULON, AVEC RONDELLE	2	
2	67F-42724-00	GROMMET PASSE-FIL	1	
3	67F-41137-02-94	GUIDE, EXHAUST COLLECTEUR D'ÉCHAPPEMENT	1	
4	97575-08540	BOLT, WITH WASHER VIS HEXAGONAL AVEC RONDELLE	4	
5	93608-16M16	PIN, DOWEL AXE	2	
6	6G1-42727-00	GROMMET PASSE-FIL	1	
7	60C-41131-01-5B	MANIFOLD, EXT. 1 PIPE D'ÉCHAPPEMENT	1	
8	67F-41133-A1	GASKET, EXHAUST MANIFOLD 1 JOINT, PIPE D'ÉCHAPPEMENT	1	
9	97075-06070	BOLT BOULON	4	
10	92995-06600	WASHER RONDELLE	4	
11	60C-14711-10-5B	MUFFLER 1 POT D'ÉCHAPPEMENT 1	1	L(20.3") L(20.3")
12	68V-45123-00	GASKET, MUFFLER JOINT, POT DE DÉTENTE	1	
13	97075-06030	BOLT BOULON	7	
14	92995-06600	WASHER RONDELLE	7	
15	93606-19M23	PIN, DOWEL GOUPILLE	2	
16	67F-41134-A0	GASKET, EXHAUST MANIFOLD JOINT, PIPE D'ÉCHAPPEMENT	2	
17	67F-45181-00-5B	PLATE PLAQUETTE	1	
18	67F-41138-00	SEAL, EXT. 1 JOINT DE GROUPE 1	1	
19	67F-45127-00	SEAL JOINT	1	
20	68V-45111-11-8D	CASING, UPPER FOURREAU	1	L(20.3") L(20.3")
21	90119-10M08	BOLT, WITH WASHER BOULON, AVEC RONDELLE	6	
22	93608-16M16	PIN, DOWEL AXE	2	
23	6E5-45318-00	BUSHING, DRIVE SHAFT DOUILLE, ARBRE MOTEUR	1	
24	93420-36M01	CIRCLIP CIRCLIP, TYPE S	1	
25	67F-45151-00	COVER, UPPER CASING CAPUCHON, FOURREAU	1	
26	97880-06016	SCREW, PAN HEAD VIS, TÊTE TRONCONIQUE	2	
27	92990-06600	WASHER, PLATE RONDELLE, PLATE	2	



60C7300-F230

FIG. 23 UPPER CASING

FOURREAU

REF. NO.	PART NO. N° PIECES	DESCRIPTION DESCRIPTION	6CK1	REMARKS REMARQUES
28	6C5-45155-00	CAP CAPUCHON	1	
29	67F-45113-00	GASKET, UPPER CASING JOINT, TUBE D'ARBRE	1	
30	97095-06010	BOLT BOULON	1	
31	92995-06600	WASHER RONDELLE	1	

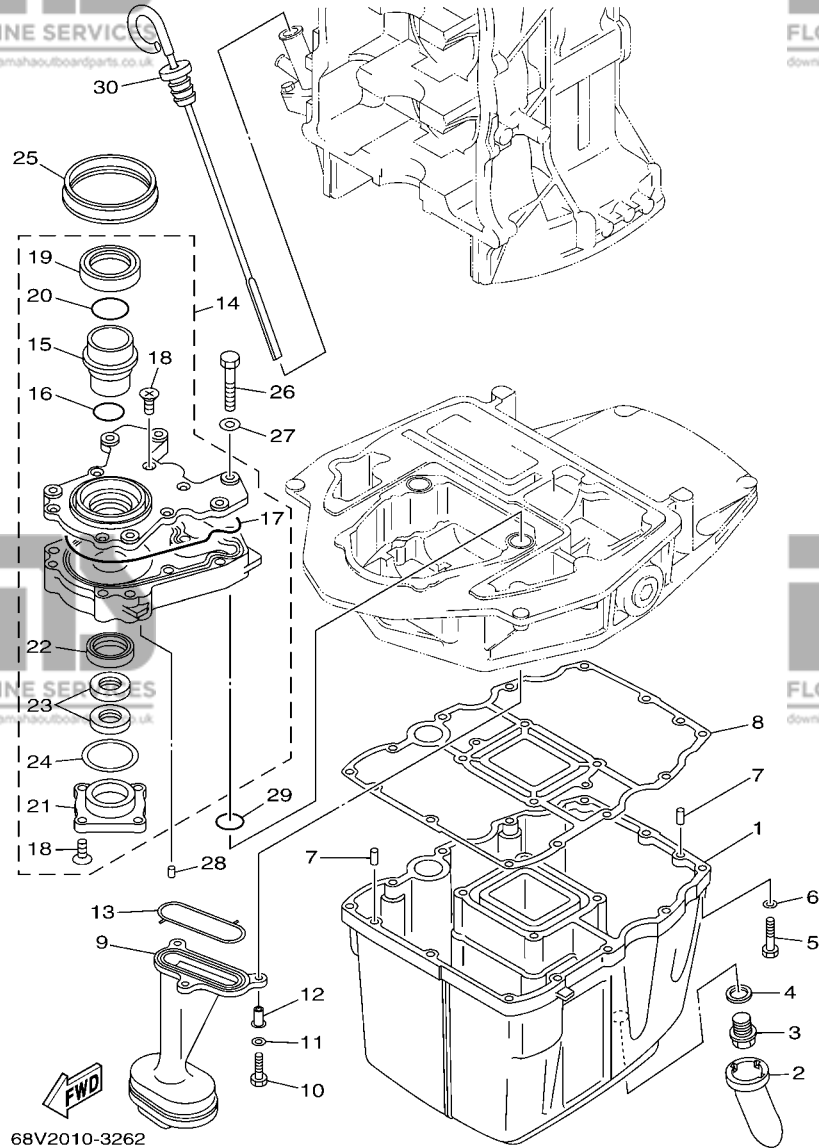


FIG. 24 OIL PAN

VENTILATEUR D'HUILE

REF. NO.	PART NO. N° PIECES	DESCRIPTION DESCRIPTION	QTY	REMARKS REMARQUES
1	68V-15311-00-5B	OIL PAN VENTILATEUR D'HUILE	1	
2	63P-15316-00	DAMPER 1 AMORTISSEUR 1	1	
3	90340-14M06	PLUG, STRAIGHT SCREW PLOT, FILETE DROIT	1	
4	90430-14M09	GASKET JOINT	1	
5	97075-06025	BOLT BOULON	12	
6	92995-06600	WASHER RONDELLE	12	
7	93606-12019	PIN, DOWEL GOUILLE	2	
8	68V-15312-00	GASKET, OIL PAN JOINT DE VENTILATEUR D'HUILE	1	
9	67F-13411-00	STRAINER, OIL FILTRE, HUILE	1	
10	97027-06025	BOLT, HEXAGON BOULON	3	
11	92907-06600	WASHER, PLATE RONDELLE	3	
12	90387-06M64	COLLAR COLLERETTE	3	
13	67F-13415-00	SEAL, OIL STRAINER JOINT, FILTRE A HUILE	1	
14	67F-13300-10	OIL PUMP ASSY POMPE A HUILE COMPLETE	1	
15	67F-13314-02	.SHAFT, PUMP .AXE DE POMPE	1	
16	67F-13473-01	.O-RING .JOINT TORIQUE	1	
17	67F-13329-00	.GASKET, PUMP COVER .JOINT, COUVERCLE DE POMPE	1	
18	67F-13495-00	.SCREW .VIS	10	
19	67F-13119-01	.OIL SEAL .JOINT SPY	1	
20	67F-13769-00	.O-RING .JOINT TORIQUE	1	
21	67F-13914-00	.HOUSING, PUMP .CORPS, POMPE	1	
22	67F-13631-03	.OIL SEAL .JOINT SPY	1	
23	67F-13149-00	.OIL SEAL .JOINT SPY	2	
24	67F-13339-00	.GASKET, PUMP COVER .BAIN, COUVERCLE DE POME	1	
25	67F-13338-00	SEAL JOINT	1	
26	97095-06045	BOLT BOULON	6	
27	92995-06600	WASHER RONDELLE	6	

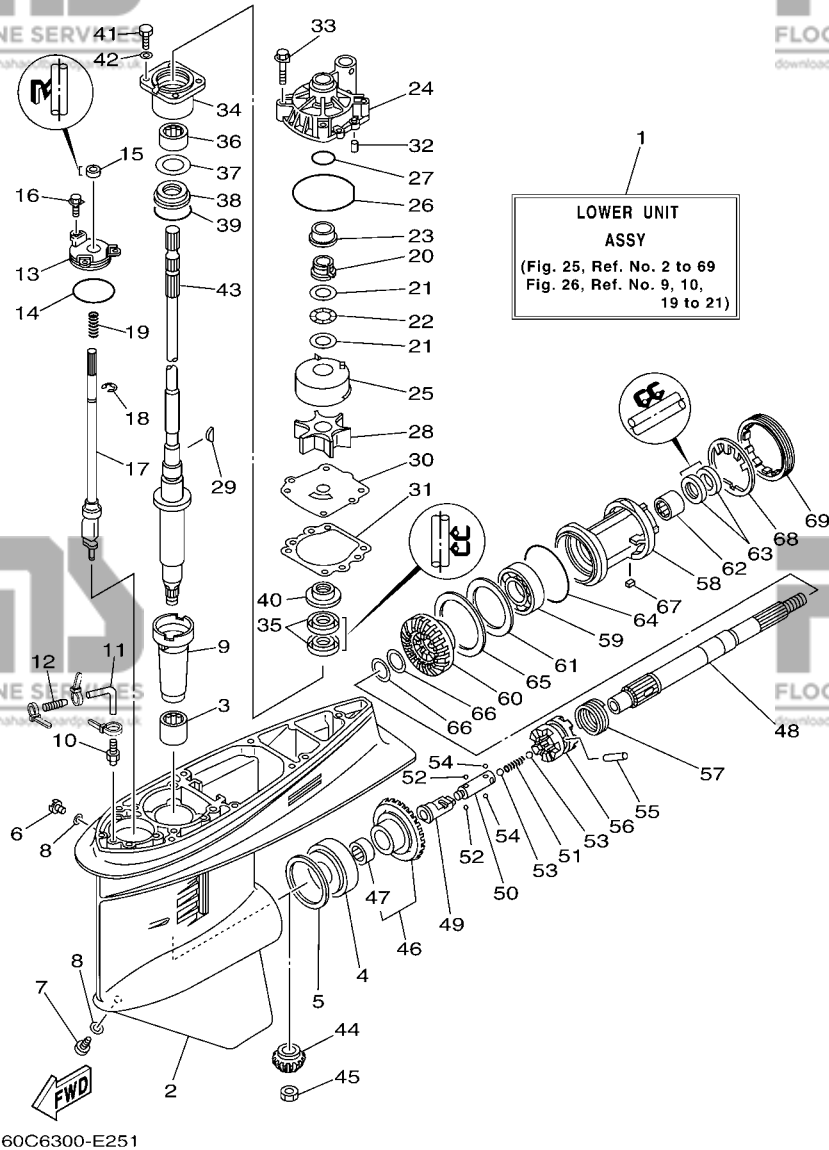


FIG. 25 LOWER CASING & DRIVE 1

BOITIER D'HELICE TRANSMISSION 1

REF. NO.	PART NO. N° PIECES	DESCRIPTION DESCRIPTION	6CK1	REMARKS REMARQUES
1	60C-45300-11-8D	LOWER UNIT ASSY UNITE INFERIEURE (ENS.)	1	L(20.3") L(20.3")
2	6E5-45301-05-8D	CASING, LOWER BEQUILLE	1	
3	93315-628U9	BEARING ROULEMENT	1	
4	93332-000U7	BEARING ROULEMENT	1	
5	6E5-45567-01	SHIM (T:0.10MM) CALE (T:0.10MM)	1	UR UR
6E5-45567-10	SHIM (T:0.12MM) CALE (T:0.12MM)	1	UR UR	
6E5-45567-20	SHIM (T:0.15MM) CALE (T:0.15MM)	1	UR UR	
6E5-45567-30	SHIM (T:0.18MM) CALE (T:0.18MM)	1	UR UR	
6E5-45567-40	SHIM (T:0.30MM) CALE (T:0.30MM)	1	UR UR	
6E5-45567-50	SHIM (T:0.40MM) CALE (T:0.40MM)	1	UR UR	
6E5-45567-60	SHIM (T:0.50MM) CALE (T:0.50MM)	1	UR UR	
6	90340-08002	PLUG, STRAIGHT SCREW PLOT, FILETE DROIT	1	
7	688-45341-10	PLUG, DRAIN BOUCHON DE VIDANGE	1	
8	90430-08020	GASKET JOINT	2	
9	6E5-45536-00	SLEEVE, DRIVE SHAFT MANCHON, ARBRE MOTEUR	1	
10	6E5-45378-00	NIPPLE, HOSE RACCORD, TUYAU	1	
11	90445-07ME8	HOSE (L80) DURITE (L80)	1	L(20.3") L(20.3")
12	6E5-83558-10	END, NIPPLE RACCORD DE NIPPLE	1	
13	6E5-45321-00	PLATE PLAQUETTE	1	
14	93210-58144	O-RING JOINT TORIQUE	1	
15	93106-09014	OIL SEAL JOINT SPY	1	
16	90119-06M10	BOLT, WITH WASHER BOULON, AVEC RONDELLE	3	
17	6L6-44150-01	SHIFT CAM ASSY CAME D'INVERSION	1	
18	99001-08600	CIRCLIP CIRCLIP	1	
19	90501-11M10	SPRING, COMPRESSION RESSORT, COMPRESSION	1	
20	61A-45538-00	SPACER 1 ENTRETOISE	1	
21	90201-22M01	WASHER, PLATE RONDELLE, PLATE	2	

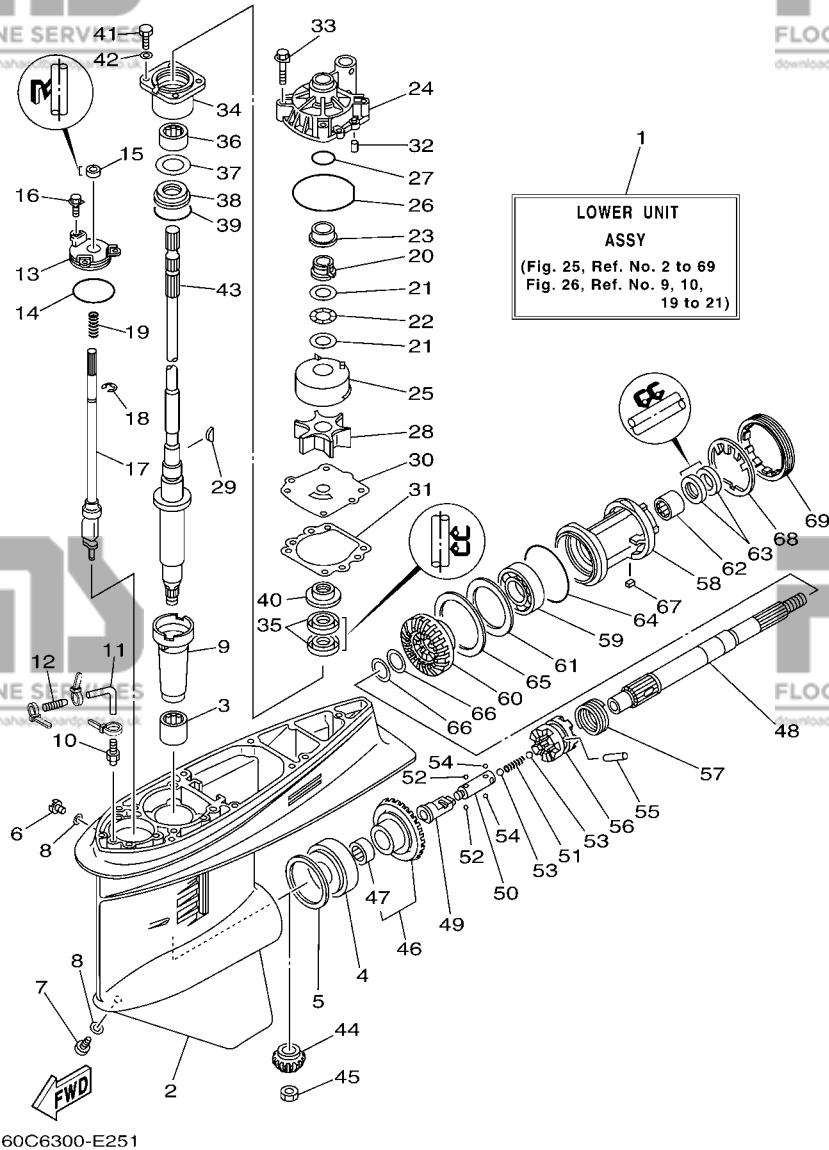
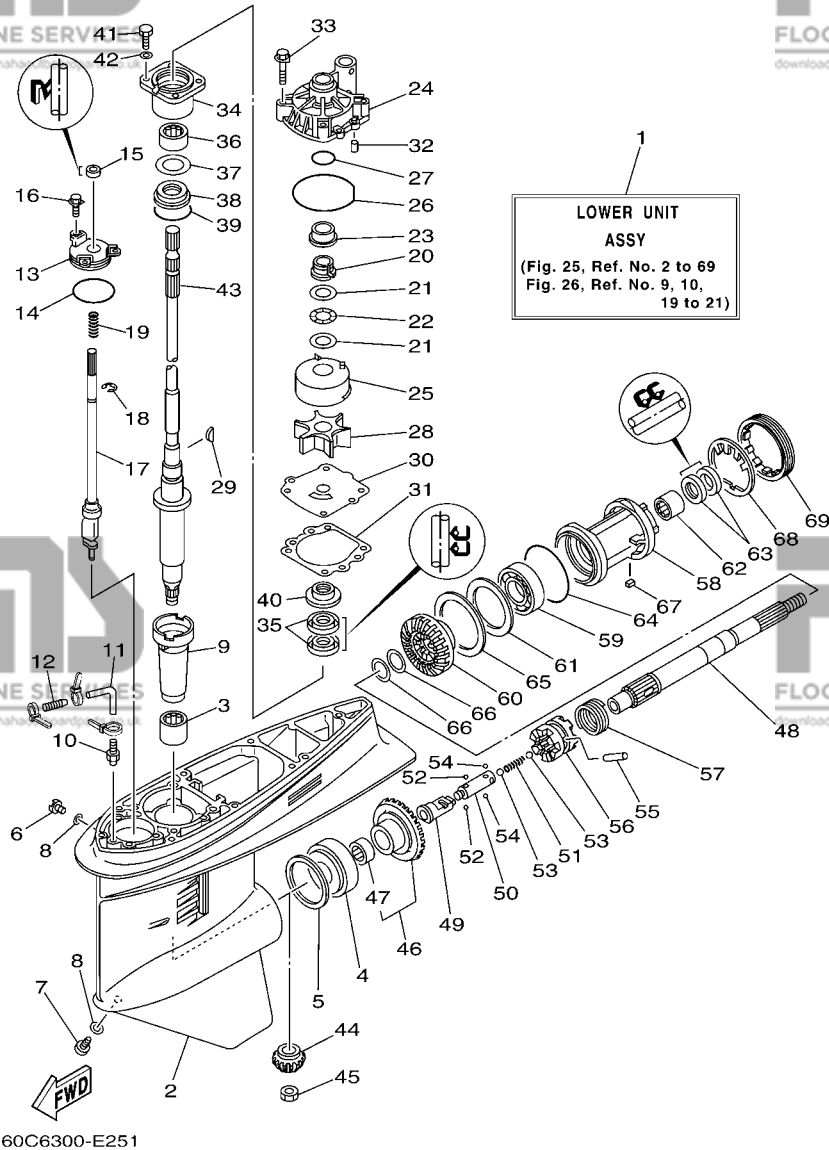


FIG. 25 LOWER CASING & DRIVE 1

BOITIER D'HELICE TRANSMISSION1

REF. NO.	PART NO. N° PIECES	DESCRIPTION DESCRIPTION	6CK1	REMARKS REMARQUES
22	90206-22M19	WASHER, WAVE RONDELLE, ONDULEE	1	
23	61A-45527-00	COLLAR, DRIVE SHAFT ENTRETOISE	1	
24	61A-44311-01	HOUSING, WATER PUMP CORPS, POMPE A EAU	1	
25	6R3-44322-42	INSERT, CARTRIDGE CUVETTE	1	FOR CHROMATE FOR CHROMATE
26	93210-86M38	O-RING JOINT TORIQUE	1	
27	93210-37160	O-RING JOINT TORIQUE	1	
28	6E5-44352-01	IMPELLER TURBINE	1	
29	90280-04M05	KEY, WOODRUFF CLAVETTE, DEMI-LUNE	1	
30	60C-44323-40	OUTER PLATE, CARTRIDGE PLAQUE EXTERIEURE	1	FOR CHROMATE FOR CHROMATE
31	6E5-44315-A0	GASKET, WATER PUMP JOINT, POMPE A EAU	1	
32	93606-12019	PIN, DOWEL GOUPILE	2	
33	90119-08M14	BOLT, WITH WASHER BOULON, AVEC RONDELLE	4	
34	6E5-45331-00-94	HOUSING, BEARING FLASQUE, ROULEMENT	1	
35	93101-28M16	OIL SEAL JOINT SPY	2	
36	93317-330U2	BEARING ROULEMENT	1	
37	6E5-45587-01	SHIM (T:0.10MM) CALE (T:0.10MM)	1	UR
	6E5-45587-10	SHIM (T:0.12MM) CALE (T:0.12MM)	1	UR
	6E5-45587-20	SHIM (T:0.15MM) CALE (T:0.15MM)	1	UR
	6E5-45587-30	SHIM (T:0.18MM) CALE (T:0.18MM)	1	UR
	6E5-45587-40	SHIM (T:0.30MM) CALE (T:0.30MM)	1	UR
	6E5-45587-50	SHIM (T:0.40MM) CALE (T:0.40MM)	1	UR
	6E5-45587-60	SHIM (T:0.50MM) CALE (T:0.50MM)	1	UR
38	93341-930V2	BEARING CERVEAUX DE DIRECTION	1	
39	93210-55M14	O-RING JOINT TORIQUE	1	
40	6E5-45344-00	COVER, OIL SEAL FLASQUE, JOINT D'HUILE	1	
41	97095-08025	BOLT BOULON	4	
42	92995-08600	WASHER RONDELLE	4	

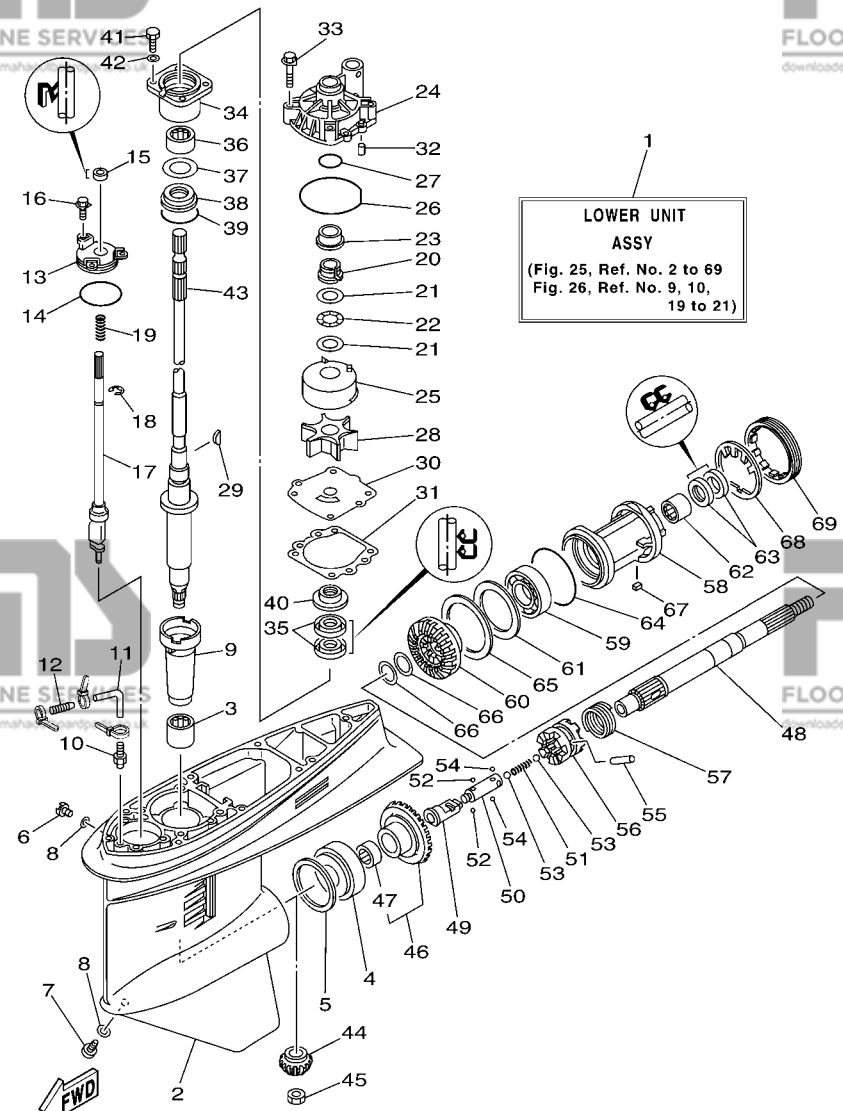


60C6300-E251

FIG. 25 LOWER CASING & DRIVE 1

BOITIER D'HELICE TRANSMISSION1

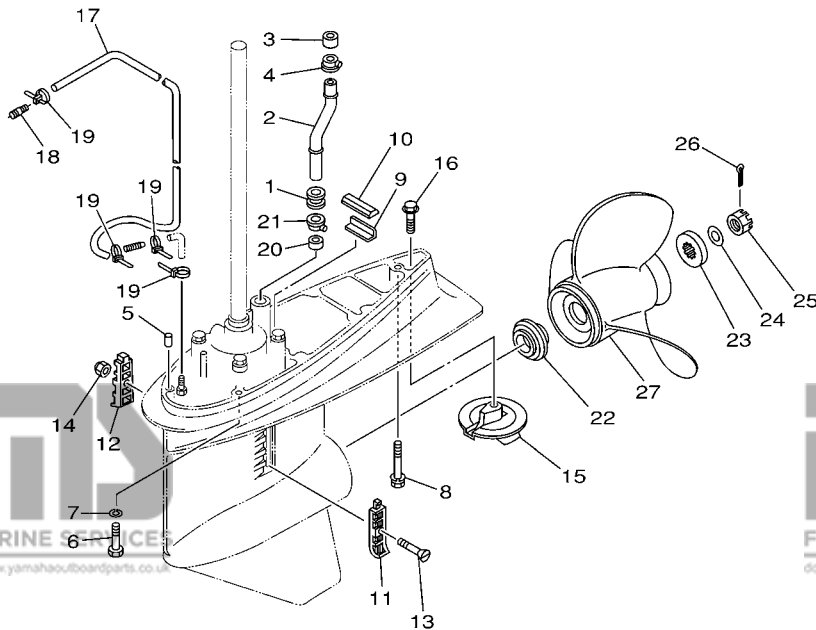
REF. NO.	PART NO. N° PIECES	DESCRIPTION DESCRIPTION	6CK1	REMARKS REMARQUES
43	68V-45501-10	DRIVE SHAFT COMP. ARBRE MOTEUR COMP.	1	L(20.3")
44	68V-45551-00	PINION (13T) PIGNON D'ATTAQUE (13D)	1	L(20.3")
45	90170-16M01	NUT ECROU	1	
46	68V-45560-00	GEAR 1 (28T) PIGNON 1 (28T)	1	
47	93315-425U7	.BEARING .ROULEMENT	1	
48	6E5-45611-01	SHAFT, PROPELLER ARBRE, HELICE	1	
49	6K1-45641-01	SHIFTER EMBRAYAGE	1	
50	6E5-45634-01	SLIDE, SHIFT CONTRE-POUSSOIR	1	
51	90501-16M37	SPRING, COMPRESSION RESSORT, COMPRESSION	1	
52	93507-32009	BALL BILLE	2	
53	93511-32017	BALL BILLES	2	
54	93503-16003	BALL BILLES	2	
55	90250-08M07	PIN, STRAIGHT GOUPILLE, DROITE	1	
56	68V-45631-01	CLUTCH, DOG CRABOT	1	
57	6E5-45633-01	RING, CROSS PIN JONC, GOUPILLE CRABOT	1	
58	6E5-45332-00-94	HOUSING, BEARING FLASQUE, ROULEMENT	1	
59	93306-208U0	BEARING ROULEMENT	1	
60	68V-45571-00	GEAR 2 (28T) PIGNON 2 (28T)	1	
61	6E5-45576-00	WASHER, THRUST RONDELLE DE CALAGE	1	
62	93315-430U8	BEARING ROULEMENT	1	
63	93101-30M17	OIL SEAL JOINT SPY	2	
64	93210-86M39	O-RING JOINT TORIQUE	1	
65	6L6-45577-00	SHIM (T:0.10MM) CALE (T:0.10MM)	1	UR
	6L6-45577-10	SHIM (T:0.12MM) CALE (T:0.12MM)	1	UR
	6L6-45577-20	SHIM (T:0.15MM) CALE (T:0.15MM)	1	UR
	6L6-45577-30	SHIM (T:0.18MM) CALE (T:0.18MM)	1	UR
	6L6-45577-40	SHIM (T:0.30MM) CALE (T:0.30MM)	1	UR



60C6300-E251

FIG. 25 LOWER CASING & DRIVE 1 BOITIER D'HELICE TRANSMISSION1

REF. NO.	PART NO. N° PIECES	DESCRIPTION DESCRIPTION	QTY	REMARKS REMARQUES
65	6L6-45577-50	SHIM (T:0.40MM) CALE (T:0.40MM)	1	UR
	6L6-45577-60	SHIM (T:0.50MM) CALE (T:0.50MM)	1	UR
66	90201-30M92	WASHER, PLATE RONDELLE, PLATE	2	UR
67	90282-04010	KEY, STRAIGHT CLAVETTE, DROITE	1	
68	688-45383-02	WASHER, CLAW FREIN D'ECROU	1	
69	688-45384-00	NUT ECROU	1	

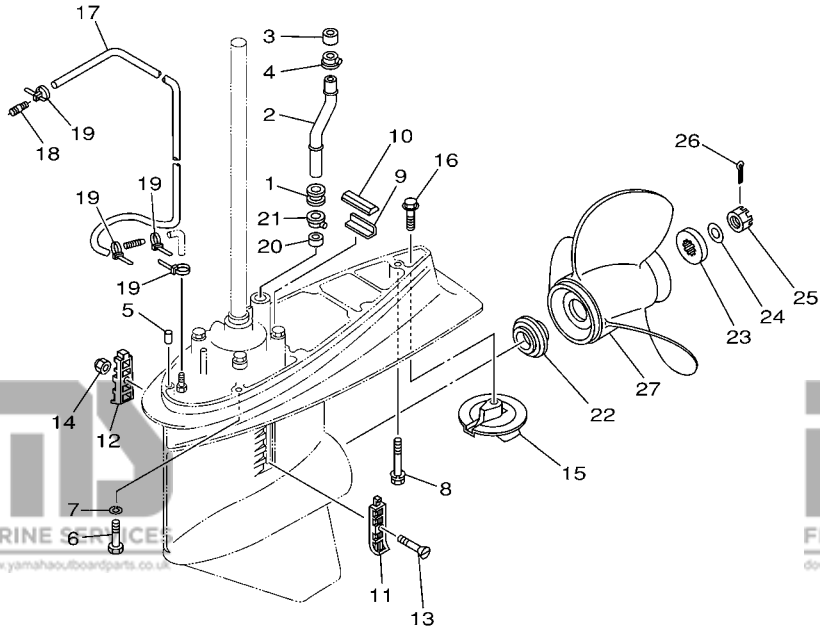


68V0010-0280

FIG. 26 LOWER CASING & DRIVE 2

BOITIER D'HELICE TRANSMISSION2

REF. NO.	PART NO. N° PIECES	DESCRIPTION DESCRIPTION	6CK1	REMARKS REMARQUES
1	6E5-44366-00	DAMPER, WATER SEAL JOINT, TUBE D'EAU	1	
2	6BC-44361-10	TUBE, WATER TUBE D'EAU	1	L(20.3") L(20.3")
3	6E5-44365-00	DAMPER, WATER SEAL JOINT, TUBE D'EAU	1	
4	6E5-44312-00	COVER, WATER PUMP HOUSING COUVERCLE	1	
5	93608-12M05	PIN, DOWEL AXE	2	
6	97075-10045	BOLT BOULON	6	
7	92995-10100	WASHER RONDELLE	6	
8	90119-10M89	BOLT, WITH WASHER BOULON, AVEC RONDELLE	1	
9	663-45376-00-94	GUIDE, SEAL DAMPER BUTEE, JOINT CAOUTCHOUC	1	
10	688-45375-00	DAMPER, SEAL BOURRELET, CAOUTCHOUC	1	
11	688-45214-02	COVER, WATER INLET 1 GRILLE, ENTREE D'EAU 1	1	
12	688-45215-02	COVER, WATER INLET 2 GRILLE, ENTREE D'EAU 2	1	
13	90152-05M07	SCREW, COUNTERSUNK VIS, TETE NOYEE	1	
14	90185-05002	NUT, NYLON ECROU, AUTO-BLOQUANT	1	
15	6E5-45371-01	TAB-TRIM ANODE DERIVE	1	
16	90105-10M00	BOLT, FLANGE BOULON	1	
17	90445-076K2	HOSE (L1550) DURITE (L1550)	1	
18	6E5-83558-00	END, NIPPLE RACCORD DE NIPPLE	1	
19	90465-11M10	CLAMP BRIDE	4	
20	6E5-44365-00	DAMPER, WATER SEAL JOINT, TUBE D'EAU	1	
21	6E5-44312-00	COVER, WATER PUMP HOUSING COUVERCLE	1	
22	63P-45987-00	SPACER ENTRETOISE	1	
23	688-45997-01	SPACER ENTRETOISE	1	
24	92990-18200	WASHER RONDELLE, PLATE	1	
25	90171-18M04	NUT, CASTLE ECROU, CRENELE	1	
26	91490-40030	PIN, COTTER GOUPILLE	1	
27	6E5-45941-00-EL	PROPELLER (3X13"X19"-K) HELICE (3X13"X19"-K)	1	UR UR

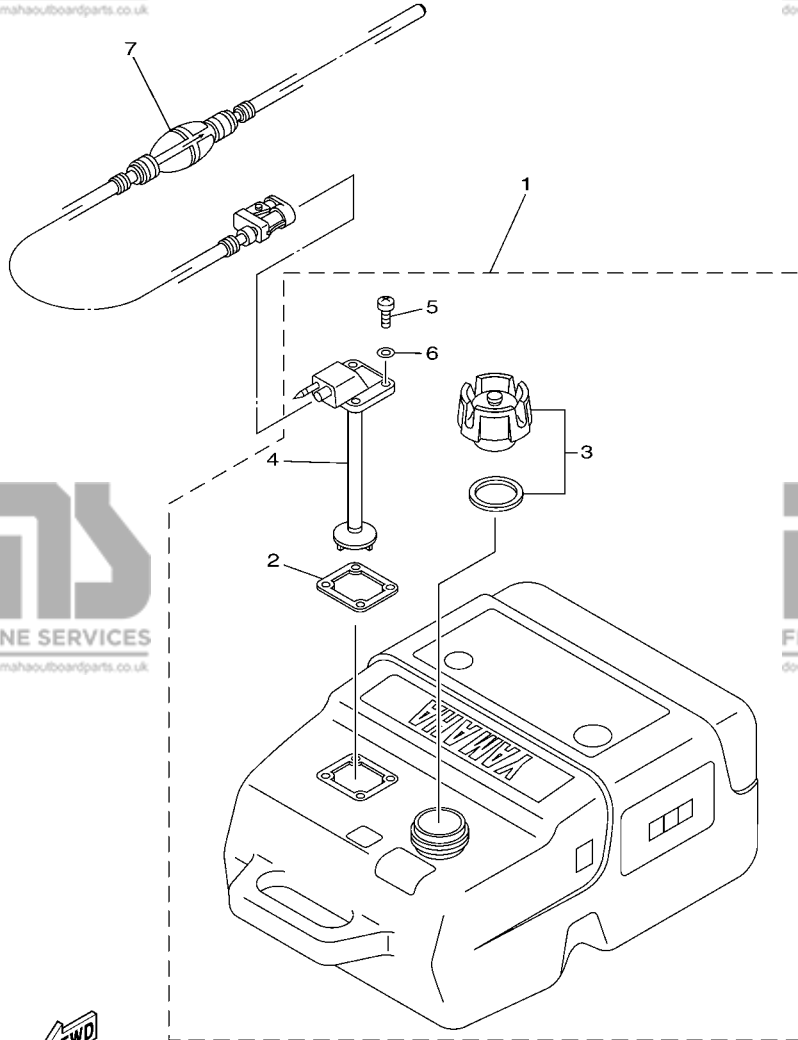


68V0010-0280

FIG. 26 LOWER CASING & DRIVE 2

BOITIER D'HELICE TRANSMISSION2

REF. NO.	PART NO. N° PIECES	DESCRIPTION DESCRIPTION	QTY	6CK1	REMARKS REMARQUES
27	6E5-45943-00-EL	PROPELLER (3X12-5/8"X21"-K) HELICE (3X12-5/8"X21"-K)	1		UR
	6E5-45945-01-EL	PROPELLER (3X13-1/4"X17"-K) HELICE (3X13-1/4"X17"-K)	1		UR
	6E5-45947-00-EL	PROPELLER (3X13-1/2"X15"-K) HELICE (3X13-1/2"X15"-K)	1		UR
	6E5-45949-00-EL	PROPELLER (3X13-5/8"X13"-K) HELICE (3X13-5/8"X13"-K)	1		UR
	6E5-45952-00-EL	PROPELLER (3X13"X23"-K) HELICE (3X13"X23"-K)	1		UR
	6E5-45954-00-EL	PROPELLER (3X14"X11"-K) HELICE (3X14"X11"-K)	1		UR
	6E5-45956-00-EL	PROPELLER (3X13"X25"-K) HELICE (3X13"X25"-K)	1		UR
	688-45930-02-98	PROPELLER (3X13"X17"-K) HELICE (3X13"X17"-K)	1		UR
	688-45932-60-98	PROPELLER (3X13-1/2"X14"-K) HELICE (3X13-1/2"X14"-K)	1		UR
	688-45970-03-98	PROPELLER (3X13"X19"-K) HELICE (3X13"X19"-K)	1		UR
	688-45972-02-98	PROPELLER (3X13"X21"-K) HELICE (3X13"X21"-K)	1		UR
	688-45974-02-98	PROPELLER (3X13"X23"-K) HELICE (3X13"X23"-K)	1		UR
	688-45976-01-98	PROPELLER (3X13"X25"-K) HELICE (3X13"X25"-K)	1		UR
	688-45978-60-98	PROPELLER (3X13-1/2"X16"-K) HELICE (3X13-1/2"X16"-K)	1		UR



FWD
6D71300-D320

FIG. 27 FUEL TANK

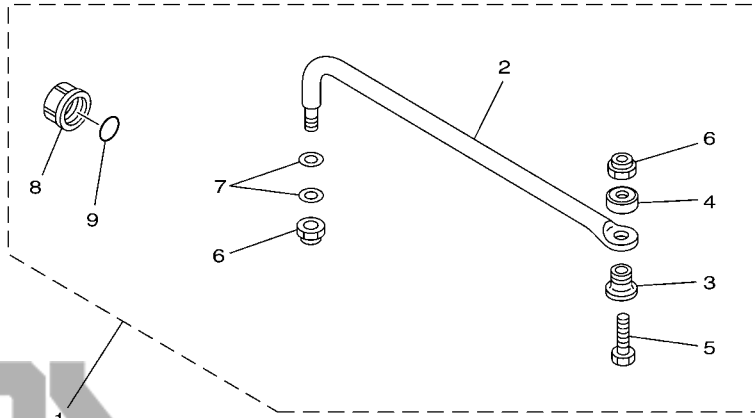
RESERVOIR A CARBURANT

REF. NO.	PART NO. N° PIECES	DESCRIPTION DESCRIPTION	QTY	REMARKS REMARQUES
1	6YK-24201-03	FUEL TANK ASSY (25L) RESERVOIR A ESSENCE (ENS.) 25L	1	AP AP
2	6YL-24268-01	.GASKET, FUEL METER .JOINT, JAUGE A CARBURANT	1	
3	6YK-24610-01	.CAP ASSY .BOUCHON	1	
4	6YK-24260-01	.FUEL METER ASSY .INDICATEUR DE CARBURANT	1	
5	90157-05M16	.SCREW, PAN HEAD .VIS, TETE TRONCONIQUE	4	
6	6YL-24329-00	.SEAL .JOINT	4	
7	6YK-24306-44	FUEL PIPE COMP. 1 DURITE A ESSENCE 1	1	AP AP

FIG. 28 STEERING GUIDE

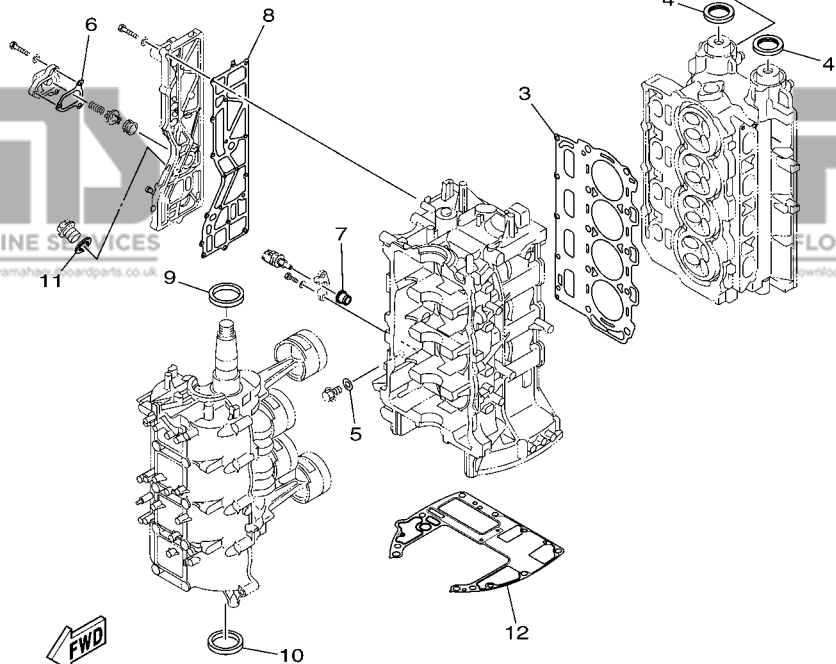
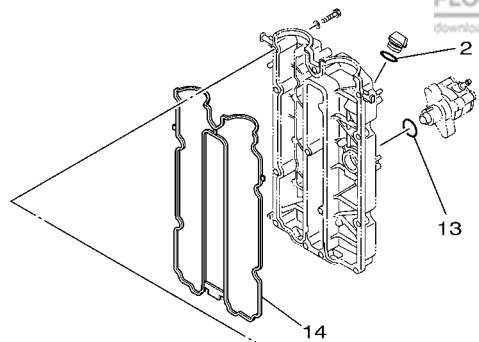
FIXATION DE DIRECTION

REF. NO.	PART NO. N° PIECES	DESCRIPTION DESCRIPTION	QTY	REMARKS REMARQUES
1	6E5-61350-02	STEERING GUIDE ATTACHMENT KIT FIXATIONS DE DIRECTION	1	AP
2	6E5-61351-01	.ROD, STEERING LINK .RENOI DE DIRECTION	1	AP
3	90387-10M61	.COLLAR .COLLERETTE	1	
4	90560-12M01	.SPACER .ENTRETOISE	1	
5	6E5-61355-00	.BOLT .BOULON	1	
6	90185-09M01	.NUT, SELF-LOCKING .ECROU, AUTO-BLOQUANT	2	
7	90201-10M20	.WASHER, PLATE .RONDELLE, PLATE	2	
8	6E5-43145-01	.CAP CLAMP BRACKET .CAPUCHON, PRESSE	1	
9	93210-16275	.O-RING .JOINT TORIQUE	1	



67H0100-9290

POWER HEAD
GASKET KIT



6BC1200-F360



FIG. 29 REPAIR KIT 1

KITS DE REPARATION 1

REF. NO.	PART NO. N° PIECES	DESCRIPTION DESCRIPTION	6CK1	REMARKS REMARQUES
1	6D8-W0001-02	POWER HEAD GASKET KIT POCHETTE DE JINTS TETE MOTRICE	1	
2	93210-24M79	.O-RING .JOINT TORIQUE	1	
3	67F-11181-03	.GASKET, CYLINDER HEAD 1 .JOINT, DE CULASSE 1	1	
4	93102-38008	.OIL SEAL .JOINT SPY	2	
5	90430-14115	.GASKET .JOINT	1	
6	67F-12435-A0	.GASKET .JOINT	1	
7	68V-85753-00	.GASKET, SENDER UNIT .JOINT, DE PERCEPTION	1	
8	67F-41114-A2	.GASKET, EXHAUST OUTER COVER .JOINT, COUVERCLE D'ECHAPPEMENT	1	
9	93102-48008	.OIL SEAL .JOINT SPY	1	
10	93101-48001	.OIL SEAL .JOINT SPY	1	
11	90430-18130	.GASKET .JOINT	1	
12	68V-11351-00	.GASKET, CYLINDER .JOINT, D'EMBASE	1	
13	93210-30682	.O-RING .JOINT TORIQUE	1	
14	6D8-11356-01	.SEAL, CYLINDER 2 .JOINT, SPY CYLINDRE	1	

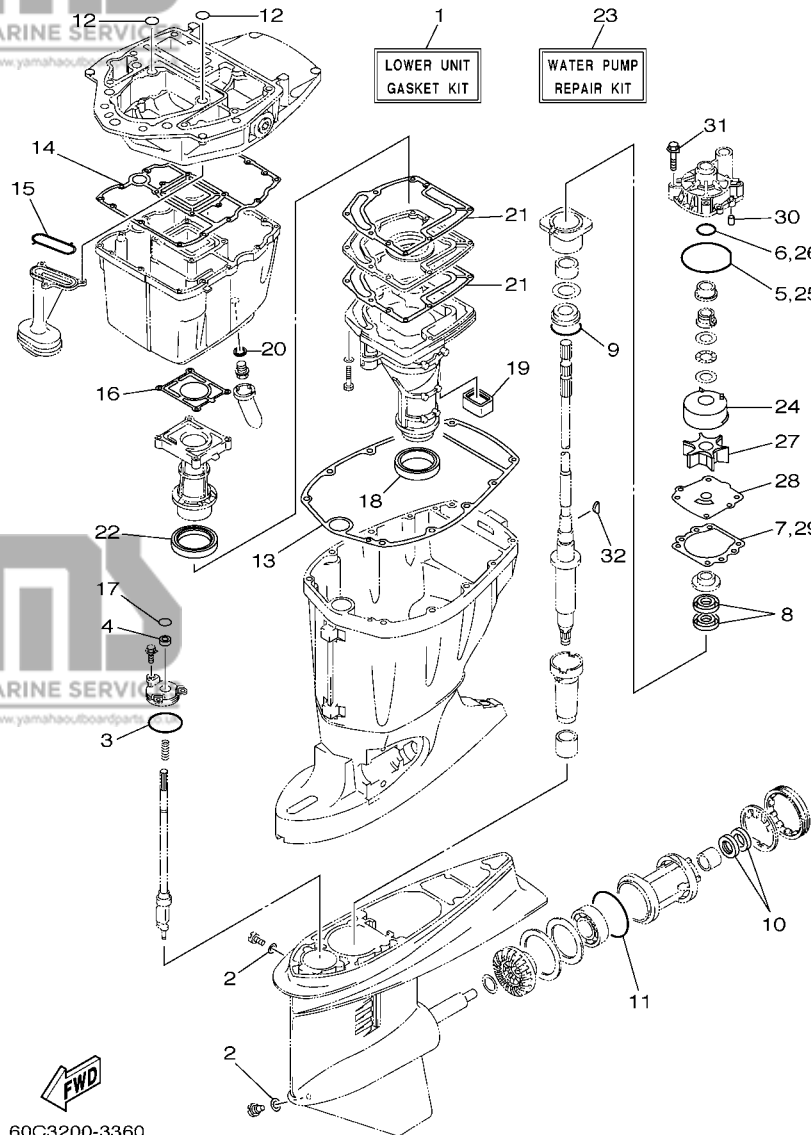
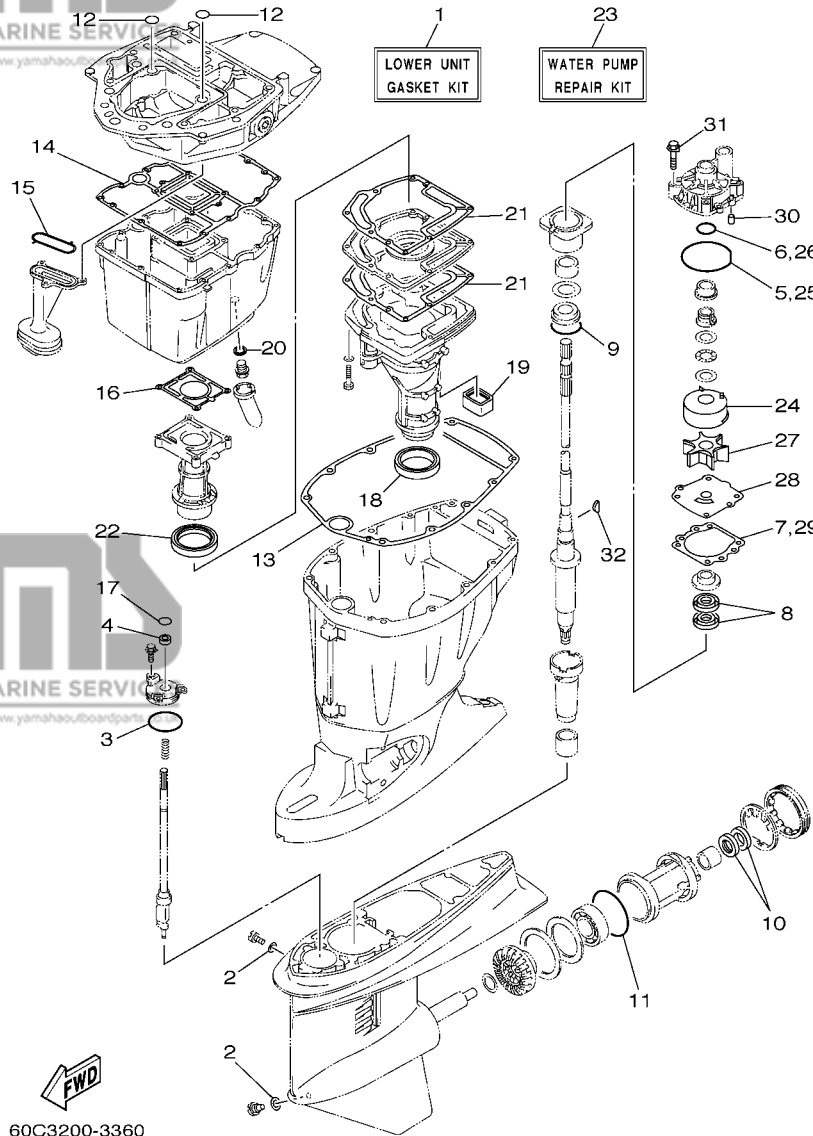


FIG. 30 REPAIR KIT 2

KITS DE REPARATION 2

REF. NO.	PART NO. N° PIECES	DESCRIPTION DESCRIPTION	6CK1	REMARKS REMARQUES
1	68V-W0001-21	LOWER UNIT GASKET KIT POCHETTE DE JOINTS EMBASE	1	
2	90430-08020	.GASKET .JOINT	2	
3	93210-58144	.O-RING .JOINT TORIQUE	1	
4	93106-09014	.OIL SEAL .JOINT SPY	1	
5	93210-86M38	.O-RING .JOINT TORIQUE	1	
6	93210-37160	.O-RING .JOINT TORIQUE	1	
7	6E5-44315-A0	.GASKET, WATER PUMP .JOINT, POMPE A EAU	1	
8	93101-28M16	.OIL SEAL .JOINT SPY	2	
9	93210-55M14	.O-RING .JOINT TORIQUE	1	
10	93101-30M17	.OIL SEAL .JOINT SPY	2	
11	93210-86M39	.O-RING .JOINT TORIQUE	1	
12	93210-19MJ1	.O-RING .JOINT TORIQUE	2	
13	67F-45113-00	.GASKET, UPPER CASING .JOINT, TUBE D'ARBRE	1	
14	68V-15312-00	.GASKET, OIL PAN .JOINT DE VENTILATEUR D'HUILE	1	
15	67F-13415-00	.SEAL, OIL STRAINER .JOINT, FILTRE A HUILE	1	
16	67F-41133-A1	.GASKET, EXHAUST MANIFOLD 1 .JOINT, PIPE D'ECHAPPEMENT	1	
17	93210-09165	.O-RING .JOINT TORIQUE	1	
18	68V-45123-00	.GASKET, MUFFLER .JOINT, POT DE DETENTE	1	
19	67F-45127-00	.SEAL .JOINT	1	
20	90430-14M09	.GASKET .JOINT	1	
21	67F-41134-A0	.GASKET, EXHAUST MANIFOLD .JOINT, PIPE D'ECHAPPEMENT	2	
22	67F-41138-00	.SEAL, EXT. 1 .JOINT DE GROUPE 1	1	
23	60C-W0078-00	WATER PUMP REPAIR KIT KIT DE REPARATION DE LA POMPE	1	
24	6R3-44322-42	.INSERT, CARTRIDGE .CUVETTE	1	
25	93210-86M38	.O-RING .JOINT TORIQUE	1	
26	93210-37160	.O-RING .JOINT TORIQUE	1	
27	6E5-44352-01	.IMPELLER .TURBINE	1	



60C3200-3360

FIG. 30 REPAIR KIT 2

KITS DE REPARATION 2

REF. NO.	PART NO. N° PIECES	DESCRIPTION DESCRIPTION	6CK1	REMARKS REMARQUES
28	60C-44323-40	.OUTER PLATE, CARTRIDGE .PLAQUE EXTERIEURE	1	
29	6E5-44315-A0	.GASKET, WATER PUMP .JOINT, POMPE A EAU	1	
30	93606-12019	.PIN, DOWEL .GOUPILLE	2	
31	90119-08M14	.BOLT, WITH WASHER .BOULON, AVEC RONDELLE	4	
32	90280-04M05	.KEY, WOODRUFF .CLAVETTE, DEMI-LUNE	1	

PART NO. N° PIECES	REF. NO.
6D8-11110-01-9S	4 - 2
62Y-11119-00	2 - 8
67F-11133-10	4 - 3
67F-11168-00	4 - 19
67F-11181-03	4 - 14
	29 - 3
6D8-11191-00-9S	4 - 18
67F-11192-01	4 - 26
69J-11301-10	2 - 34
	4 - 8
6E5-11325-00	2 - 16
68V-11325-02	2 - 35
	4 - 9
67F-11328-00	2 - 36
	4 - 10
68V-11351-00	2 - 43
	29 - 12
6D8-11356-01	4 - 23
	29 - 14
676-11372-00	2 - 13
6D8-11411-00	3 - 1
67F-11416-00	3 - 2
67F-11416-10	3 - 2
67F-11416-20	3 - 2
67F-11417-00	3 - 3
67F-11417-10	3 - 3
67F-11417-20	3 - 3
67F-11417-30	3 - 3
67F-11418-00	3 - 4
67F-11418-10	3 - 4
67F-11418-20	3 - 4
6D8-11536-00	5 - 23
67F-11537-00	5 - 15
67F-11590-00	5 - 18
67F-11595-00	5 - 21
6D8-11603-01	3 - 7
6D8-11604-01	3 - 7
6D8-11656-00	3 - 8
6D8-11656-10	3 - 8
6D8-11656-20	3 - 8
6D8-11656-30	3 - 8
68V-12111-00	5 - 1
67F-12114-00	5 - 4
67F-12116-00	5 - 3
67F-12117-00	5 - 5
67F-12118-00	5 - 6
68V-12121-00	5 - 2
67F-12138-60	12 - 23

PART NO. N° PIECES	REF. NO.
67F-12153-00	5 - 9
68V-12157-00	5 - 16
67F-12168-00	5 - 10
67F-12168-10	5 - 10
67F-12168-20	5 - 10
67F-12168-30	5 - 10
67F-12168-40	5 - 10
67F-12168-50	5 - 10
67F-12168-60	5 - 10
67F-12168-70	5 - 10
67F-12168-80	5 - 10
67F-12168-A0	5 - 10
67F-12168-B0	5 - 10
67F-12168-C0	5 - 10
67F-12168-D0	5 - 10
67F-12168-E0	5 - 10
67F-12168-F0	5 - 10
67F-12168-G0	5 - 10
67F-12168-H0	5 - 10
67F-12168-J0	5 - 10
67F-12168-K0	5 - 10
67F-12168-L0	5 - 10
67F-12168-M0	5 - 10
67F-12168-N0	5 - 10
67F-12168-P0	5 - 10
67F-12168-R0	5 - 10
67F-12168-S0	5 - 10
67F-12168-T0	5 - 10
67F-12168-U0	5 - 10
67F-12168-V0	5 - 10
67F-12168-W0	5 - 10
67F-12168-X0	5 - 10
67F-12168-Y0	5 - 10
67F-12169-00	5 - 11
67F-12169-10	5 - 11
67F-12169-20	5 - 11
67F-12169-30	5 - 11
67F-12169-40	5 - 11
67F-12169-50	5 - 11
67F-12169-60	5 - 11
67F-12169-70	5 - 11
67F-12169-80	5 - 11
67F-12169-A0	5 - 11
67F-12169-B0	5 - 11
67F-12169-C0	5 - 11
67F-12169-D0	5 - 11
67F-12169-E0	5 - 11
67F-12169-F0	5 - 11

PART NO. N° PIECES	REF. NO.
67F-12169-G0	5 - 11
67F-12169-H0	5 - 11
67F-12169-J0	5 - 11
67F-12169-K0	5 - 11
67F-12169-L0	5 - 11
67F-12169-M0	5 - 11
67F-12169-N0	5 - 11
6D8-12171-00	5 - 12
67F-12181-00	5 - 13
67F-12411-01	4 - 28
67F-12412-00	4 - 29
68V-12413-00-9S	4 - 30
6G5-12416-00	2 - 28
67F-12435-A0	2 - 32
	29 - 6
67F-1243A-00	2 - 40
67F-1246A-01-9S	2 - 31
67F-12535-01	18 - 32
68T-12572-00	18 - 31
6R3-12581-00	18 - 35
6R3-12582-00	18 - 36
6R3-12583-00	18 - 37
6D8-13105-01	6 - 10
67F-13119-01	24 - 19
63P-13131-00	11 - 18
67F-13149-00	24 - 23
6D8-13161-00	6 - 13
67F-13300-10	24 - 14
67F-13314-02	24 - 15
67F-13329-00	24 - 17
67F-13338-00	24 - 25
67F-13339-00	24 - 24
67F-13411-00	24 - 9
67F-13415-00	24 - 13
	30 - 15
6D8-13428-00	8 - 3
67F-13434-10	1 - 21
68V-13437-62	24 - 24
5GH-13440-00	12 - 44
67F-13473-01	24 - 16
67F-13495-00	24 - 18
6D8-13542-01	10 - 2
6C5-13545-00	10 - 19
6D8-13546-01	10 - 1
6D8-13557-00	6 - 4
6C5-13577-00	10 - 10
6C5-13593-00	9 - 20
67F-13631-03	24 - 22

PART NO. N° PIECES	REF. NO.
6D8-13641-00	6 - 2
6D8-13645-00	6 - 3
6C5-13716-00	9 - 22
6C5-13739-00	10 - 22
6D8-13750-00	6 - 5
6D8-13761-00	6 - 15
67F-13769-00	24 - 20
6C5-13781-00	9 - 21
6C5-13906-01	9 - 9
6C5-13907-00	9 - 17
6C5-13910-00	9 - 16
67F-13914-00	24 - 21
6C5-13915-00	9 - 19
6D8-13974-00	10 - 16
6C5-1410B-00	6 - 16
6C5-14127-00	9 - 18
6D8-14148-00	10 - 14
6C5-14149-00	10 - 8
6D8-14180-20	9 - 1
6D8-14182-00	9 - 2
6C5-14191-00	9 - 13
6D8-14200-00	6 - 1
6C5-14225-00	9 - 25
6C5-14251-00	10 - 12
6D8-14291-00-94	7 - 5
6D8-14292-00-94	7 - 9
6C5-14386-00	9 - 5
6C5-14397-00	6 - 11
6D6-14440-00	9 - 14
6C5-14446-00	7 - 13
6C5-14496-00	6 - 14
6C5-14546-00	6 - 9
6C5-14567-00	9 - 4
60C-14711-10-5B	9 - 15
6D8-14960-00	23 - 11
6C5-14984-00	9 - 12
6C5-14985-00	9 - 23
6D8-15100-01-9S	9 - 3
67F-15142-00	2 - 2
68V-15311-00-5B	2 - 11
68V-15312-00	24 - 1
	24 - 8
	30 - 14
63P-15316-00	24 - 2
6D8-15362-00	24 - 30
6G8-15363-00	4 - 33
6D8-15373-00	7 - 18
6C5-21337-00	9 - 24

PART NO. N° PIECES	REF. NO.
6D8-2134X-00	8 - 25
6C5-21841-00	10 - 11
6C5-2411M-00	10 - 13
6D8-2413X-00	8 - 19
68V-24149-00	11 - 25
69J-24170-00	8 - 8
6D8-2417H-00	8 - 11
69J-2419A-00	8 - 22
6YK-24201-03	27 - 1
6C5-24251-00	10 - 20
6YK-24260-01	27 - 4
6YL-24268-01	27 - 2
6YK-24306-44	27 - 7
6D8-24311-00	11 - 14
67F-24312-00	18 - 38
6D8-24314-01	8 - 6
6D8-24315-00	8 - 9
61A-24316-00	2 - 26
6D8-24316-00	8 - 15
6D8-24317-01	8 - 20
6C5-24321-00	10 - 3
6C5-24322-00	10 - 4
6C5-24323-00	10 - 5
6D8-24324-01	10 - 6
6D8-24325-10	10 - 7
6YL-24329-00	27 - 6
68V-24374-00	11 - 21
688-24378-00	2 - 25
6C5-24379-00	10 - 18
6C5-24387-00	10 - 15
6D8-24410-00	11 - 15
68V-24411-00	11 - 20
68V-24412-00	11 - 16
68V-24413-00	11 - 22
6D8-24414-00	11 - 23
6C5-2441R-00	9 - 6
6C5-2441T-00	9 - 7
68V-24423-00	11 - 19
68V-24444-00	11 - 24
6C5-24444-00	10 - 9
6C5-24453-00	9 - 8
68V-24454-00	11 - 17
6D8-24469-00	11 - 7
69J-24502-00	8 - 14
6D8-24519-00	11 - 8
6D8-2451B-00	10 - 21
6D8-24560-00	11 - 3
6D8-24562-00	11 - 6

PART NO. N° PIECES	REF. NO.
6D8-24563-00	11 - 4
6D8-24564-00	11 - 5
6D8-24566-00	11 - 10
6C5-24592-00	9 - 10
6YK-24610-01	27 - 3
67F-28100-01	11 - 29
67F-2812A-00	14 - 26
6D7-28199-75-D0	11 - 30
6D7-28199-75-E0	11 - 30
6D7-28199-75-F0	11 - 30
6D7-28199-75-G0	11 - 30
6D7-28199-75-H0	11 - 30
6D7-28199-75-S0	11 - 30
6D7-28199-85-K0	11 - 31
6D7-28199-85-L0	11 - 31
6D7-28199-85-M0	11 - 31
6D7-28199-85-N0	11 - 31
6D7-28199-85-P0	11 - 31
6D7-28199-85-R0	11 - 31
6D8-41113-30-9S	2 - 12
67F-41114-A2	2 - 18
	29 - 8
60C-41131-01-5B	23 - 7
67F-41133-A1	23 - 8
	30 - 16
67F-41134-A0	23 - 16
	30 - 21
67F-41137-02-94	23 - 3
67F-41138-00	23 - 18
	30 - 22
682-41237-00	19 - 45
6D8-41237-00	19 - 44
6D8-42154-00	19 - 27
6D8-42157-00	19 - 36
68V-42171-00	19 - 37
68V-42510-10-8D	22 - 1
6D8-42541-00	2 - 20
6CK-42610-00-8D	1 - 1
67F-42613-00-8D	1 - 10
67F-42615-00	1 - 13
61N-42628-00	1 - 12
67F-42628-00	1 - 19
67F-42647-00	1 - 2
67F-42649-00	1 - 8
68V-42652-00	1 - 5
67F-42662-00	1 - 9
67G-42677-10	1 - 14
6D7-42678-00	1 - 15

PART NO. N° PIECES	REF. NO.
6BC-42681-00	1 - 20
67F-42681-10	1 - 17
67F-42682-10	1 - 18
6D8-42710-00-8D	18 - 1
648-42715-00	19 - 24
61A-42716-00	18 - 40
67F-42717-00	18 - 26
6D8-42717-00	18 - 21
68F-42723-10-8D	16 - 12
67F-42724-00	23 - 2
68V-42725-00	18 - 19
688-42726-10	18 - 23
6G1-42727-00	23 - 6
67F-42738-00-5B	18 - 17
67F-42741-01-8D	18 - 41
6H4-42748-00	18 - 25
68F-42753-00	18 - 47
6D8-42756-00	18 - 20
6AH-42794-40	18 - 50
6AH-42794-50	18 - 51
67F-42815-00-8D	18 - 5
67F-42816-00-8D	18 - 6
68V-42818-01	18 - 9
67F-42828-00-5B	18 - 7
6BC-43107-00-8D	21 - 1
6BC-43111-00-8D	20 - 1
6BC-43112-00-8D	20 - 7
64E-43126-00	21 - 12
64E-43131-01	20 - 11
64D-43144-00	18 - 14
66T-43144-00	20 - 24
6E5-43145-01	28 - 8
6G5-43148-00	20 - 29
6BC-43181-00	20 - 26
6BC-43185-00	20 - 27
6BC-43311-00-8D	20 - 21
6G1-43318-01	21 - 6
6BC-43631-00-8D	21 - 4
63D-43691-00	20 - 17
6BC-43818-00	21 - 9
6D8-44117-00	19 - 5
68V-44118-00	19 - 19
60C-44120-10	19 - 14
67F-44121-00	19 - 11
68V-44122-01	19 - 8
67F-44135-00	19 - 32
6L6-44150-01	25 - 17
61A-44311-01	25 - 24

PART NO. N° PIECES	REF. NO.
6E5-44312-00	26 - 4
6E5-44315-A0	25 - 31
6R3-44322-42	25 - 25
60C-44323-40	25 - 30
6E5-44352-01	25 - 28
6BC-44361-10	26 - 2
6E5-44365-00	26 - 3
6E5-44366-00	26 - 1
69J-44391-00	8 - 18
6H3-44391-01	18 - 24
67F-44514-00-94	22 - 19
67F-44526-00	22 - 22
6G5-44526-00	20 - 3
67F-44533-00	22 - 24
68V-44551-00-8D	22 - 6
68V-44553-00-8D	22 - 16
61A-44555-01-94	22 - 9
61A-44575-00	22 - 8
68V-45111-11-8D	23 - 20
67F-45113-00	23 - 29
68V-45123-00	23 - 12
64D-43144-00	30 - 18
67F-45127-00	23 - 19
67F-45151-00	30 - 19
6C5-45155-00	23 - 25
67F-45181-00-5B	23 - 17
688-45214-02	26 - 11
688-45215-02	26 - 12
663-45251-00	21 - 3
6G5-45251-02	20 - 2
60C-45300-11-8D	25 - 1
6E5-45301-05-8D	25 - 2
6E5-45318-00	23 - 23
6E5-45321-00	25 - 13
6E5-45331-00-94	25 - 34
6E5-45332-00-94	25 - 58
688-45341-10	25 - 7
6E5-45344-00	25 - 40
6E5-45371-01	26 - 15

PART NO. N° PIECES	REF. NO.
688-45375-00	26 - 10
663-45376-00-94	26 - 9
6E5-45378-00	25 - 10
688-45383-02	25 - 68
688-45384-00	25 - 69
68V-45501-10	25 - 43
61A-45527-00	25 - 23
6E5-45536-00	25 - 9
61A-45538-00	25 - 20
68V-45551-00	25 - 44
68V-45560-00	25 - 46
6E5-45567-01	25 - 5
6E5-45567-10	25 - 5
6E5-45567-20	25 - 5
6E5-45567-30	25 - 5
6E5-45567-40	25 - 5
6E5-45567-50	25 - 5
6E5-45567-60	25 - 5
68V-45571-00	25 - 60
6E5-45576-00	25 - 61
6L6-45577-00	25 - 65
6L6-45577-10	25 - 65
6L6-45577-20	25 - 65
6L6-45577-30	25 - 65
6L6-45577-40	25 - 65
6L6-45577-50	25 - 65
6E5-45587-01	25 - 37
6E5-45587-10	25 - 37
6E5-45587-20	25 - 37
6E5-45587-30	25 - 37
6E5-45587-40	25 - 37
6E5-45587-50	25 - 37
6E5-45587-60	25 - 37
6E5-45611-01	25 - 48
68V-45631-01	25 - 56
6E5-45633-01	25 - 57
6E5-45634-01	25 - 50
6K1-45641-01	25 - 49
688-45930-02-98	26 - 27
688-45932-60-98	26 - 27
6E5-45941-00-EL	26 - 27
6E5-45943-00-EL	26 - 27
6E5-45945-01-EL	26 - 27
6E5-45947-00-EL	26 - 27
6E5-45949-00-EL	26 - 27
6E5-45952-00-EL	26 - 27
6E5-45954-00-EL	26 - 27

PART NO. N° PIECES	REF. NO.
6E5-45956-00-EL	26 - 27
688-45970-03-98	26 - 27
688-45972-02-98	26 - 27
688-45974-02-98	26 - 27
688-45976-01-98	26 - 27
688-45978-60-98	26 - 27
63P-45987-00	26 - 22
688-45997-01	26 - 23
67F-46241-00	5 - 17
663-48344-00	19 - 3
68V-48511-00-8D	19 - 25
67F-48538-00	19 - 1
6E5-61350-02	28 - 1
6E5-61351-01	28 - 2
6E5-61355-00	28 - 5
6C5-81145-00	6 - 7
6C5-81146-00	6 - 12
445-81328-20	12 - 7
6D8-8132G-00	16 - 1
6D8-81332-00	12 - 16
6D8-81337-00	12 - 19
63D-81345-20	12 - 5
6D8-81410-00	12 - 4
6D8-81450-00	12 - 1
6D8-81460-00	12 - 2
6D8-81518-00	14 - 20
6D8-81528-00	14 - 21
68V-81673-00	12 - 8
68V-81800-01	17 - 1
67F-81801-00	17 - 5
67F-81807-00	17 - 10
67F-81808-00	17 - 8
67F-81809-00	17 - 19
67F-81810-00	17 - 3
67F-81813-00	17 - 6
68F-81820-00	17 - 7
67F-81821-00	17 - 13
6K7-81826-11	17 - 24
67F-81828-00	17 - 25
6C5-8182L-00	6 - 8
67F-81830-00	17 - 17
67F-81832-00	17 - 11
67F-81836-00	17 - 12
67F-81839-00	17 - 21
67F-8183R-00	17 - 16
60V-8183T-00	17 - 18
68F-81840-00	17 - 4

PART NO. N° PIECES	REF. NO.
67F-81841-00	17 - 14
67F-81842-00	17 - 20
67F-81846-00	17 - 26
67F-81850-00	17 - 2
67F-81857-00	17 - 9
67F-81869-00	17 - 23
67F-81891-00	17 - 15
68V-81919-00	14 - 32
6D8-81919-00	14 - 33
60V-81925-00	17 - 28
68V-81941-01	17 - 22
68V-81942-03	14 - 25
68V-81948-02	14 - 14
68V-8194A-00	14 - 7
60E-81950-00	14 - 5
68V-81953-00	14 - 8
6D3-81960-00	13 - 24
6AH-81994-40	12 - 27
6AH-81994-50	12 - 28
6AH-81995-40	12 - 25
6AH-81995-50	12 - 26
6AG-81996-00	12 - 29
68V-82105-00	14 - 1
6G5-82119-00	14 - 13
6E5-82148-00	20 - 6
66K-82149-00	20 - 23
67F-82151-00	15 - 2
67F-82151-10	15 - 3
67F-8215B-10	15 - 4
67F-8215B-20	15 - 5
63P-82310-01	13 - 5
68V-82317-00	13 - 2
6A0-82317-00	14 - 15
663-82317-01	12 - 22
67F-82341-00	13 - 6
67F-82342-00	13 - 7
67F-82343-00	13 - 10
67F-82344-00	13 - 11
67F-82361-00	13 - 8
67F-82377-00	13 - 12
67F-82377-00	13 - 9
67F-82377-00	13 - 13
67F-82377-00	18 - 49
6D8-82388-01	13 - 18
6D8-82389-00	15 - 16
68V-82504-00	16 - 11

PART NO. N° PIECES	REF. NO.
6D8-82544-00	7 - 24
6D8-82581-00	15 - 13
68F-82582-00	17 - 29
6E5-82587-00	16 - 13
6D8-82588-00	15 - 10
6E5-82588-00	18 - 27
61A-82588-01	19 - 48
6BC-82590-00	15 - 1
68V-82594-00	14 - 18
60V-8259F-00	19 - 47
6Y5-83504-22	16 - 17
6BC-83519-00	16 - 8
6E5-83558-00	26 - 18
6E5-83558-10	25 - 12
67F-83614-00	16 - 14
6D8-83626-00	4 - 35
67F-83627-01	17 - 34
68F-83688-00	6 - 17
689-85547-00	11 - 1
6D8-85547-00	12 - 21
6D8-85580-00	12 - 3
68V-85753-00	16 - 6
67F-85757-00	29 - 7
67F-85790-00	16 - 5
6C5-85885-00	16 - 4
6D7-8591A-12	6 - 6
6C5-87226-00	13 - 1
K1C-A3275-00	9 - 11
K0A-A3721-00	3 - 6
K0A-A3722-00	5 - 8
K0F-A9904-20	4 - 7
6D8-W0001-02	29 - 1
68V-W0001-21	30 - 1
67F-W0070-10	1 - 16
60C-W0078-00	30 - 23
6D8-W009A-02-9S	4 - 1
6D8-W009B-04-9S	2 - 1
6D8-W1164-21	3 - 5
6D8-W1164-31	3 - 5
90101-06057	21 - 5
90101-12M03	20 - 34
90105-06M07	2 - 37
90105-10M00	4 - 11
90105-10M89	26 - 16
90109-06M80	4 - 16
90109-06M81	18 - 44
90109-06M81	18 - 28

PART NO. N° PIECES	REF. NO.
90109-06M82	18 - 8
90109-06M86	16 - 15
	18 - 15
	18 - 22
	18 - 30
	18 - 34
	19 - 2
90109-06M96	18 - 18
90109-12007	22 - 21
90109-14007	22 - 13
90110-12M00	20 - 18
90116-10175	22 - 27
90119-06087	7 - 8
	7 - 12
90119-06113	7 - 16
90119-06M08	8 - 1
90119-06M10	25 - 16
90119-06M59	8 - 28
	13 - 4
	14 - 17
90119-06M83	11 - 28
90119-06MA2	2 - 33
	16 - 7
90119-06MA4	2 - 19
90119-07235	4 - 5
90119-08069	7 - 1
90119-08091	22 - 20
90119-08M03	7 - 3
90119-08M14	25 - 33
	30 - 31
90119-08M22	18 - 2
90119-08M58	23 - 1
90119-08M66	2 - 5
90119-08M91	4 - 17
90119-10M08	23 - 21
90119-10M72	5 - 22
90119-10M88	2 - 4
90119-10M89	26 - 8
90152-05M07	26 - 13
90152-06M01	21 - 2
90157-05M16	27 - 5
90159-06M28	18 - 43
90159-06M29	4 - 27
90167-06002	18 - 33
90170-16M01	25 - 45
90170-40008	5 - 24
90171-18M04	26 - 25
90179-06M24	1 - 11

PART NO. N° PIECES	REF. NO.
90179-08003	17 - 27
90179-24002	12 - 15
90185-05002	26 - 14
90185-09M01	28 - 6
90185-10051	22 - 28
90185-12M12	20 - 20
	22 - 25
90185-22M11	20 - 16
90201-06068	18 - 12
90201-06M31	19 - 39
90201-06M62	19 - 29
90201-09M02	19 - 17
90201-10060	21 - 7
90201-10M02	19 - 30
	19 - 40
90201-10M20	28 - 7
90201-12M05	20 - 36
90201-12M09	22 - 23
90201-13M01	20 - 35
90201-15M58	22 - 12
90201-16M55	22 - 11
90201-22M01	25 - 21
90201-24014	12 - 14
90201-26M59	20 - 15
90201-30M92	25 - 66
90201-38M60	22 - 2
90202-07M07	19 - 9
90202-32M19	22 - 10
90202-40M47	22 - 5
90206-10M04	19 - 31
	19 - 41
90206-15M18	18 - 11
90206-22M19	25 - 22
90249-06M19	20 - 30
90250-08M07	25 - 55
90280-04008	5 - 25
90280-04M05	25 - 29
	30 - 32
90280-05015	12 - 13
90282-04010	25 - 67
90340-08002	25 - 6
90340-14M06	2 - 6
	24 - 3
90340-18M09	2 - 14
90344-51019	4 - 4
90386-06M12	19 - 12
90386-08001	7 - 14
90386-10M16	20 - 28

PART NO. N° PIECES	REF. NO.
90386-15M73	18 - 10
90386-22M98	21 - 11
	21 - 13
90386-25M31	20 - 14
90386-38M32	22 - 4
90386-90M90	19 - 16
90387-06013	19 - 38
90387-06119	13 - 3
	14 - 16
90387-06M05	14 - 29
90387-06M21	19 - 28
90387-06M43	18 - 46
90387-06M60	8 - 27
90387-06M64	24 - 12
90387-06M69	9 - 26
90387-07013	7 - 15
90387-08033	7 - 2
90387-08M37	18 - 4
90387-10M05	20 - 31
90387-10M08	4 - 15
90387-10M61	28 - 3
90387-22018	21 - 10
90401-20007	2 - 45
90430-06M03	2 - 38
	4 - 12
90430-08020	25 - 8
	30 - 2
	2 - 7
90430-14115	29 - 5
	24 - 4
90430-14M09	30 - 20
	2 - 15
90430-18130	29 - 11
	26 - 17
90445-076K2	25 - 11
90445-07ME8	11 - 2
90445-13M37	5 - 20
90445-15M03	19 - 7
90462-10027	13 - 19
90464-08004	2 - 23
90464-10010	2 - 24
90464-11009	14 - 19
90464-12M58	8 - 2
90464-15007	2 - 22
90464-18004	6 - 18
90464-18246	18 - 48
90464-20258	16 - 16
90464-30003	7 - 17
90464-76001	

PART NO. N° PIECES	REF. NO.
90464-76001	15 - 6
90465-08M23	13 - 21
	18 - 29
90465-11M10	2 - 21
	2 - 27
	2 - 41
	8 - 7
	8 - 10
	8 - 16
	8 - 21
	10 - 17
	11 - 9
	11 - 26
	16 - 20
	18 - 39
	26 - 19
	7 - 19
	7 - 21
	14 - 28
	15 - 23
	14 - 31
	15 - 19
	8 - 17
	2 - 42
	7 - 20
	19 - 4
	19 - 10
	19 - 13
	19 - 26
	9 - 27
	8 - 26
	4 - 22
	12 - 20
	14 - 22
	18 - 45
	13 - 20
	2 - 30
	18 - 3
	25 - 19
	19 - 23
	2 - 29
	13 - 30
	14 - 12
	14 - 24
	18 - 16
	5 - 19
	28 - 4
	19 - 18
	26 - 26

PART NO. N° PIECES	REF. NO.
91690-30020	20 - 32
91690-50014	7 - 4
91809-08006	4 - 6
92903-06100	14 - 3
92903-06600	14 - 4
92903-08100	17 - 33
92903-08600	17 - 31
92907-04600	4 - 21
92907-06600	24 - 11
92990-05600	16 - 19
92990-06100	1 - 3
92990-06600	23 - 27
92990-12200	20 - 19
92990-18200	26 - 24
92995-04100	19 - 50
92995-06100	12 - 11
	13 - 16
	13 - 26
	13 - 29
	14 - 11
	15 - 8
	15 - 21
	19 - 34
	20 - 5
92995-06600	1 - 7
	2 - 10
	4 - 25
	4 - 32
	7 - 7
	7 - 11
	7 - 23
	8 - 5
	8 - 13
	8 - 24
	11 - 13
	12 - 12
	12 - 18
	13 - 17
	13 - 23
	13 - 27
	13 - 30
	14 - 12
	14 - 24
	15 - 9
	15 - 12
	15 - 15
	15 - 18
	15 - 22

PART NO. N° PIECES	REF. NO.
92995-06600	16 - 3
	16 - 10
	19 - 21
	19 - 35
	19 - 43
	20 - 9
	23 - 10
	23 - 14
	23 - 31
	24 - 6
	24 - 27
92995-08100	20 - 13
92995-08600	25 - 42
92995-10100	22 - 18
	26 - 7
	22 - 15
93101-28M16	25 - 35
	30 - 8
93101-30M17	25 - 63
	30 - 10
93101-48001	3 - 10
	29 - 10
93102-38008	5 - 26
	29 - 4
93102-48008	3 - 9
	29 - 9
93106-09014	25 - 15
	30 - 4
93210-09165	19 - 15
	30 - 17
93210-16275	28 - 9
93210-19MJ1	24 - 29
	30 - 12
93210-24M79	4 - 34
	29 - 2
93210-30682	11 - 27
	29 - 13
93210-37160	25 - 27
	30 - 6
	30 - 26
93210-37MH7	22 - 3
93210-55M14	25 - 39
	30 - 9
93210-58144	25 - 14
	30 - 3
93210-86M38	25 - 26
	30 - 5
	30 - 25



FLOOD MARINE SERVICES
downloaded from www.yamahaoutboardparts.co.uk

PART NO. N° PIECES	REF. NO.
93210-86M39	25 - 64
	30 - 11
93306-208U0	25 - 59
93315-425U7	25 - 47
93315-430U8	25 - 62
93315-628U9	25 - 3
93317-330U2	25 - 36
93332-000U7	25 - 4
93341-930V2	25 - 38
93410-22M11	21 - 14
93410-37M04	22 - 7
93420-36M01	23 - 24
93501-04M02	19 - 22
93503-16003	25 - 54
93507-32009	25 - 52
93511-32017	25 - 53
93604-12M07	24 - 28
93605-10108	5 - 14
93606-12019	2 - 3
	24 - 7
	25 - 32
	30 - 30
93606-19M23	23 - 15
93608-12M05	26 - 5
93608-16M16	23 - 5
	23 - 22
93700-06M03	20 - 10
	20 - 22
94702-00391	4 - 36
95333-08600	17 - 32
95380-05600	19 - 46
95380-06600	1 - 4
	18 - 42
95380-08600	11 - 11
95380-12600	20 - 37
95380-14600	22 - 14
95895-06025	7 - 25
97013-06020	14 - 2
97013-08045	17 - 30
97027-06025	24 - 10
97075-06025	19 - 20
	24 - 5
97075-06030	23 - 13
97075-06070	23 - 9
97075-10040	22 - 17
97075-10045	26 - 6
97095-06010	8 - 12
	14 - 10

NUMERICAL INDEX
INDEX NUMERIQUE



FLOOD MARINE SERVICES
downloaded from www.yamahaoutboardparts.co.uk

PART NO. N° PIECES	REF. NO.
97095-06010	20 - 25
	23 - 30
97095-06012	1 - 6
	7 - 22
	8 - 4
	15 - 11
	15 - 17
	16 - 9
97095-06014	13 - 22
	14 - 23
	15 - 14
97095-06016	8 - 23
	11 - 12
	13 - 28
	15 - 7
	15 - 20
	16 - 2
	18 - 13
97095-06020	2 - 9
	7 - 10
97095-06025	4 - 31
	13 - 15
	13 - 25
	19 - 42
97095-06030	4 - 24
	7 - 6
	12 - 10
	20 - 4
97095-06035	19 - 33
97095-06045	24 - 26
97095-08020	20 - 12
97095-08025	25 - 41
97575-08540	2 - 39
	4 - 13
	23 - 4
	21 - 8
97575-10530	21 - 8
97595-06550	19 - 6
97607-04110	12 - 6
97780-60620	14 - 9
97780-60625	14 - 6
	14 - 30
	16 - 18
97880-05014	16 - 18
97880-06016	23 - 26
97885-04016	19 - 49
97885-06010	12 - 17
97885-06012	20 - 8
98507-04008	4 - 20
98780-04016	2 - 17

PART NO. N° PIECES	REF. NO.
99001-08600	25 - 18
99530-08012	12 - 9



FLOOD MARINE SERVICES
downloaded from www.yamahaoutboardparts.co.uk



FLOOD MARINE SERVICES
downloaded from www.yamahaoutboardparts.co.uk

PART NO. N° PIECES	REF. NO.
-----------------------	-------------

PART NO. N° PIECES	REF. NO.
-----------------------	-------------



FLOOD MARINE SERVICES
downloaded from www.yamahaoutboardparts.co.uk



FLOOD MARINE SERVICES
downloaded from www.yamahaoutboardparts.co.uk



FLOOD MARINE SERVICES
downloaded from www.yamahaoutboardparts.co.uk