

**PARTS  
CATALOGUE  
CATALOGUE  
DE PIÈCES DÉTACHÉES**

**F2.5AMH'07 (69M5)**

1F69M-300F1

( 2F69M-300F1 )



2006/9/1

| NEWS NO.      | DATE         | COMMENT                                   |
|---------------|--------------|---|
| PE0-OM-060012 | Aug.,22,2006 | COR:FIG.17 PROPELLER PART NAME CORRECTION |

F2.5AMH  
PARTS CATALOGUE  
©2006 by Yamaha Motor Co., Ltd.  
1st edition, June 2006  
All rights reserved.  
Any reprinting or unauthorized use  
without the written permission of  
Yamaha Motor Co., Ltd.  
is expressly prohibited.  
Printed in Japan.

F2.5AMH  
CATALOGUE DE PIECES DETACHEES  
©2006 par Yamaha Motor Co., Ltd.  
1<sup>re</sup> édition, juin 2006  
Tous droits réservés  
Toute réimpression ou utilisation  
non autorisée sans la permission écrite  
de la Yamaha Motor Co., Ltd.  
est formellement interdite.  
Imprimé au Japon

# FOREWORD

This Parts Catalogue is related to the parts for the model(s) on the cover page. When you are ordering replacement parts, please refer to this Parts Catalogue and quote both part numbers and part names correctly.

1. Modifications or additions which have been made after the issue of the Parts Catalogue will be announced in the Parts News. It is advisable that you make the necessary corrections to the Parts Catalogue according to the Parts News.

2. Abbreviations  
The following abbreviations are used in this Parts Catalogue.

- “UR” Use specified parts number.
- “UN” Use as many as needed.
- “AP” Alternate Parts
- “LM” Locally Made (Parts need to be ordered locally)
- “F#” Frame No. (Applicable machine No.)
- “O/S” Over Size

3. The number of components for assembly

- Parts, which are to be supplied in an assembly, are listed with a dot (.) in front of the part name as shown below.
- The numeral appearing to the right of each component part indicates the quantity of parts for each assembly unit.

| PART NO.     | DESCRIPTION              | Q'TY | REMARKS |
|--------------|--------------------------|------|---------|
| 2F5-83310-60 | FRONT FLASHER LIGHT ASSY | 2    |         |
| 115-83311-60 | .BULB (6V-18W)           | 1    |         |

4. Applicable colours of graphics are represented in the “REMARKS” as shown below.

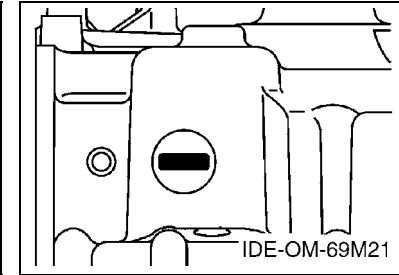
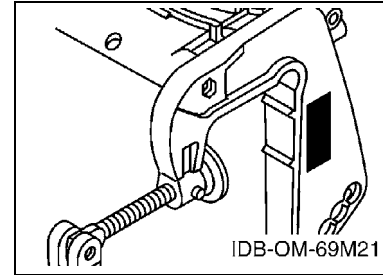
| PART NO.        | DESCRIPTION         | Q'TY | REMARKS |
|-----------------|---------------------|------|---------|
| 2N4-24110-00-X5 | FUEL TANK COMP.     | 2    | MXR     |
| 3J1-24240-10    | .GRAPHIC, FUEL TANK | 1    | FOR MXR |

5. Note that the illustrations for reference in finding parts numbers are not to be used for assembling. When assembling, please use the applicable service manual.

6. The asterisk (\*) before a reference number indicates modified items after the first edition.

7. Applicable Serial No.

Engine Serial No.



8. Applicable Engine Starting Serial No.

| Model | Serial No.  | Model | Serial No. |
|-------|-------------|-------|------------|
| F2.5A | 69M-1034479 |       |            |
|       |             |       |            |
|       |             |       |            |

9. Applicable Colour Code

| Abbreviation | Colour Name                 | Colour Code |
|--------------|-----------------------------|-------------|
| DBNM2        | DARK BLUISH GRAY METALLIC 2 | 004D        |

10. Quantity Column Information

| Column No. | Name Of Q'ty Column | Applicable Model |
|------------|---------------------|------------------|
| 1          | 69M5                | F2.5AMH          |
|            |                     |                  |
|            |                     |                  |
|            |                     |                  |

## AVANT-PROPOS

Ce catalogue de pièces détachées concerne les pièces pour le(s) modèle(s) indiqué(s) sur la page de couverture. Lorsque vous commandez des pièces de rechange, veuillez vous référer à ce catalogue de pièces détachées et indiquer clairement les numéros et les noms des pièces détachées.

1. Les modifications ou ajouts ayant été effectués après la parution du catalogue de pièces détachées seront décrits dans les Bulletins d'information concernant les pièces détachées.

Il est recommandé que vous apportiez les corrections nécessaires au catalogue des pièces détachées en vous référant aux Bulletins d'information.

2. Abréviations

Dans ce catalogue, les abréviations suivantes sont utilisées:

“UR” Utiliser le numéro de pièces spécifié.

“UN” Utiliser autant que nécessaire.

“AP” Pièces de substitution

“LM” Fabrication locale (les pièces doivent être commandées localement.)

“F#” N° de cadre (applicable au N° de série)

“O/S” Surdimensionné

3. Nombre de pièces d'un assemblage

- Les pièces fournies comme composants d'un assemblage sont précédées d'un point (.) de la manière indiquée ci-dessous.
- Le chiffre apparaissant à la droite de chaque composant indique la quantité de pièces pour chaque unité d'assemblage.

| N° PIECES    | DESCRIPTION           | QTE | REMARQUES |
|--------------|-----------------------|-----|-----------|
| 2F5-83310-60 | ENS. CLIGNOTANT AVANT | 2   |           |
| 115-83311-60 | .AMPOULE (6V-18W)     | 1   |           |

4. Les couleurs concernant les graphiques sont indiquées dans la colonne “REMARQUES”, comme indiqué ci-dessous.

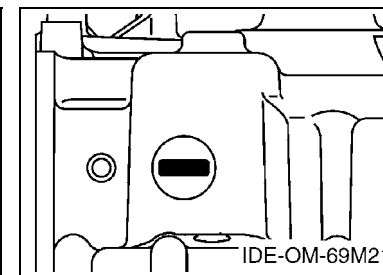
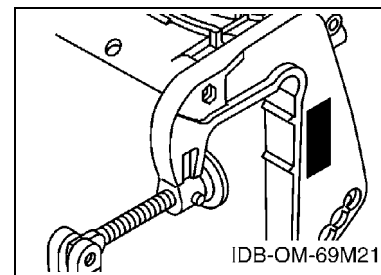
| N° PIECES       | DESCRIPTION          | QTE | REMARQUES |
|-----------------|----------------------|-----|-----------|
| 2N4-24110-00-X5 | RESERVOIR A ESSENCE. | 2   | MXR       |
| 3J1-24240-10    | .GRAPHIQUE           | 1   | POUR MXR  |

5. Veuillez noter que les illustrations sont indiquées à titre de référence pour trouver les numéros de pièces, non pour être utilisées lors de l'assemblage. Lors de l'assemblage, veuillez utiliser le manuel d'entretien adéquat.

6. L'astérisque (\*) placé devant un numéro de référence indique des éléments qui ont été modifiés après la première édition.

7. N° de série applicable

N° de Série du moteur



8. N° de série initial du moteur applicable

| Modèle | N° de série | Modèle | N° de série |
|--------|-------------|--------|-------------|
| F2.5A  | 69M-1034479 |        |             |
|        |             |        |             |
|        |             |        |             |
|        |             |        |             |

9. Code couleur applicable

| Abréviation | Nom de la couleur           | Code couleur |
|-------------|-----------------------------|--------------|
| DBNM2       | DARK BLUISH GRAY METALLIC 2 | 004D         |

10. Informations relatives à la colonne Quantité

| N° de la colonne | Nom de la colonne Qté | Modèle applicable |
|------------------|-----------------------|-------------------|
| 1                | 69M5                  | F2.5AMH           |
|                  |                       |                   |
|                  |                       |                   |
|                  |                       |                   |

|                              |    |
|------------------------------|----|
| TOP COWLING .....            | A4 |
| CYLINDER & CRANKCASE 1 ..... | A5 |
| CRANKSHAFT & PISTON .....    | A6 |
| CYLINDER & CRANKCASE 2 ..... | A7 |
| VALVE .....                  | B2 |
| INTAKE .....                 | B3 |
| CARBURETOR .....             | B4 |
| FUEL .....                   | B5 |
| STARTER .....                | B7 |
| GENERATOR .....              | C1 |
| BOTTOM COWLING .....         | C2 |
| STEERING .....               | C3 |
| CONTROL .....                | C4 |
| BRACKET .....                | C5 |
| UPPER CASING .....           | C7 |
| LOWER CASING & DRIVE 1 ..... | D1 |
| LOWER CASING & DRIVE 2 ..... | D3 |
| REPAIR KIT 1 .....           | D4 |
| REPAIR KIT 2 .....           | D5 |
| REPAIR KIT 3 .....           | D6 |

**INDEX**

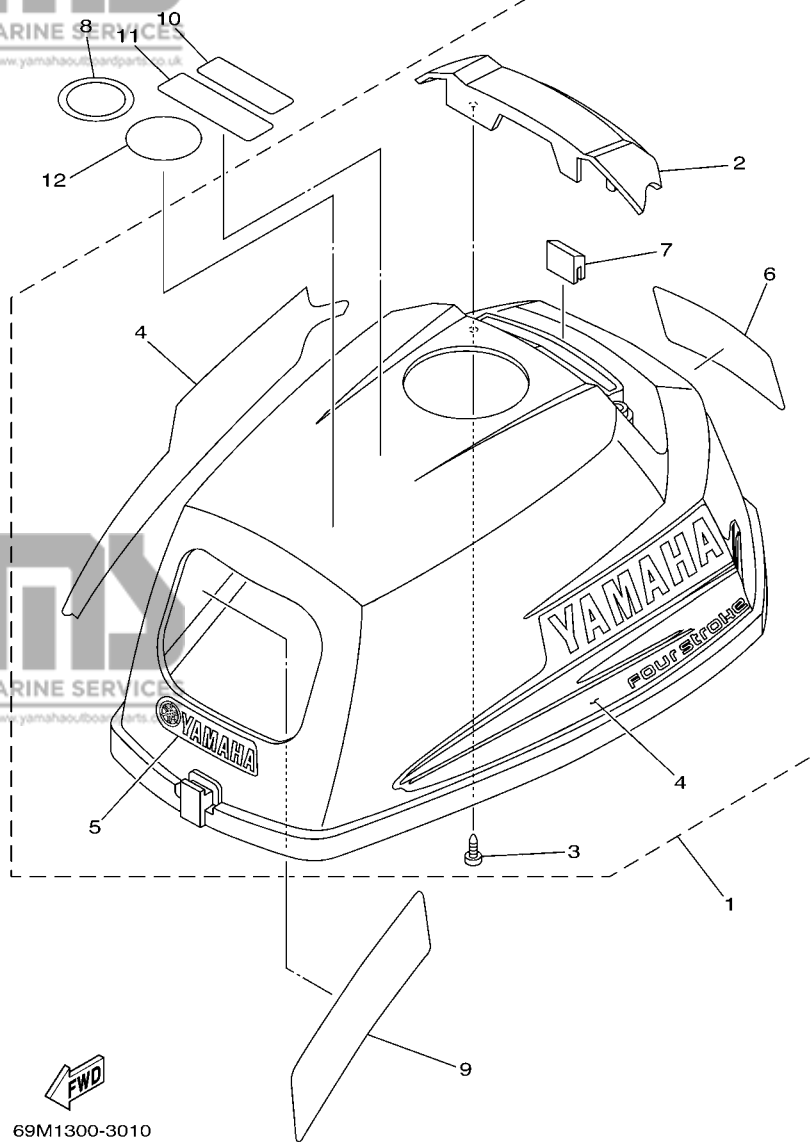
|                       |    |
|-----------------------|----|
| NUMERICAL INDEX ..... | G1 |
|-----------------------|----|

# TABLE DES MATIERES

|                                      |    |
|--------------------------------------|----|
| CAPOT SUPERIEUR .....                | A4 |
| CYLINDRE & CARTER 1 .....            | A5 |
| VILEBREQUIN & PISTON .....           | A6 |
| CYLINDRE & CARTER 2 .....            | A7 |
| SOUPAPE .....                        | B2 |
| ADMISSION .....                      | B3 |
| CARBURATEUR .....                    | B4 |
| CARBURANT .....                      | B5 |
| DEMARREUR .....                      | B7 |
| GENERATRICE .....                    | C1 |
| CAPOT INFERIEUR .....                | C2 |
| DIRECTION .....                      | C3 |
| COMMANDE .....                       | C4 |
| SUPPORT .....                        | C5 |
| FOURREAU .....                       | C7 |
| BOITIER D'HELICE TRANSMISSION1 ..... | D1 |
| BOITIER D'HELICE TRANSMISSION2 ..... | D3 |
| KITS DE REPARATION 1 .....           | D4 |
| KITS DE REPARATION 2 .....           | D5 |
| KITS DE REPARATION 3 .....           | D6 |

## INDEX

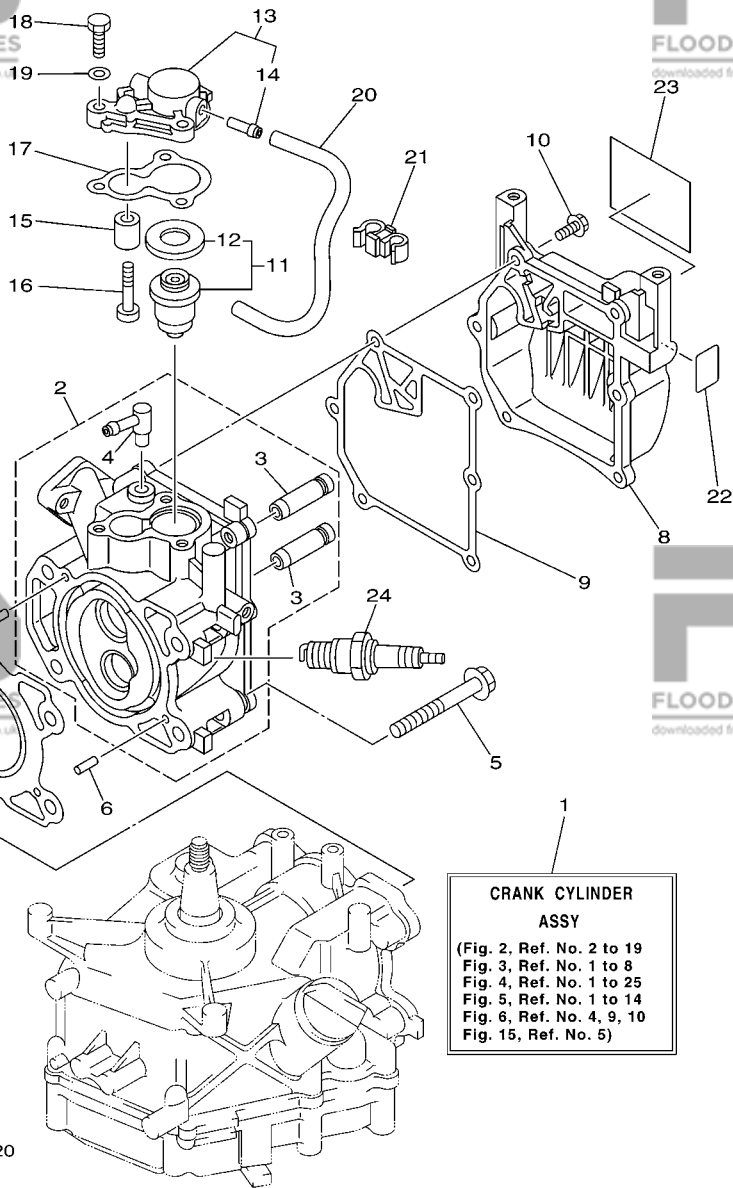
|                       |    |
|-----------------------|----|
| INDEX NUMERIQUE ..... | G1 |
|-----------------------|----|



**FIG. 1 TOP COWLING**

**CAPOT SUPERIEUR**

| REF. NO. | PART NO. N° PIECES | DESCRIPTION DESCRIPTION                      | 69M5 | REMARKS REMARQUES |
|----------|--------------------|--|------|-------------------|
| 1        | 69M-G2610-10-4D    | TOP COWLING ASSY<br>CAPOT (ENS.)             | 1    |                   |
| 2        | 69M-G2613-00       | .MOLDING, AIR DUCT<br>.MANCHON A AIR         | 1    |                   |
| 3        | 97780-40012        | .SCREW, TAPPING<br>.VIS, TETE BOMBEE         | 2    |                   |
| 4        | 69M-WG070-00       | .GRAPHIC SET<br>.JEU DIEMBLEMES              | 1    |                   |
| 5        | 69M-G2677-00       | .GRAPHIC, FRONT<br>.ADHESIF, AVANT           | 1    |                   |
| 6        | 69M-G2678-10       | .GRAPHIC, REAR<br>.ADHESIF, ARRIERE          | 1    |                   |
| 7        | 69M-42662-00       | .DAMPER<br>.AMORTISSEUR                      | 1    |                   |
| 8        | 60R-E3434-00       | LABEL, CAUTION<br>ETIQUETTE, ATTENTION       | 1    |                   |
| 9        | 69M-E4427-60       | LABEL, INSTRUCTION<br>ETIQUETTE, INSTRUCTION | 1    |                   |
| 10       | 69M-F415A-40       | LABEL, CAUTION<br>ETIQUETTE, RECOMMANDATION  | 1    |                   |
| 11       | 69M-F415A-50       | LABEL, CAUTION<br>ETIQUETTE, RECOMMANDATION  | 1    |                   |
| 12       | 60R-F415E-00       | LABEL, CAUTION<br>ETIQUETTE, RECOMMANDATION  | 1    |                   |



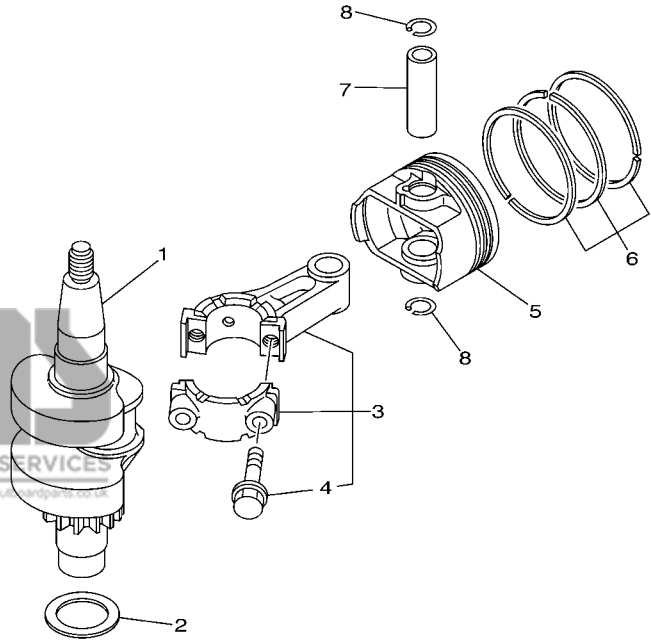
**CRANK CYLINDER  
ASSY**  
(Fig. 2, Ref. No. 2 to 19  
Fig. 3, Ref. No. 1 to 8  
Fig. 4, Ref. No. 1 to 25  
Fig. 5, Ref. No. 1 to 14  
Fig. 6, Ref. No. 4, 9, 10  
Fig. 15, Ref. No. 5)

69M5300-F020

**FIG. 2 CYLINDER & CRANKCASE 1 CYLINDRE & CARTER 1**

| REF. NO. | PART NO. N° PIECES | DESCRIPTION DESCRIPTION                                  | 69M5 |  | REMARKS REMARQUES |
|----------|--------------------|--|------|--|-------------------|
| 1        | 69M-WE090-01-1S    | CRANK CYLINDER ASSY<br>EMBIELLAGE CYLINDRE (ENS.)        | 1    |  |                   |
| 2        | 69M-E1111-00-1S    | HEAD, CYLINDER 1<br>CULASSE                              | 1    |  |                   |
| 3        | 67D-11133-10       | .GUIDE, VALVE 1<br>.GUIDE, SOUPAPE 1                     | 2    |  |                   |
| 4        | 676-11372-00       | .NIPPLE, HOSE<br>.RACCORD, TUYAU                         | 1    |  |                   |
| 5        | 90105-08M36        | BOLT, FLANGE<br>BOULON                                   | 4    |  |                   |
| 6        | 93604-12M07        | PIN, DOWEL<br>CLAVETTE                                   | 2    |  |                   |
| 7        | 69M-11181-00       | GASKET, CYLINDER HEAD 1<br>JOINT, DE CULASSE 1           | 1    |  |                   |
| 8        | 69M-E1191-00-1S    | COVER, CYLINDER HEAD 1<br>COUVERCLE, CULASSE 1           | 1    |  |                   |
| 9        | 69M-11193-A0       | GASKET, HEAD COVER 1<br>JOINT, COUVERCLE DE CULASSE 1    | 1    |  |                   |
| 10       | 90105-06039        | BOLT, FLANGE<br>BOULON                                   | 6    |  |                   |
| 11       | 69M-12411-01       | THERMOSTAT<br>THERMOSTAT                                 | 1    |  |                   |
| 12       | 688-12412-00       | .SEAL, THERMOSTAT<br>.JOINT, THERMOSTAT                  | 1    |  |                   |
| 13       | 69M-E2413-00-1S    | COVER, THERMOSTAT<br>COUVERCLE, THERMOSTAT               | 1    |  |                   |
| 14       | 650-24378-00       | .PIPE, JOINT 4<br>.DURITE RACCORDEMENT 4                 | 1    |  |                   |
| 15       | 68D-E1325-00       | ANODE<br>ANODE   | 1    |  |                   |
| 16       | 97880-05025        | SCREW, PAN HEAD<br>VIS, TETE TRONCONIQUE                 | 1    |  |                   |
| 17       | 68D-E2414-A0       | GASKET, COVER<br>JOINT, COUVERCLE                        | 1    |  |                   |
| 18       | 97095-06020        | BOLT<br>BOULON   | 3    |  |                   |
| 19       | 92995-06600        | WASHER<br>RONDELLE                                       | 3    |  |                   |
| 20       | 90445-09808        | HOSE (L240)<br>DURITE (L240)                             | 1    |  |                   |
| 21       | 90464-09013        | CLAMP<br>BRIDE   | 1    |  |                   |
| 22       | 67D-42791-10       | MARK 1<br>ETIQUETTE 1                                    | 1    |  |                   |
| 23       | 68D-E2138-60       | MARK, CAUTION<br>MAKER                                   | 1    |  |                   |
| 24       | 94702-00248        | PLUG, SPARK (NGK BR6HS)<br>BOUGIE D,ALLUMAGE (NGK BR6HS) | 1    |  |                   |





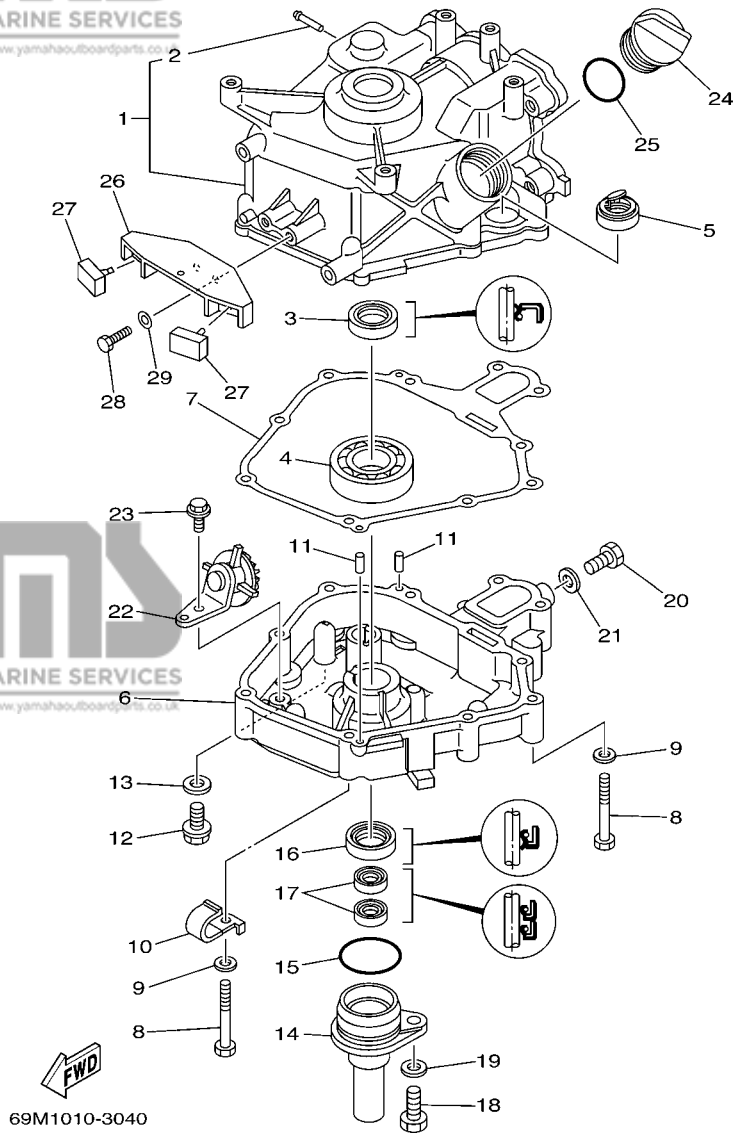
**FWD**  
 69M1010-3030

**FIG. 3 CRANKSHAFT & PISTON**

**VILEBREQUIN & PISTON**

| REF. NO. | PART NO. N° PIECES | DESCRIPTION DESCRIPTION                                      | 69M5 | REMARKS REMARQUES |
|----------|--------------------|--|------|-------------------|
| 1        | 69M-11400-00       | CRANKSHAFT ASSY<br>VILEBREQUIN COMPLET                       | 1    |                   |
| 2        | 90201-23008        | WASHER, PLATE<br>RONDELLE, PLATE                             | 1    |                   |
| 3        | 69M-11650-00       | CONNECTING ROD ASSY<br>BIELLE COMPLETE                       | 1    |                   |
| 4        | 7FK-11654-00       | .BOLT, CONNECTING ROD<br>.BOULON, BIELLE                     | 2    |                   |
| 5        | 69M-E1631-01-96    | PISTON (STD)<br>PISTON (STD)                                 | 1    |                   |
| 6        | 69M-E1635-01       | PISTON (0.25MM O/S)<br>PISTON (0.25MM O/S)                   | 1    | AP                |
|          | 69M-E1636-01       | PISTON (0.50MM O/S)<br>PISTON (0.50MM O/S)                   | 1    | AP                |
| 6        | 69M-E1603-01       | PISTON RING SET (STD)<br>JEU DE SEGMENTS (STD)               | 1    | AP                |
|          | 69M-E1604-01       | PISTON RING SET (0.25MM O/S)<br>JEU DE SEGMENTS (0.25MM O/S) | 1    | AP                |
|          | 69M-E1605-01       | PISTON RING SET (0.50MM O/S)<br>JEU DE SEGMENTS (0.50MM O/S) | 1    | AP                |
| 7        | 69M-E1633-00       | PIN, PISTON<br>AXE, PISTON                                   | 1    |                   |
| 8        | 93450-13130        | CIRCLIP<br>CIRCLIP, TYPE S                                   | 2    |                   |

**A6**



**FIG. 4 CYLINDER & CRANKCASE 2      CYLINDRE & CARTER 2**

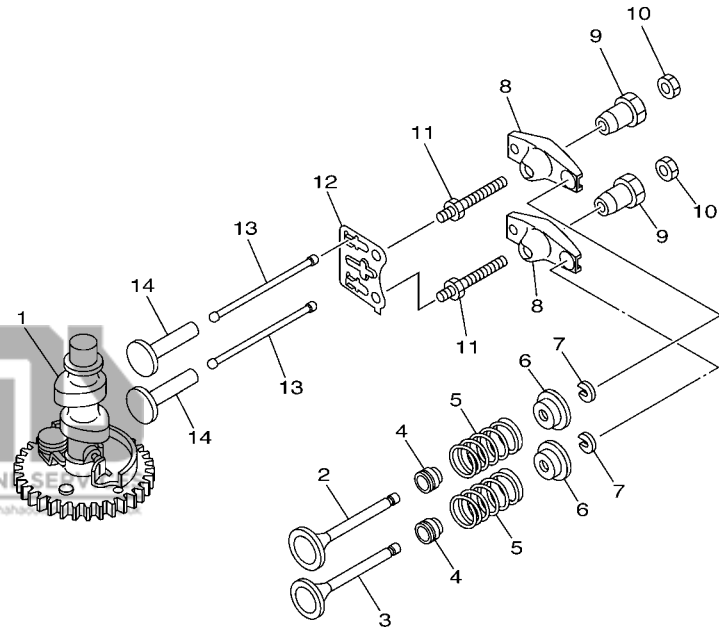
| REF. NO. | PART NO. N° PIECES | DESCRIPTION DESCRIPTION                    | 69M5 |  | REMARKS REMARQUES |
|----------|--------------------|--|------|--|-------------------|
| 1        | 69M-E1311-00-1S    | CYLINDER 1<br>CYLINDRE 1                   | 1    |  |                   |
| 2        | 6H1-14485-00       | .PIPE, JOINT<br>.DURITE                    | 1    |  |                   |
| 3        | 93102-20108        | OIL SEAL<br>JOINT SPY                      | 1    |  |                   |
| 4        | 93306-272Y2        | BEARING<br>ROULEMENT                       | 1    |  |                   |
| 5        | 69M-15361-00       | GAUGE, LEVEL<br>JAUGE A HUILE              | 1    |  |                   |
| 6        | 69M-E5111-00-1S    | CRANKCASE 1<br>CARTER DE MOTEUR            | 1    |  |                   |
| 7        | 69M-11351-A0       | GASKET, CYLINDER<br>JOINT, D'EMBASE        | 1    |  |                   |
| 8        | 97013-06045        | BOLT<br>BOULON                             | 10   |  |                   |
| 9        | 92903-06600        | WASHER, PLATE<br>RONDELLE, PLATE           | 10   |  |                   |
| 10       | 90465-08M99        | CLAMP<br>BRIDE                             | 1    |  |                   |
| 11       | 93604-12M07        | PIN, DOWEL<br>CLAVETTE                     | 2    |  |                   |
| 12       | 90105-08M76        | BOLT, FLANGE<br>BOULON                     | 1    |  |                   |
| 13       | 90201-08818        | WASHER, PLATE<br>RONDELLE, PLATE           | 1    |  |                   |
| 14       | 69M-E5396-00-5B    | HOUSING, OIL SEAL<br>LOGEMENT DE JOINT SPY | 1    |  |                   |
| 15       | 93210-35537        | O-RING<br>JOINT TORIQUE                    | 1    |  |                   |
| 16       | 93102-20108        | OIL SEAL<br>JOINT SPY                      | 1    |  |                   |
| 17       | 93102-09004        | OIL SEAL<br>JOINT SPY                      | 2    |  |                   |
| 18       | 97095-08020        | BOLT<br>BOULON                             | 1    |  |                   |
| 19       | 92995-08600        | WASHER<br>RONDELLE                         | 1    |  |                   |
| 20       | 97095-08014        | BOLT<br>BOULON                             | 1    |  |                   |
| 21       | 90430-08800        | GASKET<br>JOINT                            | 1    |  |                   |
| 22       | 69M-E3102-00       | GEAR UNIT ASSY<br>PIGNON                   | 1    |  |                   |
| 23       | 95817-06012        | BOLT, FLANGE<br>BOULON, A COLLERETTE       | 1    |  |                   |
| 24       | 69M-E5363-00       | PLUG, OIL<br>PLOT, HUILE                   | 1    |  |                   |
| 25       | 93210-24M79        | O-RING<br>JOINT TORIQUE                    | 1    |  |                   |
| 26       | 69M-G2743-00       | BRACKET<br>SUPPORT                         | 1    |  |                   |
| 27       | 6G8-44532-00       | STOPPER, UPPER MOUNT<br>PLAQUETTE          | 2    |  |                   |

**A7**





69M1010-3050

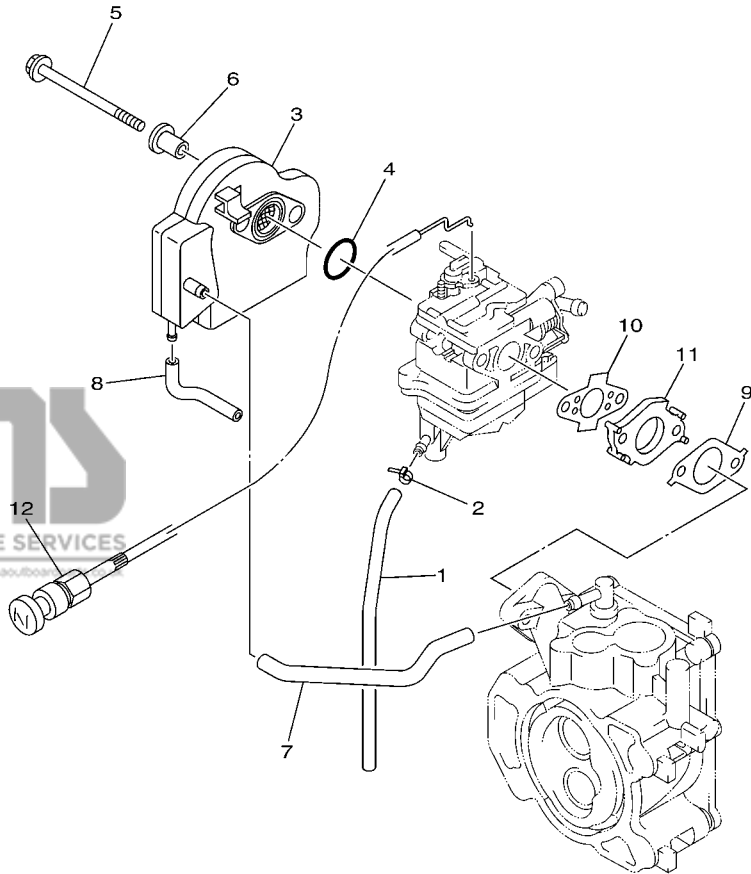


**FIG. 5 VALVE**

**SOUPAPE**

| REF. NO. | PART NO. N° PIECES | DESCRIPTION DESCRIPTION                               | 69MS | REMARKS REMARQUES |
|----------|--------------------|---|------|-------------------|
| 1        | 69M-12170-01       | CAMSHAFT ASSY 1<br>ENS ARBRE A CAMES 1                | 1    |                   |
| 2        | 67D-12111-00       | VALVE, INTAKE<br>SOUPAPE, ADMISSION                   | 1    |                   |
| 3        | 67D-12121-00       | VALVE, EXHAUST<br>SOUPAPE, ECHAPPEMENT                | 1    |                   |
| 4        | 51Y-12119-00       | SEAL, VALVE STEM<br>JOINT, QUEUE DE SOUPAPE           | 2    |                   |
| 5        | 68D-E2113-00       | SPRING, VALVE INNER<br>RESSORT DE SOUPAPE, INTERNE    | 2    |                   |
| 6        | 7NJ-12117-00       | RETAINER, VALVE SPRING<br>BUTEE DE RESSORT DE SOUPAPE | 2    |                   |
| 7        | 7NJ-12118-00       | COTTER, VALVE<br>FRAISE, SOUPAPE                      | 2    |                   |
| 8        | 67D-12151-00       | ARM, VALVE ROCKER<br>CULBUTEUR                        | 2    |                   |
| 9        | 7FK-12165-00       | PIVOT, ROCKER ARM<br>PIVOT, CULBUTEUR                 | 2    |                   |
| 10       | 7FK-12158-00       | NUT, LOCK<br>CONTRE-ECROU                             | 2    |                   |
| 11       | 67D-12157-00       | BOLT<br>BOULON  | 2    |                   |
| 12       | 69M-E2155-00       | GUIDE, PUSH ROD<br>GUIDE, TIGE-POUSSOIR               | 1    |                   |
| 13       | 69M-12154-00       | ROD, VALVE PUSH<br>TIGE DE LEVE-SOUPAPE               | 2    |                   |
| 14       | JA9-12153-00       | LIFTER, VALVE<br>LEVE-SOUPAPE                         | 2    |                   |

**B2**

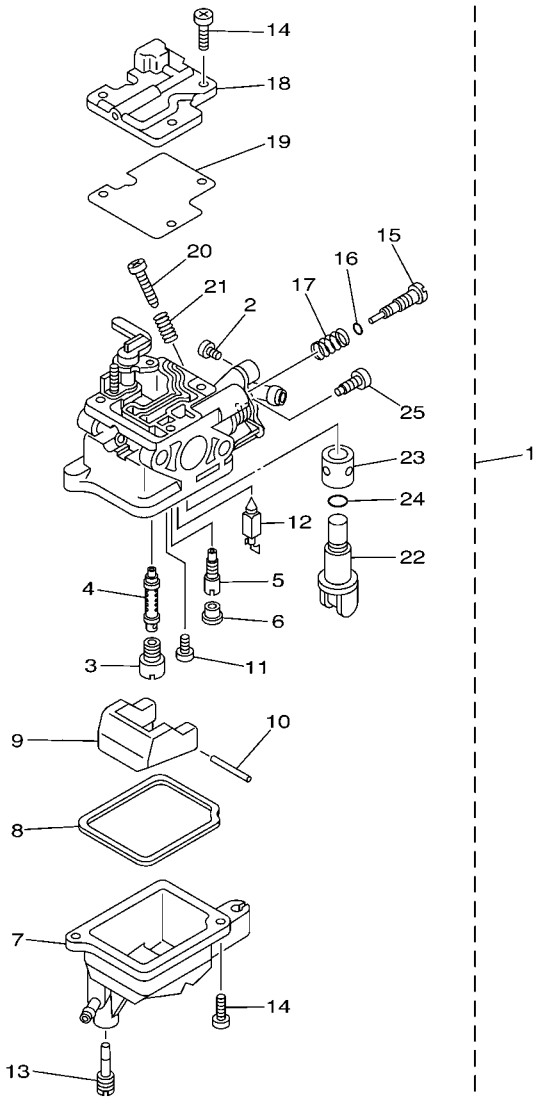


**FWD**  
69M2100-C060

**FIG. 6 INTAKE**

**ADMISSION**

| REF. NO. | PART NO. N° PIECES | DESCRIPTION DESCRIPTION                      | 69M5 | REMARKS REMARQUES |
|----------|--------------------|--|------|-------------------|
| 1        | 69M-E4148-00       | PIPE DURITE                                  | 1    |                   |
| 2        | 90465-11M10        | CLAMP BRIDE                                  | 1    |                   |
| 3        | 69M-14440-01       | SILENCER ASSY, INTAKE SIENCIEUX D'ADMISSION  | 1    |                   |
| 4        | 93210-20M65        | O-RING JOINT TORIQUE                         | 1    |                   |
| 5        | 97595-06575        | BOLT, WITH WASHER VIS HEXAGONAL AVC RONDELLE | 2    |                   |
| 6        | 90387-06076        | COLLAR COLLERETTE                            | 2    |                   |
| 7        | 69M-E2483-00       | PIPE 3 DURITE 3                              | 1    |                   |
| 8        | 90445-07805        | HOSE (L70) DURITE (L70)                      | 1    |                   |
| 9        | 69M-E3645-A0       | GASKET, MANIFOLD 1 JOINT, TUBULURE 1         | 1    |                   |
| 10       | 69M-E3646-A0       | GASKET, MANIFOLD 2 JOINT, TUBULURE 2         | 1    |                   |
| 11       | 69M-E3647-00       | GASKET, MANIFOLD 3 JOINT, TUBULURE 3         | 1    |                   |
| 12       | 69M-F6330-01       | STARTER CABLE ASSY CABLE DE STARTER          | 1    |                   |



69M1010-3070

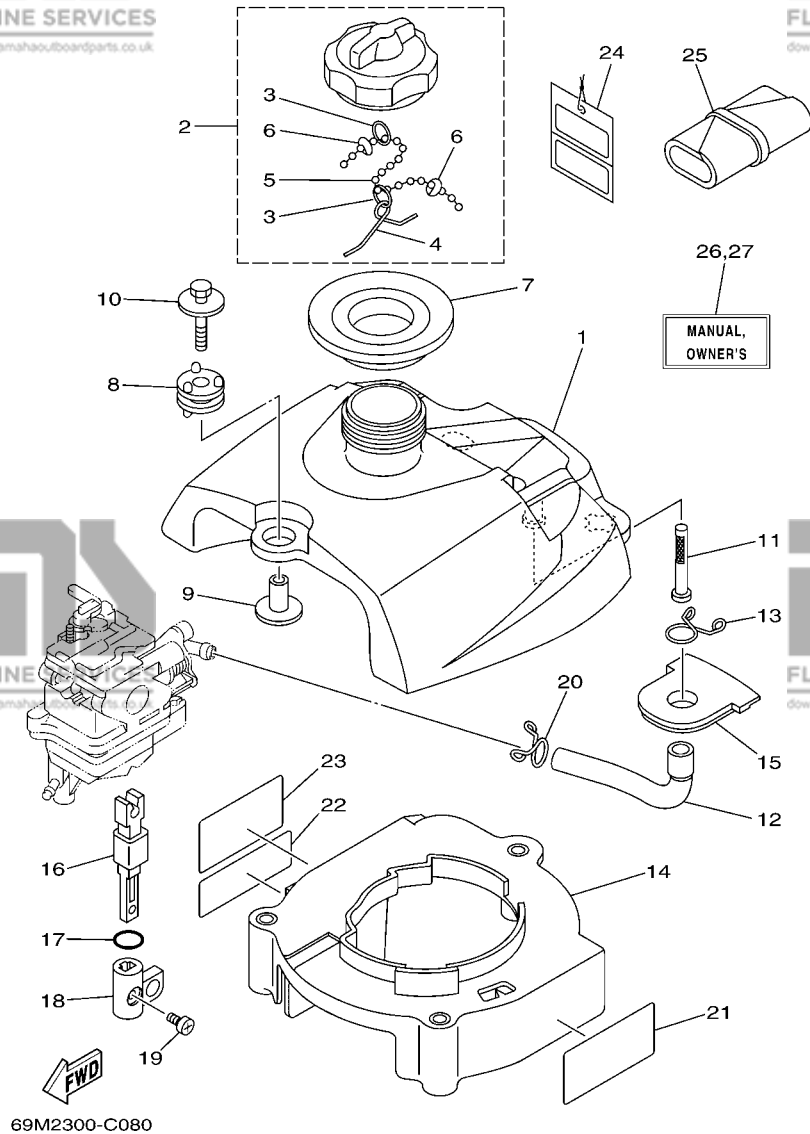


FIG. 7 CARBURETOR

CARBURATEUR

| REF. NO. | PART NO. N° PIECES | DESCRIPTION DESCRIPTION                                 | 69MS | REMARKS REMARQUES |
|----------|--------------------|---|------|-------------------|
| 1        | 69M-14301-20       | CARBURETOR ASSY 1<br>CARBURATEUR COMPLET 1              | 1    |                   |
| 2        | 97890-04007        | .SCREW, PAN HEAD<br>.VIS, CRUCIFORME                    | 2    |                   |
| 3        | 69M-14343-31       | .JET, MAIN (# 62)<br>.GICLEUR, PRINCIPAL (# 62)         | 1    |                   |
| 4        | 69M-14341-00       | .NOZZLE, MAIN<br>.PUITS D'AIGUILLE                      | 1    |                   |
| 5        | 69M-14342-68       | .JET, PILOT (#37)<br>.GICLEUR, RALENTI (#37)            | 1    |                   |
| 6        | 69M-14966-00       | .BUSH<br>.BAGUE   | 1    |                   |
| 7        | 69M-14381-00       | .BODY, FLOAT CHAMBER<br>.CORPS, CUVE DE FLOTTEUR        | 1    |                   |
| 8        | 69M-14984-00       | .GASKET, FLOAT CHAMBER<br>.JOINT, CUVE DE FLOTTEUR      | 1    |                   |
| 9        | 69M-14385-00       | .FLOAT<br>.FLOTTEUR                                     | 1    |                   |
| 10       | 6A1-14386-00       | .PIN, FLOAT<br>.AXE, FLOTTEUR                           | 1    |                   |
| 11       | 98580-03005        | .SCREW, PAN HEAD<br>.VIS                                | 1    |                   |
| 12       | 62Y-14392-00       | .VALVE, NEEDLE<br>.POINTEAU                             | 1    |                   |
| 13       | 69M-14991-00       | .SCREW<br>.VIS  | 1    |                   |
| 14       | 98580-04010        | .SCREW, PAN HEAD<br>.VIS                                | 5    |                   |
| 15       | 69M-14323-20       | .SCREW, AIR ADJUSTING<br>.VIS DE DOSEUR D'AIR           | 1    |                   |
| 16       | 2T4-14397-00       | .O-RING<br>.JOINT TORIQUE                               | 1    |                   |
| 17       | 62Y-14334-00       | .SPRING, AIR ADJUSTING<br>.RESSORT, VIS DE DOSEUR D'AIR | 1    |                   |
| 18       | 69M-14527-00       | .PLATE<br>.PLAQUE                                       | 1    |                   |
| 19       | 69M-14536-00       | .GASKET<br>.JOINT                                       | 1    |                   |
| 20       | 69W-14321-00       | .SCREW, THROTTLE<br>.VIS, ACCELERATEUR                  | 1    |                   |
| 21       | 62Y-14212-00       | .SPRING, PILOT ADJUSTING<br>.RESSORT, VIS DE RALENTI    | 1    |                   |
| 22       | 69M-24524-00       | .LEVER, COCK<br>.LEVIER, ROBINET                        | 1    |                   |
| 23       | 69M-24523-00       | .VALVE<br>.SOUPAPE                                      | 1    |                   |
| 24       | 69M-24533-00       | .O-RING<br>.JOINT TORIQUE                               | 1    |                   |
| 25       | 69M-24535-00       | .SCREW, LEVER FITTING<br>.VIS, FIXATION DE LEVIER       | 1    |                   |

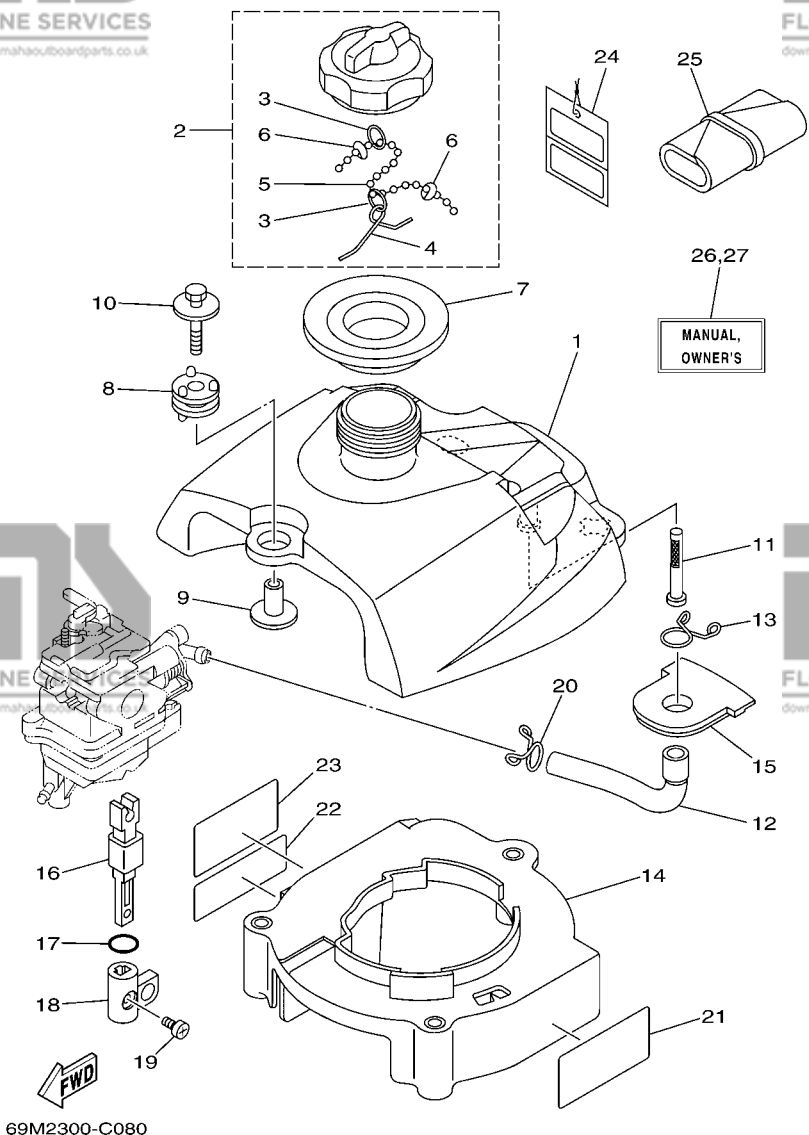
B4



**FIG. 8 FUEL**

**CARBURANT**

| REF. NO. | PART NO. N° PIECES | DESCRIPTION DESCRIPTION                             | 69M5 | REMARKS REMARQUES          |
|----------|--------------------|---|------|----------------------------|
| 1        | 69M-F4111-00       | TANK, FUEL RESERVOIR, A ESSENCE                     | 1    |                            |
| 2        | 67D-24610-02       | CAP ASSY BOUCHON                                    | 1    |                            |
| 3        | 90501-10260        | .SPRING, COMPRESSION .RESSORT, COMPRESSION          | 2    |                            |
| 4        | 624-24634-00       | .HOOK, CHAIN BALL .ATTACHE                          | 1    |                            |
| 5        | 69M-24633-00       | .CHAIN, BALL .CHANE DE BALLE                        | 1    |                            |
| 6        | 6H1-21757-00       | .WASHER, SPECIAL 1 .RONDELLE, SPECIALE 1            | 2    |                            |
| 7        | 69M-24641-00       | GASKET, CAP 1 JOINT 1, BOUCHON                      | 1    |                            |
| 8        | 69M-F4375-00       | GROMMET OEILLET CAOUTCHOUC                          | 3    |                            |
| 9        | 90387-06053        | COLLAR COLLERETTE                                   | 3    |                            |
| 10       | 90119-06098        | BOLT, WITH WASHER BOULON, AVEC RONDELLE             | 3    |                            |
| 11       | 6L5-24251-00       | STRAINER 1 FILTRE 1                                 | 1    |                            |
| 12       | 69M-F4311-00       | PIPE, FUEL 1 DURITE A ESSENCE                       | 1    |                            |
| 13       | 90467-13M13        | CLIP JONC   | 1    |                            |
| 14       | 69M-F4191-00       | BRACKET, FUEL TANK 1 SUPPORT 1, RESERVOIR A ESSENCE | 1    |                            |
| 15       | 69M-F4181-00       | DAMPER, LOCATING 1 SILENT-BLOC 1                    | 1    |                            |
| 16       | 69M-24554-00       | SHAFT, COCK AXE, MANETTE DU ROBINET                 | 1    |                            |
| 17       | 93210-13M43        | O-RING JOINT TORIQUE                                | 1    |                            |
| 18       | 69M-24575-00       | LEVER, FUEL CHANGE LEVIER, D'ESSENCE                | 1    |                            |
| 19       | 90159-05M12        | SCREW, WITH WASHER VIS, AVEC RONDELLE               | 1    |                            |
| 20       | 90467-11M08        | CLIP JONC   | 1    |                            |
| 21       | 69M-E3437-60       | MARK, CAUTION MAKER                                 | 1    |                            |
| 22       | 60R-H3625-40       | MARK 5 ETIQUETTE 5                                  | 1    |                            |
| 23       | 60R-H3625-50       | MARK 5 ETIQUETTE 5                                  | 1    |                            |
| 24       | 61H-2819R-31       | TAG, WARNING ETIQUETTE, AVERTISSEMENT               | 1    |                            |
| 25       | 69M-F8100-00       | TOOL KIT TROUSSE A OUTILS                           | 1    |                            |
| 26       | 69M-F8199-74-E0    | MANUAL, OWNER'S MANUEL D'UTILISATION                | 1    | UR (E)                     |
|          | 69M-F8199-74-F0    | MANUAL, OWNER'S MANUEL D'UTILISATION                | 1    | UR (E)<br>UR (F)<br>UR (F) |



69M2300-C080

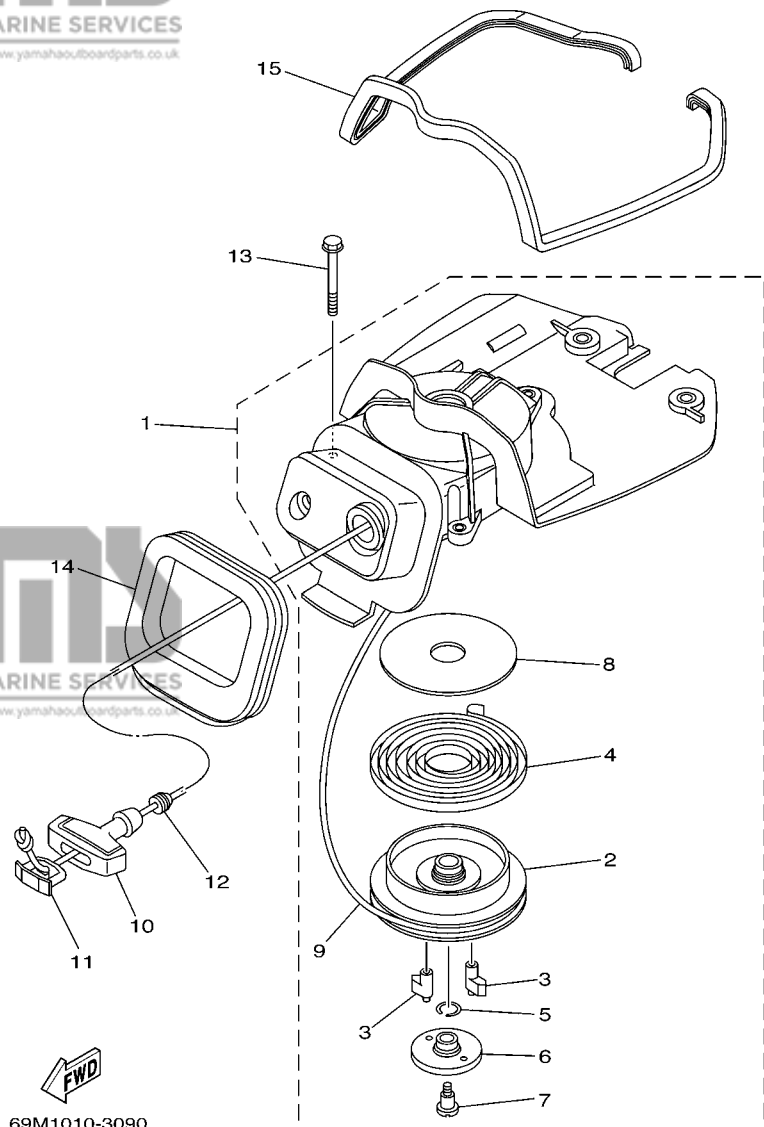
**FIG. 8 FUEL**

**CARBURANT**

| REF. NO. | PART NO. N° PIECES | DESCRIPTION DESCRIPTION                | 69M5 | REMARKS REMARQUES  |
|----------|--------------------|--|------|--------------------|
| 26       | 69M-F8199-74-S0    | MANUAL,OWNER'S<br>MANUEL D'UTILISATION | 1    | UR (ES)<br>UR (ES) |
|          | 69M-F8199-74-G0    | MANUAL,OWNER'S<br>MANUEL D'UTILISATION | 1    | UR (D)<br>UR (D)   |
|          | 69M-F8199-74-D0    | MANUAL,OWNER'S<br>MANUEL D'UTILISATION | 1    | UR (NL)<br>UR (NL) |
|          | 69M-F8199-74-H0    | MANUAL,OWNER'S<br>MANUEL D'UTILISATION | 1    | UR (I)<br>UR (I)   |
| 27       | 69M-F8199-84-K0    | MANUAL,OWNER'S<br>MANUEL D'UTILISATION | 1    | UR (DK)<br>UR (DK) |
|          | 69M-F8199-84-R0    | MANUAL,OWNER'S<br>MANUEL D'UTILISATION | 1    | UR (GR)<br>UR (GR) |
|          | 69M-F8199-84-P0    | MANUAL,OWNER'S<br>MANUEL D'UTILISATION | 1    | UR (P)<br>UR (P)   |
|          | 69M-F8199-84-N0    | MANUAL,OWNER'S<br>MANUEL D'UTILISATION | 1    | UR (N)<br>UR (N)   |
|          | 69M-F8199-84-M0    | MANUAL,OWNER'S<br>MANUEL D'UTILISATION | 1    | UR (S)<br>UR (S)   |
|          | 69M-F8199-84-L0    | MANUAL,OWNER'S<br>MANUEL D'UTILISATION | 1    | UR (SF)<br>UR (SF) |

**B6**



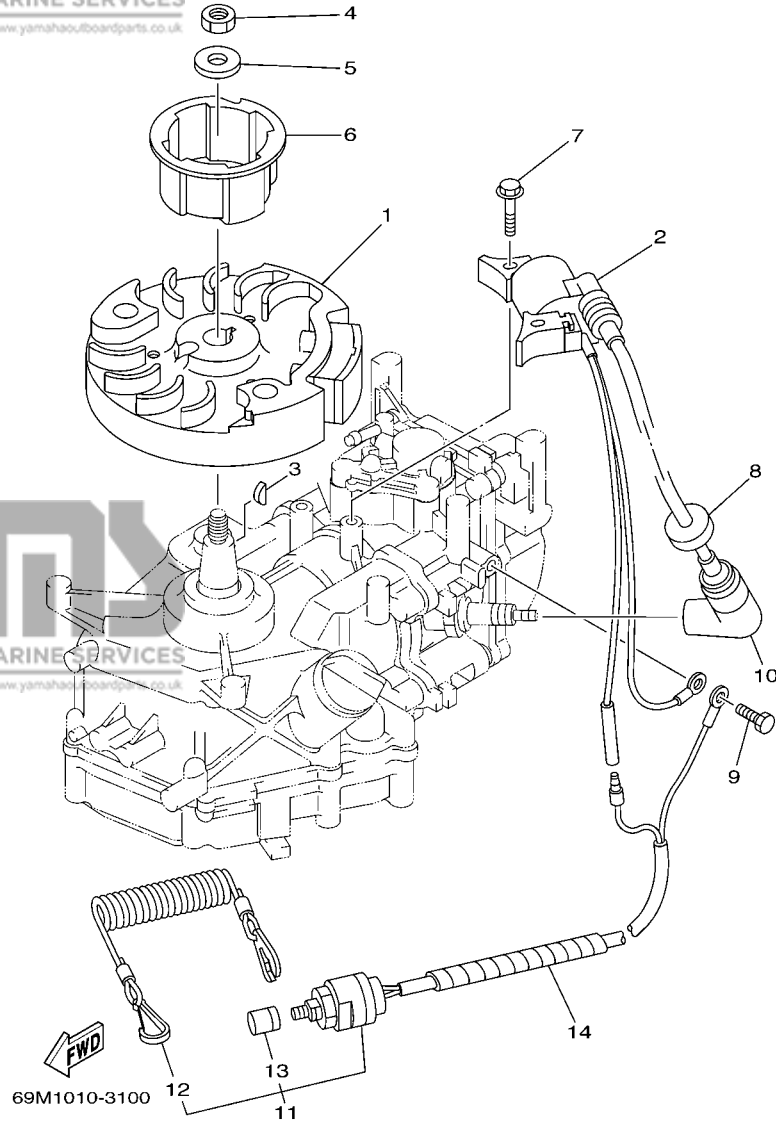


69M1010-3090

**FIG. 9 STARTER**

**DEMARREUR**

| REF. NO. | PART NO. N° PIECES | DESCRIPTION DESCRIPTION                                     | 69M5 | REMARKS REMARQUES |
|----------|--------------------|---|------|-------------------|
| 1        | 69M-15710-00       | STARTER ASSY<br>DEMARREUR COMPLET                           | 1    |                   |
| 2        | 69M-15714-00       | .DRUM, SHEAVE<br>.TAMBOUR, POULIE                           | 1    |                   |
| 3        | 69M-15741-00       | .PAWL, DRIVE<br>.CLIQUET, ENTRAINEMENT                      | 2    |                   |
| 4        | 67D-15713-00       | .SPRING, STARTER<br>.RESSORT DE DEMARREUR                   | 1    |                   |
| 5        | 67D-15705-00       | .SPRING, DRIVE PAWL<br>.RESSORT DE CLIQUET                  | 1    |                   |
| 6        | 69M-15735-00       | .GUIDE, CAM<br>.COULISSEAU                                  | 1    |                   |
| 7        | 69M-15793-00       | .SCREW<br>.VIS  | 1    |                   |
| 8        | 69M-15739-00       | .WASHER, THRUST<br>.RONDELLE, DE BUTEE                      | 1    |                   |
| 9        | 69M-15751-00       | .WIRE, STARTER (L:1500MM)<br>.CABLE DE DEMARREUR (L:1500MM) | 1    |                   |
| 10       | 6G1-15755-00       | HANDLE, STARTER<br>POIGNEE, DE DEMARREUR                    | 1    |                   |
| 11       | 6G1-15779-00       | COVER<br>COUVERCLE  | 1    |                   |
| 12       | 69M-E5789-00       | DAMPER<br>AMORTISSEUR                                       | 1    |                   |
| 13       | 97595-06560        | BOLT, WITH WASHER<br>VIS HEXAGONAL AVEC RONDELLE            | 3    |                   |
| 14       | 69M-15762-00       | SEAL, RUBBER 2<br>JOINT CAOUTCHOUC 2                        | 1    |                   |
| 15       | 69M-24182-00       | DAMPER, LOCATING 2<br>SILENT-BLOC                           | 1    |                   |

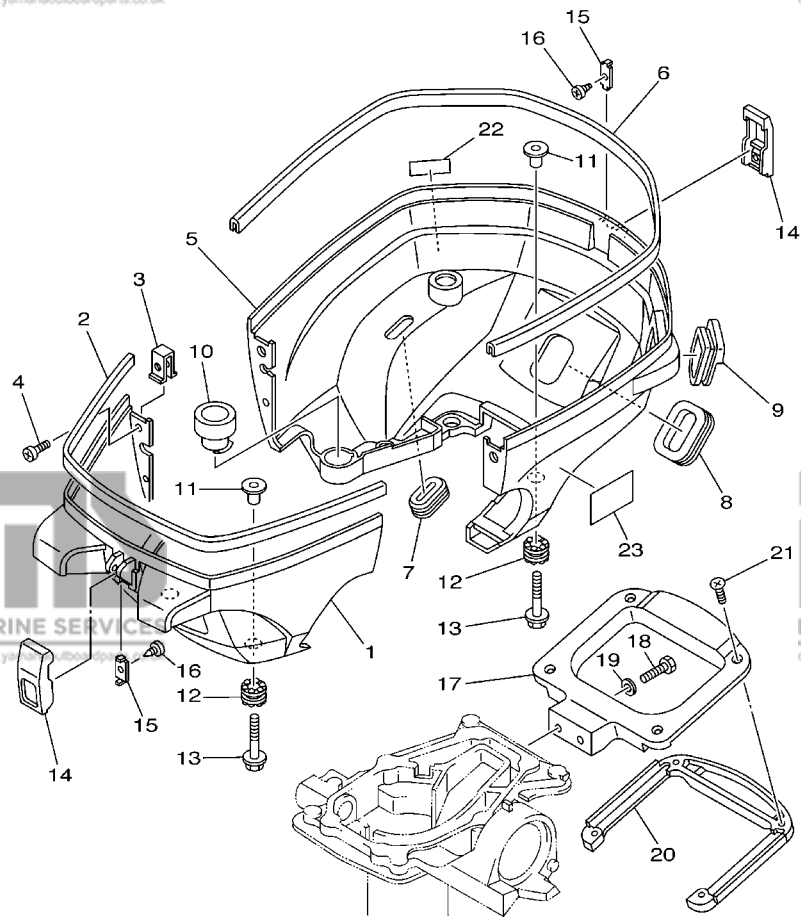


**FIG. 10 GENERATOR**

**GENERATRICE**

| REF. NO. | PART NO. N° PIECES | DESCRIPTION DESCRIPTION                       | 69M5 | REMARKS REMARQUES |
|----------|--------------------|---|------|-------------------|
| 1        | 69M-85650-00       | ROTOR ASSY<br>ROTOR COMPLET                   | 1    |                   |
| 2        | 69M-85640-00       | T.C.I. UNIT ASSY<br>ENS. BLOC T.C.I.          | 1    |                   |
| 3        | 90280-04M06        | KEY, WOODRUFF<br>CLAVETTE, DEMI-LUNE          | 1    |                   |
| 4        | 90170-10M33        | NUT<br>ECROU                                  | 1    |                   |
| 5        | 90201-105A2        | WASHER, PLATE<br>RONDELLE, PLATE              | 1    |                   |
| 6        | 69M-15723-00       | PULLEY, STARTER<br>POULIE DE DEMARREUR        | 1    |                   |
| 7        | 90105-06M24        | BOLT, FLANGE<br>BOULON                        | 2    |                   |
| 8        | 90480-25161        | GROMMET<br>PASSE-FIL                          | 1    |                   |
| 9        | 97095-06012        | BOLT<br>BOULON                                | 1    |                   |
| 10       | 6E3-82370-21       | PLUG CAP ASSY<br>ANTIPARASITE                 | 1    |                   |
| 11       | 65W-82575-01       | ENGINE STOP SWITCH ASSY<br>COUPE CIRCUIT CPLT | 1    |                   |
| 12       | 682-82556-00       | .LANYARD, STOP SWITCH<br>.PLAQUETTE           | 1    |                   |
| 13       | 689-8257Y-00       | .CAP<br>.CHAPEAU                              | 1    |                   |
| 14       | 90446-06M90        | HOSE (L120)<br>DURITE (L120)                  | 1    |                   |

**C1**

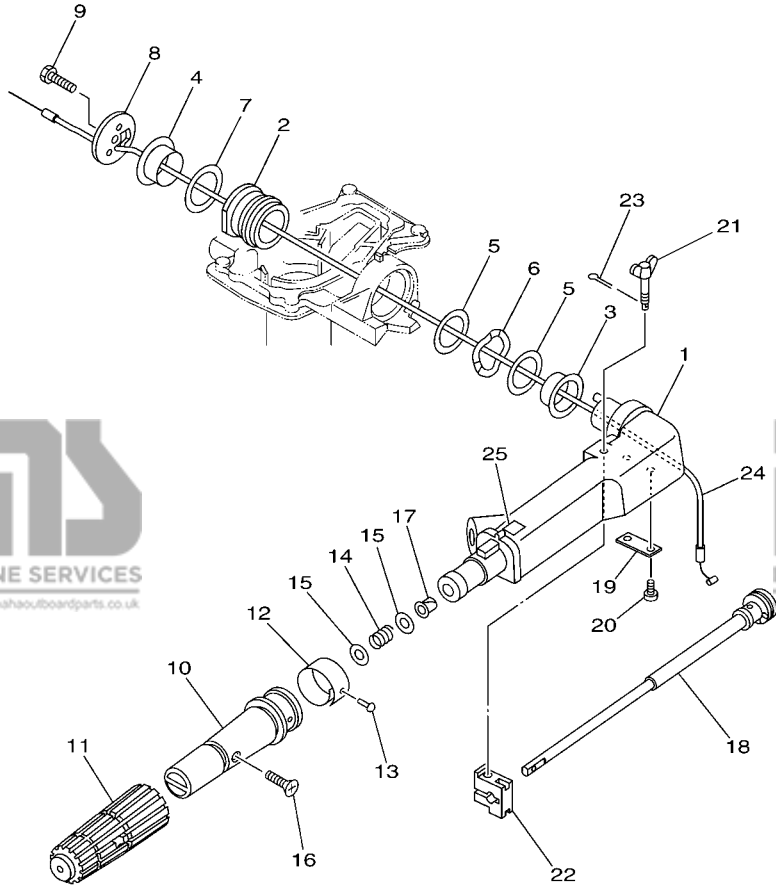


69M1010-3110

**FIG. 11 BOTTOM COWLING**

**CAPOT INFERIEUR**

| REF. NO. | PART NO. N° PIECES | DESCRIPTION DESCRIPTION                          | 69MS |  | REMARKS REMARQUES |
|----------|--------------------|--|------|--|-------------------|
| 1        | 69M-G2711-00-4D    | COWLING, BOTTOM 1<br>CUVETTE 1                   | 1    |  |                   |
| 2        | 69M-42628-00       | SEAL<br>JOINT                                    | 1    |  |                   |
| 3        | 6L5-42774-00       | STAY, APRON 1<br>COUSSINET                       | 2    |  |                   |
| 4        | 90157-05013        | SCREW, PAN HEAD<br>VIS, TETE TRONCONIQUE         | 2    |  |                   |
| 5        | 69M-G2712-00       | COWLING, BOTTOM 2<br>CUVETTE 2                   | 1    |  |                   |
| 6        | 69M-42629-00       | SEAL<br>JOINT                                    | 1    |  |                   |
| 7        | 69M-G2727-00       | GROMMET<br>PASSE-FIL                             | 1    |  |                   |
| 8        | 69M-G2724-00       | GROMMET<br>PASSE-FIL                             | 1    |  |                   |
| 9        | 69M-G2725-00       | GROMMET<br>PASSE-FIL                             | 1    |  |                   |
| 10       | 69M-E5316-00       | DAMPER, ENGINE MOUNT 1<br>AMORTISSEUR DE SUPPORT | 1    |  |                   |
| 11       | 69M-42758-00       | COLLAR<br>ENTRETOISE                             | 4    |  |                   |
| 12       | 69M-G2768-00       | DAMPER<br>AMORTISSEUR                            | 4    |  |                   |
| 13       | 90119-06M17        | BOLT, WITH WASHER<br>BOULON, AVEC RONDELLE       | 4    |  |                   |
| 14       | 6L5-42647-00       | HOLDER, CLAMP BAND<br>SUPPORT, SANDOW DE SERRAGE | 2    |  |                   |
| 15       | 6L5-42823-00       | PLATE, STOP<br>PLAQUE                            | 2    |  |                   |
| 16       | 90167-03M02        | SCREW, TAPPING<br>VIS, TETE FRAISEE              | 2    |  |                   |
| 17       | 69M-G2731-00-4D    | CARRYING HANDLE<br>POIGNEE DE PORTAGE            | 1    |  |                   |
| 18       | 97095-06020        | BOLT<br>BOULON                                   | 2    |  |                   |
| 19       | 92995-06600        | WASHER<br>RONDELLE                               | 2    |  |                   |
| 20       | 69M-G2735-00       | PROTECTOR<br>PROTECTEUR                          | 1    |  |                   |
| 21       | 90161-04003        | SCREW, TAPPING<br>VIS, TETE FRAISEE              | 4    |  |                   |
| 22       | 69M-F4591-00       | EMBLEM, FUEL COCK<br>ADHESIF                     | 1    |  |                   |
| 23       | 69M-E3444-50       | MARK<br>MAKER                                    | 1    |  |                   |

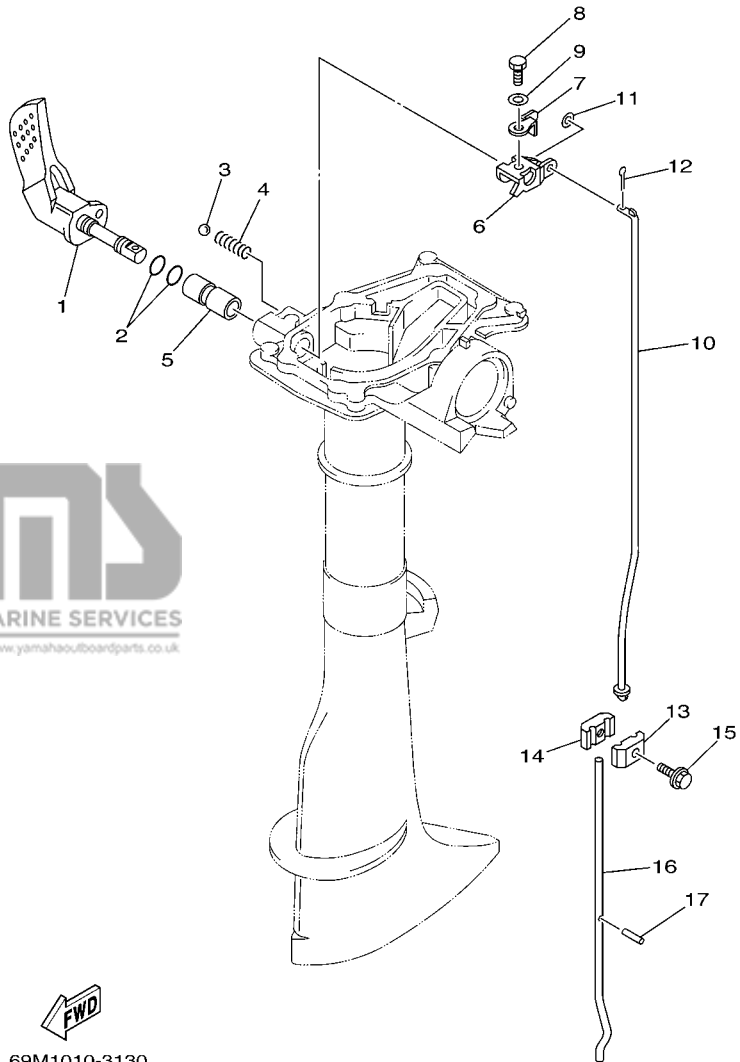


**FWD**  
69M5300-F120

**FIG. 12 STEERING**

**DIRECTION**

| REF. NO. | PART NO. N° PIECES | DESCRIPTION DESCRIPTION   | 69M5 | REMARKS REMARQUES |
|----------|--------------------|---|------|-------------------|
| 1        | 69M-G2111-00-4D    | HANDLE, STEERING<br>POIGNEE                                     | 1    |                   |
| 2        | 67D-42129-00       | BUSHING, RUBBER<br>DOUILLE, CAOUTCHOUC                          | 1    |                   |
| 3        | 68D-G2171-00       | BUSHING<br>COUSSINET  | 1    |                   |
| 4        | 68D-G2172-00       | BUSHING 2<br>DOUILLE 2  | 1    |                   |
| 5        | 68D-G2181-00       | WASHER<br>RONDELLE  | 2    |                   |
| 6        | 69M-G2188-00       | WASHER, WAVE<br>RONDELLE, ONDULEE                               | 1    |                   |
| 7        | 68D-G2182-00       | WASHER 2<br>RONDELLE 2  | 1    |                   |
| 8        | 68D-G2131-01       | COVER, HANDLE STEERING<br>COUVERCLE                             | 1    |                   |
| 9        | 97075-08025        | BOLT<br>BOULON  | 1    |                   |
| 10       | 69M-G2119-10       | GRIP, STEERING HANDLE<br>POIGNEE, BARRE FRANCHE                 | 1    |                   |
| 11       | 6N0-G2177-00       | RUBBER, HANDLE<br>CAOUTCHOUC, POIGNEE                           | 1    |                   |
| 12       | 69M-G2137-00       | INDICATOR, THROTTLE<br>INDICATEUR, ACCELERATION                 | 1    |                   |
| 13       | 90269-02M09        | RIVET<br>RIVET  | 1    |                   |
| 14       | 90501-23800        | SPRING, COMPRESSION<br>RESSORT, COMPRESSION                     | 1    |                   |
| 15       | 90201-10M02        | WASHER, PLATE<br>RONDELLE, PLATE                                | 2    |                   |
| 16       | 90149-05M13        | SCREW<br>VIS  | 1    |                   |
| 17       | 90386-08032        | BUSH<br>DOUILLE   | 1    |                   |
| 18       | 6G1-42138-01       | LEVER, THROTTLE<br>LEVIER, ACCELERATEUR                         | 1    |                   |
| 19       | 68D-G2159-00       | STAY<br>SUPPORT   | 1    |                   |
| 20       | 97885-05012        | SCREW, PAN HEAD<br>VIS, A ENCOCHE                               | 2    |                   |
| 21       | 6G1-42125-01       | BOLT, FRICTION ADJUSTING<br>BOULON                              | 1    |                   |
| 22       | 6G1-42126-00       | FRICTION, STEERING HANDLE GRIP<br>CUVETTE, POIGNEE DE DIRECTION | 1    |                   |
| 23       | 91490-16010        | PIN, COTTER<br>GOUPILLE   | 1    |                   |
| 24       | 69M-F6301-00       | THROTTLE CABLE ASSY<br>CABLE D'ACCELERATEUR                     | 1    |                   |
| 25       | 6N0-F8176-00       | LABEL, CAUTION<br>ETIQUETTE, RECOMMANDATION                     | 1    |                   |

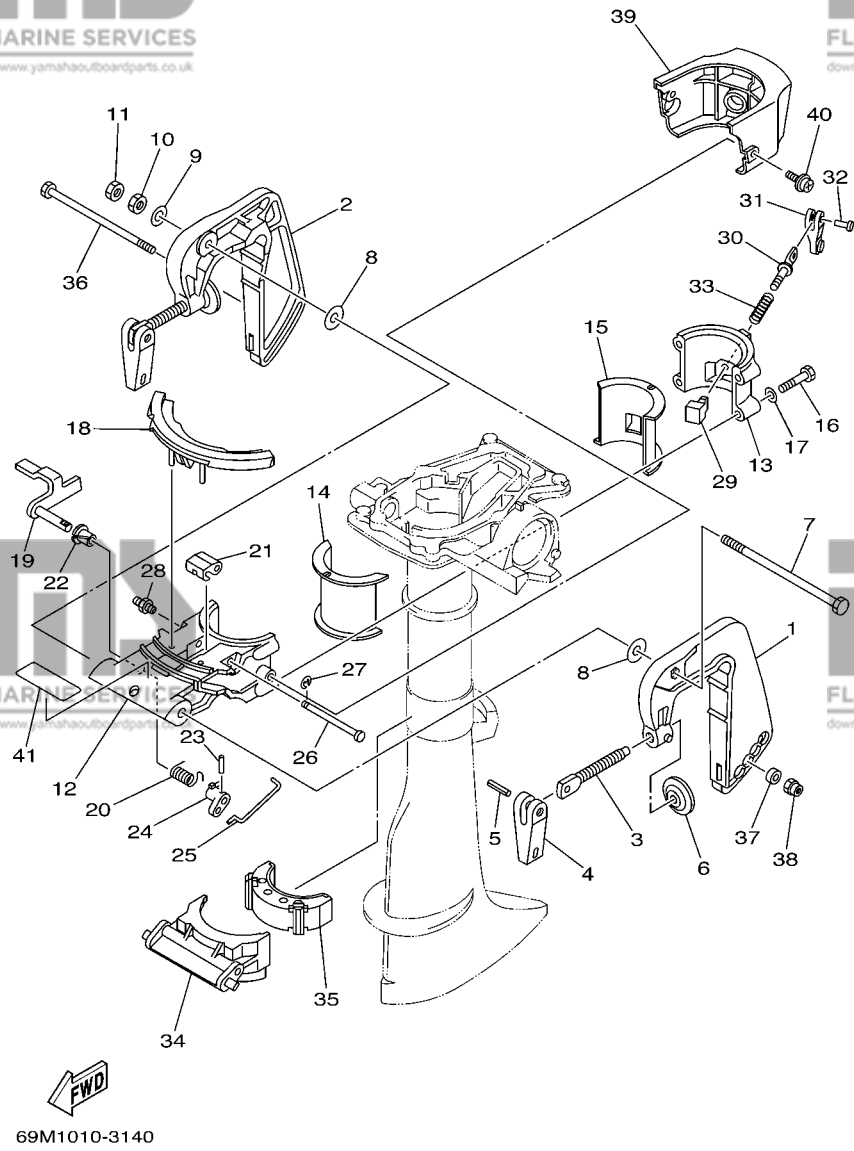


69M1010-3130

FIG. 13 CONTROL

COMMANDE

| REF. NO. | PART NO. N° PIECES | DESCRIPTION DESCRIPTION                                   | 69M5 | REMARKS REMARQUES    |
|----------|--------------------|---|------|----------------------|
| 1        | 69M-G4111-00       | HANDLE, GEAR SHIFT<br>POIGNEE, LEVIER D'EMBRAYAGE         | 1    |                      |
| 2        | 93210-09350        | O-RING<br>JOINT TORIQUE                                   | 2    |                      |
| 3        | 93505-16024        | BALL<br>BILLE   | 1    |                      |
| 4        | 90501-12802        | SPRING, COMPRESSION<br>RESSORT, COMPRESSION               | 1    |                      |
| 5        | 68D-G4122-01       | BUSHING, SHIFT ROD LEVER<br>DOUILLE, LEVIER D'EMBRAYAGE   | 1    |                      |
| 6        | 69M-G4121-00       | LEVER, SHIFT ROD<br>LEVIER, TIGE D'INVERSION              | 1    |                      |
| 7        | 69M-44126-00       | WASHER, SHIFT ROD LEVER<br>RONDELLE, TIGE D'INVERSION LEV | 1    |                      |
| 8        | 97095-05012        | BOLT<br>BOULON  | 1    |                      |
| 9        | 92995-05600        | WASHER<br>RONDELLE  | 1    |                      |
| 10       | 69M-44143-00       | ROD, SHIFT<br>TIGE D'EMBRAYAGE                            | 1    |                      |
| 11       | 92990-05600        | WASHER, PLATE<br>RONDELLE, PLATE                          | 1    |                      |
| 12       | 91490-16010        | PIN, COTTER<br>GOUPILLE                                   | 1    |                      |
| 13       | 6N0-G4145-10       | CONNECTOR, SHIFT ROD<br>CONNECTEUR, TIGE D'INVERSION      | 1    |                      |
| 14       | 6N0-G4146-10       | CONNECTOR, SHIFT ROD<br>CONNECTEUR, TIGE D'INVERSION      | 1    |                      |
| 15       | 90119-06ME0        | BOLT, WITH WASHER<br>BOULON, AVEC RONDELLE                | 1    |                      |
| 16       | 6L5-44144-00       | ROD, SHIFT<br>TIGE D'EMBRAYAGE                            | 1    | S(17.0")             |
|          | 6L5-44144-10       | ROD, SHIFT<br>TIGE D'EMBRAYAGE                            | 1    | S(17.0")<br>L(22.0") |
| 17       | 91609-25014        | PIN, SPRING<br>AXE DE RESSORT                             | 1    | L(22.0")             |

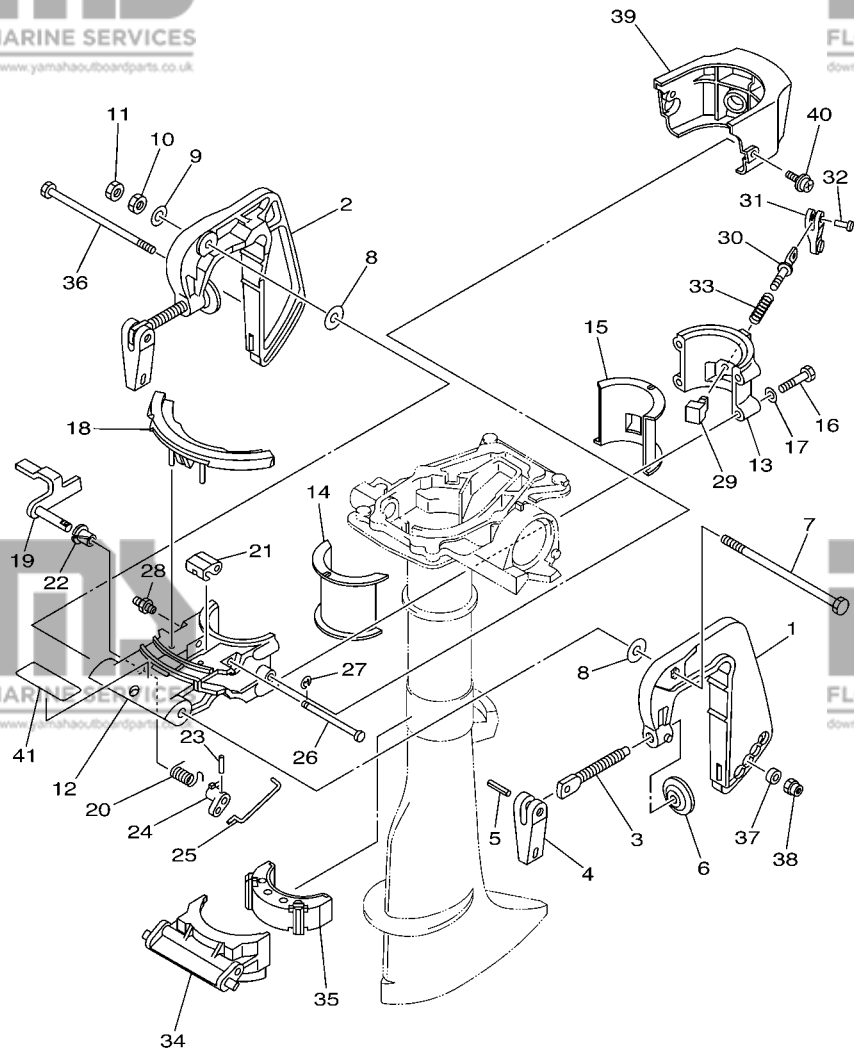


**FIG. 14 BRACKET**

**SUPPORT**

| REF. NO. | PART NO. N° PIECES | DESCRIPTION DESCRIPTION                            | 69M5 | REMARKS REMARQUES |
|----------|--------------------|--|------|-------------------|
| 1        | 69M-G3111-00-4D    | BRACKET, CLAMP 1 PRESSE 1                          | 1    |                   |
| 2        | 69M-G3112-00-4D    | BRACKET, CLAMP 2 PRESSE 2                          | 1    |                   |
| 3        | 6E0-43116-01       | SCREW, TRANSOM CLAMP VIS DE PRESSE                 | 2    |                   |
| 4        | 69M-G3118-00       | HANDLE, TRANSOM CLAMP POIGNEE DE VIS DE PRESSE     | 2    |                   |
| 5        | 90243-04M01        | PIN GOUPILLE                                       | 2    |                   |
| 6        | 620-43114-00       | PAD, TRANSOM CLAMP RONDELLE D'APPUI                | 2    |                   |
| 7        | 90101-08M07        | BOLT BOULON  | 1    |                   |
| 8        | 90202-08022        | WASHER, PLATE RONDELLE, PLATE                      | 2    |                   |
| 9        | 92990-08200        | WASHER, PLAIN RONDELLE, PLATE                      | 1    |                   |
| 10       | 95380-08600        | NUT ECROU  | 1    |                   |
| 11       | 95380-08700        | NUT ECROU  | 1    |                   |
| 12       | 69M-G3311-01-4D    | BRACKET, SWIVEL 1 SUPPORT, PIVOT 1                 | 1    |                   |
| 13       | 69M-G3312-00-4D    | BRACKET, SWIVEL 2 SUPPORT, PIVOT 2                 | 1    |                   |
| 14       | 69M-G2537-00       | BUSHING, PIVOT SHAFT COUSSINET                     | 1    |                   |
| 15       | 69M-G2538-00       | BUSHING, PIVOT SHAFT COUSSINET                     | 1    |                   |
| 16       | 97075-06030        | BOLT BOULON  | 4    |                   |
| 17       | 92995-06600        | WASHER RONDELLE                                    | 4    |                   |
| 18       | 69M-43679-00       | STOPPER, HOOK BUTEE                                | 1    |                   |
| 19       | 69M-43180-00       | TILT STOP LEVER ASSY LEVIER, VERROUILLAGE RELEVAGE | 1    |                   |
| 20       | 69M-G3188-00       | SPRING RESSORT                                     | 1    |                   |
| 21       | 69M-G3186-00       | LEVER LEVIER                                       | 1    |                   |
| 22       | 90386-08032        | BUSH DOUILLE                                       | 1    |                   |
| 23       | 91690-20010        | PIN, SPRING AGRAFFE                                | 1    |                   |
| 24       | 69M-G3185-00       | LEVER, TILT STOP LEVIER, VERROUILLAGE RELEVAGE     | 1    |                   |
| 25       | 69M-G3164-00       | ROD, TILT LOCK TIGE                                | 1    |                   |
| 26       | 69M-G3166-00       | PIN GOUPILLE                                       | 1    |                   |
| 27       | 99080-04600        | CIRCLIP CIRCLIP                                    | 1    |                   |

**C5**

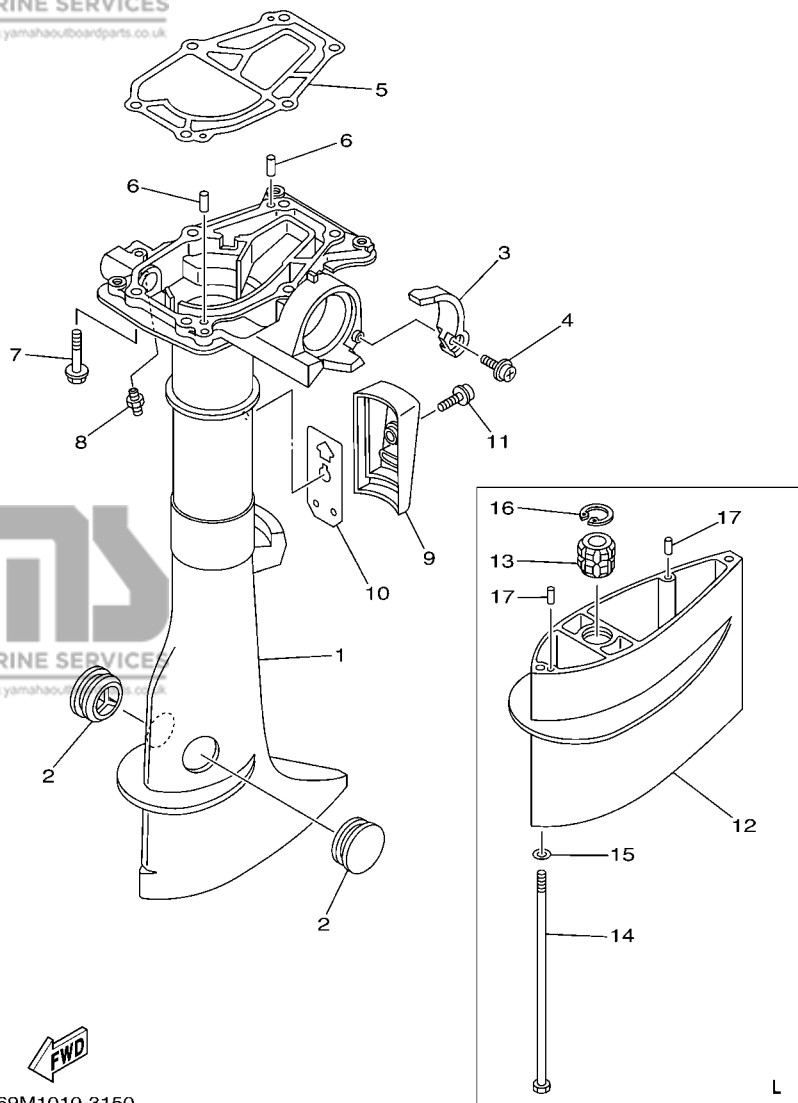


**FWD**  
69M1010-3140

**FIG. 14 BRACKET**

**SUPPORT**

| REF. NO. | PART NO. N° PIECES | DESCRIPTION DESCRIPTION                                | 69M5 | REMARKS REMARQUES |
|----------|--------------------|--|------|-------------------|
| 28       | 93700-06M03        | NIPPLE, GREASE PION                                    | 1    |                   |
| 29       | 69M-42528-00       | PLATE, FRICTION PLAQUE, FRICTION                       | 1    |                   |
| 30       | 69M-42529-00       | SCREW, FRICTION PIECE VIS, PIECE DE FRICTION           | 1    |                   |
| 31       | 68D-G2561-01       | KNOB, STEERING LOCK BOUTON                             | 1    |                   |
| 32       | 90266-04M05        | RIVET RIVET  | 1    |                   |
| 33       | 90501-12803        | SPRING, COMPRESSION RESSORT, COMPRESSION               | 1    |                   |
| 34       | 69M-G3351-00       | RECEIVER, THRUST SILENT-BLOC, BUTEE                    | 1    |                   |
| 35       | 69M-44557-00       | MOUNT DAMPER, LOWER FRONT SILENT-BLOC, INFERIEUR AVANT | 1    |                   |
| 36       | 90101-06030        | BOLT BOULON  | 1    |                   |
| 37       | 90201-06040        | WASHER, PLATE RONDELLE, PLATE                          | 1    |                   |
| 38       | 95780-06300        | NUT, FLANGE ECROU                                      | 1    |                   |
| 39       | 69M-G3318-00       | COVER CAPUCHON   | 1    |                   |
| 40       | 90159-06M11        | SCREW, WITH WASHER VIS, AVEC RONDELLE                  | 2    |                   |
| 41       | 69M-G3691-00       | INDICATOR, TILT ETIQUETTE, RELEVAGE                    | 1    |                   |



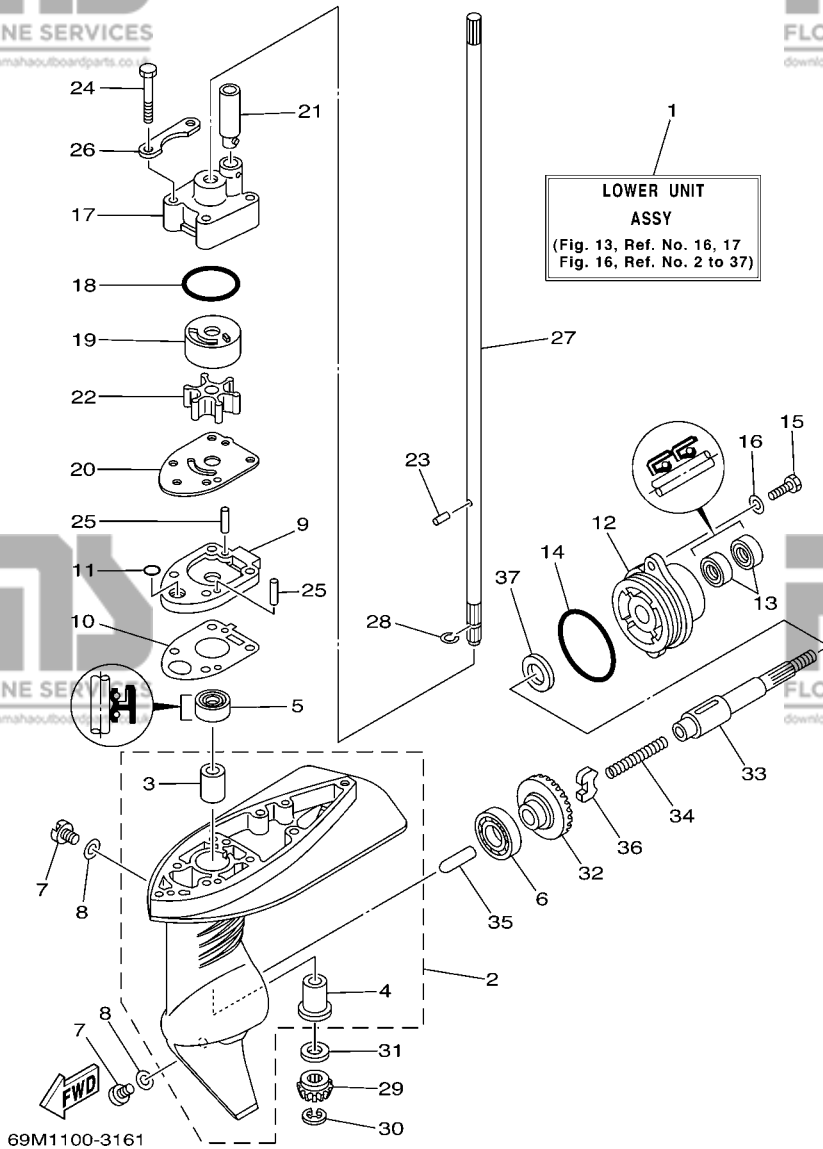
**FWD**  
69M1010-3150

**FIG. 15 UPPER CASING**

**FOURREAU**

| REF. NO. | PART NO. N° PIECES | DESCRIPTION DESCRIPTION                      | 69M5 | REMARKS REMARQUES |
|----------|--------------------|--|------|-------------------|
| 1        | 69M-G5111-00-4D    | CASING, UPPER FOURREAU                       | 1    |                   |
| 2        | 647-45151-01       | COVER, UPPER CASING CAPUCHON, FOURREAU       | 2    |                   |
| 3        | 69M-G5152-00       | COVER, UPPER CASING 2 CAPUCHON FOURREAU      | 1    |                   |
| 4        | 90159-05M12        | SCREW, WITH WASHER VIS, AVEC RONDELLE        | 1    |                   |
| 5        | 69M-45113-A0       | GASKET, UPPER CASING JOINT, TUBE D'ARBRE     | 1    |                   |
| 6        | 93604-12M07        | PIN, DOWEL CLAVETTE                          | 2    |                   |
| 7        | 97575-06535        | BOLT, WITH WASHER VIS HEXAGONAL AVC RONDELLE | 6    |                   |
| 8        | 93700-06M03        | NIPPLE, GREASE PION                          | 1    |                   |
| 9        | 69M-G5151-00       | COVER, UPPER CASING CAPUCHON, FOURREAU       | 1    |                   |
| 10       | 69M-G5115-00       | GASKET, UPPER CASING JOINT, TUBE D'ARBRE     | 1    |                   |
| 11       | 90159-06M11        | SCREW, WITH WASHER VIS, AVEC RONDELLE        | 1    |                   |
| 12       | 69M-G5211-00-4D    | EXTENSION EXTENSION                          | 1    | L(22.0")          |
| 13       | 6L5-45318-00       | BUSHING, DRIVE SHAFT DOUILLE, ARBRE MOTEUR   | 1    | L(22.0")          |
| 14       | 90101-06M18        | BOLT BOULON                                  | 3    | L(22.0")          |
| 15       | 92990-06600        | WASHER, PLATE RONDELLE, PLATE                | 3    | L(22.0")          |
| 16       | 93420-22M03        | CIRCLIP CIRCLIP, TYPE S                      | 1    | L(22.0")          |
| 17       | 93604-12M07        | PIN, DOWEL CLAVETTE                          | 2    | L(22.0")          |

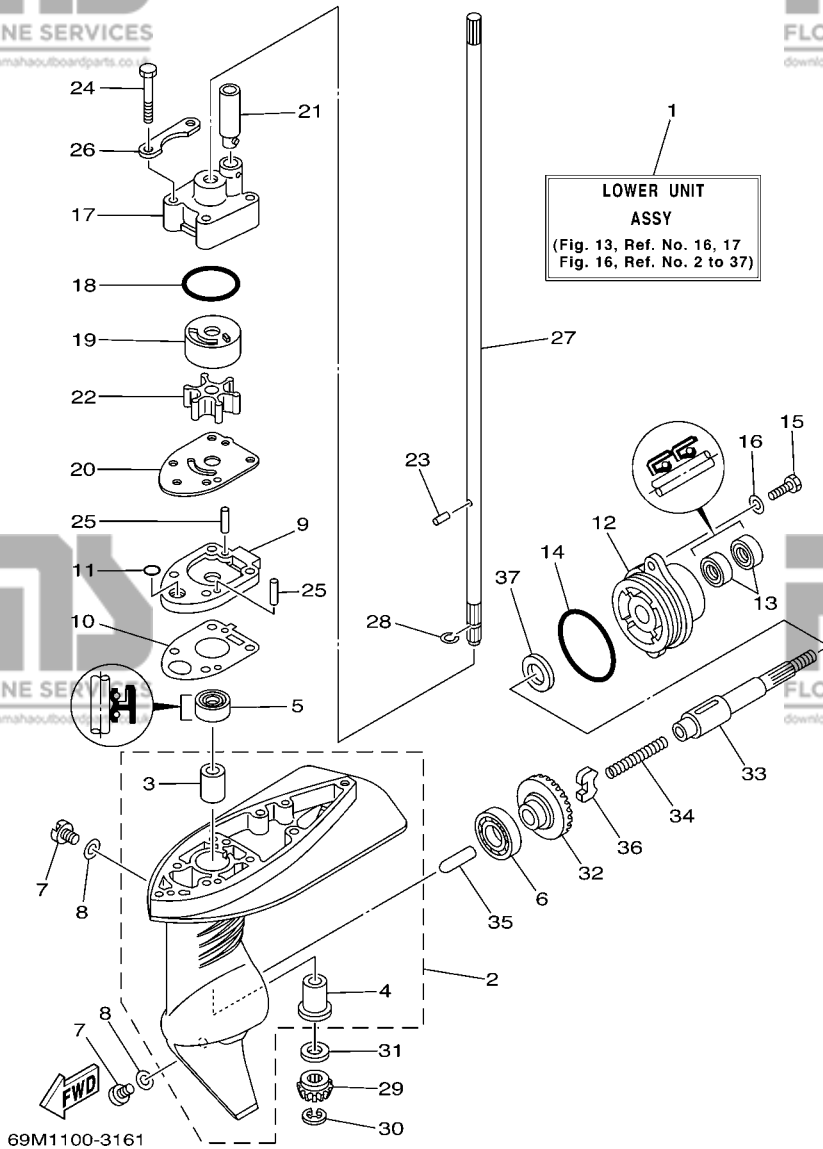




**FIG. 16 LOWER CASING & DRIVE 1**

**BOITIER D'HELICE TRANSMISSION1**

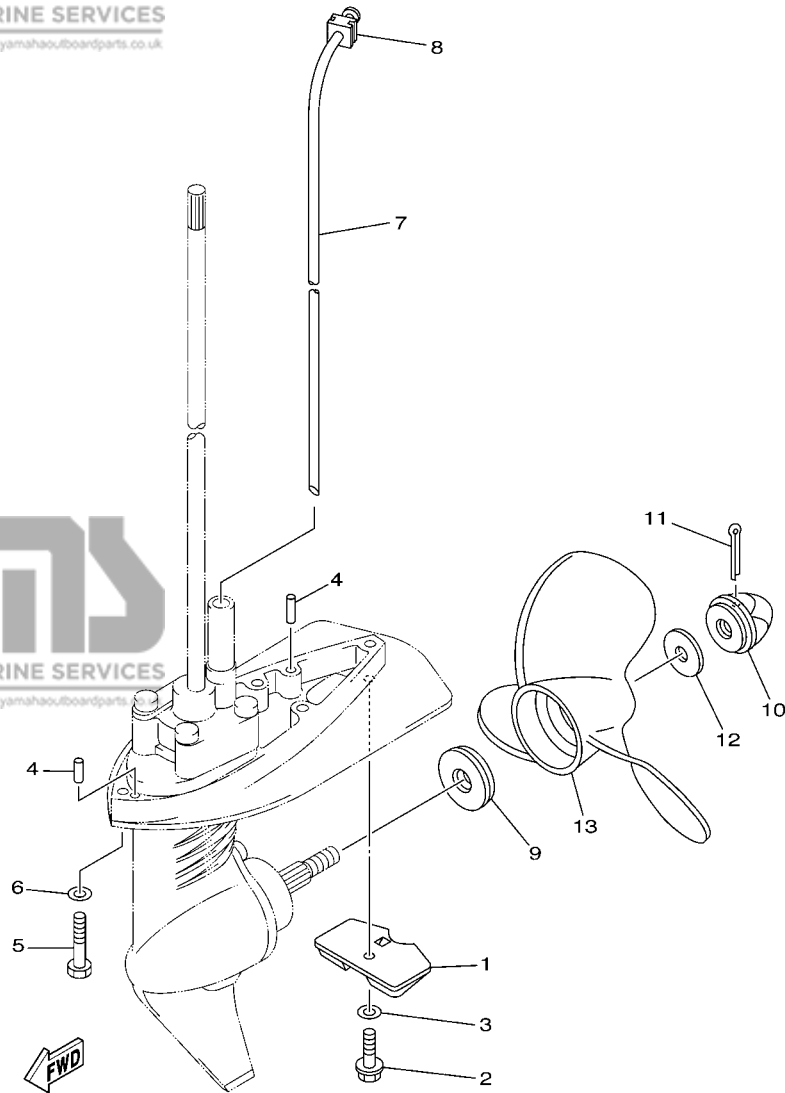
| REF. NO. | PART NO. N° PIECES | DESCRIPTION DESCRIPTION                          | 69M5 | REMARKS REMARQUES    |
|----------|--------------------|--|------|----------------------|
| 1        | 69M-G5300-01-4D    | LOWER UNIT ASSY<br>UNITE INFÉRIEURE (ENS.)       | 1    | S(17.0")<br>S(17.0") |
|          | 69M-G5300-11-4D    | LOWER UNIT ASSY<br>UNITE INFÉRIEURE (ENS.)       | 1    | L(22.0")<br>L(22.0") |
| 2        | 69M-G5311-00-4D    | CASING, LOWER<br>BOITIER D'HELICE                | 1    |                      |
| 3        | 6L5-45316-09       | .BUSHING, DRIVE SHAFT<br>.DOUILLE, ARBRE MOTEUR  | 1    |                      |
| 4        | 6L5-45317-09       | .BUSHING, DRIVE SHAFT<br>.DOUILLE, ARBRE MOTEUR  | 1    |                      |
| 5        | 93103-09M41        | OIL SEAL<br>JOINT SPY                            | 1    |                      |
| 6        | 93316-003Y0        | BEARING<br>ROULEMENT                             | 1    |                      |
| 7        | 90340-08002        | PLUG, STRAIGHT SCREW<br>PLOT, FILETE DROIT       | 2    |                      |
| 8        | 90430-08020        | GASKET<br>JOINT                                  | 2    |                      |
| 9        | 69M-G5321-00-94    | PLATE<br>PLAQUETTE                               | 1    |                      |
| 10       | 69M-G5315-A0       | PACKING, LOWER CASING<br>JOINT, BOITIER D'HELICE | 1    |                      |
| 11       | 93210-05001        | O-RING<br>JOINT TORIQUE                          | 1    |                      |
| 12       | 69M-G5361-00-4D    | CAP, LOWER CASING<br>COUVERCLE, BOITIER D'HELICE | 1    |                      |
| 13       | 93101-13M12        | OIL SEAL<br>JOINT SPY                            | 2    |                      |
| 14       | 93210-48214        | O-RING<br>JOINT TORIQUE                          | 1    |                      |
| 15       | 97095-06016        | BOLT<br>BOULON                                   | 2    |                      |
| 16       | 92995-06600        | WASHER<br>RONDELLE                               | 2    |                      |
| 17       | 69M-G4311-00       | HOUSING, WATER PUMP<br>CORPS, POMPE A EAU        | 1    |                      |
| 18       | 93210-33M85        | O-RING<br>JOINT TORIQUE                          | 1    |                      |
| 19       | 6L5-44322-00       | INSERT, CARTRIDGE<br>CUVETTE                     | 1    |                      |
| 20       | 69M-G4323-00       | OUTER PLATE, CARTRIDGE<br>PLAQUE EXTERIEURE      | 1    |                      |
| 21       | 6E0-44366-00       | DAMPER, WATER SEAL<br>JOINT, TUBE D'EAU          | 1    |                      |
| 22       | 6L5-44352-00       | IMPELLER<br>TURBINE                              | 1    |                      |
| 23       | 93604-07M13        | PIN, DOWEL<br>CLAVETTE                           | 1    |                      |
| 24       | 97095-06040        | BOLT<br>BOULON                                   | 4    |                      |
| 25       | 93604-18080        | PIN, DOWEL<br>CLAVETTE                           | 2    |                      |
| 26       | 69M-G4328-00       | PLATE<br>PLAQUETTE                               | 2    |                      |



**FIG. 16 LOWER CASING & DRIVE 1**

**BOITIER D'HELICE TRANSMISSION1**

| REF. NO. | PART NO. N° PIECES | DESCRIPTION DESCRIPTION                     | 69M5 | REMARKS REMARQUES    |
|----------|--------------------|---|------|----------------------|
| 27       | 69M-G5511-00       | SHAFT, DRIVE<br>ARBRE, MOTEUR               | 1    | S(17.0")<br>S(17.0") |
|          | 69M-G5511-10       | SHAFT, DRIVE<br>ARBRE, MOTEUR               | 1    | L(22.0")<br>L(22.0") |
| 28       | 93440-08819        | CIRCLIP<br>CIRCLIP                          | 1    |                      |
| 29       | 69M-G5551-00       | PINION (13T)<br>PIGNON D'ATTAQUE (13D)      | 1    |                      |
| 30       | 99001-06600        | CIRCLIP<br>CIRCLIP                          | 1    |                      |
| 31       | 6L5-45533-00-20    | SHIM (T:2.0MM)<br>CALE (T:2.0MM)            | 1    | UR                   |
|          | 6L5-45533-00-21    | SHIM (T:2.1MM)<br>CALE (T:2.1MM)            | 1    | UR                   |
|          | 6L5-45533-00-22    | SHIM (T:2.2MM)<br>CALE (T:2.2MM)            | 1    | UR                   |
|          | 6L5-45533-00-23    | SHIM (T:2.3MM)<br>CALE (T:2.3MM)            | 1    | UR                   |
| 32       | 69M-G5560-00       | GEAR 1 (27T)<br>PIGNON 1 (27T)              | 1    |                      |
| 33       | 69M-G5611-00       | SHAFT, PROPELLER<br>ARBRE, HELICE           | 1    |                      |
| 34       | 90501-10064        | SPRING, COMPRESSION<br>RESSORT, COMPRESSION | 1    |                      |
| 35       | 69M-G5635-00       | PLUNGER, SHIFT<br>POUSSOIR D'EMBAYAGE       | 1    |                      |
| 36       | 6L5-45631-00       | CLUTCH, DOG<br>CRABOT                       | 1    |                      |
| 37       | 90201-13198        | WASHER, PLATE<br>RONDELLE, PLATE            | 1    |                      |

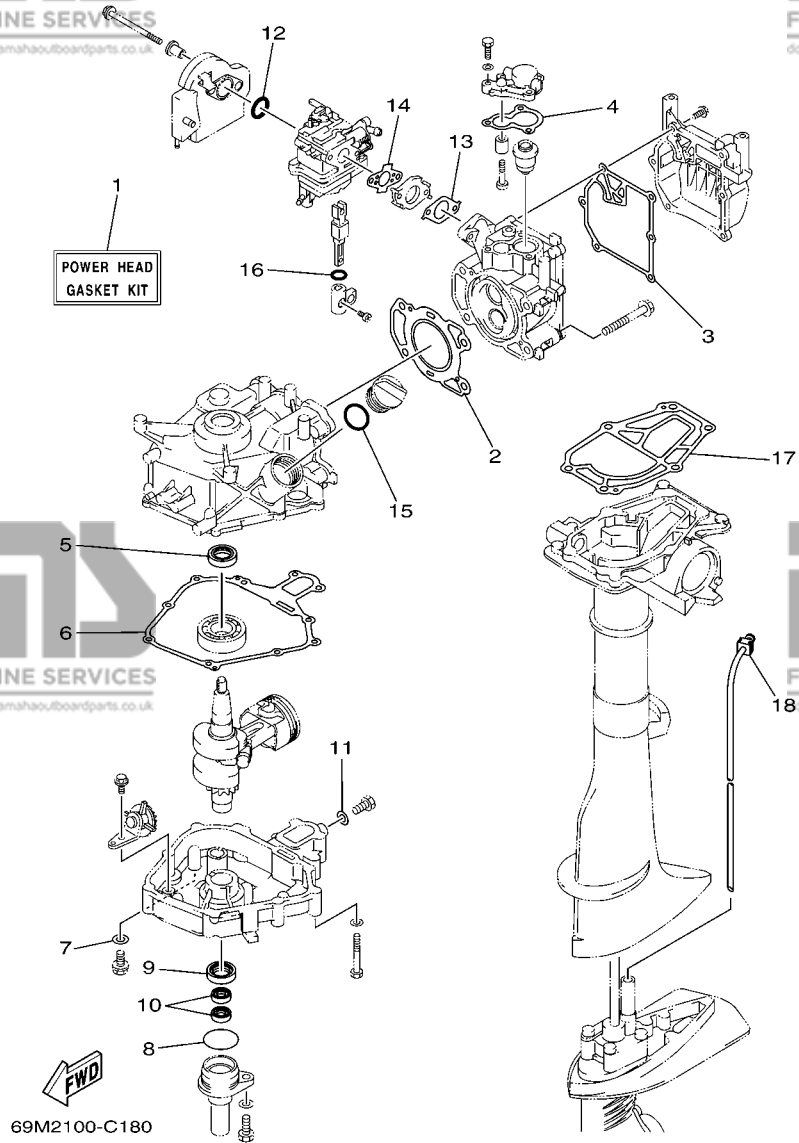


**FIG. 17 LOWER CASING & DRIVE 2**

**BOITIER D'HELICE TRANSMISSION2**

| REF. NO. | PART NO. N° PIECES | DESCRIPTION DESCRIPTION                                    | 69M5 | REMARKS REMARQUES    |
|----------|--------------------|--|------|----------------------|
| 1        | 68D-G5251-00       | ANODE ANODE  | 1    |                      |
| 2        | 95895-06020        | BOLT, FLANGE BOULON  | 1    |                      |
| 3        | 92990-06300        | WASHER, INTERNAL TOOTH RONDELLE, DENTURE INTERNE           | 1    |                      |
| 4        | 93604-12M07        | PIN, DOWEL CLAVETTE  | 2    |                      |
| 5        | 97095-06030        | BOLT BOULON  | 3    | S(17.0")<br>S(17.0") |
| 6        | 92995-06600        | WASHER RONDELLE  | 3    | S(17.0")<br>S(17.0") |
| 7        | 69M-44361-00       | TUBE, WATER TUBE D'EAU                                     | 1    | S(17.0")<br>S(17.0") |
|          | 69M-44361-10       | TUBE, WATER TUBE D'EAU                                     | 1    | L(22.0")<br>L(22.0") |
| 8        | 68D-G4365-00       | DAMPER, WATER SEAL JOINT, TUBE D'EAU                       | 1    |                      |
| 9        | 68D-G5987-00       | SPACER ENTRETOISE  | 1    |                      |
| 10       | 6L5-45616-00       | NUT, PROPELLER CONE, HELICE                                | 1    |                      |
| 11       | 91490-25030        | PIN, COTTER GOUPILLE                                       | 1    |                      |
| 12       | 90201-08M54        | WASHER, PLATE RONDELLE, PLATE                              | 1    |                      |
| 13       | 6L5-45943-00-EL    | PROPELLER (3X7-1/4"X6"-BS) HELICE (3X7-1/4"X6"-BS)         | 1    | UR<br>UR             |
|          | 6L5-45945-00-EL    | PROPELLER (3X7-1/4"X7-1/4"-BS) HELICE (3X7-1/4"X7-1/4"-BS) | 1    | UR<br>UR             |
|          | 6L5-45947-00-EL    | PROPELLER (3X7-1/4"X8-1/4"-BS) HELICE (3X7-1/4"X8-1/4"-BS) | 1    | UR<br>UR             |
|          | 6L5-45949-00-EL    | PROPELLER (3X7-1/4"X5"-BS) HELICE (3X7-1/4"X5"-BS)         | 1    | UR<br>UR             |
|          | 6L5-45952-00-EL    | PROPELLER (3X7-1/4"X5-1/2"-BS) HELICE (3X7-1/4"X5-1/2"-BS) | 1    | UR<br>UR             |

**D3**



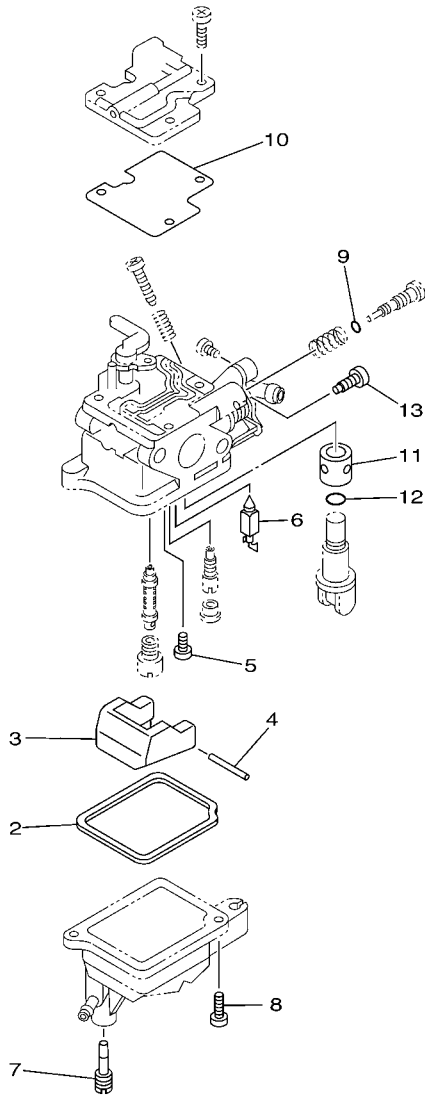
**FIG. 18 REPAIR KIT 1**


**KITS DE REPARATION 1**

| REF. NO. | PART NO. N° PIECES | DESCRIPTION DESCRIPTION                                 | 69M5 | REMARKS REMARQUES |
|----------|--------------------|---|------|-------------------|
| 1        | 69M-WE001-00       | POWER HEAD GASKET KIT<br>POCHETTE DE JINTS TETE MOTRICE | 1    |                   |
| 2        | 69M-11181-00       | .GASKET, CYLINDER HEAD 1<br>.JOINT, DE CULASSE 1        | 1    |                   |
| 3        | 69M-11193-A0       | .GASKET, HEAD COVER 1<br>.JOINT, COUVERCLE DE CULASSE 1 | 1    |                   |
| 4        | 68D-E2414-A0       | .GASKET, COVER<br>.JOINT, COUVERCLE                     | 1    |                   |
| 5        | 93102-20108        | .OIL SEAL<br>.JOINT SPY                                 | 1    |                   |
| 6        | 69M-11351-A0       | .GASKET, CYLINDER<br>.JOINT, D'EMBASE                   | 1    |                   |
| 7        | 90201-08818        | .WASHER, PLATE<br>.RONDELLE, PLATE                      | 1    |                   |
| 8        | 93210-35537        | .O-RING<br>.JOINT TORIQUE                               | 1    |                   |
| 9        | 93102-20108        | .OIL SEAL<br>.JOINT SPY                                 | 1    |                   |
| 10       | 93102-09004        | .OIL SEAL<br>.JOINT SPY                                 | 2    |                   |
| 11       | 90430-08800        | .GASKET<br>.JOINT                                       | 1    |                   |
| 12       | 93210-20M65        | .O-RING<br>.JOINT TORIQUE                               | 1    |                   |
| 13       | 69M-E3645-A0       | .GASKET, MANIFOLD 1<br>.JOINT, TUBULURE 1               | 1    |                   |
| 14       | 69M-E3646-A0       | .GASKET, MANIFOLD 2<br>.JOINT, TUBULURE 2               | 1    |                   |
| 15       | 93210-24M79        | .O-RING<br>.JOINT TORIQUE                               | 1    |                   |
| 16       | 93210-13M43        | .O-RING<br>.JOINT TORIQUE                               | 1    |                   |
| 17       | 69M-45113-A0       | .GASKET, UPPER CASING<br>.JOINT, TUBE D'ARBRE           | 1    |                   |
| 18       | 68D-G4365-00       | .DAMPER, WATER SEAL<br>.JOINT, TUBE D'EAU               | 1    |                   |

**D4**

1  
**CARBURETOR  
REPAIR KIT**



  
69M1100-3190

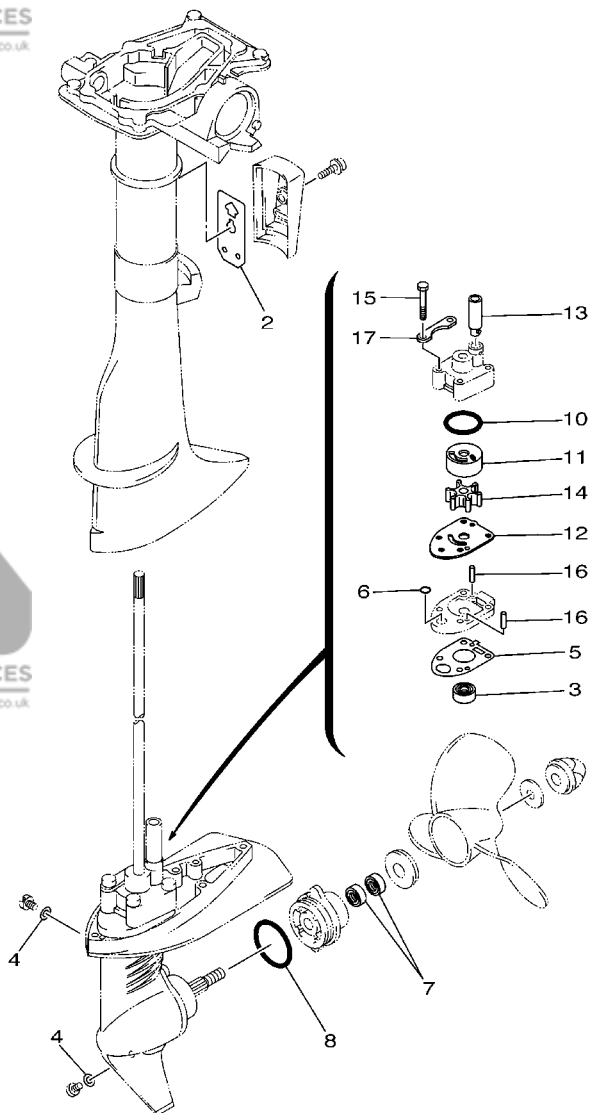
**FIG. 19 REPAIR KIT 2**

**KITS DE REPARATION 2**

| REF. NO. | PART NO. N° PIECES | DESCRIPTION DESCRIPTION                                | 69M5 |  | REMARKS REMARQUES |
|----------|--------------------|--|------|--|-------------------|
| 1        | 69M-W0093-00       | CARBURETOR REPAIR KIT<br>KIT DE REPARATION CARBURATEUR | 1    |  |                   |
| 2        | 69M-14984-00       | .GASKET, FLOAT CHAMBER<br>.JOINT, CUVE DE FLOTTEUR     | 1    |  |                   |
| 3        | 69M-14385-00       | .FLOAT<br>.FLOTTEUR                                    | 1    |  |                   |
| 4        | 6A1-14386-00       | .PIN, FLOAT<br>.AXE, FLOTTEUR                          | 1    |  |                   |
| 5        | 98580-03005        | .SCREW, PAN HEAD<br>.VIS                               | 1    |  |                   |
| 6        | 62Y-14392-00       | .VALVE, NEEDLE<br>.POINTEAU                            | 1    |  |                   |
| 7        | 69M-14991-00       | .SCREW<br>.VIS   | 1    |  |                   |
| 8        | 98580-04010        | .SCREW, PAN HEAD<br>.VIS                               | 2    |  |                   |
| 9        | 2T4-14397-00       | .O-RING<br>.JOINT TORIQUE                              | 1    |  |                   |
| 10       | 69M-14536-00       | .GASKET<br>.JOINT                                      | 1    |  |                   |
| 11       | 69M-24523-00       | .VALVE<br>.SOUPAPE                                     | 1    |  |                   |
| 12       | 69M-24533-00       | .O-RING<br>.JOINT TORIQUE                              | 1    |  |                   |
| 13       | 69M-24535-00       | .SCREW, LEVER FITTING<br>.VIS, FIXATION DE LEVIER      | 1    |  |                   |

1  
LOWER UNIT  
GASKET KIT

9  
WATER PUMP  
REPAIR KIT



69M1100-3200

FIG. 20 REPAIR KIT 3

KITS DE PERARATION 3

| REF. NO. | PART NO. N° PIECES | DESCRIPTION DESCRIPTION                                | 69M5 |  | REMARKS REMARQUES |
|----------|--------------------|--|------|--|-------------------|
| 1        | 69M-WG001-20       | LOWER UNIT GASKET KIT<br>POCHETTE DE JOINTS EMBASE     | 1    |  |                   |
| 2        | 69M-G5115-00       | .GASKET, UPPER CASING<br>.JOINT, TUBE D'ARBRE          | 1    |  |                   |
| 3        | 93103-09M41        | .OIL SEAL<br>.JOINT SPY                                | 1    |  |                   |
| 4        | 90430-08020        | .GASKET<br>.JOINT                                      | 2    |  |                   |
| 5        | 69M-G5315-A0       | .PACKING, LOWER CASING<br>.JOINT, BOITIER D'HELICE     | 1    |  |                   |
| 6        | 93210-05001        | .O-RING<br>.JOINT TORIQUE                              | 1    |  |                   |
| 7        | 93101-13M12        | .OIL SEAL<br>.JOINT SPY                                | 2    |  |                   |
| 8        | 93210-48214        | .O-RING<br>.JOINT TORIQUE                              | 1    |  |                   |
| 9        | 69M-WG078-00       | WATER PUMP REPAIR KIT<br>KIT DE REPARATION DE LA POMPE | 1    |  |                   |
| 10       | 93210-33M85        | .O-RING<br>.JOINT TORIQUE                              | 1    |  |                   |
| 11       | 6L5-44322-00       | .INSERT, CARTRIDGE<br>.CUVETTE                         | 1    |  |                   |
| 12       | 69M-G4323-00       | .OUTER PLATE, CARTRIDGE<br>.PLAQUE EXTERIEURE          | 1    |  |                   |
| 13       | 6E0-44366-00       | .DAMPER, WATER SEAL<br>.JOINT, TUBE D'EAU              | 1    |  |                   |
| 14       | 6L5-44352-00       | .IMPELLER<br>.TURBINE                                  | 1    |  |                   |
| 15       | 97095-06040        | .BOLT<br>.BOULON                                       | 4    |  |                   |
| 16       | 93604-18080        | .PIN, DOWEL<br>.CLAVETTE                               | 2    |  |                   |
| 17       | 69M-G4328-00       | .PLATE<br>.PLAQUETTE                                   | 2    |  |                   |

| PART NO.<br>N° PIECES | REF.<br>NO. |
|-----------------------|-------------|
| 67D-11133-10          | 2 - 3       |
| 69M-11181-00          | 2 - 7       |
|                       | 18 - 2      |
| 69M-11193-A0          | 2 - 9       |
|                       | 18 - 3      |
| 69M-11351-A0          | 4 - 7       |
|                       | 18 - 6      |
| 676-11372-00          | 2 - 4       |
| 69M-11400-00          | 3 - 1       |
| 69M-11650-00          | 3 - 3       |
| 7FK-11654-00          | 3 - 4       |
| 67D-12111-00          | 5 - 2       |
| 7NJ-12117-00          | 5 - 6       |
| 7NJ-12118-00          | 5 - 7       |
| 51Y-12119-00          | 5 - 4       |
| 67D-12121-00          | 5 - 3       |
| 67D-12151-00          | 5 - 8       |
| JA9-12153-00          | 5 - 14      |
| 69M-12154-00          | 5 - 13      |
| 67D-12157-00          | 5 - 11      |
| 7FK-12158-00          | 5 - 10      |
| 7FK-12165-00          | 5 - 9       |
| 69M-12170-01          | 5 - 1       |
| 69M-12411-01          | 2 - 11      |
| 688-12412-00          | 2 - 12      |
| 62Y-14212-00          | 7 - 21      |
| 69M-14301-20          | 7 - 1       |
| 69M-14321-00          | 7 - 20      |
| 69M-14323-20          | 7 - 15      |
| 62Y-14334-00          | 7 - 17      |
| 69M-14341-00          | 7 - 4       |
| 69M-14342-68          | 7 - 5       |
| 69M-14343-31          | 7 - 3       |
| 69M-14381-00          | 7 - 7       |
| 69M-14385-00          | 7 - 9       |
|                       | 19 - 3      |
| 6A1-14386-00          | 7 - 10      |
|                       | 19 - 4      |
| 62Y-14392-00          | 7 - 12      |
|                       | 19 - 6      |
| 2T4-14397-00          | 7 - 16      |
|                       | 19 - 9      |
| 69M-14440-01          | 6 - 3       |
| 6H1-14485-00          | 4 - 2       |
| 69M-14527-00          | 7 - 18      |
| 69M-14536-00          | 7 - 19      |
|                       | 19 - 10     |
| 69M-14966-00          | 7 - 6       |

NUMERICAL INDEX  
INDEX NUMERIQUE

| PART NO.<br>N° PIECES | REF.<br>NO. |
|-----------------------|-------------|
| 69M-14984-00          | 7 - 8       |
|                       | 19 - 2      |
| 69M-14991-00          | 7 - 13      |
|                       | 19 - 7      |
| 69M-15361-00          | 4 - 5       |
| 67D-15705-00          | 9 - 5       |
| 69M-15710-00          | 9 - 1       |
| 67D-15713-00          | 9 - 4       |
| 69M-15714-00          | 9 - 2       |
| 69M-15723-00          | 10 - 6      |
| 69M-15735-00          | 9 - 6       |
| 69M-15739-00          | 9 - 8       |
| 69M-15741-00          | 9 - 3       |
| 69M-15751-00          | 9 - 9       |
| 6G1-15755-00          | 9 - 10      |
| 69M-15762-00          | 9 - 14      |
| 6G1-15779-00          | 9 - 11      |
| 69M-15793-00          | 9 - 7       |
| 6H1-21757-00          | 8 - 6       |
| 69M-24182-00          | 9 - 15      |
| 6L5-24251-00          | 8 - 11      |
| 650-24378-00          | 2 - 14      |
| 69M-24523-00          | 7 - 23      |
|                       | 19 - 11     |
| 69M-24524-00          | 7 - 22      |
| 69M-24533-00          | 7 - 24      |
|                       | 19 - 12     |
| 69M-24535-00          | 7 - 25      |
|                       | 19 - 13     |
| 69M-24554-00          | 8 - 16      |
| 69M-24575-00          | 8 - 18      |
| 67D-24610-02          | 8 - 2       |
| 69M-24633-00          | 8 - 5       |
| 624-24634-00          | 8 - 4       |
| 69M-24641-00          | 8 - 7       |
| 61H-2819R-31          | 8 - 24      |
| 6G1-42125-01          | 12 - 21     |
| 6G1-42126-00          | 12 - 22     |
| 67D-42129-00          | 12 - 2      |
| 6G1-42138-01          | 12 - 18     |
| 69M-42528-00          | 14 - 29     |
| 69M-42529-00          | 14 - 30     |
| 69M-42628-00          | 11 - 2      |
| 69M-42629-00          | 11 - 6      |
| 6L5-42647-00          | 11 - 14     |
| 69M-42662-00          | 1 - 7       |
| 69M-42758-00          | 11 - 11     |
| 6L5-42774-00          | 11 - 3      |

| PART NO.<br>N° PIECES | REF.<br>NO. |
|-----------------------|-------------|
| 67D-42791-10          | 2 - 22      |
| 6L5-42823-00          | 11 - 15     |
| 620-43114-00          | 14 - 6      |
| 6E0-43116-01          | 14 - 3      |
| 69M-43180-00          | 14 - 19     |
| 69M-43679-00          | 14 - 18     |
| 69M-44126-00          | 13 - 7      |
| 69M-44143-00          | 13 - 10     |
| 6L5-44144-00          | 13 - 16     |
| 6L5-44144-10          | 13 - 16     |
| 6L5-44322-00          | 16 - 19     |
|                       | 20 - 11     |
| 6L5-44352-00          | 16 - 22     |
|                       | 20 - 14     |
| 69M-44361-00          | 17 - 7      |
| 69M-44361-10          | 17 - 7      |
| 6E0-44366-00          | 16 - 21     |
|                       | 20 - 13     |
| 6G8-44532-00          | 4 - 27      |
| 69M-44557-00          | 14 - 35     |
| 69M-45113-A0          | 15 - 5      |
|                       | 18 - 17     |
| 647-45151-01          | 15 - 2      |
| 6L5-45316-09          | 16 - 3      |
| 6L5-45317-09          | 16 - 4      |
| 6L5-45318-00          | 15 - 13     |
| 6L5-45533-00-20       | 16 - 31     |
| 6L5-45533-00-21       | 16 - 31     |
| 6L5-45533-00-22       | 16 - 31     |
| 6L5-45533-00-23       | 16 - 31     |
| 6L5-45616-00          | 17 - 10     |
| 6L5-45631-00          | 16 - 36     |
| 6L5-45943-00-EL       | 17 - 13     |
| 6L5-45945-00-EL       | 17 - 13     |
| 6L5-45947-00-EL       | 17 - 13     |
| 6L5-45949-00-EL       | 17 - 13     |
| 6L5-45952-00-EL       | 17 - 13     |
| 6E3-82370-21          | 10 - 10     |
| 682-82556-00          | 10 - 12     |
| 65W-82575-01          | 10 - 11     |
| 689-8257Y-00          | 10 - 13     |
| 69M-85640-00          | 10 - 2      |
| 69M-85650-00          | 10 - 1      |
| 69M-E1111-00-1S       | 2 - 2       |
| 69M-E1191-00-1S       | 2 - 8       |
| 69M-E1311-00-1S       | 4 - 1       |
| 68D-E1325-00          | 2 - 15      |
| 69M-E1603-01          | 3 - 6       |

| PART NO.<br>N° PIECES | REF.<br>NO. |
|-----------------------|-------------|
| 69M-E1604-01          | 3 - 6       |
| 69M-E1605-01          | 3 - 6       |
| 69M-E1631-01-96       | 3 - 5       |
| 69M-E1633-00          | 3 - 7       |
| 69M-E1635-01          | 3 - 5       |
| 69M-E1636-01          | 3 - 5       |
| 68D-E2113-00          | 5 - 5       |
| 68D-E2138-60          | 2 - 23      |
| 69M-E2155-00          | 5 - 12      |
| 69M-E2413-00-1S       | 2 - 13      |
| 68D-E2414-A0          | 2 - 17      |
|                       | 18 - 4      |
| 69M-E2483-00          | 6 - 7       |
| 69M-E3102-00          | 4 - 22      |
| 60R-E3434-00          | 1 - 8       |
| 69M-E3437-60          | 8 - 21      |
| 69M-E3444-50          | 11 - 23     |
| 69M-E3645-A0          | 6 - 9       |
|                       | 18 - 13     |
| 69M-E3646-A0          | 6 - 10      |
|                       | 18 - 14     |
| 69M-E3647-00          | 6 - 11      |
| 69M-E4148-00          | 6 - 1       |
| 69M-E4427-60          | 1 - 9       |
| 69M-E5111-00-1S       | 4 - 6       |
| 69M-E5316-00          | 11 - 10     |
| 69M-E5363-00          | 4 - 24      |
| 69M-E5396-00-5B       | 4 - 14      |
| 69M-E5789-00          | 9 - 12      |
| 69M-F4111-00          | 8 - 1       |
| 69M-F415A-40          | 1 - 10      |
| 69M-F415A-50          | 1 - 11      |
| 60R-F415E-00          | 1 - 12      |
| 69M-F4181-00          | 8 - 15      |
| 69M-F4191-00          | 8 - 14      |
| 69M-F4311-00          | 8 - 12      |
| 69M-F4375-00          | 8 - 8       |
| 69M-F4591-00          | 11 - 22     |
| 69M-F6301-00          | 12 - 24     |
| 69M-F6330-01          | 6 - 12      |
| 69M-F8100-00          | 8 - 25      |
| 6N0-F8176-00          | 12 - 25     |
| 69M-F8199-74-D0       | 8 - 26      |
| 69M-F8199-74-E0       | 8 - 26      |
| 69M-F8199-74-F0       | 8 - 26      |
| 69M-F8199-74-G0       | 8 - 26      |
| 69M-F8199-74-H0       | 8 - 26      |
| 69M-F8199-74-S0       | 8 - 26      |

| PART NO.<br>N° PIECES | REF.<br>NO. |
|-----------------------|-------------|
| 69M-F8199-84-K0       | 8 - 27      |
| 69M-F8199-84-L0       | 8 - 27      |
| 69M-F8199-84-M0       | 8 - 27      |
| 69M-F8199-84-N0       | 8 - 27      |
| 69M-F8199-84-P0       | 8 - 27      |
| 69M-F8199-84-R0       | 8 - 27      |
| 69M-G2111-00-4D       | 12 - 1      |
| 69M-G2119-10          | 12 - 10     |
| 68D-G2131-01          | 12 - 8      |
| 69M-G2137-00          | 12 - 12     |
| 68D-G2159-00          | 12 - 19     |
| 68D-G2171-00          | 12 - 3      |
| 68D-G2172-00          | 12 - 4      |
| 6N0-G2177-00          | 12 - 11     |
| 68D-G2181-00          | 12 - 5      |
| 68D-G2182-00          | 12 - 7      |
| 69M-G2188-00          | 12 - 6      |
| 69M-G2537-00          | 14 - 14     |
| 69M-G2538-00          | 14 - 15     |
| 68D-G2561-01          | 14 - 31     |
| 69M-G2610-10-4D       | 1 - 1       |
| 69M-G2613-00          | 1 - 2       |
| 69M-G2677-00          | 1 - 5       |
| 69M-G2678-10          | 1 - 6       |
| 69M-G2711-00-4D       | 11 - 1      |
| 69M-G2712-00          | 11 - 5      |
| 69M-G2724-00          | 11 - 8      |
| 69M-G2725-00          | 11 - 9      |
| 69M-G2727-00          | 11 - 7      |
| 69M-G2731-00-4D       | 11 - 17     |
| 69M-G2735-00          | 11 - 20     |
| 69M-G2743-00          | 4 - 26      |
| 69M-G2768-00          | 11 - 12     |
| 69M-G3111-00-4D       | 14 - 1      |
| 69M-G3112-00-4D       | 14 - 2      |
| 69M-G3118-00          | 14 - 4      |
| 69M-G3164-00          | 14 - 25     |
| 69M-G3166-00          | 14 - 26     |
| 69M-G3185-00          | 14 - 24     |
| 69M-G3186-00          | 14 - 21     |
| 69M-G3188-00          | 14 - 20     |
| 69M-G3311-01-4D       | 14 - 12     |
| 69M-G3312-00-4D       | 14 - 13     |
| 69M-G3318-00          | 14 - 39     |
| 69M-G3351-00          | 14 - 34     |
| 69M-G3691-00          | 14 - 41     |
| 69M-G4111-00          | 13 - 1      |
| 69M-G4121-00          | 13 - 6      |

| PART NO.<br>N° PIECES | REF.<br>NO. |
|-----------------------|-------------|
| 68D-G4122-01          | 13 - 5      |
| 6N0-G4145-10          | 13 - 13     |
| 6N0-G4146-10          | 13 - 14     |
| 69M-G4311-00          | 16 - 17     |
| 69M-G4323-00          | 16 - 20     |
|                       | 20 - 12     |
| 69M-G4328-00          | 16 - 26     |
|                       | 20 - 17     |
| 68D-G4365-00          | 17 - 8      |
|                       | 18 - 18     |
| 69M-G5111-00-4D       | 15 - 1      |
| 69M-G5115-00          | 15 - 10     |
|                       | 20 - 2      |
| 69M-G5151-00          | 15 - 9      |
| 69M-G5152-00          | 15 - 3      |
| 69M-G5211-00-4D       | 15 - 12     |
| 68D-G5251-00          | 17 - 1      |
| 69M-G5300-01-4D       | 16 - 1      |
| 69M-G5300-11-4D       | 16 - 1      |
| 69M-G5311-00-4D       | 16 - 2      |
| 69M-G5315-A0          | 16 - 10     |
|                       | 20 - 5      |
| 69M-G5321-00-94       | 16 - 9      |
| 69M-G5361-00-4D       | 16 - 12     |
| 69M-G5511-00          | 16 - 27     |
| 69M-G5511-10          | 16 - 27     |
| 69M-G5551-00          | 16 - 29     |
| 69M-G5560-00          | 16 - 32     |
| 69M-G5611-00          | 16 - 33     |
| 69M-G5635-00          | 16 - 35     |
| 68D-G5987-00          | 17 - 9      |
| 60R-H3625-40          | 8 - 22      |
| 60R-H3625-50          | 8 - 23      |
| 69M-W0093-00          | 19 - 1      |
| 69M-WE001-00          | 18 - 1      |
| 69M-WE090-01-1S       | 2 - 1       |
| 69M-WG001-20          | 20 - 1      |
| 69M-WG070-00          | 1 - 4       |
| 69M-WG078-00          | 20 - 9      |
| 90101-06030           | 14 - 36     |
| 90101-06M17           | 15 - 14     |
| 90101-08M07           | 14 - 7      |
| 90105-06039           | 2 - 10      |
| 90105-06M24           | 10 - 7      |
| 90105-08M36           | 2 - 5       |
| 90105-08M76           | 4 - 12      |
| 90119-06098           | 8 - 10      |
| 90119-06M17           | 11 - 13     |



FLOOD MARINE SERVICES  
downloaded from www.yamahaoutboardparts.co.uk

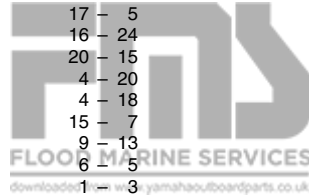
| PART NO.<br>N° PIECES | REF.<br>NO. |
|-----------------------|-------------|
| 90119-06ME0           | 13 - 15     |
| 90149-05M13           | 12 - 16     |
| 90157-05013           | 11 - 4      |
| 90159-05M12           | 8 - 19      |
|                       | 15 - 4      |
| 90159-06M11           | 14 - 40     |
|                       | 15 - 11     |
| 90161-04003           | 11 - 21     |
| 90167-03M02           | 11 - 16     |
| 90170-10M33           | 10 - 4      |
| 90201-06040           | 14 - 37     |
| 90201-08818           | 4 - 13      |
|                       | 18 - 7      |
| 90201-08M54           | 17 - 12     |
| 90201-105A2           | 10 - 5      |
| 90201-10M02           | 12 - 15     |
| 90201-13198           | 16 - 37     |
| 90201-23008           | 3 - 2       |
| 90202-08022           | 14 - 8      |
| 90243-04M01           | 14 - 5      |
| 90266-04M05           | 14 - 32     |
| 90269-02M09           | 12 - 13     |
| 90280-04M06           | 10 - 3      |
| 90340-08002           | 16 - 7      |
| 90386-08032           | 12 - 17     |
|                       | 14 - 22     |
| 90387-06053           | 8 - 9       |
| 90387-06076           | 6 - 6       |
| 90430-08020           | 16 - 8      |
|                       | 20 - 4      |
| 90430-08800           | 4 - 21      |
|                       | 18 - 11     |
| 90445-07805           | 6 - 8       |
| 90445-09808           | 2 - 20      |
| 90446-06M90           | 10 - 14     |
| 90464-09013           | 2 - 21      |
| 90465-08M99           | 4 - 10      |
| 90465-11M10           | 6 - 2       |
| 90467-11M08           | 8 - 20      |
| 90467-13M13           | 8 - 13      |
| 90480-25161           | 10 - 8      |
| 90501-10064           | 16 - 34     |
| 90501-10260           | 8 - 3       |
| 90501-12802           | 13 - 4      |
| 90501-12803           | 14 - 33     |
| 90501-23800           | 12 - 14     |
| 91490-16010           | 12 - 23     |
|                       | 13 - 12     |



FLOOD MARINE SERVICES  
downloaded from www.yamahaoutboardparts.co.uk

NUMERICAL INDEX  
INDEX NUMERIQUE

| PART NO.<br>N° PIECES | REF.<br>NO. |
|-----------------------|-------------|
| 91490-25030           | 17 - 11     |
| 91609-25014           | 13 - 17     |
| 91690-20010           | 14 - 23     |
| 92903-06600           | 4 - 9       |
| 92990-05600           | 13 - 11     |
| 92990-06300           | 17 - 3      |
| 92990-06600           | 15 - 15     |
| 92990-08200           | 14 - 9      |
| 92995-05600           | 13 - 9      |
| 92995-06600           | 2 - 19      |
|                       | 4 - 29      |
|                       | 11 - 19     |
|                       | 14 - 17     |
|                       | 16 - 16     |
|                       | 17 - 6      |
| 92995-08600           | 4 - 19      |
| 93101-13M12           | 16 - 13     |
|                       | 20 - 7      |
| 93102-09004           | 4 - 17      |
|                       | 18 - 10     |
| 93102-20108           | 4 - 3       |
|                       | 18 - 5      |
| 93103-09M41           | 16 - 5      |
|                       | 20 - 3      |
| 93210-05001           | 16 - 11     |
|                       | 20 - 6      |
| 93210-09350           | 13 - 2      |
| 93210-13M43           | 8 - 17      |
|                       | 18 - 16     |
| 93210-20M65           | 6 - 4       |
|                       | 18 - 12     |
| 93210-24M79           | 4 - 25      |
|                       | 18 - 15     |
| 93210-33M85           | 16 - 18     |
|                       | 20 - 10     |
| 93210-35537           | 4 - 15      |
|                       | 18 - 8      |
| 93210-48214           | 16 - 14     |
|                       | 20 - 8      |
| 93306-272Y2           | 4 - 4       |
| 93316-003Y0           | 16 - 6      |
| 93420-22M03           | 15 - 16     |
| 93440-08819           | 16 - 28     |
| 93450-13130           | 3 - 8       |
| 93505-16024           | 13 - 3      |
| 93604-07M13           | 16 - 23     |
| 93604-12M07           | 2 - 6       |
|                       | 4 - 11      |



FLOOD MARINE SERVICES  
downloaded from www.yamahaoutboardparts.co.uk



FLOOD MARINE SERVICES  
downloaded from www.yamahaoutboardparts.co.uk

| PART NO.<br>N° PIECES | REF.<br>NO. |
|-----------------------|-------------|
| 93604-12M07           | 15 - 6      |
|                       | 17 - 4      |
| 93604-18080           | 16 - 25     |
|                       | 20 - 16     |
| 93700-06M03           | 14 - 28     |
|                       | 15 - 8      |
| 94702-00248           | 2 - 24      |
| 95380-08600           | 14 - 10     |
| 95380-08700           | 14 - 11     |
| 95780-06300           | 14 - 38     |
| 95817-06012           | 4 - 23      |
| 95895-06020           | 17 - 2      |
| 97013-06045           | 4 - 8       |
| 97075-06030           | 14 - 16     |
| 97075-08025           | 12 - 9      |
| 97095-05012           | 13 - 8      |
| 97095-06012           | 10 - 9      |
| 97095-06016           | 16 - 15     |
| 97095-06020           | 2 - 18      |
|                       | 4 - 28      |
|                       | 11 - 18     |
| 97095-06030           | 17 - 5      |
| 97095-06040           | 16 - 24     |
|                       | 20 - 15     |
|                       | 4 - 20      |
| 97095-08014           | 4 - 18      |
| 97095-08020           | 4 - 18      |
| 97575-06535           | 15 - 7      |
| 97595-06560           | 9 - 13      |
| 97595-06575           | 6 - 5       |
| 97780-40012           | 1 - 3       |
| 97880-05025           | 2 - 16      |
| 97885-05012           | 12 - 20     |
| 97890-04007           | 7 - 2       |
| 98580-03005           | 7 - 11      |
|                       | 19 - 5      |
| 98580-04010           | 7 - 14      |
|                       | 19 - 8      |
| 99001-06600           | 16 - 30     |
| 99080-04600           | 14 - 27     |



FLOOD MARINE SERVICES  
downloaded from www.yamahaoutboardparts.co.uk



FLOOD MARINE SERVICES  
downloaded from www.yamahaoutboardparts.co.uk



FLOOD MARINE SERVICES  
downloaded from www.yamahaoutboardparts.co.uk



FLOOD MARINE SERVICES  
downloaded from www.yamahaoutboardparts.co.uk