

**PARTS
CATALOGUE
CATALOGUE
DE PIÈCES DÉTACHÉES**

F80BET'07 (6D73)

F100DET'07 (6D93)



2019/8/27

1F6D7-300F1

(2F6D7-300F1)

NEWS NO.	DATE	COMMENT
PE0-OM-070005	Jan.,10,2007	MOD:CYLINDER BLOCK ASSY REVISION
PE0-OM-070012	Jan.,15,2007	COR:FIG.24 PTT ASSY LIST/ILLUSTRATION CORRECTION
PE0-OM-070027	Jul.,4,2007	MOD:FIG.7 INTAKE 2 LIST/ILLUSTRATION CORRECTION
PE0-OM-110048	Dec.,22,2011	MOD:FIG.6 INTAKE 1 LIST REVISION
PE0-OM-130044	Aug.,28,2013	COR:FIG.24 PTT ASSY LIST CORRECTION

NEWS NO.	DATE	COMMENT
PE0-OM-150023	Sep.,1,2015	COR:FUEL INJECTION PUMP 1 ILLUSTRATION CORRECTION
PE0-OM-160004	Apr.,11,2016	MOD:F75A,B/F80A,B/F90A,B/F100A,D FUEL (1) LIST/ILLUSTRATION REVISION
PE0-OM-190029	Aug.,21,2019	MOD:FIG.4 CYLINDER & CRANKCASE 2 LIST REVISION

F80BET/F100DET
PARTS CATALOGUE
©2006 by Yamaha Motor Co., Ltd.
1st edition, July 2006
All rights reserved.
Any reprinting or unauthorized use
without the written permission of
Yamaha Motor Co., Ltd.
is expressly prohibited.
Printed in Japan.

F80BET/F100DET
CATALOGUE DE PIÈCES DÉTACHÉES
©2006 par Yamaha Motor Co., Ltd.
1^{re} édition, juillet 2006
Tous droits réservés
Toute réimpression ou utilisation
non autorisée sans la permission écrite
de la Yamaha Motor Co., Ltd.
est formellement interdite.
Imprimé au Japon

FOREWORD

This Parts Catalogue is related to the parts for the model(s) on the cover page. When you are ordering replacement parts, please refer to this Parts Catalogue and quote both part numbers and part names correctly.

1. Modifications or additions which have been made after the issue of the Parts Catalogue will be announced in the Parts News. It is advisable that you make the necessary corrections to the Parts Catalogue according to the Parts News.

2. Abbreviations
The following abbreviations are used in this Parts Catalogue.

- “UR” Use specified parts number.
- “UN” Use as many as needed.
- “AP” Alternate Parts
- “LM” Locally Made (Parts need to be ordered locally)
- “F#” Frame No. (Applicable machine No.)
- “O/S” Over Size

3. The number of components for assembly

- Parts, which are to be supplied in an assembly, are listed with a dot (.) in front of the part name as shown below.
- The numeral appearing to the right of each component part indicates the quantity of parts for each assembly unit.

PART NO.	DESCRIPTION	Q'TY	REMARKS
2F5-83310-60	FRONT FLASHER LIGHT ASSY	2	
115-83311-60	.BULB (6V-18W)	1	

4. Applicable colours of graphics are represented in the “REMARKS” as shown below.

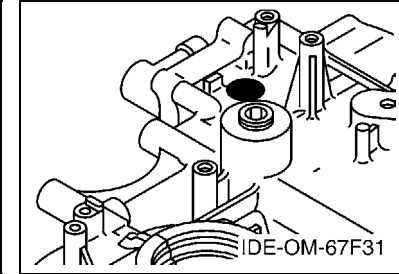
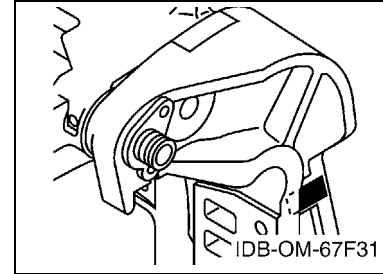
PART NO.	DESCRIPTION	Q'TY	REMARKS
2N4-24110-00-X5	FUEL TANK COMP.	2	MXR
3J1-24240-10	.GRAPHIC, FUEL TANK	1	FOR MXR

5. Note that the illustrations for reference in finding parts numbers are not to be used for assembling. When assembling, please use the applicable service manual.

6. The asterisk (*) before a reference number indicates modified items after the first edition.

7. Applicable Serial No.

Engine Serial No.



8. Applicable Engine Starting Serial No.

Model	Serial No.	Model	Serial No.
F80B	6D7-1003932	F100D	6D9-1005128

9. Applicable Colour Code

Abbreviation	Colour Name	Colour Code
DBNM2	DARK BLUISH GRAY METALLIC 2	004D

10. Quantity Column Information

Column No.	Name Of Q'ty Column	Applicable Model
1	6D73	F80BET
2	6D93	F100DET

AVANT-PROPOS

Ce catalogue de pièces détachées concerne les pièces pour le(s) modèle(s) indiqué(s) sur la page de couverture. Lorsque vous commandez des pièces de rechange, veuillez vous référer à ce catalogue de pièces détachées et indiquer clairement les numéros et les noms des pièces détachées.

1. Les modifications ou ajouts ayant été effectués après la parution du catalogue de pièces détachées seront décrits dans les Bulletins d'information concernant les pièces détachées.

Il est recommandé que vous apportiez les corrections nécessaires au catalogue des pièces détachées en vous référant aux Bulletins d'information.

2. Abréviations

Dans ce catalogue, les abréviations suivantes sont utilisées:

“UR” Utiliser le numéro de pièces spécifié.

“UN” Utiliser autant que nécessaire.

“AP” Pièces de substitution

“LM” Fabrication locale (les pièces doivent être commandées localement.)

“F#” N° de cadre (applicable au N° de série)

“O/S” Surdimensionné

3. Nombre de pièces d'un assemblage

- Les pièces fournies comme composants d'un assemblage sont précédées d'un point (.) de la manière indiquée ci-dessous.
- Le chiffre apparaissant à la droite de chaque composant indique la quantité de pièces pour chaque unité d'assemblage.

N° PIECES	DESCRIPTION	QTE	REMARQUES
2F5-83310-60	ENS. CLIGNOTANT AVANT	2	
115-83311-60	.AMPOULE (6V-18W)	1	

4. Les couleurs concernant les graphiques sont indiquées dans la colonne “REMARQUES”, comme indiqué ci-dessous.

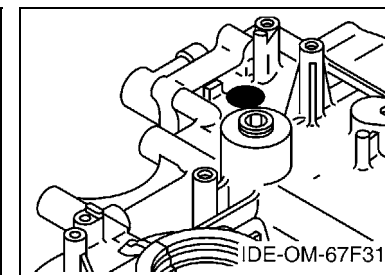
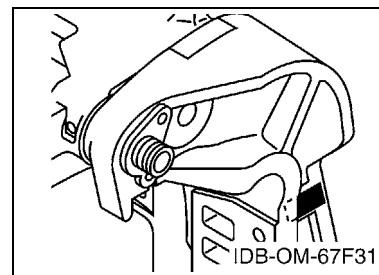
N° PIECES	DESCRIPTION	QTE	REMARQUES
2N4-24110-00-X5	RESERVOIR A ESSENCE.	2	MXR
3J1-24240-10	.GRAPHIQUE	1	POUR MXR

5. Veuillez noter que les illustrations sont indiquées à titre de référence pour trouver les numéros de pièces, non pour être utilisées lors de l'assemblage. Lors de l'assemblage, veuillez utiliser le manuel d'entretien adéquat.

6. L'astérisque (*) placé devant un numéro de référence indique des éléments qui ont été modifiés après la première édition.

7. N° de série applicable

N° de Série du moteur



8. N° de série initial du moteur applicable

Modèle	N° de série	Modèle	N° de série
F80B	6D7-1003932	F100D	6D9-1005128

9. Code couleur applicable

Abréviation	Nom de la couleur	Code couleur
DBNM2	DARK BLUISH GRAY METALLIC 2	004D

10. Informations relatives à la colonne Quantité

N° de la colonne	Nom de la colonne Qté	Modèle applicable
1	6D73	F80BET
2	6D93	F100DET

SHEET1/2

TOP COWLING	A4
CYLINDER & CRANKCASE 1	A5
CRANKSHAFT & PISTON	A7
CYLINDER & CRANKCASE 2	B1
VALVE	B3
INTAKE 1	B6
INTAKE 2	B7
INTAKE 3	C1
FUEL INJECTION PUMP 1	C3
FUEL INJECTION PUMP 2	C4
FUEL 1	C5
FUEL 2	C7
GENERATOR	D1
ELECTRICAL 1	D2
ELECTRICAL 2	D4
ELECTRICAL 3	D6
ELECTRICAL 4	D7
STARTING MOTOR	E1
BOTTOM COWLING	E3
CONTROL	E5
BRACKET 1	E7
BRACKET 2	F2
OPTIONAL PARTS	F4
POWER TRIM & TILT ASSY 1	F5

INDEX

NUMERICAL INDEX	G1
-----------------------	----

SHEET2/2

POWER TRIM & TILT ASSY 1	A4*
POWER TRIM & TILT ASSY 2	A5*
UPPER CASING	A6*
OIL PAN	B1*
LOWER CASING & DRIVE 1	B3*
LOWER CASING & DRIVE 2	B6*
FUEL TANK	C1*
STEERING GUIDE	C2*
REPAIR KIT 1	C3*
REPAIR KIT 2	C4*

INDEX

NUMERICAL INDEX	G1*
-----------------------	-----

TABLE DES MATIERES

Feuille1/2

CAPOT SUPERIEUR	A4
CYLINDRE & CARTER 1	A5
VILEBREQUIN & PISTON	A7
CYLINDRE & CARTER 2	B1
SOUPAPE	B3
ADMISSION 1	B6
ADMISSION 2	B7
ADMISSION 3	C1
POMPE A INJECTEUR 1	C3
POMPE A INJECTEUR 2	C4
CARBURANT 1	C5
CARBURANT 2	C7
GENERATRICE	D1
PARTIE ELECTRIQUE 1	D2
PARTIE ELECTRIQUE 2	D4
PARTIE ELECTRIQUE 3	D6
PARTIE ELECTRIQUE 4	D7
DEMARREUR ELECTRIQUE	E1
CAPOT INFERIEUR	E3
COMMANDE	E5
SUPPORT 1	E7
SUPPORT 2	F2
PIECES OPTIONNELLES	F4
PUISSANCE PARER ET INCLINER 1	F5

INDEX

INDEX NUMERIQUE	G1
-----------------------	----

Feuille2/2

PUISSANCE PARER ET INCLINER 1	A4*
PUISSANCE PARER ET INCLINER 2	A5*
FOURREAU	A6*
VENTILATEUR D'HUILE	B1*
BOITIER D'HELICE TRANSMISSION1	B3*
BOITIER D'HELICE TRANSMISSION2	B6*
RESERVOIR A CARBURANT	C1*
FIXATION DE DIRECTION	C2*
KITS DE REPARATION 1	C3*
KITS DE REPARATION 2	C4*

INDEX

INDEX NUMERIQUE	G1*
-----------------------	-----

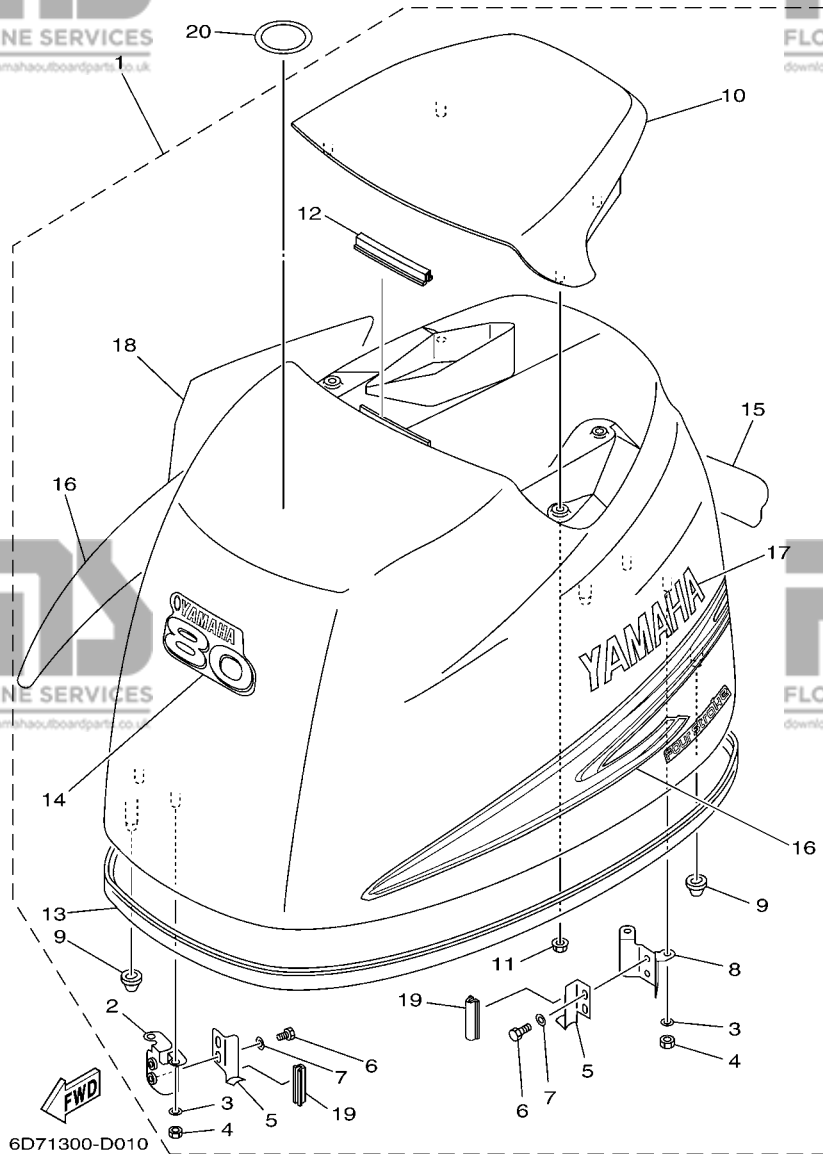
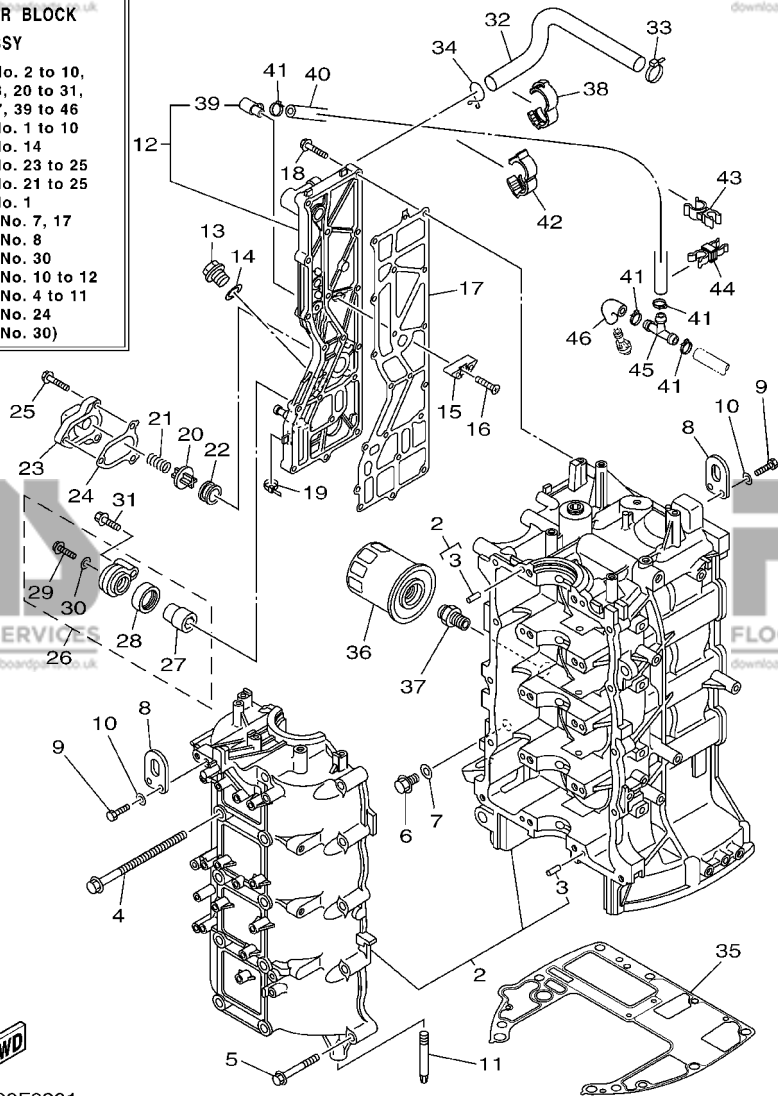


FIG. 1 TOP COWLING

CAPOT SUPERIEUR

REF. NO.	PART NO. N° PIECES	DESCRIPTION DESCRIPTION	6D73	6D93	REMARKS REMARQUES
1	6D7-42610-00-4D	TOP COWLING ASSY CAPOT (ENS.)	1		
	6D9-42610-00-4D	TOP COWLING ASSY CAPOT (ENS.)		1	
2	67F-42647-00	.HOLDER, CLAMP BAND .SUPPORT, SANDOW DE SERRAGE	1	1	
3	92990-06100	.WASHER, SPRING .RONDELLE, GROWER	4	4	
4	95380-06600	.NUT, HEXAGON .ECROU	4	4	
5	68V-42652-00	.HOOK .CROCHET	2	2	
6	97095-06012	.BOLT .BOULON	4	4	
7	92995-06600	.WASHER .RONDELLE	4	4	
8	67F-42649-00	.HOLDER, CLAMP BAND .SUPPORT, SANDOW DE SERRAGE	1	1	
9	67F-42662-00	.DAMPER .AMORTISSEUR	3	3	
10	67F-42613-00-4D	.MOLDING, AIR DUCT .MANCHON A AIR	1	1	
11	90179-06M24	.NUT .ECROU	4	4	
12	61N-42628-00	.SEAL .JOINT	1	1	
13	67F-42615-00	.SEAL .JOINT	1	1	
14	67G-42677-10	.GRAPHIC, FRONT .ADHESIF, AVANT	1		
	67F-42677-10	.GRAPHIC, FRONT .ADHESIF, AVANT		1	
15	6D7-42678-00	.GRAPHIC, REAR .ADHESIF, ARRIERE	1		
	6D9-42678-00	.GRAPHIC, REAR .ADHESIF, ARRIERE		1	
16	67F-W0070-10	.GRAPHIC SET .JEU DIEMBLEMES	1	1	
17	67F-42681-10	.MARK, COWLING .ADHESIF, CAPOT	1	1	
18	67F-42682-10	.MARK, COWLING .ADHESIF, CAPOT	1	1	
19	67F-42628-00	.SEAL .JOINT	2	2	
20	67F-13434-03	LABEL, CAUTION ETIQUETTE, ATTENTION	1	1	

CYLINDER BLOCK ASSY
(Fig. 2, Ref. No. 2 to 10, 12 to 18, 20 to 31, 35 to 37, 39 to 46
Fig. 3, Ref. No. 1 to 10
Fig. 4, Ref. No. 14
Fig. 5, Ref. No. 23 to 25
Fig. 7, Ref. No. 21 to 25
Fig. 9, Ref. No. 1
Fig. 10, Ref. No. 7, 17
Fig. 13, Ref. No. 8
Fig. 14, Ref. No. 30
Fig. 16, Ref. No. 10 to 12
Fig. 17, Ref. No. 4 to 11
Fig. 19, Ref. No. 24
Fig. 27, Ref. No. 30)

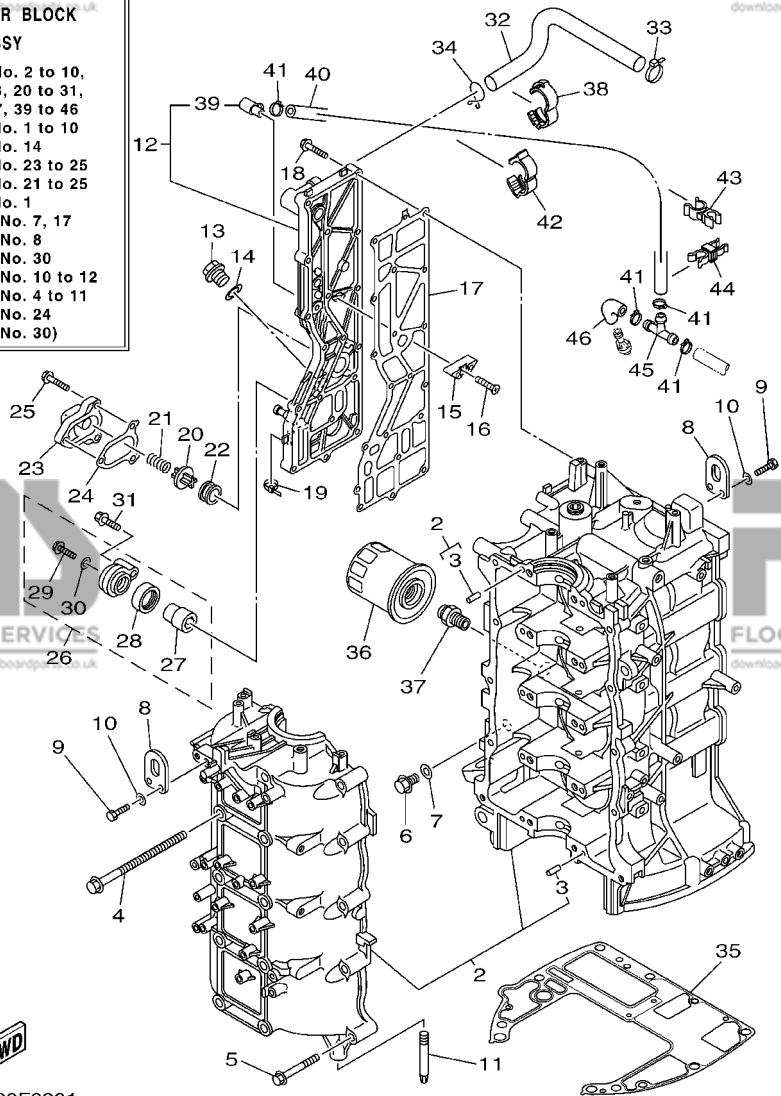


6D63100F0201

FIG. 2 CYLINDER & CRANKCASE 1 CYLINDRE & CARTER 1

REF. NO.	PART NO. N° PIECES	DESCRIPTION DESCRIPTION	6D73	6D93	REMARKS REMARQUES
1	6D8-W009B-03-1S	CYLINDER BLOCK ASSY CYLINDRE GROUPE (ENS.)	1	1	Go to P/N:PE0-OM-070005
2	6D8-15100-01-1S	CRANKCASE ASSY CARTER DE MOTEUR COMPLET	1	1	
3	93606-12019	.PIN, DOWEL .GOUILLE	10	10	
4	90119-10M88	BOLT, WITH WASHER BOULON, AVEC RONDELLE	10	10	
5	90119-08M66	BOLT, WITH WASHER BOULON, AVEC RONDELLE	10	10	
6	90340-14M06	PLUG, STRAIGHT SCREW PLOT, FILETE DROIT	1	1	
7	90430-14115	GASKET JOINT	1	1	
8	62Y-11119-00	HANGER, ENGINE ANNEAU, LEVAGE	2	2	
9	97095-06020	BOLT BOULON	4	4	
10	92995-06600	WASHER RONDELLE	4	4	
11	67F-15142-00	GUIDE 1 GUIDE 1	2	2	
12	6D8-41113-10-1S	OUTER COVER, EXHAUST COUVERCLE, ECHAPPEMENT	1	1	
13	90340-18M09	PLUG, STRAIGHT SCREW PLOT, FILETE DROIT	1	1	
14	90430-18130	GASKET JOINT	1	1	
15	6E5-11325-00	ANODE ANODE	3	3	
16	98780-04016	SCREW, FLAT HEAD VIS A TETE FRAISEE	3	3	
17	67F-41114-A2	GASKET, EXHAUST OUTER COVER JOINT, COUVERCLE D'ECHAPPEMENT	1	1	
18	90119-06MA4	BOLT, WITH WASHER BOULON, AVEC RONDELLE	18	18	
19	90465-11M10	CLAMP BRIDE	4	4	
20	6G5-12416-00	VALVE, PRESSURE CONTROL SOUPAPE DE CONTROLEUR PRESS	1	1	
21	90501-16M11	SPRING, COMPRESSION RESSORT, COMPRESSION	1	1	
22	90480-20M05	GROMMET PASSE-FIL	1	1	
23	67F-1246A-01-1S	COVER 1 COUVERCLE 1	1	1	
24	67F-12435-A0	GASKET JOINT	1	1	
25	90119-06MA2	BOLT, WITH WASHER BOULON, AVEC RONDELLE	3	3	
26	69J-11301-10	ANODE COVER ASSY COUVERCLE ANODE (ENS.)	1	1	
27	68V-11325-02	.ANODE .ANODE	1	1	

CYLINDER BLOCK ASSY
(Fig. 2, Ref. No. 2 to 10, 12 to 18, 20 to 31, 35 to 37, 39 to 46
Fig. 3, Ref. No. 1 to 10
Fig. 4, Ref. No. 14
Fig. 5, Ref. No. 23 to 25
Fig. 7, Ref. No. 21 to 25
Fig. 9, Ref. No. 1
Fig. 10, Ref. No. 7, 17
Fig. 13, Ref. No. 8
Fig. 14, Ref. No. 30
Fig. 16, Ref. No. 10 to 12
Fig. 17, Ref. No. 4 to 11
Fig. 19, Ref. No. 24
Fig. 27, Ref. No. 30)



6D63100F0201

FIG. 2 CYLINDER & CRANKCASE 1 CYLINDRE & CARTER 1

REF. NO.	PART NO. N° PIECES	DESCRIPTION DESCRIPTION	6D73	6D93	REMARKS REMARQUES
28	67F-11328-00	.GROMMET, ANODE .PASSE-FIL	1	1	
29	90105-06M07	.BOLT, FLANGE .BOULON	1	1	
30	90430-06M03	.GASKET .JOINT	1	1	
31	97575-08540	BOLT, WITH WASHER VIS HEXAGONAL AVEC RONDELLE	1	1	
32	67F-1243A-00	HOSE 1 DURITE 1	1	1	
33	90465-11M10	CLAMP BRIDE	1	1	
34	90467-20M15	CLIP JONC	1	1	
35	68V-11351-00	GASKET, CYLINDER JOINT, D'EMBASE	1	1	
36	5GH-13440-00	ELEMENT ASSY, OIL CLEANER ELEMENT, FILTRE A HUILE	1	1	
37	90401-20145	BOLT, UNION BOULON, RACCORD	1	1	
38	90464-16001	CLAMP BRIDE	1	1	
39	676-11372-00	.NIPPE, HOSE .RACCORD, TUYAU	1	1	
40	6D8-42541-00	PIPE 1 TUYAU 1	1	1	
41	90465-11M10	CLAMP BRIDE	4	4	
42	90464-16003	CLAMP BRIDA	1	1	
43	90464-10010	CLAMP BRIDE	1	1	
44	90464-11009	CLAMP BRIDE	1	1	
45	688-24378-00	PIPE, JOINT 4 DURITE RACCORDEMENT 4	1	1	
46	61A-24316-00	PIPE 6 DURITE 6	1	1	

PARTS NEWS

FLOOD MARINE SERVICES

downloaded from www.yamahaoutboardparts.co.uk

FLOOD MARINE SERVICES

downloaded from www.yamahaoutboardparts.co.uk



downloaded from www.yamahaoutboardparts.co.uk

News No. PE0-OM-070005

Date: January 10, 2007

Signature: K. Otsuka

Cause Revision Notice Correction Sales Unit Change Others

Model	F80BET '07 (6D73) / F100DET '07 (6D93)
Subject	PARTS CATALOGUE CORRECTIONS
CATALOGUE NO.	1F6D7-300F1

Time of YPEC Revision Text, Illustration --> Jan./31/2007 PDF Replace --> Jan./31/2007
(YPEC = Yamaha Parts Electrical Catalogue = Website parts catalogue)

1.LIST CORRECTION

FIG.2 CYLINDER & CRANKCASE 1

Fig.No-Ref.No.	OLD P/No.	NEW P/No.	PART NAME	Q'TY	*1	REMARKS
2-1	6D8-W009B-02-1S	6D8-W009B-03-1S	CYLINDER BLOCK ASSY	1		*Part number revision
2-12	6D8-41113-00-1S	6D8-41113-10-1S	OUTER COVER,EXHAUST	1	○	
2-12-1	-	676-11372-00	. NIPPLE,HOSE	1		*Added Parts
2-17	67F-41114-A1	67F-41114-A2	GASKET,EXHAUST OUTER COVER	1	A○	*Part number revision
2-39	-	6D8-42541-00	PIPE 1	1	○	
2-40	-	90465-11M10	CLAMP	4	○	
2-41	-	90464-16003	CLAMP	1	○	
2-42	-	90464-10010	CLAMP	1	○	*Added Parts
2-43	-	90464-11009	CLAMP	1	○	
2-44	-	688-24378-00	PIPE,JOINT 4	1	○	
2-45	-	61A-24316-00	PIPE 6	1	○	

FIG.9 FUEL INJECTION PUMP 1

9-1	6D8-14180-00	6D8-14180-20	FLOAT CHAMBER ASSY	1	○	*Part number revision
-----	--------------	---------------------	--------------------	---	---	-----------------------

FIG.10 FUEL INJECTION PUMP 2

10-7	6D8-24325-00	6D8-24325-10	PIPE 14 (L430)	1	○	*Part number revision COMPONENT PARTS FOR 6D8-14180-20
10-17	-	90465-11M10	CLAMP	1	○	COMPONENT PARTS FOR 6D8-14180-20

FIG.14 ELECTRICAL 1

14-30	-	67F-82361-00	CLAMP,CORD	1	○	*Added Parts
-------	---	---------------------	------------	---	---	--------------

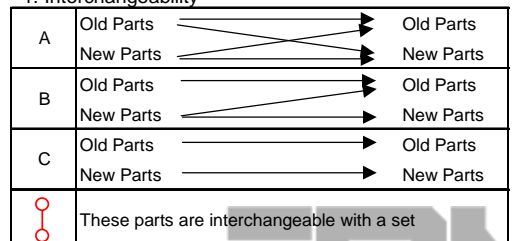
FIG.19 BOTTOM COWLING

19-24	69D-44391-00	6H3-44391-01	NIPPLE,HOSE	1	○	*Part number revision
-------	--------------	---------------------	-------------	---	---	-----------------------

*Applicable Engine Serial No.

MODEL NAME	MODEL CODE	Applicable Engine Serial No.
F80BET	6D73	6D7:1004499-
F100DET	6D93	6D9:1005874-

*1: Interchangeability



Parts Manager Check

Service Manager Check

Parts Manager File

YAMAHA MOTOR CO.,LTD
2500 Shingai Iwata Shizuoka 438-8501 Japan
Technical Publication Dept.



PARTS NEWS

FLOOD MARINE SERVICES

downloaded from www.yamahaparts.com

News No. PE0-OM-070005

FLOOD MARINE SERVICES

downloaded from www.yamahaparts.com

YAMAHA
YAMAHA MOTOR CO., LTD.
2500 SHINGAI IWATA SHIZUOKA JAPAN
FLOOD MARINE SERVICES

Date: January 10, 2007

Signature: K. Otsuka

Cause Revision Notice Correction Sales Unit Change Others

Model	F80BET '07 (6D73) / F100DET '07 (6D93)
Subject	PARTS CATALOGUE CORRECTIONS
CATALOGUE NO.	1F6D7-300F1
Time of YPEC Revision	Text, Illustration --> Jan./31/2007
	PDF Replace --> Jan./31/2007
(YPEC = Yamaha Parts Electrical Catalogue = Website parts catalogue)	

2. ILLUSTRATION CORRECTION FIG.2 CYLINDER & CRANKCASE 1

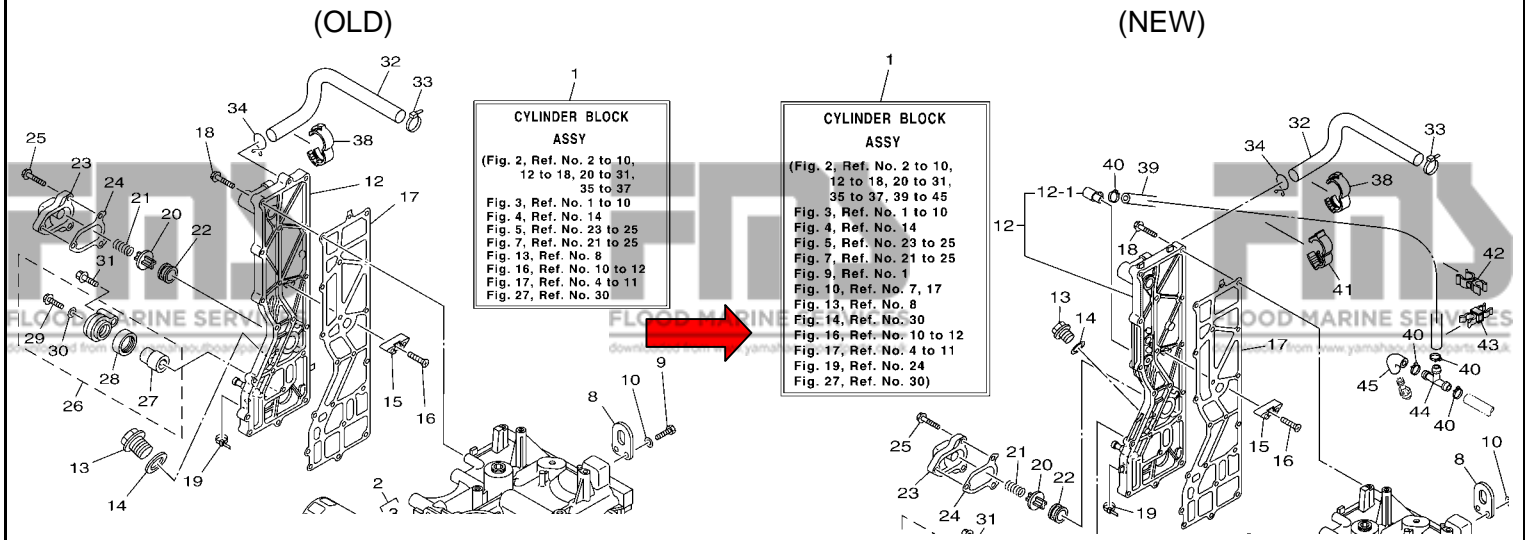
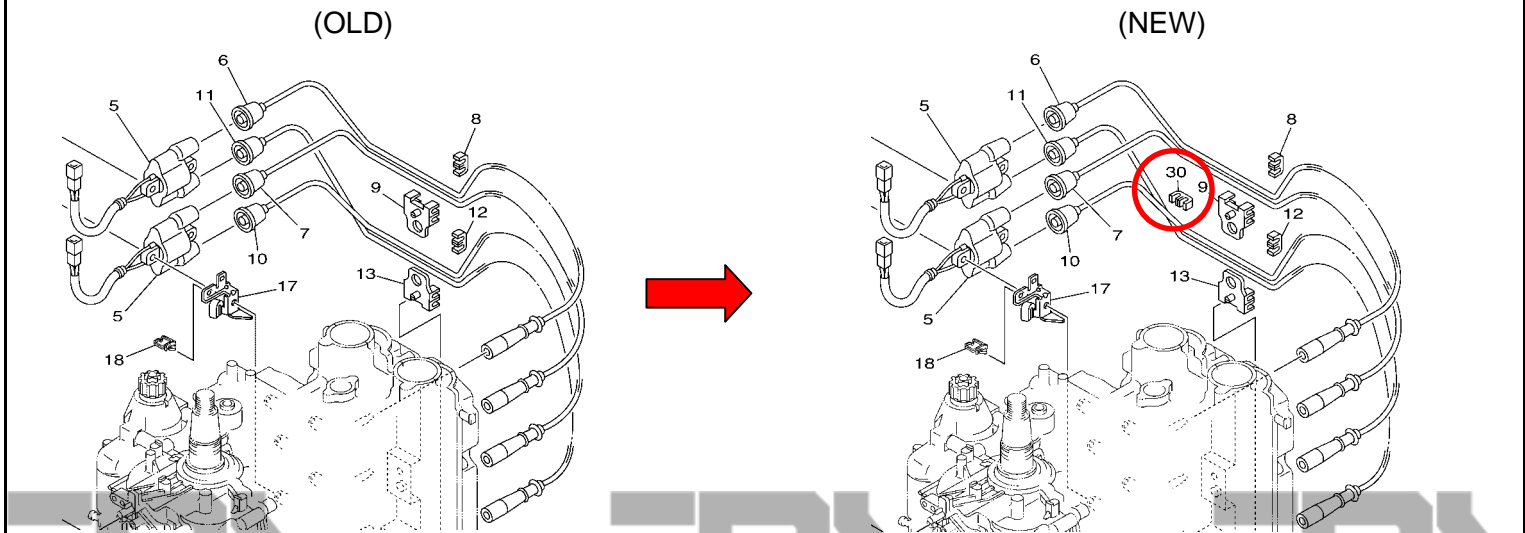


FIG.14 ELECTRICAL 1

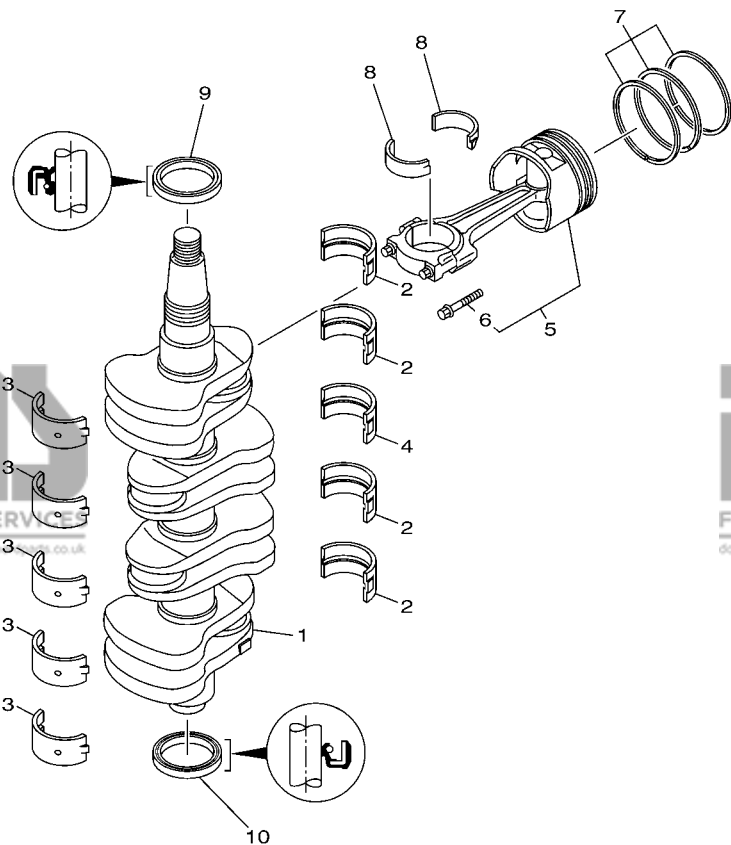


Thank you very much for your cooperation.

Parts Manager	Service Manager	Parts Manager
Check	Check	File

YAMAHA MOTOR CO.,LTD
2500 Shingai Iwata Shizuoka 438-8501 Japan
Technical Publication Dept.

YAMAHA
GENUINE
Parts & Accessories



FWD
6D81100-D030

FIG. 3 CRANKSHAFT & PISTON

VILEBREQUIN & PISTON

REF. NO.	PART NO. N° PIECES	DESCRIPTION DESCRIPTION	6D73	6D93	REMARKS REMARQUES
1	6D8-11411-00	CRANKSHAFT VILEBREQUIN COMPLET	1	1	
2	67F-11416-00	PLANE BEARING, CRANKSHAFT 1 COUSSINET DE VILEBREQUIN 1	4	4	UR GREEN UR GREEN
	67F-11416-10	PLANE BEARING, CRANKSHAFT 1 COUSSINET DE VILEBREQUIN 1	4	4	UR BLUE UR BLUE
	67F-11416-20	PLANE BEARING, CRANKSHAFT 1 COUSSINET DE VILEBREQUIN 1	4	4	UR RED UR RED
3	67F-11417-00	PLANE BEARING, CRANKSHAFT 2 COUSSINET DE VILEBREQUIN 2	5	5	UR YELLOW UR YELLOW
	67F-11417-10	PLANE BEARING, CRANKSHAFT 2 COUSSINET DE VILEBREQUIN 2	5	5	UR GREEN UR GREEN
	67F-11417-20	PLANE BEARING, CRANKSHAFT 2 COUSSINET DE VILEBREQUIN 2	5	5	UR BLUE UR BLUE
	67F-11417-30	PLANE BEARING, CRANKSHAFT 2 COUSSINET DE VILEBREQUIN 2	5	5	UR RED UR RED
4	67F-11418-00	PLANE BEARING, CRANKSHAFT 3 COUSSINET DE VILEBREQUIN 3	1	1	UR GREEN UR GREEN
	67F-11418-10	PLANE BEARING, CRANKSHAFT 3 COUSSINET DE VILEBREQUIN 3	1	1	UR BLUE UR BLUE
	67F-11418-20	PLANE BEARING, CRANKSHAFT 3 COUSSINET DE VILEBREQUIN 3	1	1	UR RED UR RED
5	6D8-W1164-00	PISTON/CON-ROD ASSY(STD) PISTON/BIELLE COMPLETE(STD)	4	4	
	6D8-W1164-10	PISTON/CON-ROD ASSY(0.25MM OS) PISTON/BIELLE COMPLETE:0.25MM	4	4	AP AP
6	67F-11654-00	.BOLT, CONNECTING ROD .BOULON, BIELLE	2	2	
7	6D8-11603-01	PISTON RING SET (STD) JEU DE SEGMENTS (STD)	4	4	
	6D8-11604-01	PISTON RING SET (0.25MM O/S) JEU DE SEGMENTS (0.25MM O/S)	4	4	AP AP
8	6D8-11656-00	PLANE BEARING, CONNECTING ROD ROULEMENT DE BIELLE	8	8	UR YELLOW UR YELLOW
	6D8-11656-10	PLANE BEARING, CONNECTING ROD ROULEMENT DE BIELLE	8	8	UR GREEN UR GREEN
	6D8-11656-20	PLANE BEARING, CONNECTING ROD ROULEMENT DE BIELLE	8	8	UR BLUE UR BLUE
	6D8-11656-30	PLANE BEARING, CONNECTING ROD ROULEMENT DE BIELLE	8	8	UR RED UR RED
9	93102-48008	OIL SEAL JOINT SPY	1	1	
10	93101-48001	OIL SEAL JOINT SPY	1	1	

CYLINDER HEAD ASSY
 (Fig. 2, Ref. No. 35
 Fig. 4, Ref. No. 2 to 14,
 23, 28 to 32, 36
 Fig. 5, Ref. No. 1 to 13, 26
 Fig. 11, Ref. No. 27)

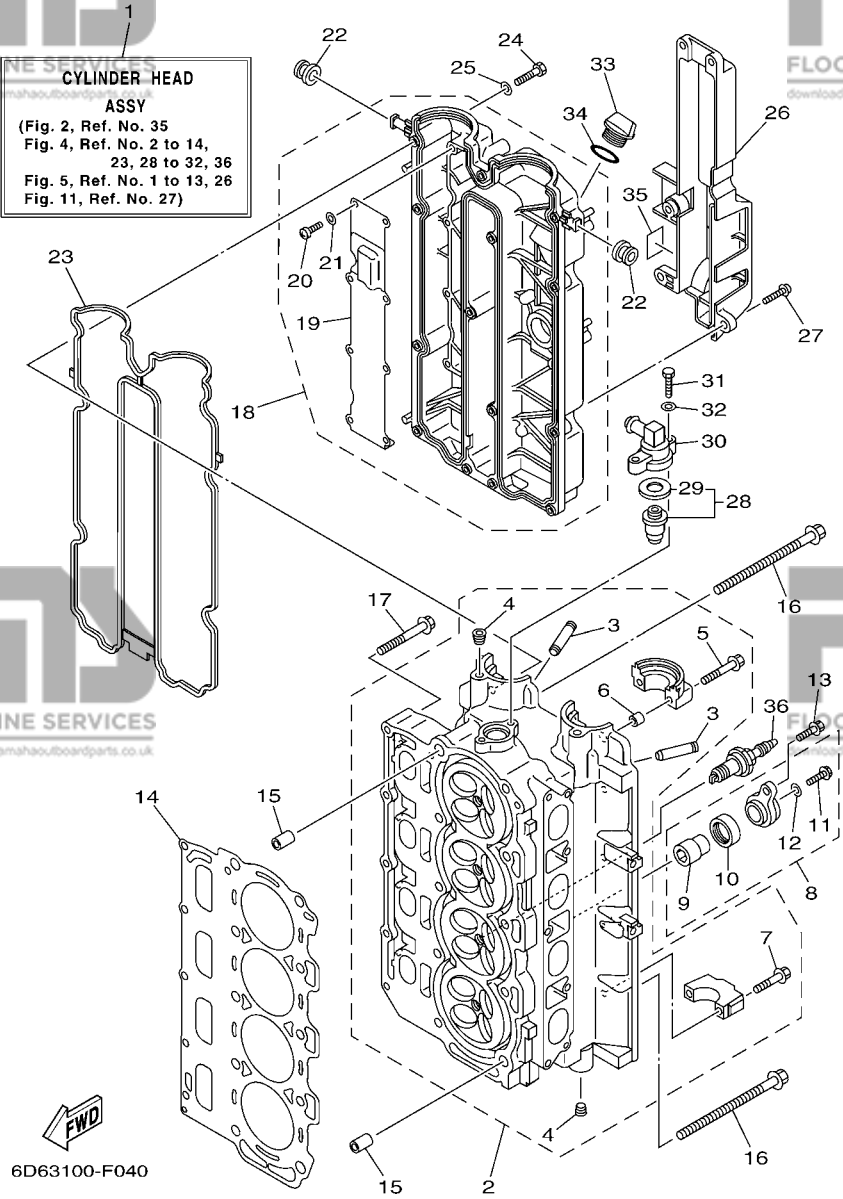


FIG. 4 CYLINDER & CRANKCASE 2 CYLINDRE & CARTER 2

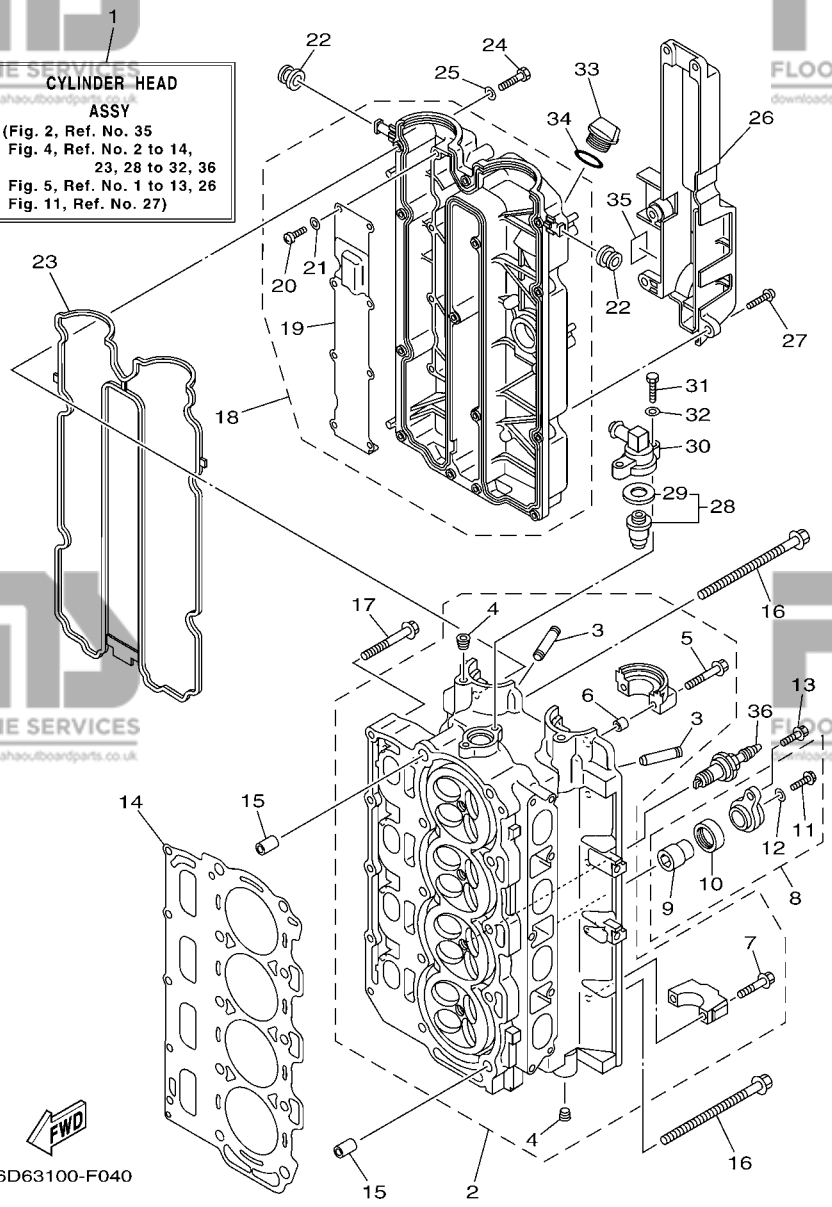
REF. NO.	PART NO. N° PIECES	DESCRIPTION DESCRIPTION	6D73	6D93	REMARKS REMARQUES
1	6D8-W009A-02-1S	CYLINDER HEAD ASSY CULASSE (ENS.)	1		
	6D9-W009A-02-1S	CYLINDER HEAD ASSY CULASSE (ENS.)		1	
2	6D8-11110-01-94	CYLINDER HEAD ASSY JEU DE CULASSE	1	1	Go to P/N : PE0-OM-190029
3	67F-11133-10	.GUIDE, VALVE 1 .GUIDE, SOUPAPE 1	16	16	
4	90344-51019	.PLUG, TAPER SCREW .PLOT, FILETE CONIQUE	4	4	
5	90119-07235	.BOLT/WASHER-CAM CAPS .BOULON, AVEC RONDELLE	4	4	
6	91809-08006	.SLEEVE GUIDE-DOWEL .GOUJON, D'ASSEMBLAGE	4	4	
7	K0F-A9904-20	.BOLT, WITH WASHER .BOULON, AVEC RONDELLE	16	16	
8	69J-11301-10	ANODE COVER ASSY COUVERCLE ANODE (ENS.)	2	2	
9	68V-11325-02	.ANODE .ANODE	1	1	
10	67F-11328-00	.GROMMET, ANODE .PASSE-FIL	1	1	
11	90105-06M07	.BOLT, FLANGE .BOULON	1	1	
12	90430-06M03	.GASKET .JOINT	1	1	
13	97575-08540	BOLT, WITH WASHER VIS HEXAGONAL AVC RONDELLE	2	2	
14	67F-11181-03	GASKET, CYLINDER HEAD 1 JOINT, DE CULASSE 1	1	1	
15	90387-10M08	COLLAR COLLERETTE	2	2	
16	90105-10M89	BOLT, FLANGE BOULON	10	10	
17	90119-08M91	BOLT, WITH WASHER BOULON, AVEC RONDELLE	5	5	
18	6D8-11191-00-1S	COVER, CYLINDER HEAD 1 COUVERCLE, CULASSE 1	1	1	
19	67F-11168-00	.COVER, BREATHER .COUVERCLE, RENIFLARD	1	1	
20	98507-04008	.SCREW, PAN HEAD .VIS, TETE TRONCONIQUE	8	8	
21	92907-04600	.WASHER .RONDELLE	8	8	
22	90480-12072	GROMMET PASSE-FIL	2	2	
23	6D8-11356-01	SEAL, CYLINDER 2 JOINT, SPY CYLINDRE	1	1	
24	97095-06030	BOLT BOULON	14	14	
25	92995-06600	WASHER RONDELLE	14	14	
26	67F-11192-01	COVER, CYLINDER HEAD 2 COUVERCLE, CULASSE 2	1	1	

B1

FIG. 4 CYLINDER & CRANKCASE 2

CYLINDRE & CARTER 2

**CYLINDER HEAD
ASSY**
(Fig. 2, Ref. No. 35
Fig. 4, Ref. No. 2 to 14,
23, 28 to 32, 36
Fig. 5, Ref. No. 1 to 13, 26
Fig. 11, Ref. No. 27)



6D63100-F040

REF. NO.	PART NO. N° PIECES	DESCRIPTION DESCRIPTION	6D73	6D93	REMARKS REMARQUES
27	90159-06M29	SCREW, WITH WASHER VIS, AVEC RONDELLE	5	5	
28	67F-12411-01	THERMOSTAT THERMOSTAT	1		
	6D9-12411-00	THERMOSTAT THERMOSTAT		1	
29	67F-12412-00	.SEAL, THERMOSTAT .JOINT, THERMOSTAT	1	1	
30	68V-12413-00-1S	COVER, THERMOSTAT COUVERCLE, THERMOSTAT	1	1	
31	97095-06025	BOLT BOULON	2	2	
32	92995-06600	WASHER RONDELLE	2	2	
33	6G8-15363-00	PLUG, OIL PLOT, HUILE	1	1	
34	93210-24M79	O-RING JOINT TORIQUE	1	1	
35	6D8-83626-00	MARK 6 MARK 6	1	1	
36	94702-00391	PLUG, SPARK (NGK LFR5A-11) BOUGIE D'ALLUMAGE(NGK LFR5A-11)	4	4	

News No. PE0-OM-190029(1/4)

Date:2019/08/21

Signature:K.Tanaka

Cause : Revision Notice Correction Sales Unit Change Others

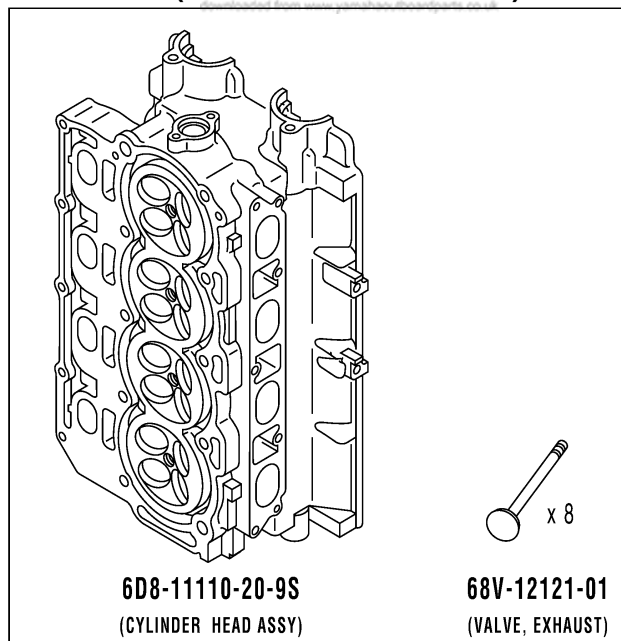
Model	F75B / F75C / F80B / F80C / F90B / F100D
Subject	PARTS CATALOGUE CORRECTIONS
CATALOGUE NO.	See the "List of Models and CATALOGUE No's below."
Time of YPEC Revision	Text, Illustration --> Sep./20/2019 PDF Replace --> Sep./20/2019 (YPEC = Yamaha Parts Electrical Catalogue = Website parts catalogue)

FIG.4 CYLINDER & CRANKCASE 2

1. LIST CORRECTION

Ref. No.	OLD P/No.	NEW P/No.	DESCRIPTION	Q'TY	REMARKS
2	6D8-11110-00-94 6D8-11110-01-94 6D8-11110-01-9S	6D8-W1110-20-9S	CYLINDER HEAD ASSY	1	*Part revision

6D8-W1110-20-9S
(CYLINDER HEAD ASSY)



***Cylinder head is set compatible with valve**

News No. PE0-OM-190029(2/4)

Date:2019/08/21

Signature:K.Tanaka

Cause : Revision Notice Correction Sales Unit Change Others

Model	F75B / F75C / F80B / F80C / F90B / F100D
Subject	PARTS CATALOGUE CORRECTIONS
CATALOGUE NO.	See the "List of Models and CATALOGUE No's below."
Time of YPEC Revision	Text, Illustration --> Sep./20/2019 PDF Replace --> Sep./20/2019 (YPEC = Yamaha Parts Electrical Catalogue = Website parts catalogue)

2. LIST of Models and CATALOGUE No's.

The applicable MODELS, MODEL CODES, and CATALOGUE No's are as follows.

MODEL NAME	MODEL CODE	MODEL YEAR	CATALOGUE NO.
F75TR,F75BET	6D61	2005	1D6D6-100E1
F80BET	6D71		
F80BET	6D71		
F90TR,F90BET	6D81	2005	1D6D8-100E1
F100DET	6D91	2005	1D6D9-100E1
F100DET	6D91	2005	1D6D9-300F1
F75TR,F75BET	6D62	2006	1E6D6-100E1
F80BET	6D72		
F90TR,F90BET	6D82		
F100DET	6D92		
F90BET	6D82	2006	1E6D8-280E1
F80BET	6D72	2006	1E6D7-300F1
F100DET	6D92		
F75TR(F)	6D63	2007	1F6D6-100E1
F80BET	6D73		
F90TR(F)	6D83		
F100DET	6D93		
F75BET	6D63	2007	1F6D6-200S1
F80BET	6D73		
F90BET	6D83		
F100DET	6D93		
F80BET	6D73	2007	1F6D7-300F1
F100DET	6D93		
F75TR(G)	6D64	2008	1G6D6-100E1
F80BET	6D74		
F90TR(G)	6D84		
F100DET	6D94		
F75BET	6D64	2008	1G6D6-200S1 1G6D6-415M1
F80BET	6D74		
F90BET	6D84		
F100DET	6D94		

News No. PE0-OM-190029(3/4)

Date:2019/08/21

Signature:K.Tanaka

Cause : Revision Notice Correction Sales Unit Change Others

Model	F75B / F75C / F80B / F80C / F90B / F100D
Subject	PARTS CATALOGUE CORRECTIONS
CATALOGUE NO.	See the "List of Models and CATALOGUE No's below."
Time of YPEC Revision	Text, Illustration --> Sep./20/2019 PDF Replace --> Sep./20/2019
(YPEC = Yamaha Parts Electrical Catalogue = Website parts catalogue)	

2. LIST of Models and CATALOGUE No's.

The applicable MODELS, MODEL CODES, and CATALOGUE No's are as follows.

MODEL NAME	MODEL CODE	MODEL YEAR	CATALOGUE NO.
F80BET F100DET	6D74 6D94	2008	1G6D7-300F1
F75TRH F80BET F90TRH F100DET	6D65 6D75 6D85 6D95	2009	1H6D6-100E1
F75TR F90TR	6D65 6D85	2009	1H6D6-110E1
F75BET F80BET F90BET F100DET	6D65 6D75 6D85 6D95	2009	1H6D6-200S1 1H6D6-415M1
F80BET F100DET	6D75 6D95	2009	1H6D7-300F1
F75 F80BET F90 F100DET	6D66 6D76 6D86 6D96	2010	1J6D6-100E1
F75TR F90TR	6D66 6D86	2010	1J6D6-110E1 1J6D8-110E1
F75BET F80BET F90BET F100DET	6D66 6D76 6D86 6D96	2010	1J6D6-200S1 1J6D6-415M1
F80BET F100DET	6D76 6D96	2010	1J6D7-300F1
F80BET F100DET	6D76 6D96	2010	1J6D7-370E1

News No. PE0-OM-190029(4/4)

Date:2019/08/21

Signature:K.Tanaka

Cause : Revision Notice Correction Sales Unit Change Others

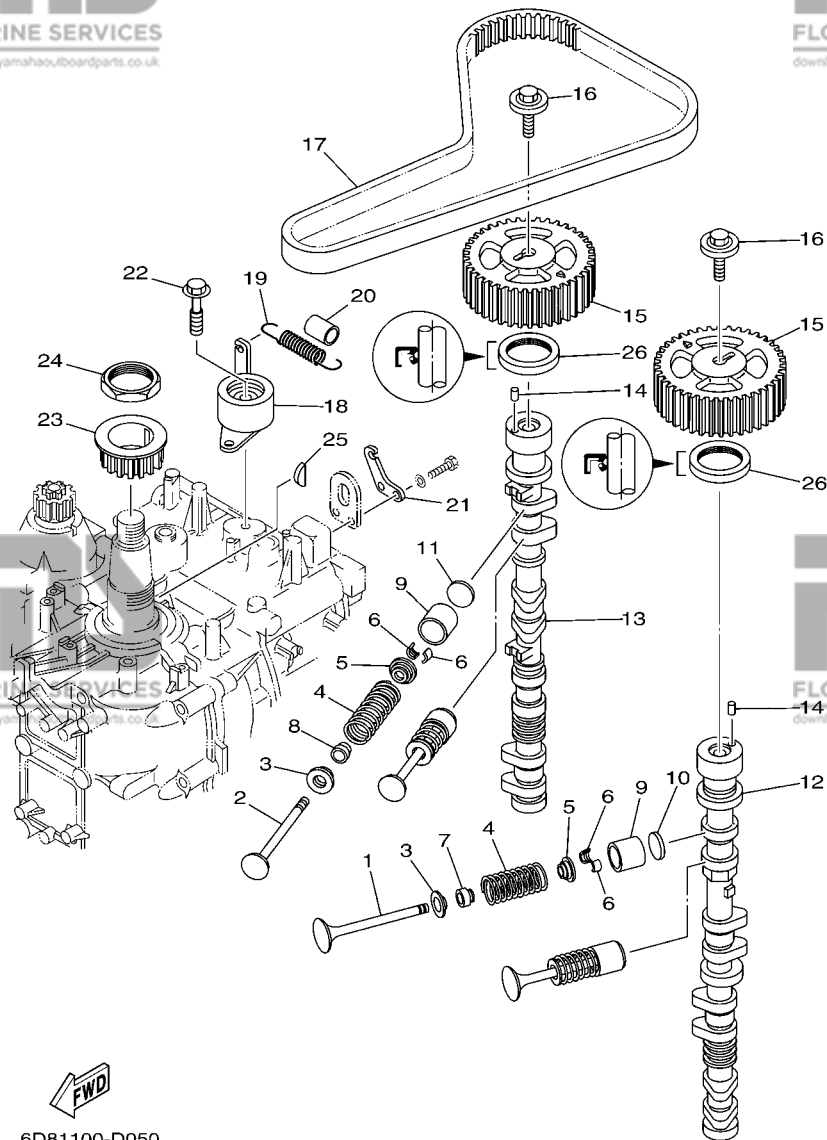
Model	F75B / F75C / F80B / F80C / F90B / F100D
Subject	PARTS CATALOGUE CORRECTIONS
CATALOGUE NO.	See the "List of Models and CATALOGUE No's below."
Time of YPEC Revision	Text, Illustration --> Sep./20/2019 PDF Replace --> Sep./20/2019 (YPEC = Yamaha Parts Electrical Catalogue = Website parts catalogue)

2. LIST of Models and CATALOGUE No's.

The applicable MODELS, MODEL CODES, and CATALOGUE No's are as follows.

MODEL NAME	MODEL CODE	MODEL YEAR	CATALOGUE NO.
F75CED,EHD	6BC1	2007	1F6BC-200S1
F75CED,EHD	6BC2	2008	1G6BC-200S1
F75CED,EHD	6BC3	2009	1H6BC-200S1
F75CED,EHD	6BC4	2010	1J6BC-200S1
F80CED	6CK1	2009	1H6CK-300F1
F80CED	6CK2	2010	1J6CK-300F1

Thank you very much for your cooperation.



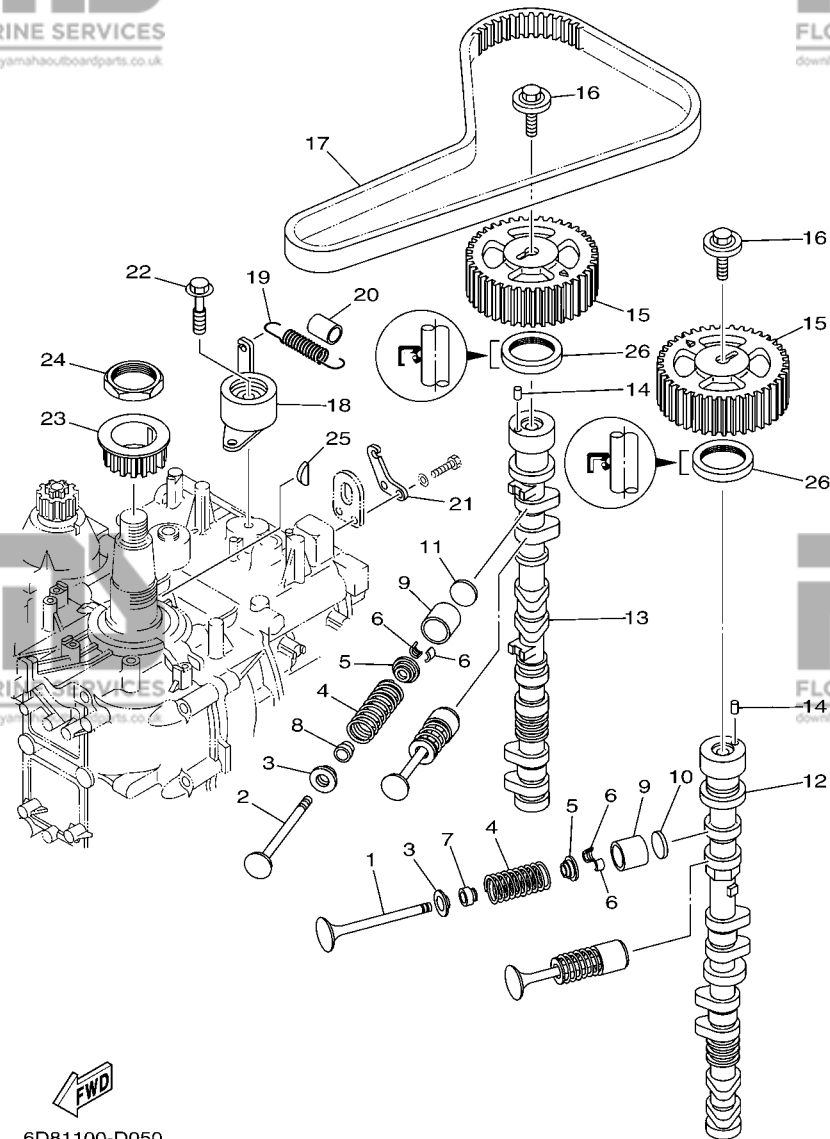
6D81100-D050

FIG. 5 VALVE

SOUPAPE

REF. NO.	PART NO. N° PIECES	DESCRIPTION DESCRIPTION	6D73	6D93	REMARKS REMARQUES
1	68V-12111-00	VALVE, INTAKE SOUPAPE, ADMISSION	8	8	
2	68V-12121-00	VALVE, EXHAUST SOUPAPE, ECHAPPEMENT	8	8	
3	67F-12116-00	SEAT, VALVE SPRING SIEGE, RESSORT DE SOUPAPE	16	16	
4	67F-12114-00	SPRING, VALVE OUTER RESSORT DE SOUPAPE, EXTERNE	16	16	
5	67F-12117-00	RETAINER, VALVE SPRING BUTEE DE RESSORT DE SOUPAPE	16	16	
6	67F-12118-00	COTTER, VALVE FRAISE, SOUPAPE	32	32	
7	K0A-A3721-00	SEAL, VALVE STEM JOINT, QUEUE DE SOUPAPE	8	8	
8	K0A-A3722-00	SEAL, VALVE STEM 2 JOINT, QUEUE DE SOUPAPE 2	8	8	
9	67F-12153-00	LIFTER, VALVE LEVE-SOUPAPE	16	16	
10	67F-12168-00	PAD, ADJUSTING (2.000) PASTILLE, DE REGLAGE (2.000)	16	16	UR
	67F-12168-10	PAD, ADJUSTING (2.025) PASTILLE, DE REGLAGE (2.025)	16	16	UR
	67F-12168-20	PAD, ADJUSTING (2.050) PASTILLE, DE REGLAGE (2.050)	16	16	UR
	67F-12168-30	PAD, ADJUSTING (2.075) PASTILLE, DE REGLAGE (2.075)	16	16	UR
	67F-12168-40	PAD, ADJUSTING (2.100) PASTILLE, DE REGLAGE (2.100)	16	16	UR
	67F-12168-50	PAD, ADJUSTING (2.125) PASTILLE, DE REGLAGE (2.125)	16	16	UR
	67F-12168-60	PAD, ADJUSTING (2.150) PASTILLE, DE REGLAGE (2.150)	16	16	UR
	67F-12168-70	PAD, ADJUSTING (2.175) PASTILLE, DE REGLAGE (2.175)	16	16	UR
	67F-12168-80	PAD, ADJUSTING (2.200) PASTILLE, DE REGLAGE (2.200)	16	16	UR
	67F-12168-A0	PAD, ADJUSTING (2.225) PASTILLE, DE REGLAGE (2.225)	16	16	UR
	67F-12168-B0	PAD, ADJUSTING (2.250) PASTILLE, DE REGLAGE (2.250)	16	16	UR
	67F-12168-C0	PAD, ADJUSTING (2.275) PASTILLE, DE REGLAGE (2.275)	16	16	UR
	67F-12168-D0	PAD, ADJUSTING (2.300) PASTILLE, DE REGLAGE (2.300)	16	16	UR
	67F-12168-E0	PAD, ADJUSTING (2.325) PASTILLE, DE REGLAGE (2.325)	16	16	UR
	67F-12168-F0	PAD, ADJUSTING (2.350) PASTILLE, DE REGLAGE (2.350)	16	16	UR
	67F-12168-G0	PAD, ADJUSTING (2.375) PASTILLE, DE REGLAGE (2.375)	16	16	UR
	67F-12168-H0	PAD, ADJUSTING (2.400) PASTILLE, DE REGLAGE (2.400)	16	16	UR
	67F-12168-J0	PAD, ADJUSTING (2.425) PASTILLE, DE REGLAGE (2.425)	16	16	UR

B3



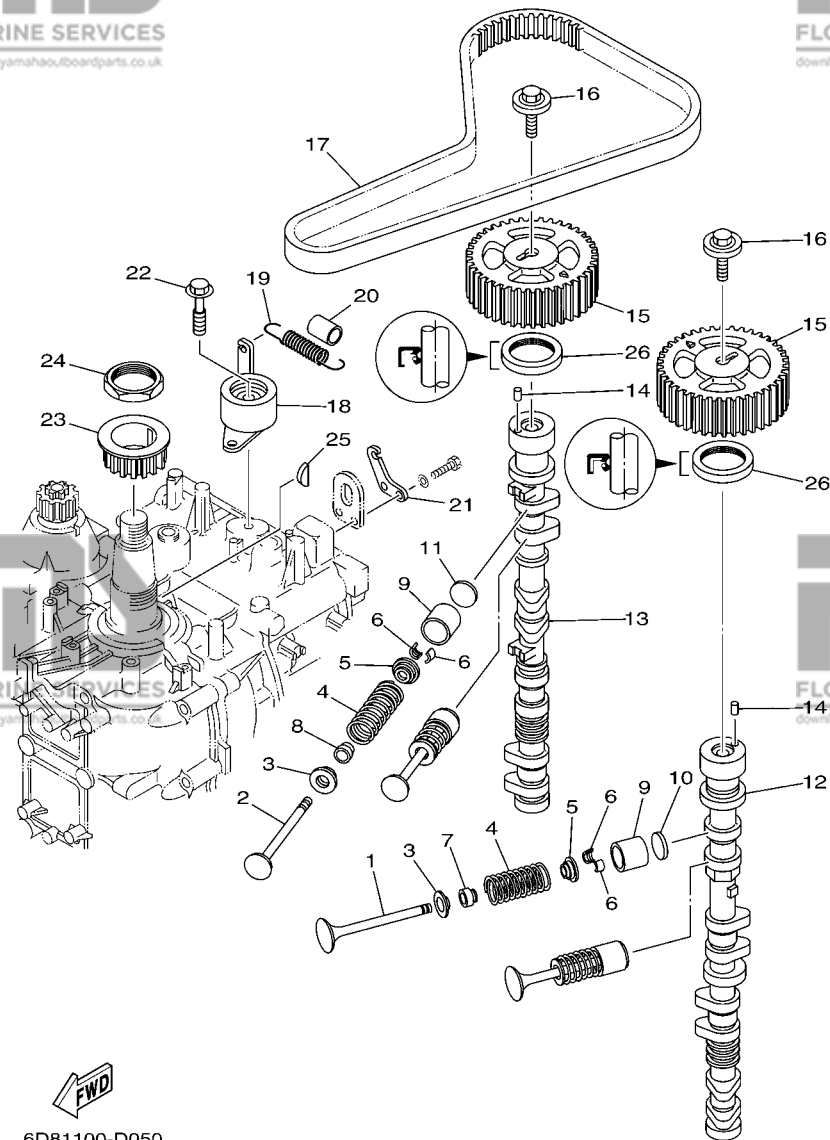
6D81100-D050

FIG. 5 VALVE

SOUPAPE

REF. NO.	PART NO. N° PIECES	DESCRIPTION DESCRIPTION	6D73	6D93	REMARKS REMARQUES
10	67F-12168-K0	PAD, ADJUSTING (2.450) PASTILLE, DE REGLAGE (2.450)	16	16	UR
	67F-12168-L0	PAD, ADJUSTING (2.475) PASTILLE, DE REGLAGE (2.475)	16	16	UR
	67F-12168-M0	PAD, ADJUSTING (2.500) PASTILLE, DE REGLAGE (2.500)	16	16	UR
	67F-12168-N0	PAD, ADJUSTING (2.525) PASTILLE, DE REGLAGE (2.525)	16	16	UR
	67F-12168-P0	PAD, ADJUSTING (2.550) PASTILLE, DE REGLAGE (2.550)	16	16	UR
	67F-12168-R0	PAD, ADJUSTING (2.575) PASTILLE, DE REGLAGE (2.575)	16	16	UR
	67F-12168-S0	PAD, ADJUSTING (2.600) PASTILLE, DE REGLAGE (2.600)	16	16	UR
	67F-12168-T0	PAD, ADJUSTING (2.625) PASTILLE, DE REGLAGE (2.625)	16	16	UR
	67F-12168-U0	PAD, ADJUSTING (2.650) PASTILLE, DE REGLAGE (2.650)	16	16	UR
	67F-12168-V0	PAD, ADJUSTING (2.675) PASTILLE, DE REGLAGE (2.675)	16	16	UR
	67F-12168-W0	PAD, ADJUSTING (2.700) PASTILLE, DE REGLAGE (2.700)	16	16	UR
	67F-12168-X0	PAD, ADJUSTING (2.725) PASTILLE, DE REGLAGE (2.725)	16	16	UR
	67F-12168-Y0	PAD, ADJUSTING (2.750) PASTILLE, DE REGLAGE (2.750)	16	16	UR
11	67F-12169-00	PAD, ADJUSTING (2.775) PASTILLE, DE REGLAGE (2.775)	16	16	UR
	67F-12169-10	PAD, ADJUSTING (2.800) PASTILLE, DE REGLAGE (2.800)	16	16	UR
	67F-12169-20	PAD, ADJUSTING (2.825) PASTILLE, DE REGLAGE (2.825)	16	16	UR
	67F-12169-30	PAD, ADJUSTING (2.850) PASTILLE, DE REGLAGE (2.850)	16	16	UR
	67F-12169-40	PAD, ADJUSTING (2.875) PASTILLE, DE REGLAGE (2.875)	16	16	UR
	67F-12169-50	PAD, ADJUSTING (2.900) PASTILLE, DE REGLAGE (2.900)	16	16	UR
	67F-12169-60	PAD, ADJUSTING (2.925) PASTILLE, DE REGLAGE (2.925)	16	16	UR
	67F-12169-70	PAD, ADJUSTING (2.950) PASTILLE, DE REGLAGE (2.950)	16	16	UR
	67F-12169-80	PAD, ADJUSTING (2.975) PASTILLE, DE REGLAGE (2.975)	16	16	UR
	67F-12169-A0	PAD, ADJUSTING (3.000) PASTILLE, DE REGLAGE (3.000)	16	16	UR
	67F-12169-B0	PAD, ADJUSTING (3.025) PASTILLE, DE REGLAGE (3.025)	16	16	UR
	67F-12169-C0	PAD, ADJUSTING (3.050) PASTILLE, DE REGLAGE (3.050)	16	16	UR
	67F-12169-D0	PAD, ADJUSTING (3.075) PASTILLE, DE REGLAGE (3.075)	16	16	UR
	67F-12169-E0	PAD, ADJUSTING (3.100) PASTILLE, DE REGLAGE (3.100)	16	16	UR

B4



6D81100-D050

FIG. 5 VALVE

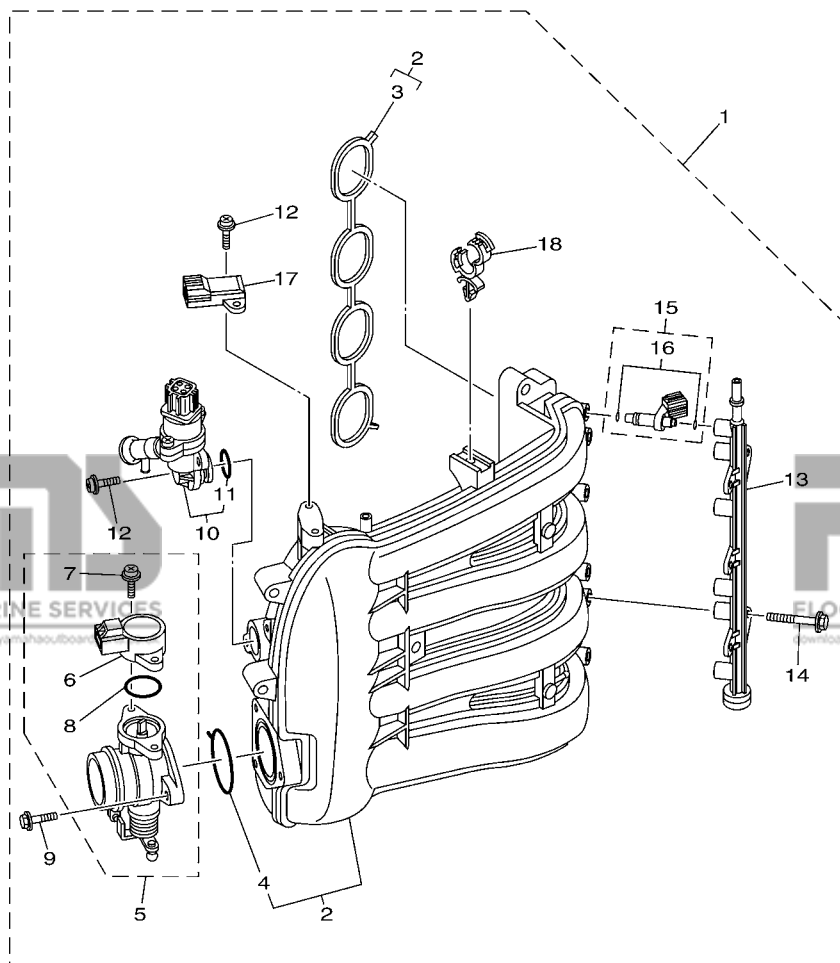
SOUPAPE

REF. NO.	PART NO. N° PIECES	DESCRIPTION DESCRIPTION	6D73	6D93	REMARKS REMARQUES
11	67F-12169-F0	PAD, ADJUSTING (3.125) PASTILLE, DE REGLAGE (3.125)	16	16	UR
	67F-12169-G0	PAD, ADJUSTING (3.150) PASTILLE, DE REGLAGE (3.150)	16	16	UR
	67F-12169-H0	PAD, ADJUSTING (3.175) PASTILLE, DE REGLAGE (3.175)	16	16	UR
	67F-12169-J0	PAD, ADJUSTING (3.200) PASTILLE, DE REGLAGE (3.200)	16	16	UR
	67F-12169-K0	PAD, ADJUSTING (3.225) PASTILLE, DE REGLAGE (3.225)	16	16	UR
	67F-12169-L0	PAD, ADJUSTING (3.250) PASTILLE, DE REGLAGE (3.250)	16	16	UR
	67F-12169-M0	PAD, ADJUSTING (3.275) PASTILLE, DE REGLAGE (3.275)	16	16	UR
	67F-12169-N0	PAD, ADJUSTING (3.300) PASTILLE, DE REGLAGE (3.300)	16	16	UR
12	6D8-12171-00	CAMSHAFT 1 ARBRE A CAMES 1	1		
	6D9-12171-00	CAMSHAFT 1 ARBRE A CAMES 1		1	
13	67F-12181-00	CAMSHAFT 2 ARBRE A CAMES 2	1	1	
14	93605-10108	PIN, DOWEL AXE	2	2	
15	67F-11537-00	GEAR, DRIVEN PIGNON SECONDAIRE	2	2	
16	90119-10M06	BOLT, WITH WASHER BOULON, AVEC RONDELLE	2	2	
17	67F-46241-00	BELT COURROIE TRAPEZOIDALE	1	1	
18	67F-11590-00	TENSIONER ASSY TENDEUR (ENS.)	1	1	
19	90506-16M39	SPRING, TENSION RESSORT, TENSION	1	1	
20	90445-15M03	HOSE (L23) DURITE (L23)	1	1	
21	67F-11595-00	PLATE, VALVE PLAQUE DE SOUPAPE	1	1	
22	90119-10M72	BOLT, WITH WASHER BOULON, AVEC RONDELLE	1	1	
23	6D8-11536-00	GEAR, DRIVE ENGRENAGE, MENANT	1	1	
24	90170-40003	NUT ECROU	1	1	
25	90280-04008	KEY, WOODRUFF CLAVETTE, DEMI-LUNE	1	1	
26	93102-38M59	OIL SEAL JOINT SPY	2	2	

FIG. 6 INTAKE 1

ADMISSION 1

REF. NO.	PART NO. N° PIECES	DESCRIPTION DESCRIPTION	6D73	6D93	REMARKS REMARQUES
1	6D8-14200-00	INTAKE ASSY ADMISSION (ENS.)	1	1	
2	6D8-13641-00	..MANIFOLD 1 ..TUBULURE 1	1	1	
3	6D8-13645-00	..GASKET, MANIFOLD 1 ..JOINT, TUBULURE 1	1	1	
4	6D8-13557-00	..GASKET ..JOINT	1	1	
5	6D8-13750-00	..THROTTLE BODY ASSY ..CARTER D'ACCELERATEUR COMPLET	1	1	
6	6C5-85885-00	..THROTTLE SENSOR ASSY ..SENSITOMETRE (ENS.)	1	1	
7	6C5-81145-00	..SCREW 1 ..VIS 1	2	2	
8	6C5-8182L-00	..O-RING 1 ..JOINT TORIQUE 1	1	1	
9	6C5-14496-00	..BOLT ..BOULON	3	3	
10	6D8-13105-01	..CONTROL VALVE ASSY ..SOUPAPE DE CONTROLE COMPLET	1	1	
11	6C5-1319C-00	..O-RING ..JOINT TORIQUE	1	1	
12	6C5-81146-00	..SCREW 2 ..VIS 2	4	4	
13	6D8-13161-00	..PIPE, DELIVERY 1 ..DURITE REFOULEMENT 1	1	1	
14	6C5-14446-00	..BOLT ..BOULON	2	2	
15	6D8-13761-00	..INJECTOR ASSY ..INJECTEUR	4	4	
16	6C5-1410B-00	..PACKING KIT ..POCHETTE DE JOINTS	1	1	
17	68F-83688-00	..SENSOR ASSY ..SONDE (ENS.)	1	1	
18	90464-18246	..CLAMP ..BRIDE	1	1	



6D81100-D060

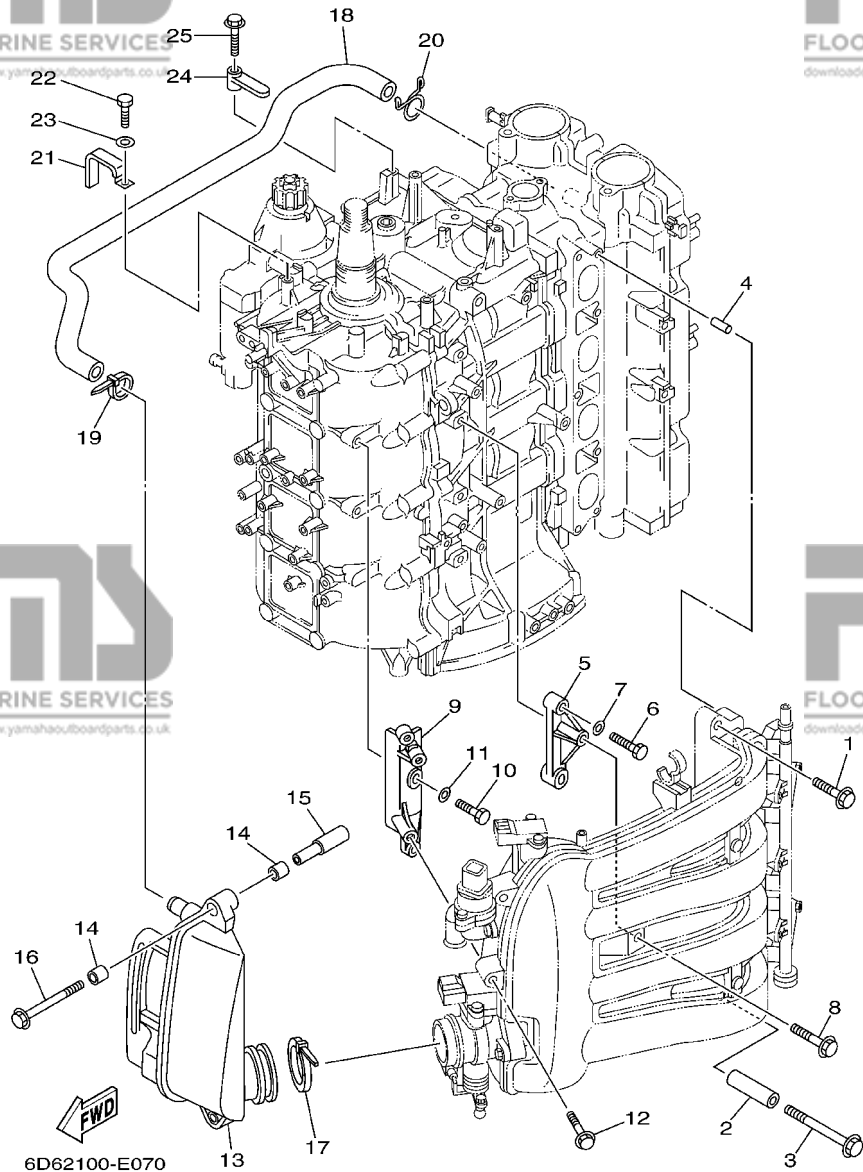


FIG. 7 INTAKE 2

ADMISSION 2

REF. NO.	PART NO. N° PIECES	DESCRIPTION DESCRIPTION			REMARKS REMARQUES
			6D73	6D93	
1	90119-08069	BOLT, WITH WASHER BOULON, AVEC RONDELLE	4	4	
2	90387-08033	COLLAR COLLERETTE	1	1	
3	90119-08M03	BOLT, WITH WASHER BOULON, AVEC RONDELLE	1	1	
4	91690-50014	PIN, SPRING AGRAFFE	2	2	
5	6D8-14291-00-94	BRACKET 1 SUPPORT 1	1	1	
6	97095-06030	BOLT BOULON	2	2	
7	92995-06600	WASHER RONDELLE	2	2	
8	90119-06087	BOLT, WITH WASHER BOULON, AVEC RONDELLE	1	1	
9	6D8-14292-00-94	BRACKET 2 SUPPORT 2	1	1	
10	97095-06020	BOLT BOULON	2	2	
11	92995-06600	WASHER RONDELLE	2	2	
12	90119-06087	BOLT, WITH WASHER BOULON, AVEC RONDELLE	2	2	
13	6D6-14440-00 6D9-14440-01	SILENCER ASSY, INTAKE SIENCIEUX D'ADMISSION SILENCER ASSY, INTAKE SIENCIEUX D'ADMISSION	1	1	
14	90386-08001	BUSH DOUILLE	4	4	
15	90387-07013	COLLAR COLLERETTE	2	2	
16	90119-06113	BOLT, WITH WASHER BOULON, AVEC RONDELLE	2	2	
17	90464-76001	CLAMP BRIDE	1	1	
18	6D8-15373-00	PIPE, BREATHER DURITE DE RENIFLARD	1	1	
19	90465-11M59	CLAMP BRIDE	1	1	
20	90467-20M15	CLIP JONC	1	1	
21	90465-12M03	CLAMP BRIDE	1	1	
22	97095-06012	BOLT BOULON	1	1	
23	92995-06600	WASHER RONDELLE	1	1	
24	6D8-82544-00	CLAMP COLLIER	1	1	
25	95895-06025	BOLT, FLANGE BOULON	1	1	

B7

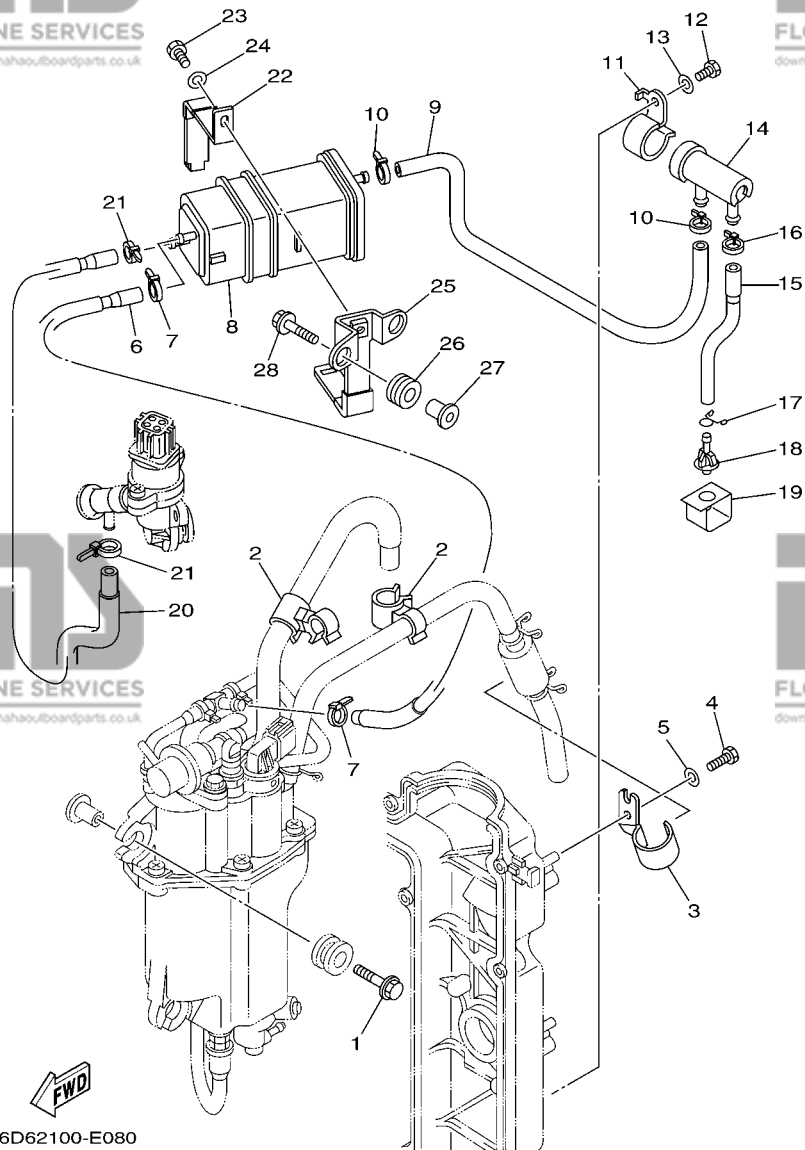


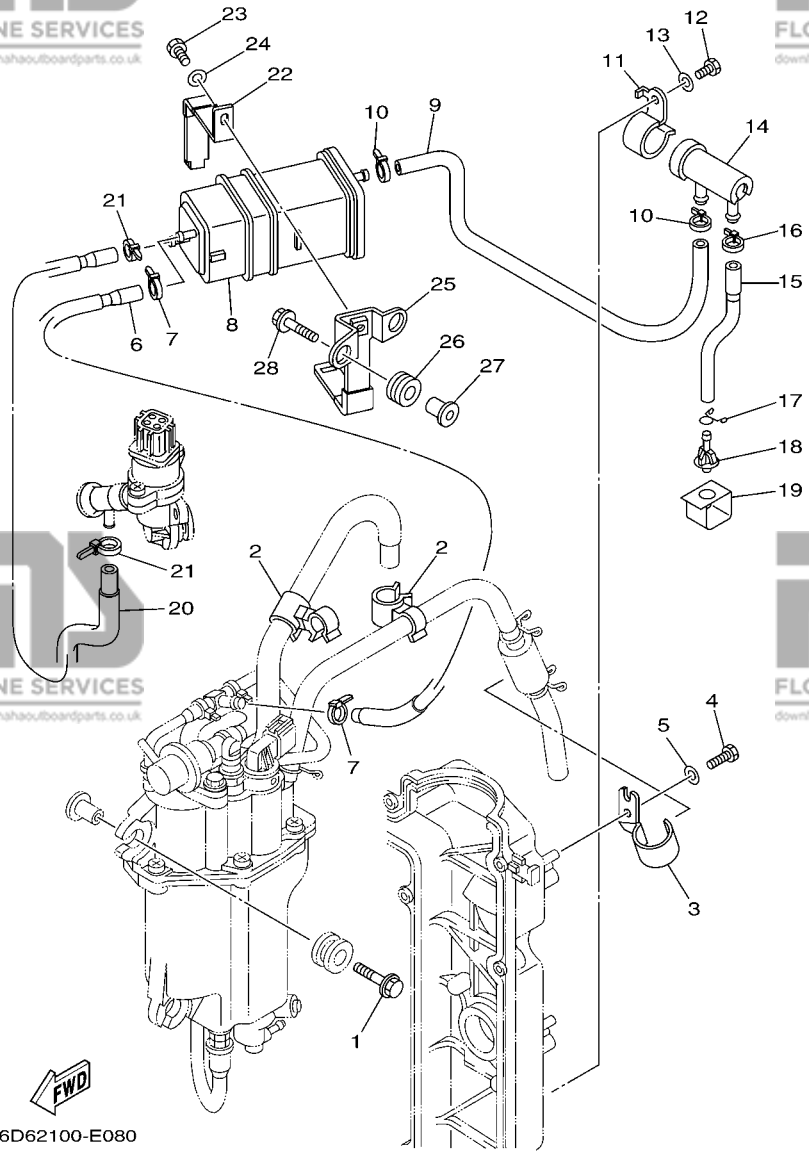
FIG. 8 INTAKE 3

ADMISSION 3

REF. NO.	PART NO. N° PIECES	DESCRIPTION DESCRIPTION			REMARKS REMARQUES
			6D73	6D93	
1	90119-06M08	BOLT, WITH WASHER BOULON, AVEC RONDELLE	3	3	
2	90464-15007	CLAMP BRIDE	2	2	
3	6D8-13428-00	BRACKET, STRAINER 1 SUPPORT, FILTRE 1	1	1	
4	97095-06012	BOLT BOULON	1	1	
5	92995-06600	WASHER RONDELLE	1	1	
6	6D8-24314-01	PIPE 4 DURITE 4	1	1	
7	90465-11M10	CLAMP BRIDE	2	2	
8	69J-24170-00	CANISTER ASSY BANDE, RASERVOIR A ESSENCE	1	1	
9	6D8-24315-00	PIPE 5 DURITE 5	1	1	
10	90465-11M10	CLAMP BRIDE	2	2	
11	6D8-2417H-00	CLAMP 1 COLLIER 1	1	1	
12	97095-06010	BOLT BOULON	1	1	
13	92995-06600	WASHER RONDELLE	1	1	
14	69J-24502-00	FILTER, FUEL FILTRE	1	1	
15	6D8-24316-00	PIPE 6 DURITE 6	1	1	
16	90465-11M10	CLAMP BRIDE	1	1	
17	90467-09M03	CLIP JONC	1	1	
18	69J-44391-00	NIPPLE, HOSE RACCORD D'ESSENCE	1	1	
19	6D8-2413X-00	PLATE PLAQUE	1	1	
20	6D8-24317-01	PIPE 7 DURITE 7	1	1	
21	90465-11M10	CLAMP BRIDE	2	2	
22	69J-2419A-00	HOLDER SUPPORT	1	1	
23	97095-06016	BOLT BOULON	1	1	
24	92995-06600	WASHER RONDELLE	1	1	
25	6D8-2134X-00	BRACKET, CANISTER SUPPORT	1	1	
26	90480-10M23	GROMMÉT PASSE-FIL	2	2	
27	90387-06M60	COLLAR COLLERETTE	2	2	

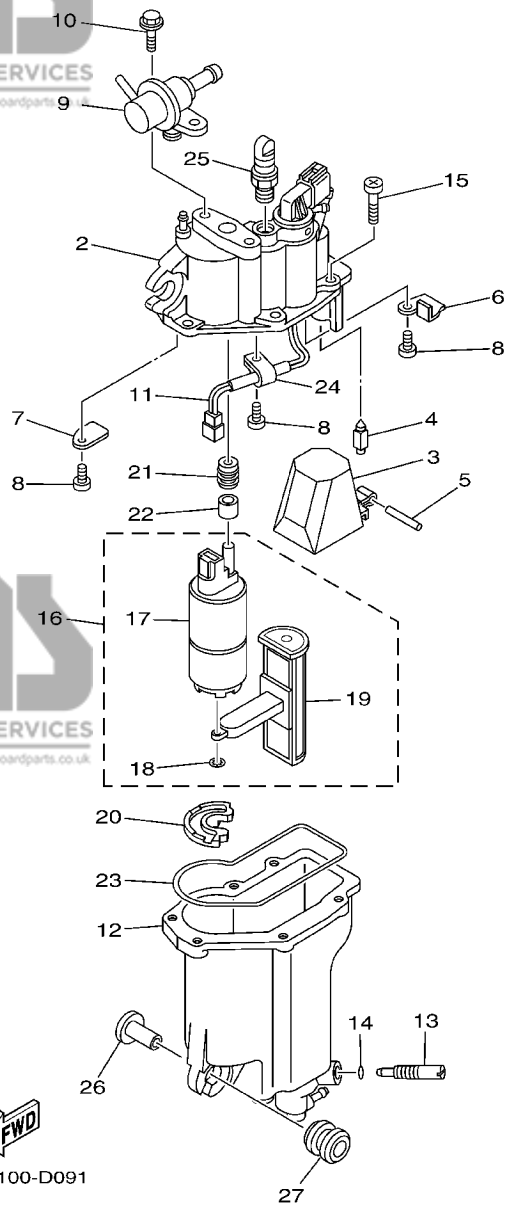
FIG. 8 INTAKE 3

ADMISSION 3



REF. NO.	PART NO. N° PIECES	DESCRIPTION DESCRIPTION	6D73	6D93	REMARKS REMARQUES
28	90119-06M59	BOLT, WITH WASHER BOULON, AVEC RONDELLE	2	2	

C2

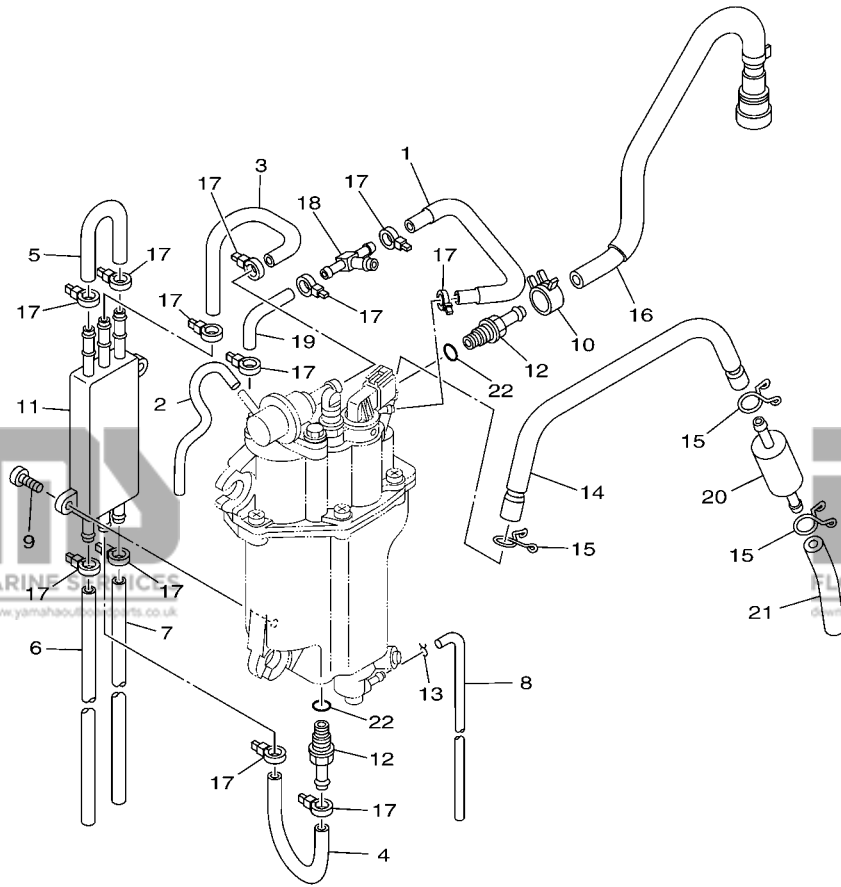


FLOAT CHAMBER ASSY
(Fig. 9, Ref. No. 2 to 27
Fig. 10, Ref. No. 1 to 22)

FIG. 9 FUEL INJECTION PUMP 1

POMPE A INJECTEUR 1

REF. NO.	PART NO. N° PIECES	DESCRIPTION DESCRIPTION	6D73	6D93	REMARKS REMARQUES
1	6D8-14180-20	FLOAT CHAMBER ASSY CUVE DE FLOTTEUR	1	1	
2	6D8-14182-00	COVER, FLOAT CHAMBER COUVERCLE, CUVE DE FLOTTEUR	1	1	
3	6C5-14985-00	FLOAT FLOTTEUR	1	1	
4	6C5-14546-00	VALVE, NEEDLE POINTEAU	1	1	
5	6C5-14386-00	PIN, FLOAT AXE, FLOTTEUR	1	1	
6	6C5-2441R-00	PLATE, BAFFLE 1 SEPARATEUR 1	1	1	
7	6C5-2441T-00	PLATE, BAFFLE 2 SEPARATEUR 2	1	1	
8	6C5-24453-00	SCREW VIS	3	3	
9	6C5-13906-00	REGULATOR, PRESSURE REGULATEUR DE PRESSION	1	1	
10	6C5-24592-00	BOLT BOLTE	2	2	
11	6C5-87226-00	WIRE HARNESS ASSY ENS. FAISCEAU ELECTRIQUE	1	1	
12	6D8-14960-00	BODY ASSY CARTER (ENS.)	1	1	
13	6C5-14191-00	PLUG, DRAIN PLOT, VIDANGE	1	1	
14	6C5-14397-00	O-RING JOINT TORIQUE	1	1	
15	6C5-14567-00	SCREW VIS	6	6	
16	6C5-13910-00	FUEL PUMP ASSY POMPE A ESSENCE COMPLET	1	1	
17	6C5-13907-00	.FUEL PUMP COMP. .POMPE A CARBURANT COMP.	1	1	
18	6C5-14127-00	.CLIP .JONC	1	1	
19	6C5-13915-00	.FILTER .FILTRE	1	1	
20	6C5-13593-00	DAMPER AMORTISSEUR	1	1	
21	6C5-13781-00	DAMPÉR, PUMP AMORTISSEUR, POMPE	1	1	
22	6C5-13716-00	COLLAR COLLERETTE	1	1	
23	6C5-14984-00	GASKET, FLOAT CHAMBER JOINT, CUVE DE FLOTTEUR	1	1	
24	6C5-21337-00	CLAMP, CABLE COLLIER, CABLE	1	1	
25	6C5-14225-00	CAP COUVERCLE	1	1	
26	90387-06M69	COLLAR COLLERETTE	3	3	
27	90480-09M12	GROMMET PASSE-FIL	3	3	

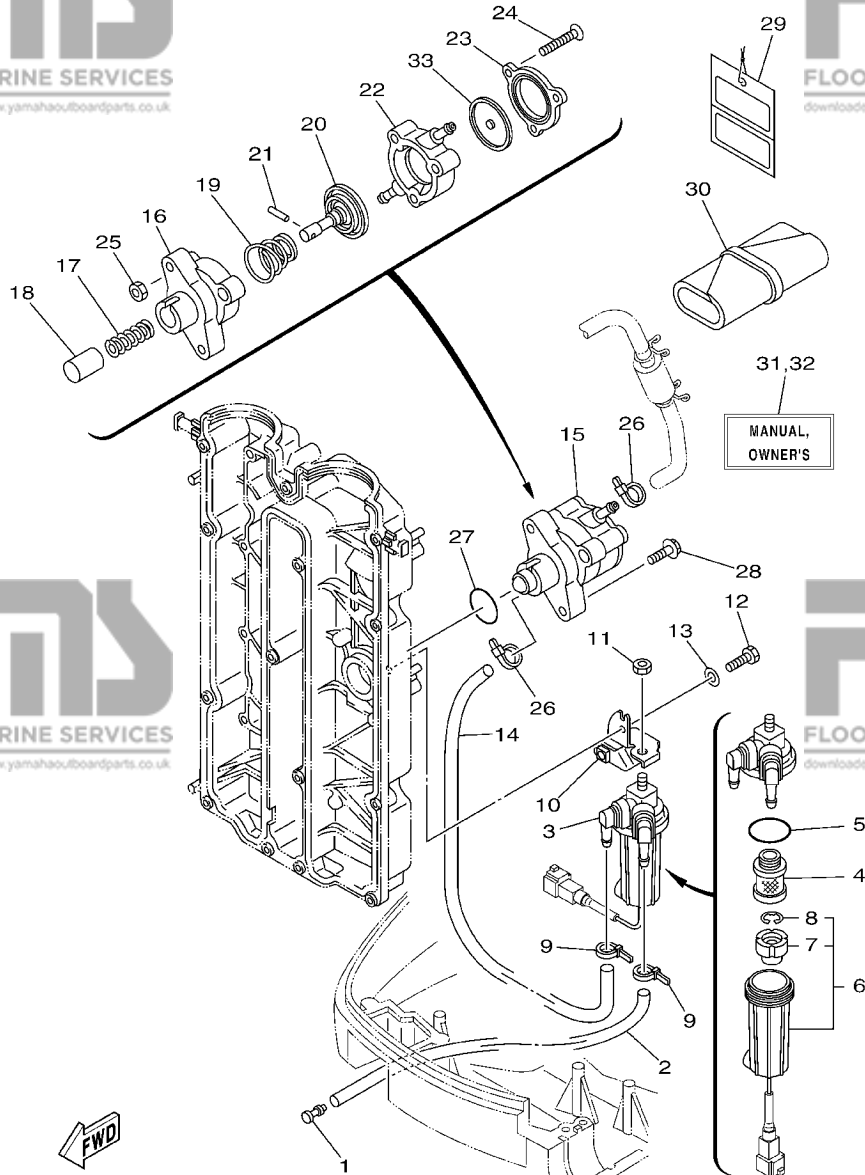


6D82100-E100

FIG. 10 FUEL INJECTION PUMP 2

POMPE A INJECTEUR 2

REF. NO.	PART NO. N° PIECES	DESCRIPTION DESCRIPTION	6D73	6D93	REMARKS REMARQUES
1	6D8-13546-01	HOSE 2 DURITE 2	1	1	
2	6D8-13542-01	HOSE, VACUUM SENSING 1 DURITE 1	1	1	
3	6C5-24321-00	PIPE 10 DURITE 10	1	1	
4	6C5-24322-00	PIPE 11 DURITE 11	1	1	
5	6C5-24323-00	PIPE 12 DURITE 12	1	1	
6	6D8-24324-01	PIPE 13 DURITE 13	1	1	
7	6D8-24325-10	PIPE 14 (L430) DURITE 14 (L430)	1	1	
8	6C5-14149-00	PIPE (L200) DURITE (L200)	1	1	
9	6C5-24444-00	SCREW VIS	2	2	
10	6C5-13577-00	CLIP AGRAFE	1	1	
11	6C5-21841-00	COOLER RADIATEUR	1	1	
12	6C5-14251-00	NIPPLE RACCORD	2	2	
13	6C5-2411M-00	CLIP JONC	1	1	
14	6D8-14148-00	PIPE DURITE	1	1	
15	6C5-24387-00	CLIP SANDOW	3	3	
16	6D8-13974-00	PIPE, FUEL 4 TUBE 4, CARBURANT	1	1	
17	90465-11M10	CLAMP BRIDE	12	12	
18	6C5-24379-00	PIPE, JOINT 4 DURITE RACCORDEMENT 4	1	1	
19	6C5-13545-00	HOSE 1 DURITE 1	1	1	
20	6C5-24251-00	STRAINER 1 FILTRE 1	1	1	
21	6D8-2451B-00	HOSE, FUEL INLET DURITE	1	1	
22	6C5-13739-00	O-RING JOINT TORIQUE	2	2	



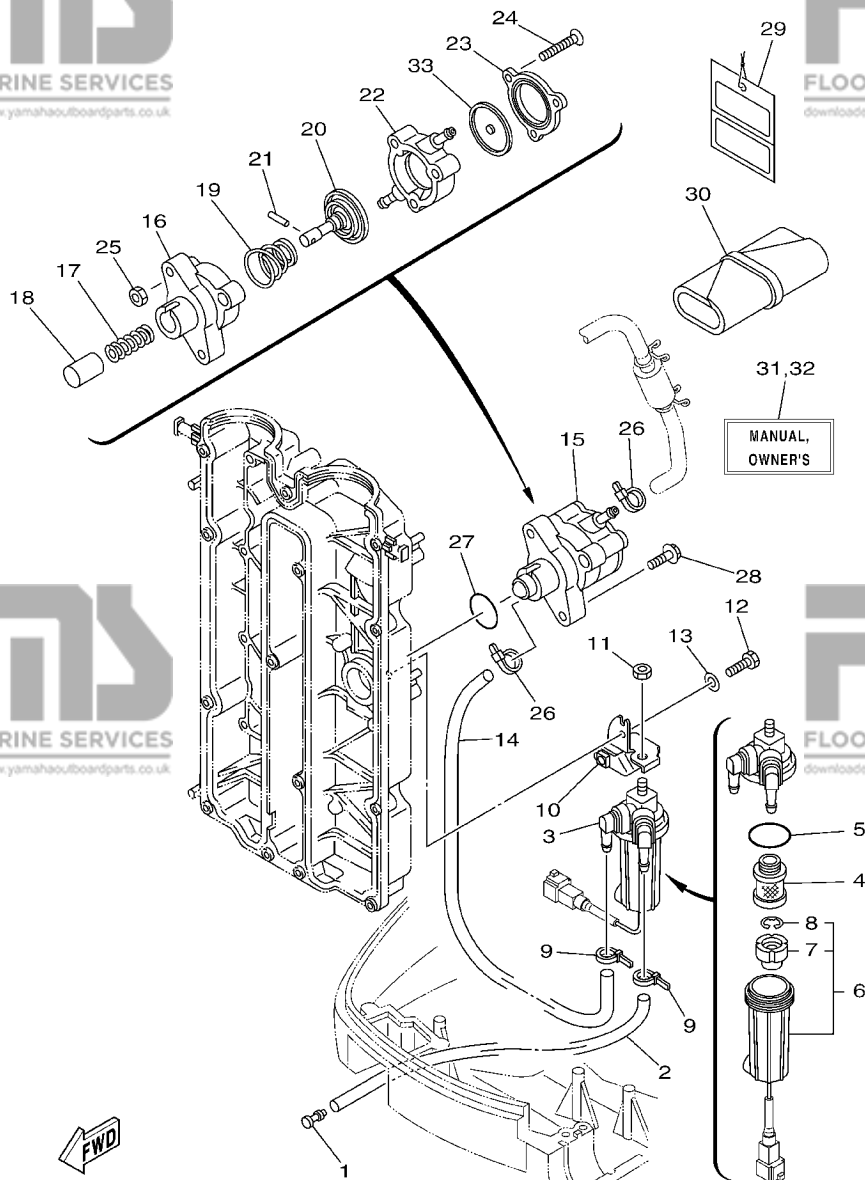
6D73300F1101

FIG. 11 FUEL 1

CARBURANT 1

REF. NO.	PART NO. N° PIECES	DESCRIPTION DESCRIPTION	6D73	6D93	REMARKS REMARQUES
1	689-85547-00	DAMPER AMORTISSEUR	1	1	
2	90445-13M37	HOSE (L2300) DURITE (L2300)	1	1	
3	6D8-24560-00	FILTER ASSY ENS FILTRE	1	1	
4	6D8-24563-00	.ELEMENT, FILTER .ELEMENT, FILTRE	1	1	
5	6D8-24564-00	.GASKET .JOINT	1	1	
6	6D8-24562-00	.CUP, FILTER .CUVETTE, FILTRE	1	1	
7	6D8-24469-00	..FLOAT, WATER LEVEL ..FLOTTEUR	1	1	
8	6D8-24519-00	..CLIP ..JONC	1	1	
9	90465-11M10	CLAMP BRIDE	2	2	
10	6D8-24566-00	BRACKET, FILTER SUPPORT, FILTRE	1	1	
11	95380-08600	NUT ECROU	1	1	
12	97095-06016	BOLT BOULON	1	1	
13	92995-06600	WASHER RONDELLE	1	1	
14	6D8-24311-00	PIPE, FUEL 1 DURITE A ESSENCE	1	1	
15	6D8-24410-10	FUEL PUMP ASSY POMPE A ESSENCE	1	1	
16	68V-24412-00	.BODY 1 .CORPS 1	1	1	
17	68V-24454-00	.SPRING .RESSORT	1	1	
18	63P-13131-00	.PLUNGER .PLONGEUR	1	1	
19	68V-24423-00	.SPRING, DIAPHRAGM .RESSORT, DIAPHRAGME	1	1	
20	68V-24411-00	.DIAPHRAGM .DIAPHRAGME	1	1	
21	68V-24374-00	.PIN .GOUILLE	1	1	
22	68V-24413-00	.BODY 2 .CORPS 2	1	1	
23	6D8-24414-00	.BODY 3 .CORPS 3	1	1	
24	68V-24444-00	.SCREW .VIS	3	3	
25	68V-24149-00	.NUT .ECROU	3	3	
26	90465-11M10	CLAMP BRIDE	2	2	
27	93210-30682	O-RING JOINT TORIQUE	1	1	

C5



6D73300F1101

FIG. 11 FUEL 1

CARBURANT 1

REF. NO.	PART NO. N° PIECES	DESCRIPTION DESCRIPTION			REMARKS REMARQUES
			6D73	6D93	
28	90119-06M83	BOLT, WITH WASHER BOULON, AVEC RONDELLE	2	2	
29	61H-2819R-31	TAG, WARNING ETIQUETTE, AVERTISSEMENT	1	1	
30	67F-28100-01	TOOL KIT TROUSSE A OUTILS	1	1	
31	6D7-28199-72-E0	MANUAL, OWNER'S MANUEL D'UTILISATION	1	1	UR (E) UR (E)
	6D7-28199-72-F0	MANUAL, OWNER'S MANUEL D'UTILISATION	1	1	UR (F) UR (F)
	6D7-28199-72-S0	MANUAL, OWNER'S MANUEL D'UTILISATION	1	1	UR (ES) UR (ES)
	6D7-28199-72-G0	MANUAL, OWNER'S MANUEL D'UTILISATION	1	1	UR (D) UR (D)
	6D7-28199-72-D0	MANUAL, OWNER'S MANUEL D'UTILISATION	1	1	UR (NL) UR (NL)
	6D7-28199-72-H0	MANUAL, OWNER'S MANUEL D'UTILISATION	1	1	UR (I) UR (I)
32	6D7-28199-82-K0	MANUAL, OWNER'S MANUEL D'UTILISATION	1	1	UR (DK) UR (DK)
	6D7-28199-82-R0	MANUAL, OWNER'S MANUEL D'UTILISATION	1	1	UR (GR) UR (GR)
	6D7-28199-82-P0	MANUAL, OWNER'S MANUEL D'UTILISATION	1	1	UR (P) UR (P)
	6D7-28199-82-N0	MANUAL, OWNER'S MANUEL D'UTILISATION	1	1	UR (N) UR (N)
	6D7-28199-82-M0	MANUAL, OWNER'S MANUEL D'UTILISATION	1	1	UR (S) UR (S)
	6D7-28199-82-L0	MANUAL, OWNER'S MANUEL D'UTILISATION	1	1	UR (SF) UR (SF)
33	68V-24471-10	.DIAPHRAGM .DIAPHRAGME	1	1	

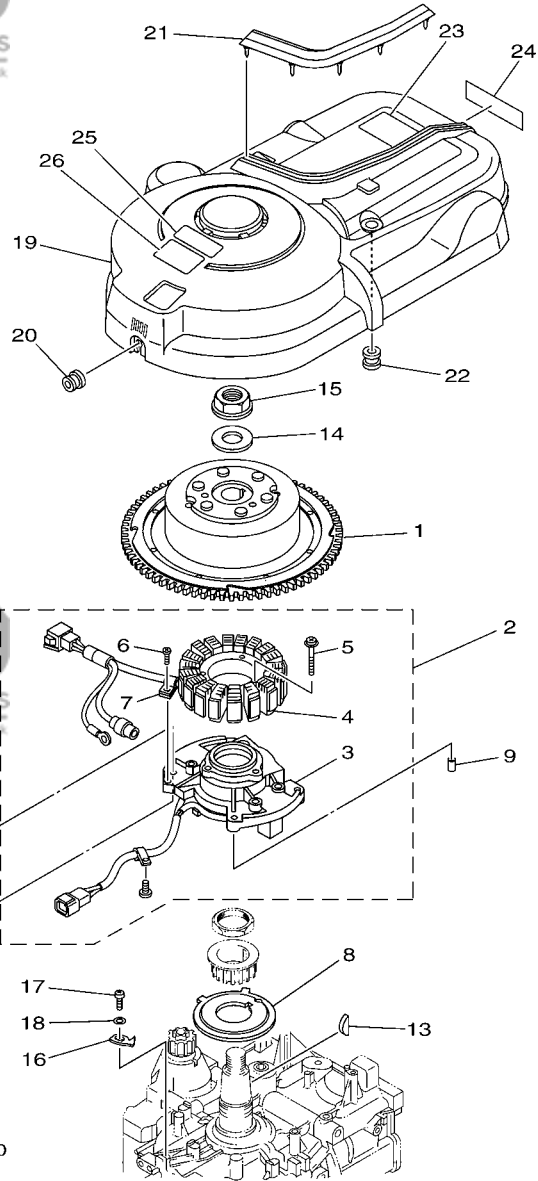
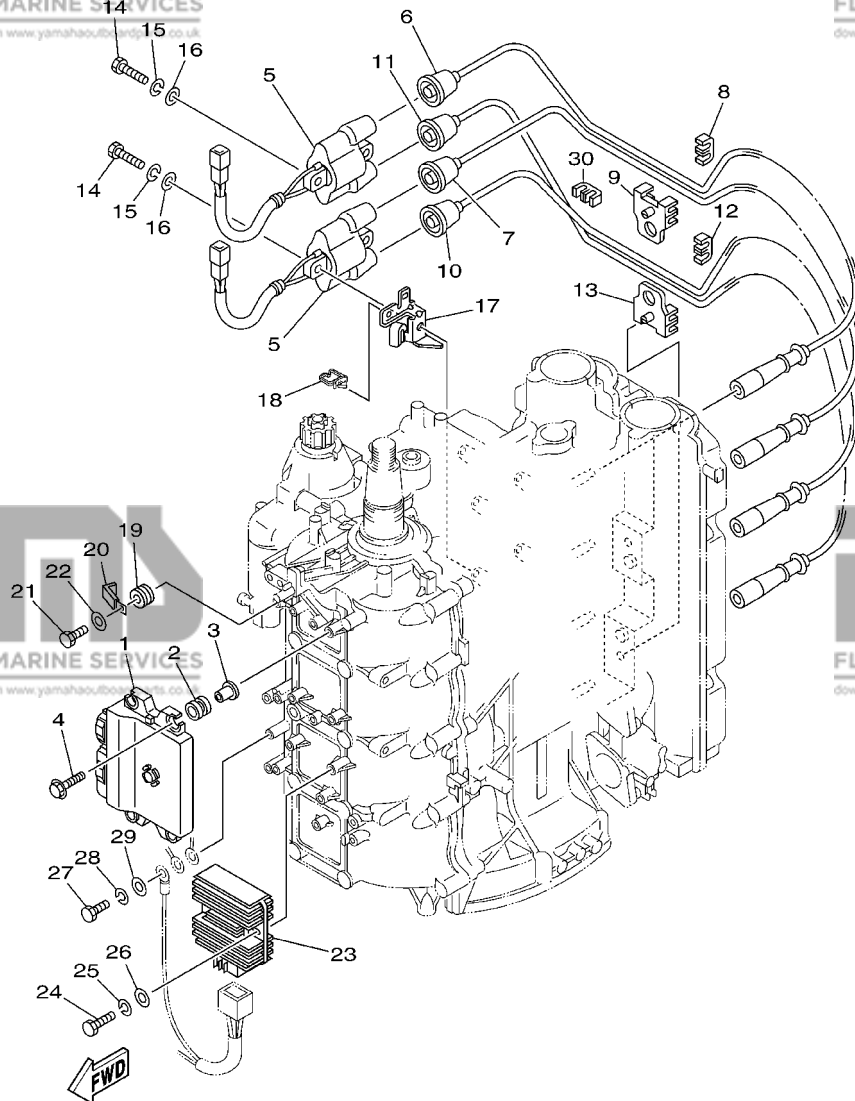


FIG. 13 GENERATOR

GENERATRICE

REF. NO.	PART NO. N° PIECES	DESCRIPTION DESCRIPTION	6D73	6D93	REMARKS REMARQUES
1	6D8-81450-00	ROTOR ASSY ROTOR COMPLET	1	1	
2	6D8-81460-00	BASE ASSY ENS. FLASQUE	1	1	
3	6D8-85580-00	.COIL, PULSER .BOBINE, PULSEUR	1	1	
4	6D8-81410-00	.STATOR ASSY .STATOR COMPLET	1	1	
5	63D-81345-20	.SCREW, WITH WASHER (M6X30) .VIS, AVEC RONDELLE (M6X30)	3	3	
6	97607-04110	.SCREW, WITH WASHER .VIS HEXAGONAL	1	1	
7	445-81328-20	.CLAMP .COLLIER	1	1	
8	68V-81673-00	ROTOR ROTOR	1	1	
9	99530-08012	PIN, DOWEL GOUJON, D'ASSEMBLAGE	2	2	
10	97095-06030	BOLT BOULON	4	4	
11	92995-06100	WASHER, SPRING RONDELLE, GROWER	4	4	
12	92995-06600	WASHER RONDELLE	4	4	
13	90280-05015	KEY, WOODRUFF CLAVETTE, DEMI-LUNE	1	1	
14	90201-24014	WASHER, PLATE RONDELLE, PLATE	1	1	
15	90179-24002	NUT ECROU	1	1	
16	6D8-81332-00	PLATE, TIMING PLATEAU, ALLUMAGE	1	1	
17	97885-06010	SCREW, PAN HEAD VIS, A ENCOCHE	1	1	
18	92995-06600	WASHER RONDELLE	1	1	
19	6D8-81337-00	COVER, FLYWHEEL COUVERCLE, VOLANT	1	1	
20	90480-12072	GROMMET PASSE-FIL	1	1	
21	6D8-85547-00	DAMPER AMORTISSEUR	1	1	
22	663-82317-01	DAMPER, IGNITION COIL AMORTISSEUR, BOBINE D'ALLUM	2	2	
23	67F-12138-60	MARK, CAUTION MAKER	1	1	
24	68V-13437-61	MARK, CAUTION MAKER	1	1	
25	6A1-83625-41	MARK 5 ETIQUETTE 5	1	1	
26	6A1-83625-51	MARK 5 ETIQUETTE 5	1	1	

D1



6D62100E1401

FIG. 14 ELECTRICAL 1

PARTIE ELECTRIQUE 1

REF. NO.	PART NO. N° PIECES	DESCRIPTION DESCRIPTION	6D73	6D93	REMARKS REMARQUES
1	6D7-8591A-11	ENGINE CONTROL UNIT ASSY BLOC DE CONTROL	1		
	6D9-8591A-11	ENGINE CONTROL UNIT ASSY BLOC DE CONTROL		1	
2	68V-82317-00	DAMPER, IGNITION COIL AMORTISSEUR, BOBINE D'ALLUM	4	4	
3	90387-06119	COLLAR COLLERETTE	4	4	
4	90119-06M59	BOLT, WITH WASHER BOULON, AVEC RONDELLE	4	4	
5	63P-82310-01	IGNITION COIL ASSY BOBINE D'ALLUMAGE	2	2	
6	67F-82341-00	CORD, HIGH TENSION 1 CORDON, HAUTE-TENSION 1	1	1	#1
7	67F-82342-00	CORD, HIGH TENSION 2 CORDON, HAUTE-TENSION 2	1	1	#2
8	67F-82361-00	CLAMP, CORD COLLIER, CORDON	1	1	
9	67F-82362-00	CLAMP, CORD 2 COLLIER, CABLE 2	1	1	
10	67F-82343-00	CORD, HIGH TENSION 3 CORDON, HAUTE-TENSION 3	1	1	#3
11	67F-82344-00	CORD, HIGH TENSION 4 CORDON, HAUTE TENSION 4	1	1	#4
12	67F-82361-00	CLAMP, CORD COLLIER, CORDON	1	1	
13	67F-82362-00	CLAMP, CORD 2 COLLIER, CABLE 2	1	1	
14	97095-06025	BOLT BOULON	4	4	
15	92995-06100	WASHER, SPRING RONDELLE, GROWER	4	4	
16	92995-06600	WASHER RONDELLE	4	4	
17	6D8-82388-01	PLATE PLAQUETTE	2	2	
18	90464-08004	CLAMP BRIDE	2	2	
19	90480-14329	GROMMET PASSE-FIL	1	1	
20	90465-08M23	CLAMP BRIDE	1	1	
21	97095-06014	BOLT BOULON	1	1	
22	92995-06600	WASHER RONDELLE	1	1	
23	6D3-81960-00	RECTIFIER & REGULATOR ASSY REDRESSEUR REGULATEUR CPLT	1	1	
24	97095-06025	BOLT BOULON	2	2	
25	92995-06100	WASHER, SPRING RONDELLE, GROWER	2	2	
26	92995-06600	WASHER RONDELLE	2	2	

D2

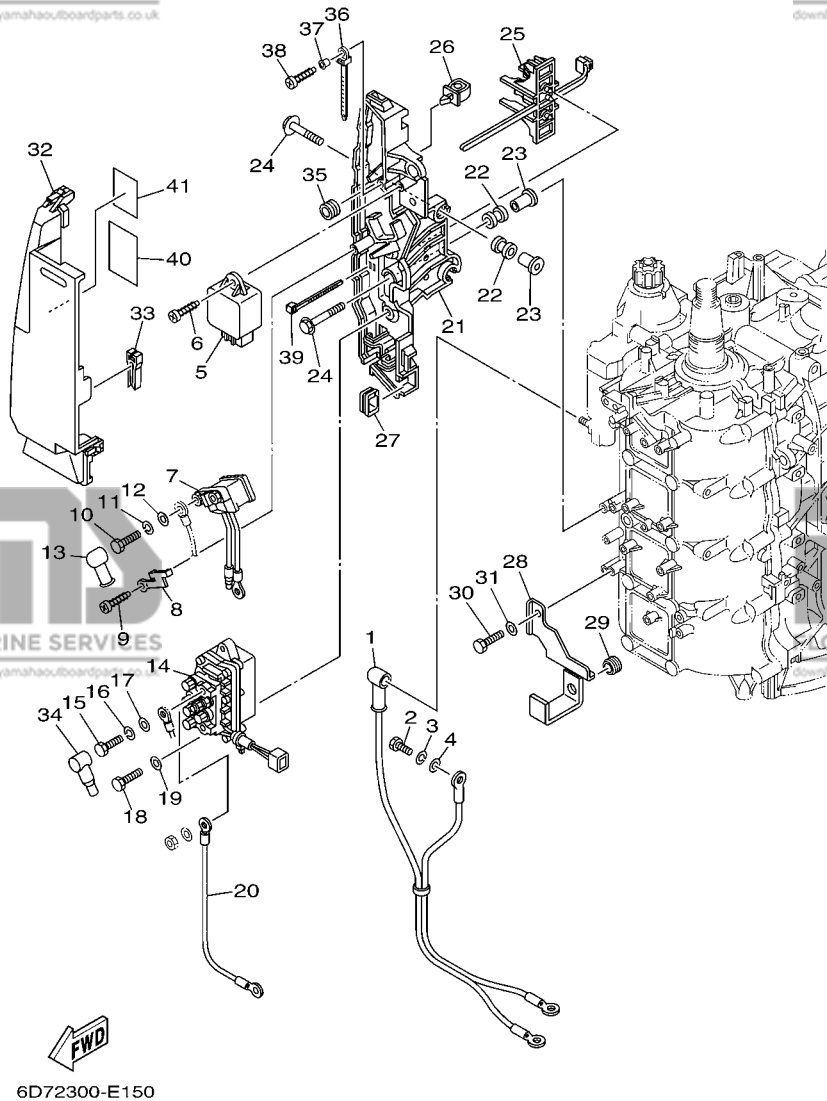
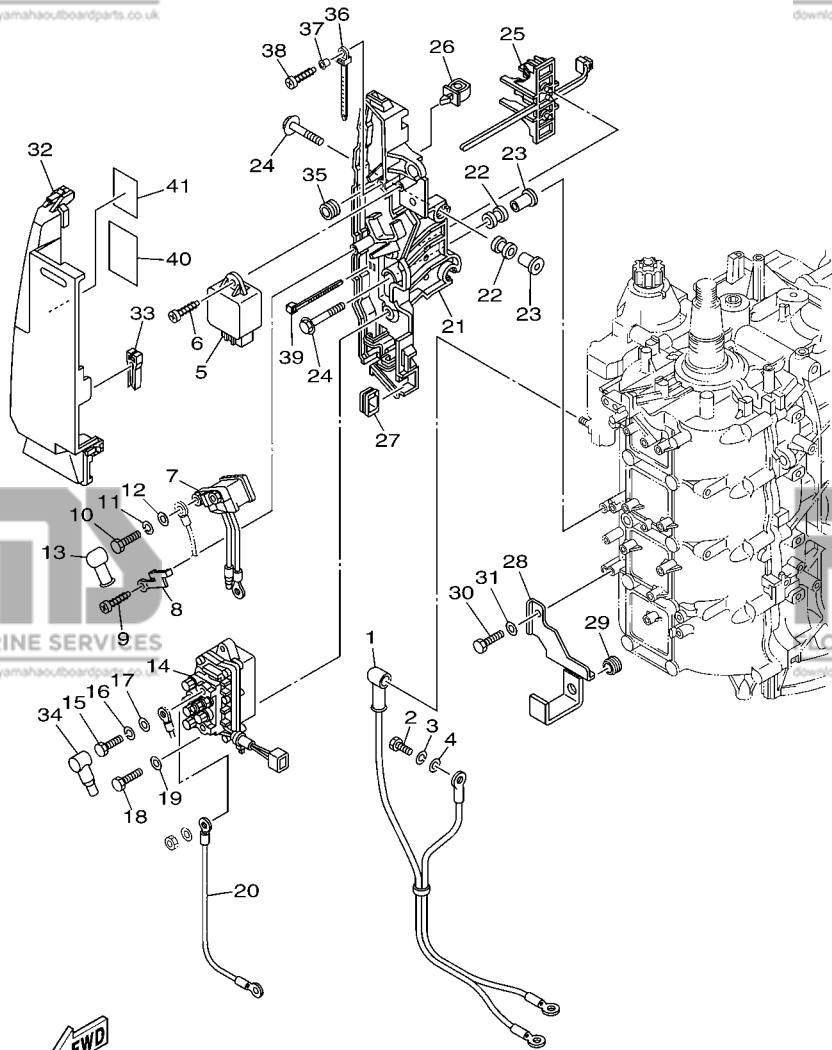


FIG. 15 ELECTRICAL 2

REF. NO.	PART NO. N° PIECES	DESCRIPTION DESCRIPTION	6D73	6D93	REMARKS REMARQUES
1	68V-82105-00	WIRE HARNESS FAISCEAU DE FILS	1	1	
2	97013-06020	BOLT BOULON	1	1	
3	92903-06100	WASHER, SPRING RONDELLE, GROWER	1	1	
4	92903-06600	WASHER, PLATE RONDELLE, PLATE	1	1	
5	60E-81950-00	RELAY ASSY RELAIS COMPLET	1	1	
6	97780-60625	SCREW, TAPPING VIS, TETE BOMBEE	1	1	
7	68V-8194A-00	RELAY RELAIS	1	1	
8	68V-81953-00	STAY, RELAY SUPPORT, RELAIS	1	1	
9	97780-60620	SCREW, TAPPING VIS, TETE BOMBEE	1	1	
10	97095-06010	BOLT BOULON	2	2	
11	92995-06100	WASHER, SPRING RONDELLE, GROWER	2	2	
12	92995-06600	WASHER RONDELLE	2	2	
13	6G5-82119-00	COVER, LEAD WIRE GARNITURE, FIL	2	2	
14	63P-81950-00	RELAY ASSY RELAIS COMPLET	1	1	
15	97095-06010	BOLT BOULON	2	2	
16	92995-06100	WASHER, SPRING RONDELLE, GROWER	2	2	
17	92995-06600	WASHER RONDELLE	2	2	
18	97013-06020	BOLT BOULON	2	2	
19	92903-06600	WASHER, PLATE RONDELLE, PLATE	2	2	
20	61A-81949-00	WIRE, LEAD FIL	1	1	
21	68V-81948-02	BRACKET JOINT TORIQUE	1	1	
22	6A0-82317-00	DAMPER, IGNITION COIL AMORTISSEUR, BOBINE D'ALLUM	5	5	
23	90387-06119	COLLAR COLLERETTE	5	5	
24	90119-06M59	BOLT, WITH WASHER BOULON, AVEC RONDELLE	5	5	
25	68V-82594-00	CLAMP BRIDE	1	1	
26	90464-12M58	CLAMP BRIDE	1	1	
27	6D8-81518-00	GROMMET PASSE-FIL	1	1	

FIG. 15 ELECTRICAL 2

PARTIE ELECTRIQUE 2



6D72300-E150

REF. NO.	PART NO. N° PIECES	DESCRIPTION DESCRIPTION	6D73	6D93	REMARKS REMARQUES
28	6D8-81528-00	CLAMP 1 COLLIER 1	1	1	
29	90480-13M24	GROMMET PASSE-FIL	1	1	
30	97095-06014	BOLT BOULON	1	1	
31	92995-06600	WASHER RONDELLE	1	1	
32	68V-81942-03	COVER COUVERCLE	1	1	
33	67F-2812A-00	PULLER, FUSE TENDEUR, FUSIBLE	1	1	
34	682-82119-01	COVER, LEAD WIRE GARNITURE, FIL	2	2	
35	6A0-82317-00	DAMPER, IGNITION COIL AMORTISSEUR, BOBINE D'ALLUM	1	1	
36	90465-12M53	CLAMP BRIDE	1	1	
37	90387-06M05	COLLAR COLLERETTE	1	1	
38	97780-60625	SCREW, TAPPING VIS, TETE BOMBEE	1	1	
39	90465-13M18	CLAMP BRIDE	2	2	
40	68V-81919-00	GRAPHIC, REGULATOR ADHESIF, REGULATEUR	1	1	
41	6D8-81919-00	GRAPHIC, REGULATOR ADHESIF, REGULATEUR	1	1	

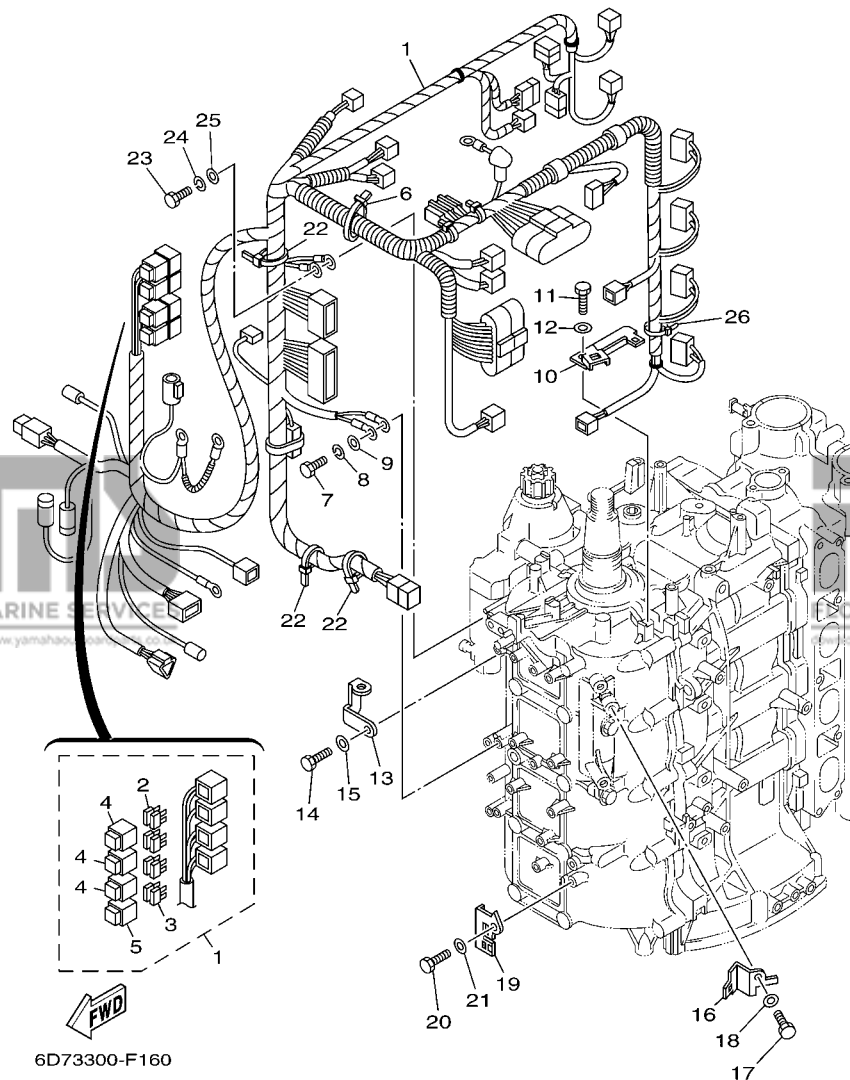


FIG. 16 ELECTRICAL 3

PARTIE ELECTRIQUE 3

REF. NO.	PART NO. N° PIECES	DESCRIPTION DESCRIPTION	6D73	6D93	REMARKS REMARQUES
1	6D8-82590-30	WIRE HARNESS ASSY FAISCEAU DE FILS COMPLET	1	1	
2	67F-82151-00	.FUSE (20A) .FUSIBLE (20A)	6	6	
3	67F-82151-10	.FUSE (30A) .FUSIBLE (30A)	2	2	
4	67F-8215B-10	.CAP (YELLOW) .BOUCHON (YELLOW)	3	3	
5	67F-8215B-20	.CAP (GREEN) .BOUCHON (GREEN)	1	1	
6	90464-76001	CLAMP BRIDE	1	1	
7	97095-06016	BOLT BOULON	1	1	
8	92995-06100	WASHER, SPRING RONDELLE, GROUVER	1	1	
9	92995-06600	WASHER RONDELLE	1	1	
10	6D8-82588-00	PLATE PLAQUE	1	1	
11	97095-06012	BOLT BOULON	1	1	
12	92995-06600	WASHER RONDELLE	1	1	
13	6D8-82581-00	STAY, CORD CLAMP SUPPORT, COLLIER DE CORDON	1	1	
14	97095-06014	BOLT BOULON	1	1	
15	92995-06600	WASHER RONDELLE	1	1	
16	6D8-82389-00	PLATE 2 PLAQUETTE 2	1	1	
17	97095-06012	BOLT BOULON	1	1	
18	92995-06600	WASHER RONDELLE	1	1	
19	6D8-82398-00	PLATE 3 PLAQUETTE 3	1	1	
20	97095-06012	BOLT BOULON	1	1	
21	92995-06600	WASHER RONDELLE	1	1	
22	90465-13M18	CLAMP BRIDE	3	3	
23	97095-06016	BOLT BOULON	1	1	
24	92995-06100	WASHER, SPRING RONDELLE, GROUVER	1	1	
25	92995-06600	WASHER RONDELLE	1	1	
26	90465-13M11	CLAMP BRIDE	1	1	

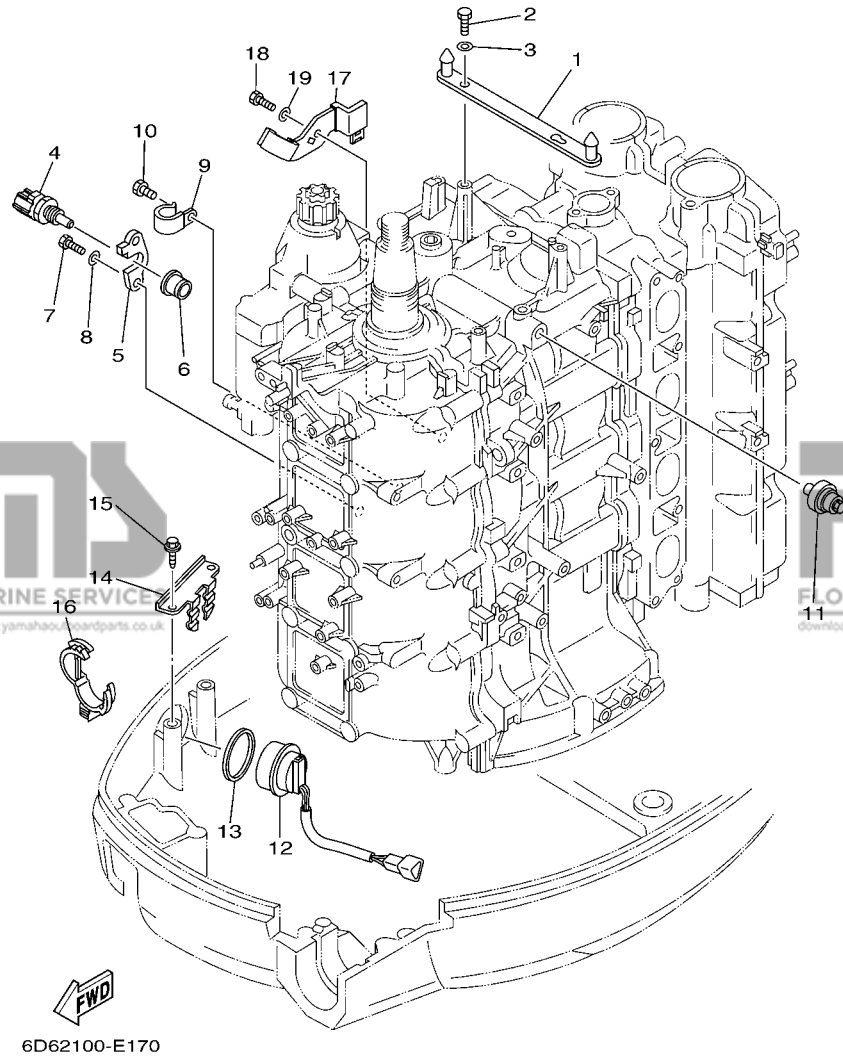


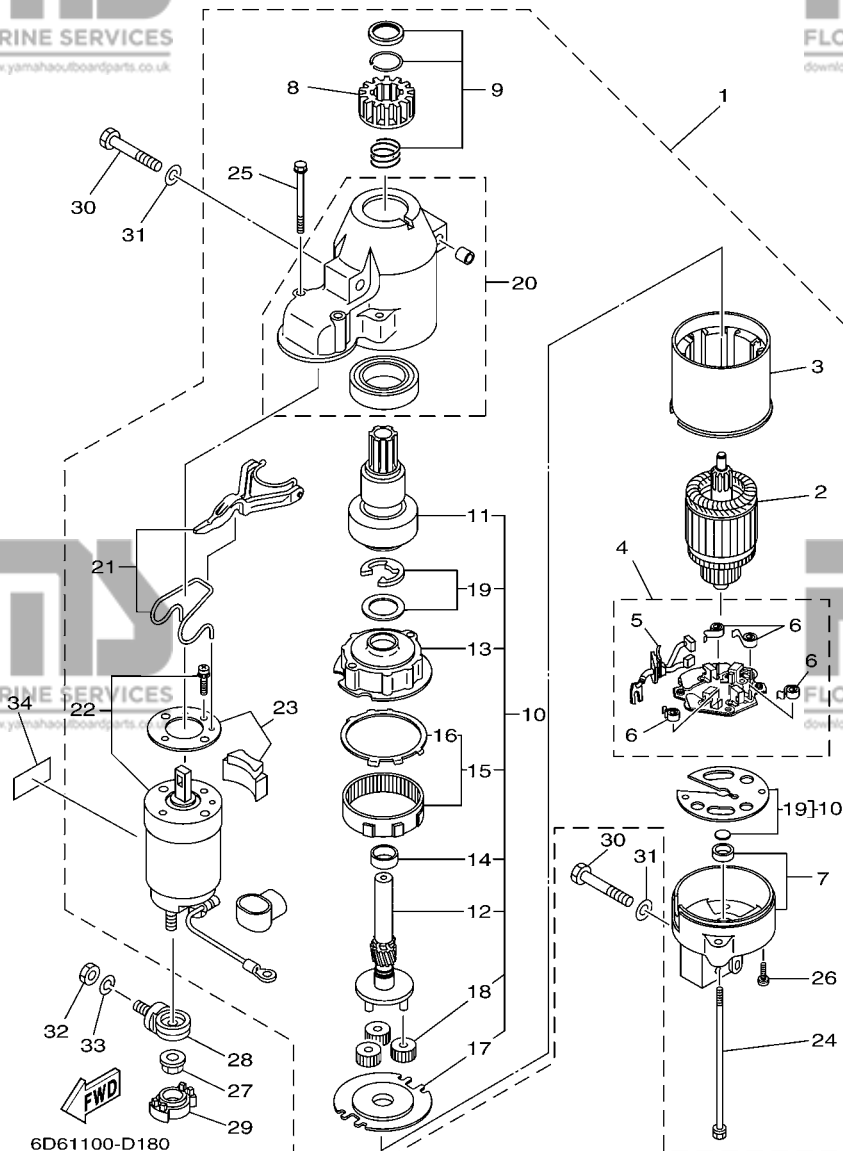
FIG. 17 ELECTRICAL 4

PARTIE ELECTRIQUE 4

REF. NO.	PART NO. N° PIECES	DESCRIPTION DESCRIPTION	6D73	6D93	REMARKS REMARQUES
1	6D8-8132G-00	PLATE PLAQUE	1	1	
2	97095-06016	BOLT BOULON	2	2	
3	92995-06600	WASHER RONDELLE	2	2	
4	67F-85790-00	THERMOSENSOR ASSY SENSITOMETRE	1	1	
5	67F-85757-00	RETAINER ARRETOIR	1	1	
6	68V-85753-00	GASKET, SENDER UNIT JOINT, DE PERCEPTION	1	1	
7	97095-06016	BOLT BOULON	2	2	
8	92995-06600	WASHER RONDELLE	2	2	
9	90465-06M86	CLAMP BRIDE	1	1	
10	97095-06010	BOLT BOULON	1	1	
11	68V-82504-00	OIL PRESSURE SWITCH ASSY CONTACTEUR DE PRESSION D'HUILE	1	1	
12	63D-82563-10	TRIM & TILT SWITCH ASSY INCLINER ET PARER COMMUTATEUR	1	1	
13	6E5-82587-00	GASKET JOINT	1	1	
14	67F-83614-00	BRACKET SUPPORT	1	1	
15	90109-06M86	BOLT BOULON	2	2	
16	90464-30003	CLAMP BRIDE	2	2	
17	6D8-8252H-00	PLATE, HOLDER PLAQUE, SUPPORT	1	1	
18	97095-06012	BOLT BOULON	1	1	
19	92995-06600	WASHER RONDELLE	1	1	

FIG. 18 STARTING MOTOR

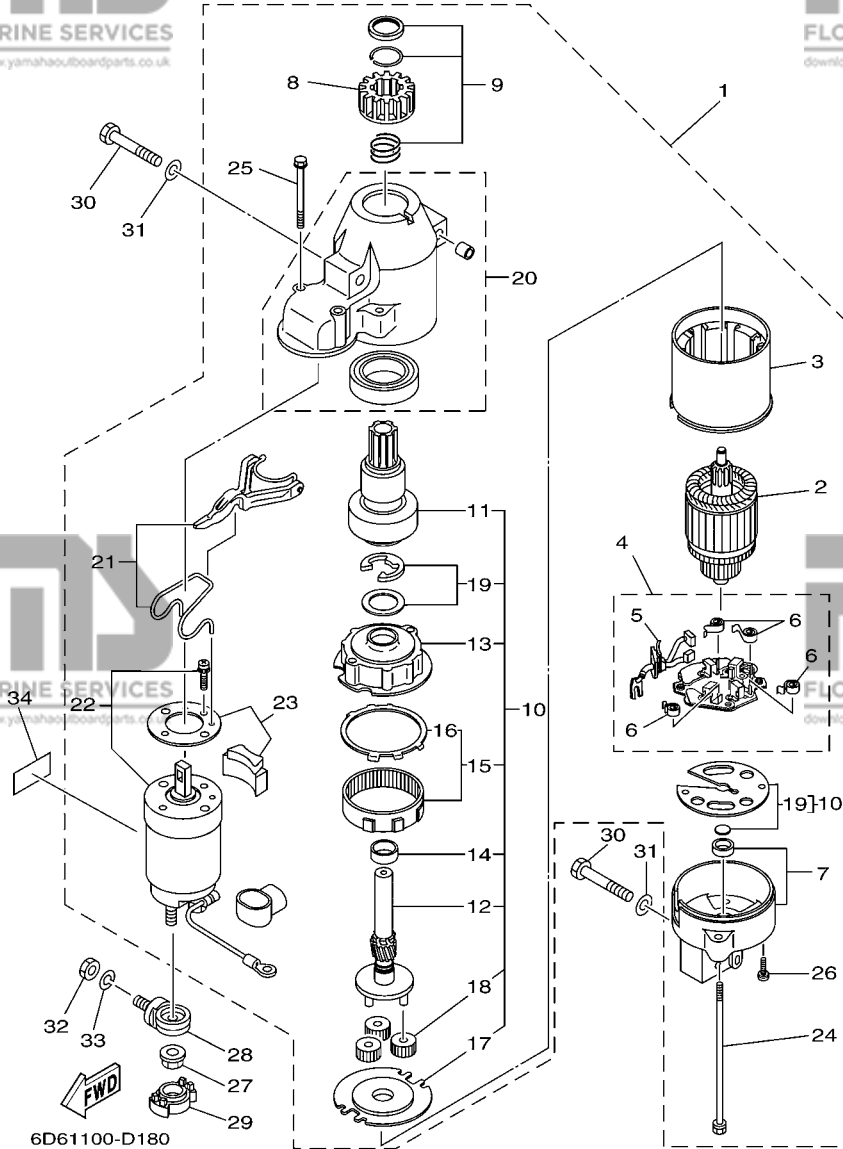
DEMARREUR ELECTRIQUE



REF. NO.	PART NO. N° PIECES	DESCRIPTION DESCRIPTION	6D73	6D93	REMARKS REMARQUES
1	68V-81800-01	STARTING MOTOR ASSY DEMARREUR ELECTRIQUE COMPLET	1	1	
2	67F-81850-00	.ARMATURE ASSY .INDUIT	1	1	
3	67F-81810-00	.STATOR ASSY .STATOR COMPLET	1	1	
4	68F-81840-00	.BRUSH HOLDER ASSY .SUPPORT DE CHARBON	1	1	
5	67F-81801-00	..BRUSH SET ..CHARBON	1	1	
6	67F-81813-00	..SPRING, BRUSH ..RESSORT, DE CHARBON	4	4	
7	68F-81820-00	.REAR BRACKET ASSY .SUPPORT ARRIERE COMPLET	1	1	
8	67F-81808-00	.PINION ASSY .PIGNON	1	1	
9	67F-81857-00	.PINION STOPPER SET .BUTEE PIGNON	1	1	
10	67F-81807-00	.GEAR ASSY, STARTING MOTOR .PIGNON, DEMARREUR ELECTRIQUE	1	1	
11	67F-81832-00	..CLUTCH, OVER RUN ..EMBAYAGE, ROUE LIBRE	1	1	
12	67F-81836-00	..SHAFT, PINION ..AXE, PIGNON	1	1	
13	67F-81821-00	..BRACKET, CENTER 1 ..SUPPORT, CENTRE 1	1	1	
14	67F-81841-00	..BEARING ..ROULEMENT	1	1	
15	67F-81891-00	..GEAR, RING ..ROUE DENTEE	1	1	
16	67F-8183R-00	...GASKET ...JOINT	1	1	
17	67F-81830-00	..BRACKET, CENTER 2 ..SUPPORT, CENTRE 2	1	1	
18	60V-8183T-00	..GEAR, IDLER ..PIGNON, INTERMEDIAIRE	3	3	
19	67F-81809-00	..WASHER KIT ..JEU DE RONDELLES	1	1	
20	67F-81842-00	.COVER .COUVERCLE	1	1	
21	67F-81839-00	.LEVER ASSY .LEVIER COMPLET	1	1	
22	68V-81941-01	.STARTER RELAY ASSY .LANCEUR RELAIS (ENS.)	1	1	
23	67F-81869-00	.COVER, DUST .COUVERCLE, POUSSIERE	1	1	
24	6K7-81826-10	.BOLT .BOULON	2	2	
25	67F-81828-00	.BOLT 2 ..RONDELLE, BUTEE 2	2	2	
26	67F-81846-00	.SCREW .VIS	2	2	
27	90179-08003	NUT ECROU	1	1	

FIG. 18 STARTING MOTOR

DEMARREUR ELECTRIQUE



REF. NO.	PART NO. N° PIECES	DESCRIPTION DESCRIPTION	6D73	6D93	REMARKS REMARQUES
28	60V-81925-00	TERMINAL BORNE	1	1	
29	68F-82582-00	COVER, WIRE HARNESS COUVERCLE, FAISCEAU DE FILS	1	1	
30	97013-08045	BOLT BOULON	3	3	
31	92903-08600	WASHER, PLATE RONDELLE, PLATE	3	3	
32	95333-08600	NUT ECROU	1	1	
33	92903-08100	WASHER, SPRING RONDELLE, GROWER	1	1	
34	67F-83627-01	LABEL, CAUTION 7 ETIQUETTE, RECOMMANDATION 7	1	1	

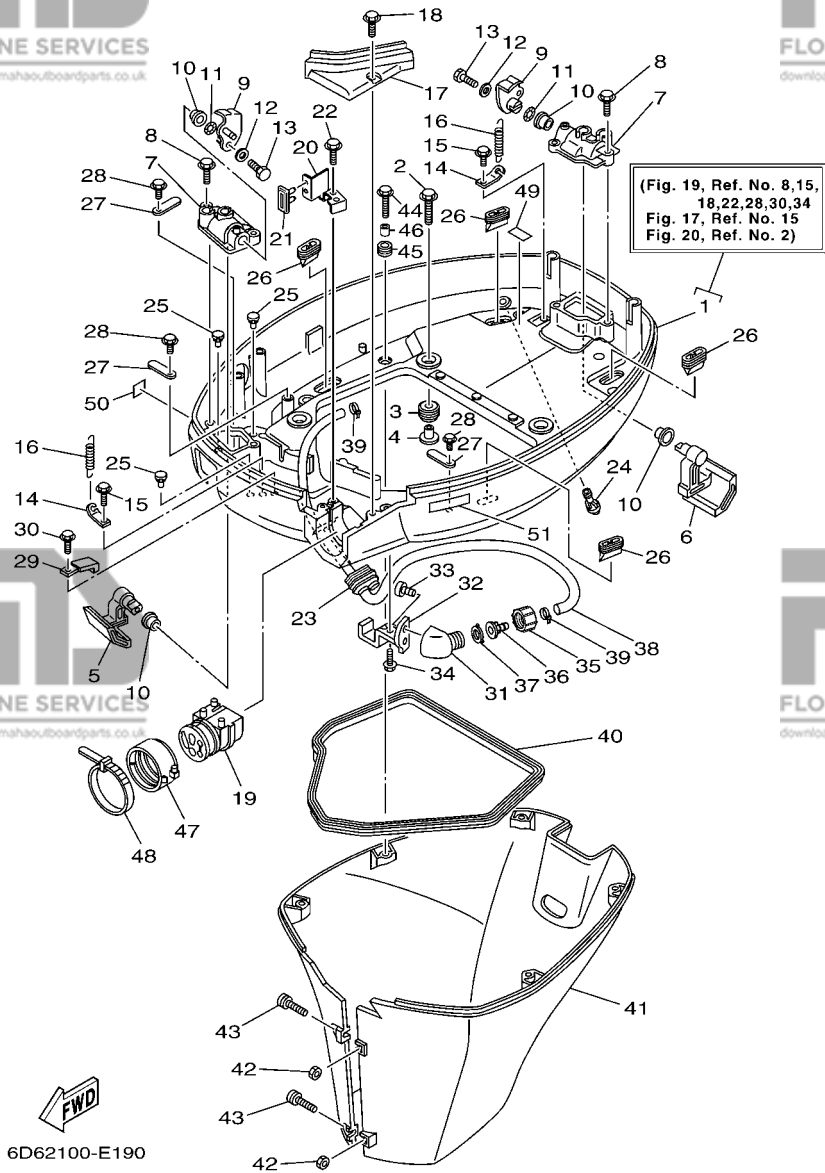


FIG. 19 BOTTOM COWLING

CAPOT INFERIEUR

REF. NO.	PART NO. N° PIECES	DESCRIPTION DESCRIPTION	6D73	6D93	REMARKS REMARQUES
1	6D8-42710-00-4D	BOTTOM COWLING ASSY ENS. EMBASE	1	1	
2	90119-08M22	BOLT, WITH WASHER BOULON, AVEC RONDELLE	4	4	
3	90480-22M15	GROMMET PASSE-FIL	4	4	
4	90387-08M37	COLLAR COLLERETTE	4	4	
5	67F-42815-00-4D	LEVER, CLAMP LEVIER, PRESSE	1	1	
6	67F-42816-00-4D	LEVER, CLAMP LEVIER, PRESSE	1	1	
7	67F-42828-00-5B	PLATE, CLAMP PLAQUE, PRESSE	2	2	
8	90109-06M82	BOLT BOULON	4	4	
9	68V-42818-01	LEVER, CLAMP LEVIER, PRESSE	2	2	
10	90386-15M73	BUSH DOUILLE	4	4	
11	90206-15M18	WASHER, WAVE RONDELLE, ONDULEE	2	2	
12	90201-06068	WASHER, PLATE RONDELLE, PLATE	2	2	
13	97095-06016	BOLT BOULON	2	2	
14	64D-43144-00	HOOK, SPRING CROCHET	2	2	
15	90109-06M86	BOLT BOULON	2	2	
16	90506-16M34	SPRING, TENSION RESSORT, TENSION	2	2	
17	67F-42738-00-5B	PLATE, FITTING ETRIER	1	1	
18	90109-06M96	BOLT BOULON	2	2	
19	68V-42725-00	GROMMET PASSE-FIL	1	1	
20	6D8-42756-00	STAY, CLAMP SUPPORT, COLLIER	1	1	
21	6D8-42717-00	RUBBER, SEAL 2 JOINT EN CAOUTCHOUC 2	1	1	
22	90109-06M86	BOLT BOULON	1	1	
23	6H1-42726-21	GROMMET PASSE-FIL	1	1	
24	6H3-44391-01	NIPPLE, HOSE RACCORD D'ESSENCE	1	1	
25	6H4-42748-00	GROMMET PASSE-FIL	3	3	
26	67F-42717-00	RUBBER, SEAL 2 JOINT EN CAOUTCHOUC 2	4	4	
27	6E5-82588-00	PLATE PLAQUE	3	3	

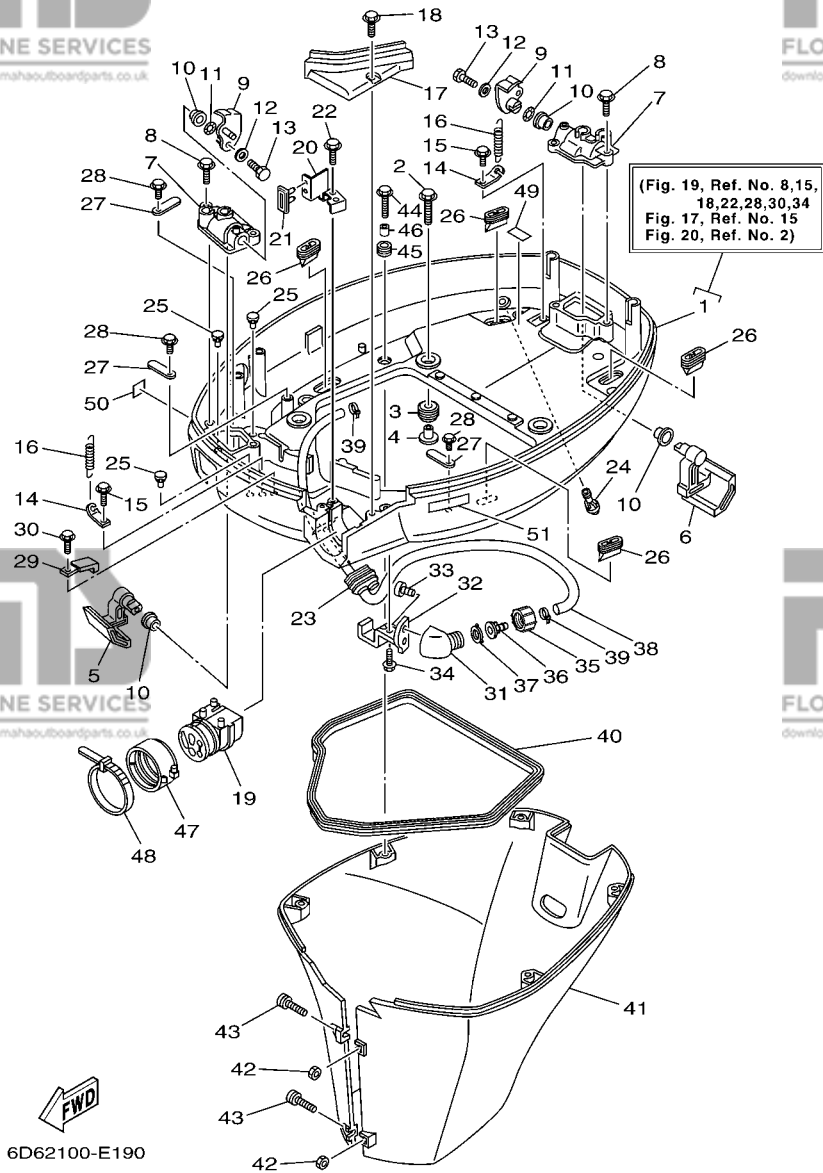
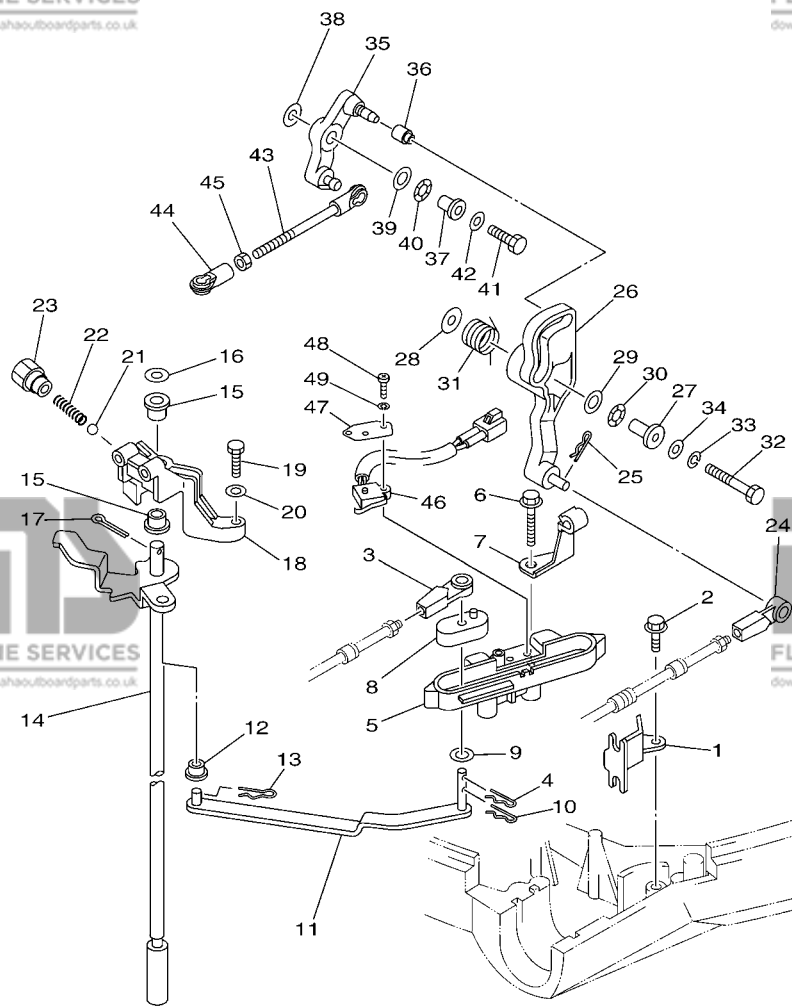


FIG. 19 BOTTOM COWLING

CAPOT INFERIEUR

REF. NO.	PART NO. N° PIECES	DESCRIPTION DESCRIPTION	6D73	6D93	REMARKS REMARQUES
28	90109-06M81	BOLT BOULON	3	3	
29	90465-08M23	CLAMP BRIDE	1	1	
30	90109-06M86	BOLT BOULON	1	1	
31	68T-12572-00	ADAPTER ADAPTATEUR	1	1	FLUSHING KIT FLUSHING KIT
32	67F-12535-00	PLATE PLAQUE	1	1	FLUSHING KIT FLUSHING KIT
33	90167-06002	SCREW, TAPPING VIS, TETE FRAISEE	2	2	FLUSHING KIT FLUSHING KIT
34	90109-06M86	BOLT BOULON	1	1	FLUSHING KIT FLUSHING KIT
35	6R3-12581-00	JOINT, HOSE 1 JOINT DE TUYAU	1	1	FLUSHING KIT FLUSHING KIT
36	6R3-12582-00	JOINT, HOSE 2 RACCORD DE TUYAU 1	1	1	FLUSHING KIT FLUSHING KIT
37	6R3-12583-00	GASKET, HOSE JOINT JOINT	1	1	FLUSHING KIT FLUSHING KIT
38	67F-24312-00	PIPE 2 DURITE 2	1	1	FLUSHING KIT FLUSHING KIT
39	90465-11M10	CLAMP BRIDE	2	2	FLUSHING KIT FLUSHING KIT
40	61A-42716-00	RUBBER, SEAL 1 JOINT EN CAOUTCHOUC 1	1	1	
41	67F-42741-01-8D	APRON CAPOT LATERAL	1	1	
42	95380-06600	NUT, HEXAGON ECROU	2	2	
43	90159-06M28	SCREW, WITH WASHER VIS, AVEC RONDELLE	2	2	
44	90109-06M80	BOLT BOULON	5	5	
45	90480-13M24	GROMMET PASSE-FIL	5	5	
46	90387-06M43	COLLAR COLLERETTE	5	5	
47	68F-42753-00	FASTNER ATTACHE	1	1	AP AP
48	90464-20258	CLAMP BRIDE	1	1	AP AP
49	67F-82377-00	LABEL ETIQUETTE	1	1	
50	6A1-28176-00	LABEL, CAUTION ETIQUETTE, RECOMMANDATION	1	1	
51	6E3-8257H-00	PLATE, MARK PLAQUE, ADHESIF	1	1	



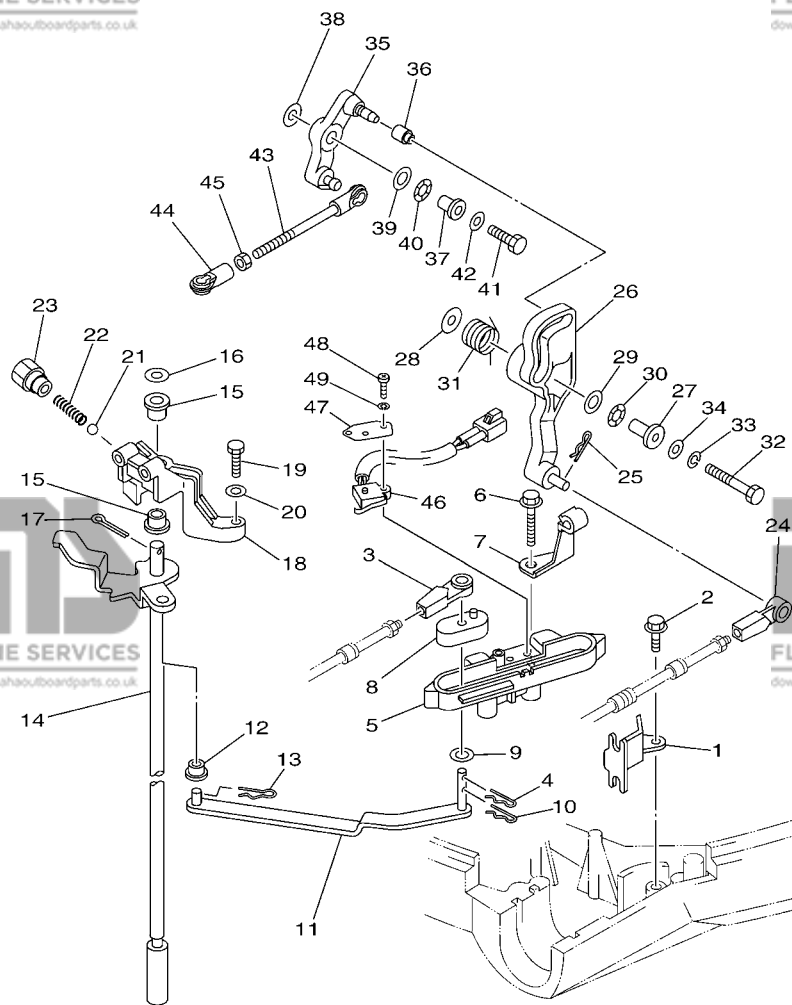
6D81100-D230

FIG. 20 CONTROL

REF. NO.	PART NO. N° PIECES	DESCRIPTION DESCRIPTION	6D73	6D93	REMARKS REMARQUES
1	67F-48538-00	CLAMP, CABLE 1 COLLIER	1	1	
2	90109-06M86	BOLT BOULON	1	1	
3	663-48344-00	CABLE END, REMOTE CONTROL CHAPE CABLE	1	1	
4	90468-18008	CLIP JONC	1	1	
5	6D8-44117-00	BRACKET SUPPORT	1	1	
6	97595-06550	BOLT, WITH WASHER VIS HEXAGONAL AVC RONDELLE	2	2	
7	90462-10027	CLAMP BRIDE	1	1	
8	68V-44122-01	BUSHING, SHIFT ROD LEVER DOUILLE, LEVIER D'EMBAYAGE	1	1	
9	90202-07M07	WASHER, PLATE RONDELLE, PLATE	1	1	
10	90468-18008	CLIP JONC	1	1	
11	67F-44121-00	LEVER, SHIFT ROD LEVIER, TIGE D'INVERSION	1	1	
12	90386-06M12	BUSH DOUILLE	1	1	
13	90468-18008	CLIP JONC	1	1	
14	67F-44120-10	HANDLE GEAR SHIFT ASSY LEVIER D'EMBAYAGE	1	1	L(21.1") L(21.1")
15	90386-90M90	BUSH DOUILLE	2	2	
16	90201-09M02	WASHER, PLATE RONDELLE, PLATE	1	1	
17	91490-20015	PIN, COTTER GOUPILLE	1	1	
18	67F-44118-00	BRACKET SUPPORT	1	1	
19	97075-06025	BOLT BOULON	2	2	
20	92995-06600	WASHER RONDELLE	2	2	
21	93501-04M02	BALL BILLE	1	1	
22	90501-12082	SPRING, COMPRESSION RESSORT, COMPRESSION	1	1	
23	648-42715-00	BUSHING COUSSINET	1	1	
24	663-48344-00	CABLE END, REMOTE CONTROL CHAPE CABLE	1	1	
25	90468-18008	CLIP JONC	1	1	
26	6D8-42154-00	LEVER, THROTTLE CONTROL LEVIER DE COMMANDE D'AVANCE	1	1	
27	90387-06M21	COLLAR COLLERETTE	1	1	

FIG. 20 CONTROL

COMMANDE



6D81100-D230

REF. NO.	PART NO. N° PIECES	DESCRIPTION DESCRIPTION	6D73	6D93	REMARKS REMARQUES
28	90201-06M62	WASHER, PLATE RONDELLE, PLATE	1	1	
29	90201-10M02	WASHER, PLATE RONDELLE, PLATE	1	1	
30	90206-10M04	WASHER, WAVE RONDELLE, ONDULEE	1	1	
31	67F-44135-00	SPRING RESSORT	1	1	
32	97095-06035	BOLT BOULON	1	1	
33	92995-06100	WASHER, SPRING RONDELLE, GROWER	1	1	
34	92995-06600	WASHER RONDELLE	1	1	
35	6D8-42157-00	LEVER, THROTTLE LEVIER DE AVANCE	1	1	
36	68V-42171-00	BUSHING COUSSINET	1	1	
37	90387-06013	COLLAR COLLERETTE	1	1	
38	90201-06M31	WASHER, PLATE RONDELLE, PLATE	1	1	
39	90201-10M02	WASHER, PLATE RONDELLE, PLATE	1	1	
40	90206-10M04	WASHER, WAVE RONDELLE, ONDULEE	1	1	
41	97095-06025	BOLT BOULON	1	1	
42	92995-06600	WASHER RONDELLE	1	1	
43	6D8-41237-00	JOINT, LINK RACCORD	1	1	
44	682-41237-00	JOINT, LINK RACCORD	1	1	
45	95380-05600	NUT ECROU	1	1	
46	60V-8259F-00	SWITCH ASSY COMMUTATEUR	1	1	
47	61A-82588-01	PLATE PLAQUE	1	1	
48	97885-04016	SCREW, PAN HEAD VIS, A ENCOCHE	2	2	
49	92995-04100	WASHER RONDELLE	2	2	

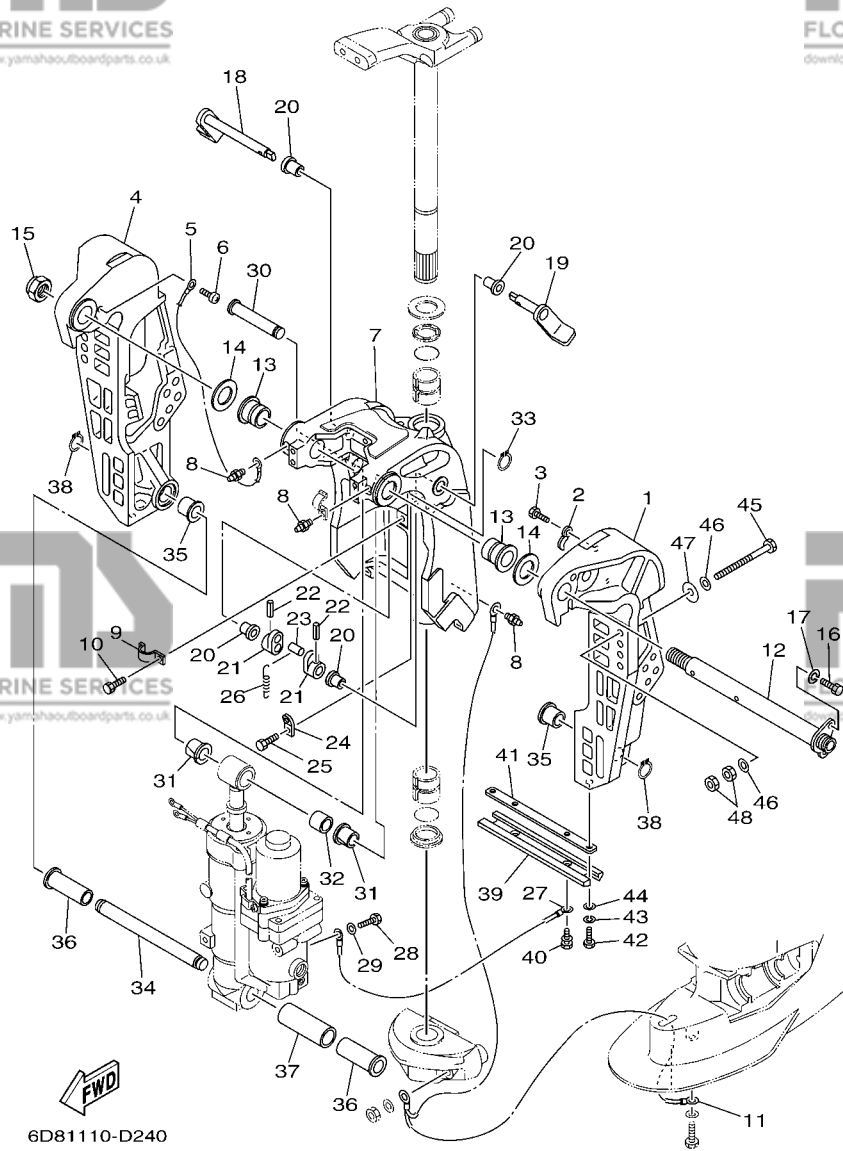


FIG. 21 BRACKET 1

SUPPORT 1

REF. NO.	PART NO. N° PIECES	DESCRIPTION DESCRIPTION	6D73	6D93	REMARKS REMARQUES
1	67F-43111-00-4D	BRACKET, CLAMP 1 PRESSE 1	1	1	
2	90465-10M77	CLAMP BRIDE	2	2	
3	97095-06010	BOLT BOULON	2	2	
4	67F-43112-00-4D	BRACKET, CLAMP 2 PRESSE 2	1	1	
5	6E5-82148-00	WIRE, LEAD 4 FIL 4	1	1	
6	97880-06012	SCREW, PAN HEAD VIS, TETE TRONCONIQUE	1	1	
7	6D8-43311-00-4D	BRACKET, SWIVEL 1 SUPPORT, PIVOT 1	1	1	
8	93700-06M03	NIPPLE, GREASE PION	3	3	
9	90465-08M63	CLAMP BRIDE	1	1	
10	97095-06010	BOLT BOULON	1	1	
11	67F-82127-00	WIRE, LEAD 2 FIL 2	1	1	
12	64E-43131-01	BOLT, CLAMP BRACKET BOULON, PRESSE	1	1	
13	90386-25M31	BUSH DOUILLE	2	2	
14	90201-26M59	WASHER, PLATE RONDELLE, PLATE	2	2	
15	90185-22M11	NUT, SELF-LOCKING ECROU, AUTO-BLOQUANT	1	1	
16	97095-08020	BOLT BOULON	1	1	
17	92995-08100	WASHER RONDELLE	1	1	
18	6D8-43181-00	LEVER, TILT STOP LEVIER, VERROUILLAGE RELEVAGE	1	1	
19	6D8-43185-00	LEVER, TILT STOP LEVIER, VERROUILLAGE RELEVAGE	1	1	
20	90386-10M16	BUSH DOUILLE	4	4	
21	6G5-43148-00	COLLAR, DISTANCE ENTRETROISE	2	2	
22	91690-30020	PIN, SPRING AGRAFFE	2	2	
23	90249-06M19	PIN GOUPILLE	1	1	
24	66T-43144-00	HOOK, SPRING CROCHET	1	1	
25	97095-06010	BOLT BOULON	1	1	
26	90506-14M24	SPRING, TENSION RESSORT, TENSION	1	1	
27	6D8-82148-00	WIRE, LEAD 4 FIL 4	1	1	

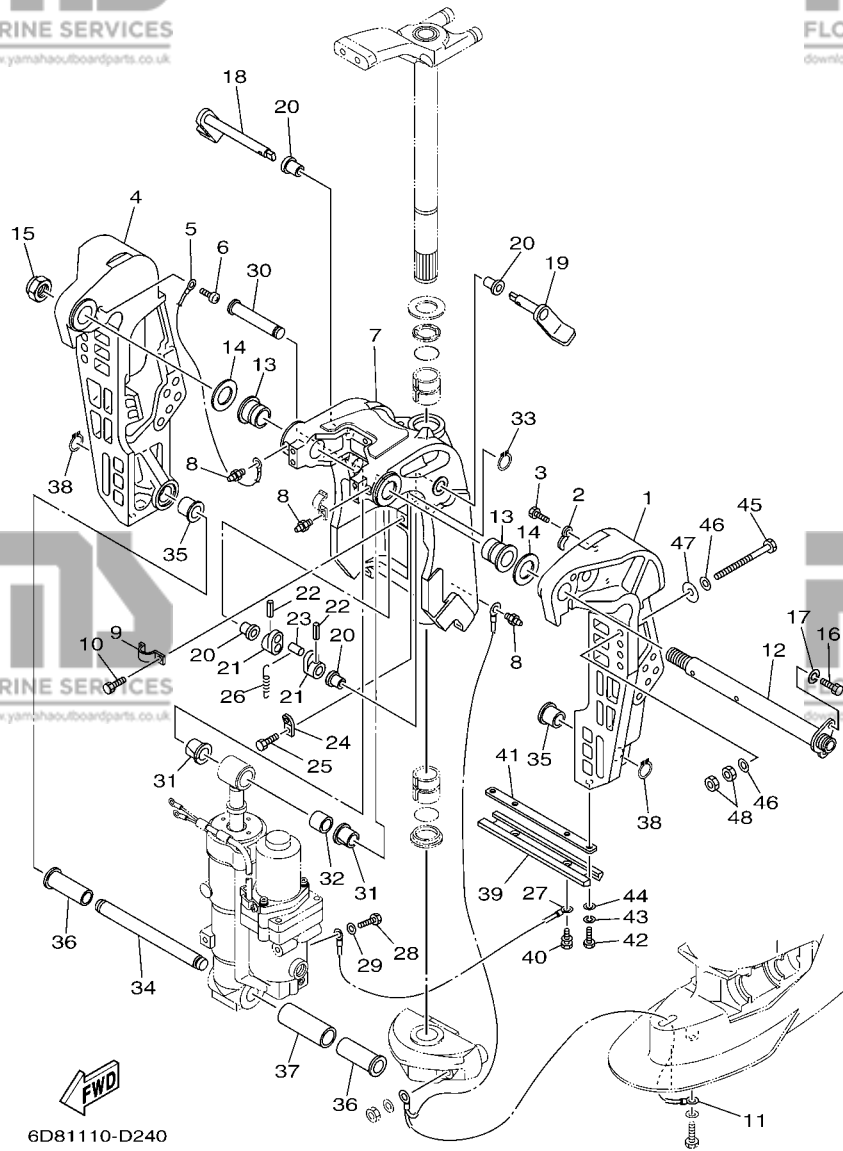


FIG. 21 BRACKET 1

SUPPORT 1

REF. NO.	PART NO. N° PIECES	DESCRIPTION DESCRIPTION	6D73	6D93	REMARKS REMARQUES
28	97095-06010	BOLT BOULON	1	1	
29	92995-06600	WASHER RONDELLE	1	1	
30	6D8-43126-00	PIN, UPPER SHOCK MOUNT AXE, SUPERIEUR AMORTISSEUR	1	1	
31	90386-18M35	BUSH DOUILLE	2	2	
32	90386-18001	BUSH DOUILLE	1	1	
33	93410-18M05	CIRCLIP CLIPS	1	1	
34	67F-43818-00	PIN, LOWER SHOCK MOUNT AXE, INFERIEUR AMORTISSEUR	1	1	
35	90387-18M01	COLLAR COLLERETTE	2	2	
36	90386-18MA0	BUSH DOUILLE	2	2	
37	90387-22M01	COLLAR COLLERETTE	1	1	
38	93410-18M05	CIRCLIP CLIPS	2	2	
39	6H1-45251-03	ANODE ANODE	1	1	
40	90119-06M81	BOLT, WITH WASHER BOULON, AVEC RONDELLE	2	2	
41	6H1-44526-00	PLATE PLAQUE	1	1	
42	97095-06016	BOLT BOULON	2	2	
43	92995-06100	WASHER, SPRING RONDELLE, GROWER	2	2	
44	92995-06600	WASHER RONDELLE	2	2	
45	90101-12M03	BOLT (L:115MM) BOULON (L:115MM)	4	4	
46	90201-13M01	WASHER, PLATE RONDELLE, PLATE	8	8	
47	90201-12M05	WASHER, PLATE RONDELLE, PLATE	4	4	
48	95380-12600	NUT ECROU	8	8	

F1

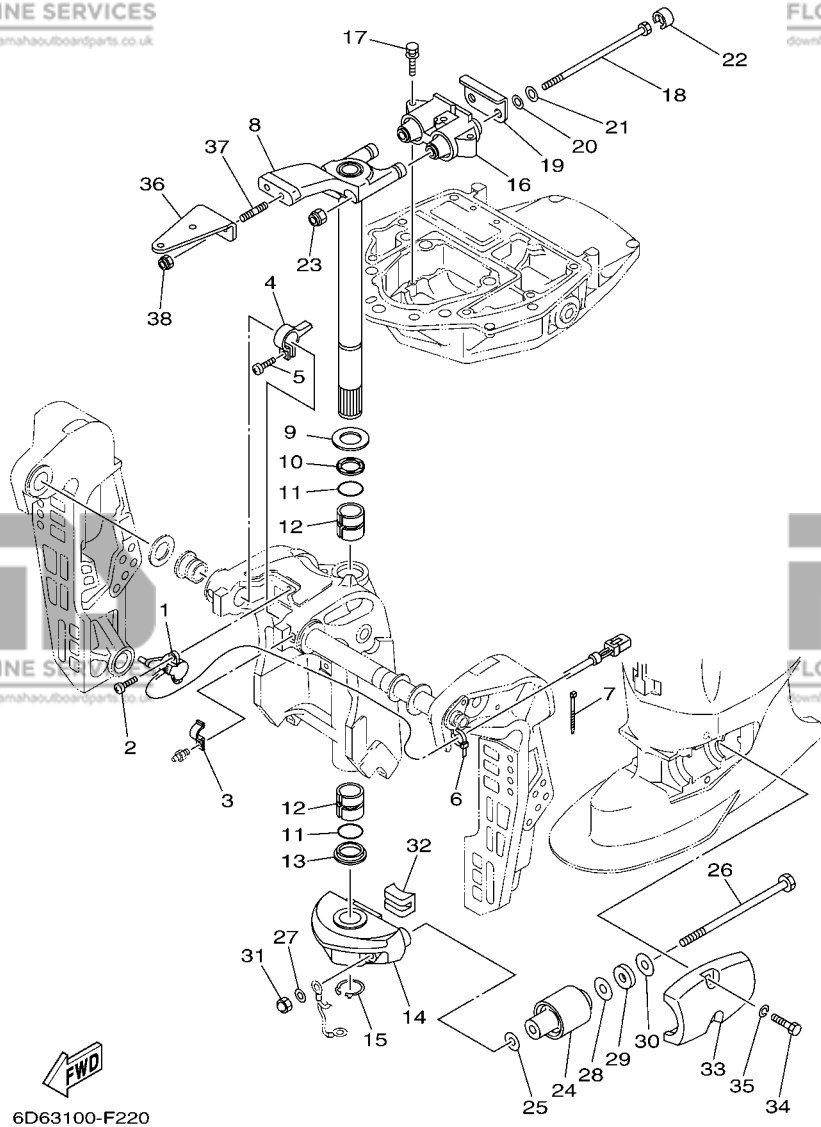


FIG. 22 BRACKET 2

SUPPORT 2

REF. NO.	PART NO. N° PIECES	DESCRIPTION DESCRIPTION	6D73	6D93	REMARKS REMARQUES
1	67H-83672-00	TRIM SENDER INCLINER RACCORD	1	1	
2	97885-06016	SCREW, PAN HEAD VIS, A ENCOCHE	2	2	
3	90465-08M63	CLAMP BRIDE	1	1	
4	64E-43139-02	CAM, TRIM SENDER VILEBREQUIN TRUM	1	1	
5	97780-60525	SCREW, TAPPING VIS, TETE BOMBEE	1	1	
6	90465-11M10	CLAMP BRIDE	1	1	
7	90465-11M10	CLAMP BRIDE	3	3	
8	67F-42510-11-4D	STEERING BRACKET ASSY DIRECTION SUPPORT (ENS.)	1	1	
9	90201-30M00	WASHER, PLATE RONDELLE, PLATE	1	1	
10	90386-30M78	BUSH DOUILLE	1	1	
11	93210-29M94	O-RING JOINT TORIQUE	2	2	
12	90386-30M77	BUSH DOUILLE	2	2	
13	90386-30M60	BUSH DOUILLE	1	1	
14	67F-44551-00-4D	HOUSING, LOWER MOUNT RUBBER BOITIER, SILENT-BLOC INFERIEUR	1	1	
15	93410-28M06	CIRCLIP CLIPS	1	1	
16	67F-44514-00-94	MOUNT DAMPER, UPPER SIDE SILENT-BLOC, SUPERIEUR LATERAL	1	1	
17	90119-08091	BOLT, WITH WASHER BOULON, AVEC RONDELLE	3	3	
18	90109-12007	BOLT BOULON	2	2	
19	67F-44526-00	PLATE PLAQUE	1	1	
20	90201-12M16	WASHER, PLATE RONDELLE, PLATE	2	2	
21	90201-13M01	WASHER, PLATE RONDELLE, PLATE	2	2	
22	67F-44533-00	DAMPER, UPPER MOUNT RUBBER COUVERCLE, SUSPENSION INFERIEUR	2	2	
23	95780-12300	NUT, FLANGE ECROU	2	2	
24	67F-44555-00-94	MOUNT DAMPER, LOWER SIDE SILENT-BLOC, INFERIEUR LATERAL	2	2	
25	90201-13M03	WASHER, PLATE RONDELLE, PLATE	2	2	
26	90109-12012	BOLT BOULON	2	2	
27	90201-12M16	WASHER, PLATE RONDELLE, PLATE	2	2	

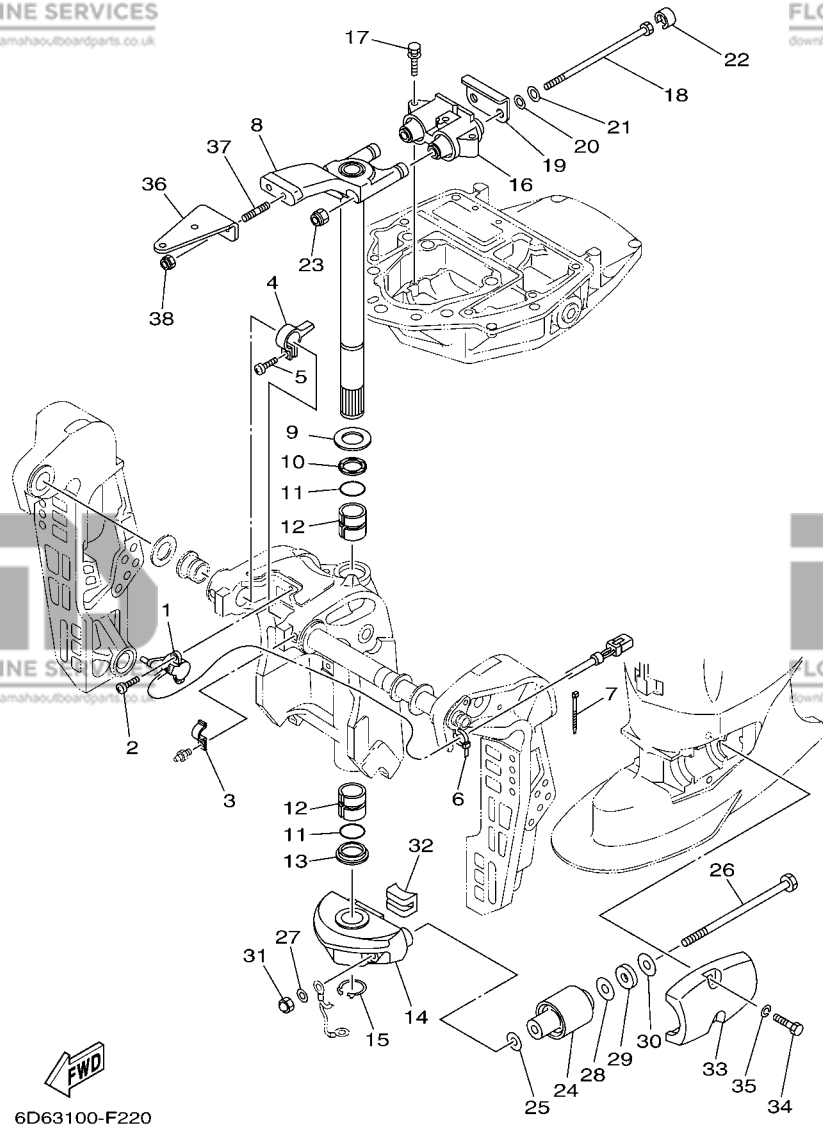


FIG. 22 BRACKET 2

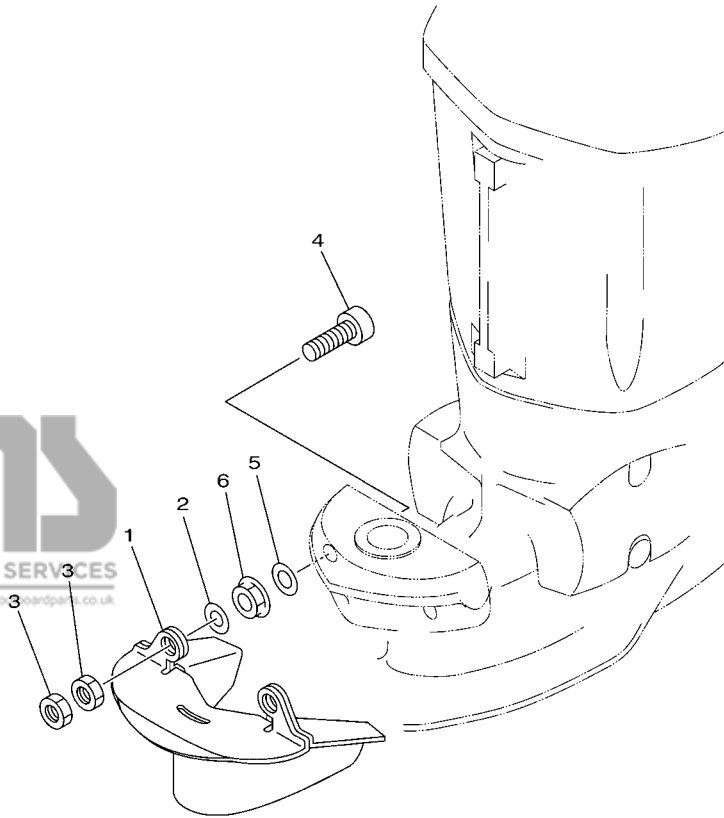
SUPPORT 2

REF. NO.	PART NO. N° PIECES	DESCRIPTION DESCRIPTION	6D73	6D93	REMARKS REMARQUES
28	90201-24M02	WASHER, PLATE RONDELLE, PLATE	2	2	
29	90202-25M04	WASHER, PLATE RONDELLE, PLATE	2	2	
30	90201-13M19	WASHER, PLATE RONDELLE, PLATE	2	2	
31	95380-12800	NUT, CROWN ECROU, BORGNE	2	2	
32	67F-44575-00	DAMPER, LOWER MOUNT RUBBER SILENT-BLOC, INFERIEUR	1	1	
33	67F-44553-00-4D	COVER, LOWER MOUNT COUVERCLE, SUSPENSION INFERIEUR	2	2	
34	97075-10040	BOLT BOULON	4	4	
35	92995-10100	WASHER RONDELLE	4	4	
36	67F-48511-00-4D	HOOK, STEERING ATTACHE, DIRECTION	1	1	
37	90116-10175	BOLT, STUD GOUJON	2	2	
38	90185-10051	NUT, SELF-LOCKING ECROU, AUTO-BLOQUANT	2	2	

FIG. 23 OPTIONAL PARTS

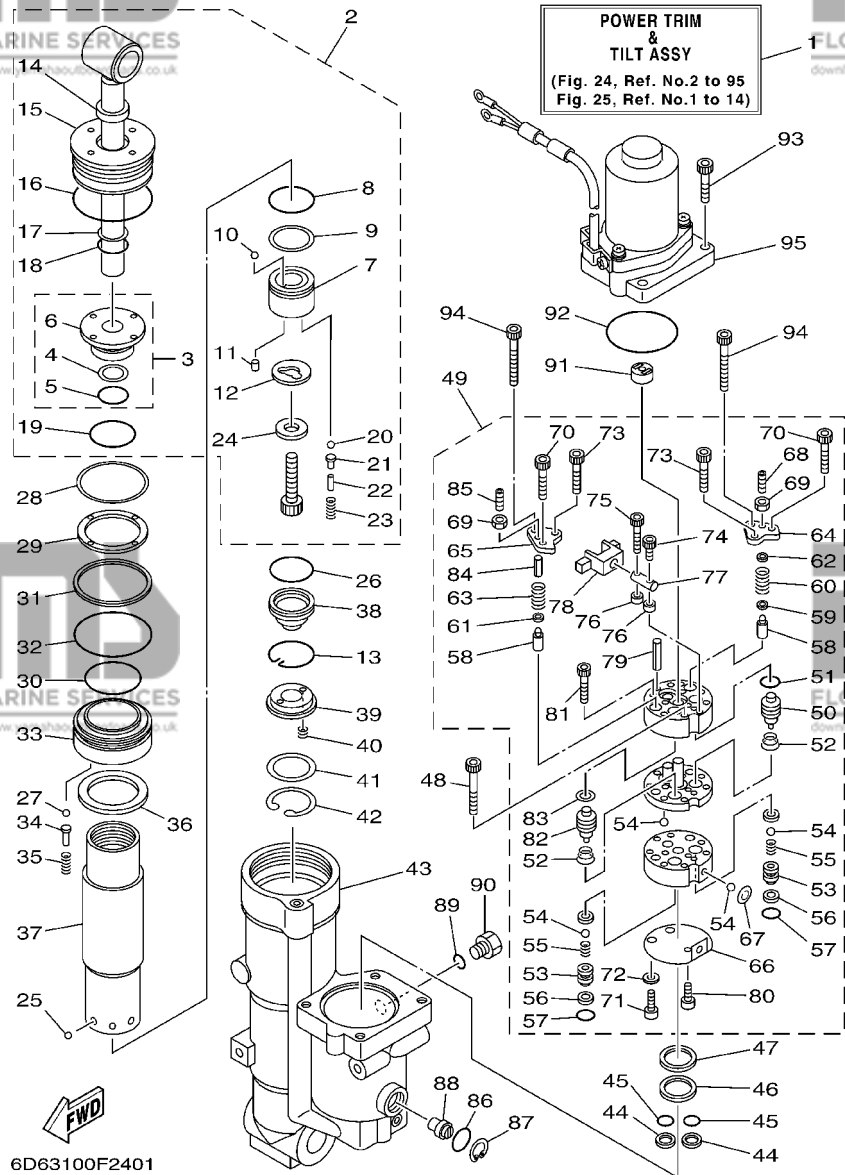
PIECES OPTIONNELLES

REF. NO.	PART NO. N° PIECES	DESCRIPTION DESCRIPTION	6D73	6D93	REMARKS REMARQUES
1	67F-45180-00-4D	PLATE, SPLASH PLAQUE, EAU	1	1	AP AP
2	90201-12M01	WASHER, PLATE RONDELLE, PLATE	2	2	AP AP
3	95380-12700	NUT ECROU	4	4	AP AP AP
4	90110-12M00	BOLT, HEXAGON SOCKET HEAD BOULON, TETE HEXAGONALE CREUSE	2	2	AP AP AP
5	90201-12M16	WASHER, PLATE RONDELLE, PLATE	2	2	AP AP
6	95780-12300	NUT, FLANGE ECROU	2	2	AP AP



6D62100-E230

FIG. 24 POWER TRIM & TILT ASSY 1 PUISSANCE PARER ET INCLINER 1

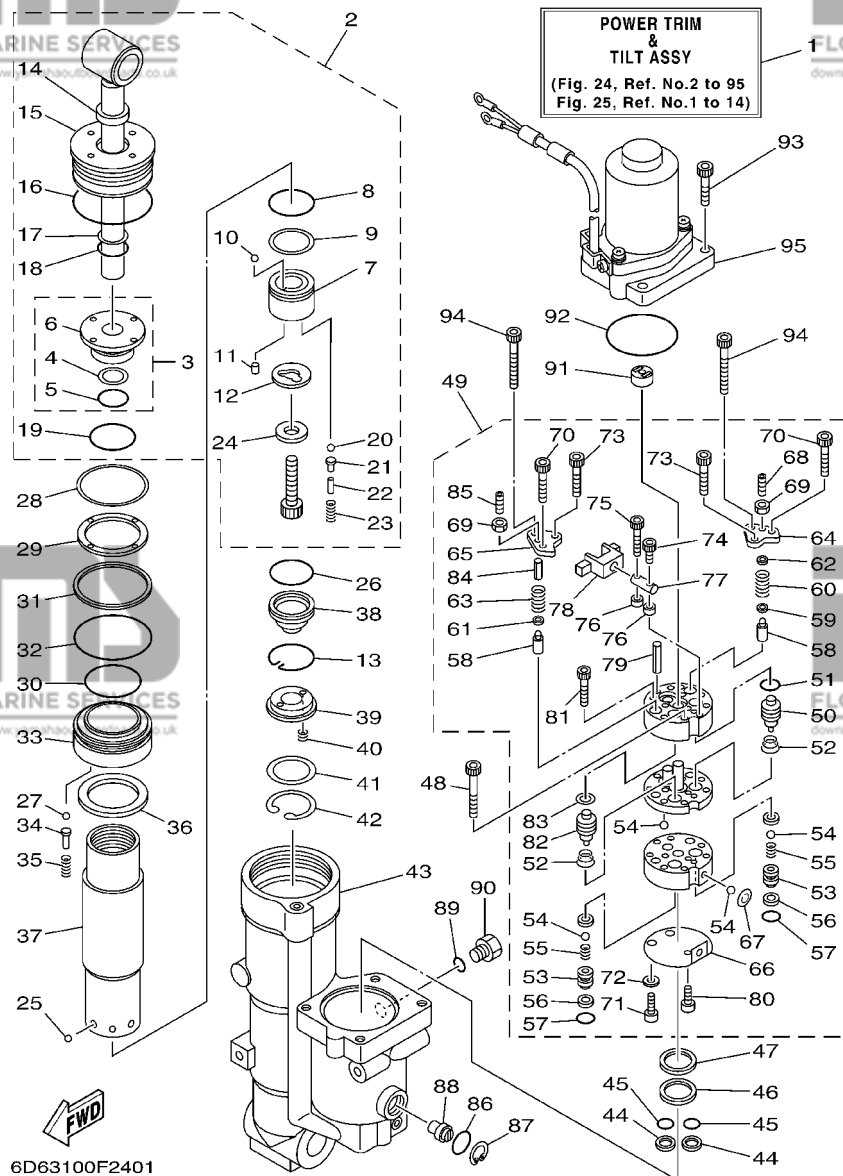


6D63100F2401

REF. NO.	PART NO. N° PIECES	DESCRIPTION DESCRIPTION	6D73	6D93	REMARKS REMARQUES
1	6D8-43800-01-8D	POWER TRIM & TILT ASSY PUISSANCE PARER ET INCLINER (E	1	1	
2	67F-43810-01	TILT PISTON SUB ASSY INCLINER PISTON AUXILIAIRE(ENS	1	1	
3	67F-4380R-00	.CYLINDER END SUB ASSY .CYLINDRE RACCORD (ENS.)	1	1	
4	6H1-43872-10	..RING, BACK UP ..RESSORT	1	1	
5	93210-18397	..O-RING ..JOINT TORIQUE	1	1	
6	67F-43811-00	..SCREW, CYLINDER END ..VIS	1	1	
7	67F-4385A-01	.PISTON, TILT .PISTON	1	1	
8	93210-29375	.O-RING .JOINT TORIQUE	1	1	
9	62X-43871-00	.RING, BACK UP .SEGMENT	1	1	
10	93501-08001	.BALL .BILLE	1	1	
11	93602-07244	.PIN, DOWEL .GOUJON	2	2	
12	67F-22435-00	.PLATE, VALVE 2 .PLAQUE, CLAPET 2	1	1	
13	67F-43875-00	RING, SNAP RESSORT	1	1	
14	6H1-43812-00	.SEAL, DUST .JOINT	1	1	
15	67F-43821-00	.SCREW, TRIM CYLINDER END .VIS	1	1	
16	67F-43861-00	.O-RING .JOINT TORIQUE	1	1	
17	6H1-43872-10	.RING, BACK UP .RESSORT	1	1	
18	93210-18397	.O-RING .JOINT TORIQUE	1	1	
19	62X-43862-00	.O-RING .JOINT TORIQUE	1	1	
20	93501-08001	.BALL .BILLE	2	2	
21	65W-4386A-00	.PIN, ABSORBER VALVE .GOUILLE, SOUPAPE	2	2	
22	688-4386F-00	.PIN, STRAIGHT .RESSORT	2	2	
23	65W-43853-00	.SPRING, MAIN VALVE .RESSORT	2	2	
24	67F-43893-00	.WASHER .RONDELLE	1	1	
25	93503-16003	BALL BILLES	6	6	
26	67F-43863-00	O-RING JOINT TORIQUE	1	1	
27	93501-08001	BALL BILLE	5	5	

FIG. 24 POWER TRIM & TILT ASSY 1

PUISSANCE PARER ET INCLINER 1

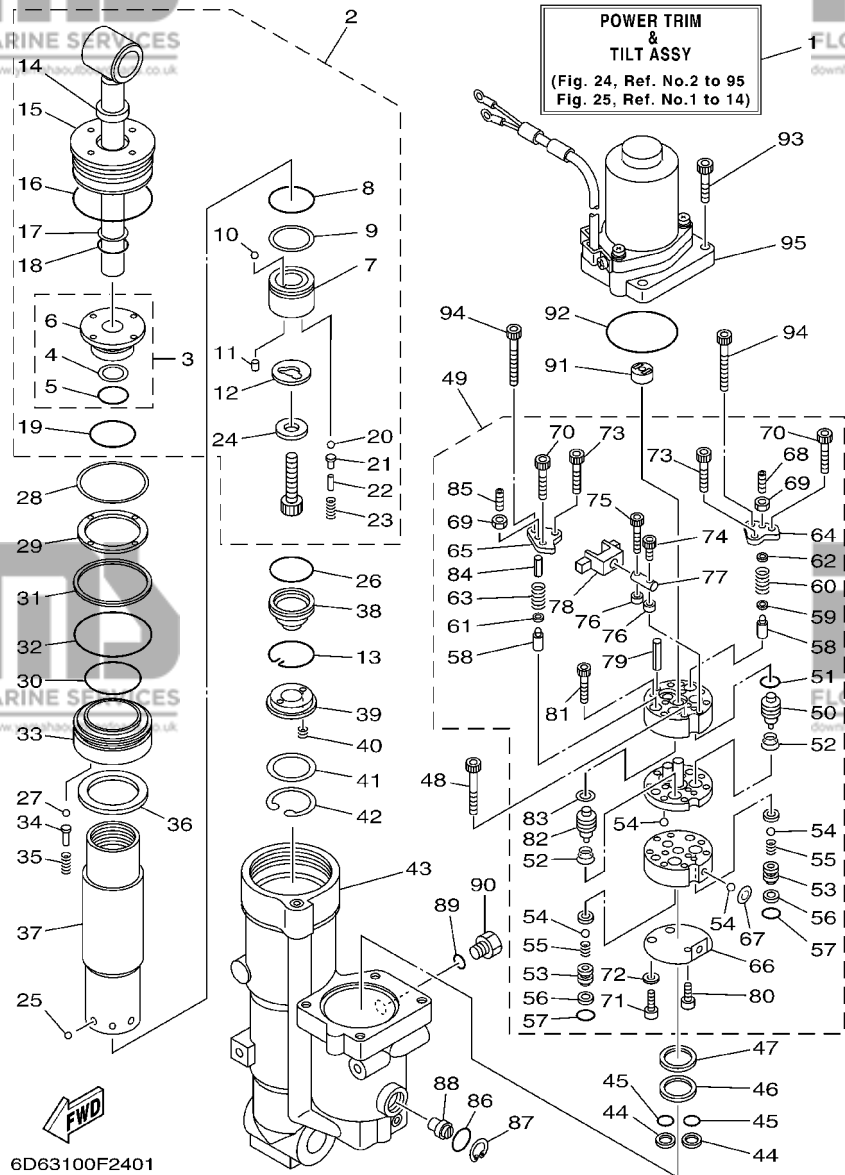


6D63100F2401

REF. NO.	PART NO. N° PIECES	DESCRIPTION DESCRIPTION	6D73	6D93	REMARKS REMARQUES
28	67F-43899-00	PLATE STOPPER PLAQUETTE	1	1	
29	67F-43816-00	FILTER 1 FILTRE 1	1	1	
30	67F-43862-00	O-RING JOINT TORIQUE	1	1	
31	67F-43871-00	RING, BACK UP SEGMENT	1	1	
32	62X-43865-00	O-RING JOINT TORIQUE	1	1	
33	67F-4388A-00	PISTON, TRIM PISTON	1	1	
34	6T4-4386A-00	PIN, ABSORBER VALVE GOUPILE, SOUPAPE	5	5	
35	67F-43857-00	SPRING, ABSORBER VALVE RESSORT	5	5	
36	67F-4381J-00	PLATE PLAQUE	1	1	
37	67F-22471-01	CYLINDER, SHOCK ABSORBER CYLINDRE, AMORTISSEUR	1	1	
38	67F-4381B-00	FREE PISTON SUB ASSY PISTON AUXILIAIRE (ENS.)	1	1	
39	62X-43899-00	PLATE STOPPER PLAQUETTE	1	1	
40	62X-4384H-00	SPRING RESSORT	2	2	
41	1UF-22434-00	PLATE, VALVE 1 PLATEAU, SOUPAPE 1	1	1	
42	62X-43875-00	RING, SNAP RESSORT	1	1	
43	6D8-4380K-00	CYLINDER, TILT SUB ASSY CYLINDRE	1	1	
44	6C6-43817-00	FILTER 2 FILTRE 2	2	2	
45	69J-4389J-00	O-RING JOINT TORIQUE	2	2	
46	6C5-43816-00	FILTER 1 FILTRE 1	1	1	
47	6C5-4380G-00	PLATE PLAQUE	1	1	
48	91312-05045	BOLT BOULON	2	2	
49	6D8-43830-00	GEAR PUMP ASSY POMPE A PIGNON (ENS.)	1	1	
50	6C6-43841-00	.PISTON, SHUTTLE .PISTON	1	1	
51	6H1-43883-00	.O-RING .JOINT TORIQUE	1	1	
52	6C6-43894-00	.SPRING, SHUTTLE RETURN .RESSORT	2	2	
53	6C6-4382E-00	.ADAPTOR 2 .ADAPTEUR 2	2	2	
54	93505-32038	.BALL .BILLE	6	6	

FIG. 24 POWER TRIM & TILT ASSY 1

PUISSANCE PARER ET INCLINER 1

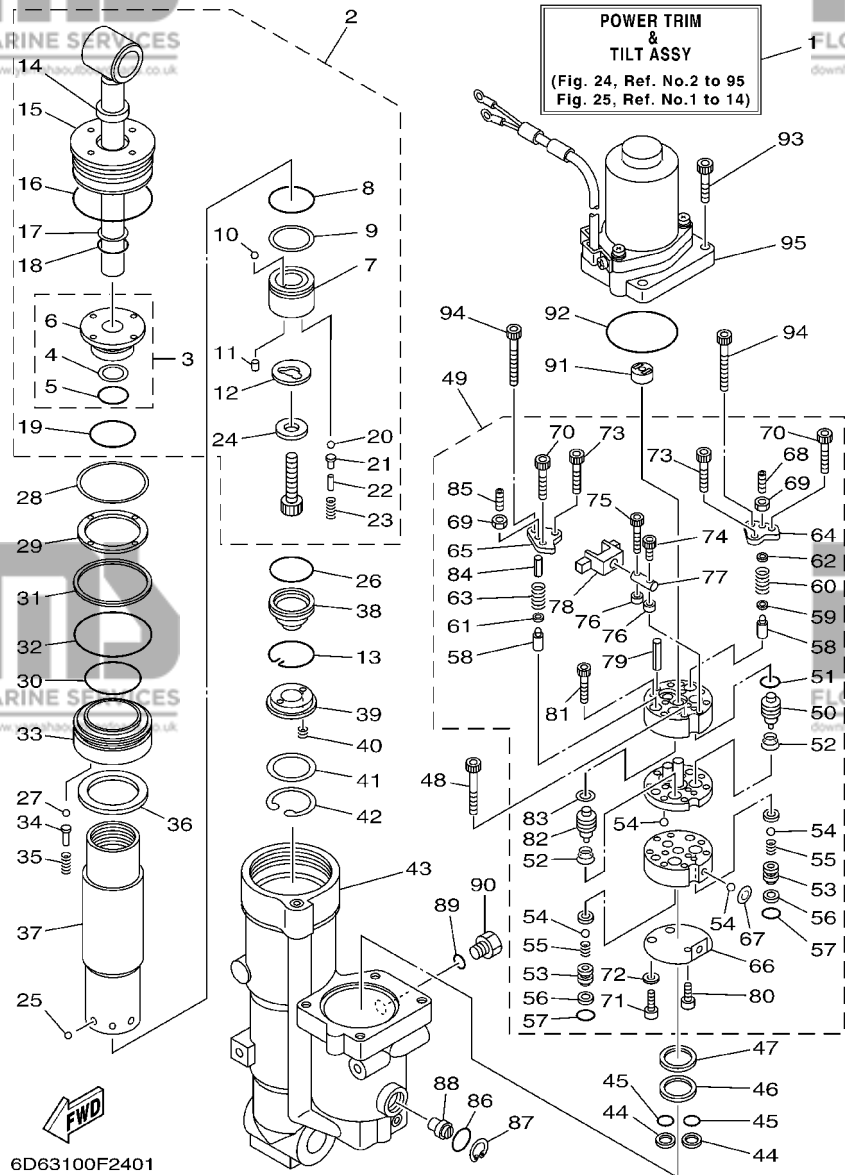


6D63100F2401

REF. NO.	PART NO. N° PIECES	DESCRIPTION DESCRIPTION	6D73	6D93	REMARKS REMARQUES
55	6C6-43853-00	.SPRING, MAIN VALVE .RESSORT	2	2	
56	6C6-4387G-00	.WASHER .RONDELLE	2	2	
57	69J-4389J-00	.O-RING .JOINT TORIQUE	2	2	
58	6C5-43851-00	.SEAT, RELIEF VALVE .SIEGE	2	2	
59	6C5-43893-00	.WASHER .RONDELLE	1	1	
60	6D8-43855-00	.SPRING, UP RELIEF .RESSORT	1	1	
61	6C6-43893-00	.WASHER .RONDELLE	1	1	
62	6C5-4381K-00	.HOLDER .SUPPORT	1	1	
63	6D8-43856-00	.SPRING, DOWN RELIEF .RESSORT	1	1	
64	6C5-4382K-00	.CAP, RELIEF VALVE .CHAPEAU	1	1	
65	6C5-4382L-00	.CAP, RELIEF VALVE .CAPUCHON	1	1	
66	6C5-43895-00	.SEAT, RELIEF VALVE .SIEGE	1	1	
67	6C5-43854-00	.SPRING, MANUAL RELEASE .RESSORT	1	1	
68	92A08-03110	.SCREW SET .VIS	1	1	
69	95302-03600	.NUT .ECROU	2	2	
70	91312-05030	.BOLT .BOULON	2	2	
71	6C6-43878-00	.BOLT, SOCKET .BOULON	2	2	
72	62Y-4387G-00	.WASHER .RONDELLE	2	2	
73	91312-04030	.BOLT .BOULON	2	2	
74	91312-03016	.BOLT .BOULON	1	1	
75	6C6-4388E-00	.PLUG, TAPER SCREW .BOUCHON	1	1	
76	6C6-4388F-00	.SPACER .ENTRETOISE	2	2	
77	6C6-4386G-00	.PIN, STRAIGHT 2 .RESSORT 2	1	1	
78	6C6-4386E-00	.LEVER 1 .LEVIER 1	1	1	
79	91609-50028	.PIN, SPRING .AXE DE RESSORT	2	2	
80	91312-03005	.BOLT .BOULON	1	1	
81	91312-05025	.BOLT .BOULON	2	2	

FIG. 24 POWER TRIM & TILT ASSY 1

PUISSANCE PARER ET INCLINER 1

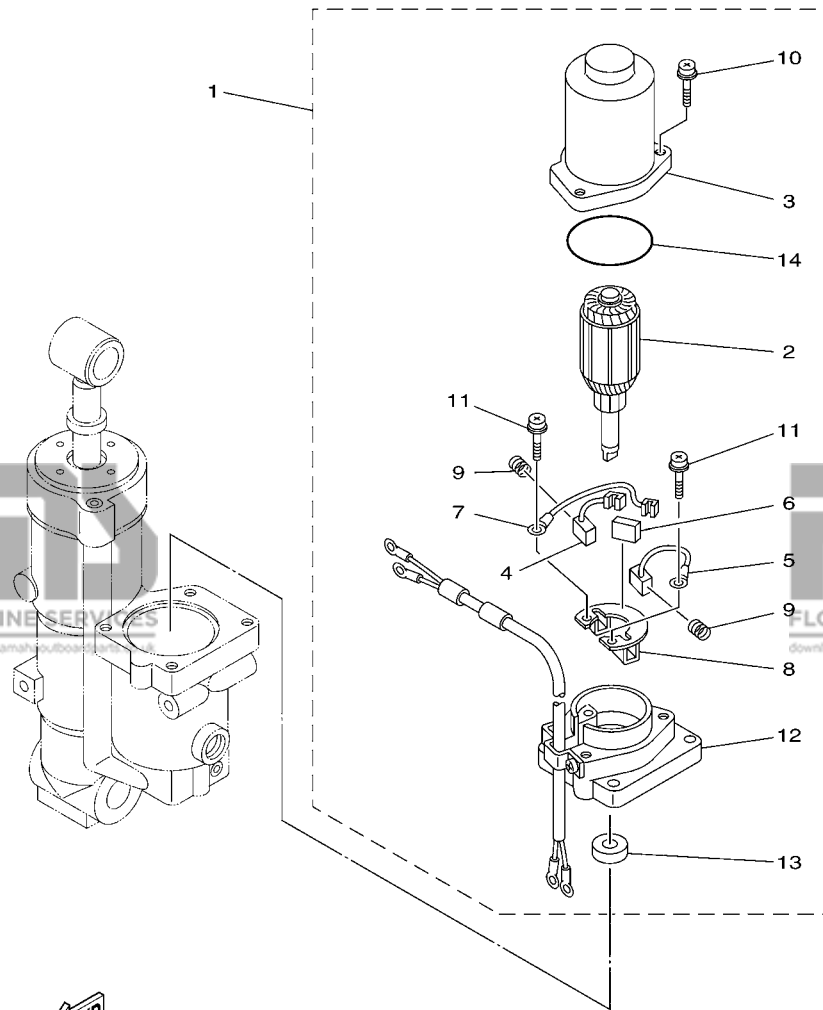


6D63100F2401

REF. NO.	PART NO. N° PIECES	DESCRIPTION DESCRIPTION	6D73	6D93	REMARKS REMARQUES
82	6C5-43841-00	.PISTON, SHUTTLE .PISTON	1	1	
83	6C5-43872-00	.RING, BACK UP .RESSORT	1	1	
84	6D8-4381G-00	.PIN 1 .GOUPILLE 1	1	1	
85	92A08-03012	.SCREW SET .VIS	1	1	
86	93210-18397	O-RING JOINT TORIQUE	1	1	
87	6H1-43875-00	RING, SNAP RESSORT	1	1	
88	6D8-43845-00	SCREW, MANUAL RELEASE VIS	1	1	
89	93210-09165	O-RING JOINT TORIQUE	1	1	
90	6H1-43829-00	PLUG, RESERVOIR BOUCHON	1	1	
91	6D8-43831-00	CONNECTOR, SHAFT RACCORD	1	1	
92	93210-64488	O-RING JOINT TORIQUE	1	1	
93	65W-43888-00	BOLT, SOCKET BOULON	4	4	
94	91312-05050	BOLT BOULON	2	2	
95	6D8-43880-01	MOTOR ASSY MOTEUR (ENS.)	1	1	REFER TO FIG.25 REFER TO FIG.25

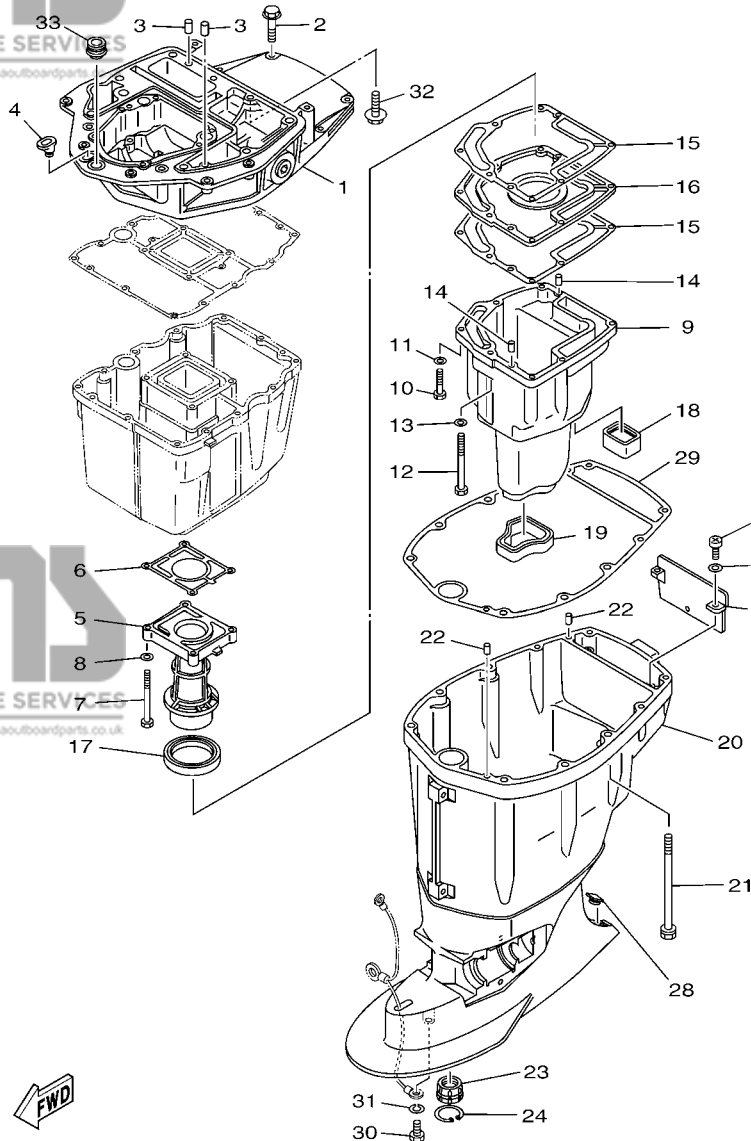
FIG. 25 POWER TRIM & TILT ASSY 2

PUISSANCE PARER ET INCLINER 2



REF. NO.	PART NO. N° PIECES	DESCRIPTION DESCRIPTION	6D73	6D93	REMARKS REMARQUES
1	6D8-43880-01	MOTOR ASSY MOTEUR (ENS.)	1	1	
2	6D8-43805-01	.ARMATURE ASSY .INDUIT (ENS.)	1	1	
3	6D8-43804-01	.STATOR ASSY .STATOR (ENS.)	1	1	
4	6H1-43891-11	.BRUSH 1 .BALAI 1	1	1	
5	6H1-43892-11	.BRUSH 2 .BALAI 2	1	1	
6	6H1-82181-10	.CIRCUIT BREAKER COMP. .RUPTEUR COMPLET	1	1	
7	62X-43807-00	.WIRE SUB ASSY .AUXILIAIRE CABLE (ENS.)	1	1	
8	6H1-4380F-11	.PLATE, BRUSH HOLDER .PLAQUE	1	1	
9	62X-4386K-00	.SPRING, BRUSH .RESSORT, BALAI	2	2	
10	97980-05225	.SCREW, WITH WASHER .VIS, AVEC RONDELLE	3	3	
11	97602-04216	.SCREW, PAN HEAD WITH WASHER .VIS	2	2	
12	6D8-43881-01	.FRAME, END .BATI	1	1	
13	93102-08414	.OIL SEAL .JOINT SPY	1	1	
14	93210-554A9	.O-RING .JOINT TORIQUE	1	1	

FWD
6D63100-F250



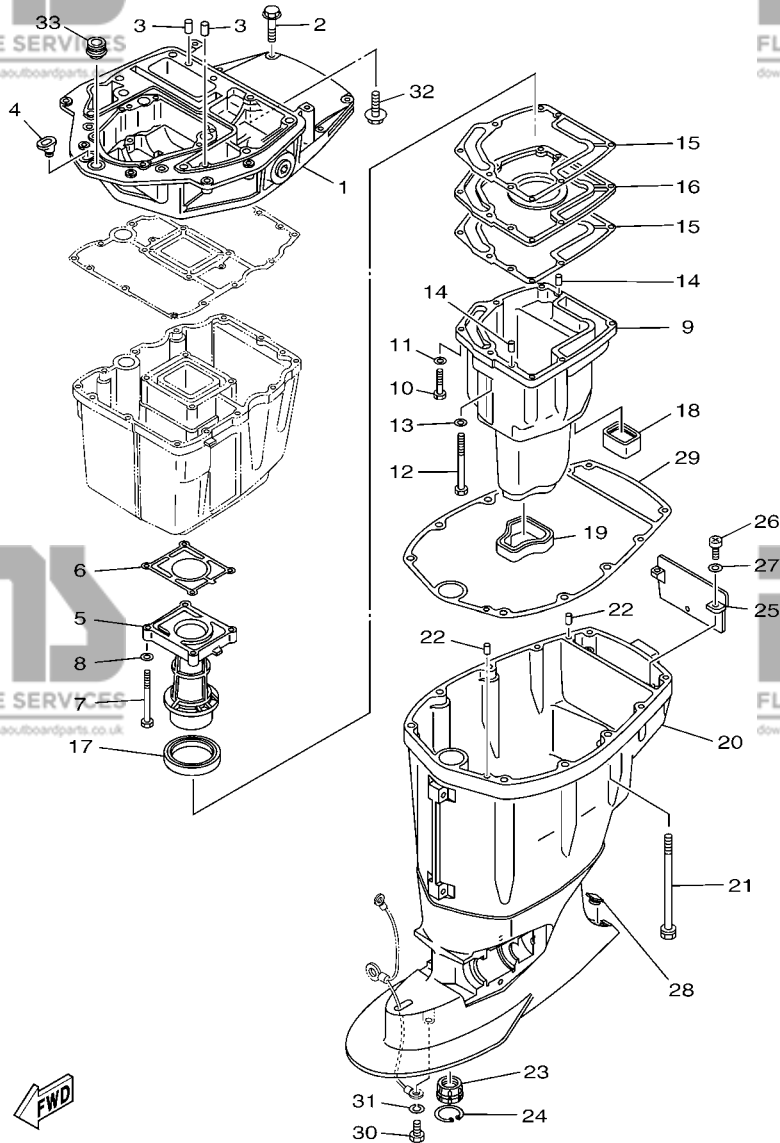
6D61110-D290

FIG. 26 UPPER CASING

FOURREAU

REF. NO.	PART NO. N° PIECES	DESCRIPTION DESCRIPTION			REMARKS REMARQUES
			6D73	6D93	
1	6D8-41137-00-94	GUIDE, EXHAUST COLLECTEUR D'ÉCHAPPEMENT	1	1	
2	97575-08540	BOLT, WITH WASHER VIS HEXAGONAL AVEC RONDELLE	4	4	
3	93608-16M16	PIN, DOWEL AXE	2	2	
4	6G1-42727-00	GROMMET PASSE-FIL	1	1	
5	67F-41131-01-5B	MANIFOLD, EXT. 1 PIPE D'ÉCHAPPEMENT	1	1	
6	67F-41133-A1	GASKET, EXHAUST MANIFOLD 1 JOINT, PIPE D'ÉCHAPPEMENT	1	1	
7	97075-06070	BOLT BOULON	4	4	
8	92995-06600	WASHER RONDELLE	4	4	
9	67F-14711-00-5B	MUFFLER 1 POT D'ÉCHAPPEMENT 1	1	1	
10	97075-06030	BOLT BOULON	6	6	
11	92995-06600	WASHER RONDELLE	6	6	
12	97075-06050	BOLT BOULON	1	1	
13	92995-06600	WASHER RONDELLE	1	1	
14	93606-19M23	PIN, DOWEL GOUPILLE	2	2	
15	67F-41134-A0	GASKET, EXHAUST MANIFOLD JOINT, PIPE D'ÉCHAPPEMENT	2	2	
16	67F-45181-00-5B	PLATE PLAQUETTE	1	1	
17	67F-41138-00	SEAL, EXT. 1 JOINT DE GROUPE 1	1	1	
18	67F-45127-00	SEAL JOINT	1	1	
19	67F-45123-00	GASKET, MUFFLER JOINT, POT DE DETENTE	1	1	
20	67F-45111-11-4D	CASING, UPPER FOURREAU	1	1	
21	90119-10M08	BOLT, WITH WASHER BOULON, AVEC RONDELLE	6	6	
22	93608-16M16	PIN, DOWEL AXE	2	2	
23	67F-45318-00	BUSHING, DRIVE SHAFT DOUILLE, ARBRE MOTEUR	1	1	
24	93420-36M01	CIRCLIP CIRCLIP, TYPE S	1	1	
25	67F-45151-00	COVER, UPPER CASING CAPUCHON, FOURREAU	1	1	
26	97880-06016	SCREW, PAN HEAD VIS, TÊTE TRONCONIQUE	2	2	
27	92990-06600	WASHER, PLATE RONDELLE, PLATE	2	2	

A6



FWD
6D61110-D290

FIG. 26 UPPER CASING

FOURREAU

REF. NO.	PART NO. N° PIECES	DESCRIPTION DESCRIPTION			REMARKS REMARQUES
			6D73	6D93	
28	67F-45155-00	CAP CAPUCHON	1	1	
29	67F-45113-00	GASKET, UPPER CASING JOINT, TUBE D'ARBRE	1	1	
30	97095-08016	BOLT BOULON	1	1	
31	92995-08100	WASHER RONDELLE	1	1	
32	90119-08M58	BOLT, WITH WASHER BOULON, AVEC RONDELLE	2	2	
33	67F-42724-00	GROMMET PASSE-FIL	1	1	

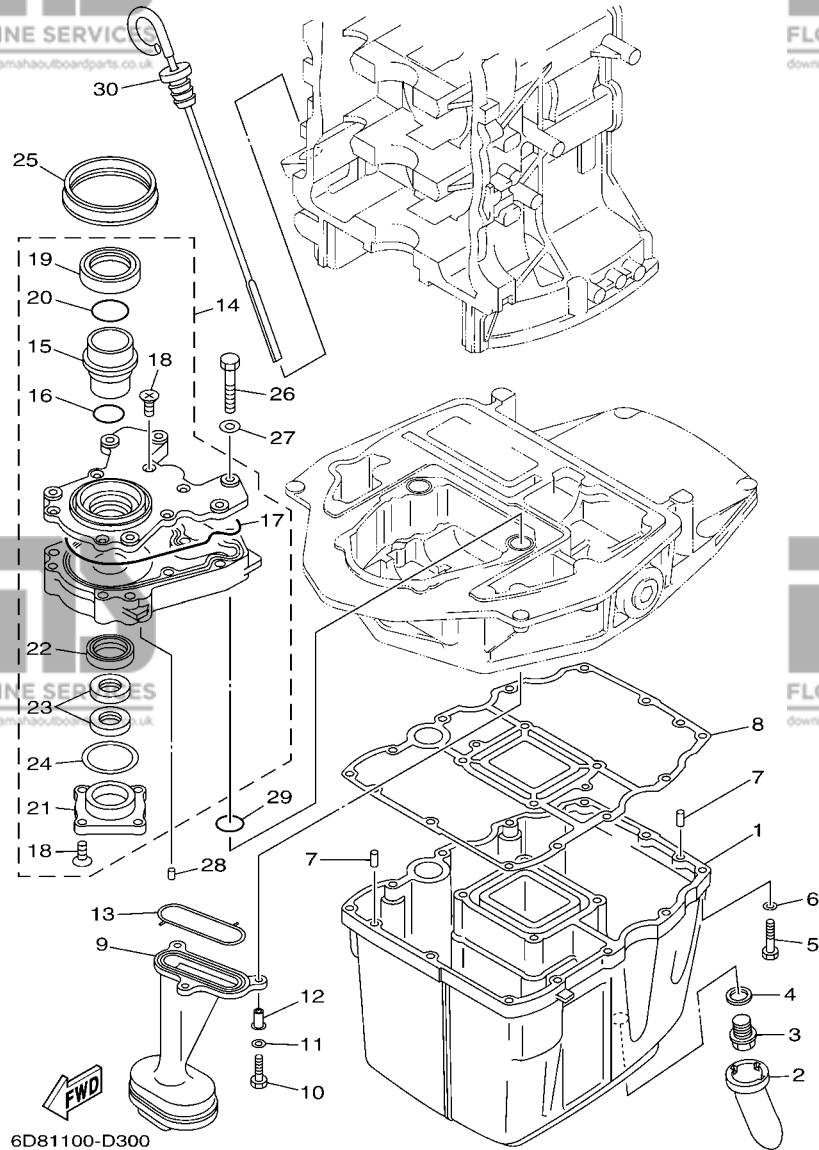


FIG. 27 OIL PAN

VENTILATEUR D'HUILE

REF. NO.	PART NO. N° PIECES	DESCRIPTION DESCRIPTION	6D73	6D93	REMARKS REMARQUES
1	67F-15311-03-5B	OIL PAN VENTILATEUR D'HUILE	1	1	
2	63P-15316-00	DAMPER, ENGINE MOUNT 1 AMORTISSEUR DE SUPPORT	1	1	
3	90340-14M06	PLUG, STRAIGHT SCREW PLOT, FILETE DROIT	1	1	
4	90430-14M09	GASKET JOINT	1	1	
5	97075-06025	BOLT BOULON	12	12	
6	92995-06600	WASHER RONDELLE	12	12	
7	93606-12019	PIN, DOWEL GOUILLE	2	2	
8	68V-15312-00	GASKET, OIL PAN JOINT DE VENTILATEUR D'HUILE	1	1	
9	67F-13411-00	STRAINER, OIL FILTRE, HUILE	1	1	
10	97027-06025	BOLT BOULON	3	3	
11	92907-06600	WASHER, PLATE RONDELLE	3	3	
12	90387-06M64	COLLAR COLLERETTE	3	3	
13	67F-13415-00	SEAL, OIL STRAINER JOINT, FILTRE A HUILE	1	1	
14	67F-13300-10	OIL PUMP ASSY POMPE A HUILE COMPLETE	1	1	
15	67F-13314-02	.SHAFT, PUMP .AXE DE POMPE	1	1	
16	67F-13473-01	.O-RING .JOINT TORIQUE	1	1	
17	67F-13329-00	.GASKET, PUMP COVER JOINT, COUVERCLE DE POMPE	1	1	
18	67F-13495-00	.SCREW .VIS	10	10	
19	67F-13119-01	.OIL SEAL JOINT SPY	1	1	
20	67F-13769-00	.O-RING JOINT TORIQUE	1	1	
21	67F-13914-00	.HOUSING, PUMP .CORPS, POMPE	1	1	
22	67F-13631-03	.OIL SEAL JOINT SPY	1	1	
23	67F-13149-00	.OIL SEAL JOINT SPY	2	2	
24	67F-13339-00	.GASKET, PUMP COVER .BAINT, COUVERCLE DE POME	1	1	
25	67F-13338-00	SEAL JOINT	1	1	
26	97095-06045	BOLT BOULON	6	6	
27	92995-06600	WASHER RONDELLE	6	6	

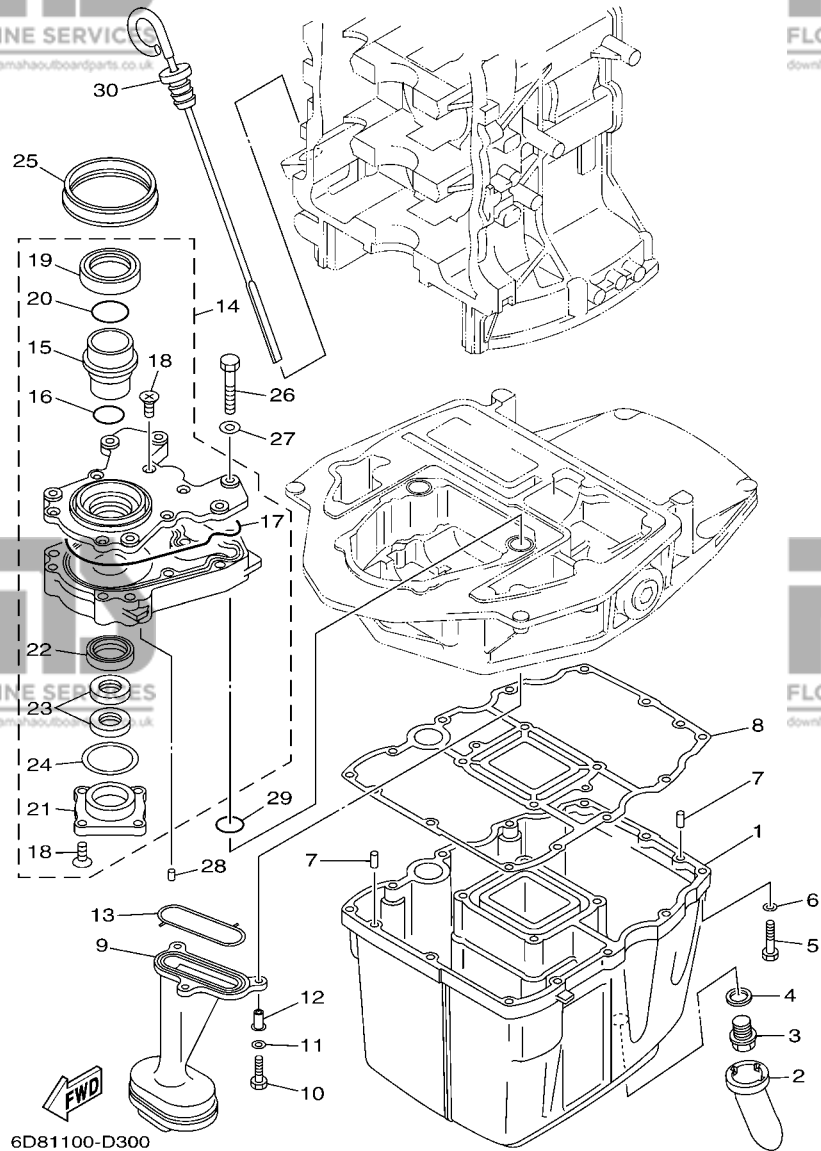


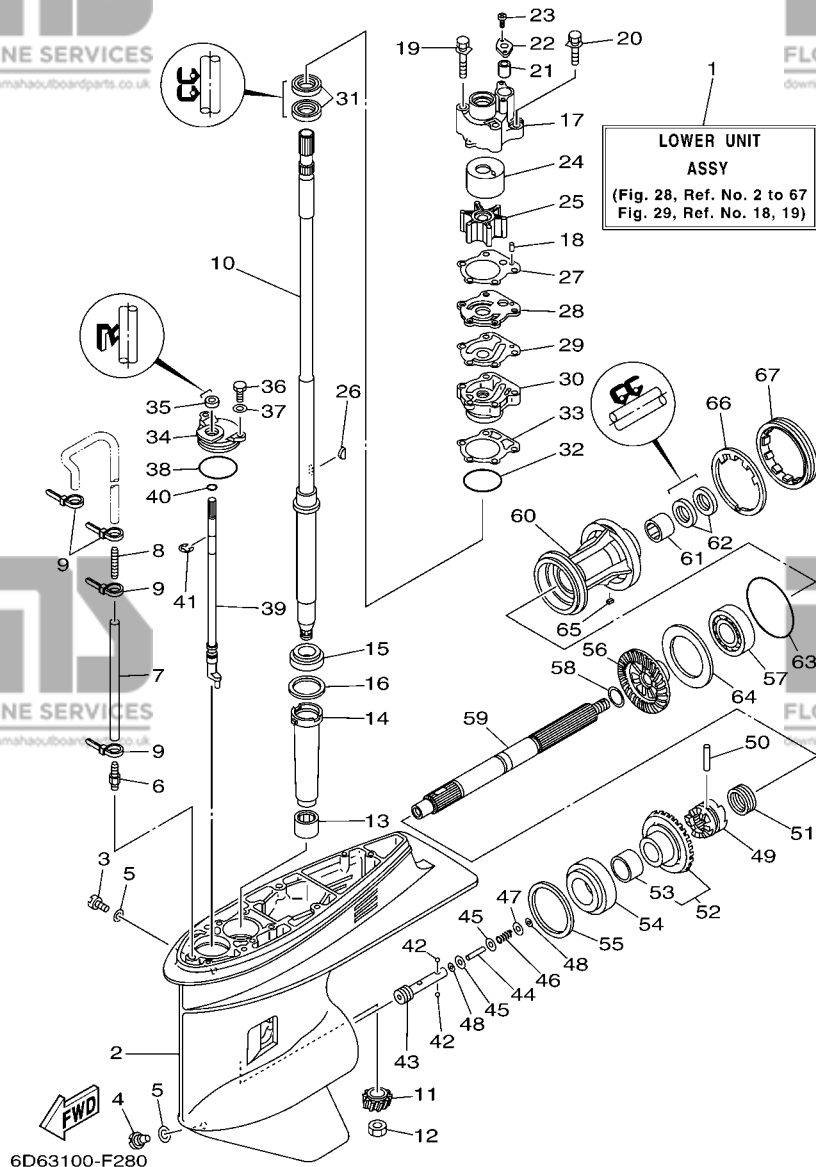
FIG. 27 OIL PAN

VENTILATEUR D'HUILE

REF. NO.	PART NO. N° PIECES	DESCRIPTION DESCRIPTION	6D73	6D93	REMARKS REMARQUES
28	93604-12M07	PIN, DOWEL CLAVETTE	2	2	
29	93210-19MJ1	O-RING JOINT TORIQUE	2	2	
30	6D8-15362-00	PLUG, OIL LEVEL PLOT, NIVEAU D'HUILE	1	1	

FIG. 28 LOWER CASING & DRIVE 1

BOITIER D'HELICE TRANSMISSION1

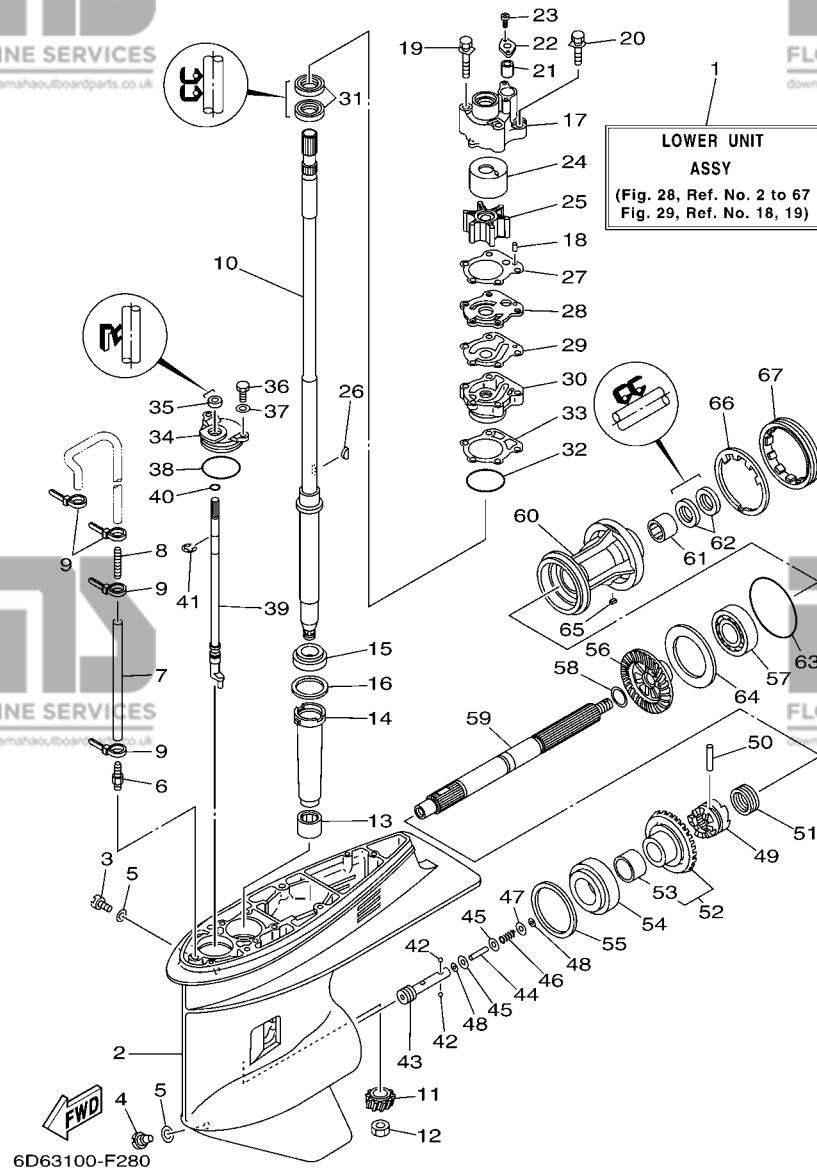


**LOWER UNIT
ASSY**
(Fig. 28, Ref. No. 2 to 67
Fig. 29, Ref. No. 18, 19)

REF. NO.	PART NO. N° PIECES	DESCRIPTION DESCRIPTION	6D73	6D93	REMARKS REMARQUES
1	6D9-45300-11-4D	LOWER UNIT ASSY UNITE INFERIEURE (ENS.)	1	1	L(21.1") L(21.1")
2	67F-45301-00-4D	CASING, LOWER BEQUILLE	1	1	
3	90340-08002	PLUG, STRAIGHT SCREW PLOT, FILETE DROIT	1	1	
4	688-45341-10	PLUG, DRAIN BOUCHON DE VIDANGE	1	1	
5	90430-08020	GASKET JOINT	2	2	
6	6E5-45378-00	NIPPLE, HOSE RACCORD, TUYAU	1	1	
7	90445-07M31	HOSE (L200) DURITE (L200)	1	1	L(21.1") L(21.1")
8	6E5-83558-10	END, NIPPLE RACCORD DE NIPPLE	1	1	
9	90465-11M10	CLAMP BRIDE	4	4	
10	67F-45501-10	DRIVE SHAFT COMP. ARBRE MOTEUR COMP.	1	1	L(21.1") L(21.1")
11	6D9-45551-00	PINION (13T) PIGNON D'ATTAQUE (13D)	1	1	
12	90170-16M01	NUT ECROU	1	1	
13	93315-52563	BEARING ROULEMENT	1	1	
14	688-45536-01	SLEEVE, DRIVE SHAFT MANCHON, ARBRE MOTEUR	1	1	
15	93332-000U3	BEARING ROULEMENT	1	1	
16	688-45587-01	SHIM (T:0.10MM) CALE (T:0.10MM)	1	1	UR
	688-45587-10	SHIM (T:0.12MM) CALE (T:0.12MM)	1	1	UR
	688-45587-20	SHIM (T:0.15MM) CALE (T:0.15MM)	1	1	UR
	688-45587-30	SHIM (T:0.18MM) CALE (T:0.18MM)	1	1	UR
	688-45587-40	SHIM (T:0.30MM) CALE (T:0.30MM)	1	1	UR
	688-45587-50	SHIM (T:0.40MM) CALE (T:0.40MM)	1	1	UR
	688-45587-60	SHIM (T:0.50MM) CALE (T:0.50MM)	1	1	UR
17	67F-44311-01	HOUSING, WATER PUMP CORPS, POMPE A EAU	1	1	
18	93604-10M03	PIN, DOWEL CLAVETTE	2	2	
19	90119-08M87	BOLT, WITH WASHER BOULON, AVEC RONDELLE	2	2	
20	90119-08M13	BOLT, WITH WASHER BOULON, AVEC RONDELLE	2	2	
21	663-44366-00	DAMPER, WATER SEAL JOINT, TUBE D'EAU	1	1	

FIG. 28 LOWER CASING & DRIVE 1

BOITIER D'HELICE TRANSMISSION1



REF. NO.	PART NO. N° PIECES	DESCRIPTION DESCRIPTION	6D73	6D93	REMARKS REMARQUES
22	90480-19M06	GROMMET PASSE-FIL	1	1	
23	90160-04006	SCREW, ROUND TAPPING VIS, TETE RONDE FRAISEE	2	2	
24	67F-44322-00	INSERT, CARTRIDGE CUVETTE	1	1	
25	67F-44352-00	IMPELLER TURBINE	1	1	
26	90280-04M04	KEY, WOODRUFF CLAVETTE, DEMI-LUNE	1	1	
27	688-44315-A0	GASKET, WATER PUMP JOINT, POMPE A EAU	1	1	
28	67F-44323-00	OUTER PLATE, CARTRIDGE PLAQUE EXTERIEURE	1	1	
29	688-44324-A0	GASKET, CARTRIDGE JOINT	1	1	
30	6D8-44341-00-94	HOUSING, WATER PUMP CORPS, POMPE A EAU	1	1	
31	93101-25M03	OIL SEAL JOINT SPY	2	2	
32	93210-46044	O-RING JOINT TORIQUE	1	1	
33	688-44316-A0	GASKET, WATER PUMP JOINT, POMPE A EAU	1	1	
34	688-45321-00	PLATE PLAQUETTE	1	1	
35	93106-09014	OIL SEAL JOINT SPY	1	1	
36	97095-06016	BOLT BOULON	2	2	
37	92995-06600	WASHER RONDELLE	2	2	
38	93210-49046	O-RING JOINT TORIQUE	1	1	
39	67F-44150-01	SHIFT CAM ASSY CAME D'INVERSION	1	1	
40	93210-07003	O-RING JOINT TORIQUE	1	1	
41	99001-08600	CIRCLIP CIRCLIP	1	1	
42	93503-16003	BALL BILLES	2	2	
43	67F-45634-00	SLIDE, SHIFT CONTRE-POUSSOIR	1	1	
44	6H1-45668-00	SHAFT, FREE AXE	1	1	
45	6H1-45635-00	PLUNGER, SHIFT POUSSOIR D'EMBRAYAGE	2	2	
46	90501-12M48	SPRING, COMPRESSION RESSORT, COMPRESSION	1	1	
47	90201-03313	WASHER, PLATE RONDELLE, PLATE	1	1	
48	90183-02M03	NUT, SPRING ECROU, RESSORT	2	2	

B4

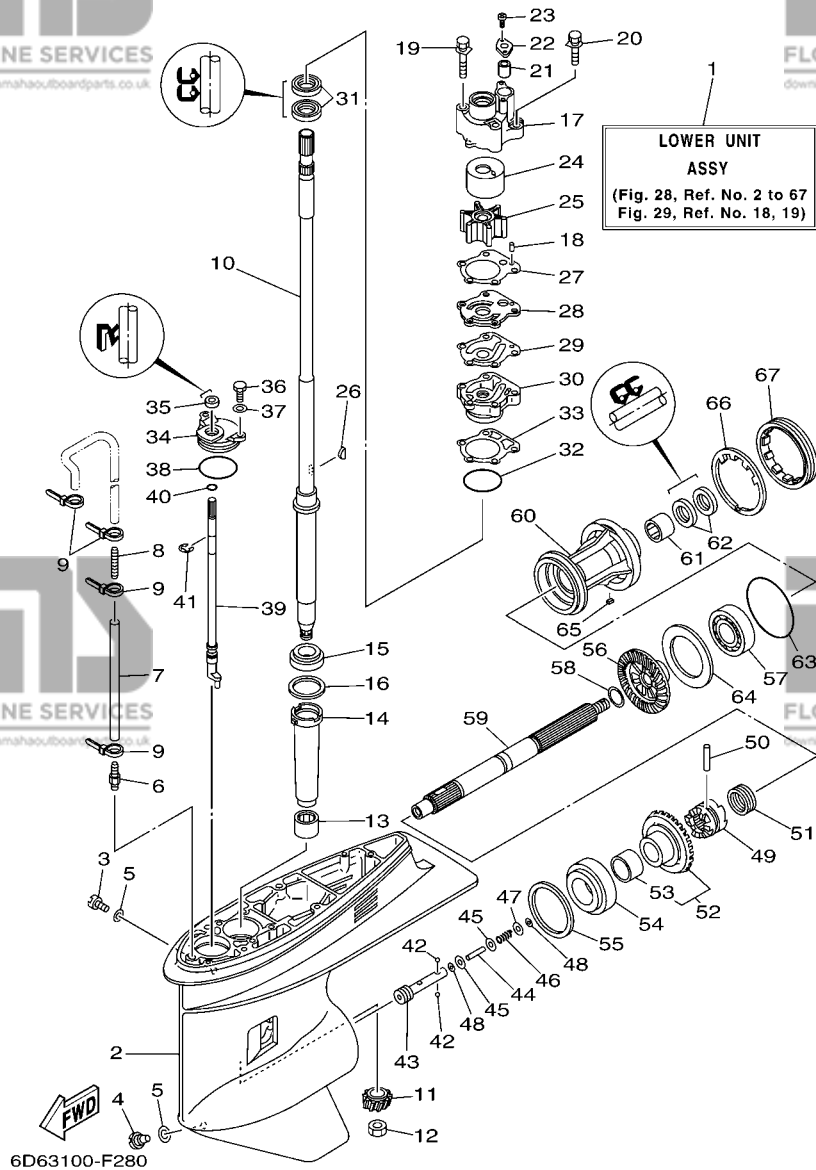


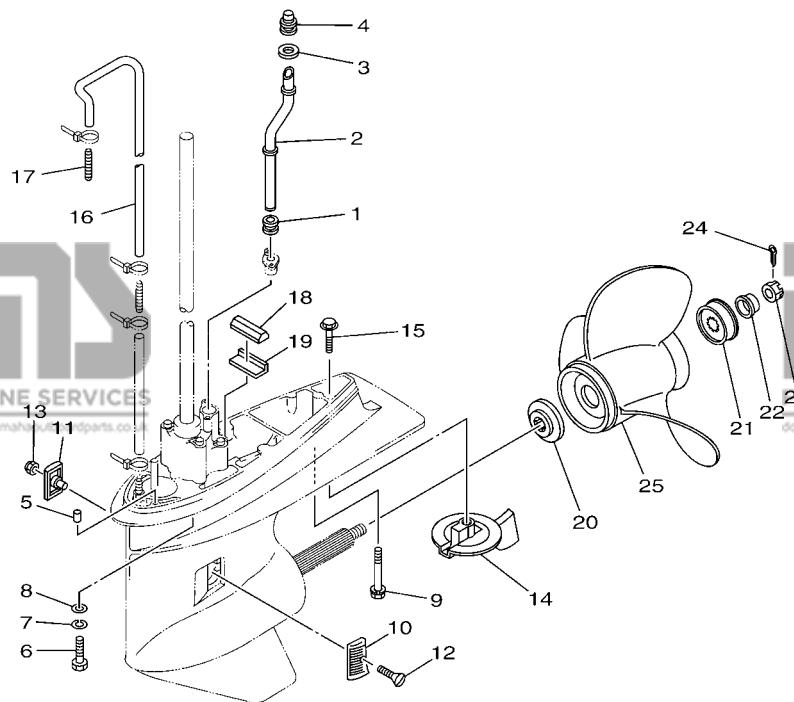
FIG. 28 LOWER CASING & DRIVE 1

BOITIER D'HELICE TRANSMISSION1

REF. NO.	PART NO. N° PIECES	DESCRIPTION DESCRIPTION	6D73	6D93	REMARKS REMARQUES
49	6D8-45631-00	CLUTCH, DOG CRABOT	1	1	
50	90250-07M02	PIN, STRAIGHT GOUPILLE, DROITE	1	1	
51	688-45633-00	RING, CROSS PIN JONC, GOUPILLE CRABOT	1	1	
52	67F-45560-00	GEAR 1 (30T) PIGNON 1 (30T)	1	1	
53	93317-322V0	.BEARING .ROULEMENT	1	1	
54	93332-000UD	BEARING ROULEMENT	1	1	
55	688-45567-01	SHIM (T:0.10MM) CALE (T:0.10MM)	1	1	UR
	688-45567-10	SHIM (T:0.12MM) CALE (T:0.12MM)	1	1	UR
	688-45567-20	SHIM (T:0.15MM) CALE (T:0.15MM)	1	1	UR
	688-45567-30	SHIM (T:0.18MM) CALE (T:0.18MM)	1	1	UR
	688-45567-40	SHIM (T:0.30MM) CALE (T:0.30MM)	1	1	UR
	688-45567-50	SHIM (T:0.40MM) CALE (T:0.40MM)	1	1	UR
	688-45567-60	SHIM (T:0.50MM) CALE (T:0.50MM)	1	1	UR
56	6D9-45571-00	GEAR 2 (30T) PIGNON 2 (30T)	1	1	
57	93306-207U0	BEARING ROULEMENT	1	1	
58	90201-25M05	WASHER, PLATE RONDELLE, PLATE	1	1	
59	67F-45611-01	SHAFT, PROPELLER ARBRE, HELICE	1	1	
60	67F-45331-00-94	HOUSING, BEARING FLASQUE, ROULEMENT	1	1	
61	93317-325U0	BEARING ROULEMENT	1	1	
62	93101-25M03	OIL SEAL JOINT SPY	2	2	
63	93210-86M39	O-RING JOINT TORIQUE	1	1	
64	67F-45576-00	WASHER, THRUST RONDELLE DE CALAGE	1	1	
65	90282-04010	KEY, STRAIGHT CLAVETTE, DROITE	1	1	
66	688-45383-02	WASHER, CLAW FREIN D'ECROU	1	1	
67	688-45384-00	NUT ECROU	1	1	

FIG. 29 LOWER CASING & DRIVE 2

BOITIER D'HELICE TRANSMISSION2



FWD
6D81100-D320

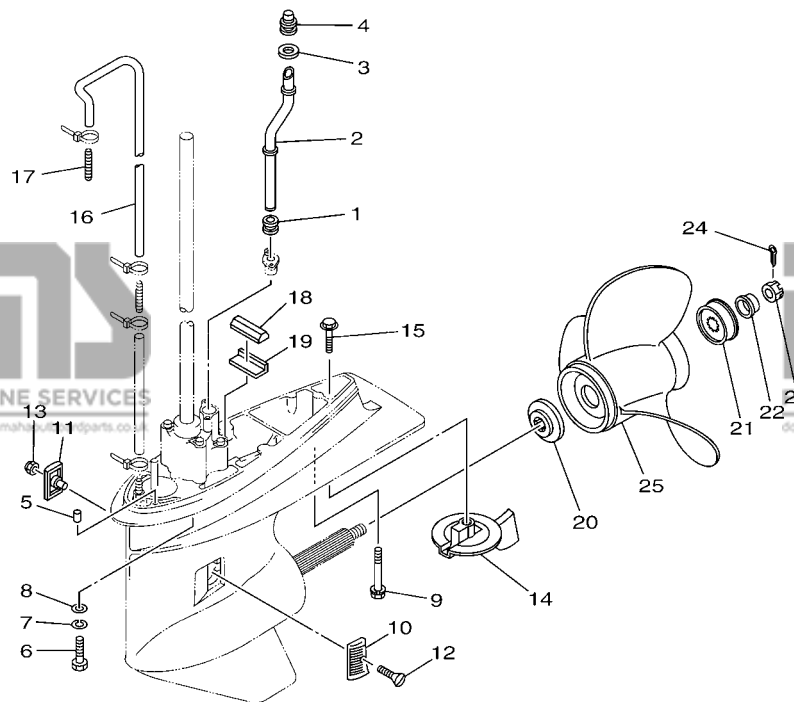
REF. NO.	PART NO. N° PIECES	DESCRIPTION DESCRIPTION	6D73	6D93	REMARKS REMARQUES
1	663-44367-00	DAMPER, WATER SEAL JOINT TUBE D'EAU	1	1	
2	6D8-44361-00	TUBE, WATER TUBE D'EAU	1	1	L(21.1") L(21.1")
3	6D8-44314-00	SPACER ENTRETOISE	1	1	
4	67F-44365-00	DAMPER, WATER SEAL JOINT, TUBE D'EAU	1	1	
5	93606-12019	PIN, DOWEL GOUILLE	2	2	
6	97075-10040	BOLT BOULON	4	4	L(21.1") L(21.1")
7	92995-10100	WASHER RONDELLE	4	4	L(21.1") L(21.1")
8	92995-10600	WASHER RONDELLE	4	4	L(21.1") L(21.1")
9	90119-08M84	BOLT, WITH WASHER BOULON, AVEC RONDELLE	1	1	L(21.1") L(21.1")
10	6H1-45214-00	COVER, WATER INLET 1 GRILLE, ENTREE D'EAU 1	1	1	
11	6H1-45215-00	COVER, WATER INLET 2 GRILLE, ENTREE D'EAU 2	1	1	
12	90151-05M00	SCREW, COUNTERSUNK VIS, TETE NOYEE	1	1	
13	90185-05002	NUT, SELF-LOCKING ECROU, AUTO-BLOQUANT	1	1	
14	67F-45371-00	TAB-TRIM ANODE DERIVE	1	1	
15	90105-10M67	BOLT, FLANGE BOULON	1	1	
16	90445-07ME0	HOSE (L1220) DURITE (L1220)	1	1	
17	6E5-83558-00	END, NIPPLE RACCORD DE NIPPLE	1	1	
18	688-45375-00	DAMPER, SEAL BOURRELET, CAOUTCHOUC	1	1	
19	663-45376-00-94	GUIDE, SEAL DAMPER BUTEE, JOINT CAOUTCHOUC	1	1	
20	688-45987-01	SPACER ENTRETOISE	1	1	
21	67F-45997-00	SPACER ENTRETOISE	1	1	
22	90389-25M00	BUSH DOUILLE	1	1	
23	90171-16011	NUT, CASTLE ECROU, CRENELE	1	1	
24	91490-40025	PIN, COTTER GOUILLE	1	1	
25	6E5-45941-00-EL	PROPELLER (3X13"X19"-K) HELICE (3X13"X19"-K)	1	1	UR UR
	6E5-45943-00-EL	PROPELLER (3X12-5/8"X21"-K) HELICE (3X12-5/8"X21"-K)	1	1	UR UR
	6E5-45945-01-EL	PROPELLER (3X13-1/4"X17"-K) HELICE (3X13-1/4"X17"-K)	1	1	UR UR

B6

FIG. 29 LOWER CASING & DRIVE 2

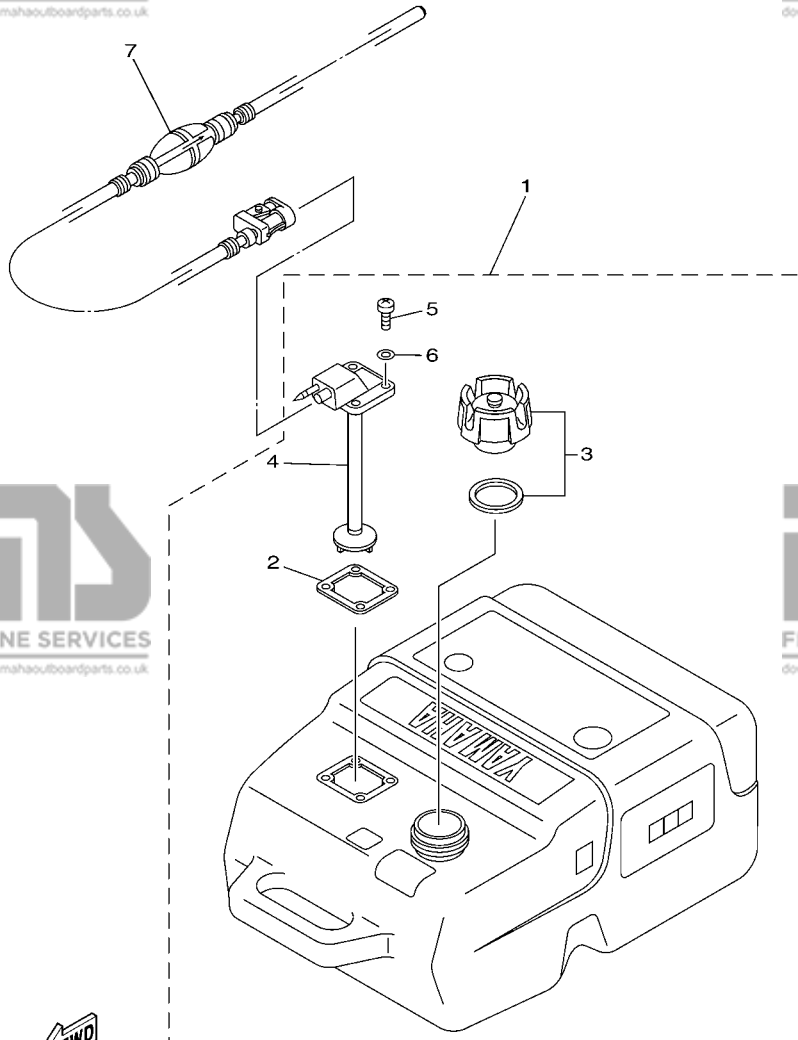
BOITIER D'HELICE TRANSMISSION2

REF. NO.	PART NO. N° PIECES	DESCRIPTION DESCRIPTION	6D73	6D93	REMARKS REMARQUES
25	6E5-45947-00-EL	PROPELLER (3X13-1/2"X15"-K) HELICE (3X13-1/2"X15"-K)	1	1	UR UR
	6E5-45949-00-EL	PROPELLER (3X13-5/8"X13"-K) HELICE (3X13-5/8"X13"-K)	1	1	UR UR
	6E5-45952-00-EL	PROPELLER (3X13"X23"-K) HELICE (3X13"X23"-K)	1	1	UR UR
	6E5-45954-00-EL	PROPELLER (3X14"X11"-K) HELICE (3X14"X11"-K)	1	1	UR UR
	6E5-45956-00-EL	PROPELLER (3X13"X25"-K) HELICE (3X13"X25"-K)	1	1	UR UR
	688-45970-03-98	PROPELLER (3X13"X19"-K) HELICE (3X13"X19"-K)	1	1	UR UR
	688-45972-02-98	PROPELLER (3X13"X21"-K) HELICE (3X13"X21"-K)	1	1	UR UR
	688-45974-02-98	PROPELLER (3X13"X23"-K) HELICE (3X13"X23"-K)	1	1	UR UR
	688-45976-01-98	PROPELLER (3X13"X25"-K) HELICE (3X13"X25"-K)	1	1	UR UR
	688-45978-60-98	PROPELLER (3X13-1/2"X16"-K) HELICE (3X13-1/2"X16"-K)	1	1	UR UR
	688-45930-02-98	PROPELLER (3X13"X17"-K) HELICE (3X13"X17"-K)	1	1	UR UR
	688-45932-60-98	PROPELLER (3X13-1/2"X14"-K) HELICE (3X13-1/2"X14"-K)	1	1	UR UR



FWD
6D81100-D320

B7



6D71300-D320

FIG. 30 FUEL TANK

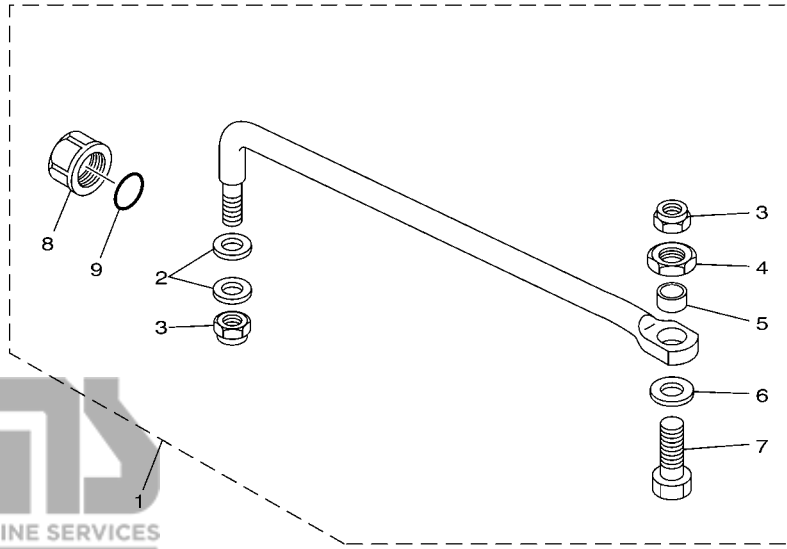
RESERVOIR A CARBURANT

REF. NO.	PART NO. N° PIECES	DESCRIPTION DESCRIPTION	6D73	6D93	REMARKS REMARQUES
1	6YK-24201-02	FUEL TANK ASSY (25L) RESERVOIR A ESSENCE (ENS.) 25L	1		AP AP
2	6YL-24268-01	.GASKET, FUEL METER .JOINT, JAUGE A CARBURANT	1		
3	6YK-24610-01	.CAP ASSY .BOUCHON	1		
4	6YK-24260-01	.FUEL METER ASSY .INDICATEUR DE CARBURANT	1		
5	90157-05M16	.SCREW, PAN HEAD .VIS, TETE TRONCONIQUE	4		
6	6YL-24329-00	.SEAL .JOINT	4		
7	6YK-24306-44	FUEL PIPE COMP. 1 DURITE A ESSENCE 1	1		AP AP

FIG. 31 STEERING GUIDE

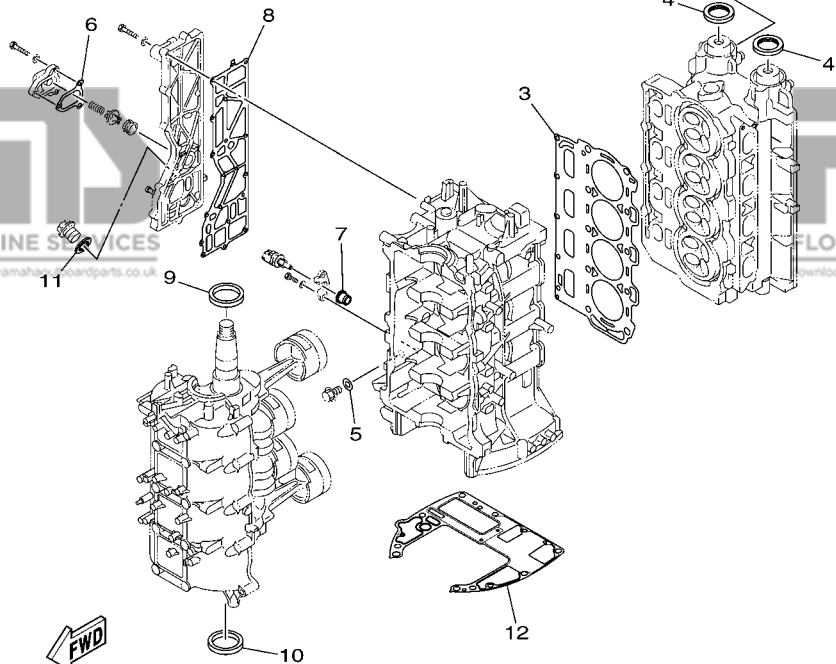
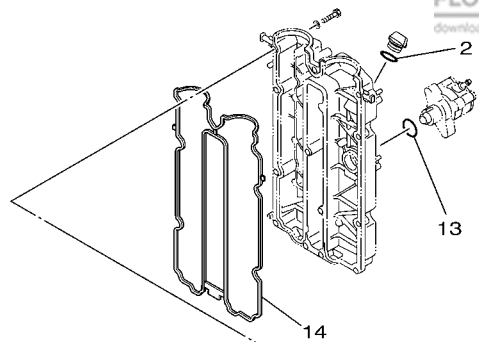
FIXATION DE DIRECTION

REF. NO.	PART NO. N° PIECES	DESCRIPTION DESCRIPTION	6D73	6D93	REMARKS REMARQUES
1	67F-61350-00	STEERING GUIDE ATTACHMENT KIT FIXATIONS DE DIRECTION	1	1	AP AP
2	90201-10M20	.WASHER, PLATE .RONDELLE, PLATE	2	2	
3	90185-09M01	.NUT, SELF-LOCKING .ECROU,AUTO-BLOQUANT	2	2	
4	90170-09M03	.NUT .ECROU	1	1	
5	90387-10M42	.COLLAR .COLLERETTE	1	1	
6	90201-10M63	.WASHER, PLATE .RONDELLE, PLATE	1	1	
7	90101-09M01	.BOLT .BOULON	1	1	
8	6E5-43145-01	.CAP CLAMP BRACKET .CAPUCHON, PRESSE	1	1	
9	93210-16275	.O-RING .JOINT TORIQUE	1	1	



67F0010-9250

POWER HEAD
GASKET KIT



6D63100-F340



FIG. 32 REPAIR KIT 1

KITS DE REPARATION 1

REF. NO.	PART NO. N° PIECES	DESCRIPTION DESCRIPTION	6D73	6D93	REMARKS REMARQUES
1	6D8-W0001-01	POWER HEAD GASKET KIT POCHETTE DE JINTS TETE MOTRICE	1	1	
2	93210-24M79	.O-RING .JOINT TORIQUE	1	1	
3	67F-11181-03	.GASKET, CYLINDER HEAD 1 .JOINT, DE CULASSE 1	1	1	
4	93102-38M59	.OIL SEAL .JOINT SPY	2	2	
5	90430-14115	.GASKET .JOINT	1	1	
6	67F-12435-A0	.GASKET .JOINT	1	1	
7	68V-85753-00	.GASKET, SENDER UNIT .JOINT, DE PERCEPTION	1	1	
8	67F-41114-A1	.GASKET, EXHAUST OUTER COVER .JOINT, COUVERCLE D'ECHAPPEMEN	1	1	
9	93102-48008	.OIL SEAL .JOINT SPY	1	1	
10	93101-48001	.OIL SEAL .JOINT SPY	1	1	
11	90430-18130	.GASKET .JOINT	1	1	
12	68V-11351-00	.GASKET, CYLINDER .JOINT, D'EMBASE	1	1	
13	93210-30682	.O-RING .JOINT TORIQUE	1	1	
14	6D8-11356-01	.SEAL, CYLINDER 2 .JOINT, SPY CYLINDRE	1	1	

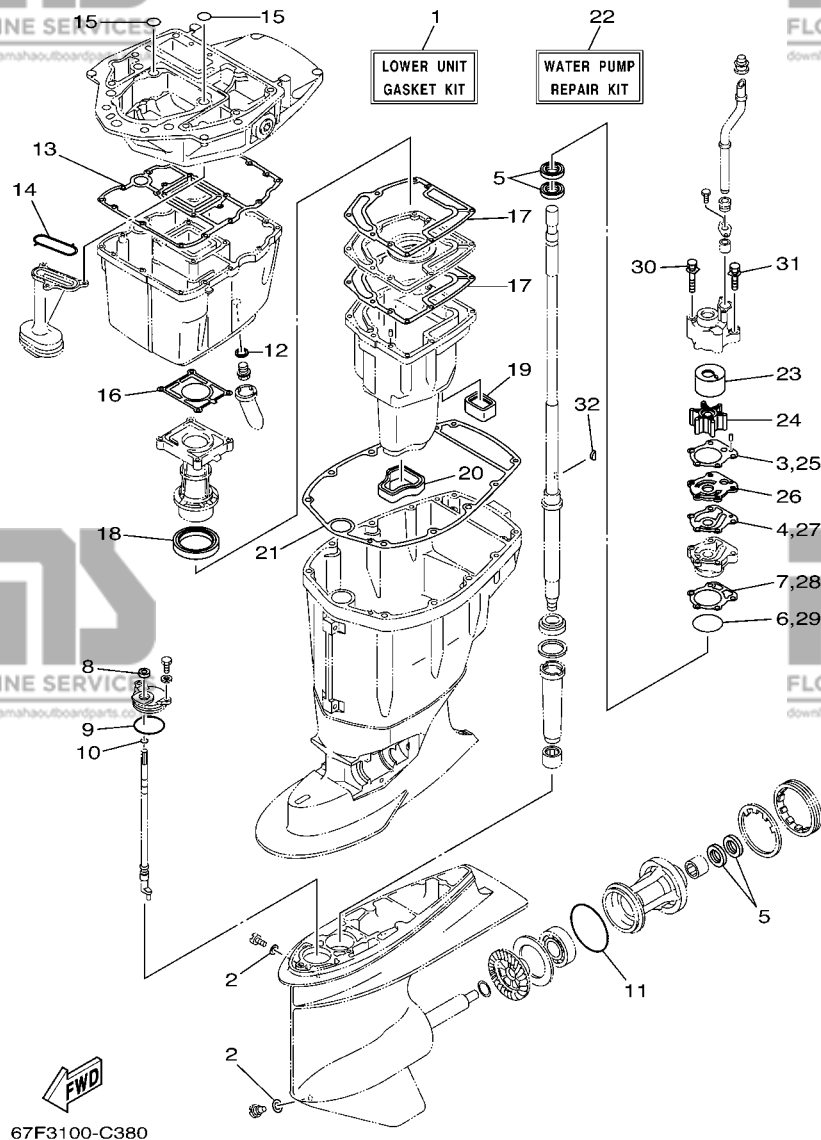
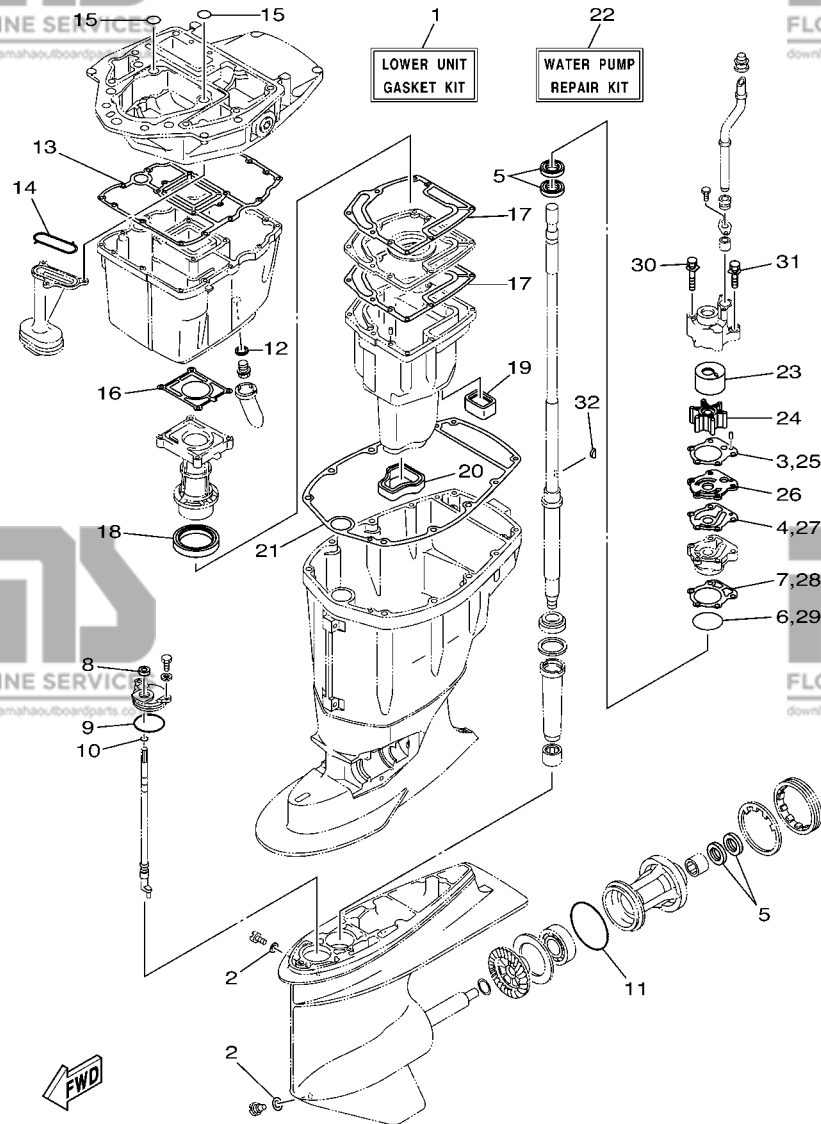


FIG. 33 REPAIR KIT 2

KITS DE REPARATION 2

REF. NO.	PART NO. N° PIECES	DESCRIPTION DESCRIPTION	6D73	6D93	REMARKS REMARQUES
1	67F-W0001-21	LOWER UNIT GASKET KIT POCHETTE DE JOINTS EMBASE	1	1	
2	90430-08020	.GASKET .JOINT	2	2	
3	688-44315-A0	.GASKET, WATER PUMP .JOINT, POMPE A EAU	1	1	
4	688-44324-A0	.GASKET, CARTRIDGE .JOINT	1	1	
5	93101-25M03	.OIL SEAL .JOINT SPY	4	4	
6	93210-46044	.O-RING .JOINT TORIQUE	1	1	
7	688-44316-A0	.GASKET, WATER PUMP .JOINT, POMPE A EAU	1	1	
8	93106-09014	.OIL SEAL .JOINT SPY	1	1	
9	93210-49046	.O-RING .JOINT TORIQUE	1	1	
10	93210-07003	.O-RING .JOINT TORIQUE	1	1	
11	93210-86M39	.O-RING .JOINT TORIQUE	1	1	
12	90430-14M09	.GASKET .JOINT	1	1	
13	68V-15312-00	.GASKET, OIL PAN .JOINT DE VENTILATEUR D'HUILE	1	1	
14	67F-13415-00	.SEAL, OIL STRAINER .JOINT, FILTRE A HUILE	1	1	
15	93210-19MJ1	.O-RING .JOINT TORIQUE	2	2	
16	67F-41133-A1	.GASKET, EXHAUST MANIFOLD 1 .JOINT, PIPE D'ECHAPPEMENT	1	1	
17	67F-41134-A0	.GASKET, EXHAUST MANIFOLD .JOINT, PIPE D'ECHAPPEMENT	2	2	
18	67F-41138-00	.SEAL, EXT. 1 .JOINT DE GROUPE 1	1	1	
19	67F-45127-00	.SEAL .JOINT	1	1	
20	67F-45123-00	.GASKET, MUFFLER .JOINT, POT DE DETENTE	1	1	
21	67F-45113-00	.GASKET, UPPER CASING .JOINT, TUBE D'ARBRE	1	1	
22	67F-W0078-00	WATER PUMP REPAIR KIT KIT DE REPARATION DE LA POMPE	1	1	
23	67F-44322-00	.INSERT, CARTRIDGE .CUVETTE	1	1	
24	67F-44352-00	.IMPELLER .TURBINE	1	1	
25	688-44315-A0	.GASKET, WATER PUMP .JOINT, POMPE A EAU	1	1	
26	67F-44323-00	.OUTER PLATE, CARTRIDGE .PLAQUE EXTERIEURE	1	1	
27	688-44324-A0	.GASKET, CARTRIDGE .JOINT	1	1	



67F3100-C380

FIG. 33 REPAIR KIT 2

KITS DE REPARATION 2

REF. NO.	PART NO. N° PIECES	DESCRIPTION DESCRIPTION	6D73	6D93	REMARKS REMARQUES
28	688-44316-A0	.GASKET, WATER PUMP .JOINT, POMPE A EAU	1	1	
29	93210-46044	.O-RING .JOINT TORIQUE	1	1	
30	90119-08M87	.BOLT, WITH WASHER .BOULON, AVEC RONDELLE	2	2	
31	90119-08M13	.BOLT, WITH WASHER .BOULON, AVEC RONDELLE	2	2	
32	90280-04M04	.KEY, WOODRUFF .CLAVETTE, DEMI-LUNE	1	1	

C5

PART NO. N° PIECES	REF. NO.
6D8-11110-01-94	4 - 2
62Y-11119-00	2 - 8
67F-11133-10	4 - 3
67F-11168-00	4 - 19
67F-11181-03	4 - 14
	32 - 3
6D8-11191-00-1S	4 - 18
67F-11192-01	4 - 26
69J-11301-10	2 - 26
	4 - 8
6E5-11325-00	2 - 15
68V-11325-02	2 - 27
	4 - 9
67F-11328-00	2 - 28
	4 - 10
68V-11351-00	2 - 35
	32 - 12
6D8-11356-01	4 - 23
	32 - 14
6D8-11411-00	3 - 1
67F-11416-00	3 - 2
67F-11416-10	3 - 2
67F-11416-20	3 - 2
67F-11417-00	3 - 3
67F-11417-10	3 - 3
67F-11417-20	3 - 3
67F-11417-30	3 - 3
67F-11418-00	3 - 4
67F-11418-10	3 - 4
67F-11418-20	3 - 4
6D8-11536-00	5 - 23
67F-11537-00	5 - 15
67F-11590-00	5 - 18
67F-11595-00	5 - 21
6D8-11603-01	3 - 7
6D8-11604-01	3 - 7
67F-11654-00	3 - 6
6D8-11656-00	3 - 8
6D8-11656-10	3 - 8
6D8-11656-20	3 - 8
6D8-11656-30	3 - 8
68V-12111-00	5 - 1
67F-12114-00	5 - 4
67F-12116-00	5 - 3
67F-12117-00	5 - 5
67F-12118-00	5 - 6
68V-12121-00	5 - 2
67F-12138-60	13 - 23

PART NO. N° PIECES	REF. NO.
67F-12153-00	5 - 9
67F-12168-00	5 - 10
67F-12168-10	5 - 10
67F-12168-20	5 - 10
67F-12168-30	5 - 10
67F-12168-40	5 - 10
67F-12168-50	5 - 10
67F-12168-60	5 - 10
67F-12168-70	5 - 10
67F-12168-80	5 - 10
67F-12168-A0	5 - 10
67F-12168-B0	5 - 10
67F-12168-C0	5 - 10
67F-12168-D0	5 - 10
67F-12168-E0	5 - 10
67F-12168-F0	5 - 10
67F-12168-G0	5 - 10
67F-12168-H0	5 - 10
67F-12168-J0	5 - 10
67F-12168-K0	5 - 10
67F-12168-L0	5 - 10
67F-12168-M0	5 - 10
67F-12168-N0	5 - 10
67F-12168-P0	5 - 10
67F-12168-R0	5 - 10
67F-12168-S0	5 - 10
67F-12168-T0	5 - 10
67F-12168-U0	5 - 10
67F-12168-V0	5 - 10
67F-12168-W0	5 - 10
67F-12168-X0	5 - 10
67F-12168-Y0	5 - 10
67F-12169-00	5 - 11
67F-12169-10	5 - 11
67F-12169-20	5 - 11
67F-12169-30	5 - 11
67F-12169-40	5 - 11
67F-12169-50	5 - 11
67F-12169-60	5 - 11
67F-12169-70	5 - 11
67F-12169-80	5 - 11
67F-12169-A0	5 - 11
67F-12169-B0	5 - 11
67F-12169-C0	5 - 11
67F-12169-D0	5 - 11
67F-12169-E0	5 - 11
67F-12169-F0	5 - 11
67F-12169-G0	5 - 11

PART NO. N° PIECES	REF. NO.
67F-12169-H0	5 - 11
67F-12169-J0	5 - 11
67F-12169-K0	5 - 11
67F-12169-L0	5 - 11
67F-12169-M0	5 - 11
67F-12169-N0	5 - 11
6D8-12171-00	5 - 12
6D9-12171-00	5 - 12
67F-12181-00	5 - 13
6D9-12411-00	4 - 28
67F-12411-01	4 - 28
67F-12412-00	4 - 29
68V-12413-00-1S	4 - 30
6G5-12416-00	2 - 20
67F-12435-A0	2 - 24
	32 - 6
67F-1243A-00	2 - 32
67F-1246A-01-1S	2 - 23
67F-12535-00	19 - 32
68T-12572-00	19 - 31
6R3-12581-00	19 - 35
6R3-12582-00	19 - 36
6R3-12583-00	19 - 37
6D8-13105-01	6 - 10
67F-13119-01	27 - 19
63P-13131-00	11 - 18
67F-13149-00	27 - 23
6D8-13161-00	6 - 13
67F-13300-10	27 - 14
67F-13314-02	27 - 15
67F-13329-00	27 - 17
67F-13338-00	27 - 25
67F-13339-00	27 - 24
67F-13411-00	27 - 9
67F-13415-00	27 - 13
	33 - 14
6D8-13428-00	8 - 3
67F-13434-03	1 - 20
68V-13437-61	13 - 24
5GH-13440-00	2 - 36
67F-13473-01	27 - 16
67F-13495-00	27 - 18
6D8-13542-01	10 - 2
6C5-13545-00	10 - 19
6D8-13546-01	10 - 1
6D8-13557-00	6 - 4
6C5-13577-00	10 - 10
6C5-13593-00	9 - 20

PART NO. N° PIECES	REF. NO.
67F-13631-03	27 - 22
6D8-13641-00	6 - 2
6D8-13645-00	6 - 3
6C5-13716-00	9 - 22
1UF-22434-00	10 - 22
6D8-13750-00	6 - 5
6D8-13761-00	6 - 15
67F-13769-00	27 - 20
6C5-13781-00	9 - 21
6C5-13906-00	9 - 9
69J-2417-00	9 - 17
6C5-13910-00	9 - 16
67F-13914-00	27 - 21
6C5-13915-00	9 - 19
6D8-13974-00	10 - 16
6C5-1410B-00	6 - 16
6C5-14127-00	9 - 18
6D8-14148-00	10 - 14
6C5-14149-00	10 - 8
6D8-14180-00	9 - 1
6D8-14182-00	9 - 2
6C5-14191-00	9 - 13
6D8-14200-00	6 - 1
6C5-14225-00	9 - 25
6C5-14251-00	10 - 12
6D8-14291-00-94	7 - 5
6D8-14292-00-94	7 - 9
6C5-14386-00	9 - 5
6C5-14397-00	6 - 11
6D8-24325-00	9 - 14
6D6-14440-00	7 - 13
6D9-14440-01	7 - 13
6C5-14446-00	6 - 14
6C5-14496-00	6 - 9
6C5-14546-00	9 - 4
6C5-14567-00	9 - 15
67F-14711-00-5B	26 - 9
6D8-14960-00	9 - 12
6C5-14984-00	9 - 23
6C5-14985-00	9 - 3
6D8-15100-01-1S	2 - 2
67F-15142-00	2 - 11
67F-15311-03-5B	27 - 1
68V-15312-00	27 - 8
	33 - 13
63P-15316-00	27 - 2
6D8-15362-00	27 - 30
6G8-15363-00	4 - 33

PART NO. N° PIECES	REF. NO.
6D8-15373-00	7 - 18
6C5-21337-00	9 - 24
6D8-2134X-00	8 - 25
6C5-21841-00	10 - 11
1UF-22434-00	24 - 41
67F-22435-00	24 - 12
67F-22471-01	24 - 37
6C5-2411M-00	10 - 13
6D8-2413X-00	8 - 19
68V-24149-00	11 - 25
69J-2417-00	8 - 8
6D8-2417H-00	8 - 11
69J-2419A-00	8 - 22
6YK-24201-02	30 - 1
6C5-24251-00	10 - 20
6YK-24260-01	30 - 4
6YL-24268-01	30 - 2
6YK-24306-44	12 - 1
	30 - 7
6D8-24311-00	11 - 14
67F-24312-00	19 - 38
6D8-24314-01	8 - 6
6D8-24315-00	8 - 9
6D8-24316-00	8 - 15
6D8-24317-01	8 - 20
6C5-24321-00	10 - 3
6C5-24322-00	10 - 4
6C5-24323-00	10 - 5
6D8-24324-01	10 - 6
6D8-24325-00	10 - 7
6YL-24329-00	30 - 6
68V-24374-00	11 - 21
6C5-24379-00	10 - 18
6C5-24387-00	10 - 15
6D8-24410-00	11 - 15
68V-24411-00	11 - 20
68V-24412-00	11 - 16
68V-24413-00	11 - 22
6D8-24414-00	11 - 23
6C5-2441R-00	9 - 6
6C5-2441T-00	9 - 7
68V-24423-00	11 - 19
68V-24444-00	11 - 24
6C5-24444-00	10 - 9
6C5-24453-00	9 - 8
68V-24454-00	11 - 17
6D8-24469-00	11 - 7
69J-24502-00	8 - 14

PART NO. N° PIECES	REF. NO.
6D8-24519-00	11 - 8
6D8-2451B-00	10 - 21
6D8-24560-00	11 - 3
6D8-24562-00	11 - 6
6D8-24563-00	11 - 4
6D8-24564-00	11 - 5
6D8-24566-00	11 - 10
6C5-24592-00	9 - 10
6YK-24610-01	30 - 3
67F-28100-01	11 - 30
67F-2812A-00	15 - 33
6A1-28176-00	19 - 50
6D7-28199-72-D0	11 - 31
6D7-28199-72-E0	11 - 31
6D7-28199-72-F0	11 - 31
6D7-28199-72-G0	11 - 31
6D7-28199-72-H0	11 - 31
6D7-28199-72-S0	11 - 31
6D7-28199-82-K0	11 - 32
6D7-28199-82-L0	11 - 32
6D7-28199-82-M0	11 - 32
6D7-28199-82-N0	11 - 32
6D7-28199-82-P0	11 - 32
6D7-28199-82-R0	11 - 32
61H-2819R-31	11 - 29
6D8-41113-00-1S	2 - 12
67F-41114-A1	2 - 17
	32 - 8
67F-41131-01-5B	26 - 5
67F-41133-A1	26 - 6
	33 - 16
67F-41134-A0	26 - 15
	33 - 17
6D8-41137-00-94	26 - 1
67F-41138-00	26 - 17
	33 - 18
682-41237-00	20 - 44
6D8-41237-00	20 - 43
6D8-42154-00	20 - 26
6D8-42157-00	20 - 35
68V-42171-00	20 - 36
67F-42510-11-4D	22 - 8
6D7-42610-00-4D	1 - 1
6D9-42610-00-4D	1 - 1
67F-42613-00-4D	1 - 10
67F-42615-00	1 - 13
61N-42628-00	1 - 12
67F-42628-00	1 - 19

PART NO. N° PIECES	REF. NO.
67F-42647-00	1 - 2
67F-42649-00	1 - 8
68V-42652-00	1 - 5
67F-42662-00	1 - 9
67F-42677-10	1 - 14
67G-42677-10	1 - 14
6D7-42678-00	1 - 15
6D9-42678-00	1 - 15
67F-42681-10	1 - 17
67F-42682-10	1 - 18
6D8-42710-00-4D	19 - 1
648-42715-00	20 - 23
61A-42716-00	19 - 40
67F-42717-00	19 - 26
6D8-42717-00	19 - 21
67F-42724-00	26 - 33
68V-42725-00	19 - 19
6H1-42726-21	19 - 23
6G1-42727-00	26 - 4
67F-42738-00-5B	19 - 17
67F-42741-01-8D	19 - 41
6H4-42748-00	19 - 25
68F-42753-00	19 - 47
6D8-42756-00	19 - 20
67F-42815-00-4D	19 - 5
67F-42816-00-4D	19 - 6
68V-42818-01	19 - 9
67F-42828-00-5B	19 - 7
67F-43111-00-4D	21 - 1
67F-43112-00-4D	21 - 4
6D8-43126-00	21 - 30
64E-43131-01	21 - 12
64E-43139-02	22 - 4
64D-43144-00	19 - 14
66T-43144-00	21 - 24
6E5-43145-01	31 - 8
6G5-43148-00	21 - 21
6D8-43181-00	21 - 18
6D8-43185-00	21 - 19
6D8-43311-00-4D	21 - 7
6D8-43800-01-8D	24 - 1
6D8-43804-01	25 - 3
6D8-43805-01	25 - 2
62X-43807-00	25 - 7
6H1-4380F-11	25 - 8
6C5-4380G-00	24 - 47
6D8-4380K-00	24 - 43
67F-4380R-00	24 - 3

PART NO. N° PIECES	REF. NO.
67F-43810-01	24 - 2
6H1-43812-00	24 - 14
67F-43816-00	24 - 29
6C5-43816-00	24 - 46
6C6-43817-00	24 - 44
67F-43818-00	21 - 34
67F-4381B-00	24 - 38
6D8-4381G-00	24 - 84
67F-4381J-00	24 - 36
6C5-4381K-00	24 - 62
67F-43821-00	24 - 15
6H1-43829-00	24 - 90
6C6-4382E-00	24 - 53
6C5-4382K-00	24 - 64
6C5-4382L-00	24 - 65
6D8-43830-00	24 - 49
6D8-43831-00	24 - 91
6C5-43841-00	24 - 82
6C6-43841-00	24 - 50
6D8-43845-00	24 - 88
62X-4384H-00	24 - 40
6C5-43851-00	24 - 58
65W-43853-00	24 - 23
6C6-43853-00	24 - 55
6C5-43854-00	24 - 67
6D8-43855-00	24 - 60
6D8-43856-00	24 - 63
67F-43857-00	24 - 35
67F-4385A-01	24 - 7
67F-43861-00	24 - 16
62X-43862-00	24 - 19
67F-43862-00	24 - 6
67F-43863-00	24 - 26
62X-43865-00	24 - 32
65W-4386A-00	24 - 21
6T4-4386A-00	24 - 34
6C6-4386E-00	24 - 78
688-4386F-00	24 - 22
6C6-4386G-00	24 - 77
62X-4386K-00	25 - 9
62X-43871-00	24 - 9
67F-43871-00	24 - 31
6C5-43872-00	24 - 83
6H1-43872-10	24 - 4
62X-43875-00	24 - 42
67F-43875-00	24 - 13
6H1-43875-00	24 - 87
6C6-43878-00	24 - 71

NUMERICAL INDEX
INDEX NUMERIQUE

PART NO. N° PIECES	REF. NO.
62Y-4387G-00	24 - 72
6C6-4387G-00	24 - 56
6D8-43880-01	24 - 95
	25 - 1
6D8-43881-01	25 - 12
6H1-43883-00	24 - 51
65W-43888-00	24 - 93
67F-4388A-00	24 - 33
6C6-4388E-00	24 - 75
6C6-4388F-00	24 - 76
6H1-43891-11	25 - 4
6H1-43892-11	25 - 5
67F-43893-00	24 - 24
6C5-43893-00	24 - 59
6C6-43893-00	24 - 61
6C6-43894-00	24 - 52
6C5-43895-00	24 - 66
62X-43899-00	24 - 39
67F-43899-00	24 - 28
69J-4389J-00	24 - 45
6D8-44117-00	20 - 5
67F-44118-00	20 - 18
67F-44120-10	20 - 14
67F-44121-00	20 - 11
68V-44122-01	20 - 8
67F-44135-00	20 - 31
67F-44150-01	28 - 39
67F-44311-01	28 - 17
6D8-44314-00	29 - 3
688-44315-A0	28 - 27
	33 - 3
688-44316-A0	28 - 33
	33 - 7
67F-44322-00	28 - 24
	33 - 23
67F-44323-00	28 - 28
	33 - 26
688-44324-A0	28 - 29
	33 - 4
6D8-44341-00-94	28 - 30
67F-44352-00	28 - 25
	33 - 24
6D8-44361-00	29 - 2
67F-44365-00	29 - 4
663-44366-00	28 - 21
663-44367-00	29 - 1
69D-44391-00	19 - 24
69J-44391-00	8 - 18

PART NO. N° PIECES	REF. NO.
67F-44514-00-94	22 - 16
67F-44526-00	22 - 19
6H1-44526-00	21 - 41
67F-44533-00	22 - 22
67F-44551-00-4D	22 - 14
67F-44553-00-4D	22 - 33
67F-44555-00-94	22 - 24
67F-44575-00	22 - 32
67F-45111-11-4D	26 - 20
67F-45113-00	26 - 29
	33 - 21
67F-45123-00	26 - 19
	33 - 20
67F-45127-00	26 - 18
	33 - 19
67F-45151-00	26 - 25
67F-45155-00	26 - 28
67F-45180-00-4D	23 - 1
67F-45181-00-5B	26 - 16
6H1-45214-00	29 - 10
6H1-45215-00	29 - 11
6H1-45251-03	21 - 39
6D9-45300-11-4D	28 - 1
67F-45301-00-4D	28 - 2
67F-45318-00	26 - 23
688-45321-00	28 - 34
67F-45331-00-94	28 - 60
688-45341-10	28 - 4
67F-45371-00	29 - 14
688-45375-00	29 - 18
663-45376-00-94	29 - 19
6E5-45378-00	28 - 6
688-45383-02	28 - 66
688-45384-00	28 - 67
67F-45501-10	28 - 10
688-45536-01	28 - 14
6D9-45551-00	28 - 11
67F-45560-00	28 - 52
688-45567-01	28 - 55
688-45567-10	28 - 55
688-45567-20	28 - 55
688-45567-30	28 - 55
688-45567-40	28 - 55
688-45567-50	28 - 55
688-45567-60	28 - 55
6D9-45571-00	28 - 56
67F-45576-00	28 - 64
688-45587-01	28 - 16

PART NO. N° PIECES	REF. NO.
688-45587-10	28 - 16
688-45587-20	28 - 16
688-45587-30	28 - 16
688-45587-40	28 - 16
688-45587-50	28 - 16
688-45587-60	28 - 16
67F-45611-01	28 - 59
67F-45634-00	28 - 43
6H1-45635-00	28 - 45
6H1-45668-00	28 - 44
688-45930-02-98	29 - 25
688-45932-60-98	29 - 25
6E5-45941-00-EL	29 - 25
6E5-45943-00-EL	29 - 25
6E5-45945-01-EL	29 - 25
6E5-45947-00-EL	29 - 25
6E5-45949-00-EL	29 - 25
6E5-45952-00-EL	29 - 25
6E5-45954-00-EL	29 - 25
6E5-45956-00-EL	29 - 25
688-45970-03-98	29 - 25
688-45972-02-98	29 - 25
688-45974-02-98	29 - 25
688-45976-01-98	29 - 25
688-45978-60-98	29 - 25
688-45987-01	29 - 20
67F-45997-00	29 - 21
67F-46241-00	5 - 17
663-48344-00	20 - 3
67F-48511-00-4D	22 - 36
67F-48538-00	20 - 1
67F-61350-00	31 - 1
6C5-81145-00	6 - 7
6C5-81146-00	6 - 12
445-81328-20	13 - 7
6D8-8132G-00	17 - 1
6D8-81332-00	13 - 16
6D8-81337-00	13 - 19
63D-81345-20	13 - 5
6D8-81410-00	13 - 4
6D8-81450-00	13 - 1
6D8-81460-00	13 - 2
6D8-81518-00	15 - 27
6D8-81528-00	15 - 28
68V-81673-00	13 - 8
68V-81800-01	18 - 1

PART NO. N° PIECES	REF. NO.
67F-81801-00	18 - 5
67F-81807-00	18 - 10
67F-81808-00	18 - 8
67F-81809-00	18 - 19
67F-81810-00	18 - 3
67F-81813-00	18 - 6
68F-81820-00	18 - 7
67F-81821-00	18 - 13
6K7-81826-10	18 - 24
67F-81828-00	18 - 25
6C5-8182L-00	6 - 8
67F-81830-00	18 - 17
67F-81832-00	18 - 11
67F-81836-00	18 - 12
67F-81839-00	18 - 21
67F-8183R-00	18 - 16
60V-8183T-00	18 - 18
68F-81840-00	18 - 4
67F-81841-00	18 - 14
67F-81842-00	18 - 20
67F-81846-00	18 - 26
67F-81850-00	18 - 2
67F-81857-00	18 - 9
67F-81869-00	18 - 23
67F-81891-00	18 - 15
68V-81919-00	15 - 40
6D8-81919-00	15 - 41
60V-81925-00	18 - 28
68V-81941-01	18 - 22
68V-81942-03	15 - 32
68V-81948-02	15 - 21
61A-81949-00	15 - 20
68V-8194A-00	15 - 7
60E-81950-00	15 - 5
63P-81950-00	15 - 14
68V-81953-00	15 - 8
6D3-81960-00	14 - 23
68V-82105-00	15 - 1
6G5-82119-00	15 - 13
682-82119-01	15 - 34
67F-82127-00	21 - 11
6D8-82148-00	21 - 27
6E5-82148-00	21 - 5
67F-82151-00	16 - 2
67F-82151-10	16 - 3
67F-8215B-10	16 - 4
67F-8215B-20	16 - 5
6H1-82181-10	25 - 6

PART NO. N° PIECES	REF. NO.
63P-82310-01	14 - 5
68V-82317-00	14 - 2
6A0-82317-00	15 - 22
663-82317-01	13 - 22
67F-82341-00	14 - 6
67F-82342-00	14 - 7
67F-82343-00	14 - 10
67F-82344-00	14 - 11
67F-82361-00	14 - 8
67F-82362-00	14 - 9
67F-82377-00	19 - 49
6D8-82388-01	14 - 17
6D8-82389-00	16 - 16
6D8-82398-00	16 - 19
68V-82504-00	17 - 11
6D8-8252H-00	17 - 17
6D8-82544-00	7 - 24
63D-82563-10	17 - 12
6E3-8257H-00	19 - 51
6D8-82581-00	16 - 13
68F-82582-00	18 - 29
6E5-82587-00	17 - 13
6D8-82588-00	16 - 10
6E5-82588-00	19 - 27
61A-82588-01	20 - 47
6D8-82590-30	16 - 1
68V-82594-00	15 - 25
60V-8259F-00	20 - 46
6E5-83558-00	29 - 17
6E5-83558-10	28 - 8
67F-83614-00	17 - 14
6A1-83625-41	13 - 25
6A1-83625-51	13 - 26
6D8-83626-00	4 - 35
67F-83627-01	18 - 34
67H-83672-00	22 - 1
68F-83688-00	6 - 17
689-85547-00	11 - 1
6D8-85547-00	13 - 21
6D8-85580-00	13 - 3
68V-85753-00	17 - 6
	32 - 7
67F-85757-00	17 - 5
67F-85790-00	17 - 4
6C5-85885-00	6 - 6
6D7-8591A-11	14 - 1
6D9-8591A-11	14 - 1
6C5-87226-00	9 - 11

PART NO. N° PIECES	REF. NO.
90119-08M84	29 - 9
90119-08M87	28 - 19
	33 - 30
90119-08M91	4 - 17
90119-10M06	5 - 16
90119-10M08	26 - 21
90119-10M72	5 - 22
90119-10M88	2 - 4
90151-05M00	29 - 12
90157-05M16	30 - 5
90159-06M28	19 - 43
90159-06M29	4 - 27
90160-04006	28 - 23
90167-06002	19 - 33
90170-09M03	31 - 4
90170-16M01	28 - 12
90170-40003	5 - 24
90171-16011	29 - 23
90179-06M24	1 - 11
90179-08M03	18 - 27
90179-24002	13 - 15
90183-02M03	28 - 48
90185-05002	29 - 13
90185-09M01	31 - 3
90185-10051	22 - 38
90185-22M11	21 - 15
90201-03313	28 - 47
90201-06068	19 - 12
90201-06M31	20 - 38
90201-06M62	20 - 28
90201-09M02	20 - 16
90201-10M02	20 - 29
90201-10M20	31 - 2
90201-10M63	31 - 6
90201-12M01	23 - 2
90201-12M05	21 - 47
90201-12M16	22 - 20
	23 - 5
90201-13M01	21 - 46
	22 - 21
90201-13M03	22 - 25
90201-13M19	22 - 30
90201-24014	13 - 14
90201-24M02	22 - 28
90201-25M05	28 - 58
90201-26M59	21 - 14
90201-30M00	22 - 9
90202-07M07	20 - 9

PART NO. N° PIECES	REF. NO.
90202-25M04	22 - 29
90206-10M04	20 - 30
90206-15M18	19 - 11
90249-06M19	21 - 23
90250-07M02	28 - 50
90280-04008	5 - 25
90280-04M04	28 - 26
	33 - 32
90280-05015	13 - 13
90282-04010	28 - 65
90340-08002	28 - 3
90340-14M06	2 - 6
	27 - 3
90340-18M09	2 - 13
90344-51019	4 - 4
90386-06M12	20 - 12
90386-08001	7 - 14
90386-10M16	21 - 20
90386-15M73	19 - 10
90386-18001	21 - 32
90386-18M35	21 - 31
90386-18MA0	21 - 36
90386-25M31	21 - 13
90386-30M60	22 - 13
90386-30M77	22 - 12
90386-30M78	22 - 10
90386-90M90	20 - 15
90387-06013	20 - 37
90387-06119	14 - 3
	15 - 23
90387-06M05	15 - 37
90387-06M21	20 - 27
90387-06M43	19 - 46
90387-06M60	8 - 27
90387-06M64	27 - 12
90387-06M69	9 - 26
90387-07013	7 - 15
90387-08033	7 - 2
90387-08M37	19 - 4
90387-10M08	4 - 15
90387-10M42	31 - 5
90387-18M01	21 - 35
90387-22M01	21 - 37
90389-25M00	29 - 22
90401-20145	2 - 37
90430-06M03	2 - 30
	4 - 12
90430-08020	28 - 5

PART NO. N° PIECES	REF. NO.
90430-08020	33 - 2
90430-14115	2 - 7
	32 - 5
90430-14M09	27 - 4
	33 - 12
90430-18130	2 - 14
	32 - 11
90445-07M31	28 - 7
90445-07ME0	29 - 16
90445-13M37	11 - 2
90445-15M03	5 - 20
90462-10027	20 - 7
90464-08004	14 - 18
90464-12M58	15 - 26
90464-15007	8 - 2
90464-16001	2 - 38
90464-18246	6 - 18
90464-20258	19 - 48
90464-30003	17 - 16
90464-76001	16 - 6
90465-06M86	17 - 9
90465-08M23	14 - 20
	19 - 29
90465-08M63	21 - 9
	22 - 3
90465-10M77	21 - 2
90465-11M10	2 - 19
	8 - 7
	10 - 17
	11 - 9
	19 - 39
	22 - 6
	28 - 9
90465-11M59	7 - 19
90465-12M03	7 - 21
90465-12M53	15 - 36
90465-13M11	16 - 26
90465-13M18	15 - 39
	16 - 22
90467-09M03	8 - 17
90467-20M15	2 - 34
	7 - 20
90467-520A0	7 - 17
90468-18008	20 - 4
90480-09M12	9 - 27
90480-10M23	8 - 26
90480-12072	4 - 22
	13 - 20

PART NO. N° PIECES	REF. NO.
90480-13M24	15 - 29
	19 - 45
90480-14329	14 - 19
90480-19M06	28 - 22
90480-20M05	2 - 22
90480-22M15	19 - 3
90501-12082	20 - 22
90501-12M48	28 - 46
90501-16M11	2 - 21
90506-14M24	21 - 26
90506-16M34	19 - 16
90506-16M39	5 - 19
91312-03005	24 - 80
91312-03016	24 - 74
91312-04030	24 - 73
91312-05025	24 - 81
91312-05030	24 - 70
91312-05045	24 - 48
91312-05050	24 - 94
91490-20015	20 - 17
91490-40025	29 - 24
91609-50028	24 - 79
91690-30020	21 - 22
91690-50014	7 - 4
91809-08006	4 - 6
92903-06100	15 - 3
92903-06600	15 - 4
92903-08100	18 - 33
92903-08600	18 - 31
92907-04600	4 - 21
92907-06600	27 - 11
92990-06100	1 - 3
92990-06600	26 - 27
92995-04100	20 - 49
92995-06100	13 - 11
	14 - 15
	15 - 11
	16 - 8
	20 - 33
	21 - 43
92995-06600	1 - 7
	2 - 10
	4 - 25
	7 - 7
	8 - 5
	11 - 13
	13 - 12
	14 - 16



FLOOD MARINE SERVICES
downloaded from www.yamahaoutboardparts.co.uk

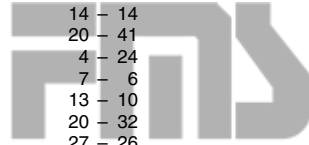
PART NO. N° PIECES	REF. NO.
92995-06600	15 - 12
	16 - 9
	17 - 3
	20 - 20
	21 - 29
	26 - 8
	27 - 6
	28 - 37
92995-08100	21 - 17
	26 - 31
92995-10100	22 - 35
	29 - 7
92995-10600	29 - 8
92A08-03012	24 - 85
92A08-03110	24 - 68
93101-25M03	28 - 31
	33 - 5
93101-48001	3 - 10
	32 - 10
93102-08414	25 - 13
93102-38M59	5 - 26
	32 - 4
93102-48008	3 - 9
	32 - 9
93106-09014	28 - 35
	33 - 8
93210-07003	28 - 40
	33 - 10
93210-09165	24 - 89
93210-16275	31 - 9
93210-18397	24 - 5
93210-19MJ1	27 - 29
	33 - 15
93210-24M79	4 - 34
	32 - 2
93210-29375	24 - 8
93210-29M94	22 - 11
93210-30682	11 - 27
	32 - 13
93210-46044	28 - 32
	33 - 6
93210-49046	28 - 38
	33 - 9
93210-554A9	25 - 14
93210-64488	24 - 92
93210-86M39	28 - 63
	33 - 11
93306-207U0	28 - 57



FLOOD MARINE SERVICES
downloaded from www.yamahaoutboardparts.co.uk

NUMERICAL INDEX
INDEX NUMERIQUE

PART NO. N° PIECES	REF. NO.
97095-06010	17 - 10
	21 - 3
97095-06012	1 - 6
	7 - 22
	8 - 4
	16 - 11
	17 - 18
97095-06014	14 - 21
	15 - 30
	16 - 14
97095-06016	8 - 23
	11 - 12
	14 - 27
	16 - 7
	17 - 2
	19 - 13
	21 - 42
	28 - 36
97095-06020	2 - 9
	7 - 10
97095-06025	4 - 31
	14 - 14
	20 - 41
97095-06030	4 - 24
	7 - 6
	13 - 10
97095-06035	20 - 32
97095-06045	27 - 26
97095-08016	26 - 30
97095-08020	21 - 16
97575-08540	2 - 31
	4 - 13
	26 - 2
97595-06550	20 - 6
97602-04216	25 - 11
97607-04110	13 - 6
97780-60525	22 - 5
97780-60620	15 - 9
97780-60625	15 - 6
97880-06012	21 - 6
97880-06016	26 - 26
97885-04016	20 - 48
97885-06010	13 - 17
97885-06016	22 - 2
97980-05225	25 - 10
98507-04008	4 - 20
98780-04016	2 - 16
99001-08600	28 - 41



FLOOD MARINE SERVICES
downloaded from www.yamahaoutboardparts.co.uk



FLOOD MARINE SERVICES
downloaded from www.yamahaoutboardparts.co.uk

PART NO. N° PIECES	REF. NO.
	13 - 9



FLOOD MARINE SERVICES
downloaded from www.yamahaoutboardparts.co.uk



FLOOD MARINE SERVICES
downloaded from www.yamahaoutboardparts.co.uk



FLOOD MARINE SERVICES
downloaded from www.yamahaoutboardparts.co.uk

G4



FLOOD MARINE SERVICES
downloaded from www.yamahaoutboardparts.co.uk