

**PARTS  
CATALOGUE  
CATALOGUE  
DE PIÈCES DÉTACHÉES**

**F150AET'06 (63P3)**

**FL150AET'06 (64P3)**

1E63P-300F1

( 2E63P-300F1 )



2018/8/28

NEWS NO.	DATE	COMMENT
PE0-OM-090028	Mar.,19,2009	MOD:FIG.9,10,11 INTAKE ASSY LIST/ILLUSTRATION REVISION
PE0-OM-100017	Mar.,3,2010	MOD:FIG.2,4,5 LIST/ILLUSTRATION REVISION
PE0-OM-120035	Jun. 1,2012	MOD:FIG.3,6,14 LIST/ILLUSTRATION REVISION
PE0-OM-160040	Dec.,19,2016	MOD:FIG.34 REMOTE CONTROL ASSY 3 LIST REVISION
PE0-OM-180023	Aug.,22,2018	MOD:FIG.3 CRANKSHAFT & PISTON LIST/ILLUSTRATION REVISION

# FOREWORD

This Parts Catalogue is related to the parts for the model(s) on the cover page. When you are ordering replacement parts, please refer to this Parts Catalogue and quote both part numbers and part names correctly.

1. Modifications or additions which have been made after the issue of the Parts Catalogue will be announced in the Parts News. It is advisable that you make the necessary corrections to the Parts Catalogue according to the Parts News.

2. Abbreviations  
The following abbreviations are used in this Parts Catalogue.

“UR” Use specified parts number.  
 “UN” Use as many as needed.  
 “AP” Alternate Parts  
 “LM” Locally Made (Parts need to be ordered locally)  
 “F#” Frame No. (Applicable machine No.)  
 “O/S” Over Size

3. The number of components for assembly
  - Parts, which are to be supplied in an assembly, are listed with a dot (.) in front of the part name as shown below.
  - The numeral appearing to the right of each component part indicates the quantity of parts for each assembly unit.

PART NO.	DESCRIPTION	Q'TY	REMARKS
2F5-83310-60	FRONT FLASHER LIGHT ASSY	2	
115-83311-60	.BULB (6V-18W)	1	

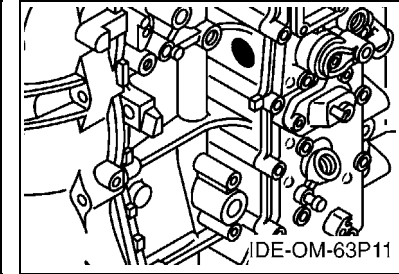
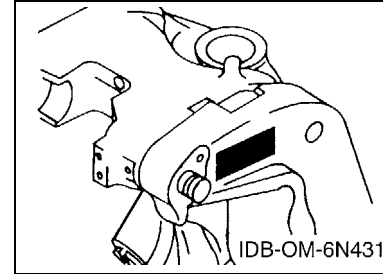
4. Applicable colours of graphics are represented in the “REMARKS” as shown below.

PART NO.	DESCRIPTION	Q'TY	REMARKS
2N4-24110-00-X5	FUEL TANK COMP.	2	MXR
3J1-24240-10	.GRAPHIC, FUEL TANK	1	FOR MXR

5. Note that the illustrations for reference in finding parts numbers are not to be used for assembling. When assembling, please use the applicable service manual.

6. The asterisk (\*) before a reference number indicates modified items after the first edition.
7. Applicable Serial No.

Engine Serial No.



8. Applicable Engine Starting Serial No.

Model	Serial No.	Model	Serial No.
F150A	63P-1029405	FL150A	64P-1003507

9. Applicable Colour Code

Abbreviation	Colour Name	Colour Code
DBN1	DARK BLUISH GRAY 1	008D

10. Quantity Column Information

Column No.	Name Of Q'ty Column	Applicable Model
1	63P3	F150AET
2	64P3	FL150AET

# AVANT-PROPOS

Ce catalogue de pièces détachées concerne les pièces pour le(s) modèle(s) indiqué(s) sur la page de couverture. Lorsque vous commandez des pièces de rechange, veuillez vous référer à ce catalogue de pièces détachées et indiquer clairement les numéros et les noms des pièces détachées.

1. Les modifications ou ajouts ayant été effectués après la parution du catalogue de pièces détachées seront décrits dans les Bulletins d'information concernant les pièces détachées.  
Il est recommandé que vous apportiez les corrections nécessaires au catalogue des pièces détachées en vous référant aux Bulletins d'information.

## 2. Abréviations

Dans ce catalogue, les abréviations suivantes sont utilisées:

- “UR” Utiliser le numéro de pièces spécifié.
- “UN” Utiliser autant que nécessaire.
- “AP” Pièces de substitution
- “LM” Fabrication locale (les pièces doivent être commandées localement.)
- “F#” N° de cadre (applicable au N° de série)
- “O/S” Surdimensionné

## 3. Nombre de pièces d'un assemblage

- Les pièces fournies comme composants d'un assemblage sont précédées d'un point (.) de la manière indiquée ci-dessous.
- Le chiffre apparaissant à la droite de chaque composant indique la quantité de pièces pour chaque unité d'assemblage.

N° PIECES	DESCRIPTION	QTE	REMARQUES
2F5-83310-60	ENS. CLIGNOTANT AVANT	2	
115-83311-60	.AMPOULE (6V-18W)	1	

4. Les couleurs concernant les graphiques sont indiquées dans la colonne “REMARQUES”, comme indiqué ci-dessous.

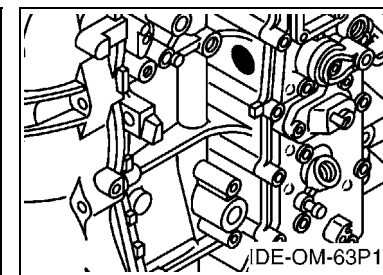
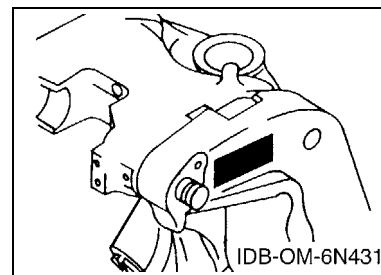
N° PIECES	DESCRIPTION	QTE	REMARQUES
2N4-24110-00-X5	RESERVOIR A ESSENCE.	2	MXR
3J1-24240-10	.GRAPHIQUE	1	POUR MXR

5. Veuillez noter que les illustrations sont indiquées à titre de référence pour trouver les numéros de pièces, non pour être utilisées lors de l'assemblage. Lors de l'assemblage, veuillez utiliser le manuel d'entretien adéquat.

6. L'astérisque (\*) placé devant un numéro de référence indique des éléments qui ont été modifiés après la première édition.

## 7. N° de série applicable

N° de Série du moteur



## 8. N° de série initial du moteur applicable

Modèle	N° de série	Modèle	N° de série
F150A	63P-1029405	FL150A	64P-1003507

## 9. Code couleur applicable

Abréviation	Nom de la couleur	Code couleur
DBN1	DARK BLUISH GRAY 1	008D

## 10. Informations relatives à la colonne Quantité

N° de la colonne	Nom de la colonne Qté	Modèle applicable
1	63P3	F150AET
2	64P3	FL150AET

**SHEET1/2**

TOP COWLING .....	A4
CYLINDER & CRANKCASE 1 .....	A5
CRANKSHAFT & PISTON .....	A7
CYLINDER & CRANKCASE 2 .....	B1
CYLINDER & CRANKCASE 3 .....	B3
VALVE .....	B5
INTAKE 1 .....	B7
INTAKE 2 .....	C1
INTAKE 3 .....	C2
FUEL INJECTION PUMP 1 .....	C4
FUEL INJECTION PUMP 2 .....	C5
FUEL 1 .....	C6
FUEL 2 .....	D2
GENERATOR .....	D3
ELECTRICAL 1 .....	D4
ELECTRICAL 2 .....	D5
ELECTRICAL 3 .....	D7
STARTING MOTOR .....	E1
BOTTOM COWLING .....	E3
CONTROL .....	E5
BRACKET 1 .....	F1
BRACKET 2 .....	F3
POWER TRIM & TILT ASSY 1 .....	F5
POWER TRIM & TILT ASSY 2 .....	F7

**INDEX**

NUMERICAL INDEX .....	G1
-----------------------	----

**SHEET2/2**

POWER TRIM & TILT ASSY 2 .....	A4*
UPPER CASING .....	A5*
OIL PAN .....	A7*
LOWER CASING & DRIVE 1 .....	B2*
LOWER CASING & DRIVE 2 .....	B6*
LOWER CASING & DRIVE 3 .....	C1*
LOWER CASING & DRIVE 4 .....	C5*
STEERING GUIDE .....	C7*
REMOTE CONTROL BOX .....	D1*
REMOTE CONTROL ASSY 1 .....	D2*
REMOTE CONTROL ASSY 2 .....	D5*
METER .....	E1*
SWITCH & PANEL .....	E3*
REPAIR KIT 1 .....	E4*
REPAIR KIT 2 .....	E5*

**INDEX**

NUMERICAL INDEX .....	G1*
-----------------------	-----

# TABLE DES MATIERES

## Feuille1/2

CAPOT SUPERIEUR .....	A4
CYLINDRE & CARTER 1 .....	A5
VILEBREQUIN & PISTON .....	A7
CYLINDRE & CARTER 2 .....	B1
CYLINDRE & CARTER 3 .....	B3
SOUPAPE .....	B5
ADMISSION 1 .....	B7
ADMISSION 2 .....	C1
ADMISSION 3 .....	C2
POMPE A INJECTEUR 1 .....	C4
POMPE A INJECTEUR 2 .....	C5
CARBURANT 1 .....	C6
CARBURANT 2 .....	D2
GENERATRICE .....	D3
PARTIE ELECTRIQUE 1 .....	D4
PARTIE ELECTRIQUE 2 .....	D5
PARTIE ELECTRIQUE 3 .....	D7
DEMARREUR ELECTRIQUE .....	E1
CAPOT INFERIEUR .....	E3
COMMANDE .....	E5
SUPPORT 1 .....	F1
SUPPORT 2 .....	F3
PUISSANCE PARER ET INCLINER 1 .....	F5
PUISSANCE PARER ET INCLINER 2 .....	F7

## INDEX

INDEX NUMERIQUE .....	G1
-----------------------	----

## Feuille2/2

PUISSANCE PARER ET INCLINER 2 .....	A4*
FOURREAU .....	A5*
VENTILATEUR D'HUILE .....	A7*
BOITIER D'HELICE TRANSMISSION1 .....	B2*
BOITIER D'HELICE TRANSMISSION2 .....	B6*
BOITIER D'HELICE TRANSMISSION3 .....	C1*
BOITIER D'HELICE TRANSMISSION4 .....	C5*
FIXATION DE DIRECTION .....	C7*
BOITIER DE COMMANDE A DISTANCE .....	D1*
BOITIER DE COMMANDE A DISTANCE .....	D2*
BOITIER DE COMMANDE A DISTANCE .....	D5*
COMPTEUR .....	E1*
TABLEAU DE CONTACTEUR .....	E3*
KITS DE REPARATION 1 .....	E4*
KITS DE REPARATION 2 .....	E5*

## INDEX

INDEX NUMERIQUE .....	G1*
-----------------------	-----

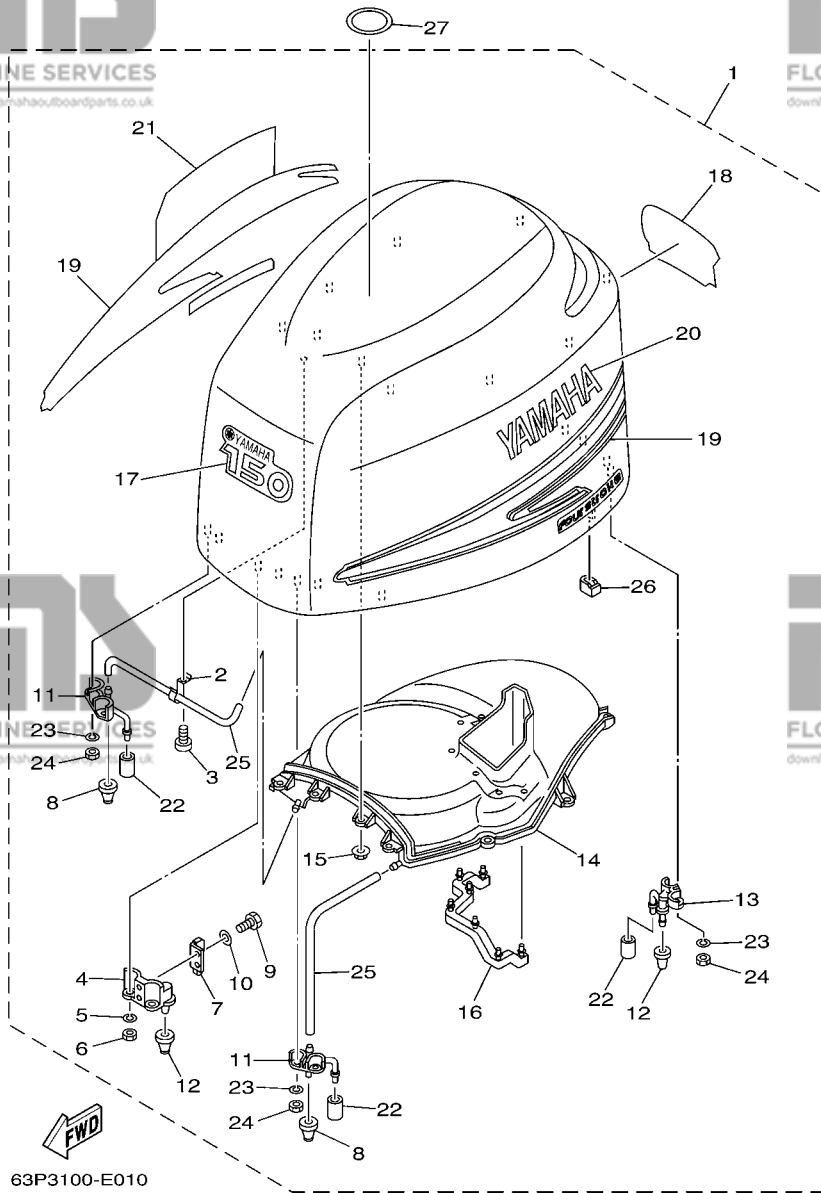
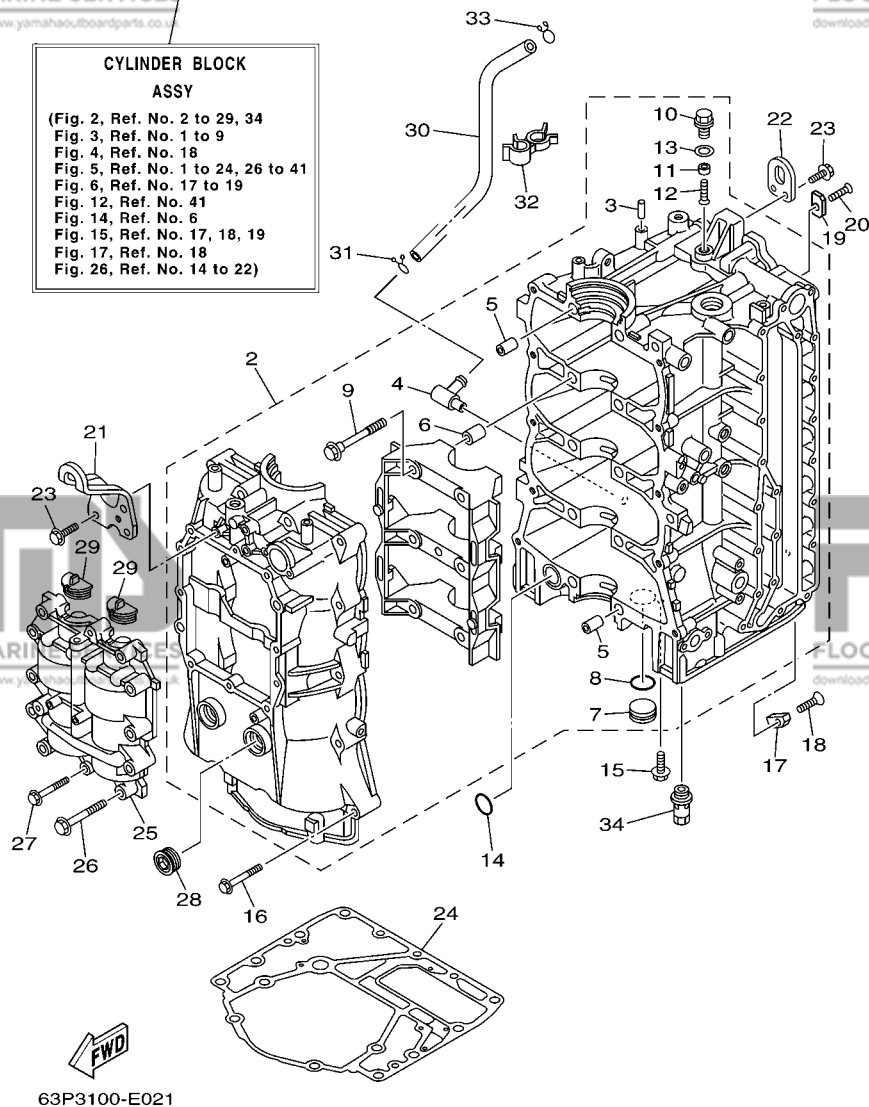


FIG. 1 TOP COWLING

CAPOT SUPERIEUR

REF. NO.	PART NO. N° PIECES	DESCRIPTION DESCRIPTION	63P3	64P3	REMARKS REMARQUES
1	63P-42610-01-8D	TOP COWLING ASSY CAPOT (ENS.)	1	1	
2	90465-10032	.CLAMP .BRIDE	1	1	
3	97780-50620	.SCREW, TAPPING .VIS, TETE BOMBEE	1	1	
4	63P-42647-00-94	.HOLDER, CLAMP BAND .SUPPORT, SANDOW DE SERRAGE	2	2	
5	92990-06100	.WASHER, SPRING .RONDELLE, GROWER	4	4	
6	95380-06600	.NUT, HEXAGON .ECROU	4	4	
7	60V-42651-01	.HOOK .CROCHET	2	2	
8	69J-42663-00	.DAMPER .AMORTISSEUR	2	2	
9	97095-06016	.BOLT .BOULON	4	4	
10	92995-06600	.WASHER .RONDELLE	4	4	
11	63P-42643-00-94	.PLATE, CLAMP .PLAQUE, PRESSE	2	2	
12	68F-42663-00	.DAMPER .AMORTISSEUR	4	4	
13	63P-42644-00-94	.PLATE, CLAMP 2 .PLAQUE, PRESSE 2	2	2	
14	63P-42613-00	.MOLDING, AIR DUCT .MANCHON A AIR	1	1	
15	90179-06M24	.NUT .ECROU	10	10	
16	63P-42617-00	.DAMPER, FORM .BOURRELET, CAOUTCHOUC	1	1	
17	63P-42677-00	.GRAPHIC, FRONT .ADHESIF, AVANT	1	1	
18	63P-42678-00	.GRAPHIC, REAR .ADHESIF, ARRIERE	1	1	
19	63P-W0070-00	.GRAPHIC SET .JEU DIEMBLEMES	1	1	
20	63P-42681-00	.MARK, COWLING .ADHESIF, CAPOT	1	1	
21	63P-42682-00	.MARK, COWLING .ADHESIF, CAPOT	1	1	
22	67F-13448-00	.CAP .CAPUCHON	4	4	
23	92990-06100	.WASHER, SPRING .RONDELLE, GROWER	8	8	
24	95380-06600	.NUT, HEXAGON .ECROU	8	8	
25	90445-11020	.HOSE (L400) .DURITE (L400)	2	2	
26	63P-42662-00	.DAMPER .AMORTISSEUR	4	4	
27	67F-13434-03	LABEL, CAUTION ETIQUETTE, ATTENTION	1	1	

**CYLINDER BLOCK ASSY**  
(Fig. 2, Ref. No. 2 to 29, 34  
Fig. 3, Ref. No. 1 to 9  
Fig. 4, Ref. No. 18  
Fig. 5, Ref. No. 1 to 24, 26 to 41  
Fig. 6, Ref. No. 17 to 19  
Fig. 12, Ref. No. 41  
Fig. 14, Ref. No. 6  
Fig. 15, Ref. No. 17, 18, 19  
Fig. 17, Ref. No. 18  
Fig. 26, Ref. No. 14 to 22)



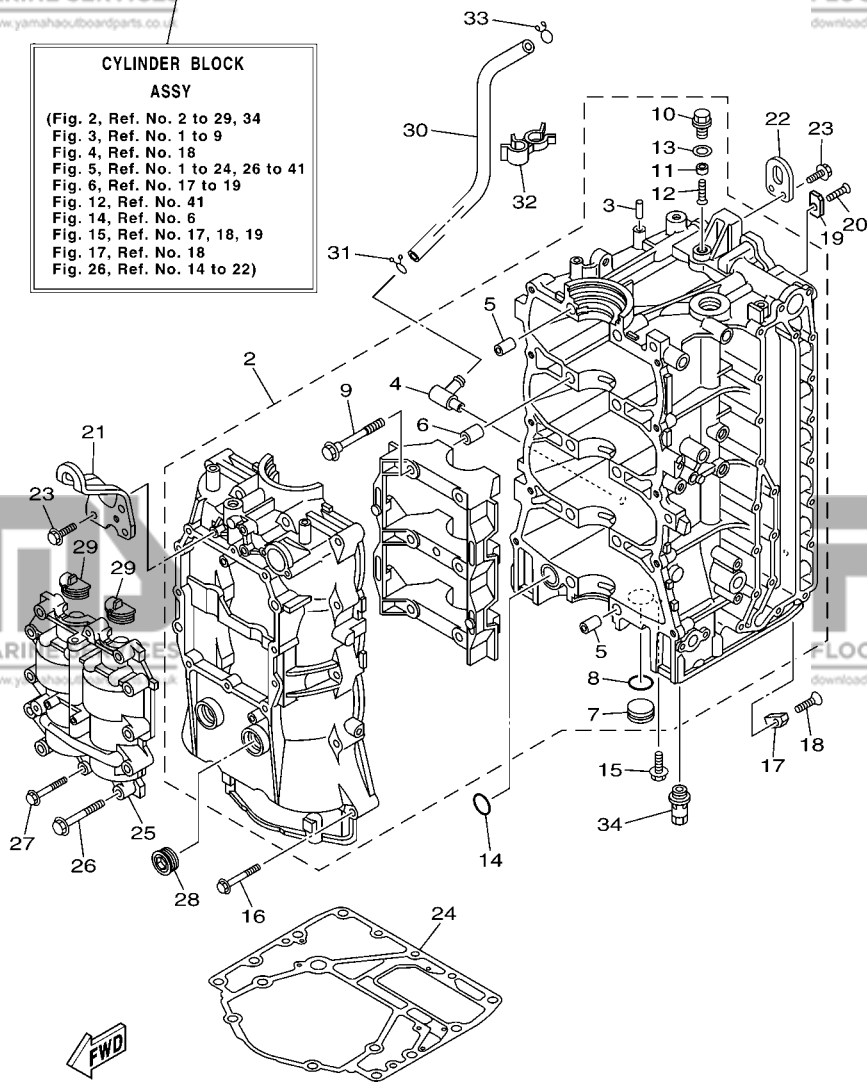
**FIG. 2 CYLINDER & CRANKCASE 1      CYLINDRE & CARTER 1**

REF. NO.	PART NO. N° PIECES	DESCRIPTION DESCRIPTION	63P3	64P3	REMARKS REMARQUES
1	63P-W009B-02-1S	CYLINDER BLOCK ASSY CYLINDRE GROUPE (ENS.)	1	1	Go to P/N : PE0-OM-100017
2	63P-W1510-02-1S	CRANKCASE ASSY CARTER DE MOTEUR COMPLET	1	1	
3	93606-12019	.PIN, DOWEL .GOUPILLE	1	1	
4	63P-11372-00	.NIPPLE, HOSE .RACCORD, TUYAU	1	1	
5	91814-18001	.PIN, DOWEL .GOUJON, D'ASSEMBLAGE	4	4	
6	91814-18001	.PIN, DOWEL .GOUJON, D'ASSEMBLAGE	6	6	
7	90338-25004	.PLUG .PLOT	1	1	
8	93210-25647	.O-RING .JOINT TORIQUE	1	1	
9	90105-10071	.BOLT, FLANGE .BOULON	10	10	
10	63P-11197-00	.PLUG, BLIND .PLOT, BORGNE	1	1	
11	63P-11325-21	.ANODE .ANODE	1	1	
12	98780-05016	.SCREW, FLAT HEAD .VIS A TETE FRAISEE	1	1	
13	90430-14115	.GASKET .JOINT	1	1	
14	93210-25552	O-RING JOINT TORIQUE	1	1	
15	90119-06M81	BOLT, WITH WASHER BOULON, AVEC RONDELLE	1	1	
16	90119-08M66	BOLT, WITH WASHER BOULON, AVEC RONDELLE	10	10	
17	63P-11325-01	ANODE ANODE	1	1	
18	90151-06M02	SCREW, COUNTERSUNK VIS, TETE NOYEE	1	1	
19	63P-11325-11	ANODE ANODE	4	4	
20	90151-06M02	SCREW, COUNTERSUNK VIS, TETE NOYEE	4	4	
21	63P-11119-00	HANGER, ENGINE ANNEAU, LEVAGE	1	1	
22	68F-11119-00	HANGER, ENGINE ANNEAU, LEVAGE	1	1	
23	90119-06MA2	BOLT, WITH WASHER BOULON, AVEC RONDELLE	5	5	
24	63P-11351-00	GASKET, CYLINDER JOINT, D'EMBASE	1	1	
25	63P-11500-01	BALANCER ASSY ARBRE D'EQUILIBRAGE COMPLET	1	1	
26	90119-08M66	BOLT, WITH WASHER BOULON, AVEC RONDELLE	10	10	
27	90119-06MA6	BOLT, WITH WASHER BOULON, AVEC RONDELLE	2	2	

**A5**

**FIG. 2 CYLINDER & CRANKCASE 1      CYLINDRE & CARTER 1**

**CYLINDER BLOCK ASSY**  
(Fig. 2, Ref. No. 2 to 29, 34  
Fig. 3, Ref. No. 1 to 9  
Fig. 4, Ref. No. 18  
Fig. 5, Ref. No. 1 to 24, 26 to 41  
Fig. 6, Ref. No. 17 to 19  
Fig. 12, Ref. No. 41  
Fig. 14, Ref. No. 6  
Fig. 15, Ref. No. 17, 18, 19  
Fig. 17, Ref. No. 18  
Fig. 26, Ref. No. 14 to 22)



63P3100-E021

REF. NO.	PART NO. N° PIECES	DESCRIPTION DESCRIPTION	63P3	64P3	REMARKS REMARQUES
28	90340-27129	PLUG, STRAIGHT SCREW PLOT, FILETE DROIT	2	2	
29	63P-11512-00	SEAL, CRANK COVER JOINT, COUV DE VILEBREQUIN	2	2	
30	63P-11377-00	HOSE DURITE	1	1	
31	90467-15M14	CLIP JONC	1	1	
32	90464-16013	CLAMP BRIDE	1	1	
33	90467-15M14	CLIP JONC	1	1	
34	63P-13490-00	RELIEF VALVE ASSY SOUPAPE DE SECURITE COMPLET	1	1	



News No.:PE0-OM-100017(1/3)

Date: March 3, 2010

Signature: F. Takahashi

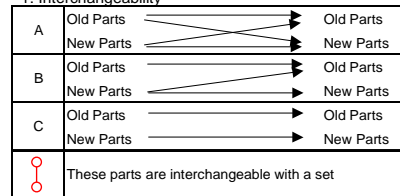
Caus: Cause  Revision Notice  Correction  Sales Unit Change  Others

Model	F150AET (63P3) / FL150AET (64P3)
Subject	PARTS CATALOGUE CORRECTIONS
CATALOGUE NO.	1E63P-300F1
Time of YPEC Revision Text, Illustration --> Mar./20/2010 PDF Replace --> Mar./20/2010 (YPEC = Yamaha Parts Electrical Catalogue = Website parts catalogue)	

### Applicable Engine Serial No.

MODEL NAME	MODEL CODE	Applicable Engine Serial No.
F150AET	63P3	63P:1046318-
FL150AET	64P3	64P:1006288-

\*1: Interchangeability

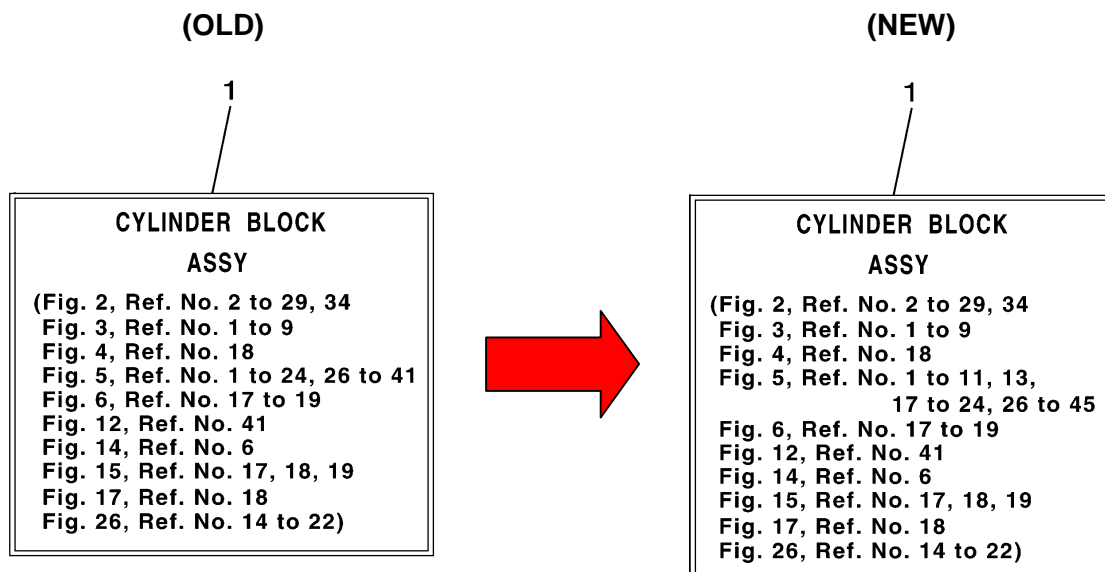


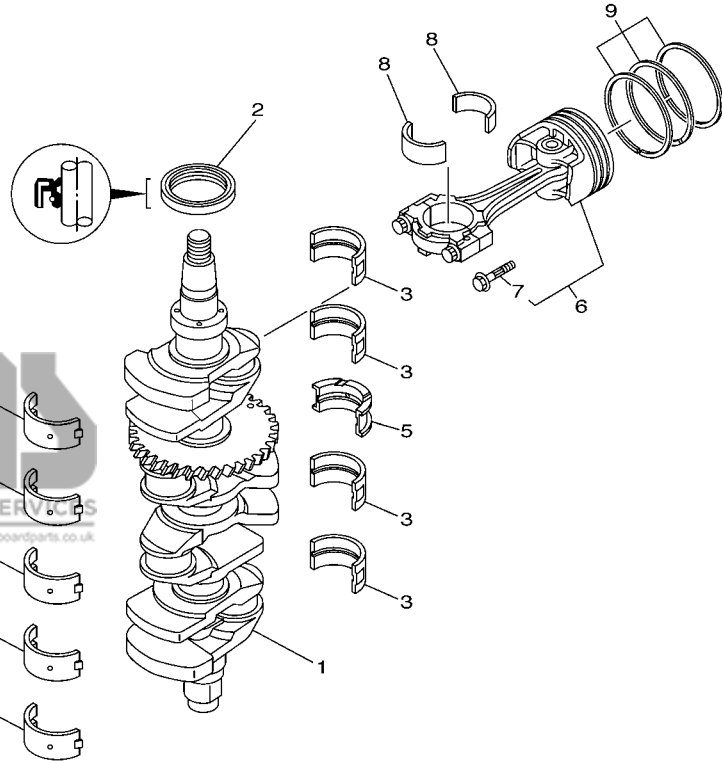
## FIG.2 CYLINDER & CRANKCASE 1

### 1. LIST CORRECTION

Fig. No.	Ref. No.	OLD P/No.	NEW P/No.	PART NAME	Q'TY	*Interchangeability	
							REMARKS
2	1	63P-W009B-02-1S	63P-W009B-03-1S	CYLINDER BLOCK ASSY	1		*Part number revision

### 2. ILLUSTRATION CORRECTION





**FWD**  
63P1010-C030

**FIG. 3 CRANKSHAFT & PISTON VILEBREQUIN & PISTON**

REF. NO.	PART NO. N° PIECES	DESCRIPTION DESCRIPTION	63P3	64P3	REMARKS REMARQUES
1	63P-11410-00	CRANKSHAFT VILEBREQUIN COMPLET	1	1	Go to P/N : PE0-OM-120035
2	93102-60004	OIL SEAL JOINT SPY	1	1	
3	63P-11416-00	PLANE BEARING, CRANKSHAFT 1 COUSSINET DE VILEBREQUIN 1	4	4	UR GREEN
	63P-11416-10	PLANE BEARING, CRANKSHAFT 1 COUSSINET DE VILEBREQUIN 1	4	4	UR RED
	63P-11416-20	PLANE BEARING, CRANKSHAFT 1 COUSSINET DE VILEBREQUIN 1	4	4	UR YELLOW
4	63P-11417-00	PLANE BEARING, CRANKSHAFT 2 COUSSINET DE VILEBREQUIN 2	5	5	UR GREEN
	63P-11417-10	PLANE BEARING, CRANKSHAFT 2 COUSSINET DE VILEBREQUIN 2	5	5	UR RED
	63P-11417-20	PLANE BEARING, CRANKSHAFT 2 COUSSINET DE VILEBREQUIN 2	5	5	UR YELLOW
	63P-11417-30	PLANE BEARING, CRANKSHAFT 2 COUSSINET DE VILEBREQUIN 2	5	5	UR BLUE/ GREEN
5	63P-11426-00	PLANE BEARING, CRANKSHAFT 1 COUSSINET, VILEBREQUIN 1	1	1	UR GREEN
	63P-11426-10	PLANE BEARING, CRANKSHAFT 1 COUSSINET, VILEBREQUIN 1	1	1	UR RED
	63P-11426-20	PLANE BEARING, CRANKSHAFT 1 COUSSINET, VILEBREQUIN 1	1	1	UR YELLOW
6	63P-W1164-01	PISTON/CONROD ASSY(STD) PISTON/BIELLE COMPLETE(STD)	4	4	AP
	63P-W1164-10	PISTON/CON-ROD ASSY(0.25MM OS) PISTON/BIELLE COMPLETE:0.25MM	4	4	AP
7	63P-11654-00	.BOLT, CONNECTING ROD .BOULON, BIELLE	2	2	
8	63P-11656-00	PLANE BEARING, CONNECTING ROD ROULEMENT DE BIELLE	8	8	UR GREEN
	63P-11656-10	PLANE BEARING, CONNECTING ROD ROULEMENT DE BIELLE	8	8	UR BLUE
	63P-11656-20	PLANE BEARING, CONNECTING ROD ROULEMENT DE BIELLE	8	8	UR RED
9	63P-11603-01	PISTON RING SET (STD) JEU DE SEGMENTS (STD)	4	4	
	63P-11604-00	PISTON RING SET (0.25MM O/S) JEU DE SEGMENTS (0.25MM O/S)	4	4	AP

# PARTS NEWS

FLOOD MARINE SERVICES

downloaded from www.yamahaoutboardparts.co.uk

FLOOD MARINE SERVICES

downloaded from www.yamahaoutboardparts.co.uk



FLOOD MARINE SERVICES

downloaded from www.yamahaoutboardparts.co.uk

News No. PE0-OM-120035(1/2)

Date:2012/06/01

Signature:S. Ishibashi

Cause:  Revision Notice  Correction  Sales Unit Change  Others

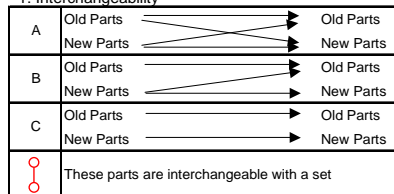
Model	F150TR, F150AET (63P*) / LF150TR, FL150AET (64P*)
Subject	PARTS CATALOGUE CORRECTIONS
CATALOGUE NO.	See the"List of Models and CATALOGUE No's below."

Time of YPEC Revision Text, Illustration --> Jun./29/2012 PDF Replace --> Jun./29/2012  
(YPEC = Yamaha Parts Electrical Catalogue = Website parts catalogue)

Applicable Engine Serial No.

MODEL NAME	MODEL CODE	Applicable Engine Serial No.
F150, F150A	63P1,2,3,4	63P:1069194-
LF150, FL150A	64P1,2,3,4	64P:1009682-

\*1: Interchangeability



## 1.LIST CORRECTION

### FIG.3 CRANKSHAFT & PISTON

Ref. No.	PART NO.	DESCRIPTION	QTY	*Interchangeability	
					REMARKS
1	OLD 63P-11410-00	CRANKSHAFT	1		*Part number revision
	NEW 63P-11410-01				

### FIG.6 VALVE

17	OLD 63P-11536-00	GEAR, DRIVE	1		*Part number revision
	NEW 63P-11536-01				
19	OLD 90280-04008	KEY, WOODRUFF	1		*Part number revision
	NEW 93605-17002	PIN, DOWEL	1		

### FIG.13, 14, or 15 GENERATOR

6	OLD 63P-81673-00	ROTOR	1		*Part number revision
	NEW 63P-81673-01				

**SET NO. 99999-03779**

\*63P-11410-00 is superseded to 99999-03779.



Parts Manager Check

Service Manager Check

Parts Manager File

YAMAHA MOTOR CO.,LTD  
2500 Shingai Iwata Shizuoka 438-8501.Japan  
Technical Publication Dept.



# PARTS NEWS

FLOOD MARINE SERVICES

downloaded from www.yamahaoutboardparts.co.uk

FLOOD MARINE SERVICES

downloaded from www.yamahaoutboardparts.co.uk



News No. PE0-OM-120035(2/2)

Date:2012/06/01

Signature:S. Ishibashi

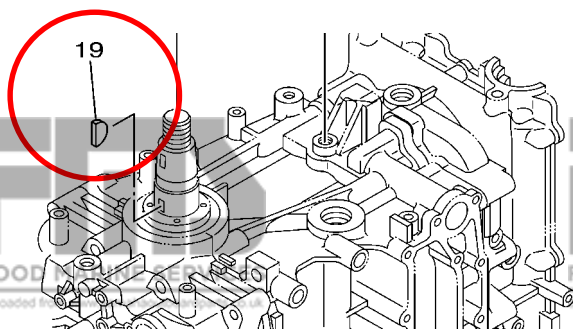
Cause:  Revision Notice  Correction  Sales Unit Change  Others

Model	F150TR, F150AET (63P*) / LF150TR, FL150AET (64P*)
Subject	PARTS CATALOGUE CORRECTIONS
CATALOGUE NO.	See the"List of Models and CATALOGUE No's below."
Time of YPEC Revision	Text, Illustration --> Jun./29/2012 PDF Replace --> Jun./29/2012 (YPEC = Yamaha Parts Electrical Catalogue = Website parts catalogue)

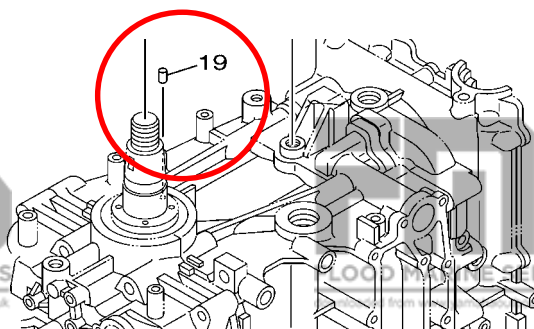
## 2.ILLUSTRATION CORRECTION

### FIG.6 VALVE

(OLD)



(NEW)



## 3.LIST of Models and CATALOGUE No's.

The applicable MODELS, MODEL CODES, and CATALOGUE No's are as follows.

MODEL NAME	MODEL CODE	CATALOGUE NO.
F150TRC, F150AET LF150TRC, FL150AET	63P1 64P1	1C63P-100E1
F150AET FL150AET	63P1 64P1	1C63P-300F1
F150TRD, F150AET LF150TRD, FL150AET	63P2 64P2	1D63P-100E2
F150AET FL150AET	63P2 64P2	1D63P-300F2
F150TR, F150AET LF150TR, FL150AET	63P3 64P3	1E63P-100E1
F150AET FL150AET	63P3 64P3	1E63P-300F1
F150TR(F), F150AET LF150TR(F), FL150AET	63P4 64P4	1F63P-100E1
F150AET FL150AET	63P4 64P4	1F63P-300F1

Thank you very much for your cooperation.

Parts  
Manager  
Check

Service  
Manager  
Check

Parts  
Manager  
File

YAMAHA MOTOR CO.,LTD  
2500 Shingai Iwata Shizuoka 438-8501.Japan  
Technical Publication Dept.



News No. PE0-OM-180023(1/3)

Date:2018/08/22

Signature:K.Tanaka

Cause :  Revision Notice  Correction  Sales Unit Change  Others

Model	F150A / FL150A (See the "List of Models and CATALOGUE No's below.")
Subject	PARTS CATALOGUE CORRECTIONS
CATALOGUE NO.	See the "List of Models and CATALOGUE No's below."
Time of YPEC Revision	Text, Illustration --> Sep./30/2018
	PDF Replace --> Sep./30/201
(YPEC = Yamaha Parts Electrical Catalogue = Website parts catalogue)	


## FIG.3 CRANKSHAFT & PISTON

### 1. LIST CORRECTION

Ref. No.	OLD P/No.	NEW P/No.	DESCRIPTION	Q'TY	*Interchangeability	
						REMARKS
*1	63P-11416-0*	<b>63P-11416-31</b>	PLANE BEARING, CRANKSHAFT 1 UR GREEN	4	D	
	63P-11416-1*	<b>63P-11416-41</b>	PLANE BEARING, CRANKSHAFT 1 UR RED	4		
	63P-11416-2*	<b>63P-11416-51</b>	PLANE BEARING, CRANKSHAFT 1 UR YELLOW	4		
*2	-	<b>63P-11417-41</b>	PLANE BEARING, CRANKSHAFT 2 <b>UR BROWN</b>	5	D	*Part revision
	63P-11417-0*	<b>63P-11417-51</b>	PLANE BEARING, CRANKSHAFT 2 UR GREEN	5		
	63P-11417-1*	<b>63P-11417-61</b>	PLANE BEARING, CRANKSHAFT 2 UR RED	5		
	63P-11417-2*	<b>63P-11417-71</b>	PLANE BEARING, CRANKSHAFT 2 UR YELLOW	5		
	<del>63P-11417-3*</del>	-	<del>PLANE BEARING, CRANKSHAFT 2 UR BLUE/GREEN</del>	<del>5</del>		
*3	-	<b>63P-11417-81</b>	PLANE BEARING, CRANKSHAFT 2 <b>UR BLUE</b>	5	D	
	63P-11426-00	<b>63P-11426-31</b>	BEARING, THRUST 1 UR GREEN	1		
	63P-11426-10	<b>63P-11426-41</b>	BEARING, THRUST 1 UR RED	1		
	63P-11426-20	<b>63P-11426-51</b>	BEARING, THRUST 1 UR YELLOW	1		

\* These changes are applied from initial production.

#### Interchangeability

A	Old Parts → New Parts	Old Parts → New Parts	B	Old Parts → New Parts	Old Parts → New Parts	C	Old Parts → New Parts	Old Parts → New Parts	D	Old Parts → New Parts	Old Parts → New Parts	 These parts are interchangeable with a set
---	-----------------------	-----------------------	---	-----------------------	-----------------------	---	-----------------------	-----------------------	---	-----------------------	-----------------------	--

News No. PE0-OM-180023(2/3)

Date:2018/08/22

Signature:K.Tanaka

Cause :  Revision Notice  Correction  Sales Unit Change  Others

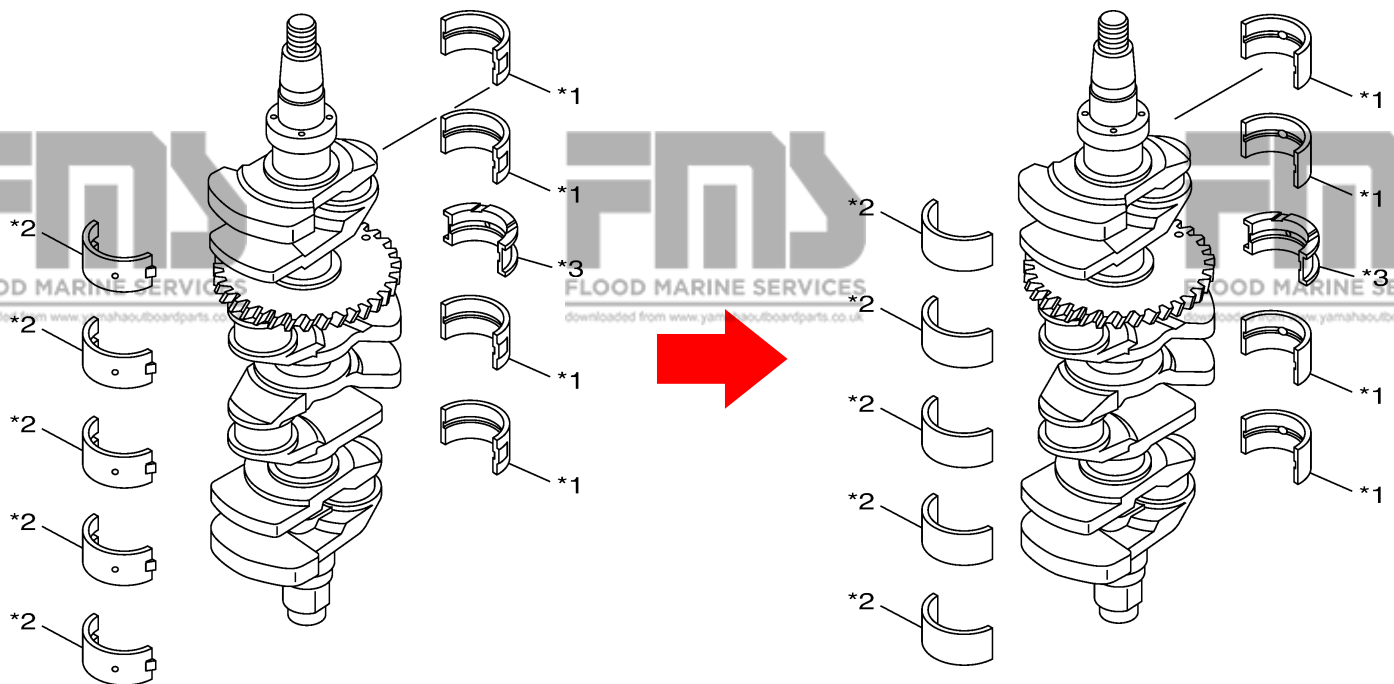
Model	F150A / FL150A (See the "List of Models and CATALOGUE No's below.")	
Subject	PARTS CATALOGUE CORRECTIONS	
CATALOGUE NO.	See the "List of Models and CATALOGUE No's below."	
Time of YPEC Revision	Text, Illustration --> Sep./30/2018	PDF Replace --> Sep./30/201
(YPEC = Yamaha Parts Electrical Catalogue = Website parts catalogue)		

## FIG.3 CRANKSHAFT & PISTON

### 2. ILLUSTRATION CORRECTION

(OLD)

(NEW)



### 3. LIST of Models and CATALOGUE No's.

The applicable MODELS, MODEL CODES, and CATALOGUE No's are as follows.

MODEL NAME	MODEL CODE	MODEL YEAR	CATALOGUE NO.	Ref.No.		
				*1	*2	*3
F150TRC, F150AET LF150TRC, FL150AET	63P1 64P1	2004	1C63P-100E1	3	4	5
F150AET FL150AET	63P1 64P1	2004	1C63P-300F1	3	4	5
F150TRD, F150AET LF150TRD, FL150AET	63P2 64P2	2005	1D63P-100E2	3	4	5

Parts  
Manager  
Check

Service  
Manager  
Check

Parts  
Manager  
File

YAMAHA MOTOR CO.,LTD  
Spare Parts Section  
Parts & ACC. Engineering Div., YMC.



News No. PE0-OM-180023(3/3)

Date:2018/08/22

Signature:K.Tanaka

Cause :  Revision Notice  Correction  Sales Unit Change  Others

Model	F150A / FL150A (See the"List of Models and CATALOGUE No's below.")
Subject	PARTS CATALOGUE CORRECTIONS
CATALOGUE NO.	See the"List of Models and CATALOGUE No's below."
Time of YPEC Revision	Text, Illustration --> Sep./30/2018
	PDF Replace --> Sep./30/201
(YPEC = Yamaha Parts Electrical Catalogue = Website parts catalogue)	

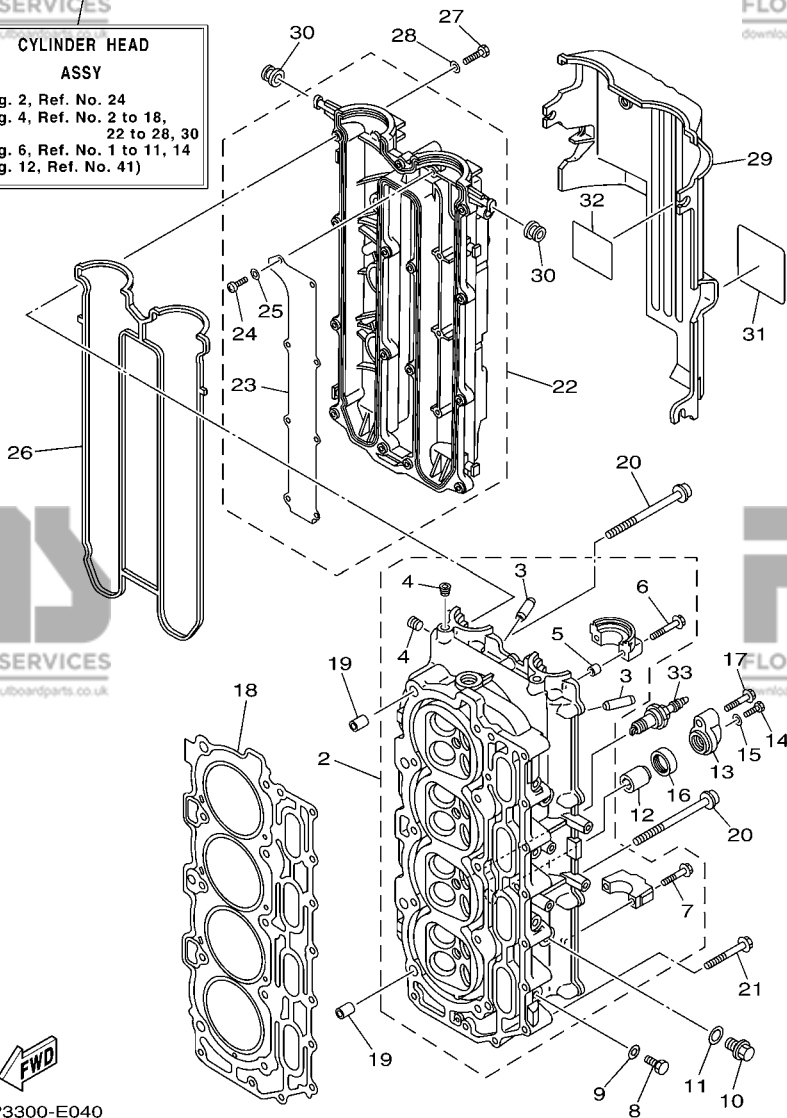
### 3. LIST of Models and CATALOGUE No's.

The applicable MODELS, MODEL CODES, and CATALOGUE No's are as follows.

MODEL NAME	MODEL CODE	MODEL YEAR	CATALOGUE NO.	Ref.No.		
				*1	*2	*3
F150AET FL150AET	63P2 64P2	2005	1D63P-300F2	3	4	5
F150TR, F150AET LF150TR, FL150AET	63P3 64P3	2006	1E63P-100E1	3	4	5
F150AET FL150AET	63P3 64P3	2006	1E63P-300F1	3	4	5
F150TR(F), F150AET LF150TR(F), FL150AET	63P4 64P4	2007	1F63P-100E1	3	4	5
F150AET FL150AET	63P4 64P4	2007	1F63P-300F1	3	4	5
F150TR(G), F150AET LF150TR(G), FL150AET	63P5 64P5	2008	1G63P-100E1	3	4	5
F150AET FL150AET	63P5 64P5	2008	1G63P-300F1	3	4	5
F150TRH, F150AET LF150TRH, FL150AET	63P6 64P6	2009	1H63P-100E1	4	5	6
F150TR	63P6	2009	1H63P-110E1	4	5	6
LF150TR	64P6	2009	1H64P-110E1	4	5	6
F150AET FL150AET	63P6 64P6	2009	1H63P-300F1	4	5	6
F150, F150AET LF150, FL150AET	63P7 64P7	2010	1J63P-100E1	4	5	6
F150TR	63P7	2010	1J63P-110E1	4	5	6
LF150TR	64P7	2010	1J64P-110E1	4	5	6
F150AET FL150AET	63P7 64P7	2010	1J63P-300F1	4	5	6

Thank you very much for your cooperation.

**CYLINDER HEAD ASSY**  
 (Fig. 2, Ref. No. 24  
 Fig. 4, Ref. No. 2 to 18,  
 22 to 28, 30  
 Fig. 6, Ref. No. 1 to 11, 14  
 Fig. 12, Ref. No. 41)



63P3300-E040

**FIG. 4 CYLINDER & CRANKCASE 2**

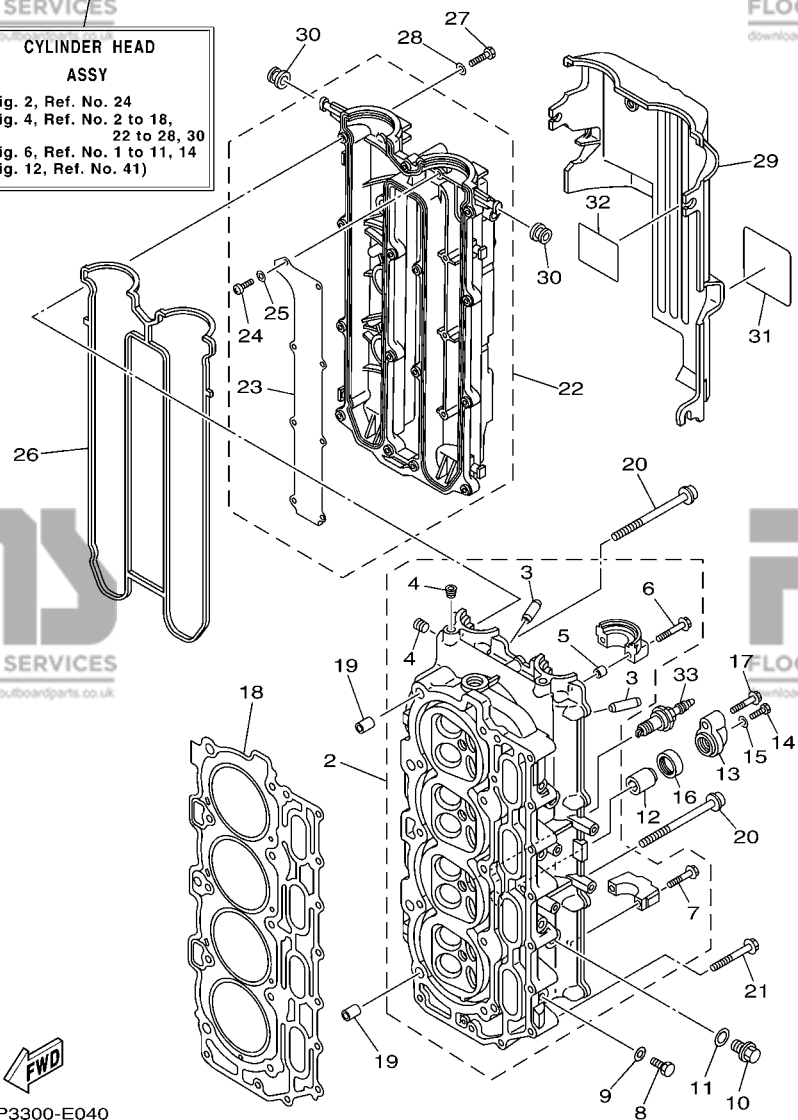
**CYLINDRE & CARTER 2**

REF. NO.	PART NO. N° PIECES	DESCRIPTION DESCRIPTION	63P3	64P3	REMARKS REMARQUES
1	63P-W009A-01-1S	CYLINDER HEAD ASSY CULASSE (ENS.)	1	1	Go to P/N : PE0-OM-100017
2	63P-11110-00-94	CYLINDER HEAD ASSY JEU DE CULASSE	1	1	
3	69J-11133-10	.GUIDE, VALVE 1 .GUIDE, SOUPAPE 1	16	16	
4	90344-51019	.PLUG, TAPER SCREW .PLOT, FILETE CONIQUE	3	3	
5	91809-08006	.SLEEVE GUIDE-DOWEL .GOUJON, D'ASSEMBLAGE	4	4	
6	90119-07235	.BOLT/WASHER-CAM CAPS .BOULON, AVEC RONDELLE	4	4	
7	90119-07234	.BOLT, WITH WASHER .BOULON, AVEC RONDELLE	16	16	
8	97095-08014	BOLT BOULON	4	4	
9	90430-08143	GASKET JOINT	4	4	
10	90340-14M06	PLUG, STRAIGHT SCREW PLOT, FILETE DROIT	2	2	
11	90430-14115	GASKET JOINT	2	2	
12	68V-11325-01	ANODE ANODE	2	2	Go to P/N : PE0-OM-100017
13	69J-11327-00-94	COVER, ANODE COUVERCLE	2	2	Go to P/N : PE0-OM-100017
14	97075-06020	BOLT BOULON	2	2	Go to P/N : PE0-OM-100017
15	92995-06600	WASHER RONDELLE	2	2	Go to P/N : PE0-OM-100017
16	67F-11328-00	GROMMET, ANODE PASSE-FIL	2	2	Go to P/N : PE0-OM-100017
17	97575-08540	BOLT, WITH WASHER VIS HEXAGONAL AVC RONDELLE	2	2	
18	63P-11181-00	GASKET, CYLINDER HEAD 1 JOINT, DE CULASSE 1	1	1	
19	90387-10M08	COLLAR COLLERETTE	2	2	
20	90155-10001	SCREW, FLAT FILLISTER VIS, TETE OVALE PLATE	10	10	
21	90119-08M91	BOLT, WITH WASHER BOULON, AVEC RONDELLE	10	10	
22	63P-11191-00-1S	COVER, CYLINDER HEAD 1 COUVERCLE, CULASSE 1	1	1	
23	63P-11135-00	.PLATE, BREATHER 3 .PLAQUE, RENIFLARD 3	1	1	
24	98507-04008	.SCREW, PAN HEAD .VIS, TETE TRONCONIQUE	8	8	
25	92907-04600	.WASHER .RONDELLE	8	8	
26	63P-11193-00	GASKET, HEAD COVER 1 JOINT, COUVERCLE DE CULASSE 1	1	1	
27	97095-06030	BOLT BOULON	13	13	

**B1**



**CYLINDER HEAD ASSY**  
(Fig. 2, Ref. No. 24  
Fig. 4, Ref. No. 2 to 18,  
22 to 28, 30  
Fig. 6, Ref. No. 1 to 11, 14  
Fig. 12, Ref. No. 41)



63P3300-E040

**FIG. 4 CYLINDER & CRANKCASE 2      CYLINDRE & CARTER 2**

REF. NO.	PART NO. N° PIECES	DESCRIPTION DESCRIPTION	63P3	64P3	REMARKS REMARQUES
28	92995-06600	WASHER RONDELLE	13	13	
29	63P-11192-01	COVER, CYLINDER HEAD 2 COUVERCLE, CULASSE 2	1	1	
30	90480-12072	GROMMET PASSE-FIL	5	5	
31	63P-83626-00	MARK 6 MARK 6	1	1	
32	67F-12138-60	MARK, CAUTION MAKER	1	1	
33	94702-00391	PLUG, SPARK (NGK LFR5A-11) BOUGIE D'ALLUMAGE(NGK LFR5A-11)	4	4	

# PARTS NEWS

FLOOD MARINE SERVICES

downloaded from www.yamahaoutboardparts.co.uk

FLOOD MARINE SERVICES

downloaded from www.yamahaoutboardparts.co.uk



downloaded from www.yamahaoutboardparts.co.uk

News No.:PE0-OM-100017(2/3)

Date:March 3,2010

Signature: F. Takahashi

Caus: Cause  Revision Notice  Correction  Sales Unit Change  Others

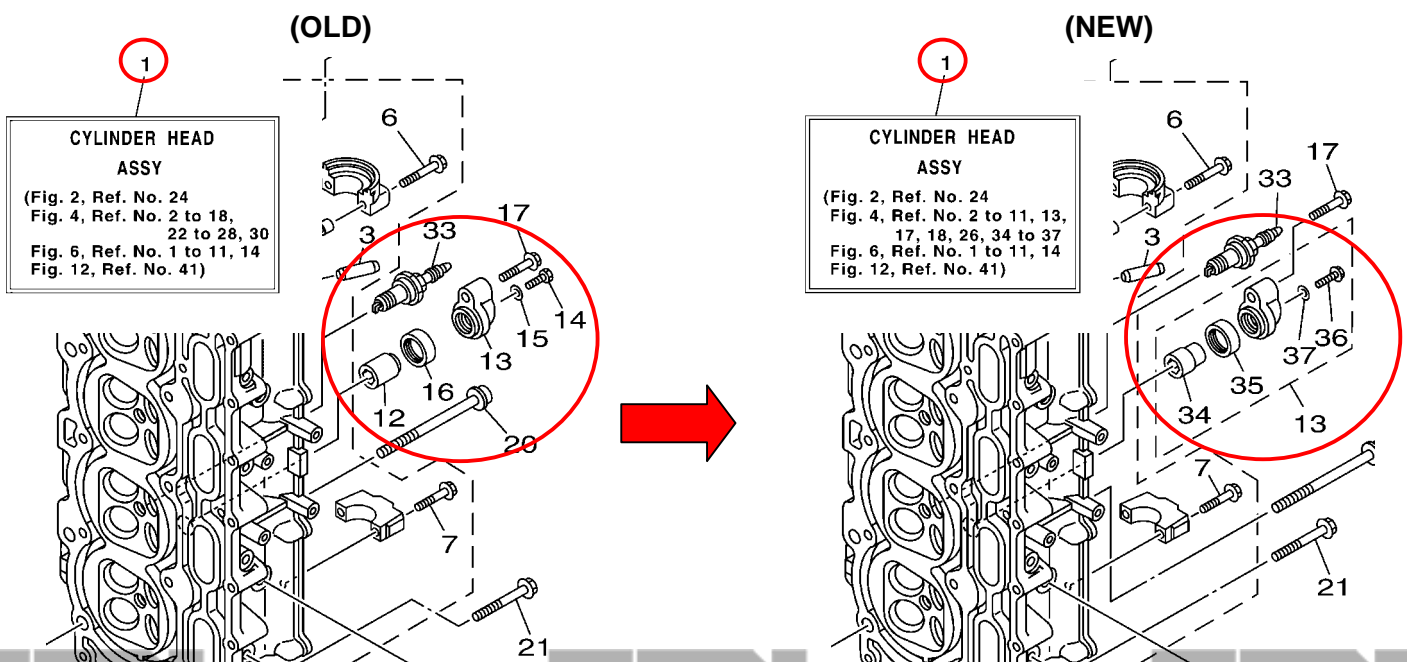
Model	F150AET (63P3) / FL150AET (64P3)
Subject	PARTS CATALOGUE CORRECTIONS
CATALOGUE NO.	1E63P-300F1
Time of YPEC Revision	Text, Illustration --> Mar./20/2010
	PDF Replace --> Mar./20/2010
(YPEC = Yamaha Parts Electrical Catalogue = Website parts catalogue)	

## FIG.4 CYLINDER & CRANKCASE 2

### 1. LIST CORRECTION

Fig. No.	Ref. No.	OLD P/No.	NEW P/No.	PART NAME	Q'TY	*Interchangeability	
							REMARKS
4	1	63P-W009A-01-1S	<b>63P-W009A-02-1S</b>	CYLINDER HEAD ASSY	1		<b>*Part number revision</b>
	12	68V-11325-04	-	ANODE	2		<b>*Deleted Parts</b>
	13	69J-11327-00-94	<b>69J-11301-10</b>	<b>ANODE COVER ASSY</b>	2	<b>B</b>	<b>*Part number revision</b>
	<b>34</b>	-	<b>68V-11325-02</b>	<b>. ANODE</b>	1	<b>C</b>	<b>*Added Parts</b>
	<b>35</b>	-	<b>67F-11328-00</b>	<b>. GROMMET,ANODE</b>	1	<b>C</b>	
	<b>36</b>	-	<b>90105-06M07</b>	<b>. BOLT,FLANGE</b>	1	<b>C</b>	
	<b>37</b>	-	<b>90430-06M03</b>	<b>. GASKET</b>	1	<b>C</b>	
	14	97075-06020	-	BOLT	2		
	15	92995-06600	-	WASHER	2		<b>*Deleted Parts</b>
	16	67F-11328-00	-	GROMMET,ANODE	2		

### 2. ILLUSTRATION CORRECTION



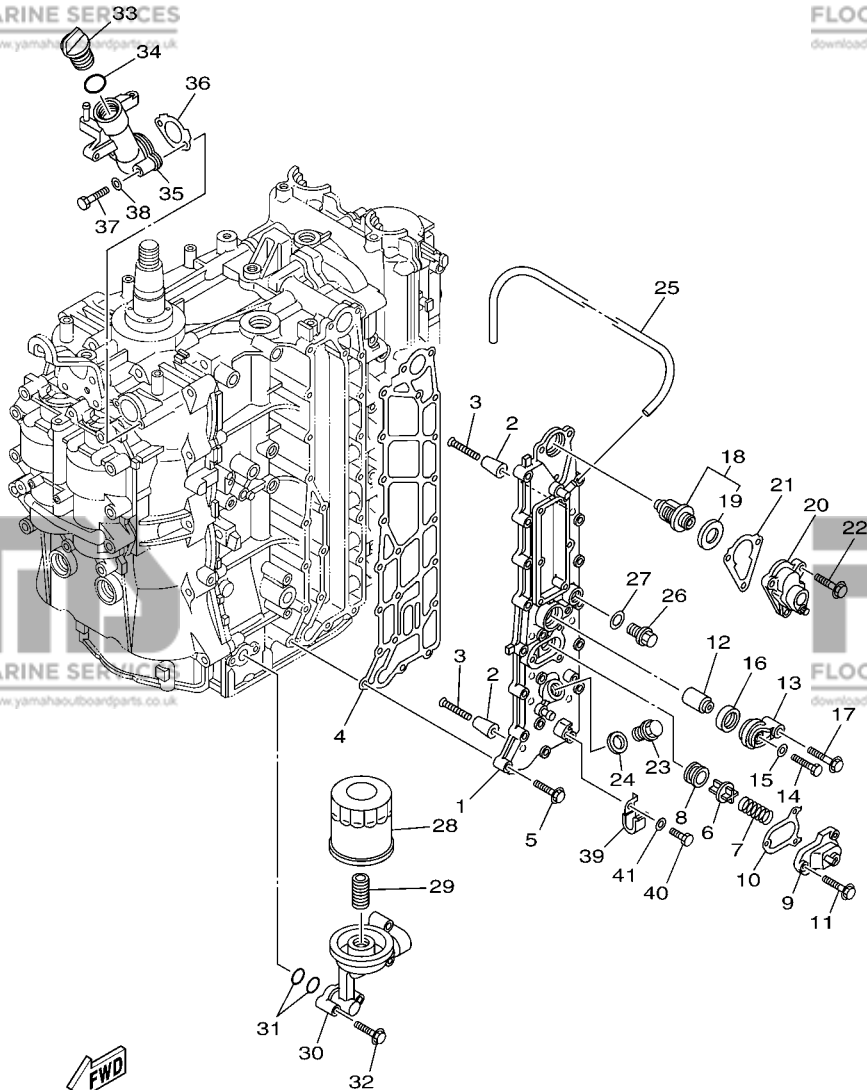
Parts Manager Check

Service Manager Check

Parts Manager File

YAMAHA MOTOR CO.,LTD  
2500 Shingai Iwata Shizuoka 438-8501.Japan  
Technical Publication Dept.



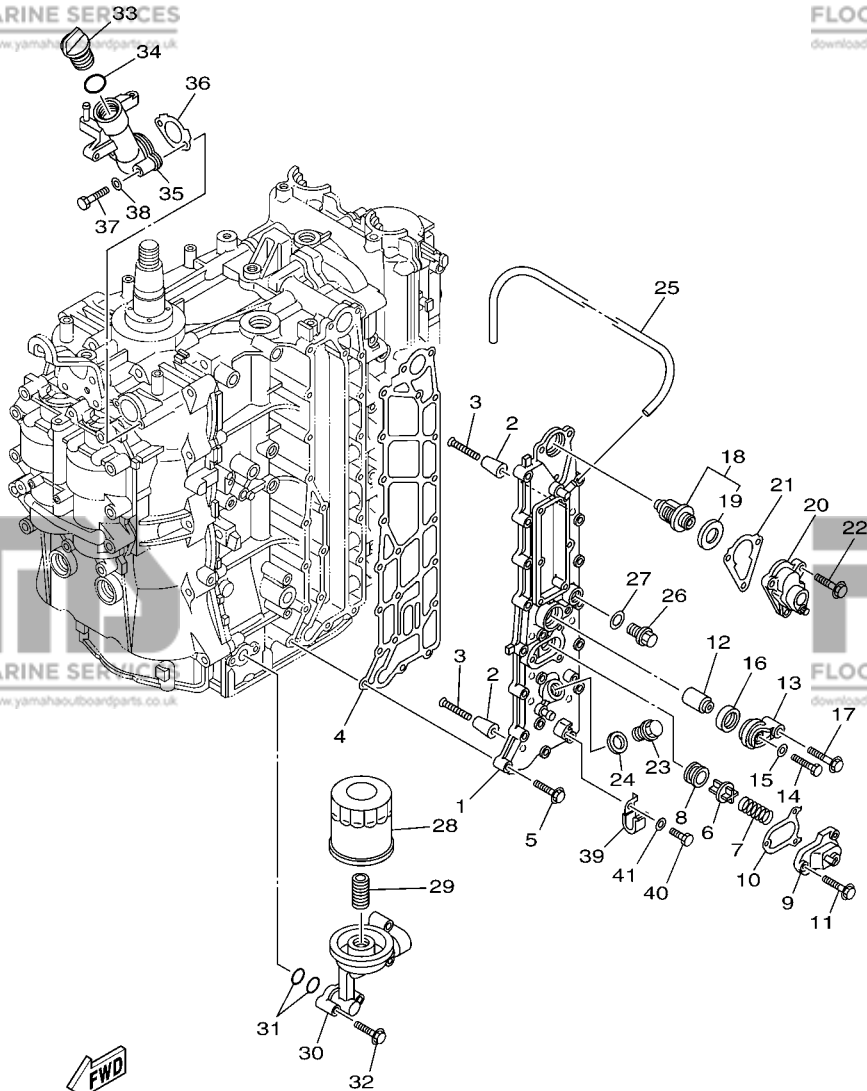


63P3100-E051

FIG. 5 CYLINDER & CRANKCASE 3 CYLINDRE & CARTER 3

REF. NO.	PART NO. N° PIECES	DESCRIPTION DESCRIPTION	63P3	64P3	REMARKS REMARQUES
1	63P-41113-02-1S	OUTER COVER, EXHAUST COUVERCLE, ECHAPPEMENT	1	1	
2	68T-11325-00	ANODE ANODE	8	8	
3	90151-05M05	SCREW, COUNTERSUNK VIS, TETE NOYEE	8	8	
4	63P-41114-A1	GASKET, EXHAUST OUTER COVER JOINT, COUVERCLE D'ECHAPPEMENT	1	1	
5	90119-06MA4	BOLT, WITH WASHER BOULON, AVEC RONDELLE	19	19	
6	6G5-12416-00	VALVE, PRESSURE CONTROL SOUPAPE DE CONTROLEUR PRESS	1	1	
7	90501-16M11	SPRING, COMPRESSION RESSORT, COMPRESSION	1	1	
8	90480-20M05	GROMMET PASSE-FIL	1	1	
9	67F-1246A-01-1S	COVER 1 COUVERCLE 1	1	1	
10	67F-12435-A0	GASKET JOINT	1	1	
11	90119-06MA2	BOLT, WITH WASHER BOULON, AVEC RONDELLE	3	3	
12	68V-11325-01	ANODE ANODE	1	1	Go to P/N : PE0-OM-100017
13	69J-11327-00-94	COVER, ANODE COUVERCLE	1	1	Go to P/N : PE0-OM-100017
14	97075-06020	BOLT BOULON	1	1	Go to P/N : PE0-OM-100017
15	92995-06600	WASHER RONDELLE	1	1	Go to P/N : PE0-OM-100017
16	67F-11328-00	GROMMET, ANODE PASSE-FIL	1	1	Go to P/N : PE0-OM-100017
17	97575-08540	BOLT, WITH WASHER VIS HEXAGONAL AVEC RONDELLE	1	1	
18	67F-12411-01	THERMOSTAT THERMOSTAT	1	1	
19	67F-12412-00	.SEAL, THERMOSTAT JOINT, THERMOSTAT	1	1	
20	63P-1240H-00-1S	COVER ASSEMBLY BOITIER DISTRIBUTEUR COMPLET	1	1	
21	63P-12414-00	GASKET, COVER JOINT, COUVERCLE	1	1	
22	90119-06MA4	BOLT, WITH WASHER BOULON, AVEC RONDELLE	3	3	
23	90340-18M09	PLUG, STRAIGHT SCREW PLOT, FILETE DROIT	1	1	
24	90430-18130	GASKET JOINT	1	1	
25	90445-10027	HOSE (L670) DURITE (L670)	1	1	
26	90340-14M06	PLUG, STRAIGHT SCREW PLOT, FILETE DROIT	1	1	
27	90430-14115	GASKET JOINT	1	1	

B3



63P3100-E051

FIG. 5 CYLINDER & CRANKCASE 3

CYLINDRE & CARTER 3

REF. NO.	PART NO. N° PIECES	DESCRIPTION DESCRIPTION	63P3	64P3	REMARKS REMARQUES
28	69J-13440-00	ELEMENT ASSY, OIL CLEANER ELEMENT, FILTRE A HUILE	1	1	
29	69J-12858-00	BOLT, UNION BOULON, RACCORD	1	1	
30	63P-13446-00-94	CONNECTOR CONNECTEUR	1	1	
31	93210-19MJ1	O-RING JOINT TORIQUE	2	2	
32	97575-06540	BOLT, WITH WASHER VIS HEXAGONAL AVC RONDELLE	4	4	
33	6G8-15363-00	PLUG, OIL PLOT, HUILE	1	1	
34	93210-24M79	O-RING JOINT TORIQUE	1	1	
35	63P-15319-00-1S	JOINT JOINT	1	1	
36	63P-15364-A0	GASKET, OIL PLUG JOINT, PLOT D'HUILE	1	1	
37	97095-06045	BOLT BOULON	2	2	
38	92995-06600	WASHER RONDELLE	2	2	
39	90462-06013	CLAMP BRIDE	1	1	
40	97095-06012	BOLT BOULON	1	1	
41	92995-06600	WASHER RONDELLE	1	1	

# PARTS NEWS

FLOOD MARINE SERVICES

downloaded from www.yamahaparts.com

FLOOD MARINE SERVICES

downloaded from www.yamahaparts.com



downloaded from www.yamahaparts.com

News No.:PE0-OM-100017(3/3)

Date:March 3,2010

Signature: F. Takahashi

Cau: Cause  Revision Notice  Correction  Sales Unit Change  Others

Model	F150AET (63P3) / FL150AET (64P3)
Subject	PARTS CATALOGUE CORRECTIONS
CATALOGUE NO.	1E63P-300F1
Time of YPEC Revision	Text, Illustration --> Mar./20/2010
	PDF Replace --> Mar./20/2010
(YPEC = Yamaha Parts Electrical Catalogue = Website parts catalogue)	

## FIG.5 CYLINDER & CRANKCASE 3

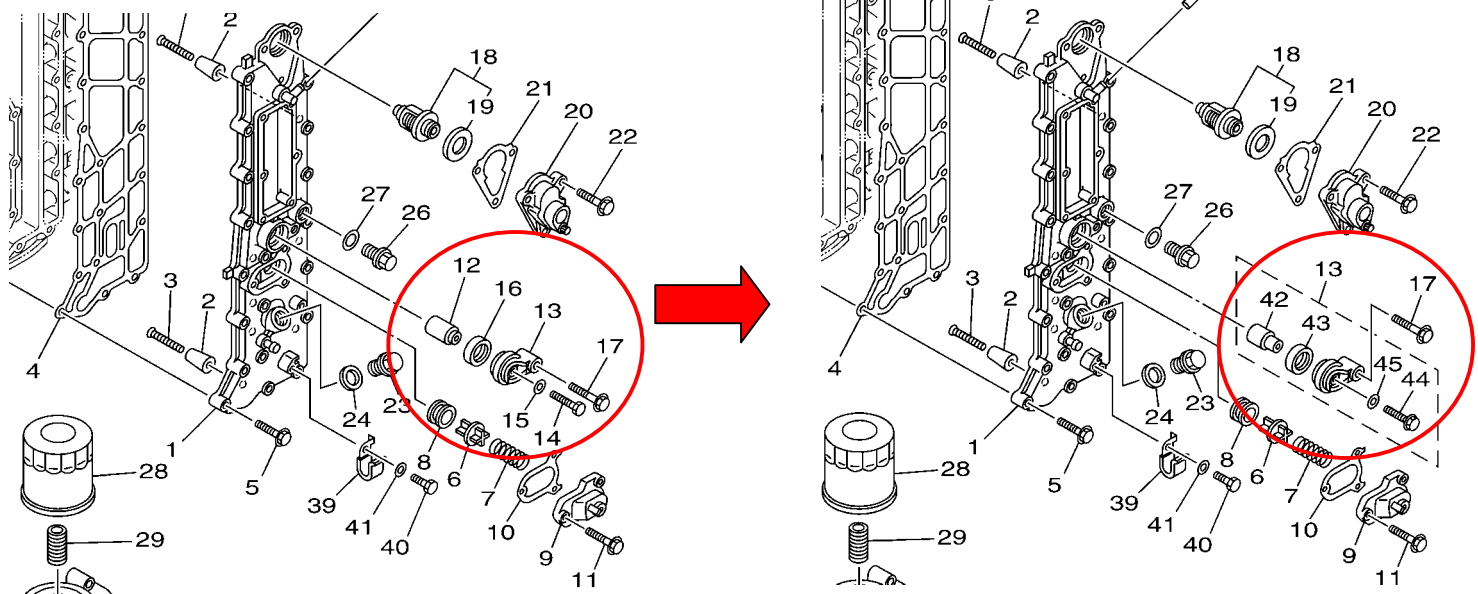
### 1. LIST CORRECTION

Fig. No.	Ref. No.	OLD P/No.	NEW P/No.	PART NAME	Q'TY	*Interchangeability		
							REMARKS	
5	12	68V-11325-04	-	ANODE	4		*Deleted Parts	
	13	69J-11327-00-94	69J-11301-10	ANODE COVER ASSY	1	B	*Part number revision	
	42	-	68V-11325-02	. ANODE	1	C	*Added Parts	
	43	-	67F-11328-00	. GROMMET, ANODE	1	C		
	44	-	90105-06M07	. BOLT, FLANGE	1	C		
	45	-	90430-06M03	. GASKET	1	C		
		14	97075-06020	-	BOLT	4		*Deleted Parts
		15	92995-06600	-	WASHER	4		
		16	67F-11328-00	-	GROMMET, ANODE	4		

### 2. ILLUSTRATION CORRECTION

(OLD)

(NEW)



Thank you very much for your cooperation.

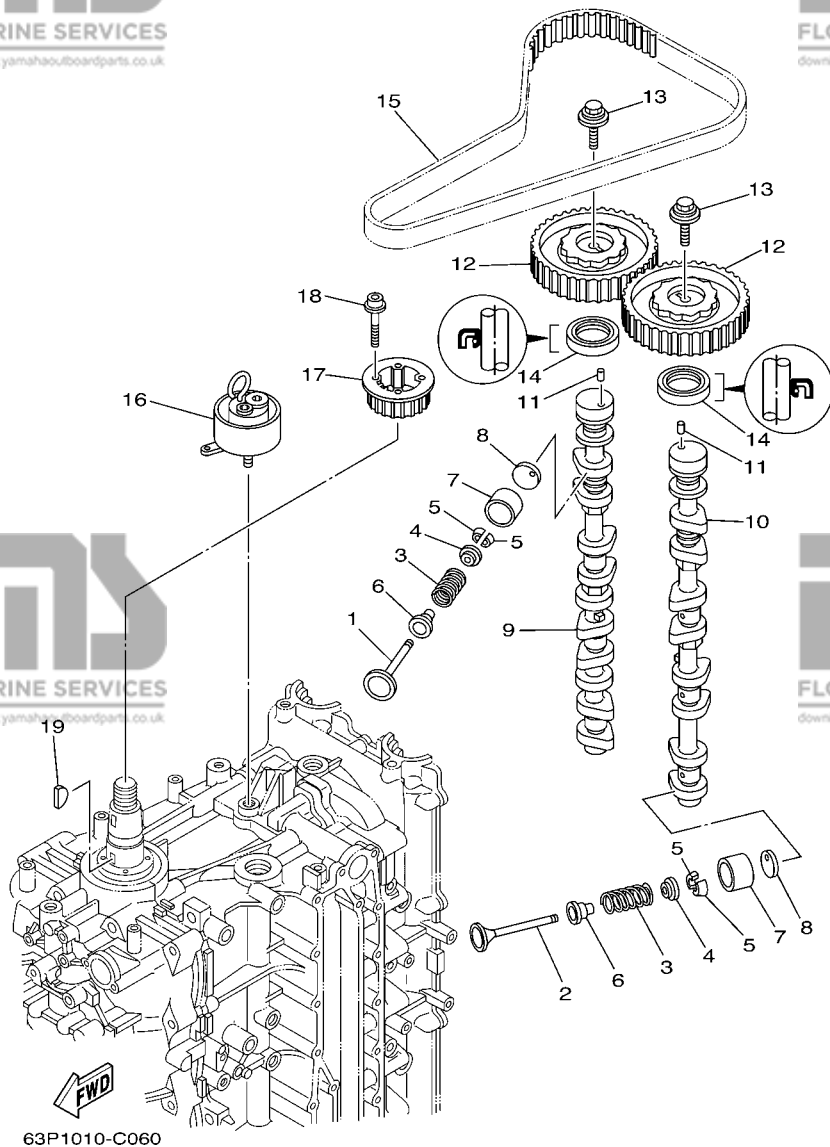
Parts  
Manager  
Check

Service  
Manager  
Check

Parts  
Manager  
File

YAMAHA MOTOR CO.,LTD  
2500 Shingai Iwata Shizuoka 438-8501.Japan  
Technical Publication Dept.





63P1010-C060

FIG. 6 VALVE

SOUPAPE

REF. NO.	PART NO. N° PIECES	DESCRIPTION DESCRIPTION	63P3	64P3	REMARKS REMARQUES
1	69J-12111-00	VALVE, INTAKE SOUPAPE, ADMISSION	8	8	
2	69J-12121-00	VALVE, EXHAUST SOUPAPE, ECHAPPEMENT	8	8	
3	69J-12113-01	SPRING, VALVE INNER RESSORT DE SOUPAPE, INTERNE	16	16	
4	69J-12117-01	RETAINER, VALVE SPRING BUTEE DE RESSORT DE SOUPAPE	16	16	
5	69J-12118-00	COTTER, VALVE FRAISE, SOUPAPE	32	32	
6	69J-12119-00	SEAL, VALVE STEM JOINT, QUEUE DE SOUPAPE	16	16	
7	69J-12153-00	LIFTER, VALVE LEVE-SOUPAPE	16	16	
8	69J-12168-00	PAD, ADJUSTING (2.320) PASTILLE, DE REGLAGE (2.320)	16	16	UR
	69J-12168-10	PAD, ADJUSTING (2.340) PASTILLE, DE REGLAGE (2.340)	16	16	UR
	69J-12168-20	PAD, ADJUSTING (2.360) PASTILLE, DE REGLAGE (2.360)	16	16	UR
	69J-12168-30	PAD, ADJUSTING (2.380) PASTILLE, DE REGLAGE (2.380)	16	16	UR
	69J-12168-40	PAD, ADJUSTING (2.400) PASTILLE, DE REGLAGE (2.400)	16	16	UR
	69J-12168-50	PAD, ADJUSTING (2.420) PASTILLE, DE REGLAGE (2.420)	16	16	UR
	69J-12168-60	PAD, ADJUSTING (2.440) PASTILLE, DE REGLAGE (2.440)	16	16	UR
	69J-12168-70	PAD, ADJUSTING (2.460) PASTILLE, DE REGLAGE (2.460)	16	16	UR
	69J-12168-80	PAD, ADJUSTING (2.480) PASTILLE, DE REGLAGE (2.480)	16	16	UR
	69J-12168-90	PAD, ADJUSTING (2.500) PASTILLE, DE REGLAGE (2.500)	16	16	UR
	69J-12168-A0	PAD, ADJUSTING (2.520) PASTILLE, DE REGLAGE (2.520)	16	16	UR
	69J-12168-B0	PAD, ADJUSTING (2.540) PASTILLE, DE REGLAGE (2.540)	16	16	UR
	69J-12168-C0	PAD, ADJUSTING (2.560) PASTILLE, DE REGLAGE (2.560)	16	16	UR
	69J-12168-D0	PAD, ADJUSTING (2.580) PASTILLE, DE REGLAGE (2.580)	16	16	UR
	69J-12168-E0	PAD, ADJUSTING (2.600) PASTILLE, DE REGLAGE (2.600)	16	16	UR
	69J-12168-F0	PAD, ADJUSTING (2.620) PASTILLE, DE REGLAGE (2.620)	16	16	UR
	69J-12168-G0	PAD, ADJUSTING (2.640) PASTILLE, DE REGLAGE (2.640)	16	16	UR
	69J-12168-H0	PAD, ADJUSTING (2.660) PASTILLE, DE REGLAGE (2.660)	16	16	UR
	69J-12168-J0	PAD, ADJUSTING (2.680) PASTILLE, DE REGLAGE (2.680)	16	16	UR
	69J-12168-K0	PAD, ADJUSTING (2.700) PASTILLE, DE REGLAGE (2.700)	16	16	UR

**B5**



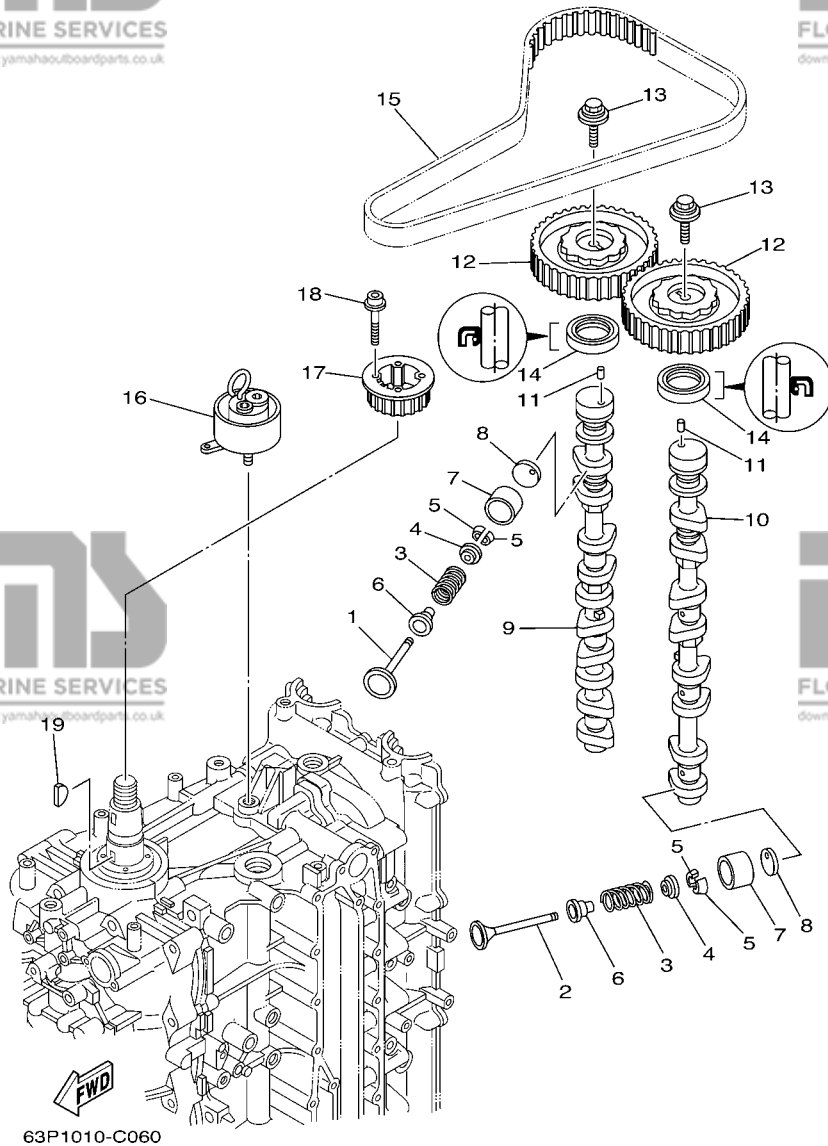
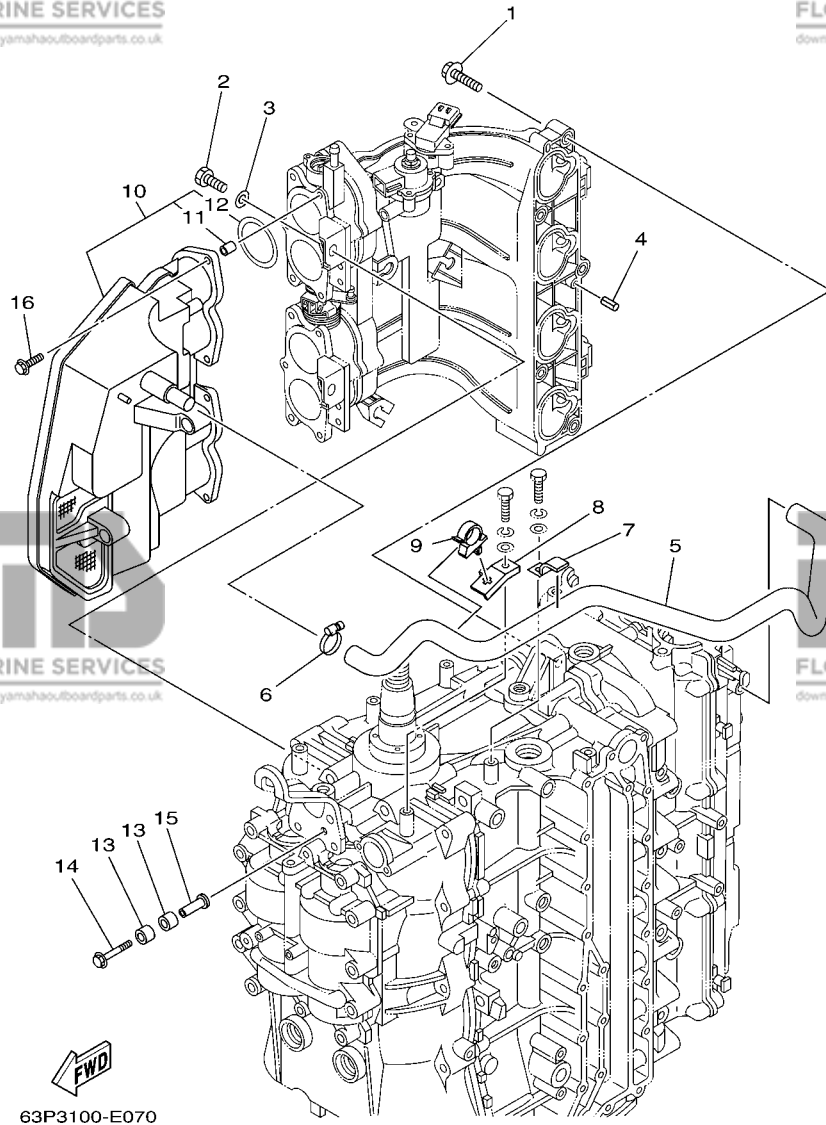


FIG. 6 VALVE

SOUPAPE

REF. NO.	PART NO. N° PIECES	DESCRIPTION DESCRIPTION	63P3	64P3	REMARKS REMARQUES
8	69J-12168-L0	PAD, ADJUSTING (2.720) PASTILLE, DE REGLAGE (2.720)	16	16	UR
	69J-12168-M0	PAD, ADJUSTING (2.740) PASTILLE, DE REGLAGE (2.740)	16	16	UR
	69J-12168-N0	PAD, ADJUSTING (2.760) PASTILLE, DE REGLAGE (2.760)	16	16	UR
	69J-12168-P0	PAD, ADJUSTING (2.780) PASTILLE, DE REGLAGE (2.780)	16	16	UR
	69J-12168-R0	PAD, ADJUSTING (2.800) PASTILLE, DE REGLAGE (2.800)	16	16	UR
	69J-12168-S0	PAD, ADJUSTING (2.820) PASTILLE, DE REGLAGE (2.820)	16	16	UR
	69J-12168-T0	PAD, ADJUSTING (2.840) PASTILLE, DE REGLAGE (2.840)	16	16	UR
	69J-12168-U0	PAD, ADJUSTING (2.860) PASTILLE, DE REGLAGE (2.860)	16	16	UR
	69J-12168-V0	PAD, ADJUSTING (2.880) PASTILLE, DE REGLAGE (2.880)	16	16	UR
	69J-12168-W0	PAD, ADJUSTING (2.900) PASTILLE, DE REGLAGE (2.900)	16	16	UR
	69J-12168-X0	PAD, ADJUSTING (2.920) PASTILLE, DE REGLAGE (2.920)	16	16	UR
	69J-12168-Y0	PAD, ADJUSTING (2.940) PASTILLE, DE REGLAGE (2.940)	16	16	UR
	69J-12169-00	PAD, ADJUSTING (2.960) PASTILLE, DE REGLAGE (2.960)	16	16	UR
9	63P-12171-00	CAMSHAFT 1 ARBRE A CAMES 1	1	1	
10	63P-12181-00	CAMSHAFT 2 ARBRE A CAMES 2	1	1	
11	93605-10108	PIN, DOWEL AXE	2	2	
12	63P-11537-00	GEAR, DRIVEN PIGNON SECONDAIRE	2	2	
13	90119-10M06	BOLT, WITH WASHER BOULON, AVEC RONDELLE	2	2	
14	93102-38M59	OIL SEAL JOINT SPY	2	2	
15	63P-46241-00	V-BELT COURROIE TRAPEZOIDALE	1	1	
16	63P-11590-00	TENSIONER ASSY TENDEUR (ENS.)	1	1	
17	63P-11536-00	GEAR, DRIVE ENGRENAGE, MENANT	1	1	Go to P/N : PE0-OM-120035
18	90110-05020	BOLT, HEXAGON SOCKET HEAD BOULON, TETE HEXAGONALE CREUSE	4	4	
19	90280-04008	KEY, WOODRUFF CLAVETTE, DEMI-LUNE	1	1	Go to P/N : PE0-OM-120035



**FIG. 7 INTAKE 1**

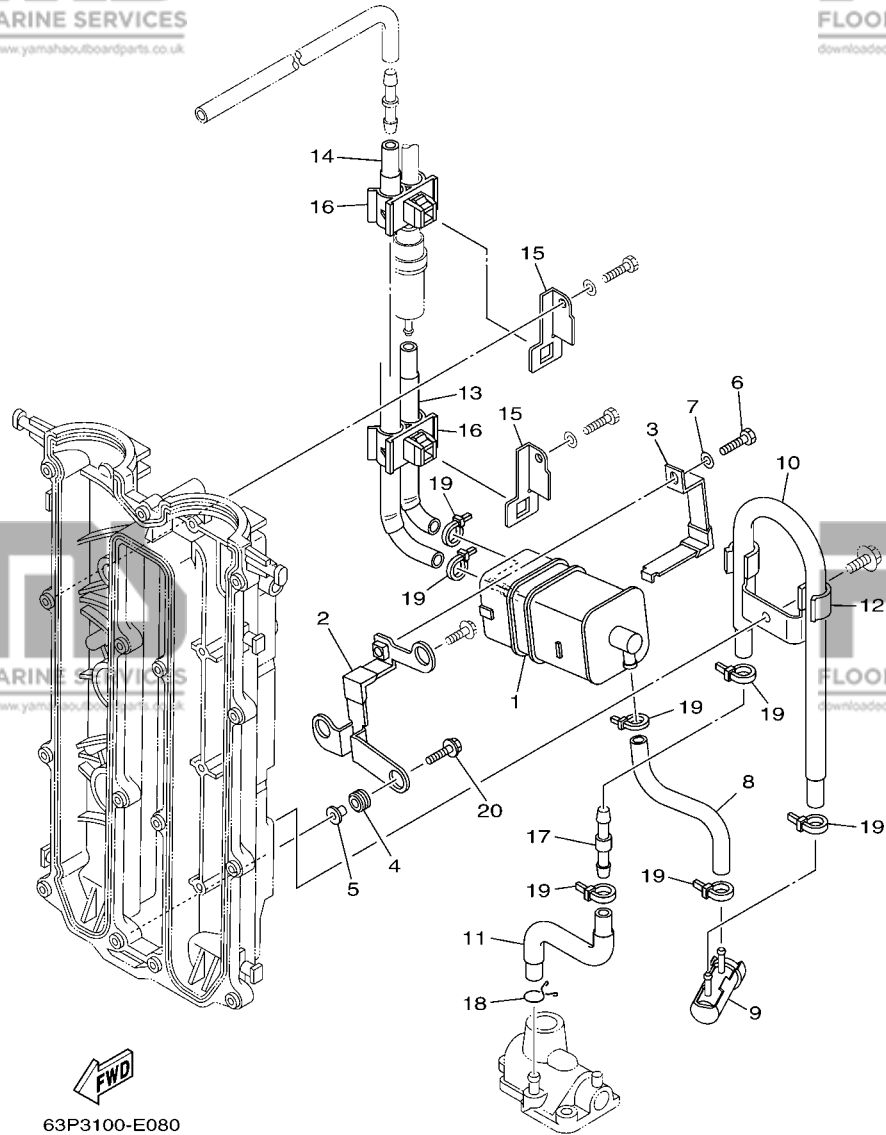
**ADMISSION 1**

REF. NO.	PART NO. N° PIECES	DESCRIPTION DESCRIPTION	63P3	64P3	REMARKS REMARQUES
1	97575-08540	BOLT, WITH WASHER VIS HEXAGONAL AVC RONDELLE	5	5	
2	97013-08020	BOLT BOULON	2	2	
3	92903-08600	WASHER, PLATE RONDELLE, PLATE	2	2	
4	91690-50014	PIN, SPRING AGRAFFE	2	2	
5	63P-15373-00	PIPE, BREATHER DURITE DE RENIFLARD	1	1	
6	90450-22M14	HOSE CLAMP ASSY BRIDE, DE DURITE	1	1	
7	90462-10023	CLAMP BRIDE	1	1	
8	63P-15378-00	HOLDER SUPPORT	1	1	
9	90464-20006	CLAMP BRIDE	1	1	
10	63P-14440-00	SILENCER ASSY, INTAKE SIENCIEUX D'ADMISSION	1	1	
11	63P-14449-00	.COLLAR .COLLERETTE	6	6	
12	63P-14457-00	.SEAL .JOINT	4	4	
13	90386-08001	BUSH DOUILLE	4	4	
14	90119-06076	BOLT, WITH WASHER BOULON, AVEC RONDELLE	2	2	
15	90387-06038	COLLAR COLLERETTE	2	2	
16	90119-06M82	BOLT, WITH WASHER BOULON, AVEC RONDELLE	6	6	



FIG. 8 INTAKE 2

ADMISSION 2

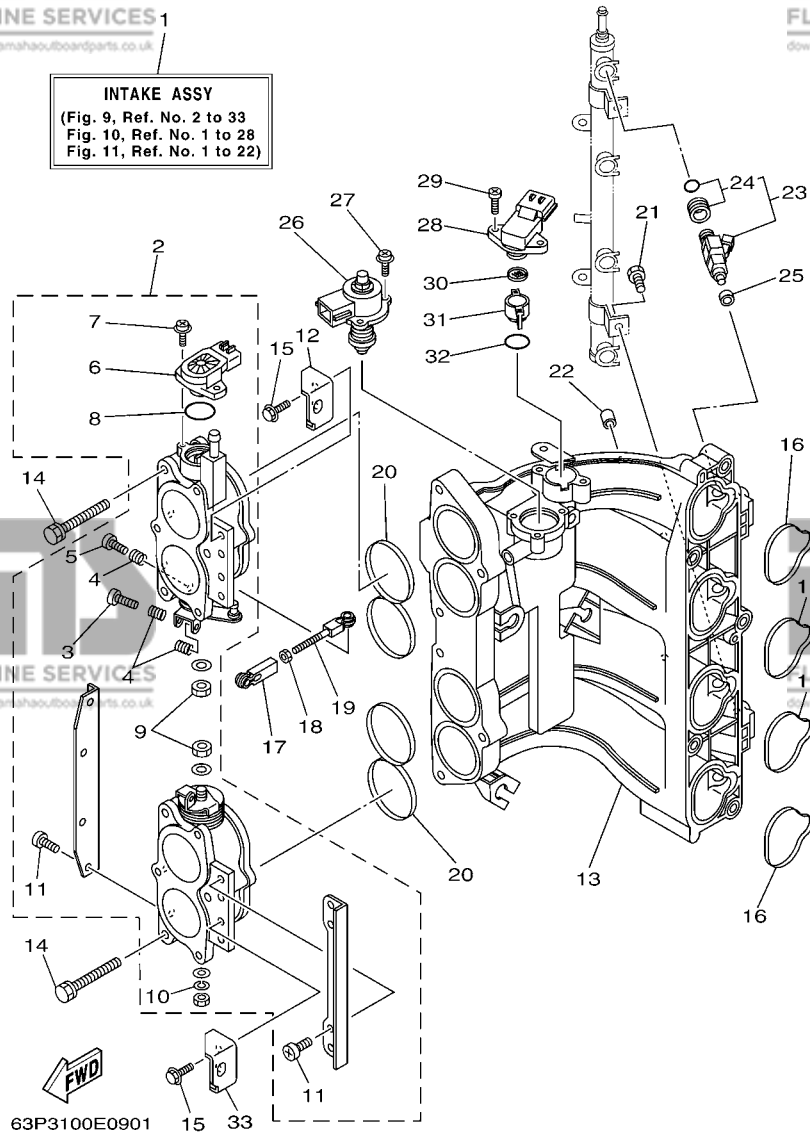


REF. NO.	PART NO. N° PIECES	DESCRIPTION DESCRIPTION	63P3	64P3	REMARKS REMARQUES
1	6P2-24170-00	CANISTER ASSY BANDE, RASERVOIR A ESSENCE	1	1	
2	63P-2134X-00	BRACKET, CANISTER SUPPORT	1	1	
3	63P-2419A-00	HOLDER SUPPORT	1	1	
4	90480-10M23	GROMMET PASSE-FIL	3	3	
5	90387-06M60	COLLAR COLLERETTE	3	3	
6	97095-06016	BOLT BOULON	1	1	
7	92995-06600	WASHER RONDELLE	1	1	
8	64P-24313-00	PIPE 3 DURITE 3	1	1	
9	69J-24502-00	FILTER, FUEL FILTRE	1	1	
10	64P-24312-00	PIPE 2 DURITE 2	1	1	
11	64P-24311-00	PIPE, FUEL 1 DURITE A ESSENCE	1	1	
12	63P-24367-00	CLAMP, FUEL PIPE 2 COLLIER DE DURITE A ESSENCE	1	1	
13	64P-24315-00	PIPE 5 DURITE 5	1	1	
14	64P-24314-00	PIPE 4 DURITE 4	1	1	
15	63P-24364-00	STAY SUPPORT	2	2	
16	90464-11012	CLAMP BRIDE	2	2	
17	6E5-24379-00	PIPE, JOINT 4 DURITE RACCORDEMENT 4	1	1	
18	90467-09M09	CLIP JONC	1	1	
19	90465-11M10	CLAMP BRIDE	7	7	
20	90119-06135	BOLT, WITH WASHER BOULON, AVEC RONDELLE	2	2	



63P3100-E080

**INTAKE ASSY**  
(Fig. 9, Ref. No. 2 to 33  
Fig. 10, Ref. No. 1 to 28  
Fig. 11, Ref. No. 1 to 22)



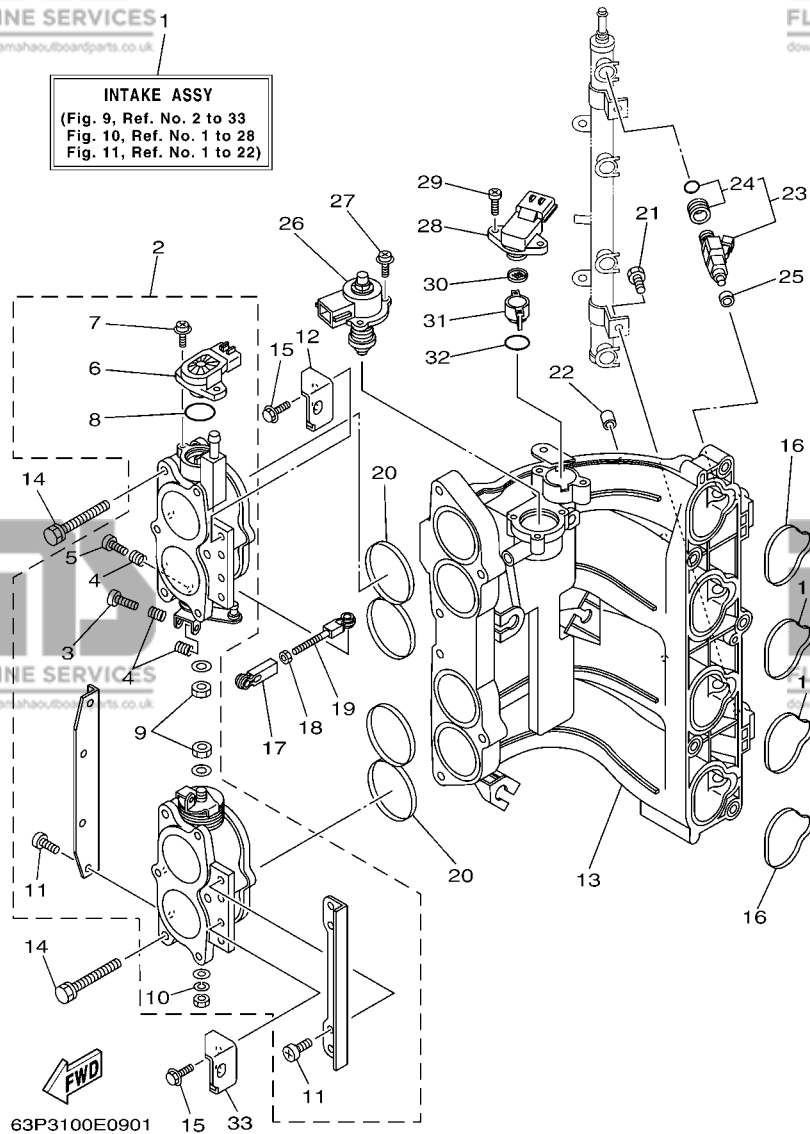
**FIG. 9 INTAKE 3**

**ADMISSION 3**

REF. NO.	PART NO. N° PIECES	DESCRIPTION DESCRIPTION			REMARKS REMARQUES
			63P3	64P3	
1	63P-14200-21	INTAKE ASSY ADMISSION (ENS.)	1	1	
2	63P-13751-01	BODY, THROTTLE 1 CARTER 1	1	1	
3	69J-14321-00	.SCREW, THROTTLE .VIS, ACCELERATEUR	1	1	
4	68V-14331-00	.SPRING, THROTTLE VALVE .RESSORT, BOISSEAU	3	3	
5	68V-14323-00	.SCREW, AIR ADJUSTING .VIS DE DOSEUR D'AIR	1	1	
6	6S1-85885-00	.THROTTLE SENSOR ASSY .SENSITOMETRE (ENS.)	1	1	
7	68V-81145-01	.SCREW 1 .VIS 1	2	2	
8	68V-8182L-00	.O-RING 1 .JOINT TORIQUE 1	1	1	
9	3CF-14594-00	.NUT .ECROU	2	2	
10	68V-14356-00	.WASHER, SPRING .RONDELLE	1	1	
11	68V-14565-00	.SCREW .VIS	8	8	
12	63P-14291-00	BRACKET 1 SUPPORT 1	1	1	
13	63P-13641-00	MANIFOLD 1 TUBULURE 1	1	1	
14	63P-14496-00	BOLT BOULON	6	6	
15	97595-06516	BOLT, WITH WASHER VIS HEXAGONAL AVC RONDELLE	4	4	
16	63P-13645-00	GASKET, MANIFOLD 1 JOINT, TUBULURE 1	4	4	
17	6H4-41237-00	JOINT, LINK RACCORD	1	1	
18	95380-05700	NUT ECROU	1	1	
19	682-41238-01	JOINT, LINK RACCORD	1	1	
20	63P-13557-00	GASKET JOINT	2	2	
21	63P-14446-00	BOLT BOULON	2	2	
22	63P-13643-00	COVER, MANIFOLD COUVERCLE, TUBULURE	4	4	
23	63P-13761-00	INJECTOR ASSY INJECTEUR	4	4	
24	68V-1410B-00	.PACKING KIT .POCHETTE DE JOINTS	1	1	
25	68V-13766-00	RUBBER, INJECTOR RONDELLE CAOUTCHOUC	4	4	
26	63P-1312A-01	VALVE, CONTROL EMBLEME, YAMAHA	1	1	
27	68V-81146-01	SCREW 2 VIS 2	3	3	

**C2**

**INTAKE ASSY**  
 (Fig. 9, Ref. No. 2 to 33  
 Fig. 10, Ref. No. 1 to 28  
 Fig. 11, Ref. No. 1 to 22)



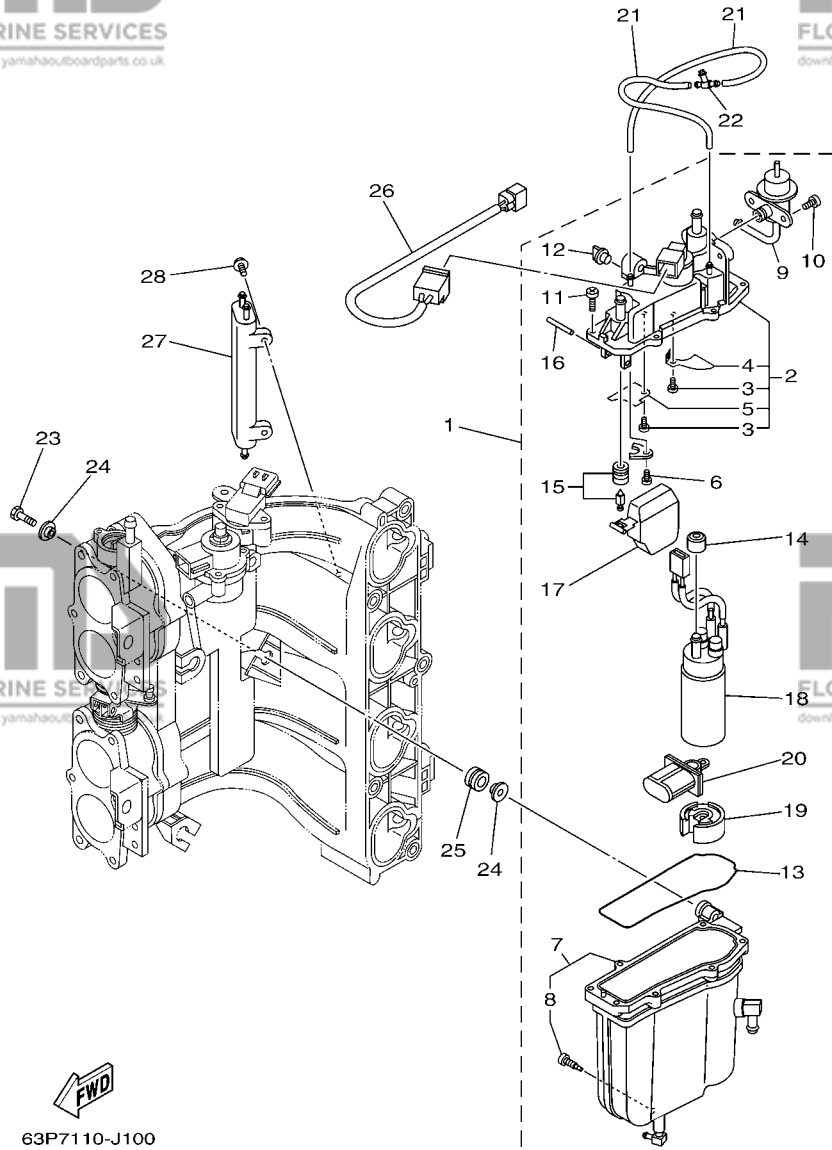
### FIG. 9 INTAKE 3

### ADMISSION 3

REF. NO.	PART NO. N° PIECES	DESCRIPTION DESCRIPTION	63P3	64P3	REMARKS REMARQUES
28	63P-82380-00	SENSOR, PRESSURE SONDE DE PRESSION	1	1	
29	68V-81147-00	SCREW 3 VIS 3	2	2	
30	63P-13905-00	FILTER COMP. ENS FILTRE	1	1	
31	63P-13898-00	HOLDER SUPPORT	1	1	
32	63P-13769-00	O-RING JOINT TORIQUE	1	1	
33	63P-14292-00	BRACKET 2 SUPPORT 2	1	1	

**FIG. 10 FUEL INJECTION PUMP 1**

**POMPE A INJECTEUR 1**



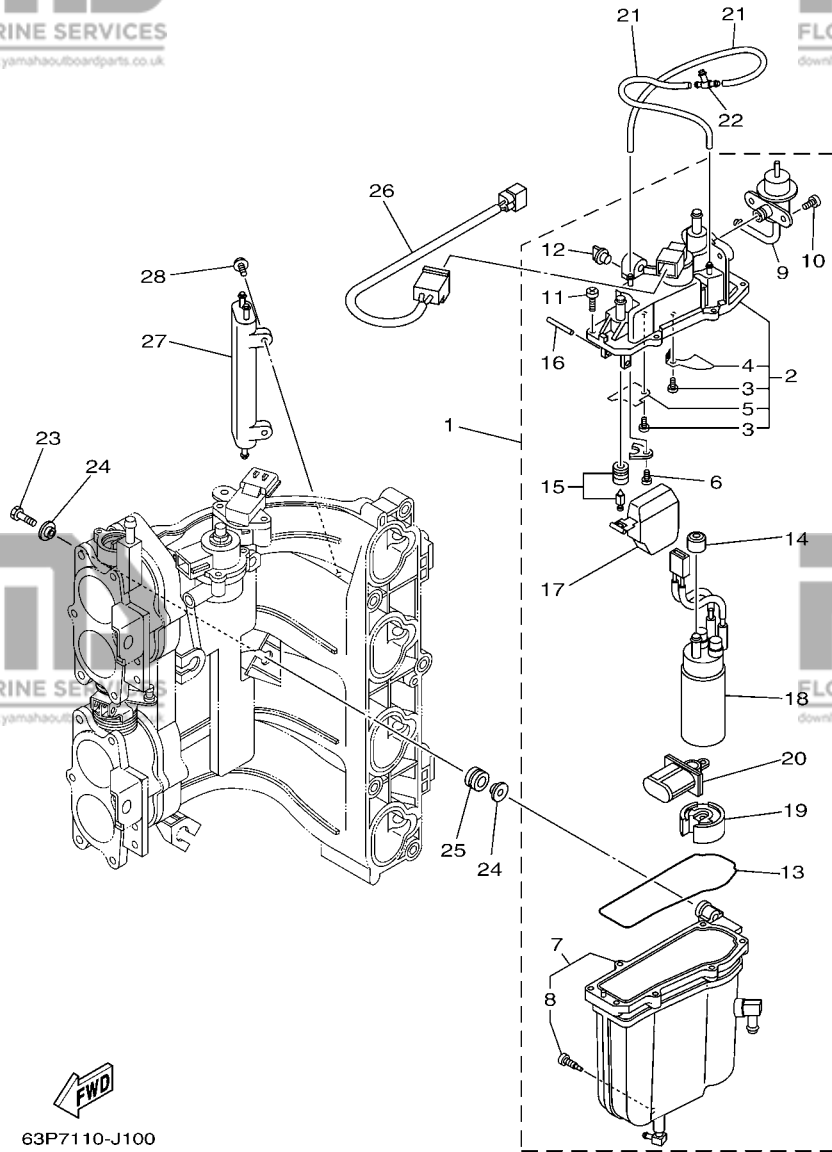
REF. NO.	PART NO. N° PIECES	DESCRIPTION DESCRIPTION	63P3	64P3	REMARKS REMARQUES
1	63P-14180-01	FLOAT CHAMBER ASSY CUVE DE FLOTTEUR	1	1	
2	63P-14182-00	.COVER, FLOAT CHAMBER .COUVERCLE, CUVE DE FLOTTEUR	1	1	
3	4SV-24453-00	..SCREW ..VIS	2	2	
4	63P-2411R-00	..PLATE 1 ..PLAQUE 1	1	1	
5	63P-2411T-00	..PLATE 2 ..PLAQUE 2	1	1	
6	4SV-24453-00	..SCREW ..VIS	1	1	
7	63P-14181-00	.BODY, FLOAT CHAMBER 1 .CORPS, CUVE DE FLOTTEUR 1	1	1	
8	63P-14191-00	..PLUG, DRAIN ..PLOT, VIDANGE	1	1	
9	63P-13906-00	.REGULATOR, PRESSURE .REGULATEUR DE PRESSION	1	1	
10	63P-14565-00	.SCREW ..VIS	2	2	
11	63P-14567-00	.SCREW ..VIS	7	7	
12	69J-14225-01	.CAP .COUVERCLE	1	1	
13	63P-14984-00	.GASKET, FLOAT CHAMBER .JOINT, CUVE DE FLOTTEUR	1	1	
14	68V-13781-10	.DAMPER, PUMP .AMORTISSEUR, POMPE	1	1	
15	63P-14546-00	.VALVE, NEEDLE .POINTEAU	1	1	
16	68V-14386-00	.PIN, FLOAT .AXE, FLOTTEUR	1	1	
17	63P-14985-00	.FLOAT .FLOTTEUR	1	1	
18	63P-13907-02	.FUEL PUMP COMP. .POMPE A CARBURANT COMP.	1	1	
19	63P-13784-00	.COVER, PUMP .COUVERCLE, POMPE	1	1	
20	63P-13915-00	.FILTER ..FILTRE	1	1	
21	63P-14148-00	PIPE DURITE	2	2	
22	69J-24379-00	PIPE, JOINT 4 DURITE RACCORDEMENT 4	1	1	
23	63P-14777-00	BOLT BOULON	3	3	
24	69J-13716-00	COLLAR COLLERETTE	6	6	
25	6BM-13593-00	DAMPER AMORTISSEUR	3	3	
26	63P-8259L-00	WIRE HARNESS ASSY 1 FAISCEAU DE FILS COMPLET 1	1	1	
27	69J-21841-02	COOLER RADIATEUR	1	1	

**FIG. 10 FUEL INJECTION PUMP 1**

**POMPE A INJECTEUR 1**

REF. NO.	PART NO. N° PIECES	DESCRIPTION DESCRIPTION	63P3	64P3	REMARKS REMARQUES
----------	--------------------	-------------------------	------	------	-------------------

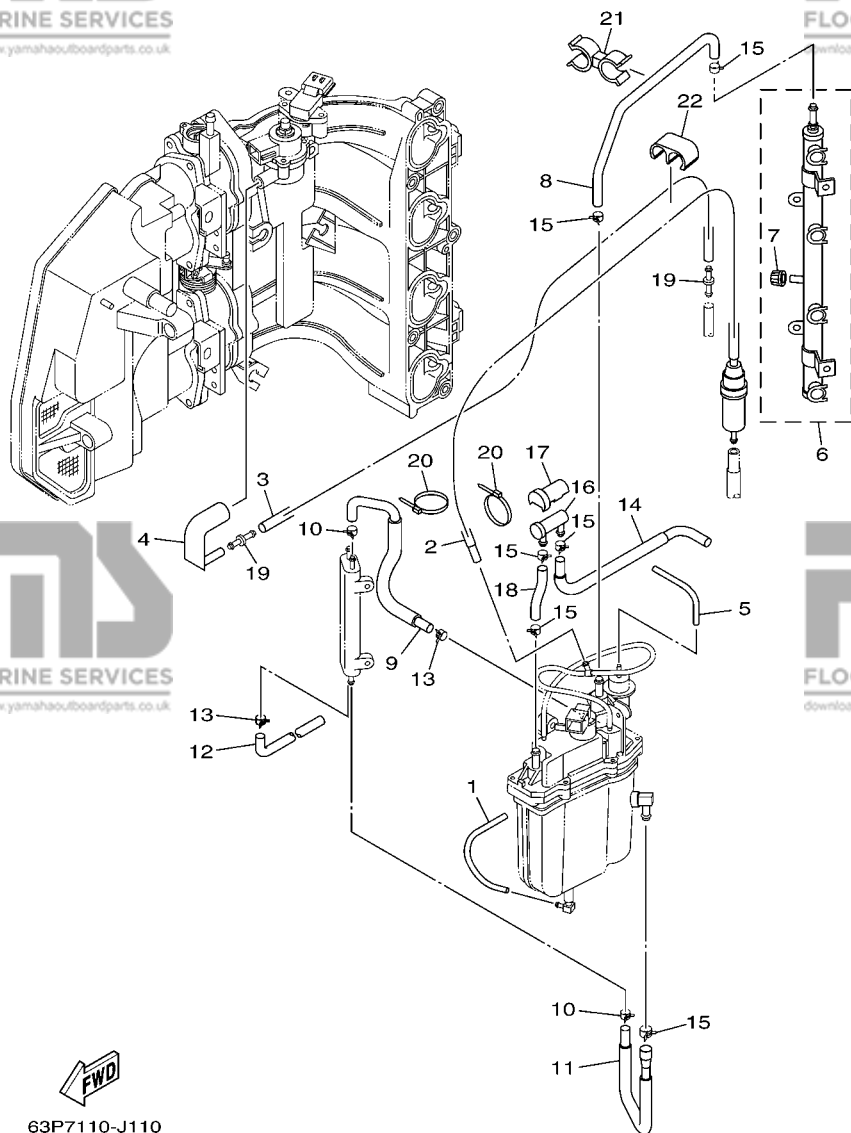
28	68V-14446-00	BOLT BOULON	2	2	
----	--------------	-------------	---	---	--



63P7110-J100

FIG. 11 FUEL INJECTION PUMP 2

POMPE A INJECTEUR 2



REF. NO.	PART NO. N° PIECES	DESCRIPTION DESCRIPTION	63P3	64P3	REMARKS REMARQUES
1	63P-14149-00	PIPE DURITE	1	1	
2	63P-13971-00	PIPE, FUEL 1 TUBE 1, CARBURANT	1	1	
3	63P-13546-00	HOSE 2 DURITE 2	1	1	
4	63P-13545-00	HOSE 1 DURITE 1	1	1	
5	63P-13532-10	HOSE, VACUUM SENSING 3 DURITE 3	1	1	
6	63P-13160-00	DELIVERY PIPE ASSY 1 ENS. TUBE DE REFOULEMENT 1	1	1	
7	63P-14225-00	.CAP .COUVERCLE	1	1	
8	63P-13974-20	PIPE, FUEL 4 TUBE 4, CARBURANT	1	1	
9	63P-13976-00	PIPE, FUEL 6 TUBE 6, CARBURANT	1	1	
10	68V-2411M-00	CLIP JONC	2	2	
11	63P-24317-00	PIPE 7 DURITE 7	1	1	
12	63P-2247B-00	HOSE 2 DURITE 2	1	1	
13	68V-24519-00	CLIP JONC	2	2	
14	63P-24325-00	PIPE 14 DURITE 14	1	1	
15	68V-13577-00	CLIP AGRAFE	6	6	
16	69J-24501-10	FILTER, FUEL FILTRE	1	1	
17	69J-24599-10	CAP CAPUCHON	1	1	
18	63P-13975-00	PIPE, FUEL 5 TUBE 5, CARBURANT	1	1	
19	6P2-13758-00	PIPE, JOINT DURITE	2	2	
20	68V-2481H-00	CLAMP BRIDE	2	2	
21	63P-2417H-00	CLAMP 1 COLLIER 1	1	1	
22	63P-2417J-00	CLAMP 2 COLLIER 2	1	1	

**FWD**  
63P7110-J110

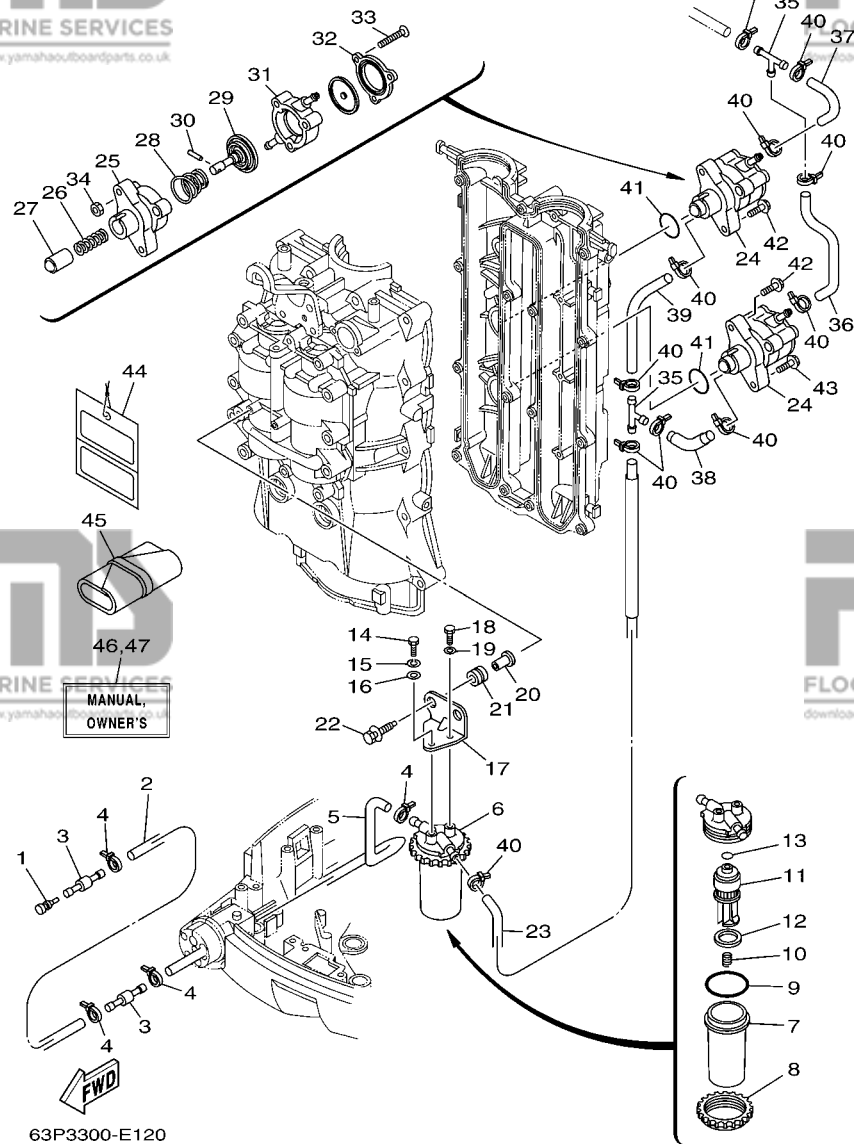


FIG. 12 FUEL 1

CARBURANT 1

REF. NO.	PART NO. N° PIECES	DESCRIPTION DESCRIPTION	63P3	64P3	REMARKS REMARQUES
1	689-85547-00	DAMPER AMORTISSEUR	1	1	
2	90445-13511	HOSE (L2000) DURITE (L2000)	1	1	
3	6R3-24377-10	PIPE, JOINT 3 DURITE RACCORDEMENT 3	2	2	
4	90465-11M10	CLAMP BRIDE	4	4	
5	63P-24316-00	PIPE 6 DURITE 6	1	1	
6	65L-24560-00	FILTER ASSY ENS FILTRE	1	1	
7	61A-24521-00	.CUP, FILTER .CUVETTE, FILTRE	1	1	
8	65L-24531-01	.NUT .ECROU	1	1	
9	61A-24564-00	.O-RING .JOINT TORIQUE	1	1	
10	65L-24577-00	.SPRING .RESSORT	1	1	
11	65L-24563-00	.ELEMENT, FILTER .ELEMENT, FILTRE	1	1	
12	61A-24469-00	.FLOAT, WATER LEVEL .FLOTTEUR	1	1	
13	65L-24564-00	.O-RING .JOINT TORIQUE	1	1	
14	97095-06016	BOLT BOULON	1	1	
15	92995-06100	WASHER, SPRING RONDELLE, GROWER	1	1	
16	90201-06068	WASHER, PLATE RONDELLE, PLATE	1	1	
17	63P-24566-00	BRACKET, FILTER SUPPORT, FILTRE	1	1	
18	97095-06014	BOLT BOULON	1	1	
19	92995-06600	WASHER RONDELLE	1	1	
20	90387-06M60	COLLAR COLLERETTE	2	2	
21	90480-10M23	GROMMET PASSE-FIL	2	2	
22	90119-06071	BOLT, WITH WASHER BOULON, AVEC RONDELLE	2	2	
23	63P-24311-10	PIPE, FUEL 1 DURITE A ESSENCE	1	1	
24	63P-24410-00	FUEL PUMP ASSY POMPE A ESSENCE	2	2	
25	68V-24412-00	.BODY 1 .CORPS 1	1	1	
26	68V-24454-00	.SPRING .RESSORT	1	1	
27	63P-13131-00	.PLUNGER .PLONGEUR	1	1	

C6

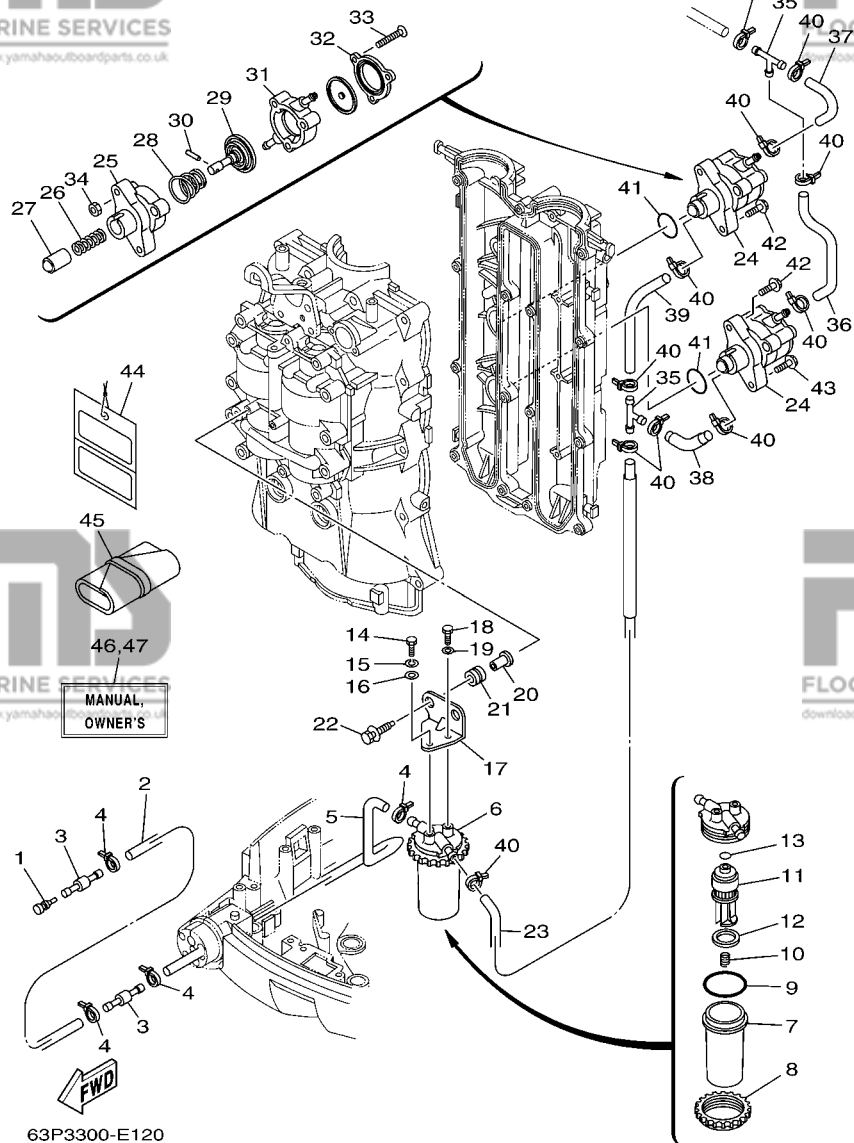


FIG. 12 FUEL 1

CARBURANT 1

REF. NO.	PART NO. N° PIECES	DESCRIPTION DESCRIPTION			REMARKS REMARQUES
			63P3	64P3	
28	63P-24423-00	.SPRING, DIAPHRAGM .RESSORT, DIAPHRAGME	1	1	
29	68V-24411-00	.DIAPHRAGM .DIAPHRAGME	1	1	
30	68V-24374-00	.PIN .GOUILLE	1	1	
31	68V-24413-00	.BODY 2 .CORPS 2	1	1	
32	63P-24414-00	.BODY 3 .CORPS 3	1	1	
33	68V-24444-00	.SCREW .VIS	3	3	
34	68V-24149-00	.NUT .ECROU	3	3	
35	6E5-24378-00	PIPE, JOINT 3 DURITE, RACCORDEMENT 3	2	2	
36	63P-24314-00	PIPE 4 DURITE 4	1	1	
37	63P-24315-00	PIPE 5 DURITE 5	1	1	
38	63P-24312-10	PIPE 2 DURITE 2	1	1	
39	63P-24313-10	PIPE 3 DURITE 3	1	1	
40	90465-11M10	CLAMP BRIDE	11	11	
41	93210-30682	O-RING JOINT TORIQUE	2	2	
42	90119-06M83	BOLT, WITH WASHER BOULON, AVEC RONDELLE	3	3	
43	90119-06135	BOLT, WITH WASHER BOULON, AVEC RONDELLE	1	1	
44	61H-2819R-31	TAG, WARNING ETIQUETTE, AVERTISSEMENT	1	1	
45	67F-28100-01	TOOL KIT TROUSSE A OUTILS	1	1	
46	63P-28199-73-E0	MANUAL, OWNER'S MANUEL D'UTILISATION	1	1	UR (E) UR (E)
	63P-28199-73-F0	MANUAL, OWNER'S MANUEL D'UTILISATION	1	1	UR (F) UR (F)
	63P-28199-73-S0	MANUAL, OWNER'S MANUEL D'UTILISATION	1	1	UR (ES) UR (ES)
	63P-28199-73-G0	MANUAL, OWNER'S MANUEL D'UTILISATION	1	1	UR (D) UR (D)
	63P-28199-73-D0	MANUAL, OWNER'S MANUEL D'UTILISATION	1	1	UR (NL) UR (NL)
	63P-28199-73-H0	MANUAL, OWNER'S MANUEL D'UTILISATION	1	1	UR (I) UR (I)
47	63P-28199-83-K0	MANUAL, OWNER'S MANUEL D'UTILISATION	1	1	UR (DK) UR (DK)
	63P-28199-83-R0	MANUAL, OWNER'S MANUEL D'UTILISATION	1	1	UR (GR) UR (GR)
	63P-28199-83-P0	MANUAL, OWNER'S MANUEL D'UTILISATION	1	1	UR (P) UR (P)

C7

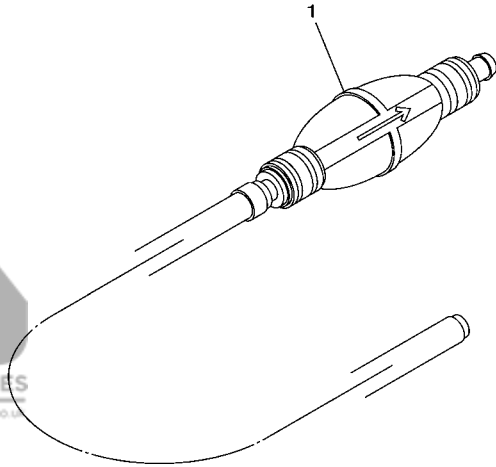




**FIG. 13 FUEL 2**

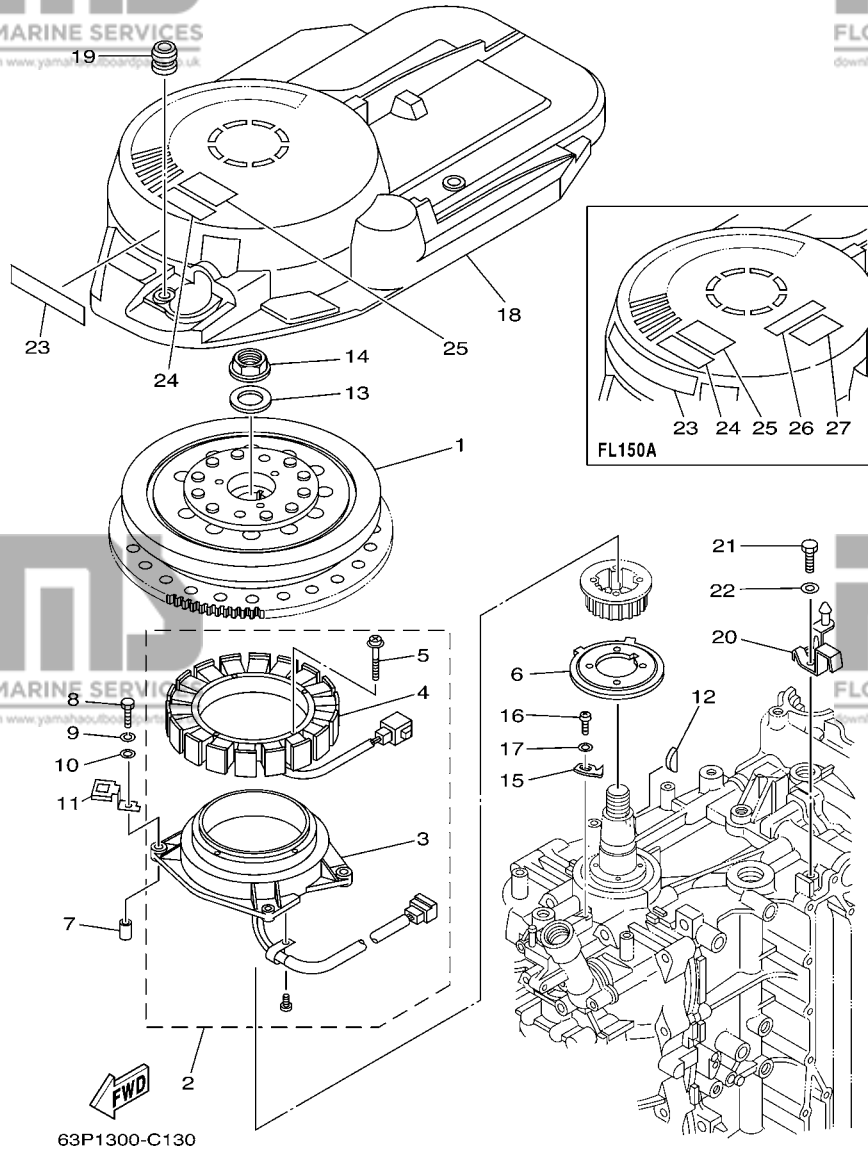
**CARBURANT 2**

REF. NO.	PART NO. N° PIECES	DESCRIPTION DESCRIPTION	63P3	64P3	REMARKS REMARQUES
1	6YK-24307-42	FUEL PIPE COMP. 2 DURITE A ESSENCE 2	1	1	AP AP



63P1300-C120

**D2**

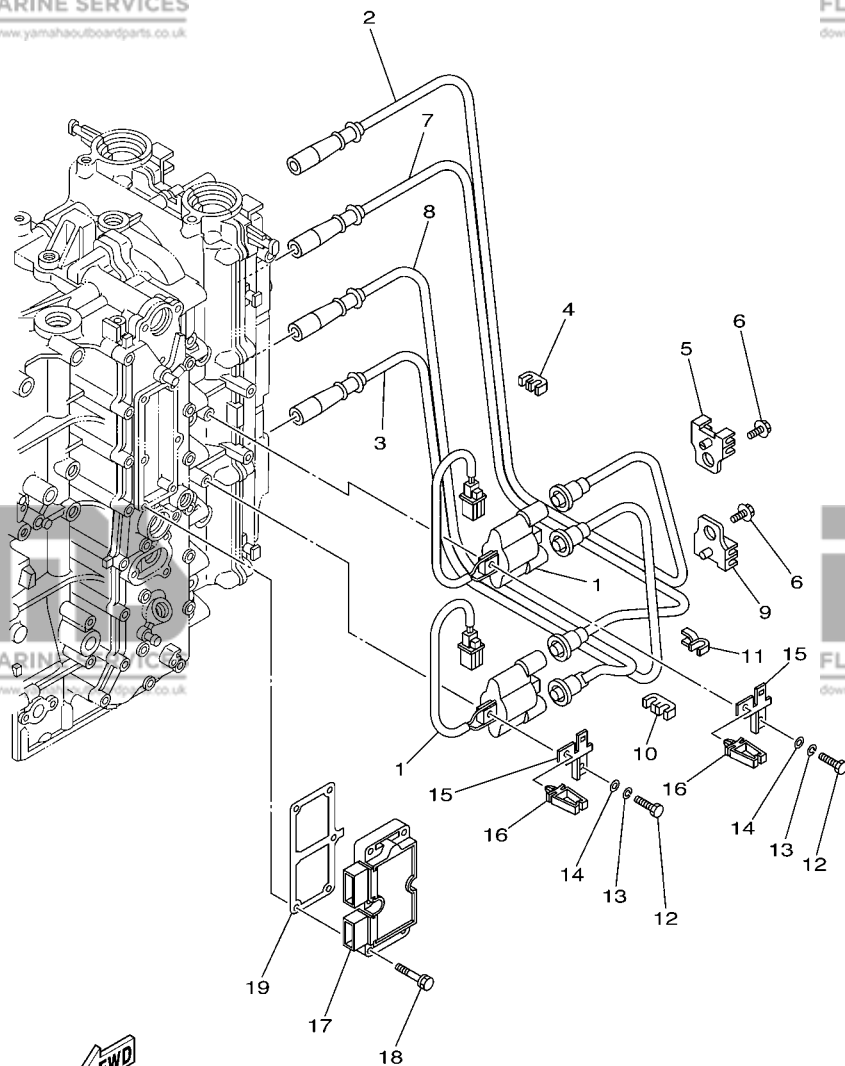


**FIG. 14 GENERATOR**

**GENERATRICE**

REF. NO.	PART NO. N° PIECES	DESCRIPTION DESCRIPTION	63P3	64P3	REMARKS REMARQUES
1	63P-81450-00	ROTOR ASSY ROTOR COMPLET	1	1	
2	63P-81460-00	BASE ASSY ENS. FLASQUE	1	1	
3	63P-85580-00	.COIL, PULSER .BOBINE, PULSEUR	1	1	
4	63P-81410-00	.STATOR ASSY .STATOR COMPLET	1	1	
5	63D-81345-20	.SCREW, WITH WASHER (M6X30) .VIS, AVEC RONDELLE (M6X30)	4	4	
6	63P-81673-00	ROTOR ROTOR	1	1	Go to P/N : PE0-OM-120035
7	99530-08012	PIN, DOWEL GOUJON, D'ASSEMBLAGE	2	2	
8	97095-06035	BOLT BOULON	4	4	
9	92995-06100	WASHER, SPRING RONDELLE, GROWER	4	4	
10	92995-06600	WASHER RONDELLE	4	4	
11	63P-81845-00	PLATE PLAQUE	2	2	
12	90280-05015	KEY, WOODRUFF CLAVETTE, DEMI-LUNE	1	1	
13	90201-24014	WASHER, PLATE RONDELLE, PLATE	1	1	
14	90179-24002	NUT ECROU	1	1	
15	6P2-81332-00	PLATE, TIMING PLATEAU, ALLUMAGE	1	1	
16	97885-06010	SCREW, PAN HEAD VIS, A ENCOCHE	1	1	
17	92995-06600	WASHER RONDELLE	1	1	
18	63P-81337-00	COVER, FLYWHEEL COUVERCLE, VOLANT	1	1	
19	663-82317-01	DAMPER, IGNITION COIL AMORTISSEUR, BOBINE D'ALLUM	3	3	
20	63P-8132G-00	PLATE PLAQUE	1	1	
21	97095-06016	BOLT BOULON	1	1	
22	92995-06600	WASHER RONDELLE	1	1	
23	63P-13437-61	MARK, CAUTION MAKER	1	1	
24	6A1-83625-41	MARK 5 ETIQUETTE 5	1	1	
25	6A1-83625-51	MARK 5 ETIQUETTE 5	1	1	
26	6K1-83623-41	MARK 3 ETIQUETTE 3	1	1	
27	6K1-83623-50	MARK 3 ETIQUETTE 3	1	1	

**D3**



63P2100-D140

FIG. 15 ELECTRICAL 1

PARTIE ELECTRIQUE 1

REF. NO.	PART NO. N° PIECES	DESCRIPTION DESCRIPTION	63P3	64P3	REMARKS REMARQUES
1	63P-82310-01	IGNITION COIL ASSY BOBINE D'ALLUMAGE	2	2	
2	63P-82341-00	CORD, HIGH TENSION 1 CORDON, HAUTE-TENSION 1	1	1	
3	63P-82342-00	CORD, HIGH TENSION 2 CORDON, HAUTE-TENSION 2	1	1	
4	67F-82361-00	CLAMP, CORD COLLIER, CORDON	1	1	
5	67F-82362-00	CLAMP, CORD 2 COLLIER, CABLE 2	1	1	
6	90119-06134	BOLT, WITH WASHER BOULON, AVEC RONDELLE	2	2	
7	63P-82343-00	CORD, HIGH TENSION 3 CORDON, HAUTE-TENSION 3	1	1	
8	63P-82344-00	CORD, HIGH TENSION 4 CORDON, HAUTE TENSION 4	1	1	
9	67F-82362-00	CLAMP, CORD 2 COLLIER, CABLE 2	1	1	
10	67F-82361-00	CLAMP, CORD COLLIER, CORDON	1	1	
11	90464-07M41	CLAMP BRIDE	1	1	
12	97095-06025	BOLT BOULON	4	4	
13	92995-06100	WASHER, SPRING RONDELLE, GROWER	4	4	
14	92995-06600	WASHER RONDELLE	4	4	
15	63P-82388-00	PLATE PLAQUETTE	2	2	
16	90464-05141	CLAMP BRIDE	2	2	
17	63P-81960-00	RECTIFIER & REGULATOR ASSY REDRESSEUR REGULATEUR CPLT	1	1	
18	90119-06MA4	BOLT, WITH WASHER BOULON, AVEC RONDELLE	6	6	
19	63P-81975-00	PLATE, RECTIFIER FITTING PLAQUE, FIXATION DU REDRESSEUR	1	1	

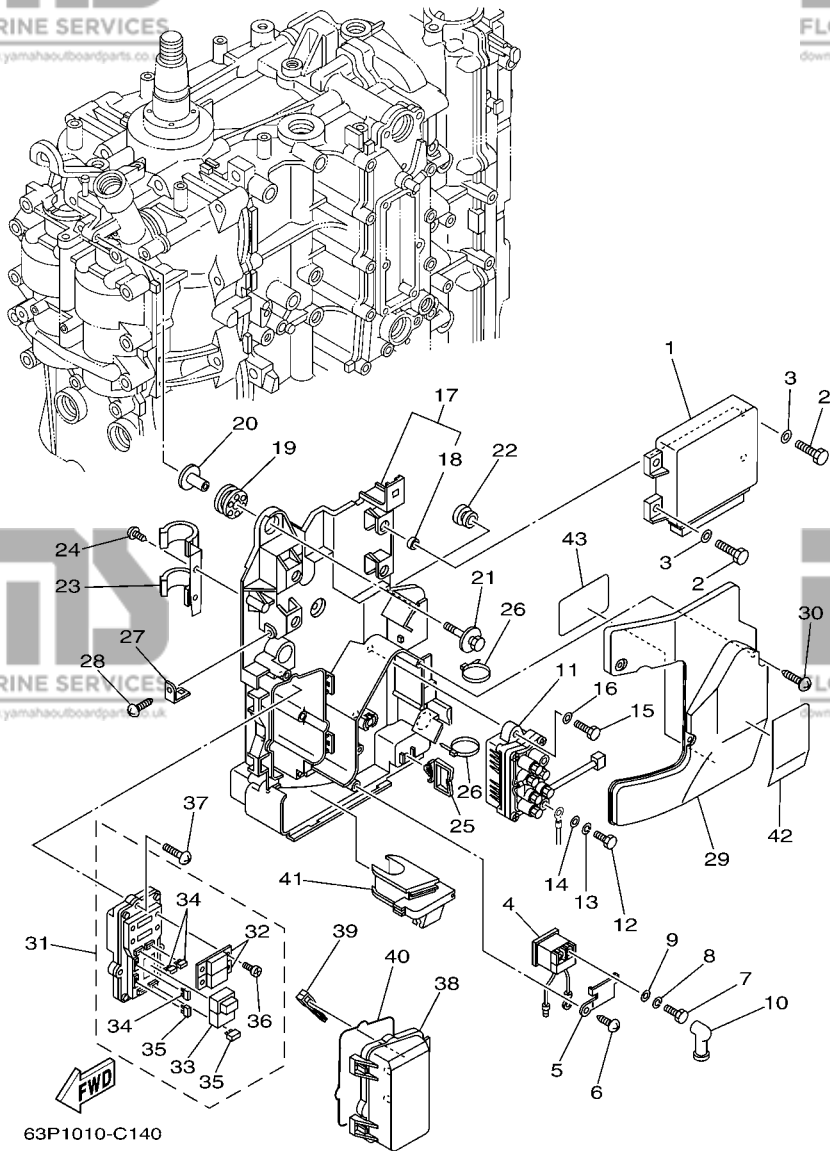
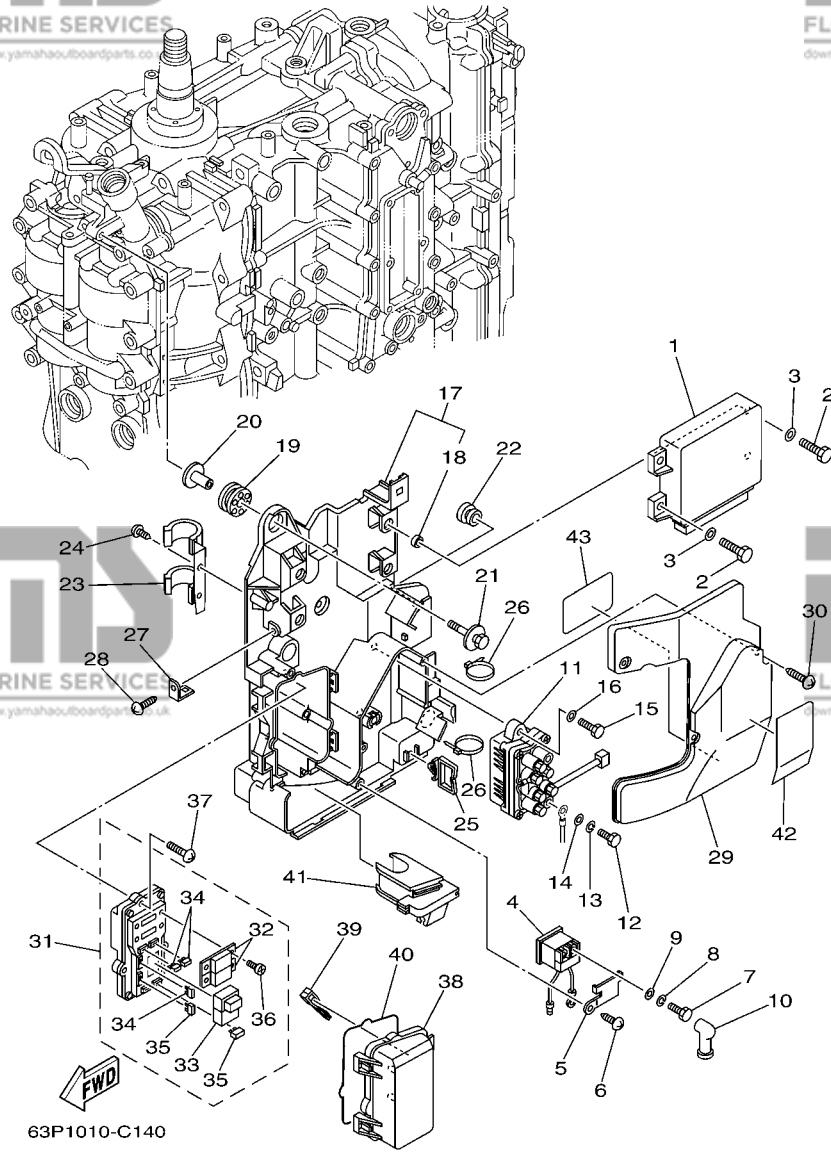


FIG. 16 ELECTRICAL 2

PARTIE ELECTRIQUE 2

REF. NO.	PART NO. N° PIECES	DESCRIPTION DESCRIPTION	63P3	64P3	REMARKS REMARQUES
1	63P-8591A-01	ENGINE CONTROL UNIT ASSY BLOC DE CONTROL	1	1	
2	97095-06016	BOLT BOULON	4	4	
3	92995-06600	WASHER RONDELLE	4	4	
4	68V-8194A-00	RELAY RELAIS	1	1	
5	68V-81953-00	STAY, RELAY SUPPORT, RELAIS	1	1	
6	97780-60620	SCREW, TAPPING VIS, TETE BOMBEE	1	1	
7	97095-06010	BOLT BOULON	2	2	
8	92995-06100	WASHER, SPRING RONDELLE, GROWER	2	2	
9	92995-06600	WASHER RONDELLE	2	2	
10	6G5-82119-00	COVER, LEAD WIRE GARNITURE, FIL	2	2	
11	63P-81950-00	RELAY ASSY RELAIS COMPLET	1	1	
12	97095-06010	BOLT BOULON	2	2	
13	92995-06100	WASHER, SPRING RONDELLE, GROWER	2	2	
14	92995-06600	WASHER RONDELLE	2	2	
15	97013-06020	BOLT BOULON	2	2	
16	92903-06600	WASHER, PLATE RONDELLE, PLATE	2	2	
17	63P-81948-00	BRACKET JOINT TORIQUE	1	1	
18	90387-06010	.COLLAR .COLLERETTE	4	4	
19	68F-85516-01	SPACER ENTRETOISE	3	3	
20	68F-86129-00	COLLAR COLLERETTE	3	3	
21	68F-85119-00	BOLT BOULON	3	3	
22	90480-10627	GROMMET PASSE-FIL	1	1	
23	63P-82594-00	CLAMP BRIDE	1	1	
24	97780-60620	SCREW, TAPPING VIS, TETE BOMBEE	1	1	
25	90464-23199	CLAMP BRIDE	1	1	
26	90465-13M18	CLAMP BRIDE	3	3	
27	68V-85548-00	HOLDER SUPPORT	1	1	

D5



63P1010-C140

FIG. 16 ELECTRICAL 2

PARTIE ELECTRIQUE 2

REF. NO.	PART NO. N° PIECES	DESCRIPTION DESCRIPTION	63P3	64P3	REMARKS REMARQUES
28	97780-60620	SCREW, TAPPING VIS, TETE BOMBEE	1	1	
29	63P-81942-00	COVER COUVERCLE	1	1	
30	90169-05M00	SCREW, TRUSS HEAD TAPPING VIS, TETE FRAISEE	3	3	
31	63P-82170-00	FUSE BOX ASSY BOITE A FUSIBLES	1	1	
32	63P-82151-00	.FUSE (50A) .FUSIBLE (50A)	2	2	
33	68F-8195A-00	.RELAY ASSY .RELAIS COMPLET	1	1	
34	67F-82151-00	.FUSE (20A) .FUSIBLE (20A)	3	3	
35	67F-82151-10	.FUSE (30A) .FUSIBLE (30A)	2	2	
36	68F-82846-00	.SCREW, PAN HEAD (M5) .VIS, TETE TRONCONIQUE (M5)	4	4	
37	97780-50620	SCREW, TAPPING VIS, TETE BOMBEE	3	3	
38	60V-85544-00	CASE BOITIER	1	1	
39	67F-2812A-00	PULLER, FUSE TENDEUR, FUSIBLE	1	1	
40	60V-82157-00	DAMPER AMORTISSEUR	1	1	
41	63P-81336-00	GROMMET OEILLET CAOUTCHOUC	1	1	
42	63P-81919-00	GRAPHIC, REGULATOR ADHESIF, REGULATEUR	1	1	
43	63P-81919-10	GRAPHIC, REGULATOR ADHESIF, REGULATEUR	1	1	

D6

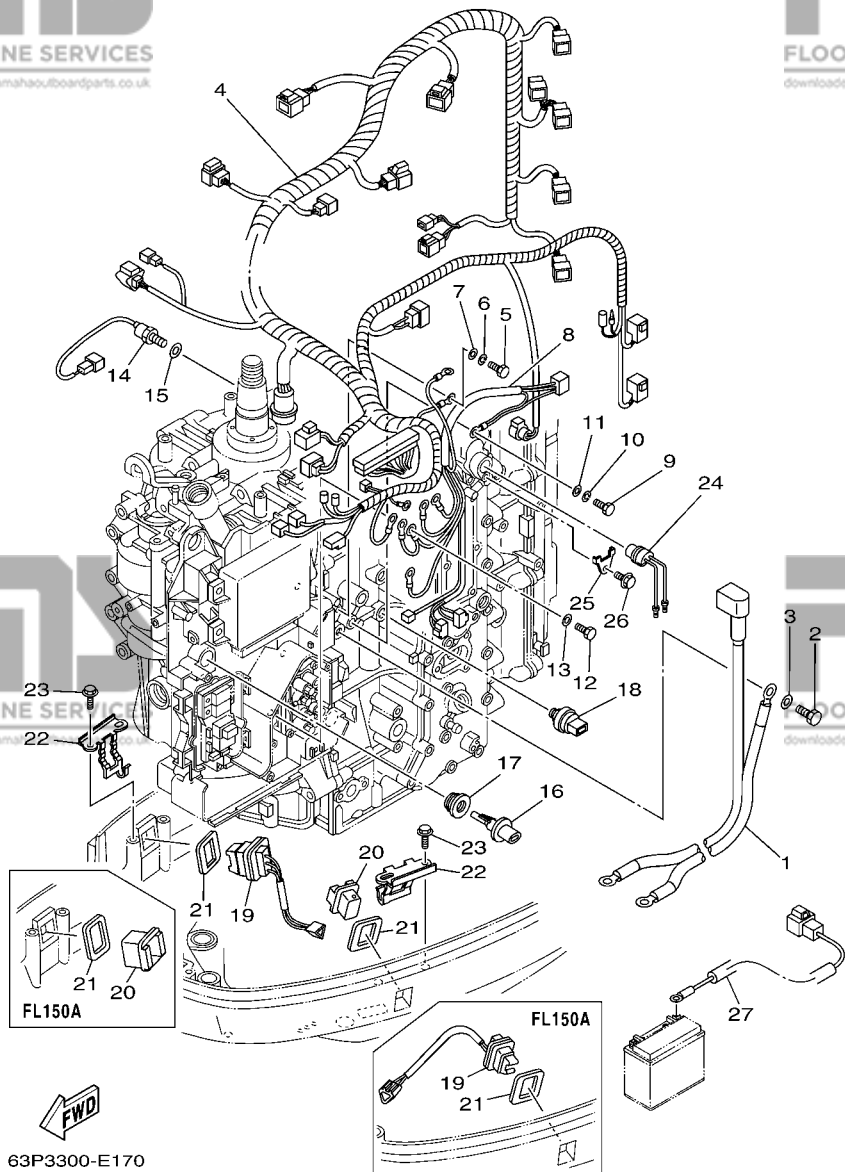
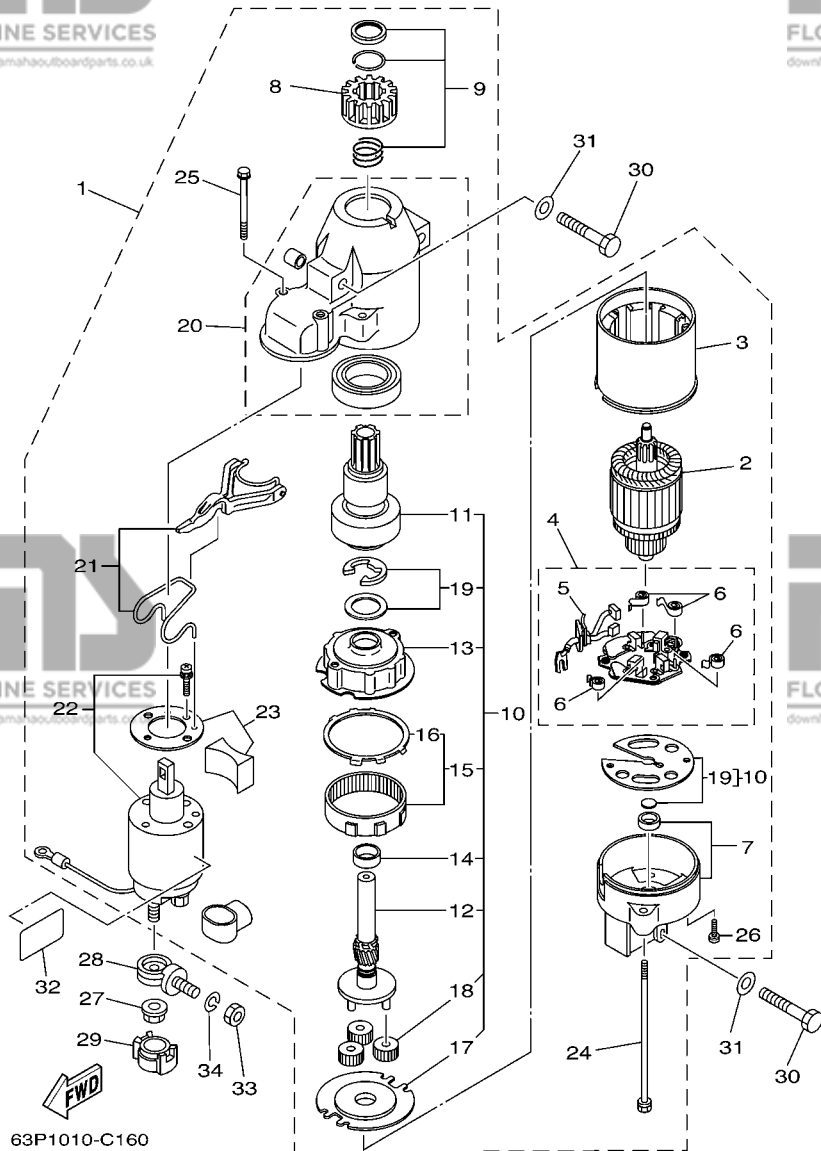


FIG. 17 ELECTRICAL 3

PARTIE ELECTRIQUE 3

REF. NO.	PART NO. N° PIECES	DESCRIPTION DESCRIPTION	63P3	64P3	REMARKS REMARQUES
1	63P-82105-00	WIRE HARNESS FAISCEAU DE FILS	1	1	
2	97095-08016	BOLT BOULON	1	1	
3	92995-08600	WASHER RONDELLE	1	1	
4	63P-82590-01	WIRE HARNESS ASSY FAISCEAU DE FILS COMPLET	1	1	
5	97095-06020	BOLT BOULON	1	1	
6	92995-06100	WASHER, SPRING RONDELLE, GROWER	1	1	
7	92995-06600	WASHER RONDELLE	1	1	
8	63P-8259M-00	WIRE HARNESS ASSY 2 FAISCEAU DE FILS	1	1	
9	97095-06020	BOLT BOULON	1	1	
10	92995-06100	WASHER, SPRING RONDELLE, GROWER	1	1	
11	92995-06600	WASHER RONDELLE	1	1	
12	97095-06012	BOLT BOULON	1	1	
13	92995-06600	WASHER RONDELLE	1	1	
14	61A-85790-00	THERMOSENSOR ASSY SENSITOMETRE	1	1	
15	92990-10600	WASHER, PLATE RONDELLE, PLATE	1	1	
16	63P-85886-00	SENSOR, AIR TEMPERATURE SONDE	1	1	
17	63P-14435-00	GROMMET RONDELLE CAOUTCHOUC	1	1	
18	69J-83651-00	SENDER, OIL PRESSURE RACCORD, PRESSION D'HUILE	1	1	
19	69J-82563-00	TRIM & TILT SWITCH ASSY INCLINER ET PARER COMMUTATEUR	1	1	
20	69J-42723-00-8D	COVER, BOTTOM COUVERCLE	1	1	
21	69J-82587-00	GASKET JOINT	2	2	
22	63P-83614-00	BRACKET SUPPORT	2	2	
23	90109-06M86	BOLT BOULON	4	4	
24	69J-82560-00	THERMO SWITCH ASSY THERMO-CONTACT COMPLET	1	1	
25	6E9-82588-00	PLATE PLAQUE	1	1	
26	90109-06M86	BOLT BOULON	1	1	
27	68F-81949-00	WIRE, LEAD (ISOLATOR CABLE) FIL (ISOLATOR CABLE)	1	1	AP AP

**D7**



63P1010-C160

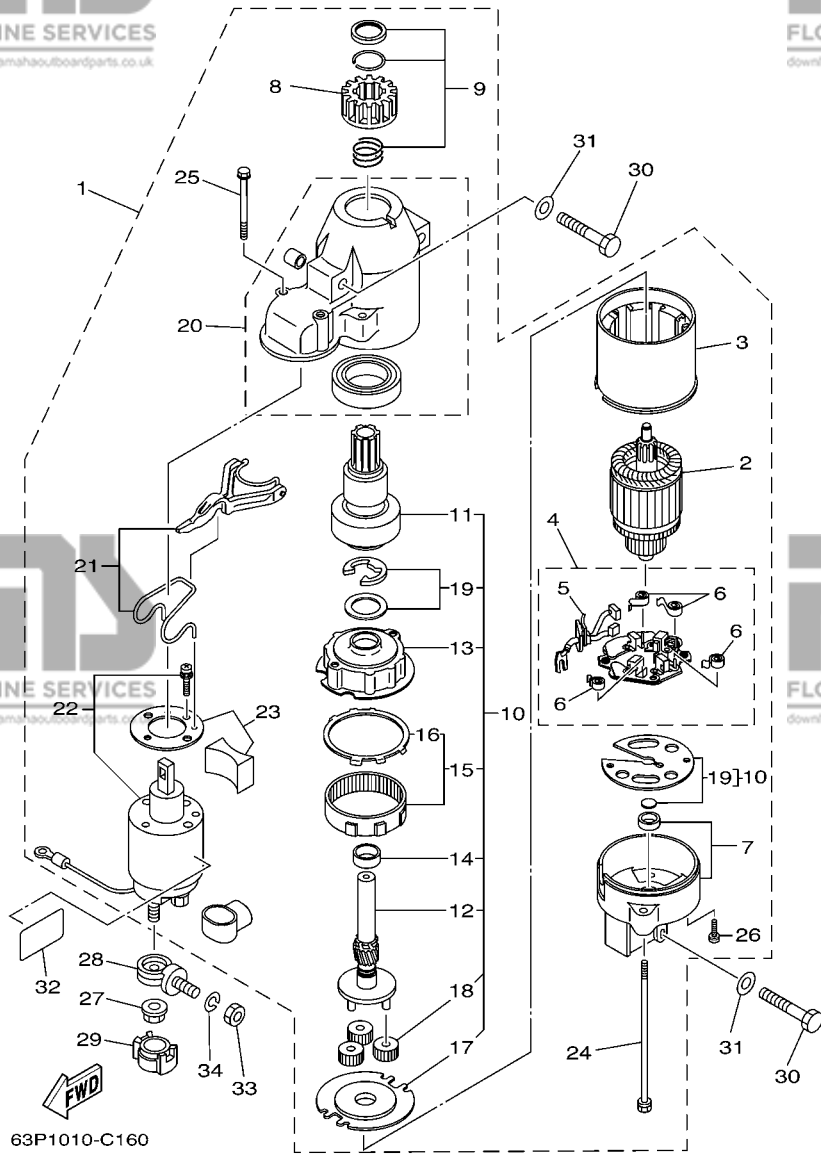
**FIG. 18 STARTING MOTOR**

**DEMARREUR ELECTRIQUE**

REF. NO.	PART NO. N° PIECES	DESCRIPTION DESCRIPTION	63P3	64P3	REMARKS REMARQUES
1	63P-81800-00	STARTING MOTOR ASSY DEMARREUR ELECTRIQUE COMPLET	1	1	
2	67F-81850-00	.ARMATURE ASSY .INDUIT	1	1	
3	67F-81810-00	.STATOR ASSY .STATOR COMPLET	1	1	
4	69J-81840-00	.BRUSH HOLDER ASSY .SUPPORT DE CHARBON	1	1	
5	69J-81801-00	..BRUSH SET ..CHARBON	1	1	
6	67F-81813-00	..SPRING, BRUSH ..RESSORT, DE CHARBON	4	4	
7	68F-81820-00	.REAR BRACKET ASSY .SUPPORT ARRIERE COMPLET	1	1	
8	67F-81808-00	.PINION ASSY .PIGNON	1	1	
9	67F-81857-00	.PINION STOPPER SET .BUTEE PIGNON	1	1	
10	67F-81807-00	.GEAR ASSY, STARTING MOTOR .PIGNON, DEMARREUR ELECTRIQUE	1	1	
11	67F-81832-00	..CLUTCH, OVER RUN ..EMBAYAGE, ROUE LIBRE	1	1	
12	67F-81836-00	..SHAFT, PINION ..AXE, PIGNON	1	1	
13	67F-81821-00	..BRACKET, CENTER 1 ..SUPPORT, CENTRE 1	1	1	
14	67F-81841-00	..BEARING ..ROULEMENT	1	1	
15	67F-81891-00	..GEAR, RING ..ROUE DENTEE	1	1	
16	67F-8183R-00	...GASKET ...JOINT	1	1	
17	67F-81830-00	..BRACKET, CENTER 2 ..SUPPORT, CENTRE 2	1	1	
18	60V-8183T-00	..GEAR, IDLER ..PIGNON, INTERMEDIAIRE	3	3	
19	67F-81809-00	..WASHER KIT ..JEU DE RONDELLES	1	1	
20	69J-81842-00	.COVER .COUVERCLE	1	1	
21	69J-81839-00	.LEVER ASSY .LEVIER COMPLET	1	1	
22	63P-81941-00	.STARTER RELAY ASSY .LANCEUR RELAIS (ENS.)	1	1	
23	69J-81869-00	.COVER, DUST .COUVERCLE, POUSSIERE	1	1	
24	6K7-81826-10	.BOLT .BOULON	2	2	
25	69J-81828-00	.BOLT 2 ..RONDELLE, BUTEE 2	2	2	
26	67F-81846-00	.SCREW .VIS	2	2	
27	90179-08003	NUT ECROU	1	1	

**E1**





63P1010-C160

**FIG. 18 STARTING MOTOR**

**DEMARREUR ELECTRIQUE**

REF. NO.	PART NO. N° PIECES	DESCRIPTION DESCRIPTION	63P3	64P3	REMARKS REMARQUES
28	60V-81925-00	TERMINAL BORNE	1	1	
29	68F-82582-00	COVER, WIRE HARNESS COUVERCLE, FAISCEAU DE FILS	1	1	
30	97013-08045	BOLT BOULON	3	3	
31	92903-08600	WASHER, PLATE RONDELLE, PLATE	3	3	
32	67F-83627-01	LABEL, CAUTION 7 ETIQUETTE, RECOMMANDATION 7	1	1	
33	95333-08600	NUT ECROU	1	1	
34	92903-08100	WASHER, SPRING RONDELLE, GROWER	1	1	

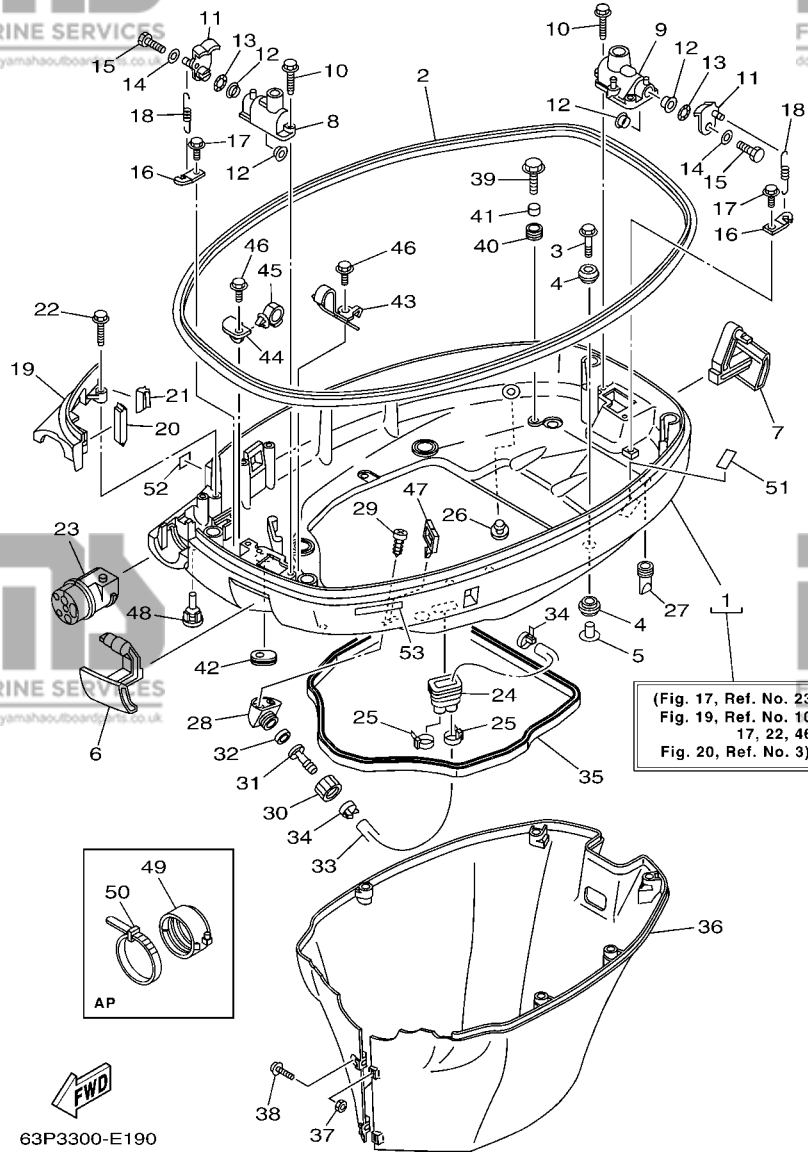


FIG. 19 BOTTOM COWLING

CAPOT INFERIEUR

REF. NO.	PART NO. N° PIECES	DESCRIPTION DESCRIPTION	63P3	64P3	REMARKS REMARQUES
1	63P-42710-00-8D	BOTTOM COWLING ASSY ENS. EMBASE	1	1	
2	63P-42615-00	SEAL JOINT	1	1	
3	90119-08M22	BOLT, WITH WASHER BOULON, AVEC RONDELLE	4	4	
4	90480-22M81	GROMMET PASSE-FIL	8	8	
5	90387-08M37	COLLAR COLLERETTE	4	4	
6	63P-42815-00-8D	LEVER, CLAMP LEVIER, PRESSE	1	1	
7	63P-42816-00-8D	LEVER, CLAMP LEVIER, PRESSE	1	1	
8	68F-42828-03-94	PLATE, CLAMP PLAQUE, PRESSE	1	1	
9	63P-42828-00-94	PLATE, CLAMP PLAQUE, PRESSE	1	1	
10	90109-06M82	BOLT BOULON	4	4	
11	63P-42818-01	LEVER, CLAMP LEVIER, PRESSE	2	2	
12	90386-15M73	BUSH DOUILLE	4	4	
13	90206-15M18	WASHER, WAVE RONDELLE, ONDULEE	2	2	
14	90201-06068	WASHER, PLATE RONDELLE, PLATE	2	2	
15	97095-06020	BOLT BOULON	2	2	
16	64D-43144-00	HOOK, SPRING CROCHET	2	2	
17	90109-06M86	BOLT BOULON	2	2	
18	90506-16M34	SPRING, TENSION RESSORT, TENSION	2	2	
19	63P-42738-00-8D	PLATE, FITTING ETRIER	1	1	
20	63P-42717-00	RUBBER, SEAL 2 JOINT EN CAOUTCHOUC 2	1	1	
21	63P-42718-00	RUBBER, SEAL 3 JOINT	1	1	
22	90109-06M82	BOLT BOULON	2	2	
23	63P-42725-00	GROMMET PASSE-FIL	1	1	
24	6H1-42726-21	GROMMET PASSE-FIL	1	1	
25	90465-11M10	CLAMP BRIDE	2	2	
26	6P2-44391-00	NIPPLE, HOSE RACCORD D'ESSENCE	1	1	
27	61A-42717-00	RUBBER, SEAL 2 JOINT EN CAOUTCHOUC 2	4	4	

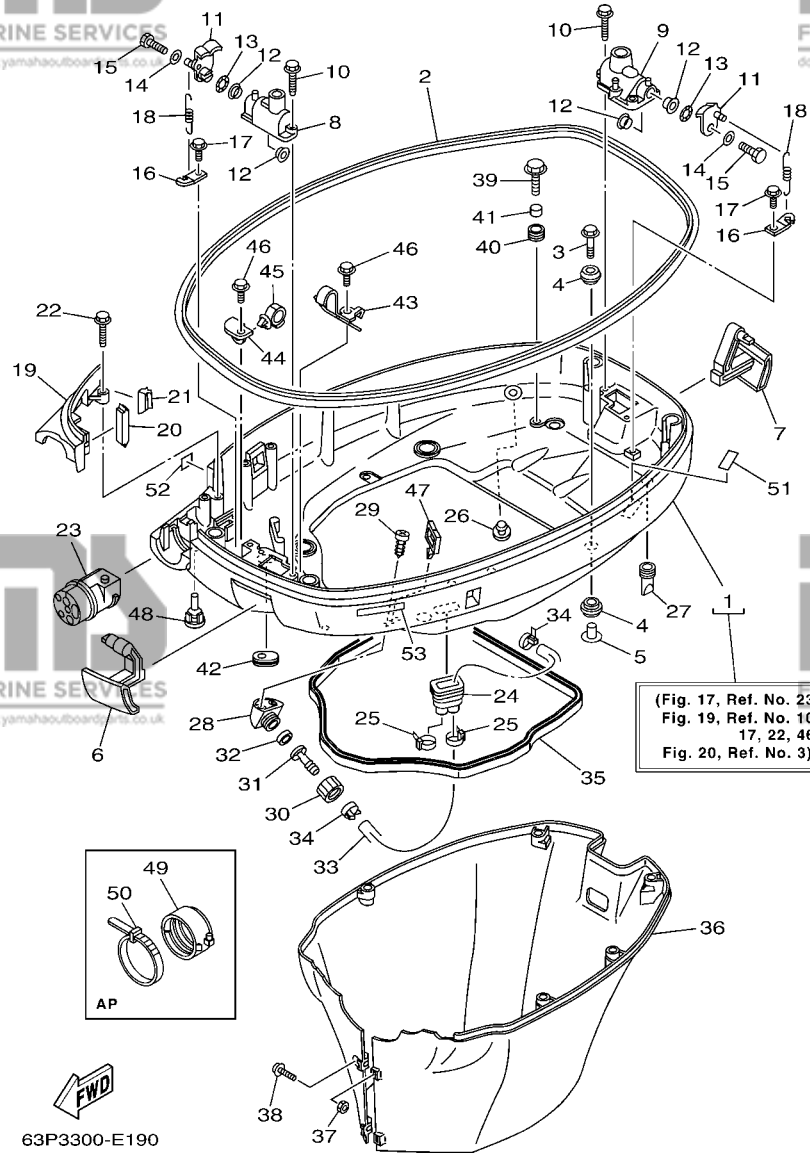
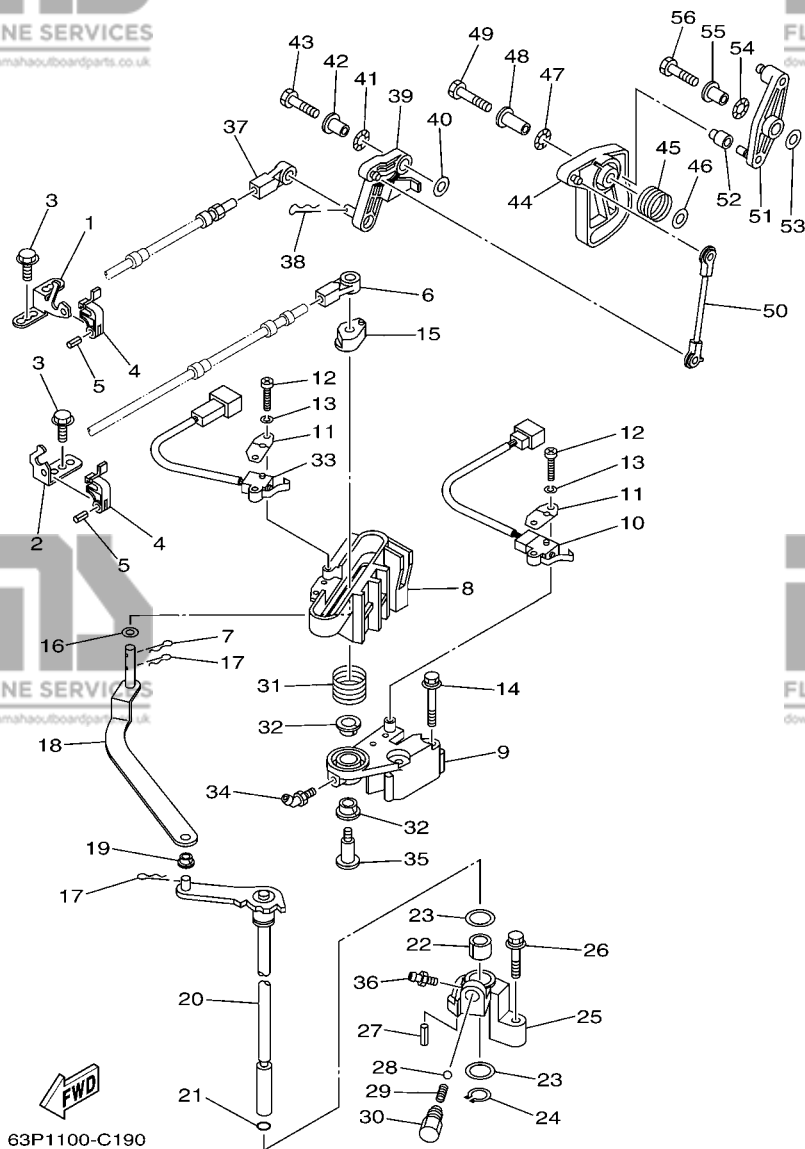


FIG. 19 BOTTOM COWLING

CAPOT INFERIEUR

REF. NO.	PART NO. N° PIECES	DESCRIPTION DESCRIPTION			REMARKS REMARQUES
			63P3	64P3	
28	68T-12572-00	ADAPTER ADAPTATEUR	1	1	
29	97780-60520	SCREW, TAPPING VIS, TETE BOMBEE	2	2	
30	6R3-12581-00	JOINT, HOSE 1 JOINT DE TUYAU	1	1	
31	6R3-12582-00	JOINT, HOSE 2 RACCORD DE TUYAU 1	1	1	
32	6R3-12583-00	GASKET, HOSE JOINT JOINT	1	1	
33	63P-42541-00	PIPE 1 DURITE 1	1	1	
34	90465-11M10	CLAMP BRIDE	2	2	
35	63P-42716-00	RUBBER, SEAL 1 JOINT EN CAOUTCHOUC 1	1	1	
36	63P-42741-01-8D	APRON CAPOT LATERAL	1	1	
37	95380-06600	NUT, HEXAGON ECROU	2	2	
38	90159-06M28	SCREW, WITH WASHER VIS, AVEC RONDELLE	2	2	
39	90109-06M80	BOLT BOULON	4	4	
40	90480-13M24	GROMMET PASSE-FIL	4	4	
41	90387-06M43	COLLAR COLLERETTE	4	4	
42	61A-42727-00	GROMMET PASSE-FIL	1	1	
43	63P-42811-01	STAY SUPPORT	1	1	
44	63P-42756-00	STAY, CLAMP SUPPORT, COLLIER	1	1	
45	90464-20181	CLAMP BRIDE	1	1	
46	90109-06M86	BOLT BOULON	2	2	
47	90464-23199	CLAMP BRIDE	1	1	
48	6H4-42748-00	GROMMET PASSE-FIL	2	2	
49	68F-42753-00	FASTNER ATTACHE	1	1	AP
50	90464-20258	CLAMP BRIDE	1	1	AP
51	67F-82377-00	LABEL ETIQUETTE	1	1	AP
52	6A1-28176-00	LABEL, CAUTION ETIQUETTE, RECOMMANDATION	1	1	AP
53	6E3-8257H-00	PLATE, MARK PLAQUE, ADHESIF	1	1	



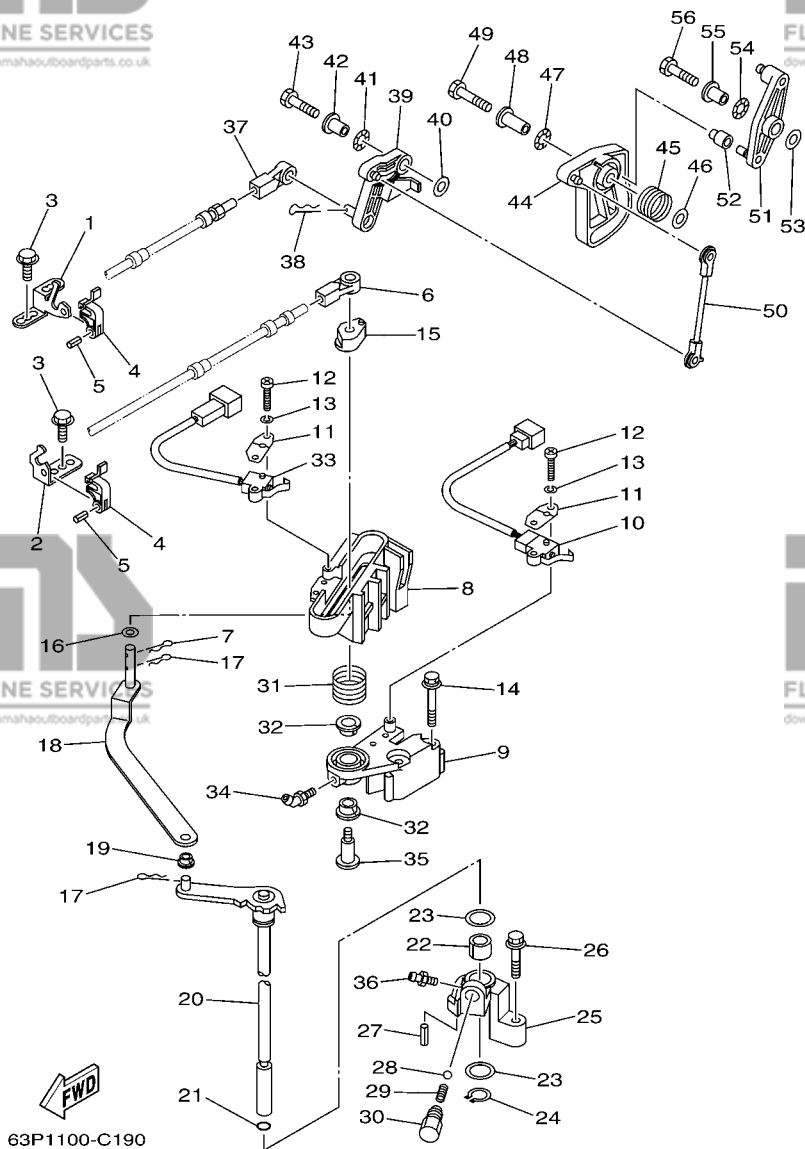
63P1100-C190

FIG. 20 CONTROL

COMMANDE

REF. NO.	PART NO. N° PIECES	DESCRIPTION DESCRIPTION	63P3	64P3	REMARKS REMARQUES
1	63P-48531-00	BRACKET, REMOTE CONTROL 1 ETRIER 1, COMMANDE A DISTANCE	1	1	
2	63P-48532-00	BRACKET, REMOTE CONTROL 2 ETRIER 2, COMMANDE A DISTANCE	1	1	
3	90109-06M86	BOLT BOULON	3	3	
4	63P-48538-00	CLAMP, CABLE 1 COLLIER	2	2	
5	91690-30010	PIN, SPRING AGRAFFE	2	2	
6	6E5-48344-00	CABLE END, REMOTE CONTROL CHAPE CABLE	1	1	
7	90468-18008	CLIP JONC	1	1	
8	63P-44176-00-1S	BRACKET SUPPORT	1	1	
9	63P-44117-00-1S	BRACKET SUPPORT	1	1	
10	69J-8259F-00	SWITCH ASSY COMMUTATEUR	1	1	
11	61A-82588-01	PLATE PLAQUE	2	2	
12	97885-04016	SCREW, PAN HEAD VIS, A ENCOCHE	4	4	
13	92995-04100	WASHER RONDELLE	4	4	
14	97595-06550	BOLT, WITH WASHER VIS HEXAGONAL AVC RONDELLE	2	2	
15	63P-44122-00	BUSHING, SHIFT ROD LEVER DOUILLE, LEVIER D'EMBRAYAGE	1	1	
16	90202-08M20	WASHER, PLATE RONDELLE, PLATE	1	1	
17	90468-18008	CLIP JONC	2	2	
18	63P-44121-00	LEVER, SHIFT ROD LEVIER, TIGE D'INVERSION	1	1	
19	90386-06M12	BUSH DOUILLE	1	1	
20	63P-44120-00	HANDLE GEAR SHIFT ASSY LEVIER D'EMBRAYAGE	1	1	
21	93210-09165	O-RING JOINT TORIQUE	1	1	
22	90386-16M66	BUSH DOUILLE	1	1	
23	90202-16061	WASHER, PLATE RONDELLE, PLATE	2	2	
24	93410-16006	CIRCLIP CLIPS	1	1	
25	63P-44118-00-8D	BRACKET SUPPORT	1	1	
26	97575-06535	BOLT, WITH WASHER VIS HEXAGONAL AVC RONDELLE	1	1	
27	91690-30010	PIN, SPRING AGRAFFE	1	1	

**E5**



**FIG. 20 CONTROL**

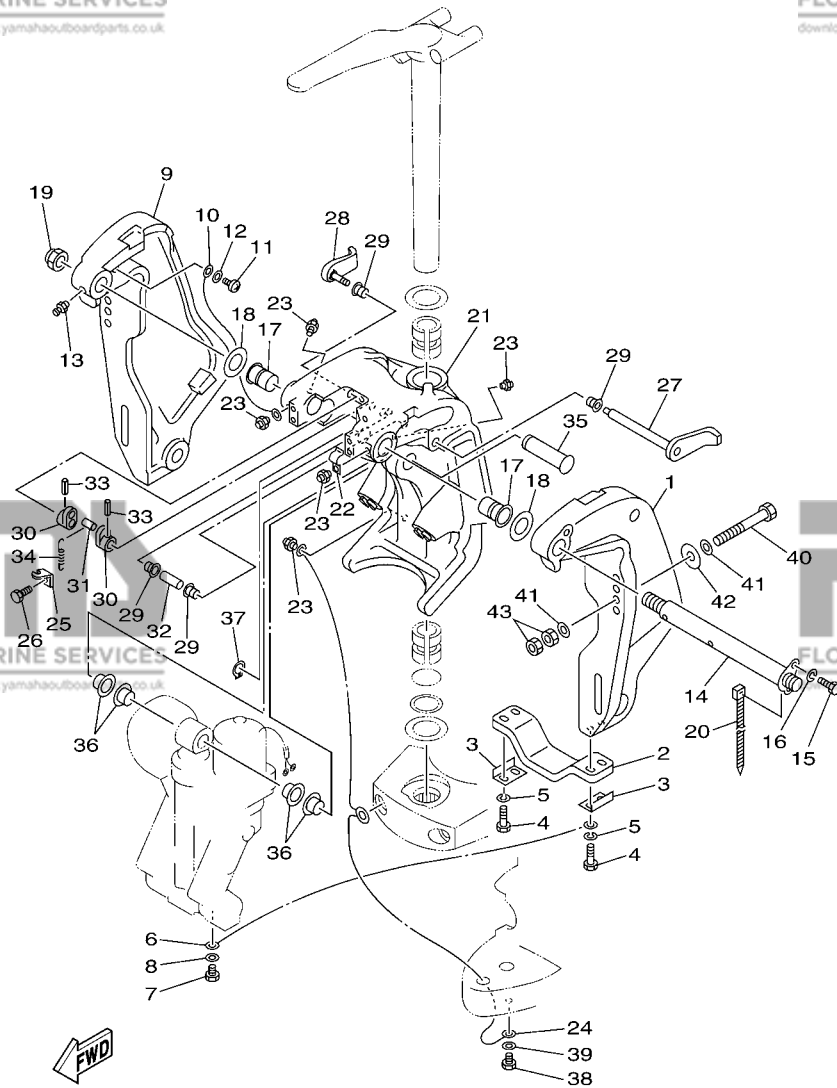
**COMMANDE**

REF. NO.	PART NO. N° PIECES	DESCRIPTION DESCRIPTION	63P3	64P3	REMARKS REMARQUES
28	93501-04M02	BALL BILLE	1	1	
29	90501-12082	SPRING, COMPRESSION RESSORT, COMPRESSION	1	1	
30	648-42715-00	BUSHING COUSSINET	1	1	
31	90508-20M31	SPRING, TORSION RESSORT, TORSION	1	1	
32	90386-12069	BUSH DOUILLE	2	2	
33	60V-8259F-00	SWITCH ASSY COMMUTATEUR	1	1	
34	93700-06M01	NIPPLE, GREASE PION	1	1	
35	90109-08019	BOLT BOULON	1	1	
36	93700-06M03	NIPPLE, GREASE PION	1	1	
37	6E5-48344-00	CABLE END, REMOTE CONTROL CHAPE CABLE	1	1	
38	90468-18008	CLIP JONC	1	1	
39	63P-42154-00	LEVER, THROTTLE CONTROL LEVIER DE COMMANDE D'AVANCE	1	1	
40	90201-06M31	WASHER, PLATE RONDELLE, PLATE	1	1	
41	90206-10M04	WASHER, WAVE RONDELLE, ONDULEE	1	1	
42	90387-06M29	COLLAR COLLERETTE	1	1	
43	97095-06025	BOLT BOULON	1	1	
44	63P-41213-00	CAM, ACCEL. CAME, ACCELERATION	1	1	
45	69J-44135-00	SPRING RESSORT	1	1	
46	90201-06M31	WASHER, PLATE RONDELLE, PLATE	1	1	
47	90206-10M04	WASHER, WAVE RONDELLE, ONDULEE	1	1	
48	90387-06M82	COLLAR COLLERETTE	1	1	
49	97095-06035	BOLT BOULON	1	1	
50	63P-41237-00	JOINT, LINK RACCORD	1	1	
51	63P-42157-00	LEVER, THROTTLE LEVIER DE AVANCE	1	1	
52	68V-42171-00	BUSHING COUSSINET	1	1	
53	90201-06M31	WASHER, PLATE RONDELLE, PLATE	1	1	
54	90206-10M04	WASHER, WAVE RONDELLE, ONDULEE	1	1	



**FIG. 21 BRACKET 1**

**SUPPORT 1**



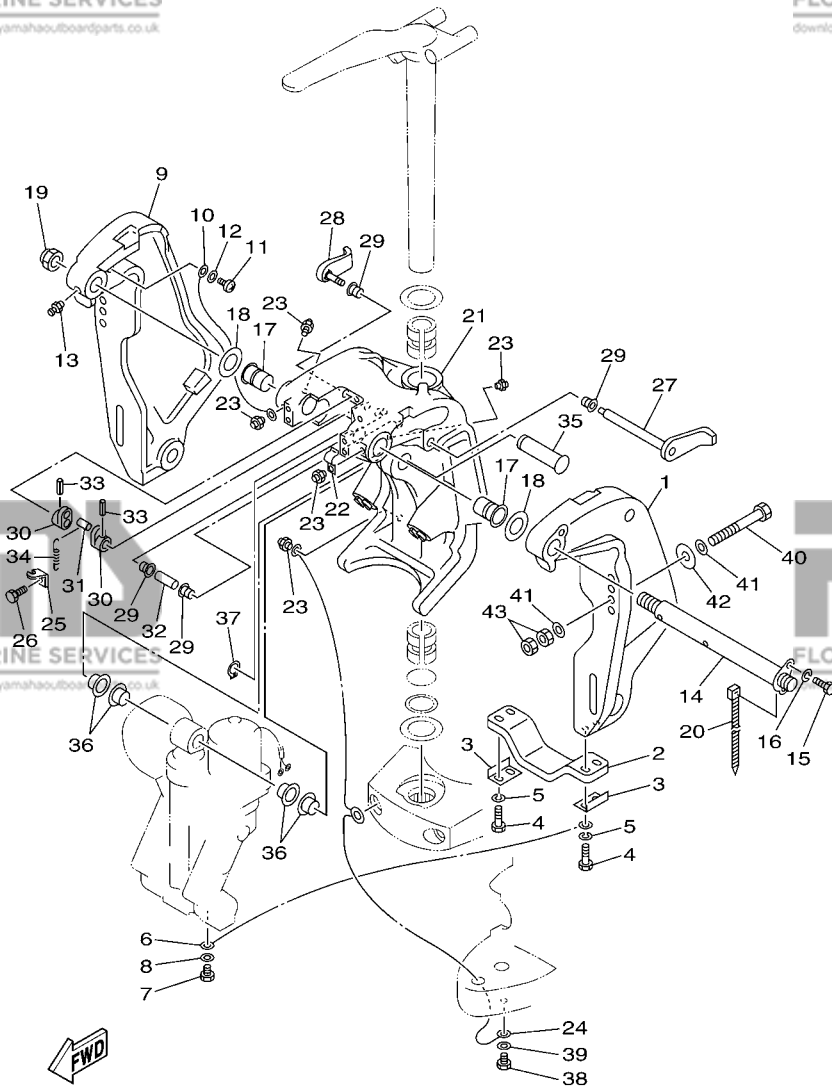
63P2110-D200

REF. NO.	PART NO. N° PIECES	DESCRIPTION DESCRIPTION	63P3	64P3	REMARKS REMARQUES
1	64E-43111-02-8D	BRACKET, CLAMP 1 PRESSE 1	1	1	
2	6G5-45251-02	ANODE ANODE	1	1	
3	6G5-44526-00	PLATE PLAQUE	2	2	
4	97095-06030	BOLT BOULON	4	4	
5	92995-06100	WASHER, SPRING RONDELLE, GROWER	4	4	
6	6E5-82148-00	WIRE, LEAD 4 FIL 4	1	1	
7	97095-06010	BOLT BOULON	1	1	
8	92995-06600	WASHER RONDELLE	1	1	
9	64E-43112-02-8D	BRACKET, CLAMP 2 PRESSE 2	1	1	
10	6E5-82148-00	WIRE, LEAD 4 FIL 4	1	1	
11	97880-06012	SCREW, PAN HEAD VIS, TETE TRONCONIQUE	1	1	
12	92990-06600	WASHER, PLATE RONDELLE, PLATE	1	1	
13	93700-06M03	NIPPLE, GREASE PION	1	1	
14	64E-43131-01	BOLT, CLAMP BRACKET BOULON, PRESSE	1	1	
15	97095-08020	BOLT BOULON	1	1	
16	92995-08100	WASHER RONDELLE	1	1	
17	90386-25M31	BUSH DOUILLE	2	2	
18	90201-26M59	WASHER, PLATE RONDELLE, PLATE	2	2	
19	90185-22M11	NUT, SELF-LOCKING ECROU, AUTO-BLOQUANT	1	1	
20	90465-11M10	CLAMP BRIDE	1	1	
21	64E-43311-10-8D	BRACKET, SWIVEL 1 SUPPORT, PIVOT 1	1	1	
22	90465-08M63	CLAMP BRIDE	1	1	
23	93700-06M03	NIPPLE, GREASE PION	5	5	
24	66K-82149-00	WIRE, LEAD 3 FIL 3	1	1	
25	6G5-43144-00	HOOK, SPRING CROCHET	1	1	
26	97095-06010	BOLT BOULON	1	1	
27	6G5-43181-02	LEVER, TILT STOP LEVIER, VERROUILLAGE RELEVAGE	1	1	

**FIG. 21 BRACKET 1**

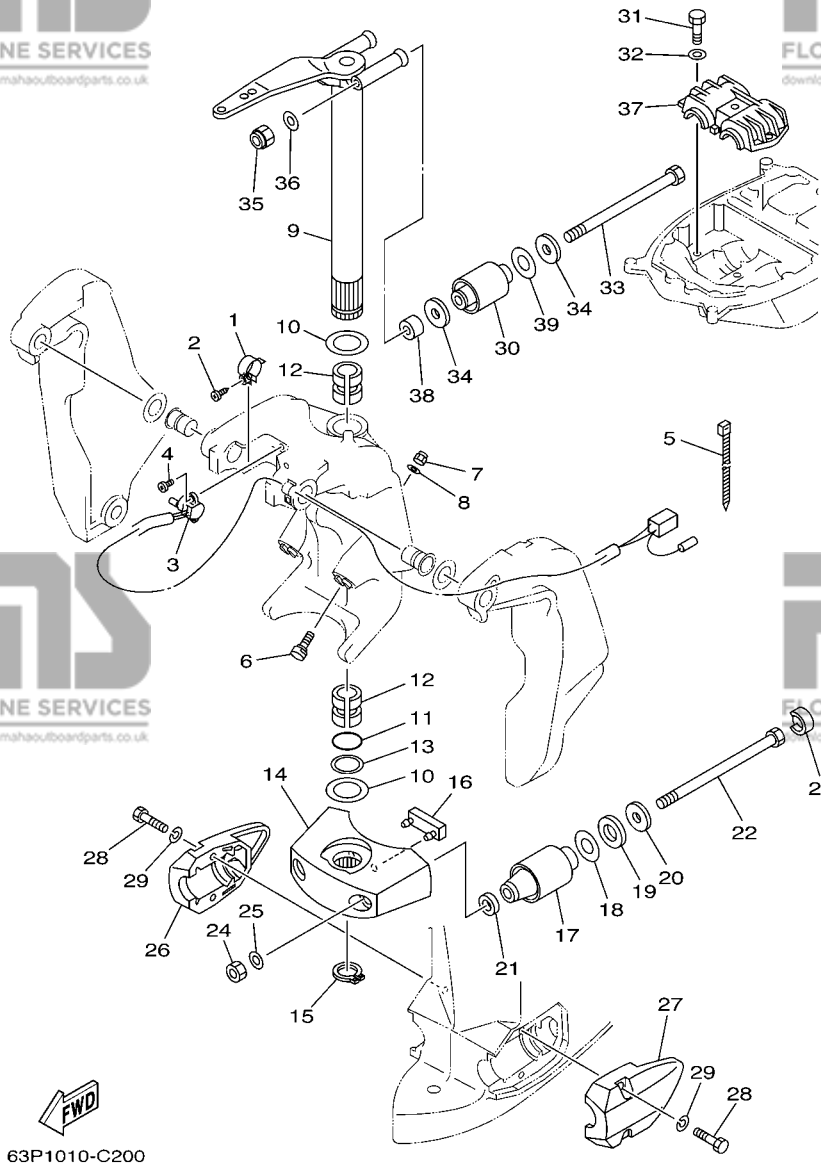
**SUPPORT 1**

REF. NO.	PART NO. N° PIECES	DESCRIPTION DESCRIPTION	63P3	64P3	REMARKS REMARQUES
28	6G5-43185-02	LEVER, TILT STOP LEVIER, VERROUILLAGE RELEVAGE	1	1	
29	90386-10M16	BUSH DOUILLE	4	4	
30	6G5-43148-00	COLLAR, DISTANCE ENTRETOISE	2	2	
31	90249-06M19	PIN GOUPILLE	1	1	
32	90387-10M05	COLLAR COLLERETTE	1	1	
33	91690-30020	PIN, SPRING AGRAFFE	2	2	
34	90506-16003	SPRING, TENSION RESSORT, TENSION	1	1	
35	64E-43126-00	PIN, UPPER SHOCK MOUNT AXE, SUPERIEUR AMORTISSEUR	1	1	
36	90386-22M98	BUSH DOUILLE	4	4	
37	93410-22M11	CIRCLIP CLIPS	1	1	
38	97095-06010	BOLT BOULON	1	1	
39	92995-06600	WASHER RONDELLE	1	1	
40	90101-12M05	BOLT (L:130MM) BOULON (L:130MM)	4	4	
41	90201-13M01	WASHER, PLATE RONDELLE, PLATE	8	8	
42	90201-12M05	WASHER, PLATE RONDELLE, PLATE	4	4	
43	95380-12600	NUT ECROU	8	8	



63P2110-D200

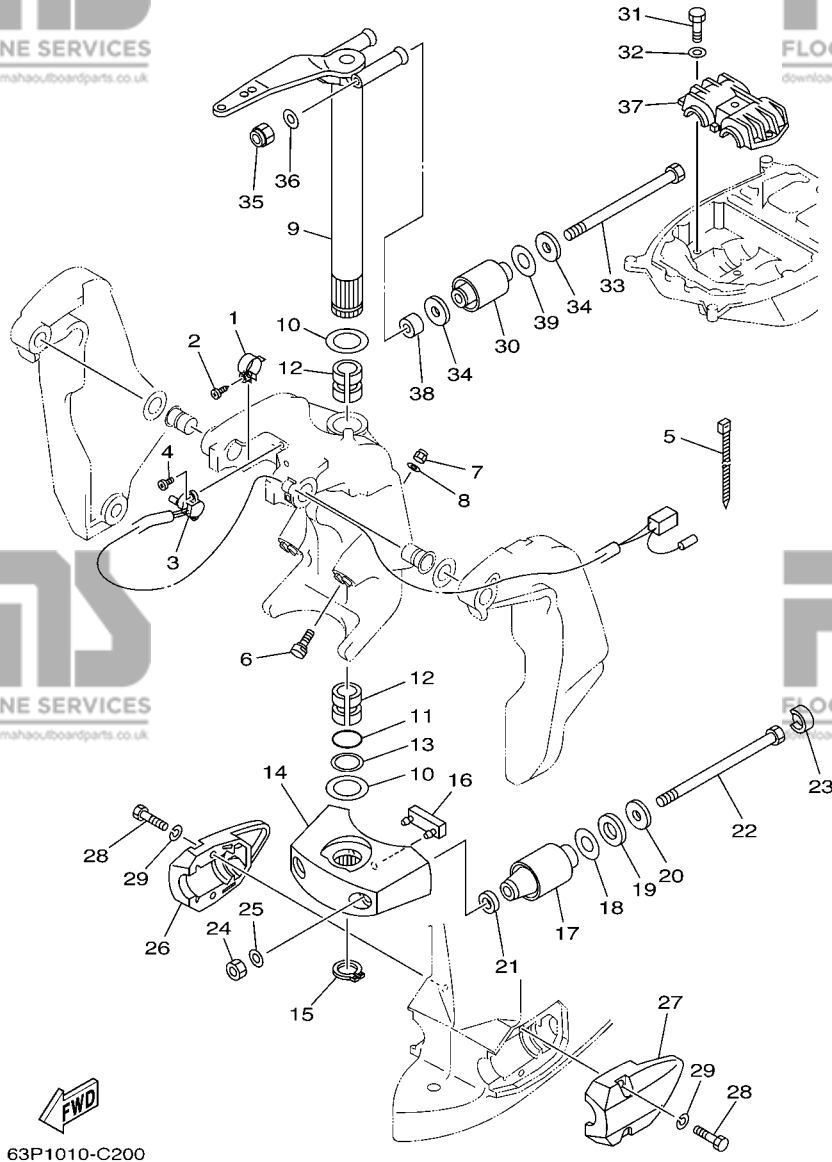




**FIG. 22 BRACKET 2**

**SUPPORT 2**

REF. NO.	PART NO. N° PIECES	DESCRIPTION DESCRIPTION	63P3	64P3	REMARKS REMARQUES
1	64E-43139-02	CAM, TRIM SENDER VILEBREQUIN TRUM	1	1	
2	97780-60525	SCREW, TAPPING VIS, TETE BOMBEE	1	1	
3	64E-83672-02	TRIM SENDER INCLINER RACCORD	1	1	
4	97885-06016	SCREW, PAN HEAD VIS, A ENCOCHE	2	2	
5	90465-11M10	CLAMP BRIDE	3	3	
6	63P-43376-00	BOLT, THRUST RECEIVER BOULON	2	2	
7	95780-10300	NUT, FLANGE ECROU	2	2	
8	92995-10600	WASHER RONDELLE	2	2	
9	66K-42510-01-8D	STEERING BRACKET ASSY DIRECTION SUPPORT (ENS.)	1	1	
10	90201-38M60	WASHER, PLATE RONDELLE, PLATE	2	2	
11	93210-37MH7	O-RING JOINT TORIQUE	1	1	
12	90386-38M32	BUSH DOUILLE	2	2	
13	90202-40M47	WASHER, PLATE RONDELLE, PLATE	1	1	
14	68V-44551-00-8D	HOUSING, LOWER MOUNT RUBBER BOITIER, SILENT-BLOC INFERIEUR	1	1	
15	93410-37M04	CIRCLIP CLIPS	1	1	
16	61A-44575-00	DAMPER, LOWER MOUNT RUBBER SILENT-BLOC, INFERIEUR	1	1	
17	60V-44555-00-94	MOUNT DAMPER, LOWER SIDE SILENT-BLOC, INFERIEUR LATERAL	2	2	L (20.3") L (20.3")
	63P-44555-00-94	MOUNT DAMPER, LOWER SIDE SILENT-BLOC, INFERIEUR LATERAL	2	2	X (25.3") X (25.3")
18	90201-35008	WASHER, PLATE RONDELLE, PLATE	2	2	
19	90202-32M19	WASHER, PLATE RONDELLE, PLATE	2	2	
20	90201-16M55	WASHER, PLATE RONDELLE, PLATE	2	2	
21	90201-15M58	WASHER, PLATE RONDELLE, PLATE	2	2	
22	90109-14007	BOLT BOULON	2	2	
23	69J-44533-00	DAMPER, UPPER MOUNT RUBBER COUVERCLE, SUSPENSION INFERIEUR	2	2	
24	95380-14600	NUT ECROU	2	2	
25	92995-14600	WASHER RONDELLE	2	2	
26	63P-44553-00-8D	COVER, LOWER MOUNT COUVERCLE, SUSPENSION INFERIEUR	1	1	



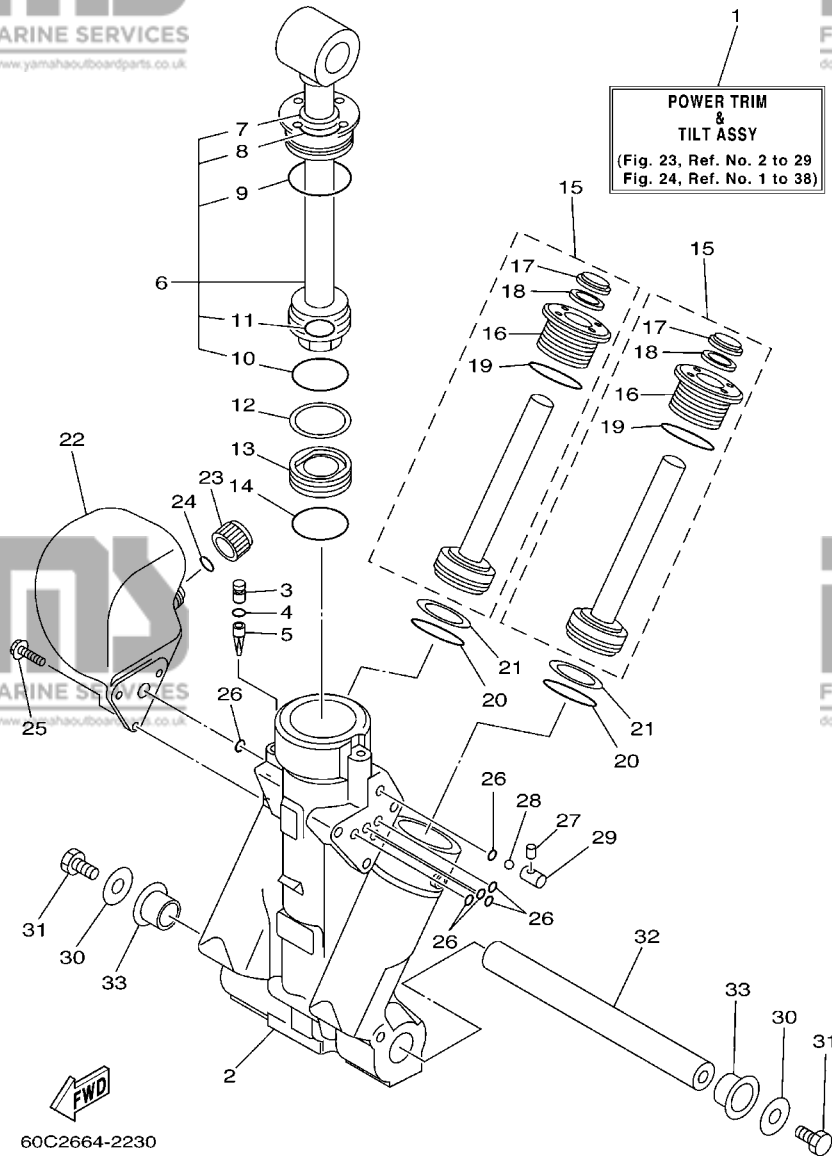
**FIG. 22 BRACKET 2**

**SUPPORT 2**

REF. NO.	PART NO. N° PIECES	DESCRIPTION DESCRIPTION	63P3	64P3	REMARKS REMARQUES
27	63P-44556-00-8D	COVER, LOWER MOUNT 2 COUVERCLE,SUSPENSION INFERIEU	1	1	
28	97075-10040	BOLT BOULON	4	4	
29	92995-10100	WASHER RONDELLE	4	4	
30	63P-44514-00-94	MOUNT DAMPER, UPPER SIDE SILENT-BLOC, SUPERIEUR LATERAL	2	2	
31	97075-10045	BOLT BOULON	3	3	
32	92995-10600	WASHER RONDELLE	3	3	
33	90109-14005	BOLT BOULON	2	2	
34	90201-16M01	WASHER, PLATE RONDELLE, PLATE	4	4	
35	90185-14M00	NUT, SELF-LOCKING ECROU,AUTO-BLOQUANT	2	2	
36	92995-14600	WASHER RONDELLE	2	2	
37	63P-44511-00-94	COVER, UPPER MOUNT COUVERCLE, SUSPENSION SUPERIEU	1	1	
38	90387-14004	COLLAR COLLERETTE	2	2	
39	90202-28001	WASHER, PLATE RONDELLE, PLATE	2	2	

**FIG. 23 POWER TRIM & TILT ASSY 1**

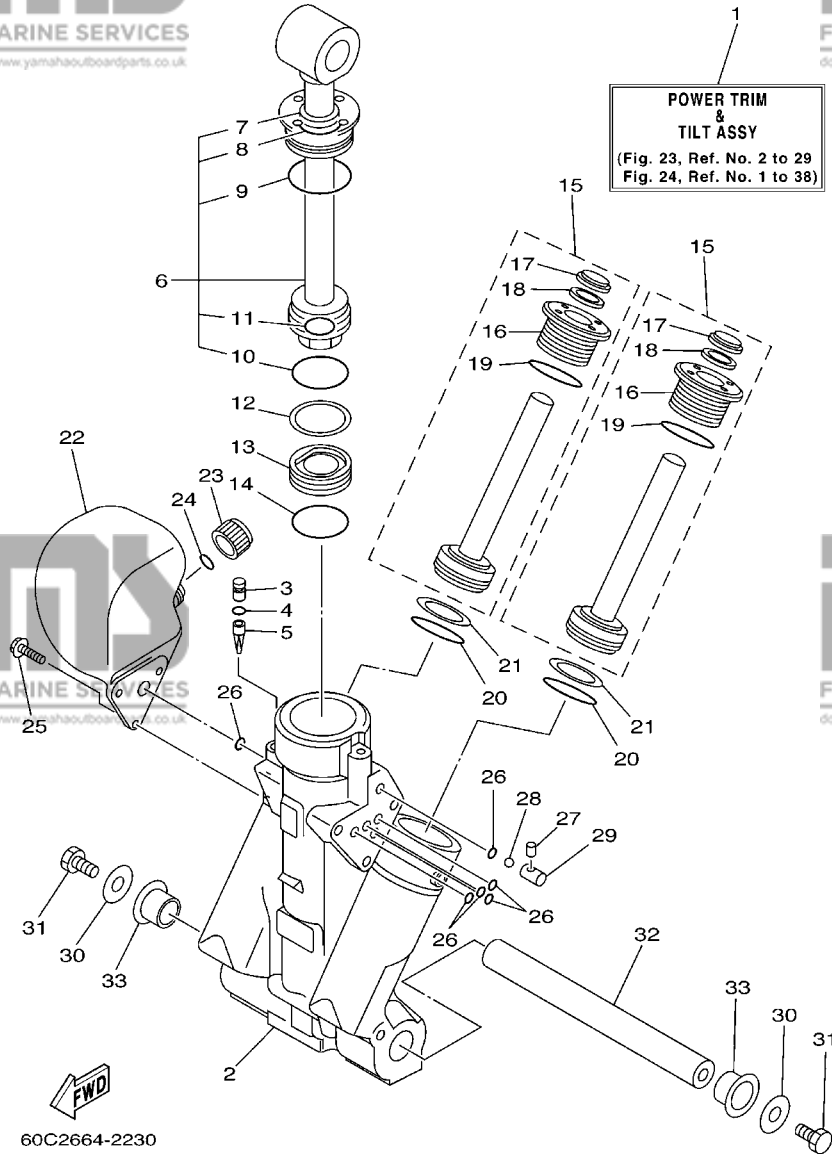
**PUISSANCE PARER ET INCLINER 1**



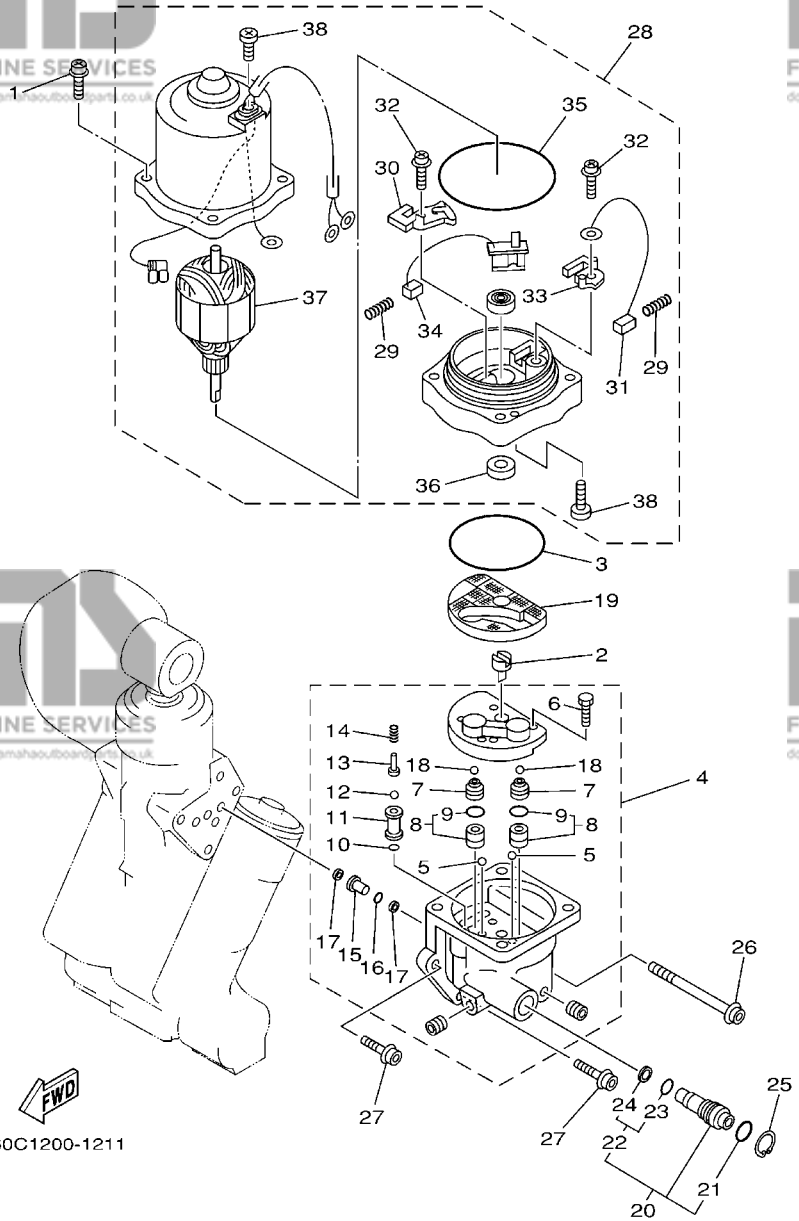
REF. NO.	PART NO. N° PIECES	DESCRIPTION DESCRIPTION	63P3	64P3	REMARKS REMARQUES
1	63P-43800-00-4D	POWER TRIM & TILT ASSY PUISSANCE PARER ET INCLINER (E	1	1	
2	64E-43825-01	HOUSING, TRIM & TILT CARTER	1	1	
3	64E-4388J-00	PLUG 2 BOUCHON 2	1	1	
4	93210-10M74	O-RING JOINT TORIQUE	1	1	
5	64E-43817-00	FILTER 2 FILTRE 2	1	1	
6	63P-43810-00	TILT PISTON SUB ASSY INCLINER PISTON AUXILIAIRE(ENS	1	1	
7	64E-43898-00	.SEAL ,DUST 2 .JOINT ANTI-PUSSIERE	1	1	
8	64E-43867-00	.O-RING .JOINT TORIQUE	1	1	
9	64E-43866-00	.O-RING .JOINT TORIQUE	1	1	
10	6E5-43862-00	.O-RING .JOINT TORIQUE	1	1	
11	64E-43883-00	.O-RING .JOINT TORIQUE	1	1	
12	6E5-43872-00	RING, BACK UP RESSORT	1	1	
13	6E5-43814-02	PISTON, FREE PISTON	1	1	
14	6E5-43862-00	O-RING JOINT TORIQUE	1	1	
15	64E-43820-00	TRIM PISTON SUB ASSY PARER PISTON AUXILIAIRE (ENS.)	2	2	
16	64E-43821-00	.SCREW, TRIM CYLINDER END .VIS	1	1	
17	64E-43822-00	.SEAL, TRIM DUST JOINT	1	1	
18	64E-4384J-00	.SEAL, TRIM DOWN JOINT	1	1	
19	6G5-43864-00	.O-RING .JOINT TORIQUE	1	1	
20	6E5-43864-00	O-RING JOINT TORIQUE	2	2	
21	6E5-43874-01	RING, BACK UP RESSORT	2	2	
22	64E-43828-00	BODY, RESERVOIR CORPS	1	1	
23	64E-43829-00	PLUG, RESERVOIR BOUCHON	1	1	
24	64E-43897-00	O-RING JOINT TORIQUE	1	1	
25	64E-4388E-00	BOLT ,SCREW (L:14MM) VIS (L:14MM)	3	3	
26	64E-43869-00	O-RING JOINT TORIQUE	6	6	
27	64E-4381G-00	PIN COUPELL	1	1	

**FIG. 23 POWER TRIM & TILT ASSY 1**

**PUISSANCE PARER ET INCLINER 1**



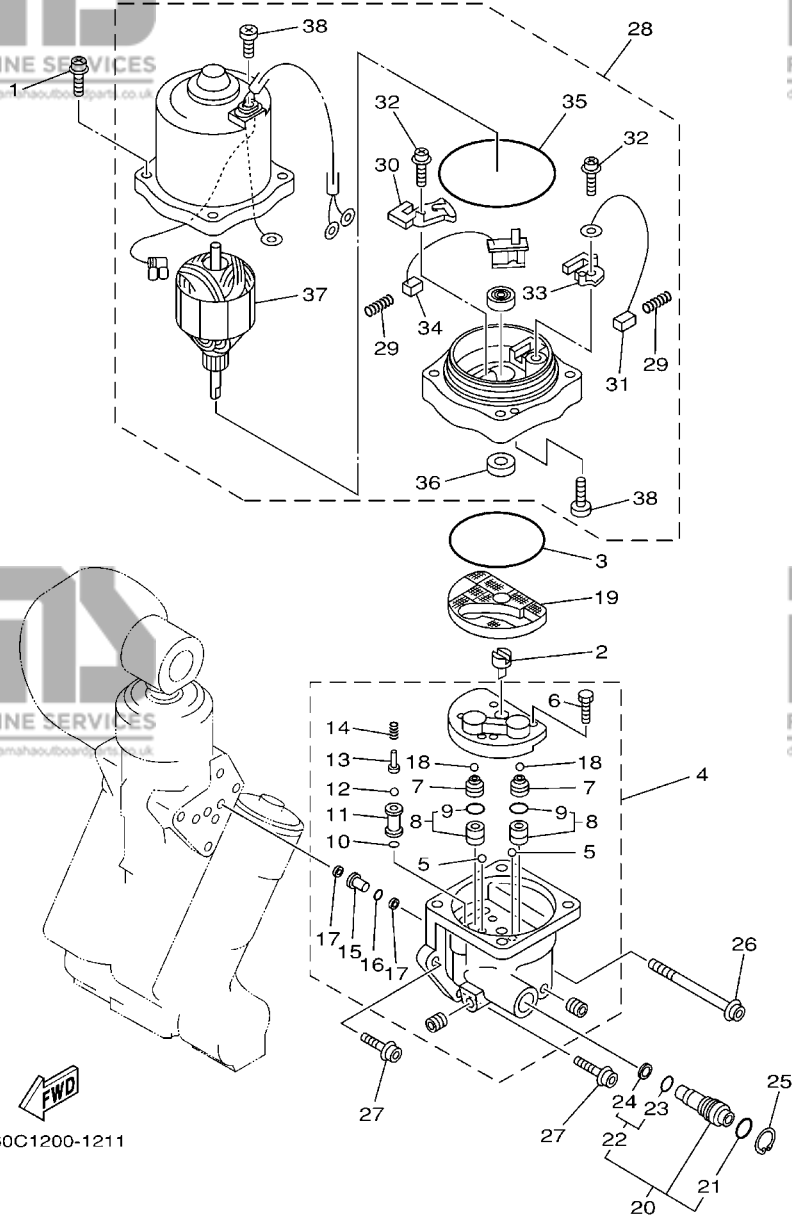
REF. NO.	PART NO. N° PIECES	DESCRIPTION DESCRIPTION	63P3	64P3	REMARKS REMARQUES
28	6E5-43858-00	BALL BILLE	1	1	
29	64E-4382G-00	VALVE, SEAT JEU DE POINTEAUX	1	1	
30	90201-08M14	WASHER, PLATE RONDELLE, PLATE	2	2	
31	97080-08016	BOLT BOULON	2	2	
32	64E-43818-01	PIN, LOWER SHOCK MOUNT AXE, INFERIEUR AMORTISSEUR	1	1	
33	90386-22M98	BUSH DOUILLE	2	2	



**FIG. 24 POWER TRIM & TILT ASSY 2**

**PUISSANCE PARER ET INCLINER 2**

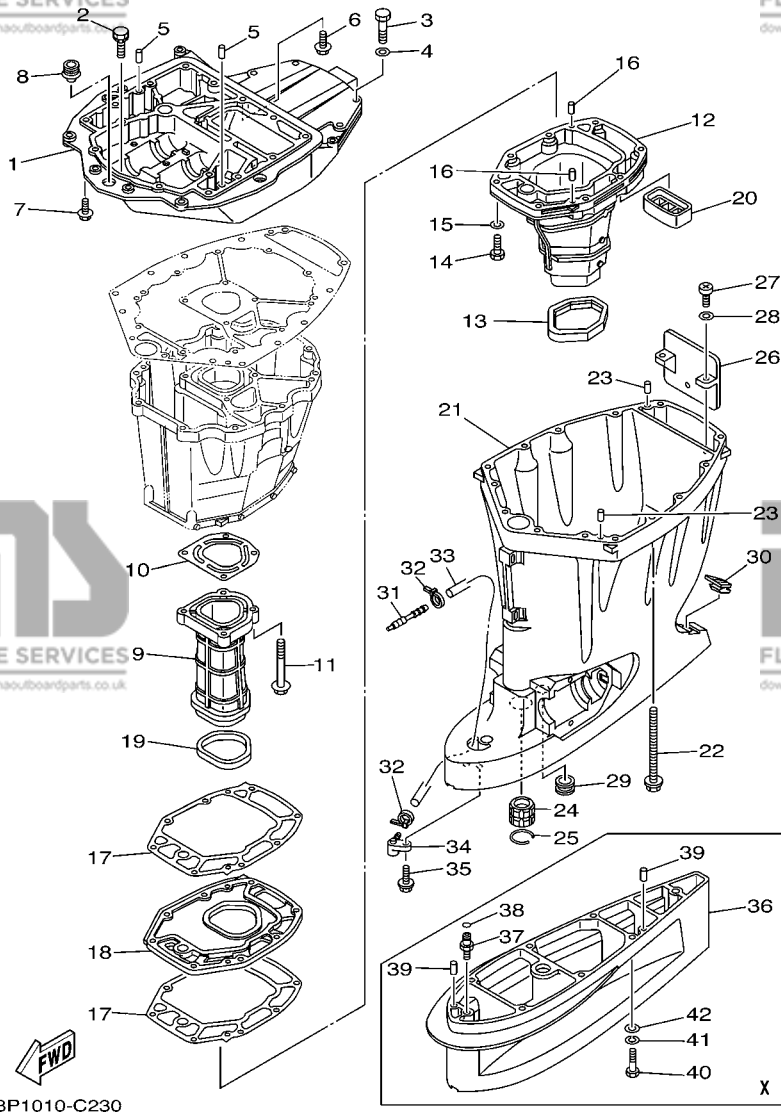
REF. NO.	PART NO. N° PIECES	DESCRIPTION DESCRIPTION	63P3	64P3	REMARKS REMARQUES
1	64E-4388E-10	BOLT ,SCREW (L:34.7MM) VIS (L:34.7MM)	4	4	
2	64E-43831-00	CONNECTOR, SHAFT RACCORD	1	1	
3	64E-43868-00	O-RING JOINT TORIQUE	1	1	
4	64E-43830-00	GEAR PUMP ASSY POMPE A PIGNON (ENS.)	1	1	
5	72X-43858-00	.BALL .BILLE	2	2	
6	64E-43843-00	.SCREW, VALVE LOCK .VIS	4	4	
7	64E-43841-00	.PISTON, SHUTTLE .PISTON	2	2	
8	64E-43802-00	.VALVE SUB ASSY .CLAPET AUXILIAIRE (ENS.)	2	2	
9	6E5-43896-00	..O-RING ..JOINT TORIQUE	1	1	
10	6G5-43863-00	.O-RING .JOINT TORIQUE	1	1	
11	64E-43851-00	.SEAT, RELIEF VALVE .SIEGE	1	1	
12	64E-43858-00	.BALL .BILLE	1	1	
13	64E-43859-00	.PIN, VALVE SUPPORT .GOUPILLE	1	1	
14	64E-43855-00	.SPRING, UP RELIEF .RESSORT	1	1	
15	64E-43850-00	.VALVE SUB ASSY .CLAPET AUXILIAIRE (ENS.)	1	1	
16	64E-43865-00	.O-RING .JOINT TORIQUE	1	1	
17	64E-43816-00	.FILTER 1 .FILTRE 1	2	2	
18	64E-43858-00	.BALL .BILLE	2	2	
19	64E-43817-10	FILTER 2 FILTRE 2	1	1	
20	64E-43860-00	MANUAL VALVE SUB-ASSY SOUPAPE, MANUEL (ENS.)	1	1	
21	72X-85075-L0	.O-RING .JOINT TORIQUE	1	1	
22	64E-43827-00	.RING SET .BILLE	1	1	
23	64E-4387A-00	..O-RING ..JOINT TORIQUE	1	1	
24	64E-43873-00	..RING, BACK UP ..RESSORT	1	1	
25	64E-43875-00	RING, SNAP RESSORT	1	1	
26	64E-43879-10	SCREW, WITH WASHER VIS, AVEC RONDELLE	1	1	
27	64E-43879-00	SCREW, WITH WASHER VIS, AVEC RONDELLE	2	2	



**FIG. 24 POWER TRIM & TILT ASSY 2**

**PUISSANCE PARER ET INCLINER 2**

REF. NO.	PART NO. N° PIECES	DESCRIPTION DESCRIPTION	63P3	64P3	REMARKS REMARQUES
28	67H-43880-01	MOTOR ASSY MOTEUR (ENS.)	1	1	
29	6H1-4386K-10	.SPRING, BRUSH .RESSORT, BALAI	2	2	
30	64E-4380J-00	.HOLDER, BRUSH .PORTE-BALAI	1	1	
31	64E-43891-00	.BRUSH 1 .BALAI 1	1	1	
32	97607-04310	.SCREW,WITH WASHER .VIS HEXAGONAL	2	2	
33	64E-4380F-00	.HOLDER, BRUSH 2 .PORTE-BALAI 2	1	1	
34	64E-43892-00	.BRUSH 2 .BALAI 2	1	1	
35	6G5-43865-00	.O-RING .JOINT TORIQUE	1	1	
36	93102-08M43	.OIL SEAL .JOINT SPY	1	1	
37	64E-43805-00	.ARMATURE ASSY .INDUIT (ENS.)	1	1	
38	64E-43843-10	.SCREW, VALVE LOCK .VIS	3	3	



63P1010-C230

FIG. 25 UPPER CASING

FOURREAU

REF. NO.	PART NO. N° PIECES	DESCRIPTION DESCRIPTION	63P3	64P3	REMARKS REMARQUES
1	63P-41137-00	GUIDE, EXHAUST COLLECTEUR D'ÉCHAPPEMENT	1	1	
2	90119-08M79	BOLT, WITH WASHER BOULON, AVEC RONDELLE	2	2	
3	97075-10045	BOLT BOULON	4	4	
4	92995-10600	WASHER RONDELLE	4	4	
5	93608-16M16	PIN, DOWEL AXE	2	2	
6	90119-08M58	BOLT, WITH WASHER BOULON, AVEC RONDELLE	3	3	
7	97575-10535	BOLT, WITH WASHER VIS HEXAGONAL AVEC RONDELLE	4	4	
8	6E5-42724-00	GROMMET PASSE-FIL	1	1	
9	63P-41131-00-5B	MANIFOLD, EXT. 1 PIPE D'ÉCHAPPEMENT	1	1	
10	63P-41133-A0	GASKET, EXHAUST MANIFOLD 1 JOINT, PIPE D'ÉCHAPPEMENT	1	1	
11	97575-08560	BOLT, WITH WASHER VIS HEXAGONAL AVEC RONDELLE	4	4	
12	63P-14711-00-5B	MUFFLER 1 POT D'ÉCHAPPEMENT 1	1	1	
13	69J-45123-00	GASKET, MUFFLER JOINT, POT DE DÉTENTE	1	1	
14	97075-08035	BOLT BOULON	8	8	
15	92995-08600	WASHER RONDELLE	8	8	
16	93606-19M23	PIN, DOWEL GOUILLE	2	2	
17	63P-41134-A0	GASKET, EXHAUST MANIFOLD JOINT, PIPE D'ÉCHAPPEMENT	2	2	
18	63P-45181-00-5B	PLATE PLAQUETTE	1	1	
19	63P-41138-00	SEAL, EXT. 1 JOINT DE GROUPE 1	1	1	
20	69J-45127-00	SEAL JOINT	1	1	
21	63P-45111-00-8D	CASING, UPPER FOURREAU	1	1	
22	90119-10007	BOLT, WITH WASHER BOULON, AVEC RONDELLE	8	8	
23	93608-16M16	PIN, DOWEL AXE	2	2	
24	6E5-45318-00	BUSHING, DRIVE SHAFT DOUILLE, ARBRE MOTEUR	1	1	
25	93420-36M01	CIRCLIP CIRCLIP, TYPE S	1	1	
26	69J-14624-01	COVER, EXHAUST CACHE D'ÉCHAPPEMENT	1	1	
27	97880-06016	SCREW, PAN HEAD VIS, TÊTE TRONCONIQUE	2	2	

A5

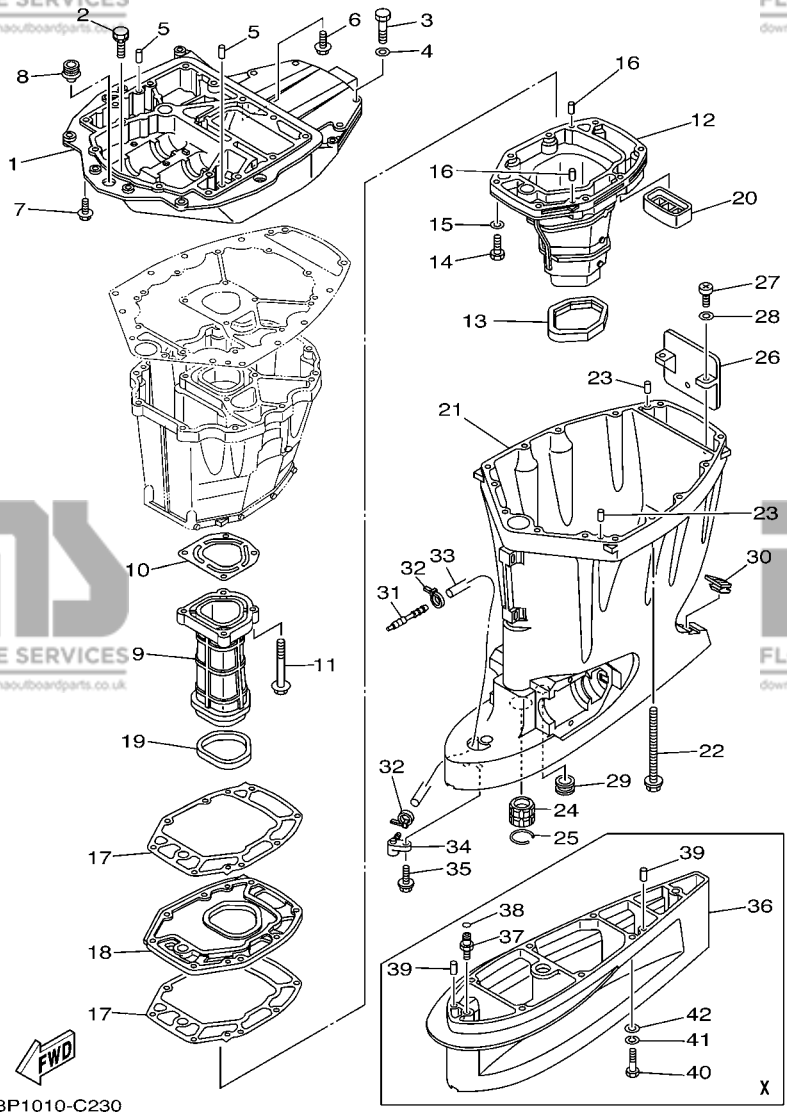


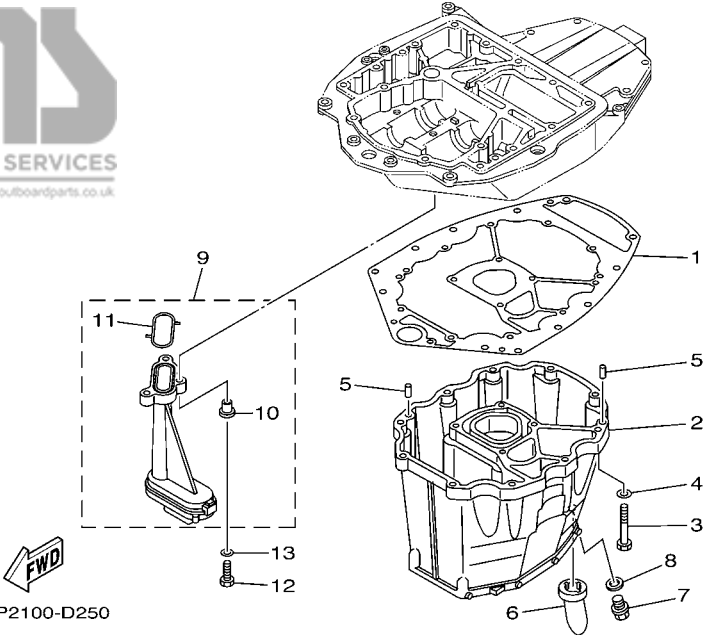
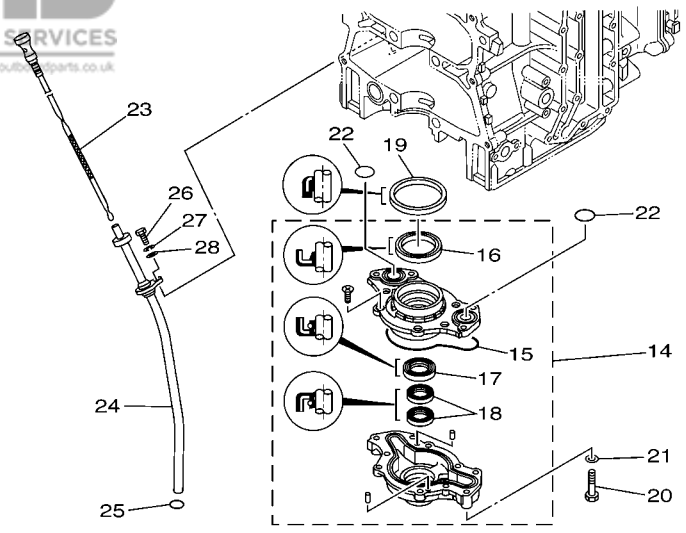
FIG. 25 UPPER CASING

FOURREAU

REF. NO.	PART NO. N° PIECES	DESCRIPTION DESCRIPTION	63P3	64P3	REMARKS REMARQUES
28	92990-06600	WASHER, PLATE RONDELLE, PLATE	2	2	
29	6E5-44366-00	DAMPER, WATER SEAL JOINT, TUBE D'EAU	1	1	
30	6H3-45155-00	CAP CAPUCHON	1	1	
31	6E5-83558-00	END, NIPPLE RACCORD DE NIPPLE	1	1	
32	90465-11M10	CLAMP BRIDE	2	2	
33	90445-070F1	HOSE (L950) DURITE (L950)	1	1	
34	63P-45379-00	NIPPLE, HOSE RACCORD D'ESSENCE	1	1	
35	90119-06M18	BOLT, WITH WASHER BOULON, AVEC RONDELLE	1	1	
36	63P-45211-00-8D	EXTENSION EXTENSION	1	1	X (25.3")
37	63P-45378-00	NIPPLE, HOSE RACCORD TUYAU	1	1	X (25.3")
38	93210-07003	O-RING JOINT TORIQUE	1	1	X (25.3")
39	93608-16M16	PIN, DOWEL AXE	2	2	X (25.3")
40	97095-10045	BOLT BOULON	6	6	X (25.3")
41	92995-10100	WASHER RONDELLE	6	6	X (25.3")
42	92995-10600	WASHER RONDELLE	6	6	X (25.3")

A6





63P2100-D250

**FIG. 26 OIL PAN** **VENTILATEUR D'HUILE**

REF. NO.	PART NO. N° PIECES	DESCRIPTION DESCRIPTION	63P3	64P3	REMARKS REMARQUES
1	63P-15312-00	GASKET, OIL PAN JOINT DE VENTILATEUR D'HUILE	1	1	
2	63P-15311-00-5B	OIL PAN VENTILATEUR D'HUILE	1	1	
3	97075-08035	BOLT BOULON	10	10	
4	92995-08600	WASHER RONDELLE	10	10	
5	93608-16M16	PIN, DOWEL AXE	2	2	
6	63P-15316-00	DAMPER, ENGINE MOUNT 1 AMORTISSEUR DE SUPPORT	1	1	
7	90340-14M06	PLUG, STRAIGHT SCREW PLOT, FILETE DROIT	1	1	
8	90430-14M09	GASKET JOINT	1	1	
9	63P-13411-00	STRAINER, OIL FILTRE, HUILE	1	1	
10	90387-06M64	.COLLAR .COLLETTTE	3	3	
11	63P-13415-00	.SEAL, OIL STRAINER .JOINT, FILTRE A HUILE	1	1	
12	97027-06025	BOLT BOULON	3	3	
13	92907-06600	WASHER, PLATE RONDELLE	3	3	
14	63P-13300-00	OIL PUMP ASSY POMPE A HUILE COMPLETE	1	1	
15	63P-13329-00	.GASKET, PUMP COVER .JOINT, COUVERCLE DE POMPE	1	1	
16	69J-13338-00	.OIL SEAL .JOINT SPY	1	1	
17	69J-13119-00	.OIL SEAL .JOINT SPY	1	1	
18	69J-13631-00	.OIL SEAL .JOINT SPY	2	2	
19	69J-11355-00	SEAL, CYLINDER 1 JOINT, SPY CYLINDRE	1	1	
20	97095-06040	BOLT BOULON	4	4	
21	92995-06600	WASHER RONDELLE	4	4	
22	93210-25552	O-RING JOINT TORIQUE	2	2	
23	63P-15362-00	PLUG, OIL LEVEL PLOT, NIVEAU D'HUILE	1	1	
24	63P-15377-00	GUIDE, INLET GUIDE D'ADMISSION	1	1	
25	93210-19MJ3	O-RING JOINT TORIQUE	1	1	
26	97095-06020	BOLT BOULON	1	1	
27	92995-06100	WASHER, SPRING RONDELLE, GROWER	1	1	

**A7**



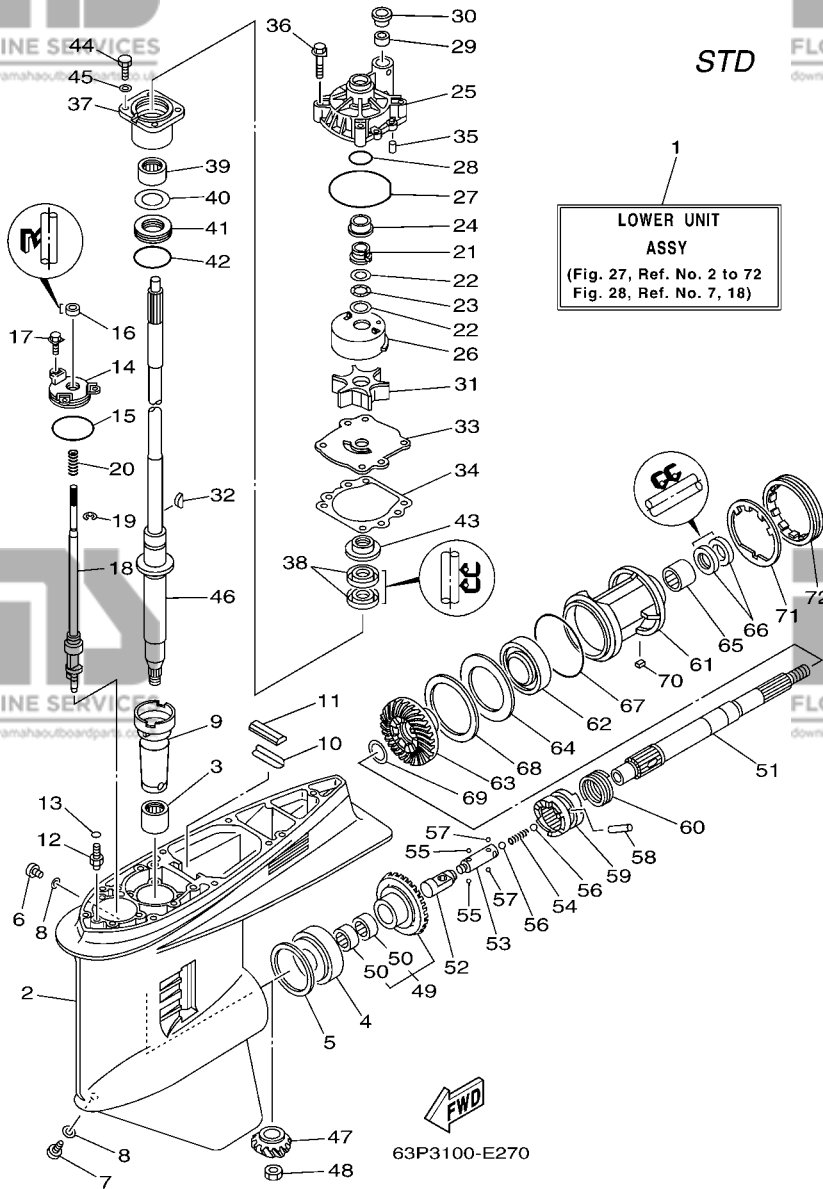


FIG. 27 LOWER CASING & DRIVE 1

BOITIER D'HELICE TRANSMISSION1

REF. NO.	PART NO. N° PIECES	DESCRIPTION DESCRIPTION	63P3	64P3	REMARKS REMARQUES
1	63P-45300-01-8D	LOWER UNIT ASSY UNITE INFERIEURE (ENS.)	1		L (20.3"),RH
	63P-45300-11-8D	LOWER UNIT ASSY UNITE INFERIEURE (ENS.)	1		L (20.3"),RH X (25.3"),RH X (25.3"),RH
2	6J9-45301-05-8D	CASING, LOWER BEQUILLE	1		
3	93311-928U5	BEARING ROULEMENT	1		
4	93332-000V3	BEARING ROULEMENT	1		
5	6G5-45567-01	SHIM (T:0.10MM) CALE (T:0.10MM)	1		UR
	6G5-45567-10	SHIM (T:0.12MM) CALE (T:0.12MM)	1		UR
	6G5-45567-20	SHIM (T:0.15MM) CALE (T:0.15MM)	1		UR
	6G5-45567-30	SHIM (T:0.18MM) CALE (T:0.18MM)	1		UR
	6G5-45567-40	SHIM (T:0.30MM) CALE (T:0.30MM)	1		UR
	6G5-45567-50	SHIM (T:0.40MM) CALE (T:0.40MM)	1		UR
	6G5-45567-60	SHIM (T:0.50MM) CALE (T:0.50MM)	1		UR
6	90340-08002	PLUG, STRAIGHT SCREW PLOT, FILET DROIT	1		
7	688-45341-10	PLUG, DRAIN BOUCHON DE VIDANGE	1		
8	90430-08020	GASKET JOINT	2		
9	6G5-45536-01	SLEEVE, DRIVE SHAFT MANCHON, ARBRE MOTEUR	1		
10	663-45376-00-94	GUIDE, SEAL DAMPER BUTEE, JOINT CAOUTCHOUC	1		
11	688-45375-00	DAMPER, SEAL BOURRELET, CAOUTCHOUC	1		
12	63P-45378-00	NIPPLE, HOSE RACCORD, TUYAU	1		
13	93210-07003	O-RING JOINT TORIQUE	1		
14	6E5-45321-00	PLATE PLAQUETTE	1		
15	93210-58144	O-RING JOINT TORIQUE	1		
16	93106-09014	OIL SEAL JOINT SPY	1		
17	90119-06M10	BOLT, WITH WASHER BOULON, AVEC RONDELLE	3		
18	63P-44150-00	SHIFT CAM ASSY CAME D'INVERSION	1		L (20.3"),RH
	63P-44150-10	SHIFT CAM ASSY CAME D'INVERSION	1		L (20.3"),RH X (25.3"),RH X (25.3"),RH
19	99001-08600	CIRCLIP CIRCLIP	1		

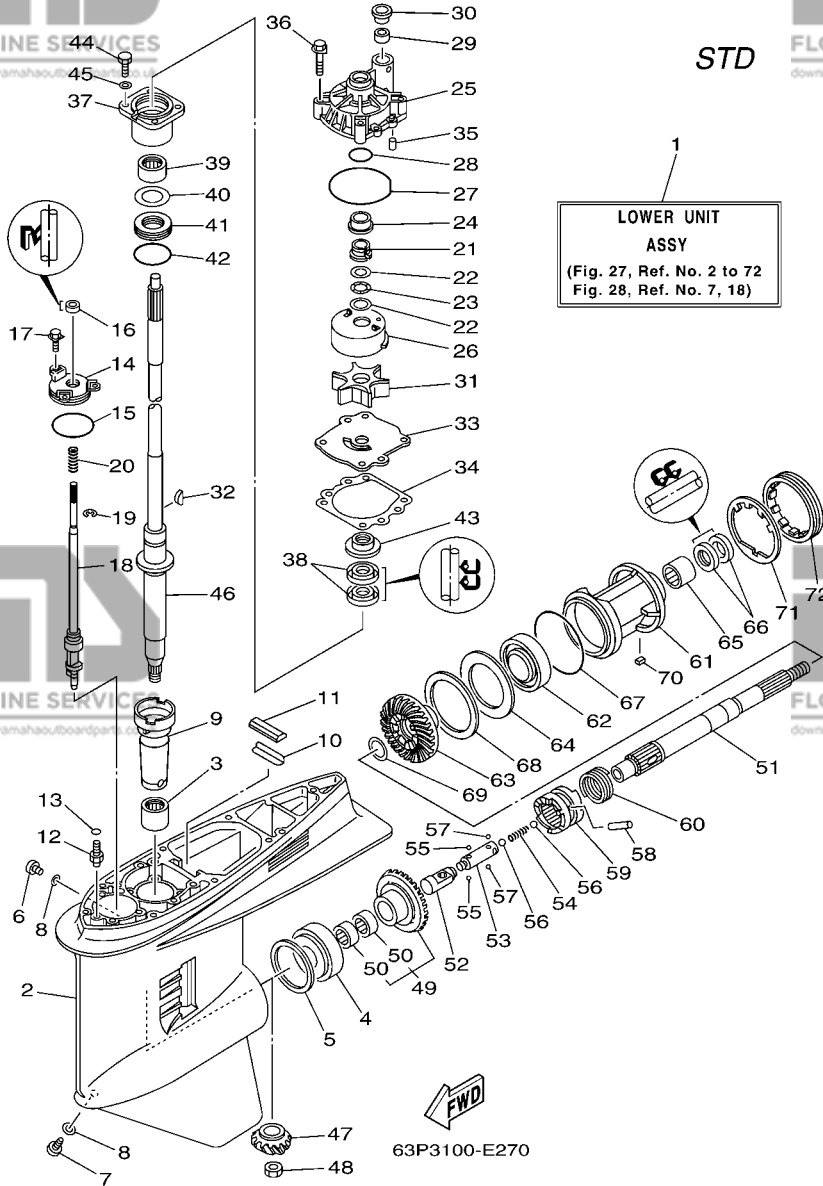


FIG. 27 LOWER CASING & DRIVE 1

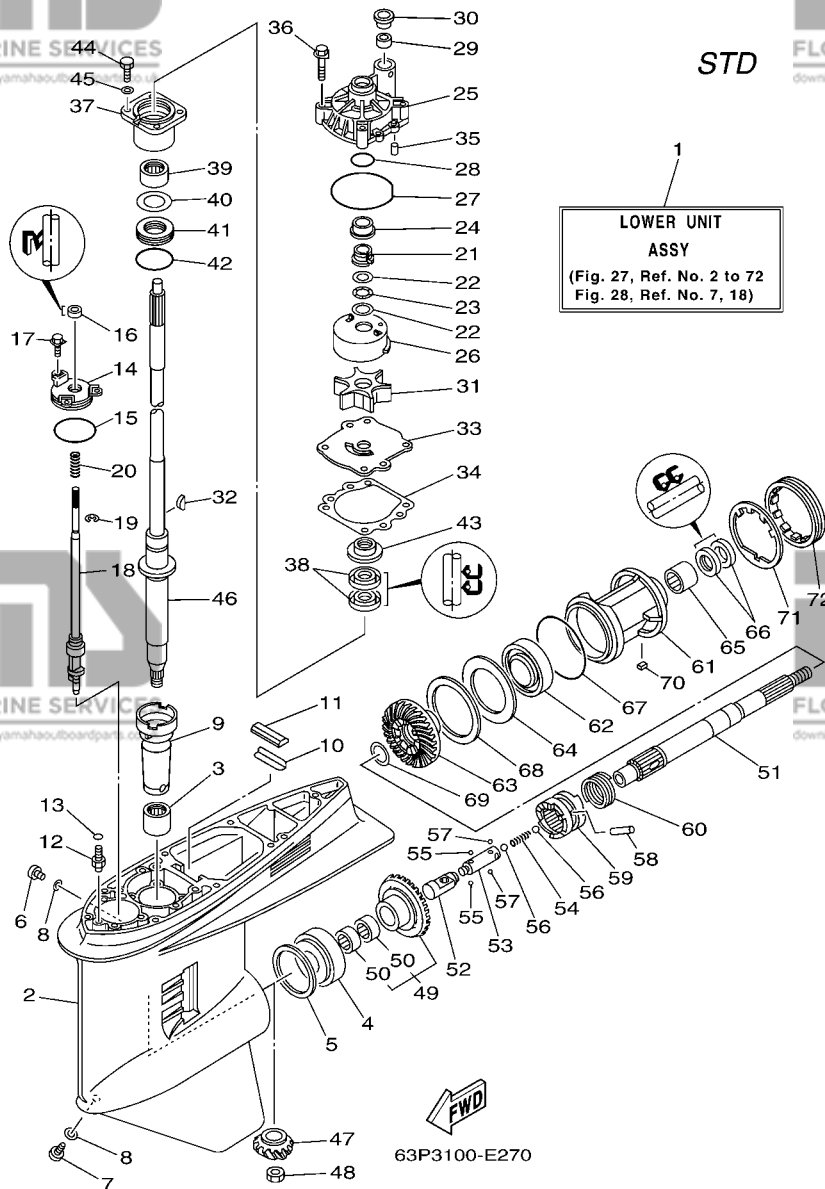
BOITIER D'HELICE TRANSMISSION1

REF. NO.	PART NO. N° PIECES	DESCRIPTION DESCRIPTION	63P3	64P3	REMARKS REMARQUES
20	90501-11M10	SPRING, COMPRESSION RESSORT, COMPRESSION	1		
21	61A-45538-00	SPACER 1 ENTRETOISE	1		
22	90201-22M01	WASHER, PLATE RONDELLE, PLATE	2		
23	90206-22M19	WASHER, WAVE RONDELLE, ONDULEE	1		
24	61A-45527-00	COLLAR, DRIVE SHAFT ENTRETOISE	1		
25	61A-44311-01	HOUSING, WATER PUMP CORPS, POMPE A EAU	1		
26	61A-44322-02	INSERT, CARTRIDGE CUVETTE	1		
27	93210-86M38	O-RING JOINT TORIQUE	1		
28	93210-37160	O-RING JOINT TORIQUE	1		
29	6E5-44365-00	DAMPER, WATER SEAL JOINT, TUBE D'EAU	1		
30	6E5-44312-00	COVER, WATER PUMP HOUSING COUVERCLE	1		
31	6E5-44352-01	IMPELLER TURBINE	1		
32	90280-04M05	KEY, WOODRUFF CLAVETTE, DEMI-LUNE	1		
33	6G5-44323-00	OUTER PLATE, CARTRIDGE PLAQUE EXTERIEURE	1		
34	6E5-44315-A0	GASKET, WATER PUMP JOINT, POMPE A EAU	1		
35	93606-12019	PIN, DOWEL GOUPILLE	2		
36	90119-08M14	BOLT, WITH WASHER BOULON, AVEC RONDELLE	4		
37	6E5-45331-00-94	HOUSING, BEARING FLASQUE, ROULEMENT	1		
38	93101-28M16	OIL SEAL JOINT SPY	2		
39	93317-330U2	BEARING ROULEMENT	1		
40	6E5-45587-01	SHIM (T:0.10MM) CALE (T:0.10MM)	1		UR
	6E5-45587-10	SHIM (T:0.12MM) CALE (T:0.12MM)	1		UR
	6E5-45587-20	SHIM (T:0.15MM) CALE (T:0.15MM)	1		UR
	6E5-45587-30	SHIM (T:0.18MM) CALE (T:0.18MM)	1		UR
	6E5-45587-40	SHIM (T:0.30MM) CALE (T:0.30MM)	1		UR
	6E5-45587-50	SHIM (T:0.40MM) CALE (T:0.40MM)	1		UR
	6E5-45587-60	SHIM (T:0.50MM) CALE (T:0.50MM)	1		UR

**B3**

**FIG. 27 LOWER CASING & DRIVE 1**

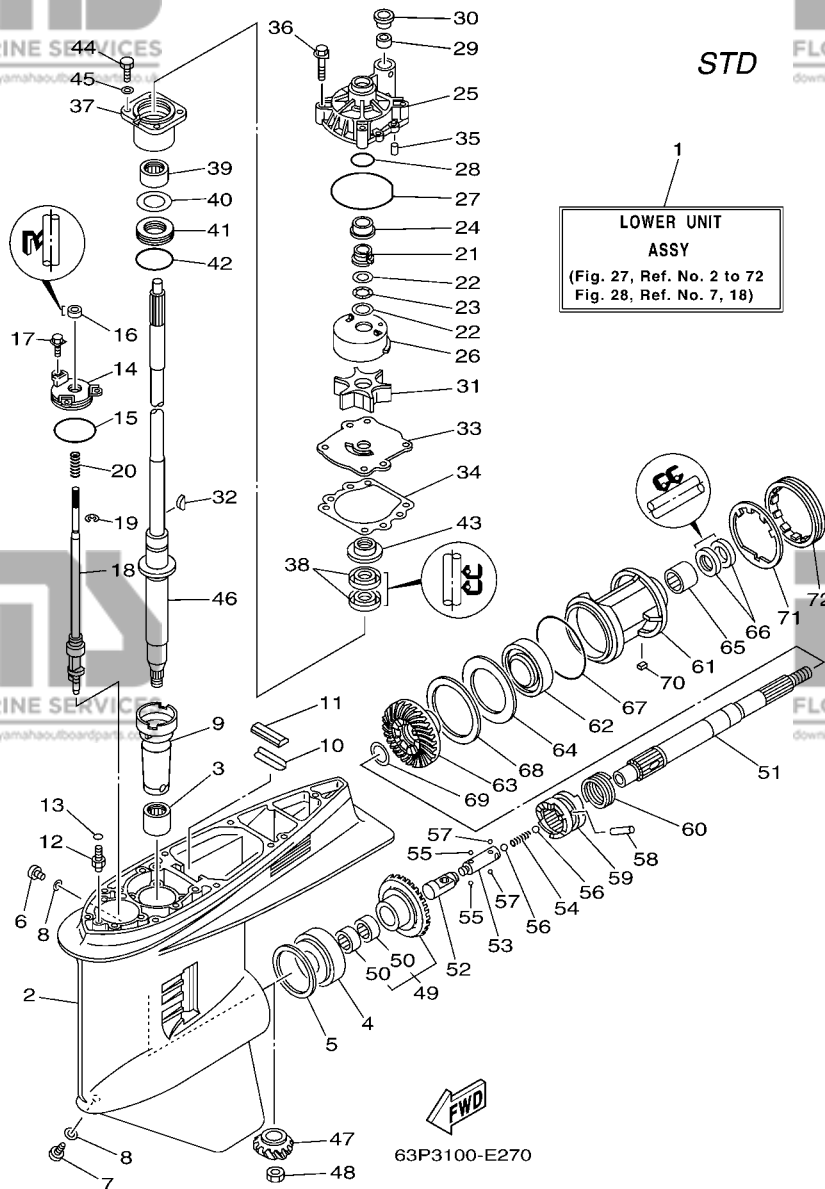
**BOITIER D'HELICE TRANSMISSION1**



REF. NO.	PART NO. N° PIECES	DESCRIPTION DESCRIPTION	63P3	64P3	REMARKS REMARQUES
41	93341-930V2	BEARING CERVEAUX DE DIRECTION	1		
42	93210-55M14	O-RING JOINT TORIQUE	1		
43	6E5-45344-00	COVER, OIL SEAL FLASQE, JOINT D'HUILE	1		
44	97095-08025	BOLT BOULON	4		
45	92995-08600	WASHER RONDELLE	4		
46	63P-45501-00	DRIVE SHAFT COMP. ARBRE MOTEUR COMP.	1		L (20.3") L (20.3")
	63P-45501-10	DRIVE SHAFT COMP. ARBRE MOTEUR COMP.	1		X (25.3") X (25.3")
47	63P-45551-00	PINION (14T) PIGNON D'ATTAQUE (14D)	1		
48	90170-16M01	NUT ECROU	1		
49	63P-45560-01	GEAR 1 (28T) PIGNON 1 (28T)	1		
50	93315-425V3	BEARING ROULEMENT	2		
51	6J9-45611-01	SHAFT, PROPELLER ARBRE, HELICE	1		
52	6E5-45641-03	SHIFTER EMBRAYAGE	1		
53	6E5-45634-01	SLIDE, SHIFT CONTRE-POUSSOIR	1		
54	90501-16M37	SPRING, COMPRESSION RESSORT, COMPRESSION	1		
55	93507-32009	BALL BILLE	2		
56	93511-32017	BALL BILLES	2		
57	93503-16003	BALL BILLES	2		
58	90250-08M07	PIN, STRAIGHT GOUPILLE, DROITE	1		
59	63P-45631-01	CLUTCH, DOG CRABOT	1		
60	6E5-45633-01	RING, CROSS PIN JONC, GOUPILLE CRABOT	1		
61	6J9-45332-00-8D	HOUSING, BEARING FLASQUE, ROULEMENT	1		
62	93306-209U0	BEARING ROULEMENT	1		
63	63P-45571-01	GEAR 2 (28T) PIGNON 2 (28T)	1		
64	6G5-45576-10	WASHER, THRUST RONDELLE DE CALAGE	1		
65	93315-43061	BEARING ROULEMENT	1		
66	93101-30M17	OIL SEAL JOINT SPY	2		

**FIG. 27 LOWER CASING & DRIVE 1**

**BOITIER D'HELICE TRANSMISSION1**

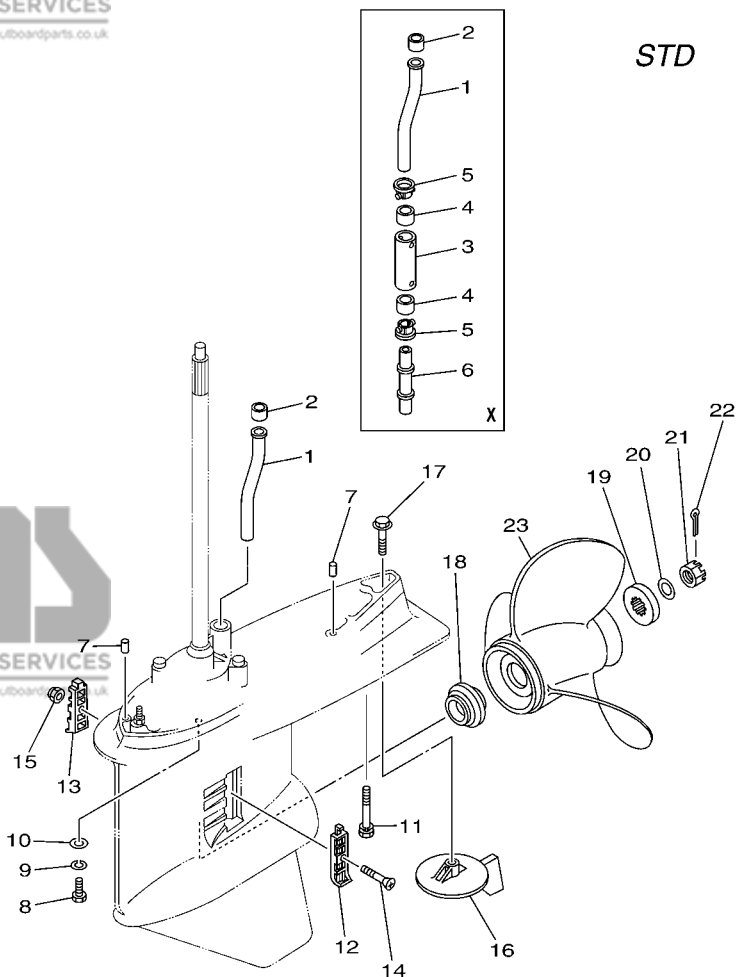


REF. NO.	PART NO. N° PIECES	DESCRIPTION DESCRIPTION	63P3	64P3	REMARKS REMARQUES
67	93210-97M55	O-RING JOINT TORIQUE	1		
68	6G5-45577-02	SHIM (T:0.10MM) CALE (T:0.10MM)	1		UR
	6G5-45577-10	SHIM (T:0.12MM) CALE (T:0.12MM)	1		UR
	6G5-45577-20	SHIM (T:0.15MM) CALE (T:0.15MM)	1		UR
	6G5-45577-30	SHIM (T:0.18MM) CALE (T:0.18MM)	1		UR
	6G5-45577-40	SHIM (T:0.30MM) CALE (T:0.30MM)	1		UR
	6G5-45577-50	SHIM (T:0.40MM) CALE (T:0.40MM)	1		UR
	6G5-45577-60	SHIM (T:0.50MM) CALE (T:0.50MM)	1		UR
69	90201-30M92	WASHER, PLATE RONDELLE, PLATE	1		
70	90282-04M00	KEY, STRAIGHT CLAVETTE, DROITE	1		
71	6G5-45383-01	WASHER, CLAW FREIN D'ECROU	1		
72	6G5-45384-02	NUT ECROU	1		

**B5**

FIG. 28 LOWER CASING & DRIVE 2

BOITIER D'HELICE TRANSMISSION2



STD

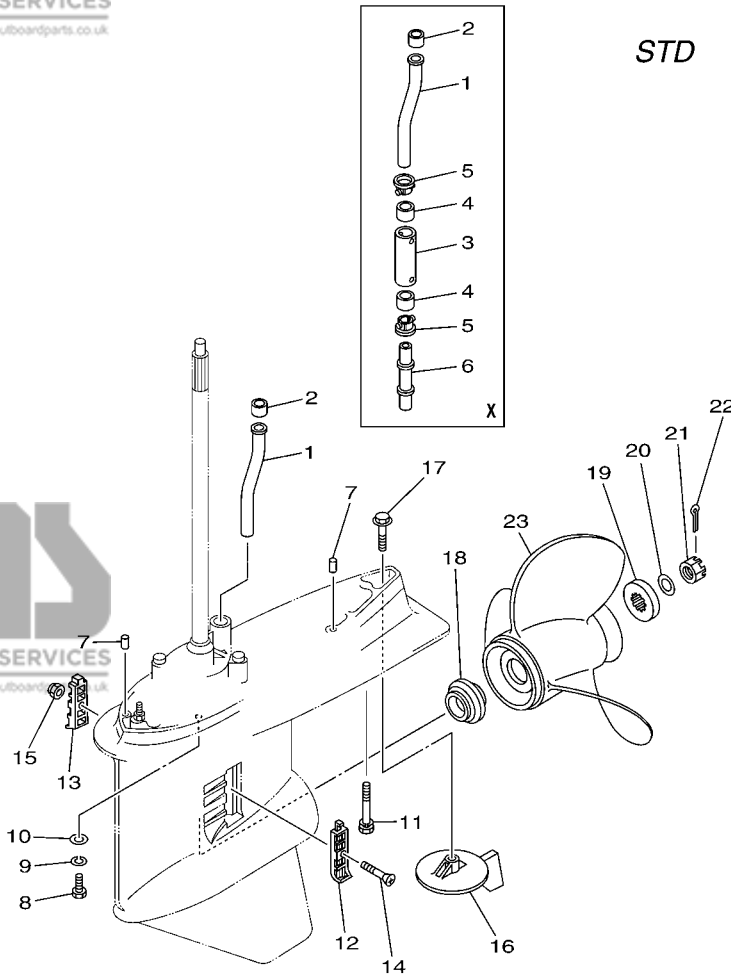


63P1010-C260

REF. NO.	PART NO. N° PIECES	DESCRIPTION DESCRIPTION	63P3	64P3	REMARKS REMARQUES
1	63P-44361-00	TUBE, WATER TUBE D'EAU	1		
2	6E5-44365-00	DAMPER, WATER SEAL JOINT, TUBE D'EAU	1		
3	63P-44362-00	TUBE, WATER TUBE D'EAU	1		X (25.3") X (25.3")
4	6E5-44365-00	DAMPER, WATER SEAL JOINT, TUBE D'EAU	2		X (25.3") X (25.3")
5	6E5-44312-00	COVER, WATER PUMP HOUSING COUVERCLE	2		X (25.3") X (25.3")
6	63P-44363-00	TUBE, WATER 3 TUBE D'EAU 3	1		X (25.3") X (25.3")
7	93608-16M16	PIN, DOWEL AXE	2		
8	97095-10045	BOLT BOULON	6		
9	92995-10100	WASHER RONDELLE	6		
10	92995-10600	WASHER RONDELLE	6		
11	90119-10MA2	BOLT, WITH WASHER BOULON, AVEC RONDELLE	1		L (20.3") L (20.3")
	90119-10008	BOLT, WITH WASHER BOULON, AVEC RONDELLE	1		X (25.3") X (25.3")
12	6J9-45214-00	COVER, WATER INLET 1 GRILLE, ENTREE D'EAU 1	1		
13	6J9-45215-00	COVER, WATER INLET 2 GRILLE, ENTREE D'EAU 2	1		
14	90152-05M08	SCREW, COUNTERSUNK VIS, TETE NOYEE	1		
15	90185-05002	NUT, SELF-LOCKING ECROU, AUTO-BLOQUANT	1		
16	6J9-45371-01	TAB-TRIM ANODE DERIVE	1		
17	90105-10M00	BOLT, FLANGE BOULON	1		
18	63P-45987-00	SPACER ENTRETOISE	1		
19	688-45997-01	SPACER ENTRETOISE	1		
20	92990-18200	WASHER RONDELLE, PLATE	1		
21	90171-18M04	NUT, CASTLE ECROU, CRENELE	1		
22	91490-40030	PIN, COTTER GOUPILLE	1		
23	6G5-45941-00-98	PROPELLER (3X15-1/4"X15"-M) HELICE (3X15-1/4"X15"-M)	1		UR UR
	6G5-45943-01-98	PROPELLER (3X13-3/4"X21"-M) HELICE (3X13-3/4"X21"-M)	1		UR UR
	6G5-45945-01-98	PROPELLER (3X14"X19"-M) HELICE (3X14"X19"-M)	1		UR UR
	6G5-45947-01-98	PROPELLER (3X14-1/2"X17"-M) HELICE (3X14-1/2"X17"-M)	1		UR UR

**B6**

**FIG. 28 LOWER CASING & DRIVE 2 BOITIER D'HELICE TRANSMISSION2**



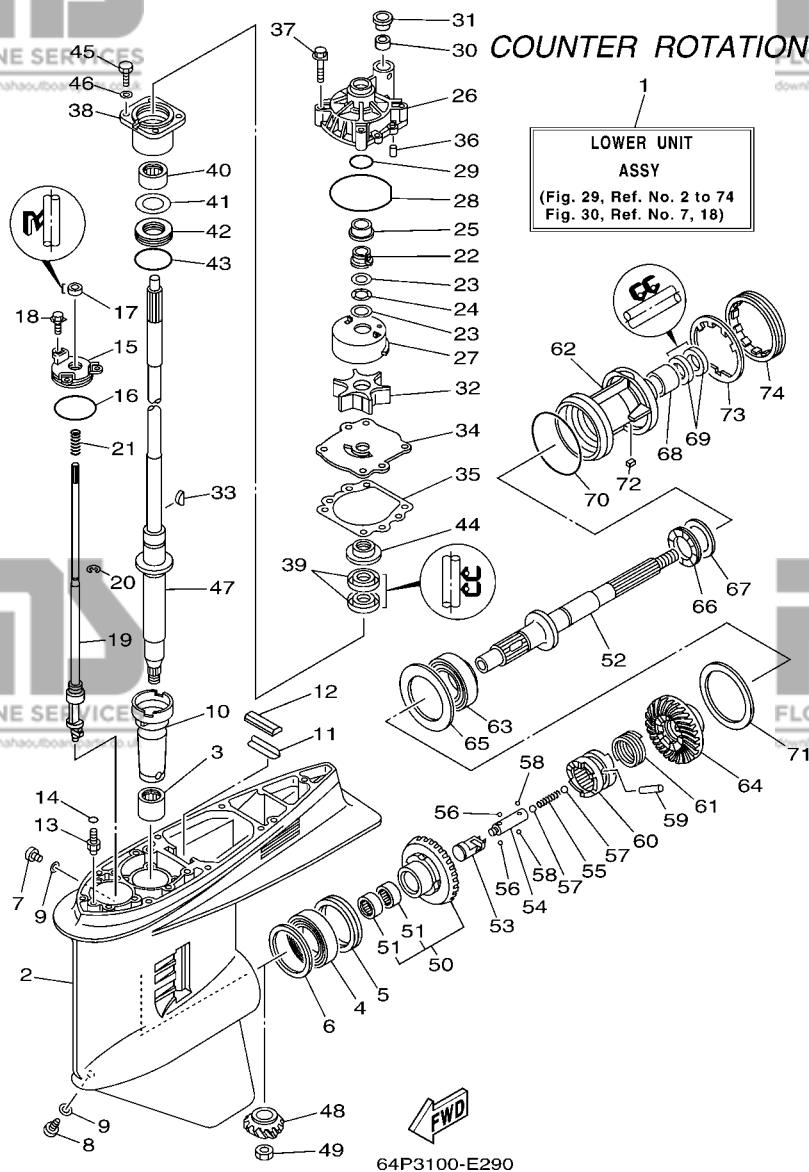
REF. NO.	PART NO. N° PIECES	DESCRIPTION DESCRIPTION	63P3	64P3	REMARKS REMARQUES
23	6G5-45949-00-98	PROPELLER (3X13-1/2"X23"-M) HELICE (3X13-1/2"X23"-M)	1		UR UR
	6G5-45930-00-98	PROPELLER (3X13-3/8"X25"-M) HELICE (3X13-3/8"X25"-M)	1		UR UR
	6G5-45932-00-98	PROPELLER (3X15-3/4"X13"-M) HELICE (3X15-3/4"X13"-M)	1		UR UR
	6G5-45970-02-98	PROPELLER (3X15-1/4"X15"-M) HELICE (3X15-1/4"X15"-M)	1		UR UR
	6G5-45972-02-98	PROPELLER (3X13-3/4"X21"-M) HELICE (3X13-3/4"X21"-M)	1		UR UR
	6G5-45974-03-98	PROPELLER (3X13-3/4"X19"-M2) HELICE (3X13-3/4"X19"-M2)	1		UR UR
	6G5-45976-01-98	PROPELLER (3X13-3/8"X23"-M) HELICE (3X13-3/8"X23"-M)	1		UR UR
	6G5-45978-03-98	PROPELLER (3X13-3/4"X17"-M2) HELICE (3X13-3/4"X17"-M2)	1		UR UR
	6R4-45970-A1	PROPELLER (3X15-1/4"X19"-M) HELICE (3X15-1/4"X19"-M)	1		UR UR
	6R4-45972-A0	PROPELLER (3X14-7/8"X21"-M) HELICE (3X14-7/8"X21"-M)	1		UR UR
	6R4-45974-A0	PROPELLER (3X14-1/2"X23"-M) HELICE (3X14-1/2"X23"-M)	1		UR UR
	6R4-45976-A0	PROPELLER (3X14-1/2"X15"-M) HELICE (3X14-1/2"X15"-M)	1		UR UR
	6R4-45978-A0	PROPELLER (3X15-1/4"X17"-M) HELICE (3X15-1/4"X17"-M)	1		UR UR
	6J9-45970-10	PROPELLER (3X14-1/2"X25"-M) HELICE (3X14-1/2"X25"-M)	1		UR UR
	6J9-45972-10	PROPELLER (3X14-1/2"X23"-M) HELICE (3X14-1/2"X23"-M)	1		UR UR
	6J9-45974-10	PROPELLER (3X14-1/2"X27"-M) HELICE (3X14-1/2"X27"-M)	1		UR UR
	6J9-45976-10	PROPELLER (3X14-1/2"X21"-M) HELICE (3X14-1/2"X21"-M)	1		UR UR

**FWD**  
63P1010-C260



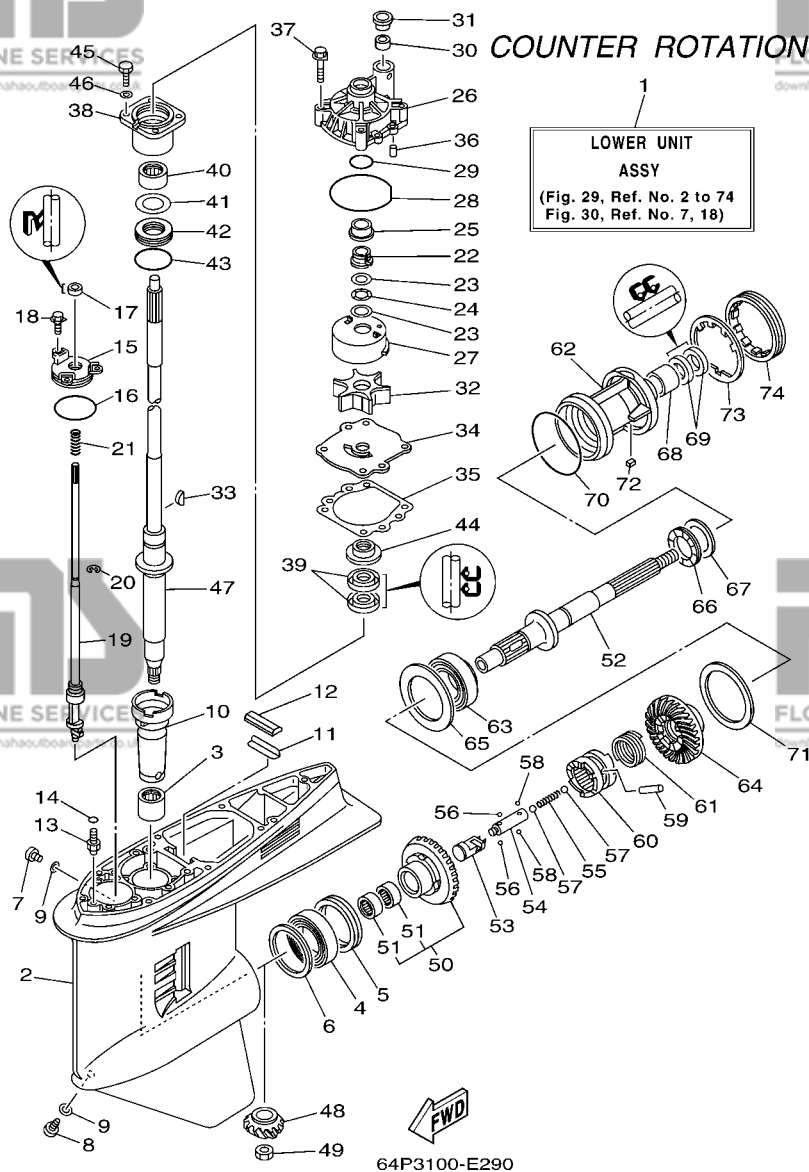
**FIG. 29 LOWER CASING & DRIVE 3**

**BOITIER D'HELICE TRANSMISSION3**



REF. NO.	PART NO. N° PIECES	DESCRIPTION DESCRIPTION	63P3	64P3	REMARKS REMARQUES
1	64P-45300-01-8D	LOWER UNIT ASSY UNITE INFERIEURE (ENS.)		1	L (20.3"),LH L (20.3"),LH
	64P-45300-11-8D	LOWER UNIT ASSY UNITE INFERIEURE (ENS.)		1	X (25.3"),LH X (25.3"),LH
2	6J9-45301-05-8D	CASING, LOWER BEQUILLE		1	
3	93311-928U5	BEARING ROULEMENT		1	
4	93390-000U2	BEARING ROULEMENT		1	
5	93341-465U4	BEARING CERVEAUX DE DIRECTION		1	
6	6G5-45567-01	SHIM (T:0.10MM) CALE (T:0.10MM)		1	UR UR
	6G5-45567-10	SHIM (T:0.12MM) CALE (T:0.12MM)		1	UR UR
	6G5-45567-20	SHIM (T:0.15MM) CALE (T:0.15MM)		1	UR UR
	6G5-45567-30	SHIM (T:0.18MM) CALE (T:0.18MM)		1	UR UR
	6G5-45567-40	SHIM (T:0.30MM) CALE (T:0.30MM)		1	UR UR
	6G5-45567-50	SHIM (T:0.40MM) CALE (T:0.40MM)		1	UR UR
	6G5-45567-60	SHIM (T:0.50MM) CALE (T:0.50MM)		1	UR UR
7	90340-08002	PLUG, STRAIGHT SCREW PLOT, FILETE DROIT		1	
8	688-45341-10	PLUG, DRAIN BOUCHON DE VIDANGE		1	
9	90430-08020	GASKET JOINT		2	
10	6G5-45536-01	SLEEVE, DRIVE SHAFT MANCHON, ARBRE MOTEUR		1	
11	663-45376-00-94	GUIDE, SEAL DAMPER BUTEE, JOINT CAOUTCHOUC		1	
12	688-45375-00	DAMPER, SEAL BOURRELET, CAOUTCHOUC		1	
13	63P-45378-00	NIPPLE, HOSE RACCORD, TUYAU		1	
14	93210-07003	O-RING JOINT TORIQUE		1	
15	6E5-45321-00	PLATE PLAQUETTE		1	
16	93210-58144	O-RING JOINT TORIQUE		1	
17	93106-09014	OIL SEAL JOINT SPY		1	
18	90119-06M10	BOLT, WITH WASHER BOULON, AVEC RONDELLE		3	
19	64P-44150-00	SHIFT CAM ASSY CAME D'INVERSION		1	L (20.3"),LH L (20.3"),LH
	64P-44150-10	SHIFT CAM ASSY CAME D'INVERSION		1	X (25.3"),LH X (25.3"),LH

**C1**



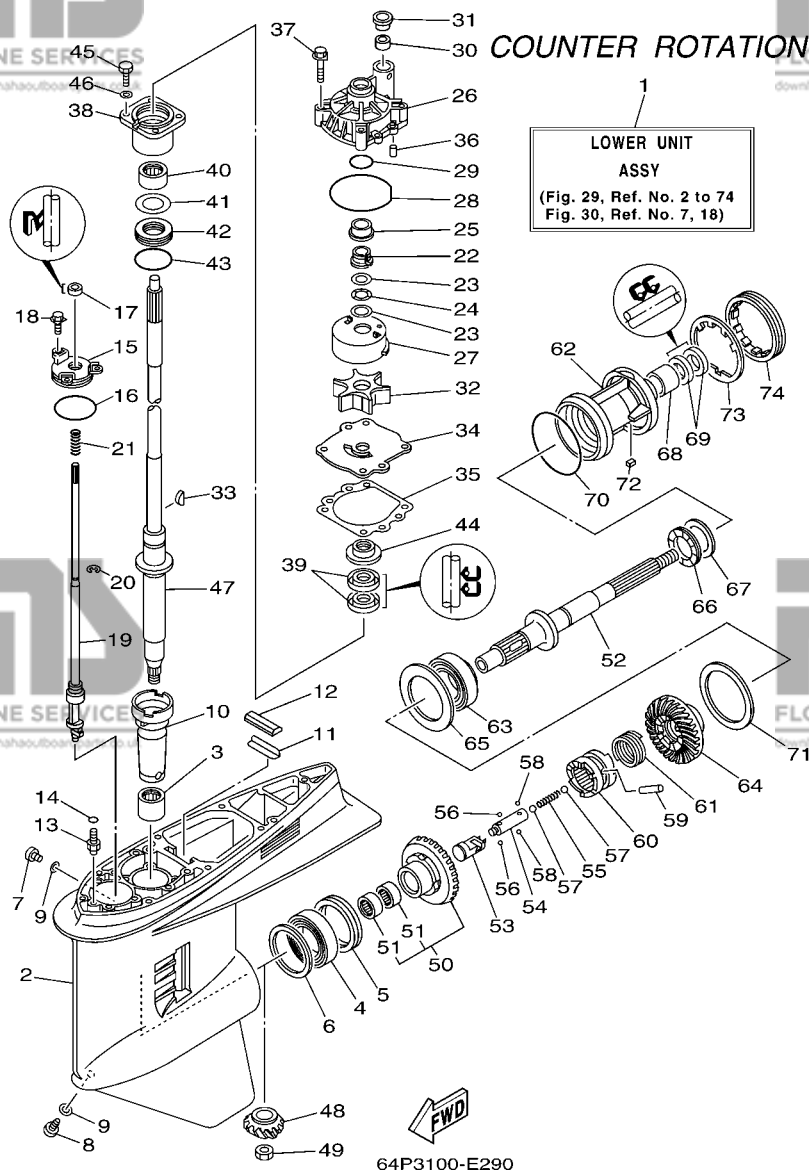
**FIG. 29 LOWER CASING & DRIVE 3 BOITIER D'HELICE TRANSMISSION3**

REF. NO.	PART NO. N° PIECES	DESCRIPTION DESCRIPTION	63P3	64P3	REMARKS REMARQUES
20	99001-08600	CIRCLIP CIRCLIP		1	
21	90501-11M10	SPRING, COMPRESSION RESSORT, COMPRESSION		1	
22	61A-45538-00	SPACER 1 ENTRETOISE		1	
23	90201-22M01	WASHER, PLATE RONDELLE, PLATE		2	
24	90206-22M19	WASHER, WAVE RONDELLE, ONDULEE		1	
25	61A-45527-00	COLLAR, DRIVE SHAFT ENTRETOISE		1	
26	61A-44311-01	HOUSING, WATER PUMP CORPS, POMPE A EAU		1	
27	61A-44322-02	INSERT, CARTRIDGE CUVETTE		1	
28	93210-86M38	O-RING JOINT TORIQUE		1	
29	93210-37160	O-RING JOINT TORIQUE		1	
30	6E5-44365-00	DAMPER, WATER SEAL JOINT, TUBE D'EAU		1	
31	6E5-44312-00	COVER, WATER PUMP HOUSING COUVERCLE		1	
32	6E5-44352-01	IMPELLER TURBINE		1	
33	90280-04M05	KEY, WOODRUFF CLAVETTE, DEMI-LUNE		1	
34	6G5-44323-00	OUTER PLATE, CARTRIDGE PLAQUE EXTERIEURE		1	
35	6E5-44315-A0	GASKET, WATER PUMP JOINT, POMPE A EAU		1	
36	93606-12019	PIN, DOWEL GOUPILLE		2	
37	90119-08M14	BOLT, WITH WASHER BOULON, AVEC RONDELLE		4	
38	6E5-45331-00-94	HOUSING, BEARING FLASQUE, ROULEMENT		1	
39	93101-28M16	OIL SEAL JOINT SPY		2	
40	93317-330U2	BEARING ROULEMENT		1	
41	6E5-45587-01	SHIM (T:0.10MM) CALE (T:0.10MM)		1	UR
	6E5-45587-10	SHIM (T:0.12MM) CALE (T:0.12MM)		1	UR
	6E5-45587-20	SHIM (T:0.15MM) CALE (T:0.15MM)		1	UR
	6E5-45587-30	SHIM (T:0.18MM) CALE (T:0.18MM)		1	UR
	6E5-45587-40	SHIM (T:0.30MM) CALE (T:0.30MM)		1	UR
	6E5-45587-50	SHIM (T:0.40MM) CALE (T:0.40MM)		1	UR

**C2**

**FIG. 29 LOWER CASING & DRIVE 3**

**BOITIER D'HELICE TRANSMISSION3**

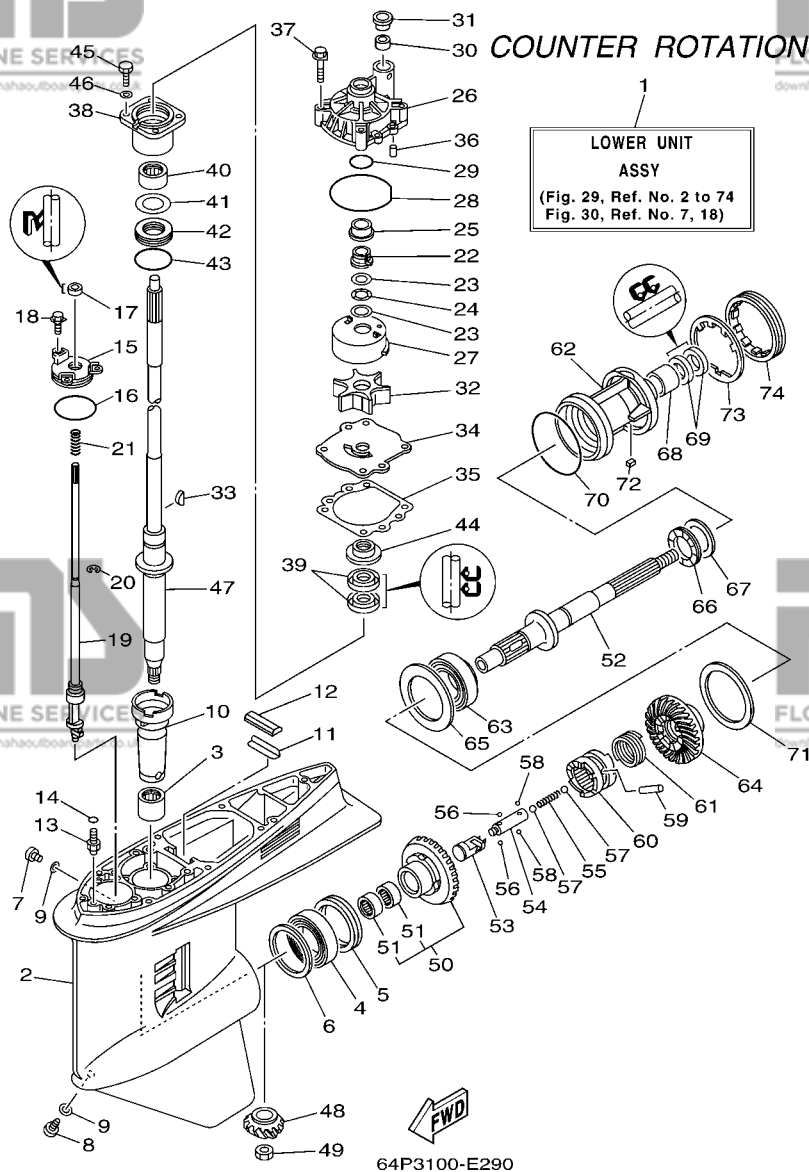


REF. NO.	PART NO. N° PIECES	DESCRIPTION DESCRIPTION	63P3	64P3	REMARKS REMARQUES
41	6E5-45587-60	SHIM (T:0.50MM) CALE (T:0.50MM)		1	UR UR
42	93341-930V2	BEARING CERVEAUX DE DIRECTION		1	
43	93210-55M14	O-RING JOINT TORIQUE		1	
44	6E5-45344-00	COVER, OIL SEAL FLASQUE, JOINT D'HUILE		1	
45	97095-08025	BOLT BOULON		4	
46	92995-08600	WASHER RONDELLE		4	
47	63P-45501-00	DRIVE SHAFT COMP. ARBRE MOTEUR COMP.		1	L (20.3") L (20.3")
	63P-45501-10	DRIVE SHAFT COMP. ARBRE MOTEUR COMP.		1	X (25.3") X (25.3")
48	63P-45551-00	PINION (14T) PIGNON D'ATTAQUE (14D)		1	
49	90170-16M01	NUT ECROU		1	
50	64P-45560-01	GEAR 1 (28T) PIGNON 1 (28T)		1	
51	93315-425V3	.BEARING .ROULEMENT		2	
52	6K1-45611-10	SHAFT, PROPELLER ARBRE, HELICE		1	
53	6K1-45641-01	SHIFTER EMBRAYAGE		1	
54	6E5-45634-01	SLIDE, SHIFT CONTRE-POUSSOIR		1	
55	90501-16M37	SPRING, COMPRESSION RESSORT, COMPRESSION		1	
56	93507-32009	BALL BILLE		2	
57	93511-32017	BALL BILLES		2	
58	93503-16003	BALL BILLES		2	
59	90250-08M07	PIN, STRAIGHT GOUPILLE, DROITE		1	
60	63P-45631-01	CLUTCH, DOG CRABOT		1	
61	6E5-45633-01	RING, CROSS PIN JONC, GOUPILLE CRABOT		1	
62	6K1-45332-01-8D	HOUSING, BEARING FLASQUE, ROULEMENT		1	
63	93332-00048	BEARING ROULEMENT		1	
64	64P-45570-01	GEAR 2 (28T) PIGNON 2 (28T)		1	
65	6K1-45576-00	WASHER, THRUST RONDELLE DE CALAGE		1	
66	93341-440U5	BEARING CERVEAUX DE DIRECTION		1	

**C3**

FIG. 29 LOWER CASING & DRIVE 3

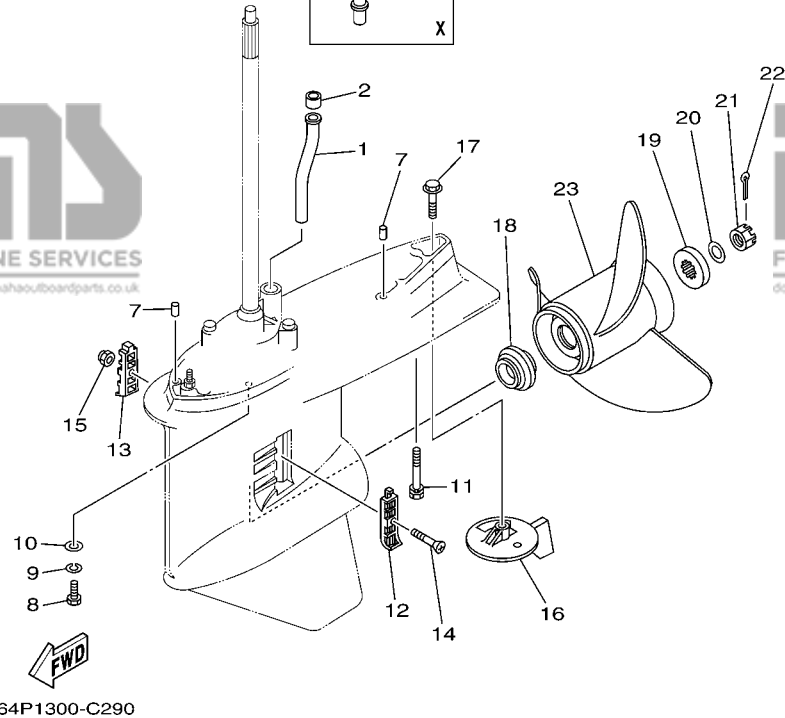
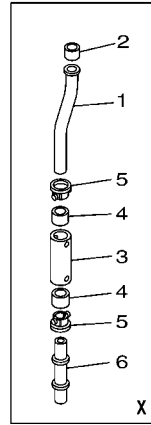
BOITIER D'HELICE TRANSMISSION3



REF. NO.	PART NO. N° PIECES	DESCRIPTION DESCRIPTION	63P3	64P3	REMARKS REMARQUES
67	6K1-45578-01	SHIM (T:0.10MM)		1	UR
		CALE (T:0.10MM)			UR
	6K1-45578-10	SHIM (T:0.12MM)		1	UR
		CALE (T:0.12MM)			UR
	6K1-45578-20	SHIM (T:0.15MM)		1	UR
		CALE (T:0.15MM)			UR
	6K1-45578-30	SHIM (T:0.18MM)		1	UR
		CALE (T:0.18MM)			UR
	6K1-45578-40	SHIM (T:0.30MM)		1	UR
		CALE (T:0.30MM)			UR
	6K1-45578-50	SHIM (T:0.40MM)		1	UR
		CALE (T:0.40MM)			UR
	6K1-45578-60	SHIM (T:0.50MM)		1	UR
		CALE (T:0.50MM)			UR
68	93315-43061	BEARING ROULEMENT		1	
69	93101-30M17	OIL SEAL JOINT SPY		2	
70	93210-97M55	O-RING JOINT TORIQUE		1	
71	6G5-45577-02	SHIM (T:0.10MM)		1	UR
		CALE (T:0.10MM)			UR
	6G5-45577-10	SHIM (T:0.12MM)		1	UR
		CALE (T:0.12MM)			UR
	6G5-45577-20	SHIM (T:0.15MM)		1	UR
		CALE (T:0.15MM)			UR
	6G5-45577-30	SHIM (T:0.18MM)		1	UR
		CALE (T:0.18MM)			UR
	6G5-45577-40	SHIM (T:0.30MM)		1	UR
		CALE (T:0.30MM)			UR
	6G5-45577-50	SHIM (T:0.40MM)		1	UR
		CALE (T:0.40MM)			UR
	6G5-45577-60	SHIM (T:0.50MM)		1	UR
		CALE (T:0.50MM)			UR
72	90282-04M00	KEY, STRAIGHT CLAVETTE, DROITE		1	
73	6G5-45383-01	WASHER, CLAW FREIN D'ECROU		1	
74	6G5-45384-02	NUT ECROU		1	

**FIG. 30 LOWER CASING & DRIVE 4**

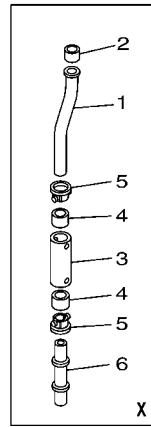
**BOITIER D'HELICE TRANSMISSION4**



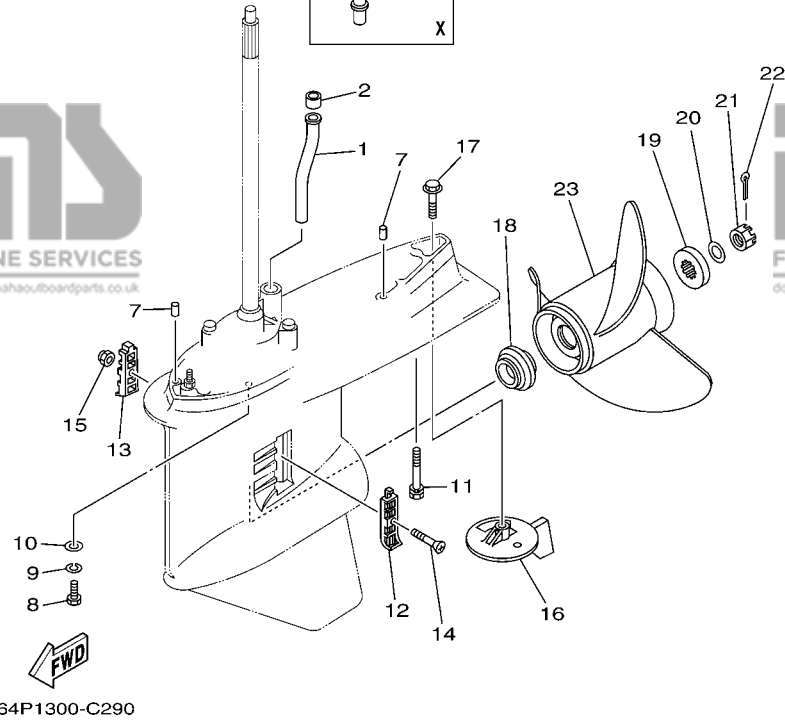
REF. NO.	PART NO. N° PIECES	DESCRIPTION DESCRIPTION	63P3	64P3	REMARKS REMARQUES
1	63P-44361-00	TUBE, WATER TUBE D'EAU		1	
2	6E5-44365-00	DAMPER, WATER SEAL JOINT, TUBE D'EAU		1	
3	63P-44362-00	TUBE, WATER TUBE D'EAU		1	X (25.3") X (25.3")
4	6E5-44365-00	DAMPER, WATER SEAL JOINT, TUBE D'EAU		2	X (25.3") X (25.3")
5	6E5-44312-00	COVER, WATER PUMP HOUSING COUVERCLE		2	X (25.3") X (25.3")
6	63P-44363-00	TUBE, WATER 3 TUBE D'EAU 3		1	X (25.3") X (25.3")
7	93608-16M16	PIN, DOWEL AXE		2	
8	97095-10045	BOLT BOULON		6	
9	92995-10100	WASHER RONDELLE		6	
10	92995-10600	WASHER RONDELLE		6	
11	90119-10MA2	BOLT, WITH WASHER BOULON, AVEC RONDELLE		1	L (20.3") L (20.3")
	90119-10008	BOLT, WITH WASHER BOULON, AVEC RONDELLE		1	X (25.3") X (25.3")
12	6J9-45214-00	COVER, WATER INLET 1 GRILLE, ENTREE D'EAU 1		1	
13	6J9-45215-00	COVER, WATER INLET 2 GRILLE, ENTREE D'EAU 2		1	
14	90152-05M08	SCREW, COUNTERSUNK VIS, TETE NOYEE		1	
15	90185-05002	NUT, SELF-LOCKING ECROU, AUTO-BLOQUANT		1	
16	6K1-45371-02	TAB-TRIM ANODE DERIVE		1	
17	90105-10M00	BOLT, FLANGE BOULON		1	
18	63P-45987-00	SPACER ENTRETOISE		1	
19	688-45997-01	SPACER ENTRETOISE		1	
20	92990-18200	WASHER RONDELLE, PLATE		1	
21	90171-18M04	NUT, CASTLE ECROU, CRENELE		1	
22	91490-40030	PIN, COTTER GOUPILLE		1	
23	6K1-45970-01-98	PROPELLER (3X15-1/4"X15"-ML) HELICE (3X15-1/4"X15"-ML)		1	UR UR
	6K1-45972-01-98	PROPELLER (3X13-3/4"X21"-ML) HELICE (3X13-3/4"X21"-ML)		1	UR UR
	6K1-45974-02-98	PROPELLER (3X13-3/4"X19"-ML1) HELICE (3X13-3/4"X19"-ML1)		1	UR UR
	6K1-45976-00-98	PROPELLER (3X13-3/8"X23"-ML) HELICE (3X13-3/8"X23"-ML)		1	UR UR

**C5**

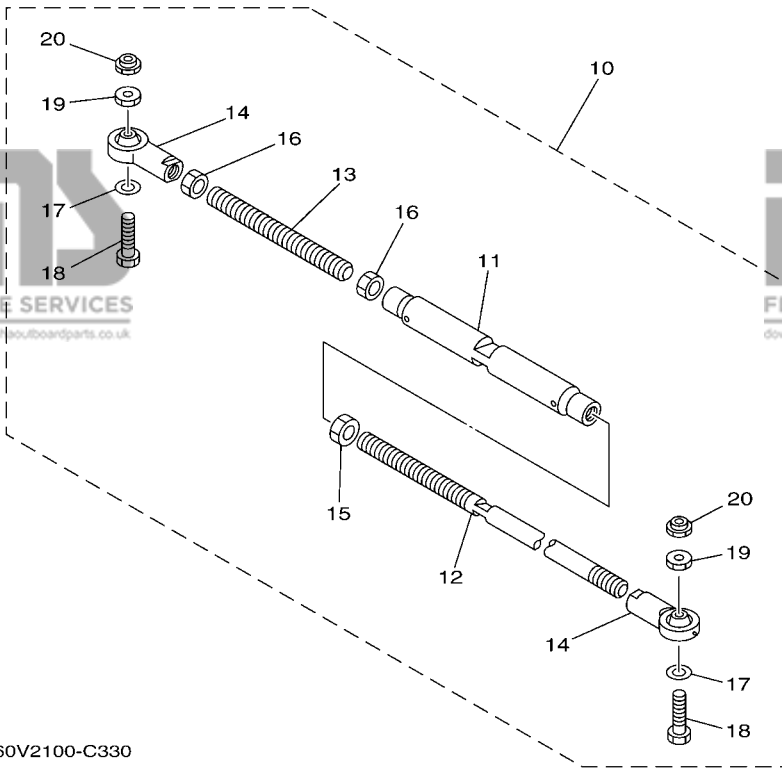
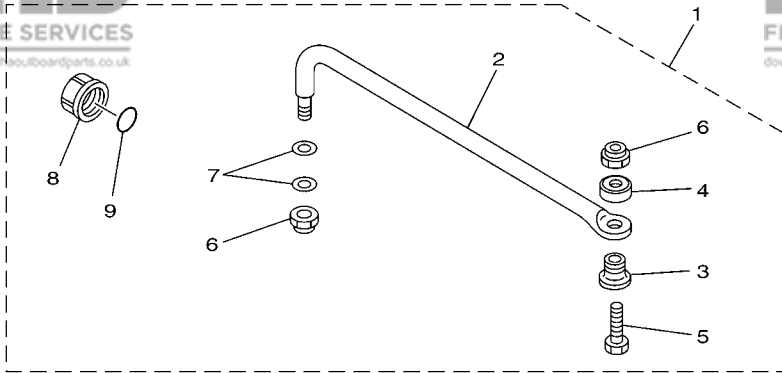
**FIG. 30 LOWER CASING & DRIVE 4 BOITIER D'HELICE TRANSMISSION4**



COUNTER ROTATION



REF. NO.	PART NO. N° PIECES	DESCRIPTION DESCRIPTION	63P3	64P3	REMARKS REMARQUES
23	6K1-45978-02-98	PROPELLER (3X13-3/4"X17"-ML1) HELICE (3X13-3/4"X17"-ML1)		1	UR
	6K1-45945-00-98	PROPELLER (3X14"X19"-ML) HELICE (3X14"X19"-ML)		1	UR
	6K1-45947-00-98	PROPELLER (3X14-1/2"X17"-ML) HELICE (3X14-1/2"X17"-ML)		1	UR
	6R1-45970-A1	PROPELLER (3X15-1/4"X19"-ML) HELICE (3X15-1/4"X19"-ML)		1	UR
	6R1-45972-A0	PROPELLER (3X14-7/8"X21"-ML) HELICE (3X14-7/8"X21"-ML)		1	UR
	6R1-45974-A0	PROPELLER (3X14-1/2"X23"-ML) HELICE (3X14-1/2"X23"-ML)		1	UR
	6R1-45976-A0	PROPELLER (3X15-1/4"X15"-ML) HELICE (3X15-1/4"X15"-ML)		1	UR
	6R1-45978-A0	PROPELLER (3X15-1/4"X17"-ML) HELICE (3X15-1/4"X17"-ML)		1	UR

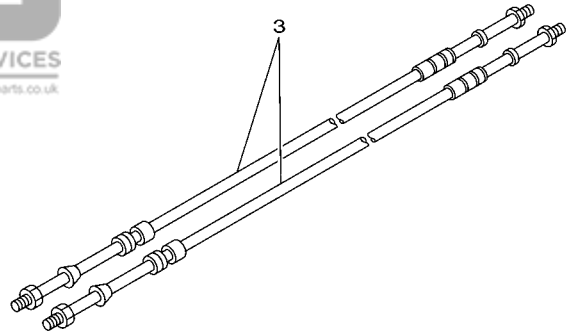
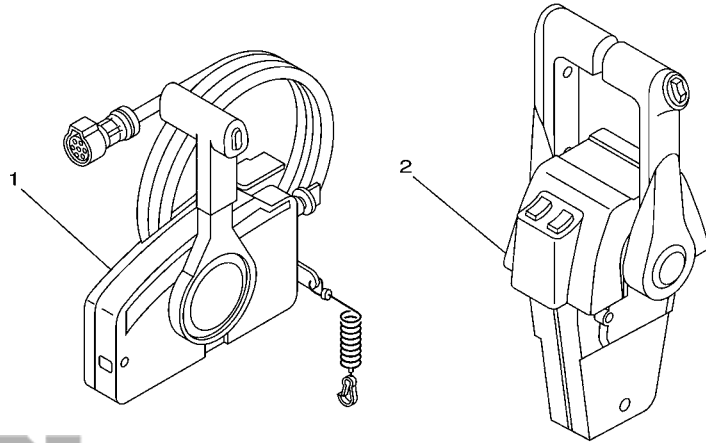


60V2100-C330

FIG. 31 STEERING GUIDE

FIXATION DE DIRECTION

REF. NO.	PART NO. N° PIECES	DESCRIPTION DESCRIPTION	63P3	64P3	REMARKS REMARQUES
1	6E5-61350-02	STEERING GUIDE ATTACHMENT KIT FIXATIONS DE DIRECTION	1		AP AP
2	6E5-61351-01	.ROD, STEERING LINK .RENOI DE DIRECTION	1		
3	90387-10M61	.COLLAR .COLLERETTE	1		
4	90560-12M01	.SPACER .ENTRETOISE	1		
5	6E5-61355-00	.BOLT .BOULON	1		
6	90185-09M01	.NUT, SELF-LOCKING .ECROU,AUTO-BLOQUANT	2		
7	90201-10M20	.WASHER, PLATE .RONDELLE, PLATE	2		
8	6E5-43145-01	.CAP CLAMP BRACKET .CAPUCHON, PRESSE	1		
9	93210-16275	.O-RING .JOINT TORIQUE	1		
10	6E5-61301-01	TWIN KIT (L:600-800MM) JUMELE KIT (L:600-800MM)	1		AP AP
11	6E5-61313-00	.ADJUSTER .TENDEUR	1		
12	6E5-61311-11	.TIE BAR .BARRE D'ACCOUPLMENT	1		
13	6E5-61315-00	.TIE BAR .BARRE D'ACCOUPLMENT	1		
14	6E5-61303-00	.STEERING EYE COMP. .AXE COMP.	2		
15	90170-14M06	.NUT .ECROU	1		
16	95380-14700	.NUT .ECROU	2		
17	90201-10M76	.WASHER, PLATE .RONDELLE, PLATE	2		
18	90101-09M70	.BOLT .BOULON	2		
19	90170-09M05	.NUT .ECROU	2		
20	90185-09M01	.NUT, SELF-LOCKING .ECROU,AUTO-BLOQUANT	2		



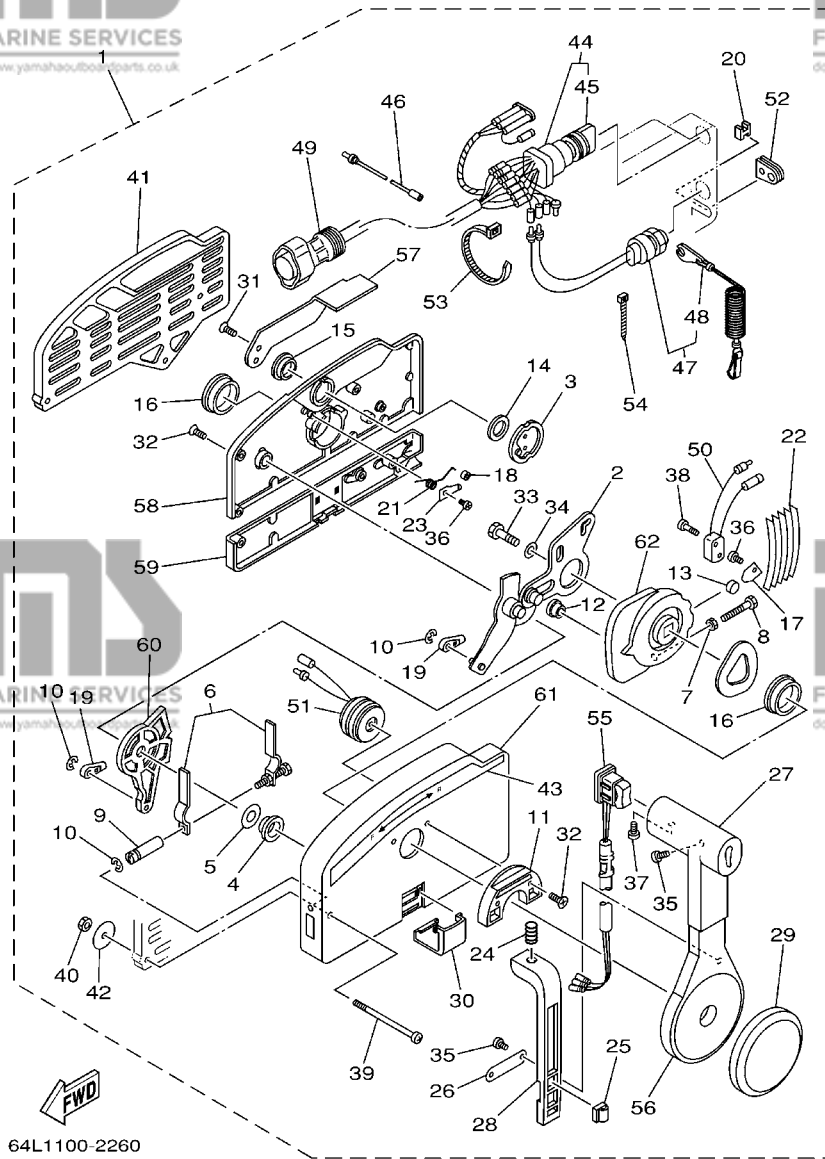
**FWD**  
68V4100-D350

**FIG. 32 REMOTE CONTROL BOX**

**BOITIER DE COMMANDE A DISTANCE**

REF. NO.	PART NO. N° PIECES	DESCRIPTION DESCRIPTION	63P3	64P3	REMARKS REMARQUES
1	703-48205-17	REMOTE CONTROL ASSY (10P) BOITIER DE COMMANDE A DISTANCE	1		AP WITH PT/T SW. AP WITH PT/T SW.
2	704-48207-P0	REMOTE CONTROL ASSY BOITIER DE COMMANDE A DISTANCE		1	AP WITH PT/T SW. AP WITH PT/T SW.
3	701-48320-50	CABLE, REMOTE CONTROL L=15F CABLE, COMMANDE A DISTANCE:15F	2	2	UR UR
	701-48320-60	CABLE, REMOTE CONTROL L=16F CABLE, COMMANDE A DISTANCE:16F	2	2	UR UR
	701-48320-80	CABLE, REMOTE CONTROL L=17F CABLE, COMMANDE A DISTANCE:17F	2	2	UR UR
	701-48350-00	CABLE, REMOTE CONTROL L=21F CABLE, COMMANDE A DISTANCE:21F	2	2	UR UR
	701-48350-20	CABLE, REMOTE CONTROL L=23F CABLE, COMMANDE A DISTANCE:23F	2	2	UR UR



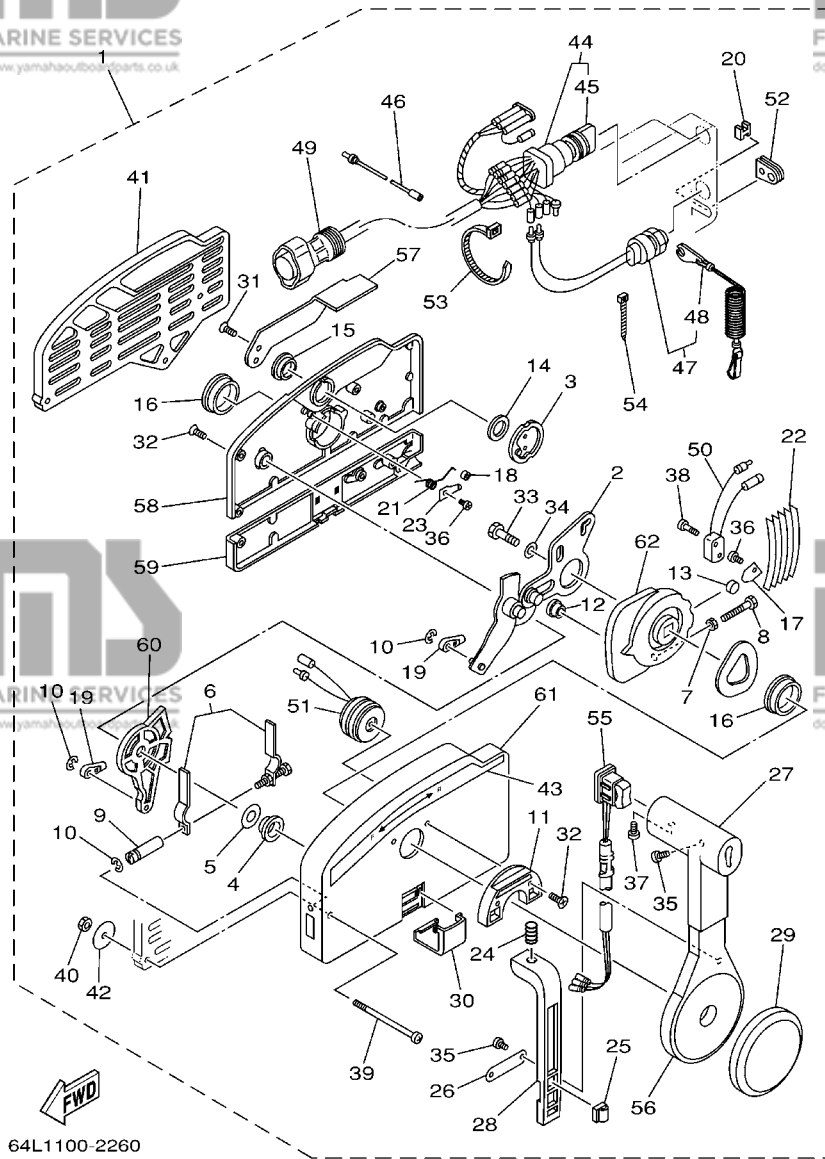


64L1100-2260

**FIG. 33 REMOTE CONTROL ASSY 1 BOITIER DE COMMANDE A DISTANCE**

REF. NO.	PART NO. N° PIECES	DESCRIPTION DESCRIPTION	63P3	64P3	REMARKS REMARQUES
1	703-48205-17	REMOTE CONTROL ASSY (10P) BOITIER DE COMMANDE A DISTANCE	1		AP WITH PT/T SW. AP WITH PT/T SW.
2	703-48261-01	.ARM, THROTTLE .BRAS, ACCELERATION	1		
3	703-48153-00	.SHAFT, FREE ACCEL. .AXE	1		
4	703-48235-00	.BUSHING .COUSSINET	1		
5	703-48268-00	.SPACER .ENTRETOISE	1		
6	703-48264-00	.FRICTION, THROTTLE .FRICTION, ACCELERATION	1		
7	95380-05600	.NUT .ECROU	1		
8	97380-05025	.BOLT .BOULON, HEXAGONAL	1		
9	703-48265-00	.SHAFT, FRICTION .AXE, COPILOTE	1		
10	93430-06024	.CIRCLIP .CLIPS	3		
11	703-48245-00	.PLATE, LOCK .PLAQUE, VERROU	1		
12	703-48252-00	.ROLLER, CAM .POULIE	1		
13	701-48248-00	.ROLLER, FREE ACCEL. .POULIE	1		
14	703-48198-00	.WASHER, WAVE .RONDELLE, ELASTIQUE ONDULEE	1		
15	703-48243-00	.BUSHING .COUSSINET	1		
16	703-48236-00	.BUSHING 1 .POULIE	2		
17	703-48189-00	.RETAINER .FLASQUE	1		
18	703-48234-00	.ROLLER, DETENT .POULIE	1		
19	703-48345-01	.CABLE END, REMOTE CONTROL 2 .CHAPE CABLE	2		
20	703-48358-00	.ANCHOR, CABLE .COLLIER	1		
21	703-48244-00	.SPRING, FREE ACCEL. .RESSORT	1		
22	703-48238-00	.SPRING, DETENT .RESSORT	5		
23	703-48246-00	.SPACER .ENTRETOISE	1		
24	703-48227-00	.SPRING, NEUTRAL LOCK .RESSORT	1		
25	703-82594-00	.CLAMP .BRIDE	1		WITH PT/T SW. WITH PT/T SW.
26	703-48226-00	.PLATE, STOPPER .PLAQUETTE	1		
27	703-48222-00	.GRIP, CONTROL LEVER .POIGNEE, COMMANDE LEVIER	1		SINGLE SINGLE

**D2**



64L1100-2260

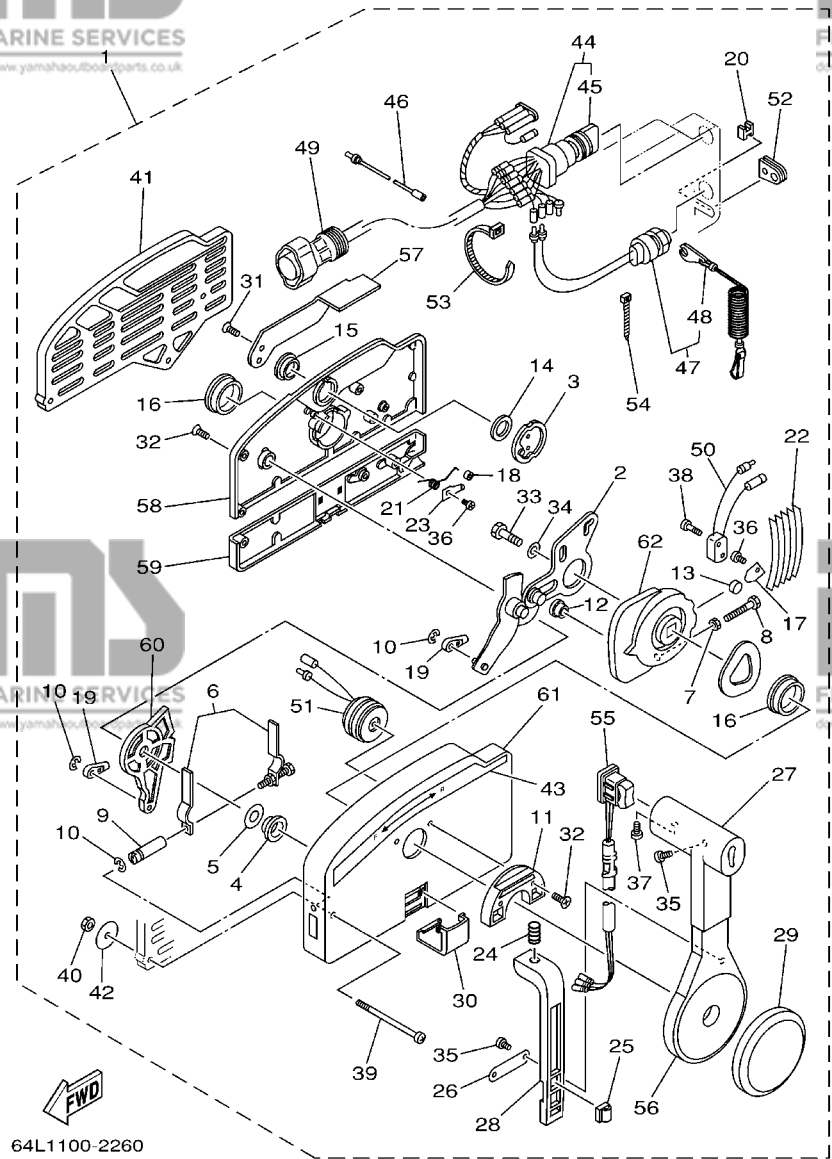
**FIG. 33 REMOTE CONTROL ASSY 1**

**BOITIER DE COMMANDE A DISTANCE**

REF. NO.	PART NO. N° PIECES	DESCRIPTION DESCRIPTION	63P3	64P3	REMARKS REMARQUES
28	703-48223-00	.LOCK, NEUTRAL .VERROU, NEUTRAL	1		
29	703-48225-00	.COVER .COUVERCLE	1		
30	703-48219-00	.COVER, LEAD .COUVERCLE	1		
31	703-48281-00	.SCREW .VIS	2		
32	703-48282-00	.SCREW .VIS	7		
33	97380-08030	.BOLT .BOULON, HEXAGONAL	1		
34	92990-08600	.WASHER, PLATE .RONDELLE, PLATE	1		
35	98580-04010	.SCREW, PAN HEAD .VIS	3		
36	98580-04006	.SCREW, PAN HEAD .VIS	2		
37	98580-05010	.SCREW, PAN HEAD .VIS	1		
38	98580-03015	.SCREW, PAN HEAD .VIS	2		
39	703-48291-10	.SCREW (M6) .VIS (M6)	3		
40	95380-06600	.NUT, HEXAGON .ECROU	3		
41	703-48293-10	.SPACER, REMOTE CONTROL .ENTRETOISE	1		SINGLE SINGLE
42	701-48287-00	.WASHER .RONDELLE	3		
43	703-48215-00	.GRAPHIC .ADHESIF	1		
44	703-82510-43	.MAIN SWITCH ASSY .CONTACTEUR A CLEF COMPLET	1		
45	703-82577-00	.CAP, KEY .CABOCHON	1		
46	703-82531-00	.WIRE, LEAD .FIL	1		
47	688-82575-01	.ENGINE STOP SWITCH ASSY .COUPE CIRCUIT CPLT	1		
48	682-82556-00	.LANYARD, STOP SWITCH .PLAQUETTE	1		
49	688-8258A-20	.EXTENSION, WIRE HARNESS .EXTENSION, FAISCEAU DE FILS	1		L:5M (10P) L:5M (10P)
50	703-82540-00	.NEUTRAL SWITCH ASSY .CONTACTEUR DE POINT-MORT	1		
51	703-83383-02	.BUZZER .RONFLEUR	1		
52	703-48284-00	.GROMMET .PASSE-FIL	1		
53	703-82591-00	.BAND .COLLIER	1		
54	703-82592-00	.BAND .COLLIER	1		

**D3**

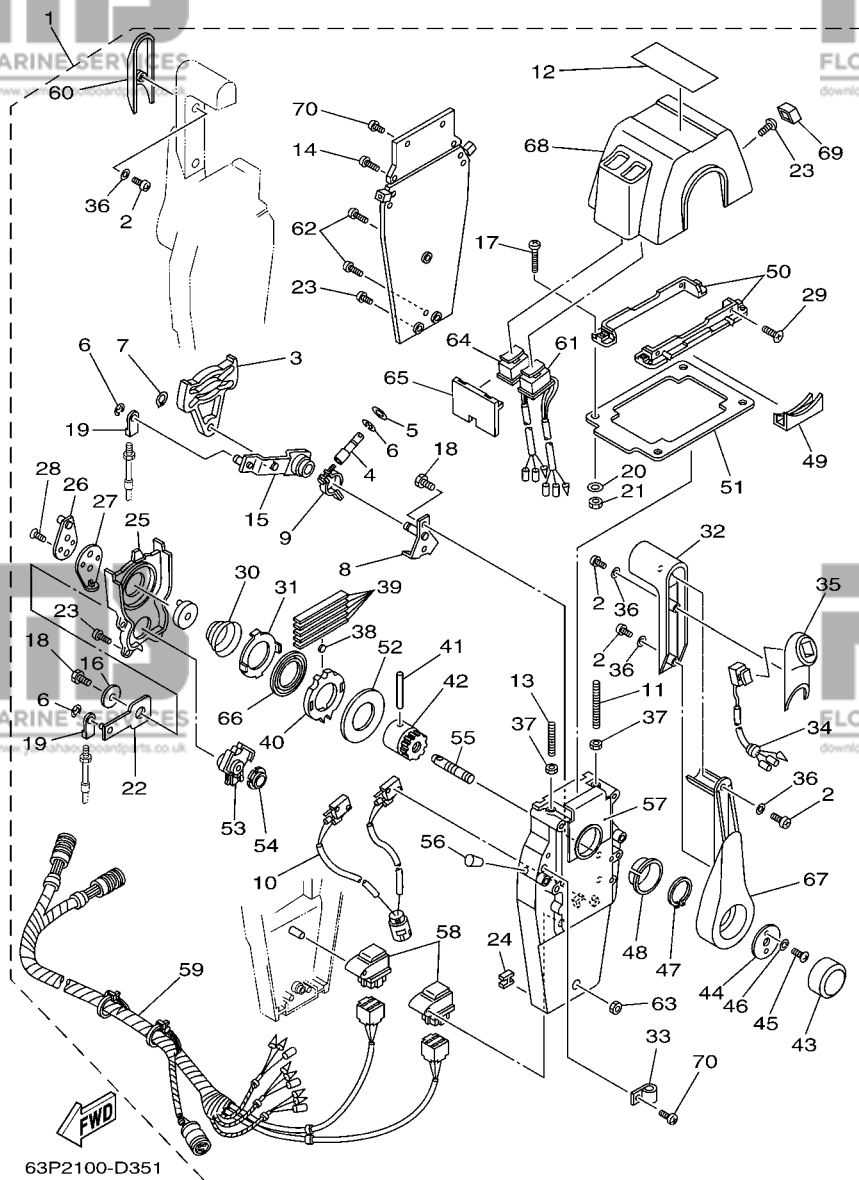
**FIG. 33 REMOTE CONTROL ASSY 1 BOITIER DE COMMANDE A DISTANCE**



64L1100-2260

REF. NO.	PART NO. N° PIECES	DESCRIPTION DESCRIPTION	63P3	64P3	REMARKS REMARQUES
55	703-82563-02	.TRIM & TILT SWITCH ASSY .INCLINER ET PAYER COMMUTATEUR	1		WITH PT/T SW. WITH PT/T SW.
56	703-48221-00	.LEVER, CONTROL .LEVIER, COMMANDE	1		
57	703-48152-00	.KNOB, FREE ACCEL. .BOUTON	1		
58	703-48212-00	.BACK PLATE 1 .PLAQUETTE 1	1		
59	703-48213-00	.BACK PLATE 2 .PLAQUETTE 2	1		
60	703-48271-00	.ARM, SHIFT .BRAS	1		
61	703-48211-01	.HOUSING,1 .CORPS	1		
62	703-48232-00	.GEAR .PIGNON	1		

FIG. 34 REMOTE CONTROL ASSY 2 BOITIER DE COMMANDE A DISTANCE

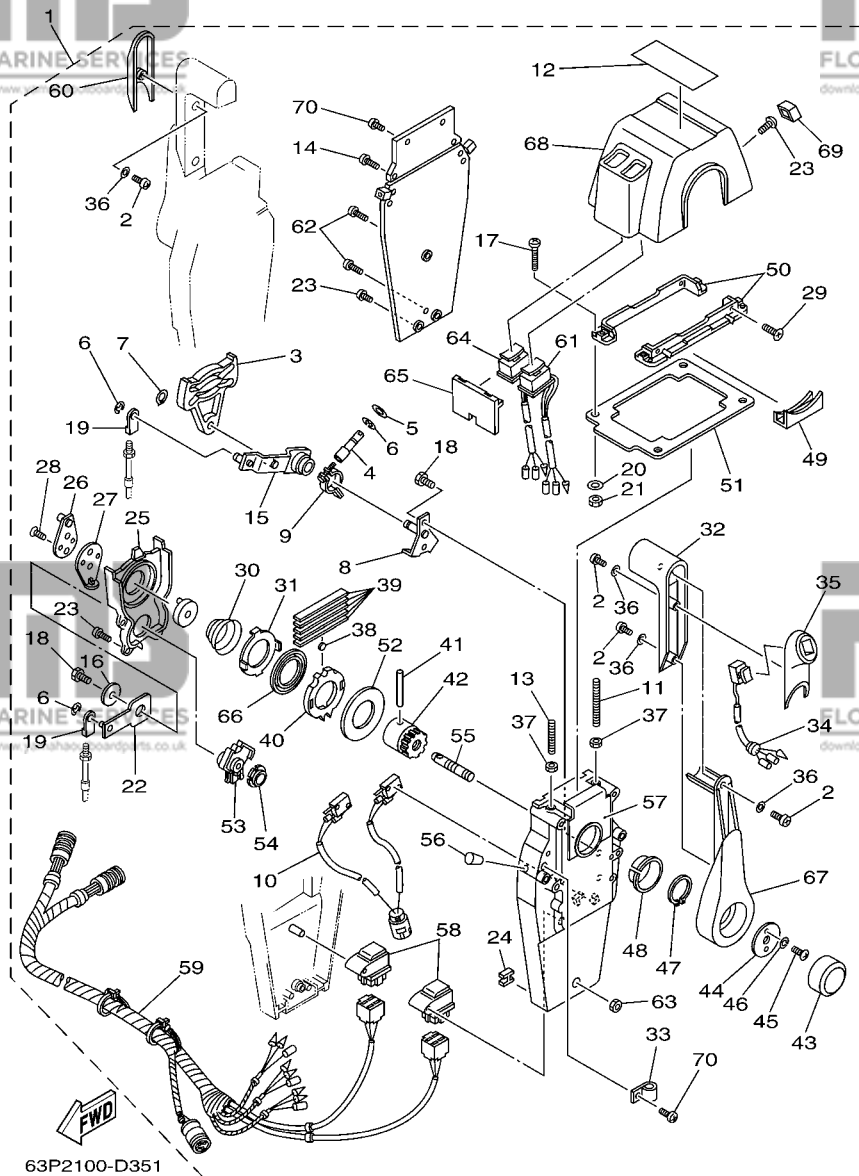


REF. NO.	PART NO. N° PIECES	DESCRIPTION DESCRIPTION	63P3	64P3	REMARKS REMARQUES
1	704-48207-P0	REMOTE CONTROL ASSY BOITIER DE COMMANDE A DISTANCE		1	AP WITH PT/T SW. AP WITH PT/T SW.
2	704-48129-00	.SCREW 3 .VIS 3		6	
3	EL8-48251-00	.PLATE, CAM .PLAQUE, CAME		2	
4	704-48265-00	.SHAFT, FRICTION .AXE, COPILOTE		2	
5	701-48246-00	.SPACER .ENTRETOISE		2	
6	93430-06024	.CIRCLIP .CLIPS		8	
7	EL8-48259-00	.CIRCLIP 1 .CIRCLIP		2	
8	704-48262-00	.SHAFT, THROTTLE .AXE, ACCELERATION		2	
9	704-48264-00	.THROTTLE, FRICTION .FRICTION, ACCELERATION		2	
10	704-82540-30	.NEUTRAL SWITCH ASSY .CONTACTEUR DE POINT-MORT		1	
11	EL8-48281-00	.SCREW .VIS		2	
12	704-48215-30	.GRAPHIC .ADHESIF		1	
13	704-48281-00	.SCREW .VIS		2	
14	97890-05025	.SCREW, PAN HEAD .VIS, CRUCIFORME		4	
15	704-48261-00	.ARM, THROTTLE .BRAS, ACCELERATION		2	
16	EL8-48191-00	.WASHER 1 .RONDELLE		2	
17	704-48283-00	.SCREW .VIS		4	
18	97380-06018	.BOLT .BOULON, HEXAGONAL		6	
19	703-48345-01	.CABLE END, REMOTE CONTROL 2 .CHAPE CABLE		4	
20	704-48287-00	.WASHER .RONDELLE		4	
21	95380-05600	.NUT .ECROU		4	
22	704-48271-00	.ARM, SHIFT .BRAS		2	
23	EL8-48127-00	.SCREW 1 .VIS 1		18	
24	703-48358-00	.ANCHOR, CABLE .COLLIER		2	
25	704-48231-00	.HOUSING, GEAR .CARTER, ENGRENAGE		2	
26	EL8-48241-00	.ARM, DRIVE .BRAS, COMMANDE		2	
27	EL8-48254-00	.STOPPER, THROTTLE ADJUSTING .BUTEE		2	

D5

FIG. 34 REMOTE CONTROL ASSY 2

BOITIER DE COMMANDE A DISTANCE

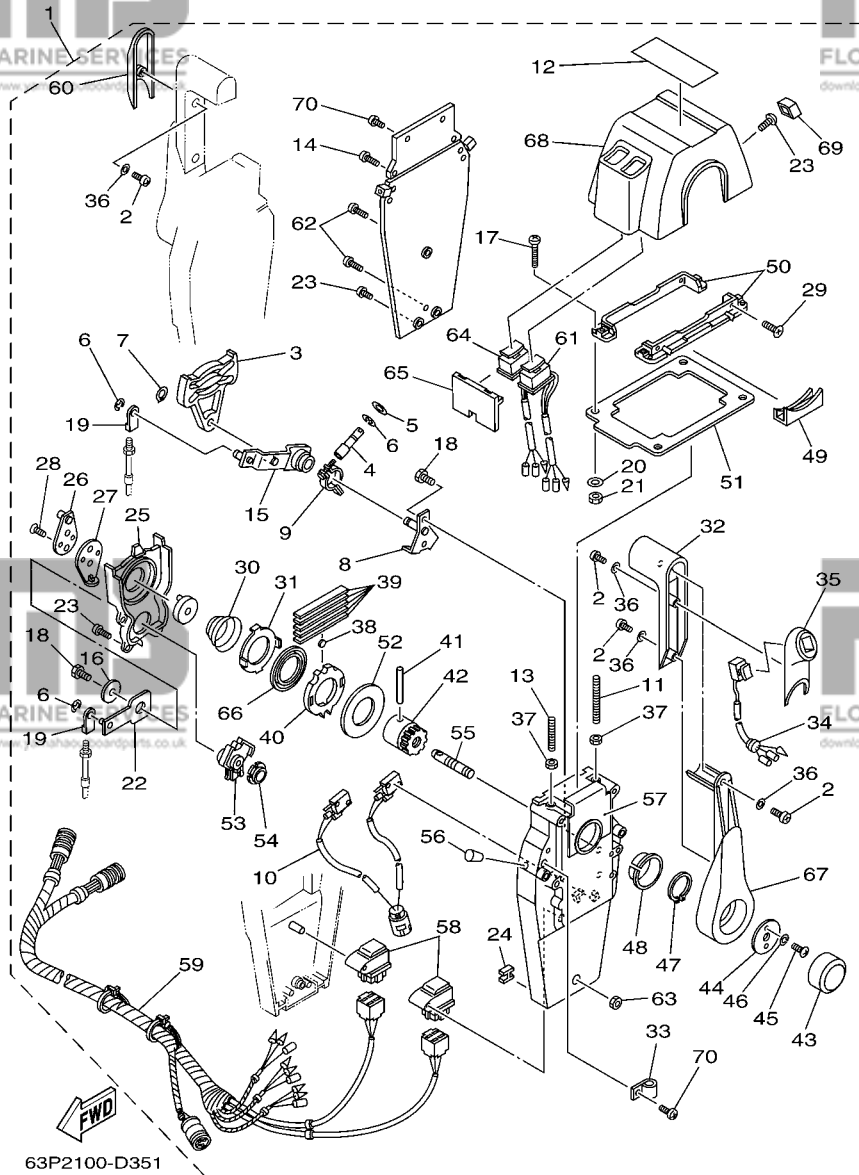


REF. NO.	PART NO. N° PIECES	DESCRIPTION DESCRIPTION	63P3	64P3	REMARKS REMARQUES
28	92780-06020	.SCREW, FLAT HEAD .VIS A TETE FRAISEE		4	
29	98780-05018	.SCREW, FLAT HEAD .VIS A TETE FRAISEE		4	
30	EL8-48244-00	.SPRING, FREE ACCEL. .RESSORT		2	
31	EL8-48245-00	.PLATE, LOCK .PLAQUE, VERROU		2	
32	704-48222-P0	.GRIP, CONTROL LEVER .POIGNEE, COMMANDE LEVIER		2	
33	704-82594-00	.CLAMP .BRIDE		1	
34	704-82563-50	.TRIM & TILT SWITCH ASSY .INCLINER ET PAYER COMMUTATEUR		1	
35	704-48229-P1	.GRIP, CONTROL LEVER .POIGNEE, COMMANDE LEVIER		1	
36	92990-05300	.WASHER, INTERNAL TOOTH .RONDELLE, DENTURE INTERNE		6	
37	95380-06600	.NUT, HEXAGON .ECROU		4	
38	701-48248-00	.ROLLER, FREE ACCEL. .POULIE		2	
39	704-48238-00	.SPRING, DETENT .RESSORT		10	
40	704-48232-P1	.GEAR .PIGNON		2	
41	EL8-48164-00	.PIN 2 .PION 2		2	
42	704-48242-10	.SHAFT, DRIVE .ARBRE, MOTEUR		2	
43	6X3-48225-20	.COVER .COUVERCLE		2	
44	704-48192-00	.WASHER 2 .RONDELLE 2		2	
45	97890-06018	.SCREW, PAN HEAD .VIS, CRUCIFORME		4	
46	92990-06300	.WASHER, INTERNAL TOOTH .RONDELLE, DENTURE INTERNE		4	
47	EL8-48279-00	.CIRCLIP 2 .CIRCLIP 2		2	
48	704-48234-00	.BUSHING 1 .POULIE		2	
49	704-48219-P0	.COVER, LEAD .COUVERCLE		2	
50	704-48144-20	.PLATE, STOPPER 2 .PLAQUETTE 2		2	
51	704-48176-10	.GROMMET .PASSE-FIL		1	
52	704-48192-P0	.WASHER 2 .RONDELLE 2		2	
53	704-48233-00	.GEAR 2 .PIGNON 2		2	
54	704-48235-00	.BUSHING .COUSSINET		2	

D6

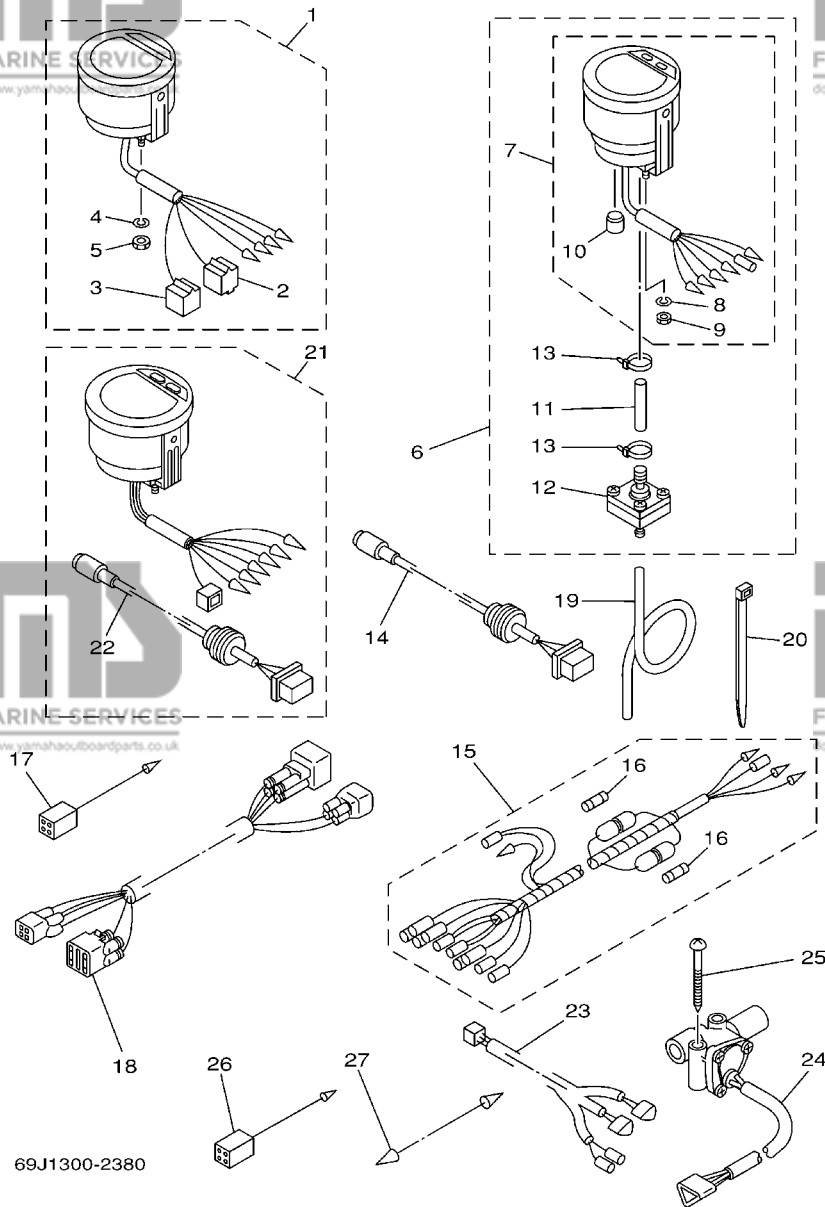
FIG. 34 REMOTE CONTROL ASSY 2

BOITIER DE COMMANDE A DISTANCE



63P2100-D351

REF. NO.	PART NO. N° PIECES	DESCRIPTION DESCRIPTION	63P3	64P3	REMARKS REMARQUES
55	704-48153-00	.SHAFT, FREE ACCEL. .AXE		2	
56	704-48166-00	.PLUG .BOUCHON		2	
57	704-48284-P0	.GROMMET .PASSE-FIL		2	
58	704-81950-10	.RELAY ASSY .RELAIS COMPLET		2	
59	704-82590-10	.WIRE HARNESS ASSY .FAISCEAU DE FILS COMPLET		1	
60	704-48229-00	.GRIP, CONTROL LEVER .POIGNEE, COMMANDE LEVIER		1	
61	704-82563-H0	.TRIM & TILT SWITCH ASSY .INCLINER ET PARER COMMUTATEUR		1	
62	704-48128-00	.SCREW 2 .VIS 2		3	
63	704-48156-00	.NUT 1 .ECROU 1		1	
64	704-82563-J0	.TRIM & TILT SWITCH ASSY .INCLINER ET PARER COMMUTATEUR		1	
65	704-48285-10	.GROMMET 2 .PASSE-FIL 2		1	
66	704-48178-00	.PLATE, SHIFT .PLAQUETTE		2	
67	704-48221-P0	.LEVER, CONTROL .LEVIER, COMMANDE		2	
68	704-48119-40	.COVER .COUILLE		1	
69	704-48167-10	.PLUG .BOUCHON		1	
70	97890-05016	.SCREW, PAN HEAD .VIS, CRUCIFORME		5	

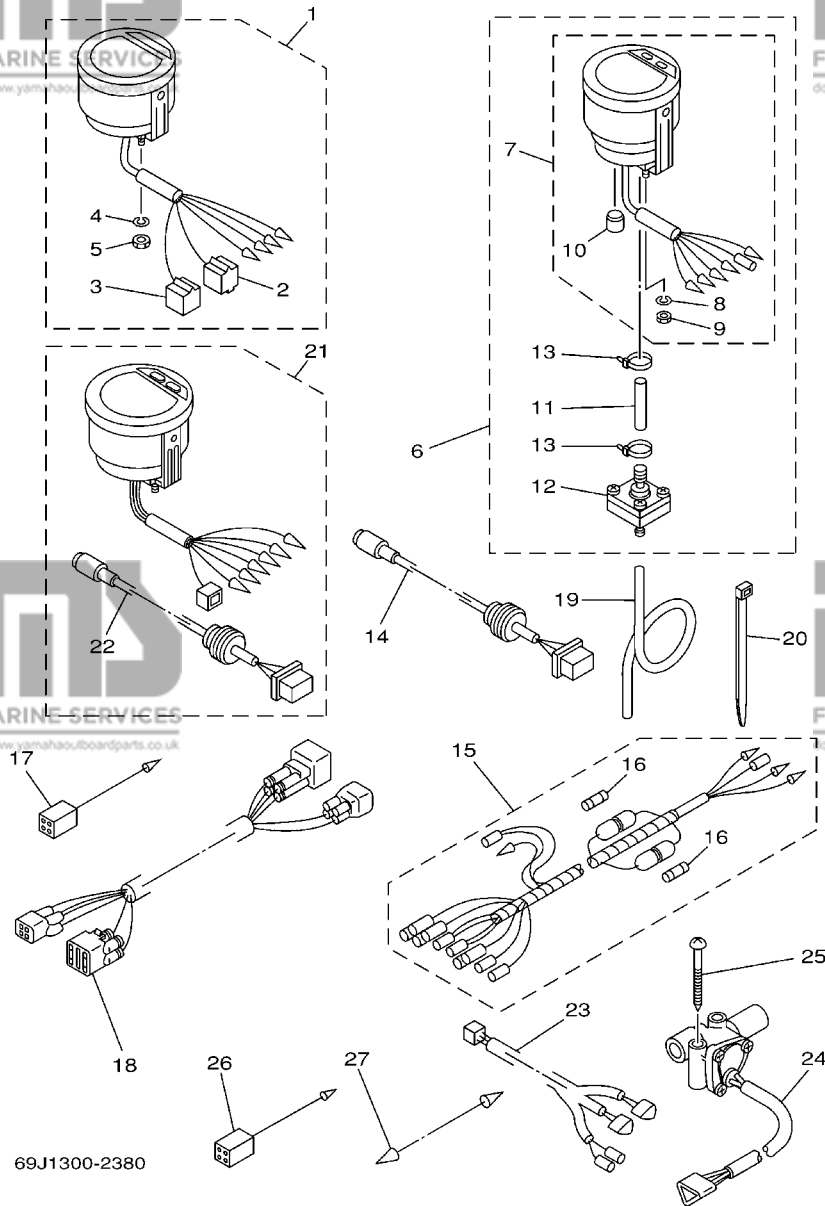


69J1300-2380

**FIG. 35 METER**

**COMPTEUR**

REF. NO.	PART NO. N° PIECES	DESCRIPTION DESCRIPTION	69P3	64P3	REMARKS REMARQUES
1	6Y5-8350T-03	DIGITAL TACHOMETER ASSY COMPTE-TOURS NUMERIQUE CPLT	1	1	AP AP
2	9E450-04433	.CONNECTOR .CONNECTEUR	1	1	M-4-W M-4-W
3	9E450-04533	.CONNECTOR .CONNECTEUR	1	1	F-4-W F-4-W
4	92990-04100	.WASHER, SPRING .RONDELLE, GROWER	2	2	
5	95380-04600	.NUT .ECROU	2	2	
6	6Y5-83500-S5	DIGITAL SPEEDOMETER ASSY TACHYMETRE NUMERIQUE CPLT.	1		AP AP
7	6Y5-83570-S5	.SPEEDOMETER ASSY .COMPTEUR DE VITESSE CPLT	1		
8	92990-04100	..WASHER, SPRING ..RONDELLE, GROWER	2		
9	95380-04600	..NUT ..ECROU	2		
10	6Y5-83533-T2	..GROMMET ..RONDELLE CAOUTCHOUC	1		
11	6Y5-83557-31	.TUBE .TUBE	1		
12	6Y5-83728-00	.CONNECTOR ASSY .CONNEXION COMPLET	1		
13	90465-11M10	.CLAMP .BRIDE	2		
14	6Y5-87122-S0	CORD ASSY 1 CORDON COMPLET 1	1		AP AP
15	6Y5-83553-M0	WIRE, LEAD (L=2.5M) FIL (L=2.5M)	1		AP AP
	6Y5-83553-00	WIRE, LEAD (L=2.5M) FIL (L=2.5M)	1		AP AP
16	1E6-82151-00	.FUSE (10A) .FUSIBLE (10A)	2		FOR 6Y5-83553-M0 FOR 6Y5-83553-M0
	1E6-82151-00	.FUSE (10A) .FUSIBLE (10A)	1		FOR 6Y5-83553-00 FOR 6Y5-83553-00
17	6Y5-82117-00	WIRE, LEAD (BLACK) FIL (NOIR)	1		AP AP
18	68F-82553-80	EXTENSION, WIRE LEAD (L=8.0M) EXTENSION, FAISCEAU (L=8.0M)	1		AP AP
	68F-82553-90	EXTENSION, WIRE LEAD (L=9.5M) EXTENSION, FAISCEAU (L=9.5M)	1		AP AP
19	6Y5-83557-10	TUBE (8M) TUBE (8M)	1		AP AP
20	90465-11M10	CLAMP BRIDE	2		AP AP
21	6Y5-8350F-00	FUEL MANAGEMENT METER COMPT. DE GESTION DU CARBURANT	1		AP AP
22	6Y5-87122-S0	.CORD ASSY 1 .CORDON COMPLET 1	1		
23	6Y5-83553-F1	WIRE, LEAD (L=8.0M) FIL (L=8.0M)	1		AP AP
24	6Y5-85752-01	SENDER UNIT ASSY, FUEL METER PERCEPTION DE JAUGE A ESSENCE	2		AP AP



69J1300-2380

**FIG. 35 METER**

**COMPTEUR**

REF. NO.	PART NO. N° PIECES	DESCRIPTION DESCRIPTION	63P3	64P3	REMARKS REMARQUES
25	90158-06002	SCREW, WOOD VIS, A BOIS		4	AP
26	6Y5-82117-00	WIRE, LEAD (BLACK) FIL (NOIR)		1	AP
27	703-82531-00	WIRE, LEAD FIL		1	AP



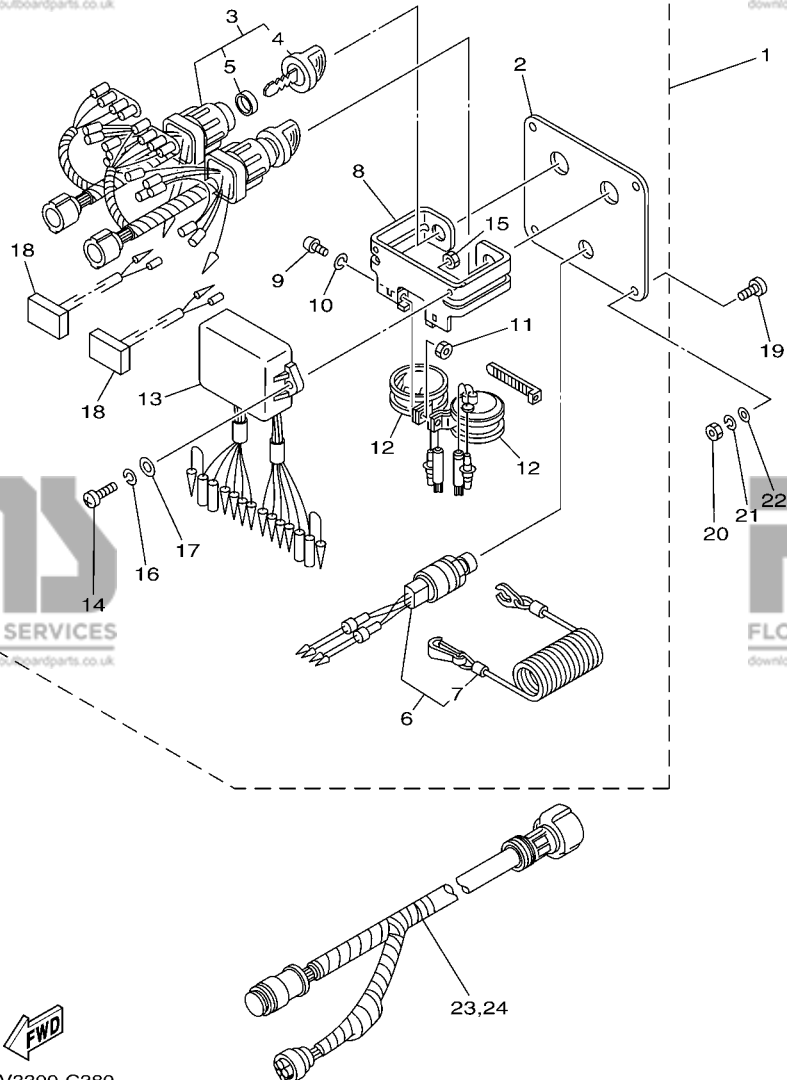


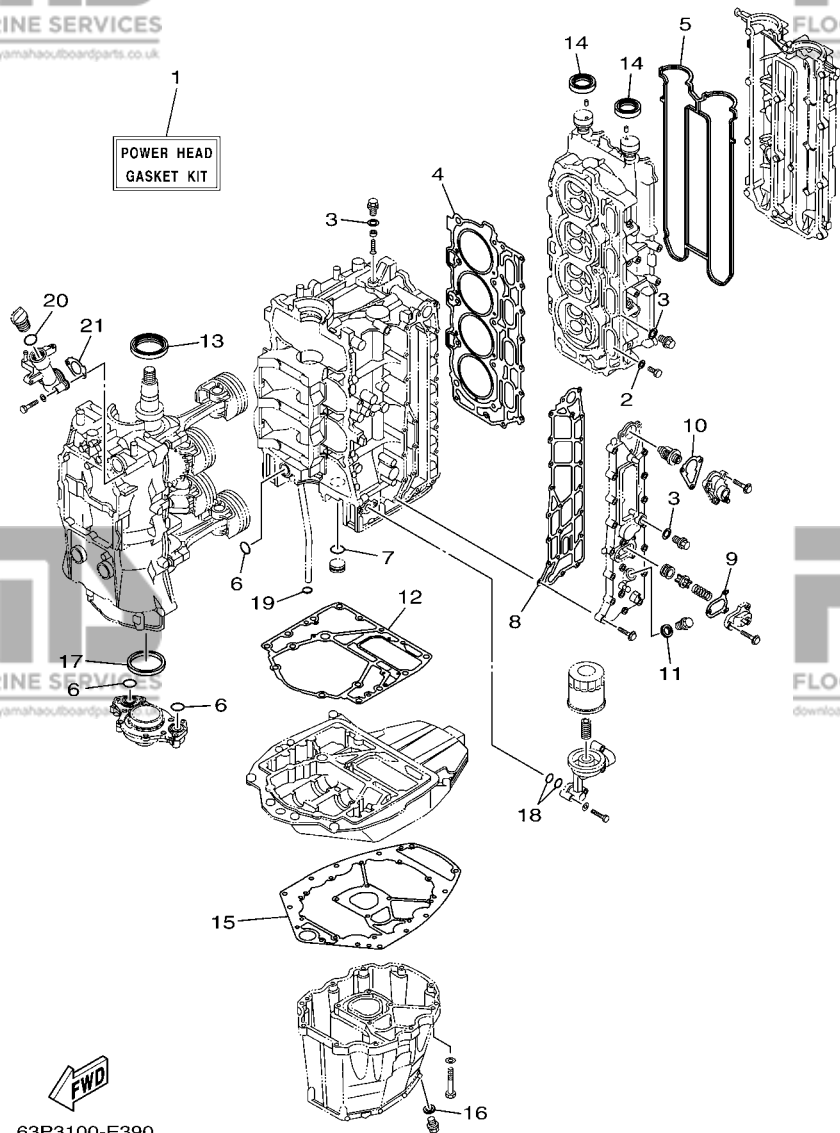
FIG. 36 SWITCH & PANEL

TABLEAU DE CONTACTEUR

REF. NO.	PART NO. N° PIECES	DESCRIPTION DESCRIPTION	63P3	64P3	REMARKS REMARQUES
1	6K1-82570-08	PANEL SWITCH ASSY PLATINE D'INTERRUPEUR CPLT		1	AP AP
2	6K1-82571-02	.PLATE, PANEL SWITCH .TABLEAU, CONTACTEUR		1	
3	6K1-82510-06	.MAIN SWITCH ASSY .CONTACTEUR A CLEF COMPLET		2	
4	703-82577-00	..CAP, KEY ..CABOCHON		1	
5	6K1-82532-00	..CAP ..COUVERCLE		1	
6	6K1-82575-00	.ENGINE STOP SWITCH ASSY .COUPE CIRCUIT CPLT		1	
7	682-82556-00	..LANYARD, STOP SWITCH ..PLAQUETTE		1	
8	6K1-83614-01	.BRACKET .SUPPORT		1	
9	98980-05010	.SCREW, BIND .VIS, DE PRESSION		2	
10	92990-05100	.WASHER, SPRING .RONDELLE, GROWER		2	
11	95380-05600	.NUT .ECROU		2	
12	688-83383-11	.BUZZER .RONFLEUR		2	
13	6K1-85830-01	.CONTROL UNIT ASSY .BLOC DE CONTROLE		1	
14	98980-06020	.SCREW, BIND .VIS, DE PRESSION		2	
15	95380-06600	.NUT, HEXAGON .ECROU		2	
16	92990-06100	.WASHER, SPRING .RONDELLE, GROWER		2	
17	92990-06600	.WASHER, PLATE .RONDELLE, PLATE		2	
18	6K1-81980-00	.DIODE ASSY .REDRESSEUR 2		2	
19	90149-05M05	SCREW VIS		4	AP AP
20	95380-05600	NUT ECROU		4	AP AP
21	92990-05100	WASHER, SPRING RONDELLE, GROWER		4	AP AP
22	92990-05600	WASHER, PLATE RONDELLE, PLATE		4	AP AP
23	6K1-8258A-40	EXTENSION, WIRE HARNESS (8M) EXTENSION, FAISCEAU DE FILS(8M)		1	AP (10P) AP (10P)
24	61B-8258A-01	EXTENSION, WIRE HARNESS (9.5M) EXTENSION, FAISCEAU DE FILS(9.		1	AP (10P) AP (10P)

FIG. 37 REPAIR KIT 1

KITS DE REPARATION 1



REF. NO.	PART NO. N° PIECES	DESCRIPTION DESCRIPTION	63P3	64P3	REMARKS REMARQUES
1	63P-W0001-01	POWER HEAD GASKET KIT POCHETTE DE JINTS TETE MOTRICE	1	1	
2	90430-08143	.GASKET .JOINT	4	4	
3	90430-14115	.GASKET .JOINT	4	4	
4	63P-11181-00	.GASKET, CYLINDER HEAD 1 .JOINT, DE CULASSE 1	1	1	
5	63P-11193-00	.GASKET, HEAD COVER 1 .JOINT, COUVERCLE DE CULASSE 1	1	1	
6	93210-25552	.O-RING .JOINT TORIQUE	3	3	
7	93210-25647	.O-RING .JOINT TORIQUE	1	1	
8	63P-41114-A1	.GASKET, EXHAUST OUTER COVER .JOINT, COUVERCLE D'ECHAPPEMEN	1	1	
9	67F-12435-A0	.GASKET .JOINT	1	1	
10	63P-12414-00	.GASKET, COVER .JOINT, COUVERCLE	1	1	
11	90430-18130	.GASKET .JOINT	1	1	
12	63P-11351-00	.GASKET, CYLINDER .JOINT, D'EMBASE	1	1	
13	93102-60004	.OIL SEAL .JOINT SPY	1	1	
14	93102-38M59	.OIL SEAL .JOINT SPY	2	2	
15	63P-15312-00	.GASKET, OIL PAN .JOINT DE VENTILATEUR D'HUILE	1	1	
16	90430-14M09	.GASKET .JOINT	1	1	
17	69J-11355-00	.SEAL, CYLINDER 1 .JOINT, SPY CYLINDRE	1	1	
18	93210-19MJ1	.O-RING .JOINT TORIQUE	2	2	
19	93210-19MJ3	.O-RING .JOINT TORIQUE	1	1	
20	93210-24M79	.O-RING .JOINT TORIQUE	1	1	
21	63P-15364-A0	.GASKET, OIL PLUG .JOINT, PLOT D'HUILE	1	1	

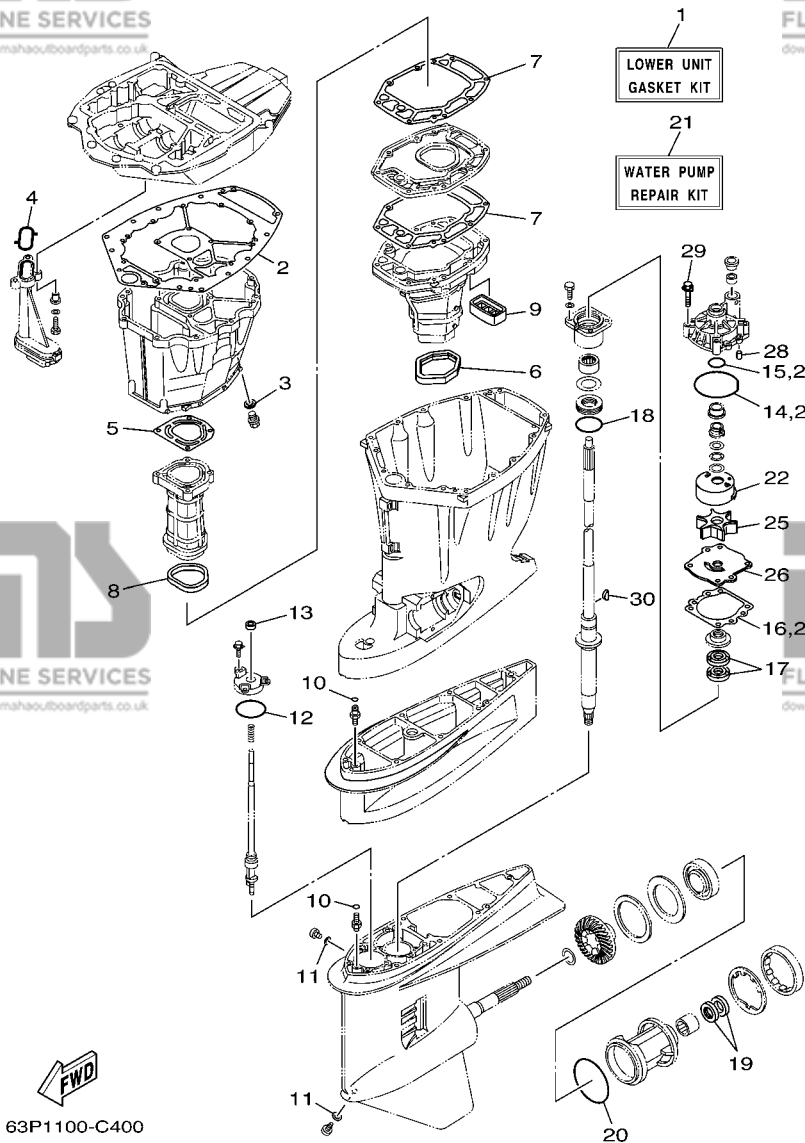


FIG. 38 REPAIR KIT 2

KITS DE REPARATION 2

REF. NO.	PART NO. N° PIECES	DESCRIPTION DESCRIPTION	63P3	64P3	REMARKS REMARQUES
1	63P-W0001-20	LOWER UNIT GASKET KIT POCHETTE DE JOINTS EMBASE	1	1	
2	63P-15312-00	.GASKET, OIL PAN .JOINT DE VENTILATEUR D'HUILE	1	1	
3	90430-14M09	.GASKET .JOINT	1	1	
4	63P-13415-00	.SEAL, OIL STRAINER .JOINT, FILTRE A HUILE	1	1	
5	63P-41133-A0	.GASKET, EXHAUST MANIFOLD 1 .JOINT, PIPE D'ECHAPPEMENT	1	1	
6	69J-45123-00	.GASKET, MUFFLER .JOINT, POT DE DETENTE	1	1	
7	63P-41134-A0	.GASKET, EXHAUST MANIFOLD .JOINT, PIPE D'ECHAPPEMENT	2	2	
8	63P-41138-00	.SEAL, EXT. 1 .JOINT DE GROUPE 1	1	1	
9	69J-45127-00	.SEAL .JOINT	1	1	
10	93210-07003	.O-RING .JOINT TORIQUE	2	2	
11	90430-08020	.GASKET .JOINT	2	2	
12	93210-58144	.O-RING .JOINT TORIQUE	1	1	
13	93106-09014	.OIL SEAL .JOINT SPY	1	1	
14	93210-86M38	.O-RING .JOINT TORIQUE	1	1	
15	93210-37160	.O-RING .JOINT TORIQUE	1	1	
16	6E5-44315-A0	.GASKET, WATER PUMP .JOINT, POMPE A EAU	1	1	
17	93101-28M16	.OIL SEAL .JOINT SPY	2	2	
18	93210-55M14	.O-RING .JOINT TORIQUE	1	1	
19	93101-30M17	.OIL SEAL .JOINT SPY	2	2	
20	93210-97M55	.O-RING .JOINT TORIQUE	1	1	
21	61A-W0078-A3	WATER PUMP REPAIR KIT KIT DE REPARATION DE LA POMPE	1	1	
22	61A-44322-02	.INSERT, CARTRIDGE .CUVETTE	1	1	
23	93210-86M38	.O-RING .JOINT TORIQUE	1	1	
24	93210-37160	.O-RING .JOINT TORIQUE	1	1	
25	6E5-44352-01	.IMPELLER .TURBINE	1	1	
26	6G5-44323-00	.OUTER PLATE, CARTRIDGE .PLAQUE EXTERIEURE	1	1	
27	6E5-44315-A0	.GASKET, WATER PUMP .JOINT, POMPE A EAU	1	1	

**E5**



PART NO. N° PIECES	REF. NO.
63P-11110-00-94	4 - 2
63P-11119-00	2 - 21
68F-11119-00	2 - 22
69J-11133-10	4 - 3
63P-11135-00	4 - 23
63P-11181-00	4 - 18
	37 - 4
63P-11191-00-1S	4 - 22
63P-11192-01	4 - 29
63P-11193-00	4 - 26
	37 - 5
63P-11197-00	2 - 10
68T-11325-00	5 - 2
63P-11325-01	2 - 17
68V-11325-01	4 - 12
	5 - 12
63P-11325-11	2 - 19
63P-11325-21	2 - 11
69J-11327-00-94	4 - 13
	5 - 13
67F-11328-00	4 - 16
	5 - 16
63P-11351-00	2 - 24
	37 - 12
69J-11355-00	26 - 19
	37 - 17
63P-11372-00	2 - 4
63P-11377-00	2 - 30
63P-11410-00	3 - 1
63P-11416-00	3 - 3
63P-11416-10	3 - 3
63P-11416-20	3 - 3
63P-11417-00	3 - 4
63P-11417-10	3 - 4
63P-11417-20	3 - 4
63P-11417-30	3 - 4
63P-11426-00	3 - 5
63P-11426-10	3 - 5
63P-11426-20	3 - 5
63P-11500-01	2 - 25
63P-11512-00	2 - 29
63P-11536-00	6 - 17
63P-11537-00	6 - 12
63P-11590-00	6 - 16
63P-11603-01	3 - 9
63P-11604-00	3 - 9
63P-11654-00	3 - 7
63P-11656-00	3 - 8

PART NO. N° PIECES	REF. NO.
63P-11656-10	3 - 8
63P-11656-20	3 - 8
69J-12111-00	6 - 1
69J-12113-01	6 - 3
69J-12117-01	6 - 4
69J-12118-00	6 - 5
69J-12119-00	6 - 6
69J-12121-00	6 - 2
67F-12138-60	4 - 32
69J-12153-00	6 - 7
69J-12168-00	6 - 8
69J-12168-10	6 - 8
69J-12168-20	6 - 8
69J-12168-30	6 - 8
69J-12168-40	6 - 8
69J-12168-50	6 - 8
69J-12168-60	6 - 8
69J-12168-70	6 - 8
69J-12168-80	6 - 8
69J-12168-90	6 - 8
69J-12168-A0	6 - 8
69J-12168-B0	6 - 8
69J-12168-C0	6 - 8
69J-12168-DO	6 - 8
69J-12168-E0	6 - 8
69J-12168-F0	6 - 8
69J-12168-G0	6 - 8
69J-12168-H0	6 - 8
69J-12168-J0	6 - 8
69J-12168-K0	6 - 8
69J-12168-L0	6 - 8
69J-12168-M0	6 - 8
69J-12168-N0	6 - 8
69J-12168-P0	6 - 8
69J-12168-R0	6 - 8
69J-12168-S0	6 - 8
69J-12168-T0	6 - 8
69J-12168-U0	6 - 8
69J-12168-V0	6 - 8
69J-12168-W0	6 - 8
69J-12168-X0	6 - 8
69J-12168-Y0	6 - 8
69J-12169-00	6 - 8
63P-12171-00	6 - 9
63P-12181-00	6 - 10
63P-1240H-00-1S	5 - 20
67F-12411-01	5 - 18
67F-12412-00	5 - 19

PART NO. N° PIECES	REF. NO.
63P-12414-00	5 - 21
	37 - 10
6G5-12416-00	5 - 6
67F-12435-A0	5 - 10
	37 - 9
67F-1246A-01-1S	5 - 9
68T-12572-00	19 - 28
6R3-12581-00	19 - 30
6R3-12582-00	19 - 31
6R3-12583-00	19 - 32
69J-12858-00	5 - 29
69J-13119-00	26 - 17
63P-1312A-00	9 - 26
63P-13131-00	12 - 27
63P-13160-00	11 - 6
63P-13300-00	26 - 14
63P-13329-00	26 - 15
69J-13338-00	26 - 16
63P-13411-00	26 - 9
63P-13415-00	26 - 11
	38 - 4
67F-13434-03	1 - 27
63P-13437-61	14 - 23
69J-13440-00	5 - 28
63P-13446-00-94	5 - 30
67F-13448-00	1 - 22
63P-13490-00	2 - 34
63P-13532-00	11 - 5
63P-13545-00	11 - 4
63P-13546-00	11 - 3
63P-13557-00	9 - 20
68V-13577-00	11 - 15
69J-13593-00	10 - 23
69J-13631-00	26 - 18
63P-13641-00	9 - 13
63P-13643-00	9 - 22
63P-13645-00	9 - 16
69J-13716-00	10 - 22
63P-13751-01	9 - 2
6P2-13758-00	11 - 19
63P-13761-00	9 - 23
68V-13766-00	9 - 25
63P-13769-00	9 - 32
68V-13781-10	10 - 9
63P-13784-00	10 - 14
63P-13898-00	9 - 31
63P-13905-00	9 - 30
63P-13906-00	10 - 4

PART NO. N° PIECES	REF. NO.
63P-13907-01	10 - 13
63P-13915-00	10 - 15
63P-13971-00	11 - 2
63P-13974-10	11 - 8
63P-13975-00	11 - 18
63P-13976-00	11 - 9
68V-1410B-00	9 - 24
63P-14148-00	10 - 16
63P-14149-00	11 - 1
63P-14180-00	10 - 1
63P-14182-00	10 - 2
63P-14191-00	10 - 20
63P-14200-20	9 - 1
63P-14225-00	11 - 7
69J-14225-00	10 - 7
63P-14291-00	9 - 12
69J-14321-00	9 - 3
68V-14323-00	9 - 5
68V-14331-00	9 - 4
68V-14356-00	9 - 10
68V-14386-00	10 - 11
63P-14435-00	17 - 17
63P-14440-00	7 - 10
63P-14446-00	9 - 21
68V-14446-00	10 - 26
63P-14449-00	7 - 11
63P-14457-00	7 - 12
63P-14496-00	9 - 14
63P-14546-00	10 - 10
63P-14565-00	10 - 5
68V-14565-00	9 - 11
63P-14567-00	10 - 6
3CF-14594-00	9 - 9
69J-14624-01	25 - 26
63P-14711-00-5B	25 - 12
63P-14777-00	10 - 21
63P-14984-00	10 - 8
63P-14985-00	10 - 12
63P-15311-00-5B	26 - 2
63P-15312-00	26 - 1
	37 - 15
	38 - 2
63P-15316-00	26 - 6
63P-15319-00-1S	5 - 35
63P-15362-00	26 - 23
6G8-15363-00	5 - 33
63P-15364-A0	5 - 36
	37 - 21

PART NO. N° PIECES	REF. NO.
63P-15373-00	7 - 5
63P-15377-00	26 - 24
63P-15378-00	7 - 8
63P-2134X-00	8 - 2
63P-21841-00	10 - 25
63P-2247B-00	11 - 12
68V-2411M-00	11 - 10
63P-2411R-00	10 - 18
63P-2411T-00	10 - 19
68V-24149-00	12 - 34
6P2-24170-00	8 - 1
63P-2417H-00	11 - 21
63P-2417J-00	11 - 22
63P-2419A-00	8 - 3
6YK-24307-42	13 - 1
64P-24311-00	8 - 11
63P-24311-10	12 - 23
64P-24312-00	8 - 10
63P-24312-10	12 - 38
64P-24313-00	8 - 8
63P-24313-10	12 - 39
63P-24314-00	12 - 36
64P-24314-00	8 - 14
63P-24315-00	12 - 37
64P-24315-00	8 - 13
63P-24316-00	12 - 5
63P-24317-00	11 - 11
63P-24325-00	11 - 14
63P-24364-00	8 - 15
63P-24367-00	8 - 12
68V-24374-00	12 - 30
6R3-24377-10	12 - 3
6E5-24378-00	12 - 35
69J-24379-00	10 - 17
6E5-24379-00	8 - 17
63P-24410-00	12 - 24
68V-24411-00	12 - 29
68V-24412-00	12 - 25
68V-24413-00	12 - 31
63P-24414-00	12 - 32
63P-24423-00	12 - 28
68V-24444-00	12 - 33
4SV-24453-00	10 - 3
68V-24454-00	12 - 26
61A-24469-00	12 - 12
69J-24501-10	11 - 16
69J-24502-00	8 - 9
68V-24519-00	11 - 13

PART NO. N° PIECES	REF. NO.
61A-24521-00	12 - 7
65L-24531-01	12 - 8
65L-24560-00	12 - 6
65L-24563-00	12 - 11
61A-24564-00	12 - 9
65L-24564-00	12 - 13
63P-24566-00	12 - 17
65L-24577-00	12 - 10
69J-24599-10	11 - 17
68V-2481H-00	11 - 20
67F-28100-01	12 - 45
67F-2812A-00	16 - 39
6A1-28176-00	19 - 52
63P-28199-73-D0	12 - 46
63P-28199-73-E0	12 - 46
63P-28199-73-F0	12 - 46
63P-28199-73-G0	12 - 46
63P-28199-73-H0	12 - 46
63P-28199-73-S0	12 - 46
63P-28199-83-K0	12 - 47
63P-28199-83-L0	12 - 47
63P-28199-83-M0	12 - 47
63P-28199-83-N0	12 - 47
63P-28199-83-P0	12 - 47
63P-28199-83-R0	12 - 47
61H-2819R-31	12 - 44
63P-41113-02-1S	5 - 1
63P-41114-A1	5 - 4
	37 - 8
63P-41131-00-5B	25 - 9
63P-41133-A0	25 - 10
	38 - 5
63P-41134-A0	25 - 17
	38 - 7
63P-41137-00	25 - 1
63P-41138-00	25 - 19
	38 - 8
63P-41213-00	20 - 44
63P-41237-00	20 - 50
6H4-41237-00	9 - 17
682-41238-01	9 - 19
63P-42154-00	20 - 39
63P-42157-00	20 - 51
68V-42171-00	20 - 52
66K-42510-01-8D	22 - 9
63P-42541-00	19 - 33
63P-42610-01-8D	1 - 1
63P-42613-00	1 - 14

PART NO. N° PIECES	REF. NO.
63P-42615-00	19 - 2
63P-42617-00	1 - 16
63P-42643-00-94	1 - 11
63P-42644-00-94	1 - 13
63P-42647-00-94	1 - 4
60V-42651-01	1 - 7
63P-42662-00	1 - 26
68F-42663-00	1 - 12
69J-42663-00	1 - 8
63P-42677-00	1 - 17
63P-42678-00	1 - 18
63P-42681-00	1 - 20
63P-42682-00	1 - 21
63P-42710-00-8D	19 - 1
648-42715-00	20 - 30
63P-42716-00	19 - 35
61A-42717-00	19 - 27
63P-42717-00	19 - 20
63P-42718-00	19 - 21
69J-42723-00-8D	17 - 20
6E5-42724-00	25 - 8
63P-42725-00	19 - 23
6H1-42726-21	19 - 24
61A-42727-00	19 - 42
63P-42738-00-8D	19 - 19
63P-42741-01-8D	19 - 36
6H4-42748-00	19 - 48
68F-42753-00	19 - 49
63P-42756-00	19 - 44
63P-42811-01	19 - 43
63P-42815-00-8D	19 - 6
63P-42816-00-8D	19 - 7
63P-42818-01	19 - 11
63P-42828-00-94	19 - 9
68F-42828-03-94	19 - 8
64E-43111-02-8D	21 - 1
64E-43112-02-8D	21 - 9
64E-43126-00	21 - 35
64E-43131-01	21 - 14
64E-43139-02	22 - 1
64D-43144-00	19 - 16
6G5-43144-00	21 - 25
6E5-43145-01	31 - 8
6G5-43148-00	21 - 30
6G5-43181-02	21 - 27
6G5-43185-02	21 - 28
64E-43311-10-8D	21 - 21
63P-43376-00	22 - 6

PART NO. N° PIECES	REF. NO.
63P-43800-00-4D	23 - 1
64E-43802-00	24 - 8
64E-43805-00	24 - 37
64E-4380F-00	24 - 33
64E-4380J-00	24 - 30
63P-43810-00	23 - 6
6E5-43814-02	23 - 13
64E-43816-00	24 - 17
64E-43817-00	23 - 5
64E-43817-10	24 - 19
64E-43818-01	23 - 32
64E-4381G-00	23 - 27
64E-43820-00	23 - 15
64E-43821-00	23 - 16
64E-43822-00	23 - 17
64E-43825-01	23 - 2
64E-43827-00	24 - 22
64E-43828-00	23 - 22
64E-43829-00	23 - 23
64E-4382G-00	23 - 29
64E-43830-00	24 - 4
64E-43831-00	24 - 2
64E-43841-00	24 - 7
64E-43843-00	24 - 6
64E-43843-10	24 - 38
64E-4384J-00	23 - 18
64E-43850-00	24 - 15
64E-43851-00	24 - 11
64E-43855-00	24 - 14
64E-43858-00	24 - 12
6E5-43858-00	23 - 28
72X-43858-00	24 - 5
64E-43859-00	24 - 13
64E-43860-00	24 - 20
6E5-43862-00	23 - 10
6G5-43863-00	24 - 10
6E5-43864-00	23 - 20
6G5-43864-00	23 - 19
64E-43865-00	24 - 16
6G5-43865-00	24 - 35
64E-43866-00	23 - 9
64E-43867-00	23 - 8
64E-43868-00	24 - 3
64E-43869-00	23 - 26
6H1-4386K-10	24 - 29
6E5-43872-00	23 - 12
64E-43873-00	24 - 24
6E5-43874-01	23 - 21

PART NO. N° PIECES	REF. NO.
64E-43875-00	24 - 25
64E-43879-00	24 - 27
64E-43879-10	24 - 26
64E-4387A-00	24 - 23
67H-43880-01	24 - 28
64E-43883-00	23 - 11
64E-4388E-00	23 - 25
64E-4388E-10	24 - 1
64E-4388J-00	23 - 3
64E-43891-00	24 - 31
64E-43892-00	24 - 34
6E5-43896-00	24 - 9
64E-43897-00	23 - 24
64E-43898-00	23 - 7
63P-44117-00-1S	20 - 9
63P-44118-00-8D	20 - 25
63P-44120-00	20 - 20
63P-44121-00	20 - 18
63P-44122-00	20 - 15
69J-44135-00	20 - 45
63P-44150-00	27 - 18
64P-44150-00	27 - 19
63P-44150-10	29 - 18
64P-44150-10	29 - 19
63P-44176-00-1S	20 - 8
61A-44311-01	27 - 25
	29 - 26
6E5-44312-00	27 - 30
	28 - 5
	29 - 31
	30 - 5
6E5-44315-A0	27 - 34
	29 - 35
	38 - 16
61A-44322-02	27 - 26
	29 - 27
	38 - 22
6G5-44323-00	27 - 33
	29 - 34
	38 - 26
6E5-44352-01	27 - 31
	29 - 32
	38 - 25
63P-44361-00	28 - 1
	30 - 1
63P-44362-00	28 - 3
	30 - 3
63P-44363-00	28 - 6

PART NO. N° PIECES	REF. NO.
63P-44363-00	30 - 6
6E5-44365-00	27 - 29
	28 - 2
	29 - 30
	30 - 2
6E5-44366-00	25 - 29
6P2-44391-00	19 - 26
63P-44511-00-94	22 - 37
63P-44514-00-94	22 - 30
6G5-44526-00	21 - 3
69J-44533-00	22 - 23
68V-44551-00-8D	22 - 14
63P-44553-00-8D	22 - 26
60V-44555-00-94	22 - 17
63P-44555-00-94	22 - 17
63P-44556-00-8D	22 - 27
61A-44575-00	22 - 16
63P-45111-00-8D	25 - 21
69J-45123-00	25 - 13
	38 - 6
69J-45127-00	25 - 20
	38 - 9
6H3-45155-00	25 - 30
63P-45181-00-5B	25 - 18
63P-45211-00-8D	25 - 36
6J9-45214-00	28 - 12
	30 - 12
6J9-45215-00	28 - 13
	30 - 13
6G5-45251-02	21 - 2
63P-45300-01-8D	27 - 1
64P-45300-01-8D	29 - 1
63P-45300-11-8D	27 - 1
64P-45300-11-8D	29 - 1
6J9-45301-05-8D	27 - 2
	29 - 2
6E5-45318-00	25 - 24
6E5-45321-00	27 - 14
	29 - 15
6E5-45331-00-94	27 - 37
	29 - 38
6J9-45332-00-8D	27 - 61
6K1-45332-01-8D	29 - 62
688-45341-10	27 - 7
	29 - 8
6E5-45344-00	27 - 43
	29 - 44
6J9-45371-01	28 - 16

PART NO. N° PIECES	REF. NO.
6K1-45371-02	30 - 16
688-45375-00	27 - 11
	29 - 12
663-45376-00-94	27 - 10
	29 - 11
63P-45378-00	25 - 37
	27 - 12
	29 - 13
63P-45379-00	25 - 34
6G5-45383-01	27 - 71
	29 - 73
6G5-45384-02	27 - 72
	29 - 74
63P-45501-00	27 - 46
	29 - 47
63P-45501-10	27 - 46
	29 - 47
61A-45527-00	27 - 24
	29 - 25
6G5-45536-01	27 - 9
	29 - 10
61A-45538-00	27 - 21
	29 - 22
63P-45551-00	27 - 47
	29 - 48
63P-45560-01	27 - 49
64P-45560-01	29 - 50
6G5-45567-01	27 - 5
	29 - 6
6G5-45567-10	27 - 5
	29 - 6
6G5-45567-20	27 - 5
	29 - 6
6G5-45567-30	27 - 5
	29 - 6
6G5-45567-40	27 - 5
	29 - 6
6G5-45567-50	27 - 5
	29 - 6
6G5-45567-60	27 - 5
	29 - 6
64P-45570-01	29 - 64
63P-45571-01	27 - 63
6K1-45576-00	29 - 65
6G5-45576-10	27 - 64
6G5-45577-02	27 - 68
	29 - 71
6G5-45577-10	27 - 68

PART NO. N° PIECES	REF. NO.
6G5-45577-10	29 - 71
6G5-45577-20	27 - 68
	29 - 71
6G5-45577-30	27 - 68
	29 - 71
6G5-45577-40	27 - 68
	29 - 71
6G5-45577-50	27 - 68
	29 - 71
6G5-45577-60	27 - 68
	29 - 71
6K1-45578-01	29 - 67
6K1-45578-10	29 - 67
6K1-45578-20	29 - 67
6K1-45578-30	29 - 67
6K1-45578-40	29 - 67
6K1-45578-50	29 - 67
6K1-45578-60	29 - 67
6E5-45587-01	27 - 40
	29 - 41
6E5-45587-10	27 - 40
	29 - 41
6E5-45587-20	27 - 40
	29 - 41
6E5-45587-30	27 - 40
	29 - 41
6E5-45587-40	27 - 40
	29 - 41
6E5-45587-50	27 - 40
	29 - 41
6E5-45587-60	27 - 40
	29 - 41
6J9-45611-01	27 - 51
6K1-45611-10	29 - 52
63P-45631-01	27 - 59
	29 - 60
6E5-45633-01	27 - 60
	29 - 61
6E5-45634-01	27 - 53
	29 - 54
6K1-45641-01	29 - 53
6E5-45641-03	27 - 52
6G5-45930-00-98	28 - 23
6G5-45932-00-98	28 - 23
6G5-45941-00-98	28 - 23
6G5-45943-01-98	28 - 23
6K1-45945-00-98	30 - 23
6G5-45945-01-98	28 - 23



FLOOD MARINE SERVICES  
downloaded from www.yamahaoutboardparts.co.uk

PART NO. N° PIECES	REF. NO.	PART NO. N° PIECES	REF. NO.
6K1-45947-00-98	30 - 23	704-48192-P0	34 - 52
6G5-45947-01-98	28 - 23	703-48198-00	33 - 14
6G5-45949-00-98	28 - 23	703-48205-17	32 - 1
6K1-45970-01-98	30 - 23		33 - 1
6G5-45970-02-98	28 - 23	704-48207-P0	32 - 2
6J9-45970-10	28 - 23		34 - 1
6R1-45970-A1	30 - 23	703-48211-01	33 - 61
6R4-45970-A1	28 - 23	703-48212-00	33 - 58
6K1-45972-01-98	30 - 23	703-48213-00	33 - 59
6G5-45972-02-98	28 - 23	703-48215-00	33 - 43
6J9-45972-10	28 - 23	704-48215-30	34 - 12
6R1-45972-A0	30 - 23	703-48219-00	33 - 30
6R4-45972-A0	28 - 23	704-48219-P0	34 - 49
6K1-45974-02-98	30 - 23	703-48221-00	33 - 56
6G5-45974-03-98	28 - 23	704-48221-P0	34 - 67
6J9-45974-10	28 - 23	703-48222-00	33 - 27
6R1-45974-A0	30 - 23	704-48222-P0	34 - 32
6R4-45974-A0	28 - 23	703-48223-00	33 - 28
6K1-45976-00-98	30 - 23	703-48225-00	33 - 29
6G5-45976-01-98	28 - 23	6X3-48225-20	34 - 43
6J9-45976-10	28 - 23	703-48226-00	33 - 26
6R1-45976-A0	30 - 23	703-48227-00	33 - 24
6R4-45976-A0	28 - 23	704-48229-00	34 - 60
6K1-45978-02-98	30 - 23	704-48229-P1	34 - 35
6G5-45978-03-98	28 - 23	704-48231-00	34 - 25
6R1-45978-A0	30 - 23	703-48232-00	33 - 62
6R4-45978-A0	28 - 23	704-48232-P1	34 - 40
63P-45987-00	28 - 18	704-48233-00	34 - 53
688-45997-01	30 - 18	703-48234-00	33 - 18
	28 - 19	704-48234-00	34 - 48
	30 - 19	703-48235-00	33 - 4
	6 - 15	704-48235-00	34 - 54
704-48119-40	34 - 68	703-48236-00	33 - 16
EL8-48127-00	34 - 23	703-48238-00	33 - 22
704-48128-00	34 - 2	704-48238-00	34 - 39
704-48144-20	34 - 50	EL8-48241-00	34 - 26
703-48152-00	33 - 57	704-48242-10	34 - 42
703-48153-00	33 - 3	703-48243-00	33 - 15
704-48153-00	34 - 55	703-48244-00	33 - 21
704-48156-00	34 - 63	EL8-48244-00	34 - 30
EL8-48164-00	34 - 41	703-48245-00	33 - 11
704-48166-00	34 - 56	EL8-48245-00	34 - 31
704-48167-10	34 - 69	701-48246-00	34 - 5
704-48176-10	34 - 51	703-48246-00	33 - 23
704-48178-00	34 - 66	701-48248-00	33 - 13
703-48189-00	33 - 17		34 - 38
EL8-48191-00	34 - 16	EL8-48251-00	34 - 3
704-48192-00	34 - 44	703-48252-00	33 - 12



NUMERICAL INDEX  
INDEX NUMERIQUE

PART NO. N° PIECES	REF. NO.	PART NO. N° PIECES	REF. NO.
EL8-48254-00	34 - 27	68V-81147-00	9 - 29
EL8-48259-00	34 - 7	63P-8132G-00	14 - 20
704-48261-00	34 - 15	6P2-81332-00	14 - 15
703-48261-01	33 - 2	63P-81336-00	16 - 41
704-48262-00	34 - 8	63P-81337-00	14 - 18
703-48264-00	33 - 6	63D-81345-20	14 - 5
704-48264-00	34 - 9	63P-81410-00	14 - 4
703-48265-00	33 - 9	63P-81450-00	14 - 1
704-48265-00	34 - 4	63P-81460-00	14 - 2
703-48268-00	33 - 5	63P-81673-00	14 - 6
703-48271-00	33 - 60	63P-81800-00	18 - 1
704-48271-00	34 - 22	69J-81801-00	18 - 5
EL8-48279-00	34 - 47	67F-81807-00	18 - 10
703-48281-00	33 - 31	67F-81808-00	18 - 8
704-48281-00	34 - 13	67F-81809-00	18 - 19
EL8-48281-00	34 - 11	67F-81810-00	18 - 3
703-48282-00	33 - 32	67F-81813-00	18 - 6
704-48283-00	34 - 17	68F-81820-00	18 - 7
703-48284-00	33 - 52	67F-81821-00	18 - 13
704-48284-P0	34 - 57	6K7-81826-10	18 - 24
704-48285-10	34 - 65	69J-81828-00	18 - 25
701-48287-00	33 - 42	68V-8182L-00	9 - 8
704-48287-00	34 - 20	67F-81830-00	18 - 17
703-48291-10	33 - 39	67F-81832-00	18 - 11
703-48293-10	33 - 41	67F-81836-00	18 - 12
701-48320-50	32 - 3	69J-81839-00	18 - 21
701-48320-60	32 - 3	67F-8183R-00	18 - 16
701-48320-80	32 - 3	60V-8183T-00	18 - 18
6E5-48344-00	20 - 6	69J-81840-00	18 - 4
703-48345-01	33 - 19	67F-81841-00	18 - 14
	34 - 19	69J-81842-00	18 - 20
701-48350-00	32 - 3	63P-81845-00	14 - 11
701-48350-20	32 - 3	67F-81846-00	18 - 26
703-48358-00	33 - 20	67F-81850-00	18 - 2
	34 - 24	67F-81857-00	18 - 9
63P-48531-00	20 - 1	69J-81869-00	18 - 23
63P-48532-00	20 - 2	67F-81891-00	18 - 15
63P-48538-00	20 - 4	63P-81919-00	16 - 42
6E5-61301-01	31 - 10	63P-81919-10	16 - 43
6E5-61303-00	31 - 14	60V-81925-00	18 - 28
6E5-61311-11	31 - 12	63P-81941-00	18 - 22
6E5-61313-00	31 - 11	63P-81942-00	16 - 29
6E5-61315-00	31 - 13	63P-81948-00	16 - 17
6E5-61350-02	31 - 1	68F-81949-00	17 - 27
6E5-61351-01	31 - 2	68V-8194A-00	16 - 4
6E5-61355-00	31 - 5	63P-81950-00	16 - 11
68V-81145-01	9 - 7	704-81950-10	34 - 58
68V-81146-01	9 - 27	68V-81953-00	16 - 5

PART NO. N° PIECES	REF. NO.	PART NO. N° PIECES	REF. NO.
68F-8195A-00	16 - 33	68F-8195A-00	16 - 33
63P-81960-00	15 - 17	63P-81960-00	15 - 17
63P-81975-00	15 - 19	63P-81975-00	15 - 19
6K1-81980-00	36 - 18	6K1-81980-00	36 - 18
6E9-82588-00	17 - 1	6E9-82588-00	17 - 1
6Y5-82117-00	35 - 17	6Y5-82117-00	35 - 17
6G5-82119-00	16 - 10	6G5-82119-00	16 - 10
6E5-82148-00	21 - 6	6E5-82148-00	21 - 6
66K-82149-00	21 - 24	66K-82149-00	21 - 24
1E6-82151-00	35 - 16	1E6-82151-00	35 - 16
63P-82151-00	16 - 32	63P-82151-00	16 - 32
67F-82151-00	16 - 34	67F-82151-00	16 - 34
67F-82151-10	16 - 35	67F-82151-10	16 - 35
60V-82157-00	16 - 40	60V-82157-00	16 - 40
63P-82170-00	16 - 31	63P-82170-00	16 - 31
63P-82310-01	15 - 1	63P-82310-01	15 - 1
6E5-82317-01	14 - 19	6E5-82317-01	14 - 19
63P-82341-00	15 - 2	63P-82341-00	15 - 2
63P-82342-00	15 - 3	63P-82342-00	15 - 3
63P-82343-00	15 - 7	63P-82343-00	15 - 7
63P-82344-00	15 - 8	63P-82344-00	15 - 8
67F-82361-00	15 - 4	67F-82361-00	15 - 4
67F-82362-00	15 - 5	67F-82362-00	15 - 5
6Y5-83500-S5	19 - 51	6Y5-83500-S5	19 - 51
63P-82380-00	9 - 28	63P-82380-00	9 - 28
63P-82388-00	15 - 15	63P-82388-00	15 - 15
6K1-82510-06	36 - 3	6K1-82510-06	36 - 3
703-82510-43	33 - 44	703-82510-43	33 - 44
703-82531-00	33 - 46	703-82531-00	33 - 46
	35 - 27	6Y5-83553-M0	35 - 15
	36 - 5	6Y5-83557-10	35 - 19
	33 - 50	6Y5-83557-31	35 - 11
	34 - 10	6E5-83558-00	25 - 31
	35 - 18	6Y5-83570-S5	35 - 7
	35 - 18	63P-83614-00	17 - 22
	33 - 48	6K1-83614-01	36 - 8
	36 - 7	6K1-83623-41	14 - 26
	17 - 24	6K1-83623-50	14 - 27
	17 - 19	6A1-83625-41	14 - 24
	33 - 55	6A1-83625-51	14 - 25
	34 - 34	63P-83626-00	4 - 31
	34 - 61	67F-83627-01	18 - 32
	34 - 64	69J-83651-00	17 - 18
	36 - 1	64E-83672-02	22 - 3
	36 - 2	6Y5-83728-00	35 - 12
	36 - 6	72X-85075-L0	24 - 21
	33 - 47	68F-85119-00	16 - 21
	33 - 45	68F-85516-01	16 - 19

PART NO. N° PIECES	REF. NO.	PART NO. N° PIECES	REF. NO.
703-82577-00	36 - 4	703-82577-00	36 - 4
6E3-8257H-00	19 - 53	6E3-8257H-00	19 - 53
68F-82582-00	18 - 29	68F-82582-00	18 - 29
69J-82587-00	17 - 21	69J-82587-00	17 - 21
6E9-82588-00	17 - 25	6E9-82588-00	17 - 25
61A-82588-01	20 - 11	61A-82588-01	20 - 11
61B-8258A-01	36 - 24	61B-8258A-01	36 - 24
688-8258A-20	33 - 49	688-8258A-20	33 - 49
6K1-8258A-40	36 - 23	6K1-8258A-40	36 - 23
63P-82590-01	17 - 4	63P-82590-01	17 - 4
704-82590-10	34 - 59	704-82590-10	34 - 59
703-82591-00	33 - 53	703-82591-00	33 - 53
703-82592-00	33 - 54	703-82592-00	33 - 54
63P-82594-00	16 - 23	63P-82594-00	16 - 23
703-82594-00	33 - 25	703-82594-00	33 - 25
704-82594-00	34 - 33	704-82594-00	34 - 33
60V-8259F-00	20 - 33	60V-8259F-00	20 - 33
69J-8259F-00	20 - 10	69J-8259F-00	20 - 10
63P-8259L-00	10 - 24	63P-8259L-00	10 - 24
63P-8259M-00	17 - 8	63P-8259M-00	17 - 8
68F-82846-00	16 - 36	68F-82846-00	16 - 36
703-83383-02	33 - 51	703-83383-02	33 - 51
688-83383-11	36 - 12	688-83383-11	36 - 12
6Y5-83500-S5	35 - 6	6Y5-83500-S5	35 - 6
6Y5-8350F-00	35 - 21	6Y5-8350F-00	35 - 21
6Y5-8350T-03	35 - 1	6Y5-8350T-03	35 - 1
6Y5-83533-T2	35 - 10	6Y5-83533-T2	35 - 10
6Y5-83553-00	35 - 15	6Y5-83553-00	35 - 15
6Y5-83553-F1	35 - 23	6Y5-83553-F1	35 - 23
6Y5-83553-M0	35 - 15	6Y5-83553-M0	35 - 15
6Y5-83557-10	35 - 19	6Y5-83557-10	35 - 19
6Y5-83557-31	35 - 11	6Y5-83557-31	35 - 11
6E5-83558-00	25 - 31	6E5-83558-00	25 - 31
6Y5-83570-S5	35 - 7	6Y5-83570-S5	35 - 7
63P-83614-00	17 - 22	63P-83614-00	17 - 22
6K1-83614-01	36 - 8	6K1-83614-01	36 - 8
6K1-83623-41	14 - 26	6K1-83623-41	14 - 26
6K1-83623-50	14 - 27	6K1-83623-50	14 - 27
6A1-83625-41	14 - 24	6A1-83625-41	14 - 24
6A1-83625-51	14 - 25	6A1-83625-51	14 - 25
63P-83626-00	4 - 31	63P-83626-00	4 - 31
67F-83627-01	18 - 32	67F-83627-01	18 - 32
69J-83651-00	17 - 18	69J-83651-00	17 - 18
64E-83672-02	22 - 3	64E-83672-02	22 - 3
6Y5-83728-00	35 - 12	6Y5-83728-00	35 - 12
72X-85075-L0	24 - 21	72X-85075-L0	24 - 21
68F-85119-00	16 - 21	68F-85119-00	16 - 21
68F-85516-01	16 - 19	68F-85516-01	16 - 19



FLOOD MARINE SERVICES  
downloaded from www.yamahaoutboardparts.co.uk



FLOOD MARINE SERVICES  
downloaded from www.yamahaoutboardparts.co.uk



FLOOD MARINE SERVICES  
downloaded from www.yamahaoutboardparts.co.uk

PART NO. N° PIECES	REF. NO.
60V-85544-00	16 - 38
689-85547-00	12 - 1
68V-85548-00	16 - 27
63P-85580-00	14 - 3
6Y5-85752-01	35 - 24
61A-85790-00	17 - 14
6K1-85830-01	36 - 13
6S1-85885-00	9 - 6
63P-85886-00	17 - 16
63P-8591A-01	16 - 1
68F-86129-00	16 - 20
6Y5-87122-S0	35 - 14
63P-W0001-01	37 - 1
63P-W0001-20	38 - 1
63P-W0070-00	1 - 19
61A-W0078-A3	38 - 21
63P-W009A-01-1S	4 - 1
63P-W009B-02-1S	2 - 1
63P-W1164-01	3 - 6
63P-W1164-10	3 - 6
63P-W1510-02-1S	2 - 2
90101-09M70	31 - 18
90101-12M05	21 - 40
90105-10071	2 - 9
90105-10M00	28 - 17
90109-06M80	30 - 17
90109-06M82	19 - 39
90109-06M86	19 - 10
90109-06M86	17 - 23
90109-08019	19 - 17
90109-14005	20 - 3
90109-14007	20 - 35
90110-05020	22 - 33
90119-06071	22 - 22
90119-06076	6 - 18
90119-06134	12 - 22
90119-06135	7 - 14
90119-06135	15 - 6
90119-06M10	8 - 20
90119-06M18	12 - 43
90119-06M81	27 - 17
90119-06M82	29 - 18
90119-06M83	25 - 35
90119-06MA2	2 - 15
	7 - 16
	12 - 42
	2 - 23
	5 - 11

PART NO. N° PIECES	REF. NO.
90119-06MA4	5 - 5
90119-06MA6	15 - 18
90119-07234	2 - 27
90119-07235	4 - 7
90119-08M14	4 - 6
	27 - 36
	29 - 37
	38 - 29
90119-08M22	19 - 3
90119-08M58	25 - 6
90119-08M66	2 - 16
90119-08M79	2 - 2
90119-08M91	25 - 2
90119-10007	4 - 21
90119-10008	25 - 22
	28 - 11
	30 - 11
90119-10M06	6 - 13
90119-10MA2	28 - 11
90149-05M05	30 - 11
90151-05M05	36 - 19
90151-06M02	5 - 3
90152-05M08	2 - 18
90155-10001	28 - 14
90158-06002	30 - 14
90159-06M28	4 - 20
90169-05M00	35 - 25
90170-09M05	19 - 38
90170-14M06	16 - 30
90170-16M01	31 - 19
	31 - 15
	27 - 48
	29 - 49
90171-18M04	28 - 21
	30 - 21
90179-06M24	1 - 15
90179-08003	18 - 27
90179-24002	14 - 14
90185-05002	28 - 15
	30 - 15
90185-09M01	31 - 6
90185-14M00	22 - 35
90185-22M11	21 - 19
90201-06068	12 - 16
	19 - 14
90201-06M31	20 - 40
90201-08M14	23 - 30
90201-10M20	31 - 7
90201-10M76	31 - 17

PART NO. N° PIECES	REF. NO.
90201-12M05	21 - 42
90201-13M01	21 - 41
90201-15M58	22 - 21
90201-16M01	22 - 34
90201-16M55	22 - 20
90201-22M01	27 - 22
	29 - 23
90201-24014	29 - 23
90201-26M59	14 - 13
90201-30M92	21 - 18
90201-35008	27 - 69
90201-38M60	22 - 18
90202-08M20	22 - 10
90202-16061	22 - 10
90202-28001	20 - 16
90202-32M19	20 - 23
90202-40M47	22 - 39
90206-10M04	22 - 19
90206-15M18	22 - 13
90206-22M19	20 - 41
	19 - 13
	27 - 23
	29 - 24
90249-06M19	21 - 31
90250-08M07	27 - 58
	29 - 59
90280-04008	6 - 19
90280-04M05	27 - 32
	29 - 33
	38 - 30
90280-05015	38 - 30
90282-04M00	5 - 24
	14 - 12
	27 - 70
	29 - 72
90338-25004	2 - 7
90340-08002	27 - 6
	29 - 7
90340-14M06	4 - 10
	5 - 26
	26 - 7
90340-18M09	5 - 23
90340-27129	2 - 28
90344-51019	4 - 4
90386-06M12	20 - 19
90386-08001	7 - 13
90386-10M16	21 - 29
90386-12069	20 - 32
90386-15M73	19 - 12
90386-16M66	20 - 22
90386-22M98	21 - 36
	23 - 33

PART NO. N° PIECES	REF. NO.
90386-25M31	21 - 17
90386-38M32	22 - 12
90387-06010	16 - 18
90387-06038	7 - 15
90387-06M29	20 - 42
90387-06M43	19 - 41
90387-06M60	8 - 5
	12 - 20
90387-06M64	26 - 10
90387-06M82	20 - 48
90387-08M37	19 - 5
90387-10M05	21 - 32
90387-10M08	4 - 19
90387-10M61	31 - 3
90387-14004	22 - 38
90430-08020	27 - 8
	29 - 9
	38 - 11
90430-08143	4 - 9
	37 - 2
90430-14115	2 - 13
	4 - 11
	5 - 27
90430-14M09	37 - 3
	26 - 8
	37 - 16
	38 - 3
90430-18130	5 - 24
	37 - 11
90445-070F1	25 - 33
90445-10027	5 - 25
90445-11020	1 - 25
90445-13511	12 - 2
90450-22M14	7 - 6
90462-06013	5 - 39
90462-10023	7 - 7
90464-05141	15 - 16
90464-07M41	15 - 11
90464-11012	8 - 16
90464-16013	2 - 32
90464-20006	7 - 9
90464-20181	19 - 45
90464-20258	19 - 50
90464-23199	16 - 25
	19 - 47
90465-08M63	21 - 22
90465-10032	1 - 2
90465-11M10	8 - 19

PART NO. N° PIECES	REF. NO.
90465-11M10	12 - 4
	19 - 25
	21 - 20
	22 - 5
	25 - 32
	35 - 13
90465-13M18	16 - 26
90467-09M09	8 - 18
90467-15M14	2 - 31
90468-18008	20 - 7
90480-10627	16 - 22
90480-10M23	8 - 4
	12 - 21
90480-12072	4 - 30
90480-13M24	19 - 40
90480-20M05	5 - 8
90480-22M81	19 - 4
90501-11M10	27 - 20
	29 - 21
90501-12082	20 - 29
90501-16M11	5 - 7
90501-16M37	27 - 54
	29 - 55
90506-16003	21 - 34
90506-16M34	19 - 18
90508-20M31	20 - 31
90560-12M01	31 - 4
91490-40030	28 - 22
	30 - 22
91690-30010	20 - 5
91690-30020	21 - 33
91690-50014	7 - 4
91809-08006	4 - 5
91814-18001	2 - 5
92780-06020	34 - 28
92903-06600	16 - 16
92903-08100	18 - 34
92903-08600	7 - 3
	18 - 31
92907-04600	4 - 25
92907-06600	26 - 13
92900-04100	35 - 4
92990-05100	36 - 10
92990-05300	34 - 36
92990-05600	36 - 22
92990-06100	1 - 5
	36 - 16
92990-06300	34 - 46

PART NO. N° PIECES	REF. NO.
92990-06600	21 - 12
	25 - 28
	36 - 17
92990-08600	33 - 34
92990-10600	17 - 15
92990-18200	28 - 20
	30 - 20
92995-04100	20 - 13
92995-06100	12 - 15
	14 - 9
	15 - 13
	16 - 8
	17 - 6
	21 - 5
	26 - 27
92995-06600	1 - 10
	4 - 15
	5 - 15
	8 - 7
	12 - 19
	14 - 10
	15 - 14
	16 - 3
	17 - 7
	21 - 8
	26 - 21
92995-08100	21 - 16
92995-08600	17 - 3
	25 - 15
	26 - 4
	27 - 45
	29 - 46
92995-10100	22 - 29
	25 - 41
	28 - 9
	30 - 9
92995-10600	22 - 8
	25 - 4
	28 - 10
92995-14600	22 - 25
93101-28M16	27 - 38
	29 - 39
	38 - 17
93101-30M17	27 - 66
	29 - 69
	38 - 19
93102-08M43	24 - 36





FLOOD MARINE SERVICES  
downloaded from www.yamahaoutboardparts.co.uk

PART NO. N° PIECES	REF. NO.
93102-38M59	6 - 14
	37 - 14
93102-60004	3 - 2
	37 - 13
93106-09014	27 - 16
	29 - 17
	38 - 13
93210-07003	25 - 38
	27 - 13
	29 - 14
	38 - 10
93210-09165	20 - 21
93210-10M74	23 - 4
93210-16275	31 - 9
93210-19MJ1	5 - 31
	37 - 18
93210-19MJ3	26 - 25
	37 - 19
93210-24M79	5 - 34
	37 - 20
93210-25552	2 - 14
	26 - 22
	37 - 6
93210-25647	2 - 8
	37 - 7
93210-30682	12 - 41
93210-37160	27 - 28
	29 - 29
	38 - 15
93210-37MH7	22 - 11
93210-55M14	27 - 42
	29 - 43
	38 - 18
93210-58144	27 - 15
	29 - 16
	38 - 12
93210-86M38	27 - 27
	29 - 28
	38 - 14
93210-97M55	27 - 67
	29 - 70
	38 - 20
93306-209U0	27 - 62
93311-928U5	27 - 3
	29 - 3
93315-425V3	27 - 50
	29 - 51
93315-43061	27 - 65

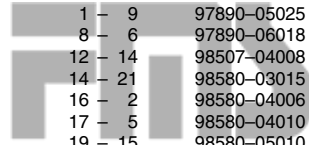


FLOOD MARINE SERVICES  
downloaded from www.yamahaoutboardparts.co.uk

NUMERICAL INDEX  
INDEX NUMERIQUE

PART NO. N° PIECES	REF. NO.
95380-12600	21 - 43
95380-14600	22 - 24
95380-14700	31 - 16
95780-10300	22 - 7
97013-06020	16 - 15
97013-08020	7 - 2
97013-08045	18 - 30
97027-06025	26 - 12
97075-06020	4 - 14
	5 - 14
97075-08035	25 - 14
	26 - 3
97075-10040	22 - 28
97075-10045	22 - 31
	25 - 3
97080-08016	23 - 31
97095-06010	16 - 7
	21 - 7
97095-06012	5 - 40
	17 - 12
97095-06014	12 - 18
97095-06016	1 - 9
	8 - 6
	12 - 14
	14 - 21
	16 - 2
97095-06020	17 - 5
	19 - 15
	26 - 26
97095-06025	15 - 12
	20 - 43
97095-06030	4 - 27
	21 - 4
97095-06035	14 - 8
	20 - 49
	26 - 20
97095-06040	5 - 37
97095-06045	4 - 8
97095-08014	17 - 2
97095-08016	21 - 15
97095-08020	27 - 44
97095-08025	29 - 45
	25 - 40
97095-10045	28 - 8
	30 - 8
97380-05025	33 - 8
97380-06018	34 - 18
97380-08030	33 - 33

FLOOD MARINE SERVICES  
downloaded from www.yamahaoutboardparts.co.uk



FLOOD MARINE SERVICES  
downloaded from www.yamahaoutboardparts.co.uk

PART NO. N° PIECES	REF. NO.
97575-06535	20 - 26
97575-06540	5 - 32
97575-08540	4 - 17
	5 - 17
	7 - 1
97575-08560	25 - 11
97575-10535	25 - 7
97595-06516	9 - 15
97595-06550	20 - 14
97607-04310	24 - 32
97780-50620	1 - 3
	16 - 37
97780-60520	19 - 29
97780-60525	22 - 2
97780-60620	16 - 6
97880-06012	21 - 11
97880-06016	25 - 27
97885-04016	20 - 12
97885-06010	14 - 16
97885-06016	22 - 4
97890-05016	34 - 70
97890-05025	34 - 14
97890-06018	34 - 45
98507-04008	4 - 24
98580-03015	33 - 38
98580-04006	33 - 36
98580-04010	33 - 35
98580-05010	33 - 37
98780-05016	2 - 12
98780-05018	34 - 29
98980-05010	36 - 9
98980-06020	36 - 14
99001-08600	27 - 19
	29 - 20
	14 - 7
99530-08012	35 - 2
9E450-04433	35 - 2
9E450-04533	35 - 3

FLOOD MARINE SERVICES  
downloaded from www.yamahaoutboardparts.co.uk



FLOOD MARINE SERVICES  
downloaded from www.yamahaoutboardparts.co.uk



FLOOD MARINE SERVICES  
downloaded from www.yamahaoutboardparts.co.uk



FLOOD MARINE SERVICES  
downloaded from www.yamahaoutboardparts.co.uk



FLOOD MARINE SERVICES  
downloaded from www.yamahaoutboardparts.co.uk

G5



FLOOD MARINE SERVICES  
downloaded from www.yamahaoutboardparts.co.uk

F150AET/FL150AET  
PARTS CATALOGUE  
©2005 by Yamaha Motor Co., Ltd.  
1st edition, June 2005  
All rights reserved.  
Any reprinting or unauthorized use  
without the written permission of  
Yamaha Motor Co., Ltd.  
is expressly prohibited.  
Printed in Japan.

F150AET/FL150AET  
CATALOGUE DE PIÈCES DÉTACHÉES  
©2005 par Yamaha Motor Co., Ltd.  
1<sup>re</sup> édition, juin 2005  
Tous droits réservés  
Toute réimpression ou utilisation  
non autorisée sans la permission écrite  
de la Yamaha Motor Co., Ltd.  
est formellement interdite.  
Imprimé au Japon