

**PARTS  
CATALOGUE  
CATALOGUE  
DE PIÈCES DÉTACHÉES**

**F115AET'06 (68V5)  
FL115AET'06 (68W5)**



1E68V-300F1

( 2E68V-300F1 )

2016/12/21

NEWS NO.	DATE	COMMENT
PE0-OM-100015	Mar.,3,2010	MOD:FIG.2,4 LIST/ILLUSTRATION REVISION
PE0-OM-100033	May,10,2010	COR:FIG.7 INTAKE 2 LIST CORRECTION
PE0-OM-160009	Apr.,11,2016	MOD:F(L)115A FUEL (1) LIST/ILLUSTRATION REVISION
PE0-OM-160140	Dec.,19,2016	MOD:FIG.33 REMOTE CONTROL ASSY 2 LIST REVISION

# FOREWORD

This Parts Catalogue is related to the parts for the model(s) on the cover page. When you are ordering replacement parts, please refer to this Parts Catalogue and quote both part numbers and part names correctly.

1. Modifications or additions which have been made after the issue of the Parts Catalogue will be announced in the Parts News. It is advisable that you make the necessary corrections to the Parts Catalogue according to the Parts News.

2. Abbreviations  
The following abbreviations are used in this Parts Catalogue.

“UR” Use specified parts number.  
 “UN” Use as many as needed.  
 “AP” Alternate Parts  
 “LM” Locally Made (Parts need to be ordered locally)  
 “F#” Frame No. (Applicable machine No.)  
 “O/S” Over Size

3. The number of components for assembly
  - Parts, which are to be supplied in an assembly, are listed with a dot (.) in front of the part name as shown below.
  - The numeral appearing to the right of each component part indicates the quantity of parts for each assembly unit.

PART NO.	DESCRIPTION	Q'TY	REMARKS
2F5-83310-60	FRONT FLASHER LIGHT ASSY	2	
115-83311-60	.BULB (6V-18W)	1	

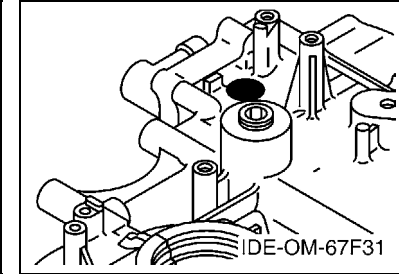
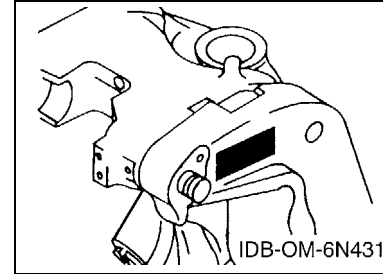
4. Applicable colours of graphics are represented in the “REMARKS” as shown below.

PART NO.	DESCRIPTION	Q'TY	REMARKS
2N4-24110-00-X5	FUEL TANK COMP.	2	MXR
3J1-24240-10	.GRAPHIC, FUEL TANK	1	FOR MXR

5. Note that the illustrations for reference in finding parts numbers are not to be used for assembling. When assembling, please use the applicable service manual.

6. The asterisk (\*) before a reference number indicates modified items after the first edition.
7. Applicable Serial No.

Engine Serial No.



8. Applicable Engine Starting Serial No.

Model	Serial No.	Model	Serial No.
F115A	68V-1047289	FL115A	68W-1002053

9. Applicable Colour Code

Abbreviation	Colour Name	Colour Code
DBN1	DARK BLUISH GRAY 1	008D

10. Quantity Column Information

Column No.	Name Of Q'ty Column	Applicable Model
1	68V5	F115AET
2	68W5	FL115AET

## AVANT-PROPOS

Ce catalogue de pièces détachées concerne les pièces pour le(s) modèle(s) indiqué(s) sur la page de couverture. Lorsque vous commandez des pièces de rechange, veuillez vous référer à ce catalogue de pièces détachées et indiquer clairement les numéros et les noms des pièces détachées.

1. Les modifications ou ajouts ayant été effectués après la parution du catalogue de pièces détachées seront décrits dans les Bulletins d'information concernant les pièces détachées.

Il est recommandé que vous apportiez les corrections nécessaires au catalogue des pièces détachées en vous référant aux Bulletins d'information.

2. Abréviations

Dans ce catalogue, les abréviations suivantes sont utilisées:

“UR” Utiliser le numéro de pièces spécifié.

“UN” Utiliser autant que nécessaire.

“AP” Pièces de substitution

“LM” Fabrication locale (les pièces doivent être commandées localement.)

“F#” N° de cadre (applicable au N° de série)

“O/S” Surdimensionné

3. Nombre de pièces d'un assemblage

- Les pièces fournies comme composants d'un assemblage sont précédées d'un point (.) de la manière indiquée ci-dessous.
- Le chiffre apparaissant à la droite de chaque composant indique la quantité de pièces pour chaque unité d'assemblage.

N° PIECES	DESCRIPTION	QTE	REMARQUES
2F5-83310-60	ENS. CLIGNOTANT AVANT	2	
115-83311-60	.AMPOULE (6V-18W)	1	

4. Les couleurs concernant les graphiques sont indiquées dans la colonne “REMARQUES”, comme indiqué ci-dessous.

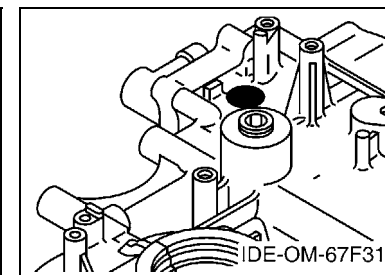
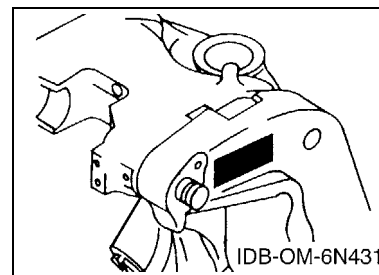
N° PIECES	DESCRIPTION	QTE	REMARQUES
2N4-24110-00-X5	RESERVOIR A ESSENCE.	2	MXR
3J1-24240-10	.GRAPHIQUE	1	POUR MXR

5. Veuillez noter que les illustrations sont indiquées à titre de référence pour trouver les numéros de pièces, non pour être utilisées lors de l'assemblage. Lors de l'assemblage, veuillez utiliser le manuel d'entretien adéquat.

6. L'astérisque (\*) placé devant un numéro de référence indique des éléments qui ont été modifiés après la première édition.

7. N° de série applicable

N° de Série du moteur



8. N° de série initial du moteur applicable

Modèle	N° de série	Modèle	N° de série
F115A	68V-1047289	FL115A	68W-1002053

9. Code couleur applicable

Abréviation	Nom de la couleur	Code couleur
DBN1	DARK BLUISH GRAY 1	008D

10. Informations relatives à la colonne Quantité

N° de la colonne	Nom de la colonne Qté	Modèle applicable
1	68V5	F115AET
2	68W5	FL115AET

**SHEET1/2**

TOP COWLING .....	A4
CYLINDER & CRANKCASE 1 .....	A6
CRANKSHAFT & PISTON .....	B1
CYLINDER & CRANKCASE 2 .....	B2
VALVE .....	B4
INTAKE 1 .....	B7
INTAKE 2 .....	C1
FUEL INJECTION NOZZLE .....	C3
FUEL INJECTION PUMP .....	C5
FUEL 1 .....	C7
FUEL 2 .....	D2
GENERATOR .....	D3
ELECTRICAL 1 .....	D5
ELECTRICAL 2 .....	D6
ELECTRICAL 3 .....	E1
STARTING MOTOR .....	E3
BOTTOM COWLING .....	E5
CONTROL .....	E7
BRACKET 1 .....	F2
BRACKET 2 .....	F4
POWER TRIM & TILT ASSY 1 .....	F6

**INDEX**

NUMERICAL INDEX .....	G1
-----------------------	----

**SHEET2/2**

POWER TRIM & TILT ASSY 2 .....	A4*
UPPER CASING .....	A6*
OIL PAN .....	B1*
LOWER CASING & DRIVE 1 .....	B3*
LOWER CASING & DRIVE 2 .....	B7*
LOWER CASING & DRIVE 3 .....	C2*
LOWER CASING & DRIVE 4 .....	C6*
STEERING GUIDE ATTACHMENT 1 .....	D1*
STEERING GUIDE ATTACHMENT 2 .....	D2*
REMOTE CONTROL BOX .....	D3*
REMOTE CONTROL ASSY 1 .....	D4*
REMOTE CONTROL ASSY 2 .....	D7*
METER .....	E3*
SWITCH & PANEL .....	E5*
REPAIR KIT 1 .....	E6*
REPAIR KIT 2 .....	E7*

**INDEX**

NUMERICAL INDEX .....	G1*
-----------------------	-----

# TABLE DES MATIERES

**Feuille1/2**

CAPOT SUPERIEUR .....	A4
CYLINDRE & CARTER 1 .....	A6
VILEBREQUIN & PISTON .....	B1
CYLINDRE & CARTER 2 .....	B2
SOUPAPE .....	B4
ADMISSION 1 .....	B7
ADMISSION 2 .....	C1
FUEL INJECTION NOZZLE .....	C3
FUEL INJECTION PUMP .....	C5
CARBURANT 1 .....	C7
CARBURANT 2 .....	D2
GENERATRICE .....	D3
PARTIE ELECTRIQUE 1 .....	D5
PARTIE ELECTRIQUE 2 .....	D6
PARTIE ELECTRIQUE 3 .....	E1
DEMARREUR ELECTRIQUE .....	E3
CAPOT INFERIEUR .....	E5
COMMANDE .....	E7
SUPPORT 1 .....	F2
SUPPORT 2 .....	F4
PUISSANCE PARER ET INCLINER 1 .....	F6

**INDEX**

INDEX NUMERIQUE .....	G1
-----------------------	----

**Feuille2/2**

PUISSANCE PARER ET INCLINER 2 .....	A4*
FOURREAU .....	A6*
VENTILATEUR D'HUILE .....	B1*
BOITIER D'HELICE TRANSMISSION1 .....	B3*
BOITIER D'HELICE TRANSMISSION2 .....	B7*
BOITIER D'HELICE TRANSMISSION3 .....	C2*
BOITIER D'HELICE TRANSMISSION4 .....	C6*
DIRECTION GUIDE ACCESSOIRE 1 .....	D1*
DIRECTION GUIDE ACCESSOIRE 2 .....	D2*
BOITIER DE COMMANDE A DISTANCE .....	D3*
BOITIER DE COMMANDE A DISTANCE .....	D4*
BOITIER DE COMMANDE A DISTANCE .....	D7*
COMPTEUR .....	E3*
TABLEAU DE CONTACTEUR .....	E5*
KITS DE REPARATION 1 .....	E6*
KITS DE REPARATION 2 .....	E7*

**INDEX**

INDEX NUMERIQUE .....	G1*
-----------------------	-----

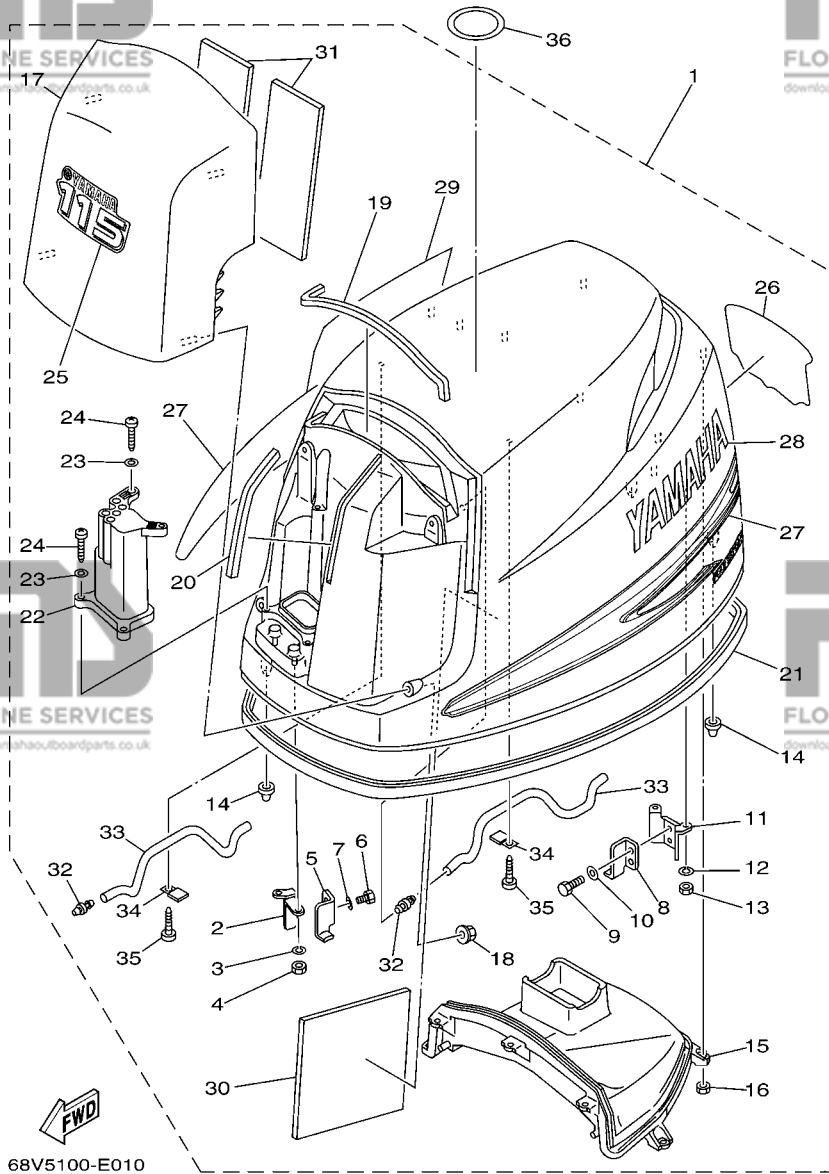
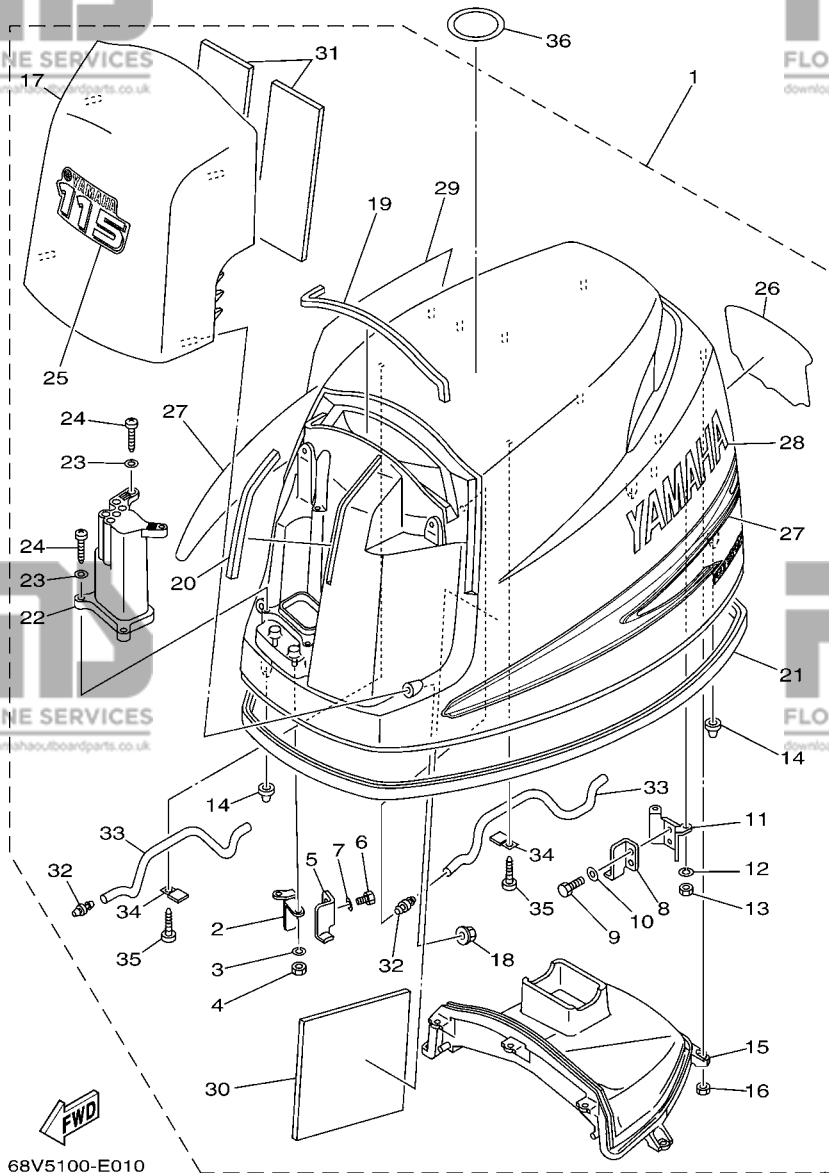


FIG. 1 TOP COWLING

CAPOT SUPERIEUR

REF. NO.	PART NO. N° PIECES	DESCRIPTION DESCRIPTION	68V5	68W5	REMARKS REMARQUES
1	68V-42610-12-8D	TOP COWLING ASSY CAPOT (ENS.)	1	1	
2	68V-42647-00	.HOLDER, CLAMP BAND .SUPPORT, SANDOW DE SERRAGE	1	1	
3	92990-06100	.WASHER, SPRING .RONDELLE, GROWER	2	2	
4	95380-06600	.NUT, HEXAGON .ECROU	2	2	
5	68V-42651-00	.HOOK .CROCHET	1	1	
6	97095-06012	.BOLT .BOULON	2	2	
7	92995-06600	.WASHER .RONDELLE	2	2	
8	68V-42652-00	.HOOK .CROCHET	1	1	
9	97095-06012	.BOLT .BOULON	2	2	
10	92995-06600	.WASHER .RONDELLE	2	2	
11	67F-42649-00	.HOLDER, CLAMP BAND .SUPPORT, SANDOW DE SERRAGE	1	1	
12	92990-06100	.WASHER, SPRING .RONDELLE, GROWER	2	2	
13	95380-06600	.NUT, HEXAGON .ECROU	2	2	
14	67F-42662-00	.DAMPER .AMORTISSEUR	3	3	
15	68V-42613-00	.MOLDING, AIR DUCT .MANCHON A AIR	1	1	
16	95380-06600	.NUT, HEXAGON .ECROU	7	7	
17	68V-42612-00-8D	.AIR DUCT, TOP COWLING .FLASQUE, PLATEAU D'AVANCE	1	1	
18	90179-06M28	.NUT .ECROU	4	4	
19	68V-42628-00	.SEAL .JOINT	1	1	
20	68V-42718-00	.RUBBER, SEAL 3 .JOINT	1	1	
21	68V-42615-00	.SEAL .JOINT	1	1	
22	68V-42632-00	.WINDOW .FENETRE	1	1	
23	92990-05200	.WASHER, PLAIN .RONDELLE, PLATE	4	4	
24	97780-50625	.SCREW, TAPPING .VIS, TETE BOMBEE	4	4	
25	68V-42677-10	.GRAPHIC, FRONT .ADHESIF, AVANT	1	1	
26	68V-42678-10	.GRAPHIC, REAR .ADHESIF, ARRIERE	1	1	
27	68V-W0070-10	.GRAPHIC SET .JEU DIEMBLEMES	1	1	



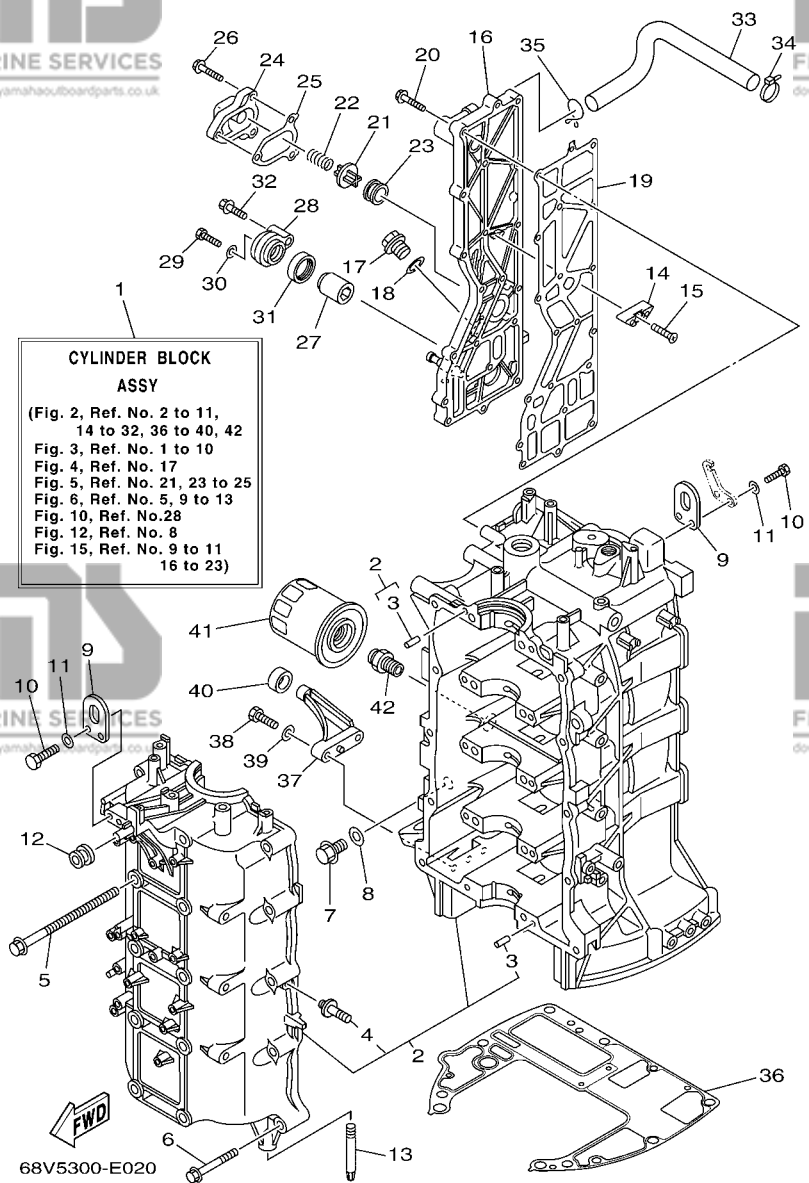
68V5100-E010

FIG. 1 TOP COWLING

CAPOT SUPERIEUR

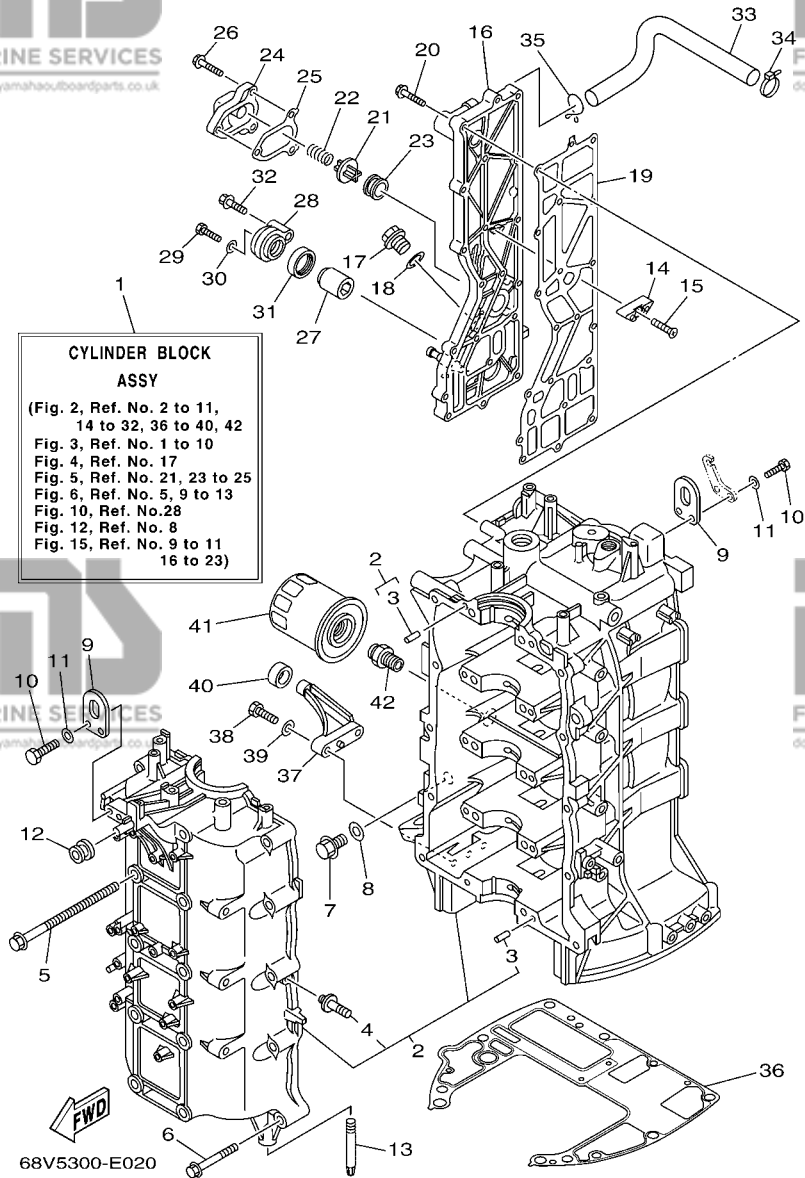
REF. NO.	PART NO. N° PIECES	DESCRIPTION DESCRIPTION	68V5	68W5	REMARKS REMARQUES
28	68V-42681-10	.MARK, COWLING .ADHESIF, CAPOT	1	1	
29	68V-42682-10	.MARK, COWLING .ADHESIF, CAPOT	1	1	
30	68V-42617-00	.DAMPER, FORM .BOURRELET, CAOUTCHOUC	1	1	
31	68V-42619-00	.DAMPER, FORM .BOURRELET, CAOUTCHOUC	2	2	
32	6H3-44391-01	.NIPPLE, HOSE .RACCORD D'ESSENCE	2	2	
33	90445-10M18	.HOSE (L295) .DURITE (L295)	2	2	
34	90462-08018	.CLAMP .BRIDE	2	2	
35	97780-50620	.SCREW, TAPPING .VIS, TETE BOMBEE	2	2	
36	67F-13434-03	LABEL, CAUTION ETIQUETTE, ATTENTION	1	1	

**FIG. 2 CYLINDER & CRANKCASE 1 CYLINDRE & CARTER 1**



REF. NO.	PART NO. N° PIECES	DESCRIPTION DESCRIPTION	68V5	68W5	REMARKS REMARQUES
1	68V-W009B-06-1S	CYLINDER BLOCK ASSY CYLINDRE GROUPE (ENS.)	1	1	Go to P/N : PE0-OM-100015
2	68V-15100-02-1S	CRANKCASE ASSY CARTER DE MOTEUR COMPLET	1	1	
3	93606-12019	.PIN, DOWEL .GOUILLE	10	10	
4	68V-44581-01	.BOLT .BOULON	1	1	
5	90119-10M88	BOLT, WITH WASHER BOULON, AVEC RONDELLE	10	10	
6	90119-08M66	BOLT, WITH WASHER BOULON, AVEC RONDELLE	10	10	
7	90340-14M06	PLUG, STRAIGHT SCREW PLOT, FILETE DROIT	1	1	
8	90430-14115	GASKET JOINT	1	1	
9	62Y-11119-00	HANGER, ENGINE ANNEAU, LEVAGE	2	2	
10	97095-06020	BOLT BOULON	4	4	
11	92995-06600	WASHER RONDELLE	4	4	
12	90480-12072	GROMMET PASSE-FIL	1	1	
13	67F-15142-00	GUIDE 1 GUIDE 1	2	2	
14	6E5-11325-00	ANODE ANODE	3	3	
15	98780-04016	SCREW, FLAT HEAD VIS A TETE FRAISEE	3	3	
16	6D8-41113-00-1S	OUTER COVER, EXHAUST COUVERCLE, ECHAPPEMENT	1	1	
17	90340-18M09	PLUG, STRAIGHT SCREW PLOT, FILETE DROIT	1	1	
18	90430-18130	GASKET JOINT	1	1	
19	6D8-41114-A0	GASKET, EXHAUST OUTER COVER JOINT, COUVERCLE D'ECHAPPEMENT	1	1	
20	90119-06MA4	BOLT, WITH WASHER BOULON, AVEC RONDELLE	18	18	
21	6G5-12416-00	VALVE, PRESSURE CONTROL SOUPAPE DE CONTROLEUR PRESS	1	1	
22	90501-16M11	SPRING, COMPRESSION RESSORT, COMPRESSION	1	1	
23	90480-20M05	GROMMET PASSE-FIL	1	1	
24	67F-1246A-01-1S	COVER 1 COUVERCLE 1	1	1	
25	67F-12435-A0	GASKET JOINT	1	1	
26	90119-06MA2	BOLT, WITH WASHER BOULON, AVEC RONDELLE	3	3	
27	68V-11325-01	ANODE ANODE	1	1	Go to P/N : PE0-OM-100015





**FIG. 2 CYLINDER & CRANKCASE 1 CYLINDRE & CARTER 1**

REF. NO.	PART NO. N° PIECES	DESCRIPTION DESCRIPTION	68V5	68W5	REMARKS REMARQUES
28	69J-11327-00-94	COVER, ANODE COUVERCLE	1	1	Go to P/N : PE0-OM-100015
29	97075-06020	BOLT BOULON	1	1	Go to P/N : PE0-OM-100015
30	92995-06600	WASHER RONDELLE	1	1	Go to P/N : PE0-OM-100015
31	67F-11328-00	GROMMET, ANODE PASSE-FIL	1	1	Go to P/N : PE0-OM-100015
32	97575-08540	BOLT, WITH WASHER VIS HEXAGONAL AVC RONDELLE	1	1	
33	67F-1243A-00	HOSE 1 DURITE 1	1	1	
34	90465-11M10	CLAMP BRIDE	1	1	
35	90467-20M15	CLIP JONC	1	1	
36	68V-11351-00	GASKET, CYLINDER JOINT, D'EMBASE	1	1	
37	67F-42761-00-94	STOPPER PLAQUETTE	2	2	
38	97095-06025	BOLT BOULON	4	4	
39	92995-06600	WASHER RONDELLE	4	4	
40	68F-44533-00	DAMPER, UPPER MOUNT RUBBER COUVERCLE, SUSPENSION INFERIEU	2	2	
41	5GH-13440-00	ELEMENT ASSY, OIL CLEANER ELEMENT, FILTRE A HUILE	1	1	
42	90401-20145	BOLT, UNION BOULON, RACCORD	1	1	

# PARTS NEWS

FLOOD MARINE SERVICES  
downloaded from www.yamahaoutboardparts.co.uk

FLOOD MARINE SERVICES  
downloaded from www.yamahaoutboardparts.co.uk

**YAMAHA**  
YAMAHA MOTOR CO., LTD.  
2500 SHINGAI IWATA SHIZUOKA JAPAN  
FLOOD MARINE SERVICES  
downloaded from www.yamahaoutboardparts.co.uk

News No.:PE0-OM-100015(1/2)

Date:March 3,2010

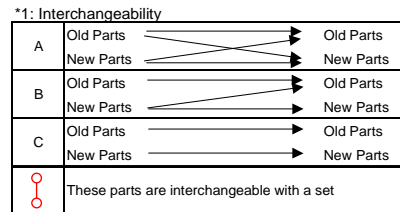
Signature: F. Takahashi

Caus: Cause  Revision Notice  Correction  Sales Unit Change  Others

Model	F115AET (68V5) / FL115AET (68W5)
Subject	PARTS CATALOGUE CORRECTIONS
CATALOGUE NO.	1E68V-300F1 / 1E68V-200S1 / 1E68V-415M1
Time of YPEC Revision	Text, Illustration --> Mar./20/2010
	PDF Replace --> Mar./20/2010
(YPEC = Yamaha Parts Electrical Catalogue = Website parts catalogue)	

## Applicable Engine Serial No.

MODEL NAME	MODEL CODE	Applicable Engine Serial No.
F115AET	68V5	68V:1064039-
FL115AET	68W5	68W:1002813-

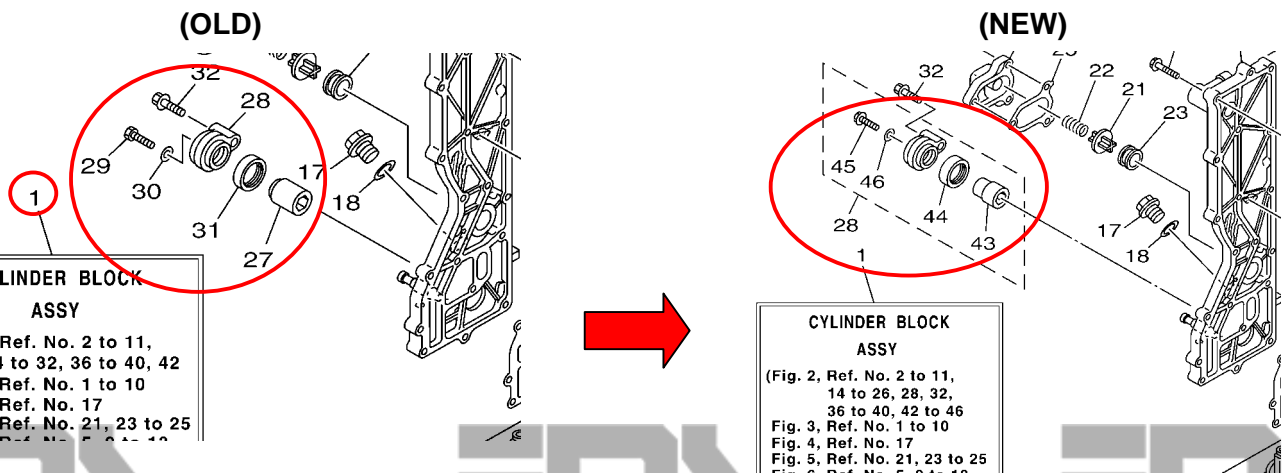


## FIG.2 CYLINDER & CRANKCASE 1

### 1. LIST CORRECTION

Fig. No.	Ref. No.	OLD P/No.	NEW P/No.	PART NAME	Q'TY	*Interchangeability	
							REMARKS
2	1	68V-W009B-06-1S	68V-W009B-07-1S	CYLINDER BLOCK ASSY	1		*Part number revision
	27	68V-11325-04	-	ANODE	4		*Deleted Parts
	28	69J-11327-00-94	69J-11301-10	ANODE COVER ASSY	1	B	*Part number revision
	43	-	68V-11325-02	. ANODE	1	C	*Added Parts
	44	-	67F-11328-00	. GROMMET,ANODE	1	C	
	45	-	90105-06M07	. BOLT,FLANGE	1	C	
	46	-	90430-06M03	. GASKET	1	C	
	29	97075-06020	-	BOLT	4		*Deleted Parts
	30	92995-06600	-	WASHER	4		
	31	67F-11328-00	-	GROMMET,ANODE	4		

### 2. ILLUSTRATION CORRECTION



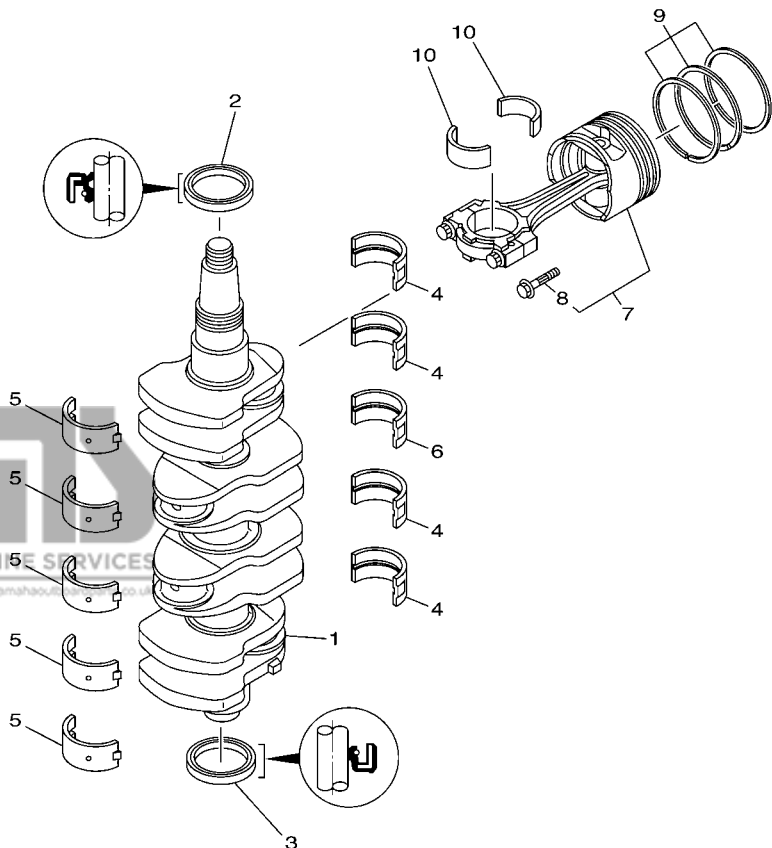
Parts Manager Check

Service Manager Check

Parts Manager File

YAMAHA MOTOR CO.,LTD  
2500 Shingai Iwata Shizuoka 438-8501.Japan  
Technical Publication Dept.

**YAMAHA**  
FLOOD MARINE SERVICES  
Parts & Accessories



68V0010-0031

**FIG. 3 CRANKSHAFT & PISTON**

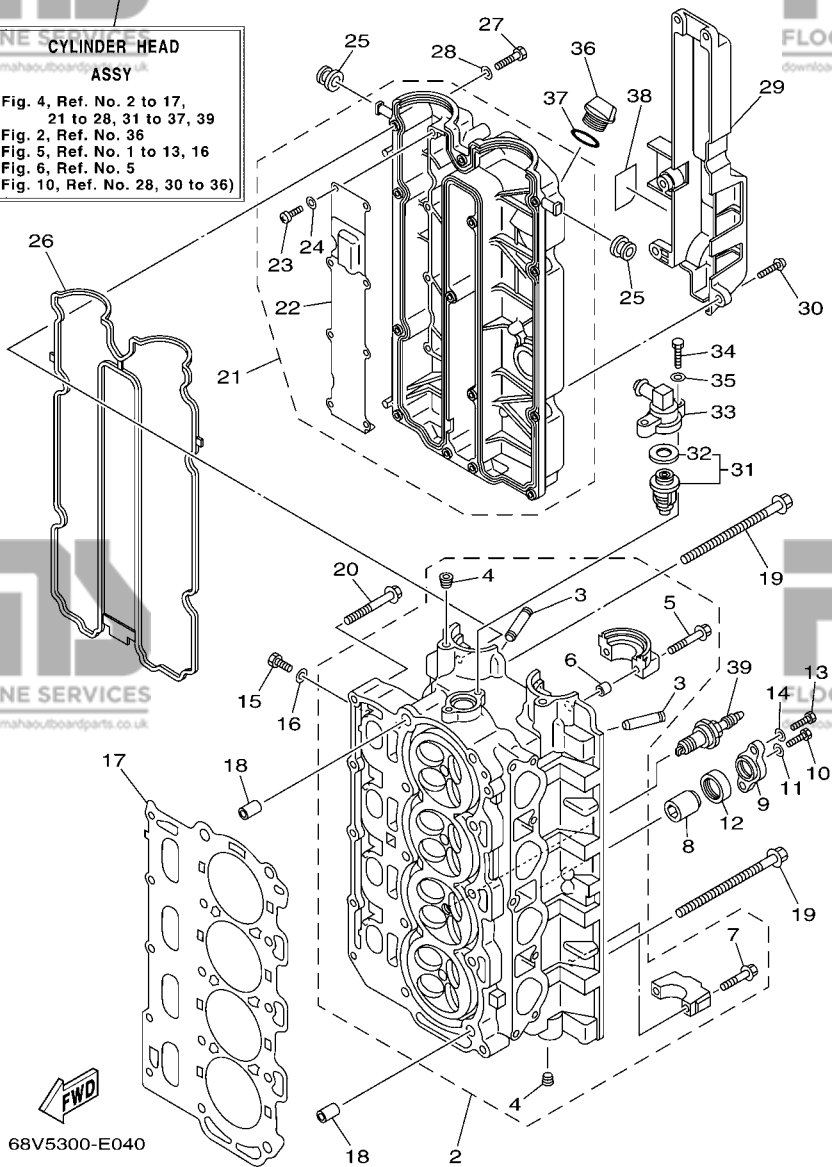
**VILEBREQUIN & PISTON**

REF. NO.	PART NO. N° PIECES	DESCRIPTION DESCRIPTION	68V5	68W5	REMARKS REMARQUES
1	68V-11411-00	CRANKSHAFT VILEBREQUIN COMPLET	1	1	
2	93102-48009	OIL SEAL JOINT SPY	1	1	
3	93101-48002	OIL SEAL JOINT SPY	1	1	
4	67F-11416-00	PLANE BEARING, CRANKSHAFT 1 COUSSINET DE VILEBREQUIN 1	4	4	UR GREEN UR VERT
	67F-11416-10	PLANE BEARING, CRANKSHAFT 1 COUSSINET DE VILEBREQUIN 1	4	4	UR BLUE UR BLEU
	67F-11416-20	PLANE BEARING, CRANKSHAFT 1 COUSSINET DE VILEBREQUIN 1	4	4	UR RED UR RED
5	67F-11417-00	PLANE BEARING, CRANKSHAFT 2 COUSSINET DE VILEBREQUIN 2	5	5	UR YELLOW UR JAUNE
	67F-11417-10	PLANE BEARING, CRANKSHAFT 2 COUSSINET DE VILEBREQUIN 2	5	5	UR GREEN UR GREEN
	67F-11417-20	PLANE BEARING, CRANKSHAFT 2 COUSSINET DE VILEBREQUIN 2	5	5	UR BLUE UR BLUE
	67F-11417-30	PLANE BEARING, CRANKSHAFT 2 COUSSINET DE VILEBREQUIN 2	5	5	UR RED UR RED
6	67F-11418-00	PLANE BEARING, CRANKSHAFT 3 COUSSINET DE VILEBREQUIN 3	1	1	UR GREEN UR GREEN
	67F-11418-10	PLANE BEARING, CRANKSHAFT 3 COUSSINET DE VILEBREQUIN 3	1	1	UR BLUE UR BLUE
	67F-11418-20	PLANE BEARING, CRANKSHAFT 3 COUSSINET DE VILEBREQUIN 3	1	1	UR RED UR RED
7	68V-W1164-01	PISTON/CON-ROD ASSY(STD) PISTON/BIELLE COMPLETE(STD)	4	4	
	68V-W1164-11	PISTON/CON-ROD ASSY(0.25MM OS) PISTON/BIELLE COMPLETE:0.25MM	4	4	AP AP
8	K1C-A3275-00	.BOLT, CONNECTING ROD .BOULON, BIELLE	2	2	
9	6D8-11603-01	PISTON RING SET (STD) JEU DE SEGMENTS (STD)	4	4	
	6D8-11604-01	PISTON RING SET (0.25MM O/S) JEU DE SEGMENTS (0.25MM O/S)	4	4	AP AP
10	68V-11656-00	PLANE BEARING, CONNECTING ROD ROULEMENT DE BIELLE	8	8	UR YELLOW UR YELLOW
	68V-11656-10	PLANE BEARING, CONNECTING ROD ROULEMENT DE BIELLE	8	8	UR GREEN UR GREEN
	68V-11656-20	PLANE BEARING, CONNECTING ROD ROULEMENT DE BIELLE	8	8	UR BLUE UR BLUE
	68V-11656-30	PLANE BEARING, CONNECTING ROD ROULEMENT DE BIELLE	8	8	UR RED UR RED

**B1**

FIG. 4 CYLINDER & CRANKCASE 2 CYLINDRE & CARTER 2

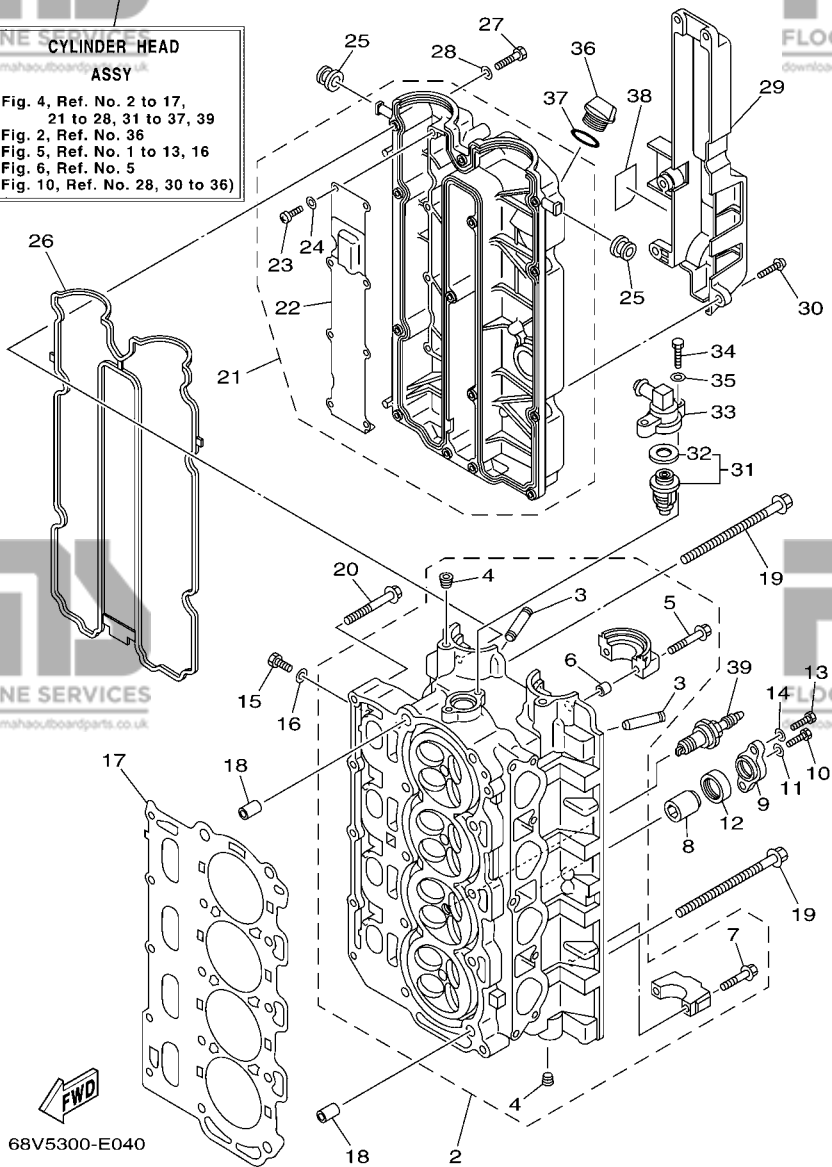
**CYLINDER HEAD ASSY**  
 (Fig. 4, Ref. No. 2 to 17, 21 to 28, 31 to 37, 39  
 Fig. 2, Ref. No. 36  
 Fig. 5, Ref. No. 1 to 13, 16  
 Fig. 6, Ref. No. 5  
 Fig. 10, Ref. No. 28, 30 to 36)



REF. NO.	PART NO. N° PIECES	DESCRIPTION DESCRIPTION	68V5	68W5	REMARKS REMARQUES
1	68V-W009A-04-1S	CYLINDER HEAD ASSY CULASSE (ENS.)	1	1	Go to P/N : PE0-OM-100015
2	68V-11110-03-94	CYLINDER HEAD ASSY JEU DE CULASSE	1	1	
3	67F-11133-10	.GUIDE, VALVE 1 .GUIDE, SOUPAPE 1	16	16	
4	90344-51019	.PLUG, TAPER SCREW .PLOT, FILETE CONIQUE	4	4	
5	90119-07235	.BOLT/WASHER-CAM CAPS .BOULON, AVEC RONDELLE	4	4	
6	91809-08006	.SLEEVE GUIDE-DOWEL .GOUJON, D'ASSEMBLAGE	4	4	
7	90119-07234	.BOLT, WITH WASHER .BOULON, AVEC RONDELLE	16	16	
8	68V-11325-01	ANODE ANODE	2	2	Go to P/N : PE0-OM-100015
9	67F-11327-00-94	COVER, ANODE COUVERCLE	2	2	Go to P/N : PE0-OM-100015
10	97075-06020	BOLT BOULON	2	2	Go to P/N : PE0-OM-100015
11	92995-06600	WASHER RONDELLE	2	2	Go to P/N : PE0-OM-100015
12	67F-11328-00	GROMMET, ANODE PASSE-FIL	2	2	Go to P/N : PE0-OM-100015
13	97075-08025	BOLT BOULON	4	4	
14	92995-08600	WASHER RONDELLE	4	4	
15	97095-08014	BOLT BOULON	4	4	
16	90430-08143	GASKET JOINT	4	4	
17	67F-11181-02	GASKET, CYLINDER HEAD 1 JOINT, DE CULASSE 1	1	1	
18	90387-10M08	COLLAR COLLERETTE	2	2	
19	90105-10M89	BOLT, FLANGE BOULON	10	10	
20	90119-08M91	BOLT, WITH WASHER BOULON, AVEC RONDELLE	5	5	
21	68V-11191-00-1S	COVER, CYLINDER HEAD 1 COUVERCLE, CULASSE 1	1	1	
22	67F-11168-00	.COVER, BREATHER .COUVERCLE, RENIFLARD	1	1	
23	98507-04008	.SCREW, PAN HEAD .VIS, TETE TRONCONIQUE	8	8	
24	92907-04600	.WASHER .RONDELLE	8	8	
25	90480-12072	GROMMET PASSE-FIL	2	2	
26	6D8-11356-01	SEAL, CYLINDER 2 JOINT, SPY CYLINDRE	1	1	
27	97095-06030	BOLT BOULON	14	14	

**FIG. 4 CYLINDER & CRANKCASE 2 CYLINDRE & CARTER 2**

**CYLINDER HEAD ASSY**  
 (Fig. 4, Ref. No. 2 to 17, 21 to 28, 31 to 37, 39  
 Fig. 2, Ref. No. 36  
 Fig. 5, Ref. No. 1 to 13, 16  
 Fig. 6, Ref. No. 5  
 Fig. 10, Ref. No. 28, 30 to 36)



REF. NO.	PART NO. N° PIECES	DESCRIPTION DESCRIPTION	68V5	68W5	REMARKS REMARQUES
28	92995-06600	WASHER RONDELLE	14	14	
29	67F-11192-01	COVER, CYLINDER HEAD 2 COUVERCLE, CULASSE 2	1	1	
30	90159-06M29	SCREW, WITH WASHER VIS, AVEC RONDELLE	5	5	
31	60V-12411-00	THERMOSTAT THERMOSTAT	1	1	
32	67F-12412-00	.SEAL, THERMOSTAT JOINT, THERMOSTAT	1	1	
33	68V-12413-00-1S	COVER, THERMOSTAT COUVERCLE, THERMOSTAT	1	1	
34	97095-06025	BOLT BOULON	2	2	
35	92995-06600	WASHER RONDELLE	2	2	
36	6G8-15363-00	PLUG, OIL PLOT, HUILE	1	1	
37	93210-24M79	O-RING JOINT TORIQUE	1	1	
38	68V-83626-00	MARK 6 MARK 6	1	1	
39	94702-00400	PLUG, SPARK (NGK LFR6A-11) BOUGIE D'ALLUMAGE(NGK LFR6A-11)	4	4	

# PARTS NEWS

FLOOD MARINE SERVICES

downloaded from www.yamahaoutboardparts.co.uk

FLOOD MARINE SERVICES

downloaded from www.yamahaoutboardparts.co.uk



downloaded from www.yamahaoutboardparts.co.uk

News No.:PE0-OM-100015(2/2)

Date:March 3,2010

Signature: F. Takahashi

Caus: Cause  Revision Notice  Correction  Sales Unit Change  Others

Model	F115AET (68V5) / FL115AET (68W5)
Subject	PARTS CATALOGUE CORRECTIONS
CATALOGUE NO.	1E68V-300F1 / 1E68V-200S1 / 1E68V-415M1
Time of YPEC Revision	Text, Illustration --> Mar./20/2010
	PDF Replace --> Mar./20/2010
(YPEC = Yamaha Parts Electrical Catalogue = Website parts catalogue)	

## FIG.4 CYLINDER & CRANKCASE 2

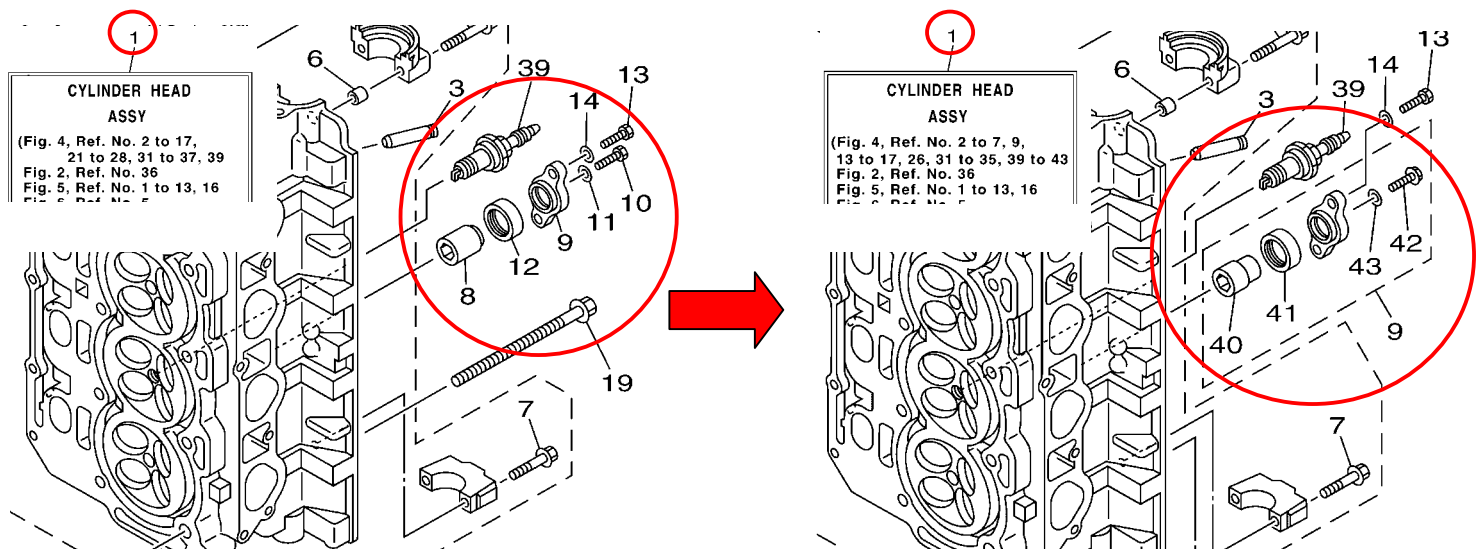
### 1. LIST CORRECTION

Fig. No.	Ref. No.	OLD P/No.	NEW P/No.	PART NAME	Q'TY	*Interchangeability	
							REMARKS
4	1	68V-W009A-04-1S	<b>68V-W009A-05-1S</b>	CYLINDER HEAD ASSY	1		<b>*Part number revision</b>
	8	68V-11325-04	-	ANODE	2		<b>*Deleted Parts</b>
	9	67F-11327-00-94	<b>67F-11301-10</b>	<b>ANODE COVER ASSY</b>	2	<b>B</b>	<b>*Part number revision</b>
	<b>40</b>	-	<b>68V-11325-02</b>	<b>. ANODE</b>	1	<b>C</b>	<b>*Added Parts</b>
	<b>41</b>	-	<b>67F-11328-00</b>	<b>. GROMMET,ANODE</b>	1	<b>C</b>	
	<b>42</b>	-	<b>90105-06M07</b>	<b>. BOLT,FLANGE</b>	1	<b>C</b>	
	<b>43</b>	-	<b>90430-06M03</b>	<b>. GASKET</b>	1	<b>C</b>	
	10	97075-06020	-	BOLT	2		
	11	92995-06600	-	WASHER	2		<b>*Deleted Parts</b>
	12	67F-11328-00	-	GROMMET,ANODE	2		

### 2. ILLUSTRATION CORRECTION

(OLD)

(NEW)



Thank you very much for your cooperation.

Parts Manager Check

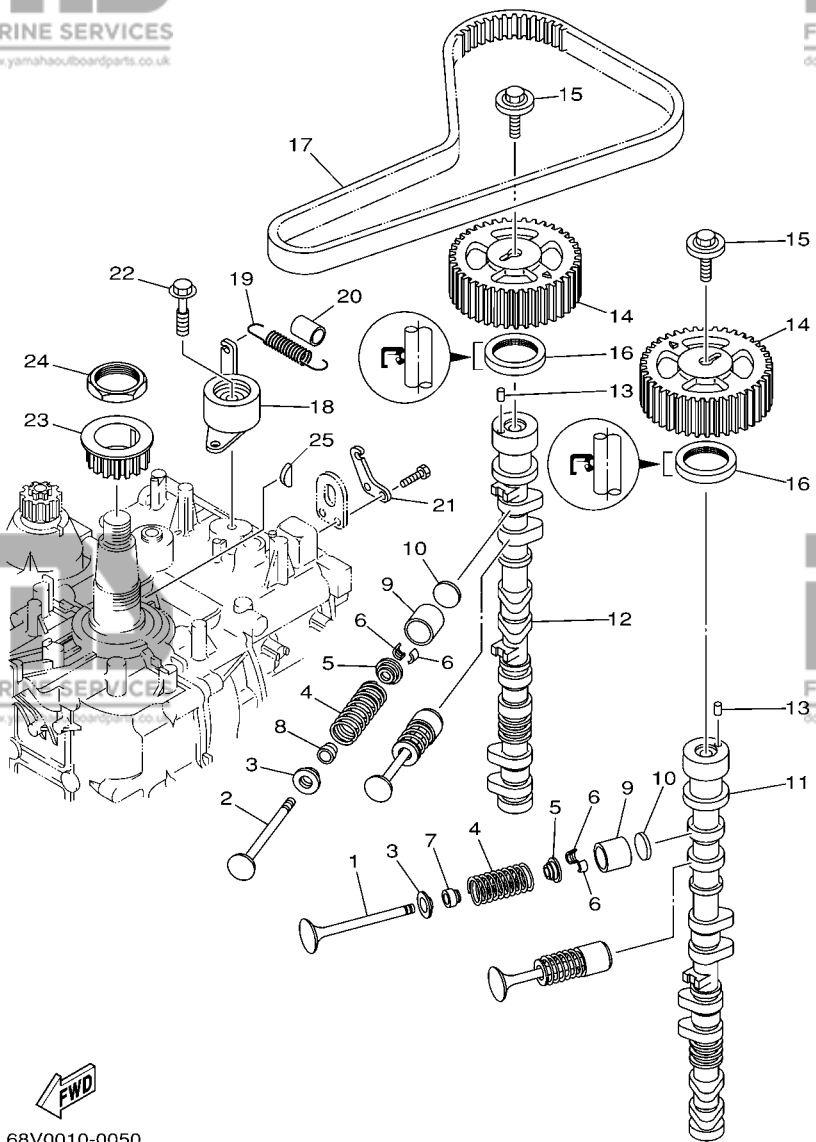
Service Manager Check

Parts Manager File

YAMAHA MOTOR CO.,LTD  
2500 Shingai Iwata Shizuoka 438-8501.Japan  
Technical Publication Dept.





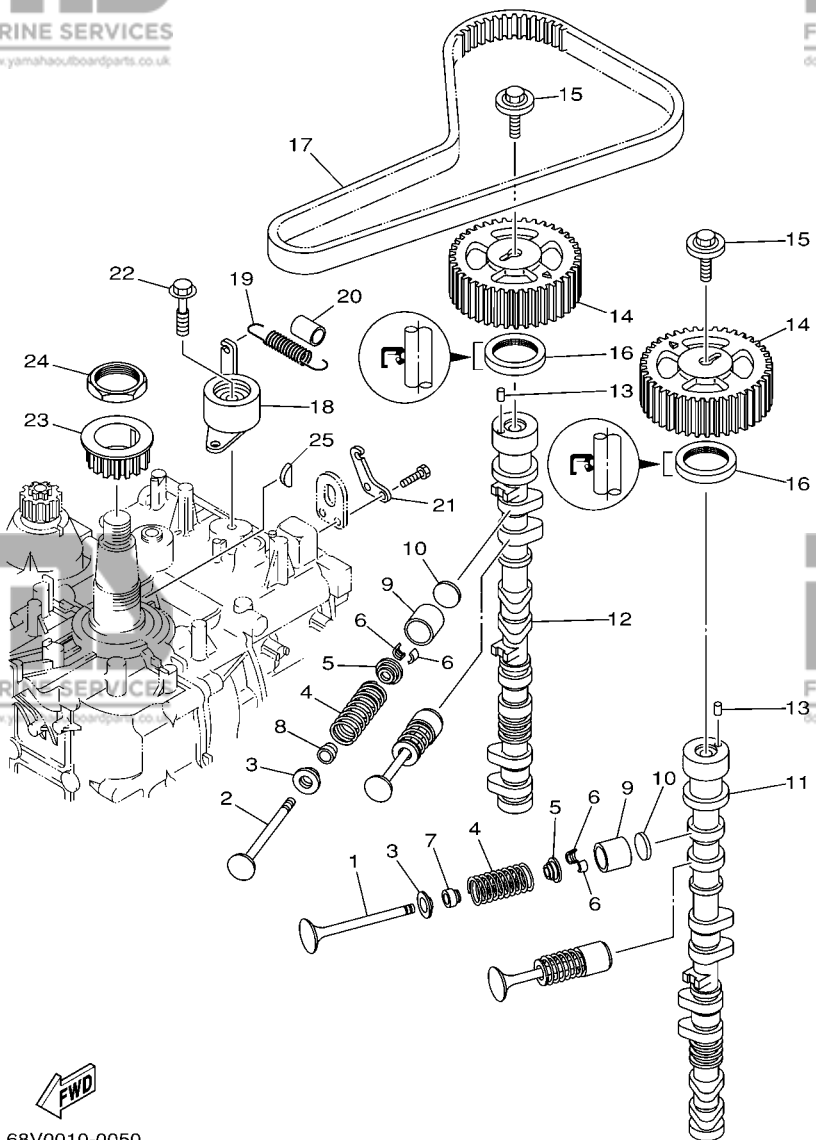


68V0010-0050

**FIG. 5 VALVE**

**SOUPAPE**

REF. NO.	PART NO. N° PIECES	DESCRIPTION DESCRIPTION	68V5	68W5	REMARKS REMARQUES
1	68V-12111-00	VALVE, INTAKE SOUPAPE, ADMISSION	8	8	
2	68V-12121-00	VALVE, EXHAUST SOUPAPE, ECHAPPEMENT	8	8	
3	67F-12116-00	SEAT, VALVE SPRING SIEGE, RESSORT DE SOUPAPE	16	16	
4	67F-12114-00	SPRING, VALVE OUTER RESSORT DE SOUPAPE, EXTERNE	16	16	
5	67F-12117-00	RETAINER, VALVE SPRING BUTEE DE RESSORT DE SOUPAPE	16	16	
6	67F-12118-00	COTTER, VALVE FRAISE, SOUPAPE	32	32	
7	K0A-A3721-00	SEAL, VALVE STEM JOINT, QUEUE DE SOUPAPE	8	8	
8	K0A-A3722-00	SEAL, VALVE STEM 2 JOINT, QUEUE DE SOUPAPE 2	8	8	
9	67F-12153-00	LIFTER, VALVE LEVE-SOUPAPE	16	16	
10	67F-12168-00	PAD, ADJUSTING (2.000) PASTILLE, DE REGLAGE (2.000)	16	16	UR
	67F-12168-10	PAD, ADJUSTING (2.025) PASTILLE, DE REGLAGE (2.025)	16	16	UR
	67F-12168-20	PAD, ADJUSTING (2.050) PASTILLE, DE REGLAGE (2.050)	16	16	UR
	67F-12168-30	PAD, ADJUSTING (2.075) PASTILLE, DE REGLAGE (2.075)	16	16	UR
	67F-12168-40	PAD, ADJUSTING (2.100) PASTILLE, DE REGLAGE (2.100)	16	16	UR
	67F-12168-50	PAD, ADJUSTING (2.125) PASTILLE, DE REGLAGE (2.125)	16	16	UR
	67F-12168-60	PAD, ADJUSTING (2.150) PASTILLE, DE REGLAGE (2.150)	16	16	UR
	67F-12168-70	PAD, ADJUSTING (2.175) PASTILLE, DE REGLAGE (2.175)	16	16	UR
	67F-12168-80	PAD, ADJUSTING (2.200) PASTILLE, DE REGLAGE (2.200)	16	16	UR
	67F-12168-A0	PAD, ADJUSTING (2.225) PASTILLE, DE REGLAGE (2.225)	16	16	UR
	67F-12168-B0	PAD, ADJUSTING (2.250) PASTILLE, DE REGLAGE (2.250)	16	16	UR
	67F-12168-C0	PAD, ADJUSTING (2.275) PASTILLE, DE REGLAGE (2.275)	16	16	UR
	67F-12168-D0	PAD, ADJUSTING (2.300) PASTILLE, DE REGLAGE (2.300)	16	16	UR
	67F-12168-E0	PAD, ADJUSTING (2.325) PASTILLE, DE REGLAGE (2.325)	16	16	UR
	67F-12168-F0	PAD, ADJUSTING (2.350) PASTILLE, DE REGLAGE (2.350)	16	16	UR
	67F-12168-G0	PAD, ADJUSTING (2.375) PASTILLE, DE REGLAGE (2.375)	16	16	UR
	67F-12168-H0	PAD, ADJUSTING (2.400) PASTILLE, DE REGLAGE (2.400)	16	16	UR
	67F-12168-J0	PAD, ADJUSTING (2.425) PASTILLE, DE REGLAGE (2.425)	16	16	UR



68V0010-0050

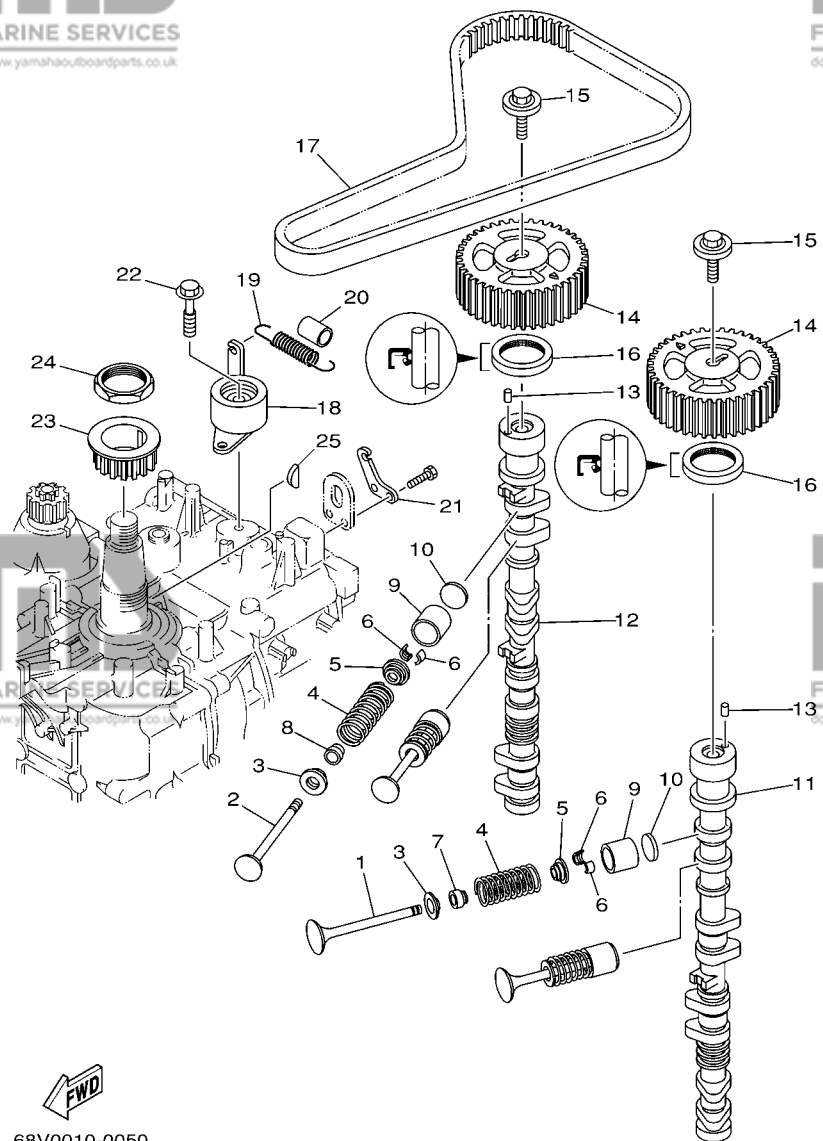
**FIG. 5 VALVE**

**SOUPAPE**

REF. NO.	PART NO. N° PIECES	DESCRIPTION DESCRIPTION	68V5	68W5	REMARKS REMARQUES
10	67F-12168-K0	PAD, ADJUSTING (2.450)	16	16	UR
		PASTILLE, DE REGLAGE (2.450)			UR
	67F-12168-L0	PAD, ADJUSTING (2.475)	16	16	UR
		PASTILLE, DE REGLAGE (2.475)			UR
	67F-12168-M0	PAD, ADJUSTING (2.500)	16	16	UR
		PASTILLE, DE REGLAGE (2.500)			UR
	67F-12168-N0	PAD, ADJUSTING (2.525)	16	16	UR
		PASTILLE, DE REGLAGE (2.525)			UR
	67F-12168-P0	PAD, ADJUSTING (2.550)	16	16	UR
		PASTILLE, DE REGLAGE (2.550)			UR
	67F-12168-R0	PAD, ADJUSTING (2.575)	16	16	UR
		PASTILLE, DE REGLAGE (2.575)			UR
	67F-12168-S0	PAD, ADJUSTING (2.600)	16	16	UR
		PASTILLE, DE REGLAGE (2.600)			UR
	67F-12168-T0	PAD, ADJUSTING (2.625)	16	16	UR
		PASTILLE, DE REGLAGE (2.625)			UR
	67F-12168-U0	PAD, ADJUSTING (2.650)	16	16	UR
		PASTILLE, DE REGLAGE (2.650)			UR
	67F-12168-V0	PAD, ADJUSTING (2.675)	16	16	UR
		PASTILLE, DE REGLAGE (2.675)			UR
	67F-12168-W0	PAD, ADJUSTING (2.700)	16	16	UR
		PASTILLE, DE REGLAGE (2.700)			UR
	67F-12168-X0	PAD, ADJUSTING (2.725)	16	16	UR
		PASTILLE, DE REGLAGE (2.725)			UR
	67F-12168-Y0	PAD, ADJUSTING (2.750)	16	16	UR
		PASTILLE, DE REGLAGE (2.750)			UR
	67F-12169-00	PAD, ADJUSTING (2.775)	16	16	UR
		PASTILLE, DE REGLAGE (2.775)			UR
	67F-12169-10	PAD, ADJUSTING (2.800)	16	16	UR
		PASTILLE, DE REGLAGE (2.800)			UR
	67F-12169-20	PAD, ADJUSTING (2.825)	16	16	UR
		PASTILLE, DE REGLAGE (2.825)			UR
	67F-12169-30	PAD, ADJUSTING (2.850)	16	16	UR
		PASTILLE, DE REGLAGE (2.850)			UR
	67F-12169-40	PAD, ADJUSTING (2.875)	16	16	UR
		PASTILLE, DE REGLAGE (2.875)			UR
	67F-12169-50	PAD, ADJUSTING (2.900)	16	16	UR
		PASTILLE, DE REGLAGE (2.900)			UR
	67F-12169-60	PAD, ADJUSTING (2.925)	16	16	UR
		PASTILLE, DE REGLAGE (2.925)			UR
	67F-12169-70	PAD, ADJUSTING (2.950)	16	16	UR
		PASTILLE, DE REGLAGE (2.950)			UR
	67F-12169-80	PAD, ADJUSTING (2.975)	16	16	UR
		PASTILLE, DE REGLAGE (2.975)			UR
	67F-12169-A0	PAD, ADJUSTING (3.000)	16	16	UR
		PASTILLE, DE REGLAGE (3.000)			UR
	67F-12169-B0	PAD, ADJUSTING (3.025)	16	16	UR
		PASTILLE, DE REGLAGE (3.025)			UR
	67F-12169-C0	PAD, ADJUSTING (3.050)	16	16	UR
		PASTILLE, DE REGLAGE (3.050)			UR
	67F-12169-D0	PAD, ADJUSTING (3.075)	16	16	UR
		PASTILLE, DE REGLAGE (3.075)			UR
	67F-12169-E0	PAD, ADJUSTING (3.100)	16	16	UR
		PASTILLE, DE REGLAGE (3.100)			UR

**B5**



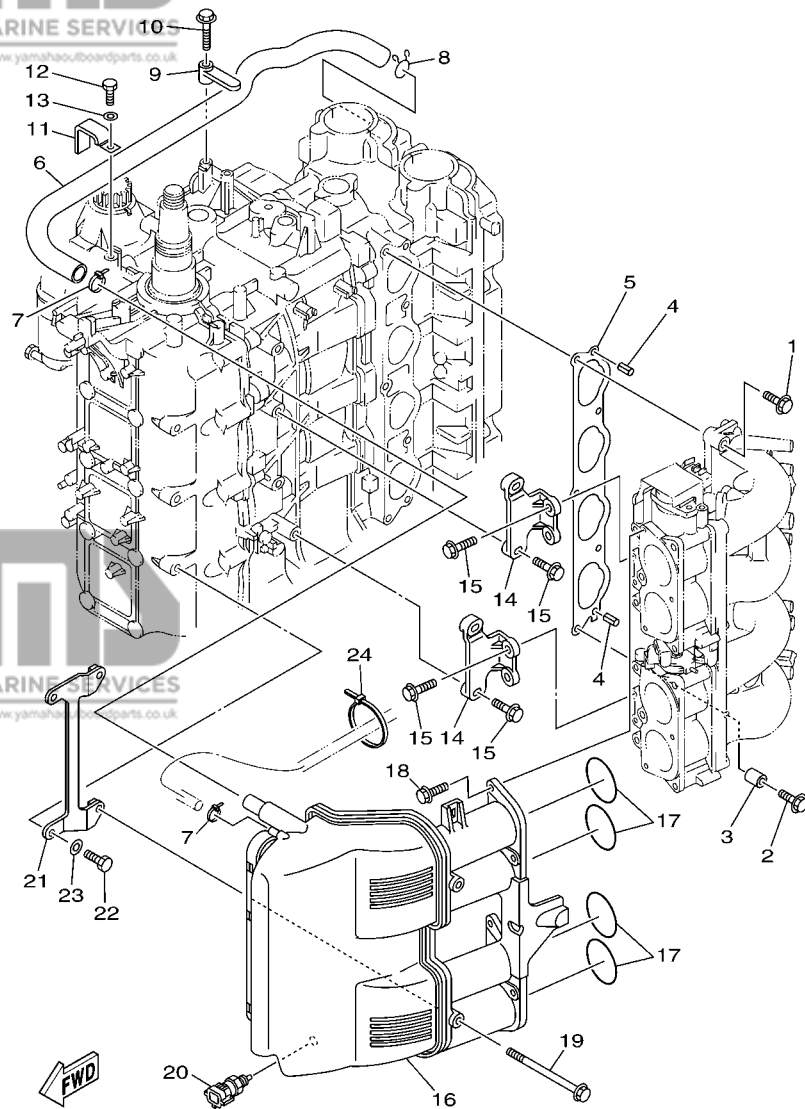


68V0010-0050

FIG. 5 VALVE

SOUPAPE

REF. NO.	PART NO. N° PIECES	DESCRIPTION DESCRIPTION	68V5	68W5	REMARKS REMARQUES
10	67F-12169-F0	PAD, ADJUSTING (3.125) PASTILLE, DE REGLAGE (3.125)	16	16	UR
	67F-12169-G0	PAD, ADJUSTING (3.150) PASTILLE, DE REGLAGE (3.150)	16	16	UR
	67F-12169-H0	PAD, ADJUSTING (3.175) PASTILLE, DE REGLAGE (3.175)	16	16	UR
	67F-12169-J0	PAD, ADJUSTING (3.200) PASTILLE, DE REGLAGE (3.200)	16	16	UR
	67F-12169-K0	PAD, ADJUSTING (3.225) PASTILLE, DE REGLAGE (3.225)	16	16	UR
	67F-12169-L0	PAD, ADJUSTING (3.250) PASTILLE, DE REGLAGE (3.250)	16	16	UR
	67F-12169-M0	PAD, ADJUSTING (3.275) PASTILLE, DE REGLAGE (3.275)	16	16	UR
	67F-12169-N0	PAD, ADJUSTING (3.300) PASTILLE, DE REGLAGE (3.300)	16	16	UR
11	67F-12171-00	CAMSHAFT 1 ARBRE A CAMES 1	1	1	
12	67F-12181-00	CAMSHAFT 2 ARBRE A CAMES 2	1	1	
13	93605-10108	PIN, DOWEL AXE	2	2	
14	67F-11537-00	GEAR, DRIVEN PIGNON SECONDAIRE	2	2	
15	90119-10M06	BOLT, WITH WASHER BOULON, AVEC RONDELLE	2	2	
16	93102-38M59	OIL SEAL JOINT SPY	2	2	
17	67F-46241-00	BELT COURROIE TRAPEZOIDALE	1	1	
18	67F-11590-00	TENSIONER ASSY TENDEUR (ENS.)	1	1	
19	90506-16M39	SPRING, TENSION RESSORT, TENSION	1	1	
20	90445-15M03	HOSE (L23) DURITE (L23)	1	1	
21	67F-11595-00	PLATE, VALVE PLAQUE DE SOUPAPE	1	1	
22	90119-10M72	BOLT, WITH WASHER BOULON, AVEC RONDELLE	1	1	
23	6D8-11536-00	GEAR, DRIVE ENGRENAGE, MENANT	1	1	
24	90170-40003	NUT ECROU	1	1	
25	90280-04008	KEY, WOODRUFF CLAVETTE, DEMI-LUNE	1	1	



68V5100-E060

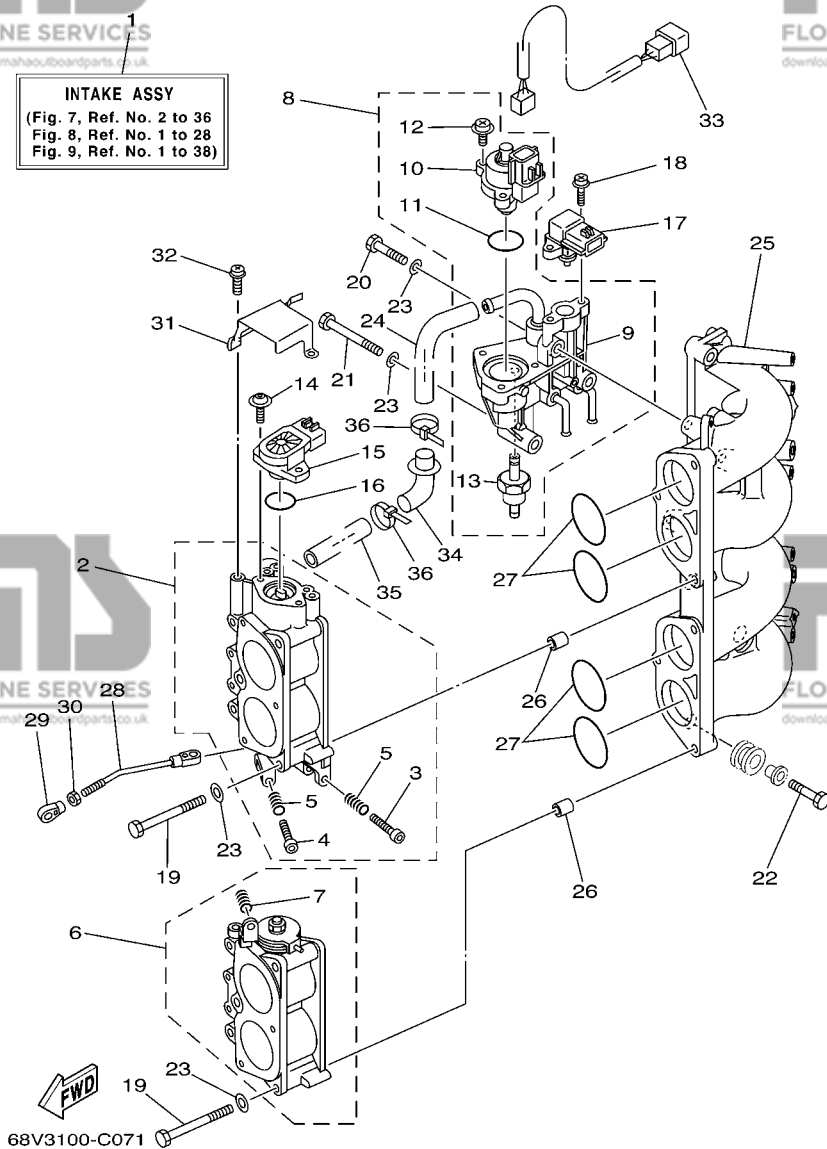
FIG. 6 INTAKE 1

ADMISSION 1

REF. NO.	PART NO. N° PIECES	DESCRIPTION DESCRIPTION	68V5	68W5	REMARKS REMARQUES
1	97575-08540	BOLT, WITH WASHER VIS HEXAGONAL AVC RONDELLE	4	4	
2	90119-08M68	BOLT, WITH WASHER BOULON, AVEC RONDELLE	1	1	
3	90387-08M32	COLLAR COLLERETTE	1	1	
4	91690-50014	PIN, SPRING AGRAFFE	2	2	
5	68V-13645-00	GASKET, MANIFOLD 1 JOINT, TUBULURE 1	1	1	
6	67F-15373-00	PIPE, BREATHER DURITE DE RENIFLARD	1	1	
7	90465-11M10	CLAMP BRIDE	2	2	
8	90467-20M15	CLIP JONC	1	1	
9	6D8-82544-00	CLAMP COLLIER	1	1	
10	95895-06025	BOLT, FLANGE BOULON	1	1	
11	90465-12M03	CLAMP BRIDE	1	1	
12	97095-06012	BOLT BOULON	1	1	
13	92995-06600	WASHER RONDELLE	1	1	
14	68V-14291-00-94	BRACKET 1 SUPPORT 1	2	2	
15	90119-06M49	BOLT, WITH WASHER BOULON, AVEC RONDELLE	8	8	
16	68V-14440-00	SILENCER ASSY, INTAKE SIENCIEUX D'ADMISSION	1	1	
17	93210-48MJ9	O-RING JOINT TORIQUE	4	4	
18	90119-06M82	BOLT, WITH WASHER BOULON, AVEC RONDELLE	6	6	
19	90119-06ME1	BOLT, WITH WASHER BOULON, AVEC RONDELLE	2	2	
20	65L-85886-00	THERMOSENSOR SENSITOMETRE	1	1	
21	68V-14292-00	BRACKET 2 SUPPORT 2	1	1	
22	97095-08020	BOLT BOULON	2	2	
23	92995-08600	WASHER RONDELLE	2	2	
24	90465-13M18	CLAMP BRIDE	1	1	

**B7**

**INTAKE ASSY**  
(Fig. 7, Ref. No. 2 to 36  
Fig. 8, Ref. No. 1 to 28  
Fig. 9, Ref. No. 1 to 38)



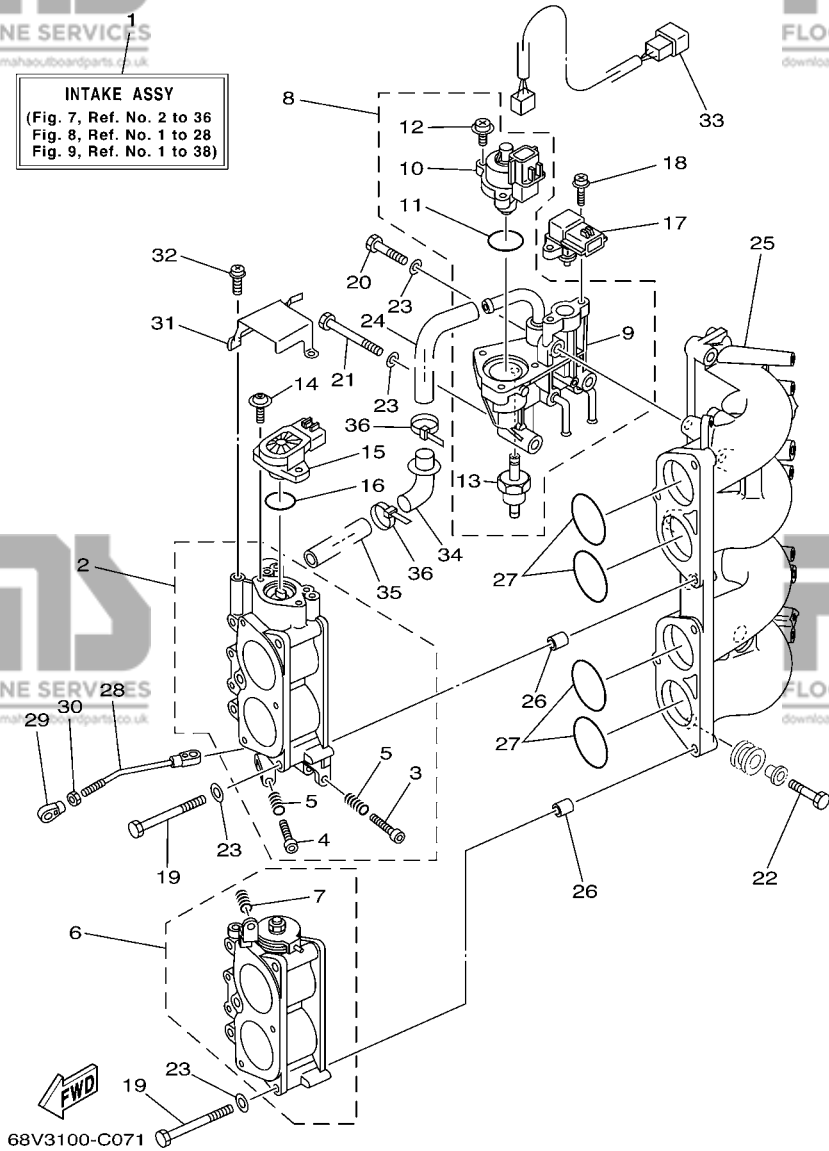
**FIG. 7 INTAKE 2**

**ADMISSION 2**

REF. NO.	PART NO. N° PIECES	DESCRIPTION DESCRIPTION	68V5	68W5	REMARKS REMARQUES
1	68V-14200-04	INTAKE ASSY ADMISSION (ENS.)	1	1	
2	68V-13751-01	BODY, THROTTLE 1 CARTER 1	1	1	
3	68V-14323-00	.SCREW, AIR ADJUSTING .VIS DE DOSEUR D'AIR	1	1	
4	68V-14321-00	.SCREW, THROTTLE .VIS, ACCELERATEUR	1	1	
5	68V-14331-00	.SPRING, THROTTLE VALVE .RESSORT, BOISSEAU	2	2	
6	68V-13752-01	BODY, THROTTLE 2 CARTER 2	1	1	
7	68V-14331-00	.SPRING, THROTTLE VALVE .RESSORT, BOISSEAU	1	1	
8	68V-13105-00	CONTROL VALVE ASSY SOUPAPE DE CONTROLE COMPLET	1	1	
9	68V-14960-00	.BODY ASSY .CARTER (ENS.)	1	1	
10	68V-1312A-00	.VALVE, CONTROL .EMBLEME, YAMAHA	1	1	
11	68V-13473-00	.O-RING .JOINT TORIQUE	1	1	
12	68V-81146-01	.SCREW 2 .VIS 2	3	3	
13	68V-14511-00	.FILTER ASSY .ENS FILTRE	1	1	
14	68V-81145-01	SCREW 1 VIS 1	2	2	
15	68V-85885-00	THROTTLE SENSOR ASSY SERVOMETRE (ENS.)	1	1	
16	68V-8182L-00	O-RING 1 JOINT TORIQUE 1	1	1	
17	68V-82380-00	SENSOR, PRESSURE SONDE DE PRESSION	1	1	
18	68V-81147-00	SCREW 3 VIS 3	2	2	
19	68V-14496-00	BOLT BOULON	6	6	
20	68V-13574-00	BOLT 2 BOULON 2	1	1	
21	68V-13573-00	BOLT 1 BOULON 1	2	2	
22	68V-14777-00	BOLT BOULON	3	3	
23	68V-14475-00	WASHER RONDELLE	9	9	
24	68V-14419-10	PIPE DURITE	1	1	
25	68V-13641-00-94	MANIFOLD 1 TUBULURE 1	1	1	
26	99530-10114	PIN, DOWEL GOUJON, D'ASSEMBLAGE	4	4	
27	93210-48MG8	O-RING JOINT TORIQUE	4	4	

**C1**

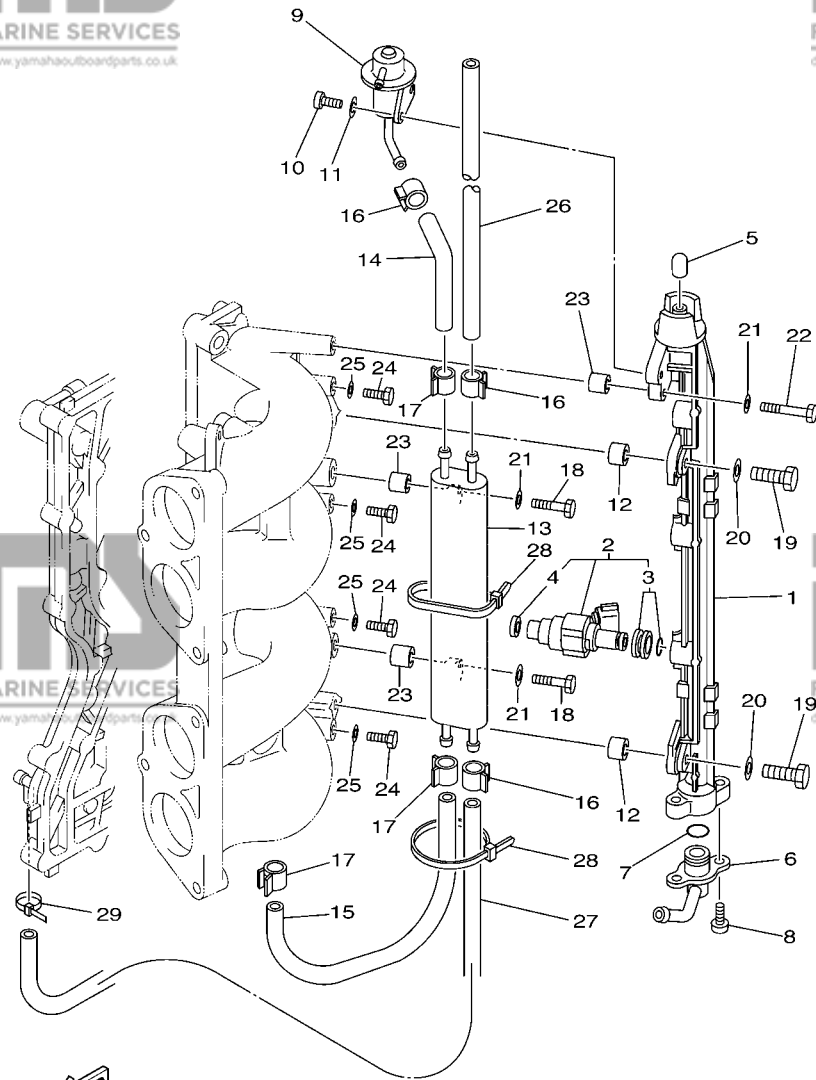
**INTAKE ASSY**  
(Fig. 7, Ref. No. 2 to 36  
Fig. 8, Ref. No. 1 to 28  
Fig. 9, Ref. No. 1 to 38)



**FIG. 7 INTAKE 2**

**ADMISSION 2**

REF. NO.	PART NO. N° PIECES	DESCRIPTION DESCRIPTION	68V5	68W5	REMARKS REMARQUES
28	68V-41237-00	JOINT, LINK RACCORD	1	1	
29	6H4-41237-00	JOINT, LINK RACCORD	1	1	
30	95380-05700	NUT ECROU	1	1	
31	68V-1441L-00	BRACKET 1 SUPPORT 1	1	1	
32	68V-81145-00	SCREW 1 VIS 1	3	3	
33	68V-8259N-00	WIRE HARNESS ASSY 3 FAISCEAU DE FILS	1	1	
34	68V-14453-00	JOINT, AIR CLEANER 1 RACCORD, FILTRE A AIR 1	1	1	
35	68V-1441J-00	PIPE, SILENCER DURITE, DE SILENCIEUX	1	1	
36	68V-2417H-00	CLAMP 1 COLLIER 1	2	2	



68V1010-2080

**FIG. 8 FUEL INJECTION NOZZLE FUEL INJECTION NOZZLE**

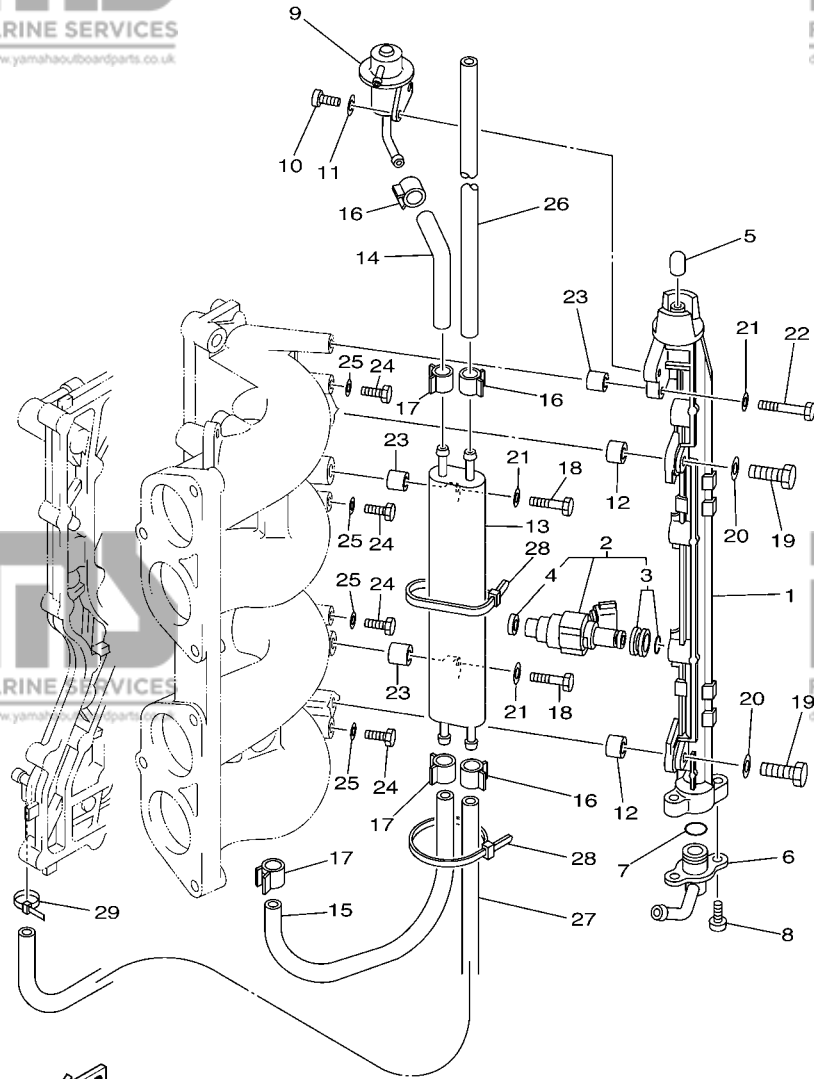
REF. NO.	PART NO. N° PIECES	DESCRIPTION DESCRIPTION	68V5	68W5	REMARKS REMARQUES
1	68V-13160-00	DELIVERY PIPE ASSY 1 ENS. TUBE DE REFOULEMENT 1	1	1	
2	68V-8A360-00	INJECTOR UNIT INJECTEUR	4	4	
3	68V-1410B-00	.PACKING KIT .POCHETTE DE JOINTS	1	1	
4	68V-13766-00	.RUBBER, INJECTOR .RONDELLE CAOUTCHOUC	1	1	
5	68V-14225-00	CAP COUVERCLE	1	1	
6	68V-13435-00	NIPPLE RACCORD	1	1	
7	68V-14397-00	O-RING JOINT TORIQUE	1	1	
8	68V-81147-00	SCREW 3 VIS 3	2	2	
9	68V-13906-01	REGULATOR, PRESSURE REGULATEUR DE PRESSION	1	1	
10	68V-14565-00	SCREW VIS	2	2	
11	68V-14356-00	WASHER, SPRING RONDELLE	2	2	
12	68V-14264-00	COLLAR COLLERETTE	2	2	
13	68V-21841-00	COOLER RADIATEUR	1	1	
14	68V-13971-00	PIPE, FUEL 1 TUBE 1, CARBURANT	1	1	
15	68V-13972-00	PIPE, FUEL 2 TUBE 2, CARBURANT	1	1	
16	68V-24519-00	CLIP JONC	3	3	
17	68V-2411M-00	CLIP JONC	3	3	
18	68V-14777-00	BOLT BOULON	2	2	
19	68V-14428-00	BOLT BOULON	2	2	
20	68V-14475-00	WASHER RONDELLE	2	2	
21	68V-14357-00	WASHER, PLAIN RONDELLE PLATE	3	3	
22	68V-14446-00	BOLT BOULON	1	1	
23	68V-14265-00	COLLAR COLLERETTE	3	3	
24	97095-06010	BOLT BOULON	4	4	
25	90430-06014	GASKET JOINT	4	4	
26	68V-2447A-00	HOSE 1 DURITE 1	1	1	
27	68V-2247B-00	HOSE 2 DURITE 2	1	1	

**C3**

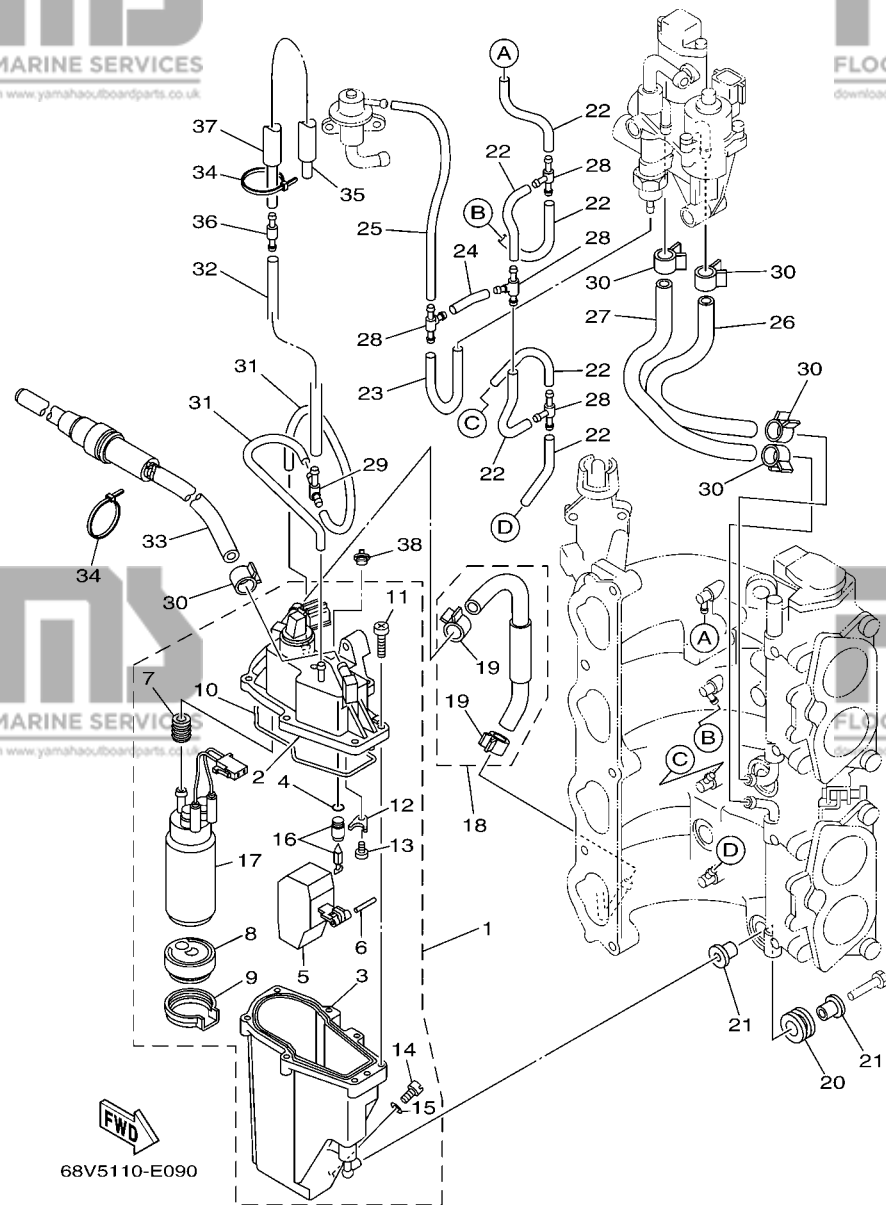
**FIG. 8 FUEL INJECTION NOZZLE**

**FUEL INJECTION NOZZLE**

REF. NO.	PART NO. N° PIECES	DESCRIPTION DESCRIPTION	68V5	68W5	REMARKS REMARQUES
28	68V-2481H-00	CLAMP BRIDE	2	2	
29	90465-11M10	CLAMP BRIDE	1	1	



68V1010-2080



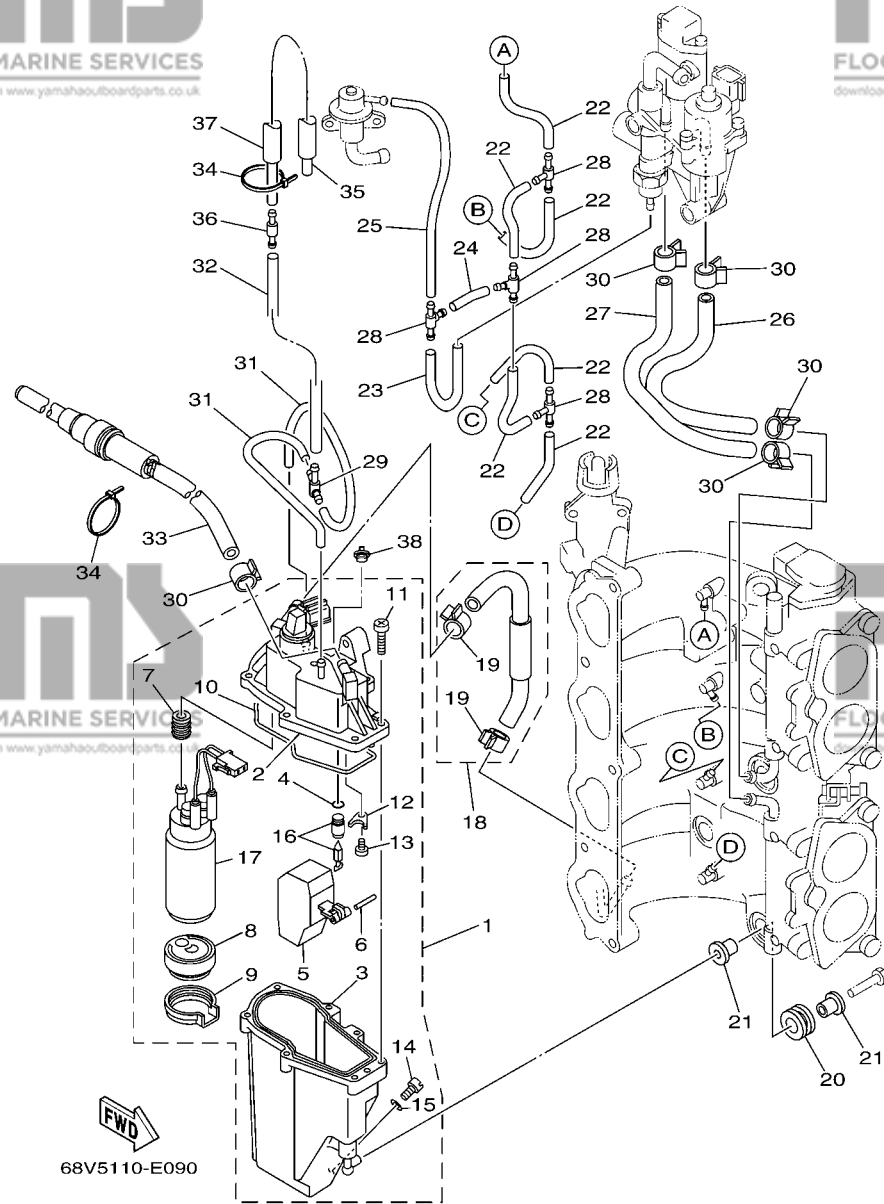
**FIG. 9 FUEL INJECTION PUMP**

**FUEL INJECTION PUMP**

REF. NO.	PART NO. N° PIECES	DESCRIPTION DESCRIPTION	68V5	68W5	REMARKS REMARQUES
1	68V-14180-02	FLOAT CHAMBER ASSY CUVE DE FLOTTEUR	1	1	
2	68V-14182-01	.COVER, FLOAT CHAMBER .COUVERCLE, CUVE DE FLOTTEUR	1	1	
3	68V-14181-00	.BODY, FLOAT CHAMBER 1 .CORPS, CUVE DE FLOTTEUR 1	1	1	
4	68V-13769-00	.O-RING JOINT TORIQUE	1	1	
5	68V-14985-00	.FLOAT .FLOTTEUR	1	1	
6	68V-14386-00	.PIN, FLOAT .AXE, FLOTTEUR	1	1	
7	68V-13781-10	.DAMPER, PUMP .AMORTISSEUR, POMPE	1	1	
8	68V-13915-00	.FILTER .FILTRE	1	1	
9	68V-13784-00	.COVER, PUMP .COUVERCLE, POMPE	1	1	
10	68V-14984-00	.GASKET, FLOAT CHAMBER .JOINT, CUVE DE FLOTTEUR	1	1	
11	68V-14567-00	.SCREW .VIS	7	7	
12	68V-14255-00	.PLATE .PLAQUE	1	1	
13	68V-14592-00	.SCREW .VIS	1	1	
14	68V-14191-00	.PLUG, DRAIN .PLOT, VIDANGE	1	1	
15	68V-14126-00	.GASKET .JOINT	1	1	
16	68V-14546-00	.VALVE, NEEDLE .POINTEAU	1	1	
17	68V-13907-02	.FUEL PUMP COMP. .POMPE A CARBURANT COMP.	1	1	
18	68V-14807-00	HOSE COMP. DURITE (ENS.)	1	1	
19	68V-24387-00	.CLIP .SANDOW	2	2	
20	68V-13593-00	DAMPER AMORTISSEUR	3	3	
21	68V-13716-00	COLLAR COLLERETTE	6	6	
22	68V-13542-00	HOSE, VACUUM SENSING 1 DURITE 1	6	6	
23	68V-13533-00	HOSE, VACUUM SENSING 4 DURITE 4	1	1	
24	68V-13544-00	HOSE, VACUUM SENSING 2 DURITE 2	1	1	
25	68V-13532-00	HOSE, VACUUM SENSING 3 DURITE 3	1	1	
26	68V-13545-00	HOSE 1 DURITE 1	1	1	
27	68V-13546-00	HOSE 2 DURITE 2	1	1	

**FIG. 9 FUEL INJECTION PUMP**

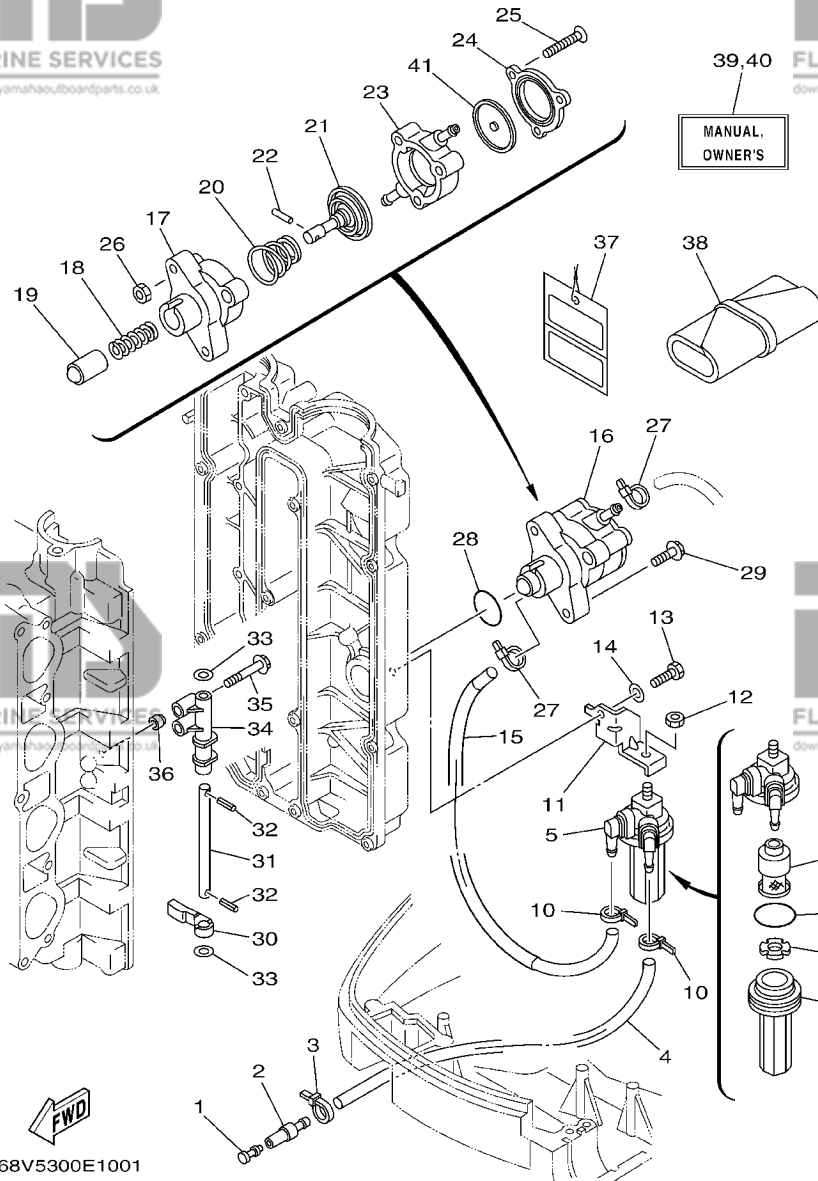
**FUEL INJECTION PUMP**



REF. NO.	PART NO. N° PIECES	DESCRIPTION DESCRIPTION	68V5	68W5	REMARKS REMARQUES
28	68V-24377-00	PIPE, JOINT 3 DURITE RACCORDEMENT 3	4	4	
29	68V-24379-00	PIPE, JOINT 4 DURITE RACCORDEMENT 4	1	1	
30	68V-13577-00	CLIP AGRAFE	5	5	
31	68V-13534-00	HOSE, VACUUM SENSING 5 DURITE 5	2	2	
32	68V-13547-01	HOSE 3 DURITE 3	1	1	
33	68V-24502-01	FILTER, FUEL FILTRE	1	1	
34	68V-2481H-00	CLAMP BRIDE	2	2	
35	68V-13535-00	HOSE, VACUUM SENSING 5 DURITE 5	1	1	
36	68V-13490-01	RELIEF VALVE ASSY SOUPAPE DE SECURITE COMPLET	1	1	
37	68V-13543-01	HOSE, AIR DURITE, A AIR	1	1	
38	69J-14225-00	CAP COUVERCLE	1	1	

**C6**



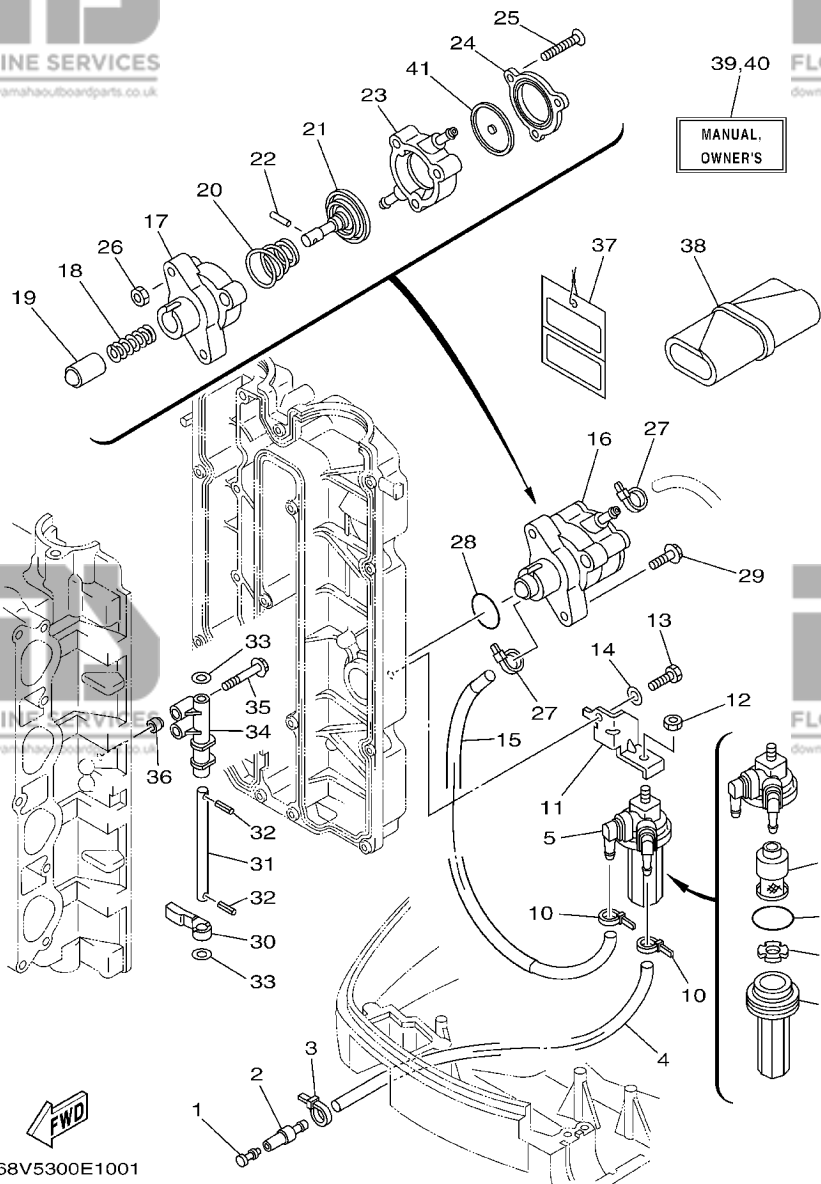


68V5300E1001

**FIG. 10 FUEL 1**

**CARBURANT 1**

REF. NO.	PART NO. N° PIECES	DESCRIPTION DESCRIPTION	68V5	68W5	REMARKS REMARQUES
1	689-85547-00	DAMPER AMORTISSEUR	1	1	
2	6R3-24377-00	PIPE, JOINT 3 DURITE RACCORDEMENT 3	1	1	
3	90465-11M10	CLAMP BRIDE	1	1	
4	90445-13M27	HOSE (L950) DURITE (L950)	1	1	
5	68V-24560-01	FILTER ASSY ENS FILTRE	1	1	
6	68V-24521-01	.CUP, FILTER .CUVETTE, FILTRE	1	1	
7	68V-24563-00	.ELEMENT, FILTER .ELEMENT, FILTRE	1	1	
8	93210-32738	.O-RING .JOINT TORIQUE	1	1	
9	68V-24469-01	.FLOAT, WATER LEVEL .FLOTTEUR	1	1	
10	90465-11M10	CLAMP BRIDE	2	2	
11	68V-24566-00	BRACKET, FILTER SUPPORT, FILTRE	1	1	
12	95380-08600	NUT ECROU	1	1	
13	97095-06016	BOLT BOULON	1	1	
14	92995-06600	WASHER RONDELLE	1	1	
15	68V-24311-00	PIPE, FUEL 1 DURITE A ESSENCE	1	1	
16	68V-24410-00	FUEL PUMP ASSY POMPE A ESSENCE	1	1	
17	68V-24412-00	.BODY 1 .CORPS 1	1	1	
18	68V-24454-00	.SPRING .RESSORT	1	1	
19	68V-13131-00	.PLUNGER .PLONGEUR	1	1	
20	68V-24423-00	.SPRING, DIAPHRAGM .RESSORT, DIAPHRAGME	1	1	
21	68V-24411-00	.DIAPHRAGM .DIAPHRAGME	1	1	
22	68V-24374-00	.PIN .GOUILLE	1	1	
23	68V-24413-00	.BODY 2 .CORPS 2	1	1	
24	68V-24414-00	.BODY 3 .CORPS 3	1	1	
25	68V-24444-00	.SCREW .VIS	3	3	
26	68V-24149-00	.NUT .ECROU	3	3	
27	90465-11M10	CLAMP BRIDE	2	2	



68V5300E1001

**FIG. 10 FUEL 1**

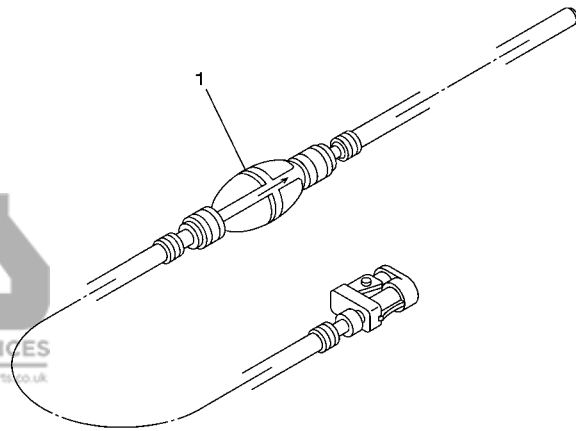
**CARBURANT 1**

REF. NO.	PART NO. N° PIECES	DESCRIPTION DESCRIPTION	68V5	68W5	REMARKS REMARQUES
28	93210-30682	O-RING JOINT TORIQUE	1	1	
29	90119-06M83	BOLT, WITH WASHER BOULON, AVEC RONDELLE	2	2	
30	67F-24575-00	LEVER, FUEL CHANGE LEVIER, D'ESSENCE	1	1	
31	68V-24495-00	SHAFT AXE	1	1	
32	91609-25014	PIN, SPRING AXE DE RESSORT	2	2	
33	90201-08M12	WASHER, PLATE RONDELLE, PLATE	2	2	
34	67F-24491-00	BRACKET, FUEL PUMP SUPPORT, POMPE A ESSENCE	1	1	
35	90119-07235	BOLT/WASHER-CAM CAPS BOULON, AVEC RONDELLE	2	2	
36	91809-08006	SLEEVE GUIDE-DOWEL GOUJON, D'ASSEMBLAGE	2	2	
37	61H-2819R-31	TAG, WARNING ETIQUETTE, AVERTISSEMENT	1	1	
38	67F-28100-01	TOOL KIT TROUSSE A OUTILS	1	1	
39	68V-28199-76-E0	MANUAL, OWNER'S MANUEL D'UTILISATION	1	1	UR (E)
	68V-28199-76-F0	MANUAL, OWNER'S MANUEL D'UTILISATION	1	1	UR (E) UR (F)
	68V-28199-76-S0	MANUAL, OWNER'S MANUEL D'UTILISATION	1	1	UR (F) UR (ES)
	68V-28199-76-G0	MANUAL, OWNER'S MANUEL D'UTILISATION	1	1	UR (ES) UR (D)
	68V-28199-76-D0	MANUAL, OWNER'S MANUEL D'UTILISATION	1	1	UR (D) UR (D)
	68V-28199-76-H0	MANUAL, OWNER'S MANUEL D'UTILISATION	1	1	UR (NL) UR (NL)
	68V-28199-76-K0	MANUAL, OWNER'S MANUEL D'UTILISATION	1	1	UR (I) UR (I)
40	68V-28199-87-K0	MANUAL, OWNER'S MANUEL D'UTILISATION	1	1	UR (DK) UR (DK)
	68V-28199-87-R0	MANUAL, OWNER'S MANUEL D'UTILISATION	1	1	UR (GR) UR (GR)
	68V-28199-87-P0	MANUAL, OWNER'S MANUEL D'UTILISATION	1	1	UR (P) UR (P)
	68V-28199-87-N0	MANUAL, OWNER'S MANUEL D'UTILISATION	1	1	UR (N) UR (N)
	68V-28199-87-M0	MANUAL, OWNER'S MANUEL D'UTILISATION	1	1	UR (S) UR (S)
	68V-28199-87-L0	MANUAL, OWNER'S MANUEL D'UTILISATION	1	1	UR (SF) UR (SF)
41	68V-24471-10	.DIAPHRAGM .DIAPHRAGME	1	1	

**FIG. 11 FUEL 2**

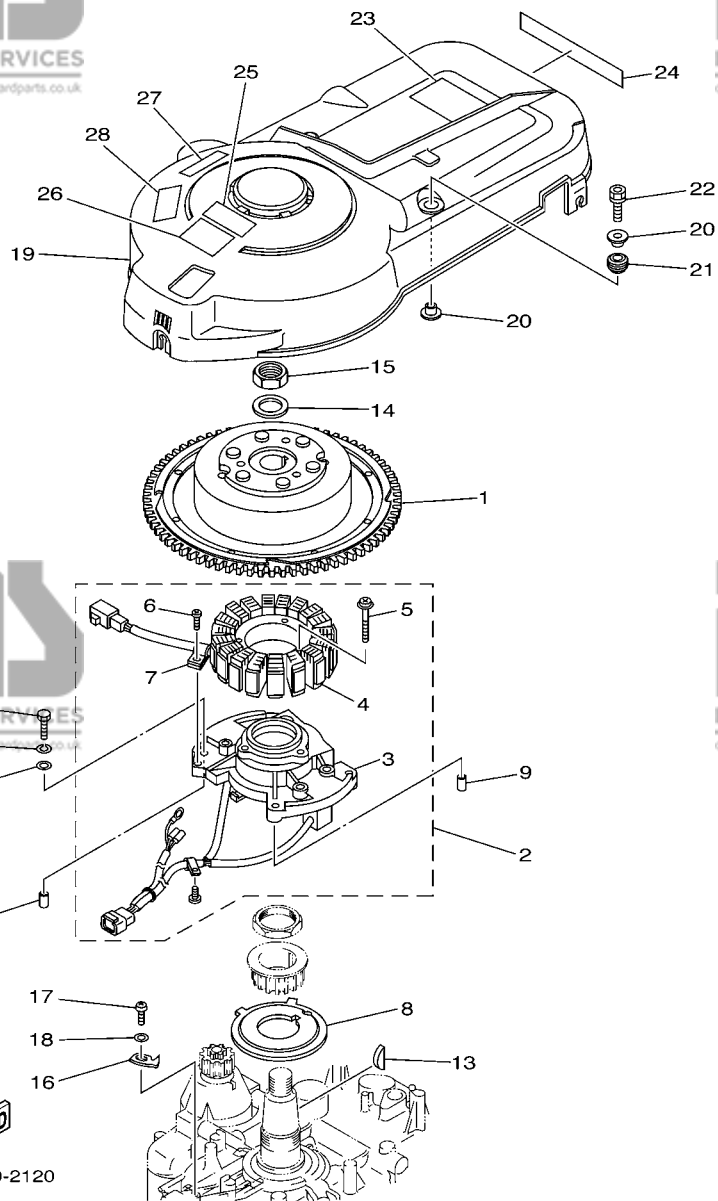
**CARBURANT 2**

REF. NO.	PART NO. N° PIECES	DESCRIPTION DESCRIPTION	68V5	68W5	REMARKS REMARQUES
1	6YK-24306-44	FUEL PIPE COMP. 1 DURITE A ESSENCE 1	1	1	AP AP



67F3300-C110

**D2**



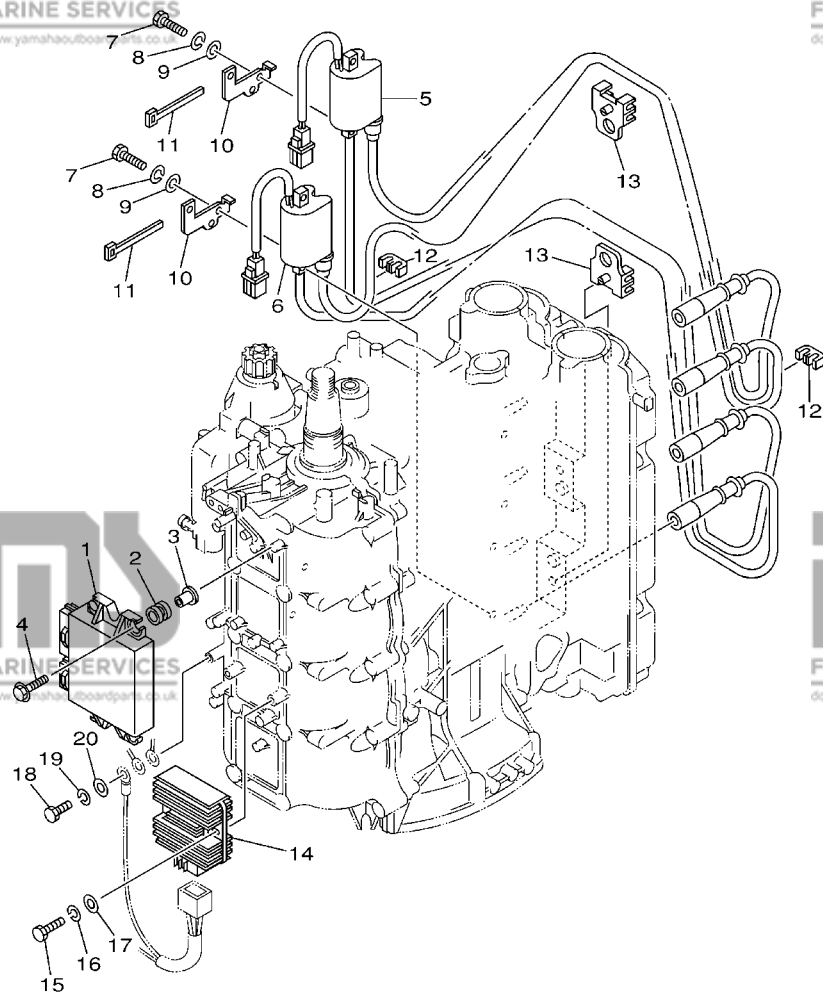
**FIG. 12 GENERATOR**

**GENERATRICE**

REF. NO.	PART NO. N° PIECES	DESCRIPTION DESCRIPTION	68V5	68W5	REMARKS REMARQUES
1	68V-81450-00	ROTOR ASSY ROTOR COMPLET	1	1	
2	68V-81460-00	BASE ASSY ENS. FLASQUE	1	1	
3	68V-85580-00	.COIL, PULSER .BOBINE, PULSEUR	1	1	
4	68V-81410-00	.STATOR ASSY .STATOR COMPLET	1	1	
5	63D-81345-20	.SCREW, WITH WASHER (M6X30) .VIS, AVEC RONDELLE (M6X30)	3	3	
6	97607-04110	.SCREW, WITH WASHER .VIS HEXAGONAL	1	1	
7	445-81328-20	.CLAMP .COLLIER	1	1	
8	68V-81673-00	ROTOR ROTOR	1	1	
9	99530-08012	PIN, DOWEL GOUJON, D'ASSEMBLAGE	2	2	
10	97095-06030	BOLT BOULON	4	4	
11	92995-06100	WASHER, SPRING RONDELLE, GROWER	4	4	
12	92995-06600	WASHER RONDELLE	4	4	
13	90280-04M08	KEY, WOODRUFF CLAVETTE, DEMI-LUNE	1	1	
14	90201-24014	WASHER, PLATE RONDELLE, PLATE	1	1	
15	90179-24002	NUT ECROU	1	1	
16	6D8-81332-00	PLATE, TIMING PLATEAU, ALLUMAGE	1	1	
17	97885-06010	SCREW, PAN HEAD VIS, A ENCOCHE	1	1	
18	92995-06600	WASHER RONDELLE	1	1	
19	67F-81337-01	COVER, FLYWHEEL COUVERCLE, VOLANT	1	1	
20	90387-06M71	COLLAR COLLERETTE	4	4	
21	90480-15M31	GROMMET PASSE-FIL	2	2	
22	90119-06M92	BOLT, WITH WASHER BOULON, AVEC RONDELLE	2	2	
23	67F-12138-60	MARK, CAUTION MAKER	1	1	
24	68V-13437-61	MARK, CAUTION MAKER	1	1	
25	6A1-83625-41	MARK 5 ETIQUETTE 5	1	1	
26	6A1-83625-51	MARK 5 ETIQUETTE 5	1	1	
27	6K1-83623-41	MARK 3 ETIQUETTE 3		1	

**D3**





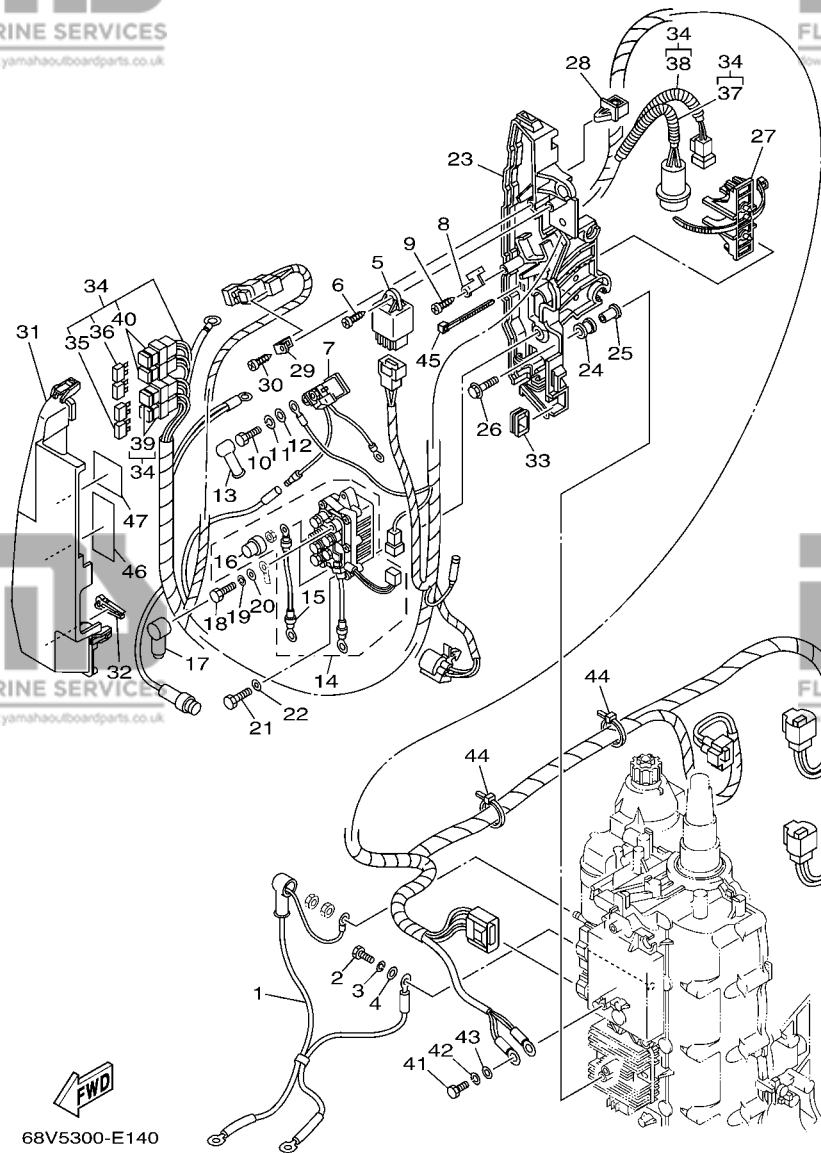
68V0010-1120

FIG. 13 ELECTRICAL 1

PARTIE ELECTRIQUE 1

REF. NO.	PART NO. N° PIECES	DESCRIPTION DESCRIPTION	68V5	68W5	REMARKS REMARQUES
1	68V-8591A-14	ENGINE CONTROL UNIT ASSY BLOC DE CONTROL	1	1	
2	68V-82317-00	DAMPER, IGNITION COIL AMORTISSEUR, BOBINE D'ALLUM	4	4	
3	90387-06119	COLLAR COLLERETTE	4	4	
4	90119-06M59	BOLT, WITH WASHER BOULON, AVEC RONDELLE	4	4	
5	68V-82310-00	IGNITION COIL ASSY BOBINE D'ALLUMAGE	1	1	
6	68V-82310-10	IGNITION COIL ASSY BOBINE D'ALLUMAGE	1	1	
7	97095-06025	BOLT BOULON	4	4	
8	92995-06100	WASHER, SPRING RONDELLE, GROUVER	4	4	
9	92995-06600	WASHER RONDELLE	4	4	
10	68V-82388-00	PLATE PLAQUETTE	2	2	
11	90464-06001	CLAMP BRIDE	2	2	
12	67F-82361-00	CLAMP, CORD COLLIER, CORDON	2	2	
13	67F-82362-00	CLAMP, CORD 2 COLLIER, CABLE 2	2	2	
14	68V-81960-00	RECTIFIER & REGULATOR ASSY REDRESSEUR REGULATEUR CPLT	1	1	
15	97095-06025	BOLT BOULON	2	2	
16	92995-06100	WASHER, SPRING RONDELLE, GROUVER	2	2	
17	92995-06600	WASHER RONDELLE	2	2	
18	97095-06020	BOLT BOULON	1	1	
19	92995-06100	WASHER, SPRING RONDELLE, GROUVER	1	1	
20	92995-06600	WASHER RONDELLE	1	1	

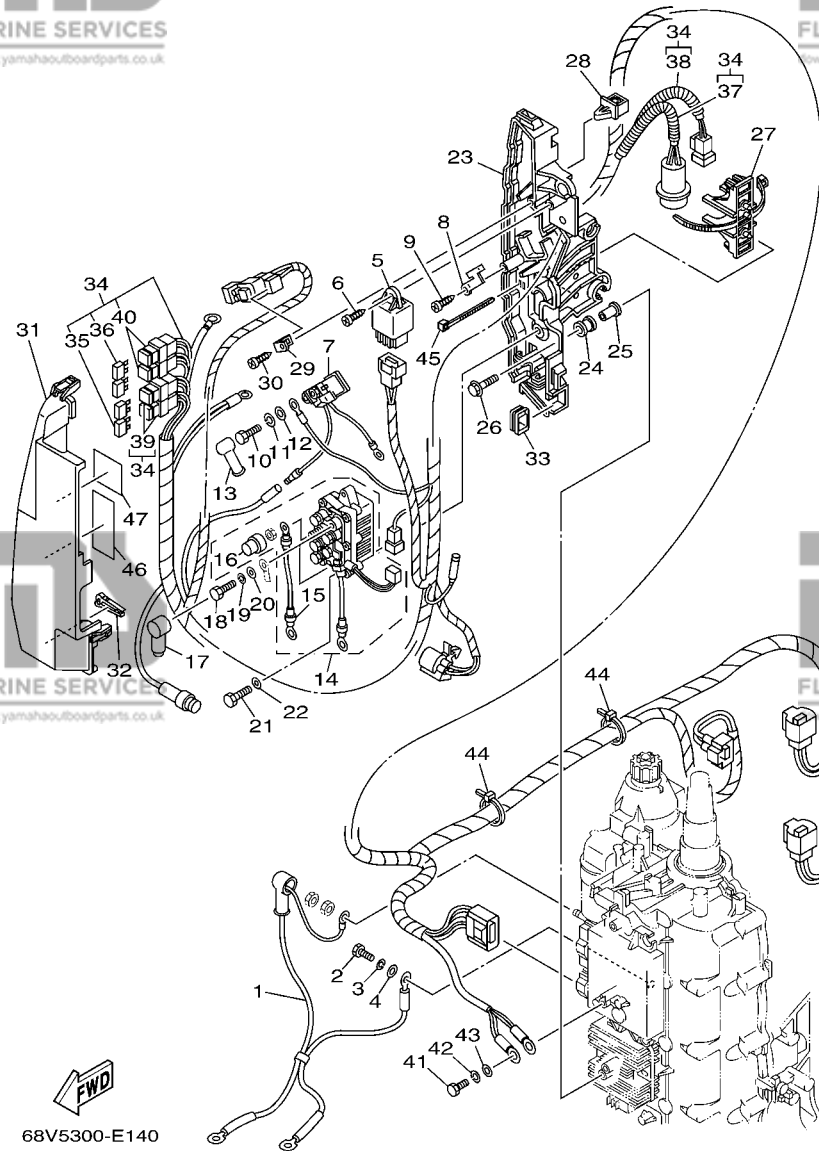
**PARTIE ELECTRIQUE 2**



**FIG. 14 ELECTRICAL 2**

REF. NO.	PART NO. N° PIECES	DESCRIPTION DESCRIPTION	68V5	68W5	REMARKS REMARQUES
1	68V-82105-00	WIRE HARNESS FAISCEAU DE FILS	1	1	
2	97013-06020	BOLT BOULON	1	1	
3	92903-06100	WASHER, SPRING RONDELLE, GROWER	1	1	
4	92903-06600	WASHER, PLATE RONDELLE, PLATE	1	1	
5	68V-81950-00	RELAY ASSY RELAIS COMPLET	1	1	
6	97780-60625	SCREW, TAPPING VIS, TETE BOMBEE	1	1	
7	68V-8194A-00	RELAY RELAIS	1	1	
8	68V-81953-00	STAY, RELAY SUPPORT, RELAIS	1	1	
9	97780-60620	SCREW, TAPPING VIS, TETE BOMBEE	1	1	
10	97095-06010	BOLT BOULON	2	2	
11	92995-06100	WASHER, SPRING RONDELLE, GROWER	2	2	
12	92995-06600	WASHER RONDELLE	2	2	
13	6G5-82119-00	COVER, LEAD WIRE GARNITURE, FIL	2	2	
14	68V-8195B-01	RELAY ASSY RELAIS COMPLET	1	1	
15	68V-81949-00	.WIRE, LEAD .FIL	1	1	
16	68V-82532-00	.CAP .COUVERCLE	1	1	
17	682-82119-01	COVER, LEAD WIRE GARNITURE, FIL	2	2	
18	97095-06010	BOLT BOULON	2	2	
19	92995-06100	WASHER, SPRING RONDELLE, GROWER	2	2	
20	92995-06600	WASHER RONDELLE	2	2	
21	97013-06020	BOLT BOULON	2	2	
22	92903-06600	WASHER, PLATE RONDELLE, PLATE	2	2	
23	68V-81948-02	BRACKET JOINT TORIQUE	1	1	
24	6A0-82317-00	DAMPER, IGNITION COIL AMORTISSEUR, BOBINE D'ALLUM	5	5	
25	90387-06119	COLLAR COLLERETTE	5	5	
26	90119-06M59	BOLT, WITH WASHER BOULON, AVEC RONDELLE	5	5	
27	68V-82594-00	CLAMP BRIDE	1	1	

**D6**



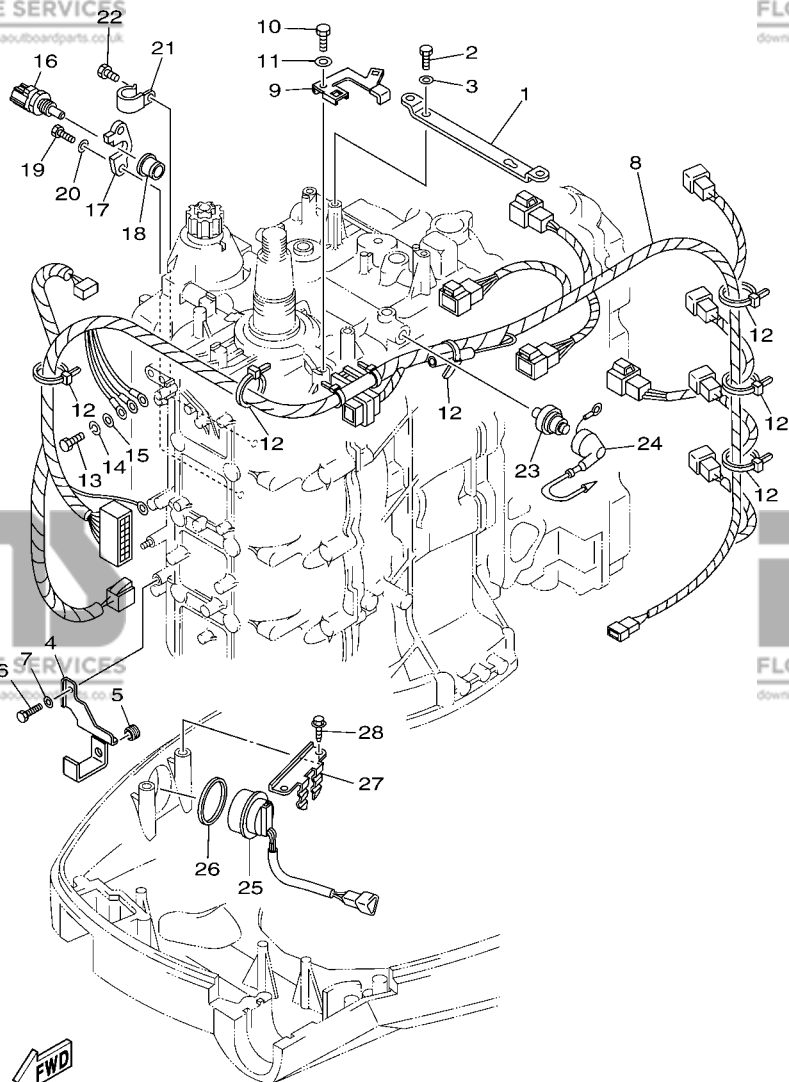
68V5300-E140

FIG. 14 ELECTRICAL 2

PARTIE ELECTRIQUE 2

REF. NO.	PART NO. N° PIECES	DESCRIPTION DESCRIPTION	68V5	68W5	REMARKS REMARQUES
28	90464-12M58	CLAMP BRIDE	1	1	
29	68V-85548-00	HOLDER SUPPORT	1	1	
30	97780-60620	SCREW, TAPPING VIS, TETE BOMBEE	1	1	
31	68V-81942-03	COVER COUVERCLE	1	1	
32	67F-2812A-00	PULLER, FUSE TENDEUR, FUSIBLE	1	1	
33	6D8-81518-00	GROMMET PASSE-FIL	1	1	
34	68V-82590-11	WIRE HARNESS ASSY FAISCEAU DE FILS COMPLET	1	1	
35	67F-82151-00	.FUSE (20A) .FUSIBLE (20A)	4	4	
36	67F-82151-10	.FUSE (30A) .FUSIBLE (30A)	4	4	
37	90447-10003	.HOSE, WITH SPRING .DURITE, AVEC RESSORT	1	1	
38	90447-07007	.HOSE, WITH SPRING .DURITE, AVEC RESSORT	1	1	
39	67F-8215B-10	.CAP (YELLOW) .BOUCHON (YELLOW)	2	2	
40	67F-8215B-20	.CAP (GREEN) .BOUCHON (GREEN)	2	2	
41	97095-06020	BOLT BOULON	1	1	
42	92995-06100	WASHER, SPRING RONDELLE, GROWER	1	1	
43	92995-06600	WASHER RONDELLE	1	1	
44	90465-11M52	CLAMP BRIDE	2	2	
45	90465-13M18	CLAMP BRIDE	2	2	
46	68V-81919-00	GRAPHIC, REGULATOR ADHESIF, REGULATEUR	1	1	
47	68V-81919-10	GRAPHIC, REGULATOR ADHESIF, REGULATEUR	1	1	





68V5300-E150

FIG. 15 ELECTRICAL 3

PARTIE ELECTRIQUE 3

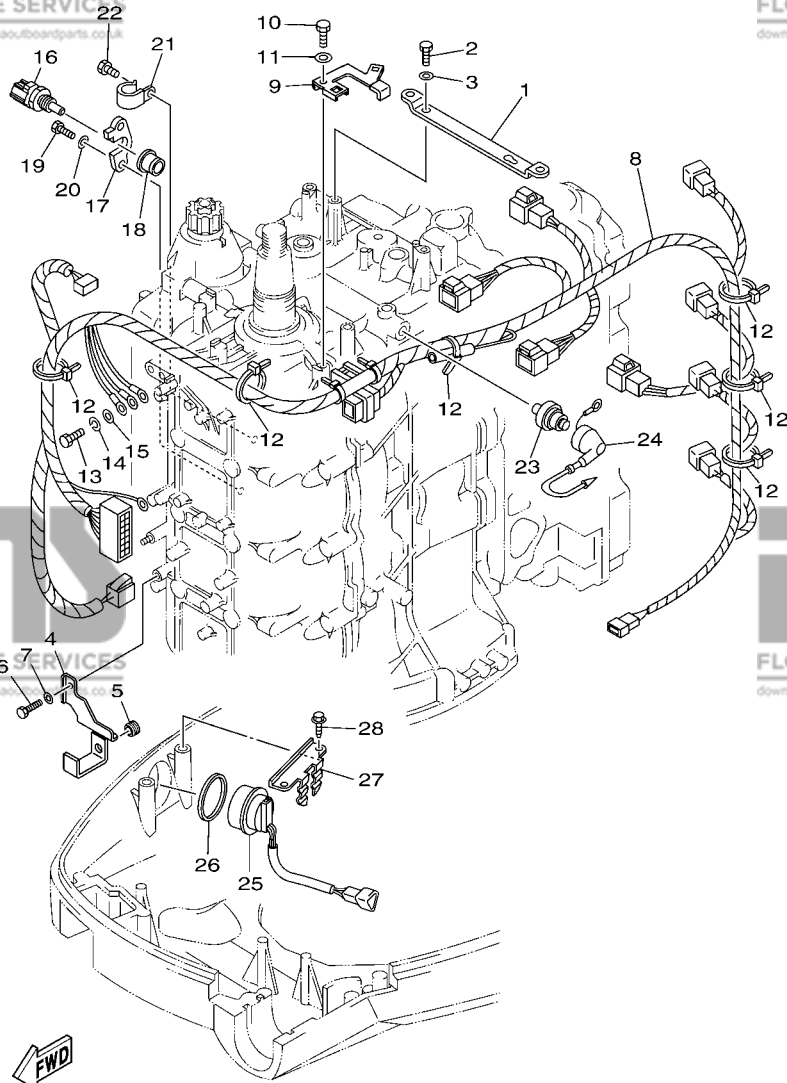
REF. NO.	PART NO. N° PIECES	DESCRIPTION DESCRIPTION	68V5	68W5	REMARKS REMARQUES
1	67F-8132G-01	PLATE PLAQUE	1	1	
2	97095-06016	BOLT BOULON	2	2	
3	92995-06600	WASHER RONDELLE	2	2	
4	6D8-81528-00	CLAMP 1 COLLIER 1	1	1	
5	90480-13M24	GROMMET PASSE-FIL	1	1	
6	97095-06014	BOLT BOULON	1	1	
7	92995-06600	WASHER RONDELLE	1	1	
8	68V-8259M-01	WIRE HARNESS ASSY 2 FAISCEAU DE FILS	1	1	
9	68V-82588-10	PLATE PLAQUE	1	1	
10	97095-06012	BOLT BOULON	1	1	
11	92995-06600	WASHER RONDELLE	1	1	
12	90465-13M18	CLAMP BRIDE	8	8	
13	97095-06020	BOLT BOULON	1	1	
14	92995-06100	WASHER, SPRING RONDELLE, GROWER	1	1	
15	92995-06600	WASHER RONDELLE	1	1	
16	67F-85790-00	THERMOSENSOR ASSY SENSITOMETRE	1	1	
17	67F-85757-00	RETAINER ARRETOIR	1	1	
18	68V-85753-00	GASKET, SENDER UNIT JOINT, DE PERCEPTION	1	1	
19	97095-06016	BOLT BOULON	2	2	
20	92995-06600	WASHER RONDELLE	2	2	
21	90465-06M86	CLAMP BRIDE	1	1	
22	97095-06010	BOLT BOULON	1	1	
23	68V-82504-00	OIL PRESSURE SWITCH ASSY CONTACTEUR DE PRESSION D'HUILE	1	1	
24	68V-81315-00	LEAD WIRE ASSY FIL	1	1	
25	63D-82563-10	TRIM & TILT SWITCH ASSY INCLINER ET PARER COMMUTATEUR	1	1	
26	6E5-82587-00	GASKET JOINT	1	1	
27	67F-83614-00	BRACKET SUPPORT	1	1	

E1

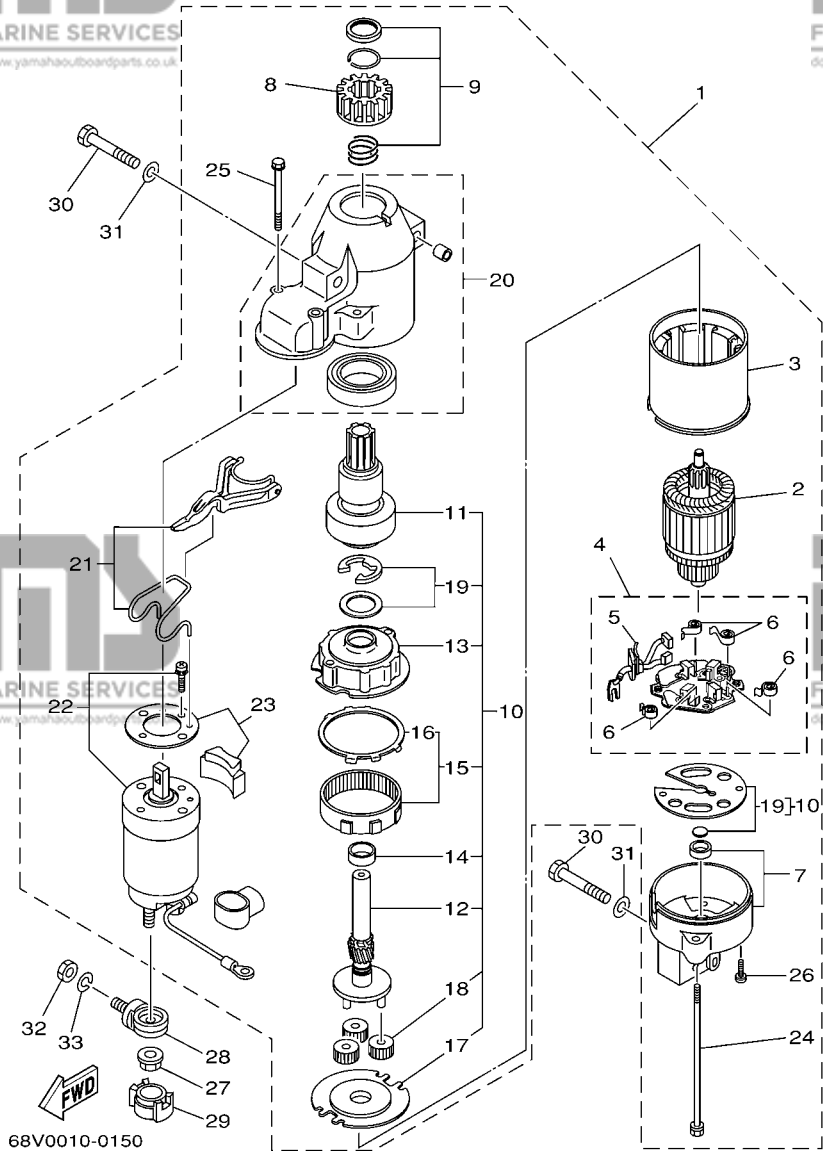
FIG. 15 ELECTRICAL 3

PARTIE ELECTRIQUE 3

REF. NO.	PART NO. N° PIECES	DESCRIPTION DESCRIPTION	68V5	68W5	REMARKS REMARQUES
28	90109-06M86	BOLT BOULON	2	2	



68V5300-E150



68V0010-0150

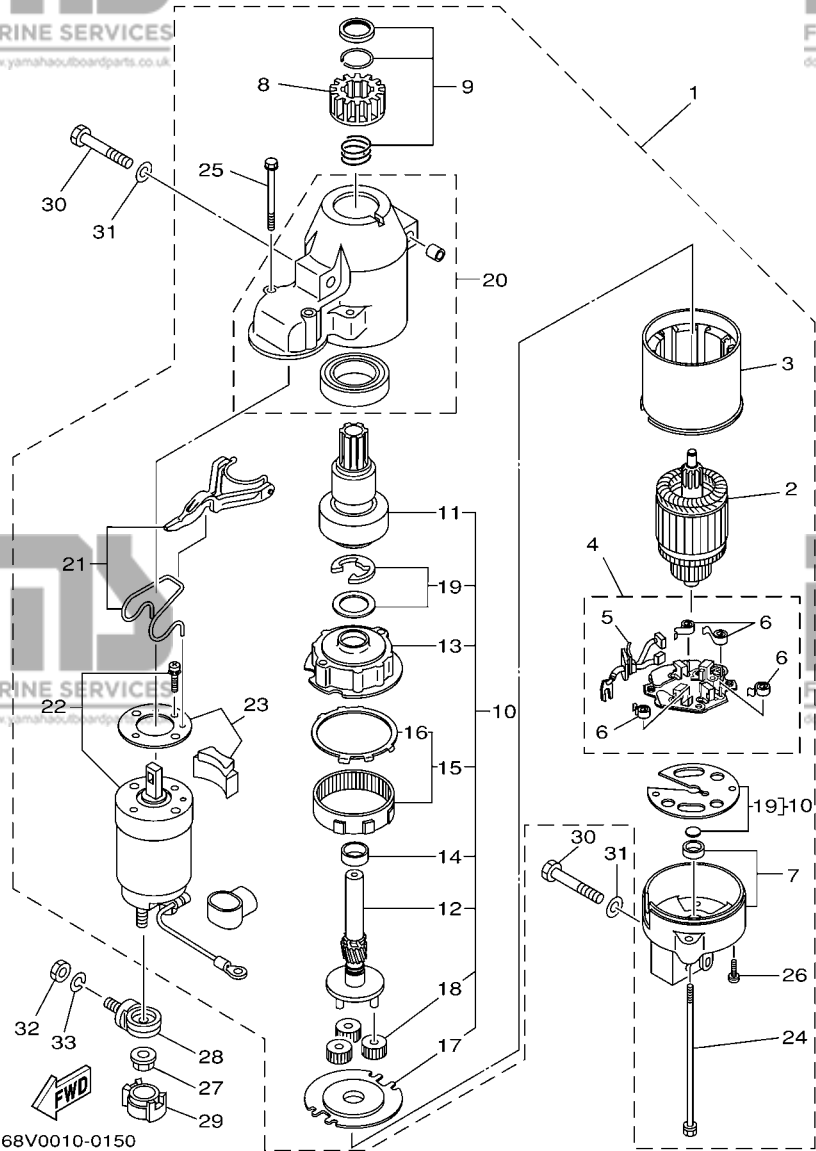
FIG. 16 STARTING MOTOR

DEMARREUR ELECTRIQUE

REF. NO.	PART NO. N° PIECES	DESCRIPTION DESCRIPTION	68V5	68W5	REMARKS REMARQUES
1	68V-81800-01	STARTING MOTOR ASSY DEMARREUR ELECTRIQUE COMPLET	1	1	
2	67F-81850-00	.ARMATURE ASSY .INDUIT	1	1	
3	67F-81810-00	.STATOR ASSY .STATOR COMPLET	1	1	
4	68F-81840-00	.BRUSH HOLDER ASSY .SUPPORT DE CHARBON	1	1	
5	67F-81801-00	..BRUSH SET ..CHARBON	1	1	
6	67F-81813-00	..SPRING, BRUSH ..RESSORT, DE CHARBON	4	4	
7	68F-81820-00	.REAR BRACKET ASSY .SUPPORT ARRIERE COMPLET	1	1	
8	67F-81808-00	.PINION ASSY .PIGNON	1	1	
9	67F-81857-00	.PINION STOPPER SET .BUTEE PIGNON	1	1	
10	67F-81807-00	.GEAR ASSY, STARTING MOTOR .PIGNON, DEMARREUR ELECTRIQUE	1	1	
11	67F-81832-00	..CLUTCH, OVER RUN ..EMBAYAGE, ROUE LIBRE	1	1	
12	67F-81836-00	..SHAFT, PINION ..AXE, PIGNON	1	1	
13	67F-81821-00	..BRACKET, CENTER 1 ..SUPPORT, CENTRE 1	1	1	
14	67F-81841-00	..BEARING ..ROULEMENT	1	1	
15	67F-81891-00	..GEAR, RING ..ROUE DENTEE	1	1	
16	67F-8183R-00	..GASKET ..JOINT	1	1	
17	67F-81830-00	..BRACKET, CENTER 2 ..SUPPORT, CENTRE 2	1	1	
18	60V-8183T-00	..GEAR, IDLER ..PIGNON, INTERMEDIAIRE	3	3	
19	67F-81809-00	..WASHER KIT ..JEU DE RONDELLES	1	1	
20	67F-81842-00	.COVER .COUVERCLE	1	1	
21	67F-81839-00	.LEVER ASSY .LEVIER COMPLET	1	1	
22	68V-81941-01	.STARTER RELAY ASSY .LANCEUR RELAIS (ENS.)	1	1	
23	67F-81869-00	.COVER, DUST .COUVERCLE, POUSSIERE	1	1	
24	6K7-81826-10	.BOLT .BOULON	2	2	
25	67F-81828-00	.BOLT 2 ..RONDELLE, BUTEE 2	2	2	
26	67F-81846-00	.SCREW .VIS	2	2	
27	90179-08003	NUT ECROU	1	1	

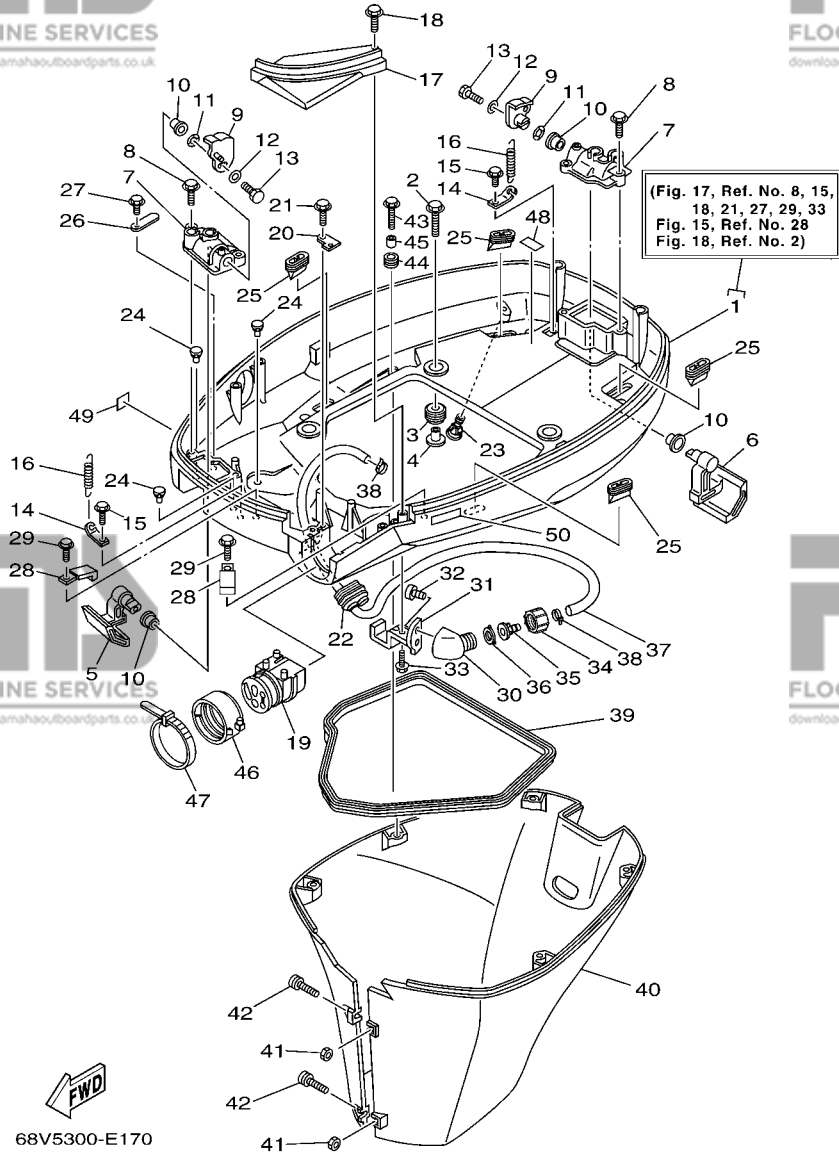
FIG. 16 STARTING MOTOR

DEMARREUR ELECTRIQUE



68V0010-0150

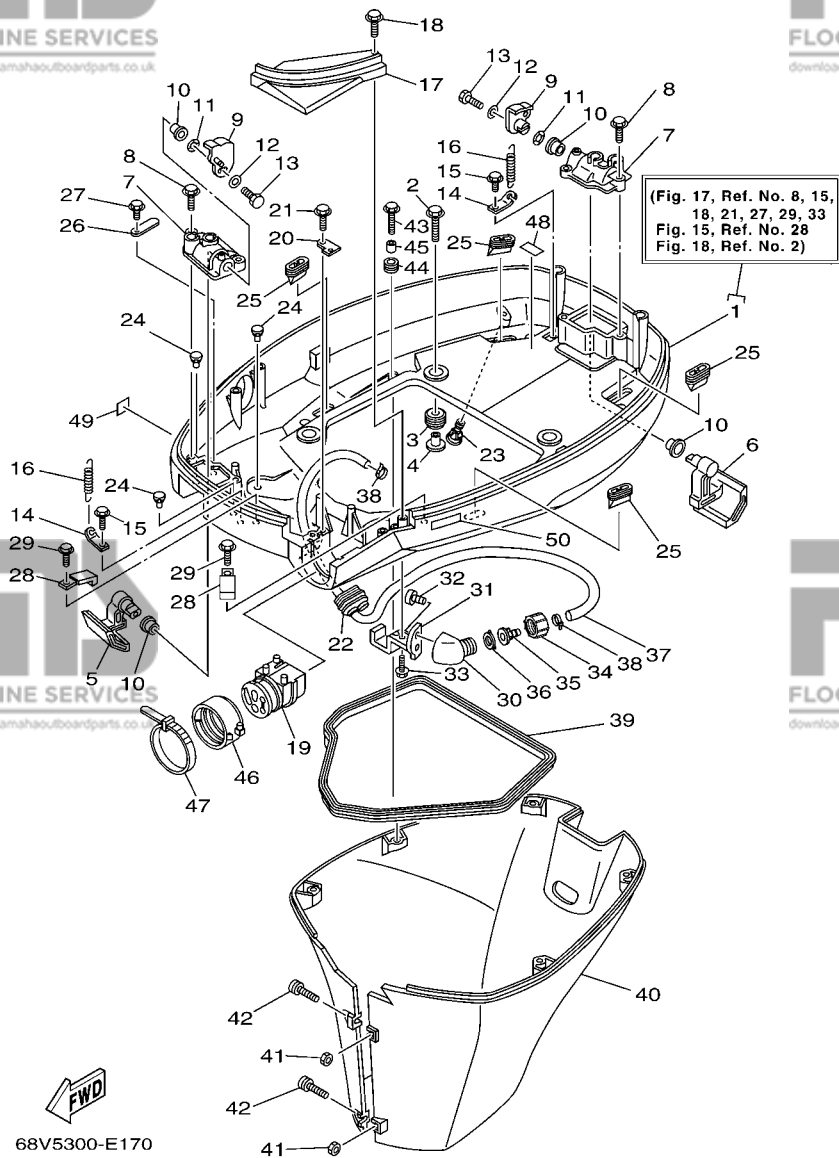
REF. NO.	PART NO. N° PIECES	DESCRIPTION DESCRIPTION	68V5	68W5	REMARKS REMARQUES
28	60V-81925-00	TERMINAL BORNE	1	1	
29	68F-82582-00	COVER, WIRE HARNESS COUVERCLE, FAISCEAU DE FILS	1	1	
30	97013-08045	BOLT BOULON	3	3	
31	92903-08600	WASHER, PLATE RONDELLE, PLATE	3	3	
32	95333-08600	NUT ECROU	1	1	
33	92903-08100	WASHER, SPRING RONDELLE, GROWER	1	1	



**FIG. 17 BOTTOM COWLING**

**CAPOT INFERIEUR**

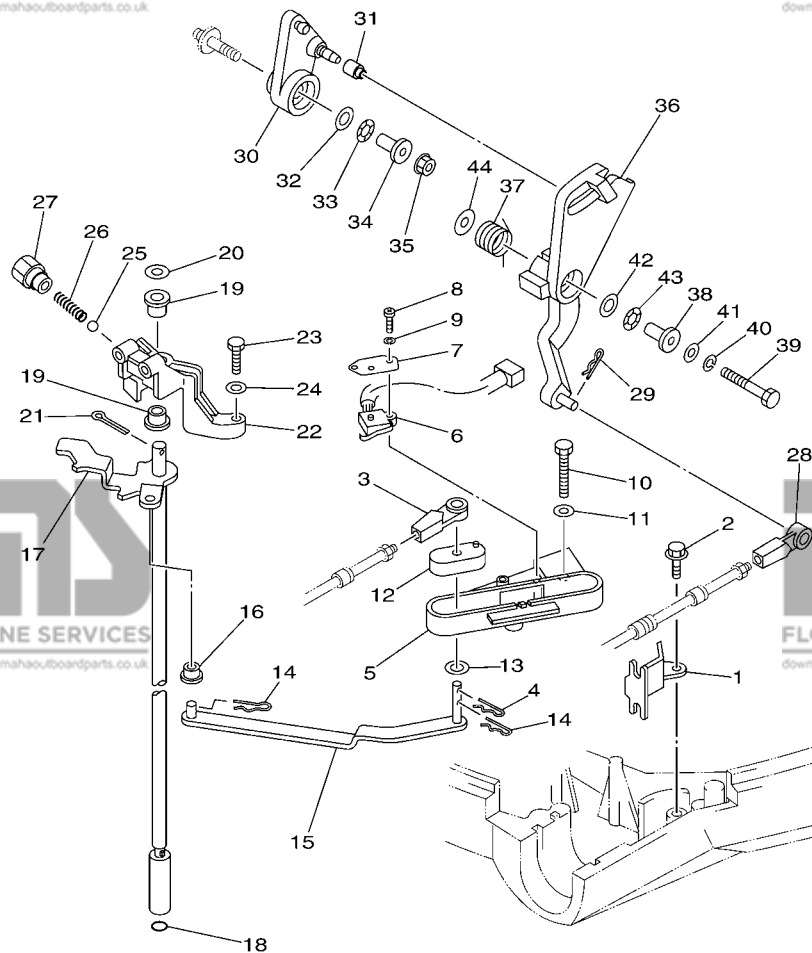
REF. NO.	PART NO. N° PIECES	DESCRIPTION DESCRIPTION	68V5	68W5	REMARKS REMARQUES
1	68V-42710-01-8D	BOTTOM COWLING ASSY ENS. EMBASE	1	1	
2	90119-08M22	BOLT, WITH WASHER BOULON, AVEC RONDELLE	4	4	
3	90480-22M15	GROMMET PASSE-FIL	4	4	
4	90387-08M37	COLLAR COLLERETTE	4	4	
5	67F-42815-00-8D	LEVER, CLAMP LEVIER, PRESSE	1	1	
6	67F-42816-00-8D	LEVER, CLAMP LEVIER, PRESSE	1	1	
7	67F-42828-00-5B	PLATE, CLAMP PLAQUE, PRESSE	2	2	
8	90109-06M82	BOLT BOULON	4	4	
9	68V-42818-01	LEVER, CLAMP LEVIER, PRESSE	2	2	
10	90386-15M73	BUSH DOUILLE	4	4	
11	90206-15M18	WASHER, WAVE RONDELLE, ONDULEE	2	2	
12	90201-06068	WASHER, PLATE RONDELLE, PLATE	2	2	
13	97095-06016	BOLT BOULON	2	2	
14	64D-43144-00	HOOK, SPRING CROCHET	2	2	
15	90109-06M80	BOLT BOULON	2	2	
16	90506-16M34	SPRING, TENSION RESSORT, TENSION	2	2	
17	68V-42738-00-5B	PLATE, FITTING ETRIER	1	1	
18	90109-06M82	BOLT BOULON	2	2	
19	68V-42725-00	GROMMET PASSE-FIL	1	1	
20	67F-42756-00	STAY, CLAMP SUPPORT, COLLIER	1	1	
21	90109-06M86	BOLT BOULON	1	1	
22	6H1-42726-21	GROMMET PASSE-FIL	1	1	FLUSHING KIT FLUSHING KIT
23	6H3-44391-01	NIPPLE, HOSE RACCORD D'ESSENCE	1	1	
24	6H4-42748-00	GROMMET PASSE-FIL	3	3	
25	67F-42717-00	RUBBER, SEAL 2 JOINT EN CAOUTCHOUC 2	4	4	
26	6E5-82588-00	PLATE PLAQUE	1	1	
27	90109-06M81	BOLT BOULON	1	1	



**FIG. 17 BOTTOM COWLING**

**CAPOT INFERIEUR**

REF. NO.	PART NO. N° PIECES	DESCRIPTION DESCRIPTION	68V5	68W5	REMARKS REMARQUES
28	90465-08M23	CLAMP BRIDE	2	2	
29	90109-06M80	BOLT BOULON	2	2	
30	68T-12572-00	ADAPTER ADAPTATEUR	1	1	FLUSHING KIT
31	67F-12535-00	PLATE PLAQUE	1	1	FLUSHING KIT
32	90167-06002	SCREW, TAPPING VIS, TETE FRAISEE	2	2	FLUSHING KIT
33	90109-06M86	BOLT BOULON	1	1	FLUSHING KIT
34	6R3-12581-00	JOINT, HOSE 1 JOINT DE TUYAU	1	1	FLUSHING KIT
35	6R3-12582-00	JOINT, HOSE 2 RACCORD DE TUYAU 1	1	1	FLUSHING KIT
36	6R3-12583-00	GASKET, HOSE JOINT JOINT	1	1	FLUSHING KIT
37	68V-24312-00	PIPE 2 DURITE 2	1	1	FLUSHING KIT
38	90465-11M10	CLAMP BRIDE	2	2	FLUSHING KIT
39	61A-42716-00	RUBBER, SEAL 1 JOINT EN CAOUTCHOUC 1	1	1	
40	67F-42741-01-8D	APRON CAPOT LATERAL	1	1	
41	95380-06600	NUT, HEXAGON ECROU	2	2	
42	90159-06M28	SCREW, WITH WASHER VIS, AVEC RONDELLE	2	2	
43	90109-06M80	BOLT BOULON	5	5	
44	90480-13M24	GROMMET PASSE-FIL	5	5	
45	90387-06M43	COLLAR COLLERETTE	5	5	
46	68F-42753-00	FASTNER ATTACHE	1	1	AP
47	90464-20258	CLAMP BRIDE	1	1	AP
48	68V-82377-00	LABEL ETIQUETTE	1	1	
49	6A1-28176-00	LABEL, CAUTION ETIQUETTE, RECOMMANDATION	1	1	
50	6E3-8257H-00	PLATE, MARK PLAQUE, ADHESIF	1	1	

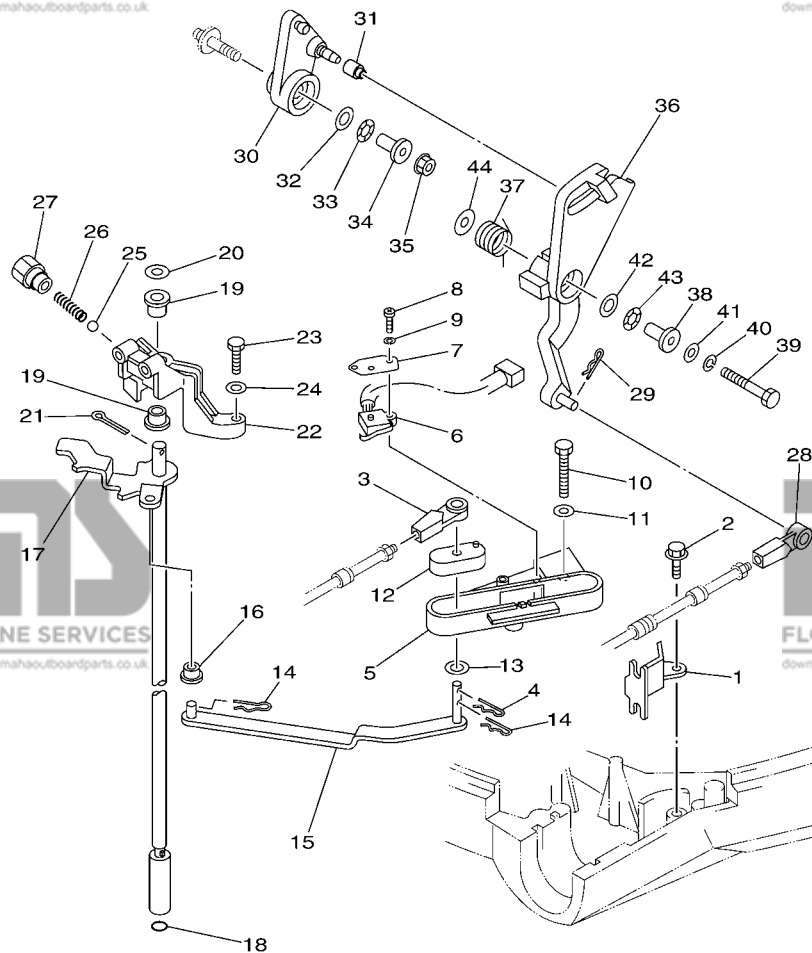


**FWD**  
68V3100-C210

FIG. 18 CONTROL

REF. NO.	PART NO. N° PIECES	DESCRIPTION DESCRIPTION	68V5	68W5	REMARKS REMARQUES
1	67F-48538-00	CLAMP, CABLE 1 COLLIER	1	1	
2	90109-06M86	BOLT BOULON	1	1	
3	663-48344-00	CABLE END, REMOTE CONTROL CHAPE CABLE	1	1	
4	90468-18008	CLIP JONC	1	1	
5	68V-44117-00	BRACKET SUPPORT	1	1	
6	60V-8259F-00	SWITCH ASSY COMMUTATEUR	1	1	
7	61A-82588-01	PLATE PLAQUE	1	1	
8	97885-04016	SCREW, PAN HEAD VIS, A ENCOCHE	2	2	
9	92995-04100	WASHER RONDELLE	2	2	
10	97095-06040	BOLT BOULON	2	2	
11	92995-06600	WASHER RONDELLE	2	2	
12	68V-44122-01	BUSHING, SHIFT ROD LEVER DOUILLE, LEVIER D'EMBRAYAGE	1	1	
13	90202-07M07	WASHER, PLATE RONDELLE, PLATE	1	1	
14	90468-18008	CLIP JONC	2	2	
15	68V-44121-00	LEVER, SHIFT ROD LEVIER, TIGE D'INVERSION	1	1	
16	90386-06M12	BUSH DOUILLE	1	1	
17	68V-44120-10	HANDLE GEAR SHIFT ASSY LEVIER D'EMBRAYAGE	1		L (20.3") L (20.3")
	68V-44120-30	HANDLE GEAR SHIFT ASSY LEVIER D'EMBRAYAGE	1	1	X (25.3") X (25.3")
18	93210-09165	O-RING JOINT TORIQUE	1	1	
19	90386-90M90	BUSH DOUILLE	2	2	
20	90201-09M02	WASHER, PLATE RONDELLE, PLATE	1	1	
21	91490-20015	PIN, COTTER GOUPILLE	1	1	
22	68V-44118-00	BRACKET SUPPORT	1	1	
23	97075-06025	BOLT BOULON	2	2	
24	92995-06600	WASHER RONDELLE	2	2	
25	93501-04M02	BALL BILLE	1	1	
26	90501-12082	SPRING, COMPRESSION RESSORT, COMPRESSION	1	1	

**E7**



**FWD**  
68V3100-C210

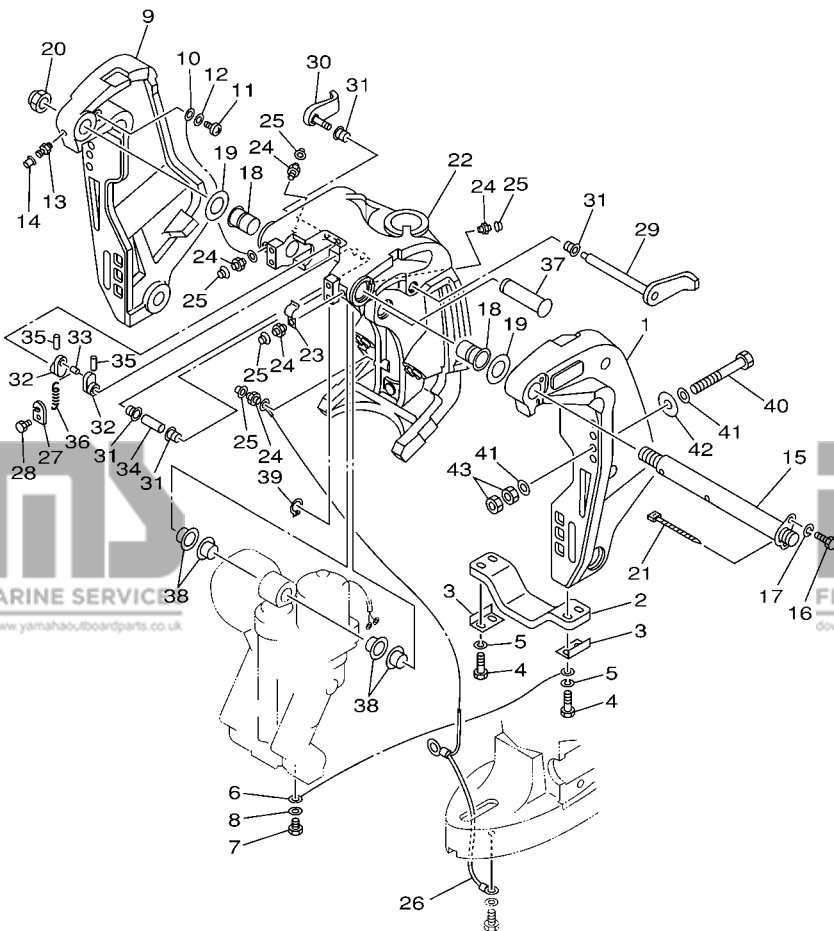
**FIG. 18 CONTROL**

**COMMANDE**

REF. NO.	PART NO. N° PIECES	DESCRIPTION DESCRIPTION	68V5	68W5	REMARKS REMARQUES
27	648-42715-00	BUSHING COUSSINET	1	1	
28	663-48344-00	CABLE END, REMOTE CONTROL CHAPE CABLE	1	1	
29	90468-18008	CLIP JONC	1	1	
30	68V-42157-00	LEVER, THROTTLE LEVIER DE AVANCE	1	1	
31	68V-42171-00	BUSHING COUSSINET	1	1	
32	90201-10M02	WASHER, PLATE RONDELLE, PLATE	1	1	
33	90206-10M04	WASHER, WAVE RONDELLE, ONDULEE	1	1	
34	90387-06M21	COLLAR COLLERETTE	1	1	
35	90179-06M28	NUT ECROU	1	1	
36	68V-42154-00	LEVER, THROTTLE CONTROL LEVIER DE COMMANDE D'AVANCE	1	1	
37	67F-44135-00	SPRING RESSORT	1	1	
38	90387-06M21	COLLAR COLLERETTE	1	1	
39	97095-06035	BOLT BOULON	1	1	
40	92995-06100	WASHER, SPRING RONDELLE, GROWER	1	1	
41	92995-06600	WASHER RONDELLE	1	1	
42	90201-10M02	WASHER, PLATE RONDELLE, PLATE	1	1	
43	90206-10M04	WASHER, WAVE RONDELLE, ONDULEE	1	1	
44	90201-06M31	WASHER, PLATE RONDELLE, PLATE	1	1	

**F1**





**FWD**  
68V0010-0210

**FIG. 19 BRACKET 1**

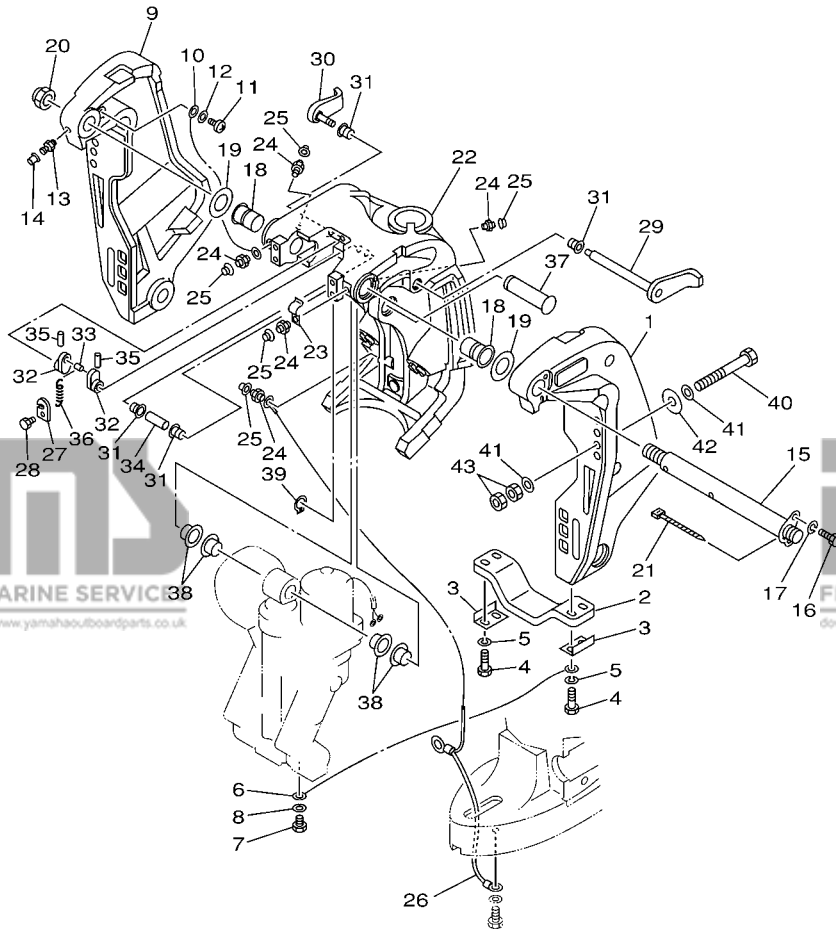
**SUPPORT 1**

REF. NO.	PART NO. N° PIECES	DESCRIPTION DESCRIPTION	68V5	68W5	REMARKS REMARQUES
1	68V-43111-01-8D	BRACKET, CLAMP 1 PRESSE 1	1	1	
2	6G5-45251-02	ANODE ANODE	1	1	
3	6G5-44526-00	PLATE PLAQUE	2	2	
4	97095-06030	BOLT BOULON	4	4	
5	92995-06100	WASHER, SPRING RONDELLE, GROWER	4	4	
6	6E5-82148-00	WIRE, LEAD 4 FIL 4	1	1	
7	97095-06010	BOLT BOULON	1	1	
8	92995-06600	WASHER RONDELLE	1	1	
9	68V-43112-01-8D	BRACKET, CLAMP 2 PRESSE 2	1	1	
10	6E5-82148-00	WIRE, LEAD 4 FIL 4	1	1	
11	97880-06012	SCREW, PAN HEAD VIS, TETE TRONCONIQUE	1	1	
12	92990-06600	WASHER, PLATE RONDELLE, PLATE	1	1	
13	93700-06M03	NIPPLE, GREASE PION	1	1	
14	663-45119-00	CAP, GREASE NIPPLE CAPUCHON, GRAISSEUR	1	1	AP AP
15	64E-43131-01	BOLT, CLAMP BRACKET BOULON, PRESSE	1	1	
16	97095-08020	BOLT BOULON	1	1	
17	92995-08100	WASHER RONDELLE	1	1	
18	90386-25M31	BUSH DOUILLE	2	2	
19	90201-26M59	WASHER, PLATE RONDELLE, PLATE	2	2	
20	90185-22M11	NUT, SELF-LOCKING ECROU, AUTO-BLOQUANT	1	1	
21	90465-11M10	CLAMP BRIDE	1	1	
22	64E-43311-10-8D	BRACKET, SWIVEL 1 SUPPORT, PIVOT 1	1		L (20.3") L (20.3")
	64E-43311-20-8D	BRACKET, SWIVEL 1 SUPPORT, PIVOT 1	1	1	X (25.3") X (25.3")
23	90465-08M63	CLAMP BRIDE	1	1	
24	93700-06M03	NIPPLE, GREASE PION	5	5	
25	663-45119-00	CAP, GREASE NIPPLE CAPUCHON, GRAISSEUR	5	5	AP AP
26	66K-82149-00	WIRE, LEAD 3 FIL 3	1		L (20.3") L (20.3")

**F2**

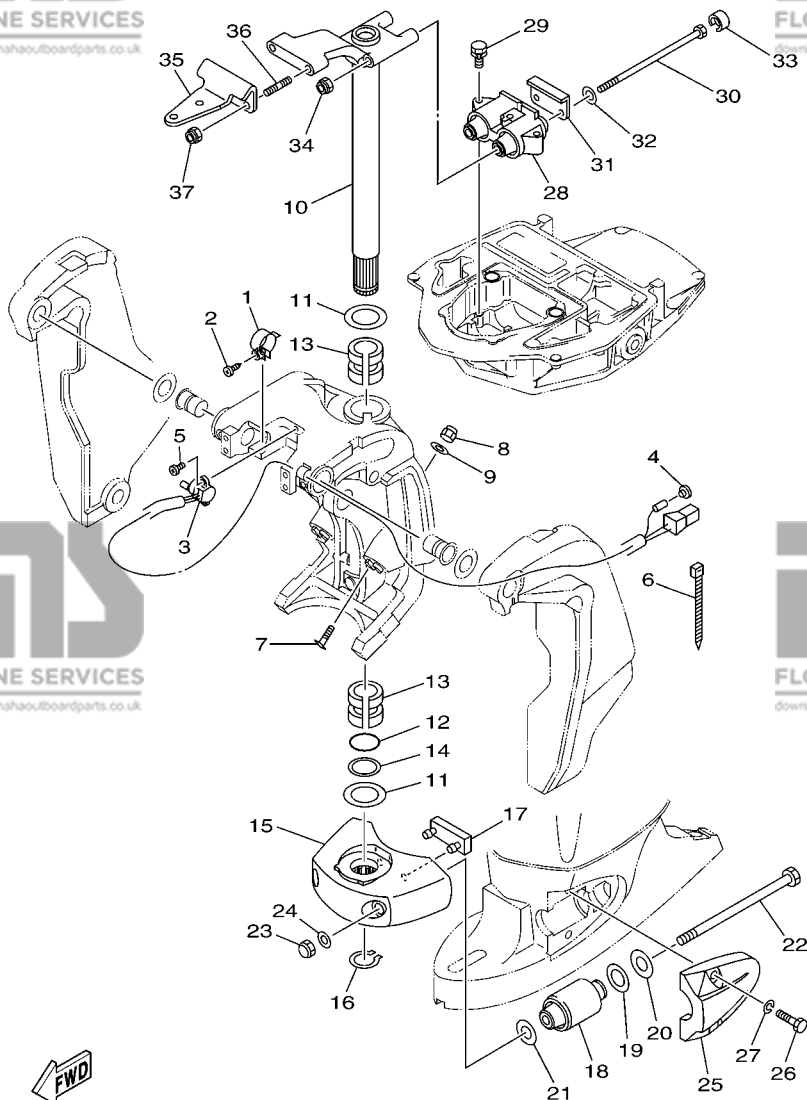
**FIG. 19 BRACKET 1**

**SUPPORT 1**



REF. NO.	PART NO. N° PIECES	DESCRIPTION DESCRIPTION	68V5	68W5	REMARKS REMARQUES
26	68V-82149-30	WIRE, LEAD 3 FIL 3	1	1	X (25.3") X (25.3")
27	66T-43144-00	HOOK, SPRING CROCHET	1	1	
28	97095-06010	BOLT BOULON	1	1	
29	6G5-43181-02	LEVER, TILT STOP LEVIER, VERROUILLAGE RELEVAGE	1	1	
30	6G5-43185-02	LEVER, TILT STOP LEVIER, VERROUILLAGE RELEVAGE	1	1	
31	90386-10M16	BUSH DOUILLE	4	4	
32	6G5-43148-00	COLLAR, DISTANCE ENTRETOISE	2	2	
33	90249-06M19	PIN GOUILLE	1	1	
34	90387-10M05	COLLAR COLLERETTE	1	1	
35	91690-30020	PIN, SPRING AGRAFFE	2	2	
36	90506-14M24	SPRING, TENSION RESSORT, TENSION	1	1	
37	64E-43126-00	PIN, UPPER SHOCK MOUNT AXE, SUPERIEUR AMORTISSEUR	1	1	
38	90386-22M98	BUSH DOUILLE	4	4	
39	93410-22M11	CIRCLIP CLIPS	1	1	
40	90101-12M05	BOLT (L:130MM) BOULON (L:130MM)	4	4	
41	90201-13M01	WASHER, PLATE RONDELLE, PLATE	8	8	
42	90201-12M05	WASHER, PLATE RONDELLE, PLATE	4	4	
43	95380-12600	NUT ECROU	8	8	

**FWD**  
68V0010-0210

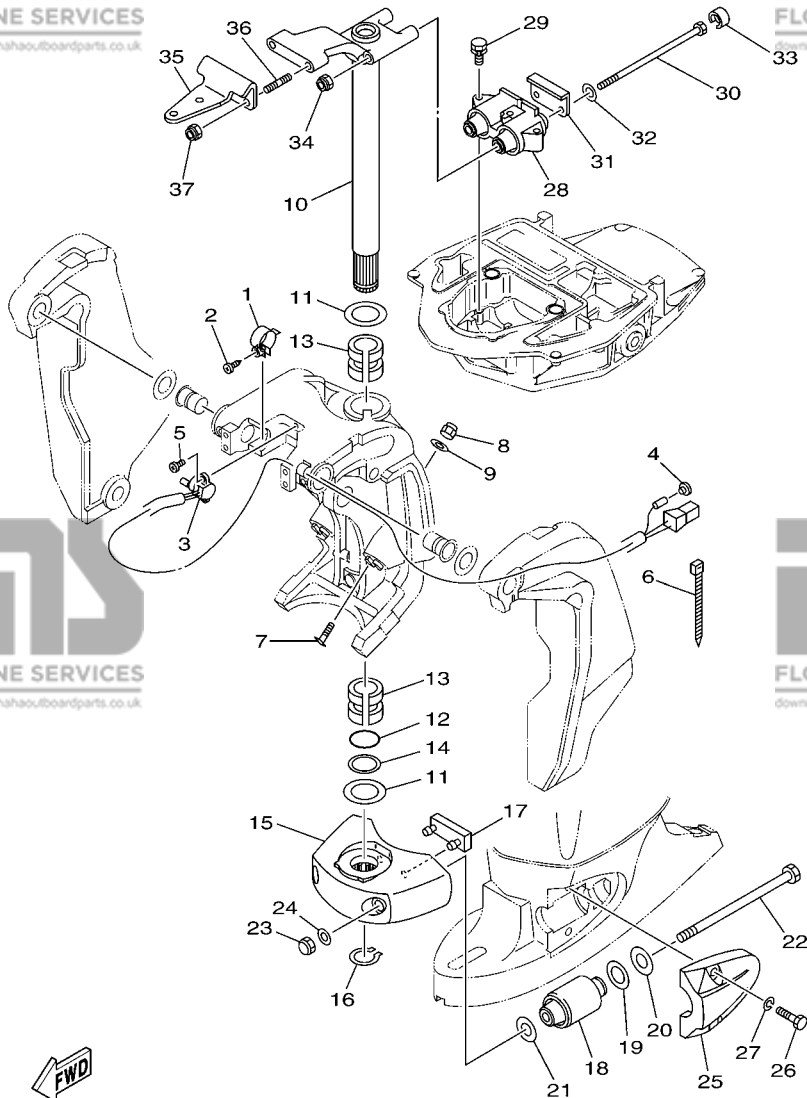


68V3010-C220

**FIG. 20 BRACKET 2**

**SUPPORT 2**

REF. NO.	PART NO. N° PIECES	DESCRIPTION DESCRIPTION	68V5	68W5	REMARKS REMARQUES
1	64E-43139-02	CAM, TRIM SENDER VILEBREQUIN TRUM	1	1	
2	97780-60525	SCREW, TAPPING VIS, TETE BOMBEE	1	1	
3	64E-83672-02	TRIM SENDER INCLINER RACCORD	1	1	
4	703-82119-00	COVER, LEAD WIRE GARNITURE, FIL	1	1	
5	97885-06016	SCREW, PAN HEAD VIS, A ENCOCHE	2	2	
6	90465-11M10	CLAMP BRIDE	3	3	
7	63P-43376-00	BOLT, THRUST RECEIVER BOULON	2	2	
8	95780-10300	NUT, FLANGE ECROU	2	2	
9	92995-10600	WASHER RONDELLE	2	2	
10	68V-42510-10-8D	STEERING BRACKET ASSY DIRECTION SUPPORT (ENS.)	1		L (20.3")
	68V-42510-30-8D	STEERING BRACKET ASSY DIRECTION SUPPORT (ENS.)	1	1	L (20.3") X (25.3") X (25.3")
11	90201-38M60	WASHER, PLATE RONDELLE, PLATE	2	2	
12	93210-37MH7	O-RING JOINT TORIQUE	1	1	
13	90386-38M32	BUSH DOUILLE	2	2	
14	90202-40M47	WASHER, PLATE RONDELLE, PLATE	1	1	
15	68V-44551-00-8D	HOUSING, LOWER MOUNT RUBBER BOITIER, SILENT-BLOC INFERIEUR	1	1	
16	93410-37M04	CIRCLIP CLIPS	1	1	
17	61A-44575-00	DAMPER, LOWER MOUNT RUBBER SILENT-BLOC, INFERIEUR	1	1	
18	61A-44555-01-94	MOUNT DAMPER, LOWER SIDE SILENT-BLOC, INFERIEUR LATERAL	2	2	
19	90202-32M19	WASHER, PLATE RONDELLE, PLATE	2	2	
20	90201-16M55	WASHER, PLATE RONDELLE, PLATE	2	2	
21	90201-15M58	WASHER, PLATE RONDELLE, PLATE	2	2	
22	90109-14007	BOLT BOULON	2	2	
23	95380-14600	NUT ECROU	2	2	
24	92995-14600	WASHER RONDELLE	2	2	
25	68V-44553-00-8D	COVER, LOWER MOUNT COUVERCLE, SUSPENSION INFERIEUR	2	2	
26	97075-10040	BOLT BOULON	4	4	

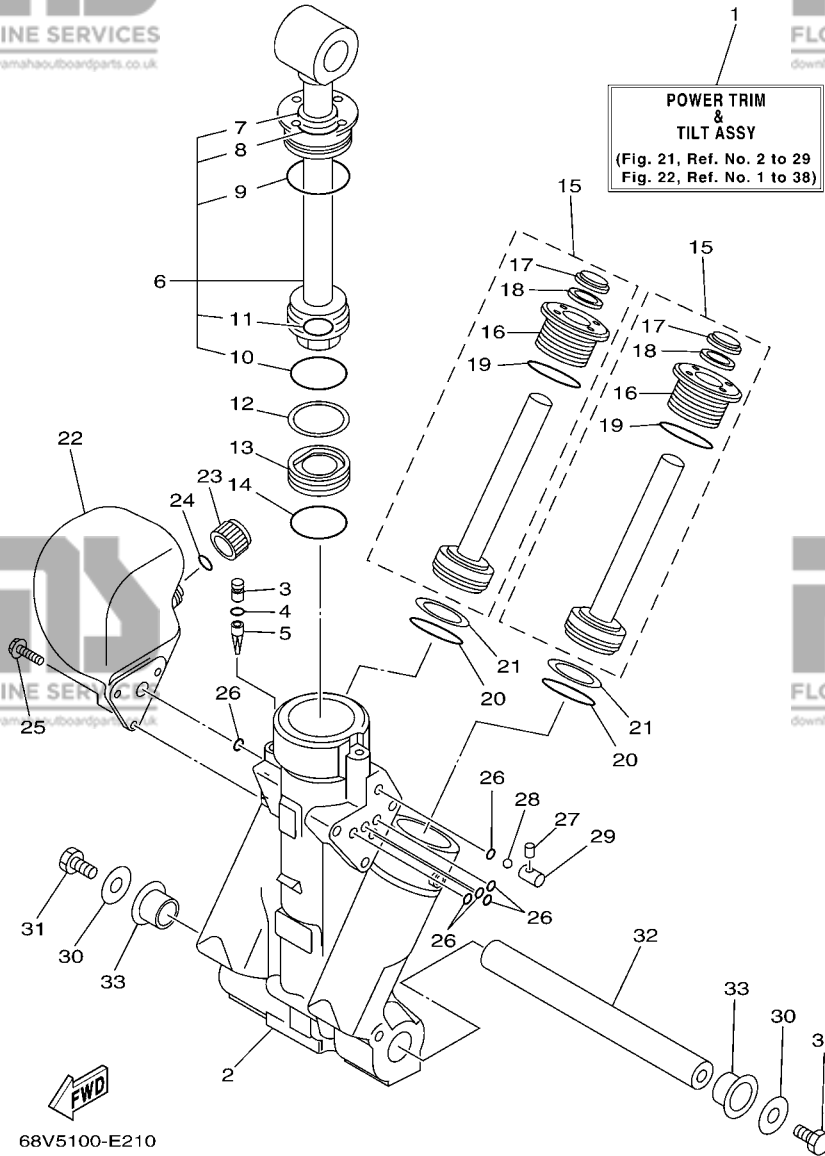


68V3010-C220

**FIG. 20 BRACKET 2**

**SUPPORT 2**

REF. NO.	PART NO. N° PIECES	DESCRIPTION DESCRIPTION	68V5	68W5	REMARKS REMARQUES
27	92995-10100	WASHER RONDELLE	4	4	
28	67F-44514-00-94	MOUNT DAMPER, UPPER SIDE SILENT-BLOC, SUPERIEUR LATERAL	1	1	
29	97575-08445	BOLT, WITH WASHER VIS HEXAGONAL AVC RONDELLE	3	3	
30	90109-12007	BOLT BOULON	2	2	
31	67F-44526-00	PLATE PLAQUE	1	1	
32	90201-12M09	WASHER, PLATE RONDELLE, PLATE	2	2	
33	67F-44533-00	DAMPER, UPPER MOUNT RUBBER COUVERCLE, SUSPENSION INFERIEUR	2	2	
34	90185-12M12	NUT, SELF-LOCKING ECROU, AUTO-BLOQUANT	2	2	
35	68V-48511-00-8D	HOOK, STEERING ATTACHE, DIRECTION	1	1	
36	90116-10175	BOLT, STUD GOUJON	2	2	
37	90185-10051	NUT, SELF-LOCKING ECROU, AUTO-BLOQUANT	2	2	

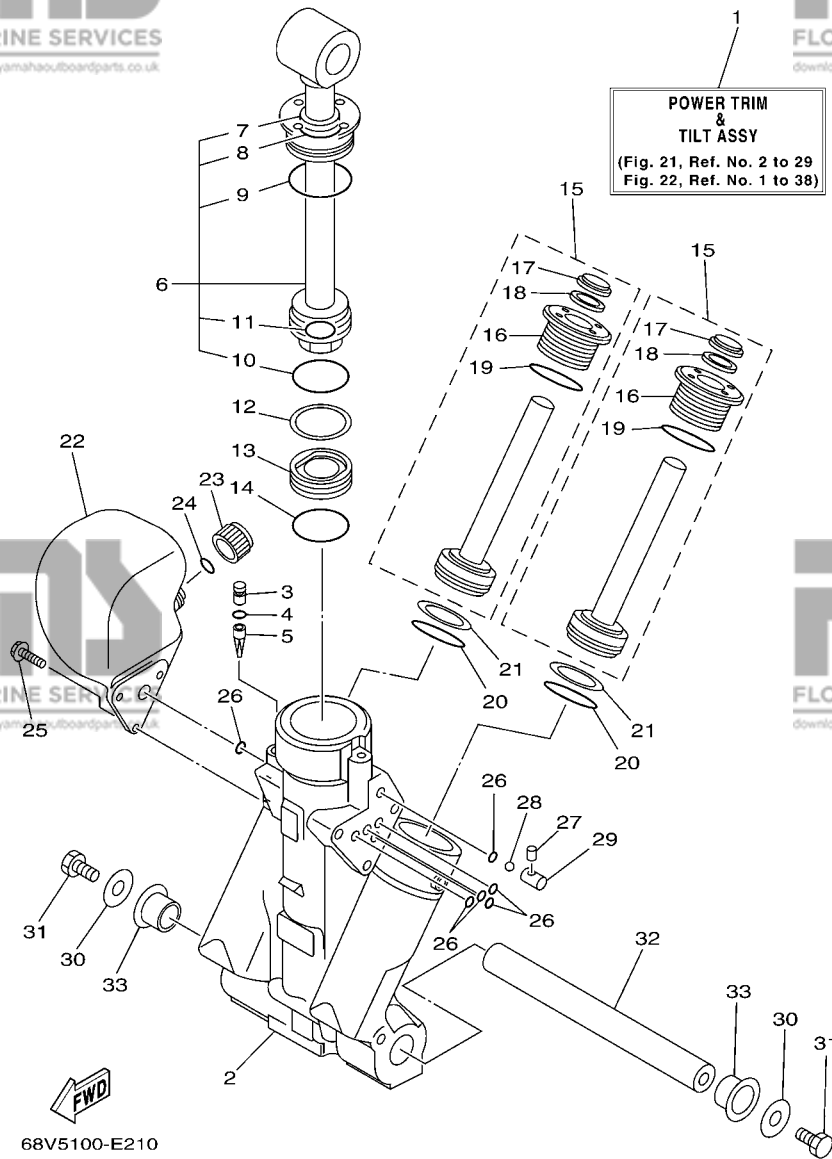


**FIG. 21 POWER TRIM & TILT ASSY 1 PUISSANCE PARER ET INCLINER 1**

REF. NO.	PART NO. N° PIECES	DESCRIPTION DESCRIPTION	68V5	68W5	REMARKS REMARQUES
1	68V-43800-01-4D	POWER TRIM & TILT ASSY PUISSANCE PARER ET INCLINER (E	1	1	
2	64E-43825-01	HOUSING, TRIM & TILT CARTER	1	1	
3	64E-4388J-00	PLUG 2 BOUCHON 2	1	1	
4	93210-10M74	O-RING JOINT TORIQUE	1	1	
5	64E-43817-00	FILTER 2 FILTRE 2	1	1	
6	64E-43810-00	TILT PISTON SUB ASSY INCLINER PISTON AUXILIAIRE(ENS	1	1	
7	64E-43898-00	.SEAL ,DUST 2 .JOINT ANTI-PUSSIERE	1	1	
8	64E-43867-00	.O-RING .JOINT TORIQUE	1	1	
9	64E-43866-00	.O-RING .JOINT TORIQUE	1	1	
10	6E5-43862-00	.O-RING .JOINT TORIQUE	1	1	
11	64E-43883-00	.O-RING .JOINT TORIQUE	1	1	
12	6E5-43872-00	RING, BACK UP RESSORT	1	1	
13	6E5-43814-02	PISTON, FREE PISTON	1	1	
14	6E5-43862-00	O-RING JOINT TORIQUE	1	1	
15	64E-43820-00	TRIM PISTON SUB ASSY PARER PISTON AUXILIAIRE (ENS.)	2	2	
16	64E-43821-00	.SCREW, TRIM CYLINDER END .VIS	1	1	
17	64E-43822-00	.SEAL, TRIM DUST JOINT	1	1	
18	64E-4384J-00	.SEAL, TRIM DOWN JOINT	1	1	
19	6G5-43864-00	.O-RING .JOINT TORIQUE	1	1	
20	6E5-43864-00	O-RING JOINT TORIQUE	2	2	
21	6E5-43874-01	RING, BACK UP RESSORT	2	2	
22	64E-43828-00	BODY, RESERVOIR CORPS	1	1	
23	64E-43829-00	PLUG, RESERVOIR BOUCHON	1	1	
24	64E-43897-00	O-RING JOINT TORIQUE	1	1	
25	64E-4388E-00	BOLT ,SCREW (L:14MM) VIS (L:14MM)	3	3	
26	64E-43869-00	O-RING JOINT TORIQUE	6	6	
27	64E-4381G-00	PIN COUPELL	1	1	

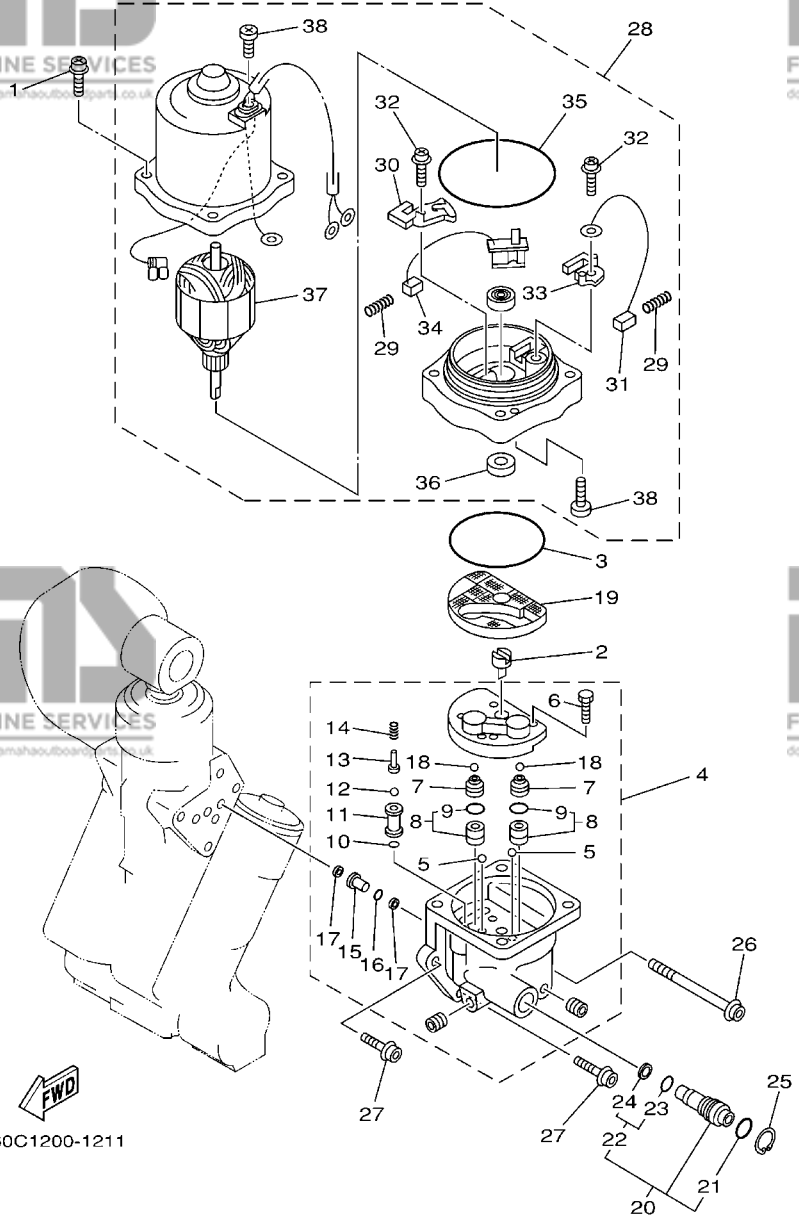
**FIG. 21 POWER TRIM & TILT ASSY 1**

**PUISSANCE PARER ET INCLINER 1**



68V5100-E210

REF. NO.	PART NO. N° PIECES	DESCRIPTION DESCRIPTION	68V5	68W5	REMARKS REMARQUES
28	6E5-43858-00	BALL BILLE	1	1	
29	64E-4382G-00	VALVE, SEAT JEU DE POINTEAUX	1	1	
30	90201-08M14	WASHER, PLATE RONDELLE, PLATE	2	2	
31	97080-08016	BOLT BOULON	2	2	
32	64E-43818-01	PIN, LOWER SHOCK MOUNT AXE, INFÉRIEUR AMORTISSEUR	1	1	
33	90386-22M98	BUSH DOUILLE	2	2	



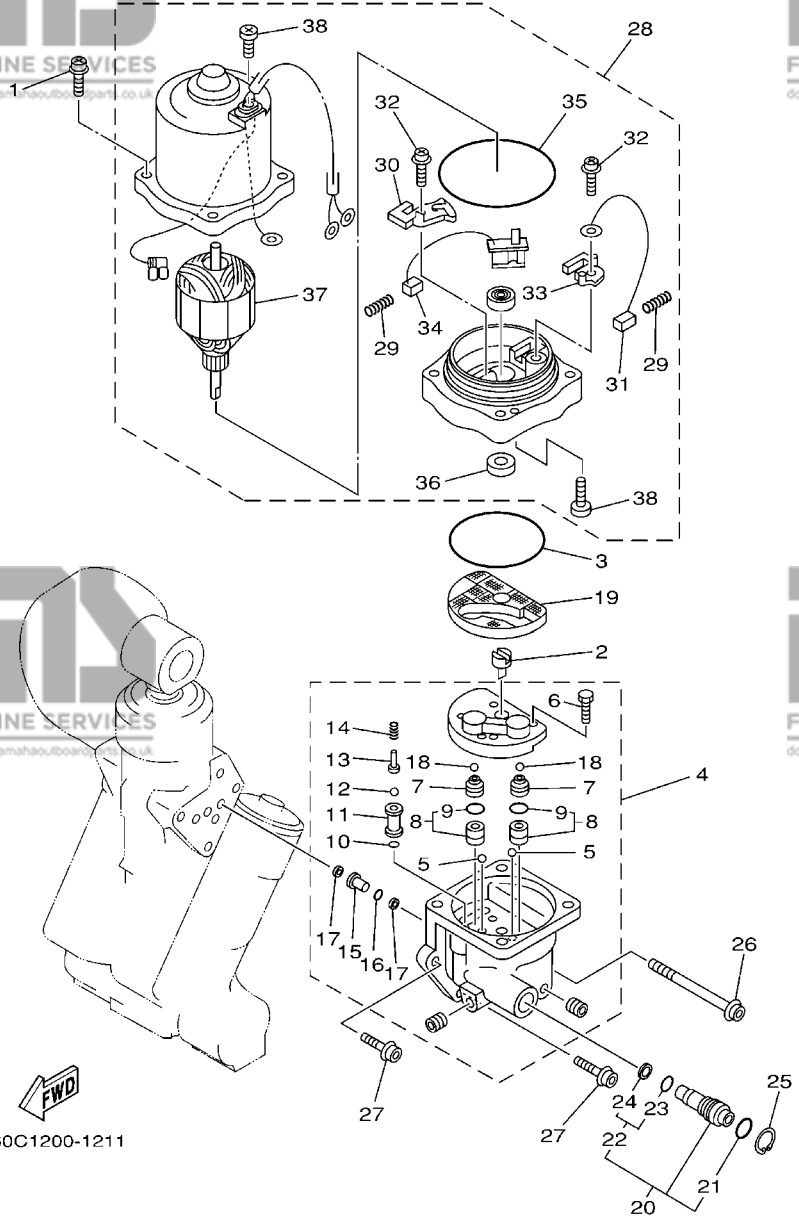
60C1200-1211

**FIG. 22 POWER TRIM & TILT ASSY 2**

**PUISSANCE PARER ET INCLINER 2**

REF. NO.	PART NO. N° PIECES	DESCRIPTION DESCRIPTION	68V5	68W5	REMARKS REMARQUES
1	64E-4388E-10	BOLT ,SCREW (L:34.7MM) VIS (L:34.7MM)	4	4	
2	64E-43831-00	CONNECTOR, SHAFT RACCORD	1	1	
3	64E-43868-00	O-RING JOINT TORIQUE	1	1	
4	68V-43830-00	GEAR PUMP ASSY POMPE A PIGNON (ENS.)	1	1	
5	72X-43858-00	.BALL .BILLE	2	2	
6	64E-43843-00	.SCREW, VALVE LOCK .VIS	4	4	
7	64E-43841-00	.PISTON, SHUTTLE .PISTON	2	2	
8	64E-43802-00	.VALVE SUB ASSY .CLAPET AUXILIAIRE (ENS.)	2	2	
9	6E5-43896-00	..O-RING ..JOINT TORIQUE	1	1	
10	6G5-43863-00	.O-RING .JOINT TORIQUE	1	1	
11	66Y-43851-00	.SEAT, RELIEF VALVE .SIEGE	1	1	
12	64E-43858-00	.BALL .BILLE	1	1	
13	64E-43859-00	.PIN, VALVE SUPPORT .GOUPILLE	1	1	
14	68V-43855-00	.SPRING, UP RELIEF .RESSORT	1	1	
15	64E-43850-00	.VALVE SUB ASSY .CLAPET AUXILIAIRE (ENS.)	1	1	
16	64E-43865-00	.O-RING .JOINT TORIQUE	1	1	
17	64E-43816-00	.FILTER 1 .FILTRE 1	2	2	
18	64E-43858-00	.BALL .BILLE	2	2	
19	64E-43817-10	FILTER 2 FILTRE 2	1	1	
20	64E-43860-00	MANUAL VALVE SUB-ASSY SOUPAPE, MANUEL (ENS.)	1	1	
21	72X-85075-L0	.O-RING .JOINT TORIQUE	1	1	
22	64E-43827-00	.RING SET .BILLE	1	1	
23	64E-4387A-00	..O-RING ..JOINT TORIQUE	1	1	
24	64E-43873-00	..RING, BACK UP ..RESSORT	1	1	
25	64E-43875-00	RING, SNAP RESSORT	1	1	
26	64E-43879-10	SCREW, WITH WASHER VIS, AVEC RONDELLE	1	1	
27	64E-43879-00	SCREW, WITH WASHER VIS, AVEC RONDELLE	2	2	

**A4**

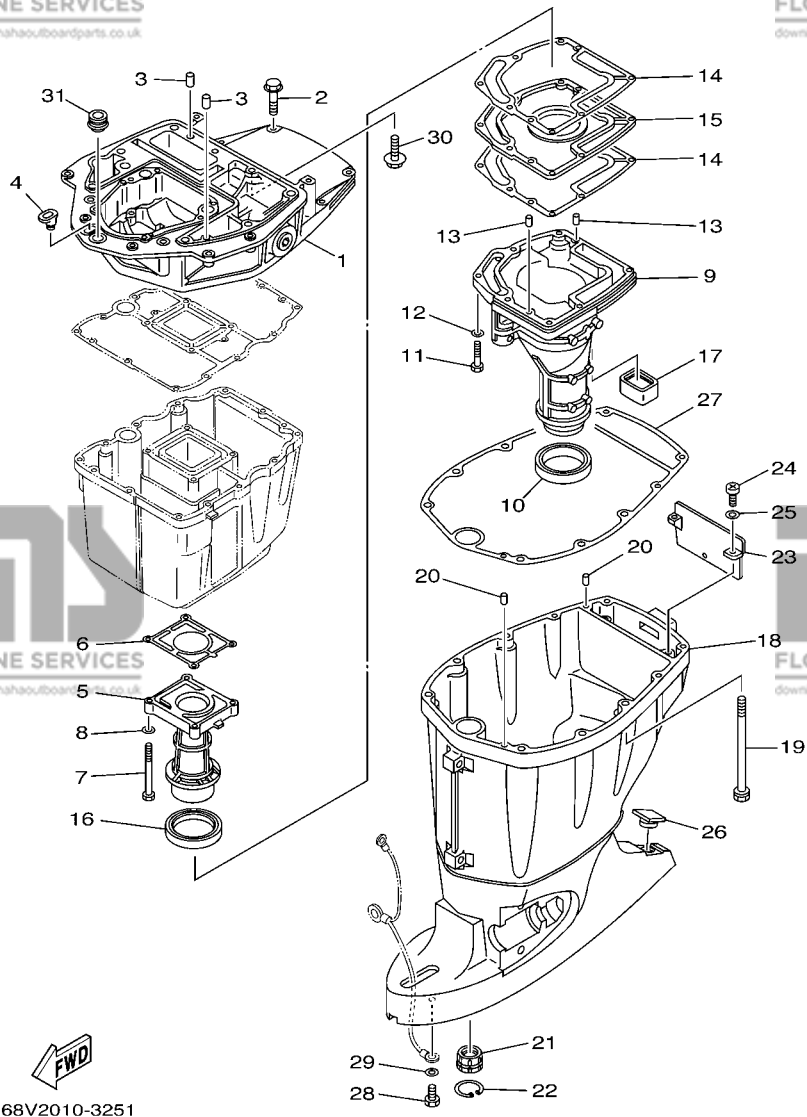


**FIG. 22 POWER TRIM & TILT ASSY 2**

**PUISSANCE PARER ET INCLINER 2**

REF. NO.	PART NO. N° PIECES	DESCRIPTION DESCRIPTION	68V5	68W5	REMARKS REMARQUES
28	68V-43880-01	MOTOR ASSY MOTEUR (ENS.)	1	1	
29	6H1-4386K-10	.SPRING, BRUSH .RESSORT, BALAI	2	2	
30	64E-4380J-00	.HOLDER, BRUSH .PORTE-BALAI	1	1	
31	64E-43891-00	.BRUSH 1 .BALAI 1	1	1	
32	97607-04310	.SCREW, WITH WASHER .VIS HEXAGONAL	2	2	
33	64E-4380F-00	.HOLDER, BRUSH 2 .PORTE-BALAI 2	1	1	
34	64E-43892-00	.BRUSH 2 .BALAI 2	1	1	
35	6G5-43865-00	.O-RING .JOINT TORIQUE	1	1	
36	93102-08M43	.OIL SEAL .JOINT SPY	1	1	
37	64E-43805-00	.ARMATURE ASSY .INDUIT (ENS.)	1	1	
38	64E-43843-10	.SCREW, VALVE LOCK .VIS	3	3	

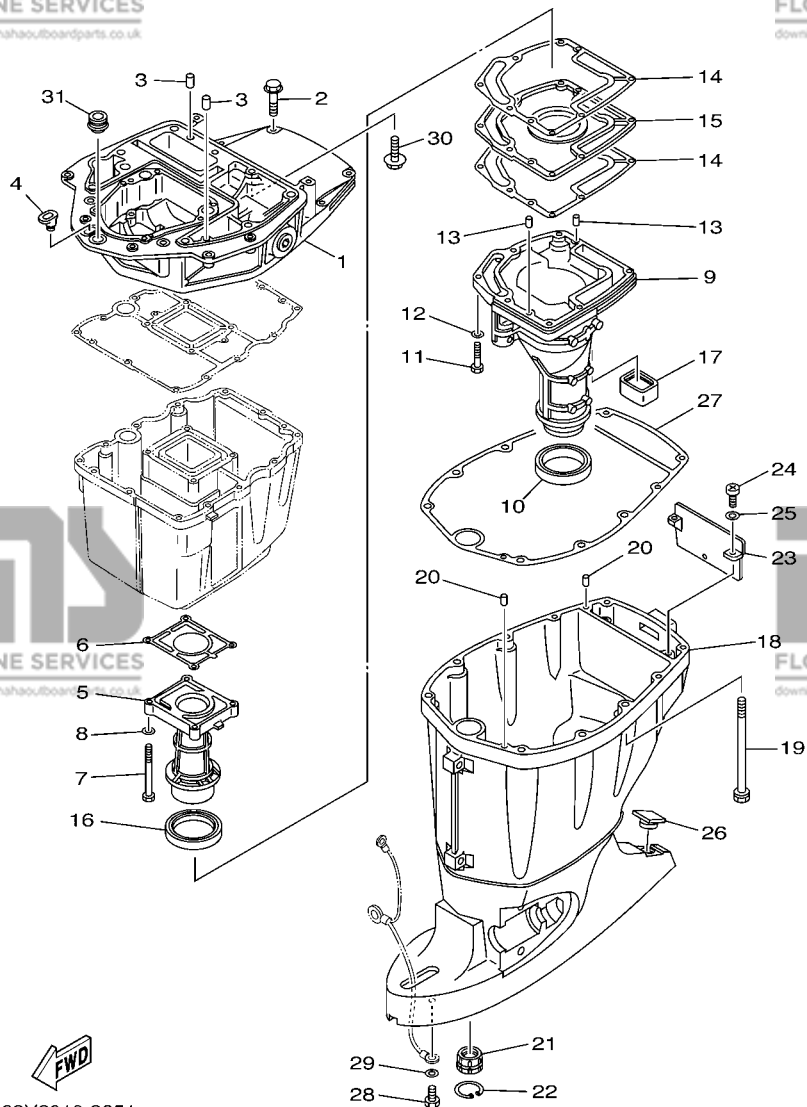




**FIG. 23 UPPER CASING**

**FOURREAU**

REF. NO.	PART NO. N° PIECES	DESCRIPTION DESCRIPTION	68V5	68W5	REMARKS REMARQUES
1	67F-41137-02-94	GUIDE, EXHAUST COLLECTEUR D'ÉCHAPPEMENT	1	1	
2	97575-08540	BOLT, WITH WASHER VIS HEXAGONAL AVEC RONDELLE	4	4	
3	93608-16M16	PIN, DOWEL AXE	2	2	
4	6G1-42727-00	GROMMET PASSE-FIL	1	1	
5	67F-41131-01-5B	MANIFOLD, EXT. 1 PIPE D'ÉCHAPPEMENT	1	1	
6	67F-41133-A1	GASKET, EXHAUST MANIFOLD 1 JOINT, PIPE D'ÉCHAPPEMENT	1	1	
7	97075-06070	BOLT BOULON	4	4	
8	92995-06600	WASHER RONDELLE	4	4	
9	68V-14711-10-5B	MUFFLER 1 POT D'ÉCHAPPEMENT 1	1		L (20.3")
	68V-14711-30-5B	MUFFLER 1 POT D'ÉCHAPPEMENT 1	1	1	L (20.3") X (25.3")
10	68V-45123-00	GASKET, MUFFLER JOINT, POT DE DÉTENTE	1	1	
11	97075-06030	BOLT BOULON	7	7	
12	92995-06600	WASHER RONDELLE	7	7	
13	93606-19M23	PIN, DOWEL GOUPILLE	2	2	
14	67F-41134-A0	GASKET, EXHAUST MANIFOLD JOINT, PIPE D'ÉCHAPPEMENT	2	2	
15	67F-45181-00-5B	PLATE PLAQUETTE	1	1	
16	67F-41138-00	SEAL, EXT. 1 JOINT DE GROUPE 1	1	1	
17	67F-45127-00	SEAL JOINT	1	1	
18	68V-45111-11-8D	CASING, UPPER FOURREAU	1		L (20.3")
	68V-45111-31-8D	CASING, UPPER FOURREAU	1	1	L (20.3") X (25.3")
19	90119-10M08	BOLT, WITH WASHER BOULON, AVEC RONDELLE	6	6	
20	93608-16M16	PIN, DOWEL AXE	2	2	
21	6E5-45318-00	BUSHING, DRIVE SHAFT DOUILLE, ARBRE MOTEUR	1	1	
22	93420-36M01	CIRCLIP CIRCLIP, TYPE S	1	1	
23	67F-45151-00	COVER, UPPER CASING CAPUCHON, FOURREAU	1	1	
24	97880-06016	SCREW, PAN HEAD VIS, TÊTE TRONCONIQUE	2	2	
25	92990-06600	WASHER, PLATE RONDELLE, PLATE	2	2	



68V2010-3251

**FIG. 23 UPPER CASING**

**FOURREAU**

REF. NO.	PART NO. N° PIECES	DESCRIPTION DESCRIPTION	68V5	68W5	REMARKS REMARQUES
26	6H3-45155-00	CAP CAPUCHON	1	1	
27	67F-45113-00	GASKET, UPPER CASING JOINT, TUBE D'ARBRE	1	1	
28	97095-06010	BOLT BOULON	1	1	
29	92995-06600	WASHER RONDELLE	1	1	
30	90119-08M58	BOLT, WITH WASHER BOULON, AVEC RONDELLE	2	2	
31	67F-42724-00	GROMMET PASSE-FIL	1	1	

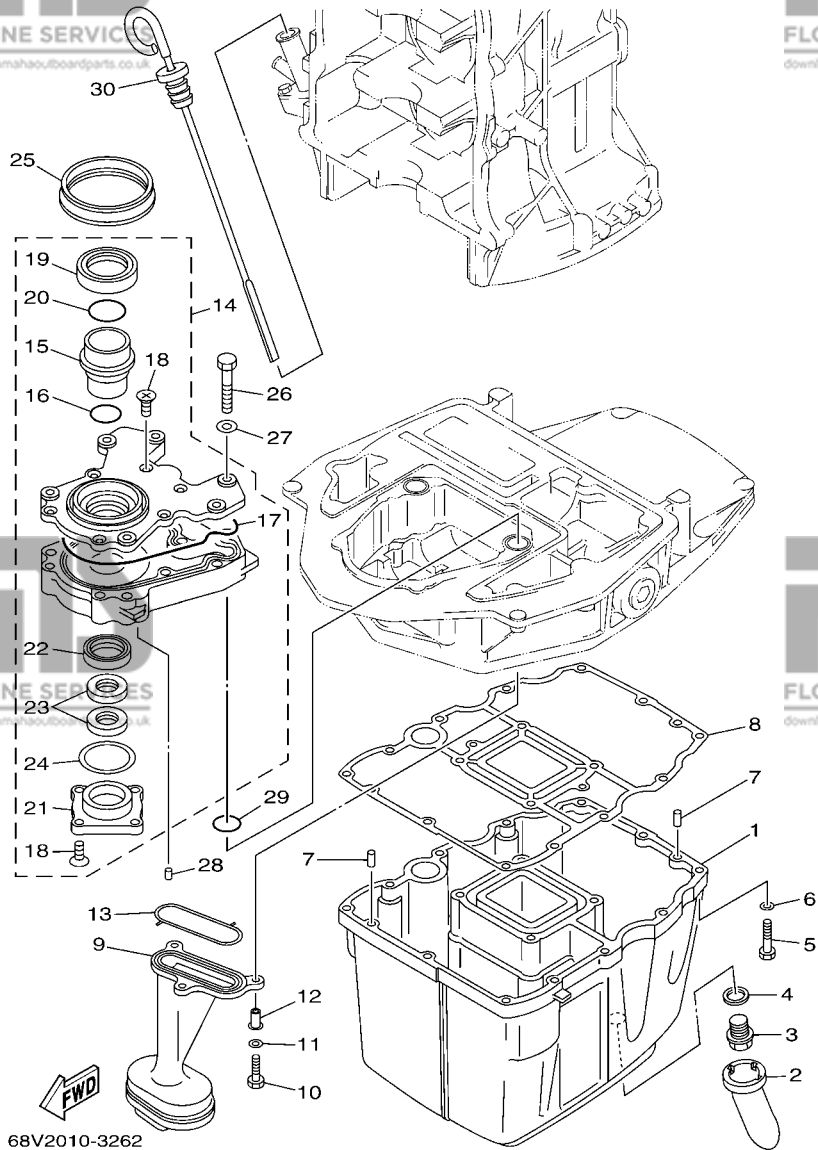
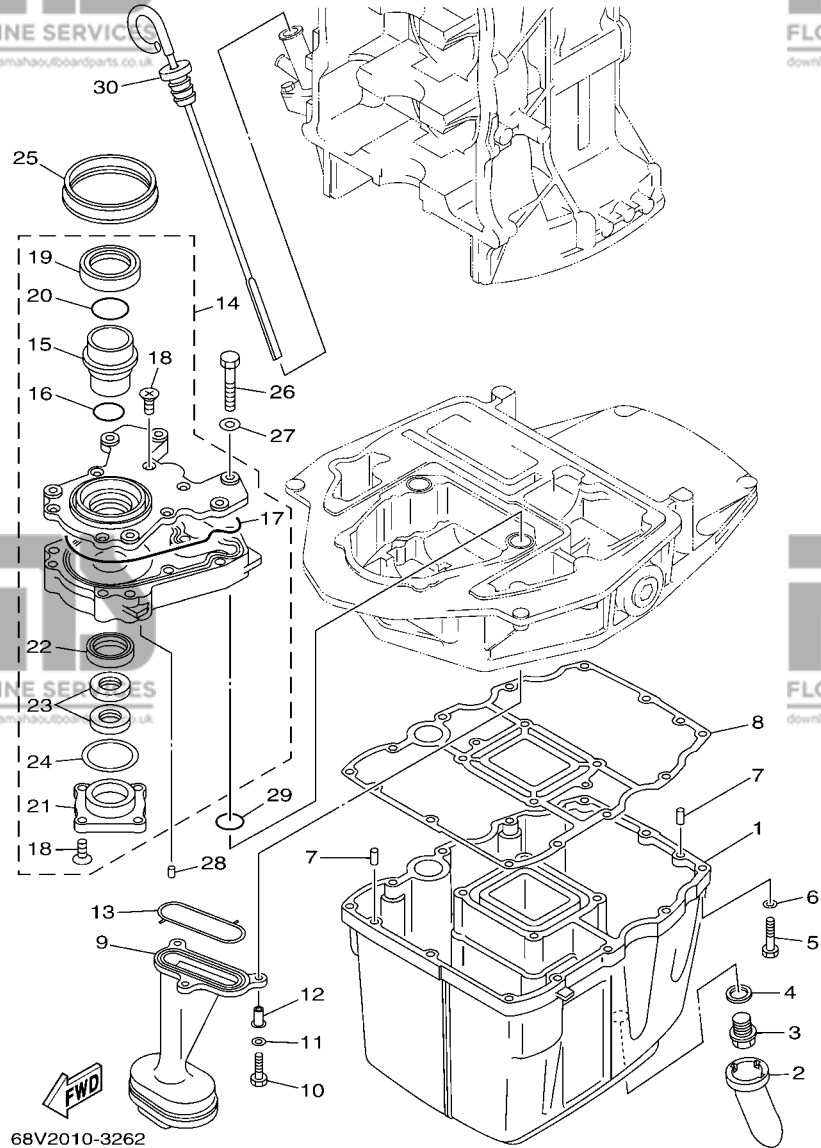


FIG. 24 OIL PAN

VENTILATEUR D'HUILE

REF. NO.	PART NO. N° PIECES	DESCRIPTION DESCRIPTION	68V5	68W5	REMARKS REMARQUES
1	68V-15311-00-5B	OIL PAN VENTILATEUR D'HUILE	1	1	
2	63P-15316-00	DAMPER, ENGINE MOUNT 1 AMORTISSEUR DE SUPPORT	1	1	
3	90340-14M06	PLUG, STRAIGHT SCREW PLOT, FILETE DROIT	1	1	
4	90430-14M09	GASKET JOINT	1	1	
5	97075-06025	BOLT BOULON	12	12	
6	92995-06600	WASHER RONDELLE	12	12	
7	93606-12019	PIN, DOWEL GOUPILLE	2	2	
8	68V-15312-00	GASKET, OIL PAN JOINT DE VENTILATEUR D'HUILE	1	1	
9	67F-13411-00	STRAINER, OIL FILTRE, HUILE	1	1	
10	97027-06025	BOLT BOULON	3	3	
11	92907-06600	WASHER, PLATE RONDELLE	3	3	
12	90387-06M64	COLLAR COLLERETTE	3	3	
13	67F-13415-00	SEAL, OIL STRAINER JOINT, FILTRE A HUILE	1	1	
14	67F-13300-10	OIL PUMP ASSY POMPE A HUILE COMPLETE	1	1	
15	67F-13314-02	.SHAFT, PUMP .AXE DE POMPE	1	1	
16	67F-13473-01	.O-RING .JOINT TORIQUE	1	1	
17	67F-13329-00	.GASKET, PUMP COVER .JOINT, COUVERCLE DE POMPE	1	1	
18	67F-13495-00	.SCREW .VIS	10	10	
19	67F-13119-01	.OIL SEAL .JOINT SPY	1	1	
20	67F-13769-00	.O-RING .JOINT TORIQUE	1	1	
21	67F-13914-00	.HOUSING, PUMP .CORPS, POMPE	1	1	
22	67F-13631-03	.OIL SEAL .JOINT SPY	1	1	
23	67F-13149-00	.OIL SEAL .JOINT SPY	2	2	
24	67F-13339-00	.GASKET, PUMP COVER .BAINT, COUVERCLE DE POME	1	1	
25	67F-13338-00	SEAL JOINT	1	1	
26	97095-06045	BOLT BOULON	6	6	
27	92995-06600	WASHER RONDELLE	6	6	

**B1**



**FIG. 24 OIL PAN**

**VENTILATEUR D'HUILE**

REF. NO.	PART NO. N° PIECES	DESCRIPTION DESCRIPTION	68V5	68W5	REMARKS REMARQUES
28	93604-12M07	PIN, DOWEL CLAVETTE	2	2	
29	93210-19MJ1	O-RING JOINT TORIQUE	2	2	
30	6D8-15362-00	PLUG, OIL LEVEL PLOT, NIVEAU D'HUILE	1	1	

**B2**

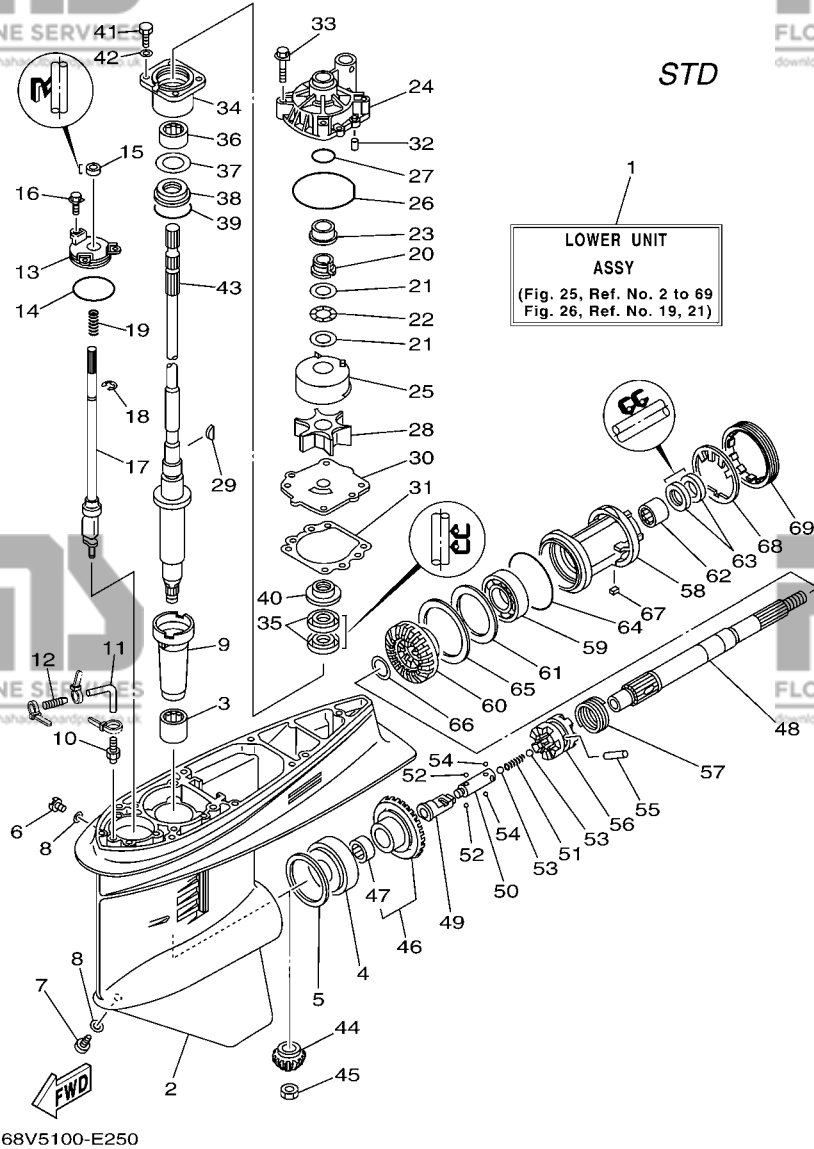


FIG. 25 LOWER CASING & DRIVE 1

BOITIER D'HELICE TRANSMISSION1

REF. NO.	PART NO. N° PIECES	DESCRIPTION DESCRIPTION	68V5	68W5	REMARKS REMARQUES
1	68V-45300-12-8D	LOWER UNIT ASSY UNITE INFERIEURE (ENS.)	1		L (20.3"),RH
	68V-45300-32-8D	LOWER UNIT ASSY UNITE INFERIEURE (ENS.)	1		L (20.3"),RH X (25.3"),RH X (25.3"),RH
2	6E5-45301-05-8D	CASING, LOWER BEQUILLE	1		
3	93315-628U9	BEARING ROULEMENT	1		
4	93332-000U7	BEARING ROULEMENT	1		
5	6E5-45567-01	SHIM (T:0.10MM) CALE (T:0.10MM)	1		UR
	6E5-45567-10	SHIM (T:0.12MM) CALE (T:0.12MM)	1		UR
	6E5-45567-20	SHIM (T:0.15MM) CALE (T:0.15MM)	1		UR
	6E5-45567-30	SHIM (T:0.18MM) CALE (T:0.18MM)	1		UR
	6E5-45567-40	SHIM (T:0.30MM) CALE (T:0.30MM)	1		UR
	6E5-45567-50	SHIM (T:0.40MM) CALE (T:0.40MM)	1		UR
	6E5-45567-60	SHIM (T:0.50MM) CALE (T:0.50MM)	1		UR
6	90340-08002	PLUG, STRAIGHT SCREW PLOT, FILET DROIT	1		
7	688-45341-10	PLUG, DRAIN BOUCHON DE VIDANGE	1		
8	90430-08020	GASKET JOINT	2		
9	6E5-45536-00	SLEEVE, DRIVE SHAFT MANCHON, ARBRE MOTEUR	1		
10	6E5-45378-00	NIPPLE, HOSE RACCORD, TUYAU	1		
11	90445-07ME8	HOSE (L80) DURITE (L80)	1		L (20.3")
	90445-07ME9	HOSE (L120) DURITE (L120)	1		L (20.3") X (25.3") X (25.3")
12	6E5-83558-10	END, NIPPLE RACCORD DE NIPPLE	1		
13	6E5-45321-00	PLATE PLAQUETTE	1		
14	93210-58144	O-RING JOINT TORIQUE	1		
15	93106-09014	OIL SEAL JOINT SPY	1		
16	90119-06M10	BOLT, WITH WASHER BOULON, AVEC RONDELLE	3		
17	6L6-44150-01	SHIFT CAM ASSY CAME D'INVERSION	1		
18	99001-08600	CIRCLIP CIRCLIP	1		
19	90501-11M10	SPRING, COMPRESSION RESSORT, COMPRESSION	1		

**B3**

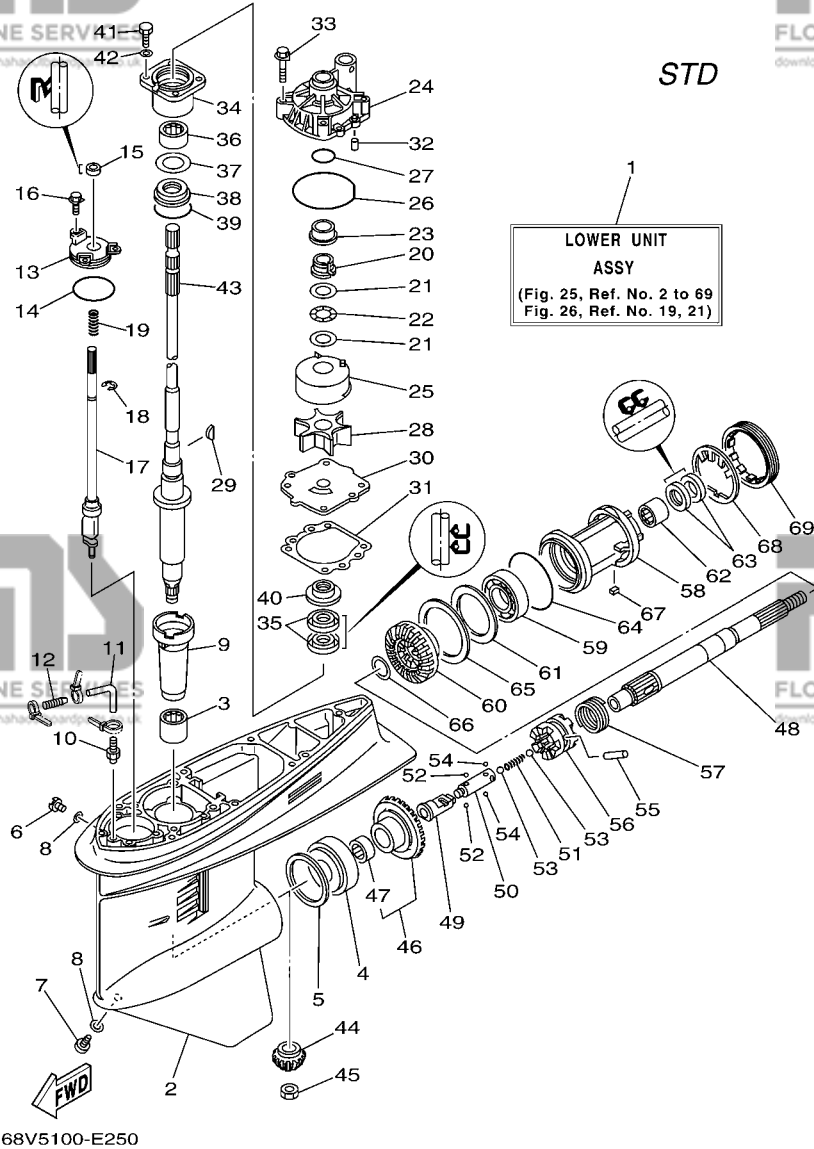


FIG. 25 LOWER CASING & DRIVE 1

BOITIER D'HELICE TRANSMISSION1

REF. NO.	PART NO. N° PIECES	DESCRIPTION DESCRIPTION	68V5	68W5	REMARKS REMARQUES
20	61A-45538-00	SPACER 1 ENTRETOISE	1		
21	90201-22M01	WASHER, PLATE RONDELLE, PLATE	2		
22	90206-22M19	WASHER, WAVE RONDELLE, ONDULEE	1		
23	61A-45527-00	COLLAR, DRIVE SHAFT ENTRETOISE	1		
24	61A-44311-01	HOUSING, WATER PUMP CORPS, POMPE A EAU	1		
25	61A-44322-02	INSERT, CARTRIDGE CUVETTE	1		
26	93210-86M38	O-RING JOINT TORIQUE	1		
27	93210-37160	O-RING JOINT TORIQUE	1		
28	6E5-44352-01	IMPELLER TURBINE	1		
29	90280-04M05	KEY, WOODRUFF CLAVETTE, DEMI-LUNE	1		
30	68V-44323-00	OUTER PLATE, CARTRIDGE PLAQUE EXTERIEURE	1		
31	6E5-44315-A0	GASKET, WATER PUMP JOINT, POMPE A EAU	1		
32	93606-12019	PIN, DOWEL GOUPILLE	2		
33	90119-08M14	BOLT, WITH WASHER BOULON, AVEC RONDELLE	4		
34	6E5-45331-00-94	HOUSING, BEARING FLASQUE, ROULEMENT	1		
35	93101-28M16	OIL SEAL JOINT SPY	2		
36	93317-330U2	BEARING ROULEMENT	1		
37	6E5-45587-01	SHIM (T:0.10MM) CALE (T:0.10MM)	1		UR
	6E5-45587-10	SHIM (T:0.12MM) CALE (T:0.12MM)	1		UR
	6E5-45587-20	SHIM (T:0.15MM) CALE (T:0.15MM)	1		UR
	6E5-45587-30	SHIM (T:0.18MM) CALE (T:0.18MM)	1		UR
	6E5-45587-40	SHIM (T:0.30MM) CALE (T:0.30MM)	1		UR
	6E5-45587-50	SHIM (T:0.40MM) CALE (T:0.40MM)	1		UR
	6E5-45587-60	SHIM (T:0.50MM) CALE (T:0.50MM)	1		UR
38	93341-930V2	BEARING CERVEAUX DE DIRECTION	1		
39	93210-55M14	O-RING JOINT TORIQUE	1		
40	6E5-45344-00	COVER, OIL SEAL FLASQUE, JOINT D'HUILE	1		

B4

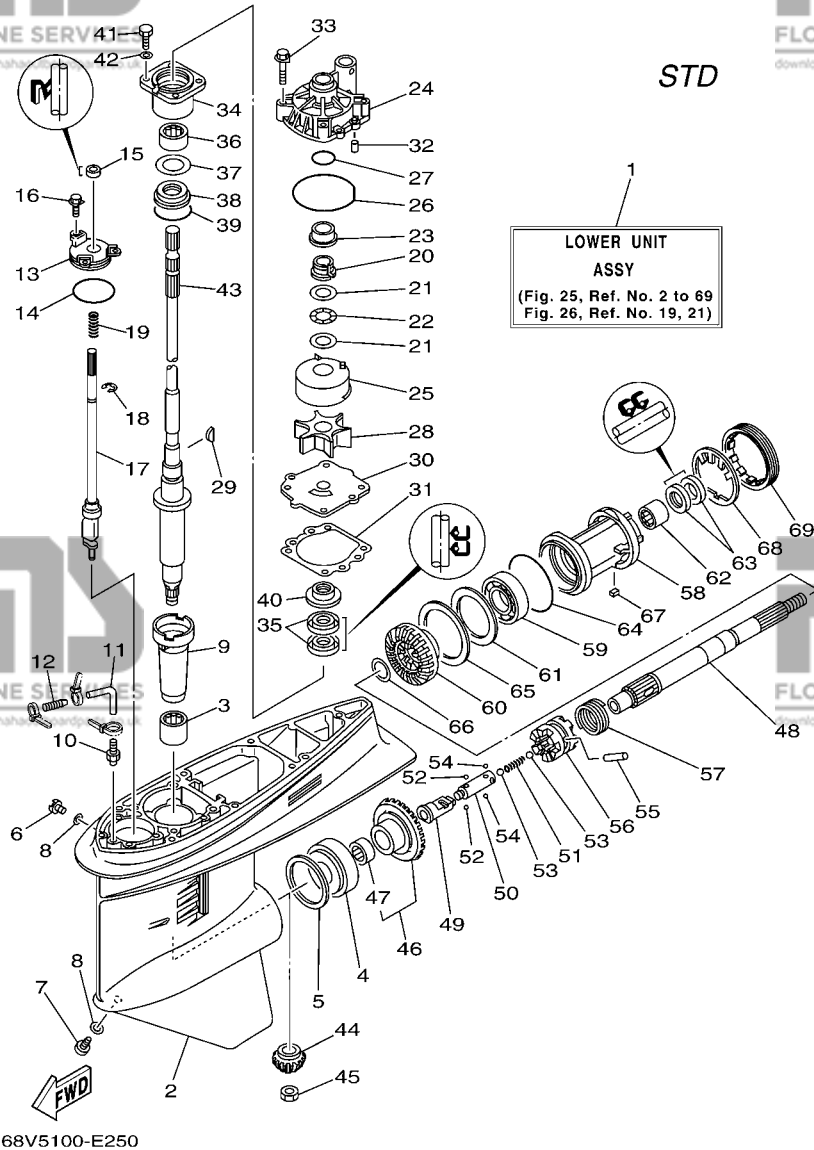
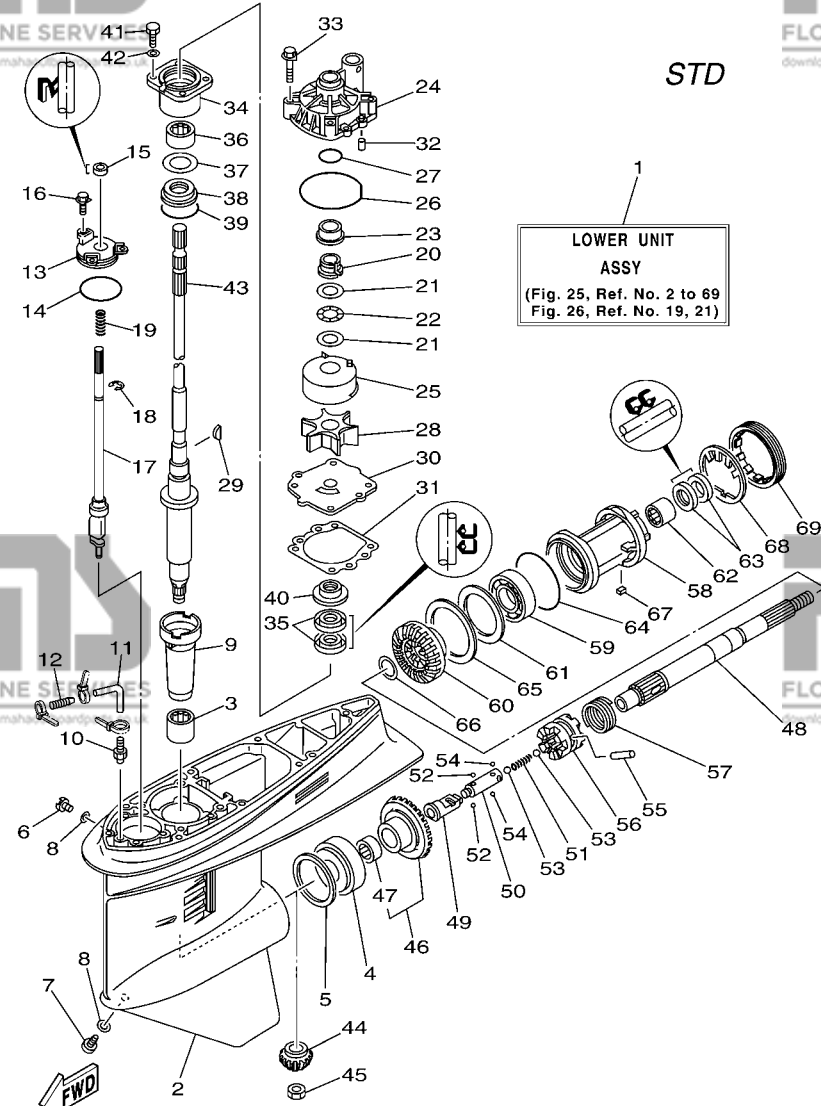


FIG. 25 LOWER CASING & DRIVE 1

BOITIER D'HELICE TRANSMISSION1

REF. NO.	PART NO. N° PIECES	DESCRIPTION DESCRIPTION	68V5	68W5	REMARKS REMARQUES
41	97095-08025	BOLT BOULON	4		
42	92995-08600	WASHER RONDELLE	4		
43	68V-45501-10	DRIVE SHAFT COMP. ARBRE MOTEUR COMP.	1		L (20.3")
	68V-45501-30	DRIVE SHAFT COMP. ARBRE MOTEUR COMP.	1		L (20.3")
44	68V-45551-00	PINION (13T) PIGNON D'ATTAQUE (13D)	1		X (25.3")
45	90170-16M01	NUT ECROU	1		X (25.3")
46	68V-45560-00	GEAR 1 (28T) PIGNON 1 (28T)	1		
47	93315-425U7	.BEARING .ROULEMENT	1		
48	6E5-45611-01	SHAFT, PROPELLER ARBRE, HELICE	1		
49	6K1-45641-01	SHIFTER EMBRAYAGE	1		
50	6E5-45634-01	SLIDE, SHIFT CONTRE-POUSSOIR	1		
51	90501-16M37	SPRING, COMPRESSION RESSORT, COMPRESSION	1		
52	93507-32009	BALL BILLE	2		
53	93511-32017	BALL BILLES	2		
54	93503-16003	BALL BILLES	2		
55	90250-08M07	PIN, STRAIGHT GOUPILLE, DROITE	1		
56	68V-45631-01	CLUTCH, DOG CRABOT	1		
57	6E5-45633-01	RING, CROSS PIN JONC, GOUPILLE CRABOT	1		
58	6E5-45332-00-94	HOUSING, BEARING FLASQUE, ROULEMENT	1		
59	93306-208U0	BEARING ROULEMENT	1		
60	68V-45571-00	GEAR 2 (28T) PIGNON 2 (28T)	1		
61	6E5-45576-00	WASHER, THRUST RONDELLE DE CALAGE	1		
62	93315-430U8	BEARING ROULEMENT	1		
63	93101-30M17	OIL SEAL JOINT SPY	2		
64	93210-86M39	O-RING JOINT TORIQUE	1		
65	6L6-45577-00	SHIM (T:0.10MM) CALE (T:0.10MM)	1		UR
	6L6-45577-10	SHIM (T:0.12MM) CALE (T:0.12MM)	1		UR

**B5**



68V5100-E250

FIG. 25 LOWER CASING & DRIVE 1

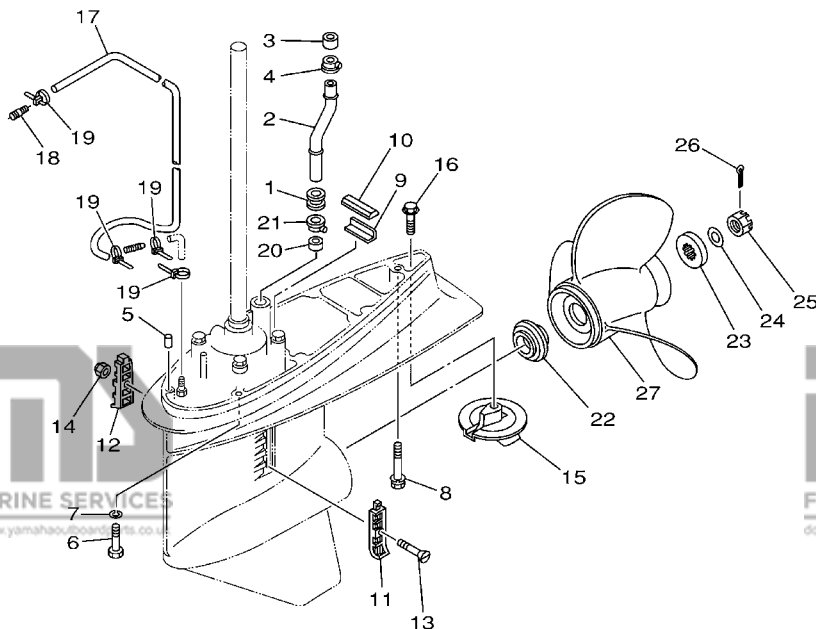
BOITIER D'HELICE TRANSMISSION1

REF. NO.	PART NO. N° PIECES	DESCRIPTION DESCRIPTION	68V5	68W5	REMARKS REMARQUES
65	6L6-45577-20	SHIM (T:0.15MM) CALE (T:0.15MM)	1		UR UR
	6L6-45577-30	SHIM (T:0.18MM) CALE (T:0.18MM)	1		UR UR
	6L6-45577-40	SHIM (T:0.30MM) CALE (T:0.30MM)	1		UR UR
	6L6-45577-50	SHIM (T:0.40MM) CALE (T:0.40MM)	1		UR UR
	6L6-45577-60	SHIM (T:0.50MM) CALE (T:0.50MM)	1		UR UR
66	90201-30M92	WASHER, PLATE RONDELLE, PLATE	2		
67	90282-04010	KEY, STRAIGHT CLAVETTE, DROITE	1		
68	688-45383-02	WASHER, CLAW FREIN D'ECROU	1		
69	688-45384-00	NUT ECROU	1		

B6



STD



68V0100-1290

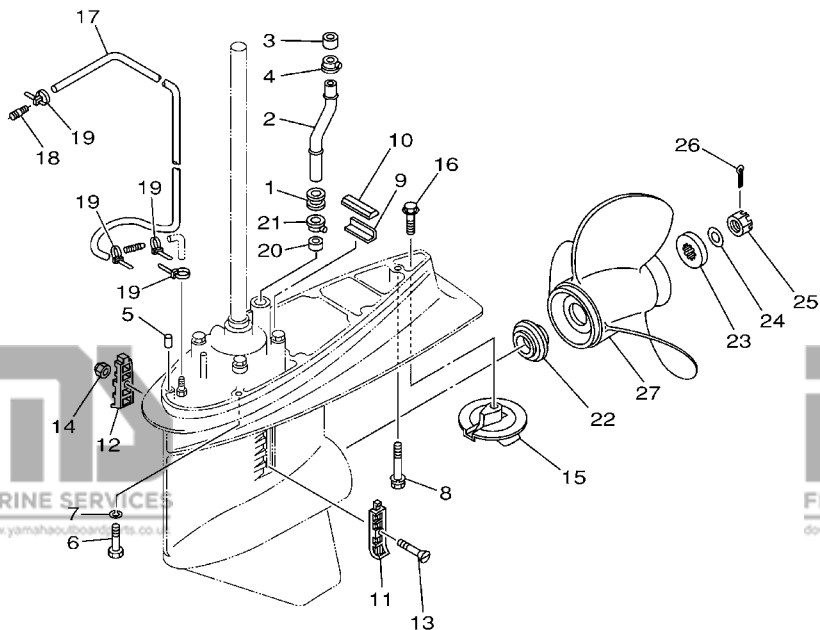
FIG. 26 LOWER CASING & DRIVE 2

BOITIER D'HELICE TRANSMISSION2

REF. NO.	PART NO. N° PIECES	DESCRIPTION DESCRIPTION	68V5	68W5	REMARKS REMARQUES
1	6E5-44366-00	DAMPER, WATER SEAL JOINT, TUBE D'EAU	1		
2	68V-44361-11	TUBE, WATER TUBE D'EAU	1		L (20.3")
	68V-44361-30	TUBE, WATER TUBE D'EAU	1		L (20.3") X (25.3") X (25.3")
3	6E5-44365-00	DAMPER, WATER SEAL JOINT, TUBE D'EAU	1		
4	6E5-44312-00	COVER, WATER PUMP HOUSING COUVERCLE	1		
5	93608-12M05	PIN, DOWEL AXE	2		
6	97075-10045	BOLT BOULON	6		
7	92995-10100	WASHER RONDELLE	6		
8	90119-10M89	BOLT, WITH WASHER BOULON, AVEC RONDELLE	1		
9	663-45376-00-94	GUIDE, SEAL DAMPER BUTEE, JOINT CAOUTCHOUC	1		
10	688-45375-00	DAMPER, SEAL BOURRELET, CAOUTCHOUC	1		
11	688-45214-02	COVER, WATER INLET 1 GRILLE, ENTREE D'EAU 1	1		
12	688-45215-02	COVER, WATER INLET 2 GRILLE, ENTREE D'EAU 2	1		
13	90152-05M07	SCREW, COUNTERSUNK VIS, TETE NOYEE	1		
14	90185-05002	NUT, SELF-LOCKING ECROU, AUTO-BLOQUANT	1		
15	6E5-45371-01	TAB-TRIM ANODE DERIVE	1		
16	90105-10M00	BOLT, FLANGE BOULON	1		
17	90445-076K2	HOSE (L1550) DURITE (L1550)	1		
18	6E5-83558-00	END, NIPPLE RACCORD DE NIPPLE	1		
19	90465-11M10	CLAMP BRIDE	4		
20	6E5-44365-00	DAMPER, WATER SEAL JOINT, TUBE D'EAU	1		
21	6E5-44312-00	COVER, WATER PUMP HOUSING COUVERCLE	1		
22	63P-45987-00	SPACER ENTRETOISE	1		
23	688-45997-01	SPACER ENTRETOISE	1		
24	92990-18200	WASHER RONDELLE, PLATE	1		
25	90171-18M04	NUT, CASTLE ECROU, CRENELE	1		
26	91490-40030	PIN, COTTER GOUPILLE	1		

B7

STD



**FWD**  
68V0100-1290

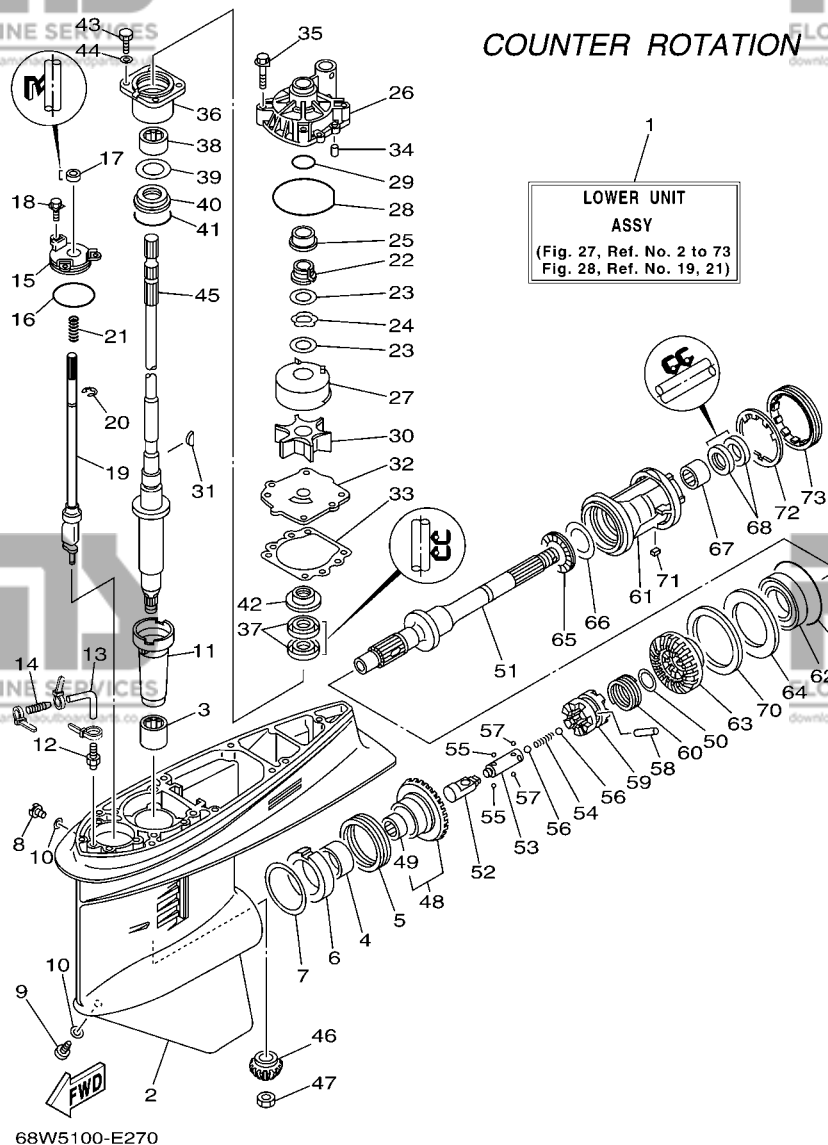
FIG. 26 LOWER CASING & DRIVE 2

BOITIER D'HELICE TRANSMISSION2

REF. NO.	PART NO. N° PIECES	DESCRIPTION DESCRIPTION	68V5	68W5	REMARKS REMARQUES
27	6E5-45941-00-EL	PROPELLER (3X13"X19"-K) HELICE (3X13"X19"-K)	1		UR UR
	6E5-45943-00-EL	PROPELLER (3X12-5/8"X21"-K) HELICE (3X12-5/8"X21"-K)	1		UR UR
	6E5-45945-01-EL	PROPELLER (3X13-1/4"X17"-K) HELICE (3X13-1/4"X17"-K)	1		UR UR
	6E5-45947-00-EL	PROPELLER (3X13-1/2"X15"-K) HELICE (3X13-1/2"X15"-K)	1		UR UR
	6E5-45949-00-EL	PROPELLER (3X13-5/8"X13"-K) HELICE (3X13-5/8"X13"-K)	1		UR UR
	6E5-45952-00-EL	PROPELLER (3X13"X23"-K) HELICE (3X13"X23"-K)	1		UR UR
	6E5-45954-00-EL	PROPELLER (3X14"X11"-K) HELICE (3X14"X11"-K)	1		UR UR
	6E5-45956-00-EL	PROPELLER (3X13"X25"-K) HELICE (3X13"X25"-K)	1		UR UR
	688-45930-02-98	PROPELLER (3X13"X17"-K) HELICE (3X13"X17"-K)	1		UR UR
	688-45932-60-98	PROPELLER (3X13-1/2"X14"-K) HELICE (3X13-1/2"X14"-K)	1		UR UR
	688-45970-03-98	PROPELLER (3X13"X19"-K) HELICE (3X13"X19"-K)	1		UR UR
	688-45972-02-98	PROPELLER (3X13"X21"-K) HELICE (3X13"X21"-K)	1		UR UR
	688-45974-02-98	PROPELLER (3X13"X23"-K) HELICE (3X13"X23"-K)	1		UR UR
	688-45976-01-98	PROPELLER (3X13"X25"-K) HELICE (3X13"X25"-K)	1		UR UR
	688-45978-60-98	PROPELLER (3X13-1/2"X16"-K) HELICE (3X13-1/2"X16"-K)	1		UR UR
	62A-45970-10	PROPELLER (3X13-1/2"X21"-K) HELICE (3X13-1/2"X21"-K)	1		UR UR
	62A-45972-10	PROPELLER (3X13-1/2"X23"-K) HELICE (3X13-1/2"X23"-K)	1		UR UR
	62A-45974-10	PROPELLER (3X13-1/2"X19"-K) HELICE (3X13-1/2"X19"-K)	1		UR UR

**FIG. 27 LOWER CASING & DRIVE 3**

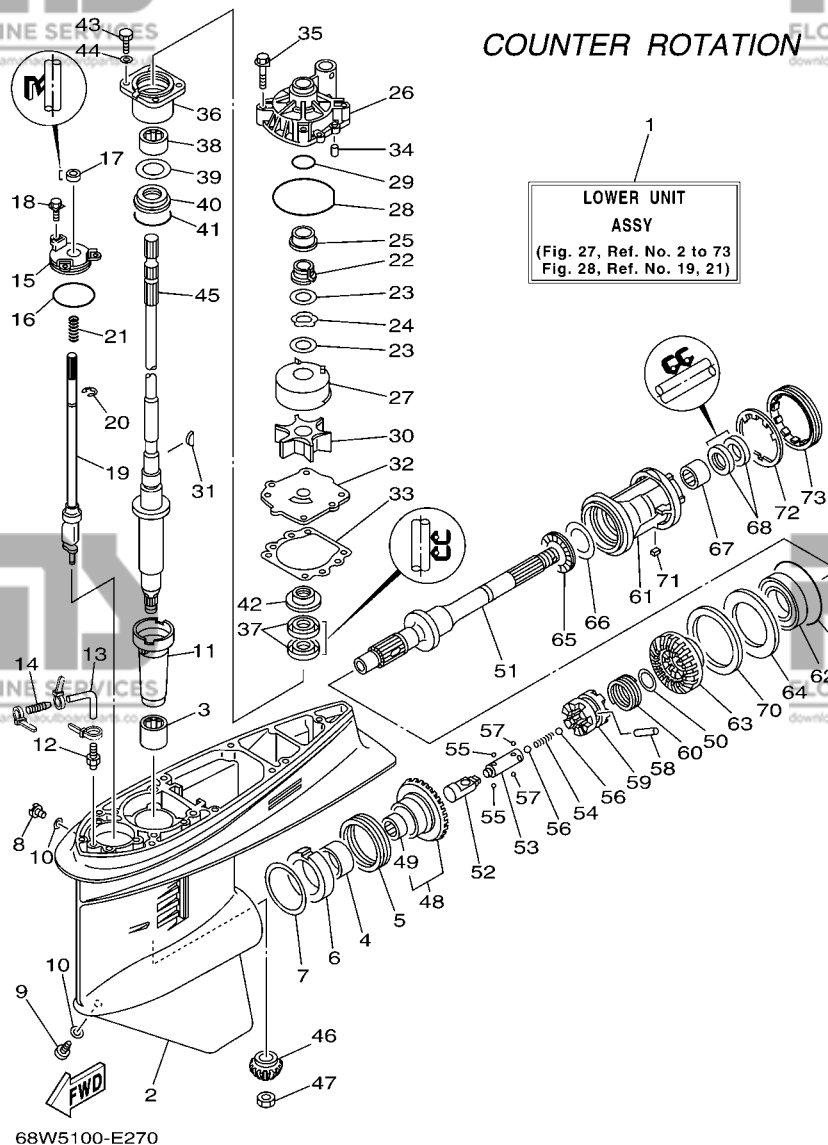
**BOITIER D'HELICE TRANSMISSION3**



REF. NO.	PART NO. N° PIECES	DESCRIPTION DESCRIPTION	68V5	68W5	REMARKS REMARQUES
1	68W-45300-32-8D	LOWER UNIT ASSY UNITE INFERIEURE (ENS.)		1	X (25.3"),LH X (25.3"),LH
2	6E5-45301-05-8D	CASING, LOWER BEQUILLE		1	
3	93315-628U9	BEARING ROULEMENT		1	
4	93315-345W0	BEARING ROULEMENT		1	
5	93341-360U8	BEARING CERVEAUX DE DIRECTION		1	
6	6L6-45538-00	SPACER 1 ENTRETOISE		1	
7	6E5-45567-01	SHIM (T:0.10MM) CALE (T:0.10MM)		1	UR UR
	6E5-45567-10	SHIM (T:0.12MM) CALE (T:0.12MM)		1	UR UR
	6E5-45567-20	SHIM (T:0.15MM) CALE (T:0.15MM)		1	UR UR
	6E5-45567-30	SHIM (T:0.18MM) CALE (T:0.18MM)		1	UR UR
6E5-45567-40	SHIM (T:0.30MM) CALE (T:0.30MM)		1		UR UR
6E5-45567-50	SHIM (T:0.40MM) CALE (T:0.40MM)		1		UR UR
6E5-45567-60	SHIM (T:0.50MM) CALE (T:0.50MM)		1		UR UR
8	90340-08002	PLUG, STRAIGHT SCREW PLOT, FILETE DROIT		1	
9	688-45341-10	PLUG, DRAIN BOUCHON DE VIDANGE		1	
10	90430-08020	GASKET JOINT		2	
11	6E5-45536-00	SLEEVE, DRIVE SHAFT MANCHON, ARBRE MOTEUR		1	
12	6E5-45378-00	NIPPLE, HOSE RACCORD, TUYAU		1	
13	90445-07ME9	HOSE (L120) DURITE (L120)		1	X (25.3") X (25.3")
14	6E5-83558-10	END, NIPPLE RACCORD DE NIPPLE		1	
15	6E5-45321-00	PLATE PLAQUETTE		1	
16	93210-58144	O-RING JOINT TORIQUE		1	
17	93106-09014	OIL SEAL JOINT SPY		1	
18	90119-06M10	BOLT, WITH WASHER BOULON, AVEC RONDELLE		3	
19	6E5-44150-02	SHIFT CAM ASSY CAME D'INVERSION		1	
20	99001-08600	CIRCLIP CIRCLIP		1	
21	90501-11M10	SPRING, COMPRESSION RESSORT, COMPRESSION		1	

FIG. 27 LOWER CASING & DRIVE 3

BOITIER D'HELICE TRANSMISSION3



COUNTER ROTATION

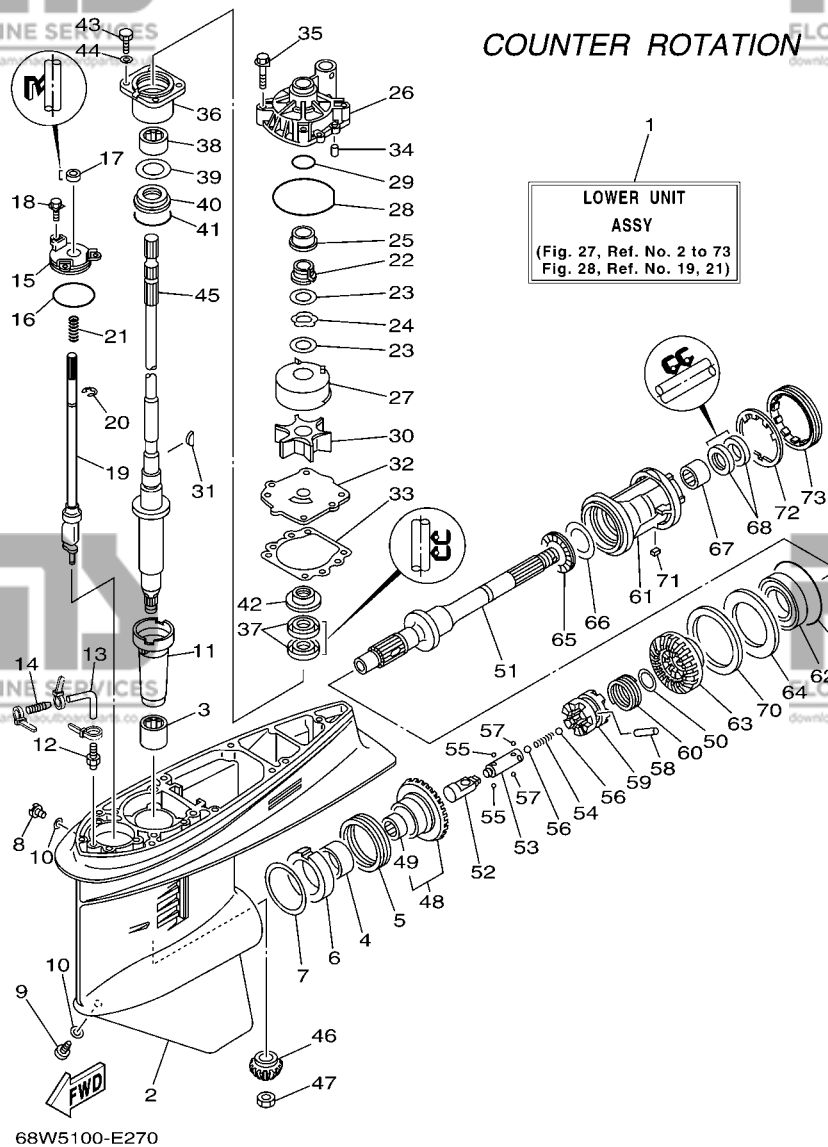
LOWER UNIT  
ASSY  
(Fig. 27, Ref. No. 2 to 73  
Fig. 28, Ref. No. 19, 21)

REF. NO.	PART NO. N° PIECES	DESCRIPTION DESCRIPTION	68V5	68W5	REMARKS REMARQUES
22	61A-45538-00	SPACER 1 ENTRETOISE		1	
23	90201-22M01	WASHER, PLATE RONDELLE, PLATE		2	
24	90206-22M19	WASHER, WAVE RONDELLE, ONDULEE		1	
25	61A-45527-00	COLLAR, DRIVE SHAFT ENTRETOISE		1	
26	61A-44311-01	HOUSING, WATER PUMP CORPS, POMPE A EAU		1	
27	61A-44322-02	INSERT, CARTRIDGE CUVETTE		1	
28	93210-86M38	O-RING JOINT TORIQUE		1	
29	93210-37160	O-RING JOINT TORIQUE		1	
30	6E5-44352-01	IMPELLER TURBINE		1	
31	90280-04M05	KEY, WOODRUFF CLAVETTE, DEMI-LUNE		1	
32	68V-44323-00	OUTER PLATE, CARTRIDGE PLAQUE EXTERIEURE		1	
33	6E5-44315-A0	GASKET, WATER PUMP JOINT, POMPE A EAU		1	
34	93606-12019	PIN, DOWEL GOUPILLE		2	
35	90119-08M14	BOLT, WITH WASHER BOULON, AVEC RONDELLE		4	
36	6E5-45331-00-94	HOUSING, BEARING FLASQUE, ROULEMENT		1	
37	93101-28M16	OIL SEAL JOINT SPY		2	
38	93317-330U2	BEARING ROULEMENT		1	
39	6E5-45587-01	SHIM (T:0.10MM) CALE (T:0.10MM)		1	UR
	6E5-45587-10	SHIM (T:0.12MM) CALE (T:0.12MM)		1	UR
	6E5-45587-20	SHIM (T:0.15MM) CALE (T:0.15MM)		1	UR
	6E5-45587-30	SHIM (T:0.18MM) CALE (T:0.18MM)		1	UR
	6E5-45587-40	SHIM (T:0.30MM) CALE (T:0.30MM)		1	UR
	6E5-45587-50	SHIM (T:0.40MM) CALE (T:0.40MM)		1	UR
	6E5-45587-60	SHIM (T:0.50MM) CALE (T:0.50MM)		1	UR
40	93341-930V2	BEARING CERVEAUX DE DIRECTION		1	
41	93210-55M14	O-RING JOINT TORIQUE		1	
42	6E5-45344-00	COVER, OIL SEAL FLASQUE, JOINT D'HUILE		1	

C3

**FIG. 27 LOWER CASING & DRIVE 3**

**BOITIER D'HELICE TRANSMISSION3**



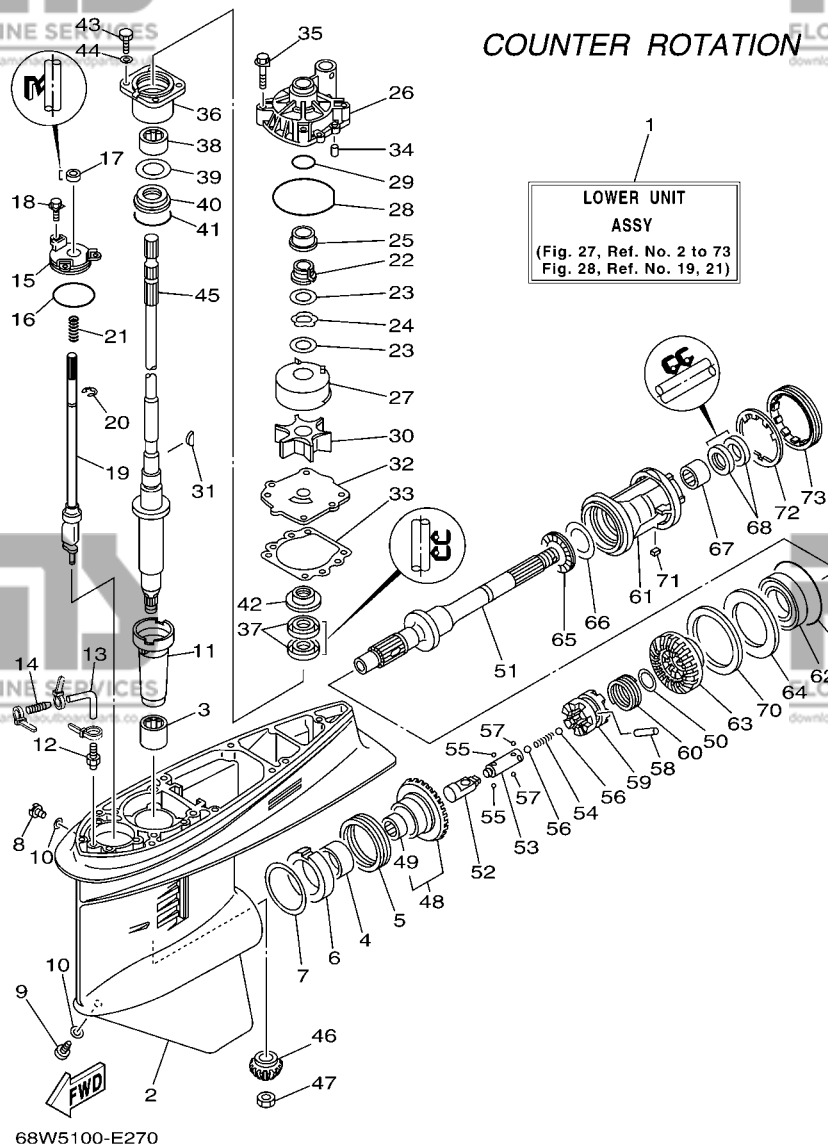
COUNTER ROTATION

**LOWER UNIT  
ASSY**  
(Fig. 27, Ref. No. 2 to 73  
Fig. 28, Ref. No. 19, 21)

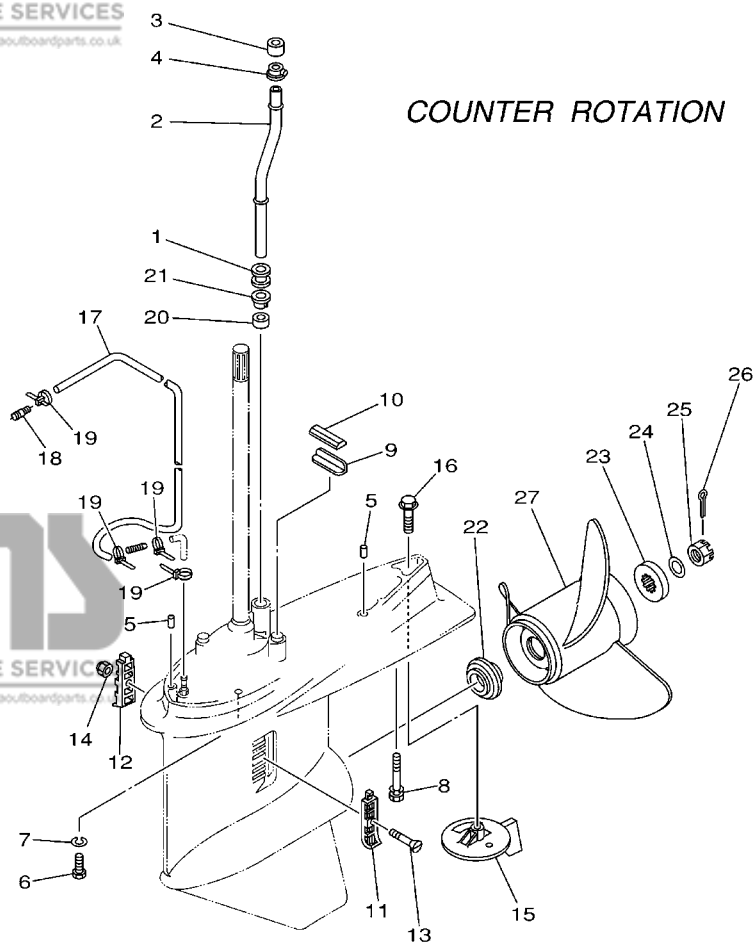
REF. NO.	PART NO. N° PIECES	DESCRIPTION DESCRIPTION	68V5	68W5	REMARKS REMARQUES
43	97095-08025	BOLT BOULON		4	
44	92995-08600	WASHER RONDELLE		4	
45	68V-45501-30	DRIVE SHAFT COMP. ARBRE MOTEUR COMP.		1	X (25.3") X (25.3")
46	68V-45551-00	PINION (13T) PIGNON D'ATTAQUE (13D)		1	
47	90170-16M01	NUT ECROU		1	
48	68W-45560-00	GEAR 1 (28T) PIGNON 1 (28T)		1	
49	93315-425U7	.BEARING .ROULEMENT		1	
50	90201-26M00	WASHER, PLATE RONDELLE, PLATE		1	
51	68W-45611-00	SHAFT, PROPELLER ARBRE, HELICE		1	
52	6E5-45641-03	SHIFTER EMBRAYAGE		1	
53	6E5-45634-01	SLIDE, SHIFT CONTRE-POUSSOIR		1	
54	90501-16M37	SPRING, COMPRESSION RESSORT, COMPRESSION		1	
55	93507-32009	BALL BILLE		2	
56	93511-32017	BALL BILLES		2	
57	93503-16003	BALL BILLES		2	
58	90250-08M07	PIN, STRAIGHT GOUPILLE, DROITE		1	
59	68V-45631-01	CLUTCH, DOG CRABOT		1	
60	6E5-45633-01	RING, CROSS PIN JONC, GOUPILLE CRABOT		1	
61	6L6-45332-00-94	HOUSING, BEARING FLASQUE, ROULEMENT		1	
62	93332-000V7	BEARING ROULEMENT		1	
63	68W-45570-10	GEAR 2 (28T) PIGNON 2 (28T)		1	
64	6L6-45576-00	WASHER, THRUST RONDELLE DE CALAGE		1	
65	93341-440U5	BEARING CERVEAUX DE DIRECTION		1	
66	6K1-45578-01	SHIM (T:0.10MM) CALE (T:0.10MM)		1	UR
	6K1-45578-10	SHIM (T:0.12MM) CALE (T:0.12MM)		1	UR
	6K1-45578-20	SHIM (T:0.15MM) CALE (T:0.15MM)		1	UR
	6K1-45578-30	SHIM (T:0.18MM) CALE (T:0.18MM)		1	UR

**FIG. 27 LOWER CASING & DRIVE 3**

**BOITIER D'HELICE TRANSMISSION3**



REF. NO.	PART NO. N° PIECES	DESCRIPTION DESCRIPTION	68V5	68W5	REMARKS REMARQUES
66	6K1-45578-40	SHIM (T:0.30MM) CALE (T:0.30MM)		1	UR
	6K1-45578-50	SHIM (T:0.40MM) CALE (T:0.40MM)		1	UR
	6K1-45578-60	SHIM (T:0.50MM) CALE (T:0.50MM)		1	UR
67	93317-330U5	BEARING ROULEMENT		1	UR
68	93101-30M17	OIL SEAL JOINT SPY		2	
69	93210-86M39	O-RING JOINT TORIQUE		1	
70	6L6-45577-00	SHIM (T:0.10MM) CALE (T:0.10MM)		1	UR
	6L6-45577-10	SHIM (T:0.12MM) CALE (T:0.12MM)		1	UR
	6L6-45577-20	SHIM (T:0.15MM) CALE (T:0.15MM)		1	UR
	6L6-45577-30	SHIM (T:0.18MM) CALE (T:0.18MM)		1	UR
	6L6-45577-40	SHIM (T:0.30MM) CALE (T:0.30MM)		1	UR
	6L6-45577-50	SHIM (T:0.40MM) CALE (T:0.40MM)		1	UR
	6L6-45577-60	SHIM (T:0.50MM) CALE (T:0.50MM)		1	UR
71	90282-04010	KEY, STRAIGHT CLAVETTE, DROITE		1	
72	688-45383-02	WASHER, CLAW FREIN D'ECROU		1	
73	688-45384-00	NUT ECROU		1	



**FWD**  
68W0100-1310

**FIG. 28 LOWER CASING & DRIVE 4**

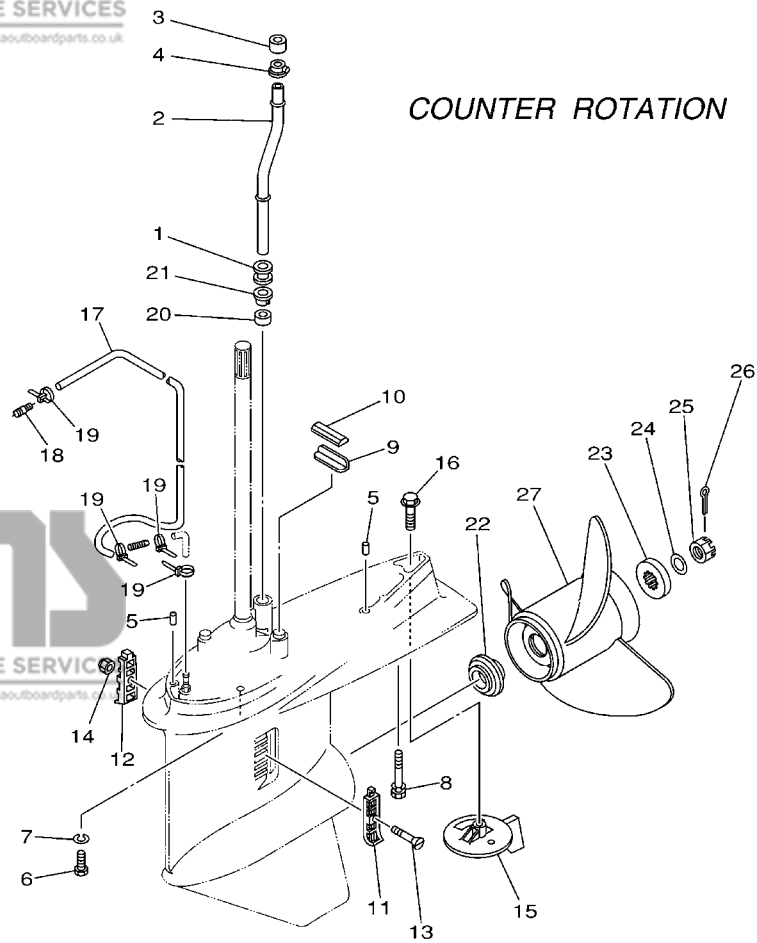
**BOITIER D'HELICE TRANSMISSION4**

REF. NO.	PART NO. N° PIECES	DESCRIPTION DESCRIPTION	68V5	68W5	REMARKS REMARQUES
1	6E5-44366-00	DAMPER, WATER SEAL JOINT, TUBE D'EAU		1	
2	68V-44361-30	TUBE, WATER TUBE D'EAU		1	X (25.3") X (25.3")
3	6E5-44365-00	DAMPER, WATER SEAL JOINT, TUBE D'EAU		1	
4	6E5-44312-00	COVER, WATER PUMP HOUSING COUVERCLE		1	
5	93608-12M05	PIN, DOWEL AXE		2	
6	97075-10045	BOLT BOULON		6	
7	92995-10100	WASHER RONDELLE		6	
8	90119-10M89	BOLT, WITH WASHER BOULON, AVEC RONDELLE		1	
9	663-45376-00-94	GUIDE, SEAL DAMPER BUTEE, JOINT CAOUTCHOUC		1	
10	688-45375-00	DAMPER, SEAL BOURRELET, CAOUTCHOUC		1	
11	688-45214-02	COVER, WATER INLET 1 GRILLE, ENTREE D'EAU 1		1	
12	688-45215-02	COVER, WATER INLET 2 GRILLE, ENTREE D'EAU 2		1	
13	90152-05M07	SCREW, COUNTERSUNK VIS, TETE NOYEE		1	
14	90185-05002	NUT, SELF-LOCKING ECROU, AUTO-BLOQUANT		1	
15	6L6-45371-00	TAB-TRIM ANODE DERIVE		1	
16	90105-10M00	BOLT, FLANGE BOULON		1	
17	90445-076K2	HOSE (L1550) DURITE (L1550)		1	
18	6E5-83558-00	END, NIPPLE RACCORD DE NIPPLE		1	
19	90465-11M10	CLAMP BRIDE		4	
20	6E5-44365-00	DAMPER, WATER SEAL JOINT, TUBE D'EAU		1	
21	6E5-44312-00	COVER, WATER PUMP HOUSING COUVERCLE		1	
22	63P-45987-00	SPACER ENTRETOISE		1	
23	688-45997-01	SPACER ENTRETOISE		1	
24	92990-18200	WASHER RONDELLE, PLATE		1	
25	90171-18M04	NUT, CASTLE ECROU, CRENELE		1	
26	91490-40030	PIN, COTTER GOUPILLE		1	
27	6L6-45930-01-98	PROPELLER (3X13"X17"-KL) HELICE (3X13"X17"-KL)		1	UR UR

**C6**

**FIG. 28 LOWER CASING & DRIVE 4**

**BOITIER D'HELICE TRANSMISSION4**

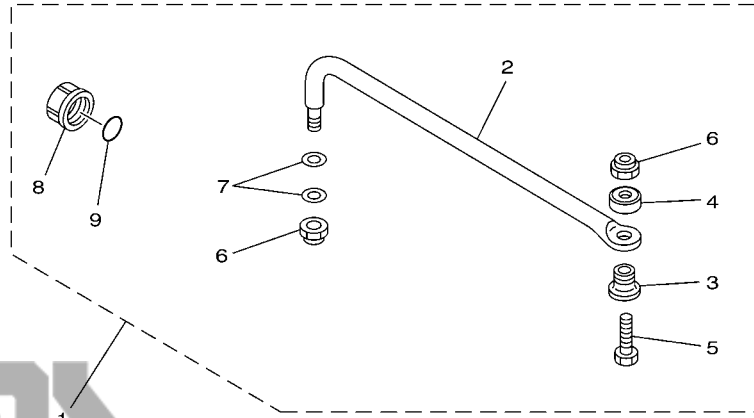


  
 68W0100-1310

REF. NO.	PART NO. N° PIECES	DESCRIPTION DESCRIPTION	68V5	68W5	REMARKS REMARQUES
27	6L6-45970-00-98	PROPELLER (3X13"X19"-KL) HELICE (3X13"X19"-KL)		1	UR UR
	6L6-45972-00-98	PROPELLER (3X13"X21"-KL) HELICE (3X13"X21"-KL)		1	UR UR
-----					
-----					
-----					
-----					
-----					
-----					
-----					
-----					
-----					



**FIG. 29 STEERING GUIDE ATTACHMENT 1 DIRECTION GUIDE ACCESSOIRE 1**

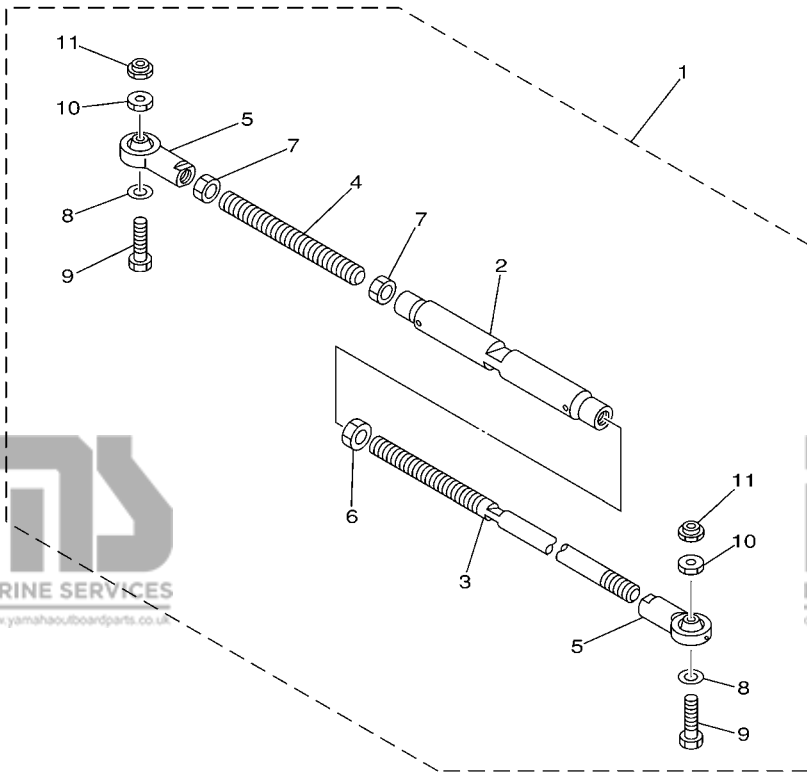


REF. NO.	PART NO. N° PIECES	DESCRIPTION DESCRIPTION	68V5	68W5	REMARKS REMARQUES
1	6E5-61350-02	STEERING GUIDE ATTACHMENT KIT FIXATIONS DE DIRECTION	1	1	AP AP
2	6E5-61351-01	.ROD, STEERING LINK .RENOI DE DIRECTION	1	1	
3	90387-10M61	.COLLAR .COLLERETTE	1	1	
4	90560-12M01	.SPACER .ENTRETOISE	1	1	
5	6E5-61355-00	.BOLT .BOULON	1	1	
6	90185-09M01	.NUT, SELF-LOCKING .ECROU,AUTO-BLOQUANT	2	2	
7	90201-10M20	.WASHER, PLATE .RONDELLE, PLATE	2	2	
8	6E5-43145-01	.CAP CLAMP BRACKET .CAPUCHON, PRESSE	1	1	
9	93210-16275	.O-RING .JOINT TORIQUE	1	1	

67H0100-9290

**D1**

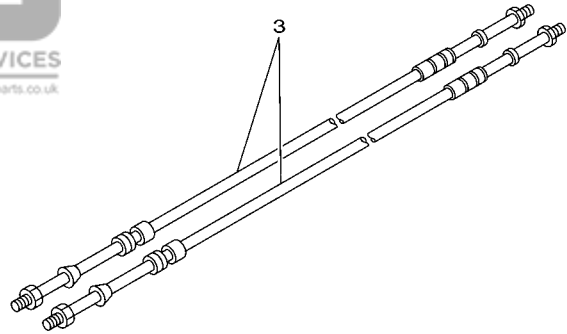
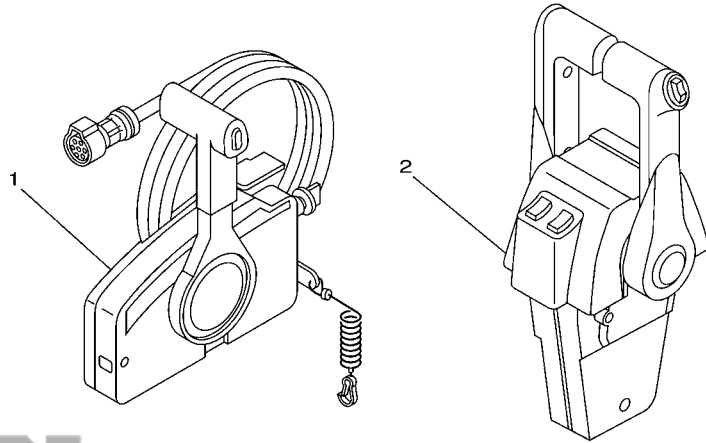
**FIG. 30 STEERING GUIDE ATTACHMENT 2 DIRECTION GUIDE ACCESSOIRE 2**



REF. NO.	PART NO. N° PIECES	DESCRIPTION DESCRIPTION	68V5	68W5	REMARKS REMARQUES
1	6E5-61301-01	TWIN KIT (L:600-800MM) JUMELE KIT (L:600-800MM)		1	AP AP
2	6E5-61313-00	.ADJUSTER .TENDEUR		1	
3	6E5-61311-11	.TIE BAR .BARRE D'ACCOUPEMENT		1	
4	6E5-61315-00	.TIE BAR .BARRE D'ACCOUPEMENT		1	
5	6E5-61303-00	.STEERING EYE COMP. .AXE COMP.		2	
6	90170-14M06	.NUT .ECROU		1	
7	95380-14700	.NUT .ECROU		2	
8	90201-10M76	.WASHER, PLATE .RONDELLE, PLATE		2	
9	90101-09M70	.BOLT .BOULON		2	
10	90170-09M05	.NUT .ECROU		2	
11	90185-09M01	.NUT, SELF-LOCKING .ECROU,AUTO-BLOQUANT		2	

67H0100-0300

**D2**



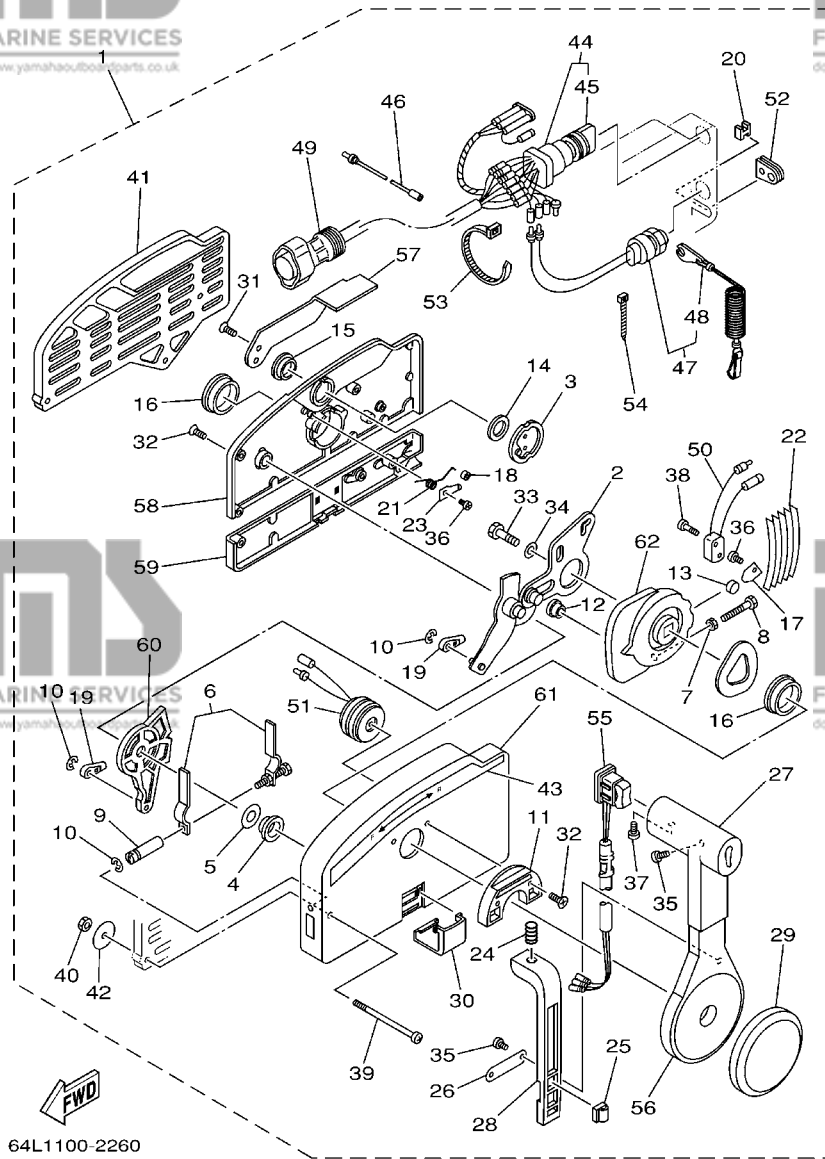
**FWD**  
68V4100-D350

**FIG. 31 REMOTE CONTROL BOX**

**BOITIER DE COMMANDE A DISTANCE**

REF. NO.	PART NO. N° PIECES	DESCRIPTION DESCRIPTION	68V5	68W5	REMARKS REMARQUES
1	703-48205-17	REMOTE CONTROL ASSY (10P) BOITIER DE COMMANDE A DISTANCE	1		AP WITH PT/T SW. AP WITH PT/T SW.
2	704-48207-P0	REMOTE CONTROL ASSY BOITIER DE COMMANDE A DISTANCE		1	AP WITH PT/T SW. AP WITH PT/T SW.
3	701-48320-50	CABLE, REMOTE CONTROL L=15F CABLE, COMMANDE A DISTANCE:15F	2	2	UR UR
	701-48320-60	CABLE, REMOTE CONTROL L=16F CABLE, COMMANDE A DISTANCE:16F	2	2	UR UR
	701-48320-80	CABLE, REMOTE CONTROL L=17F CABLE, COMMANDE A DISTANCE:17F	2	2	UR UR
	701-48350-00	CABLE, REMOTE CONTROL L=21F CABLE, COMMANDE A DISTANCE:21F	2	2	UR UR
	701-48350-20	CABLE, REMOTE CONTROL L=23F CABLE, COMMANDE A DISTANCE:23F	2	2	UR UR

**D3**

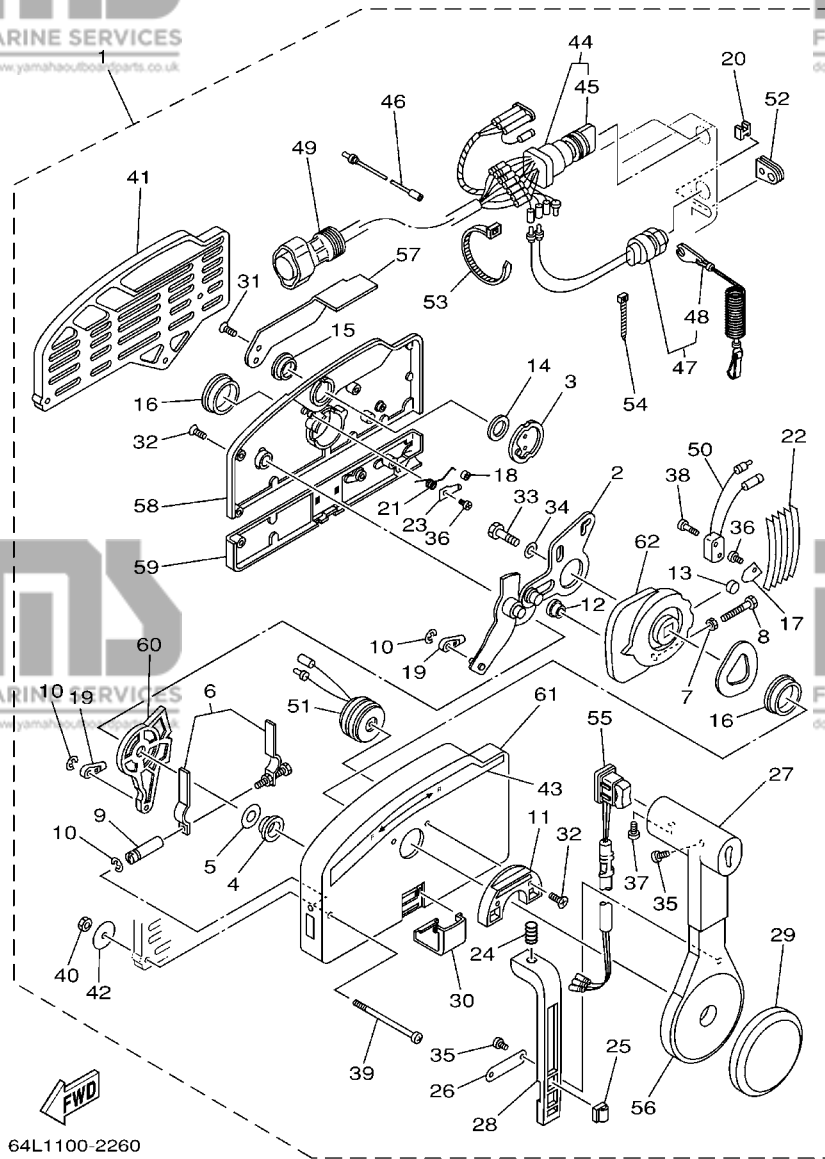


64L1100-2260

**FIG. 32 REMOTE CONTROL ASSY 1 BOITIER DE COMMANDE A DISTANCE**

REF. NO.	PART NO. N° PIECES	DESCRIPTION DESCRIPTION	68V5	68W5	REMARKS REMARQUES
1	703-48205-17	REMOTE CONTROL ASSY (10P) BOITIER DE COMMANDE A DISTANCE	1		AP WITH PT/T SW. AP WITH PT/T SW.
2	703-48261-01	.ARM, THROTTLE .BRAS, ACCELERATION	1		
3	703-48153-00	.SHAFT, FREE ACCEL. .AXE	1		
4	703-48235-00	.BUSHING .COUSSINET	1		
5	703-48268-00	.SPACER .ENTRETOISE	1		
6	703-48264-00	.FRICTION, THROTTLE .FRICTION, ACCELERATION	1		
7	95380-05600	.NUT .ECROU	1		
8	97380-05025	.BOLT .BOULON, HEXAGONAL	1		
9	703-48265-00	.SHAFT, FRICTION .AXE, COPILOTE	1		
10	93430-06024	.CIRCLIP .CLIPS	3		
11	703-48245-00	.PLATE, LOCK .PLAQUE, VERROU	1		
12	703-48252-00	.ROLLER, CAM .POULIE	1		
13	701-48248-00	.ROLLER, FREE ACCEL. .POULIE	1		
14	703-48198-00	.WASHER, WAVE .RONDELLE, ELASTIQUE ONDULEE	1		
15	703-48243-00	.BUSHING .COUSSINET	1		
16	703-48236-00	.BUSHING 1 .POULIE	2		
17	703-48189-00	.RETAINER .FLASQUE	1		
18	703-48234-00	.ROLLER, DETENT .POULIE	1		
19	703-48345-01	.CABLE END, REMOTE CONTROL 2 .CHAPE CABLE	2		
20	703-48358-00	.ANCHOR, CABLE .COLLIER	1		
21	703-48244-00	.SPRING, FREE ACCEL. .RESSORT	1		
22	703-48238-00	.SPRING, DETENT .RESSORT	5		
23	703-48246-00	.SPACER .ENTRETOISE	1		
24	703-48227-00	.SPRING, NEUTRAL LOCK .RESSORT	1		
25	703-82594-00	.CLAMP .BRIDE	1		WITH PT/T SW. WITH PT/T SW.
26	703-48226-00	.PLATE, STOPPER .PLAQUETTE	1		
27	703-48222-00	.GRIP, CONTROL LEVER .POIGNEE, COMMANDE LEVIER	1		SINGLE SINGLE

**D4**



64L1100-2260

**FIG. 32 REMOTE CONTROL ASSY 1**

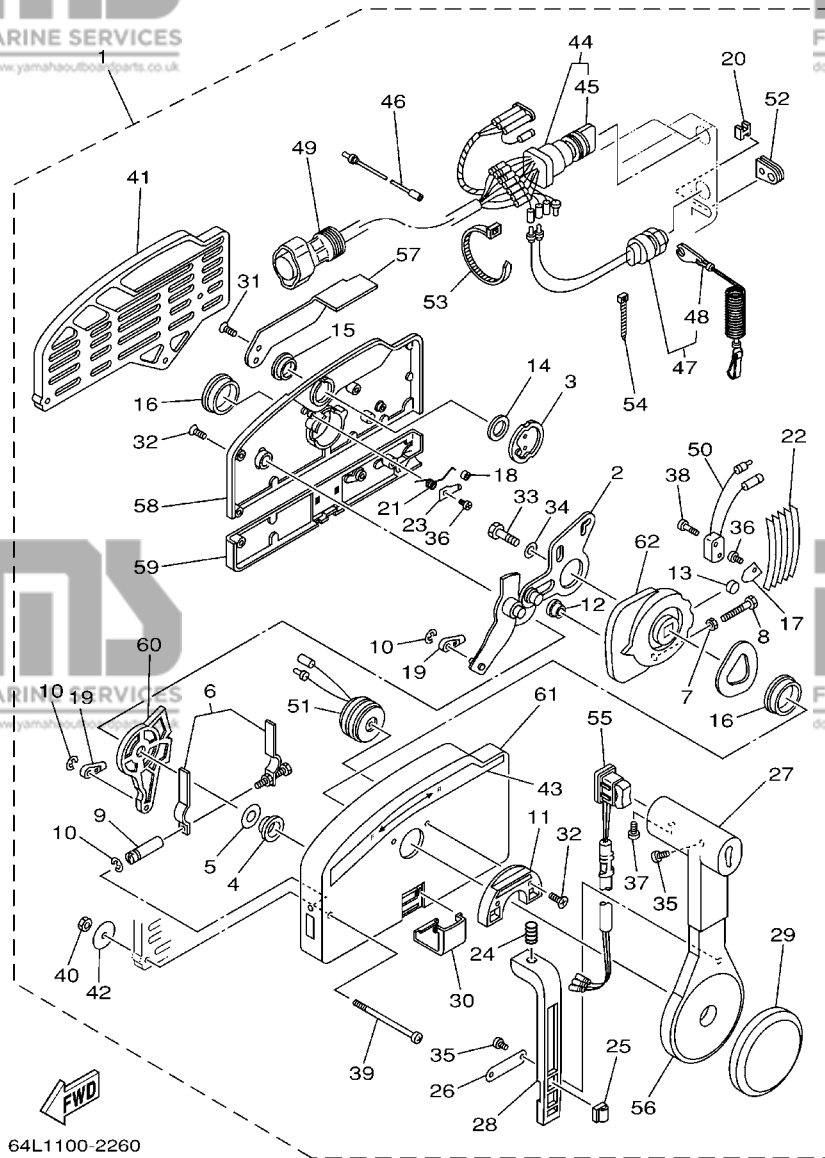
**BOITIER DE COMMANDE A DISTANCE**

REF. NO.	PART NO. N° PIECES	DESCRIPTION DESCRIPTION	68V5	68W5	REMARKS REMARQUES
28	703-48223-00	.LOCK, NEUTRAL .VERROU, NEUTRAL	1		
29	703-48225-00	.COVER .COUVERCLE	1		
30	703-48219-00	.COVER, LEAD .COUVERCLE	1		
31	703-48281-00	.SCREW .VIS	2		
32	703-48282-00	.SCREW .VIS	7		
33	97380-08030	.BOLT .BOULON, HEXAGONAL	1		
34	92990-08600	.WASHER, PLATE .RONDELLE, PLATE	1		
35	98580-04010	.SCREW, PAN HEAD .VIS	3		
36	98580-04006	.SCREW, PAN HEAD .VIS	2		
37	98580-05010	.SCREW, PAN HEAD .VIS	1		
38	98580-03015	.SCREW, PAN HEAD .VIS	2		
39	703-48291-10	.SCREW (M6) .VIS (M6)	3		
40	95380-06600	.NUT, HEXAGON .ECROU	3		
41	703-48293-10	.SPACER, REMOTE CONTROL .ENTRETOISE	1		SINGLE SINGLE
42	701-48287-00	.WASHER .RONDELLE	3		
43	703-48215-00	.GRAPHIC .ADHESIF	1		
44	703-82510-43	.MAIN SWITCH ASSY .CONTACTEUR A CLEF COMPLET	1		
45	703-82577-00	.CAP, KEY .CABOCHON	1		
46	703-82531-00	.WIRE, LEAD .FIL	1		
47	688-82575-01	.ENGINE STOP SWITCH ASSY .COUPE CIRCUIT CPLT	1		
48	682-82556-00	.LANYARD, STOP SWITCH .PLAQUETTE	1		
49	688-8258A-20	.EXTENSION, WIRE HARNESS .EXTENSION, FAISCEAU DE FILS	1		L:5M (10P) L:5M (10P)
50	703-82540-00	.NEUTRAL SWITCH ASSY .CONTACTEUR DE POINT-MORT	1		
51	703-83383-02	.BUZZER .RONFLEUR	1		
52	703-48284-00	.GROMMET .PASSE-FIL	1		
53	703-82591-00	.BAND .COLLIER	1		
54	703-82592-00	.BAND .COLLIER	1		

**D5**

**FIG. 32 REMOTE CONTROL ASSY 1**

**BOITIER DE COMMANDE A DISTANCE**

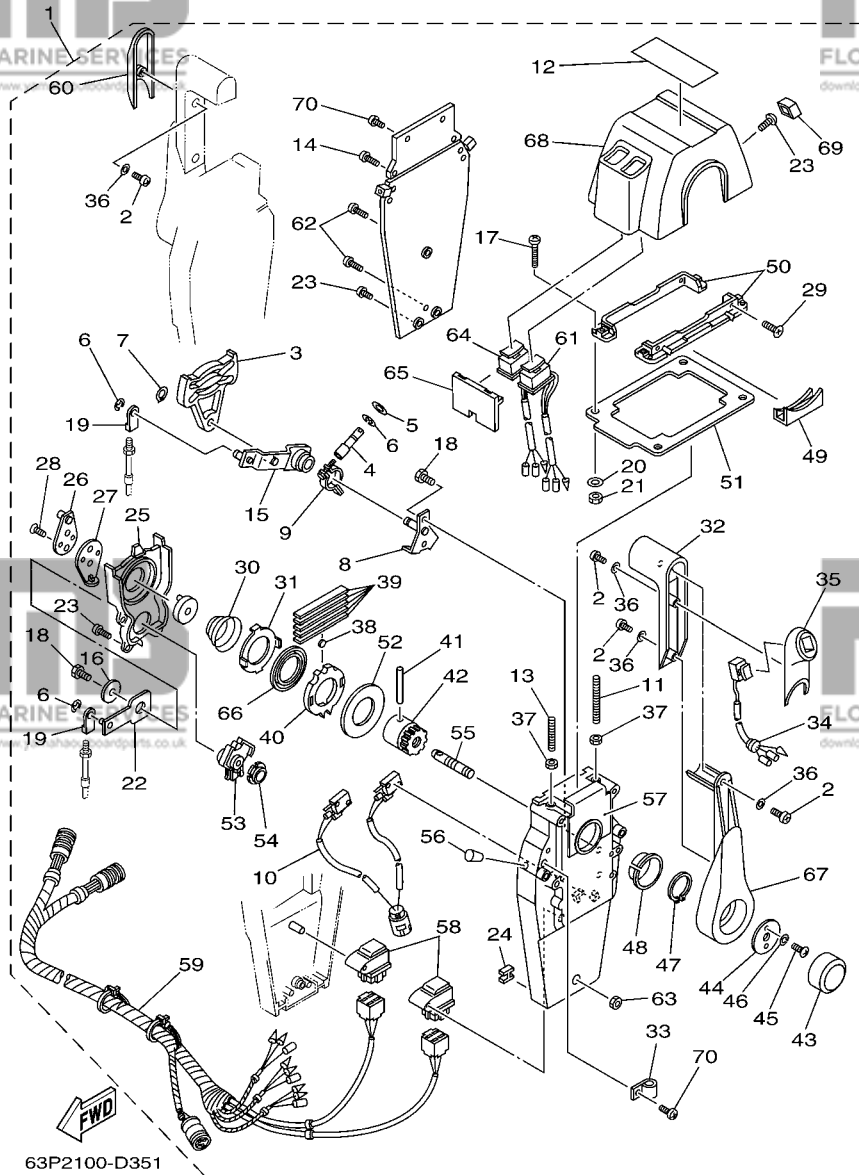


64L1100-2260

REF. NO.	PART NO. N° PIECES	DESCRIPTION DESCRIPTION	68V5	68W5	REMARKS REMARQUES
55	703-82563-02	.TRIM & TILT SWITCH ASSY .INCLINER ET PAREE COMMUTATEUR	1		WITH PT/T SW. WITH PT/T SW.
56	703-48221-00	.LEVER, CONTROL .LEVIER, COMMANDE	1		
57	703-48152-00	.KNOB, FREE ACCEL. .BOUTON	1		
58	703-48212-00	.BACK PLATE 1 .PLAQUETTE 1	1		
59	703-48213-00	.BACK PLATE 2 .PLAQUETTE 2	1		
60	703-48271-00	.ARM, SHIFT .BRAS	1		
61	703-48211-01	.HOUSING,1 .CORPS	1		
62	703-48232-00	.GEAR .PIGNON	1		

FIG. 33 REMOTE CONTROL ASSY 2

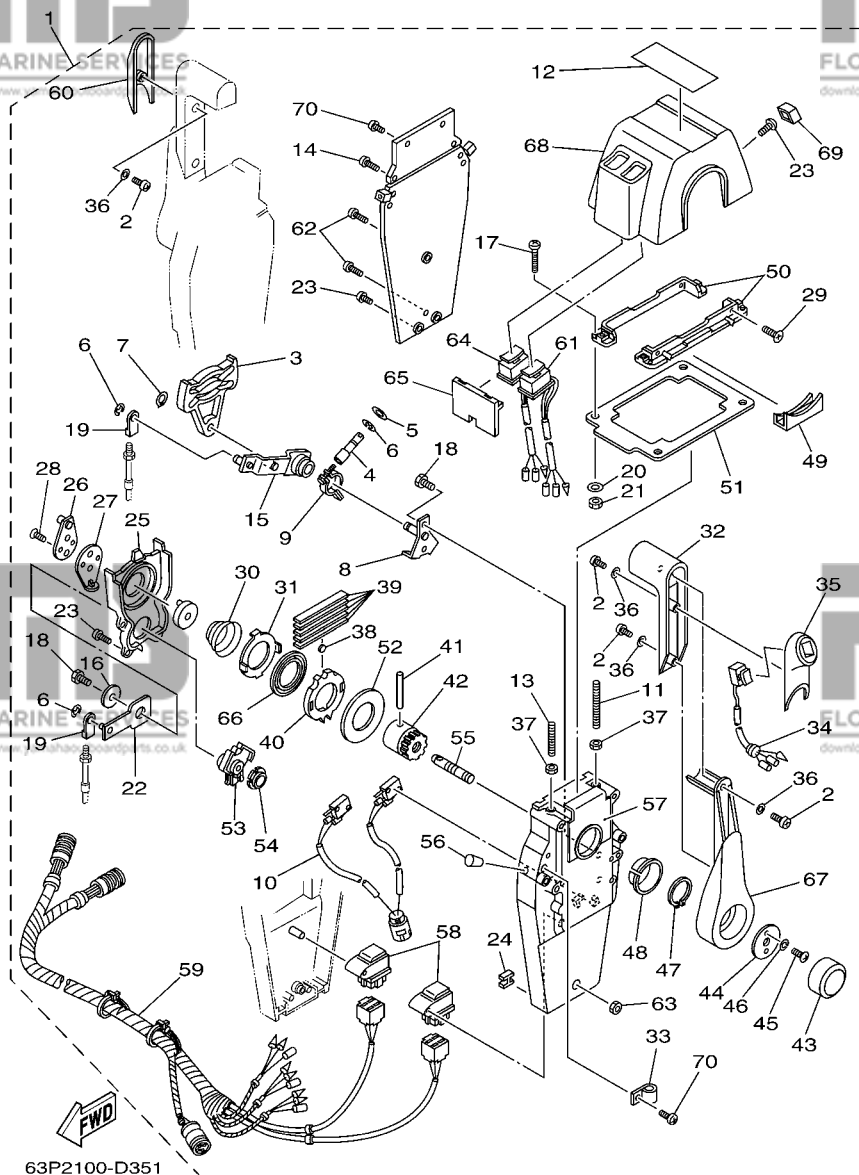
BOITIER DE COMMANDE A DISTANCE



REF. NO.	PART NO. N° PIECES	DESCRIPTION DESCRIPTION	68V5	68W5	REMARKS REMARQUES
1	704-48207-P0	REMOTE CONTROL ASSY BOITIER DE COMMANDE A DISTANCE		1	AP WITH PT/T SW. AP WITH PT/T SW.
2	704-48129-00	.SCREW 3 .VIS 3		6	
3	EL8-48251-00	.PLATE, CAM .PLAQUE, CAME		2	
4	704-48265-00	.SHAFT, FRICTION .AXE, COPILOTE		2	
5	701-48246-00	.SPACER .ENTRETOISE		2	
6	93430-06024	.CIRCLIP .CLIPS		8	
7	EL8-48259-00	.CIRCLIP 1 .CIRCLIP		2	
8	704-48262-00	.SHAFT, THROTTLE .AXE, ACCELERATION		2	
9	704-48264-00	.THROTTLE, FRICTION .FRICTION, ACCELERATION		2	
10	704-82540-30	.NEUTRAL SWITCH ASSY .CONTACTEUR DE POINT-MORT		1	
11	EL8-48281-00	.SCREW .VIS		2	
12	704-48215-30	.GRAPHIC .ADHESIF		1	
13	704-48281-00	.SCREW .VIS		2	
14	97890-05025	.SCREW, PAN HEAD .VIS, CRUCIFORME		4	
15	704-48261-00	.ARM, THROTTLE .BRAS, ACCELERATION		2	
16	EL8-48191-00	.WASHER 1 .RONDELLE		2	
17	704-48283-00	.SCREW .VIS		4	
18	97380-06018	.BOLT .BOULON, HEXAGONAL		6	
19	703-48345-01	.CABLE END, REMOTE CONTROL 2 .CHAPE CABLE		4	
20	704-48287-00	.WASHER .RONDELLE		4	
21	95380-05600	.NUT .ECROU		4	
22	704-48271-00	.ARM, SHIFT .BRAS		2	
23	EL8-48127-00	.SCREW 1 .VIS 1		18	
24	703-48358-00	.ANCHOR, CABLE .COLLIER		2	
25	704-48231-00	.HOUSING, GEAR .CARTER, ENGRENAGE		2	
26	EL8-48241-00	.ARM, DRIVE .BRAS, COMMANDE		2	
27	EL8-48254-00	.STOPPER, THROTTLE ADJUSTING .BUTEE		2	

D7

FIG. 33 REMOTE CONTROL ASSY 2 BOITIER DE COMMANDE A DISTANCE



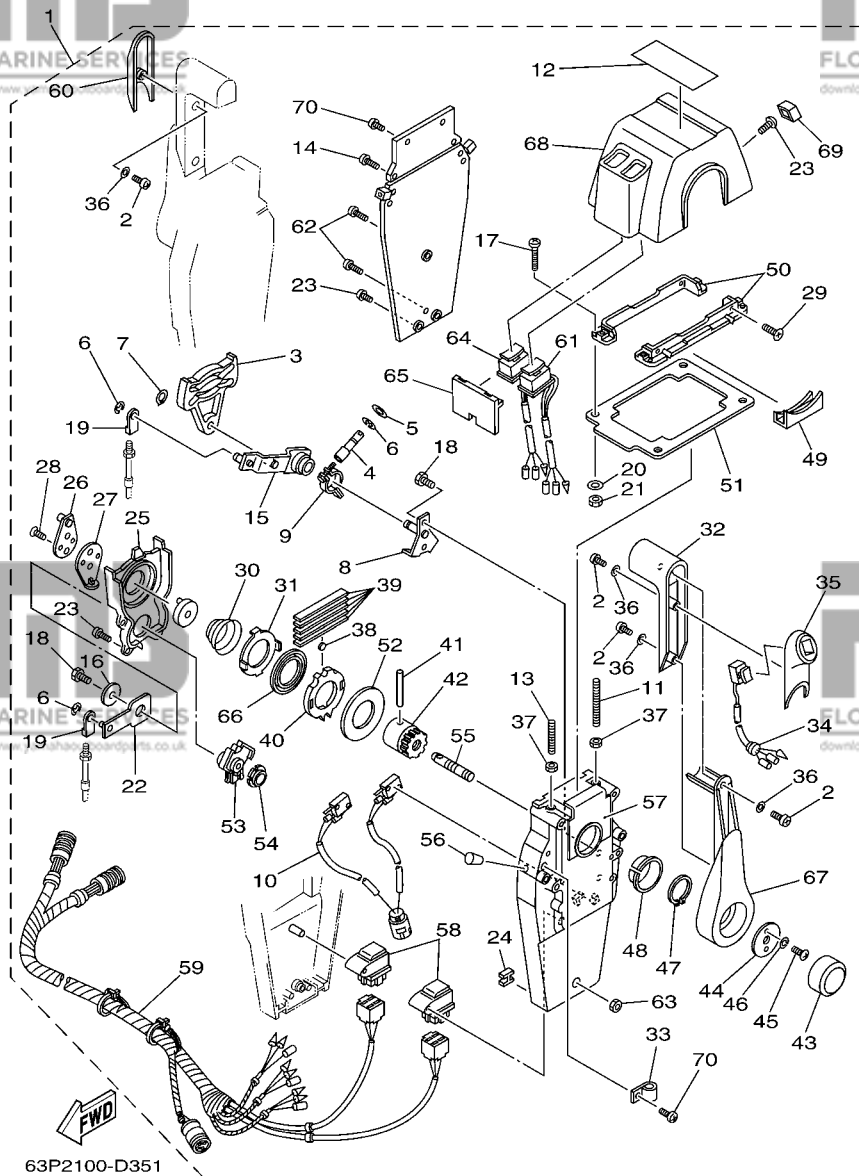
REF. NO.	PART NO. N° PIECES	DESCRIPTION DESCRIPTION	68V5	68W5	REMARKS REMARQUES
28	92780-06020	.SCREW, FLAT HEAD .VIS A TETE FRAISEE		4	
29	98780-05018	.SCREW, FLAT HEAD .VIS A TETE FRAISEE		4	
30	EL8-48244-00	.SPRING, FREE ACCEL. .RESSORT		2	
31	EL8-48245-00	.PLATE, LOCK .PLAQUE, VERROU		2	
32	704-48222-P0	.GRIP, CONTROL LEVER .POIGNEE, COMMANDE LEVIER		2	
33	704-82594-00	.CLAMP .BRIDE		1	
34	704-82563-50	.TRIM & TILT SWITCH ASSY .INCLINER ET PAYER COMMUTATEUR		1	
35	704-48229-P1	.GRIP, CONTROL LEVER .POIGNEE, COMMANDE LEVIER		1	
36	92990-05300	.WASHER, INTERNAL TOOTH .RONDELLE, DENTURE INTERNE		6	
37	95380-06600	.NUT, HEXAGON .ECROU		4	
38	701-48248-00	.ROLLER, FREE ACCEL. .POULIE		2	
39	704-48238-00	.SPRING, DETENT .RESSORT		10	
40	704-48232-P1	.GEAR .PIGNON		2	
41	EL8-48164-00	.PIN 2 .PION 2		2	
42	704-48242-10	.SHAFT, DRIVE .ARBRE, MOTEUR		2	
43	6X3-48225-20	.COVER .COUVERCLE		2	
44	704-48192-00	.WASHER 2 .RONDELLE 2		2	
45	97890-06018	.SCREW, PAN HEAD .VIS, CRUCIFORME		4	
46	92990-06300	.WASHER, INTERNAL TOOTH .RONDELLE, DENTURE INTERNE		4	
47	EL8-48279-00	.CIRCLIP 2 .CIRCLIP 2		2	
48	704-48234-00	.BUSHING 1 .POULIE		2	
49	704-48219-P0	.COVER, LEAD .COUVERCLE		2	
50	704-48144-20	.PLATE, STOPPER 2 .PLAQUETTE 2		2	
51	704-48176-10	.GROMMET .PASSE-FIL		1	
52	704-48192-P0	.WASHER 2 .RONDELLE 2		2	
53	704-48233-00	.GEAR 2 .PIGNON 2		2	
54	704-48235-00	.BUSHING .COUSSINET		2	

E1



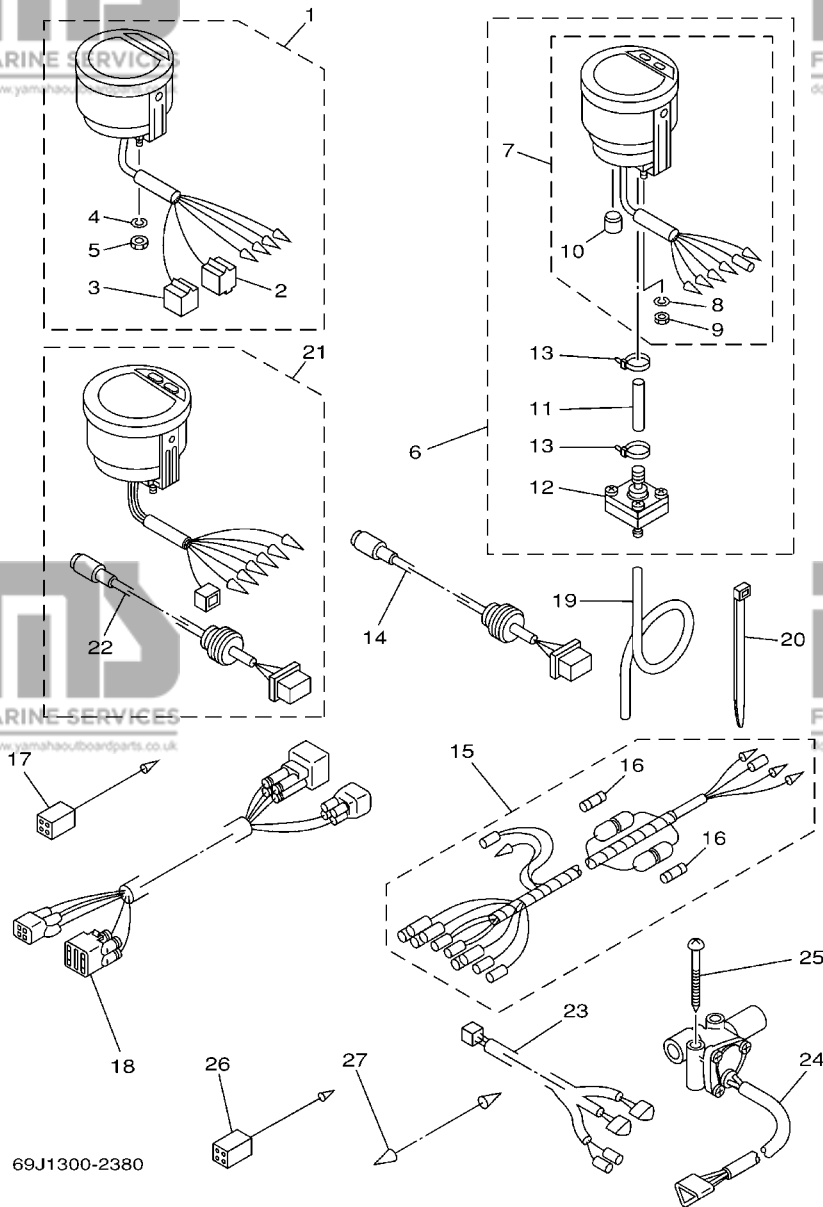
FIG. 33 REMOTE CONTROL ASSY 2

BOITIER DE COMMANDE A DISTANCE



63P2100-D351

REF. NO.	PART NO. N° PIECES	DESCRIPTION DESCRIPTION	68V5	68W5	REMARKS REMARQUES
55	704-48153-00	.SHAFT, FREE ACCEL. .AXE		2	
56	704-48166-00	.PLUG .BOUCHON		2	
57	704-48284-P0	.GROMMET .PASSE-FIL		2	
58	704-81950-10	.RELAY ASSY .RELAIS COMPLET		2	
59	704-82590-10	.WIRE HARNESS ASSY .FAISCEAU DE FILS COMPLET		1	
60	704-48229-00	.GRIP, CONTROL LEVER .POIGNEE, COMMANDE LEVIER		1	
61	704-82563-H0	.TRIM & TILT SWITCH ASSY .INCLINER ET PARER COMMUTATEUR		1	
62	704-48128-00	.SCREW 2 .VIS 2		3	
63	704-48156-00	.NUT 1 .ECROU 1		1	
64	704-82563-J0	.TRIM & TILT SWITCH ASSY .INCLINER ET PARER COMMUTATEUR		1	
65	704-48285-10	.GROMMET 2 .PASSE-FIL 2		1	
66	704-48178-00	.PLATE, SHIFT .PLAQUETTE		2	
67	704-48221-P0	.LEVER, CONTROL .LEVIER, COMMANDE		2	
68	704-48119-40	.COVER .COUILLE		1	
69	704-48167-10	.PLUG .BOUCHON		1	
70	97890-05016	.SCREW, PAN HEAD .VIS, CRUCIFORME		5	

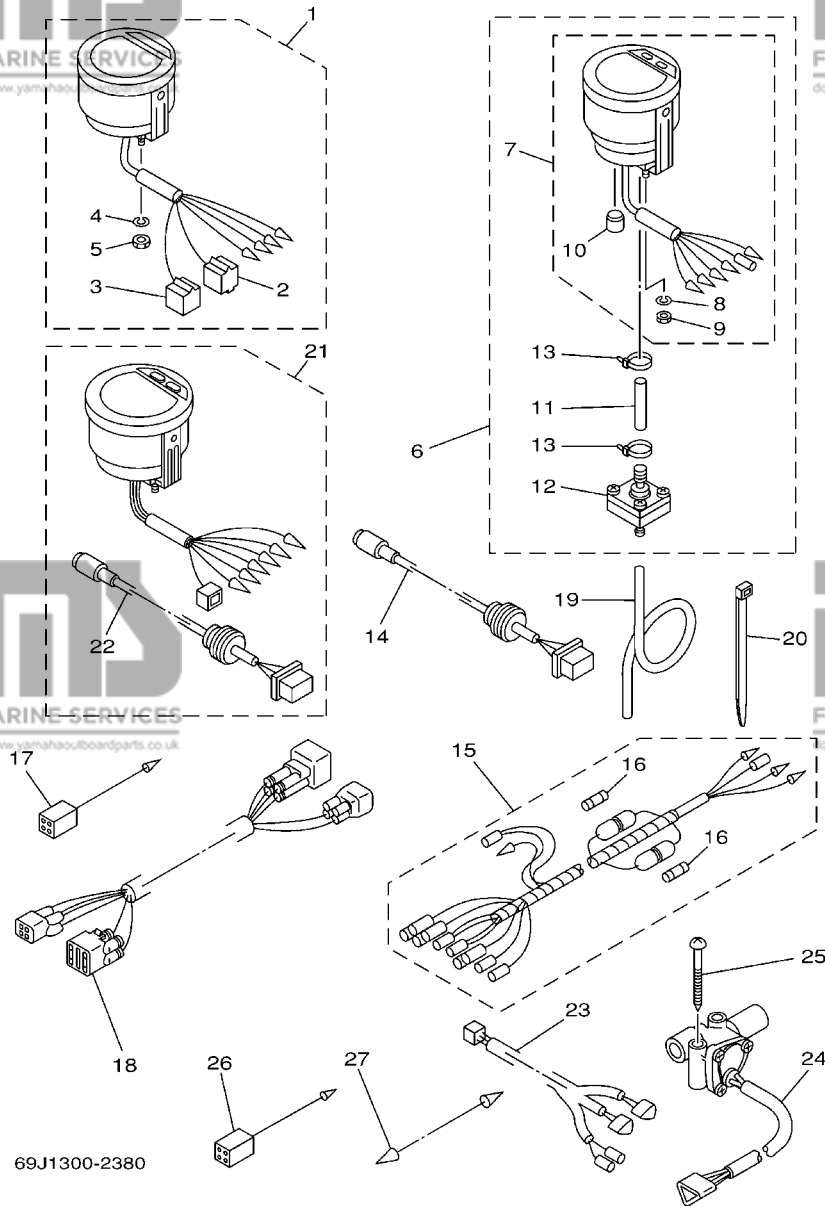


69J1300-2380

**FIG. 34 METER**

**COMPTEUR**

REF. NO.	PART NO. N° PIECES	DESCRIPTION DESCRIPTION	68V5	68W5	REMARKS REMARQUES
1	6Y5-8350T-03	DIGITAL TACHOMETER ASSY COMPTE-TOURS NUMERIQUE CPLT	1	1	AP AP
2	9E450-04433	.CONNECTOR .CONNECTEUR	1	1	M-4-W M-4-W
3	9E450-04533	.CONNECTOR .CONNECTEUR	1	1	F-4-W F-4-W
4	92990-04100	.WASHER, SPRING .RONDELLE, GROWER	2	2	
5	95380-04600	.NUT .ECROU	2	2	
6	6Y5-83500-S5	DIGITAL SPEEDOMETER ASSY TACHYMETRE NUMERIQUE CPLT.	1		AP AP
7	6Y5-83570-S5	.SPEEDOMETER ASSY .COMPTEUR DE VITESSE CPLT	1		
8	92990-04100	..WASHER, SPRING ..RONDELLE, GROWER	2		
9	95380-04600	..NUT ..ECROU	2		
10	6Y5-83533-T2	..GROMMET ..RONDELLE CAOUTCHOUC	1		
11	6Y5-83557-31	.TUBE .TUBE	1		
12	6Y5-83728-00	.CONNECTOR ASSY .CONNEXION COMPLET	1		
13	90465-11M10	.CLAMP .BRIDE	2		
14	6Y5-87122-S0	CORD ASSY 1 CORDON COMPLET 1	1		AP AP
15	6Y5-83553-M0 6Y5-83553-00	WIRE, LEAD (L=2.5M) FIL (L=2.5M) WIRE, LEAD (L=2.5M) FIL (L=2.5M)	1	1	AP AP AP AP
16	1E6-82151-00 1E6-82151-00	.FUSE (10A) .FUSIBLE (10A) .FUSE (10A) .FUSIBLE (10A)	2	1	FOR 6Y5-83553-M0 FOR 6Y5-83553-M0 FOR 6Y5-83553-00 FOR 6Y5-83553-00
17	6Y5-82117-00	WIRE, LEAD (BLACK) FIL (NOIR)	1		AP AP
18	68F-82553-80 68F-82553-90	EXTENSION, WIRE LEAD (L=8.0M) EXTENSION, FAISCEAU (L=8.0M) EXTENSION, WIRE LEAD (L=9.5M) EXTENSION, FAISCEAU (L=9.5M)	1	1	AP AP AP AP
19	6Y5-83557-10	TUBE (8M) TUBE (8M)	1		AP AP
20	90465-11M10	CLAMP BRIDE	2		AP AP
21	6Y5-8350F-00	FUEL MANAGEMENT METER COMPT. DE GESTION DU CARBURANT	1		AP AP
22	6Y5-87122-S0	.CORD ASSY 1 .CORDON COMPLET 1	1		
23	6Y5-83553-F1	WIRE, LEAD (L=8.0M) FIL (L=8.0M)	1		AP AP
24	6Y5-85752-01	SENDER UNIT ASSY, FUEL METER PERCEPTION DE JAUGE A ESSENCE	2		AP AP



69J1300-2380

**FIG. 34 METER**

**COMPTEUR**

REF. NO.	PART NO. N° PIECES	DESCRIPTION DESCRIPTION	68V5	68W5	REMARKS REMARQUES
25	90158-06002	SCREW, WOOD VIS, A BOIS		4	AP AP
26	6Y5-82117-00	WIRE, LEAD (BLACK) FIL (NOIR)		1	AP AP
27	703-82531-00	WIRE, LEAD FIL		1	AP AP

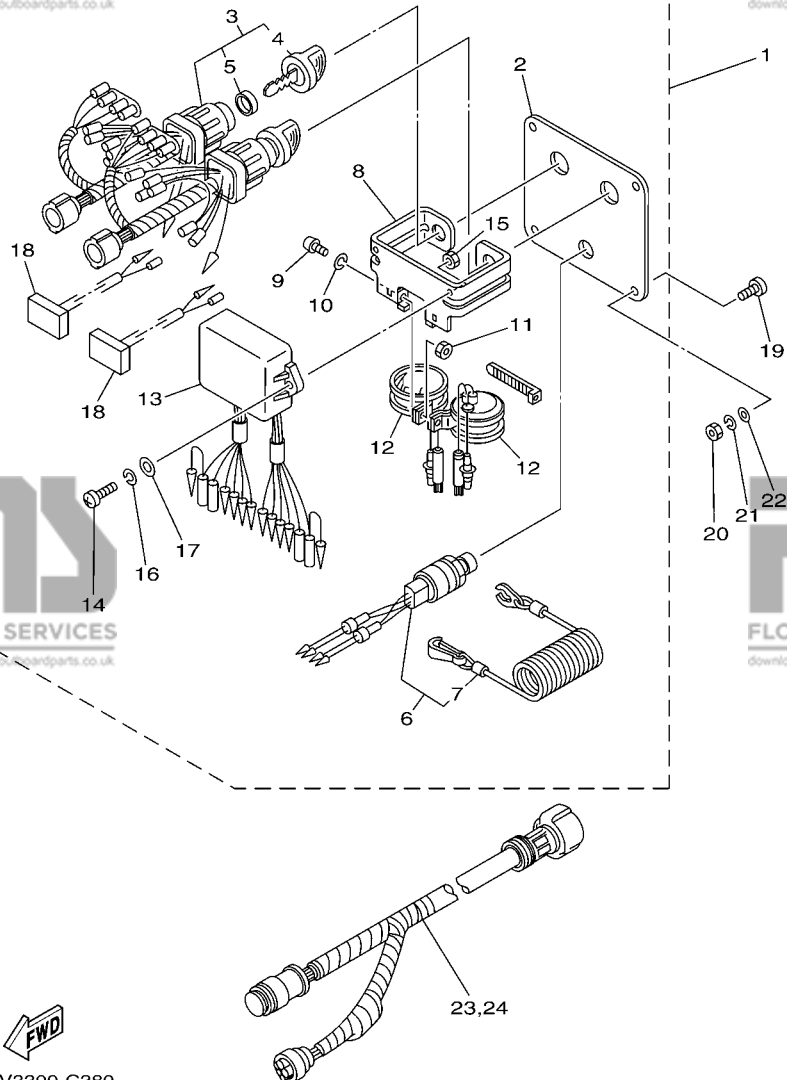


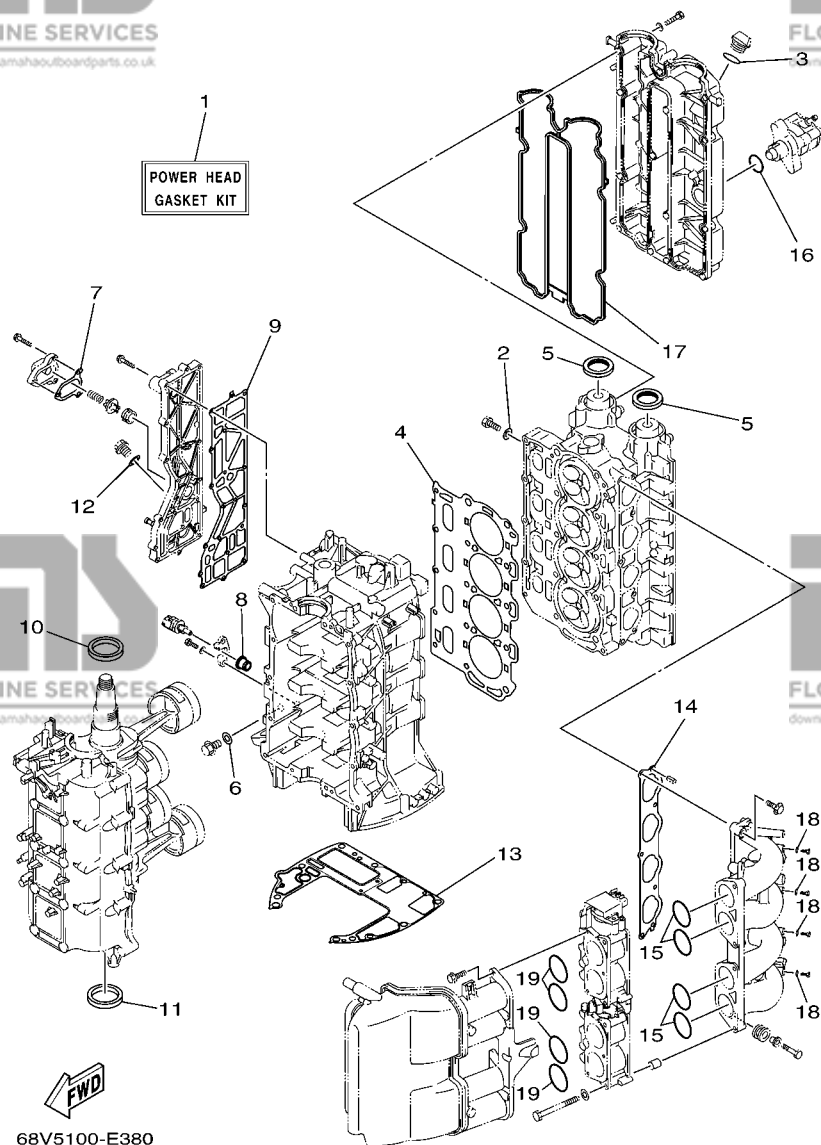
FIG. 35 SWITCH & PANEL

TABLEAU DE CONTACTEUR

REF. NO.	PART NO. N° PIECES	DESCRIPTION DESCRIPTION	68V5	68W5	REMARKS REMARQUES
1	6K1-82570-08	PANEL SWITCH ASSY PLATINE D'INTERRUPEUR CPLT		1	AP AP
2	6K1-82571-02	.PLATE, PANEL SWITCH .TABLEAU, CONTACTEUR		1	
3	6K1-82510-06	.MAIN SWITCH ASSY .CONTACTEUR A CLEF COMPLET		2	
4	703-82577-00	..CAP, KEY ..CABOCHON		1	
5	6K1-82532-00	..CAP ..COUVERCLE		1	
6	6K1-82575-00	.ENGINE STOP SWITCH ASSY .COUPE CIRCUIT CPLT		1	
7	682-82556-00	..LANYARD, STOP SWITCH ..PLAQUETTE		1	
8	6K1-83614-01	.BRACKET .SUPPORT		1	
9	98980-05010	.SCREW, BIND .VIS, DE PRESSION		2	
10	92990-05100	.WASHER, SPRING .RONDELLE, GROWER		2	
11	95380-05600	.NUT .ECROU		2	
12	688-83383-11	.BUZZER .RONFLEUR		2	
13	6K1-85830-01	.CONTROL UNIT ASSY .BLOC DE CONTROLE		1	
14	98980-06020	.SCREW, BIND .VIS, DE PRESSION		2	
15	95380-06600	.NUT, HEXAGON .ECROU		2	
16	92990-06100	.WASHER, SPRING .RONDELLE, GROWER		2	
17	92990-06600	.WASHER, PLATE .RONDELLE, PLATE		2	
18	6K1-81980-00	.DIODE ASSY .REDRESSEUR 2		2	
19	90149-05M05	SCREW VIS		4	AP AP
20	95380-05600	NUT ECROU		4	AP AP
21	92990-05100	WASHER, SPRING RONDELLE, GROWER		4	AP AP
22	92990-05600	WASHER, PLATE RONDELLE, PLATE		4	AP AP
23	6K1-8258A-40	EXTENSION, WIRE HARNESS (8M) EXTENSION, FAISCEAU DE FILS(8M)		1	AP (10P) AP (10P)
24	61B-8258A-01	EXTENSION, WIRE HARNESS (9.5M) EXTENSION, FAISCEAU DE FILS(9.		1	AP (10P) AP (10P)

FIG. 36 REPAIR KIT 1

KITS DE REPARATION 1



68V5100-E380

REF. NO.	PART NO. N° PIECES	DESCRIPTION DESCRIPTION	68V5	68W5	REMARKS REMARQUES
1	68V-W0001-04	POWER HEAD GASKET KIT POCHETTE DE JINTS TETE MOTRICE	1	1	
2	90430-08143	.GASKET .JOINT	4	4	
3	93210-24M79	.O-RING .JOINT TORIQUE	1	1	
4	67F-11181-02	.GASKET, CYLINDER HEAD 1 .JOINT, DE CULASSE 1	1	1	
5	93102-38M59	.OIL SEAL .JOINT SPY	2	2	
6	90430-14115	.GASKET .JOINT	1	1	
7	67F-12435-A0	.GASKET .JOINT	1	1	
8	68V-85753-00	.GASKET, SENDER UNIT .JOINT, DE PERCEPTION	1	1	
9	6D8-41114-A0	.GASKET, EXHAUST OUTER COVER .JOINT, COUVERCLE D'ECHAPPEMEN	1	1	
10	93102-48009	.OIL SEAL .JOINT SPY	1	1	
11	93101-48002	.OIL SEAL .JOINT SPY	1	1	
12	90430-18130	.GASKET .JOINT	1	1	
13	68V-11351-00	.GASKET, CYLINDER .JOINT, D'EMBASE	1	1	
14	68V-13645-00	.GASKET, MANIFOLD 1 .JOINT, TUBULURE 1	1	1	
15	93210-48MG8	.O-RING .JOINT TORIQUE	4	4	
16	93210-30682	.O-RING .JOINT TORIQUE	1	1	
17	6D8-11356-01	.SEAL, CYLINDER 2 .JOINT, SPY CYLINDRE	1	1	
18	90430-06014	.GASKET .JOINT	4	4	
19	93210-48MJ9	.O-RING .JOINT TORIQUE	4	4	

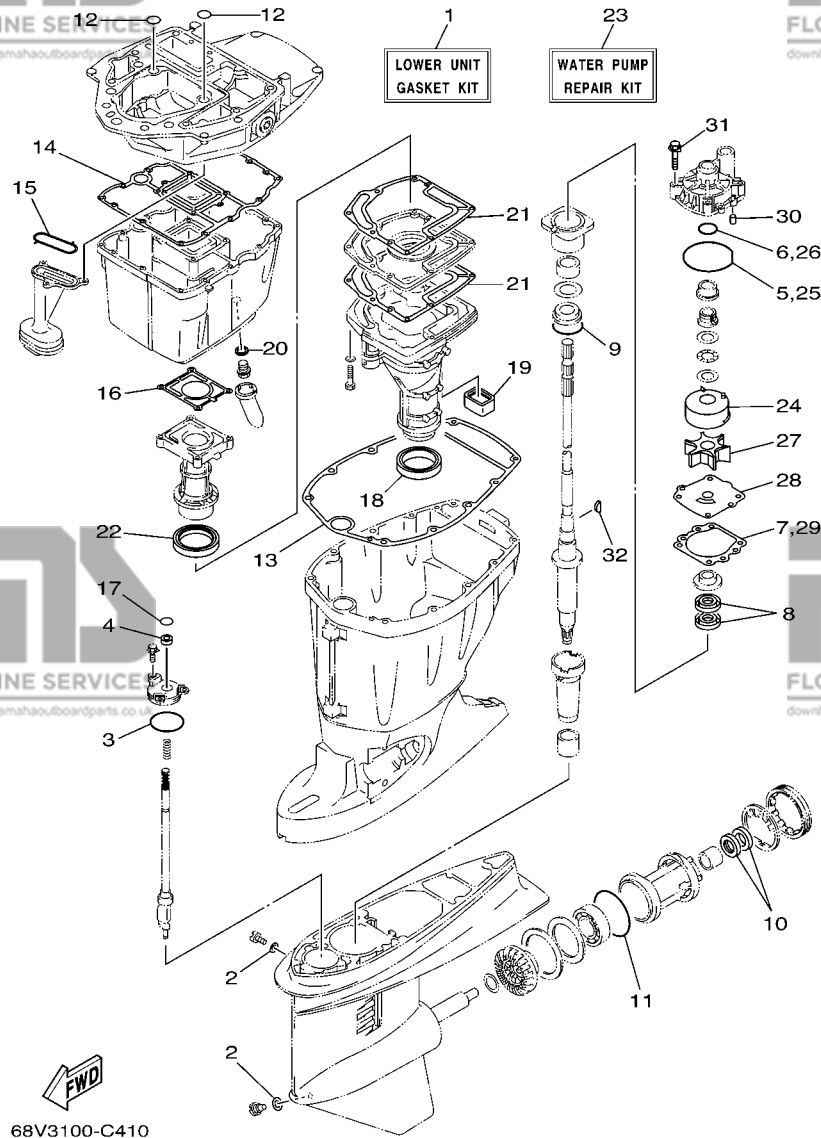


FIG. 37 REPAIR KIT 2

KITS DE REPARATION 2

REF. NO.	PART NO. N° PIECES	DESCRIPTION DESCRIPTION	68V5	68W5	REMARKS REMARQUES
1	68V-W0001-21	LOWER UNIT GASKET KIT POCHETTE DE JOINTS EMBASE	1	1	
2	90430-08020	.GASKET .JOINT	2	2	
3	93210-58144	.O-RING .JOINT TORIQUE	1	1	
4	93106-09014	.OIL SEAL .JOINT SPY	1	1	
5	93210-86M38	.O-RING .JOINT TORIQUE	1	1	
6	93210-37160	.O-RING .JOINT TORIQUE	1	1	
7	6E5-44315-A0	.GASKET, WATER PUMP .JOINT, POMPE A EAU	1	1	
8	93101-28M16	.OIL SEAL .JOINT SPY	2	2	
9	93210-55M14	.O-RING .JOINT TORIQUE	1	1	
10	93101-30M17	.OIL SEAL .JOINT SPY	2	2	
11	93210-86M39	.O-RING .JOINT TORIQUE	1	1	
12	93210-19MJ1	.O-RING .JOINT TORIQUE	2	2	
13	67F-45113-00	.GASKET, UPPER CASING .JOINT, TUBE D'ARBRE	1	1	
14	68V-15312-00	.GASKET, OIL PAN .JOINT DE VENTILATEUR D'HUILE	1	1	
15	67F-13415-00	.SEAL, OIL STRAINER .JOINT, FILTRE A HUILE	1	1	
16	67F-41133-A1	.GASKET, EXHAUST MANIFOLD 1 .JOINT, PIPE D'ECHAPPEMENT	1	1	
17	93210-09165	.O-RING .JOINT TORIQUE	1	1	
18	68V-45123-00	.GASKET, MUFFLER .JOINT, POT DE DETENTE	1	1	
19	67F-45127-00	.SEAL .JOINT	1	1	
20	90430-14M09	.GASKET .JOINT	1	1	
21	67F-41134-A0	.GASKET, EXHAUST MANIFOLD .JOINT, PIPE D'ECHAPPEMENT	2	2	
22	67F-41138-00	.SEAL, EXT. 1 .JOINT DE GROUPE 1	1	1	
23	68V-W0078-00	WATER PUMP REPAIR KIT KIT DE REPARATION DE LA POMPE	1	1	
24	61A-44322-02	.INSERT, CARTRIDGE .CUVETTE	1	1	
25	93210-86M38	.O-RING .JOINT TORIQUE	1	1	
26	93210-37160	.O-RING .JOINT TORIQUE	1	1	
27	6E5-44352-01	.IMPELLER .TURBINE	1	1	



PART NO. N° PIECES	REF. NO.
68V-11110-03-94	4 - 2
62Y-11119-00	2 - 9
67F-11133-10	4 - 3
67F-11168-00	4 - 22
67F-11181-02	4 - 17
	36 - 4
68V-11191-00-1S	4 - 21
67F-11192-01	4 - 29
6E5-11325-00	2 - 14
68V-11325-01	2 - 27
	4 - 8
67F-11327-00-94	4 - 9
69J-11327-00-94	2 - 28
67F-11328-00	2 - 31
	4 - 12
68V-11351-00	2 - 36
	36 - 13
6D8-11356-01	4 - 26
	36 - 17
68V-11411-00	3 - 1
67F-11416-00	3 - 4
67F-11416-10	3 - 4
67F-11416-20	3 - 4
67F-11417-00	3 - 5
67F-11417-10	3 - 5
67F-11417-20	3 - 5
67F-11417-30	3 - 5
67F-11418-00	3 - 6
67F-11418-10	3 - 6
67F-11418-20	3 - 6
6D8-11536-00	5 - 23
67F-11537-00	5 - 14
67F-11590-00	5 - 18
67F-11595-00	5 - 21
6D8-11603-01	3 - 9
6D8-11604-01	3 - 9
68V-11656-00	3 - 10
68V-11656-10	3 - 10
68V-11656-20	3 - 10
68V-11656-30	3 - 10
68V-12111-00	5 - 1
67F-12114-00	5 - 4
67F-12116-00	5 - 3
67F-12117-00	5 - 5
67F-12118-00	5 - 6
68V-12121-00	5 - 2
67F-12138-60	12 - 23
67F-12153-00	5 - 9

PART NO. N° PIECES	REF. NO.
67F-12168-00	5 - 10
67F-12168-10	5 - 10
67F-12168-20	5 - 10
67F-12168-30	5 - 10
67F-12168-40	5 - 10
67F-12168-50	5 - 10
67F-12168-60	5 - 10
67F-12168-70	5 - 10
67F-12168-80	5 - 10
67F-12168-A0	5 - 10
67F-12168-B0	5 - 10
67F-12168-C0	5 - 10
67F-12168-D0	5 - 10
67F-12168-E0	5 - 10
67F-12168-F0	5 - 10
67F-12168-G0	5 - 10
67F-12168-H0	5 - 10
67F-12168-J0	5 - 10
67F-12168-K0	5 - 10
67F-12168-L0	5 - 10
67F-12168-M0	5 - 10
67F-12168-N0	5 - 10
67F-12168-P0	5 - 10
67F-12168-R0	5 - 10
67F-12168-S0	5 - 10
67F-12168-T0	5 - 10
67F-12168-U0	5 - 10
67F-12168-V0	5 - 10
67F-12168-W0	5 - 10
67F-12168-X0	5 - 10
67F-12168-Y0	5 - 10
67F-12169-00	5 - 10
67F-12169-10	5 - 10
67F-12169-20	5 - 10
67F-12169-30	5 - 10
67F-12169-40	5 - 10
67F-12169-50	5 - 10
67F-12169-60	5 - 10
67F-12169-70	5 - 10
67F-12169-80	5 - 10
67F-12169-A0	5 - 10
67F-12169-B0	5 - 10
67F-12169-C0	5 - 10
67F-12169-D0	5 - 10
67F-12169-E0	5 - 10
67F-12169-F0	5 - 10
67F-12169-G0	5 - 10
67F-12169-H0	5 - 10

PART NO. N° PIECES	REF. NO.
67F-12169-J0	5 - 10
67F-12169-K0	5 - 10
67F-12169-L0	5 - 10
67F-12169-M0	5 - 10
67F-12169-N0	5 - 10
67F-12171-00	5 - 11
67F-12181-00	5 - 12
60V-12411-00	4 - 31
67F-12412-00	4 - 32
68V-12413-00-1S	4 - 33
6G5-12416-00	2 - 21
67F-12435-A0	2 - 25
	36 - 7
67F-1243A-00	2 - 33
67F-1246A-01-1S	2 - 24
67F-12535-00	17 - 31
68T-12572-00	17 - 30
6R3-12581-00	17 - 34
6R3-12582-00	17 - 35
6R3-12583-00	17 - 36
68V-13105-00	7 - 8
67F-13119-01	24 - 19
68V-13121-00	7 - 10
68V-13131-00	10 - 19
67F-13149-00	24 - 23
68V-13160-00	8 - 1
67F-13300-10	24 - 14
67F-13314-02	24 - 15
67F-13329-00	24 - 17
67F-13338-00	24 - 25
67F-13339-00	24 - 24
67F-13411-00	24 - 9
67F-13415-00	24 - 13
	37 - 15
67F-13434-03	1 - 36
68V-13435-00	8 - 6
68V-13437-61	12 - 24
5GH-13440-00	2 - 41
68V-13473-00	7 - 11
67F-13473-01	24 - 16
68V-13490-01	9 - 36
67F-13495-00	24 - 18
68V-13532-00	9 - 25
68V-13533-00	9 - 23
68V-13534-00	9 - 31
68V-13535-00	9 - 35
68V-13542-00	9 - 22
68V-13543-01	9 - 37

PART NO. N° PIECES	REF. NO.
68V-13544-00	9 - 24
68V-13545-00	9 - 26
68V-13546-00	9 - 27
68V-13547-01	9 - 32
68V-13573-00	7 - 21
68V-13574-00	7 - 20
68V-13577-00	9 - 30
68V-13593-00	9 - 20
67F-13631-03	24 - 22
68V-13641-00-94	7 - 25
68V-13645-00	6 - 5
	36 - 14
68V-13716-00	9 - 21
68V-13751-01	7 - 2
68V-13752-01	7 - 6
68V-13766-00	8 - 4
67F-13769-00	24 - 20
68V-13769-00	9 - 4
68V-13781-10	9 - 7
68V-13784-00	9 - 9
68V-13906-01	8 - 9
68V-13907-02	9 - 17
67F-13914-00	24 - 21
68V-13915-00	9 - 8
68V-13971-00	8 - 14
68V-13972-00	8 - 15
68V-1410B-00	8 - 3
68V-14126-00	9 - 15
68V-14180-02	9 - 1
68V-14181-00	9 - 3
68V-14182-01	9 - 2
68V-14191-00	9 - 14
68V-14200-04	7 - 1
68V-14225-00	8 - 5
69J-14225-00	9 - 38
68V-14255-00	9 - 12
68V-14264-00	8 - 12
68V-14265-00	8 - 23
68V-14291-00-94	6 - 14
68V-14292-00	6 - 21
68V-14321-00	7 - 4
68V-14323-00	7 - 3
68V-14331-00	7 - 5
68V-14356-00	8 - 11
68V-14357-00	8 - 21
68V-14386-00	9 - 6
68V-14397-00	8 - 7
68V-14419-10	7 - 24

PART NO. N° PIECES	REF. NO.
68V-1441J-00	7 - 35
68V-1441L-00	7 - 31
68V-14428-00	8 - 19
68V-14440-00	6 - 16
68V-14446-00	8 - 22
68V-14453-00	7 - 34
68V-14475-00	7 - 23
	8 - 20
68V-14496-00	7 - 19
68V-14511-00	7 - 13
68V-14546-00	9 - 16
68V-14565-00	8 - 10
68V-14567-00	9 - 11
68V-14592-00	9 - 13
68V-14711-10-5B	23 - 9
68V-14711-30-5B	23 - 9
68V-14777-00	7 - 22
	8 - 18
68V-14807-00	9 - 18
68V-14960-00	7 - 9
68V-14984-00	9 - 10
68V-14985-00	9 - 5
68V-15100-02-1S	2 - 2
67F-15142-00	2 - 13
68V-15311-00-5B	24 - 1
68V-15312-00	24 - 8
	37 - 14
63P-15316-00	24 - 2
6D8-15362-00	24 - 30
6G8-15363-00	4 - 36
67F-15373-00	6 - 6
68V-21841-00	8 - 13
61H-2819R-31	8 - 27
68V-2411M-00	8 - 17
68V-24149-00	10 - 26
68V-2417H-00	7 - 36
6YK-24306-44	11 - 1
68V-24311-00	10 - 15
68V-24312-00	17 - 37
68V-24374-00	10 - 22
68V-24377-00	9 - 28
6R3-24377-00	10 - 2
68V-24379-00	9 - 29
68V-24387-00	9 - 19
68V-24410-00	10 - 16
68V-24411-00	10 - 21
68V-24412-00	10 - 17
68V-24413-00	10 - 23

PART NO. N° PIECES	REF. NO.
68V-24414-00	10 - 24
68V-24423-00	10 - 20
68V-24444-00	10 - 25
68V-24454-00	10 - 18
68V-24469-01	10 - 9
68V-2447A-00	8 - 26
67F-24491-00	10 - 34
68V-24495-00	10 - 31
68V-24502-01	9 - 33
68V-24519-00	8 - 16
68V-24521-01	10 - 6
68V-24560-01	10 - 5
68V-24563-00	10 - 7
68V-24566-00	10 - 11
67F-24575-00	10 - 30
68V-2481H-00	8 - 28
	9 - 34
67F-28100-01	10 - 38
67F-2812A-00	14 - 32
6A1-28176-00	17 - 49
68V-28199-76-D0	10 - 39
68V-28199-76-E0	10 - 39
68V-28199-76-F0	10 - 39
68V-28199-76-G0	10 - 39
68V-28199-76-H0	10 - 39
68V-28199-76-S0	10 - 39
68V-28199-87-K0	10 - 40
68V-28199-87-L0	10 - 40
68V-28199-87-M0	10 - 40
68V-28199-87-N0	10 - 40
68V-28199-87-P0	10 - 40
68V-28199-87-R0	10 - 40
61H-2819R-31	10 - 37
6D8-41113-00-1S	2 - 16
6D8-41114-A0	2 - 19
	36 - 9
67F-41131-01-5B	23 - 5
67F-41133-A1	23 - 6
	37 - 16
67F-41134-A0	23 - 14
	37 - 21
67F-41137-02-94	23 - 1
67F-41138-00	23 - 16
	37 - 22
68V-41237-00	7 - 28
6H4-41237-00	7 - 29
68V-42154-00	18 - 36
68V-42157-00	18 - 30



PART NO. N° PIECES	REF. NO.
68V-42171-00	18 - 31
68V-42510-10-8D	20 - 10
68V-42510-30-8D	20 - 10
68V-42610-12-8D	1 - 1
68V-42612-00-8D	1 - 17
68V-42613-00	1 - 15
68V-42615-00	1 - 21
68V-42617-00	1 - 30
68V-42619-00	1 - 31
68V-42628-00	1 - 19
68V-42632-00	1 - 22
68V-42647-00	1 - 2
67F-42649-00	1 - 11
68V-42651-00	1 - 5
68V-42652-00	1 - 8
67F-42662-00	1 - 14
68V-42677-10	1 - 25
68V-42678-10	1 - 26
68V-42681-10	1 - 28
68V-42682-10	1 - 29
68V-42710-01-8D	17 - 1
648-42715-00	18 - 27
61A-42716-00	17 - 39
67F-42717-00	17 - 25
68V-42718-00	1 - 20
67F-42724-00	23 - 31
68V-42725-00	17 - 19
6H1-42726-21	17 - 22
6G1-42727-00	23 - 4
68V-42738-00-5B	17 - 17
67F-42741-01-8D	17 - 40
6H4-42748-00	17 - 24
68F-42753-00	17 - 46
67F-42756-00	17 - 20
67F-42761-00-94	2 - 37
67F-42815-00-8D	17 - 5
67F-42816-00-8D	17 - 6
68V-42818-01	17 - 9
67F-42828-00-5B	17 - 7
68V-43111-01-8D	19 - 1
68V-43112-01-8D	19 - 9
64E-43126-00	19 - 37
64E-43131-01	19 - 15
64E-43139-02	20 - 1
64D-43144-00	17 - 14
66T-43144-00	19 - 27
6E5-43145-01	29 - 8
6G5-43148-00	19 - 32

PART NO. N° PIECES	REF. NO.
6G5-43181-02	19 - 29
6G5-43185-02	19 - 30
64E-43311-10-8D	19 - 22
64E-43311-20-8D	19 - 22
63P-43376-00	20 - 7
68V-43800-01-4D	21 - 1
64E-43802-00	22 - 8
64E-43805-00	22 - 37
64E-4380F-00	22 - 33
64E-4380J-00	22 - 30
64E-43810-00	21 - 6
6E5-43814-02	21 - 13
64E-43816-00	22 - 17
64E-43817-00	21 - 5
64E-43817-10	22 - 19
64E-43818-01	21 - 32
64E-4381G-00	21 - 27
64E-43820-00	21 - 15
64E-43821-00	21 - 16
64E-43822-00	21 - 17
64E-43825-01	21 - 2
64E-43827-00	22 - 22
64E-43828-00	21 - 22
64E-43829-00	21 - 23
64E-4382G-00	21 - 29
68V-43830-00	22 - 4
64E-43831-00	22 - 2
64E-43841-00	22 - 7
64E-43843-00	22 - 6
64E-43843-10	22 - 38
64E-4384J-00	21 - 18
64E-43850-00	22 - 15
66Y-43851-00	22 - 11
68V-43855-00	22 - 14
64E-43858-00	22 - 12
6E5-43858-00	21 - 28
72X-43858-00	22 - 5
64E-43859-00	22 - 13
64E-43860-00	22 - 20
6E5-43862-00	21 - 10
6G5-43863-00	22 - 10
6E5-43864-00	21 - 20
6G5-43864-00	21 - 19
64E-43865-00	22 - 16
6G5-43865-00	22 - 35
64E-43866-00	21 - 9
64E-43867-00	21 - 8
64E-43868-00	22 - 3

PART NO. N° PIECES	REF. NO.
64E-43869-00	21 - 26
6H1-4386K-10	22 - 29
6E5-43872-00	21 - 12
64E-43873-00	22 - 24
6E5-43874-01	21 - 21
64E-43875-00	22 - 25
64E-43879-00	22 - 27
64E-43879-10	22 - 26
64E-4387A-00	22 - 23
68V-43880-01	22 - 28
64E-43883-00	21 - 11
64E-4388E-00	21 - 25
64E-4388E-10	22 - 1
64E-4388J-00	21 - 3
64E-43891-00	22 - 31
64E-43892-00	22 - 34
6E5-43896-00	22 - 9
64E-43897-00	21 - 24
64E-43898-00	21 - 7
68V-44117-00	18 - 5
68V-44118-00	18 - 22
68V-44120-10	18 - 17
68V-44120-30	18 - 17
68V-44121-00	18 - 15
68V-44122-01	18 - 12
67F-44135-00	18 - 37
6L6-44150-01	25 - 17
6E5-44150-02	27 - 19
61A-44311-01	25 - 24
6E5-44312-00	26 - 4
6E5-44315-A0	28 - 4
6E5-44315-A0	25 - 31
6E5-44315-A0	27 - 33
6E5-44315-A0	37 - 7
61A-44322-02	25 - 25
61A-44322-02	27 - 27
61A-44322-02	37 - 24
68V-44323-00	25 - 30
68V-44323-00	27 - 32
68V-44323-00	37 - 28
6E5-44352-01	25 - 28
6E5-44352-01	27 - 30
6E5-44352-01	37 - 27
68V-44361-11	26 - 2
68V-44361-30	26 - 2
68V-44361-30	28 - 2
6E5-44365-00	26 - 3

PART NO. N° PIECES	REF. NO.
6E5-44365-00	28 - 3
6E5-44366-00	26 - 1
6E5-44366-00	28 - 1
6H3-44391-01	1 - 32
67F-44514-00-94	17 - 23
67F-44526-00	20 - 28
6G5-44526-00	20 - 31
67F-44533-00	19 - 3
68F-44533-00	20 - 33
68V-44551-00-8D	2 - 40
68V-44553-00-8D	20 - 15
61A-44555-01-94	20 - 25
61A-44575-00	20 - 18
68V-44581-01	20 - 17
68V-44581-01	2 - 4
68V-45111-11-8D	2 - 4
68V-45111-31-8D	23 - 18
67F-45113-00	23 - 18
67F-45113-00	23 - 27
67F-45113-00	37 - 13
663-45119-00	19 - 14
68V-45123-00	23 - 10
67F-45127-00	37 - 18
67F-45127-00	23 - 17
67F-45151-00	37 - 19
6H3-45155-00	23 - 23
67F-45181-00-5B	23 - 26
688-45214-02	23 - 15
688-45215-02	26 - 11
688-45215-02	28 - 11
688-45215-02	26 - 12
688-45215-02	28 - 12
6G5-45251-02	19 - 2
68V-45300-12-8D	25 - 1
68V-45300-32-8D	25 - 1
68W-45300-32-8D	27 - 1
6E5-45301-05-8D	25 - 2
6E5-45301-05-8D	27 - 2
6E5-45318-00	27 - 2
6E5-45321-00	23 - 21
6E5-45321-00	25 - 13
6E5-45321-00	27 - 15
6E5-45331-00-94	25 - 34
6E5-45332-00-94	27 - 36
6E5-45332-00-94	25 - 58
6L6-45332-00-94	27 - 61
688-45341-10	25 - 7
688-45341-10	27 - 9
6E5-45344-00	25 - 40
6E5-45344-00	27 - 42

PART NO. N° PIECES	REF. NO.
6L6-45371-00	28 - 15
6E5-45371-01	26 - 15
688-45375-00	26 - 10
663-45376-00-94	26 - 10
663-45376-00-94	28 - 9
663-45376-00-94	26 - 9
663-45376-00-94	28 - 9
6E5-45378-00	25 - 10
6E5-45378-00	27 - 12
688-45383-02	25 - 68
688-45384-00	27 - 72
688-45384-00	25 - 69
688-45384-00	27 - 73
68V-45501-10	25 - 43
68V-45501-30	25 - 43
61A-45527-00	27 - 45
61A-45527-00	25 - 23
6E5-45536-00	27 - 25
6E5-45536-00	25 - 9
6E5-45536-00	27 - 11
61A-45538-00	25 - 20
61A-45538-00	27 - 22
6L6-45538-00	27 - 6
68V-45551-00	25 - 44
68V-45560-00	27 - 46
68W-45560-00	25 - 46
6E5-45567-01	27 - 48
6E5-45567-01	25 - 5
6E5-45567-01	27 - 7
6E5-45567-10	25 - 5
6E5-45567-20	27 - 7
6E5-45567-30	25 - 7
6E5-45567-40	27 - 5
6E5-45567-50	25 - 5
6E5-45567-60	27 - 7
6E5-45567-60	25 - 5
6E5-45567-60	27 - 7
68W-45570-10	27 - 63
68V-45571-00	25 - 60
6E5-45576-00	25 - 61
6L6-45576-00	27 - 64
6L6-45577-00	25 - 65
6L6-45577-00	27 - 70
6L6-45577-10	25 - 65
6L6-45577-10	27 - 70

PART NO. N° PIECES	REF. NO.
6L6-45577-20	25 - 65
6L6-45577-30	27 - 70
6L6-45577-30	25 - 65
6L6-45577-40	27 - 70
6L6-45577-40	25 - 65
6L6-45577-50	27 - 70
6L6-45577-50	25 - 65
6L6-45577-60	27 - 70
6K1-45578-01	27 - 66
6K1-45578-10	27 - 66
6K1-45578-20	27 - 66
6K1-45578-30	27 - 66
6K1-45578-40	27 - 66
6K1-45578-50	27 - 66
6K1-45578-60	27 - 66
6E5-45587-01	25 - 37
6E5-45587-10	27 - 39
6E5-45587-20	25 - 37
6E5-45587-30	27 - 39
6E5-45587-40	25 - 37
6E5-45587-50	27 - 39
6E5-45587-60	25 - 37
6E5-45587-60	27 - 39
68W-45611-00	27 - 51
6E5-45611-01	25 - 48
68V-45631-01	25 - 56
6E5-45633-01	27 - 59
6E5-45633-01	25 - 57
6E5-45634-01	27 - 60
6E5-45634-01	25 - 50
6E5-45634-01	27 - 53
6K1-45641-01	25 - 49
6E5-45641-03	27 - 52
6L6-45930-01-98	28 - 27
688-45930-02-98	26 - 27
688-45932-60-98	26 - 27
6E5-45941-00-EL	26 - 27
6E5-45943-00-EL	26 - 27
6E5-45945-01-EL	26 - 27
6E5-45947-00-EL	26 - 27

PART NO. N° PIECES	REF. NO.
6E5-45949-00-EL	26 - 27
6E5-45952-00-EL	26 - 27
6E5-45954-00-EL	26 - 27
6E5-45956-00-EL	26 - 27
6L6-45970-00-98	28 - 27
688-45970-03-98	26 - 27
62A-45970-10	26 - 27
6L6-45972-00-98	28 - 27
688-45972-02-98	26 - 27
62A-45972-10	26 - 27
688-45974-60-98	26 - 27
62A-45974-10	26 - 27
688-45976-01-98	26 - 27
688-45978-60-98	26 - 27
63P-45987-00	26 - 22
688-45997-01	26 - 23
67F-46241-00	5 - 17
704-48119-40	33 - 68
EL8-48127-00	33 - 23
704-48128-00	33 - 2
704-48144-20	33 - 50
703-48152-00	32 - 57
703-48153-00	32 - 3
704-48153-00	33 - 55
704-48156-00	33 - 63
EL8-48164-00	33 - 41
704-48166-00	33 - 56
704-48167-10	33 - 69
704-48176-10	33 - 51
704-48178-00	33 - 66
703-48189-00	32 - 17
EL8-48191-00	33 - 16
704-48192-00	33 - 44
704-48192-P0	33 - 52
703-48198-00	32 - 14
703-48205-17	31 - 1
704-48207-P0	32 - 1
703-48211-01	32 - 61
703-48212-00	32 - 58
703-48213-00	32 - 59
703-48215-00	32 - 43
704-48215-30	33 - 12
703-48219-00	32 - 30
704-48219-P0	33 - 49

PART NO. N° PIECES	REF. NO.
703-48221-00	32 - 56
704-48221-P0	33 - 67
703-48222-00	32 - 27
704-48222-P0	33 - 32
703-48223-00	32 - 28
703-48225-00	32 - 29
6X3-48225-20	33 - 43
703-48226-00	32 - 26
703-48227-00	32 - 24
704-48229-00	33 - 60
704-48229-P1	33 - 35
704-48231-00	33 - 25
703-48232-00	32 - 62
704-48232-P1	33 - 40
704-48233-00	33 - 53
703-48234-00	32 - 18
704-48234-00	33 - 48
703-48235-00	32 - 4
704-48235-00	33 - 54
703-48236-00	32 - 16
703-48238-00	32 - 22
704-48238-00	33 - 39
EL8-48241-00	33 - 26
704-48242-10	33 - 42
703-48243-00	32 - 15
703-48244-00	32 - 21
EL8-48244-00	33 - 30
703-48245-00	32 - 11
EL8-48245-00	33 - 31
701-48246-00	33 - 5
703-48246-00	32 - 23
701-48248-00	32 - 13
EL8-48251-00	33 - 3
703-48252-00	32 - 12
EL8-48254-00	33 - 27
EL8-48259-00	33 - 7
704-48261-00	33 - 15
703-48261-01	32 - 2
704-48262-00	33 - 8
703-48264-00	32 - 6
704-48264-00	33 - 9
703-48265-00	32 - 9
704-48265-00	33 - 4
703-48268-00	32 - 5
703-48271-00	32 - 60
704-48271-00	33 - 22
EL8-48279-00	33 - 47

PART NO. N° PIECES	REF. NO.
703-48281-00	32 - 31
704-48281-00	33 - 13
EL8-48281-00	33 - 11
703-48282-00	32 - 32
704-48283-00	33 - 17
703-48284-00	32 - 52
704-48284-P0	33 - 57
704-48285-10	33 - 65
701-48287-00	32 - 42
704-48287-00	33 - 20
703-48291-10	32 - 39
703-48293-10	32 - 41
701-48320-50	31 - 3
701-48320-60	31 - 3
701-48320-80	31 - 3
663-48344-00	18 - 3
703-48345-01	32 - 19
701-48350-00	31 - 3
701-48350-20	31 - 3
703-48358-00	32 - 20
68V-48511-00-8D	33 - 24
67F-48538-00	20 - 35
6E5-61301-01	18 - 1
6E5-61303-00	30 - 1
6E5-61311-11	30 - 5
6E5-61313-00	30 - 3
6E5-61315-00	30 - 2
6E5-61350-02	30 - 4
6E5-61351-01	29 - 1
6E5-61355-00	29 - 2
68V-81145-01	7 - 14
68V-81146-01	7 - 12
68V-81147-00	7 - 18
68V-81315-00	8 - 8
445-81328-20	15 - 24
67F-8132G-01	12 - 7
6D8-81332-00	15 - 1
67F-81337-01	12 - 16
63D-81345-20	12 - 19
68V-81410-00	12 - 5
68V-81450-00	12 - 4
68V-81460-00	12 - 1
6D8-81518-00	12 - 2
6D8-81528-00	14 - 33
68V-81673-00	15 - 4
	12 - 8

PART NO. N° PIECES	REF. NO.
68V-81800-01	16 - 1
67F-81801-00	16 - 5
67F-81807-00	16 - 10
67F-81808-00	16 - 8
67F-81809-00	16 - 19
67F-81810-00	16 - 3
67F-81813-00	16 - 6
68F-81820-00	16 - 7
67F-81821-00	16 - 13
6K7-81826-10	16 - 24
67F-81828-00	16 - 25
68V-8182L-00	7 - 16
67F-81830-00	16 - 17
67F-81832-00	16 - 11
67F-81836-00	16 - 12
67F-81839-00	16 - 21
67F-8183R-00	16 - 16
60V-8183T-00	16 - 18
68F-81840-00	16 - 4
67F-81841-00	16 - 14
67F-81842-00	16 - 20
67F-81846-00	16 - 26
67F-81850-00	16 - 2
67F-81857-00	16 - 9
67F-81869-00	16 - 23
67F-81891-00	16 - 15
68V-81919-00	14 - 46
68V-81919-10	14 - 47
60V-81925-00	16 - 28
68V-81941-01	16 - 22
68V-81942-03	14 - 31
68V-81948-02	14 - 23
68V-81949-00	14 - 15
68V-8194A-00	14 - 7
68V-81950-00	14 - 5
704-81950-10	33 - 58
68V-81953-00	14 - 8
68V-8195B-01	14 - 14
68V-81960-00	13 - 14
6K1-81980-00	35 - 18
68V-82105-00	14 - 1
6Y5-82117-00	34 - 17
6G5-82119-00	14 - 13
703-82119-00	20 - 4
682-82119-01	14 - 17
6E5-82148-00	19 - 6
66K-82149-00	19 - 26
68V-82149-30	19 - 26

PART NO. N° PIECES	REF. NO.
1E6-82151-00	34 - 16
67F-82151-00	14 - 35
67F-82151-10	14 - 36
67F-8215B-10	14 - 39
67F-8215B-20	14 - 40
68V-82310-00	13 - 5
68V-82310-10	13 - 6
68V-82317-00	13 - 2
6A0-82317-00	14 - 24
67F-82361-00	13 - 12
67F-82362-00	13 - 13
68V-82377-00	17 - 48
68V-82380-00	7 - 17
68V-82388-00	13 - 10
68V-82504-00	15 - 23
6K1-82510-06	35 - 3
703-82510-43	32 - 44
703-82531-00	32 - 46
68V-82532-00	34 - 27
6K1-82532-00	14 - 16
6K1-82532-00	35 - 5
703-82540-00	32 - 50
704-82540-30	33 - 10
6D8-82544-00	6 - 9
68F-82553-80	34 - 18
68F-82553-90	34 - 18
682-82556-00	32 - 48
703-82563-02	35 - 7
63D-82563-10	32 - 55
704-82563-50	15 - 25
704-82563-H0	33 - 34
704-82563-J0	33 - 61
6K1-82570-08	33 - 64
6K1-82571-02	35 - 1
6K1-82575-00	35 - 2
688-82575-01	32 - 47
703-82577-00	32 - 45
6E3-8257H-00	35 - 4
68F-82582-00	17 - 50
6E5-82587-00	16 - 29
6E5-82588-00	15 - 26
61A-82588-01	17 - 26
68V-82588-10	18 - 7
61B-8258A-01	15 - 9
688-8258A-20	35 - 24
6K1-8258A-40	32 - 49
	35 - 23

PART NO. N° PIECES	REF. NO.
704-82590-10	33 - 59
68V-82590-11	14 - 34
703-82591-00	32 - 53
703-82592-00	32 - 54
68V-82594-00	14 - 27
703-82594-00	32 - 25
704-82594-00	33 - 33
60V-8259F-00	18 - 6
68V-8259M-01	15 - 8
68V-8259N-00	7 - 33
703-83383-02	32 - 51
688-83383-11	35 - 12
6Y5-83500-S5	34 - 6
6Y5-8350F-00	34 - 21
6Y5-8350T-03	34 - 1
6Y5-83533-T2	34 - 10
6Y5-83553-00	34 - 15
6Y5-83553-F1	34 - 23
6Y5-83553-M0	34 - 15
6Y5-83557-31	34 - 19
6E5-83558-00	34 - 11
6E5-83558-10	26 - 18
	28 - 18
	25 - 12
	27 - 14
6Y5-83570-S5	34 - 7
67F-83614-00	15 - 27
6K1-83614-01	35 - 8
6K1-83623-41	12 - 27
6A1-83625-41	12 - 28
6A1-83625-51	12 - 25
68V-83626-00	12 - 26
64E-83672-02	4 - 38
6Y5-83728-00	20 - 3
72X-85075-L0	34 - 12
689-85547-00	22 - 21
68V-85548-00	10 - 1
68V-85580-00	14 - 29
6Y5-85752-01	12 - 3
68V-85753-00	34 - 24
	15 - 18
	36 - 8
67F-85757-00	15 - 17
67F-85790-00	15 - 16
6K1-85830-01	35 - 13
68V-85885-00	7 - 15
65L-85886-00	6 - 20
68V-8591A-14	13 - 1



FLOOD MARINE SERVICES  
downloaded from www.yamahaukboardparts.co.uk

PART NO. N° PIECES	REF. NO.
6Y5-87122-S0	34 - 14
68V-8A360-00	8 - 2
K1C-A3275-00	3 - 8
K0A-A3721-00	5 - 7
K0A-A3722-00	5 - 8
68V-W0001-04	36 - 1
68V-W0001-21	37 - 1
68V-W0070-10	1 - 27
68V-W0078-00	37 - 23
68V-W009A-04-1S	4 - 1
68V-W009B-06-1S	2 - 1
68V-W1164-01	3 - 7
68V-W1164-11	3 - 7
90101-09M70	30 - 9
90101-12M05	19 - 40
90105-10M00	26 - 16
	28 - 16
	4 - 19
90105-10M89	4 - 19
90109-06M80	17 - 15
90109-06M81	17 - 27
90109-06M82	17 - 8
90109-06M86	15 - 28
	17 - 21
	18 - 2
90109-12007	20 - 30
90109-14007	20 - 22
90116-10175	20 - 36
90119-06M10	25 - 16
	27 - 18
90119-06M49	6 - 15
90119-06M59	13 - 4
	14 - 26
	6 - 18
90119-06M82	10 - 29
90119-06M83	10 - 29
90119-06M92	12 - 22
90119-06MA2	2 - 26
90119-06MA4	2 - 20
90119-06ME1	6 - 19
90119-07234	4 - 7
90119-07235	4 - 5
	10 - 35
90119-08M14	25 - 33
	27 - 35
	37 - 31
	17 - 2
90119-08M58	23 - 30
90119-08M66	2 - 6
90119-08M68	6 - 2

PART NO. N° PIECES	REF. NO.
90119-08M91	4 - 20
90119-10M06	5 - 15
90119-10M08	23 - 19
90119-10M72	5 - 22
90119-10M88	2 - 5
90119-10M89	26 - 8
	28 - 8
90149-05M05	35 - 19
90152-05M07	26 - 13
	28 - 13
90158-06002	34 - 25
90159-06M28	17 - 42
90159-06M29	4 - 30
90167-06002	17 - 32
90170-09M05	30 - 10
90170-14M06	30 - 6
90170-16M01	25 - 45
	27 - 47
	5 - 24
90170-40003	5 - 24
90171-18M04	26 - 25
	28 - 25
90179-06M28	1 - 18
	18 - 35
90179-08003	16 - 27
90179-24002	12 - 15
90185-05002	26 - 14
	28 - 14
90185-09M01	29 - 6
	30 - 11
90185-10051	20 - 37
90185-12M12	20 - 34
90185-22M11	19 - 20
90201-06068	17 - 12
90201-06M31	18 - 44
90201-08M12	10 - 33
90201-08M14	21 - 30
90201-09M02	18 - 20
90201-10M02	18 - 32
90201-10M20	29 - 7
90201-10M76	30 - 8
90201-12M05	19 - 42
90201-12M09	20 - 32
90201-13M01	19 - 41
90201-15M58	20 - 21
90201-16M55	20 - 20
90201-22M01	25 - 21
	27 - 23
90201-24014	12 - 14



FLOOD MARINE SERVICES  
downloaded from www.yamahaukboardparts.co.uk

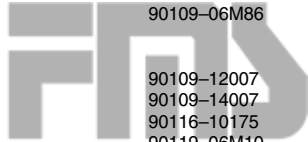
NUMERICAL INDEX  
INDEX NUMERIQUE

PART NO. N° PIECES	REF. NO.
90201-26M00	27 - 50
90201-26M59	19 - 19
90201-30M92	25 - 66
90201-38M60	20 - 11
90202-07M07	18 - 13
90202-32M19	20 - 19
90202-40M47	20 - 14
90206-10M04	18 - 33
90206-15M18	17 - 11
90206-22M19	25 - 22
	27 - 24
90249-06M19	19 - 33
90250-08M07	25 - 55
	27 - 58
90280-04008	5 - 25
90280-04M05	25 - 29
	27 - 31
	37 - 32
90280-04M08	12 - 13
90282-04010	25 - 67
	27 - 71
90340-08002	25 - 6
	27 - 8
90340-14M06	2 - 7
	24 - 3
90340-18M09	2 - 17
90344-51019	4 - 4
90386-06M12	18 - 16
90386-10M16	19 - 31
90386-15M73	17 - 10
90386-22M98	19 - 38
	21 - 33
90386-25M31	19 - 18
90386-38M32	20 - 13
90386-90M90	18 - 19
90387-06119	13 - 3
	14 - 25
90387-06M21	18 - 34
90387-06M43	17 - 45
90387-06M64	24 - 12
90387-06M71	12 - 20
90387-08M32	6 - 3
90387-08M37	17 - 4
90387-10M05	19 - 34
90387-10M08	4 - 18
90387-10M61	29 - 3
90401-20145	2 - 42
90430-06014	8 - 25

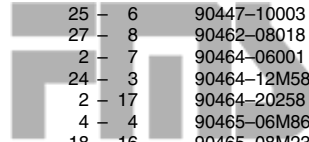
PART NO. N° PIECES	REF. NO.
90430-06014	36 - 18
90430-08020	25 - 8
	27 - 10
	37 - 2
90430-08143	4 - 16
	36 - 2
90430-14115	2 - 8
	36 - 6
90430-14M09	24 - 4
	37 - 20
90430-18130	2 - 18
	36 - 12
90445-076K2	26 - 17
	28 - 17
90445-07ME8	25 - 11
90445-07ME9	25 - 11
	27 - 13
	1 - 33
90445-10M18	1 - 33
90445-13M27	10 - 4
90445-15M03	5 - 20
90447-07007	14 - 38
90447-10003	14 - 37
90462-08018	1 - 34
90464-06001	13 - 11
90464-12M58	14 - 28
90464-20258	17 - 47
90465-06M86	15 - 21
90465-08M23	17 - 28
90465-08M63	19 - 23
90465-11M10	2 - 34
	6 - 7
	8 - 29
	10 - 3
	17 - 38
	19 - 21
	20 - 6
	26 - 19
	28 - 19
	34 - 13
90465-11M52	14 - 44
90465-12M03	6 - 11
90465-13M18	6 - 24
	14 - 45
	15 - 12
90467-20M15	2 - 35
	6 - 8
90468-18008	18 - 4
90480-12072	2 - 12

PART NO. N° PIECES	REF. NO.
90480-12072	4 - 25
90480-13M24	15 - 5
	17 - 44
90480-15M31	12 - 21
90480-20M05	2 - 23
90480-22M15	17 - 3
90501-11M10	25 - 19
	27 - 21
90501-12082	18 - 26
90501-16M11	2 - 22
90501-16M37	25 - 51
	27 - 54
90506-14M24	19 - 36
90506-16M34	17 - 16
90506-16M39	5 - 19
90560-12M01	29 - 4
91490-20015	18 - 21
91490-40030	26 - 26
	28 - 26
91609-25014	10 - 32
91690-30020	19 - 35
91690-50014	6 - 4
91809-08006	4 - 6
	10 - 36
92780-06020	33 - 28
92903-06100	14 - 3
92903-06600	14 - 4
92903-08100	16 - 33
92903-08600	16 - 31
92907-04600	4 - 24
92907-06600	24 - 11
92990-04100	34 - 4
92990-05100	35 - 10
92990-05200	1 - 23
92990-05300	33 - 36
92990-05600	35 - 22
92990-06100	1 - 3
	35 - 16
92990-06300	33 - 46
92990-06600	19 - 12
	23 - 25
	35 - 17
92990-08600	32 - 34
92990-18200	26 - 24
	28 - 24
92995-04100	18 - 9
92995-06100	12 - 11
	13 - 8

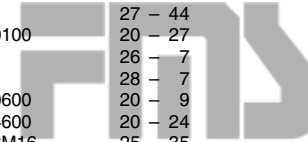
PART NO. N° PIECES	REF. NO.
92995-06100	14 - 11
	15 - 14
	18 - 40
	19 - 5
92995-06600	1 - 7
	2 - 11
	4 - 11
	6 - 13
	10 - 14
	12 - 12
	13 - 9
	14 - 12
	15 - 3
	18 - 11
	19 - 8
	23 - 8
	24 - 6
92995-08100	19 - 17
92995-08600	4 - 14
	6 - 23
	25 - 42
	27 - 44
92995-10100	20 - 27
	26 - 7
	28 - 7
92995-10600	20 - 9
92995-14600	20 - 24
93101-28M16	25 - 35
	27 - 37
93101-30M17	37 - 8
	25 - 63
	27 - 68
	37 - 10
93101-48002	3 - 3
	36 - 11
93102-08M43	22 - 36
93102-38M59	5 - 16
	36 - 5
93102-48009	3 - 2
	36 - 10
93106-09014	25 - 15
	27 - 17
93210-09165	37 - 4
	18 - 18
	37 - 17
93210-10M74	21 - 4
93210-16275	29 - 9
93210-19MJ1	24 - 29



FLOOD MARINE SERVICES  
downloaded from www.yamahaukboardparts.co.uk



FLOOD MARINE SERVICES  
downloaded from www.yamahaukboardparts.co.uk



FLOOD MARINE SERVICES  
downloaded from www.yamahaukboardparts.co.uk



FLOOD MARINE SERVICES  
downloaded from www.yamahaukboardparts.co.uk



FLOOD MARINE SERVICES  
downloaded from www.yamahaukboardparts.co.uk



FLOOD MARINE SERVICES  
downloaded from www.yamahaukboardparts.co.uk



FLOOD MARINE SERVICES  
downloaded from www.yamahaoutboardparts.co.uk

PART NO. N° PIECES	REF. NO.
93210-19MJ1	37 - 12
93210-24MJ9	4 - 37
	36 - 3
93210-30682	10 - 28
	36 - 16
93210-32738	10 - 8
93210-37160	25 - 27
	27 - 29
	37 - 6
93210-37MH7	20 - 12
93210-48MG8	7 - 27
	36 - 15
93210-48MJ9	6 - 17
	36 - 19
93210-55M14	25 - 39
	27 - 41
	37 - 9
93210-58144	25 - 14
	27 - 16
	37 - 3
93210-86M38	25 - 26
	27 - 28
	37 - 5
93210-86M39	25 - 64
	27 - 69
	37 - 11
93306-208U0	25 - 59
93315-345W0	27 - 4
93315-425U7	25 - 47
	27 - 49
93315-430U8	25 - 62
93315-628U9	25 - 3
	27 - 3
93317-330U2	25 - 36
	27 - 38
	27 - 67
93317-330U5	25 - 4
93332-000U7	27 - 62
93332-000V7	27 - 5
93341-360U8	27 - 65
93341-440U5	25 - 38
93341-930V2	27 - 40
	19 - 39
93410-22M11	20 - 16
93410-37M04	23 - 22
93420-36M01	32 - 10
93430-06024	33 - 6
	18 - 25



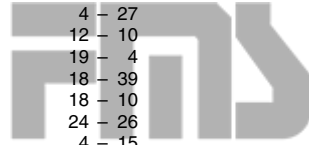
FLOOD MARINE SERVICES  
downloaded from www.yamahaoutboardparts.co.uk

PART NO. N° PIECES	REF. NO.
93503-16003	25 - 54
	27 - 57
93507-32009	25 - 52
	27 - 55
93511-32017	25 - 53
	27 - 56
93604-12M07	24 - 28
93605-10108	5 - 13
93606-12019	2 - 3
	24 - 7
	25 - 32
	27 - 34
	37 - 30
93606-19M23	23 - 13
93608-12M05	26 - 5
	28 - 5
93608-16M16	23 - 3
93700-06M03	19 - 13
94702-00400	4 - 39
95333-08600	16 - 32
95380-04600	34 - 5
95380-05600	32 - 7
	33 - 21
	35 - 11
95380-05700	7 - 30
95380-06600	1 - 4
	17 - 41
	32 - 40
	33 - 37
	35 - 15
95380-08600	10 - 12
95380-12600	19 - 43
95380-14600	20 - 23
95380-14700	30 - 7
95780-10300	20 - 8
95895-06025	6 - 10
97013-06020	14 - 2
97013-08045	16 - 30
97027-06025	24 - 10
97075-06020	2 - 29
	4 - 10
97075-06025	18 - 23
	24 - 5
97075-06030	23 - 11
97075-06070	23 - 7
97075-08025	4 - 13
97075-10040	20 - 26
97075-10045	26 - 6



NUMERICAL INDEX  
INDEX NUMERIQUE  
FLOOD MARINE SERVICES  
downloaded from www.yamahaoutboardparts.co.uk

PART NO. N° PIECES	REF. NO.
97075-10045	28 - 6
97080-08016	21 - 31
97095-06010	8 - 24
	14 - 10
	15 - 22
	19 - 7
	23 - 28
97095-06012	1 - 6
	6 - 12
	15 - 10
97095-06014	15 - 6
97095-06016	10 - 13
	15 - 2
	17 - 13
97095-06020	2 - 10
	13 - 18
	14 - 41
	15 - 13
97095-06025	2 - 38
	4 - 34
	13 - 7
97095-06030	4 - 27
	12 - 10
	19 - 4
97095-06035	18 - 39
97095-06040	18 - 10
97095-06045	24 - 26
97095-08014	4 - 15
97095-08020	6 - 22
	19 - 16
97095-08025	25 - 41
	27 - 43
	32 - 8
97380-05025	32 - 8
97380-06018	33 - 18
97380-08030	32 - 33
97575-08445	20 - 29
97575-08540	2 - 32
	6 - 1
	23 - 2
97607-04110	12 - 6
97607-04310	22 - 32
97780-50620	1 - 35
97780-50625	1 - 24
97780-60525	20 - 2
97780-60620	14 - 9
97780-60625	14 - 6
97880-06012	19 - 11
97880-06016	23 - 24



FLOOD MARINE SERVICES  
downloaded from www.yamahaoutboardparts.co.uk

PART NO. N° PIECES	REF. NO.
97885-04016	18 - 8
97885-06010	12 - 17
97885-06016	20 - 5
97890-05016	33 - 70
97890-05025	33 - 14
97890-06018	33 - 45
98507-04008	4 - 23
98580-03015	32 - 38
98580-04006	32 - 36
98580-04010	32 - 35
98580-05010	32 - 37
98780-04016	2 - 15
98780-05018	33 - 29
98980-05010	35 - 9
98980-06020	35 - 14
99001-08600	25 - 18
	27 - 20
	12 - 9
99530-08012	7 - 26
99530-10114	7 - 26
9E450-04433	34 - 2
9E450-04533	34 - 3



FLOOD MARINE SERVICES  
downloaded from www.yamahaoutboardparts.co.uk

PART NO. N° PIECES	REF. NO.
-----------------------	-------------



FLOOD MARINE SERVICES  
downloaded from www.yamahaoutboardparts.co.uk



FLOOD MARINE SERVICES  
downloaded from www.yamahaoutboardparts.co.uk



FLOOD MARINE SERVICES  
downloaded from www.yamahaoutboardparts.co.uk

G5

F115AET/FL115AET  
PARTS CATALOGUE  
©2005 by Yamaha Motor Co., Ltd.  
1st edition, June 2005  
All rights reserved.  
Any reprinting or unauthorized use  
without the written permission of  
Yamaha Motor Co., Ltd.  
is expressly prohibited.  
Printed in Japan.

F115AET/FL115AET  
CATALOGUE DE PIÈCES DÉTACHÉES  
©2005 par Yamaha Motor Co., Ltd.  
1<sup>re</sup> édition, juin 2005  
Tous droits réservés  
Toute réimpression ou utilisation  
non autorisée sans la permission écrite  
de la Yamaha Motor Co., Ltd.  
est formellement interdite.  
Imprimé au Japon