

**PARTS  
CATALOGUE  
CATALOGUE  
DE PIÈCES DÉTACHÉES**

**F80AET'06 (67G5)**

**F100AET'06 (67F5)**

1E67G-300F1

( 2E67G-300F1 )



2016/4/18

NEWS NO.	DATE	COMMENT
PE0-OM-060003	Feb.,24,2006	MOD:FIG.13,14 ELECTRICAL LIST/ILLUSTRATION REVISION
PE0-OM-060010	May,9,2006	COR:FIG.7,9 CARBURETOR LIST/ILLUSTRATION CORRECTION
PE0-OM-070013	Jan.,15,2007	COR:FIG.22 PTT ASSY LIST/ILLUSTRATION CORRECTION
PE0-OM-100010	Mar.,3,2010	MOD:FIG.2,4 LIST/ILLUSTRATION REVISION
PE0-OM-100035	May,13,2010	COR:FIG.7 CARBURETOR 1 LIST/ILLUSTRATION CORRECTION
PE0-OM-130042	Aug.,28,2013	COR:FIG.22 PTT ASSY LIST CORRECTION

NEWS NO.	DATE	COMMENT
PE0-OM-160003	Apr.,11,2016	MOD:F75/F80A/F90/F100A FUEL (1) LIST/ILLUSTRATION REVISION

# FOREWORD

This Parts Catalogue is related to the parts for the model(s) on the cover page. When you are ordering replacement parts, please refer to this Parts Catalogue and quote both part numbers and part names correctly.

1. Modifications or additions which have been made after the issue of the Parts Catalogue will be announced in the Parts News. It is advisable that you make the necessary corrections to the Parts Catalogue according to the Parts News.

2. Abbreviations  
The following abbreviations are used in this Parts Catalogue.

“UR” Use specified parts number.  
 “UN” Use as many as needed.  
 “AP” Alternate Parts  
 “LM” Locally Made (Parts need to be ordered locally)  
 “F#” Frame No. (Applicable machine No.)  
 “O/S” Over Size

3. The number of components for assembly
  - Parts, which are to be supplied in an assembly, are listed with a dot (.) in front of the part name as shown below.
  - The numeral appearing to the right of each component part indicates the quantity of parts for each assembly unit.

PART NO.	DESCRIPTION	Q'TY	REMARKS
2F5-83310-60	FRONT FLASHER LIGHT ASSY	2	
115-83311-60	.BULB (6V-18W)	1	

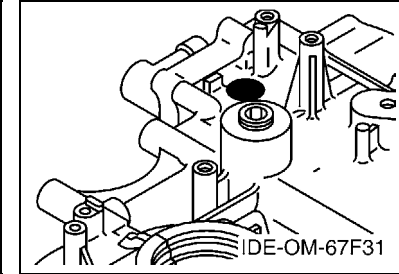
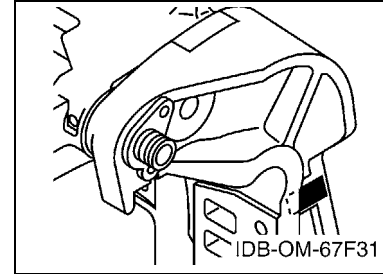
4. Applicable colours of graphics are represented in the “REMARKS” as shown below.

PART NO.	DESCRIPTION	Q'TY	REMARKS
2N4-24110-00-X5	FUEL TANK COMP.	2	MXR
3J1-24240-10	.GRAPHIC, FUEL TANK	1	FOR MXR

5. Note that the illustrations for reference in finding parts numbers are not to be used for assembling. When assembling, please use the applicable service manual.

6. The asterisk (\*) before a reference number indicates modified items after the first edition.
7. Applicable Serial No.

Engine Serial No.



8. Applicable Engine Starting Serial No.

Model	Serial No.	Model	Serial No.
F80A	67G-1005976	F100A	67F-1006729

9. Applicable Colour Code

Abbreviation	Colour Name	Colour Code
DBNM2	DARK BLUISH GRAY METALLIC 2	004D

10. Quantity Column Information

Column No.	Name Of Q'ty Column	Applicable Model
1	67G5	F80AET
2	67F5	F100AET

## AVANT-PROPOS

Ce catalogue de pièces détachées concerne les pièces pour le(s) modèle(s) indiqué(s) sur la page de couverture. Lorsque vous commandez des pièces de rechange, veuillez vous référer à ce catalogue de pièces détachées et indiquer clairement les numéros et les noms des pièces détachées.

1. Les modifications ou ajouts ayant été effectués après la parution du catalogue de pièces détachées seront décrits dans les Bulletins d'information concernant les pièces détachées.

Il est recommandé que vous apportiez les corrections nécessaires au catalogue des pièces détachées en vous référant aux Bulletins d'information.

2. Abréviations

Dans ce catalogue, les abréviations suivantes sont utilisées:

“UR” Utiliser le numéro de pièces spécifié.

“UN” Utiliser autant que nécessaire.

“AP” Pièces de substitution

“LM” Fabrication locale (les pièces doivent être commandées localement.)

“F#” N° de cadre (applicable au N° de série)

“O/S” Surdimensionné

3. Nombre de pièces d'un assemblage

- Les pièces fournies comme composants d'un assemblage sont précédées d'un point (.) de la manière indiquée ci-dessous.
- Le chiffre apparaissant à la droite de chaque composant indique la quantité de pièces pour chaque unité d'assemblage.

N° PIECES	DESCRIPTION	QTE	REMARQUES
2F5-83310-60	ENS. CLIGNOTANT AVANT	2	
115-83311-60	.AMPOULE (6V-18W)	1	

4. Les couleurs concernant les graphiques sont indiquées dans la colonne “REMARQUES”, comme indiqué ci-dessous.

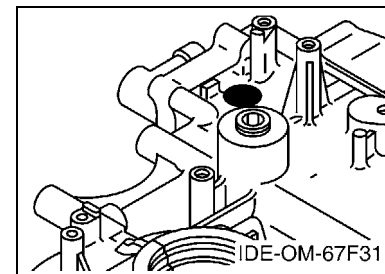
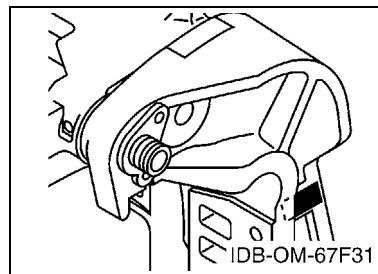
N° PIECES	DESCRIPTION	QTE	REMARQUES
2N4-24110-00-X5	RESERVOIR A ESSENCE.	2	MXR
3J1-24240-10	.GRAPHIQUE	1	POUR MXR

5. Veuillez noter que les illustrations sont indiquées à titre de référence pour trouver les numéros de pièces, non pour être utilisées lors de l'assemblage. Lors de l'assemblage, veuillez utiliser le manuel d'entretien adéquat.

6. L'astérisque (\*) placé devant un numéro de référence indique des éléments qui ont été modifiés après la première édition.

7. N° de série applicable

N° de Série du moteur



8. N° de série initial du moteur applicable

Modèle	N° de série	Modèle	N° de série
F80A	67G-1005976	F100A	67F-1006729

9. Code couleur applicable

Abréviation	Nom de la couleur	Code couleur
DBNM2	DARK BLUISH GRAY METALLIC 2	004D

10. Informations relatives à la colonne Quantité

N° de la colonne	Nom de la colonne Qté	Modèle applicable
1	67G5	F80AET
2	67F5	F100AET

**SHEET1/2**

TOP COWLING .....	A4
CYLINDER & CRANKCASE 1 .....	A5
CRANKSHAFT & PISTON .....	A7
CYLINDER & CRANKCASE 2 .....	B1
VALVE .....	B3
INTAKE .....	B6
CARBURETOR 1 .....	B7
CARBURETOR 2 .....	C3
CARBURETOR 3 .....	C4
FUEL 1 .....	C5
FUEL 2 .....	C7
GENERATOR .....	D1
ELECTRICAL 1 .....	D2
ELECTRICAL 2 .....	D4
ELECTRICAL 3 .....	D6
STARTING MOTOR .....	E1
BOTTOM COWLING .....	E3
CONTROL .....	E5
BRACKET 1 .....	E7
BRACKET 2 .....	F2
OPTIONAL PARTS 1 .....	F4
POWER TRIM & TILT ASSY 1 .....	F5

**INDEX**

NUMERICAL INDEX .....	G1
-----------------------	----

**SHEET2/2**

POWER TRIM & TILT ASSY 1 .....	A4*
POWER TRIM & TILT ASSY 2 .....	A5*
UPPER CASING .....	A6*
OIL PAN .....	B1*
LOWER CASING & DRIVE 1 .....	B3*
LOWER CASING & DRIVE 2 .....	B6*
FUEL TANK .....	C1*
STEERING GUIDE .....	C2*
REMOTE CONTROL BOX .....	C3*
REMOTE CONTROL ASSY .....	C4*
METER .....	C7*
OPTIONAL PARTS 2 .....	D1*
REPAIR KIT 1 .....	D2*
REPAIR KIT 2 .....	D3*
REPAIR KIT 3 .....	D4*

**INDEX**

NUMERICAL INDEX .....	G1*
-----------------------	-----

# TABLE DES MATIERES

## Feuille1/2

CAPOT SUPERIEUR .....	A4
CYLINDRE & CARTER 1 .....	A5
VILEBREQUIN & PISTON .....	A7
CYLINDRE & CARTER 2 .....	B1
SOUPAPE .....	B3
ADMISSION .....	B6
CARBURATEUR 1 .....	B7
CARBURATEUR 2 .....	C3
CARBURATEUR 3 .....	C4
CARBURANT 1 .....	C5
CARBURANT 2 .....	C7
GENERATRICE .....	D1
PARTIE ELECTRIQUE 1 .....	D2
PARTIE ELECTRIQUE 2 .....	D4
PARTIE ELECTRIQUE 3 .....	D6
DEMARREUR ELECTRIQUE .....	E1
CAPOT INFERIEUR .....	E3
COMMANDE .....	E5
SUPPORT 1 .....	E7
SUPPORT 2 .....	F2
PIECES OPTIONNELLES 1 .....	F4
PUISSANCE PARER ET INCLINER 1 .....	F5

## INDEX

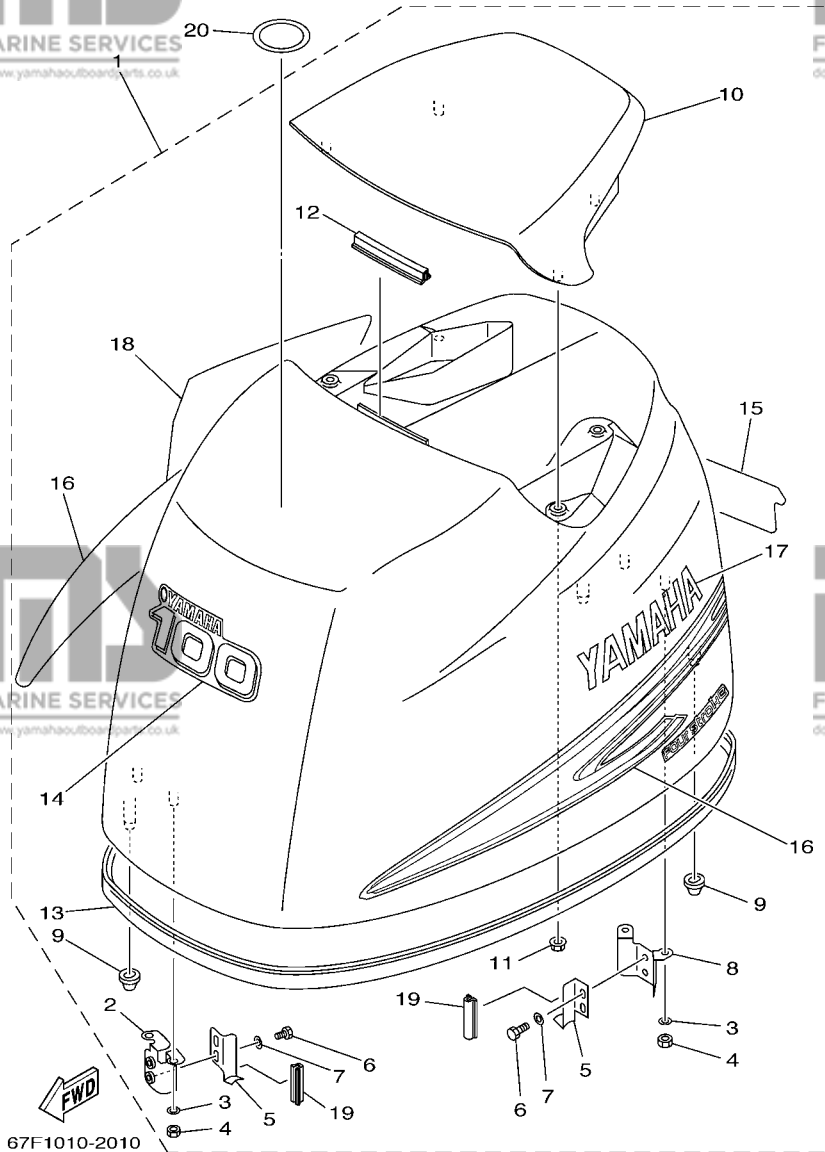
INDEX NUMERIQUE .....	G1
-----------------------	----

## Feuille2/2

PUISSANCE PARER ET INCLINER 1 .....	A4*
PUISSANCE PARER ET INCLINER 2 .....	A5*
FOURREAU .....	A6*
VENTILATEUR D'HUILE .....	B1*
BOITIER D'HELICE TRANSMISSION1 .....	B3*
BOITIER D'HELICE TRANSMISSION2 .....	B6*
RESERVOIR A CARBURANT .....	C1*
FIXATION DE DIRECTION .....	C2*
BOITIER DE COMMANDE A DISTANCE .....	C3*
BOITIER DE COMMANDE A DISTANCE .....	C4*
COMPTEUR .....	C7*
PIECES OPTIONNELLES 2 .....	D1*
KITS DE REPARATION 1 .....	D2*
KITS DE REPARATION 2 .....	D3*
KITS DE REPARATION 3 .....	D4*

## INDEX

INDEX NUMERIQUE .....	G1*
-----------------------	-----

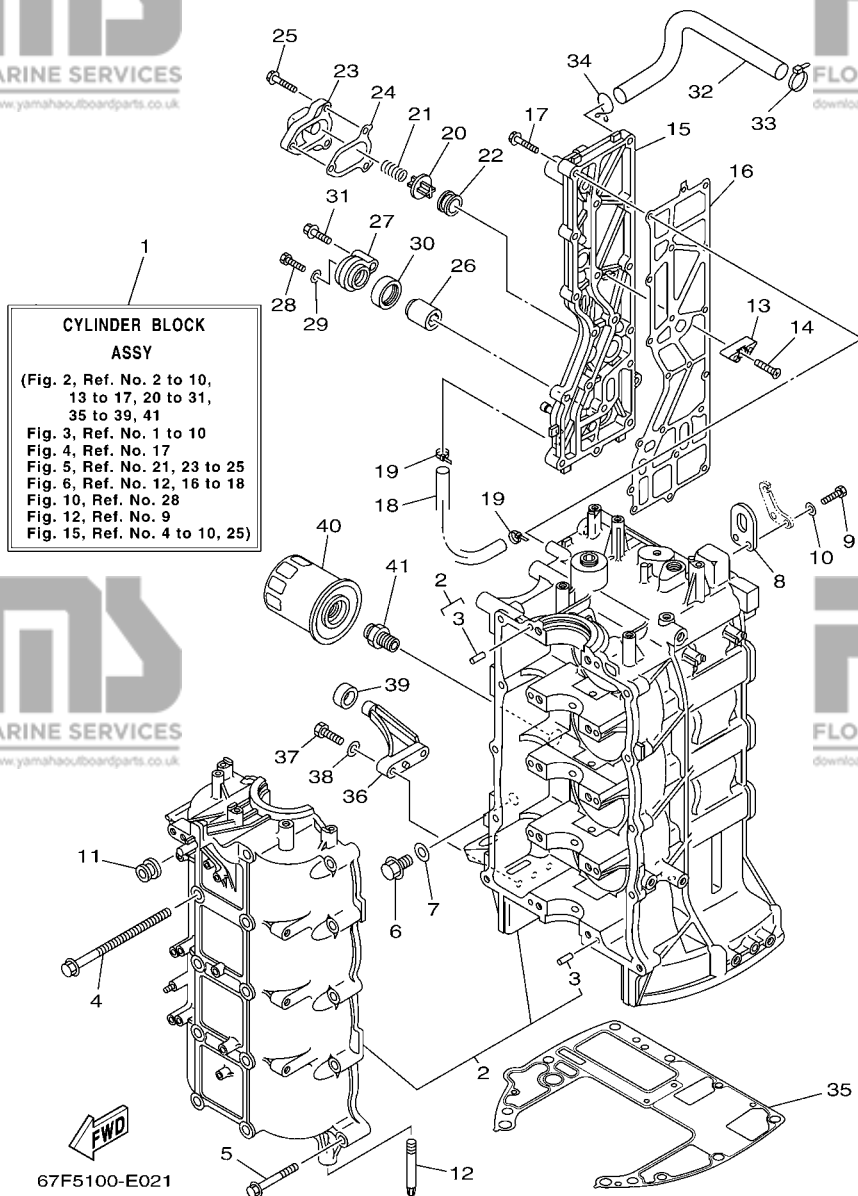


**FIG. 1 TOP COWLING**

**CAPOT SUPERIEUR**

REF. NO.	PART NO. N° PIECES	DESCRIPTION DESCRIPTION			REMARKS REMARQUES
			67G5	67F5	
1	67F-42610-11-4D	TOP COWLING ASSY CAPOT (ENS.)		1	
	67G-42610-11-4D	TOP COWLING ASSY CAPOT (ENS.)	1		
2	67F-42647-00	.HOLDER, CLAMP BAND .SUPPORT, SANDOW DE SERRAGE	1	1	
3	92990-06100	.WASHER, SPRING .RONDELLE, GROWER	4	4	
4	95380-06600	.NUT, HEXAGON .ECROU	4	4	
5	68V-42652-00	.HOOK .CROCHET	2	2	
6	97095-06012	.BOLT .BOULON	4	4	
7	92995-06600	.WASHER .RONDELLE	4	4	
8	67F-42649-00	.HOLDER, CLAMP BAND .SUPPORT, SANDOW DE SERRAGE	1	1	
9	67F-42662-00	.DAMPER .AMORTISSEUR	3	3	
10	67F-42613-00-4D	.MOLDING, AIR DUCT .MANCHON A AIR	1	1	
11	90179-06M24	.NUT .ECROU	4	4	
12	61N-42628-00	.SEAL .JOINT	1	1	
13	67F-42615-00	.SEAL .JOINT	1	1	
14	67F-42677-10	.GRAPHIC, FRONT .ADHESIF, AVANT		1	
	67G-42677-10	.GRAPHIC, FRONT .ADHESIF, AVANT	1		
15	67F-42678-10	.GRAPHIC, REAR .ADHESIF, ARRIERE		1	
	67G-42678-10	.GRAPHIC, REAR .ADHESIF, ARRIERE	1		
16	67F-W0070-10	.GRAPHIC SET .JEU DIEMBLEMES	1	1	
17	67F-42681-10	.MARK, COWLING .ADHESIF, CAPOT	1	1	
18	67F-42682-10	.MARK, COWLING .ADHESIF, CAPOT	1	1	
19	67F-42628-00	.SEAL .JOINT	2	2	
20	67F-13434-03	LABEL, CAUTION ETIQUETTE, ATTENTION	1	1	

**FIG. 2 CYLINDER & CRANKCASE 1 CYLINDRE & CARTER 1**

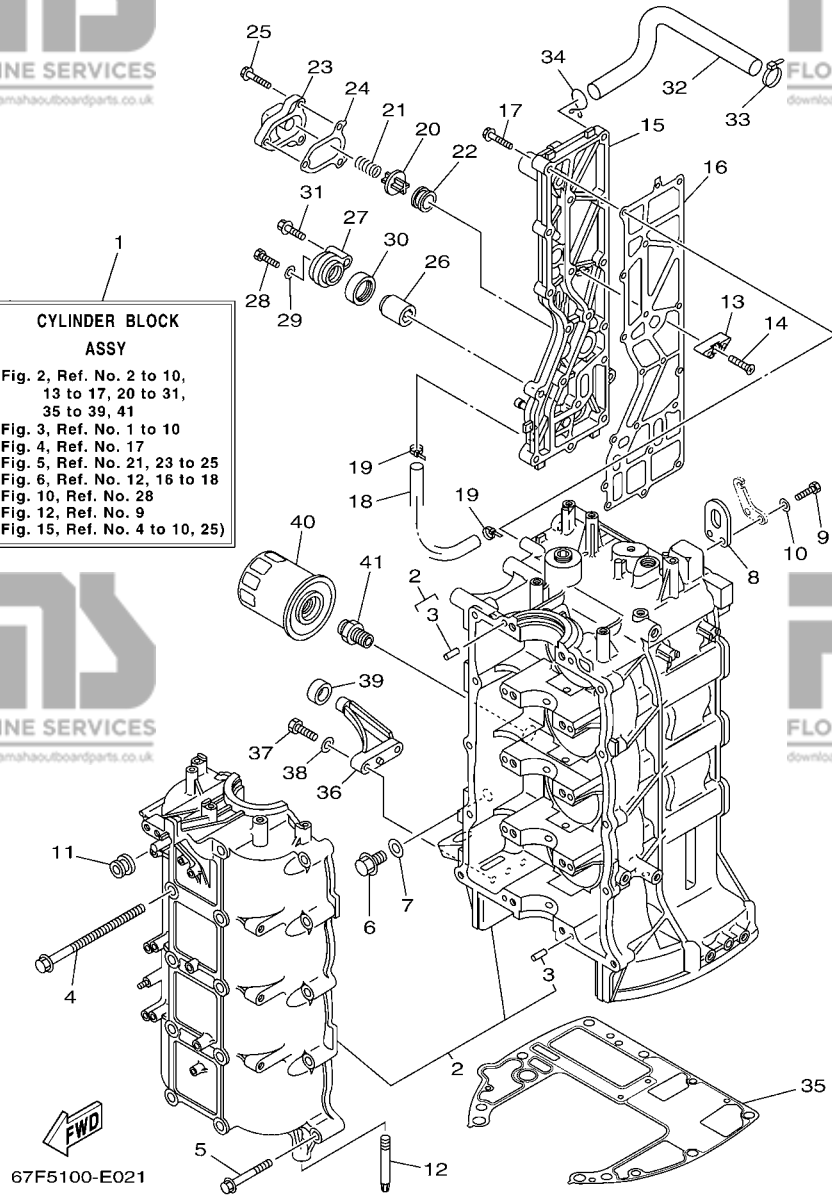


REF. NO.	PART NO. N° PIECES	DESCRIPTION DESCRIPTION	67G5	67F5	REMARKS REMARQUES
1	67F-W009B-07-1S	CYLINDER BLOCK ASSY CYLINDRE GROUPE (ENS.)	1	1	Go to P/N : PE0-OM-100010
2	67F-15100-03-1S	CRANKCASE ASSY CARTER DE MOTEUR COMPLET	1	1	
3	93606-12019	.PIN, DOWEL .GOUPILLE	10	10	
4	90119-10M88	BOLT, WITH WASHER BOULON, AVEC RONDELLE	10	10	
5	90119-08M66	BOLT, WITH WASHER BOULON, AVEC RONDELLE	10	10	
6	90340-14M06	PLUG, STRAIGHT SCREW PLOT, FILETE DROIT	1	1	
7	90430-14115	GASKET JOINT	1	1	
8	62Y-11119-00	HANGER, ENGINE ANNEAU, LEVAGE	2	2	
9	97095-06020	BOLT BOULON	4	4	
10	92995-06600	WASHER RONDELLE	4	4	
11	90480-12072	GROMMET PASSE-FIL	1	1	
12	67F-15142-00	GUIDE 1 GUIDE 1	2	2	
13	6E5-11325-00	ANODE ANODE	3	3	
14	98780-04016	SCREW, FLAT HEAD VIS A TETE FRAISEE	3	3	
15	67F-41113-10-1S	OUTER COVER, EXHAUST COUVERCLE, ECHAPPEMENT	1	1	
16	6D8-41114-A0	GASKET, EXHAUST OUTER COVER JOINT, COUVERCLE D'ECHAPPEMENT	1	1	
17	90119-06MA4	BOLT, WITH WASHER BOULON, AVEC RONDELLE	18	18	
18	90445-10M40	HOSE (L330) DURITE (L330)	1	1	
19	90465-11M10	CLAMP BRIDE	2	2	
20	6G5-12416-00	VALVE, PRESSURE CONTROL SOUPAPE DE CONTROLEUR PRESS	1	1	
21	90501-16M11	SPRING, COMPRESSION RESSORT, COMPRESSION	1	1	
22	90480-20M05	GROMMET PASSE-FIL	1	1	
23	67F-1246A-01-1S	COVER 1 COUVERCLE 1	1	1	
24	67F-12435-A0	GASKET JOINT	1	1	
25	90119-06MA2	BOLT, WITH WASHER BOULON, AVEC RONDELLE	3	3	
26	68V-11325-01	ANODE ANODE	1	1	Go to P/N : PE0-OM-100010
27	69J-11327-00-94	COVER, ANODE COUVERCLE	1	1	Go to P/N : PE0-OM-100010



**FIG. 2 CYLINDER & CRANKCASE 1 CYLINDRE & CARTER 1**

**CYLINDER BLOCK ASSY**  
(Fig. 2, Ref. No. 2 to 10, 13 to 17, 20 to 31, 35 to 39, 41  
Fig. 3, Ref. No. 1 to 10  
Fig. 4, Ref. No. 17  
Fig. 5, Ref. No. 21, 23 to 25  
Fig. 6, Ref. No. 12, 16 to 18  
Fig. 10, Ref. No. 28  
Fig. 12, Ref. No. 9  
Fig. 15, Ref. No. 4 to 10, 25)



REF. NO.	PART NO. N° PIECES	DESCRIPTION DESCRIPTION	67G5	67F5	REMARKS REMARQUES
28	97075-06020	BOLT BOULON	1	1	Go to P/N : PE0-OM-100010
29	92995-06600	WASHER RONDELLE	1	1	Go to P/N : PE0-OM-100010
30	67F-11328-00	GROMMET, ANODE PASSE-FIL	1	1	Go to P/N : PE0-OM-100010
31	97575-08540	BOLT, WITH WASHER VIS HEXAGONAL AVC RONDELLE	1	1	
32	67F-1243A-00	HOSE 1 DURITE 1	1	1	
33	90465-11M10	CLAMP BRIDE	1	1	
34	90467-20M15	CLIP JONC	1	1	
35	68V-11351-00	GASKET, CYLINDER JOINT, D'EMBASE	1	1	
36	67F-42761-00-94	STOPPER PLAQUETTE	2	2	
37	97095-06025	BOLT BOULON	4	4	
38	92995-06600	WASHER RONDELLE	4	4	
39	68F-44533-00	DAMPER, UPPER MOUNT RUBBER COUVERCLE, SUSPENSION INFERIEUR	2	2	
40	5GH-13440-00	ELEMENT ASSY, OIL CLEANER ELEMENT, FILTRE A HUILE	1	1	
41	90401-20145	BOLT, UNION BOULON, RACCORD	1	1	

# PARTS NEWS

FLOOD MARINE SERVICES

downloaded from www.yamahaoutboardparts.co.uk

FLOOD MARINE SERVICES

downloaded from www.yamahaoutboardparts.co.uk



FLOOD MARINE SERVICES

downloaded from www.yamahaoutboardparts.co.uk

News No.:PE0-OM-100010(1/2)

Date:March 3, 2010

Signature:F. Takahashi

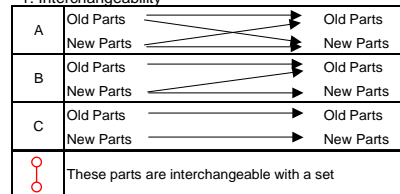
Caus: Cause  Revision Notice  Correction  Sales Unit Change  Others

Model	F80AET (67G5) / F100AET (67F5)
Subject	PARTS CATALOGUE CORRECTIONS
CATALOGUE NO.	1E67G-300F1 / 1E67G-200S1
Time of YPEC Revision	Text, Illustration --> Mar./20/2010
	PDF Replace --> Mar./20/2010
(YPEC = Yamaha Parts Electrical Catalogue = Website parts catalogue)	

## Applicable Engine Serial No.

MODEL NAME	MODEL CODE	Applicable Engine Serial No.
F80AET	67G5	67G:1006428-
F100AET	67F5	67F:1006829-

\*1: Interchangeability



## FIG.2 CYLINDER & CRANKCASE 1

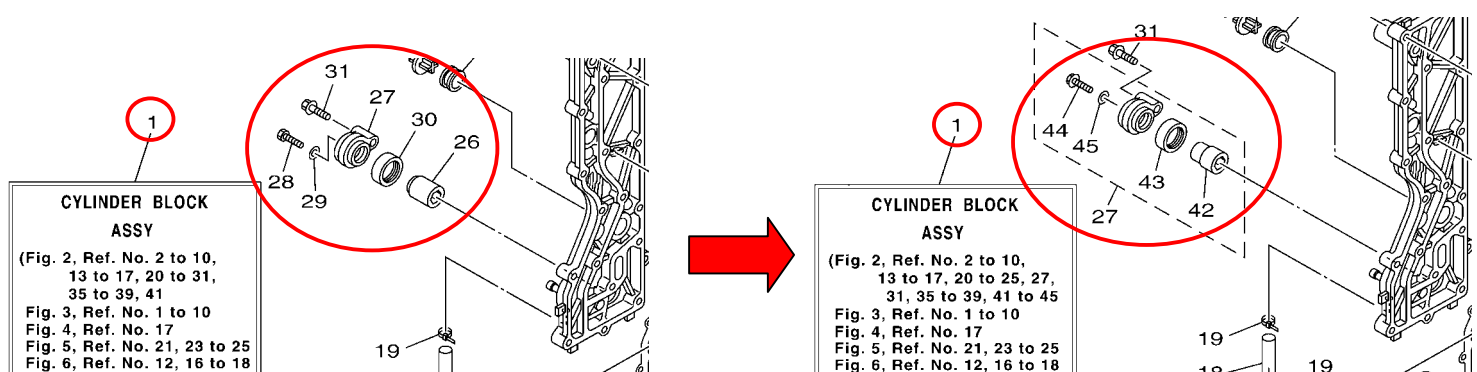
### 1. LIST CORRECTION

Fig. No.	Ref. No.	OLD P/No.	NEW P/No.	PART NAME	Q'TY	*Interchangeability		
							REMARKS	
2	1	67F-W009B-07-1S	67F-W009B-08-1S	CYLINDER BLOCK ASSY	1		*Part number revision	
	26	68V-11325-04	-	ANODE	4		*Deleted Parts	
	27	69J-11327-00-94	69J-11301-10	ANODE COVER ASSY	1	B	*Part number revision	
	42	-	68V-11325-02	. ANODE	1	C	*Added Parts	
	43	-	67F-11328-00	. GROMMET,ANODE	1	C		
	44	-	90105-06M07	. BOLT,FLANGE	1	C		
	45	-	90430-06M03	. GASKET	1	C		
		28	97075-06020	-	BOLT	4		*Deleted Parts
		29	92995-06600	-	WASHER	4		
		30	67F-11328-00	-	GROMMET,ANODE	4		

### 2. ILLUSTRATION CORRECTION

(OLD)

(NEW)



Parts Manager Check

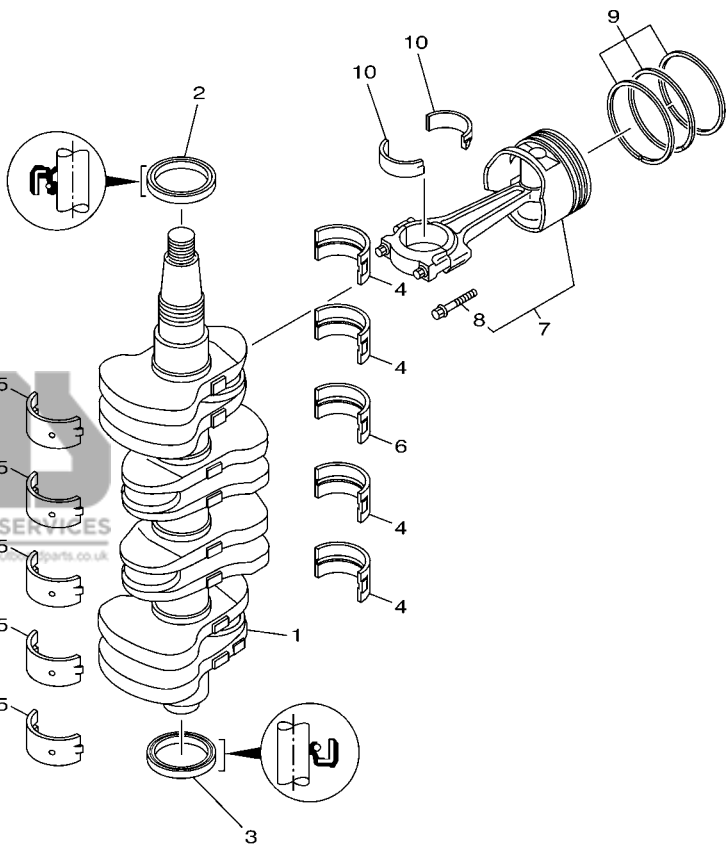
Service Manager Check

Parts Manager File

YAMAHA MOTOR CO.,LTD  
2500 Shingai Iwata Shizuoka 438-8501.Japan  
Technical Publication Dept.



FLOOD MARINE SERVICES  
Parts & Accessories



67F0010-0031

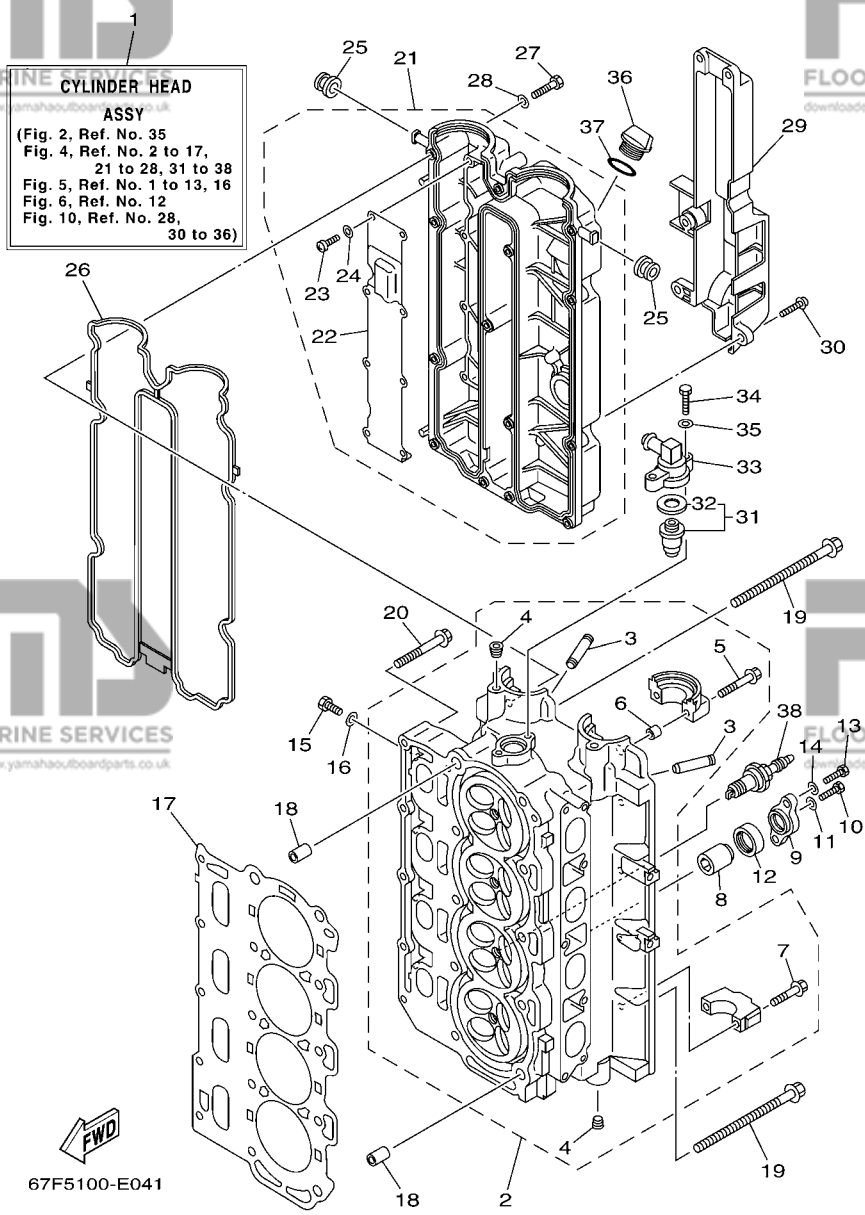
**FIG. 3 CRANKSHAFT & PISTON**

**VILEBREQUIN & PISTON**

REF. NO.	PART NO. N° PIECES	DESCRIPTION DESCRIPTION	67G5	67F5	REMARKS REMARQUES
1	67F-11411-00	CRANKSHAFT VILEBREQUIN COMPLET	1	1	
2	93102-48009	OIL SEAL JOINT SPY	1	1	
3	93101-48002	OIL SEAL JOINT SPY	1	1	
4	67F-11416-00	PLANE BEARING, CRANKSHAFT 1 COUSSINET DE VILEBREQUIN 1	4	4	UR GREEN UR GREEN
	67F-11416-10	PLANE BEARING, CRANKSHAFT 1 COUSSINET DE VILEBREQUIN 1	4	4	UR BLUE UR BLUE
	67F-11416-20	PLANE BEARING, CRANKSHAFT 1 COUSSINET DE VILEBREQUIN 1	4	4	UR RED UR RED
5	67F-11417-00	PLANE BEARING, CRANKSHAFT 2 COUSSINET DE VILEBREQUIN 2	5	5	UR YELLOW UR YELLOW
	67F-11417-10	PLANE BEARING, CRANKSHAFT 2 COUSSINET DE VILEBREQUIN 2	5	5	UR GREEN UR GREEN
	67F-11417-20	PLANE BEARING, CRANKSHAFT 2 COUSSINET DE VILEBREQUIN 2	5	5	UR BLUE UR BLUE
	67F-11417-30	PLANE BEARING, CRANKSHAFT 2 COUSSINET DE VILEBREQUIN 2	5	5	UR RED UR RED
6	67F-11418-00	PLANE BEARING, CRANKSHAFT 3 COUSSINET DE VILEBREQUIN 3	1	1	UR GREEN UR GREEN
	67F-11418-10	PLANE BEARING, CRANKSHAFT 3 COUSSINET DE VILEBREQUIN 3	1	1	UR BLUE UR BLUE
	67F-11418-20	PLANE BEARING, CRANKSHAFT 3 COUSSINET DE VILEBREQUIN 3	1	1	UR RED UR RED
7	6D8-W1164-00	PISTON/CON-ROD ASSY(STD) PISTON/BIELLE COMPLETE(STD)	4	4	
	6D8-W1164-10	PISTON/CON-ROD ASSY(0.25MM OS) PISTON/BIELLE COMPLETE:0.25MM	4	4	AP AP
8	67F-11654-00	.BOLT, CONNECTING ROD .BOULON, BIELLE	2	2	
9	6D8-11603-01	PISTON RING SET (STD) JEU DE SEGMENTS (STD)	4	4	
	6D8-11604-01	PISTON RING SET (0.25MM O/S) JEU DE SEGMENTS (0.25MM O/S)	4	4	AP AP
10	6D8-11656-00	PLANE BEARING, CONNECTING ROD ROULEMENT DE BIELLE	8	8	UR YELLOW UR YELLOW
	6D8-11656-10	PLANE BEARING, CONNECTING ROD ROULEMENT DE BIELLE	8	8	UR GREEN UR GREEN
	6D8-11656-20	PLANE BEARING, CONNECTING ROD ROULEMENT DE BIELLE	8	8	UR BLUE UR BLUE
	6D8-11656-30	PLANE BEARING, CONNECTING ROD ROULEMENT DE BIELLE	8	8	UR RED UR RED

**A7**

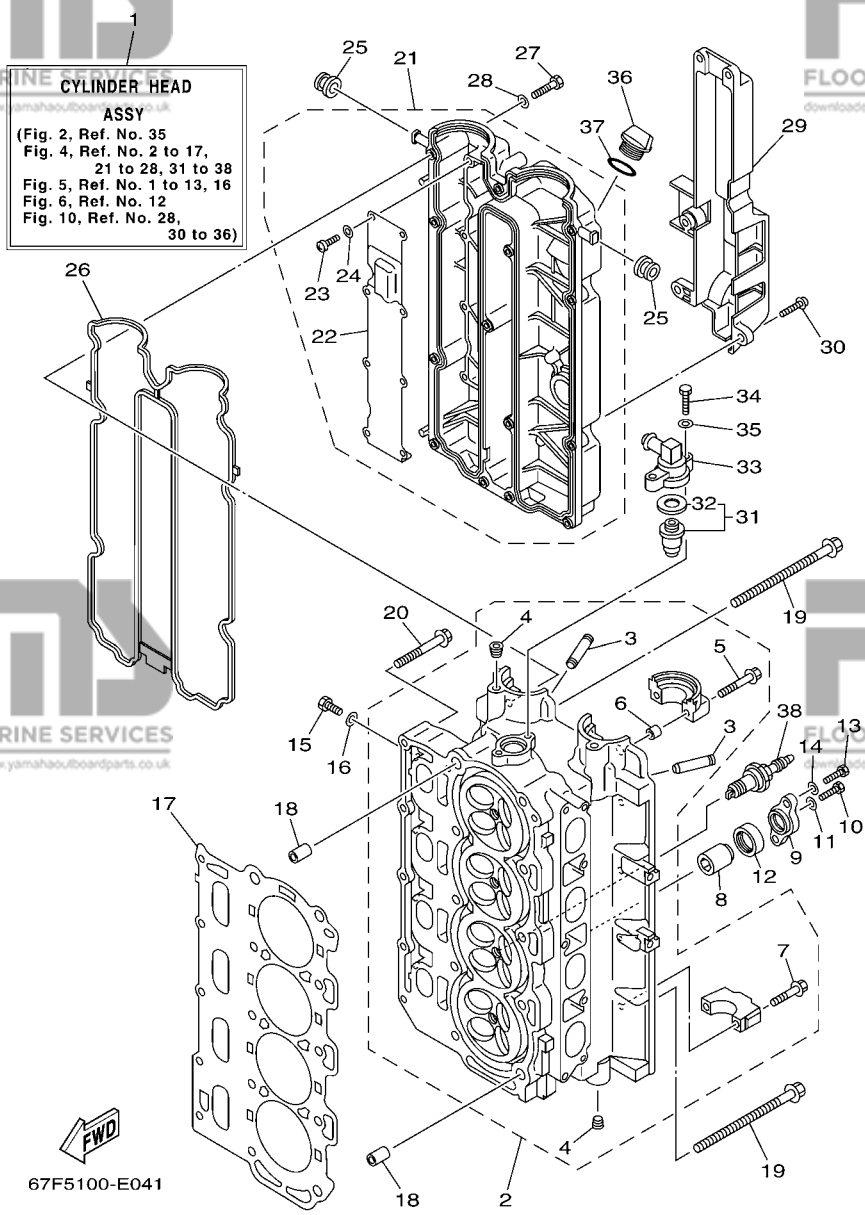
**FIG. 4 CYLINDER & CRANKCASE 2 CYLINDRE & CARTER 2**



REF. NO.	PART NO. N° PIECES	DESCRIPTION DESCRIPTION	67G5	67F5	REMARKS REMARQUES
1	67F-W009A-22-1S	CYLINDER HEAD ASSY CULASSE (ENS.)	1	1	Go to P/N : PE0-OM-100010
2	67F-11110-13-94	CYLINDER HEAD ASSY JEU DE CULASSE	1	1	
3	67F-11133-10	.GUIDE, VALVE 1 .GUIDE, SOUPAPE 1	16	16	
4	90344-51019	.PLUG, TAPER SCREW .PLOT, FILETE CONIQUE	4	4	
5	90119-07235	.BOLT/WASHER-CAM CAPS .BOULON, AVEC RONDELLE	4	4	
6	91809-08006	.SLEEVE GUIDE-DOWEL .GOUJON, D'ASSEMBLAGE	4	4	
7	90119-07234	.BOLT, WITH WASHER .BOULON, AVEC RONDELLE	16	16	
8	68V-11325-01	ANODE ANODE	2	2	Go to P/N : PE0-OM-100010
9	67F-11327-00-94	COVER, ANODE COUVERCLE	2	2	Go to P/N : PE0-OM-100010
10	97075-06020	BOLT BOULON	2	2	Go to P/N : PE0-OM-100010
11	92995-06600	WASHER RONDELLE	2	2	Go to P/N : PE0-OM-100010
12	67F-11328-00	GROMMET, ANODE PASSE-FIL	2	2	Go to P/N : PE0-OM-100010
13	97075-08025	BOLT BOULON	4	4	
14	92995-08600	WASHER RONDELLE	4	4	
15	97095-08014	BOLT BOULON	4	4	
16	90430-08143	GASKET JOINT	4	4	
17	67F-11181-02	GASKET, CYLINDER HEAD 1 JOINT, DE CULASSE 1	1	1	
18	90387-10M08	COLLAR COLLERETTE	2	2	
19	90105-10M89	BOLT, FLANGE BOULON	10	10	
20	90119-08M91	BOLT, WITH WASHER BOULON, AVEC RONDELLE	5	5	
21	68V-11191-00-1S	COVER, CYLINDER HEAD 1 COUVERCLE, CULASSE 1	1	1	
22	67F-11168-00	.COVER, BREATHER .COUVERCLE, RENIFLARD	1	1	
23	98507-04008	.SCREW, PAN HEAD .VIS, TETE TRONCONIQUE	8	8	
24	92907-04600	.WASHER .RONDELLE	8	8	
25	90480-12072	GROMMET PASSE-FIL	2	2	
26	6D8-11356-01	SEAL, CYLINDER 2 JOINT, SPY CYLINDRE	1	1	
27	97095-06030	BOLT BOULON	14	14	

**B1**

**FIG. 4 CYLINDER & CRANKCASE 2 CYLINDRE & CARTER 2**



REF. NO.	PART NO. N° PIECES	DESCRIPTION DESCRIPTION			REMARKS REMARQUES
			67G5	67F5	
28	92995-06600	WASHER RONDELLE	14	14	
29	67F-11192-01	COVER, CYLINDER HEAD 2 COUVERCLE, CULASSE 2	1	1	
30	90159-06M29	SCREW, WITH WASHER VIS, AVEC RONDELLE	5	5	
31	67F-12411-01	THERMOSTAT THERMOSTAT	1	1	
32	67F-12412-00	.SEAL, THERMOSTAT JOINT, THERMOSTAT	1	1	
33	68V-12413-00-1S	COVER, THERMOSTAT COUVERCLE, THERMOSTAT	1	1	
34	97095-06025	BOLT BOULON	2	2	
35	92995-06600	WASHER RONDELLE	2	2	
36	6G8-15363-00	PLUG, OIL PLOT, HUILE	1	1	
37	93210-24M79	O-RING JOINT TORIQUE	1	1	
38	94702-00391	PLUG, SPARK (NGK LFR5A-11) BOUGIE D'ALLUMAGE(NGK LFR5A-11)	4	4	

# PARTS NEWS

FLOOD MARINE SERVICES

downloaded from www.yamahaoutboardparts.co.uk

FLOOD MARINE SERVICES

downloaded from www.yamahaoutboardparts.co.uk



FLOOD MARINE SERVICES

downloaded from www.yamahaoutboardparts.co.uk

News No.:PE0-OM-100010(2/2)

Date:March 3, 2010

Signature:F. Takahashi

Cause: Cause  Revision Notice  Correction  Sales Unit Change  Others

Model	F80AET (67G5) / F100AET (67F5)
Subject	PARTS CATALOGUE CORRECTIONS
CATALOGUE NO.	1E67G-300F1 / 1E67G-200S1
Time of YPEC Revision	Text, Illustration --> Mar./20/2010
	PDF Replace --> Mar./20/2010
(YPEC = Yamaha Parts Electrical Catalogue = Website parts catalogue)	

## FIG.4 CYLINDER & CRANKCASE 2

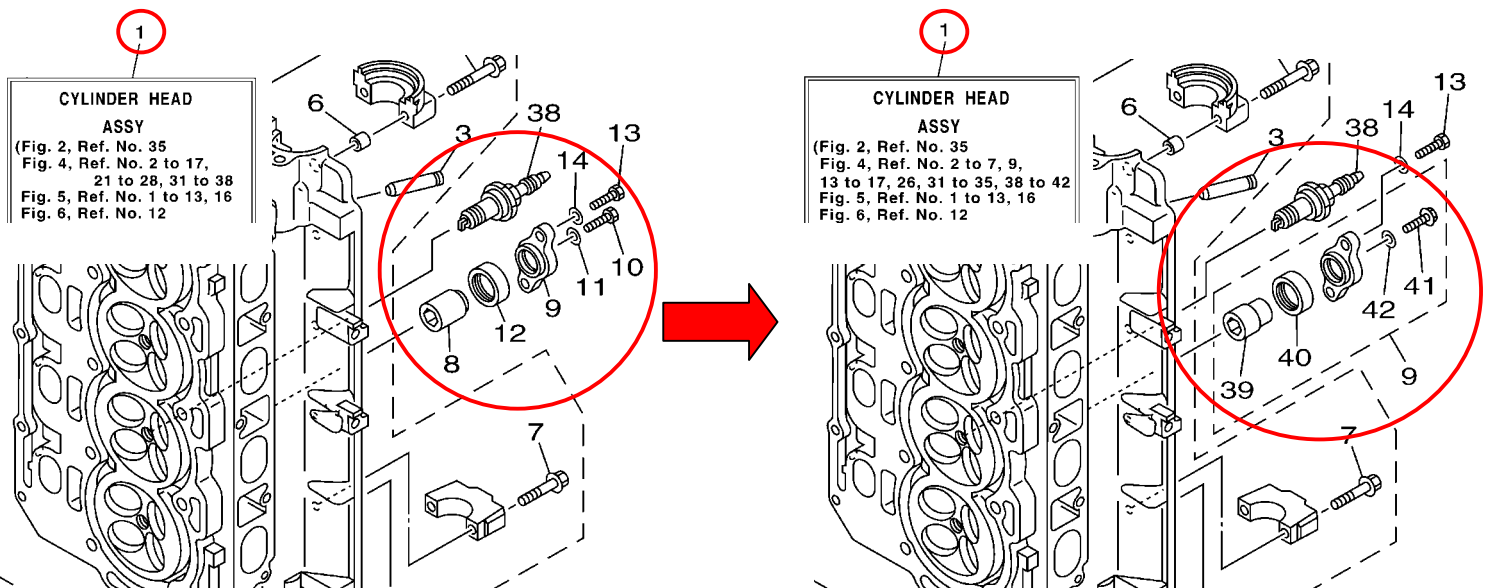
### 1. LIST CORRECTION

Fig. No.	Ref. No.	OLD P/No.	NEW P/No.	PART NAME	Q'TY	*Interchangeability	
							REMARKS
4	1	67F-W009A-22-1S	<b>67F-W009A-23-1S</b>	CYLINDER HEAD ASSY	1		*Part number revision
	8	68V-11325-04	-	ANODE	2		*Deleted Parts
	9	67F-11327-00-94	<b>67F-11301-10</b>	<b>ANODE COVER ASSY</b>	2	<b>B</b>	*Part number revision
	<b>39</b>	-	<b>68V-11325-02</b>	<b>. ANODE</b>	1	<b>C</b>	*Added Parts
	<b>40</b>	-	<b>67F-11328-00</b>	<b>. GROMMET,ANODE</b>	1	<b>C</b>	
	<b>41</b>	-	<b>90105-06M07</b>	<b>. BOLT,FLANGE</b>	1	<b>C</b>	
	<b>42</b>	-	<b>90430-06M03</b>	<b>. GASKET</b>	1	<b>C</b>	
	10	97075-06020	-	BOLT	2		
	11	92995-06600	-	WASHER	2		*Deleted Parts
	12	67F-11328-00	-	GROMMET,ANODE	2		

### 2. ILLUSTRATION CORRECTION

(OLD)

(NEW)



Thank you very much for your cooperation.

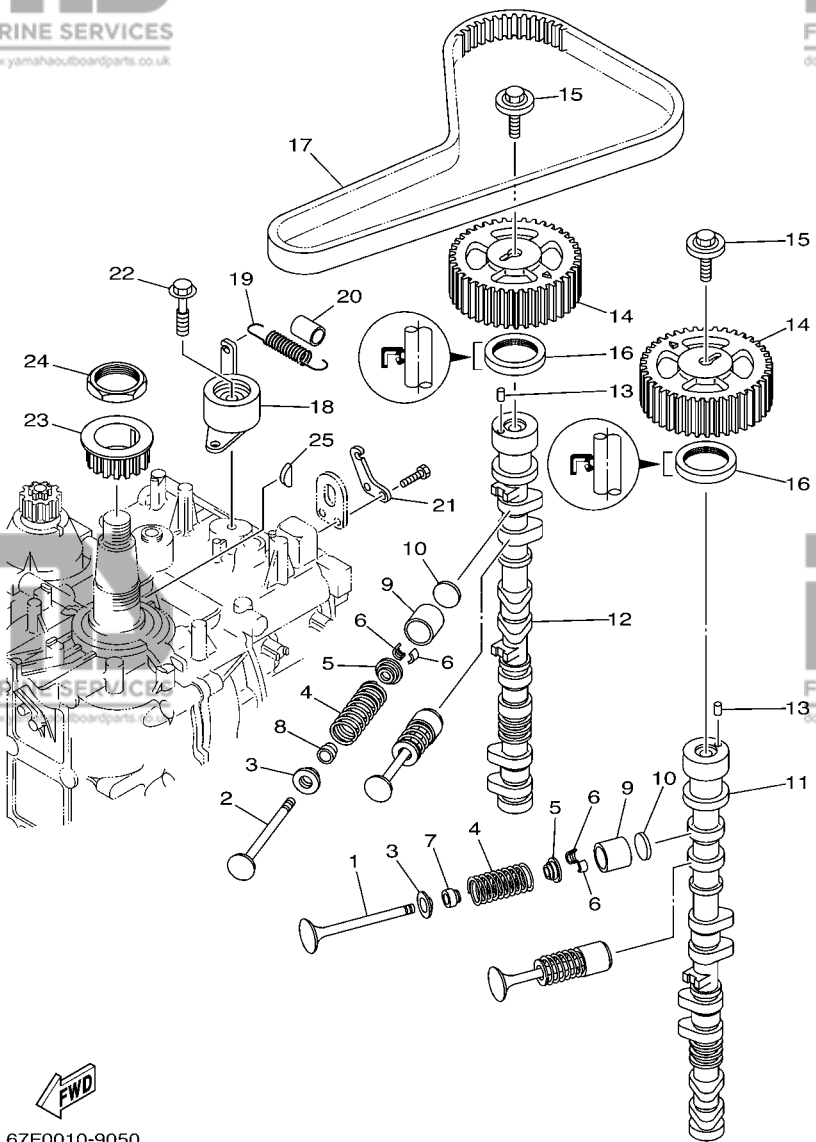
Parts  
Manager  
Check

Service  
Manager  
Check

Parts  
Manager  
File

YAMAHA MOTOR CO.,LTD  
2500 Shingai Iwata Shizuoka 438-8501.Japan  
Technical Publication Dept.





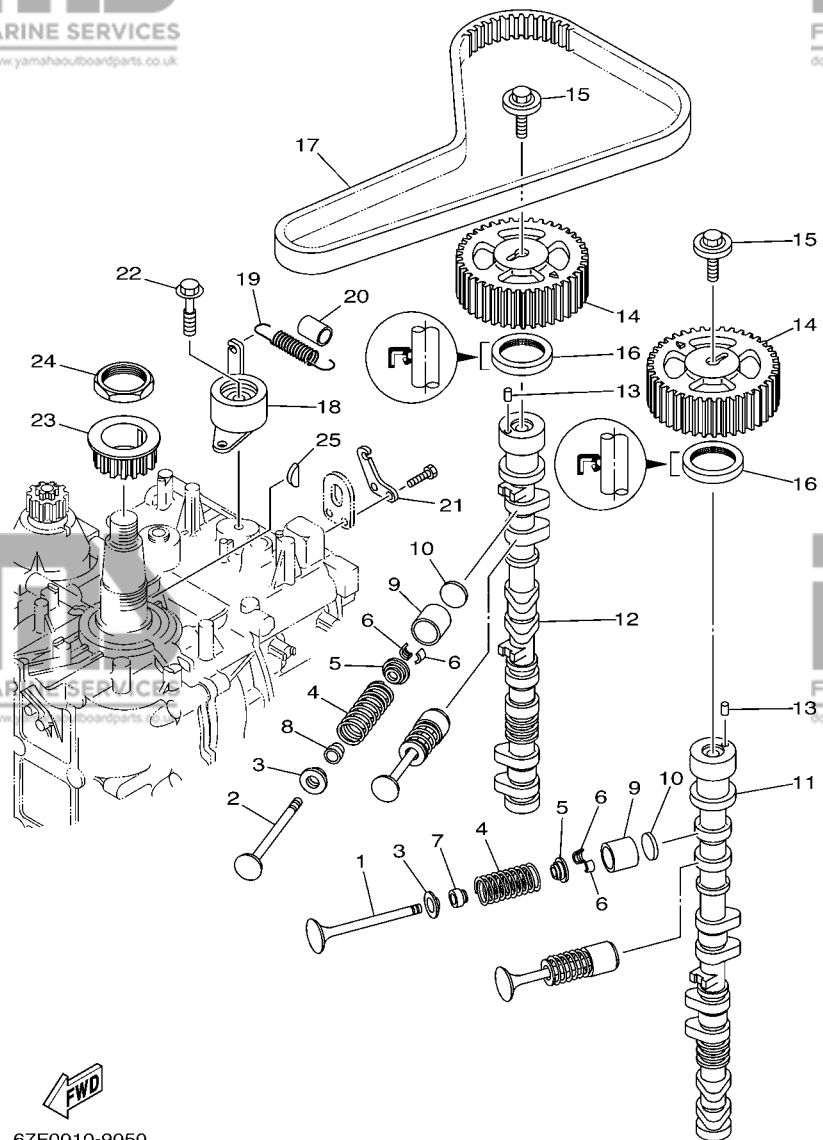
67F0010-9050

**FIG. 5 VALVE**

**SOUPAPE**

REF. NO.	PART NO. N° PIECES	DESCRIPTION DESCRIPTION	67G5	67F5	REMARKS REMARQUES
1	68V-12111-00	VALVE, INTAKE SOUPAPE, ADMISSION	8	8	
2	68V-12121-00	VALVE, EXHAUST SOUPAPE, ECHAPPEMENT	8	8	
3	67F-12116-00	SEAT, VALVE SPRING SIEGE, RESSORT DE SOUPAPE	16	16	
4	67F-12114-00	SPRING, VALVE OUTER RESSORT DE SOUPAPE, EXTERNE	16	16	
5	67F-12117-00	RETAINER, VALVE SPRING BUTEE DE RESSORT DE SOUPAPE	16	16	
6	67F-12118-00	COTTER, VALVE FRAISE, SOUPAPE	32	32	
7	K0A-A3721-00	SEAL, VALVE STEM JOINT, QUEUE DE SOUPAPE	8	8	
8	K0A-A3722-00	SEAL, VALVE STEM 2 JOINT, QUEUE DE SOUPAPE 2	8	8	
9	67F-12153-00	LIFTER, VALVE LEVE-SOUPAPE	16	16	
10	67F-12168-00	PAD, ADJUSTING (2.000) PASTILLE, DE REGLAGE (2.000)	16	16	UR
	67F-12168-10	PAD, ADJUSTING (2.025) PASTILLE, DE REGLAGE (2.025)	16	16	UR
	67F-12168-20	PAD, ADJUSTING (2.050) PASTILLE, DE REGLAGE (2.050)	16	16	UR
	67F-12168-30	PAD, ADJUSTING (2.075) PASTILLE, DE REGLAGE (2.075)	16	16	UR
	67F-12168-40	PAD, ADJUSTING (2.100) PASTILLE, DE REGLAGE (2.100)	16	16	UR
	67F-12168-50	PAD, ADJUSTING (2.125) PASTILLE, DE REGLAGE (2.125)	16	16	UR
	67F-12168-60	PAD, ADJUSTING (2.150) PASTILLE, DE REGLAGE (2.150)	16	16	UR
	67F-12168-70	PAD, ADJUSTING (2.175) PASTILLE, DE REGLAGE (2.175)	16	16	UR
	67F-12168-80	PAD, ADJUSTING (2.200) PASTILLE, DE REGLAGE (2.200)	16	16	UR
	67F-12168-A0	PAD, ADJUSTING (2.225) PASTILLE, DE REGLAGE (2.225)	16	16	UR
	67F-12168-B0	PAD, ADJUSTING (2.250) PASTILLE, DE REGLAGE (2.250)	16	16	UR
	67F-12168-C0	PAD, ADJUSTING (2.275) PASTILLE, DE REGLAGE (2.275)	16	16	UR
	67F-12168-D0	PAD, ADJUSTING (2.300) PASTILLE, DE REGLAGE (2.300)	16	16	UR
	67F-12168-E0	PAD, ADJUSTING (2.325) PASTILLE, DE REGLAGE (2.325)	16	16	UR
	67F-12168-F0	PAD, ADJUSTING (2.350) PASTILLE, DE REGLAGE (2.350)	16	16	UR
	67F-12168-G0	PAD, ADJUSTING (2.375) PASTILLE, DE REGLAGE (2.375)	16	16	UR
	67F-12168-H0	PAD, ADJUSTING (2.400) PASTILLE, DE REGLAGE (2.400)	16	16	UR
	67F-12168-J0	PAD, ADJUSTING (2.425) PASTILLE, DE REGLAGE (2.425)	16	16	UR

**B3**



67F0010-9050

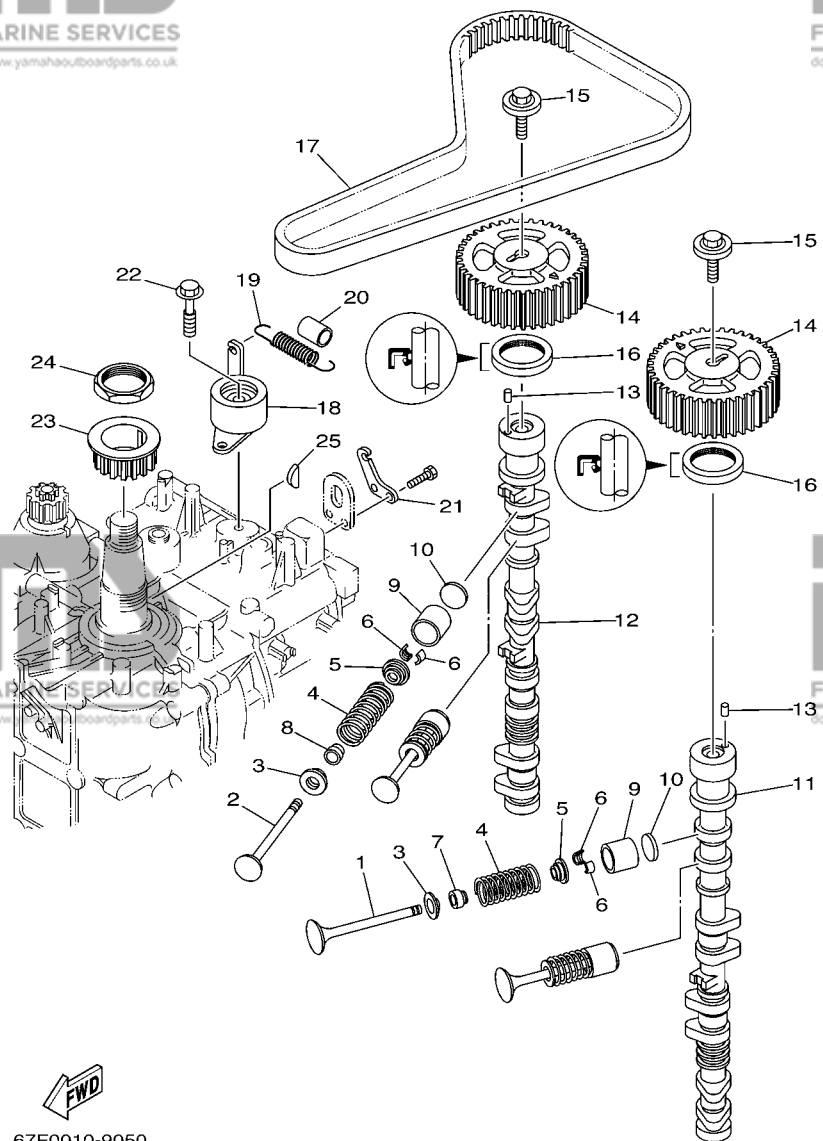
FIG. 5 VALVE

SOUPAPE

REF. NO.	PART NO. N° PIECES	DESCRIPTION DESCRIPTION	67G5	67F5	REMARKS REMARQUES
10	67F-12168-K0	PAD, ADJUSTING (2.450)	16	16	UR
		PASTILLE, DE REGLAGE (2.450)			UR
	67F-12168-L0	PAD, ADJUSTING (2.475)	16	16	UR
		PASTILLE, DE REGLAGE (2.475)			UR
	67F-12168-M0	PAD, ADJUSTING (2.500)	16	16	UR
		PASTILLE, DE REGLAGE (2.500)			UR
	67F-12168-N0	PAD, ADJUSTING (2.525)	16	16	UR
		PASTILLE, DE REGLAGE (2.525)			UR
	67F-12168-P0	PAD, ADJUSTING (2.550)	16	16	UR
		PASTILLE, DE REGLAGE (2.550)			UR
	67F-12168-R0	PAD, ADJUSTING (2.575)	16	16	UR
		PASTILLE, DE REGLAGE (2.575)			UR
	67F-12168-S0	PAD, ADJUSTING (2.600)	16	16	UR
		PASTILLE, DE REGLAGE (2.600)			UR
	67F-12168-T0	PAD, ADJUSTING (2.625)	16	16	UR
		PASTILLE, DE REGLAGE (2.625)			UR
	67F-12168-U0	PAD, ADJUSTING (2.650)	16	16	UR
		PASTILLE, DE REGLAGE (2.650)			UR
	67F-12168-V0	PAD, ADJUSTING (2.675)	16	16	UR
		PASTILLE, DE REGLAGE (2.675)			UR
	67F-12168-W0	PAD, ADJUSTING (2.700)	16	16	UR
		PASTILLE, DE REGLAGE (2.700)			UR
	67F-12168-X0	PAD, ADJUSTING (2.725)	16	16	UR
		PASTILLE, DE REGLAGE (2.725)			UR
	67F-12168-Y0	PAD, ADJUSTING (2.750)	16	16	UR
		PASTILLE, DE REGLAGE (2.750)			UR
	67F-12169-00	PAD, ADJUSTING (2.775)	16	16	UR
		PASTILLE, DE REGLAGE (2.775)			UR
	67F-12169-10	PAD, ADJUSTING (2.800)	16	16	UR
		PASTILLE, DE REGLAGE (2.800)			UR
	67F-12169-20	PAD, ADJUSTING (2.825)	16	16	UR
		PASTILLE, DE REGLAGE (2.825)			UR
	67F-12169-30	PAD, ADJUSTING (2.850)	16	16	UR
		PASTILLE, DE REGLAGE (2.850)			UR
	67F-12169-40	PAD, ADJUSTING (2.875)	16	16	UR
		PASTILLE, DE REGLAGE (2.875)			UR
	67F-12169-50	PAD, ADJUSTING (2.900)	16	16	UR
		PASTILLE, DE REGLAGE (2.900)			UR
	67F-12169-60	PAD, ADJUSTING (2.925)	16	16	UR
		PASTILLE, DE REGLAGE (2.925)			UR
	67F-12169-70	PAD, ADJUSTING (2.950)	16	16	UR
		PASTILLE, DE REGLAGE (2.950)			UR
	67F-12169-80	PAD, ADJUSTING (2.975)	16	16	UR
		PASTILLE, DE REGLAGE (2.975)			UR
	67F-12169-A0	PAD, ADJUSTING (3.000)	16	16	UR
		PASTILLE, DE REGLAGE (3.000)			UR
	67F-12169-B0	PAD, ADJUSTING (3.025)	16	16	UR
		PASTILLE, DE REGLAGE (3.025)			UR
	67F-12169-C0	PAD, ADJUSTING (3.050)	16	16	UR
		PASTILLE, DE REGLAGE (3.050)			UR
	67F-12169-D0	PAD, ADJUSTING (3.075)	16	16	UR
		PASTILLE, DE REGLAGE (3.075)			UR
	67F-12169-E0	PAD, ADJUSTING (3.100)	16	16	UR
		PASTILLE, DE REGLAGE (3.100)			UR

**B4**





67F0010-9050

**FIG. 5 VALVE**

**SOUPAPE**

REF. NO.	PART NO. N° PIECES	DESCRIPTION DESCRIPTION	67G5	67F5	REMARKS REMARQUES
10	67F-12169-F0	PAD, ADJUSTING (3.125)	16	16	UR
		PASTILLE, DE REGLAGE (3.125)			UR
	67F-12169-G0	PAD, ADJUSTING (3.150)	16	16	UR
		PASTILLE, DE REGLAGE (3.150)			UR
	67F-12169-H0	PAD, ADJUSTING (3.175)	16	16	UR
		PASTILLE, DE REGLAGE (3.175)			UR
	67F-12169-J0	PAD, ADJUSTING (3.200)	16	16	UR
		PASTILLE, DE REGLAGE (3.200)			UR
	67F-12169-K0	PAD, ADJUSTING (3.225)	16	16	UR
		PASTILLE, DE REGLAGE (3.225)			UR
	67F-12169-L0	PAD, ADJUSTING (3.250)	16	16	UR
		PASTILLE, DE REGLAGE (3.250)			UR
	67F-12169-M0	PAD, ADJUSTING (3.275)	16	16	UR
		PASTILLE, DE REGLAGE (3.275)			UR
	67F-12169-N0	PAD, ADJUSTING (3.300)	16	16	UR
		PASTILLE, DE REGLAGE (3.300)			UR
11	67F-12171-00	CAMSHAFT 1	1	1	
		ARBRE A CAMES 1			
12	67F-12181-00	CAMSHAFT 2	1	1	
		ARBRE A CAMES 2			
13	93605-10108	PIN, DOWEL	2	2	
		AXE			
14	67F-11537-00	GEAR, DRIVEN	2	2	
		PIGNON SECONDAIRE			
15	90119-10M06	BOLT, WITH WASHER	2	2	
		BOULON, AVEC RONDELLE			
16	93102-38M59	OIL SEAL	2	2	
		JOINT SPY			
17	67F-46241-00	BELT	1	1	
		COURROIE TRAPEZOIDALE			
18	67F-11590-00	TENSIONER ASSY	1	1	
		TENDEUR (ENS.)			
19	90506-16M39	SPRING, TENSION	1	1	
		RESSORT, TENSION			
20	90445-15M03	HOSE (L23)	1	1	
		DURITE (L23)			
21	67F-11595-00	PLATE, VALVE	1	1	
		PLAQUE DE SOUPAPE			
22	90119-10M72	BOLT, WITH WASHER	1	1	
		BOULON, AVEC RONDELLE			
23	6D8-11536-00	GEAR, DRIVE	1	1	
		ENGRENAGE, MENANT			
24	90170-40003	NUT	1	1	
		ECROU			
25	90280-04008	KEY, WOODRUFF	1	1	
		CLAVETTE, DEMI-LUNE			

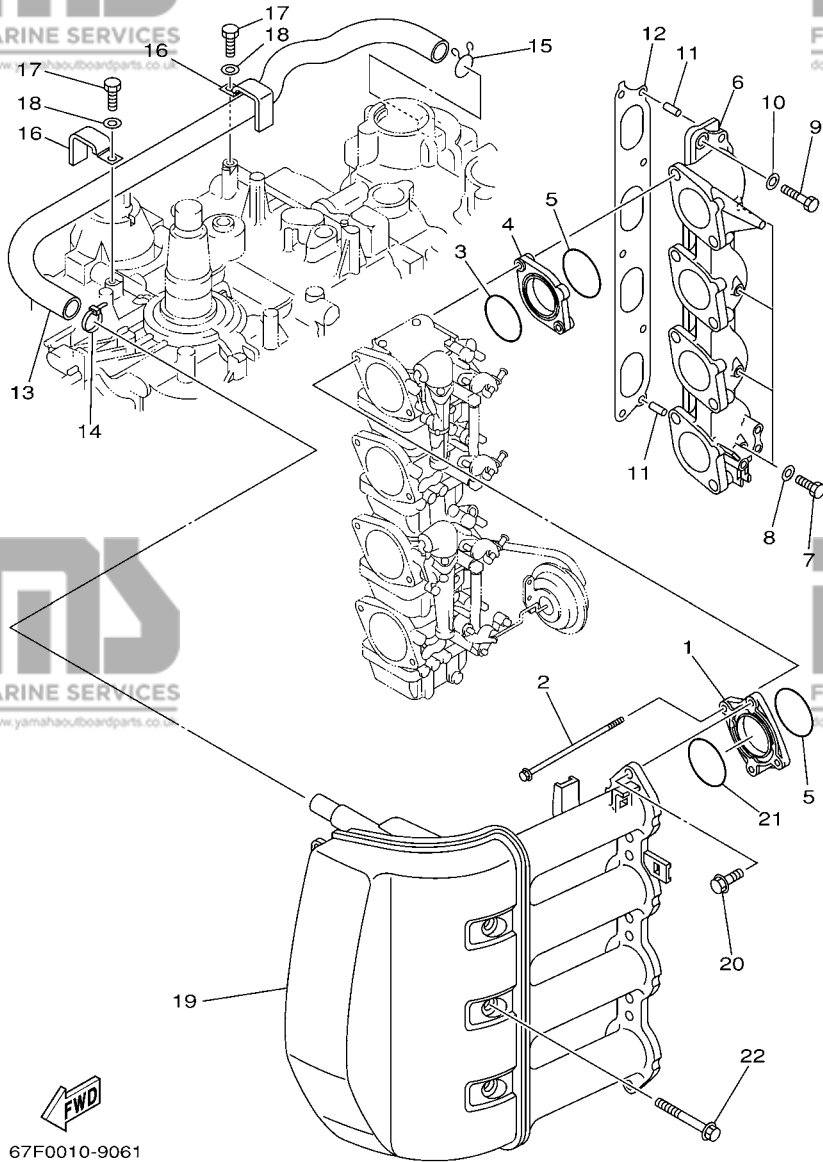
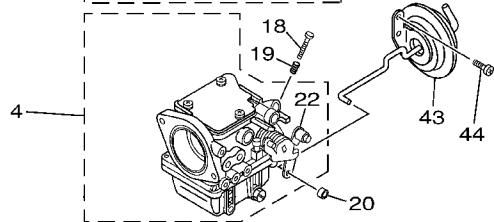
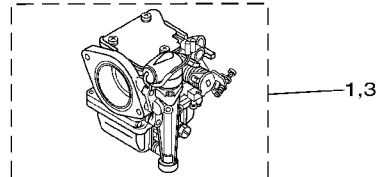
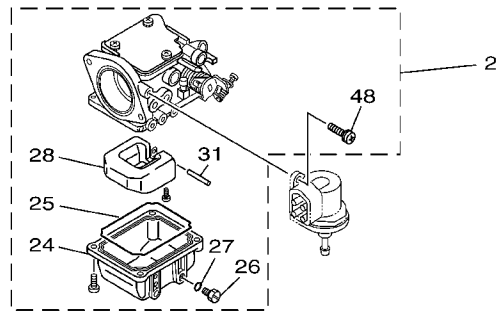
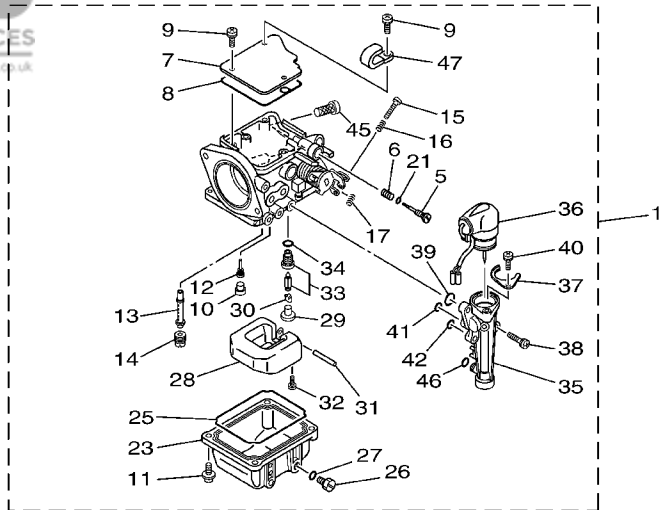


FIG. 6 INTAKE

ADMISSION

REF. NO.	PART NO. N° PIECES	DESCRIPTION DESCRIPTION			REMARKS REMARQUES
			67G5	67F5	
1	67F-14243-00	PLATE PLAQUE	4	4	
2	67F-14216-00	BOLT BOULON	8	8	
3	67F-14239-00	SEAL JOINT	4	4	
4	67F-14271-00	INSULATOR ISOLATEUR	4	4	
5	93210-40M10	O-RING JOINT TORIQUE	8	8	
6	67F-13641-00-94	MANIFOLD 1 TUBULURE 1	1	1	
7	97095-06010	BOLT BOULON	4	4	
8	90430-06014	GASKET JOINT	4	4	
9	97075-08035	BOLT BOULON	5	5	
10	92995-08600	WASHER RONDELLE	5	5	
11	91690-50014	PIN, SPRING AGRAFFE	2	2	
12	67F-13645-00	GASKET, MANIFOLD 1 JOINT, TUBULURE 1	1	1	
13	67F-15373-00	PIPE, BREATHER DURITE DE RENIFLARD	1	1	
14	90465-11M10	CLAMP BRIDE	1	1	
15	90467-20M15	CLIP JONC	1	1	
16	90465-12M03	CLAMP BRIDE	2	2	
17	97095-06012	BOLT BOULON	2	2	
18	92995-06600	WASHER RONDELLE	2	2	
19	67F-14440-00	SILENCER ASSY, INTAKE SIENCIEUX D'ADMISSION	1	1	
20	90119-06M82	BOLT, WITH WASHER BOULON, AVEC RONDELLE	8	8	
21	93210-41MJ2	O-RING JOINT TORIQUE	4	4	
22	90119-08M59	BOLT, WITH WASHER BOULON, AVEC RONDELLE	3	3	

**B6**



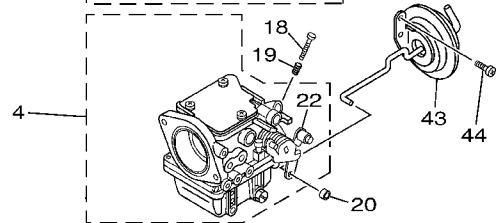
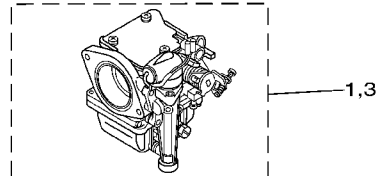
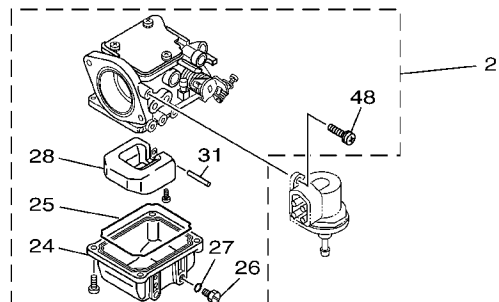
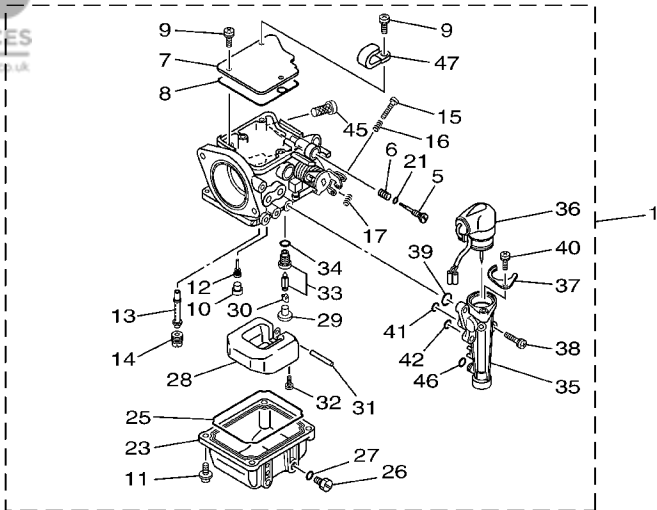
67F101020702

**FIG. 7 CARBURETOR 1**

**CARBURATEUR 1**

REF. NO.	PART NO. N° PIECES	DESCRIPTION DESCRIPTION	67G5	67F5	REMARKS REMARQUES
1	67F-14901-20	CARBURETOR ASSY 1 CARBURATEUR 1 COMPLET		1	#1
	67G-14901-30	CARBURETOR ASSY 1 CARBURATEUR 1 COMPLET	2		FOR STD-#1,3 FOR SAV-#1,3
	67G-14901-50	CARBURETOR ASSY 1 CARBURATEUR 1 COMPLET	2		FOR SAV-#1,3
2	67F-14902-20	CARBURETOR ASSY 2 CARBURATEUR 2 COMPLET		1	#2
	67G-14902-30	CARBURETOR ASSY 2 CARBURATEUR 2 COMPLET	1		FOR STD-#2 FOR STD-#2
	67G-14902-50	CARBURETOR ASSY 2 CARBURATEUR 2 COMPLET	1		FOR SAV-#2 FOR SAV-#2
3	67F-14903-20	CARBURETOR ASSY 3 CARBURATEUR 3 COMPLET		1	#3
4	67F-14904-20	CARBURETOR ASSY 4 CARBURATEUR 4 COMPLET		1	#4
	67G-14904-30	CARBURETOR ASSY 4 CARBURATEUR 4 COMPLET	1		FOR STD-#4 FOR STD-#4
	67G-14904-50	CARBURETOR ASSY 4 CARBURATEUR 4 COMPLET	1		FOR SAV-#4 FOR SAV-#4
5	67F-14923-00	.SCREW, PILOT .VIS, RALENTI	4	4	FOR STD FOR STD
	67F-14923-10	.SCREW, PILOT .VIS, RALENTI	4		FOR SAV FOR SAV
6	697-14555-00	.SPRING .RESSORT	4	4	
7	67F-14146-00	.PLATE .PLAQUE	4	4	
8	67F-14147-00	.O-RING .JOINT TORIQUE	4	4	
9	97803-04010	.SCREW, PAN HEAD .VIS, CRUCIFORME	12	12	
10	676-14966-00	.CAP .CAPUCHON	4	4	
11	97980-04114	.SCREW, WITH WASHER .VIS, AVEC RONDELLE	16	16	
12	67F-1494F-04	.JET (#42) .GICLEUR (#42)		4	
	67G-14948-05	.JET (#45) .GICLEUR (#45)		4	
13	67F-14947-10	.JET, NEEDLE .GICLEUR DE STARTER		4	
	67G-14947-00	.JET, NEEDLE .GICLEUR DE STARTER		4	
14	67F-14943-32	.JET, MAIN (#125) .GICLEUR, PRINCIPAL (#125)		4	
	67G-14943-80	.JET, MAIN (#112) .GICLEUR, PRINCIPAL (#112)		4	FOR STD FOR STD
	67G-14943-29	.JET, MAIN (#110) .GICLEUR, PRINCIPAL (#110)		4	FOR SAV FOR SAV
15	67F-14567-00	.SCREW .VIS	3	3	#1,2,3 #1,2,3
16	67F-14555-00	.SPRING .RESSORT	3	3	#1,2,3 #1,2,3

**B7**



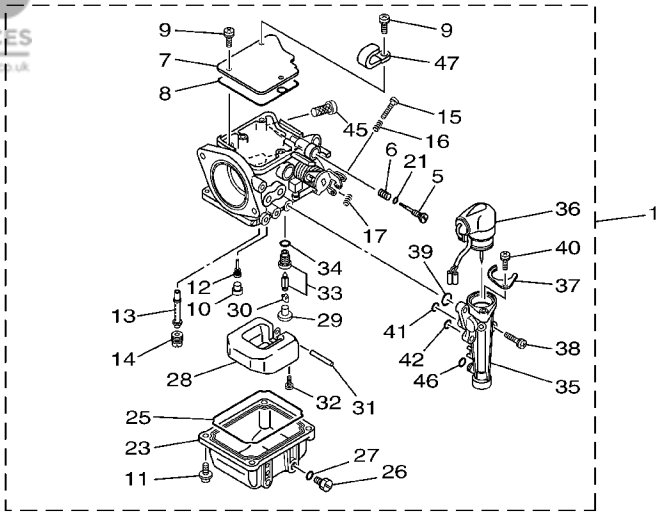
**FWD**  
67F101020702

**FIG. 7 CARBURETOR 1**

**CARBURATEUR 1**

REF. NO.	PART NO. N° PIECES	DESCRIPTION DESCRIPTION	67G5	67F5	REMARKS REMARQUES
17	67F-14556-00	.SPRING .RESSORT	3	3	#1,2,3 #1,2,3
18	63V-14523-00	SCREW, STOP VIS, BUTEE	1	1	#4 #4
19	90501-10326	SPRING, COMPRESSION RESSORT, COMPRESSION	1	1	#4 #4
20	67F-14998-00	BUSH BAGUE	1	1	#4 #4
21	67F-14397-00	.O-RING JOINT TORIQUE	4	4	
22	6H2-14578-00	.COLLAR .COLLERETTE	1	1	#4 #4
23	67F-14980-00	.BODY, FLOAT CHAMBER .CORPS, CUVE DE FLOTTEUR	2	2	#1,3 #1,3
24	67F-14980-10	.BODY, FLOAT CHAMBER .CORPS, CUVE DE FLOTTEUR	2	2	#2,4 #2,4
25	67F-14984-00	.GASKET, FLOAT CHAMBER JOINT, CUVE DE FLOTTEUR	4	4	
26	6H3-14992-00	.SCREW, DRAIN BOUCHON, PURGE	4	4	
27	93210-04230	.O-RING JOINT TORIQUE	4	4	
28	6H4-14985-01	.FLOAT .FLOTTEUR	4	4	
29	676-14186-00	.PIN, FLOAT .AXE, FLOTTEUR	4	4	
30	67F-14159-00	.CLIP JONC	4	4	
31	6H4-14548-00	.PIN, FLOAT ARM .AXE, BRAS DE FLOTTEUR	4	4	
32	98580-04008	.SCREW, PAN HEAD .VIS	4	4	
33	60C-14590-02	.NEEDLE VALVE ASSY .POINTEAU	4	4	
34	93210-04228	.O-RING JOINT TORIQUE	4	4	
35	67F-14378-00	.BODY, STARTER .CORPS, STARTER	2	2	#1,3 #1,3
36	67F-14380-01	.PRIME STARTER ASSY STARTER AUTOMATIQUE	2	2	#1,3 #1,3
37	67F-14178-00	.PLATE, STARTER LEVER .PLAQUE, LEVIER DE STARTER	2	2	#1,3 #1,3
38	67F-14592-00	.SCREW .VIS	6	6	#1,3 #1,3
39	67F-14398-00	.O-RING JOINT TORIQUE	2	2	#1,3 #1,3
40	67F-14565-00	.SCREW .VIS	2	2	#1,3 #1,3
41	67F-14398-10	.O-RING JOINT TORIQUE	2	2	#1,3 #1,3
42	67F-14398-20	.O-RING JOINT TORIQUE	2	2	#1,3 #1,3
43	67F-14369-00	DIAPHRAGM ASSY 2 DIAPHRAGME 2	1	1	#4 #4

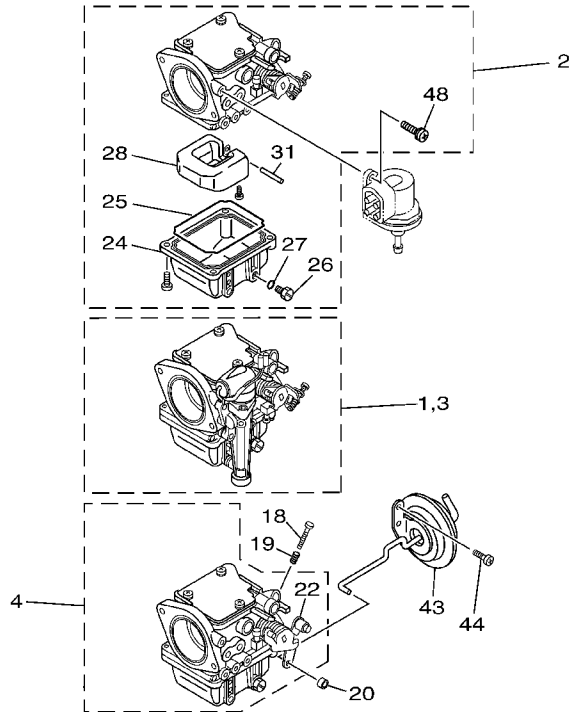
**C1**



**FIG. 7 CARBURETOR 1**

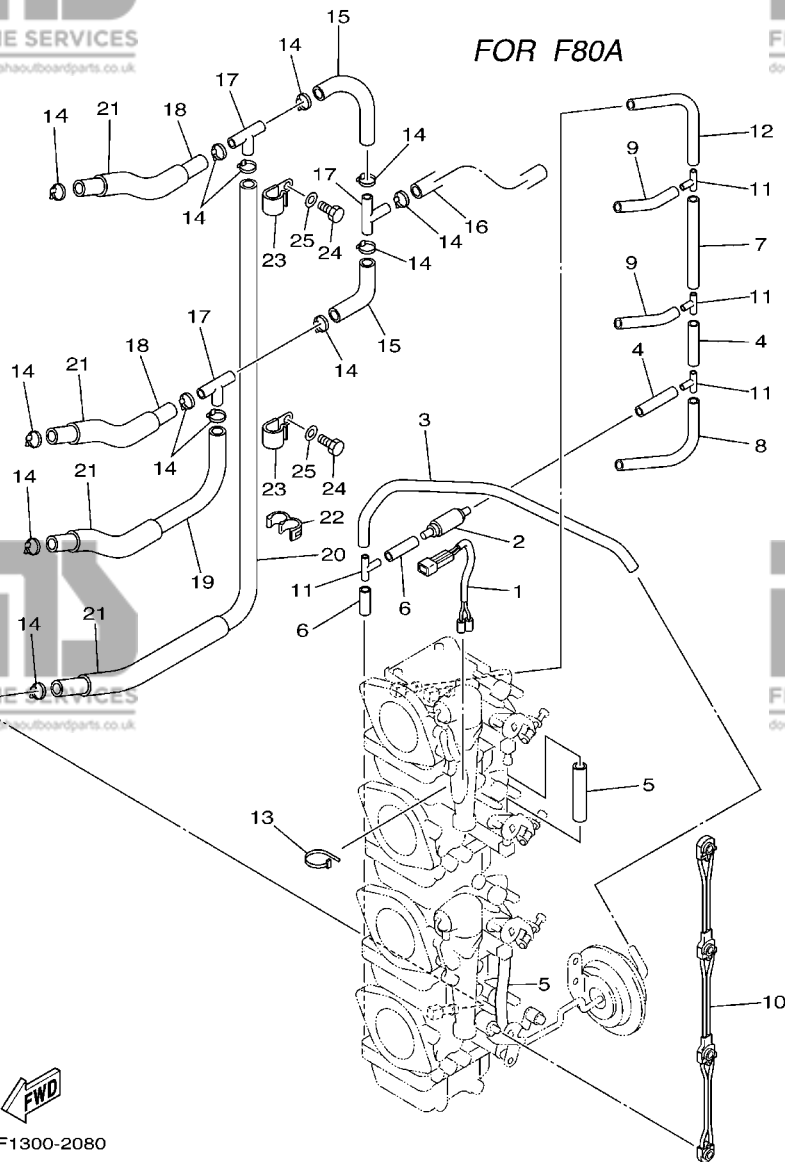
**CARBURATEUR 1**

REF. NO.	PART NO. N° PIECES	DESCRIPTION DESCRIPTION	67G5	67F5	REMARKS REMARQUES
44	67F-14325-00	SCREW, PAN HEAD VIS TETE CONIQUE	2	2	#4 #4
45	67F-14371-01	.ELEMENT, FILTER .ELEMENT, FILTRE	4	4	
46	67F-14398-30	.O-RING .JOINT TORIQUE	2	2	#1,3 #1,3
47	67F-14255-00	.PLATE .PLAQUE	1	1	#1 #1
48	67F-14567-00	.SCREW .VIS	2	2	#2 #2



67F101020702

FOR F80A



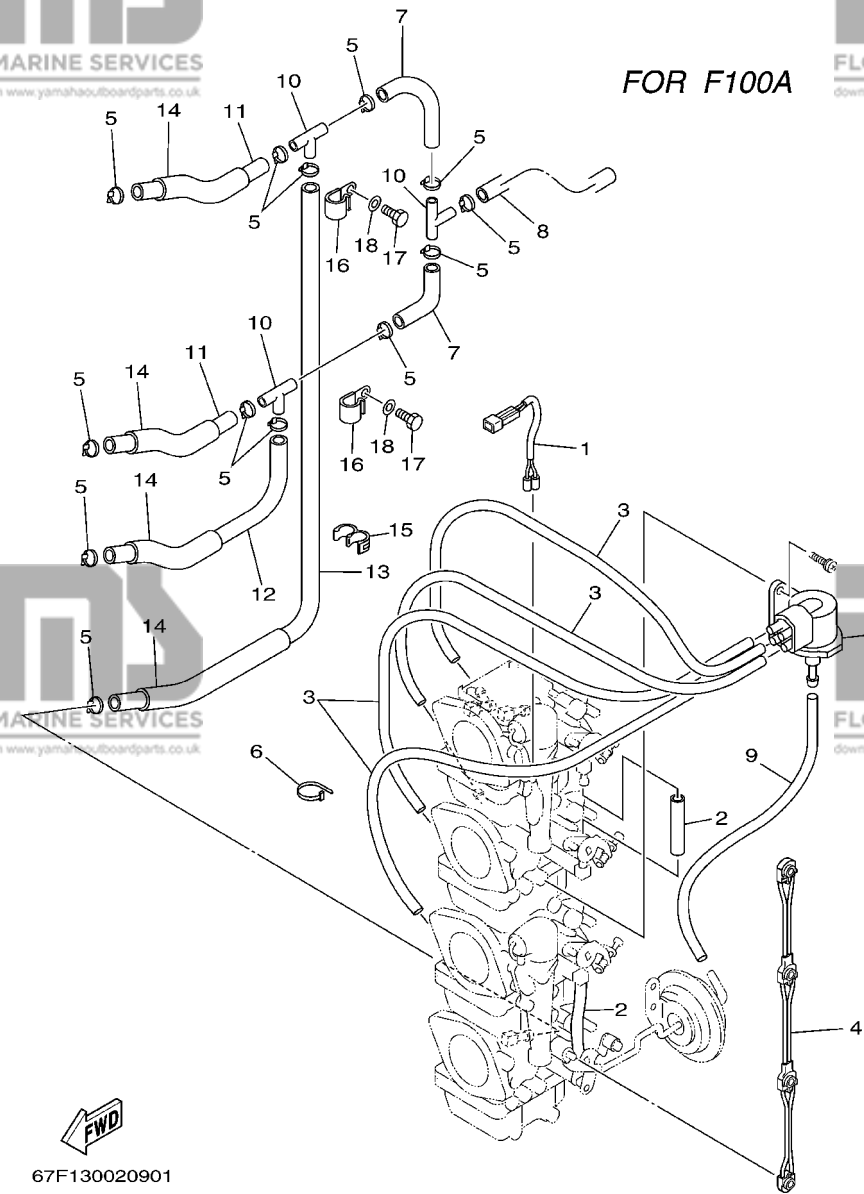
67F1300-2080

**FIG. 8 CARBURETOR 2**

**CARBURATEUR 2**

REF. NO.	PART NO. N° PIECES	DESCRIPTION DESCRIPTION	67G5	67F5	REMARKS REMARQUES
1	67F-1412A-00	WIRE HARNESS ASSY FAISCEAU DE FILS COMPLET	1		
2	67F-13183-00	VALVE, CHECK SOUPAPE DE RATANUE	1		
3	67F-14349-00	PIPE DURITE	1		
4	67F-14349-10	PIPE DURITE	2		
5	67F-14349-20	PIPE DURITE	2		
6	67F-14349-30	PIPE DURITE	2		
7	67F-14349-40	PIPE DURITE	1		
8	67F-14349-50	PIPE DURITE	1		
9	67F-14349-60	PIPE DURITE	2		
10	67F-14585-00	ROD, CHOKE TRINGLE, STARTER	1		
11	67F-14189-00	CONNECTOR CONNECTEUR	4		
12	67F-14349-70	PIPE DURITE	1		
13	90465-11M59	CLAMP BRIDE	1		
14	68F-24356-00	CLIP, PIPE 1 JONC, TUBE 1	13		
15	60C-14294-00	HOSE DURITE	2		
16	60C-14298-00	PIPE DURITE	1		
17	688-24378-00	PIPE, JOINT 4 DURITE RACCORDEMENT 4	3		
18	90445-10M16	HOSE (L120) DURITE (L120)	2		
19	90445-10MG6	HOSE (L180) DURITE (L180)	1		
20	90445-10MG7	HOSE (L350) DURITE (L350)	1		
21	90445-16M07	HOSE (L80) DURITE (L80)	4		
22	90464-10M57	CLAMP BRIDE	1		
23	90465-08M83	CLAMP BRIDE	2		
24	97095-06012	BOLT BOULON	2		
25	92995-06600	WASHER RONDELLE	2		

FOR F100A

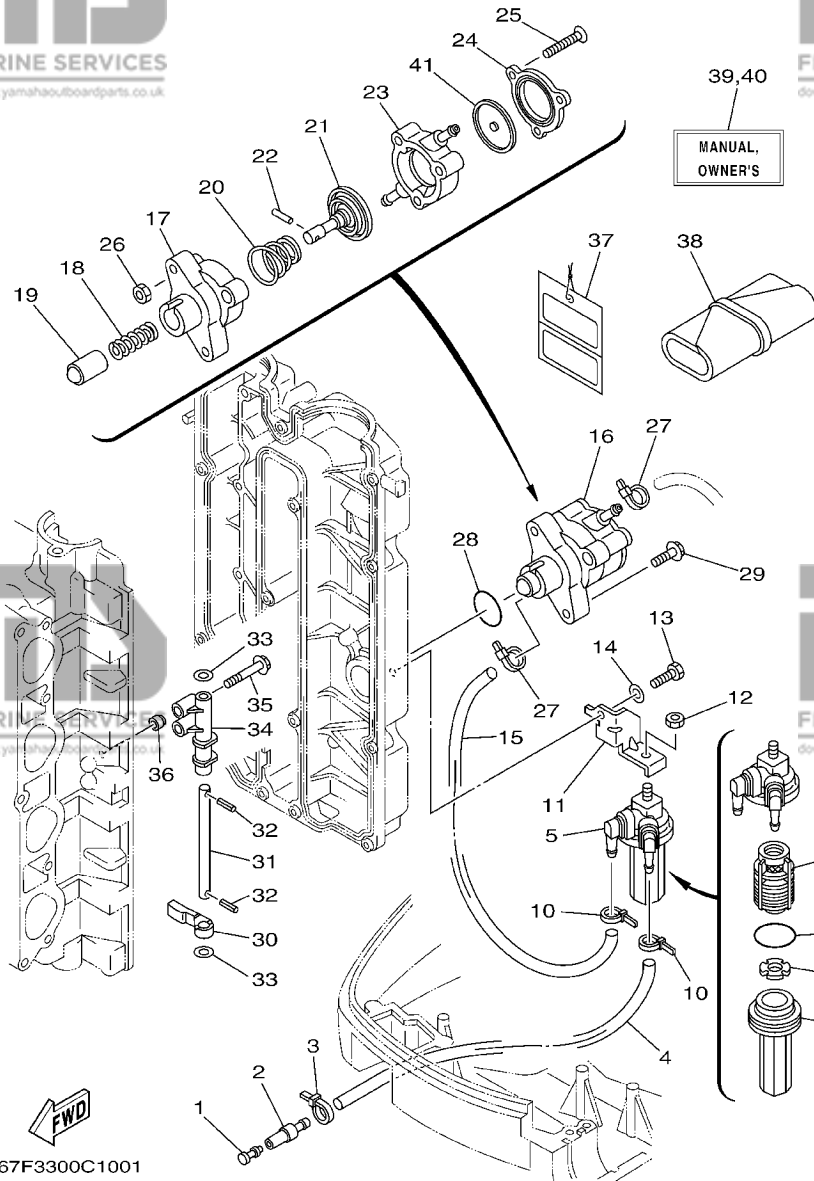


67F130020901

**FIG. 9 CARBURETOR 3**

**CARBURATEUR 3**

REF. NO.	PART NO. N° PIECES	DESCRIPTION DESCRIPTION	67G5	67F5	REMARKS REMARQUES
1	67F-1412A-00	WIRE HARNESS ASSY FAISCEAU DE FILS COMPLET		1	
2	67F-14349-20	PIPE DURITE		2	
3	67F-14349-00	PIPE DURITE		4	
4	67F-14585-00	ROD, CHOKE TRINGLE, STARTER		1	
5	68F-24356-00	CLIP, PIPE 1 JONC, TUBE 1		13	
6	90465-11M59	CLAMP BRIDE		3	
7	60C-14294-00	HOSE DURITE		2	
8	60C-14298-00	PIPE DURITE		1	
9	67F-14348-00	PIPE 1 DURITE		1	
10	688-24378-00	PIPE, JOINT 4 DURITE RACCORDEMENT 4		3	
11	90445-10M16	HOSE (L120) DURITE (L120)		2	
12	90445-10MG6	HOSE (L180) DURITE (L180)		1	
13	90445-10MG7	HOSE (L350) DURITE (L350)		1	
14	90445-16M07	HOSE (L80) DURITE (L80)		4	
15	90464-10M57	CLAMP BRIDE		1	
16	90465-08M83	CLAMP BRIDE		2	
17	97095-06012	BOLT BOULON		2	
18	92995-06600	WASHER RONDELLE		2	
19	67F-14860-00	CHECK VALVE BODY ASSY SOUPAPE, RETENUE COMPLET		1	

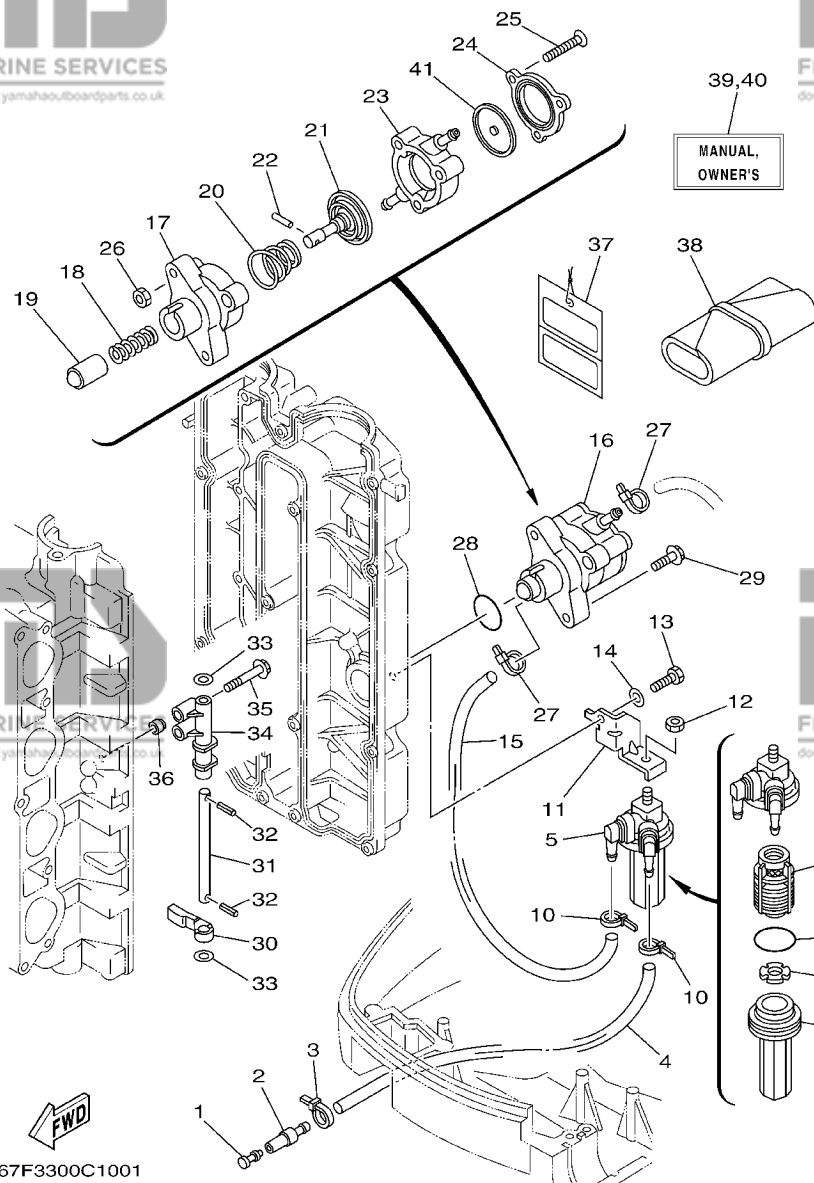


**FIG. 10 FUEL 1**

**CARBURANT 1**

REF. NO.	PART NO. N° PIECES	DESCRIPTION DESCRIPTION	67G5	67F5	REMARKS REMARQUES
1	689-85547-00	DAMPER AMORTISSEUR	1	1	
2	6R3-24377-00	PIPE, JOINT 3 DURITE RACCORDEMENT 3	1	1	
3	90465-11M10	CLAMP BRIDE	1	1	
4	90445-13M27	HOSE (L950) DURITE (L950)	1	1	
5	60C-24560-00	FILTER ASSY ENS FILTRE	1	1	
6	68V-24521-01	.CUP, FILTER .CUVETTE, FILTRE	1	1	
7	61N-24563-00	.ELEMENT, FILTER .ELEMENT, FILTRE	1	1	
8	93210-32738	.O-RING .JOINT TORIQUE	1	1	
9	68V-24469-01	.FLOAT, WATER LEVEL .FLOTTEUR	1	1	
10	90465-11M10	CLAMP BRIDE	2	2	
11	68V-24566-00	BRACKET, FILTER SUPPORT, FILTRE	1	1	
12	95380-08600	NUT ECROU	1	1	
13	97095-06016	BOLT BOULON	1	1	
14	92995-06600	WASHER RONDELLE	1	1	
15	90445-13M11	HOSE (L300) DURITE (L300)	1	1	
16	68V-24410-00	FUEL PUMP ASSY POMPE A ESSENCE	1	1	
17	68V-24412-00	.BODY 1 .CORPS 1	1	1	
18	68V-24454-00	.SPRING .RESSORT	1	1	
19	68V-13131-00	.PLUNGER .PLONGEUR	1	1	
20	68V-24423-00	.SPRING, DIAPHRAGM .RESSORT, DIAPHRAGME	1	1	
21	68V-24411-00	.DIAPHRAGM .DIAPHRAGME	1	1	
22	68V-24374-00	.PIN .GOUILLE	1	1	
23	68V-24413-00	.BODY 2 .CORPS 2	1	1	
24	68V-24414-00	.BODY 3 .CORPS 3	1	1	
25	68V-24444-00	.SCREW .VIS	3	3	
26	68V-24149-00	.NUT .ECROU	3	3	
27	90465-11M10	CLAMP BRIDE	2	2	





67F3300C1001

**FIG. 10 FUEL 1**

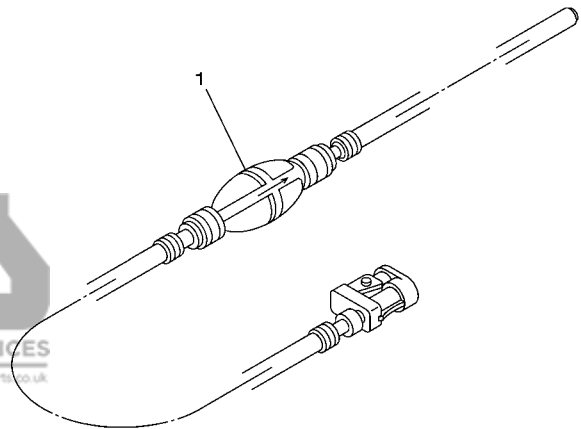
**CARBURANT 1**

REF. NO.	PART NO. N° PIECES	DESCRIPTION DESCRIPTION	67G5	67F5	REMARKS REMARQUES
28	93210-30682	O-RING JOINT TORIQUE	1	1	
29	90119-06M83	BOLT, WITH WASHER BOULON, AVEC RONDELLE	2	2	
30	67F-24575-00	LEVER, FUEL CHANGE LEVIER, D'ESSENCE	1	1	
31	68V-24495-00	SHAFT AXE	1	1	
32	91609-25014	PIN, SPRING AXE DE RESSORT	2	2	
33	90201-08M12	WASHER, PLATE RONDELLE, PLATE	2	2	
34	67F-24491-00	BRACKET, FUEL PUMP SUPPORT, POMPE A ESSENCE	1	1	
35	90119-07235	BOLT/WASHER-CAM CAPS BOULON, AVEC RONDELLE	2	2	
36	91809-08006	SLEEVE GUIDE-DOWEL GOUJON, D'ASSEMBLAGE	2	2	
37	61H-2819R-31	TAG, WARNING ETIQUETTE, AVERTISSEMENT	1	1	
38	67F-28100-01	TOOL KIT TROUSSE A OUTILS	1	1	
39	67F-28199-79-E0	MANUAL, OWNER'S MANUEL D'UTILISATION	1	1	UR (E)
	67F-28199-79-F0	MANUAL, OWNER'S MANUEL D'UTILISATION	1	1	UR (E) UR (F)
	67F-28199-79-S0	MANUAL, OWNER'S MANUEL D'UTILISATION	1	1	UR (F) UR (ES)
	67F-28199-79-G0	MANUAL, OWNER'S MANUEL D'UTILISATION	1	1	UR (ES) UR (D)
	67F-28199-79-D0	MANUAL, OWNER'S MANUEL D'UTILISATION	1	1	UR (D) UR (D)
	67F-28199-79-H0	MANUAL, OWNER'S MANUEL D'UTILISATION	1	1	UR (NL) UR (NL)
40	67F-28199-8B-K0	MANUAL, OWNER'S MANUEL D'UTILISATION	1	1	UR (I) UR (I)
	67F-28199-8B-R0	MANUAL, OWNER'S MANUEL D'UTILISATION	1	1	UR (DK) UR (DK)
	67F-28199-8B-P0	MANUAL, OWNER'S MANUEL D'UTILISATION	1	1	UR (GR) UR (GR)
	67F-28199-8B-N0	MANUAL, OWNER'S MANUEL D'UTILISATION	1	1	UR (P) UR (P)
	67F-28199-8B-M0	MANUAL, OWNER'S MANUEL D'UTILISATION	1	1	UR (N) UR (N)
	67F-28199-8B-L0	MANUAL, OWNER'S MANUEL D'UTILISATION	1	1	UR (S) UR (S)
41	68V-24471-10	.DIAPHRAGM .DIAPHRAGME	1	1	UR (SF) UR (SF)

**FIG. 11 FUEL 2**

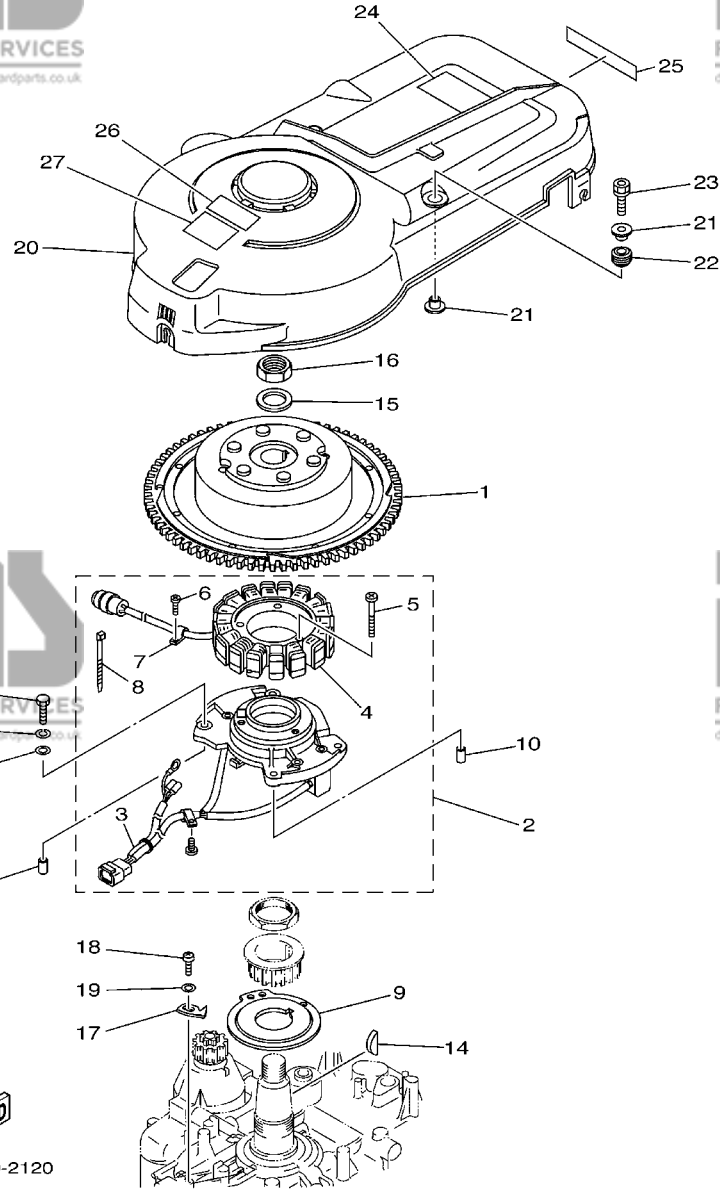
**CARBURANT 2**

REF. NO.	PART NO. N° PIECES	DESCRIPTION DESCRIPTION	67G5	67F5	REMARKS REMARQUES
1	6YK-24306-44	FUEL PIPE COMP. 1 DURITE A ESSENCE 1		1	AP AP



67F3300-C110

**C7**



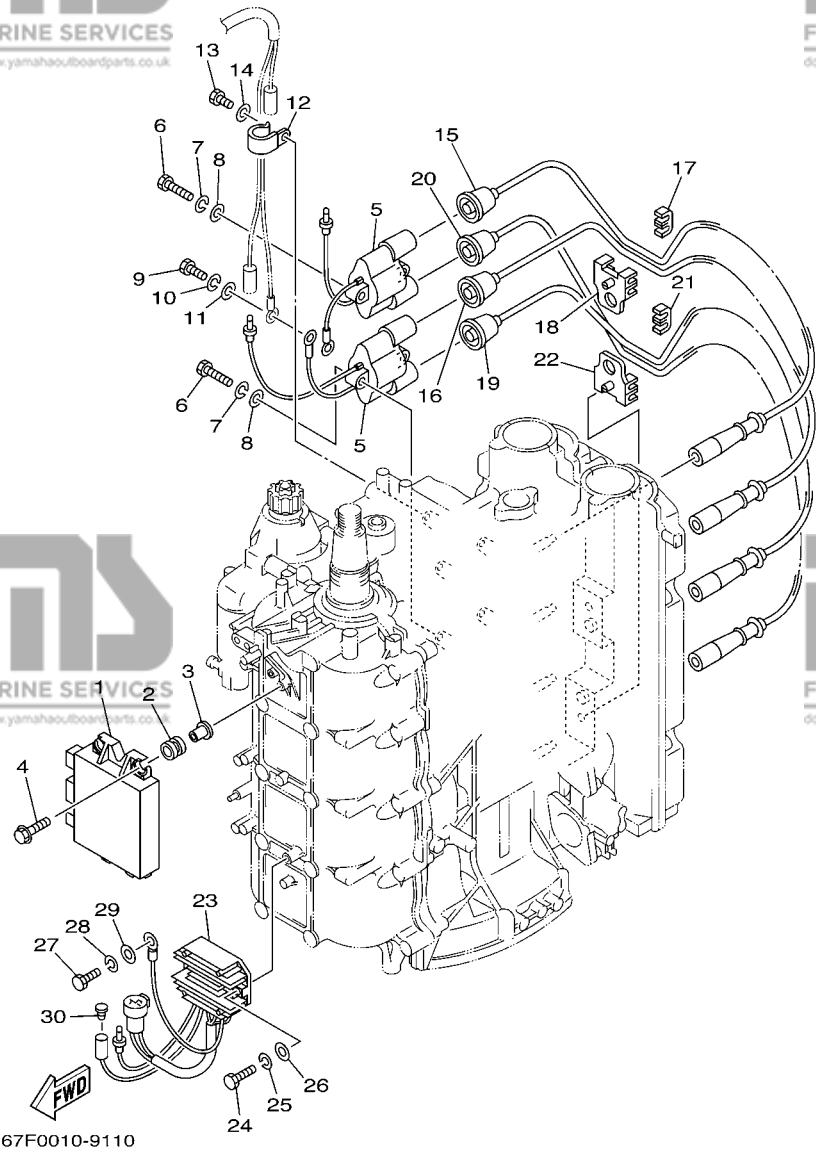
67F1300-2120

**FIG. 12 GENERATOR**

**GENERATRICE**

REF. NO.	PART NO. N° PIECES	DESCRIPTION DESCRIPTION	67G5	67F5	REMARKS REMARQUES
1	67F-85550-00	ROTOR ASSY ROTOR CPLT	1	1	
2	67F-85560-01	BASE ASSY ENS. FLASQUE	1	1	
3	67F-85580-00	.COIL, PULSER .BOBINE, PULSEUR	1	1	
4	67F-85510-01	.STATOR ASSY .STATOR CPLT	1	1	
5	63D-81345-20	.SCREW, WITH WASHER (M6X30) .VIS, AVEC RONDELLE (M6X30)	3	3	
6	97607-04110	.SCREW, WITH WASHER .VIS HEXAGONAL	1	1	
7	445-81328-20	.CLAMP .COLLIER	1	1	
8	66T-81328-00	.CLAMP .COLLIER	1	1	
9	67F-81673-00	ROTOR ROTOR	1	1	
10	99530-08012	PIN, DOWEL GOUJON, D'ASSEMBLAGE	2	2	
11	97095-06030	BOLT BOULON	4	4	
12	92995-06100	WASHER, SPRING RONDELLE, GROWER	4	4	
13	92995-06600	WASHER RONDELLE	4	4	
14	90280-05015	KEY, WOODRUFF CLAVETTE, DEMI-LUNE	1	1	
15	90201-24014	WASHER, PLATE RONDELLE, PLATE	1	1	
16	90179-24002	NUT ECROU	1	1	
17	6D8-81332-00	PLATE, TIMING PLATEAU, ALLUMAGE	1	1	
18	97885-06010	SCREW, PAN HEAD VIS, A ENCOCHE	1	1	
19	92995-06600	WASHER RONDELLE	1	1	
20	67F-81337-01	COVER, FLYWHEEL COUVERCLE, VOLANT	1	1	
21	90387-06M71	COLLAR COLLERETTE	4	4	
22	90480-15M31	GROMMET PASSE-FIL	2	2	
23	90119-06M92	BOLT, WITH WASHER BOULON, AVEC RONDELLE	2	2	
24	67F-12138-60	MARK, CAUTION MAKER	1	1	
25	68V-13437-61	MARK, CAUTION MAKER	1	1	
26	6A1-83625-41	MARK 5 ETIQUETTE 5	1	1	
27	6A1-83625-51	MARK 5 ETIQUETTE 5	1	1	

**D1**



**FIG. 13 ELECTRICAL 1**

**PARTIE ELECTRIQUE 1**

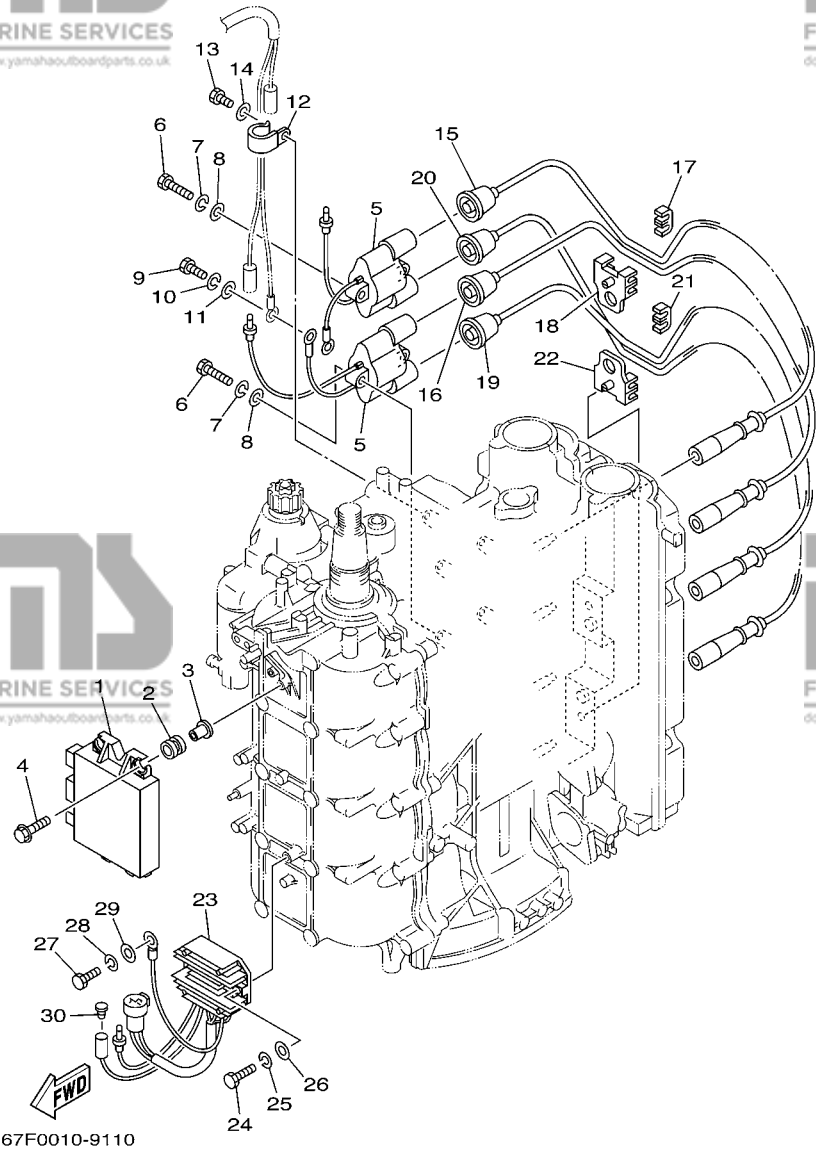
REF. NO.	PART NO. N° PIECES	DESCRIPTION DESCRIPTION	67G5	67F5	REMARKS REMARQUES
1	67F-85540-03	C.D.I. UNIT ASSY BLOC C.D.I.	1	1	
2	68V-82317-00	DAMPER, IGNITION COIL AMORTISSEUR, BOBINE D'ALLUM	4	4	
3	90387-06119	COLLAR COLLERETTE	4	4	
4	90119-06M59	BOLT, WITH WASHER BOULON, AVEC RONDELLE	4	4	
5	67F-85570-00	IGNITION COIL ASSY BOBINE D'ALLUMAGE (ENS.)	2	2	
6	97095-06030	BOLT BOULON	4	4	
7	92995-06100	WASHER, SPRING RONDELLE, GROWER	4	4	
8	92995-06600	WASHER RONDELLE	4	4	
9	97095-06020	BOLT BOULON	1	1	
10	92995-06100	WASHER, SPRING RONDELLE, GROWER	1	1	
11	92995-06600	WASHER RONDELLE	1	1	
12	90465-06M86	CLAMP BRIDE	1	1	
13	97095-06012	BOLT BOULON	1	1	
14	92995-06600	WASHER RONDELLE	1	1	
15	67F-82341-00	CORD, HIGH TENSION 1 CORDON, HAUTE-TENSION 1	1	1	#1
16	67F-82342-00	CORD, HIGH TENSION 2 CORDON, HAUTE-TENSION 2	1	1	#2
17	67F-82361-00	CLAMP, CORD COLLIER, CORDON	1	1	
18	67F-82362-00	CLAMP, CORD 2 COLLIER, CABLE 2	1	1	
19	67F-82343-00	CORD, HIGH TENSION 3 CORDON, HAUTE-TENSION 3	1	1	#3
20	67F-82344-00	CORD, HIGH TENSION 4 CORDON, HAUTE TENSION 4	1	1	#4
21	67F-82361-00	CLAMP, CORD COLLIER, CORDON	1	1	
22	67F-82362-00	CLAMP, CORD 2 COLLIER, CABLE 2	1	1	
23	67F-81960-11	RECTIFIER & REGULATOR ASSY REDRESSEUR REGULATEUR CPLT	1	1	Go to P/N : PE0-OM-060003
24	97095-06025	BOLT BOULON	2	2	
25	92995-06100	WASHER, SPRING RONDELLE, GROWER	2	2	
26	92995-06600	WASHER RONDELLE	2	2	
27	97095-06020	BOLT BOULON	1	1	

**D2**

FIG. 13 ELECTRICAL 1

PARTIE ELECTRIQUE 1

REF. NO.	PART NO. N° PIECES	DESCRIPTION DESCRIPTION	67G5	67F5	REMARKS REMARQUES
28	92995-06100	WASHER, SPRING RONDELLE, GROWER	1	1	
29	92995-06600	WASHER RONDELLE	1	1	
30	703-82119-00	COVER, LEAD WIRE GARNITURE, FIL	1	1	Go to P/N : PE0-OM-060003



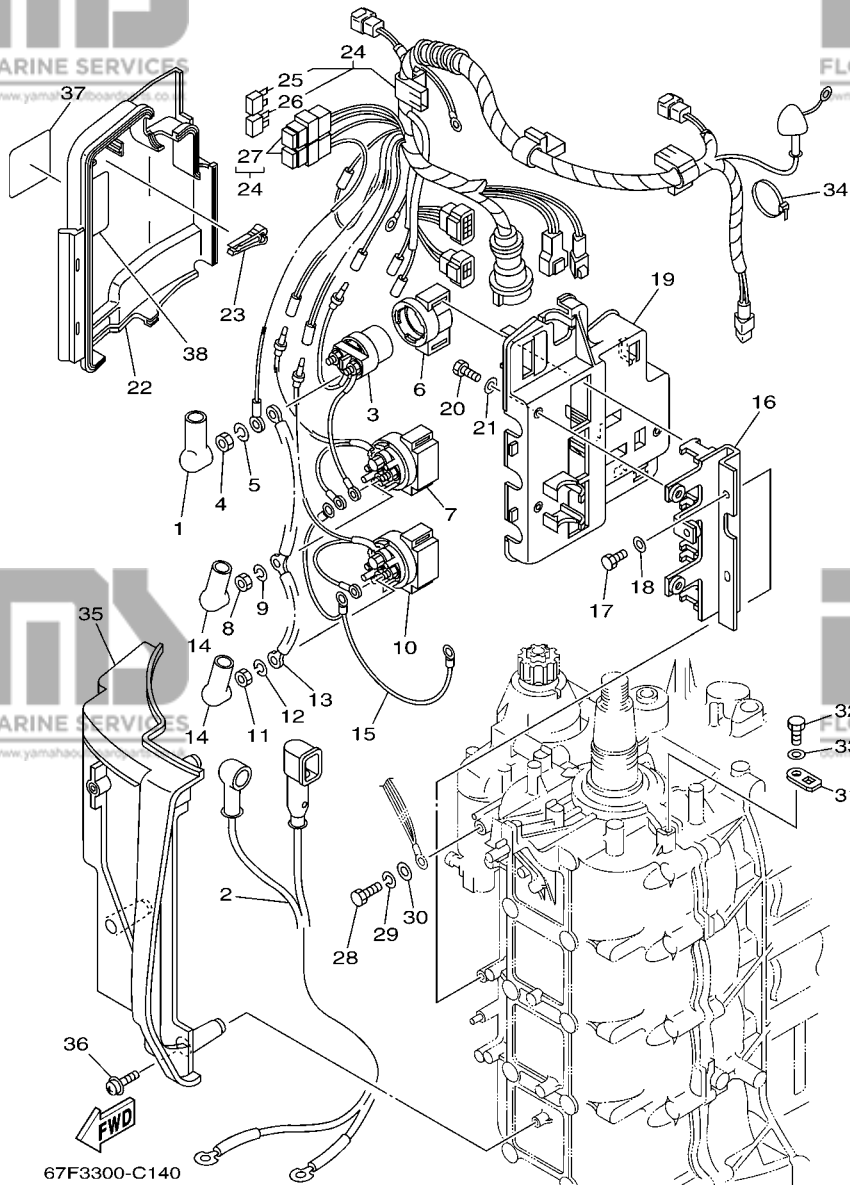


FIG. 14 ELECTRICAL 2

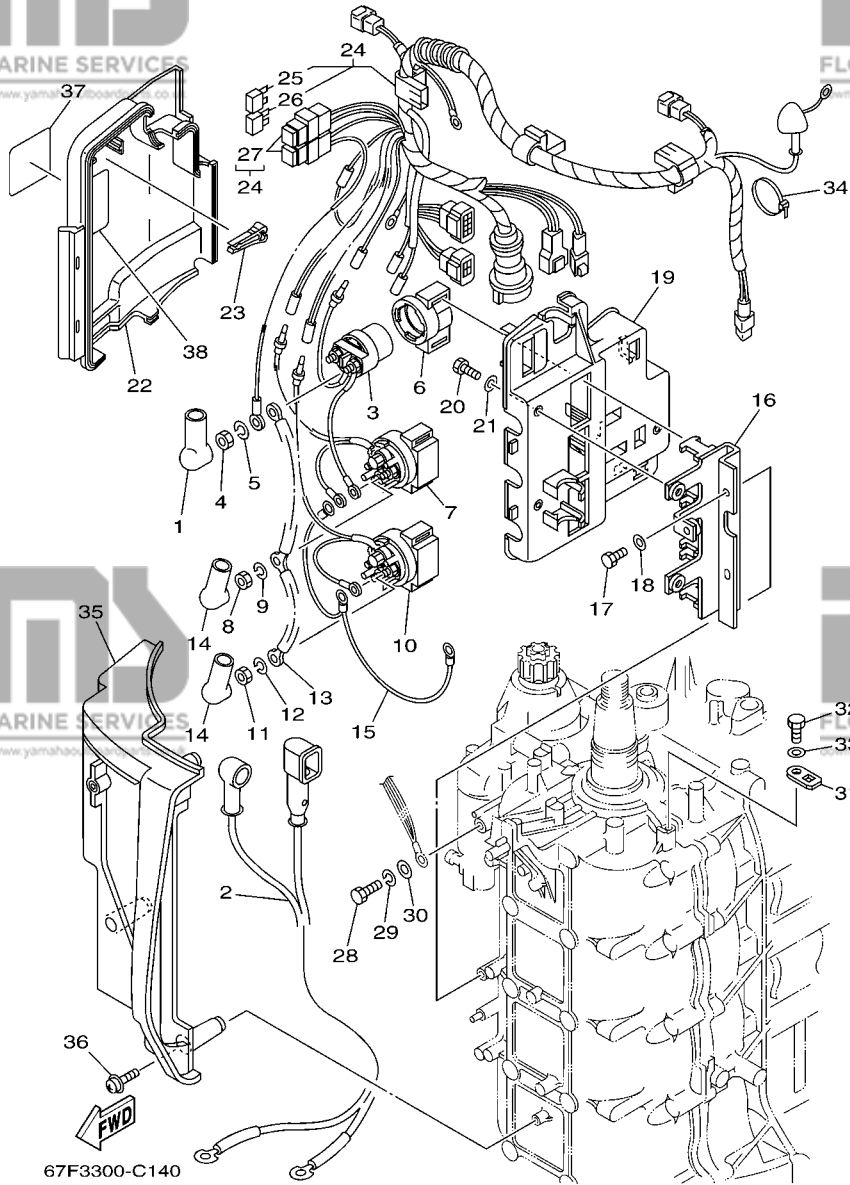
PARTIE ELECTRIQUE 2

REF. NO.	PART NO. N° PIECES	DESCRIPTION DESCRIPTION	67G5	67F5	REMARKS REMARQUES
1	682-82119-01	COVER, LEAD WIRE GARNITURE, FIL	2	2	
2	67F-82105-00	WIRE HARNESS FAISCEAU DE FILS	1	1	
3	6G1-8194A-10	RELAY RELAIS	1	1	
4	90170-06M30	NUT ECROU	2	2	
5	90204-06M00	WASHER, SPRING RONDELLE, GROWER	2	2	
6	6G1-81952-00	HOLDER, RELAY SUPPORT, RELAIS	1	1	
7	6E5-8195B-01	RELAY ASSY RELAIS COMPLET	1	1	
8	90170-06M30	NUT ECROU	3	3	
9	90204-06M00	WASHER, SPRING RONDELLE, GROWER	3	3	
10	6E5-8195C-01	RELAY ASSY RELAIS COMPLET	1	1	
11	90170-06M30	NUT ECROU	3	3	
12	90204-06M00	WASHER, SPRING RONDELLE, GROWER	3	3	
13	66T-87149-00	CONNECTOR RACCORD	1	1	
14	6G5-82119-00	COVER, LEAD WIRE GARNITURE, FIL	2	2	
15	67F-82116-00	WIRE, MINUS LEAD FIL, NEGATIF	1	1	
16	67F-81953-00	STAY, RELAY SUPPORT, RELAIS	1	1	
17	97095-06016	BOLT BOULON	2	2	
18	92995-06600	WASHER RONDELLE	2	2	
19	67F-81948-00	BRACKET JOINT TORIQUE	1	1	
20	97095-06016	BOLT BOULON	3	3	
21	92995-06600	WASHER RONDELLE	3	3	
22	67F-81942-00	COVER COUVERCLE	1	1	
23	67F-2812A-00	PULLER, FUSE TENDEUR, FUSIBLE	1	1	
24	67F-82590-03	WIRE HARNESS ASSY FAISCEAU DE FILS COMPLET	1	1	Go to P/N : PE0-OM-060003
25	67F-82151-00	.FUSE (20A) .FUSIBLE (20A)	2	2	
26	67F-82151-10	.FUSE (30A) .FUSIBLE (30A)	2	2	
27	67F-8215B-00	.CAP (BLACK) .BOUCHON (NOIR)	2	2	

D4

FIG. 14 ELECTRICAL 2

PARTIE ELECTRIQUE 2



67F3300-C140

REF. NO.	PART NO. N° PIECES	DESCRIPTION DESCRIPTION	67G5	67F5	REMARKS REMARQUES
28	97095-06020	BOLT BOULON	1	1	
29	92995-06100	WASHER, SPRING RONDELLE, GROWER	1	1	
30	92995-06600	WASHER RONDELLE	1	1	
31	67F-82588-00	PLATE PLAQUE	3	3	
32	97095-06012	BOLT BOULON	3	3	
33	92995-06600	WASHER RONDELLE	3	3	
34	90465-13M11	CLAMP BRIDE	1	1	
35	67F-81916-01	COVER, TERMINAL COUVERCLE, BORNE	1	1	Go to P/N : PE0-OM-060003
36	90159-06M29	SCREW, WITH WASHER VIS, AVEC RONDELLE	3	3	
37	67F-83626-00	MARK 6 MARK 6	1	1	
38	67F-81919-00	GRAPHIC, REGULATOR ADHESIF, REGULATEUR	1	1	

# PARTS NEWS

FLOOD MARINE SERVICES

downloaded from www.yamahaoutboardparts.co.uk

FLOOD MARINE SERVICES

downloaded from www.yamahaoutboardparts.co.uk



FLOOD MARINE SERVICES

downloaded from www.yamahaoutboardparts.co.uk

News No. PE0-OM-060003 1/3

Date: Feb 24, 2006

Signature: K. Otsuka

Model	F80A/F100A '04-'06
Subject	PARTS CATALOGUE CORRECTIONS
CATALOGUE NO.	See the "List of Models and CATALOGUE No's below."

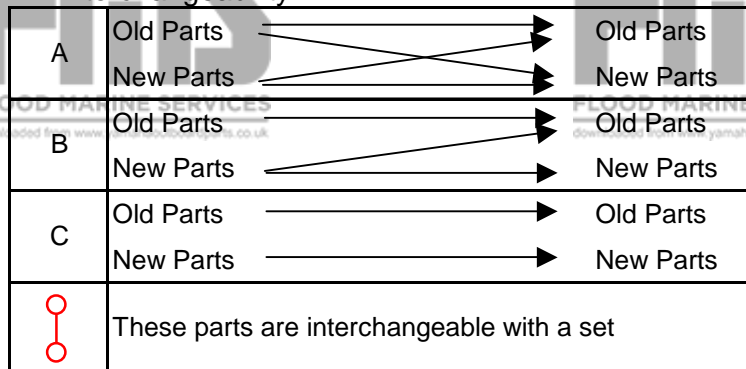
Revised parts catalogue will be issued by PDF and be uploaded to YPEC within one month.  
(YPEC=Yamaha Parts Electrical Catalogue = Website parts catalogue)

## FIG.13 ELECTRICAL 1

### 1. LIST CORRECTION

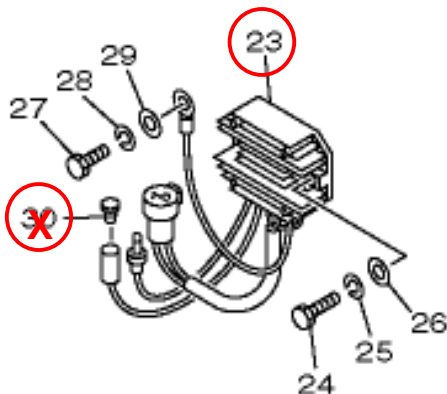
Fig.No-Ref.No.	PART NO.		PART NAME	Q'TY	APPLICABLE SERIAL NO.	*1	REMARKS
13-23	OLD	67F-81960-11	RECTIFIER & REGULATOR ASSY	1	-		
	NEW	<b>67F-81960-12</b>			<b>67F:1006741-67G:1006053-</b>	<b>B</b>	*Part number revision
13-30	703-82119-00		COVER, LEAD WIRE	4	<b>67F:1006741-67G:1006053-</b>		*Deleted Parts

\*1: Interchangeability

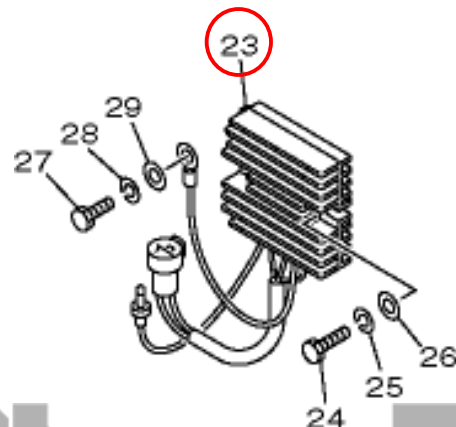


### 2. ILLUSTRATION CORRECTION

(OLD)



(NEW)



Parts Manager Check

Service Manager Check

Parts Manager File

YAMAHA MOTOR CO.,LTD  
2500 Shingai Iwata Shizuoka 438-8501 Japan  
Technical Publication Dept.





# PARTS NEWS

FLOOD MARINE SERVICES

downloaded from www.yamahaoutboardparts.co.uk

FLOOD MARINE SERVICES

downloaded from www.yamahaoutboardparts.co.uk



FLOOD MARINE SERVICES

downloaded from www.yamahaoutboardparts.co.uk

News No. PE0-OM-060003 2/3

Date: Feb 24, 2006

Signature: K. Otsuka

Model	F80A/F100A '04-'06
Subject	PARTS CATALOGUE CORRECTIONS
CATALOGUE NO.	See the "List of Models and CATALOGUE No's below."

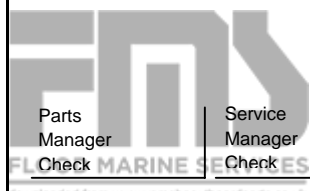
## FIG.14 ELECTRICAL 2

### 1. LIST CORRECTION

Fig.No-Ref.No.	PART NO.		PART NAME	Q'TY	APPLICABLE SERIAL NO.	*1	REMARKS
14-24	OLD	67F-82590-03	WIRE HARNESS ASSY	1	-		
	NEW	<b>67F-82590-04</b>			<b>67F:1006741-67G:1006053-</b>	<b>B</b>	*Part number revision
14-35	OLD	67F-81916-01	COVER, TERMINAL	1	-		
	NEW	<b>67F-81916-02</b>			<b>67F:1006741-67G:1006053-</b>	<b>B</b>	*Part number revision
14-39	OLD	-	CLAMP	2	-		
	NEW	<b>90465-13M97</b>			<b>67F:1006741-67G:1006053-</b>		*Added Parts

#### \*1: Interchangeability

A	Old Parts	→	Old Parts
	New Parts	→	New Parts
B	Old Parts	→	Old Parts
	New Parts	→	New Parts
C	Old Parts	→	Old Parts
	New Parts	→	New Parts
	These parts are interchangeable with a set		



Parts Manager Check

Service Manager Check

Parts Manager File

YAMAHA MOTOR CO.,LTD  
2500 Shingai Iwata Shizuoka 438-8501,Japan  
Technical Publication Dept.

# PARTS NEWS

FLOOD MARINE SERVICES

downloaded from www.yamahaoutboardparts.co.uk

FLOOD MARINE SERVICES

downloaded from www.yamahaoutboardparts.co.uk



FLOOD MARINE SERVICES

downloaded from www.yamahaoutboardparts.co.uk

News No. PE0-OM-060003 3/3

Date: Feb 24, 2006

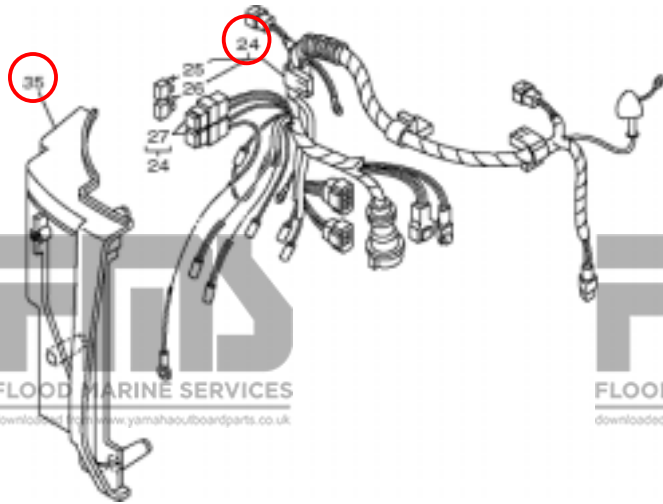
Signature: K. Otsuka

Model	F80A/F100A '04-'06
Subject	PARTS CATALOGUE CORRECTIONS
CATALOGUE NO.	See the "List of Models and CATALOGUE No's below."

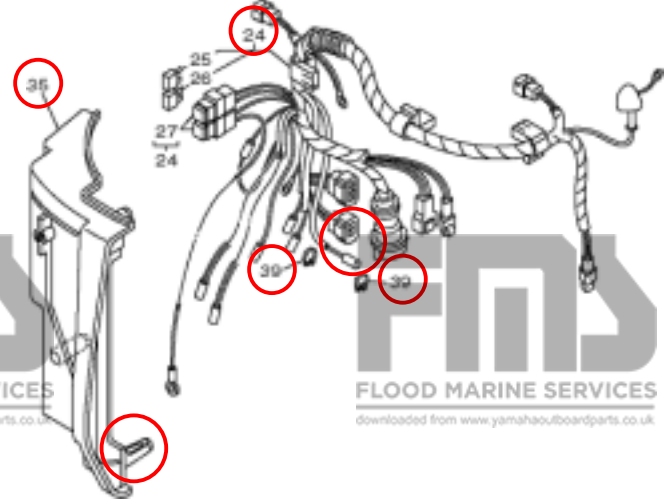
## FIG.14 ELECTRICAL 2

### 2. ILLUSTRATION CORRECTION

(OLD)



(NEW)



### 3. LIST of Models and CATALOGUE No's.

The applicable MODELS, MODEL CODES, and CATALOGUE No's are as follows.

MODEL NAME	MODEL CODE	MODEL YEAR	CATALOGUE NO.
F80A'04 F100A'04	67G3 67F3	2004	1C67G-300F2
F80A'05 F100A'05	67G4 67F4	2005	1D67G-300F1
F80AET'06 F100AET'06	67G5 67F5	2006	1E67G-300F1

Thank you very much for your cooperation.

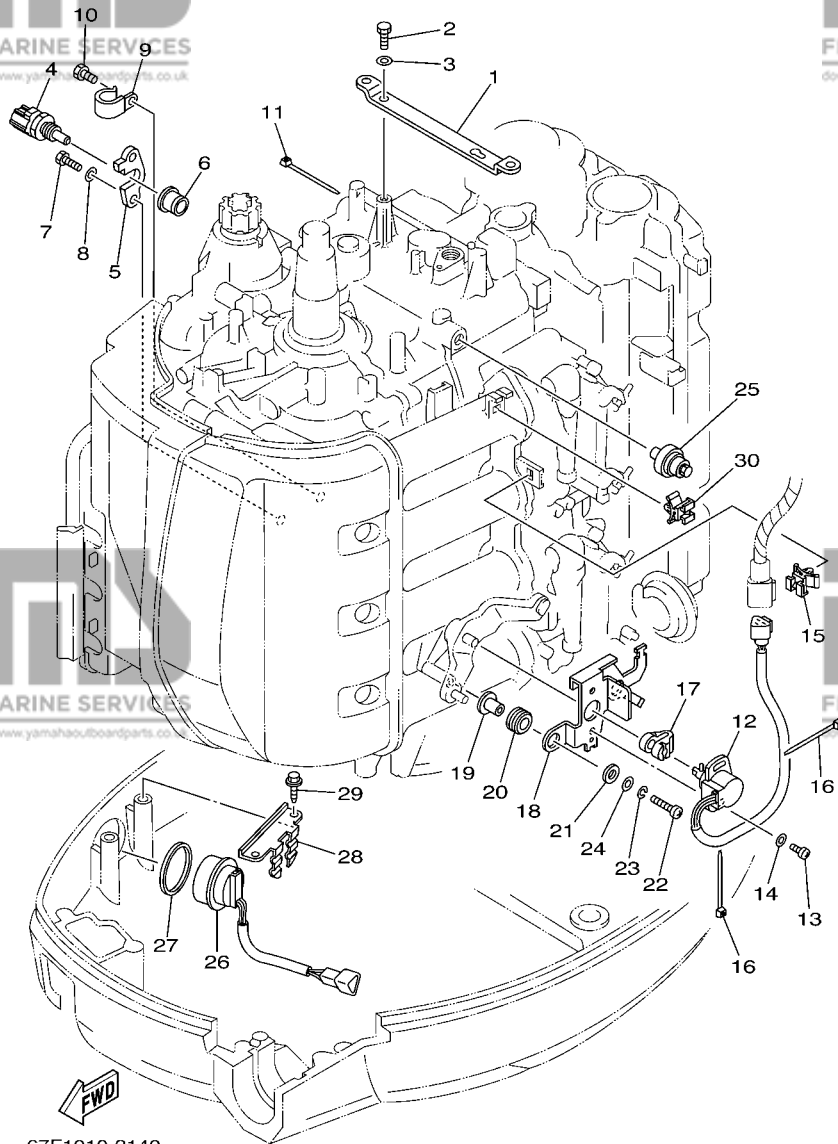
Parts  
Manager  
Check

Service  
Manager  
Check

Parts  
Manager  
File

YAMAHA MOTOR CO.,LTD  
2500 Shingai Iwata Shizuoka 438-8501.Japan  
Technical Publication Dept.





67F1010-2140

**FIG. 15 ELECTRICAL 3**

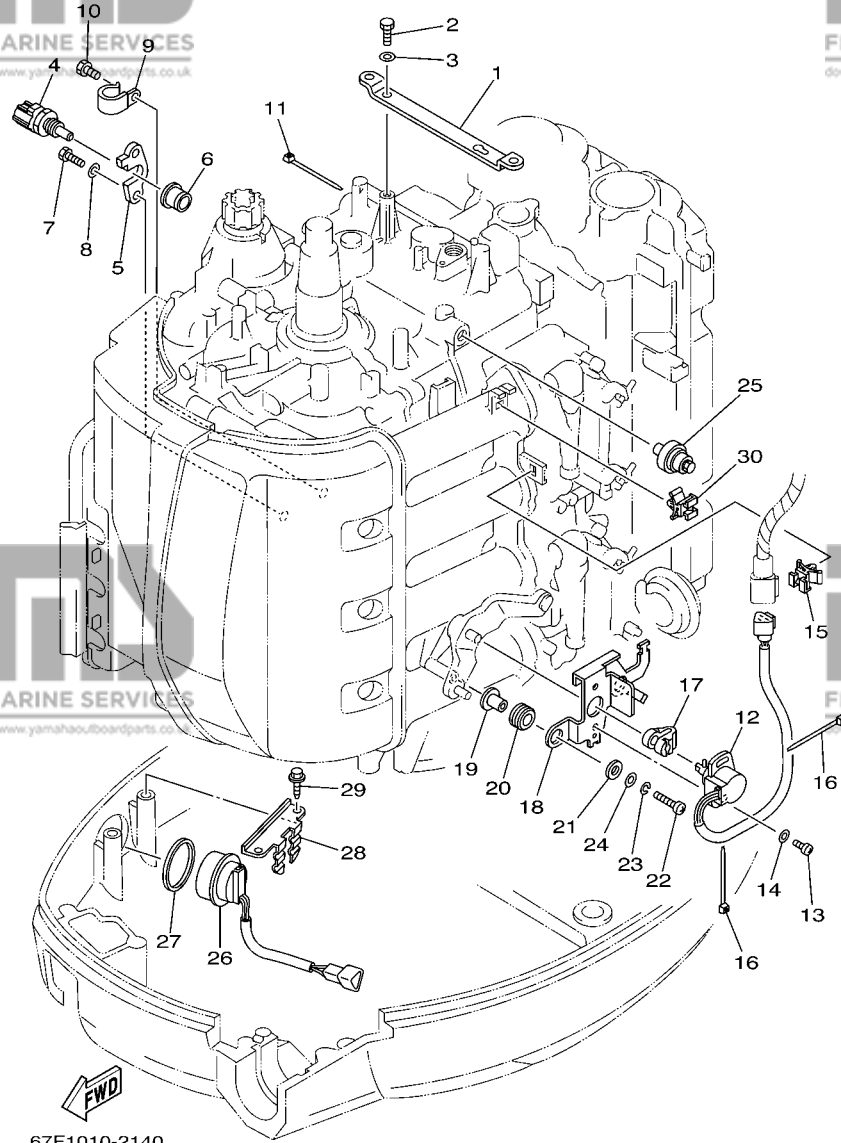
**PARTIE ELECTRIQUE 3**

REF. NO.	PART NO. N° PIECES	DESCRIPTION DESCRIPTION	67G5	67F5	REMARKS REMARQUES
1	67F-8132G-01	PLATE PLAQUE	1	1	
2	97095-06016	BOLT BOULON	2	2	
3	92995-06600	WASHER RONDELLE	2	2	
4	67F-85790-00	THERMOSENSOR ASSY SENSITOMETRE	1	1	
5	67F-85757-00	RETAINER ARRETOIR	1	1	
6	68V-85753-00	GASKET, SENDER UNIT JOINT, DE PERCEPTION	1	1	
7	97095-06016	BOLT BOULON	2	2	
8	92995-06600	WASHER RONDELLE	2	2	
9	90465-06M86	CLAMP BRIDE	1	1	
10	97095-06010	BOLT BOULON	1	1	
11	90465-11M10	CLAMP BRIDE	1	1	
12	61A-85885-00	THROTTLE SENSOR ASSY SENSITOMETRE (ENS.)	1	1	
13	97885-05010	SCREW, PAN HEAD VIS, A ENCOCHE	2	2	
14	92995-05600	WASHER RONDELLE	2	2	
15	90464-09M47	CLAMP BRIDE	1	1	
16	90465-11M10	CLAMP BRIDE	2	2	
17	6K7-14573-00	LEVER LEVIER	1	1	
18	67F-83635-00	BRACKET SUPPORT	1	1	
19	90387-05M00	COLLAR COLLERETTE	2	2	
20	90480-10M23	GROMMET PASSE-FIL	2	2	
21	90201-05M03	WASHER, PLATE RONDELLE, PLATE	2	2	
22	97885-05025	SCREW, PAN HEAD VIS, A ENCOCHE	2	2	
23	92995-05100	WASHER RONDELLE	2	2	
24	92995-05600	WASHER RONDELLE	2	2	
25	68V-82504-00	OIL PRESSURE SWITCH ASSY CONTACTEUR DE PRESSION D'HUILE	1	1	
26	63D-82563-10	TRIM & TILT SWITCH ASSY INCLINER ET PARER COMMUTATEUR	1	1	
27	6E5-82587-00	GASKET JOINT	1	1	

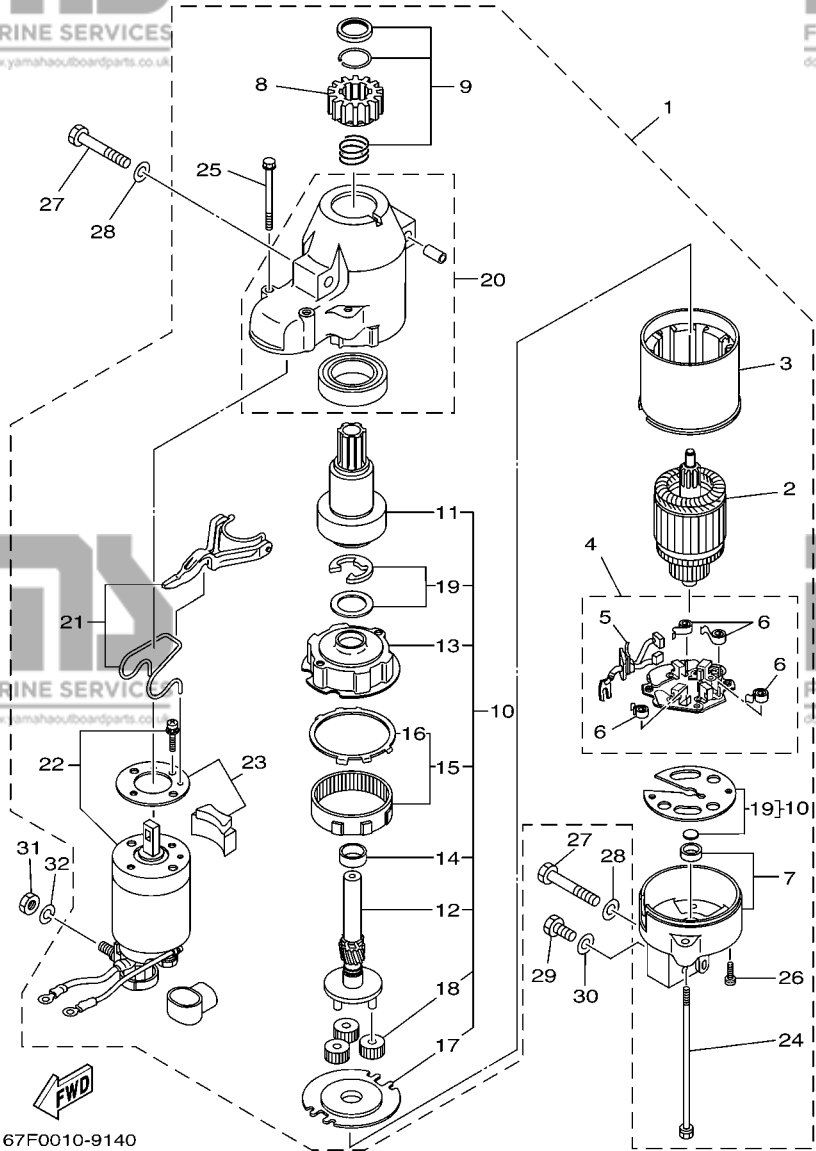
**D6**

FIG. 15 ELECTRICAL 3

PARTIE ELECTRIQUE 3



REF. NO.	PART NO. N° PIECES	DESCRIPTION DESCRIPTION	67G5	67F5	REMARKS REMARQUES
28	67F-83614-00	BRACKET SUPPORT	1	1	
29	90109-06M86	BOLT BOULON	2	2	
30	90464-09M47	CLAMP BRIDE	1	1	
-----					
-----					
-----					
-----					
-----					
-----					
-----					



67F0010-9140

**FIG. 16 STARTING MOTOR**

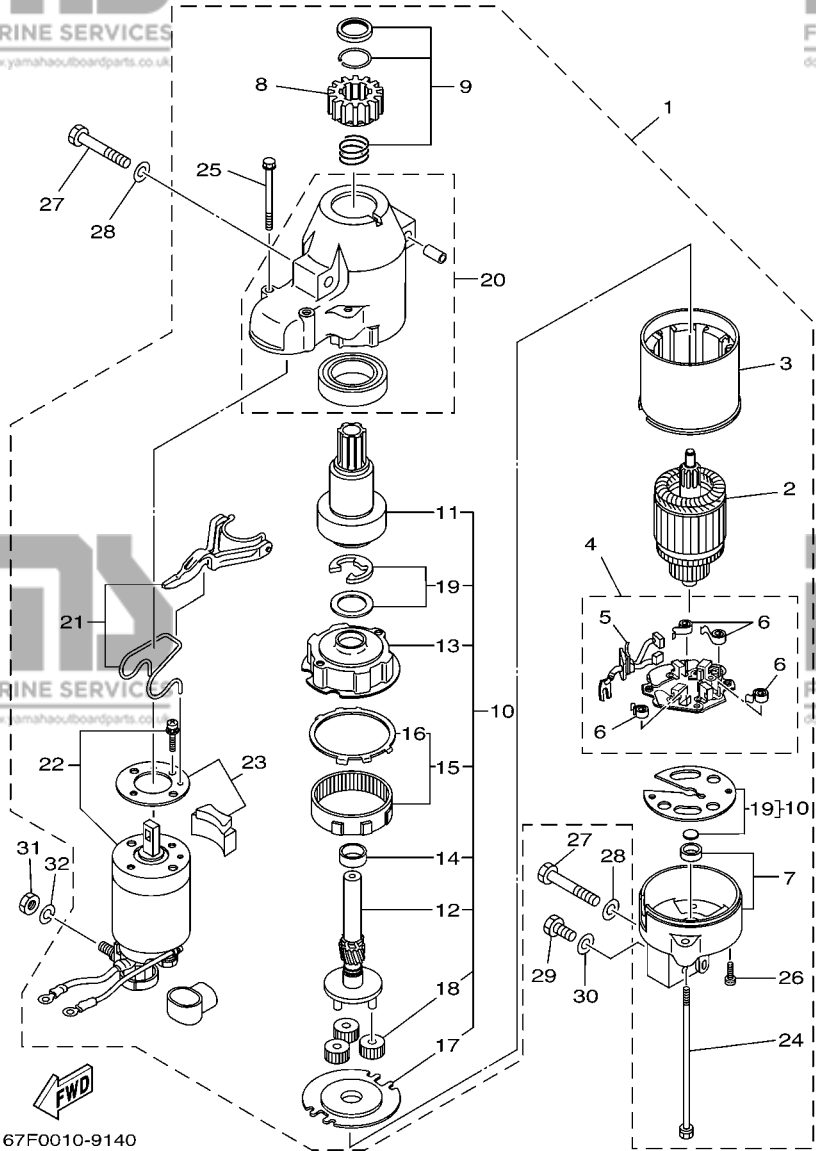
**DEMARREUR ELECTRIQUE**

REF. NO.	PART NO. N° PIECES	DESCRIPTION DESCRIPTION	67G5	67F5	REMARKS REMARQUES
1	67F-81800-02	STARTING MOTOR ASSY DEMARREUR ELECTRIQUE COMPLET	1	1	
2	67F-81850-00	.ARMATURE ASSY .INDUIT	1	1	
3	67F-81810-00	.STATOR ASSY .STATOR COMPLET	1	1	
4	68F-81840-00	.BRUSH HOLDER ASSY .SUPPORT DE CHARBON	1	1	
5	67F-81801-00	..BRUSH SET ..CHARBON	1	1	
6	67F-81813-00	..SPRING, BRUSH ..RESSORT, DE CHARBON	4	4	
7	67F-81820-00	.REAR BRACKET ASSY .SUPPORT ARRIERE COMPLET	1	1	
8	67F-81808-00	.PINION ASSY .PIGNON	1	1	
9	67F-81857-00	.PINION STOPPER SET .BUTEE PIGNON	1	1	
10	67F-81807-00	.GEAR ASSY, STARTING MOTOR .PIGNON, DEMARREUR ELECTRIQUE	1	1	
11	67F-81832-00	..CLUTCH, OVER RUN ..EMBAYAGE, ROUE LIBRE	1	1	
12	67F-81836-00	..SHAFT, PINION ..AXE, PIGNON	1	1	
13	67F-81821-00	..BRACKET, CENTER 1 ..SUPPORT, CENTRE 1	1	1	
14	67F-81841-00	..BEARING ..ROULEMENT	1	1	
15	67F-81891-00	..GEAR, RING ..ROUE DENTEE	1	1	
16	67F-8183R-00	...GASKET ...JOINT	1	1	
17	67F-81830-00	..BRACKET, CENTER 2 ..SUPPORT, CENTRE 2	1	1	
18	60V-8183T-00	..GEAR, IDLER ..PIGNON, INTERMEDIAIRE	3	3	
19	67F-81809-00	..WASHER KIT ..JEU DE RONDELLES	1	1	
20	67F-81842-00	.COVER .COUVERCLE	1	1	
21	67F-81839-00	.LEVER ASSY .LEVIER COMPLET	1	1	
22	67F-81941-01	.STARTER RELAY ASSY .LANCEUR RELAIS (ENS.)	1	1	
23	67F-81869-00	.COVER, DUST .COUVERCLE, POUSSIERE	1	1	
24	6K7-81826-10	.BOLT .BOULON	2	2	
25	67F-81828-00	.BOLT 2 .RONDELLE, BUTEE 2	2	2	
26	67F-81846-00	.SCREW .VIS	2	2	
27	97013-08045	BOLT BOULON	3	3	

**E1**

FIG. 16 STARTING MOTOR

DEMARREUR ELECTRIQUE



67F0010-9140

REF. NO.	PART NO. N° PIECES	DESCRIPTION DESCRIPTION	67G5	67F5	REMARKS REMARQUES
28	92903-08600	WASHER, PLATE RONDELLE, PLATE	3	3	
29	97013-08016	BOLT BOULON	1	1	
30	92903-08600	WASHER, PLATE RONDELLE, PLATE	1	1	
31	95333-08600	NUT ECROU	1	1	
32	92903-08100	WASHER, SPRING RONDELLE, GROWER	1	1	

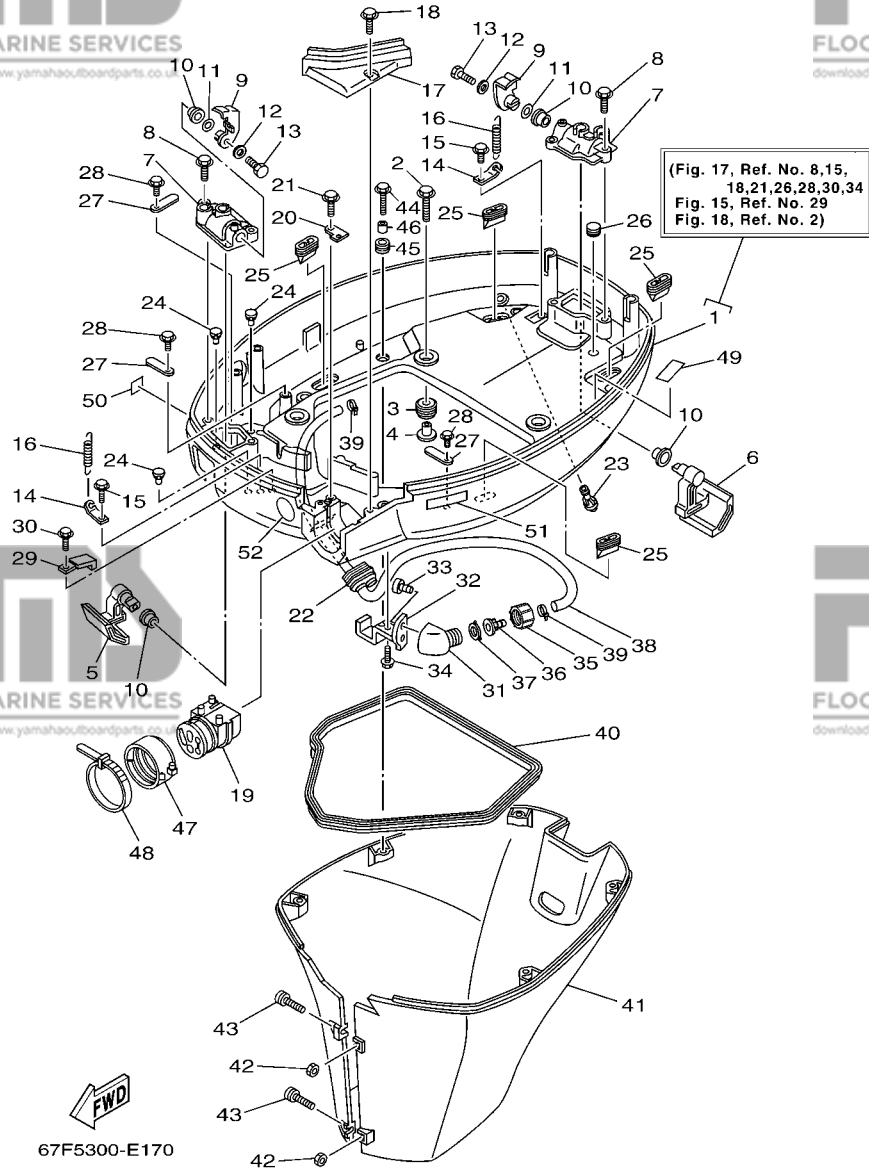
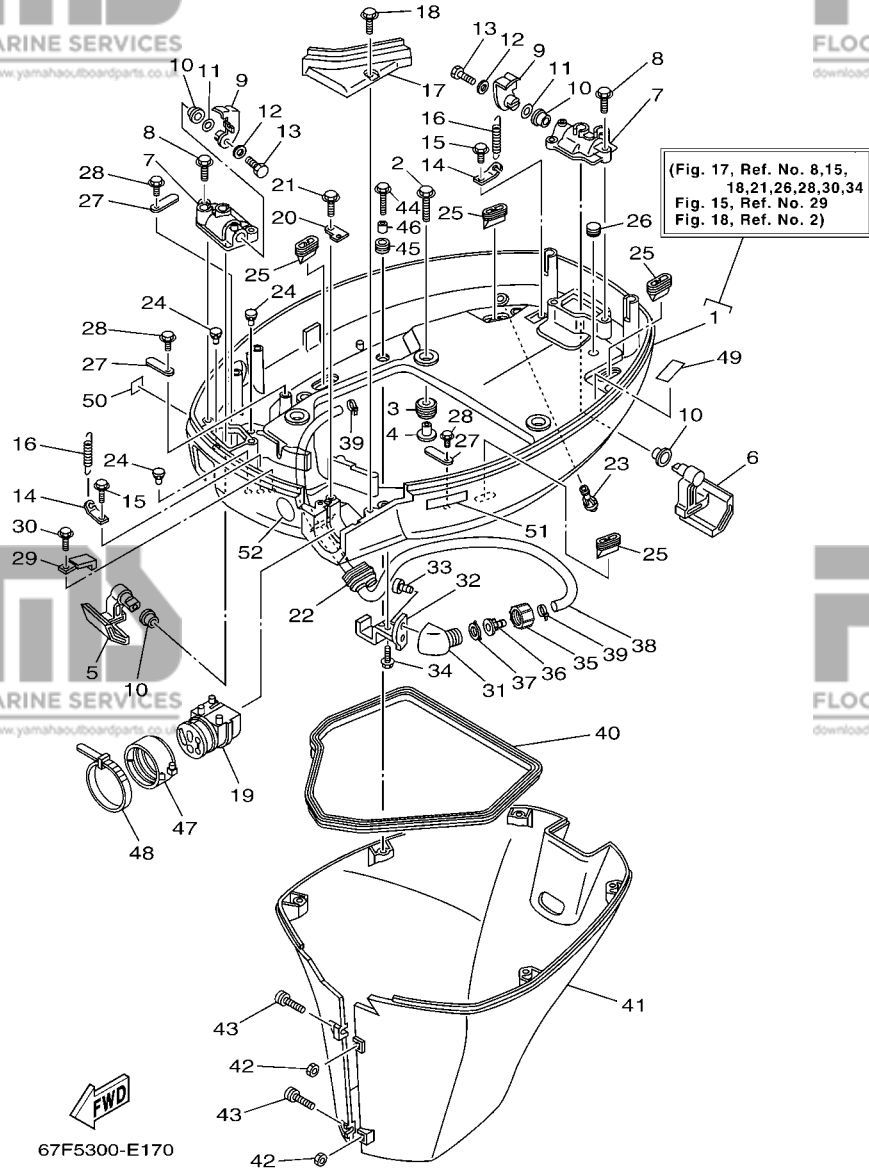


FIG. 17 BOTTOM COWLING

CAPOT INFERIEUR

REF. NO.	PART NO. N° PIECES	DESCRIPTION DESCRIPTION	67G5	67F5	REMARKS REMARQUES
1	67F-42710-03-4D	BOTTOM COWLING ASSY ENS. EMBASE	1	1	
2	90119-08M22	BOLT, WITH WASHER BOULON, AVEC RONDELLE	4	4	
3	90480-22M15	GROMMET PASSE-FIL	4	4	
4	90387-08M37	COLLAR COLLERETTE	4	4	
5	67F-42815-00-4D	LEVER, CLAMP LEVIER, PRESSE	1	1	
6	67F-42816-00-4D	LEVER, CLAMP LEVIER, PRESSE	1	1	
7	67F-42828-00-5B	PLATE, CLAMP PLAQUE, PRESSE	2	2	
8	90109-06M82	BOLT BOULON	4	4	
9	68V-42818-01	LEVER, CLAMP LEVIER, PRESSE	2	2	
10	90386-15M73	BUSH DOUILLE	4	4	
11	90206-15M18	WASHER, WAVE RONDELLE, ONDULEE	2	2	
12	90201-06068	WASHER, PLATE RONDELLE, PLATE	2	2	
13	97095-06016	BOLT BOULON	2	2	
14	64D-43144-00	HOOK, SPRING CROCHET	2	2	
15	90109-06M86	BOLT BOULON	2	2	
16	90506-16M34	SPRING, TENSION RESSORT, TENSION	2	2	
17	67F-42738-00-5B	PLATE, FITTING ETRIER	1	1	
18	90109-06M96	BOLT BOULON	2	2	
19	68V-42725-00	GROMMET PASSE-FIL	1	1	
20	67F-42756-00	STAY, CLAMP SUPPORT, COLLIER	1	1	
21	90109-06M86	BOLT BOULON	1	1	
22	6H1-42726-21	GROMMET PASSE-FIL	1	1	FLUSHING KIT FLUSHING KIT
23	6H3-44391-01	NIPPLE, HOSE RACCORD D'ESSENCE	1	1	
24	6H4-42748-00	GROMMET PASSE-FIL	3	3	
25	67F-42717-00	RUBBER, SEAL 2 JOINT EN CAOUTCHOUC 2	4	4	
26	90338-11007	PLUG PLOT	1	1	
27	6E5-82588-00	PLATE PLAQUE	3	3	

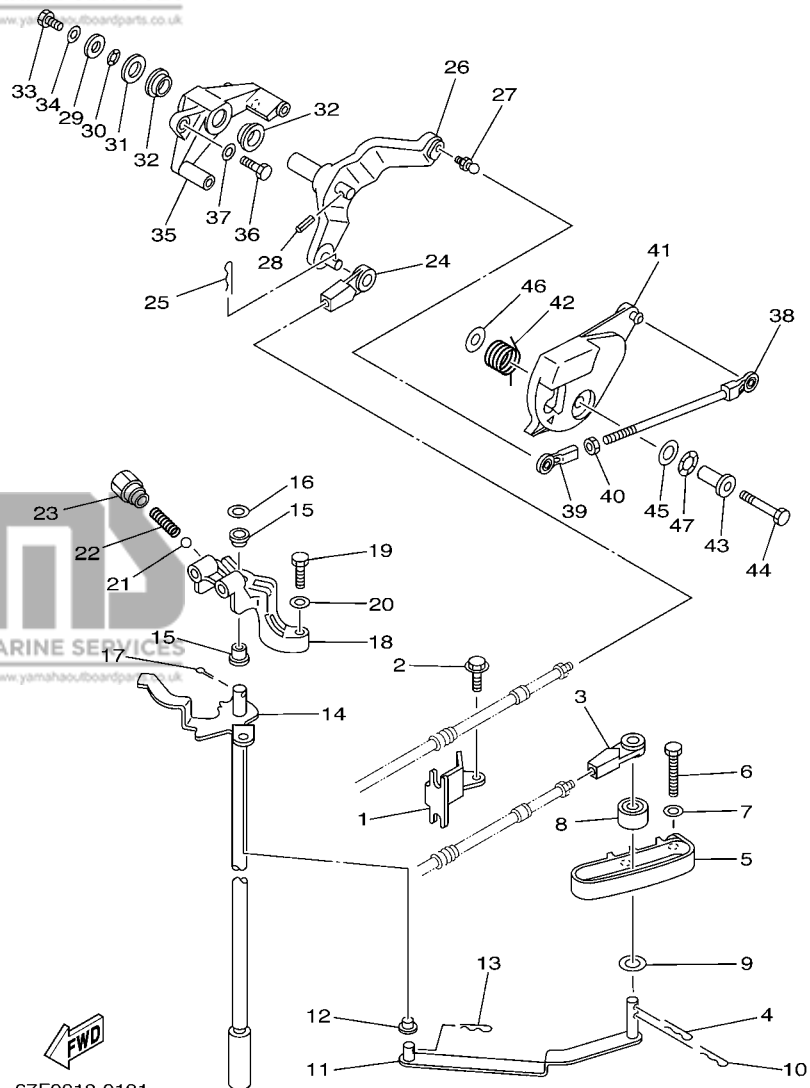


**FIG. 17 BOTTOM COWLING**

**CAPOT INFERIEUR**

REF. NO.	PART NO. N° PIECES	DESCRIPTION DESCRIPTION	67G5	67F5	REMARKS REMARQUES
28	90109-06M81	BOLT BOULON	3	3	
29	90465-08M23	CLAMP BRIDE	1	1	
30	90109-06M86	BOLT BOULON	1	1	
31	68T-12572-00	ADAPTER ADAPTATEUR	1	1	FLUSHING KIT FLUSHING KIT
32	67F-12535-00	PLATE PLAQUE	1	1	FLUSHING KIT FLUSHING KIT
33	90167-06002	SCREW, TAPPING VIS, TETE FRAISEE	2	2	FLUSHING KIT FLUSHING KIT
34	90109-06M86	BOLT BOULON	1	1	FLUSHING KIT FLUSHING KIT
35	6R3-12581-00	JOINT, HOSE 1 JOINT DE TUYAU	1	1	FLUSHING KIT FLUSHING KIT
36	6R3-12582-00	JOINT, HOSE 2 RACCORD DE TUYAU 1	1	1	FLUSHING KIT FLUSHING KIT
37	6R3-12583-00	GASKET, HOSE JOINT JOINT	1	1	FLUSHING KIT FLUSHING KIT
38	67F-24312-00	PIPE 2 DURITE 2	1	1	FLUSHING KIT FLUSHING KIT
39	90465-11M10	CLAMP BRIDE	2	2	FLUSHING KIT FLUSHING KIT
40	61A-42716-00	RUBBER, SEAL 1 JOINT EN CAOUTCHOUC 1	1	1	
41	67F-42741-01-8D	APRON CAPOT LATERAL	1	1	
42	95380-06600	NUT, HEXAGON ECROU	2	2	
43	90159-06M28	SCREW, WITH WASHER VIS, AVEC RONDELLE	2	2	
44	90109-06M80	BOLT BOULON	5	5	
45	90480-13M24	GROMMET PASSE-FIL	5	5	
46	90387-06M43	COLLAR COLLERETTE	5	5	
47	68F-42753-00	FASTNER ATTACHE	1	1	AP AP
48	90464-20258	CLAMP BRIDE	1	1	AP AP
49	67F-82377-00	LABEL ETIQUETTE	1	1	
50	6A1-28176-00	LABEL, CAUTION ETIQUETTE, RECOMMANDATION	1	1	
51	6E3-8257H-00	PLATE, MARK PLAQUE, ADHESIF	1	1	
52	6G8-2415E-00	LABEL, CAUTION ETIQUETTE, RECOMMANDATION	1		FOR SAV FOR SAV





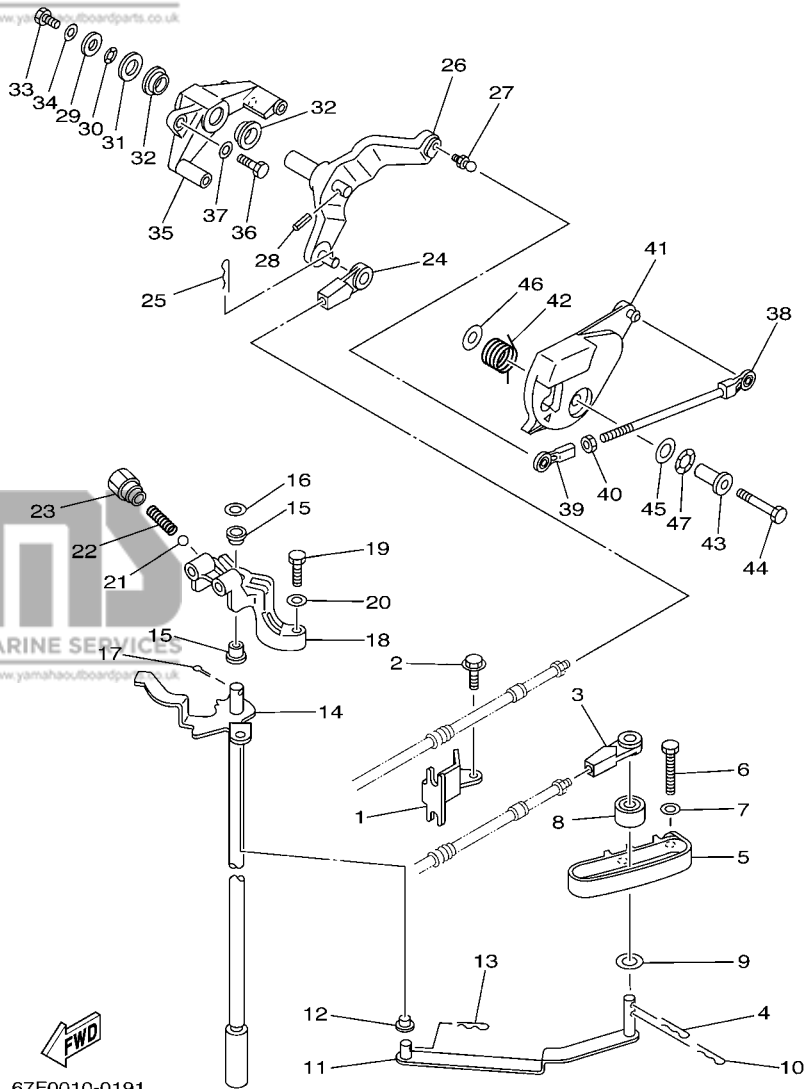
67F0010-0191

**FIG. 18 CONTROL**

**COMMANDE**

REF. NO.	PART NO. N° PIECES	DESCRIPTION DESCRIPTION	67G5	67F5	REMARKS REMARQUES
1	67F-48538-00	CLAMP, CABLE 1 COLLIER	1	1	
2	90109-06M86	BOLT BOULON	1	1	
3	663-48344-00	CABLE END, REMOTE CONTROL CHAPE CABLE	1	1	
4	90468-18008	CLIP JONC	1	1	
5	67F-44117-00	BRACKET SUPPORT	1	1	
6	97095-06040	BOLT BOULON	2	2	
7	92995-06600	WASHER RONDELLE	2	2	
8	688-44122-00	BUSHING, SHIFT ROD LEVER DOUILLE, LEVIER D'EMBRAYAGE	1	1	
9	90202-07M07	WASHER, PLATE RONDELLE, PLATE	1	1	
10	90468-18008	CLIP JONC	1	1	
11	67F-44121-00	LEVER, SHIFT ROD LEVIER, TIGE D'INVERSION	1	1	
12	90386-06M12	BUSH DOUILLE	1	1	
13	90468-18008	CLIP JONC	1	1	
14	67F-44120-10	HANDLE GEAR SHIFT ASSY LEVIER D'EMBRAYAGE	1	1	L (21.1") L (21.1")
15	90386-90M90	BUSH DOUILLE	2	2	
16	90201-09M02	WASHER, PLATE RONDELLE, PLATE	1	1	
17	91490-20015	PIN, COTTER GOUPILLE	1	1	
18	67F-44118-00	BRACKET SUPPORT	1	1	
19	97075-06025	BOLT BOULON	2	2	
20	92995-06600	WASHER RONDELLE	2	2	
21	93501-04M02	BALL BILLE	1	1	
22	90501-12082	SPRING, COMPRESSION RESSORT, COMPRESSION	1	1	
23	648-42715-00	BUSHING COUSSINET	1	1	
24	663-48344-00	CABLE END, REMOTE CONTROL CHAPE CABLE	1	1	
25	90468-18008	CLIP JONC	1	1	
26	67F-42154-00-94	LEVER, THROTTLE CONTROL LEVIER DE COMMANDE D'AVANCE	1	1	
27	663-85518-00	JOINT, BALL JOINT SPHERIQUE	1	1	

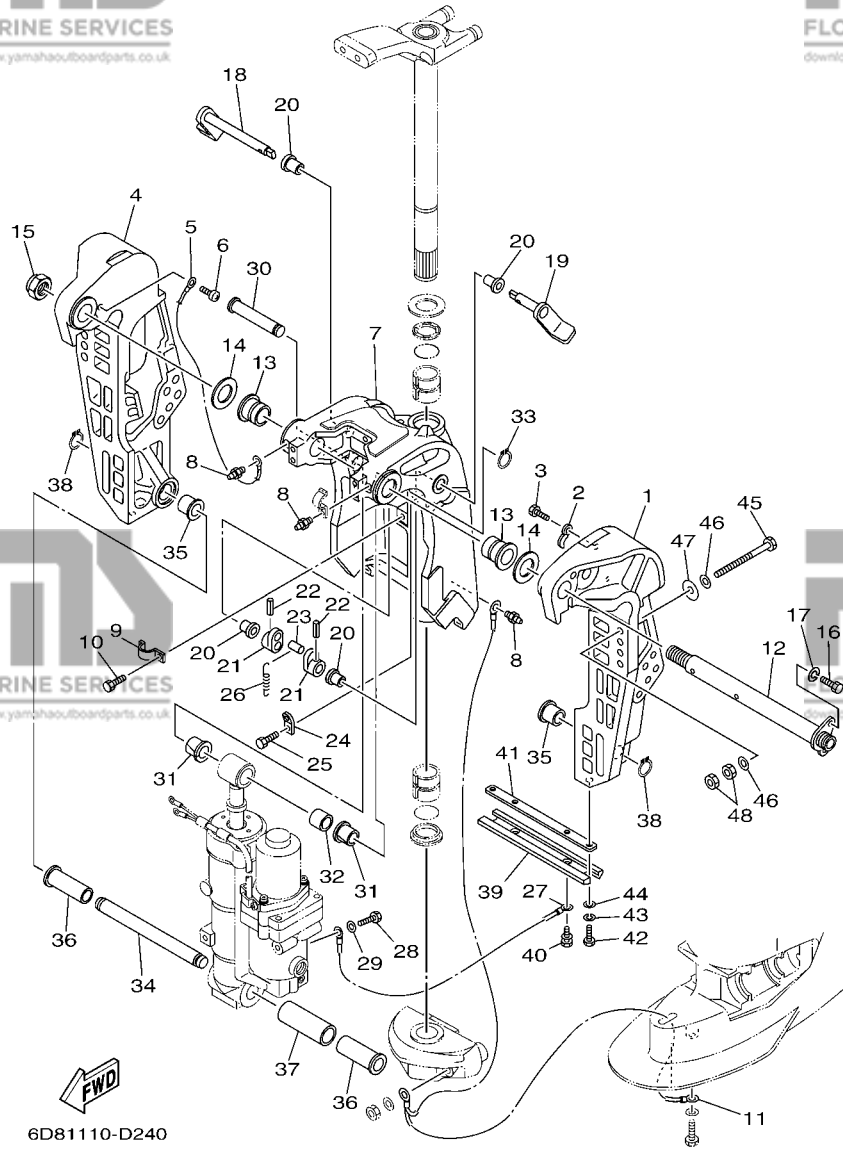
**E5**



**FIG. 18 CONTROL**

**COMMANDE**

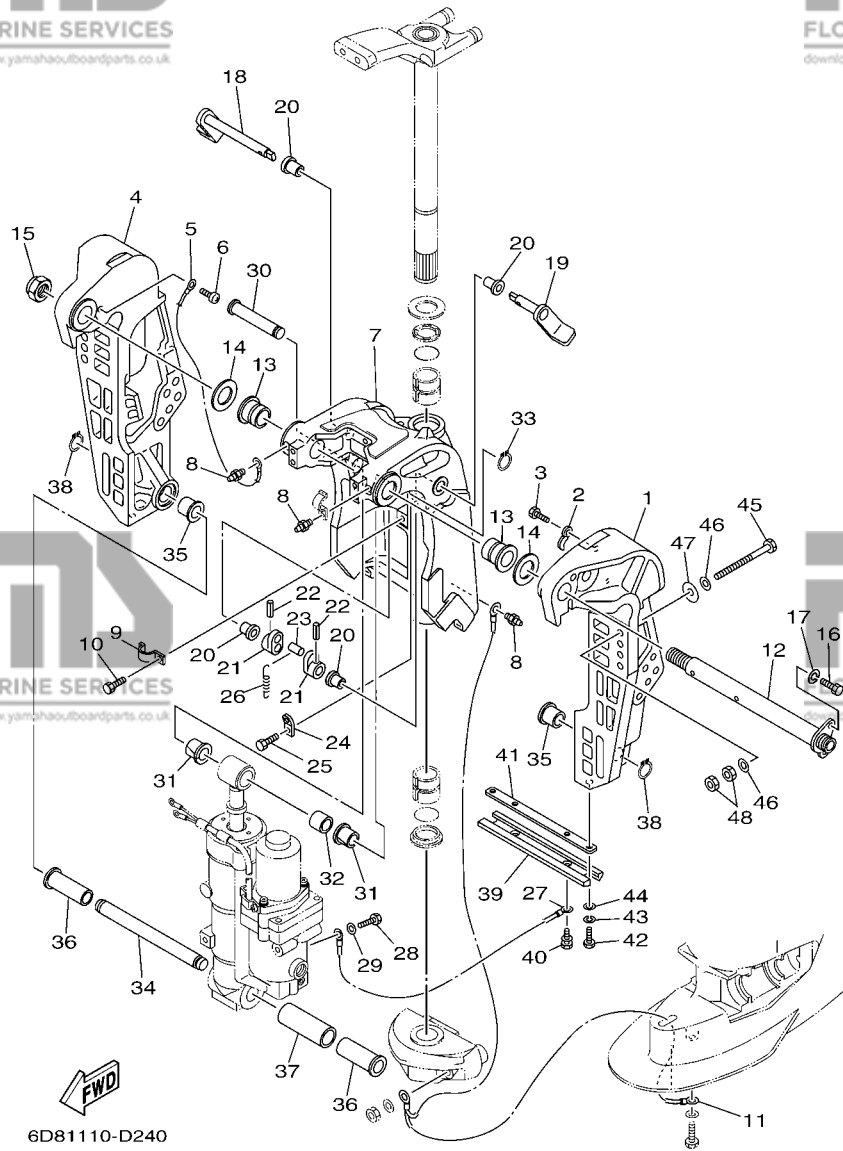
REF. NO.	PART NO. N° PIECES	DESCRIPTION DESCRIPTION	67G5	67F5	REMARKS REMARQUES
28	91690-30018	PIN, SPRING AGRAFFE	1	1	
29	90201-06068	WASHER, PLATE RONDELLE, PLATE	1	1	
30	90206-12M00	WASHER, WAVE RONDELLE, ONDULEE	1	1	
31	92990-12600	WASHER, PLATE RONDELLE, PLATE	1	1	
32	90386-12069	BUSH DOUILLE	2	2	
33	97095-06012	BOLT BOULON	1	1	
34	92995-06600	WASHER RONDELLE	1	1	
35	67F-41661-00-94	BRACKET SUPPORT	1	1	
36	97095-06025	BOLT BOULON	2	2	
37	92995-06600	WASHER RONDELLE	2	2	
38	67F-41237-00	JOINT, LINK RACCORD	1	1	
39	682-41237-00	JOINT, LINK RACCORD	1	1	
40	95380-05600	NUT ECROU	1	1	
41	67F-41213-01	CAM, ACCEL. CAME, ACCELERATION	1	1	
42	67F-44135-00	SPRING RESSORT	1	1	
43	90387-06M82	COLLAR COLLERETTE	1	1	
44	97095-06035	BOLT BOULON	1	1	
45	90201-10M02	WASHER, PLATE RONDELLE, PLATE	1	1	
46	90201-06M31	WASHER, PLATE RONDELLE, PLATE	1	1	
47	90206-10M04	WASHER, WAVE RONDELLE, ONDULEE	1	1	



**FIG. 19 BRACKET 1**

**SUPPORT 1**

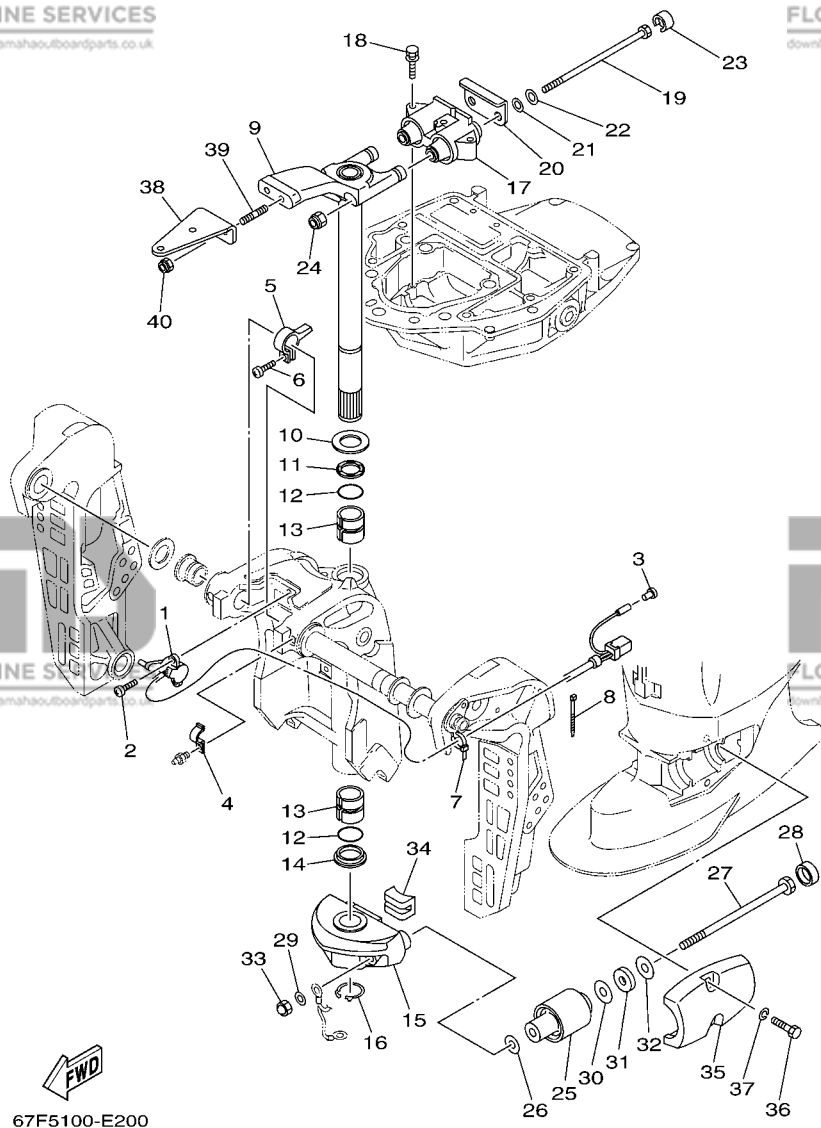
REF. NO.	PART NO. N° PIECES	DESCRIPTION DESCRIPTION	67G5	67F5	REMARKS REMARQUES
1	67F-43111-00-4D	BRACKET, CLAMP 1 PRESSE 1	1	1	
2	90465-10M77	CLAMP BRIDE	2	2	
3	97095-06010	BOLT BOULON	2	2	
4	67F-43112-00-4D	BRACKET, CLAMP 2 PRESSE 2	1	1	
5	6E5-82148-00	WIRE, LEAD 4 FIL 4	1	1	
6	97880-06012	SCREW, PAN HEAD VIS, TETE TRONCONIQUE	1	1	
7	6D8-43311-00-4D	BRACKET, SWIVEL 1 SUPPORT, PIVOT 1	1	1	
8	93700-06M03	NIPPLE, GREASE PION	3	3	
9	90465-08M63	CLAMP BRIDE	1	1	
10	97095-06010	BOLT BOULON	1	1	
11	67F-82127-00	WIRE, LEAD 2 FIL 2	1	1	
12	64E-43131-01	BOLT, CLAMP BRACKET BOULON, PRESSE	1	1	
13	90386-25M31	BUSH DOUILLE	2	2	
14	90201-26M59	WASHER, PLATE RONDELLE, PLATE	2	2	
15	90185-22M11	NUT, SELF-LOCKING ECROU, AUTO-BLOQUANT	1	1	
16	97095-08020	BOLT BOULON	1	1	
17	92995-08100	WASHER RONDELLE	1	1	
18	6D8-43181-00	LEVER, TILT STOP LEVIER, VERROUILLAGE RELEVAGE	1	1	
19	6D8-43185-00	LEVER, TILT STOP LEVIER, VERROUILLAGE RELEVAGE	1	1	
20	90386-10M16	BUSH DOUILLE	4	4	
21	6G5-43148-00	COLLAR, DISTANCE ENTRETROISE	2	2	
22	91690-30020	PIN, SPRING AGRAFFE	2	2	
23	90249-06M19	PIN GOUPILLE	1	1	
24	66T-43144-00	HOOK, SPRING CROCHET	1	1	
25	97095-06010	BOLT BOULON	1	1	
26	90506-14M24	SPRING, TENSION RESSORT, TENSION	1	1	
27	6D8-82148-00	WIRE, LEAD 4 FIL 4	1	1	



**FIG. 19 BRACKET 1**

**SUPPORT 1**

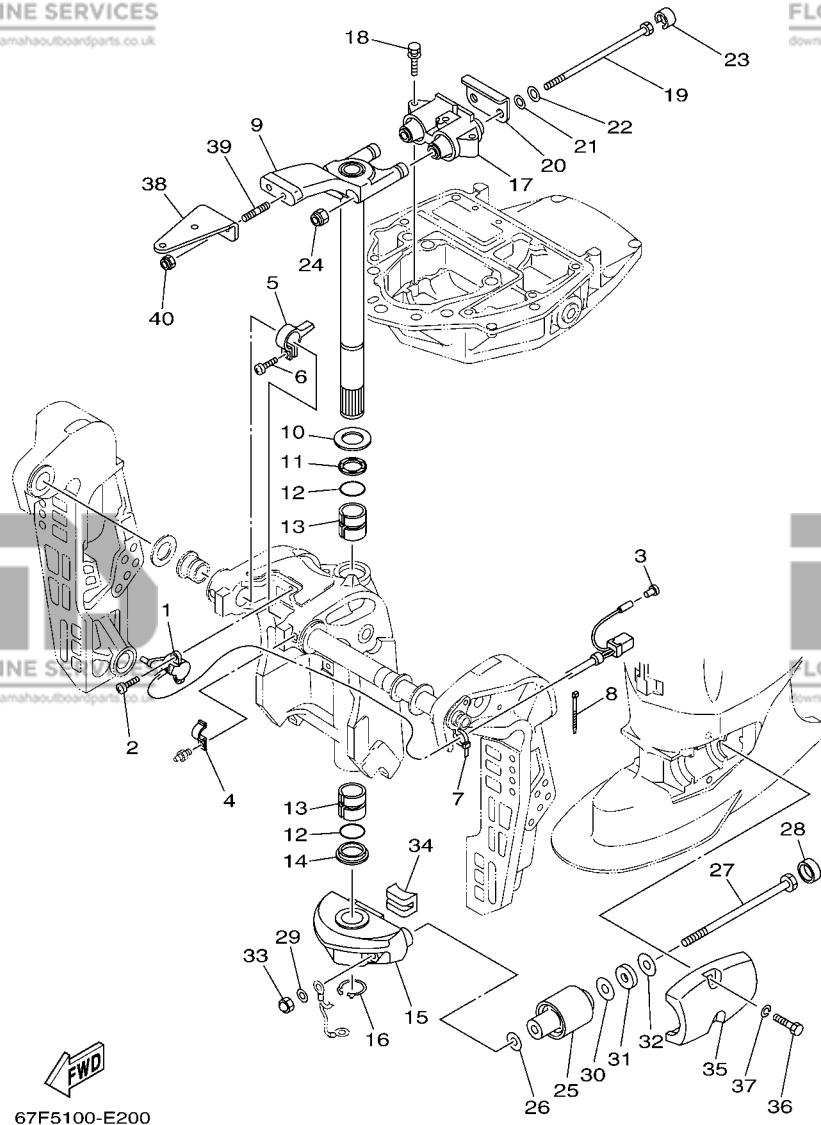
REF. NO.	PART NO. N° PIECES	DESCRIPTION DESCRIPTION	67G5	67F5	REMARKS REMARQUES
28	97095-06010	BOLT BOULON	1	1	
29	92995-06600	WASHER RONDELLE	1	1	
30	6D8-43126-00	PIN, UPPER SHOCK MOUNT AXE, SUPERIEUR AMORTISSEUR	1	1	
31	90386-18M35	BUSH DOUILLE	2	2	
32	90386-18001	BUSH DOUILLE	1	1	
33	93410-18M05	CIRCLIP CLIPS	1	1	
34	67F-43818-00	PIN, LOWER SHOCK MOUNT AXE, INFERIEUR AMORTISSEUR	1	1	
35	90387-18M01	COLLAR COLLERETTE	2	2	
36	90386-18MA0	BUSH DOUILLE	2	2	
37	90387-22M01	COLLAR COLLERETTE	1	1	
38	93410-18M05	CIRCLIP CLIPS	2	2	
39	6H1-45251-03	ANODE ANODE	1	1	
40	90119-06M81	BOLT, WITH WASHER BOULON, AVEC RONDELLE	2	2	
41	6H1-44526-00	PLATE PLAQUE	1	1	
42	97095-06016	BOLT BOULON	2	2	
43	92995-06100	WASHER, SPRING RONDELLE, GROWER	2	2	
44	92995-06600	WASHER RONDELLE	2	2	
45	90101-12M03	BOLT (L:115MM) BOULON (L:115MM)	4	4	
46	90201-13M01	WASHER, PLATE RONDELLE, PLATE	8	8	
47	90201-12M05	WASHER, PLATE RONDELLE, PLATE	4	4	
48	95380-12600	NUT ECROU	8	8	



**FIG. 20 BRACKET 2**

**SUPPORT 2**

REF. NO.	PART NO. N° PIECES	DESCRIPTION DESCRIPTION	67G5	67F5	REMARKS REMARQUES
1	64E-83672-02	TRIM SENDER INCLINER RACCORD	1	1	
2	97885-06016	SCREW, PAN HEAD VIS, A ENCOCHE	2	2	
3	703-82119-00	COVER, LEAD WIRE GARNITURE, FIL	1	1	
4	90465-08M63	CLAMP BRIDE	1	1	
5	64E-43139-02	CAM, TRIM SENDER VILEBREQUIN TRUM	1	1	
6	97780-60525	SCREW, TAPPING VIS, TETE BOMBEE	1	1	
7	90465-11M10	CLAMP BRIDE	1	1	
8	90465-11M10	CLAMP BRIDE	3	3	
9	67F-42510-11-4D	STEERING BRACKET ASSY DIRECTION SUPPORT (ENS.)	1	1	
10	90201-30M00	WASHER, PLATE RONDELLE, PLATE	1	1	
11	90386-30M78	BUSH DOUILLE	1	1	
12	93210-29M94	O-RING JOINT TORIQUE	2	2	
13	90386-30M77	BUSH DOUILLE	2	2	
14	90386-30M60	BUSH DOUILLE	1	1	
15	67F-44551-00-4D	HOUSING, LOWER MOUNT RUBBER BOITIER, SILENT-BLOC INFERIEUR	1	1	
16	93410-28M06	CIRCLIP CLIPS	1	1	
17	67F-44514-00-94	MOUNT DAMPER, UPPER SIDE SILENT-BLOC, SUPERIEUR LATERAL	1	1	
18	97575-08445	BOLT, WITH WASHER VIS HEXAGONAL AVC RONDELLE	3	3	
19	90109-12007	BOLT BOULON	2	2	
20	67F-44526-00	PLATE PLAQUE	1	1	
21	90201-12M16	WASHER, PLATE RONDELLE, PLATE	2	2	
22	90201-13M01	WASHER, PLATE RONDELLE, PLATE	2	2	
23	67F-44533-00	DAMPER, UPPER MOUNT RUBBER COUVERCLE, SUSPENSION INFERIEUR	2	2	
24	95780-12300	NUT, FLANGE ECROU	2	2	
25	67F-44555-00-94	MOUNT DAMPER, LOWER SIDE SILENT-BLOC, INFERIEUR LATERAL	2	2	
26	90201-13M03	WASHER, PLATE RONDELLE, PLATE	2	2	
27	90109-12012	BOLT BOULON	2	2	



**FIG. 20 BRACKET 2**

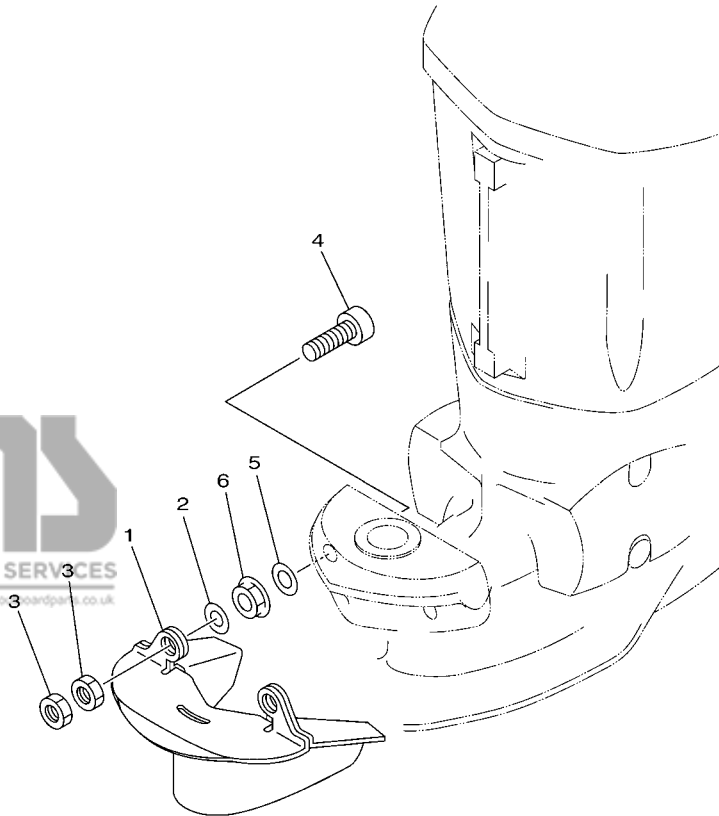
**SUPPORT 2**

REF. NO.	PART NO. N° PIECES	DESCRIPTION DESCRIPTION	67G5	67F5	REMARKS REMARQUES
28	663-44575-00	DAMPER, LOWER MOUNT RUBBER SILENT-BLOC, INFÉRIEUR	2	2	
29	90201-12M16	WASHER, PLATE RONDELLE, PLATE	2	2	
30	90201-24M02	WASHER, PLATE RONDELLE, PLATE	2	2	
31	90202-25M04	WASHER, PLATE RONDELLE, PLATE	2	2	
32	90201-13M19	WASHER, PLATE RONDELLE, PLATE	2	2	
33	95380-12800	NUT, CROWN ECROU, BORGNE	2	2	
34	67F-44575-00	DAMPER, LOWER MOUNT RUBBER SILENT-BLOC, INFÉRIEUR	1	1	
35	67F-44553-00-4D	COVER, LOWER MOUNT COUVERCLE, SUSPENSION INFÉRIEUR	2	2	
36	97075-10040	BOLT BOULON	4	4	
37	92995-10100	WASHER RONDELLE	4	4	
38	67F-48511-00-4D	HOOK, STEERING ATTACHE, DIRECTION	1	1	
39	90116-10175	BOLT, STUD GOUJON	2	2	
40	90185-10051	NUT, SELF-LOCKING ECROU, AUTO-BLOQUANT	2	2	

FIG. 21 OPTIONAL PARTS 1

PIECES OPTIONNELLES 1

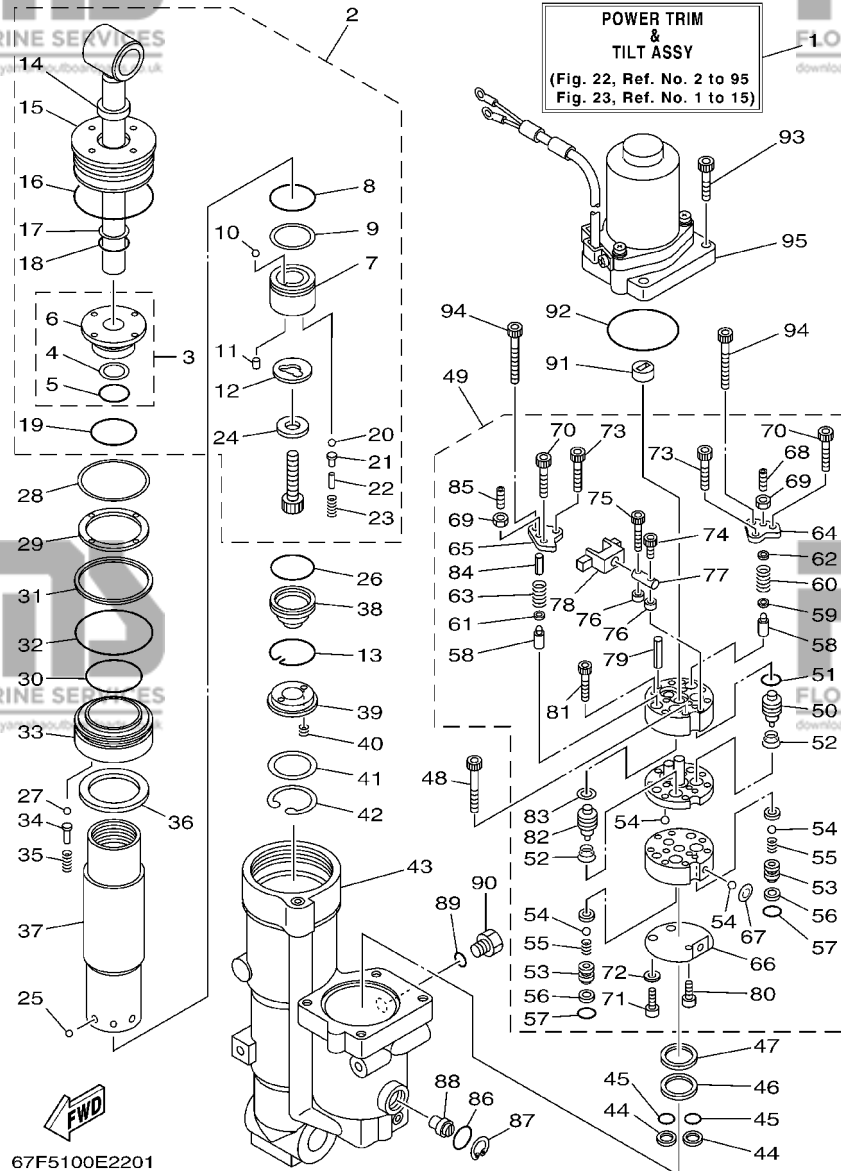
REF. NO.	PART NO. N° PIECES	DESCRIPTION DESCRIPTION	67G5	67F5	REMARKS REMARQUES
1	67F-45180-00-4D	PLATE, SPLASH PLAQUE, EAU	1	1	AP AP
2	90201-12M01	WASHER, PLATE RONDELLE, PLATE	2	2	AP AP
3	95380-12700	NUT ECROU	4	4	AP AP AP
4	90110-12M00	BOLT, HEXAGON SOCKET HEAD BOULON, TETE HEXAGONALE CREUSE	2	2	AP AP AP
5	90201-12M16	WASHER, PLATE RONDELLE, PLATE	2	2	AP AP AP
6	95780-12300	NUT, FLANGE ECROU	2	2	AP AP AP



6D62100-E230

**FIG. 22 POWER TRIM & TILT ASSY 1**

**PUISSANCE PARER ET INCLINER 1**

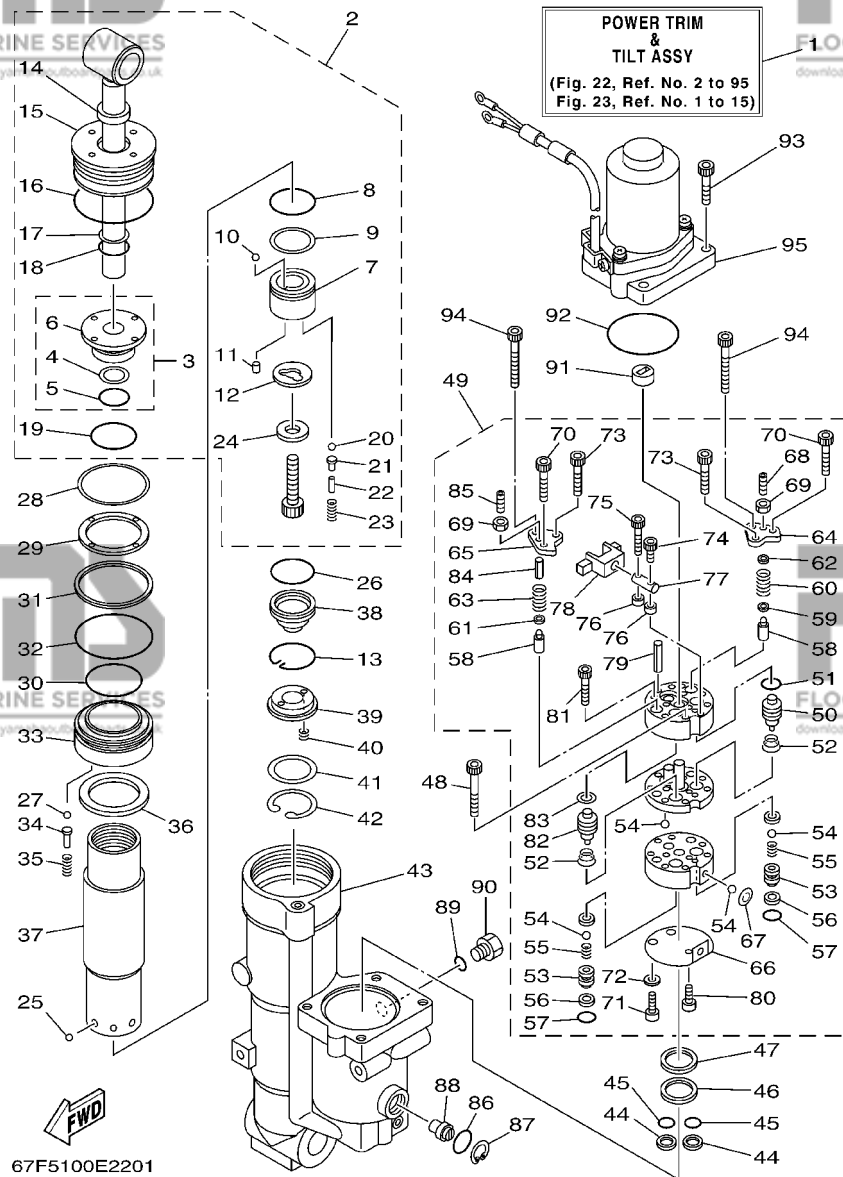


REF. NO.	PART NO. N° PIECES	DESCRIPTION DESCRIPTION	67G5	67F5	REMARKS REMARQUES
1	6D8-43800-00-4D	POWER TRIM & TILT ASSY PUISSANCE PARER ET INCLINER (E	1	1	
2	67F-43810-01	TILT PISTON SUB ASSY INCLINER PISTON AUXILIAIRE(ENS	1	1	
3	67F-4380R-00	.CYLINDER END SUB ASSY .CYLINDRE RACCORD (ENS.)	1	1	
4	6H1-43872-10	..RING, BACK UP ..RESSORT	1	1	
5	93210-18397	..O-RING ..JOINT TORIQUE	1	1	
6	67F-43811-00	..SCREW, CYLINDER END ..VIS	1	1	
7	67F-4385A-01	.PISTON, TILT .PISTON	1	1	
8	93210-29375	.O-RING .JOINT TORIQUE	1	1	
9	62X-43871-00	.RING, BACK UP .SEGMENT	1	1	
10	93501-08001	.BALL .BILLE	1	1	
11	93602-07244	.PIN, DOWEL .GOUJON	2	2	
12	67F-22435-00	.PLATE, VALVE 2 .PLAQUE, CLAPET 2	1	1	
13	67F-43875-00	RING, SNAP RESSORT	1	1	
14	6H1-43812-00	.SEAL, DUST .JOINT	1	1	
15	67F-43821-00	.SCREW, TRIM CYLINDER END .VIS	1	1	
16	67F-43861-00	.O-RING .JOINT TORIQUE	1	1	
17	6H1-43872-10	.RING, BACK UP .RESSORT	1	1	
18	93210-18397	.O-RING .JOINT TORIQUE	1	1	
19	62X-43862-00	.O-RING .JOINT TORIQUE	1	1	
20	93501-08001	.BALL .BILLE	2	2	
21	65W-4386A-00	.PIN, ABSORBER VALVE .GOUILLE, SOUPAPE	2	2	
22	688-4386F-00	.PIN, STRAIGHT .RESSORT	2	2	
23	65W-43853-00	.SPRING, MAIN VALVE .RESSORT	2	2	
24	67F-43893-00	.WASHER .RONDELLE	1	1	
25	93503-16003	BALL BILLES	6	6	
26	67F-43863-00	O-RING JOINT TORIQUE	1	1	
27	93501-08001	BALL BILLE	5	5	



**FIG. 22 POWER TRIM & TILT ASSY 1**

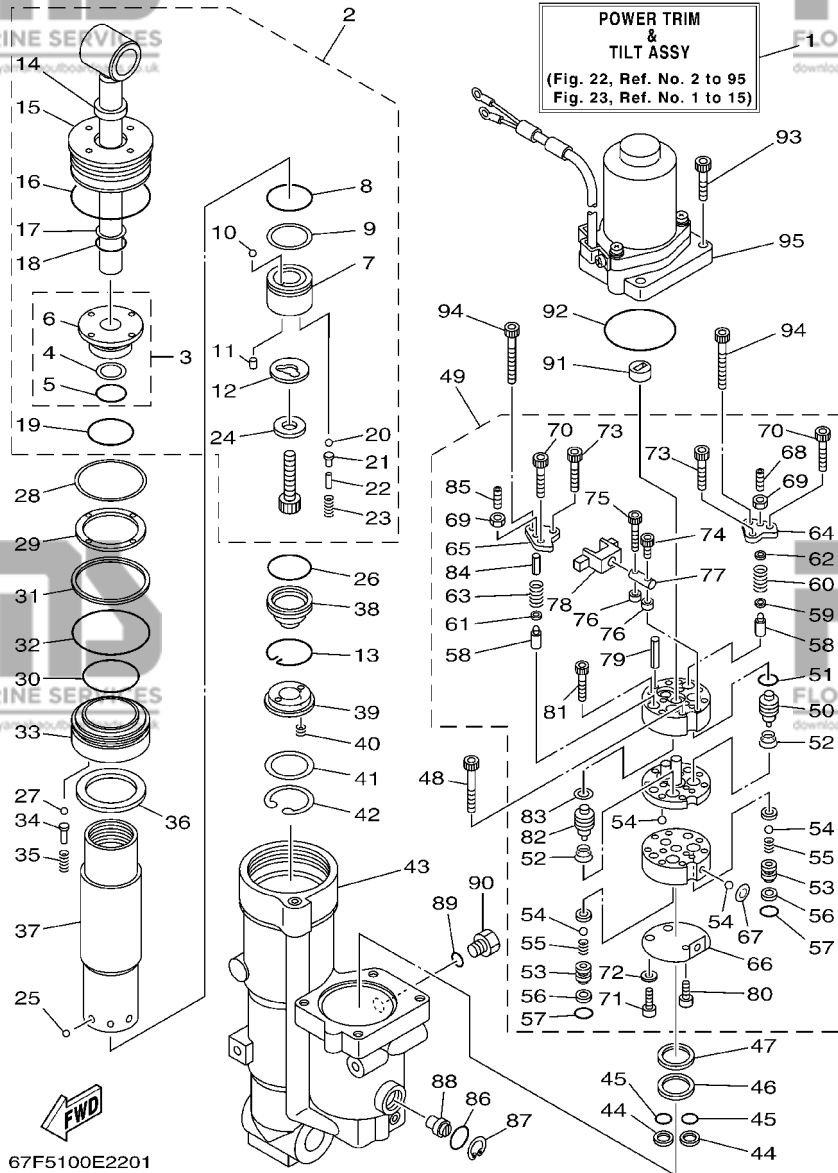
**PUISSANCE PARER ET INCLINER 1**



REF. NO.	PART NO. N° PIECES	DESCRIPTION DESCRIPTION	67G5	67F5	REMARKS REMARQUES
28	67F-43899-00	PLATE STOPPER PLAQUETTE	1	1	
29	67F-43816-00	FILTER 1 FILTRE 1	1	1	
30	67F-43862-00	O-RING JOINT TORIQUE	1	1	
31	67F-43871-00	RING, BACK UP SEGMENT	1	1	
32	62X-43865-00	O-RING JOINT TORIQUE	1	1	
33	67F-4388A-00	PISTON, TRIM PISTON	1	1	
34	6T4-4386A-00	PIN, ABSORBER VALVE GOUILLE, SOUPAPE	5	5	
35	67F-43857-00	SPRING, ABSORBER VALVE RESSORT	5	5	
36	67F-4381J-00	PLATE PLAQUE	1	1	
37	67F-22471-01	CYLINDER, SHOCK ABSORBER CYLINDRE, AMORTISSEUR	1	1	
38	67F-4381B-00	FREE PISTON SUB ASSY PISTON AUXILIAIRE (ENS.)	1	1	
39	62X-43899-00	PLATE STOPPER PLAQUETTE	1	1	
40	62X-4384H-00	SPRING RESSORT	2	2	
41	1UF-22434-00	PLATE, VALVE 1 PLATEAU, SOUPAPE 1	1	1	
42	62X-43875-00	RING, SNAP RESSORT	1	1	
43	6D8-4380K-00	CYLINDER, TILT SUB ASSY CYLINDRE	1	1	
44	6C6-43817-00	FILTER 2 FILTRE 2	2	2	
45	69J-4389J-00	O-RING JOINT TORIQUE	2	2	
46	6C5-43816-00	FILTER 1 FILTRE 1	1	1	
47	6C5-4380G-00	PLATE PLAQUE	1	1	
48	91317-05045	BOLT BOULON	2	2	
49	6D8-43830-00	GEAR PUMP ASSY POMPE A PIGNON (ENS.)	1	1	
50	6C6-43841-00	.PISTON, SHUTTLE .PISTON	1	1	
51	6H1-43883-00	.O-RING .JOINT TORIQUE	1	1	
52	6C6-43894-00	.SPRING, SHUTTLE RETURN .RESSORT	2	2	
53	6C6-4382E-00	.ADAPTOR 2 .ADAPTEUR 2	2	2	
54	93505-32038	.BALL .BILLE	6	6	

**FIG. 22 POWER TRIM & TILT ASSY 1**

**PUISSANCE PARER ET INCLINER 1**

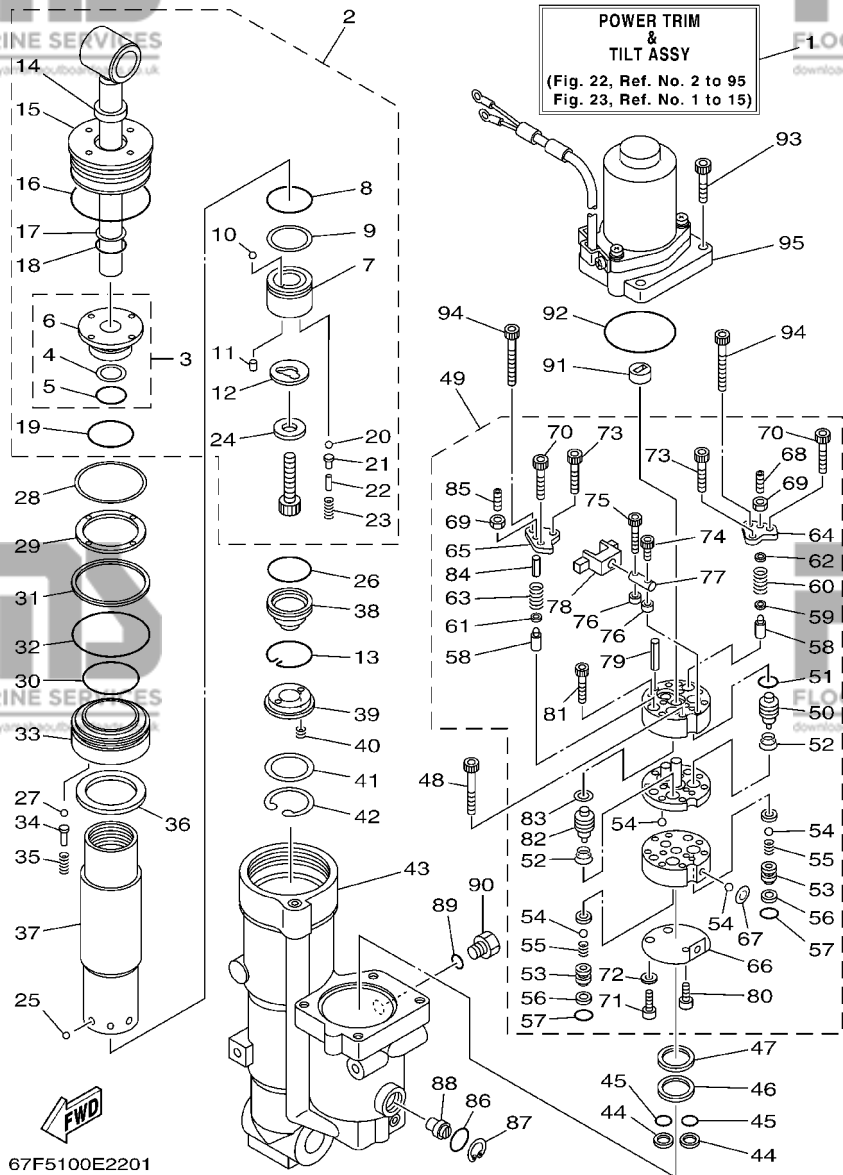


67F5100E2201

REF. NO.	PART NO. N° PIECES	DESCRIPTION DESCRIPTION	67G5	67F5	REMARKS REMARQUES
55	6C6-43853-00	.SPRING, MAIN VALVE .RESSORT	2	2	
56	6C6-4387G-00	.WASHER .RONDELLE	2	2	
57	69J-4389J-00	.O-RING .JOINT TORIQUE	2	2	
58	6C5-43851-00	.SEAT, RELIEF VALVE .SIEGE	2	2	
59	6C5-43893-00	.WASHER .RONDELLE	1	1	
60	6D8-43855-00	.SPRING, UP RELIEF .RESSORT	1	1	
61	6C6-43893-00	.WASHER .RONDELLE	1	1	
62	6C5-4381K-00	.HOLDER .SUPPORT	1	1	
63	6D8-43856-00	.SPRING, DOWN RELIEF .RESSORT	1	1	
64	6C5-4382K-00	.CAP, RELIEF VALVE .CHAPEAU	1	1	
65	6C5-4382L-00	.CAP, RELIEF VALVE .CAPUCHON	1	1	
66	6C5-43895-00	.SEAT, RELIEF VALVE .SIEGE	1	1	
67	6C5-43854-00	.SPRING, MANUAL RELEASE .RESSORT	1	1	
68	92A08-03110	.SCREW SET .VIS	1	1	
69	95307-03600	.NUT .ECROU	2	2	
70	91317-05030	.BOLT .BOULON	2	2	
71	6C6-43878-00	.BOLT, SOCKET .BOULON	2	2	
72	62Y-4387G-00	.WASHER .RONDELLE	2	2	
73	91317-04030	.BOLT .BOULON	2	2	
74	91317-03016	.BOLT .BOULON	1	1	
75	6C6-4388E-00	.PLUG, TAPER SCREW .BOUCHON	1	1	
76	6C6-4388F-00	.SPACER .ENTRETOISE	2	2	
77	6C6-4386G-00	.PIN, STRAIGHT 2 .RESSORT 2	1	1	
78	6C6-4386E-00	.LEVER 1 .LEVIER 1	1	1	
79	91609-50028	.PIN, SPRING .AXE DE RESSORT	2	2	
80	91317-03005	.BOLT .BOULON	1	1	
81	91317-05025	.BOLT .BOULON	2	2	

**FIG. 22 POWER TRIM & TILT ASSY 1**

**PUISSANCE PARER ET INCLINER 1**



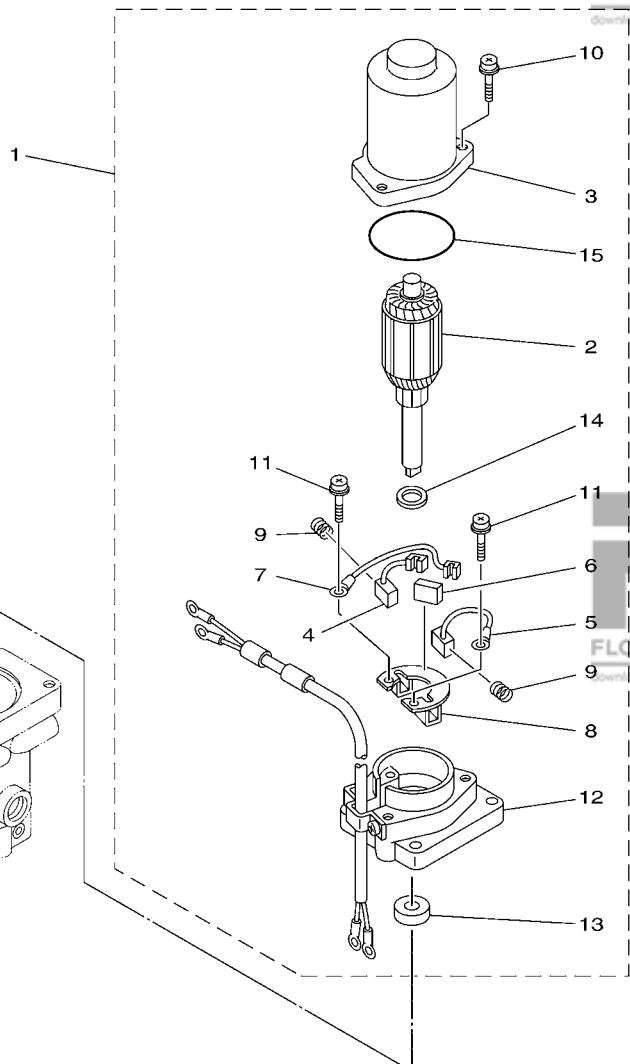
67F5100E2201

REF. NO.	PART NO. N° PIECES	DESCRIPTION DESCRIPTION	67G5	67F5	REMARKS REMARQUES
82	6C5-43841-00	.PISTON, SHUTTLE .PISTON	1	1	
83	6C5-43872-00	.RING, BACK UP .RESSORT	1	1	
84	6D8-4381G-00	.PIN 1 .GOUPILLE 1	1	1	
85	92A08-03012	.SCREW SET .VIS	1	1	
86	93210-18397	O-RING JOINT TORIQUE	1	1	
87	6H1-43875-00	RING, SNAP RESSORT	1	1	
88	6D8-43845-00	SCREW, MANUAL RELEASE VIS	1	1	
89	93210-09165	O-RING JOINT TORIQUE	1	1	
90	6H1-43829-00	PLUG, RESERVOIR BOUCHON	1	1	
91	6C5-43831-00	CONNECTOR, SHAFT RACCORD	1	1	
92	93210-64488	O-RING JOINT TORIQUE	1	1	
93	65W-43888-00	BOLT, SOCKET BOULON	4	4	
94	91317-05050	BOLT BOULON	2	2	
95	6D8-43880-00	MOTOR ASSY MOTEUR (ENS.)	1	1	REFER TO FIG.23 REFER TO FIG.23

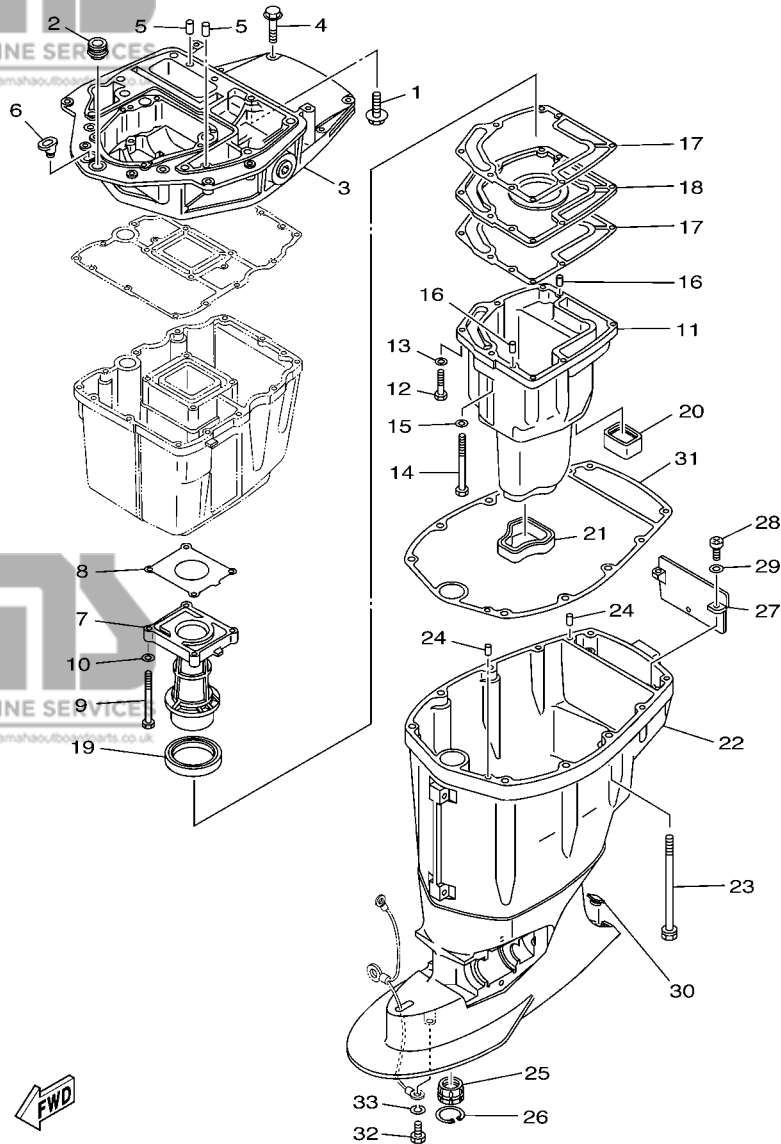
FIG. 23 POWER TRIM & TILT ASSY 2

PUISSANCE PARER ET INCLINER 2

REF. NO.	PART NO. N° PIECES	DESCRIPTION DESCRIPTION	67G5	67F5	REMARKS REMARQUES
1	6D8-43880-00	MOTOR ASSY MOTEUR (ENS.)	1	1	
2	6D8-43805-00	.ARMATURE ASSY .INDUIT (ENS.)	1	1	
3	6D8-43804-00	.STATOR ASSY .STATOR (ENS.)	1	1	
4	6H1-43891-11	.BRUSH 1 .BALAI 1	1	1	
5	6H1-43892-11	.BRUSH 2 .BALAI 2	1	1	
6	6H1-82181-10	.CIRCUIT BREAKER COMP. .RUPTEUR COMPLET	1	1	
7	62X-43807-00	.WIRE SUB ASSY .AUXILIAIRE CABLE (ENS.)	1	1	
8	6H1-4380F-11	.PLATE, BRUSH HOLDER .PLAQUE	1	1	
9	62X-4386K-00	.SPRING, BRUSH .RESSORT, BALAI	2	2	
10	97980-05225	.SCREW, WITH WASHER .VIS, AVEC RONDELLE	3	3	
11	97607-04216	.SCREW, WITH WASHER .VIS HEXAGONAL	2	2	
12	6D8-43881-00	.FRAME, END .BATI	1	1	
13	6H1-43882-11	.OIL SEAL .JOINT SPI	1	1	
14	90201-121J9	.WASHER, PLATE .RONDELLE, PLATE	1	1	
15	93210-554A9	.O-RING .JOINT TORIQUE	1	1	



**FWD**  
6D71300-D270



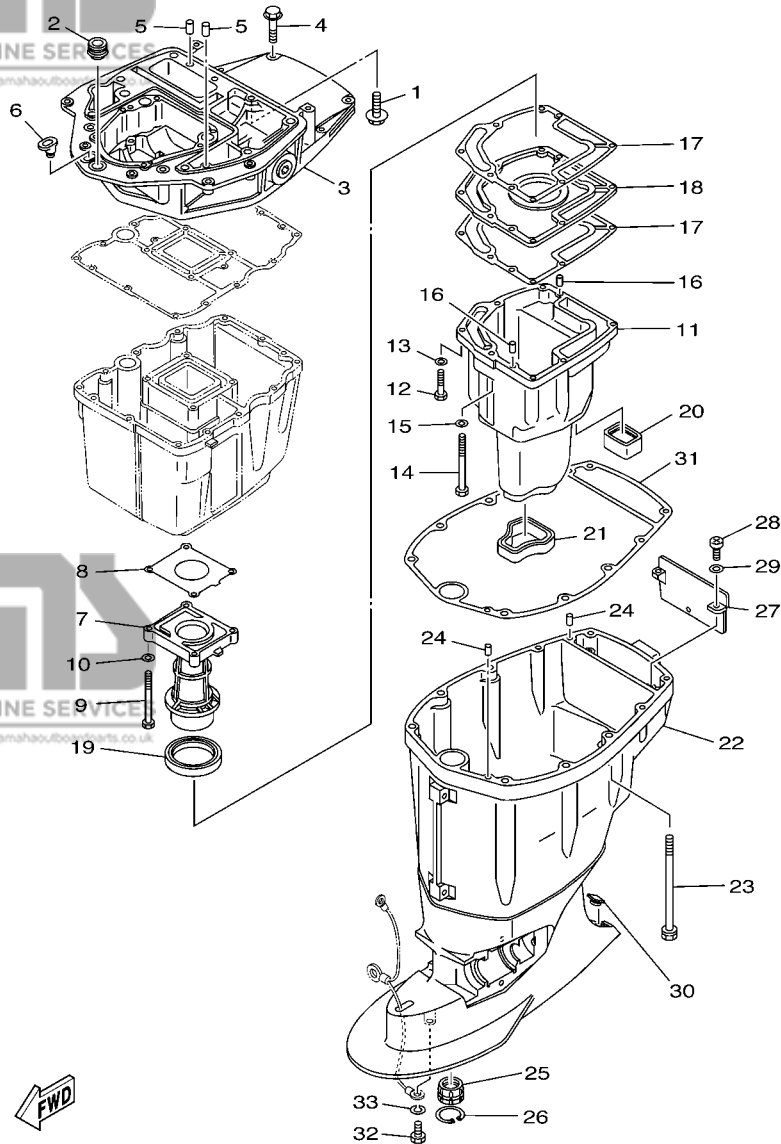
67F2300-3270

**FIG. 24 UPPER CASING**

**FOURREAU**

REF. NO.	PART NO. N° PIECES	DESCRIPTION DESCRIPTION	67G5	67F5	REMARKS REMARQUES
1	90119-08M58	BOLT, WITH WASHER BOULON, AVEC RONDELLE	2	2	
2	67F-42724-00	GROMMET PASSE-FIL	1	1	
3	6D8-41137-00-94	GUIDE, EXHAUST COLLECTEUR D'ÉCHAPPEMENT	1	1	
4	97575-08540	BOLT, WITH WASHER VIS HEXAGONAL AVEC RONDELLE	4	4	
5	93608-16M16	PIN, DOWEL AXE	2	2	
6	6G1-42727-00	GROMMET PASSE-FIL	1	1	
7	67F-41131-01-5B	MANIFOLD, EXT. 1 PIPE D'ÉCHAPPEMENT	1	1	
8	67F-41133-A1	GASKET, EXHAUST MANIFOLD 1 JOINT, PIPE D'ÉCHAPPEMENT	1	1	
9	97075-06070	BOLT BOULON	4	4	
10	92995-06600	WASHER RONDELLE	4	4	
11	67F-14711-00-5B	MUFFLER 1 POT D'ÉCHAPPEMENT 1	1	1	
12	97075-06030	BOLT BOULON	6	6	
13	92995-06600	WASHER RONDELLE	6	6	
14	97075-06050	BOLT BOULON	1	1	
15	92995-06600	WASHER RONDELLE	1	1	
16	93606-19M23	PIN, DOWEL GOUPILLE	2	2	
17	67F-41134-A0	GASKET, EXHAUST MANIFOLD JOINT, PIPE D'ÉCHAPPEMENT	2	2	
18	67F-45181-00-5B	PLATE PLAQUETTE	1	1	
19	67F-41138-00	SEAL, EXT. 1 JOINT DE GROUPE 1	1	1	
20	67F-45127-00	SEAL JOINT	1	1	
21	67F-45123-00	GASKET, MUFFLER JOINT, POT DE DÉTENTE	1	1	
22	67F-45111-11-4D	CASING, UPPER FOURREAU	1	1	
23	90119-10M08	BOLT, WITH WASHER BOULON, AVEC RONDELLE	6	6	
24	93608-16M16	PIN, DOWEL AXE	2	2	
25	67F-45318-00	BUSHING, DRIVE SHAFT DOUILLE, ARBRE MOTEUR	1	1	
26	93420-36M01	CIRCLIP CIRCLIP, TYPE S	1	1	
27	67F-45151-00	COVER, UPPER CASING CAPUCHON, FOURREAU	1	1	

**A6**



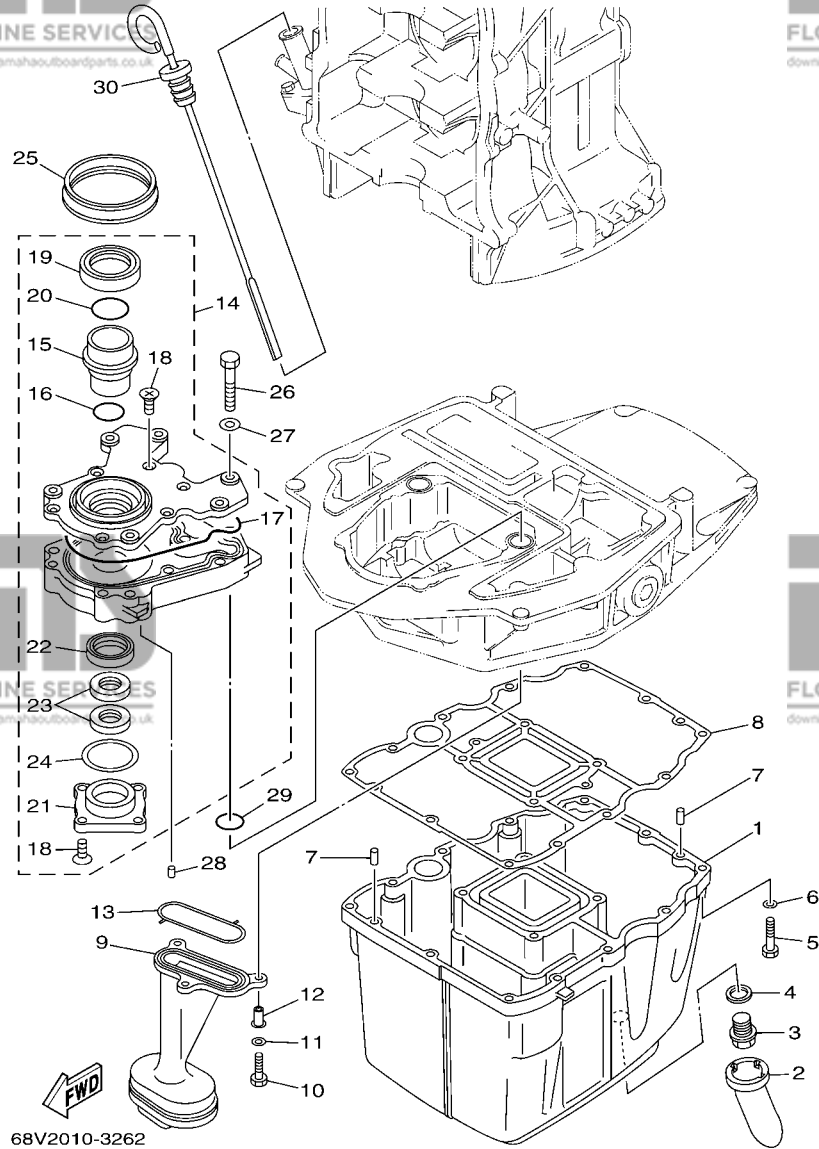
**FIG. 24 UPPER CASING**

**FOURREAU**

REF. NO.	PART NO. N° PIECES	DESCRIPTION DESCRIPTION	67G5	67F5	REMARKS REMARQUES
28	97880-06016	SCREW, PAN HEAD VIS, TETE TRONCONIQUE	2	2	
29	92990-06600	WASHER, PLATE RONDELLE, PLATE	2	2	
30	67F-45155-00	CAP CAPUCHON	1	1	
31	67F-45113-00	GASKET, UPPER CASING JOINT, TUBE D'ARBRE	1	1	
32	97095-08016	BOLT BOULON	1	1	
33	92995-08100	WASHER RONDELLE	1	1	



67F2300-3270



**FIG. 25 OIL PAN**

**VENTILATEUR D'HUILE**

REF. NO.	PART NO. N° PIECES	DESCRIPTION DESCRIPTION	67G5	67F5	REMARKS REMARQUES
1	67F-15311-03-5B	OIL PAN VENTILATEUR D'HUILE	1	1	
2	63P-15316-00	DAMPER, ENGINE MOUNT 1 AMORTISSEUR DE SUPPORT	1	1	
3	90340-14M06	PLUG, STRAIGHT SCREW PLOT, FILETE DROIT	1	1	
4	90430-14M09	GASKET JOINT	1	1	
5	97075-06025	BOLT BOULON	12	12	
6	92995-06600	WASHER RONDELLE	12	12	
7	93606-12019	PIN, DOWEL GOUILLE	2	2	
8	68V-15312-00	GASKET, OIL PAN JOINT DE VENTILATEUR D'HUILE	1	1	
9	67F-13411-00	STRAINER, OIL FILTRE, HUILE	1	1	
10	97027-06025	BOLT BOULON	3	3	
11	92907-06600	WASHER, PLATE RONDELLE	3	3	
12	90387-06M64	COLLAR COLLERETTE	3	3	
13	67F-13415-00	SEAL, OIL STRAINER JOINT, FILTRE A HUILE	1	1	
14	67F-13300-10	OIL PUMP ASSY POMPE A HUILE COMPLETE	1	1	
15	67F-13314-02	.SHAFT, PUMP .AXE DE POMPE	1	1	
16	67F-13473-01	.O-RING .JOINT TORIQUE	1	1	
17	67F-13329-00	.GASKET, PUMP COVER .JOINT, COUVERCLE DE POMPE	1	1	
18	67F-13495-00	.SCREW .VIS	10	10	
19	67F-13119-01	.OIL SEAL .JOINT SPY	1	1	
20	67F-13769-00	.O-RING .JOINT TORIQUE	1	1	
21	67F-13914-00	.HOUSING, PUMP .CORPS, POMPE	1	1	
22	67F-13631-03	.OIL SEAL .JOINT SPY	1	1	
23	67F-13149-00	.OIL SEAL .JOINT SPY	2	2	
24	67F-13339-00	.GASKET, PUMP COVER .BAIN, COUVERCLE DE POME	1	1	
25	67F-13338-00	SEAL JOINT	1	1	
26	97095-06045	BOLT BOULON	6	6	
27	92995-06600	WASHER RONDELLE	6	6	

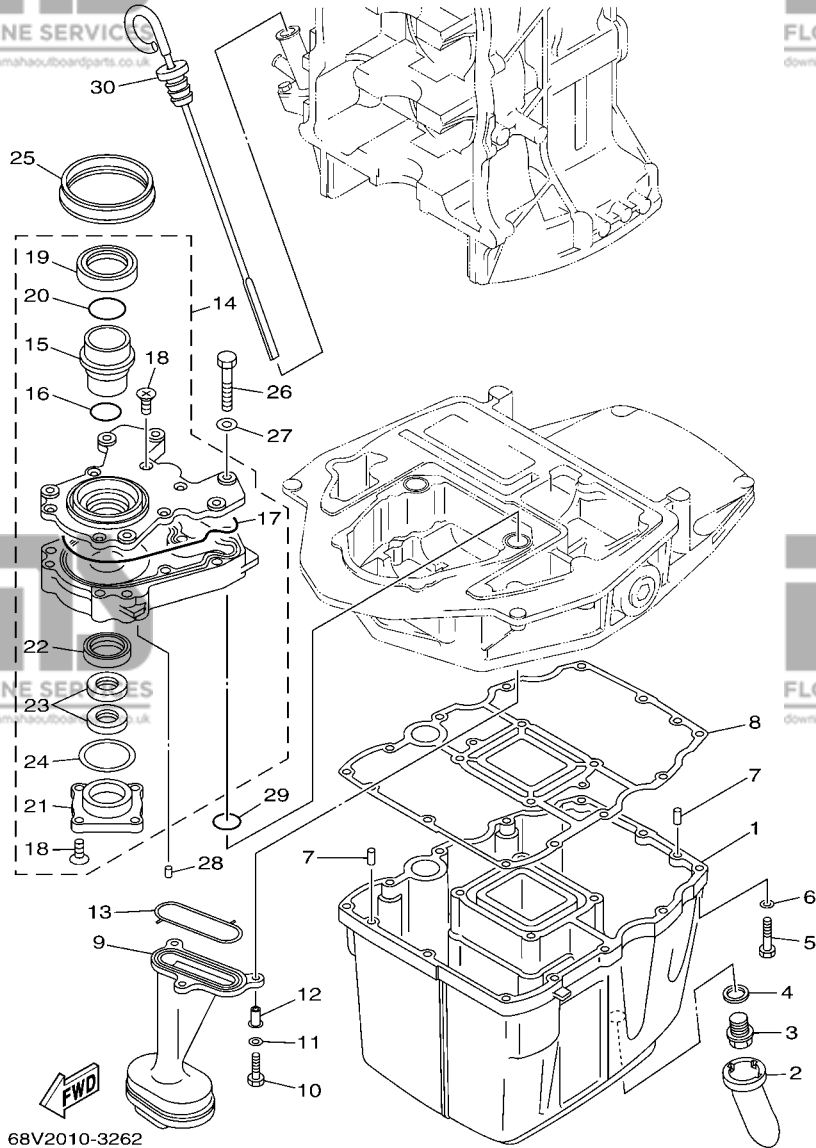


FIG. 25 OIL PAN

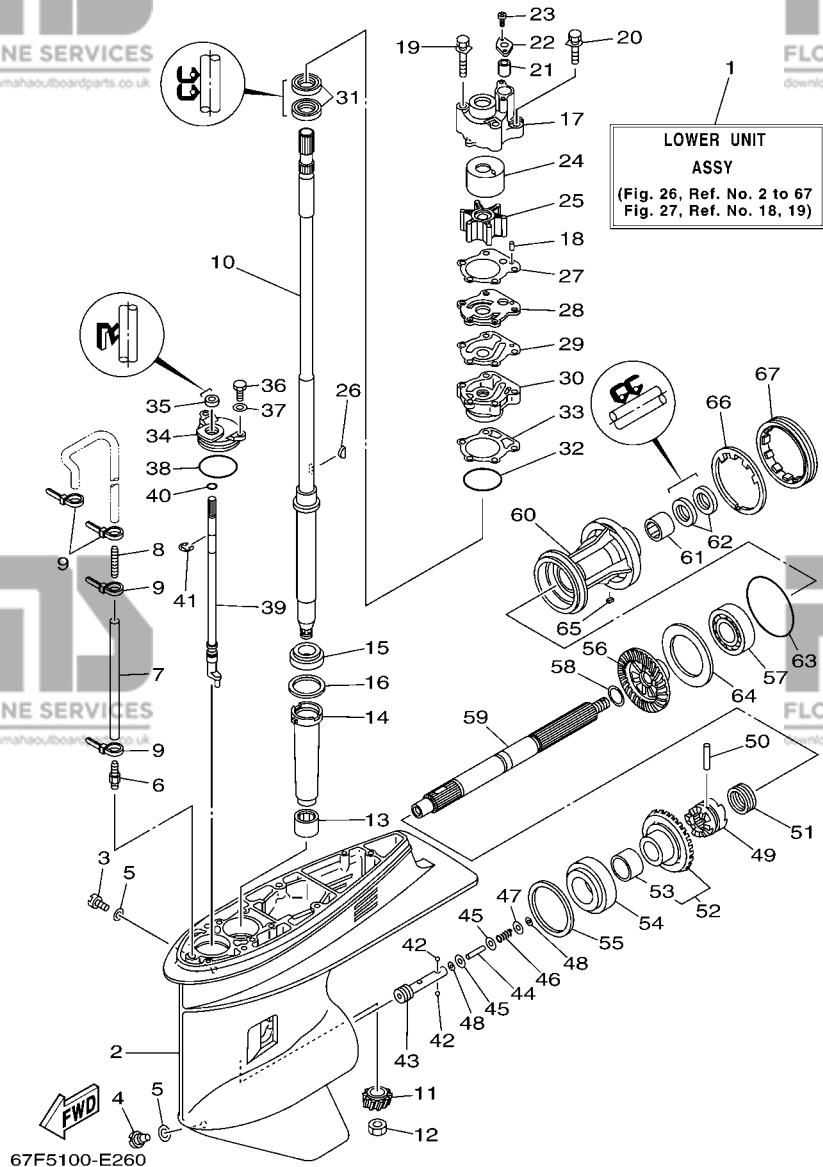
VENTILATEUR D'HUILE

REF. NO.	PART NO. N° PIECES	DESCRIPTION DESCRIPTION	67G5	67F5			REMARKS
							REMARQUES
28	93604-12M07	PIN, DOWEL CLAVETTE	2	2			
29	93210-19MJ1	O-RING JOINT TORIQUE	2	2			
30	6D8-15362-00	PLUG, OIL LEVEL PLOT, NIVEAU D'HUILE	1	1			



**FIG. 26 LOWER CASING & DRIVE 1**

**BOITIER D'HELICE TRANSMISSION1**

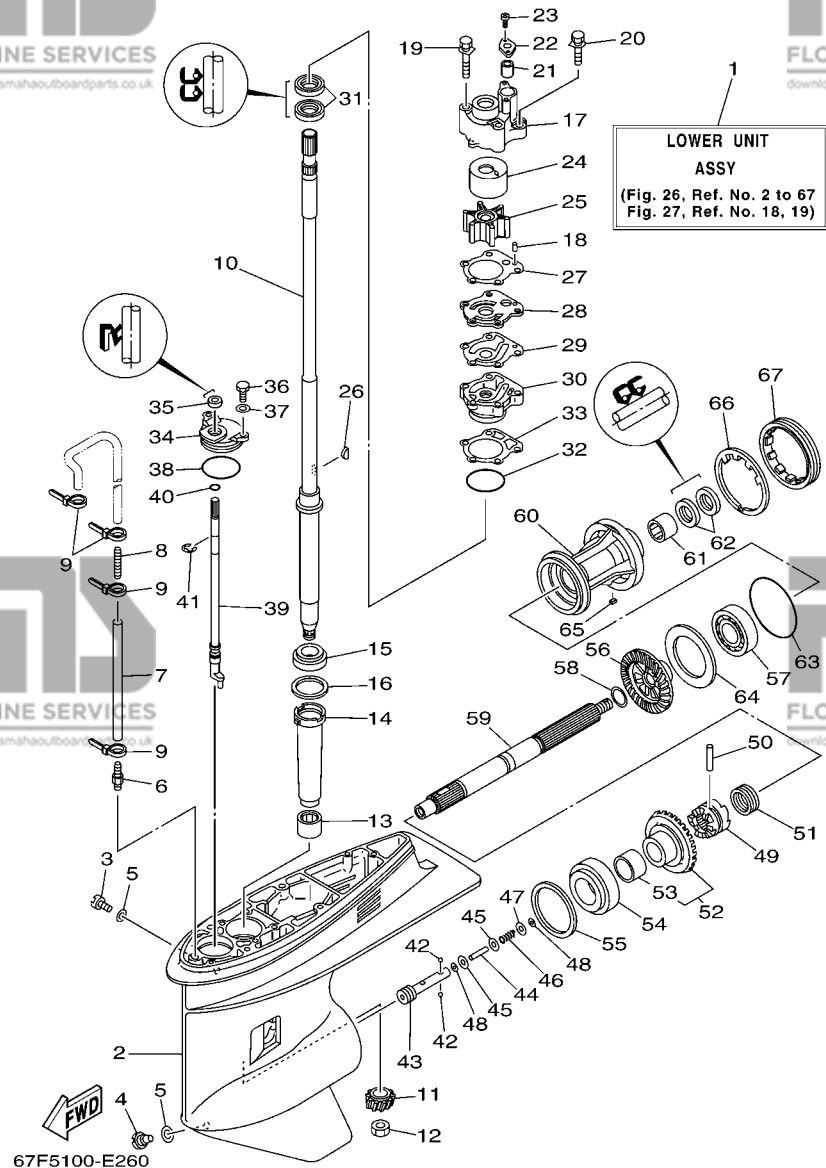


REF. NO.	PART NO. N° PIECES	DESCRIPTION DESCRIPTION	67G5	67F5	REMARKS REMARQUES
1	6D9-45300-10-4D	LOWER UNIT ASSY UNITE INFERIEURE (ENS.)	1	1	L (21.1") L (21.1")
2	67F-45301-00-4D	CASING, LOWER BEQUILLE	1	1	
3	90340-08002	PLUG, STRAIGHT SCREW PLOT, FILETE DROIT	1	1	
4	688-45341-10	PLUG, DRAIN BOUCHON DE VIDANGE	1	1	
5	90430-08020	GASKET JOINT	2	2	
6	6E5-45378-00	NIPPLE, HOSE RACCORD, TUYAU	1	1	
7	90445-07M31	HOSE (L200) DURITE (L200)	1	1	L (21.1") L (21.1")
8	6E5-83558-10	END, NIPPLE RACCORD DE NIPPLE	1	1	
9	90465-11M10	CLAMP BRIDE	4	4	
10	67F-45501-10	DRIVE SHAFT COMP. ARBRE MOTEUR COMP.	1	1	L (21.1") L (21.1")
11	6D9-45551-00	PINION (13T) PIGNON D'ATTAQUE (13D)	1	1	
12	90170-16M01	NUT ECROU	1	1	
13	93315-52563	BEARING ROULEMENT	1	1	
14	688-45536-01	SLEEVE, DRIVE SHAFT MANCHON, ARBRE MOTEUR	1	1	
15	93332-000U3	BEARING ROULEMENT	1	1	
16	688-45587-01	SHIM (T:0.10MM) CALE (T:0.10MM)	1	1	UR
	688-45587-10	SHIM (T:0.12MM) CALE (T:0.12MM)	1	1	UR
	688-45587-20	SHIM (T:0.15MM) CALE (T:0.15MM)	1	1	UR
	688-45587-30	SHIM (T:0.18MM) CALE (T:0.18MM)	1	1	UR
	688-45587-40	SHIM (T:0.30MM) CALE (T:0.30MM)	1	1	UR
	688-45587-50	SHIM (T:0.40MM) CALE (T:0.40MM)	1	1	UR
	688-45587-60	SHIM (T:0.50MM) CALE (T:0.50MM)	1	1	UR
17	67F-44311-00	HOUSING, WATER PUMP CORPS, POMPE A EAU	1	1	
18	93604-10M03	PIN, DOWEL CLAVETTE	2	2	
19	90119-08M87	BOLT, WITH WASHER BOULON, AVEC RONDELLE	2	2	
20	90119-08M13	BOLT, WITH WASHER BOULON, AVEC RONDELLE	2	2	
21	663-44366-00	DAMPER, WATER SEAL JOINT, TUBE D'EAU	1	1	

**B3**

**FIG. 26 LOWER CASING & DRIVE 1**

**BOITIER D'HELICE TRANSMISSION1**

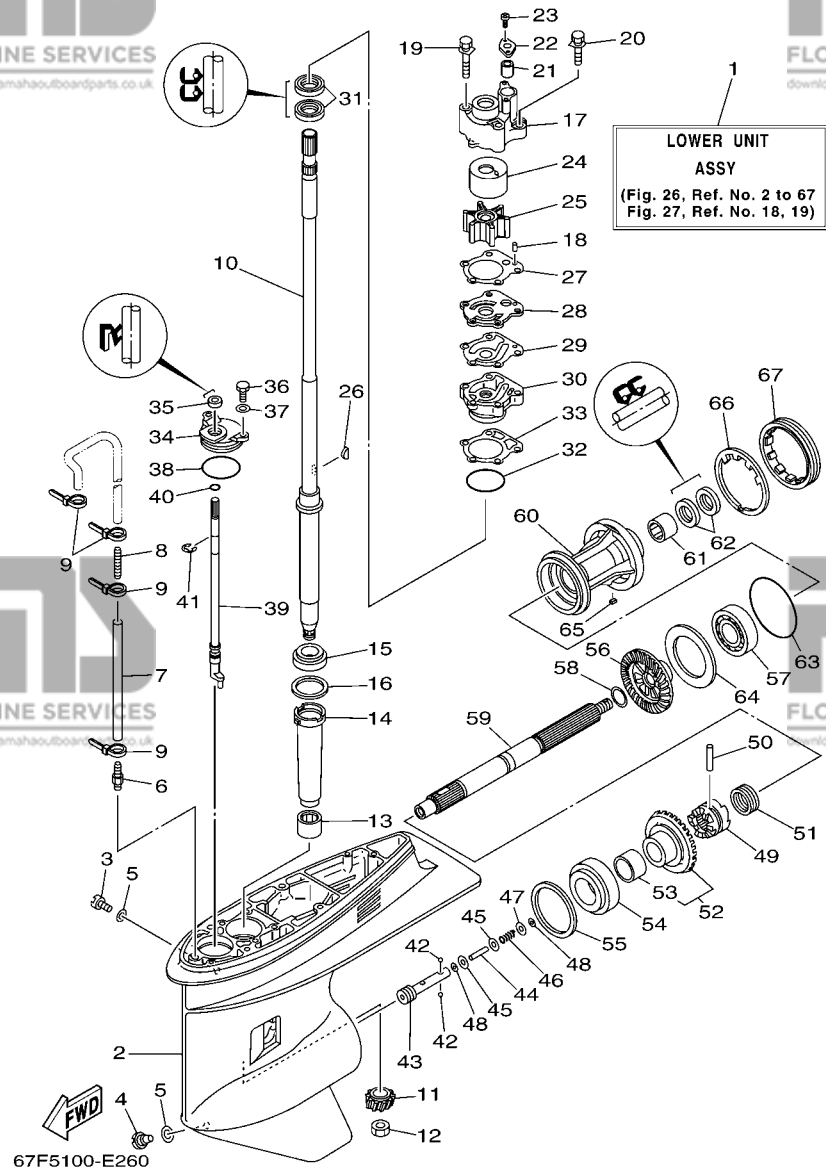


REF. NO.	PART NO. N° PIECES	DESCRIPTION DESCRIPTION	67G5	67F5	REMARKS REMARQUES
22	90480-19M06	GROMMET PASSE-FIL	1	1	
23	97780-40512	SCREW, TAPPING VIS, TETE BOMBEE	2	2	
24	67F-44322-00	INSERT, CARTRIDGE CUVETTE	1	1	
25	67F-44352-00	IMPELLER TURBINE	1	1	
26	90280-04M04	KEY, WOODRUFF CLAVETTE, DEMI-LUNE	1	1	
27	688-44315-A0	GASKET, WATER PUMP JOINT, POMPE A EAU	1	1	
28	67F-44323-00	OUTER PLATE, CARTRIDGE PLAQUE EXTERIEURE	1	1	
29	688-44324-A0	GASKET, CARTRIDGE JOINT	1	1	
30	6D8-44341-00-94	HOUSING, WATER PUMP CORPS, POMPE A EAU	1	1	
31	93101-25M03	OIL SEAL JOINT SPY	2	2	
32	93210-46044	O-RING JOINT TORIQUE	1	1	
33	688-44316-A0	GASKET, WATER PUMP JOINT, POMPE A EAU	1	1	
34	688-45321-00	PLATE PLAQUETTE	1	1	
35	93106-09014	OIL SEAL JOINT SPY	1	1	
36	97095-06016	BOLT BOULON	2	2	
37	92995-06600	WASHER RONDELLE	2	2	
38	93210-49046	O-RING JOINT TORIQUE	1	1	
39	67F-44150-00	SHIFT CAM ASSY CAME D'INVERSION	1	1	
40	93210-07003	O-RING JOINT TORIQUE	1	1	
41	99001-08600	CIRCLIP CIRCLIP	1	1	
42	93503-16003	BALL BILLES	2	2	
43	67F-45634-00	SLIDE, SHIFT CONTRE-POUSSOIR	1	1	
44	6H1-45668-00	SHAFT, FREE AXE	1	1	
45	6H1-45635-00	PLUNGER, SHIFT POUSSOIR D'EMBRAYAGE	2	2	
46	90501-12M48	SPRING, COMPRESSION RESSORT, COMPRESSION	1	1	
47	90201-03313	WASHER, PLATE RONDELLE, PLATE	1	1	
48	90183-02M03	NUT, SPRING ECROU, RESSORT	2	2	

**B4**

**FIG. 26 LOWER CASING & DRIVE 1**

**BOITIER D'HELICE TRANSMISSION1**

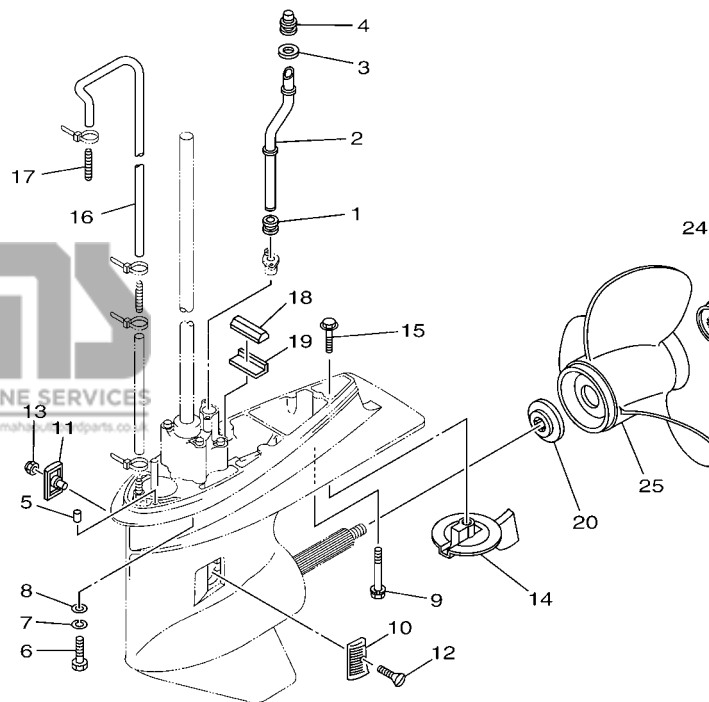


REF. NO.	PART NO. N° PIECES	DESCRIPTION DESCRIPTION	67G5	67F5	REMARKS REMARQUES
49	67F-45631-00	CLUTCH, DOG CRABOT	1	1	
50	90250-07M02	PIN, STRAIGHT GOUPILLE, DROITE	1	1	
51	688-45633-00	RING, CROSS PIN JONC, GOUPILLE CRABOT	1	1	
52	67F-45560-00	GEAR 1 (30T) PIGNON 1 (30T)	1	1	
53	93317-322V0	.BEARING .ROULEMENT	1	1	
54	93332-000UD	BEARING ROULEMENT	1	1	
55	688-45567-01	SHIM (T:0.10MM) CALE (T:0.10MM)	1	1	UR
	688-45567-10	SHIM (T:0.12MM) CALE (T:0.12MM)	1	1	UR
	688-45567-20	SHIM (T:0.15MM) CALE (T:0.15MM)	1	1	UR
	688-45567-30	SHIM (T:0.18MM) CALE (T:0.18MM)	1	1	UR
	688-45567-40	SHIM (T:0.30MM) CALE (T:0.30MM)	1	1	UR
	688-45567-50	SHIM (T:0.40MM) CALE (T:0.40MM)	1	1	UR
	688-45567-60	SHIM (T:0.50MM) CALE (T:0.50MM)	1	1	UR
56	6D9-45571-00	GEAR 2 (30T) PIGNON 2 (30T)	1	1	
57	93306-207U0	BEARING ROULEMENT	1	1	
58	90201-25M05	WASHER, PLATE RONDELLE, PLATE	1	1	
59	67F-45611-01	SHAFT, PROPELLER ARBRE, HELICE	1	1	
60	67F-45331-00-94	HOUSING, BEARING FLASQUE, ROULEMENT	1	1	
61	93317-325U0	BEARING ROULEMENT	1	1	
62	93101-25M03	OIL SEAL JOINT SPY	2	2	
63	93210-86M39	O-RING JOINT TORIQUE	1	1	
64	67F-45576-00	WASHER, THRUST RONDELLE DE CALAGE	1	1	
65	90282-04010	KEY, STRAIGHT CLAVETTE, DROITE	1	1	
66	688-45383-02	WASHER, CLAW FREIN D'ECROU	1	1	
67	688-45384-00	NUT ECROU	1	1	

**B5**

FIG. 27 LOWER CASING & DRIVE 2

BOITIER D'HELICE TRANSMISSION2



6D81100-D320

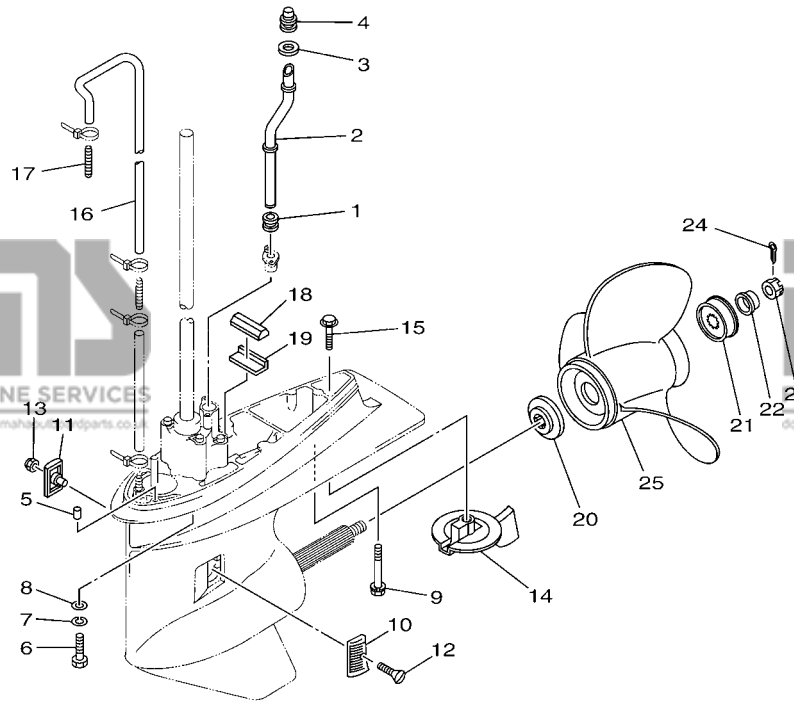
REF. NO.	PART NO. N° PIECES	DESCRIPTION DESCRIPTION	67G5	67F5	REMARKS REMARQUES
1	663-44367-00	DAMPER, WATER SEAL JOINT TUBE D'EAU	1	1	
2	6D8-44361-00	TUBE, WATER TUBE D'EAU	1	1	L (21.1") L (21.1")
3	6D8-44314-00	SPACER ENTRETOISE	1	1	
4	67F-44365-00	DAMPER, WATER SEAL JOINT, TUBE D'EAU	1	1	
5	93606-12019	PIN, DOWEL GOUILLE	2	2	
6	97075-10040	BOLT BOULON	4	4	L (21.1") L (21.1")
7	92995-10100	WASHER RONDELLE	4	4	L (21.1") L (21.1")
8	92995-10600	WASHER RONDELLE	4	4	L (21.1") L (21.1")
9	90119-08M84	BOLT, WITH WASHER BOULON, AVEC RONDELLE	1	1	L (21.1") L (21.1")
10	6H1-45214-00	COVER, WATER INLET 1 GRILLE, ENTREE D'EAU 1	1	1	
11	6H1-45215-00	COVER, WATER INLET 2 GRILLE, ENTREE D'EAU 2	1	1	
12	90151-05M00	SCREW, COUNTERSUNK VIS, TETE NOYEE	1	1	
13	90185-05002	NUT, SELF-LOCKING ECROU, AUTO-BLOQUANT	1	1	
14	67F-45371-00	TAB-TRIM ANODE DERIVE	1	1	
15	90105-10M67	BOLT, FLANGE BOULON	1	1	
16	90445-07ME0	HOSE (L1220) DURITE (L1220)	1	1	
17	6E5-83558-00	END, NIPPLE RACCORD DE NIPPLE	1	1	
18	688-45375-00	DAMPER, SEAL BOURRELET, CAOUTCHOUC	1	1	
19	663-45376-00-94	GUIDE, SEAL DAMPER BUTEE, JOINT CAOUTCHOUC	1	1	
20	688-45987-01	SPACER ENTRETOISE	1	1	
21	67F-45997-00	SPACER ENTRETOISE	1	1	
22	90389-25M00	BUSH DOUILLE	1	1	
23	90171-16011	NUT, CASTLE ECROU, CRENELE	1	1	
24	91490-40025	PIN, COTTER GOUILLE	1	1	
25	6E5-45941-00-EL	PROPELLER (3X13"X19"-K) HELICE (3X13"X19"-K)	1	1	UR UR
	6E5-45943-00-EL	PROPELLER (3X12-5/8"X21"-K) HELICE (3X12-5/8"X21"-K)	1	1	UR UR
	6E5-45945-01-EL	PROPELLER (3X13-1/4"X17"-K) HELICE (3X13-1/4"X17"-K)	1	1	UR UR

**B6**

FIG. 27 LOWER CASING & DRIVE 2

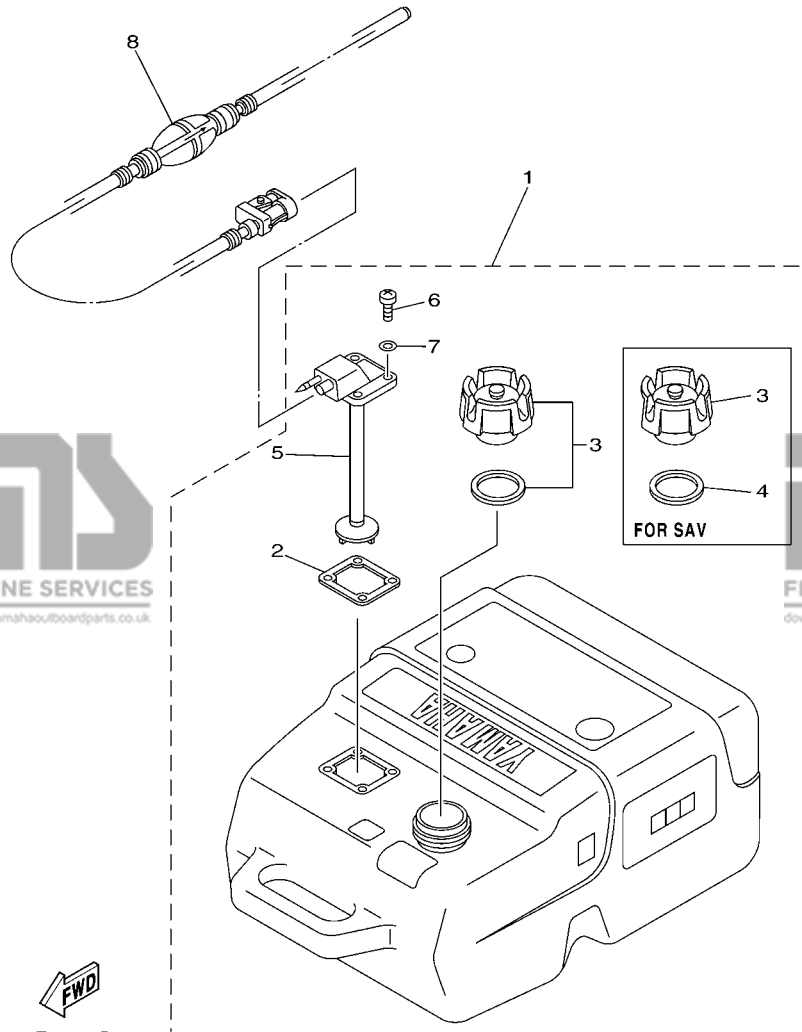
BOITIER D'HELICE TRANSMISSION2

REF. NO.	PART NO. N° PIECES	DESCRIPTION DESCRIPTION	67G5	67F5	REMARKS REMARQUES
25	6E5-45947-00-EL	PROPELLER (3X13-1/2"X15"-K) HELICE (3X13-1/2"X15"-K)	1	1	UR UR
	6E5-45949-00-EL	PROPELLER (3X13-5/8"X13"-K) HELICE (3X13-5/8"X13"-K)	1	1	UR UR
	6E5-45952-00-EL	PROPELLER (3X13"X23"-K) HELICE (3X13"X23"-K)	1	1	UR UR
	6E5-45954-00-EL	PROPELLER (3X14"X11"-K) HELICE (3X14"X11"-K)	1	1	UR UR
	6E5-45956-00-EL	PROPELLER (3X13"X25"-K) HELICE (3X13"X25"-K)	1	1	UR UR
	688-45970-03-98	PROPELLER (3X13"X19"-K) HELICE (3X13"X19"-K)	1	1	UR UR
	688-45972-02-98	PROPELLER (3X13"X21"-K) HELICE (3X13"X21"-K)	1	1	UR UR
	688-45974-02-98	PROPELLER (3X13"X23"-K) HELICE (3X13"X23"-K)	1	1	UR UR
	688-45976-01-98	PROPELLER (3X13"X25"-K) HELICE (3X13"X25"-K)	1	1	UR UR
	688-45978-60-98	PROPELLER (3X13-1/2"X16"-K) HELICE (3X13-1/2"X16"-K)	1	1	UR UR
	688-45930-02-98	PROPELLER (3X13"X17"-K) HELICE (3X13"X17"-K)	1	1	UR UR
	688-45932-60-98	PROPELLER (3X13-1/2"X14"-K) HELICE (3X13-1/2"X14"-K)	1	1	UR UR



**FWD**  
6D81100-D320

**B7**



67F4300-D311

FIG. 28 FUEL TANK

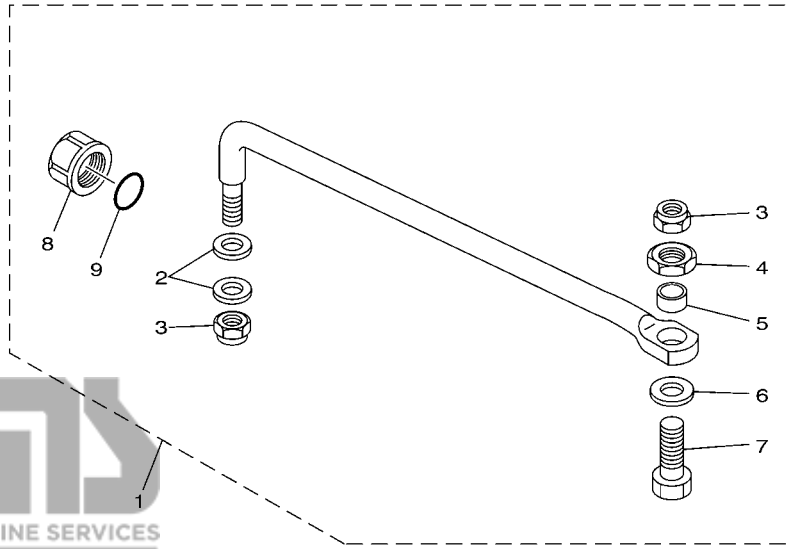
RESERVOIR A CARBURANT

REF. NO.	PART NO. N° PIECES	DESCRIPTION DESCRIPTION	67G5	67F5	REMARKS REMARQUES
1	6YK-24201-02	FUEL TANK ASSY (25L) RESERVOIR A ESSENCE (ENS.) 25L	1		AP FOR STD AP FOR STD
	6YK-24201-10	FUEL TANK ASSY (25L) RESERVOIR A ESSENCE (ENS.) 25L	1		AP FOR SAV AP FOR SAV
2	6YL-24268-01	.GASKET, FUEL METER .JOINT, JAUGE A CARBURANT	1		
3	6YK-24610-01	.CAP ASSY .BOUCHON	1		FOR 6YK-24201-02 FOR 6YK-24201-02
	6YK-24610-10	.CAP ASSY .BOUCHON	1		FOR 6YK-24201-10 FOR 6YK-24201-10
4	6YL-24641-00	.GASKET, CAP 1 .JOINT 1, BOUCHON	1		FOR 6YK-24201-10 FOR 6YK-24201-10
5	6YK-24260-01	.FUEL METER ASSY .INDICATEUR DE CARBURANT	1		
6	90157-05M16	.SCREW, PAN HEAD .VIS, TETE TRONCONIQUE	4		
7	6YL-24329-00	.SEAL .JOINT	4		
8	6YK-24306-44	FUEL PIPE COMP. 1 DURITE A ESSENCE 1	1		AP AP

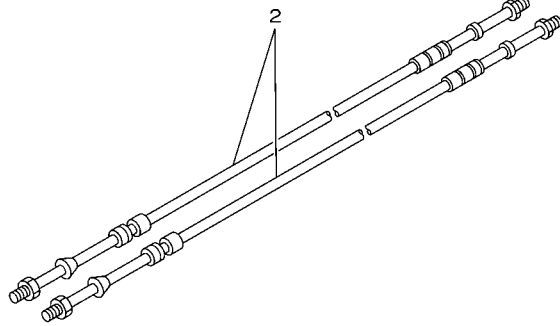
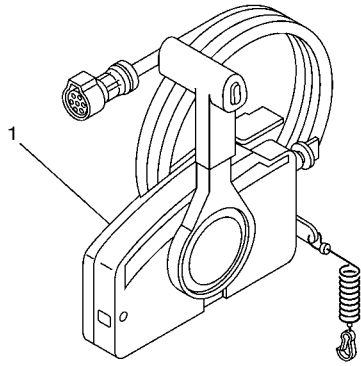
FIG. 29 STEERING GUIDE

FIXATION DE DIRECTION

REF. NO.	PART NO. N° PIECES	DESCRIPTION DESCRIPTION	67G5	67F5	REMARKS REMARQUES
1	67F-61350-00	STEERING GUIDE ATTACHMENT KIT FIXATIONS DE DIRECTION	1	1	AP AP
2	90201-10M20	.WASHER, PLATE .RONDELLE, PLATE	2	2	
3	90185-09M01	.NUT, SELF-LOCKING .ECROU, AUTO-BLOQUANT	2	2	
4	90170-09M03	.NUT .ECROU	1	1	
5	90387-10M42	.COLLAR .COLLERETTE	1	1	
6	90201-10M63	.WASHER, PLATE .RONDELLE, PLATE	1	1	
7	90101-09M01	.BOLT .BOULON	1	1	
8	6E5-43145-01	.CAP CLAMP BRACKET .CAPUCHON, PRESSE	1	1	
9	93210-16275	.O-RING .JOINT TORIQUE	1	1	



67F0010-9250



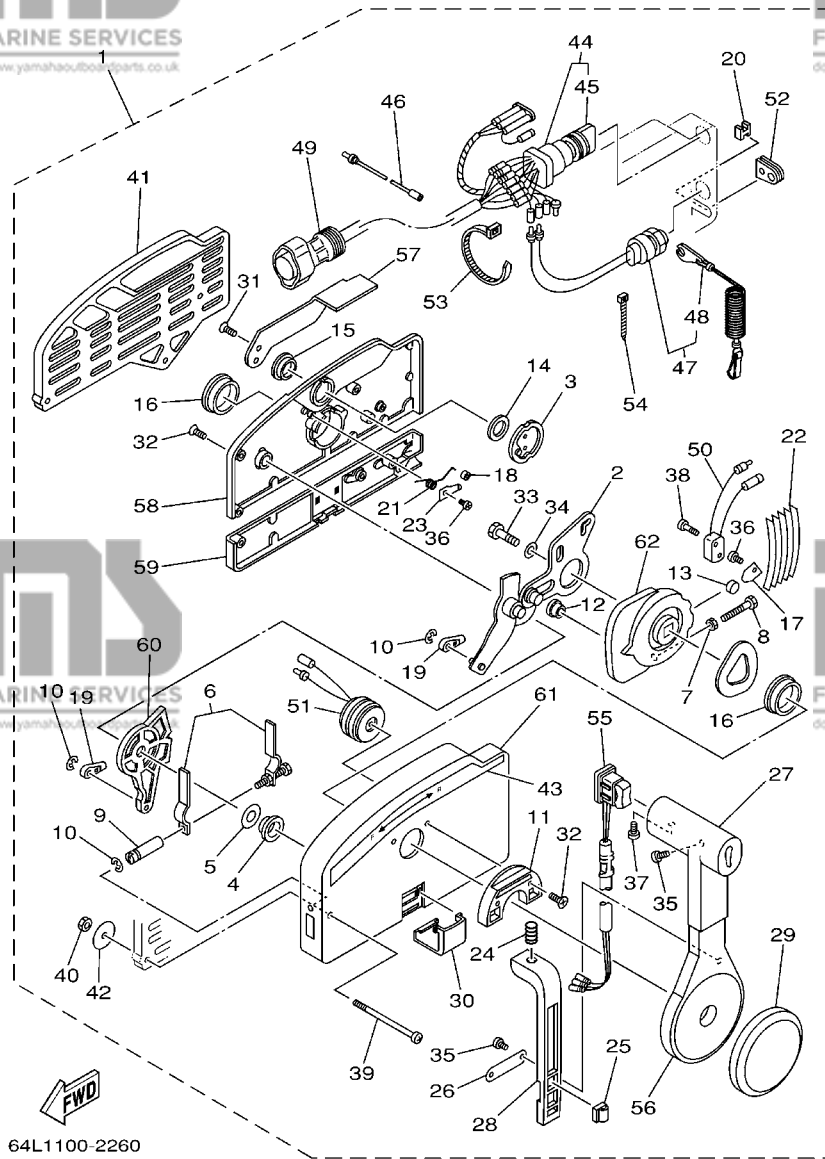
**FWD**  
 67M0100-8280

**FIG. 30 REMOTE CONTROL BOX**

**BOITIER DE COMMANDE A DISTANCE**

REF. NO.	PART NO. N° PIECES	DESCRIPTION DESCRIPTION	67G5	67F5	REMARKS REMARQUES
1	703-48205-17	REMOTE CONTROL ASSY (10P) BOITIER DE COMMANDE A DISTANCE	1	1	AP WITH PT/T SW. AP WITH PT/T SW.
2	701-48320-50	CABLE, REMOTE CONTROL L=15F CABLE, COMMANDE A DISTANCE:15F	2	2	UR UR
	701-48320-60	CABLE, REMOTE CONTROL L=16F CABLE, COMMANDE A DISTANCE:16F	2	2	UR UR
	701-48320-80	CABLE, REMOTE CONTROL L=17F CABLE, COMMANDE A DISTANCE:17F	2	2	UR UR
	701-48320-40	CABLE, REMOTE CONTROL L=19F CABLE, COMMANDE A DISTANCE:19F	2	2	UR UR
- - -	701-48350-00	CABLE, REMOTE CONTROL L=21F CABLE, COMMANDE A DISTANCE:21F	2	2	UR UR





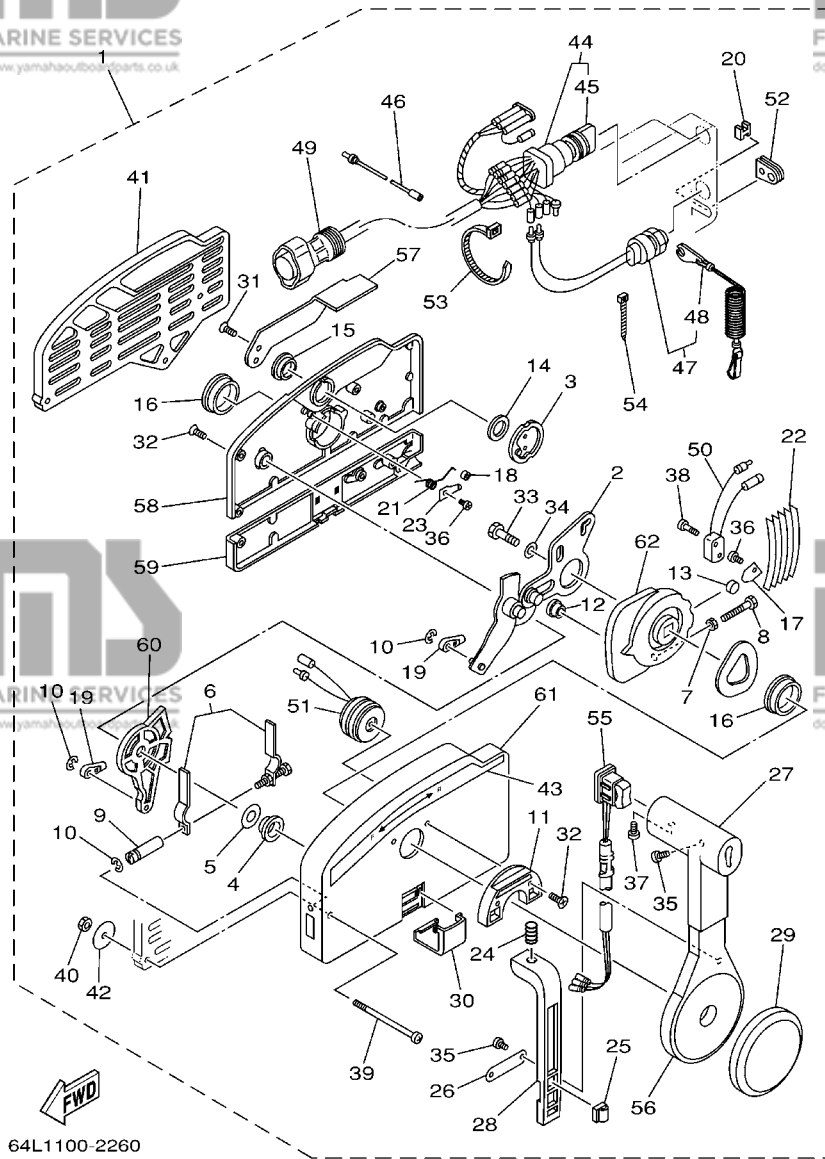
64L1100-2260

**FIG. 31 REMOTE CONTROL ASSY**

**BOITIER DE COMMANDE A DISTANCE**

REF. NO.	PART NO. N° PIECES	DESCRIPTION DESCRIPTION	67G5	67F5	REMARKS REMARQUES
1	703-48205-17	REMOTE CONTROL ASSY (10P) BOITIER DE COMMANDE A DISTANCE	1	1	AP WITH PT/T SW. AP WITH PT/T SW.
2	703-48261-01	.ARM, THROTTLE .BRAS, ACCELERATION	1	1	
3	703-48153-00	.SHAFT, FREE ACCEL. .AXE	1	1	
4	703-48235-00	.BUSHING .COUSSINET	1	1	
5	703-48268-00	.SPACER .ENTRETOISE	1	1	
6	703-48264-00	.FRICTION, THROTTLE .FRICTION, ACCELERATION	1	1	
7	95380-05600	.NUT .ECROU	1	1	
8	97380-05025	.BOLT .BOULON, HEXAGONAL	1	1	
9	703-48265-00	.SHAFT, FRICTION .AXE, COPILOTE	1	1	
10	93430-06024	.CIRCLIP .CLIPS	3	3	
11	703-48245-00	.PLATE, LOCK .PLAQUE, VERROU	1	1	
12	703-48252-00	.ROLLER, CAM .POULIE	1	1	
13	701-48248-00	.ROLLER, FREE ACCEL. .POULIE	1	1	
14	703-48198-00	.WASHER, WAVE .RONDELLE, ELASTIQUE ONDULEE	1	1	
15	703-48243-00	.BUSHING .COUSSINET	1	1	
16	703-48236-00	.BUSHING 1 .POULIE	2	2	
17	703-48189-00	.RETAINER .FLASQUE	1	1	
18	703-48234-00	.ROLLER, DETENT .POULIE	1	1	
19	703-48345-01	.CABLE END, REMOTE CONTROL 2 .CHAPE CABLE	2	2	
20	703-48358-00	.ANCHOR, CABLE .COLLIER	1	1	
21	703-48244-00	.SPRING, FREE ACCEL. .RESSORT	1	1	
22	703-48238-00	.SPRING, DETENT .RESSORT	5	5	
23	703-48246-00	.SPACER .ENTRETOISE	1	1	
24	703-48227-00	.SPRING, NEUTRAL LOCK .RESSORT	1	1	
25	703-82594-00	.CLAMP .BRIDE	1	1	WITH PT/T SW. WITH PT/T SW.
26	703-48226-00	.PLATE, STOPPER .PLAQUETTE	1	1	
27	703-48222-00	.GRIP, CONTROL LEVER .POIGNEE, COMMANDE LEVIER	1	1	SINGLE SINGLE

**C4**

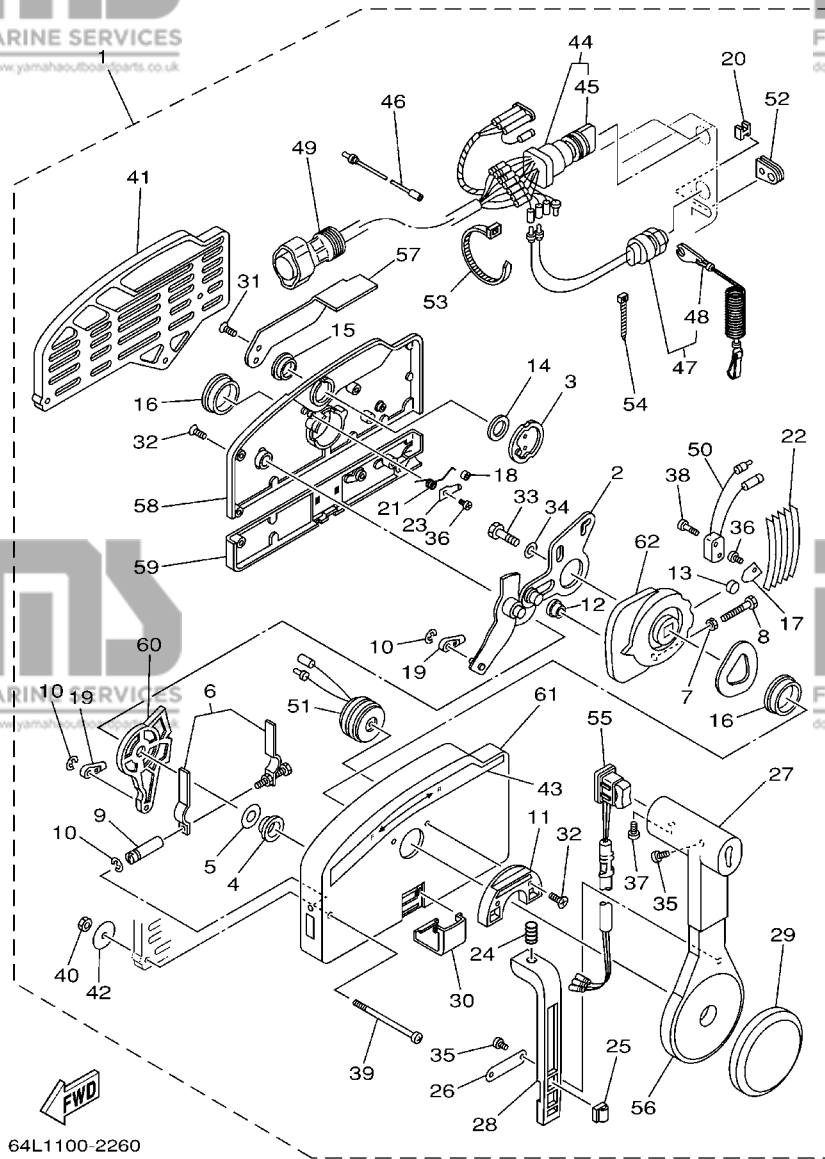


64L1100-2260

**FIG. 31 REMOTE CONTROL ASSY**

**BOITIER DE COMMANDE A DISTANCE**

REF. NO.	PART NO. N° PIECES	DESCRIPTION DESCRIPTION	67G5	67F5	REMARKS REMARQUES
28	703-48223-00	.LOCK, NEUTRAL .VERROU, NEUTRAL	1	1	
29	703-48225-00	.COVER .COUVERCLE	1	1	
30	703-48219-00	.COVER, LEAD .COUVERCLE	1	1	
31	703-48281-00	.SCREW .VIS	2	2	
32	703-48282-00	.SCREW .VIS	7	7	
33	97380-08030	.BOLT .BOULON, HEXAGONAL	1	1	
34	92990-08600	.WASHER, PLATE .RONDELLE, PLATE	1	1	
35	98580-04010	.SCREW, PAN HEAD .VIS	3	3	
36	98580-04006	.SCREW, PAN HEAD .VIS	2	2	
37	98580-05010	.SCREW, PAN HEAD .VIS	1	1	
38	98580-03015	.SCREW, PAN HEAD .VIS	2	2	
39	703-48291-10	.SCREW (M6) .VIS (M6)	3	3	
40	95380-06600	.NUT, HEXAGON .ECROU	3	3	
41	703-48293-10	.SPACER, REMOTE CONTROL .ENTRETOISE	1	1	SINGLE SINGLE
42	701-48287-00	.WASHER .RONDELLE	3	3	
43	703-48215-00	.GRAPHIC .ADHESIF	1	1	
44	703-82510-43	.MAIN SWITCH ASSY .CONTACTEUR A CLEF COMPLET	1	1	
45	703-82577-00	.CAP, KEY .CABOCHON	1	1	
46	703-82531-00	.WIRE, LEAD .FIL	1	1	
47	688-82575-01	.ENGINE STOP SWITCH ASSY .COUPE CIRCUIT CPLT	1	1	
48	682-82556-00	.STOPPER .PLAQUETTE	1	1	
49	688-8258A-20	.EXTENSION, WIRE HARNESS .EXTENSION, FAISCEAU DE FILS	1	1	L:5M (10P) L:5M (10P)
50	703-82540-00	.NEUTRAL SWITCH ASSY .CONTACTEUR DE POINT-MORT	1	1	
51	703-83383-02	.BUZZER .RONFLEUR	1	1	
52	703-48284-00	.GROMMET .PASSE-FIL	1	1	
53	703-82591-00	.BAND .COLLIER	1	1	
54	703-82592-00	.BAND .COLLIER	1	1	



64L1100-2260

**FIG. 31 REMOTE CONTROL ASSY**

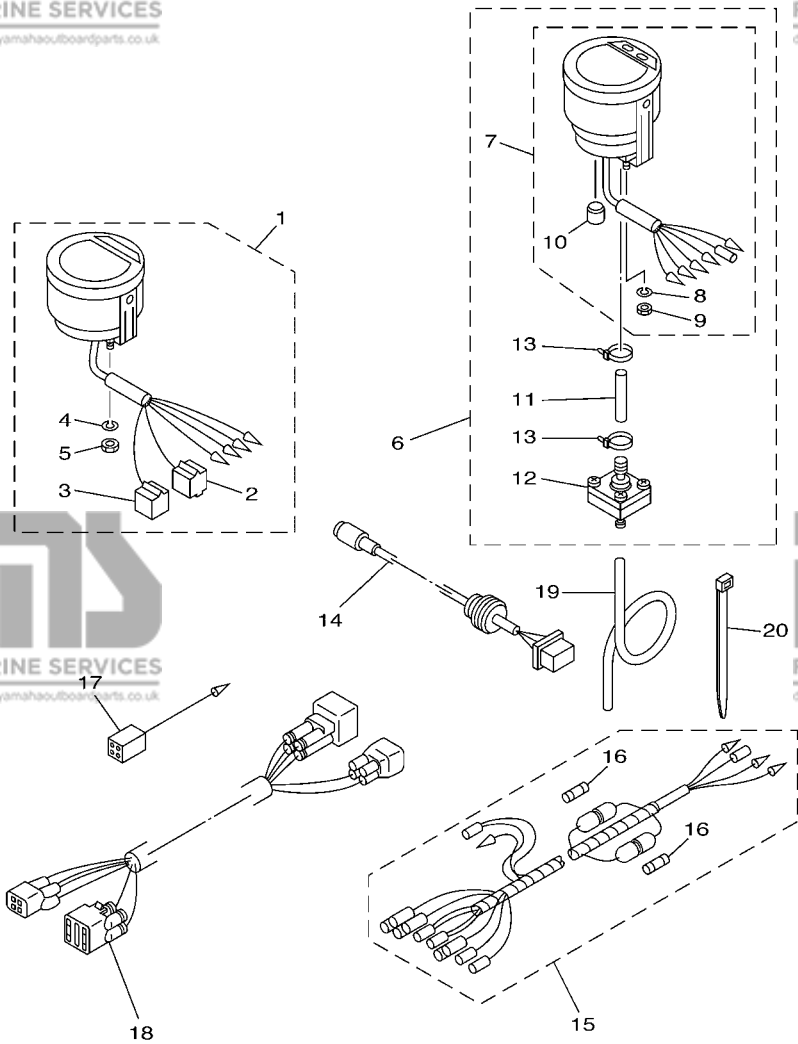
**BOITIER DE COMMANDE A DISTANCE**

REF. NO.	PART NO. N° PIECES	DESCRIPTION DESCRIPTION	67G5	67F5	REMARKS REMARQUES
55	703-82563-02	.TRIM & TILT SWITCH ASSY .INCLINER ET PAREE COMMUTATEUR	1	1	WITH PT/T SW. WITH PT/T SW.
56	703-48221-00	.LEVER, CONTROL .LEVIER, COMMANDE	1	1	
57	703-48152-00	.KNOB, FREE ACCEL. .BOUTON	1	1	
58	703-48212-00	.BACK PLATE 1 .PLAQUETTE 1	1	1	
59	703-48213-00	.BACK PLATE 2 .PLAQUETTE 2	1	1	
60	703-48271-00	.ARM, SHIFT .BRAS	1	1	
61	703-48211-01	.HOUSING,1 .CORPS	1	1	
62	703-48232-00	.GEAR .PIGNON	1	1	

FIG. 32 METER

COMPTEUR

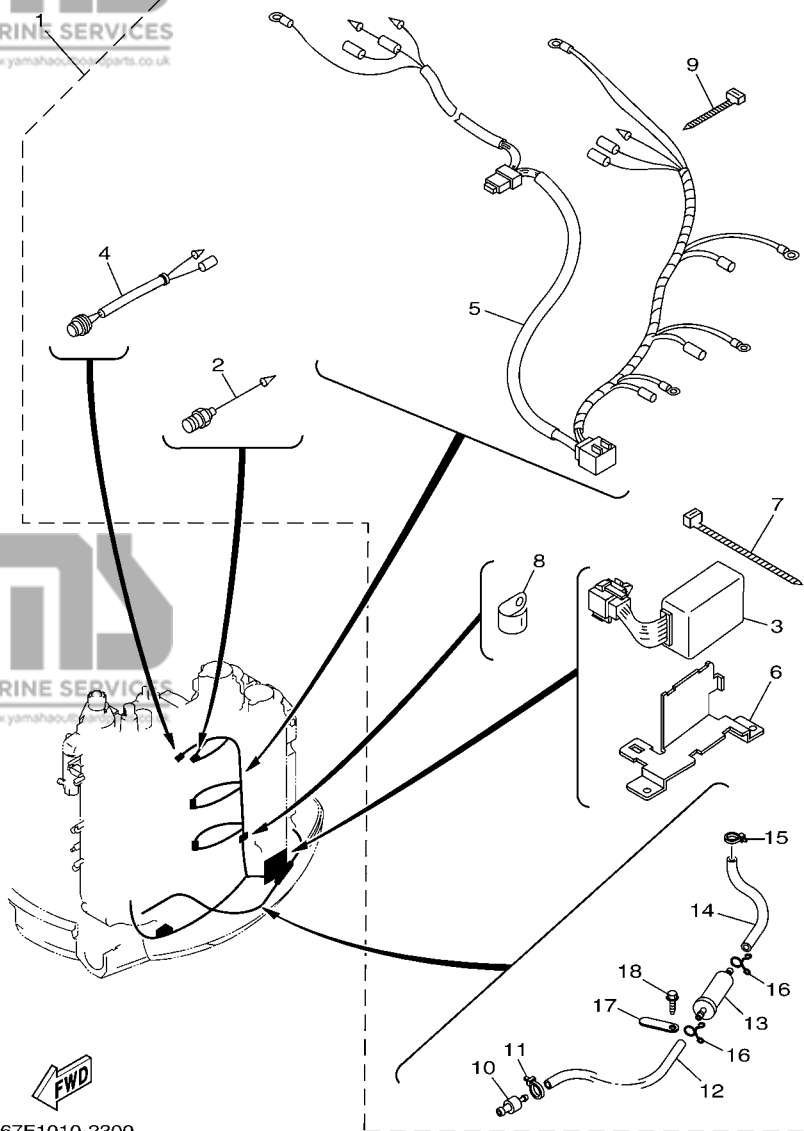
REF. NO.	PART NO. N° PIECES	DESCRIPTION DESCRIPTION	67G5	67F5	REMARKS REMARQUES
1	6Y5-8350T-03	DIGITAL TACHOMETER ASSY COMPTE-TOURS NUMERIQUE CPLT	1	1	AP AP
2	9E450-04433	.CONNECTOR .CONNECTEUR	1	1	M-4-W M-4-W
3	9E450-04533	.CONNECTOR .CONNECTEUR	1	1	F-4-W F-4-W
4	92990-04100	.WASHER, SPRING .RONDELLE, GROWER	2	2	
5	95380-04600	.NUT .ECROU	2	2	
6	6Y5-83500-S5	DIGITAL SPEEDOMETER ASSY TACHYMETRE NUMERIQUE CPLT.	1	1	AP AP
7	6Y5-83570-S5	.SPEEDOMETER ASSY .COMPTEUR DE VITESSE CPLT	1	1	
8	92990-04100	..WASHER, SPRING ..RONDELLE, GROWER	2	2	
9	95380-04600	..NUT ..ECROU	2	2	
10	6Y5-83533-T2	..GROMMET ..RONDELLE CAOUTCHOUC	1	1	
11	6Y5-83557-31	.TUBE .TUBE	1	1	
12	6Y5-83728-00	.CONNECTOR ASSY .CONNEXION COMPLET	1	1	
13	90465-11M10	.CLAMP .BRIDE	2	2	
14	6Y5-87122-S0	CORD ASSY 1 CORDON COMPLET 1	1	1	AP AP
15	6Y5-83553-M0	WIRE, LEAD (L=2.5M) FIL (L=2.5M)	1	1	AP AP
16	1E6-82151-00	.FUSE (10A) .FUSIBLE (10A)	2	2	
17	6Y5-82117-00	WIRE, LEAD (BLACK) FIL (NOIR)	1	1	AP AP
18	68F-82553-80	EXTENSION, WIRE LEAD (L=8.0M) EXTENSION, FAISCEAU (L=8.0M)	1	1	AP AP
19	6Y5-83557-10	TUBE (8M) TUBE (8M)	1	1	AP AP
20	90465-11M10	CLAMP BRIDE	2	2	AP AP



61A1700-2290

FIG. 33 OPTIONAL PARTS 2

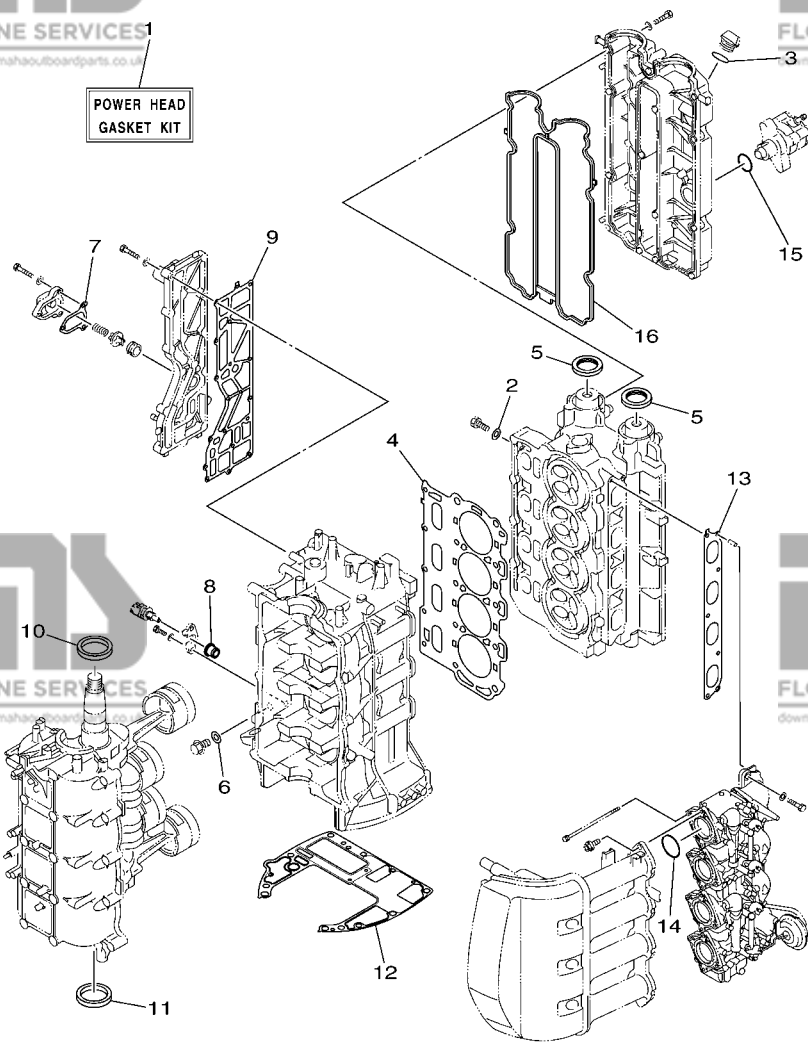
PIECES OPTIONNELLES 2



67F1010-2300

REF. NO.	PART NO. N° PIECES	DESCRIPTION DESCRIPTION			REMARKS REMARQUES
			67G5	67F5	
1	67F-83790-11	HEATER ASSY RECHAUFFEUR	1	1	AP AP
2	67F-83792-00	.HEATER .CHALEUR	4	4	
3	67F-81930-00	.CONTROL UNIT ASSY .BLOC DE CONTROLE	1	1	
4	67F-82560-00	.THERMO SWITCH ASSY .THERMO-CONTACT COMPLET	1	1	
5	67F-81971-00	.WIRE, LEAD .FIL	1	1	
6	67F-14291-00	.BRACKET 1 .SUPPORT 1	1	1	
7	90465-13M60	.CLAMP .BRIDE	3	3	
8	90465-08028	.CLAMP .BRIDE	2	2	
9	90465-13M36	.CLAMP .BRIDE	4	4	
10	67F-24377-00	.PIPE, JOINT 3 .DURITE RACCORDEMENT 3	1	1	
11	90465-11M10	.CLAMP .BRIDE	1	1	
12	90445-11M49	.HOSE (L700) .DURITE (L700)	1	1	
13	67F-24251-01	.STRAINER 1 .FILTRE 1	1	1	
14	67F-2451B-00	.HOSE, FUEL INLET .DURITE	1	1	
15	90465-11M10	.CLAMP .BRIDE	1	1	
16	90467-10M04	.CLIP .JONC	2	2	
17	6E5-82588-00	.PLATE .PLAQUE	2	2	
18	90109-06M81	.BOLT .BOULON	2	2	

POWER HEAD  
GASKET KIT



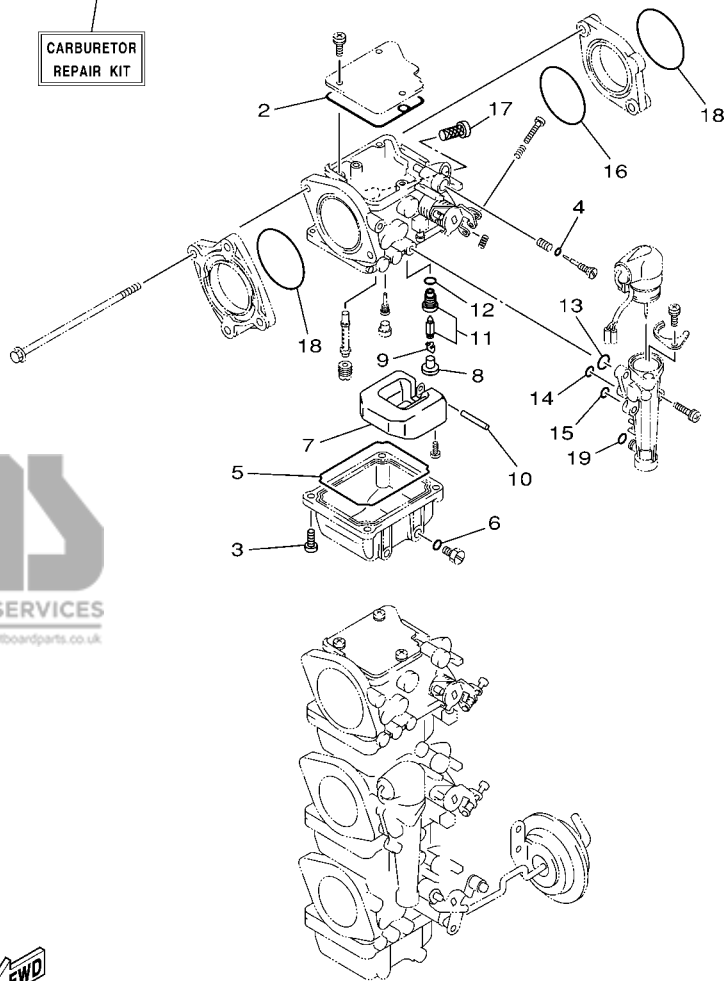
67F5100-E330

FIG. 34 REPAIR KIT 1

KITS DE REPARATION 1

REF. NO.	PART NO. N° PIECES	DESCRIPTION DESCRIPTION	67G5	67F5	REMARKS REMARQUES
1	67F-W0001-04	POWER HEAD GASKET KIT POCHETTE DE JINTS TETE MOTRICE	1	1	
2	90430-08143	.GASKET .JOINT	4	4	
3	93210-24M79	.O-RING .JOINT TORIQUE	1	1	
4	67F-11181-02	.GASKET, CYLINDER HEAD 1 .JOINT, DE CULASSE 1	1	1	
5	93102-38M59	.OIL SEAL .JOINT SPY	2	2	
6	90430-14115	.GASKET .JOINT	1	1	
7	67F-12435-A0	.GASKET .JOINT	1	1	
8	68V-85753-00	.GASKET, SENDER UNIT .JOINT, DE PERCEPTION	1	1	
9	6D8-41114-A0	.GASKET, EXHAUST OUTER COVER .JOINT, COUVERCLE D'ECHAPPEMEN	1	1	
10	93102-48009	.OIL SEAL .JOINT SPY	1	1	
11	93101-48002	.OIL SEAL .JOINT SPY	1	1	
12	68V-11351-00	.GASKET, CYLINDER .JOINT, D'EMBASE	1	1	
13	67F-13645-00	.GASKET, MANIFOLD 1 .JOINT, TUBULURE 1	1	1	
14	93210-41MJ2	.O-RING .JOINT TORIQUE	4	4	
15	93210-30682	.O-RING .JOINT TORIQUE	1	1	
16	6D8-11356-01	.SEAL, CYLINDER 2 .JOINT, SPY CYLINDRE	1	1	

CARBURETOR  
REPAIR KIT



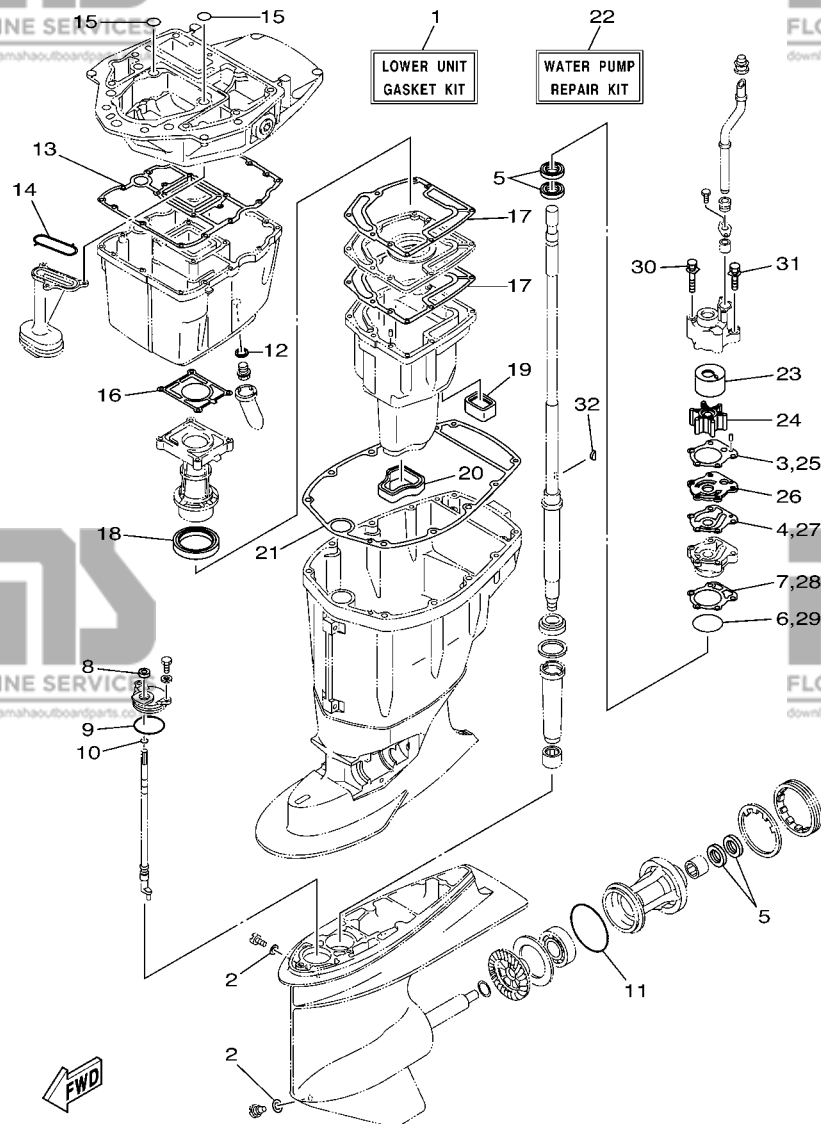
67F0100-9380

FIG. 35 REPAIR KIT 2

KITS DE REPARATION 2

REF. NO.	PART NO. N° PIECES	DESCRIPTION DESCRIPTION	67G5	67F5	REMARKS REMARQUES
1	67F-W0093-02	CARBURETOR REPAIR KIT KIT DE REPARATION CARBURATEUR	1	1	
2	67F-14147-00	.O-RING .JOINT TORIQUE	1	1	
3	97980-04114	.SCREW, WITH WASHER .VIS, AVEC RONDELLE	4	4	
4	67F-14397-00	.O-RING .JOINT TORIQUE	1	1	
5	67F-14984-00	.GASKET, FLOAT CHAMBER .JOINT, CUVE DE FLOTTEUR	1	1	
6	93210-04230	.O-RING .JOINT TORIQUE	1	1	
7	6H4-14985-01	.FLOAT .FLOTTEUR	1	1	
8	676-14186-00	.PIN, FLOAT .AXE, FLOTTEUR	1	1	
9	67F-14159-00	.CLIP .JONC	1	1	
10	6H4-14548-00	.PIN, FLOAT ARM .AXE, BRAS DE FLOTTEUR	1	1	
11	60C-14590-02	.NEEDLE VALVE ASSY .POINTEAU	1	1	
12	93210-04228	.O-RING .JOINT TORIQUE	1	1	
13	67F-14398-00	.O-RING .JOINT TORIQUE	1	1	
14	67F-14398-10	.O-RING .JOINT TORIQUE	1	1	
15	67F-14398-20	.O-RING .JOINT TORIQUE	1	1	
16	67F-14239-00	.SEAL .JOINT	1	1	
17	67F-14371-01	.ELEMENT, FILTER .ELEMENT, FILTRE	1	1	
18	93210-40M10	.O-RING .JOINT TORIQUE	2	2	
19	67F-14398-30	.O-RING .JOINT TORIQUE	1	1	

**D3**



67F3100-C380

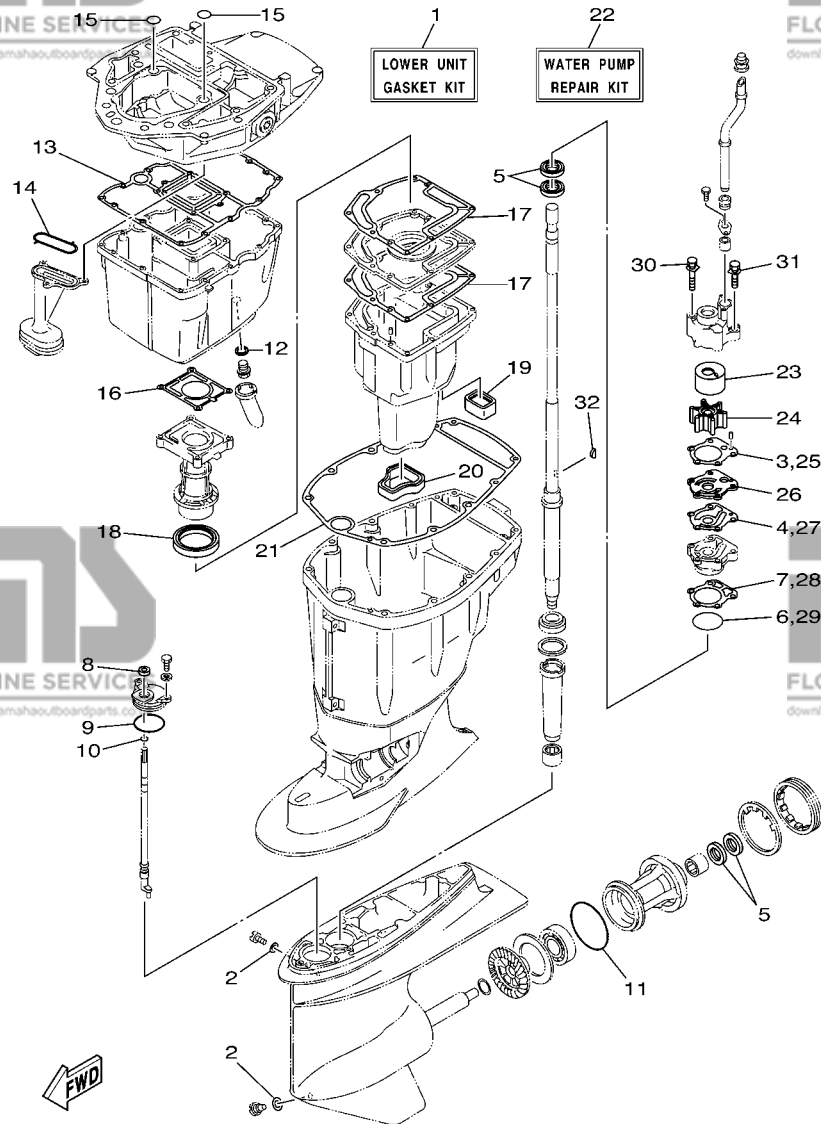
**FIG. 36 REPAIR KIT 3**

**KITS DE PEPARATION 3**

REF. NO.	PART NO. N° PIECES	DESCRIPTION DESCRIPTION	67G5	67F5	REMARKS REMARQUES
1	67F-W0001-21	LOWER UNIT GASKET KIT POCHETTE DE JOINTS EMBASE	1	1	
2	90430-08020	.GASKET .JOINT	2	2	
3	688-44315-A0	.GASKET, WATER PUMP .JOINT, POMPE A EAU	1	1	
4	688-44324-A0	.GASKET, CARTRIDGE .JOINT	1	1	
5	93101-25M03	.OIL SEAL .JOINT SPY	4	4	
6	93210-46044	.O-RING .JOINT TORIQUE	1	1	
7	688-44316-A0	.GASKET, WATER PUMP .JOINT, POMPE A EAU	1	1	
8	93106-09014	.OIL SEAL .JOINT SPY	1	1	
9	93210-49046	.O-RING .JOINT TORIQUE	1	1	
10	93210-07003	.O-RING .JOINT TORIQUE	1	1	
11	93210-86M39	.O-RING .JOINT TORIQUE	1	1	
12	90430-14M09	.GASKET .JOINT	1	1	
13	68V-15312-00	.GASKET, OIL PAN .JOINT DE VENTILATEUR D'HUILE	1	1	
14	67F-13415-00	.SEAL, OIL STRAINER .JOINT, FILTRE A HUILE	1	1	
15	93210-19MJ1	.O-RING .JOINT TORIQUE	2	2	
16	67F-41133-A1	.GASKET, EXHAUST MANIFOLD 1 .JOINT, PIPE D'ECHAPPEMENT	1	1	
17	67F-41134-A0	.GASKET, EXHAUST MANIFOLD .JOINT, PIPE D'ECHAPPEMENT	2	2	
18	67F-41138-00	.SEAL, EXT. 1 .JOINT DE GROUPE 1	1	1	
19	67F-45127-00	.SEAL .JOINT	1	1	
20	67F-45123-00	.GASKET, MUFFLER .JOINT, POT DE DETENTE	1	1	
21	67F-45113-00	.GASKET, UPPER CASING .JOINT, TUBE D'ARBRE	1	1	
22	67F-W0078-00	WATER PUMP REPAIR KIT KIT DE REPARATION DE LA POMPE	1	1	
23	67F-44322-00	.INSERT, CARTRIDGE .CUVETTE	1	1	
24	67F-44352-00	.IMPELLER .TURBINE	1	1	
25	688-44315-A0	.GASKET, WATER PUMP .JOINT, POMPE A EAU	1	1	
26	67F-44323-00	.OUTER PLATE, CARTRIDGE .PLAQUE EXTERIEURE	1	1	
27	688-44324-A0	.GASKET, CARTRIDGE .JOINT	1	1	

**D4**





67F3100-C380

FIG. 36 REPAIR KIT 3

KITS DE PEPARATION 3

REF. NO.	PART NO. N° PIECES	DESCRIPTION DESCRIPTION	67G5	67F5	REMARKS REMARQUES
28	688-44316-A0	.GASKET, WATER PUMP .JOINT, POMPE A EAU	1	1	
29	93210-46044	.O-RING .JOINT TORIQUE	1	1	
30	90119-08M87	.BOLT, WITH WASHER .BOULON, AVEC RONDELLE	2	2	
31	90119-08M13	.BOLT, WITH WASHER .BOULON, AVEC RONDELLE	2	2	
32	90280-04M04	.KEY, WOODRUFF .CLAVETTE, DEMI-LUNE	1	1	

PART NO. N° PIECES	REF. NO.
67F-11110-13-94	4 - 2
62Y-11119-00	2 - 8
67F-11133-10	4 - 3
67F-11168-00	4 - 22
67F-11181-02	4 - 17
	34 - 4
68V-11191-00-1S	4 - 21
67F-11192-01	4 - 29
6E5-11325-00	2 - 13
68V-11325-01	2 - 26
	4 - 8
67F-11327-00-94	4 - 9
69J-11327-00-94	2 - 27
67F-11328-00	2 - 30
	4 - 12
68V-11351-00	2 - 35
	34 - 12
6D8-11356-01	4 - 26
	34 - 16
67F-11411-00	3 - 1
67F-11416-00	3 - 4
67F-11416-10	3 - 4
67F-11416-20	3 - 4
67F-11417-00	3 - 5
67F-11417-10	3 - 5
67F-11417-20	3 - 5
67F-11417-30	3 - 5
67F-11418-00	3 - 6
67F-11418-10	3 - 6
67F-11418-20	3 - 6
6D8-11536-00	5 - 23
67F-11537-00	5 - 14
67F-11590-00	5 - 18
67F-11595-00	5 - 21
6D8-11603-01	3 - 9
6D8-11604-01	3 - 9
67F-11654-00	3 - 8
6D8-11656-00	3 - 10
6D8-11656-10	3 - 10
6D8-11656-20	3 - 10
6D8-11656-30	3 - 10
68V-12111-00	5 - 1
67F-12114-00	5 - 4
67F-12116-00	5 - 3
67F-12117-00	5 - 5
67F-12118-00	5 - 6
68V-12121-00	5 - 2
67F-12138-60	12 - 24

PART NO. N° PIECES	REF. NO.
67F-12153-00	5 - 9
67F-12168-00	5 - 10
67F-12168-10	5 - 10
67F-12168-20	5 - 10
67F-12168-30	5 - 10
67F-12168-40	5 - 10
67F-12168-50	5 - 10
67F-12168-60	5 - 10
67F-12168-70	5 - 10
67F-12168-80	5 - 10
67F-12168-A0	5 - 10
67F-12168-B0	5 - 10
67F-12168-C0	5 - 10
67F-12168-D0	5 - 10
67F-12168-E0	5 - 10
67F-12168-F0	5 - 10
67F-12168-G0	5 - 10
67F-12168-H0	5 - 10
67F-12168-J0	5 - 10
67F-12168-K0	5 - 10
67F-12168-L0	5 - 10
67F-12168-M0	5 - 10
67F-12168-N0	5 - 10
67F-12168-P0	5 - 10
67F-12168-R0	5 - 10
67F-12168-S0	5 - 10
67F-12168-T0	5 - 10
67F-12168-U0	5 - 10
67F-12168-V0	5 - 10
67F-12168-W0	5 - 10
67F-12168-X0	5 - 10
67F-12168-Y0	5 - 10
67F-12169-00	5 - 10
67F-12169-10	5 - 10
67F-12169-20	5 - 10
67F-12169-30	5 - 10
67F-12169-40	5 - 10
67F-12169-50	5 - 10
67F-12169-60	5 - 10
67F-12169-70	5 - 10
67F-12169-80	5 - 10
67F-12169-A0	5 - 10
67F-12169-B0	5 - 10
67F-12169-C0	5 - 10
67F-12169-D0	5 - 10
67F-12169-E0	5 - 10
67F-12169-F0	5 - 10
67F-12169-G0	5 - 10

PART NO. N° PIECES	REF. NO.
67F-12169-H0	5 - 10
67F-12169-J0	5 - 10
67F-12169-K0	5 - 10
67F-12169-L0	5 - 10
67F-12169-M0	5 - 10
67F-12169-N0	5 - 10
67F-12171-00	5 - 11
67F-12181-00	5 - 12
67F-12411-01	4 - 31
67F-12412-00	4 - 32
68V-12413-00-1S	4 - 33
6G5-12416-00	2 - 20
67F-12435-A0	2 - 24
67F-1243A-00	2 - 32
67F-1246A-01-1S	2 - 23
67F-12535-00	17 - 32
68T-12572-00	17 - 31
6R3-12581-00	17 - 35
6R3-12582-00	17 - 36
6R3-12583-00	17 - 37
67F-13119-01	25 - 19
68V-13131-00	10 - 19
67F-13149-00	25 - 23
67F-13183-00	8 - 2
67F-13300-10	25 - 14
67F-13314-02	25 - 15
67F-13329-00	25 - 17
67F-13338-00	25 - 25
67F-13339-00	25 - 24
67F-13411-00	25 - 9
67F-13415-00	25 - 13
	36 - 14
67F-13434-03	1 - 20
68V-13437-61	12 - 25
5GH-13440-00	2 - 40
67F-13473-01	25 - 16
67F-13495-00	25 - 18
67F-13631-03	25 - 22
67F-13641-00-94	6 - 6
67F-13645-00	6 - 12
	34 - 13
67F-13769-00	25 - 20
67F-13914-00	25 - 21
67F-1412A-00	8 - 1
	9 - 1
67F-14146-00	7 - 7
67F-14147-00	7 - 8

PART NO. N° PIECES	REF. NO.
67F-14147-00	35 - 2
67F-14159-00	7 - 30
	35 - 9
67F-14178-00	7 - 37
67F-14186-00	7 - 29
	35 - 8
67F-14189-00	8 - 11
67F-14216-00	6 - 2
67F-14239-00	6 - 3
	35 - 16
67F-14243-00	6 - 1
67F-14255-00	7 - 47
67F-14271-00	6 - 4
67F-14291-00	33 - 6
60C-14294-00	8 - 15
	9 - 7
60C-14298-00	8 - 16
	9 - 8
67F-14325-00	7 - 44
67F-14348-00	9 - 9
67F-14349-00	8 - 3
	9 - 3
67F-14349-10	8 - 4
67F-14349-20	8 - 5
	9 - 2
67F-14349-30	8 - 6
67F-14349-40	8 - 7
67F-14349-50	8 - 8
67F-14349-60	8 - 9
67F-14349-70	8 - 12
67F-14369-00	7 - 43
67F-14371-01	7 - 45
	35 - 17
67F-14378-00	7 - 35
67F-14380-01	7 - 36
67F-14397-00	7 - 21
	35 - 4
67F-14398-00	7 - 39
	35 - 13
67F-14398-10	7 - 41
	35 - 14
67F-14398-20	7 - 42
	35 - 15
67F-14398-30	7 - 46
	35 - 19
67F-14440-00	6 - 19
63V-14523-00	7 - 18
6H4-14548-00	7 - 31

PART NO. N° PIECES	REF. NO.
6H4-14548-00	35 - 10
67F-14555-00	7 - 16
697-14555-00	7 - 6
67F-14556-00	7 - 17
67F-14565-00	7 - 40
67F-14567-00	7 - 15
6K7-14573-00	15 - 17
6H2-14578-00	7 - 22
67F-14585-00	8 - 10
	9 - 4
60C-14590-02	7 - 33
	35 - 11
67F-14592-00	7 - 38
67F-14711-00-5B	24 - 11
67F-14860-00	7 - 49
67F-14901-20	7 - 1
67G-14901-30	7 - 1
67G-14901-50	7 - 1
67F-14902-20	7 - 2
67G-14902-30	7 - 2
67G-14902-50	7 - 2
67F-14903-20	7 - 3
67F-14904-20	7 - 4
67G-14904-30	7 - 4
67G-14904-50	7 - 4
67F-14923-00	7 - 5
67F-14923-10	7 - 5
67G-14943-29	7 - 14
67F-14943-32	7 - 14
67G-14943-80	7 - 14
67G-14947-00	7 - 13
67F-14947-10	7 - 13
67G-14948-05	7 - 12
67F-1494F-04	7 - 12
67G-14966-00	7 - 10
67F-14980-00	7 - 23
67F-14980-10	7 - 24
67F-14984-00	7 - 25
	35 - 5
6H4-14985-01	7 - 28
	35 - 7
6H3-14992-00	7 - 26
67F-14998-00	7 - 20
67F-15100-03-1S	2 - 2
67F-15142-00	2 - 12
67F-15311-03-5B	25 - 1
68V-15312-00	25 - 8
	36 - 13

PART NO. N° PIECES	REF. NO.
63P-15316-00	25 - 2
6D8-15362-00	25 - 30
6G8-15363-00	4 - 36
67F-15373-00	6 - 13
1UF-22434-00	22 - 41
67F-22435-00	22 - 12
67F-22471-01	22 - 37
68V-24149-00	10 - 26
6G8-2415E-00	17 - 52
6YK-24201-02	28 - 1
6YK-24201-10	28 - 1
67F-24251-01	33 - 13
6YK-24260-01	28 - 5
6YL-24268-01	28 - 2
6YK-24306-44	11 - 1
	28 - 8
67F-24312-00	17 - 38
6YL-24329-00	28 - 7
68F-24356-00	8 - 14
	9 - 5
68V-24374-00	10 - 22
67F-24377-00	33 - 10
6R3-24377-00	10 - 2
688-24378-00	8 - 17
	9 - 10
68V-24410-00	10 - 16
68V-24411-00	10 - 21
68V-24412-00	10 - 17
68V-24413-00	10 - 23
68V-24414-00	10 - 24
68V-24423-00	10 - 20
68V-24444-00	10 - 25
68V-24454-00	10 - 18
68V-24469-01	10 - 9
67F-24491-00	10 - 34
68V-24495-00	10 - 31
67F-2451B-00	33 - 14
68V-24521-01	10 - 6
60C-24560-00	10 - 5
61N-24563-00	10 - 7
68V-24566-00	10 - 11
67F-24575-00	10 - 30
6YK-24610-01	28 - 3
6YK-24610-10	28 - 3
6YL-24641-00	28 - 4
67F-28100-01	10 - 38
67F-2812A-00	14 - 23
6A1-28176-00	17 - 50



PART NO. N° PIECES	REF. NO.	PART NO. N° PIECES	REF. NO.
703-48261-01	31 - 2	67F-81842-00	16 - 20
703-48264-00	31 - 6	67F-81846-00	16 - 26
703-48265-00	31 - 9	67F-81850-00	16 - 2
703-48268-00	31 - 5	67F-81857-00	16 - 9
703-48271-00	31 - 60	67F-81869-00	16 - 23
703-48281-00	31 - 31	67F-81891-00	16 - 15
703-48282-00	31 - 32	67F-81916-01	14 - 35
703-48284-00	31 - 52	67F-81919-00	14 - 38
701-48287-00	31 - 42	67F-81930-00	33 - 3
703-48291-10	31 - 39	67F-81941-01	16 - 22
703-48293-10	31 - 41	67F-81942-00	14 - 22
701-48320-40	30 - 2	67F-81948-00	14 - 19
701-48320-50	30 - 2	6G1-8194A-10	14 - 3
701-48320-60	30 - 2	6G1-81952-00	14 - 6
701-48320-80	30 - 2	67F-81953-00	14 - 16
663-48344-00	18 - 3	6E5-8195B-01	14 - 7
703-48345-01	31 - 19	6E5-8195C-01	14 - 10
701-48350-00	30 - 2	67F-81960-11	13 - 23
703-48358-00	31 - 20	67F-81971-00	33 - 5
67F-48511-00-4D	20 - 38	67F-82105-00	14 - 2
67F-48538-00	18 - 1	67F-82116-00	14 - 15
67F-61350-00	29 - 1	6Y5-82117-00	32 - 17
66T-81328-00	12 - 8	6G5-82119-00	14 - 14
445-81328-20	12 - 7	703-82119-00	13 - 30
67F-8132G-01	15 - 1	682-82119-01	14 - 1
6D8-81332-00	12 - 17	67F-82127-00	19 - 11
67F-81337-01	12 - 20	6D8-82148-00	19 - 27
63D-81345-20	12 - 5	6E5-82148-00	19 - 5
67F-81673-00	12 - 9	1E6-82151-00	32 - 16
67F-81800-02	16 - 1	67F-82151-00	14 - 25
67F-81801-00	16 - 5	67F-82151-10	14 - 26
67F-81807-00	16 - 10	67F-8215B-00	14 - 27
67F-81808-00	16 - 8	6H1-82181-10	23 - 6
67F-81809-00	16 - 19	68V-82317-00	13 - 2
67F-81810-00	16 - 3	67F-82341-00	13 - 15
67F-81813-00	16 - 6	67F-82342-00	13 - 16
67F-81820-00	16 - 7	67F-82343-00	13 - 19
67F-81821-00	16 - 13	67F-82344-00	13 - 20
6K7-81826-10	16 - 24	67F-82361-00	13 - 17
67F-81828-00	16 - 25	67F-82362-00	13 - 18
67F-81830-00	16 - 17	67F-82377-00	17 - 49
67F-81832-00	16 - 11	68V-82504-00	15 - 25
67F-81836-00	16 - 12	703-82510-43	31 - 44
67F-81839-00	16 - 21	703-82531-00	31 - 46
67F-8183R-00	16 - 16	703-82540-00	31 - 50
60V-8183T-00	16 - 18	68F-82553-80	32 - 18
68F-81840-00	16 - 4	682-82556-00	31 - 48
67F-81841-00	16 - 14		

PART NO. N° PIECES	REF. NO.	PART NO. N° PIECES	REF. NO.
67F-82560-00	33 - 4	66T-87149-00	14 - 13
703-82563-02	31 - 55	K0A-A3721-00	5 - 7
63D-82563-10	15 - 26	K0A-A3722-00	5 - 8
688-82575-01	31 - 47	67F-W0001-04	34 - 1
703-82577-00	31 - 45	67F-W0001-21	36 - 1
6E3-8257H-00	17 - 51	67F-W0070-10	1 - 16
6E5-82587-00	15 - 27	67F-W0078-00	36 - 22
67F-82588-00	14 - 31	67F-W0093-02	35 - 1
6E5-82588-00	17 - 27	67F-W009A-22-1S	4 - 1
	33 - 17	67F-W009B-07-1S	2 - 1
688-8258A-20	31 - 49	6D8-W1164-00	3 - 7
67F-82590-03	14 - 24	6D8-W1164-10	3 - 7
703-82591-00	31 - 53	90101-09M01	29 - 7
703-82592-00	31 - 54	90101-12M03	19 - 45
703-82594-00	31 - 25	90105-10M67	27 - 15
703-83383-02	31 - 51	90105-10M89	4 - 19
6Y5-83500-S5	32 - 6	90109-06M80	17 - 44
6Y5-8350T-03	32 - 1	90109-06M81	17 - 28
6Y5-83533-T2	32 - 10		33 - 18
6Y5-83553-M0	32 - 15	90109-06M82	17 - 8
6Y5-83557-10	32 - 19	90109-06M86	15 - 29
6Y5-83557-31	32 - 11		17 - 15
6E5-83558-00	27 - 17	90109-06M96	18 - 2
6E5-83558-10	26 - 8	90109-12007	17 - 18
6Y5-83570-S5	32 - 7	90109-12012	20 - 19
67F-83614-00	15 - 28	90110-12M00	20 - 27
6A1-83625-41	12 - 26	90116-10175	21 - 4
6A1-83625-51	12 - 27	90119-06M59	20 - 39
67F-83626-00	14 - 37	90119-06M59	13 - 4
67F-83635-00	15 - 18	90119-06M81	19 - 40
64E-83672-02	20 - 1	90119-06M82	6 - 20
6Y5-83728-00	32 - 12	90119-06M83	10 - 29
67F-83790-11	33 - 1	90119-06M92	12 - 23
67F-83792-00	33 - 2	90119-06MA2	2 - 25
67F-85510-01	12 - 4	90119-06MA4	2 - 17
663-85518-00	18 - 27	90119-07234	4 - 7
67F-85540-03	13 - 1	90119-07235	4 - 5
689-85547-00	10 - 1		10 - 35
67F-85550-00	12 - 1	90119-08M13	26 - 20
67F-85560-01	12 - 2		36 - 31
67F-85570-00	13 - 5	90119-08M22	17 - 2
67F-85580-00	12 - 3	90119-08M58	24 - 1
68V-85753-00	15 - 6	90119-08M59	6 - 22
	34 - 8	90119-08M66	2 - 5
67F-85757-00	15 - 5	90119-08M84	27 - 9
67F-85790-00	15 - 4	90119-08M87	26 - 19
61A-85885-00	15 - 12		36 - 30
6Y5-87122-S0	32 - 14	90119-08M91	4 - 20

PART NO. N° PIECES	REF. NO.	PART NO. N° PIECES	REF. NO.
90119-10M06	5 - 15		
90119-10M08	24 - 23		
90119-10M72	5 - 22		
90119-10M88	2 - 4		
90151-05M00	27 - 12		
90157-05M16	28 - 6		
90159-06M28	17 - 43		
90159-06M29	4 - 30		
	14 - 36		
90167-06002	17 - 33		
90170-06M30	14 - 4		
90170-09M03	29 - 4		
90170-16M01	26 - 12		
90170-40003	5 - 24		
90171-16011	27 - 23		
90179-06M24	1 - 11		
90179-24002	12 - 16		
90183-02M03	26 - 48		
90185-05002	27 - 13		
90185-09M01	29 - 3		
90185-10051	20 - 40		
90185-22M11	19 - 15		
90201-03313	26 - 47		
90201-05M03	15 - 21		
90201-06068	17 - 12		
	18 - 29		
90201-06M31	18 - 46		
90201-08M12	10 - 33		
90201-09M02	18 - 16		
90201-10M02	18 - 45		
90201-10M20	29 - 2		
90201-10M63	29 - 6		
90201-121J9	23 - 14		
90201-12M01	21 - 2		
90201-12M05	19 - 47		
90201-12M16	20 - 21		
	21 - 5		
90201-13M01	19 - 46		
	20 - 22		
90201-13M03	20 - 26		
90201-13M19	20 - 32		
90201-24014	12 - 15		
90201-24M02	20 - 30		
90201-25M05	26 - 58		
90201-26M59	19 - 14		
90201-30M00	20 - 10		
90202-07M07	18 - 9		
90202-25M04	20 - 31		

PART NO. N° PIECES	REF. NO.	PART NO. N° PIECES	REF. NO.
90204-06M00	14 - 5		
90206-10M04	18 - 47		
90206-12M00	18 - 30		
90206-15M18	17 - 11		
90249-06M19	19 - 23		
90250-07M02	26 - 50		
90280-04008	5 - 25		
90280-04M04	26 - 26		
	36 - 32		
90280-05015	12 - 14		
90282-04010	26 - 65		
90338-11007	17 - 26		
90340-08002	26 - 3		
90340-14M06	2 - 6		
	25 - 3		
90344-51019	4 - 4		
90386-06M12	18 - 12		
90386-10M16	19 - 20		
90386-12069	18 - 32		
90386-15M73	17 - 10		
90386-18001	19 - 32		
90386-18M35	19 - 31		
90386-25M31	19 - 13		
90386-30M60	20 - 14		
90386-30M77	20 - 13		
90386-30M78	20 - 11		
90386-30M90	18 - 15		
90387-05M00	15 - 19		
90387-06119	13 - 3		
90387-06M43	17 - 46		
90387-06M64	25 - 12		
90387-06M71	12 - 21		
90387-06M82	18 - 43		
90387-08M37	17 - 4		
90387-10M08	4 - 18		
90387-10M42	29 - 5		
90387-18M01	19 - 35		
90387-22M01	19 - 37		
90389-25M00	27 - 22		
90401-20145	2 - 41		
90430-06014	6 - 8		
90430-08020	26 - 5		
	36 - 2		
90430-08143	4 - 16		
	34 - 2		
90430-14115	2 - 7		
	34 - 6		

PART NO. N° PIECES	REF. NO.
90430-14M09	25 - 4
	36 - 12
90445-07M31	26 - 7
90445-07ME0	27 - 16
90445-10M16	8 - 18
	9 - 11
90445-10M40	2 - 18
90445-10MG6	8 - 19
	9 - 12
90445-10MG7	8 - 20
	9 - 13
90445-11M49	33 - 12
90445-13M11	10 - 15
90445-13M27	10 - 4
90445-15M03	5 - 20
90445-16M07	8 - 21
	9 - 14
90464-09M47	15 - 15
90464-10M57	8 - 22
	9 - 15
90464-20258	17 - 48
90465-06M86	13 - 12
	15 - 9
90465-08028	33 - 8
90465-08M23	17 - 29
90465-08M63	19 - 9
	20 - 4
90465-08M83	8 - 23
	9 - 16
90465-10M77	19 - 2
90465-11M10	2 - 19
	6 - 14
	10 - 3
	15 - 11
	17 - 39
	20 - 7
	26 - 9
	32 - 13
	33 - 11
90465-11M59	8 - 13
	9 - 6
90465-12M03	6 - 16
90465-13M11	14 - 34
90465-13M36	33 - 9
90465-13M60	33 - 7
90467-10M04	33 - 16
90467-20M15	2 - 34
	6 - 15

PART NO. N° PIECES	REF. NO.
90468-18008	18 - 4
90480-10M23	15 - 20
90480-12072	2 - 11
	4 - 25
90480-13M24	17 - 45
90480-15M31	12 - 22
90480-19M06	26 - 22
90480-20M05	2 - 22
90480-22M15	17 - 3
90501-10326	7 - 19
90501-12082	18 - 22
90501-12M48	26 - 46
90501-16M11	2 - 21
90506-14M24	19 - 26
90506-16M34	17 - 16
90506-16M39	5 - 19
91317-03005	22 - 80
91317-03016	22 - 74
91317-04030	22 - 73
91317-05025	22 - 81
91317-05030	22 - 70
91317-05045	22 - 48
91317-05050	22 - 94
91490-20015	18 - 17
91490-40025	27 - 24
91609-25014	10 - 32
91609-50028	22 - 79
91690-30018	18 - 28
91690-30020	19 - 22
91690-50014	6 - 11
91809-08006	4 - 6
	10 - 36
92903-08100	16 - 32
92903-08600	16 - 28
92907-04600	4 - 24
92907-06600	25 - 11
92990-04100	32 - 4
92990-06100	1 - 3
92990-06600	24 - 29
92990-08600	31 - 34
92990-12600	18 - 31
92995-05100	15 - 23
92995-05600	15 - 14
92995-06100	12 - 12
	13 - 7
	14 - 29
	19 - 43
92995-06600	1 - 7

NUMERICAL INDEX  
INDEX NUMERIQUE

PART NO. N° PIECES	REF. NO.
92995-06600	2 - 10
	4 - 11
	6 - 18
	8 - 25
	9 - 18
	10 - 14
	12 - 13
	13 - 8
	14 - 18
	15 - 3
	18 - 7
	19 - 29
	24 - 10
	25 - 6
	26 - 37
92995-08100	19 - 17
	24 - 33
92995-08600	4 - 14
	6 - 10
92995-10100	20 - 37
	27 - 7
92995-10600	27 - 8
92A08-03012	22 - 85
92A08-03110	22 - 68
93101-25M03	26 - 31
	36 - 5
93101-48002	3 - 3
	34 - 11
93102-38M59	5 - 16
	34 - 5
93102-48009	3 - 2
	34 - 10
93106-09014	26 - 35
	36 - 8
93210-04228	7 - 34
	35 - 12
93210-04230	7 - 27
	35 - 6
93210-07003	26 - 40
	36 - 10
93210-09165	22 - 89
93210-16275	29 - 9
93210-18397	22 - 5
93210-19MJ1	25 - 29
	36 - 15
93210-24M79	4 - 37
	34 - 3
93210-29375	22 - 8

PART NO. N° PIECES	REF. NO.
93210-29M94	20 - 12
93210-30682	10 - 28
	34 - 15
93210-32738	10 - 8
93210-40M10	6 - 5
	35 - 18
93210-41MJ2	6 - 21
	34 - 14
93210-46044	26 - 32
	36 - 6
93210-49046	26 - 38
	36 - 9
93210-554A9	23 - 15
93210-64488	22 - 92
93210-86M39	26 - 63
	36 - 11
93306-207U0	26 - 57
93315-52563	26 - 13
93317-322V0	26 - 53
93317-325U0	26 - 61
93332-000U3	26 - 15
93332-000UD	26 - 54
93410-18M05	19 - 33
93410-28M06	20 - 16
93420-36M01	24 - 26
93430-06024	31 - 10
93501-04M02	18 - 21
93501-08001	22 - 10
93503-16003	22 - 25
	26 - 42
93505-32038	22 - 54
93602-07244	22 - 11
93604-10M03	26 - 18
93604-12M07	25 - 28
93605-10108	5 - 13
93606-12019	2 - 3
	25 - 7
	27 - 5
93606-19M23	24 - 16
93608-16M16	24 - 5
93700-06M03	19 - 8
94702-00391	4 - 38
95307-03600	22 - 69
95333-08600	16 - 31
95380-04600	32 - 5
95380-05600	18 - 40
	31 - 7
95380-06600	1 - 4

PART NO. N° PIECES	REF. NO.
95380-06600	17 - 42
	31 - 40
95380-08600	10 - 12
95380-12600	19 - 48
95380-12700	21 - 3
95380-12800	20 - 33
95780-12300	20 - 24
	21 - 6
97013-08016	16 - 29
97013-08045	16 - 27
97027-06025	25 - 10
97075-06020	2 - 28
	4 - 10
97075-06025	18 - 19
	25 - 5
97075-06030	24 - 12
97075-06050	24 - 14
97075-06070	24 - 9
97075-08025	4 - 13
97075-08035	6 - 9
97075-10040	20 - 36
	27 - 6
97095-06010	6 - 7
	15 - 10
97095-06012	19 - 3
	1 - 6
	6 - 17
	8 - 24
	9 - 17
	13 - 13
	14 - 32
	18 - 33
97095-06016	10 - 13
	14 - 17
	15 - 2
	17 - 13
	19 - 42
	26 - 36
97095-06020	2 - 9
	13 - 9
	14 - 28
97095-06025	2 - 37
	4 - 34
	13 - 24
	18 - 36
97095-06030	4 - 27
	12 - 11
	13 - 6

PART NO. N° PIECES	REF. NO.
97095-06035	18 - 44
97095-06040	18 - 6
97095-06045	25 - 26
97095-08014	4 - 15
97095-08016	24 - 32
97095-08020	19 - 16
97380-05025	31 - 8
97380-08030	31 - 33
97575-08445	20 - 18
97575-08540	2 - 31
	24 - 4
97607-04110	12 - 6
97607-04216	23 - 11
97780-40512	26 - 23
97780-60525	20 - 6
97803-04010	7 - 9
97880-06012	19 - 6
97880-06016	24 - 28
97885-05010	15 - 13
97885-05025	15 - 22
97885-06010	12 - 18
97885-06016	20 - 2
97980-04114	7 - 11
	35 - 3
97980-05225	23 - 10
98507-04008	4 - 23
98580-03015	31 - 38
98580-04006	31 - 36
98580-04008	7 - 32
98580-04010	31 - 35
98580-05010	31 - 37
98780-04016	2 - 14
99001-08600	26 - 41
99530-08012	12 - 10
9E450-04433	32 - 2
9E450-04533	32 - 3

F80AET/F100AET  
PARTS CATALOGUE  
©2005 by Yamaha Motor Co., Ltd.  
1st edition, June 2005  
All rights reserved.  
Any reprinting or unauthorized use  
without the written permission of  
Yamaha Motor Co., Ltd.  
is expressly prohibited.  
Printed in Japan.

F80AET/F100AET  
CATALOGUE DE PIÈCES DÉTACHÉES  
©2005 par Yamaha Motor Co., Ltd.  
1<sup>re</sup> édition, juin 2005  
Tous droits réservés  
Toute réimpression ou utilisation  
non autorisée sans la permission écrite  
de la Yamaha Motor Co., Ltd.  
est formellement interdite.  
Imprimé au Japon