

**PARTS
CATALOGUE
CATALOGUE
DE PIÈCES DÉTACHÉES**

F4AMH'05 (68D5)

1D68D-300F1

(2D68D-300F1)



2005/11/30

NEWS NO.	DATE	COMMENT
PE0-OM-040001	October, 25, 2004	COR:FIG.9 REF.28 NUT P/No. CORRECTION

FOREWORD

This Parts Catalogue is related to the parts for the model(s) on the cover page. When you are ordering replacement parts, please refer to this Parts Catalogue and quote both part numbers and part names correctly.

1. Modifications or additions which have been made after the issue of the Parts Catalogue will be announced in the Parts News. It is advisable that you make the necessary corrections to the Parts Catalogue according to the Parts News.

2. Abbreviations
The following abbreviations are used in this Parts Catalogue.

- “UR” Use specified parts number.
- “UN” Use as many as needed.
- “AP” Alternate Parts
- “LM” Locally Made (Parts need to be ordered locally)
- “F#” Frame No. (Applicable machine No.)
- “O/S” Over Size

3. The number of components for assembly

- Parts, which are to be supplied in an assembly, are listed with a dot (.) in front of the part name as shown below.
- The numeral appearing to the right of each component part indicates the quantity of parts for each assembly unit.

PART NO.	DESCRIPTION	Q'TY	REMARKS
2F5-83310-60	FRONT FLASHER LIGHT ASSY	2	
115-83311-60	.BULB (6V-18W)	1	

4. Applicable colours of graphics are represented in the “REMARKS” as shown below.

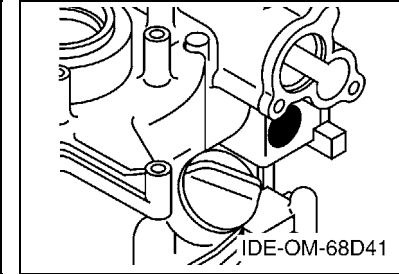
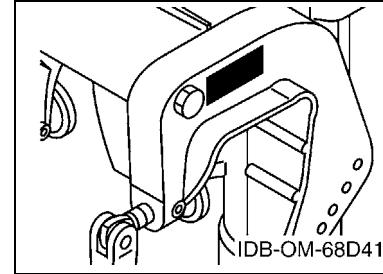
PART NO.	DESCRIPTION	Q'TY	REMARKS
2N4-24110-00-X5	FUEL TANK COMP.	2	MXR
3J1-24240-10	.GRAPHIC, FUEL TANK	1	FOR MXR

5. Note that the illustrations for reference in finding parts numbers are not to be used for assembling. When assembling, please use the applicable service manual.

6. The asterisk (*) before a reference number indicates modified items after the first edition.

7. Applicable Serial No.

Engine Serial No.



8. Applicable Engine Starting Serial No.

Model	Serial No.	Model	Serial No.
F4A	68D-1023952		

9. Applicable Colour Code

Abbreviation	Colour Name	Colour Code
DBNM2	DARK BLUISH GRAY METALLIC 2	004D

10. Quantity Column Information

Column No.	Name Of Q'ty Column	Applicable Model
1	68D5	F4AMH

AVANT-PROPOS

Ce catalogue de pièces détachées concerne les pièces pour le(s) modèle(s) indiqué(s) sur la page de couverture. Lorsque vous commandez des pièces de rechange, veuillez vous référer à ce catalogue de pièces détachées et indiquer clairement les numéros et les noms des pièces détachées.

1. Les modifications ou ajouts ayant été effectués après la parution du catalogue de pièces détachées seront décrits dans les Bulletins d'information concernant les pièces détachées.

Il est recommandé que vous apportiez les corrections nécessaires au catalogue des pièces détachées en vous référant aux Bulletins d'information.

2. Abréviations

Dans ce catalogue, les abréviations suivantes sont utilisées:

“UR” Utiliser le numéro de pièces spécifié.

“UN” Utiliser autant que nécessaire.

“AP” Pièces de substitution

“LM” Fabrication locale (les pièces doivent être commandées localement.)

“F#” N° de cadre (applicable au N° de série)

“O/S” Surdimensionné

3. Nombre de pièces d'un assemblage

- Les pièces fournies comme composants d'un assemblage sont précédées d'un point (.) de la manière indiquée ci-dessous.
- Le chiffre apparaissant à la droite de chaque composant indique la quantité de pièces pour chaque unité d'assemblage.

N° PIECES	DESCRIPTION	QTE	REMARQUES
2F5-83310-60	ENS. CLIGNOTANT AVANT	2	
115-83311-60	.AMPOULE (6V-18W)	1	

4. Les couleurs concernant les graphiques sont indiquées dans la colonne “REMARQUES”, comme indiqué ci-dessous.

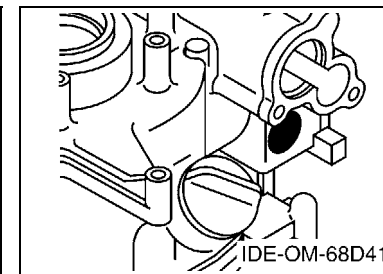
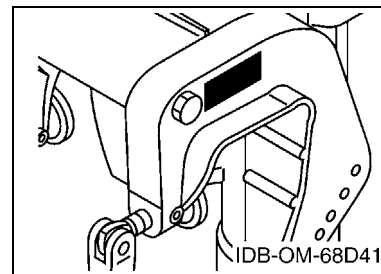
N° PIECES	DESCRIPTION	QTE	REMARQUES
2N4-24110-00-X5	RESERVOIR A ESSENCE.	2	MXR
3J1-24240-10	.GRAPHIQUE	1	POUR MXR

5. Veuillez noter que les illustrations sont indiquées à titre de référence pour trouver les numéros de pièces, non pour être utilisées lors de l'assemblage. Lors de l'assemblage, veuillez utiliser le manuel d'entretien adéquat.

6. L'astérisque (*) placé devant un numéro de référence indique des éléments qui ont été modifiés après la première édition.

7. N° de série applicable

N° de Série du moteur



8. N° de série initial du moteur applicable

Modèle	N° de série	Modèle	N° de série
F4A	68D-1023952		

9. Code couleur applicable

Abréviation	Nom de la couleur	Code couleur
DBNM2	DARK BLUISH GRAY METALLIC 2	004D

10. Informations relatives à la colonne Quantité

N° de la colonne	Nom de la colonne Qté	Modèle applicable
1	68D5	F4AMH



FLOOD MARINE SERVICES

downloaded from www.yamahaoutboardparts.co.uk



CONTENTS

FLOOD MARINE SERVICES

downloaded from www.yamahaoutboardparts.co.uk



FLOOD MARINE SERVICES

downloaded from www.yamahaoutboardparts.co.uk

TOP COWLING	A4
CYLINDER & CRANKCASE 1	A5
CRANKSHAFT & PISTON	A6
CYLINDER & CRANKCASE 2	A7
VALVE	B2
INTAKE	B3
CARBURETOR	B4
FUEL 1	B5
FUEL 2	B6
STARTER	C1
GENERATOR	C3
BOTTOM COWLING	C4
STEERING	C5
CONTROL	C7
BRACKET	D1
UPPER CASING	D3
LOWER CASING & DRIVE 1	D4
LOWER CASING & DRIVE 2	D6
REPAIR KIT 1	D7
REPAIR KIT 2	E1



FLOOD MARINE SERVICES

downloaded from www.yamahaoutboardparts.co.uk

INDEX

NUMERICAL INDEX	G1
-----------------------	----



FLOOD MARINE SERVICES

downloaded from www.yamahaoutboardparts.co.uk



FLOOD MARINE SERVICES

downloaded from www.yamahaoutboardparts.co.uk



FLOOD MARINE SERVICES

downloaded from www.yamahaoutboardparts.co.uk



A3

FLOOD MARINE SERVICES

downloaded from www.yamahaoutboardparts.co.uk



FLOOD MARINE SERVICES

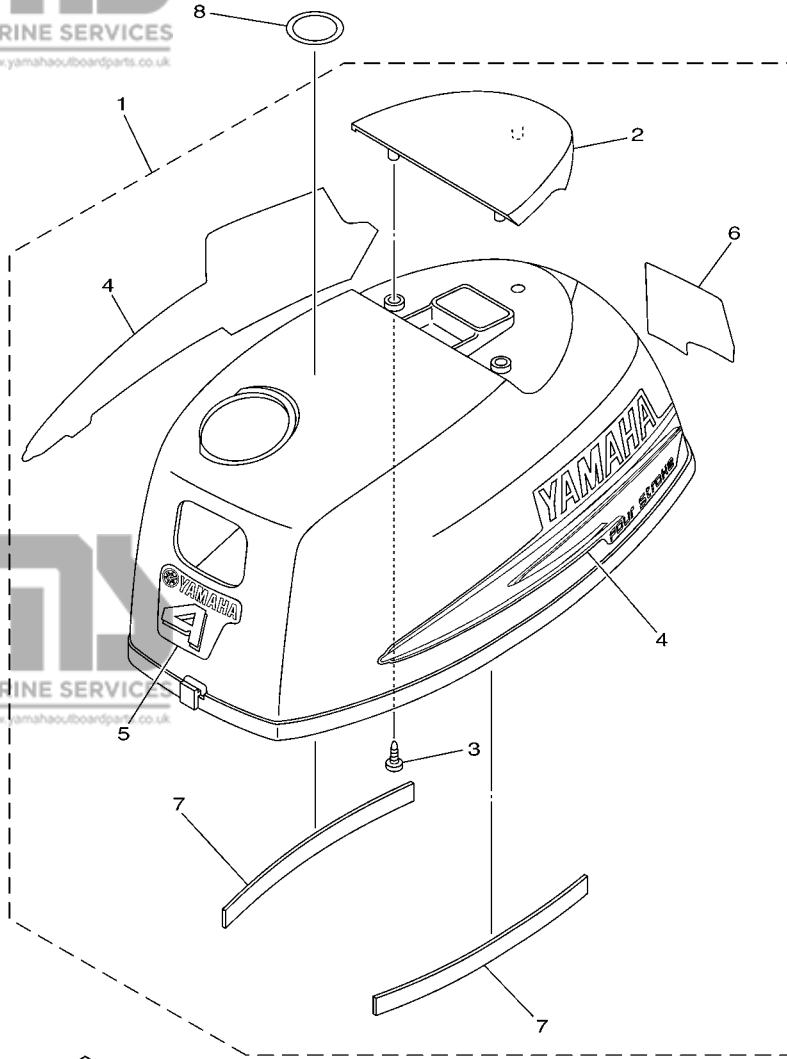
downloaded from www.yamahaoutboardparts.co.uk

TABLE DES MATIERES

CAPOT SUPERIEUR	A4
CYLINDRE & CARTER 1	A5
VILEBREQUIN & PISTON	A6
CYLINDRE & CARTER 2	A7
SOUPAPE	B2
ADMISSION	B3
CARBURATEUR	B4
CARBURANT 1	B5
CARBURANT 2	B6
DEMARREUR	C1
GENERATRICE	C3
CAPOT INFERIEUR	C4
DIRECTION	C5
COMMANDE	C7
SUPPORT	D1
FOURREAU	D3
BOITIER D'HELICE TRANSMISSION1	D4
BOITIER D'HELICE TRANSMISSION2	D6
KITS DE REPARATION 1	D7
KITS DE REPARATION 2	E1

INDEX

INDEX NUMERIQUE	G1
-----------------------	----



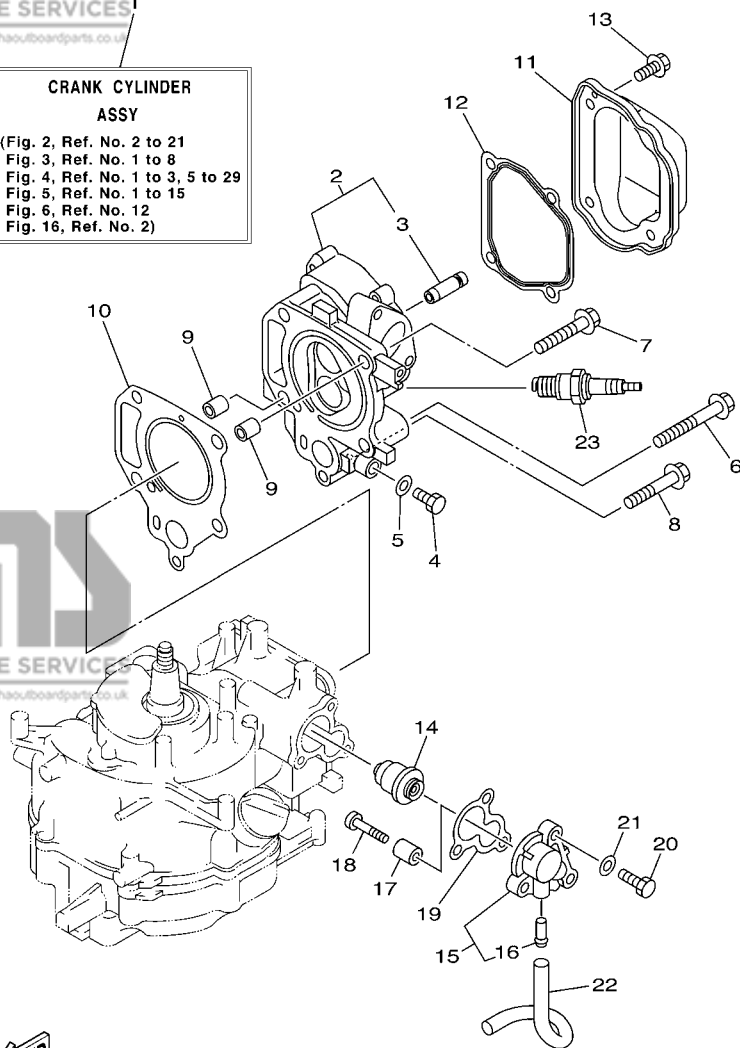
68D2010-2010

FIG. 1 TOP COWLING

CAPOT SUPERIEUR

REF. NO.	PART NO. N° PIECES	DESCRIPTION DESCRIPTION	68D5	REMARKS REMARQUES
1	68D-G2610-40-4D	TOP COWLING ASSY CAPOT (ENS.)	1	
2	68D-G2613-01	.MOLDING, AIR DUCT .MANCHON A AIR	1	
3	97780-40012	.SCREW, TAPPING .VIS, TETE BOMBEE	3	
4	68D-WG070-00	.GRAPHIC SET .JEU DIEMBLEMES	1	
5	68D-G2677-00	.GRAPHIC, FRONT .ADHESIF, AVANT	1	
6	68D-G2678-00	.GRAPHIC, REAR .ADHESIF, ARRIERE	1	
7	68D-42662-00	.DAMPER .AMORTISSEUR	2	
8	60R-E3434-00	LABEL, CAUTION ETIQUETTE, ATTENTION	1	

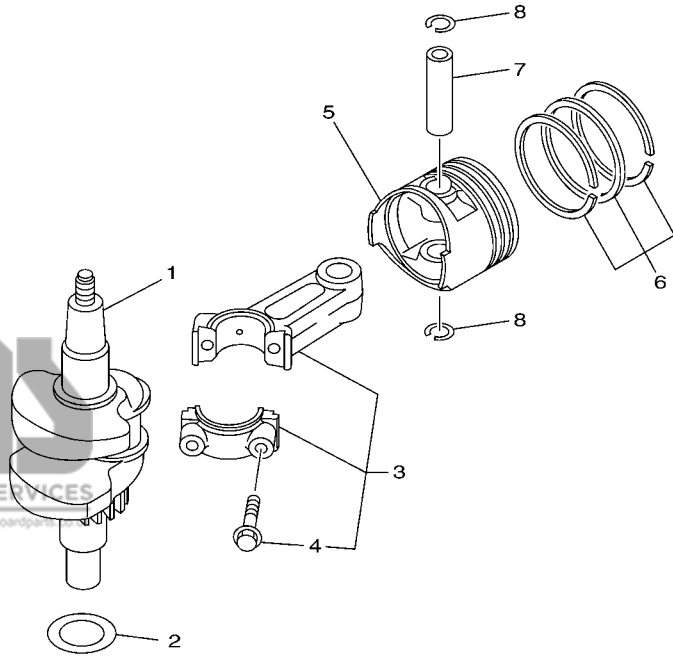
**CRANK CYLINDER
ASSY**
(Fig. 2, Ref. No. 2 to 21
Fig. 3, Ref. No. 1 to 8
Fig. 4, Ref. No. 1 to 3, 5 to 29
Fig. 5, Ref. No. 1 to 15
Fig. 6, Ref. No. 12
Fig. 16, Ref. No. 2)



68D3100-3020

FIG. 2 CYLINDER & CRANKCASE 1 CYLINDRE & CARTER 1

REF. NO.	PART NO. N° PIECES	DESCRIPTION DESCRIPTION	68D5	REMARKS REMARQUES
1	68D-WE090-11-1S	CRANK CYLINDER ASSY EMBIELLAGE CYLINDRE (ENS.)	1	
2	68D-E11111-10-1S	HEAD, CYLINDER 1 CULASSE	1	
3	67D-11133-10	.GUIDE, VALVE 1 .GUIDE, SOUPAPE 1	2	
4	97095-08014	BOLT BOULON	1	
5	90430-08800	GASKET JOINT	1	
6	90105-08M36	BOLT, FLANGE BOULON	3	
7	90105-08046	BOLT, FLANGE BOULON	1	
8	90105-06056	BOLT, FLANGE BOULON	1	
9	99510-10114	PIN, DOWEL GOUJON, D'ASSEMBLAGE	2	
10	67D-11181-A0	GASKET, CYLINDER HEAD 1 JOINT, DE CULASSE 1	1	
11	67D-11191-00	COVER, CYLINDER HEAD 1 COUVERCLE, CULASSE 1	1	
12	68D-E1193-A0	GASKET, HEAD COVER 1 JOINT, COUVERCLE DE CULASSE 1	1	
13	90105-06039	BOLT, FLANGE BOULON	4	
14	66M-12411-01	THERMOSTAT THERMOSTAT	1	
15	68D-E2413-00-1S	COVER, THERMOSTAT COUVERCLE, THERMOSTAT	1	
16	650-24378-00	.PIPE, JOINT 4 .DURITE RACCORDEMENT 4	1	
17	68D-E1325-00	ANODE ANODE	1	
18	97880-05025	SCREW, PAN HEAD VIS, TETE TRONCONIQUE	1	
19	68D-E2414-A0	GASKET, COVER JOINT, COUVERCLE	1	
20	97095-06020	BOLT BOULON	3	
21	92995-06600	WASHER RONDELLE	3	
22	90445-09807	HOSE (L180) DURITE (L180)	1	
23	94702-00248	PLUG, SPARK (NGK BR6HS) BOUGIE D,ALLUMAGE (NGK BR6HS)	1	



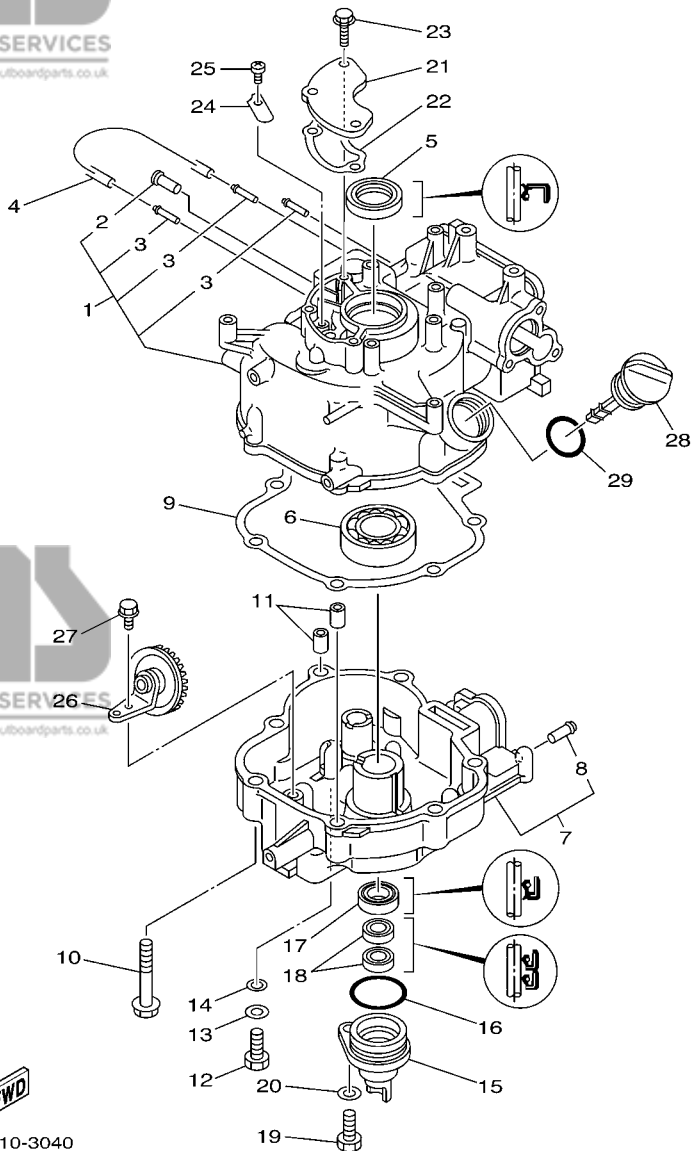
FWD
67D0010-8030

FIG. 3 CRANKSHAFT & PISTON

VILEBREQUIN & PISTON

REF. NO.	PART NO. N° PIECES	DESCRIPTION DESCRIPTION	68D5	REMARKS REMARQUES
1	67D-11400-00	CRANKSHAFT ASSY VILEBREQUIN COMPLET	1	
2	90201-266P2	WASHER, PLATE RONDELLE, PLATE	1	
3	67D-11650-00	CONNECTING ROD ASSY BIELLE COMPLETE	1	
4	67D-11654-00	.BOLT, CONNECTING ROD .BOULON, BIELLE	2	
5	68D-E1631-00-96	PISTON (STD) PISTON (STD)	1	
6	68D-E1635-00	PISTON (0.25MM O/S) PISTON (0.25MM O/S)	1	AP
	68D-E1636-00	PISTON (0.50MM O/S) PISTON (0.50MM O/S)	1	AP
	68D-E1603-00	PISTON RING SET (STD) JEU DE SEGMENTS (STD)	1	AP
	68D-E1604-00	PISTON RING SET (0.25MM O/S) JEU DE SEGMENTS (0.25MM O/S)	1	AP
	68D-E1605-00	PISTON RING SET (0.50MM O/S) JEU DE SEGMENTS (0.50MM O/S)	1	AP
7	68D-E1633-00	PIN, PISTON AXE, PISTON	1	
8	93450-14088	CIRCLIP CIRCLIP, TYPE S	2	

A6



68D3010-3040

FIG. 4 CYLINDER & CRANKCASE 2 CYLINDRE & CARTER 2

REF. NO.	PART NO. N° PIECES	DESCRIPTION DESCRIPTION	68D5	REMARKS REMARQUES
1	68D-E1311-02-1S	CYLINDER 1 CYLINDRE 1	1	
2	650-24378-00	.PIPE, JOINT 4 .DURITE RACCORDEMENT 4	1	
3	6H1-14485-00	.PIPE, JOINT .DURITE	3	
4	90445-07806	HOSE (L167) DURITE (L167)	1	
5	93102-25090	OIL SEAL JOINT SPY	1	
6	93306-205YD	BEARING ROULEMENT	1	
7	68D-E5111-00-1S	CRANKCASE 1 CARTER DE MOTEUR	1	
8	650-24378-00	.PIPE, JOINT 4 .DURITE RACCORDEMENT 4	1	
9	68D-11351-A0	GASKET, CYLINDER JOINT, D'EMBASE	1	
10	97575-08550	BOLT, WITH WASHER VIS HEXAGONAL AVC RONDELLE	7	
11	99510-10114	PIN, DOWEL GOUJON, D'ASSEMBLAGE	2	
12	97095-08020	BOLT BOULON	1	
13	92995-08600	WASHER RONDELLE	1	
14	90201-08818	WASHER, PLATE RONDELLE, PLATE	1	
15	68D-E5396-00-5B	HOUSING, OIL SEAL LOGEMENT DE JOINT SPY	1	
16	93210-35537	O-RING JOINT TORIQUE	1	
17	93102-20108	OIL SEAL JOINT SPY	1	
18	93102-10004	OIL SEAL JOINT SPY	2	
19	97095-08020	BOLT BOULON	1	
20	92995-08600	WASHER RONDELLE	1	
21	68D-E1168-00	COVER, BREATHER COUVERCLE, RENIFLARD	1	
22	68D-E1169-A0	GASKET, BREATHER COVER JOINT, COUVERCLE DE RENIFLARD	1	
23	90119-06M80	BOLT, WITH WASHER BOULON, AVEC RONDELLE	3	
24	68D-E5346-00	BREATHER 1 RENIFLARD 1	1	
25	98503-04006	SCREW, PAN HEAD VIS	1	
26	68D-E3102-00	GEAR UNIT ASSY PIGNON	1	
27	95817-06012	BOLT, FLANGE BOULON, A COLLERETTE	1	

A7

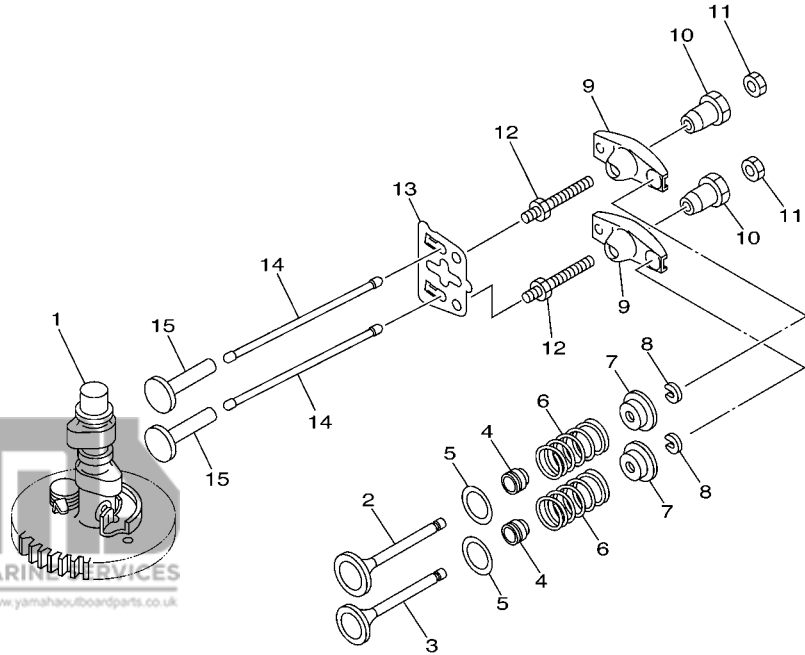


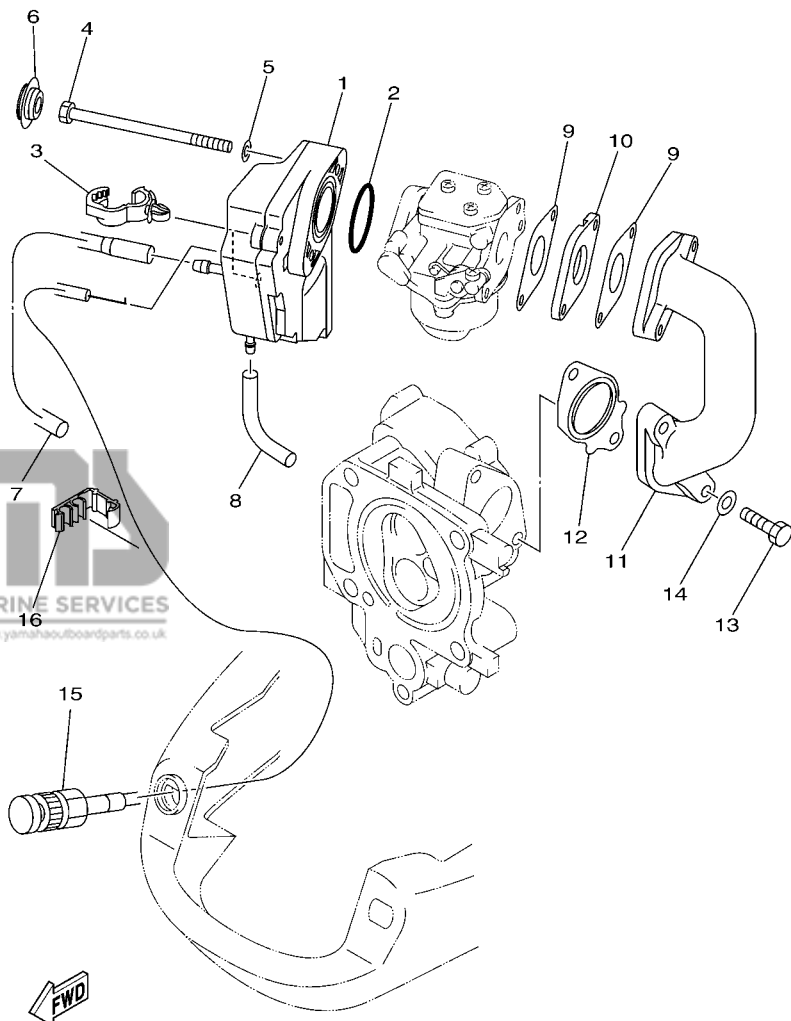
FIG. 5 VALVE

SOUPAPE

REF. NO.	PART NO. N° PIECES	DESCRIPTION DESCRIPTION	68D5	REMARKS REMARQUES
1	68D-E2170-00	CAMSHAFT ASSY 1 ENS ARBRE A CAMES 1	1	
2	67D-12111-00	VALVE, INTAKE SOUPAPE, ADMISSION	1	
3	67D-12121-00	VALVE, EXHAUST SOUPAPE, ECHAPPEMENT	1	
4	51Y-12119-00	SEAL, VALVE STEM JOINT, QUEUE DE SOUPAPE	2	
5	68T-12116-00	SEAT, VALVE SPRING SIEGE, RESSORT DE SOUPAPE	2	
6	68D-E2113-00	SPRING, VALVE INNER RESSORT DE SOUPAPE, INTERNE	2	
7	7NJ-12117-00	RETAINER, VALVE SPRING BUTEE DE RESSORT DE SOUPAPE	2	
8	7NJ-12118-00	COTTER, VALVE FRAISE, SOUPAPE	2	
9	67D-12151-00	ARM, VALVE ROCKER CULBUTEUR	2	
10	7FK-12165-00	PIVOT, ROCKER ARM PIVOT, CULBUTEUR	2	
11	7FK-12158-00	NUT, LOCK CONTRE-ECROU	2	
12	67D-12157-00	BOLT BOULON	2	
13	68D-E2155-00	GUIDE, PUSH ROD GUIDE, TIGE-POUSSOIR	1	
14	67D-12154-00	ROD, VALVE PUSH TIGE DE LEVE-SOUPAPE	2	
15	JA9-12153-00	LIFTER, VALVE LEVE-SOUPAPE	2	



68D3010-3050

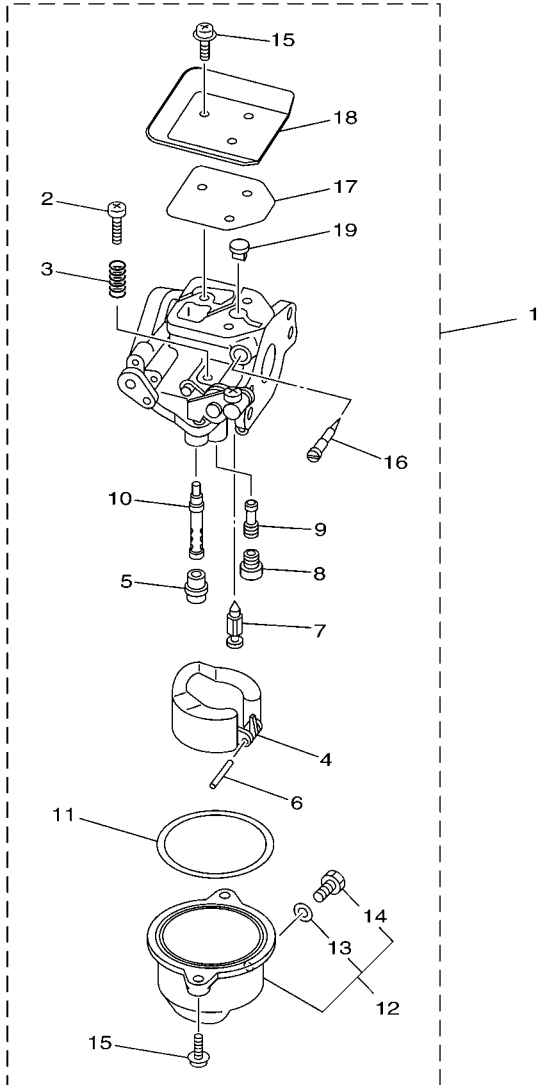


67D0010-8060

FIG. 6 INTAKE

ADMISSION

REF. NO.	PART NO. N° PIECES	DESCRIPTION DESCRIPTION	68D5	REMARKS REMARQUES
1	68D-E4440-00	SILENCER ASSY, INTAKE SIENCIEUX D'ADMISSION	1	
2	93210-31MJ5	O-RING JOINT TORIQUE	1	
3	90464-13249	CLAMP BRIDE	1	
4	97095-06090	BOLT BOULON	2	
5	92995-06600	WASHER RONDELLE	2	
6	90480-18M74	GROMMET PASSE-FIL	2	
7	68D-F4314-00	PIPE 4 DURITE 4	1	
8	90445-07805	HOSE (L70) DURITE (L70)	1	
9	68D-E3646-A0	GASKET, MANIFOLD 2 JOINT, TUBULURE 2	2	
10	68D-E3647-00	GASKET, MANIFOLD 3 JOINT, TUBULURE 3	1	
11	68D-E3641-00-94	MANIFOLD 1 TUBULURE 1	1	
12	68D-E3645-A0	GASKET, MANIFOLD 1 JOINT, TUBULURE 1	1	
13	97095-06025	BOLT BOULON	2	
14	92995-06600	WASHER RONDELLE	2	
15	68D-F6330-00	STARTER CABLE ASSY CABLE DE STARTER	1	
16	90464-05122	CLAMP BRIDE	1	



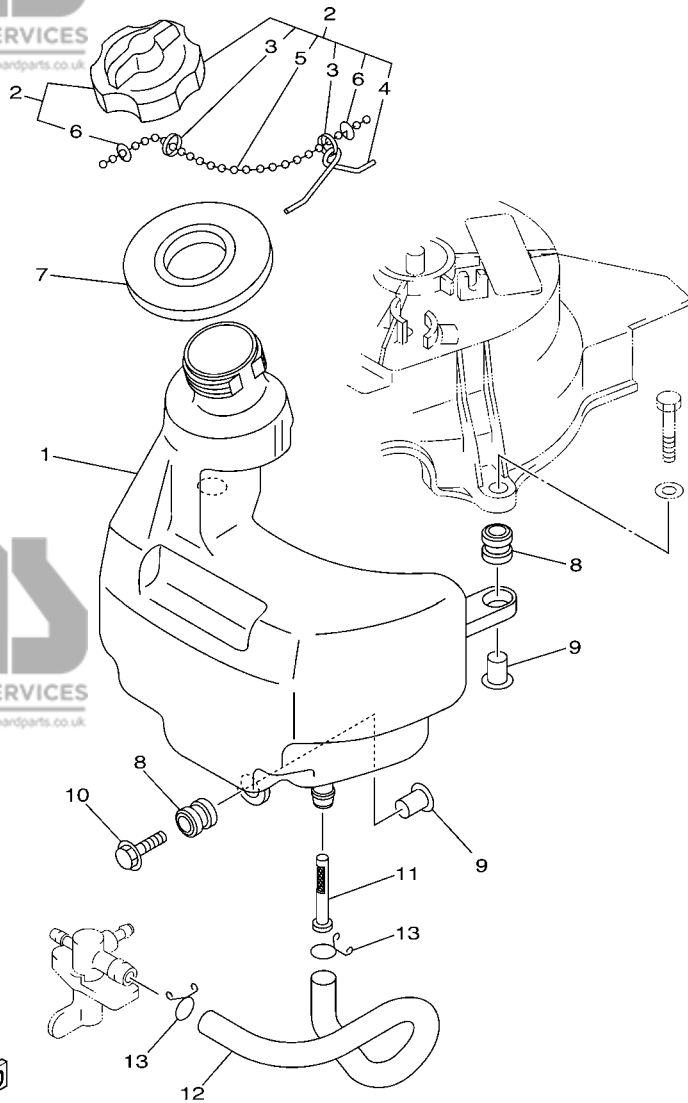
68D5010-D070

FIG. 7 CARBURETOR

CARBURATEUR

REF. NO.	PART NO. N° PIECES	DESCRIPTION DESCRIPTION	68D5	REMARKS REMARQUES
1	67D-14301-03	CARBURETOR ASSY 1 CARBURATEUR COMPLET 1	1	FOR STD FOR STD
	67D-14301-22	CARBURETOR ASSY 1 CARBURATEUR COMPLET 1	1	FOR SAV FOR SAV
2	6E5-14321-00	.SCREW, THROTTLE .VIS, ACCELERATEUR	1	
3	6J8-14334-00	.SPRING, THROTTLE .RESSORT, ACCELERATEUR	1	
4	68T-14385-00	.FLOAT .FLOTTEUR	1	
5	67D-14966-00	.RUBBER CAP .CAOUTCHOUC CASQUILLO	1	
6	67D-14386-00	.PIN, FLOAT .AXE, FLOTTEUR	1	
7	67D-14546-00	.VALVE, NEEDLE .POINTEAU	1	
8	67D-1492E-34	.JET, MAIN (#68) .GICLEUR, PRINCIPAL (#68)	1	
9	67D-1492F-18	.JET, AIR SLOW (#36) .GICLEUR, AIR (#36)	1	
10	67D-1492A-00	.NOZZLE, MAIN .PUITS D'AIGUILLE	1	
11	67D-14984-00	.GASKET, FLOAT CHAMBER .JOINT, CUVE DE FLOTTEUR	1	
12	67D-14981-00	.BODY, FLOAT CHAMBER .CORPS, CUVE DE FLOTTEUR	1	
13	6J8-14959-00	..GASKET ..JOINT	1	
14	66T-14991-00	..PLUG, DRAIN ..BOUCHON DE VIDANGE	1	
15	97980-04112	.SCREW, WITH WASHER .VIS, AVEC RONDELLE	5	
16	67D-14323-00	.SCREW, AIR ADJUSTING .VIS DE DOSEUR D'AIR	1	FOR 67D-14301-03 FOR 67D-14301-03
	68T-14323-20	.SCREW, AIR ADJUSTING .VIS DE DOSEUR D'AIR	1	FOR 67D-14301-22 FOR 67D-14301-22
17	67D-14536-00	.GASKET .JOINT	1	
18	67D-14527-01	.PLATE .PLAQUE	1	
19	67D-14126-00	.PLUG .PLOT	1	

B4



68D3010-3080

FIG. 8 FUEL 1

CARBURANT 1

REF. NO.	PART NO. N° PIECES	DESCRIPTION DESCRIPTION	68D5	REMARKS REMARQUES
1	68D-F4111-00	TANK, FUEL RESERVOIR, A ESSENCE	1	
2	67D-24610-02	CAP ASSY BOUCHON	1	
3	90501-10260	.SPRING, COMPRESSION .RESSORT, COMPRESSION	2	
4	624-24634-00	.HOOK, CHAIN BALL .ATTACHE	1	
5	69M-24633-00	.CHAIN, BALL .CHANE DE BALLE	1	
6	6H1-21757-00	.WASHER, SPECIAL 1 .RONDELLE, SPECIALE 1	2	
7	6L5-24641-00	GASKET, CAP 1 JOINT 1, BOUCHON	1	
8	6A0-82317-00	DAMPER, IGNITION COIL AMORTISSEUR, BOBINE D'ALLUM	3	
9	624-42542-00	PIPE TUYAU	3	
10	90119-06M88	BOLT, WITH WASHER BOULON, AVEC RONDELLE	1	
11	6L5-24251-00	STRAINER 1 FILTRE 1	1	
12	68D-F4311-00	PIPE, FUEL 1 DURITE A ESSENCE	1	
13	90467-13M13	CLIP JONC	2	

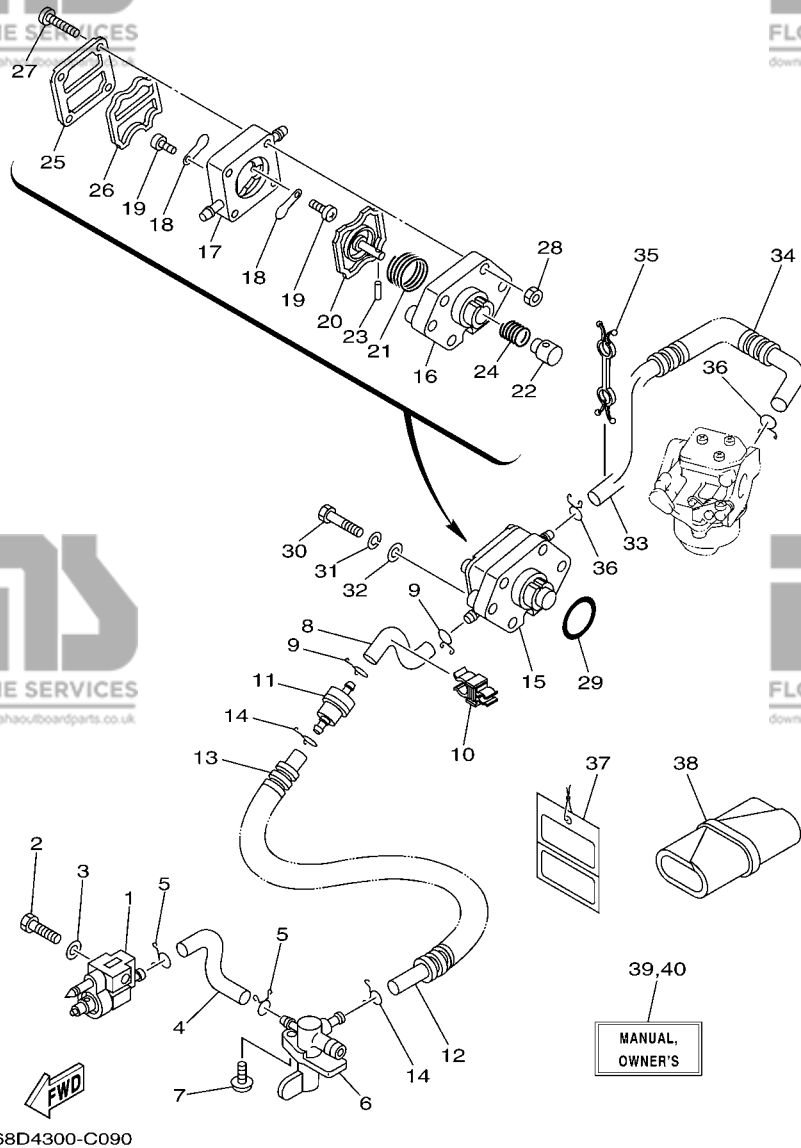


FIG. 9 FUEL 2

CARBURANT 2

REF. NO.	PART NO. N° PIECES	DESCRIPTION DESCRIPTION	68D5	REMARKS REMARQUES
1	6G1-24304-02	FUEL PIPE JOINT COMP. 1 DURITE RACCORDEMT. A ESSENCE	1	
2	97095-06025	BOLT BOULON	1	
3	92995-06600	WASHER RONDELLE	1	
4	68D-F4312-00	PIPE 2 DURITE 2	1	
5	90467-09M09	CLIP JONC	2	
6	67D-24500-00	FUEL COCK ASSY 1 ROBINET A ESSENCE	1	
7	90159-06M10	SCREW, WITH WASHER VIS, AVEC RONDELLE	1	
8	68D-F4313-00	PIPE 3 DURITE 3	1	
9	90467-09M09	CLIP JONC	2	
10	90464-10M52	CLAMP BRIDE	1	
11	646-24251-02	STRAINER 1 FILTRE 1	1	
12	90445-10804	HOSE (L140) DURITE (L140)	1	
13	90446-14M12	HOSE DURITE	1	
14	90467-09M09	CLIP JONC	2	
15	67D-24410-02	FUEL PUMP ASSY POMPE A ESSENCE	1	
16	67D-24412-00	.BODY 1 .CORPS 1	1	
17	67D-24413-02	.BODY 2 .CORPS 2	1	
18	6A0-24421-01	.VALVE, CHECK .SOUPAPE, RETENUE	2	
19	6E7-14325-00	.SCREW, PAN HEAD .VIS TETE CONIQUE	2	
20	67D-24411-00	.DIAPHRAGM .DIAPHRAGME	1	
21	67D-24423-00	.SPRING, DIAPHRAGM .RESSORT, DIAPHRAGME	1	
22	67D-13131-00	.PLUNGER .PLONGEUR	1	
23	66M-24374-00	.PIN .GOUILLE	1	
24	67D-24454-00	.SPRING .RESSORT	1	
25	67D-24414-01	.BODY 3 .CORPS 3	1	
26	66M-24471-00	.DIAPHRAGM .DIAPHRAGME	1	
27	67D-24444-00	.SCREW .VIS	4	

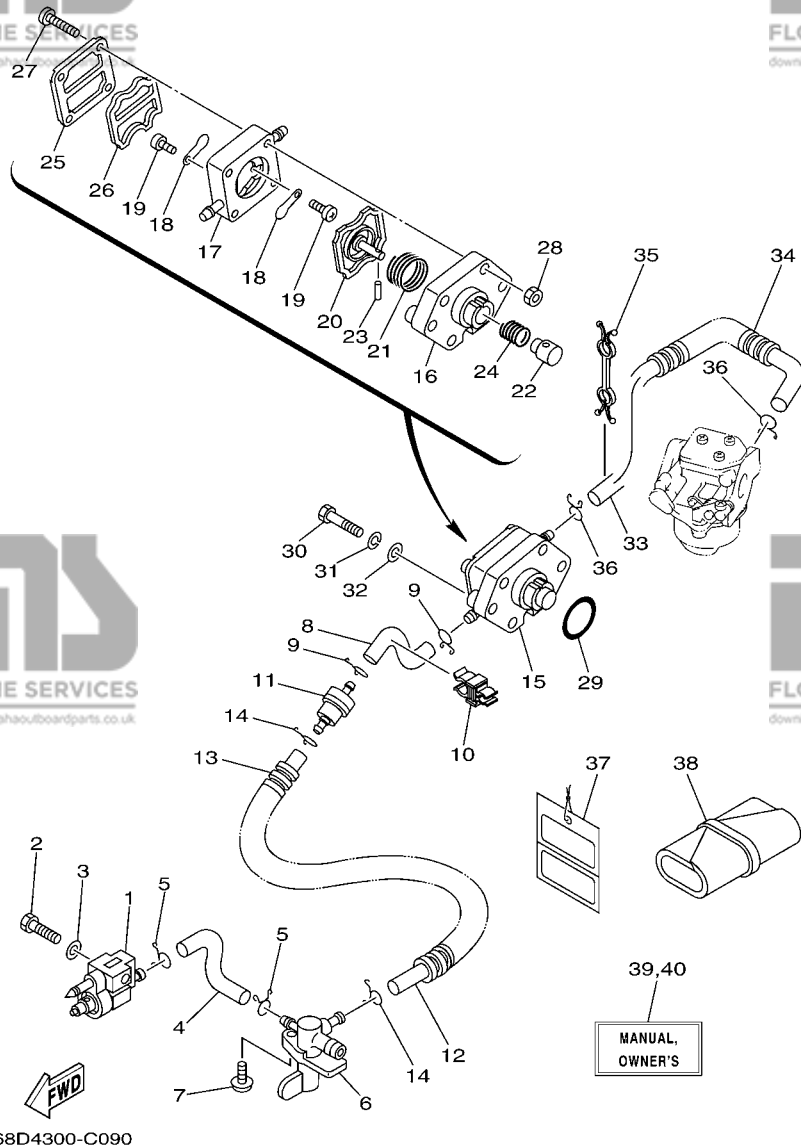
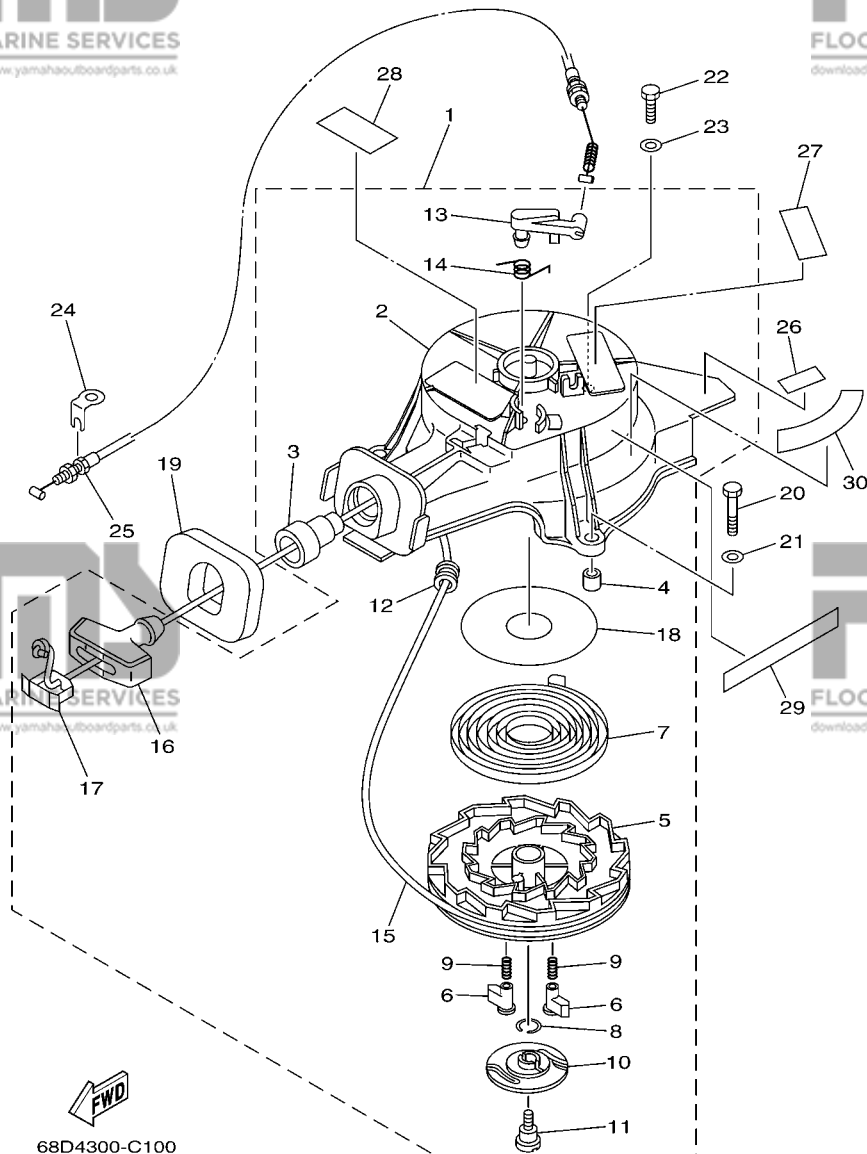


FIG. 9 FUEL 2

CARBURANT 2

REF. NO.	PART NO. N° PIECES	DESCRIPTION DESCRIPTION	68D5	REMARKS REMARQUES
28	95380-04600	.NUT .ECROU	4	
29	93210-27ME3	O-RING JOINT TORIQUE	1	
30	97095-06030	BOLT BOULON	2	
31	92995-06100	WASHER, SPRING RONDELLE, GROWER	2	
32	92995-06600	WASHER RONDELLE	2	
33	90445-10805	HOSE (L250) DURITE (L250)	1	
34	90446-14M12	HOSE DURITE	1	
35	90464-10M53	CLAMP BRIDE	1	
36	90467-09M09	CLIP JONC	2	
37	61H-2819R-31	TAG, WARNING ETIQUETTE, AVERTISSEMENT	1	
38	68D-F8100-00	TOOL KIT TROUSSE A OUTILS	1	
39	68D-F8199-74-E0	MANUAL_OWNER'S MANUEL D'UTILISATION	1	UR (E)
	68D-F8199-74-F0	MANUAL_OWNER'S MANUEL D'UTILISATION	1	UR (E) UR (F)
	68D-F8199-74-S0	MANUAL_OWNER'S MANUEL D'UTILISATION	1	UR (F) UR (ES)
	68D-F8199-74-G0	MANUAL_OWNER'S MANUEL D'UTILISATION	1	UR (ES) UR (D)
	68D-F8199-74-D0	MANUAL_OWNER'S MANUEL D'UTILISATION	1	UR (D) UR (D)
	68D-F8199-74-H0	MANUAL_OWNER'S MANUEL D'UTILISATION	1	UR (NL) UR (NL)
	68D-F8199-74-K0	MANUAL_OWNER'S MANUEL D'UTILISATION	1	UR (I) UR (I)
40	68D-F8199-84-K0	MANUAL_OWNER'S MANUEL D'UTILISATION	1	UR (DK) UR (DK)
	68D-F8199-84-R0	MANUAL_OWNER'S MANUEL D'UTILISATION	1	UR (GR) UR (GR)
	68D-F8199-84-P0	MANUAL_OWNER'S MANUEL D'UTILISATION	1	UR (P) UR (P)
	68D-F8199-84-N0	MANUAL_OWNER'S MANUEL D'UTILISATION	1	UR (N) UR (N)
	68D-F8199-84-M0	MANUAL_OWNER'S MANUEL D'UTILISATION	1	UR (S) UR (S)
	68D-F8199-84-L0	MANUAL_OWNER'S MANUEL D'UTILISATION	1	UR (SF) UR (SF)



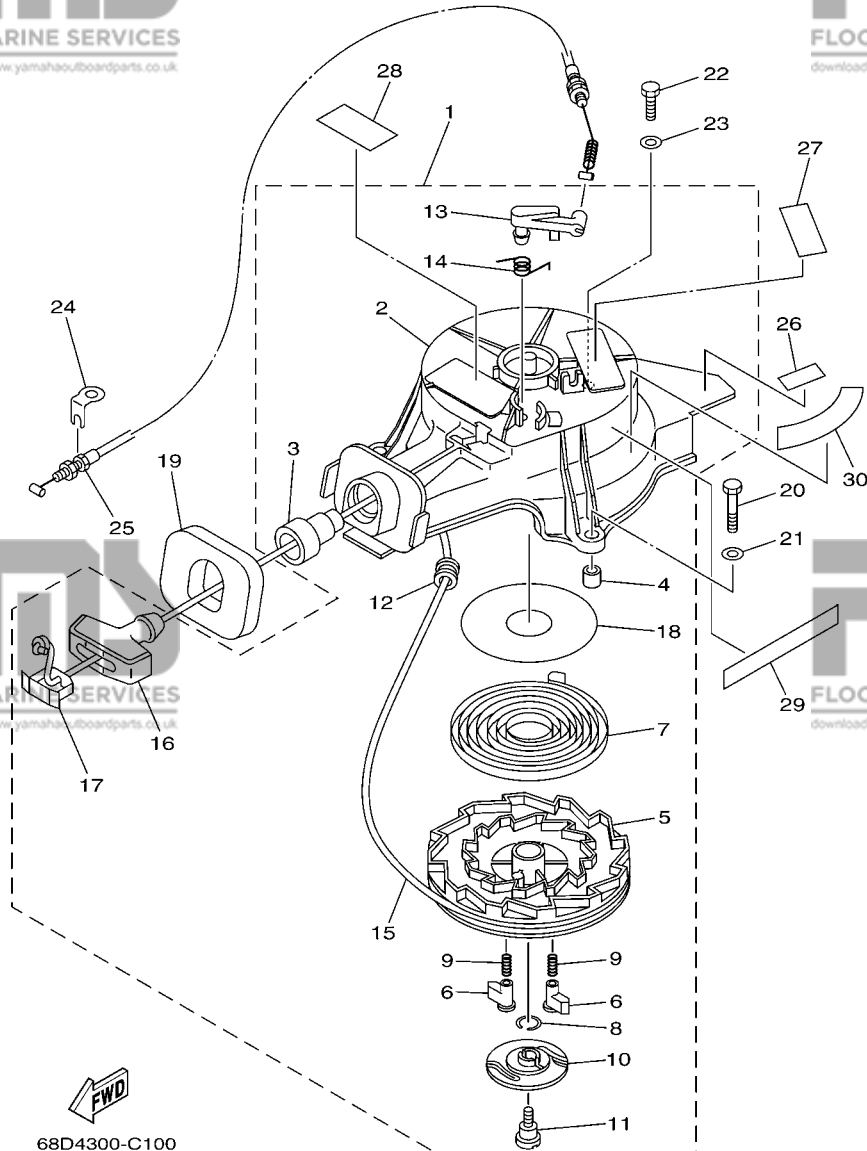
*1: CUT FROM 50M ROLLS, PART NO.90890-44372, CUTTING LENGTH 1.8M

*1:A PRELEVER SUR BOBINE 50M ,REFERENCE 90890-44372, LONGUEUR DE COUPE 1.8M

FIG. 10 STARTER

DEMARREUR

REF. NO.	PART NO. N° PIECES	DESCRIPTION DESCRIPTION	68D5	REMARKS REMARQUES
1	67D-15710-00	STARTER ASSY DEMARREUR COMPLET	1	
2	67D-15711-00	.CASE, STARTER .CARTER DE DEMARREUR	1	
3	63V-15795-01	.GUIDE, ROPE .GUIDE DE CABLE	1	
4	67D-15764-00	.COLLAR 1 .COLLERETTE 1	3	
5	67D-15714-00	.DRUM, SHEAVE .TAMBOUR, POULIE	1	
6	67D-15741-00	.PAWL, DRIVE .CLIQUET, ENTRAINEMENT	2	
7	67D-15713-00	.SPRING, STARTER .RESSORT DE DEMARREUR	1	
8	67D-15705-00	.SPRING, DRIVE PAWL .RESSORT DE CLIQUET	1	
9	67D-15767-00	.SPRING .RESSORT	2	
10	67D-15735-00	.GUIDE, CAM .COULISSEAU	1	
11	67D-15793-00	.SCREW .VIS	1	
12	63V-15764-00	.COLLAR 1 .COLLERETTE 1	1	
13	67D-15794-00	.STOPPER .BUTEE	1	
14	67D-15734-00	.SPRING, RETURN .RESSORT, RAPPEL	1	
15	*	.WIRE, STARTER (L:1800MM) .CABLE DE DEMARREUR (L:1800MM)	1	*1
16	6G1-15765-00	.HANDLE, STARTER .POIGNEE, DE DEMARREUR	1	
17	6G1-15779-00	.COVER .COUVERCLE	1	
18	67D-15739-00	.WASHER, THRUST .RONDELLE, DE BUTEE	1	
19	67D-15762-00	SEAL, RUBBER 2 JOINT CAOUTCHOUC 2	1	
20	97095-06035	BOLT BOULON	2	
21	92995-06600	WASHER RONDELLE	2	
22	97095-06020	BOLT BOULON	1	
23	92995-06600	WASHER RONDELLE	1	
24	67D-15772-00	STAY 2 SUPPORT 2	1	
25	67D-15770-00	CABLE COMP., STARTER STOP CABLE, BUTEE DE DEMAR	1	
26	67D-42791-10	MARK 1 ETIQUETTE 1	1	
27	60R-H3625-40	MARK 5 ETIQUETTE 5	1	



FWD
68D4300-C100

*1: CUT FROM 50M ROLLS, PART NO. 90890-44372, CUTTING LENGTH 1.8M
 *1: A PRELEVER SUR BOBINE 50M ,REFERENCE 90890-44372, LONGUEUR DE COUPE 1.8M

FIG. 10 STARTER

DEMARREUR

REF. NO.	PART NO. N° PIECES	DESCRIPTION DESCRIPTION	68D5	REMARKS REMARQUES
28	60R-H3625-50	MARK 5 ETIQUETTE 5	1	
29	68D-13437-60	MARK, CAUTION MAKER	1	
30	67D-14427-60	LABEL, INSTRUCTION ETIQUETTE, INSTRUCTION	1	

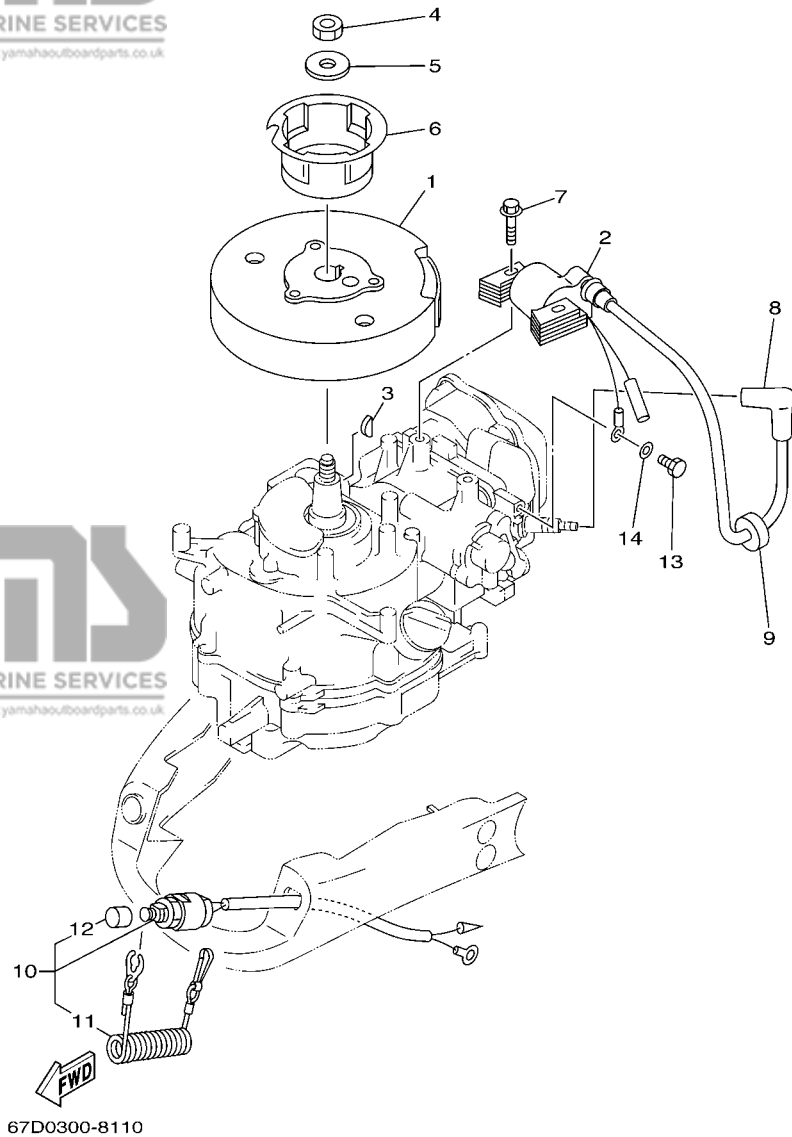


FIG. 11 GENERATOR

GENERATRICE

REF. NO.	PART NO. N° PIECES	DESCRIPTION DESCRIPTION	68D5	REMARKS REMARQUES
1	67D-85650-00	ROTOR ASSY ROTOR COMPLET	1	
2	67D-85640-00	T.C.I. UNIT ASSY ENS. BLOC T.C.I.	1	
3	90280-04M06	KEY, WOODRUFF CLAVETTE, DEMI-LUNE	1	
4	90170-10M33	NUT ECROU	1	
5	90201-105A2	WASHER, PLATE RONDELLE, PLATE	1	
6	67D-15723-00	PULLEY, STARTER POULIE DE DEMARREUR	1	
7	90105-06M24	BOLT, FLANGE BOULON	2	
8	6E3-82370-21	PLUG CAP ASSY ANTIPARASITE	1	
9	90480-25161	GROMMET PASSE-FIL	1	
10	67D-82575-00	ENGINE STOP SWITCH ASSY COUPE CIRCUIT CPLT	1	
11	682-82556-00	.STOPPER .PLAQUETTE	1	
12	689-8257Y-00	.CAP .CHAPEAU	1	
13	97095-06012	BOLT BOULON	1	
14	92995-06600	WASHER RONDELLE	1	

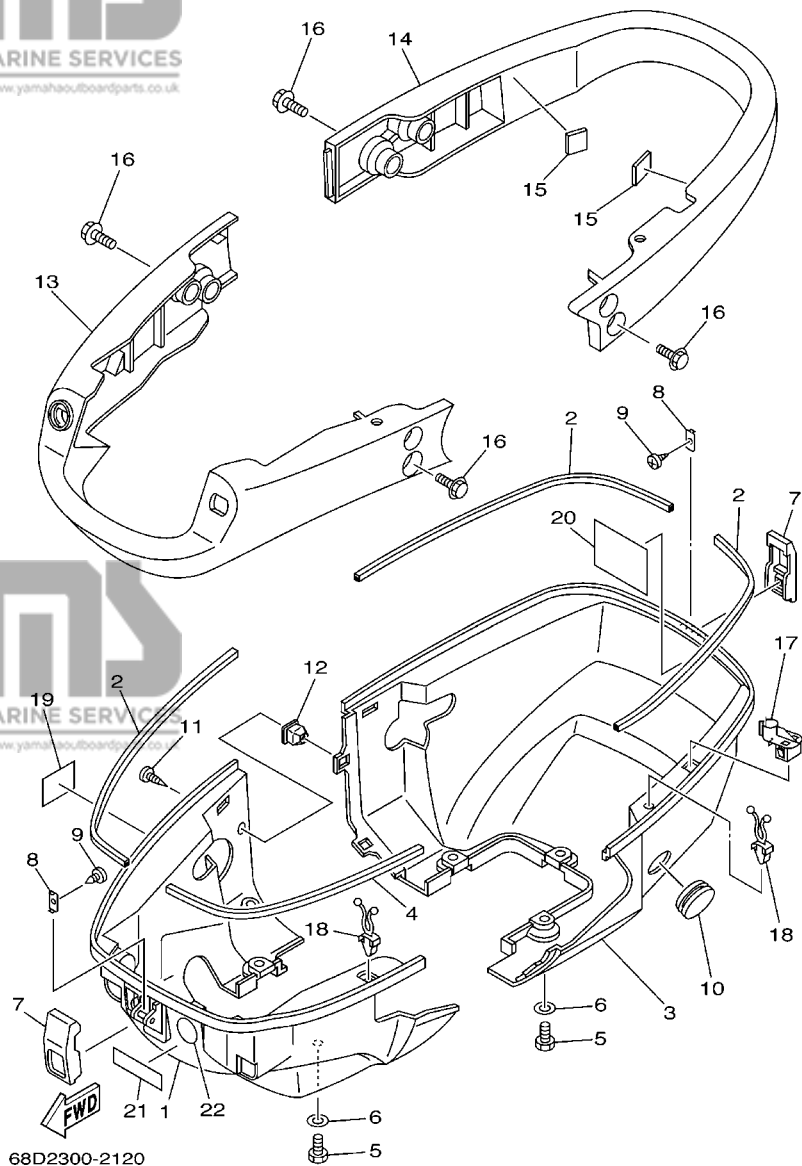


FIG. 12 BOTTOM COWLING

CAPOT INFERIEUR

REF. NO.	PART NO. N° PIECES	DESCRIPTION DESCRIPTION	68D5	REMARKS REMARQUES
1	68D-G2711-01	COWLING, BOTTOM CUVETTE	1	
2	68D-G2628-00	SEAL JOINT	3	
3	68D-G2712-01	COWLING, BOTTOM CUVETTE	1	
4	68D-G2629-00	SEAL JOINT	1	
5	97095-06016	BOLT BOULON	6	
6	92995-06600	WASHER RONDELLE	6	
7	6L5-42647-00	HOLDER, CLAMP BAND SUPPORT, SANDOW DE SERRAGE	2	
8	6L5-42823-00	PLATE, STOP PLAQUE	2	
9	90167-03M02	SCREW, TAPPING VIS, TETE FRAISEE	2	
10	90480-22M72	GROMMET PASSE-FIL	1	
11	90161-05001	SCREW, TAPPING VIS, TETE FRAISEE	3	
12	90480-10004	GROMMET PASSE-FIL	3	
13	68D-G2731-00	CARRYING HANDLE POIGNEE DE PORTAGE	1	
14	68D-G2735-00	PROTECTOR PROTECTEUR	1	
15	67D-42662-00	DAMPER AMORTISSEUR	2	
16	90119-06M79	BOLT, WITH WASHER BOULON, AVEC RONDELLE	8	
17	90464-07M50	CLAMP BRIDE	1	
18	90464-07078	CLAMP BRIDE	2	
19	67D-13444-50	MARK MAKER	1	
20	68D-E2138-60	MARK, CAUTION MAKER	1	
21	68D-H257H-00	PLATE, MARK PLAQUE, ADHESIF	1	
22	60R-F415E-00	LABEL, CAUTION ETIQUETTE, RECOMMANDATION	1	FOR SAV FOR SAV

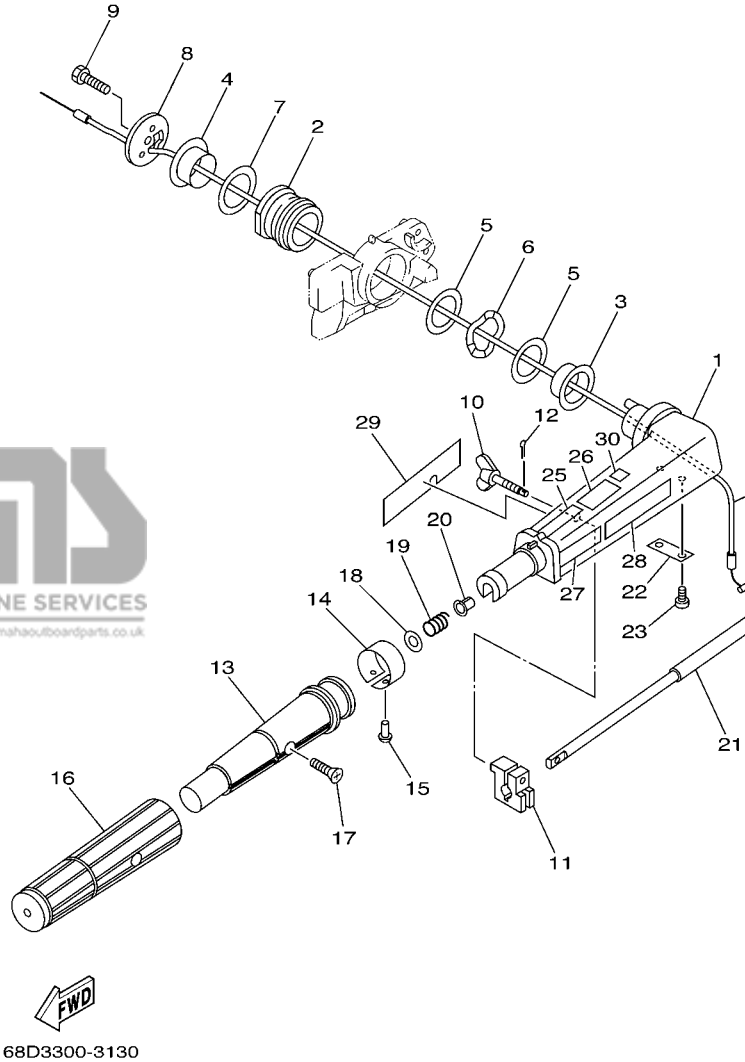


FIG. 13 STEERING

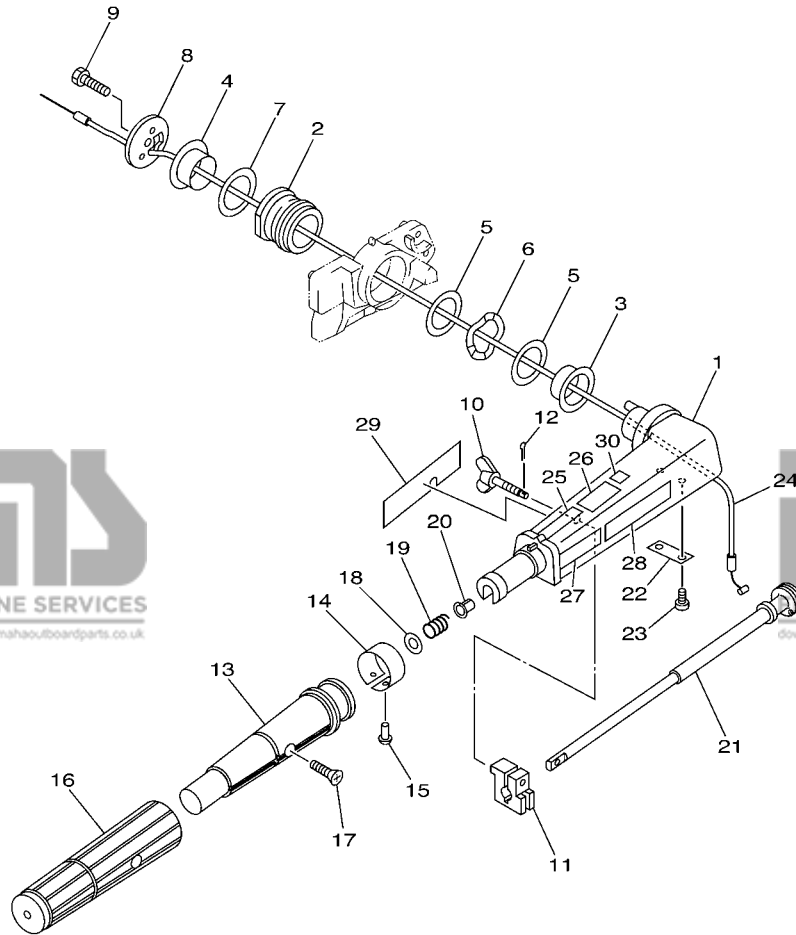
DIRECTION

REF. NO.	PART NO. N° PIECES	DESCRIPTION DESCRIPTION	68D5	REMARKS REMARQUES
1	68D-G2111-00-4D	HANDLE, STEERING POIGNEE	1	
2	67D-42129-00	BUSHING, RUBBER DOUILLE, CAOUTCHOUC	1	
3	68D-G2171-00	BUSHING COUSSINET	1	
4	68D-G2172-00	BUSHING 2 DOUILLE 2	1	
5	68D-G2181-00	WASHER RONDELLE	2	
6	69M-G2188-00	WASHER, WAVE RONDELLE, ONDULEE	1	
7	68D-G2182-00	WASHER 2 RONDELLE 2	1	
8	68D-G2131-01	COVER, HANDLE STEERING COUVERCLE	1	
9	97075-08025	BOLT BOULON	1	
10	6G1-42125-01	BOLT, FRICTION ADJUSTING BOULON	1	
11	6N0-G2126-00	FRICTION, STEERING HANDLE GRIP CUVETTE, POIGNEE DE DIRECTION	1	
12	91490-16010	PIN, COTTER GOUPILLE	1	
13	68D-G2119-00	GRIP, STEERING HANDLE POIGNEE, BARRE FRANCHE	1	
14	68D-G2137-00	INDICATOR, THROTTLE INDICATEUR, ACCELERATION	1	
15	90269-02M09	RIVET RIVET	1	
16	68D-G2177-10	RUBBER, HANDLE CAOUTCHOUC, POIGNEE	1	
17	90149-05M13	SCREW VIS	1	
18	92903-10600	WASHER, PLATE RONDELLE, PLATE	1	
19	90501-23215	SPRING, COMPRESSION RESSORT, COMPRESSION	1	
20	90386-08032	BUSH DOUILLE	1	
21	6G1-42138-01	LEVER, THROTTLE LEVIER, ACCELERATEUR	1	
22	68D-G2159-00	STAY SUPPORT	1	
23	97885-05012	SCREW, PAN HEAD VIS, A ENCOCHE	2	
24	68D-F6301-00	THROTTLE CABLE ASSY CABLE D'ACCELERATEUR	1	
25	60R-H3627-40	LABEL, CAUTION 7 ETIQUETTE, RECOMMANDATION 7	1	
26	60R-H3627-50	LABEL, CAUTION 7 ETIQUETTE, RECOMMANDATION 7	1	
27	6A1-2415A-41	LABEL, CAUTION ETIQUETTE, RECOMMANDATION	1	

FIG. 13 STEERING

DIRECTION

REF. NO.	PART NO. N° PIECES	DESCRIPTION DESCRIPTION	68D5	REMARKS REMARQUES
28	6A1-2415A-51	LABEL, CAUTION ETIQUETTE, RECOMMANDATION	1	
29	68D-E571Y-60	MARK, CAUTION MAKER	1	
30	6N0-F8176-00	LABEL, CAUTION ETIQUETTE, RECOMMANDATION	1	



68D3300-3130

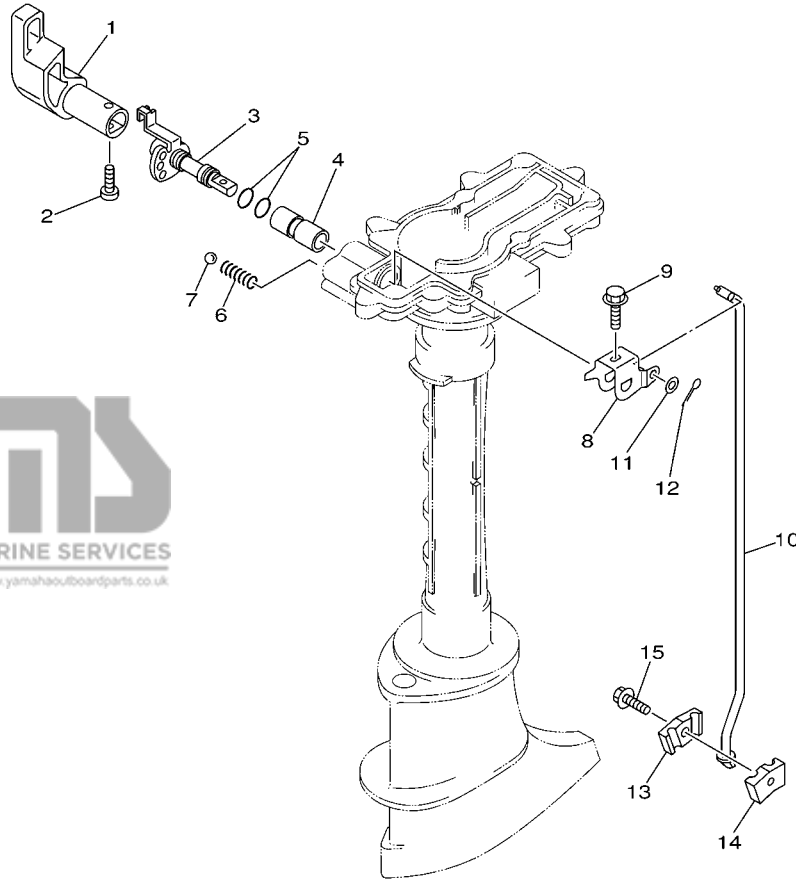


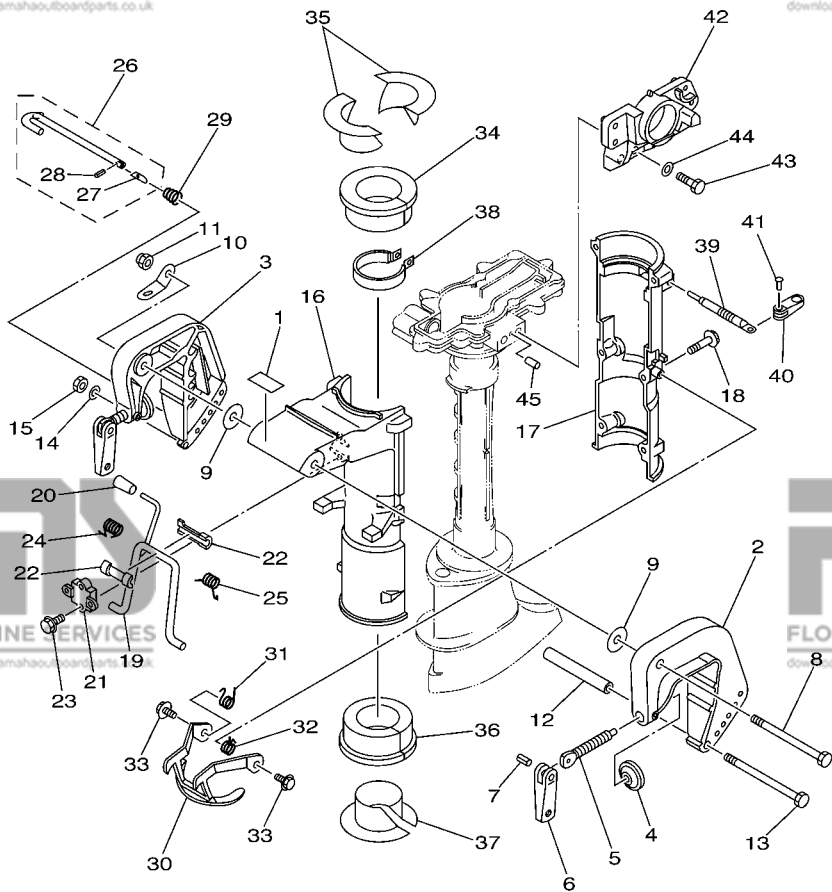
FIG. 14 CONTROL

COMMANDE

REF. NO.	PART NO. N° PIECES	DESCRIPTION DESCRIPTION	68D5	REMARKS REMARQUES
1	68D-G4111-00	HANDLE, GEAR SHIFT POIGNEE, LEVIER D'EMBRAYAGE	1	
2	98680-05520	SCREW, OVAL HEAD VIS, TETE FRAISEE BOMBEE	1	
3	68D-G4119-00	SHAFT, CHANGE ARBRE, SELECTION	1	
4	68D-G4122-01	BUSHING, SHIFT ROD LEVER DOUILLE, LEVIER D'EMBRAYAGE	1	
5	93210-09350	O-RING JOINT TORIQUE	2	
6	90501-12802	SPRING, COMPRESSION RESSORT, COMPRESSION	1	
7	93505-16024	BALL BILLE	1	
8	68D-G4121-00	LEVER, SHIFT ROD LEVIER, TIGE D'INVERSION	1	
9	90119-05M04	BOLT, WITH WASHER BOULON, AVEC RONDELLE	1	
10	67D-44143-01	ROD, SHIFT TIGE D'EMBRAYAGE	1	
11	92990-05600	WASHER, PLATE RONDELLE, PLATE	1	
12	91490-16010	PIN, COTTER GOUPILLE	1	
13	68D-G4145-00	CONNECTOR, SHIFT ROD CONNECTEUR, TIGE D'INVERSION	1	
14	68D-G4146-00	CONNECTOR, SHIFT ROD CONNECTEUR, TIGE D'INVERSION	1	
15	90119-06ME0	BOLT, WITH WASHER BOULON, AVEC RONDELLE	1	



67D0010-0141



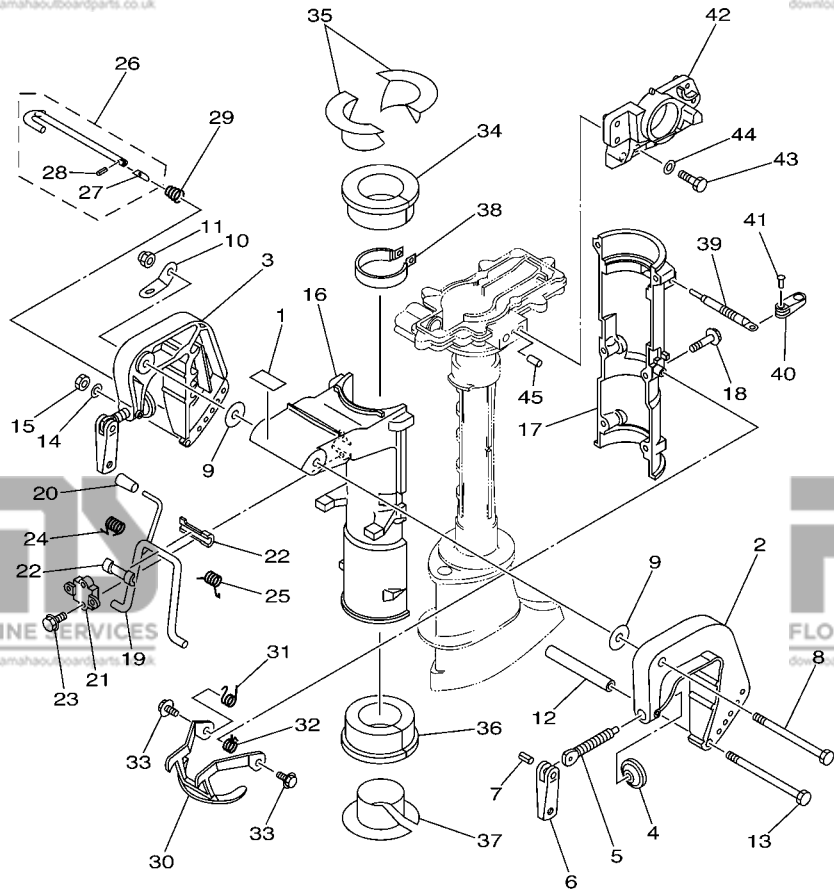
FWD
68D5110-D150

FIG. 15 BRACKET

SUPPORT

REF. NO.	PART NO. N° PIECES	DESCRIPTION DESCRIPTION	68D5	REMARKS REMARQUES
1	68D-F4591-00	EMBLEM, FUEL COCK ADHESIF	1	
2	6L8-G3111-01-4D	BRACKET, CLAMP PRESSE	1	
3	6L8-G3112-00-4D	BRACKET, CLAMP PRESSE	1	
4	620-43114-00	PAD, TRANSOM CLAMP RONDELLE D'APPUI	2	
5	6E0-43116-01	SCREW, TRANSOM CLAMP VIS DE PRESSE	2	
6	6L8-G3118-01	HANDLE, TRANSOM CLAMP POIGNEE DE VIS DE PRESSE	2	
7	90243-04M01	PIN GOUPILLE	2	
8	90101-08M07	BOLT BOULON	1	
9	90202-08M58	WASHER, PLATE RONDELLE, PLATE	2	
10	68D-G3113-00	PLATE, CLAMP BRACKET PLAQUETTE, PRESSE	1	
11	90185-08057	NUT, SELF-LOCKING ECROU, AUTO-BLOQUANT	1	
12	90387-06M11	COLLAR COLLERETTE	1	
13	90101-06335	BOLT BOULON	1	
14	92990-06600	WASHER, PLATE RONDELLE, PLATE	1	
15	95380-06600	NUT, HEXAGON ECROU	1	
16	68D-G3311-00-4D	BRACKET, SWIVEL 1 SUPPORT, PIVOT 1	1	
17	68D-G3312-00-4D	BRACKET, SWIVEL 2 SUPPORT, PIVOT 2	1	
18	95895-06035	BOLT, FLANGE BOULON	6	
19	6E0-43181-00	LEVER, TILT STOP LEVIER, VERROUILLAGE RELEVAGE	1	
20	6E0-43632-00	KNOB, TILT POIGNEE, LEVIER DE RELEVAGE	1	
21	6E0-43313-00-4D	BRACKET, SWIVEL 3 SUPPORT, PIVOT 3	1	
22	620-43189-00	BUSHING COUSSINET	2	
23	95895-06020	BOLT, FLANGE BOULON	2	
24	90508-16020	SPRING, TORSION RESSORT, TORSION	1	
25	90508-16021	SPRING, TORSION RESSORT, TORSION	1	
26	68D-G3160-00	TILT ROD ASSY BROCHE D'INCLINAISON (ENS.)	1	
27	6N0-G3165-00	PLATE, TILT LOCK TAQUET, BROCHE INCLINAISON	1	

D1

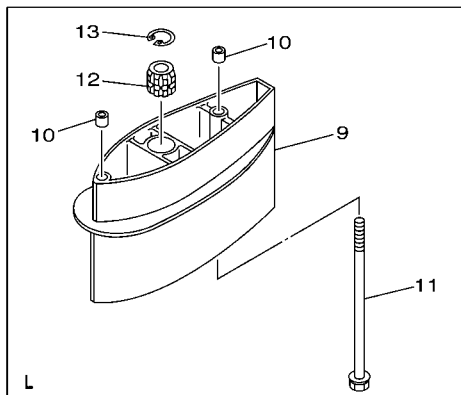
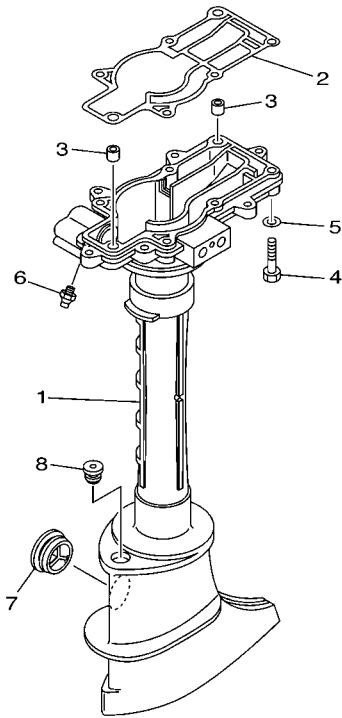


FWD
68D5110-D150

FIG. 15 BRACKET

SUPPORT

REF. NO.	PART NO. N° PIECES	DESCRIPTION DESCRIPTION	68D5	REMARKS REMARQUES
28	91690-30008	.PIN, SPRING .AGRAFFE	1	
29	90502-08M05	SPRING, CONICAL RESSORT, CONIQUE	1	
30	6E0-43614-00-5B	PLATE, TILT LOCK ETRIER, VERROUILLAGE MARCHE AR	1	
31	90508-14M10	SPRING, TORSION RESSORT, TORSION	1	
32	90508-14M11	SPRING, TORSION RESSORT, TORSION	1	
33	95895-06010	BOLT, FLANGE BOULON	2	
34	68D-G2537-00	BUSHING, PIVOT SHAFT COUSSINET	1	
35	68D-G2539-00	BUSHING, PIVOT SHAFT COUSSINET	2	
36	68D-G2538-00	BUSHING, PIVOT SHAFT COUSSINET	1	
37	68D-G2549-00	BUSHING, PIVOT SHAFT COUSSINET	1	
38	6E0-42528-03	PLATE, FRICTION PLAQUE, FRICTION	1	
39	6L5-42529-01	SCREW, FRICTION PIECE VIS, PIECE DE FRICTION	1	
40	68D-G2561-01	KNOB, STEERING LOCK BOUTON	1	
41	90266-04M05	RIVET RIVET	1	
42	68D-G2511-00-4D	BRACKET, STEERING CADRE, DIRECTION	1	
43	97075-08030	BOLT BOULON	2	
44	92995-08600	WASHER RONDELLE	2	
45	93604-12M07	PIN, DOWEL CLAVETTE	1	



FWD
68D2010-2160

FIG. 16 UPPER CASING

FOURREAU

REF. NO.	PART NO. N° PIECES	DESCRIPTION DESCRIPTION	68D5	REMARKS REMARQUES
1	68D-G5111-01-4D	CASING, UPPER FOURREAU	1	
2	67D-45113-A0	GASKET, UPPER CASING JOINT, TUBE D'ARBRE	1	
3	90387-06806	COLLAR COLLERETTE	2	
4	97095-06035	BOLT BOULON	7	
5	92995-06600	WASHER RONDELLE	7	
6	93700-06M03	NIPPLE, GREASE PION	1	
7	647-45151-01	COVER, UPPER CASING CAPUCHON, FOURREAU	1	
8	90480-10M13	GROMMET PASSE-FIL	1	
9	68D-G5211-00-4D	EXTENSION EXTENSION	1	L
10	90387-06806	COLLAR COLLERETTE	2	L
11	90119-06M77	BOLT, WITH WASHER BOULON, AVEC RONDELLE	2	L
12	6E0-45318-01	BUSHING, DRIVE SHAFT DOUILLE, ARBRE MOTEUR	1	L
13	93420-22M03	CIRCLIP CIRCLIP, TYPE S	1	L

D3

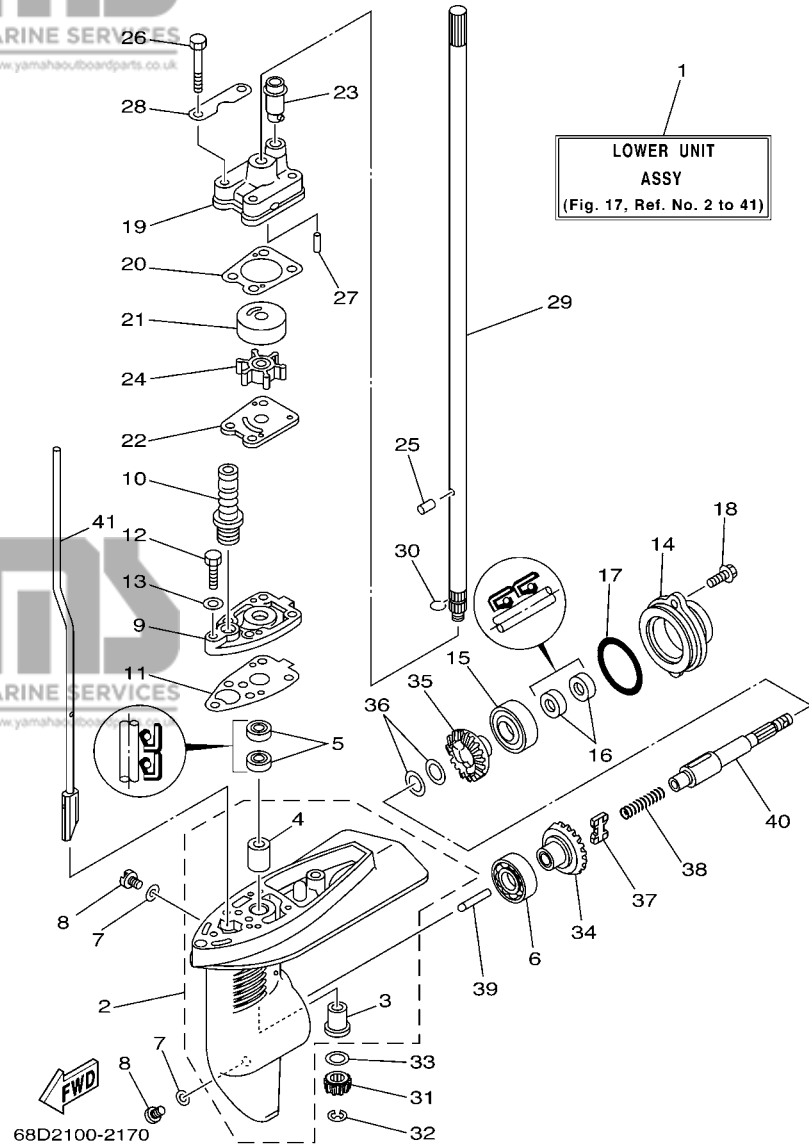


FIG. 17 LOWER CASING & DRIVE 1

BOITIER D'HELICE TRANSMISSION1

REF. NO.	PART NO. N° PIECES	DESCRIPTION DESCRIPTION	68D5	REMARKS REMARQUES
1	68D-G5300-01-4D	LOWER UNIT ASSY UNITE INFÉRIEURE (ENS.)	1	S L
	68D-G5300-11-4D	LOWER UNIT ASSY UNITE INFÉRIEURE (ENS.)	1	
2	68D-G5311-00-4D	CASING, LOWER BOITIER D'HELICE	1	
3	6E0-45317-09	.BUSHING, DRIVE SHAFT .DOUILLE, ARBRE MOTEUR	1	
4	6E0-45316-09	.BUSHING, DRIVE SHAFT .DOUILLE, ARBRE MOTEUR	1	
5	93101-10M14	OIL SEAL JOINT SPY	2	
6	93306-004YH	BEARING ROULEMENT	1	
7	90430-08020	GASKET JOINT	3	
8	90340-08002	PLUG, STRAIGHT SCREW PLOT, FILETE DROIT	3	
9	68D-G5321-00	PLATE PLAQUETTE	1	
10	6L2-44147-00	BOOT, SHIFT ROD SOUFFLET, TIGE D'INVERSION	1	
11	68D-G5315-A0	PACKING, LOWER CASING JOINT, BOITIER D'HELICE	1	
12	97095-06025	BOLT BOULON	1	
13	92995-06600	WASHER RONDELLE	1	
14	68D-G5361-00-4D	CAP, LOWER CASING COUVERCLE, BOITIER D'HELICE	1	
15	93306-004YH	BEARING ROULEMENT	1	
16	93101-13M12	OIL SEAL JOINT SPY	2	
17	93210-48214	O-RING JOINT TORIQUE	1	
18	95895-06016	BOLT, FLANGE BOULON	2	
19	68D-G4311-01	HOUSING, WATER PUMP CORPS, POMPE A EAU	1	
20	68D-G4315-A0	GASKET, WATER PUMP JOINT, POMPE A EAU	1	
21	6E0-44322-02	INSERT, CARTRIDGE CUVETTE	1	
22	6E0-44323-00	OUTER PLATE, CARTRIDGE PLAQUE EXTERIEURE	1	
23	67D-44366-00	DAMPER, WATER SEAL JOINT, TUBE D'EAU	1	
24	6E0-44352-00	IMPELLER TURBINE	1	
25	93604-09066	PIN, DOWEL CLAVETTE	1	
26	97095-06045	BOLT BOULON	4	

D4

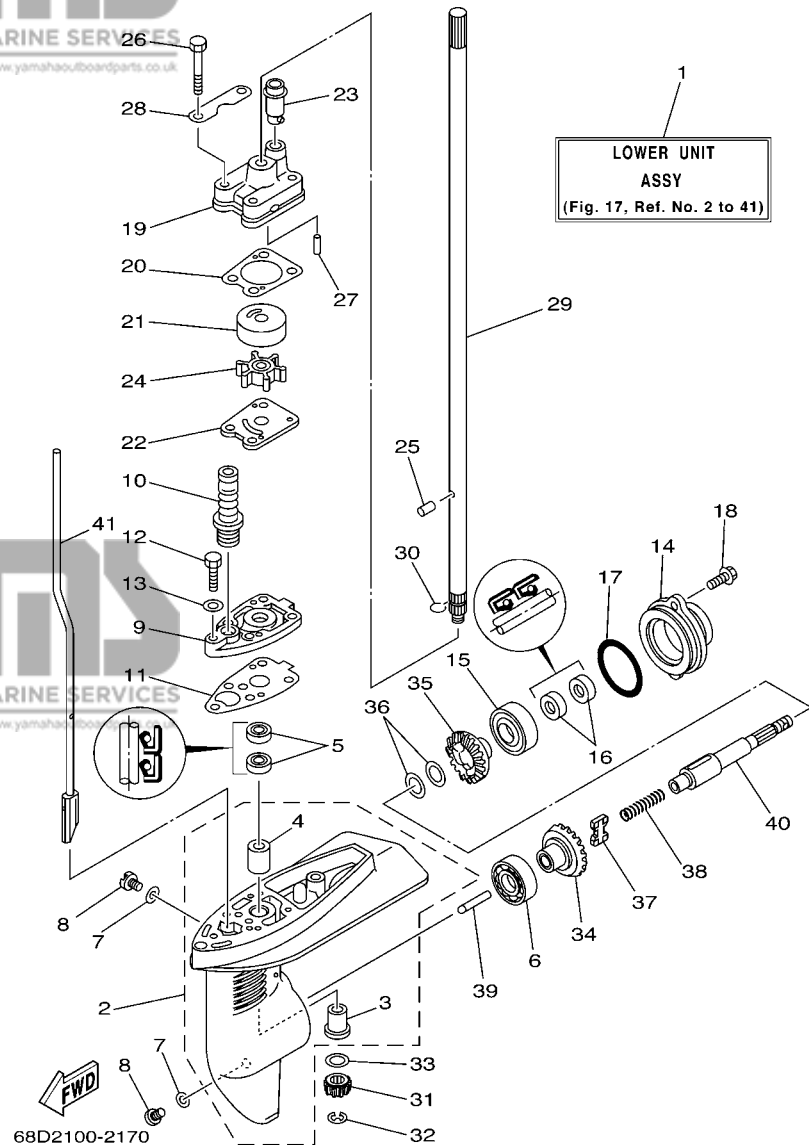


FIG. 17 LOWER CASING & DRIVE 1

BOITIER D'HELICE TRANSMISSION1

REF. NO.	PART NO. N° PIECES	DESCRIPTION DESCRIPTION	68D5	REMARKS REMARQUES
27	93604-18080	PIN, DOWEL CLAVETTE	2	
28	68D-G4328-00	PLATE PLAQUETTE	2	
29	68D-G5511-00	SHAFT, DRIVE ARBRE, MOTEUR	1	S
	68D-G5511-10	SHAFT, DRIVE ARBRE, MOTEUR	1	S L
30	90467-08M01	CLIP JONC	1	
31	6E0-45551-00	PINION (13T) PIGNON D'ATTAQUE (13D)	1	
32	99001-06600	CIRCLIP CIRCLIP	1	
33	90201-11M49	WASHER, PLATE RONDELLE, PLATE	1	
34	67D-45560-00	GEAR 1 (27T) PIGNON 1 (27T)	1	
35	67D-45570-00	GEAR 2 (27T) PIGNON 2 (27T)	1	
36	67D-45576-00	WASHER, THRUST RONDELLE DE CALAGE	2	
37	67D-45631-01	CLUTCH, DOG CRABOT	1	
38	90501-10064	SPRING, COMPRESSION RESSORT, COMPRESSION	1	
39	67D-45635-00	PLUNGER, SHIFT POUSSOIR D'EMBRAYAGE	1	
40	68D-G5611-10	SHAFT, PROPELLER ARBRE, HELICE	1	
41	68D-G4150-00	SHIFT CAM ASSY CAME D'INVERSION	1	S
	68D-G4150-10	SHIFT CAM ASSY CAME D'INVERSION	1	S L

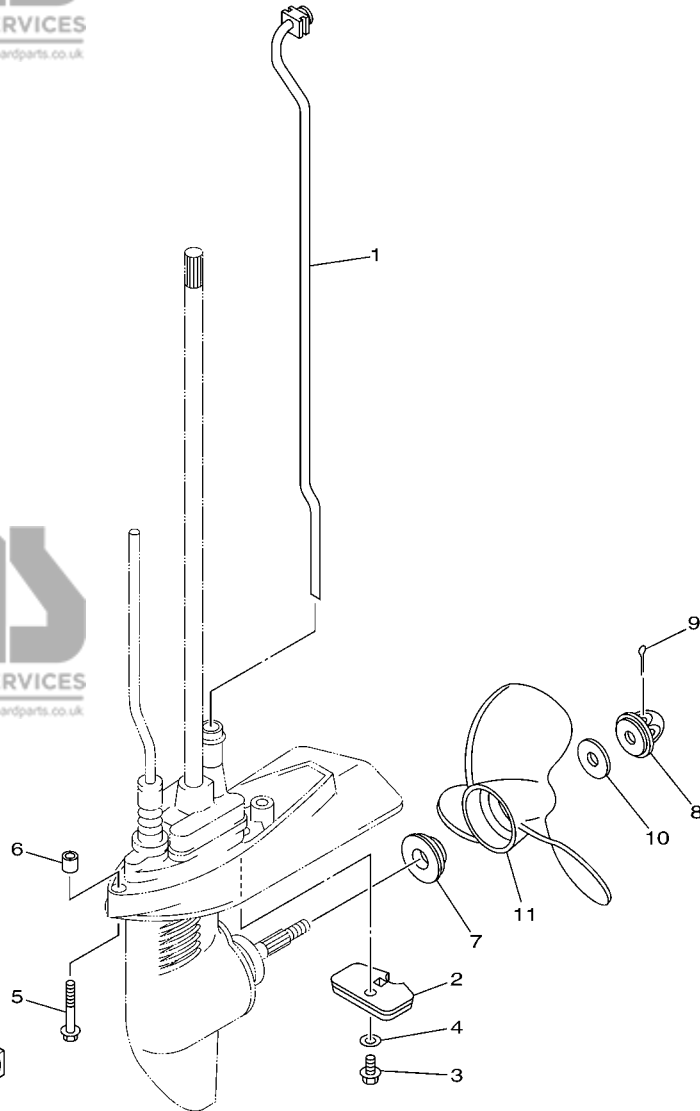


FIG. 18 LOWER CASING & DRIVE 2

BOITIER D'HELICE TRANSMISSION2

REF. NO.	PART NO. N° PIECES	DESCRIPTION DESCRIPTION	68D5	REMARKS REMARQUES
1	68D-G4360-00	WATER TUBE ASSY TUYAU,EAU	1	S
	68D-G4360-10	WATER TUBE ASSY TUYAU,EAU	1	L
2	68D-G5251-00	ANODE ANODE	1	
3	95895-06012	BOLT, FLANGE BOULON	1	
4	92990-06300	WASHER, INTERNAL TOOTH RONDELLE, DENTURE INTERNE	1	
5	90119-06M40	BOLT, WITH WASHER BOULON, AVEC RONDELLE	2	S
6	90387-06806	COLLAR COLLERETTE	2	
7	68D-G5987-00	SPACER ENTRETOISE	1	
8	6L5-45616-00	NUT, PROPELLER CONE, HELICE	1	
9	91490-25030	PIN, COTTER GOUPILLE	1	
10	90201-08M54	WASHER, PLATE RONDELLE, PLATE	1	
11	6E0-45941-01-EL	PROPELLER (3X7-1/2"X8"-BA) HELICE (3X7-1/2"X8"-BA)	1	UR
	6E0-45943-01-EL	PROPELLER (3X7-1/2"X7"-BA) HELICE (3X7-1/2"X7"-BA)	1	UR
	6E0-45949-00-EL	PROPELLER (3X7-1/4"X6-1/2"-BA) HELICE (3X7-1/4"X6-1/2"-BA)	1	UR

D6

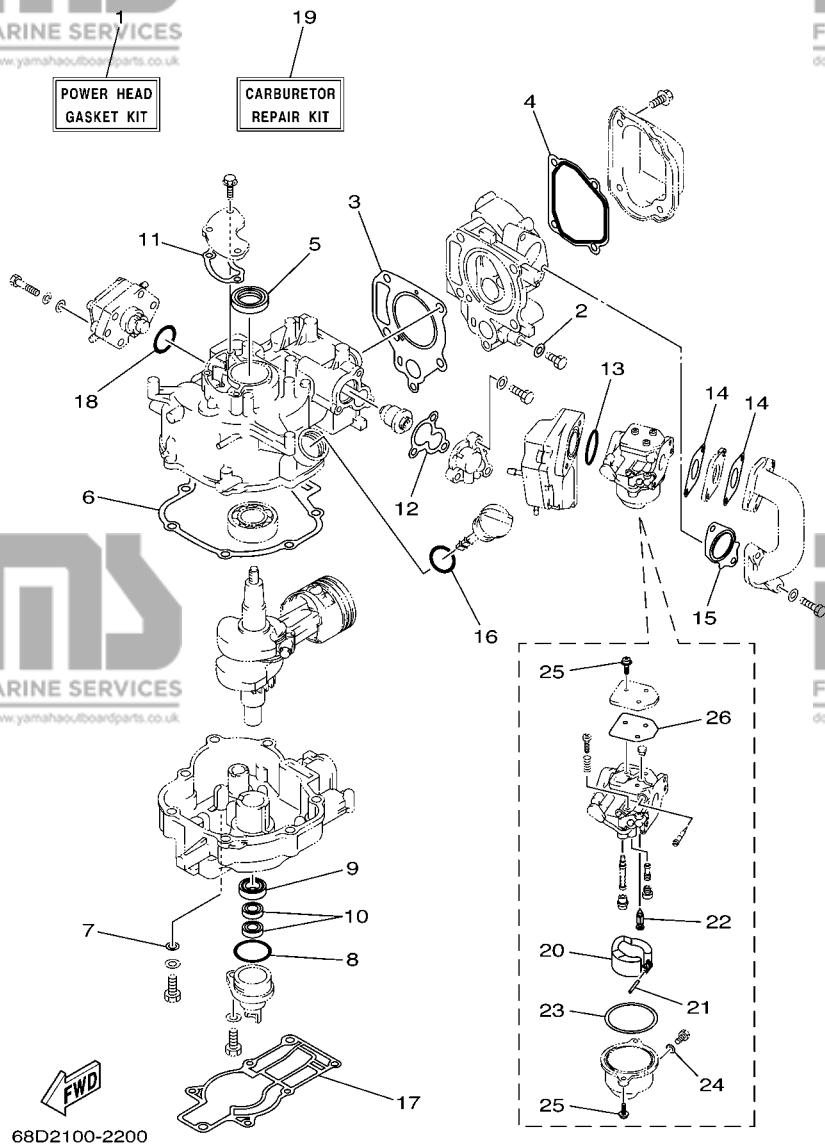


FIG. 19 REPAIR KIT 1

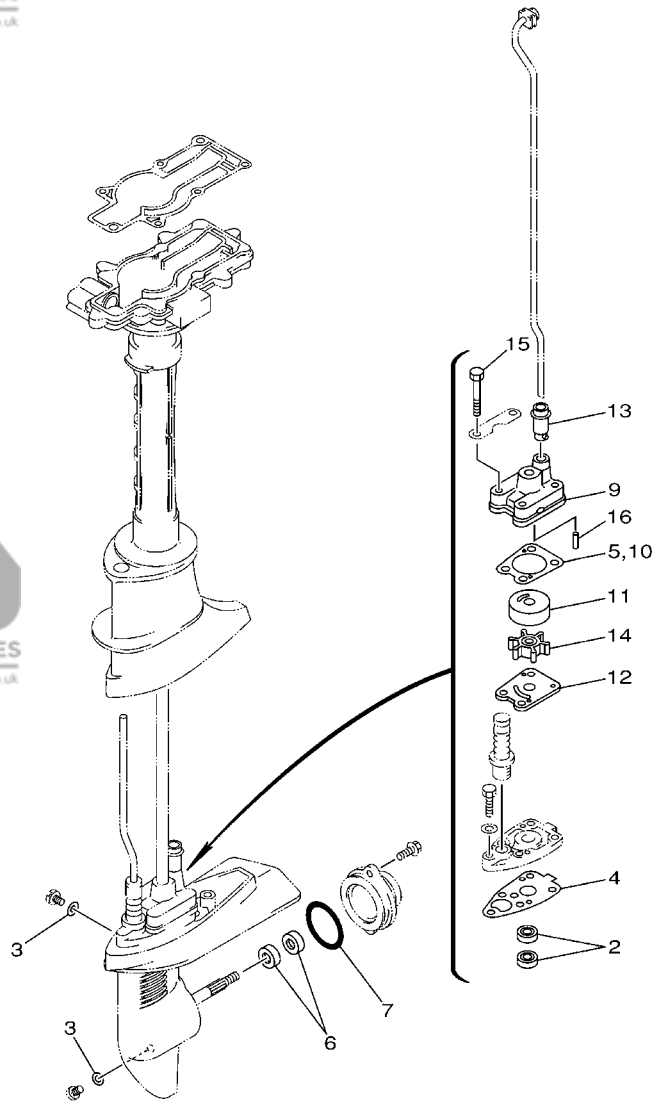
KITS DE REPARATION 1

REF. NO.	PART NO. N° PIECES	DESCRIPTION DESCRIPTION	68D5	REMARKS REMARQUES
1	68D-WE001-01	POWER HEAD GASKET KIT POCHETTE DE JINTS TETE MOTRICE	1	
2	90430-08800	.GASKET .JOINT	1	
3	67D-11181-A0	.GASKET, CYLINDER HEAD 1 .JOINT, DE CULASSE 1	1	
4	68D-E1193-A0	.GASKET, HEAD COVER 1 .JOINT, COUVERCLE DE CULASSE 1	1	
5	93102-25090	.OIL SEAL .JOINT SPY	1	
6	68D-11351-A0	.GASKET, CYLINDER .JOINT, D'EMBASE	1	
7	90201-08818	.WASHER, PLATE .RONDELLE, PLATE	1	
8	93210-35537	.O-RING .JOINT TORIQUE	1	
9	93102-20108	.OIL SEAL .JOINT SPY	1	
10	93102-10004	.OIL SEAL .JOINT SPY	2	
11	68D-E1169-A0	.GASKET, BREATHER COVER .JOINT, COUVERCLE DE RENIFLARD	1	
12	68D-E2414-A0	.GASKET, COVER .JOINT, COUVERCLE	1	
13	93210-31MJ5	.O-RING .JOINT TORIQUE	1	
14	68D-E3646-A0	.GASKET, MANIFOLD 2 .JOINT, TUBULURE 2	2	
15	68D-E3645-A0	.GASKET, MANIFOLD 1 .JOINT, TUBULURE 1	1	
16	93210-24M79	.O-RING .JOINT TORIQUE	1	
17	67D-45113-A0	.GASKET, UPPER CASING .JOINT, TUBE D'ARBRE	1	
18	93210-27ME3	.O-RING .JOINT TORIQUE	1	
19	67D-W0093-01	CARBURETOR REPAIR KIT KIT DE REPARATION CARBURATEUR	1	
20	68T-14385-00	.FLOAT .FLOTTEUR	1	
21	67D-14386-00	.PIN, FLOAT .AXE, FLOTTEUR	1	
22	67D-14546-00	.VALVE, NEEDLE .POINTEAU	1	
23	67D-14984-00	.GASKET, FLOAT CHAMBER .JOINT, CUVE DE FLOTTEUR	1	
24	6J8-14959-00	.GASKET .JOINT	1	
25	97980-04112	.SCREW, WITH WASHER .VIS, AVEC RONDELLE	2	
26	67D-14536-00	.GASKET .JOINT	1	

LOWER UNIT
GASKET KIT

8

WATER PUMP
REPAIR KIT



68D2100-2210

FIG. 20 REPAIR KIT 2

KITS DE REPARATION 2

REF. NO.	PART NO. N° PIECES	DESCRIPTION DESCRIPTION	68D5		REMARKS REMARQUES
1	6E0-W0001-C1	LOWER UNIT GASKET KIT POCHETTE DE JOINTS EMBASE	1		
2	93101-10M14	.OIL SEAL .JOINT SPY	2		
3	90430-08020	.GASKET .JOINT	3		
4	68D-G5315-A0	.PACKING, LOWER CASING .JOINT, BOITIER D'HELICE	1		
5	68D-G4315-A0	.GASKET, WATER PUMP .JOINT, POMPE A EAU	1		
6	93101-13M12	.OIL SEAL .JOINT SPY	2		
7	93210-48214	.O-RING .JOINT TORIQUE	1		
8	68D-WG078-00	WATER PUMP REPAIR KIT KIT DE REPARATION DE LA POMPE	1		
9	68D-G4311-01	.HOUSING, WATER PUMP .CORPS, POMPE A EAU	1		
10	68D-G4315-A0	.GASKET, WATER PUMP .JOINT, POMPE A EAU	1		
11	6E0-44322-02	.INSERT, CARTRIDGE .CUVETTE	1		
12	6E0-44323-00	.OUTER PLATE, CARTRIDGE .PLAQUE EXTERIEURE	1		
13	67D-44366-00	.DAMPER, WATER SEAL .JOINT, TUBE D'EAU	1		
14	6E0-44352-00	.IMPELLER .TURBINE	1		
15	97095-06045	.BOLT .BOULON	4		
16	93604-18080	.PIN, DOWEL .CLAVETTE	2		

PART NO. N° PIECES	REF. NO.
67D-11133-10	2 - 3
67D-11181-A0	2 - 10
	19 - 3
67D-11191-00	2 - 11
68D-11351-A0	4 - 9
	19 - 6
67D-11400-00	3 - 1
67D-11650-00	3 - 3
67D-11654-00	3 - 4
67D-12111-00	5 - 2
68T-12116-00	5 - 5
7NJ-12117-00	5 - 7
7NJ-12118-00	5 - 8
51Y-12119-00	5 - 4
67D-12121-00	5 - 3
67D-12151-00	5 - 9
JAG-12153-00	5 - 15
67D-12154-00	5 - 14
67D-12157-00	5 - 12
7FK-12158-00	5 - 11
7FK-12165-00	5 - 10
66M-12411-01	2 - 14
67D-13131-00	9 - 22
68D-13437-60	10 - 29
67D-13444-50	12 - 19
67D-14126-00	7 - 19
67D-14301-03	7 - 1
67D-14301-22	7 - 1
6E5-14321-00	7 - 2
67D-14323-00	7 - 16
68T-14323-20	7 - 16
6E7-14325-00	9 - 19
6J8-14334-00	7 - 3
68T-14385-00	7 - 4
	19 - 20
67D-14386-00	7 - 6
	19 - 21
67D-14427-60	10 - 30
6H1-14485-00	4 - 3
67D-14527-01	7 - 18
67D-14536-00	7 - 17
	19 - 26
67D-14546-00	7 - 7
	19 - 22
67D-1492A-00	7 - 10
67D-1492E-34	7 - 8
67D-1492F-18	7 - 9
6J8-14959-00	7 - 13

PART NO. N° PIECES	REF. NO.
69M-24633-00	8 - 5
624-24634-00	8 - 4
6L5-24641-00	8 - 7
61H-2819R-31	9 - 37
6G1-42125-01	13 - 10
67D-42129-00	13 - 2
6G1-42138-01	13 - 21
6E0-42528-03	15 - 38
6L5-42529-01	15 - 39
624-42542-00	8 - 9
6L5-42647-00	12 - 7
67D-42662-00	12 - 15
68D-42662-00	1 - 7
67D-42791-10	10 - 26
6L5-42823-00	12 - 8
620-43114-00	15 - 4
6E0-43116-01	15 - 5
6E0-43181-00	15 - 19
620-43189-00	15 - 22
6E0-43313-00-4D	15 - 21
6E0-43614-00-5B	15 - 30
6E0-43632-00	15 - 20
67D-44143-01	14 - 10
6L2-44147-00	17 - 10
6E0-44322-02	17 - 21
	20 - 11
6E0-44323-00	17 - 22
	20 - 12
6E0-44352-00	17 - 24
	20 - 14
67D-44366-00	17 - 23
	20 - 13
67D-45113-A0	16 - 2
	19 - 17
647-45151-01	16 - 7
6E0-45316-09	17 - 4
6E0-45317-09	17 - 3
6E0-45318-01	16 - 12
6E0-45551-00	17 - 31
67D-45560-00	17 - 34
67D-45570-00	17 - 35
67D-45576-00	17 - 36
6L5-45616-00	18 - 8
67D-45631-01	17 - 37
67D-45635-00	17 - 39
6E0-45941-01-EL	18 - 11
6E0-45943-01-EL	18 - 11
6E0-45949-00-EL	18 - 11

PART NO. N° PIECES	REF. NO.
6A0-82317-00	8 - 8
6E3-82370-21	11 - 8
682-82556-00	11 - 11
67D-82575-00	11 - 10
689-8257Y-00	11 - 12
67D-85640-00	11 - 2
67D-85650-00	11 - 1
68D-E1111-10-1S	2 - 2
68D-E1168-00	4 - 21
68D-E1169-A0	4 - 22
	19 - 11
68D-E1193-A0	2 - 12
	19 - 4
68D-E1311-02-1S	4 - 1
68D-E1325-00	2 - 17
68D-E1603-00	3 - 6
68D-E1604-00	3 - 6
68D-E1605-00	3 - 6
68D-E1631-00-96	3 - 5
68D-E1633-00	3 - 7
68D-E1635-00	3 - 5
68D-E1636-00	3 - 5
68D-E2113-00	5 - 6
68D-E2138-60	12 - 20
68D-E2155-00	5 - 13
68D-E2170-00	5 - 1
68D-E2413-00-1S	2 - 15
68D-E2414-A0	2 - 19
68D-E2418-00	19 - 12
69M-G2188-00	13 - 6
60R-E3434-00	1 - 8
68D-E3641-00-94	6 - 11
68D-E3645-A0	6 - 12
	19 - 15
68D-E3646-A0	6 - 9
	19 - 14
68D-E3647-00	6 - 10
68D-E4440-00	6 - 1
68D-E5111-00-1S	4 - 7
68D-E5346-00	4 - 24
68D-E5362-00	4 - 28
68D-E5396-00-5B	4 - 15
68D-E571Y-60	13 - 29
68D-F4111-00	8 - 1
60R-F415E-00	12 - 22
68D-F4311-00	8 - 12
68D-F4312-00	9 - 4
68D-F4313-00	9 - 8

PART NO. N° PIECES	REF. NO.
68D-F4314-00	6 - 7
68D-F4591-00	15 - 1
68D-F6301-00	13 - 24
68D-F6330-00	6 - 15
68D-F8100-00	9 - 38
6N0-F8176-00	13 - 30
68D-F8199-74-D0	9 - 39
68D-F8199-74-E0	9 - 39
68D-F8199-74-F0	9 - 39
68D-F8199-74-G0	9 - 39
68D-F8199-74-H0	9 - 39
68D-F8199-74-S0	9 - 39
68D-F8199-84-K0	9 - 40
68D-F8199-84-L0	9 - 40
68D-F8199-84-M0	9 - 40
68D-F8199-84-N0	9 - 40
68D-F8199-84-P0	9 - 40
68D-F8199-84-R0	9 - 40
68D-G2111-00-4D	13 - 1
68D-G2119-00	13 - 13
6N0-G2126-00	13 - 11
68D-G2131-01	13 - 8
68D-G2137-00	13 - 14
68D-G2159-00	13 - 22
68D-G2171-00	13 - 3
68D-G2172-00	13 - 4
68D-G2177-10	13 - 16
68D-G2181-00	13 - 5
68D-G2182-00	13 - 7
69M-G2188-00	13 - 6
68D-G2511-00-4D	15 - 42
68D-G2537-00	15 - 34
68D-G2538-00	15 - 36
68D-G2539-00	15 - 35
68D-G2549-00	15 - 37
68D-G2561-01	15 - 40
68D-G2610-40-4D	1 - 1
68D-G2613-01	1 - 2
68D-G2628-00	12 - 2
68D-G2629-00	12 - 4
68D-G2677-00	1 - 5
68D-G2678-00	1 - 6
68D-G2711-01	12 - 1
68D-G2712-01	12 - 3
68D-G2731-00	12 - 13
68D-G2735-00	12 - 14
6L8-G3111-01-4D	15 - 2
6L8-G3112-00-4D	15 - 3

PART NO. N° PIECES	REF. NO.
68D-G3113-00	15 - 10
6L8-G3118-01	15 - 6
68D-G3160-00	15 - 26
6N0-G3165-00	15 - 27
68D-G3311-00-4D	15 - 16
68D-G3312-00-4D	15 - 17
68D-G4111-00	14 - 1
68D-G4119-00	14 - 3
68D-G4121-00	14 - 8
68D-G4122-01	14 - 4
68D-G4145-00	14 - 13
68D-G4146-00	14 - 14
68D-G4150-00	17 - 41
68D-G4150-10	17 - 41
68D-G4311-01	17 - 19
	20 - 9
68D-G4315-A0	17 - 20
	20 - 5
68D-G4328-00	17 - 28
68D-G4360-00	18 - 1
68D-G4360-10	18 - 1
68D-G5111-01-4D	16 - 1
68D-G5211-00-4D	16 - 9
68D-G5251-00	18 - 2
68D-G5300-01-4D	17 - 1
68D-G5300-11-4D	17 - 1
68D-G5311-00-4D	17 - 2
68D-G5315-A0	17 - 11
	20 - 4
68D-G5321-00	17 - 9
68D-G5361-00-4D	17 - 14
68D-G5511-00	17 - 29
68D-G5511-10	17 - 29
68D-G5611-10	17 - 40
68D-G5987-00	18 - 7
68D-H257H-00	12 - 21
60R-H3625-40	10 - 27
60R-H3625-50	10 - 28
60R-H3627-40	13 - 25
60R-H3627-50	13 - 26
6E0-W0001-C1	20 - 1
67D-W0093-01	19 - 19
68D-WE001-01	19 - 1
68D-WE090-11-1S	2 - 1
68D-WG070-00	1 - 4
68D-WG078-00	20 - 8
90101-06335	15 - 13
90101-08M07	15 - 8



FLOOD MARINE SERVICES
downloaded from www.yamahaoutboardparts.co.uk

PART NO. N° PIECES	REF. NO.
90105-06039	2 - 13
90105-06056	2 - 8
90105-06M24	11 - 7
90105-08046	2 - 7
90105-08M36	2 - 6
90119-05M04	14 - 9
90119-06M40	18 - 5
90119-06M77	16 - 11
90119-06M79	12 - 16
90119-06M80	4 - 23
90119-06M88	8 - 10
90119-06ME0	14 - 15
90149-05M13	13 - 17
90159-06M10	9 - 7
90161-05001	12 - 11
90167-03M02	12 - 9
90170-10M33	11 - 4
90185-08057	15 - 11
90201-08818	4 - 14
	19 - 7
90201-08M54	18 - 10
90201-105A2	11 - 5
90201-11M49	17 - 33
90201-266P2	3 - 2
90202-08M58	15 - 9
90243-04M01	15 - 7
90266-04M05	15 - 41
90269-02M09	13 - 15
90280-04M06	11 - 3
90340-08002	17 - 8
90386-08032	13 - 20
90387-06806	16 - 3
	18 - 6
90387-06M11	15 - 12
90430-08020	17 - 7
	20 - 3
90430-08800	2 - 5
	19 - 2
90445-07805	6 - 8
90445-07806	4 - 4
90445-09807	2 - 22
90445-10804	9 - 12
90445-10805	9 - 33
90446-14M12	9 - 13
90464-05122	6 - 16
90464-07078	12 - 18
90464-07M50	12 - 17
90464-10M52	9 - 10



FLOOD MARINE SERVICES
downloaded from www.yamahaoutboardparts.co.uk

NUMERICAL INDEX
INDEX NUMERIQUE

PART NO. N° PIECES	REF. NO.
93210-09350	14 - 5
93210-24M79	4 - 29
	19 - 16
93210-27ME3	9 - 29
	19 - 18
93210-31MJ5	6 - 2
	19 - 13
93210-35537	4 - 16
	19 - 8
93210-48214	17 - 17
	20 - 7
93306-004YH	17 - 6
93306-205YD	4 - 6
93420-22M03	16 - 13
93450-14088	3 - 8
93505-16024	14 - 7
93604-09066	17 - 25
93604-12M07	15 - 45
93604-18080	17 - 27
	20 - 16
93700-06M03	16 - 6
94702-00248	2 - 23
95380-05600	9 - 28
95380-06600	15 - 15
95817-06012	4 - 27
95895-06010	15 - 33
95895-06012	18 - 3
95895-06016	17 - 18
95895-06020	15 - 23
95895-06035	15 - 18
97075-08025	13 - 9
97075-08030	15 - 43
97095-06012	11 - 13
97095-06016	12 - 5
97095-06020	2 - 20
	10 - 22
97095-06025	6 - 13
	9 - 2
	17 - 12
97095-06030	9 - 30
97095-06035	10 - 20
	16 - 4
97095-06045	17 - 26
	20 - 15
97095-06090	6 - 4
97095-08014	2 - 4
97095-08020	4 - 12
97575-08550	4 - 10



FLOOD MARINE SERVICES
downloaded from www.yamahaoutboardparts.co.uk



FLOOD MARINE SERVICES
downloaded from www.yamahaoutboardparts.co.uk

PART NO. N° PIECES	REF. NO.
97780-40012	1 - 3
97880-05025	2 - 18
97885-05012	13 - 23
97980-04112	7 - 15
	19 - 25
98503-04006	4 - 25
98680-05520	14 - 2
99001-06600	17 - 32
99510-10114	2 - 9
	4 - 11



FLOOD MARINE SERVICES
downloaded from www.yamahaoutboardparts.co.uk



FLOOD MARINE SERVICES
downloaded from www.yamahaoutboardparts.co.uk



FLOOD MARINE SERVICES
downloaded from www.yamahaoutboardparts.co.uk



FLOOD MARINE SERVICES
downloaded from www.yamahaoutboardparts.co.uk

F4AMH
PARTS CATALOGUE
©2004 by Yamaha Motor Co., Ltd.
1st edition, May 2004
All rights reserved.
Any reprinting or unauthorized use
without the written permission of
Yamaha Motor Co., Ltd.
is expressly prohibited.
Printed in Japan.

F4AMH
CATALOGUE DE PIECES DETACHEES
©2004 par Yamaha Motor Co., Ltd.
1^{re} édition, mai 2004
Tous droits réservés
Toute réimpression ou utilisation
non autorisée sans la permission écrite
de la Yamaha Motor Co., Ltd.
est formellement interdite.
Imprimé au Japon