

**PARTS  
CATALOGUE  
CATALOGUE  
DE PIÈCES DÉTACHÉES**

**F9.9C'05 (66N4)**

**F13.5A'05 (69V5)**

**F15A'05 (66M4)**



1D66M-300F1

( 2D66M-300F1 )

2017/8/17

| NEWS NO.      | DATE         | COMMENT   |
|---------------|--------------|---|
| PE0-OM-120046 | Jul.,2,2012  | MOD:FIG.7 CARBURETOR LIST/ILLUSTRATION REVISION |
| PE0-OM-150010 | Jun.,26,2015 | MOD:FIG.7 CARBURETOR LIST REVISION              |
| PE0-OM-170030 | Aug.,10,2017 | COR:FIG.7 CARBURETOR ILLUSTRATION CORRECTION    |

# FOREWORD

This Parts Catalogue is related to the parts for the model(s) on the cover page. When you are ordering replacement parts, please refer to this Parts Catalogue and quote both part numbers and part names correctly.

1. Modifications or additions which have been made after the issue of the Parts Catalogue will be announced in the Parts News.  
It is advisable that you make the necessary corrections to the Parts Catalogue according to the Parts News.

2. Abbreviations  
The following abbreviations are used in this Parts Catalogue.

“UR” Use specified parts number.  
 “UN” Use as many as needed.  
 “AP” Alternate Parts  
 “LM” Locally Made (Parts need to be ordered locally)  
 “F#” Frame No. (Applicable machine No.)  
 “O/S” Over Size

3. The number of components for assembly
  - Parts, which are to be supplied in an assembly, are listed with a dot (.) in front of the part name as shown below.
  - The numeral appearing to the right of each component part indicates the quantity of parts for each assembly unit.

| PART NO.     | DESCRIPTION              | Q'TY | REMARKS |
|--------------|--------------------------|------|---------|
| 2F5-83310-60 | FRONT FLASHER LIGHT ASSY | 2    |         |
| 115-83311-60 | .BULB (6V-18W)           | 1    |         |

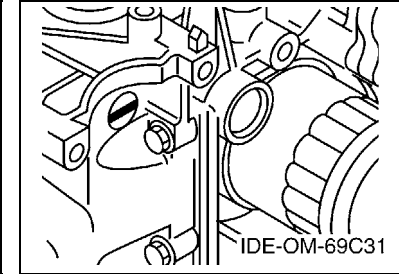
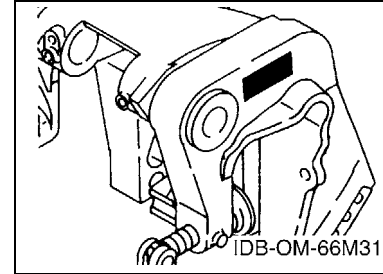
4. Applicable colours of graphics are represented in the “REMARKS” as shown below.

| PART NO.        | DESCRIPTION         | Q'TY | REMARKS |
|-----------------|---------------------|------|---------|
| 2N4-24110-00-X5 | FUEL TANK COMP.     | 2    | MXR     |
| 3J1-24240-10    | .GRAPHIC, FUEL TANK | 1    | FOR MXR |

5. Note that the illustrations for reference in finding parts numbers are not to be used for assembling. When assembling, please use the applicable service manual.

6. The asterisk (\*) before a reference number indicates modified items after the first edition.
7. Applicable Serial No.

Engine Serial No.



8. Applicable Engine Starting Serial No.

| Model | Serial No.  | Model  | Serial No.  |
|-------|-------------|--------|-------------|
| F9.9C | 66N-1002426 | F13.5A | 69V-1000363 |
| F15A  | 66M-1012715 |        |             |
|       |             |        |             |
|       |             |        |             |

9. Applicable Colour Code

| Abbreviation | Colour Name                 | Colour Code |
|--------------|-----------------------------|-------------|
| DBNM2        | DARK BLUISH GRAY METALLIC 2 | 004D        |

10. Quantity Column Information

| Column No. | Name Of Q'ty Column | Applicable Model        |
|------------|---------------------|-------------------------|
| 1          | MH                  | F9.9CMH,F13.5AMH,F15AMH |
| 2          | EH                  | F13.5AEH,F15AEH         |
| 3          | E                   | F9.9CE,F15AE            |
|            |                     |                         |
|            |                     |                         |

## AVANT-PROPOS

Ce catalogue de pièces détachées concerne les pièces pour le(s) modèle(s) indiqué(s) sur la page de couverture. Lorsque vous commandez des pièces de rechange, veuillez vous référer à ce catalogue de pièces détachées et indiquer clairement les numéros et les noms des pièces détachées.

1. Les modifications ou ajouts ayant été effectués après la parution du catalogue de pièces détachées seront décrits dans les Bulletins d'information concernant les pièces détachées.

Il est recommandé que vous apportiez les corrections nécessaires au catalogue des pièces détachées en vous référant aux Bulletins d'information.

2. Abréviations

Dans ce catalogue, les abréviations suivantes sont utilisées:

“UR” Utiliser le numéro de pièces spécifié.

“UN” Utiliser autant que nécessaire.

“AP” Pièces de substitution

“LM” Fabrication locale (les pièces doivent être commandées localement.)

“F#” N° de cadre (applicable au N° de série)

“O/S” Surdimensionné

3. Nombre de pièces d'un assemblage

- Les pièces fournies comme composants d'un assemblage sont précédées d'un point (.) de la manière indiquée ci-dessous.
- Le chiffre apparaissant à la droite de chaque composant indique la quantité de pièces pour chaque unité d'assemblage.

| N° PIECES    | DESCRIPTION           | QTE | REMARQUES |
|--------------|-----------------------|-----|-----------|
| 2F5-83310-60 | ENS. CLIGNOTANT AVANT | 2   |           |
| 115-83311-60 | .AMPOULE (6V-18W)     | 1   |           |

4. Les couleurs concernant les graphiques sont indiquées dans la colonne “REMARQUES”, comme indiqué ci-dessous.

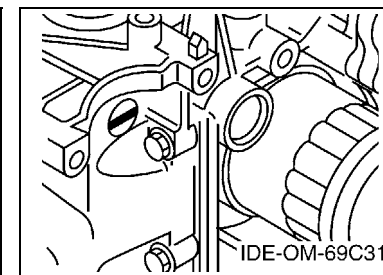
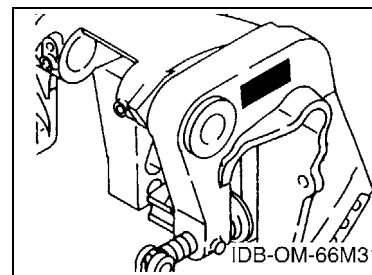
| N° PIECES       | DESCRIPTION          | QTE | REMARQUES |
|-----------------|----------------------|-----|-----------|
| 2N4-24110-00-X5 | RESERVOIR A ESSENCE. | 2   | MXR       |
| 3J1-24240-10    | .GRAPHIQUE           | 1   | POUR MXR  |

5. Veuillez noter que les illustrations sont indiquées à titre de référence pour trouver les numéros de pièces, non pour être utilisées lors de l'assemblage. Lors de l'assemblage, veuillez utiliser le manuel d'entretien adéquat.

6. L'astérisque (\*) placé devant un numéro de référence indique des éléments qui ont été modifiés après la première édition.

7. N° de série applicable

N° de Série du moteur



8. N° de série initial du moteur applicable

| Modèle | N° de série | Modèle | N° de série |
|--------|-------------|--------|-------------|
| F9.9C  | 66N-1002426 | F13.5A | 69V-1000363 |
| F15A   | 66M-1012715 |        |             |

9. Code couleur applicable

| Abréviation | Nom de la couleur           | Code couleur |
|-------------|-----------------------------|--------------|
| DBNM2       | DARK BLUISH GRAY METALLIC 2 | 004D         |

10. Informations relatives à la colonne Quantité

| N° de la colonne | Nom de la colonne Qté | Modèle applicable       |
|------------------|-----------------------|-------------------------|
| 1                | MH                    | F9.9CMH,F13.5AMH,F15AMH |
| 2                | EH                    | F13.5AEH,F15AEH         |
| 3                | E                     | F9.9CE,F15AE            |
|                  |                       |                         |

**SHEET1/2**

|                              |    |
|------------------------------|----|
| TOP COWLING .....            | A4 |
| CYLINDER & CRANKCASE 1 ..... | A5 |
| CRANKSHAFT & PISTON .....    | A7 |
| CYLINDER & CRANKCASE 2 ..... | B1 |
| VALVE .....                  | B2 |
| INTAKE .....                 | B3 |
| CARBURETOR .....             | B5 |
| OIL PUMP .....               | B7 |
| FUEL .....                   | C1 |
| STARTER .....                | C3 |
| GENERATOR .....              | C5 |
| ELECTRICAL 1 .....           | C6 |
| ELECTRICAL 2 .....           | D1 |
| STARTING MOTOR .....         | D2 |
| BOTTOM COWLING .....         | D3 |
| STEERING .....               | D5 |
| CONTROL .....                | D7 |
| REMO CON ATTACHMENT .....    | E2 |
| BRACKET 1 .....              | E3 |
| BRACKET 2 .....              | E5 |
| UPPER CASING .....           | E7 |
| OIL PAN .....                | F1 |
| LOWER CASING & DRIVE 1 ..... | F2 |
| LOWER CASING & DRIVE 2 ..... | F5 |
| FUEL TANK 1 .....            | F7 |

**INDEX**

|                       |    |
|-----------------------|----|
| NUMERICAL INDEX ..... | G1 |
|-----------------------|----|

**SHEET2/2**

|                           |     |
|---------------------------|-----|
| FUEL TANK 2 .....         | A4* |
| STEERING GUIDE .....      | A5* |
| REMOTE CONTROL BOX .....  | A6* |
| REMOTE CONTROL ASSY ..... | A7* |
| REPAIR KIT 1 .....        | B3* |
| REPAIR KIT 2 .....        | B4* |
| REPAIR KIT 3 .....        | B5* |

**INDEX**

|                       |     |
|-----------------------|-----|
| NUMERICAL INDEX ..... | G1* |
|-----------------------|-----|

# TABLE DES MATIERES

Feuille1/2

|                                      |    |
|--------------------------------------|----|
| CAPOT SUPERIEUR .....                | A4 |
| CYLINDRE & CARTER 1 .....            | A5 |
| VILEBREQUIN & PISTON .....           | A7 |
| CYLINDRE & CARTER 2 .....            | B1 |
| SOUPAPE .....                        | B2 |
| ADMISSION .....                      | B3 |
| CARBURATEUR .....                    | B5 |
| POMPE A HUILE .....                  | B7 |
| CARBURANT .....                      | C1 |
| DEMARREUR .....                      | C3 |
| GENERATRICE .....                    | C5 |
| PARTIE ELECTRIQUE 1 .....            | C6 |
| PARTIE ELECTRIQUE 2 .....            | D1 |
| DEMARREUR ELECTRIQUE .....           | D2 |
| CAPOT INFERIEUR .....                | D3 |
| DIRECTION .....                      | D5 |
| COMMANDE .....                       | D7 |
| COMMANDE A DISTANCE .....            | E2 |
| SUPPORT 1 .....                      | E3 |
| SUPPORT 2 .....                      | E5 |
| FOURREAU .....                       | E7 |
| VENTILATEUR D'HUILE .....            | F1 |
| BOITIER D'HELICE TRANSMISSION1 ..... | F2 |
| BOITIER D'HELICE TRANSMISSION2 ..... | F5 |
| RESERVOIR A CARBURANT 1 .....        | F7 |

INDEX

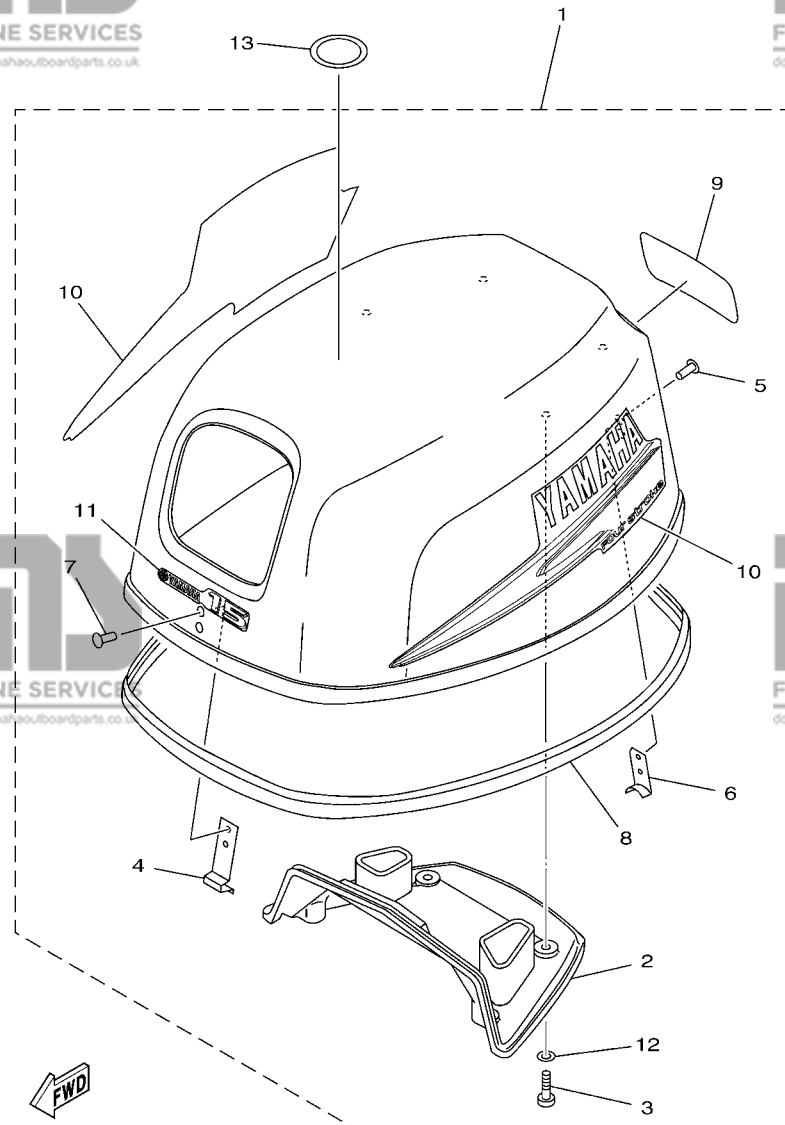
|                       |    |
|-----------------------|----|
| INDEX NUMERIQUE ..... | G1 |
|-----------------------|----|

Feuille2/2

|                                      |     |
|--------------------------------------|-----|
| RESERVOIR A CARBURANT 2 .....        | A4* |
| FIXATION DE DIRECTION .....          | A5* |
| BOITIER DE COMMANDE A DISTANCE ..... | A6* |
| BOITIER DE COMMANDE A DISTANCE ..... | A7* |
| KITS DE REPARATION 1 .....           | B3* |
| KITS DE REPARATION 2 .....           | B4* |
| KITS DE REPARATION 3 .....           | B5* |

INDEX

|                       |     |
|-----------------------|-----|
| INDEX NUMERIQUE ..... | G1* |
|-----------------------|-----|

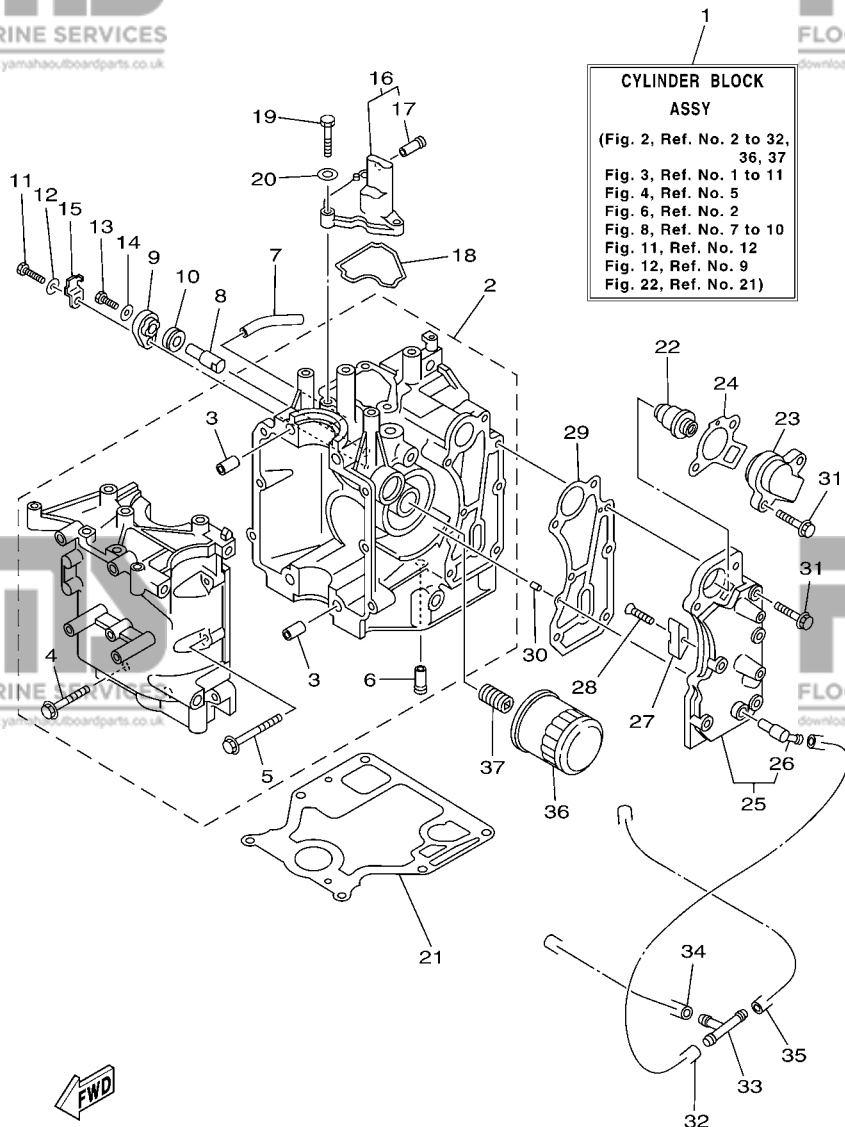


66M3100-C010

**FIG. 1 TOP COWLING**

**CAPOT SUPERIEUR**

| REF. NO. | PART NO. N° PIECES | DESCRIPTION DESCRIPTION                | MH | EH | U | REMARKS REMARQUES |
|----------|--------------------|--|----|----|---|-------------------|
| 1        | 66M-42610-20-4D    | TOP COWLING ASSY<br>CAPOT (ENS.)       | 1  | 1  | 1 | F15A<br>F15A      |
|          | 69V-42610-12-4D    | TOP COWLING ASSY<br>CAPOT (ENS.)       | 1  | 1  |   | F13.5A<br>F13.5A  |
|          | 66N-42610-12-4D    | TOP COWLING ASSY<br>CAPOT (ENS.)       | 1  | 1  |   | F9.9C<br>F9.9C    |
| 2        | 66M-42613-00       | .MOLDING, AIR DUCT<br>.MANCHON A AIR   | 1  | 1  | 1 |                   |
| 3        | 97780-60520        | .SCREW, TAPPING<br>.VIS, TETE BOMBEE   | 4  | 4  | 4 |                   |
| 4        | 65W-42651-01       | .HOOK<br>.CROCHET                      | 1  | 1  | 1 |                   |
| 5        | 90266-06M02        | .RIVET<br>.RIVET                       | 2  | 2  | 2 |                   |
| 6        | 66M-42652-00       | .HOOK<br>.CROCHET                      | 1  | 1  | 1 |                   |
| 7        | 90266-06M02        | .RIVET<br>.RIVET                       | 2  | 2  | 2 |                   |
| 8        | 6D4-42615-00       | .SEAL<br>.JOINT                        | 1  | 1  | 1 |                   |
| 9        | 66M-42678-20       | .GRAPHIC, REAR<br>.ADHESIF, ARRIERE    | 1  | 1  | 1 | F15A<br>F15A      |
|          | 69V-42678-20       | .GRAPHIC, REAR<br>.ADHESIF, ARRIERE    | 1  | 1  |   | F13.5A<br>F13.5A  |
|          | 66N-42678-20       | .GRAPHIC, REAR<br>.ADHESIF, ARRIERE    | 1  | 1  |   | F9.9C<br>F9.9C    |
| 10       | 66M-W0070-20       | .GRAPHIC SET<br>.JEU DIEMBLEMES        | 1  | 1  | 1 |                   |
| 11       | 66M-42677-00       | .GRAPHIC, FRONT<br>.ADHESIF, AVANT     | 1  | 1  | 1 | F15A<br>F15A      |
|          | 69V-42677-00       | .GRAPHIC, FRONT<br>.ADHESIF, AVANT     | 1  | 1  |   | F13.5A<br>F13.5A  |
|          | 66N-42677-00       | .GRAPHIC, FRONT<br>.ADHESIF, AVANT     | 1  | 1  |   | F9.9C<br>F9.9C    |
| 12       | 90202-05M38        | .WASHER, PLATE<br>.RONDELLE, PLATE     | 4  | 4  | 4 |                   |
| 13       | 67F-13434-02       | LABEL, CAUTION<br>ETIQUETTE, ATTENTION | 1  | 1  | 1 |                   |



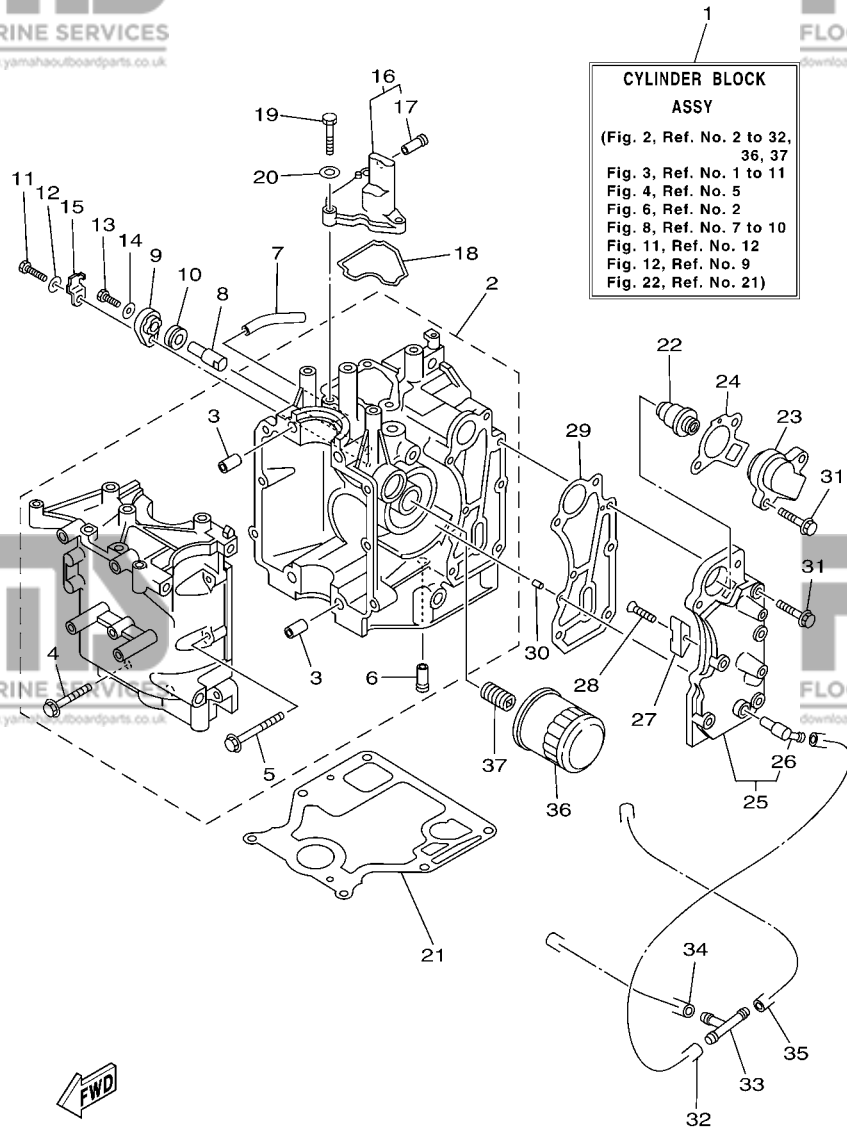
**CYLINDER BLOCK  
ASSY**  
(Fig. 2, Ref. No. 2 to 32,  
36, 37  
Fig. 3, Ref. No. 1 to 11  
Fig. 4, Ref. No. 5  
Fig. 6, Ref. No. 2  
Fig. 8, Ref. No. 7 to 10  
Fig. 11, Ref. No. 12  
Fig. 12, Ref. No. 9  
Fig. 22, Ref. No. 21)

66M4300-D020

**FIG. 2 CYLINDER & CRANKCASE 1      CYLINDRE & CARTER 1**

| REF. NO. | PART NO. N° PIECES | DESCRIPTION DESCRIPTION                        | MH | EH | L | REMARKS REMARQUES            |
|----------|--------------------|--|----|----|---|------------------------------|
| 1        | 66M-W009B-12-1S    | CYLINDER BLOCK ASSY<br>CYLINDRE GROUPE (ENS.)  | 1  | 1  | 1 | FLUSHING KIT<br>FLUSHING KIT |
| 2        | 66M-15100-02-1S    | CRANKCASE ASSY<br>CARTER DE MOTEUR COMPLET     | 1  | 1  | 1 |                              |
| 3        | 99510-10114        | .PIN, DOWEL<br>.GOUJON, D'ASSEMBLAGE           | 2  | 2  | 2 |                              |
| 4        | 90119-08M66        | .BOLT, WITH WASHER<br>.BOULON, AVEC RONDELLE   | 4  | 4  | 4 |                              |
| 5        | 90119-06M14        | .BOLT, WITH WASHER<br>.BOULON, AVEC RONDELLE   | 6  | 6  | 6 |                              |
| 6        | 6E5-24377-00       | .PIPE, JOINT 3<br>.DURITE RACCORDEMENT 3       | 1  | 1  | 1 |                              |
| 7        | 90445-10M46        | HOSE (L65)<br>DURITE (L65)                     | 1  | 1  | 1 |                              |
| 8        | 66M-11325-00       | ANODE<br>ANODE                                 | 1  | 1  | 1 |                              |
| 9        | 66M-11327-00-94    | COVER, ANODE<br>COUVERCLE                      | 1  | 1  | 1 |                              |
| 10       | 66M-11328-00       | GROMMET, ANODE<br>PASSE-FIL                    | 1  | 1  | 1 |                              |
| 11       | 97095-06020        | BOLT<br>BOULON                                 | 1  | 1  | 1 |                              |
| 12       | 92995-06600        | WASHER<br>RONDELLE                             | 1  | 1  | 1 |                              |
| 13       | 97095-05012        | BOLT<br>BOULON                                 | 1  | 1  | 1 |                              |
| 14       | 92995-05600        | WASHER<br>RONDELLE                             | 1  | 1  | 1 |                              |
| 15       | 66M-12535-00       | PLATE<br>PLAQUE                                | 1  | 1  | 1 |                              |
| 16       | 66M-11168-00-1S    | COVER, BREATHER<br>COUVERCLE, RENIFLARD        | 1  | 1  | 1 |                              |
| 17       | 6E5-24377-00       | .PIPE, JOINT 3<br>.DURITE RACCORDEMENT 3       | 1  | 1  | 1 |                              |
| 18       | 66M-11357-00       | SEAL, CYLINDER 3<br>JOINT, SPY CYLINDRE        | 1  | 1  | 1 |                              |
| 19       | 97095-06020        | BOLT<br>BOULON                                 | 3  | 3  | 3 |                              |
| 20       | 92995-06600        | WASHER<br>RONDELLE                             | 3  | 3  | 3 |                              |
| 21       | 66M-11351-10       | GASKET, CYLINDER<br>JOINT, D'EMBASE            | 1  | 1  | 1 |                              |
| 22       | 66M-12411-01       | THERMOSTAT<br>THERMOSTAT                       | 1  | 1  | 1 |                              |
| 23       | 6H3-12413-00-1S    | COVER, THERMOSTAT<br>COUVERCLE, THERMOSTAT     | 1  | 1  | 1 |                              |
| 24       | 62Y-12414-00       | GASKET, COVER<br>JOINT, COUVERCLE              | 1  | 1  | 1 |                              |
| 25       | 66M-41113-30-1S    | OUTER COVER, EXHAUST<br>COUVERCLE, ECHAPPEMENT | 1  | 1  | 1 | FLUSHING KIT<br>FLUSHING KIT |
| 26       | 676-11372-00       | .NIPPLE, HOSE<br>.RACCORD, TUYAU               | 1  | 1  | 1 |                              |
| 27       | 6E5-11325-00       | ANODE<br>ANODE                                 | 1  | 1  | 1 |                              |

**FIG. 2 CYLINDER & CRANKCASE 1      CYLINDRE & CARTER 1**

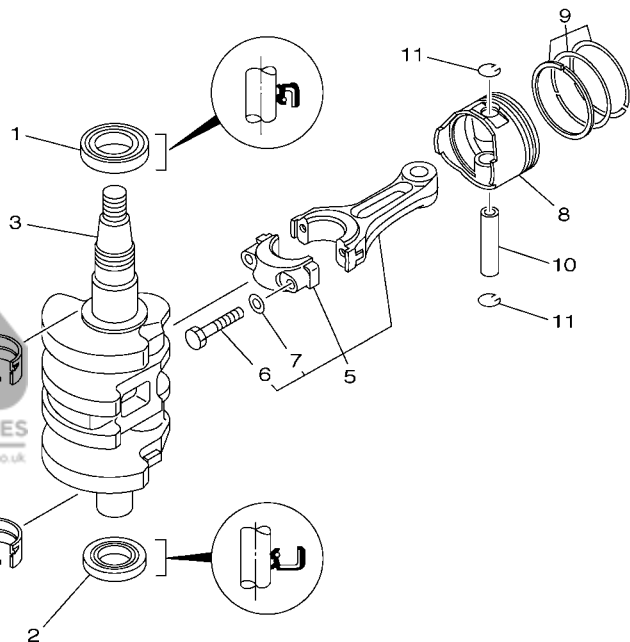


**CYLINDER BLOCK ASSY**  
(Fig. 2, Ref. No. 2 to 32, 36, 37  
Fig. 3, Ref. No. 1 to 11  
Fig. 4, Ref. No. 5  
Fig. 6, Ref. No. 2  
Fig. 8, Ref. No. 7 to 10  
Fig. 11, Ref. No. 12  
Fig. 12, Ref. No. 9  
Fig. 22, Ref. No. 21)

| REF. NO. | PART NO. N° PIECES | DESCRIPTION DESCRIPTION                                       | MH | EH | U | REMARKS REMARQUES |
|----------|--------------------|---|----|----|---|-------------------|
| 28       | 98780-04015        | SCREW, FLAT HEAD<br>VIS A TETE FRAISEE                        | 1  | 1  | 1 |                   |
| 29       | 66M-41114-01       | GASKET, EXHAUST OUTER COVER<br>JOINT, COUVERCLE D'ECHAPPEMENT | 1  | 1  | 1 |                   |
| 30       | 93604-12M07        | PIN, DOWEL<br>CLAVETTE  | 2  | 2  | 2 |                   |
| 31       | 90119-06MA4        | BOLT, WITH WASHER<br>BOULON, AVEC RONDELLE                    | 7  | 7  | 7 |                   |
| 32       | 90445-09061        | HOSE (L65)<br>DURITE (L65)                                    | 1  | 1  | 1 |                   |
| 33       | 688-24378-00       | PIPE, JOINT 4<br>DURITE RACCORDEMENT 4                        | 1  | 1  | 1 |                   |
| 34       | 90445-09086        | HOSE (L170)<br>DURITE (L170)                                  | 1  | 1  | 1 |                   |
| 35       | 90445-09104        | HOSE (L300)<br>DURITE (L300)                                  | 1  | 1  | 1 |                   |
| 36       | 5GH-13440-00       | ELEMENT ASSY, OIL CLEANER<br>ELEMENT, FILTRE A HUILE          | 1  | 1  | 1 |                   |
| 37       | 90401-20M00        | BOLT, UNION<br>BOULON, RACCORD                                | 1  | 1  | 1 |                   |

**FWD**  
66M4300-D020





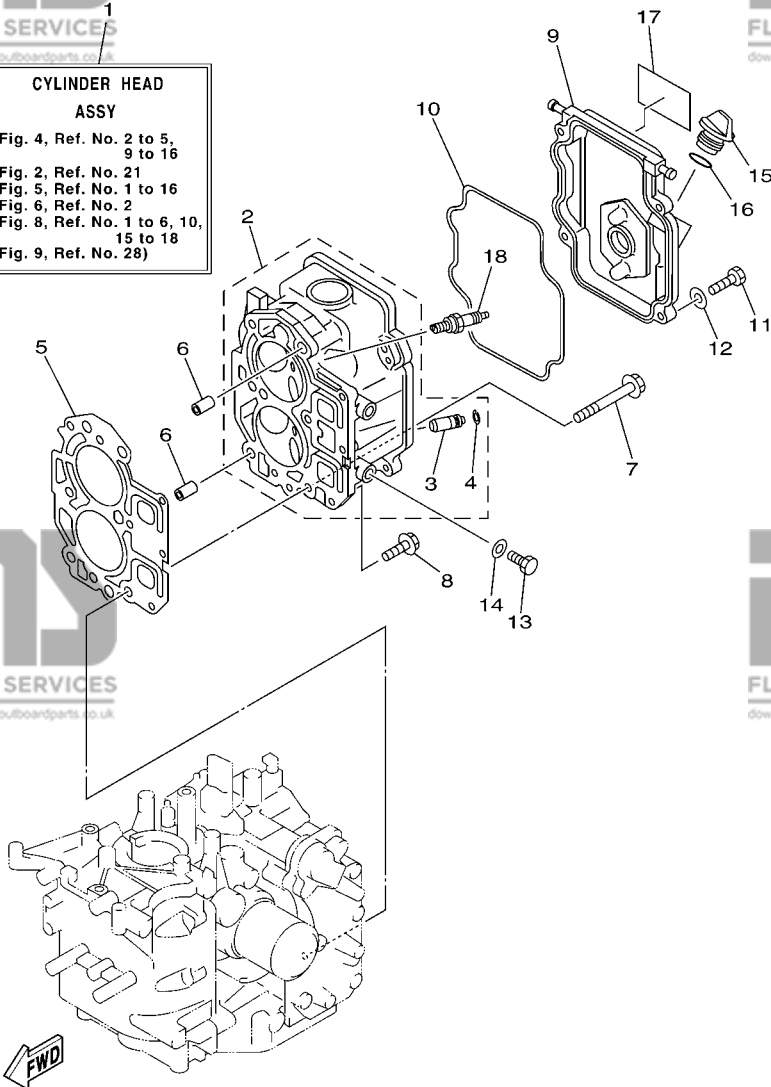
  
66M0010-8031

**FIG. 3 CRANKSHAFT & PISTON**

**VILEBREQUIN & PISTON**

| REF. NO. | PART NO. N° PIECES | DESCRIPTION DESCRIPTION                                      | MH | EH | U | REMARKS REMARQUES    |
|----------|--------------------|--|----|----|---|----------------------|
| 1        | 93102-35M51        | OIL SEAL<br>JOINT SPY  | 1  | 1  | 1 |                      |
| 2        | 93102-25M52        | OIL SEAL<br>JOINT SPY  | 1  | 1  | 1 |                      |
| 3        | 66M-11411-00       | CRANKSHAFT<br>VILEBREQUIN COMPLET                            | 1  | 1  | 1 |                      |
| 4        | 66M-11416-00       | PLANE BEARING, CRANKSHAFT 1<br>COUSSINET DE VILEBREQUIN 1    | 4  | 4  | 4 | UR BROWN<br>UR BROWN |
|          | 66M-11416-10       | PLANE BEARING, CRANKSHAFT 1<br>COUSSINET DE VILEBREQUIN 1    | 4  | 4  | 4 | UR BLACK<br>UR BLACK |
|          | 66M-11416-20       | PLANE BEARING, CRANKSHAFT 1<br>COUSSINET DE VILEBREQUIN 1    | 4  | 4  | 4 | UR BLUE<br>UR BLUE   |
| 5        | 66M-11650-00       | CONNECTING ROD ASSY<br>BIELLE COMPLETE                       | 2  | 2  | 2 |                      |
| 6        | 66M-11654-00       | .BOLT, CONNECTING ROD<br>.BOULON, BIELLE                     | 2  | 2  | 2 |                      |
| 7        | 90201-07M01        | .WASHER, PLATE<br>.RONDELLE, PLATE                           | 2  | 2  | 2 |                      |
| 8        | 66M-11631-00-96    | PISTON (STD)<br>PISTON (STD)                                 | 2  | 2  | 2 |                      |
|          | 66M-11635-00       | PISTON (0.25MM O/S)<br>PISTON (0.25MM O/S)                   | 2  | 2  | 2 | AP<br>AP             |
|          | 66M-11636-00       | PISTON (0.50MM O/S)<br>PISTON (0.50MM O/S)                   | 2  | 2  | 2 | AP<br>AP             |
| 9        | 66N-11603-00       | PISTON RING SET (STD)<br>JEU DE SEGMENTS (STD)               | 2  | 2  | 2 |                      |
|          | 66N-11604-00       | PISTON RING SET (0.25MM O/S)<br>JEU DE SEGMENTS (0.25MM O/S) | 2  | 2  | 2 | AP<br>AP             |
|          | 66N-11605-00       | PISTON RING SET (0.50MM O/S)<br>JEU DE SEGMENTS (0.50MM O/S) | 2  | 2  | 2 | AP<br>AP             |
| 10       | 634-11633-00       | PIN, PISTON<br>AXE, PISTON                                   | 2  | 2  | 2 |                      |
| 11       | 93450-15023        | CIRCLIP<br>CIRCLIP, TYPE S                                   | 4  | 4  | 4 |                      |

**CYLINDER HEAD ASSY**  
(Fig. 4, Ref. No. 2 to 5, 9 to 16  
Fig. 2, Ref. No. 21  
Fig. 5, Ref. No. 1 to 16  
Fig. 6, Ref. No. 2  
Fig. 8, Ref. No. 1 to 6, 10, 15 to 18  
Fig. 9, Ref. No. 28)



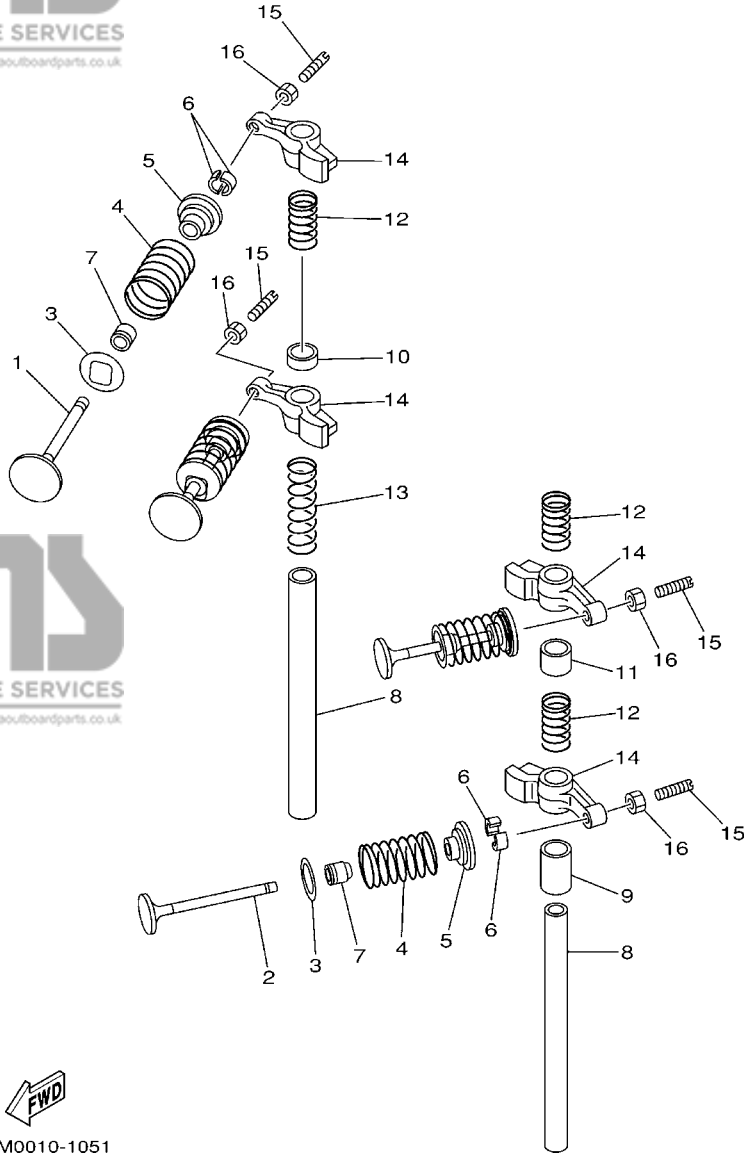
66M4300-D040

\*ECM:FOR EMISSION CONTROL MODEL.  
\*ECM:POUR MODELE CONTROLE D' EMISSIONS.

**FIG. 4 CYLINDER & CRANKCASE 2**

**CYLINDRE & CARTER 2**

| REF. NO. | PART NO. N° PIECES | DESCRIPTION DESCRIPTION                                    | MH | EH | W | REMARKS REMARQUES |
|----------|--------------------|--|----|----|---|-------------------|
| 1        | 66M-W009A-02-1S    | CYLINDER HEAD ASSY CULASSE (ENS.)                          | 1  | 1  | 1 | FOR STD FOR STD   |
|          | 66M-W009A-12-1S    | CYLINDER HEAD ASSY CULASSE (ENS.)                          | 1  | 1  | 1 | *ECM-F15A ONLY    |
| 2        | 66M-11111-01-1S    | HEAD, CYLINDER 1 CULASSE                                   | 1  | 1  | 1 | FOR STD FOR STD   |
|          | 66M-11111-11-1S    | HEAD, CYLINDER 1 CULASSE                                   | 1  | 1  | 1 | *ECM-F15A ONLY    |
| 3        | 66M-11133-10       | .GUIDE, VALVE 1 .GUIDE, SOUPAPE 1                          | 4  | 4  | 4 |                   |
| 4        | 93450-09M01        | .CIRCLIP .CIRCLIP, TYPE S                                  | 4  | 4  | 4 |                   |
| 5        | 66M-11181-10       | GASKET, CYLINDER HEAD 1 JOINT, DE CULASSE 1                | 1  | 1  | 1 |                   |
| 6        | 99510-10114        | PIN, DOWEL GOUJON, D'ASSEMBLAGE                            | 2  | 2  | 2 |                   |
| 7        | 90105-08M78        | BOLT, FLANGE BOULON  | 6  | 6  | 6 |                   |
| 8        | 90119-06MA3        | BOLT, WITH WASHER BOULON, AVEC RONDELLE                    | 3  | 3  | 3 |                   |
| 9        | 66M-11191-00-1S    | COVER, CYLINDER HEAD 1 COUVERCLE, CULASSE 1                | 1  | 1  | 1 |                   |
| 10       | 66M-11356-00       | SEAL, CYLINDER 2 JOINT, SPY CYLINDRE                       | 1  | 1  | 1 |                   |
| 11       | 97095-06020        | BOLT BOULON  | 4  | 4  | 4 |                   |
| 12       | 92995-06600        | WASHER RONDELLE  | 4  | 4  | 4 |                   |
| 13       | 97095-08014        | BOLT BOULON  | 2  | 2  | 2 | *ECM-F15A ONLY    |
| 14       | 90430-08143        | GASKET JOINT   | 2  | 2  | 2 | *ECM-F15A ONLY    |
| 15       | 6G8-15363-00       | PLUG, OIL PLOT, HUILE                                      | 1  | 1  | 1 | *ECM-F15A ONLY    |
| 16       | 93210-24M79        | O-RING JOINT TORIQUE                                       | 1  | 1  | 1 |                   |
| 17       | 66M-12138-60       | MARK, CAUTION MAKER  | 1  | 1  | 1 |                   |
| 18       | 94701-00375        | PLUG, SPARK (NGK DPR6EA-9) BOUGIE D'ALLUMAGE(NGK DPR6EA-9) | 2  | 2  | 2 |                   |



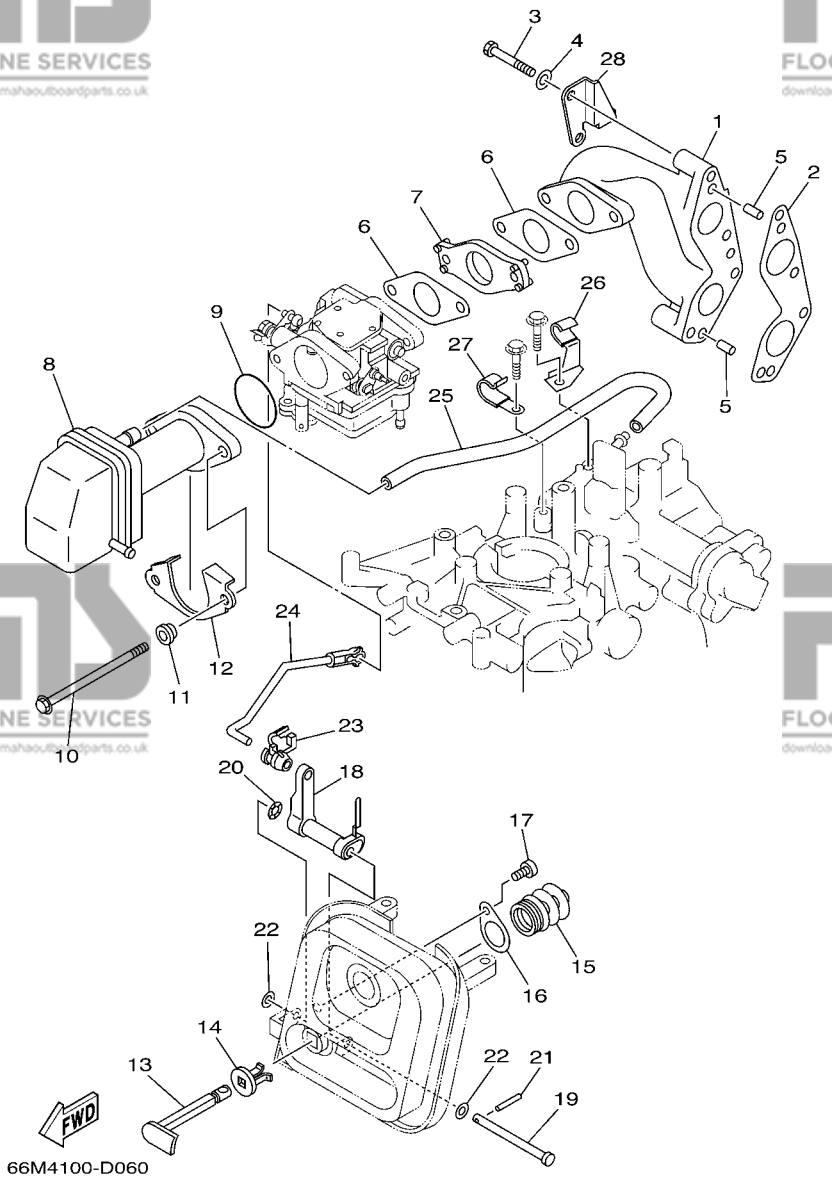
66M0010-1051

FIG. 5 VALVE

SOUPAPE

| REF. NO. | PART NO. N° PIECES | DESCRIPTION DESCRIPTION                               | MH | EH | U | REMARKS REMARQUES |
|----------|--------------------|---|----|----|---|-------------------|
| 1        | 66M-12111-00       | VALVE, INTAKE<br>SOUPAPE, ADMISSION                   | 2  | 2  | 2 |                   |
| 2        | 66M-12121-00       | VALVE, EXHAUST<br>SOUPAPE, ECHAPPEMENT                | 2  | 2  | 2 |                   |
| 3        | 66M-12116-00       | SEAT, VALVE SPRING<br>SIEGE, RESSORT DE SOUPAPE       | 4  | 4  | 4 |                   |
| 4        | 66M-12113-00       | SPRING, VALVE INNER<br>RESSORT DE SOUPAPE, INTERNE    | 4  | 4  | 4 |                   |
| 5        | 30X-12117-00       | RETAINER, VALVE SPRING<br>BUTEE DE RESSORT DE SOUPAPE | 4  | 4  | 4 |                   |
| 6        | 30X-12118-00       | COTTER, VALVE<br>FRAISE, SOUPAPE                      | 8  | 8  | 8 |                   |
| 7        | 51Y-12119-00       | SEAL, VALVE STEM<br>JOINT, QUEUE DE SOUPAPE           | 4  | 4  | 4 |                   |
| 8        | 66M-12146-00       | SHAFT, ROCKER<br>AXE, CULBUTEUR                       | 2  | 2  | 2 |                   |
| 9        | 90387-13M56        | COLLAR<br>COLLERETTE                                  | 1  | 1  | 1 |                   |
| 10       | 90387-13001        | COLLAR<br>COLLERETTE                                  | 1  | 1  | 1 |                   |
| 11       | 90387-13002        | COLLAR<br>COLLERETTE                                  | 1  | 1  | 1 |                   |
| 12       | 90501-12M40        | SPRING, COMPRESSION<br>RESSORT, COMPRESSION           | 3  | 3  | 3 |                   |
| 13       | 90501-12M41        | SPRING, COMPRESSION<br>RESSORT, COMPRESSION           | 1  | 1  | 1 |                   |
| 14       | 66M-12151-10       | ARM, VALVE ROCKER<br>CULBUTEUR                        | 4  | 4  | 4 |                   |
| 15       | 62Y-12159-00       | SCREW, VALVE ADJUSTING<br>VIS, REGLAGE DE SOUPAPE     | 4  | 4  | 4 |                   |
| 16       | 62Y-12158-00       | NUT, LOCK<br>CONTRE-ECROU                             | 4  | 4  | 4 |                   |

**B2**



**FIG. 6 INTAKE**

**ADMISSION**

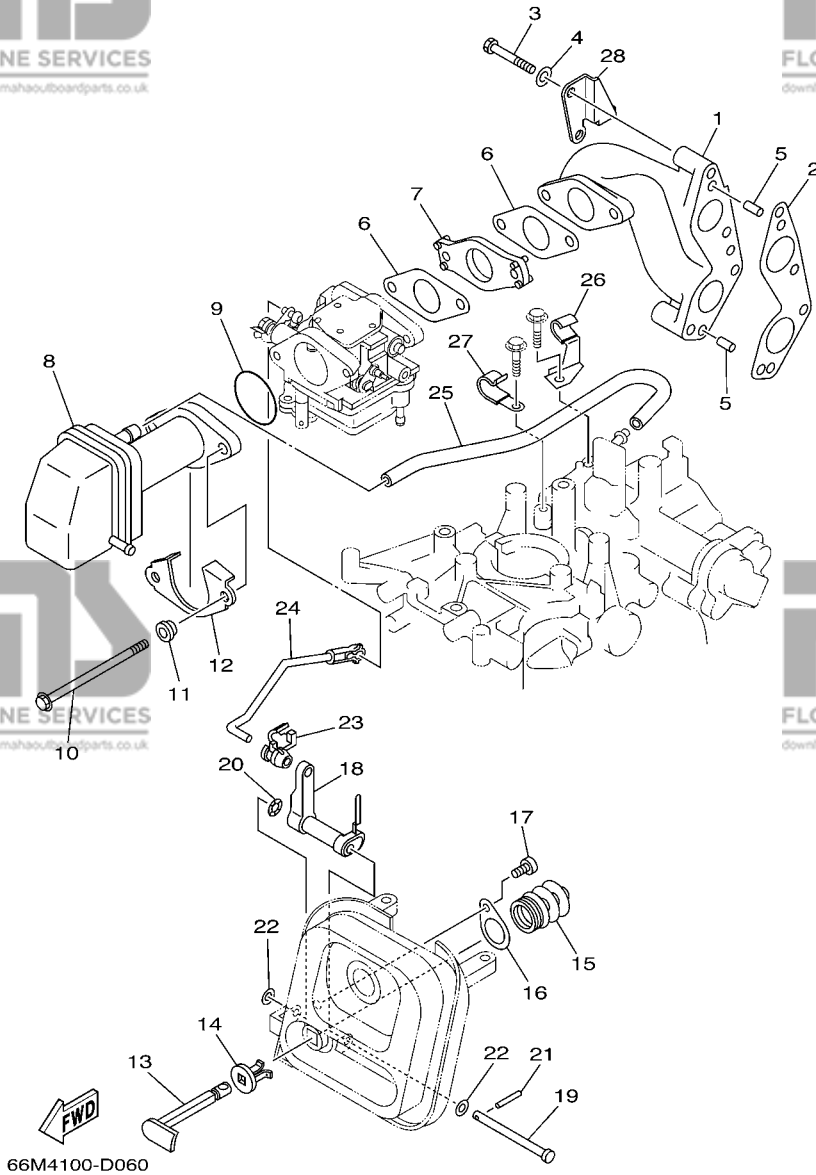
| REF. NO. | PART NO. N° PIECES           | DESCRIPTION DESCRIPTION                          | MH | EH | U | REMARKS REMARQUES                            |
|----------|------------------------------|--|----|----|---|--|
| 1        | 66M-13641-10-94              | MANIFOLD 1<br>TUBULURE 1                         | 1  | 1  | 1 |  |
| 2        | 66M-13645-00                 | GASKET, MANIFOLD 1<br>JOINT, TUBULURE 1          | 1  | 1  | 1 |  |
| 3        | 97095-06040                  | BOLT<br>BOULON                                   | 4  | 4  | 4 |  |
| 4        | 92995-06600                  | WASHER<br>RONDELLE                               | 4  | 4  | 4 |  |
| 5        | 93606-12019                  | PIN, DOWEL<br>GOUPILLE                           | 2  | 2  | 2 |  |
| 6        | 66M-13646-00                 | GASKET, MANIFOLD 2<br>JOINT, TUBULURE 2          | 2  | 2  | 2 |  |
| 7        | 66M-14271-00<br>69V-14271-00 | INSULATOR<br>ISOLATEUR<br>INSULATOR<br>ISOLATEUR | 1  | 1  | 1 | F9.9C,F15A<br>F9.9C,F15A<br>F13.5A<br>F13.5A |
| 8        | 66M-14440-00                 | SILENCER ASSY, INTAKE<br>SIENCIEUX D'ADMISSION   | 1  | 1  | 1 |  |
| 9        | 93210-35M86                  | O-RING<br>JOINT TORIQUE                          | 1  | 1  | 1 |  |
| 10       | 90119-06M76                  | BOLT, WITH WASHER<br>BOULON, AVEC RONDELLE       | 2  | 2  | 2 |  |
| 11       | 90387-06M79                  | COLLAR<br>COLLERETTE                             | 2  | 2  | 2 |  |
| 12       | 66M-14477-00                 | PLATE<br>PLAQUE                                  | 1  | 1  | 1 |  |
| 13       | 66M-41271-00                 | KNOB, CHOKE<br>BOUTON DE STARTER                 | 1  | 1  | 1 |  |
| 14       | 689-41273-00                 | GROMMET<br>PASSE-FIL                             | 1  | 1  | 1 |  |
| 15       | 66M-41292-00                 | BUSH 2<br>BAGUE 2                                | 1  | 1  | 1 |  |
| 16       | 66M-41298-00                 | WASHER 2<br>RONDELLE 2                           | 1  | 1  | 1 |  |
| 17       | 97780-50510                  | SCREW, TAPPING<br>VIS, TETE BOMBEE               | 1  | 1  | 1 |  |
| 18       | 66M-41252-00                 | LEVER, CHOKE 1<br>LEVIER 1                       | 1  | 1  | 1 |  |
| 19       | 90240-05M20                  | PIN, CLEVIS<br>BOULON, A GOUPILLE                | 1  | 1  | 1 |  |
| 20       | 90206-05005                  | WASHER, WAVE<br>RONDELLE, ONDULEE                | 1  | 1  | 1 |  |
| 21       | 91690-20016                  | PIN, SPRING<br>AGRAFFE                           | 1  | 1  | 1 |  |
| 22       | 90202-05088                  | WASHER, PLATE<br>RONDELLE, PLATE                 | 2  | 2  | 2 |  |
| 23       | 6R5-41237-00                 | JOINT, LINK<br>RACCORD                           | 1  | 1  | 1 |  |
| 24       | 66M-41256-00                 | ROD, CHOKE 1<br>TRINGLE 1, STARTER               | 1  | 1  | 1 |  |
| 25       | 66M-15373-00                 | PIPE, BREATHER<br>DURITE DE RENIFLARD            | 1  | 1  | 1 |  |
| 26       | 90465-08M82                  | CLAMP<br>BRIDE                                   | 1  | 1  | 1 |  |

**B3**

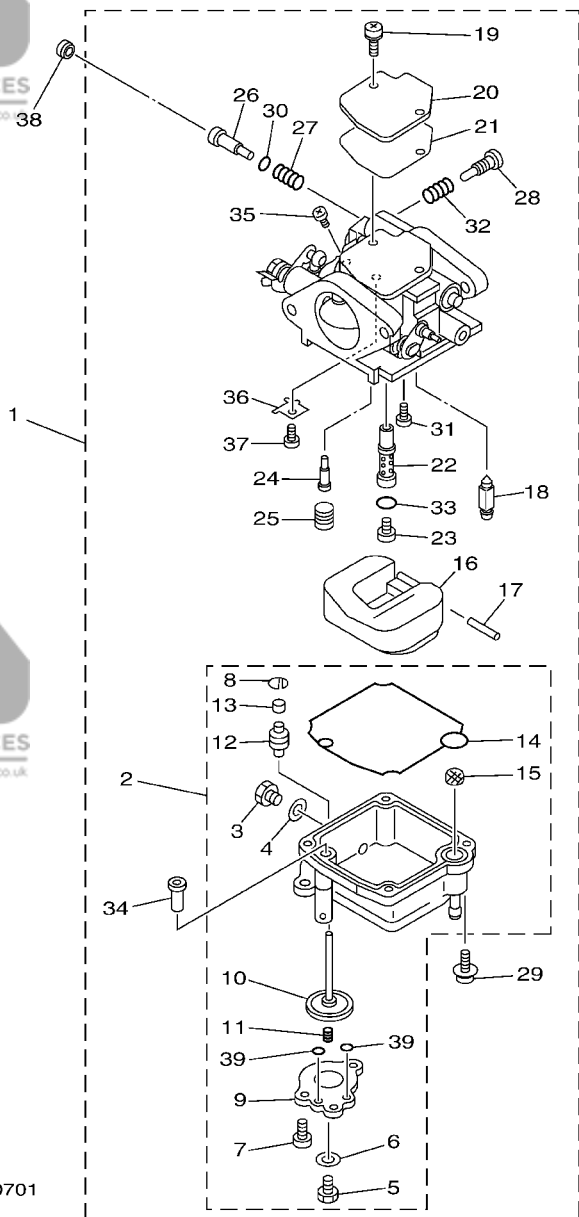
**FIG. 6 INTAKE**

**ADMISSION**

| REF. NO. | PART NO. N° PIECES | DESCRIPTION DESCRIPTION         | MH | EH | E | REMARKS REMARQUES |
|----------|--------------------|---------------------------------|----|----|---|-------------------|
| 27       | 90465-08M83        | CLAMP BRIDE                     | 1  | 1  | 1 |                   |
| 28       | 6D4-24566-00       | BRACKET, FILTER SUPPORT, FILTRE | 1  | 1  | 1 |                   |



|       |  |  |  |  |  |  |
|-------|--|--|--|--|--|--|
| ----- |  |  |  |  |  |  |
| ----- |  |  |  |  |  |  |
| ----- |  |  |  |  |  |  |
| ----- |  |  |  |  |  |  |
| ----- |  |  |  |  |  |  |
| ----- |  |  |  |  |  |  |
| ----- |  |  |  |  |  |  |
| ----- |  |  |  |  |  |  |
| ----- |  |  |  |  |  |  |
| ----- |  |  |  |  |  |  |



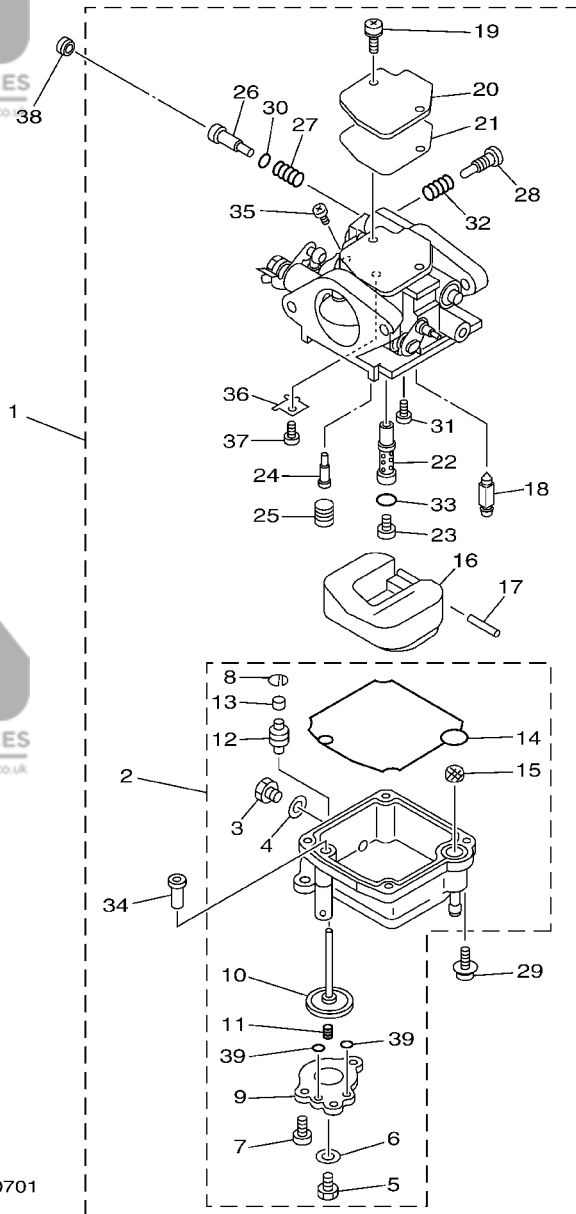
\*ECM: FOR EMISSION CONTROL MODEL.  
\*ECM: POUR MODELE CONTROLE D' EMISSIONS.

66M4300D0701

FIG. 7 CARBURETOR

CARBURATEUR

| REF. NO. | PART NO. N° PIECES | DESCRIPTION DESCRIPTION                              | MH | EH | U | REMARKS REMARQUES                    |
|----------|--------------------|--|----|----|---|--------------------------------------|
| 1        | 66M-14301-00       | CARBURETOR ASSY 1<br>CARBURATEUR COMPLET 1           | 1  | 1  | 1 | F13.5A, F15A-STD<br>F13.5A, F15A-STD |
|          | 66M-14301-20       | CARBURETOR ASSY 1<br>CARBURATEUR COMPLET 1           | 1  | 1  | 1 | *ECM-F15A ONLY<br>*ECM-F15A ONLY     |
|          | 66N-14301-00       | CARBURETOR ASSY 1<br>CARBURATEUR COMPLET 1           | 1  | 1  | 1 | F9.9C<br>F9.9C                       |
| 2        | 66M-14381-02       | .BODY, FLOAT CHAMBER<br>.CORPS, CUVE DE FLOTTEUR     | 1  | 1  | 1 | F13.5A, F15A<br>F13.5A, F15A         |
|          | 66N-14381-00       | .BODY, FLOAT CHAMBER<br>.CORPS, CUVE DE FLOTTEUR     | 1  | 1  | 1 | F9.9C<br>F9.9C                       |
| 3        | 62Y-14383-00       | ..SCREW, DRAIN<br>..BOUCHON, PURGE                   | 1  | 1  | 1 |                                      |
| 4        | 66M-14398-00       | ..GASKET<br>..JOINT                                  | 1  | 1  | 1 |                                      |
| 5        | 677-14383-01       | ..SCREW, DRAIN<br>..BOUCHON, PURGE                   | 1  | 1  | 1 | F13.5A, F15A<br>F13.5A, F15A         |
| 6        | 6L2-14398-00       | ..GASKET<br>..JOINT                                  | 1  | 1  | 1 | F13.5A, F15A<br>F13.5A, F15A         |
| 7        | 66M-14325-00       | ..SCREW, PAN HEAD<br>..VIS TETE CONIQUE              | 3  | 3  | 3 | F13.5A, F15A<br>F13.5A, F15A         |
| 8        | 66M-14377-00       | ..STOPPER<br>..BUTEE                                 | 1  | 1  | 1 | F13.5A, F15A<br>F13.5A, F15A         |
| 9        | 66M-14958-00       | ..COVER, DIAPHRAGM<br>..COUVERCLE, DIAPHRAGME        | 1  | 1  | 1 | F13.5A, F15A<br>F13.5A, F15A         |
| 10       | 66M-14368-01       | ..DIAPHRAGM ASSY 1<br>..DIAPHRAGME 1                 | 1  | 1  | 1 | F13.5A, F15A<br>F13.5A, F15A         |
| 11       | 6G8-14275-02       | ..SPRING<br>..RESSORT                                | 1  | 1  | 1 | F13.5A, F15A<br>F13.5A, F15A         |
| 12       | 66M-14239-00       | ..SEAL<br>..JOINT                                    | 1  | 1  | 1 | F13.5A, F15A<br>F13.5A, F15A         |
| 13       | 66M-14225-00       | ..CAP<br>..COUVERCLE                                 | 1  | 1  | 1 | F13.5A, F15A<br>F13.5A, F15A         |
| 14       | 66M-14384-00       | ..GASKET, FLOAT CHAMBER<br>..JOINT, CUVE DE FLOTTEUR | 1  | 1  | 1 |                                      |
| 15       | 66M-14827-00       | ..FILTER<br>..FILTRE                                 | 1  | 1  | 1 |                                      |
| 16       | 6L2-14385-00       | .FLOAT<br>.FLOTTEUR                                  | 1  | 1  | 1 |                                      |
| 17       | 6E5-14386-01       | .PIN, FLOAT<br>.AXE, FLOTTEUR                        | 1  | 1  | 1 |                                      |
| 18       | 6L2-14392-00       | .VALVE, NEEDLE<br>.POINTEAU                          | 1  | 1  | 1 |                                      |
| 19       | 97980-04110        | .SCREW, WITH WASHER<br>.VIS, AVEC RONDELLE           | 2  | 2  | 2 |                                      |
| 20       | 6L2-14157-00       | .COVER, MIXING<br>.COUVERCLE DE CHAMBRE              | 1  | 1  | 1 |                                      |
| 21       | 62Y-14399-00       | .GASKET<br>.JOINT                                    | 1  | 1  | 1 |                                      |
| 22       | 66M-14341-00       | .NOZZLE, MAIN<br>.PUITS D'AIGUILLE                   | 1  | 1  | 1 | F13.5A, F15A-STD<br>F13.5A, F15A-STD |
|          | 66M-14341-10       | .NOZZLE, MAIN<br>.PUITS D'AIGUILLE                   | 1  | 1  | 1 | *ECM-F15A ONLY<br>*ECM-F15A ONLY     |
|          | 66N-14341-00       | .NOZZLE, MAIN<br>.PUITS D'AIGUILLE                   | 1  | 1  | 1 | F9.9C<br>F9.9C                       |



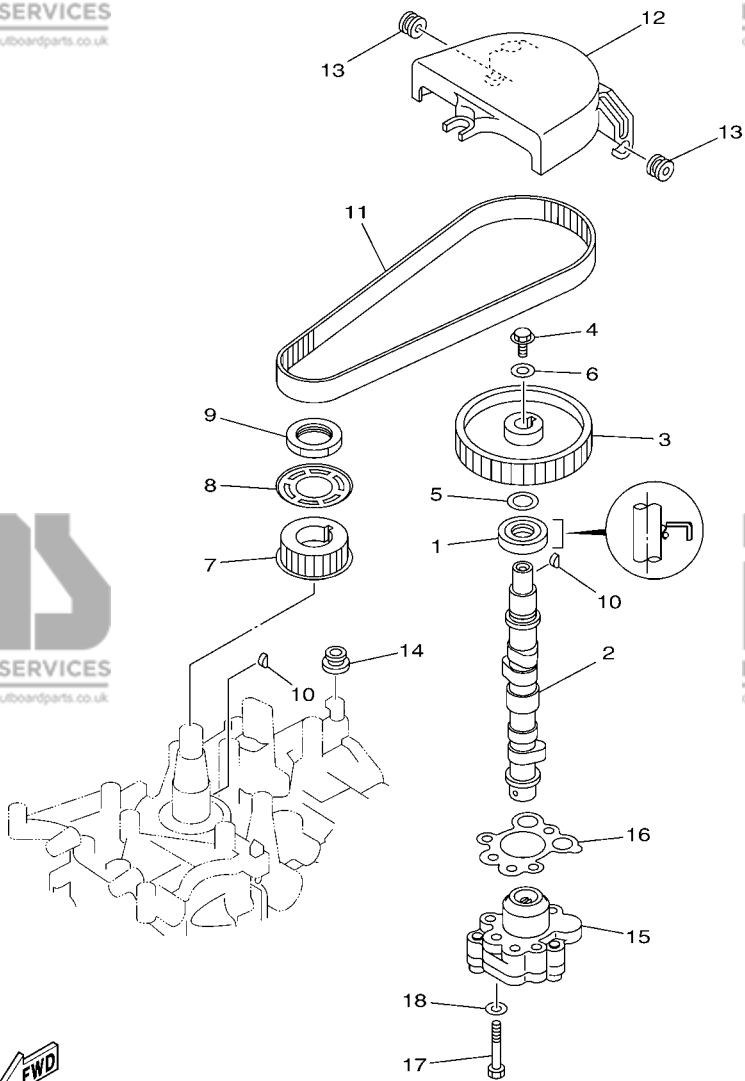
66M4300D0701

\*ECM: FOR EMISSION CONTROL MODEL.  
\*ECM: POUR MODELE CONTROLE D'EMISSIONS.

**FIG. 7 CARBURETOR**

**CARBURATEUR**

| REF. NO. | PART NO. N° PIECES | DESCRIPTION DESCRIPTION                                 | MH | EH | W | REMARKS REMARQUES                    |
|----------|--------------------|---|----|----|---|--------------------------------------|
| 23       | 66M-14343-52       | .JET, MAIN (#104)<br>.GICLEUR, PRINCIPAL (#104)         | 1  | 1  | 1 | F13.5A, F15A-STD<br>F13.5A, F15A-STD |
|          | 66M-14343-51       | .JET, MAIN (#102)<br>.GICLEUR, PRINCIPAL (#102)         | 1  | 1  | 1 | *ECM-F15A ONLY<br>*ECM-F15A ONLY     |
|          | 66N-14343-34       | .JET, MAIN (#68)<br>.GICLEUR, PRINCIPAL (#68)           | 1  | 1  | 1 | F9.9C<br>F9.9C                       |
| 24       | 66M-14342-23       | .JET, PILOT (#45)<br>.GICLEUR, RALENTI (#45)            | 1  | 1  | 1 |                                      |
| 25       | 66M-14355-00       | .PLUG<br>.PLOT  | 1  | 1  | 1 | F13.5A, F15A<br>F13.5A, F15A         |
|          | 62Y-14355-00       | .PLUG<br>.PLOT  | 1  | 1  | 1 | F9.9C<br>F9.9C                       |
| 26       | 5H0-14323-00       | .SCREW, AIR ADJUSTING<br>.VIS DE DOSEUR D'AIR           | 1  | 1  | 1 | STD<br>STD                           |
|          | 62Y-14323-10       | .SCREW, AIR ADJUSTING<br>.VIS DE DOSEUR D'AIR           | 1  | 1  | 1 | *ECM-F15A ONLY<br>*ECM-F15A ONLY     |
| 27       | 30X-14334-00       | .SPRING, AIR ADJUSTING<br>.RESSORT, VIS DE DOSEUR D'AIR | 1  | 1  | 1 |                                      |
| 28       | 62Y-14521-00       | .SCREW, THROTTLE<br>.VIS, ACCELERATEUR                  | 1  | 1  | 1 |                                      |
| 29       | 97980-04112        | .SCREW, WITH WASHER<br>.VIS, AVEC RONDELLE              | 4  | 4  | 4 |                                      |
| 30       | 62Y-14397-00       | .O-RING<br>.JOINT TORIQUE                               | 1  | 1  | 1 |                                      |
| 31       | 98980-04006        | .SCREW, BIND<br>.VIS, DE PRESSION                       | 1  | 1  | 1 |                                      |
| 32       | 646-14212-01       | .SPRING, PILOT ADJUSTING<br>.RESSORT, VIS DE RALENTI    | 1  | 1  | 1 |                                      |
| 33       | 6F5-14397-00       | .O-RING<br>.JOINT TORIQUE                               | 1  | 1  | 1 |                                      |
| 34       | 66M-14272-00       | .CHECK VALVE ASSY<br>.CLAPET (ENS.)                     | 1  | 1  | 1 | F13.5A, F15A<br>F13.5A, F15A         |
| 35       | 97890-04005        | .SCREW, PAN HEAD<br>.VIS, CRUCIFORME                    | 1  | 1  | 1 |                                      |
| 36       | 66M-14157-00       | .PLATE<br>.PLAQUE                                       | 1  | 1  | 1 |                                      |
| 37       | 98580-03005        | .SCREW, PAN HEAD<br>.VIS                                | 1  | 1  | 1 |                                      |
| 38       | 6G8-14457-00       | SEAL<br>.JOINT  | 1  | 1  | 1 | *ECM-F15A ONLY<br>*ECM-F15A ONLY     |
| 39       | 69M-24533-00       | .O-RING<br>.JOINT TORIQUE                               | 2  | 2  | 2 | F13.5A, F15A<br>F13.5A, F15A         |



**FWD**  
66R4300-D080

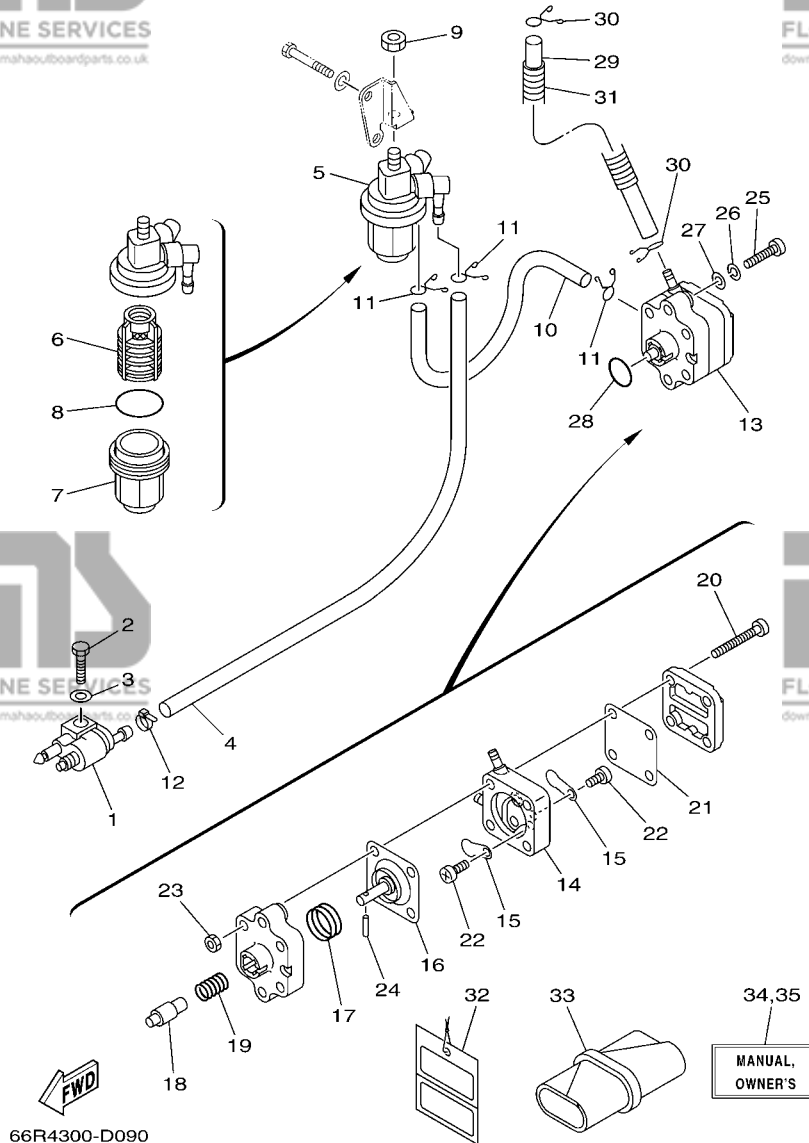
**FIG. 8 OIL PUMP**

**POMPE A HUILE**

| REF. NO. | PART NO. N° PIECES | DESCRIPTION DESCRIPTION                         | MH | EH | U | REMARKS REMARQUES |
|----------|--------------------|---|----|----|---|-------------------|
| 1        | 93102-18M21        | OIL SEAL<br>JOINT SPY                           | 1  | 1  | 1 |                   |
| 2        | 66M-12170-00       | CAMSHAFT ASSY 1<br>ENS ARBRE A CAMES 1          | 1  |    |   |                   |
|          | 66M-12171-10       | CAMSHAFT 1<br>ARBRE A CAMES 1                   |    | 1  | 1 |                   |
| 3        | 66M-11537-00-94    | GEAR, DRIVEN<br>PIGNON SECONDAIRE               | 1  | 1  | 1 |                   |
| 4        | 90105-06M14        | BOLT FLANGE<br>BOULON                           | 1  | 1  | 1 |                   |
| 5        | 90201-13201        | WASHER, PLATE<br>RONDELLE, PLATE                | 1  | 1  | 1 |                   |
| 6        | 90201-06M94        | WASHER, PLATE<br>RONDELLE, PLATE                | 1  | 1  | 1 |                   |
| 7        | 66M-11536-10       | GEAR, DRIVE<br>ENGRENAGE, MENANT                | 1  | 1  | 1 |                   |
| 8        | 66M-11557-00       | WASHER 1<br>RONDELLE 1                          | 1  | 1  | 1 |                   |
| 9        | 90170-28M37        | NUT<br>ECROU                                    | 1  | 1  | 1 |                   |
| 10       | 90280-03M01        | KEY, WOODRUFF<br>CLAVETTE, DEMI-LUNE            | 2  | 2  | 2 |                   |
| 11       | 66M-46241-00       | V-BELT<br>COURROIE TRAPEZOIDALE                 | 1  | 1  | 1 |                   |
| 12       | 66M-46297-00       | COVER, DUST<br>COUVERCLE, POUSSIERE             | 1  | 1  | 1 |                   |
| 13       | 90480-10M16        | GROMMET<br>PASSE-FIL                            | 2  | 2  | 2 |                   |
| 14       | 90480-12072        | GROMMET<br>PASSE-FIL                            | 1  | 1  | 1 |                   |
| 15       | 66M-13300-10       | OIL PUMP ASSY<br>POMPE A HUILE COMPLETE         | 1  | 1  | 1 |                   |
| 16       | 66M-13329-10       | GASKET, PUMP COVER<br>JOINT, COUVERCLE DE POMPE | 1  | 1  | 1 |                   |
| 17       | 97095-06035        | BOLT<br>BOULON                                  | 3  | 3  | 3 |                   |
| 18       | 92995-06600        | WASHER<br>RONDELLE                              | 3  | 3  | 3 |                   |

**B7**



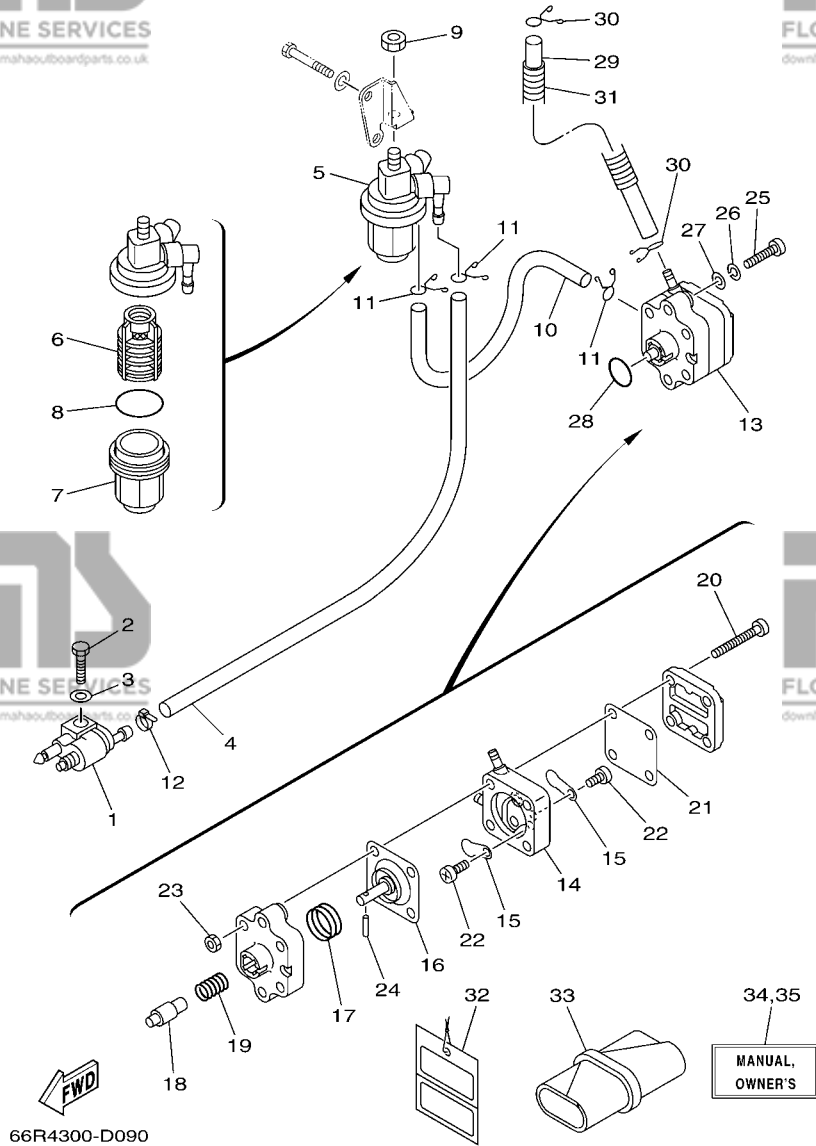


**FIG. 9 FUEL**

**CARBURANT**

| REF. NO. | PART NO. N° PIECES | DESCRIPTION DESCRIPTION                                 | MH | EH | U | REMARKS REMARQUES |
|----------|--------------------|---|----|----|---|-------------------|
| 1        | 6G1-24304-02       | FUEL PIPE JOINT COMP. 1<br>DURITE RACCORDEMT. A ESSENCE | 1  | 1  | 1 |                   |
| 2        | 97095-06020        | BOLT<br>BOULON  | 1  | 1  | 1 |                   |
| 3        | 92995-06600        | WASHER<br>RONDELLE                                      | 1  | 1  | 1 |                   |
| 4        | 90445-10M19        | HOSE (L500)<br>DURITE (L500)                            | 1  | 1  | 1 |                   |
| 5        | 61N-24560-00       | FILTER ASSY<br>ENS FILTRE                               | 1  | 1  | 1 |                   |
| 6        | 61N-24563-00       | .ELEMENT, FILTER<br>.ELEMENT, FILTRE                    | 1  | 1  | 1 |                   |
| 7        | 61N-24521-00       | .CUP, FILTER<br>.CUVETTE, FILTRE                        | 1  | 1  | 1 |                   |
| 8        | 93210-32738        | .O-RING<br>.JOINT TORIQUE                               | 1  | 1  | 1 |                   |
| 9        | 95380-08600        | NUT<br>ECROU  | 1  | 1  | 1 |                   |
| 10       | 90445-10M15        | HOSE (L140)<br>DURITE (L140)                            | 1  | 1  | 1 |                   |
| 11       | 90467-09M17        | CLIP<br>JONC  | 3  | 3  | 3 |                   |
| 12       | 90465-11M10        | CLAMP<br>BRIDE  | 1  | 1  | 1 |                   |
| 13       | 66M-24410-10       | FUEL PUMP ASSY<br>POMPE A ESSENCE                       | 1  | 1  | 1 |                   |
| 14       | 66M-24413-01       | .BODY 2<br>.CORPS 2                                     | 1  | 1  | 1 |                   |
| 15       | 6A0-24421-01       | .VALVE, CHECK<br>.SOUPAPE, RETENUE                      | 2  | 2  | 2 |                   |
| 16       | 66M-24411-10       | .DIAPHRAGM<br>.DIAPHRAGME                               | 1  | 1  | 1 |                   |
| 17       | 66M-24423-00       | .SPRING, DIAPHRAGM<br>.RESSORT, DIAPHRAGME              | 1  | 1  | 1 |                   |
| 18       | 66M-13131-10       | .PLUNGER<br>.PLONGEUR                                   | 1  | 1  | 1 |                   |
| 19       | 66M-24454-00       | .SPRING<br>.RESSORT                                     | 1  | 1  | 1 |                   |
| 20       | 66M-24444-00       | .SCREW<br>.VIS  | 4  | 4  | 4 |                   |
| 21       | 66M-24471-00       | .DIAPHRAGM<br>.DIAPHRAGME                               | 1  | 1  | 1 |                   |
| 22       | 6E7-14325-00       | .SCREW, PAN HEAD<br>.VIS TETE CONIQUE                   | 2  | 2  | 2 |                   |
| 23       | 95380-05600        | .NUT<br>.ECROU  | 4  | 4  | 4 |                   |
| 24       | 66M-24374-00       | .PIN<br>.GOUILLE  | 1  | 1  | 1 |                   |
| 25       | 97880-06030        | SCREW, PAN HEAD<br>VIS, TETE TRONCONIQUE                | 2  | 2  | 2 |                   |
| 26       | 92990-06100        | WASHER, SPRING<br>RONDELLE, GROWER                      | 2  | 2  | 2 |                   |
| 27       | 92990-06600        | WASHER, PLATE<br>RONDELLE, PLATE                        | 2  | 2  | 2 |                   |

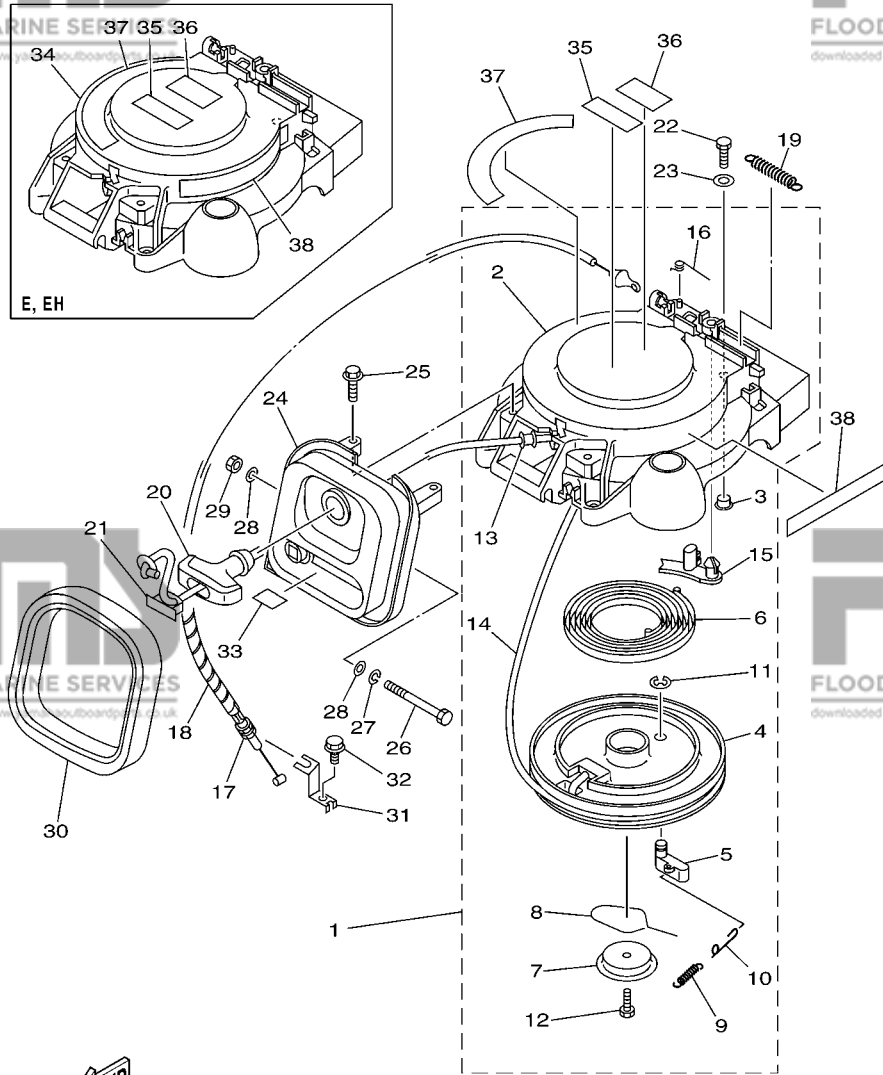
**C1**



**FIG. 9 FUEL**

**CARBURANT**

| REF. NO. | PART NO. N° PIECES | DESCRIPTION DESCRIPTION                  | MH | EH | U | REMARKS REMARQUES  |
|----------|--------------------|--|----|----|---|--------------------|
| 28       | 93210-20M65        | O-RING<br>JOINT TORIQUE                  | 1  | 1  | 1 |                    |
| 29       | 90445-10M93        | HOSE (L370)<br>DURITE (L370)             | 1  | 1  | 1 |                    |
| 30       | 90467-09M17        | CLIP<br>JONC                             | 2  | 2  | 2 |                    |
| 31       | 90446-14M51        | HOSE<br>DURITE                           | 1  | 1  | 1 |                    |
| 32       | 61H-2819R-31       | TAG, WARNING<br>ETIQUETTE, AVERTISSEMENT | 1  | 1  | 1 |                    |
| 33       | 62Y-28100-00       | TOOL KIT<br>TROUSSE A OUTILS             | 1  | 1  | 1 |                    |
| 34       | 66M-28199-79-E0    | MANUAL, OWNER'S<br>MANUEL D'UTILISATION  | 1  | 1  | 1 | UR (E)<br>UR (E)   |
|          | 66M-28199-79-F0    | MANUAL, OWNER'S<br>MANUEL D'UTILISATION  | 1  | 1  | 1 | UR (F)<br>UR (F)   |
|          | 66M-28199-79-S0    | MANUAL, OWNER'S<br>MANUEL D'UTILISATION  | 1  | 1  | 1 | UR (ES)<br>UR (ES) |
|          | 66M-28199-79-G0    | MANUAL, OWNER'S<br>MANUEL D'UTILISATION  | 1  | 1  | 1 | UR (D)<br>UR (D)   |
|          | 66M-28199-79-D0    | MANUAL, OWNER'S<br>MANUEL D'UTILISATION  | 1  | 1  | 1 | UR (NL)<br>UR (NL) |
|          | 66M-28199-79-H0    | MANUAL, OWNER'S<br>MANUEL D'UTILISATION  | 1  | 1  | 1 | UR (I)<br>UR (I)   |
| 35       | 66M-28199-8A-K0    | MANUAL, OWNER'S<br>MANUEL D'UTILISATION  | 1  | 1  | 1 | UR (DK)<br>UR (DK) |
|          | 66M-28199-8A-R0    | MANUAL, OWNER'S<br>MANUEL D'UTILISATION  | 1  | 1  | 1 | UR (GR)<br>UR (GR) |
|          | 66M-28199-8A-P0    | MANUAL, OWNER'S<br>MANUEL D'UTILISATION  | 1  | 1  | 1 | UR (P)<br>UR (P)   |
|          | 66M-28199-8A-N0    | MANUAL, OWNER'S<br>MANUEL D'UTILISATION  | 1  | 1  | 1 | UR (N)<br>UR (N)   |
|          | 66M-28199-8A-M0    | MANUAL, OWNER'S<br>MANUEL D'UTILISATION  | 1  | 1  | 1 | UR (S)<br>UR (S)   |
|          | 66M-28199-8A-L0    | MANUAL, OWNER'S<br>MANUEL D'UTILISATION  | 1  | 1  | 1 | UR (SF)<br>UR (SF) |



E, EH



66M3300-C100

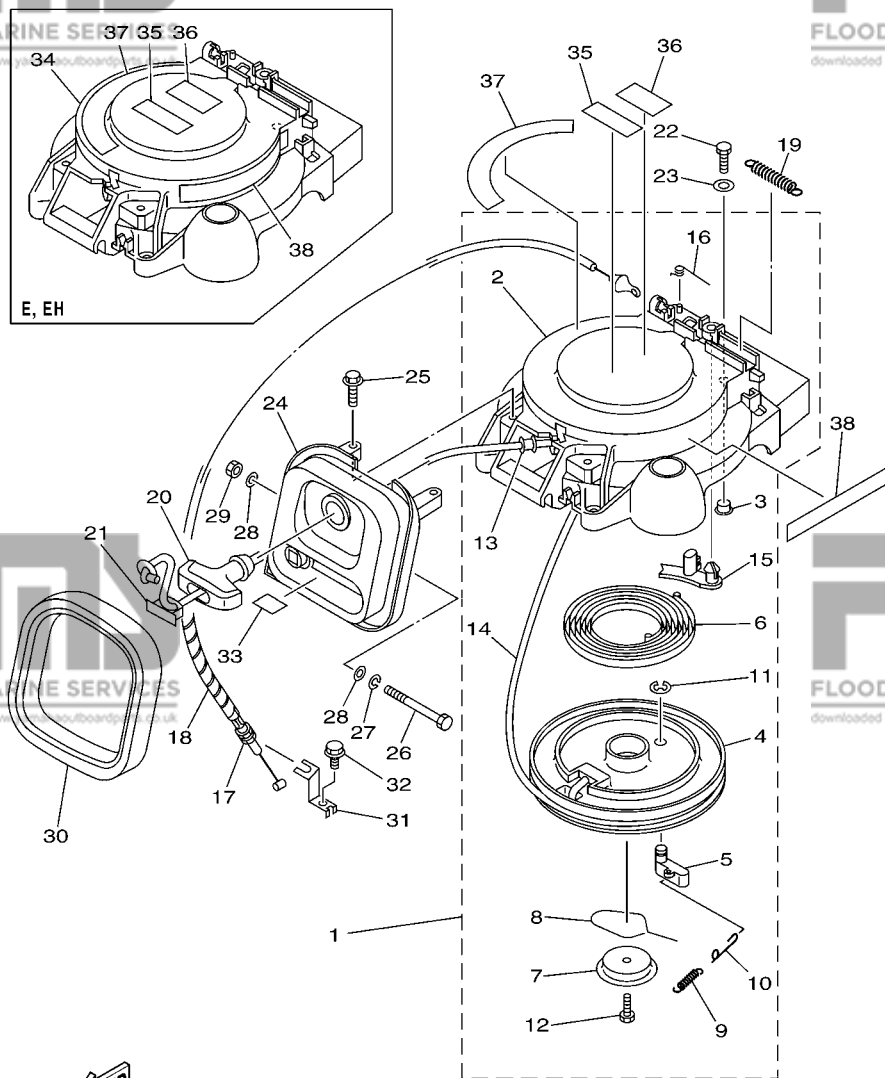
\*1: CUT FROM 50M ROLLS, PART NO.90890-44373, CUTTING LENGTH 1.8M

\*1:A PRELEVER SUR BOBINE 50M ,REFERENCE 90890-44373, LONGUEUR DE COUPE 1.8M

FIG. 10 STARTER

DEMARREUR

| REF. NO. | PART NO. N° PIECES | DESCRIPTION DESCRIPTION                                     | MH | EH | E | REMARKS REMARQUES |
|----------|--------------------|---|----|----|---|-------------------|
| 1        | 66M-15710-02       | STARTER ASSY<br>DEMARREUR COMPLET                           | 1  |    |   |                   |
| 2        | 66M-15711-01       | .CASE, STARTER<br>.CARTER DE DEMARREUR                      | 1  |    |   |                   |
| 3        | 90387-06M05        | .COLLAR<br>.COLLERETTE                                      | 3  |    |   |                   |
| 4        | 63V-15714-00       | .DRUM, SHEAVE<br>.TAMBOUR, POULIE                           | 1  |    |   |                   |
| 5        | 63V-15741-00       | .PAWL, DRIVE<br>.CLIQUET, ENTRAINEMENT                      | 1  |    |   |                   |
| 6        | 63V-15713-00       | .SPRING, STARTER<br>.RESSORT DE DEMARREUR                   | 1  |    |   |                   |
| 7        | 63V-15716-00       | .PLATE, DRIVE<br>.PLAQUE, ENTRAINEMENT                      | 1  |    |   |                   |
| 8        | 63V-15705-01       | .SPRING, DRIVE PAWL<br>.RESSORT DE CLIQUET                  | 1  |    |   |                   |
| 9        | 63V-15767-01       | .SPRING<br>.RESSORT   | 1  |    |   |                   |
| 10       | 63V-15784-01       | .SPRING, RETURN<br>.RESSORT, RAPPEL                         | 1  |    |   |                   |
| 11       | 63V-15744-00       | .CIRCLIP<br>.CIRCLIP  | 1  |    |   |                   |
| 12       | 63V-15768-00       | .BOLT<br>.BOULON  | 1  |    |   |                   |
| 13       | 63V-15764-00       | .COLLAR 1<br>.COLLERETTE 1                                  | 1  |    |   |                   |
| 14       | *                  | .WIRE, STARTER (L:1800MM)<br>.CABLE DE DEMARREUR (L:1800MM) | 1  |    |   | *1<br>*1          |
| 15       | 66T-15794-00       | .STOPPER<br>.BUTEE  | 1  |    |   |                   |
| 16       | 66T-15734-00       | .SPRING, RETURN<br>.RESSORT, RAPPEL                         | 1  |    |   |                   |
| 17       | 66M-15770-00       | CABLE COMP., STARTER STOP<br>CABLE, BUTEE DE DEMAR          | 1  |    |   |                   |
| 18       | 90446-06M90        | HOSE (L120)<br>DURITE (L120)                                | 1  |    |   |                   |
| 19       | 66T-15731-00       | SPRING, RETURN<br>RESSORT, RAPPEL                           | 1  |    |   |                   |
| 20       | 6G1-15755-00       | HANDLE, STARTER<br>POIGNEE, DE DEMARREUR                    | 1  |    |   |                   |
| 21       | 6G1-15779-00       | COVER<br>COUVERCLE  | 1  |    |   |                   |
| 22       | 97095-06020        | BOLT<br>BOULON  | 3  | 3  | 3 |                   |
| 23       | 92995-06600        | WASHER<br>RONDELLE  | 3  | 3  | 3 |                   |
| 24       | 66M-15758-00       | GUIDE, ROPE<br>GUIDE DE CABLE                               | 1  |    |   |                   |
|          | 66M-15758-10       | GUIDE, ROPE<br>GUIDE DE CABLE                               |    | 1  | 1 |                   |
| 25       | 90119-06M59        | BOLT, WITH WASHER<br>BOULON, AVEC RONDELLE                  | 2  | 2  | 2 |                   |
| 26       | 97095-06090        | BOLT<br>BOULON  | 1  | 1  | 1 |                   |



E, EH



66M3300-C100

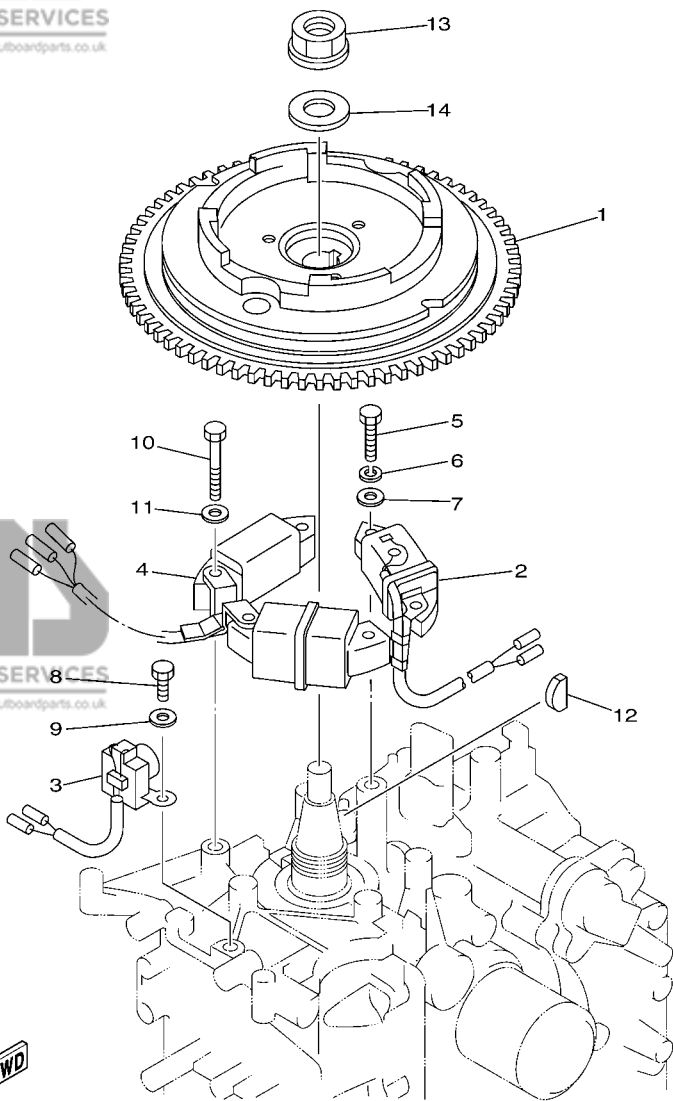
\*1: CUT FROM 50M ROLLS, PART NO.90890-44373, CUTTING LENGTH 1.8M

\*1:A PRELEVER SUR BOBINE 50M ,REFERENCE 90890-44373, LONGUEUR DE COUPE 1.8M

FIG. 10 STARTER

DEMARREUR

| REF. NO. | PART NO. N° PIECES | DESCRIPTION DESCRIPTION                   | MH | EH | U | REMARKS REMARQUES |
|----------|--------------------|---|----|----|---|-------------------|
| 27       | 92995-06100        | WASHER, SPRING RONDELLE, GROWER           | 1  | 1  | 1 |                   |
| 28       | 90201-06M05        | WASHER, PLATE RONDELLE, PLATE             | 2  | 2  | 2 |                   |
| 29       | 95380-06700        | NUT ECROU                                 | 1  | 1  | 1 |                   |
| 30       | 66M-15762-00       | SEAL, RUBBER 2 JOINT CAOUTCHOUC 2         | 1  | 1  | 1 |                   |
| 31       | 66M-15774-00       | STAY 4 SUPPORT 4                          | 1  |    |   |                   |
| 32       | 90109-06M86        | BOLT BOULON                               | 1  |    |   |                   |
| 33       | 66M-84342-00       | SEAT, EMBLEM SIEGE, EMBLEME               | 1  | 1  | 1 |                   |
| 34       | 66M-15711-10       | CASE, STARTER CARTER DE DEMARREUR         |    | 1  | 1 |                   |
| 35       | 6A1-83625-41       | MARK 5 ETIQUETTE 5                        | 1  | 1  | 1 |                   |
| 36       | 6A1-83625-51       | MARK 5 ETIQUETTE 5                        | 1  | 1  | 1 |                   |
| 37       | 66M-14427-60       | LABEL, INSTRUCTION ETIQUETTE, INSTRUCTION | 1  | 1  | 1 |                   |
| 38       | 6G8-13437-64       | MARK, CAUTION MAKER                       | 1  | 1  | 1 |                   |



69B0010-0110

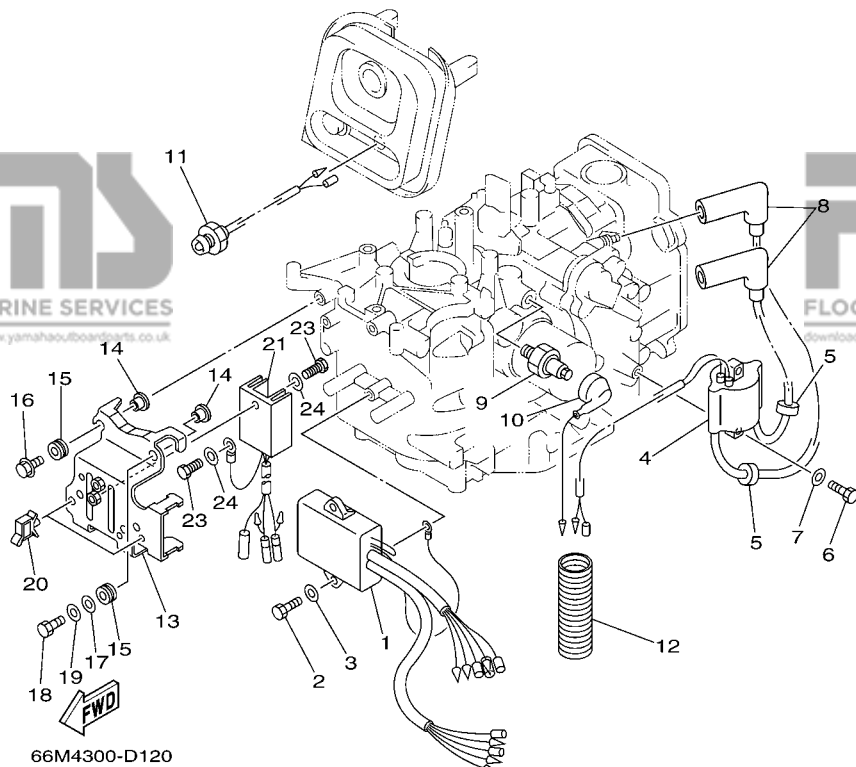
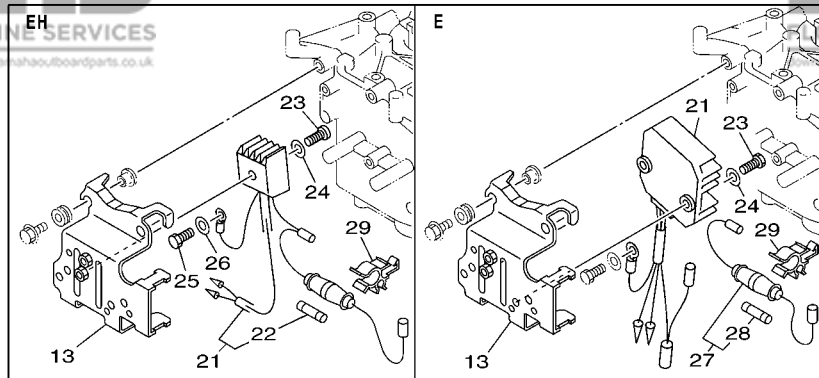
**FIG. 11 GENERATOR**

**GENERATRICE**

| REF. NO. | PART NO. N° PIECES | DESCRIPTION DESCRIPTION                      | MH | EH | U | REMARKS REMARQUES |
|----------|--------------------|--|----|----|---|-------------------|
| 1        | 66M-85550-00       | ROTOR ASSY (WITHOUT RING GEAR)<br>ROTOR CPLT | 1  |    |   |                   |
|          | 66M-85550-10       | ROTOR ASSY (WITH RING GEAR)<br>ROTOR CPLT    |    | 1  | 1 |                   |
| 2        | 66M-85520-00       | COIL, CHARGE<br>BOBINE, CHARGE               | 1  | 1  | 1 |                   |
| 3        | 66M-85580-00       | COIL, PULSER<br>BOBINE, PULSEUR              | 1  | 1  | 1 |                   |
| 4        | 66M-85533-00       | COIL, LIGHTING<br>BOBINE, ECLAIRAGE          | 1  | 1  |   | 6A                |
|          | 66M-85533-10       | COIL, LIGHTING<br>BOBINE, ECLAIRAGE          |    |    | 1 | 6A<br>10A<br>10A  |
| 5        | 97095-06025        | BOLT<br>BOULON                               | 2  | 2  | 2 |                   |
| 6        | 92995-06100        | WASHER, SPRING<br>RONDELLE, GROWER           | 2  | 2  | 2 |                   |
| 7        | 92995-06600        | WASHER<br>RONDELLE                           | 2  | 2  | 2 |                   |
| 8        | 97095-06016        | BOLT<br>BOULON                               | 2  | 2  | 2 |                   |
| 9        | 92995-06600        | WASHER<br>RONDELLE                           | 2  | 2  | 2 |                   |
| 10       | 97095-06030        | BOLT<br>BOULON                               | 4  | 4  |   |                   |
|          | 97095-06040        | BOLT<br>BOULON                               |    |    | 4 |                   |
| 11       | 92995-06600        | WASHER<br>RONDELLE                           | 4  | 4  | 4 |                   |
| 12       | 90280-05013        | KEY, WOODRUFF<br>CLAVETTE, DEMI-LUNE         | 1  | 1  | 1 |                   |
| 13       | 90179-16M05        | NUT<br>ECROU                                 | 1  | 1  | 1 |                   |
| 14       | 90201-16M44        | WASHER, PLATE<br>RONDELLE, PLATE             | 1  | 1  | 1 |                   |

FIG. 12 ELECTRICAL 1

PARTIE ELECTRIQUE 1

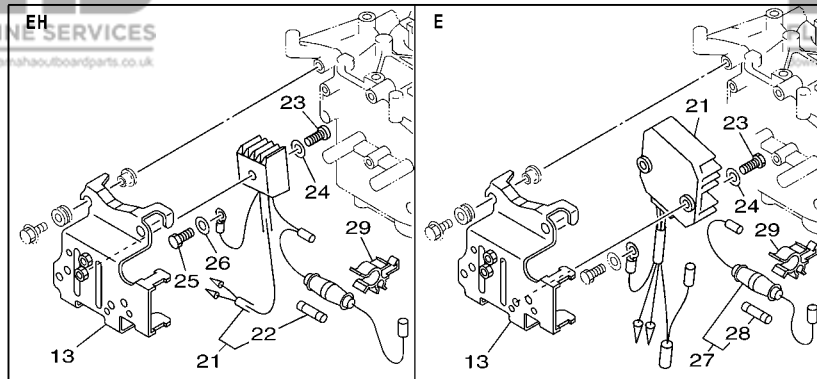


| REF. NO. | PART NO. N° PIECES | DESCRIPTION DESCRIPTION                                    | MH | EH | L | REMARKS REMARQUES                    |
|----------|--------------------|--|----|----|---|--------------------------------------|
| 1        | 66M-85540-10       | C.D.I. UNIT ASSY<br>BLOC C.D.I.                            | 1  | 1  | 1 | F15A<br>F15A                         |
|          | 66M-85540-01       | C.D.I. UNIT ASSY<br>BLOC C.D.I.                            | 1  | 1  | 1 | F9.9C,F13.5A<br>F9.9C,F13.5A         |
| 2        | 97095-06020        | BOLT<br>BOULON   | 2  | 2  | 2 |                                      |
| 3        | 92995-06600        | WASHER<br>RONDELLE   | 2  | 2  | 2 |                                      |
| 4        | 66M-85570-00       | IGNITION COIL ASSY<br>BOBINE D'ALLUMAGE (ENS.)             | 1  | 1  | 1 |                                      |
| 5        | 90480-25161        | GROMMET<br>PASSE-FIL                                       | 2  | 2  | 2 |                                      |
| 6        | 97095-06020        | BOLT<br>BOULON   | 2  | 2  | 2 |                                      |
| 7        | 92995-06600        | WASHER<br>RONDELLE   | 2  | 2  | 2 |                                      |
| 8        | 6G8-82370-30       | PLUG CAP ASSY<br>ANTIPARASITE                              | 2  | 2  | 2 |                                      |
| 9        | 62Y-82504-10       | OIL PRESSURE SWITCH ASSY<br>CONTACTEUR DE PRESSION D'HUILE | 1  | 1  | 1 |                                      |
| 10       | 66M-82127-10       | WIRE, LEAD 2<br>FIL 2                                      | 1  | 1  | 1 |                                      |
| 11       | 65W-85410-01       | EMERGENCY SIGNAL LIGHT ASSY<br>FEU DE DETRESSE             | 1  | 1  | 1 |                                      |
| 12       | 6H1-83557-00       | TUBE<br>TUBE   | 1  | 1  | 1 |                                      |
| 13       | 66M-85542-00       | BRACKET<br>SUPPORT   | 1  | 1  |   |                                      |
|          | 66M-85542-10       | BRACKET<br>SUPPORT   |    |    | 1 |                                      |
| 14       | 90387-06M05        | COLLAR<br>COLLERETTE                                       | 4  | 4  | 4 |                                      |
| 15       | 90480-13M24        | GROMMET<br>PASSE-FIL                                       | 4  | 4  | 4 |                                      |
| 16       | 95895-06020        | BOLT, FLANGE<br>BOULON                                     | 3  | 3  | 3 |                                      |
| 17       | 90201-06M05        | WASHER, PLATE<br>RONDELLE, PLATE                           | 1  | 1  | 1 |                                      |
| 18       | 97095-06025        | BOLT<br>BOULON   | 1  | 1  | 1 |                                      |
| 19       | 92995-06600        | WASHER<br>RONDELLE   | 1  | 1  | 1 |                                      |
| 20       | 90464-09M13        | CLAMP<br>BRIDE   | 2  | 2  | 2 |                                      |
| 21       | 6J8-81960-00       | RECTIFIER & REGULATOR ASSY<br>REDRESSEUR REGULATEUR CPLT   | 1  |    |   |                                      |
|          | 6G1-81970-61       | RECTIFIER ASSY<br>REDRESSEUR COMPLET                       |    | 1  |   |                                      |
|          | 6G8-81960-A1       | RECTIFIER & REGULATOR ASSY<br>REDRESSEUR REGULATEUR CPLT   |    |    | 1 |                                      |
| 22       | 6G1-82151-00       | .FUSE (10A)<br>.FUSIBLE (10A)                              | 1  | 1  |   | FOR 6G1-81970-61<br>FOR 6G1-81970-61 |
| 23       | 97095-06016        | BOLT<br>BOULON   | 2  | 2  |   |                                      |

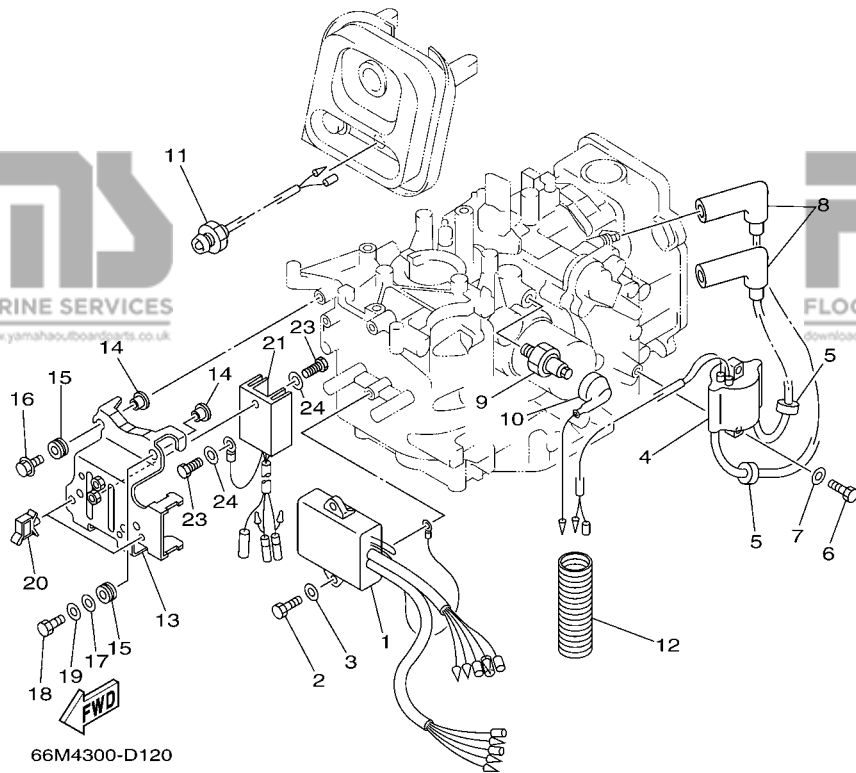
**C6**

FIG. 12 ELECTRICAL 1

PARTIE ELECTRIQUE 1



| REF. NO. | PART NO. N° PIECES | DESCRIPTION DESCRIPTION                  | MH | EH | E | REMARKS REMARQUES |
|----------|--------------------|--|----|----|---|-------------------|
| 23       | 97880-05025        | SCREW, PAN HEAD<br>VIS, TETE TRONCONIQUE |    | 1  |   |                   |
| 24       | 92995-06600        | WASHER<br>RONDELLE                       | 2  | 2  |   |                   |
|          | 92990-05600        | WASHER, PLATE<br>RONDELLE, PLATE         |    | 1  |   |                   |
| 25       | 97095-06016        | BOLT<br>BOULON                           |    | 1  |   |                   |
| 26       | 92995-06600        | WASHER<br>RONDELLE                       |    | 1  |   |                   |
| 27       | 6G8-82150-00       | FUSE HOLDER ASSY<br>SUPPORT DE FUSIBLE   |    |    | 1 |                   |
| 28       | 663-82151-00       | .FUSE (12V-20A)<br>.FUSIBLE (12V-20A)    |    |    | 1 |                   |
| 29       | 6G5-82152-00       | HOLDER, FUSE<br>SUPPORT, FUSIBLE         |    | 1  | 1 |                   |



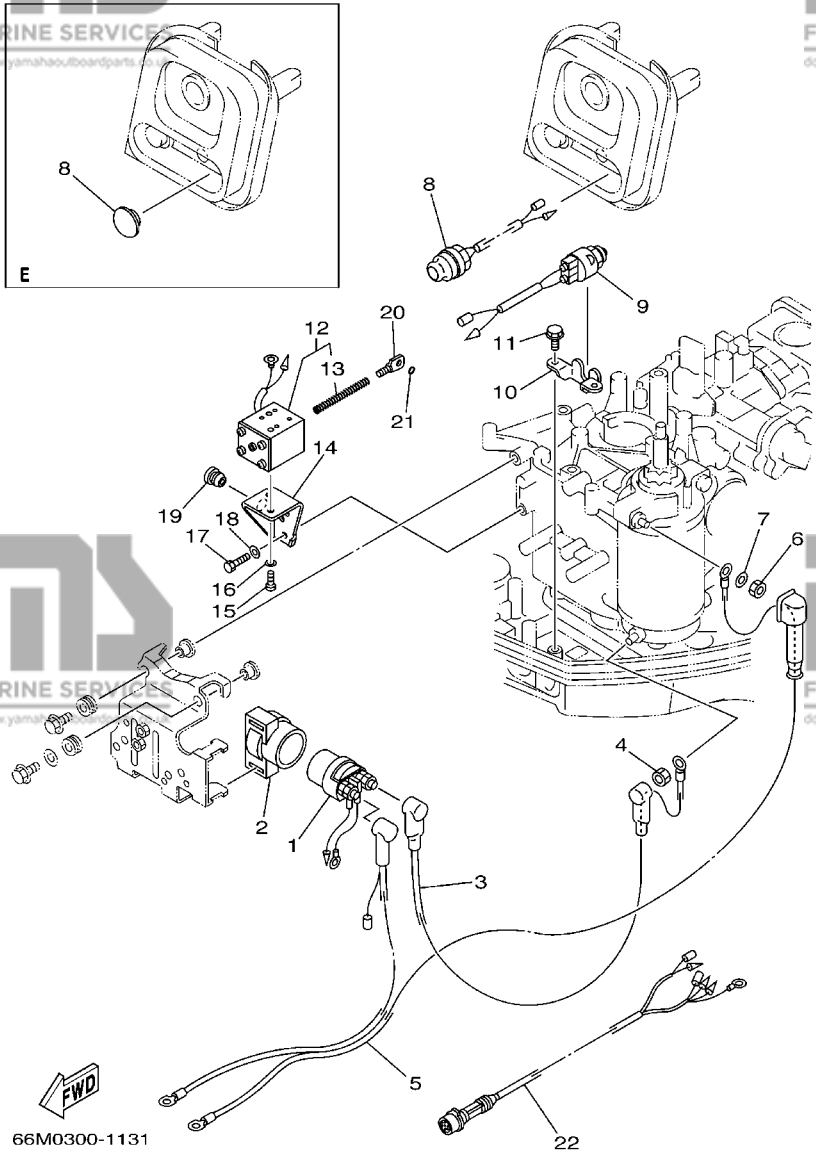


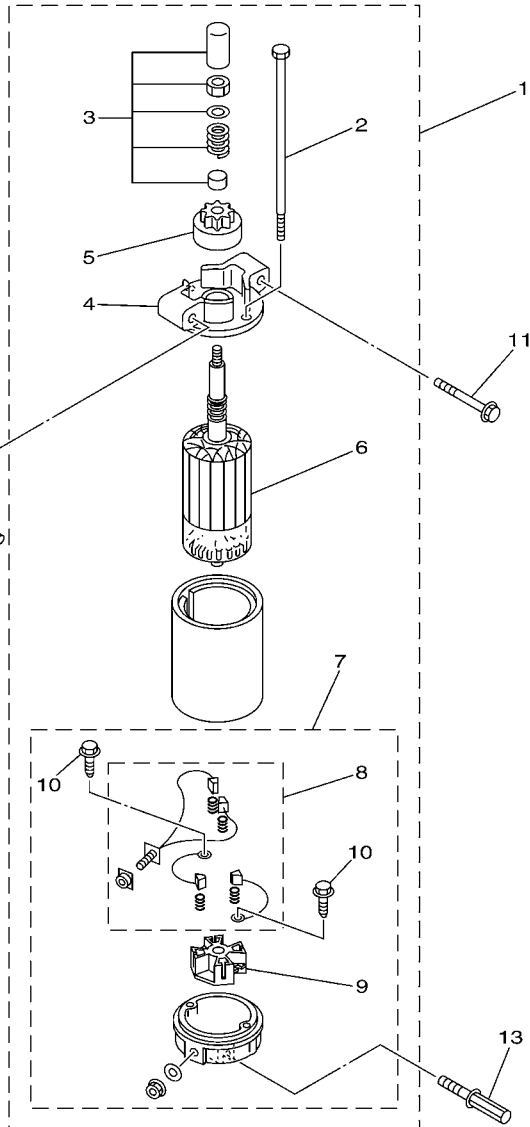
FIG. 13 ELECTRICAL 2

PARTIE ELECTRIQUE 2

| REF. NO. | PART NO. N° PIECES | DESCRIPTION DESCRIPTION                             | MH | EH | U | REMARKS REMARQUES |
|----------|--------------------|---|----|----|---|-------------------|
| 1        | 6G1-81941-10       | STARTER RELAY ASSY<br>LANCEUR RELAIS (ENS.)         |    | 1  | 1 |                   |
| 2        | 6G1-81952-00       | HOLDER, RELAY<br>SUPPORT, RELAIS                    |    | 1  | 1 |                   |
| 3        | 66M-82117-00       | WIRE, LEAD<br>FIL                                   |    | 1  | 1 |                   |
| 4        | 65W-8182B-00       | NUT, SPECIAL<br>ECROU, SPECIAL                      |    | 1  | 1 |                   |
| 5        | 66M-82105-00       | WIRE HARNESS<br>FAISCEAU DE FILS                    |    | 1  | 1 |                   |
| 6        | 95380-08700        | NUT<br>ECROU  |    | 1  | 1 |                   |
| 7        | 92990-08600        | WASHER, PLATE<br>RONDELLE, PLATE                    |    | 1  | 1 |                   |
| 8        | 65W-81870-00       | STARTING SWITCH ASSY<br>CONTACT A CLEF              |    | 1  |   |                   |
|          | 6G1-42725-00       | GROMMET<br>PASSE-FIL                                |    |    | 1 |                   |
| 9        | 6H3-82540-00       | NEUTRAL SWITCH ASSY<br>CONTACTEUR DE POINT-MORT     |    | 1  |   |                   |
| 10       | 6J8-82554-00       | STAY, NEUTRAL SWITCH<br>SUPPORT, CONT DE POINT-MORT |    | 1  |   |                   |
| 11       | 90109-06M86        | BOLT<br>BOULON                                      |    | 2  |   |                   |
| 12       | 66M-86111-00       | COIL, SOLENOID<br>BOBINE                            |    |    | 1 |                   |
| 13       | 66M-86116-00       | .WIRE, PULL<br>.CABLE, TENSION                      |    |    | 1 |                   |
| 14       | 66M-86112-00       | STAY, SOLENOID<br>SUPPORT, SOLENOIDE                |    |    | 1 |                   |
| 15       | 97880-05008        | SCREW, PAN HEAD<br>VIS, TETE TRONCONIQUE            |    |    | 2 |                   |
| 16       | 92990-05600        | WASHER, PLATE<br>RONDELLE, PLATE                    |    |    | 2 |                   |
| 17       | 97095-06016        | BOLT<br>BOULON                                      |    |    | 2 |                   |
| 18       | 92995-06600        | WASHER<br>RONDELLE                                  |    |    | 2 |                   |
| 19       | 90480-10M13        | GROMMET<br>PASSE-FIL                                |    |    | 1 |                   |
| 20       | 66M-86117-00       | HOOK, WIRE PULL<br>CROCHET, TENSION DE CABLE        |    |    | 1 |                   |
| 21       | 93210-03261        | O-RING<br>JOINT TORIQUE                             |    |    | 1 |                   |
| 22       | 66M-82590-00       | WIRE HARNESS ASSY<br>FAISCEAU DE FILS COMPLET       |    |    | 1 |                   |

D1





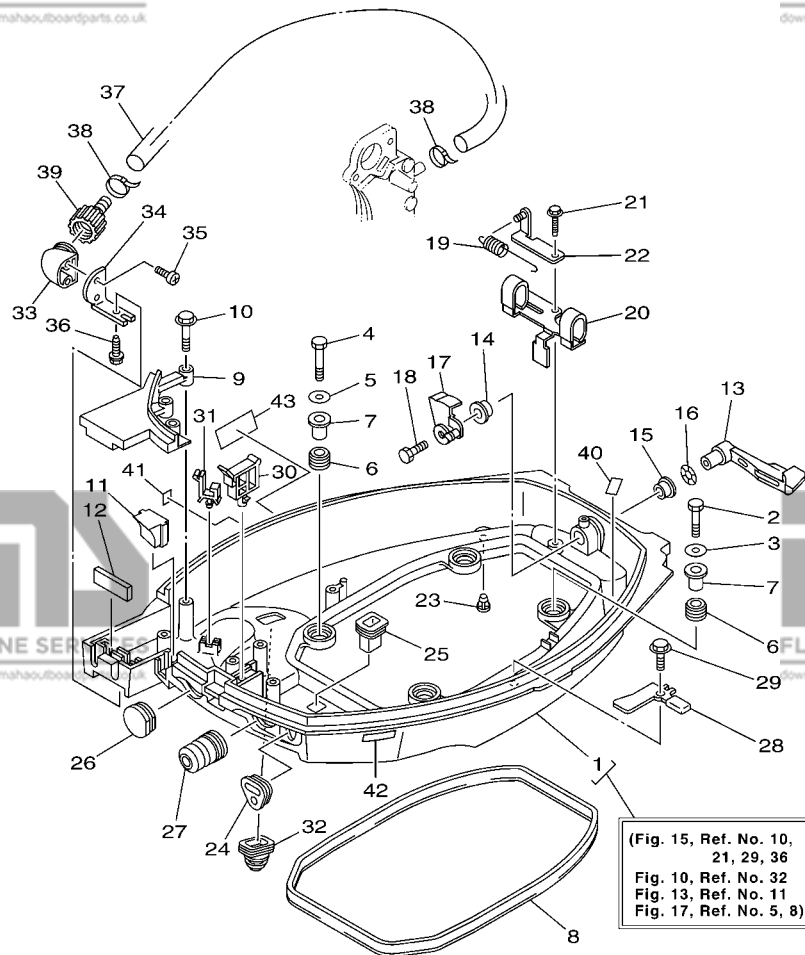
**FWD**  
66M0010-0140

**FIG. 14 STARTING MOTOR**

**DEMARREUR ELECTRIQUE**

| REF. NO. | PART NO. N° PIECES | DESCRIPTION DESCRIPTION                                     | MH | EH | U | REMARKS REMARQUES |
|----------|--------------------|---|----|----|---|-------------------|
| 1        | 66M-81800-01       | STARTING MOTOR ASSY<br>DEMARREUR ELECTRIQUE COMPLET         |    | 1  | 1 |                   |
| 2        | 65W-81826-00       | .BOLT<br>.BOULON  |    | 2  | 2 |                   |
| 3        | 65W-81857-01       | .RETAINER<br>.ARRETOIR                                      |    | 1  | 1 |                   |
| 4        | 66M-81830-00       | .FRONT BRACKET ASSY<br>.SUPPORT AVANT                       |    | 1  | 1 |                   |
| 5        | 65W-81807-00       | .GEAR ASSY, STARTING MOTOR<br>.PIGNON, DEMARREUR ELECTRIQUE |    | 1  | 1 |                   |
| 6        | 65W-81850-01       | .ARMATURE ASSY<br>.INDUIT                                   |    | 1  | 1 |                   |
| 7        | 66M-81820-00       | .REAR BRACKET ASSY<br>.SUPPORT ARRIERE COMPLET              |    | 1  | 1 |                   |
| 8        | 65W-81801-00       | ..BRUSH SET<br>..CHARBON                                    |    | 1  | 1 |                   |
| 9        | 65W-81840-00       | ..BRUSH HOLDER ASSY<br>..SUPPORT DE CHARBON                 |    | 1  | 1 |                   |
| 10       | 65W-8182S-00       | ..SCREW<br>..VIS  |    | 2  | 2 |                   |
| 11       | 90119-08M39        | BOLT, WITH WASHER<br>BOULON, AVEC RONDELLE                  |    | 1  | 1 |                   |
| 12       | 90109-08M78        | BOLT<br>BOULON  |    | 1  | 1 |                   |
| 13       | 90109-08M85        | BOLT<br>BOULON  |    | 1  | 1 |                   |

**D2**



(Fig. 15, Ref. No. 10, 21, 29, 36  
Fig. 10, Ref. No. 32  
Fig. 13, Ref. No. 11  
Fig. 17, Ref. No. 5, 8)

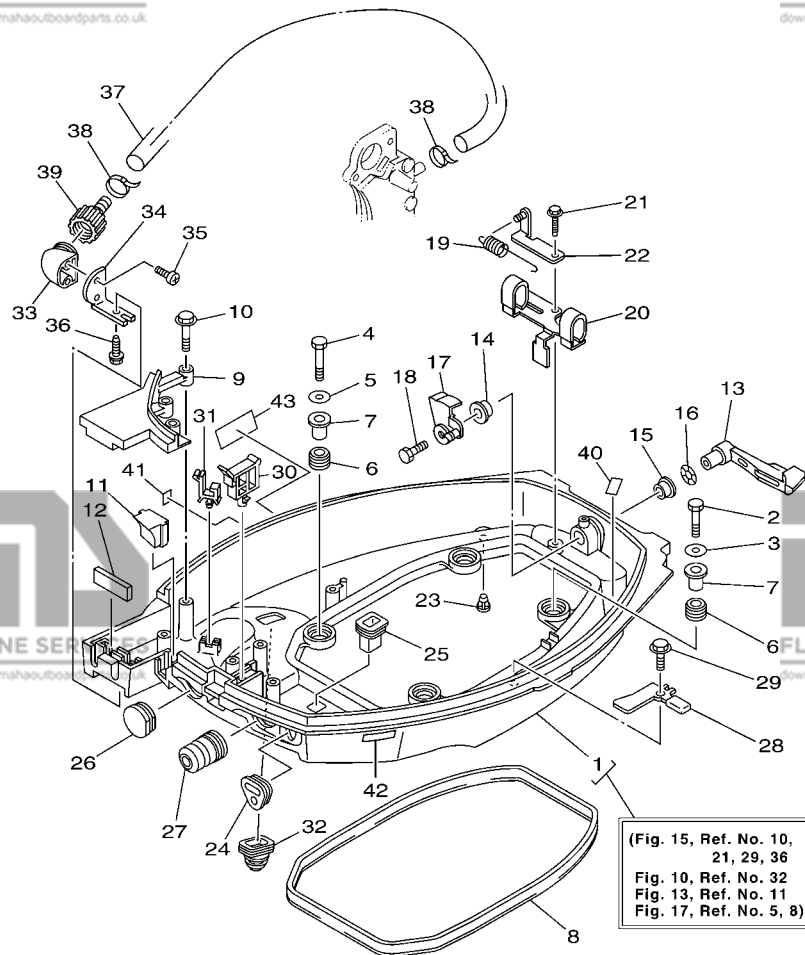


66M4300-D150

**FIG. 15 BOTTOM COWLING**

**CAPOT INFERIEUR**

| REF. NO. | PART NO. N° PIECES | DESCRIPTION DESCRIPTION                 | MH | EH | L | REMARKS REMARQUES                      |
|----------|--------------------|---|----|----|---|--|
| 1        | 66M-42710-05-4D    | BOTTOM COWLING ASSY<br>ENS. EMBASE      | 1  | 1  | 1 | WITH TAPPING BOLT<br>WITH TAPPING BOLT |
| 2        | 97095-06035        | BOLT<br>BOULON                          | 2  | 2  | 2 |  |
| 3        | 92995-06600        | WASHER<br>RONDELLE                      | 2  | 2  | 2 |  |
| 4        | 97095-06025        | BOLT<br>BOULON                          | 2  | 2  | 2 |  |
| 5        | 92995-06600        | WASHER<br>RONDELLE                      | 2  | 2  | 2 |  |
| 6        | 90480-15M31        | GROMMET<br>PASSE-FIL                    | 4  | 4  | 4 |  |
| 7        | 90387-06034        | COLLAR<br>COLLERETTE                    | 4  | 4  | 4 |  |
| 8        | 66M-42716-00       | RUBBER, SEAL 1<br>JOINT EN CAOUTCHOUC 1 | 1  | 1  | 1 |  |
| 9        | 66M-42738-00-4D    | PLATE, FITTING<br>ETRIER                | 1  | 1  | 1 |  |
| 10       | 90109-06M82        | BOLT<br>BOULON                          | 3  | 3  | 3 |  |
| 11       | 66M-42725-00       | GROMMET<br>PASSE-FIL                    | 1  |    |   |  |
|          | 66M-42725-10       | GROMMET<br>PASSE-FIL                    |    | 1  |   |  |
|          | 66M-42725-20       | GROMMET<br>PASSE-FIL                    |    |    | 1 |  |
| 12       | 65W-42727-00       | GROMMET<br>PASSE-FIL                    | 1  | 1  |   |  |
|          | 62Y-42727-00       | GROMMET<br>PASSE-FIL                    |    |    | 1 |  |
| 13       | 6D4-42815-00-4D    | LEVER, CLAMP<br>LEVIER, PRESSE          | 1  | 1  | 1 |  |
| 14       | 90386-12M37        | BUSH<br>DOUILLE                         | 1  | 1  | 1 |  |
| 15       | 90386-12MA2        | BUSH<br>DOUILLE                         | 1  | 1  | 1 |  |
| 16       | 90206-12052        | WASHER, WAVE<br>RONDELLE, ONDULEE       | 1  | 1  | 1 |  |
| 17       | 6D4-42816-00       | LEVER, CLAMP<br>LEVIER, PRESSE          | 1  | 1  | 1 |  |
| 18       | 97095-06012        | BOLT<br>BOULON                          | 1  | 1  | 1 |  |
| 19       | 90506-18010        | SPRING, TENSION<br>RESSORT, TENSION     | 1  | 1  | 1 |  |
| 20       | 6D4-42766-00       | BRACKET 2<br>SUPPORT 2                  | 1  | 1  | 1 |  |
| 21       | 90109-06M81        | BOLT<br>BOULON                          | 1  | 1  | 1 |  |
| 22       | 6D4-43144-00       | HOOK, SPRING<br>CROCHET                 | 1  | 1  | 1 |  |
| 23       | 6H3-44391-01       | NIPPLE, HOSE<br>RACCORD D'ESSENCE       | 1  | 1  | 1 |  |
| 24       | 66M-26326-00       | GROMMET<br>RONDELLE CAOUTCHOUC          | 1  | 1  |   |  |



(Fig. 15, Ref. No. 10,  
21, 29, 36  
Fig. 10, Ref. No. 32  
Fig. 13, Ref. No. 11  
Fig. 17, Ref. No. 5, 8)

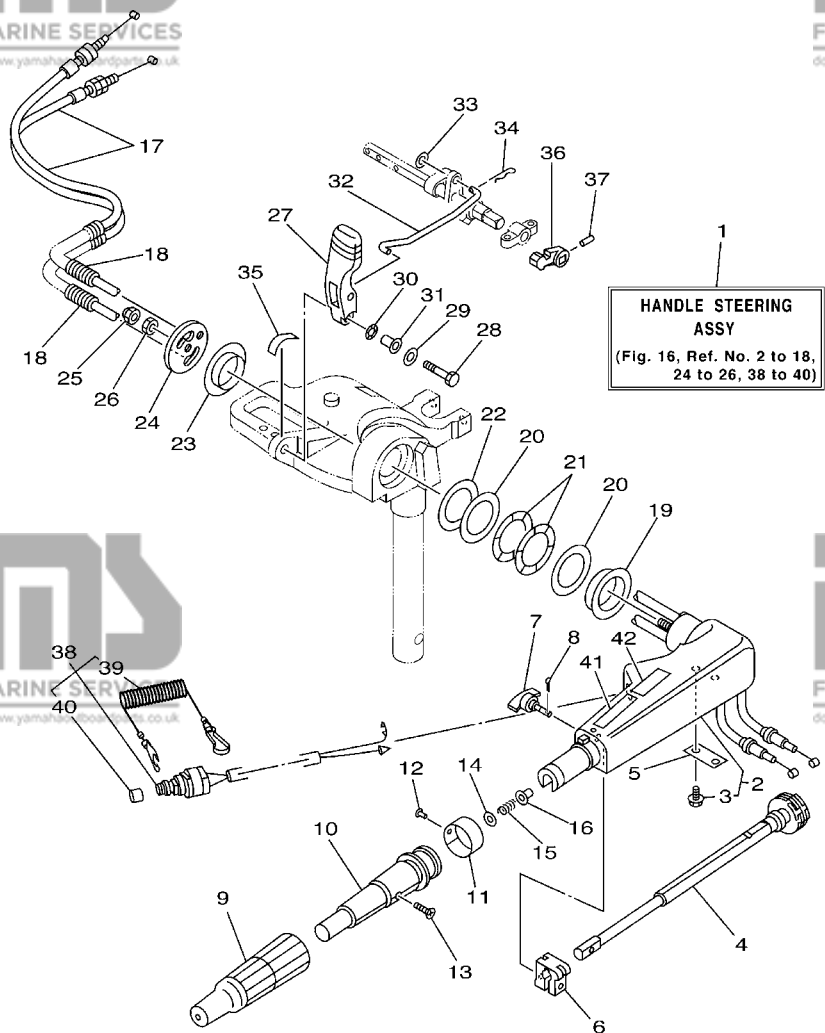
**FIG. 15 BOTTOM COWLING**

**CAPOT INFERIEUR**

| REF. NO. | PART NO. N° PIECES | DESCRIPTION DESCRIPTION                  | MH | EH | U | REMARKS REMARQUES |
|----------|--------------------|--|----|----|---|-------------------|
| 24       | 65W-26326-10       | GROMMET RONDELLE CAOUTCHOUC              |    |    | 1 |                   |
| 25       | 682-42727-00       | GROMMET PASSE-FIL                        | 1  | 1  | 1 |                   |
| 26       | 682-42724-00       | GROMMET PASSE-FIL                        | 1  | 1  | 1 |                   |
| 27       | 65W-42726-00       | GROMMET PASSE-FIL                        | 1  | 1  |   |                   |
|          | 65W-42726-10       | GROMMET PASSE-FIL                        |    |    | 1 |                   |
| 28       | 66M-42743-00       | BRACKET SUPPORT                          | 2  | 2  | 2 |                   |
| 29       | 90109-06M86        | BOLT BOULON                              | 2  | 2  | 2 |                   |
| 30       | 90465-25M57        | CLAMP BRIDE                              | 1  | 1  | 1 |                   |
| 31       | 90464-09M13        | CLAMP BRIDE                              | 1  | 1  | 1 |                   |
| 32       | 688-42726-10       | GROMMET PASSE-FIL                        | 1  | 1  | 1 | FLUSHING KIT      |
| 33       | 68T-12572-00       | ADAPTER ADAPTATEUR                       | 1  | 1  | 1 | FLUSHING KIT      |
| 34       | 69W-12535-00       | PLATE PLAQUE                             | 1  | 1  | 1 | FLUSHING KIT      |
| 35       | 90167-06002        | SCREW, TAPPING VIS, TETE FRAISEE         | 2  | 2  | 2 | FLUSHING KIT      |
| 36       | 90109-06M86        | BOLT BOULON                              | 1  | 1  | 1 | FLUSHING KIT      |
| 37       | 66M-12481-00       | PIPE 1 DURITE 1                          | 1  | 1  | 1 | FLUSHING KIT      |
| 38       | 90465-11M10        | CLAMP BRIDE                              | 2  | 2  | 2 | FLUSHING KIT      |
| 39       | 6R3-12580-00       | JOINT ASSY ARTICULER (ENS.)              | 1  | 1  | 1 | FLUSHING KIT      |
| 40       | 62Y-82377-00       | LABEL ETIQUETTE                          | 1  | 1  | 1 | FLUSHING KIT      |
| 41       | 6A1-28176-00       | LABEL, CAUTION ETIQUETTE, RECOMMANDATION | 1  | 1  | 1 | FLUSHING KIT      |
| 42       | 6E3-8257H-00       | PLATE, MARK PLAQUE, ADHESIF              | 1  | 1  | 1 | FLUSHING KIT      |
| 43       | 6G8-13444-51       | MARK MAKER                               | 1  | 1  | 1 |                   |



66M4300-D150

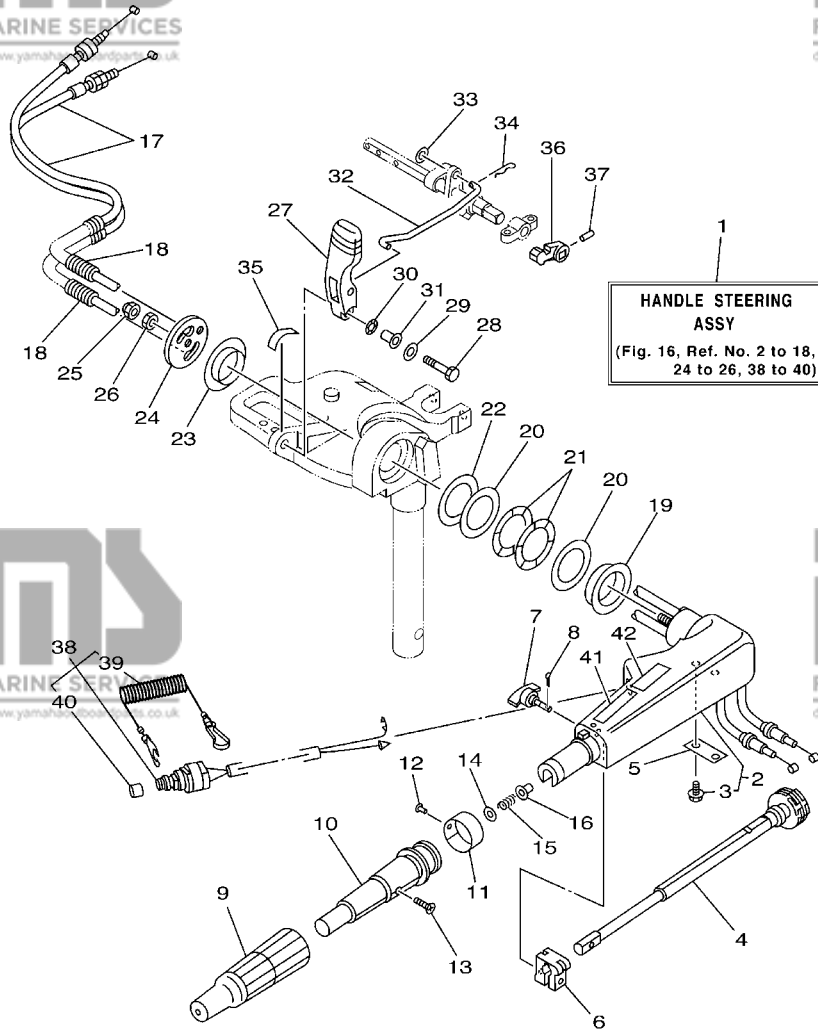


**FWD**  
66M1300-2160

**FIG. 16 STEERING**

**DIRECTION**

| REF. NO. | PART NO. N° PIECES | DESCRIPTION DESCRIPTION   | MH | EH | U | REMARKS REMARQUES |
|----------|--------------------|---|----|----|---|-------------------|
| 1        | 66M-W0084-00-4D    | HANDLE STEERING ASSY<br>BARRE FRANCHE (ENS.)                    | 1  | 1  |   |                   |
| 2        | 65W-42101-01-4D    | HANDLE, STEERING<br>POIGNEE                                     | 1  | 1  |   |                   |
| 3        | 90109-06M86        | .BOLT<br>.BOULON  | 2  | 2  |   |                   |
| 4        | 65W-42138-00       | LEVER, THROTTLE<br>LEVIER, ACCELERATEUR                         | 1  | 1  |   |                   |
| 5        | 65W-42159-00       | STAY<br>SUPPORT   | 1  | 1  |   |                   |
| 6        | 6G1-42126-00       | FRICTION, STEERING HANDLE GRIP<br>CUVETTE, POIGNEE DE DIRECTION | 1  | 1  |   |                   |
| 7        | 65W-42125-00       | BOLT, FRICTION ADJUSTING<br>BOULON                              | 1  | 1  |   |                   |
| 8        | 91490-16010        | PIN, COTTER<br>GOUPILLE   | 1  | 1  |   |                   |
| 9        | 66M-42177-00       | RUBBER, HANDLE<br>CAOUTCHOUC, POIGNEE                           | 1  | 1  |   |                   |
| 10       | 66M-42119-00       | GRIP, STEERING HANDLE<br>POIGNEE, BARRE FRANCHE                 | 1  | 1  |   |                   |
| 11       | 689-42137-20       | INDICATOR, THROTTLE<br>INDICATEUR, ACCELERATION                 | 1  | 1  |   |                   |
| 12       | 90269-02M09        | RIVET<br>RIVET  | 1  | 1  |   |                   |
| 13       | 90149-05M13        | SCREW<br>VIS  | 1  | 1  |   |                   |
| 14       | 92903-10600        | WASHER, PLATE<br>RONDELLE, PLATE                                | 1  | 1  |   |                   |
| 15       | 90501-23215        | SPRING, COMPRESSION<br>RESSORT, COMPRESSION                     | 1  | 1  |   |                   |
| 16       | 90386-08032        | BUSH<br>DOUILLE   | 1  | 1  |   |                   |
| 17       | 66M-26311-00       | CABLE, THROTTLE 1<br>CABLE 1, ACCELERATEUR                      | 2  | 2  |   |                   |
| 18       | 90446-10M87        | HOSE (L75)<br>DURITE (L75)                                      | 2  | 2  |   |                   |
| 19       | 90386-40MA0        | BUSH<br>DOUILLE   | 1  | 1  |   |                   |
| 20       | 90201-43M00        | WASHER, PLATE<br>RONDELLE, PLATE                                | 2  | 2  |   |                   |
| 21       | 90206-43M22        | WASHER, WAVE<br>RONDELLE, ONDULEE                               | 2  | 2  |   |                   |
| 22       | 90202-43M57        | WASHER, PLATE<br>RONDELLE, PLATE                                | 1  | 1  |   |                   |
| 23       | 90386-40M99        | BUSH<br>DOUILLE   | 1  | 1  |   |                   |
| 24       | 66M-42131-01       | COVER, HANDLE STEERING<br>COUVERCLE                             | 1  | 1  |   |                   |
| 25       | 95780-10300        | NUT, FLANGE<br>ECROU  | 1  | 1  |   |                   |
| 26       | 95380-10700        | NUT<br>ECROU  | 1  | 1  |   |                   |
| 27       | 66M-44111-01       | HANDLE, GEAR SHIFT<br>POIGNEE, LEVIER D'EMBRAYAGE               | 1  | 1  |   |                   |



**FWD**  
66M1300-2160

**FIG. 16 STEERING**

**DIRECTION**

| REF. NO. | PART NO. N° PIECES | DESCRIPTION DESCRIPTION                      | MH | EH | U | REMARKS REMARQUES                  |
|----------|--------------------|--|----|----|---|------------------------------------|
| 28       | 97095-06030        | BOLT BOULON                                  | 1  | 1  |   |                                    |
| 29       | 92995-06600        | WASHER RONDELLE                              | 1  | 1  |   |                                    |
| 30       | 90206-10M04        | WASHER, WAVE RONDELLE, ONDULEE               | 1  | 1  |   |                                    |
| 31       | 90387-06M78        | COLLAR COLLERETTE                            | 1  | 1  |   |                                    |
| 32       | 66M-44124-00       | LINK, SHIFT ROD BIELLETTE                    | 1  | 1  |   |                                    |
| 33       | 92990-06200        | WASHER, PLAIN RONDELLE, PLATE                | 1  | 1  |   |                                    |
| 34       | 90468-18008        | CLIP JONC                                    | 1  | 1  |   |                                    |
| 35       | 6E0-44191-11       | INDICATOR, SHIFT ETIQUETTE, EMBRAYAGE        | 1  | 1  |   |                                    |
| 36       | 65W-44173-00       | LEVER, SHIFT CONTROL POIGNEE, INVERSION      |    | 1  |   | FOR NEUTRAL SW.<br>FOR NEUTRAL SW. |
| 37       | 90254-03M05        | PIN, SPRING RIVET, TETE TRONCONIQUE          |    | 1  |   | FOR NEUTRAL SW.<br>FOR NEUTRAL SW. |
| 38       | 65W-82575-01       | ENGINE STOP SWITCH ASSY COUPE CIRCUIT CPLT   | 1  | 1  |   |                                    |
| 39       | 682-82556-00       | .STOPPER .PLAQUETTE                          | 1  | 1  |   |                                    |
| 40       | 689-8257Y-00       | .CAP .CHAPEAU                                | 1  | 1  |   |                                    |
| 41       | 6E0-83627-41       | LABEL, CAUTION 7 ETIQUETTE, RECOMMANDATION 7 | 1  | 1  |   |                                    |
| 42       | 6E0-83627-51       | LABEL, CAUTION 7 ETIQUETTE, RECOMMANDATION 7 | 1  | 1  |   |                                    |

**D6**

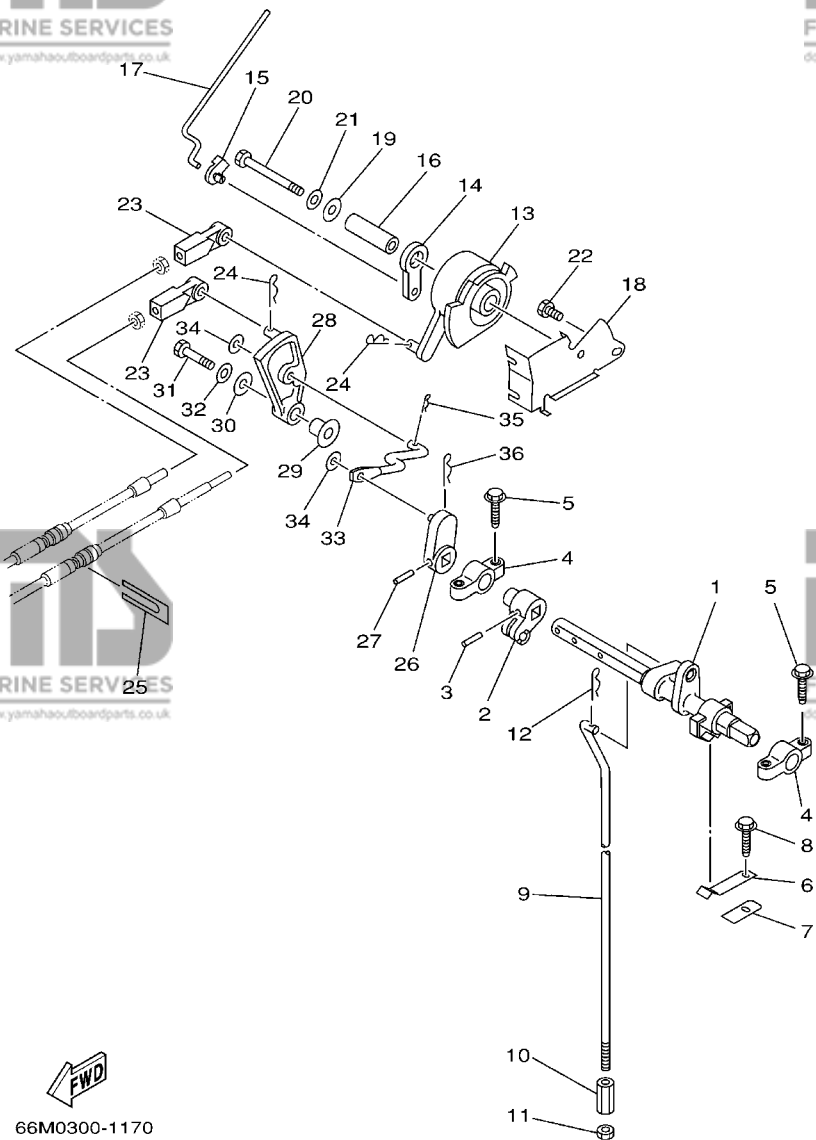
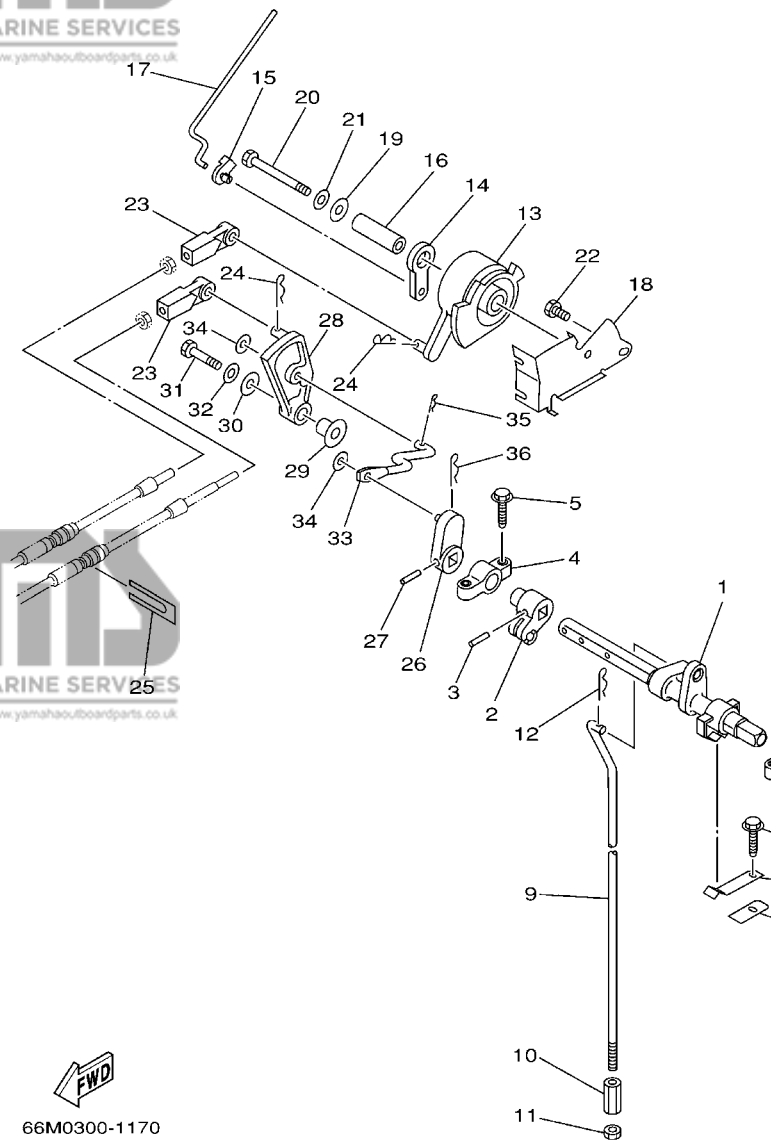


FIG. 17 CONTROL

COMMANDE

| REF. NO. | PART NO. N° PIECES | DESCRIPTION DESCRIPTION                                 | MH | EH | W | REMARKS REMARQUES |
|----------|--------------------|---|----|----|---|-------------------|
| 1        | 65W-44121-00       | LEVER, SHIFT ROD<br>LEVIER, TIGE D'INVERSION            | 1  | 1  | 1 |                   |
| 2        | 66M-44122-00       | BUSHING, SHIFT ROD LEVER<br>DOUILLE, LEVIER D'EMBRAYAGE | 1  | 1  | 1 |                   |
| 3        | 90254-03M05        | PIN, SPRING<br>RIVET, TETE TRONCONIQUE                  | 1  | 1  | 1 |                   |
| 4        | 6F5-41662-00       | BRACKET<br>SUPPORT                                      | 2  | 2  | 2 |                   |
| 5        | 90109-06M81        | BOLT<br>BOULON  | 4  | 4  | 4 |                   |
| 6        | 65W-44116-00       | SPRING<br>RESSORT                                       | 1  | 1  | 1 |                   |
| 7        | 66R-44114-00       | STOPPER<br>PLAQUETTE                                    | 1  | 1  | 1 |                   |
| 8        | 90109-06M86        | BOLT<br>BOULON  | 1  | 1  | 1 |                   |
| 9        | 66M-44143-00       | ROD, SHIFT<br>TIGE D'EMBRAYAGE                          | 1  | 1  | 1 | S                 |
|          | 66M-44143-10       | ROD, SHIFT<br>TIGE D'EMBRAYAGE                          | 1  | 1  | 1 | S<br>L            |
| 10       | 90170-06015        | NUT<br>ECROU  | 1  | 1  | 1 |                   |
| 11       | 95380-06700        | NUT<br>ECROU  | 1  | 1  | 1 |                   |
| 12       | 90468-18008        | CLIP<br>JONC  | 1  | 1  | 1 |                   |
| 13       | 65W-41638-00       | PULLEY<br>POULIE  | 1  | 1  | 1 |                   |
| 14       | 65W-41283-00       | LEVER, FREE ACCEL.<br>LEVIER                            | 1  | 1  | 1 |                   |
| 15       | 661-41262-02       | JOINT, CHOKE LEVER<br>RACCORD, LEVIER DE STARTER        | 1  | 1  | 1 |                   |
| 16       | 90387-06064        | COLLAR<br>COLLERETTE                                    | 1  | 1  | 1 |                   |
| 17       | 66M-41211-00       | LINK, ACCEL.<br>BIELLETTTE, ACCELERATION                | 1  | 1  | 1 |                   |
| 18       | 65W-14497-01       | STAY, THROTTLE WIRE<br>SUPPORT DE BOISSEAU              | 1  | 1  | 1 |                   |
| 19       | 90201-06M31        | WASHER, PLATE<br>RONDELLE, PLATE                        | 1  | 1  | 1 |                   |
| 20       | 97095-06055        | BOLT<br>BOULON  | 1  | 1  | 1 |                   |
| 21       | 92995-06600        | WASHER<br>RONDELLE                                      | 1  | 1  | 1 |                   |
| 22       | 97095-06010        | BOLT<br>BOULON  | 1  | 1  | 1 |                   |
| 23       | 663-48344-00       | CABLE END, REMOTE CONTROL<br>CHAPE CABLE                |    |    | 2 |                   |
| 24       | 90468-18008        | CLIP<br>JONC  |    |    | 2 |                   |
| 25       | 6H3-48538-00       | CLAMP, CABLE 1<br>COLLIER                               |    |    | 1 |                   |
| 26       | 65W-44142-00       | JOINT<br>AXE  |    |    | 1 |                   |

**D7**

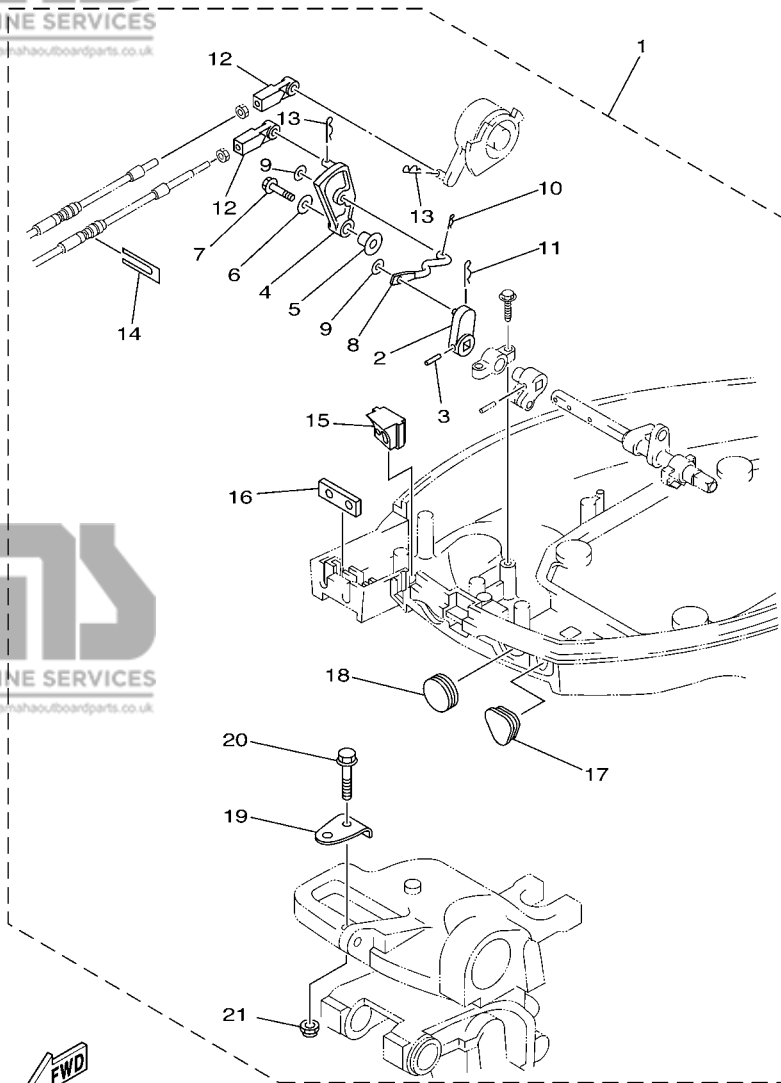


**FWD**  
66M0300-1170

**FIG. 17 CONTROL**

**COMMANDE**

| REF. NO. | PART NO. N° PIECES | DESCRIPTION DESCRIPTION                      | MH | EH | U | REMARKS REMARQUES |
|----------|--------------------|--|----|----|---|-------------------|
| 27       | 90254-03M05        | PIN, SPRING                                  |    |    | 1 |                   |
| 28       | 65W-44125-00       | RIVET, TETE TRONCONIQUE<br>LEVIER, SHIFT ROD |    |    | 1 |                   |
| 29       | 90387-06M29        | LEVER, SHIFT ROD<br>COLLAR<br>COLLERETTE     |    |    | 1 |                   |
| 30       | 90201-06M31        | WASHER, PLATE<br>RONDELLE, PLATE             |    |    | 1 |                   |
| 31       | 97095-06025        | BOLT<br>BOULON                               |    |    | 1 |                   |
| 32       | 92995-06600        | WASHER<br>RONDELLE                           |    |    | 1 |                   |
| 33       | 66M-44192-00       | JOINT, ROD 1<br>RACCORD 1, BIELLETTTE        |    |    | 1 |                   |
| 34       | 90201-05M06        | WASHER, PLATE<br>RONDELLE, PLATE             |    |    | 2 |                   |
| 35       | 90468-10005        | CLIP<br>JONC                                 |    |    | 1 |                   |
| 36       | 90468-18008        | CLIP<br>JONC                                 |    |    | 1 |                   |



66M0010-9190

FIG. 18 REMO CON ATTACHMENT

COMMANDE A DISTANCE

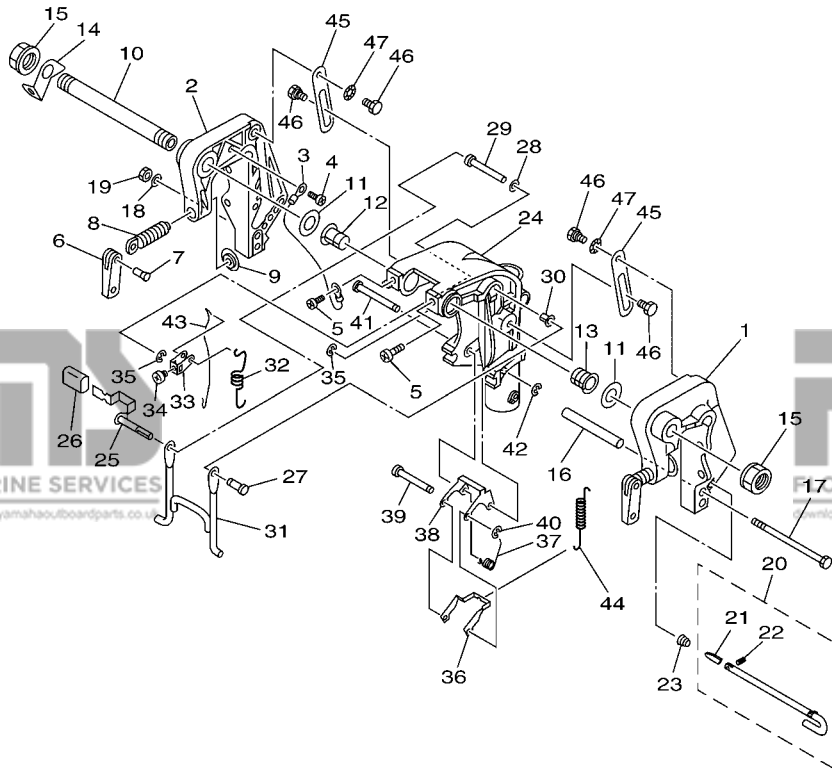
| REF. NO. | PART NO. N° PIECES | DESCRIPTION DESCRIPTION                                 | MH | EH | U | REMARKS REMARQUES |
|----------|--------------------|---|----|----|---|-------------------|
| 1        | 66M-48501-00       | REMOTE CONT. ATTACHMENT ASSY. COMMANDE A DISTANCE (KIT) | 1  | 1  |   | AP<br>AP          |
| 2        | 65W-44142-00       | .JOINT .AXE   | 1  | 1  |   |                   |
| 3        | 90254-03M05        | .PIN, SPRING .RIVET, TETE TRONCONIQUE                   | 1  | 1  |   |                   |
| 4        | 65W-44125-00       | .LEVER, SHIFT ROD .LEVIER, TIGE D'INVERSION             | 1  | 1  |   |                   |
| 5        | 90387-06M29        | .COLLAR .COLLERETTE                                     | 1  | 1  |   |                   |
| 6        | 90201-06M31        | .WASHER, PLATE .RONDELLE, PLATE                         | 1  | 1  |   |                   |
| 7        | 97595-06525        | .BOLT, WITH WASHER .VIS HEXAGONAL AVC RONDELLE          | 1  | 1  |   |                   |
| 8        | 66M-44192-00       | .JOINT, ROD 1 .RACCORD 1, BIELLETTE                     | 1  | 1  |   |                   |
| 9        | 90201-05M06        | .WASHER, PLATE .RONDELLE, PLATE                         | 2  | 2  |   |                   |
| 10       | 90468-10005        | .CLIP .JONC   | 1  | 1  |   |                   |
| 11       | 90468-18008        | .CLIP .JONC   | 1  | 1  |   |                   |
| 12       | 663-48344-00       | .CABLE END, REMOTE CONTROL .CHAPE CABLE                 | 2  | 2  |   |                   |
| 13       | 90468-18008        | .CLIP .JONC   | 2  | 2  |   |                   |
| 14       | 6H3-48538-00       | .CLAMP, CABLE 1 .COLLIER                                | 1  | 1  |   |                   |
| 15       | 66M-42725-20       | .GROMMET .PASSE-FIL                                     | 1  | 1  |   |                   |
| 16       | 62Y-42727-00       | .GROMMET .PASSE-FIL                                     | 1  | 1  |   |                   |
| 17       | 65W-26326-10       | .GROMMET .RONDELLE CAOUTCHOUC                           | 1  | 1  |   |                   |
| 18       | 65W-42726-10       | .GROMMET .PASSE-FIL                                     | 1  | 1  |   |                   |
| 19       | 63V-48511-01       | .HOOK, STEERING .ATTACHE, DIRECTION                     | 1  | 1  |   |                   |
| 20       | 97575-08535        | .BOLT, WITH WASHER .VIS HEXAGONAL AVC RONDELLE          | 1  | 1  |   |                   |
| 21       | 90185-08057        | .NUT, SELF-LOCKING .ECROU, AUTO-BLOQUANT                | 1  | 1  |   |                   |



FIG. 19 BRACKET 1

SUPPORT 1

| REF. NO. | PART NO. N° PIECES | DESCRIPTION DESCRIPTION                        | MH | EH | L | REMARKS REMARQUES             |
|----------|--------------------|--|----|----|---|-------------------------------|
| 1        | 63V-43111-06-4D    | BRACKET, CLAMP PRESSE                          | 1  | 1  | 1 |                               |
| 2        | 63V-43112-07-4D    | BRACKET, CLAMP PRESSE                          | 1  | 1  | 1 |                               |
| 3        | 66M-82148-00       | WIRE, LEAD 4 FIL 4                             | 1  | 1  | 1 |                               |
| 4        | 97885-06008        | SCREW, PAN HEAD VIS, A ENCOCHE                 | 1  | 1  | 1 |                               |
| 5        | 97885-08010        | SCREW, PAN HEAD VIS, A ENCOCHE                 | 2  | 2  | 2 |                               |
| 6        | 6E0-43118-01       | HANDLE, TRANSOM CLAMP POIGNEE DE VIS DE PRESSE | 2  | 2  | 2 |                               |
| 7        | 90243-04M01        | PIN GOUPILLE                                   | 2  | 2  | 2 |                               |
| 8        | 6E7-43116-00       | SCREW, TRANSOM CLAMP VIS DE PRESSE             | 2  | 2  | 2 |                               |
| 9        | 648-43114-01       | PAD, TRANSOM CLAMP RONDELLE D'APUI             | 2  | 2  | 2 |                               |
| 10       | 63W-43131-10       | BOLT, CLAMP BRACKET BOULON, PRESSE             | 1  | 1  | 1 | FOR RIDE GUIDE FOR RIDE GUIDE |
| 11       | 90202-22M54        | WASHER, PLATE RONDELLE, PLATE                  | 2  | 2  | 2 |                               |
| 12       | 90386-22M94        | BUSH DOUILLE                                   | 1  | 1  | 1 |                               |
| 13       | 90386-22M94        | BUSH DOUILLE                                   | 1  | 1  | 1 |                               |
| 14       | 66R-43113-00       | PLATE, CLAMP BRACKET PLAQUETTE, PRESSE         | 1  | 1  | 1 |                               |
| 15       | 90185-22043        | NUT, SELF-LOCKING ECROU, AUTO-BLOQUANT         | 2  | 2  | 2 |                               |
| 16       | 90387-06M13        | COLLAR COLLERETTE                              | 1  | 1  | 1 |                               |
| 17       | 90101-06M29        | BOLT BOULON                                    | 1  | 1  | 1 |                               |
| 18       | 92995-06600        | WASHER RONDELLE                                | 1  | 1  | 1 |                               |
| 19       | 95380-06700        | NUT ECROU                                      | 1  | 1  | 1 |                               |
| 20       | 66M-43160-01       | TILT ROD ASSY BROCHE D'INCLINAISON (ENS.)      | 1  | 1  | 1 |                               |
| 21       | 689-43165-00       | .PLATE, TILT LOCK .TAQUET, BROCHE INCLINAISON  | 1  | 1  | 1 |                               |
| 22       | 91690-30008        | .PIN, SPRING .AGRAFFE                          | 1  | 1  | 1 |                               |
| 23       | 90502-10M07        | SPRING, CONICAL RESSORT, CONIQUE               | 1  | 1  | 1 |                               |
| 24       | 63V-43311-03-4D    | BRACKET, SWIVEL 1 SUPPORT, PIVOT 1             | 1  | 1  | 1 | S<br>S                        |
|          | 66M-43311-10-4D    | BRACKET, SWIVEL 1 SUPPORT, PIVOT 1             | 1  | 1  | 1 | L<br>L                        |
| 25       | 66M-43630-01       | TILT LEVER ASSY LEVIER D'INCLINAISON           | 1  | 1  | 1 |                               |
| 26       | 682-43318-01       | COVER CAPUCHON                                 | 1  | 1  | 1 |                               |



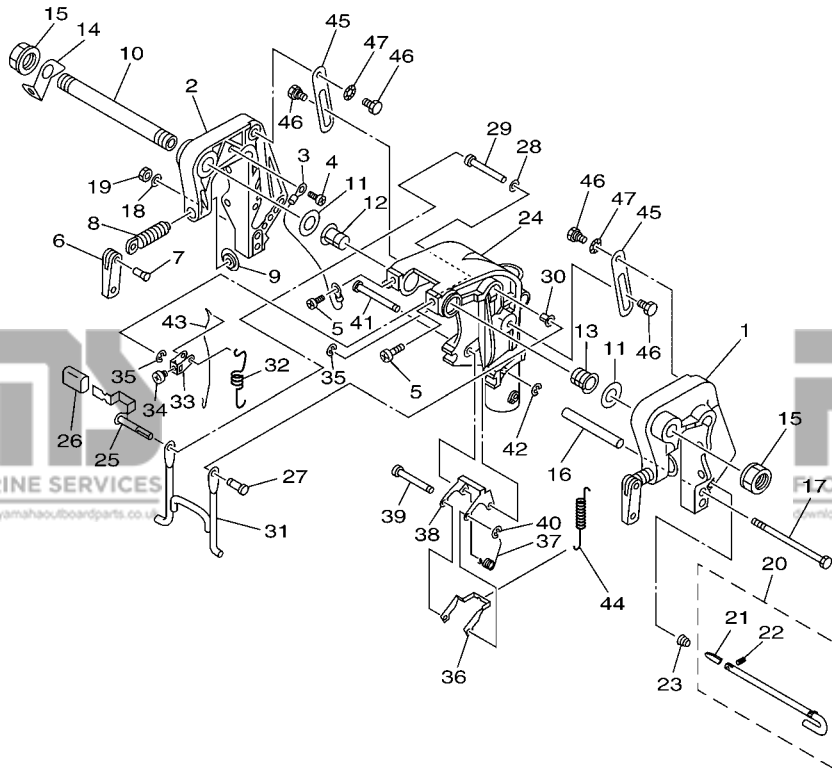
66M3300-C190

**E3**

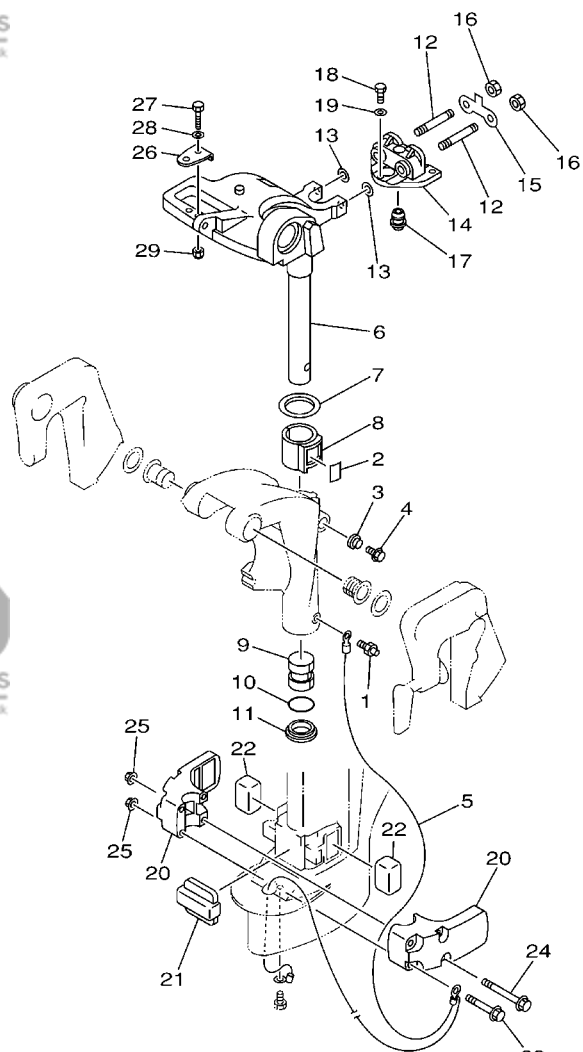
FIG. 19 BRACKET 1

SUPPORT 1

| REF. NO. | PART NO. N° PIECES | DESCRIPTION DESCRIPTION                            | MH | EH | U | REMARKS REMARQUES |
|----------|--------------------|--|----|----|---|-------------------|
| 27       | 63V-43191-00       | SHAFT, STOPPER<br>AXE, BUTEE                       | 1  | 1  | 1 |                   |
| 28       | 90202-07M60        | WASHER, PLATE<br>RONDELLE, PLATE                   | 1  | 1  | 1 |                   |
| 29       | 90387-07M07        | COLLAR<br>COLLERETTE                               | 1  | 1  | 1 |                   |
| 30       | 90386-07M95        | BUSH<br>DOUILLE                                    | 1  | 1  | 1 |                   |
| 31       | 66M-43350-01       | RECEIVER ASSY<br>RECEIVER ASSY                     | 1  | 1  | 1 |                   |
| 32       | 90507-20M00        | SPRING, TENSION<br>RESSORT, TENSION                | 1  | 1  | 1 |                   |
| 33       | 63V-43641-01       | LEVER, TILT<br>LEVIER, INCLINAISON                 | 1  | 1  | 1 |                   |
| 34       | 90157-05014        | SCREW, PAN HEAD<br>VIS, TETE TRONCONIQUE           | 1  | 1  | 1 |                   |
| 35       | 99080-05600        | CIRCLIP<br>CIRCLIP                                 | 2  | 2  | 2 |                   |
| 36       | 63V-43614-10       | PLATE, TILT LOCK<br>ETRIER, VERROUILLAGE MARCHE AR | 1  | 1  | 1 |                   |
| 37       | 90508-18M41        | SPRING, TORSION<br>RESSORT, TORSION                | 1  | 1  | 1 |                   |
| 38       | 66R-43615-00       | PLATE, TILT LOCK<br>ETRIER, VERROUILLAGE MARCHE AR | 1  | 1  | 1 |                   |
| 39       | 66R-43611-00       | SHAFT, TILT LOCK<br>AXE, VERROUILLAGE MARCHE AR    | 1  | 1  | 1 |                   |
| 40       | 93430-04M03        | CIRCLIP<br>CLIPS                                   | 1  | 1  | 1 |                   |
| 41       | 63V-43659-00       | SHAFT, REVERSE LOCK<br>AXE, VERROUILLAGE MARCHE AR | 1  | 1  | 1 |                   |
| 42       | 99080-05600        | CIRCLIP<br>CIRCLIP                                 | 1  | 1  | 1 |                   |
| 43       | 66R-43617-00       | ROD, TILT LOCK<br>TIGE                             | 1  | 1  | 1 |                   |
| 44       | 63V-43656-00       | SPRING, REVERSE LOCK 1<br>RESSORT                  | 1  | 1  | 1 |                   |
| 45       | 63V-43181-00       | LEVER, TILT STOP<br>LEVIER, VERROUILLAGE RELEVAGE  | 2  | 2  | 2 |                   |
| 46       | 90109-06M84        | BOLT<br>BOULON                                     | 4  | 4  | 4 |                   |
| 47       | 90206-10M24        | WASHER, WAVE<br>RONDELLE, ONDULEE                  | 2  | 2  | 2 |                   |



66M3300-C190



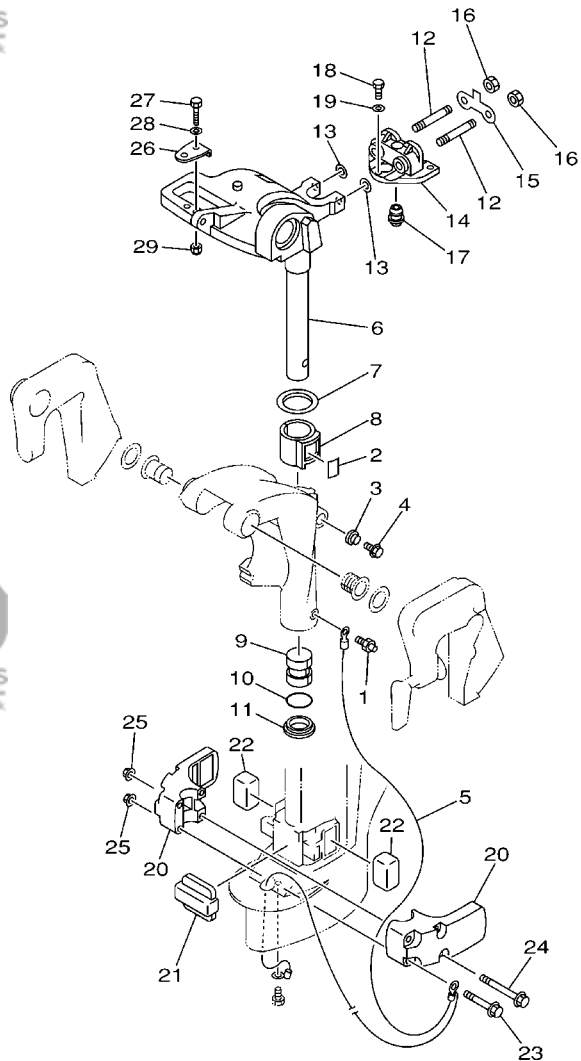
66M0300-1200

FIG. 20 BRACKET 2

SUPPORT 2

| REF. NO. | PART NO. N° PIECES | DESCRIPTION DESCRIPTION                                    | MH | EH | W | REMARKS REMARQUES |
|----------|--------------------|--|----|----|---|-------------------|
| 1        | 93700-06M03        | NIPPLE, GREASE PION  | 1  | 1  | 1 |                   |
| 2        | 63V-42528-00       | PLATE, FRICTION PLAQUE, FRICTION                           | 1  | 1  | 1 |                   |
| 3        | 689-43373-01       | SEAL, DAMPER JOINT   | 1  | 1  | 1 |                   |
| 4        | 90105-06M07        | BOLT, FLANGE BOULON  | 1  | 1  | 1 |                   |
| 5        | 66M-82127-00       | WIRE, LEAD 2 FIL 2   | 1  | 1  | 1 |                   |
| 6        | 66M-42511-01-4D    | BRACKET, STEERING CADRE, DIRECTION                         | 1  | 1  | 1 | S<br>S<br>L<br>L  |
|          | 66M-42511-11-4D    | BRACKET, STEERING CADRE, DIRECTION                         | 1  | 1  | 1 |                   |
| 7        | 90209-40008        | WASHER RONDELLE  | 1  | 1  | 1 |                   |
| 8        | 65F-42537-00       | BUSHING, PIVOT SHAFT COUSSINET                             | 1  | 1  | 1 |                   |
| 9        | 90386-30048        | BUSH DOUILLE   | 1  | 1  | 1 |                   |
| 10       | 93210-29M94        | O-RING JOINT TORIQUE                                       | 1  | 1  | 1 |                   |
| 11       | 90386-30M60        | BUSH DOUILLE   | 1  | 1  | 1 |                   |
| 12       | 90116-08M54        | BOLT, STUD GOUJON  | 2  | 2  | 2 |                   |
| 13       | 90201-08M06        | WASHER, PLATE RONDELLE, PLATE                              | 2  | 2  | 2 |                   |
| 14       | 66M-44514-00-4D    | MOUNT DAMPER, UPPER SIDE SILENT-BLOC, SUPERIEUR LATERAL    | 1  | 1  | 1 |                   |
| 15       | 66M-44526-00       | PLATE PLAQUE   | 1  | 1  | 1 |                   |
| 16       | 95380-08600        | NUT ECROU  | 2  | 2  | 2 |                   |
| 17       | 66M-44366-00       | DAMPER, WATER SEAL JOINT, TUBE D'EAU                       | 1  | 1  | 1 |                   |
| 18       | 97075-06025        | BOLT BOULON  | 3  | 3  | 3 |                   |
| 19       | 92995-06600        | WASHER RONDELLE  | 3  | 3  | 3 |                   |
| 20       | 66M-44551-00-4D    | HOUSING, LOWER MOUNT RUBBER BOITIER, SILENT-BLOC INFERIEUR | 2  | 2  | 2 |                   |
| 21       | 66M-44557-00       | MOUNT DAMPER, LOWER FRONT SILENT-BLOC, INFERIEUR AVANT     | 1  | 1  | 1 |                   |
| 22       | 682-44555-30       | MOUNT DAMPER, LOWER SIDE SILENT-BLOC, INFERIEUR LATERAL    | 2  | 2  | 2 |                   |
| 23       | 90119-08M45        | BOLT, WITH WASHER BOULON, AVEC RONDELLE                    | 2  | 2  | 2 |                   |
| 24       | 90119-08M46        | BOLT, WITH WASHER BOULON, AVEC RONDELLE                    | 2  | 2  | 2 |                   |
| 25       | 90179-08M34        | NUT ECROU  | 4  | 4  | 4 |                   |
| 26       | 63V-48511-01       | HOOK, STEERING ATTACHE, DIRECTION                          |    |    | 1 |                   |

**E5**

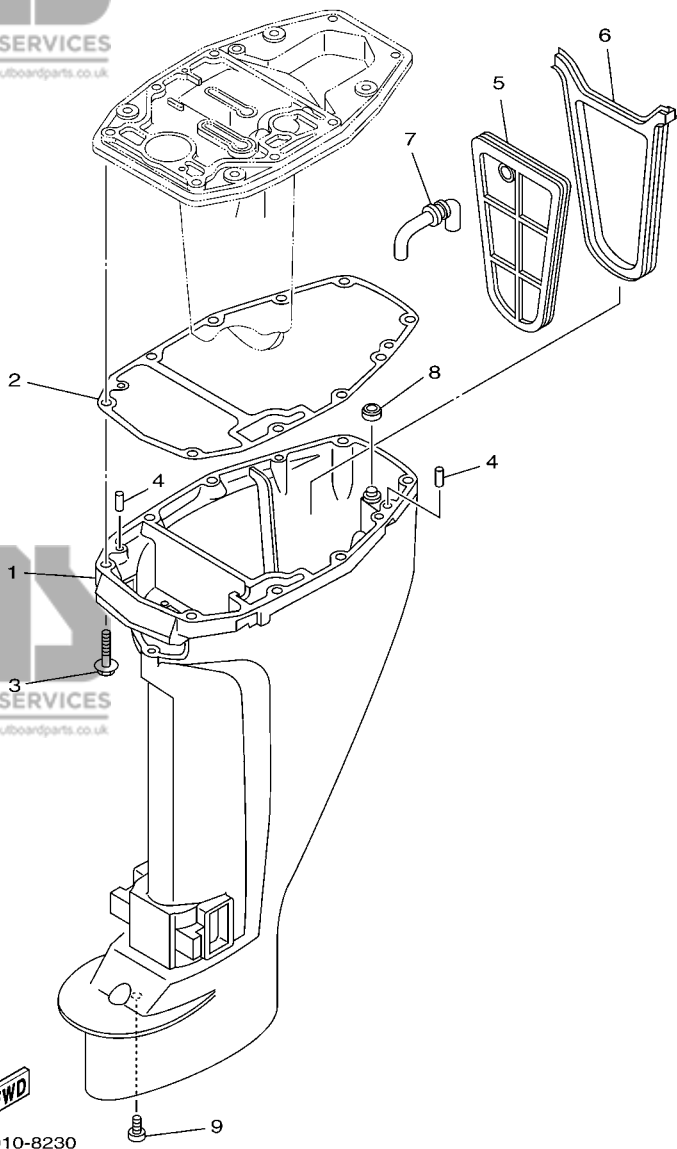


**FWD**  
66M0300-1200

**FIG. 20 BRACKET 2**

**SUPPORT 2**

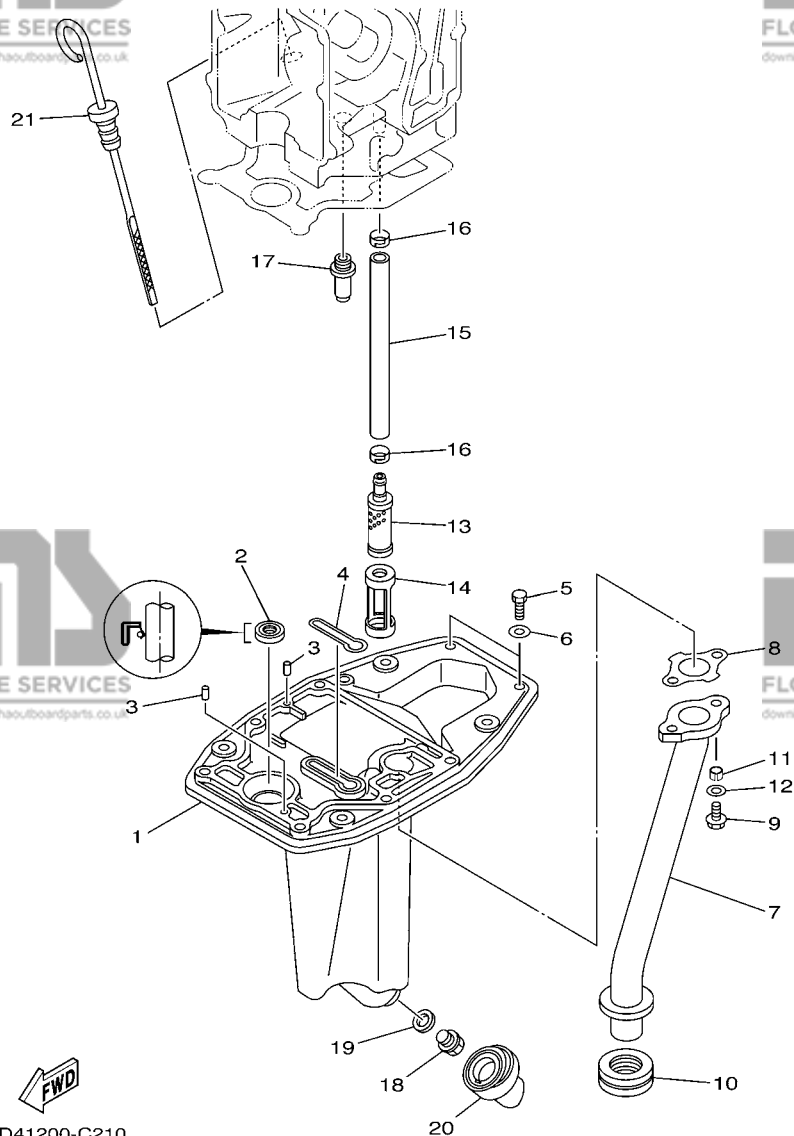
| REF. NO. | PART NO. N° PIECES | DESCRIPTION DESCRIPTION                | MH | EH | E | REMARKS REMARQUES |
|----------|--------------------|--|----|----|---|-------------------|
| 27       | 97075-08035        | BOLT BOULON                            |    |    | 1 |                   |
| 28       | 92995-08600        | WASHER RONDELLE                        |    |    | 1 |                   |
| 29       | 90185-08057        | NUT, SELF-LOCKING ECROU, AUTO-BLOQUANT |    |    | 1 |                   |
| -----    |                    |  |    |    |   |                   |
| -----    |                    |  |    |    |   |                   |
| -----    |                    |  |    |    |   |                   |
| -----    |                    |  |    |    |   |                   |
| -----    |                    |  |    |    |   |                   |
| -----    |                    |  |    |    |   |                   |
| -----    |                    |  |    |    |   |                   |
| -----    |                    |  |    |    |   |                   |
| -----    |                    |  |    |    |   |                   |
| -----    |                    |  |    |    |   |                   |



**FIG. 21 UPPER CASING**

**FOURREAU**

| REF. NO. | PART NO. N° PIECES | DESCRIPTION DESCRIPTION                      | MH | EH | E | REMARKS REMARQUES |
|----------|--------------------|--|----|----|---|-------------------|
| 1        | 66M-45111-00-4D    | CASING, UPPER FOURREAU                       | 1  | 1  | 1 | S<br>L            |
|          | 66M-45111-10-4D    | CASING, UPPER FOURREAU                       | 1  | 1  | 1 |                   |
| 2        | 66M-45113-00       | GASKET, UPPER CASING JOINT, TUBE D'ARBRE     | 1  | 1  | 1 |                   |
| 3        | 97575-08545        | BOLT, WITH WASHER VIS HEXAGONAL AVC RONDELLE | 6  | 6  | 6 |                   |
| 4        | 93606-12019        | PIN, DOWEL GOUPILLE                          | 2  | 2  | 2 |                   |
| 5        | 66M-45126-00       | PLATE, SEAL DAMPER PLAQUETTE                 | 1  | 1  | 1 |                   |
| 6        | 66M-45115-00       | GASKET, UPPER CASING JOINT, TUBE D'ARBRE     | 1  | 1  | 1 |                   |
| 7        | 66M-45136-00       | PIPE DURITE                                  | 1  | 1  | 1 |                   |
| 8        | 66M-45128-00       | SEAL 2 JOINT 2                               | 1  | 1  | 1 |                   |
| 9        | 90157-06M06        | SCREW, PAN HEAD VIS, TETE TRONCONIQUE        | 1  | 1  | 1 |                   |



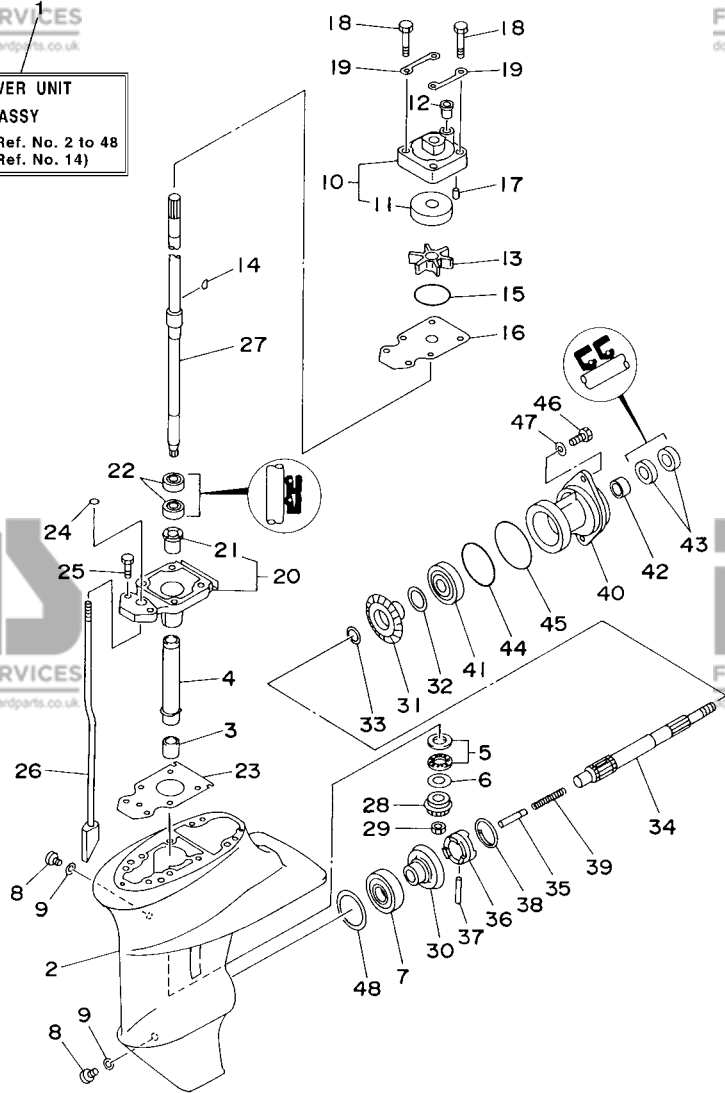
6D41200-C210

**FIG. 22 OIL PAN**

**VENTILATEUR D'HUILE**

| REF. NO. | PART NO. N° PIECES | DESCRIPTION DESCRIPTION                              | MH | EH | U | REMARKS REMARQUES |
|----------|--------------------|--|----|----|---|-------------------|
| 1        | 66M-41137-00-5B    | GUIDE, EXHAUST COLLECTEUR D'ECHAPPEMENT              | 1  | 1  | 1 |                   |
| 2        | 93101-12M63        | OIL SEAL JOINT SPY                                   | 1  | 1  | 1 |                   |
| 3        | 93606-12019        | PIN, DOWEL GOUPILLE                                  | 2  | 2  | 2 |                   |
| 4        | 66M-11355-00       | SEAL, CYLINDER 1 JOINT, SPY CYLINDRE                 | 1  | 1  | 1 |                   |
| 5        | 97095-06020        | BOLT BOULON  | 2  | 2  | 2 |                   |
| 6        | 92995-06600        | WASHER RONDELLE                                      | 2  | 2  | 2 |                   |
| 7        | 6D4-41131-00-94    | MANIFOLD, EXT. 1 PIPE D'ECHAPPEMENT                  | 1  | 1  | 1 |                   |
| 8        | 66M-41133-01       | GASKET, EXHAUST MANIFOLD 1 JOINT, PIPE D'ECHAPPEMENT | 1  | 1  | 1 |                   |
| 9        | 90119-06090        | BOLT, WITH WASHER BOULON, AVEC RONDELLE              | 2  | 2  | 2 |                   |
| 10       | 6D4-41138-00       | SEAL, EXT. 1 JOINT DE GROUPE 1                       | 1  | 1  | 1 |                   |
| 11       | 90387-05008        | COLLAR COLLERETTE                                    | 2  | 2  | 2 |                   |
| 12       | 90201-06015        | WASHER, PLATE RONDELLE, PLATE                        | 2  | 2  | 2 |                   |
| 13       | 66M-13421-00       | STRAINER 2 FILTRE 2                                  | 1  | 1  | 1 |                   |
| 14       | 66M-13417-00       | COVER, STRAINER COUVERCLE, FILTRE                    | 1  | 1  | 1 |                   |
| 15       | 66M-13416-00       | PIPE, OIL 1 DURITE A HUILE                           | 1  | 1  | 1 |                   |
| 16       | 66M-24351-00       | BAND 1 COLLIER 1                                     | 2  | 2  | 2 |                   |
| 17       | 6G8-11575-00       | RELIEF VALVE ASSY SOUPEPE DE RENTREE D'AIR           | 1  | 1  | 1 |                   |
| 18       | 90340-14M06        | PLUG, STRAIGHT SCREW PLOT, FILETE DROIT              | 1  | 1  | 1 |                   |
| 19       | 90430-14M09        | GASKET JOINT   | 1  | 1  | 1 |                   |
| 20       | 66M-15316-00       | DAMPER, ENGINE MOUNT 1 AMORTISSEUR DE SUPPORT        | 1  | 1  | 1 |                   |
| 21       | 66M-15362-00       | PLUG, OIL LEVEL PLOT, NIVEAU D'HUILE                 | 1  | 1  | 1 |                   |

**LOWER UNIT  
ASSY**  
(Fig. 23, Ref. No. 2 to 48  
Fig. 24, Ref. No. 14)



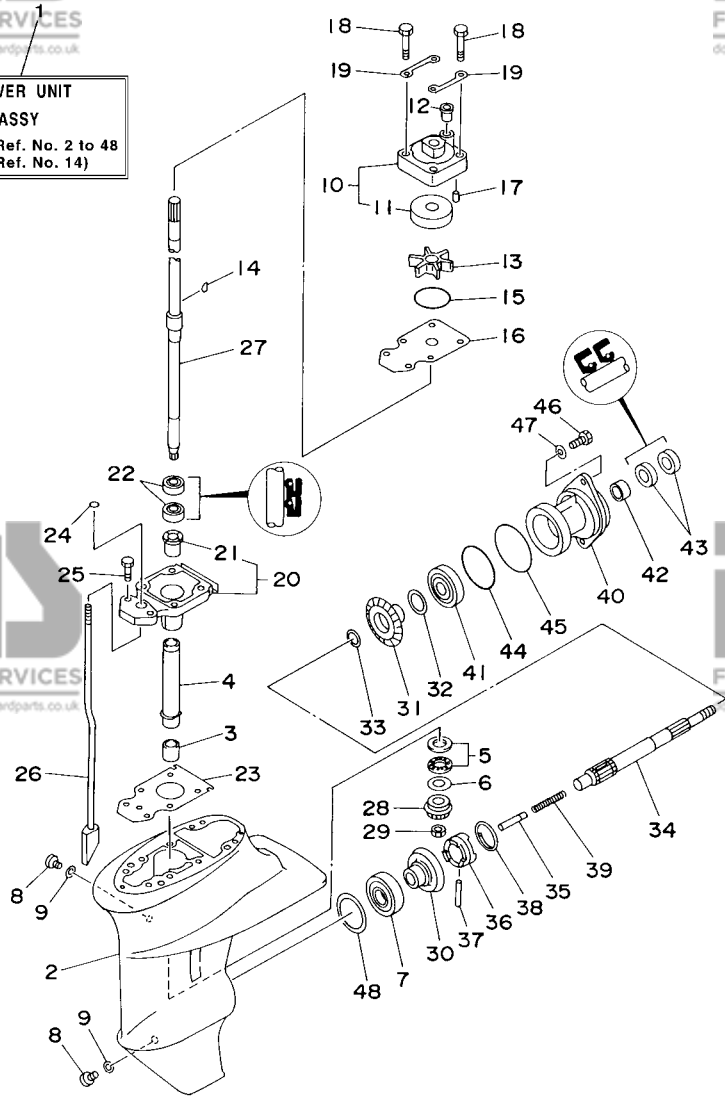
66M4300-D230

**FIG. 23 LOWER CASING & DRIVE 1**

**BOITIER D'HELICE TRANSMISSION1**

| REF. NO. | PART NO. N° PIECES | DESCRIPTION DESCRIPTION                               | MH | EH | L | REMARKS REMARQUES |
|----------|--------------------|---|----|----|---|-------------------|
| 1        | 66M-45300-01-4D    | LOWER UNIT ASSY<br>UNITE INFERIEURE (ENS.)            | 1  | 1  | 1 | S                 |
|          | 66M-45300-11-4D    | LOWER UNIT ASSY<br>UNITE INFERIEURE (ENS.)            | 1  | 1  | 1 | L                 |
| 2        | 66M-45311-00-4D    | CASING, LOWER<br>BOITIER D'HELICE                     | 1  | 1  | 1 | L                 |
|          | 63V-45311-01-4D    | CASING, LOWER<br>BOITIER D'HELICE                     | 1  | 1  | 1 | S                 |
|          |                    |   |    |    |   | L                 |
| 3        | 93315-314V8        | BEARING<br>ROULEMENT                                  | 1  | 1  | 1 |                   |
| 4        | 63V-45536-00       | SLEEVE, DRIVE SHAFT<br>MANCHON, ARBRE MOTEUR          | 1  | 1  | 1 |                   |
| 5        | 93341-41414        | BEARING<br>CERVEAUX DE DIRECTION                      | 1  | 1  | 1 |                   |
| 6        | 6E8-45587-10       | SHIM (T:1.13MM)<br>CALE (T:1.13MM)                    | 1  | 1  | 1 | UR                |
|          | 6E8-45587-30       | SHIM (T:1.20MM)<br>CALE (T:1.20MM)                    | 1  | 1  | 1 | UR                |
|          |                    |   |    |    |   | UR                |
| 7        | 93332-00005        | BEARING<br>ROULEMENT                                  | 1  | 1  | 1 |                   |
| 8        | 90340-08002        | PLUG, STRAIGHT SCREW<br>PLOT, FILETE DROIT            | 2  | 2  | 2 |                   |
| 9        | 90430-08020        | GASKET<br>JOINT                                       | 2  | 2  | 2 |                   |
| 10       | 63V-44301-00       | WATER PUMP HOUSING COMP.<br>CARTER, POMPE A EAU (ENS) | 1  | 1  | 1 |                   |
| 11       | 63V-44322-00       | .INSERT, CARTRIDGE<br>.CUVETTE                        | 1  | 1  | 1 |                   |
| 12       | 647-44366-00       | DAMPER, WATER SEAL<br>JOINT, TUBE D'EAU               | 1  | 1  | 1 |                   |
| 13       | 63V-44352-01       | IMPELLER<br>TURBINE                                   | 1  | 1  | 1 |                   |
| 14       | 664-44338-00       | KEY, WOODRUFF<br>CLAVETTE, VOLANT                     | 1  | 1  | 1 |                   |
| 15       | 93210-44398        | O-RING<br>JOINT TORIQUE                               | 1  | 1  | 1 |                   |
| 16       | 63V-44323-00       | OUTER PLATE, CARTRIDGE<br>PLAQUE EXTERIEURE           | 1  | 1  | 1 |                   |
| 17       | 93604-12M07        | PIN, DOWEL<br>CLAVETTE                                | 2  | 2  | 2 |                   |
| 18       | 97080-08045        | BOLT<br>BOULON  | 4  | 4  | 4 |                   |
| 19       | 63V-44328-00       | PLATE<br>PLAQUETTE                                    | 2  | 2  | 2 |                   |
| 20       | 63V-45331-00-5B    | HOUSING, BEARING<br>FLASQUE, ROULEMENT                | 1  | 1  | 1 |                   |
| 21       | 626-45316-09       | .BUSHING, DRIVE SHAFT<br>.DOUILLE, ARBRE MOTEUR       | 1  | 1  | 1 |                   |
| 22       | 93101-20001        | OIL SEAL<br>JOINT SPY                                 | 2  | 2  | 2 |                   |
| 23       | 63V-45315-A0       | PACKING, LOWER CASING<br>JOINT, BOITIER D'HELICE      | 1  | 1  | 1 |                   |
| 24       | 93210-06ME6        | O-RING<br>JOINT TORIQUE                               | 1  | 1  | 1 |                   |

**LOWER UNIT  
ASSY**  
(Fig. 23, Ref. No. 2 to 48  
Fig. 24, Ref. No. 14)



66M4300-D230

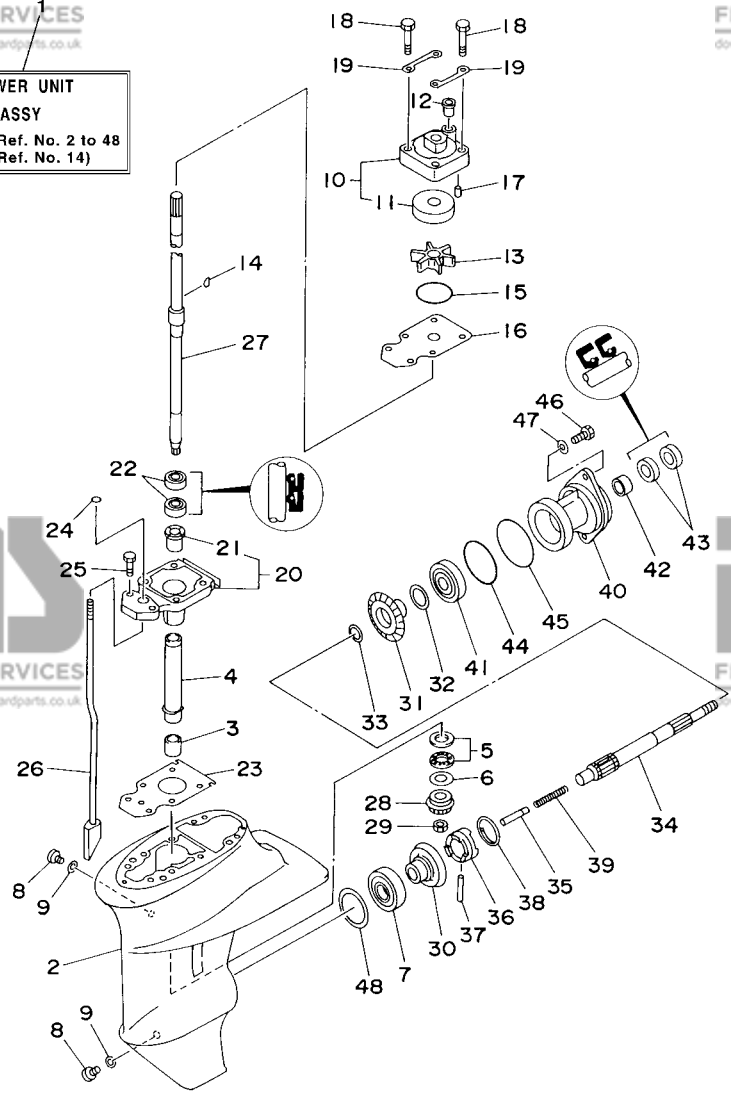
**FIG. 23 LOWER CASING & DRIVE 1**

**BOITIER D'HELICE TRANSMISSION1**

| REF. NO. | PART NO. N° PIECES | DESCRIPTION DESCRIPTION                       | MH | EH | L | REMARKS REMARQUES |
|----------|--------------------|---|----|----|---|-------------------|
| 25       | 97080-08025        | BOLT BOULON                                   | 2  | 2  | 2 |                   |
| 26       | 63V-44150-00       | SHIFT CAM ASSY CAME D'INVERSION               | 1  | 1  | 1 | S S               |
|          | 66M-44150-10       | SHIFT CAM ASSY CAME D'INVERSION               | 1  | 1  | 1 | L L               |
| 27       | 63V-45510-01       | DRIVE SHAFT ASSY ARBRE MOTEUR (ENS.)          | 1  | 1  | 1 | S S               |
|          | 63V-45510-11       | DRIVE SHAFT ASSY ARBRE MOTEUR (ENS.)          | 1  | 1  | 1 | L L               |
| 28       | 63V-45551-00       | PINION (13T) PIGNON D'ATTAQUE (13D)           | 1  | 1  | 1 |                   |
| 29       | 90179-08M06        | NUT ECROU                                     | 1  | 1  | 1 |                   |
| 30       | 6E7-45560-01       | GEAR 1 (27T) PIGNON 1 (27T)                   | 1  | 1  | 1 |                   |
| 31       | 6E7-45571-00       | GEAR 2 (27T) PIGNON 2 (27T)                   | 1  | 1  | 1 |                   |
| 32       | 626-45577-00       | SHIM (T:0.10MM) CALE (T:0.10MM)               | 1  | 1  | 1 | UR UR             |
|          | 626-45577-10       | SHIM (T:0.20MM) CALE (T:0.20MM)               | 1  | 1  | 1 | UR UR             |
|          | 626-45577-20       | SHIM (T:0.30MM) CALE (T:0.30MM)               | 1  | 1  | 1 | UR UR             |
|          | 626-45577-30       | SHIM (T:0.40MM) CALE (T:0.40MM)               | 1  | 1  | 1 | UR UR             |
|          | 626-45577-40       | SHIM (T:0.50MM) CALE (T:0.50MM)               | 1  | 1  | 1 | UR UR             |
| 33       | 90201-17682        | WASHER, PLATE RONDELLE, PLATE                 | 1  | 1  | 1 |                   |
| 34       | 683-45611-00       | SHAFT, PROPELLER ARBRE, HELICE                | 1  | 1  | 1 |                   |
| 35       | 650-45635-00       | PLUNGER, SHIFT POUSSOIR D'EMBRAYAGE           | 1  | 1  | 1 |                   |
| 36       | 682-45631-00       | CLUTCH, DOG CRABOT                            | 1  | 1  | 1 |                   |
| 37       | 90250-05010        | PIN, STRAIGHT GOUPILLE, DROITE                | 1  | 1  | 1 |                   |
| 38       | 648-45633-00       | RING, CROSS PIN JONC, GOUPILLE CRABOT         | 1  | 1  | 1 |                   |
| 39       | 90501-14M06        | SPRING, COMPRESSION RESSORT, COMPRESSION      | 1  | 1  | 1 |                   |
| 40       | 683-45361-02-4D    | CAP, LOWER CASING COUVERCLE, BOITIER D'HELICE | 1  | 1  | 1 |                   |
| 41       | 93306-00501        | BEARING (B6005) ROULEMENT (B6005)             | 1  | 1  | 1 |                   |
| 42       | 93315-317U2        | BEARING ROULEMENT                             | 1  | 1  | 1 |                   |
| 43       | 93101-17054        | OIL SEAL JOINT SPY                            | 2  | 2  | 2 |                   |
| 44       | 93210-57M09        | O-RING JOINT TORIQUE                          | 1  | 1  | 1 |                   |
| 45       | 93210-56M80        | O-RING JOINT TORIQUE                          | 1  | 1  | 1 |                   |



**LOWER UNIT  
ASSY**  
(Fig. 23, Ref. No. 2 to 48  
Fig. 24, Ref. No. 14)

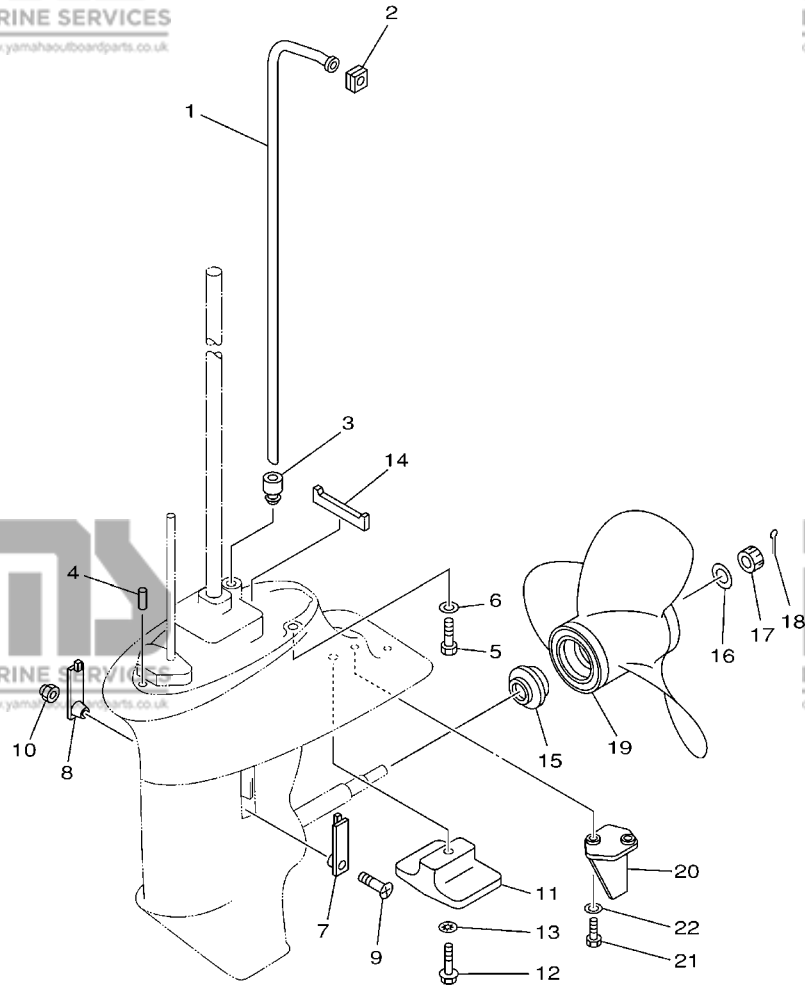


66M4300-D230

**FIG. 23 LOWER CASING & DRIVE 1**

**BOITIER D'HELICE TRANSMISSION1**

| REF. NO. | PART NO. N° PIECES | DESCRIPTION DESCRIPTION            | MH | EH | U | REMARKS REMARQUES |
|----------|--------------------|------------------------------------|----|----|---|-------------------|
| 46       | 97095-06020        | BOLT<br>BOULON                     | 2  | 2  | 2 |                   |
| 47       | 92995-06600        | WASHER<br>RONDELLE                 | 2  | 2  | 2 |                   |
| 48       | 664-45567-01       | SHIM (T:0.10MM)<br>CALE (T:0.10MM) | 1  | 1  | 1 | UR<br>UR          |
|          | 664-45567-10       | SHIM (T:0.12MM)<br>CALE (T:0.12MM) | 1  | 1  | 1 | UR<br>UR          |
|          | 664-45567-20       | SHIM (T:0.15MM)<br>CALE (T:0.15MM) | 1  | 1  | 1 | UR<br>UR          |
|          | 664-45567-30       | SHIM (T:0.18MM)<br>CALE (T:0.18MM) | 1  | 1  | 1 | UR<br>UR          |
|          | 664-45567-40       | SHIM (T:0.30MM)<br>CALE (T:0.30MM) | 1  | 1  | 1 | UR<br>UR          |
|          | 664-45567-50       | SHIM (T:0.40MM)<br>CALE (T:0.40MM) | 1  | 1  | 1 | UR<br>UR          |
|          | 664-45567-60       | SHIM (T:0.50MM)<br>CALE (T:0.50MM) | 1  | 1  | 1 | UR<br>UR          |



69A0300-0230

**FIG. 24 LOWER CASING & DRIVE 2**

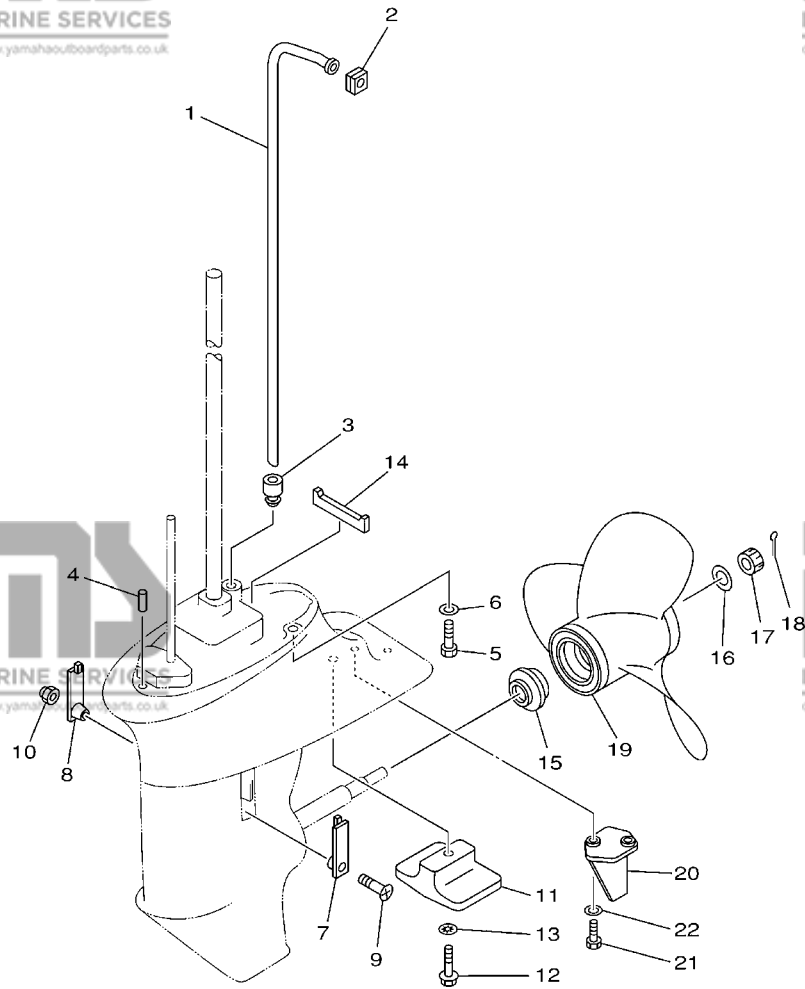
**BOITIER D'HELICE TRANSMISSION2**

| REF. NO. | PART NO. N° PIECES | DESCRIPTION DESCRIPTION                                    | MH | EH | U | REMARKS REMARQUES |
|----------|--------------------|--|----|----|---|-------------------|
| 1        | 66M-44361-00       | TUBE, WATER TUBE D'EAU                                     | 1  | 1  | 1 | S<br>S<br>L<br>L  |
|          | 66M-44361-10       | TUBE, WATER TUBE D'EAU                                     | 1  | 1  | 1 |                   |
| 2        | 63V-44365-10       | DAMPER, WATER SEAL JOINT, TUBE D'EAU                       | 1  | 1  | 1 |                   |
| 3        | 63V-44368-00       | RUBBER, WATER SEAL 4 CAOUTCHOUC EAU JUNTA 4                | 1  | 1  | 1 |                   |
| 4        | 93604-12M07        | PIN, DOWEL CLAVETTE  | 2  | 2  | 2 |                   |
| 5        | 97075-08030        | BOLT BOULON  | 4  | 4  | 4 |                   |
| 6        | 92995-08600        | WASHER RONDELLE  | 4  | 4  | 4 |                   |
| 7        | 6G1-45214-00       | COVER, WATER INLET GRILLE, ENTREE D'EAU                    | 1  | 1  | 1 |                   |
| 8        | 63V-45215-00       | COVER, WATER INLET GRILLE, ENTREE D'EAU                    | 1  | 1  | 1 |                   |
| 9        | 90152-05M04        | SCREW, COUNTERSUNK VIS, TETE NOYEE                         | 1  | 1  | 1 |                   |
| 10       | 90185-05002        | NUT, SELF-LOCKING ECROU, AUTO-BLOQUANT                     | 1  | 1  | 1 |                   |
| 11       | 61N-45251-01       | ANODE ANODE  | 1  | 1  | 1 |                   |
| 12       | 95895-06030        | BOLT, FLANGE BOULON  | 1  | 1  | 1 |                   |
| 13       | 92990-06300        | WASHER, INTERNAL TOOTH RONDELLE, DENTURE INTERNE           | 1  | 1  | 1 |                   |
| 14       | 63V-45375-00       | DAMPER, SEAL BOURRELET, CAOUTCHOUC                         | 1  | 1  | 1 |                   |
| 15       | 6E7-45987-01       | SPACER ENTRETOISE  | 1  | 1  | 1 |                   |
| 16       | 90201-10M01        | WASHER, PLATE RONDELLE, PLATE                              | 1  | 1  | 1 |                   |
| 17       | 90171-10M01        | NUT, CASTLE ECROU, CRENELE                                 | 1  | 1  | 1 |                   |
| 18       | 91490-30020        | PIN, COTTER GOUPILLE                                       | 1  | 1  | 1 |                   |
| 19       | 63V-45943-00-EL    | PROPELLER (3X9-1/4"X11"-J) HELICE (3X9-1/4"X11"-J)         | 1  | 1  | 1 | UR<br>UR          |
|          | 63V-45945-00-EL    | PROPELLER (3X9-1/4"X9"-J) HELICE (3X9-1/4"X9"-J)           | 1  | 1  | 1 | UR<br>UR          |
|          | 63V-45947-00-EL    | PROPELLER (3X9-1/4"X8"-J) HELICE (3X9-1/4"X8"-J)           | 1  | 1  | 1 | UR<br>UR          |
|          | 63V-45952-00-EL    | PROPELLER (3X9-1/4"X10"-J) HELICE (3X9-1/4"X10"-J)         | 1  | 1  | 1 | UR<br>UR          |
|          | 683-45941-00-EL    | PROPELLER (3X9-1/4"X12"-J) HELICE (3X9-1/4"X12"-J)         | 1  | 1  | 1 | UR<br>UR          |
|          | 683-45943-00-EL    | PROPELLER (3X9-1/4"X10-1/2"-J) HELICE (3X9-1/4"X10-1/2"-J) | 1  | 1  | 1 | UR<br>UR          |
|          | 683-45952-00-EL    | PROPELLER (3X9-1/4"X9-3/4"-J) HELICE (3X9-1/4"X9-3/4"-J)   | 1  | 1  | 1 | UR<br>UR          |
| 20       | 66M-45371-00       | TAB-TRIM ANODE DERIVE                                      | 1  | 1  | 1 | S<br>S            |

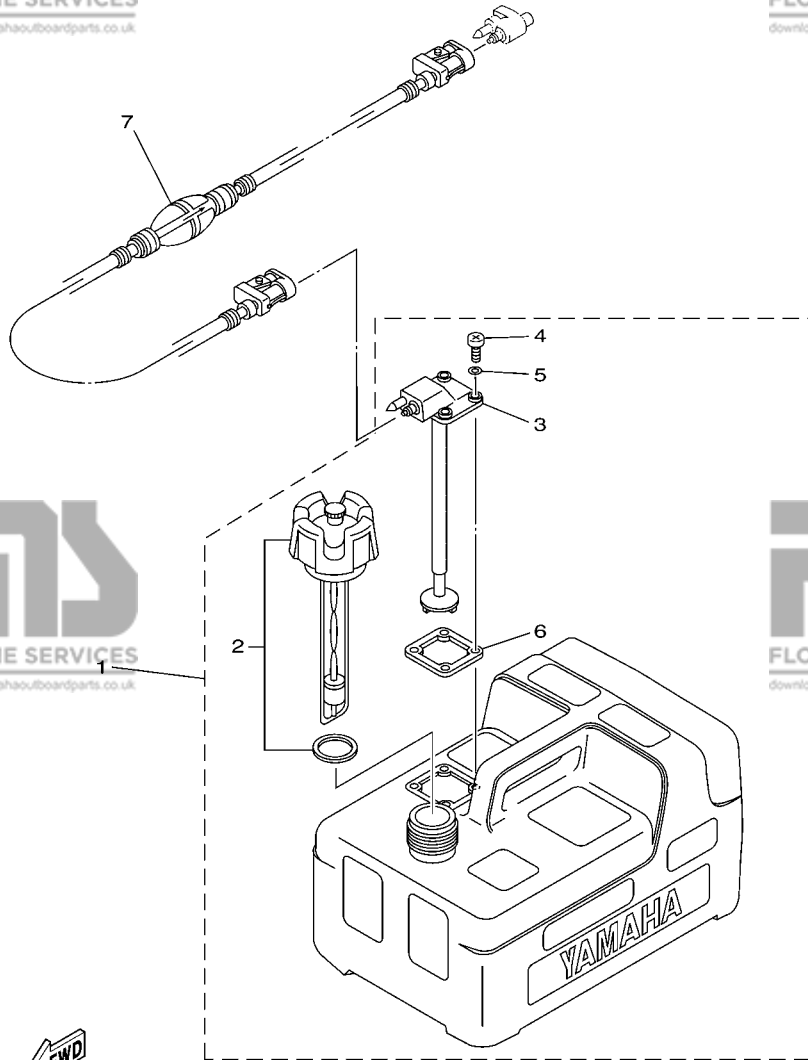
**FIG. 24 LOWER CASING & DRIVE 2**

**BOITIER D'HELICE TRANSMISSION2**

| REF. NO. | PART NO. N° PIECES | DESCRIPTION DESCRIPTION | MH | EH | E | REMARKS REMARQUES |
|----------|--------------------|-------------------------|----|----|---|-------------------|
| 21       | 97095-06016        | BOLT BOULON             | 2  | 2  | 2 | S                 |
| 22       | 92995-06600        | WASHER RONDELLE         | 2  | 2  | 2 | S                 |



**FWD**  
 69A0300-0230

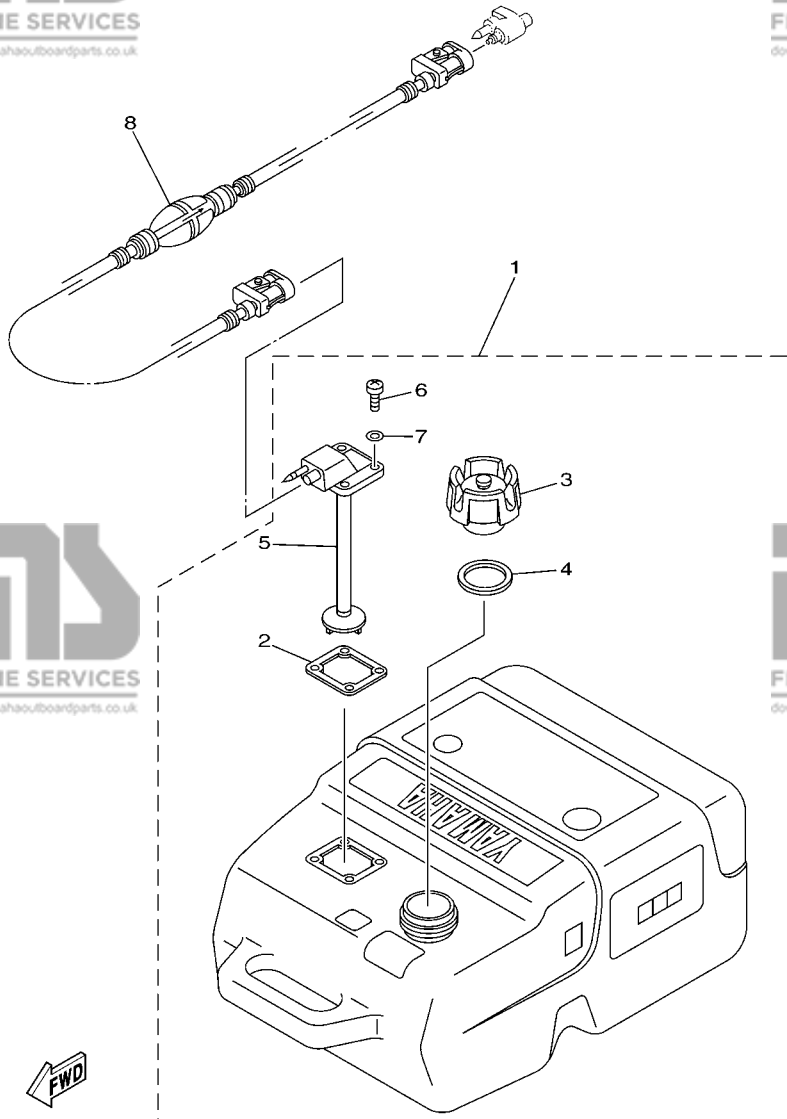


**FWD**  
 66M4100-D270

**FIG. 25 FUEL TANK 1**

**RESERVOIR A CARBURANT 1**

| REF. NO. | PART NO. N° PIECES | DESCRIPTION DESCRIPTION                                | MH | EH | W | REMARKS REMARQUES        |
|----------|--------------------|--|----|----|---|--------------------------|
| 1        | 6YL-24201-04       | FUEL TANK ASSY (12L)<br>RESERVOIR A ESSENCE (ENS.) 12L | 1  | 1  | 1 | AP FOR STD<br>AP FOR STD |
| 2        | 6YL-24610-01       | .CAP ASSY<br>.BOUCHON                                  | 1  | 1  | 1 |                          |
| 3        | 6YL-24260-01       | .FUEL METER ASSY<br>.INDICATEUR DE CARBURANT           | 1  | 1  | 1 |                          |
| 4        | 90157-05M16        | .SCREW, PAN HEAD<br>.VIS, TETE TRONCONIQUE             | 4  | 4  | 4 |                          |
| 5        | 6YL-24329-00       | .SEAL<br>.JOINT  | 4  | 4  | 4 |                          |
| 6        | 6YL-24268-01       | .GASKET, FUEL METER<br>.JOINT, JAUGE A CARBURANT       | 1  | 1  | 1 |                          |
| 7        | 6YL-24306-53       | FUEL PIPE COMP. 1<br>DURITE A ESSENCE 1                | 1  | 1  | 1 | AP FOR STD<br>AP FOR STD |



66M3300-C260

\*ECM: FOR EMISSION CONTROL MODEL.  
\*ECM: POUR MODELE CONTROLE D' EMISSIONS.

FIG. 26 FUEL TANK 2

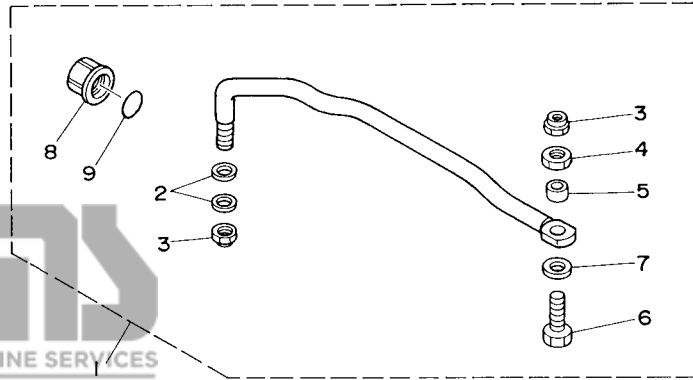
RESERVOIR A CARBURANT 2

| REF. NO. | PART NO. N° PIECES | DESCRIPTION DESCRIPTION                                | MH | EH | W | REMARKS REMARQUES                      |
|----------|--------------------|--|----|----|---|--|
| 1        | 6YK-24201-10       | FUEL TANK ASSY (25L)<br>RESERVOIR A ESSENCE (ENS.) 25L | 1  | 1  | 1 | AP *ECM-F15A ONLY<br>AP *ECM-F15A ONLY |
| 2        | 6YL-24268-01       | .GASKET, FUEL METER<br>.JOINT, JAUGE A CARBURANT       | 1  | 1  | 1 |  |
| 3        | 6YK-24610-10       | .CAP ASSY<br>.BOUCHON                                  | 1  | 1  | 1 | WITHOUT INDICATOR<br>WITHOUT INDICATOR |
| 4        | 6YL-24641-00       | .GASKET, CAP 1<br>.JOINT 1, BOUCHON                    | 1  | 1  | 1 |  |
| 5        | 6YK-24260-01       | .FUEL METER ASSY<br>.INDICATEUR DE CARBURANT           | 1  | 1  | 1 |  |
| 6        | 90157-05M16        | .SCREW, PAN HEAD<br>.VIS, TETE TRONCONIQUE             | 4  | 4  | 4 |  |
| 7        | 6YL-24329-00       | .SEAL<br>.JOINT  | 4  | 4  | 4 |  |
| 8        | 6YL-24306-53       | FUEL PIPE COMP. 1<br>DURITE A ESSENCE 1                | 1  | 1  | 1 | AP *ECM-F15A ONLY<br>AP *ECM-F15A ONLY |

FIG. 27 STEERING GUIDE

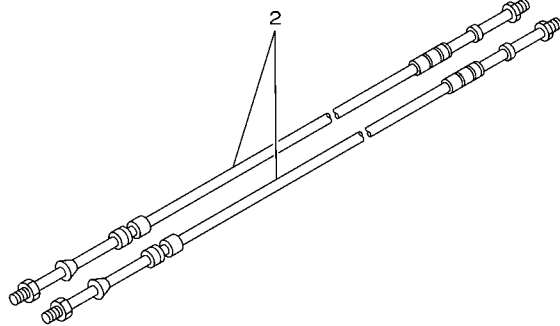
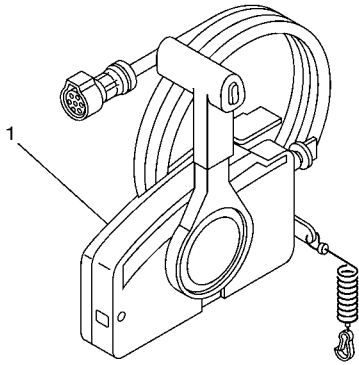
FIXATION DE DIRECTION

| REF. NO. | PART NO. N° PIECES | DESCRIPTION DESCRIPTION                                 | MH | EH | U | REMARKS REMARQUES |
|----------|--------------------|---|----|----|---|-------------------|
| 1        | 63V-61350-00       | STEERING GUIDE ATTACHMENT KIT<br>FIXATIONS DE DIRECTION |    |    | 1 | AP<br>AP          |
| 2        | 90201-10M20        | .WASHER, PLATE<br>.RONDELLE, PLATE                      |    |    | 2 |                   |
| 3        | 90185-09M01        | .NUT, SELF-LOCKING<br>.ECROU, AUTO-BLOQUANT             |    |    | 2 |                   |
| 4        | 90170-09M03        | .NUT<br>.ECROU  |    |    | 1 |                   |
| 5        | 90387-10M42        | .COLLAR<br>.COLLERETTE                                  |    |    | 1 |                   |
| 6        | 6E5-61355-00       | .BOLT<br>.BOULON  |    |    | 1 |                   |
| 7        | 90201-10M63        | .WASHER, PLATE<br>.RONDELLE, PLATE                      |    |    | 1 |                   |
| 8        | 6E5-43145-01       | .CAP CLAMP BRACKET<br>.CAPUCHON, PRESSE                 |    |    | 1 |                   |
| 9        | 93210-16275        | .O-RING<br>.JOINT TORIQUE                               |    |    | 1 |                   |



63V0100-5210

**A5**

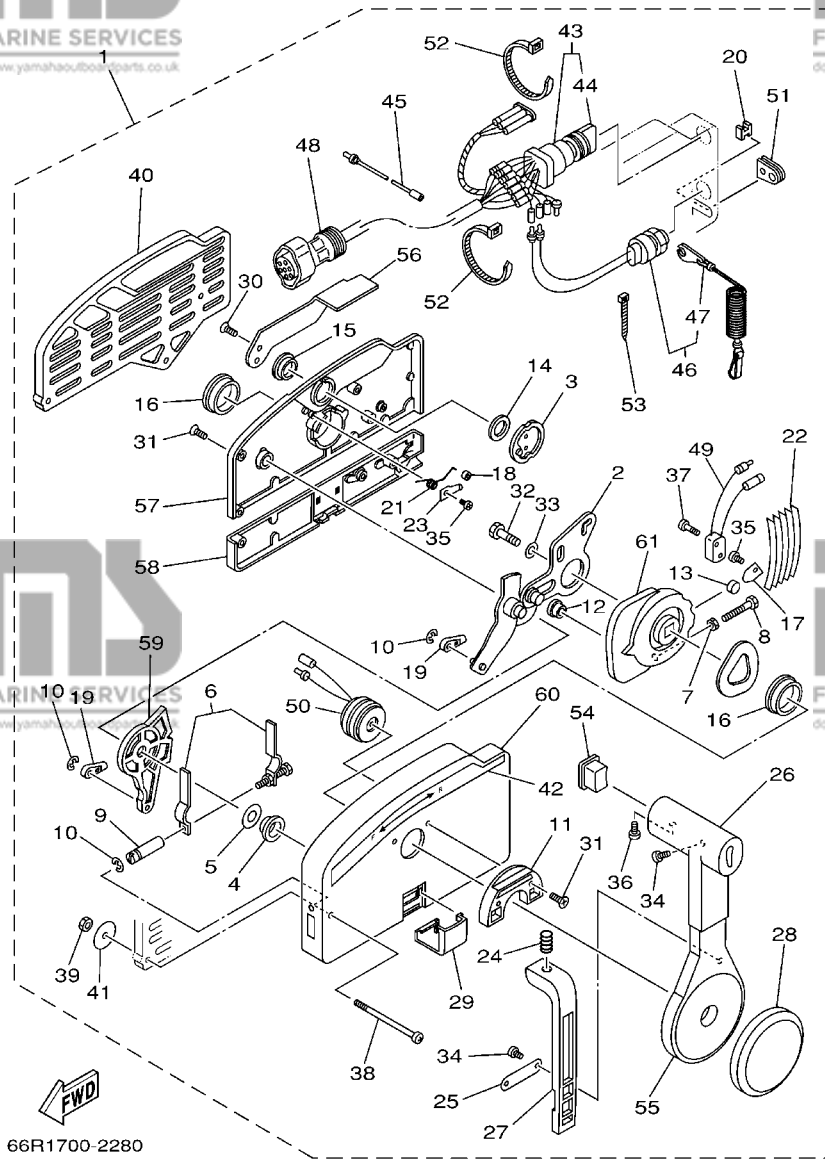


67M0100-8280

FIG. 28 REMOTE CONTROL BOX

BOITIER DE COMMANDE A DISTANCE

| REF. NO. | PART NO. N° PIECES | DESCRIPTION DESCRIPTION                                       | MH | EH | U | REMARKS REMARQUES |
|----------|--------------------|---|----|----|---|-------------------|
| 1        | 703-48203-15       | REMOTE CONTROL ASSY (7P)<br>BOITIER DE COMMANDE A DISTANCE    |    |    | 1 | AP<br>AP          |
| 2        | 701-48310-80       | CABLE, REMOTE CONTROL L=10F<br>CABLE, COMMANDE A DISTANCE:10F |    |    | 2 | UR<br>UR          |
|          | 701-48310-90       | CABLE, REMOTE CONTROL L=11F<br>CABLE, COMMANDE A DISTANCE:11F |    |    | 2 | UR<br>UR          |
|          | 701-48320-00       | CABLE, REMOTE CONTROL L=12F<br>CABLE, COMMANDE A DISTANCE:12F |    |    | 2 | UR<br>UR          |
| -----    |                    |   |    |    |   |                   |
| -----    |                    |   |    |    |   |                   |
| -----    |                    |   |    |    |   |                   |
| -----    |                    |   |    |    |   |                   |
| -----    |                    |   |    |    |   |                   |
| -----    |                    |   |    |    |   |                   |



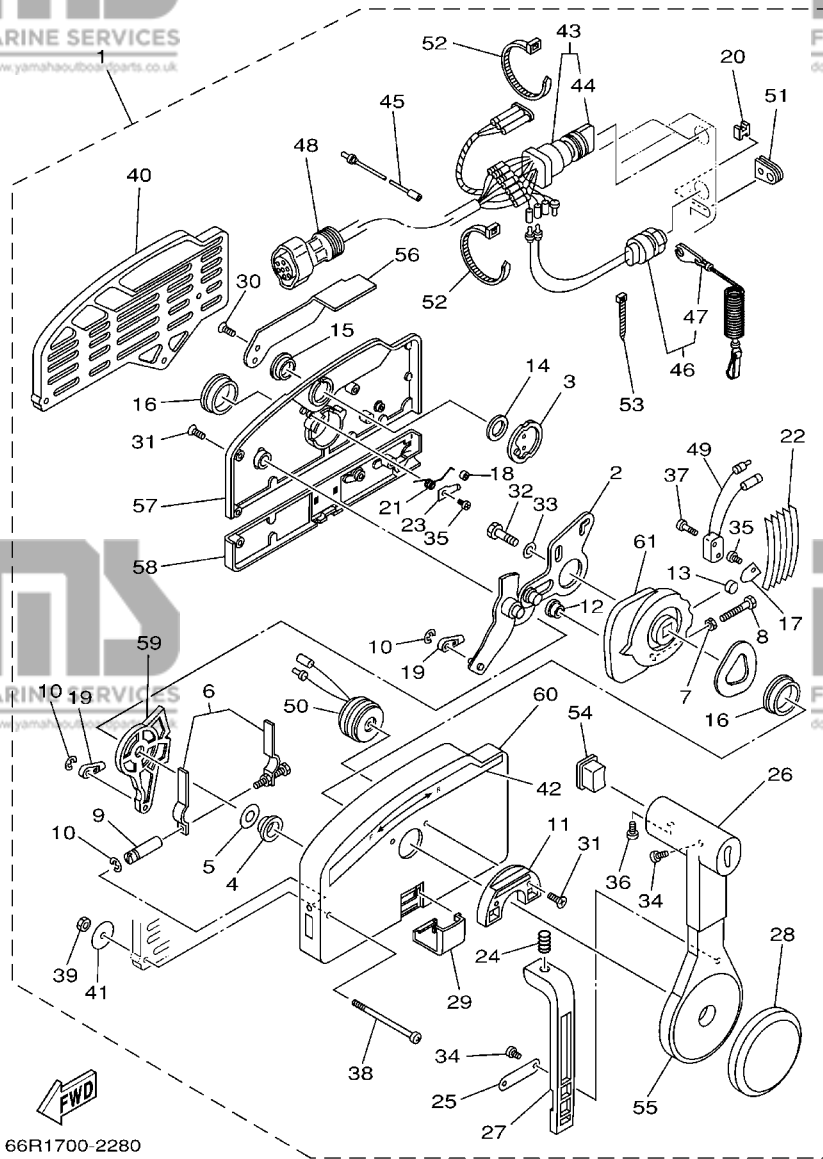
66R1700-2280

**FIG. 29 REMOTE CONTROL ASSY**

**BOITIER DE COMMANDE A DISTANCE**

| REF. NO. | PART NO. N° PIECES | DESCRIPTION DESCRIPTION                                    | MH | EH | U | REMARKS REMARQUES |
|----------|--------------------|--|----|----|---|-------------------|
| 1        | 703-48203-15       | REMOTE CONTROL ASSY (7P)<br>BOITIER DE COMMANDE A DISTANCE |    |    | 1 | AP<br>AP          |
| 2        | 703-48261-01       | .ARM, THROTTLE<br>.BRAS, ACCELERATION                      |    |    | 1 |                   |
| 3        | 703-48153-00       | .SHAFT, FREE ACCEL.<br>.AXE                                |    |    | 1 |                   |
| 4        | 703-48235-00       | .BUSHING<br>.COUSSINET                                     |    |    | 1 |                   |
| 5        | 703-48268-00       | .SPACER<br>.ENTRETOISE                                     |    |    | 1 |                   |
| 6        | 703-48264-00       | .FRICTION, THROTTLE<br>.FRICTION, ACCELERATION             |    |    | 1 |                   |
| 7        | 95380-05600        | .NUT<br>.ECROU   |    |    | 1 |                   |
| 8        | 97380-05025        | .BOLT<br>.BOULON, HEXAGONAL                                |    |    | 1 |                   |
| 9        | 703-48265-00       | .SHAFT, FRICTION<br>.AXE, COPILOTE                         |    |    | 1 |                   |
| 10       | 93430-06024        | .CIRCLIP<br>.CLIPS   |    |    | 3 |                   |
| 11       | 703-48245-00       | .PLATE, LOCK<br>.PLAQUE, VERROU                            |    |    | 1 |                   |
| 12       | 703-48252-00       | .ROLLER, CAM<br>.POULIE                                    |    |    | 1 |                   |
| 13       | 701-48248-00       | .ROLLER, FREE ACCEL.<br>.POULIE                            |    |    | 1 |                   |
| 14       | 703-48198-00       | .WASHER, WAVE<br>.RONDELLE, ELASTIQUE ONDULEE              |    |    | 1 |                   |
| 15       | 703-48243-00       | .BUSHING<br>.COUSSINET                                     |    |    | 1 |                   |
| 16       | 703-48236-00       | .BUSHING 1<br>.POULIE                                      |    |    | 2 |                   |
| 17       | 703-48189-00       | .RETAINER<br>.FLASQUE                                      |    |    | 1 |                   |
| 18       | 703-48234-00       | .ROLLER, DETENT<br>.POULIE                                 |    |    | 1 |                   |
| 19       | 703-48345-01       | .CABLE END, REMOTE CONTROL 2<br>.CHAPE CABLE               |    |    | 2 |                   |
| 20       | 703-48358-00       | .ANCHOR, CABLE<br>.COLLIER                                 |    |    | 1 |                   |
| 21       | 703-48244-00       | .SPRING, FREE ACCEL.<br>.RESSORT                           |    |    | 1 |                   |
| 22       | 703-48238-00       | .SPRING, DETENT<br>.RESSORT                                |    |    | 5 |                   |
| 23       | 703-48246-00       | .SPACER<br>.ENTRETOISE                                     |    |    | 1 |                   |
| 24       | 703-48227-00       | .SPRING, NEUTRAL LOCK<br>.RESSORT                          |    |    | 1 |                   |
| 25       | 703-48226-00       | .PLATE, STOPPER<br>.PLAQUETTE                              |    |    | 1 |                   |
| 26       | 703-48222-00       | .GRIP, CONTROL LEVER<br>.POIGNEE, COMMANDE LEVIER          |    |    | 1 | SINGLE<br>SINGLE  |
| 27       | 703-48223-00       | .LOCK, NEUTRAL<br>.VERROU, NEUTRAL                         |    |    | 1 |                   |





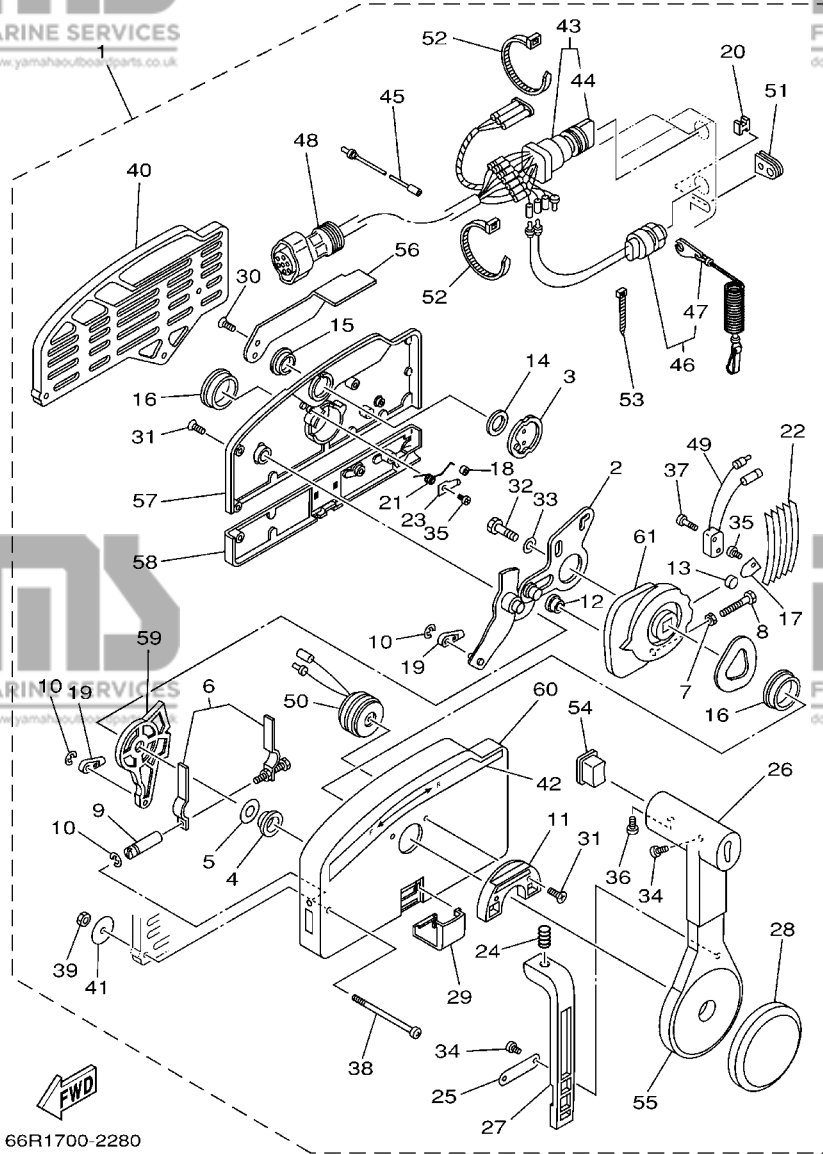
66R1700-2280

**FIG. 29 REMOTE CONTROL ASSY**

**BOITIER DE COMMANDE A DISTANCE**

| REF. NO. | PART NO. N° PIECES | DESCRIPTION DESCRIPTION                                  | MH | EH | U | REMARKS REMARQUES                    |
|----------|--------------------|--|----|----|---|--------------------------------------|
| 28       | 703-48225-00       | .COVER<br>.COUVERCLE                                     |    |    | 1 |                                      |
| 29       | 703-48219-00       | .COVER, LEAD<br>.COUVERCLE                               |    |    | 1 |                                      |
| 30       | 703-48281-00       | .SCREW<br>.VIS   |    |    | 2 |                                      |
| 31       | 703-48282-00       | .SCREW<br>.VIS   |    |    | 7 |                                      |
| 32       | 97380-08030        | .BOLT<br>.BOULON, HEXAGONAL                              |    |    | 1 |                                      |
| 33       | 92990-08600        | .WASHER, PLATE<br>.RONDELLE, PLATE                       |    |    | 1 |                                      |
| 34       | 98580-04010        | .SCREW, PAN HEAD<br>.VIS                                 |    |    | 3 |                                      |
| 35       | 98580-04006        | .SCREW, PAN HEAD<br>.VIS                                 |    |    | 2 |                                      |
| 36       | 98580-05010        | .SCREW, PAN HEAD<br>.VIS                                 |    |    | 1 |                                      |
| 37       | 98580-03015        | .SCREW, PAN HEAD<br>.VIS                                 |    |    | 2 |                                      |
| 38       | 703-48291-10       | .SCREW (M6)<br>.VIS (M6)                                 |    |    | 3 |                                      |
| 39       | 95380-06600        | .NUT, HEXAGON<br>.ECROU                                  |    |    | 3 |                                      |
| 40       | 703-48293-10       | .SPACER, REMOTE CONTROL<br>.ENTRETOISE                   |    |    | 1 | SINGLE<br>SINGLE                     |
| 41       | 701-48287-00       | .WASHER<br>.RONDELLE                                     |    |    | 3 |                                      |
| 42       | 703-48215-00       | .GRAPHIC<br>.ADHESIF                                     |    |    | 1 |                                      |
| 43       | 703-82510-33       | .MAIN SWITCH ASSY<br>.CONTACTEUR A CLEF COMPLET          |    |    | 1 |                                      |
| 44       | 703-82577-00       | .CAP, KEY<br>.CABOCHON                                   |    |    | 1 |                                      |
| 45       | 703-82531-00       | .WIRE, LEAD<br>.FIL                                      |    |    | 1 |                                      |
| 46       | 688-82575-01       | .ENGINE STOP SWITCH ASSY<br>.COUPE CIRCUIT CPLT          |    |    | 1 |                                      |
| 47       | 682-82556-00       | .STOPPER<br>.PLAQUETTE                                   |    |    | 1 |                                      |
| 48       | 688-82586-21       | .EXTENSION, WIRE HARNESS<br>.EXTENSION, FAISCEAU DE FILS |    |    | 1 | L:5M (7P)<br>L:5M (7P)               |
| 49       | 703-82540-00       | .NEUTRAL SWITCH ASSY<br>.CONTACTEUR DE POINT-MORT        |    |    | 1 |                                      |
| 50       | 703-83383-02       | .BUZZER<br>.RONFLEUR                                     |    |    | 1 |                                      |
| 51       | 703-48284-00       | .GROMMET<br>.PASSE-FIL                                   |    |    | 1 |                                      |
| 52       | 703-82591-00       | .BAND<br>.COLLIER  |    |    | 1 |                                      |
| 53       | 703-82592-00       | .BAND<br>.COLLIER  |    |    | 1 |                                      |
| 54       | 703-48224-00       | .COVER, CONTROL LEVER<br>.COUVERCLE                      |    |    | 1 | WITHOUT PT/T SW.<br>WITHOUT PT/T SW. |

**B1**

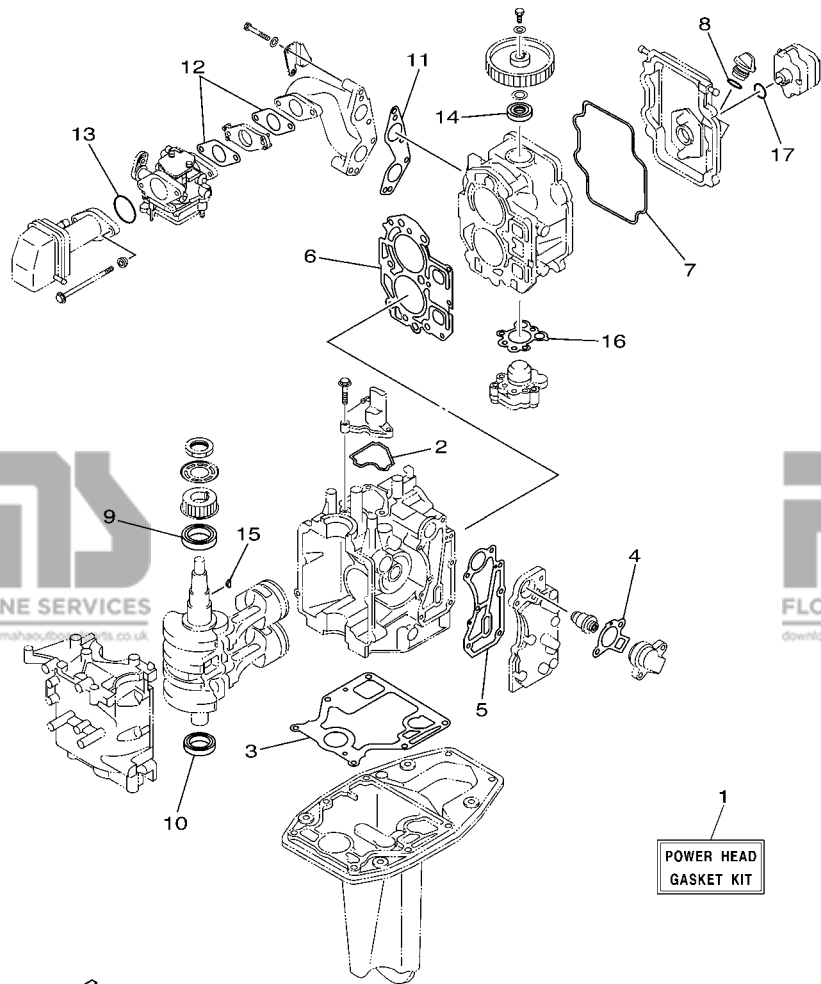


66R1700-2280

**FIG. 29 REMOTE CONTROL ASSY**

**BOITIER DE COMMANDE A DISTANCE**

| REF. NO. | PART NO. N° PIECES | DESCRIPTION DESCRIPTION              | MH | EH | U | REMARKS REMARQUES |
|----------|--------------------|--------------------------------------|----|----|---|-------------------|
| 55       | 703-48221-00       | .LEVER, CONTROL<br>.LEVIER, COMMANDE |    |    | 1 |                   |
| 56       | 703-48152-00       | .KNOB, FREE ACCEL.<br>.BOUTON        |    |    | 1 |                   |
| 57       | 703-48212-00       | .BACK PLATE 1<br>.PLAQUETTE 1        |    |    | 1 |                   |
| 58       | 703-48213-00       | .BACK PLATE 2<br>.PLAQUETTE 2        |    |    | 1 |                   |
| 59       | 703-48271-00       | .ARM, SHIFT<br>.BRAS                 |    |    | 1 |                   |
| 60       | 703-48211-01       | .HOUSING,1<br>.CORPS                 |    |    | 1 |                   |
| 61       | 703-48232-00       | .GEAR<br>.PIGNON                     |    |    | 1 |                   |

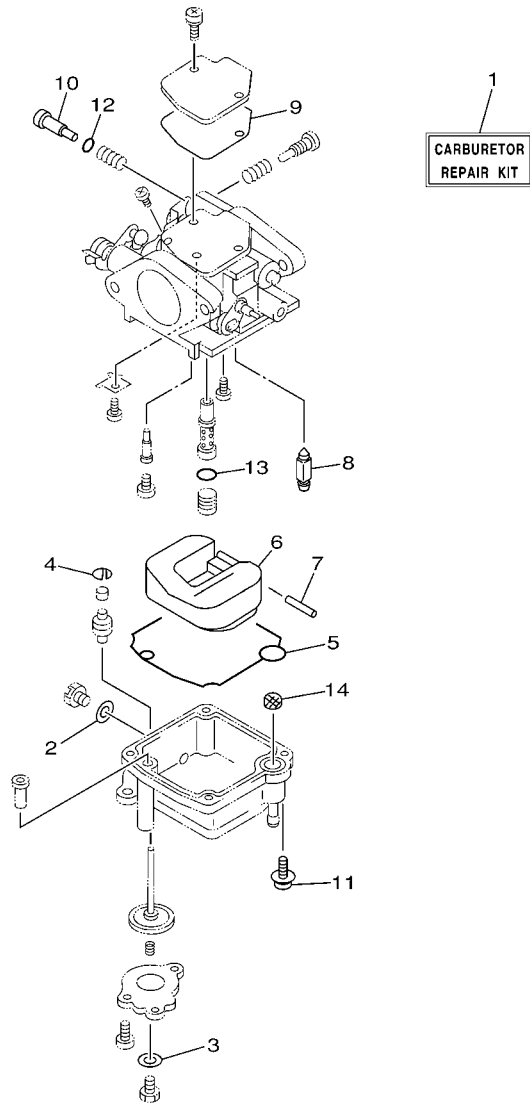


**FWD**  
6D41200-C280

**FIG. 30 REPAIR KIT 1**

**KITS DE REPARATION 1**

| REF. NO. | PART NO. N° PIECES | DESCRIPTION DESCRIPTION  | MH | EH | U | REMARKS REMARQUES |
|----------|--------------------|--|----|----|---|-------------------|
| 1        | 66M-W0001-02       | POWER HEAD GASKET KIT<br>POCHETTE DE JINTS TETE MOTRICE        | 1  | 1  | 1 |                   |
| 2        | 66M-11357-00       | .SEAL, CYLINDER 3<br>.JOINT, SPY CYLINDRE                      | 1  | 1  | 1 |                   |
| 3        | 66M-11351-10       | .GASKET, CYLINDER<br>.JOINT, D'EMBASE                          | 1  | 1  | 1 |                   |
| 4        | 62Y-12414-00       | .GASKET, COVER<br>.JOINT, COUVERCLE                            | 1  | 1  | 1 |                   |
| 5        | 66M-41114-01       | .GASKET, EXHAUST OUTER COVER<br>.JOINT, COUVERCLE D'ECHAPPEMEN | 1  | 1  | 1 |                   |
| 6        | 66M-11181-10       | .GASKET, CYLINDER HEAD 1<br>.JOINT, DE CULASSE 1               | 1  | 1  | 1 |                   |
| 7        | 66M-11356-00       | .SEAL, CYLINDER 2<br>.JOINT, SPY CYLINDRE                      | 1  | 1  | 1 |                   |
| 8        | 93210-24M79        | .O-RING<br>.JOINT TORIQUE                                      | 1  | 1  | 1 |                   |
| 9        | 93102-35M51        | .OIL SEAL<br>.JOINT SPY  | 1  | 1  | 1 |                   |
| 10       | 93102-25M52        | .OIL SEAL<br>.JOINT SPY  | 1  | 1  | 1 |                   |
| 11       | 66M-13645-00       | .GASKET, MANIFOLD 1<br>.JOINT, TUBULURE 1                      | 1  | 1  | 1 |                   |
| 12       | 66M-13646-00       | .GASKET, MANIFOLD 2<br>.JOINT, TUBULURE 2                      | 2  | 2  | 2 |                   |
| 13       | 93210-35M86        | .O-RING<br>.JOINT TORIQUE                                      | 1  | 1  | 1 |                   |
| 14       | 93102-18M21        | .OIL SEAL<br>.JOINT SPY  | 1  | 1  | 1 |                   |
| 15       | 90280-03M01        | .KEY, WOODRUFF<br>.CLAVETTE, DEMI-LUNE                         | 1  | 1  | 1 |                   |
| 16       | 66M-13329-10       | .GASKET, PUMP COVER<br>.JOINT, COUVERCLE DE POMPE              | 1  | 1  | 1 |                   |
| 17       | 93210-20M65        | .O-RING<br>.JOINT TORIQUE                                      | 1  | 1  | 1 |                   |



66M0100-8280

FIG. 31 REPAIR KIT 2

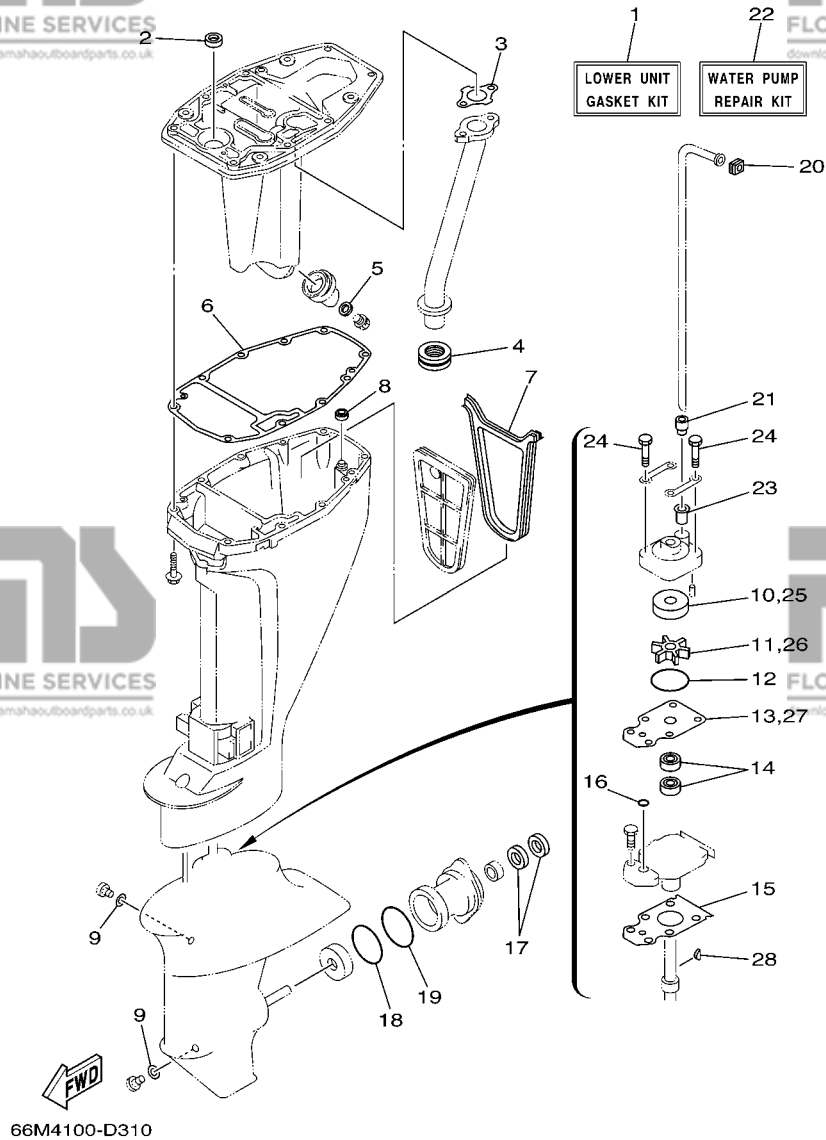
KITS DE REPARATION 2

| REF. NO. | PART NO. N° PIECES | DESCRIPTION DESCRIPTION                                | MH | EH | W | REMARKS REMARQUES |
|----------|--------------------|--|----|----|---|-------------------|
| 1        | 66M-W0093-01       | CARBURETOR REPAIR KIT<br>KIT DE REPARATION CARBURATEUR | 1  | 1  | 1 |                   |
| 2        | 66M-14398-00       | .GASKET<br>.JOINT                                      | 1  | 1  | 1 |                   |
| 3        | 6L2-14398-00       | .GASKET<br>.JOINT                                      | 1  | 1  | 1 |                   |
| 4        | 66M-14377-00       | .STOPPER<br>.BUTEE                                     | 1  | 1  | 1 |                   |
| 5        | 66M-14384-00       | .GASKET, FLOAT CHAMBER<br>.JOINT, CUVE DE FLOTTEUR     | 1  | 1  | 1 |                   |
| 6        | 6L2-14385-00       | .FLOAT<br>.FLOTTEUR                                    | 1  | 1  | 1 |                   |
| 7        | 6E5-14386-01       | .PIN, FLOAT<br>.AXE, FLOTTEUR                          | 1  | 1  | 1 |                   |
| 8        | 6L2-14392-00       | .VALVE, NEEDLE<br>.POINTEAU                            | 1  | 1  | 1 |                   |
| 9        | 62Y-14399-00       | .GASKET<br>.JOINT                                      | 1  | 1  | 1 |                   |
| 10       | 5H0-14323-00       | .SCREW, AIR ADJUSTING<br>.VIS DE DOSEUR D'AIR          | 1  | 1  | 1 |                   |
| 11       | 97980-04112        | .SCREW, WITH WASHER<br>.VIS, AVEC RONDELLE             | 4  | 4  | 4 |                   |
| 12       | 62Y-14397-00       | .O-RING<br>.JOINT TORIQUE                              | 1  | 1  | 1 |                   |
| 13       | 6F5-14397-00       | .O-RING<br>.JOINT TORIQUE                              | 1  | 1  | 1 |                   |
| 14       | 66M-14827-00       | .FILTER<br>.FILTRE                                     | 1  | 1  | 1 |                   |

**B4**

**KITS DE PEPARATION 3**

**FIG. 32 REPAIR KIT 3**



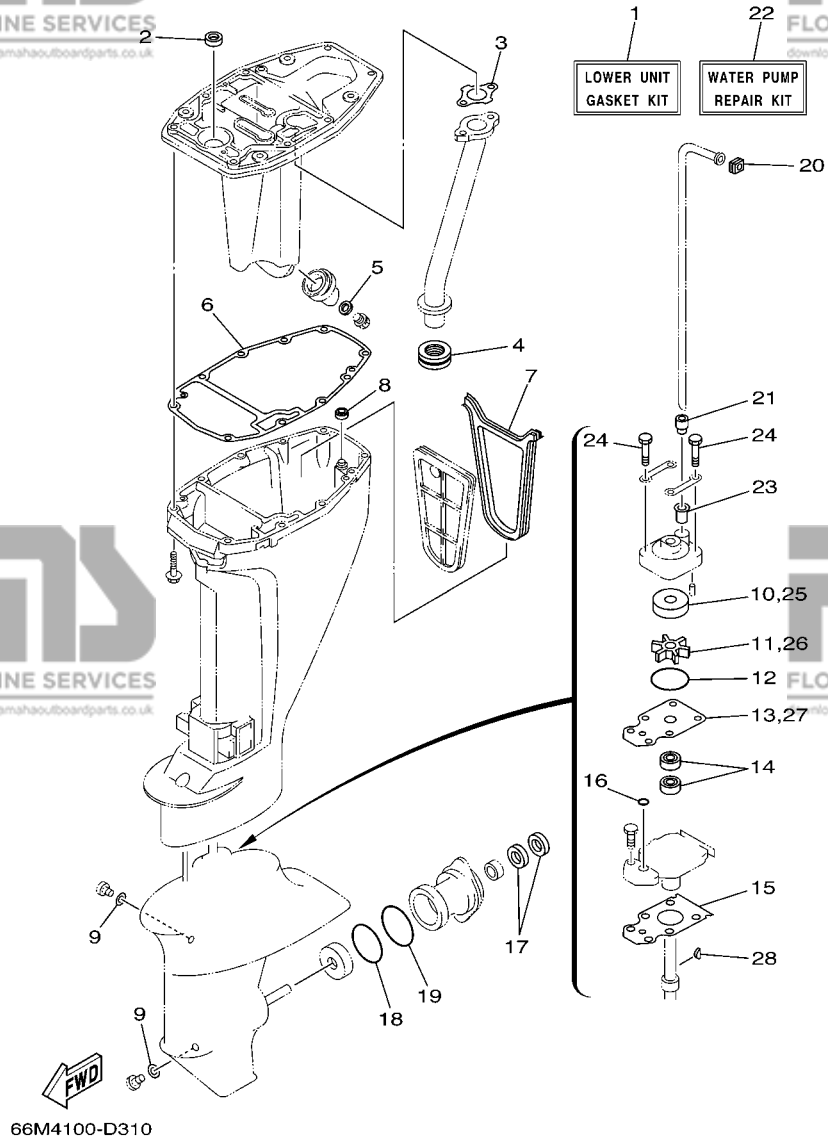
| REF. NO. | PART NO. N° PIECES | DESCRIPTION DESCRIPTION                                   | MH | EH | W | REMARKS REMARQUES |
|----------|--------------------|---|----|----|---|-------------------|
| 1        | 66M-W0001-21       | LOWER UNIT GASKET KIT<br>POCHETTE DE JOINTS EMBASE        | 1  | 1  | 1 |                   |
| 2        | 93101-12M63        | .OIL SEAL<br>.JOINT SPY                                   | 1  | 1  | 1 |                   |
| 3        | 66M-41133-01       | .GASKET, EXHAUST MANIFOLD 1<br>.JOINT, PIPE D'ECHAPPEMENT | 1  | 1  | 1 |                   |
| 4        | 6D4-41138-00       | .SEAL, EXT. 1<br>.JOINT DE GROUPE 1                       | 1  | 1  | 1 |                   |
| 5        | 90430-14M09        | .GASKET<br>.JOINT   | 1  | 1  | 1 |                   |
| 6        | 66M-45113-00       | .GASKET, UPPER CASING<br>.JOINT, TUBE D'ARBRE             | 1  | 1  | 1 |                   |
| 7        | 66M-45115-00       | .GASKET, UPPER CASING<br>.JOINT, TUBE D'ARBRE             | 1  | 1  | 1 |                   |
| 8        | 66M-45128-00       | .SEAL 2<br>.JOINT 2                                       | 1  | 1  | 1 |                   |
| 9        | 90430-08020        | .GASKET<br>.JOINT   | 2  | 2  | 2 |                   |
| 10       | 63V-44322-00       | .INSERT, CARTRIDGE<br>.CUVETTE                            | 1  | 1  | 1 |                   |
| 11       | 63V-44352-01       | .IMPELLER<br>.TURBINE                                     | 1  | 1  | 1 |                   |
| 12       | 93210-44398        | .O-RING<br>.JOINT TORIQUE                                 | 1  | 1  | 1 |                   |
| 13       | 63V-44323-00       | .OUTER PLATE, CARTRIDGE<br>.PLAQUE EXTERIEURE             | 1  | 1  | 1 |                   |
| 14       | 93101-20001        | .OIL SEAL<br>.JOINT SPY                                   | 2  | 2  | 2 |                   |
| 15       | 63V-45315-A0       | .PACKING, LOWER CASING<br>.JOINT, BOITIER D'HELICE        | 1  | 1  | 1 |                   |
| 16       | 93210-06ME6        | .O-RING<br>.JOINT TORIQUE                                 | 1  | 1  | 1 |                   |
| 17       | 93101-17054        | .OIL SEAL<br>.JOINT SPY                                   | 2  | 2  | 2 |                   |
| 18       | 93210-57M09        | .O-RING<br>.JOINT TORIQUE                                 | 1  | 1  | 1 |                   |
| 19       | 93210-56M80        | .O-RING<br>.JOINT TORIQUE                                 | 1  | 1  | 1 |                   |
| 20       | 63V-44365-10       | .DAMPER, WATER SEAL<br>.JOINT, TUBE D'EAU                 | 1  | 1  | 1 |                   |
| 21       | 63V-44368-00       | .RUBBER, WATER SEAL 4<br>.CAOUTCHOUC EAU JUNTA 4          | 1  | 1  | 1 |                   |
| 22       | 63V-W0078-00       | WATER PUMP REPAIR KIT<br>KIT DE REPARATION DE LA POMPE    | 1  | 1  | 1 |                   |
| 23       | 647-44366-00       | .DAMPER, WATER SEAL<br>.JOINT, TUBE D'EAU                 | 1  | 1  | 1 |                   |
| 24       | 97080-08045        | .BOLT<br>.BOULON  | 4  | 4  | 4 |                   |
| 25       | 63V-44322-00       | .INSERT, CARTRIDGE<br>.CUVETTE                            | 1  | 1  | 1 |                   |
| 26       | 63V-44352-01       | .IMPELLER<br>.TURBINE                                     | 1  | 1  | 1 |                   |
| 27       | 63V-44323-00       | .OUTER PLATE, CARTRIDGE<br>.PLAQUE EXTERIEURE             | 1  | 1  | 1 |                   |

**B5**

**FIG. 32 REPAIR KIT 3**

**KITS DE PERARATION 3**

| REF. NO. | PART NO. N° PIECES | DESCRIPTION DESCRIPTION             | MH | EH | E | REMARKS REMARQUES |
|----------|--------------------|-------------------------------------|----|----|---|-------------------|
| 28       | 664-4438-00        | .KEY, WOODRUFF<br>.CLAVETTE, VOLANT | 1  | 1  | 1 |                   |



**B6**







| PART NO.<br>N° PIECES | REF.<br>NO. |
|-----------------------|-------------|
| 90179-08M06           | 23 - 29     |
| 90179-08M34           | 20 - 25     |
| 90179-16M05           | 11 - 13     |
| 90185-05002           | 24 - 10     |
| 90185-08057           | 18 - 21     |
|                       | 20 - 29     |
| 90185-09M01           | 27 - 3      |
| 90185-22043           | 19 - 15     |
| 90201-05M06           | 17 - 34     |
|                       | 18 - 9      |
| 90201-06015           | 22 - 12     |
| 90201-06M05           | 10 - 28     |
|                       | 12 - 17     |
| 90201-06M31           | 17 - 19     |
|                       | 18 - 6      |
| 90201-06M94           | 8 - 6       |
| 90201-07M01           | 3 - 7       |
| 90201-08M06           | 20 - 13     |
| 90201-10M01           | 24 - 16     |
| 90201-10M20           | 27 - 2      |
| 90201-10M63           | 27 - 7      |
| 90201-13201           | 8 - 5       |
| 90201-16M44           | 11 - 14     |
| 90201-17682           | 23 - 33     |
| 90201-43M00           | 16 - 20     |
| 90202-05088           | 6 - 22      |
| 90202-05M38           | 1 - 12      |
| 90202-07M60           | 19 - 28     |
| 90202-22M54           | 19 - 11     |
| 90202-43M57           | 16 - 22     |
| 90206-05005           | 6 - 20      |
| 90206-10M04           | 16 - 30     |
| 90206-10M24           | 19 - 47     |
| 90206-12052           | 15 - 16     |
| 90206-43M22           | 16 - 21     |
| 90209-40008           | 20 - 7      |
| 90240-05M20           | 6 - 19      |
| 90243-04M01           | 19 - 7      |
| 90250-05010           | 23 - 37     |
| 90254-03M05           | 16 - 37     |
|                       | 17 - 3      |
|                       | 18 - 3      |
| 90266-06M02           | 1 - 5       |
| 90269-02M09           | 16 - 12     |
| 90280-03M01           | 8 - 10      |
|                       | 30 - 15     |
| 90280-05013           | 11 - 12     |
| 90340-08002           | 23 - 8      |

| PART NO.<br>N° PIECES | REF.<br>NO. |
|-----------------------|-------------|
| 90340-14M06           | 22 - 18     |
| 90386-07M95           | 19 - 30     |
| 90386-08032           | 16 - 16     |
| 90386-12M37           | 15 - 14     |
| 90386-12MA2           | 15 - 15     |
| 90386-22M94           | 19 - 12     |
| 90386-30048           | 20 - 9      |
| 90386-30M60           | 20 - 11     |
| 90386-40M99           | 16 - 23     |
| 90386-40MA0           | 16 - 19     |
| 90387-05008           | 22 - 11     |
| 90387-06034           | 15 - 7      |
| 90387-06064           | 17 - 16     |
| 90387-06M05           | 10 - 3      |
|                       | 12 - 14     |
| 90387-06M13           | 19 - 16     |
| 90387-06M29           | 17 - 29     |
|                       | 18 - 5      |
| 90387-06M78           | 16 - 31     |
| 90387-06M79           | 6 - 11      |
| 90387-07M07           | 19 - 29     |
| 90387-10M42           | 27 - 5      |
| 90387-13001           | 5 - 10      |
| 90387-13002           | 5 - 11      |
| 90387-13M56           | 5 - 9       |
| 90401-20M00           | 2 - 37      |
| 90430-08020           | 23 - 9      |
|                       | 32 - 9      |
| 90430-08143           | 4 - 14      |
| 90430-14M09           | 22 - 19     |
|                       | 32 - 5      |
| 90445-09061           | 2 - 32      |
| 90445-09086           | 2 - 34      |
| 90445-09104           | 2 - 35      |
| 90445-10M15           | 9 - 10      |
| 90445-10M19           | 9 - 4       |
| 90445-10M46           | 2 - 7       |
| 90445-10M93           | 9 - 29      |
| 90446-06M90           | 10 - 18     |
| 90446-10M87           | 16 - 18     |
| 90446-14M51           | 9 - 31      |
| 90464-09M13           | 12 - 20     |
|                       | 15 - 31     |
| 90465-08M82           | 6 - 26      |
| 90465-08M83           | 6 - 27      |
| 90465-11M10           | 9 - 12      |
|                       | 15 - 38     |
| 90465-25M57           | 15 - 30     |

| PART NO.<br>N° PIECES | REF.<br>NO. |
|-----------------------|-------------|
| 90467-09M17           | 9 - 11      |
| 90468-10005           | 17 - 35     |
|                       | 18 - 10     |
| 90468-18008           | 16 - 34     |
|                       | 17 - 12     |
|                       | 18 - 11     |
| 90480-10M13           | 13 - 19     |
| 90480-10M16           | 8 - 13      |
| 90480-12072           | 8 - 14      |
| 90480-13M24           | 12 - 15     |
| 90480-15M31           | 15 - 6      |
| 90480-25161           | 12 - 5      |
| 90501-12M40           | 5 - 12      |
| 90501-12M41           | 5 - 13      |
| 90501-14M06           | 23 - 39     |
| 90501-23215           | 16 - 15     |
| 90502-10M07           | 19 - 23     |
| 90506-18010           | 15 - 19     |
| 90507-20M00           | 19 - 32     |
| 90508-18M41           | 19 - 37     |
| 91490-16010           | 16 - 8      |
| 91490-30020           | 24 - 18     |
| 91690-20016           | 6 - 21      |
| 91690-30008           | 19 - 22     |
| 92903-10600           | 16 - 14     |
| 92990-05600           | 12 - 24     |
|                       | 13 - 16     |
| 92990-06100           | 9 - 26      |
| 92990-06200           | 16 - 33     |
| 92990-06300           | 24 - 13     |
| 92990-06600           | 9 - 27      |
| 92990-08600           | 13 - 7      |
|                       | 29 - 33     |
| 92995-05600           | 2 - 14      |
| 92995-06100           | 10 - 27     |
|                       | 11 - 6      |
| 92995-06600           | 2 - 12      |
|                       | 4 - 12      |
|                       | 6 - 4       |
|                       | 8 - 18      |
|                       | 9 - 3       |
|                       | 10 - 23     |
|                       | 11 - 7      |
|                       | 12 - 3      |
|                       | 13 - 18     |
|                       | 15 - 3      |
|                       | 16 - 29     |
|                       | 17 - 21     |

| PART NO.<br>N° PIECES | REF.<br>NO. |
|-----------------------|-------------|
| 92995-06600           | 19 - 18     |
|                       | 20 - 19     |
|                       | 22 - 6      |
|                       | 23 - 47     |
|                       | 24 - 22     |
| 92995-08600           | 20 - 28     |
|                       | 24 - 6      |
| 93101-12M63           | 22 - 2      |
|                       | 32 - 2      |
| 93101-17054           | 23 - 43     |
|                       | 32 - 17     |
| 93101-20001           | 23 - 22     |
|                       | 32 - 14     |
| 93102-18M21           | 8 - 1       |
|                       | 30 - 14     |
| 93102-25M52           | 3 - 2       |
|                       | 30 - 10     |
| 93102-35M51           | 3 - 1       |
|                       | 30 - 9      |
| 93210-03261           | 13 - 21     |
| 93210-06ME6           | 23 - 24     |
|                       | 32 - 16     |
| 93210-16275           | 27 - 9      |
| 93210-20M65           | 9 - 28      |
|                       | 30 - 17     |
| 93210-24M79           | 4 - 16      |
|                       | 4 - 16      |
| 93210-29M94           | 30 - 8      |
| 93210-32738           | 20 - 10     |
| 93210-35M86           | 9 - 8       |
|                       | 6 - 9       |
|                       | 30 - 13     |
| 93210-44398           | 23 - 15     |
|                       | 32 - 12     |
| 93210-56M80           | 23 - 45     |
|                       | 32 - 19     |
| 93210-57M09           | 23 - 44     |
|                       | 32 - 18     |
|                       | 23 - 41     |
| 93306-00501           | 23 - 3      |
| 93315-314V8           | 23 - 3      |
| 93315-317U2           | 23 - 42     |
| 93332-00005           | 23 - 7      |
| 93341-41414           | 23 - 5      |
| 93430-04M03           | 19 - 40     |
| 93430-06024           | 29 - 10     |
| 93450-09M01           | 4 - 4       |
| 93450-15023           | 3 - 11      |
| 93604-12M07           | 2 - 30      |
|                       | 23 - 17     |

| PART NO.<br>N° PIECES | REF.<br>NO. |
|-----------------------|-------------|
| 93604-12M07           | 24 - 4      |
| 93606-12019           | 6 - 5       |
|                       | 21 - 4      |
|                       | 22 - 3      |
| 93700-06M03           | 20 - 1      |
| 94701-00375           | 4 - 18      |
| 95380-05600           | 9 - 23      |
|                       | 29 - 7      |
| 95380-06600           | 29 - 39     |
| 95380-06700           | 10 - 29     |
|                       | 17 - 11     |
|                       | 19 - 19     |
| 95380-08600           | 9 - 9       |
|                       | 20 - 16     |
| 95380-08700           | 13 - 6      |
| 95380-10700           | 16 - 26     |
| 95780-10300           | 16 - 25     |
| 95895-06020           | 12 - 16     |
| 95895-06030           | 24 - 12     |
| 97075-06025           | 20 - 18     |
| 97075-08030           | 24 - 5      |
| 97075-08035           | 20 - 27     |
| 97080-08025           | 23 - 25     |
| 97080-08045           | 23 - 18     |
|                       | 32 - 24     |
| 97095-05012           | 2 - 13      |
| 97095-06010           | 17 - 22     |
| 97095-06012           | 15 - 18     |
| 97095-06016           | 11 - 8      |
|                       | 12 - 23     |
|                       | 13 - 17     |
|                       | 24 - 21     |
| 97095-06020           | 2 - 11      |
|                       | 4 - 11      |
|                       | 9 - 2       |
|                       | 10 - 22     |
|                       | 12 - 2      |
|                       | 22 - 5      |
|                       | 23 - 46     |
| 97095-06025           | 11 - 5      |
|                       | 12 - 18     |
|                       | 15 - 4      |
|                       | 17 - 31     |
| 97095-06030           | 11 - 10     |
|                       | 16 - 28     |
| 97095-06035           | 8 - 17      |
|                       | 15 - 2      |
| 97095-06040           | 6 - 3       |

| PART NO.<br>N° PIECES | REF.<br>NO. |
|-----------------------|-------------|
| 97095-06040           | 11 - 10     |
| 97095-06055           | 17 - 20     |
| 97095-06090           | 10 - 26     |
| 97095-08014           | 4 - 13      |
| 97380-05025           | 29 - 8      |
| 97380-08030           | 29 - 32     |
| 97575-08535           | 18 - 20     |
| 97575-08545           | 21 - 3      |
| 97595-06525           | 18 - 7      |
| 97780-50510           | 6 - 17      |
| 97780-60520           | 1 - 3       |
| 97880-05008           | 13 - 15     |
| 97880-05025           | 12 - 23     |
| 97880-06030           | 9 - 25      |
| 97885-06008           | 19 - 4      |
| 97885-08010           | 19 - 5      |
| 97890-04005           | 7 - 35      |
| 97980-04110           | 7 - 19      |
| 97980-04112           | 7 - 29      |
|                       | 31 - 11     |
| 98580-03005           | 7 - 37      |
| 98580-03015           | 29 - 37     |
| 98580-04006           | 29 - 35     |
| 98580-04010           | 29 - 34     |
| 98580-05010           | 29 - 36     |
| 98780-04015           | 2 - 28      |
| 98980-04006           | 7 - 31      |
| 99080-05600           | 19 - 35     |
| 99510-10114           | 2 - 3       |

F9.9C  
F13.5A/F15A  
PARTS CATALOGUE  
©2004 by Yamaha Motor Co., Ltd.  
1st edition, May 2004  
All rights reserved.  
Any reprinting or unauthorized use  
without the written permission of  
Yamaha Motor Co., Ltd.  
is expressly prohibited.  
Printed in Japan.

F9.9C  
F13.5A/F15A  
CATALOGUE DE PIECES DETACHEES  
©2004 par Yamaha Motor Co., Ltd.  
1<sup>re</sup> édition, mai 2004  
Tous droits réservés  
Toute réimpression ou utilisation  
non autorisée sans la permission écrite  
de la Yamaha Motor Co., Ltd.  
est formellement interdite.  
Imprimé au Japon