

**PARTS
CATALOGUE
CATALOGUE
DE PIECES DETACHEES**

F50F'05 (6C11)
F60C'05 (6C51)



2015/9/9

1D6C1-300F1

(2D6C1-300F1)

| NEWS NO. | DATE | COMMENT |
|---------------|--------------|---|
| PE0-OM-050005 | Jun.,6,2005 | MOD:FIG.15 ELECTRICAL 3 REVISION |
| PE0-OM-050016 | Sep.,23,2005 | COR:FIG.8 ILLUSTRATION CORRECTION |
| PE0-OM-090020 | Mar.,2,2009 | MOD:FIG.24,25 PTT(6C5-43800-01-8D) P/No. REVISION |
| PE0-OM-110001 | Jan.,6,2011 | COR:FIG.25 PTT LIST/ILLUSTRATION CORRECTION |
| PE0-OM-110047 | Dec.,22,2011 | MOD:FIG.6 INTAKE 1 LIST REVISION |



| NEWS NO. | DATE | COMMENT |
|---------------|-------------|---|
| PE0-OM-150022 | Sep.,1,2015 | COR:FUEL INJECTION PUMP 1 ILLUSTRATION CORRECTION |



FOREWORD

This Parts Catalogue is related to the parts for the model(s) on the cover page. When you are ordering replacement parts, please refer to this Parts Catalogue and quote both part numbers and part names correctly.

1. Modifications or additions which have been made after the issue of the Parts Catalogue will be announced in the Parts News. It is advisable that you make the necessary corrections to the Parts Catalogue according to the Parts News.

2. Abbreviations
The following abbreviations are used in this Parts Catalogue.

- “UR” Use specified parts number.
- “UN” Use as many as needed.
- “AP” Alternate Parts
- “LM” Locally Made (Parts need to be ordered locally)
- “F#” Frame No. (Applicable machine No.)
- “O/S” Over Size

3. The number of components for assembly

- Parts, which are to be supplied in an assembly, are listed with a dot (.) in front of the part name as shown below.
- The numeral appearing to the right of each component part indicates the quantity of parts for each assembly unit.

| PART NO. | DESCRIPTION | Q'TY | REMARKS |
|--------------|--------------------------|------|---------|
| 2F5-83310-60 | FRONT FLASHER LIGHT ASSY | 2 | |
| 115-83311-60 | .BULB (6V-18W) | 1 | |

4. Applicable colours of graphics are represented in the “REMARKS” as shown below.

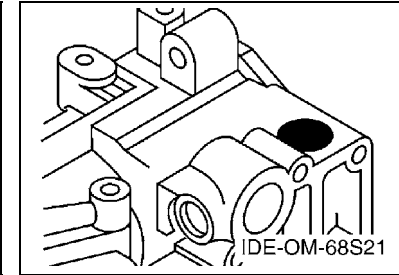
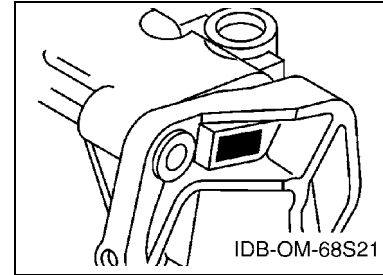
| PART NO. | DESCRIPTION | Q'TY | REMARKS |
|-----------------|---------------------|------|---------|
| 2N4-24110-00-X5 | FUEL TANK COMP. | 2 | MXR |
| 3J1-24240-10 | .GRAPHIC, FUEL TANK | 1 | FOR MXR |

5. Note that the illustrations for reference in finding parts numbers are not to be used for assembling. When assembling, please use the applicable service manual.

6. The asterisk (*) before a reference number indicates modified items after the first edition.

7. Applicable Serial No.

Engine Serial No.



8. Applicable Engine Starting Serial No.

| Model | Serial No. | Model | Serial No. |
|-------|-------------|-------|-------------|
| F50F | 6C1-1000001 | F60C | 6C5-1000001 |
| | | | |
| | | | |

9. Applicable Colour Code

| Abbreviation | Colour Name | Colour Code |
|--------------|-----------------------------|-------------|
| DBNM2 | DARK BLUISH GRAY METALLIC 2 | 004D |

10. Quantity Column Information

| Column No. | Name Of Q'ty Column | Applicable Model |
|------------|---------------------|------------------|
| 1 | ED | F50FED |
| 2 | ET | F50FET,F60CET |
| | | |
| | | |

AVANT-PROPOS

Ce catalogue de pièces détachées concerne les pièces pour le(s) modèle(s) indiqué(s) sur la page de couverture. Lorsque vous commandez des pièces de rechange, veuillez vous référer à ce catalogue de pièces détachées et indiquer clairement les numéros et les noms des pièces détachées.

1. Les modifications ou ajouts ayant été effectués après la parution du catalogue de pièces détachées seront décrits dans les Bulletins d'information concernant les pièces détachées.

Il est recommandé que vous apportiez les corrections nécessaires au catalogue des pièces détachées en vous référant aux Bulletins d'information.

2. Abréviations

Dans ce catalogue, les abréviations suivantes sont utilisées:

“UR” Utiliser le numéro de pièces spécifié.

“UN” Utiliser autant que nécessaire.

“AP” Pièces de substitution

“LM” Fabrication locale (les pièces doivent être commandées localement.)

“F#” N° de cadre (applicable au N° de série)

“O/S” Surdimensionné

3. Nombre de pièces d'un assemblage

- Les pièces fournies comme composants d'un assemblage sont précédées d'un point (.) de la manière indiquée ci-dessous.
- Le chiffre apparaissant à la droite de chaque composant indique la quantité de pièces pour chaque unité d'assemblage.

| N° PIECES | DESCRIPTION | QTE | REMARQUES |
|--------------|-----------------------|-----|-----------|
| 2F5-83310-60 | ENS. CLIGNOTANT AVANT | 2 | |
| 115-83311-60 | .AMPOULE (6V-18W) | 1 | |

4. Les couleurs concernant les graphiques sont indiquées dans la colonne “REMARQUES”, comme indiqué ci-dessous.

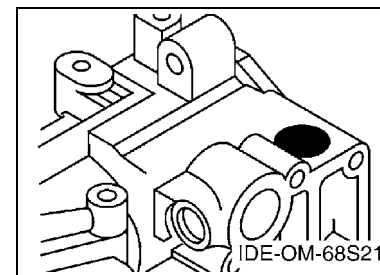
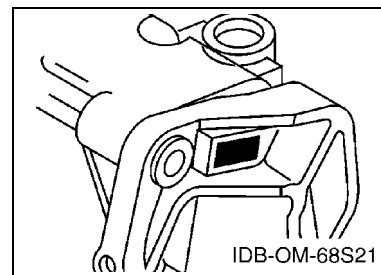
| N° PIECES | DESCRIPTION | QTE | REMARQUES |
|-----------------|----------------------|-----|-----------|
| 2N4-24110-00-X5 | RESERVOIR A ESSENCE. | 2 | MXR |
| 3J1-24240-10 | .GRAPHIQUE | 1 | POUR MXR |

5. Veuillez noter que les illustrations sont indiquées à titre de référence pour trouver les numéros de pièces, non pour être utilisées lors de l'assemblage. Lors de l'assemblage, veuillez utiliser le manuel d'entretien adéquat.

6. L'astérisque (*) placé devant un numéro de référence indique des éléments qui ont été modifiés après la première édition.

7. N° de série applicable

N° de Série du moteur



8. N° de série initial du moteur applicable

| Modèle | N° de série | Modèle | N° de série |
|--------|-------------|--------|-------------|
| F50F | 6C1-1000001 | F60C | 6C5-1000001 |
| | | | |
| | | | |

9. Code couleur applicable

| Abréviation | Nom de la couleur | Code couleur |
|-------------|-----------------------------|--------------|
| DBNM2 | DARK BLUISH GRAY METALLIC 2 | 004D |

10. Informations relatives à la colonne Quantité

| N° de la colonne | Nom de la colonne Qté | Modèle applicable |
|------------------|-----------------------|-------------------|
| 1 | ED | F50FED |
| 2 | ET | F50FET,F60CET |
| | | |
| | | |

SHEET1/2

| | |
|--------------------------------|----|
| TOP COWLING | A4 |
| CYLINDER & CRANKCASE 1 | A5 |
| CRANKSHAFT & PISTON | A7 |
| CYLINDER & CRANKCASE 2 | B1 |
| VALVE | B3 |
| INTAKE 1 | B4 |
| INTAKE 2 | B5 |
| FUEL INJECTION PUMP 1 | B6 |
| FUEL INJECTION PUMP 2 | B7 |
| OIL PUMP | C1 |
| FUEL | C2 |
| GENERATOR | C4 |
| ELECTRICAL 1 | C5 |
| ELECTRICAL 2 | C7 |
| ELECTRICAL 3 | D2 |
| ELECTRICAL 4 | D4 |
| STARTING MOTOR | D5 |
| BOTTOM COWLING 1 | D6 |
| BOTTOM COWLING 2 | E1 |
| CONTROL | E2 |
| BRACKET 1 | E4 |
| BRACKET 2 | E6 |
| BRACKET 3 | F1 |
| POWER TRIM & TILT ASSY 1 | F3 |
| POWER TRIM & TILT ASSY 2 | F6 |
| UPPER CASING | F7 |

INDEX

| | |
|-----------------------|----|
| NUMERICAL INDEX | G1 |
|-----------------------|----|

SHEET2/2

| | |
|------------------------------|-----|
| OIL PAN | A4* |
| LOWER CASING & DRIVE 1 | A5* |
| LOWER CASING & DRIVE 2 | B1* |
| FUEL TANK | B3* |
| STEERING GUIDE | B4* |
| REMOTE CONTROL BOX | B5* |
| REMOTE CONTROL ASSY | B6* |
| METER | C2* |
| OPTIONAL PARTS | C3* |
| REPAIR KIT 1 | C4* |
| REPAIR KIT 2 | C5* |

INDEX

| | |
|-----------------------|-----|
| NUMERICAL INDEX | G1* |
|-----------------------|-----|

TABLE DES MATIERES

Feuille1/2

| | |
|-------------------------------------|----|
| CAPOT SUPERIEUR | A4 |
| CYLINDRE & CARTER 1 | A5 |
| VILEBREQUIN & PISTON | A7 |
| CYLINDRE & CARTER 2 | B1 |
| SOUPAPE | B3 |
| ADMISSION 1 | B4 |
| ADMISSION 2 | B5 |
| POMPE A INJECTEUR 1 | B6 |
| POMPE A INJECTEUR 2 | B7 |
| POMPE A HUILE | C1 |
| CARBURANT | C2 |
| GENERATRICE | C4 |
| PARTIE ELECTRIQUE 1 | C5 |
| PARTIE ELECTRIQUE 2 | C7 |
| PARTIE ELECTRIQUE 3 | D2 |
| PARTIE ELECTRIQUE 4 | D4 |
| DEMARREUR ELECTRIQUE | D5 |
| CAPOT INFERIEUR 1 | D6 |
| CAPOT INFERIEUR 2 | E1 |
| COMMANDE | E2 |
| SUPPORT 1 | E4 |
| SUPPORT 2 | E6 |
| SUPPORT 3 | F1 |
| PUISSANCE PARER ET INCLINER 1 | F3 |
| PUISSANCE PARER ET INCLINER 2 | F6 |
| FOURREAU | F7 |

INDEX

| | |
|-----------------------|----|
| INDEX NUMERIQUE | G1 |
|-----------------------|----|

Feuille2/2

| | |
|--------------------------------------|-----|
| VENTILATEUR D'HUILE | A4* |
| BOITIER D'HELICE TRANSMISSION1 | A5* |
| BOITIER D'HELICE TRANSMISSION2 | B1* |
| RESERVOIR A CARBURANT | B3* |
| FIXATION DE DIRECTION | B4* |
| BOITIER DE COMMANDE A DISTANCE | B5* |
| BOITIER DE COMMANDE A DISTANCE | B6* |
| COMPTEUR | C2* |
| PIECES OPTIONNELLES | C3* |
| KITS DE REPARATION 1 | C4* |
| KITS DE REPARATION 2 | C5* |

INDEX

| | |
|-----------------------|-----|
| INDEX NUMERIQUE | G1* |
|-----------------------|-----|

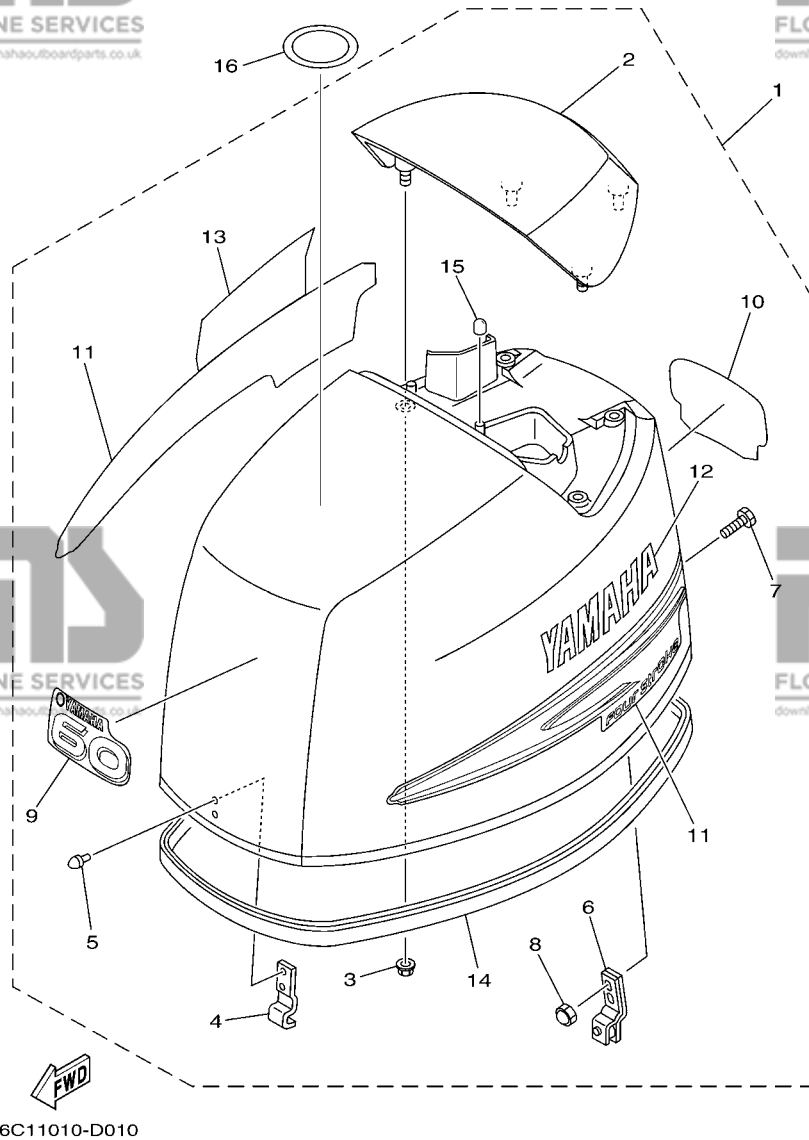
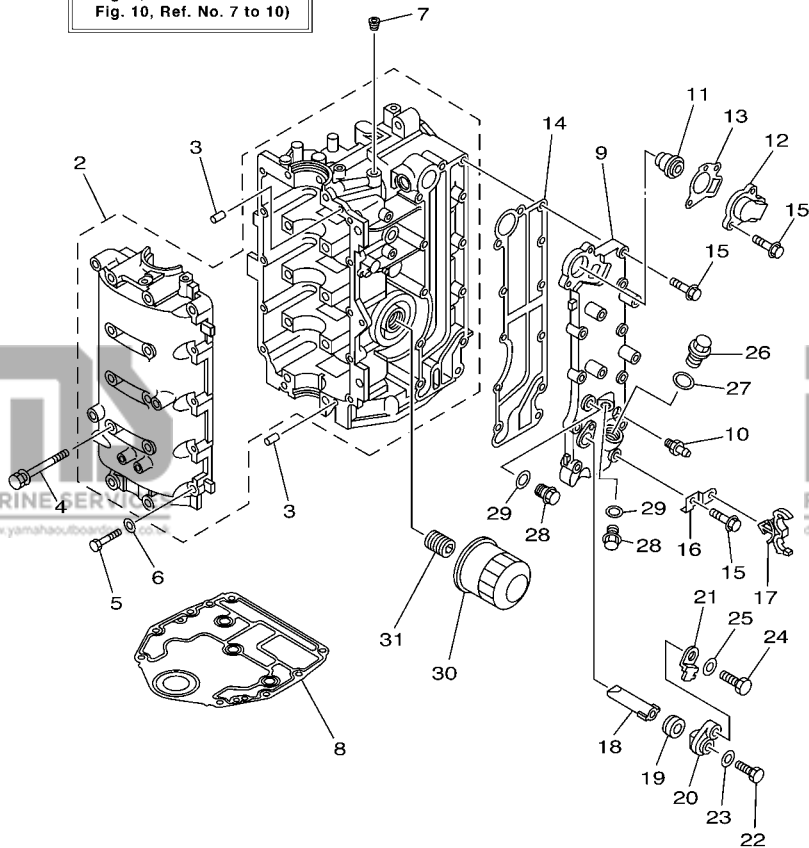


FIG. 1 TOP COWLING

CAPOT SUPERIEUR

| REF. NO. | PART NO. N° PIECES | DESCRIPTION DESCRIPTION | Q | U | REMARKS REMARQUES |
|----------|--------------------|---|---|---|-------------------|
| 1 | 6C1-42610-00-4D | TOP COWLING ASSY CAPOT (ENS.) | 1 | 1 | F50F |
| | 6C5-42610-00-4D | TOP COWLING ASSY CAPOT (ENS.) | | 1 | F50F |
| 2 | 67C-42613-00-4D | .MOLDING, AIR DUCT .MANCHON A AIR | 1 | 1 | F60C |
| 3 | 90179-06M24 | .NUT .ECROU | 4 | 4 | |
| 4 | 6C5-42651-00 | .HOOK .CROCHET | 1 | 1 | |
| 5 | 90266-06M02 | .RIVET .RIVET | 2 | 2 | |
| 6 | 67C-42652-01 | .HOOK .CROCHET | 1 | 1 | |
| 7 | 90109-06047 | .BOLT .BOULON | 2 | 2 | |
| 8 | 90185-06M05 | .NUT, SELF-LOCKING .ECROU, AUTO-BLOQUANT | 2 | 2 | |
| 9 | 62Y-42677-30 | .GRAPHIC, FRONT .ADHESIF, AVANT | 1 | 1 | F50F |
| | 69W-42677-00 | .GRAPHIC, FRONT .ADHESIF, AVANT | | 1 | F50F |
| 10 | 6C1-42678-00 | .GRAPHIC, REAR .ADHESIF, ARRIERE | 1 | 1 | F60C |
| | 6C5-42678-00 | .GRAPHIC, REAR .ADHESIF, ARRIERE | | 1 | F60C |
| 11 | 69W-W0070-00 | .GRAPHIC SET .JEU DIEMBLEMES | 1 | 1 | F60C |
| 12 | 69W-42681-00 | .MARK, COWLING .ADHESIF, CAPOT | 1 | 1 | F50F |
| | 69W-42682-00 | .MARK, COWLING .ADHESIF, CAPOT | | 1 | F50F |
| 14 | 6C5-42615-00 | .SEAL .JOINT | 1 | 1 | |
| 15 | 69W-13448-00 | .CAP .CAPUCHON | 2 | 2 | |
| 16 | 67F-13434-02 | LABEL, CAUTION ETIQUETTE, ATTENTION | 1 | 1 | |

CYLINDER BLOCK ASSY
 (Fig. 2, Ref. No. 2 to 31
 Fig. 3, Ref. No. 1 to 11
 Fig. 4, Ref. No. 14
 Fig. 10, Ref. No. 7 to 10)



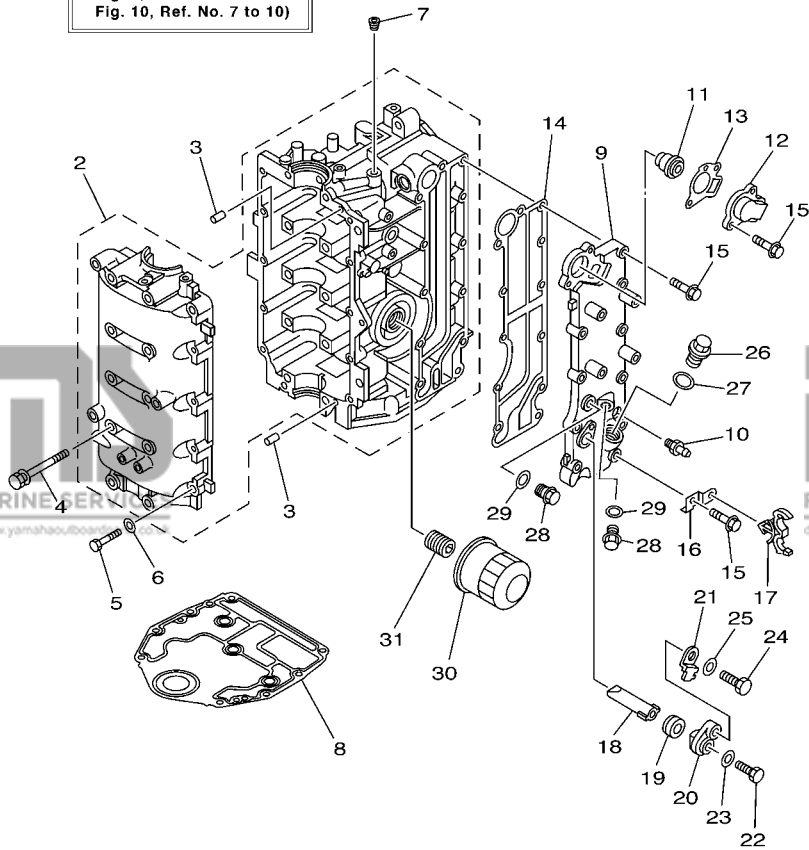
6C11100-D020

FIG. 2 CYLINDER & CRANKCASE 1 CYLINDRE & CARTER 1

| REF. NO. | PART NO. N° PIECES | DESCRIPTION DESCRIPTION | QTY | QTY | REMARKS REMARQUES |
|----------|--------------------|---|-----|-----|-------------------|
| 1 | 6C5-W009B-00-1S | CYLINDER BLOCK ASSY CYLINDRE GROUPE (ENS.) | 1 | 1 | |
| 2 | 6C5-15100-00-1S | CRANKCASE ASSY CARTER DE MOTEUR COMPLET | 1 | 1 | |
| 3 | 93606-12019 | PIN, DOWEL GOUPILLE | 4 | 4 | |
| 4 | 90119-08M01 | BOLT, WITH WASHER BOULON, AVEC RONDELLE | 10 | 10 | |
| 5 | 97013-06035 | BOLT BOULON | 10 | 10 | |
| 6 | 92903-06600 | WASHER, PLATE RONDELLE, PLATE | 10 | 10 | |
| 7 | 90344-51003 | PLUG, TAPER SCREW PLOT, FILETE CONIQUE | 1 | 1 | |
| 8 | 67C-11351-01 | GASKET, CYLINDER JOINT, D'EMBASE | 1 | 1 | |
| 9 | 6C5-41113-00-1S | OUTER COVER, EXHAUST COUVERCLE, ECHAPPEMENT | 1 | 1 | |
| 10 | 62Y-12481-10 | PIPE 1 DURITE 1 | 1 | 1 | |
| 11 | 6G8-12411-03 | THERMOSTAT THERMOSTAT | 1 | 1 | |
| 12 | 6H3-12413-00-1S | COVER, THERMOSTAT COUVERCLE, THERMOSTAT | 1 | 1 | |
| 13 | 62Y-12414-00 | GASKET, COVER JOINT, COUVERCLE | 1 | 1 | |
| 14 | 6C5-41114-00 | GASKET, EXHAUST OUTER COVER JOINT, COUVERCLE D'ECHAPPEMENT | 1 | 1 | |
| 15 | 90119-06MA5 | BOLT, WITH WASHER BOULON, AVEC RONDELLE | 12 | 12 | |
| 16 | 6C5-1135A-00 | BRACKET SUPPORT | 1 | 1 | |
| 17 | 90464-18246 | CLAMP BRIDE | 1 | 1 | |
| 18 | 62Y-11325-00 | ANODE ANODE | 1 | 1 | |
| 19 | 66M-11328-00 | GROMMET, ANODE PASSE-FIL | 1 | 1 | |
| 20 | 66M-11327-00-94 | COVER, ANODE COUVERCLE | 1 | 1 | |
| 21 | 66M-12535-00 | PLATE PLAQUE | 1 | 1 | |
| 22 | 97095-05012 | BOLT BOULON | 1 | 1 | |
| 23 | 92995-05600 | WASHER RONDELLE | 1 | 1 | |
| 24 | 97095-06020 | BOLT BOULON | 1 | 1 | |
| 25 | 92995-06600 | WASHER RONDELLE | 1 | 1 | |
| 26 | 90340-18M09 | PLUG, STRAIGHT SCREW PLOT, FILETE DROIT | 1 | 1 | |
| 27 | 90430-18130 | GASKET JOINT | 1 | 1 | |

A5

**CYLINDER BLOCK
ASSY**
(Fig. 2, Ref. No. 2 to 31
Fig. 3, Ref. No. 1 to 11
Fig. 4, Ref. No. 14
Fig. 10, Ref. No. 7 to 10)



6C11100-D020

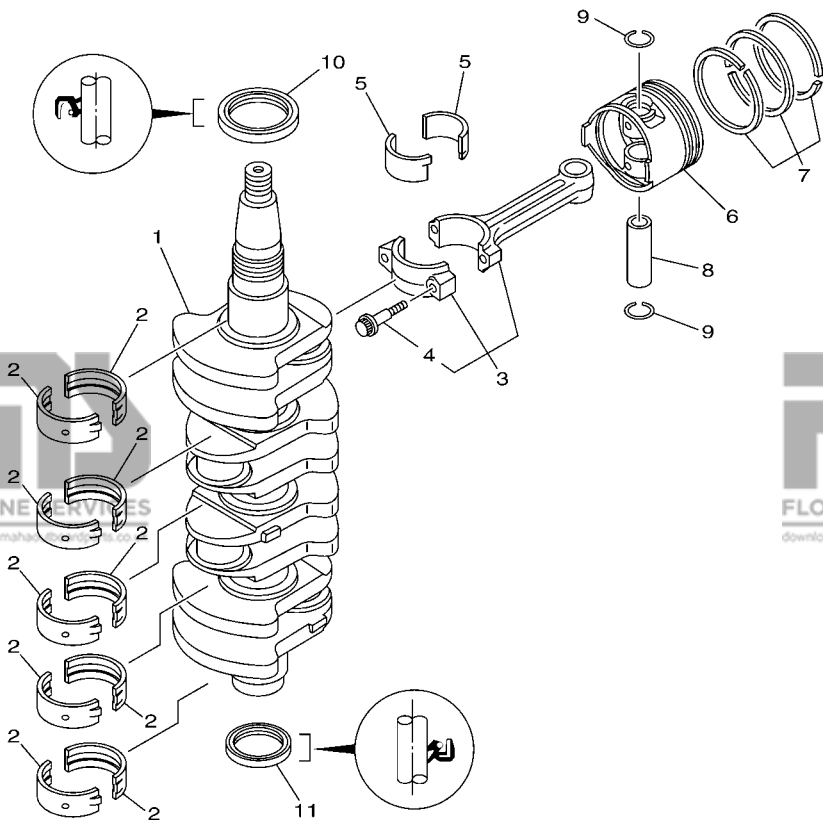
FIG. 2 CYLINDER & CRANKCASE 1

CYLINDRE & CARTER 1

| REF. NO. | PART NO. N° PIECES | DESCRIPTION DESCRIPTION | QTY | UNIT | REMARKS REMARQUES |
|----------|--------------------|--|-----|------|-------------------|
| 28 | 90340-14M06 | PLUG, STRAIGHT SCREW PLOT, FILETE DROIT | 2 | 2 | |
| 29 | 90430-14115 | GASKET JOINT | 2 | 2 | |
| 30 | 5GH-13440-10 | ELEMENT ASSY, OIL CLEANER ELEMENT, FILTRE A HUILE | 1 | 1 | |
| 31 | 6C5-12858-00 | BOLT, UNION BOULON, RACCORD | 1 | 1 | |

FIG. 3 CRANKSHAFT & PISTON VILEBREQUIN & PISTON

| REF. NO. | PART NO. N° PIECES | DESCRIPTION DESCRIPTION | QTY | QTY | REMARKS REMARQUES |
|----------|--------------------|--|-----|-----|-------------------|
| 1 | 6C5-11411-00 | CRANKSHAFT VILEBREQUIN COMPLET | 1 | 1 | |
| 2 | 6C5-11416-00 | PLANE BEARING, CRANKSHAFT 1 COUSSINET DE VILEBREQUIN 1 | 10 | 10 | UR YELLOW |
| | 6C5-11416-10 | PLANE BEARING, CRANKSHAFT 1 COUSSINET DE VILEBREQUIN 1 | 10 | 10 | UR RED |
| | 6C5-11416-20 | PLANE BEARING, CRANKSHAFT 1 COUSSINET DE VILEBREQUIN 1 | 10 | 10 | UR PINK |
| | 6C5-11416-30 | PLANE BEARING, CRANKSHAFT 1 COUSSINET DE VILEBREQUIN 1 | 10 | 10 | UR GREEN |
| 3 | 6C5-11650-00 | CONNECTING ROD ASSY BIELLE COMPLETE | 4 | 4 | |
| 4 | 6C5-11654-00 | .BOLT, CONNECTING ROD .BOULON, BIELLE | 2 | 2 | |
| 5 | 6C5-11656-00 | PLANE BEARING, CONNECTING ROD ROULEMENT DE BIELLE | 8 | 8 | UR YELLOW |
| | 6C5-11656-10 | PLANE BEARING, CONNECTING ROD ROULEMENT DE BIELLE | 8 | 8 | UR RED |
| | 6C5-11656-20 | PLANE BEARING, CONNECTING ROD ROULEMENT DE BIELLE | 8 | 8 | UR PINK |
| | 6C5-11656-30 | PLANE BEARING, CONNECTING ROD ROULEMENT DE BIELLE | 8 | 8 | UR GREEN |
| 6 | 69W-11631-00-97 | PISTON (STD) | 4 | 4 | |
| | 69W-11635-00 | PISTON (0.25MM O/S) | 4 | 4 | AP |
| | 69W-11636-00 | PISTON (0.50MM O/S) | 4 | 4 | AP |
| 7 | 67C-11603-00 | PISTON RING SET (STD) | 4 | 4 | |
| | 67C-11604-00 | PISTON RING SET (0.25MM O/S) | 4 | 4 | AP |
| | 67C-11605-00 | PISTON RING SET (0.50MM O/S) | 4 | 4 | AP |
| 8 | 62Y-11633-00 | PIN, PISTON AXE, PISTON | 4 | 4 | |
| 9 | 93450-17129 | CIRCLIP | 8 | 8 | |
| 10 | 93102-43M42 | OIL SEAL JOINT SPY | 1 | 1 | |
| 11 | 93101-35002 | OIL SEAL JOINT SPY | 1 | 1 | |



6C11010-D030

CYLINDER HEAD ASSY
(Fig. 4, Ref. No. 2 to 14, 18 to 25, 29, 30, 42
Fig. 2, Ref. No. 8
Fig. 5, Ref. No. 1 to 20
Fig. 10, Ref. No. 1 to 5, 11 to 19)

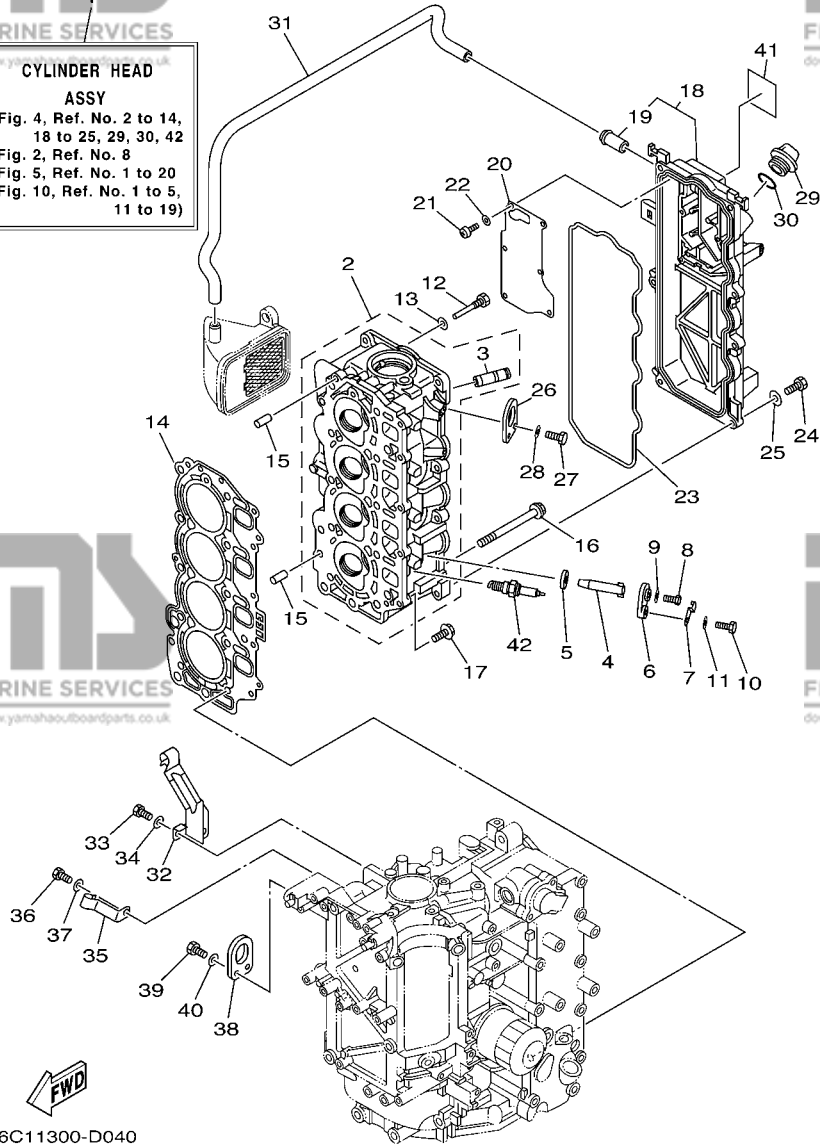


FIG. 4 CYLINDER & CRANKCASE 2

CYLINDRE & CARTER 2

| REF. NO. | PART NO. N° PIECES | DESCRIPTION DESCRIPTION | QTY | QTY | REMARKS REMARQUES |
|----------|--------------------|---|-----|-----|-------------------|
| 1 | 6C5-W009A-00-1S | CYLINDER HEAD ASSY CULASSE (ENS.) | 1 | 1 | |
| 2 | 6C5-11111-00-1S | HEAD, CYLINDER 1 CULASSE | 1 | 1 | |
| 3 | 62Y-11133-30 | .GUIDE, VALVE 1 .GUIDE, SOUPAPE 1 | 8 | 8 | |
| 4 | 62Y-11325-00 | ANODE ANODE | 4 | 4 | |
| 5 | 66M-11328-00 | GROMMET, ANODE PASSE-FIL | 4 | 4 | |
| 6 | 66M-11327-00-94 | COVER, ANODE COUVERCLE | 4 | 4 | |
| 7 | 66M-12535-00 | PLATE PLAQUE | 4 | 4 | |
| 8 | 97095-05012 | BOLT BOULON | 4 | 4 | |
| 9 | 92995-05600 | WASHER RONDELLE | 4 | 4 | |
| 10 | 97095-06020 | BOLT BOULON | 4 | 4 | |
| 11 | 92995-06600 | WASHER RONDELLE | 4 | 4 | |
| 12 | 90109-06M65 | BOLT BOULON | 1 | 1 | |
| 13 | 90430-06014 | GASKET JOINT | 1 | 1 | |
| 14 | 6C5-11181-01 | GASKET, CYLINDER HEAD 1 JOINT, DE CULASSE 1 | 1 | 1 | |
| 15 | 99530-08012 | PIN, DOWEL GOUJON, D'ASSEMBLAGE | 2 | 2 | |
| 16 | 90105-09005 | BOLT, FLANGE BOULON | 10 | 10 | |
| 17 | 90119-06MA3 | BOLT, WITH WASHER BOULON, AVEC RONDELLE | 5 | 5 | |
| 18 | 6C5-11191-00-1S | COVER, CYLINDER HEAD 1 COUVERCLE, CULASSE 1 | 1 | 1 | |
| 19 | 62Y-14485-00 | .PIPE, JOINT .DURITE | 1 | 1 | |
| 20 | 6C5-11168-00 | COVER, BREATHER COUVERCLE, RENIFLARD | 1 | 1 | |
| 21 | 98507-04010 | SCREW, PAN HEAD VIS, TETE TRONCONIQUE | 6 | 6 | |
| 22 | 92907-04600 | WASHER RONDELLE | 6 | 6 | |
| 23 | 62Y-11356-00 | SEAL, CYLINDER 2 JOINT, SPY CYLINDRE | 1 | 1 | |
| 24 | 97095-06020 | BOLT BOULON | 7 | 7 | |
| 25 | 92995-06600 | WASHER RONDELLE | 7 | 7 | |
| 26 | 62Y-11119-00 | HANGER, ENGINE ANNEAU, LEVAGE | 1 | 1 | |
| 27 | 97095-06020 | BOLT BOULON | 2 | 2 | |

B1

CYLINDER HEAD ASSY
(Fig. 4, Ref. No. 2 to 14, 18 to 25, 29, 30, 42
Fig. 2, Ref. No. 8
Fig. 5, Ref. No. 1 to 20
Fig. 10, Ref. No. 1 to 5, 11 to 19)

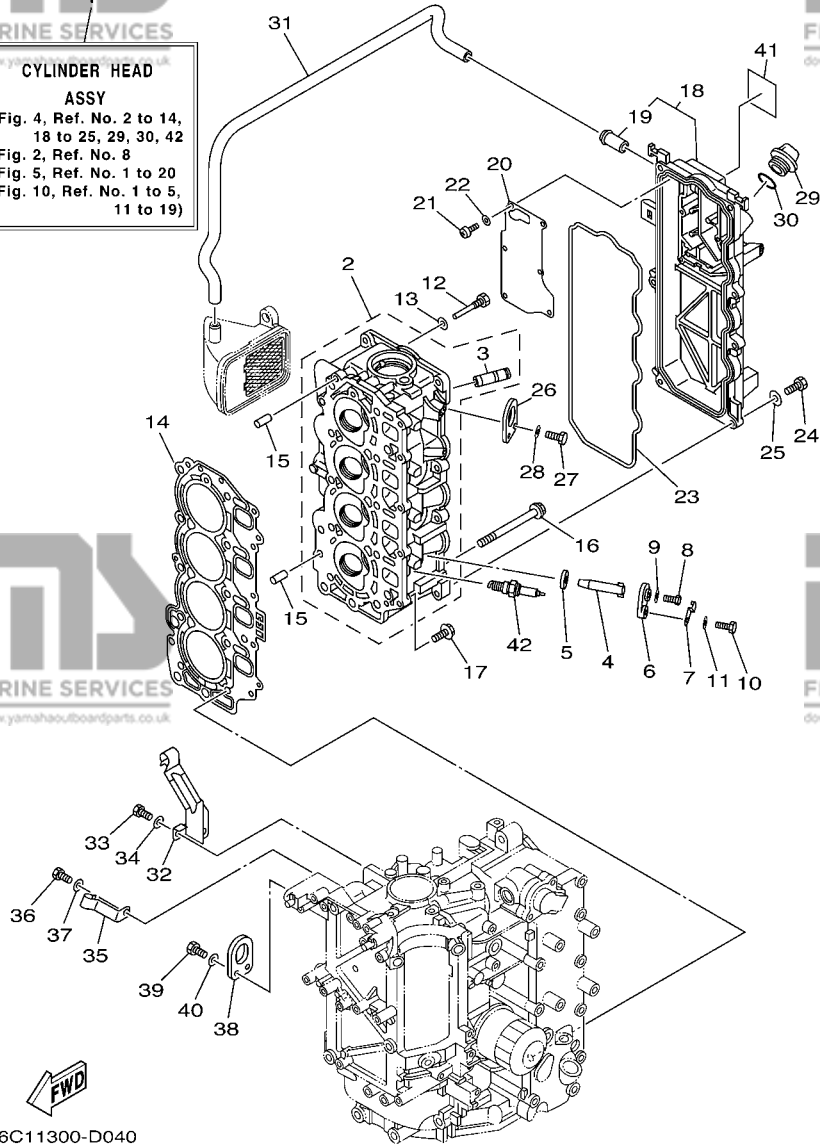
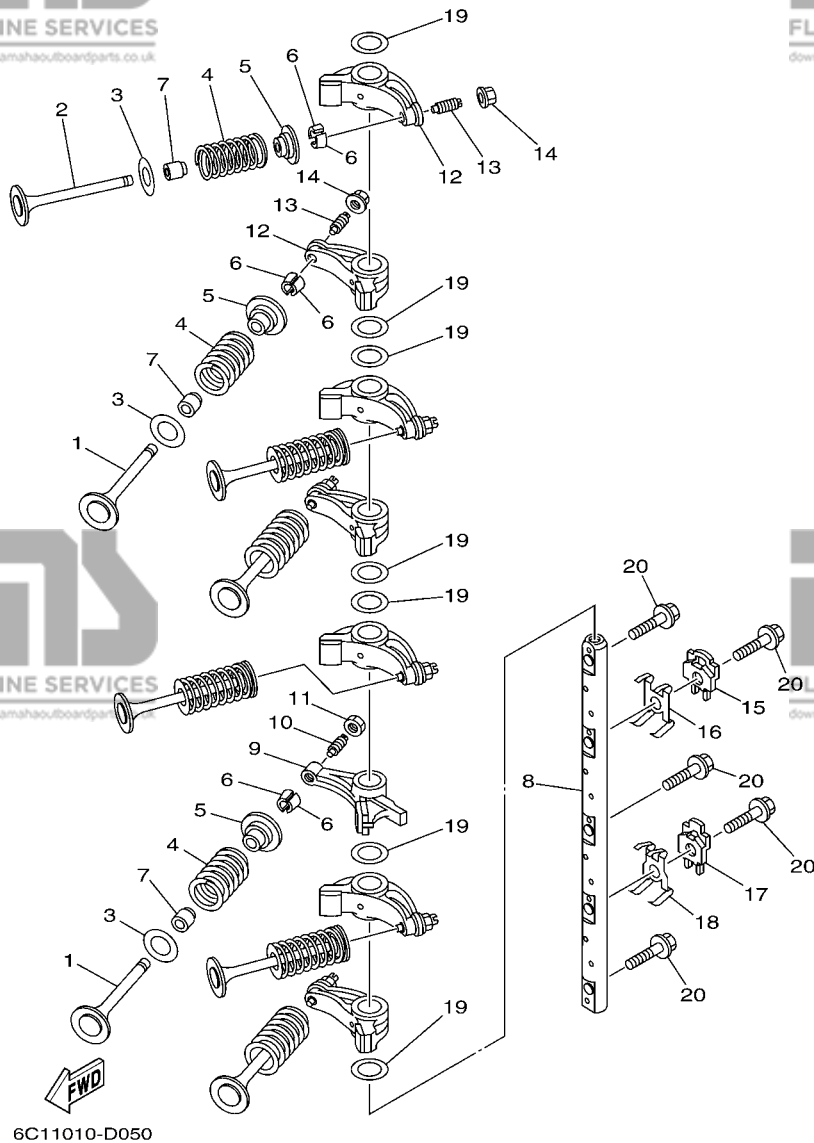


FIG. 4 CYLINDER & CRANKCASE 2 CYLINDRE & CARTER 2

| REF. NO. | PART NO. N° PIECES | DESCRIPTION DESCRIPTION | QTY | UNIT | REMARKS REMARQUES |
|----------|--------------------|---|-----|------|-------------------|
| 28 | 92995-06600 | WASHER RONDELLE | 2 | 2 | |
| 29 | 6G8-15363-00 | PLUG, OIL PLOT, HUILE | 1 | 1 | |
| 30 | 93210-24M79 | O-RING JOINT TORIQUE | 1 | 1 | |
| 31 | 6C5-1531A-00 | HOSE, BREATHER 1 DURITE DE RENIFLARD 1 | 1 | 1 | |
| 32 | 6C5-15378-00 | HOLDER SUPPORT | 1 | 1 | |
| 33 | 97095-06014 | BOLT BOULON | 1 | 1 | |
| 34 | 92995-06600 | WASHER RONDELLE | 1 | 1 | |
| 35 | 6C5-15378-10 | HOLDER SUPPORT | 1 | 1 | |
| 36 | 97095-06014 | BOLT BOULON | 1 | 1 | |
| 37 | 92995-06600 | WASHER RONDELLE | 1 | 1 | |
| 38 | 62Y-11119-00 | HANGER, ENGINE ANNEAU, LEVAGE | 1 | 1 | |
| 39 | 97095-06020 | BOLT BOULON | 2 | 2 | |
| 40 | 92995-06600 | WASHER RONDELLE | 2 | 2 | |
| 41 | 62Y-12138-60 | MARK, CAUTION MAKER | 1 | 1 | |
| 42 | 94702-00418 | PLUG, SPARK (NGK DPR6EB) BOUGIE D,ALLUMAGE (NGK DPR6EB) | 4 | 4 | |



6C11010-D050

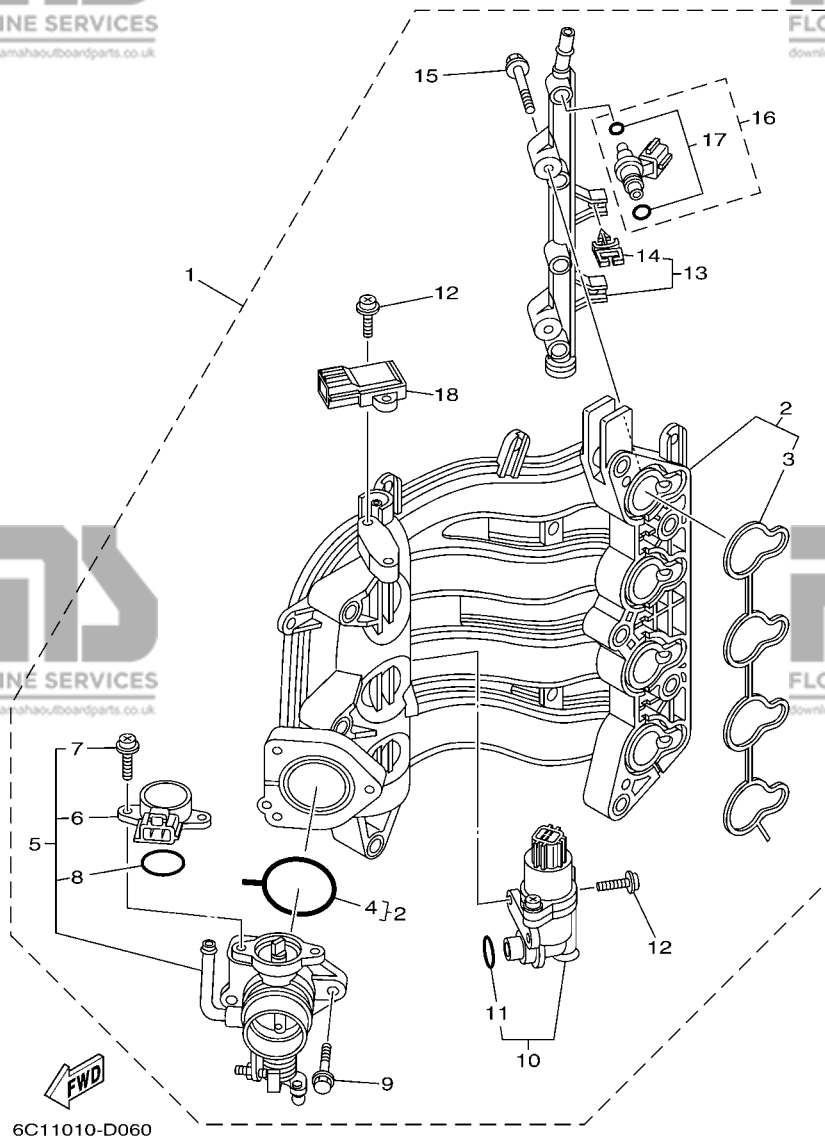
FIG. 5 VALVE

SOUPAPE

| REF. NO. | PART NO. N° PIECES | DESCRIPTION DESCRIPTION | Q | Q | REMARKS REMARQUES |
|----------|--------------------|---|----|----|-------------------|
| 1 | 69W-12111-00 | VALVE, INTAKE SOUPAPE, ADMISSION | 4 | 4 | |
| 2 | 69W-12121-00 | VALVE, EXHAUST SOUPAPE, ECHAPPEMENT | 4 | 4 | |
| 3 | 62Y-12116-00 | SEAT, VALVE SPRING SIEGE, RESSORT DE SOUPAPE | 8 | 8 | |
| 4 | 51Y-12114-00 | SPRING, VALVE OUTER RESSORT DE SOUPAPE, EXTERNE | 8 | 8 | |
| 5 | 30X-12117-00 | RETAINER, VALVE SPRING BUTEE DE RESSORT DE SOUPAPE | 8 | 8 | |
| 6 | 30X-12118-00 | COTTER, VALVE FRAISE, SOUPAPE | 16 | 16 | |
| 7 | 51Y-12119-00 | SEAL, VALVE STEM JOINT, QUEUE DE SOUPAPE | 8 | 8 | |
| 8 | 6C5-12146-00 | SHAFT, ROCKER AXE, CULBUTEUR | 1 | 1 | |
| 9 | 62Y-12151-00 | ARM, VALVE ROCKER CULBUTEUR | 1 | 1 | |
| 10 | 64J-12159-00 | SCREW, VALVE ADJUSTING VIS, REGLAGE DE SOUPAPE | 1 | 1 | |
| 11 | 62Y-12158-00 | NUT, LOCK CONTRE-ECROU | 1 | 1 | |
| 12 | 6C5-12151-00 | ARM, VALVE ROCKER CULBUTEUR | 7 | 7 | |
| 13 | 6C5-12159-00 | SCREW, VALVE ADJUSTING VIS, REGLAGE DE SOUPAPE | 7 | 7 | |
| 14 | 6C5-12158-00 | NUT, LOCK CONTRE-ECROU | 7 | 7 | |
| 15 | 6C5-12231-00 | GUIDE, STOPPER 1 GUIDE, BUTEE 1 | 1 | 1 | |
| 16 | 6C5-12233-00 | PLATE, GUIDE STOPPER 1 PLAQUE, GUIDE BUTEE 1 | 1 | 1 | |
| 17 | 6C5-12241-00 | GUIDE, STOPPER 2 GUIDE, BUTEE 2 | 1 | 1 | |
| 18 | 6C5-12243-00 | PLATE, GUIDE STOPPER 2 PLAQUE, GUIDE BUTEE 2 | 1 | 1 | |
| 19 | 90201-16014 | WASHER, PLATE RONDELLE, PLATE | 7 | 7 | |
| 20 | 90105-08060 | BOLT, FLANGE BOULON | 5 | 5 | |

FIG. 6 INTAKE 1

ADMISSION 1



| REF. NO. | PART NO. N° PIECES | DESCRIPTION DESCRIPTION | CU | LT | REMARKS REMARQUES |
|----------|--------------------|---|----|----|-------------------|
| 1 | 6C5-14200-00 | INTAKE ASSY ADMISSION (ENS.) | 1 | 1 | |
| 2 | 6C5-13641-00 | ..MANIFOLD 1 ..TUBULURE 1 | 1 | 1 | |
| 3 | 6C5-13645-00 | ..GASKET, MANIFOLD 1 ..JOINT, TUBULURE 1 | 1 | 1 | |
| 4 | 6C5-13557-00 | ..GASKET ..JOINT | 1 | 1 | |
| 5 | 6C5-13750-00 | ..THROTTLE BODY ASSY ..CARTER D'ACCELERATEUR COMPLET | 1 | 1 | |
| 6 | 6C5-85885-00 | ..THROTTLE SENSOR ASSY ..SENSITOMETRE (ENS.) | 1 | 1 | |
| 7 | 6C5-81145-00 | ..SCREW 1 ..VIS 1 | 2 | 2 | |
| 8 | 6C5-8182L-00 | ..O-RING 1 ..JOINT TORIQUE 1 | 1 | 1 | |
| 9 | 6C5-14496-00 | ..BOLT ..BOULON | 3 | 3 | |
| 10 | 6C5-13105-00 | ..CONTROL VALVE ASSY ..SOUPAPE DE CONTROLE COMPLET | 1 | 1 | |
| 11 | 6C5-1319C-00 | ..O-RING ..JOINT TORIQUE | 1 | 1 | |
| 12 | 6C5-81146-00 | ..SCREW 2 ..VIS 2 | 4 | 4 | |
| 13 | 6C5-13161-00 | ..PIPE, DELIVERY 1 ..DURITE REFOULEMENT 1 | 1 | 1 | |
| 14 | 90464-07M56 | ..CLAMP ..BRIDE | 2 | 2 | |
| 15 | 6C5-14446-00 | ..BOLT ..BOULON | 2 | 2 | |
| 16 | 6C5-13761-00 | ..INJECTOR ASSY ..INJECTEUR | 4 | 4 | |
| 17 | 6C5-1410B-00 | ..PACKING KIT ..POCHETTE DE JOINTS | 1 | 1 | |
| 18 | 68F-83688-00 | ..SENSOR ASSY ..SONDE (ENS.) | 1 | 1 | |

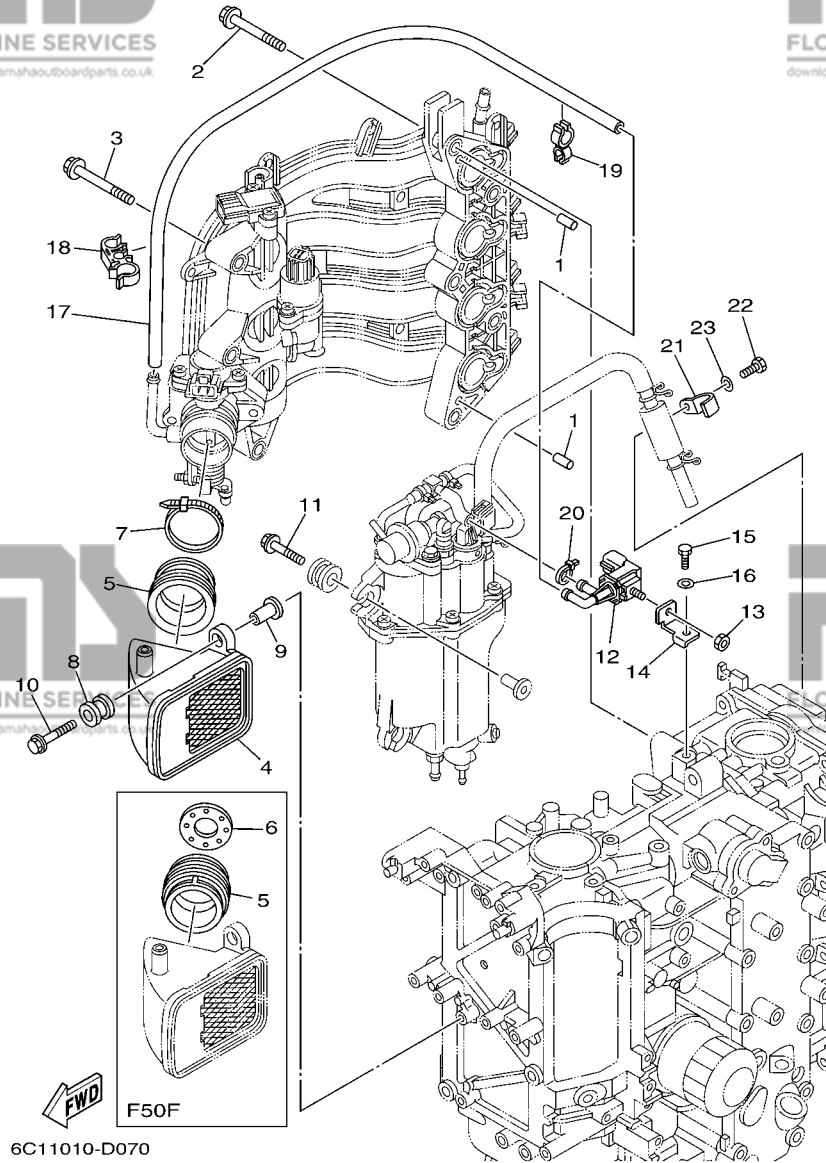
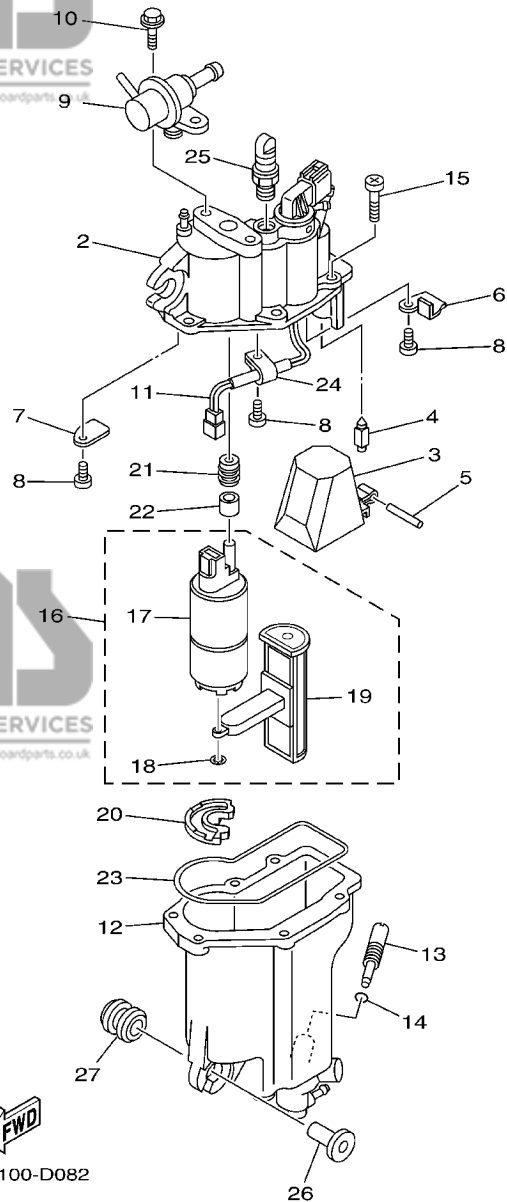


FIG. 7 INTAKE 2

ADMISSION 2

| REF. NO. | PART NO. N° PIECES | DESCRIPTION DESCRIPTION | ED | ET | REMARKS REMARQUES |
|----------|--------------------|--|----|----|-------------------|
| 1 | 93608-12M05 | PIN, DOWEL AXE | 2 | 2 | |
| 2 | 90119-08069 | BOLT, WITH WASHER BOULON, AVEC RONDELLE | 5 | 5 | |
| 3 | 90119-06087 | BOLT, WITH WASHER BOULON, AVEC RONDELLE | 3 | 3 | |
| 4 | 6C5-14440-00 | SILENCER ASSY, INTAKE SIENCIEUX D'ADMISSION | 1 | 1 | |
| 5 | 6C1-14453-00 | JOINT, AIR CLEANER 1 RACCORD, FILTRE A AIR 1 | 1 | 1 | F50F F50F |
| 6 | 6C5-14453-00 | JOINT, AIR CLEANER 1 RACCORD, FILTRE A AIR 1 | 1 | 1 | F60C F60C |
| 7 | 6C1-14477-00 | PLATE PLAQUE | 1 | 1 | F50F F50F |
| 8 | 90464-76001 | CLAMP BRIDE | 1 | 1 | |
| 9 | 6A0-82317-00 | DAMPER, IGNITION COIL AMORTISSEUR, BOBINE D'ALLUM | 2 | 2 | |
| 10 | 624-42542-00 | PIPE TUYAU | 2 | 2 | |
| 11 | 90119-06106 | BOLT, WITH WASHER BOULON, AVEC RONDELLE | 2 | 2 | |
| 12 | 90119-06M08 | BOLT, WITH WASHER BOULON, AVEC RONDELLE | 3 | 3 | |
| 13 | 6C5-86120-00 | SOLENOID VALVE ASSY SOLENOIDE | 1 | 1 | |
| 14 | 95380-06600 | NUT, HEXAGON ECROU | 1 | 1 | |
| 15 | 6C5-86112-00 | STAY, SOLENOID SUPPORT, SOLENOIDE | 1 | 1 | |
| 16 | 97095-06016 | BOLT BOULON | 1 | 1 | |
| 17 | 92995-06600 | WASHER RONDELLE | 1 | 1 | |
| 18 | 90445-115J5 | HOSE (L460) DURITE (L460) | 1 | 1 | |
| 19 | 90464-15008 | CLAMP BRIDE | 1 | 1 | |
| 20 | 90464-12006 | CLAMP BRIDE | 1 | 1 | |
| 21 | 90465-11M10 | CLAMP BRIDE | 1 | 1 | |
| 22 | 6C5-13428-00 | BRACKET, STRAINER 1 SUPPORT, FILTRE 1 | 1 | 1 | |
| 23 | 97095-06016 | BOLT BOULON | 1 | 1 | |
| 24 | 92995-06600 | WASHER RONDELLE | 1 | 1 | |



1
FLOAT CHAMBER ASSY
(Fig. 8, Ref. No. 2 to 27
Fig. 9, Ref. No. 1 to 25)

FIG. 8 FUEL INJECTION PUMP 1

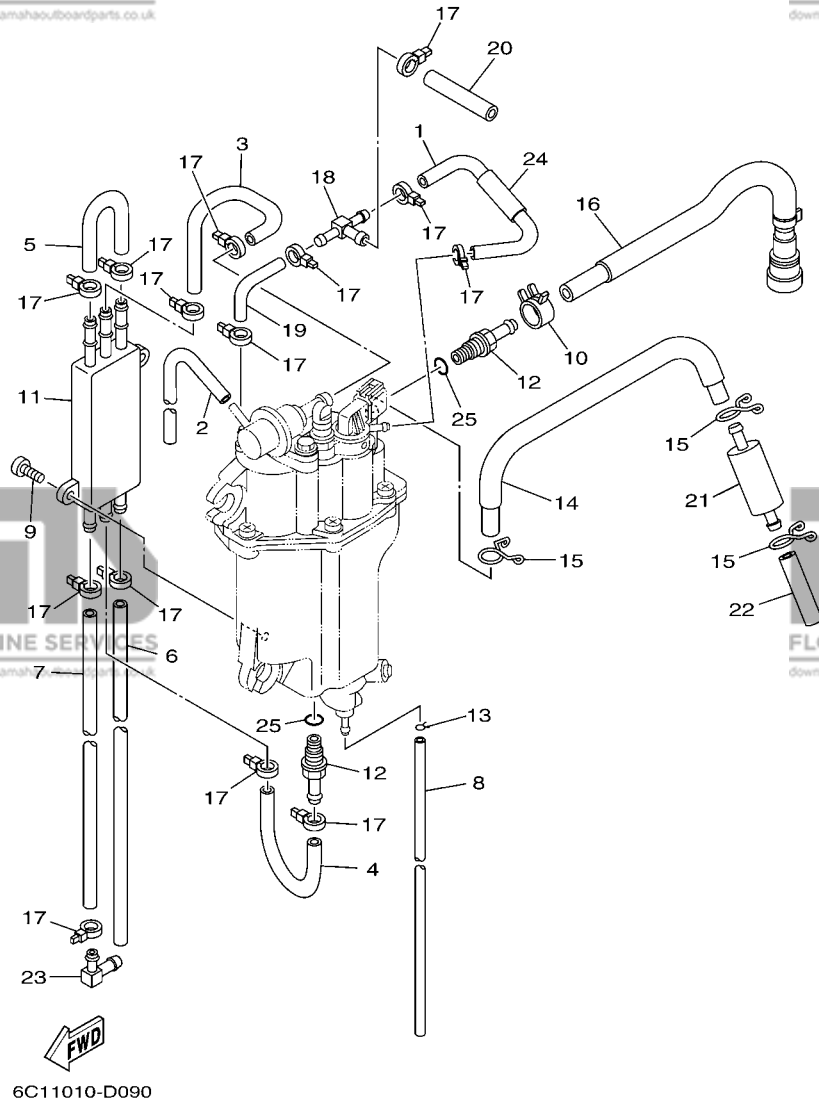
POMPE A INJECTEUR 1

| REF. NO. | PART NO. N° PIECES | DESCRIPTION DESCRIPTION | QTY | UNIT | REMARKS REMARQUES |
|----------|--------------------|---|-----|------|-------------------|
| 1 | 6C5-14180-00 | FLOAT CHAMBER ASSY CUVE DE FLOTTEUR | 1 | 1 | |
| 2 | 6C5-14182-00 | COVER, FLOAT CHAMBER COUVERCLE, CUVE DE FLOTTEUR | 1 | 1 | |
| 3 | 6C5-14985-00 | FLOAT FLOTTEUR | 1 | 1 | |
| 4 | 6C5-14546-00 | VALVE, NEEDLE POINTEAU | 1 | 1 | |
| 5 | 6C5-14386-00 | PIN, FLOAT AXE, FLOTTEUR | 1 | 1 | |
| 6 | 6C5-2441R-00 | PLATE, BAFFLE 1 SEPARATEUR 1 | 1 | 1 | |
| 7 | 6C5-2441T-00 | PLATE, BAFFLE 2 SEPARATEUR 2 | 1 | 1 | |
| 8 | 6C5-24453-00 | SCREW VIS | 3 | 3 | |
| 9 | 6C5-13906-00 | REGULATOR, PRESSURE REGULATEUR DE PRESSION | 1 | 1 | |
| 10 | 6C5-24592-00 | BOLT BOLTE | 2 | 2 | |
| 11 | 6C5-87226-00 | WIRE HARNESS ASSY ENS. FAISCEAU ELECTRIQUE | 1 | 1 | |
| 12 | 6C5-14960-00 | BODY ASSY CARTER (ENS.) | 1 | 1 | |
| 13 | 6C5-14191-00 | PLUG, DRAIN PLOT, VIDANGE | 1 | 1 | |
| 14 | 6C5-14397-00 | O-RING JOINT TORIQUE | 1 | 1 | |
| 15 | 6C5-14567-00 | SCREW VIS | 6 | 6 | |
| 16 | 6C5-13910-00 | FUEL PUMP ASSY POMPE A ESSENCE COMPLET | 1 | 1 | |
| 17 | 6C5-13907-00 | .FUEL PUMP COMP. .POMPE A CARBURANT COMP. | 1 | 1 | |
| 18 | 6C5-14127-00 | .CLIP .JONC | 1 | 1 | |
| 19 | 6C5-13915-00 | .FILTER .FILTRE | 1 | 1 | |
| 20 | 6C5-13593-00 | DAMPER AMORTISSEUR | 1 | 1 | |
| 21 | 6C5-13781-00 | DAMPÉR, PUMP AMORTISSEUR, POMPE | 1 | 1 | |
| 22 | 6C5-13716-00 | COLLAR COLLERETTE | 1 | 1 | |
| 23 | 6C5-14984-00 | GASKET, FLOAT CHAMBER JOINT, CUVE DE FLOTTEUR | 1 | 1 | |
| 24 | 6C5-21337-00 | CLAMP, CABLE COLLIER, CABLE | 1 | 1 | |
| 25 | 6C5-14225-00 | CAP COUVERCLE | 1 | 1 | |
| 26 | 90387-06M69 | COLLAR COLLERETTE | 3 | 3 | |
| 27 | 90480-09M12 | GROMMET PASSE-FIL | 3 | 3 | |

B6

FIG. 9 FUEL INJECTION PUMP 2

POMPE A INJECTEUR 2

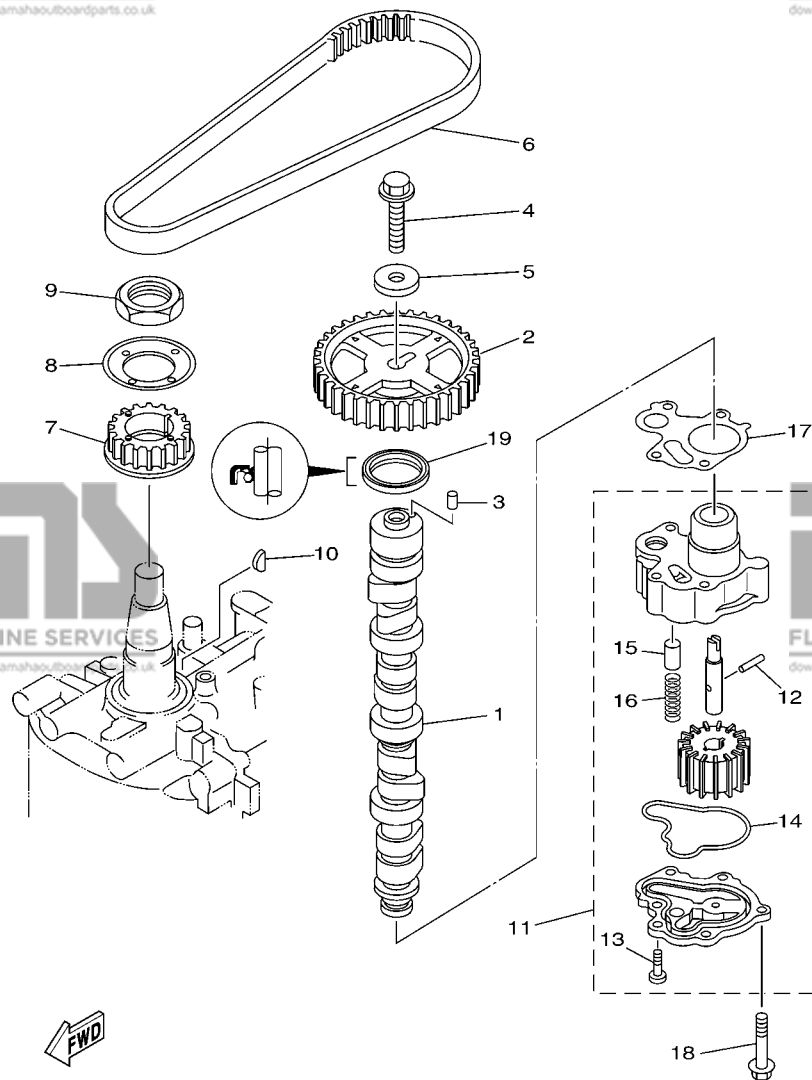


| REF. NO. | PART NO. N° PIECES | DESCRIPTION DESCRIPTION | QTY | UNIT | REMARKS REMARQUES |
|----------|--------------------|--|-----|------|-------------------|
| 1 | 6C5-13546-00 | HOSE 2 DURITE 2 | 1 | 1 | |
| 2 | 6C5-13542-00 | HOSE, VACUUM SENSING 1 DURITE 1 | 1 | 1 | |
| 3 | 6C5-24321-00 | PIPE 10 DURITE 10 | 1 | 1 | |
| 4 | 6C5-24322-00 | PIPE 11 DURITE 11 | 1 | 1 | |
| 5 | 6C5-24323-00 | PIPE 12 DURITE 12 | 1 | 1 | |
| 6 | 6C5-24324-00 | PIPE 13 (L150) DURITE 13 (L150) | 1 | 1 | |
| 7 | 6C5-24325-00 | PIPE 14 (L110) DURITE 14 (L110) | 1 | 1 | |
| 8 | 6C5-14149-00 | PIPE (L200) DURITE (L200) | 1 | 1 | |
| 9 | 6C5-24444-00 | SCREW VIS | 2 | 2 | |
| 10 | 6C5-13577-00 | CLIP AGRAFE | 1 | 1 | |
| 11 | 6C5-21841-00 | COOLER RADIATEUR | 1 | 1 | |
| 12 | 6C5-14251-00 | NIPPLE RACCORD | 2 | 2 | |
| 13 | 6C5-2411M-00 | CLIP JONC | 1 | 1 | |
| 14 | 6C5-14148-00 | PIPE DURITE | 1 | 1 | |
| 15 | 6C5-24387-00 | CLIP SANDOW | 3 | 3 | |
| 16 | 6C5-13974-00 | PIPE, FUEL 4 TUBE 4, CARBURANT | 1 | 1 | |
| 17 | 90465-11M10 | CLAMP BRIDE | 14 | 14 | |
| 18 | 6C5-24379-00 | PIPE, JOINT 4 DURITE RACCORDEMENT 4 | 1 | 1 | |
| 19 | 6C5-13545-00 | HOSE 1 DURITE 1 | 1 | 1 | |
| 20 | 6C5-13547-00 | HOSE 3 DURITE 3 | 1 | 1 | |
| 21 | 6C5-24251-00 | STRAINER 1 FILTRE 1 | 1 | 1 | |
| 22 | 6C5-2451B-00 | HOSE, FUEL INLET DURITE | 1 | 1 | |
| 23 | 6C5-1410F-00 | CONNECTOR CONNECTEUR | 1 | 1 | |
| 24 | 6C5-13548-00 | HOSE, AIR 4 DURITE, A AIR 4 | 1 | 1 | |
| 25 | 6C5-13739-00 | O-RING JOINT TORIQUE | 2 | 2 | |

B7

FIG. 10 OIL PUMP

POMPE A HUILE



6C11010-D100

| REF. NO. | PART NO. N° PIECES | DESCRIPTION DESCRIPTION | QTY | UNIT | REMARKS REMARQUES |
|----------|--------------------|---|-----|------|-------------------|
| 1 | 6C5-12171-00 | CAMSHAFT 1 ARBRE A CAMES 1 | 1 | 1 | |
| 2 | 6C5-11537-00 | GEAR, DRIVEN PIGNON SECONDAIRE | 1 | 1 | |
| 3 | 93605-17002 | PIN, DOWEL AXE | 1 | 1 | |
| 4 | 95817-10035 | BOLT, FLANGE BOULON, A COLLERETTE | 1 | 1 | |
| 5 | 90201-10144 | WASHER, PLATE RONDELLE, PLATE | 1 | 1 | |
| 6 | 6C5-46241-00 | V-BELT COURROIE TRAPEZOIDALE | 1 | 1 | |
| 7 | 6C5-11536-00 | GEAR, DRIVE ENGRENAGE, MENANT | 1 | 1 | |
| 8 | 62Y-11557-00 | WASHER 1 RONDELLE 1 | 1 | 1 | |
| 9 | 90170-35008 | NUT ECROU | 1 | 1 | |
| 10 | 90280-03M01 | KEY, WOODRUFF CLAVETTE, DEMI-LUNE | 1 | 1 | |
| 11 | 6C5-13300-00 | OIL PUMP ASSY POMPE A HUILE COMPLETE | 1 | 1 | |
| 12 | 93603-17070 | .PIN, DOWEL .CLAVETTE | 1 | 1 | |
| 13 | 98580-06016 | .SCREW, PAN HEAD .VIS | 2 | 2 | |
| 14 | 6C5-13142-00 | .GASKET .JOINT | 1 | 1 | |
| 15 | 6G8-11577-00 | .PLUNGER, RELIEF .PLONGEUR DE SECURITE | 1 | 1 | |
| 16 | 90501-6C500 | .SPRING, COMPRESSION .RESSORT, COMPRESSION | 1 | 1 | |
| 17 | 6C5-13329-00 | GASKET, PUMP COVER JOINT, COUVERCLE DE POMPE | 1 | 1 | |
| 18 | 90119-06025 | BOLT, WITH WASHER BOULON, AVEC RONDELLE | 4 | 4 | |
| 19 | 93102-37M40 | OIL SEAL JOINT SPY | 1 | 1 | |

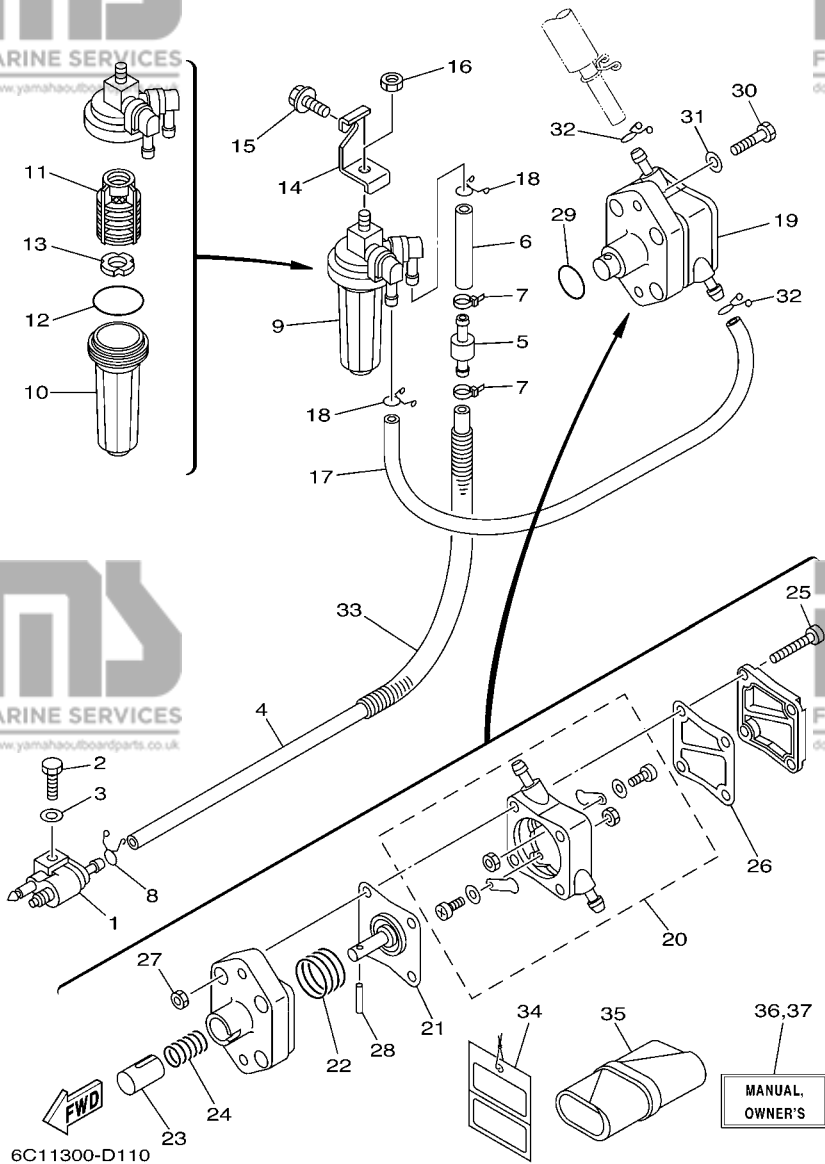


FIG. 11 FUEL

CARBURANT

| REF. NO. | PART NO. N° PIECES | DESCRIPTION DESCRIPTION | QTY | UNIT | REMARKS REMARQUES |
|----------|--------------------|---|-----|------|-------------------|
| 1 | 6G1-24304-02 | FUEL PIPE JOINT COMP. 1 DURITE RACCORDEMT. A ESSENCE | 1 | 1 | |
| 2 | 97095-06025 | BOLT BOULON | 1 | 1 | |
| 3 | 92995-06600 | WASHER RONDELLE | 1 | 1 | |
| 4 | 90445-10020 | HOSE (L590) DURITE (L590) | 1 | 1 | |
| 5 | 67F-24377-00 | PIPE, JOINT 3 DURITE RACCORDEMENT 3 | 1 | 1 | |
| 6 | 90445-13M14 | HOSE (L70) DURITE (L70) | 1 | 1 | |
| 7 | 90465-11M10 | CLAMP BRIDE | 2 | 2 | |
| 8 | 90467-09M17 | CLIP JONC | 1 | 1 | |
| 9 | 68V-24560-01 | FILTER ASSY ENS FILTRE | 1 | 1 | |
| 10 | 68V-24521-01 | .CUP, FILTER .CUVETTE, FILTRE | 1 | 1 | |
| 11 | 68V-24563-00 | .ELEMENT, FILTER .ELEMENT, FILTRE | 1 | 1 | |
| 12 | 93210-32738 | .O-RING .JOINT TORIQUE | 1 | 1 | |
| 13 | 68V-24469-01 | .FLOAT, WATER LEVEL .FLOTTEUR | 1 | 1 | |
| 14 | 6C5-24566-00 | BRACKET, FILTER SUPPORT, FILTRE | 1 | 1 | |
| 15 | 95895-08016 | BOLT, FLANGE BOULON | 1 | 1 | |
| 16 | 95380-08600 | NUT ECROU | 1 | 1 | |
| 17 | 90445-13M36 | HOSE (L350) DURITE (L350) | 1 | 1 | |
| 18 | 90467-10M04 | CLIP JONC | 2 | 2 | |
| 19 | 6C5-24410-00 | FUEL PUMP ASSY POMPE A ESSENCE | 1 | 1 | |
| 20 | 6C5-24415-00 | .BODY 4 .CORPS 4 | 1 | 1 | |
| 21 | 62Y-24411-02 | .DIAPHRAGM .DIAPHRAGME | 1 | 1 | |
| 22 | 62Y-24423-00 | .SPRING, DIAPHRAGM .RESSORT, DIAPHRAGME | 1 | 1 | |
| 23 | 62Y-13131-00 | .PLUNGER .PLONGEUR | 1 | 1 | |
| 24 | 62Y-24454-00 | .SPRING .RESSORT | 1 | 1 | |
| 25 | 62Y-24444-01 | .SCREW .VIS | 4 | 4 | |
| 26 | 6C5-24471-00 | .DIAPHRAGM .DIAPHRAGME | 1 | 1 | |
| 27 | 95380-05600 | .NUT .ECROU | 4 | 4 | |

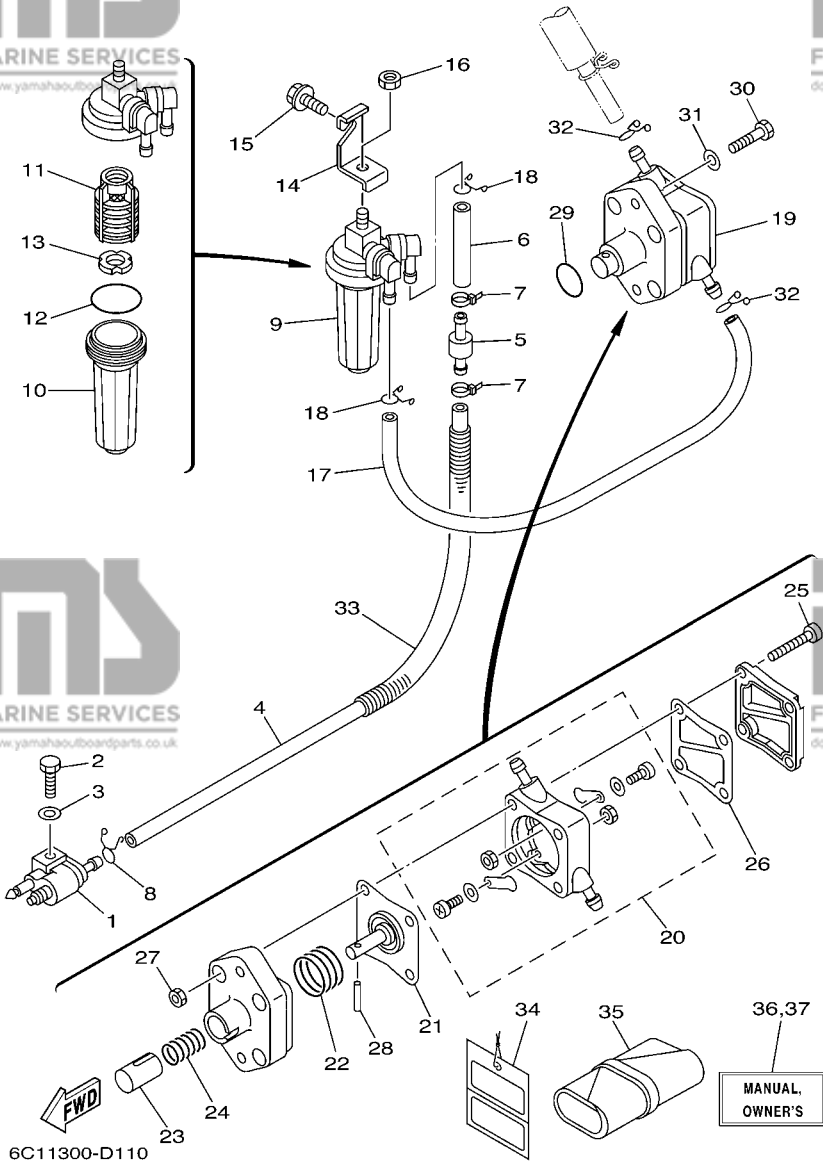


FIG. 11 FUEL

CARBURANT

| REF. NO. | PART NO. N° PIECES | DESCRIPTION DESCRIPTION | Q | U | REMARKS REMARQUES |
|----------|--------------------|---------------------------------------|---|---|-------------------|
| 28 | 62Y-24374-01 | .PIN .PIN | 1 | 1 | |
| 29 | 93210-24M79 | O-RING JOINT TORIQUE | 1 | 1 | |
| 30 | 97095-06030 | BOLT BOULON | 2 | 2 | |
| 31 | 92995-06600 | WASHER RONDELLE | 2 | 2 | |
| 32 | 90467-10M04 | CLIP JONC | 2 | 2 | |
| 33 | 90446-14M62 | HOSE (L320) DURITE (L320) | 1 | 1 | |
| 34 | 61H-2819R-31 | TAG, WARNING ETIQUETTE, AVERTISSEMENT | 1 | 1 | |
| 35 | 6C5-28100-00 | TOOL KIT TROUSSE A OUTILS | 1 | 1 | |
| 36 | 6C1-28199-70-E0 | MANUAL, OWNER'S MANUEL D'UTILISATION | 1 | 1 | UR (E) |
| | 6C1-28199-70-F0 | MANUAL, OWNER'S MANUEL D'UTILISATION | 1 | 1 | UR (F) |
| | 6C1-28199-70-S0 | MANUAL, OWNER'S MANUEL D'UTILISATION | 1 | 1 | UR (F) |
| | 6C1-28199-70-S0 | MANUAL, OWNER'S MANUEL D'UTILISATION | 1 | 1 | UR (ES) |
| | 6C1-28199-70-G0 | MANUAL, OWNER'S MANUEL D'UTILISATION | 1 | 1 | UR (ES) |
| | 6C1-28199-70-D0 | MANUAL, OWNER'S MANUEL D'UTILISATION | 1 | 1 | UR (D) |
| | 6C1-28199-70-D0 | MANUAL, OWNER'S MANUEL D'UTILISATION | 1 | 1 | UR (D) |
| | 6C1-28199-70-H0 | MANUAL, OWNER'S MANUEL D'UTILISATION | 1 | 1 | UR (NL) |
| | 6C1-28199-70-H0 | MANUAL, OWNER'S MANUEL D'UTILISATION | 1 | 1 | UR (NL) |
| | 6C1-28199-70-H0 | MANUAL, OWNER'S MANUEL D'UTILISATION | 1 | 1 | UR (I) |
| | 6C1-28199-70-H0 | MANUAL, OWNER'S MANUEL D'UTILISATION | 1 | 1 | UR (I) |
| 37 | 6C1-28199-80-K0 | MANUAL, OWNER'S MANUEL D'UTILISATION | 1 | 1 | UR (DK) |
| | 6C1-28199-80-R0 | MANUAL, OWNER'S MANUEL D'UTILISATION | 1 | 1 | UR (DK) |
| | 6C1-28199-80-P0 | MANUAL, OWNER'S MANUEL D'UTILISATION | 1 | 1 | UR (GR) |
| | 6C1-28199-80-P0 | MANUAL, OWNER'S MANUEL D'UTILISATION | 1 | 1 | UR (GR) |
| | 6C1-28199-80-N0 | MANUAL, OWNER'S MANUEL D'UTILISATION | 1 | 1 | UR (P) |
| | 6C1-28199-80-N0 | MANUAL, OWNER'S MANUEL D'UTILISATION | 1 | 1 | UR (P) |
| | 6C1-28199-80-M0 | MANUAL, OWNER'S MANUEL D'UTILISATION | 1 | 1 | UR (N) |
| | 6C1-28199-80-M0 | MANUAL, OWNER'S MANUEL D'UTILISATION | 1 | 1 | UR (N) |
| | 6C1-28199-80-L0 | MANUAL, OWNER'S MANUEL D'UTILISATION | 1 | 1 | UR (S) |
| | 6C1-28199-80-L0 | MANUAL, OWNER'S MANUEL D'UTILISATION | 1 | 1 | UR (S) |
| | 6C1-28199-80-L0 | MANUAL, OWNER'S MANUEL D'UTILISATION | 1 | 1 | UR (SF) |
| | 6C1-28199-80-L0 | MANUAL, OWNER'S MANUEL D'UTILISATION | 1 | 1 | UR (SF) |

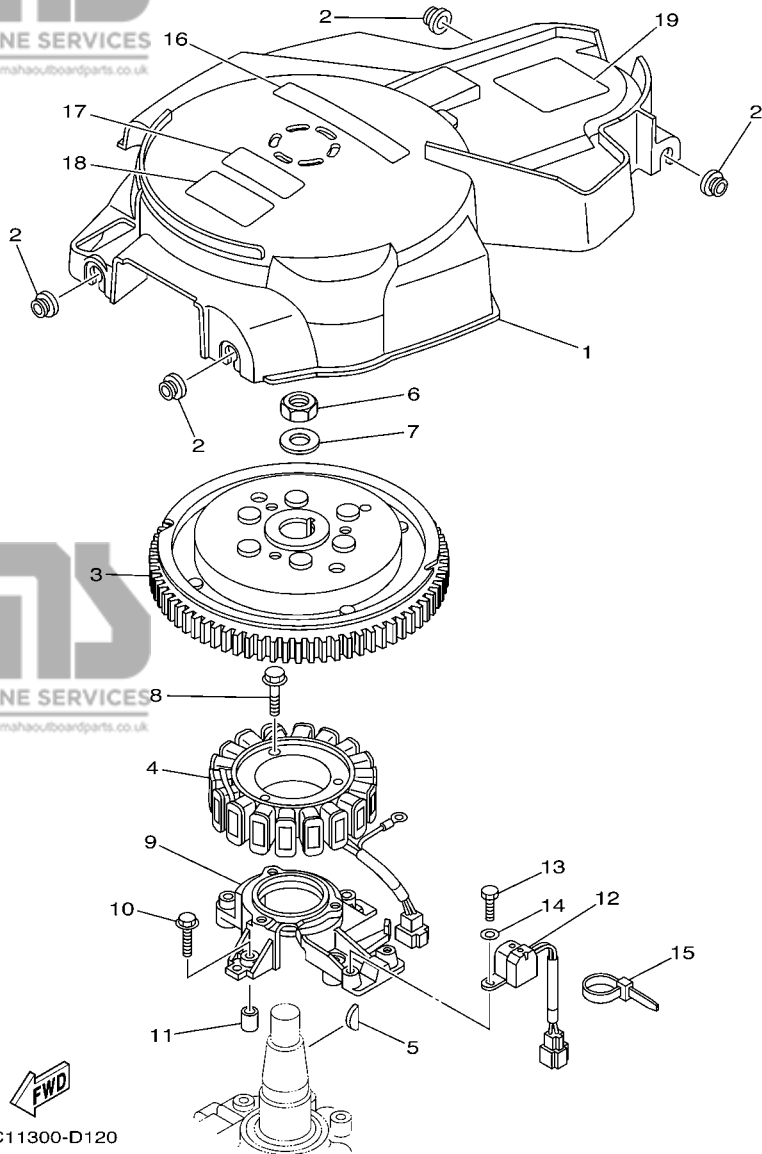


FIG. 12 GENERATOR

GENERATRICE

| REF. NO. | PART NO. N° PIECES | DESCRIPTION DESCRIPTION | QTY | UNIT | REMARKS REMARQUES |
|----------|--------------------|--------------------------------------|-----|------|-------------------|
| 1 | 6C5-81337-00 | COVER, FLYWHEEL COUVERCLE, VOLANT | 1 | 1 | |
| 2 | 90480-12072 | GROMMET PASSE-FIL | 4 | 4 | |
| 3 | 6C5-81450-00 | ROTOR ASSY ROTOR COMPLET | 1 | 1 | |
| 4 | 6C5-81410-00 | STATOR ASSY STATOR COMPLET | 1 | 1 | |
| 5 | 6H4-11545-00 | KEY, WOODRUFF CLAVETTE, DEMI-LUNE | 1 | 1 | |
| 6 | 90170-20137 | NUT ECROU | 1 | 1 | |
| 7 | 90201-21M18 | WASHER, PLATE RONDELLE, PLATE | 1 | 1 | |
| 8 | 95023-06030 | BOLT BOULON, A COLLERETTE | 3 | 3 | |
| 9 | 6C5-85561-00-94 | BASE, MAGNETO BASE, MAGNETO | 1 | 1 | |
| 10 | 95023-06030 | BOLT BOULON, A COLLERETTE | 4 | 4 | |
| 11 | 99530-08012 | PIN, DOWEL GOUJON, D'ASSEMBLAGE | 2 | 2 | |
| 12 | 62Y-85580-00 | COIL, PULSER BOBINE, PULSEUR | 1 | 1 | |
| 13 | 97095-05012 | BOLT BOULON | 2 | 2 | |
| 14 | 92995-05600 | WASHER RONDELLE | 2 | 2 | |
| 15 | 90465-13M97 | CLAMP BRIDE | 1 | 1 | |
| 16 | 6C5-13437-60 | MARK, CAUTION MARKER | 1 | 1 | |
| 17 | 6A1-83625-41 | MARK 5 ETIQUETTE 5 | 1 | 1 | |
| 18 | 6A1-83625-51 | MARK 5 ETIQUETTE 5 | 1 | 1 | |
| 19 | 62Y-83626-00 | MARK 6 MARK 6 | 1 | 1 | |

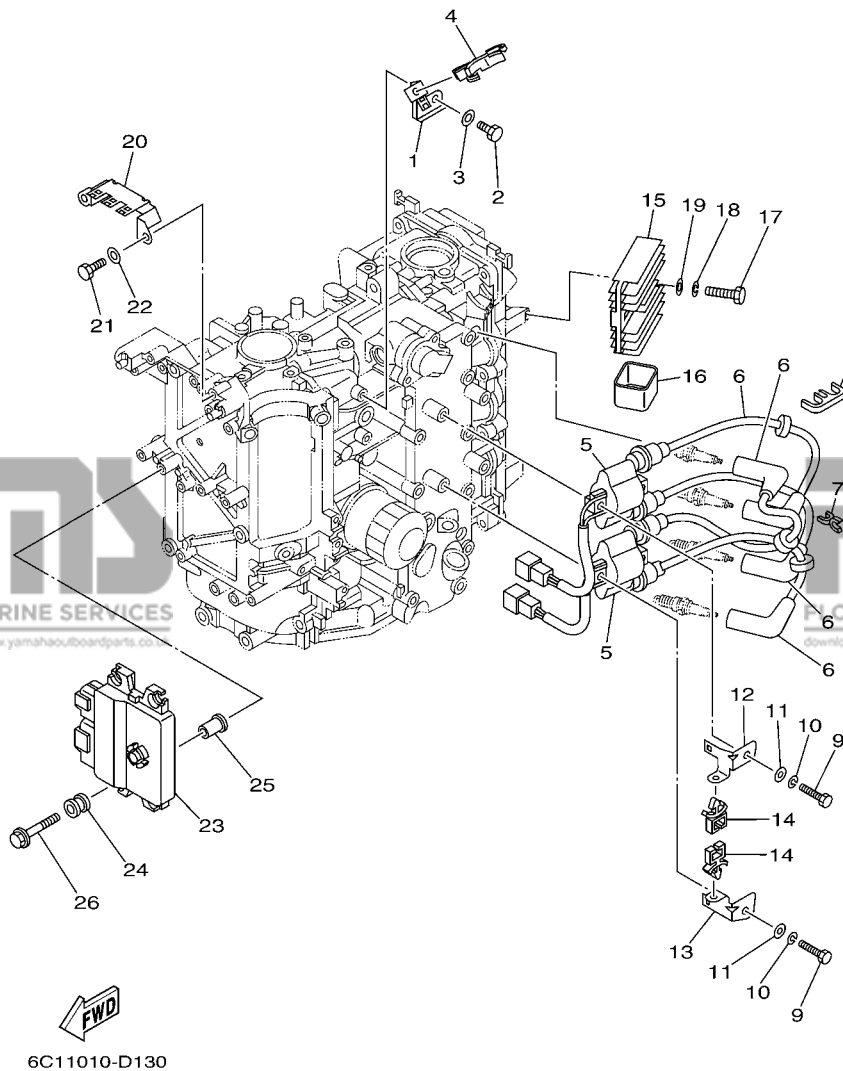


FIG. 13 ELECTRICAL 1

PARTIE ELECTRIQUE 1

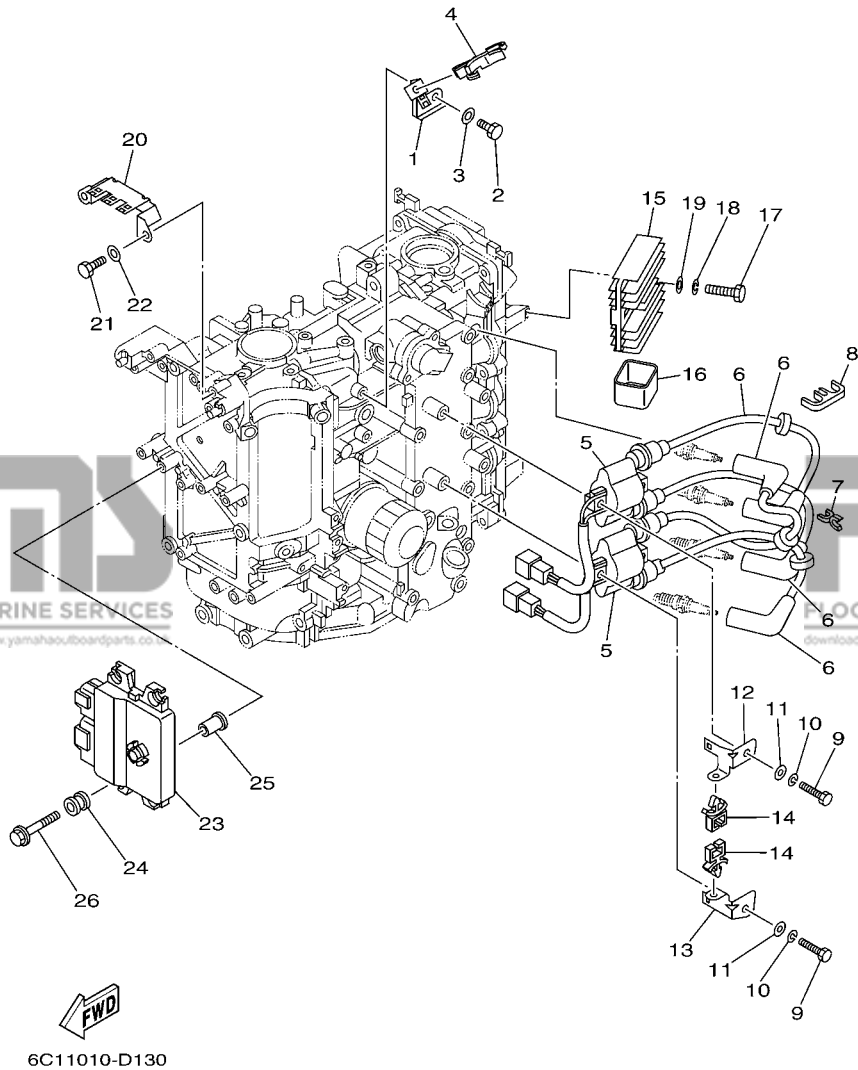
| REF. NO. | PART NO. N° PIECES | DESCRIPTION DESCRIPTION | QTY | QTY | REMARKS REMARQUES |
|----------|--------------------|--|-----|-----|------------------------------|
| 1 | 6C5-85525-00 | COVER CAPUCHON | 1 | 1 | |
| 2 | 97095-06014 | BOLT BOULON | 1 | 1 | |
| 3 | 92995-06600 | WASHER RONDELLE | 1 | 1 | |
| 4 | 90464-18246 | CLAMP BRIDE | 1 | 1 | |
| 5 | 63P-82310-01 | IGNITION COIL ASSY BOBINE D'ALLUMAGE | 2 | 2 | |
| 6 | 6C5-82340-00 | HIGH TENSION CORD ASSY 1 CABLE HAUTE TENSION 1 | 4 | 4 | |
| 7 | 90464-07M41 | CLAMP BRIDE | 1 | 1 | |
| 8 | 67F-82361-00 | CLAMP, CORD COLLIER, CORDON | 1 | 1 | |
| 9 | 97095-06030 | BOLT BOULON | 4 | 4 | |
| 10 | 92995-06100 | WASHER, SPRING RONDELLE, GROWER | 4 | 4 | |
| 11 | 92995-06600 | WASHER RONDELLE | 4 | 4 | |
| 12 | 6C5-82316-00 | BRACKET, IGNITION COIL SUPPORT, BOBINE D'ALLUMAGE | 1 | 1 | |
| 13 | 6C5-82316-10 | BRACKET, IGNITION COIL SUPPORT, BOBINE D'ALLUMAGE | 1 | 1 | |
| 14 | 90464-07M56 | CLAMP BRIDE | 2 | 2 | |
| 15 | 68V-81960-00 | RECTIFIER & REGULATOR ASSY REDRESSEUR REGULATEUR CPLT | 1 | 1 | |
| 16 | 6C5-81961-00 | COVER COUVERCLE | 1 | 1 | |
| 17 | 97095-06025 | BOLT BOULON | 2 | 2 | |
| 18 | 92995-06100 | WASHER, SPRING RONDELLE, GROWER | 2 | 2 | |
| 19 | 92995-06600 | WASHER RONDELLE | 2 | 2 | |
| 20 | 6C5-82171-00 | STAY, FUSE BOX SUPPORT, BOITE A FUSIBLES | 1 | 1 | |
| 21 | 97095-06014 | BOLT BOULON | 2 | 2 | |
| 22 | 92995-06600 | WASHER RONDELLE | 2 | 2 | |
| 23 | 6C1-8591A-00 | ENGINE CONTROL UNIT ASSY BLOC DE CONTROL | 1 | 1 | F50F F50F |
| | 6C5-8591A-00 | ENGINE CONTROL UNIT ASSY BLOC DE CONTROL | 1 | 1 | F60C F60C |
| | 6C5-8591A-A0 | ENGINE CONTROL UNIT ASSY BLOC DE CONTROL | 1 | 1 | F60C-FOR SAV F60C-FOR SAV |
| 24 | 6C5-82317-00 | DAMPER, IGNITION COIL AMORTISSEUR, BOBINE D'ALLUM | 4 | 4 | |
| 25 | 624-42542-00 | PIPE TUYAU | 4 | 4 | |

C5

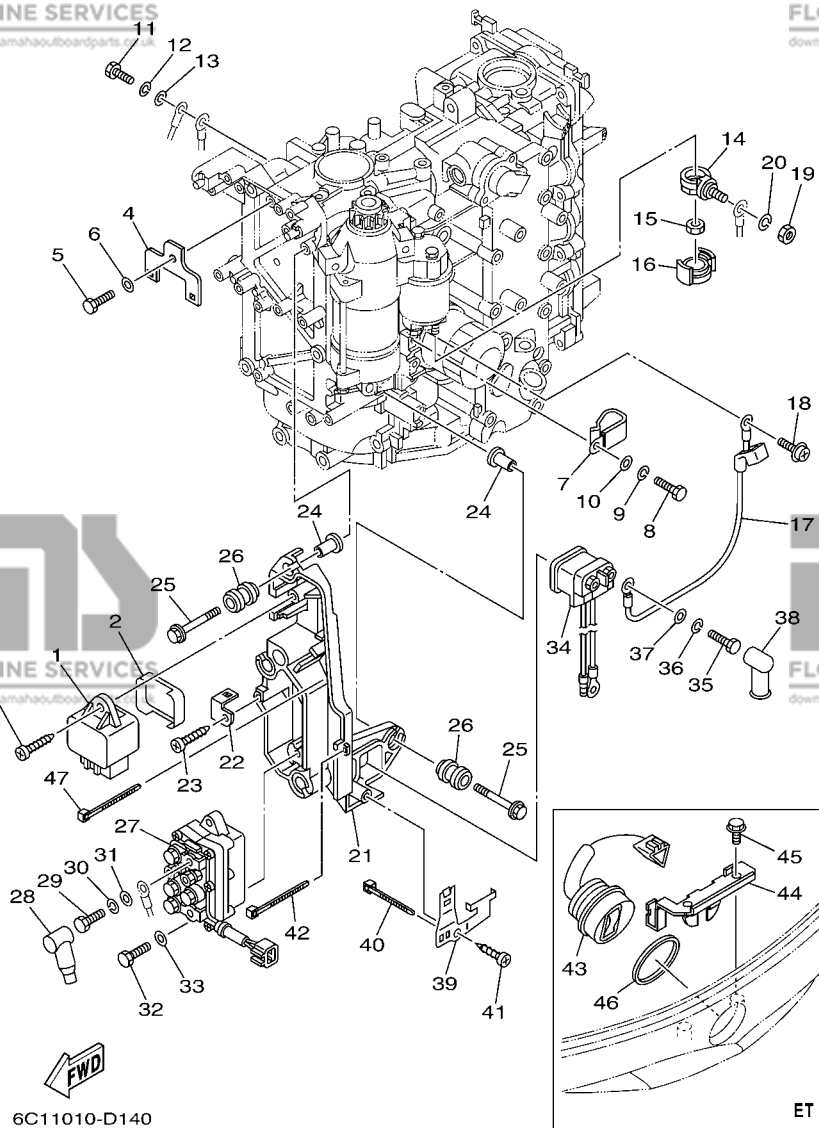
PARTIE ELECTRIQUE 1

FIG. 13 ELECTRICAL 1

| REF. NO. | PART NO. N° PIECES | DESCRIPTION DESCRIPTION | QTY | UNIT | REMARKS REMARQUES |
|----------|--------------------|---|-----|------|-------------------|
| 26 | 90119-06M59 | BOLT, WITH WASHER BOULON, AVEC RONDELLE | 4 | 4 | |



C6



6C11010-D140

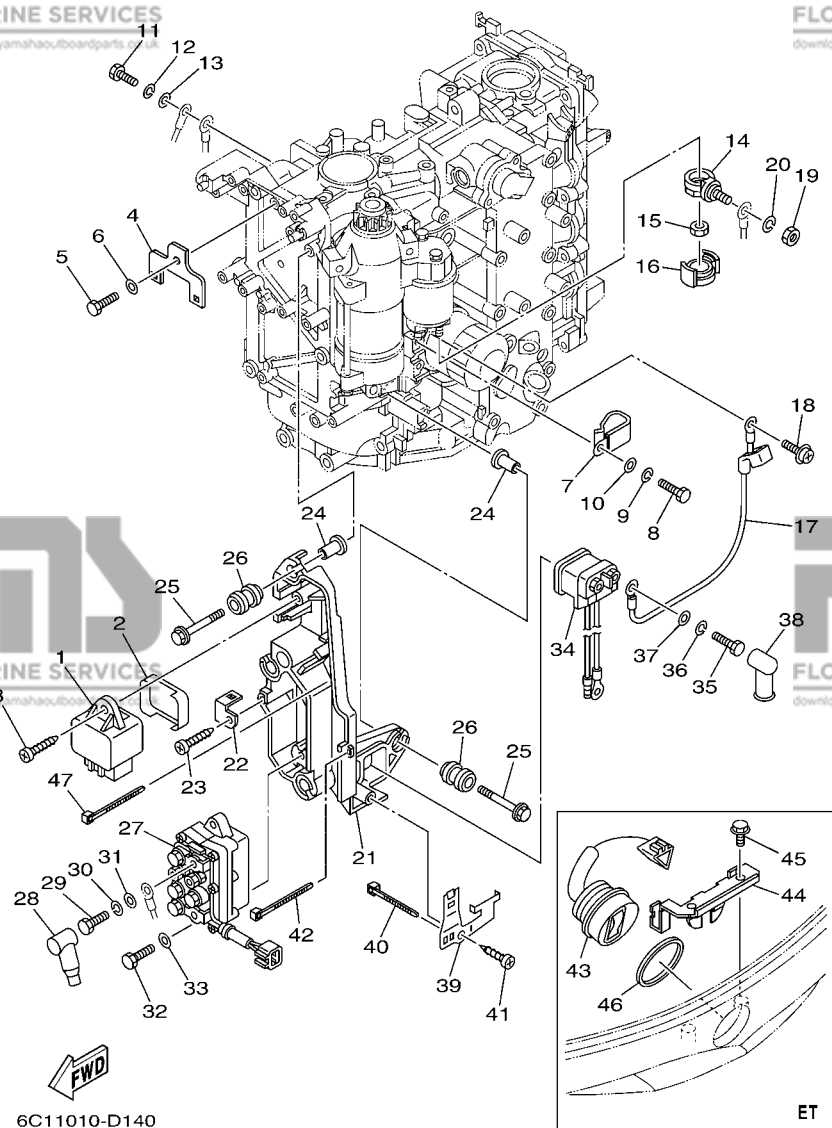
FIG. 14 ELECTRICAL 2

PARTIE ELECTRIQUE 2

| REF. NO. | PART NO. N° PIECES | DESCRIPTION DESCRIPTION | Q | Q | REMARKS REMARQUES |
|----------|--------------------|--|---|---|-------------------|
| 1 | 60E-81950-00 | RELAY ASSY RELAIS COMPLET | 1 | 1 | |
| 2 | 6C5-81336-00 | GROMMET OUILLET CAOUTCHOUC | 1 | 1 | |
| 3 | 97780-60620 | SCREW, TAPPING VIS, TETE BOMBEE | 1 | 1 | |
| 4 | 6C5-8257V-00 | PLATE, CONNECTOR PLAQUE, CONNECTEUR | 1 | 1 | |
| 5 | 97095-06014 | BOLT BOULON | 1 | 1 | |
| 6 | 92995-06600 | WASHER RONDELLE | 1 | 1 | |
| 7 | 90465-05M87 | CLAMP BRIDE | 1 | 1 | |
| 8 | 97095-06020 | BOLT BOULON | 4 | 4 | |
| 9 | 92995-06100 | WASHER, SPRING RONDELLE, GROWER | 4 | 4 | |
| 10 | 92995-06600 | WASHER RONDELLE | 4 | 4 | |
| 11 | 97095-06020 | BOLT BOULON | 1 | 1 | |
| 12 | 92995-06100 | WASHER, SPRING RONDELLE, GROWER | 1 | 1 | |
| 13 | 92995-06600 | WASHER RONDELLE | 1 | 1 | |
| 14 | 60V-81925-00 | TERMINAL BORNE | 1 | 1 | |
| 15 | 90179-08003 | NUT ECROU | 1 | 1 | |
| 16 | 68F-82582-00 | COVER, WIRE HARNESS COUVERCLE, FAISCEAU DE FILS | 1 | 1 | |
| 17 | 6C5-81815-00 | CORD, STARTER MOTOR FIL, DEMARREUR ELECTRIQUE | 1 | 1 | |
| 18 | 90159-04005 | SCREW, WITH WASHER VIS, AVEC RONDELLE | 1 | 1 | |
| 19 | 95333-08600 | NUT ECROU | 1 | 1 | |
| 20 | 92903-08100 | WASHER, SPRING RONDELLE, GROWER | 1 | 1 | |
| 21 | 6C5-81948-00 | BRACKET JOINT TORIQUE | 1 | 1 | |
| 22 | 6C5-85548-00 | HOLDER SUPPORT | 1 | 1 | |
| 23 | 97780-60620 | SCREW, TAPPING VIS, TETE BOMBEE | 1 | 1 | |
| 24 | 624-42542-00 | PIPE TUYAU | 4 | 4 | |
| 25 | 90119-06M59 | BOLT, WITH WASHER BOULON, AVEC RONDELLE | 4 | 4 | |
| 26 | 6A0-82317-00 | DAMPER, IGNITION COIL AMORTISSEUR, BOBINE D'ALLUM | 4 | 4 | |
| 27 | 63P-81950-00 | RELAY ASSY RELAIS COMPLET | 1 | 1 | |

FIG. 14 ELECTRICAL 2

PARTIE ELECTRIQUE 2



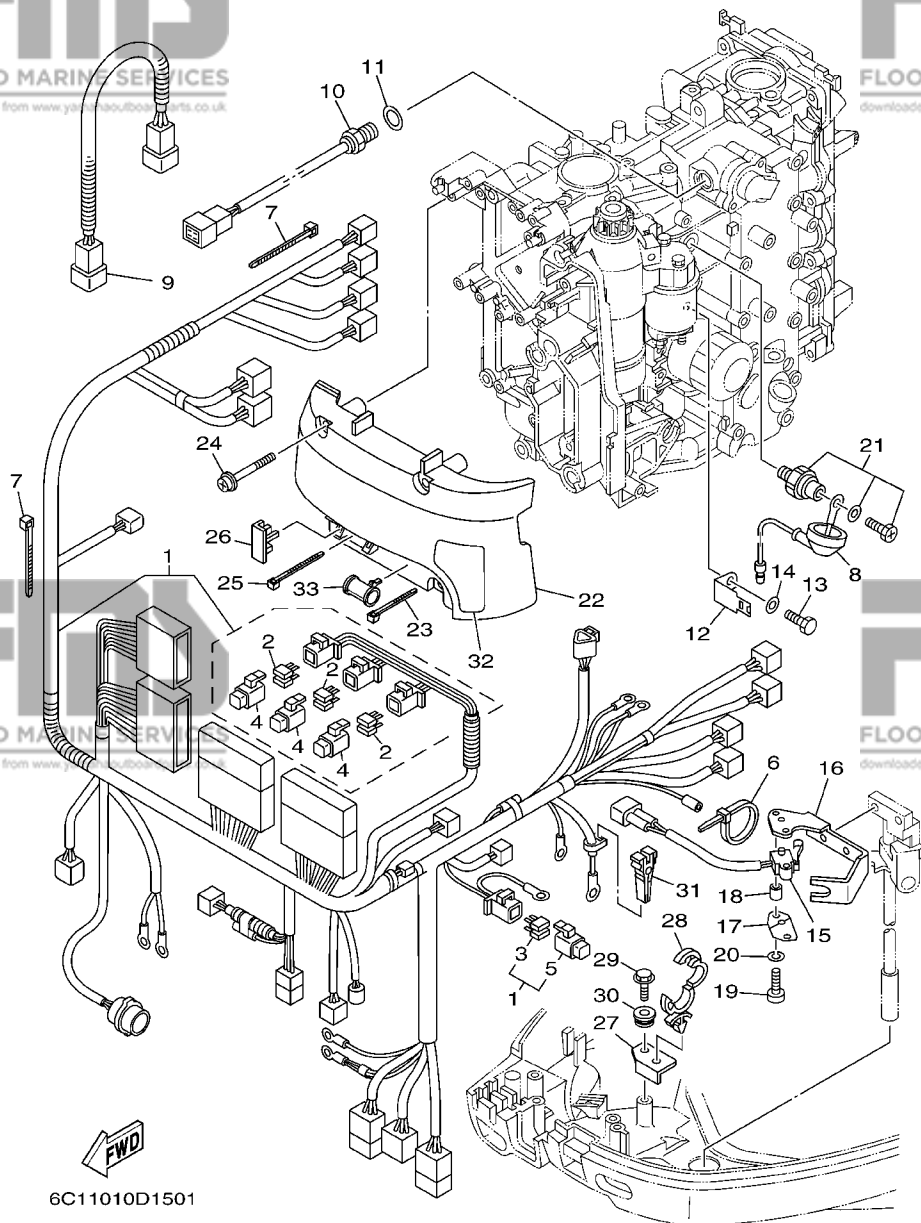
| REF. NO. | PART NO. N° PIECES | DESCRIPTION DESCRIPTION | ED | ET | REMARKS REMARQUES |
|----------|--------------------|---|----|----|-------------------|
| 28 | 682-82119-01 | COVER, LEAD WIRE GARNITURE, FIL | | 2 | |
| 29 | 97095-06010 | BOLT BOULON | | 2 | |
| 30 | 92995-06100 | WASHER, SPRING RONDELLE, GROWER | | 2 | |
| 31 | 92995-06600 | WASHER RONDELLE | | 2 | |
| 32 | 97013-06020 | BOLT BOULON | | 2 | |
| 33 | 92903-06600 | WASHER, PLATE RONDELLE, PLATE | | 2 | |
| 34 | 68V-8194A-00 | RELAY RELAIS | 1 | 1 | |
| 35 | 97095-06010 | BOLT BOULON | 2 | 2 | |
| 36 | 92995-06100 | WASHER, SPRING RONDELLE, GROWER | 2 | 2 | |
| 37 | 92995-06600 | WASHER RONDELLE | 2 | 2 | |
| 38 | 6G5-82119-00 | COVER, LEAD WIRE GARNITURE, FIL | 2 | 2 | |
| 39 | 6C5-81953-00 | STAY, RELAY SUPPORT, RELAIS | 1 | 1 | |
| 40 | 90465-11M10 | CLAMP BRIDE | 1 | 1 | |
| 41 | 97780-60620 | SCREW, TAPPING VIS, TETE BOMBEE | 1 | 1 | |
| 42 | 90465-13M97 | CLAMP BRIDE | 1 | 1 | |
| 43 | 63D-82563-10 | TRIM & TILT SWITCH ASSY INCLINER ET PARER COMMUTATEUR | 1 | | |
| 44 | 6C5-83614-00 | BRACKET SUPPORT | | 1 | |
| 45 | 90109-06M86 | BOLT BOULON | | 2 | |
| 46 | 6E5-82587-00 | GASKET JOINT | | 1 | |
| 47 | 90465-13M97 | CLAMP BRIDE | | 1 | |

D1

FIG. 15 ELECTRICAL 3

PARTIE ELECTRIQUE 3

| REF. NO. | PART NO. N° PIECES | DESCRIPTION DESCRIPTION | QTY | UNIT | REMARKS REMARQUES |
|----------|--------------------|--|-----|------|-------------------|
| 1 | 6C5-82590-20 | WIRE HARNESS ASSY FAISCEAU DE FILS COMPLET | 1 | | |
| | 6C5-82590-10 | WIRE HARNESS ASSY FAISCEAU DE FILS COMPLET | 1 | | |
| 2 | 67F-82151-00 | .FUSE (20A) .FUSIBLE (20A) | 6 | 6 | |
| 3 | 67F-82151-10 | .FUSE (30A) .FUSIBLE (30A) | 2 | 2 | |
| 4 | 67F-8215B-10 | .CAP (YELLOW) .BOUCHON (YELLOW) | 3 | 3 | |
| 5 | 67F-8215B-20 | .CAP (GREEN) .BOUCHON (GREEN) | 1 | 1 | |
| 6 | 90465-13M24 | CLAMP BRIDE | 1 | 1 | |
| 7 | 90465-13M11 | CLAMP BRIDE | 2 | 2 | |
| 8 | 68V-81315-00 | LEAD WIRE ASSY FIL | 1 | 1 | |
| 9 | 6C5-82553-00 | EXTENSION, WIRE LEAD EXTENSION, FAISCEAU | 1 | 1 | |
| 10 | 6C5-85790-00 | THERMOSENSOR ASSY SENSITOMETRE | 1 | 1 | |
| 11 | 90430-14115 | GASKET JOINT | 1 | 1 | |
| 12 | 6C5-82388-00 | PLATE PLAQUETTE | 1 | 1 | |
| 13 | 97095-06014 | BOLT BOULON | 1 | 1 | |
| 14 | 92995-06600 | WASHER RONDELLE | 1 | 1 | |
| 15 | 60V-8259F-00 | SWITCH ASSY COMMUTATEUR | 1 | 1 | |
| 16 | 6C5-82554-00 | STAY, NEUTRAL SWITCH SUPPORT, CONT DE POINT-MORT | 1 | 1 | |
| 17 | 61A-82588-01 | PLATE PLAQUE | 1 | 1 | |
| 18 | 90387-04001 | COLLAR COLLERETTE | 1 | 1 | |
| 19 | 97885-04016 | SCREW, PAN HEAD VIS, A ENCOCHE | 2 | 2 | |
| 20 | 92995-04100 | WASHER RONDELLE | 2 | 2 | |
| 21 | 64J-82504-00 | OIL PRESSURE SWITCH ASSY CONTACTEUR DE PRESSION D'HUILE | 1 | 1 | |
| 22 | 6C5-81942-00 | COVER COUVERCLE | 1 | 1 | |
| 23 | 90465-13M39 | CLAMP BRIDE | 1 | 1 | |
| 24 | 90159-06M14 | SCREW, WITH WASHER VIS, AVEC RONDELLE | 4 | 4 | |
| 25 | 90465-13M24 | CLAMP BRIDE | 1 | 1 | |
| 26 | 6C5-82176-00 | DAMPER AMORTISSEUR | 2 | 2 | |

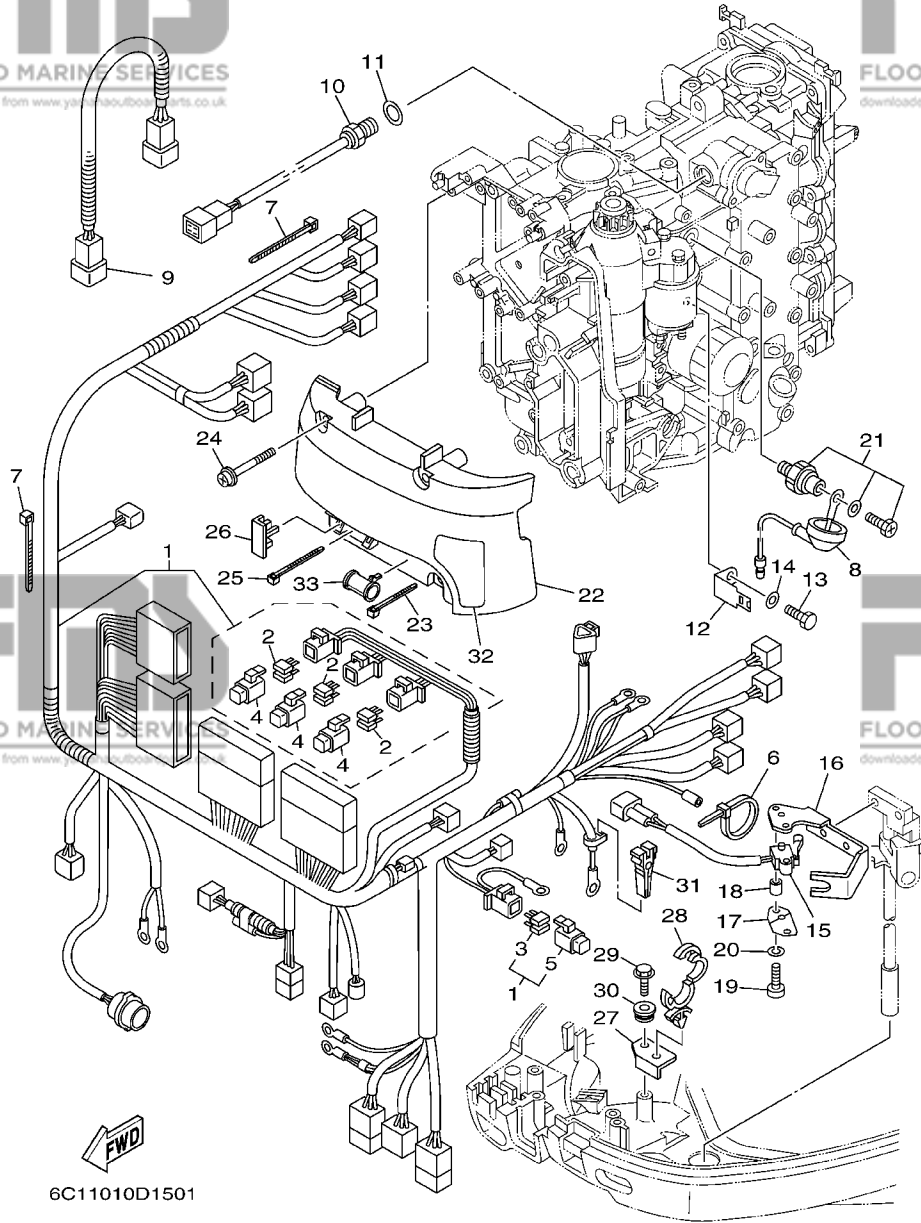


D2

FIG. 15 ELECTRICAL 3

PARTIE ELECTRIQUE 3

| REF. NO. | PART NO. N° PIECES | DESCRIPTION DESCRIPTION | QTY | UNIT | REMARKS REMARQUES |
|----------|--------------------|--|-----|------|---------------------------|
| 27 | 6C5-42811-00 | STAY SUPPORT | 1 | 1 | |
| 28 | 90464-18246 | CLAMP BRIDE | 1 | 1 | |
| 29 | 90109-06M80 | BOLT BOULON | 1 | 1 | |
| 30 | 90480-12072 | GROMMET PASSE-FIL | 1 | 1 | |
| 31 | 67F-2812A-00 | PULLER, FUSE TENDEUR, FUSIBLE | 1 | 1 | |
| 32 | 6C5-81919-00 | GRAPHIC, REGULATOR ADHESIF, REGULATEUR | 1 | 1 | |
| 33 | 6C5-8252R-00 | DAMPER AMORTISSEUR | 1 | 1 | 6C1:1005590-,6C5:1006593- |

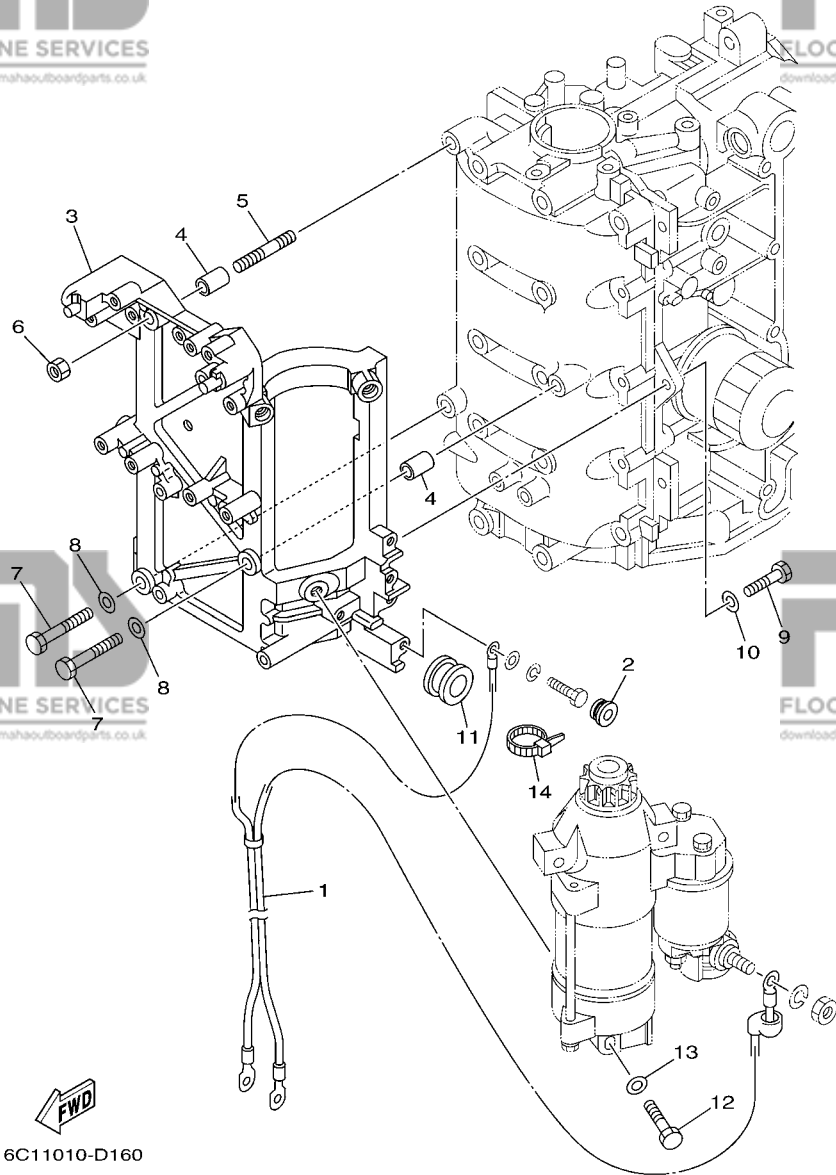


6C11010D1501

D3

FIG. 16 ELECTRICAL 4

PARTIE ELECTRIQUE 4



6C11010-D160

| REF. NO. | PART NO. N° PIECES | DESCRIPTION DESCRIPTION | QTY | UNIT | REMARKS REMARQUES |
|----------|--------------------|--|-----|------|-------------------|
| 1 | 6C5-82105-00 | WIRE HARNESS FAISCEAU DE FILS | 1 | 1 | |
| 2 | 90480-12072 | GROMMET PASSE-FIL | 1 | 1 | |
| 3 | 6C5-81822-00-94 | BRACKET, STARTING MOTOR SUPPORT, DEMARREUR ELECTRIQUE | 1 | 1 | |
| 4 | 99590-10114 | PIN, DOWEL GOIJON, D'ASSEMBLAGE | 2 | 2 | |
| 5 | 95680-08330 | BOLT, STUD GOIJON | 1 | 1 | |
| 6 | 95380-08600 | NUT ECROU | 1 | 1 | |
| 7 | 97095-08035 | BOLT BOULON | 2 | 2 | |
| 8 | 92995-08600 | WASHER RONDELLE | 2 | 2 | |
| 9 | 97095-08025 | BOLT BOULON | 2 | 2 | |
| 10 | 92995-08600 | WASHER RONDELLE | 2 | 2 | |
| 11 | 90480-24003 | GROMMET PASSE-FIL | 1 | 1 | |
| 12 | 97013-08045 | BOLT BOULON | 3 | 3 | |
| 13 | 92903-08600 | WASHER, PLATE RONDELLE, PLATE | 3 | 3 | |
| 14 | 90465-13M18 | CLAMP BRIDE | 1 | 1 | |

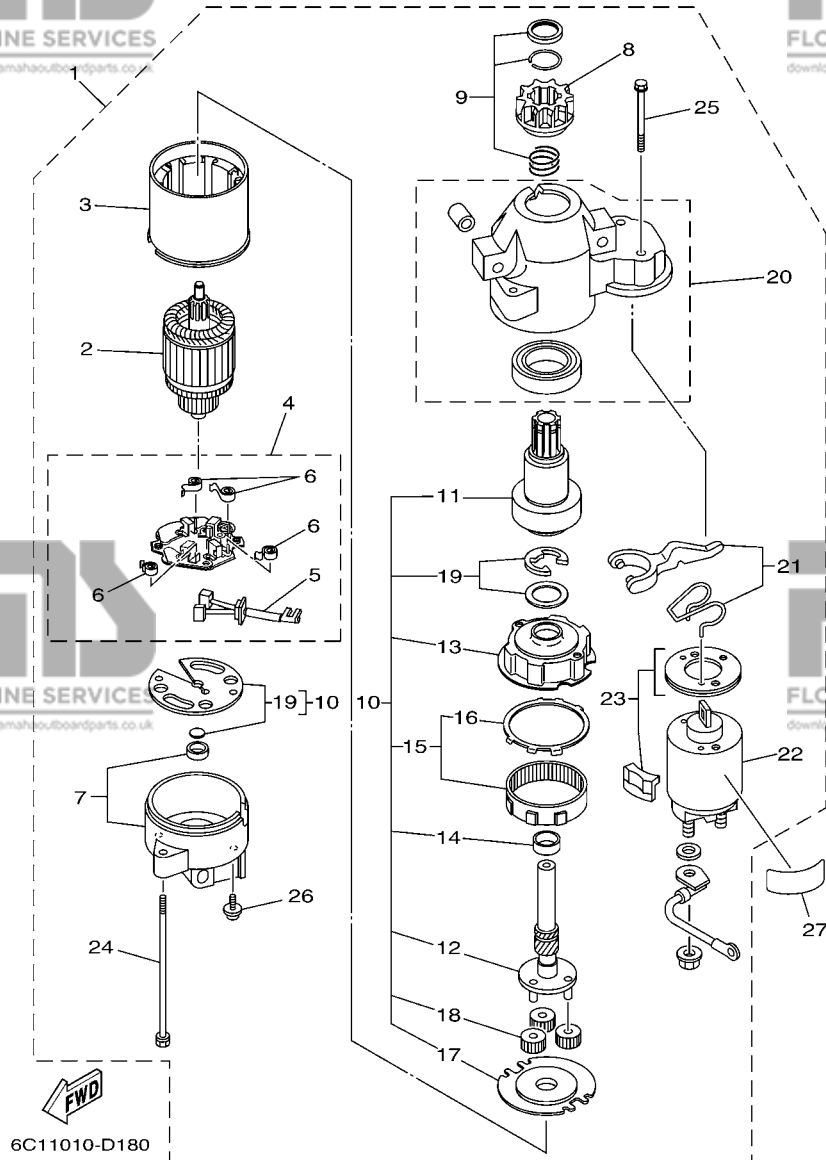


FIG. 17 STARTING MOTOR

DEMARREUR ELECTRIQUE

| REF. NO. | PART NO. N° PIECES | DESCRIPTION DESCRIPTION | QTY | UNIT | REMARKS REMARQUES |
|----------|--------------------|---|-----|------|-------------------|
| 1 | 6C5-81800-00 | STARTING MOTOR ASSY DEMARREUR ELECTRIQUE COMPLET | 1 | 1 | |
| 2 | 67F-81850-00 | .ARMATURE ASSY .INDUIT | 1 | 1 | |
| 3 | 67F-81810-00 | .STATOR ASSY .STATOR COMPLET | 1 | 1 | |
| 4 | 69J-81840-00 | .BRUSH HOLDER ASSY .SUPPORT DE CHARBON | 1 | 1 | |
| 5 | 69J-81801-00 | ..BRUSH SET ..CHARBON | 1 | 1 | |
| 6 | 67F-81813-00 | ..SPRING, BRUSH ..RESSORT, DE CHARBON | 4 | 4 | |
| 7 | 68F-81820-00 | .REAR BRACKET ASSY .SUPPORT ARRIERE COMPLET | 1 | 1 | |
| 8 | 67F-81808-00 | .PINION ASSY .PIGNON | 1 | 1 | |
| 9 | 67F-81857-00 | .PINION STOPPER SET .BUTEE PIGNON | 1 | 1 | |
| 10 | 67F-81807-00 | .GEAR ASSY, STARTING MOTOR .PIGNON, DEMARREUR ELECTRIQUE | 1 | 1 | |
| 11 | 67F-81832-00 | ..CLUTCH, OVER RUN ..EMBAYAGE, ROUE LIBRE | 1 | 1 | |
| 12 | 67F-81836-00 | ..SHAFT, PINION ..AXE, PIGNON | 1 | 1 | |
| 13 | 67F-81821-00 | ..BRACKET, CENTER 1 ..SUPPORT, CENTRE 1 | 1 | 1 | |
| 14 | 67F-81841-00 | ..BEARING ..ROULEMENT | 1 | 1 | |
| 15 | 67F-81891-00 | ..GEAR, RING ..ROUE DENTEE | 1 | 1 | |
| 16 | 67F-8183R-00 | ...GASKET ...JOINT | 1 | 1 | |
| 17 | 67F-81830-00 | ..BRACKET, CENTER 2 ..SUPPORT, CENTRE 2 | 1 | 1 | |
| 18 | 60V-8183T-00 | ..GEAR, IDLER ..PIGNON, INTERMEDIAIRE | 3 | 3 | |
| 19 | 67F-81809-00 | ..WASHER KIT ..JEU DE RONDELLES | 1 | 1 | |
| 20 | 6C5-81842-00 | .COVER .COUVERCLE | 1 | 1 | |
| 21 | 69J-81839-00 | .LEVER ASSY .LEVIER COMPLET | 1 | 1 | |
| 22 | 6C5-81941-00 | .STARTER RELAY ASSY .LANCEUR RELAIS (ENS.) | 1 | 1 | |
| 23 | 69J-81869-00 | .COVER, DUST .COUVERCLE, POUSSIERE | 1 | 1 | |
| 24 | 6K7-81826-10 | .BOLT .BOULON | 2 | 2 | |
| 25 | 69J-81828-00 | .BOLT 2 ..RONDELLE, BUTEE 2 | 2 | 2 | |
| 26 | 67F-81846-00 | .SCREW .VIS | 2 | 2 | |
| 27 | 67F-83627-01 | LABEL, CAUTION 7 ETIQUETTE, RECOMMANDATION 7 | 1 | 1 | |

D5

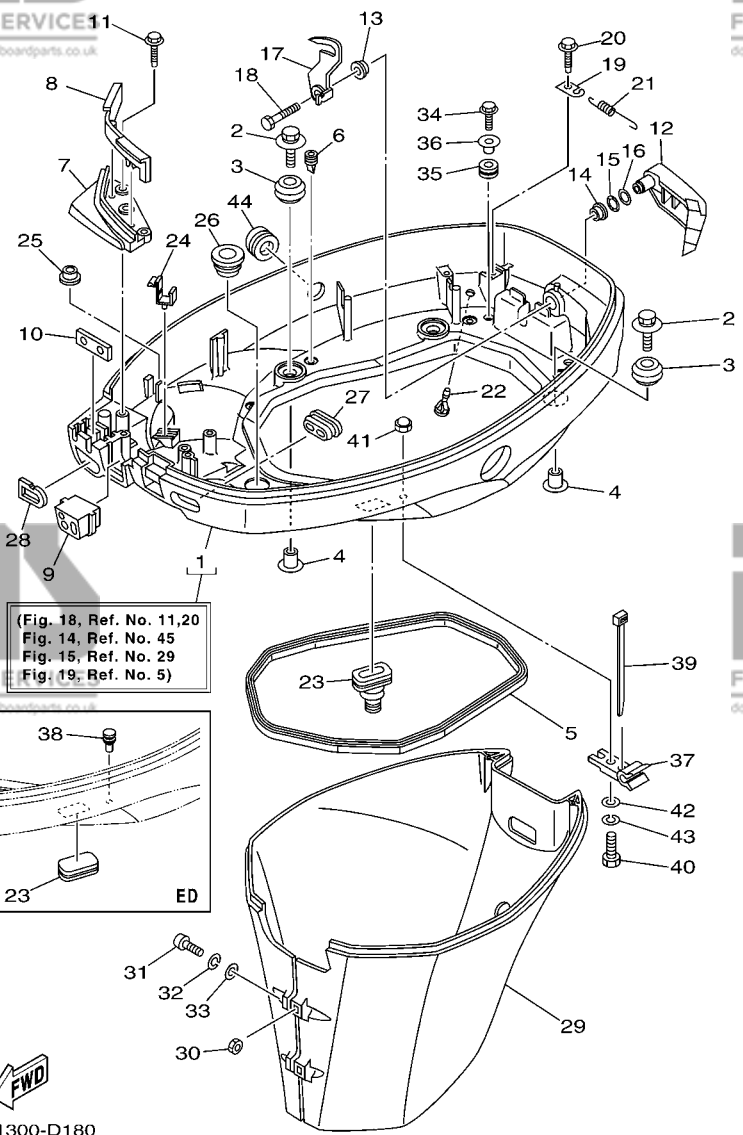


FIG. 18 BOTTOM COWLING 1

CAPOT INFERIEUR 1

| REF. NO. | PART NO. N° PIECES | DESCRIPTION DESCRIPTION | QTY | QTY | REMARKS REMARQUES |
|----------|--------------------|---|-----|-----|-------------------|
| 1 | 6C5-42710-00-4D | BOTTOM COWLING ASSY ENS. EMBASE | 1 | 1 | |
| | 6C5-42710-10-4D | BOTTOM COWLING ASSY ENS. EMBASE | | 1 | |
| 2 | 90119-06M08 | BOLT, WITH WASHER BOULON, AVEC RONDELLE | 4 | 4 | |
| 3 | 90480-09M12 | GROMMET PASSE-FIL | 4 | 4 | |
| 4 | 90387-06060 | COLLAR COLLERETTE | 4 | 4 | |
| 5 | 62Y-42716-00 | RUBBER, SEAL 1 JOINT EN CAOUTCHOUC 1 | 1 | 1 | |
| 6 | 65W-42717-00 | RUBBER, SEAL 2 JOINT EN CAOUTCHOUC 2 | 4 | 4 | |
| 7 | 6C5-42738-00-4D | PLATE, FITTING ETRIER | 1 | 1 | |
| 8 | 6C5-42718-00 | RUBBER, SEAL 3 JOINT | 1 | 1 | |
| 9 | 6C5-42725-30 | GROMMET PASSE-FIL | 1 | 1 | |
| 10 | 62Y-42727-00 | GROMMET PASSE-FIL | 1 | 1 | |
| 11 | 90109-06M81 | BOLT BOULON | 3 | 3 | |
| 12 | 67C-42815-00-4D | LEVER, CLAMP LEVIER, PRESSE | 1 | 1 | |
| 13 | 90386-12M37 | BUSH DOUILLE | 1 | 1 | |
| 14 | 90386-12MA2 | BUSH DOUILLE | 1 | 1 | |
| 15 | 90206-12052 | WASHER, WAVE RONDELLE, ONDULEE | 1 | 1 | |
| 16 | 90201-12M07 | WASHER, PLATE RONDELLE, PLATE | 1 | 1 | |
| 17 | 67C-42816-01 | LEVER, CLAMP LEVIER, PRESSE | 1 | 1 | |
| 18 | 97095-06014 | BOLT BOULON | 1 | 1 | |
| 19 | 66T-43144-00 | HOOK, SPRING CROCHET | 1 | 1 | |
| 20 | 90109-06M86 | BOLT BOULON | 1 | 1 | |
| 21 | 90506-18M40 | SPRING, TENSION RESSORT, TENSION | 1 | 1 | |
| 22 | 6H3-44391-01 | NIPPLE, HOSE RACCORD D'ESSENCE | 1 | 1 | |
| 23 | 6H4-42726-00 | GROMMET PASSE-FIL | 1 | 1 | |
| | 6C5-42724-00 | GROMMET PASSE-FIL | | 1 | |
| 24 | 90464-09M13 | CLAMP BRIDE | 1 | 1 | |
| 25 | 6E7-82317-00 | DAMPER, IGNITION COIL AMORTISSEUR, BOBINE D'ALLUM | 1 | 1 | |

D6

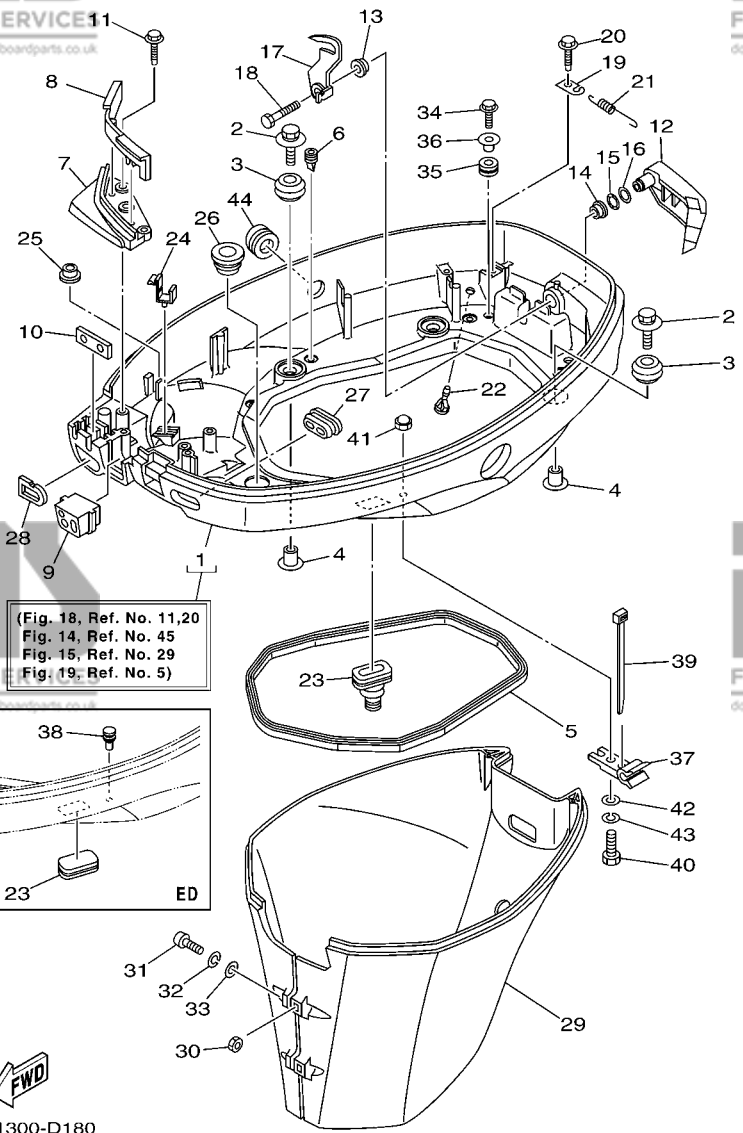


FIG. 18 BOTTOM COWLING 1

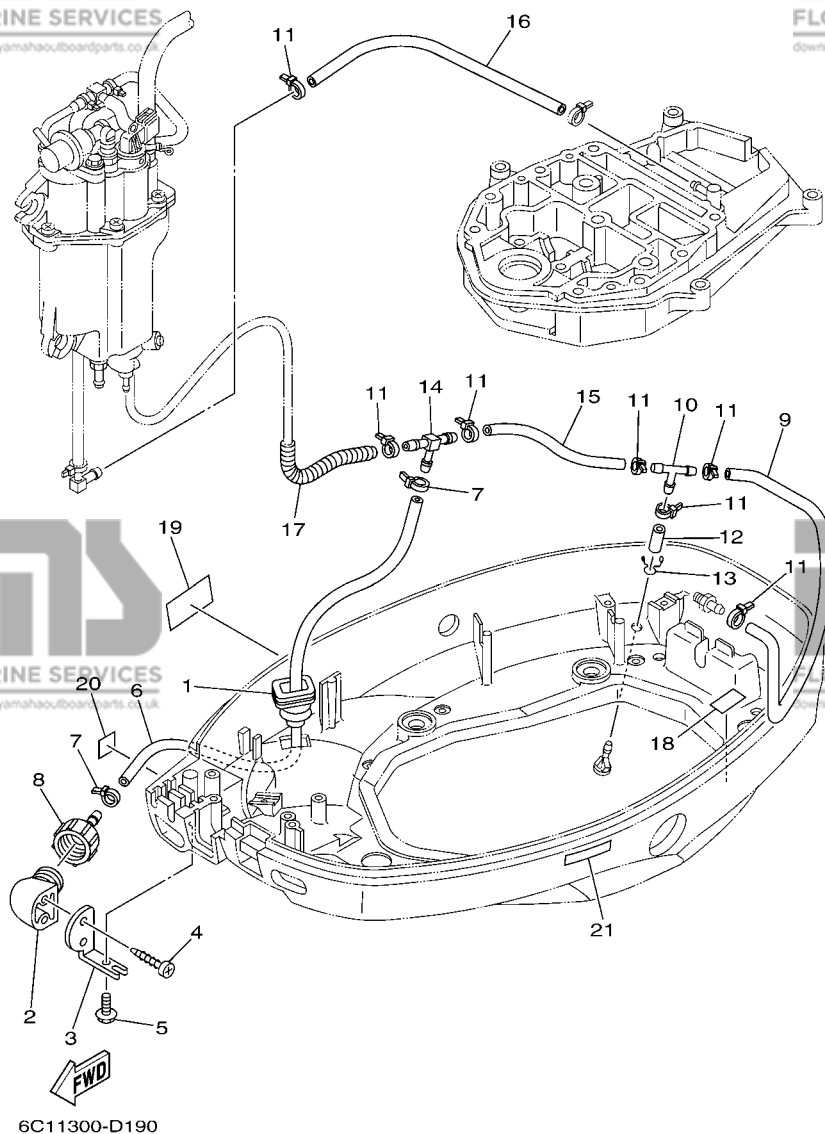
CAPOT INFERIEUR 1

| REF. NO. | PART NO. N° PIECES | DESCRIPTION DESCRIPTION | ED | ET | REMARKS REMARQUES |
|----------|--------------------|---------------------------------------|----|----|-------------------|
| 26 | 68U-42727-00 | GROMMET PASSE-FIL | 1 | 1 | |
| 27 | 6H3-42727-00 | GROMMET PASSE-FIL | 1 | 1 | |
| 28 | 61N-24329-00 | SEAL JOINT | 1 | 1 | |
| 29 | 67C-42741-10-4D | APRON CAPOT LATERAL | 1 | 1 | |
| 30 | 95380-06600 | NUT, HEXAGON ECROU | 2 | 2 | |
| 31 | 97880-06025 | SCREW, PAN HEAD VIS, TETE TRONCONIQUE | 2 | 2 | |
| 32 | 92990-06100 | WASHER, SPRING RONDELLE, GROWER | 2 | 2 | |
| 33 | 92990-06600 | WASHER, PLATE RONDELLE, PLATE | 2 | 2 | |
| 34 | 90109-06M80 | BOLT BOULON | 2 | 2 | |
| 35 | 90480-13M24 | GROMMET PASSE-FIL | 2 | 2 | |
| 36 | 90387-06M43 | COLLAR COLLERETTE | 2 | 2 | |
| 37 | 90464-09M49 | CLAMP BRIDE | 1 | 1 | |
| 38 | 90338-07004 | PLUG PLOT | 1 | 1 | |
| 39 | 90465-11M10 | CLAMP BRIDE | 2 | 2 | |
| 40 | 97095-06020 | BOLT BOULON | 1 | 1 | |
| 41 | 95380-06800 | NUT ECROU | 1 | 1 | |
| 42 | 92990-06600 | WASHER, PLATE RONDELLE, PLATE | 1 | 1 | |
| 43 | 92995-06100 | WASHER, SPRING RONDELLE, GROWER | 1 | 1 | |
| 44 | 6C5-42726-00 | GROMMET PASSE-FIL | 1 | 1 | |

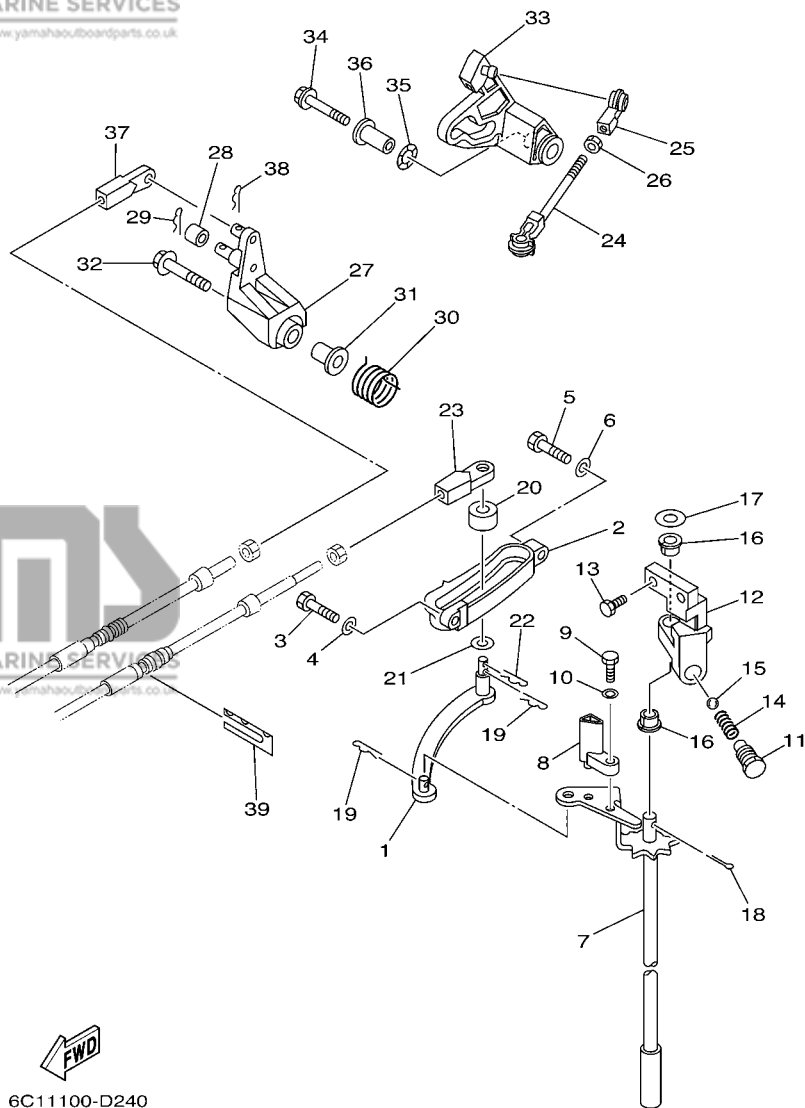
D7

FIG. 19 BOTTOM COWLING 2

CAPOT INFERIEUR 2



| REF. NO. | PART NO. N° PIECES | DESCRIPTION DESCRIPTION | Q | U | REMARKS REMARQUES |
|----------|--------------------|--|---|---|-------------------|
| 1 | 65W-42724-10 | GROMMET PASSE-FIL | 1 | 1 | |
| 2 | 68T-12572-00 | ADAPTER ADAPTATEUR | 1 | 1 | |
| 3 | 69W-12535-00 | PLATE PLAQUE | 1 | 1 | |
| 4 | 90167-06002 | SCREW, TAPPING VIS, TETE FRAISEE | 2 | 2 | |
| 5 | 90109-06M80 | BOLT BOULON | 1 | 1 | |
| 6 | 6C5-24312-00 | PIPE 2 DURITE 2 | 1 | 1 | |
| 7 | 90465-11M10 | CLAMP BRIDE | 2 | 2 | |
| 8 | 6R3-12580-00 | JOINT ASSY ARTICULER (ENS.) | 1 | 1 | |
| 9 | 90445-09226 | HOSE (L390) DURITE (L390) | 1 | 1 | |
| 10 | 688-24378-00 | PIPE, JOINT 4 DURITE RACCORDEMENT 4 | 1 | 1 | |
| 11 | 90465-11M10 | CLAMP BRIDE | 7 | 7 | |
| 12 | 90445-09220 | HOSE (L30) DURITE (L30) | 1 | 1 | |
| 13 | 90467-08M18 | CLIP JONC | 1 | 1 | |
| 14 | 6C5-24378-00 | PIPE, JOINT 4 DURITE RACCORDEMENT 4 | 1 | 1 | |
| 15 | 90445-09091 | HOSE (L135) DURITE (L135) | 1 | 1 | |
| 16 | 90445-09104 | HOSE (L300) DURITE (L300) | 1 | 1 | |
| 17 | 90447-10006 | HOSE, WITH SPRING DURITE, AVEC RESSORT | 1 | 1 | |
| 18 | 6C5-82377-00 | LABEL ETIQUETTE | 1 | 1 | |
| 19 | 62Y-13444-50 | MARK MAKER | 1 | 1 | |
| 20 | 6A1-28176-00 | LABEL, CAUTION ETIQUETTE, RECOMMANDATION | 1 | 1 | |
| 21 | 6E3-8257H-00 | PLATE, MARK PLAQUE, ADHESIF | 1 | 1 | |

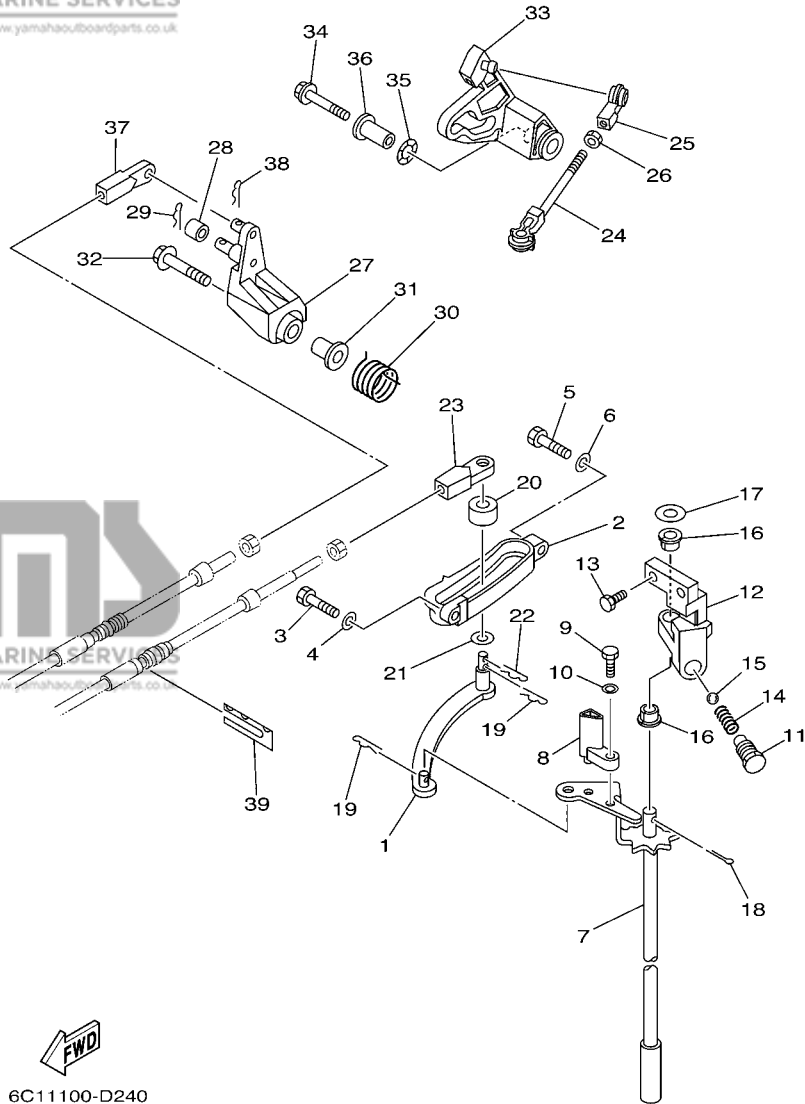


6C11100-D240

FIG. 20 CONTROL

COMMANDE

| REF. NO. | PART NO. N° PIECES | DESCRIPTION DESCRIPTION | QTY | UNIT | REMARKS REMARQUES |
|----------|--------------------|---|-----|------|-------------------|
| 1 | 69W-44121-00 | LEVER, SHIFT ROD LEVIER, TIGE D'INVERSION | 1 | 1 | |
| 2 | 62Y-44117-01-4D | BRACKET SUPPORT | 1 | 1 | |
| 3 | 97095-06020 | BOLT BOULON | 1 | 1 | |
| 4 | 92995-06600 | WASHER RONDELLE | 1 | 1 | |
| 5 | 97095-06025 | BOLT BOULON | 1 | 1 | |
| 6 | 92995-06600 | WASHER RONDELLE | 1 | 1 | |
| 7 | 6C5-44120-00 | HANDLE GEAR SHIFT ASSY LEVIER D'EMBRAYAGE | 1 | 1 | L L |
| 8 | 6C5-44122-00 | BUSHING, SHIFT ROD LEVER DOUILLE, LEVIER D'EMBRAYAGE | 1 | 1 | |
| 9 | 97095-05014 | BOLT BOULON | 1 | 1 | |
| 10 | 92995-05600 | WASHER RONDELLE | 1 | 1 | |
| 11 | 62Y-42715-01 | BUSHING COUSSINET | 1 | 1 | |
| 12 | 62Y-44118-00 | BRACKET SUPPORT | 1 | 1 | |
| 13 | 97095-06020 | BOLT BOULON | 2 | 2 | |
| 14 | 90501-12082 | SPRING, COMPRESSION RESSORT, COMPRESSION | 1 | 1 | |
| 15 | 93501-04M02 | BALL BILLE | 1 | 1 | |
| 16 | 90386-90M90 | BUSH DOUILLE | 2 | 2 | |
| 17 | 90201-10M20 | WASHER, PLATE RONDELLE, PLATE | 1 | 1 | |
| 18 | 91490-20015 | PIN, COTTER GOUPILLE | 1 | 1 | |
| 19 | 90468-18008 | CLIP JONC | 2 | 2 | |
| 20 | 688-44122-00 | BUSHING, SHIFT ROD LEVER DOUILLE, LEVIER D'EMBRAYAGE | 1 | 1 | |
| 21 | 90202-07M07 | WASHER, PLATE RONDELLE, PLATE | 1 | 1 | |
| 22 | 90468-18008 | CLIP JONC | 1 | 1 | |
| 23 | 69W-48344-00 | CABLE END, REMOTE CONTROL CHAPE CABLE | 1 | 1 | |
| 24 | 688-41211-01 | LINK, ACCEL. BIELLETTE, ACCELERATION | 1 | 1 | |
| 25 | 6H4-41237-00 | JOINT, LINK RACCORD | 1 | 1 | |
| 26 | 95380-05700 | NUT ECROU | 1 | 1 | |
| 27 | 62Y-42154-00 | LEVER, THROTTLE CONTROL LEVIER DE COMMANDE D'AVANCE | 1 | 1 | |



6C11100-D240

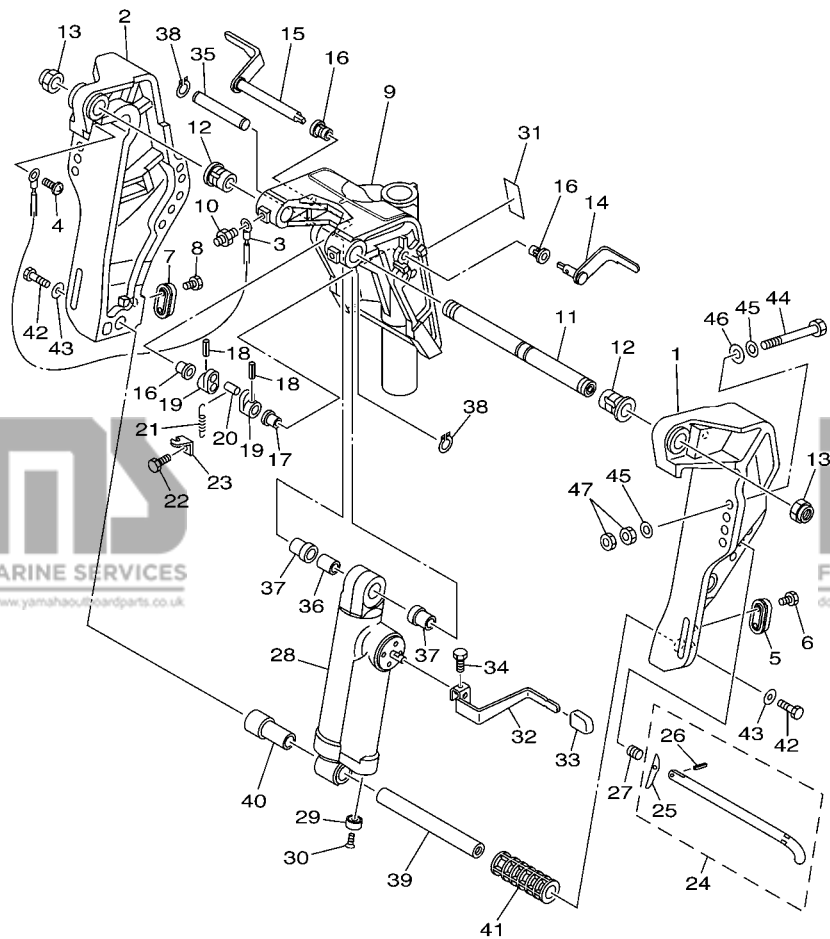
FIG. 20 CONTROL

COMMANDE

| REF. NO. | PART NO. N° PIECES | DESCRIPTION DESCRIPTION | QTY | UNIT | REMARKS REMARQUES |
|----------|--------------------|---|-----|------|-------------------|
| 28 | 6C5-42171-00 | BUSHING COUSSINET | 1 | 1 | |
| 29 | 91490-16010 | PIN, COTTER GOUIPILLE | 1 | 1 | |
| 30 | 62Y-44135-00 | SPRING RESSORT | 1 | 1 | |
| 31 | 90387-06M45 | COLLAR COLLERETTE | 1 | 1 | |
| 32 | 90119-06106 | BOLT, WITH WASHER BOULON, AVEC RONDELLE | 1 | 1 | |
| 33 | 6C5-42335-00 | LEVER, ACCEL. CONTROL LEVIER, ACCELERATION | 1 | 1 | |
| 34 | 95895-06035 | BOLT, FLANGE BOULON | 1 | 1 | |
| 35 | 90206-10M04 | WASHER, WAVE RONDELLE, ONDULEE | 1 | 1 | |
| 36 | 90387-06M82 | COLLAR COLLERETTE | 1 | 1 | |
| 37 | 69W-48344-00 | CABLE END, REMOTE CONTROL CHAPE CABLE | 1 | 1 | |
| 38 | 90468-18008 | CLIP JONC | 1 | 1 | |
| 39 | 62Y-48538-00 | CLAMP, CABLE 1 COLLIER | 1 | 1 | |

FIG. 21 BRACKET 1

SUPPORT 1



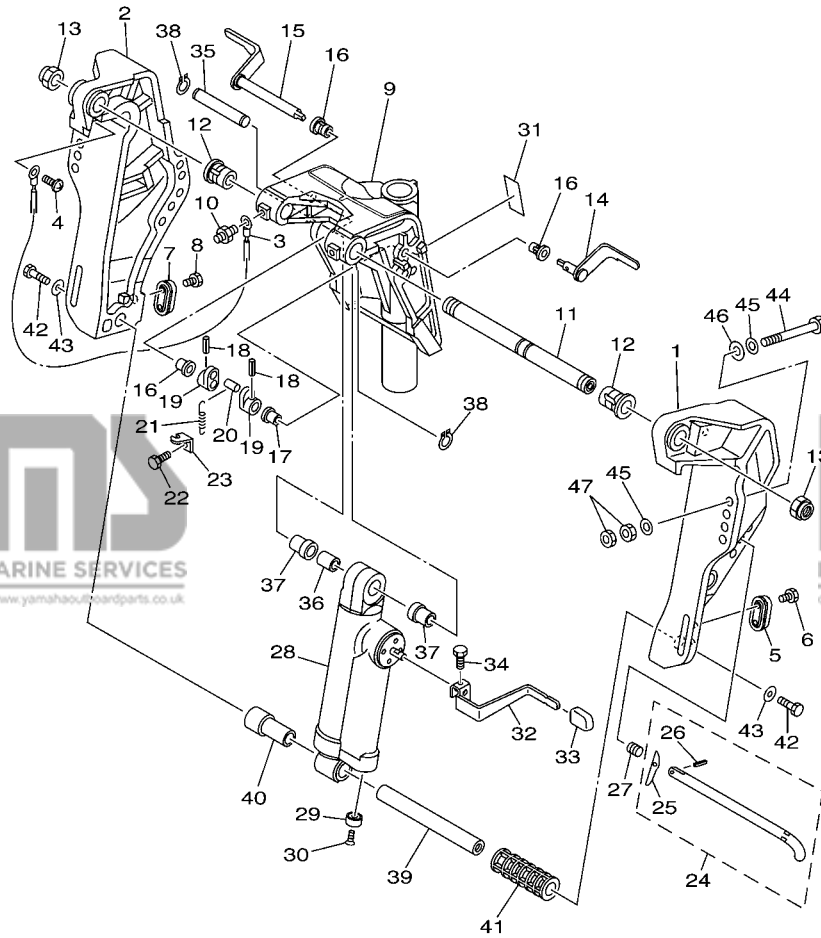
6C11300-D210

| REF. NO. | PART NO. N° PIECES | DESCRIPTION DESCRIPTION | QTY | LT | REMARKS REMARQUES |
|----------|--------------------|--|-----|----|-------------------|
| 1 | 6C1-43111-00-4D | BRACKET, CLAMP PRESSE | 1 | | |
| 2 | 6C1-43112-00-4D | BRACKET, CLAMP PRESSE | 1 | | |
| 3 | 6E5-82148-00 | WIRE, LEAD 4 FIL 4 | 1 | | |
| 4 | 97885-06008 | SCREW, PAN HEAD VIS, A ENCOCHE | 1 | | |
| 5 | 65W-45251-00 | ANODE ANODE | 1 | | |
| 6 | 90101-06020 | BOLT BOULON | 2 | | |
| 7 | 65W-45251-00 | ANODE ANODE | 1 | | |
| 8 | 90101-06020 | BOLT BOULON | 2 | | |
| 9 | 6C5-43311-00-4D | BRACKET, SWIVEL 1 SUPPORT, PIVOT 1 | 1 | | |
| 10 | 93700-06M03 | NIPPLE, GREASE PION | 3 | | |
| 11 | 63D-43131-01 | BOLT, CLAMP BRACKET BOULON, PRESSE | 1 | | |
| 12 | 90386-22MA4 | BUSH DOUILLE | 2 | | |
| 13 | 90185-22M11 | NUT, SELF-LOCKING ECROU, AUTO-BLOQUANT | 2 | | |
| 14 | 6C5-43181-00 | LEVER, TILT STOP LEVIER, VERROUILLAGE RELEVAGE | 1 | | |
| 15 | 6C5-43185-00 | LEVER, TILT STOP LEVIER, VERROUILLAGE RELEVAGE | 1 | | |
| 16 | 90386-10M16 | BUSH DOUILLE | 3 | | |
| 17 | 90386-10025 | BUSH DOUILLE | 1 | | |
| 18 | 91690-30020 | PIN, SPRING AGRAFFE | 2 | | |
| 19 | 6G5-43148-00 | COLLAR, DISTANCE ENTRETOISE | 2 | | |
| 20 | 90249-06M19 | PIN GOUPILLE | 1 | | |
| 21 | 90506-14M24 | SPRING, TENSION RESSORT, TENSION | 1 | | |
| 22 | 97095-06010 | BOLT BOULON | 1 | | |
| 23 | 6G5-43144-00 | HOOK, SPRING CROCHET | 1 | | |
| 24 | 688-43160-01 | TILT ROD ASSY BROCHE D'INCLINAISON (ENS.) | 1 | | |
| 25 | 688-43165-00 | .PLATE, TILT LOCK .TAQUET, BROCHE INCLINAISON | 1 | | |
| 26 | 91690-30012 | .PIN, SPRING .AGRAFFE | 1 | | |
| 27 | 90502-16M02 | SPRING, CONICAL RESSORT, CONIQUE | 1 | | |

E4

FIG. 21 BRACKET 1

SUPPORT 1



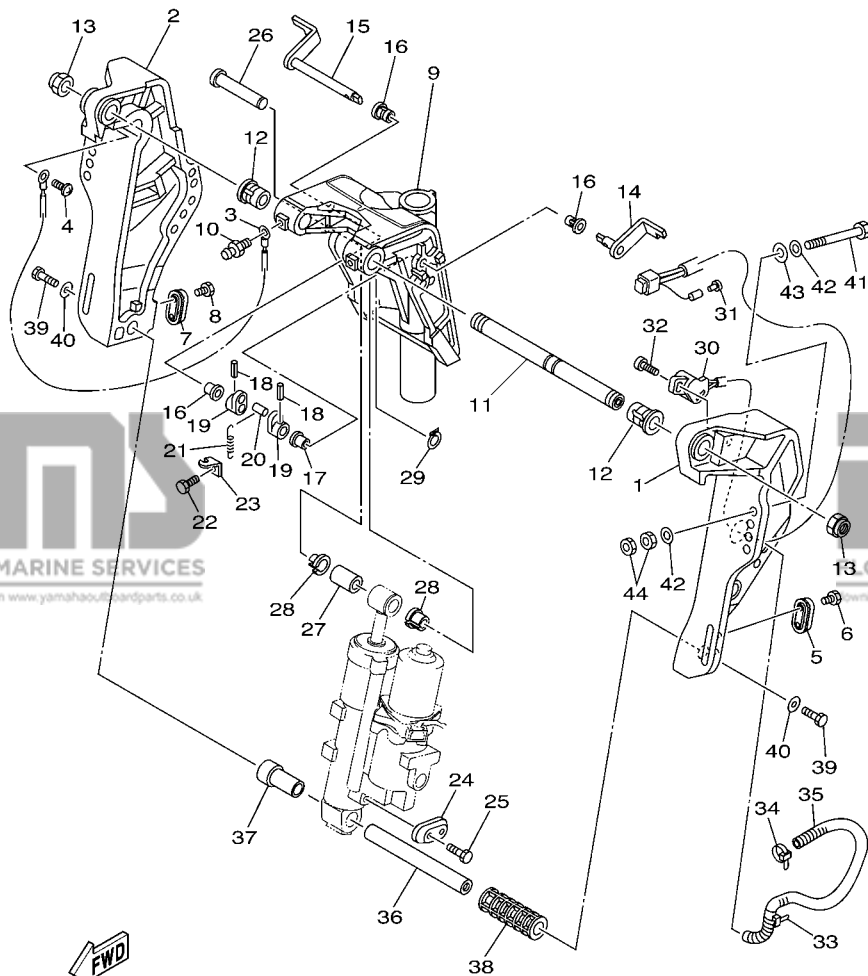
| REF. NO. | PART NO. N° PIECES | DESCRIPTION DESCRIPTION | QTY | LT | REMARKS REMARQUES |
|----------|--------------------|---|-----|----|-------------------|
| 28 | 64J-43170-00-4D | SHOCK ABSORBER ASSY AMORTISSEUR (ENS.) | 1 | | |
| 29 | 663-45251-00 | ANODE ANODE | 1 | | |
| 30 | 90152-06M01 | SCREW, COUNTERSUNK VIS, TETE NOYEE | 1 | | |
| 31 | 63D-43691-00 | INDICATOR, TILT ETIQUETTE, RELEVAGE | 1 | | |
| 32 | 6C1-43631-00 | LEVER, TILT LEVIER, INCLINAISON | 1 | | |
| 33 | 682-43318-01 | COVER CAPUCHON | 1 | | |
| 34 | 97095-06010 | BOLT BOULON | 1 | | |
| 35 | 69D-43126-00 | PIN, UPPER SHOCK MOUNT AXE, SUPERIEUR AMORTISSEUR | 1 | | |
| 36 | 90387-16003 | COLLAR COLLERETTE | 1 | | |
| 37 | 90387-16004 | COLLAR COLLERETTE | 2 | | |
| 38 | 93410-16006 | CIRCLIP CLIPS | 2 | | |
| 39 | 6C5-43818-00 | PIN, LOWER SHOCK MOUNT AXE, INFERIEUR AMORTISSEUR | 1 | | |
| 40 | 6C5-43833-00 | PIPE TUYAU | 1 | | |
| 41 | 6C5-43834-00 | PIPE TUYAU | 1 | | |
| 42 | 97080-08020 | BOLT BOULON | 2 | | |
| 43 | 90201-08M14 | WASHER, PLATE RONDELLE, PLATE | 2 | | |
| 44 | 90101-12M65 | BOLT BOULON | 4 | | |
| 45 | 92995-12200 | WASHER RONDELLE | 8 | | |
| 46 | 90201-12426 | WASHER, PLATE RONDELLE, PLATE | 4 | | |
| 47 | 95380-12600 | NUT ECROU | 8 | | |



6C11300-D210

FIG. 22 BRACKET 2

SUPPORT 2



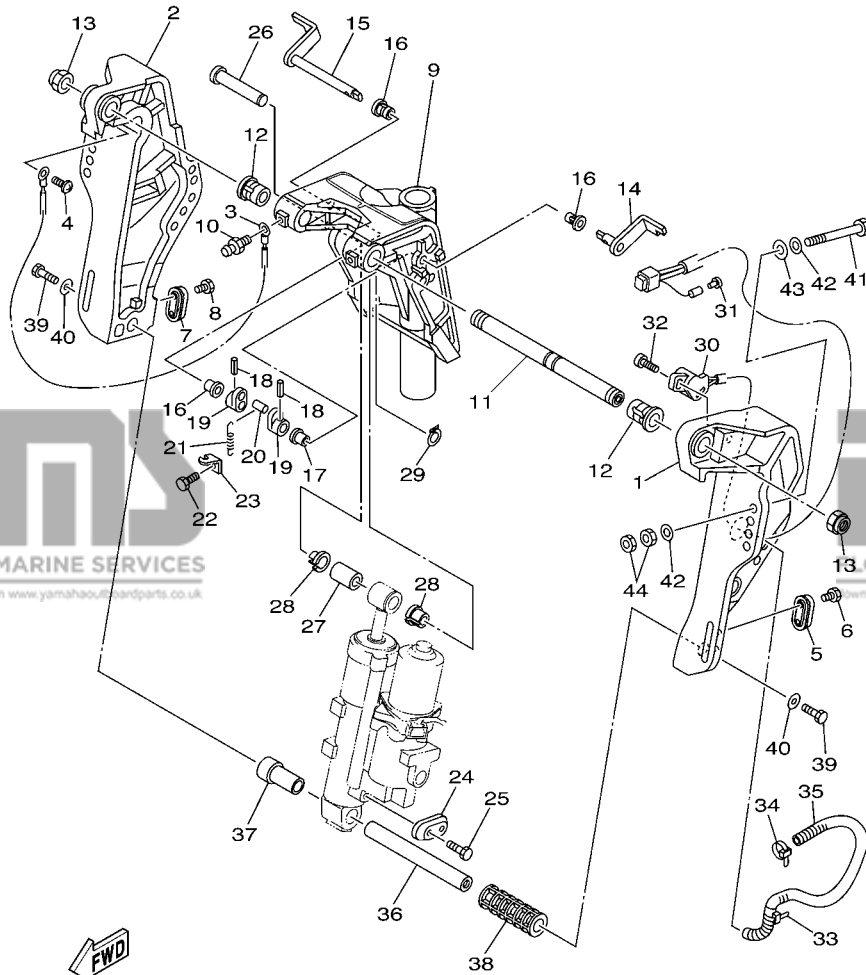
6C11300-D220

| REF. NO. | PART NO. N° PIECES | DESCRIPTION DESCRIPTION | ED | ET | REMARKS REMARQUES |
|----------|--------------------|---|----|----|-------------------|
| 1 | 6C5-43111-00-4D | BRACKET, CLAMP PRESSE | | 1 | |
| 2 | 6C5-43112-00-4D | BRACKET, CLAMP PRESSE | | 1 | |
| 3 | 6E5-82148-00 | WIRE, LEAD 4 FIL 4 | | 1 | |
| 4 | 97885-06008 | SCREW, PAN HEAD VIS, A ENCOCHE | | 1 | |
| 5 | 65W-45251-00 | ANODE ANODE | | 1 | |
| 6 | 90101-06020 | BOLT BOULON | | 2 | |
| 7 | 65W-45251-00 | ANODE ANODE | | 1 | |
| 8 | 90101-06020 | BOLT BOULON | | 2 | |
| 9 | 6C5-43311-00-4D | BRACKET, SWIVEL 1 SUPPORT, PIVOT 1 | | 1 | |
| 10 | 93700-06M03 | NIPPLE, GREASE PION | | 3 | |
| 11 | 63D-43131-01 | BOLT, CLAMP BRACKET BOULON, PRESSE | | 1 | |
| 12 | 90386-22MA4 | BUSH DOUILLE | | 2 | |
| 13 | 90185-22M11 | NUT, SELF-LOCKING ECROU, AUTO-BLOQUANT | | 2 | |
| 14 | 6C5-43181-00 | LEVER, TILT STOP LEVIER, VERROUILLAGE RELEVAGE | | 1 | |
| 15 | 6C5-43185-00 | LEVER, TILT STOP LEVIER, VERROUILLAGE RELEVAGE | | 1 | |
| 16 | 90386-10M16 | BUSH DOUILLE | | 3 | |
| 17 | 90386-10025 | BUSH DOUILLE | | 1 | |
| 18 | 91690-30020 | PIN, SPRING AGRAFFE | | 2 | |
| 19 | 6G5-43148-00 | COLLAR, DISTANCE ENTRETOISE | | 2 | |
| 20 | 90249-06M19 | PIN GOUPILLE | | 1 | |
| 21 | 90506-14M24 | SPRING, TENSION RESSORT, TENSION | | 1 | |
| 22 | 97095-06010 | BOLT BOULON | | 1 | |
| 23 | 6G5-43144-00 | HOOK, SPRING CROCHET | | 1 | |
| 24 | 65W-45251-00 | ANODE ANODE | | 1 | |
| 25 | 90101-06020 | BOLT BOULON | | 2 | |
| 26 | 6E5-43126-02 | PIN, UPPER SHOCK MOUNT AXE, SUPERIEUR AMORTISSEUR | | 1 | |
| 27 | 90386-18M92 | BUSH DOUILLE | | 1 | |

E6

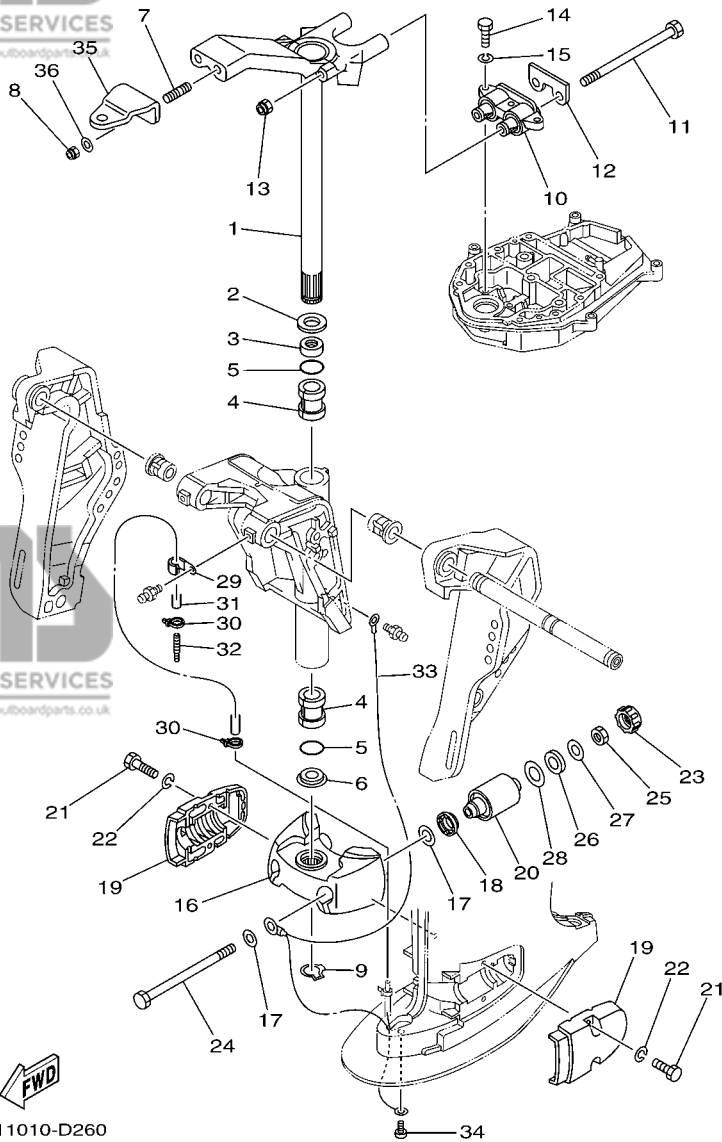
FIG. 22 BRACKET 2

SUPPORT 2



6C11300-D220

| REF. NO. | PART NO. N° PIECES | DESCRIPTION DESCRIPTION | ED | ET | REMARKS REMARQUES |
|----------|--------------------|---|----|----|-------------------|
| 28 | 90386-18M35 | BUSH DOUILLE | | 2 | |
| 29 | 93410-18M02 | CIRCLIP CLIPS | | 1 | |
| 30 | 63D-83672-01 | TRIM SENDER INCLINER RACCORD | | 1 | |
| 31 | 703-82119-00 | COVER, LEAD WIRE GARNITURE, FIL | | 1 | |
| 32 | 97885-06016 | SCREW, PAN HEAD VIS, A ENCOCHE | | 2 | |
| 33 | 90465-13M18 | CLAMP BRIDE | | 1 | |
| 34 | 90465-11M10 | CLAMP BRIDE | | 1 | |
| 35 | 90447-13010 | HOSE, WITH SPRING DURITE, AVEC RESSORT | | 1 | |
| 36 | 6C5-43818-00 | PIN, LOWER SHOCK MOUNT AXE, INFERIEUR AMORTISSEUR | | 1 | |
| 37 | 6C5-43833-00 | PIPE TUYAU | | 1 | |
| 38 | 6C5-43834-00 | PIPE TUYAU | | 1 | |
| 39 | 97080-08020 | BOLT BOULON | | 2 | |
| 40 | 90201-08M14 | WASHER, PLATE RONDELLE, PLATE | | 2 | |
| 41 | 90101-12M65 | BOLT BOULON | | 4 | |
| 42 | 92995-12200 | WASHER RONDELLE | | 8 | |
| 43 | 90201-12426 | WASHER, PLATE RONDELLE, PLATE | | 4 | |
| 44 | 95380-12600 | NUT ECROU | | 8 | |

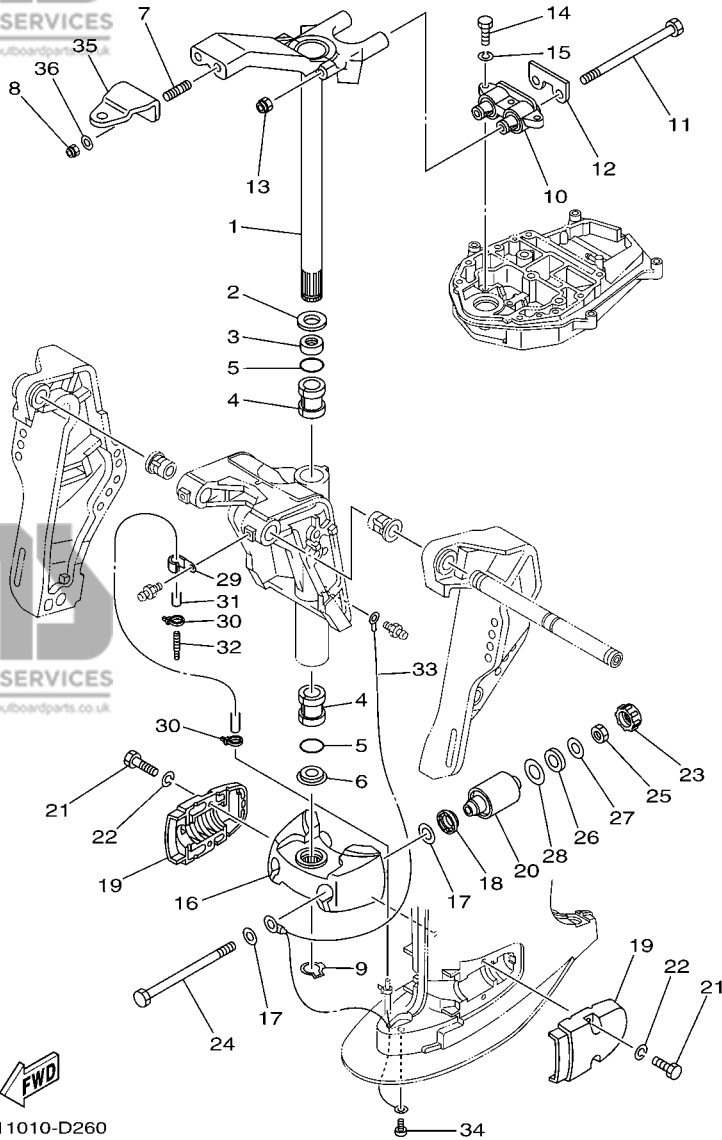


6C11010-D260

FIG. 23 BRACKET 3

SUPPORT 3

| REF. NO. | PART NO. N° PIECES | DESCRIPTION DESCRIPTION | QTY | LT | REMARKS REMARQUES |
|----------|--------------------|---|-----|----|-------------------|
| 1 | 69W-42510-01-4D | STEERING BRACKET ASSY DIRECTION SUPPORT (ENS.) | 1 | 1 | |
| 2 | 90201-30M00 | WASHER, PLATE RONDELLE, PLATE | 1 | 1 | |
| 3 | 90386-30M78 | BUSH DOUILLE | 1 | 1 | |
| 4 | 90386-30M77 | BUSH DOUILLE | 2 | 2 | |
| 5 | 93210-29M94 | O-RING JOINT TORIQUE | 2 | 2 | |
| 6 | 90386-30M60 | BUSH DOUILLE | 1 | 1 | |
| 7 | 90116-10M28 | BOLT, STUD GOUJON | 2 | 2 | |
| 8 | 90185-10051 | NUT, SELF-LOCKING ECROU, AUTO-BLOQUANT | 2 | 2 | |
| 9 | 93410-28M06 | CIRCLIP CLIPS | 1 | 1 | |
| 10 | 69W-44514-00-4D | MOUNT DAMPER, UPPER SIDE SILENT-BLOC, SUPERIEUR LATERAL | 1 | 1 | L |
| 11 | 90101-08M15 | BOLT BOULON | 2 | 2 | |
| 12 | 69W-44526-01 | PLATE PLAQUE | 1 | 1 | |
| 13 | 90185-08045 | NUT, SELF-LOCKING ECROU, AUTO-BLOQUANT | 2 | 2 | |
| 14 | 97075-08030 | BOLT BOULON | 3 | 3 | |
| 15 | 92995-08100 | WASHER RONDELLE | 3 | 3 | |
| 16 | 6C5-44551-00-4D | HOUSING, LOWER MOUNT RUBBER BOITIER, SILENT-BLOC INFERIEUR | 1 | 1 | |
| 17 | 90201-12M16 | WASHER, PLATE RONDELLE, PLATE | 4 | 4 | |
| 18 | 6C5-43885-00 | GROMMET PASSE-FIL | 2 | 2 | |
| 19 | 6C5-44552-00-4D | HOUSING, LOWER MOUNT RUBBER BOITIER, SILENT-BLOC INFERIEUR | 2 | 2 | |
| 20 | 69W-44555-00-4D | MOUNT DAMPER, LOWER SIDE SILENT-BLOC, INFERIEUR LATERAL | 2 | 2 | |
| 21 | 97075-08030 | BOLT BOULON | 4 | 4 | |
| 22 | 92995-08100 | WASHER RONDELLE | 4 | 4 | |
| 23 | 6C5-44575-00 | DAMPER, LOWER MOUNT RUBBER SILENT-BLOC, INFERIEUR | 2 | 2 | |
| 24 | 90109-12MA3 | BOLT BOULON | 2 | 2 | |
| 25 | 95380-12700 | NUT ECROU | 2 | 2 | |
| 26 | 90202-21100 | WASHER, PLATE RONDELLE, PLATE | 2 | 2 | |
| 27 | 90201-13M19 | WASHER, PLATE RONDELLE, PLATE | 2 | 2 | |



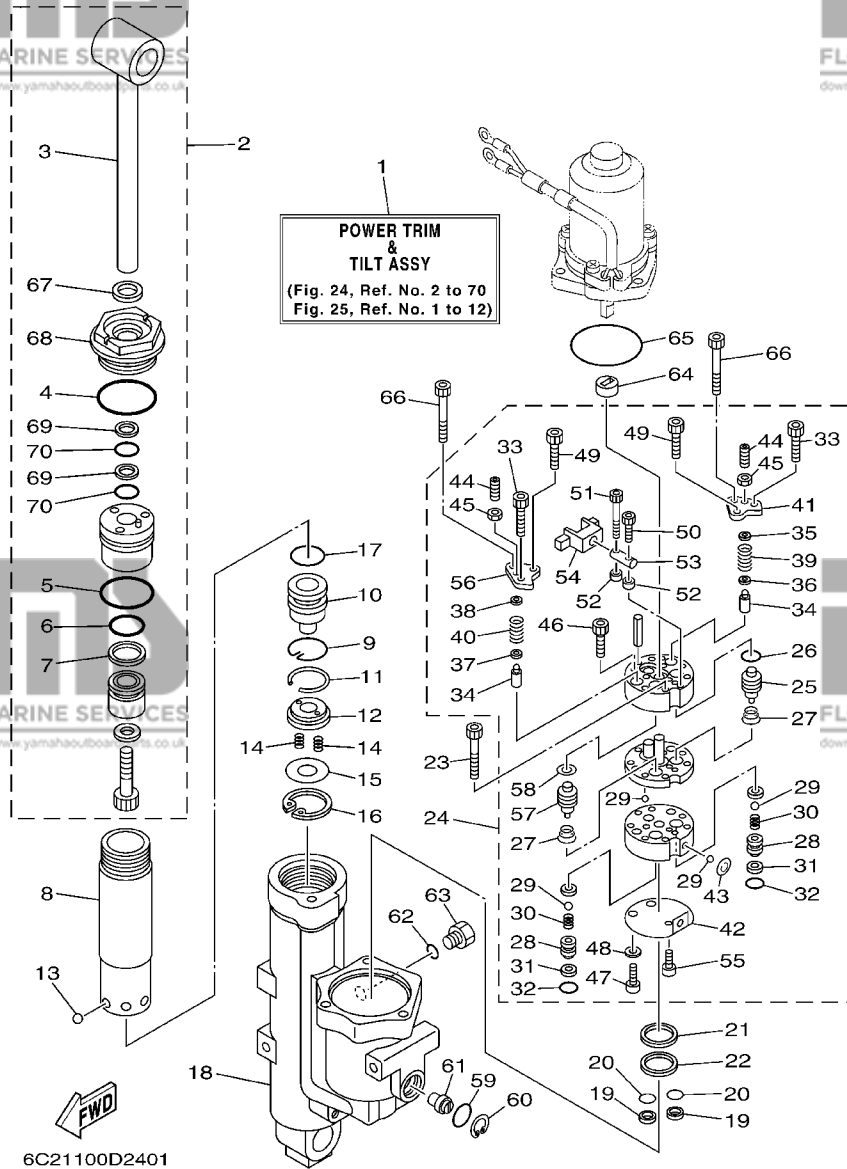
6C11010-D260

FIG. 23 BRACKET 3

SUPPORT 3

| REF. NO. | PART NO. N° PIECES | DESCRIPTION DESCRIPTION | QTY | UNIT | REMARKS REMARQUES |
|----------|--------------------|--------------------------------------|-----|------|-------------------|
| 28 | 90201-22M05 | WASHER, PLATE RONDELLE, PLATE | 2 | 2 | |
| 29 | 90465-06M86 | CLAMP BRIDE | 1 | 1 | |
| 30 | 90465-11M10 | CLAMP BRIDE | 2 | 2 | |
| 31 | 90445-07M53 | HOSE (L700) DURITE (L700) | 1 | 1 | |
| 32 | 6E5-83558-00 | END, NIPPLE RACCORD DE NIPPLE | 1 | 1 | |
| 33 | 67C-82127-10 | WIRE, LEAD 2 FIL 2 | 1 | 1 | |
| 34 | 97885-06008 | SCREW, PAN HEAD VIS, A ENCOCHE | 1 | 1 | |
| 35 | 65W-48511-00 | HOOK, STEERING ATTACHE, DIRECTION | 1 | 1 | |
| 36 | 92995-10600 | WASHER RONDELLE | 2 | 2 | |

FIG. 24 POWER TRIM & TILT ASSY 1 PUISSANCE PARER ET INCLINER 1



| REF. NO. | PART NO. N° PIECES | DESCRIPTION DESCRIPTION | QTY | REMARKS REMARQUES |
|----------|--------------------|---|-----|-------------------|
| 1 | 6C5-43800-01-8D | POWER TRIM & TILT ASSY PUISSANCE PARER ET INCLINER (E | 1 | |
| 2 | 6C5-43810-00 | TILT PISTON SUB ASSY INCLINER PISTON AUXILIAIRE(ENS | 1 | |
| 3 | 6C5-43801-00 | .ROD .TIGE | 1 | |
| 4 | 62Y-43863-00 | .O-RING .JOINT TORIQUE | 1 | |
| 5 | 6C5-43862-00 | .O-RING .JOINT TORIQUE | 1 | |
| 6 | 6C5-43861-00 | .O-RING .JOINT TORIQUE | 1 | |
| 7 | 6C5-43871-00 | .RING, BACK UP .SEGMENT | 1 | |
| 8 | 6C5-22471-00 | CYLINDER, SHOCK ABSORBER CYLINDRE, AMORTISSEUR | 1 | |
| 9 | 6C5-43875-00 | RING, SNAP RESSORT | 1 | |
| 10 | 6C5-4381B-00 | FREE PISTON SUB ASSY PISTON AUXILIAIRE (ENS.) | 1 | |
| 11 | 93450-32116 | CIRCLIP CIRCLIP, TYPE S | 1 | |
| 12 | 6C5-43899-00 | PLATE STOPPER PLAQUETTE | 1 | |
| 13 | 93503-16003 | BALL BILLES | 6 | |
| 14 | 62X-4384H-00 | SPRING RESSORT | 2 | |
| 15 | 6C5-22435-00 | PLATE, VALVE 2 PLAQUE, CLAPET 2 | 1 | |
| 16 | 99009-32500 | CIRCLIP CIRCLIP | 1 | |
| 17 | 6C5-43861-00 | O-RING .JOINT TORIQUE | 1 | |
| 18 | 6C5-4380K-00 | CYLINDER, TILT SUB ASSY CYLINDRE | 1 | |
| 19 | 6C5-43817-10 | FILTER 2 FILTRE 2 | 2 | |
| 20 | 69J-4389J-00 | O-RING .JOINT TORIQUE | 2 | |
| 21 | 6C5-43816-00 | FILTER 1 FILTRE 1 | 1 | |
| 22 | 6C5-4380G-00 | PLATE PLAQUE | 1 | |
| 23 | 91312-05045 | BOLT BOULON | 2 | |
| 24 | 6C5-43830-00 | GEAR PUMP ASSY POMPE A PIGNON (ENS.) | 1 | |
| 25 | 6C6-43841-00 | .PISTON, SHUTTLE .PISTON | 1 | |
| 26 | 6H1-43883-00 | .O-RING .JOINT TORIQUE | 1 | |
| 27 | 6C6-43894-00 | .SPRING, SHUTTLE RETURN .RESSORT | 2 | |

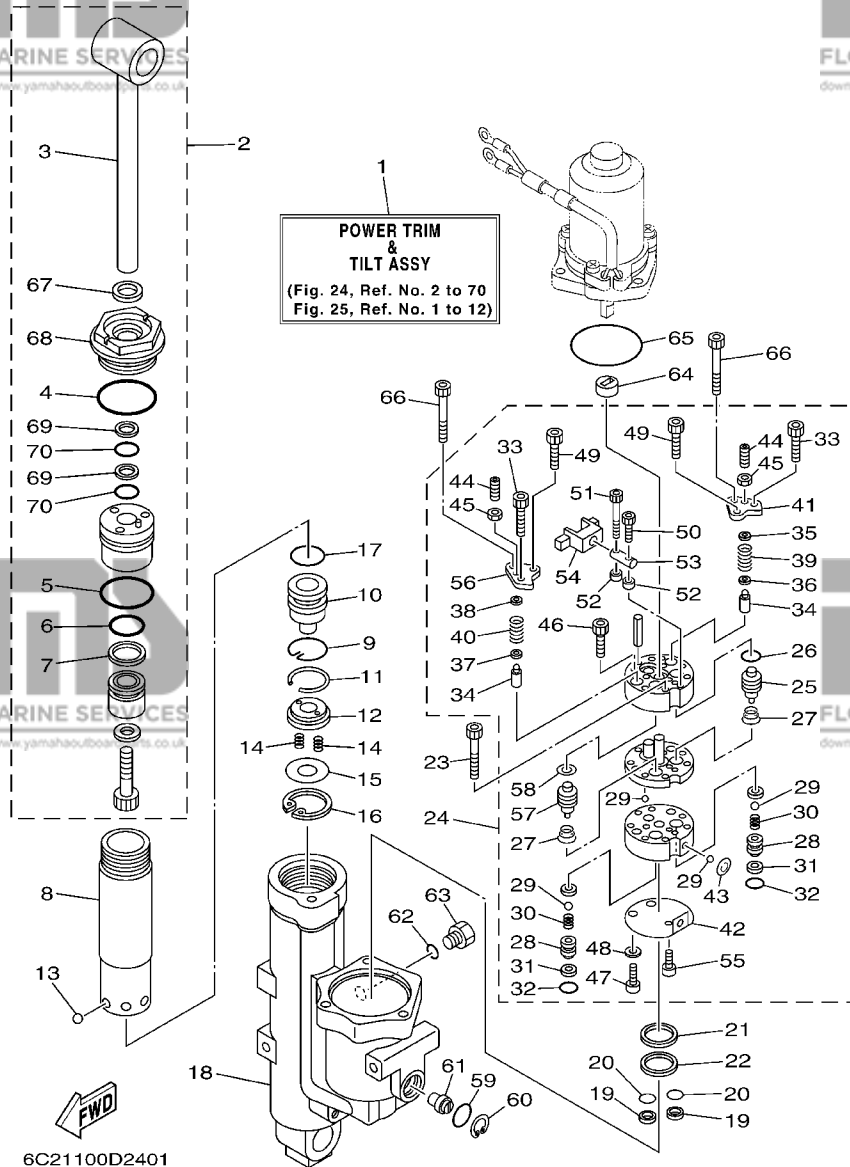


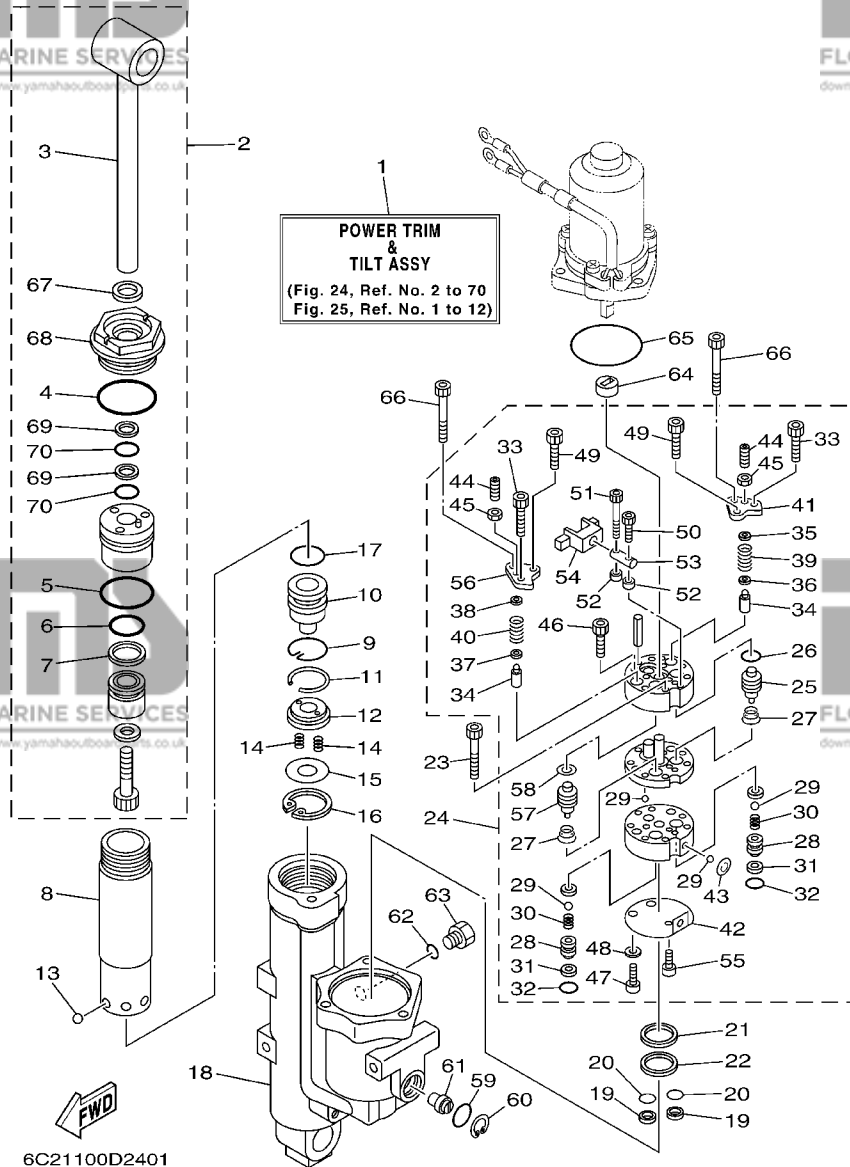
FIG. 24 POWER TRIM & TILT ASSY 1

PUISSANCE PARER ET INCLINER 1

| REF. NO. | PART NO. N° PIECES | DESCRIPTION DESCRIPTION | ED | ET | REMARKS REMARQUES |
|----------|--------------------|-------------------------------------|----|----|-------------------|
| 28 | 6C6-4382E-00 | .ADAPTOR 2 .ADAPTEUR 2 | | 2 | |
| 29 | 93505-32038 | .BALL .BILLE | | 6 | |
| 30 | 6C6-43853-00 | .SPRING, MAIN VALVE .RESSORT | | 2 | |
| 31 | 6C6-4387G-00 | .WASHER .RONDELLE | | 2 | |
| 32 | 69J-4389J-00 | .O-RING .JOINT TORIQUE | | 2 | |
| 33 | 91312-05030 | .BOLT .BOULON | | 2 | |
| 34 | 6C5-43851-00 | .SEAT, RELIEF VALVE .SIEGE | | 2 | |
| 35 | 6C5-4381K-00 | .HOLDER .MORDAZA | | 1 | |
| 36 | 6C5-43893-00 | .WASHER .RONDELLE | | 1 | |
| 37 | 6C6-43893-00 | .WASHER .RONDELLE | | 1 | |
| 38 | 6C6-4381K-00 | .HOLDER .MORDAZA | | 1 | |
| 39 | 6C5-43855-00 | .SPRING, UP RELIEF .RESSORT | | 1 | |
| 40 | 6C5-43856-00 | .SPRING, DOWN RELIEF .RESSORT | | 1 | |
| 41 | 6C5-4382K-00 | .CAP, RELIEF VALVE .CHAPEAU | | 1 | |
| 42 | 6C5-43895-00 | .SEAT, RELIEF VALVE .SIEGE | | 1 | |
| 43 | 6C5-43854-00 | .SPRING, MANUAL RELEASE .RESSORT | | 1 | |
| 44 | 92A08-03110 | .SCREW SET .VIS | | 2 | |
| 45 | 95302-03600 | .NUT .ECROU | | 2 | |
| 46 | 91312-05025 | .BOLT .BOULON | | 2 | |
| 47 | 6C6-43878-00 | .BOLT, SOCKET .BOULON | | 2 | |
| 48 | 62Y-4387G-00 | .WASHER .RONDELLE | | 2 | |
| 49 | 91312-04030 | .BOLT .BOULON | | 2 | |
| 50 | 91312-03016 | .BOLT .BOULON | | 1 | |
| 51 | 6C6-4388E-00 | .PLUG, TAPER SCREW .BOUCHON | | 1 | |
| 52 | 6C6-4388F-00 | .SPACER .ENTRETOISE | | 2 | |
| 53 | 6C6-4386G-00 | .PIN, STRAIGHT 2 .RESSORT 2 | | 1 | |
| 54 | 6C6-4386E-00 | .LEVER 1 .LEVIER 1 | | 1 | |

FIG. 24 POWER TRIM & TILT ASSY 1

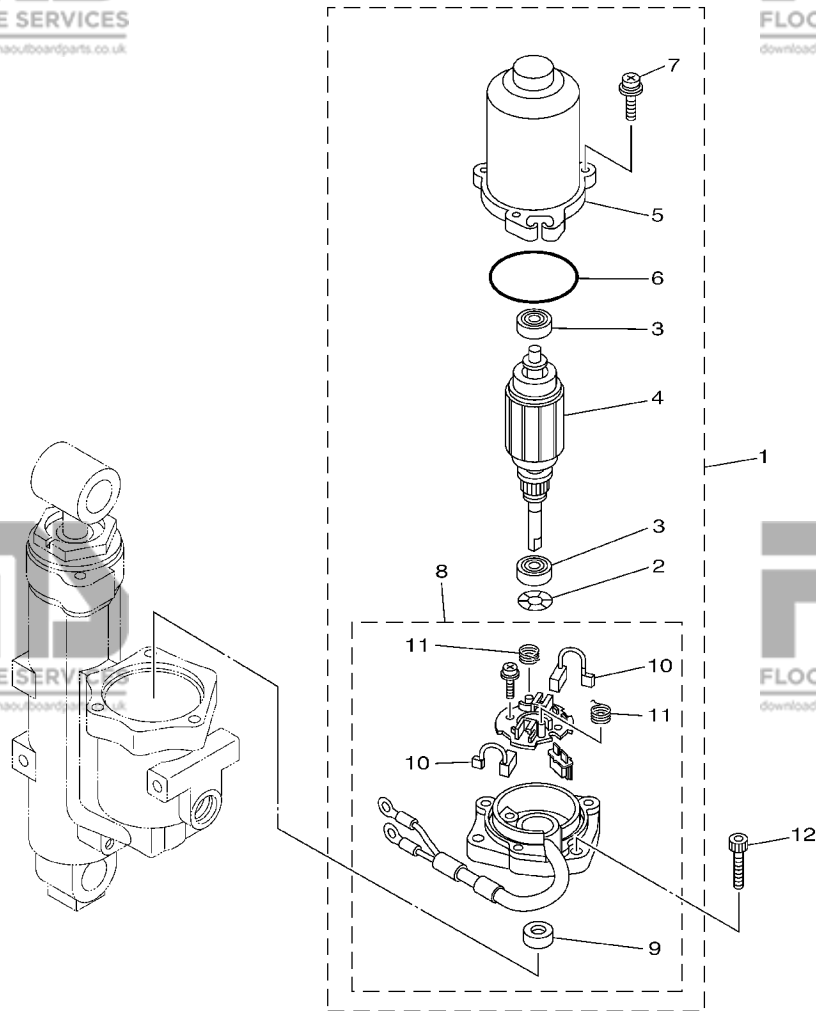
PUISSANCE PARER ET INCLINER 1



| REF. NO. | PART NO. N° PIECES | DESCRIPTION DESCRIPTION | ED | ET | REMARKS REMARQUES |
|----------|--------------------|-----------------------------------|----|----|-------------------|
| 55 | 91312-03005 | .BOLT .BOULON | | 1 | |
| 56 | 6C5-4382L-00 | .CAP, RELIEF VALVE .CAPUCHON | | 1 | |
| 57 | 6C5-43841-00 | .PISTON, SHUTTLE .PISTON | | 1 | |
| 58 | 6C5-43872-00 | .RING, BACK UP .RESSORT | | 1 | |
| 59 | 93210-18397 | O-RING JOINT TORIQUE | | 1 | |
| 60 | 6H1-43875-00 | RING, SNAP RESSORT | | 1 | |
| 61 | 6C5-43845-00 | SCREW, MANUAL RELEASE VIS | | 1 | |
| 62 | 93210-09165 | O-RING JOINT TORIQUE | | 1 | |
| 63 | 6H1-43829-00 | PLUG, RESERVOIR BOUCHON | | 1 | |
| 64 | 6C5-43831-00 | CONNECTOR, SHAFT RACCORD | | 1 | |
| 65 | 93210-64488 | O-RING JOINT TORIQUE | | 1 | |
| 66 | 91312-05050 | BOLT BOULON | | 2 | |
| 67 | 62Y-43822-00 | .SEAL, TRIM DUST JOINT | | 1 | |
| 68 | 6C5-43821-00 | .SCREW, TRIM CYLINDER END .VIS | | 1 | |
| 69 | 62X-43872-00 | .RING, BACK UP .RESSORT | | 2 | |
| 70 | 6C5-43863-00 | .O-RING JOINT TORIQUE | | 2 | |

FIG. 25 POWER TRIM & TILT ASSY 2

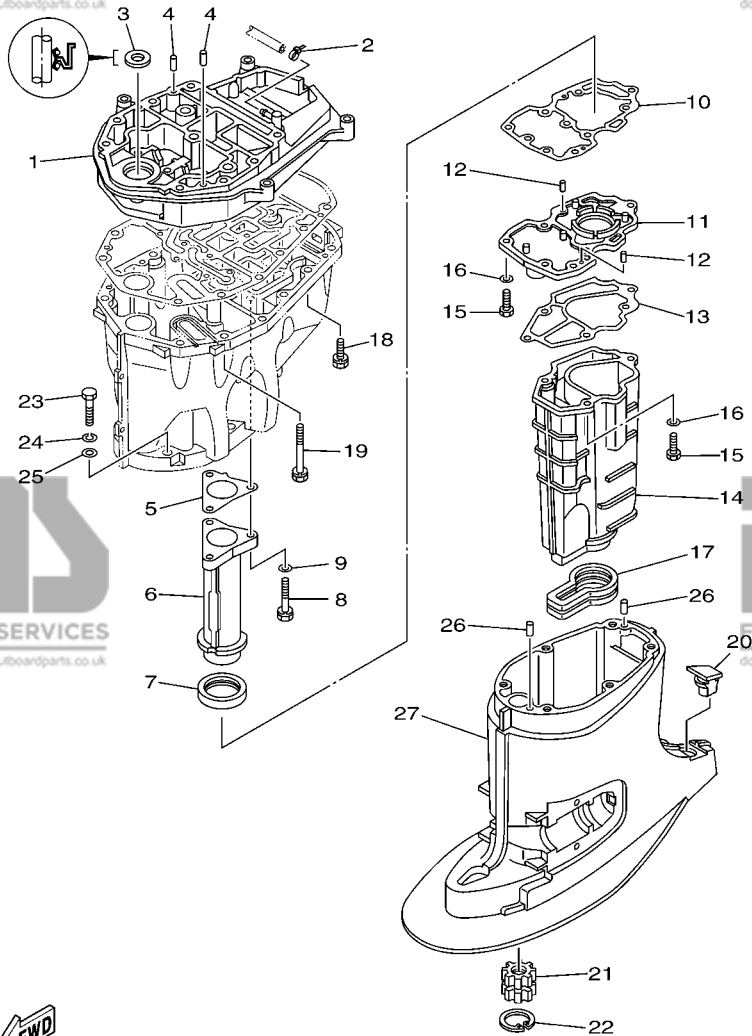
PUISSANCE PARER ET INCLINER 2



| REF. NO. | PART NO. N° PIECES | DESCRIPTION DESCRIPTION | ED | ET | REMARKS REMARQUES |
|----------|--------------------|---|----|----|---|
| 1 | 6C5-43880-01 | MOTOR ASSY MOTEUR (ENS.) | | 1 | |
| 2 | 90206-08N51 | .WASHER, WAVE .RONDELLE, ONDULEE | | 1 | |
| 3 | 93399-999T8 | .BEARING .ROULEMENT | | 2 | |
| 4 | 6C5-43805-00 | .ARMATURE ASSY .INDUIT (ENS.) | | 1 | |
| 5 | 6C5-43804-01 | .STATOR ASSY .STATOR (ENS.) | | 1 | |
| 6 | 6C5-43869-00 | .O-RING .JOINT TORIQUE | | 1 | |
| 7 | 6C5-43879-00 | .SCREW, WITH WASHER .VIS, AVEC RONDELLE | | 3 | |
| 8 | 6C5-43881-01 | .FRAME, END .BATI | | 1 | WITH CIRCUIT BREAKER WITH CIRCUIT BREAKER |
| 9 | 6C5-43882-00 | ..OIL SEAL ..JOINT SPI | | 1 | |
| 10 | 6C5-43891-00 | ..BRUSH 1 ..BALAI 1 | | 2 | |
| 11 | 6C5-4386K-00 | ..SPRING, BRUSH ..RESSORT, BALAI | | 2 | |
| 12 | 62X-43888-00 | BOLT, SOCKET BOULON | | 3 | |



6C11010D2801



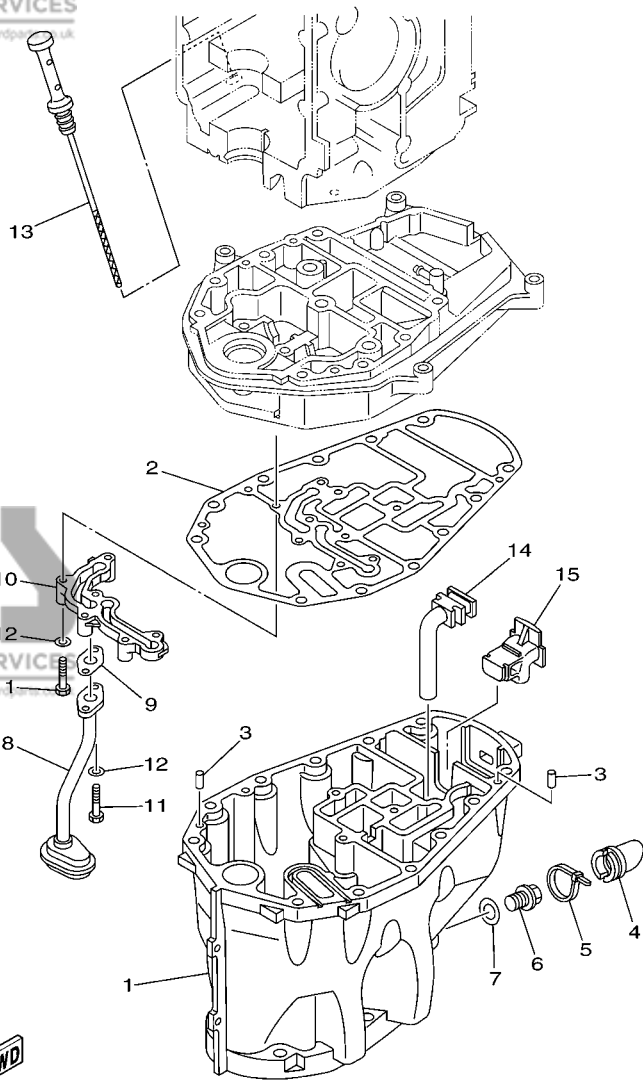
6C11010-D290

FIG. 26 UPPER CASING

FOURREAU

| REF. NO. | PART NO. N° PIECES | DESCRIPTION DESCRIPTION | QTY | UNIT | REMARKS REMARQUES |
|----------|--------------------|--|-----|------|-------------------|
| 1 | 6C5-41137-00-94 | GUIDE, EXHAUST COLLECTEUR D'ÉCHAPPEMENT | 1 | 1 | |
| 2 | 90465-11M10 | CLAMP BRIDE | 1 | 1 | |
| 3 | 93103-18011 | OIL SEAL JOINT SPY | 1 | 1 | |
| 4 | 93608-12M05 | PIN, DOWEL AXE | 2 | 2 | |
| 5 | 6C5-41133-00 | GASKET, EXHAUST MANIFOLD 1 JOINT, PIPE D'ÉCHAPPEMENT | 1 | 1 | |
| 6 | 6C5-41131-00-5B | MANIFOLD, EXT. 1 PIPE D'ÉCHAPPEMENT | 1 | 1 | |
| 7 | 6C5-46132-00 | GASKET 1 JOINT 1 | 1 | 1 | |
| 8 | 90119-06120 | BOLT, WITH WASHER BOULON, AVEC RONDELLE | 3 | 3 | |
| 9 | 90201-06015 | WASHER, PLATE RONDELLE, PLATE | 3 | 3 | |
| 10 | 6C5-41134-00 | GASKET, EXHAUST MANIFOLD JOINT, PIPE D'ÉCHAPPEMENT | 1 | 1 | |
| 11 | 6C5-45181-00-5B | PLATE PLAQUETTE | 1 | 1 | |
| 12 | 93604-10M03 | PIN, DOWEL CLAVETTE | 2 | 2 | |
| 13 | 6C5-41135-00 | GASKET, EXHAUST MANIFOLD JOINT, PIPE D'ÉCHAPPEMENT | 1 | 1 | |
| 14 | 6C5-14711-00-5B | MUFFLER 1 POT D'ÉCHAPPEMENT 1 | 1 | 1 | |
| 15 | 97075-06025 | BOLT BOULON | 6 | 6 | |
| 16 | 92995-06600 | WASHER RONDELLE | 6 | 6 | |
| 17 | 6C5-45123-00 | GASKET, MUFFLER JOINT, POT DE DÉTENTE | 1 | 1 | |
| 18 | 90119-08M79 | BOLT, WITH WASHER BOULON, AVEC RONDELLE | 4 | 4 | |
| 19 | 90119-08M82 | BOLT, WITH WASHER BOULON, AVEC RONDELLE | 8 | 8 | |
| 20 | 6C5-45155-00 | CAP CAPUCHON | 1 | 1 | |
| 21 | 69W-45318-00 | BUSHING, DRIVE SHAFT DOUILLE, ARBRE MOTEUR | 1 | 1 | |
| 22 | 93420-36M01 | CIRCLIP CIRCLIP, TYPE S | 1 | 1 | |
| 23 | 97075-10045 | BOLT BOULON | 6 | 6 | |
| 24 | 92995-10100 | WASHER RONDELLE | 6 | 6 | |
| 25 | 92995-10600 | WASHER RONDELLE | 6 | 6 | |
| 26 | 93606-12019 | PIN, DOWEL GOUPILLE | 2 | 2 | |
| 27 | 6C5-45111-00-4D | CASING, UPPER FOURREAU | 1 | 1 | |

F7



6C11010-D300

FIG. 27 OIL PAN

VENTILATEUR D'HUILE

| REF. NO. | PART NO. N° PIECES | DESCRIPTION DESCRIPTION | QTY | UNIT | REMARKS REMARQUES |
|----------|--------------------|--|-----|------|-------------------|
| 1 | 6C5-15311-00-5B | OIL PAN VENTILATEUR D'HUILE | 1 | 1 | |
| 2 | 6C5-15312-00 | GASKET, OIL PAN JOINT DE VENTILATEUR D'HUILE | 1 | 1 | |
| 3 | 93606-12019 | PIN, DOWEL GOUILLE | 2 | 2 | |
| 4 | 6C5-15316-00 | DAMPER, ENGINE MOUNT 1 AMORTISSEUR DE SUPPORT | 1 | 1 | |
| 5 | 90465-11M59 | CLAMP BRIDE | 1 | 1 | |
| 6 | 90340-14M06 | PLUG, STRAIGHT SCREW PLOT, FILETE DROIT | 1 | 1 | |
| 7 | 90430-14M09 | GASKET JOINT | 1 | 1 | |
| 8 | 6C5-13411-00 | STRAINER, OIL FILTRE, HUILE | 1 | 1 | |
| 9 | 6C5-13414-00 | GASKET, STRAINER COVER JOINT, COUVERCLE DE FILTRE | 1 | 1 | |
| 10 | 6C5-15333-00 | COVER COUVERCLE | 1 | 1 | |
| 11 | 97013-06030 | BOLT BOULON | 6 | 6 | |
| 12 | 92903-06600 | WASHER, PLATE RONDELLE, PLATE | 6 | 6 | |
| 13 | 6C5-15362-00 | PLUG, OIL LEVEL PLOT, NIVEAU D'HUILE | 1 | 1 | |
| 14 | 6C5-45135-01 | PIPE TUYAU | 1 | 1 | |
| 15 | 6C5-45136-01 | PIPE DURITE | 1 | 1 | |

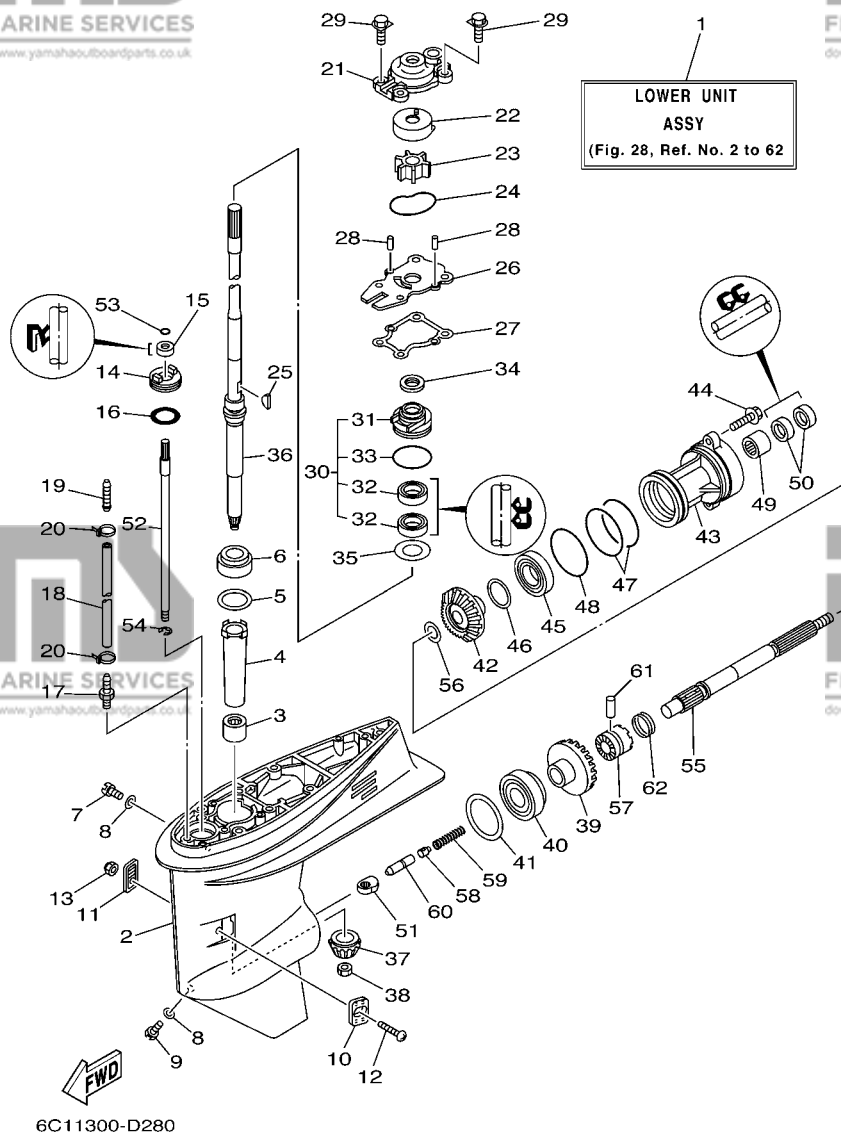


FIG. 28 LOWER CASING & DRIVE 1

BOITIER D'HELICE TRANSMISSION1

| REF. NO. | PART NO. N° PIECES | DESCRIPTION DESCRIPTION | QTY | QTY | REMARKS REMARQUES |
|--------------|------------------------------------|--|-----|-----|-------------------|
| 1 | 69W-45300-00-4D | LOWER UNIT ASSY UNITE INFERIEURE (ENS.) | 1 | 1 | L |
| 2 | 69W-45301-00-4D | CASING, LOWER BEQUILLE | 1 | 1 | |
| 3 | 93315-32224 | BEARING ROULEMENT | 1 | 1 | |
| 4 | 6H4-45536-00 | SLEEVE, DRIVE SHAFT MANCHON, ARBRE MOTEUR | 1 | 1 | |
| 5 | 663-45587-01 | SHIM (T:0.10MM) CALE (T:0.10MM) | 1 | 1 | UR |
| 663-45587-10 | SHIM (T:0.12MM) CALE (T:0.12MM) | 1 | 1 | UR | |
| 663-45587-20 | SHIM (T:0.15MM) CALE (T:0.15MM) | 1 | 1 | UR | |
| 663-45587-30 | SHIM (T:0.18MM) CALE (T:0.18MM) | 1 | 1 | UR | |
| 663-45587-40 | SHIM (T:0.30MM) CALE (T:0.30MM) | 1 | 1 | UR | |
| 663-45587-50 | SHIM (T:0.40MM) CALE (T:0.40MM) | 1 | 1 | UR | |
| 663-45587-60 | SHIM (T:0.50MM) CALE (T:0.50MM) | 1 | 1 | UR | |
| 6 | 93332-00001 | BEARING ROULEMENT | 1 | 1 | |
| 7 | 90340-08002 | PLUG, STRAIGHT SCREW PLOT, FILETE DROIT | 1 | 1 | |
| 8 | 90430-08020 | GASKET JOINT | 2 | 2 | |
| 9 | 688-45341-10 | PLUG, DRAIN BOUCHON DE VIDANGE | 1 | 1 | |
| 10 | 63D-45214-00 | COVER, WATER INLET GRILLE, ENTREE D'EAU | 1 | 1 | |
| 11 | 63D-45215-00 | COVER, WATER INLET GRILLE, ENTREE D'EAU | 1 | 1 | |
| 12 | 90142-05M06 | SCREW, COUNTERSUNK VIS, TETE NOYEE | 1 | 1 | |
| 13 | 95380-05600 | NUT ECROU | 1 | 1 | |
| 14 | 63D-45321-00 | PLATE PLAQUETTE | 1 | 1 | |
| 15 | 93106-09014 | OIL SEAL JOINT SPY | 1 | 1 | |
| 16 | 93210-33MG4 | O-RING JOINT TORIQUE | 1 | 1 | |
| 17 | 6E5-45378-00 | NIPPLE, HOSE RACCORD, TUYAU | 1 | 1 | |
| 18 | 90445-07ME8 | HOSE (L80) DURITE (L80) | 1 | 1 | L |
| 19 | 6E5-83558-10 | END, NIPPLE RACCORD DE NIPPLE | 1 | 1 | L |
| 20 | 90465-11M10 | CLAMP BRIDE | 2 | 2 | |
| 21 | 63D-44311-00 | HOUSING, WATER PUMP CORPS, POMPE A EAU | 1 | 1 | |

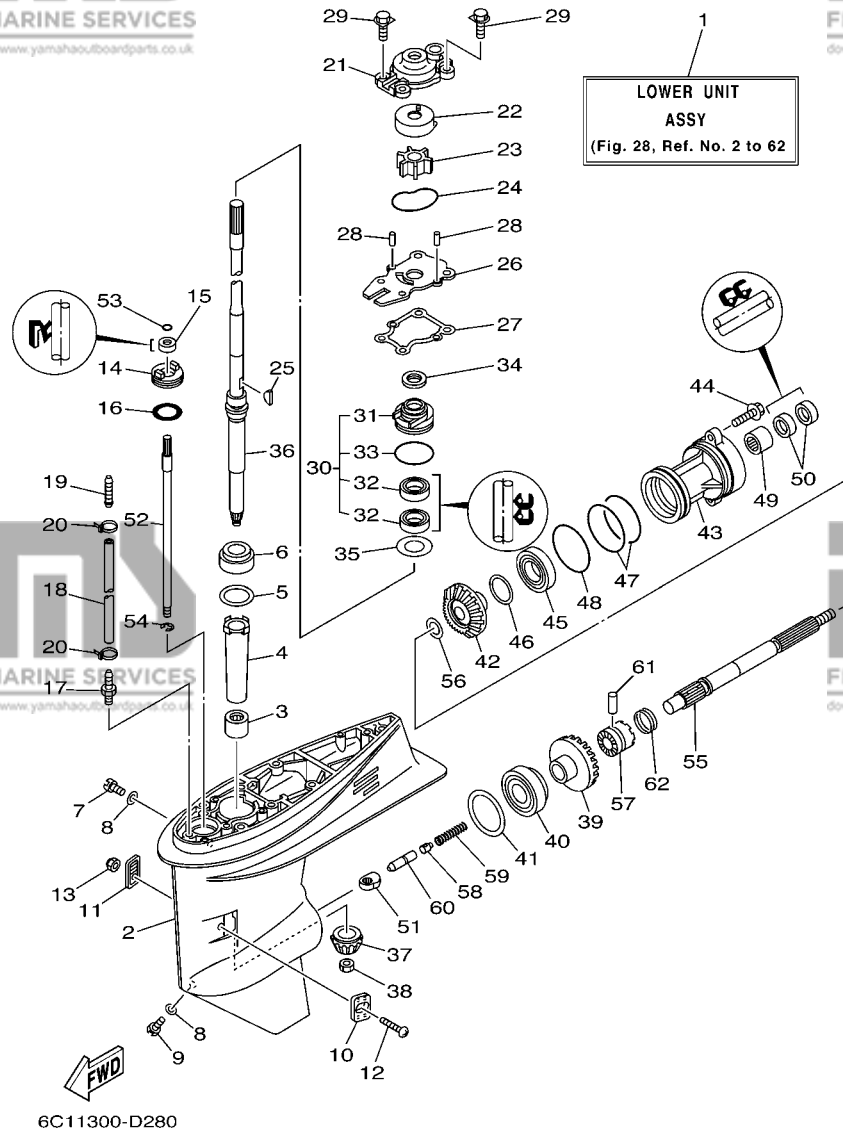


FIG. 28 LOWER CASING & DRIVE 1

BOITIER D'HELICE TRANSMISSION1

| REF. NO. | PART NO. N° PIECES | DESCRIPTION DESCRIPTION | QTY | UNIT | REMARKS REMARQUES |
|----------|--------------------|--|-----|------|-------------------|
| 22 | 63D-44322-00 | INSERT, CARTRIDGE CUVETTE | 1 | 1 | |
| 23 | 6H3-44352-00 | IMPELLER TURBINE | 1 | 1 | |
| 24 | 93210-59MG7 | O-RING JOINT TORIQUE | 1 | 1 | |
| 25 | 90280-03024 | KEY, WOODRUFF CLAVETTE, DEMI-LUNE | 1 | 1 | |
| 26 | 63D-44323-00 | OUTER PLATE, CARTRIDGE PLAQUE EXTERIEURE | 1 | 1 | |
| 27 | 63D-44316-00 | GASKET, WATER PUMP JOINT, POMPE A EAU | 1 | 1 | |
| 28 | 93604-08062 | PIN, DOWEL CLAVETTE | 2 | 2 | |
| 29 | 90119-08M15 | BOLT, WITH WASHER BOULON, AVEC RONDELLE | 4 | 4 | |
| 30 | 63D-W4434-00 | WATER PUMP HOUSING ASSY CORPS ENS., POMPE A EAU | 1 | 1 | |
| 31 | 63D-44341-00 | .HOUSING, WATER PUMP .CORPS, POMPE A EAU | 1 | 1 | |
| 32 | 93101-25M57 | .OIL SEAL .JOINT SPY | 2 | 2 | |
| 33 | 93210-48MG8 | O-RING JOINT TORIQUE | 1 | 1 | |
| 34 | 63D-45344-00 | COVER, OIL SEAL FLASQE, JOINT D'HUILE | 1 | 1 | |
| 35 | 90201-27M00 | WASHER, PLATE RONDELLE, PLATE | 1 | 1 | |
| 36 | 69W-45501-00 | DRIVE SHAFT COMP. ARBRE MOTEUR COMP. | 1 | 1 | |
| 37 | 69W-45551-00 | PINION (13T) PIGNON D'ATTAQUE (13D) | 1 | 1 | |
| 38 | 90170-12138 | NUT ECROU | 1 | 1 | |
| 39 | 69W-45560-00 | GEAR 1 (24T) PIGNON 1 (24T) | 1 | 1 | |
| 40 | 93332-00092 | BEARING ROULEMENT | 1 | 1 | |
| 41 | 663-45567-01 | SHIM (T:0.10MM) CALE (T:0.10MM) | 1 | 1 | UR UR |
| 41 | 663-45567-10 | SHIM (T:0.12MM) CALE (T:0.12MM) | 1 | 1 | UR UR |
| 41 | 663-45567-20 | SHIM (T:0.15MM) CALE (T:0.15MM) | 1 | 1 | UR UR |
| 41 | 663-45567-30 | SHIM (T:0.18MM) CALE (T:0.18MM) | 1 | 1 | UR UR |
| 41 | 663-45567-40 | SHIM (T:0.30MM) CALE (T:0.30MM) | 1 | 1 | UR UR |
| 41 | 663-45567-50 | SHIM (T:0.40MM) CALE (T:0.40MM) | 1 | 1 | UR UR |
| 41 | 663-45567-60 | SHIM (T:0.50MM) CALE (T:0.50MM) | 1 | 1 | UR UR |
| 42 | 62Y-45571-00 | GEAR 2 (24T) PIGNON 2 (24T) | 1 | 1 | |

A6

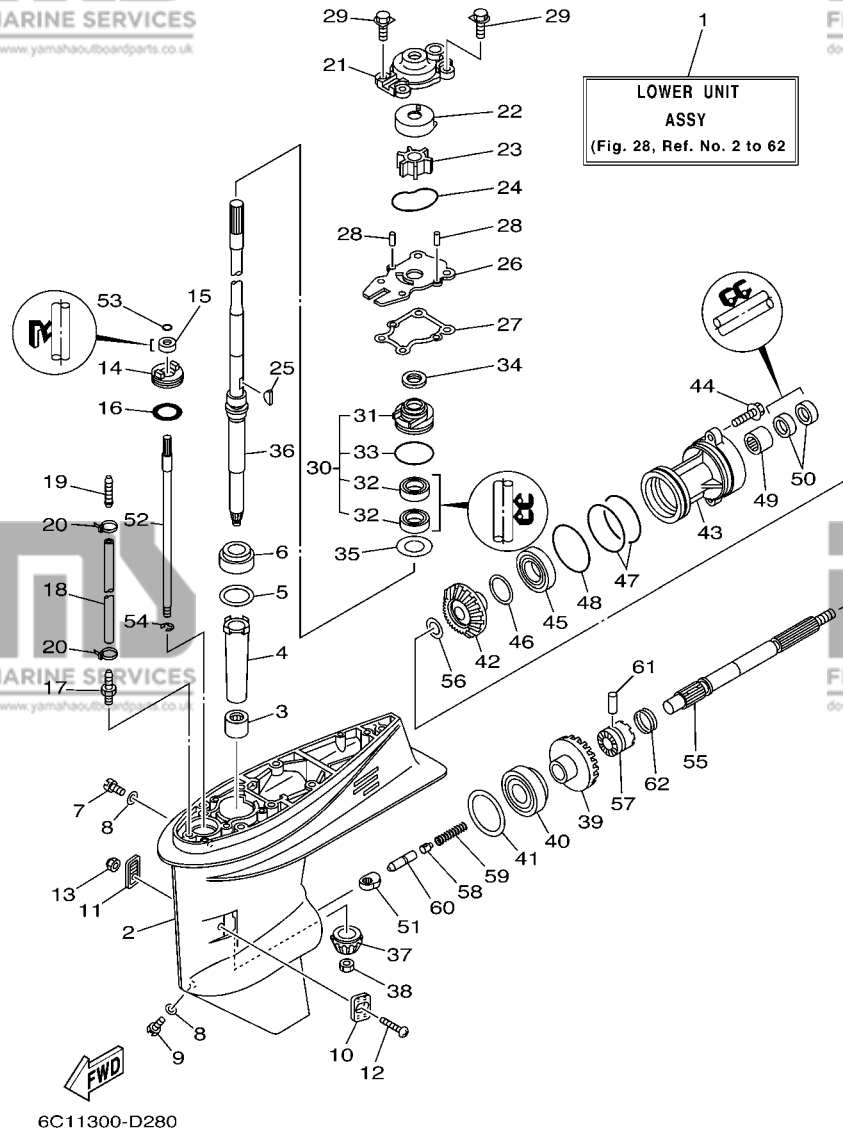
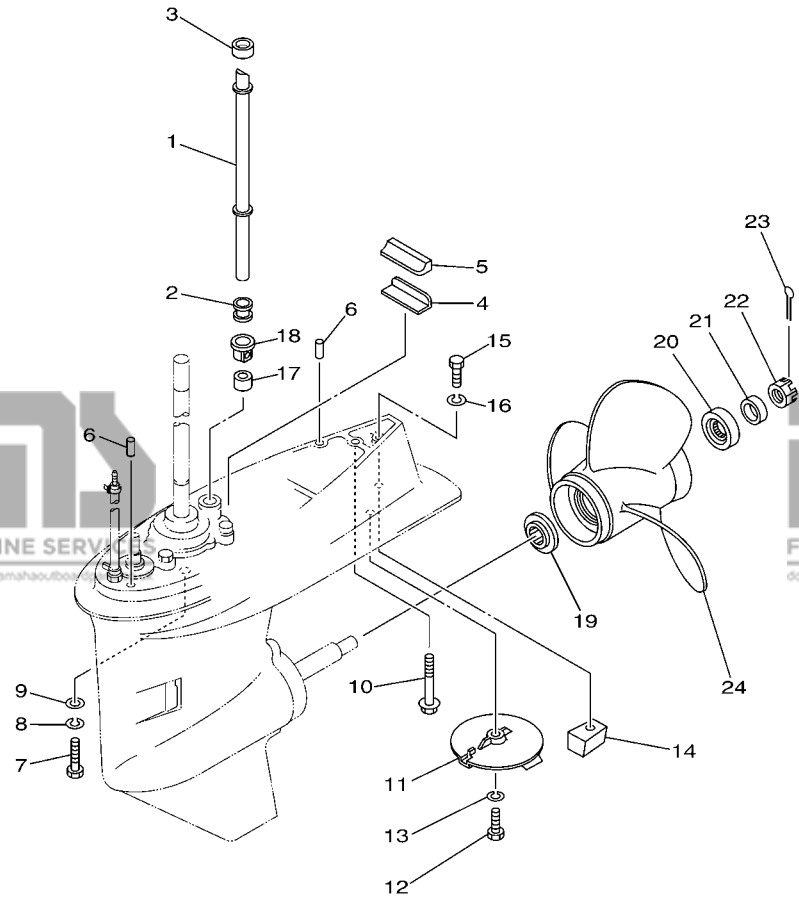


FIG. 28 LOWER CASING & DRIVE 1 BOITIER D'HELICE TRANSMISSION1

| REF. NO. | PART NO. N° PIECES | DESCRIPTION DESCRIPTION | QTY | UNIT | REMARKS REMARQUES |
|----------|--------------------|--|-----|------|-------------------|
| 43 | 63D-45361-02-4D | CAP, LOWER CASING COUVERCLE, BOITIER D'HELICE | 1 | 1 | |
| 44 | 90105-08M61 | BOLT, FLANGE BOULON | 2 | 2 | |
| 45 | 93306-001U1 | BEARING ROULEMENT | 1 | 1 | |
| 46 | 63D-45577-00 | SHIM (T:0.10MM) CALE (T:0.10MM) | 1 | 1 | UR |
| | 63D-45577-10 | SHIM (T:0.12MM) CALE (T:0.12MM) | 1 | 1 | UR |
| | 63D-45577-20 | SHIM (T:0.15MM) CALE (T:0.15MM) | 1 | 1 | UR |
| | 63D-45577-30 | SHIM (T:0.18MM) CALE (T:0.18MM) | 1 | 1 | UR |
| | 63D-45577-40 | SHIM (T:0.30MM) CALE (T:0.30MM) | 1 | 1 | UR |
| | 63D-45577-50 | SHIM (T:0.40MM) CALE (T:0.40MM) | 1 | 1 | UR |
| | 63D-45577-60 | SHIM (T:0.50MM) CALE (T:0.50MM) | 1 | 1 | UR |
| 47 | 93210-74MG5 | O-RING JOINT TORIQUE | 2 | 2 | |
| 48 | 93210-69MG6 | O-RING JOINT TORIQUE | 1 | 1 | |
| 49 | 93317-22204 | BEARING ROULEMENT | 1 | 1 | |
| 50 | 93101-22M00 | OIL SEAL JOINT SPY | 2 | 2 | |
| 51 | 62Y-44151-00 | CAM, SHIFT CAME, INVERSION | 1 | 1 | |
| 52 | 63D-44144-00 | ROD, SHIFT TIGE D'EMBRAYAGE | 1 | 1 | |
| 53 | 93210-07003 | O-RING JOINT TORIQUE | 1 | 1 | |
| 54 | 99001-08600 | CIRCLIP CIRCLIP | 1 | 1 | |
| 55 | 63D-45611-00 | SHAFT, PROPELLER ARBRE, HELICE | 1 | 1 | |
| 56 | 90201-22008 | WASHER, PLATE RONDELLE, PLATE | 1 | 1 | |
| 57 | 62Y-45631-00 | CLUTCH, DOG CRABOT | 1 | 1 | |
| 58 | 663-45634-00 | SLIDE, SHIFT CONTRE-POUSSOIR | 1 | 1 | |
| 59 | 90501-18001 | SPRING, COMPRESSION RESSORT, COMPRESSION | 1 | 1 | |
| 60 | 63D-45635-00 | PLUNGER, SHIFT POUSSOIR D'EMBRAYAGE | 1 | 1 | |
| 61 | 90250-06023 | PIN, STRAIGHT GOUPILLE, DROITE | 1 | 1 | |
| 62 | 67C-45633-00 | RING, CROSS PIN JONC, GOUPILLE CRABOT | 1 | 1 | |

FIG. 29 LOWER CASING & DRIVE 2

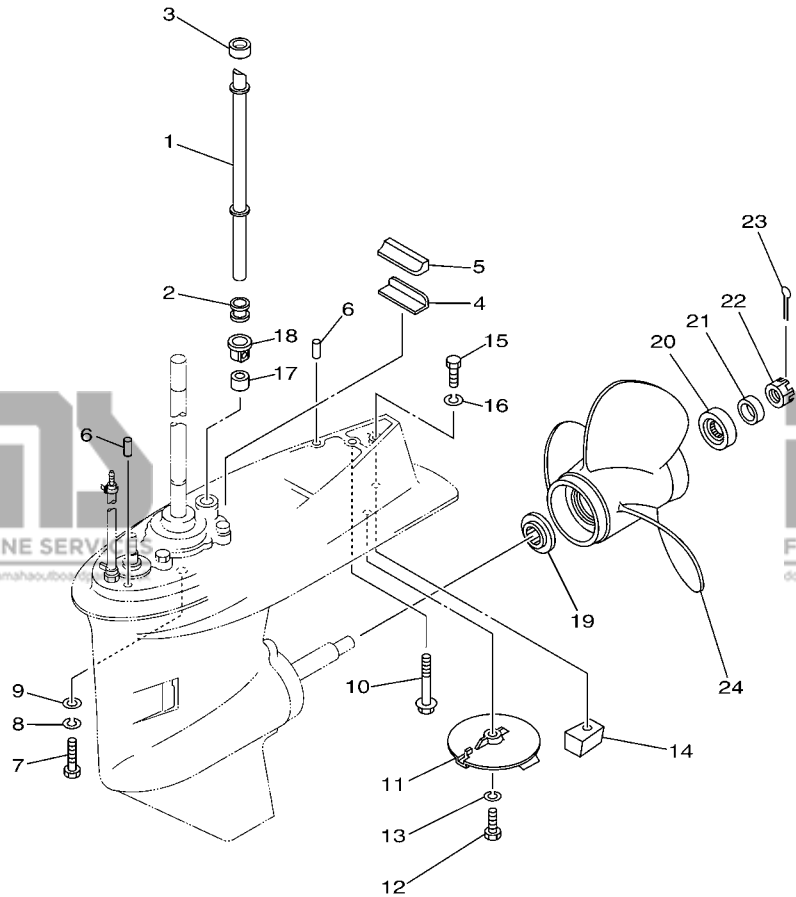
BOITIER D'HELICE TRANSMISSION2



FWD
6C11010-D320

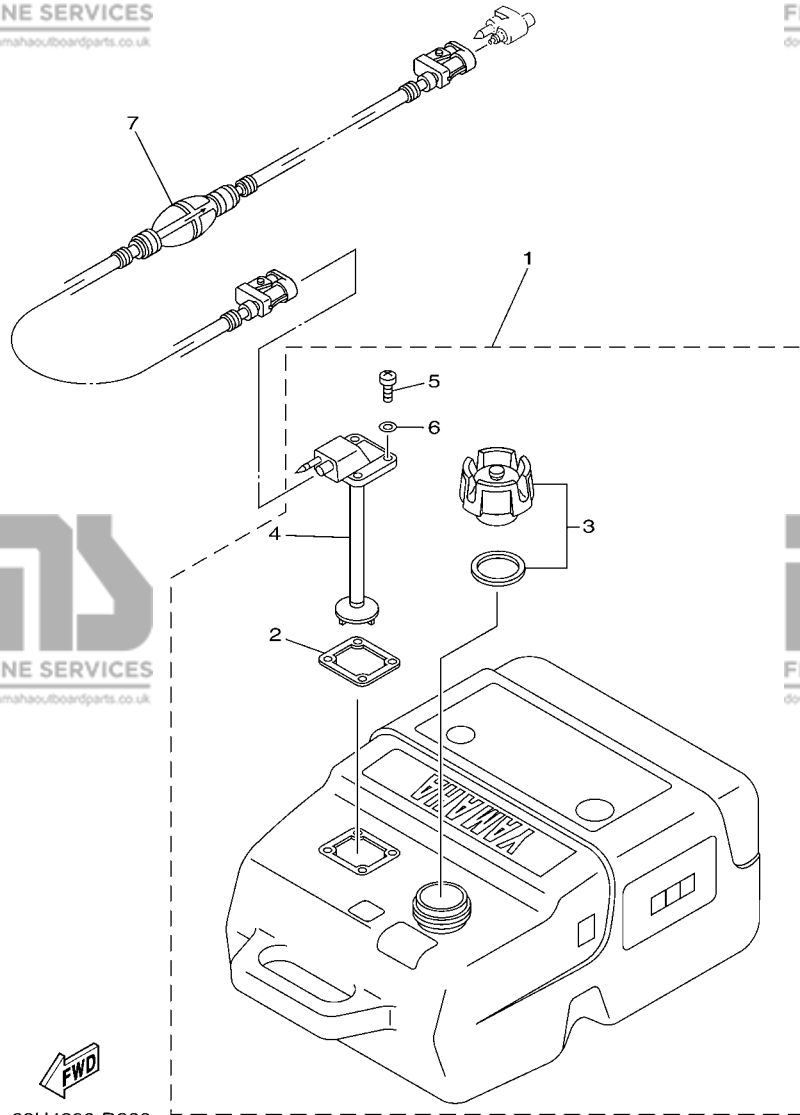
| REF. NO. | PART NO. N° PIECES | DESCRIPTION DESCRIPTION | QTY | UNIT | REMARKS REMARQUES |
|----------|--------------------|--|-----|------|-------------------|
| 1 | 6C5-44361-00 | TUBE, WATER TUBE D'EAU | 1 | 1 | L |
| 2 | 663-44367-00 | DAMPER, WATER SEAL JOINT TUBE D'EAU | 1 | 1 | |
| 3 | 663-44366-00 | DAMPER, WATER SEAL JOINT, TUBE D'EAU | 1 | 1 | |
| 4 | 663-45376-00-94 | GUIDE, SEAL DAMPER BUTEE, JOINT CAOUTCHOUC | 1 | 1 | |
| 5 | 63D-45375-00 | DAMPER, SEAL BOURRELET, CAOUTCHOUC | 1 | 1 | |
| 6 | 93606-12019 | PIN, DOWEL GOUPILLE | 2 | 2 | |
| 7 | 97075-10040 | BOLT BOULON | 4 | 4 | L |
| 8 | 92995-10100 | WASHER RONDELLE | 4 | 4 | L |
| 9 | 92995-10600 | WASHER RONDELLE | 4 | 4 | L |
| 10 | 90119-08M84 | BOLT, WITH WASHER BOULON, AVEC RONDELLE | 1 | 1 | L |
| 11 | 67C-45371-00 | TAB-TRIM ANODE DERIVE | 1 | 1 | |
| 12 | 97095-08025 | BOLT BOULON | 1 | 1 | |
| 13 | 92995-08100 | WASHER RONDELLE | 1 | 1 | |
| 14 | 67C-45251-00 | ANODE ANODE | 1 | 1 | |
| 15 | 97095-08035 | BOLT BOULON | 1 | 1 | |
| 16 | 92995-08100 | WASHER RONDELLE | 1 | 1 | |
| 17 | 663-44366-00 | DAMPER, WATER SEAL JOINT, TUBE D'EAU | 1 | 1 | |
| 18 | 63D-44312-00 | COVER, WATER PUMP HOUSING COUVERCLE | 1 | 1 | |
| 19 | 663-45987-02 | SPACER ENTRETOISE | 1 | 1 | |
| 20 | 66T-45997-00 | SPACER ENTRETOISE | 1 | 1 | |
| 21 | 90389-22M01 | BUSH DOUILLE | 1 | 1 | |
| 22 | 90171-16011 | NUT, CASTLE ECROU, CRENELE | 1 | 1 | |
| 23 | 91490-30025 | PIN, COTTER GOUPILLE | 1 | 1 | |
| 24 | 69W-45943-00-EL | PROPELLER (3X11"X15"-G) HELICE (3X11"X15"-G) | 1 | 1 | UR |
| | 69W-45945-00-EL | PROPELLER (3X11-1/8"X13"-G) HELICE (3X11-1/8"X13"-G) | 1 | 1 | UR |
| | 69W-45947-00-EL | PROPELLER (3X11-5/8"X11"-G) HELICE (3X11-5/8"X11"-G) | 1 | 1 | UR |
| | 69W-45952-00-EL | PROPELLER (3X11-3/8"X12"-G) HELICE (3X11-3/8"X12"-G) | 1 | 1 | UR |

FIG. 29 LOWER CASING & DRIVE 2 BOITIER D'HELICE TRANSMISSION2



FWD
6C11010-D320

| REF. NO. | PART NO. N° PIECES | DESCRIPTION DESCRIPTION | QTY | UNIT | REMARKS REMARQUES |
|----------|--------------------|---|-----|------|------------------------------------|
| 24 | 663-45941-01-EL | PROPELLER (3X10-3/4"X17"-G) HELICE (3X10-3/4"X17"-G) | 1 | 1 | UR UR |
| | 663-45949-01-EL | PROPELLER (3X10-3/4"X16"-G) HELICE (3X10-3/4"X16"-G) | 1 | 1 | UR UR |
| | 663-45952-02-EL | PROPELLER (3X11-3/8"X12"-G) HELICE (3X11-3/8"X12"-G) | 1 | 1 | UR UR |
| | 663-45956-01-EL | PROPELLER (3X12-1/4"X9"-G) HELICE (3X12-1/4"X9"-G) | 1 | 1 | UR UR |
| | 663-45958-01-EL | PROPELLER (3X11-1/4"X14"-G) HELICE (3X11-1/4"X14"-G) | 1 | 1 | UR UR |
| | 6H5-45943-00-EL | PROPELLER (3X10"X15"-G) HELICE (3X10"X15"-G) | 1 | 1 | UR WITH LIP CUP UR WITH LIP CUP |
| | 6H5-45945-00-EL | PROPELLER (3X10-3/8"X13"-G) HELICE (3X10-3/8"X13"-G) | 1 | 1 | UR WITH LIP CUP UR WITH LIP CUP |
| | 6H5-45952-00-EL | PROPELLER (3X10-5/8"X12"-G) HELICE (3X10-5/8"X12"-G) | 1 | 1 | UR WITH LIP CUP UR WITH LIP CUP |
| | 6H5-45958-00-EL | PROPELLER (3X10-1/4"X14"-G) HELICE (3X10-1/4"X14"-G) | 1 | 1 | UR WITH LIP CUP UR WITH LIP CUP |
| | 663-45970-60-98 | PROPELLER (3X11-3/4"X12"-G) HELICE (3X11-3/4"X12"-G) | 1 | 1 | UR UR |
| | 663-45972-60-98 | PROPELLER (3X12"X11"-G) HELICE (3X12"X11"-G) | 1 | 1 | UR UR |
| | 663-45974-60-98 | PROPELLER (3X11-1/2"X13"-G) HELICE (3X11-1/2"X13"-G) | 1 | 1 | UR UR |
| | 697-45970-00-98 | PROPELLER (3X11-1/4"X14"-G) HELICE (3X11-1/4"X14"-G) | 1 | 1 | UR UR |
| | 663-45930-00-98 | PROPELLER (3X10-1/4"X14"-G) HELICE (3X10-1/4"X14"-G) | 1 | 1 | UR UR |
| | 663-45974-02-98 | PROPELLER (3X10-5/8"X13"-G) HELICE (3X10-5/8"X13"-G) | 1 | 1 | UR UR |
| | 663-45976-00-98 | PROPELLER (3X10-1/4"X15"-G) HELICE (3X10-1/4"X15"-G) | 1 | 1 | UR UR |
| | 663-45978-00-98 | PROPELLER (3X10-1/4"X16"-G) HELICE (3X10-1/4"X16"-G) | 1 | 1 | UR UR |



68U4300-D230

FIG. 30 FUEL TANK

RESERVOIR A CARBURANT

| REF. NO. | PART NO. N° PIECES | DESCRIPTION DESCRIPTION | QTY | UNIT | REMARKS REMARQUES |
|----------|--------------------|--|-----|------|-------------------|
| 1 | 6YK-24201-02 | FUEL TANK ASSY (25L) RESERVOIR A ESSENCE (ENS.) 25L | 1 | 1 | AP AP |
| 2 | 6YL-24268-01 | .GASKET, FUEL METER .JOINT, JAUGE A CARBURANT | 1 | 1 | |
| 3 | 6YK-24610-01 | .CAP ASSY .BOUCHON | 1 | 1 | |
| 4 | 6YK-24260-01 | .FUEL METER ASSY .INDICATEUR DE CARBURANT | 1 | 1 | |
| 5 | 90157-05M16 | .SCREW, PAN HEAD .VIS, TETE TRONCONIQUE | 4 | 4 | |
| 6 | 6YL-24329-00 | .SEAL .JOINT | 4 | 4 | |
| 7 | 6YL-24306-53 | FUEL PIPE COMP. 1 DURITE A ESSENCE 1 | 1 | 1 | AP AP |

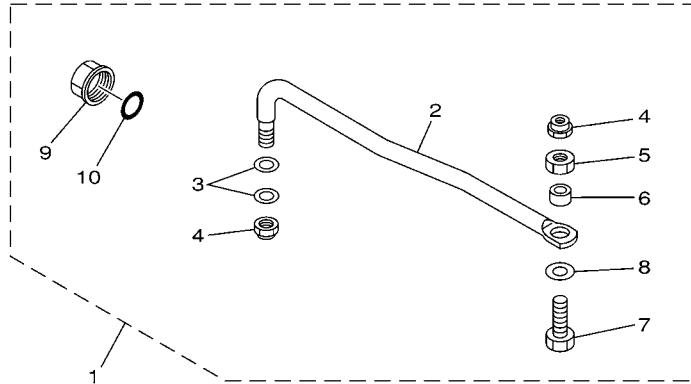


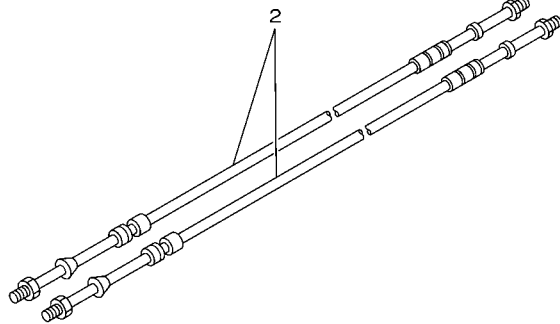
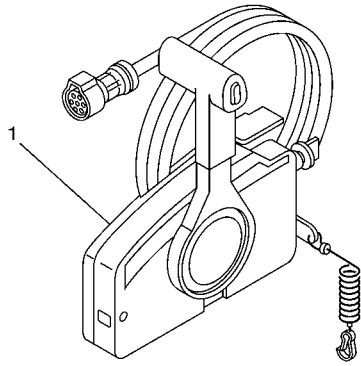
FIG. 31 STEERING GUIDE

FIXATION DE DIRECTION

| REF. NO. | PART NO. N° PIECES | DESCRIPTION DESCRIPTION | Q | U | REMARKS REMARQUES |
|----------|--------------------|---|---|---|-------------------|
| 1 | 65W-61350-00 | STEERING GUIDE ATTACHMENT KIT FIXATIONS DE DIRECTION | 1 | 1 | AP AP |
| 2 | 65W-61351-00 | .ROD, STEERING LINK .RENOI DE DIRECTION | 1 | 1 | |
| 3 | 90201-10M20 | .WASHER, PLATE .RONDELLE, PLATE | 2 | 2 | |
| 4 | 90185-09M01 | .NUT, SELF-LOCKING .ECROU, AUTO-BLOQUANT | 2 | 2 | |
| 5 | 90170-09M03 | .NUT .ECROU | 1 | 1 | |
| 6 | 90387-10M42 | .COLLAR .COLLERETTE | 1 | 1 | |
| 7 | 90101-09M01 | .BOLT .BOULON | 1 | 1 | |
| 8 | 90201-10M63 | .WASHER, PLATE .RONDELLE, PLATE | 1 | 1 | |
| 9 | 6E5-43145-01 | .CAP CLAMP BRACKET .CAPUCHON, PRESSE | 1 | 1 | |
| 10 | 93210-16275 | .O-RING .JOINT TORIQUE | 1 | 1 | |

65W0010-8210

B4

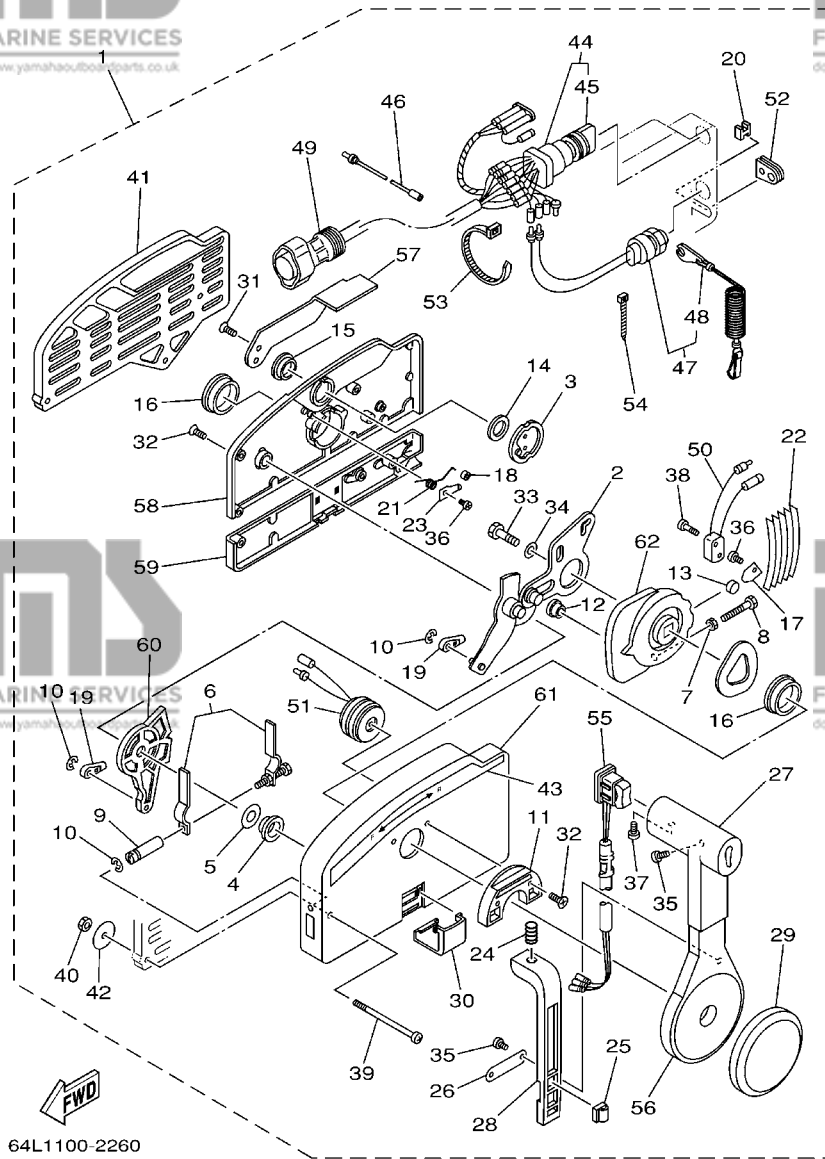


FWD
 67M0100-8280

FIG. 32 REMOTE CONTROL BOX

BOITIER DE COMMANDE A DISTANCE

| REF. NO. | PART NO. N° PIECES | DESCRIPTION DESCRIPTION | QTY | UNIT | REMARKS REMARQUES |
|----------|--------------------|---|-----|------|--------------------------------------|
| 1 | 703-48205-17 | REMOTE CONTROL ASSY (10P) BOITIER DE COMMANDE A DISTANCE | 1 | 1 | AP WITH PT/T SW. AP WITH PT/T SW. |
| 2 | 701-48310-90 | CABLE, REMOTE CONTROL L=11F CABLE, COMMANDE A DISTANCE:11F | 2 | 2 | UR |
| | 701-48320-00 | CABLE, REMOTE CONTROL L=12F CABLE, COMMANDE A DISTANCE:12F | 2 | 2 | UR |
| | 701-48320-20 | CABLE, REMOTE CONTROL L=13F CABLE, COMMANDE A DISTANCE:13F | 2 | 2 | UR |
| | 701-48320-50 | CABLE, REMOTE CONTROL L=15F CABLE, COMMANDE A DISTANCE:15F | 2 | 2 | UR |



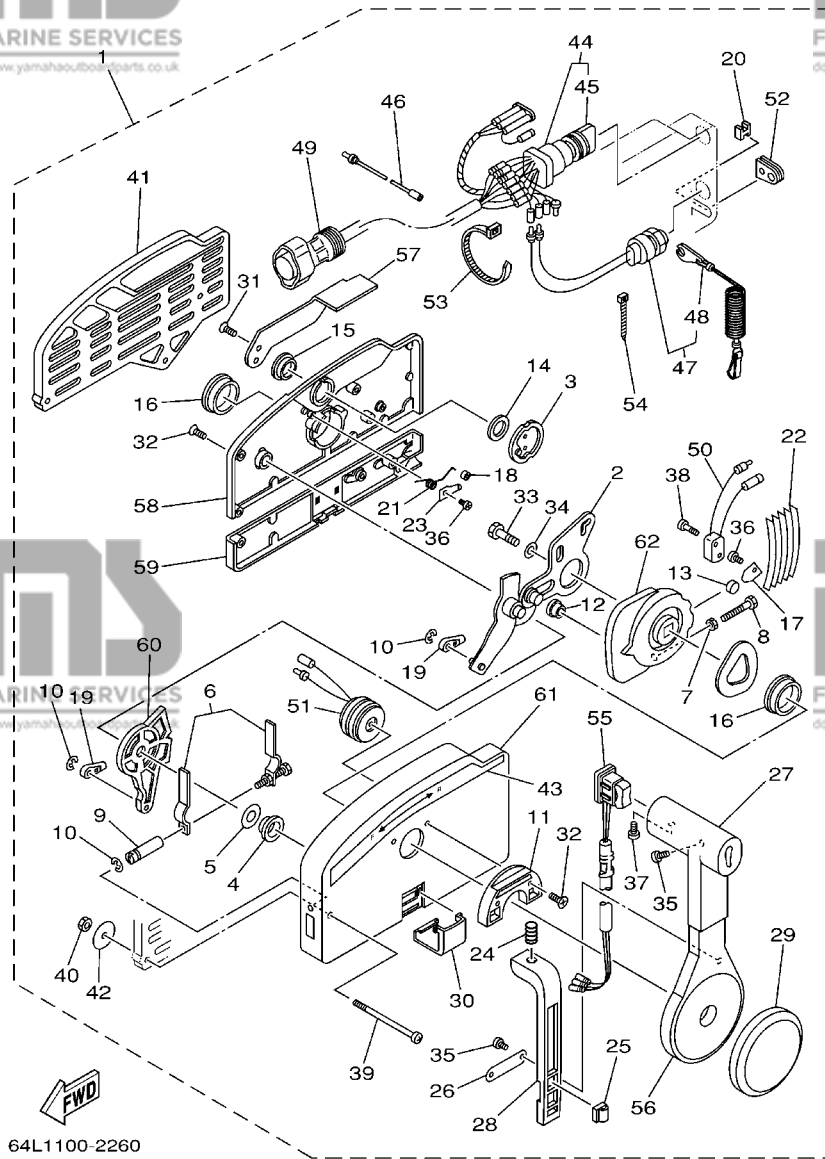
64L1100-2260

FIG. 33 REMOTE CONTROL ASSY

BOITIER DE COMMANDE A DISTANCE

| REF. NO. | PART NO. N° PIECES | DESCRIPTION DESCRIPTION | QTY | UNIT | REMARKS REMARQUES |
|----------|--------------------|---|-----|------|--------------------------------------|
| 1 | 703-48205-17 | REMOTE CONTROL ASSY (10P) BOITIER DE COMMANDE A DISTANCE | 1 | 1 | AP WITH PT/T SW. AP WITH PT/T SW. |
| 2 | 703-48261-01 | .ARM, THROTTLE .BRAS, ACCELERATION | 1 | 1 | |
| 3 | 703-48153-00 | .SHAFT, FREE ACCEL. .AXE | 1 | 1 | |
| 4 | 703-48235-00 | .BUSHING .COUSSINET | 1 | 1 | |
| 5 | 703-48268-00 | .SPACER .ENTRETOISE | 1 | 1 | |
| 6 | 703-48264-00 | .FRICTION, THROTTLE .FRICTION, ACCELERATION | 1 | 1 | |
| 7 | 95380-05600 | .NUT .ECROU | 1 | 1 | |
| 8 | 97380-05025 | .BOLT .BOULON, HEXAGONAL | 1 | 1 | |
| 9 | 703-48265-00 | .SHAFT, FRICTION .AXE, COPILOTE | 1 | 1 | |
| 10 | 93430-06024 | .CIRCLIP .CLIPS | 3 | 3 | |
| 11 | 703-48245-00 | .PLATE, LOCK .PLAQUE, VERROU | 1 | 1 | |
| 12 | 703-48252-00 | .ROLLER, CAM .POULIE | 1 | 1 | |
| 13 | 701-48248-00 | .ROLLER, FREE ACCEL. .POULIE | 1 | 1 | |
| 14 | 703-48198-00 | .WASHER, WAVE .RONDELLE, ELASTIQUE ONDULEE | 1 | 1 | |
| 15 | 703-48243-00 | .BUSHING .COUSSINET | 1 | 1 | |
| 16 | 703-48236-00 | .BUSHING 1 .POULIE | 2 | 2 | |
| 17 | 703-48189-00 | .RETAINER .FLASQUE | 1 | 1 | |
| 18 | 703-48234-00 | .ROLLER, DETENT .POULIE | 1 | 1 | |
| 19 | 703-48345-01 | .CABLE END, REMOTE CONTROL 2 .CHAPE CABLE | 2 | 2 | |
| 20 | 703-48358-00 | .ANCHOR, CABLE .COLLIER | 1 | 1 | |
| 21 | 703-48244-00 | .SPRING, FREE ACCEL. .RESSORT | 1 | 1 | |
| 22 | 703-48238-00 | .SPRING, DETENT .RESSORT | 5 | 5 | |
| 23 | 703-48246-00 | .SPACER .ENTRETOISE | 1 | 1 | |
| 24 | 703-48227-00 | .SPRING, NEUTRAL LOCK .RESSORT | 1 | 1 | |
| 25 | 703-82594-00 | .CLAMP .BRIDE | 1 | 1 | WITH PT/T SW. WITH PT/T SW. |
| 26 | 703-48226-00 | .PLATE, STOPPER .PLAQUETTE | 1 | 1 | |
| 27 | 703-48222-00 | .GRIP, CONTROL LEVER .POIGNEE, COMMANDE LEVIER | 1 | 1 | SINGLE SINGLE |

B6



64L1100-2260

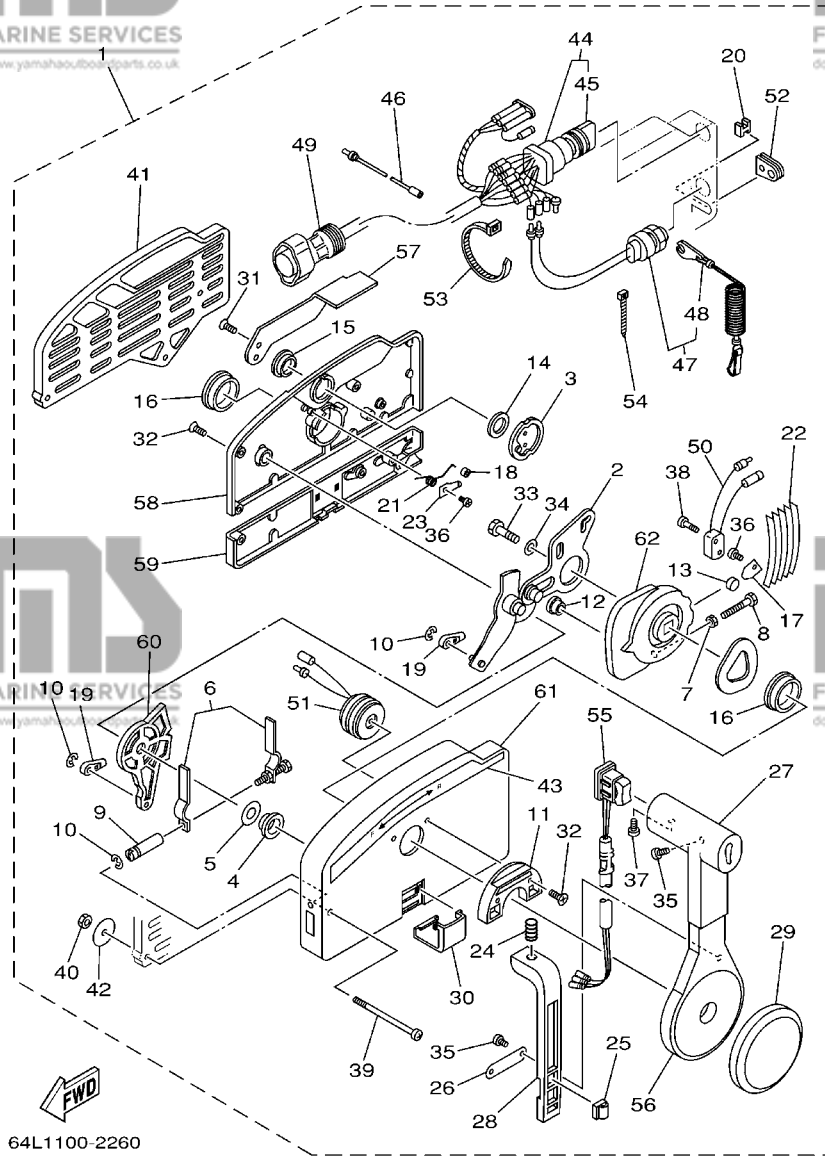
FIG. 33 REMOTE CONTROL ASSY

BOITIER DE COMMANDE A DISTANCE

| REF. NO. | PART NO. N° PIECES | DESCRIPTION DESCRIPTION | QTY | UNIT | REMARKS REMARQUES |
|----------|--------------------|--|-----|------|--------------------------|
| 28 | 703-48223-00 | .LOCK, NEUTRAL .VERROU, NEUTRAL | 1 | 1 | |
| 29 | 703-48225-00 | .COVER .COUVERCLE | 1 | 1 | |
| 30 | 703-48219-00 | .COVER, LEAD .COUVERCLE | 1 | 1 | |
| 31 | 703-48281-00 | .SCREW .VIS | 2 | 2 | |
| 32 | 703-48282-00 | .SCREW .VIS | 7 | 7 | |
| 33 | 97380-08030 | .BOLT .BOULON, HEXAGONAL | 1 | 1 | |
| 34 | 92990-08600 | .WASHER, PLATE .RONDELLE, PLATE | 1 | 1 | |
| 35 | 98580-04010 | .SCREW, PAN HEAD .VIS | 3 | 3 | |
| 36 | 98580-04006 | .SCREW, PAN HEAD .VIS | 2 | 2 | |
| 37 | 98580-05010 | .SCREW, PAN HEAD .VIS | 1 | 1 | |
| 38 | 98580-03015 | .SCREW, PAN HEAD .VIS | 2 | 2 | |
| 39 | 703-48291-10 | .SCREW (M6) .VIS (M6) | 3 | 3 | |
| 40 | 95380-06600 | .NUT, HEXAGON .ECROU | 3 | 3 | |
| 41 | 703-48293-10 | .SPACER, REMOTE CONTROL .ENTRETOISE | 1 | 1 | SINGLE SINGLE |
| 42 | 701-48287-00 | .WASHER .RONDELLE | 3 | 3 | |
| 43 | 703-48215-00 | .GRAPHIC .ADHESIF | 1 | 1 | |
| 44 | 703-82510-43 | .MAIN SWITCH ASSY .CONTACTEUR A CLEF COMPLET | 1 | 1 | |
| 45 | 703-82577-00 | .CAP, KEY .CABOCHON | 1 | 1 | |
| 46 | 703-82531-00 | .WIRE, LEAD .FIL | 1 | 1 | |
| 47 | 688-82575-01 | .ENGINE STOP SWITCH ASSY .COUPE CIRCUIT CPLT | 1 | 1 | |
| 48 | 682-82556-00 | .STOPPER .PLAQUETTE | 1 | 1 | |
| 49 | 688-8258A-20 | .EXTENSION, WIRE HARNESS .EXTENSION, FAISCEAU DE FILS | 1 | 1 | L:5M (10P) L:5M (10P) |
| 50 | 703-82540-00 | .NEUTRAL SWITCH ASSY .CONTACTEUR DE POINT-MORT | 1 | 1 | |
| 51 | 703-83383-02 | .BUZZER .RONFLEUR | 1 | 1 | |
| 52 | 703-48284-00 | .GROMMET .PASSE-FIL | 1 | 1 | |
| 53 | 703-82591-00 | .BAND .COLLIER | 1 | 1 | |
| 54 | 703-82592-00 | .BAND .COLLIER | 1 | 1 | |

FIG. 33 REMOTE CONTROL ASSY

BOITIER DE COMMANDE A DISTANCE



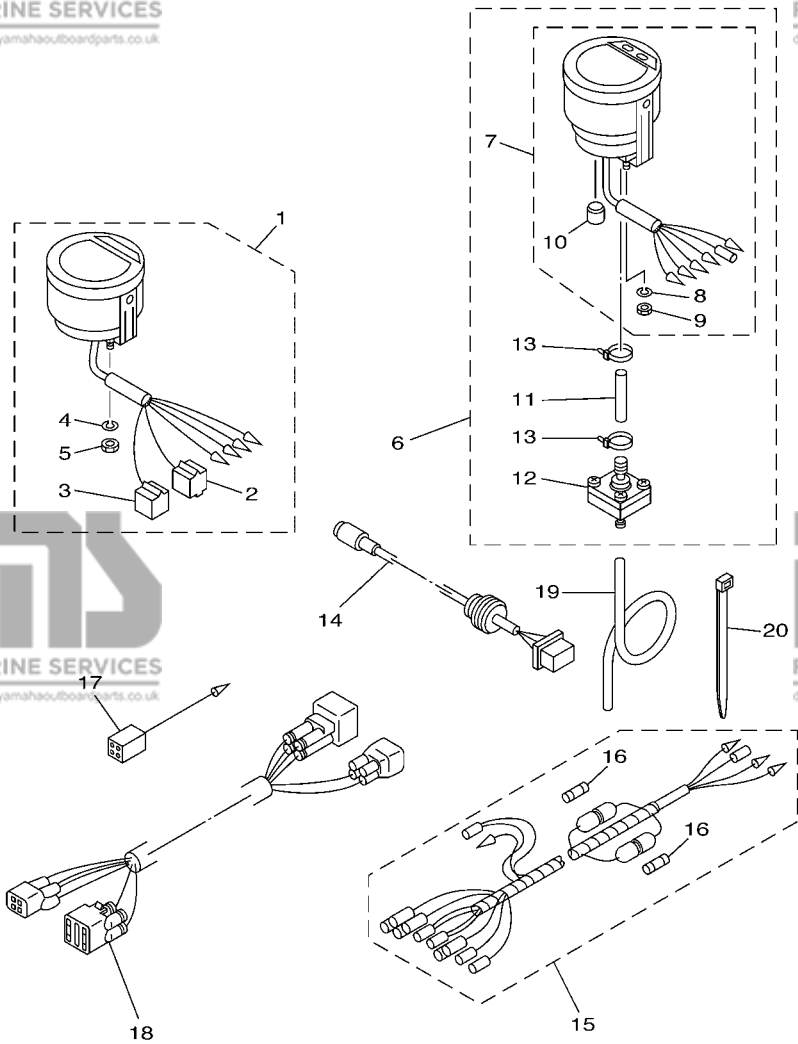
64L1100-2260

| REF. NO. | PART NO. N° PIECES | DESCRIPTION DESCRIPTION | QTY | QTY | REMARKS REMARQUES |
|----------|--------------------|--|-----|-----|--------------------------------|
| 55 | 703-82563-02 | .TRIM & TILT SWITCH ASSY .INCLINER ET PAYER COMMUTATEUR | 1 | 1 | WITH PT/T SW. WITH PT/T SW. |
| 56 | 703-48221-00 | .LEVER, CONTROL .LEVIER, COMMANDE | 1 | 1 | |
| 57 | 703-48152-00 | .KNOB, FREE ACCEL. .BOUTON | 1 | 1 | |
| 58 | 703-48212-00 | .BACK PLATE 1 .PLAQUETTE 1 | 1 | 1 | |
| 59 | 703-48213-00 | .BACK PLATE 2 .PLAQUETTE 2 | 1 | 1 | |
| 60 | 703-48271-00 | .ARM, SHIFT .BRAS | 1 | 1 | |
| 61 | 703-48211-01 | .HOUSING,1 .CORPS | 1 | 1 | |
| 62 | 703-48232-00 | .GEAR .PIGNON | 1 | 1 | |

FIG. 34 METER

COMPTEUR

| REF. NO. | PART NO. N° PIECES | DESCRIPTION DESCRIPTION | QTY | UNIT | REMARKS REMARQUES |
|----------|--------------------|--|-----|------|-------------------|
| 1 | 6Y5-8350T-03 | TACHOMETER ASSY COMPTE-TOURS CPLT | 1 | 1 | AP AP |
| 2 | 9E450-04433 | .CONNECTOR .CONNECTEUR | 1 | 1 | M-4-W M-4-W |
| 3 | 9E450-04533 | .CONNECTOR .CONNECTEUR | 1 | 1 | F-4-W F-4-W |
| 4 | 92990-04100 | .WASHER, SPRING .RONDELLE, GROWER | 2 | 2 | |
| 5 | 95380-04600 | .NUT .ECROU | 2 | 2 | |
| 6 | 6Y5-83500-S5 | DIGITAL SPEEDOMETER ASSY TACHYMETRE NUMERIQUE CPLT. | 1 | 1 | AP AP |
| 7 | 6Y5-83570-S5 | .SPEEDOMETER ASSY .COMPTEUR DE VITESSE CPLT | 1 | 1 | |
| 8 | 92990-04100 | ..WASHER, SPRING ..RONDELLE, GROWER | 2 | 2 | |
| 9 | 95380-04600 | ..NUT ..ECROU | 2 | 2 | |
| 10 | 6Y5-83533-T2 | ..GROMMET ..RONDELLE CAOUTCHOUC | 1 | 1 | |
| 11 | 6Y5-83557-31 | .TUBE .TUBE | 1 | 1 | |
| 12 | 6Y5-83728-00 | .CONNECTOR ASSY .CONNEXION COMPLET | 1 | 1 | |
| 13 | 90465-11M10 | .CLAMP .BRIDE | 2 | 2 | |
| 14 | 6Y5-87122-S0 | CORD ASSY 1 COPDON COMPLET | 1 | 1 | AP AP |
| 15 | 6Y5-83553-M0 | WIRE, LEAD FIL | 1 | 1 | AP AP |
| 16 | 1E6-82151-00 | .FUSE (10A) .FUSIBLE (10A) | 2 | 2 | |
| 17 | 6Y5-82117-00 | WIRE, LEAD (BLACK) FIL (NOIR) | 1 | 1 | AP AP |
| 18 | 68F-82553-80 | EXTENSION, WIRE LEAD EXTENSION, FAISCEAU | 1 | 1 | AP AP |
| 19 | 6Y5-83557-10 | TUBE (8M) TUBE (8M) | 1 | 1 | AP AP |
| 20 | 90465-11M10 | CLAMP BRIDE | 2 | 2 | AP AP |

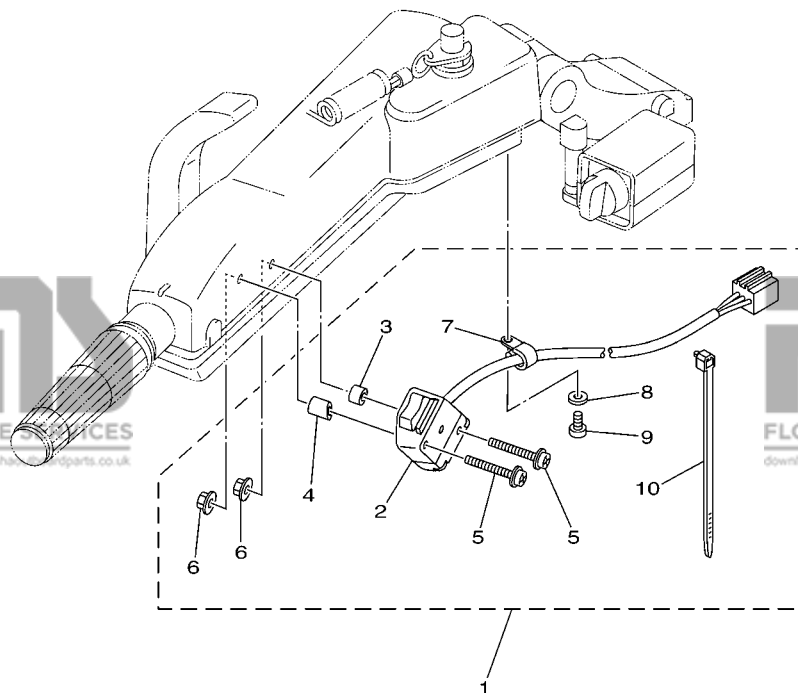


61A1700-2290

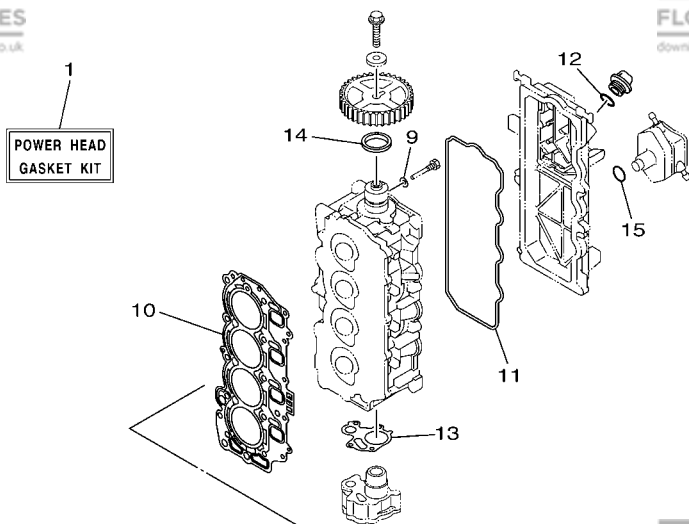
FIG. 35 OPTIONAL PARTS

PIECES OPTIONNELLES

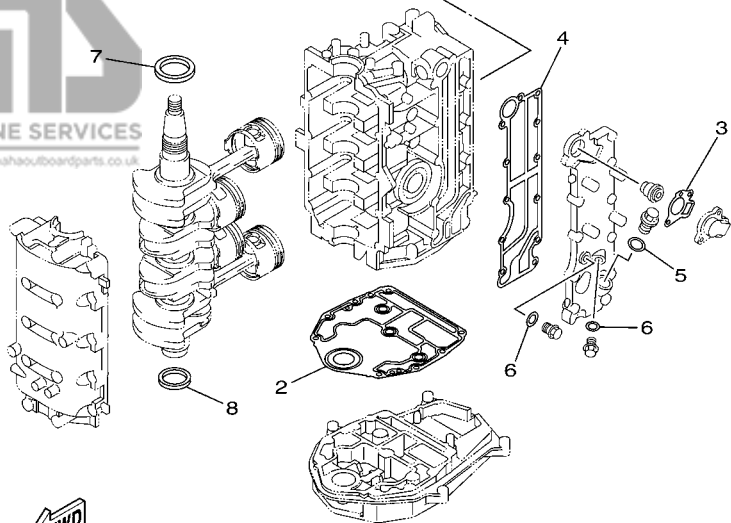
| REF. NO. | PART NO. N° PIECES | DESCRIPTION DESCRIPTION | QTY | QTY | REMARKS REMARQUES |
|----------|--------------------|--|-----|-----|-------------------|
| 1 | 6C5-W8186-00 | SPEED CONTROL SWITCH KIT POCHETTE, COMMUTATEUR COMMANDE | 1 | 1 | AP AP |
| 2 | 6C5-81860-00 | .SWITCH ASSY .COMMUTATEUR COMPLET | 1 | 1 | |
| 3 | 6C5-23448-00 | .SPACER .ENTRETOISE | 1 | 1 | |
| 4 | 6C5-23448-10 | .SPACER .ENTRETOISE | 1 | 1 | |
| 5 | 90159-06018 | .SCREW, WITH WASHER .VIS, AVEC RONDELLE | 2 | 2 | |
| 6 | 95780-06300 | .NUT, FLANGE .ECROU | 2 | 2 | |
| 7 | 90465-06M86 | .CLAMP .BRIDE | 2 | 2 | |
| 8 | 90201-06028 | .WASHER, PLATE .RONDELLE, PLATE | 2 | 2 | |
| 9 | 97885-06016 | .SCREW, PAN HEAD .VIS, A ENCOCHE | 2 | 2 | |
| 10 | 90465-13M24 | .CLAMP .BRIDE | 4 | 4 | |



6C11010-D330



1
POWER HEAD
GASKET KIT



6C11100-D390

FIG. 36 REPAIR KIT 1

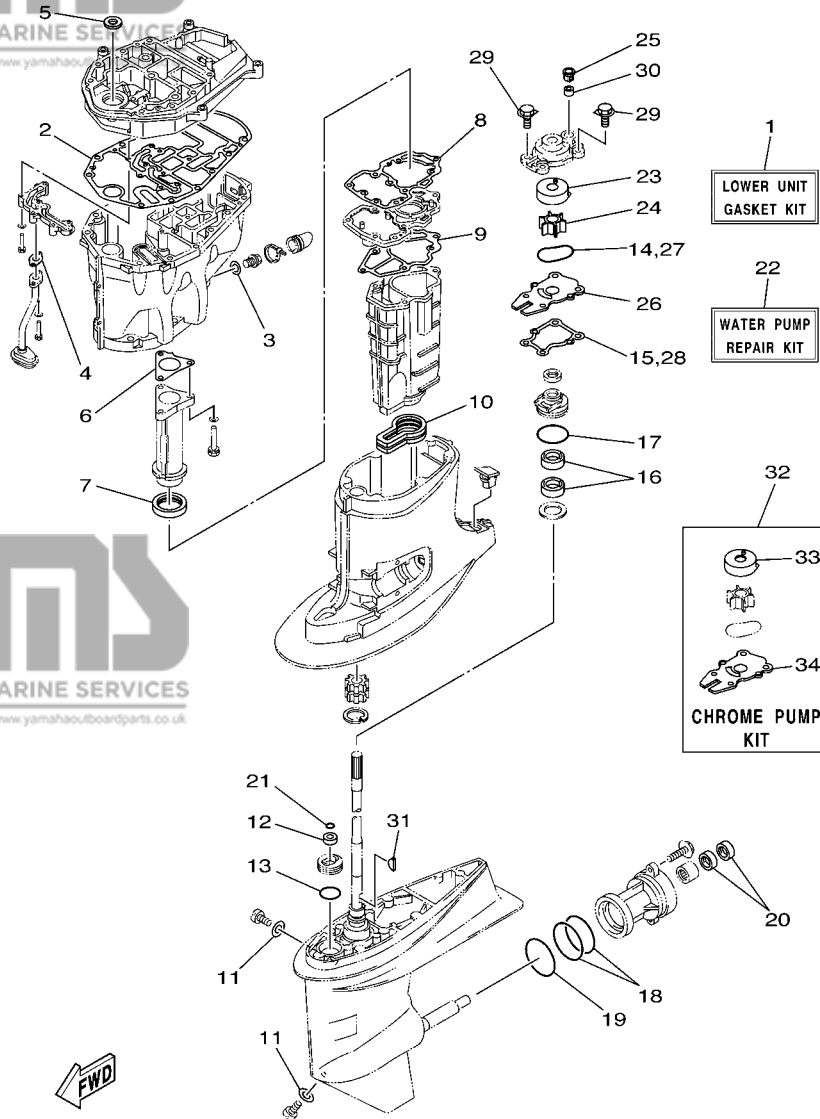
KITS DE REPARATION 1

| REF. NO. | PART NO. N° PIECES | DESCRIPTION DESCRIPTION | QTY | UNIT | REMARKS REMARQUES |
|----------|--------------------|--|-----|------|-------------------|
| 1 | 6C5-W0001-00 | POWER HEAD GASKET KIT POCHETTE DE JINTS TETE MOTRICE | 1 | 1 | |
| 2 | 67C-11351-01 | .GASKET, CYLINDER .JOINT, D'EMBASE | 1 | 1 | |
| 3 | 62Y-12414-00 | .GASKET, COVER .JOINT, COUVERCLE | 1 | 1 | |
| 4 | 6C5-41114-00 | .GASKET, EXHAUST OUTER COVER .JOINT, COUVERCLE D'ECHAPPEMEN | 1 | 1 | |
| 5 | 90430-18130 | .GASKET .JOINT | 1 | 1 | |
| 6 | 90430-14115 | .GASKET .JOINT | 2 | 2 | |
| 7 | 93102-43M42 | .OIL SEAL .JOINT SPY | 1 | 1 | |
| 8 | 93101-35002 | .OIL SEAL .JOINT SPY | 1 | 1 | |
| 9 | 90430-06014 | .GASKET .JOINT | 1 | 1 | |
| 10 | 6C5-11181-01 | .GASKET, CYLINDER HEAD 1 .JOINT, DE CULASSE 1 | 1 | 1 | |
| 11 | 62Y-11356-00 | .SEAL, CYLINDER 2 .JOINT, SPY CYLINDRE | 1 | 1 | |
| 12 | 93210-24M79 | .O-RING .JOINT TORIQUE | 1 | 1 | |
| 13 | 6C5-13329-00 | .GASKET, PUMP COVER .JOINT, COUVERCLE DE POMPE | 1 | 1 | |
| 14 | 93102-37M40 | .OIL SEAL .JOINT SPY | 1 | 1 | |
| 15 | 93210-24M79 | .O-RING .JOINT TORIQUE | 1 | 1 | |

C4

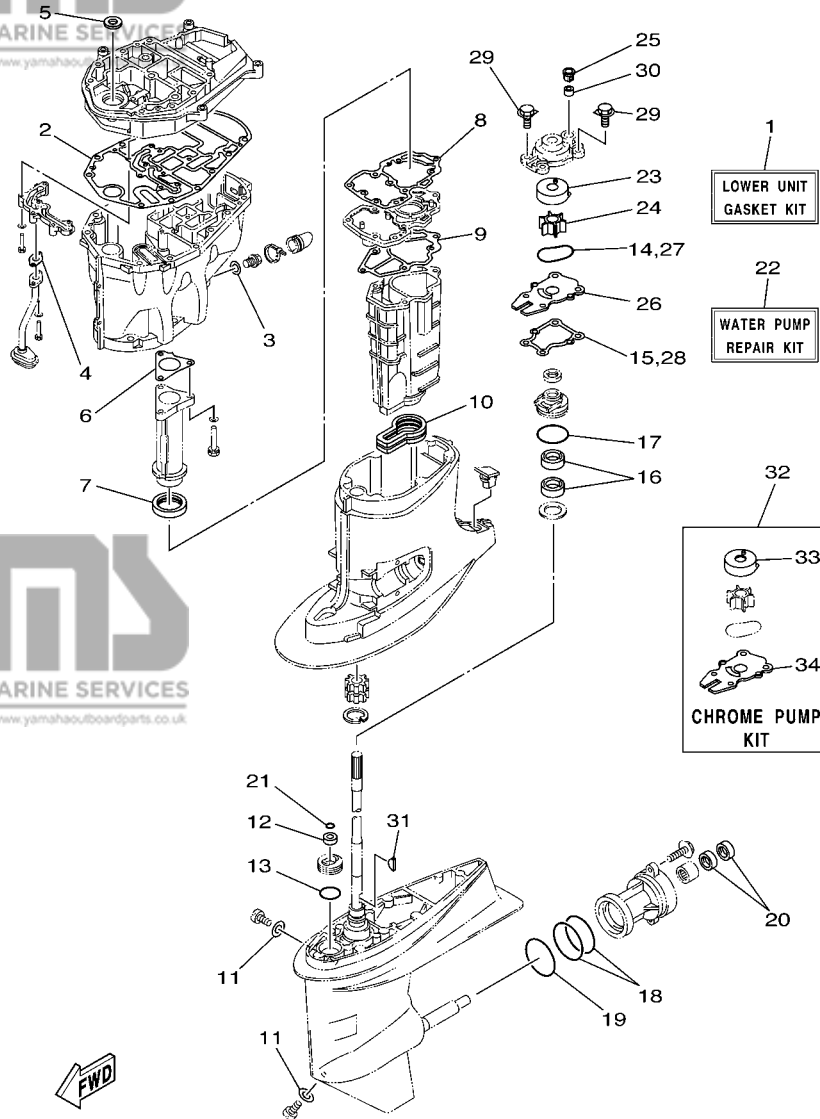
FIG. 37 REPAIR KIT 2

KITS DE REPARATION 2



6C11100-D400

| REF. NO. | PART NO. N° PIECES | DESCRIPTION DESCRIPTION | QTY | UNIT | REMARKS REMARQUES |
|----------|--------------------|---|-----|------|-------------------|
| 1 | 6C5-W0001-20 | LOWER UNIT GASKET KIT POCHETTE DE JOINTS EMBASE | 1 | 1 | |
| 2 | 6C5-15312-00 | .GASKET, OIL PAN .JOINT DE VENTILATEUR D'HUILE | 1 | 1 | |
| 3 | 90430-14M09 | .GASKET .JOINT | 1 | 1 | |
| 4 | 6C5-13414-00 | .GASKET, STRAINER COVER .JOINT, COUVERCLE DE FILTRE | 1 | 1 | |
| 5 | 93103-18011 | .OIL SEAL .JOINT SPY | 1 | 1 | |
| 6 | 6C5-41133-00 | .GASKET, EXHAUST MANIFOLD 1 .JOINT, PIPE D'ECHAPPEMENT | 1 | 1 | |
| 7 | 6C5-46132-00 | .GASKET 1 .JOINT 1 | 1 | 1 | |
| 8 | 6C5-41134-00 | .GASKET, EXHAUST MANIFOLD .JOINT, PIPE D'ECHAPPEMENT | 1 | 1 | |
| 9 | 6C5-41135-00 | .GASKET, EXHAUST MANIFOLD .JOINT, PIPE D'ECHAPPEMENT | 1 | 1 | |
| 10 | 6C5-45123-00 | .GASKET, MUFFLER .JOINT, POT DE DETENTE | 1 | 1 | |
| 11 | 90430-08020 | .GASKET .JOINT | 2 | 2 | |
| 12 | 93106-09014 | .OIL SEAL .JOINT SPY | 1 | 1 | |
| 13 | 93210-33MG4 | .O-RING .JOINT TORIQUE | 1 | 1 | |
| 14 | 93210-59MG7 | .O-RING .JOINT TORIQUE | 1 | 1 | |
| 15 | 63D-44316-00 | .GASKET, WATER PUMP .JOINT, POMPE A EAU | 1 | 1 | |
| 16 | 93101-25M57 | .OIL SEAL .JOINT SPY | 2 | 2 | |
| 17 | 93210-48MG8 | .O-RING .JOINT TORIQUE | 1 | 1 | |
| 18 | 93210-74MG5 | .O-RING .JOINT TORIQUE | 2 | 2 | |
| 19 | 93210-69MG6 | .O-RING .JOINT TORIQUE | 1 | 1 | |
| 20 | 93101-22M00 | .OIL SEAL .JOINT SPY | 2 | 2 | |
| 21 | 93210-07003 | .O-RING .JOINT TORIQUE | 1 | 1 | |
| 22 | 63D-W0078-01 | WATER PUMP REPAIR KIT KIT DE REPARATION DE LA POMPE | 1 | 1 | |
| 23 | 63D-44322-00 | .INSERT, CARTRIDGE .CUVETTE | 1 | 1 | |
| 24 | 6H3-44352-00 | .IMPELLER .TURBINE | 1 | 1 | |
| 25 | 63D-44312-00 | .COVER, WATER PUMP HOUSING .COUVERCLE | 1 | 1 | |
| 26 | 63D-44323-00 | .OUTER PLATE, CARTRIDGE .PLAQUE EXTERIEURE | 1 | 1 | |
| 27 | 93210-59MG7 | .O-RING .JOINT TORIQUE | 1 | 1 | |



6C11100-D400

FIG. 37 REPAIR KIT 2

KITS DE REPARATION 2

| REF. NO. | PART NO. N° PIECES | DESCRIPTION DESCRIPTION | QTY | QTY | REMARKS REMARQUES |
|----------|--------------------|---|-----|-----|-------------------|
| 28 | 63D-44316-00 | .GASKET, WATER PUMP .JOINT, POMPE A EAU | 1 | 1 | |
| 29 | 90119-08M15 | .BOLT, WITH WASHER .BOULON, AVEC RONDELLE | 4 | 4 | |
| 30 | 663-44366-00 | .DAMPER, WATER SEAL .JOINT, TUBE D'EAU | 1 | 1 | |
| 31 | 90280-03024 | .KEY, WOODRUFF .CLAVETTE, DEMI-LUNE | 1 | 1 | |
| 32 | 63D-W0078-0A | CHROME PUMP KIT KIT DE POMPE A EAU CHROMEE | 1 | 1 | |
| 33 | 63D-44322-40 | .INSERT, CARTRIDGE .CUVETTE | 1 | 1 | |
| 34 | 63D-44323-40 | .OUTER PLATE, CARTRIDGE .PLAQUE EXTERIEURE | 1 | 1 | |

| PART NO. N° PIECES | REF. NO. |
|-----------------------|-------------|
| 6C5-11111-00-1S | 4 - 2 |
| 62Y-11119-00 | 4 - 26 |
| 62Y-11133-30 | 4 - 3 |
| 6C5-11168-00 | 4 - 20 |
| 6C5-11181-01 | 4 - 14 |
| | 36 - 10 |
| 6C5-11191-00-1S | 4 - 18 |
| 62Y-11325-00 | 2 - 18 |
| | 4 - 4 |
| 66M-11327-00-94 | 2 - 20 |
| | 4 - 6 |
| 66M-11328-00 | 2 - 19 |
| | 4 - 5 |
| 67C-11351-01 | 2 - 8 |
| | 36 - 2 |
| 62Y-11356-00 | 4 - 23 |
| | 36 - 11 |
| 6C5-1135A-00 | 2 - 16 |
| 6C5-11411-00 | 3 - 1 |
| 6C5-11416-00 | 3 - 2 |
| 6C5-11416-10 | 3 - 2 |
| 6C5-11416-20 | 3 - 2 |
| 6C5-11416-30 | 3 - 2 |
| 6C5-11536-00 | 10 - 7 |
| 6C5-11537-00 | 10 - 2 |
| 6H4-11545-00 | 12 - 5 |
| 62Y-11557-00 | 10 - 8 |
| 6G8-11577-00 | 10 - 15 |
| 67C-11603-00 | 3 - 7 |
| 67C-11604-00 | 3 - 7 |
| 67C-11605-00 | 3 - 7 |
| 69W-11631-00-97 | 3 - 6 |
| 62Y-11633-00 | 3 - 8 |
| 69W-11635-00 | 3 - 6 |
| 69W-11636-00 | 3 - 6 |
| 6C5-11650-00 | 3 - 3 |
| 6C5-11654-00 | 3 - 4 |
| 6C5-11656-00 | 3 - 5 |
| 6C5-11656-10 | 3 - 5 |
| 6C5-11656-20 | 3 - 5 |
| 6C5-11656-30 | 3 - 5 |
| 69W-12111-00 | 5 - 1 |
| 51Y-12114-00 | 5 - 4 |
| 62Y-12116-00 | 5 - 3 |
| 30X-12117-00 | 5 - 5 |
| 30X-12118-00 | 5 - 6 |
| 51Y-12119-00 | 5 - 7 |
| 69W-12121-00 | 5 - 2 |

| PART NO. N° PIECES | REF. NO. |
|-----------------------|-------------|
| 62Y-12138-60 | 4 - 41 |
| 6C5-12146-00 | 5 - 8 |
| 62Y-12151-00 | 5 - 9 |
| 6C5-12151-00 | 5 - 12 |
| 62Y-12158-00 | 5 - 11 |
| 6C5-12158-00 | 5 - 14 |
| 64J-12159-00 | 5 - 10 |
| 6C5-12159-00 | 5 - 13 |
| 6C5-12171-00 | 10 - 1 |
| 6C5-12231-00 | 5 - 15 |
| 6C5-12233-00 | 5 - 16 |
| 6C5-12241-00 | 5 - 17 |
| 6C5-12243-00 | 5 - 18 |
| 6G8-12411-03 | 2 - 11 |
| 6H3-12413-00-1S | 2 - 12 |
| 62Y-12414-00 | 2 - 13 |
| | 36 - 3 |
| 62Y-12481-10 | 2 - 10 |
| 66M-12535-00 | 2 - 21 |
| | 4 - 7 |
| 69W-12535-00 | 19 - 3 |
| 68T-12572-00 | 19 - 2 |
| 6R3-12580-00 | 19 - 8 |
| 6C5-12858-00 | 2 - 31 |
| 6C5-13105-00 | 6 - 10 |
| 62Y-13131-00 | 11 - 23 |
| 6C5-13142-00 | 10 - 14 |
| 6C5-13161-00 | 6 - 13 |
| 6C5-13300-00 | 10 - 11 |
| 6C5-13329-00 | 10 - 17 |
| | 36 - 13 |
| 6C5-13411-00 | 27 - 8 |
| 6C5-13414-00 | 27 - 9 |
| | 37 - 4 |
| 6C5-13428-00 | 7 - 21 |
| 67F-13434-02 | 1 - 16 |
| 6C5-13437-60 | 12 - 16 |
| 5GH-13440-10 | 2 - 30 |
| 62Y-13444-50 | 19 - 19 |
| 69W-13448-00 | 1 - 15 |
| 6C5-13542-00 | 9 - 2 |
| 6C5-13545-00 | 9 - 19 |
| 6C5-13546-00 | 9 - 1 |
| 6C5-13547-00 | 9 - 20 |
| 6C5-13548-00 | 9 - 24 |
| 6C5-13557-00 | 6 - 4 |
| 6C5-13577-00 | 9 - 10 |
| 6C5-13593-00 | 8 - 20 |

| PART NO. N° PIECES | REF. NO. |
|-----------------------|-------------|
| 6C5-13641-00 | 6 - 2 |
| 6C5-13645-00 | 6 - 3 |
| 6C5-13716-00 | 8 - 22 |
| 6C5-13739-00 | 9 - 25 |
| 6C5-13750-00 | 6 - 5 |
| 6C5-13761-00 | 6 - 16 |
| 6C5-13781-00 | 8 - 21 |
| 6C5-13906-00 | 8 - 9 |
| 6C5-13907-00 | 8 - 17 |
| 6C5-13910-00 | 8 - 16 |
| 6C5-13915-00 | 8 - 19 |
| 6C5-13974-00 | 9 - 16 |
| 6C5-1410B-00 | 6 - 17 |
| 6C5-1410F-00 | 9 - 23 |
| 6C5-14127-00 | 8 - 18 |
| 6C5-14148-00 | 9 - 14 |
| 6C5-14149-00 | 9 - 8 |
| 6C5-14180-00 | 8 - 1 |
| 6C5-14182-00 | 8 - 2 |
| 6C5-14191-00 | 8 - 13 |
| 6C5-14200-00 | 6 - 1 |
| 6C5-14225-00 | 8 - 25 |
| 6C5-14251-00 | 9 - 12 |
| 6C5-14386-00 | 8 - 5 |
| 6C5-14397-00 | 6 - 11 |
| | 8 - 14 |
| 6C5-14440-00 | 7 - 4 |
| 6C5-14446-00 | 6 - 15 |
| 6C1-14453-00 | 7 - 5 |
| 6C5-14453-00 | 7 - 5 |
| 6C1-14477-00 | 7 - 6 |
| 62Y-14485-00 | 4 - 19 |
| 6C5-14496-00 | 6 - 9 |
| 6C5-14546-00 | 8 - 4 |
| 6C5-14567-00 | 8 - 15 |
| 6C5-14711-00-5B | 26 - 14 |
| 6C5-14960-00 | 8 - 12 |
| 6C5-14984-00 | 8 - 23 |
| 6C5-14985-00 | 8 - 3 |
| 6C5-15100-00-1S | 2 - 2 |
| 6C5-15311-00-5B | 27 - 1 |
| 6C5-15312-00 | 27 - 2 |
| | 37 - 2 |
| 6C5-15316-00 | 27 - 4 |
| 6C5-1531A-00 | 4 - 31 |
| 6C5-15333-00 | 27 - 10 |
| 6C5-15362-00 | 27 - 13 |
| 6G8-15363-00 | 4 - 29 |

| PART NO. N° PIECES | REF. NO. |
|-----------------------|-------------|
| 6C5-15378-00 | 4 - 32 |
| 6C5-15378-10 | 4 - 35 |
| 6C5-21337-00 | 8 - 24 |
| 6C5-21841-00 | 9 - 11 |
| 6C5-22435-00 | 24 - 15 |
| 6C5-22471-00 | 24 - 8 |
| 6C5-23448-00 | 35 - 3 |
| 6C5-23448-10 | 35 - 4 |
| 6C5-2411M-00 | 9 - 13 |
| 6YK-24201-02 | 30 - 1 |
| 6C5-24251-00 | 9 - 21 |
| 6YK-24260-01 | 30 - 4 |
| 6YL-24268-01 | 30 - 2 |
| 6G1-24304-02 | 11 - 1 |
| 6YL-24306-53 | 30 - 7 |
| 6C5-24312-00 | 19 - 6 |
| 6C5-24321-00 | 9 - 3 |
| 6C5-24322-00 | 9 - 4 |
| 6C5-24323-00 | 9 - 5 |
| 6C5-24324-00 | 9 - 6 |
| 6C5-24325-00 | 9 - 7 |
| 61N-24329-00 | 18 - 28 |
| 6YL-24329-00 | 30 - 6 |
| 62Y-24374-01 | 11 - 28 |
| 67F-24377-00 | 11 - 5 |
| 688-24378-00 | 19 - 10 |
| 6C5-24378-00 | 19 - 14 |
| 6C5-24379-00 | 9 - 18 |
| 6C5-24387-00 | 9 - 15 |
| 6C5-24410-00 | 11 - 19 |
| 62Y-24411-02 | 11 - 21 |
| 6C5-24415-00 | 11 - 20 |
| 6C5-2441R-00 | 8 - 6 |
| 6C5-2441T-00 | 8 - 7 |
| 62Y-24423-00 | 11 - 22 |
| 6C5-24444-00 | 9 - 9 |
| 62Y-24444-01 | 11 - 25 |
| 6C5-24453-00 | 8 - 8 |
| 62Y-24454-00 | 11 - 24 |
| 68V-24469-01 | 11 - 13 |
| 6C5-24471-00 | 11 - 26 |
| 6C5-2451B-00 | 9 - 22 |
| 68V-24521-01 | 11 - 10 |
| 68V-24560-01 | 11 - 9 |
| 68V-24563-00 | 11 - 11 |
| 6C5-24566-00 | 11 - 14 |
| 6C5-24592-00 | 8 - 10 |
| 6YK-24610-01 | 30 - 3 |

| PART NO. N° PIECES | REF. NO. |
|-----------------------|-------------|
| 6C5-28100-00 | 11 - 35 |
| 67F-2812A-00 | 15 - 31 |
| 6A1-28176-00 | 19 - 20 |
| 6C1-28199-70-D0 | 11 - 36 |
| 6C1-28199-70-E0 | 11 - 36 |
| 6C1-28199-70-F0 | 11 - 36 |
| 6C1-28199-70-G0 | 11 - 36 |
| 6C1-28199-70-H0 | 11 - 36 |
| 6C1-28199-70-S0 | 11 - 36 |
| 6C1-28199-80-K0 | 11 - 37 |
| 6C1-28199-80-L0 | 11 - 37 |
| 6C1-28199-80-M0 | 11 - 37 |
| 6C1-28199-80-N0 | 11 - 37 |
| 6C1-28199-80-P0 | 11 - 37 |
| 6C1-28199-80-R0 | 11 - 37 |
| 61H-2819R-31 | 11 - 34 |
| 6C5-41113-00-1S | 2 - 9 |
| 6C5-41114-00 | 2 - 14 |
| | 36 - 4 |
| 6C5-41131-00-5B | 26 - 6 |
| 6C5-41133-00 | 26 - 5 |
| | 37 - 6 |
| 6C5-41134-00 | 26 - 10 |
| | 37 - 8 |
| 6C5-41135-00 | 26 - 13 |
| | 37 - 9 |
| 6C5-41137-00-94 | 26 - 1 |
| 688-41211-01 | 20 - 24 |
| 6H4-41237-00 | 20 - 25 |
| 62Y-42154-00 | 20 - 27 |
| 6C5-42171-00 | 20 - 28 |
| 6C5-42335-00 | 20 - 33 |
| 69W-42510-01-4D | 23 - 1 |
| 624-42542-00 | 7 - 9 |
| | 13 - 25 |
| | 14 - 24 |
| 6C1-42610-00-4D | 1 - 1 |
| 6C5-42610-00-4D | 1 - 1 |
| 67C-42613-00-4D | 1 - 2 |
| 6C5-42615-00 | 1 - 14 |
| 6C5-42651-00 | 1 - 4 |
| 67C-42652-01 | 1 - 6 |
| 69W-42677-00 | 1 - 9 |
| 62Y-42677-30 | 1 - 9 |
| 6C1-42678-00 | 1 - 10 |
| 6C5-42678-00 | 1 - 10 |
| 69W-42681-00 | 1 - 12 |
| 69W-42682-00 | 1 - 13 |

| PART NO. N° PIECES | REF. NO. |
|-----------------------|-------------|
| 6C5-42710-00-4D | 18 - 1 |
| 6C5-42710-10-4D | 18 - 1 |
| 62Y-42715-01 | 20 - 11 |
| 62Y-42716-00 | 18 - 5 |
| 65W-42717-00 | 18 - 6 |
| 6C5-42718-00 | 18 - 8 |
| 6C5-42724-00 | 18 - 23 |
| 65W-42724-10 | 19 - 1 |
| 6C5-42725-30 | 18 - 9 |
| 6C5-42726-00 | 18 - 44 |
| 6H4-42726-00 | 18 - 23 |
| 62Y-42727-00 | 18 - 10 |
| 68U-42727-00 | 18 - 26 |
| 6H3-42727-00 | 18 - 27 |
| 6C5-42738-00-4D | 18 - 7 |
| 67C-42741-10-4D | 18 - 29 |
| 6C5-42811-00 | 15 - 27 |
| 67C-42815-00-4D | 18 - 12 |
| 67C-42816-01 | 18 - 17 |
| 6C1-43111-00-4D | 21 - 1 |
| 6C5-43111-00-4D | 22 - 1 |
| 6C1-43112-00-4D | 21 - 2 |
| 6C5-43112-00-4D | 22 - 2 |
| 69D-43126-00 | 21 - 35 |
| 6E5-43126-02 | 22 - 26 |
| 63D-43131-01 | 21 - 11 |
| | 22 - 11 |
| 66T-43144-00 | 18 - 19 |
| 6G5-43144-00 | 21 - 23 |
| | 22 - 23 |
| 6E5-43145-01 | 31 - 9 |
| 6G5-43148-00 | 21 - 19 |
| | 22 - 19 |
| 688-43160-01 | 21 - 24 |
| 688-43165-00 | 21 - 25 |
| 64J-43170-00-4D | 21 - 28 |
| 6C5-43181-00 | 21 - 14 |
| | 22 - 14 |
| 6C5-43185-00 | 21 - 15 |
| | 22 - 15 |
| 6C5-43311-00-4D | 21 - 9 |
| | 22 - 9 |
| 682-43318-01 | 21 - 33 |
| 6C1-43631-00 | 21 - 32 |
| 63D-43691-00 | 21 - 31 |
| 6C5-43800-00-4D | 24 - 1 |
| 6C5-43801-00 | 24 - 3 |
| 6C5-43804-00 | 25 - 5 |

| PART NO. N° PIECES | REF. NO. |
|-----------------------|-------------|
| 6C5-43805-00 | 25 - 4 |
| 6C5-4380G-00 | 24 - 22 |
| 6C5-4380K-00 | 24 - 18 |
| 6C5-43810-00 | 24 - 2 |
| 6C5-43816-00 | 24 - 21 |
| 6C5-43817-10 | 24 - 19 |
| 6C5-43818-00 | 21 - 39 |
| | 22 - 36 |
| 6C5-4381B-00 | 24 - 10 |
| 6C5-4381K-00 | 24 - 35 |
| 6C6-4381K-00 | 24 - 38 |
| 6H1-43829-00 | 24 - 63 |
| 6C6-4382E-00 | 24 - 28 |
| 6C5-4382K-00 | 24 - 41 |
| 6C5-4382L-00 | 24 - 56 |
| 6C5-43830-00 | 24 - 24 |
| 6C5-43831-00 | 24 - 64 |
| 6C5-43833-00 | 21 - 40 |
| | 22 - 37 |
| 6C5-43834-00 | 21 - 41 |
| | 22 - 38 |
| 6C5-43841-00 | 24 - 57 |
| 6C6-43841-00 | 24 - 25 |
| 6C5-43845-00 | 24 - 61 |
| 62X-4384H-00 | 24 - 14 |
| 6C5-43851-00 | 24 - 34 |
| 6C6-43853-00 | 24 - 30 |
| 6C5-43854-00 | 24 - 43 |
| 6C5-43855-00 | 24 - 39 |
| 6C5-43856-00 | 24 - 40 |
| 6C5-43861-00 | 24 - 6 |
| 6C5-43862-00 | 24 - 5 |
| 62Y-43863-00 | 24 - 4 |
| 6C5-43869-00 | 25 - 6 |
| 6C6-4386E-00 | 24 - 54 |
| 6C6-4386G-00 | 24 - 53 |
| 6C5-4386K-00 | 25 - 10 |
| 6C5-43871-00 | 24 - 7 |
| 6C5-43872-00 | 24 - 58 |
| 6C5-43875-00 | 24 - 9 |
| 6H1-43875-00 | 24 - 60 |
| 6C6-43878-00 | 24 - 47 |
| 6C5-43879-00 | 25 - 7 |
| 62Y-4387G-00 | 24 - 48 |
| 6C6-4387G-00 | 24 - 31 |
| 6C5-43880-00 | 25 - 1 |
| 6C5-43881-00 | 25 - 11 |
| 6C5-43882-00 | 25 - 8 |

| PART NO. N° PIECES | REF. NO. |
|-----------------------|-------------|
| 6H1-43883-00 | 24 - 26 |
| 6C5-43885-00 | 23 - 18 |
| 62X-43888-00 | 25 - 12 |
| 6C6-4388E-00 | 24 - 51 |
| 6C6-4388F-00 | 24 - 52 |
| 6C5-43891-00 | 25 - 9 |
| 6C5-43893-00 | 24 - 36 |
| 6C6-43893-00 | 24 - 37 |
| 6C6-43894-00 | 24 - 27 |
| 6C5-43895-00 | 24 - 42 |
| 6C5-43899-00 | 24 - 12 |
| 69J-4389J-00 | 24 - 20 |
| 62Y-44117-01-4D | 20 - 2 |
| 62Y-44118-00 | 20 - 12 |
| 6C5-44120-00 | 20 - 7 |
| 69W-44121-00 | 20 - 1 |
| 688-44122-00 | 20 - 20 |
| 6C5-44122-00 | 20 - 8 |
| 62Y-44135-00 | 20 - 30 |
| 63D-44144-00 | 28 - 52 |
| 62Y-44151-00 | 28 - 51 |
| 63D-44311-00 | 28 - 21 |
| 63D-44312-00 | 29 - 18 |
| | 37 - 25 |
| 63D-44316-00 | 28 - 27 |
| | 37 - 15 |
| 63D-44322-00 | 28 - 22 |
| | 37 - 23 |
| 63D-44322-40 | 37 - 33 |
| 63D-44323-00 | 28 - 26 |
| | 37 - 26 |
| 63D-44323-40 | 37 - 34 |
| 63D-44341-00 | 28 - 31 |
| 6H3-44352-00 | 28 - 23 |
| | 37 - 24 |
| 6C5-44361-00 | 29 - 1 |
| 663-44366-00 | 29 - 3 |
| | 37 - 30 |
| 663-44367-00 | 29 - 2 |
| 6H3-44391-01 | 18 - 22 |
| 69W-44514-00-4D | 23 - 10 |
| 69W-44526-01 | 23 - 12 |
| 6C5-44551-00-4D | 23 - 16 |
| 6C5-44552-00-4D | 23 - 19 |
| 69W-44555-00-4D | 23 - 20 |
| 6C5-44575-00 | 23 - 23 |
| 6C5-45111-00-4D | 26 - 27 |
| 6C5-45123-00 | 26 - 17 |

| PART NO. N° PIECES | REF. NO. |
|-----------------------|-------------|
| 6C5-45123-00 | 37 - 10 |
| 6C5-45135-01 | 27 - 14 |
| 6C5-45136-01 | 27 - 15 |
| 6C5-45155-00 | 26 - 20 |
| 6C5-45181-00-5B | 26 - 11 |
| 63D-45214-00 | 28 - 10 |
| 63D-45215-00 | 28 - 11 |
| 65W-45251-00 | 21 - 5 |
| | 22 - 5 |
| 663-45251-00 | 21 - 29 |
| 67C-45251-00 | 29 - 14 |
| 69W-45300-00-4D | 28 - 1 |
| 69W-45301-00-4D | 28 - 2 |
| 69W-45318-00 | 26 - 21 |
| 63D-45321-00 | 28 - 14 |
| 688-45341-10 | 28 - 9 |
| 63D-45344-00 | 28 - 34 |
| 63D-45361-02-4D | 28 - 43 |
| 67C-45371-00 | 29 - 11 |
| 63D-45375-00 | 29 - 5 |
| 663-45376-00-94 | 29 - 4 |
| 6E5-45378-00 | 28 - 17 |
| 69W-45501-00 | 28 - 36 |
| 6H4-45536-00 | 28 - 4 |
| 69W-45551-00 | 28 - 37 |
| 69W-45560-00 | 28 - 39 |
| 663-45567-01 | 28 - 41 |
| 663-45567-10 | 28 - 41 |
| 663-45567-20 | 28 - 41 |
| 663-45567-30 | 28 - 41 |
| 663-45567-40 | 28 - 41 |
| 663-45567-50 | 28 - 41 |
| 663-45567-60 | 28 - 41 |
| 62Y-45571-00 | 28 - 42 |
| 63D-45577-00 | 28 - 46 |
| 63D-45577-10 | 28 - 46 |
| 63D-45577-20 | 28 - 46 |
| 63D-45577-30 | 28 - 46 |
| 63D-45577-40 | 28 - 46 |
| 63D-45577-50 | 28 - 46 |
| 63D-45577-60 | 28 - 46 |
| 663-45587-01 | 28 - 5 |
| 663-45587-10 | 28 - 5 |
| 663-45587-20 | 28 - 5 |
| 663-45587-30 | 28 - 5 |
| 663-45587-40 | 28 - 5 |
| 663-45587-50 | 28 - 5 |
| 663-45587-60 | 28 - 5 |

| PART NO. N° PIECES | REF. NO. |
|-----------------------|-------------|
| 63D-45611-00 | 28 - 55 |
| 62Y-45631-00 | 28 - 57 |
| 67C-45633-00 | 28 - 62 |
| 663-45634-00 | 28 - 58 |
| 63D-45635-00 | 28 - 60 |
| 663-45930-00-98 | 29 - 24 |
| 663-45941-01-EL | 29 - 24 |
| 69W-45943-00-EL | 29 - 24 |
| 6H5-45943-00-EL | 29 - 24 |
| 69W-45945-00-EL | 29 - 24 |
| 6H5-45945-00-EL | 29 - 24 |
| 69W-45947-00-EL | 29 - 24 |
| 663-45949-01-EL | 29 - 24 |
| 69W-45952-00-EL | 29 - 24 |
| 6H5-45952-00-EL | 29 - 24 |
| 663-45952-02-EL | 29 - 24 |
| 663-45956-01-EL | 29 - 24 |
| 6H5-45958-00-EL | 29 - 24 |
| 663-45958-01-EL | 29 - 24 |
| 69T-45970-00-98 | 29 - 24 |
| 663-45970-60-98 | 29 - 24 |
| 663-45972-60-98 | 29 - 24 |
| 663-45974-02-98 | 29 - 24 |
| 663-45974-60-98 | 29 - 24 |
| 663-45976-00-98 | 29 - 24 |
| 663-45978-00-98 | 29 - 24 |
| 663-45987-02 | 29 - 19 |
| 66T-45997-00 | 29 - 20 |
| 6C5-46132-00 | 26 - 7 |
| | 37 - 7 |
| 6C5-46241-00 | 10 - 6 |
| 703-48152-00 | 33 - 57 |
| 703-48153-00 | 33 - 3 |
| 703-48189-00 | 33 - 17 |
| 703-48198-00 | 33 - 14 |
| 703-48205-17 | 32 - 1 |
| | 33 - 1 |
| 703-48211-01 | 33 - 61 |
| 703-48212-00 | 33 - 58 |
| 703-48213-00 | 33 - 59 |
| 703-48215-00 | 33 - 43 |
| 703-48219-00 | 33 - 30 |
| 703-48221-00 | 33 - 56 |
| 703-48222-00 | 33 - 27 |
| 703-48223-00 | 33 - 28 |
| 703-48225-00 | 33 - 29 |
| 703-48226-00 | 33 - 26 |
| 703-48227-00 | 33 - 24 |

| PART NO. N° PIECES | REF. NO. |
|-----------------------|-------------|
| 703-48232-00 | 33 - 62 |
| 703-48234-00 | 33 - 18 |
| 703-48235-00 | 33 - 4 |
| 703-48236-00 | 33 - 16 |
| 703-48238-00 | 33 - 22 |
| 703-48243-00 | 33 - 15 |
| 703-48244-00 | 33 - 21 |
| 703-48245-00 | 33 - 11 |
| 703-48246-00 | 33 - 23 |
| 701-48248-00 | 33 - 13 |
| 703-48252-00 | 33 - 12 |
| 703-48261-01 | 33 - 2 |
| 703-48264-00 | 33 - 6 |
| 703-48265-00 | 33 - 9 |
| 703-48268-00 | 33 - 5 |
| 703-48271-00 | 33 - 60 |
| 703-48281-00 | 33 - 31 |
| 703-48282-00 | 33 - 32 |
| 703-48284-00 | 33 - 52 |
| 701-48287-00 | 33 - 42 |
| 703-48291-10 | 33 - 39 |
| 703-48293-10 | 33 - 41 |
| 701-48310-90 | 32 - 2 |
| 701-48320-00 | 32 - 2 |
| 701-48320-20 | 32 - 2 |
| 701-48320-50 | 32 - 2 |
| 69W-48344-00 | 20 - 23 |
| 703-48345-01 | 33 - 19 |
| 703-48358-00 | 33 - 20 |
| 65W-48511-00 | 23 - 35 |
| 62Y-48538-00 | 20 - 39 |
| 65W-61350-00 | 31 - 1 |
| 65W-61351-00 | 31 - 2 |
| 6C5-81145-00 | 6 - 7 |
| 6C5-81146-00 | 6 - 12 |
| 68V-81315-00 | 15 - 8 |
| 6C5-81336-00 | 14 - 2 |
| 6C5-81337-00 | 12 - 1 |
| 6C5-81410-00 | 12 - 4 |
| 6C5-81450-00 | 12 - 3 |
| 6C5-81800-00 | 17 - 1 |
| 69J-81801-00 | 17 - 5 |
| 67F-81807-00 | 17 - 10 |
| 67F-81808-00 | 17 - 8 |
| 67F-81809-00 | 17 - 19 |
| 67F-81810-00 | 17 - 3 |
| 67F-81813-00 | 17 - 6 |
| 6C5-81815-00 | 14 - 17 |

| PART NO. N° PIECES | REF. NO. |
|-----------------------|-------------|
| 68F-81820-00 | 17 - 7 |
| 67F-81821-00 | 17 - 13 |
| 6C5-81822-00-94 | 16 - 3 |
| 6K7-81826-10 | 17 - 24 |
| 69J-81828-00 | 17 - 25 |
| 6C5-8182L-00 | 6 - 8 |
| 67F-81830-00 | 17 - 17 |
| 67F-81832-00 | 17 - 11 |
| 67F-81836-00 | 17 - 12 |
| 69J-81839-00 | 17 - 21 |
| 67F-8183R-00 | 17 - 16 |
| 60V-8183T-00 | 17 - 18 |
| 69J-81840-00 | 17 - 4 |
| 67F-81841-00 | 17 - 14 |
| 6C5-81842-00 | 17 - 20 |
| 67F-81846-00 | 17 - 26 |
| 67F-81850-00 | 17 - 2 |
| 67F-81857-00 | 17 - 9 |
| 6C5-81860-00 | 35 - 2 |
| 69J-81869-00 | 17 - 23 |
| 67F-81891-00 | 17 - 15 |
| 6C5-81919-00 | 15 - 32 |
| 60V-81925-00 | 14 - 14 |
| 6C5-81941-00 | 17 - 22 |
| 6C5-81942-00 | 15 - 22 |
| 6C5-81948-00 | 14 - 21 |
| 68V-8194A-00 | 14 - 34 |
| 60E-81950-00 | 14 - 1 |
| 63P-81950-00 | 14 - 27 |
| 6C5-81953-00 | 14 - 39 |
| 68V-81960-00 | 13 - 15 |
| 6C5-81961-00 | 13 - 16 |
| 6C5-82105-00 | 16 - 1 |
| 6Y5-82117-00 | 34 - 17 |
| 6G5-82119-00 | 14 - 38 |
| 703-82119-00 | 22 - 31 |
| 682-82119-01 | 14 - 28 |
| 67C-82127-10 | 23 - 33 |
| 6E5-82148-00 | 21 - 3 |
| | 22 - 3 |
| 1E6-82151-00 | 34 - 16 |
| 67F-82151-00 | 15 - 2 |
| 67F-82151-10 | 15 - 3 |
| 67F-8215B-10 | 15 - 4 |
| 67F-8215B-20 | 15 - 5 |
| 6C5-82171-00 | 13 - 20 |
| 6C5-82176-00 | 15 - 26 |
| 63P-82310-01 | 13 - 5 |

| PART NO. N° PIECES | REF. NO. | PART NO. N° PIECES | REF. NO. |
|-----------------------|-------------|-----------------------|-------------|
| 6C5-82316-00 | 13 - 12 | 67F-83627-01 | 17 - 27 |
| 6C5-82316-10 | 13 - 13 | 63D-83672-01 | 22 - 30 |
| 6A0-82317-00 | 7 - 8 | 68F-83688-00 | 6 - 18 |
| | 14 - 26 | 6Y5-83728-00 | 34 - 12 |
| 6C5-82317-00 | 13 - 24 | 6C5-85525-00 | 13 - 1 |
| 6E7-82317-00 | 18 - 25 | 6C5-85548-00 | 14 - 22 |
| 6C5-82340-00 | 13 - 6 | 6C5-85561-00-94 | 12 - 9 |
| 67F-82361-00 | 13 - 8 | 62Y-85580-00 | 12 - 12 |
| 6C5-82377-00 | 19 - 18 | 6C5-85790-00 | 15 - 10 |
| 6C5-82388-00 | 15 - 12 | 6C5-85885-00 | 6 - 6 |
| 64J-82504-00 | 15 - 21 | 6C1-8591A-00 | 13 - 23 |
| 703-82510-43 | 33 - 44 | 6C5-8591A-00 | 13 - 23 |
| 703-82531-00 | 33 - 46 | 6C5-8591A-A0 | 13 - 23 |
| 703-82540-00 | 33 - 50 | 6C5-86112-00 | 7 - 14 |
| 6C5-82553-00 | 15 - 9 | 6C5-86120-00 | 7 - 12 |
| 68F-82553-80 | 34 - 18 | 6Y5-87122-S0 | 34 - 14 |
| 6C5-82564-00 | 15 - 16 | 6C5-87226-00 | 8 - 11 |
| 682-82556-00 | 33 - 48 | 6C5-W0001-00 | 36 - 1 |
| 703-82563-02 | 33 - 55 | 6C5-W0001-20 | 37 - 1 |
| 63D-82563-10 | 14 - 43 | 69W-W0070-00 | 1 - 11 |
| 688-82575-01 | 33 - 47 | 63D-W0078-01 | 37 - 22 |
| 703-82577-00 | 33 - 45 | 63D-W0078-0A | 37 - 32 |
| 6E3-8257H-00 | 19 - 21 | 6C5-W009A-00-1S | 4 - 1 |
| 6C5-8257V-00 | 14 - 4 | 6C5-W009B-00-1S | 2 - 1 |
| 68F-82582-00 | 14 - 16 | 63D-W4434-00 | 28 - 30 |
| 6E5-82587-00 | 14 - 46 | 6C5-W8186-00 | 35 - 1 |
| 61A-82588-01 | 15 - 17 | 90101-06020 | 21 - 6 |
| 688-8258A-20 | 33 - 49 | | 22 - 6 |
| 6C5-82590-10 | 15 - 1 | 90101-08M15 | 23 - 11 |
| | 15 - 1 | 90101-09M01 | 31 - 7 |
| 703-82591-00 | 33 - 53 | 90101-12M65 | 21 - 44 |
| 703-82592-00 | 33 - 54 | | 22 - 41 |
| 703-82594-00 | 33 - 25 | 90105-08060 | 5 - 20 |
| 60V-8259F-00 | 15 - 15 | 90105-08M61 | 28 - 44 |
| 703-83383-02 | 33 - 51 | 90105-09005 | 4 - 16 |
| 6Y5-83500-S5 | 34 - 6 | 90109-06047 | 1 - 7 |
| 6Y5-8350T-03 | 34 - 1 | 90109-06M65 | 4 - 12 |
| 6Y5-83533-T2 | 34 - 10 | 90109-06M80 | 15 - 29 |
| 6Y5-83553-M0 | 34 - 15 | | 18 - 34 |
| 6Y5-83557-10 | 34 - 19 | | 19 - 5 |
| 6Y5-83557-31 | 34 - 11 | 90109-06M81 | 18 - 11 |
| 6E5-83558-00 | 23 - 32 | 90109-06M86 | 14 - 45 |
| 6E5-83558-10 | 28 - 19 | | 18 - 20 |
| 6Y5-83570-S5 | 34 - 7 | 90109-12MA3 | 23 - 24 |
| 6C5-83614-00 | 14 - 44 | 90116-10M28 | 23 - 7 |
| 6A1-83625-41 | 12 - 17 | 90119-06025 | 10 - 18 |
| 6A1-83625-51 | 12 - 18 | 90119-06087 | 7 - 3 |
| 62Y-83626-00 | 12 - 19 | 90119-06106 | 7 - 10 |

| PART NO. N° PIECES | REF. NO. | PART NO. N° PIECES | REF. NO. |
|-----------------------|-------------|-----------------------|-------------|
| 90119-06106 | 20 - 32 | 90201-16014 | 5 - 19 |
| 90119-06120 | 26 - 8 | 90201-21M18 | 12 - 7 |
| 90119-06M08 | 7 - 11 | 90201-22008 | 28 - 56 |
| | 18 - 2 | 90201-22M05 | 23 - 28 |
| 90119-06M59 | 13 - 26 | 90201-27M00 | 28 - 35 |
| | 14 - 25 | 90201-30M00 | 23 - 2 |
| 90119-06MA3 | 4 - 17 | 90202-07M07 | 20 - 21 |
| 90119-06MA5 | 2 - 15 | 90202-21100 | 23 - 26 |
| 90119-08069 | 7 - 2 | 90206-08N51 | 25 - 2 |
| 90119-08M01 | 2 - 4 | 90206-10M04 | 20 - 35 |
| 90119-08M15 | 28 - 29 | 90206-12052 | 18 - 15 |
| | 37 - 29 | 90249-06M19 | 21 - 20 |
| 90119-08M79 | 26 - 18 | | 22 - 20 |
| 90119-08M82 | 26 - 19 | 90250-06023 | 28 - 61 |
| 90119-08M84 | 29 - 10 | 90266-06M02 | 1 - 5 |
| 90142-05M06 | 28 - 12 | 90280-03024 | 28 - 25 |
| 90152-06M01 | 21 - 30 | | 37 - 31 |
| 90157-05M16 | 30 - 5 | 90280-03M01 | 10 - 10 |
| 90159-04005 | 14 - 18 | 90338-07004 | 18 - 38 |
| 90159-06018 | 35 - 5 | 90340-08002 | 28 - 7 |
| 90159-06M14 | 15 - 24 | 90340-14M06 | 2 - 28 |
| 90167-06002 | 19 - 4 | | 27 - 6 |
| 90170-09M03 | 31 - 5 | 90340-18M09 | 2 - 26 |
| 90170-12138 | 28 - 38 | 90344-51003 | 2 - 7 |
| 90170-20137 | 12 - 6 | 90386-10025 | 21 - 17 |
| 90170-35008 | 10 - 9 | | 22 - 17 |
| 90171-16011 | 29 - 22 | 90386-10M16 | 21 - 16 |
| 90179-06M24 | 1 - 3 | | 22 - 16 |
| 90179-08003 | 14 - 15 | 90386-12M37 | 18 - 13 |
| 90185-06M05 | 1 - 8 | 90386-12MA2 | 18 - 14 |
| 90185-08045 | 23 - 13 | 90386-18M35 | 22 - 28 |
| 90185-09M01 | 31 - 4 | 90386-18M92 | 22 - 27 |
| 90185-10051 | 23 - 8 | 90386-22MA4 | 21 - 12 |
| 90185-22M11 | 21 - 13 | | 22 - 12 |
| | 22 - 13 | 90386-30M60 | 23 - 6 |
| 90201-06015 | 26 - 9 | 90386-30M77 | 23 - 4 |
| 90201-06028 | 35 - 8 | 90386-30M78 | 23 - 3 |
| 90201-08M14 | 21 - 43 | 90386-90M90 | 20 - 16 |
| | 22 - 40 | 90387-04001 | 15 - 18 |
| 90201-10144 | 10 - 5 | 90387-06060 | 18 - 4 |
| 90201-10M20 | 20 - 17 | 90387-06M43 | 18 - 36 |
| | 31 - 3 | 90387-06M45 | 20 - 31 |
| 90201-10M63 | 31 - 8 | 90387-06M69 | 8 - 26 |
| 90201-12426 | 21 - 46 | 90387-06M82 | 20 - 36 |
| | 22 - 43 | 90387-10M42 | 31 - 6 |
| 90201-12M07 | 18 - 16 | 90387-16003 | 21 - 36 |
| 90201-12M16 | 23 - 17 | 90387-16004 | 21 - 37 |
| 90201-13M19 | 23 - 27 | 90389-22M01 | 29 - 21 |

| PART NO. N° PIECES | REF. NO. | PART NO. N° PIECES | REF. NO. |
|-----------------------|-------------|-----------------------|-------------|
| 90430-06014 | 4 - 13 | | |
| | 36 - 9 | | |
| 90430-08020 | 28 - 8 | | |
| | 37 - 11 | | |
| 90430-14115 | 2 - 29 | | |
| | 15 - 11 | | |
| | 36 - 6 | | |
| 90430-14M09 | 27 - 7 | | |
| | 37 - 3 | | |
| 90430-18130 | 2 - 27 | | |
| | 36 - 5 | | |
| 90445-07M53 | 23 - 31 | | |
| 90445-07ME8 | 28 - 18 | | |
| 90445-09091 | 19 - 15 | | |
| 90445-09104 | 19 - 16 | | |
| 90445-09220 | 19 - 12 | | |
| 90445-09226 | 19 - 9 | | |
| 90445-10020 | 11 - 4 | | |
| 90445-115J5 | 7 - 17 | | |
| 90445-13M14 | 11 - 6 | | |
| 90445-13M36 | 11 - 17 | | |
| 90446-14M62 | 11 - 33 | | |
| 90447-10006 | 19 - 17 | | |
| 90447-13010 | 22 - 35 | | |
| 90464-07M41 | 13 - 7 | | |
| 90464-07M56 | 6 - 14 | | |
| | 13 - 14 | | |
| 90464-09M13 | 18 - 24 | | |
| 90464-09M49 | 18 - 37 | | |
| 90464-12006 | 7 - 19 | | |
| 90464-15008 | 7 - 18 | | |
| 90464-18246 | 2 - 17 | | |
| | 13 - 4 | | |
| | 15 - 28 | | |
| 90464-76001 | 7 - 7 | | |
| 90465-05M87 | 14 - 7 | | |
| 90465-06M86 | 23 - 29 | | |
| | 35 - 7 | | |
| 90465-11M10 | 7 - 20 | | |
| | 9 - 17 | | |
| | 11 - 7 | | |
| | 14 - 40 | | |
| | 18 - 39 | | |
| | 19 - 7 | | |
| | 22 - 34 | | |
| | 23 - 30 | | |
| | 26 - 2 | | |
| | 28 - 20 | | |

| PART NO. N° PIECES | REF. NO. | PART NO. N° PIECES | REF. NO. |
|-----------------------|-------------|-----------------------|-------------|
| 90465-11M10 | 34 - 13 | | |
| 90465-11M59 | 27 - 5 | | |
| 90465-13M11 | 15 - 7 | | |
| 90465-13M18 | 16 - 14 | | |
| | 22 - 33 | | |
| 90465-13M24 | 15 - 6 | | |
| | 35 - 10 | | |
| 90465-13M39 | 15 - 23 | | |
| 90465-13M97 | 12 - 15 | | |
| | 14 - 42 | | |
| 90467-08M18 | 19 - 13 | | |
| 90467-09M17 | 11 - 8 | | |
| 90467-10M04 | 11 - 18 | | |
| 90468-18008 | 20 - 19 | | |
| 90480-09M12 | 8 - 27 | | |
| | 18 - 3 | | |
| 90480-12072 | 12 - 2 | | |
| | 15 - 30 | | |
| | 16 - 2 | | |
| 90480-13M24 | 18 - 35 | | |
| 90480-24003 | 16 - 11 | | |
| 90501-12082 | 20 - 14 | | |
| 90501-18001 | 28 - 59 | | |
| 90501-6C500 | 10 - 16 | | |
| 90502-16M02 | 21 - 27 | | |
| 90506-14M24 | 21 - 21 | | |
| | 22 - 21 | | |
| 90506-18M40 | 18 - 21 | | |
| 91317-03005 | 24 - 55 | | |
| 91317-03016 | 24 - 50 | | |
| 91317-04030 | 24 - 49 | | |
| 91317-05025 | 24 - 46 | | |
| 91317-05030 | 24 - 33 | | |
| 91317-05045 | 24 - 23 | | |
| 91317-05050 | 24 - 66 | | |
| 91490-16010 | 20 - 29 | | |
| 91490-20015 | 20 - 18 | | |
| 91490-30025 | 29 - 23 | | |
| 91690-30012 | 21 - 26 | | |
| 91690-30020 | 21 - 18 | | |
| | 22 - 18 | | |
| 92903-06600 | 2 - 6 | | |
| | 14 - 33 | | |
| | 27 - 12 | | |
| 92903-08100 | 14 - 20 | | |
| 92903-08600 | 16 - 13 | | |
| 92907-04600 | 4 - 22 | | |
| 92990-04100 | 34 - 4 | | |



FLOOD MARINE SERVICES
downloaded from www.yamahaoutboardparts.co.uk

| PART NO. N° PIECES | REF. NO. |
|-----------------------|-------------|
| 92990-06100 | 18 - 32 |
| 92990-06600 | 18 - 33 |
| 92990-08600 | 33 - 34 |
| 92995-04100 | 15 - 20 |
| 92995-05600 | 2 - 23 |
| | 4 - 9 |
| | 12 - 14 |
| | 20 - 10 |
| 92995-06100 | 13 - 10 |
| | 14 - 9 |
| | 18 - 43 |
| 92995-06600 | 2 - 25 |
| | 4 - 11 |
| | 7 - 16 |
| | 11 - 3 |
| | 13 - 3 |
| | 14 - 6 |
| | 15 - 14 |
| | 20 - 4 |
| | 26 - 16 |
| | 23 - 15 |
| | 29 - 13 |
| 92995-08100 | 16 - 8 |
| 92995-08600 | 26 - 24 |
| 92995-10100 | 29 - 8 |
| 92995-10600 | 23 - 36 |
| | 26 - 25 |
| | 29 - 9 |
| 92995-12200 | 21 - 45 |
| | 22 - 42 |
| 92A08-03110 | 24 - 44 |
| 93101-22M00 | 28 - 50 |
| | 37 - 20 |
| 93101-25M57 | 28 - 32 |
| | 37 - 16 |
| 93101-35002 | 3 - 11 |
| | 36 - 8 |
| 93102-37M40 | 10 - 19 |
| | 36 - 14 |
| 93102-43M42 | 3 - 10 |
| | 36 - 7 |
| 93103-18011 | 26 - 3 |
| | 37 - 5 |
| 93106-09014 | 28 - 15 |
| | 37 - 12 |
| 93210-07003 | 28 - 53 |
| | 37 - 21 |
| 93210-09165 | 24 - 62 |



FLOOD MARINE SERVICES
downloaded from www.yamahaoutboardparts.co.uk

NUMERICAL INDEX
INDEX NUMERIQUE

| PART NO. N° PIECES | REF. NO. |
|-----------------------|-------------|
| 93210-16275 | 31 - 10 |
| 93210-18397 | 24 - 59 |
| 93210-24M79 | 4 - 30 |
| | 11 - 29 |
| | 36 - 12 |
| | 23 - 5 |
| | 11 - 12 |
| | 28 - 16 |
| | 37 - 13 |
| | 28 - 33 |
| | 37 - 17 |
| 93210-29M94 | 28 - 24 |
| 93210-32738 | 37 - 14 |
| 93210-33MG4 | 28 - 24 |
| | 37 - 14 |
| | 28 - 24 |
| | 28 - 65 |
| | 28 - 48 |
| | 37 - 19 |
| | 28 - 47 |
| | 37 - 18 |
| | 28 - 45 |
| | 28 - 3 |
| | 28 - 49 |
| | 28 - 6 |
| | 28 - 40 |
| | 25 - 3 |
| | 21 - 38 |
| | 22 - 29 |
| | 23 - 9 |
| | 26 - 22 |
| | 33 - 10 |
| | 3 - 9 |
| | 24 - 11 |
| | 20 - 15 |
| | 24 - 13 |
| | 24 - 29 |
| | 10 - 12 |
| | 28 - 28 |
| | 26 - 12 |
| | 10 - 3 |
| | 2 - 3 |
| | 26 - 26 |
| | 27 - 3 |
| | 29 - 6 |
| | 7 - 1 |
| | 26 - 4 |
| | 21 - 10 |
| | 22 - 10 |
| | 4 - 42 |
| | 12 - 8 |

FLOOD MARINE SERVICES
downloaded from www.yamahaoutboardparts.co.uk

| PART NO. N° PIECES | REF. NO. |
|-----------------------|-------------|
| 95307-03600 | 24 - 45 |
| 95333-08600 | 14 - 19 |
| 95380-04600 | 34 - 5 |
| 95380-05600 | 11 - 27 |
| | 28 - 13 |
| | 33 - 7 |
| | 20 - 26 |
| | 7 - 13 |
| | 18 - 30 |
| | 33 - 40 |
| 95380-05700 | 18 - 41 |
| 95380-06600 | 11 - 16 |
| | 16 - 6 |
| | 21 - 47 |
| | 22 - 44 |
| | 23 - 25 |
| | 16 - 5 |
| | 35 - 6 |
| | 10 - 4 |
| | 20 - 34 |
| | 11 - 15 |
| | 14 - 32 |
| | 27 - 11 |
| | 2 - 5 |
| | 16 - 12 |
| | 26 - 15 |
| | 23 - 14 |
| | 29 - 7 |
| | 26 - 23 |
| | 21 - 42 |
| | 22 - 39 |
| | 2 - 22 |
| | 4 - 8 |
| | 12 - 13 |
| | 20 - 9 |
| | 14 - 29 |
| | 21 - 22 |
| | 22 - 22 |
| | 4 - 33 |
| | 13 - 2 |
| | 14 - 5 |
| | 15 - 13 |
| | 18 - 18 |
| | 7 - 15 |
| | 2 - 24 |
| | 4 - 10 |
| | 14 - 8 |
| | 18 - 40 |

FLOOD MARINE SERVICES
downloaded from www.yamahaoutboardparts.co.uk

| PART NO. N° PIECES | REF. NO. |
|-----------------------|-------------|
| 97095-06020 | 20 - 3 |
| 97095-06025 | 11 - 2 |
| | 13 - 17 |
| | 20 - 5 |
| | 11 - 30 |
| | 13 - 9 |
| | 16 - 9 |
| | 29 - 12 |
| | 16 - 7 |
| | 29 - 15 |
| | 33 - 8 |
| | 33 - 33 |
| | 14 - 3 |
| | 18 - 31 |
| | 15 - 19 |
| | 21 - 4 |
| | 22 - 4 |
| | 23 - 34 |
| | 22 - 32 |
| | 35 - 9 |
| | 4 - 21 |
| | 33 - 38 |
| | 33 - 36 |
| | 33 - 35 |
| | 33 - 37 |
| | 10 - 13 |
| | 28 - 54 |
| | 24 - 16 |
| | 4 - 15 |
| | 12 - 11 |
| | 16 - 4 |
| | 34 - 2 |
| | 34 - 3 |

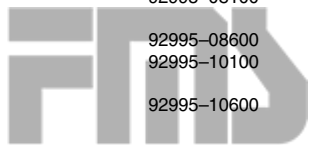
FLOOD MARINE SERVICES
downloaded from www.yamahaoutboardparts.co.uk



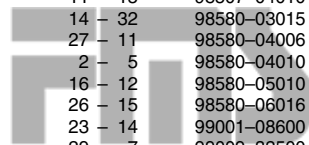
FLOOD MARINE SERVICES
downloaded from www.yamahaoutboardparts.co.uk

| PART NO. N° PIECES | REF. NO. |
|-----------------------|-------------|
| 97095-06030 | 20 - 5 |
| 97095-08025 | 16 - 9 |
| 97095-08035 | 16 - 7 |
| | 29 - 15 |
| | 33 - 8 |
| | 33 - 33 |
| | 14 - 3 |
| | 18 - 31 |
| | 15 - 19 |
| | 21 - 4 |
| | 22 - 4 |
| | 23 - 34 |
| | 22 - 32 |
| | 35 - 9 |
| | 4 - 21 |
| | 33 - 38 |
| | 33 - 36 |
| | 33 - 35 |
| | 33 - 37 |
| | 10 - 13 |
| | 28 - 54 |
| | 24 - 16 |
| | 4 - 15 |
| | 12 - 11 |
| | 16 - 4 |
| | 34 - 2 |
| | 34 - 3 |

FLOOD MARINE SERVICES
downloaded from www.yamahaoutboardparts.co.uk



FLOOD MARINE SERVICES
downloaded from www.yamahaoutboardparts.co.uk



FLOOD MARINE SERVICES
downloaded from www.yamahaoutboardparts.co.uk



FLOOD MARINE SERVICES
downloaded from www.yamahaoutboardparts.co.uk



FLOOD MARINE SERVICES
downloaded from www.yamahaoutboardparts.co.uk



FLOOD MARINE SERVICES
downloaded from www.yamahaoutboardparts.co.uk



FLOOD MARINE SERVICES
downloaded from www.yamahaoutboardparts.co.uk

F50F/F60C
PARTS CATALOGUE
©2004 by Yamaha Motor Co., Ltd.
1st edition, May 2004
All rights reserved.
Any reprinting or unauthorized use
without the written permission of
Yamaha Motor Co., Ltd.
is expressly prohibited.
Printed in Japan.

F50F/F60C
CATALOGUE DE PIÈCES DÉTACHÉES
©2004 par Yamaha Motor Co., Ltd.
1^{re} édition, mai 2004
Tous droits réservés
Toute réimpression ou utilisation
non autorisée sans la permission écrite
de la Yamaha Motor Co., Ltd.
est formellement interdite.
Imprimé au Japon