

**PARTS  
CATALOGUE  
CATALOGUE  
DE PIÈCES DÉTACHÉES**

**F50A '03(62Y2)**

**FT50C '03(61S1)**

2B62Y-300F1

**YAMAHA**  
**GENUINE**  
Parts & Accessories

2009/3/31

NEWS NO.	DATE	COMMENT
PE0-OM-070045	Oct.,30,2007	COR:FIG.20 PTT(62Y-43800-01-4D) P/No. CORRECTION
PE0-OM-090011	March,2,2009	MOD:FIG.19 PTT(62Y-43800-01-8D) P/No. REVISION

# FOREWORD

This Parts Catalogue is related to the parts for the model(s) in the below frame. When you are ordering replacement parts, please refer to this Parts Catalogue and quote both part numbers and part names correctly.

F50A'03(62Y2), FT50C'03(61S1)

1. Modifications or additions which have been made after issue of the Parts Catalogue will be announced in the Yamaha Parts News.  
It is advisable that you make necessary corrections to the Parts Catalogue according to the Yamaha Parts News.

2. Abbreviations

The Following abbreviations are used in this Parts Catalogue.

“UR” Use specified parts number.

“UN” Use as many as needed.

“AP” Alternate Parts

“LM” Local Made  
(Parts need to be ordered locally)

“O/S” Over Size

3. Parts, which are to be supplied in an assembly, are listed with a dot(.) in front of the part name as shown below.

EXAMPLE

CARBURETOR ASSY

.JET, PILOT

.NOZZLE, MAIN

4. Number of component for assembly

The numeral appearing to the right of each component part indicates the quantity of parts for each assembly unit.

EXAMPLE

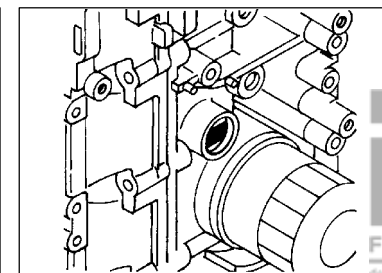
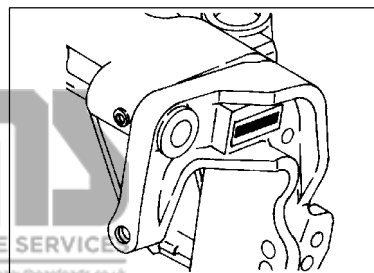
PART NO.	DESCRIPTION	u	u	u	REMARKS
6E0-85500-70	C.D.I. MAGNETO ASSY	1			
6E0-85550-70	.ROTOR ASSY	1			
6E0-15723-00-94..	PULLY, STARTER	1			

5. Quantity Column Information

NAME for Q'TY COLUMN	APPLICABLE MODEL
50ED	F50AED
50ET	F50AET
FT50	FT50CET

6. Applicable Starting Serial No. and Color Code  
1) Engine Starting Sserial No.

F50AED L 62Y : 1000001	FT50CET L 64J : 1000001
F50AET L 62Y : 1000001	



- 2) Color Code

Color Code	Color Name	Abbreviation
004D	DARK BLUISH GRAY METALLIC 2	DBNM2

7. Note that the illustrations for reference in finding parts numbers, not to be used for assembling. When assembling, please use the applicable service manual.
8. The asterisk (\*) before a reference number indicates modification items after the first edition.

**SHEET 1/2**

TOP COWLING .....	A4
CYLINDER. CRANKCASE 1 .....	A5
CRANKSHAFT. PISTON .....	A7
CYLINDER. CRANKCASE 2 .....	B1
VALVE .....	B3
INTAKE .....	B4
CARBURETOR .....	B6
OIL PUMP .....	C1
FUEL .....	C2
GENERATOR .....	C4
ELECTRICAL 1 .....	C5
ELECTRICAL 2 .....	C6
STARTING MOTOR .....	D1
BOTTOM COWLING .....	D2
CONTROL .....	D4
BRACKET 1 .....	D6
BRACKET 2 .....	E1
BRACKET 3 .....	E3
POWER TRIM & TILT ASSY 1 .....	E5
POWER TRIM & TILT ASSY 2 .....	F1
UPPER CASING .....	F2
OIL PAN .....	F4
LOWER CASING. DRIVE 1 (F50A) .....	F5

**INDEX**

NUMERICAL INDEX .....	G1
-----------------------	----

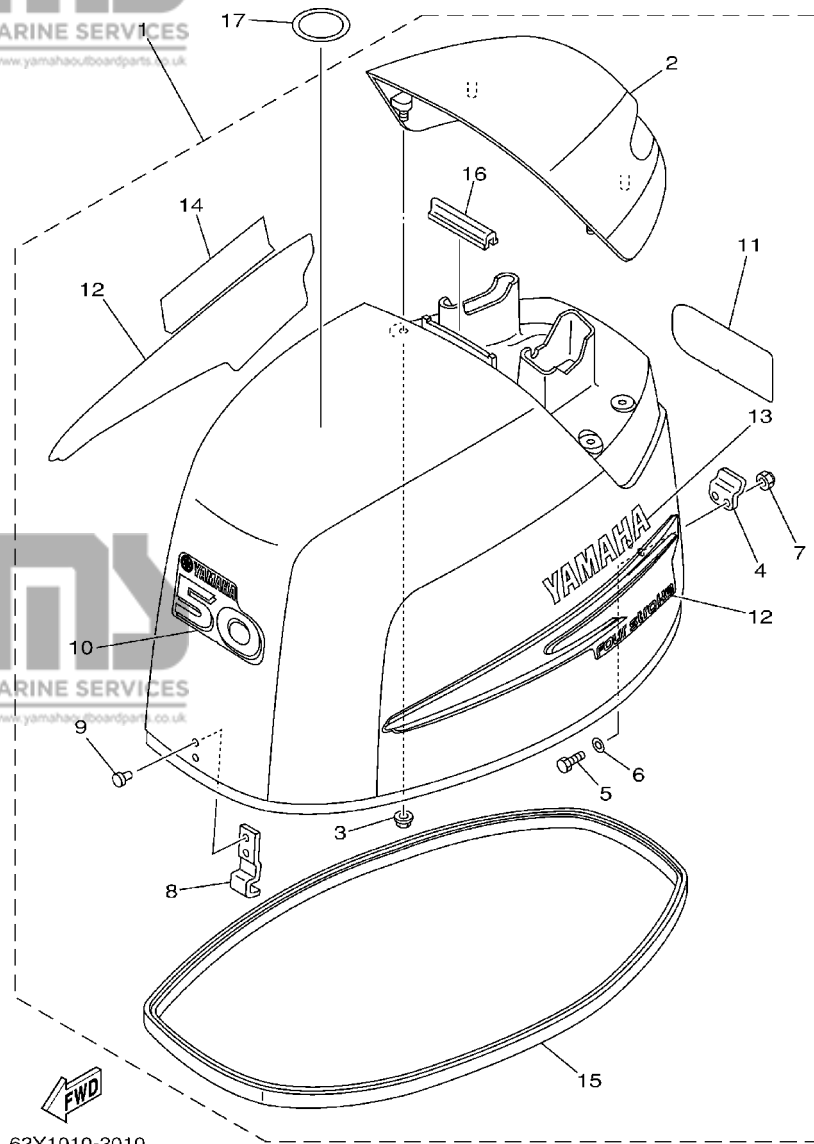
**CONTENTS**

**SHEET 2/2**

LOWER CASING. DRIVE 2 (F50A) .....	A4*
LOWER CASING. DRIVE 3 (FT50C) .....	A6*
LOWER CASING. DRIVE 4 (FT50C) .....	B2*
FUEL TANK .....	B5*
STEERING GUIDE .....	B6*
REMOTE CONTROL BOX .....	B7*
REMOTE CONTROL ASSY .....	B8*
METER .....	C3*
REPAIR KIT 1 .....	C4*
REPAIR KIT 2 .....	C5*
REPAIR KIT 3 (F50A) .....	C6*
REPAIR KIT 4 (FT50C) .....	D1*

**INDEX**

NUMERICAL INDEX .....	G1*
-----------------------	-----



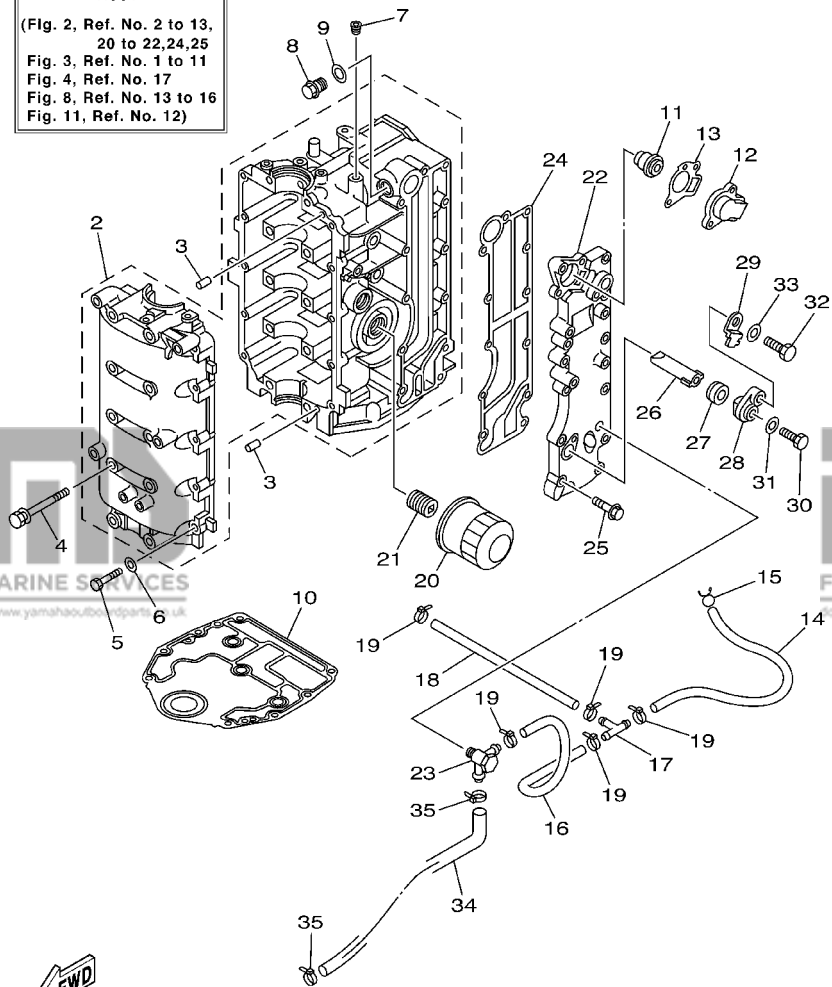
62Y1010-2010

**FIG. 1 TOP COWLING**

**CAPOT SUPERIEUR**

REF. NO.	PART NO. NO. PIECES	DESCRIPTION DESCRIPTION	50ED	50ET	FT50	REMARKS REMARQUES
1	62Y-42610-30-4D	TOP COWLING ASSY CAPOT (ENS.)	1	1		F50A
	64J-42610-10-4D	TOP COWLING ASSY CAPOT (ENS.)			1	FT50C
2	62Y-42613-00-4D	.MOLDING, AIR DUCT .MANCHON A AIR	1	1	1	
3	90179-06M24	.NUT .ECROU	4	4	4	
4	62Y-42652-00	.HOOK .CROCHET	1	1	1	
5	97095-05016	.BOLT .BOULON	2	2	2	
6	92995-05600	.WASHER .RONDELLE	2	2	2	
7	95780-05300	.NUT, NYLON .ECROU	2	2	2	
8	62Y-42651-00	.HOOK .CROCHET	1	1	1	
9	90266-06M02	.RIVET .RIVET	2	2	2	
10	62Y-42677-30	.GRAPHIC, FRONT .ADHESIF, AVANT	1	1	1	
11	62Y-42678-30	.GRAPHIC, REAR .ADHESIF, ARRIERE	1	1		F50A
	64J-42678-10	.GRAPHIC, REAR .ADHESIF, ARRIERE			1	FT50C
12	62Y-W0070-10	.GRAPHIC SET .JEU DIEMBLEMES	1	1	1	
13	62Y-42681-10	.MARK, COWLING .ADHESIF, CAPOT	1	1	1	
14	62Y-42682-10	.MARK, COWLING .ADHESIF, CAPOT	1	1	1	
15	62Y-42615-10	.SEAL .JOINT	1	1	1	
16	61N-42628-00	.SEAL .JOINT	1	1	1	
17	67F-13434-02	LABEL, CAUTION ETIQUETTE, ATTENTION	1	1	1	

**CYLINDER BLOCK ASSY**  
(Fig. 2, Ref. No. 2 to 13, 20 to 22,24,25  
Fig. 3, Ref. No. 1 to 11  
Fig. 4, Ref. No. 17  
Fig. 8, Ref. No. 13 to 16  
Fig. 11, Ref. No. 12)

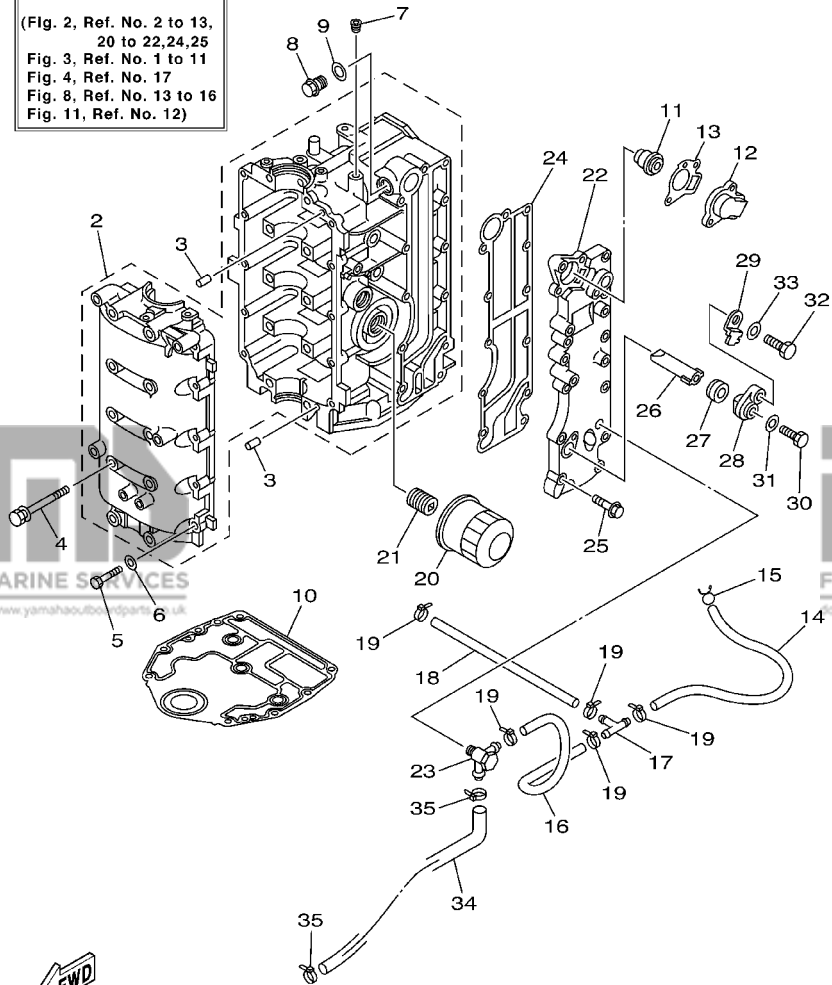


62Y2300-3020

**FIG. 2 CYLINDER. CRANKCASE 1 CYLINDRE. CARTER 1**

REF. NO.	PART NO. NO. PIECES	DESCRIPTION DESCRIPTION	50ED	50ET	FT50	REMARKS REMARQUES
1	64J-W009B-02-1S	CYLINDER BLOCK ASSY CYLINDRE GROUPE (ENS.)	1	1		F50A
	60A-W009B-00-1S	CYLINDER BLOCK ASSY CYLINDRE GROUPE (ENS.)			1	FT50C
2	62Y-15100-20-1S	CRANKCASE ASSY CARTER DE MOTEUR COMPLET	1	1		F50A
	64J-15100-00-1S	CRANKCASE ASSY CARTER DE MOTEUR COMPLET			1	FT50C
3	93606-12019	PIN, DOWEL GOUPILLE	4	4	4	
4	90119-08M01	BOLT, WITH WASHER BOULON, AVEC RONDELLE	10	10	10	
5	97013-06035	BOLT BOULON	10	10	10	
6	92903-06600	WASHER, PLATE RONDELLE, PLATE	10	10	10	
7	90344-51003	PLUG, TAPER SCREW PLOT, FILETE CONIQUE	1	1	1	
8	90340-14M06	PLUG, STRAIGHT SCREW PLOT, FILETE DROIT	1	1	1	
9	90430-14115	GASKET JOINT	1	1	1	
10	67C-11351-00	GASKET, CYLINDER JOINT, D'EMBASE	1	1	1	
11	6G8-12411-02	THERMOSTAT THERMOSTAT	1	1	1	
12	6H3-12413-00-1S	COVER, THERMOSTAT COUVERCLE, THERMOSTAT	1	1	1	
13	62Y-12414-00	GASKET, COVER JOINT, COUVERCLE	1	1	1	
14	90445-09105	HOSE (L300) DURITE (L300)	1	1	1	
15	90467-08M18	CLIP JONC	1	1	1	
16	90445-09068	HOSE (L110) DURITE (L110)	1	1	1	
17	688-24378-00	PIPE, JOINT 4 DURITE RACCORDEMENT 4	1	1	1	
18	90445-09095	HOSE (L215) DURITE (L215)	1	1	1	
19	90465-11M10	CLAMP BRIDE	5	5	5	
20	5GH-13440-00	ELEMENT ASSY, OIL CLEANER ELEMENT, FILTRE A HUILE	1	1	1	
21	90401-20M00	BOLT, UNION BOULON, RACCORD	1	1	1	
22	62Y-41113-20-1S	OUTER COVER, EXHAUST COUVERCLE, ECHAPPEMENT	1	1	1	
23	62Y-11372-01	NIPPLE, HOSE RACCORD, TUYAU	1	1	1	FOR FLUSHING KIT
24	62Y-41114-00	GASKET, EXHAUST OUTER COVER JOINT, COUVERCLE D'ECHAPPEMENT	1	1	1	
25	90119-06MA5	BOLT, WITH WASHER BOULON, AVEC RONDELLE	12	12	12	

**CYLINDER BLOCK  
ASSY**  
(Fig. 2, Ref. No. 2 to 13,  
20 to 22,24,25  
Fig. 3, Ref. No. 1 to 11  
Fig. 4, Ref. No. 17  
Fig. 8, Ref. No. 13 to 16  
Fig. 11, Ref. No. 12)



62Y2300-3020

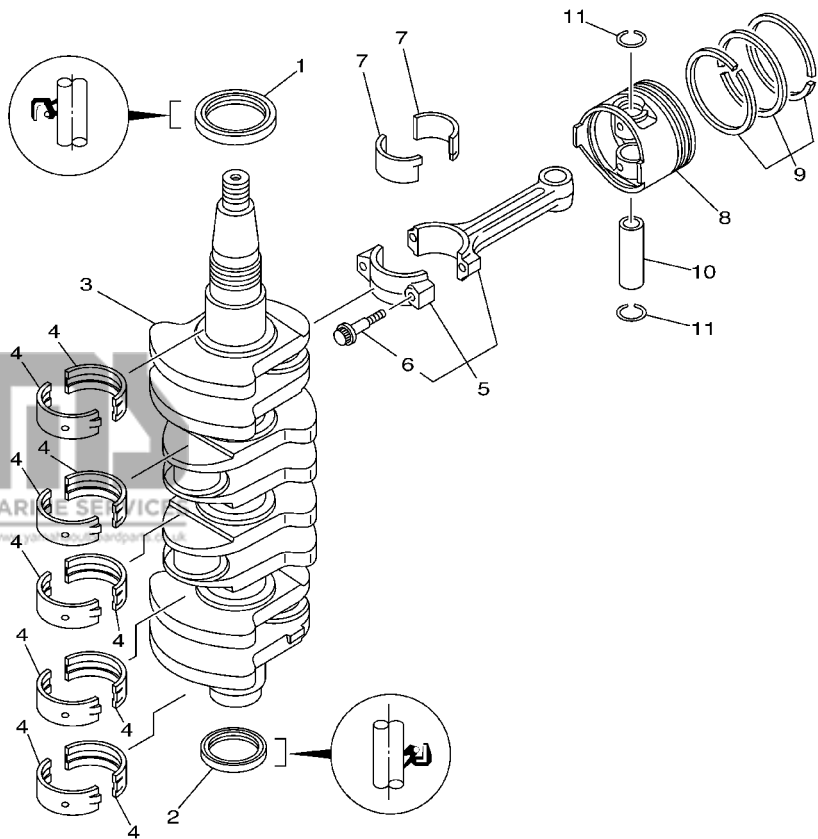
**FIG. 2 CYLINDER. CRANKCASE 1 CYLINDRE. CARTER 1**

REF. NO.	PART NO. NO. PIECES	DESCRIPTION DESCRIPTION	50ED	50ET	FT50	REMARKS REMARQUES
26	62Y-11325-00	ANODE ANODE	1	1	1	
27	66M-11328-00	GROMMET, ANODE PASSE-FIL	1	1	1	
28	66M-11327-00-94	COVER, ANODE COUVERCLE	1	1	1	
29	66M-12535-00	PLATE PLAQUE	1	1	1	
30	97095-05012	BOLT BOULON	1	1	1	
31	92995-05600	WASHER RONDELLE	1	1	1	
32	97095-06020	BOLT BOULON	1	1	1	
33	92995-06600	WASHER RONDELLE	1	1	1	
34	62Y-24312-10	PIPE 2 DURITE 2	1	1	1	FOR FLUSHING KIT
35	90465-11M10	CLAMP BRIDE	2	2	2	FOR FLUSHING KIT

**FIG. 3 CRANKSHAFT. PISTON**

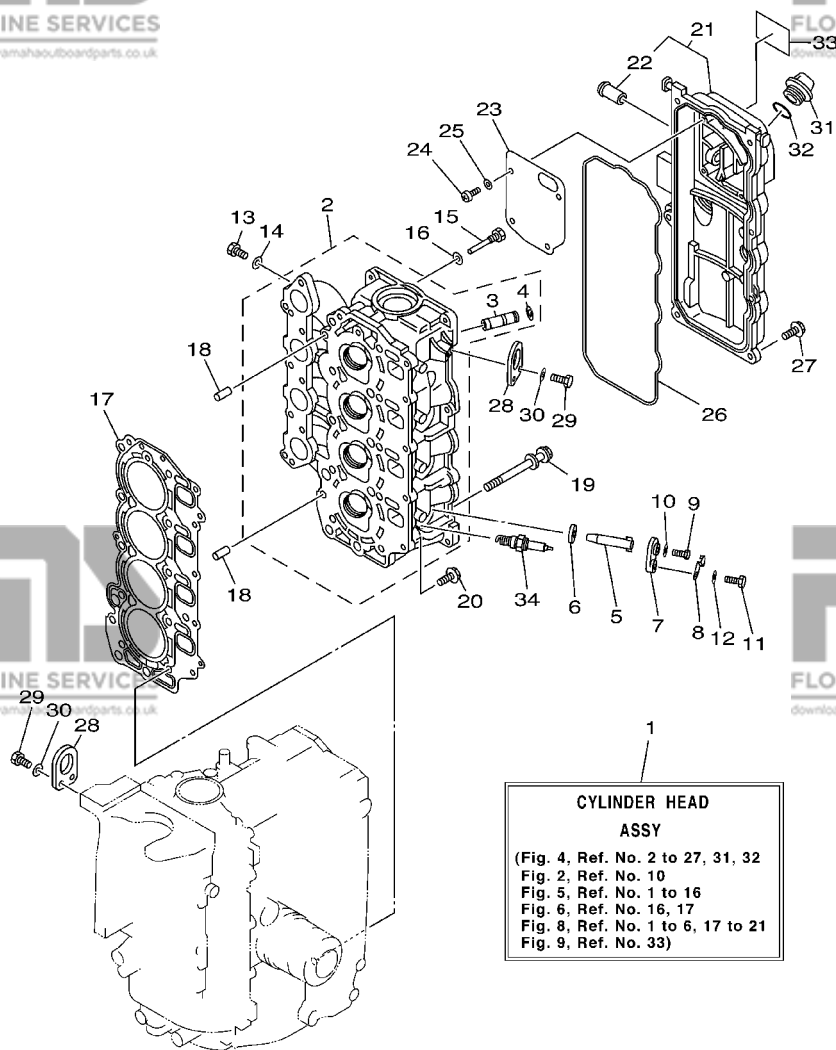
**VILEBREQUIN. PISTON**

REF. NO.	PART NO. NO. PIECES	DESCRIPTION DESCRIPTION	50ED	50ET	FT50	REMARKS REMARQUES
1	93102-43M42	OIL SEAL JOINT SPY	1	1	1	
2	93101-35002	OIL SEAL JOINT SPY	1	1	1	
3	69W-11411-00	CRANKSHAFT VILEBREQUIN COMPLET	1	1	1	
4	62Y-11416-30	PLANE BEARING, CRANKSHAFT 1 COUSSINET DE VILEBREQUIN 1	10	10	10	UR YELLOW
	62Y-11416-40	PLANE BEARING, CRANKSHAFT 1 COUSSINET DE VILEBREQUIN 1	10	10	10	UR RED
	62Y-11416-50	PLANE BEARING, CRANKSHAFT 1 COUSSINET DE VILEBREQUIN 1	10	10	10	UR PINK
	62Y-11416-60	PLANE BEARING, CRANKSHAFT 1 COUSSINET DE VILEBREQUIN 1	10	10	10	UR GREEN
5	62Y-11650-10	CONNECTING ROD ASSY BIELLE COMPLETE	4	4	4	
6	62Y-11654-00	.BOLT, CONNECTING ROD .BOULON, BIELLE	2	2	2	
7	62Y-11656-30	PLANE BEARING, CONNECTING ROD ROULEMENT DE BIELLE	8	8	8	UR YELLOW
	62Y-11656-40	PLANE BEARING, CONNECTING ROD ROULEMENT DE BIELLE	8	8	8	UR RED
	62Y-11656-50	PLANE BEARING, CONNECTING ROD ROULEMENT DE BIELLE	8	8	8	UR PINK
	62Y-11656-60	PLANE BEARING, CONNECTING ROD ROULEMENT DE BIELLE	8	8	8	UR GREEN
8	62Y-11631-10-96	PISTON (STD) PISTON (STD)	4	4	4	
	62Y-11635-10	PISTON (0.25MM O/S) PISTON (0.25MM O/S)	4	4	4	AP
	62Y-11636-10	PISTON (0.50MM O/S) PISTON (0.50MM O/S)	4	4	4	AP
9	64J-11603-00	PISTON RING SET (STD) JEU DE SEGMENTS (STD)	4	4	4	
	64J-11604-00	PISTON RING SET (0.25MM O/S) JUE DE SEGMENTS (0.25MM O/S)	4	4	4	AP
	64J-11605-00	PISTON RING SET (0.50MM O/S) JEU DE SEGMENTS (0.50MM O/S)	4	4	4	AP
10	62Y-11633-00	PIN, PISTON AXE, PISTON	4	4	4	
11	93450-17129	CIRCLIP CIRCLIP	8	8	8	



62Y0010-1031

**FIG. 4 CYLINDER. CRANKCASE 2 CYLINDRE. CARTER 2**



**CYLINDER HEAD  
ASSY**  
(Fig. 4, Ref. No. 2 to 27, 31, 32  
Fig. 2, Ref. No. 10  
Fig. 5, Ref. No. 1 to 16  
Fig. 6, Ref. No. 16, 17  
Fig. 8, Ref. No. 1 to 6, 17 to 21  
Fig. 9, Ref. No. 33)

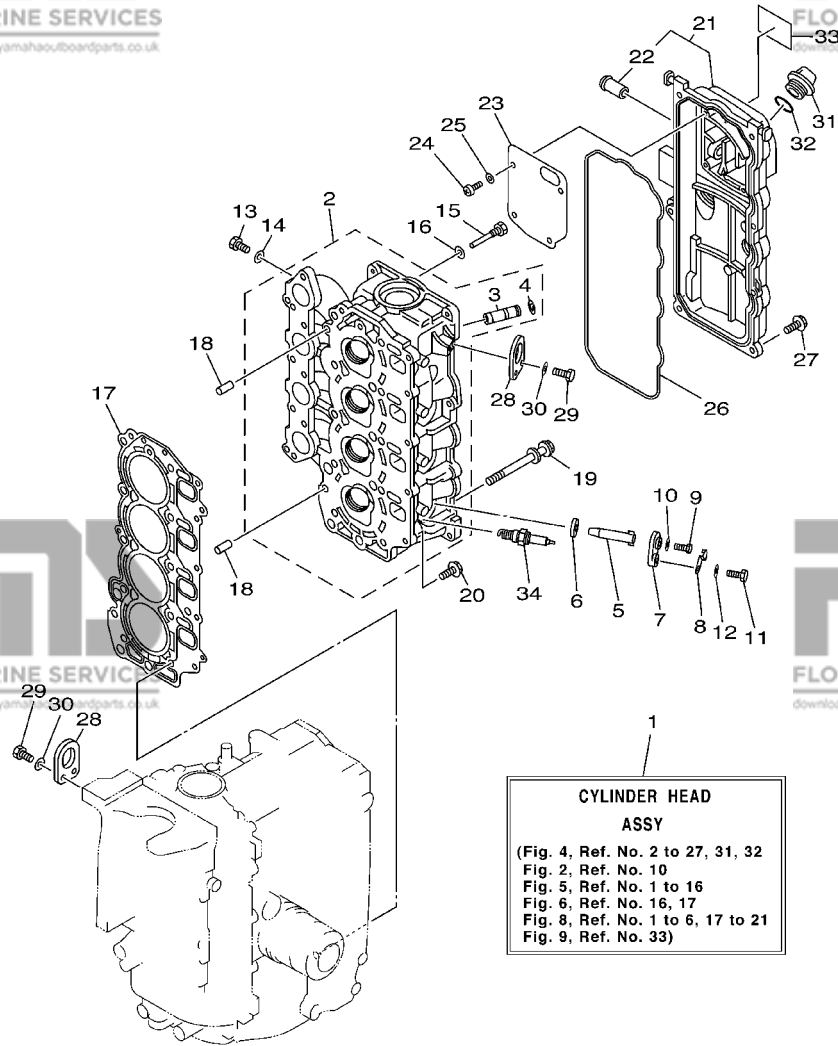
REF. NO.	PART NO. NO. PIECES	DESCRIPTION DESCRIPTION	50ED	50ET	FT50	REMARKS REMARQUES
1	64J-W009A-01-1S	CYLINDER HEAD ASSY CULASSE (ENS.)	1	1	1	
2	62Y-11111-20-1S	HEAD, CYLINDER 1 CULASSE	1	1		F50A
	64J-11111-00-1S	HEAD, CYLINDER 1 CULASSE			1	FT50C
3	62Y-11133-30	.GUIDE, INTAKE VALVE .GUIDE, SOUP D'ADM	8	8	8	
4	93450-09M01	.CIRCLIP .CIRCLIP	8	8	8	
5	62Y-11325-00	ANODE ANODE	4	4	4	
6	66M-11328-00	GROMMET, ANODE PASSE-FIL	4	4	4	
7	66M-11327-00-94	COVER, ANODE COUVERCLE	4	4	4	
8	66M-12535-00	PLATE PLAQUE	4	4	4	
9	97095-05012	BOLT BOULON	4	4	4	
10	92995-05600	WASHER RONDELLE	4	4	4	
11	97095-06020	BOLT BOULON	4	4	4	
12	92995-06600	WASHER RONDELLE	4	4	4	
13	97095-06010	BOLT BOULON	4	4	4	
14	90430-06014	GASKET JOINT	4	4	4	
15	90109-06M65	BOLT BOULON	1	1	1	
16	90430-06014	GASKET JOINT	1	1	1	
17	62Y-11181-00	GASKET, CYLINDER HEAD 1 JOINT, DE CULASSE 1	1	1	1	
18	99530-08012	PIN, DOWEL GOUJON, D'ASSEMBLAGE	2	2	2	
19	90119-09M00	BOLT, WITH WASHER BOULON, AVEC RONDELLE	10	10	10	
20	90119-06MA3	BOLT, WITH WASHER BOULON, AVEC RONDELLE	5	5	5	
21	62Y-11191-01-1S	COVER, CYLINDER HEAD 1 COUVERCLE, CULASSE 1	1	1	1	
22	62Y-14485-00	.PIPE, JOINT .DURITE	1	1	1	
23	62Y-11168-00	COVER, BREATHER COUVERCLE, RENIFLARD	1	1	1	
24	98507-04010	SCREW VIS	4	4	4	
25	92907-04600	WASHER RONDELLE	4	4	4	
26	62Y-11356-00	SEAL, CYLINDER 2 JOINT, SPY CYLINDRE	1	1	1	

**B1**



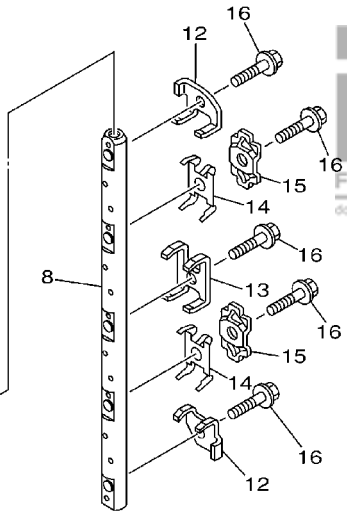
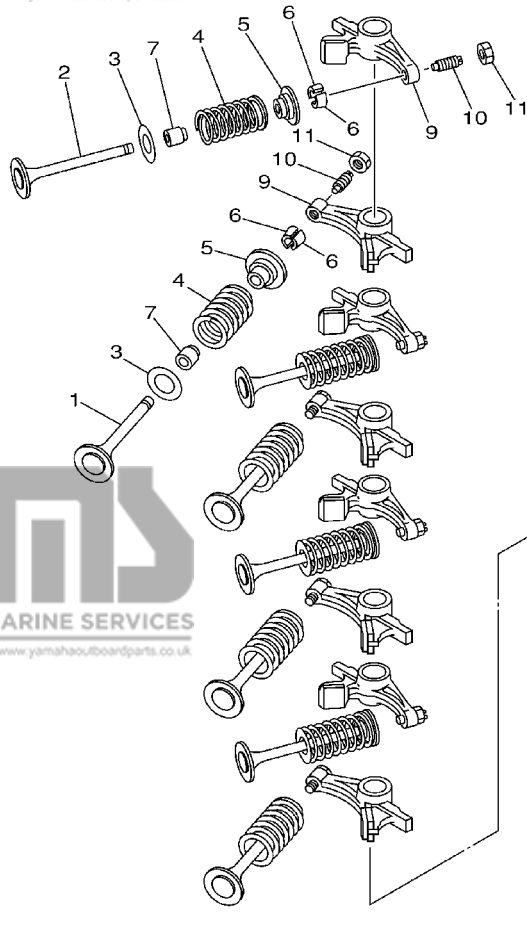
**FIG. 4 CYLINDER. CRANKCASE 2      CYLINDRE. CARTER 2**

REF. NO.	PART NO. NO. PIECES	DESCRIPTION DESCRIPTION	50ED	50ET	FT50	REMARKS REMARQUES
27	97595-06520	BOLT, WITH WASHER VIS HEXAGONAL AVC RONDELLE	7	7	7	
28	62Y-11119-00	HANGER, ENGINE ANNEAU, LEVAGE	2	2	2	
29	97095-06020	BOLT BOULON	4	4	4	
30	92995-06600	WASHER RONDELLE	4	4	4	
31	6G8-15363-00	PLUG, OIL PLOT, HUILE	1	1	1	
32	93210-24M79	O-RING JOINT TORIQUE	1	1	1	
33	62Y-12138-60	MARK, CAUTION MAKER	1	1	1	
34	94701-00375	PLUG, SPARK (NGK DPR6EA-9) BOUGIE D'ALLUMAGE (NGK DPR6EA-9)	4	4	4	



**CYLINDER HEAD  
ASSY**  
(Fig. 4, Ref. No. 2 to 27, 31, 32  
Fig. 2, Ref. No. 10  
Fig. 5, Ref. No. 1 to 16  
Fig. 6, Ref. No. 16, 17  
Fig. 8, Ref. No. 1 to 6, 17 to 21  
Fig. 9, Ref. No. 33)

**FWD**  
62Y2300-3040



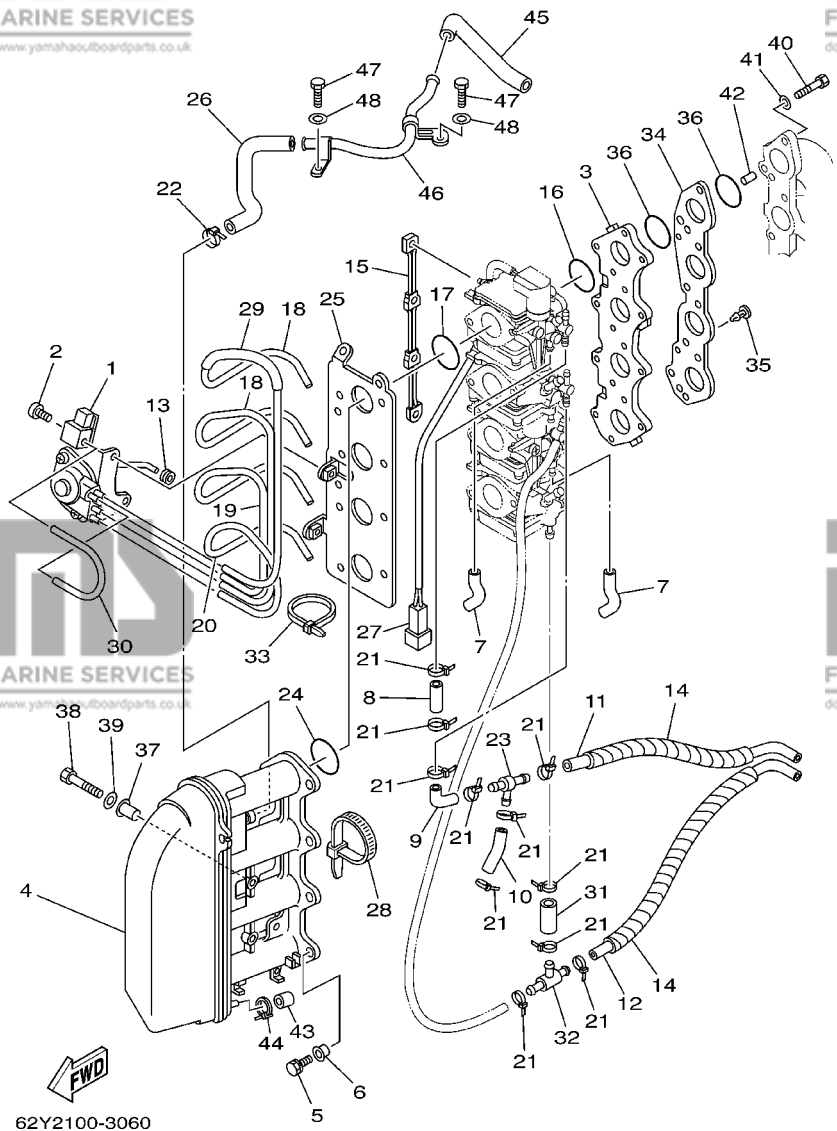
**FIG. 5 VALVE**

**SOUPAPE**

REF. NO.	PART NO. NO. PIECES	DESCRIPTION DESCRIPTION	50ED	50ET	FT50	REMARKS REMARQUES
1	62Y-12111-00	VALVE, INTAKE SOUPAPE, ADMISSION	4	4		F50A
	64J-12111-00	VALVE, INTAKE SOUPAPE, ADMISSION			4	FT50C
2	62Y-12121-00	VALVE, EXHAUST SOUPAPE, ECHAPPEMENT	4	4		F50A
	64J-12121-00	VALVE, EXHAUST SOUPAPE, ECHAPPEMENT			4	FT50C
3	62Y-12116-00	SEAT, VALVE SPRING SIEGE, RESSORT DE SOUPAPE	8	8	8	
4	51Y-12114-00	SPRING, VALVE OUTER RESSORT DE SOUPAPE, EXTERNE	8	8	8	
5	30X-12117-00	RETAINER, VALVE SPRING BUTEE DE RESSORT DE SOUPAPE	8	8	8	
6	30X-12118-00	COTTER, VALVE FRAISE, SOUPAPE	16	16	16	
7	51Y-12119-00	SEAL, VALVE STEM JOINT, QUEUE DE SOUPAPE	8	8	8	
8	62Y-12146-00	SHAFT, ROCKER AXE, CULBUTEUR	1	1	1	
9	62Y-12151-00	ARM, VALVE ROCKER CULBUTEUR	8	8	8	
10	64J-12159-00	SCREW, VALVE ADJUSTING VIS, REGLAGE DE SOUPAPE	8	8	8	
11	62Y-12158-00	NUT, LOCK CONTRE-ECROU	8	8	8	
12	62Y-12238-00	PLATE, BOLT STOPPER PLAQUE, BUTEE DE BOULON	2	2		F50A
	64J-12238-00	PLATE, BOLT STOPPER PLAQUE, BUTEE DE BOULON			2	FT50C
13	62Y-12279-00	PLATE PLAQUE	1	1		F50A
	64J-12279-00	PLATE PLAQUE			1	FT50C
14	62Y-12216-00	SPRING RESSORT	2	2	2	
15	62Y-12231-00	GUIDE, STOPPER 1 GUIDE, BUTEE 1	2	2	2	
16	90109-08M63	BOLT BOULON	5	5	5	



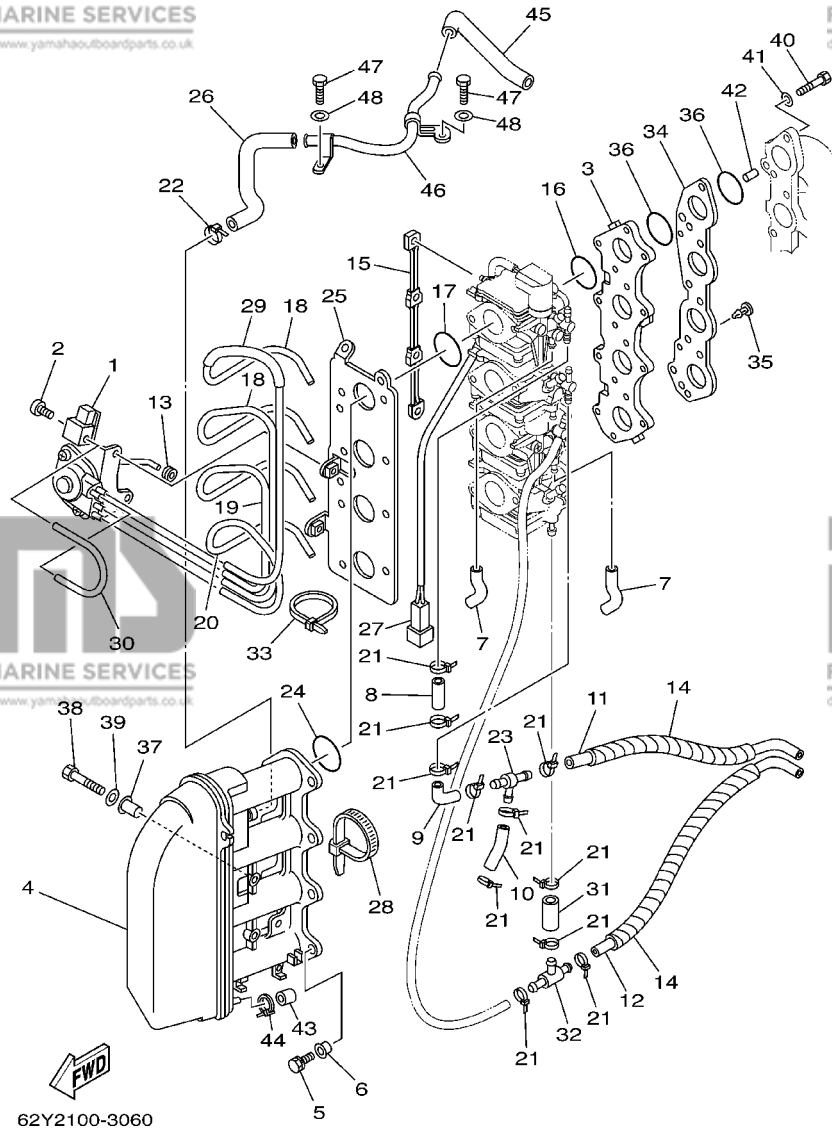
62Y1010-2050



**FIG. 6 INTAKE**

**ADMISSION**

REF. NO.	PART NO. NO. PIECES	DESCRIPTION DESCRIPTION	50ED	50ET	FT50	REMARKS REMARQUES
1	62Y-14369-30	DIAPHRAGM ASSY 2 DIAPHRAGME 2	1	1	1	
2	650-14327-01	SCREW VIS	3	3	3	
3	62Y-13586-30	JOINT, CARBURETOR 1 RACCORD, CARBURATEUR 1	1	1	1	
4	62Y-14440-00	SILENCER ASSY, INTAKE SIENCIEUX D'ADMISSION	1	1	1	
5	97595-06590	BOLT, WITH WASHER VIS HEXAGONAL AVC RONDELLE	8	8	8	
6	90387-06M70	COLLAR COLLERETTE	8	8	8	
7	62Y-24312-00	PIPE 2 DURITE 2	2	2	2	
8	62Y-24313-30	PIPE 3 DURITE 3	1	1	1	
9	62Y-24313-40	PIPE 3 DURITE 3	1	1	1	
10	62Y-24313-50	PIPE 3 DURITE 3	1	1	1	
11	62Y-24313-61	PIPE 3 DURITE 3	1	1	1	
12	62Y-24313-70	PIPE 3 DURITE 3	1	1	1	
13	62Y-41262-30	JOINT, CHOKE LEVER RACCORD, LEVIER DE STARTER	1	1	1	
14	69W-24313-80	PIPE 3 DURITE 3	2	2	2	
15	64J-14585-00	ROD, CHOKE TRINGLE, STARTER	1	1	1	
16	93210-30MH4	O-RING JOINT TORIQUE	4	4	4	
17	93210-35M86	O-RING JOINT TORIQUE	4	4	4	
18	64J-14349-11	PIPE DURITE	2	2	2	
19	64J-14349-21	PIPE DURITE	1	1	1	
20	64J-14349-31	PIPE DURITE	1	1	1	
21	90465-11M10	CLAMP BRIDE	12	12	12	
22	90465-13M36	CLAMP BRIDE	1	1	1	
23	62Y-24378-00	PIPE, JOINT 4 DURITE RACCORDEMENT 4	1	1	1	
24	93210-38MH3	O-RING JOINT TORIQUE	4	4	4	
25	62Y-14291-30	BRACKET 1 SUPPORT 1	1	1	1	
26	62Y-1532B-00	PIPE, BREATHÉR DURITE DE RENIFLARD	1	1	1	
27	62Y-82509-00	WIRE, SUB LEAD FIL, SECONDAIRE	1	1	1	

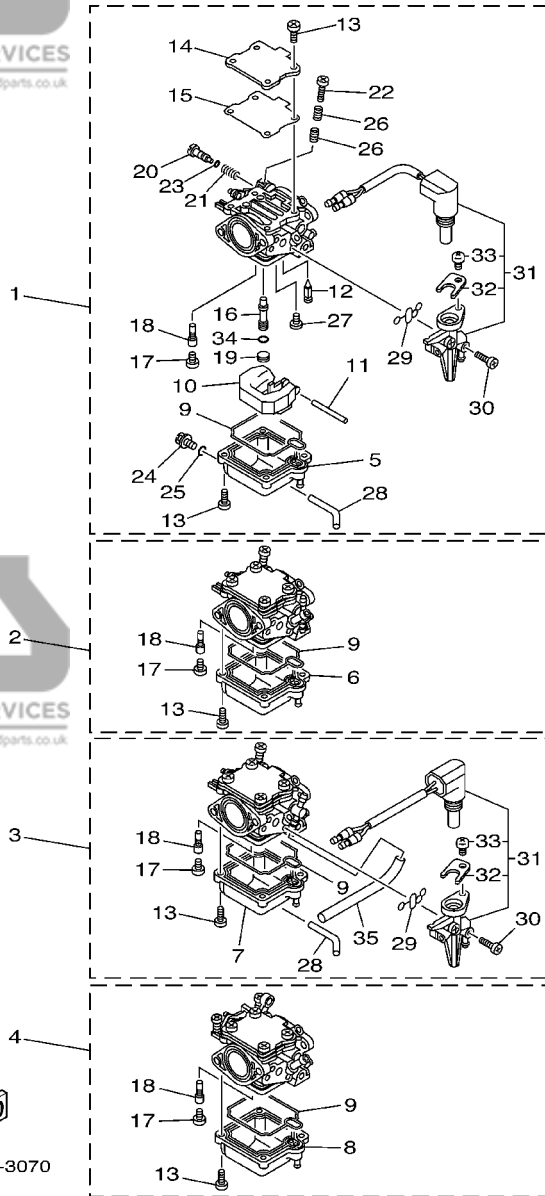


**FIG. 6 INTAKE**

**ADMISSION**

REF. NO.	PART NO. NO. PIECES	DESCRIPTION DESCRIPTION	50ED	50ET	FT50	REMARKS REMARQUES
28	62Y-82544-00	CLAMP COLLIER	1	1	1	
29	64J-14349-40	PIPE DURITE	1	1	1	
30	64J-14349-50	PIPE DURITE	1	1	1	
31	62Y-24314-00	PIPE 4 DURITE 4	1	1	1	
32	62Y-24378-00	PIPE, JOINT 4 DURITE RACCORDEMENT 4	1	1	1	
33	62Y-24135-00	CLAMP 1 COLLIER 1	1	1	1	
34	62Y-14271-00	INSULATOR ISOLATEUR	1	1	1	
35	90338-04M17	PLUG PLOT	2	2	2	
36	93210-35M86	O-RING JOINT TORIQUE	8	8	8	
37	90387-06M15	COLLAR COLLERETTE	2	2	2	
38	97095-06030	BOLT BOULON	2	2	2	
39	92995-06600	WASHER RONDELLE	2	2	2	
40	97095-06025	BOLT BOULON	8	8	8	
41	92995-06600	WASHER RONDELLE	8	8	8	
42	93608-16M16	PIN, DOWEL AXE	2	2	2	
43	62Y-13448-00	CAP CAPUCHON	1	1	1	
44	90465-11M10	CLAMP BRIDE	1	1	1	
45	62Y-1531A-00	HOSE, BREATHER 1 DURITE DE RENIFLARD 1	1	1	1	
46	62Y-15373-10	PIPE, BREATHER DURITE DE RENIFLARD	1	1	1	
47	97095-06016	BOLT BOULON	2	2	2	
48	92995-06600	WASHER RONDELLE	2	2	2	

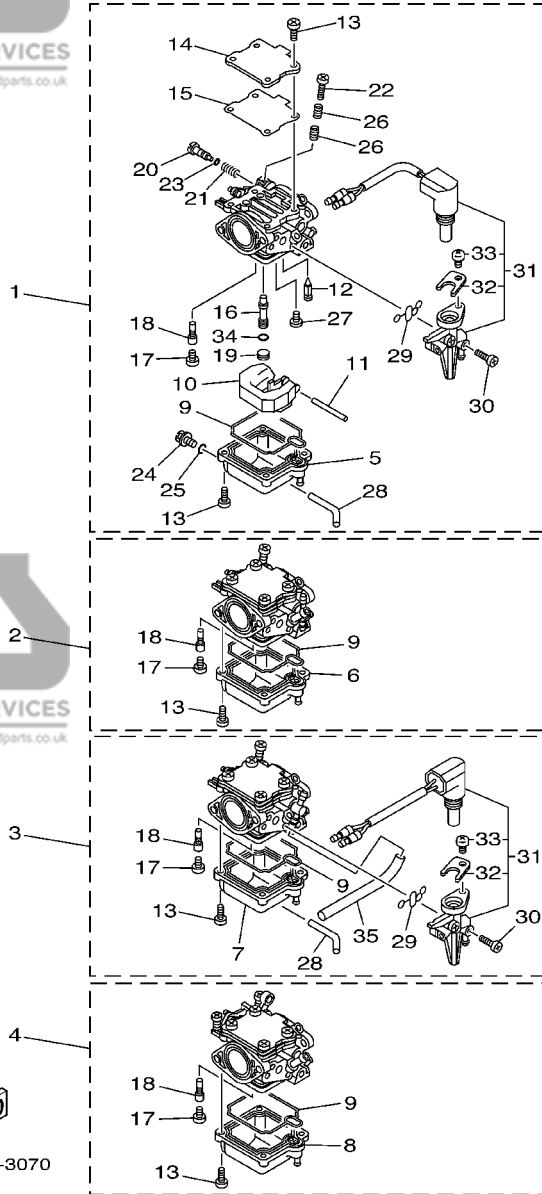
**B5**



**FIG. 7 CARBURETOR**

**CARBURATEUR**

REF. NO.	PART NO. NO. PIECES	DESCRIPTION DESCRIPTION	50ED	50ET	FT50	REMARKS REMARQUES
1	62Y-14901-30	CARBURETOR ASSY 1 CARBURATEUR 1 COMPLET	1	1	1	
2	62Y-14902-30	CARBURETOR ASSY 2 CARBURATEUR 2 COMPLET	1	1	1	
3	62Y-14903-30	CARBURETOR ASSY 3 CARBURATEUR 3 COMPLET	1	1	1	
4	62Y-14904-31	CARBURETOR ASSY 4 CARBURATEUR 4 COMPLET	1	1	1	
5	62Y-14381-30	.BODY, FLOAT CHAMBER .CORPS, CUVE DE FLOTTEUR	1	1	1	#1
6	62Y-14381-40	.BODY, FLOAT CHAMBER .CORPS, CUVE DE FLOTTEUR	1	1	1	#2
7	62Y-14381-50	.BODY, FLOAT CHAMBER .CORPS, CUVE DE FLOTTEUR	1	1	1	#3
8	62Y-14381-61	.BODY, FLOAT CHAMBER .CORPS, CUVE DE FLOTTEUR	1	1	1	#4
9	62Y-14384-30	.GASKET, FLOAT CHAMBER .JOINT, CUVE DE FLOTTEUR	4	4	4	
10	6L2-14385-00	.FLOAT .FLOTTEUR	4	4	4	
11	6E5-14386-01	.PIN, FLOAT .AXE, FLOTTEUR	4	4	4	
12	62Y-14392-00	.VALVE, NEEDLE .POINTEAU	4	4	4	
13	62Y-14321-00	.SCREW, THROTTLE .VIS, ACCELERATEUR	32	32	32	
14	62Y-14157-30	.COVER, MIXING .COUVERCLE DE CHAMBRE	4	4	4	
15	62Y-14399-30	.GASKET .JOINT	4	4	4	
16	62Y-14341-30	.NOZZLE, MAIN .PUITS D'AIGUILLE	4	4	4	
17	62Y-14343-62	.JET, MAIN (#124) .GICLEUR, PRINCIPAL (#124)	1	1	1	#1
	62Y-14343-63	.JET, MAIN (#126) .GICLEUR, PRINCIPAL (#126)	1	1	1	#2
	62Y-14343-58	.JET, MAIN (#116) .GICLEUR, PRINCIPAL (#116)	1	1	1	#3
	62Y-14343-57	.JET, MAIN (#114) .GICLEUR, PRINCIPAL (#114)	1	1	1	#4
18	64J-14342-20	.JET, PILOT (#39) .GICLEUR, RALENTI (#39)	4	4	4	
19	62Y-14355-30	.PLUG .PLOT	4	4	4	
20	62Y-14323-30	.SCREW, AIR ADJUSTING .VIS DE DOSEUR D'AIR	4	4	4	
21	62Y-14334-00	.SPRING, AIR ADJUSTING .RESSORT, VIS DE DOSEUR D'AIR	4	4	4	
22	62Y-14321-10	.SCREW, THROTTLE .VIS, ACCELERATEUR	4	4	4	
23	2T4-14397-00	.O-RING .JOINT TORIQUE	4	4	4	
24	62Y-14383-30	.SCREW, DRAIN .BOUCHON, PURGE	4	4	4	

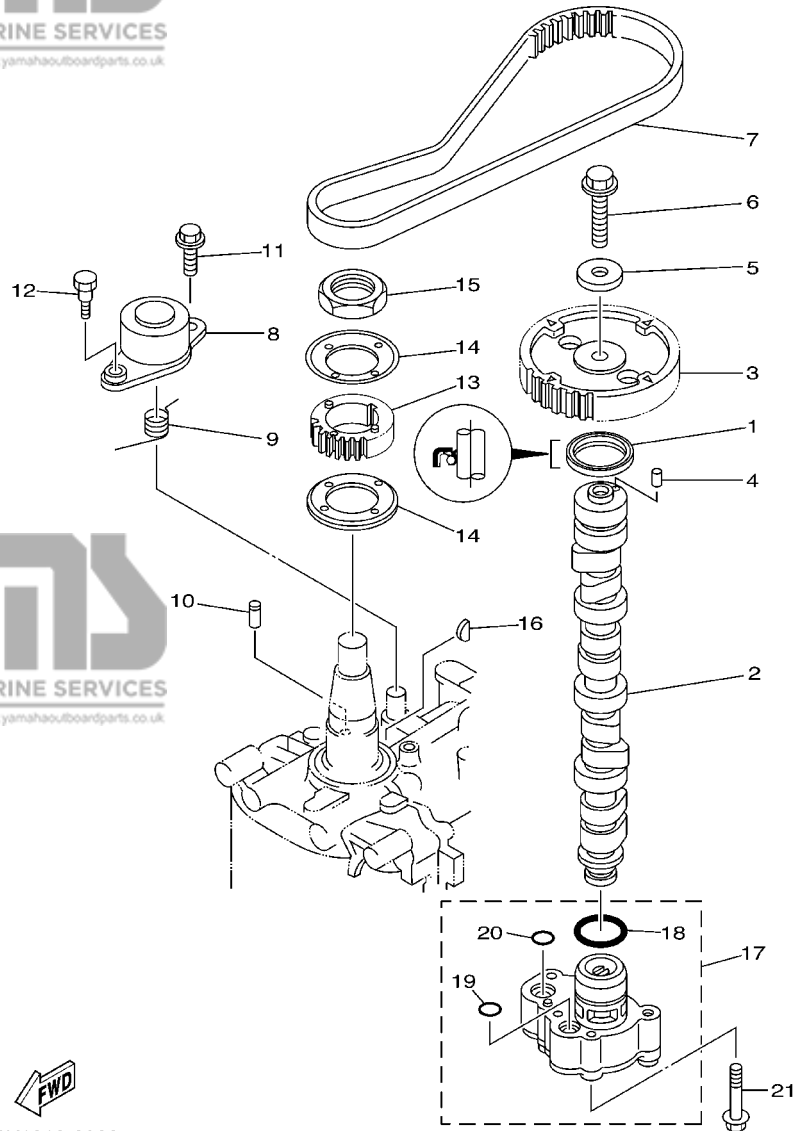


62Y2300-3070

FIG. 7 CARBURETOR

CARBURATEUR

REF. NO.	PART NO. NO. PIECES	DESCRIPTION DESCRIPTION	50ED	50ET	FT50	REMARKS REMARQUES
25	652-14397-00	.O-RING .JOINT TORIQUE	4	4	4	
26	62Y-14212-00	.SPRING, PILOT ADJUSTING .RESSORT, VIS DE RALENTI	8	8	8	
27	98980-04006	.SCREW, BIND .VIS	4	4	4	
28	62Y-24311-30	.PIPE, FUEL 1 .DURITE A ESSENCE	2	2	2	#1,3
29	62Y-14398-30	.GASKET .JOINT	2	2	2	#1,3
30	62Y-14567-30	.SCREW .VIS	2	2	2	#1
	62Y-14567-40	.SCREW .VIS	2	2	2	#3
31	62Y-14380-10	.PRIME STARTER ASSY .DEMARREUR D'AMARCAGE ENS.	1	1	1	#1
	62Y-14380-20	.PRIME STARTER ASSY .DEMARREUR D'AMARCAGE ENS.	1	1	1	#3
32	62Y-14243-00	.PLATE .PLAQUE	1	1	1	
33	97890-04007	.SCREW, PAN HEAD .VIS, CRUCIFORME	1	1	1	
34	62Y-14227-00	.WASHER .RONDELLE	4	4	4	
35	62Y-24313-90	.PIPE 3 .DURITE 3	1	1	1	#3



**FWD**  
62Y1010-2080

**FIG. 8 OIL PUMP**

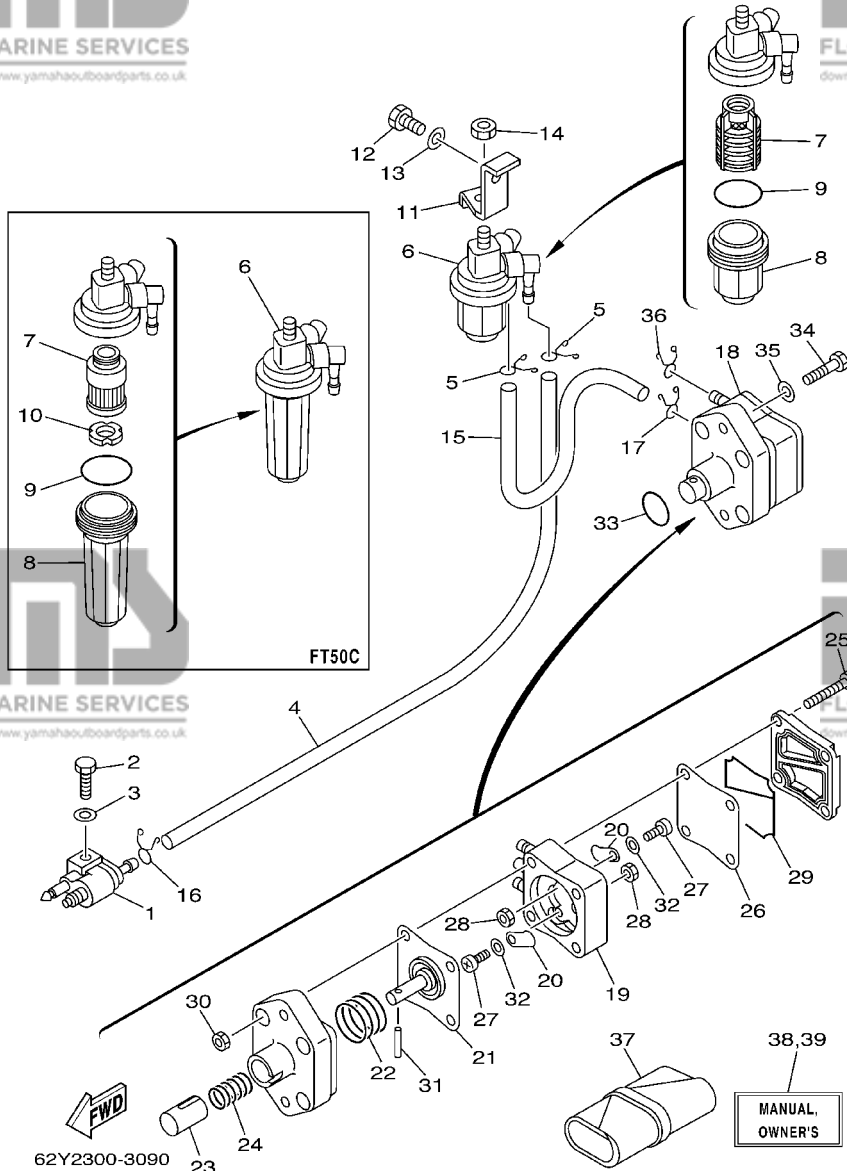
**POMPE A HUILE**

REF. NO.	PART NO. NO. PIECES	DESCRIPTION DESCRIPTION	50ED	50ET	FT50	REMARKS REMARQUES
1	93102-37M40	OIL SEAL JOINT SPY	1	1	1	
2	62Y-12171-00	CAMSHAFT 1 ARBRE A CAMES 1	1	1	1	
3	62Y-11537-10	GEAR, DRIVEN PIGNON SECONDAIRE	1	1	1	
4	93605-14143	PIN, DOWEL AXE	1	1	1	
5	90201-10M06	WASHER, PLATE RONDELLE, PLATE	1	1	1	
6	95895-10040	BOLT, FLANGE BOULON	1	1	1	
7	62Y-46241-00	BELT COURROIE	1	1	1	
8	62Y-11590-10	TENSIONER ASSY TENDEUR (ENS.)	1	1	1	
9	90508-20018	SPRING, TORSION RESSORT, TORSION	1	1	1	
10	90249-07M29	PIN GOUPILLE	1	1	1	
11	95895-08020	BOLT, FLANGE BOULON	1	1	1	
12	90109-06M64	BOLT BOULON	1	1	1	
13	62Y-11536-10	GEAR, DRIVE ENGRENAGE, MENANT	1	1	1	
14	62Y-11557-00	WASHER 1 RONDELLE 1	2	2	2	
15	90170-35M32	NUT ECROU	1	1	1	
16	90280-04M06	KEY, WOODRUFF CLAVETTE, DEMI-LUNE	1	1	1	
17	69W-13300-00	OIL PUMP ASSY POMPE A HUILE COMPLET	1	1	1	
18	93210-33MH2	.O-RING .JOINT TORIQUE	1	1	1	
19	93210-12MG9	.O-RING .JOINT TORIQUE	1	1	1	
20	93210-14515	.O-RING .JOINT TORIQUE	1	1	1	
21	90119-06025	BOLT, WITH WASHER BOULON, AVEC RONDELLE	4	4	4	

**FIG. 9 FUEL**

**CARBURANT**

REF. NO.	PART NO. NO. PIECES	DESCRIPTION DESCRIPTION	50ED	50ET	FT50	REMARKS REMARQUES
1	6G1-24304-02	FUEL PIPE JOINT COMP. 1 DURITE RACCORDEMT. A ESSENCE	1	1	1	
2	97095-06025	BOLT BOULON	1	1	1	
3	92995-06600	WASHER RONDELLE	1	1	1	
4	90445-10020	HOSE DURITE	1	1	1	
5	90467-09M17	CLIP JONC	2	2	2	
6	61N-24560-00	FILTER ASSY ENS FILTRE	1	1		F50A
	64J-24560-00	FILTER ASSY ENS FILTRE			1	FT50C
7	61N-24563-00	.ELEMENT, FILTER .ELEMENT, FILTRE	1	1		FOR 61N-24560-00
	68V-24563-00	.ELEMENT, FILTER .ELEMENT, FILTRE			1	FOR 64J-24560-00
8	61N-24521-00	.CUP, FILTER .CUVETTE, FILTRE	1	1		FOR 61N-24560-00
	68V-24521-00	.CUP, FILTER .CUVETTE, FILTRE			1	FOR 64J-24560-00
9	93210-32738	.O-RING .JOINT TORIQUE	1	1	1	
10	68V-24469-00	.FLOAT, WATER LEVEL .FLOTTEUR			1	FOR 64J-24560-00
11	62Y-24566-00	BRACKET, FILTER SUPPORT, FILTRE	1	1	1	
12	97095-08014	BOLT BOULON	1	1	1	
13	92995-08600	WASHER RONDELLE	1	1	1	
14	95380-08600	NUT ECROU	1	1	1	
15	90445-10M48	HOSE (L205) DURITE (L205)	1	1	1	
16	90467-09M17	CLIP JONC	1	1	1	
17	90467-10M04	CLIP JONC	1	1	1	
18	62Y-24410-03	FUEL PUMP ASSY POMPE A ESSENCE	1	1	1	
19	62Y-24413-01	.BODY 2 .CORPS 2	1	1	1	
20	62Y-24421-01	.VALVE, CHECK .SOUPAPE, RETENUE	2	2	2	
21	62Y-24411-02	.DIAPHRAGM .DIAPHRAGME	1	1	1	
22	62Y-24423-00	.SPRING, DIAPHRAGM .RESSORT, DIAPHRAGME	1	1	1	
23	62Y-13131-01	.PLUNGER .PLONGEUR	1	1	1	
24	62Y-24454-00	.SPRING .RESSORT	1	1	1	

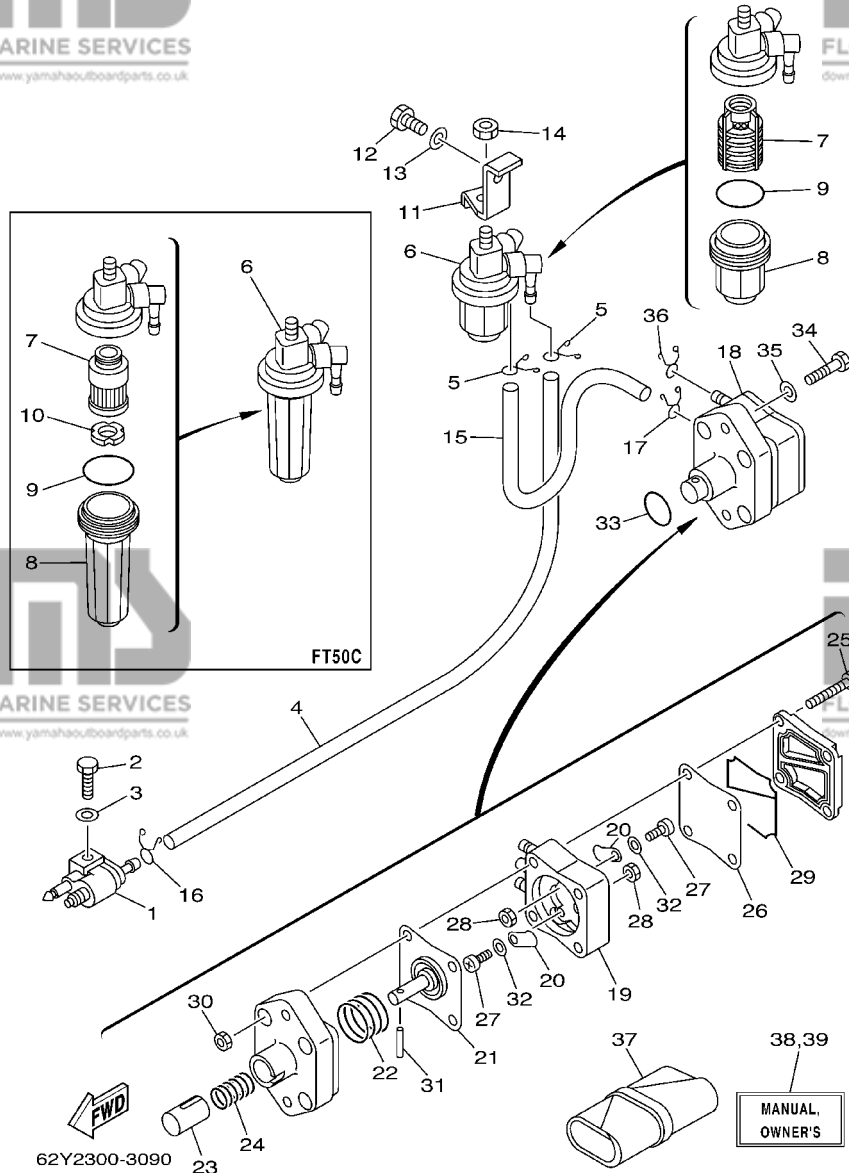


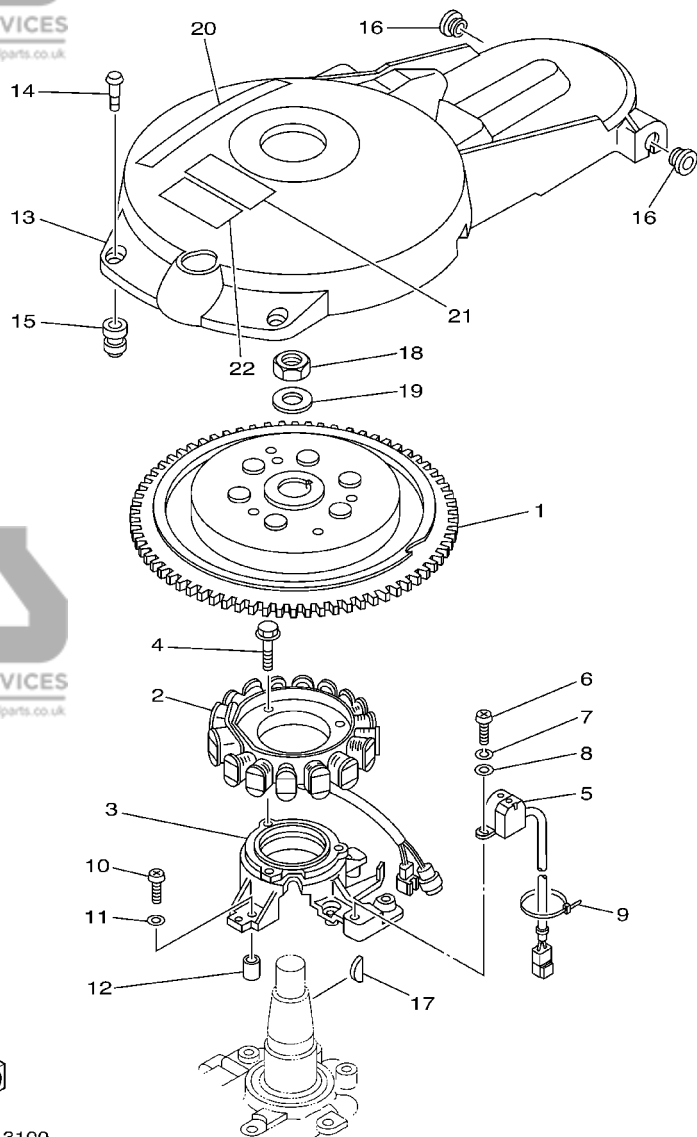


**FIG. 9 FUEL**

**CARBURANT**

REF. NO.	PART NO. NO. PIECES	DESCRIPTION DESCRIPTION	50ED	50ET	FT50	REMARKS REMARQUES
25	62Y-24444-01	.SCREW .VIS	4	4	4	
26	62Y-24471-00	.DIAPHRAGM .DIAPHRAGME	1	1	1	
27	6A0-14325-00	.SCREW, PAN HEAD .VIS TETE CONIQUE	2	2	2	
28	95380-03600	.NUT .ECROU	2	2	2	
29	62Y-24452-00	.PACKING .JOINT	1	1	1	
30	95380-05600	.NUT .ECROU	4	4	4	
31	62Y-24374-01	.PIN .PIN	1	1	1	
32	62Y-24422-00	.PLATE .PLAQUETTE	2	2	2	
33	93210-24M79	O-RING JOINT TORIQUE	1	1	1	
34	97095-06030	BOLT BOULON	2	2	2	
35	92995-06600	WASHER RONDELLE	2	2	2	
36	90467-10M04	CLIP JONC	2	2	2	
37	62Y-28100-00	TOOL KIT TROUSSE A OUTILS	1	1	1	
38	62Y-28199-7C-A0	MANUAL, OWNER'S MANUEL D'UTILISATION	1	1	1	UR (E,F,S)
	62Y-28199-7C-B0	MANUAL, OWNER'S MANUEL D'UTILISATION	1	1	1	UR (D,NL,I)
39	62Y-28199-8C-A0	MANUAL, OWNER'S MANUEL D'UTILISATION	1	1	1	UR (DK,P,GR)
	62Y-28199-8C-B0	MANUAL, OWNER'S MANUEL D'UTILISATION	1	1	1	UR (N,S,SS)





**FWD**  
62Y2300-3100

**FIG. 10 GENERATOR**

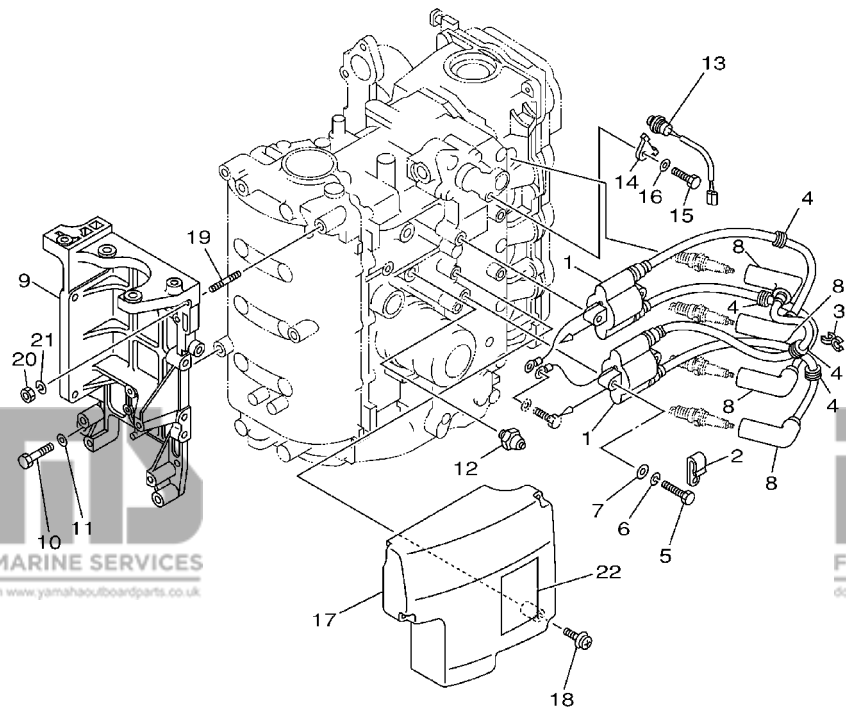
**GENERATRICE**

REF. NO.	PART NO. NO. PIECES	DESCRIPTION DESCRIPTION	50ED	50ET	FT50	REMARKS REMARQUES
1	69W-85550-10	ROTOR ASSY ROTOR CPLT	1	1	1	
2	64J-85510-00	STATOR ASSY STATOR CPLT	1	1	1	
3	62Y-85561-00-94	BASE, MAGNETO BASE, MAGNETO	1	1	1	
4	95023-06025	BOLT BOULON, A COLLERETTE	3	3	3	
5	62Y-85580-00	COIL, PULSER BOBINE, PULSEUR	1	1	1	
6	97880-05012	SCREW, PAN HEAD VIS, TETE TRONCONIQUE	2	2	2	
7	92990-05100	WASHER, SPRING RONDELLE, GROWER	2	2	2	
8	92990-05600	WASHER, PLATE RONDELLE, PLATE	2	2	2	
9	90465-13M97	CLAMP BRIDE	1	1	1	
10	97880-06025	SCREW, PAN HEAD VIS, TETE TRONCONIQUE	4	4	4	
11	92990-06600	WASHER, PLATE RONDELLE, PLATE	4	4	4	
12	99530-08012	PIN, DOWEL GOUJON, D'ASSEMBLAGE	2	2	2	
13	62Y-81337-11	COVER, FLYWHEEL COUVERCLE, VOLANT	1	1	1	
14	6K7-81338-01	CLAMP, LEAD COLLIER, FIL	2	2	2	
15	663-82317-01	DAMPER, IGNITION COIL AMORTISSEUR, BOBINE D'ALLUM	2	2	2	
16	90480-12072	GROMMET PASSE-FIL	2	2	2	
17	6H4-11545-00	KEY, WOODRUFF CLAVETTE, DEMI-LUNE	1	1	1	
18	90170-20137	NUT ECROU	1	1	1	
19	90201-21M18	WASHER, PLATE RONDELLE, PLATE	1	1	1	
20	62Y-13437-61	MARK, CAUTION MAKER	1	1	1	
21	6A1-83625-41	MARK 5 ETIQUETTE 5	1	1	1	
22	6A1-83625-51	MARK 5 ETIQUETTE 5	1	1	1	

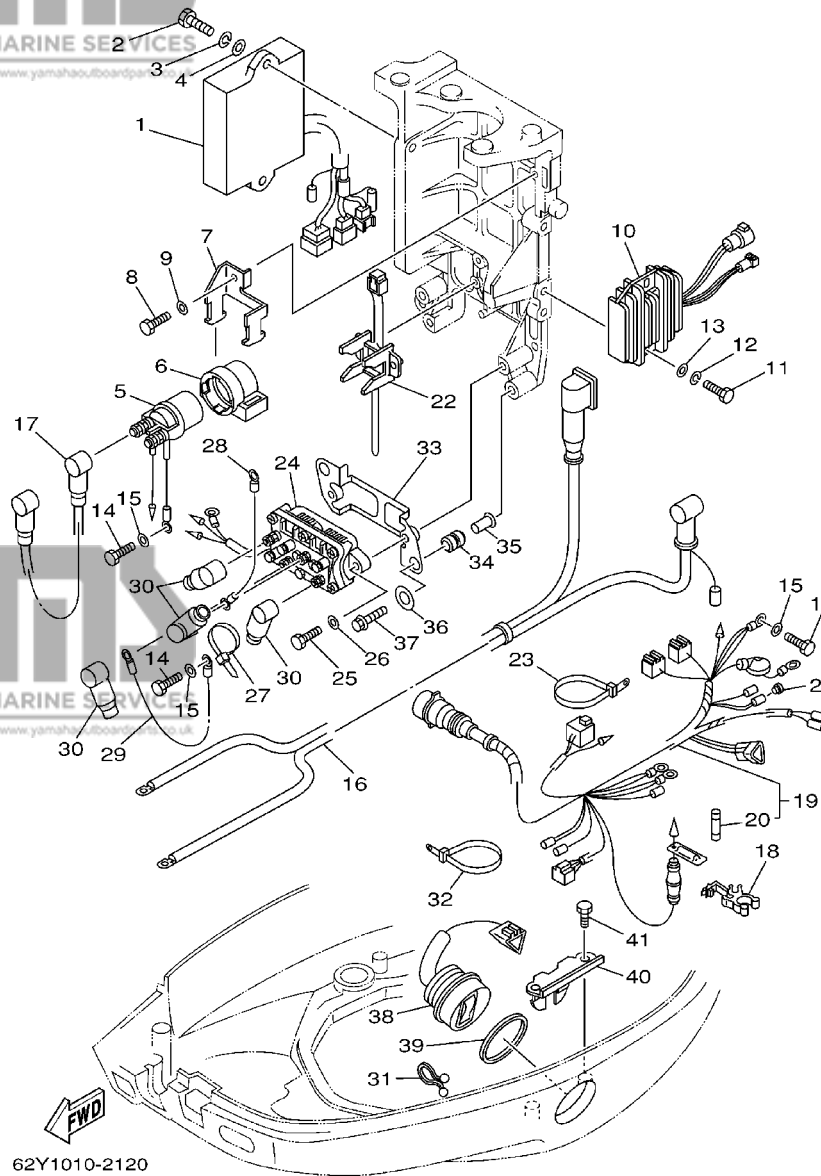
**FIG. 11 ELECTRICAL 1**

**PARTIE ELECTRIQUE 1**

REF. NO.	PART NO. NO. PIECES	DESCRIPTION DESCRIPTION	50ED	50ET	FT50	REMARKS REMARQUES
1	62Y-85570-00	IGNITION COIL ASSY BOBINE D'ALLUMAGE (ENS.)	2	2	2	
2	90465-06M90	CLAMP BRIDE	2	2	2	
3	90464-07M41	CLAMP BRIDE	1	1	1	
4	90480-25161	GROMMET PASSE-FIL	4	4	4	
5	97095-06030	BOLT BOULON	4	4	4	
6	92995-06100	WASHER, SPRING RONDELLE, GROWER	4	4	4	
7	92995-06600	WASHER RONDELLE	4	4	4	
8	6G8-82370-30	PLUG CAP ASSY ANTIPARASITE	4	4	4	
9	62Y-81822-01-94	BRACKET, STARTING MOTOR SUPPORT, DEMARREUR ELECTRIQUE	1	1	1	
10	97095-08035	BOLT BOULON	3	3	3	
11	92995-08600	WASHER RONDELLE	3	3	3	
12	64J-82504-00	OIL PRESSURE SWITCH ASSY CONTACTEUR DE PRESSION D'HUILE	1	1	1	
13	62Y-82560-01	THERMO SWITCH ASSY THERMO-CONTACT COMPLET	1	1	1	
14	6E9-82588-00	PLATE PLAQUE	1	1	1	
15	97095-06012	BOLT BOULON	1	1	1	
16	92995-06600	WASHER RONDELLE	1	1	1	
17	62Y-85599-00	COVER COUVERCLE	1	1	1	
18	90159-06M08	SCREW, WITH WASHER VIS, AVEC RONDELLE	3	3	3	
19	90116-08M14	BOLT, STUD GOUJON	1	1	1	
20	95380-08600	NUT ECROU	1	1	1	
21	92990-08100	WASHER, SPRING RONDELLE, GROWER	1	1	1	
22	62Y-83626-00	MARK 6 MARK 6	1	1	1	



**FWD**  
62Y1100-2120



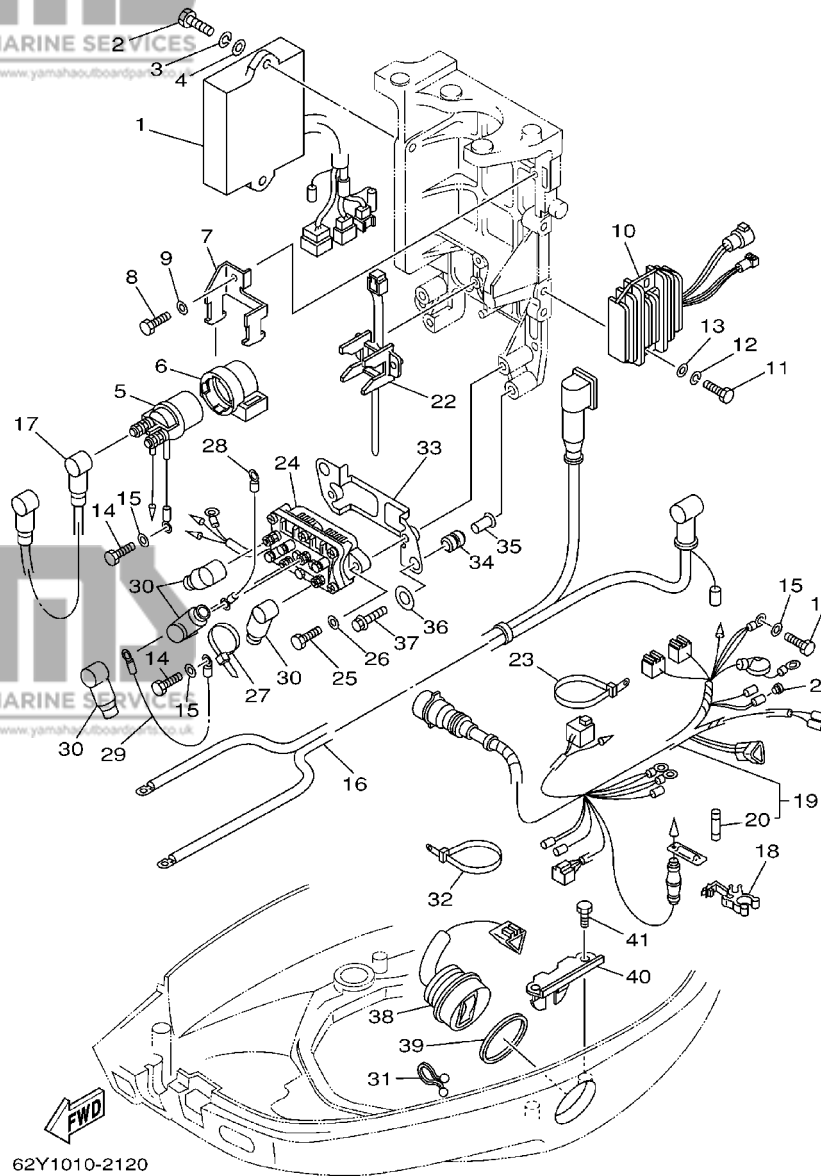
62Y1010-2120

**FIG. 12 ELECTRICAL 2**

**PARTIE ELECTRIQUE 2**

REF. NO.	PART NO. NO. PIECES	DESCRIPTION DESCRIPTION	50ED	50ET	FT50	REMARKS REMARQUES
1	64J-85540-01	C.D.I. UNIT ASSY BLOC C.D.I.	1	1		F50A
	64J-85540-11	C.D.I. UNIT ASSY BLOC C.D.I.			1	FT50C
2	97095-06020	BOLT BOULON	2	2	2	
3	92995-06100	WASHER, SPRING RONDELLE, GROWER	2	2	2	
4	92995-06600	WASHER RONDELLE	2	2	2	
5	6G1-81941-10	STARTER RELAY ASSY LANCEUR RELAIS (ENS.)	1	1	1	
6	6G1-81952-00	HOLDER, RELAY SUPPORT, RELAIS	1	1	1	
7	6L2-81945-00	PLATE, SWITCH FITTING PLAQUE, FIXATION DU RELAIS	1	1	1	
8	97095-06014	BOLT BOULON	1	1	1	
9	92995-06600	WASHER RONDELLE	1	1	1	
10	64J-81960-10	RECTIFIER & REGULATOR ASSY REDRESSEUR REGULATEUR CPLT	1	1	1	
11	97095-06025	BOLT BOULON	2	2	2	
12	92995-06100	WASHER, SPRING RONDELLE, GROWER	2	2	2	
13	92995-06600	WASHER RONDELLE	2	2	2	
14	97095-06012	BOLT BOULON	4	4	4	
15	92995-06600	WASHER RONDELLE	4	4	4	
16	62Y-82105-00	WIRE HARNESS FAISCEAU DE FILS	1	1	1	
17	6E5-82117-01	WIRE, LEAD FIL	1	1	1	
18	6G5-82152-00	HOLDER, FUSE SUPPORT, FUSIBLE	1	1	1	
19	64J-82590-30	WIRE HARNESS ASSY FAISCEAU DE FILS COMPLET			1	
	64J-82590-20	WIRE HARNESS ASSY FAISCEAU DE FILS COMPLET	1			
20	663-82151-00	.FUSE (12V-20A) .FUSIBLE (12V-20A)	1	1	1	
21	703-82119-00	COVER, LEAD WIRE GARNITURE, FIL	2	2	2	
22	688-82594-00	CLAMP BRIDE	1	1	1	
23	90465-13M24	CLAMP BRIDE	1	1	1	
24	6H1-81950-00	RELAY ASSY RELAIS COMPLET			1	
25	97095-06020	BOLT BOULON		2	2	

**C6**

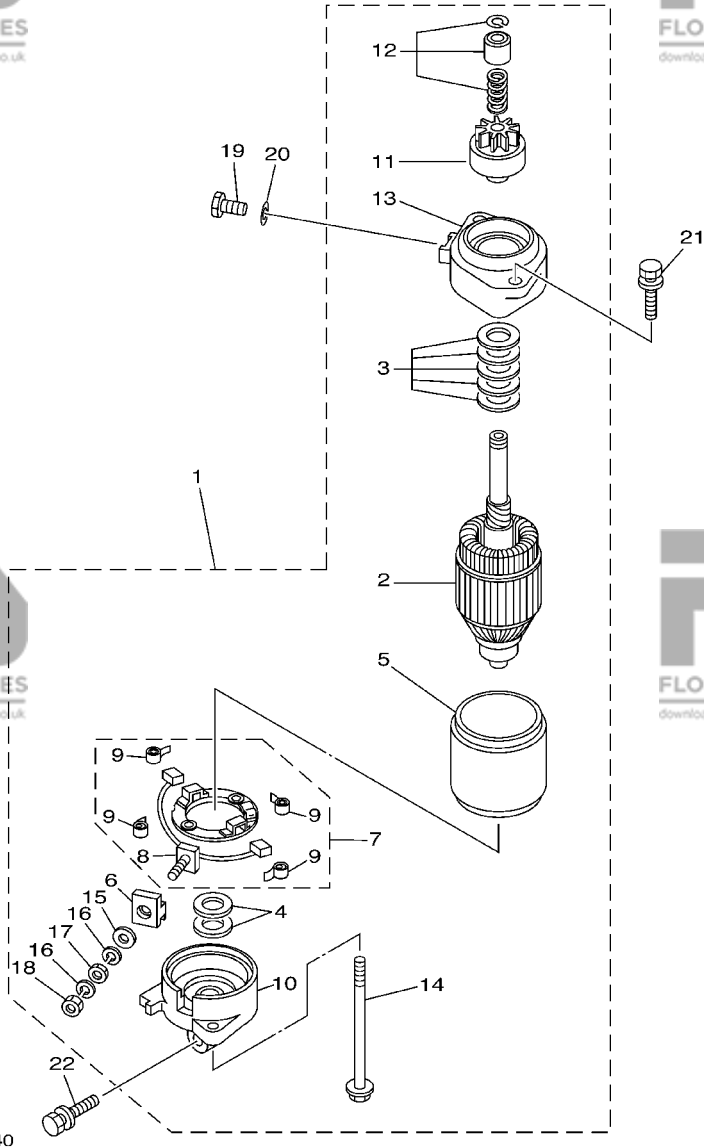


62Y1010-2120

**FIG. 12 ELECTRICAL 2**

**PARTIE ELECTRIQUE 2**

REF. NO.	PART NO. NO. PIECES	DESCRIPTION DESCRIPTION	50ED	50ET	FT50	REMARKS REMARQUES
26	92995-06600	WASHER RONDELLE		2	2	
27	90465-13M11	CLAMP BRIDE		1	1	
28	6H2-81949-01	WIRE, LEAD FIL		1	1	
29	61A-81949-00	WIRE, LEAD FIL		1	1	
30	682-82119-01	COVER, LEAD WIRE GARNITURE, FIL		4	4	
31	90464-15M11	CLAMP BRIDE		1	1	
32	90465-13M24	CLAMP BRIDE		1	1	
33	62Y-81948-00	BRACKET JOINT TORIQUE		1	1	
34	6A0-82317-00	DAMPER, IGNITION COIL AMORTISSEUR, BOBINE D'ALLUM		2	2	
35	624-42542-00	PIPE TUYAU		2	2	
36	90201-12M16	WASHER, PLATE RONDELLE, PLATE		2	2	
37	95895-06025	BOLT, FLANGE BOULON		2	2	
38	63D-82563-10	TRIM & TILT SWITCH ASSY INCLINER ET PARER COMMUTATEUR		1	1	
39	6E5-82587-00	GASKET JOINT		1	1	
40	62Y-83614-00	BRACKET SUPPORT		1	1	
41	97095-06012	BOLT BOULON		2	2	



69W1010-2140

**FIG. 13 STARTING MOTOR**

**DEMARREUR ELECTRIQUE**

REF. NO.	PART NO. NO. PIECES	DESCRIPTION DESCRIPTION	50ED	50ET	FT50	REMARKS REMARQUES
1	69W-81800-00	STARTING MOTOR ASSY DEMARREUR ELECTRIQUE COMPLET	1	1	1	
2	6N7-81850-10	.ARMATURE ASSY .INDUIT	1	1	1	
3	61A-81809-00	.WASHER KIT .JEU DE RONDELLES	1	1	1	
4	61A-81824-00	.WASHER 2 .RONDELLE 2	2	2	2	
5	6N7-81810-00	.STATOR ASSY .STATOR COMPLET	1	1	1	
6	6K7-8182G-10	.BUSH, TERMINAL .DOUILLE	1	1	1	
7	6N7-81840-00	.BRUSH HOLDER ASSY .SUPPORT DE CHARBON	1	1	1	
8	6N7-81801-00	..BRUSH SET ..CHARBON	1	1	1	
9	6N7-81813-00	..SPRING, BRUSH ..RESSORT, DE CHARBON	4	4	4	
10	6N7-81820-00	.REAR BRACKET ASSY .SUPPORT ARRIERE COMPLET	1	1	1	
11	69W-81807-00	.GEAR ASSY, STARTING MOTOR .PIGNON, DEMARREUR ELECTRIQUE	1	1	1	
12	6N7-81857-00	.RETAINER .ARRETOIR	1	1	1	
13	6N7-81830-00	.FRONT BRACKET ASSY .SUPPORT AVANT	1	1	1	
14	6K7-81826-10	.BOLT .BOULON	2	2	2	
15	6E5-8182E-10	.WASHER .RONDELLE	1	1	1	
16	6E5-8182F-10	.WASHER .RONDELLE	2	2	2	
17	6E5-8182A-10	.NUT .ECROU	1	1	1	
18	6E5-8182K-10	.NUT .ECROU	1	1	1	
19	97095-08016	BOLT BOULON	1	1	1	
20	92995-08600	WASHER RONDELLE	1	1	1	
21	90119-08M76	BOLT, WITH WASHER BOULON, AVEC RONDELLE	2	2	2	
22	90119-08M77	BOLT, WITH WASHER BOULON, AVEC RONDELLE	1	1	1	

**D1**

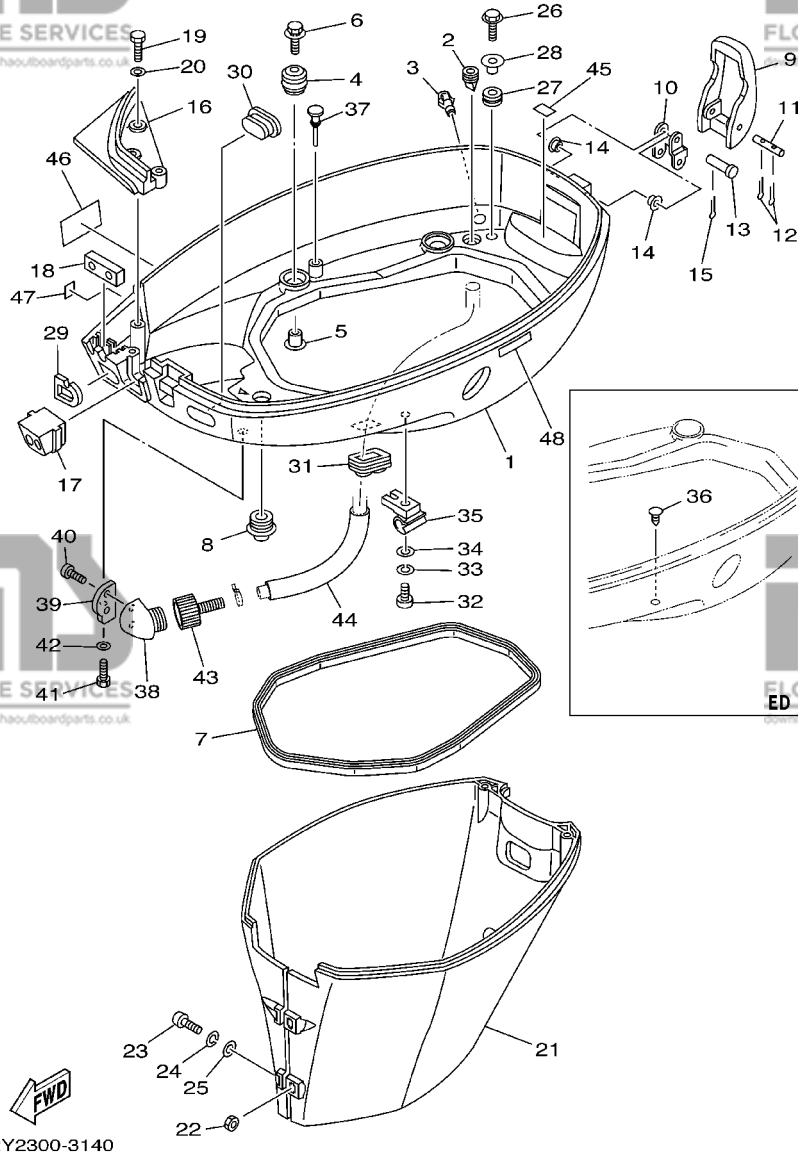


FIG. 14 BOTTOM COWLING

CAPOT INFERIEUR

REF. NO.	PART NO. NO. PIECES	DESCRIPTION DESCRIPTION	50ED	50ET	FT50	REMARKS REMARQUES
1	62Y-42711-14-4D	COWLING, BOTTOM CUVETTE		1	1	
	62Y-42711-04-4D	COWLING, BOTTOM CUVETTE	1			
2	65W-42717-00	RUBBER, SEAL 2 JOINT EN CAOUTCHOUC 2	4	4	4	
3	6H3-44391-01	NIPPLE, HOSE RACCORD D'ESSENCE	1	1	1	
4	90480-09M12	GROMMET PASSE-FIL	4	4	4	
5	90387-06060	COLLAR COLLERETTE	4	4	4	
6	90119-06M08	BOLT, WITH WASHER BOULON, AVEC RONDELLE	4	4	4	
7	62Y-42716-00	RUBBER, SEAL 1 JOINT EN CAOUTCHOUC 1	1	1	1	
8	6E5-42724-00	GROMMET PASSE-FIL	1	1	1	
9	62Y-42828-00-4D	PLATE, CLAMP PLAQUE, PRESSE	1	1	1	
10	62Y-42815-00	LEVER, CLAMP LEVIER, PRESSE	1	1	1	
11	90249-05M30	PIN GOUPILLE	1	1	1	
12	91490-16010	PIN, COTTER GOUPILLE	2	2	2	
13	90240-05M19	PIN, CLEVIS BOULON, A GOUPILLE	1	1	1	
14	90386-05002	BUSH DOUILLE	2	2	2	
15	91490-16010	PIN, COTTER GOUPILLE	1	1	1	
16	62Y-42738-01-5B	PLATE, FITTING ETRIER	1	1	1	
17	62Y-42725-30	GROMMET PASSE-FIL		1	1	
	62Y-42725-00	GROMMET PASSE-FIL	1			
18	62Y-42727-00	GROMMET PASSE-FIL	1	1	1	
19	97095-06020	BOLT BOULON	3	3	3	
20	92995-06600	WASHER RONDELLE	3	3	3	
21	62Y-42741-00-4D	APRON CAPOT LATERAL	1	1	1	
22	95380-06600	NUT, HEXAGON ECROU	2	2	2	
23	97880-06025	SCREW, PAN HEAD VIS, TETE TRONCONIQUE	2	2	2	
24	92990-06100	WASHER, SPRING RONDELLE, GROWER	2	2	2	
25	92990-06600	WASHER, PLATE RONDELLE, PLATE	2	2	2	

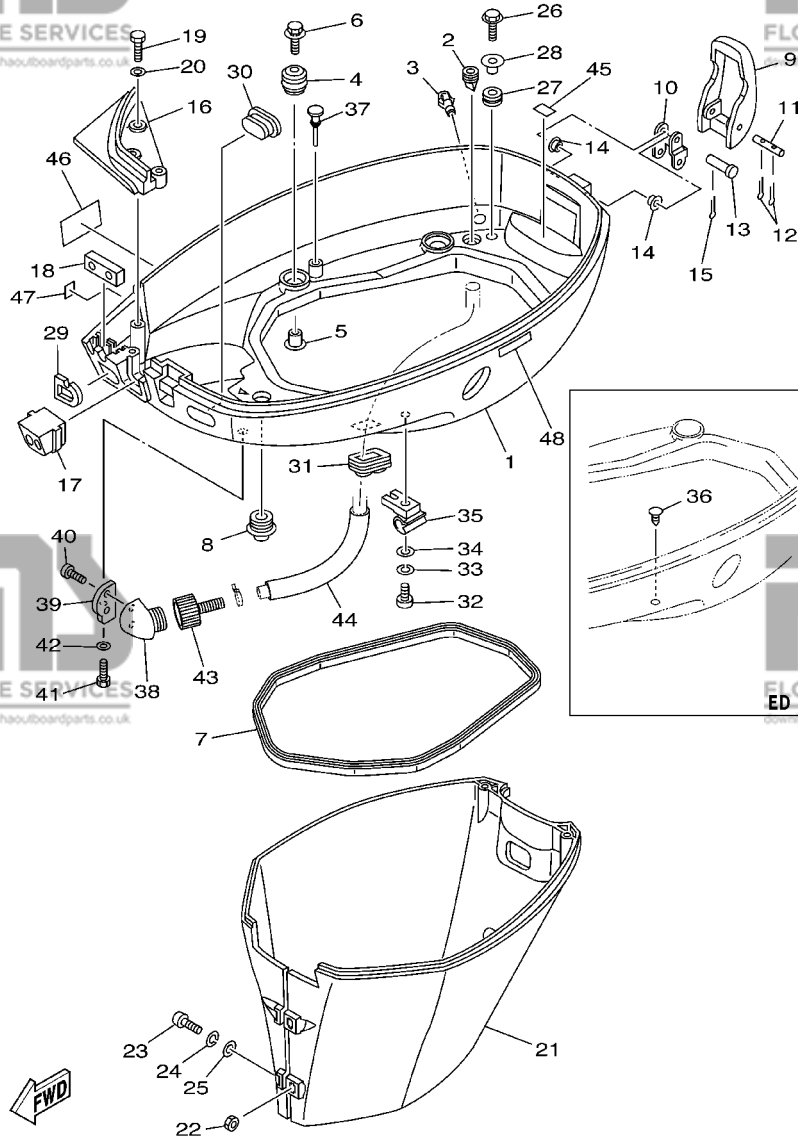
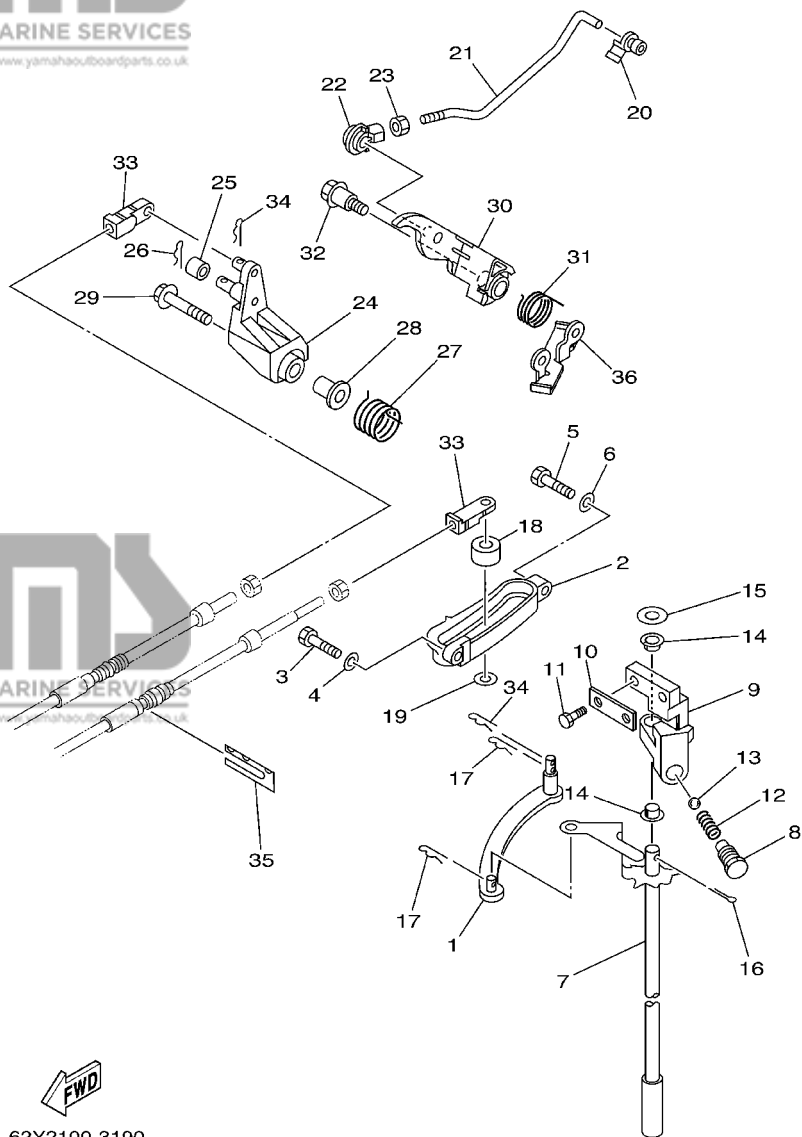


FIG. 14 BOTTOM COWLING

CAPOT INFERIEUR

REF. NO.	PART NO. NO. PIECES	DESCRIPTION DESCRIPTION	50ED	50ET	FT50	REMARKS REMARQUES
26	90109-06M80	BOLT BOULON	2	2	2	
27	90480-13M24	GROMMET PASSE-FIL	2	2	2	
28	90387-06M43	COLLAR COLLERETTE	2	2	2	
29	61N-24329-00	SEAL JOINT	1	1	1	
30	6H3-42727-00	GROMMET PASSE-FIL	1	1	1	
31	6H1-42726-20	GROMMET PASSE-FIL	1	1	1	FOR FLUSHING KIT
	65W-42724-10	GROMMET PASSE-FIL	1			FOR FLUSHING KIT
32	97880-06025	SCREW, PAN HEAD VIS, TETE TRONCONIQUE		1	1	
33	92990-06100	WASHER, SPRING RONDELLE, GROWER		1	1	
34	92990-06600	WASHER, PLATE RONDELLE, PLATE		1	1	
35	90464-09M43	CLAMP BRIDE		1	1	
36	90338-05M03	PLUG PLOT	1			
37	62Y-42748-00	GROMMET PASSE-FIL	1	1	1	
38	68T-12572-00	ADAPTER ADAPTATEUR	1	1	1	FLUSHING KIT
39	6H1-12535-00	PLATE PLAQUE	1	1	1	FLUSHING KIT
40	90167-06002	SCREW, TAPPING VIS, TETE FRAISEE	2	2	2	FLUSHING KIT
41	97095-06020	BOLT BOULON	1	1	1	FLUSHING KIT
42	92995-06600	WASHER RONDELLE	1	1	1	FLUSHING KIT
43	6R3-12580-00	JOINT ASSY ARTICULER (ENS.)	1	1	1	FLUSHING KIT
44	90445-14M41	HOSE (L150) DURITE (L150)	1	1	1	FLUSHING KIT
45	62Y-82377-00	LABEL ETIQUETTE	1	1	1	
46	62Y-13444-50	MARK MAKER	1	1	1	
47	6A1-28176-00	LABEL, CAUTION ETIQUETTE, RECOMMANDATION	1	1	1	
48	6E3-8257H-00	PLATE, MARK PLAQUE, ADHESIF	1	1	1	



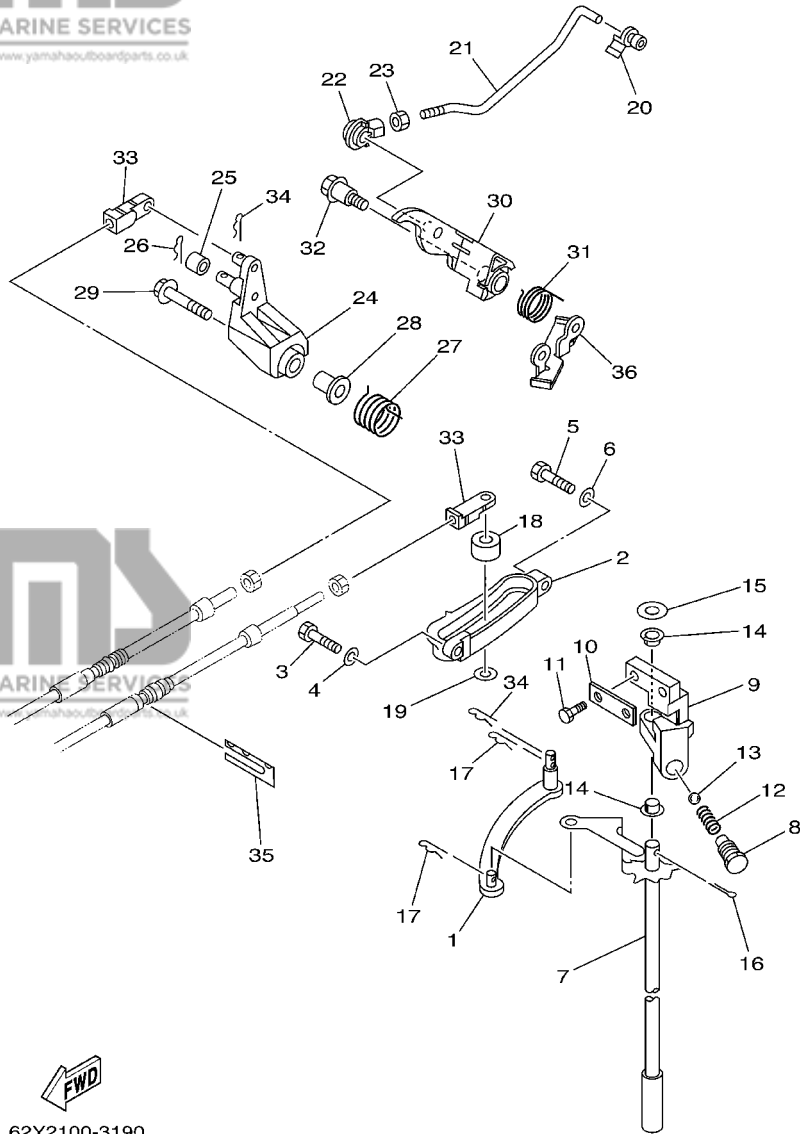


**FIG. 15 CONTROL**

**COMMANDE**

REF. NO.	PART NO. NO. PIECES	DESCRIPTION DESCRIPTION	50ED	50ET	FT50	REMARKS REMARQUES
1	69W-44121-00	LEVER, SHIFT ROD LEVIER, TIGE D'INVERSION	1	1	1	
2	62Y-44117-01-4D	BRACKET SUPPORT	1	1	1	
3	97095-06020	BOLT BOULON	1	1	1	
4	92995-06600	WASHER RONDELLE	1	1	1	
5	97095-06025	BOLT BOULON	1	1	1	
6	92995-06600	WASHER RONDELLE	1	1	1	
7	62Y-44120-01	HANDLE GEAR SHIFT ASSY LEVIER D'EMBRAYAGE	1	1	1	L
8	62Y-42715-01	BUSHING COUSSINET	1	1	1	
9	62Y-44118-00	BRACKET SUPPORT	1	1	1	
10	62Y-44112-00	STAY, HANDLE GEAR SHIFT PLAQUE	1	1	1	
11	97095-06020	BOLT BOULON	2	2	2	
12	90501-12082	SPRING, COMPRESSION RESSORT, COMPRESSION	1	1	1	
13	93501-04M02	BALL BILLE	1	1	1	
14	90386-90M90	BUSH DOUILLE	2	2	2	
15	90201-10M20	WASHER, PLATE RONDELLE, PLATE	1	1	1	
16	91490-20015	PIN, COTTER GOUPILE	1	1	1	
17	90468-18008	CLIP JONC	2	2	2	
18	688-44122-00	BUSHING, SHIFT ROD LEVER DOUILLE, LEVIER D'EMBRAYAGE	1	1	1	
19	90202-07M07	WASHER, PLATE RONDELLE, PLATE	1	1	1	
20	6F5-41237-00	JOINT, LINK RACCORD	1	1	1	
21	62Y-41241-00	ROD, LINK BIELLETTTE	1	1	1	
22	662-41237-01	JOINT, LINK RACCORD	1	1	1	
23	95380-05700	NUT ECROU	1	1	1	
24	62Y-42154-00	LEVER, THROTTLE CONTROL LEVIER DE COMMANDE D'AVANCE	1	1	1	
25	62Y-42171-00	BUSHING COUSSINET	1	1	1	
26	91490-16010	PIN, COTTER GOUPILE	1	1	1	
27	62Y-44135-00	SPRING RESSORT	1	1	1	

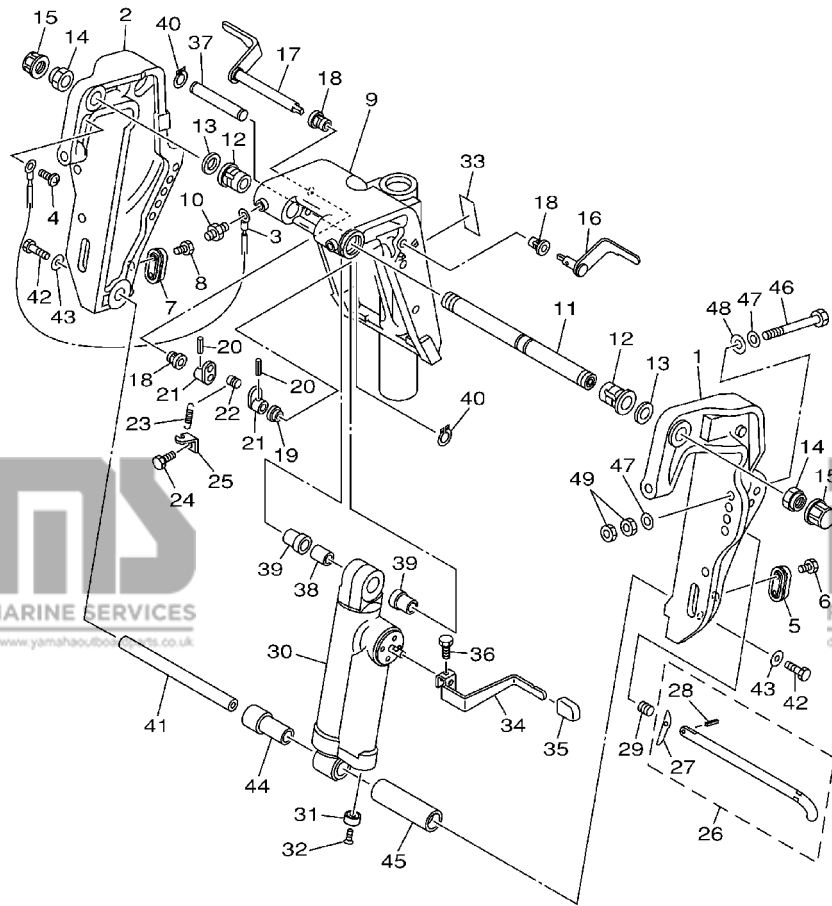
**D4**



**FIG. 15 CONTROL**

**COMMANDE**

REF. NO.	PART NO. NO. PIECES	DESCRIPTION DESCRIPTION	50ED	50ET	FT50	REMARKS REMARQUES
28	90387-06M45	COLLAR COLLERETTE	1	1	1	
29	95895-06035	BOLT, FLANGE BOULON	1	1	1	
30	62Y-42335-20	LEVER, ACCEL. CONTROL LEVIER, ACCELERATION	1	1	1	
31	62Y-44116-01	SPRING RESSORT	1	1	1	
32	90109-06M30	BOLT BOULON	1	1	1	
33	6G8-26363-00	END, WIRE 1 EMBOUT DE CABLE	2	2	2	
34	90468-18008	CLIP JONC	2	2	2	
35	62Y-48538-00	CLAMP, CABLE 1 COLLIER	1	1	1	
36	62Y-42159-01	STAY SUPPORT	1	1	1	



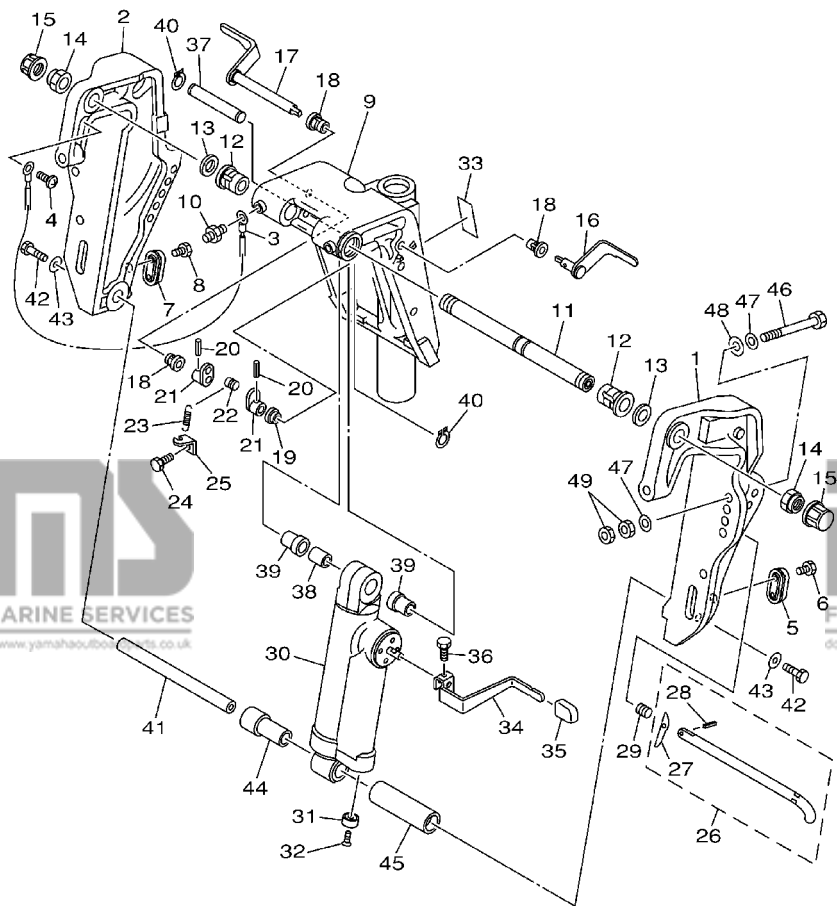
62Y0010-1200

**FIG. 16 BRACKET 1**

**SUPPORT 1**

REF. NO.	PART NO. NO. PIECES	DESCRIPTION DESCRIPTION	50ED	50ET	FT50	REMARKS REMARQUES
1	62Y-43111-00-4D	BRACKET, CLAMP PRESSE	1			
2	62Y-43112-00-4D	BRACKET, CLAMP PRESSE	1			
3	63D-82148-00	WIRE, LEAD 4 FIL 4	1			
4	97885-06008	SCREW, PAN HEAD VIS, A ENCOCHE	1			
5	65W-45251-00	ANODE ANODE	1			
6	90101-06020	BOLT BOULON	2			
7	65W-45251-00	ANODE ANODE	1			
8	90101-06020	BOLT BOULON	2			
9	63D-43311-13-4D	BRACKET, SWIVEL 1 SUPPORT, PIVOT 1	1			
10	93700-06M03	NIPPLE, GREASE PION	3			
11	63D-43131-01	BOLT, CLAMP BRACKET BOULON, PRESSE	1			
12	90386-22M15	BUSH DOUILLE	2			
13	90201-22M03	WASHER, PLATE RONDELLE, PLATE	2			
14	90185-22M11	NUT, SELF-LOCKING ECROU, AUTO-BLOCANT	2			
15	6G5-43145-01	CAP, CLAMP BRACKET CAPUCHON, PRESSE	2			
16	6H5-43181-03	LEVER, TILT STOP LEVIER, VERROUILLAGE RELEVAGE	1			
17	6H5-43185-03	LEVER, TILT STOP LEVIER, VERROUILLAGE RELEVAGE	1			
18	90386-10M16	BUSH DOUILLE	3			
19	90386-10025	BUSH DOUILLE	1			
20	91690-30020	PIN, SPRING AGRAFFE	2			
21	6G5-43148-00	COLLAR, DISTANCE ENTRETOISE	2			
22	90249-06M19	PIN GOUPILLE	1			
23	90506-14M24	SPRING, TENSION RESSORT, TENSION	1			
24	97095-06010	BOLT BOULON	1			
25	6G5-43144-00	HOOK, SPRING CROCHET	1			
26	688-43160-01	TILT ROD ASSY BROCHE D'INCLINAISON (ENS.)	1			
27	688-43165-00	.PLATE, TILT LOCK .TAQUET, BROCHE INCLINAISON	1			

**D6**

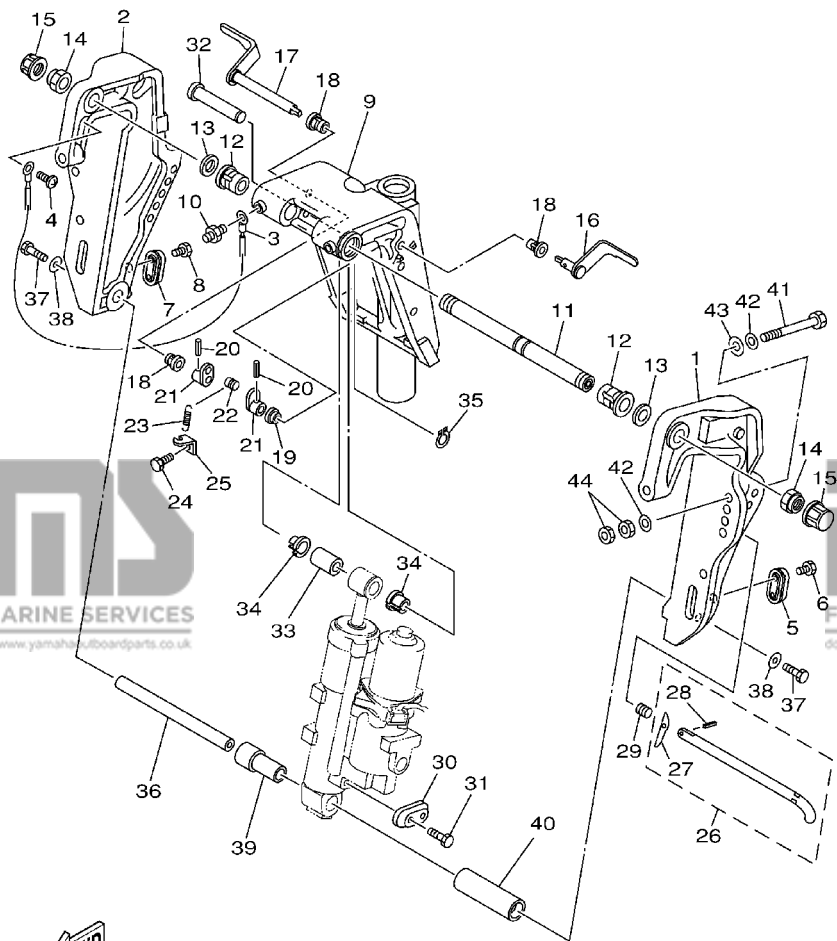


62Y0010-1200

**FIG. 16 BRACKET 1**

**SUPPORT 1**

REF. NO.	PART NO. NO. PIECES	DESCRIPTION DESCRIPTION	50ED	50ET	FT50	REMARKS REMARQUES
28	91690-30012	.PIN, SPRING .AGRAFFE	1			
29	90502-16M02	SPRING, CONICAL RESSORT, CONIQUE	1			
30	62Y-43170-10-4D	SHOCK ABSORBER ASSY AMORTISSEUR (ENS.)	1			
31	663-45251-00	ANODE ANODE	1			
32	90152-06M01	SCREW, COUNTERSUNK VIS, TETE NOYEE	1			
33	63D-43691-00	INDICATOR, TILT ETIQUETTE, RELEVAGE	1			
34	69D-43631-00	LEVER, TILT LEVIER, INCLINAISON	1			
35	682-43318-01	COVER CAPUCHON	1			
36	97095-06010	BOLT BOULON	1			
37	69D-43126-00	PIN, UPPER SHOCK MOUNT AXE, SUPERIEUR AMORTISSEUR	1			
38	90387-16003	COLLAR COLLERETTE	1			
39	90387-16004	COLLAR COLLERETTE	2			
40	93410-16006	CIRCLIP CLIPS	2			
41	62Y-43818-00	PIN, LOWER SHOCK MOUNT AXE, INFERIEUR AMORTISSEUR	1			
42	97080-08016	BOLT BOULON	2			
43	90201-08M04	WASHER, PLATE RONDELLE, PLATE	2			
44	90387-18002	COLLAR COLLERETTE	1			
45	90387-18003	COLLAR COLLERETTE	1			
46	90101-12M65	BOLT BOULON	4			
47	92995-12200	WASHER RONDELLE	8			
48	90201-12426	WASHER, PLATE RONDELLE, PLATE	4			
49	95380-12600	NUT ECROU	8			



62Y0010-1210

**FIG. 17 BRACKET 2**

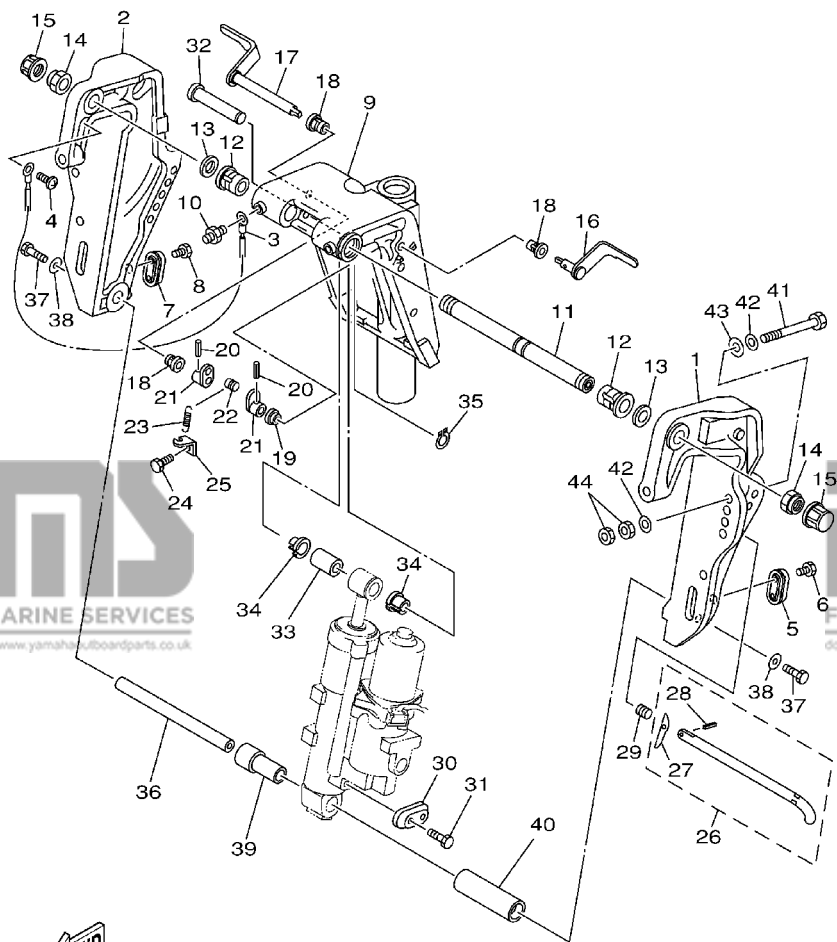
**SUPPORT 2**

REF. NO.	PART NO. NO. PIECES	DESCRIPTION DESCRIPTION	50ED	50ET	FT50	REMARKS REMARQUES
1	62Y-43111-00-4D	BRACKET, CLAMP PRESSE		1	1	
2	62Y-43112-00-4D	BRACKET, CLAMP PRESSE		1	1	
3	63D-82148-00	WIRE, LEAD 4 FIL 4		1	1	
4	97885-06008	SCREW, PAN HEAD VIS, A ENCOCHE		1	1	
5	65W-45251-00	ANODE ANODE		1	1	
6	90101-06020	BOLT BOULON		2	2	
7	65W-45251-00	ANODE ANODE		1	1	
8	90101-06020	BOLT BOULON		2	2	
9	63D-43311-13-4D	BRACKET, SWIVEL 1 SUPPORT, PIVOT 1		1	1	
10	93700-06M03	NIPPLE, GREASE PION		3	3	
11	63D-43131-01	BOLT, CLAMP BRACKET BOULON, PRESSE		1	1	
12	90386-22M15	BUSH DOUILLE		2	2	
13	90201-22M03	WASHER, PLATE RONDELLE, PLATE		2	2	
14	90185-22M11	NUT, SELF-LOCKING ECROU, AUTO-BLOCANT		2	2	
15	6G5-43145-01	CAP, CLAMP BRACKET CAPUCHON, PRESSE		2	2	
16	6H5-43181-03	LEVER, TILT STOP LEVIER, VERROUILLAGE RELEVAGE		1	1	
17	6H5-43185-03	LEVER, TILT STOP LEVIER, VERROUILLAGE RELEVAGE		1	1	
18	90386-10M16	BUSH DOUILLE		3	3	
19	90386-10025	BUSH DOUILLE		1	1	
20	91690-30020	PIN, SPRING AGRAFFE		2	2	
21	6G5-43148-00	COLLAR, DISTANCE ENTRETOISE		2	2	
22	90249-06M19	PIN GOUPILLE		1	1	
23	90506-14M24	SPRING, TENSION RESSORT, TENSION		1	1	
24	97095-06010	BOLT BOULON		1	1	
25	6G5-43144-00	HOOK, SPRING CROCHET		1	1	
26	688-43160-01	TILT ROD ASSY BROCHE D'INCLINAISON (ENS.)		1	1	
27	688-43165-00	.PLATE, TILT LOCK .TAQUET, BROCHE INCLINAISON		1	1	

**E1**

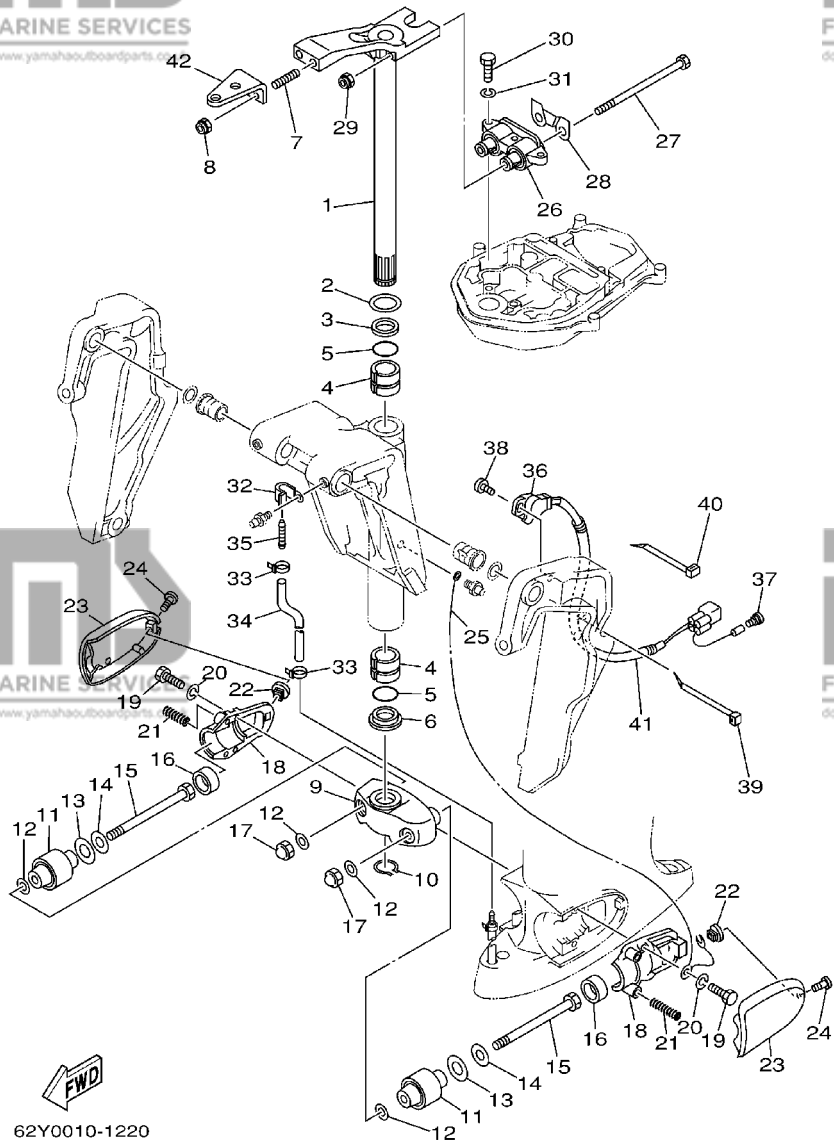
**FIG. 17 BRACKET 2**

**SUPPORT 2**



REF. NO.	PART NO. NO. PIECES	DESCRIPTION DESCRIPTION	50ED	50ET	FT50	REMARKS REMARQUES
28	91690-30012	.PIN, SPRING .AGRAFFE		1	1	
29	90502-16M02	SPRING, CONICAL RESSORT, CONIQUE		1	1	
30	65W-45251-00	ANODE ANODE		1	1	
31	90101-06020	BOLT BOULON		2	2	
32	6E5-43126-02	PIN, UPPER SHOCK MOUNT AXE, SUPERIEUR AMORTISSEUR		1	1	
33	90386-18M92	BUSH DOUILLE		1	1	
34	90386-18M35	BUSH DOUILLE		2	2	
35	93410-18M02	CIRCLIP CLIPS		1	1	
36	62Y-43818-00	PIN, LOWER SHOCK MOUNT AXE, INFERIEUR AMORTISSEUR		1	1	
37	97080-08016	BOLT BOULON		2	2	
38	90201-08M04	WASHER, PLATE RONDELLE, PLATE		2	2	
39	90387-18002	COLLAR COLLERETTE		1	1	
40	90387-18003	COLLAR COLLERETTE		1	1	
41	90101-12M65	BOLT BOULON		4	4	
42	92995-12200	WASHER RONDELLE		8	8	
43	90201-12426	WASHER, PLATE RONDELLE, PLATE		4	4	
44	95380-12600	NUT ECROU		8	8	

**FWD**  
62Y0010-1210

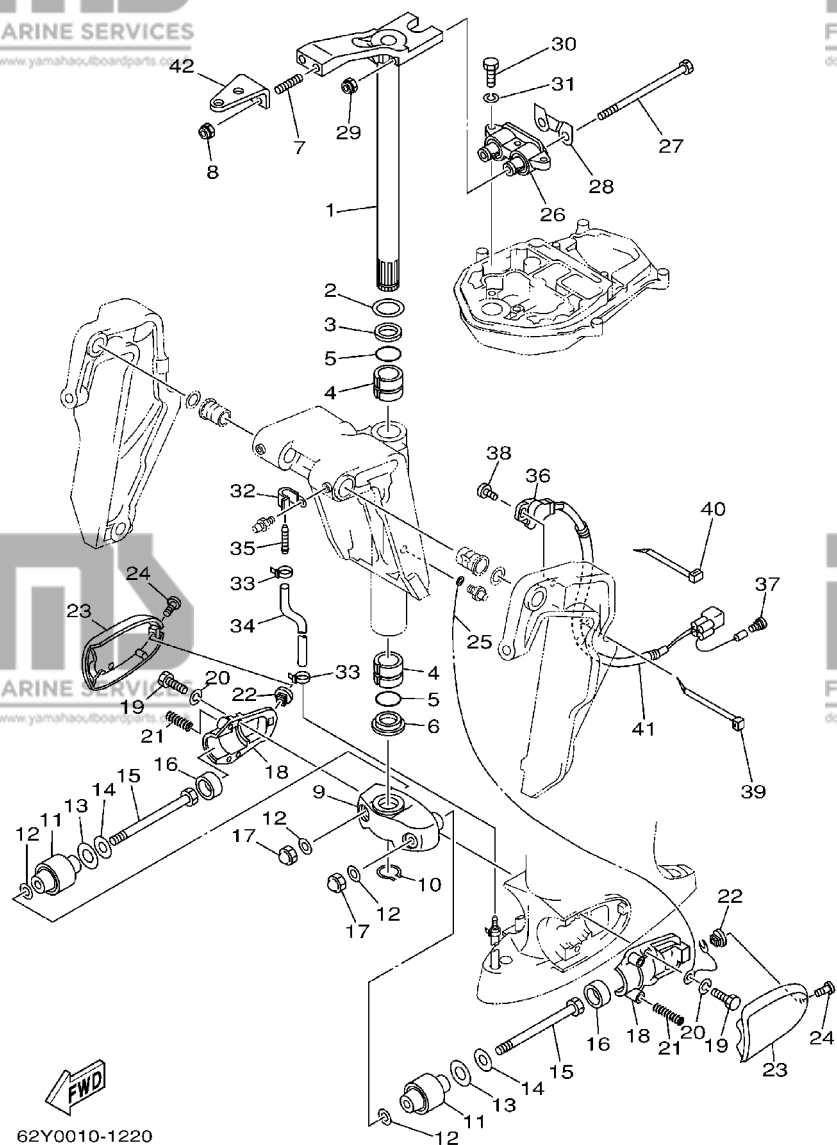


**FIG. 18 BRACKET 3**

**SUPPORT 3**

REF. NO.	PART NO. NO. PIECES	DESCRIPTION DESCRIPTION	50ED	50ET	FT50	REMARKS REMARQUES
1	63D-42510-11-4D	STEERING BRACKET ASSY DIRECTION SUPPORT (ENS.)	1	1	1	
2	90201-30M00	WASHER, PLATE RONDELLE, PLATE	1	1	1	
3	90386-30M78	BUSH DOUILLE	1	1	1	
4	90386-30M77	BUSH DOUILLE	2	2	2	
5	93210-29M94	O-RING JOINT TORIQUE	2	2	2	
6	90386-30M60	BUSH DOUILLE	1	1	1	
7	90116-10175	BOLT, STUD GOUJON	2	2	2	
8	90185-10051	NUT, SELF-LOCKING ECROU, AUTO-BLOCANT	2	2	2	
9	663-44551-02-4D	HOUSING, LOWER MOUNT RUBBER BOITIER, SILENT-BLOC INFERIEUR	1	1	1	
10	93410-28M06	CIRCLIP CLIPS	1	1	1	
11	62Y-44555-00-94	MOUNT DAMPER, LOWER SIDE SILENT-BLOC, INFERIEUR LATERAL	2	2	2	
12	90201-12M16	WASHER, PLATE RONDELLE, PLATE	4	4	4	
13	90202-21100	WASHER, PLATE RONDELLE, PLATE	2	2	2	
14	90201-13M19	WASHER, PLATE RONDELLE, PLATE	2	2	2	
15	90109-12261	BOLT BOULON	2	2	2	
16	663-44575-00	DAMPER, LOWER MOUNT RUBBER SILENT-BLOC, INFERIEUR	2	2	2	
17	95380-12800	NUT, CROWN ECROU, BORGNE	2	2	2	
18	663-44552-01-94	HOUSING, LOWER MOUNT RUBBER BOITIER, SILENT-BLOC INFERIEUR	2	2	2	
19	97075-08025	BOLT BOULON	4	4	4	
20	92995-08100	WASHER RONDELLE	4	4	4	
21	90501-14M08	SPRING, COMPRESSION RESSORT, COMPRESSION	4	4	4	
22	90179-06066	NUT ECROU	2	2	2	
23	62Y-44553-01-4D	COVER, LOWER MOUNT COUVERCLE, SUSPENSION INFERIEUR	2	2	2	
24	97885-06016	SCREW, PAN HEAD VIS, A ENCOCHE	2	2	2	
25	697-82127-01	WIRE, LEAD 2 FIL 2	1	1	1	
26	67C-44514-00-4D	MOUNT DAMPER, UPPER SIDE SILENT-BLOC, SUPERIEUR LATERAL	1	1		F50A
	62Y-44514-10-4D	MOUNT DAMPER, UPPER SIDE SILENT-BLOC, SUPERIEUR LATERAL			1	FT50C

**E3**



62Y0010-1220

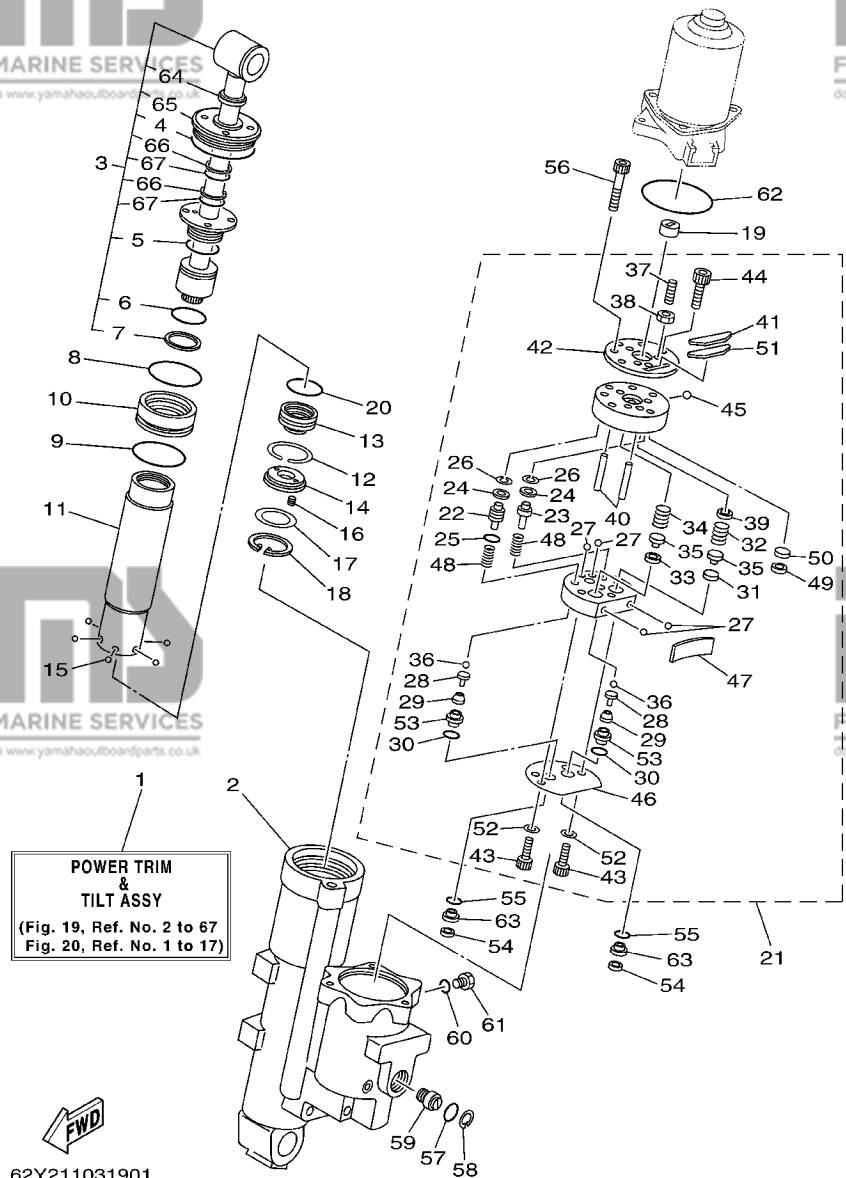
FIG. 18 BRACKET 3

SUPPORT 3

REF. NO.	PART NO. NO. PIECES	DESCRIPTION DESCRIPTION	50ED	50ET	FT50	REMARKS REMARQUES
27	90101-08M15	BOLT BOULON	2	2	2	
28	66T-44526-30	PLATE PLAQUE	1	1	1	
29	90185-08045	NUT, SELF-LOCKING ECROU, AUTO-BLOCANT	2	2	2	
30	97075-08030	BOLT BOULON	3	3	3	
31	92995-08100	WASHER RONDELLE	3	3	3	
32	90465-06M86	CLAMP BRIDE	1	1	1	
33	90465-11M10	CLAMP BRIDE	2	2	2	
34	90445-07MF1	HOSE (L570) DURITE (L570)	1	1	1	
35	6E5-83558-00	END, NIPPLE RACCORD DE NIPPLE	1	1	1	
36	63D-83672-01	TRIM SENDER INCLINER RACCORD		1	1	
37	703-82119-00	COVER, LEAD WIRE GARNITURE, FIL		1	1	
38	97885-06016	SCREW, PAN HEAD VIS, A ENCOCHE		2	2	
39	90465-13M18	CLAMP BRIDE		1	1	
40	90465-11M10	CLAMP BRIDE		1	1	
41	90446-17M91	HOSE DURITE		1	1	
42	63D-48511-00-4D	HOOK, STEERING ATTACHE, DIRECTION	1	1	1	STEERING GUIDE

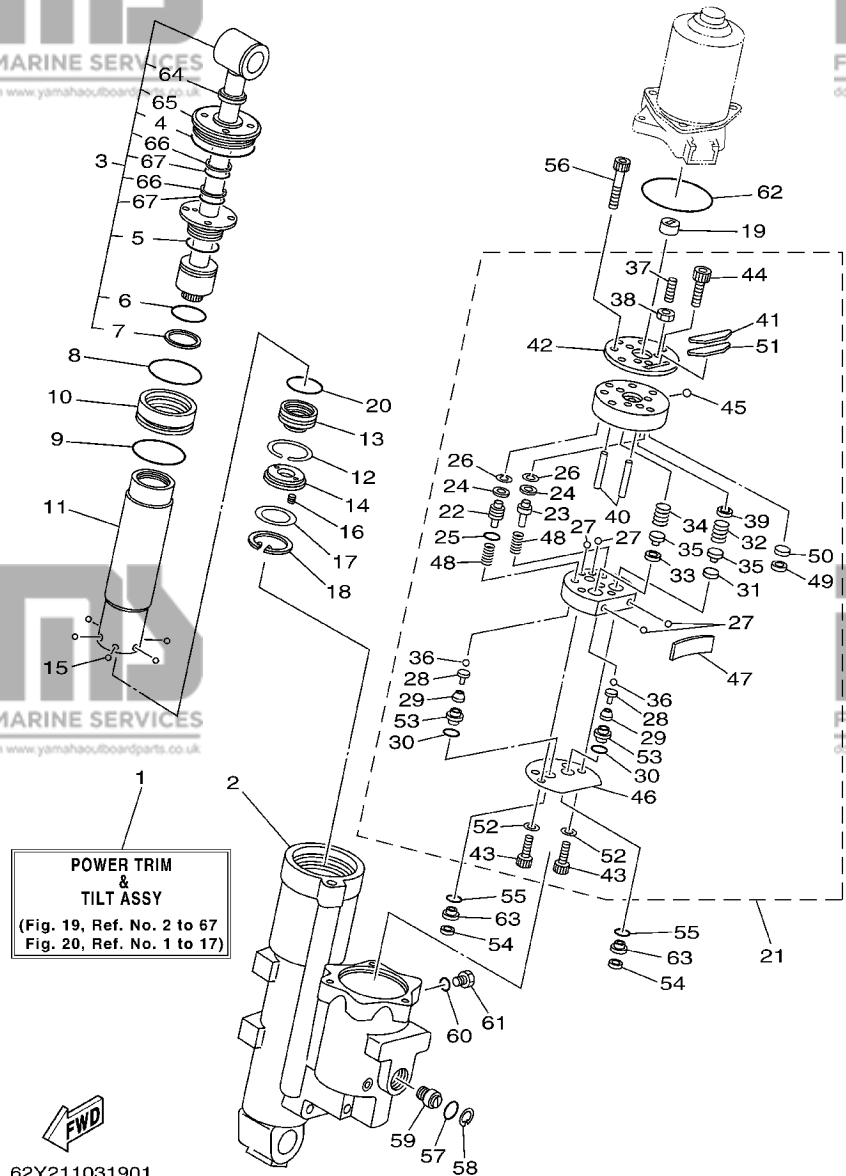


FIG. 19 POWER TRIM & TILT ASSY 1 PUISSANCE PARER ET INCLINER 1



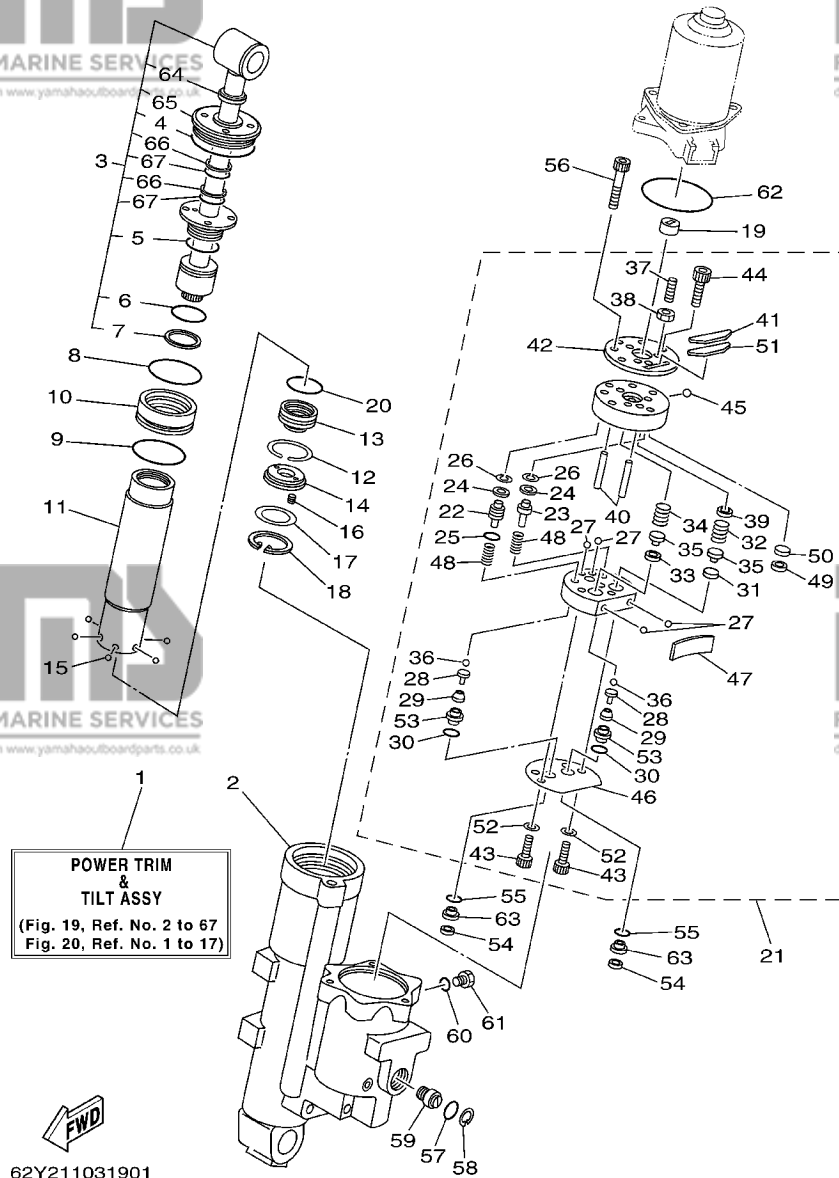
REF. NO.	PART NO. NO. PIECES	DESCRIPTION DESCRIPTION	50ED	50ET	FT50	REMARKS REMARQUES
1	62Y-43800-01-8D	POWER TRIM & TILT ASSY PUISSANCE PARER ET INCLINER (E		1	1	
2	62Y-4380K-01	CYLINDER, TILT SUB ASSY CYLINDRE		1	1	
3	62X-43810-01	TILT PISTON SUB ASSY INCLINER PISTON AUXILIAIRE(ENS		1	1	
4	62X-43861-00	.O-RING .JOINT TORIQUE		1	1	
5	62X-43862-00	.O-RING .JOINT TORIQUE		1	1	
6	93210-29375	.O-RING .JOINT TORIQUE		1	1	
7	62X-43871-00	.RING, BACK UP .SEGMENT		1	1	
8	93210-44383	O-RING JOINT TORIQUE		1	1	
9	93210-48214	O-RING JOINT TORIQUE		1	1	
10	62X-4388A-00	PISTON, TRIM PISTON		1	1	
11	62Y-22471-00	CYLINDER, SHOCK ABSORBER CYLINDRE, AMORTISSEUR		1	1	
12	67F-43875-00	RING, SNAP RESSORT		1	1	
13	69W-4381B-00	FREE PISTON SUB ASSY PISTON AUXILIAIRE (ENS.)		1	1	
14	62X-43899-00	PLATE STOPPER PLAQUETTE		1	1	
15	93503-16003	BALL BILLES		6	6	
16	62X-4384H-00	SPRING RESSORT		2	2	
17	1UF-22434-00	PLATE, VALVE 1 PLATEAU, SOUPAPE 1		1	1	
18	62X-43875-00	RING, SNAP RESSORT		1	1	
19	6H1-43831-10	CONNECTOR, SHAFT RACCORD		1	1	
20	93210-29375	O-RING JOINT TORIQUE		1	1	
21	62Y-43830-01	GEAR PUMP ASSY POMPE A PIGNON (ENS.)		1	1	
22	69J-43841-00	.PISTON, SHUTTLE .PISTON		1	1	
23	69J-4384M-00	.PISTON, SHUTTLE 2 .PISTON 2		1	1	
24	69A-4384F-00	.SEAL, MAIN VALVE .JOINT		2	2	
25	6H1-43883-00	.O-RING .JOINT TORIQUE		1	1	
26	99002-03600	.CIRCLIP .CIRCLIP		2	2	
27	93505-32038	.BALL .BILLE ROULEMENT		4	4	

**FIG. 19 POWER TRIM & TILT ASSY 1 PUISSANCE PARER ET INCLINER 1**

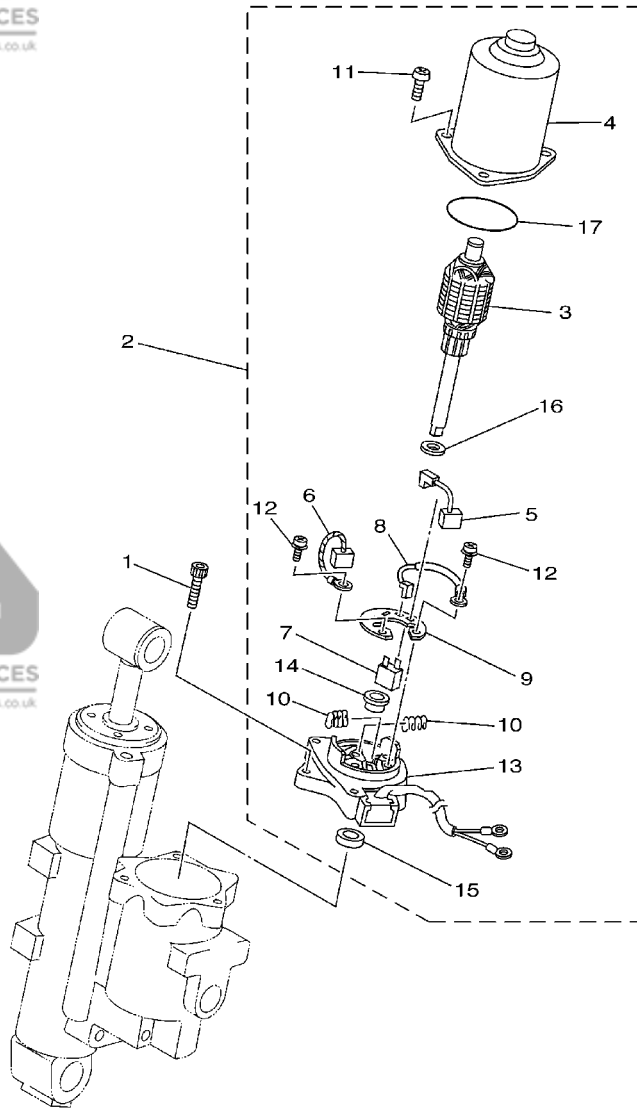


REF. NO.	PART NO. NO. PIECES	DESCRIPTION DESCRIPTION	50ED	50ET	FT50	REMARKS REMARQUES
28	65W-4386A-00	.PIN, ABSORBER VALVE .GOUPILLE, SOUPEPE		2	2	
29	69J-43853-00	.SPRING, MAIN VALVE .RESSORT		2	2	
30	69J-4389J-00	.O-RING .JOINT TORIQUE		2	2	
31	6H1-4384G-11	.SEAL, RELIEF VALVE .JOINT		1	1	
32	62Y-43855-00	.SPRING, UP RELIEF .RESSORT		1	1	
33	6H1-4384F-10	.SEAL, MAIN VALVE .JOINT		1	1	
34	6H1-43856-10	.SPRING, DOWN RELIEF .RESSORT		1	1	
35	6H1-43844-10	.PIN, VALVE SUPPORT .GOUPILLE		2	2	
36	93505-32038	.BALL .BILLE ROULEMENT		2	2	
37	92A08-03110	.SCREW SET .VIS		1	1	
38	95302-03600	.NUT .ECROU		1	1	
39	62Y-4382A-00	.ADAPTOR 1 .ADAPTEUR 1		1	1	
40	93604-26256	.PIN, DOWEL .CLAVETTE		2	2	
41	62Y-43816-00	.FILTER 1 .FILTRE 1		1	1	
42	62Y-4382L-00	.CAP, RELIEF VALVE .CAPUCHON		1	1	
43	91318-05020	.BOLT .BOULON		2	2	
44	91318-05008	.BOLT .BOULON		2	2	
45	93501-08001	.BALL .BILLE		1	1	
46	69W-4384G-00	.SEAL, RELIEF VALVE .JOINT		1	1	
47	62Y-43854-00	.SPRING, MANUAL RELEASE .RESSORT		1	1	
48	69J-43894-00	.SPRING, SHUTTLE RETURN .RESSORT		2	2	
49	62Y-4387J-00	.WASHER, SPECIAL 2 .RONDELLE		1	1	
50	62Y-22434-00	.PLATE, VALVE 1 .PLATEAU, SOUPEPE 1		1	1	
51	62Y-43871-00	.RING, BACK UP .SEGMENT		1	1	
52	62Y-4387G-00	.WASHER .RONDELLE		2	2	
53	69J-43893-00	.WASHER .RONDELLE		2	2	
54	6H1-43816-00	.FILTER 1 .FILTRE 1		2	2	

**FIG. 19 POWER TRIM & TILT ASSY 1 PUISSANCE PARER ET INCLINER 1**

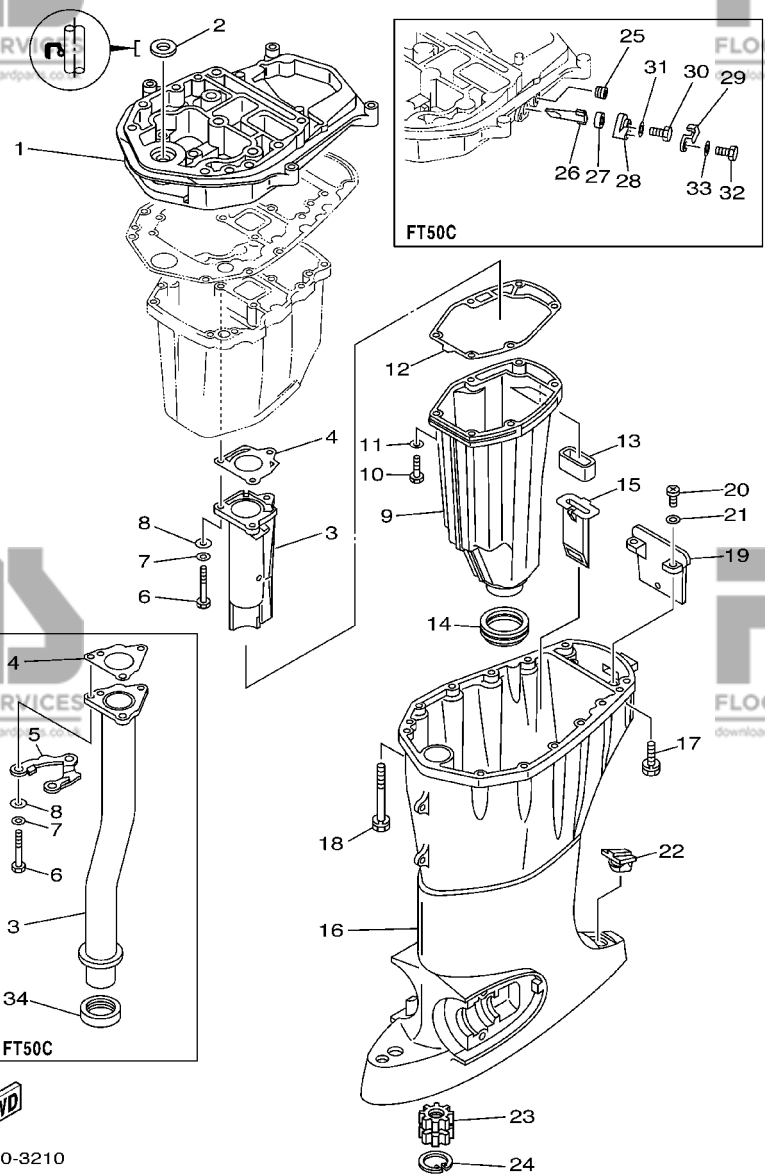


REF. NO.	PART NO. NO. PIECES	DESCRIPTION DESCRIPTION	50ED	50ET	FT50	REMARKS REMARQUES
55	69J-4389J-00	O-RING JOINT TORIQUE		2	2	
56	91318-06040	BOLT BOULON		3	3	
57	93210-18397	O-RING JOINT TORIQUE		1	1	
58	6H1-43875-00	RING, SNAP RESSORT		1	1	
59	62Y-43845-00	SCREW, MANUAL RELEASE VIS		1	1	
60	93210-09165	O-RING JOINT TORIQUE		1	1	
61	6H1-43829-00	PLUG, RESERVOIR BOUCHON		1	1	
62	62X-43865-00	O-RING JOINT TORIQUE		1	1	
63	69W-43899-01	PLATE STOPPER PLAQUETTE		2	2	
64	62Y-43822-00	SEAL, TRIM DUST JOINT		1	1	
65	62X-43821-00	SCREW, TRIM CYLINDER END .VIS		1	1	
66	62X-43872-00	RING, BACK UP .RESSORT		2	2	
67	6C5-43863-00	O-RING JOINT TORIQUE		2	2	



**FIG. 20 POWER TRIM & TILT ASSY 2 PUISSANCE PARER ET INCLINER 2**

REF. NO.	PART NO. NO. PIECES	DESCRIPTION DESCRIPTION	50ED	50ET	FT50	REMARKS REMARQUES
1	62X-43888-00	BOLT, SOCKET BOULON		3	3	
2	62Y-43880-01	MOTOR ASSY MOTEUR (ENS.)		1	1	
3	62Y-43805-00	.ARMATURE ASSY .INDUIT (ENS.)		1	1	
4	62X-43804-01	.STATOR ASSY .STATOR (ENS.)		1	1	
5	62Y-43892-00	.BRUSH 2 .BALAI 2		1	1	
6	62Y-43891-00	.BRUSH 1 .BALAI 1		1	1	
7	62Y-82181-01	.CIRCUIT BREAKER COMP. .RUPTEUR COMPLET		1	1	
8	62X-43807-00	.WIRE SUB ASSY .AUXILIAIRE CABLE (ENS.)		1	1	
9	69W-4380F-00	.PLATE, BRUSH HOLDER .PLAQUE		1	1	
10	62X-4386K-00	.SPRING, BRUSH .RESSORT, BALAI		2	2	
11	97880-05020	.SCREW, PAN HEAD .VIS, TETE TRONCONIQUE		3	3	
12	97602-04216	.SCREW, PAN HEAD WITH WASHER .VIS		2	2	
13	62Y-43881-00	.FRAME, END .BATI		1	1	
14	62X-4380H-00	.METAL .METAL		1	1	
15	93102-08414	.OIL SEAL .JOINT SPY		1	1	
16	90201-083J8	.WASHER, PLATE .RONDELLE, PLATE		1	1	
17	93210-52449	.O-RING .JOINT TORIQUE		1	1	



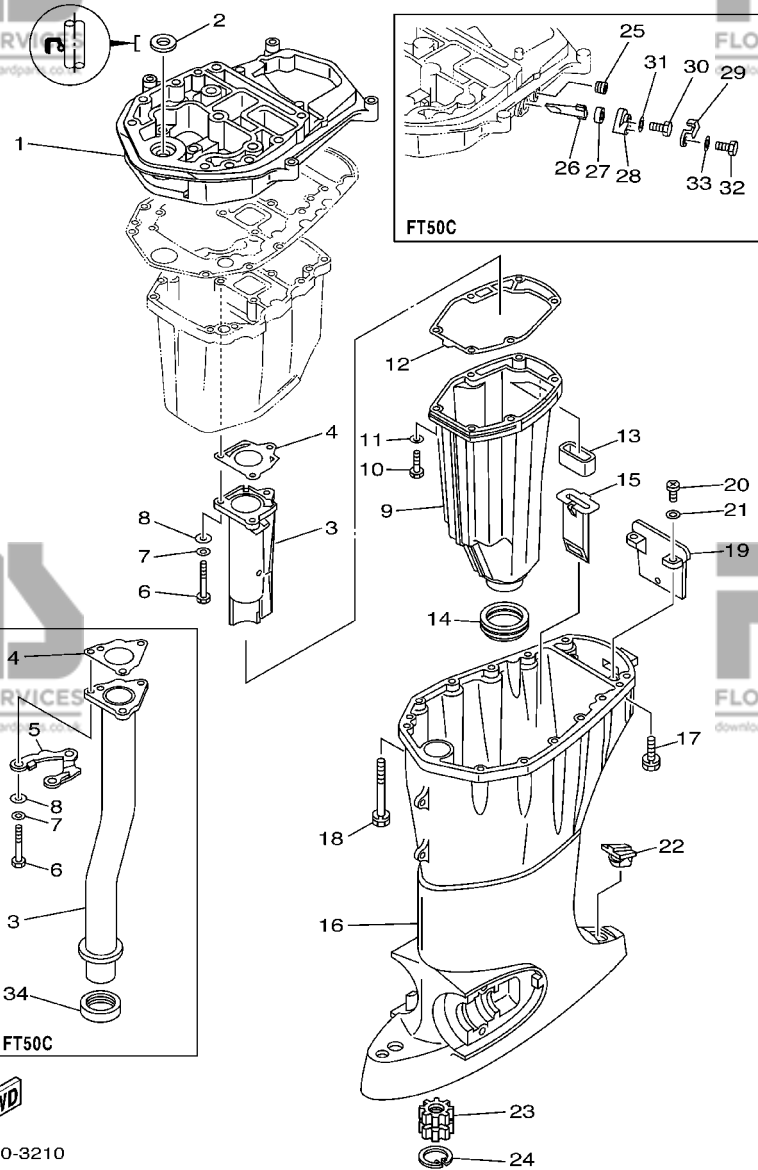
**FIG. 21 UPPER CASING FOURREAU**

REF. NO.	PART NO. NO. PIECES	DESCRIPTION DESCRIPTION	50ED	50ET	FT50	REMARKS REMARQUES
1	62Y-41137-11-94	GUIDE, EXHAUST COLLECTEUR D'ECHAPPEMENT	1	1		F50A
	64J-41137-01-94	GUIDE, EXHAUST COLLECTEUR D'ECHAPPEMENT			1	FT50C
2	93103-18011	OIL SEAL JOINT SPY	1	1	1	
3	67C-41131-00-5B	MANIFOLD, EXT. 1 PIPE D'ECHAPPEMENT	1	1		F50A
	64J-41131-10-94	MANIFOLD, EXT. 1 PIPE D'ECHAPPEMENT			1	FT50C
4	67C-41133-00	GASKET, EXHAUST MANIFOLD 1 JOINT, PIPE D'ECHAPPEMENT	1	1		F50A
	64J-41133-10	GASKET, EXHAUST MANIFOLD 1 JOINT, PIPE D'ECHAPPEMENT			1	FT50C
5	64J-41116-00	PROTECTOR PROTECTEUR			1	FT50C
6	97075-06050	BOLT BOULON	3	3	3	
7	92995-06600	WASHER RONDELLE	3	3	3	
8	90201-06015	WASHER, PLATE RONDELLE, PLATE	3	3	3	
9	62Y-14711-00-5B	MUFFLER 1 POT D'ECHAPPEMENT 1	1	1		F50A
	64J-14711-00-5B	MUFFLER 1 POT D'ECHAPPEMENT 1			1	FT50C
10	97075-06025	BOLT BOULON	6	6	6	
11	92995-06600	WASHER RONDELLE	6	6	6	
12	62Y-41134-01	GASKET, EXHAUST MANIFOLD JOINT, PIPE D'ECHAPPEMENT	1	1	1	
13	62Y-45127-00	SEAL JOINT	1	1	1	
14	663-45123-00	GASKET, MUFFLER JOINT, POT DE DETENTE	1	1	1	
15	64J-77123-00	GUIDE 1 GUIDE 1			1	FT50C
16	62Y-45111-21-4D	CASING, UPPER FOURREAU	1	1	1	
17	90119-08M79	BOLT, WITH WASHER BOULON, AVEC RONDELLE	4	4	4	
18	90119-08M82	BOLT, WITH WASHER BOULON, AVEC RONDELLE	8	8	8	
19	62Y-45151-00	COVER, UPPER CASING CAPUCHON, FOURREAU	1	1	1	
20	97880-05016	SCREW, PAN HEAD VIS, TETE TRONCONIQUE	2	2	2	
21	92990-05600	WASHER, PLATE RONDELLE, PLATE	2	2	2	
22	6H3-45155-00	CAP CAPUCHON	1	1	1	
23	69W-45318-00	BUSHING, DRIVE SHAFT DOUILLE, ARBRE MOTEUR	1	1	1	

**F2**

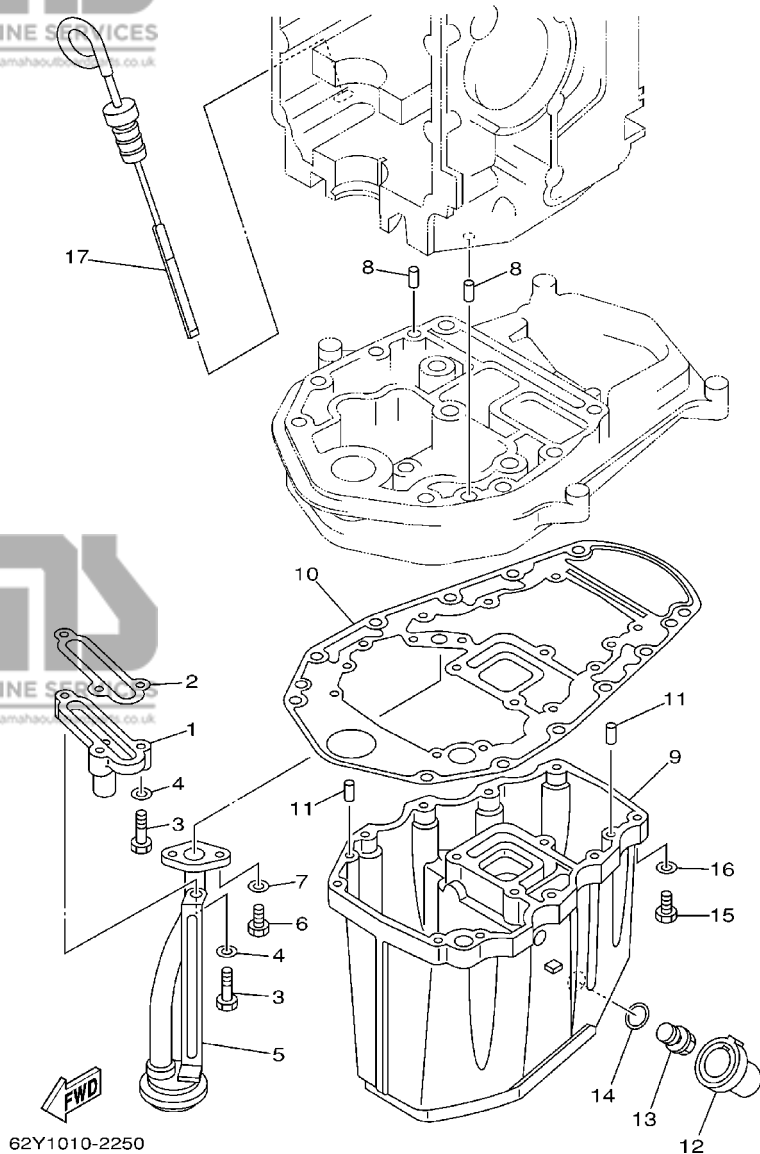
**FIG. 21 UPPER CASING**

**FOURREAU**



REF. NO.	PART NO. NO. PIECES	DESCRIPTION DESCRIPTION	50ED	50ET	FT50	REMARKS REMARQUES
24	93420-36M01	CIRCLIP CIRCLIP, TYPE S	1	1	1	
25	68T-11112-00	PLUG, BLIND 1 BOUCHON			1	FT50C
26	62Y-11325-00	ANODE ANODE			1	FT50C
27	66M-11328-00	GROMMET, ANODE PASSE-FIL			1	FT50C
28	66M-11327-00-94	COVER, ANODE COUVERCLE			1	FT50C
29	66M-12535-00	PLATE PLAQUE			1	FT50C
30	97095-05012	BOLT BOULON			1	FT50C
31	92995-05600	WASHER RONDELLE			1	FT50C
32	97013-06020	BOLT BOULON			1	FT50C
33	92903-06600	WASHER, PLATE RONDELLE, PLATE			1	FT50C
34	64J-46132-10	GASKET 1 JOINT 1			1	FT50C

**FWD**  
**62Y2300-3210**



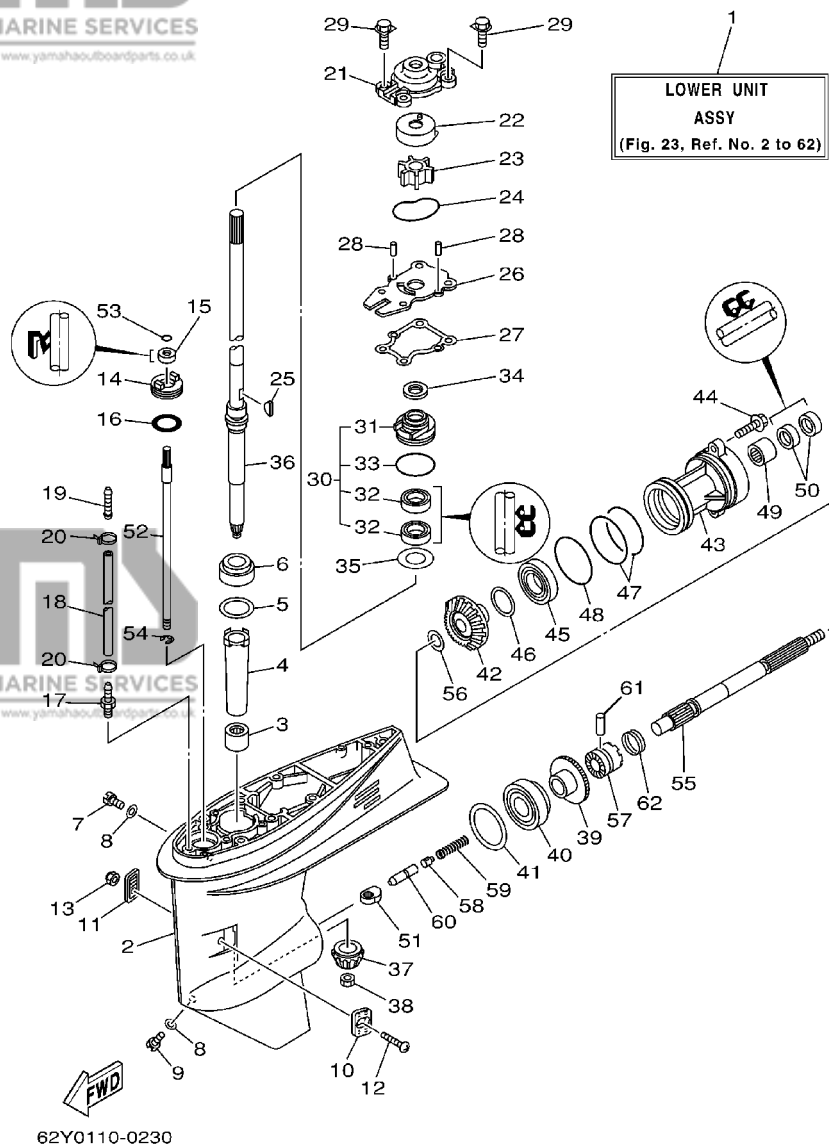
**FIG. 22 OIL PAN**

**VENTILATEUR D'HUILE**

REF. NO.	PART NO. NO. PIECES	DESCRIPTION DESCRIPTION	50ED	50ET	FT50	REMARKS REMARQUES
1	62Y-11575-00	RELIEF VALVE ASSY SOUPAPE DE RENTREE D'AIR	1	1	1	
2	62Y-13475-00	GASKET JOINT	1	1	1	
3	97013-06025	BOLT BOULON	3	3	3	
4	92903-06600	WASHER, PLATE RONDELLE, PLATE	3	3	3	
5	62Y-13411-00	STRAINER, OIL FILTRE, HUILE	1	1	1	
6	97013-06016	BOLT BOULON	2	2	2	
7	92903-06600	WASHER, PLATE RONDELLE, PLATE	2	2	2	
8	93608-12M05	PIN, DOWEL AXE	2	2	2	
9	62Y-15311-02-5B 64J-15311-01-5B	OIL PAN VENTILATEUR D'HUILE OIL PAN VENTILATEUR D'HUILE	1	1	1	F50A FT50C
10	69W-15312-00	GASKET, OIL PAN JOINT DE VENTILATEUR D'HUILE	1	1	1	
11	93606-12019	PIN, DOWEL GOUPILLE	4	4	4	
12	62Y-15316-00	DAMPER, ENGINE MOUNT 1 AMORTISSEUR DE SUPPORT	1	1	1	
13	90340-14M06	PLUG, STRAIGHT SCREW PLOT, FILETE DROIT	1	1	1	
14	90430-14M09	GASKET JOINT	1	1	1	
15	97075-06025	BOLT BOULON	10	10	10	
16	92995-06600	WASHER RONDELLE	10	10	10	
17	62Y-15362-00	PLUG, OIL LEVEL PLOT, NIVEAU D'HUILE	1	1	1	

**FIG. 23 LOWER CASING. DRIVE 1 (F50A)**

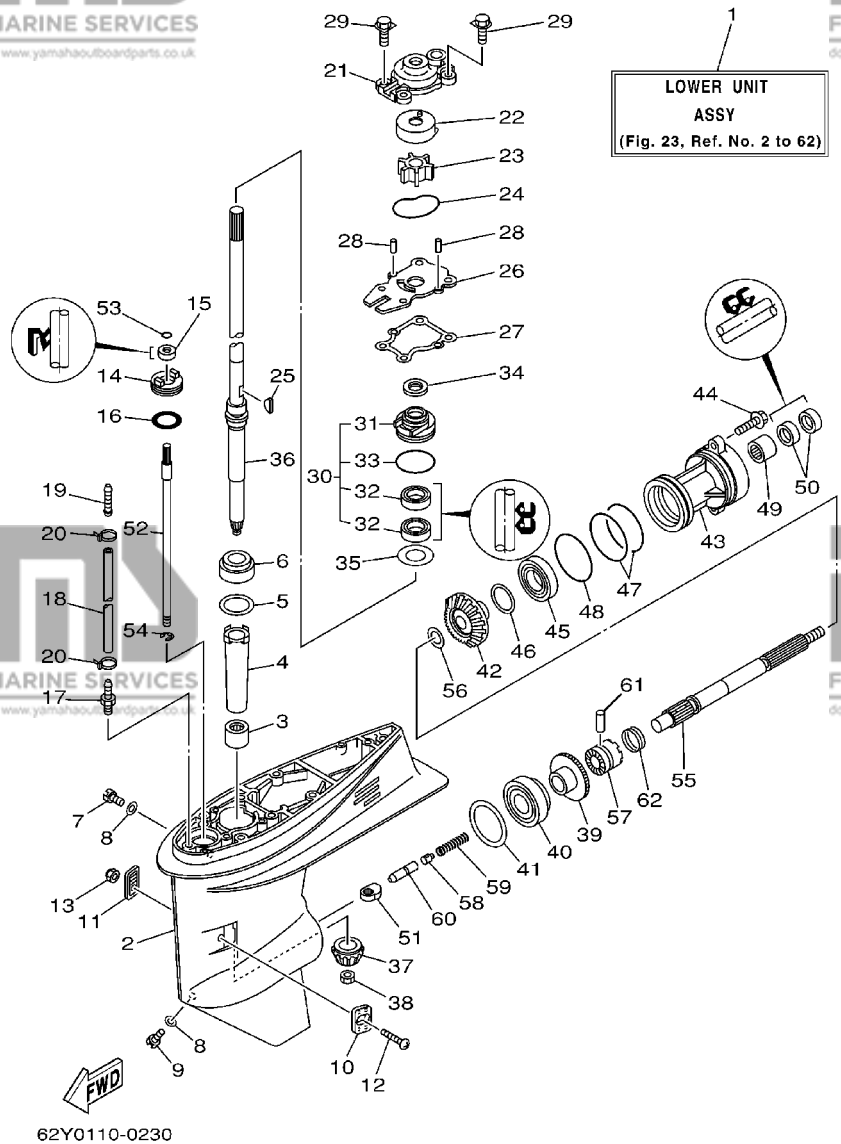
**BOITIER D'HELICE, TRANSMISSION 1 (F50A)**



62Y0110-0230

REF. NO.	PART NO. NO. PIECES	DESCRIPTION DESCRIPTION	50ED	50ET	FT50	REMARKS REMARQUES
1	62Y-45300-30-4D	LOWER UNIT ASSY UNITE INFERIEURE (ENS.)	1	1		L
2	62Y-45301-00-4D	CASING, LOWER BEQUILLE	1	1		
3	93315-32224	BEARING ROULEMENT	1	1		
4	6H4-45536-00	SLEEVE, DRIVE SHAFT MANCHON, ARBRE MOTEUR	1	1		
5	663-45587-01-10	SHIM (T:0.10MM) CALE (T:0.10MM)	1	1		UR
663-45587-01-12	SHIM (T:0.12MM) CALE (T:0.12MM)	1	1		UR	
663-45587-01-15	SHIM (T:0.15MM) CALE (T:0.15MM)	1	1		UR	
663-45587-01-18	SHIM (T:0.18MM) CALE (T:0.18MM)	1	1		UR	
663-45587-01-30	SHIM (T:0.30MM) CALE (T:0.30MM)	1	1		UR	
663-45587-01-40	SHIM (T:0.40MM) CALE (T:0.40MM)	1	1		UR	
663-45587-01-50	SHIM (T:0.50MM) CALE (T:0.50MM)	1	1		UR	
6	93332-00001	BEARING ROULEMENT	1	1		
7	90340-08002	PLUG, STRAIGHT SCREW PLOT, FILETE DROIT	1	1		
8	90430-08020	GASKET JOINT	2	2		
9	688-45341-10	PLUG, DRAIN BOUCHON DE VIDANGE	1	1		
10	63D-45214-00	COVER, WATER INLET GRILLE, ENTREE D'EAU	1	1		
11	63D-45215-00	COVER, WATER INLET GRILLE, ENTREE D'EAU	1	1		
12	90142-05M06	SCREW, COUNTERSUNK VIS, TETE NOYEE	1	1		
13	95380-05600	NUT ECROU	1	1		
14	63D-45321-00	PLATE PLAQUETTE	1	1		
15	93106-09014	OIL SEAL JOINT SPY	1	1		
16	93210-33MG4	O-RING JOINT TORIQUE	1	1		
17	6E5-45378-00	NIPPLE, HOSE RACCORD, TUYAU	1	1		
18	90445-07M31	HOSE (L200) DURITE (L200)	1	1		L
19	6E5-83558-10	END, NIPPLE RACCORD DE NIPPLE	1	1		
20	90465-11M10	CLAMP BRIDE	2	2		
21	63D-44311-00	HOUSING, WATER PUMP CORPS, POMPE A EAU	1	1		

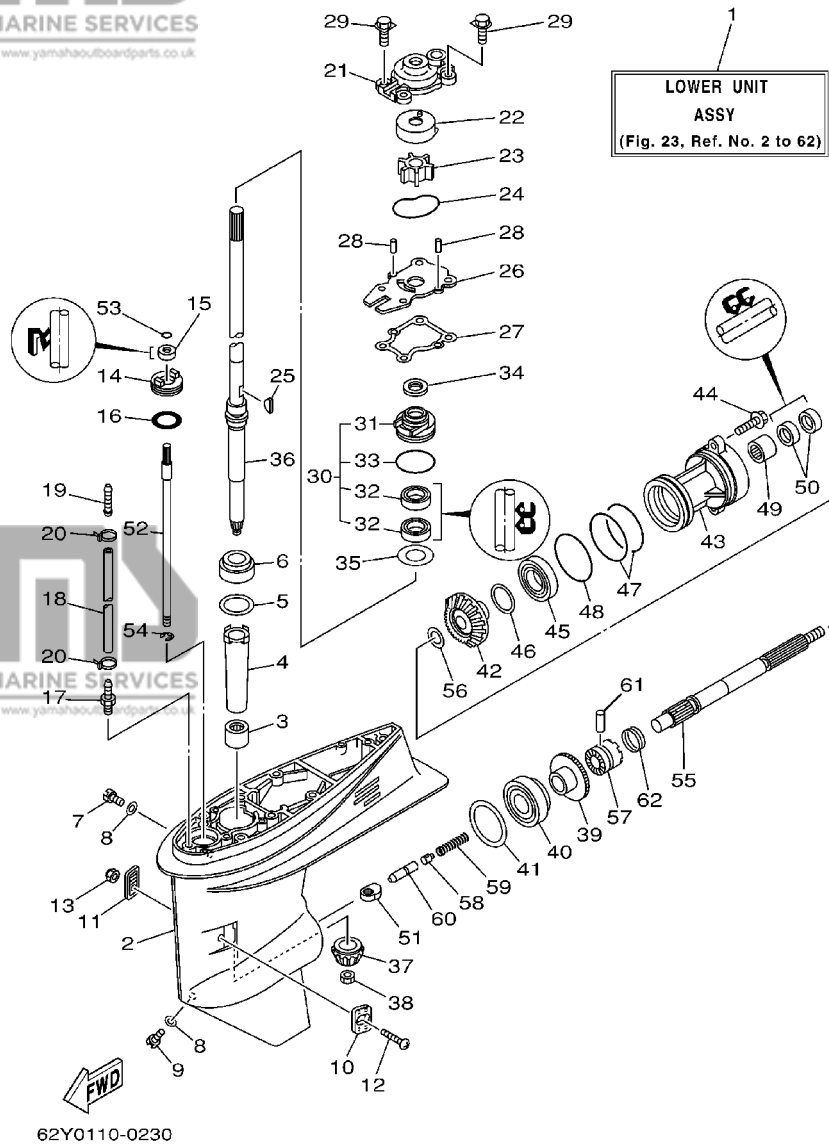




**FIG. 23 LOWER CASING. DRIVE 1 (F50A)**

**BOITIER D'HELICE, TRANSMISSION 1 (F50A)**

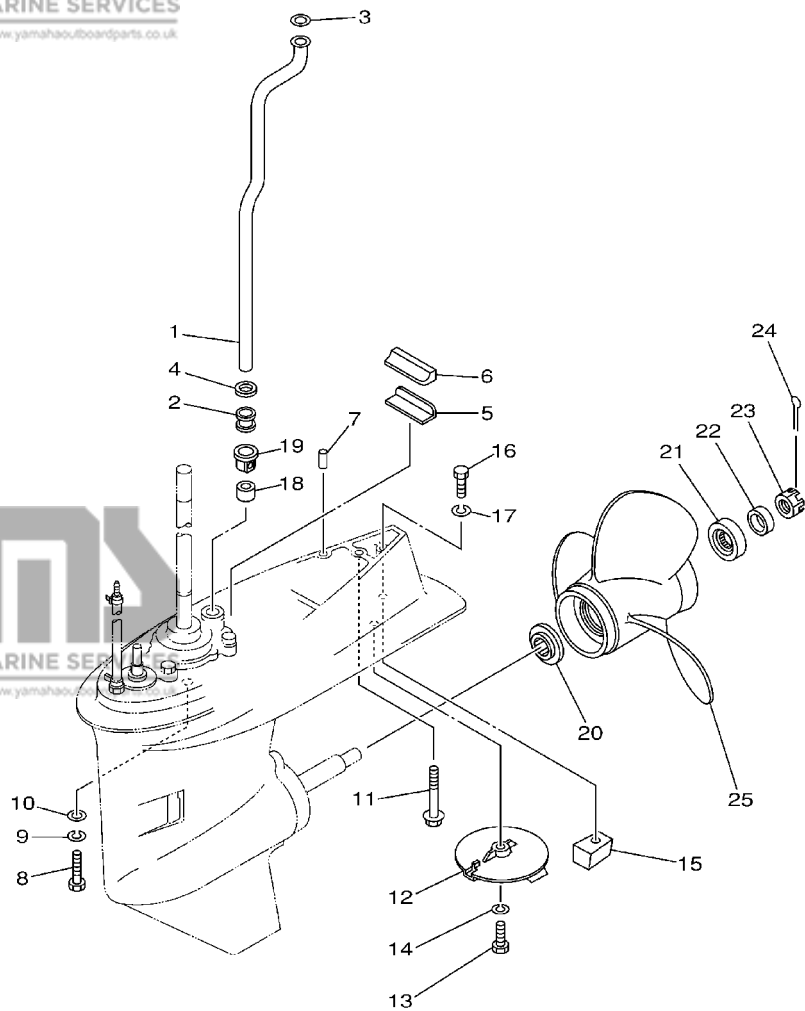
REF. NO.	PART NO. NO. PIECES	DESCRIPTION DESCRIPTION	50ED	50ET	FT50	REMARKS REMARQUES
22	63D-44322-00	INSERT, CARTRIDGE CUVETTE	1	1		
23	6H3-44352-00	IMPELLER TURBINE	1	1		
24	93210-59MG7	O-RING JOINT TORIQUE	1	1		
25	90280-03024	KEY, WOODRUFF CLAVETTE, DEMI-LUNE	1	1		
26	63D-44323-00	OUTER PLATE, CARTRIDGE PLAQUE EXTERIEURE	1	1		
27	63D-44316-00	GASKET, WATER PUMP JOINT, POMPE A EAU	1	1		
28	93604-08062	PIN, DOWEL CLAVETTE	2	2		
29	90119-08M15	BOLT, WITH WASHER BOULON, AVEC RONDELLE	4	4		
30	63D-W4434-00	WATER PUMP HOUSING ASSY CORPS ENS., POMPE A EAU	1	1		
31	63D-44341-00	HOUSING, WATER PUMP CORPS, POMPE A EAU	1	1		
32	93101-25M57	OIL SEAL JOINT SPY	2	2		
33	93210-48MG8	O-RING JOINT TORIQUE	1	1		
34	63D-45344-00	COVER, OIL SEAL FLASQUE, JOINT D'HUILE	1	1		
35	90201-27M00	WASHER, PLATE RONDELLE, PLATE	1	1		
36	62Y-45501-30	DRIVE SHAFT COMP. ARBRE MOTEUR COMP.	1	1		
37	6H4-45551-01	PINION PIGNON D'ATTAQUE	1	1		
38	90170-12138	NUT ECROU	1	1		
39	6H4-45560-01	GEAR PIGNON	1	1		
40	93332-00003	BEARING ROULEMENT	1	1		
41	663-45567-01-10	SHIM (T:0.10MM) CALE (T:0.10MM)	1	1		UR
41	663-45567-01-12	SHIM (T:0.12MM) CALE (T:0.12MM)	1	1		UR
41	663-45567-01-15	SHIM (T:0.15MM) CALE (T:0.15MM)	1	1		UR
41	663-45567-01-18	SHIM (T:0.18MM) CALE (T:0.18MM)	1	1		UR
41	663-45567-01-30	SHIM (T:0.30MM) CALE (T:0.30MM)	1	1		UR
41	663-45567-01-40	SHIM (T:0.40MM) CALE (T:0.40MM)	1	1		UR
41	663-45567-01-50	SHIM (T:0.50MM) CALE (T:0.50MM)	1	1		UR
42	62Y-45571-00	GEAR PIGNON	1	1		



**FIG. 23 LOWER CASING. DRIVE 1 (F50A)**

**BOITIER D'HELICE, TRANSMISSION 1 (F50A)**

REF. NO.	PART NO. NO. PIECES	DESCRIPTION DESCRIPTION	50ED	50ET	FT50	REMARKS REMARQUES
43	63D-45361-02-4D	CAP, LOWER CASING COUVERCLE, BOITIER D'HELICE	1	1		
44	90105-08M61	BOLT, FLANGE BOULON	2	2		
45	93306-001U1	BEARING ROULEMENT	1	1		
46	63D-45577-00-10	SHIM (T:0.10MM) CALE (T:0.10MM)	1	1		UR
	63D-45577-00-12	SHIM (T:0.12MM) CALE (T:0.12MM)	1	1		UR
	63D-45577-00-15	SHIM (T:0.15MM) CALE (T:0.15MM)	1	1		UR
	63D-45577-00-18	SHIM (T:0.18MM) CALE (T:0.18MM)	1	1		UR
	63D-45577-00-30	SHIM (T:0.30MM) CALE (T:0.30MM)	1	1		UR
	63D-45577-00-40	SHIM (T:0.40MM) CALE (T:0.40MM)	1	1		UR
	63D-45577-00-50	SHIM (T:0.50MM) CALE (T:0.50MM)	1	1		UR
47	93210-74MG5	O-RING JOINT TORIQUE	2	2		
48	93210-69MG6	O-RING JOINT TORIQUE	1	1		
49	93317-22204	BEARING PIECE	1	1		
50	93101-22M00	OIL SEAL JOINT SPY	2	2		
51	62Y-44151-00	CAM, SHIFT CAME, INVERSION	1	1		
52	63D-44144-00	ROD, SHIFT TIGE D'EMBRAYAGE	1	1		
53	93210-07003	O-RING JOINT TORIQUE	1	1		
54	99001-08600	CIRCLIP CIRCLIP	1	1		
55	63D-45611-00	SHAFT, PROPELLER ARBRE, HELICE	1	1		
56	90201-22429	WASHER, PLATE RONDELLE, PLATE	1	1		
57	62Y-45631-00	CLUTCH, DOG CRABOT	1	1		
58	663-45634-00	SLIDE, SHIFT CONTRE-POUSSOIR	1	1		
59	90501-18001	SPRING, COMPRESSION RESSORT, COMPRESSION	1	1		
60	63D-45635-00	PLUNGER, SHIFT POUSSOIR D'EMBRAYAGE	1	1		
61	90250-06023	PIN, STRAIGHT GOUPILE, DROITE	1	1		
62	67C-45633-00	RING, CROSS PIN JONC, GOUPILE CRABOT	1	1		



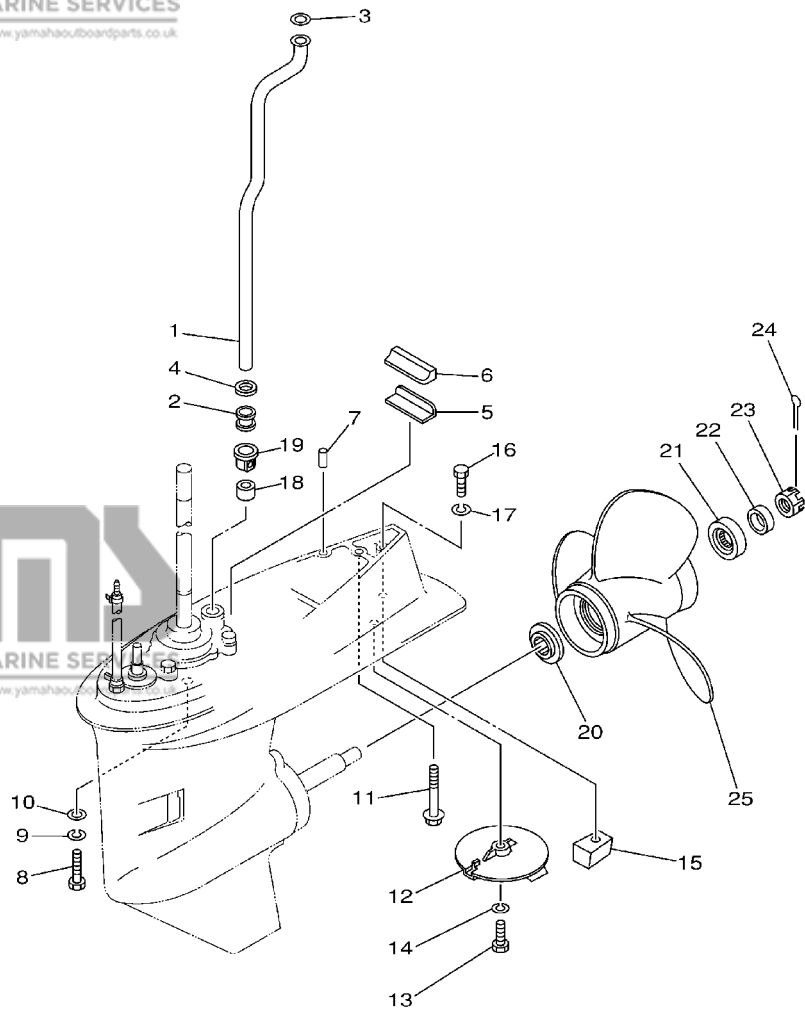
**FWD**  
62Y0100-1270

**FIG. 24 LOWER CASING. DRIVE 2 (F50A)**

**BOITIER D'HELICE, TRANSMISSION 2 (F50A)**

REF. NO.	PART NO. NO. PIECES	DESCRIPTION DESCRIPTION	50ED	50ET	FT50	REMARKS REMARQUES
1	62Y-44361-00	TUBE, WATER TUBE D'EAU	1	1		L
2	663-44367-00	DAMPER, WATER SEAL JOINT TUBE D'EAU	1	1		
3	90202-12060	WASHER, PLATE RONDELLE, PLATE	1	1		
4	90430-12072	GASKET JOINT	1	1		
5	663-45376-00-94	GUIDE, SEAL DAMPER BUTEE, JOINT CAOUTCHOUC	1	1		
6	63D-45375-00	DAMPER, SEAL BOURRELET, CAOUTCHOUC	1	1		
7	93606-12019	PIN, DOWEL GOUVILLE	2	2		
8	97075-10040	BOLT BOULON	4	4		
9	92995-10100	WASHER RONDELLE	4	4		
10	92995-10600	WASHER RONDELLE	4	4		
11	90119-08M84	BOLT, WITH WASHER BOULON, AVEC RONDELLE	1	1		
12	67C-45371-00	TAB-TRIM ANODE DERIVE	1	1		
13	97095-08025	BOLT BOULON	1	1		
14	92995-08100	WASHER RONDELLE	1	1		
15	67C-45251-00	ANODE ANODE	1	1		
16	97095-08035	BOLT BOULON	1	1		
17	92995-08100	WASHER RONDELLE	1	1		
18	663-44366-00	DAMPER, WATER SEAL JOINT, TUBE D'EAU	1	1		
19	63D-44312-00	COVER, WATER PUMP HOUSING COUVERCLE	1	1		
20	663-45987-02	SPACER ENTRETOISE	1	1		
21	66T-45997-00	SPACER ENTRETOISE	1	1		
22	90389-22M01	BUSH DOUILLE	1	1		
23	90171-16011	NUT, CASTLE ECROU, CRENELE	1	1		
24	91490-30025	PIN, COTTER GOUVILLE	1	1		
25	69W-45945-00-EL	PROPELLER (3X11-1/8"X13"-G) HELICE (3X11-1/8"X13"-G)	1	1		UR
	69W-45947-00-EL	PROPELLER (3X11-5/8"X11"-G) HELICE (3X11-5/8"X11"-G)	1	1		UR
	663-45941-01-EL	PROPELLER (3X10-3/4"X17"-G) HELICE (3X10-3/4"X17"-G)	1	1		UR

**A4**

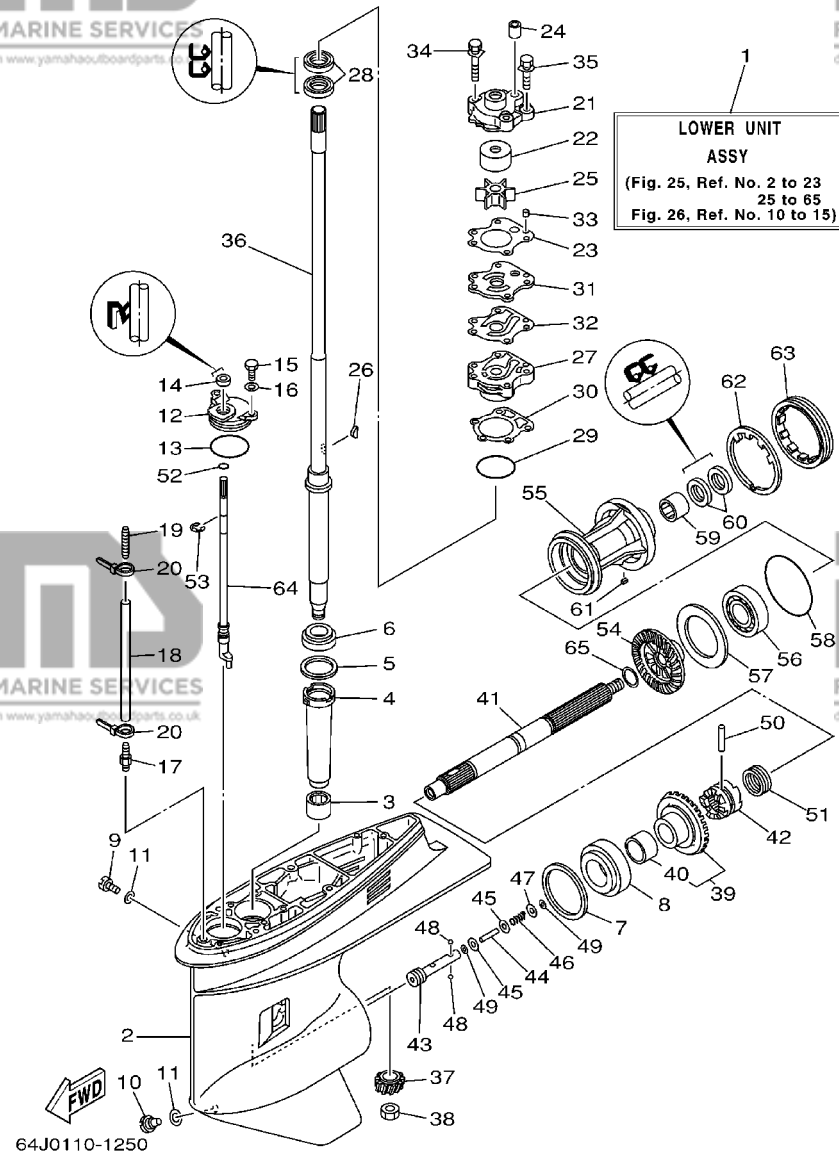


**FWD**  
62Y0100-1270

**FIG. 24 LOWER CASING. DRIVE 2 (F50A) BOITIER D'HELICE, TRANSMISSION 2 (F50A)**

REF. NO.	PART NO. NO. PIECES	DESCRIPTION DESCRIPTION	50ED	50ET	FT50	REMARKS REMARQUES
25	663-45949-01-EL	PROPELLER (3X10-3/4"X16"-G) HELICE (3X10-3/4"X16"-G)	1	1		UR
	663-45952-02-EL	PROPELLER (3X11-3/8"X12"-G) HELICE (3X11-3/8"X12"-G)	1	1		UR
	663-45956-01-EL	PROPELLER (3X12-1/4"X9"-G) HELICE (3X12-1/4"X9"-G)	1	1		UR
	663-45958-01-EL	PROPELLER (3X11-1/4"X14"-G) HELICE (3X11-1/4"X14"-G)	1	1		UR
	6H5-45943-00-EL	PROPELLER (3X10"X15"-G) HELICE (3X10"X15"-G)	1	1		UR WITH LIP CUP
	6H5-45945-00-EL	PROPELLER (3X10-3/8"X13"-G) HELICE (3X10-3/8"X13"-G)	1	1		UR WITH LIP CUP
	6H5-45952-00-EL	PROPELLER (3X10-5/8"X12"-G) HELICE (3X10-5/8"X12"-G)	1	1		UR WITH LIP CUP
	6H5-45958-00-EL	PROPELLER (3X10-1/4"X14"-G) HELICE (3X10-1/4"X14"-G)	1	1		UR WITH LIP CUP
	663-45930-00-98	<b>STAINLESS STEEL PROPELLER ACIER INOXYDABLE HELICE</b> PROPELLER (3X10-1/4"X14"-G) HELICE (3X10-1/4"X14"-G)	1	1		UR
	663-45974-02-98	PROPELLER (3X10-5/8"X13"-G) HELICE (3X10-5/8"X13"-G)	1	1		UR
	663-45976-00-98	PROPELLER (3X10-1/4"X15"-G) HELICE (3X10-1/4"X15"-G)	1	1		UR
	663-45978-00-98	PROPELLER (3X10-1/4"X16"-G) HELICE (3X10-1/4"X16"-G)	1	1		UR
	697-45970-00-98	PROPELLER (3X11-1/4"X14"-G) HELICE (3X11-1/4"X14"-G)	1	1		UR
	663-45970-60-98	PROPELLER (3X11-3/4"X12"-G) HELICE (3X11-3/4"X12"-G)	1	1		UR
	663-45972-60-98	PROPELLER (3X12"X11"-G) HELICE (3X12"X11"-G)	1	1		UR
	663-45974-60-98	PROPELLER (3X11-1/2"X13"-G) HELICE (3X11-1/2"X13"-G)	1	1		UR

FIG. 25 LOWER CASING. DRIVE 3 (FT50C) BOITIER D'HELICE, TRANSMISSION 3 (FT50C)



REF. NO.	PART NO. NO. PIECES	DESCRIPTION DESCRIPTION	50ED	50ET	FT50	REMARKS REMARQUES
1	64J-45300-30-4D	LOWER UNIT ASSY UNITE INFERIEURE (ENS.)			1	L
2	67F-45301-00-4D	CASING, LOWER BEQUILLE			1	
3	93315-325W4	BEARING ROULEMENT			1	
4	688-45536-01	SLEEVE, DRIVE SHAFT MANCHON, ARBRE MOTEUR			1	
5	688-45587-01-10	SHIM (T:0.10MM) CALE (T:0.10MM)			1	UR
	688-45587-01-12	SHIM (T:0.12MM) CALE (T:0.12MM)			1	UR
	688-45587-01-15	SHIM (T:0.15MM) CALE (T:0.15MM)			1	UR
	688-45587-01-18	SHIM (T:0.18MM) CALE (T:0.18MM)			1	UR
	688-45587-01-30	SHIM (T:0.30MM) CALE (T:0.30MM)			1	UR
	688-45587-01-40	SHIM (T:0.40MM) CALE (T:0.40MM)			1	UR
	688-45587-01-50	SHIM (T:0.50MM) CALE (T:0.50MM)			1	UR
6	93332-000U3	BEARING ROULEMENT			1	
7	688-45567-01-10	SHIM (T:0.10MM) CALE (T:0.10MM)			1	UR
	688-45567-01-12	SHIM (T:0.12MM) CALE (T:0.12MM)			1	UR
	688-45567-01-15	SHIM (T:0.15MM) CALE (T:0.15MM)			1	UR
	688-45567-01-18	SHIM (T:0.18MM) CALE (T:0.18MM)			1	UR
	688-45567-01-30	SHIM (T:0.30MM) CALE (T:0.30MM)			1	UR
	688-45567-01-40	SHIM (T:0.40MM) CALE (T:0.40MM)			1	UR
	688-45567-01-50	SHIM (T:0.50MM) CALE (T:0.50MM)			1	UR
8	93332-000UD	BEARING ROULEMENT			1	
9	90340-08002	PLUG, STRAIGHT SCREW PLOT, FILETE DROIT			1	
10	688-45341-10	PLUG, DRAIN BOUCHON DE VIDANGE			1	
11	90430-08020	GASKET JOINT			2	
12	688-45321-00	PLATE PLAQUETTE			1	
13	93210-49046	O-RING JOINT TORIQUE			1	
14	93106-09014	OIL SEAL JOINT SPY			1	
15	97095-06016	BOLT BOULON			2	

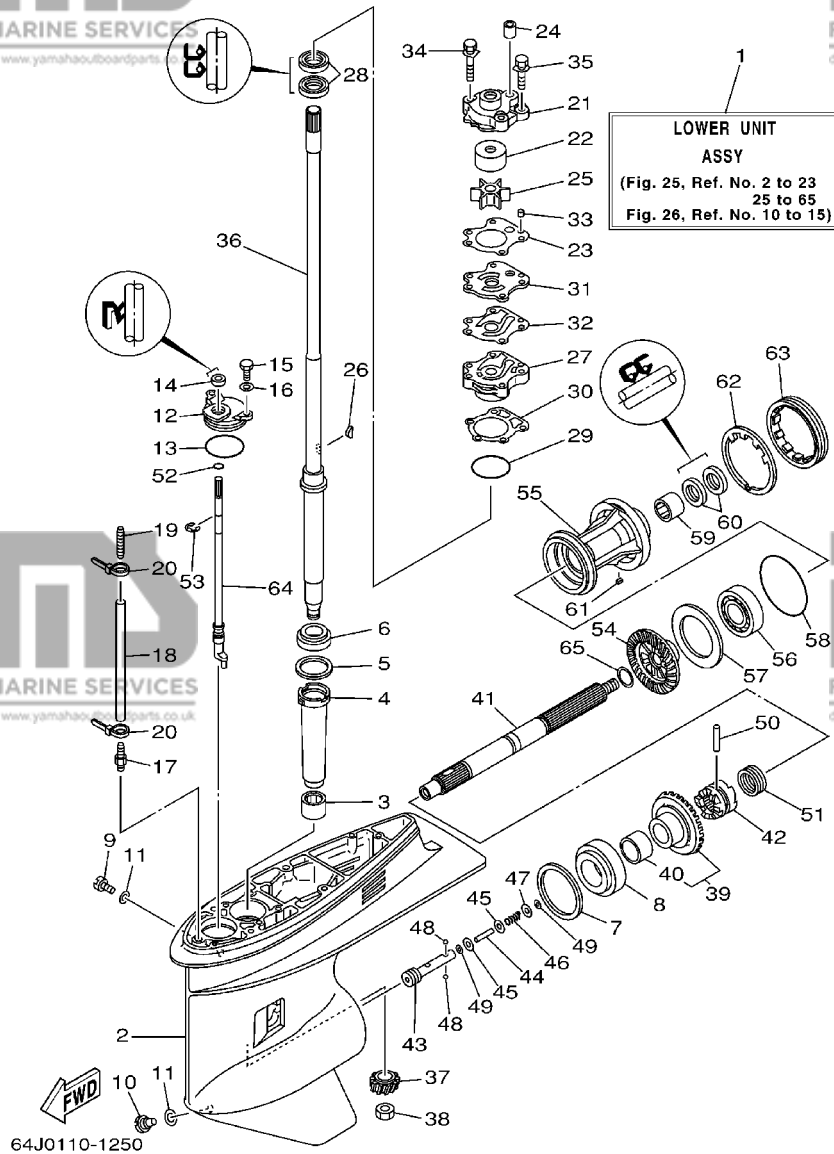
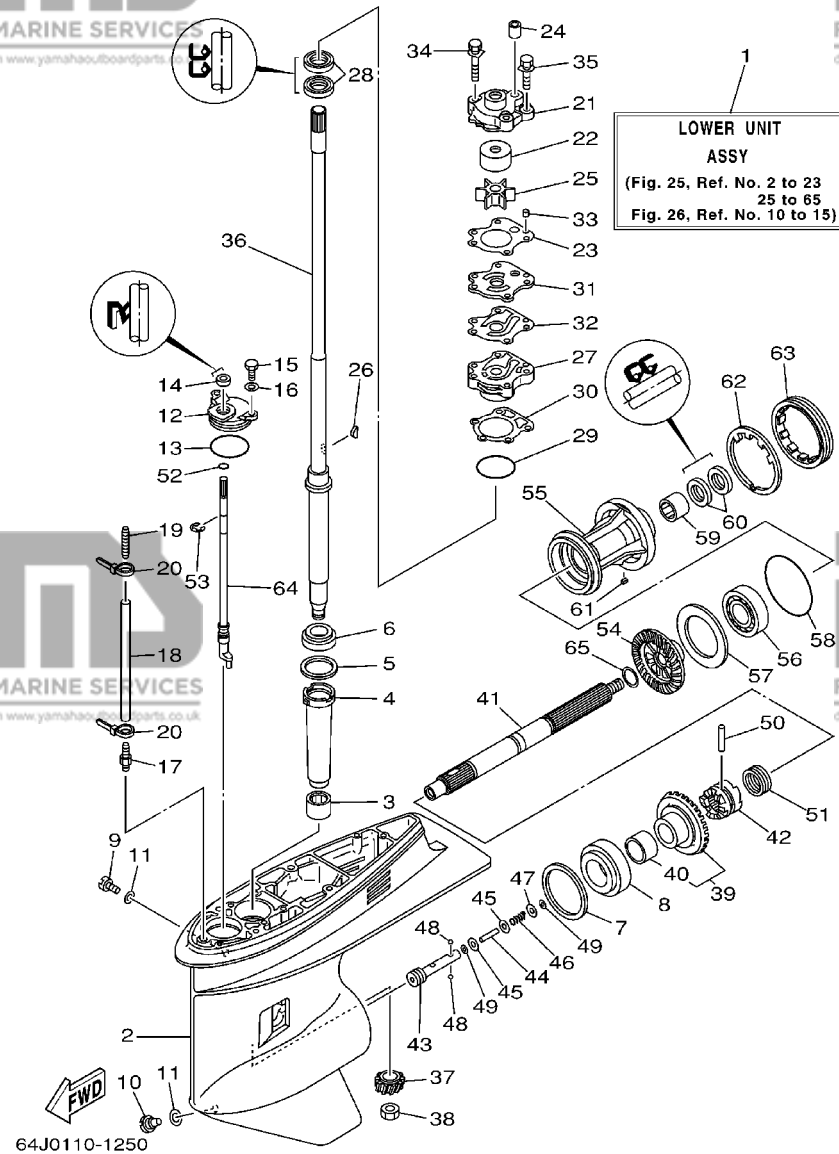


FIG. 25 LOWER CASING. DRIVE 3 (FT50C) BOITIER D'HELICE, TRANSMISSION 3 (FT50C)

REF. NO.	PART NO. NO. PIECES	DESCRIPTION DESCRIPTION	50ED	50ET	FT50	REMARKS REMARQUES
16	92995-06600	WASHER RONDELLE			2	
17	6E5-45378-00	NIPPLE, HOSE RACCORD, TUYAU			1	
18	90445-07M31	HOSE (L200) DURITE (L200)			1	L
19	6E5-83558-10	END, NIPPLE RACCORD DE NIPPLE			1	
20	90465-11M10	CLAMP BRIDE			2	
21	6H3-44311-00	HOUSING, WATER PUMP CORPS, POMPE A EAU			1	
22	663-44322-00	INSERT, CARTRIDGE CUVETTE			1	
23	6H3-44315-A0	GASKET, WATER PUMP JOINT, POMPE A EAU			1	
24	663-44366-00	DAMPER, WATER SEAL JOINT, TUBE D'EAU			1	
25	6H3-44352-00	IMPELLER TURBINE			1	
26	90280-03M03	KEY, WOODRUFF CLAVETTE, DEMI-LUNE			1	
27	6H3-44341-00-94	HOUSING, WATER PUMP CORPS, POMPE A EAU			1	
28	93101-23070	OIL SEAL JOINT SPY			2	
29	93210-46044	O-RING JOINT TORIQUE			1	
30	688-44316-A0	GASKET, WATER PUMP JOINT, POMPE A EAU			1	
31	6H3-44323-00	OUTER PLATE, CARTRIDGE PLAQUE EXTERIEURE			1	
32	6H3-44324-A0	GASKET, CARTRIDGE JOINT			1	
33	93604-10M03	PIN, DOWEL CLAVETTE			2	
34	90119-08M33	BOLT, WITH WASHER BOULON, AVEC RONDELLE			2	
35	90119-08M14	BOLT, WITH WASHER BOULON, AVEC RONDELLE			2	
36	64J-45501-30	DRIVE SHAFT COMP. ARBRE MOTEUR COMP.			1	L
37	64J-45551-00	PINION PIGNON D'ATTAQUE			1	
38	90170-16M01	NUT ECROU			1	
39	64J-45560-00	GEAR PIGNON			1	
40	93317-322V0	.BEARING .PIECE			1	
41	67F-45611-00	SHAFT, PROPÉLLÉR ARBRE, HELICE			1	
42	67F-45631-00	CLUTCH, DOG CRABOT			1	

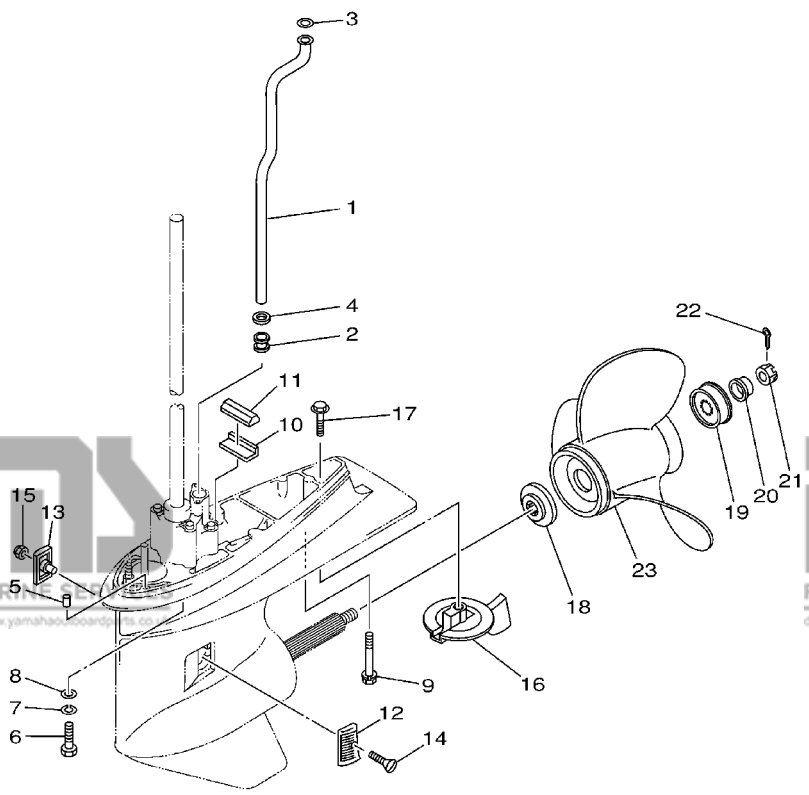
FIG. 25 LOWER CASING. DRIVE 3 (FT50C)

BOITIER D'HELICE, TRANSMISSION 3 (FT50C)



REF. NO.	PART NO. NO. PIECES	DESCRIPTION DESCRIPTION	50ED	50ET	FT50	REMARKS REMARQUES
43	67F-45634-00	SLIDE, SHIFT CONTRE-POUSSOIR			1	
44	6H1-45668-00	SHAFT, FREE AXE			1	
45	6H1-45635-00	PLUNGER, SHIFT POUSSOIR D'EMBRAYAGE			2	
46	90501-12M48	SPRING, COMPRESSION RESSORT, COMPRESSION			1	
47	90201-03313	WASHER, PLATE RONDELLE, PLATE			1	
48	93503-16003	BALL BILLES			2	
49	90183-02M03	NUT, SPRING ECROU, RESSORT			2	
50	90250-07M02	PIN, STRAIGHT GOUPILLE, DROITE			1	
51	688-45633-00	RING, CROSS PIN JONC, GOUPILLE CRABOT			1	
52	93210-07003	O-RING JOINT TORIQUE			1	
53	99001-08600	CIRCLIP CIRCLIP			1	
54	67F-45571-00	GEAR PIGNON			1	
55	67F-45331-00-94	HOUSING, BEARING FLASQUE, ROULEMENT			1	
56	93306-207U0	BEARING ROULEMENT			1	
57	67F-45576-00	WASHER, THRUST RONDELLE DE CALAGE			1	
58	93210-86M39	O-RING JOINT TORIQUE			1	
59	93317-325U0	BEARING PIECE			1	
60	93101-25M03	OIL SEAL JOINT SPY			2	
61	90282-04010	KEY, STRAIGHT CLAVETTE, DROITE			1	
62	688-45383-02	WASHER, CLAW FREIN D'ECROU			1	
63	688-45384-02	NUT ECROU			1	
64	64J-44150-00	SHIFT CAM ASSY CAME D'INVERSION			1	
65	90201-25M05	WASHER, PLATE RONDELLE, PLATE			1	

**FIG. 26 LOWER CASING. DRIVE 4 (FT50C) BOITIER D'HELICE, TRANSMISSION 4 (FT50C)**



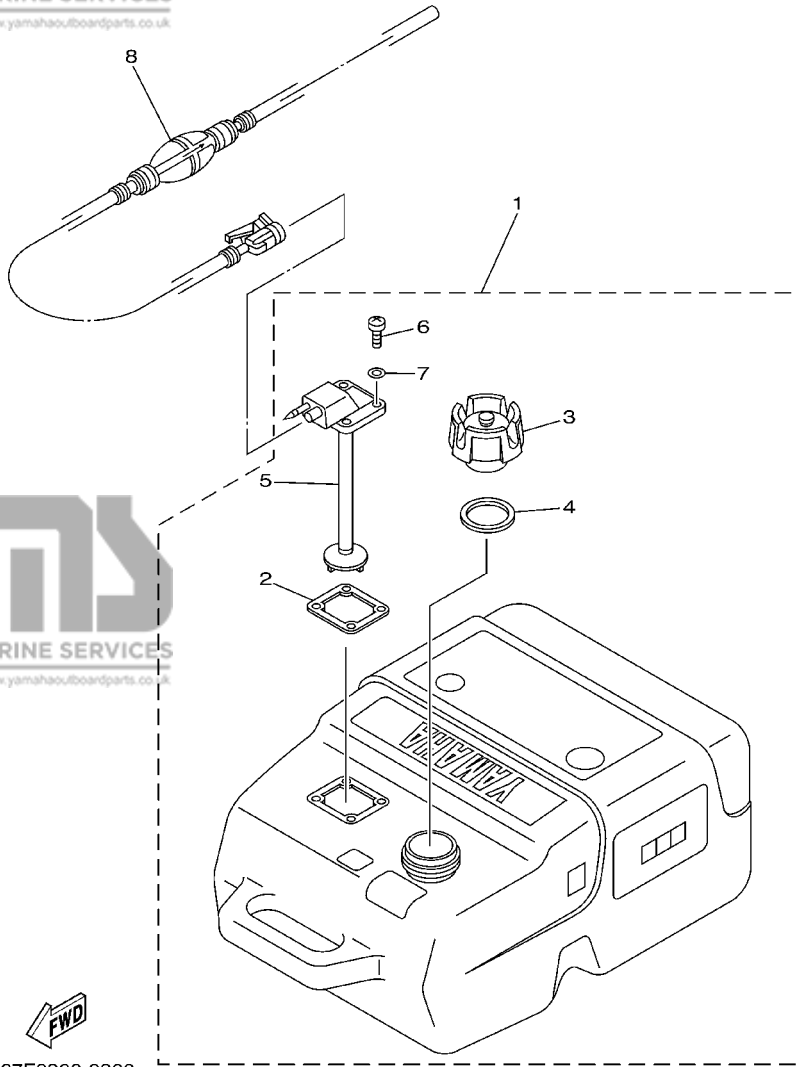
**FWD**  
64J0100-1290

REF. NO.	PART NO. NO. PIECES	DESCRIPTION DESCRIPTION	50ED	50ET	FT50	REMARKS REMARQUES
1	62Y-44361-00	TUBE, WATER TUBE D'EAU			1	
2	663-44367-00	DAMPER, WATER SEAL JOINT TUBE D'EAU			1	
3	90202-12060	WASHER, PLATE RONDELLE, PLATE			1	
4	90430-12072	GASKET JOINT			1	
5	93606-12019	PIN, DOWEL GOUPILE			2	
6	97075-10040	BOLT BOULON			4	
7	92995-10100	WASHER RONDELLE			4	
8	92995-10600	WASHER RONDELLE			4	
9	90119-08M84	BOLT, WITH WASHER BOULON, AVEC RONDELLE			1	
10	663-45376-00-94	GUIDE, SEAL DAMPER BUTEE, JOINT CAOUTCHOUC			1	
11	688-45375-00	DAMPER, SEAL BOURRELET, CAOUTCHOUC			1	
12	6H1-45214-00	COVER, WATER INLET GRILLE, ENTREE D'EAU			1	
13	6H1-45215-00	COVER, WATER INLET GRILLE, ENTREE D'EAU			1	
14	90151-05M00	SCREW, COUNTERSUNK VIS, TETE NOYEE			1	
15	90185-05002	NUT, SELF-LOCKING ECROU, AUTO-BLOCANT			1	
16	67F-45371-00	TAB-TRIM ANODE DERIVE			1	
17	90105-10M67	BOLT, FLANGE BOULON			1	
18	688-45987-01	SPACER ENTRETOISE			1	
19	67F-45997-00	SPACER ENTRETOISE			1	
20	90389-25M00	BUSH DOUILLE			1	
21	90171-16011	NUT, CASTLE ECROU, CRENELE			1	
22	91490-40025	PIN, COTTER GOUPILE			1	
23	6E5-45941-00-EL	PROPELLER (3X13"X19"-K) HELICE (3X13"X19"-K)			1	UR
	6E5-45943-00-EL	PROPELLER (3X12-5/8"X21"-K) HELICE (3X12-5/8"X21"-K)			1	UR
	6E5-45945-01-EL	PROPELLER (3X13-1/4"X17"-K) HELICE (3X13-1/4"X17"-K)			1	UR
	6E5-45947-00-EL	PROPELLER (3X13-1/2"X15"-K) HELICE (3X13-1/2"X15"-K)			1	UR
	6E5-45949-00-EL	PROPELLER (3X13-5/8"X13"-K) HELICE (3X13-5/8"X13"-K)			1	UR

**B2**







**FIG. 27 FUEL TANK**

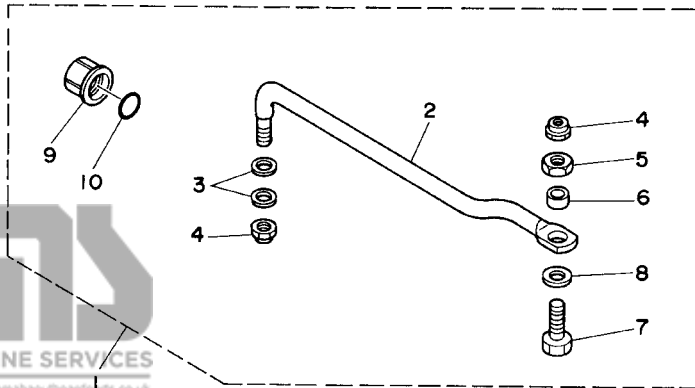
**RESERVOIR A CARBURANT**

REF. NO.	PART NO. NO. PIECES	DESCRIPTION DESCRIPTION	50ED	50ET	FT50	REMARKS REMARQUES
1	6YK-24201-01	FUEL TANK ASSY RESERVOIR A ESSENCE (ENS.)	1	1	1	AP PLASTIC, 25L
2	6YL-24268-01	.GASKET, FUEL METER .JOINT, JAUGE A CARBURANT	1	1	1	
3	6YK-24610-00	.CAP ASSY BOUCHON	1	1	1	WITH INDICATOR
4	6YL-24641-00	.GASKET, CAP 1 .JOINT 1, BOUCHON	1	1	1	
5	6YK-24260-01	.FUEL METER ASSY .INDICATEUR DE CARBURANT	1	1	1	
6	90157-05M16	.SCREW, PAN HEAD .VIS, TETE TRONCONIQUE	4	4	4	
7	6YL-24329-00	.SEAL .JOINT	4	4	4	
8	6YL-24306-52	FUEL PIPE COMP. 1 DURITE A ESSENCE 1	1	1	1	AP

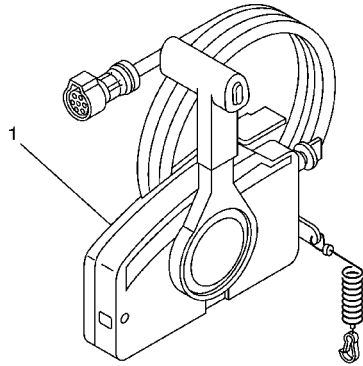
**FIG. 28 STEERING GUIDE**

**FIXATION DE DIRECTION**

REF. NO.	PART NO. NO. PIECES	DESCRIPTION DESCRIPTION	50ED	50ET	FT50	REMARKS REMARQUES
1	63D-61350-00	STEERING GUIDE ATTACHMENT KIT FIXATIONS DE DIRECTION	1	1	1	AP
2	63D-61351-00	.ROD, STEERING LINK .RENOI DE DIRECTION	1	1	1	
3	90201-10M20	.WASHER, PLATE .RONDELLE, PLATE	2	2	2	
4	90185-09M01	.NUT, SELF-LOCKING .ECROU, AUTO-BLOCANT	2	2	2	
5	90170-09M03	.NUT .ECROU	1	1	1	
6	90387-10M42	.COLLAR .COLLERETTE	1	1	1	
7	90101-09M01	.BOLT .BOULON	1	1	1	
8	90201-10M63	.WASHER, PLATE .RONDELLE, PLATE	1	1	1	
9	6E5-43145-01	.CAP, CLAMP BRACKET .CAPUCHON, PRESSE	1	1	1	
10	93210-16275	.O-RING .JOINT TORIQUE	1	1	1	



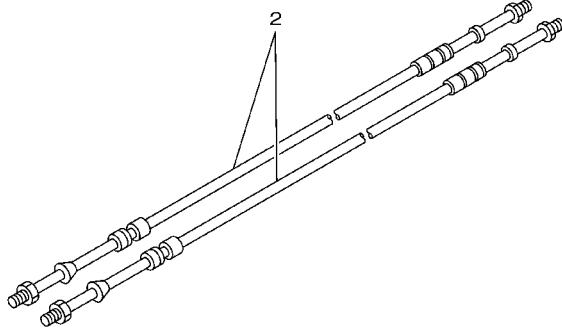
62Y0010-5200



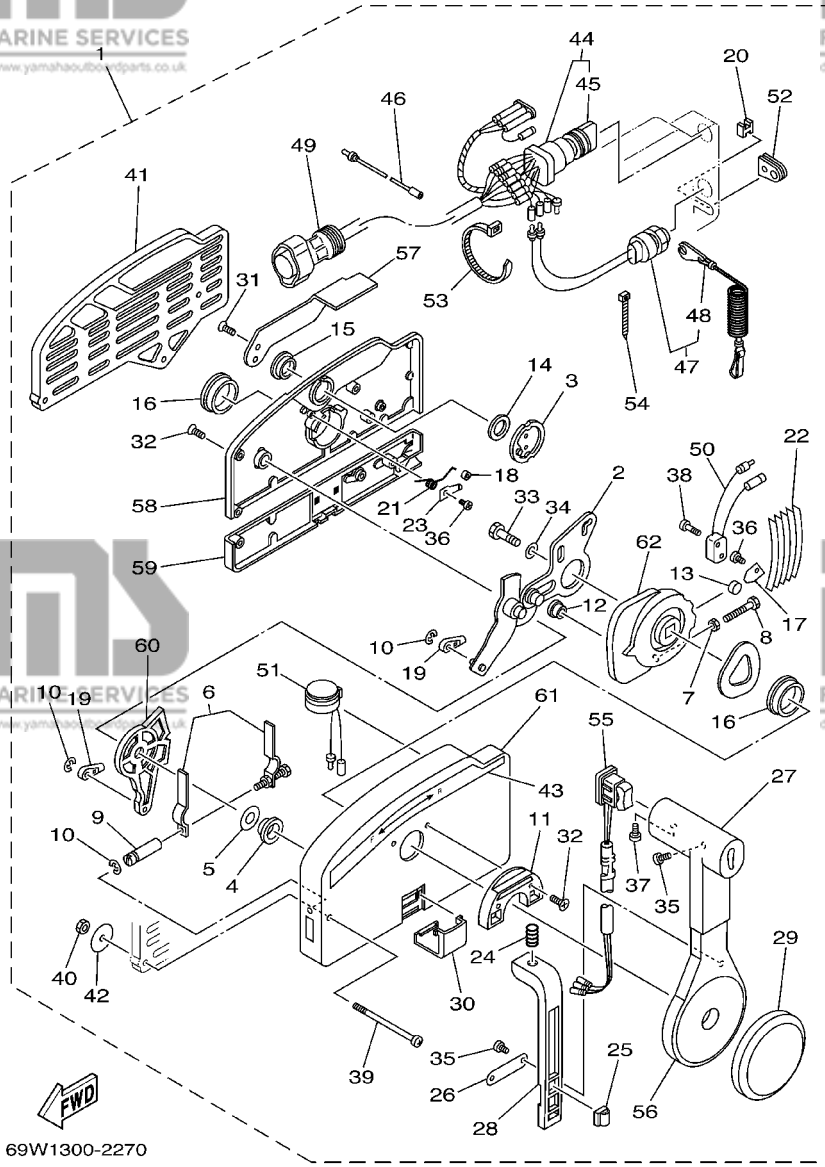
**FIG. 29 REMOTE CONTROL BOX**

**BOITIER DE COMMANDE A DISTANCE**

REF. NO.	PART NO. NO. PIECES	DESCRIPTION DESCRIPTION	50ED	50ET	FT50	REMARKS REMARQUES
1	703-48207-17	REMOTE CONTROL ASSY BOITIER DE COMMANDE A DISTANCE	1	1	1	AP WITH PT/T SW.
2	701-48310-90	CABLE, REMOTE CONTROL L=11F CABLE, COMMANDE A DISTANCE:11F	2	2	2	UR
	701-48320-00	CABLE, REMOTE CONTROL L=12F CABLE, COMMANDE A DISTANCE:12F	2	2	2	UR
	701-48320-20	CABLE, REMOTE CONTROL L=13F CABLE, COMMANDE A DISTANCE:13F	2	2	2	UR
	701-48320-50	CABLE, REMOTE CONTROL L=15F CABLE, COMMANDE A DISTANCE:15F	2	2	2	UR



67M0100-8280

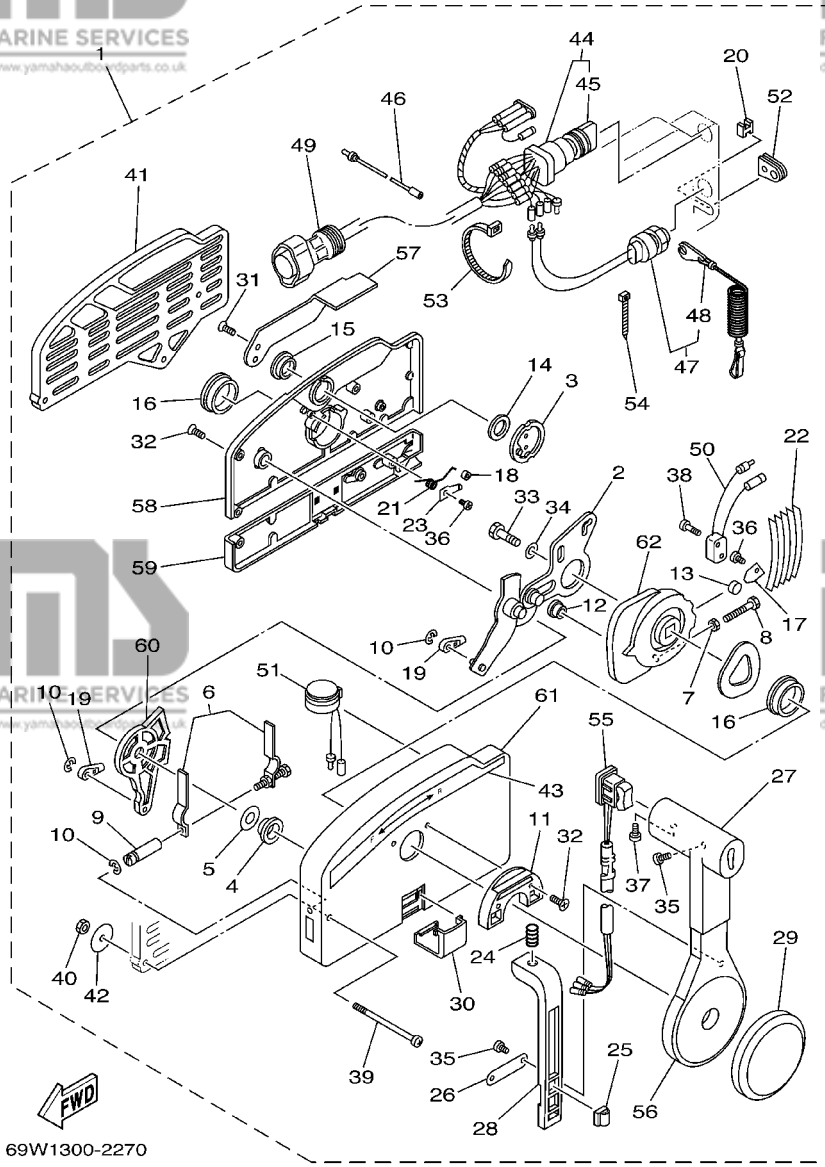


69W1300-2270

**FIG. 30 REMOTE CONTROL ASSY BOITIER DE COMMANDE A DISTANCE**

REF. NO.	PART NO. NO. PIECES	DESCRIPTION DESCRIPTION	50ED	50ET	FT50	REMARKS REMARQUES
1	703-48207-17	REMOTE CONTROL ASSY BOITIER DE COMMANDE A DISTANCE	1	1	1	AP WITH PT/T SW.
2	703-48261-01	.ARM, THROTTLE .BRAS, ACCELERATION	1	1	1	
3	703-48153-00	.SHAFT, FREE ACCEL. .AXE	1	1	1	
4	703-48235-00	.BUSHING .COUSSINET	1	1	1	
5	703-48268-00	.SPACER .ENTRETOISE	1	1	1	
6	703-48264-00	.THROTTLE, FRICTION .ACCELERATION	1	1	1	
7	95380-05600	.NUT .ECROU	1	1	1	
8	97380-05025	.BOLT .BOULON, HEXAGONAL	1	1	1	
9	703-48265-00	.SHAFT, FRICTION .AXE, COPILOTE	1	1	1	
10	93430-06024	.CIRCLIP .CLIPS	3	3	3	
11	703-48245-00	.PLATE, LOCK .PLAQUE, VERROU	1	1	1	
12	703-48252-00	.ROLLER, CAM .POULIE	1	1	1	
13	701-48248-00	.ROLLER, FREE ACCEL. .POULIE	1	1	1	
14	703-48198-00	.WASHER, WAVE .RONDELLE, ELASTIQUE ONDULEE	1	1	1	
15	703-48243-00	.BUSHING .COUSSINET	1	1	1	
16	703-48236-00	.BUSHING 1 .POULIE	2	2	2	
17	703-48189-00	.RETAINER .FLASQUE	1	1	1	
18	703-48234-00	.ROLLER, DETENT .POULIE	1	1	1	
19	703-48345-01	.CABLE END, REMOTE CONTROL 2 .CHAPE CABLE	2	2	2	
20	703-48358-00	.ANCHOR, CABLE .COLLIER	1	1	1	
21	703-48244-00	.SPRING, FREE ACCEL. .RESSORT	1	1	1	
22	703-48238-00	.SPRING, DETENT .RESSORT	5	5	5	
23	703-48246-00	.SPACER .ENTRETOISE	1	1	1	
24	703-48227-00	.SPRING, NEUTRAL LOCK .RESSORT	1	1	1	
25	703-82594-00	.CLAMP .BRIDE	1	1	1	WITH PT/T SW.
26	703-48226-00	.PLATE, STOPPER .PLAQUETTE	1	1	1	
27	703-48222-00	.GRIP, CONTROL LEVER .POIGNEE, COMMANDE LEVIER	1	1	1	SINGLE

**B7**



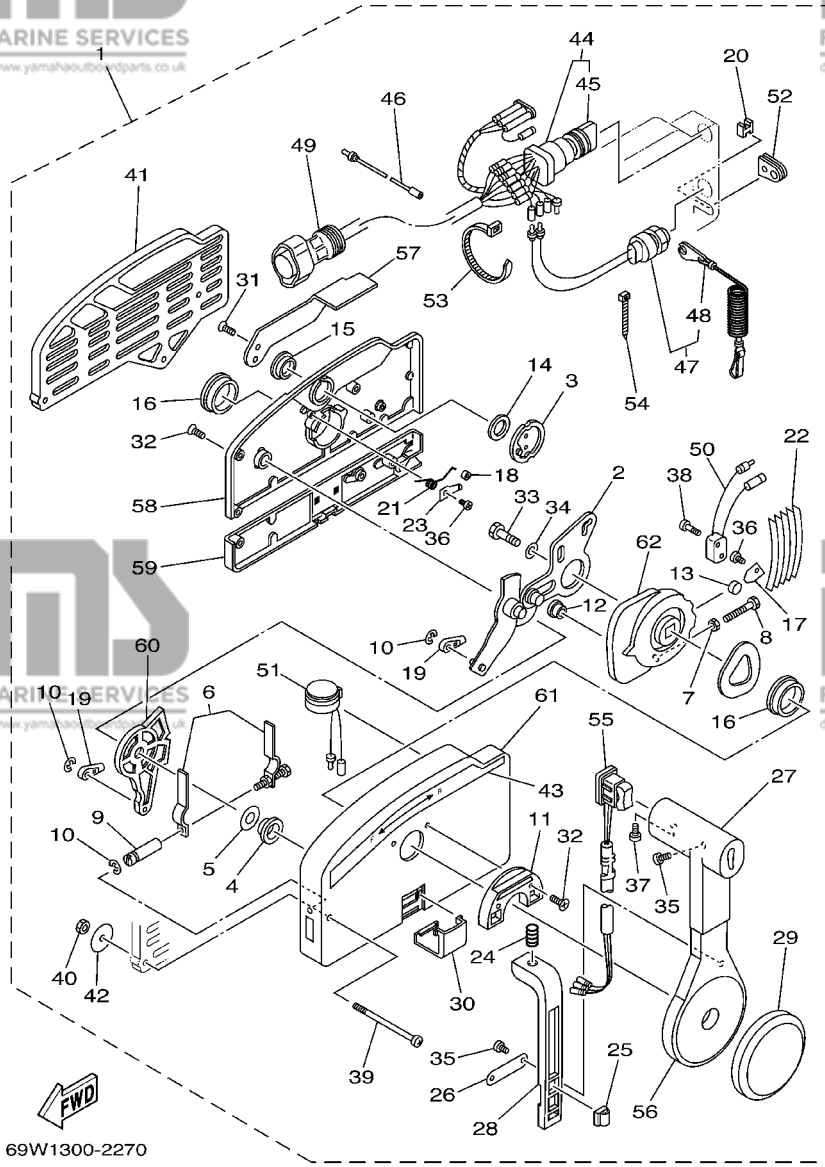
**FIG. 30 REMOTE CONTROL ASSY BOITIER DE COMMANDE A DISTANCE**

REF. NO.	PART NO. NO. PIECES	DESCRIPTION DESCRIPTION	50ED	50ET	FT50	REMARKS REMARQUES
28	703-48223-00	.LOCK, NEUTRAL .VERROU, NEUTRAL	1	1	1	
29	703-48225-00	.COVER .COUVERCLE	1	1	1	
30	703-48219-00	.COVER, LEAD .COUVERCLE	1	1	1	
31	703-48281-00	.SCREW .VIS	2	2	2	
32	703-48282-00	.SCREW .VIS	7	7	7	
33	97380-08030	.BOLT .BOULON, HEXAGONAL	1	1	1	
34	92990-08600	.WASHER, PLATE .RONDELLE, PLATE	1	1	1	
35	98580-04010	.SCREW, PAN HEAD .VIS	3	3	3	
36	98580-04006	.SCREW, PAN HEAD .VIS	2	2	2	
37	98580-05010	.SCREW, PAN HEAD .VIS	1	1	1	
38	98580-03015	.SCREW, PAN HEAD .VIS	2	2	2	
39	703-48291-10	.SCREW (M6) .VIS (M6)	3	3	3	
40	95380-06600	.NUT, HEXAGON .ECROU	3	3	3	
41	703-48293-10	.SPACER, REMOTE CONTROL .ENTRETOISE	1	1	1	SINGLE
42	701-48287-00	.WASHER .RONDELLE	3	3	3	
43	703-48215-00	.GRAPHIC .ADHESIF	1	1	1	
44	703-82510-43	.MAIN SWITCH ASSY .CONTACTEUR A CLEF COMPLET	1	1	1	
45	703-82577-00	.CAP, KEY .CABOCHON	1	1	1	
46	703-82531-00	.WIRE, LEAD .FIL	1	1	1	
47	688-82575-01	.ENGINE STOP SWITCH ASSY .COUPE CIRCUIT CPLT	1	1	1	
48	682-82556-00	.STOPPER .PLAQUETTE	1	1	1	
49	688-8258A-20	.EXTENSION, WIRE HARNESS .EXTENSION, FAISCEAU DE FILS	1	1	1	L:5M (10P)
50	703-82540-00	.NEUTRAL SWITCH ASSY .CONTACTEUR DE POINT-MORT	1	1	1	
51	703-83383-A0	.BUZZER .RONFLEUR	1	1	1	
52	703-48284-10	.GROMMET .PASSE-FIL	1	1	1	
53	703-82591-00	.BAND .COLLIER	3	3	3	
54	703-82592-00	.BAND .COLLIER	1	1	1	

**C1**

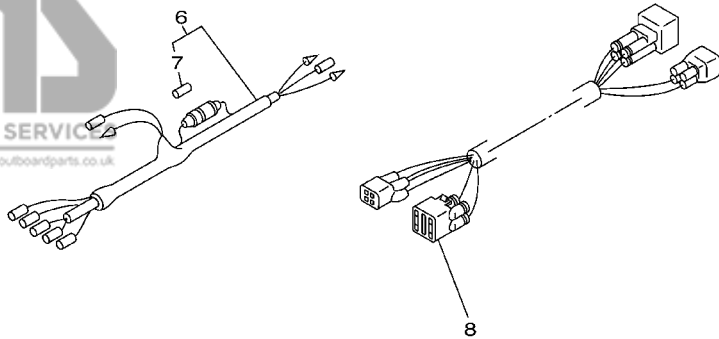
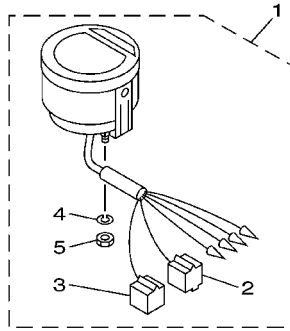
**FIG. 30 REMOTE CONTROL ASSY**

**BOITIER DE COMMANDE A DISTANCE**



69W1300-2270

REF. NO.	PART NO. NO. PIECES	DESCRIPTION DESCRIPTION	50ED	50ET	FT50	REMARKS REMARQUES
55	703-82563-12	.TRIM & TILT SWITCH ASSY .INCLINER ET PARER COMMUTEUR	1	1	1	
56	703-48221-00	.LEVER, CONTROL .LEVIER, COMMANDE	1	1	1	
57	703-48152-00	.KNOB, FREE ACCEL. .BOUTON	1	1	1	
58	703-48212-00	.BACK PLATE 1 .PLAQUETTE 1	1	1	1	
59	703-48213-00	.BACK PLATE 2 .PLAQUETTE 2	1	1	1	
60	703-48271-00	.ARM, SHIFT .BRAS	1	1	1	
61	703-48211-01	.HOUSING,1 .CORPS	1	1	1	
62	703-48232-00	.GEAR .PIGNON	1	1	1	



**FIG. 31 METER**

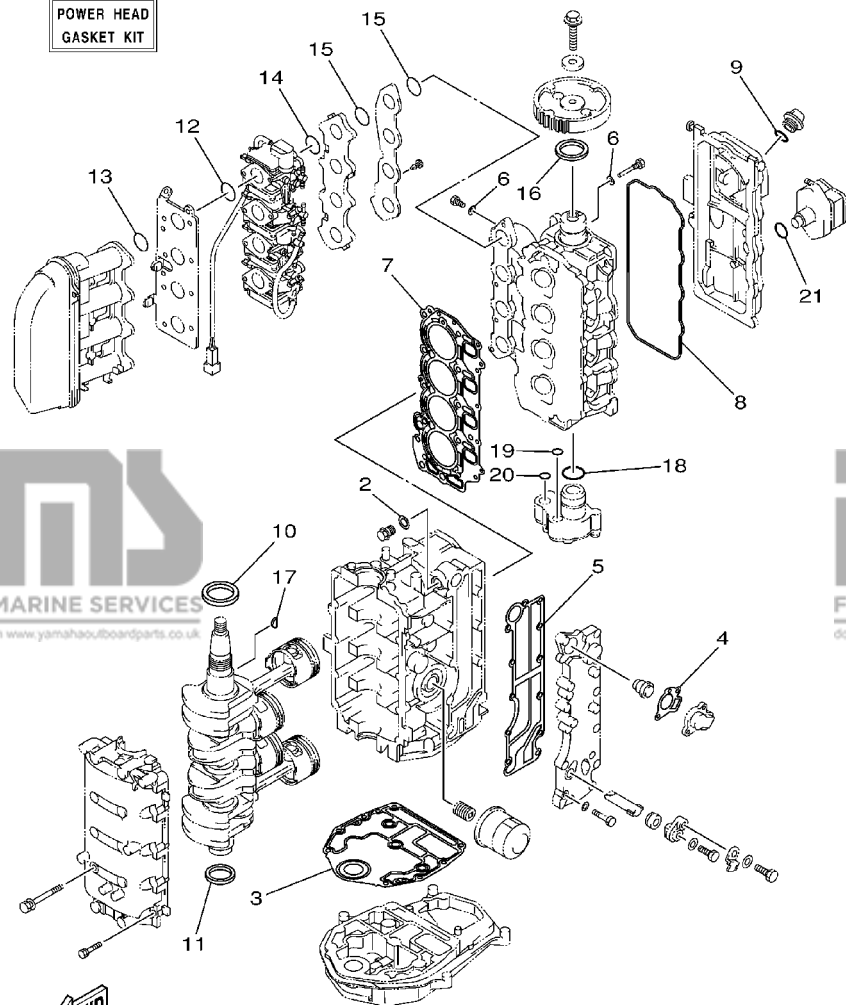
REF. NO.	PART NO. NO. PIECES	DESCRIPTION DESCRIPTION	COMPTEUR			REMARKS REMARQUES
			50ED	50ET	FT50	
1	6Y5-8350T-02	TACHOMETER ASSY COMPTE-TOURS CPLT		1	1	AP
2	9E450-04433	.CONNECTOR .CONNECTEUR		1	1	M-4-W
3	9E450-04533	.CONNECTOR .CONNECTEUR		1	1	F-4-W
4	92990-04100	.WASHER, SPRING .RONDELLE, GROUVER		2	2	
5	95380-04600	.NUT .ECROU		2	2	
6	6Y5-83553-00	WIRE, LEAD FIL		1	1	AP
7	1E6-82151-00	.FUSE (10A) .FUSIBLE (10A)		1	1	
8	68F-82553-70	EXTENSION, WIRE LEAD EXTENSION, FAISCEAU		1	1	AP

69W1300-2280

**C3**



POWER HEAD  
GASKET KIT



62Y1100-2390

FIG. 32 REPAIR KIT 1

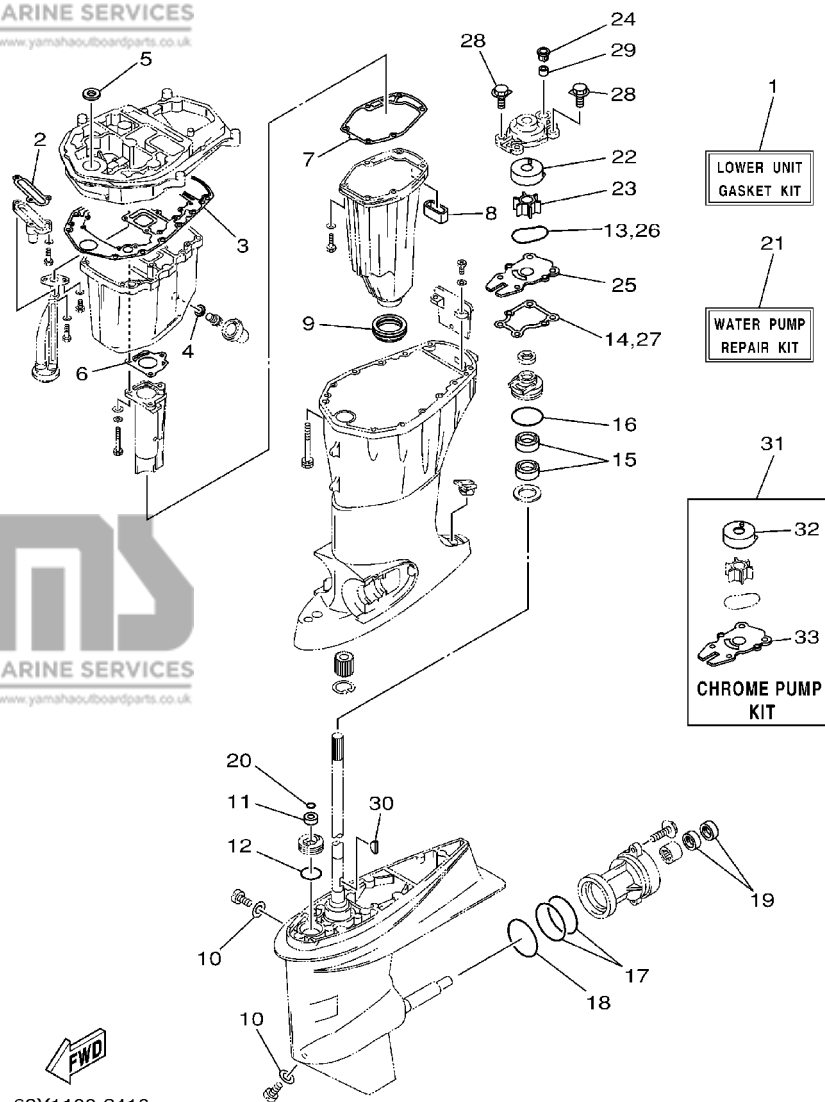
KITS DE REPARATION 1

REF. NO.	PART NO. NO. PIECES	DESCRIPTION DESCRIPTION	50ED	50ET	FT50	REMARKS REMARQUES
1	62Y-W0001-10	POWER HEAD GASKET KIT POCHETTE DE JINTS TETE MOTRICE	1	1	1	
2	90430-14115	.GASKET .JOINT	1	1	1	
3	67C-11351-00	.GASKET, CYLINDER .JOINT, D'EMBASE	1	1	1	
4	62Y-12414-00	.GASKET, COVER .JOINT, COUVERCLE	1	1	1	
5	62Y-41114-00	.GASKET, EXHAUST OUTER COVER .JOINT, COUVERCLE D'ECHAPPEMEN	1	1	1	
6	90430-06014	.GASKET .JOINT	5	5	5	
7	62Y-11181-00	.GASKET, CYLINDER HEAD 1 .JOINT, DE CULASSE 1	1	1	1	
8	62Y-11356-00	.SEAL, CYLINDER 2 .JOINT, SPY CYLINDRE	1	1	1	
9	93210-24M79	.O-RING .JOINT TORIQUE	1	1	1	
10	93102-43M42	.OIL SEAL .JOINT SPY	1	1	1	
11	93101-35002	.OIL SEAL .JOINT SPY	1	1	1	
12	93210-35M86	.O-RING .JOINT TORIQUE	4	4	4	
13	93210-38MH3	.O-RING .JOINT TORIQUE	4	4	4	
14	93210-30MH4	.O-RING .JOINT TORIQUE	4	4	4	
15	93210-35M86	.O-RING .JOINT TORIQUE	8	8	8	
16	93102-37M40	.OIL SEAL .JOINT SPY	1	1	1	
17	90280-04M06	.KEY, WOODRUFF .CLAVETTE, DEMI-LUNE	1	1	1	
18	93210-33MH2	.O-RING .JOINT TORIQUE	1	1	1	
19	93210-12MG9	.O-RING .JOINT TORIQUE	1	1	1	
20	93210-14515	.O-RING .JOINT TORIQUE	1	1	1	
21	93210-24M79	.O-RING .JOINT TORIQUE	1	1	1	



FIG. 34 REPAIR KIT 3 (F50A)

KITS DE PEPARATION 3 (F50A)



REF. NO.	PART NO. NO. PIECES	DESCRIPTION DESCRIPTION	50ED	50ET	FT50	REMARKS REMARQUES
1	62Y-W0001-22	LOWER UNIT GASKET KIT POCHETTE DE JOINTS EMBASE	1	1		
2	62Y-13475-00	.GASKET .JOINT	1	1		
3	69W-15312-00	.GASKET, OIL PAN .JOINT DE VENTILATEUR D'HUILE	1	1		
4	90430-14M09	.GASKET .JOINT	1	1		
5	93103-18011	.OIL SEAL .JOINT SPY	1	1		
6	67C-41133-00	.GASKET, EXHAUST MANIFOLD 1 .JOINT, PIPE D'ECHAPPEMENT	1	1		
7	62Y-41134-01	.GASKET, EXHAUST MANIFOLD .JOINT, PIPE D'ECHAPPEMENT	1	1		
8	62Y-45127-00	.SEAL .JOINT	1	1		
9	663-45123-00	.GASKET, MUFFLER .JOINT, POT DE DETENTE	1	1		
10	90430-08020	.GASKET .JOINT	2	2		
11	93106-09014	.OIL SEAL .JOINT SPY	1	1		
12	93210-33MG4	.O-RING .JOINT TORIQUE	1	1		
13	93210-59MG7	.O-RING .JOINT TORIQUE	1	1		
14	63D-44316-00	.GASKET, WATER PUMP .JOINT, POMPE A EAU	1	1		
15	93101-25M57	.OIL SEAL .JOINT SPY	2	2		
16	93210-48MG8	.O-RING .JOINT TORIQUE	1	1		
17	93210-74MG5	.O-RING .JOINT TORIQUE	2	2		
18	93210-69MG6	.O-RING .JOINT TORIQUE	1	1		
19	93101-22M00	.OIL SEAL .JOINT SPY	2	2		
20	93210-07003	.O-RING .JOINT TORIQUE	1	1		
21	63D-W0078-01	WATER PUMP REPAIR KIT KIT DE REPARATION DE LA POMPE	1	1		
22	63D-44322-00	.INSERT, CARTRIDGE .CUVETTE	1	1		
23	6H3-44352-00	.IMPELLER .TURBINE	1	1		
24	63D-44312-00	.COVER, WATER PUMP HOUSING .COUVERCLE	1	1		
25	63D-44323-00	.OUTER PLATE, CARTRIDGE .PLAQUE EXTERIEURE	1	1		
26	93210-59MG7	.O-RING .JOINT TORIQUE	1	1		
27	63D-44316-00	.GASKET, WATER PUMP .JOINT, POMPE A EAU	1	1		

FIG. 34 REPAIR KIT 3 (F50A)

KITS DE PEPARATION 3 (F50A)

REF. NO.	PART NO. NO. PIECES	DESCRIPTION DESCRIPTION	50ED	50ET	FT50	REMARKS REMARQUES
28	90119-08M15	.BOLT, WITH WASHER .BOULON, AVEC RONDELLE	4	4		
29	663-44366-00	.DAMPER, WATER SEAL .JOINT, TUBE D'EAU	1	1		
30	90280-03024	.KEY, WOODRUFF .CLAVETTE, DEMI-LUNE	1	1		
31	63D-W0078-0A	CHROME PUMP KIT KIT DE POMPE A EAU CHROMEE	1	1		
32	63D-44322-40	.INSERT, CARTRIDGE .CUVETTE	1	1		
33	63D-44323-40	.OUTER PLATE, CARTRIDGE .PLAQUE EXTERIEURE	1	1		

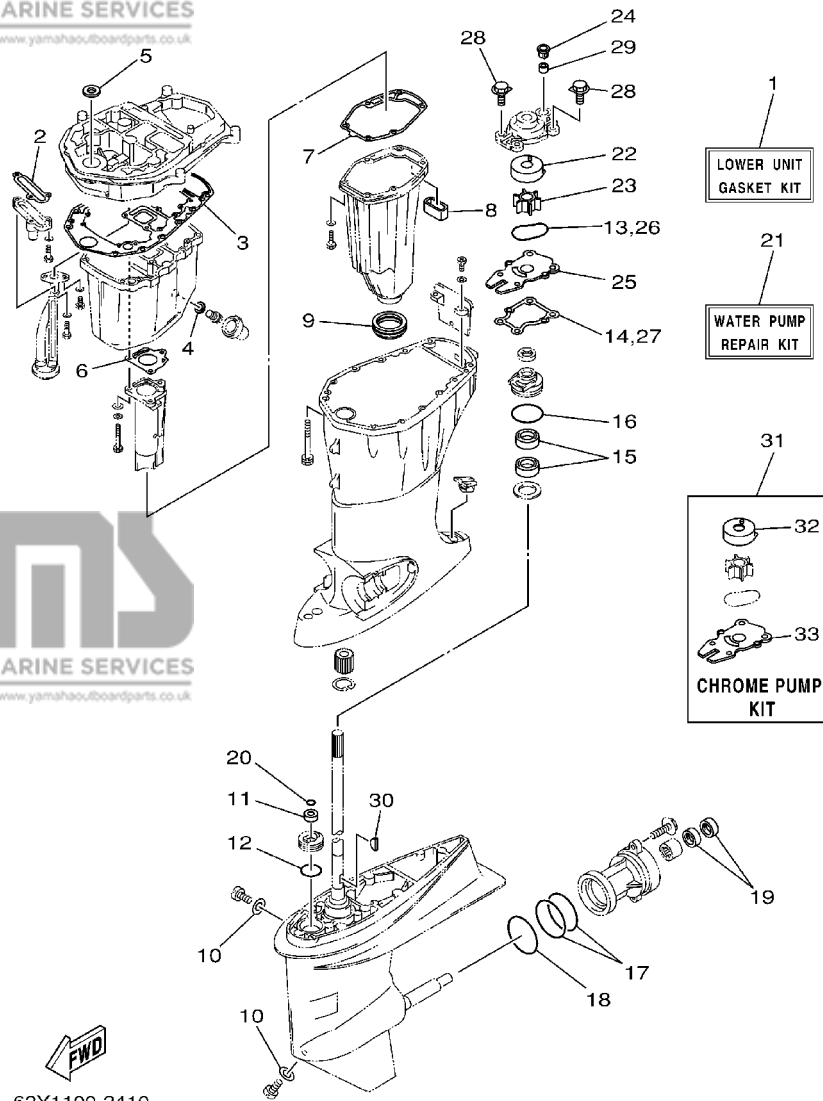
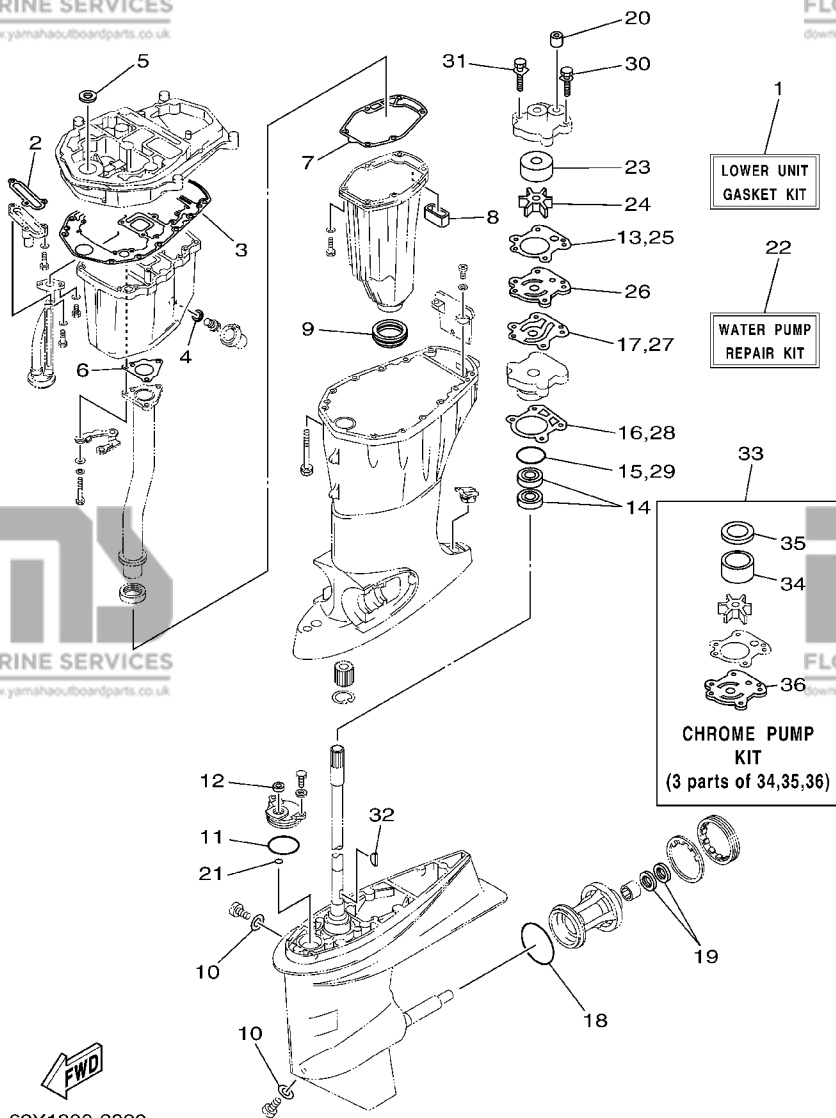


FIG. 35 REPAIR KIT 4 (FT50C)

KITS DE PEPARATION 4 (FT50C)

REF. NO.	PART NO. NO. PIECES	DESCRIPTION DESCRIPTION	50ED	50ET	FT50	REMARKS REMARQUES
1	64J-W0001-2B	LOWER UNIT GASKET KIT POCHETTE DE JOINTS EMBASE			1	
2	62Y-13475-00	.GASKET .JOINT			1	
3	69W-15312-00	.GASKET, OIL PAN .JOINT DE VENTILATEUR D'HUILE			1	
4	90430-14M09	.GASKET .JOINT			1	
5	93103-18011	.OIL SEAL .JOINT SPY			1	
6	64J-41133-10	.GASKET, EXHAUST MANIFOLD 1 .JOINT, PIPE D'ECHAPPEMENT			1	
7	62Y-41134-01	.GASKET, EXHAUST MANIFOLD .JOINT, PIPE D'ECHAPPEMENT			1	
8	62Y-45127-00	.SEAL .JOINT			1	
9	663-45123-00	.GASKET, MUFFLER .JOINT, POT DE DETENTE			1	
10	90430-08020	.GASKET .JOINT			2	
11	93210-49046	.O-RING .JOINT TORIQUE			1	
12	93106-09014	.OIL SEAL .JOINT SPY			1	
13	6H3-44315-A0	.GASKET, WATER PUMP .JOINT, POMPE A EAU			1	
14	93101-23070	.OIL SEAL .JOINT SPY			2	
15	93210-46044	.O-RING .JOINT TORIQUE			1	
16	688-44316-A0	.GASKET, WATER PUMP .JOINT, POMPE A EAU			1	
17	6H3-44324-A0	.GASKET, CARTRIDGE .JOINT			1	
18	93210-86M39	.O-RING .JOINT TORIQUE			1	
19	93101-25M03	.OIL SEAL .JOINT SPY			2	
20	663-44366-00	.DAMPER, WATER SEAL .JOINT, TUBE D'EAU			1	
21	93210-07003	.O-RING .JOINT TORIQUE			1	
22	6H3-W0078-02	WATER PUMP REPAIR KIT KIT DE REPARATION DE LA POMPE			1	
23	663-44322-00	.INSERT, CARTRIDGE .CUVETTE			1	
24	6H3-44352-00	.IMPELLER .TURBINE			1	
25	6H3-44315-A0	.GASKET, WATER PUMP .JOINT, POMPE A EAU			1	
26	6H3-44323-00	.OUTER PLATE, CARTRIDGE .PLAQUE EXTERIEURE			1	
27	6H3-44324-A0	.GASKET, CARTRIDGE .JOINT			1	

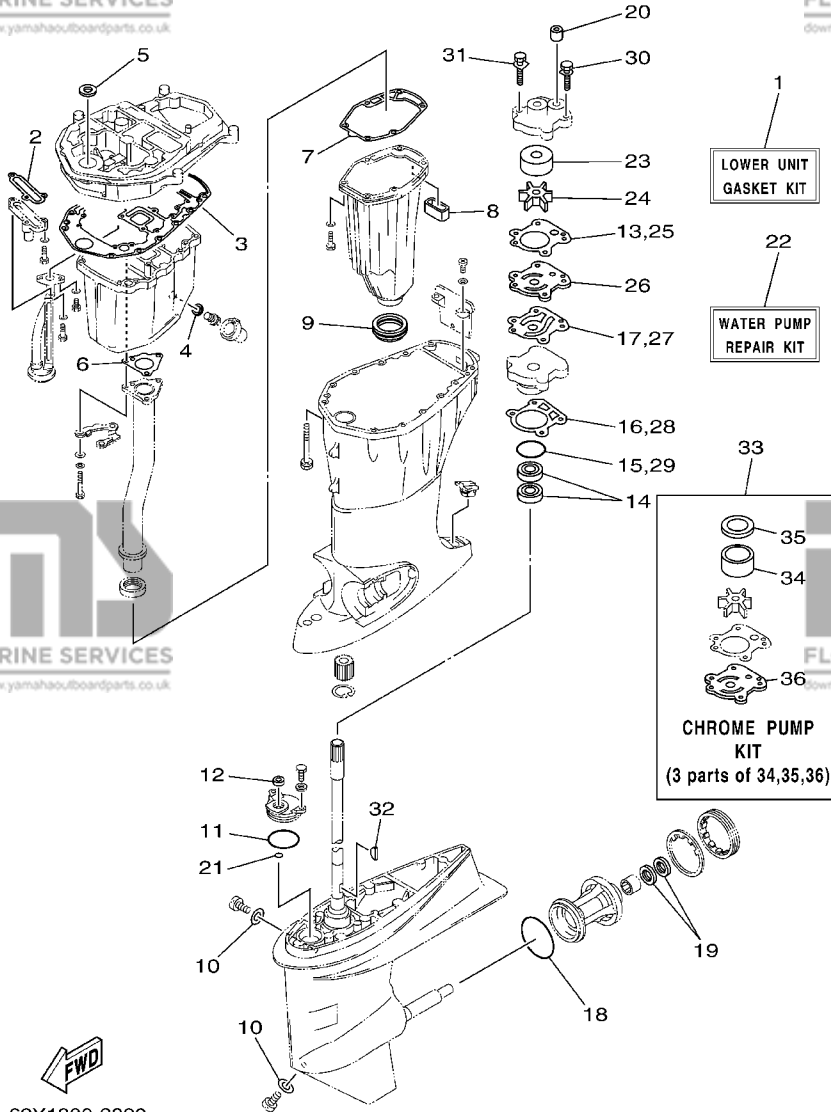


62Y1300-2390

FIG. 35 REPAIR KIT 4 (FT50C)

KITS DE PEPARATION 4 (FT50C)

REF. NO.	PART NO. NO. PIECES	DESCRIPTION DESCRIPTION	50ED	50ET	FT50	REMARKS REMARQUES
28	688-44316-A0	.GASKET, WATER PUMP .JOINT, POMPE A EAU			1	
29	93210-46044	.O-RING .JOINT TORIQUE			1	
30	90119-08M14	.BOLT, WITH WASHER .BOULON, AVEC RONDELLE			2	
31	90119-08M33	.BOLT, WITH WASHER .BOULON, AVEC RONDELLE			2	
32	90280-03M03	.KEY, WOODRUFF .CLAVETTE, DEMI-LUNE			1	
33	6H3-W0078-0A	CHROME PUMP KIT KIT DE POMPE A EAU CHROMEE			1	
34	670-44322-01	.INSERT, CARTRIDGE .CUVETTE			1	
35	670-44321-00	.INNER PLATE, CARTRIDGE .CUVETTE			1	
36	6H3-44323-40	.OUTER PLATE, CARTRIDGE .PLAQUE EXTERIEURE			1	



**FWD**  
62Y1300-2390

**D2**

PART NO. NO. PIECES	REF. NO.
62Y-W0001-10	32 - 1
62Y-W0001-22	34 - 1
64J-W0001-2B	35 - 1
62Y-W0070-10	1 - 12
6H3-W0078-0A	35 - 33
6H3-W0078-02	35 - 22
63D-W0078-0A	34 - 31
63D-W0078-01	34 - 21
64J-W009A-01-1S	4 - 1
60A-W009B-00-1S	2 - 1
64J-W009B-02-1S	2 - 1
62Y-W0093-10	33 - 1
63D-W4434-00	23 - 30
62Y-11111-20-1S	4 - 2
64J-11111-00-1S	4 - 2
68T-11112-00	21 - 25
62Y-11119-00	4 - 28
62Y-11133-30	4 - 3
62Y-11168-00	4 - 23
62Y-11181-00	4 - 17
62Y-11191-01-1S	32 - 7
62Y-11325-00	4 - 26
62Y-11325-00	2 - 21
62Y-11325-00	4 - 5
62Y-11325-00	21 - 26
66M-11327-00-94	2 - 28
62Y-11327-00	4 - 7
62Y-11327-00	21 - 28
66M-11328-00	2 - 27
62Y-11328-00	4 - 6
62Y-11328-00	21 - 27
67C-11351-00	2 - 10
62Y-11356-00	32 - 3
62Y-11356-00	4 - 26
62Y-11372-01	32 - 8
69W-11411-00	2 - 23
62Y-11416-30	3 - 3
62Y-11416-40	3 - 4
62Y-11416-50	3 - 4
62Y-11416-60	3 - 4
62Y-11536-10	8 - 13
62Y-11537-10	8 - 3
6H4-11545-00	10 - 17
62Y-11557-00	8 - 14
62Y-11575-00	22 - 1
62Y-11590-10	8 - 8
64J-11603-00	3 - 9

PART NO. NO. PIECES	REF. NO.
64J-11604-00	3 - 9
64J-11605-00	3 - 9
62Y-11631-10-96	3 - 8
62Y-11633-00	3 - 10
62Y-11635-10	3 - 8
62Y-11636-10	3 - 8
62Y-11650-10	3 - 5
62Y-11654-00	3 - 6
62Y-11656-30	3 - 7
62Y-11656-40	3 - 7
62Y-11656-50	3 - 7
62Y-11656-60	3 - 7
62Y-12111-00	5 - 1
64J-12111-00	5 - 1
51Y-12114-00	5 - 4
62Y-12116-00	5 - 3
30X-12117-00	5 - 5
30X-12118-00	5 - 6
51Y-12119-00	5 - 7
62Y-12121-00	5 - 2
64J-12121-00	5 - 2
62Y-12138-60	4 - 33
62Y-12146-00	5 - 8
62Y-12151-00	5 - 9
62Y-12158-00	5 - 11
64J-12159-00	5 - 10
62Y-12171-00	8 - 2
62Y-12216-00	5 - 14
62Y-12231-00	5 - 15
62Y-12238-00	5 - 12
64J-12238-00	5 - 12
62Y-12279-00	5 - 13
64J-12279-00	5 - 13
6G8-12411-02	2 - 11
6H3-12413-00-1S	2 - 12
62Y-12414-00	2 - 13
62Y-12414-00	32 - 4
6H1-12535-00	14 - 39
66M-12535-00	2 - 29
62Y-12535-00	4 - 8
62Y-12535-00	21 - 29
68T-12572-00	14 - 38
6R3-12580-00	14 - 43
62Y-13131-01	9 - 23
69W-13300-00	8 - 17
62Y-13411-00	22 - 5
67F-13434-02	1 - 17
62Y-13437-61	10 - 20

PART NO. NO. PIECES	REF. NO.	PART NO. NO. PIECES	REF. NO.
5GH-13440-00	2 - 20	62Y-14392-00	7 - 12
62Y-13444-50	14 - 46	62Y-14392-00	33 - 5
62Y-13448-00	6 - 43	2T4-14397-00	7 - 23
62Y-13475-00	22 - 2	62Y-14397-00	33 - 10
	34 - 2	652-14397-00	7 - 25
	35 - 2	62Y-14398-30	33 - 11
62Y-13586-30	6 - 3	62Y-14398-30	7 - 29
62Y-14157-30	7 - 14	62Y-14399-30	33 - 12
62Y-14212-00	7 - 26		7 - 15
62Y-14227-00	7 - 34		33 - 7
62Y-14243-00	7 - 32	62Y-14440-00	6 - 4
62Y-14271-00	6 - 34	62Y-14485-00	4 - 22
62Y-14291-30	6 - 25	62Y-14567-30	7 - 30
62Y-14321-00	7 - 13	62Y-14567-40	7 - 30
62Y-14323-30	7 - 20	64J-14585-00	6 - 15
	33 - 9	62Y-14711-00-5B	21 - 9
	9 - 27	64J-14711-00-5B	21 - 9
6A0-14325-00	6 - 2	62Y-14901-30	7 - 1
650-14327-01	7 - 21	62Y-14902-30	7 - 2
62Y-14334-00	7 - 16	62Y-14903-30	7 - 3
64J-14342-20	7 - 18	62Y-14904-31	7 - 4
62Y-14343-57	7 - 17	62Y-15100-20-1S	2 - 2
62Y-14343-58	7 - 17	64J-15100-00-1S	2 - 2
62Y-14343-62	7 - 17	62Y-1531A-00	6 - 45
62Y-14343-63	7 - 17	62Y-15311-02-5B	22 - 9
64J-14349-11	6 - 18	64J-15311-01-5B	22 - 9
64J-14349-21	6 - 19	69W-15312-00	22 - 10
64J-14349-31	6 - 20		34 - 3
64J-14349-40	6 - 29	62Y-15316-00	22 - 12
64J-14349-50	6 - 30	62Y-1532B-00	6 - 26
62Y-14355-30	7 - 19	62Y-15362-00	22 - 17
	33 - 8	6G8-15363-00	4 - 31
	6 - 1	62Y-15373-10	6 - 46
62Y-14369-30	6 - 1	1UF-22434-00	19 - 17
62Y-14380-10	7 - 31	62Y-22434-00	19 - 50
62Y-14380-20	7 - 31	62Y-22471-00	19 - 11
62Y-14381-30	7 - 5	62Y-24135-00	6 - 33
62Y-14381-40	7 - 6	6YK-24201-01	27 - 1
62Y-14381-50	7 - 7	6YK-24260-01	27 - 5
62Y-14381-61	7 - 8	6YL-24268-01	27 - 2
62Y-14383-30	7 - 24	6G1-24304-02	9 - 1
62Y-14384-30	7 - 9	6YL-24306-52	27 - 8
	33 - 2	62Y-24311-30	7 - 28
6L2-14385-00	7 - 10	62Y-24312-00	6 - 7
	33 - 3	62Y-24312-10	2 - 34
6E5-14386-01	7 - 11	62Y-24313-30	6 - 8
	33 - 4	62Y-24313-40	6 - 9

PART NO. NO. PIECES	REF. NO.
62Y-24313-50	6 - 10
62Y-24313-61	6 - 11
62Y-24313-70	6 - 12
62Y-24313-90	7 - 35
69W-24313-80	6 - 14
62Y-24314-00	6 - 31
6YL-24329-00	27 - 7
61N-24329-00	14 - 29
62Y-24374-01	9 - 31
62Y-24378-00	6 - 23
	6 - 32
688-24378-00	2 - 17
62Y-24410-03	9 - 18
62Y-24411-02	9 - 21
62Y-24413-01	9 - 19
62Y-24421-01	9 - 20
62Y-24422-00	9 - 32
62Y-24423-00	9 - 22
62Y-24444-01	9 - 25
62Y-24452-00	9 - 29
62Y-24454-00	9 - 24
68V-24469-00	9 - 10
62Y-24471-00	9 - 26
61N-24521-00	9 - 8
68V-24521-00	9 - 8
61N-24560-00	9 - 6
64J-24560-00	9 - 6
61N-24563-00	9 - 7
68V-24563-00	9 - 7
62Y-24566-00	9 - 11
6YK-24610-00	27 - 3
6YL-24641-00	27 - 4
6G8-26363-00	15 - 33
62Y-28100-00	9 - 37
6A1-28176-00	14 - 47
62Y-28199-7C-A0	9 - 38
62Y-28199-7C-B0	9 - 38
62Y-28199-8C-A0	9 - 39
62Y-28199-8C-B0	9 - 39
62Y-41113-20-1S	2 - 22
62Y-41114-00	2 - 24
	32 - 5
64J-41116-00	21 - 5
64J-41131-10-94	21 - 3
67C-41131-00-5B	21 - 3
64J-41133-10	21 - 4
	35 - 6
67C-41133-00	21 - 4

PART NO. NO. PIECES	REF. NO.
67C-41133-00	34 - 6
62Y-41134-01	21 - 12
	34 - 7
	35 - 7
62Y-41137-11-94	21 - 1
64J-41137-01-94	21 - 1
6F5-41237-00	15 - 20
662-41237-01	15 - 22
62Y-41241-00	15 - 21
62Y-41262-30	6 - 13
62Y-42154-00	15 - 24
62Y-42159-01	15 - 36
62Y-42171-00	15 - 25
62Y-42335-20	15 - 30
63D-42510-10-4D	18 - 1
624-42542-00	12 - 35
62Y-42610-30-4D	1 - 1
64J-42610-10-4D	1 - 1
62Y-42613-00-4D	1 - 2
62Y-42615-10	1 - 15
61N-42628-00	1 - 16
62Y-42651-00	1 - 8
62Y-42652-00	1 - 4
62Y-42677-30	1 - 10
62Y-42678-30	1 - 11
64J-42678-10	1 - 11
62Y-42681-10	1 - 13
62Y-42682-10	1 - 14
62Y-42711-04-4D	14 - 1
62Y-42711-14-4D	14 - 1
62Y-42715-01	15 - 8
62Y-42716-00	14 - 7
65W-42717-00	14 - 2
6E5-42724-00	14 - 8
65W-42724-10	14 - 31
62Y-42725-00	14 - 17
62Y-42725-30	14 - 17
6H1-42726-20	14 - 31
6H3-42727-00	14 - 30
62Y-42727-00	14 - 18
62Y-42738-01-5B	14 - 16
62Y-42741-00-4D	14 - 21
62Y-42748-00	14 - 37
62Y-42815-00	14 - 10
62Y-42828-00-4D	14 - 9
62Y-43111-00-4D	16 - 1
	17 - 1
62Y-43112-00-4D	16 - 2

PART NO. NO. PIECES	REF. NO.
62Y-43112-00-4D	17 - 2
6E5-43126-02	17 - 32
69D-43126-00	16 - 37
63D-43131-01	16 - 11
	17 - 11
6G5-43144-00	16 - 25
	17 - 25
6E5-43145-01	28 - 9
6G5-43145-01	16 - 15
	17 - 15
6G5-43148-00	16 - 21
	17 - 21
688-43160-01	16 - 26
	17 - 26
688-43165-00	16 - 27
	17 - 27
62Y-43170-10-4D	16 - 30
6H5-43181-03	16 - 16
	17 - 16
6H5-43185-03	16 - 17
	17 - 17
63D-43311-13-4D	16 - 9
	17 - 9
682-43318-01	16 - 35
69D-43631-00	16 - 34
63D-43691-00	16 - 33
69W-4380F-00	20 - 9
62X-4380H-00	20 - 14
62Y-4380K-01	19 - 2
62Y-43800-01-4D	19 - 1
62X-43804-01	20 - 4
62Y-43805-00	20 - 3
62X-43807-00	20 - 8
69W-4381B-00	19 - 13
62X-43810-01	19 - 3
6H1-43816-00	19 - 54
62Y-43816-00	19 - 41
62Y-43818-00	16 - 41
	17 - 36
62Y-4382A-00	19 - 39
62Y-4382L-00	19 - 42
6H1-43829-00	19 - 61
62Y-43830-01	19 - 21
6H1-43831-10	19 - 19
6H1-4384F-10	19 - 33
69A-4384F-00	19 - 24
6H1-4384G-11	19 - 31
69W-4384G-00	19 - 46

PART NO. NO. PIECES	REF. NO.
62X-4384H-00	19 - 16
69J-4384M-00	19 - 23
69J-43841-00	19 - 22
6H1-43844-10	19 - 35
62Y-43845-00	19 - 59
69J-43853-00	19 - 29
62Y-43854-00	19 - 47
62Y-43855-00	19 - 32
6H1-43856-10	19 - 34
65W-4386A-00	19 - 28
62X-4386K-00	20 - 10
62X-43861-00	19 - 4
62X-43862-00	19 - 5
62X-43865-00	19 - 62
62Y-4387G-00	19 - 52
62Y-4387J-00	19 - 49
62X-43871-00	19 - 7
62Y-43871-00	19 - 51
6H1-43875-00	19 - 58
62X-43875-00	19 - 18
67F-43875-00	19 - 12
62X-4388A-00	19 - 10
62Y-43880-01	20 - 2
62Y-43881-00	20 - 13
6H1-43883-00	19 - 25
62X-43888-00	20 - 1
69J-4389J-00	19 - 30
62Y-43891-00	19 - 55
62Y-43892-00	20 - 6
69J-43893-00	19 - 53
69J-43894-00	19 - 48
62X-43899-00	19 - 14
69W-43899-00	19 - 63
62Y-44112-00	15 - 10
62Y-44116-01	15 - 31
62Y-44117-01-4D	15 - 2
62Y-44118-00	15 - 9
62Y-44120-01	15 - 7
69W-44121-00	15 - 1
688-44122-00	15 - 18
62Y-44135-00	15 - 27
63D-44144-00	23 - 52
64J-44150-00	25 - 64
62Y-44151-00	23 - 51
6H3-44311-00	25 - 21
63D-44311-00	23 - 21
63D-44312-00	24 - 19

NUMERICAL INDEX  
INDEX NUMERIQUE

PART NO. NO. PIECES	REF. NO.	PART NO. NO. PIECES	REF. NO.
63D-44312-00	34 - 24	663-44575-00	18 - 16
6H3-44315-A0	25 - 23	62Y-45111-21-4D	21 - 16
	35 - 13	663-45123-00	21 - 14
	35 - 25		34 - 9
63D-44316-00	23 - 27		35 - 9
	34 - 14	62Y-45127-00	21 - 13
	34 - 27		34 - 8
688-44316-A0	25 - 30		35 - 8
	35 - 16	62Y-45151-00	21 - 19
	35 - 28	6H3-45155-00	21 - 22
670-44321-00	35 - 35	6H1-45214-00	26 - 12
63D-44322-00	23 - 22	63D-45214-00	23 - 10
	34 - 22	6H1-45215-00	26 - 13
63D-44322-40	34 - 32	63D-45215-00	23 - 11
663-44322-00	25 - 22	65W-45251-00	16 - 5
	35 - 23		16 - 7
670-44322-01	35 - 34		17 - 5
6H3-44323-00	25 - 31		17 - 7
	35 - 26		17 - 30
6H3-44323-40	35 - 36	663-45251-00	16 - 31
63D-44323-00	23 - 26	67C-45251-00	24 - 15
	34 - 25	62Y-45300-30-4D	23 - 1
63D-44323-40	34 - 33	64J-45300-30-4D	25 - 1
6H3-44324-A0	25 - 32	62Y-45301-00-4D	23 - 2
	35 - 17	67F-45301-00-4D	25 - 2
	35 - 27	69W-45318-00	21 - 23
6H3-44341-00-94	25 - 27	63D-45321-00	23 - 14
63D-44341-00	23 - 31	688-45321-00	25 - 12
6H3-44352-00	23 - 23	67F-45331-00-94	25 - 55
	25 - 25	688-45341-10	23 - 9
	34 - 23		25 - 10
	35 - 24	63D-45344-00	23 - 34
62Y-44361-00	24 - 1	63D-45361-02-4D	23 - 43
	26 - 1	67C-45371-00	24 - 12
663-44366-00	24 - 18	67F-45371-00	26 - 16
	25 - 24	63D-45375-00	24 - 6
	34 - 29	688-45375-00	26 - 11
	35 - 20	663-45376-00-94	24 - 5
663-44367-00	24 - 2		26 - 10
	26 - 2	6E5-45378-00	23 - 17
6H3-44391-01	14 - 3		25 - 17
62Y-44514-10-4D	18 - 26	688-45383-02	25 - 62
67C-44514-00-4D	18 - 26	688-45384-02	25 - 63
66T-44526-30	18 - 28	62Y-45501-30	23 - 36
663-44551-02-4D	18 - 9	64J-45501-30	25 - 36
663-44552-01-94	18 - 18	6H4-45536-00	23 - 4
62Y-44553-01-4D	18 - 23	688-45536-01	25 - 4
62Y-44555-00-94	18 - 11	6H4-45551-01	23 - 37

PART NO. NO. PIECES	REF. NO.
64J-45551-00	25 - 37
6H4-45560-01	23 - 39
64J-45560-00	25 - 39
663-45567-01-10	23 - 41
663-45567-01-12	23 - 41
663-45567-01-15	23 - 41
663-45567-01-18	23 - 41
663-45567-01-30	23 - 41
663-45567-01-40	23 - 41
663-45567-01-50	23 - 41
688-45567-01-10	25 - 7
688-45567-01-12	25 - 7
688-45567-01-15	25 - 7
688-45567-01-18	25 - 7
688-45567-01-30	25 - 7
688-45567-01-40	25 - 7
688-45567-01-50	25 - 7
62Y-45571-00	23 - 42
67F-45571-00	25 - 54
67F-45576-00	25 - 57
63D-45577-00-10	23 - 46
63D-45577-00-12	23 - 46
63D-45577-00-15	23 - 46
63D-45577-00-18	23 - 46
63D-45577-00-30	23 - 46
63D-45577-00-40	23 - 46
63D-45577-00-50	23 - 46
663-45587-01-10	23 - 5
663-45587-01-12	23 - 5
663-45587-01-15	23 - 5
663-45587-01-18	23 - 5
663-45587-01-30	23 - 5
663-45587-01-40	23 - 5
663-45587-01-50	23 - 5
688-45587-01-10	25 - 5
688-45587-01-12	25 - 5
688-45587-01-15	25 - 5
688-45587-01-18	25 - 5
688-45587-01-30	25 - 5
688-45587-01-50	25 - 5
63D-45611-00	23 - 55
67F-45611-00	25 - 41
62Y-45631-00	23 - 57
67F-45631-00	25 - 42
67C-45633-00	23 - 62
688-45633-00	25 - 51
663-45634-00	23 - 58

PART NO. NO. PIECES	REF. NO.
67F-45634-00	25 - 43
6H1-45635-00	25 - 45
63D-45635-00	23 - 60
6H1-45668-00	25 - 44
663-45930-00-98	24 - 25
6E5-45941-00-EL	26 - 23
663-45941-01-EL	24 - 25
6E5-45943-00-EL	26 - 23
6H5-45943-00-EL	24 - 25
6E5-45945-01-EL	26 - 23
6H5-45945-00-EL	24 - 25
69W-45945-00-EL	24 - 25
6E5-45947-00-EL	26 - 23
69W-45947-00-EL	24 - 25
6E5-45949-00-EL	26 - 23
663-45949-01-EL	24 - 25
6E5-45952-00-EL	26 - 23
6H5-45952-00-EL	24 - 25
663-45952-02-EL	24 - 25
6E5-45954-00-EL	26 - 23
6E5-45956-00-EL	26 - 23
663-45956-01-EL	24 - 25
6H5-45958-00-EL	24 - 25
663-45958-01-EL	24 - 25
663-45970-60-98	24 - 25
697-45970-00-98	24 - 25
663-45972-60-98	24 - 25
663-45974-02-98	24 - 25
663-45974-60-98	24 - 25
663-45976-00-98	24 - 25
663-45978-00-98	24 - 25
663-45987-02	24 - 20
688-45987-01	26 - 18
66T-45997-00	24 - 21
67F-45997-00	26 - 19
64J-46132-10	21 - 34
62Y-46241-00	8 - 7
703-48152-00	30 - 57
703-48153-00	30 - 3
703-48189-00	30 - 17
703-48198-00	30 - 14
703-48207-17	29 - 1
	30 - 1
703-48211-01	30 - 61
703-48212-00	30 - 58
703-48213-00	30 - 59
703-48215-00	30 - 43
703-48219-00	30 - 30



NUMERICAL INDEX  
INDEX NUMERIQUE

PART NO. NO. PIECES	REF. NO.
703-48221-00	30 - 56
703-48222-00	30 - 27
703-48223-00	30 - 28
703-48225-00	30 - 29
703-48226-00	30 - 26
703-48227-00	30 - 24
703-48232-00	30 - 62
703-48234-00	30 - 18
703-48235-00	30 - 4
703-48236-00	30 - 16
703-48238-00	30 - 22
703-48243-00	30 - 15
703-48244-00	30 - 21
703-48245-00	30 - 11
703-48246-00	30 - 23
701-48248-00	30 - 13
703-48252-00	30 - 12
703-48261-01	30 - 2
703-48264-00	30 - 6
703-48265-00	30 - 9
703-48268-00	30 - 5
703-48271-00	30 - 60
703-48281-00	30 - 31
703-48282-00	30 - 32
703-48284-10	30 - 52
701-48287-00	30 - 42
703-48291-10	30 - 39
703-48293-10	30 - 41
701-48310-90	29 - 2
701-48320-00	29 - 2
701-48320-20	29 - 2
701-48320-50	29 - 2
703-48345-01	30 - 19
703-48358-00	30 - 20
63D-48511-00-4D	18 - 42
62Y-48538-00	15 - 35
63D-61350-00	28 - 1
63D-61351-00	28 - 2
64J-77123-00	21 - 15
62Y-81337-11	10 - 13
6K7-81338-01	10 - 14
69W-81800-00	13 - 1
6N7-81801-00	13 - 8
69W-81807-00	13 - 11
61A-81809-00	13 - 3
6N7-81810-00	13 - 5
6N7-81813-00	13 - 9
6E5-8182A-10	13 - 17

PART NO. NO. PIECES	REF. NO.
6E5-8182E-10	13 - 15
6E5-8182F-10	13 - 16
6K7-8182G-10	13 - 6
6E5-8182K-10	13 - 18
6N7-81820-00	13 - 10
62Y-81822-01-94	11 - 9
61A-81824-00	13 - 4
6K7-81826-10	13 - 14
6N7-81830-00	13 - 13
6N7-81840-00	13 - 7
6N7-81850-10	13 - 2
6N7-81857-00	13 - 12
6G1-81941-10	12 - 5
6L2-81945-00	12 - 7
62Y-81948-00	12 - 33
6H2-81949-01	12 - 28
61A-81949-00	12 - 29
6H1-81950-00	12 - 24
6G1-81952-00	12 - 6
64J-81960-10	12 - 10
62Y-82105-00	12 - 16
6E5-82117-01	12 - 17
682-82119-01	12 - 30
703-82119-00	12 - 21
697-82127-01	18 - 37
697-82127-01	18 - 25
63D-82148-00	16 - 3
1E6-82151-00	31 - 7
663-82151-00	12 - 20
6G5-82152-00	12 - 18
62Y-82181-01	20 - 7
6A0-82317-00	12 - 34
663-82317-01	10 - 15
6G8-82370-30	11 - 8
62Y-82377-00	14 - 45
64J-82504-00	11 - 12
62Y-82509-00	6 - 27
703-82510-43	30 - 44
703-82531-00	30 - 46
703-82540-00	30 - 50
62Y-82544-00	6 - 28
68F-82553-70	31 - 8
682-82556-00	30 - 48
62Y-82560-01	11 - 13
63D-82563-10	12 - 38
703-82563-12	30 - 55
6E3-8257H-00	14 - 48

PART NO. NO. PIECES	REF. NO.
688-82575-01	30 - 47
703-82577-00	30 - 45
688-8258A-20	30 - 49
6E5-82587-00	12 - 39
6E9-82588-00	11 - 14
64J-82590-20	12 - 19
64J-82590-30	12 - 19
703-82591-00	30 - 53
703-82592-00	30 - 54
688-82594-00	12 - 22
703-82594-00	30 - 25
703-82594-A0	30 - 51
6Y5-8350T-02	31 - 1
6Y5-83553-00	31 - 6
6E5-83558-00	18 - 35
6E5-83558-10	23 - 19
62Y-83614-00	12 - 40
6A1-83625-41	10 - 21
6A1-83625-51	10 - 22
62Y-83626-00	11 - 22
63D-83672-01	18 - 36
64J-85510-00	10 - 2
64J-85540-01	12 - 1
64J-85540-11	12 - 1
69W-85550-10	10 - 1
62Y-85561-00-94	10 - 3
62Y-85570-00	11 - 1
62Y-85580-00	10 - 5
62Y-85599-00	11 - 17
9E450-04433	31 - 2
9E450-04533	31 - 3
90101-06020	16 - 6
90101-08M15	16 - 8
90101-09M01	17 - 6
90101-12M65	17 - 8
90105-08M61	17 - 31
90105-10M67	18 - 27
90109-06M30	28 - 7
90109-06M64	16 - 46
90109-06M65	17 - 41
90109-06M80	23 - 44
90109-08M63	26 - 17
90109-08M15	15 - 32
90109-09M01	8 - 12
90109-06M64	4 - 15
90109-06M80	14 - 26
90109-08M63	5 - 16

PART NO. NO. PIECES	REF. NO.
90109-12261	18 - 15
90116-08M14	11 - 19
90116-10175	18 - 7
90119-06MA3	4 - 20
90119-06MA5	2 - 25
90119-06M08	14 - 6
90119-06025	8 - 21
90119-08M01	2 - 4
90119-08M14	25 - 35
90119-08M15	35 - 30
90119-08M15	33 - 29
90119-08M76	13 - 21
90119-08M77	13 - 22
90119-08M79	21 - 17
90119-08M82	21 - 18
90119-08M84	24 - 11
90119-09M00	26 - 9
90142-05M06	4 - 19
90151-05M00	23 - 12
90152-06M01	26 - 14
90157-05M16	16 - 32
90159-06M08	27 - 6
90167-06002	11 - 18
90170-09M03	14 - 40
90170-12138	28 - 5
90170-16M01	23 - 38
90170-20137	25 - 38
90170-35M32	10 - 18
90171-16011	8 - 15
90179-06M24	24 - 23
90179-06066	26 - 21
90183-02M03	1 - 3
90185-05002	18 - 22
90185-08045	25 - 49
90185-09M01	26 - 15
90185-10051	18 - 29
90185-22M11	28 - 4
90201-03313	18 - 8
90201-06015	16 - 14
90201-08M04	17 - 14
90201-083J8	25 - 47
90201-083J8	21 - 8
90201-083J8	16 - 43
90201-083J8	17 - 38
90201-083J8	20 - 16

PART NO. NO. PIECES	REF. NO.
90201-10M06	8 - 5
90201-10M20	15 - 15
90201-10M63	28 - 3
90201-12M16	28 - 8
90201-12426	12 - 36
90201-13M19	18 - 12
90201-21M18	16 - 48
90201-22M03	17 - 43
90201-22429	18 - 14
90201-25M05	10 - 19
90201-27M00	16 - 13
90201-30M00	17 - 13
90202-07M07	23 - 56
90202-12060	25 - 65
90202-21100	23 - 35
90240-05M19	18 - 2
90249-05M30	15 - 19
90249-06M19	24 - 3
90249-07M29	26 - 3
90250-06023	18 - 13
90250-07M02	14 - 13
90266-06M02	14 - 11
90280-03M03	16 - 22
90280-03024	17 - 22
90280-04M06	8 - 10
90282-04010	23 - 61
90338-04M17	25 - 50
90338-05M03	1 - 9
90340-08002	25 - 26
90340-14M06	35 - 32
90344-51003	23 - 25
90386-05002	34 - 30
90386-10M16	8 - 16
90386-10025	32 - 17
90386-18M35	25 - 61

PART NO. NO. PIECES	REF. NO.
90386-18M92	17 - 33
90386-22M15	16 - 12
90386-30M60	17 - 12
90386-30M77	18 - 6
90386-30M78	18 - 4
90386-90M90	18 - 3
90387-06M15	15 - 14
90387-06M43	6 - 37
90387-06M45	14 - 28
90387-06M70	15 - 28
90387-06060	16 - 6
90387-10M42	14 - 5
90387-16003	28 - 6
90387-16003	16 - 38
90387-16004	16 - 39
90387-18002	16 - 44
90387-18003	17 - 39
90389-22M01	16 - 45
90389-25M00	17 - 40
90401-20M00	24 - 22
90430-06014	26 - 20
90430-08020	2 - 21
90430-12072	4 - 14
90430-14M09	4 - 16
90430-14115	32 - 6
90445-07MF1	23 - 8
90445-07M31	25 - 11
90445-09068	34 - 10
90445-09095	35 - 10
90445-09105	24 - 4
90445-10M48	26 - 4
90445-10020	22 - 14
90445-14M41	34 - 4
90446-17M91	35 - 4
90464-07M41	2 - 9
90464-09M43	6 - 35

NUMERICAL INDEX  
INDEX NUMERIQUE

PART NO. NO. PIECES	REF. NO.
90464-15M11	12 - 31
90465-06M86	18 - 32
90465-06M90	11 - 2
90465-11M10	2 - 19
	2 - 35
	6 - 21
	6 - 44
	18 - 33
	18 - 40
	23 - 20
	25 - 20
90465-13M11	12 - 27
90465-13M18	18 - 39
90465-13M24	12 - 23
	12 - 32
90465-13M36	6 - 22
90465-13M97	10 - 9
90467-08M18	2 - 15
90467-09M17	9 - 5
	9 - 16
90467-10M04	9 - 17
	9 - 36
90468-18008	15 - 17
	15 - 34
90480-09M12	14 - 4
90480-12072	10 - 16
90480-13M24	14 - 27
90480-25161	11 - 4
90501-12M48	25 - 46
90501-12082	15 - 12
90501-14M08	18 - 21
90501-18001	23 - 59
90502-16M02	16 - 29
	17 - 29
90506-14M24	16 - 23
	17 - 23
90508-20018	8 - 9
91318-05008	19 - 44
91318-05020	19 - 43
91318-06040	19 - 56
91490-16010	14 - 12
	14 - 15
	15 - 26
91490-20015	15 - 16
91490-30025	24 - 24
91490-40025	26 - 22
91690-30012	16 - 28
	17 - 28

PART NO. NO. PIECES	REF. NO.
91690-30020	16 - 20
	17 - 20
92A08-03110	19 - 37
92903-06600	2 - 6
	21 - 33
	22 - 4
	22 - 7
92907-04600	4 - 25
92990-04100	31 - 4
92990-05100	10 - 7
92990-05600	10 - 8
	21 - 21
92990-06100	14 - 24
	14 - 33
92990-06600	10 - 11
	14 - 25
	14 - 34
92990-08100	11 - 21
92990-08600	30 - 34
92995-05600	1 - 6
	2 - 31
	4 - 10
	21 - 31
92995-06100	11 - 6
	12 - 3
	12 - 12
92995-06600	2 - 33
	4 - 12
	4 - 30
	6 - 39
	6 - 41
	6 - 48
	9 - 3
	9 - 35
	11 - 7
	11 - 16
	12 - 4
	12 - 9
	12 - 13
	12 - 15
	12 - 26
	14 - 20
	14 - 42
	15 - 4
	15 - 6
	21 - 7
	21 - 11
	22 - 16

PART NO. NO. PIECES	REF. NO.
92995-06600	25 - 16
92995-08100	18 - 20
	18 - 31
	24 - 14
	24 - 17
92995-08600	9 - 13
	11 - 11
	13 - 20
92995-10100	24 - 9
	26 - 7
92995-10600	24 - 10
	26 - 8
92995-12200	16 - 47
	17 - 42
93101-22M00	23 - 50
	34 - 19
93101-23070	25 - 28
	35 - 14
93101-25M03	25 - 60
	35 - 19
93101-25M57	23 - 32
	34 - 15
93101-35002	3 - 2
	32 - 11
93102-08414	20 - 15
93102-37M40	8 - 1
	32 - 16
93102-43M42	3 - 1
	32 - 10
93103-18011	21 - 2
	34 - 5
	35 - 5
93106-09014	23 - 15
	25 - 14
	34 - 11
	35 - 12
93210-07003	23 - 53
	25 - 52
	34 - 20
	35 - 21
93210-09165	19 - 60
93210-12MG9	8 - 19
	32 - 19
93210-14515	8 - 20
	32 - 20
93210-16275	28 - 10
93210-18397	19 - 57
93210-24M79	4 - 32

PART NO. NO. PIECES	REF. NO.
93210-24M79	9 - 33
	32 - 9
	32 - 21
93210-29M94	18 - 5
93210-29375	17 - 6
	19 - 20
93210-30MH4	6 - 16
	32 - 14
	33 - 13
93210-32738	9 - 9
93210-33MG4	23 - 16
	34 - 12
93210-33MH2	8 - 18
	32 - 18
93210-35M86	6 - 17
	6 - 36
	32 - 12
	32 - 15
	33 - 14
93210-38MH3	6 - 24
	32 - 13
93210-44383	19 - 8
93210-46044	25 - 29
	35 - 15
	35 - 29
93210-48MG8	23 - 33
	34 - 16
93210-48214	19 - 9
93210-49046	25 - 13
	35 - 11
93210-52449	20 - 17
93210-59MG7	23 - 24
	34 - 13
	34 - 26
93210-69MG6	23 - 48
	34 - 18
93210-74MG5	23 - 47
	34 - 17
93210-86M39	25 - 58
	35 - 18
93306-001U1	23 - 45
93306-207U0	25 - 56
93315-32224	23 - 3
93315-325W4	25 - 3
93317-22204	23 - 49
93317-322V0	25 - 40
93317-325U0	25 - 59
93332-000UD	25 - 8

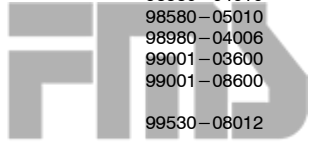
PART NO. NO. PIECES	REF. NO.
93332-000U3	25 - 6
93332-00001	23 - 6
93332-00003	23 - 40
93410-16006	16 - 40
93410-18M02	17 - 35
93410-28M06	18 - 10
93420-36M01	21 - 24
93430-06024	30 - 10
93450-09M01	4 - 4
93450-17129	3 - 11
93501-04M02	15 - 13
93501-08001	19 - 45
93503-16003	19 - 15
	25 - 48
93505-32038	19 - 27
	19 - 36
93604-08062	23 - 28
93604-10M03	25 - 33
93604-26256	19 - 40
93605-14143	8 - 4
93606-12019	2 - 3
	22 - 11
	24 - 7
	26 - 5
93608-12M05	22 - 8
93608-16M16	6 - 42
93700-06M03	16 - 10
	17 - 10
94701-00375	4 - 34
95023-06025	10 - 4
95307-03600	19 - 38
95380-03600	9 - 28
95380-04600	31 - 5
95380-05600	9 - 30
	23 - 13
	30 - 7
95380-05700	15 - 23
95380-06600	14 - 22
	30 - 40
95380-08600	9 - 14
	11 - 20
95380-12600	16 - 49
	17 - 44
95380-12800	18 - 17
95780-05300	1 - 7
95895-06025	12 - 37
95895-06035	15 - 29
95895-08020	8 - 11

PART NO. NO. PIECES	REF. NO.
95895-10040	8 - 6
97013-06016	22 - 6
97013-06020	21 - 32
97013-06025	22 - 3
97013-06035	2 - 5
97075-06025	21 - 10
	22 - 15
97075-06050	21 - 6
97075-08025	18 - 19
97075-08030	18 - 30
97075-10040	24 - 8
	26 - 6
97080-08016	16 - 42
	17 - 37
97095-05012	2 - 30
	4 - 9
	21 - 30
97095-05016	1 - 5
97095-06010	4 - 13
	16 - 24
	16 - 36
	17 - 24
97095-06012	11 - 15
	12 - 14
	12 - 41
97095-06014	12 - 8
97095-06016	6 - 47
	25 - 15
97095-06020	2 - 32
	4 - 11
	4 - 29
	12 - 2
	12 - 25
	14 - 19
	14 - 41
	15 - 3
	15 - 11
97095-06025	6 - 40
	9 - 2
	12 - 11
	15 - 5
97095-06030	6 - 38
	9 - 34
	11 - 5
97095-08014	9 - 12
97095-08016	13 - 19
97095-08025	24 - 13
97095-08035	11 - 10



FLOOD MARINE SERVICES  
downloaded from www.yamahaoutboardparts.co.uk

PART NO. NO. PIECES	REF. NO.
97095-08035	24 - 16
97380-05025	30 - 8
97380-08030	30 - 33
97595-06520	4 - 27
97595-06590	6 - 5
97607-04212	20 - 12
97880-05012	10 - 6
97880-05016	21 - 20
97880-05020	20 - 11
97880-06025	10 - 10
	14 - 23
	14 - 32
97885-06008	16 - 4
	17 - 4
97885-06016	18 - 24
	18 - 38
97890-04007	7 - 33
98507-04010	4 - 24
98580-03015	30 - 38
98580-04006	30 - 36
98580-04010	30 - 35
98580-05010	30 - 37
98980-04006	7 - 27
99001-03600	19 - 26
99001-08600	23 - 54
	25 - 53
99530-08012	4 - 18
	10 - 12



FLOOD MARINE SERVICES  
downloaded from www.yamahaoutboardparts.co.uk



FLOOD MARINE SERVICES  
downloaded from www.yamahaoutboardparts.co.uk

NUMERICAL INDEX  
INDEX NUMERIQUE

PART NO. NO. PIECES	REF. NO.	PART NO. NO. PIECES	REF. NO.
------------------------	-------------	------------------------	-------------



FLOOD MARINE SERVICES  
downloaded from www.yamahaoutboardparts.co.uk



FLOOD MARINE SERVICES  
downloaded from www.yamahaoutboardparts.co.uk

PART NO. NO. PIECES	REF. NO.
------------------------	-------------



FLOOD MARINE SERVICES  
downloaded from www.yamahaoutboardparts.co.uk



FLOOD MARINE SERVICES  
downloaded from www.yamahaoutboardparts.co.uk



FLOOD MARINE SERVICES  
downloaded from www.yamahaoutboardparts.co.uk

G5



FLOOD MARINE SERVICES  
downloaded from www.yamahaoutboardparts.co.uk

F50A/FT50C  
PARTS CATALOGUE  
©2002 by Yamaha Motor Co., Ltd.  
1st Edition, Jul. 2002  
All rights reserved.  
Any reprinting or unauthorized use  
without the written permission of  
Yamaha Motor Co., Ltd.  
is expressly prohibited.

F50A/FT50C  
CATALOGUE DE PIECES DETACHEES  
©2002 Yamaha Motor Co., Ltd.  
1ère Edition, Juil. 2002  
Tous droits réservés.  
Toute réimpression ou utilisation  
sans la permission écrite de la  
Yamaha Motor Co., Ltd.  
est formellement interdite.