

**PARTS
CATALOGUE
CATALOGUE
DE PIÈCES DÉTACHÉES**

**F30A '03(69H3)
F40B '03(67C2)**

2B69H-300F1

YAMAHA
GENUINE
Parts & Accessories

2014/7/18

| NEWS NO. | DATE | COMMENT |
|---------------|--------------|--|
| PE0-OM-020001 | Oct.,2,2002 | COR:FIG.5 VALVE LIST CORRECTION |
| PE0-OM-070029 | July,24,2007 | MOD:FIG.23 POWER TRIM & TILT ASSY LIST/ILLUSTRATION REVISION |
| PE0-OM-080001 | Jan.,31,2008 | COR:FIG.23 PTT(67C-43800-00-4D) P/No. CORRECTION |
| PE0-OM-110005 | Mar.,3,2011 | MOD:FIG.6 INTAKE LIST REVISION |
| PE0-OM-140007 | July,1,2014 | MOD:FIG.23 PTT(67C-43800-00-4D) LIST/ILLUSTRATION REVISION |

FOREWORD

This Parts Catalogue is related to the parts for the model(s) in the below frame. When you are ordering replacement parts, please refer to this Parts Catalogue and quote both part numbers and part names correctly.

F30A'03(69H3), F40B'03(67C2)

1. Modifications or additions which have been made after issue of the Parts Catalogue will be announced in the Yamaha Parts News.
It is advisable that you make necessary corrections to the Parts Catalogue according to the Yamaha Parts News.

2. Abbreviations

The Following abbreviations are used in this Parts Catalogue.

“UR” Use specified parts number.

“UN” Use as many as needed.

“AP” Alternate Parts

“LM” Local Made
(Parts need to be ordered locally)

“O/S” Over Size

3. Parts, which are to be supplied in an assembly, are listed with a dot(.) in front of the part name as shown below.

EXAMPLE
CARBURETOR ASSY

- .JET, PILOT
- .NOZZLE, MAIN

4. Number of component for assembly

The numeral appearing to the right of each component part indicates the quantity of parts for each assembly unit.

EXAMPLE

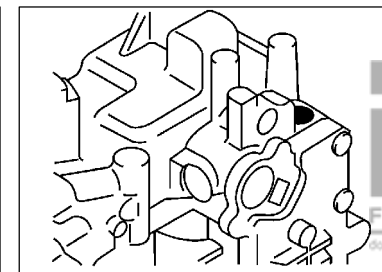
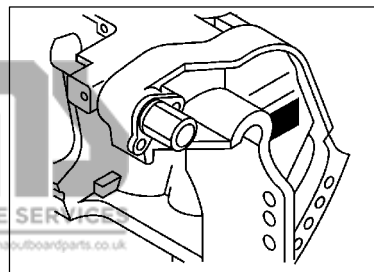
| PART NO. | DESCRIPTION | u | u | u | u | REMARKS |
|-----------------|---------------------|---|---|---|---|---------|
| 6E0-85500-70 | C.D.I. MAGNETO ASSY | 1 | | | | |
| 6E0-85550-70 | .ROTOR ASSY | 1 | | | | |
| 6E0-15723-00-94 | ..PULLY, STARTER | 1 | | | | |

5. Quantity Column Information

| NAME for Q'TY COLUMN | APPLICABLE MODEL |
|----------------------|------------------|
| MHD | F30AMHD, F40BMHD |
| ED | F40BED |
| ET | F30AET, F40BET |

6. Applicable Starting Serial No. and Color Code
1) Engine Starting Sserial No.

| | |
|---------------------------|---------------------------|
| F30AMHD S/L 69H : 1000001 | F40BMHD S/L 67C : 1000001 |
| F30AET S/L 69H : 1000001 | F40BED L 67C : 1000001 |
| | F40BET S/L 67C : 1000001 |



2) Color Code

| Color Code | Color Name | Abbreviation |
|------------|-----------------------------|--------------|
| 004D | DARK BLUISH GRAY METALLIC 2 | DBNM2 |

7. Note that the illustrations for reference in finding parts numbers, not to be used for assembling. When assembling, please use the applicable service manual.
8. The asterisk (*) before a reference number indicates modification items after the first edition.

SHEET 1/2

| | |
|------------------------------|----|
| TOP COWLING | A4 |
| CYLINDER. CRANKCASE 1 | A5 |
| CRANKSHAFT. PISTON | A6 |
| CYLINDER. CRANKCASE 2 | A7 |
| VALVE | B2 |
| INTAKE | B3 |
| CARBURETOR | B5 |
| OIL PUMP | C1 |
| FUEL | C2 |
| STARTER | C4 |
| GENERATOR | C6 |
| ELECTRICAL 1 | C7 |
| ELECTRICAL 2 | D1 |
| ELECTRICAL 3 | D3 |
| ELECTRICAL 4 | D4 |
| STARTING MOTOR | D5 |
| BOTTOM COWLING | D6 |
| STEERING | E2 |
| CONTROL | E5 |
| BRACKET 1 | E7 |
| BRACKET 2 | F2 |
| BRACKET 3 | F4 |
| POWER TRIM & TILT ASSY | F6 |

INDEX

| | |
|-----------------------|----|
| NUMERICAL INDEX | G1 |
|-----------------------|----|

CONTENTS

SHEET 2/2

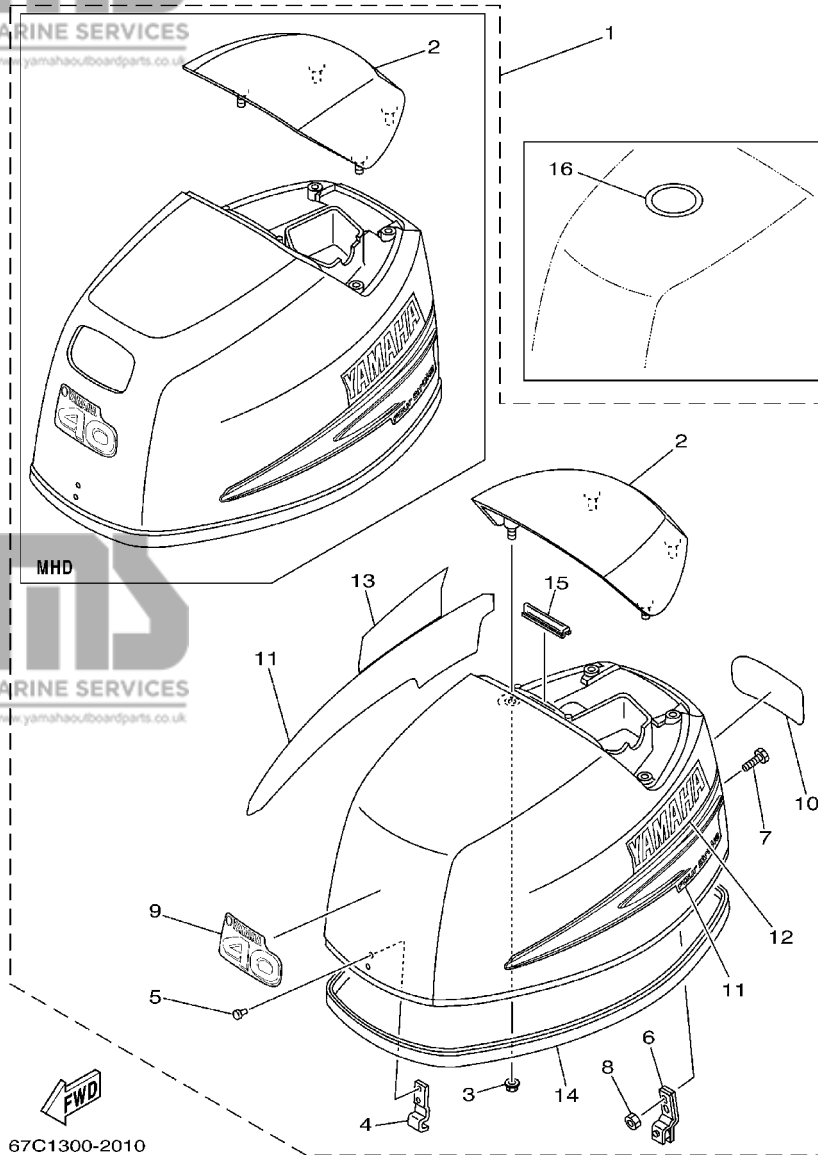
| | |
|------------------------------|-----|
| POWER TRIM & TILT ASSY | A4* |
| UPPER CASING | A5* |
| OIL PAN | A6* |
| LOWER CASING. DRIVE 1 | A7* |
| LOWER CASING. DRIVE 2 | B3* |
| FUEL TANK | B5* |
| STEERING GUIDE | B6* |
| REMOTE CONTROL BOX | B7* |
| REMOTE CONTROL ASSY | C1* |
| METER | C4* |
| REPAIR KIT 1 | C5* |
| REPAIR KIT 2 | C6* |
| REPAIR KIT 3 | C7* |

INDEX

| | |
|-----------------------|-----|
| NUMERICAL INDEX | G1* |
|-----------------------|-----|

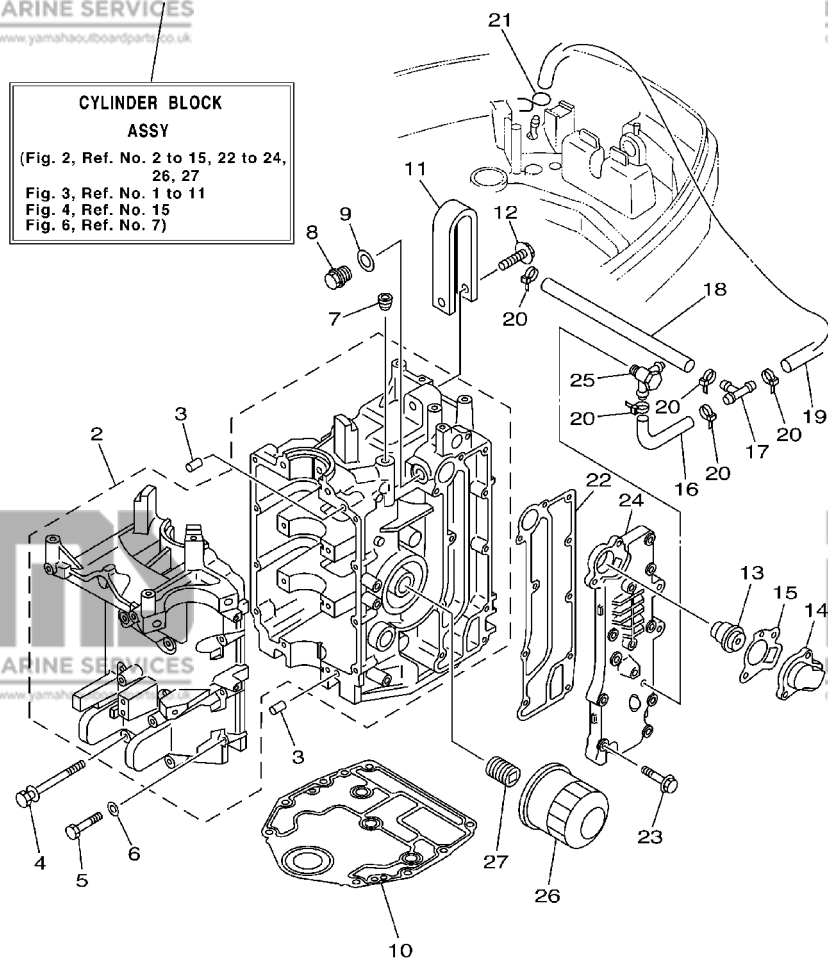
FIG. 1 TOP COWLING

CAPOT SUPERIEUR



| REF. NO. | PART NO. NO. PIECES | DESCRIPTION DESCRIPTION | MHD | ED | ET | REMARKS REMARQUES |
|----------|---------------------|-------------------------------------|-----|----|----|-------------------|
| 1 | 67C-42610-20-4D | TOP COWLING ASSY CAPOT (ENS.) | | 1 | 1 | F40B |
| | 67C-42610-30-4D | TOP COWLING ASSY CAPOT (ENS.) | 1 | | | F40B |
| | 69H-42610-20-4D | TOP COWLING ASSY CAPOT (ENS.) | | | 1 | F30A |
| | 69H-42610-30-4D | TOP COWLING ASSY CAPOT (ENS.) | 1 | | | F30A |
| 2 | 67C-42613-00-4D | .MOLDING, AIR DUCT .MANCHON A AIR | | 1 | 1 | |
| | 67C-42613-10-4D | .MOLDING, AIR DUCT .MANCHON A AIR | 1 | | | |
| 3 | 90179-06M24 | .NUT .ECROU | 4 | 4 | 4 | |
| 4 | 62Y-42651-00 | .HOOK .CROCHET | 1 | 1 | 1 | |
| 5 | 90266-06M02 | .RIVET .RIVET | 2 | 2 | 2 | |
| 6 | 67C-42652-00 | .HOOK .CROCHET | 1 | 1 | 1 | |
| 7 | 90109-06MA4 | .BOLT .BOULON | 2 | 2 | 2 | |
| 8 | 95380-06700 | .NUT .ECROU | 2 | 2 | 2 | |
| 9 | 67C-42677-00 | .GRAPHIC, FRONT .ADHESIF, AVANT | 1 | 1 | 1 | F40B |
| | 69H-42677-10 | .GRAPHIC, FRONT .ADHESIF, AVANT | 1 | | 1 | F30A |
| 10 | 67C-42678-00 | .GRAPHIC, REAR .ADHESIF, ARRIERE | 1 | 1 | 1 | F40B |
| | 69H-42678-10 | .GRAPHIC, REAR .ADHESIF, ARRIERE | 1 | | 1 | F30A |
| 11 | 67C-W0070-10 | .GRAPHIC SET .JEU DIEMBLEMES | 1 | 1 | 1 | |
| 12 | 67C-42681-10 | .MARK, COWLING .ADHESIF, CAPOT | 1 | 1 | 1 | |
| 13 | 67C-42682-10 | .MARK, COWLING .ADHESIF, CAPOT | 1 | 1 | 1 | |
| 14 | 67C-42615-00 | .SEAL .JOINT | 1 | 1 | 1 | |
| 15 | 61N-42628-00 | .SEAL .JOINT | 1 | 1 | 1 | |
| 16 | 67F-13434-02 | LABEL, CAUTION ETIQUETTE, ATTENTION | 1 | 1 | 1 | |

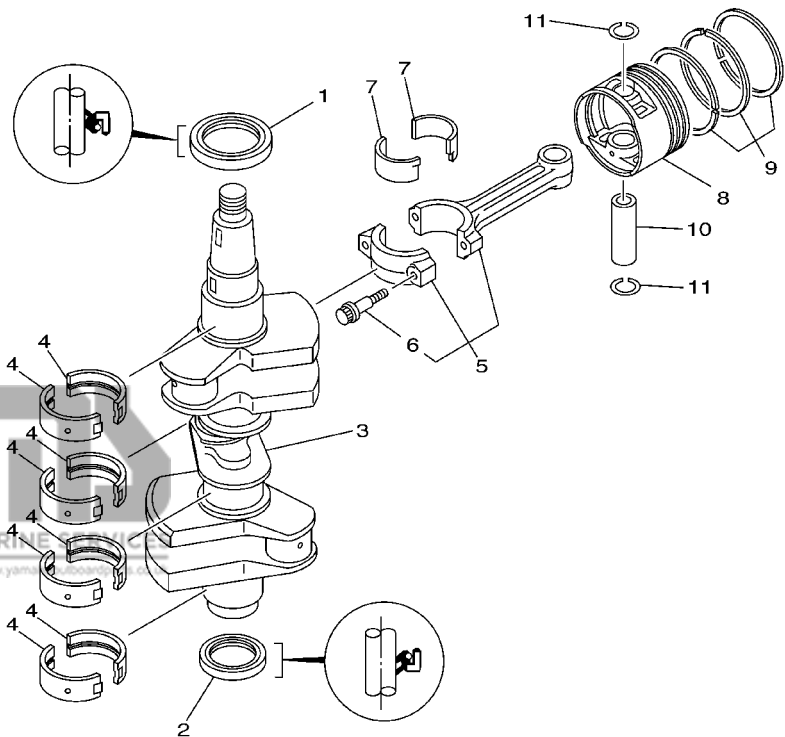
CYLINDER BLOCK ASSY
(Fig. 2, Ref. No. 2 to 15, 22 to 24, 26, 27
Fig. 3, Ref. No. 1 to 11
Fig. 4, Ref. No. 15
Fig. 6, Ref. No. 7)



FWD
67C2110-3020

FIG. 2 CYLINDER. CRANKCASE 1 CYLINDRE. CARTER 1

| REF. NO. | PART NO. NO. PIECES | DESCRIPTION DESCRIPTION | MHD | ED | ET | REMARKS REMARQUES |
|----------|---------------------|---|-----|----|----|-------------------|
| 1 | 67C-W009B-02-1S | CYLINDER BLOCK ASSY CYLINDRE GROUPE (ENS.) | 1 | 1 | 1 | |
| 2 | 67C-15100-01-94 | CRANKCASE ASSY CARTER DE MOTEUR COMPLET | 1 | 1 | 1 | |
| 3 | 99530-08012 | PIN, DOWEL GOUJON, D'ASSEMBLAGE | 2 | 2 | 2 | |
| 4 | 90119-08M01 | BOLT, WITH WASHER BOULON, AVEC RONDELLE | 8 | 8 | 8 | |
| 5 | 97013-06035 | BOLT BOULON | 8 | 8 | 8 | |
| 6 | 92903-06600 | WASHER, PLATE RONDELLE, PLATE | 8 | 8 | 8 | |
| 7 | 90344-51M01 | PLUG, TAPER SCREW PLOT, FILETE CONIQUE | 1 | 1 | 1 | |
| 8 | 90340-14M06 | PLUG, STRAIGHT SCREW PLOT, FILETE DROIT | 1 | 1 | 1 | |
| 9 | 90430-14115 | GASKET JOINT | 1 | 1 | 1 | |
| 10 | 67C-11351-00 | GASKET, CYLINDER JOINT, D'EMBASE | 1 | 1 | 1 | |
| 11 | 65W-11119-00 | HANGER, ENGINE ANNEAU, LEVAGE | 1 | 1 | 1 | |
| 12 | 90105-08M87 | BOLT, FLANGE BOULON | 1 | 1 | 1 | |
| 13 | 6G8-12411-02 | THERMOSTAT THERMOSTAT | 1 | 1 | 1 | |
| 14 | 6H3-12413-00-1S | COVER, THERMOSTAT COUVERCLE, THERMOSTAT | 1 | 1 | 1 | |
| 15 | 62Y-12414-00 | GASKET, COVER JOINT, COUVERCLE | 1 | 1 | 1 | |
| 16 | 90445-09068 | HOSE (L110) DURITE (L110) | 1 | 1 | 1 | |
| 17 | 688-24378-00 | PIPE, JOINT 4 DURITE RACCORDEMENT 4 | 1 | 1 | 1 | |
| 18 | 90445-09095 | HOSE (L215) DURITE (L215) | 1 | 1 | 1 | |
| 19 | 90445-09105 | HOSE (L300) DURITE (L300) | 1 | 1 | 1 | |
| 20 | 90465-11M10 | CLAMP BRIDE | 5 | 5 | 5 | |
| 21 | 90467-08004 | CLIP JONC | 1 | 1 | 1 | |
| 22 | 67C-41114-10 | GASKET, EXHAUST OUTER COVER JOINT, COUVERCLE D'ECHAPPEMENT | 1 | 1 | 1 | |
| 23 | 90119-06MA5 | BOLT, WITH WASHER BOULON, AVEC RONDELLE | 10 | 10 | 10 | |
| 24 | 67C-41113-01-1S | OUTER COVER, EXHAUST COUVERCLE, ECHAPPEMENT | 1 | 1 | 1 | |
| 25 | 62Y-11372-01 | NIPPLE, HOSE RACCORD, TUYAU | 1 | 1 | 1 | FOR FLUSHING KIT |
| 26 | 5GH-13440-00 | ELEMENT ASSY, OIL CLEANER ELEMENT, FILTRE A HUILE | 1 | 1 | 1 | |
| 27 | 90401-20M00 | BOLT, UNION BOULON, RACCORD | 1 | 1 | 1 | |



FWD
67C0010-0031

FIG. 3 CRANKSHAFT. PISTON

| REF. NO. | PART NO. NO. PIECES | DESCRIPTION DESCRIPTION | MHD | ED | ET | REMARKS REMARQUES |
|----------|---------------------|--|-----|----|----|-------------------|
| 1 | 93102-43M42 | OIL SEAL JOINT SPY | 1 | 1 | 1 | |
| 2 | 93102-35M47 | OIL SEAL JOINT SPY | 1 | 1 | 1 | |
| 3 | 67C-11411-00 | CRANKSHAFT VILEBREQUIN COMPLET | 1 | 1 | 1 | |
| 4 | 62Y-11416-00 | PLANE BEARING, CRANKSHAFT 1 COUSSINET DE VILEBREQUIN 1 | 8 | 8 | 8 | UR BROWN |
| | 62Y-11416-10 | PLANE BEARING, CRANKSHAFT 1 COUSSINET DE VILEBREQUIN 1 | 8 | 8 | 8 | UR BLACK |
| | 62Y-11416-20 | PLANE BEARING, CRANKSHAFT 1 COUSSINET DE VILEBREQUIN 1 | 8 | 8 | 8 | UR BLUE |
| 5 | 67C-11650-00 | CONNECTING ROD ASSY BIELLE COMPLETE | 3 | 3 | 3 | |
| 6 | 62Y-11654-00 | .BOLT, CONNECTING ROD .BOULON, BIELLE | 2 | 2 | 2 | |
| 7 | 62Y-11656-00 | PLANE BEARING, CONNECTING ROD ROULEMENT DE BIELLE | 6 | 6 | 6 | UR BROWN |
| | 62Y-11656-10 | PLANE BEARING, CONNECTING ROD ROULEMENT DE BIELLE | 6 | 6 | 6 | UR BLACK |
| | 62Y-11656-20 | PLANE BEARING, CONNECTING ROD ROULEMENT DE BIELLE | 6 | 6 | 6 | UR BLUE |
| 8 | 65W-11631-00-96 | PISTON (STD) PISTON (STD) | 3 | 3 | 3 | |
| | 65W-11635-00 | PISTON (0.25MM O/S) PISTON (0.25MM O/S) | 3 | 3 | 3 | AP |
| | 65W-11636-00 | PISTON (0.50MM O/S) PISTON (0.50MM O/S) | 3 | 3 | 3 | AP |
| 9 | 67C-11603-00 | PISTON RING SET (STD) JEU DE SEGMENTS (STD) | 3 | 3 | 3 | |
| | 67C-11604-00 | PISTON RING SET (0.25MM O/S) JUE DE SEGMENTS (0.25MM O/S) | 3 | 3 | 3 | AP |
| | 67C-11605-00 | PISTON RING SET (0.50MM O/S) JEU DE SEGMENTS (0.50MM O/S) | 3 | 3 | 3 | AP |
| 10 | 62Y-11633-00 | PIN, PISTON AXE, PISTON | 3 | 3 | 3 | |
| 11 | 93450-17129 | CIRCLIP CIRCLIP | 6 | 6 | 6 | |

CYLINDER HEAD ASSY
(Fig. 4, Ref. No. 2 to 15, 19 to 31
Fig. 2, Ref. No. 10
Fig. 5, Ref. No. 1 to 17
Fig. 6, Ref. No. 7
Fig. 8, Ref. No. 1 to 6, 11 to 15
Fig. 9, Ref. No. 16)

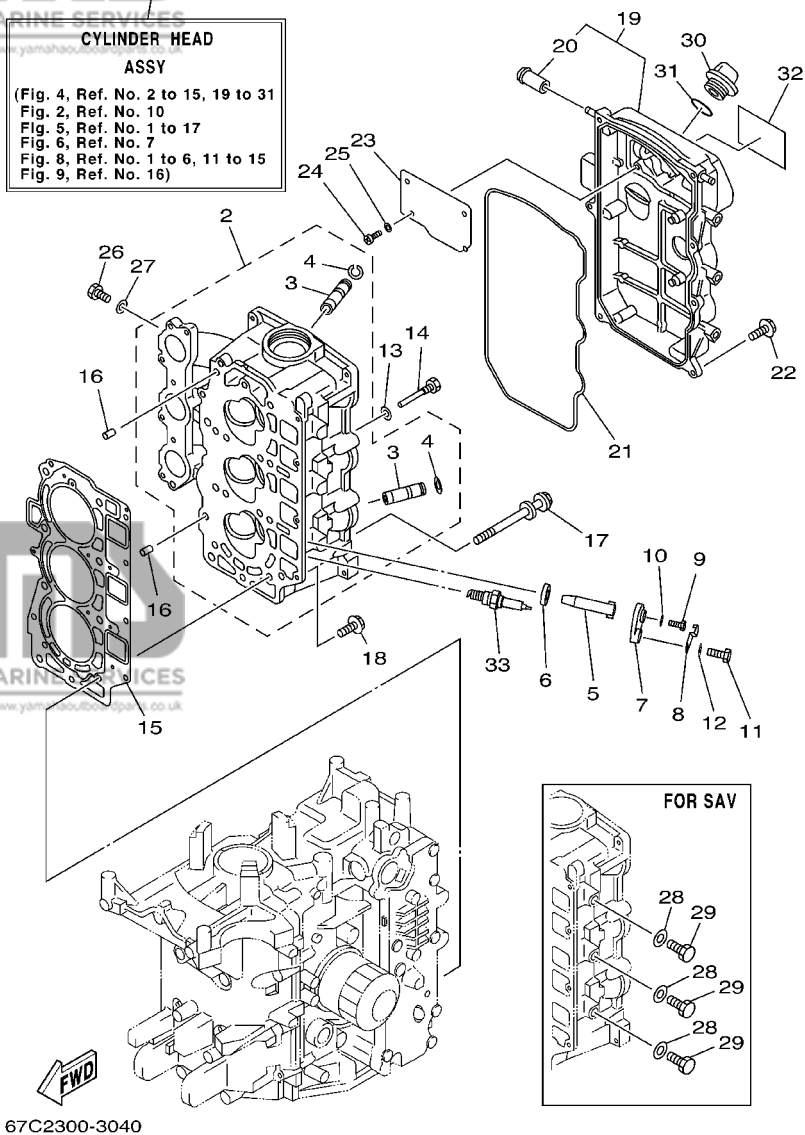
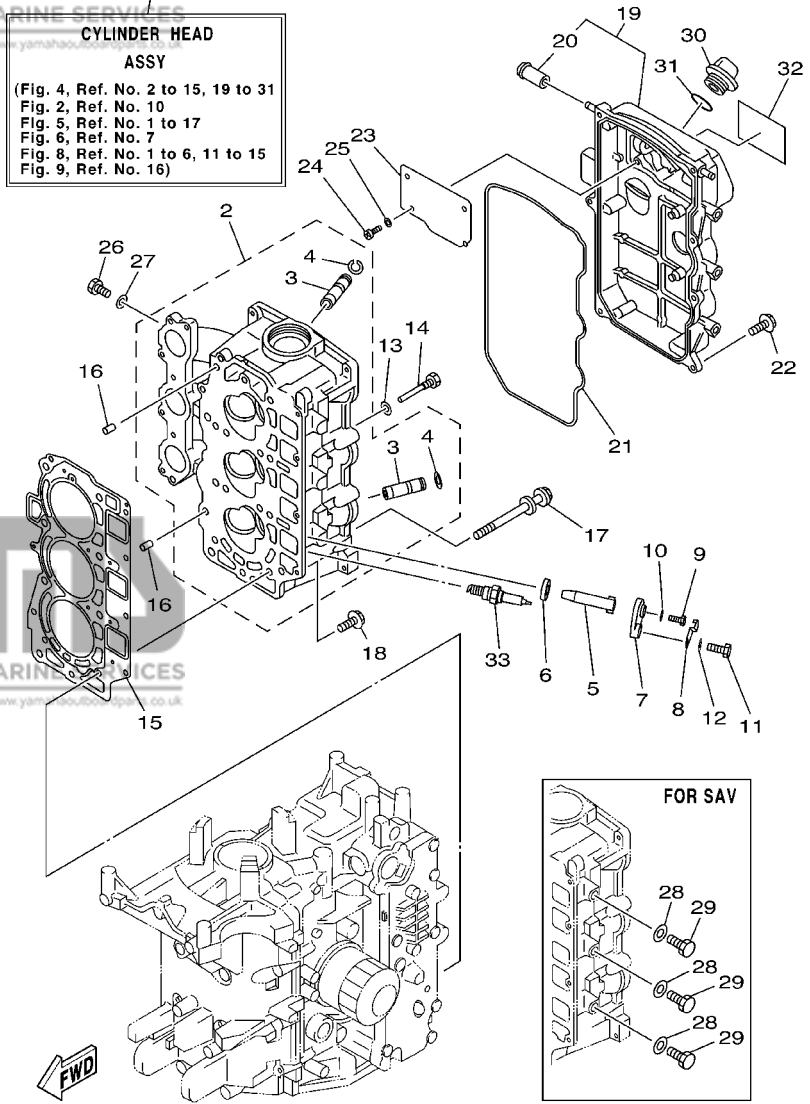


FIG. 4 CYLINDER. CRANKCASE 2 CYLINDRE. CARTER 2

| REF. NO. | PART NO. NO. PIECES | DESCRIPTION DESCRIPTION | MHD | ED | ET | REMARKS REMARQUES |
|----------|---------------------|--|-----|----|----|-------------------|
| 1 | 67C-W009A-01-1S | CYLINDER HEAD ASSY CULASSE (ENS.) | 1 | 1 | 1 | FOR STD |
| | 67C-W009A-11-1S | CYLINDER HEAD ASSY CULASSE (ENS.) | 1 | 1 | 1 | FOR SAV |
| 2 | 67C-11111-03-1S | HEAD, CYLINDER 1 CULASSE | 1 | 1 | 1 | FOR STD |
| | 67C-11111-12-1S | HEAD, CYLINDER 1 CULASSE | 1 | 1 | 1 | FOR SAV |
| 3 | 62Y-11133-10 | .GUIDE, INTAKE VALVE .GUIDE, SOUP D'ADM | 6 | 6 | 6 | |
| 4 | 93450-09M01 | .CIRCLIP .CIRCLIP | 6 | 6 | 6 | |
| 5 | 62Y-11325-00 | ANODE ANODE | 3 | 3 | 3 | |
| 6 | 66M-11328-00 | GROMMET, ANODE PASSE-FIL | 3 | 3 | 3 | |
| 7 | 66M-11327-00-94 | COVER, ANODE COUVERCLE | 3 | 3 | 3 | |
| 8 | 66M-12535-00 | PLATE PLAQUE | 3 | 3 | 3 | |
| 9 | 97095-05012 | BOLT BOULON | 3 | 3 | 3 | |
| 10 | 92995-05600 | WASHER RONDELLE | 3 | 3 | 3 | |
| 11 | 97095-06020 | BOLT BOULON | 3 | 3 | 3 | |
| 12 | 92995-06600 | WASHER RONDELLE | 3 | 3 | 3 | |
| 13 | 90430-06014 | GASKET JOINT | 1 | 1 | 1 | |
| 14 | 90109-06M65 | BOLT BOULON | 1 | 1 | 1 | |
| 15 | 67C-11181-01 | GASKET, CYLINDER HEAD 1 JOINT, DE CULASSE 1 | 1 | 1 | 1 | |
| 16 | 99530-08012 | PIN, DOWEL GOUJON, D'ASSEMBLAGE | 2 | 2 | 2 | |
| 17 | 90119-09M00 | BOLT, WITH WASHER BOULON, AVEC RONDELLE | 8 | 8 | 8 | |
| 18 | 90119-06MA3 | BOLT, WITH WASHER BOULON, AVEC RONDELLE | 4 | 4 | 4 | |
| 19 | 67C-11191-00-1S | COVER, CYLINDER HEAD 1 COUVERCLE, CULASSE 1 | 1 | 1 | 1 | |
| 20 | 62Y-14485-00 | .PIPE, JOINT .DURITE | 1 | 1 | 1 | |
| 21 | 67C-11356-00 | SEAL, CYLINDER 2 JOINT, SPY CYLINDRE | 1 | 1 | 1 | |
| 22 | 97595-06520 | BOLT, WITH WASHER VIS HEXAGONAL AVC RONDELLE | 7 | 7 | 7 | |
| 23 | 67C-11168-00 | COVER, BREATHER COUVERCLE, RENIFLARD | 1 | 1 | 1 | |
| 24 | 98507-04010 | SCREW VIS | 4 | 4 | 4 | |
| 25 | 92907-04600 | WASHER RONDELLE | 4 | 4 | 4 | |

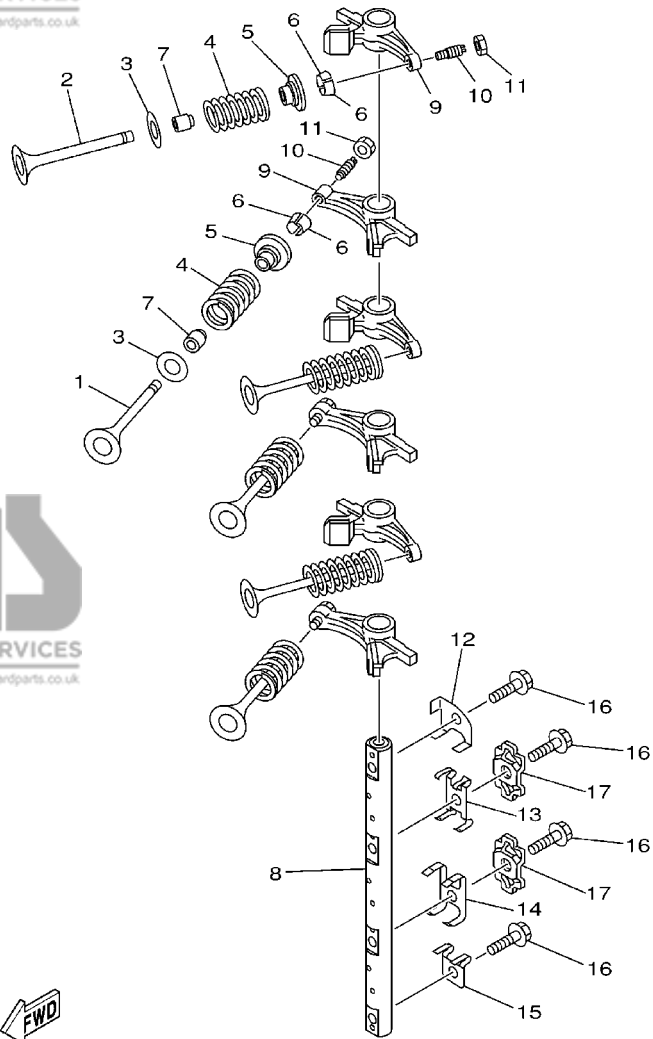
CYLINDER HEAD ASSY
(Fig. 4, Ref. No. 2 to 15, 19 to 31
Fig. 2, Ref. No. 10
Fig. 5, Ref. No. 1 to 17
Fig. 6, Ref. No. 7
Fig. 8, Ref. No. 1 to 6, 11 to 15
Fig. 9, Ref. No. 16)



67C2300-3040

FIG. 4 CYLINDER. CRANKCASE 2 CYLINDRE. CARTER 2

| REF. NO. | PART NO. NO. PIECES | DESCRIPTION DESCRIPTION | MHD | ED | ET | REMARKS REMARQUES |
|----------|---------------------|---|-----|----|----|-------------------|
| 26 | 97095-06010 | BOLT BOULON | 3 | 3 | 3 | |
| 27 | 90430-06014 | GASKET JOINT | 3 | 3 | 3 | |
| 28 | 90430-08143 | GASKET JOINT | 3 | 3 | 3 | FOR SAV |
| 29 | 97095-08014 | BOLT BOULON | 3 | 3 | 3 | FOR SAV |
| 30 | 6G8-15363-00 | PLUG, OIL PLOT, HUILE | 1 | 1 | 1 | |
| 31 | 93210-24M79 | O-RING JOINT TORIQUE | 1 | 1 | 1 | |
| 32 | 62Y-12138-60 | MARK, CAUTION MAKER | 1 | 1 | 1 | |
| 33 | 94701-00375 | PLUG, SPARK (NGK DPR6EA-9) BOUGIE D'ALLUMAGE (NGK DPR6EA-9) | 3 | 3 | 3 | |



67C1010-2050

FIG. 5 VALVE

SOUPAPE

| REF. NO. | PART NO. NO. PIECES | DESCRIPTION DESCRIPTION | MHD | ED | ET | REMARKS REMARQUES |
|----------|---------------------|---|-----|----|----|-------------------|
| 1 | 67C-12111-00 | VALVE, INTAKE SOUPAPE, ADMISSION | 3 | 3 | 3 | |
| 2 | 62Y-12121-00 | VALVE, EXHAUST SOUPAPE, ECHAPPEMENT | 3 | 3 | 3 | |
| 3 | 62Y-12116-00 | SEAT, VALVE SPRING SIEGE, RESSORT DE SOUPAPE | 6 | 6 | 6 | |
| 4 | 51Y-12114-00 | SPRING, VALVE OUTER RESSORT DE SOUPAPE, EXTERNE | 6 | 6 | 6 | |
| 5 | 30X-12117-00 | RETAINER, VALVE SPRING BUTEE DE RESSORT DE SOUPAPE | 6 | 6 | 6 | |
| 6 | 30X-12118-00 | COTTER, VALVE FRAISE, SOUPAPE | 12 | 12 | 12 | |
| 7 | 51Y-12119-00 | SEAL, VALVE STEM JOINT, QUEUE DE SOUPAPE | 6 | 6 | 6 | |
| 8 | 67C-12146-00 | SHAFT, ROCKER AXE, CULBUTEUR | 1 | 1 | 1 | |
| 9 | 65W-12151-00 | ARM, VALVE ROCKER CULBUTEUR | 6 | 6 | 6 | |
| 10 | 62Y-12159-00 | SCREW, VALVE ADJUSTING VIS, REGLAGE DE SOUPAPE | 6 | 6 | 6 | |
| 11 | 62Y-12158-00 | NUT, LOCK CONTRE-ECROU | 6 | 6 | 6 | |
| 12 | 62Y-12238-00 | PLATE, BOLT STOPPER PLAQUE, BUTEE DE BOULON | | 1 | 1 | |
| | 64J-12238-00 | PLATE, BOLT STOPPER PLAQUE, BUTEE DE BOULON | 1 | | | |
| 13 | 62Y-12216-00 | SPRING RESSORT | 1 | 1 | 1 | |
| 14 | 62Y-12279-00 | PLATE PLAQUE | | 1 | 1 | |
| | 64J-12279-00 | PLATE PLAQUE | 1 | | | |
| 15 | 67C-12113-00 | SPRING, VALVE INNER RESSORT DE SOUPAPE, INTERNE | 1 | 1 | 1 | |
| 16 | 90109-08M63 | BOLT BOULON | 4 | 4 | 4 | |
| 17 | 62Y-12231-00 | GUIDE, STOPPER 1 GUIDE, BUTEE 1 | 2 | 2 | 2 | |

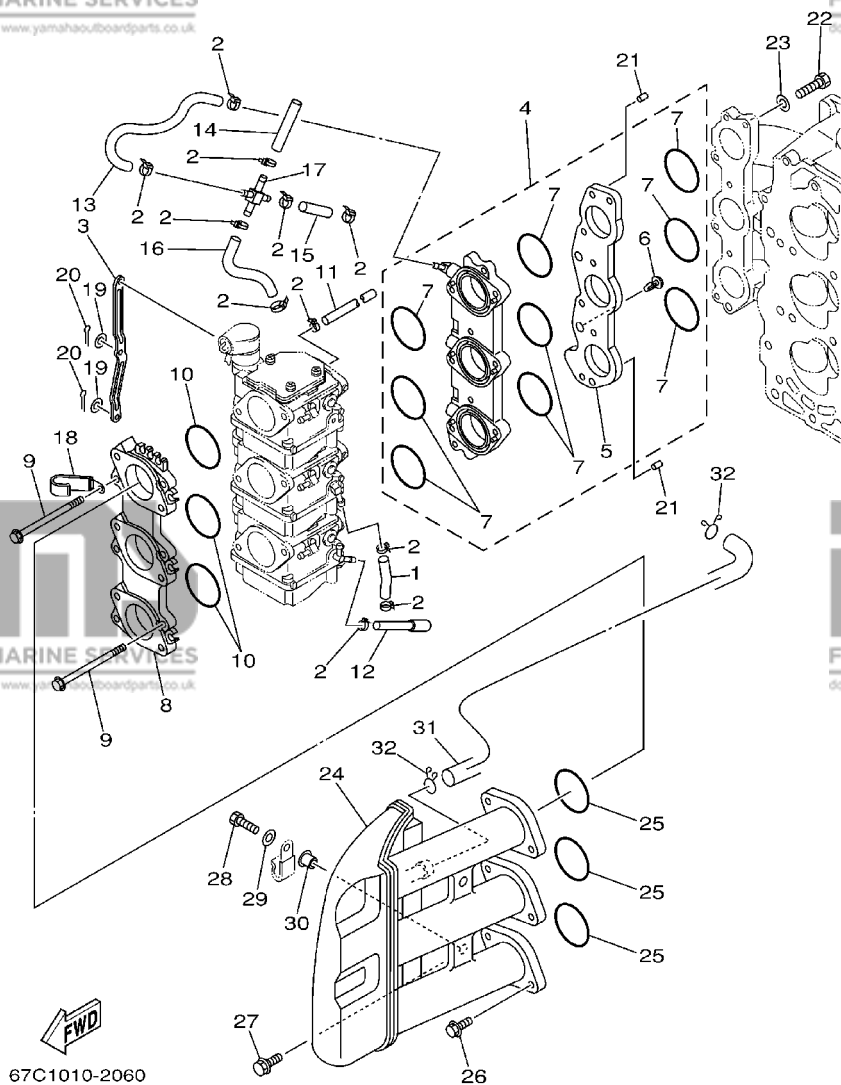


FIG. 6 INTAKE

ADMISSION

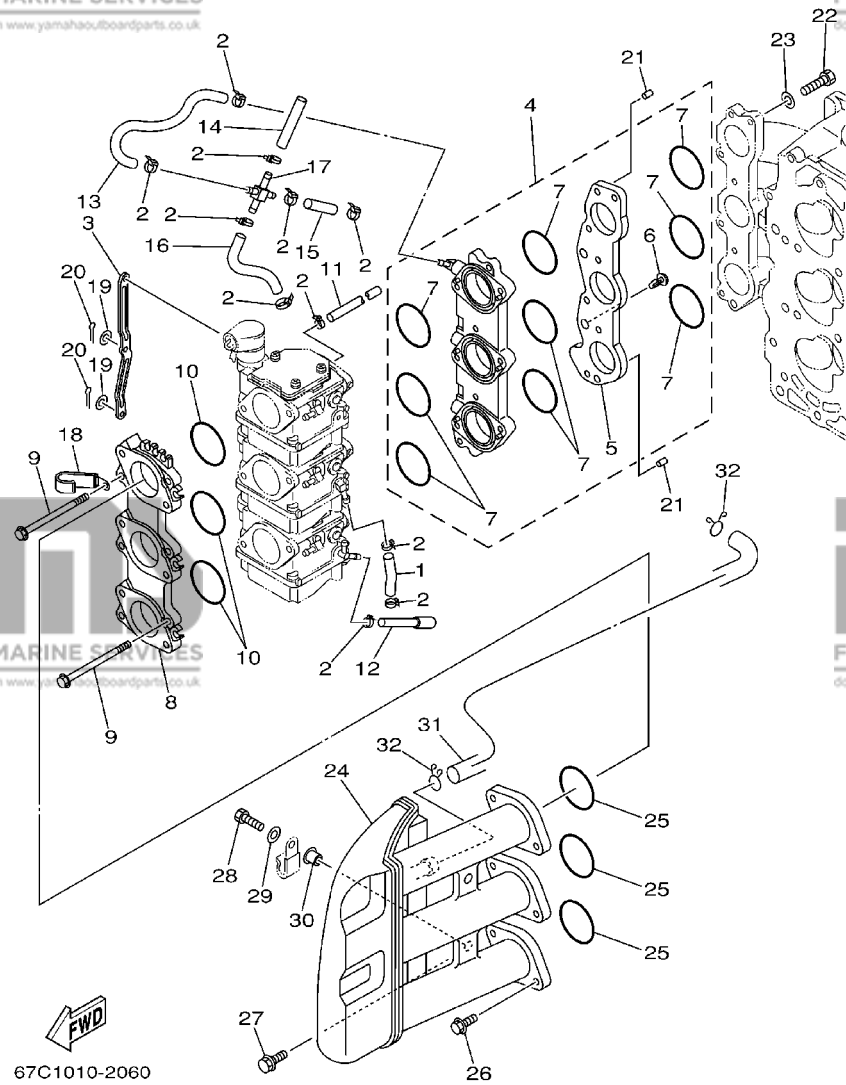
| REF. NO. | PART NO. NO. PIECES | DESCRIPTION DESCRIPTION | MHD | ED | ET | REMARKS REMARQUES |
|----------|---------------------|---|-----|----|----|-------------------|
| 1 | 90445-09M34 | HOSE DURITE | 1 | 1 | 1 | |
| 2 | 90465-11M10 | CLAMP BRIDE | 11 | 11 | 11 | |
| 3 | 67C-14585-00 | LINK, ACCEL. BIELLETTE, ACCELERATION | 1 | 1 | 1 | |
| 4 | 67C-13589-00 | CARBURETOR JOINT COMP. RACCORD, CARBURATEUR | 1 | 1 | 1 | |
| 5 | 67C-14271-00 | .INSULATOR .ISOLATEUR | 1 | 1 | 1 | |
| 6 | 90338-04M17 | .PLUG .PLOT | 2 | 2 | 2 | |
| 7 | 67C-14561-00 | .O-RING .JOINT TORIQUE | 9 | 9 | 9 | |
| 8 | 67C-14243-01-94 | PLATE PLAQUE | 1 | 1 | 1 | |
| 9 | 97595-06590 | BOLT, WITH WASHER VIS HEXAGONAL AVEC RONDELLE | 6 | 6 | 6 | |
| 10 | 67C-14562-00 | O-RING JOINT TORIQUE | 3 | 3 | 3 | |
| 11 | 67C-13971-00 | PIPE, FUEL 1 TUBE 1, CARBURANT | 1 | 1 | 1 | |
| 12 | 67C-13972-00 | PIPE, FUEL 2 TUBE 2, CARBURANT | 1 | 1 | 1 | |
| 13 | 67C-13973-00 | PIPE, FUEL 3 TUBE 3, CARBURANT | 1 | 1 | 1 | |
| 14 | 67C-14294-00 | HOSE DURITE | 1 | 1 | 1 | |
| 15 | 67C-13975-00 | PIPE, FUEL 5 TUBE 5, CARBURANT | 1 | 1 | 1 | |
| 16 | 67C-13976-00 | PIPE, FUEL 6 TUBE 6, CARBURANT | 1 | 1 | 1 | |
| 17 | 67C-14318-00 | PIPE, JOINT 4 DURITE RACCORDEMENT 4 | 1 | 1 | 1 | |
| 18 | 67C-14255-00 | CLAMP BRIDE | 1 | 1 | 1 | |
| 19 | 92990-04600 | WASHER, PLATE RONDELLE, PLATE | 2 | 2 | 2 | |
| 20 | 91490-06012 | PIN, COTTER GOUPILLE | 2 | 2 | 2 | |
| 21 | 93608-16M16 | PIN, DOWEL AXE | 2 | 2 | 2 | |
| 22 | 97095-06025 | BOLT BOULON | 6 | 6 | 6 | |
| 23 | 92995-06600 | WASHER RONDELLE | 6 | 6 | 6 | |
| 24 | 67C-14440-00 | SILENCER ASSY, INTAKE SIENCIEUX D'ADMISSION | 1 | 1 | 1 | |
| 25 | 93210-34MJ6 | O-RING JOINT TORIQUE | 3 | 3 | 3 | |
| 26 | 90119-06M82 | BOLT, WITH WASHER BOULON, AVEC RONDELLE | 5 | 5 | 5 | |
| 27 | 90119-06M86 | BOLT, WITH WASHER BOULON, AVEC RONDELLE | 1 | 1 | 1 | |

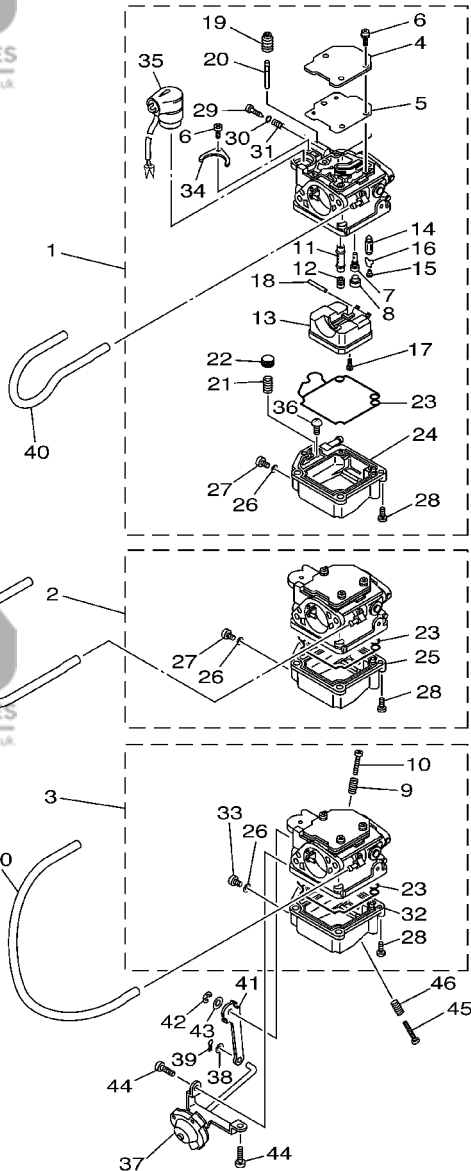
B3

FIG. 6 INTAKE

ADMISSION

| REF. NO. | PART NO. NO. PIECES | DESCRIPTION DESCRIPTION | MHD | ED | ET | REMARKS REMARQUES |
|----------|---------------------|------------------------------------|-----|----|----|-------------------|
| 28 | 97095-06020 | BOLT BOULON | 2 | 2 | 2 | |
| 29 | 92995-06600 | WASHER RONDELLE | 2 | 2 | 2 | |
| 30 | 90387-06M70 | COLLAR COLLERETTE | 2 | 2 | 2 | |
| 31 | 67C-15373-00 | PIPE, BREATHER DURITE DE RENIFLARD | 1 | 1 | 1 | |
| 32 | 90467-15M14 | CLIP JONG | 2 | 2 | 2 | |



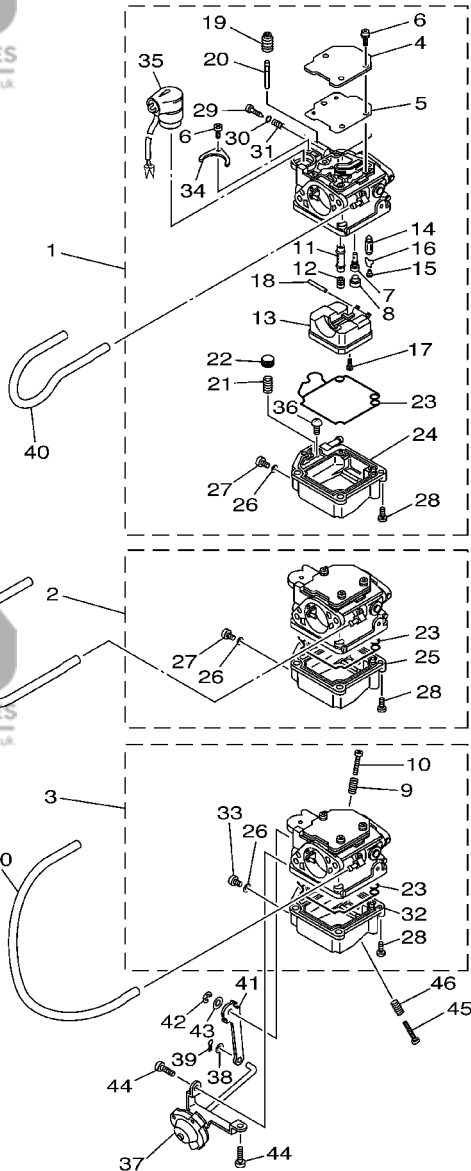


67C2010-3070

FIG. 7 CARBURETOR

CARBURETEUR

| REF. NO. | PART NO. | NO. PIECES | DESCRIPTION | MHD | ED | ET | REMARKS | REMARQUES |
|----------|--------------|------------|---------------------------|-----|----|----|---------|--------------|
| 1 | 67C-14901-03 | | CARBURETOR ASSY 1 | 1 | 1 | 1 | | F40B-FOR STD |
| | 67C-14901-23 | | CARBURETEUR 1 COMPLET | | | | | F40B-FOR SAV |
| | 69H-14901-02 | | CARBURETOR ASSY 1 | | | 1 | | F30A-FOR STD |
| | 69H-14901-22 | | CARBURETEUR 1 COMPLET | | | | | F30A-FOR SAV |
| 2 | 67C-14902-03 | | CARBURETOR ASSY 2 | 1 | 1 | 1 | | F40B-FOR STD |
| | 67C-14902-23 | | CARBURETEUR 2 COMPLET | | | | | F40B-FOR SAV |
| | 69H-14902-02 | | CARBURETOR ASSY 2 | | | 1 | | F30A-FOR STD |
| | 69H-14902-22 | | CARBURETEUR 2 COMPLET | | | | | F30A-FOR SAV |
| 3 | 67C-14903-03 | | CARBURETOR ASSY 3 | 1 | 1 | 1 | | F40B-FOR STD |
| | 67C-14903-23 | | CARBURETEUR 3 COMPLET | | | | | F40B-FOR SAV |
| | 69H-14903-02 | | CARBURETOR ASSY 3 | | | 1 | | F30A-FOR STD |
| | 69H-14903-22 | | CARBURETEUR 3 COMPLET | | | | | F30A-FOR SAV |
| 4 | 65W-14572-00 | | .PLATE | 3 | 3 | 3 | | |
| 5 | 65W-14126-10 | | .GASKET | 3 | 3 | 3 | | |
| 6 | 97803-04010 | | .SCREW, PAN HEAD | 13 | 13 | 13 | | |
| | 67C-14948-02 | | .VIS, CRUCIFORME | | | | | F40B-FOR STD |
| | 67C-14948-00 | | .JET (#38) | 3 | 3 | 3 | | |
| | 67C-14948-00 | | .GICLEUR (#38) | | | | | |
| | 67C-14948-00 | | .JET (#40) | 3 | 3 | 3 | | |
| | 67C-14948-00 | | .GICLEUR (#40) | | | | | |
| 8 | 679-14966-00 | | .RUBBER CAP | 3 | 3 | 3 | | |
| | 679-14966-00 | | .CAOUTCHOUC CASQUILLO | | | | | |
| 9 | 90501-10326 | | .SPRING, COMPRESSION | 1 | 1 | 1 | | #3 |
| | 90501-10326 | | .RESSORT, COMPRESSION | | | | | |
| 10 | 63V-14523-00 | | .SCREW, STOP | 1 | 1 | 1 | | #3 |
| | 63V-14523-00 | | .VIS, BUTEE | | | | | |
| 11 | 67C-14948-01 | | .JET (#35) | 3 | 3 | 3 | | F40B-FOR STD |
| | 67C-14948-01 | | .GICLEUR (#35) | | | | | |
| | 67C-14947-00 | | .JET, NEEDLE | | 3 | 3 | | F40B-FOR SAV |
| | 67C-14947-00 | | .GICLEUR DE STARTER | | | | | |
| | 69H-14947-00 | | .JET, NEEDLE | 3 | | 3 | | F30A |
| | 69H-14947-00 | | .GICLEUR DE STARTER | | | | | |
| 12 | 67C-14943-25 | | .JET, MAIN (#95) | 3 | 3 | 3 | | F40B |
| | 67C-14943-25 | | .GICLEUR, PRINCIPAL (#95) | | | | | |
| | 69H-14943-22 | | .JET, MAIN (#88) | 3 | | 3 | | F30A |
| | 69H-14943-22 | | .GICLEUR, PRINCIPAL (#88) | | | | | |
| 13 | 63V-14985-00 | | .FLOAT | 3 | 3 | 3 | | |
| | 63V-14985-00 | | .FLOTTEUR | | | | | |
| 14 | 6G1-14546-01 | | .VALVE, NEEDLE | 3 | 3 | 3 | | |
| | 6G1-14546-01 | | .POINTEAU | | | | | |

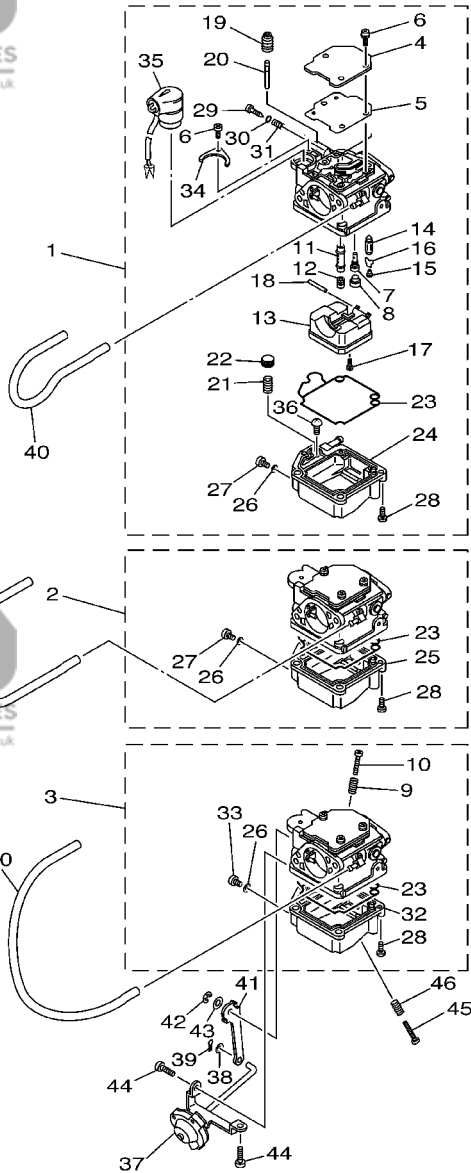


67C2010-3070

FIG. 7 CARBURETOR

CARBURATEUR

| REF. NO. | PART NO. NO. PIECES | DESCRIPTION DESCRIPTION | MHD | ED | ET | REMARKS REMARQUES |
|----------|---------------------|--|-----|----|----|-------------------|
| 15 | 676-14186-00 | .PIN, FLOAT .AXE, FLOTTEUR | 3 | 3 | 3 | |
| 16 | 663-14159-00 | .CLIP .JONC | 3 | 3 | 3 | |
| 17 | 98580-04008 | .SCREW, PAN HEAD .VIS | 3 | 3 | 3 | |
| 18 | 6H4-14548-00 | .PIN, FLOAT ARM .AXE, BRAS DE FLOTTEUR | 3 | 3 | 3 | |
| 19 | 65W-14373-00 | .COVER, PLUNGER CAP .COUVERCLE DE PLONGEUR | 3 | 3 | 3 | |
| 20 | 67C-14379-10 | .ROD, STARTER .TRINGLE, STARTER | 3 | 3 | 3 | F40B-FOR STD |
| | 67C-14379-00 | .ROD, STARTER .TRINGLE, STARTER | 3 | 3 | 3 | |
| 21 | 65W-14335-00 | .SPRING, PLUNGER .RESSORT, PLONGEUR | 3 | 3 | 3 | |
| 22 | 67C-14371-00 | .PLUNGER, STARTER .PLONGEUR, STARTER | 3 | 3 | 3 | |
| 23 | 65W-14384-00 | .GASKET, FLOAT CHAMBER .JOINT, CUVE DE FLOTTEUR | 3 | 3 | 3 | |
| 24 | 67C-14980-00 | .BODY, FLOAT CHAMBER .CORPS, CUVE DE FLOTTEUR | 1 | 1 | 1 | F40B-#1 |
| | 69H-14980-00 | .BODY, FLOAT CHAMBER .CORPS, CUVE DE FLOTTEUR | 1 | 1 | 1 | F30A-#1 |
| 25 | 67C-14981-00 | .BODY, FLOAT CHAMBER .CORPS, CUVE DE FLOTTEUR | 1 | 1 | 1 | F40B-#2 |
| | 69H-14981-00 | .BODY, FLOAT CHAMBER .CORPS, CUVE DE FLOTTEUR | 1 | 1 | 1 | F30A-#2 |
| 26 | 65W-14398-00 | .GASKET .JOINT | 3 | 3 | 3 | |
| 27 | 65W-14992-00 | .SCREW, DRAIN .BOUCHON, PURGE | 2 | 2 | 2 | #1,2 |
| 28 | 97980-04114 | .SCREW, WITH WASHER .VIS, AVEC RONDELLE | 12 | 12 | 12 | |
| 29 | 67C-14923-00 | .SCREW, PILOT .VIS, RALENTI | 3 | 3 | 3 | |
| | 67C-14923-20 | .SCREW, PILOT .VIS, RALENTI | 3 | 3 | 3 | F30A-FOR SAV |
| 30 | 67C-14397-00 | .O-RING .JOINT TORIQUE | 3 | 3 | 3 | |
| 31 | 67C-14555-00 | .SPRING .RESSORT | 3 | 3 | 3 | |
| 32 | 67C-14982-00 | .BODY, FLOAT CHAMBER .CORPS, CUVE DE FLOTTEUR | 1 | 1 | 1 | F40B-#3 |
| | 69H-14982-00 | .BODY, FLOAT CHAMBER .CORPS, CUVE DE FLOTTEUR | 1 | 1 | 1 | F30A-#3 |
| 33 | 67C-14992-00 | .SCREW, DRAIN .BOUCHON, PURGE | 1 | 1 | 1 | #3 |
| 34 | 65W-14346-00 | .PLATE .PLAQUE | 1 | 1 | 1 | |
| 35 | 67C-14380-00 | .PRIME STARTER ASSY .DEMARREUR D'AMARCAGE ENS. | 1 | 1 | 1 | |
| 36 | 67C-14567-00 | .SCREW .VIS | 3 | 3 | 3 | |

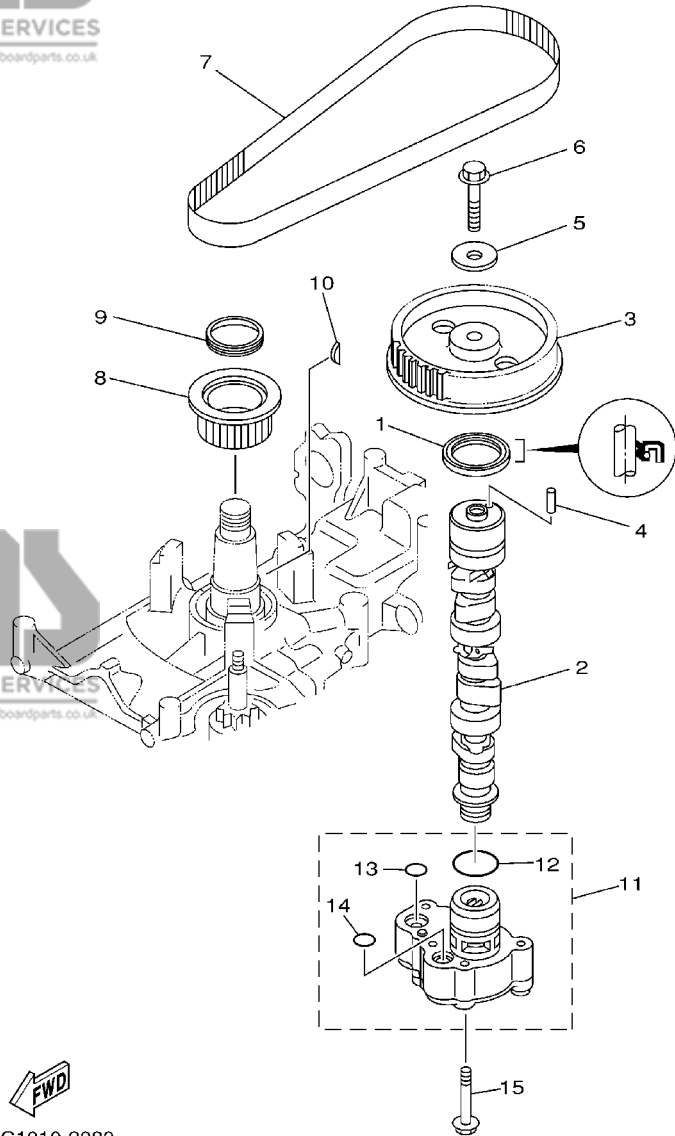


67C2010-3070

FIG. 7 CARBURETOR

CARBURATEUR

| REF. NO. | PART NO. NO. PIECES | DESCRIPTION DESCRIPTION | MHD | ED | ET | REMARKS REMARQUES |
|----------|---------------------|--------------------------------------|-----|----|----|-------------------|
| 37 | 67C-14369-00 | DIAPHRAGM ASSY 2 DIAPHRAGME 2 | 1 | 1 | 1 | |
| 38 | 92990-04600 | WASHER, PLATE RONDELLE, PLATE | 1 | 1 | 1 | |
| 39 | 91490-06012 | PIN, COTTER GOUPILLE | 1 | 1 | 1 | |
| 40 | 67C-13974-00 | PIPE, FUEL 4 TUBE 4, CARBURANT | 3 | 3 | 3 | |
| 41 | 67C-14974-00 | LEVER, CONNECT LEVIER, CONNECTEUR | 1 | 1 | 1 | |
| 42 | 67C-14356-00 | CLIP JONC | 1 | 1 | 1 | |
| 43 | 67C-14398-00 | WASHER RONDELLE | 1 | 1 | 1 | |
| 44 | 67C-14325-00 | SCREW, PAN HEAD VIS TETE CONIQUE | 2 | 2 | 2 | |
| 45 | 67C-14245-00 | SCREW, STOP VIS, BUTEE | 1 | 1 | 1 | |
| 46 | 67C-14242-00 | SPRING RESSORT | 1 | 1 | 1 | |



67C1010-2080

FIG. 8 OIL PUMP

POMPE A HUILE

| REF. NO. | PART NO. NO. PIECES | DESCRIPTION DESCRIPTION | MHD | ED | ET | REMARKS REMARQUES |
|----------|---------------------|--|-----|----|----|-------------------|
| 1 | 93102-37M40 | OIL SEAL JOINT SPY | 1 | 1 | 1 | |
| 2 | 67C-12171-00 | CAMSHAFT 1 ARBRE A CAMES 1 | | 1 | 1 | |
| | 67C-12170-11 | CAMSHAFT ASSY 1 ENS ARBRE A CAMES 1 | 1 | | | |
| 3 | 67C-11537-01 | GEAR, DRIVEN PIGNON SECONDAIRE | 1 | 1 | 1 | |
| 4 | 93605-14143 | PIN, DOWEL AXE | 1 | 1 | 1 | |
| 5 | 90201-10M06 | WASHER, PLATE RONDELLE, PLATE | 1 | 1 | 1 | |
| 6 | 95895-10040 | BOLT, FLANGE BOULON | 1 | 1 | 1 | |
| 7 | 65W-46241-00 | V-BELT COURROIE TRAPEZOIDALE | 1 | 1 | 1 | |
| 8 | 65W-11536-10 | GEAR, DRIVE ENGRENAGE, MENANT | 1 | 1 | 1 | |
| 9 | 65W-11476-00 | SPRING RESSORT | 1 | 1 | 1 | |
| 10 | 90280-04M06 | KEY, WOODRUFF CLAVETTE, DEMI-LUNE | 1 | 1 | 1 | |
| 11 | 69W-13300-00 | OIL PUMP ASSY POMPE A HUILE COMPLET | 1 | 1 | 1 | |
| 12 | 93210-33MH2 | .O-RING JOINT TORIQUE | 1 | 1 | 1 | |
| 13 | 93210-12MG9 | .O-RING JOINT TORIQUE | 1 | 1 | 1 | |
| 14 | 93210-14515 | .O-RING JOINT TORIQUE | 1 | 1 | 1 | |
| 15 | 90119-06025 | BOLT, WITH WASHER BOULON, AVEC RONDELLE | 4 | 4 | 4 | |

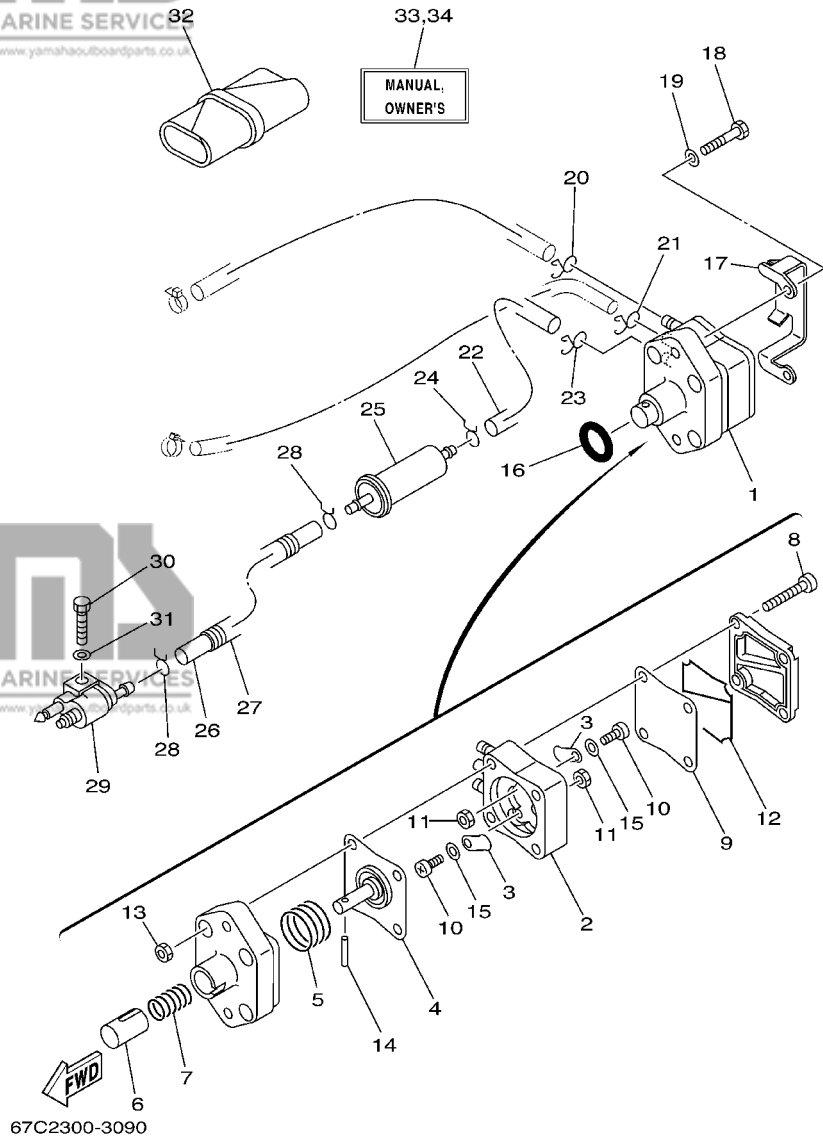


FIG. 9 FUEL

CARBURANT

| REF. NO. | PART NO. NO. PIECES | DESCRIPTION DESCRIPTION | MHD | ED | ET | REMARKS REMARQUES |
|----------|---------------------|--|-----|----|----|-------------------|
| 1 | 62Y-24410-03 | FUEL PUMP ASSY POMPE A ESSENCE | 1 | 1 | 1 | |
| 2 | 62Y-24413-01 | .BODY 2 .CORPS 2 | 1 | 1 | 1 | |
| 3 | 62Y-24421-01 | .VALVE, CHECK SOUPAPE, RETENUE | 2 | 2 | 2 | |
| 4 | 62Y-24411-02 | .DIAPHRAGM .DIAPHRAGME | 1 | 1 | 1 | |
| 5 | 62Y-24423-00 | .SPRING, DIAPHRAGM .RESSORT, DIAPHRAGME | 1 | 1 | 1 | |
| 6 | 62Y-13131-01 | .PLUNGER .PLONGEUR | 1 | 1 | 1 | |
| 7 | 62Y-24454-00 | .SPRING .RESSORT | 1 | 1 | 1 | |
| 8 | 62Y-24444-01 | .SCREW .VIS | 4 | 4 | 4 | |
| 9 | 62Y-24471-00 | .DIAPHRAGM .DIAPHRAGME | 1 | 1 | 1 | |
| 10 | 6A0-14325-00 | .SCREW, PAN HEAD .VIS TETE CONIQUE | 2 | 2 | 2 | |
| 11 | 95380-03600 | .NUT .ECROU | 2 | 2 | 2 | |
| 12 | 62Y-24452-00 | .PACKING .JOINT | 1 | 1 | 1 | |
| 13 | 95380-05600 | .NUT .ECROU | 4 | 4 | 4 | |
| 14 | 62Y-24374-01 | .PIN .PIN | 1 | 1 | 1 | |
| 15 | 62Y-24422-00 | .PLATE .PLAQUETTE | 2 | 2 | 2 | |
| 16 | 93210-24M79 | O-RING JOINT TORIQUE | 1 | 1 | 1 | |
| 17 | 65W-24474-00 | COVER COUVERCLE | 1 | 1 | 1 | |
| 18 | 97095-06030 | BOLT BOULON | 2 | 2 | 2 | |
| 19 | 92995-06600 | WASHER RONDELLE | 2 | 2 | 2 | |
| 20 | 90467-10M04 | CLIP JONC | 1 | 1 | 1 | |
| 21 | 90467-09M17 | CLIP JONC | 1 | 1 | 1 | |
| 22 | 90445-10MG6 | HOSE (L180) DURITE (L180) | 1 | 1 | 1 | |
| 23 | 90467-10M04 | CLIP JONC | 1 | 1 | 1 | |
| 24 | 90467-09M03 | CLIP JONC | 1 | 1 | 1 | |
| 25 | 65W-24251-00 | STRAINER 1 FILTRE 1 | 1 | 1 | 1 | |
| 26 | 90445-10MH8 | HOSE (L430) DURITE (L430) | 1 | 1 | 1 | |
| 27 | 90446-14M12 | HOSE DURITE | 1 | 1 | 1 | |

C2

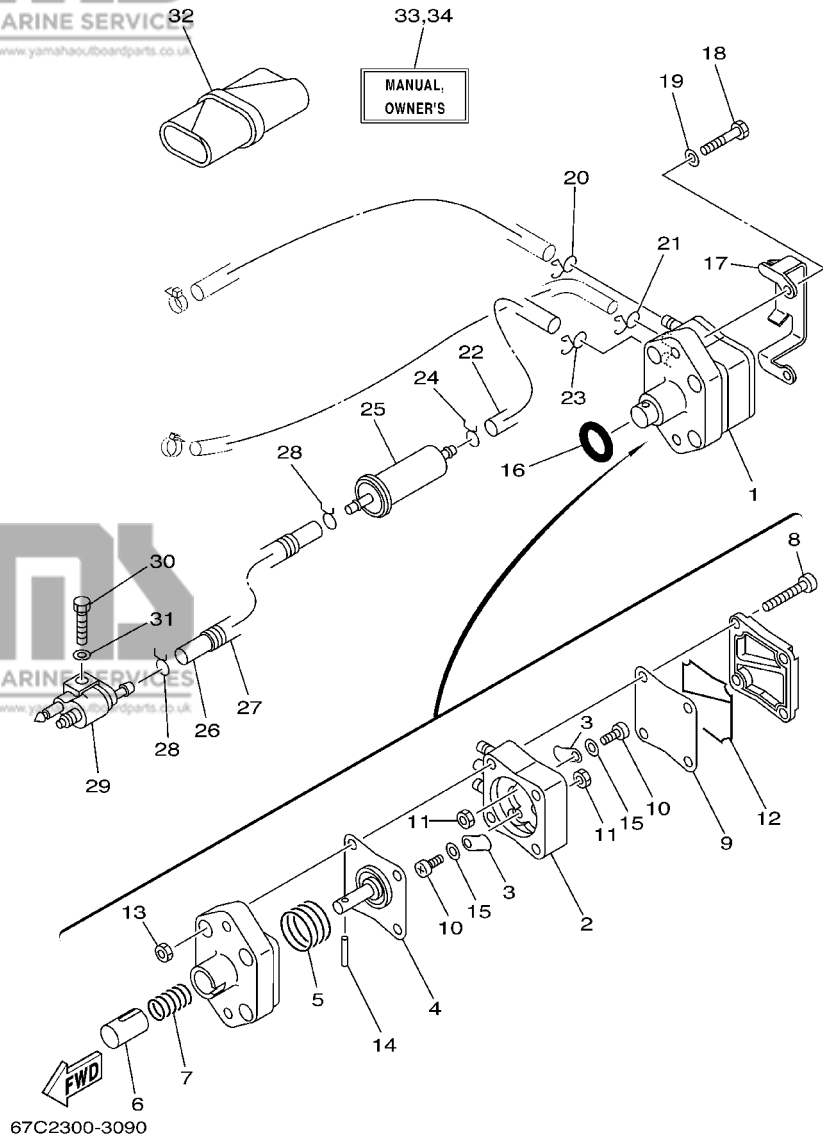
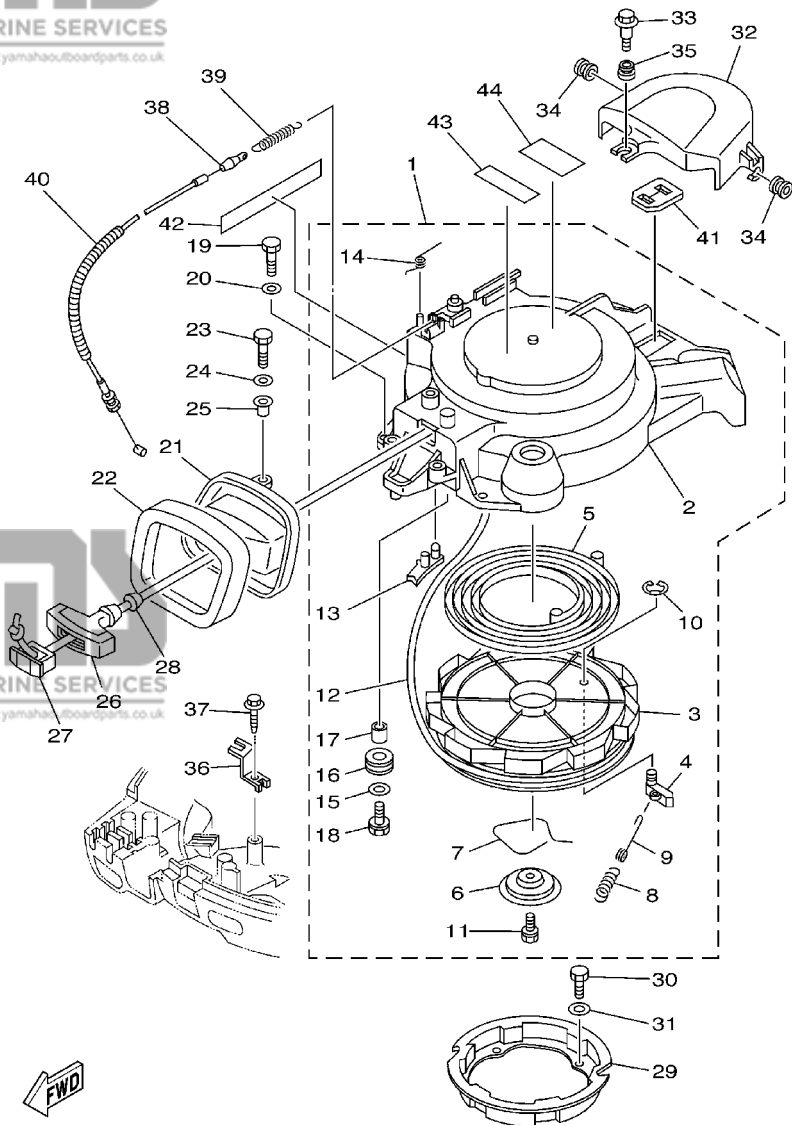


FIG. 9 FUEL

CARBURANT

| REF. NO. | PART NO. NO. PIECES | DESCRIPTION DESCRIPTION | MHD | ED | ET | REMARKS REMARQUES |
|----------|---------------------|--|-----|----|----|-------------------|
| 28 | 90467-09M03 | CLIP JONG | 2 | 2 | 2 | |
| 29 | 6G1-24304-02 | FUEL PIPE JOINT COMP. 1 DURITE RACCORDEMT. A ESSENCE | 1 | 1 | 1 | |
| 30 | 97095-06025 | BOLT BOULON | 1 | 1 | 1 | |
| 31 | 92995-06600 | WASHER RONDELLE | 1 | 1 | 1 | |
| 32 | 62Y-28100-00 | TOOL KIT TROUSSE A OUTILS | 1 | 1 | 1 | |
| 33 | 67C-28199-73-A0 | MANUAL, OWNER'S MANUEL D'UTILISATION | 1 | 1 | 1 | UR (E,F,S) |
| | 67C-28199-73-B0 | MANUAL, OWNER'S MANUEL D'UTILISATION | 1 | 1 | 1 | UR (D,NL,I) |
| 34 | 67C-28199-84-A0 | MANUAL, OWNER'S MANUEL D'UTILISATION | 1 | 1 | 1 | UR (DK,P,GR) |
| | 67C-28199-84-B0 | MANUAL, OWNER'S MANUEL D'UTILISATION | 1 | 1 | 1 | UR (N,S,SS) |



67C1300-2100

FIG. 10 STARTER

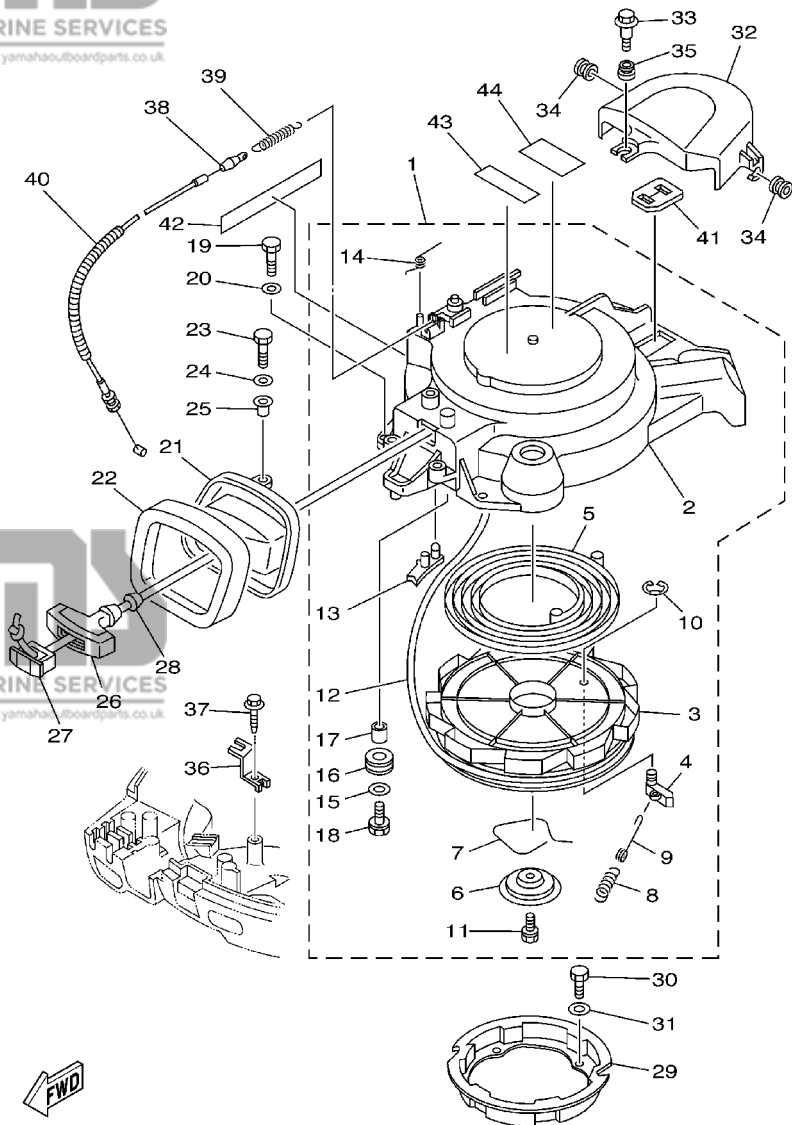
DEMARREUR

| REF. NO. | PART NO. NO. PIECES | DESCRIPTION DESCRIPTION | MHD | ED | ET | REMARKS REMARQUES |
|----------|---------------------|--|-----|----|----|-------------------|
| 1 | 67C-15710-00 | STARTER ASSY DEMARREUR COMPLET | 1 | | | |
| 2 | 67C-15711-00 | .CASE, STARTER .CARTER DE DEMARREUR | 1 | | | |
| 3 | 66T-15714-00 | .DRUM, SHEAVE .TAMBOUR, POULIE | 1 | | | |
| 4 | 63V-15741-00 | .PAWL, DRIVE .CLIQUET, ENTRAINEMENT | 1 | | | |
| 5 | 66T-15713-00 | .SPRING, STARTER .RESSORT DE DEMARREUR | 1 | | | |
| 6 | 66T-15716-00 | .PLATE, DRIVE .PLAQUE, ENTRAINEMENT | 1 | | | |
| 7 | 66T-15705-00 | .SPRING, DRIVE PAWL .RESSORT DE CLIQUET | 1 | | | |
| 8 | 66T-15767-00 | .SPRING .RESSORT | 1 | | | |
| 9 | 66T-15784-00 | .SPRING, RETURN .RESSORT, RAPPEL | 1 | | | |
| 10 | 63V-15744-00 | .CIRCLIP .CIRCLIP | 1 | | | |
| 11 | 63V-15768-00 | .BOLT .BOULON | 1 | | | |
| 12 | * | WIRE, STARTER (L:1800MM) .CABLE DE DEMARREUR (L:1800MM) | 1 | | | |
| 13 | 66T-15794-00 | .STOPPER .BUTEE | 1 | | | |
| 14 | 66T-15734-00 | .SPRING, RETURN .RESSORT, RAPPEL | 1 | | | |
| 15 | 6F5-15791-00 | .WASHER, LOCK .RONDELLE-FREIN | 1 | | | |
| 16 | 6F5-15752-00 | .ROLLER, WIRE .GALET, CABLE | 1 | | | |
| 17 | 6F5-15753-00 | .BUSH .CHARBON | 1 | | | |
| 18 | 97523-06425 | .BOLT, WITH WASHER .VIS HEXAGONAL AVC RONDELLE | 1 | | | |
| 19 | 97095-06025 | BOLT BOULON | 4 | | | |
| 20 | 92995-06600 | WASHER RONDELLE | 4 | | | |
| 21 | 67C-15758-00 | GUIDE, ROPE GUIDE DE CABLE | 1 | | | |
| 22 | 67C-15762-00 | SEAL, RUBBER 2 JOINT CAOUTCHOUC 2 | 1 | | | |
| 23 | 97095-06025 | BOLT BOULON | 3 | | | |
| 24 | 92995-06600 | WASHER RONDELLE | 3 | | | |
| 25 | 90387-06M89 | COLLAR COLLERETTE | 3 | | | |

* CUT FROM 50M ROLLS, PART NO. 90890-44374,
CUTTING LENGTH 1.8M

* A PRELEVER SUR BOBINE 50M, REFERENCE 90890-44374,
LONGUEUR DE COUPE 1.8M

C4

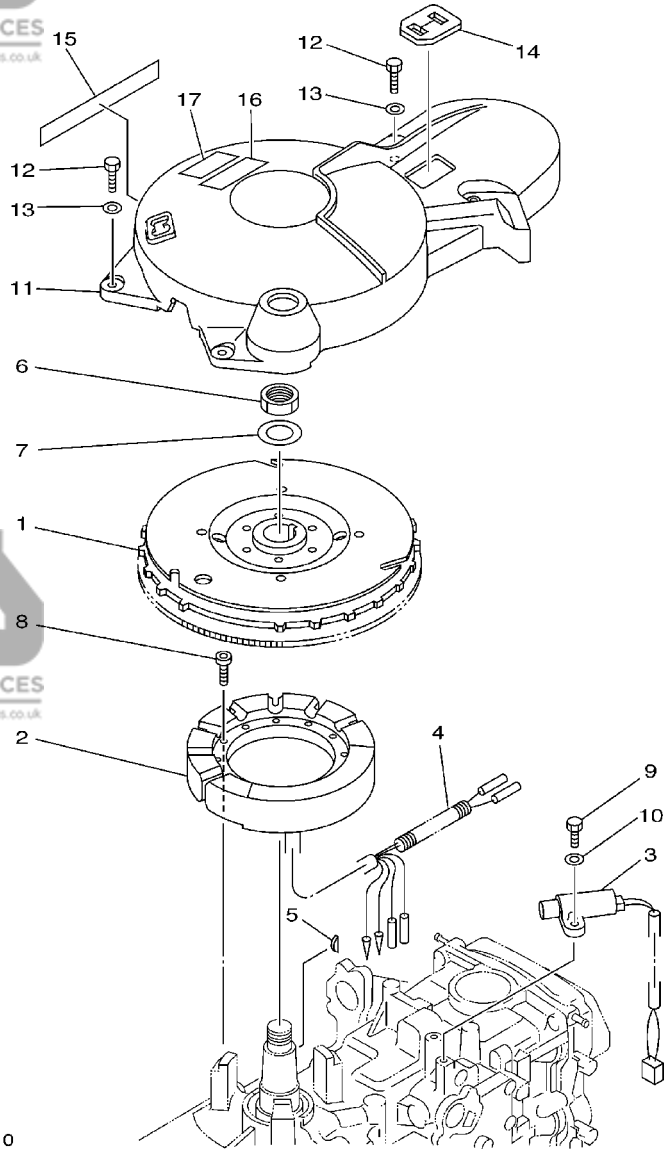


67C1300-2100

FIG. 10 STARTER

DEMARREUR

| REF. NO. | PART NO. NO. PIECES | DESCRIPTION DESCRIPTION | MHD | ED | ET | REMARKS REMARQUES |
|----------|---------------------|--|-----|----|----|-------------------|
| 26 | 689-15755-01 | HANDLE, STARTER POIGNEE, DE DEMARREUR | 1 | | | |
| 27 | 6F5-15779-02 | COVER COUVERCLE | 1 | | | |
| 28 | 6A0-15789-00 | DAMPER AMORTISSEUR | 1 | | | |
| 29 | 67C-15723-00 | PULLEY, STARTER POULIE DE DEMARREUR | 1 | | | |
| 30 | 97095-06010 | BOLT BOULON | 4 | | | |
| 31 | 92995-06600 | WASHER RONDELLE | 4 | | | |
| 32 | 67C-46297-00 | COVER, DUST COUVERCLE, POUSSIERE | 1 | | | |
| 33 | 90109-06MA1 | BOLT BOULON | 1 | | | |
| 34 | 90480-10M16 | GROMMET PASSE-FIL | 2 | | | |
| 35 | 90480-12072 | GROMMET PASSE-FIL | 1 | | | |
| 36 | 66M-15774-00 | STAY 4 SUPPORT 4 | 1 | | | |
| 37 | 90109-06M86 | BOLT BOULON | 1 | | | |
| 38 | 67C-15770-00 | CABLE COMP., STARTER STOP CABLE, BUTEE DE DEMAR | 1 | | | |
| 39 | 66T-15731-00 | SPRING, RETURN RESSORT, RAPPEL | 1 | | | |
| 40 | 90446-10M86 | HOSE DURITE | 1 | | | |
| 41 | 65W-81639-10 | PLATE, ARMATURE FITTING PLAQUE, FIXATION D'INDUIT | 1 | | | |
| 42 | 62Y-13437-61 | MARK, CAUTION MAKER | 1 | | | |
| 43 | 6A1-83625-41 | MARK 5 ETIQUETTE 5 | 1 | | | |
| 44 | 6A1-83625-51 | MARK 5 ETIQUETTE 5 | 1 | | | |



FWD
67C1300-2110

FIG. 11 GENERATOR

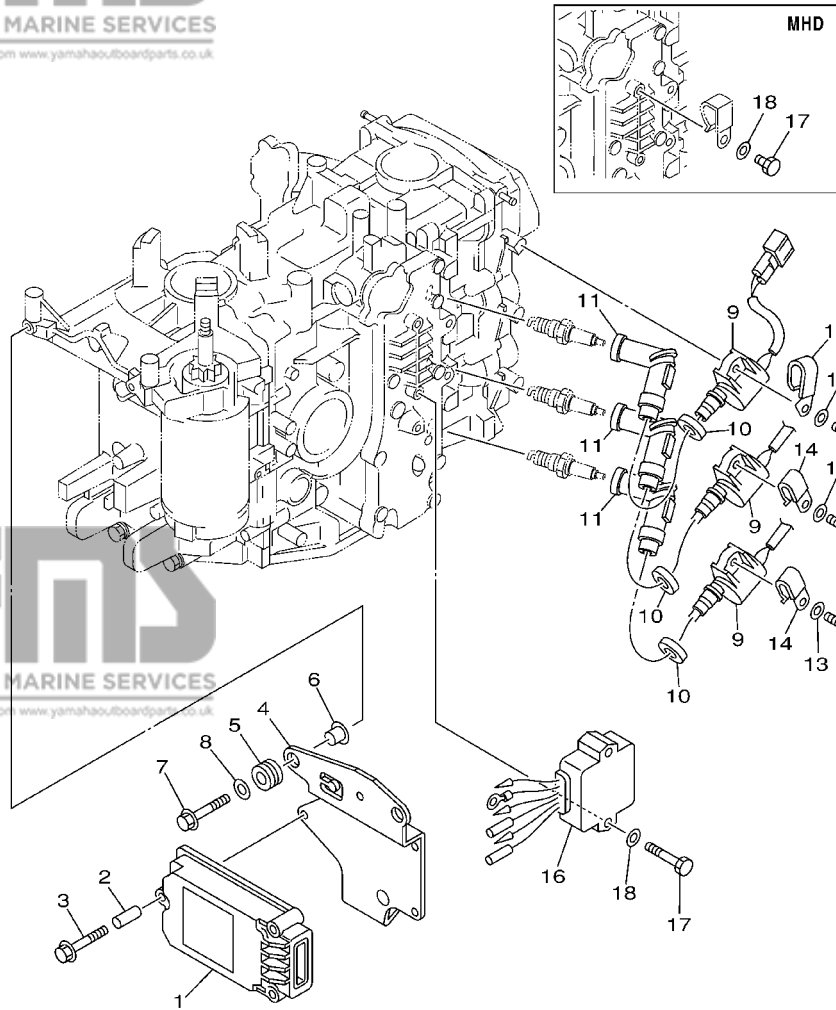
GENERATRICE

| REF. NO. | PART NO. NO. PIECES | DESCRIPTION DESCRIPTION | MHD | ED | ET | REMARKS REMARQUES |
|----------|---------------------|---------------------------|-----|----|----|-------------------|
| 1 | 65W-85550-01 | ROTOR ASSY | | 1 | 1 | |
| | | ROTOR CPLT | | | | |
| | 65W-85550-11 | ROTOR ASSY | 1 | | | |
| | | ROTOR CPLT | | | | |
| 2 | 65W-85510-10 | STATOR ASSY | | 1 | 1 | |
| | | STATOR CPLT | | | | |
| | 65W-85510-00 | STATOR ASSY | 1 | | | |
| | | STATOR CPLT | | | | |
| 3 | 65W-85580-00 | COIL, PULSER | 1 | 1 | 1 | |
| | | BOBINE, PULSEUR | | | | |
| 4 | 90446-10M82 | HOSE | 1 | 1 | 1 | |
| | | DURITE | | | | |
| 5 | 65W-11545-00 | KEY, WOODRUFF | 1 | 1 | 1 | |
| | | CLAVETTE, DEMI-LUNE | | | | |
| 6 | 90170-20137 | NUT | 1 | 1 | 1 | |
| | | ECROU | | | | |
| 7 | 90201-21M18 | WASHER, PLATE | 1 | 1 | 1 | |
| | | RONDELLE, PLATE | | | | |
| 8 | 91380-05030 | BOLT | | 3 | 3 | |
| | | BOULON | | | | |
| | 91380-05025 | BOLT | 3 | | | |
| | | BOULON | | | | |
| 9 | 97095-05016 | BOLT | 2 | 2 | 2 | |
| | | BOULON | | | | |
| 10 | 92995-05600 | WASHER | 2 | 2 | 2 | |
| | | RONDELLE | | | | |
| 11 | 67C-81337-00 | COVER, FLYWHEEL | 1 | 1 | 1 | |
| | | COUVERCLE, VOLANT | | | | |
| 12 | 97095-06025 | BOLT | 4 | 4 | 4 | |
| | | BOULON | | | | |
| 13 | 92995-06600 | WASHER | 4 | 4 | 4 | |
| | | RONDELLE | | | | |
| 14 | 65W-81639-10 | PLATE, ARMATURE FITTING | 1 | 1 | 1 | |
| | | PLAQUE, FIXATION D'INDUIT | | | | |
| 15 | 62Y-13437-61 | MARK, CAUTION | 1 | 1 | 1 | |
| | | MARKER | | | | |
| 16 | 6A1-83625-41 | MARK 5 | 1 | 1 | 1 | |
| | | ETIQUETTE 5 | | | | |
| 17 | 6A1-83625-51 | MARK 5 | 1 | 1 | 1 | |
| | | ETIQUETTE 5 | | | | |

C6

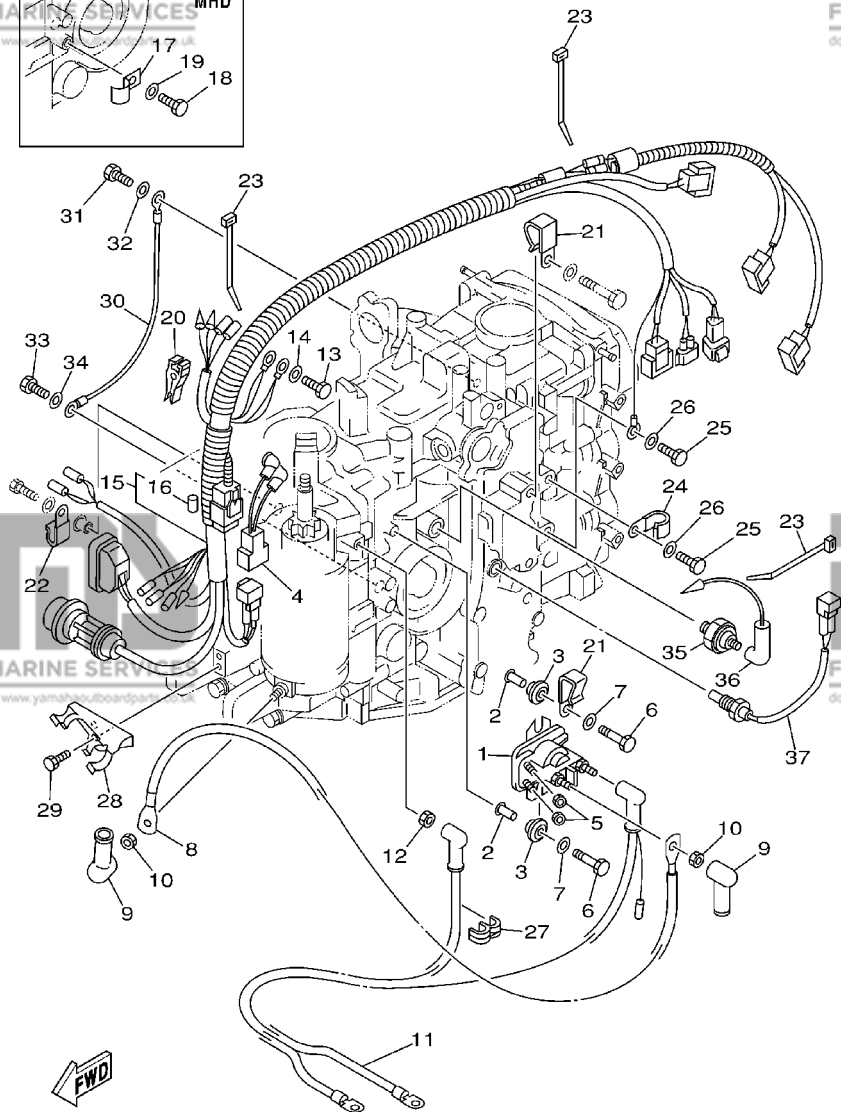
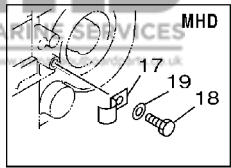
FIG. 12 ELECTRICAL 1

PARTIE ELECTRIQUE 1



| REF. NO. | PART NO. NO. PIECES | DESCRIPTION DESCRIPTION | MHD | ED | ET | REMARKS REMARQUES |
|----------|---------------------|--|-----|----|----|-------------------|
| 1 | 67C-85540-01 | C.D.I. UNIT ASSY BLOC C.D.I. | 1 | 1 | 1 | |
| 2 | 65W-86129-00 | COLLAR COLLERETTE | 3 | 3 | 3 | |
| 3 | 65W-8252V-00 | SCREW, SPECIAL VIS, SPECIALE | 3 | 3 | 3 | |
| 4 | 67C-85542-00 | BRACKET SUPPORT | 1 | 1 | 1 | |
| 5 | 65W-85547-00 | DAMPER AMORTISSEUR | 3 | 3 | 3 | |
| 6 | 65W-86129-10 | COLLAR COLLERETTE | 3 | 3 | 3 | |
| 7 | 67C-8252V-00 | BOLT, FLANGE (M6X25) BOULON, A COLLERETTE (M6X25) | 3 | 3 | 3 | |
| 8 | 67C-85554-00 | WASHER, ROTOR RONDELLE, ROTOR | 3 | 3 | 3 | |
| 9 | 67C-85570-00 | IGNITION COIL ASSY BOBINE D'ALLUMAGE (ENS.) | 3 | 3 | 3 | |
| 10 | 90480-25161 | GROMMET PASSE-FIL | 3 | 3 | 3 | |
| 11 | 6G8-82370-30 | PLUG CAP ASSY ANTIPARASITE | 3 | 3 | 3 | |
| 12 | 97095-06020 | BOLT BOULON | 3 | 3 | 3 | |
| 13 | 92995-06600 | WASHER RONDELLE | 3 | 3 | 3 | |
| 14 | 90465-06M90 | CLAMP BRIDE | 2 | 2 | 2 | |
| 15 | 90465-06M88 | CLAMP BRIDE | 1 | 1 | 1 | |
| 16 | 65W-81960-00 | RECTIFIER & REGULATOR ASSY REDRESSEUR REGULATEUR CPLT | 1 | 1 | | |
| 17 | 97095-06040 | BOLT BOULON | | 2 | 2 | |
| | 97095-06012 | BOLT BOULON | 1 | | | |
| 18 | 92995-06600 | WASHER RONDELLE | | 2 | 2 | |
| | 92995-06600 | WASHER RONDELLE | 1 | | | |

FWD
67C0100-0130



67C0100-1140



FIG. 13 ELECTRICAL 2

PARTIE ELECTRIQUE 2

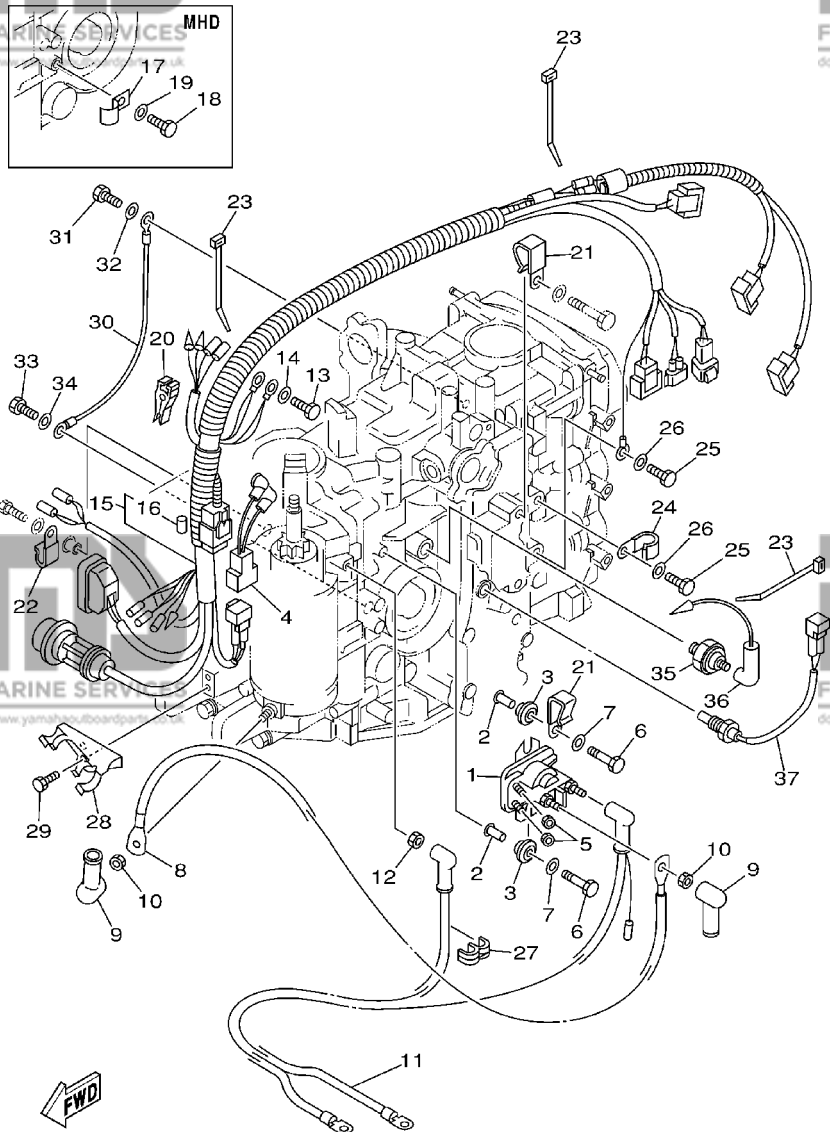
| REF. NO. | PART NO. NO. PIECES | DESCRIPTION DESCRIPTION | MHD | ED | ET | REMARKS REMARQUES |
|----------|---------------------|---|-----|----|----|-------------------|
| 1 | 65W-81941-00 | STARTER RELAY ASSY LANCEUR RELAIS (ENS.) | | 1 | 1 | |
| 2 | 65W-8191C-00 | COLLAR COLLERETTE | | 2 | 2 | |
| 3 | 65W-81922-00 | GROMMET OUILLET CAOUTCHOUC | | 2 | 2 | |
| 4 | 67C-82509-00 | WIRE, SUB LEAD FIL, SECONDAIRE | | 1 | 1 | |
| 5 | 65W-8182A-00 | NUT ECROU | | 2 | 2 | |
| 6 | 97095-06030 | BOLT BOULON | | 2 | 2 | |
| 7 | 92995-06600 | WASHER RONDELLE | | 2 | 2 | |
| 8 | 65W-82117-00 | WIRE, LEAD FIL | | 1 | 1 | |
| 9 | 6G5-82119-10 | COVER, LEAD WIRE GARNITURE, FIL | | 2 | 2 | |
| 10 | 65W-8182B-00 | NUT, SPECIAL ECROU, SPECIAL | | 2 | 2 | |
| 11 | 67C-82105-00 | WIRE HARNESS FAISCEAU DE FILS | | 1 | 1 | |
| 12 | 65W-8182B-00 | NUT, SPECIAL ECROU, SPECIAL | | 1 | 1 | |
| 13 | 97095-06012 | BOLT BOULON | | 1 | 1 | |
| 14 | 92995-06600 | WASHER RONDELLE | | 1 | 1 | |
| 15 | 67C-82590-20 | WIRE HARNESS ASSY FAISCEAU DE FILS COMPLET | | | 1 | |
| 16 | 67C-82590-10 | WIRE HARNESS ASSY FAISCEAU DE FILS COMPLET | | 1 | | |
| 17 | 67C-82590-00 | WIRE HARNESS ASSY FAISCEAU DE FILS COMPLET | | 1 | | |
| 18 | 67F-82151-00 | .FUSE (20A) .FUSIBLE (20A) | | 2 | 2 | |
| 19 | 90465-08M63 | CLAMP BRIDE | | 1 | | |
| 20 | 97095-06012 | BOLT BOULON | | 1 | | |
| 21 | 92995-06600 | WASHER RONDELLE | | 1 | | |
| 22 | 67F-2812A-00 | PULLER, FUSE TENDEUR, FUSIBLE | | 1 | 1 | |
| 23 | 90465-05M87 | CLAMP BRIDE | | 2 | 2 | |
| 24 | 90465-06M90 | CLAMP BRIDE | | 1 | 1 | |
| 25 | 90465-13M18 | CLAMP BRIDE | | 3 | 3 | |
| 26 | 90465-08M75 | CLAMP BRIDE | | 1 | 1 | |
| 27 | 97095-06012 | BOLT BOULON | | 3 | 3 | |

D1

FIG. 13 ELECTRICAL 2

PARTIE ELECTRIQUE 2

| REF. NO. | PART NO. NO. PIECES | DESCRIPTION DESCRIPTION | MHD | ED | ET | REMARKS REMARQUES |
|----------|---------------------|--|-----|----|----|-------------------|
| 26 | 92995-06600 | WASHER RONDELLE | 3 | 3 | 3 | |
| 27 | 90464-10M57 | CLAMP BRIDE | | 1 | 1 | |
| 28 | 67C-82594-00 | CLAMP BRIDE | | 1 | 1 | |
| 29 | 97095-05012 | BOLT BOULON | | 2 | 2 | |
| 30 | 67C-82519-00 | WIRE, EARTH LEAD FIL. MASSE | 1 | 1 | 1 | |
| 31 | 97095-08012 | BOLT BOULON | 1 | 1 | 1 | |
| 32 | 92995-08600 | WASHER RONDELLE | 1 | 1 | 1 | |
| 33 | 97095-06012 | BOLT BOULON | 1 | 1 | 1 | |
| 34 | 92995-06600 | WASHER RONDELLE | 1 | 1 | 1 | |
| 35 | 65W-82504-00 | OIL PRESSURE SWITCH ASSY CONTACTEUR DE PRESSION D'HUILE | 1 | 1 | 1 | |
| 36 | 65W-82127-00 | WIRE, LEAD 2 FIL 2 | 1 | 1 | 1 | |
| 37 | 67C-85790-00 | THERMOSENSOR ASSY SENSITOMETRE | 1 | 1 | 1 | |

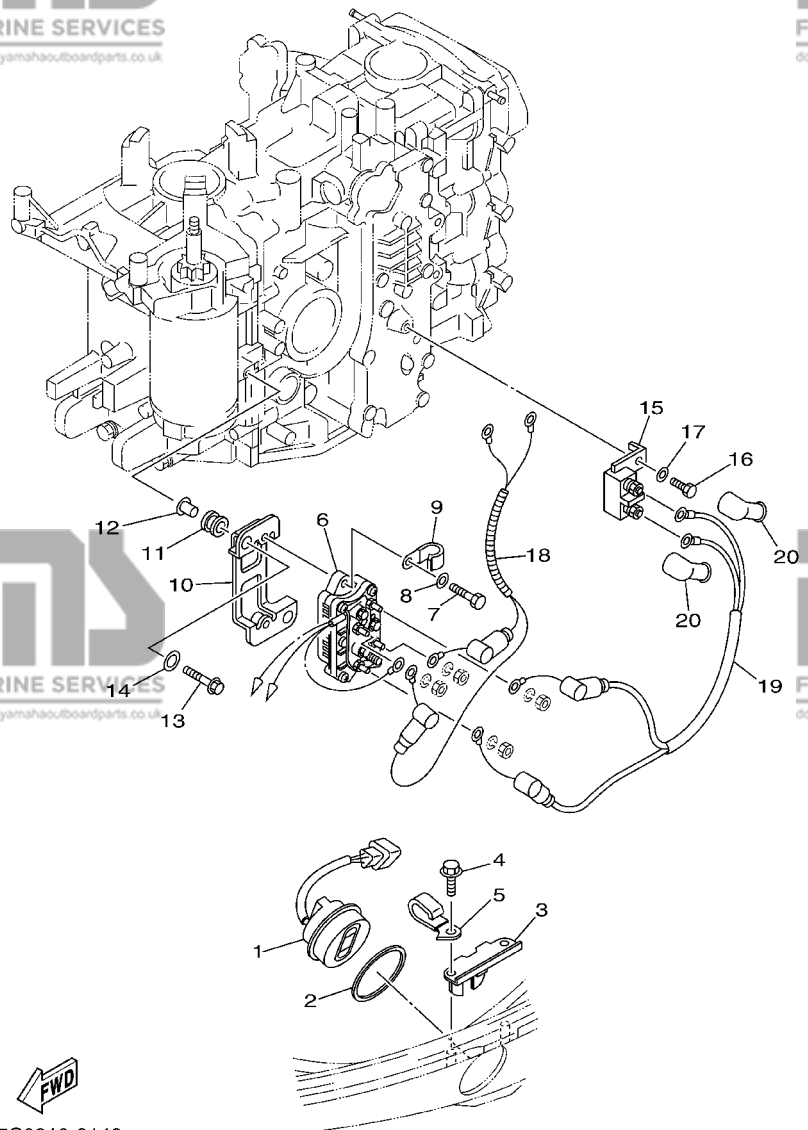


67C0100-1140

FIG. 14 ELECTRICAL 3

PARTIE ELECTRIQUE 3

| REF. NO. | PART NO. NO. PIECES | DESCRIPTION DESCRIPTION | MHD | ED | ET | REMARKS REMARQUES |
|----------|---------------------|--|-----|----|----|-------------------|
| 1 | 63D-82563-10 | TRIM & TILT SWITCH ASSY INCLINER ET PARER COMMUTATEUR | | | 1 | |
| 2 | 6E5-82587-00 | GASKET JOINT | | | 1 | |
| 3 | 62Y-83614-00 | BRACKET SUPPORT | | | 1 | |
| 4 | 90109-06M86 | BOLT BOULON | | | 2 | |
| 5 | 90465-06M88 | CLAMP BRIDE | | | 1 | |
| 6 | 6H1-81950-00 | RELAY ASSY RELAIS COMPLET | | | 1 | |
| 7 | 97095-06020 | BOLT BOULON | | | 2 | |
| 8 | 92995-06600 | WASHER RONDELLE | | | 2 | |
| 9 | 90465-08M75 | CLAMP BRIDE | | | 1 | |
| 10 | 67C-81948-00 | BRACKET JOINT TORIQUE | | | 1 | |
| 11 | 6A0-82317-00 | DAMPER, IGNITION COIL AMORTISSEUR, BOBINE D'ALLUM | | | 2 | |
| 12 | 624-42542-00 | PIPE TUYAU | | | 2 | |
| 13 | 95895-06030 | BOLT, FLANGE BOULON | | | 2 | |
| 14 | 90201-12M16 | WASHER, PLATE RONDELLE, PLATE | | | 2 | |
| 15 | 6H5-81920-00 | TERMINAL ASSY BORNE | | | 1 | |
| 16 | 97095-06012 | BOLT BOULON | | | 1 | |
| 17 | 92995-06600 | WASHER RONDELLE | | | 1 | |
| 18 | 67C-81949-00 | WIRE, LEAD FIL | | | 1 | |
| 19 | 67C-81949-10 | WIRE, LEAD FIL | | | 1 | |
| 20 | 6G5-82119-00 | COVER, LEAD WIRE GARNITURE, FIL | | | 2 | |

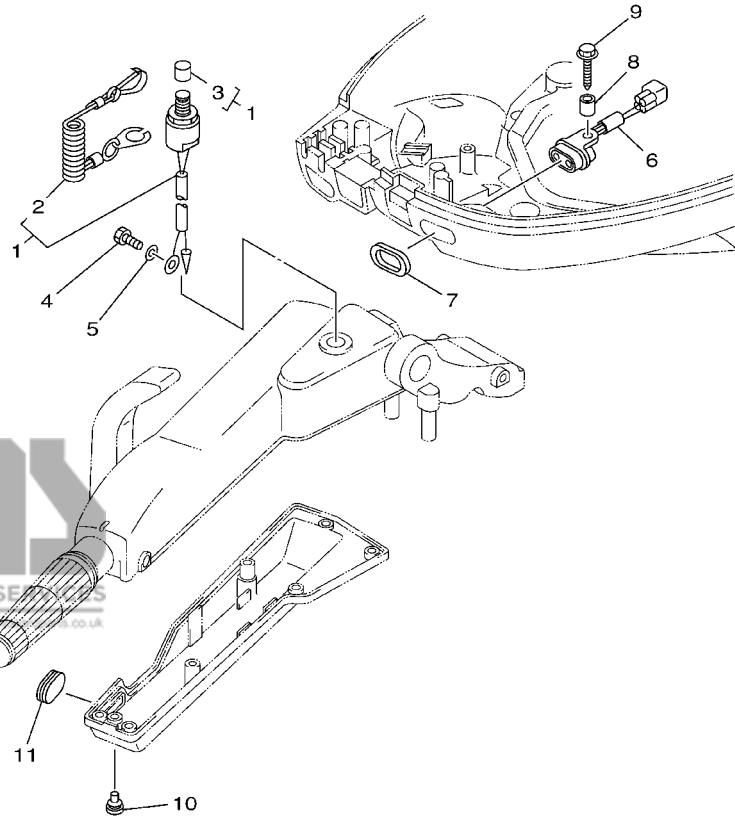


67C0010-0140

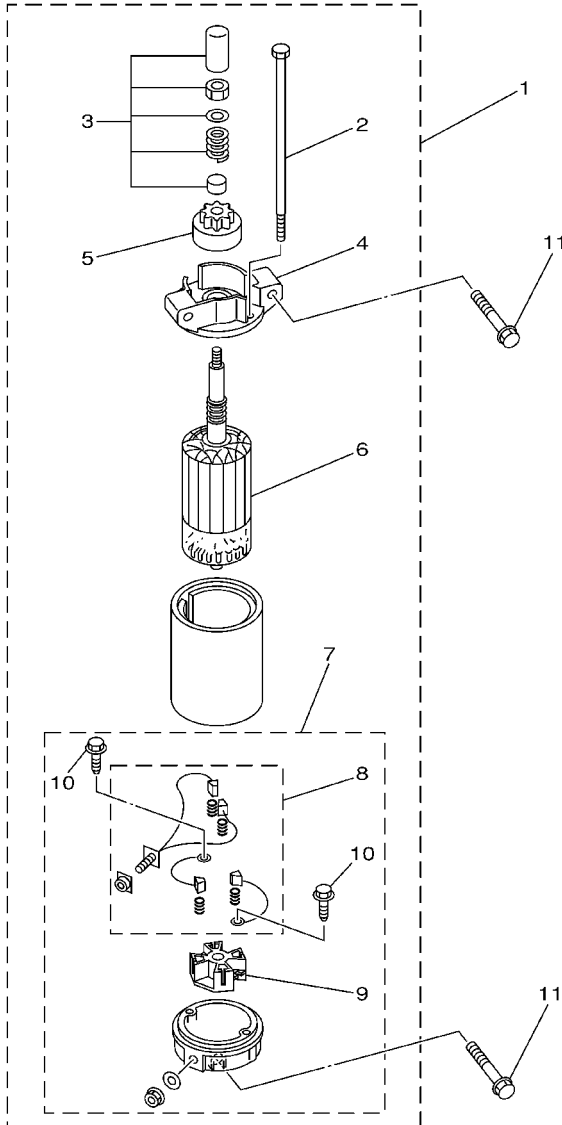
FIG. 15 ELECTRICAL 4

PARTIE ELECTRIQUE 4

| REF. NO. | PART NO. NO. PIECES | DESCRIPTION DESCRIPTION | MHD | ED | ET | REMARKS REMARQUES |
|----------|---------------------|---|-----|----|----|-------------------|
| 1 | 6K5-82575-03 | ENGINE STOP SWITCH ASSY COUPE CIRCUIT CPLT | 1 | | | |
| 2 | 682-82556-00 | .STOPPER .PLAQUETTE | 1 | | | |
| 3 | 689-8257Y-00 | .CAP .CHAPEAU | 1 | | | |
| 4 | 97095-06012 | BOLT BOULON | 1 | | | |
| 5 | 92995-06600 | WASHER RONDELLE | 1 | | | |
| 6 | 62Y-84301-00 | PILOT LIGHT ASSY 1 LAMPE-TEMOIN 1 | 1 | | | |
| 7 | 6H4-83589-00 | GASKET GARNITURE | 1 | | | |
| 8 | 90387-06M87 | COLLAR COLLERETTE | 1 | | | |
| 9 | 90109-06MA2 | BOLT BOULON | 1 | | | |
| 10 | 90480-06M19 | GROMMET PASSE-FIL | 2 | | | |
| 11 | 67C-42726-00 | GROMMET PASSE-FIL | 1 | | | |



67C0100-0160

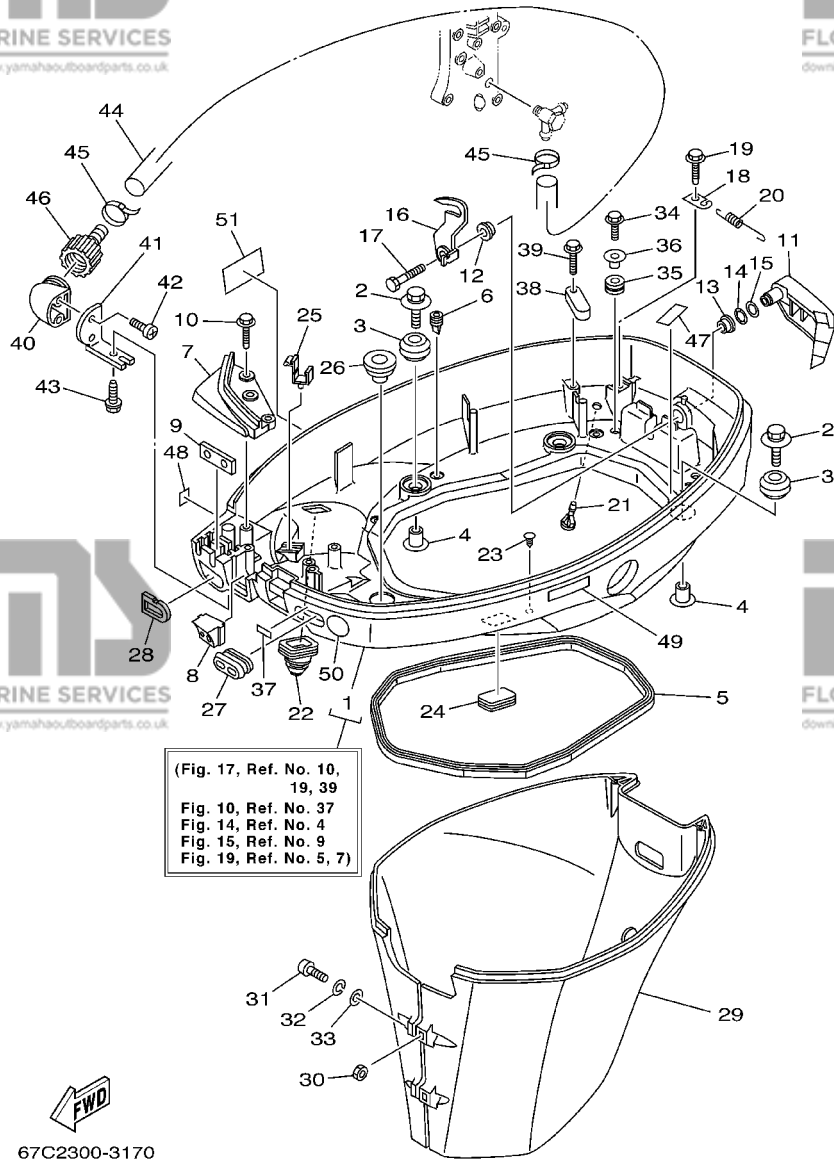


67C0010-0160

FIG. 16 STARTING MOTOR

DEMARREUR ELECTRIQUE

| REF. NO. | PART NO. NO. PIECES | DESCRIPTION DESCRIPTION | MHD | ED | ET | REMARKS REMARQUES |
|----------|---------------------|---|-----|----|----|-------------------|
| 1 | 67C-81800-00 | STARTING MOTOR ASSY DEMARREUR ELECTRIQUE COMPLET | | 1 | 1 | |
| 2 | 67C-81826-00 | .BOLT .BOULON | | 2 | 2 | |
| 3 | 65W-81857-01 | .RETAINER .ARRETOIR | | 1 | 1 | |
| 4 | 65W-81830-00 | .FRONT BRACKET ASSY .SUPPORT AVANT | | 1 | 1 | |
| 5 | 65W-81807-00 | .GEAR ASSY, STARTING MOTOR .PIGNON, DEMARREUR ELECTRIQUE | | 1 | 1 | |
| 6 | 67C-81850-00 | .ARMATURE ASSY .INDUIT | | 1 | 1 | |
| 7 | 65W-81820-00 | .REAR BRACKET ASSY .SUPPORT ARRIERE COMPLET | | 1 | 1 | |
| 8 | 65W-81801-00 | ..BRUSH SET ..CHARBON | | 1 | 1 | |
| 9 | 65W-81840-00 | ..BRUSH HOLDER ASSY ..SUPPORT DE CHARBON | | 1 | 1 | |
| 10 | 65W-8182S-00 | ..SCREW ..VIS | | 2 | 2 | |
| 11 | 90119-08M39 | BOLT, WITH WASHER BOULON, AVEC RONDELLE | | 3 | 3 | |



(Fig. 17, Ref. No. 10,
19, 39
Fig. 10, Ref. No. 37
Fig. 14, Ref. No. 4
Fig. 15, Ref. No. 9
Fig. 19, Ref. No. 5, 7)

FWD
67C2300-3170

FIG. 17 BOTTOM COWLING

CAPOT INFERIEUR

| REF. NO. | PART NO. NO. PIECES | DESCRIPTION DESCRIPTION | MHD | ED | ET | REMARKS REMARQUES |
|----------|---------------------|---|-----|----|----|-------------------|
| 1 | 67C-42710-12-4D | BOTTOM COWLING ASSY ENS. EMBASE | | | 1 | WITH TAPPING BOLT |
| | 67C-42710-02-4D | BOTTOM COWLING ASSY ENS. EMBASE | 1 | 1 | | WITH TAPPING BOLT |
| 2 | 90119-06M08 | BOLT, WITH WASHER BOULON, AVEC RONDELLE | 4 | 4 | 4 | |
| 3 | 90480-09M12 | GROMMET PASSE-FIL | 4 | 4 | 4 | |
| 4 | 90387-06060 | COLLAR COLLERETTE | 4 | 4 | 4 | |
| 5 | 62Y-42716-00 | RUBBER, SEAL 1 JOINT EN CAOUTCHOUC 1 | 1 | 1 | 1 | |
| 6 | 65W-42717-00 | RUBBER, SEAL 2 JOINT EN CAOUTCHOUC 2 | 4 | 4 | 4 | |
| 7 | 67C-42738-00-4D | PLATE, FITTING ETRIER | 1 | 1 | 1 | |
| 8 | 62Y-42725-30 | GROMMET PASSE-FIL | | | 1 | |
| | 62Y-42725-00 | GROMMET PASSE-FIL | | | 1 | |
| | 67C-42725-00 | GROMMET PASSE-FIL | 1 | | | |
| 9 | 62Y-42727-00 | GROMMET PASSE-FIL | 1 | 1 | 1 | |
| 10 | 90109-06M81 | BOLT BOULON | 3 | 3 | 3 | |
| 11 | 67C-42815-00-4D | LEVER, CLAMP LEVIER, PRESSE | 1 | 1 | 1 | |
| 12 | 90386-12M37 | BUSH DOUILLE | 1 | 1 | 1 | |
| 13 | 90386-12MA2 | BUSH DOUILLE | 1 | 1 | 1 | |
| 14 | 90206-12052 | WASHER, WAVE RONDELLE, ONDULEE | 1 | 1 | 1 | |
| 15 | 90201-12M07 | WASHER, PLATE RONDELLE, PLATE | 1 | 1 | 1 | |
| 16 | 67C-42816-01 | LEVER, CLAMP LEVIER, PRESSE | 1 | 1 | 1 | |
| 17 | 97095-06012 | BOLT BOULON | 1 | 1 | 1 | |
| 18 | 66T-43144-00 | HOOK, SPRING CROCHET | 1 | 1 | 1 | |
| 19 | 90109-06M86 | BOLT BOULON | 1 | 1 | 1 | |
| 20 | 90506-18M40 | SPRING, TENSION RESSORT, TENSION | 1 | 1 | 1 | |
| 21 | 6H3-44391-01 | NIPPLE, HOSE RACCORD D'ESSENCE | 1 | 1 | 1 | |
| 22 | 6H1-42726-20 | GROMMET PASSE-FIL | | | 1 | FOR FLUSHING KIT |
| | 65W-42724-10 | GROMMET PASSE-FIL | 1 | 1 | | FOR FLUSHING KIT |
| 23 | 90338-07004 | PLUG PLOT | 1 | 1 | 1 | |

D6

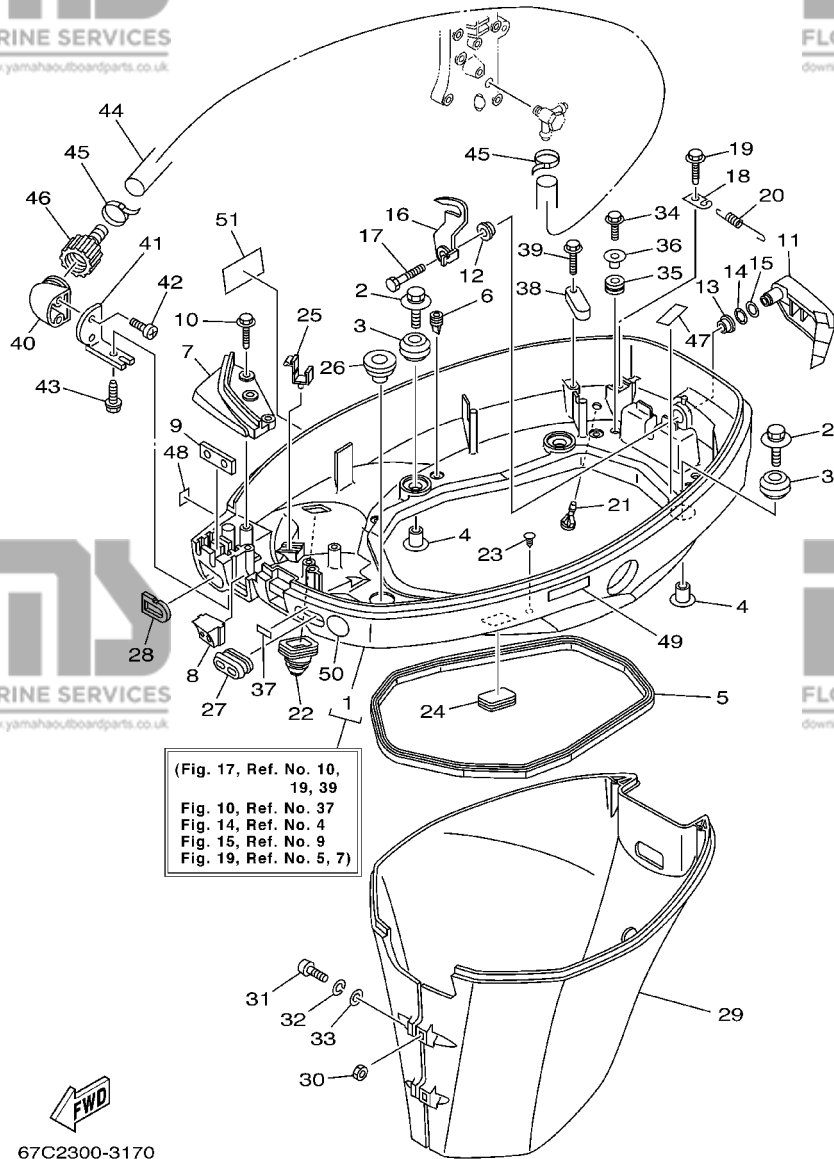


FIG. 17 BOTTOM COWLING

CAPOT INFERIEUR

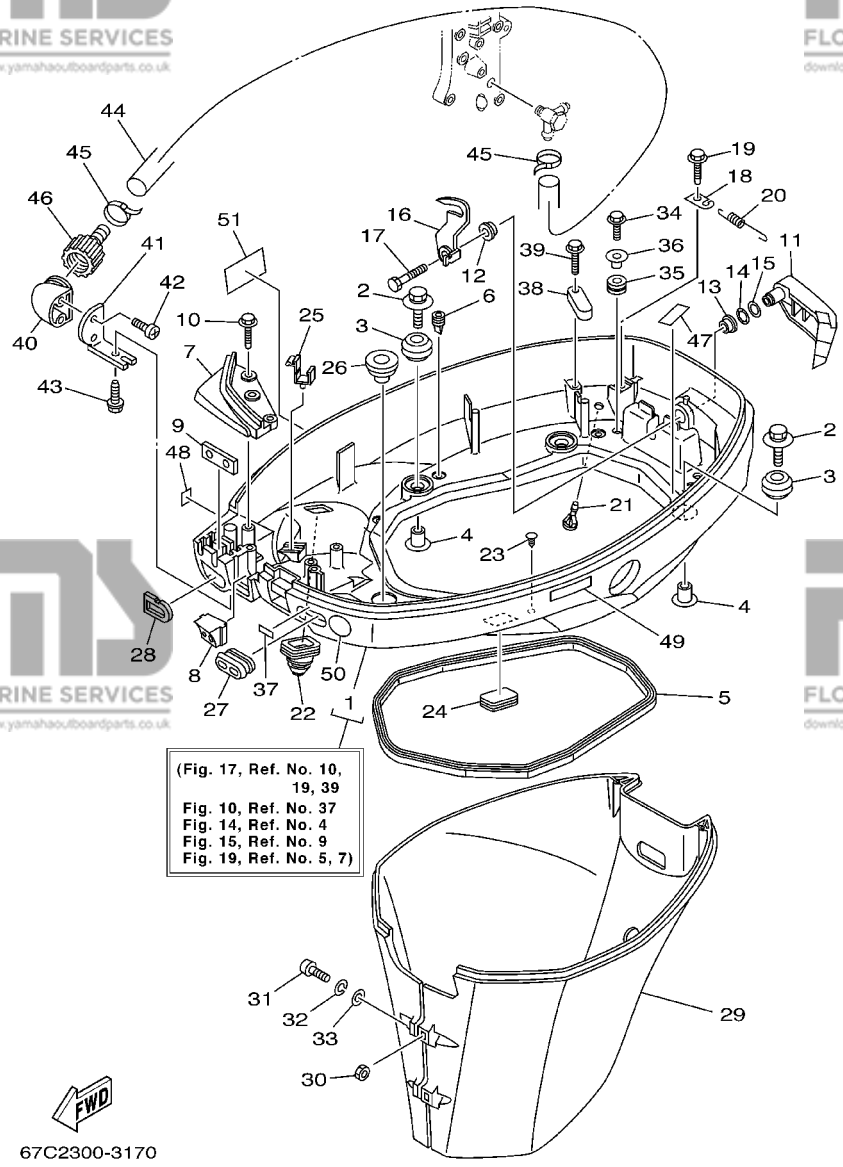
| REF. NO. | PART NO. NO. PIECES | DESCRIPTION DESCRIPTION | MHD | ED | ET | REMARKS REMARQUES |
|----------|---------------------|--|-----|----|----|-------------------|
| 24 | 6H4-42726-00 | GROMMET PASSE-FIL | 1 | 1 | 1 | |
| 25 | 90464-09M13 | CLAMP BRIDE | 1 | 1 | 1 | |
| 26 | 676-42727-00 | GROMMET PASSE-FIL | 1 | 1 | 1 | |
| 27 | 6H3-42727-00 | GROMMET PASSE-FIL | | 1 | 1 | |
| 28 | 61N-24329-00 | SEAL JOINT | 1 | 1 | 1 | |
| 29 | 67C-42741-00-4D | APRON CAPOT LATERAL | 1 | | 1 | S |
| | 67C-42741-10-4D | APRON CAPOT LATERAL | 1 | 1 | 1 | L |
| 30 | 95380-06600 | NUT, HEXAGON ECROU | 2 | 2 | 2 | |
| 31 | 97880-06025 | SCREW, PAN HEAD VIS, TETE TRONCONIQUE | 2 | 2 | 2 | |
| 32 | 92990-06100 | WASHER, SPRING RONDELLE, GROUVER | 2 | 2 | 2 | |
| 33 | 92990-06600 | WASHER, PLATE RONDELLE, PLATE | 2 | 2 | 2 | |
| 34 | 90109-06M80 | BOLT BOULON | 2 | 2 | 2 | |
| 35 | 90480-13M24 | GROMMET PASSE-FIL | 2 | 2 | 2 | |
| 36 | 90387-06M43 | COLLAR COLLERETTE | 2 | 2 | 2 | |
| 37 | 67C-85415-00 | MARK, SIGNAL LAMP ETIQUETTE | 1 | | | |
| 38 | 6E5-82588-00 | PLATE PLAQUE | 1 | 1 | 1 | |
| 39 | 90109-06M81 | BOLT BOULON | 1 | 1 | 1 | |
| 40 | 68T-12572-00 | ADAPTER ADAPTATEUR | 1 | 1 | 1 | FLUSHING KIT |
| 41 | 69W-12535-00 | PLATE PLAQUE | 1 | 1 | 1 | FLUSHING KIT |
| 42 | 90167-06002 | SCREW, TAPPING VIS, TETE FRAISEE | 2 | 2 | 2 | FLUSHING KIT |
| 43 | 90109-06M80 | BOLT BOULON | 1 | 1 | 1 | FLUSHING KIT |
| 44 | 67C-24312-00 | PIPE 2 DURITE 2 | 1 | 1 | 1 | FLUSHING KIT |
| 45 | 90465-11M10 | CLAMP BRIDE | 2 | 2 | 2 | FLUSHING KIT |
| 46 | 6R3-12580-00 | JOINT ASSY ARTICULER (ENS.) | 1 | 1 | 1 | FLUSHING KIT |
| 47 | 62Y-82377-00 | LABEL ETIQUETTE | 1 | 1 | 1 | |
| 48 | 6A1-28176-00 | LABEL, CAUTION ETIQUETTE, RECOMMANDATION | 1 | 1 | 1 | |
| 49 | 6E3-8257H-00 | PLATE, MARK PLAQUE, ADHESIF | 1 | 1 | 1 | |

D7

FIG. 17 BOTTOM COWLING

CAPOT INFERIEUR

| REF. NO. | PART NO. NO. PIECES | DESCRIPTION DESCRIPTION | MHD | ED | ET | REMARKS REMARQUES |
|----------|---------------------|--|-----|----|----|-------------------|
| 50 | 6G8-2415E-00 | LABEL, CAUTION EMBLEME, RECOMMANDATION | 1 | 1 | 1 | FOR SAV |
| 51 | 62Y-13444-50 | MARK MAKER | 1 | 1 | 1 | |



67C2300-3170

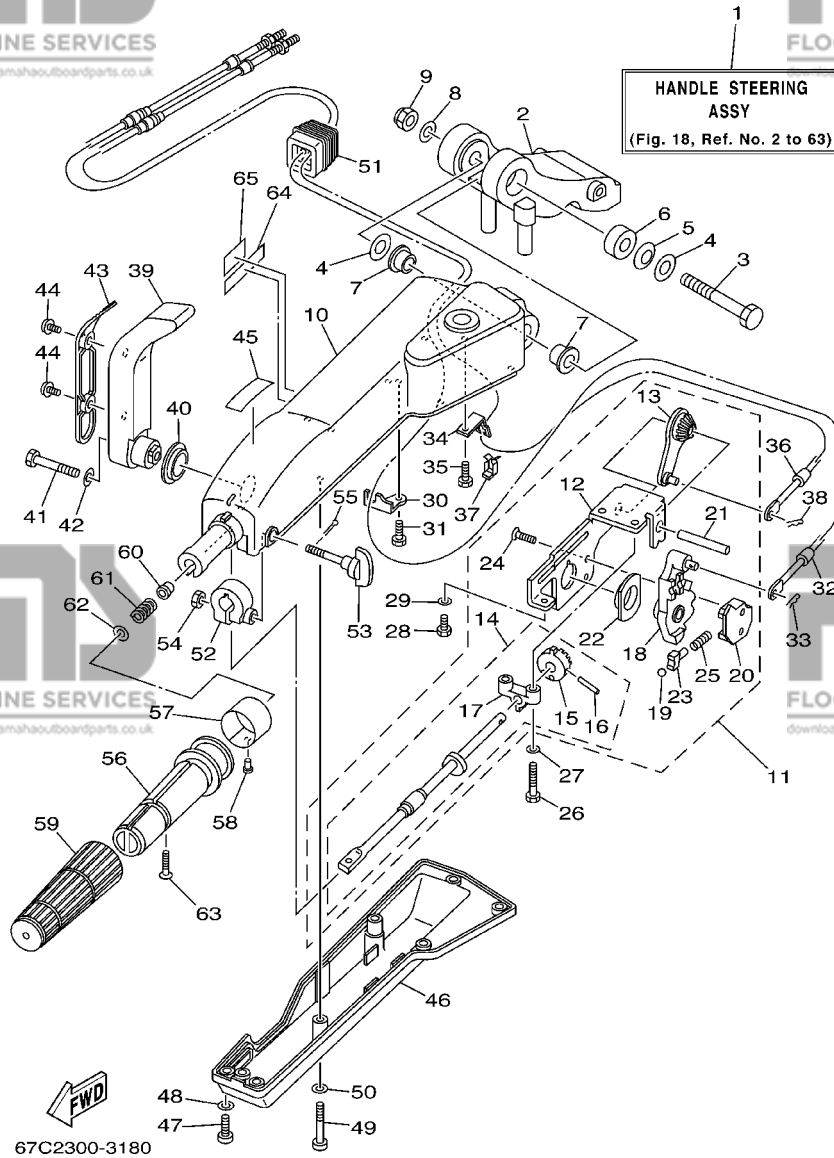


FIG. 18 STEERING

DIRECTION

| REF. NO. | PART NO. NO. PIECES | DESCRIPTION DESCRIPTION | MHD | ED | ET | REMARKS REMARQUES |
|----------|---------------------|---|-----|----|----|-------------------|
| 1 | 69W-W0084-10-4D | HANDLE STEERING ASSY BARRE FRANCHE (ENS.) | 1 | | | |
| 2 | 63D-42121-20-4D | BRACKET SUPPORT | 1 | | | |
| 3 | 90101-12M09 | BOLT BOULON | 1 | | | |
| 4 | 92990-12200 | WASHER, PLAIN RONDELLE, PLATE | 2 | | | |
| 5 | 90206-12M22 | WASHER, WAVE RONDELLE, ONDULEE | 1 | | | |
| 6 | 90387-12M02 | COLLAR COLLERETTE | 1 | | | |
| 7 | 90386-12M93 | BUSH DOUILLE | 2 | | | |
| 8 | 92990-12600 | WASHER, PLATE RONDELLE, PLATE | 1 | | | |
| 9 | 90185-12M12 | NUT, SELF-LOCKING ECROU, AUTO-BLOCANT | 1 | | | |
| 10 | 67G-42111-00-4D | HANDLE, STEERING POIGNEE | 1 | | | |
| 11 | 69W-44100-10 | SHIFT LINK ASSY MAILLON DE SELECTEUR | 1 | | | |
| 12 | 67C-44104-00 | .PLATE COMP. .PLAQUE COMPLET | 1 | | | |
| 13 | 69W-48261-00 | .ARM, THROTTLE .BRAS, ACCELERATION | 1 | | | |
| 14 | 69W-42115-10 | .SHAFT, STEERING HANDLE .AXE, BARRE FRANCHE | 1 | | | |
| 15 | 650-42152-00-94 | .GEAR .PIGNON | 1 | | | |
| 16 | 91690-30025 | .PIN, SPRING .AGRAFFE | 1 | | | |
| 17 | 67G-42159-00 | .STAY ..SUPPORT | 1 | | | |
| 18 | 67C-44113-00 | .CAM PLATE, HANDLE .CAME, VERROUILLAGE | 1 | | | |
| 19 | 63D-48236-00 | .ROLLER, DETENT .POULIE | 1 | | | |
| 20 | 67C-48119-00 | .COVER .COQUILLE | 1 | | | |
| 21 | 67G-42153-00 | .SHAFT, THROTTLE CONTROL .AXE, COMMANDE D'ACCELERATION | 1 | | | |
| 22 | 67G-44132-00 | .BUSHING .COUSSINET | 1 | | | |
| 23 | 63D-48237-00 | .ADAPTOR .ADAPTEUR | 1 | | | |
| 24 | 98785-05014 | .SCREW, FLAT HEAD .VIS, TETE PLATE | 2 | | | |
| 25 | 63D-48238-00 | .SPRING, DETENT .RESSORT | 1 | | | |
| 26 | 97095-06030 | BOLT BOULON | 2 | | | |
| 27 | 92995-06600 | WASHER RONDELLE | 2 | | | |

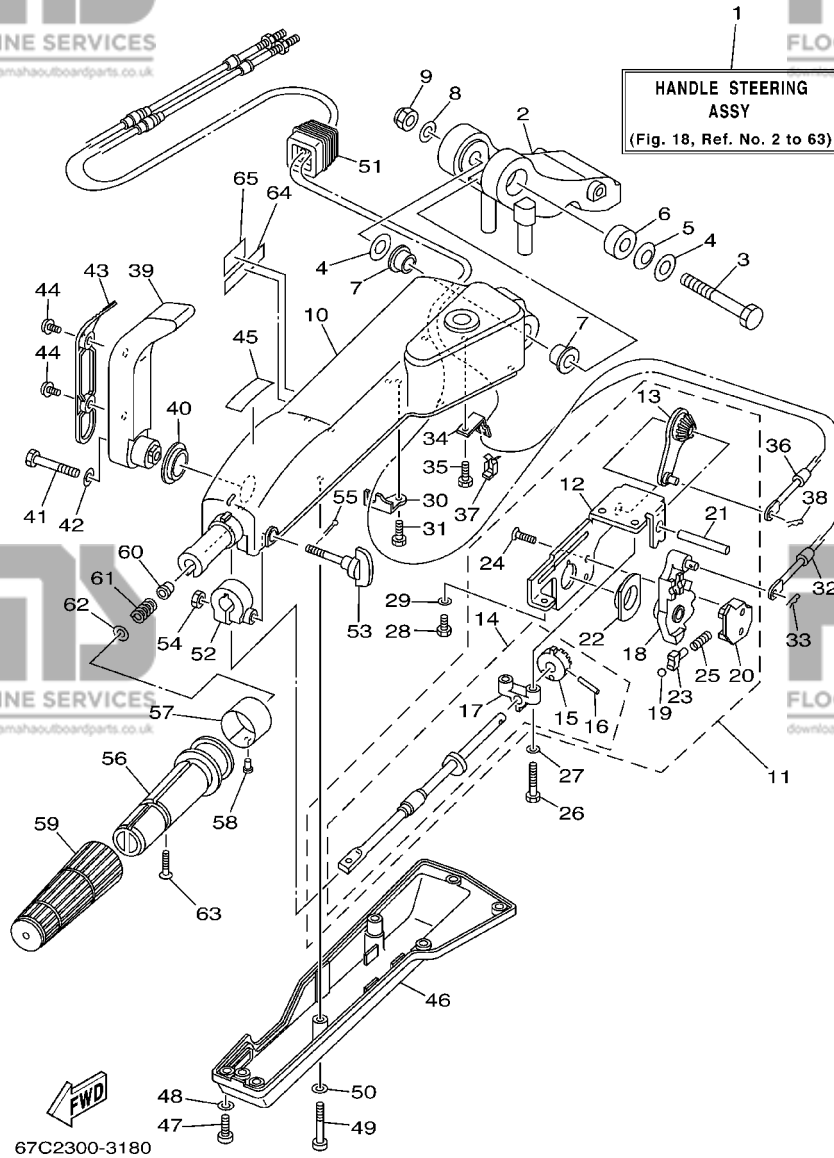


FIG. 18 STEERING

DIRECTION

| REF. NO. | PART NO. NO. PIECES | DESCRIPTION DESCRIPTION | MHD | ED | ET | REMARKS REMARQUES |
|----------|---------------------|--|-----|----|----|-------------------|
| 28 | 97095-06014 | BOLT BOULON | 1 | | | |
| 29 | 92995-06600 | WASHER RONDELLE | 1 | | | |
| 30 | 67G-48531-00 | BRACKET, REMOTE CONTROL 1 ETRIER 1, COMMANDE A DISTANCE | 1 | | | |
| 31 | 97095-06014 | BOLT BOULON | 1 | | | |
| 32 | 67C-48321-00 | CABLE CABLE | 1 | | | |
| 33 | 90468-10005 | CLIP JONC | 1 | | | |
| 34 | 69W-48538-00 | CLAMP, CABLE 1 COLLIER | 1 | | | |
| 35 | 97095-06014 | BOLT BOULON | 1 | | | |
| 36 | 69W-26301-00 | THROTTLE CABLE ASSY CABLE D'ACCELERATEUR | 1 | | | |
| 37 | 63D-48538-00 | CLAMP, CABLE 1 COLLIER | 1 | | | |
| 38 | 90468-10005 | CLIP JONC | 1 | | | |
| 39 | 67G-44159-00-4D | HANDLE, GEAR SHIFT POIGNEE, LEVIER D'EMBRAYAGE | 1 | | | |
| 40 | 90386-26MA3 | BUSH DOUILLE | 1 | | | |
| 41 | 97095-08040 | BOLT BOULON | 1 | | | |
| 42 | 92995-08600 | WASHER RONDELLE | 1 | | | |
| 43 | 67G-44173-00 | LEVER, SHIFT CONTROL POIGNEE, INVERSION | 1 | | | |
| 44 | 90159-06M18 | SCREW, WITH WASHER VIS, AVEC RONDELLE | 2 | | | |
| 45 | 6G8-44191-00 | INDICATOR, SHIFT ETIQUETTE, EMBRAYAGE | 1 | | | |
| 46 | 67G-42131-00 | COVER, HANDLE STEERING COUVERCLE | 1 | | | |
| 47 | 97885-06016 | SCREW, PAN HEAD VIS, A ENCOCHE | 5 | | | |
| 48 | 92995-06600 | WASHER RONDELLE | 5 | | | |
| 49 | 97885-06040 | SCREW, PAN HEAD VIS, A ENCOCHE | 2 | | | |
| 50 | 92995-06600 | WASHER RONDELLE | 2 | | | |
| 51 | 63D-42725-00 | GROMMET PASSE-FIL | 1 | | | |
| 52 | 63D-42126-00 | FRICTION, STEERING HANDLE GRIP CUVETTE, POIGNEE DE DIRECTION | 1 | | | |
| 53 | 63D-48154-00 | KNOB, THROTTLE BOUTON, ACCELERATEUR | 1 | | | |
| 54 | 95380-06600 | NUT, HEXAGON ECROU | 1 | | | |

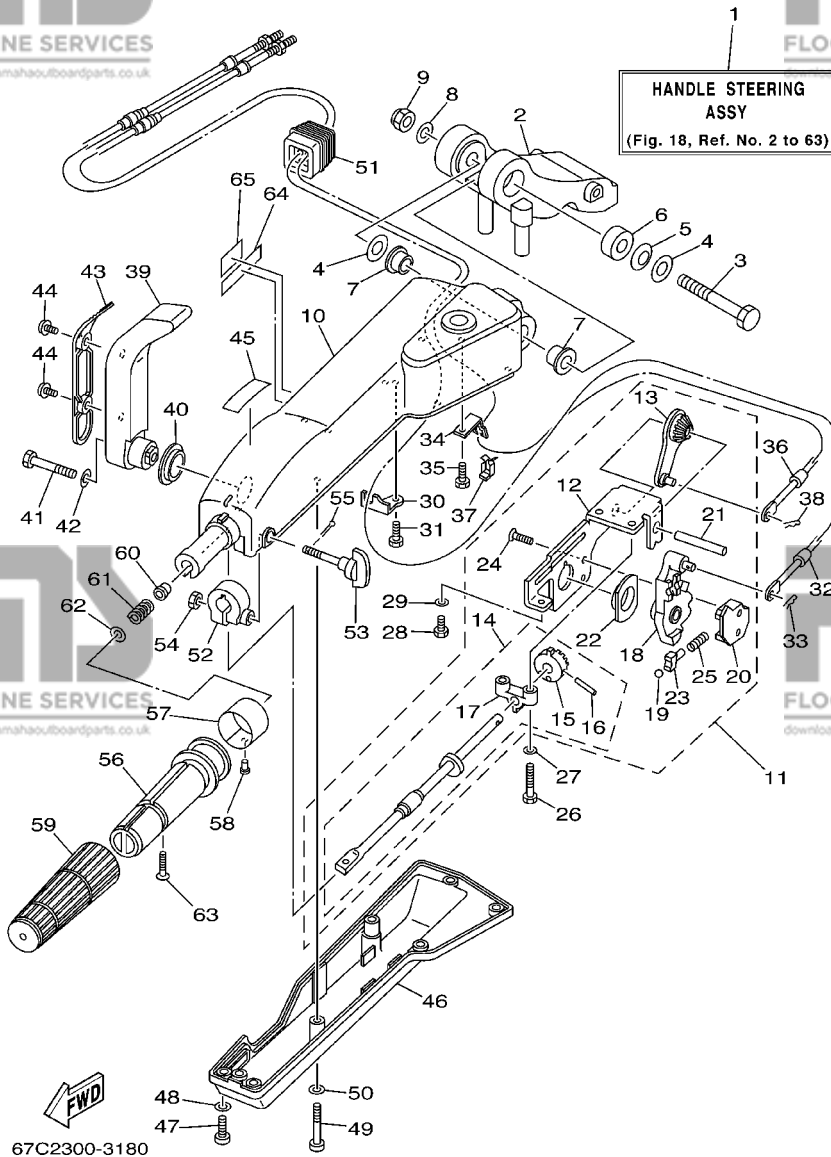
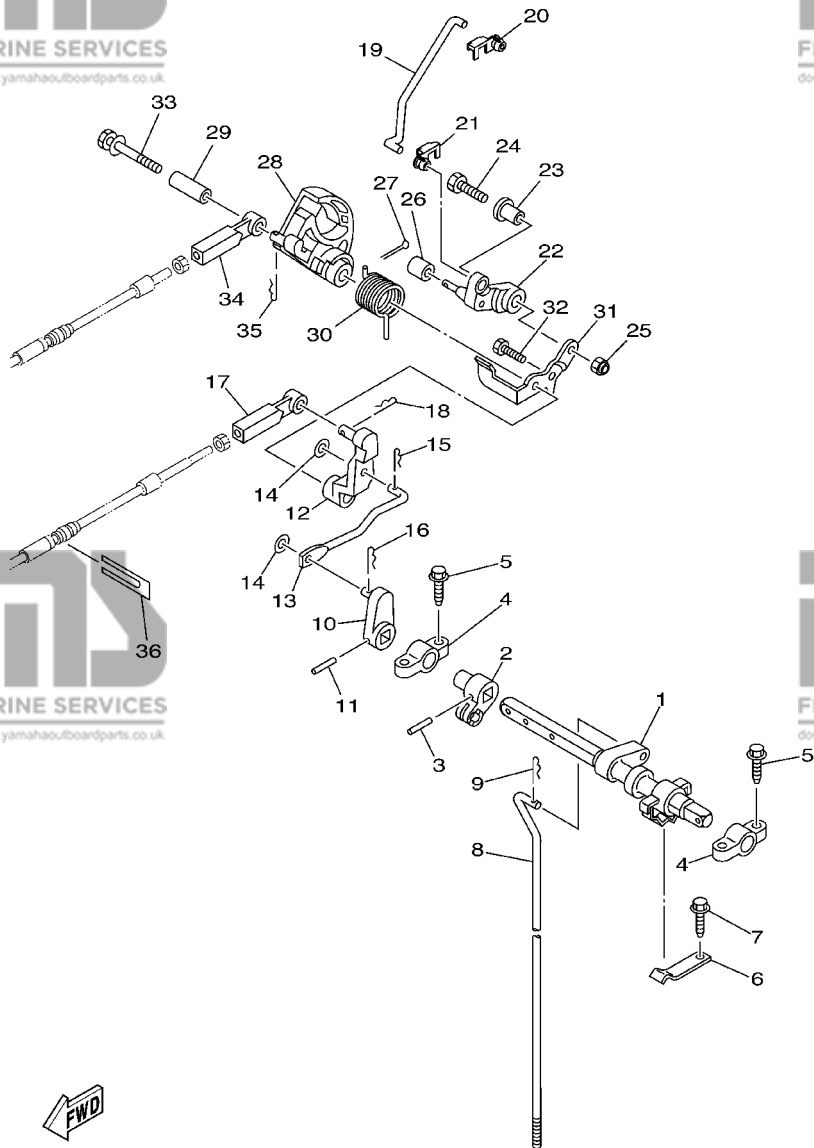


FIG. 18 STEERING

DIRECTION

| REF. NO. | PART NO. NO. PIECES | DESCRIPTION DESCRIPTION | MHD | ED | ET | REMARKS REMARQUES |
|----------|---------------------|---|-----|----|----|-------------------|
| 55 | 91490-20010 | PIN, COTTER GOUILLE | 1 | | | |
| 56 | 69W-42119-00 | GRIP, STEERING HANDLE POIGNEE, BARRE FRANCHE | 1 | | | |
| 57 | 6J0-42137-00 | INDICATOR, THROTTLE INDICATEUR, ACCELERATION | 1 | | | |
| 58 | 90269-02M09 | RIVET RIVET | 1 | | | |
| 59 | 6G1-42177-00 | RUBBER, HANDLE CAOUTCHOUC, POIGNEE | 1 | | | |
| 60 | 90386-08032 | BUSH DOUILLE | 1 | | | |
| 61 | 90501-23215 | SPRING, COMPRESSION RESSORT, COMPRESSION | 1 | | | |
| 62 | 92903-10600 | WASHER, PLATE RONDELLE, PLATE | 1 | | | |
| 63 | 90149-05M13 | SCREW VIS | 1 | | | |
| 64 | 6E0-83627-41 | LABEL, CAUTION 7 ETIQUETTE, RECOMMANDATION 7 | 1 | | | |
| 65 | 6E0-83627-51 | LABEL, CAUTION 7 ETIQUETTE, RECOMMANDATION 7 | 1 | | | |



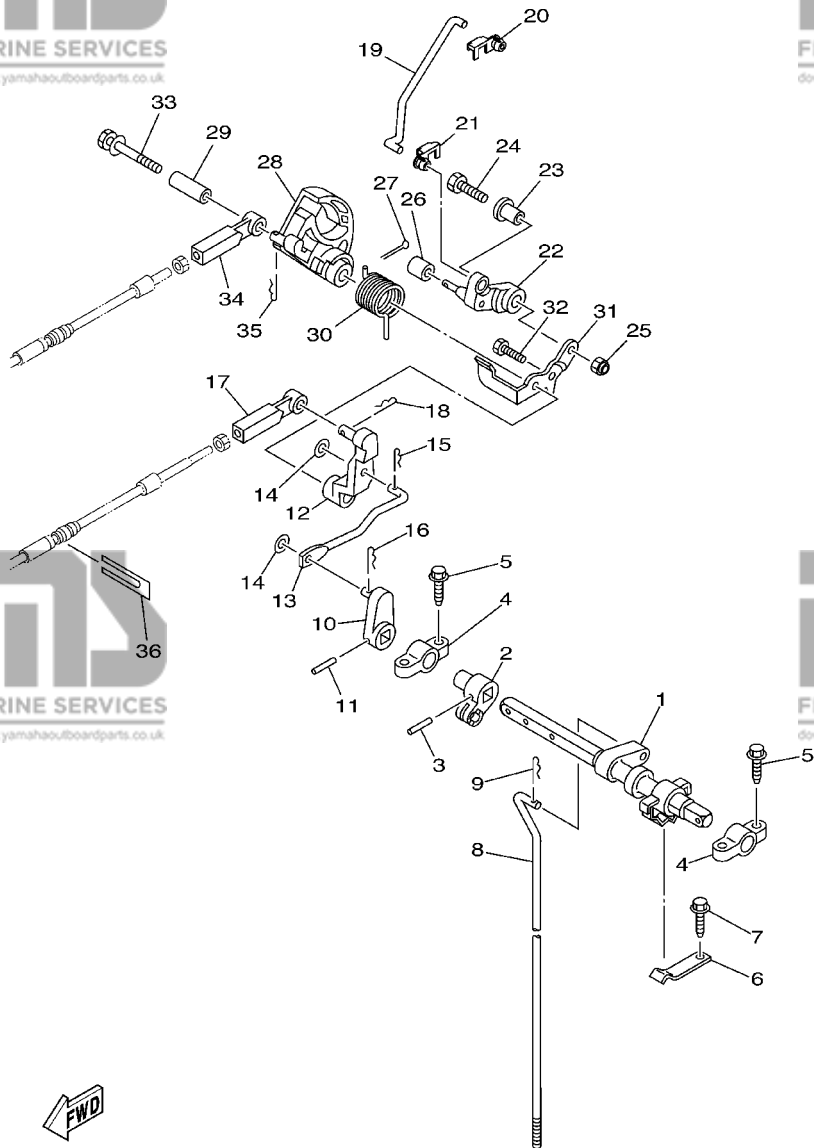
67C2300-3190

FIG. 19 CONTROL

COMMANDE

| REF. NO. | PART NO. NO. PIECES | DESCRIPTION DESCRIPTION | MHD | ED | ET | REMARKS REMARQUES |
|----------|---------------------|---|-----|----|----|-------------------|
| 1 | 67C-44121-00 | LEVER, SHIFT ROD LEVIER, TIGE D'INVERSION | 1 | 1 | 1 | |
| 2 | 66M-44122-00 | BUSHING, SHIFT ROD LEVER DOUILLE, LEVIER D'EMBRAYAGE | 1 | 1 | 1 | |
| 3 | 90254-03M05 | PIN, SPRING RIVET, TETE TRONCONIQUE | 1 | 1 | 1 | |
| 4 | 6F5-41662-00 | BRACKET SUPPORT | 2 | 2 | 2 | |
| 5 | 90109-06M81 | BOLT BOULON | 4 | 4 | 4 | |
| 6 | 67C-44116-00 | SPRING RESSORT | 1 | 1 | 1 | |
| 7 | 90109-06M86 | BOLT BOULON | 1 | 1 | 1 | |
| 8 | 67C-44143-00 | ROD, SHIFT TIGE D'EMBRAYAGE | 1 | 1 | 1 | S |
| | 67C-44143-10 | ROD, SHIFT TIGE D'EMBRAYAGE | 1 | 1 | 1 | L |
| 9 | 90468-18008 | CLIP JONC | 1 | 1 | 1 | |
| 10 | 65W-44142-00 | JOINT AXE | 1 | 1 | 1 | |
| 11 | 90254-03M05 | PIN, SPRING RIVET, TETE TRONCONIQUE | 1 | 1 | 1 | |
| 12 | 67C-44125-00 | LEVER, SHIFT ROD LEVIER, TIGE D'INVERSION | 1 | 1 | 1 | |
| 13 | 67C-44192-00 | LINK, SHIFT ROD BIELLETTTE | 1 | 1 | 1 | |
| 14 | 90201-05M06 | WASHER, PLATE RONDELLE, PLATE | 2 | 2 | 2 | |
| 15 | 90468-10005 | CLIP JONC | 1 | 1 | 1 | |
| 16 | 90468-18008 | CLIP JONC | 1 | 1 | 1 | |
| 17 | 67C-48344-00 | CABLE END, REMOTE CONTROL CHAPE CABLE | 1 | 1 | 1 | |
| 18 | 90468-18008 | CLIP JONC | 1 | 1 | 1 | |
| 19 | 67C-41241-00 | ROD, LINK BIELLETTTE | 1 | 1 | 1 | |
| 20 | 6E9-41237-00 | JOINT, LINK RACCORD | 1 | 1 | 1 | |
| 21 | 6F5-41237-00 | JOINT, LINK RACCORD | 1 | 1 | 1 | |
| 22 | 67C-41212-00 | ARM, ACCEL. BRAS | 1 | 1 | 1 | |
| 23 | 90387-06M29 | COLLAR COLLERETTE | 1 | 1 | 1 | |
| 24 | 97095-06025 | BOLT BOULON | 1 | 1 | 1 | |
| 25 | 95780-06300 | NUT, FLANGÉ ECROU | 1 | 1 | 1 | |
| 26 | 62Y-42171-00 | BUSHING COUSSINET | 1 | 1 | 1 | |

E5

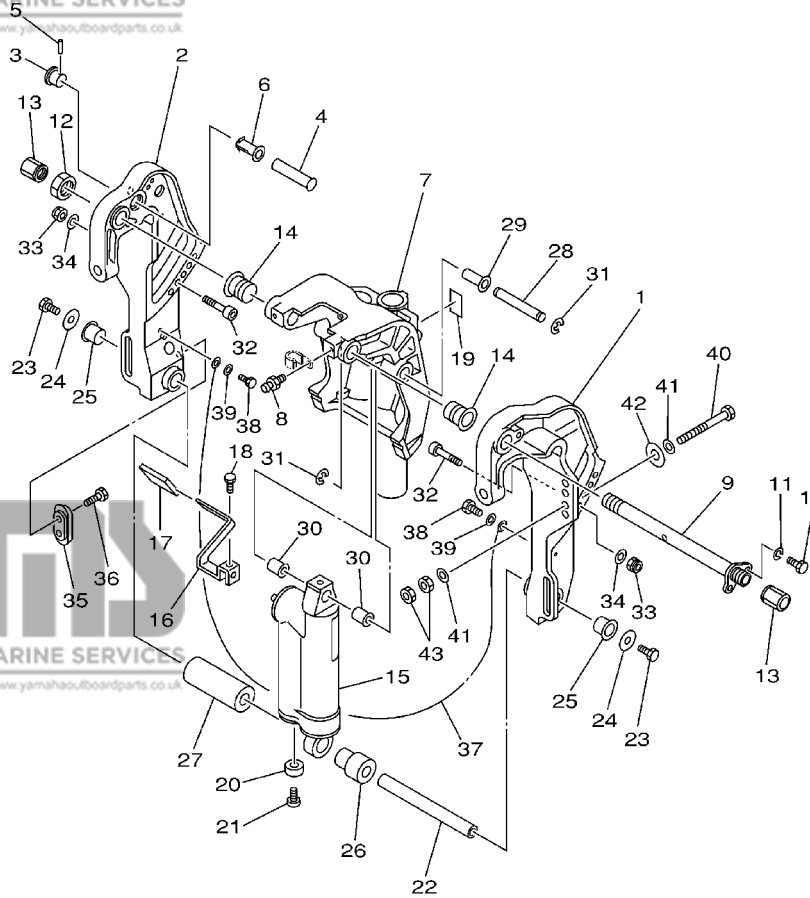


FWD
67C2300-3190

FIG. 19 CONTROL

COMMANDE

| REF. NO. | PART NO. NO. PIECES | DESCRIPTION DESCRIPTION | MHD | ED | ET | REMARKS REMARQUES |
|----------|---------------------|--|-----|----|----|-------------------|
| 27 | 91490-12010 | PIN, COTTER GOUILLE | 1 | 1 | 1 | |
| 28 | 67C-41213-20 | CAM, ACCEL. CAME, ACCELERATION | 1 | 1 | 1 | |
| 29 | 90387-06M88 | COLLAR COLLERETTE | 1 | 1 | 1 | |
| 30 | 90508-20M44 | SPRING, TORSION RESSORT, TORSION | 1 | 1 | 1 | |
| 31 | 67C-44117-00 | BRACKET SUPPORT | 1 | 1 | 1 | |
| 32 | 97095-06014 | BOLT BOULON | 1 | 1 | 1 | |
| 33 | 90119-06M91 | BOLT, WITH WASHER BOULON, AVEC RONDELLE | 1 | 1 | 1 | |
| 34 | 67C-48344-00 | CABLE END, REMOTE CONTROL CHAPE CABLE | 1 | 1 | 1 | |
| 35 | 90468-18008 | CLIP JONC | 1 | 1 | 1 | |
| 36 | 62Y-48538-00 | CLAMP, CABLE 1 COLLIER | 1 | 1 | 1 | |



FWD
67C0010-1221

FIG. 20 BRACKET 1

SUPPORT 1

| REF. NO. | PART NO. NO. PIECES | DESCRIPTION DESCRIPTION | MHD | ED | ET | REMARKS REMARQUES |
|----------|---------------------|---|-----|----|----|-------------------|
| 1 | 67C-43111-10-4D | BRACKET, CLAMP PRESSE | 1 | 1 | | |
| 2 | 67C-43112-10-4D | BRACKET, CLAMP PRESSE | 1 | 1 | | |
| 3 | 65W-43192-00 | KNOB, STOPPER BOUTON, BUTEE DE RELEVAGE | 1 | 1 | | |
| 4 | 65W-43191-00 | SHAFT, STOPPER AXE, BUTEE | 1 | 1 | | |
| 5 | 91690-30018 | PIN, SPRING AGRAFFE | 1 | 1 | | |
| 6 | 90386-14MA1 | BUSH DOUILLE | 1 | 1 | | |
| 7 | 67C-43311-00-4D | BRACKET, SWIVEL 1 SUPPORT, PIVOT 1 | 1 | | | S |
| | 67C-43311-10-4D | BRACKET, SWIVEL 1 SUPPORT, PIVOT 1 | 1 | 1 | | L |
| 8 | 93700-06M03 | NIPPLE, GREASE PION | 3 | 3 | | |
| 9 | 6K9-43131-01 | BOLT, CLAMP BRACKET BOULON, PRESSE | 1 | 1 | | |
| 10 | 97095-08020 | BOLT BOULON | 1 | 1 | | |
| 11 | 92995-08100 | WASHER RONDELLE | 1 | 1 | | |
| 12 | 90185-22M11 | NUT, SELF-LOCKING ECROU, AUTO-BLOCANT | 1 | 1 | | |
| 13 | 6G5-43145-01 | CAP, CLAMP BRACKET CAPUCHON, PRESSE | 2 | 2 | | |
| 14 | 90386-22MA4 | BUSH DOUILLE | 2 | 2 | | |
| 15 | 67C-43170-00-4D | SHOCK ABSORBER ASSY AMORTISSEUR (ENS.) | 1 | | | S |
| | 67C-43170-10-4D | SHOCK ABSORBER ASSY AMORTISSEUR (ENS.) | 1 | 1 | | L |
| 16 | 67C-43631-00 | LEVER, TILT LEVIER, INCLINAISON | 1 | 1 | | |
| 17 | 682-43318-01 | COVER CAPUCHON | 1 | 1 | | |
| 18 | 97095-06010 | BOLT BOULON | 1 | 1 | | |
| 19 | 63D-43691-00 | INDICATOR, TILT ETIQUETTE, RELEVAGE | 1 | 1 | | |
| 20 | 663-45251-00 | ANODE ANODE | 1 | 1 | | |
| 21 | 98680-06525 | SCREW, OVAL HEAD VIS, TETE FRAISEE BOMBEE | 1 | 1 | | |
| 22 | 90249-18M35 | PIN GOUPILLE | 1 | 1 | | |
| 23 | 97080-08016 | BOLT BOULON | 2 | 2 | | |
| 24 | 90201-08M00 | WASHER, PLATE RONDELLE, PLATE | 2 | 2 | | |
| 25 | 90386-18M44 | BUSH DOUILLE | 2 | 2 | | |

E7

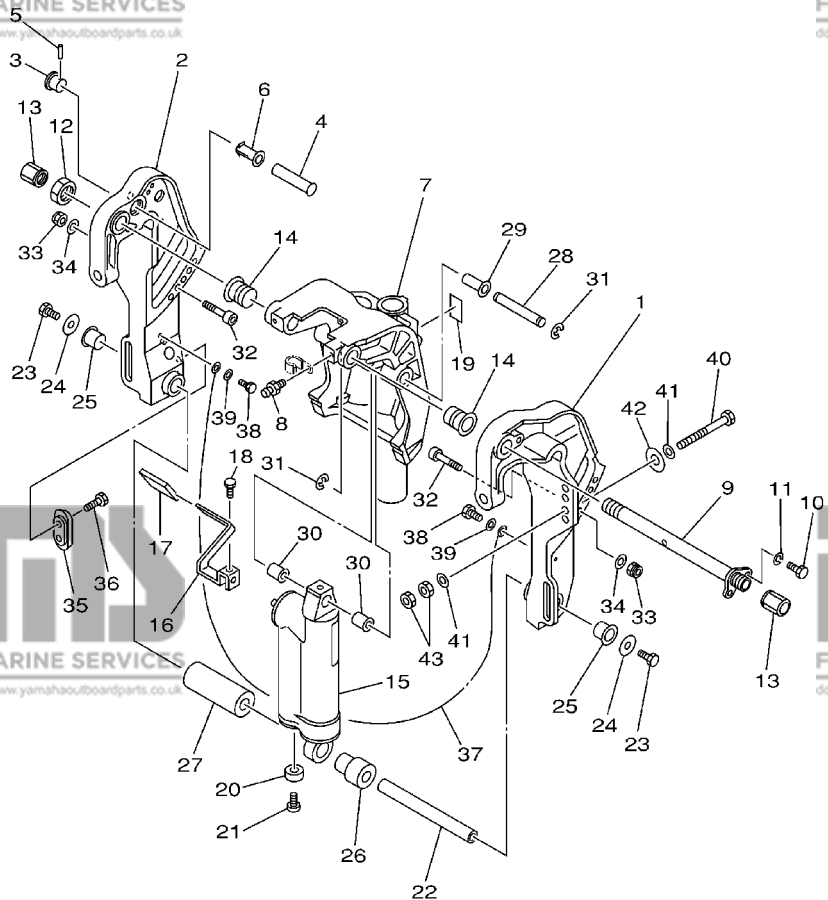


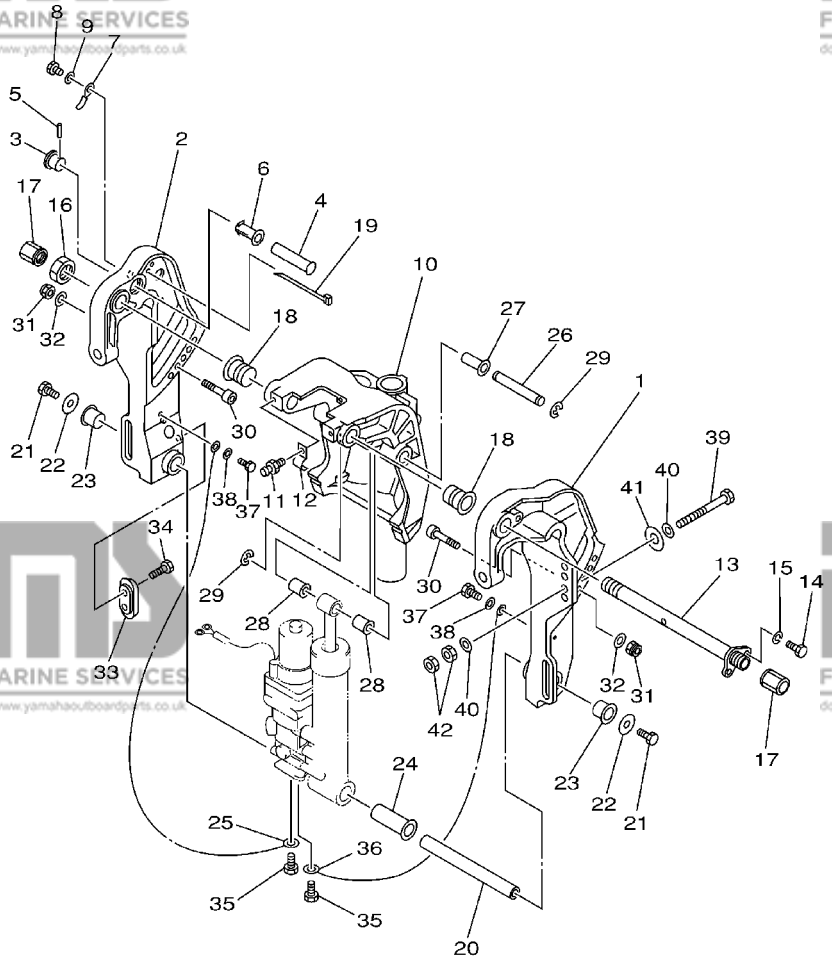
FIG. 20 BRACKET 1

SUPPORT 1

| REF. NO. | PART NO. NO. PIECES | DESCRIPTION DESCRIPTION | MHD | ED | ET | REMARKS REMARQUES |
|----------|---------------------|---|-----|----|----|-------------------|
| 26 | 90386-18MA5 | BUSH DOUILLE | 1 | 1 | | |
| 27 | 90387-18M03 | COLLAR COLLERETTE | 1 | 1 | | |
| 28 | 90249-12M38 | PIN GOUPILLE | 1 | 1 | | |
| 29 | 90381-12M10 | BUSH, SOLID DOUILLE, SOLIDE | 1 | 1 | | |
| 30 | 90381-12M11 | BUSH, SOLID DOUILLE, SOLIDE | 2 | 2 | | |
| 31 | 93430-10M00 | CIRCLIP CLIPS | 2 | 2 | | |
| 32 | 90110-10M02 | BOLT, HEXAGON SOCKET HEAD BOULON, TETE HEXAGONALE CREUSE | 2 | 2 | | |
| 33 | 90185-10M13 | NUT, SELF-LOCKING ECROU, AUTO-BLOCANT | 2 | 2 | | |
| 34 | 92995-10600 | WASHER RONDELLE | 2 | 2 | | |
| 35 | 65W-45251-00 | ANODE ANODE | 1 | 1 | | |
| 36 | 90101-06020 | BOLT BOULON | 2 | 2 | | |
| 37 | 67C-82127-20 | WIRE, LEAD 2 FIL 2 | 1 | 1 | | |
| 38 | 97095-06014 | BOLT BOULON | 2 | 2 | | |
| 39 | 92995-06600 | WASHER RONDELLE | 2 | 2 | | |
| 40 | 90101-12M65 | BOLT BOULON | 4 | 4 | | |
| 41 | 92995-12200 | WASHER RONDELLE | 8 | 8 | | |
| 42 | 90201-12426 | WASHER, PLATE RONDELLE, PLATE | 4 | 4 | | |
| 43 | 95380-12600 | NUT ECROU | 8 | 8 | | |



67C0010-1221

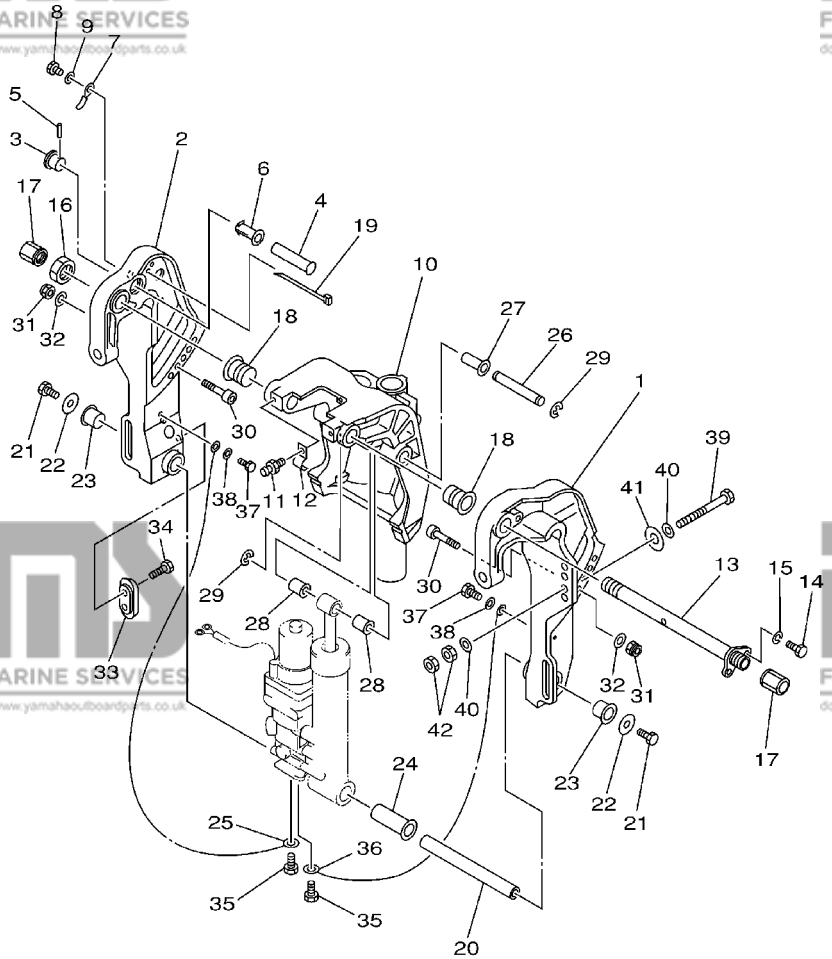


67C0010-1231

FIG. 21 BRACKET 2

SUPPORT 2

| REF. NO. | PART NO. NO. PIECES | DESCRIPTION DESCRIPTION | MHD | ED | ET | REMARKS REMARQUES |
|----------|---------------------|---|-----|----|----|-------------------|
| 1 | 67C-43111-10-4D | BRACKET, CLAMP PRESSE | | | 1 | |
| 2 | 67C-43112-10-4D | BRACKET, CLAMP PRESSE | | | 1 | |
| 3 | 65W-43192-00 | KNOB, STOPPER BOUTON, BUTEE DE RELEVAGE | | | 1 | |
| 4 | 65W-43191-00 | SHAFT, STOPPER AXE, BUTEE | | | 1 | |
| 5 | 91690-30018 | PIN, SPRING AGRAFFE | | | 1 | |
| 6 | 90386-14MA1 | BUSH DOUILLE | | | 1 | |
| 7 | 90465-10M77 | CLAMP BRIDE | | | 1 | |
| 8 | 97095-06014 | BOLT BOULON | | | 1 | |
| 9 | 92995-06600 | WASHER RONDELLE | | | 1 | |
| 10 | 67C-43311-00-4D | BRACKET, SWIVEL 1 SUPPORT, PIVOT 1 | | | 1 | S |
| | 67C-43311-10-4D | BRACKET, SWIVEL 1 SUPPORT, PIVOT 1 | | | 1 | L |
| 11 | 93700-06M03 | NIPPLE, GREASE PION | | | 3 | |
| 12 | 90465-08M63 | CLAMP BRIDE | | | 1 | |
| 13 | 6K9-43131-01 | BOLT, CLAMP BRACKET BOULON, PRESSE | | | 1 | |
| 14 | 97095-08020 | BOLT BOULON | | | 1 | |
| 15 | 92995-08100 | WASHER RONDELLE | | | 1 | |
| 16 | 90185-22M11 | NUT, SELF-LOCKING ECROU, AUTO-BLOCANT | | | 1 | |
| 17 | 6G5-43145-01 | CAP, CLAMP BRACKET CAPUCHON, PRESSE | | | 2 | |
| 18 | 90386-22MA4 | BUSH DOUILLE | | | 2 | |
| 19 | 90465-13M11 | CLAMP BRIDE | | | 2 | |
| 20 | 90249-18M35 | PIN GOUPILLE | | | 1 | |
| 21 | 97080-08016 | BOLT BOULON | | | 2 | |
| 22 | 90201-08M00 | WASHER, PLATE RONDELLE, PLATE | | | 2 | |
| 23 | 90386-18M44 | BUSH DOUILLE | | | 2 | |
| 24 | 90386-18MA0 | BUSH DOUILLE | | | 1 | |
| 25 | 6H1-82148-00 | WIRE, LEAD 4 FIL 4 | | | 1 | |
| 26 | 90249-12M38 | PIN GOUPILLE | | | 1 | |



67C0010-1231

FIG. 21 BRACKET 2

SUPPORT 2

| REF. NO. | PART NO. NO. PIECES | DESCRIPTION DESCRIPTION | MHD | ED | ET | REMARKS REMARQUES |
|----------|---------------------|---|-----|----|----|-------------------|
| 27 | 90381-12M10 | BUSH, SOLID DOUILLE, SOLIDE | | | 1 | |
| 28 | 90381-12M11 | BUSH, SOLID DOUILLE, SOLIDE | | | 2 | |
| 29 | 93430-10M00 | CIRCLIP CLIPS | | | 2 | |
| 30 | 90110-10M02 | BOLT, HEXAGON SOCKET HEAD BOULON, TETE HEXAGONALE CREUSE | | | 2 | |
| 31 | 90185-10M13 | NUT, SELF-LOCKING ECROU, AUTO-BLOCANT | | | 2 | |
| 32 | 92995-10600 | WASHER RONDELLE | | | 2 | |
| 33 | 65W-45251-00 | ANODE ANODE | | | 1 | |
| 34 | 90101-06020 | BOLT BOULON | | | 2 | |
| 35 | 97085-06010 | BOLT BOULON | | | 2 | |
| 36 | 6U0-82127-00 | WIRE, LEAD 2 FIL 2 | | | 1 | |
| 37 | 97095-06014 | BOLT BOULON | | | 2 | |
| 38 | 92995-06600 | WASHER RONDELLE | | | 2 | |
| 39 | 90101-12M65 | BOLT BOULON | | | 4 | |
| 40 | 92995-12200 | WASHER RONDELLE | | | 8 | |
| 41 | 90201-12426 | WASHER, PLATE RONDELLE, PLATE | | | 4 | |
| 42 | 95380-12600 | NUT ECROU | | | 8 | |

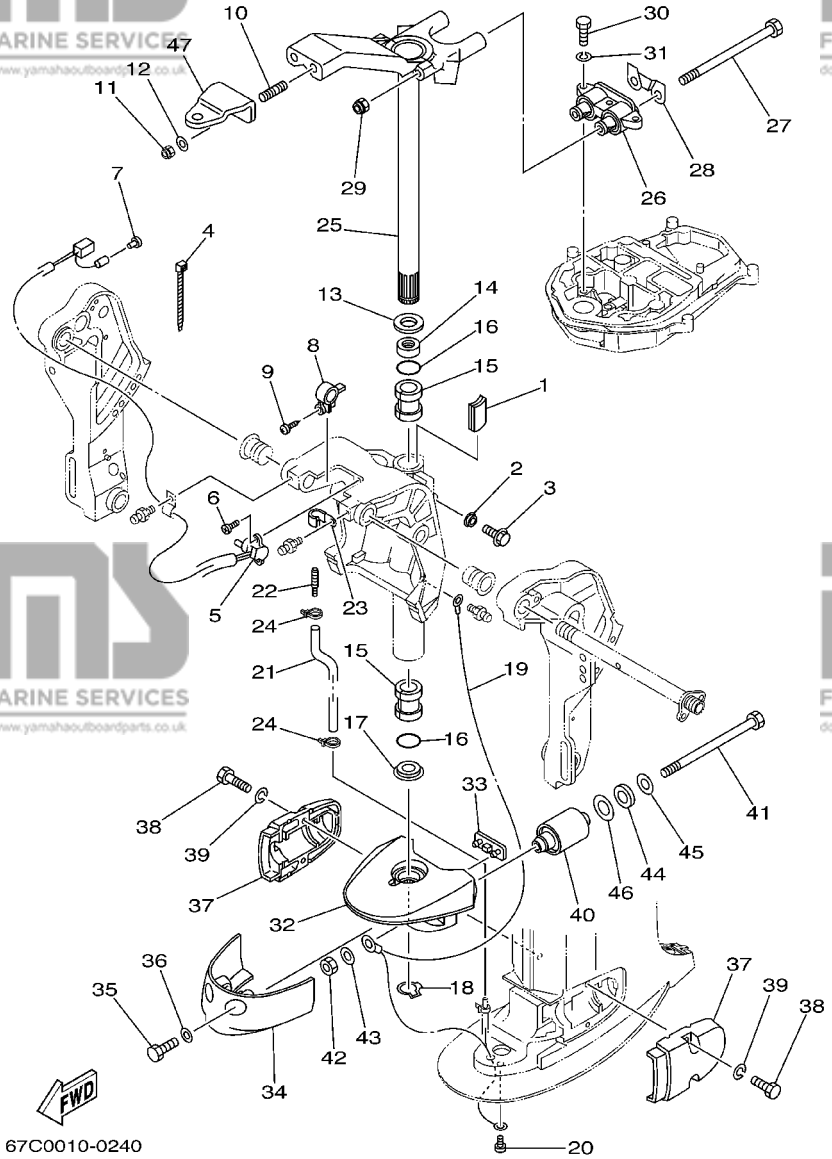


FIG. 22 BRACKET 3

SUPPORT 3

| REF. NO. | PART NO. NO. PIECES | DESCRIPTION DESCRIPTION | MHD | ED | ET | REMARKS REMARQUES |
|----------|---------------------|--|-----|----|----|-------------------|
| 1 | 6J8-42528-00 | PLATE, FRICTION PLAQUE, FRICTION | 1 | 1 | 1 | |
| 2 | 689-43373-01 | SEAL, DAMPER JOINT | 1 | 1 | 1 | |
| 3 | 90105-06M18 | BOLT, FLANGE BOULON | 1 | 1 | 1 | |
| 4 | 90465-11M10 | CLAMP BRIDE | | | 4 | |
| 5 | 64E-83672-02 | TRIM SENDER INCLINER RACCORD | | | 1 | |
| 6 | 97885-06016 | SCREW, PAN HEAD VIS, A ENCOCHE | | | 2 | |
| 7 | 703-82119-00 | COVER, LEAD WIRE GARNITURE, FIL | | | 1 | |
| 8 | 6K9-43139-01 | CAM, TRIM SENDER VILEBREQUIN TRUM | | | 1 | |
| 9 | 97780-60525 | SCREW, TAPPING VIS, TETE BOMBEE | | | 1 | |
| 10 | 90116-10M28 | BOLT, STUD GOUJON | 2 | 2 | 2 | |
| 11 | 90185-10051 | NUT, SELF-LOCKING ECROU, AUTO-BLOCANT | 2 | 2 | 2 | |
| 12 | 92995-10600 | WASHER RONDELLE | 2 | 2 | 2 | |
| 13 | 90201-30M00 | WASHER, PLATE RONDELLE, PLATE | 1 | 1 | 1 | |
| 14 | 90386-30M78 | BUSH DOUILLE | 1 | 1 | 1 | |
| 15 | 90386-30M77 | BUSH DOUILLE | 2 | 2 | 2 | |
| 16 | 93210-29M94 | O-RING JOINT TORIQUE | 2 | 2 | 2 | |
| 17 | 90386-30M60 | BUSH DOUILLE | 1 | 1 | 1 | |
| 18 | 93410-28M06 | CIRCLIP CLIPS | 1 | 1 | 1 | |
| 19 | 67C-82127-00 | WIRE, LEAD 2 FIL 2 | 1 | 1 | 1 | S |
| | 67C-82127-10 | WIRE, LEAD 2 FIL 2 | 1 | 1 | 1 | L |
| 20 | 97885-06008 | SCREW, PAN HEAD VIS, A ENCOCHE | 1 | 1 | 1 | |
| 21 | 90445-07MF1 | HOSE (L570) DURITE (L570) | 1 | 1 | 1 | S |
| | 90445-07M53 | HOSE (L700) DURITE (L700) | 1 | 1 | 1 | L |
| 22 | 6E5-83558-00 | END, NIPPLE RACCORD DE NIPPLE | 1 | 1 | 1 | |
| 23 | 90465-08M07 | CLAMP BRIDE | 1 | 1 | 1 | |
| 24 | 90465-11M10 | CLAMP BRIDE | 2 | 2 | 2 | |
| 25 | 67C-42510-00-4D | STEERING BRACKET ASSY DIRECTION SUPPORT (ENS.) | 1 | 1 | 1 | S |

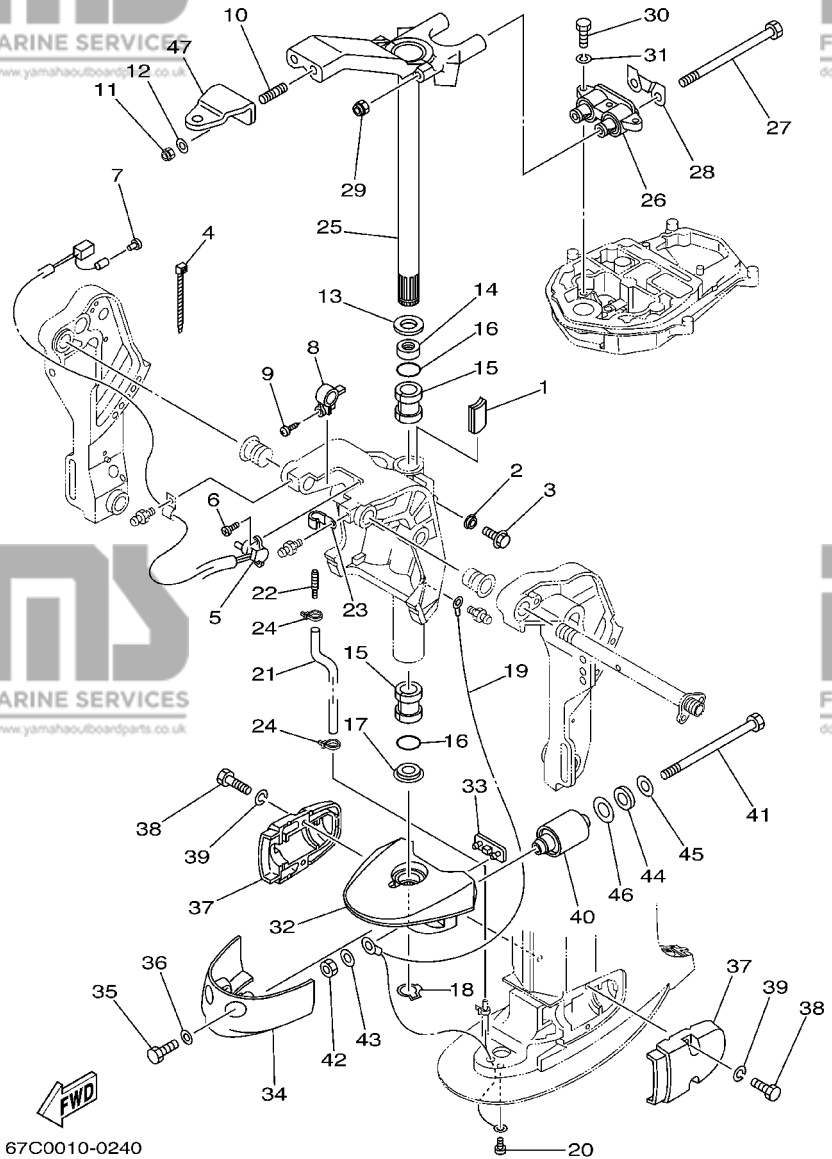


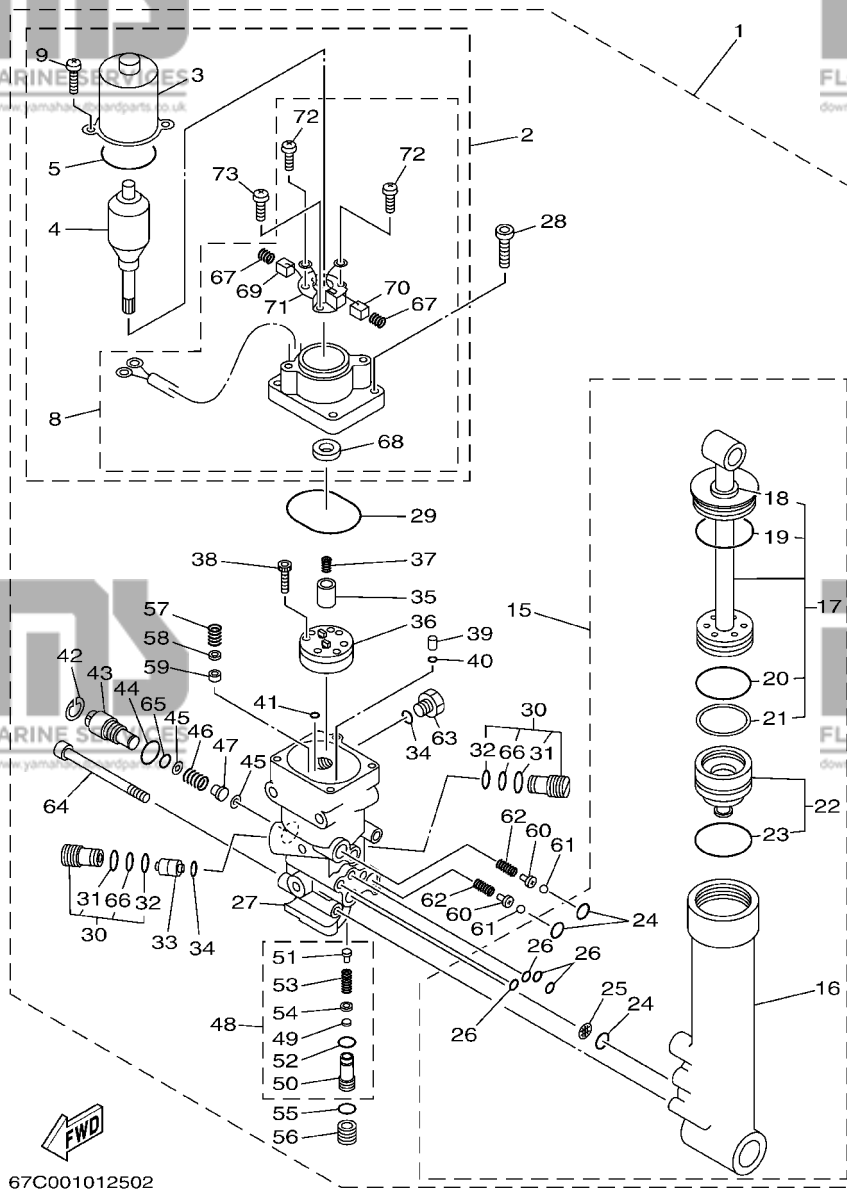
FIG. 22 BRACKET 3

SUPPORT 3

| REF. NO. | PART NO. NO. PIECES | DESCRIPTION DESCRIPTION | MHD | ED | ET | REMARKS REMARQUES |
|----------|---------------------|---|-----|----|----|-------------------|
| 25 | 67C-42510-10-4D | STEERING BRACKET ASSY DIRECTION SUPPORT (ENS.) | 1 | 1 | 1 | L |
| 26 | 67C-44514-00-4D | MOUNT DAMPER, UPPER SIDE SILENT-BLOC, SUPERIEUR LATERAL | 1 | | 1 | S |
| | 67C-44514-10-4D | MOUNT DAMPER, UPPER SIDE SILENT-BLOC, SUPERIEUR LATERAL | 1 | 1 | 1 | L |
| 27 | 90101-08M15 | BOLT BOULON | 2 | 2 | 2 | |
| 28 | 66T-44526-30 | PLATE PLAQUE | 1 | 1 | 1 | |
| 29 | 90185-08045 | NUT, SELF-LOCKING ECROU, AUTO-BLOCANT | 2 | 2 | 2 | |
| 30 | 97075-08030 | BOLT BOULON | 3 | 3 | 3 | |
| 31 | 92995-08100 | WASHER RONDELLE | 3 | 3 | 3 | |
| 32 | 67C-44551-01-4D | HOUSING, LOWER MOUNT RUBBER BOITIER, SILENT-BLOC INFERIEUR | 1 | | 1 | S |
| | 67C-44551-10-4D | HOUSING, LOWER MOUNT RUBBER BOITIER, SILENT-BLOC INFERIEUR | 1 | 1 | 1 | L |
| 33 | 67C-44575-00 | DAMPER, LOWER MOUNT RUBBER SILENT-BLOC, INFERIEUR | 1 | 1 | 1 | |
| 34 | 67C-44553-00-4D | COVER, LOWER MOUNT COUVERCLE, SUSPENSION INFERIEUR | 1 | 1 | 1 | |
| 35 | 97095-08020 | BOLT BOULON | 2 | 2 | 2 | |
| 36 | 92995-08600 | WASHER RONDELLE | 2 | 2 | 2 | |
| 37 | 67C-44552-01-4D | HOUSING, LOWER MOUNT RUBBER BOITIER, SILENT-BLOC INFERIEUR | 2 | 2 | 2 | |
| 38 | 97075-08030 | BOLT BOULON | 4 | 4 | 4 | |
| 39 | 92995-08100 | WASHER RONDELLE | 4 | 4 | 4 | |
| 40 | 67C-44555-21-94 | MOUNT DAMPER, LOWER SIDE SILENT-BLOC, INFERIEUR LATERAL | 2 | | 2 | S |
| | 67C-44555-11-94 | MOUNT DAMPER, LOWER SIDE SILENT-BLOC, INFERIEUR LATERAL | 2 | 2 | 2 | L |
| 41 | 90109-12MA3 | BOLT BOULON | 2 | 2 | 2 | |
| 42 | 95380-12700 | NUT ECROU | 2 | 2 | 2 | |
| 43 | 90201-12M16 | WASHER, PLATE RONDELLE, PLATE | 4 | 4 | 4 | |
| 44 | 90202-21100 | WASHER, PLATE RONDELLE, PLATE | 2 | 2 | 2 | |
| 45 | 90201-13M19 | WASHER, PLATE RONDELLE, PLATE | 2 | 2 | 2 | |
| 46 | 90201-22M05 | WASHER, PLATE RONDELLE, PLATE | 2 | 2 | 2 | |
| 47 | 65W-48511-00 | HOOK, STEERING ATTACHE, DIRECTION | 1 | | 1 | |

FIG. 23 POWER TRIM & TILT ASSY

PUISSANCE PARER ET INCLINER

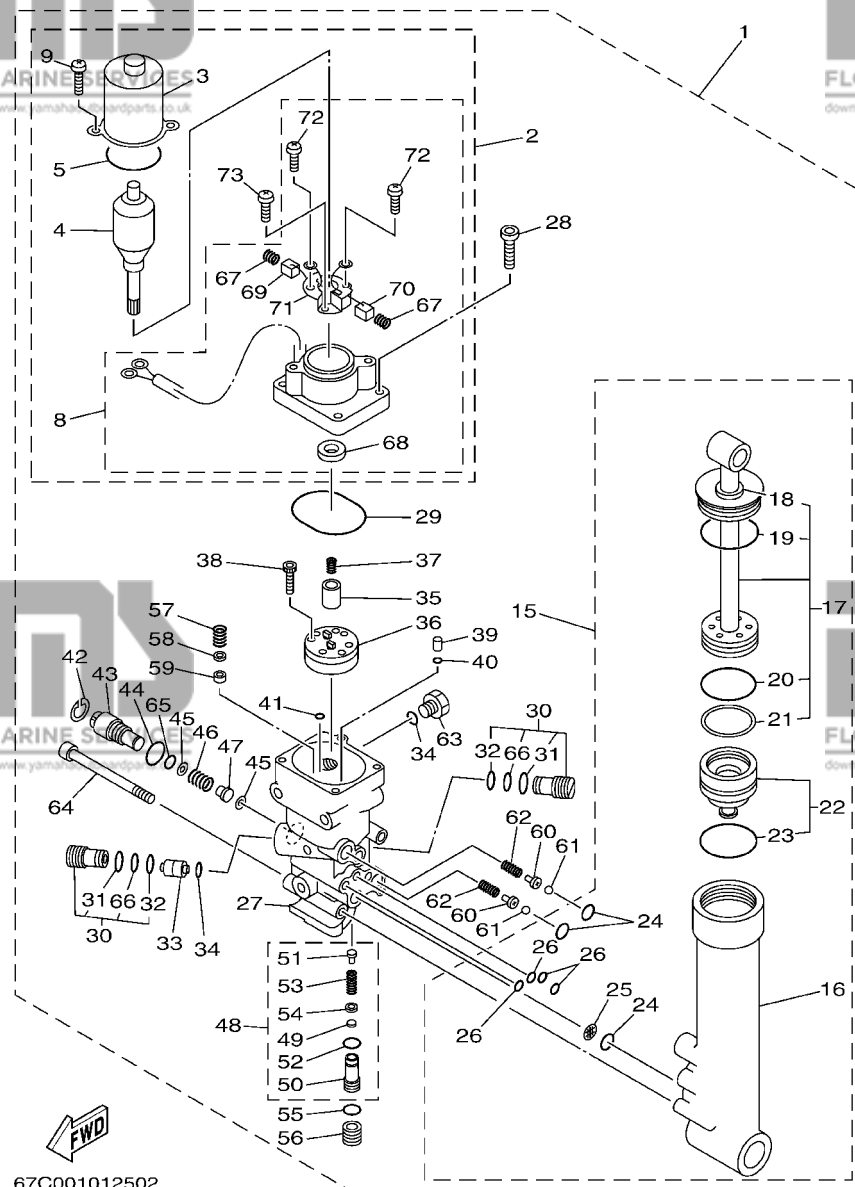


67C001012502

| REF. NO. | PART NO. NO. PIECES | DESCRIPTION DESCRIPTION | MHD | ED | ET | REMARKS REMARQUES |
|----------|---------------------|---|-----|----|----|-------------------|
| 1 | 67C-43800-00-4D | POWER TRIM & TILT ASSY PUISSANCE PARER ET INCLINER (E) | | | 1 | |
| 2 | 67C-43880-00 | ..MOTOR ASSY ..MOTEUR (ENS.) | | | 1 | |
| 3 | 65W-43804-00 | ..STATOR ASSY ..STATOR (ENS.) | | | 1 | |
| 4 | 65W-43805-00 | ..ARMATURE ASSY ..INDUIT (ENS.) | | | 1 | |
| 5 | 65W-43869-00 | ..O-RING ..JOINT TORIQUE | | | 1 | |
| 8 | 67C-43881-00 | ..FRAME, END ..BATI | | | 1 | |
| 9 | 65W-43887-00 | ..BOLT, THROUGH ..BOULON | | | 2 | |
| 15 | 67C-43840-00 | ..POWER TILT ASSY ..PUISSANCE INCLINER (ENS.) | | | 1 | |
| 16 | 65W-4380K-00 | ..CYLINDER, TILT SUB ASSY ..CYLINDRE | | | 1 | |
| 17 | 67C-43810-00 | ..TILT PISTON SUB ASSY ..INCLINER PISTON AUXILIAIRE(E) | | | 1 | |
| 18 | 65W-43812-00 | ...SEAL, DUST ...JOINT | | | 1 | |
| 19 | 65W-43865-00 | ...O-RING ...JOINT TORIQUE | | | 1 | |
| 20 | 6H1-43861-10 | ...O-RING ...JOINT TORIQUE | | | 1 | |
| 21 | 65W-43871-00 | ...RING, BACK UP ...SEGMENT | | | 1 | |
| 22 | 65W-4381B-00 | ..FREE PISTON SUB ASSY ..PISTON AUXILIAIRE (ENS.) | | | 1 | |
| 23 | 6H1-43861-10 | ...O-RING ...JOINT TORIQUE | | | 1 | |
| 24 | 93210-11368 | ..O-RING ..JOINT TORIQUE | | | 3 | |
| 25 | 6H1-43816-00 | ..FILTER 1 ..FILTRE 1 | | | 1 | |
| 26 | 93210-064A5 | ..O-RING ..JOINT TORIQUE | | | 4 | |
| 27 | 67C-4380L-00 | ..HOUSING, TRIM & TILT SUB ASSY ..CARTER | | | 1 | |

FIG. 23 POWER TRIM & TILT ASSY

PUISSANCE PARER ET INCLINER

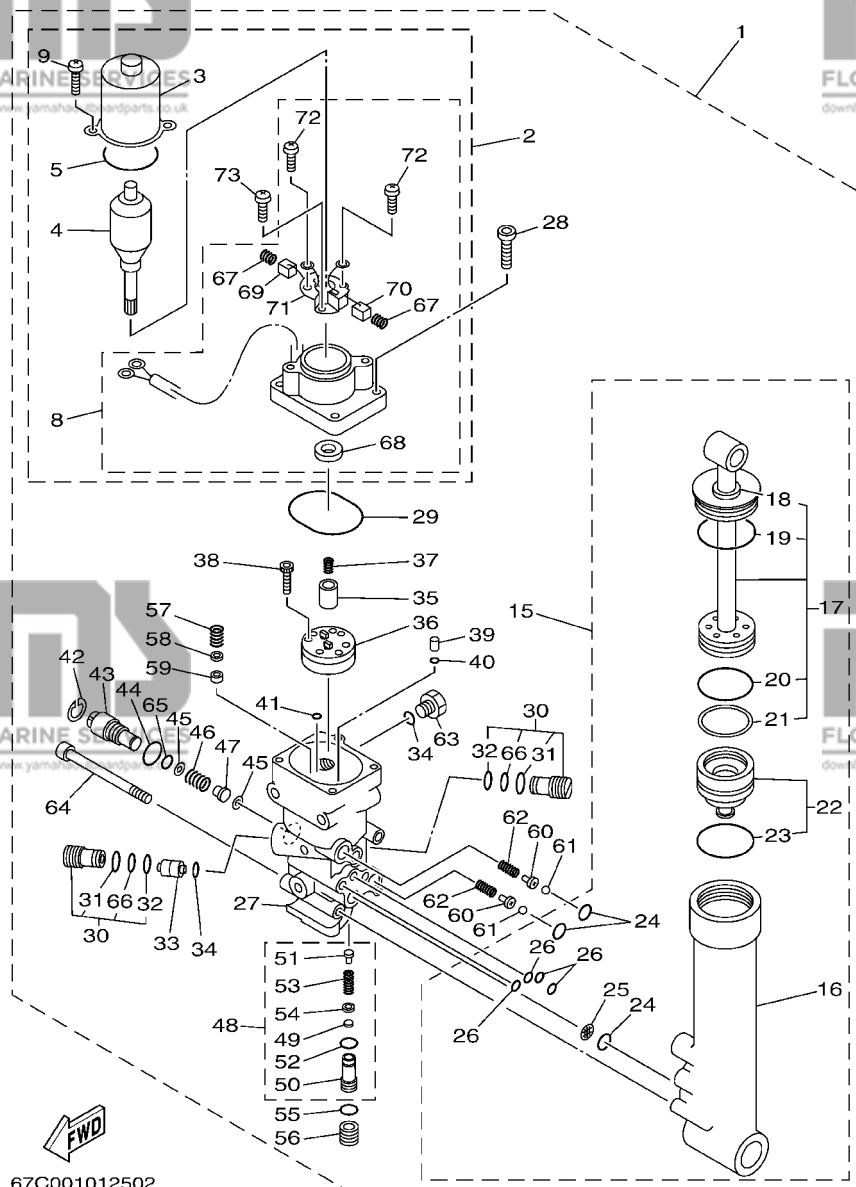


67C001012502

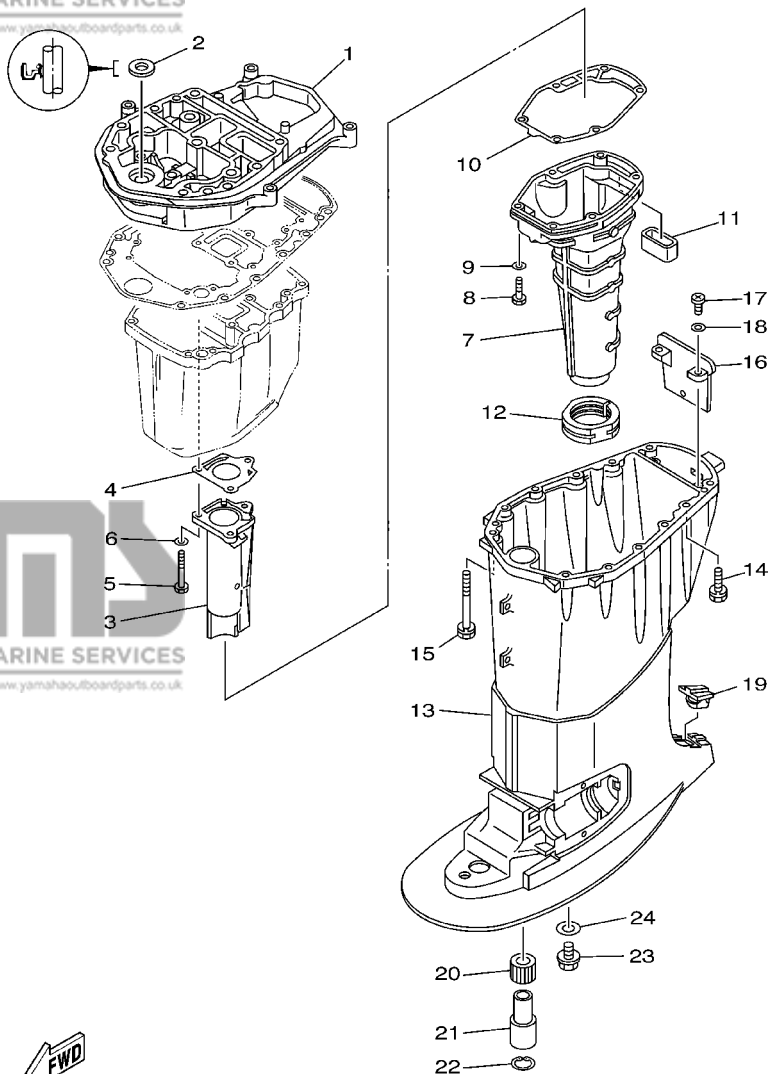
| REF. NO. | PART NO. NO. PIECES | DESCRIPTION DESCRIPTION | MHD | ED | ET | REMARKS REMARQUES |
|----------|---------------------|--|-----|----|----|-------------------|
| 28 | 65W-43888-00 | .BOLT, SOCKET .BOULON | | | 4 | |
| 29 | 93210-50768 | .O-RING .JOINT TORIQUE | | | 1 | |
| 30 | 6T4-43802-03 | .VALVE SUB ASSY .CLAPET AUXILIAIRE (ENS.) | | | 2 | |
| 31 | 6H1-43866-00 | ..O-RING ..JOINT TORIQUE | | | 1 | |
| 32 | 6H1-43867-00 | ..O-RING ..JOINT TORIQUE | | | 1 | |
| 33 | 62X-43841-00 | .PISTON, SHUTTLE .PISTON | | | 1 | |
| 34 | 93210-09165 | .O-RING .JOINT TORIQUE | | | 3 | |
| 35 | 65W-43831-00 | .CONNECTOR, SHAFT .RACCORD | | | 1 | |
| 36 | 65W-43830-00 | .GEAR PUMP ASSY .POMPE A PIGNON (ENS.) | | | 1 | |
| 37 | 6T4-43853-00 | .SPRING, MAIN VALVE .RESSORT | | | 1 | |
| 38 | 91318-04025 | .BOLT .BOULON | | | 4 | |
| 39 | 65W-43817-00 | .FILTER 2 .FILTRE 2 | | | 2 | |
| 40 | 65W-43861-00 | .O-RING .JOINT TORIQUE | | | 2 | |
| 41 | 65W-43862-00 | .O-RING .JOINT TORIQUE | | | 2 | |
| 42 | 6H1-43875-00 | .RING, SNAP .RESSORT | | | 1 | |
| 43 | 6H1-43845-00 | .SCREW, MANUAL RELEASE .VIS | | | 1 | |
| 44 | 93210-18397 | .O-RING .JOINT TORIQUE | | | 1 | |
| 45 | 6H1-43847-00 | .SEAT, MANUAL VALVE .SIEGE | | | 2 | |
| 46 | 65W-43854-00 | .SPRING, MANUAL RELEASE .RESSORT | | | 1 | |
| 47 | 65W-4382A-00 | .ADAPTOR 1 .ADAPTEUR 1 | | | 1 | |
| 48 | CS2-43803-81 | .CASE VALVE COMP. .CARTER VALVE COMP. | | | 1 | |
| 49 | 6H1-4384G-11 | ..SEAL, RELIEF VALVE ..JOINT | | | 1 | |
| 50 | CS2-43851-80 | ..SEAT, RELIEF VALVE ..SIEGE | | | 1 | |
| 51 | 67F-43843-00 | ..SCREW, VALVE LOCK ..VIS | | | 1 | |
| 52 | 93210-10M74 | ..O-RING ..JOINT TORIQUE | | | 1 | |
| 53 | 6H1-43856-10 | ..SPRING, DOWN RELIEF ..RESSORT | | | 1 | |
| 54 | 6H1-43844-10 | ..PIN, VALVE SUPPORT ..GOUPILLE | | | 1 | |

FIG. 23 POWER TRIM & TILT ASSY

PUISSANCE PARER ET INCLINER



| REF. NO. | PART NO. NO. PIECES | DESCRIPTION DESCRIPTION | MHD | ED | ET | REMARKS REMARQUES |
|----------|---------------------|--|-----|----|----|-------------------|
| 55 | 93210-11073 | .O-RING .JOINT TORIQUE | | | 1 | |
| 56 | 65W-43843-00 | .SCREW, VALVE LOCK .VIS | | | 1 | |
| 57 | 6H1-43856-10 | .SPRING, DOWN RELIEF .RESSORT | | | 1 | |
| 58 | 6H1-43844-10 | .PIN, VALVE SUPPORT .GOUPILLE | | | 1 | |
| 59 | 6H1-4384F-10 | .SEAL, MAIN VALVE .JOINT | | | 1 | |
| 60 | 65W-4386A-00 | .PIN, ABSORBER VALVE .GOUPILLE, SOUPAPE | | | 2 | |
| 61 | 93501-08001 | .BALL .BILLE | | | 2 | |
| 62 | 65W-43853-00 | .SPRING, MAIN VALVE .RESSORT | | | 2 | |
| 63 | 6H1-43829-00 | .PLUG, RESERVOIR .BOUCHON | | | 1 | |
| 64 | 62X-43878-00 | .BOLT, SOCKET .BOULON | | | 3 | |
| 65 | 93210-10M74 | .O-RING .JOINT TORIQUE | | | 1 | |
| 66 | 93210-10M74 | .O-RING .JOINT TORIQUE | | | 1 | |
| 67 | 65W-4386K-00 | ...SPRING, BRUSH ...RESSORT, BALAI | | | 2 | |
| 68 | 65W-43882-00 | ...OIL SEAL ...JOINT SPI | | | 1 | |
| 69 | 65W-43892-00 | ...BRUSH 2 ...BALAI 2 | | | 1 | |
| 70 | 65W-43891-00 | ...BRUSH 1 ...BALAI 1 | | | 1 | |
| 71 | 65W-4380F-00 | ...PLATE, BRUSH HOLDER ...PLAQUE | | | 1 | |
| 72 | 65W-43879-00 | ...SCREW, WITH WASHER ...VIS, AVEC RONDELLE | | | 2 | |
| 73 | 65W-4388E-00 | ...BOLT ...BOULON | | | 1 | |



67C2100-3260



FIG. 24 UPPER CASING

FOURREAU

| REF. NO. | PART NO. NO. PIECES | DESCRIPTION DESCRIPTION | MHD | ED | ET | REMARKS REMARQUES |
|----------|---------------------|--|-----|----|----|-------------------|
| 1 | 67C-41137-01-94 | GUIDE, EXHAUST COLLECTEUR D'ÉCHAPPEMENT | 1 | 1 | 1 | |
| 2 | 93110-16004 | OIL SEAL JOINT D'HUILE | 1 | 1 | 1 | |
| 3 | 67C-41131-00-5B | MANIFOLD, EXT. 1 PIPE D'ÉCHAPPEMENT | 1 | 1 | 1 | |
| 4 | 67C-41133-00 | GASKET, EXHAUST MANIFOLD 1 JOINT, PIPE D'ÉCHAPPEMENT | 1 | 1 | 1 | |
| 5 | 97075-06050 | BOLT BOULON | 3 | 3 | 3 | |
| 6 | 92995-06600 | WASHER RONDELLE | 3 | 3 | 3 | |
| 7 | 67C-14711-00-5B | MUFFLER 1 POT D'ÉCHAPPEMENT 1 | 1 | 1 | 1 | S |
| | 67C-14711-12-5B | MUFFLER 1 POT D'ÉCHAPPEMENT 1 | 1 | 1 | 1 | L |
| 8 | 97075-06025 | BOLT BOULON | 6 | 6 | 6 | |
| 9 | 92995-06600 | WASHER RONDELLE | 6 | 6 | 6 | |
| 10 | 62Y-41134-01 | GASKET, EXHAUST MANIFOLD JOINT, PIPE D'ÉCHAPPEMENT | 1 | 1 | 1 | |
| 11 | 62Y-45127-00 | SEAL JOINT | 1 | 1 | 1 | |
| 12 | 67C-45123-00 | GASKET, MUFFLER JOINT, POT DE DETENTE | 1 | 1 | 1 | |
| 13 | 67C-45111-00-4D | CASING, UPPER FOURREAU | 1 | 1 | 1 | S |
| | 67C-45111-21-4D | CASING, UPPER FOURREAU | 1 | 1 | 1 | L |
| 14 | 90119-08M79 | BOLT, WITH WASHER BOULON, AVEC RONDELLE | 4 | 4 | 4 | |
| 15 | 90119-08M82 | BOLT, WITH WASHER BOULON, AVEC RONDELLE | 8 | 8 | 8 | |
| 16 | 67C-45151-00 | COVER, UPPER CASING CAPUCHON, FOURREAU | 1 | 1 | 1 | |
| 17 | 97880-05016 | SCREW, PAN HEAD VIS, TÊTE TRONCONIQUE | 2 | 2 | 2 | |
| 18 | 92990-05600 | WASHER, PLATE RONDELLE, PLATE | 2 | 2 | 2 | |
| 19 | 63D-45155-00 | CAP CAPUCHON | 1 | 1 | 1 | S |
| | 6H3-45155-00 | CAP CAPUCHON | 1 | 1 | 1 | L |
| 20 | 679-45318-00 | BUSHING, DRIVE SHAFT DOUILLE, ARBRE MOTEUR | 1 | 1 | 1 | L |
| 21 | 90387-23002 | COLLAR COLLERETTE | 1 | 1 | 1 | L |
| 22 | 93420-36M01 | CIRCLIP CIRCLIP, TYPE S | 1 | 1 | 1 | L |
| 23 | 90340-14M06 | PLUG, STRAIGHT SCREW PLOT, FILETE DROIT | 1 | 1 | 1 | L |
| 24 | 90430-14M09 | GASKET JOINT | 1 | 1 | 1 | L |

A5

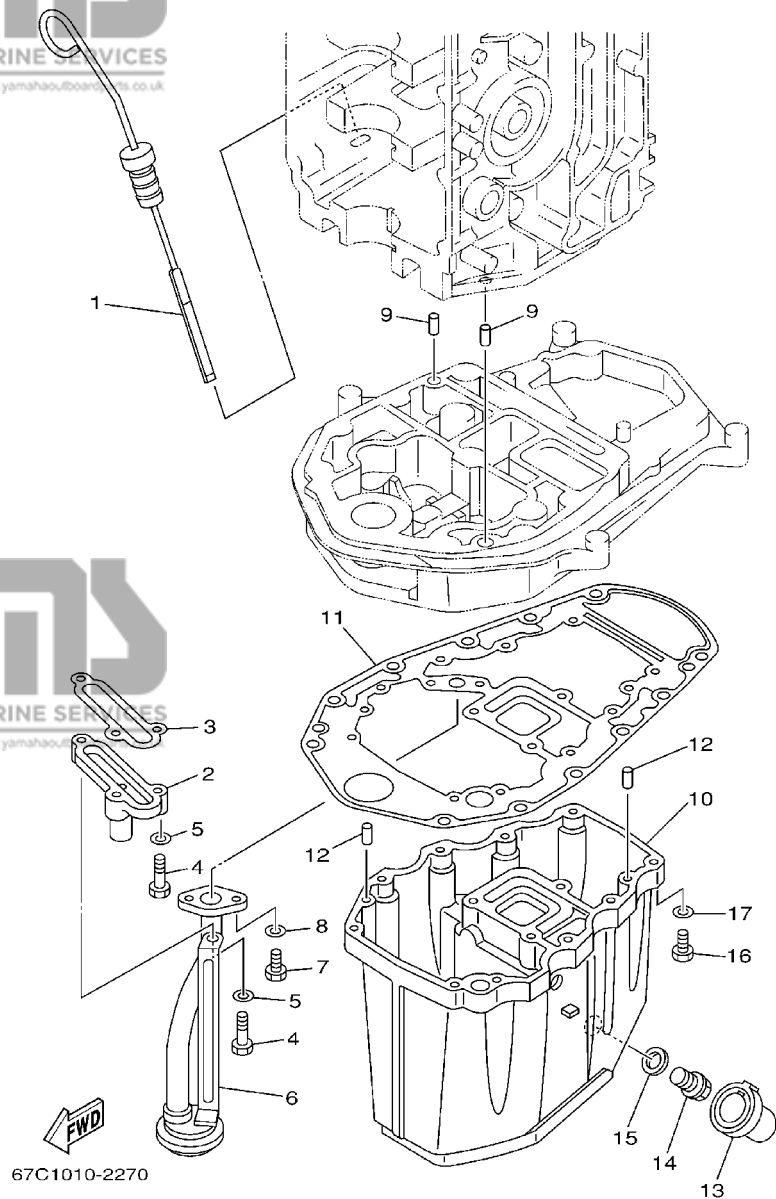


FIG. 25 OIL PAN

VENTILATEUR D'HUILE

| REF. NO. | PART NO. NO. PIECES | DESCRIPTION DESCRIPTION | MHD | ED | ET | REMARKS REMARQUES |
|----------|------------------------------|--|-----|----|----|-------------------|
| 1 | 67C-15362-00 | PLUG, OIL LEVEL PLOT, NIVEAU D'HUILE | 1 | 1 | 1 | |
| 2 | 62Y-11575-00 | RELIEF VALVE ASSY SOUPAPE DE RENTREE D'AIR | 1 | 1 | 1 | |
| 3 | 62Y-13475-00 | GASKET JOINT | 1 | 1 | 1 | |
| 4 | 97013-06025 | BOLT BOULON | 3 | 3 | 3 | |
| 5 | 92903-06600 | WASHER, PLATE RONDELLE, PLATE | 3 | 3 | 3 | |
| 6 | 62Y-13411-00 | STRAINER, OIL FILTRE, HUILE | 1 | 1 | 1 | |
| 7 | 97013-06016 | BOLT BOULON | 2 | 2 | 2 | |
| 8 | 92903-06600 | WASHER, PLATE RONDELLE, PLATE | 2 | 2 | 2 | |
| 9 | 93608-12M05 | PIN, DOWEL AXE | 2 | 2 | 2 | |
| 10 | 62Y-15311-02-5B | OIL PAN VENTILATEUR D'HUILE | 1 | 1 | 1 | |
| 11 | 69W-15312-00 | GASKET, OIL PAN JOINT DE VENTILATEUR D'HUILE | 1 | 1 | 1 | |
| 12 | 93606-12019 | PIN, DOWEL GOUPILLE | 4 | 4 | 4 | |
| 13 | 67C-15316-10 67C-15316-00 | DAMPER, ENGINE MOUNT 1 AMORTISSEUR DE SUPPORT | 1 | 1 | 1 | S L |
| 14 | 90340-14M06 | PLUG, STRAIGHT SCREW PLOT, FILETE DROIT | 1 | 1 | 1 | |
| 15 | 90430-14M09 | GASKET JOINT | 1 | 1 | 1 | |
| 16 | 97075-06025 | BOLT BOULON | 10 | 10 | 10 | |
| 17 | 92995-06600 | WASHER RONDELLE | 10 | 10 | 10 | |

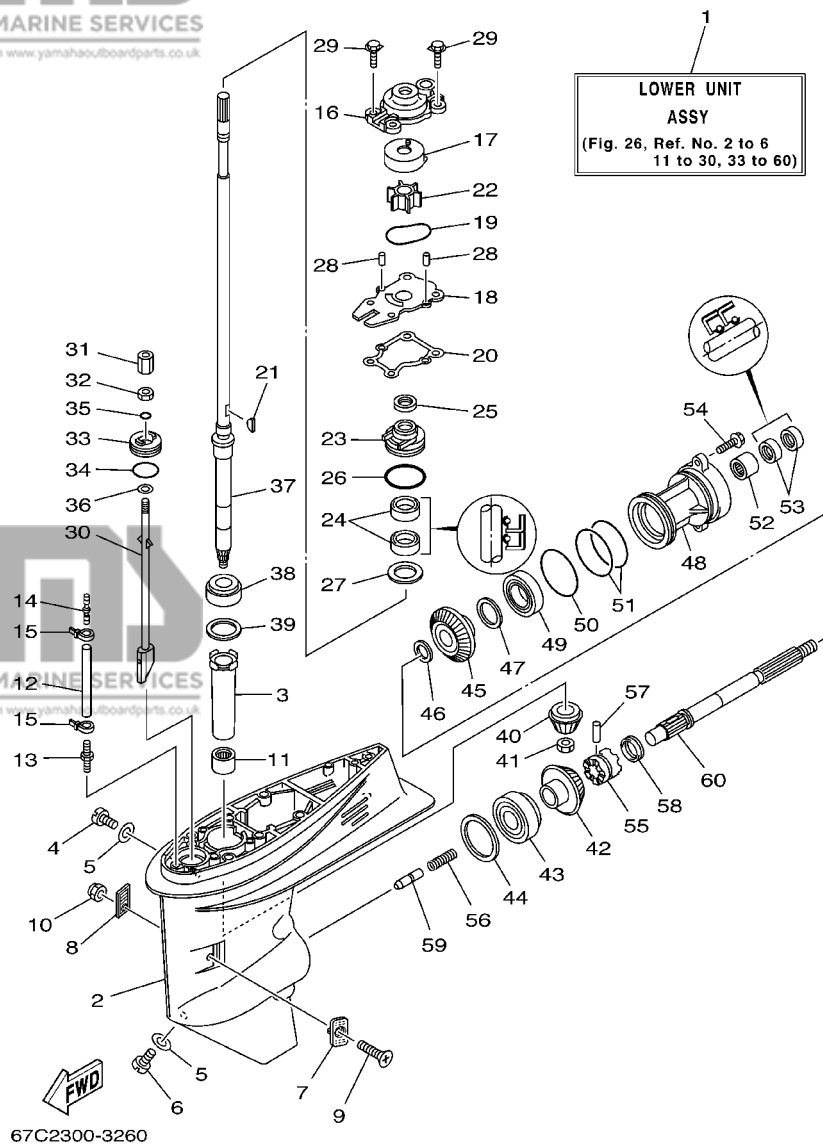


FIG. 26 LOWER CASING. DRIVE 1

BOITIER D'HELICE, TRANSMISSION 1

| REF. NO. | PART NO. NO. PIECES | DESCRIPTION DESCRIPTION | MHD | ED | ET | REMARKS REMARQUES |
|----------|---------------------|--|-----|----|----|-------------------|
| 1 | 67C-45300-01-4D | LOWER UNIT ASSY UNITE INFERIEURE (ENS.) | 1 | | 1 | S |
| | 67C-45300-11-4D | LOWER UNIT ASSY UNITE INFERIEURE (ENS.) | 1 | 1 | 1 | L |
| 2 | 67C-45301-00-4D | CASING, LOWER BEQUILLE | 1 | 1 | 1 | |
| 3 | 6H4-45536-00 | SLEEVE, DRIVE SHAFT MANCHON, ARBRE MOTEUR | 1 | 1 | 1 | |
| 4 | 90340-08002 | PLUG, STRAIGHT SCREW PLOT, FILETE DROIT | 1 | 1 | 1 | |
| 5 | 90430-08020 | GASKET JOINT | 2 | 2 | 2 | |
| 6 | 688-45341-10 | PLUG, DRAIN BOUCHON DE VIDANGE | 1 | 1 | 1 | |
| 7 | 63D-45214-00 | COVER, WATER INLET GRILLE, ENTREE D'EAU | 1 | 1 | 1 | |
| 8 | 63D-45215-00 | COVER, WATER INLET GRILLE, ENTREE D'EAU | 1 | 1 | 1 | |
| 9 | 90142-05M06 | SCREW, COUNTERSUNK VIS, TETE NOYEE | 1 | 1 | 1 | |
| 10 | 95380-05600 | NUT ECROU | 1 | 1 | 1 | |
| 11 | 93315-32224 | BEARING ROULEMENT | 1 | 1 | 1 | |
| 12 | 90445-07ME8 | HOSE (L80) DURITE (L80) | 1 | 1 | 1 | |
| 13 | 6E5-45378-00 | NIPPLE, HOSE RACCORD, TUYAU | 1 | 1 | 1 | |
| 14 | 6E5-83558-10 | END, NIPPLE RACCORD DE NIPPLE | 1 | 1 | 1 | |
| 15 | 90465-11M10 | CLAMP BRIDE | 2 | 2 | 2 | |
| 16 | 66T-44311-00 | HOUSING, WATER PUMP CORPS, POMPE A EAU | 1 | 1 | 1 | |
| 17 | 63D-44322-00 | INSERT, CARTRIDGE CUVETTE | 1 | 1 | 1 | |
| 18 | 66T-44323-00 | OUTER PLATE, CARTRIDGE PLAQUE EXTERIEURE | 1 | 1 | 1 | |
| 19 | 93210-59MG7 | O-RING JOINT TORIQUE | 1 | 1 | 1 | |
| 20 | 63D-44316-00 | GASKET, WATER PUMP JOINT, POMPE A EAU | 1 | 1 | 1 | |
| 21 | 90280-03M03 | KEY, WOODRUFF CLAVETTE, DEMI-LUNE | 1 | 1 | 1 | |
| 22 | 6H4-44352-02 | IMPELLER TURBINE | 1 | 1 | 1 | |
| 23 | 63D-44341-00 | HOUSING, WATER PUMP CORPS, POMPE A EAU | 1 | 1 | 1 | |
| 24 | 93101-22M60 | OIL SEAL JOINT SPY | 2 | 2 | 2 | |
| 25 | 66T-45344-01 | COVER, OIL SEAL FLASQE, JOINT D'HUILE | 1 | 1 | 1 | |
| 26 | 93210-48MG8 | O-RING JOINT TORIQUE | 1 | 1 | 1 | |

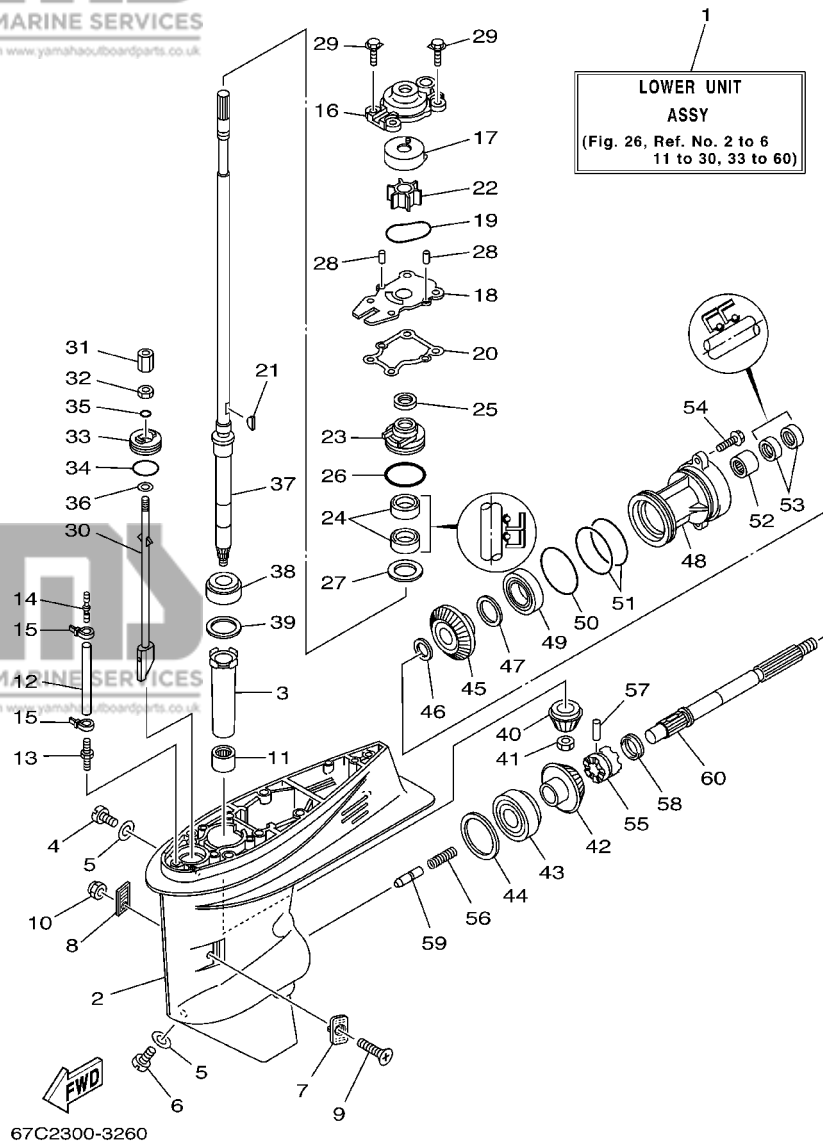


FIG. 26 LOWER CASING. DRIVE 1

BOITIER D'HELICE, TRANSMISSION 1

| REF. NO. | PART NO. NO. PIECES | DESCRIPTION DESCRIPTION | MHD | ED | ET | REMARKS REMARQUES |
|----------|---------------------|--|-----|----|----|-------------------|
| 27 | 90201-27M00 | WASHER, PLATE RONDELLE, PLATE | 1 | 1 | 1 | |
| 28 | 93604-08062 | PIN, DOWEL CLAVETTE | 2 | 2 | 2 | |
| 29 | 90119-08M15 | BOLT, WITH WASHER BOULON, AVEC RONDELLE | 4 | 4 | 4 | |
| 30 | 67C-44150-10 | SHIFT CAM ASSY CAME D'INVERSION | 1 | 1 | 1 | |
| 31 | 67C-44146-00 | CONNECTOR, SHIFT ROD CONNECTEUR, TIGE D'INVERSION | 1 | 1 | 1 | |
| 32 | 95380-06700 | NUT ECROU | 1 | 1 | 1 | |
| 33 | 66T-45321-00 | PLATE PLAQUETTE | 1 | 1 | 1 | |
| 34 | 93210-33MG4 | O-RING JOINT TORIQUE | 1 | 1 | 1 | |
| 35 | 93210-06ME6 | O-RING JOINT TORIQUE | 1 | 1 | 1 | |
| 36 | 92990-06600 | WASHER, PLATE RONDELLE, PLATE | 1 | 1 | 1 | |
| 37 | 67C-45501-00 | DRIVE SHAFT COMP. ARBRE MOTEUR COMP. | 1 | | 1 | S |
| | 67C-45501-10 | DRIVE SHAFT COMP. ARBRE MOTEUR COMP. | 1 | 1 | 1 | L |
| 38 | 93332-00001 | BEARING ROULEMENT | 1 | 1 | 1 | |
| 39 | 663-45587-01-10 | SHIM (T:0.10MM) CALE (T:0.10MM) | 1 | 1 | 1 | UR |
| | 663-45587-01-12 | SHIM (T:0.12MM) CALE (T:0.12MM) | 1 | 1 | 1 | UR |
| | 663-45587-01-15 | SHIM (T:0.15MM) CALE (T:0.15MM) | 1 | 1 | 1 | UR |
| | 663-45587-01-18 | SHIM (T:0.18MM) CALE (T:0.18MM) | 1 | 1 | 1 | UR |
| | 663-45587-01-30 | SHIM (T:0.30MM) CALE (T:0.30MM) | 1 | 1 | 1 | UR |
| | 663-45587-01-40 | SHIM (T:0.40MM) CALE (T:0.40MM) | 1 | 1 | 1 | UR |
| | 663-45587-01-50 | SHIM (T:0.50MM) CALE (T:0.50MM) | 1 | 1 | 1 | UR |
| 40 | 66T-45551-00 | PIÑÓN PIGNON D'ATTAQUE | 1 | 1 | 1 | |
| 41 | 90170-12138 | NUT ECROU | 1 | 1 | 1 | |
| 42 | 66T-45560-01 | GEAR PIGNON | 1 | 1 | 1 | |
| 43 | 93332-00003 | BEARING ROULEMENT | 1 | 1 | 1 | |
| 44 | 663-45567-01-10 | SHIM (T:0.10MM) CALE (T:0.10MM) | 1 | 1 | 1 | UR |
| | 663-45567-01-12 | SHIM (T:0.12MM) CALE (T:0.12MM) | 1 | 1 | 1 | UR |
| | 663-45567-01-15 | SHIM (T:0.15MM) CALE (T:0.15MM) | 1 | 1 | 1 | UR |

B1

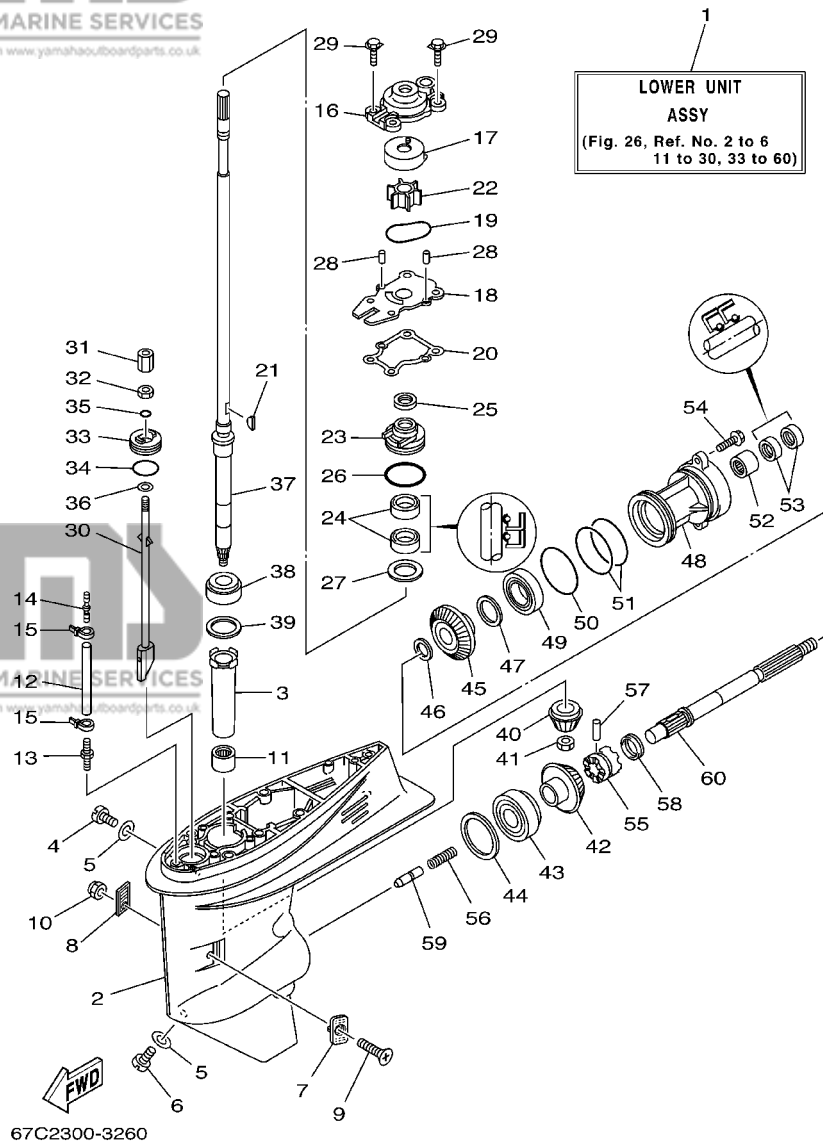


FIG. 26 LOWER CASING. DRIVE 1

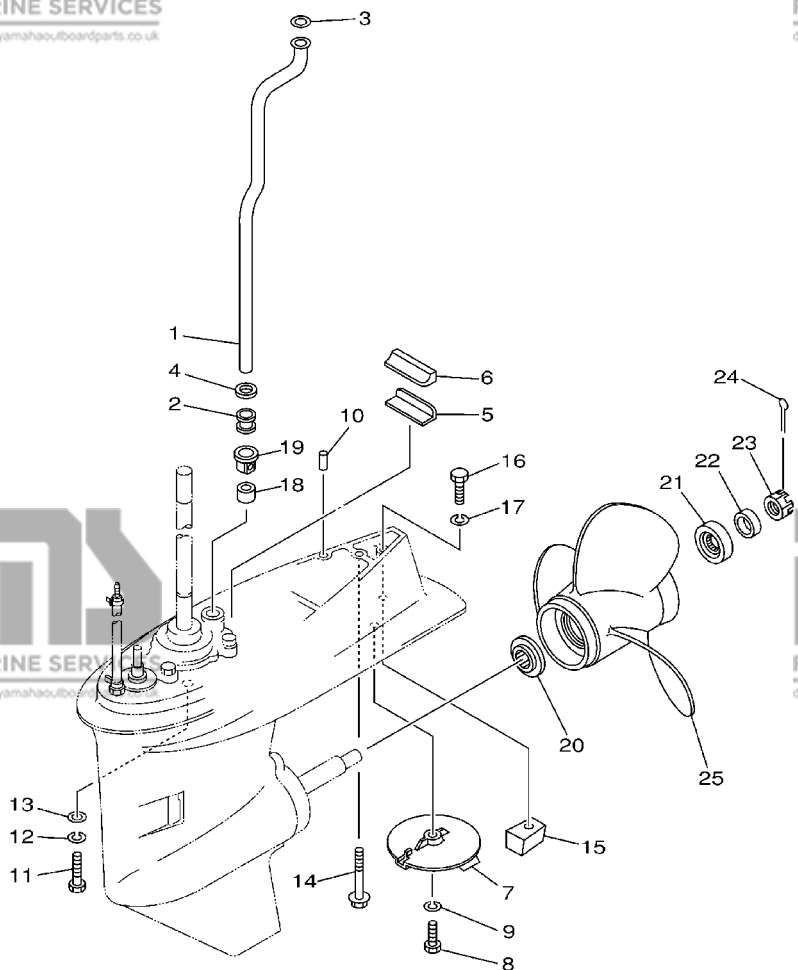
BOITIER D'HELICE, TRANSMISSION 1

| REF. NO. | PART NO. NO. PIECES | DESCRIPTION DESCRIPTION | MHD | ED | ET | REMARKS REMARQUES |
|----------|---------------------|---|-----|----|----|-------------------|
| 44 | 663-45567-01-18 | SHIM (T:0.18MM) | 1 | 1 | 1 | UR |
| | | CALE (T:0.18MM) | | | | |
| | 663-45567-01-30 | SHIM (T:0.30MM) | 1 | 1 | 1 | UR |
| | | CALE (T:0.30MM) | | | | |
| | 663-45567-01-40 | SHIM (T:0.40MM) | 1 | 1 | 1 | UR |
| | | CALE (T:0.40MM) | | | | |
| | 663-45567-01-50 | SHIM (T:0.50MM) | 1 | 1 | 1 | UR |
| | | CALE (T:0.50MM) | | | | |
| 45 | 66T-45571-00 | GEAR PIGNON | 1 | 1 | 1 | |
| 46 | 90201-22429 | WASHER, PLATE RONDELLE, PLATE | 1 | 1 | 1 | |
| 47 | 63D-45577-00-10 | SHIM (T:0.10MM) | 1 | 1 | 1 | UR |
| | | CALE (T:0.10MM) | | | | |
| | 63D-45577-00-12 | SHIM (T:0.12MM) | 1 | 1 | 1 | UR |
| | | CALE (T:0.12MM) | | | | |
| | 63D-45577-00-15 | SHIM (T:0.15MM) | 1 | 1 | 1 | UR |
| | | CALE (T:0.15MM) | | | | |
| | 63D-45577-00-18 | SHIM (T:0.18MM) | 1 | 1 | 1 | UR |
| | | CALE (T:0.18MM) | | | | |
| | 63D-45577-00-30 | SHIM (T:0.30MM) | 1 | 1 | 1 | UR |
| | | CALE (T:0.30MM) | | | | |
| | 63D-45577-00-40 | SHIM (T:0.40MM) | 1 | 1 | 1 | UR |
| | | CALE (T:0.40MM) | | | | |
| | 63D-45577-00-50 | SHIM (T:0.50MM) | 1 | 1 | 1 | UR |
| | | CALE (T:0.50MM) | | | | |
| 48 | 63D-45361-02-4D | CAP, LOWER CASING COUVERCLE, BOITIER D'HELICE | 1 | 1 | 1 | |
| 49 | 93306-001U1 | BEARING ROULEMENT | 1 | 1 | 1 | |
| 50 | 93210-69MG6 | O-RING JOINT TORIQUE | 1 | 1 | 1 | |
| 51 | 93210-74MG5 | O-RING JOINT TORIQUE | 2 | 2 | 2 | |
| 52 | 93317-22204 | BEARING PIECE | 1 | 1 | 1 | |
| 53 | 93101-22M00 | OIL SEAL JOINT SPY | 2 | 2 | 2 | |
| 54 | 90105-08M61 | BOLT, FLANGE BOULON | 2 | 2 | 2 | |
| 55 | 66T-45631-00 | CLUTCH, DOG CRABOT | 1 | 1 | 1 | |
| 56 | 90501-18M01 | SPRING, COMPRESSION RESSORT, COMPRESSION | 1 | 1 | 1 | |
| 57 | 90250-06023 | PIN, STRAIGHT GOUPILLE, DROITE | 1 | 1 | 1 | |
| 58 | 67C-45633-00 | RING, CROSS PIN JONC, GOUPILLE CRABOT | 1 | 1 | 1 | |
| 59 | 66T-45635-00 | PLUNGER, SHIFT POUSSOIR D'EMBAYAGE | 1 | 1 | 1 | |
| 60 | 66T-45611-00 | SHAFT, PROPÉLLER ARBRE, HELICE | 1 | 1 | 1 | |

FIG. 27 LOWER CASING. DRIVE 2

BOITIER D'HELICE, TRANSMISSION 2

| REF. NO. | PART NO. NO. PIECES | DESCRIPTION DESCRIPTION | MHD | ED | ET | REMARKS REMARQUES |
|----------|---------------------|---|-----|----|----|-------------------|
| 1 | 67C-44361-00 | TUBE, WATER TUBE D'EAU | 1 | | 1 | S |
| | 62Y-44361-00 | TUBE, WATER TUBE D'EAU | 1 | 1 | 1 | L |
| 2 | 663-44367-00 | DAMPER, WATER SEAL JOINT TUBE D'EAU | 1 | 1 | 1 | |
| 3 | 90202-12060 | WASHER, PLATE RONDELLE, PLATE | 1 | 1 | 1 | |
| 4 | 90430-12072 | GASKET JOINT | 1 | 1 | 1 | |
| 5 | 663-45376-00-94 | GUIDE, SEAL DAMPER BUTEE, JOINT CAOUTCHOUC | 1 | 1 | 1 | |
| 6 | 63D-45375-00 | DAMPER, SEAL BOURRELET, CAOUTCHOUC | 1 | 1 | 1 | |
| 7 | 67C-45371-00 | TAB-TRIM ANODE DERIVE | 1 | 1 | 1 | |
| 8 | 97095-08025 | BOLT BOULON | 1 | 1 | 1 | |
| 9 | 92995-08100 | WASHER RONDELLE | 1 | 1 | 1 | |
| 10 | 93606-12019 | PIN, DOWEL GOUPILLE | 2 | 2 | 2 | |
| 11 | 97075-10040 | BOLT BOULON | 4 | 4 | 4 | |
| 12 | 92995-10100 | WASHER RONDELLE | 4 | 4 | 4 | |
| 13 | 92995-10600 | WASHER RONDELLE | 4 | 4 | 4 | |
| 14 | 90119-08M44 | BOLT, WITH WASHER BOULON, AVEC RONDELLE | 1 | 1 | 1 | |
| 15 | 67C-45251-00 | ANODE ANODE | 1 | 1 | 1 | |
| 16 | 97095-08035 | BOLT BOULON | 1 | 1 | 1 | |
| 17 | 92995-08100 | WASHER RONDELLE | 1 | 1 | 1 | |
| 18 | 663-44366-00 | DAMPER, WATER SEAL JOINT, TUBE D'EAU | 1 | 1 | 1 | |
| 19 | 63D-44312-00 | COVER, WATER PUMP HOUSING COUVERCLE | 1 | 1 | 1 | |
| 20 | 663-45987-02 | SPACER ENTRETOISE | 1 | 1 | 1 | |
| 21 | 66T-45997-00 | SPACER ENTRETOISE | 1 | 1 | 1 | |
| 22 | 90389-22M01 | BUSH DOUILLE | 1 | 1 | 1 | |
| 23 | 90171-16011 | NUT, CASTLE ECROU, CRENELE | 1 | 1 | 1 | |
| 24 | 91490-30025 | PIN, COTTER GOUPILLE | 1 | 1 | 1 | |
| 25 | 69W-45945-00-EL | PROPELLER (3X11-1/8"X13"-G) HELICE (3X11-1/8"X13"-G) | 1 | 1 | 1 | UR |
| | 69W-45947-00-EL | PROPELLER (3X11-5/8"X11"-G) HELICE (3X11-5/8"X11"-G) | 1 | 1 | 1 | UR |



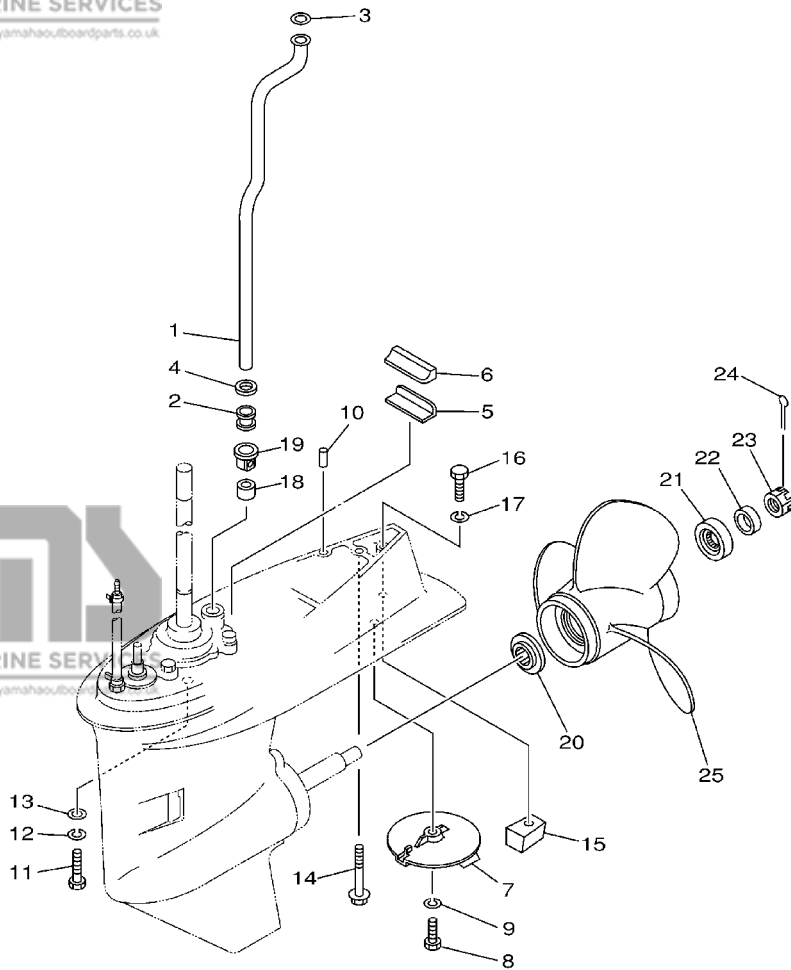
67C0010-0290

B3

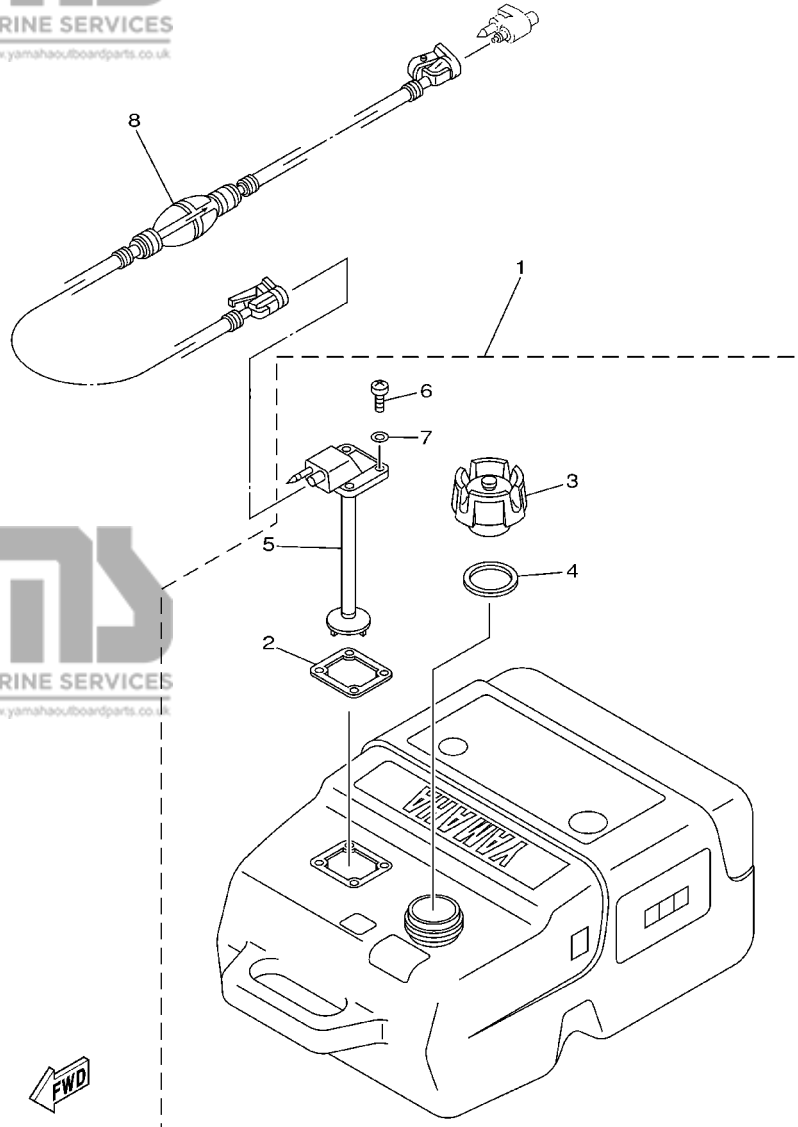
FIG. 27 LOWER CASING. DRIVE 2

BOITIER D'HELICE, TRANSMISSION 2

| REF. NO. | PART NO. NO. PIECES | DESCRIPTION DESCRIPTION | MHD | ED | ET | REMARKS REMARQUES |
|----------|--|---|-----|----|----|-------------------|
| 25 | 663-45941-01-EL | PROPELLER (3X10-3/4"X17"-G) HELICE (3X10-3/4"X17"-G) | 1 | 1 | 1 | UR |
| | 663-45949-01-EL | PROPELLER (3X10-3/4"X16"-G) HELICE (3X10-3/4"X16"-G) | 1 | 1 | 1 | UR |
| | 663-45952-02-EL | PROPELLER (3X11-3/8"X12"-G) HELICE (3X11-3/8"X12"-G) | 1 | 1 | 1 | UR |
| | 663-45956-01-EL | PROPELLER (3X12-1/4"X9"-G) HELICE (3X12-1/4"X9"-G) | 1 | 1 | 1 | UR |
| | 663-45958-01-EL | PROPELLER (3X11-1/4"X14"-G) HELICE (3X11-1/4"X14"-G) | 1 | 1 | 1 | UR |
| | 6H5-45943-00-EL | PROPELLER (3X10"X15"-G) HELICE (3X10"X15"-G) | 1 | 1 | 1 | UR WITH LIP CUP |
| | 6H5-45945-00-EL | PROPELLER (3X10-3/8"X13"-G) HELICE (3X10-3/8"X13"-G) | 1 | 1 | 1 | UR WITH LIP CUP |
| | 6H5-45952-00-EL | PROPELLER (3X10-5/8"X12"-G) HELICE (3X10-5/8"X12"-G) | 1 | 1 | 1 | UR WITH LIP CUP |
| | 6H5-45958-00-EL | PROPELLER (3X10-1/4"X14"-G) HELICE (3X10-1/4"X14"-G) | 1 | 1 | 1 | UR WITH LIP CUP |
| | STAINLESS STEEL PROPELLER ACIER INOXYDABLE HELICE | | | | | |
| | 663-45930-00-98 | PROPELLER (3X10-1/4"X14"-G) HELICE (3X10-1/4"X14"-G) | 1 | 1 | 1 | UR |
| | 663-45974-02-98 | PROPELLER (3X10-5/8"X13"-G) HELICE (3X10-5/8"X13"-G) | 1 | 1 | 1 | UR |
| | 663-45976-00-98 | PROPELLER (3X10-1/4"X15"-G) HELICE (3X10-1/4"X15"-G) | 1 | 1 | 1 | UR |
| | 663-45978-00-98 | PROPELLER (3X10-1/4"X16"-G) HELICE (3X10-1/4"X16"-G) | 1 | 1 | 1 | UR |
| | 697-45970-00-98 | PROPELLER (3X11-1/4"X14"-G) HELICE (3X11-1/4"X14"-G) | 1 | 1 | 1 | UR |
| | 663-45970-60-98 | PROPELLER (3X11-3/4"X12"-G) HELICE (3X11-3/4"X12"-G) | 1 | 1 | 1 | UR |
| | 663-45972-60-98 | PROPELLER (3X12"X11"-G) HELICE (3X12"X11"-G) | 1 | 1 | 1 | UR |
| | 663-45974-60-98 | PROPELLER (3X11-1/2"X13"-G) HELICE (3X11-1/2"X13"-G) | 1 | 1 | 1 | UR |



FWD
67C0010-0290



67C0300-9280

FIG. 28 FUEL TANK

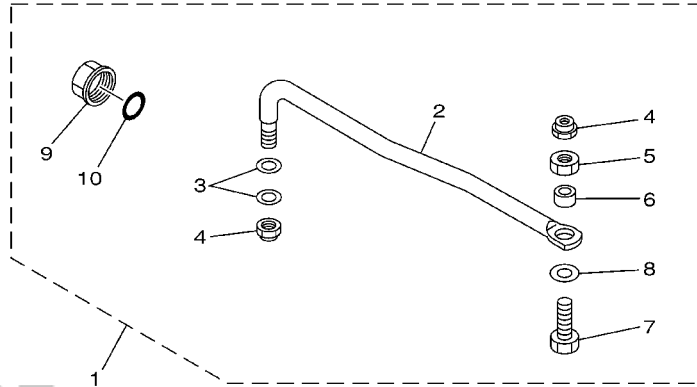
RESERVOIR A CARBURANT

| REF. NO. | PART NO. NO. PIECES | DESCRIPTION DESCRIPTION | MHD | ED | ET | REMARKS REMARQUES |
|----------|---------------------|--|-----|----|----|-------------------|
| 1 | 6YK-24201-01 | FUEL TANK ASSY RESERVOIR A ESSENCE (ENS.) | 1 | 1 | 1 | AP PLASTIC, 25L |
| | 6YK-24201-10 | FUEL TANK ASSY (25L) RESERVOIR A ESSENCE (ENS.) 25L | 1 | 1 | 1 | AP FOR SAV |
| 2 | 6YL-24268-01 | .GASKET, FUEL METER .JOINT, JAUGE A CARBURANT | 1 | 1 | 1 | |
| 3 | 6YK-24610-00 | .CAP ASSY .BOUCHON | 1 | 1 | 1 | WITH INDICATOR |
| | 6YK-24610-10 | .CAP ASSY .BOUCHON | 1 | 1 | 1 | FOR SAV |
| 4 | 6YL-24641-00 | .GASKET, CAP 1 .JOINT 1, BOUCHON | 1 | 1 | 1 | |
| 5 | 6YK-24260-01 | .FUEL METER ASSY .INDICATEUR DE CARBURANT | 1 | 1 | 1 | |
| 6 | 90157-05M16 | .SCREW, PAN HEAD .VIS, TETE TRONCONIQUE | 4 | 4 | 4 | |
| 7 | 6YL-24329-00 | .SEAL .JOINT | 4 | 4 | 4 | |
| 8 | 6YL-24306-52 | FUEL PIPE COMP. 1 DURITE A ESSENCE 1 | 1 | 1 | 1 | AP |

FIG. 29 STEERING GUIDE

FIXATION DE DIRECTION

| REF. NO. | PART NO. NO. PIECES | DESCRIPTION DESCRIPTION | MHD | ED | ET | REMARKS REMARQUES |
|----------|---------------------|---|-----|----|----|-------------------|
| 1 | 65W-61350-00 | STEERING GUIDE ATTACHMENT KIT FIXATIONS DE DIRECTION | | 1 | 1 | AP |
| 2 | 65W-61351-00 | .ROD, STEERING LINK .RENVOI DE DIRECTION | | 1 | 1 | |
| 3 | 90201-10M20 | .WASHER, PLATE .RONDELLE, PLATE | | 2 | 2 | |
| 4 | 90185-09M01 | .NUT, SELF-LOCKING .ECROU, AUTO-BLOCAN | | 2 | 2 | |
| 5 | 90170-09M03 | .NUT .ECROU | | 1 | 1 | |
| 6 | 90387-10M42 | .COLLAR .COLLERETTE | | 1 | 1 | |
| 7 | 90101-09M01 | .BOLT .BOULON | | 1 | 1 | |
| 8 | 90201-10M63 | .WASHER, PLATE .RONDELLE, PLATE | | 1 | 1 | |
| 9 | 6E5-43145-01 | .CAP, CLAMP BRACKET .CAPUCHON, PRESSE | | 1 | 1 | |
| 10 | 93210-16275 | .O-RING .JOINT TORIQUE | | 1 | 1 | |



65W0010-8210

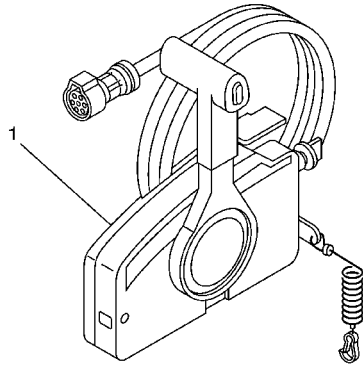
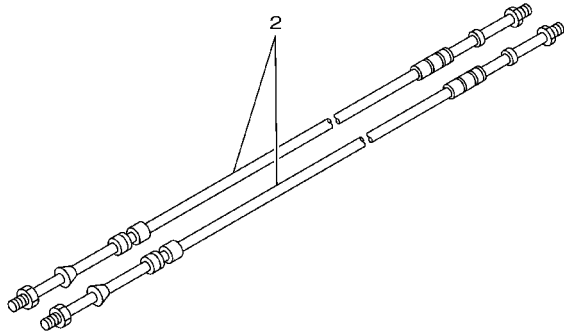


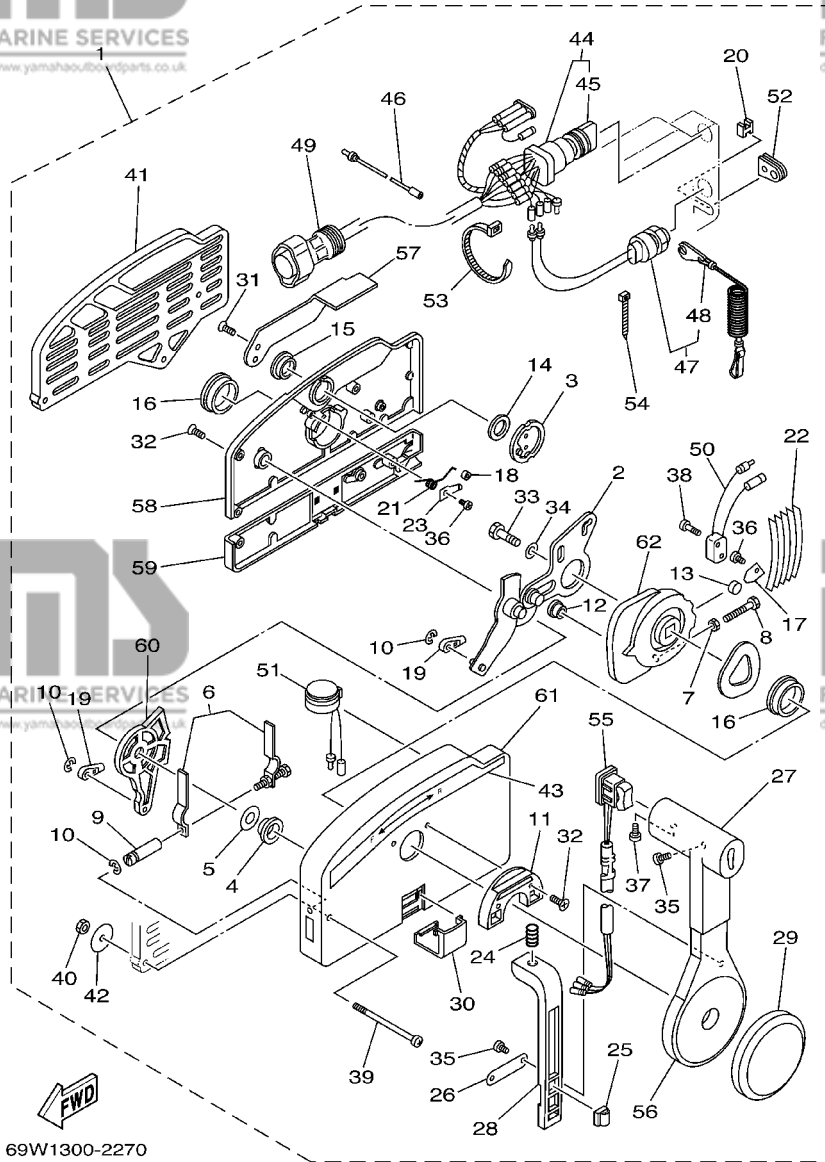
FIG. 30 REMOTE CONTROL BOX

BOITIER DE COMMANDE A DISTANCE

| REF. NO. | PART NO. NO. PIECES | DESCRIPTION DESCRIPTION | MHD | ED | ET | REMARKS REMARQUES |
|----------|---------------------|---|-----|----|----|-------------------|
| 1 | 703-48207-17 | REMOTE CONTROL ASSY BOITIER DE COMMANDE A DISTANCE | | 1 | 1 | AP WITH PT/T SW. |
| 2 | 701-48310-90 | CABLE, REMOTE CONTROL L=11F CABLE, COMMANDE A DISTANCE:11F | | 2 | 2 | UR |
| | 701-48320-00 | CABLE, REMOTE CONTROL L=12F CABLE, COMMANDE A DISTANCE:12F | | 2 | 2 | UR |
| | 701-48320-20 | CABLE, REMOTE CONTROL L=13F CABLE, COMMANDE A DISTANCE:13F | | 2 | 2 | UR |
| | 701-48320-50 | CABLE, REMOTE CONTROL L=15F CABLE, COMMANDE A DISTANCE:15F | | 2 | 2 | UR |



67M0100-8280



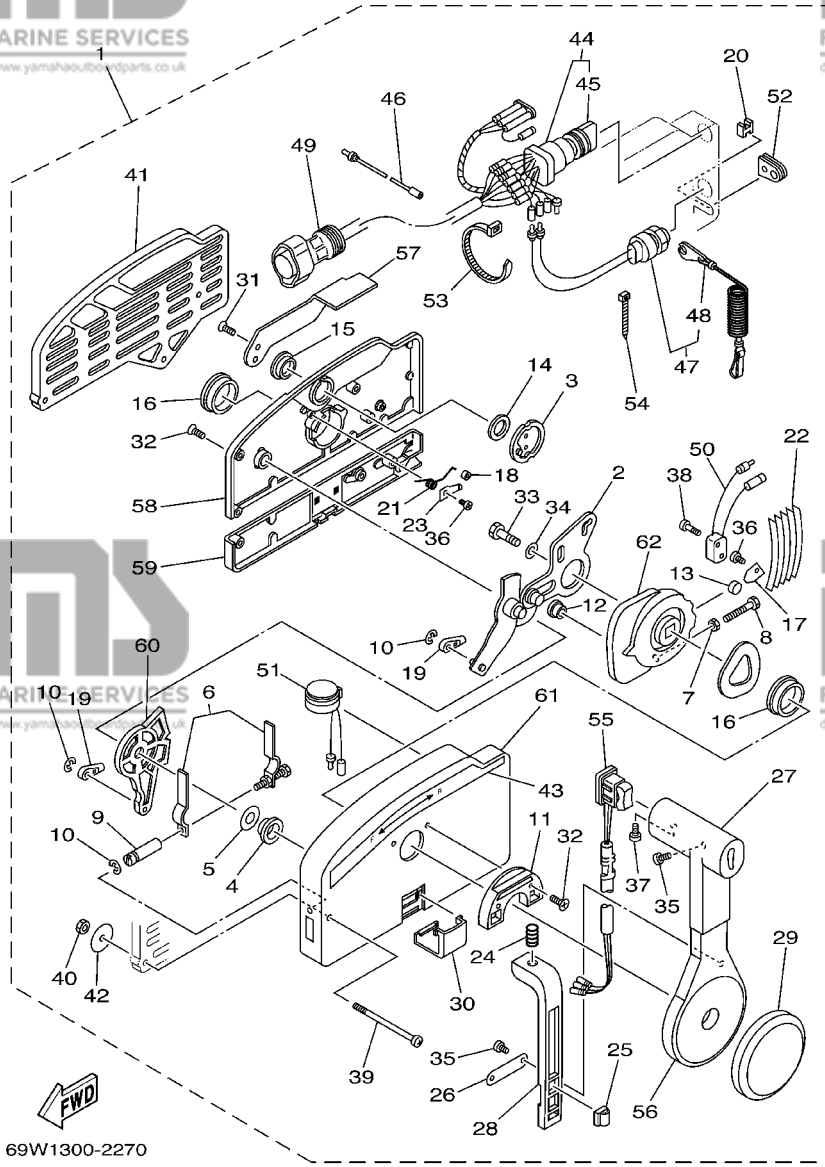
69W1300-2270

FIG. 31 REMOTE CONTROL ASSY

BOITIER DE COMMANDE A DISTANCE

| REF. NO. | PART NO. NO. PIECES | DESCRIPTION DESCRIPTION | MHD | ED | ET | REMARKS REMARQUES |
|----------|---------------------|---|-----|----|----|-------------------|
| 1 | 703-48207-17 | REMOTE CONTROL ASSY BOITIER DE COMMANDE A DISTANCE | | 1 | 1 | AP WITH PT/T SW. |
| 2 | 703-48261-01 | .ARM, THROTTLE .BRAS, ACCELERATION | | 1 | 1 | |
| 3 | 703-48153-00 | .SHAFT, FREE ACCEL. .AXE | | 1 | 1 | |
| 4 | 703-48235-00 | .BUSHING .COUSSINET | | 1 | 1 | |
| 5 | 703-48268-00 | .SPACER .ENTRETOISE | | 1 | 1 | |
| 6 | 703-48264-00 | .THROTTLE, FRICTION .ACCELERATION | | 1 | 1 | |
| 7 | 95380-05600 | .NUT .ECROU | | 1 | 1 | |
| 8 | 97380-05025 | .BOLT .BOULON, HEXAGONAL | | 1 | 1 | |
| 9 | 703-48265-00 | .SHAFT, FRICTION .AXE, COPILOTE | | 1 | 1 | |
| 10 | 93430-06024 | .CIRCLIP .CLIPS | | 3 | 3 | |
| 11 | 703-48245-00 | .PLATE, LOCK .PLAQUE, VERROU | | 1 | 1 | |
| 12 | 703-48252-00 | .ROLLER, CAM .POULIE | | 1 | 1 | |
| 13 | 701-48248-00 | .ROLLER, FREE ACCEL. .POULIE | | 1 | 1 | |
| 14 | 703-48198-00 | .WASHER, WAVE .RONDELLE, ELASTIQUE ONDULEE | | 1 | 1 | |
| 15 | 703-48243-00 | .BUSHING .COUSSINET | | 1 | 1 | |
| 16 | 703-48236-00 | .BUSHING 1 .POULIE | | 2 | 2 | |
| 17 | 703-48189-00 | .RETAINER .FLASQUE | | 1 | 1 | |
| 18 | 703-48234-00 | .ROLLER, DETENT .POULIE | | 1 | 1 | |
| 19 | 703-48345-01 | .CABLE END, REMOTE CONTROL 2 .CHAPE CABLE | | 2 | 2 | |
| 20 | 703-48358-00 | .ANCHOR, CABLE .COLLIER | | 1 | 1 | |
| 21 | 703-48244-00 | .SPRING, FREE ACCEL. .RESSORT | | 1 | 1 | |
| 22 | 703-48238-00 | .SPRING, DETENT .RESSORT | | 5 | 5 | |
| 23 | 703-48246-00 | .SPACER .ENTRETOISE | | 1 | 1 | |
| 24 | 703-48227-00 | .SPRING, NEUTRAL LOCK .RESSORT | | 1 | 1 | |
| 25 | 703-82594-00 | .CLAMP .BRIDE | | 1 | 1 | WITH PT/T SW. |
| 26 | 703-48226-00 | .PLATE, STOPPER .PLAQUETTE | | 1 | 1 | |
| 27 | 703-48222-00 | .GRIP, CONTROL LEVER .POIGNEE, COMMANDE LEVIER | | 1 | 1 | SINGLE |

C1



69W1300-2270

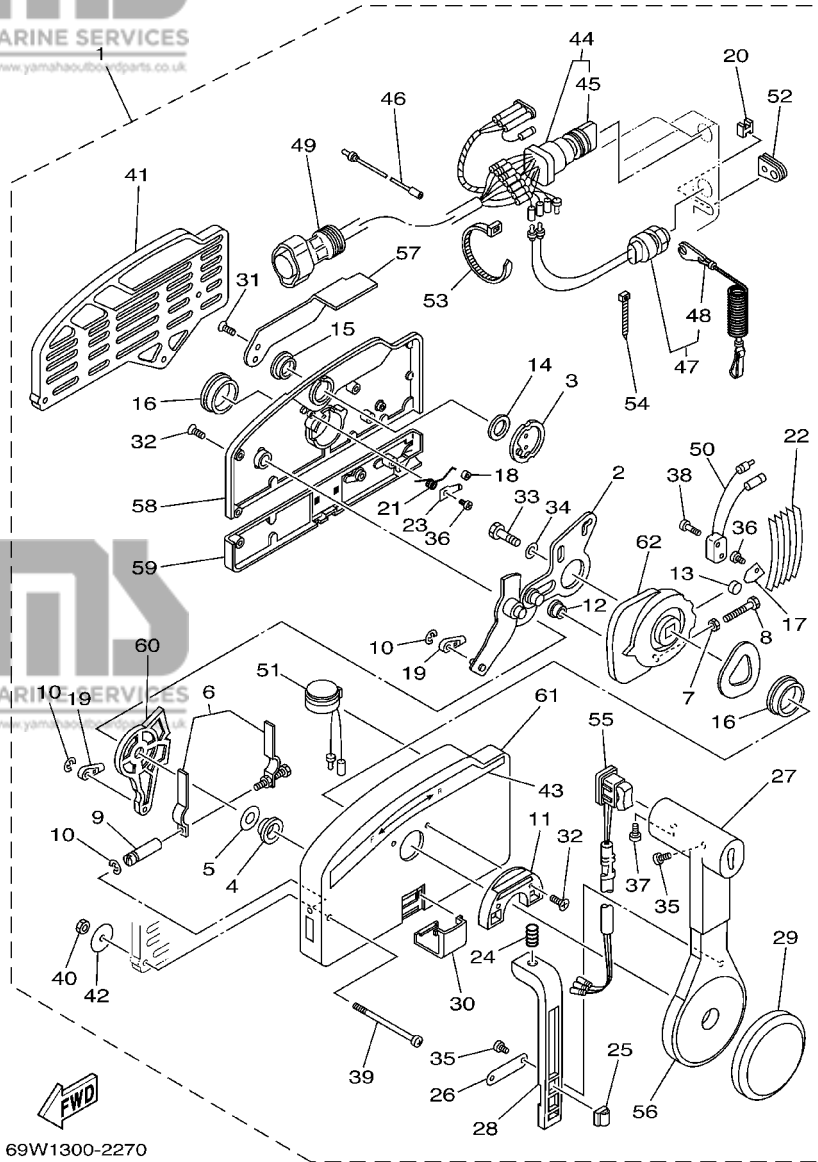
FIG. 31 REMOTE CONTROL ASSY BOITIER DE COMMANDE A DISTANCE

| REF. NO. | PART NO. NO. PIECES | DESCRIPTION DESCRIPTION | MHD | ED | ET | REMARKS REMARQUES |
|----------|---------------------|--|-----|----|----|-------------------|
| 28 | 703-48223-00 | .LOCK, NEUTRAL .VERROU, NEUTRAL | | 1 | 1 | |
| 29 | 703-48225-00 | .COVER .COUVERCLE | | 1 | 1 | |
| 30 | 703-48219-00 | .COVER, LEAD .COUVERCLE | | 1 | 1 | |
| 31 | 703-48281-00 | .SCREW .VIS | | 2 | 2 | |
| 32 | 703-48282-00 | .SCREW .VIS | | 7 | 7 | |
| 33 | 97380-08030 | .BOLT .BOULON, HEXAGONAL | | 1 | 1 | |
| 34 | 92990-08600 | .WASHER, PLATE .RONDELLE, PLATE | | 1 | 1 | |
| 35 | 98580-04010 | .SCREW, PAN HEAD .VIS | | 3 | 3 | |
| 36 | 98580-04006 | .SCREW, PAN HEAD .VIS | | 2 | 2 | |
| 37 | 98580-05010 | .SCREW, PAN HEAD .VIS | | 1 | 1 | |
| 38 | 98580-03015 | .SCREW, PAN HEAD .VIS | | 2 | 2 | |
| 39 | 703-48291-10 | .SCREW (M6) .VIS (M6) | | 3 | 3 | |
| 40 | 95380-06600 | .NUT, HEXAGON .ECROU | | 3 | 3 | |
| 41 | 703-48293-10 | .SPACER, REMOTE CONTROL .ENTRETOISE | | 1 | 1 | SINGLE |
| 42 | 701-48287-00 | .WASHER .RONDELLE | | 3 | 3 | |
| 43 | 703-48215-00 | .GRAPHIC .ADHESIF | | 1 | 1 | |
| 44 | 703-82510-43 | .MAIN SWITCH ASSY .CONTACTEUR A CLEF COMPLET | | 1 | 1 | |
| 45 | 703-82577-00 | .CAP, KEY .CABOCHON | | 1 | 1 | |
| 46 | 703-82531-00 | .WIRE, LEAD .FIL | | 1 | 1 | |
| 47 | 688-82575-01 | .ENGINE STOP SWITCH ASSY .COUPE CIRCUIT CPLT | | 1 | 1 | |
| 48 | 682-82556-00 | .STOPPER .PLAQUETTE | | 1 | 1 | |
| 49 | 688-8258A-20 | .EXTENSION, WIRE HARNESS .EXTENSION, FAISCEAU DE FILS | | 1 | 1 | L:5M (10P) |
| 50 | 703-82540-00 | .NEUTRAL SWITCH ASSY .CONTACTEUR DE POINT-MORT | | 1 | 1 | |
| 51 | 703-83383-A0 | .BUZZER .RONFLEUR | | 1 | 1 | |
| 52 | 703-48284-10 | .GROMMET .PASSE-FIL | | 1 | 1 | |
| 53 | 703-82591-00 | .BAND .COLLIER | | 3 | 3 | |
| 54 | 703-82592-00 | .BAND .COLLIER | | 1 | 1 | |

C2

FIG. 31 REMOTE CONTROL ASSY

BOITIER DE COMMANDE A DISTANCE



69W1300-2270

| REF. NO. | PART NO. NO. PIECES | DESCRIPTION DESCRIPTION | MHD | ED | ET | REMARKS REMARQUES |
|----------|---------------------|--|-----|----|----|-------------------|
| 55 | 703-82563-12 | .TRIM & TILT SWITCH ASSY .INCLINER ET PARER COMMUTEUR | | 1 | 1 | |
| 56 | 703-48221-00 | .LEVER, CONTROL .LEVIER, COMMANDE | | 1 | 1 | |
| 57 | 703-48152-00 | .KNOB, FREE ACCEL. BOUTON | | 1 | 1 | |
| 58 | 703-48212-00 | .BACK PLATE 1 .PLAQUETTE 1 | | 1 | 1 | |
| 59 | 703-48213-00 | .BACK PLATE 2 .PLAQUETTE 2 | | 1 | 1 | |
| 60 | 703-48271-00 | .ARM, SHIFT .BRAS | | 1 | 1 | |
| 61 | 703-48211-01 | .HOUSING,1 .CORPS | | 1 | 1 | |
| 62 | 703-48232-00 | .GEAR .PIGNON | | 1 | 1 | |

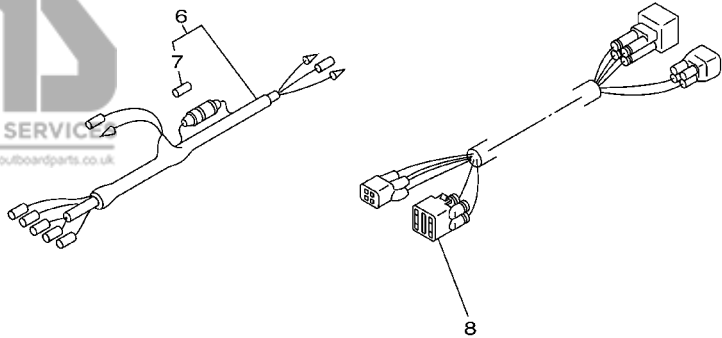
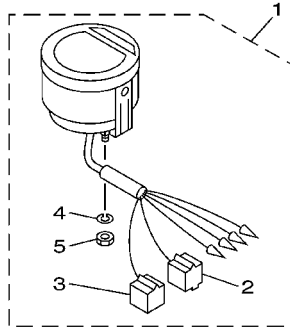


FIG. 32 METER

COMPTEUR

| REF. NO. | PART NO. NO. PIECES | DESCRIPTION DESCRIPTION | MHD | ED | ET | REMARKS REMARQUES |
|----------|---------------------|---|-----|----|----|-------------------|
| 1 | 6Y5-8350T-02 | TACHOMETER ASSY COMPTE-TOURS CPLT | | | 1 | AP |
| 2 | 9E450-04433 | .CONNECTOR .CONNECTEUR | | | 1 | M-4-W |
| 3 | 9E450-04533 | .CONNECTOR .CONNECTEUR | | | 1 | F-4-W |
| 4 | 92990-04100 | .WASHER, SPRING .RONDELLE, GROUVER | | | 2 | |
| 5 | 95380-04600 | .NUT .ECROU | | | 2 | |
| 6 | 6Y5-83553-00 | WIRE, LEAD FIL | | | 1 | AP |
| 7 | 1E6-82151-00 | .FUSE (10A) .FUSIBLE (10A) | | | 1 | |
| 8 | 68F-82553-70 | EXTENSION, WIRE LEAD EXTENSION, FAISCEAU | | | 1 | AP |

69W1300-2280

C4

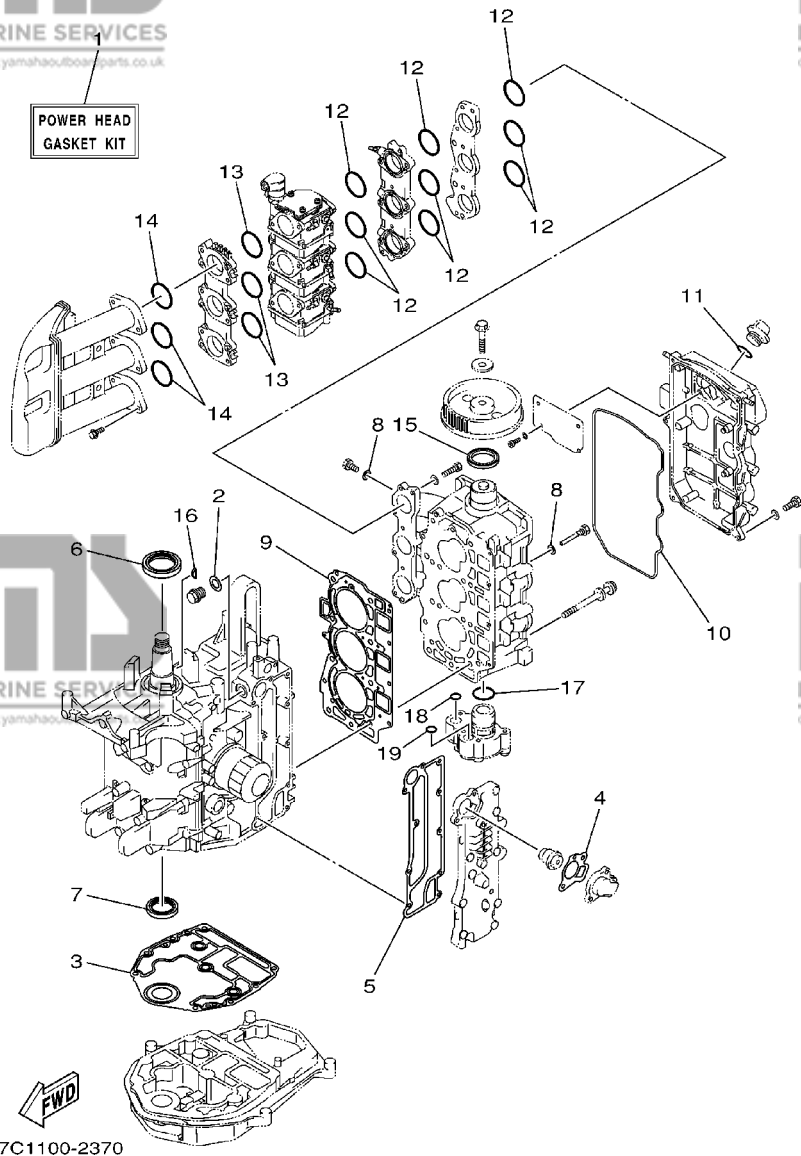
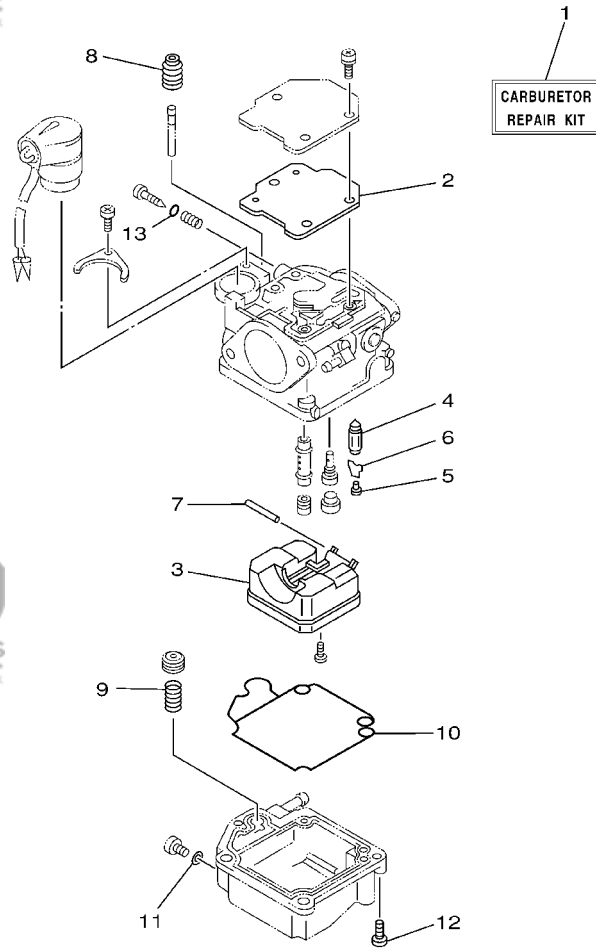


FIG. 33 REPAIR KIT 1

KITS DE REPARATION 1

| REF. NO. | PART NO. NO. PIECES | DESCRIPTION DESCRIPTION | MHD | ED | ET | REMARKS REMARQUES |
|----------|---------------------|--|-----|----|----|-------------------|
| 1 | 67C-W0001-01 | POWER HEAD GASKET KIT POCHETTE DE JINTS TETE MOTRICE | 1 | 1 | 1 | |
| 2 | 90430-14115 | .GASKET .JOINT | 1 | 1 | 1 | |
| 3 | 67C-11351-00 | .GASKET, CYLINDER .JOINT, D'EMBASE | 1 | 1 | 1 | |
| 4 | 62Y-12414-00 | .GASKET, COVER .JOINT, COUVERCLE | 1 | 1 | 1 | |
| 5 | 67C-41114-10 | .GASKET, EXHAUST OUTER COVER .JOINT, COUVERCLE D'ECHAPPEMEN | 1 | 1 | 1 | |
| 6 | 93102-43M42 | .OIL SEAL .JOINT SPY | 1 | 1 | 1 | |
| 7 | 93102-35M47 | .OIL SEAL .JOINT SPY | 1 | 1 | 1 | |
| 8 | 90430-06014 | .GASKET .JOINT | 4 | 4 | 4 | |
| 9 | 67C-11181-01 | .GASKET, CYLINDER HEAD 1 .JOINT, DE CULASSE 1 | 1 | 1 | 1 | |
| 10 | 67C-11356-00 | .SEAL, CYLINDER 2 .JOINT, SPY CYLINDRE | 1 | 1 | 1 | |
| 11 | 93210-24M79 | .O-RING .JOINT TORIQUE | 2 | 2 | 2 | |
| 12 | 67C-14561-00 | .O-RING .JOINT TORIQUE | 9 | 9 | 9 | |
| 13 | 67C-14562-00 | .O-RING .JOINT TORIQUE | 3 | 3 | 3 | |
| 14 | 93210-34MJ6 | .O-RING .JOINT TORIQUE | 3 | 3 | 3 | |
| 15 | 93102-37M40 | .OIL SEAL .JOINT SPY | 1 | 1 | 1 | |
| 16 | 90280-04M06 | .KEY, WOODRUFF .CLAVETTE, DEMI-LUNE | 1 | 1 | 1 | |
| 17 | 93210-33MH2 | .O-RING .JOINT TORIQUE | 1 | 1 | 1 | |
| 18 | 93210-12MG9 | .O-RING .JOINT TORIQUE | 1 | 1 | 1 | |
| 19 | 93210-14515 | .O-RING .JOINT TORIQUE | 1 | 1 | 1 | |



FWD
67C0100-0360

FIG. 34 REPAIR KIT 2

KITS DE REPARATION 2

| REF. NO. | PART NO. NO. PIECES | DESCRIPTION DESCRIPTION | MHD | ED | ET | REMARKS REMARQUES |
|----------|---------------------|--|-----|----|----|-------------------|
| 1 | 67C-W0093-00 | CARBURETOR REPAIR KIT KIT DE REPARATION CARBURATEUR | 1 | 1 | 1 | |
| 2 | 65W-14126-10 | .GASKET .JOINT | 1 | 1 | 1 | |
| 3 | 63V-14985-00 | .FLOAT .FLOTTEUR | 1 | 1 | 1 | |
| 4 | 6G1-14546-01 | .VALVE, NEEDLE .POINTEAU | 1 | 1 | 1 | |
| 5 | 676-14186-00 | .PIN, FLOAT .AXE, FLOTTEUR | 1 | 1 | 1 | |
| 6 | 663-14159-00 | .CLIP .JONC | 1 | 1 | 1 | |
| 7 | 6H4-14548-00 | .PIN, FLOAT ARM .AXE, BRAS DE FLOTTEUR | 1 | 1 | 1 | |
| 8 | 65W-14373-00 | .COVER, PLUNGER CAP .COUVERCLE DE PLONGEUR | 1 | 1 | 1 | |
| 9 | 65W-14335-00 | .SPRING, PLUNGER .RESSORT, PLONGEUR | 1 | 1 | 1 | |
| 10 | 65W-14384-00 | .GASKET, FLOAT CHAMBER .JOINT, CUVE DE FLOTTEUR | 1 | 1 | 1 | |
| 11 | 65W-14398-00 | .GASKET .JOINT | 1 | 1 | 1 | |
| 12 | 97980-04114 | .SCREW, WITH WASHER .VIS, AVEC RONDELLE | 4 | 4 | 4 | |
| 13 | 67C-14397-00 | .O-RING .JOINT TORIQUE | 1 | 1 | 1 | |

C6

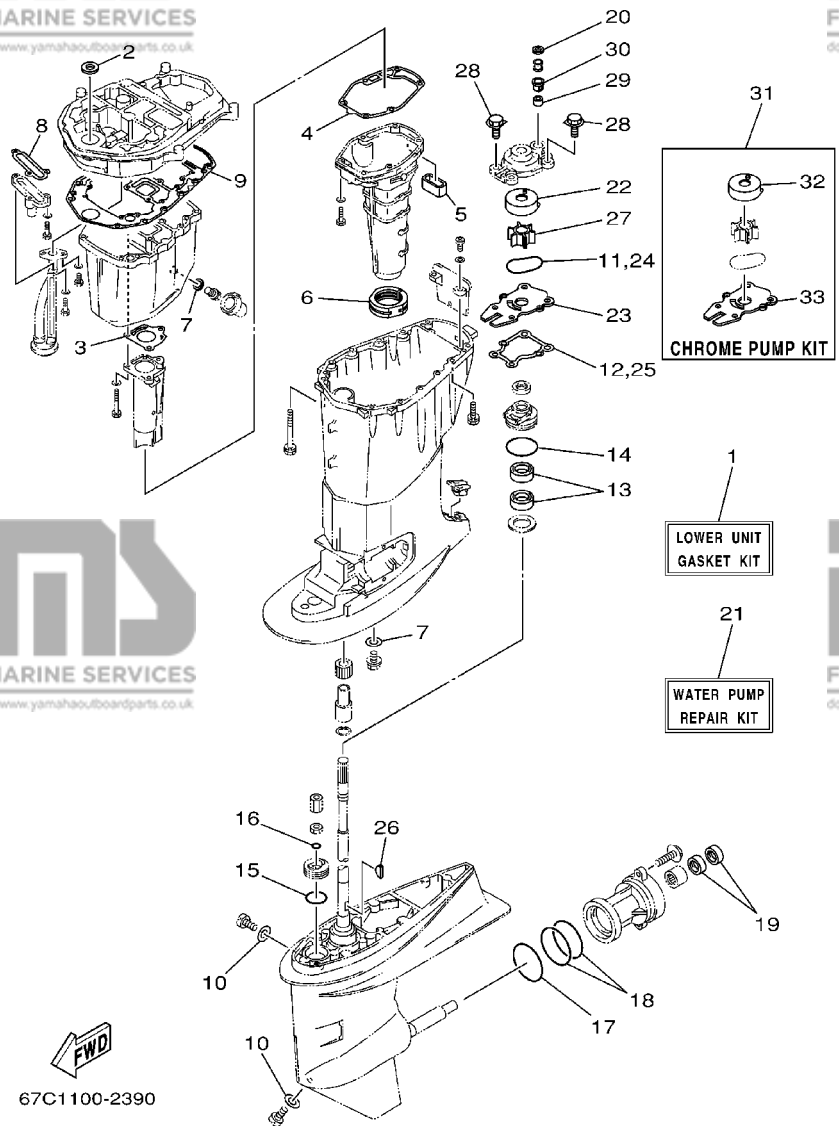


FIG. 35 REPAIR KIT 3

KITS DE PEPARATION 3

| REF. NO. | PART NO. NO. PIECES | DESCRIPTION DESCRIPTION | MHD | ED | ET | REMARKS REMARQUES |
|----------|---------------------|---|-----|----|----|-------------------|
| 1 | 67C-W0001-22 | LOWER UNIT GASKET KIT POCHETTE DE JOINTS EMBASE | 1 | 1 | 1 | |
| 2 | 93110-16004 | .OIL SEAL .JOINT D'HUILE | 1 | 1 | 1 | |
| 3 | 67C-41133-00 | .GASKET, EXHAUST MANIFOLD 1 .JOINT, PIPE D'ECHAPPEMENT | 1 | 1 | 1 | |
| 4 | 62Y-41134-01 | .GASKET, EXHAUST MANIFOLD .JOINT, PIPE D'ECHAPPEMENT | 1 | 1 | 1 | |
| 5 | 62Y-45127-00 | .SEAL .JOINT | 1 | 1 | 1 | |
| 6 | 67C-45123-00 | .GASKET, MUFFLER .JOINT, POT DE DETENTE | 1 | 1 | 1 | |
| 7 | 90430-14M09 | .GASKET .JOINT | 2 | 2 | 2 | |
| 8 | 62Y-13475-00 | .GASKET .JOINT | 1 | 1 | 1 | |
| 9 | 69W-15312-00 | .GASKET, OIL PAN .JOINT DE VENTILATEUR D'HUILE | 1 | 1 | 1 | |
| 10 | 90430-08020 | .GASKET .JOINT | 2 | 2 | 2 | |
| 11 | 93210-59MG7 | .O-RING .JOINT TORIQUE | 1 | 1 | 1 | |
| 12 | 63D-44316-00 | .GASKET, WATER PUMP .JOINT, POMPE A EAU | 1 | 1 | 1 | |
| 13 | 93101-22M60 | .OIL SEAL .JOINT SPY | 2 | 2 | 2 | |
| 14 | 93210-48MG8 | .O-RING .JOINT TORIQUE | 1 | 1 | 1 | |
| 15 | 93210-33MG4 | .O-RING .JOINT TORIQUE | 1 | 1 | 1 | |
| 16 | 93210-06ME6 | .O-RING .JOINT TORIQUE | 1 | 1 | 1 | |
| 17 | 93210-69MG6 | .O-RING .JOINT TORIQUE | 1 | 1 | 1 | |
| 18 | 93210-74MG5 | .O-RING .JOINT TORIQUE | 2 | 2 | 2 | |
| 19 | 93101-22M00 | .OIL SEAL .JOINT SPY | 2 | 2 | 2 | |
| 20 | 90430-12072 | .GASKET .JOINT | 1 | 1 | 1 | |
| 21 | 66T-W0078-00 | WATER PUMP REPAIR KIT KIT DE REPARATION DE LA POMPE | 1 | 1 | 1 | |
| 22 | 63D-44322-00 | .INSERT, CARTRIDGE .CUVETTE | 1 | 1 | 1 | |
| 23 | 66T-44323-00 | .OUTER PLATE, CARTRIDGE .PLAQUE EXTERIEURE | 1 | 1 | 1 | |
| 24 | 93210-59MG7 | .O-RING .JOINT TORIQUE | 1 | 1 | 1 | |
| 25 | 63D-44316-00 | .GASKET, WATER PUMP .JOINT, POMPE A EAU | 1 | 1 | 1 | |
| 26 | 90280-03M03 | .KEY, WOODRUFF .CLAVETTE, DEMI-LUNE | 1 | 1 | 1 | |
| 27 | 6H4-44352-02 | .IMPELLER .TURBINE | 1 | 1 | 1 | |

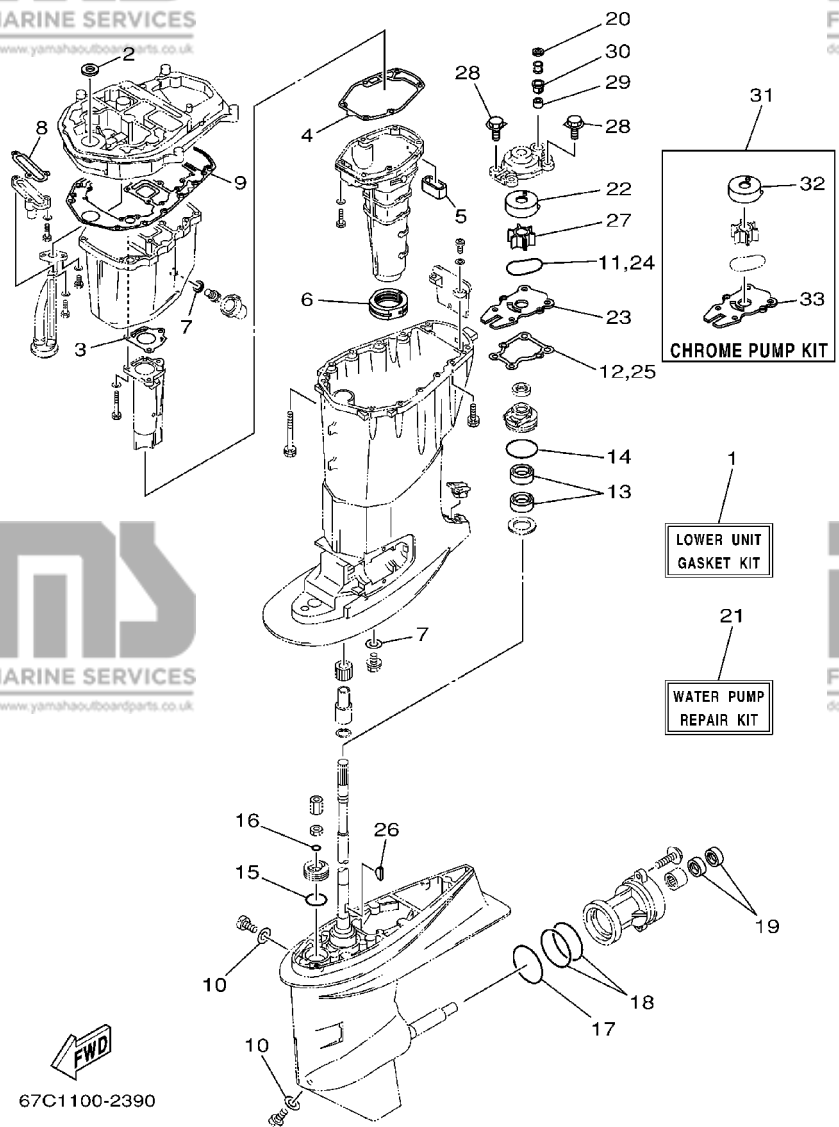


FIG. 35 REPAIR KIT 3

KITS DE PEPARATION 3

| REF. NO. | PART NO. NO. PIECES | DESCRIPTION DESCRIPTION | MHD | ED | ET | REMARKS REMARQUES |
|----------|---------------------|---|-----|----|----|-------------------|
| 28 | 90119-08M15 | .BOLT, WITH WASHER .BOULON, AVEC RONDELLE | 4 | 4 | 4 | |
| 29 | 663-44366-00 | .DAMPER, WATER SEAL .JOINT, TUBE D'EAU | 1 | 1 | 1 | |
| 30 | 63D-44312-00 | .COVER, WATER PUMP HOUSING .COUVERCLE | 1 | 1 | 1 | |
| 31 | 66T-W0078-0A | CHROME PUMP KIT KIT DE POMPE A EAU CHROMEE | 1 | 1 | 1 | |
| 32 | 63D-44322-40 | .INSERT, CARTRIDGE .CUVETTE | 1 | 1 | 1 | |
| 33 | 66T-44323-40 | .OUTER PLATE, CARTRIDGE .PLAQUE EXTERIEURE | 1 | 1 | 1 | |

| PART NO. NO. PIECES | REF. NO. |
|------------------------|-------------|
| 67C-W0001-01 | 33 - 1 |
| 67C-W0001-22 | 35 - 1 |
| 67C-W0070-10 | 1 - 11 |
| 66T-W0078-0A | 35 - 31 |
| 66T-W0078-00 | 35 - 21 |
| 69W-W0084-10-4D18 | - 1 |
| 67C-W009A-01-1S | 4 - 1 |
| 67C-W009A-11-1S | 4 - 1 |
| 67C-W009B-02-1S | 2 - 1 |
| 67C-W0093-00 | 34 - 1 |
| 67C-11111-03-1S | 4 - 2 |
| 67C-11111-12-1S | 4 - 2 |
| 65W-11119-00 | 2 - 11 |
| 62Y-11133-10 | 4 - 3 |
| 67C-11168-00 | 4 - 23 |
| 67C-11181-01 | 4 - 15 |
| | 33 - 9 |
| 67C-11191-00-1S | 4 - 19 |
| 62Y-11325-00 | 4 - 5 |
| 66M-11327-00-94 | 4 - 7 |
| 66M-11328-00 | 4 - 6 |
| 67C-11351-00 | 2 - 10 |
| | 33 - 3 |
| 67C-11356-00 | 4 - 21 |
| | 33 - 10 |
| 62Y-11372-01 | 2 - 25 |
| 67C-11411-00 | 3 - 3 |
| 62Y-11416-00 | 3 - 4 |
| 62Y-11416-10 | 3 - 4 |
| 62Y-11416-20 | 3 - 4 |
| 65W-11476-00 | 8 - 9 |
| 65W-11536-10 | 8 - 8 |
| 67C-11537-01 | 8 - 3 |
| 65W-11545-00 | 11 - 5 |
| 62Y-11575-00 | 25 - 2 |
| 67C-11603-00 | 3 - 9 |
| 67C-11604-00 | 3 - 9 |
| 67C-11605-00 | 3 - 9 |
| 65W-11631-00-96 | 3 - 8 |
| 62Y-11633-00 | 3 - 10 |
| 65W-11635-00 | 3 - 8 |
| 65W-11636-00 | 3 - 8 |
| 67C-11650-00 | 3 - 5 |
| 62Y-11654-00 | 3 - 6 |
| 62Y-11656-00 | 3 - 7 |
| 62Y-11656-10 | 3 - 7 |
| 62Y-11656-20 | 3 - 7 |
| 67C-12111-00 | 5 - 1 |

| PART NO. NO. PIECES | REF. NO. |
|------------------------|-------------|
| 67C-12113-00 | 5 - 15 |
| 51Y-12114-00 | 5 - 4 |
| 62Y-12116-00 | 5 - 3 |
| 30X-12117-00 | 5 - 5 |
| 30X-12118-00 | 5 - 6 |
| 51Y-12119-00 | 5 - 7 |
| 62Y-12121-00 | 5 - 2 |
| 62Y-12138-60 | 4 - 32 |
| 67C-12146-00 | 5 - 8 |
| 65W-12151-00 | 5 - 9 |
| 62Y-12158-00 | 5 - 11 |
| 62Y-12159-00 | 5 - 10 |
| 67C-12170-11 | 8 - 2 |
| 67C-12171-00 | 8 - 2 |
| 62Y-12216-00 | 5 - 14 |
| 62Y-12231-00 | 5 - 17 |
| 62Y-12238-00 | 5 - 12 |
| 64J-12238-00 | 5 - 12 |
| 62Y-12279-00 | 5 - 13 |
| 64J-12279-00 | 5 - 13 |
| 6G8-12411-02 | 2 - 13 |
| 6H3-12413-00-1S | 2 - 14 |
| 62Y-12414-00 | 2 - 15 |
| | 33 - 4 |
| 66M-12535-00 | 4 - 8 |
| 69W-12535-00 | 17 - 41 |
| 68T-12572-00 | 17 - 40 |
| 6R3-12580-00 | 17 - 46 |
| 62Y-13131-01 | 9 - 6 |
| 69W-13300-00 | 8 - 11 |
| 62Y-13411-00 | 25 - 6 |
| 67F-13434-02 | 1 - 16 |
| 62Y-13437-61 | 10 - 42 |
| | 11 - 15 |
| 5GH-13440-00 | 2 - 26 |
| 62Y-13444-50 | 17 - 51 |
| 62Y-13475-00 | 25 - 3 |
| | 35 - 8 |
| 67C-13589-00 | 6 - 4 |
| 67C-13971-00 | 6 - 11 |
| 67C-13972-00 | 6 - 12 |
| 67C-13973-00 | 6 - 13 |
| 67C-13974-00 | 6 - 14 |
| | 7 - 40 |
| 67C-13975-00 | 6 - 15 |
| 67C-13976-00 | 6 - 16 |
| 65W-14126-10 | 7 - 5 |
| | 34 - 2 |

NUMERICAL INDEX
INDEX NUMERIQUE

| PART NO. NO. PIECES | REF. NO. |
|------------------------|-------------|
| 663-14159-00 | 7 - 16 |
| | 34 - 6 |
| 676-14186-00 | 7 - 15 |
| | 34 - 5 |
| 67C-14242-00 | 7 - 46 |
| 67C-14243-01-94 | 6 - 8 |
| 67C-14245-00 | 7 - 45 |
| 67C-14255-00 | 6 - 18 |
| 67C-14271-00 | 6 - 5 |
| 67C-14318-00 | 6 - 17 |
| 6A0-14325-00 | 9 - 10 |
| 67C-14325-00 | 7 - 44 |
| 65W-14335-00 | 7 - 21 |
| | 34 - 9 |
| 65W-14346-00 | 7 - 34 |
| 67C-14356-00 | 7 - 42 |
| 67C-14369-00 | 7 - 37 |
| 67C-14371-00 | 7 - 22 |
| 65W-14373-00 | 7 - 19 |
| | 34 - 8 |
| 67C-14379-00 | 7 - 20 |
| 67C-14379-10 | 7 - 20 |
| 67C-14380-00 | 7 - 35 |
| 65W-14384-00 | 7 - 23 |
| | 34 - 10 |
| 67C-14397-00 | 7 - 30 |
| | 34 - 13 |
| 65W-14398-00 | 7 - 26 |
| | 34 - 11 |
| 67C-14398-00 | 7 - 43 |
| 67C-14440-00 | 6 - 24 |
| 62Y-14485-00 | 4 - 20 |
| 63V-14523-00 | 7 - 10 |
| 6G1-14546-01 | 7 - 14 |
| | 34 - 4 |
| 6H4-14548-00 | 7 - 18 |
| | 34 - 7 |
| 67C-14555-00 | 7 - 31 |
| 67C-14561-00 | 6 - 7 |
| | 33 - 12 |
| 67C-14562-00 | 6 - 10 |
| | 33 - 13 |
| 67C-14567-00 | 7 - 36 |
| 65W-14572-00 | 7 - 4 |
| 67C-14585-00 | 6 - 3 |
| 67C-14711-00-5B | 24 - 7 |
| 67C-14711-12-5B | 24 - 7 |
| 67C-14901-03 | 7 - 1 |

G1

| PART NO. NO. PIECES | REF. NO. |
|------------------------|-------------|
| 66T-15731-00 | 10 - 39 |
| 66T-15734-00 | 10 - 14 |
| 63V-15741-00 | 10 - 4 |
| 63V-15744-00 | 10 - 10 |
| 6F5-15752-00 | 10 - 16 |
| 6F5-15753-00 | 10 - 17 |
| 689-15755-01 | 10 - 26 |
| 67C-15758-00 | 10 - 21 |
| 67C-15762-00 | 10 - 22 |
| 66T-15767-00 | 10 - 8 |
| 63V-15768-00 | 10 - 11 |
| 67C-15770-00 | 10 - 38 |
| 66M-15774-00 | 10 - 36 |
| 6F5-15779-02 | 10 - 27 |
| 66T-15784-00 | 10 - 9 |
| 6A0-15789-00 | 10 - 28 |
| 6F5-15791-00 | 10 - 15 |
| 66T-15794-00 | 10 - 13 |
| 6G8-2415E-00 | 17 - 50 |
| 6YK-24201-01 | 28 - 1 |
| 6YK-24201-10 | 28 - 1 |
| 65W-24251-00 | 9 - 25 |
| 6YK-24260-01 | 28 - 5 |
| 6YL-24268-01 | 28 - 2 |
| 6G1-24304-02 | 9 - 29 |
| 6YL-24306-52 | 28 - 8 |
| 67C-24312-00 | 17 - 44 |
| 6YL-24329-00 | 28 - 7 |
| 61N-24329-00 | 17 - 28 |
| 62Y-24374-01 | 9 - 14 |
| 688-24378-00 | 2 - 17 |
| 62Y-24410-03 | 9 - 1 |
| 62Y-24411-02 | 9 - 4 |
| 62Y-24413-01 | 9 - 2 |
| 62Y-24421-01 | 9 - 3 |
| 62Y-24422-00 | 9 - 15 |
| 62Y-24423-00 | 9 - 5 |
| 62Y-24444-01 | 9 - 8 |
| 62Y-24452-00 | 9 - 12 |
| 62Y-24454-00 | 9 - 7 |
| 62Y-24471-00 | 9 - 9 |
| 65W-24474-00 | 9 - 17 |
| 6YK-24610-00 | 28 - 3 |
| 6YK-24610-10 | 28 - 3 |
| 6YL-24641-00 | 28 - 4 |
| 69W-26301-00 | 18 - 36 |
| 62Y-28100-00 | 9 - 32 |
| 67F-2812A-00 | 13 - 20 |

| PART NO. NO. PIECES | REF. NO. |
|------------------------|-------------|
| 6A1-28176-00 | 17 - 48 |
| 67C-28199-73-A0 | 9 - 33 |
| 67C-28199-73-B0 | 9 - 33 |
| 67C-28199-84-A0 | 9 - 34 |
| 67C-28199-84-B0 | 9 - 34 |
| 67C-41113-01-1S | 2 - 24 |
| 67C-41114-10 | 2 - 22 |
| | 33 - 5 |
| 67C-41131-00-5B | 24 - 3 |
| 67C-41133-00 | 24 - 4 |
| | 35 - 3 |
| 62Y-41134-01 | 24 - 10 |
| | 35 - 4 |
| 67C-41137-01-94 | 24 - 1 |
| 67C-41212-00 | 19 - 22 |
| 67C-41213-20 | 19 - 28 |
| 6E9-41237-00 | 19 - 20 |
| 6F5-41237-00 | 19 - 21 |
| 67C-41241-00 | 19 - 19 |
| 6F5-41662-00 | 19 - 4 |
| 67C-42111-00-4D | 18 - 10 |
| 69W-42115-10 | 18 - 14 |
| 69W-42119-00 | 18 - 56 |
| 63D-42121-20-4D | 18 - 2 |
| 63D-42126-00 | 18 - 52 |
| 67G-42131-00 | 18 - 46 |
| 6J0-42137-00 | 18 - 57 |
| 650-42152-00-94 | 18 - 15 |
| 67G-42153-00 | 18 - 21 |
| 67G-42159-00 | 18 - 17 |
| 62Y-42171-00 | 19 - 26 |
| 6G1-42177-00 | 18 - 59 |
| 67C-42510-00-4D | 22 - 25 |
| 67C-42510-10-4D | 22 - 25 |
| 6J8-42528-00 | 22 - 1 |
| 624-42542-00 | 14 - 12 |
| 67C-42610-20-4D | 1 - 1 |
| 67C-42610-30-4D | 1 - 1 |
| 69H-42610-20-4D | 1 - 1 |
| 69H-42610-30-4D | 1 - 1 |
| 67C-42613-00-4D | 1 - 2 |
| 67C-42613-10-4D | 1 - 2 |
| 67C-42615-00 | 1 - 14 |
| 61N-42628-00 | 1 - 15 |
| 62Y-42651-00 | 1 - 4 |
| 67C-42652-00 | 1 - 6 |
| 67C-42677-00 | 1 - 9 |
| 69H-42677-10 | 1 - 9 |

| PART NO. NO. PIECES | REF. NO. |
|------------------------|-------------|
| 67C-42678-00 | 1 - 10 |
| 69H-42678-10 | 1 - 10 |
| 67C-42681-10 | 1 - 12 |
| 67C-42682-10 | 1 - 13 |
| 67C-42710-02-4D | 17 - 1 |
| 67C-42710-12-4D | 17 - 1 |
| 62Y-42716-00 | 17 - 5 |
| 65W-42717-00 | 17 - 6 |
| 65W-42724-10 | 17 - 22 |
| 62Y-42725-00 | 17 - 8 |
| 62Y-42725-30 | 17 - 8 |
| 63D-42725-00 | 18 - 51 |
| 67C-42725-00 | 17 - 8 |
| 6H1-42726-20 | 17 - 22 |
| 6H4-42726-00 | 17 - 24 |
| 67C-42726-00 | 15 - 11 |
| 6H3-42727-00 | 17 - 27 |
| 62Y-42727-00 | 17 - 9 |
| 676-42727-00 | 17 - 26 |
| 67C-42738-00-4D | 17 - 7 |
| 67C-42741-00-4D | 17 - 29 |
| 67C-42741-10-4D | 17 - 29 |
| 67C-42815-00-4D | 17 - 11 |
| 67C-42816-01 | 17 - 16 |
| 67C-43111-10-4D | 20 - 1 |
| | 21 - 1 |
| 67C-43112-10-4D | 20 - 2 |
| | 21 - 2 |
| 6K9-43131-01 | 20 - 9 |
| | 21 - 13 |
| 6K9-43139-01 | 22 - 8 |
| 66T-43144-00 | 17 - 18 |
| 6E5-43145-01 | 29 - 9 |
| 6G5-43145-01 | 20 - 13 |
| | 21 - 17 |
| 67C-43170-00-4D | 20 - 15 |
| 67C-43170-10-4D | 20 - 15 |
| 65W-43191-00 | 20 - 4 |
| | 21 - 4 |
| 65W-43192-00 | 20 - 3 |
| | 21 - 3 |
| 67C-43311-00-4D | 20 - 7 |
| | 21 - 10 |
| 67C-43311-10-4D | 20 - 7 |
| | 21 - 10 |
| 682-43318-01 | 20 - 17 |
| 689-43373-01 | 22 - 2 |
| 67C-43631-00 | 20 - 16 |

| PART NO. NO. PIECES | REF. NO. |
|------------------------|-------------|
| 63D-43691-00 | 20 - 19 |
| 65W-4380F-00 | 23 - 12 |
| 65W-4380K-00 | 23 - 16 |
| 67C-4380L-00 | 23 - 27 |
| 67C-43800-00-4D | 23 - 1 |
| 6T4-43802-03 | 23 - 30 |
| CS2-43803-81 | 23 - 48 |
| 65W-43804-00 | 23 - 3 |
| 65W-43805-00 | 23 - 4 |
| 65W-4381B-00 | 23 - 22 |
| 65W-43810-00 | 23 - 17 |
| 65W-43812-00 | 23 - 18 |
| 6H1-43816-00 | 23 - 25 |
| 65W-43817-00 | 23 - 39 |
| 65W-4382A-00 | 23 - 47 |
| 6H1-43829-00 | 23 - 63 |
| 65W-43830-00 | 23 - 36 |
| 65W-43831-00 | 23 - 35 |
| 6H1-4384F-11 | 23 - 59 |
| 6H1-4384G-10 | 23 - 49 |
| 65W-43840-00 | 23 - 15 |
| 62X-43841-00 | 23 - 33 |
| 65W-43843-00 | 23 - 56 |
| 67F-43843-00 | 23 - 51 |
| 6H1-43844-10 | 23 - 54 |
| | 23 - 58 |
| 6H1-43845-00 | 23 - 43 |
| 6H1-43847-00 | 23 - 45 |
| CS2-43851-80 | 23 - 50 |
| 6T4-43853-00 | 23 - 37 |
| 65W-43853-00 | 23 - 62 |
| 65W-43854-00 | 23 - 46 |
| 6H1-43856-10 | 23 - 53 |
| | 23 - 57 |
| 65W-4386A-00 | 23 - 60 |
| 65W-4386K-00 | 23 - 6 |
| 6H1-43861-10 | 23 - 20 |
| | 23 - 23 |
| 65W-43861-00 | 23 - 40 |
| 65W-43862-00 | 23 - 41 |
| 65W-43865-00 | 23 - 19 |
| 6H1-43866-00 | 23 - 31 |
| 6H1-43867-00 | 23 - 32 |
| 65W-43869-00 | 23 - 5 |
| 65W-43871-00 | 23 - 21 |
| 6H1-43875-00 | 23 - 42 |
| 62X-43878-00 | 23 - 64 |
| 65W-43879-00 | 23 - 13 |

NUMERICAL INDEX
INDEX NUMERIQUE

| PART NO. NO. PIECES | REF. NO. |
|------------------------|-------------|
| 65W-4388E-00 | 23 - 14 |
| 67C-43880-00 | 23 - 2 |
| 67C-43881-00 | 23 - 8 |
| 65W-43882-00 | 23 - 7 |
| 67C-43887-00 | 23 - 9 |
| 65W-43888-00 | 23 - 28 |
| 65W-43891-00 | 23 - 11 |
| 65W-43892-00 | 23 - 10 |
| 69W-44100-10 | 18 - 11 |
| 67C-44104-00 | 18 - 12 |
| 67C-44113-00 | 18 - 18 |
| 67C-44116-00 | 19 - 6 |
| 67C-44117-00 | 19 - 31 |
| 67C-44121-00 | 19 - 1 |
| 66M-44122-00 | 19 - 2 |
| 67C-44125-00 | 19 - 12 |
| 67G-44132-00 | 18 - 22 |
| 65W-44142-00 | 19 - 10 |
| 67C-44143-00 | 19 - 8 |
| 67C-44143-10 | 19 - 8 |
| 67C-44146-00 | 26 - 31 |
| 67C-44150-10 | 26 - 30 |
| 67G-44159-00-4D | 18 - 39 |
| 67G-44173-00 | 18 - 43 |
| 6G8-44191-00 | 18 - 45 |
| 67C-44192-00 | 19 - 13 |
| 66T-44311-00 | 26 - 16 |
| 63D-44312-00 | 27 - 19 |
| | 35 - 30 |
| 63D-44316-00 | 26 - 20 |
| | 35 - 12 |
| | 35 - 25 |
| 63D-44322-00 | 26 - 17 |
| | 35 - 22 |
| 63D-44322-40 | 35 - 32 |
| 66T-44323-00 | 26 - 18 |
| | 35 - 23 |
| 66T-44323-40 | 35 - 33 |
| 63D-44341-00 | 26 - 23 |
| 6H4-44352-02 | 26 - 22 |
| | 35 - 27 |
| 62Y-44361-00 | 27 - 1 |
| 67C-44361-00 | 27 - 1 |
| 663-44366-00 | 27 - 18 |
| | 35 - 29 |
| 663-44367-00 | 27 - 2 |
| 6H3-44391-01 | 17 - 21 |
| 67C-44514-00-4D | 22 - 26 |

| PART NO. NO. PIECES | REF. NO. |
|------------------------|-------------|
| 67C-44514-10-4D | 22 - 26 |
| 66T-44526-30 | 22 - 28 |
| 67C-44551-01-4D | 22 - 32 |
| 67C-44551-10-4D | 22 - 32 |
| 67C-44552-01-4D | 22 - 37 |
| 67C-44553-00-4D | 22 - 34 |
| 67C-44555-11-94 | 22 - 40 |
| 67C-44555-21-94 | 22 - 40 |
| 67C-44575-00 | 22 - 33 |
| 67C-45111-00-4D | 24 - 13 |
| 67C-45111-21-4D | 24 - 13 |
| 67C-45123-00 | 24 - 12 |
| | 35 - 6 |
| 62Y-45127-00 | 24 - 11 |
| | 35 - 5 |
| 67C-45151-00 | 24 - 16 |
| 6H3-45155-00 | 24 - 19 |
| 63D-45155-00 | 24 - 19 |
| 63D-45214-00 | 26 - 7 |
| 63D-45215-00 | 26 - 8 |
| 65W-45251-00 | 20 - 35 |
| | 21 - 33 |
| 663-45251-00 | 20 - 20 |
| 67C-45251-00 | 27 - 15 |
| 67C-45300-01-4D | 26 - 1 |
| 67C-45300-11-4D | 26 - 1 |
| 67C-45301-00-4D | 26 - 2 |
| 679-45318-00 | 24 - 20 |
| 66T-45321-00 | 26 - 33 |
| 688-45341-10 | 26 - 6 |
| 66T-45344-01 | 26 - 25 |
| 63D-45361-02-4D | 26 - 48 |
| 67C-45371-00 | 27 - 7 |
| 63D-45375-00 | 27 - 6 |
| 663-45376-00-94 | 27 - 5 |
| 6E5-45378-00 | 26 - 13 |
| 67C-45501-00 | 26 - 37 |
| 67C-45501-10 | 26 - 37 |
| 6H4-45536-00 | 26 - 3 |
| 66T-45551-00 | 26 - 40 |
| 66T-45560-01 | 26 - 42 |
| 663-45567-01-10 | 26 - 44 |
| 663-45567-01-12 | 26 - 44 |
| 663-45567-01-15 | 26 - 44 |
| 663-45567-01-18 | 26 - 44 |
| 663-45567-01-30 | 26 - 44 |
| 663-45567-01-40 | 26 - 44 |
| 663-45567-01-50 | 26 - 44 |

| PART NO. NO. PIECES | REF. NO. |
|------------------------|-------------|
| 66T-45571-00 | 26 - 45 |
| 63D-45577-00-10 | 26 - 47 |
| 63D-45577-00-12 | 26 - 47 |
| 63D-45577-00-15 | 26 - 47 |
| 63D-45577-00-18 | 26 - 47 |
| 63D-45577-00-30 | 26 - 47 |
| 63D-45577-00-40 | 26 - 47 |
| 63D-45577-00-50 | 26 - 47 |
| 663-45587-01-10 | 26 - 39 |
| 663-45587-01-12 | 26 - 39 |
| 663-45587-01-15 | 26 - 39 |
| 663-45587-01-18 | 26 - 39 |
| 663-45587-01-30 | 26 - 39 |
| 663-45587-01-40 | 26 - 39 |
| 663-45587-01-50 | 26 - 39 |
| 66T-45611-00 | 26 - 60 |
| 66T-45631-00 | 26 - 55 |
| 67C-45633-00 | 26 - 58 |
| 66T-45635-00 | 26 - 59 |
| 663-45930-00-98 | 27 - 25 |
| 663-45941-01-EL | 27 - 25 |
| 6H5-45943-00-EL | 27 - 25 |
| 6H5-45945-00-EL | 27 - 25 |
| 69W-45947-00-EL | 27 - 25 |
| 663-45949-01-EL | 27 - 25 |
| 6H5-45952-00-EL | 27 - 25 |
| 663-45952-02-EL | 27 - 25 |
| 663-45956-01-EL | 27 - 25 |
| 6H5-45958-00-EL | 27 - 25 |
| 663-45958-01-EL | 27 - 25 |
| 663-45970-60-98 | 27 - 25 |
| 697-45970-00-98 | 27 - 25 |
| 663-45972-60-98 | 27 - 25 |
| 663-45974-02-98 | 27 - 25 |
| 663-45974-60-98 | 27 - 25 |
| 663-45976-00-98 | 27 - 25 |
| 663-45978-00-98 | 27 - 25 |
| 663-45987-02 | 27 - 20 |
| 66T-45997-00 | 27 - 21 |
| 65W-46241-00 | 8 - 7 |
| 67C-46297-00 | 10 - 32 |
| 67C-48119-00 | 18 - 20 |
| 703-48152-00 | 31 - 57 |
| 703-48153-00 | 31 - 3 |
| 63D-48154-00 | 18 - 53 |
| 703-48189-00 | 31 - 17 |
| 703-48198-00 | 31 - 14 |

| PART NO. NO. PIECES | REF. NO. |
|------------------------|-------------|
| 703-48207-17 | 30 - 1 |
| | 31 - 1 |
| 703-48211-01 | 31 - 61 |
| 703-48212-00 | 31 - 58 |
| 703-48213-00 | 31 - 59 |
| 703-48215-00 | 31 - 43 |
| 703-48219-00 | 31 - 30 |
| 703-48221-00 | 31 - 56 |
| 703-48222-00 | 31 - 27 |
| 703-48223-00 | 31 - 28 |
| 703-48225-00 | 31 - 29 |
| 703-48226-00 | 31 - 26 |
| 703-48227-00 | 31 - 24 |
| 703-48232-00 | 31 - 62 |
| 703-48234-00 | 31 - 18 |
| 703-48235-00 | 31 - 4 |
| 63D-48236-00 | 18 - 19 |
| 703-48236-00 | 31 - 16 |
| 63D-48237-00 | 18 - 23 |
| 63D-48238-00 | 18 - 25 |
| 703-48238-00 | 31 - 22 |
| 703-48243-00 | 31 - 15 |
| 703-48244-00 | 31 - 21 |
| 703-48245-00 | 31 - 11 |
| 703-48246-00 | 31 - 23 |
| 701-48248-00 | 31 - 13 |
| 703-48252-00 | 31 - 12 |
| 69W-48261-00 | 18 - 13 |
| 703-48261-01 | 31 - 2 |
| 703-48264-00 | 31 - 6 |
| 703-48265-00 | 31 - 9 |
| 703-48268-00 | 31 - 5 |
| 703-48271-00 | 31 - 60 |
| 703-48281-00 | 31 - 31 |
| 703-48282-00 | 31 - 32 |
| 703-48284-10 | 31 - 52 |
| 701-48287-00 | 31 - 42 |
| 703-48291-10 | 31 - 39 |
| 703-48293-10 | 31 - 41 |
| 701-48310-90 | 30 - 2 |
| 701-48320-00 | 30 - 2 |
| 701-48320-20 | 30 - 2 |
| 701-48320-50 | 30 - 2 |
| 67C-48321-00 | 18 - 32 |
| 67C-48344-00 | 19 - 17 |
| | 19 - 34 |
| 703-48345-01 | 31 - 19 |
| 703-48358-00 | 31 - 20 |

| PART NO. NO. PIECES | REF. NO. |
|------------------------|-------------|
| 65W-48511-00 | 22 - 47 |
| 67G-48531-00 | 18 - 30 |
| 62Y-48538-00 | 19 - 36 |
| 63D-48538-00 | 18 - 37 |
| 69W-48538-00 | 18 - 34 |
| 65W-61350-00 | 29 - 1 |
| 65W-61351-00 | 29 - 2 |
| 67C-81337-00 | 11 - 11 |
| 65W-81639-10 | 10 - 41 |
| | 11 - 14 |
| 67C-81800-00 | 16 - 1 |
| 65W-81801-00 | 16 - 8 |
| 65W-81807-00 | 16 - 5 |
| 65W-8182A-00 | 13 - 5 |
| 65W-8182B-00 | 13 - 10 |
| | 13 - 12 |
| 65W-8182S-00 | 16 - 10 |
| 65W-81820-00 | 16 - 7 |
| 67C-81826-00 | 16 - 2 |
| 65W-81830-00 | 16 - 4 |
| 65W-81840-00 | 16 - 9 |
| 67C-81850-00 | 16 - 6 |
| 65W-81857-01 | 16 - 3 |
| 65W-8191C-00 | 13 - 2 |
| 6H5-81920-00 | 14 - 15 |
| 65W-81922-00 | 13 - 3 |
| 65W-81941-00 | 13 - 1 |
| 67C-81948-00 | 14 - 10 |
| 67C-81949-00 | 14 - 18 |
| 67C-81949-10 | 14 - 19 |
| 6H1-81950-00 | 14 - 6 |
| 65W-81960-00 | 12 - 16 |
| 67C-82105-00 | 13 - 11 |
| 65W-82117-00 | 13 - 8 |
| 6G5-82119-00 | 14 - 20 |
| 6G5-82119-10 | 13 - 9 |
| 703-82119-00 | 22 - 7 |
| 6U0-82127-00 | 21 - 36 |
| 65W-82127-00 | 13 - 36 |
| 67C-82127-00 | 22 - 19 |
| 67C-82127-10 | 22 - 19 |
| 67C-82127-20 | 20 - 37 |
| 6H1-82148-00 | 21 - 25 |
| 1E6-82151-00 | 32 - 7 |
| 67F-82151-00 | 13 - 16 |
| 6A0-82317-00 | 14 - 11 |
| 6G8-82370-30 | 12 - 11 |
| 62Y-82377-00 | 17 - 47 |

| PART NO. NO. PIECES | REF. NO. |
|------------------------|-------------|
| 65W-82504-00 | 13 - 35 |
| 67C-82509-00 | 13 - 4 |
| 703-82510-43 | 31 - 44 |
| 67C-82519-00 | 13 - 30 |
| 65W-8252V-00 | 12 - 3 |
| 67C-8252V-00 | 12 - 7 |
| 703-82531-00 | 31 - 46 |
| 703-82540-00 | 31 - 50 |
| 68F-82553-70 | 32 - 8 |
| 682-82556-00 | 15 - 2 |
| | 31 - 48 |
| 63D-82563-10 | 14 - 1 |
| 703-82563-12 | 31 - 55 |
| 6E3-8257H-00 | 17 - 49 |
| 689-8257Y-00 | 15 - 3 |
| 6K5-82575-03 | 15 - 1 |
| 688-82575-01 | 31 - 47 |
| 703-82577-00 | 31 - 45 |
| 688-8258A-20 | 31 - 49 |
| 6E5-82587-00 | 14 - 2 |
| 6E5-82588-00 | 17 - 38 |
| 67C-82590-00 | 13 - 15 |
| 67C-82590-10 | 13 - 15 |
| 67C-82590-20 | 13 - 15 |
| 703-82591-00 | 31 - 53 |
| 703-82592-00 | 31 - 54 |
| 67C-82594-00 | 13 - 28 |
| 703-82594-00 | 31 - 25 |
| 703-83383-A0 | 31 - 51 |
| 6Y5-8350T-02 | 32 - 1 |
| 6Y5-83553-00 | 32 - 6 |
| 6E5-83558-00 | 22 - 22 |
| 6E5-83558-10 | 26 - 14 |
| 6H4-83589-00 | 15 - 7 |
| 62Y-83614-00 | 14 - 3 |
| 6A1-83625-41 | 10 - 43 |
| | 11 - 16 |
| 6A1-83625-51 | 10 - 44 |
| | 11 - 17 |
| 6E0-83627-41 | 18 - 64 |
| 6E0-83627-51 | 18 - 65 |
| 64E-83672-02 | 22 - 5 |
| 62Y-84301-00 | 15 - 6 |
| 67C-85415-00 | 17 - 37 |
| 65W-85510-00 | 11 - 2 |
| 65W-85510-10 | 11 - 2 |
| 67C-85540-01 | 12 - 1 |
| 67C-85542-00 | 12 - 4 |

NUMERICAL INDEX
INDEX NUMERIQUE

| PART NO. NO. PIECES | REF. NO. |
|------------------------|-------------|
| 65W-85547-00 | 12 - 5 |
| 65W-85550-01 | 11 - 1 |
| 65W-85550-11 | 11 - 1 |
| 67C-85554-00 | 12 - 8 |
| 67C-85570-00 | 12 - 9 |
| 65W-85580-00 | 11 - 3 |
| 67C-85790-00 | 13 - 37 |
| 65W-86129-00 | 12 - 2 |
| 65W-86129-10 | 12 - 6 |
| 9E450-04433 | 32 - 2 |
| 9E450-04533 | 32 - 3 |
| 90101-06020 | 20 - 36 |
| | 21 - 34 |
| 90101-08M15 | 22 - 27 |
| 90101-09M01 | 29 - 7 |
| 90101-12M09 | 18 - 3 |
| 90101-12M65 | 20 - 40 |
| | 21 - 39 |
| 90105-06M18 | 22 - 3 |
| 90105-08M61 | 26 - 54 |
| 90105-08M87 | 2 - 12 |
| 90109-06MA1 | 10 - 33 |
| 90109-06MA2 | 15 - 9 |
| 90109-06MA4 | 1 - 7 |
| 90109-06M65 | 4 - 14 |
| 90109-06M80 | 17 - 34 |
| | 17 - 43 |
| 90109-06M81 | 17 - 10 |
| | 17 - 39 |
| 90109-06M86 | 19 - 5 |
| | 10 - 37 |
| | 14 - 4 |
| | 17 - 19 |
| | 19 - 7 |
| 90109-08M63 | 5 - 16 |
| 90109-12MA3 | 22 - 41 |
| 90110-10M02 | 20 - 32 |
| | 21 - 30 |
| 90116-10M28 | 22 - 10 |
| 90119-06MA3 | 4 - 18 |
| 90119-06MA5 | 2 - 23 |
| 90119-06M08 | 17 - 2 |
| 90119-06M82 | 6 - 26 |
| 90119-06M86 | 6 - 27 |
| 90119-06M91 | 19 - 33 |
| 90119-06025 | 8 - 15 |
| 90119-08M01 | 2 - 4 |
| 90119-08M15 | 26 - 29 |

| PART NO. NO. PIECES | REF. NO. |
|------------------------|-------------|
| 90119-08M15 | 35 - 28 |
| 90119-08M39 | 16 - 11 |
| 90119-08M44 | 27 - 14 |
| 90119-08M79 | 24 - 14 |
| 90119-08M82 | 24 - 15 |
| 90119-09M00 | 4 - 17 |
| 90142-05M06 | 26 - 9 |
| 90149-05M13 | 18 - 63 |
| 90157-05M16 | 28 - 6 |
| 90159-06M18 | 18 - 44 |
| 90167-06002 | 17 - 42 |
| 90170-09M03 | 29 - 5 |
| 90170-12138 | 26 - 41 |
| 90170-20137 | 11 - 6 |
| 90171-16011 | 27 - 23 |
| 90179-06M24 | 1 - 3 |
| 90185-08045 | 22 - 29 |
| 90185-09M01 | 29 - 4 |
| 90185-10M13 | 20 - 33 |
| | 21 - 31 |
| 90185-10051 | 22 - 11 |
| 90185-12M12 | 18 - 9 |
| 90185-22M11 | 20 - 12 |
| 90201-05M06 | 19 - 14 |
| 90201-08M00 | 20 - 24 |
| | 21 - 22 |
| 90201-10M06 | 8 - 5 |
| 90201-10M20 | 29 - 3 |
| 90201-10M63 | 29 - 8 |
| 90201-12M07 | 17 - 15 |
| 90201-12M16 | 14 - 14 |
| | 22 - 43 |
| 90201-12426 | 20 - 42 |
| | 21 - 41 |
| 90201-13M19 | 22 - 45 |
| 90201-21M18 | 11 - 7 |
| 90201-22M05 | 22 - 46 |
| 90201-22429 | 26 - 46 |
| 90201-27M00 | 26 - 27 |
| 90201-30M00 | 22 - 13 |
| 90202-12060 | 27 - 3 |
| 90202-21100 | 22 - 44 |
| 90206-12M22 | 18 - 5 |
| 90206-12052 | 17 - 14 |
| 90249-12M38 | 20 - 28 |
| | 21 - 26 |
| 90249-18M35 | 20 - 22 |

| PART NO. NO. PIECES | REF. NO. |
|------------------------|-------------|
| 90249-18M35 | 21 - 20 |
| 90250-06023 | 26 - 57 |
| 90254-03M05 | 19 - 3 |
| | 19 - 11 |
| 90266-06M02 | 1 - 5 |
| 90269-02M09 | 18 - 58 |
| 90280-03M03 | 26 - 21 |
| | 35 - 26 |
| 90280-04M06 | 8 - 10 |
| | 33 - 16 |
| 90338-04M17 | 6 - 6 |
| 90338-07004 | 17 - 23 |
| 90340-08002 | 26 - 4 |
| 90340-14M06 | 2 - 8 |
| | 24 - 23 |
| | 25 - 14 |
| 90344-51M01 | 2 - 7 |
| 90381-12M10 | 20 - 29 |
| | 21 - 27 |
| 90381-12M11 | 20 - 30 |
| | 21 - 28 |
| 90386-08032 | 18 - 60 |
| 90386-12MA2 | 17 - 13 |
| 90386-12M37 | 17 - 12 |
| 90386-12M93 | 18 - 7 |
| 90386-14MA1 | 20 - 6 |
| | 21 - 6 |
| 90386-18MA0 | 21 - 24 |
| 90386-18MA5 | 20 - 26 |
| 90386-18M44 | 20 - 25 |
| | 21 - 23 |
| 90386-22MA4 | 20 - 14 |
| | 21 - 18 |
| 90386-26MA3 | 18 - 40 |
| 90386-30M60 | 22 - 17 |
| 90386-30M77 | 22 - 15 |
| 90386-30M78 | 22 - 14 |
| 90387-06M29 | 19 - 23 |
| 90387-06M43 | 17 - 36 |
| 90387-06M70 | 6 - 30 |
| 90387-06M87 | 15 - 8 |
| 90387-06M88 | 19 - 29 |
| 90387-06M89 | 10 - 25 |
| 90387-06060 | 17 - 4 |
| 90387-10M42 | 29 - 6 |
| 90387-12M02 | 18 - 6 |
| 90387-18M03 | 20 - 27 |
| 90387-23002 | 24 - 21 |

| PART NO. NO. PIECES | REF. NO. |
|------------------------|-------------|
| 90389-22M01 | 27 - 22 |
| 90401-20M00 | 2 - 27 |
| 90430-06014 | 4 - 13 |
| | 4 - 27 |
| | 33 - 8 |
| 90430-08020 | 26 - 5 |
| | 35 - 10 |
| 90430-08143 | 4 - 28 |
| 90430-12072 | 27 - 4 |
| | 35 - 20 |
| 90430-14M09 | 24 - 24 |
| | 25 - 15 |
| | 35 - 7 |
| 90430-14115 | 2 - 9 |
| | 33 - 2 |
| 90445-07ME8 | 26 - 12 |
| 90445-07MF1 | 22 - 21 |
| 90445-07M53 | 22 - 21 |
| 90445-09M34 | 6 - 1 |
| 90445-09068 | 2 - 16 |
| 90445-09095 | 2 - 18 |
| 90445-09105 | 2 - 19 |
| 90445-10MG6 | 9 - 22 |
| 90445-10MH8 | 9 - 26 |
| 90446-10M82 | 11 - 4 |
| 90446-10M86 | 10 - 40 |
| 90446-14M12 | 9 - 27 |
| 90464-09M13 | 17 - 25 |
| 90464-10M57 | 13 - 27 |
| 90465-05M87 | 13 - 21 |
| 90465-06M88 | 12 - 15 |
| | 14 - 5 |
| 90465-06M90 | 12 - 14 |
| | 13 - 22 |
| 90465-08M07 | 22 - 23 |
| 90465-08M63 | 13 - 17 |
| | 21 - 12 |
| 90465-08M75 | 13 - 24 |
| | 14 - 9 |
| 90465-10M77 | 21 - 7 |
| 90465-11M10 | 2 - 20 |
| | 6 - 2 |
| | 17 - 45 |
| | 22 - 4 |
| | 22 - 24 |
| | 26 - 15 |
| 90465-13M11 | 21 - 19 |
| 90465-13M18 | 13 - 23 |

| PART NO. NO. PIECES | REF. NO. |
|------------------------|-------------|
| 90467-08004 | 2 - 21 |
| 90467-09M03 | 9 - 24 |
| | 9 - 28 |
| 90467-09M17 | 9 - 21 |
| 90467-10M04 | 9 - 20 |
| | 9 - 23 |
| 90467-15M14 | 6 - 32 |
| 90468-10005 | 18 - 33 |
| | 18 - 38 |
| | 19 - 15 |
| 90468-18008 | 19 - 9 |
| | 19 - 16 |
| | 19 - 18 |
| | 19 - 35 |
| | 15 - 10 |
| 90480-06M19 | 17 - 3 |
| 90480-09M12 | 10 - 34 |
| 90480-10M16 | 10 - 35 |
| 90480-12072 | 17 - 35 |
| 90480-13M24 | 12 - 10 |
| 90480-25161 | 7 - 9 |
| 90501-10326 | 26 - 56 |
| 90501-18M01 | 18 - 61 |
| 90501-23215 | 17 - 20 |
| 90506-18M40 | 19 - 30 |
| 90508-20M44 | 23 - 38 |
| 91318-04025 | 11 - 8 |
| 91380-05025 | 11 - 8 |
| 91380-05030 | 6 - 20 |
| 91490-06012 | 7 - 39 |
| 91490-12010 | 19 - 27 |
| 91490-20010 | 18 - 55 |
| 91490-30025 | 27 - 24 |
| 91690-30018 | 20 - 5 |
| | 21 - 5 |
| 91690-30025 | 18 - 16 |
| 92903-06600 | 2 - 6 |
| | 25 - 5 |
| | 25 - 8 |
| 92903-10600 | 18 - 62 |
| 92907-04600 | 4 - 25 |
| 92990-04100 | 32 - 4 |
| 92990-04600 | 6 - 19 |
| | 7 - 38 |
| 92990-05600 | 24 - 18 |
| 92990-06100 | 17 - 32 |
| 92990-06600 | 17 - 33 |
| | 26 - 36 |

| PART NO. NO. PIECES | REF. NO. |
|------------------------|-------------|
| 92990-08600 | 31 - 34 |
| 92990-12200 | 18 - 4 |
| 92990-12600 | 18 - 8 |
| 92995-05600 | 4 - 10 |
| | 11 - 10 |
| 92995-06600 | 4 - 12 |
| | 6 - 23 |
| | 6 - 29 |
| | 9 - 19 |
| | 9 - 31 |
| | 10 - 20 |
| | 10 - 24 |
| | 10 - 31 |
| | 11 - 13 |
| | 12 - 13 |
| | 12 - 18 |
| | 13 - 7 |
| | 13 - 14 |
| | 13 - 19 |
| | 13 - 26 |
| | 13 - 34 |
| | 14 - 8 |
| | 14 - 17 |
| | 15 - 5 |
| | 18 - 27 |
| | 18 - 29 |
| | 18 - 48 |
| | 18 - 50 |
| | 20 - 39 |
| | 21 - 9 |
| | 21 - 38 |
| | 24 - 6 |
| | 24 - 9 |
| | 25 - 17 |
| 92995-08100 | 20 - 11 |
| | 21 - 15 |
| | 22 - 31 |
| | 22 - 39 |
| | 27 - 9 |
| | 27 - 17 |
| 92995-08600 | 13 - 32 |
| | 18 - 42 |
| | 22 - 36 |
| 92995-10100 | 27 - 12 |
| 92995-10600 | 20 - 34 |
| | 21 - 32 |
| | 22 - 12 |
| | 27 - 13 |

NUMERICAL INDEX
INDEX NUMERIQUE

| PART NO. NO. PIECES | REF. NO. |
|------------------------|-------------|
| 92995-12200 | 20 - 41 |
| | 21 - 40 |
| 93101-22M00 | 26 - 53 |
| | 35 - 19 |
| 93101-22M60 | 26 - 24 |
| | 35 - 13 |
| 93102-35M47 | 3 - 2 |
| | 33 - 7 |
| 93102-37M40 | 8 - 1 |
| | 33 - 15 |
| 93102-43M42 | 3 - 1 |
| | 33 - 6 |
| 93110-16004 | 24 - 2 |
| | 35 - 2 |
| 93210-06ME6 | 26 - 35 |
| | 35 - 16 |
| 93210-064A5 | 23 - 26 |
| 93210-09165 | 23 - 34 |
| 93210-10M74 | 23 - 52 |
| | 23 - 65 |
| 93210-11073 | 23 - 55 |
| 93210-11368 | 23 - 24 |
| 93210-12MG9 | 8 - 13 |
| | 33 - 18 |
| 93210-14515 | 8 - 14 |
| | 33 - 19 |
| | 29 - 10 |
| 93210-16275 | 23 - 44 |
| 93210-18397 | 4 - 31 |
| 93210-24M79 | 9 - 16 |
| | 33 - 11 |
| 93210-29M94 | 22 - 16 |
| 93210-33MG4 | 26 - 34 |
| | 35 - 15 |
| 93210-33MH2 | 8 - 12 |
| | 33 - 17 |
| 93210-34MJ6 | 6 - 25 |
| | 33 - 14 |
| 93210-48MG8 | 26 - 26 |
| | 35 - 14 |
| 93210-50768 | 23 - 29 |
| 93210-59MG7 | 26 - 19 |
| | 35 - 11 |
| | 35 - 24 |
| 93210-69MG6 | 26 - 50 |
| | 35 - 17 |
| 93210-74MG5 | 26 - 51 |
| | 35 - 18 |

| PART NO. NO. PIECES | REF. NO. |
|------------------------|-------------|
| 93306-001U1 | 26 - 49 |
| 93315-32224 | 26 - 11 |
| 93317-22204 | 26 - 52 |
| 93332-00001 | 26 - 38 |
| 93332-00003 | 26 - 43 |
| 93410-28M06 | 22 - 18 |
| 93420-36M01 | 24 - 22 |
| 93430-06024 | 31 - 10 |
| 93430-10M00 | 20 - 31 |
| | 21 - 29 |
| 93450-09M01 | 4 - 4 |
| 93450-17129 | 3 - 11 |
| 93501-08001 | 23 - 61 |
| 93604-08062 | 26 - 28 |
| 93605-14143 | 8 - 4 |
| 93606-12019 | 25 - 12 |
| | 27 - 10 |
| 93608-12M05 | 25 - 9 |
| 93608-16M16 | 6 - 21 |
| 93700-06M03 | 20 - 8 |
| | 21 - 11 |
| 94701-00375 | 4 - 33 |
| 95380-03600 | 9 - 11 |
| 95380-04600 | 32 - 5 |
| 95380-05600 | 9 - 13 |
| | 26 - 10 |
| | 31 - 7 |
| 95380-06600 | 17 - 30 |
| | 18 - 54 |
| | 31 - 40 |
| 95380-06700 | 1 - 8 |
| | 26 - 32 |
| 95380-12600 | 20 - 43 |
| | 21 - 42 |
| 95380-12700 | 22 - 42 |
| 95780-06300 | 19 - 25 |
| 95895-06030 | 14 - 13 |
| 95895-10040 | 8 - 6 |
| 97013-06016 | 25 - 7 |
| 97013-06025 | 25 - 4 |
| 97013-06035 | 2 - 5 |
| 97075-06025 | 24 - 8 |
| | 25 - 16 |
| 97075-06050 | 24 - 5 |
| 97075-08030 | 22 - 30 |
| | 22 - 38 |
| 97075-10040 | 27 - 11 |
| 97080-08016 | 20 - 23 |

| PART NO. NO. PIECES | REF. NO. |
|------------------------|-------------|
| 97080-08016 | 21 - 21 |
| 97085-06010 | 21 - 35 |
| 97095-05012 | 4 - 9 |
| | 13 - 29 |
| 97095-05016 | 11 - 9 |
| 97095-06010 | 4 - 26 |
| | 10 - 30 |
| | 20 - 18 |
| 97095-06012 | 12 - 17 |
| | 13 - 13 |
| | 13 - 18 |
| | 13 - 25 |
| | 13 - 33 |
| | 14 - 16 |
| | 15 - 4 |
| | 17 - 17 |
| 97095-06014 | 18 - 28 |
| | 18 - 31 |
| | 18 - 35 |
| | 19 - 32 |
| | 20 - 38 |
| | 21 - 8 |
| | 21 - 37 |
| 97095-06020 | 4 - 11 |
| | 6 - 28 |
| | 12 - 12 |
| | 14 - 7 |
| 97095-06025 | 6 - 22 |
| | 9 - 30 |
| | 10 - 19 |
| | 10 - 23 |
| | 11 - 12 |
| | 19 - 24 |
| 97095-06030 | 9 - 18 |
| | 13 - 6 |
| | 18 - 26 |
| 97095-06040 | 12 - 17 |
| 97095-08012 | 13 - 31 |
| 97095-08014 | 4 - 29 |
| 97095-08020 | 20 - 10 |
| | 21 - 14 |
| | 22 - 35 |
| 97095-08025 | 27 - 8 |
| 97095-08035 | 27 - 16 |
| 97095-08040 | 18 - 41 |
| 97380-05025 | 31 - 8 |
| 97380-08030 | 31 - 33 |
| 97523-06425 | 10 - 18 |

| PART NO. NO. PIECES | REF. NO. |
|------------------------|-------------|
| 97595-06520 | 4 - 22 |
| 97595-06590 | 6 - 9 |
| 97780-60525 | 22 - 9 |
| 97803-04010 | 7 - 6 |
| 97880-05016 | 24 - 17 |
| 97880-06025 | 17 - 31 |
| 97885-06008 | 22 - 20 |
| 97885-06016 | 18 - 47 |
| | 22 - 6 |
| 97885-06040 | 18 - 49 |
| 97980-04114 | 7 - 28 |
| | 34 - 12 |
| 98507-04010 | 4 - 24 |
| 98580-03015 | 31 - 38 |
| 98580-04006 | 31 - 36 |
| 98580-04008 | 7 - 17 |
| 98580-04010 | 31 - 35 |
| 98580-05010 | 31 - 37 |
| 98680-06525 | 20 - 21 |
| 98785-05014 | 18 - 24 |
| 99530-08012 | 2 - 3 |
| | 4 - 16 |

F30A/F40B
PARTS CATALOGUE
©2002 by Yamaha Motor Co., Ltd.
1st Edition, Jul. 2002
All rights reserved.
Any reprinting or unauthorized use
without the written permission of
Yamaha Motor Co., Ltd.
is expressly prohibited.

F30A/F40B
CATALOGUE DE PIECES DETACHEES
©2002 Yamaha Motor Co., Ltd.
1ère Edition, Juil. 2002
Tous droits réservés.
Toute réimpression ou utilisation
sans la permission écrite de la
Yamaha Motor Co., Ltd.
est formellement interdite.