

**PARTS
CATALOGUE
CATALOGUE
DE PIÈCES DÉTACHÉES**

F9.9C '03 (66N2)

F13.5A '03 (69V3)

F15A '03 (66M2)

YAMAHA
GENUINE
Parts & Accessories

2B66M-300F1

2018/11/5

NEWS NO.	DATE	COMMENT
PE0-OM-120045	Jul.,2,2012	MOD:FIG.7 CARBURETOR LIST/ILLUSTRATION REVISION
PE0-OM-150010	Jun.,26,2015	MOD:FIG.7 CARBURETOR LIST REVISION
PE0-OM-170030	Aug.,10,2017	COR:FIG.7 CARBURETOR ILLUSTRATION CORRECTION
PE0-OM-180028	Oct.,22,2018	MOD:FIG.19 BRACKET 1 LIST/ILLUSTRATION REVISION

FOREWORD

This Parts Catalogue is related to the parts for the model(s) in the below frame. When you are ordering replacement parts, please refer to this Parts Catalogue and quote both part numbers and part names correctly.

F9.9C'03(66N2), F13.5A'03(69V3), F15A'03(66M2)

1. Modifications or additions which have been made after issue of the Parts Catalogue will be announced in the Yamaha Parts News.
It is advisable that you make necessary corrections to the Parts Catalogue according to the Yamaha Parts News.

2. Abbreviations

The Following abbreviations are used in this Parts Catalogue.

“UR” Use specified parts number.

“UN” Use as many as needed.

“AP” Alternate Parts

“LM” Local Made
(Parts need to be ordered locally)

“O/S” Over Size

3. Parts, which are to be supplied in an assembly, are listed with a dot(.) in front of the part name as shown below.

EXAMPLE

CARBURETOR ASSY

.JET, PILOT

.NOZZLE, MAIN

4. Number of component for assembly

The numeral appearing to the right of each component part indicates the quantity of parts for each assembly unit.

EXAMPLE

PART NO.	DESCRIPTION	u	u	u	u	REMARKS
6E0-85500-70	C.D.I. MAGNETO ASSY	1				
6E0-85550-70	.ROTOR ASSY	1				
6E0-15723-00-94	.PULLY, STARTER	1				

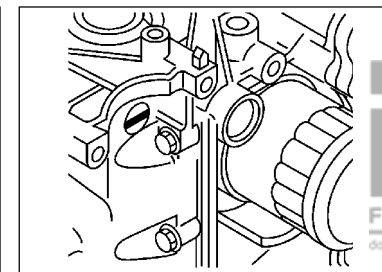
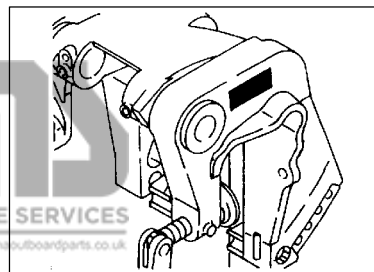
5. Quantity Column Information

NAME for Q'TY COLUMN	APPLICABLE MODEL
MH	F9.9CMH, F13.5AMH, F15AMH
EH	F15AEH
E	F9.9CE, F15AE

6. Applicable Starting Serial No. and Color Code

1) Engine Starting Sserial No.

F9.9CMH S/L 66N : 1000001	F15AMH S/L 66M : 1000001
F9.9CE S/L 66N : 1000001	F15AEH S/L 66M : 1000001
F13.5AMH S/L 69V : 1000001	F15AE S/L 66M : 1000001



2) Color Code

Color Code	Color Name	Abbreviation
004D	DARK BLUISH GRAY METALLIC 2	DBNM2

7. Note that the illustrations for reference in finding parts numbers, not to be used for assembling. When assembling, please use the applicable service manual.
8. The asterisk (*) before a reference number indicates modification items after the first edition.

SHEET 1/2

TOP COWLING	A4
CYLINDER. CRANKCASE 1	A5
CRANKSHAFT. PISTON	A7
CYLINDER. CRANKCASE 2	B1
VALVE	B2
INTAKE	B3
CARBURETOR	B5
OIL PUMP	B7
FUEL	C1
STARTER	C3
GENERATOR	C5
ELECTRICAL 1	C6
ELECTRICAL 2	D1
STARTING MOTOR	D2
BOTTOM COWLING	D3
STEERING	D5
CONTROL	D7
REMOTE CONTROL ATTACHMENT	E2
BRACKET 1	E3
BRACKET 2	E5
UPPER CASING	E7
OIL PAN	F1
LOWER CASING. DRIVE 1	F2
LOWER CASING. DRIVE 2	F5
FUEL TANK 1	F7

INDEX

NUMERICAL INDEX	G1
-----------------------	----

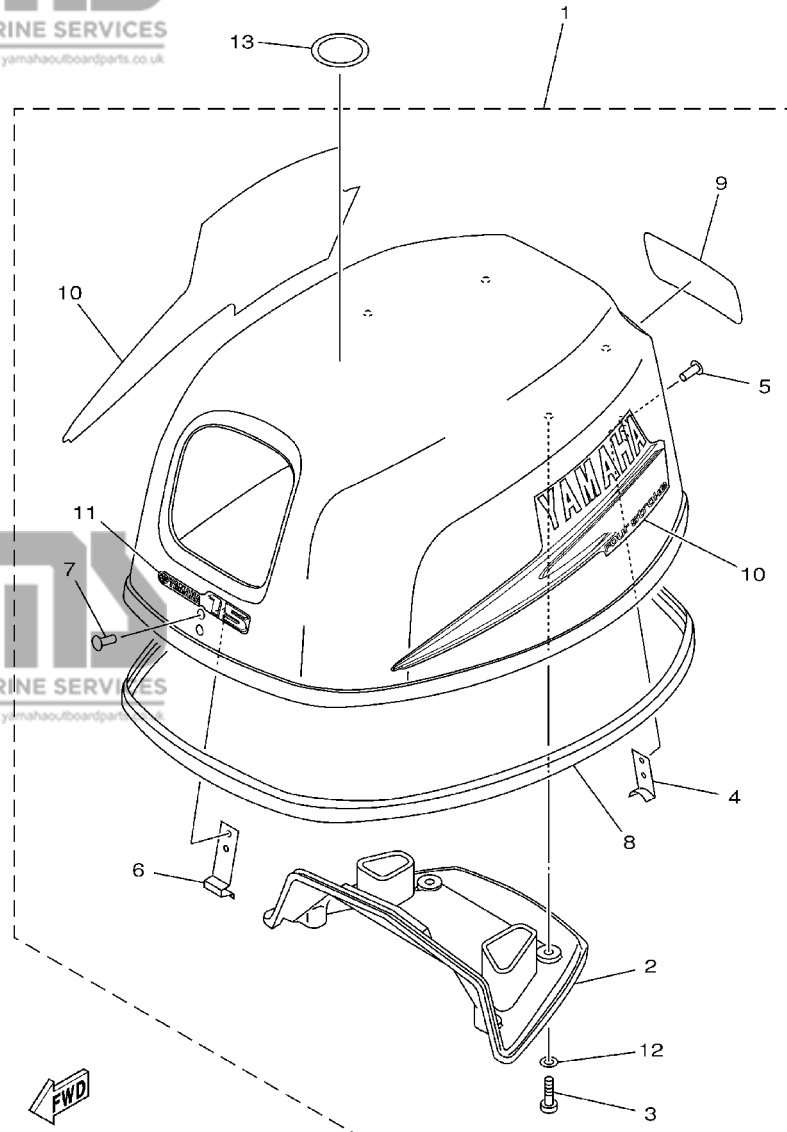
CONTENTS

SHEET 2/2

FUEL TANK 2	A4*
STEERING GUIDE	A5*
REMOTE CONTROL BOX	A6*
REMOTE CONTROL ASSY	A7*
REPAIR KIT 1	B3*
REPAIR KIT 2	B4*
REPAIR KIT 3	B5*

INDEX

NUMERICAL INDEX	G1*
-----------------------	-----

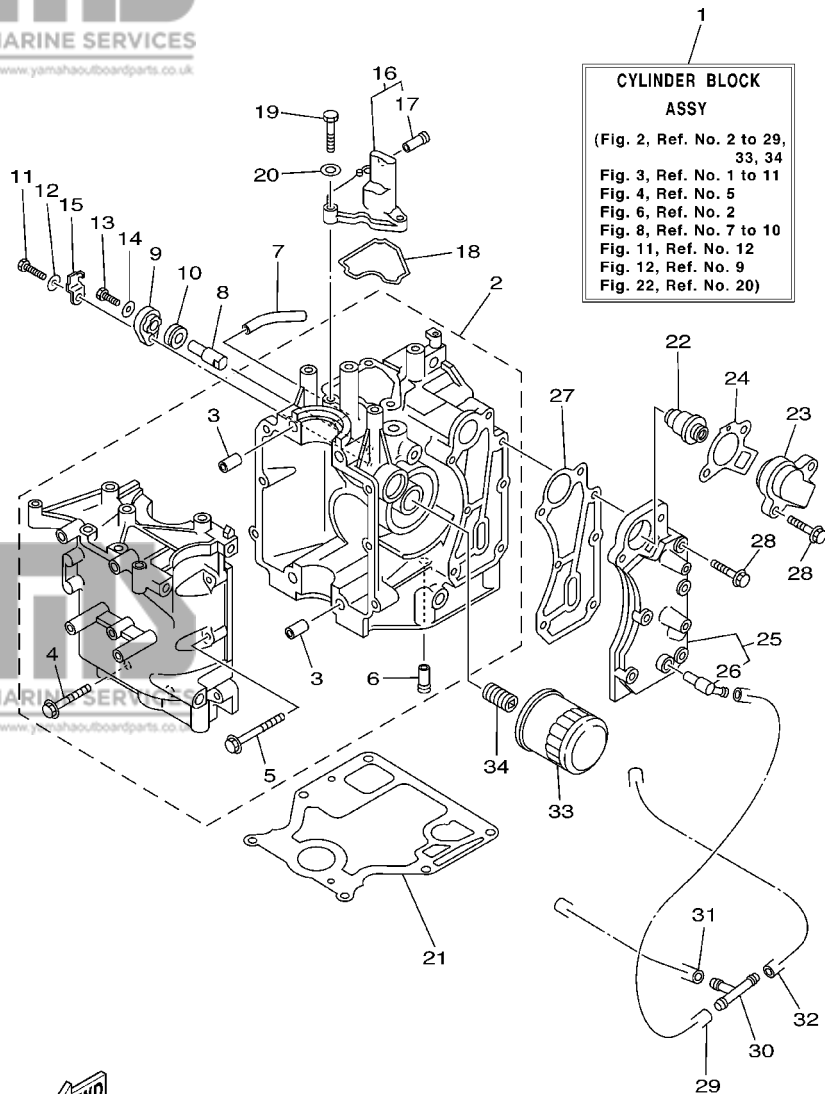


66M1010-2010

FIG. 1 TOP COWLING

CAPOT SUPERIEUR

REF. NO.	PART NO. NO. PIECES	DESCRIPTION DESCRIPTION	MH	EH	E	REMARKS REMARQUES
1	66M-42610-10-4D	TOP COWLING ASSY CAPOT (ENS.)	1	1	1	F15A
	69V-42610-10-4D	TOP COWLING ASSY CAPOT (ENS.)	1			F13.5A
	66N-42610-10-4D	TOP COWLING ASSY CAPOT (ENS.)	1		1	F9.9C
2	66M-42613-00	.MOLDING, AIR DUCT .MANCHON A AIR	1	1	1	
3	97780-60520	.SCREW, TAPPING .VIS, TETE BOMBEE	4	4	4	
4	6E0-42651-02	.HOOK .CROCHET	1	1	1	
5	90266-04M04	.RIVET .RIVET	2	2	2	
6	6E7-42652-00	.HOOK .CROCHET	1	1	1	
7	90266-04M04	.RIVET .RIVET	2	2	2	
8	66M-42615-00	.SEAL .JOINT	1	1	1	
9	66M-42678-20	.GRAPHIC, REAR .ADHESIF, ARRIERE	1	1	1	F15A
	69V-42678-20	.GRAPHIC, REAR .ADHESIF, ARRIERE	1			F13.5A
	66N-42678-20	.GRAPHIC, REAR .ADHESIF, ARRIERE	1		1	F9.9C
10	66M-W0070-20	.GRAPHIC SET .JEU DIEMBLEMES	1	1	1	
11	66M-42677-00	.GRAPHIC, FRONT .ADHESIF, AVANT	1	1	1	F15A
	69V-42677-00	.GRAPHIC, FRONT .ADHESIF, AVANT	1			F13.5A
	66N-42677-00	.GRAPHIC, FRONT .ADHESIF, AVANT	1		1	F9.9C
12	90202-05M38	.WASHER, PLATE .RONDELLE, PLATE	4	4	4	
13	67F-13434-02	LABEL, CAUTION ETIQUETTE, ATTENTION	1	1	1	



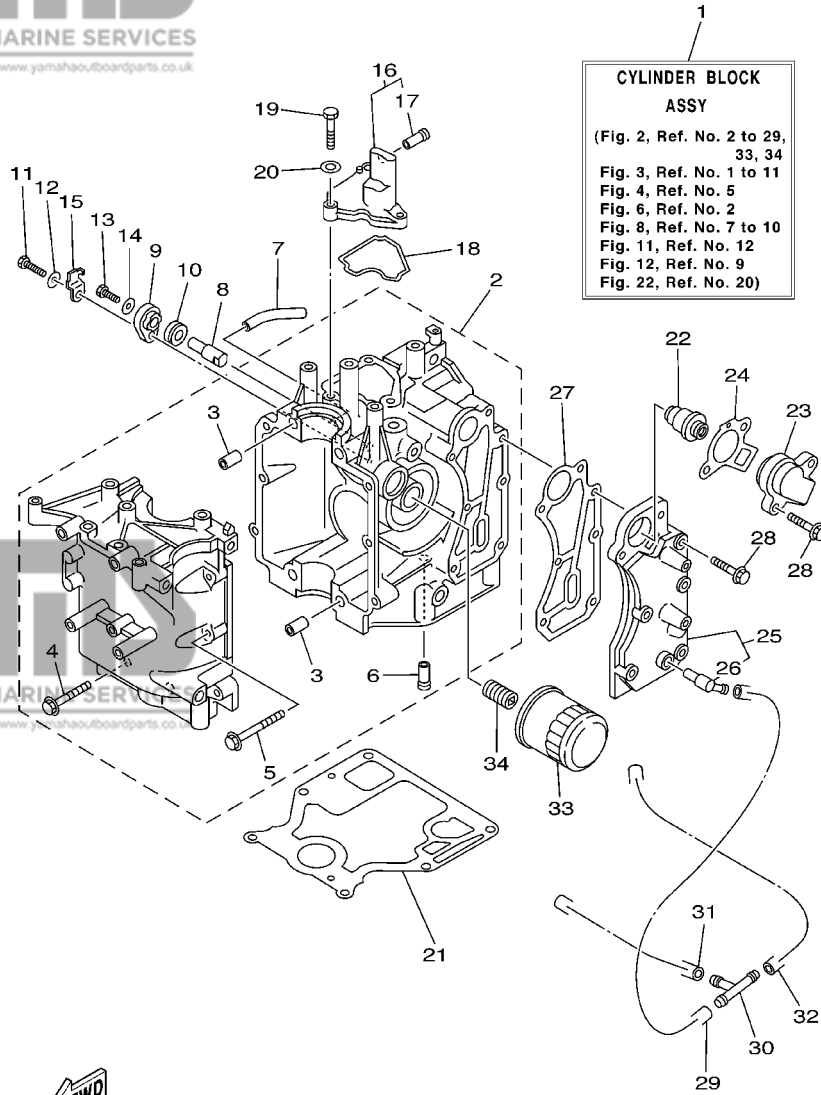
66M2300-3020

**CYLINDER BLOCK
ASSY**
(Fig. 2, Ref. No. 2 to 29,
33, 34
Fig. 3, Ref. No. 1 to 11
Fig. 4, Ref. No. 5
Fig. 6, Ref. No. 2
Fig. 8, Ref. No. 7 to 10
Fig. 11, Ref. No. 12
Fig. 12, Ref. No. 9
Fig. 22, Ref. No. 20)

FIG. 2 CYLINDER. CRANKCASE 1 CYLINDRE. CARTER 1

REF. NO.	PART NO. NO. PIECES	DESCRIPTION DESCRIPTION	MH	EH	U	REMARKS REMARQUES
1	66M-W009B-11-1S	CYLINDER BLOCK ASSY CYLINDRE GROUPE (ENS.)	1	1	1	FOR FLUSHING KIT
2	66M-15100-01-1S	CRANKCASE ASSY CARTER DE MOTEUR COMPLET	1	1	1	
3	99510-10114	.PIN, DOWEL .GOUJON, D'ASSEMBLAGE	2	2	2	
4	90119-08M66	.BOLT, WITH WASHER .BOULON, AVEC RONDELLE	4	4	4	
5	90119-06M14	.BOLT, WITH WASHER .BOULON, AVEC RONDELLE	6	6	6	
6	6E5-24377-00	.PIPE, JOINT 3 .DURITE RACCORDEMENT 3	1	1	1	
7	90445-10M46	HOSE (L65) DURITE (L65)	1	1	1	
8	66M-11325-00	ANODE ANODE	1	1	1	
9	66M-11327-00-94	COVER, ANODE COUVERCLE	1	1	1	
10	66M-11328-00	GROMMET, ANODE PASSE-FIL	1	1	1	
11	97095-06020	BOLT BOULON	1	1	1	
12	92995-06600	WASHER RONDELLE	1	1	1	
13	97095-05012	BOLT BOULON	1	1	1	
14	92995-05600	WASHER RONDELLE	1	1	1	
15	66M-12535-00	PLATE PLAQUE	1	1	1	
16	66M-11168-00-1S	COVER, BREATHER COUVERCLE, RENIFLARD	1	1	1	
17	6E5-24377-00	.PIPE, JOINT 3 .DURITE RACCORDEMENT 3	1	1	1	
18	66M-11357-00	SEAL, CYLINDER 3 JOINT, SPY CYLINDRE	1	1	1	
19	97095-06020	BOLT BOULON	3	3	3	
20	92995-06600	WASHER RONDELLE	3	3	3	
21	66M-11351-00	GASKET, CYLINDER JOINT, D'EMBASE	1	1	1	
22	66M-12411-00	THERMOSTAT THERMOSTAT	1	1	1	
23	6H3-12413-00-1S	COVER, THERMOSTAT COUVERCLE, THERMOSTAT	1	1	1	
24	62Y-12414-00	GASKET, COVER JOINT, COUVERCLE	1	1	1	
25	66M-41113-10-1S	OUTER COVER, EXHAUST COUVERCLE, ECHAPPEMENT	1	1	1	FOR FLUSHING KIT
26	676-11372-00	.NIPPLE, HOSE .RACCORD, TUYAU	1	1	1	
27	66M-41114-00	GASKET, EXHAUST OUTER COVER JOINT, COUVERCLE D'ECHAPPEMENT	1	1	1	

FIG. 2 CYLINDER. CRANKCASE 1 CYLINDRE. CARTER 1



1
CYLINDER BLOCK ASSY
(Fig. 2, Ref. No. 2 to 29, 33, 34)
Fig. 3, Ref. No. 1 to 11
Fig. 4, Ref. No. 5
Fig. 6, Ref. No. 2
Fig. 8, Ref. No. 7 to 10
Fig. 11, Ref. No. 12
Fig. 12, Ref. No. 9
Fig. 22, Ref. No. 20)

REF. NO.	PART NO. NO. PIECES	DESCRIPTION DESCRIPTION	MH	EH	U	REMARKS REMARQUES
28	90119-06MA4	BOLT, WITH WASHER BOULON, AVEC RONDELLE	7	7	7	
29	90445-09061	HOSE (L65) DURITE (L65)	1	1	1	
30	688-24378-00	PIPE, JOINT 4 DURITE RACCORDEMENT 4	1	1	1	
31	90445-09086	HOSE (L170) DURITE (L170)	1	1	1	
32	90445-09105	HOSE (L300) DURITE (L300)	1	1	1	
33	5GH-13440-00	ELEMENT ASSY, OIL CLEANER ELEMENT, FILTRE A HUILE	1	1	1	
34	90401-20M00	BOLT, UNION BOULON, RACCORD	1	1	1	

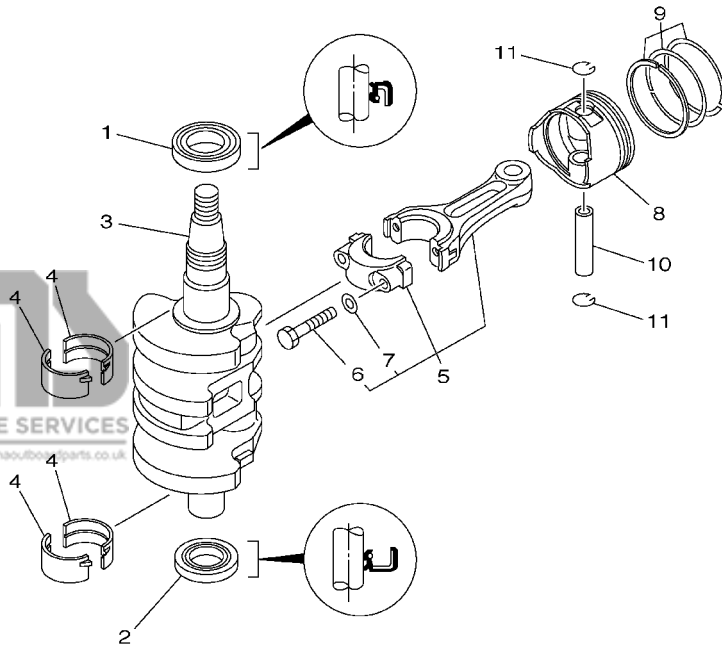


66M2300-3020

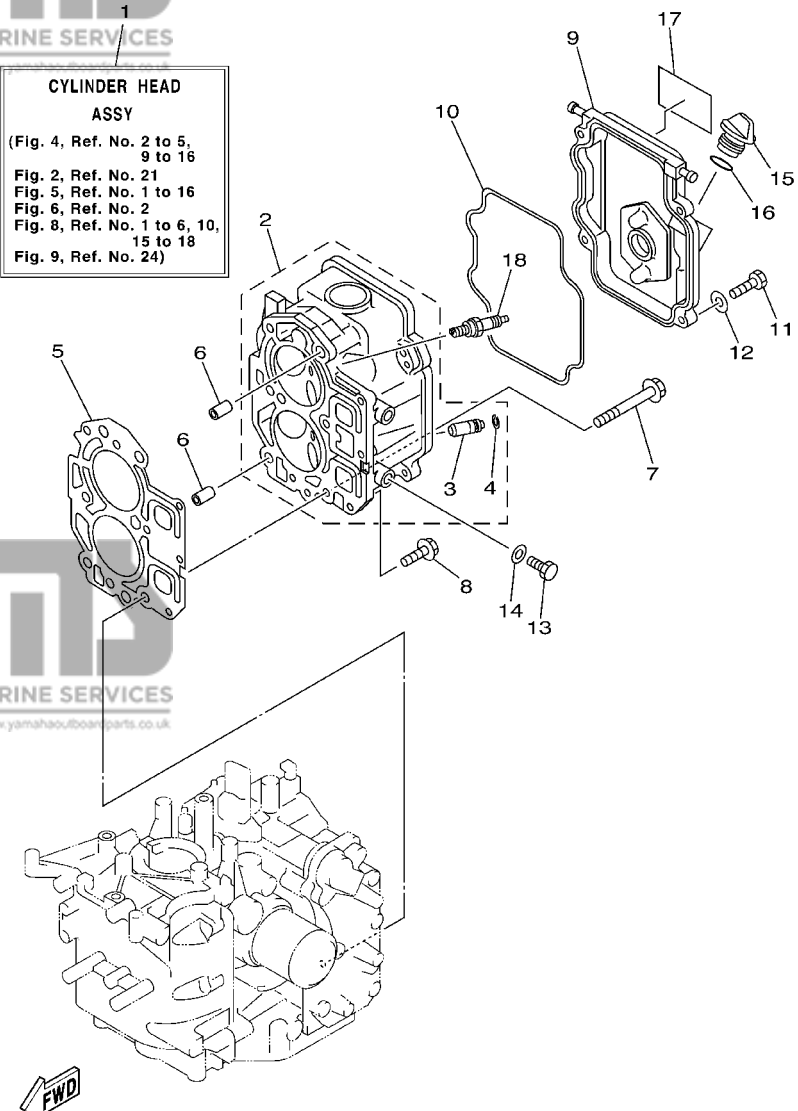
FIG. 3 CRANKSHAFT. PISTON

VILEBREQUIN. PISTON

REF. NO.	PART NO. NO. PIECES	DESCRIPTION DESCRIPTION	MH	EH	U	REMARKS REMARQUES
1	93102-35M51	OIL SEAL JOINT SPY	1	1	1	
2	93102-25M52	OIL SEAL JOINT SPY	1	1	1	
3	66M-11411-00	CRANKSHAFT VILEBREQUIN COMPLET	1	1	1	
4	66M-11416-00	PLANE BEARING, CRANKSHAFT 1 COUSSINET DE VILEBREQUIN 1	4	4	4	UR BROWN
	66M-11416-10	PLANE BEARING, CRANKSHAFT 1 COUSSINET DE VILEBREQUIN 1	4	4	4	UR BLACK
	66M-11416-20	PLANE BEARING, CRANKSHAFT 1 COUSSINET DE VILEBREQUIN 1	4	4	4	UR BLUE
5	66M-11650-00	CONNECTING ROD ASSY BIELLE COMPLETE	2	2	2	
6	66M-11654-00	.BOLT, CONNECTING ROD .BOULON, BIELLE	2	2	2	
7	90201-07M01	.WASHER, PLATE .RONDELLE, PLATE	2	2	2	
8	66M-11631-00-96	PISTON (STD) PISTON (STD)	2	2	2	
	66M-11635-00	PISTON (0.25MM O/S) PISTON (0.25MM O/S)	2	2	2	AP
	66M-11636-00	PISTON (0.50MM O/S) PISTON (0.50MM O/S)	2	2	2	AP
9	66M-11603-00	PISTON RING SET (STD) JEU DE SEGMENTS (STD)	2	2	2	
	66M-11604-00	PISTON RING SET (0.25MM O/S) JUE DE SEGMENTS (0.25MM O/S)	2	2	2	AP
	66M-11605-00	PISTON RING SET (0.50MM O/S) JEU DE SEGMENTS (0.50MM O/S)	2	2	2	AP
10	634-11633-00	PIN, PISTON AXE, PISTON	2	2	2	
11	93450-15023	CIRCLIP CIRCLIP	4	4	4	



66M0010-8031



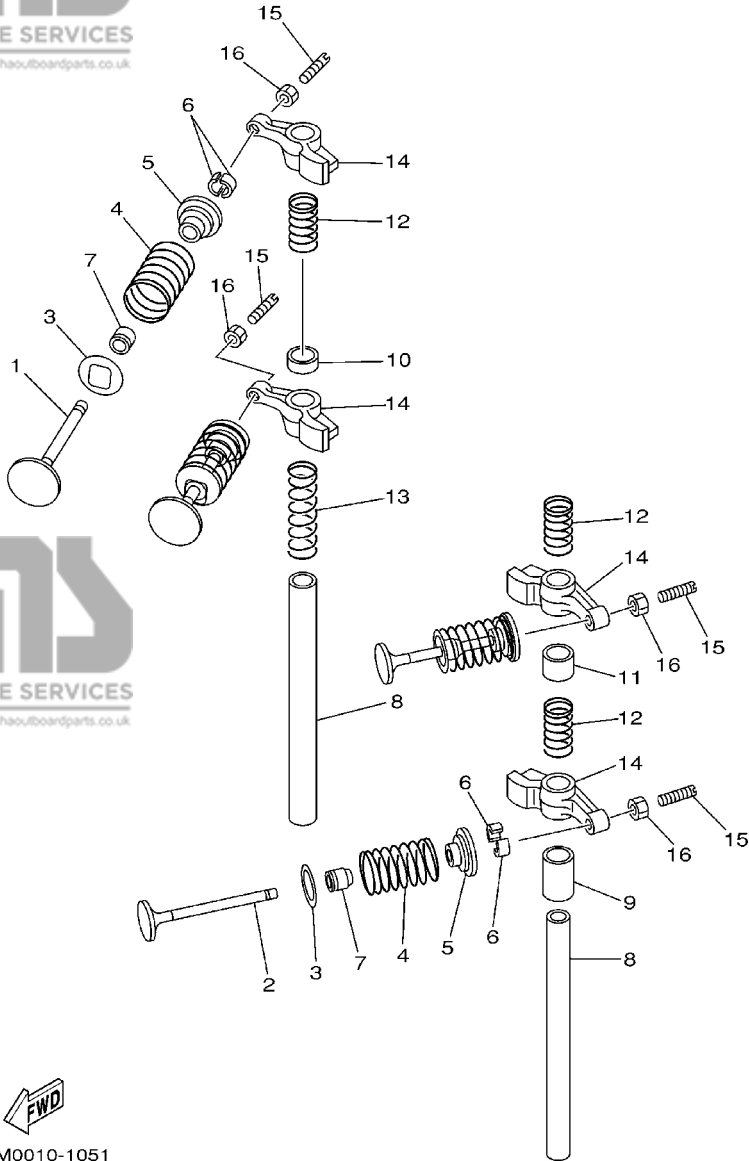
CYLINDER HEAD ASSY
(Fig. 4, Ref. No. 2 to 5, 9 to 16
Fig. 2, Ref. No. 21
Fig. 5, Ref. No. 1 to 16
Fig. 6, Ref. No. 2
Fig. 8, Ref. No. 1 to 6, 10, 15 to 18
Fig. 9, Ref. No. 24)

66M2300-3040

FIG. 4 CYLINDER. CRANKCASE 2 CYLINDRE. CARTER 2

REF. NO.	PART NO. NO. PIECES	DESCRIPTION DESCRIPTION	MH	EH	U	REMARKS REMARQUES
1	66M-W009A-02-1S	CYLINDER HEAD ASSY CULASSE (ENS.)	1	1	1	FOR STD
	66M-W009A-12-1S	CYLINDER HEAD ASSY CULASSE (ENS.)	1	1	1	*ECM-"F15A ONLY"
2	66M-11111-01-1S	HEAD, CYLINDER 1 CULASSE	1	1	1	FOR STD
	66M-11111-11-1S	HEAD, CYLINDER 1 CULASSE	1	1	1	*ECM-"F15A ONLY"
3	66M-11133-10	.GUIDE, INTAKE VALVE .GUIDE, SOUP D'ADM	4	4	4	
4	93450-09M01	.CIRCLIP .CIRCLIP	4	4	4	
5	66M-11181-00	GASKET, CYLINDER HEAD 1 JOINT, DE CULASSE 1	1	1	1	
6	99510-10114	PIN, DOWEL GOUJON, D'ASSEMBLAGE	2	2	2	
7	90105-08M78	BOLT, FLANGE BOULON	6	6	6	
8	90119-06MA3	BOLT, WITH WASHER BOULON, AVEC RONDELLE	3	3	3	
9	66M-11191-00-1S	COVER, CYLINDER HEAD 1 COUVERCLE, CULASSE 1	1	1	1	
10	66M-11356-00	SEAL, CYLINDER 2 JOINT, SPY CYLINDRE	1	1	1	
11	97095-06020	BOLT BOULON	4	4	4	
12	92995-06600	WASHER RONDELLE	4	4	4	
13	97095-08014	BOLT BOULON	2	2	2	*ECM-"F15A ONLY"
14	90430-08143	GASKET JOINT	2	2	2	*ECM-"F15A ONLY"
15	6G8-15363-00	PLUG, OIL PLOT, HUILE	1	1	1	
16	93210-24M79	O-RING JOINT TORIQUE	1	1	1	
17	66M-12138-60	MARK, CAUTION MAKER	1	1	1	
18	94701-00375	PLUG, SPARK (NGK DPR6EA-9) BOUGIE D'ALLUMAGE (NGK DPR6EA-9)	2	2	2	

*ECM: FOR EMISSION CONTROL MODEL.
*ECM: POUR MODELE CONTROLE D' EMISSIONS.



66M0010-1051

FIG. 5 VALVE

SOUPAPE

REF. NO.	PART NO. NO. PIECES	DESCRIPTION DESCRIPTION	MH	EH	EU	REMARKS REMARQUES
1	66M-12111-00	VALVE, INTAKE SOUPAPE, ADMISSION	2	2	2	
2	66M-12121-00	VALVE, EXHAUST SOUPAPE, ECHAPPEMENT	2	2	2	
3	66M-12116-00	SEAT, VALVE SPRING SIEGE, RESSORT DE SOUPAPE	4	4	4	
4	66M-12113-00	SPRING, VALVE INNER RESSORT DE SOUPAPE, INTERNE	4	4	4	
5	30X-12117-00	RETAINER, VALVE SPRING BUTEE DE RESSORT DE SOUPAPE	4	4	4	
6	30X-12118-00	COTTER, VALVE FRAISE, SOUPAPE	8	8	8	
7	51Y-12119-00	SEAL, VALVE STEM JOINT, QUEUE DE SOUPAPE	4	4	4	
8	66M-12146-00	SHAFT, ROCKER AXE, CULBUTEUR	2	2	2	
9	90387-13M56	COLLAR COLLERETTE	1	1	1	
10	90387-13001	COLLAR COLLERETTE	1	1	1	
11	90387-13002	COLLAR COLLERETTE	1	1	1	
12	90501-12M40	SPRING, COMPRESSION RESSORT, COMPRESSION	3	3	3	
13	90501-12M41	SPRING, COMPRESSION RESSORT, COMPRESSION	1	1	1	
14	66M-12151-10	ARM, VALVE ROCKER CULBUTEUR	4	4	4	
15	62Y-12159-00	SCREW, VALVE ADJUSTING VIS, REGLAGE DE SOUPAPE	4	4	4	
16	62Y-12158-00	NUT, LOCK CONTRE-ECROU	4	4	4	

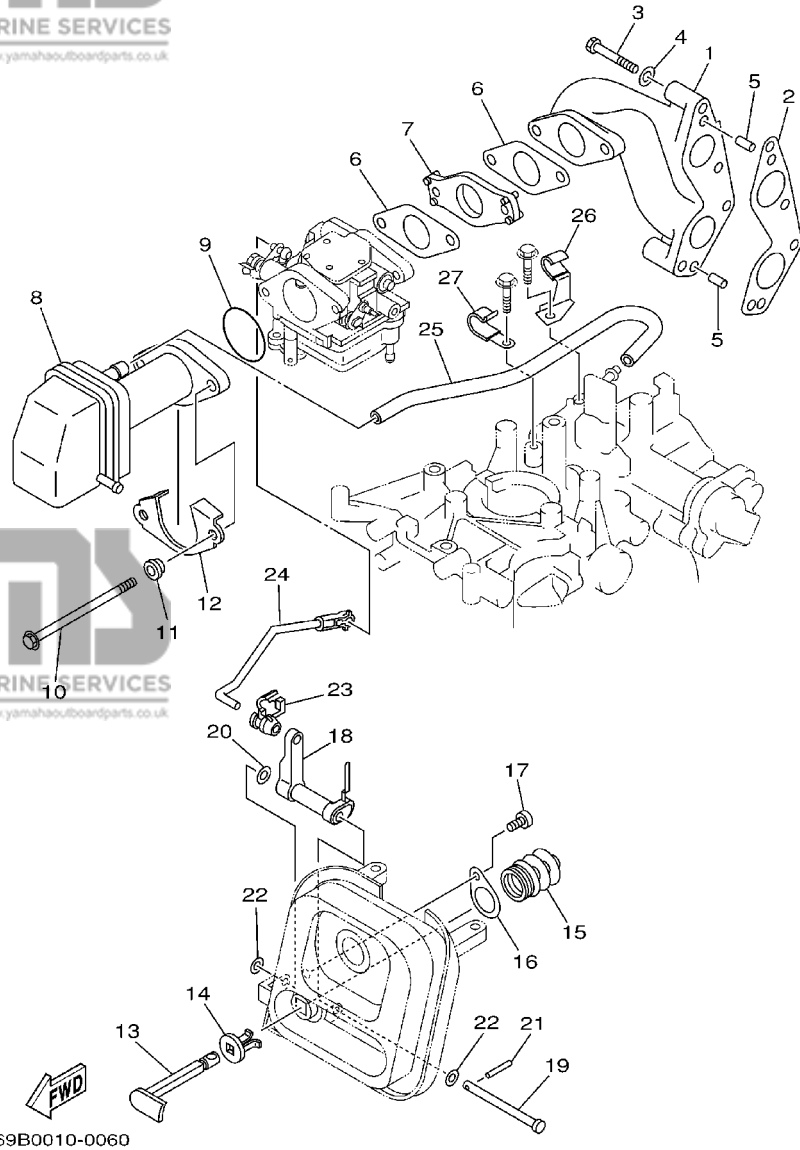


FIG. 6 INTAKE

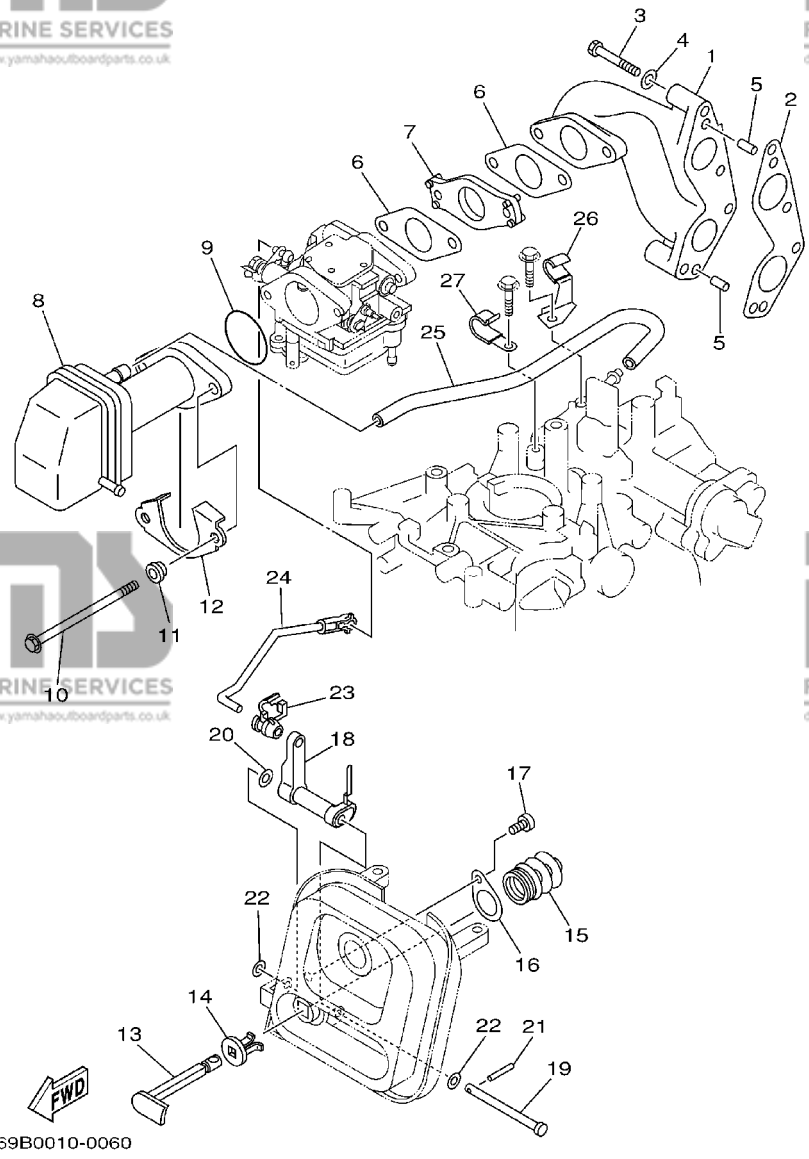
ADMISSION

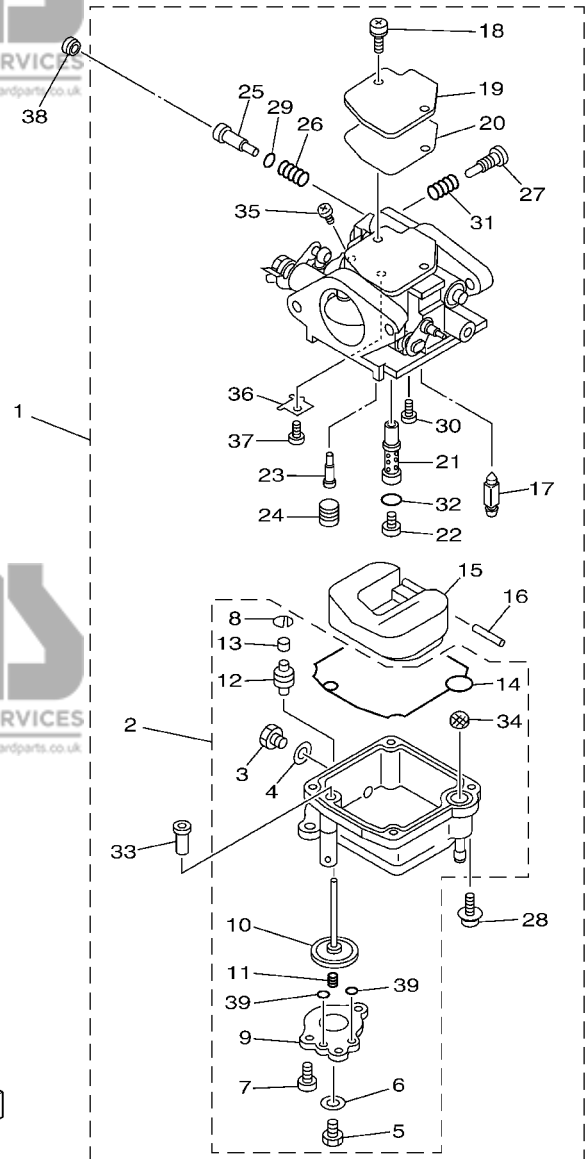
REF. NO.	PART NO.	NO. PIECES	DESCRIPTION	MH	EH	EU	REMARKS	REMARQUES
1	66M-13641-00-94		MANIFOLD 1 TUBULURE 1	1	1	1		
2	66M-13645-00		GASKET, MANIFOLD 1 JOINT, TUBULURE 1	1	1	1		
3	97095-06040		BOLT BOULON	4	4	4		
4	92995-06600		WASHER RONDELLE	4	4	4		
5	93606-12019		PIN, DOWEL GOUPILLE	2	2	2		
6	66M-13646-00		GASKET, MANIFOLD 2 JOINT, TUBULURE 2	2	2	2		
7	66M-14271-00		INSULATOR ISOLATEUR	1	1	1		F9.9C,F15A
	69V-14271-00		INSULATOR ISOLATEUR	1				F13.5A
8	66M-14440-00		SILENCER ASSY, INTAKE SIENCIEUX D'ADMISSION	1	1	1		
9	93210-35M86		O-RING JOINT TORIQUE	1	1	1		
10	90119-06M76		BOLT, WITH WASHER BOULON, AVEC RONDELLE	2	2	2		
11	90387-06M79		COLLAR COLLERETTE	2	2	2		
12	66M-14477-00		PLATE PLAQUE	1	1	1		
13	66M-41271-00		KNOB, CHOKE BOUTON DE STARTER	1	1	1		
14	689-41273-00		GROMMET PASSE-FIL	1	1	1		
15	66M-41292-00		BUSH 2 BAGUE 2	1	1	1		
16	66M-41298-00		WASHER 2 RONDELLE 2	1	1	1		
17	97780-50510		SCREW, TAPPING VIS, TETE BOMBEE	1	1	1		
18	66M-41252-00		LEVER, CHOKE 1 LEVIER 1	1	1	1		
19	90240-05M20		PIN, CLEVIS BOULON, A GOUPILLE	1	1	1		
20	90206-05005		WASHER, WAVE RONDELLE, ONDULEE	1	1	1		
21	91690-20016		PIN, SPRING AGRAFFE	1	1	1		
22	90202-05088		WASHER, PLATE RONDELLE, PLATE	2	2	2		
23	6R5-41237-00		JOINT, LINK RACCORD	1	1	1		
24	66M-41256-00		ROD, CHOKE 1 TRINGLE 1, STARTER	1	1	1		
25	66M-15373-00		PIPE, BREATHER DURITE DE RENIFLARD	1	1	1		
26	90465-08M82		CLAMP BRIDE	1	1	1		

FIG. 6 INTAKE

ADMISSION

REF. NO.	PART NO. NO. PIECES	DESCRIPTION DESCRIPTION	MH	EH	E	REMARKS REMARQUES
27	90465-08M83	CLAMP BRIDE	1	1	1	





66M030080701

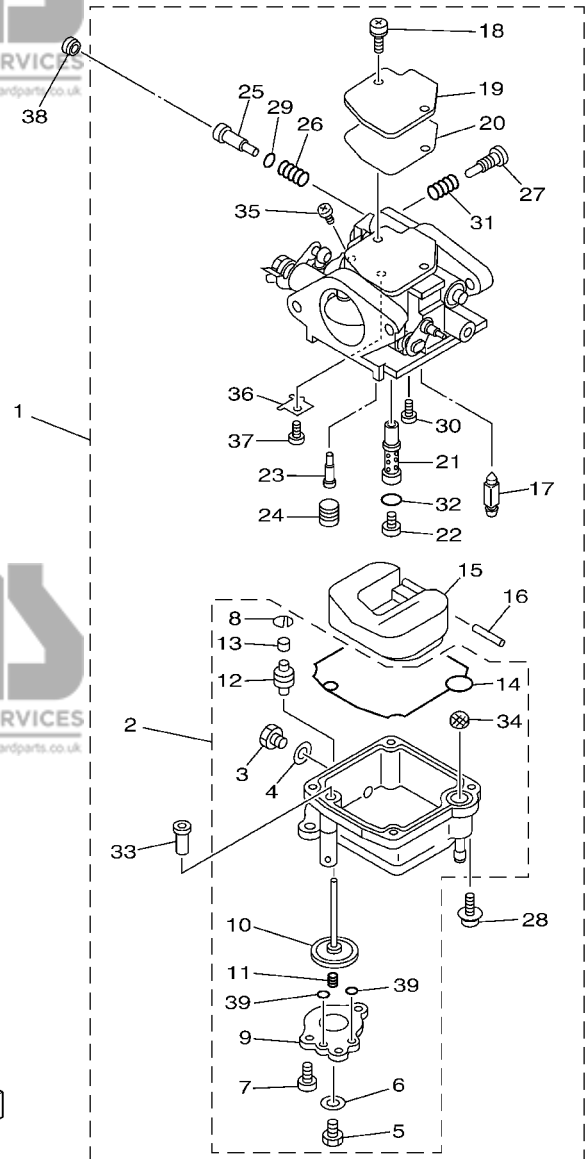
FIG. 7 CARBURETOR

CARBURETEUR

REF. NO.	PART NO. NO. PIECES	DESCRIPTION DESCRIPTION	MH	EH	EU	REMARKS REMARQUES
1	66M-14301-00	CARBURETOR ASSY 1 CARBURATEUR COMPLET 1	1	1	1	F13.5A,F15A-FOR STD
	66M-14301-20	CARBURETOR ASSY 1 CARBURATEUR COMPLET 1	1	1	1	*ECM-"F15A ONLY"
	66N-14301-00	CARBURETOR ASSY 1 CARBURATEUR COMPLET 1	1		1	F9.9C
2	66M-14381-02	.BODY, FLOAT CHAMBER .CORPS, CUVE DE FLOTTEUR	1	1	1	F13.5A,F15A
	66N-14381-00	.BODY, FLOAT CHAMBER .CORPS, CUVE DE FLOTTEUR	1		1	F9.9C
3	62Y-14383-00	..SCREW, DRAIN ..BOUCHON, PURGE	1	1	1	
4	66M-14398-00	..GASKET ..JOINT	1	1	1	
5	677-14383-01	..SCREW, DRAIN ..BOUCHON, PURGE	1	1	1	F13.5A,F15A
6	6L2-14398-00	..GASKET ..JOINT	1	1	1	F13.5A,F15A
7	66M-14325-00	..SCREW, PAN HEAD ..VIS, TETE CONIQUE	3	3	3	F13.5A,F15A
8	66M-14377-00	..STOPPER ..BUTEE	1	1	1	F13.5A,F15A
9	66M-14958-00	..COVER, DIAPHRAGM ..COUVERCLE, DIAPHRAGME	1	1	1	F13.5A,F15A
10	66M-14368-01	..DIAPHRAGM ASSY 1 ..DIAPHRAGME 1	1	1	1	F13.5A,F15A
11	6G8-14275-02	..SPRING ..RESSORT	1	1	1	F13.5A,F15A
12	66M-14239-00	..SEAL ..JOINT	1	1	1	F13.5A,F15A
13	66M-14225-00	..CAP ..COUVERCLE	1	1	1	F13.5A,F15A
14	66M-14384-00	..GASKET, FLOAT CHAMBER ..JOINT, CUVE DE FLOTTEUR	1	1	1	
15	6L2-14385-00	.FLOAT .FLOTTEUR	1	1	1	
16	6E5-14386-01	.PIN, FLOAT .AXE, FLOTTEUR	1	1	1	
17	6L2-14392-00	.VALVE, NEEDLE .POINTEAU	1	1	1	
18	97980-04110	.SCREW, WITH WASHER .VIS, AVEC RONDELLE	2	2	2	
19	6L2-14157-00	.COVER, MIXING ..COUVERCLE DE CHAMBRE	1	1	1	
20	62Y-14399-00	.GASKET ..JOINT	1	1	1	
21	66M-14341-00	.NOZZLE, MAIN .PUITS D'AIGUILLE	1	1	1	F13.5A,F15A-FOR STD
	66M-14341-10	.NOZZLE, MAIN .PUITS D'AIGUILLE	1	1	1	*ECM-"F15A ONLY"

*ECM: FOR EMISSION CONTROL MODEL.
*ECM: POUR MODELE CONTROLE D' EMISSIONS.

B5



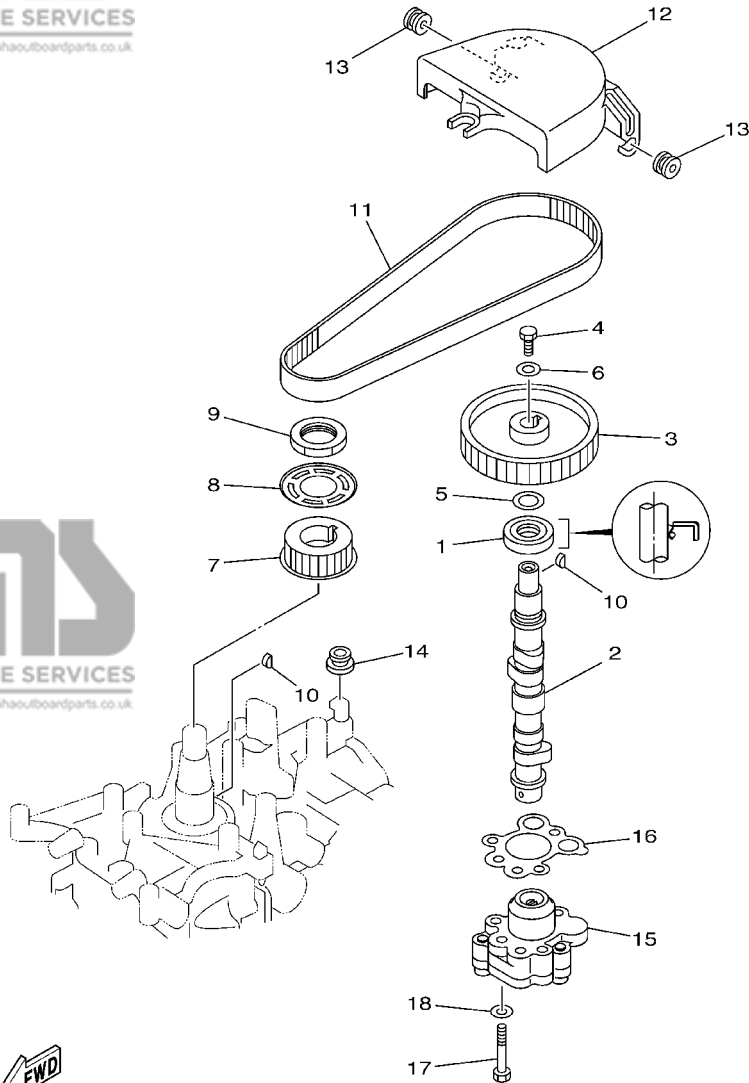
66M030080701

FIG. 7 CARBURETOR

CARBURATEUR

REF. NO.	PART NO. NO. PIECES	DESCRIPTION DESCRIPTION	MH	EH	E	REMARKS REMARQUES
21	66N-14341-00	.NOZZLE, MAIN .PUITS D'AIGUILLE	1		1	F9.9C
22	66M-14343-52	.JET, MAIN (#104) .GICLEUR, PRINCIPAL (#104)	1	1	1	F13.5A,F15A-FOR STD
	66M-14343-51	.JET, MAIN (#102) .GICLEUR, PRINCIPAL (#102)	1	1	1	*ECM-"F15A ONLY"
	66N-14343-34	.JET, MAIN (# 68) .GICLEUR, PRINCIPAL (# 68)	1		1	F9.9C
23	66M-14342-23	.JET, PILOT (#45) .GICLEUR, RALENTI (#45)	1	1	1	
24	66M-14355-00	.PLUG .PLOT	1	1	1	F13.5A,F15A
	62Y-14355-00	.PLUG .PLOT	1		1	F9.9C
25	5H0-14323-00	.SCREW, AIR ADJUSTING .VIS DE DOSEUR D'AIR	1	1	1	FOR STD
	62Y-14323-10	.SCREW, AIR ADJUSTING .VIS DE DOSEUR D'AIR	1	1	1	FOR *ECM
26	30X-14334-00	.SPRING, AIR ADJUSTING .RESSORT, VIS DE DOSEUR D'AIR	1	1	1	
27	62Y-14521-00	.SCREW, THROTTLE .VIS, ACCELERATEUR	1	1	1	
28	97980-04112	.SCREW, WITH WASHER .VIS, AVEC RONDELLE	4	4	4	
29	62Y-14397-00	.O-RING .JOINT TORIQUE	1	1	1	
30	98980-04006	.SCREW, BIND .VIS	1	1	1	
31	646-14212-01	.SPRING, PILOT ADJUSTING .RESSORT, VIS DE RALENTI	1	1	1	
32	6F5-14397-00	.O-RING .JOINT TORIQUE	1	1	1	
33	66M-14272-00	.CHECK VALVE ASSY .CLAPET (ENS.)	1	1	1	F13.5A,F15A
34	66M-14827-00	.FILTER .FILTRE	1	1	1	
35	97890-04005	.SCREW, PAN HEAD .VIS, CRUCIFORME	1	1	1	
36	66M-14157-00	.PLATE .PLAQUE	1	1	1	
37	98580-03005	.SCREW, PAN HEAD .VIS	1	1	1	
38	6G8-14457-00	SEAL JOINT	1	1	1	FOR *ECM
39	69M-24533-00	.O-RING ..JOINT TORIQUE	2	2	2	F13.5A,F15A

*ECM: FOR EMISSION CONTROL MODEL.
*ECM: POUR MODELE CONTROLE D' EMISSIONS.



FWD
69A1300-2080

FIG. 8 OIL PUMP

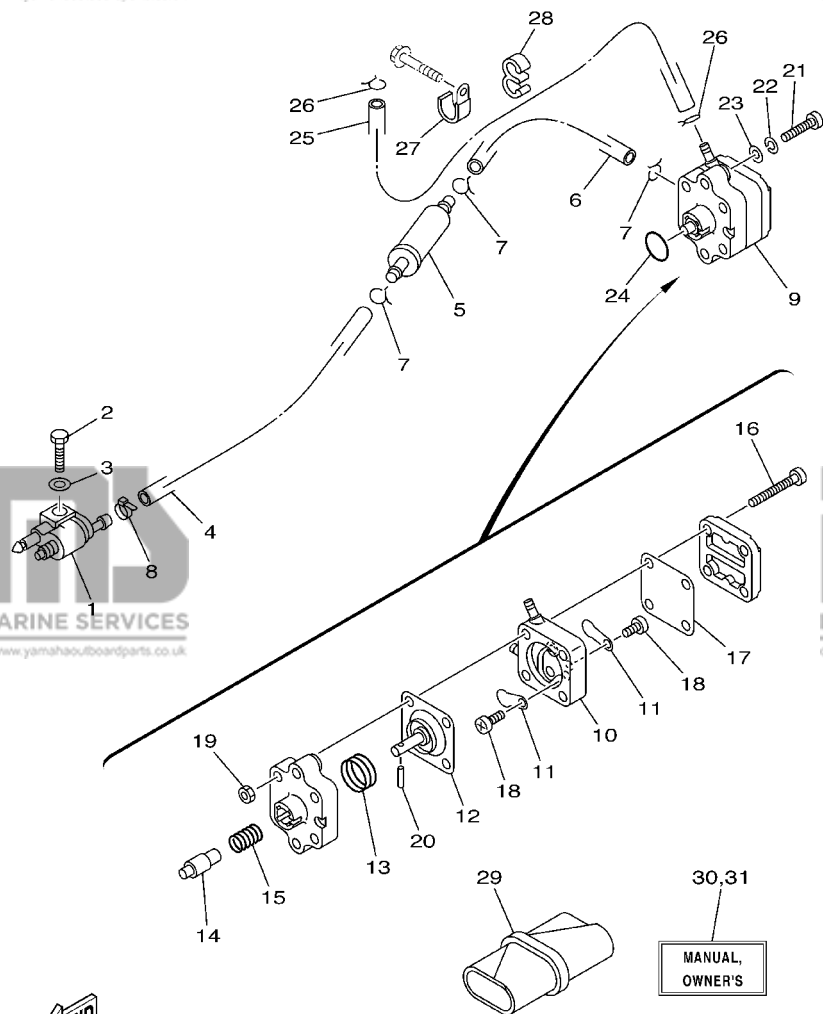
POMPE A HUILE

REF. NO.	PART NO. NO. PIECES	DESCRIPTION DESCRIPTION	MH	EH	E	REMARKS REMARQUES
1	93102-18M21	OIL SEAL JOINT SPY	1	1	1	
2	66M-12170-00	CAMSHAFT ASSY 1 ENS ARBRE A CAMES 1	1			
	66M-12171-10	CAMSHAFT 1 ARBRE A CAMES 1		1	1	
3	66M-11537-00-94	GEAR, DRIVEN PIGNON SECONDAIRE	1	1	1	
4	97013-06016	BOLT BOULON	1	1	1	
5	90201-13201	WASHER, PLATE RONDELLE, PLATE	1	1	1	
6	90201-06M94	WASHER, PLATE RONDELLE, PLATE	1	1	1	
7	66M-11536-10	GEAR, DRIVE ENGRENAGE, MENANT	1	1	1	
8	66M-11557-00	WASHER 1 RONDELLE 1	1	1	1	
9	90170-28M37	NUT ECROU	1	1	1	
10	90280-03M01	KEY, WOODRUFF CLAVETTE, DEMI-LUNE	2	2	2	
11	66M-46241-00	V-BELT COURROIE TRAPEZOIDALE	1	1	1	
12	66M-46297-00	COVER, DUST COUVERCLE, POUSSIERE	1	1	1	
13	90480-10M16	GROMMET PASSE-FIL	2	2	2	
14	90480-12072	GROMMET PASSE-FIL	1	1	1	
15	66M-13300-10	OIL PUMP ASSY POMPE A HUILE COMPLET	1	1	1	
16	66M-13329-10	GASKET, PUMP COVER JOINT, COUVERCLE DE POMPE	1	1	1	
17	97095-06035	BOLT BOULON	3	3	3	
18	92995-06600	WASHER RONDELLE	3	3	3	

FIG. 9 FUEL

CARBURANT

REF. NO.	PART NO. NO. PIECES	DESCRIPTION DESCRIPTION	MH	EH	EU	REMARKS REMARQUES
1	6G1-24304-02	FUEL PIPE JOINT COMP. 1 DURITE RACCORDEMT. A ESSENCE	1	1	1	
2	97095-06020	BOLT BOULON	1	1	1	
3	92995-06600	WASHER RONDELLE	1	1	1	
4	90445-10M40	HOSE (L330) DURITE (L330)	1	1	1	
5	65W-24251-00	STRAINER 1 FILTRE 1	1	1	1	
6	90445-10M20	HOSE (L150) DURITE (L150)	1	1	1	
7	90467-09M03	CLIP JONC	3	3	3	
8	90465-11M10	CLAMP BRIDE	1	1	1	
9	66M-24410-10	FUEL PUMP ASSY POMPE A ESSENCE	1	1	1	
10	66M-24413-01	.BODY 2 .CORPS 2	1	1	1	
11	6A0-24421-01	.VALVE, CHECK .SOUPAPE, RETENUE	2	2	2	
12	66M-24411-10	.DIAPHRAGM .DIAPHRAGME	1	1	1	
13	66M-24423-00	.SPRING, DIAPHRAGM .RESSORT, DIAPHRAGME	1	1	1	
14	66M-13131-10	.PLUNGER .PLONGEUR	1	1	1	
15	66M-24454-00	.SPRING .RESSORT	1	1	1	
16	66M-24444-00	.SCREW .VIS	4	4	4	
17	66M-24471-00	.DIAPHRAGM .DIAPHRAGME	1	1	1	
18	6E7-14325-00	.SCREW, PAN HEAD .VIS TETE CONIQUE	2	2	2	
19	95380-05600	.NUT ECROU	4	4	4	
20	66M-24374-00	.PIN .GOUPILLE	1	1	1	
21	97880-06030	SCREW, PAN HEAD VIS, TETE TRONCONIQUE	2	2	2	
22	92990-06100	WASHER, SPRING RONDELLE, GROWER	2	2	2	
23	92990-06600	WASHER, PLATE RONDELLE, PLATE	2	2	2	
24	93210-20M65	O-RING JOINT TORIQUE	1	1	1	
25	90445-10M93	HOSE (L370) DURITE (L370)	1	1	1	
26	90467-09M03	CLIP JONC	2	2	2	
27	90465-06M86	CLAMP BRIDE	1	1	1	



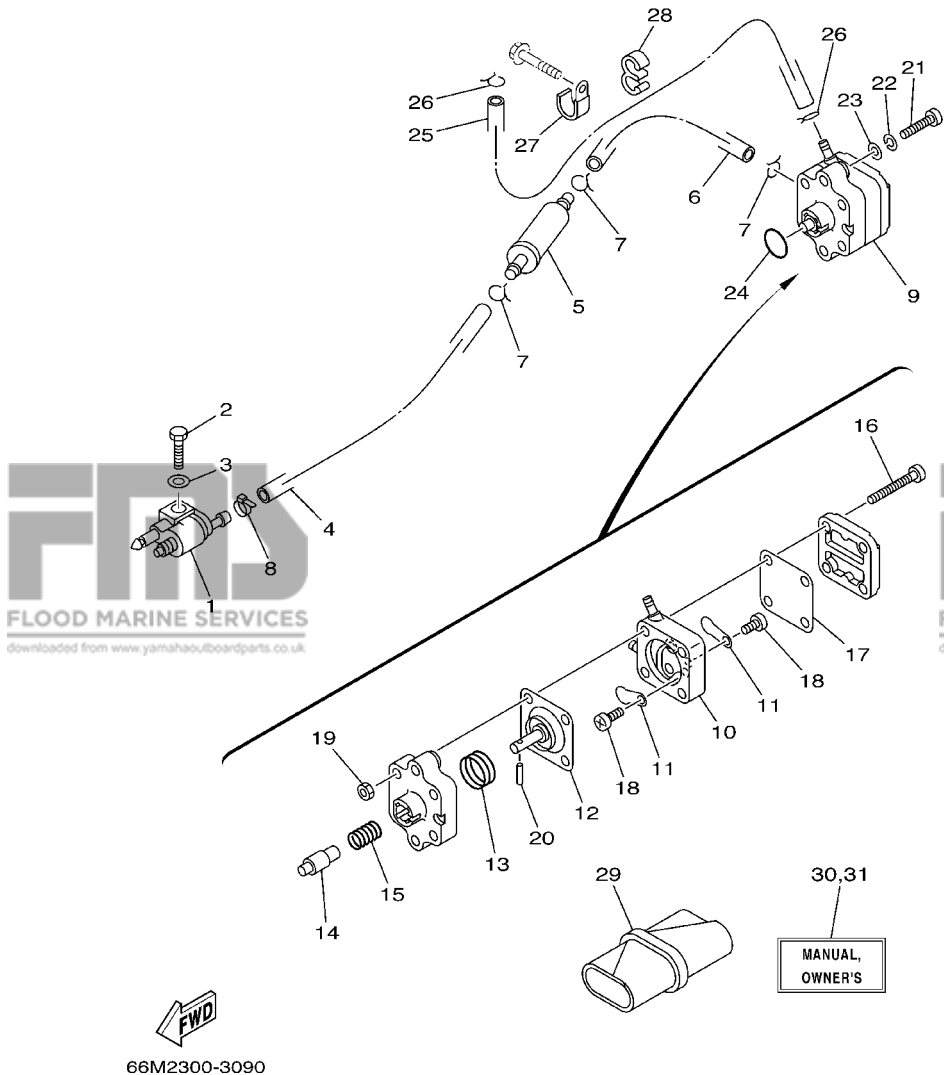
66M2300-3090

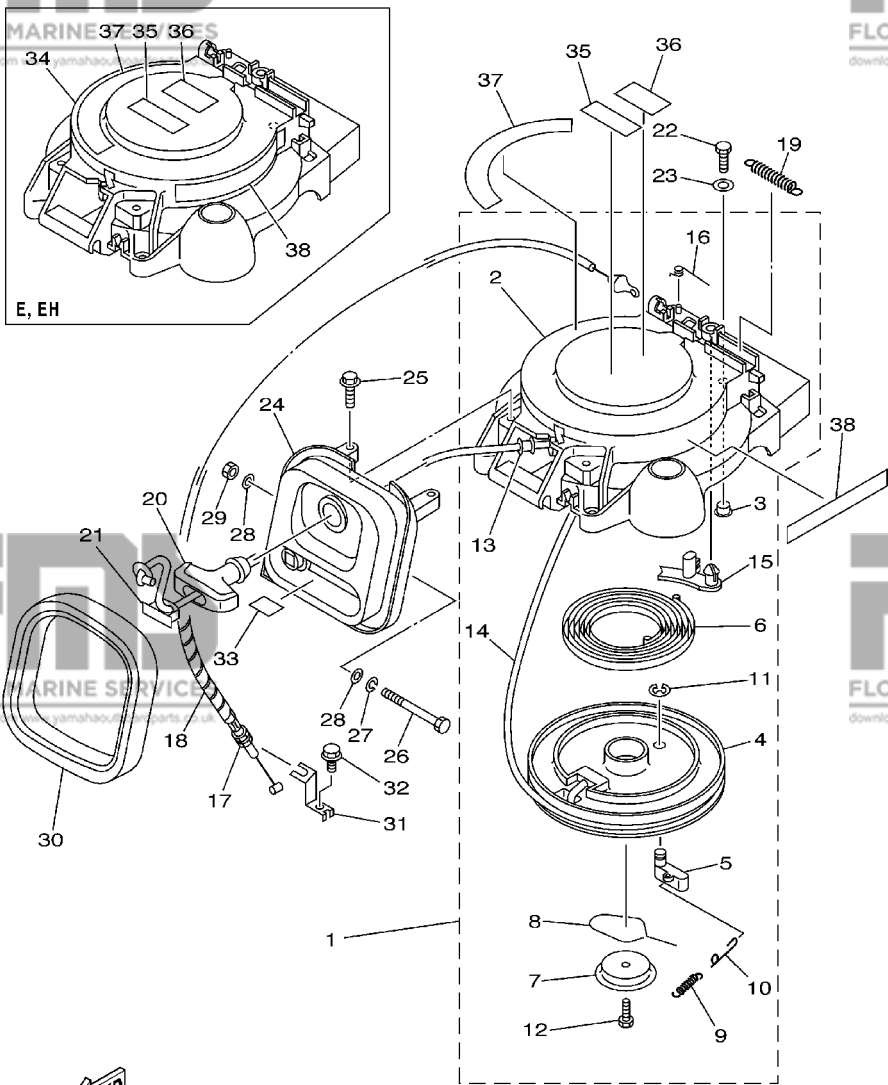
C1

FIG. 9 FUEL

CARBURANT

REF. NO.	PART NO. NO. PIECES	DESCRIPTION DESCRIPTION	MH	EH	E	REMARKS REMARQUES
28	90464-09M31	CLAMP BRIDE	1	1	1	
29	62Y-28100-00	TOOL KIT TROUSSE A OUTILS	1	1	1	
30	66M-28199-76-A0	MANUAL,OWNER'S MANUEL D'UTILISATION	1	1	1	UR (E,F,S)
	66M-28199-76-B0	MANUAL,OWNER'S MANUEL D'UTILISATION	1	1	1	UR (D,NL,I)
31	66M-28199-86-A0	MANUAL,OWNER'S MANUEL D'UTILISATION	1	1	1	UR (DK,P,GR)
	66M-28199-86-B0	MANUAL,OWNER'S MANUEL D'UTILISATION	1	1	1	UR (N,S,SS)





66M1300-2100

FIG. 10 STARTER

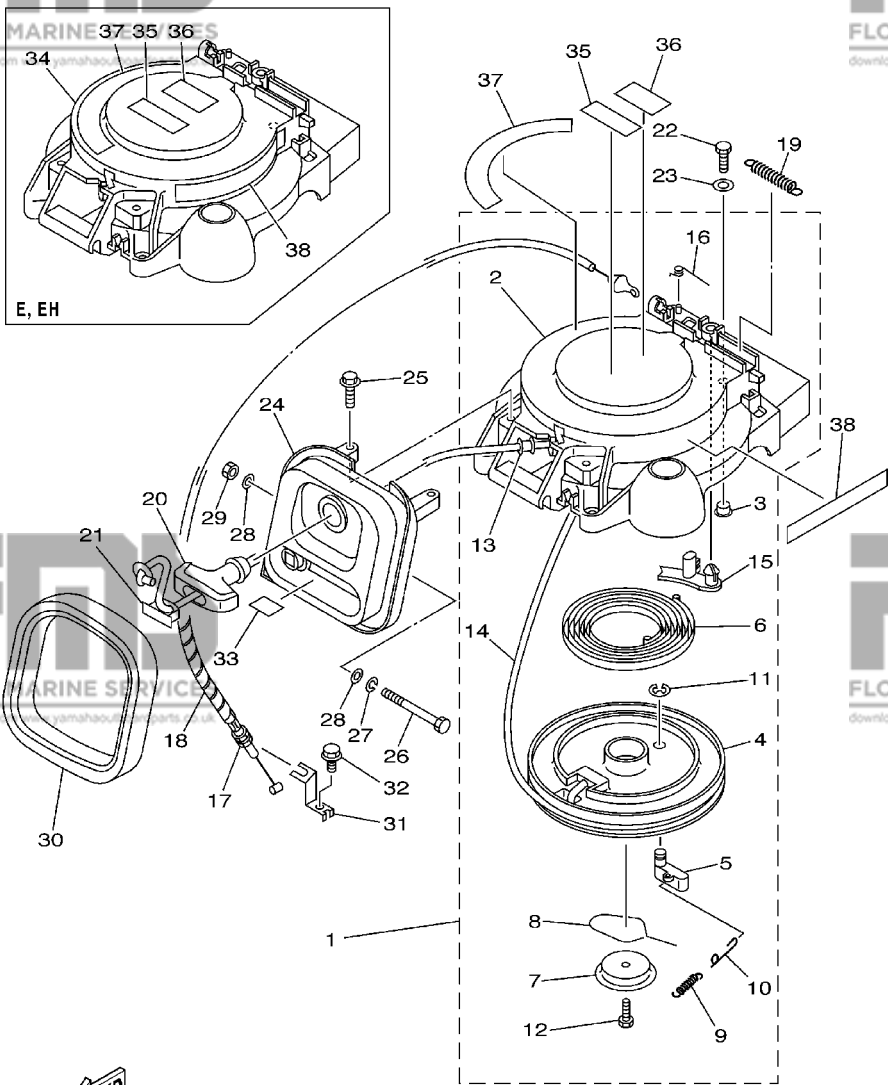
DEMARREUR

REF. NO.	PART NO. NO. PIECES	DESCRIPTION DESCRIPTION	MH	EH	E	REMARKS REMARQUES
1	66M-15710-01	STARTER ASSY DEMARREUR COMPLET	1			
2	66M-15711-01	.CASE, STARTER .CARTER DE DEMARREUR	1			
3	90387-06M05	.COLLAR .COLLERETTE	3			
4	63V-15714-00	.DRUM, SHEAVE .TAMBOUR, POULIE	1			
5	63V-15741-00	.PAWL, DRIVE .CLIQUET, ENTRAINEMENT	1			
6	63V-15713-00	.SPRING, STARTER .RESSORT DE DEMARREUR	1			
7	63V-15716-00	.PLATE, DRIVE .PLAQUE, ENTRAINEMENT	1			
8	63V-15705-01	.SPRING, DRIVE PAWL .RESSORT DE CLIQUET	1			
9	63V-15767-01	.SPRING .RESSORT	1			
10	63V-15784-01	.SPRING, RETURN .RESSORT, RAPPEL	1			
11	63V-15744-00	.CIRCLIP .CIRCLIP	1			
12	63V-15768-00	BOLT .BOULON	1			
13	63V-15764-00	.COLLAR 1 .COLLERETTE 1	1			
14	*	.WIRE, STARTER (L:1800MM) .CABLE DE DEMARREUR (L:1800MM)	1			
15	66T-15794-00	.STOPPER .BUTEE	1			
16	66T-15734-00	.SPRING, RETURN .RESSORT, RAPPEL	1			
17	66M-15770-00	CABLE COMP., STARTER STOP CABLE, BUTEE DE DEMAR	1			
18	90446-06M90	HOSE DURITE	1			
19	66T-15731-00	SPRING, RETURN RESSORT, RAPPEL	1			
20	6G1-15755-00	HANDLE, STARTER POIGNEE, DE DEMARREUR	1			
21	6G1-15779-00	COVER COUVERCLE	1			
22	97095-06020	BOLT BOULON	3	3	3	
23	92995-06600	WASHER RONDELLE	3	3	3	
24	66M-15758-00	GUIDE, ROPE GUIDE DE CABLE	1			
	66M-15758-10	GUIDE, ROPE GUIDE DE CABLE		1	1	

* CUT FROM 50M ROLLS, PART NO. 90890-44373,
CUTTING LENGTH 1.8M

* A PRELEVER SUR BOBINE 50M , REFERENCE 90890-44373,
LONGUEUR DE COUPE 1.8M

C3

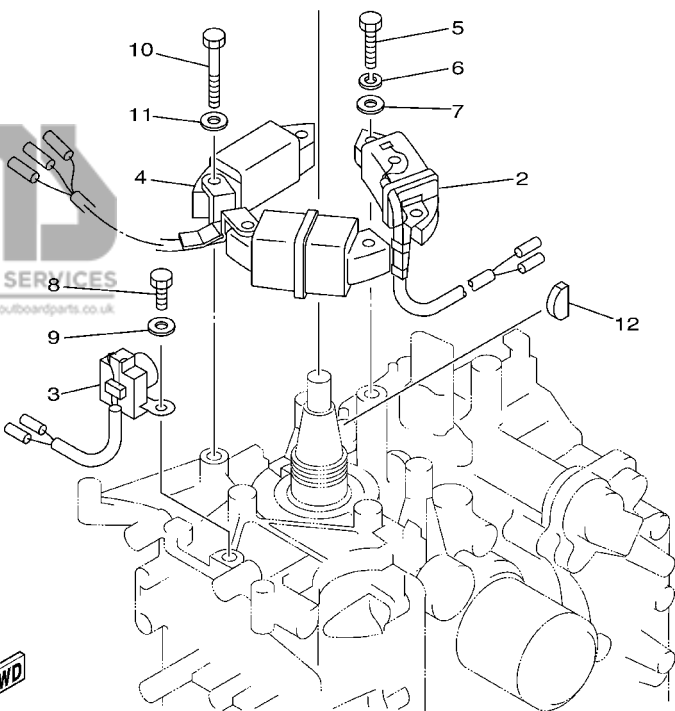
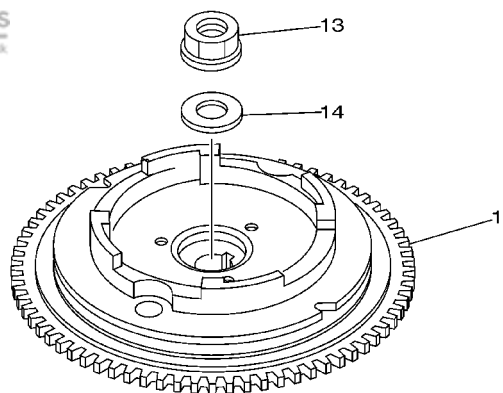


FWD
66M1300-2100

FIG. 10 STARTER

DEMARREUR

REF. NO.	PART NO. NO. PIECES	DESCRIPTION DESCRIPTION	MH	EH	E	REMARKS REMARQUES
25	90119-06M59	BOLT, WITH WASHER BOULON, AVEC RONDELLE	2	2	2	
26	97095-06090	BOLT BOULON	1	1	1	
27	92995-06100	WASHER, SPRING RONDELLE, GROWER	1	1	1	
28	90201-06M05	WASHER, PLATE RONDELLE, PLATE	2	2	2	
29	95380-06700	NUT ECROU	1	1	1	
30	66M-15762-00	SEAL, RUBBER 2 JOINT CAOUTCHOUC 2	1	1	1	
31	66M-15774-00	STAY 4 SUPPORT 4	1			
32	90109-06M86	BOLT BOULON	1			
33	66M-84342-00	SEAT, EMBLEM SIEGE, EMBLEME	1	1	1	
34	66M-15711-10	CASE, STARTER CARTER DE DEMARREUR		1	1	
35	6A1-83625-41	MARK 5 ETIQUETTE 5	1	1	1	
36	6A1-83625-51	MARK 5 ETIQUETTE 5	1	1	1	
37	66M-14427-60	LABEL, INSTRUCTION ETIQUETTE, INSTRUCTION	1	1	1	
38	6G8-13437-64	MARK, CAUTION MARKER	1	1	1	



69B0010-0110

FIG. 11 GENERATOR

GENERATRICE

REF. NO.	PART NO. NO. PIECES	DESCRIPTION DESCRIPTION	MH	EH	E	REMARKS REMARQUES
1	66M-85550-10	ROTOR ASSY ROTOR CPLT		1	1	WITH RING GEAR
	66M-85550-00	ROTOR ASSY ROTOR CPLT	1			WITHOUT RING GEAR
2	66M-85520-00	COIL, CHARGE BOBINE, CHARGE	1	1	1	
3	66M-85580-00	COIL, PULSER BOBINE, PULSEUR	1	1	1	
4	66M-85533-00	COIL, LIGHTING BOBINE, ECLAIRAGE	1	1		6A
	66M-85533-10	COIL, LIGHTING BOBINE, ECLAIRAGE			1	10A
5	97095-06025	BOLT BOULON	2	2	2	
6	92995-06100	WASHER, SPRING RONDELLE, GROWER	2	2	2	
7	92995-06600	WASHER RONDELLE	2	2	2	
8	97095-06016	BOLT BOULON	2	2	2	
9	92995-06600	WASHER RONDELLE	2	2	2	
10	97095-06030	BOLT BOULON	4	4		
	97095-06040	BOLT BOULON			4	
11	92995-06600	WASHER RONDELLE	4	4	4	
12	90280-05013	KEY, WOODRUFF CLAVETTE, DEMI-LUNE	1	1	1	
13	90179-16M05	NUT ECROU	1	1	1	
14	90201-16M44	WASHER, PLATE RONDELLE, PLATE	1	1	1	

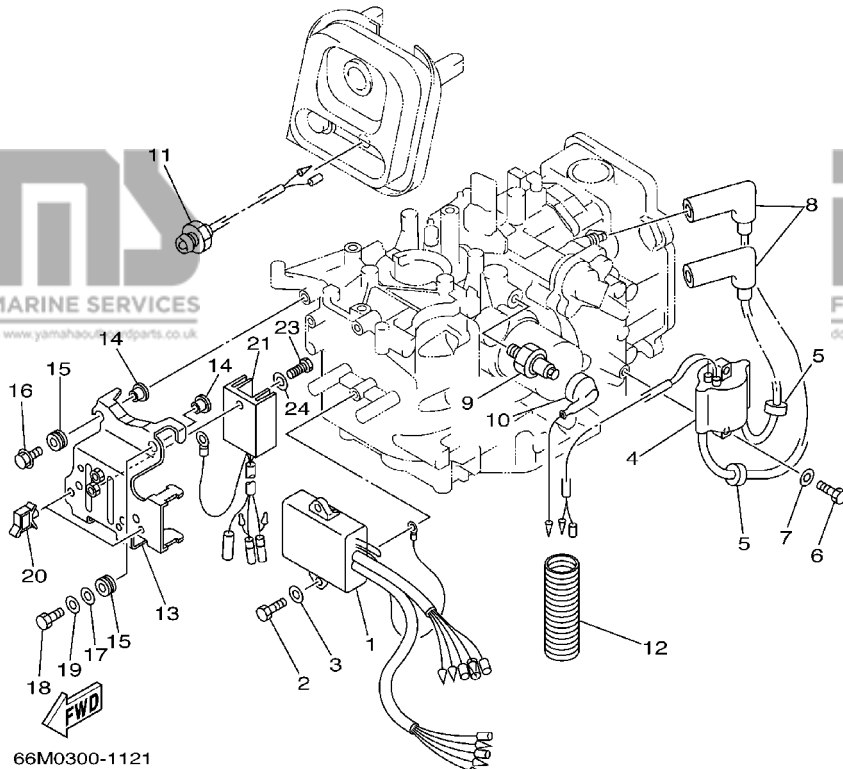
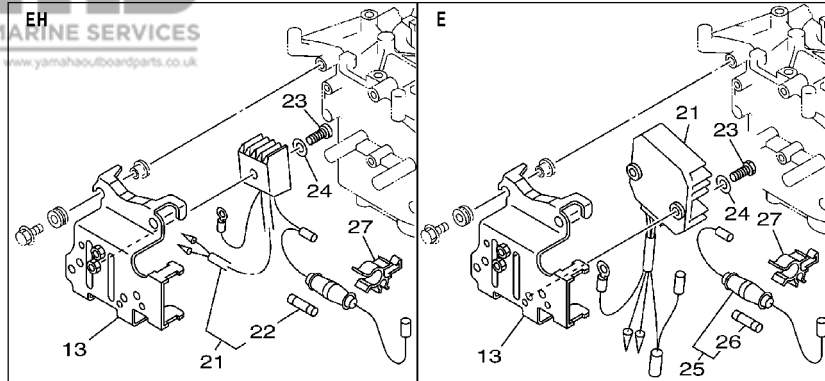


FIG. 12 ELECTRICAL 1

PARTIE ELECTRIQUE 1

REF. NO.	PART NO. NO. PIECES	DESCRIPTION DESCRIPTION	MH	EH	EU	REMARKS REMARQUES
1	66M-85540-10	C.D.I. UNIT ASSY BLOC C.D.I.	1	1	1	F15A
	66M-85540-01	C.D.I. UNIT ASSY BLOC C.D.I.	1	1		F9.9C,F13.5A
2	97095-06020	BOLT BOULON	2	2	2	
3	92995-06600	WASHER RONDELLE	2	2	2	
4	66M-85570-00	IGNITION COIL ASSY BOBINE D'ALLUMAGE (ENS.)	1	1	1	
5	90480-25161	GROMMET PASSE-FIL	2	2	2	
6	97095-06020	BOLT BOULON	2	2	2	
7	92995-06600	WASHER RONDELLE	2	2	2	
8	6G8-82370-30	PLUG CAP ASSY ANTIPARASITE	2	2	2	
9	62Y-82504-10	OIL PRESSURE SWITCH ASSY CONTACTEUR DE PRESSION D'HUILE	1	1	1	
10	66M-82127-10	WIRE, LEAD 2 FIL 2	1	1	1	
11	65W-85410-01	EMERGENCY SIGNAL LIGHT ASSY FEU DE DETRESSE	1	1	1	
12	6H1-83557-00	TUBE TUBE	1	1	1	
13	66M-85542-00	BRACKET SUPPORT	1	1		
	66M-85542-10	BRACKET SUPPORT			1	
14	90387-06M05	COLLAR COLLERETTE	4	4	4	
15	90480-13M24	GROMMET PASSE-FIL	4	4	4	
16	95895-06020	BOLT, FLANGE BOULON	3	3	3	
17	90201-06M05	WASHER, PLATE RONDELLE, PLATE	1	1	1	
18	97095-06025	BOLT BOULON	1	1	1	
19	92995-06600	WASHER RONDELLE	1	1	1	
20	90464-09M13	CLAMP BRIDE	2	2	2	
21	6J8-81960-00	RECTIFIER & REGULATOR ASSY REDRESSEUR REGULATEUR CPLT	1			
	6G1-81970-61	RECTIFIER ASSY REDRESSEUR COMPLET		1		
	6G8-81960-A1	RECTIFIER & REGULATOR ASSY REDRESSEUR REGULATEUR CPLT			1	
22	6G1-82151-00	.FUSE .FUSIBLE		1		FOR 6G1-81970-61
23	97095-06016	BOLT BOULON	2	2	2	

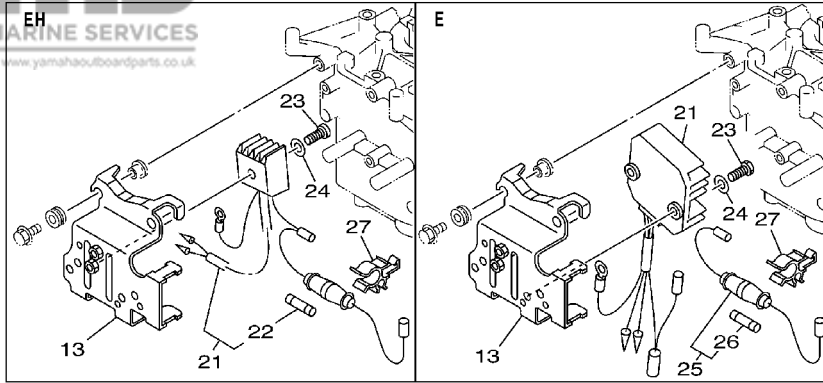
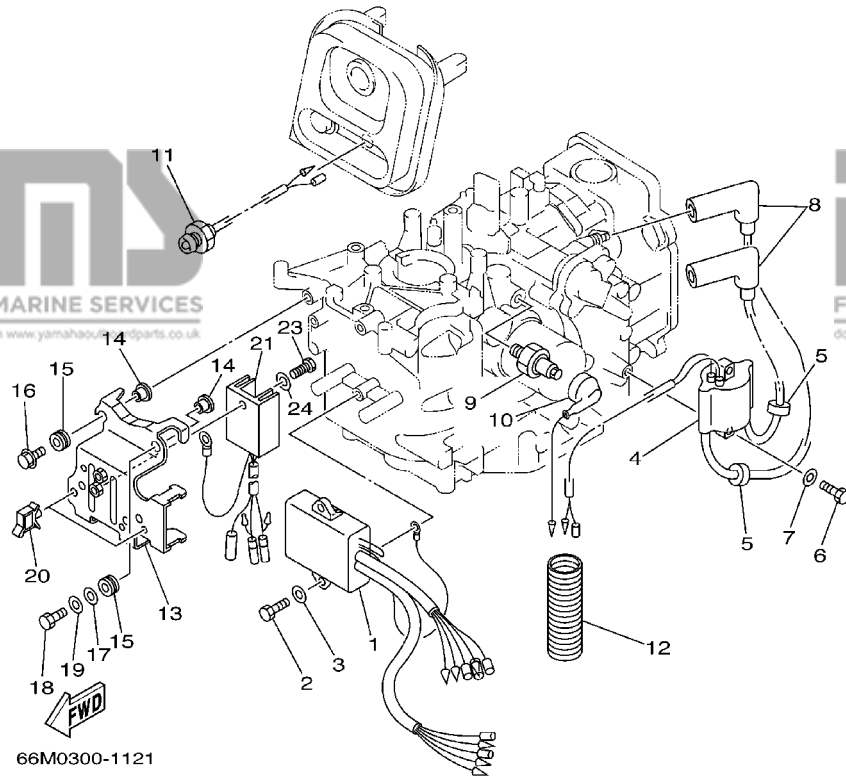


FIG. 12 ELECTRICAL 1

PARTIE ELECTRIQUE 1

REF. NO.	PART NO. NO. PIECES	DESCRIPTION DESCRIPTION	MH	EH	E	REMARKS REMARQUES
23	97880-05025	SCREW, PAN HEAD VIS, TETE TRONCONIQUE		1		
24	92995-06600	WASHER RONDELLE	2		2	
	92990-05600	WASHER, PLATE RONDELLE, PLATE		1		
25	6G8-82150-00	FUSE HOLDER ASSY SUPPORT DE FUSIBLE			1	
26	663-82151-00	.FUSE (12V-20A) .FUSIBLE (12V-20A)			1	
27	6G5-82152-00	HOLDER, FUSE SUPPORT, FUSIBLE		1	1	



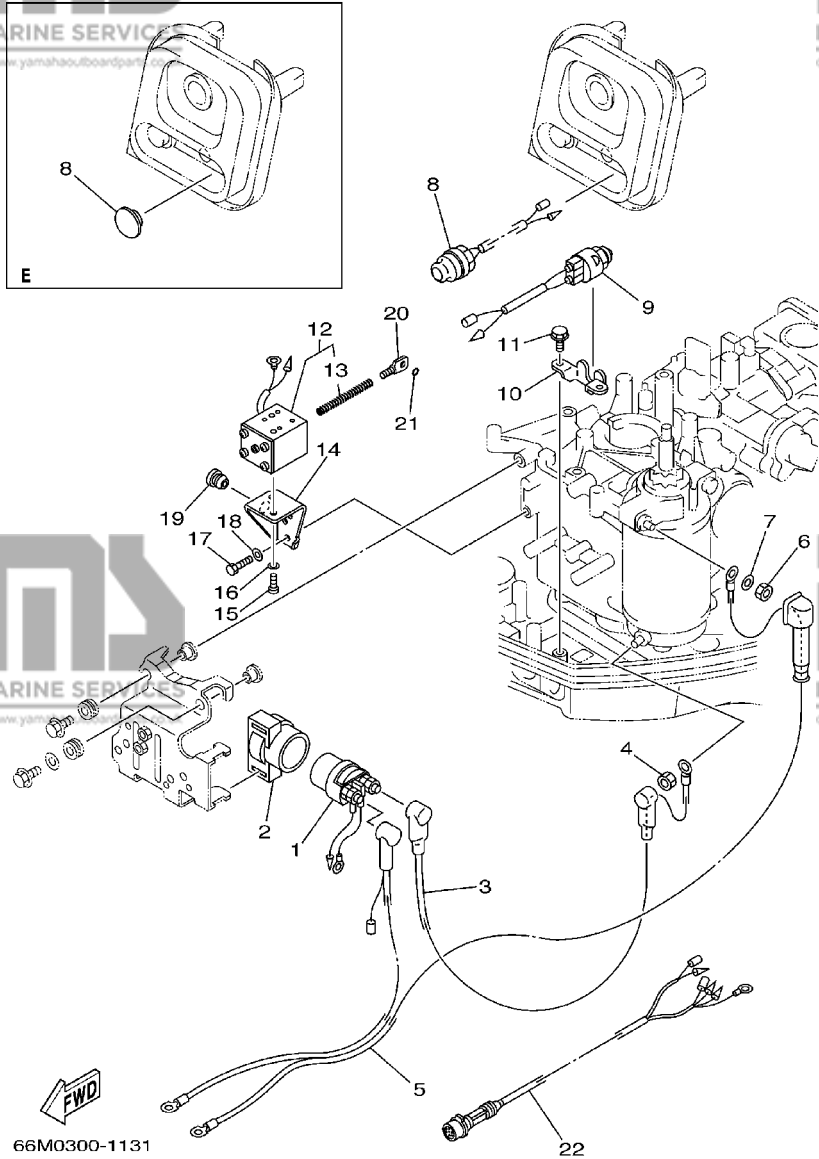
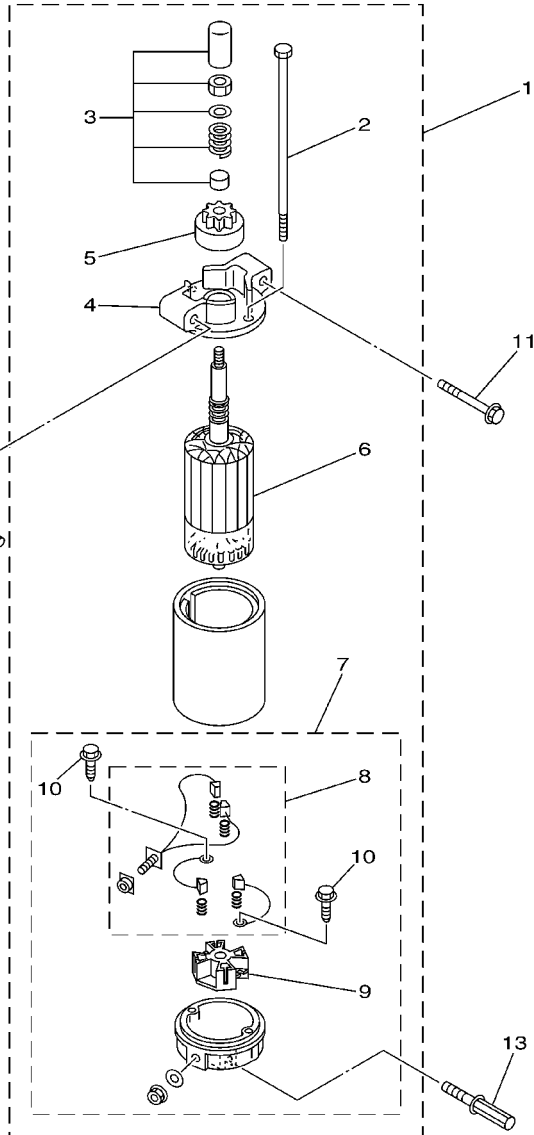


FIG. 13 ELECTRICAL 2

PARTIE ELECTRIQUE 2

REF. NO.	PART NO. NO. PIECES	DESCRIPTION DESCRIPTION	MH	EH	EU	REMARKS REMARQUES
1	6G1-81941-10	STARTER RELAY ASSY LANCEUR RELAIS (ENS.)		1	1	
2	6G1-81952-00	HOLDER, RELAY SUPPORT, RELAIS		1	1	
3	66M-82117-00	WIRE, LEAD FIL		1	1	
4	65W-8182B-00	NUT, SPECIAL ECROU, SPECIAL		1	1	
5	66M-82105-00	WIRE HARNESS FAISCEAU DE FILS		1	1	
6	95380-08700	NUT ECROU		1	1	
7	92990-08600	WASHER, PLATE RONDELLE, PLATE		1	1	
8	65W-81870-00	STARTING SWITCH ASSY CONTACT A CLEF		1		
	6G1-42725-00	GROMMET PASSE-FIL			1	
9	6H3-82540-00	NEUTRAL SWITCH ASSY CONTACTEUR DE POINT-MORT		1		
10	6J8-82554-00	STAY, NEUTRAL SWITCH SUPPORT, CONT DE POINT-MORT		1		
11	90109-06M86	BOLT BOULON		2		
12	66M-86111-00	COIL, SOLENOID BOBINE			1	
13	66M-86116-00	.WIRE, PULL .CABLE, TENSION			1	
14	66M-86112-00	STAY, SOLENOID SUPPORT, SOLENOIDE			1	
15	97880-05008	SCREW, PAN HEAD VIS, TETE TRONCONIQUE			2	
16	92990-05600	WASHER, PLATE RONDELLE, PLATE			2	
17	97095-06016	BOLT BOULON			2	
18	92995-06600	WASHER RONDELLE			2	
19	90480-10M13	GROMMET PASSE-FIL			1	
20	66M-86117-00	HOOK, WIRE PULL CROCHET, TENSION DE CABLE			1	
21	93210-03261	O-RING JOINT TORIQUE			1	
22	66M-82590-00	WIRE HARNESS ASSY FAISCEAU DE FILS COMPLET			1	

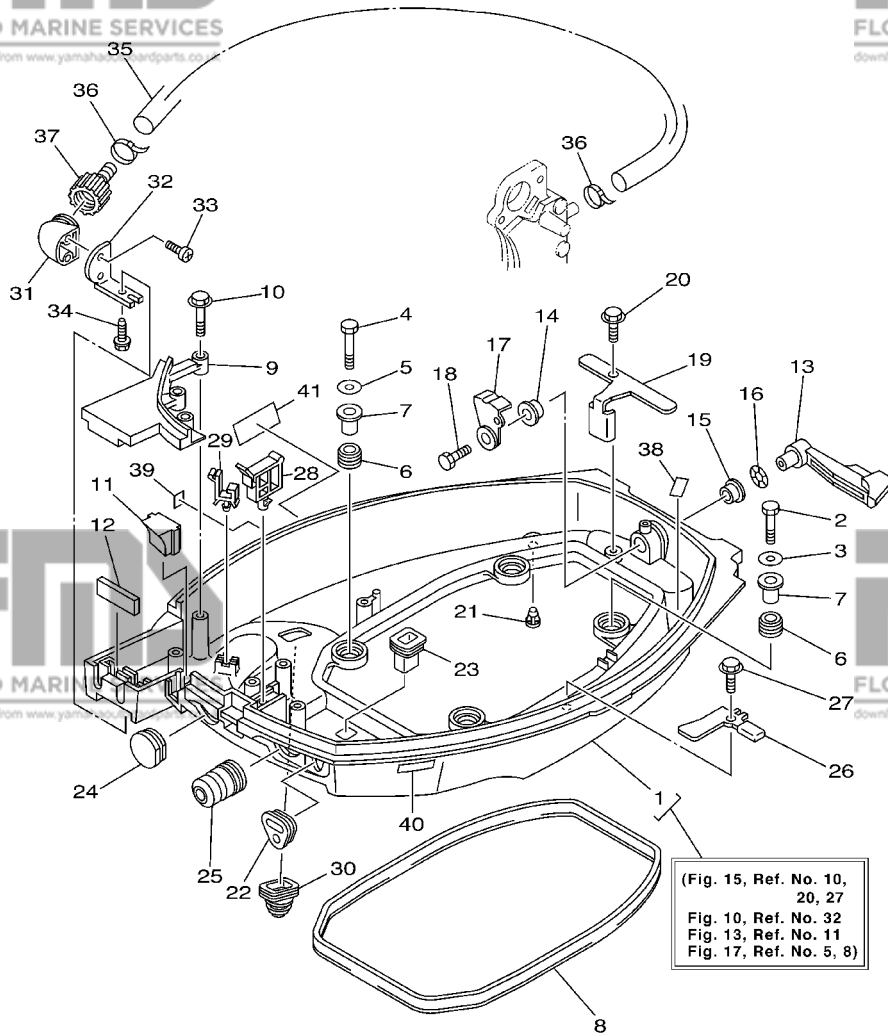


FWD
66M0010-0140

FIG. 14 STARTING MOTOR

DEMARREUR ELECTRIQUE

REF. NO.	PART NO. NO. PIECES	DESCRIPTION DESCRIPTION	MH	EH	U	REMARKS REMARQUES
1	66M-81800-01	STARTING MOTOR ASSY DEMARREUR ELECTRIQUE COMPLET		1	1	
2	65W-81826-00	.BOLT BOULON		2	2	
3	65W-81857-01	.RETAINER ARRETOIR		1	1	
4	66M-81830-00	.FRONT BRACKET ASSY SUPPORT AVANT		1	1	
5	65W-81807-00	.GEAR ASSY, STARTING MOTOR .PIGNON, DEMARREUR ELECTRIQUE		1	1	
6	65W-81850-01	.ARMATURE ASSY .INDUIT		1	1	
7	66M-81820-00	.REAR BRACKET ASSY SUPPORT ARRIERE COMPLET		1	1	
8	65W-81801-00	.BRUSH SET CHARBON		1	1	
9	65W-81840-00	.BRUSH HOLDER ASSY SUPPORT DE CHARBON		1	1	
10	65W-8182S-00	.SCREW VIS		2	2	
11	90119-08M39	BOLT, WITH WASHER BOULON, AVEC RONDELLE		1	1	
12	90109-08M78	BOLT BOULON		1	1	
13	90109-08M85	BOLT BOULON		1	1	



66M2300-3150

FIG. 15 BOTTOM COWLING

CAPOT INFERIEUR

REF. NO.	PART NO. NO. PIECES	DESCRIPTION DESCRIPTION	MH	EH	EU	REMARKS REMARQUES
1	66M-42710-04-4D	BOTTOM COWLING ASSY ENS. EMBASE	1	1	1	WITH TAPPING BOLT
2	97095-06035	BOLT BOULON	2	2	2	
3	92995-06600	WASHER RONDELLE	2	2	2	
4	97095-06025	BOLT BOULON	2	2	2	
5	92995-06600	WASHER RONDELLE	2	2	2	
6	90480-15M31	GROMMET PASSE-FIL	4	4	4	
7	90387-06034	COLLAR COLLERETTE	4	4	4	
8	66M-42716-00	RUBBER, SEAL 1 JOINT EN CAOUTCHOUC 1	1	1	1	
9	66M-42738-00-4D	PLATE, FITTING ETRIER	1	1	1	
10	90109-06M82	BOLT BOULON	3	3	3	
11	66M-42725-00	GROMMET PASSE-FIL	1			
	66M-42725-10	GROMMET PASSE-FIL		1		
	66M-42725-20	GROMMET PASSE-FIL			1	
12	65W-42727-00	GROMMET PASSE-FIL	1	1		
	62Y-42727-00	GROMMET PASSE-FIL			1	
13	66M-42815-00-4D	LEVER, CLAMP LEVIER, PRESSE	1	1	1	
14	90386-12M37	BUSH DOUILLE	1	1	1	
15	90386-12MA2	BUSH DOUILLE	1	1	1	
16	90206-12052	WASHER, WAVE RONDELLE, ONDULEE	1	1	1	
17	6L2-42816-00	LEVER, CLAMP LEVIER, PRESSE	1	1	1	
18	97095-06012	BOLT BOULON	1	1	1	
19	66M-42766-00	BRACKET 2 SUPPORT 2	1	1	1	
20	90109-06M86	BOLT BOULON	1	1	1	
21	6H3-44391-01	NIPPLE, HOSE RACCORD D'ESSENCE	1	1	1	
22	66M-26326-00	GROMMET RONDELLE CAOUTCHOUC	1	1		
	65W-26326-10	GROMMET RONDELLE CAOUTCHOUC			1	
23	682-42727-00	GROMMET PASSE-FIL	1	1	1	

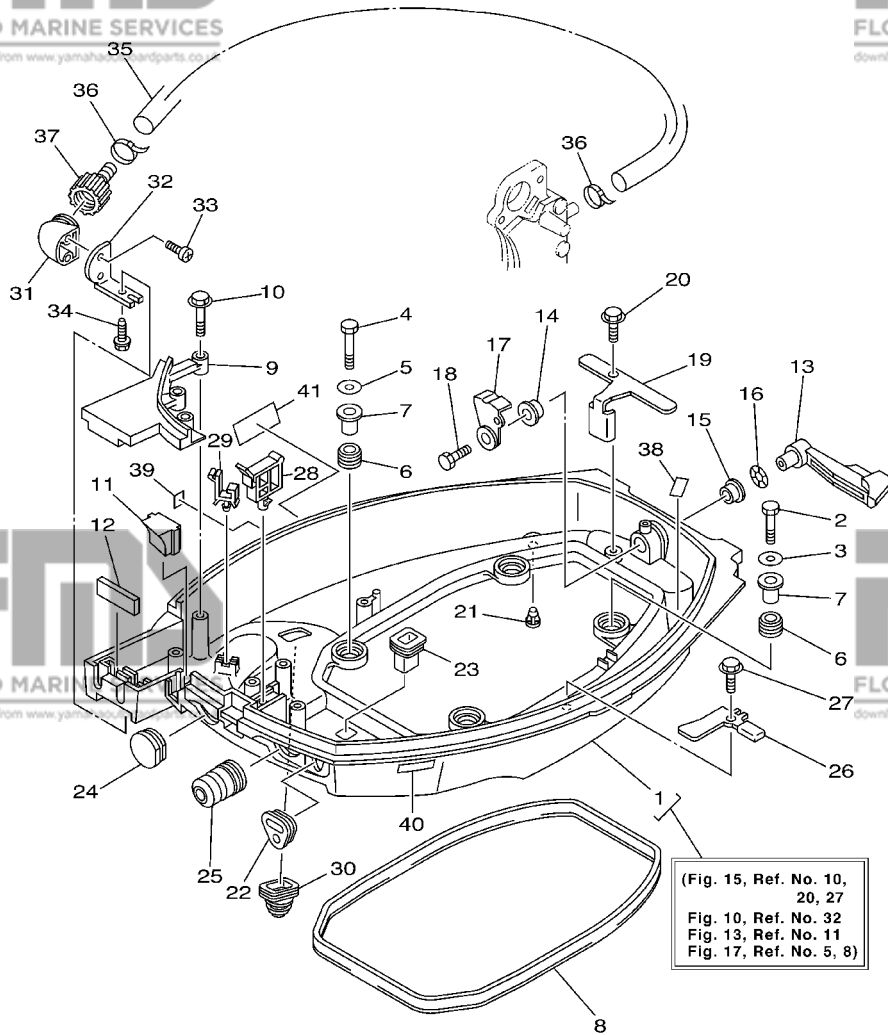


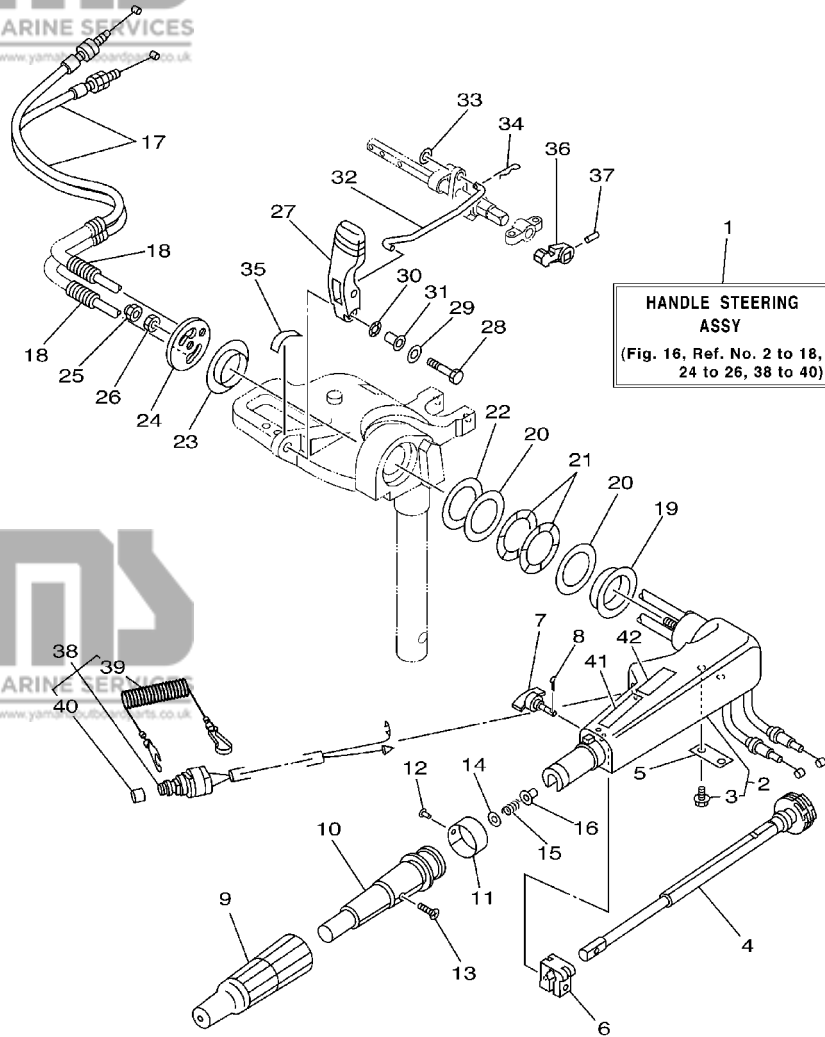
FIG. 15 BOTTOM COWLING

CAPOT INFERIEUR

REF. NO.	PART NO. NO. PIECES	DESCRIPTION DESCRIPTION	MH	EH	EU	REMARKS REMARQUES
24	682-42724-00	GROMMET PASSE-FIL	1	1	1	
25	65W-42726-00	GROMMET PASSE-FIL	1	1		
	65W-42726-10	GROMMET PASSE-FIL			1	
26	66M-42743-00	BRACKET SUPPORT	2	2	2	
27	90109-06M86	BOLT BOULON	2	2	2	
28	90465-25M57	CLAMP BRIDE	1	1	1	
29	90464-09M13	CLAMP BRIDE	1	1	1	
30	688-42726-10	GROMMET PASSE-FIL	1	1	1	FOR FLUSHING KIT
31	68T-12572-00	ADAPTER ADAPTATEUR	1	1	1	FLUSHING KIT
32	69W-12535-00	PLATE PLAQUE	1	1	1	FLUSHING KIT
33	90167-06002	SCREW, TAPPING VIS, TETE FRAISEE	2	2	2	FLUSHING KIT
34	90109-06M86	BOLT BOULON	1	1	1	FLUSHING KIT
35	66M-12481-00	PIPE 1 DURITE 1	1	1	1	FLUSHING KIT
36	90465-11M10	CLAMP BRIDE	2	2	2	FLUSHING KIT
37	6R3-12580-00	JOINT ASSY ARTICULER (ENS.)	1	1	1	FLUSHING KIT
38	62Y-82377-00	LABEL ETIQUETTE	1	1	1	
39	6A1-28176-00	LABEL, CAUTION ETIQUETTE, RECOMMANDATION	1	1	1	
40	6E3-8257H-00	PLATE, MARK PLAQUE, ADHESIF	1	1	1	
41	6G8-13444-51	MARK MAKER	1	1	1	



66M2300-3150



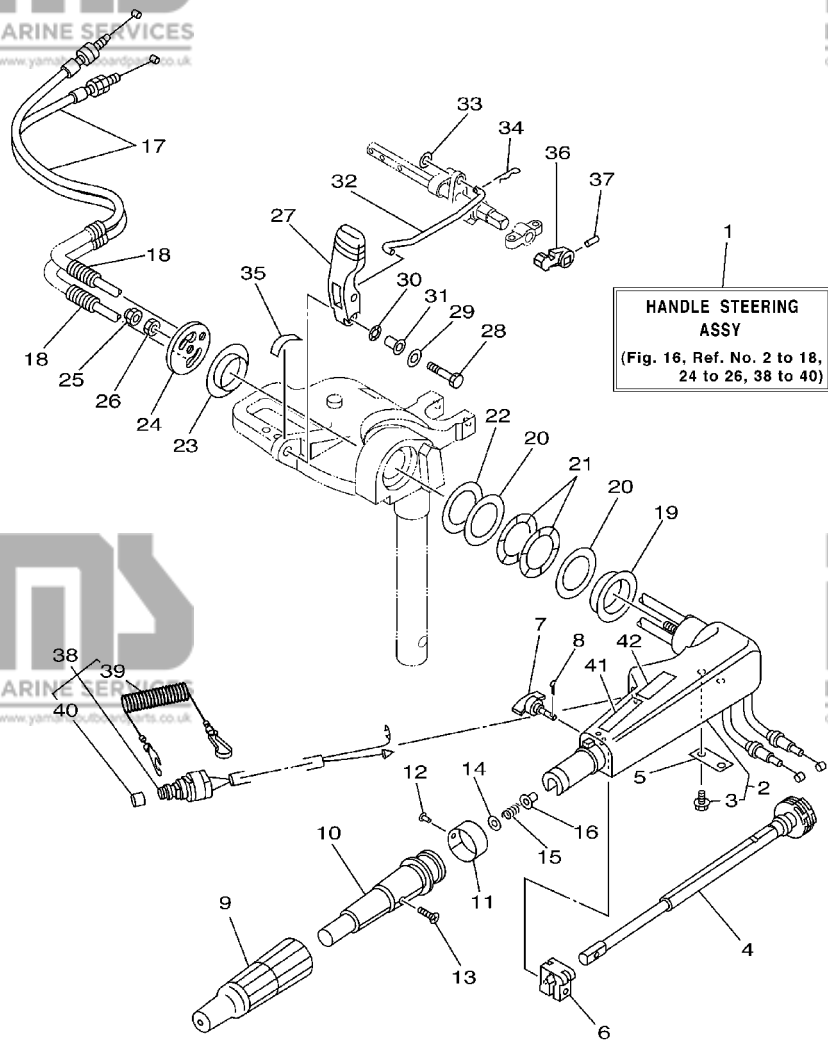
66M1300-2160

FIG. 16 STEERING

DIRECTION

REF. NO.	PART NO. NO. PIECES	DESCRIPTION DESCRIPTION	MH	EH	E	REMARKS REMARQUES
1	66M-W0084-00-4D	HANDLE STEERING ASSY BARRE FRANCHE (ENS.)	1	1		
2	65W-42101-01-4D	HANDLE, STEERING POIGNEE	1	1		
3	90109-06M86	.BOLT .BOULON	2	2		
4	65W-42138-00	LEVER, THROTTLE LEVIER, ACCELERATEUR	1	1		
5	65W-42159-00	STAY SUPPORT	1	1		
6	6G1-42126-00	FRICITION, STEERING HANDLE GRIP CUVETTE, POIGNEE DE DIRECTION	1	1		
7	65W-42125-00	BOLT, FRICTION ADJUSTING BOULON	1	1		
8	91490-16010	PIN, COTTER GOUPILLE	1	1		
9	66M-42177-00	RUBBER, HANDLE CAOUTCHOUC, POIGNEE	1	1		
10	66M-42119-00	GRIP, STEERING HANDLE POIGNEE, BARRE FRANCHE	1	1		
11	689-42137-20	INDICATOR, THROTTLE INDICATEUR, ACCELERATION	1	1		
12	90269-02M09	RIVET RIVET	1	1		
13	90149-05M13	SCREW VIS	1	1		
14	92903-10600	WASHER, PLATE RONDELLE, PLATE	1	1		
15	90501-23215	SPRING, COMPRESSION RESSORT, COMPRESSION	1	1		
16	90386-08032	BUSH DOUILLE	1	1		
17	66M-26311-00	CABLE, THROTTLE 1 CABLE 1, ACCELERATEUR	2	2		
18	90446-10M87	HOSE DURITE	2	2		
19	90386-40MA0	BUSH DOUILLE	1	1		
20	90201-43M00	WASHER, PLATE RONDELLE, PLATE	2	2		
21	90206-43M22	WASHER, WAVE RONDELLE, ONDULEE	2	2		
22	90202-43M57	WASHER, PLATE RONDELLE, PLATE	1	1		
23	90386-40M99	BUSH DOUILLE	1	1		
24	66M-42131-01	COVER, HANDLE STEERING COUVERCLE	1	1		
25	95780-10300	NUT, FLANGE ECROU	1	1		
26	95380-10700	NUT ECROU	1	1		
27	66M-44111-01	HANDLE, GEAR SHIFT POIGNEE, LEVIER D'EMBRAYAGE	1	1		

D5

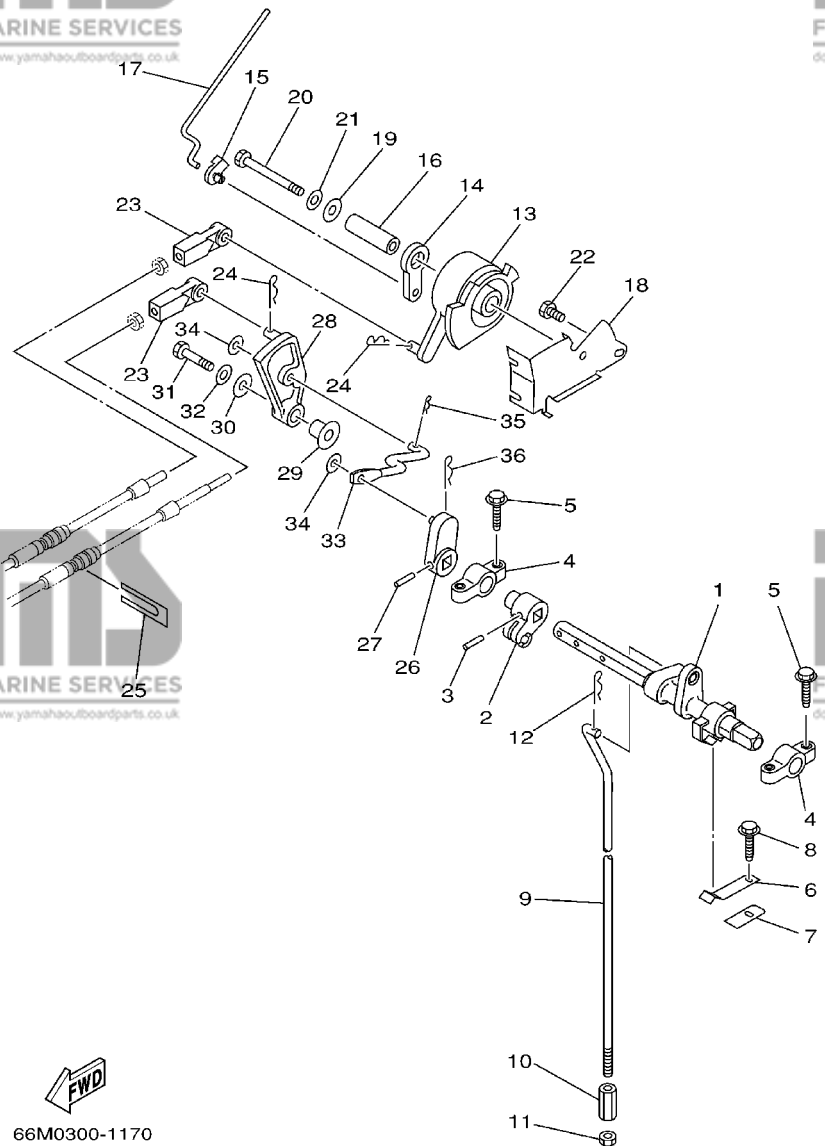


66M1300-2160

FIG. 16 STEERING

DIRECTION

REF. NO.	PART NO. NO. PIECES	DESCRIPTION DESCRIPTION	MH	EH	E	REMARKS REMARQUES
28	97095-06030	BOLT BOULON	1	1		
29	92995-06600	WASHER RONDELLE	1	1		
30	90206-10M04	WASHER, WAVE RONDELLE, ONDULEE	1	1		
31	90387-06M78	COLLAR COLLERETTE	1	1		
32	66M-44124-00	LINK, SHIFT ROD BIELLETTE	1	1		
33	92990-06200	WASHER, PLAIN RONDELLE, PLATE	1	1		
34	90468-18008	CLIP JONC	1	1		
35	6E0-44191-11	INDICATOR, SHIFT ETIQUETTE, EMBRAYAGE	1	1		
36	65W-44173-00	LEVER, SHIFT CONTROL POIGNEE, INVERSION		1		FOR NEWTRAL SW.
37	90254-03M05	PIN, SPRING		1		FOR NEWTRAL SW.
38	65W-82575-01	RIVET, TETE, TRONCONIQUE ENGINE STOP SWITCH ASSY COUPE CIRCUIT CPLT	1	1		
39	682-82556-00	.STOPPER .PLAQUETTE	1	1		
40	689-8257Y-00	.CAP .CHAPEAU	1	1		
41	6E0-83627-41	LABEL, CAUTION 7 ETIQUETTE, RECOMMANDATION 7	1	1		
42	6E0-83627-51	LABEL, CAUTION 7 ETIQUETTE, RECOMMANDATION 7	1	1		



66M0300-1170

FIG. 17 CONTROL

COMMANDE

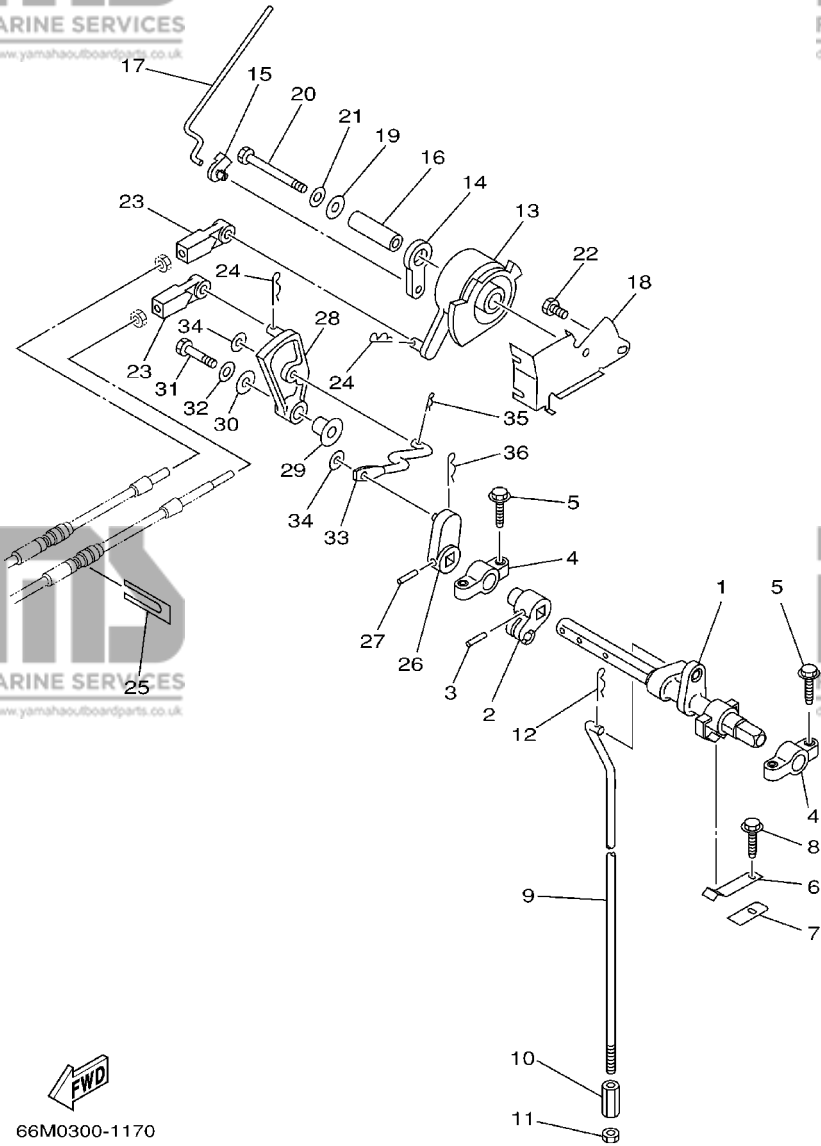
REF. NO.	PART NO. NO. PIECES	DESCRIPTION DESCRIPTION	MH	EH	EU	REMARKS REMARQUES
1	65W-44121-00	LEVER, SHIFT ROD LEVIER, TIGE D'INVERSION	1	1	1	
2	66M-44122-00	BUSHING, SHIFT ROD LEVER DOUILLE, LEVIER D'EMBRAYAGE	1	1	1	
3	90254-03M05	PIN, SPRING RIVET, TETE TRONCONIQUE	1	1	1	
4	6F5-41662-00	BRACKET SUPPORT	2	2	2	
5	90109-06M81	BOLT BOULON	4	4	4	
6	65W-44116-00	SPRING RESSORT	1	1	1	
7	66R-44114-00	STOPPER PLAQUETTE	1	1	1	
8	90109-06M86	BOLT BOULON	1	1	1	
9	66M-44143-00	ROD, SHIFT TIGE D'EMBRAYAGE	1	1	1	S
	66M-44143-10	ROD, SHIFT TIGE D'EMBRAYAGE	1	1	1	L
10	90170-06015	NUT ECROU	1	1	1	
11	95380-06700	NUT ECROU	1	1	1	
12	90468-18008	CLIP JONC	1	1	1	
13	65W-41638-00	PULLEY POULIE	1	1	1	
14	65W-41283-00	LEVER, FREE ACCEL. LEVIER	1	1	1	
15	661-41262-02	JOINT, CHOKE LEVER RACCORD, LEVIER DE STARTER	1	1	1	
16	90387-06M08	COLLAR COLLERETTE	1	1	1	
17	66M-41211-00	LINK, ACCEL. BIELLETTE, ACCELERATION	1	1	1	
18	65W-14497-01	STAY, THROTTLE WIRE SUPPORT DE BOISSEAU	1	1	1	
19	90201-06M31	WASHER, PLATE RONDELLE, PLATE	1	1	1	
20	97095-06055	BOLT BOULON	1	1	1	
21	92995-06600	WASHER RONDELLE	1	1	1	
22	97095-06010	BOLT BOULON	1	1	1	
23	663-48344-00	CABLE END, REMOTE CONTROL CHAPE CABLE			2	
24	90468-18008	CLIP JONC			2	
25	6H3-48538-00	CLAMP, CABLE 1 COLLIER			1	
26	65W-44142-00	JOINT AXE			1	

D7

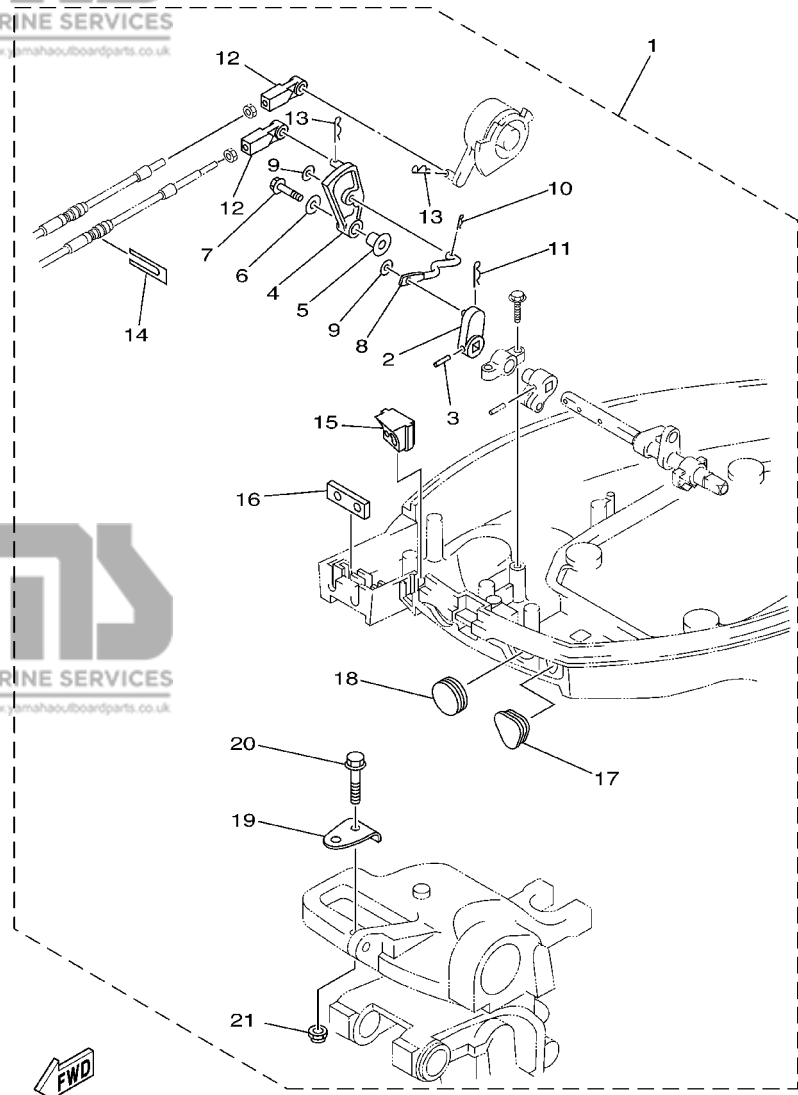
FIG. 17 CONTROL

COMMANDE

REF. NO.	PART NO. NO. PIECES	DESCRIPTION DESCRIPTION	MH	EH	E	REMARKS REMARQUES
27	90254-03M05	PIN, SPRING RIVET, TETE TRONCONIQUE			1	
28	65W-44125-00	LEVER, SHIFT ROD LEVIER, TIGE D'INVERSION			1	
29	90387-06M29	COLLAR COLLERETTE			1	
30	90201-06M31	WASHER, PLATE RONDELLE, PLATE			1	
31	97095-06025	BOLT BOULON			1	
32	92995-06600	WASHER RONDELLE			1	
33	66M-44192-00	JOINT, ROD 1 RACCORD 1, BIELLETTE			1	
34	90201-05M06	WASHER, PLATE RONDELLE, PLATE			2	
35	90468-10005	CLIP JONC			1	
36	90468-18008	CLIP JONC			1	



FWD
66M0300-1170



66M0010-9190

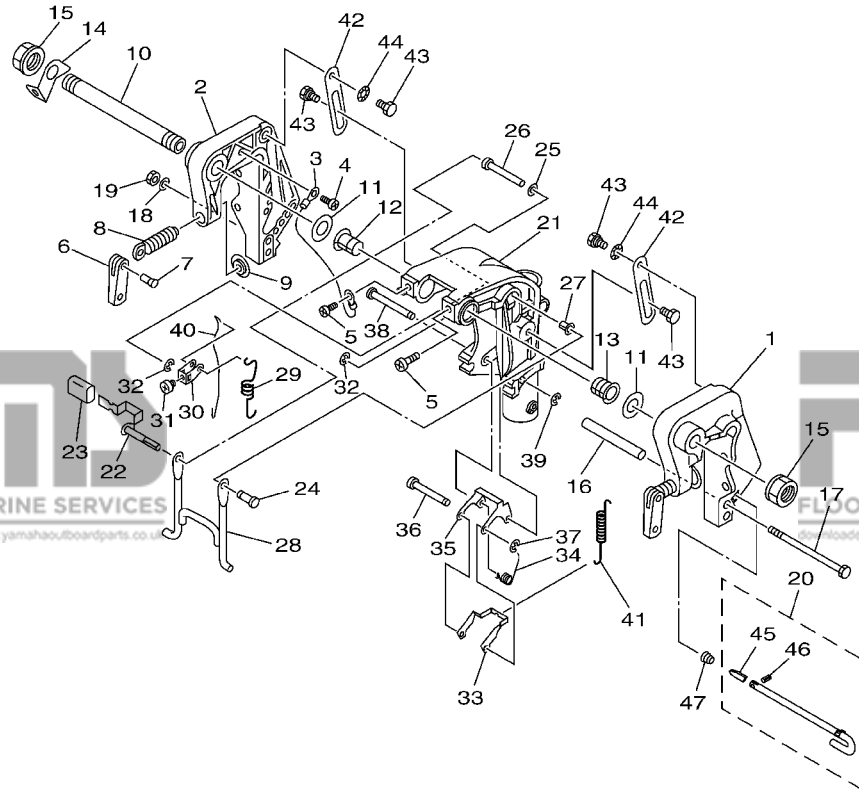
FIG. 18 REMOTE CONTROL ATTACHMENT

COMMANDE A DISTANCE

REF. NO.	PART NO. NO. PIECES	DESCRIPTION DESCRIPTION	MH	EH	U	REMARKS REMARQUES
1	66M-48501-00	REMOTE CONT. ATTACHMENT ASSY. COMMANDE A DISTANCE (KIT)	1	1		AP
2	65W-44142-00	.JOINT .AXE	1	1		
3	90254-03M05	.PIN, SPRING	1	1		
4	65W-44125-00	.RIVET, TETE TRONCONIQUE .LEVER, SHIFT ROD .LEVIER, TIGE D'INVERSION	1	1		
5	90387-06M29	.COLLAR .COLLERETTE	1	1		
6	90201-06M31	.WASHER, PLATE .RONDELLE, PLATE	1	1		
7	97595-06525	.BOLT, WITH WASHER .VIS HEXAGONAL AVC RONDELLE	1	1		
8	66M-44192-00	.JOINT, ROD 1 .RACCORD 1, BIELLETTE	1	1		
9	90201-05M06	.WASHER, PLATE .RONDELLE, PLATE	2	2		
10	90468-10005	.CLIP .JONC	1	1		
11	90468-18008	.CLIP .JONC	1	1		
12	663-48344-00	.CABLE END, REMOTE CONTROL .CHAPE CABLE	2	2		
13	90468-18008	.CLIP .JONC	2	2		
14	6H3-48538-00	.CLAMP, CABLE 1 .COLLIER	1	1		
15	66M-42725-20	.GROMMET .PASSE-FIL	1	1		
16	62Y-42727-00	.GROMMET .PASSE-FIL	1	1		
17	65W-26326-10	.GROMMET .RONDELLE CAOUTCHOUC	1	1		
18	65W-42726-10	.GROMMET .PASSE-FIL	1	1		
19	63V-48511-01	.HOOK, STEERING .ATTACHE, DIRECTION	1	1		
20	97575-08535	.BOLT, WITH WASHER .VIS HEXAGONAL AVC RONDELLE	1	1		
21	90185-08057	.NUT, SELF-LOCKING .ECROU, AUTO-BLOCANT	1	1		

FIG. 19 BRACKET 1

SUPPORT 1



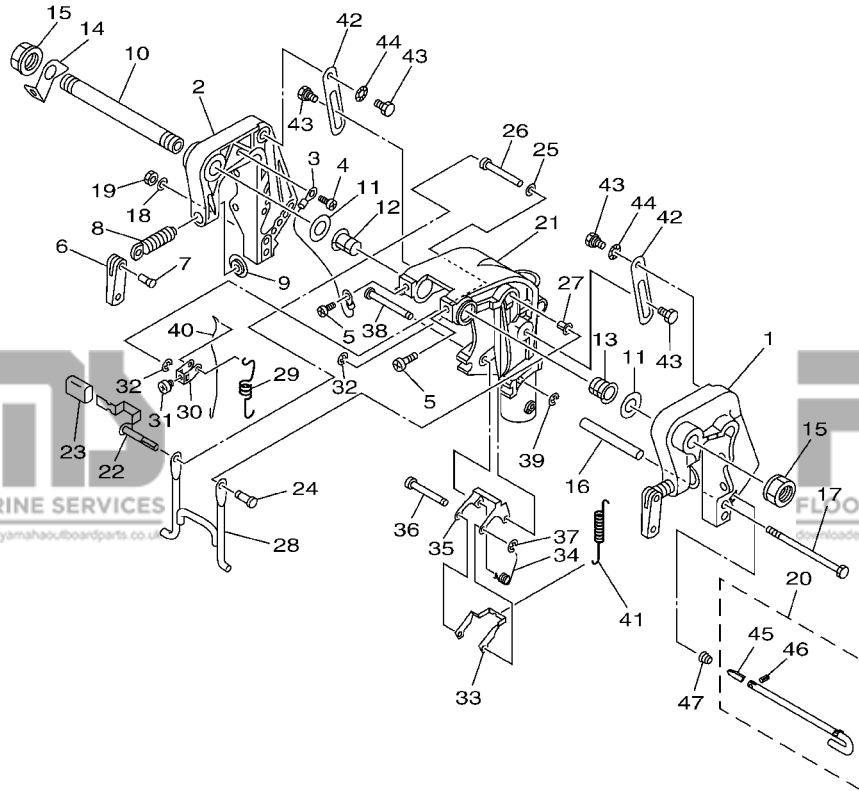
REF. NO.	PART NO. NO. PIECES	DESCRIPTION DESCRIPTION	MH	EH	EU	REMARKS REMARQUES
1	63V-43111-05-4D	BRACKET, CLAMP PRESSE	1	1	1	
2	63V-43112-06-4D	BRACKET, CLAMP PRESSE	1	1	1	
3	66M-82148-00	WIRE, LEAD 4 FIL 4	1	1	1	
4	97885-06008	SCREW, PAN HEAD VIS, A ENCOCHE	1	1	1	
5	97885-08010	SCREW, PAN HEAD VIS, A ENCOCHE	2	2	2	
6	6E0-43118-01	HANDLE, TRANSOM CLAMP POIGNEE DE VIS DE PRESSE	2	2	2	
7	90243-04M01	PIN GOUPILLE	2	2	2	
8	6E7-43116-00	SCREW, TRANSOM CLAMP VIS DE PRESSE	2	2	2	
9	648-43114-01	PAD, TRANSOM CLAMP RONDELLE D'APPUI	2	2	2	
10	63W-43131-10	BOLT, CLAMP BRACKET BOULON, PRESSE	1	1	1	FOR RIDE GUIDE
11	90202-22M54	WASHER, PLATE RONDELLE, PLATE	2	2	2	
12	90386-22M94	BUSH DOUILLE	1	1	1	
13	90386-22M94	BUSH DOUILLE	1	1	1	
14	66R-43113-00	PLATE, CLAMP BRACKET PLAQUETTE, PRESSE	1	1	1	
15	90185-22043	NUT, SELF-LOCKING ECROU, AUTO-BLOCANT	2	2	2	
16	90387-06M13	COLLAR COLLERETTE	1	1	1	
17	90101-06M29	BOLT BOULON	1	1	1	
18	92995-06600	WASHER RONDELLE	1	1	1	
19	95380-06700	NUT ECROU	1	1	1	
20	66M-43160-01	TILT ROD ASSY BROCHE D'INCLINAISON (ENS.)	1	1	1	
21	63V-43311-03-4D	BRACKET, SWIVEL 1 SUPPORT, PIVOT 1	1	1	1	S
	66M-43311-10-4D	BRACKET, SWIVEL 1 SUPPORT, PIVOT 1	1	1	1	L
22	66M-43630-01	TILT LEVER ASSY LEVIER D'INCLINAISON	1	1	1	
23	682-43318-01	COVER CAPUCHON	1	1	1	
24	63V-43191-00	SHAFT, STOPPER AXE, BUTEE	1	1	1	
25	90202-07M60	WASHER, PLATE RONDELLE, PLATE	1	1	1	
26	90387-07M07	COLLAR COLLERETTE	1	1	1	

FWD
66M130021901

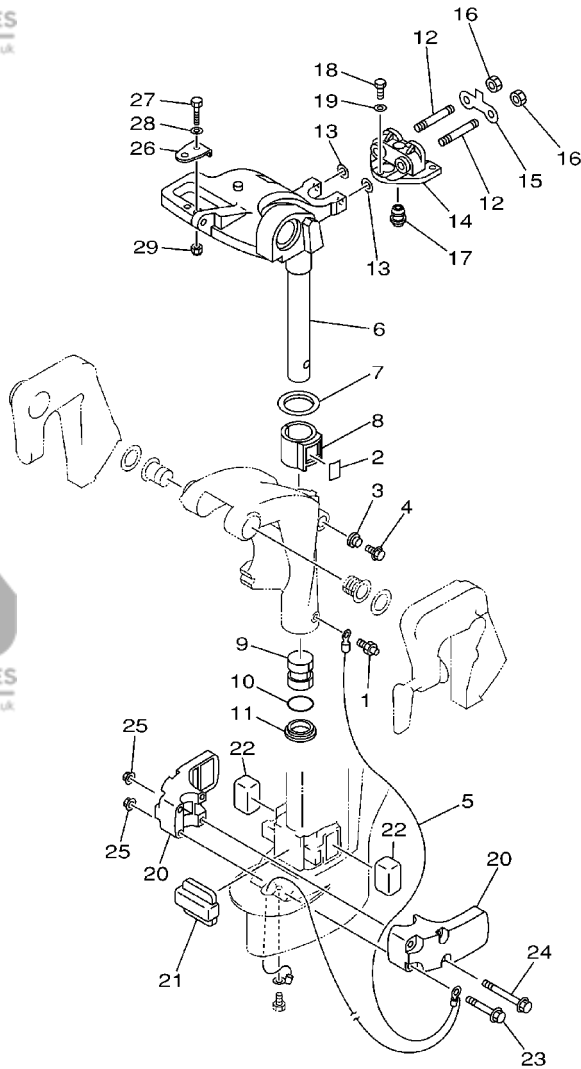
FIG. 19 BRACKET 1

SUPPORT 1

REF. NO.	PART NO. NO. PIECES	DESCRIPTION DESCRIPTION	MH	EH	EU	REMARKS REMARQUES
27	90386-07M95	BUSH DOUILLE	1	1	1	
28	66M-43350-01	RECEIVER ASSY RECEIVER ASSY	1	1	1	
29	90507-20M00	SPRING, TENSION RESSORT, TENSION	1	1	1	
30	63V-43641-01	LEVER, TILT LEVIER, INCLINAISON	1	1	1	
31	90157-05014	SCREW, PAN HEAD VIS, TETE TRONCONIQUE	1	1	1	
32	99080-05600	CIRCLIP CIRCLIP	2	2	2	
33	63V-43614-10	PLATE, TILT LOCK ETRIER, VERROUILLAGE MARCHE AR	1	1	1	
34	90508-18M41	SPRING, TORSION RESSORT, TORSION	1	1	1	
35	66R-43615-00	PLATE, TILT LOCK ETRIER, VERROUILLAGE MARCHE AR	1	1	1	
36	66R-43611-00	SHAFT, TILT LOCK AXE, VERROUILLAGE MARCHE AR	1	1	1	
37	93430-04M03	CIRCLIP CLIPS	1	1	1	
38	63V-43659-00	SHAFT, REVERSE LOCK AXE, VERROUILLAGE MARCHE AR	1	1	1	
39	99080-05600	CIRCLIP CIRCLIP	1	1	1	
40	66R-43617-00	ROD, TILT LOCK TIGE	1	1	1	
41	63V-43656-00	SPRING, REVERSE LOCK 1 RESSORT	1	1	1	
42	63V-43181-00	LEVER, TILT STOP LEVIER, VERROUILLAGE RELEVAGE	2	2	2	
43	90109-06M84	BOLT BOULON	4	4	4	
44	90206-10M24	WASHER, WAVE RONDELLE, ONDULEE	2	2	2	
45	689-43165-00	PLATE, TILT LOCK TAQUET, BROCHE INCLINAISON	1	1	1	
46	91690-30008	PIN, SPRING AGRAFFE	1	1	1	
47	90502-10M07	SPRING, CONICAL RESSORT, CONIQUE	1	1	1	



66M130021901



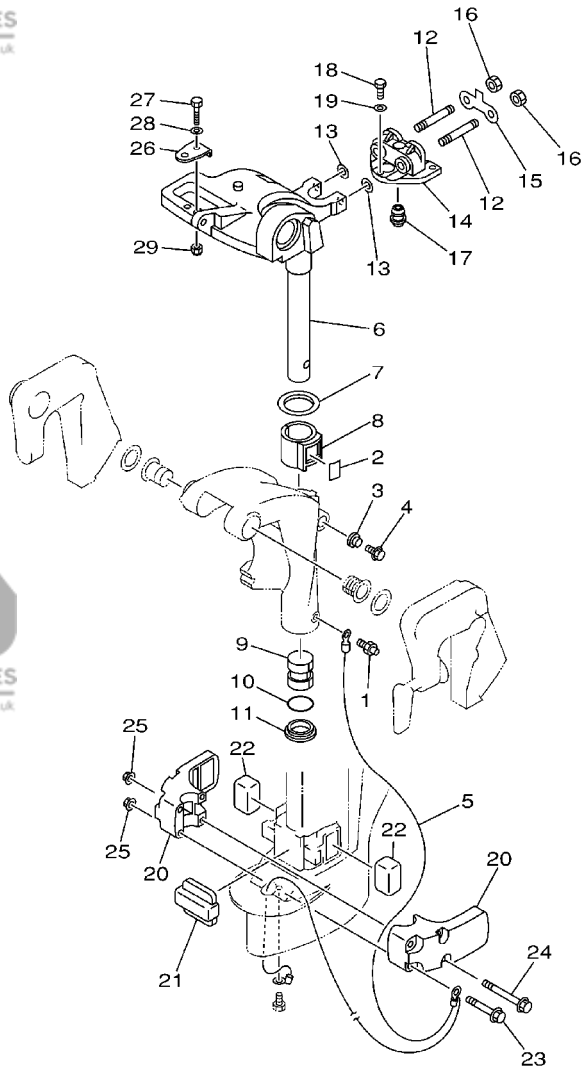
66M0300-1200

FIG. 20 BRACKET 2

SUPPORT 2

REF. NO.	PART NO. NO. PIECES	DESCRIPTION DESCRIPTION	MH	EH	EU	REMARKS REMARQUES
1	93700-06M03	NIPPLE, GREASE PION	1	1	1	
2	63V-42528-00	PLATE, FRICTION PLAQUE, FRICTION	1	1	1	
3	689-43373-01	SEAL, DAMPER JOINT	1	1	1	
4	90105-06M07	BOLT, FLANGE BOULON	1	1	1	
5	66M-82127-00	WIRE, LEAD 2 FIL 2	1	1	1	
6	66M-42511-01-4D	BRACKET, STEERING CADRE, DIRECTION	1	1	1	S
	66M-42511-11-4D	BRACKET, STEERING CADRE, DIRECTION	1	1	1	L
7	90209-40008	WASHER RONDELLE	1	1	1	
8	65F-42537-00	BUSHING, PIVOT SHAFT COUSSINET	1	1	1	
9	90386-30048	BUSH DOUILLE	1	1	1	
10	93210-29M94	O-RING JOINT TORIQUE	1	1	1	
11	90386-30M60	BUSH DOUILLE	1	1	1	
12	90116-08M54	BOLT, STUD GOUJON	2	2	2	
13	90201-08M06	WASHER, PLATE RONDELLE, PLATE	2	2	2	
14	66M-44514-00-4D	MOUNT DAMPER, UPPER SIDE SILENT-BLOC, SUPERIEUR LATERAL	1	1	1	
15	66M-44526-00	PLATE PLAQUE	1	1	1	
16	95380-08600	NUT ECROU	2	2	2	
17	66M-44366-00	DAMPER, WATER SEAL JOINT, TUBE D'EAU	1	1	1	
18	97075-06025	BOLT BOULON	3	3	3	
19	92995-06600	WASHER RONDELLE	3	3	3	
20	66M-44551-00-4D	HOUSING, LOWER MOUNT RUBBER BOITIER, SILENT-BLOC INFERIEUR	2	2	2	
21	66M-44557-00	MOUNT DAMPER, LOWER FRONT SILENT-BLOC, INFERIEUR AVANT	1	1	1	
22	682-44555-30	MOUNT DAMPER, LOWER SIDE SILENT-BLOC, INFERIEUR LATERAL	2	2	2	
23	90119-08M45	BOLT, WITH WASHER BOULON, AVEC RONDELLE	2	2	2	
24	90119-08M46	BOLT, WITH WASHER BOULON, AVEC RONDELLE	2	2	2	
25	90179-08M34	NUT ECROU	4	4	4	
26	63V-48511-01	HOOK, STEERING ATTACHE, DIRECTION			1	

E5



66M0300-1200

FIG. 20 BRACKET 2

SUPPORT 2

REF. NO.	PART NO. NO. PIECES	DESCRIPTION DESCRIPTION	MH	EH	E	REMARKS REMARQUES
27	97075-08035	BOLT BOULON			1	
28	92995-08600	WASHER RONDELLE			1	
29	90185-08057	NUT, SELF-LOCKING ECROU, AUTO-BLOCANT			1	

E6

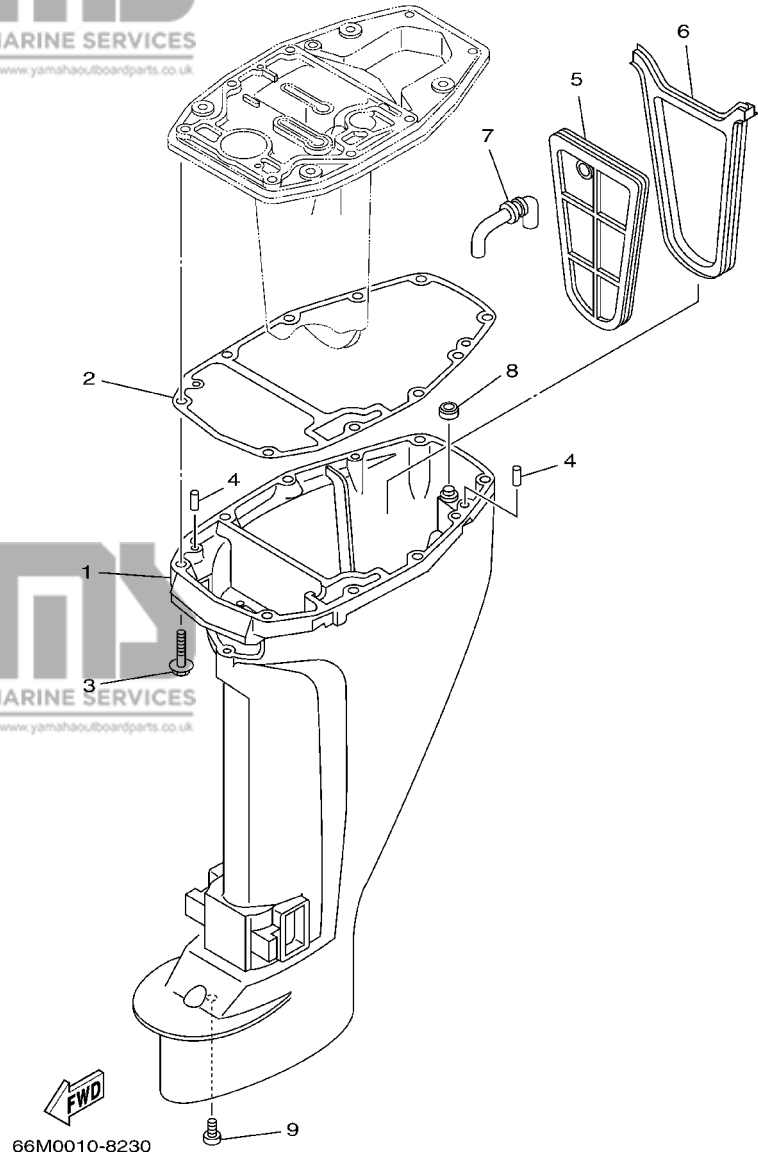
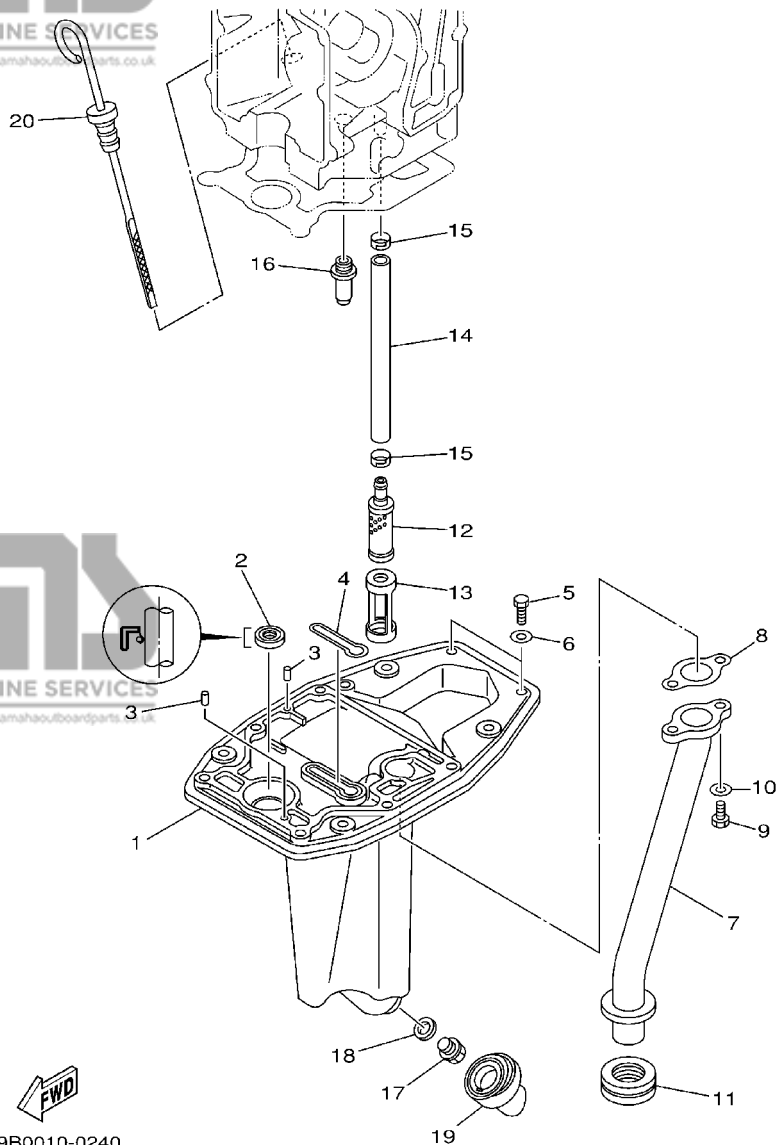


FIG. 21 UPPER CASING

FOURREAU

REF. NO.	PART NO. NO. PIECES	DESCRIPTION DESCRIPTION	MH	EH	E	REMARKS REMARQUES
1	66M-45111-00-4D	CASING, UPPER FOURREAU	1	1	1	S
	66M-45111-10-4D	CASING, UPPER FOURREAU	1	1	1	L
2	66M-45113-00	GASKET, UPPER CASING JOINT, TUBE D'ARBRE	1	1	1	
3	97575-08545	BOLT, WITH WASHER VIS HEXAGONAL AVC RONDELLE	6	6	6	
4	93606-12019	PIN, DOWEL GOUPILLE	2	2	2	
5	66M-45126-00	PLATE, SEAL DAMPER PLAQUETTE	1	1	1	
6	66M-45115-00	GASKET, UPPER CASING JOINT, TUBE D'ARBRE	1	1	1	
7	66M-45136-00	PIPE DURITE	1	1	1	
8	66M-45128-00	SEAL 2 JOINT 2	1	1	1	
9	90157-06M06	SCREW, PAN HEAD VIS, TETE TRONCONIQUE	1	1	1	



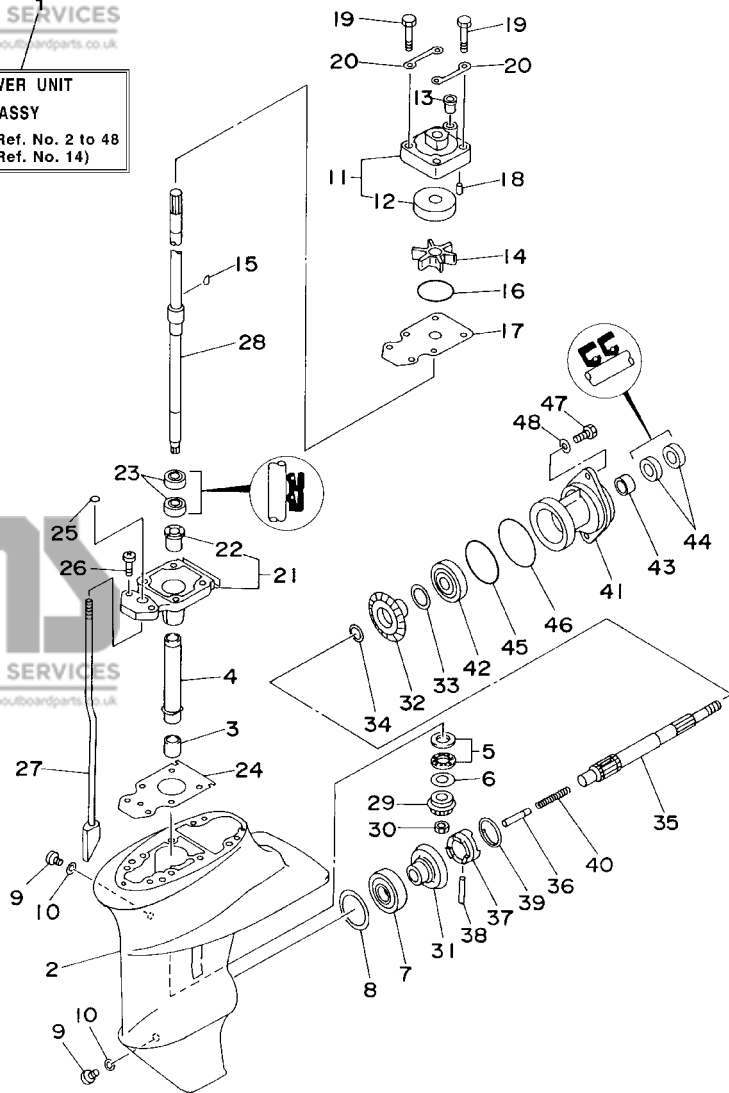
69B0010-0240

FIG. 22 OIL PAN

VENTILATEUR D'HUILE

REF. NO.	PART NO. NO. PIECES	DESCRIPTION DESCRIPTION	MH	EH	EU	REMARKS REMARQUES
1	66M-41137-00-5B	GUIDE, EXHAUST COLLECTEUR D'ECHAPPEMENT	1	1	1	
2	93101-12M63	OIL SEAL JOINT SPY	1	1	1	
3	93606-12019	PIN, DOWEL GOUPILLE	2	2	2	
4	66M-11355-00	SEAL, CYLINDER 1 JOINT, SPY CYLINDRE	1	1	1	
5	97095-06020	BOLT BOULON	2	2	2	
6	92995-06600	WASHER RONDELLE	2	2	2	
7	66M-41131-01-94	MANIFOLD, EXT. 1 PIPE D'ECHAPPEMENT	1	1	1	
8	66M-41133-00	GASKET, EXHAUST MANIFOLD 1 JOINT, PIPE D'ECHAPPEMENT	1	1	1	
9	97095-06016	BOLT BOULON	2	2	2	
10	92995-06600	WASHER RONDELLE	2	2	2	
11	66M-41138-00	SEAL, EXT. 1 JOINT DE GROUPE 1	1	1	1	
12	66M-13421-00	STRAINER 2 FILTRE 2	1	1	1	
13	66M-13417-00	COVER, STRAINER COUVERCLE, FILTRE	1	1	1	
14	66M-13416-00	PIPE, OIL 1 DURITE A HUILE	1	1	1	
15	66M-24351-00	BAND 1 COLLIER 1	2	2	2	
16	6G8-11575-00	RELIEF VALVE ASSY SOUPEPE DE RENTREE D'AIR	1	1	1	
17	90340-14M06	PLUG, STRAIGHT SCREW PLOT, FILETE DROIT	1	1	1	
18	90430-14M09	GASKET JOINT	1	1	1	
19	66M-15316-00	DAMPER, ENGINE MOUNT 1 AMORTISSEUR DE SUPPORT	1	1	1	
20	66M-15362-00	PLUG, OIL LEVEL PLOT, NIVEAU D'HUILE	1	1	1	

**LOWER UNIT
ASSY**
(Fig. 23, Ref. No. 2 to 48
Fig. 24, Ref. No. 14)



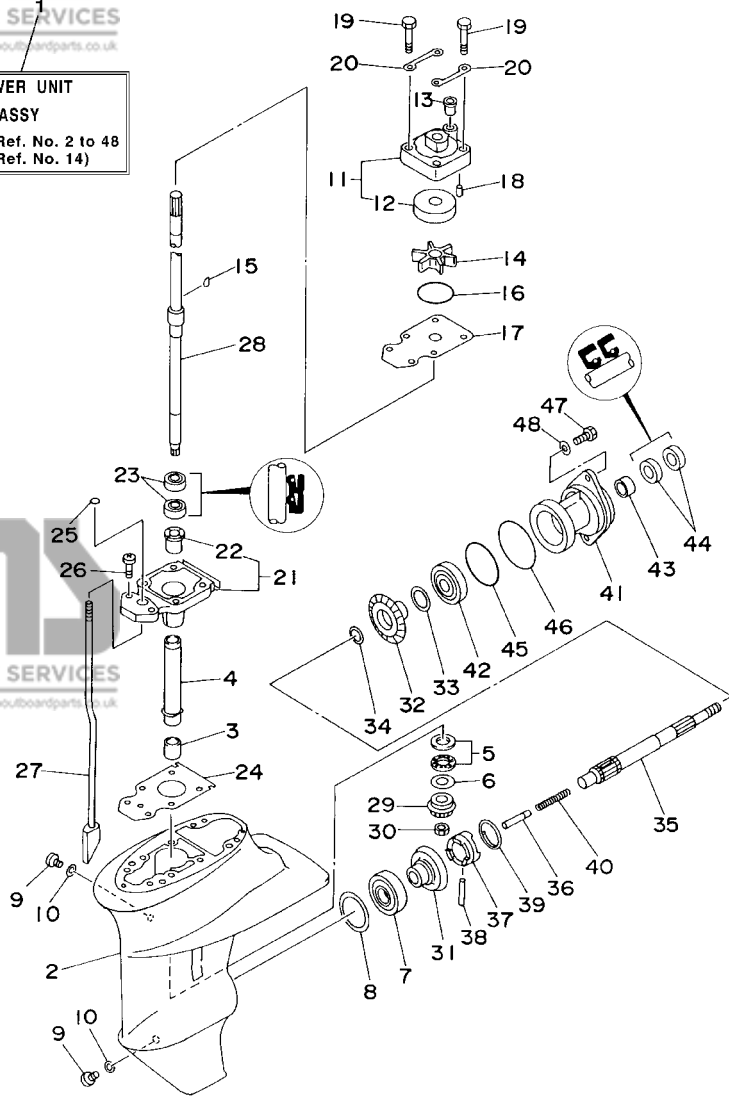
66M0300-1230

FIG. 23 LOWER CASING. DRIVE 1

BOITIER D'HELICE, TRANSMISSION 1

REF. NO.	PART NO. NO. PIECES	DESCRIPTION DESCRIPTION	MH	EH	U	REMARKS REMARQUES
1	66M-45300-01-4D	LOWER UNIT ASSY UNITE INFERIEURE (ENS.)	1	1	1	S
	66M-45300-11-4D	LOWER UNIT ASSY UNITE INFERIEURE (ENS.)	1	1	1	L
2	66M-45311-00-4D	CASING, LOWER BOITIER D'HELICE	1	1	1	S
	63V-45311-01-4D	CASING, LOWER BOITIER D'HELICE	1	1	1	L
3	93315-314V8	BEARING ROULEMENT	1	1	1	
4	63V-45536-00	SLEEVE, DRIVE SHAFT MANCHON, ARBRE MOTEUR	1	1	1	
5	93341-41414	BEARING CERVEAUX DE DIRECTION	1	1	1	
6	6E8-45587-10-13	SHIM (T:1.13MM) CALE (T:1.13MM)	1	1	1	UR
	6E8-45587-10-20	SHIM (T:1.20MM) CALE (T:1.20MM)	1	1	1	UR
7	93332-00005	BEARING ROULEMENT	1	1	1	
8	664-45567-01-10	SHIM (T:0.10MM) CALE (T:0.10MM)	1	1	1	UR
	664-45567-01-12	SHIM (T:0.12MM) CALE (T:0.12MM)	1	1	1	UR
	664-45567-01-15	SHIM (T:0.15MM) CALE (T:0.15MM)	1	1	1	UR
	664-45567-01-18	SHIM (T:0.18MM) CALE (T:0.18MM)	1	1	1	UR
	664-45567-01-30	SHIM (T:0.30MM) CALE (T:0.30MM)	1	1	1	UR
	664-45567-01-40	SHIM (T:0.40MM) CALE (T:0.40MM)	1	1	1	UR
	664-45567-01-50	SHIM (T:0.50MM) CALE (T:0.50MM)	1	1	1	UR
9	90340-08002	PLUG, STRAIGHT SCREW PLOT, FILETE DROIT	2	2	2	
10	90430-08020	GASKET JOINT	2	2	2	
11	63V-44301-00	WATER PUMP HOUSING COMP. CARTER, POMPE A EAU (ENS.)	1	1	1	
12	63V-44322-00	INSERT, CARTRIDGE .CUVETTE	1	1	1	
13	647-44366-00	DAMPER, WATER SEAL JOINT, TUBE D'EAU	1	1	1	
14	63V-44352-01	IMPELLER TURBINE	1	1	1	
15	664-44338-00	KEY, WOODRUFF CLAVETTE, VOLANT	1	1	1	
16	93210-44398	O-RING JOINT TORIQUE	1	1	1	
17	63V-44323-00	OUTER PLATE, CARTRIDGE PLAQUE EXTERIEURE	1	1	1	
18	93604-12M07	PIN, DOWEL CLAVETTE	2	2	2	

**LOWER UNIT
ASSY**
(Fig. 23, Ref. No. 2 to 48
Fig. 24, Ref. No. 14)



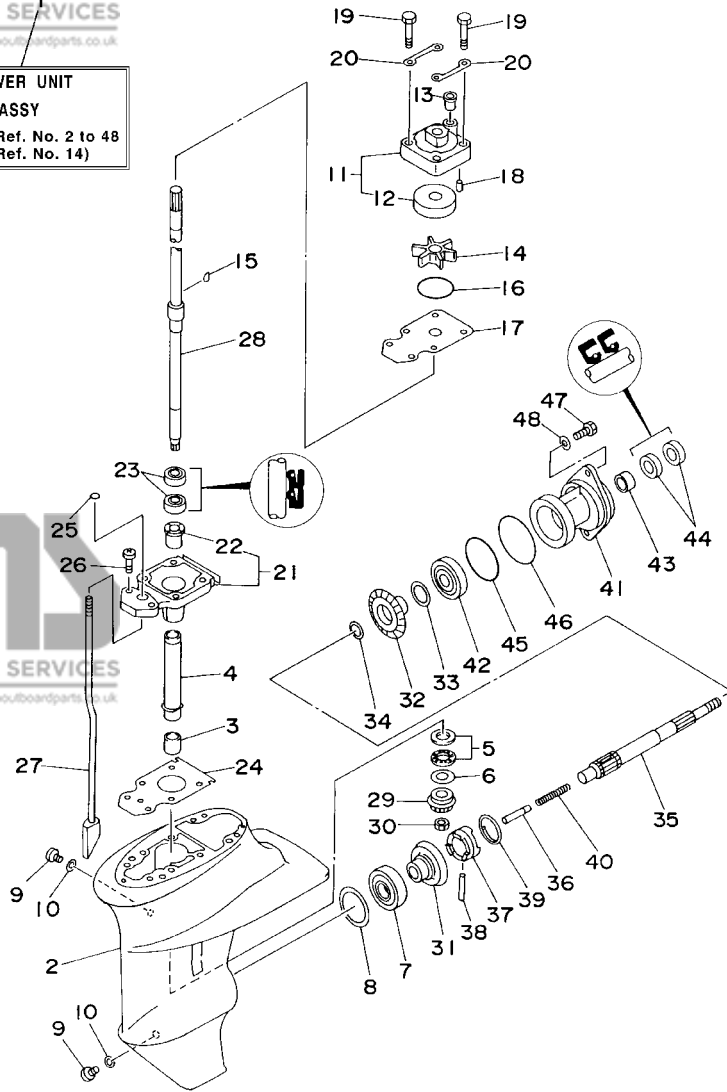
66M0300-1230

FIG. 23 LOWER CASING. DRIVE 1

BOITIER D'HELICE, TRANSMISSION 1

REF. NO.	PART NO. NO. PIECES	DESCRIPTION DESCRIPTION	MH	EH	U	REMARKS REMARQUES
19	97080-08045	BOLT BOULON	4	4	4	
20	63V-44328-00	PLATE PLAQUETTE	2	2	2	
21	63V-45331-00-5B	HOUSING, BEARING FLASQUE, ROULEMENT	1	1	1	
22	90381-14020	.BUSH, SOLID .DOUILLE, SOLIDE	1	1	1	
23	93101-20048	OIL SEAL JOINT SPY.	2	2	2	
24	63V-45315-A0	PACKING, LOWER CASING JOINT, BOITIER D'HELICE	1	1	1	
25	93210-06ME6	O-RING JOINT TORIQUE	1	1	1	
26	97080-08025	BOLT BOULON	2	2	2	
27	63V-44150-00	SHIFT CAM ASSY CAME D'INVERSION	1	1	1	S
	66M-44150-10	SHIFT CAM ASSY CAME D'INVERSION	1	1	1	L
28	63V-45510-01	DRIVE SHAFT ASSY ARBRE MOTEUR (ENS.)	1	1	1	S
	63V-45510-11	DRIVE SHAFT ASSY ARBRE MOTEUR (ENS.)	1	1	1	L
29	63V-45551-00	PINION PIGNON D'ATTAQUE	1	1	1	
30	90179-08M06	NUT ECROU	1	1	1	
31	6E7-45560-01	GEAR PIGNON	1	1	1	
32	6E7-45571-00	GEAR PIGNON	1	1	1	
33	626-45577-00-01	SHIM (T:0.10MM) CALE (T:0.10MM)	1	1	1	UR
	626-45577-00-03	SHIM (T:0.30MM) CALE (T:0.30MM)	1	1	1	UR
	626-45577-00-05	SHIM (T:0.50MM) CALE (T:0.50MM)	1	1	1	UR
34	90201-17682	WASHER, PLATE RONDELLE, PLATE	1	1	1	
35	683-45611-00	SHAFT, PROPÉLLER ARBRE, HELICE	1	1	1	
36	650-45635-00	PLUNGER, SHIFT POUSSOIR D'EMBRAYAGE	1	1	1	
37	682-45631-00	CLUTCH, DOG CRABOT	1	1	1	
38	90250-05010	PIN, STRAIGHT GOUPILLE, DROITE	1	1	1	
39	648-45633-00	RING, CROSS PIN JONC, GOUPILLE CRABOT	1	1	1	
40	90501-14M06	SPRING, COMPRESSION RESSORT, COMPRESSION	1	1	1	
41	683-45361-02-4D	CAP, LOWER CASING COUVERCLE, BOITIER D'HELICE	1	1	1	

**LOWER UNIT
ASSY**
(Fig. 23, Ref. No. 2 to 48
Fig. 24, Ref. No. 14)

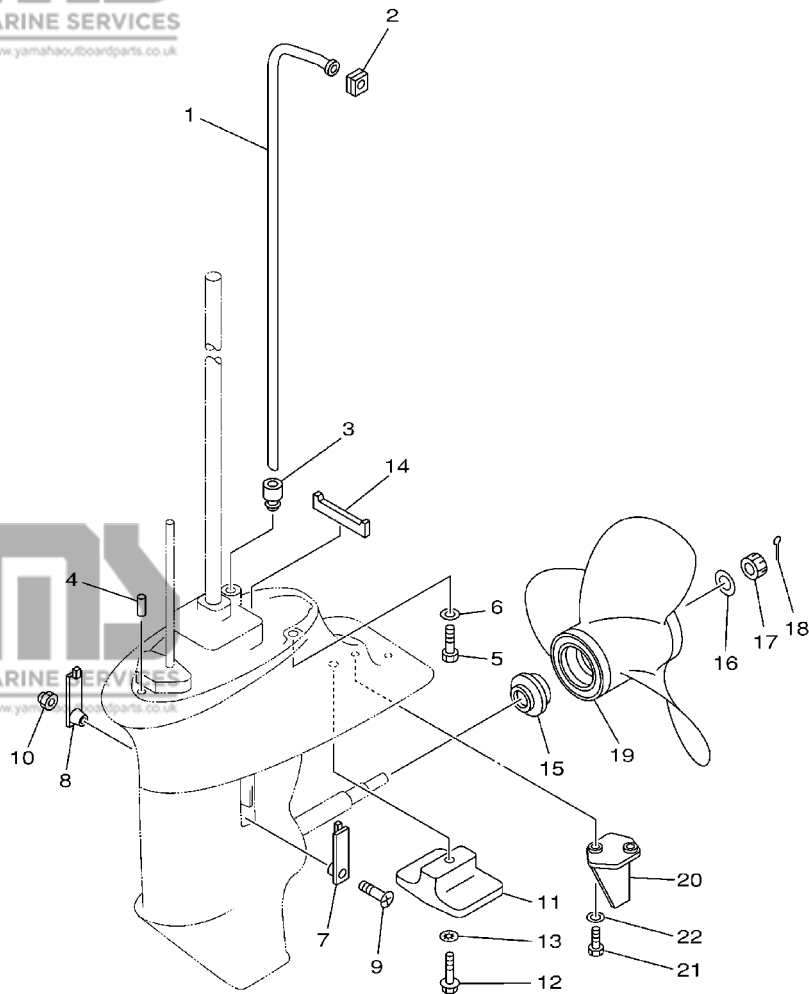


66M0300-1230

FIG. 23 LOWER CASING. DRIVE 1

BOITIER D'HELICE, TRANSMISSION 1

REF. NO.	PART NO. NO. PIECES	DESCRIPTION DESCRIPTION	MH	EH	U	REMARKS REMARQUES
42	93306-00501	BEARING (B6005) ROULEMENT (B6005)	1	1	1	
43	93315-317U2	BEARING ROULEMENT	1	1	1	
44	93101-17054	OIL SEAL JOINT SPY	2	2	2	
45	93210-57M09	O-RING JOINT TORIQUE	1	1	1	
46	93210-56M80	O-RING JOINT TORIQUE	1	1	1	
47	97095-06020	BOLT BOULON	2	2	2	
48	92995-06600	WASHER RONDELLE	2	2	2	



69A0300-0230

FIG. 24 LOWER CASING. DRIVE 2

BOITIER D'HELICE, TRANSMISSION 2

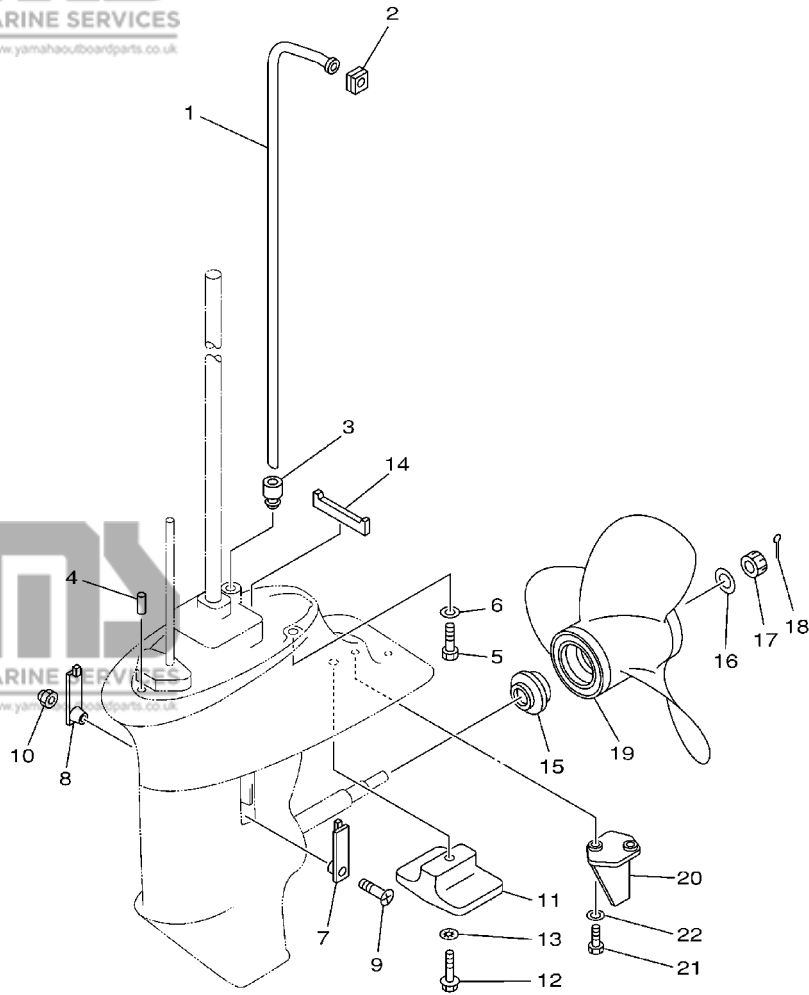
REF. NO.	PART NO. NO. PIECES	DESCRIPTION DESCRIPTION	MH	EH	U	REMARKS REMARQUES
1	66M-44361-00	TUBE, WATER TUBE D'EAU	1	1	1	S
	66M-44361-10	TUBE, WATER TUBE D'EAU	1	1	1	L
2	63V-44365-10	DAMPER, WATER SEAL JOINT, TUBE D'EAU	1	1	1	
3	63V-44368-00	RUBBER, WATER SEAL 4 CAOUTCHOUC EAU JUNTA 4	1	1	1	
4	93604-12M07	PIN, DOWEL CLAVETTE	2	2	2	
5	97075-08030	BOLT BOULON	4	4	4	
6	92995-08600	WASHER RONDELLE	4	4	4	
7	6G1-45214-00	COVER, WATER INLET GRILLE, ENTREE D'EAU	1	1	1	
8	63V-45215-00	COVER, WATER INLET GRILLE, ENTREE D'EAU	1	1	1	
9	90152-05M04	SCREW, COUNTERSUNK VIS, TETE NOYEE	1	1	1	
10	90185-05002	NUT, SELF-LOCKING ECROU, AUTO-BLOCANT	1	1	1	
11	61N-45251-01	ANODE ANODE	1	1	1	
12	95895-06030	BOLT, FLANGE BOULON	1	1	1	
13	92990-06300	WASHER, INTERNAL TOOTH RONDELLE, DENTURE INTERNE	1	1	1	
14	63V-45375-00	DAMPER, SEAL BOURRELET, CAOUTCHOUC	1	1	1	
15	6E7-45987-01	SPACER ENTRETOISE	1	1	1	
16	90201-10M01	WASHER, PLATE RONDELLE, PLATE	1	1	1	
17	90171-10M01	NUT, CASTLE ECROU, CRENELE	1	1	1	
18	91490-30020	PIN, COTTER GOUPILLE	1	1	1	
19	63V-45945-00-EL	PROPELLER (3X9-1/4"X9"-J) HELICE (3X9-1/4"X9"-J)	1	1	1	UR
	63V-45947-00-EL	PROPELLER (3X9-1/4"X8"-J) HELICE (3X9-1/4"X8"-J)	1	1	1	UR
	683-45941-00-EL	PROPELLER (3X9-1/4"X12"-J) HELICE (3X9-1/4"X12"-J)	1	1	1	UR
	683-45943-00-EL	PROPELLER (3X9-1/4"X10-1/2"-J) HELICE (3X9-1/4"X10-1/2"-J)	1	1	1	UR
	683-45945-00-EL	PROPELLER (3X9-1/4"X9"-J) HELICE (3X9-1/4"X9"-J)	1	1	1	UR
	683-45952-00-EL	PROPELLER (3X9-1/4"X9-3/4"-J) HELICE (3X9-1/4"X9-3/4"-J)	1	1	1	UR
20	66M-45371-00	TAB-TRIM ANODE DERIVE	1	1	1	S
21	97095-06016	BOLT BOULON	2	2	2	S

FIG. 24 LOWER CASING. DRIVE 2

BOITIER D'HELICE, TRANSMISSION 2

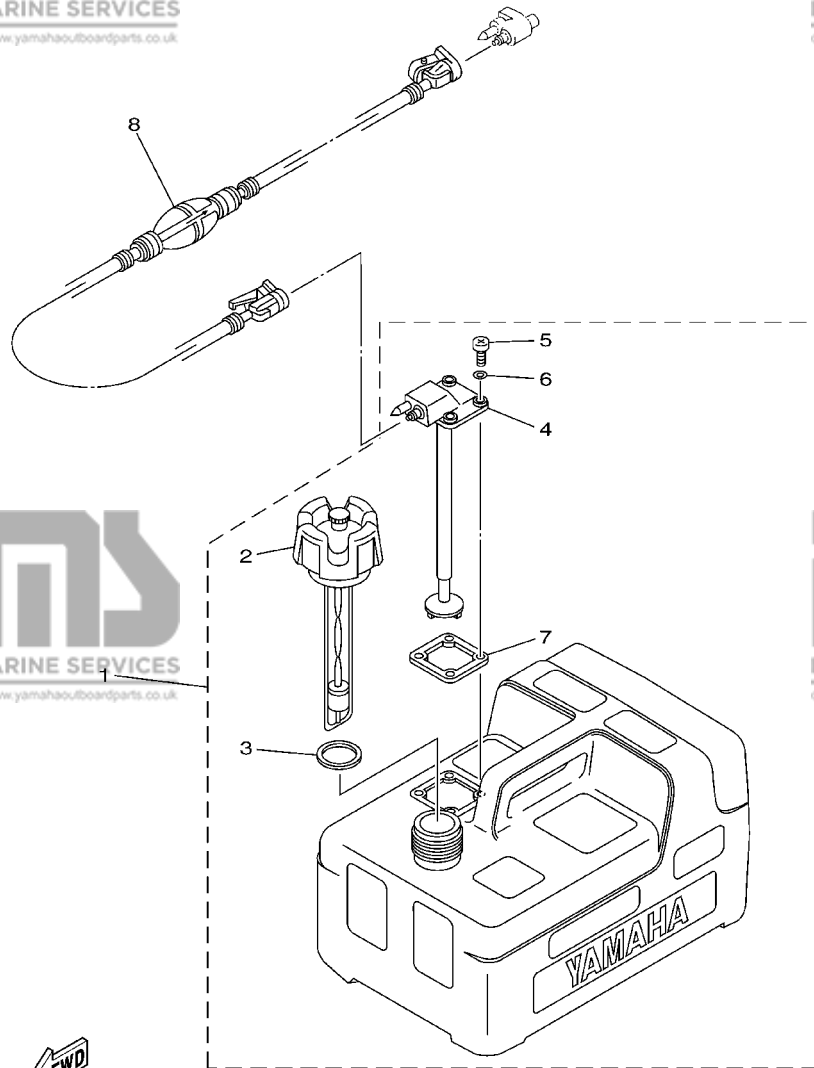
REF. NO.	PART NO. NO. PIECES	DESCRIPTION DESCRIPTION	MH	EH	E	REMARKS REMARQUES
----------	---------------------	-------------------------	----	----	---	-------------------

22	92995-06600	WASHER RONDELLE	2	2	2	S
----	-------------	-----------------	---	---	---	---



FWD
 69A0300-0230

F6



FWD
66R0700-9260

FIG. 25 FUEL TANK 1

RESERVOIR A CARBURANT 1

REF. NO.	PART NO. NO. PIECES	DESCRIPTION DESCRIPTION	MH	EH	U	REMARKS REMARQUES
1	6YL-24201-02	FUEL TANK ASSY (12L) RESERVOIR A ESSENCE (ENS.) 12L	1	1	1	AP
2	6YL-24610-00	.CAP ASSY .BOUCHON	1	1	1	
3	6YL-24641-00	.GASKET, CAP 1 .JOINT 1, BOUCHON	1	1	1	
4	6YL-24260-01	.FUEL METER ASSY .INDICATEUR DE CARBURANT	1	1	1	
5	90157-05M16	.SCREW, PAN HEAD .VIS, TETE TRONCONIQUE	4	4	4	
6	6YL-24329-00	.SEAL .JOINT	4	4	4	
7	6YL-24268-01	.GASKET, FUEL METER .JOINT, JAUGE A CARBURANT	1	1	1	
8	6YL-24306-52	FUEL PIPE COMP. 1 DURITE A ESSENCE 1	1	1	1	AP

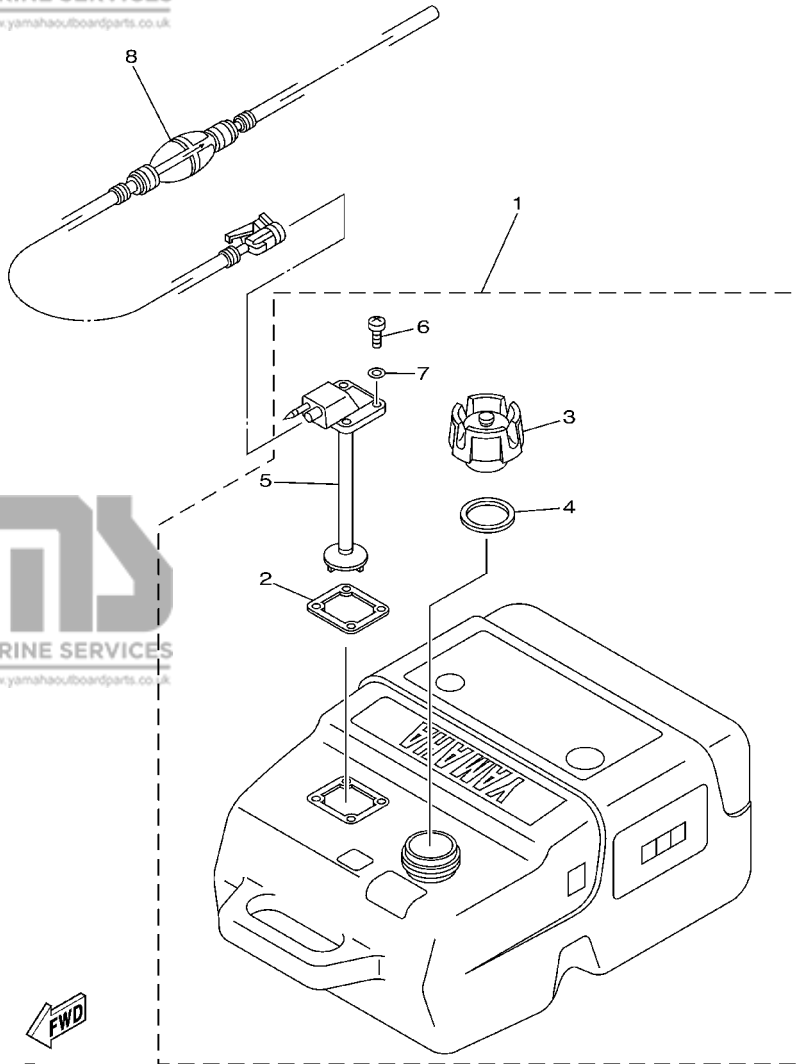


FIG. 26 FUEL TANK 2

RESERVOIR A CARBURANT 2

REF. NO.	PART NO. NO. PIECES	DESCRIPTION DESCRIPTION	MH	EH	EU	REMARKS REMARQUES
1	6YK-24201-10	FUEL TANK ASSY (25L) RESERVOIR A ESSENCE (ENS.) 25L	1	1	1	AP *ECM-"F15A ONLY"
2	6YL-24268-01	.GASKET, FUEL METER .JOINT, JAUGE A CARBURANT	1	1	1	
3	6YK-24610-10	.CAP ASSY .BOUCHON	1	1	1	WITHOUT INDICATOR
4	6YL-24641-00	.GASKET, CAP 1 .JOINT 1, BOUCHON	1	1	1	
5	6YK-24260-01	.FUEL METER ASSY .INDICATEUR DE CARBURANT	1	1	1	
6	90157-05M16	.SCREW, PAN HEAD .VIS, TETE TRONCONIQUE	4	4	4	
7	6YL-24329-00	.SEAL .JOINT	4	4	4	
8	6YL-24306-52	FUEL PIPE COMP. 1 DURITE A ESSENCE 1	1	1	1	AP *ECM-"F15A ONLY"

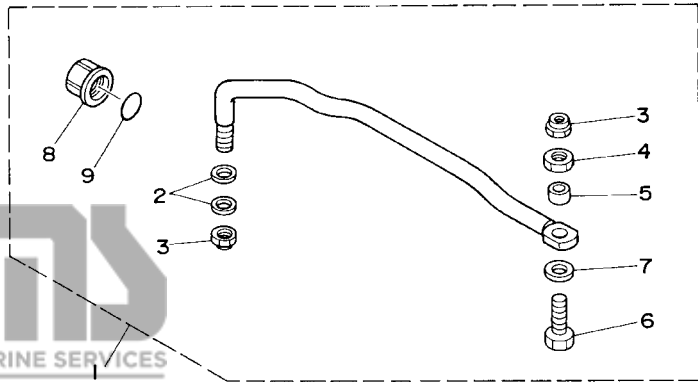
*ECM: FOR EMISSION CONTROL MODEL.

*ECM: POUR MODELE CONTROLE D' EMISSIONS.

FIG. 27 STEERING GUIDE

FIXATION DE DIRECTION

REF. NO.	PART NO. NO. PIECES	DESCRIPTION DESCRIPTION	MH	EH	E	REMARKS REMARQUES
1	63V-61350-00	STEERING GUIDE ATTACHMENT KIT FIXATIONS DE DIRECTION			1	AP
2	90201-10M20	.WASHER, PLATE .RONDELLE, PLATE			2	
3	90185-09M01	.NUT, SELF-LOCKING .ECROU, AUTO-BLOCANT			2	
4	90170-09M03	.NUT .ECROU			1	
5	90387-10M42	.COLLAR .COLLERETTE			1	
6	6E5-61355-00	.BOLT .BOULON			1	
7	90201-10M63	.WASHER, PLATE .RONDELLE, PLATE			1	
8	6E5-43145-01	.CAP, CLAMP BRACKET .CAPUCHON, PRESSE			1	
9	93210-16275	.O-RING .JOINT TORIQUE			1	



63V0100-5210

A5

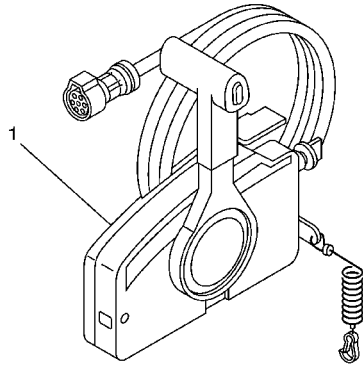
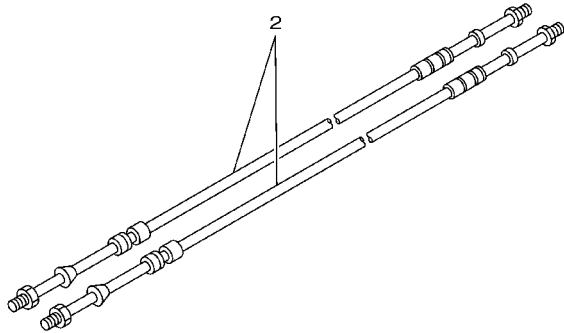


FIG. 28 REMOTE CONTROL BOX

BOITIER DE COMMANDE A DISTANCE

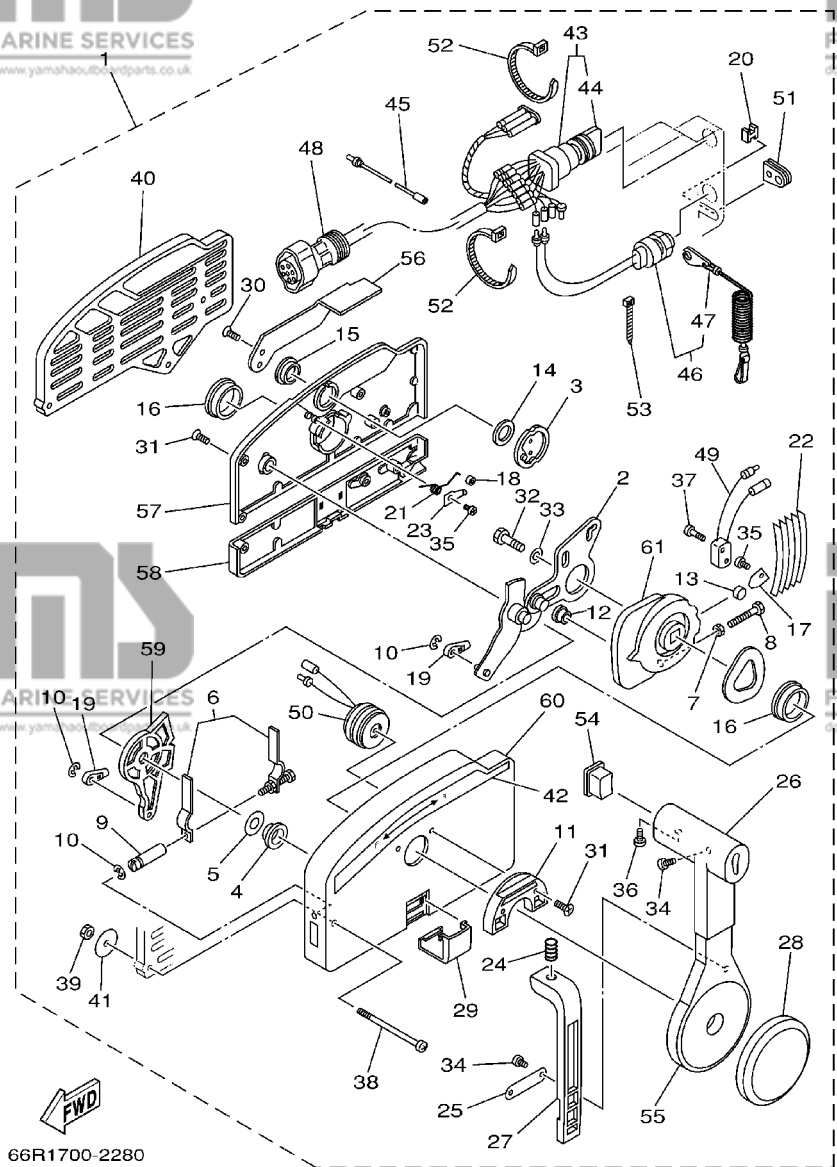
REF. NO.	PART NO. NO. PIECES	DESCRIPTION DESCRIPTION	MH	EH	U	REMARKS REMARQUES
1	703-48203-15	REMOTE CONTROL ASSY BOITIER DE COMMANDE A DISTANCE			1	AP
2	701-48310-80	CABLE, REMOTE CONTROL L=10F CABLE, COMMANDE A DISTANCE:10F			2	UR
	701-48310-90	CABLE, REMOTE CONTROL L=11F CABLE, COMMANDE A DISTANCE:11F			2	UR
	701-48320-00	CABLE, REMOTE CONTROL L=12F CABLE, COMMANDE A DISTANCE:12F			2	UR



67M0100-8280

FIG. 29 REMOTE CONTROL ASSY

BOITIER DE COMMANDE A DISTANCE

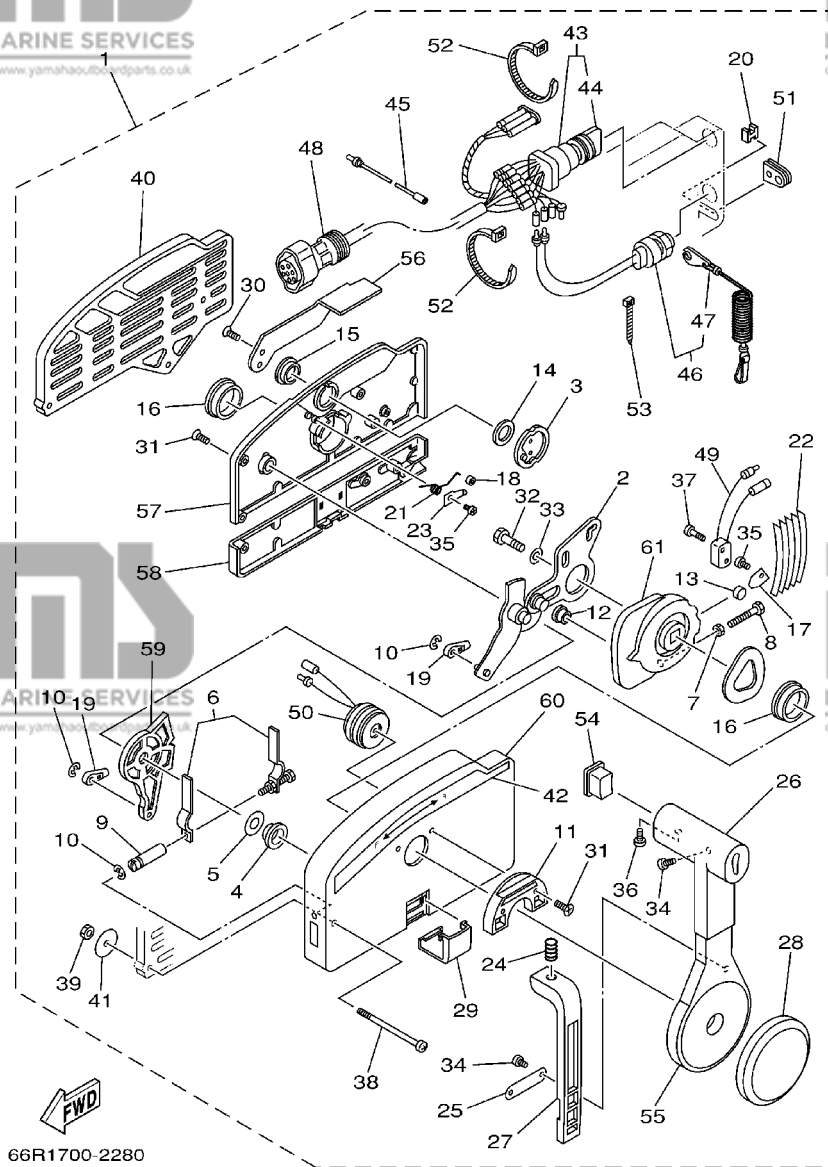


66R1700-2280

REF. NO.	PART NO. NO. PIECES	DESCRIPTION DESCRIPTION	MH	EH	U	REMARKS REMARQUES
1	703-48203-15	REMOTE CONTROL ASSY BOITIER DE COMMANDE A DISTANCE			1	AP
2	703-48261-01	.ARM, THROTTLE .BRAS, ACCELERATION			1	
3	703-48153-00	.SHAFT, FREE ACCEL. .AXE			1	
4	703-48235-00	.BUSHING .COUSSINET			1	
5	703-48268-00	.SPACER .ENTRETOISE			1	
6	703-48264-00	.THROTTLE, FRICTION .ACCELERATION			1	
7	95380-05600	.NUT .ECROU			1	
8	97380-05025	.BOLT .BOULON, HEXAGONAL			1	
9	703-48265-00	.SHAFT, FRICTION .AXE, COPILOTE			1	
10	93430-06024	.CIRCLIP .CLIPS			3	
11	703-48245-00	.PLATE, LOCK .PLAQUE, VERROU			1	
12	703-48252-00	.ROLLER, CAM .POULIE			1	
13	701-48248-00	.ROLLER, FREE ACCEL. .POULIE			1	
14	703-48198-00	.WASHER, WAVE .RONDELLE, ELASTIQUE ONDULEE			1	
15	703-48243-00	.BUSHING .COUSSINET			1	
16	703-48236-00	.BUSHING 1 .POULIE			2	
17	703-48189-00	.RETAINER .FLASQUE			1	
18	703-48234-00	.ROLLER, DETENT .POULIE			1	
19	703-48345-01	.CABLE END, REMOTE CONTROL 2 .CHAPE CABLE			2	
20	703-48358-00	.ANCHOR, CABLE .COLLIER			1	
21	703-48244-00	.SPRING, FREE ACCEL. .RESSORT			1	
22	703-48238-00	.SPRING, DETENT .RESSORT			5	
23	703-48246-00	.SPACER .ENTRETOISE			1	
24	703-48227-00	.SPRING, NEUTRAL LOCK .RESSORT			1	
25	703-48226-00	.PLATE, STOPPER .PLAQUETTE			1	
26	703-48222-00	.GRIP, CONTROL LEVER .POIGNEE, COMMANDE LEVIER			1	SINGLE
27	703-48223-00	.LOCK, NEUTRAL .VERROU, NEUTRAL			1	

FIG. 29 REMOTE CONTROL ASSY

BOITIER DE COMMANDE A DISTANCE

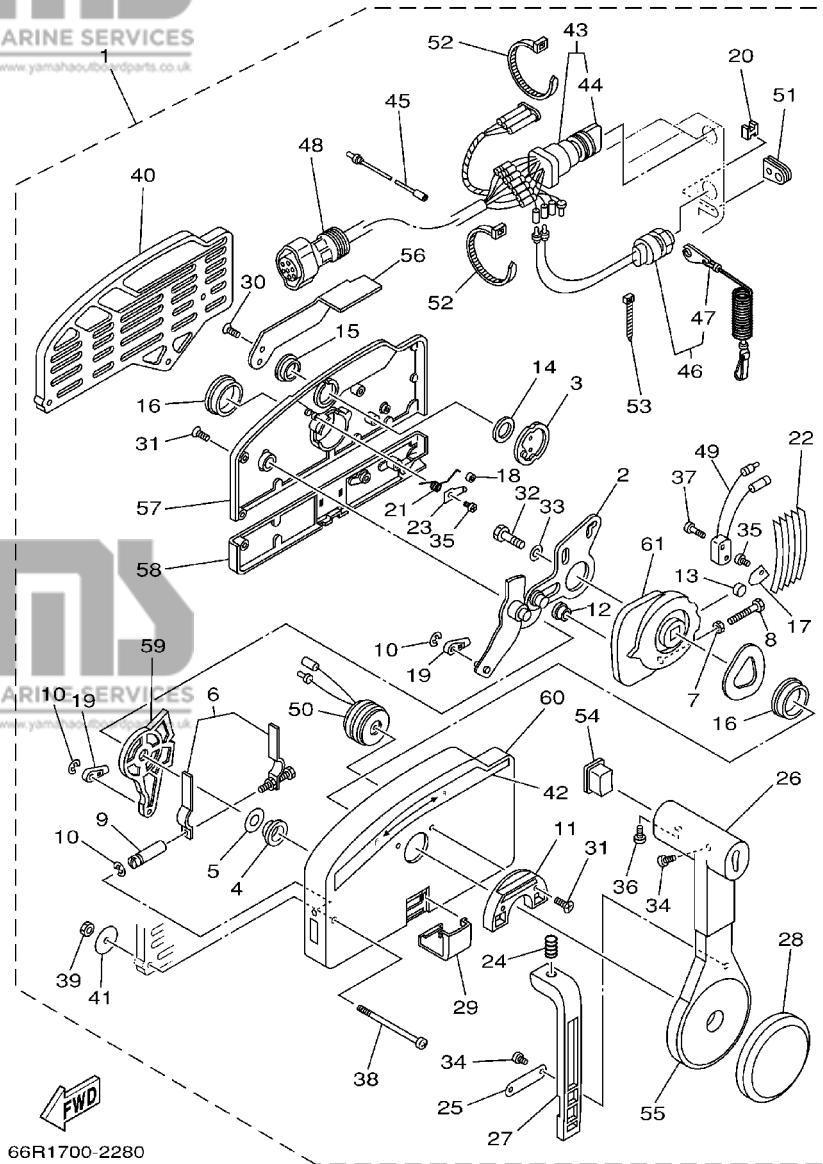


66R1700-2280

REF. NO.	PART NO. NO. PIECES	DESCRIPTION DESCRIPTION	MH	EH	U	REMARKS REMARQUES
28	703-48225-00	.COVER .COUVERCLE			1	
29	703-48219-00	.COVER, LEAD .COUVERCLE			1	
30	703-48281-00	.SCREW .VIS			2	
31	703-48282-00	.SCREW .VIS			7	
32	97380-08030	.BOLT .BOULON, HEXAGONAL			1	
33	92990-08600	.WASHER, PLATE .RONDELLE, PLATE			1	
34	98580-04010	.SCREW, PAN HEAD .VIS			3	
35	98580-04006	.SCREW, PAN HEAD .VIS			2	
36	98580-05010	.SCREW, PAN HEAD .VIS			1	
37	98580-03015	.SCREW, PAN HEAD .VIS			2	
38	703-48291-10	.SCREW (M6) .VIS (M6)			3	
39	95380-06600	.NUT, HEXAGON .ECROU			3	
40	703-48293-10	.SPACER, REMOTE CONTROL .ENTRETOISE			1	SINGLE
41	701-48287-00	.WASHER .RONDELLE			3	
42	703-48215-00	.GRAPHIC .ADHESIF			1	
43	703-82510-33	.MAIN SWITCH ASSY .CONTACTEUR A CLEF COMPLET			1	
44	703-82577-00	..CAP, KEY ..CABOCHON			1	
45	703-82531-00	.WIRE, LEAD .FIL			1	
46	688-82575-01	.ENGINE STOP SWITCH ASSY .COUPE CIRCUIT CPLT			1	
47	682-82556-00	..STOPPER ..PLAQUETTE			1	
48	688-82586-21	.EXTENSION, WIRE HARNESS .EXTENSION, FAISCEAU DE FILS			1	L:5M (7P)
49	703-82540-00	.NEUTRAL SWITCH ASSY .CONTACTEUR DE POINT-MORT			1	
50	703-83383-02	.BUZZER .RONFLEUR			1	
51	703-48284-00	.GROMMET .PASSE-FIL			1	
52	703-82591-00	.BAND .COLLIER			1	
53	703-82592-00	.BAND .COLLIER			1	
54	703-48224-00	.COVER, CONTROL LEVER .COUVERCLE			1	WITHOUT PT/T SW.

FIG. 29 REMOTE CONTROL ASSY

BOITIER DE COMMANDE A DISTANCE



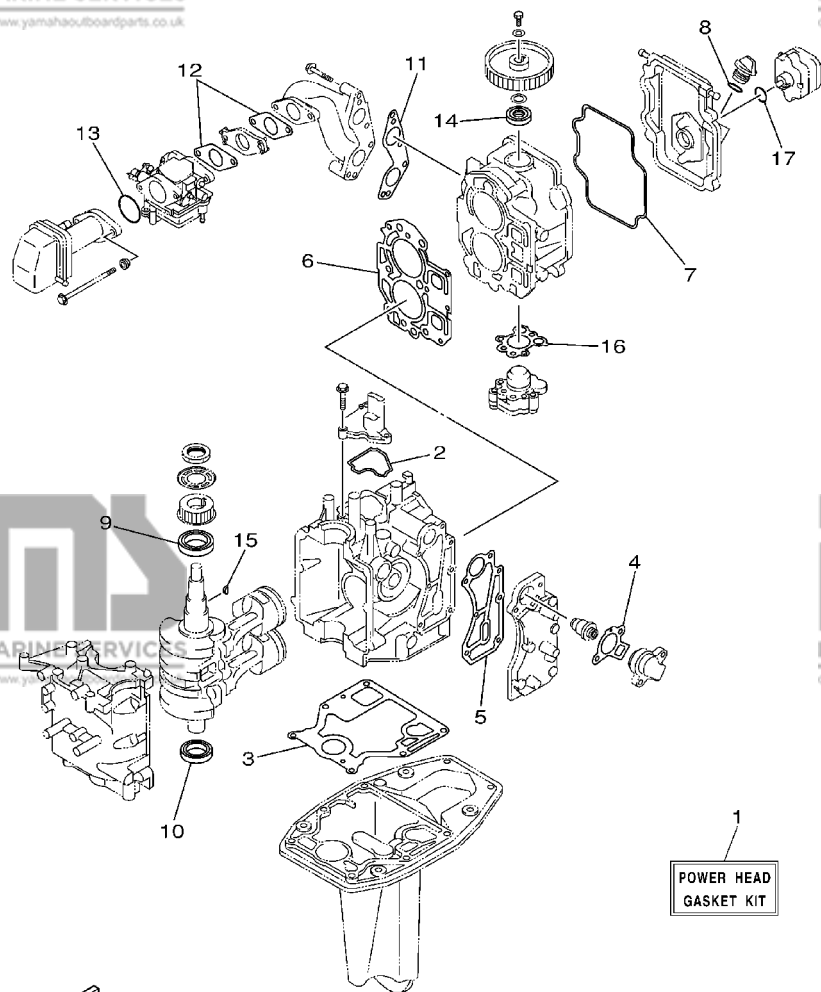
66R1700-2280

REF. NO.	PART NO. NO. PIECES	DESCRIPTION DESCRIPTION	MH	EH	U	REMARKS REMARQUES
55	703-48221-00	.LEVER, CONTROL .LEVIER, COMMANDE			1	
56	703-48152-00	.KNOB, FREE ACCEL. BOUTON			1	
57	703-48212-00	.BACK PLATE 1 .PLAQUETTE 1			1	
58	703-48213-00	.BACK PLATE 2 .PLAQUETTE 2			1	
59	703-48271-00	.ARM, SHIFT BRAS			1	
60	703-48211-01	.HOUSING,1 .CORPS			1	
61	703-48232-00	.GEAR .PIGNON			1	

FIG. 30 REPAIR KIT 1

KITS DE REPARATION 1

REF. NO.	PART NO. NO. PIECES	DESCRIPTION DESCRIPTION	MH	EH	EU	REMARKS REMARQUES
1	66M-W0001-01	POWER HEAD GASKET KIT POCHETTE DE JINTS TETE MOTRICE	1	1	1	
2	66M-11357-00	.SEAL, CYLINDER 3 .JOINT, SPY CYLINDRE	1	1	1	
3	66M-11351-00	.GASKET, CYLINDER .JOINT, D'EMBASE	1	1	1	
4	62Y-12414-00	.GASKET, COVER .JOINT, COUVERCLE	1	1	1	
5	66M-41114-00	.GASKET, EXHAUST OUTER COVER .JOINT, COUVERCLE D'ECHAPPEMEN	1	1	1	
6	66M-11181-00	.GASKET, CYLINDER HEAD 1 .JOINT, DE CULASSE 1	1	1	1	
7	66M-11356-00	.SEAL, CYLINDER 2 .JOINT, SPY CYLINDRE	1	1	1	
8	93210-24M79	.O-RING .JOINT TORIQUE	1	1	1	
9	93102-35M51	.OIL SEAL .JOINT SPY	1	1	1	
10	93102-25M52	.OIL SEAL .JOINT SPY	1	1	1	
11	66M-13645-00	.GASKET, MANIFOLD 1 .JOINT, TUBULURE 1	1	1	1	
12	66M-13646-00	.GASKET, MANIFOLD 2 .JOINT, TUBULURE 2	2	2	2	
13	93210-35M86	.O-RING .JOINT TORIQUE	1	1	1	
14	93102-18M21	.OIL SEAL .JOINT SPY	1	1	1	
15	90280-03M01	.KEY, WOODRUFF .CLAVETTE, DEMI-LUNE	1	1	1	
16	66M-13329-10	.GASKET, PUMP COVER .JOINT, COUVERCLE DE POMPE	1	1	1	
17	93210-20M65	.O-RING .JOINT TORIQUE	1	1	1	



1
POWER HEAD
GASKET KIT



66M0100-1280

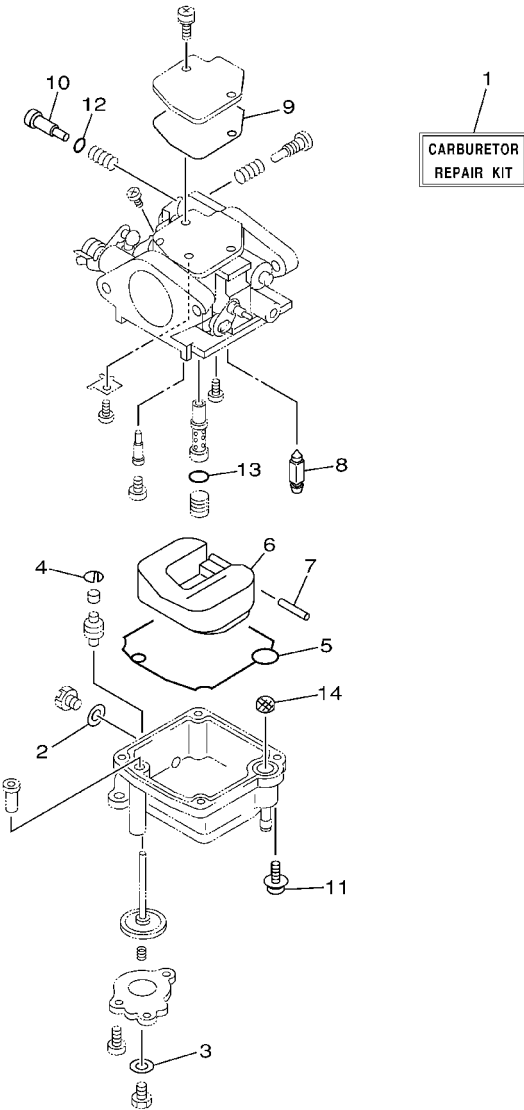


FIG. 31 REPAIR KIT 2

KITS DE REPARATION 2

REF. NO.	PART NO. NO. PIECES	DESCRIPTION DESCRIPTION	MH	EH	EU	REMARKS REMARQUES
1	66M-W0093-01	CARBURETOR REPAIR KIT KIT DE REPARATION CARBURATEUR	1	1	1	
2	66M-14398-00	.GASKET .JOINT	1	1	1	
3	6L2-14398-00	.GASKET .JOINT	1	1	1	
4	66M-14377-00	.STOPPER .BUTEE	1	1	1	
5	66M-14384-00	.GASKET, FLOAT CHAMBER .JOINT, CUVE DE FLOTTEUR	1	1	1	
6	6L2-14385-00	.FLOAT .FLOTTEUR	1	1	1	
7	6E5-14386-01	.PIN, FLOAT .AXE, FLOTTEUR	1	1	1	
8	6L2-14392-00	.VALVE, NEEDLE .POINTEAU	1	1	1	
9	62Y-14399-00	.GASKET .JOINT	1	1	1	
10	5H0-14323-00	.SCREW, AIR ADJUSTING .VIS DE DOSEUR D'AIR	1	1	1	
11	97980-04112	.SCREW, WITH WASHER .VIS, AVEC RONDELLE	4	4	4	
12	62Y-14397-00	.O-RING .JOINT TORIQUE	1	1	1	
13	6F5-14397-00	.O-RING .JOINT TORIQUE	1	1	1	
14	66M-14827-00	.FILTER .FILTRE	1	1	1	



66M0100-8280

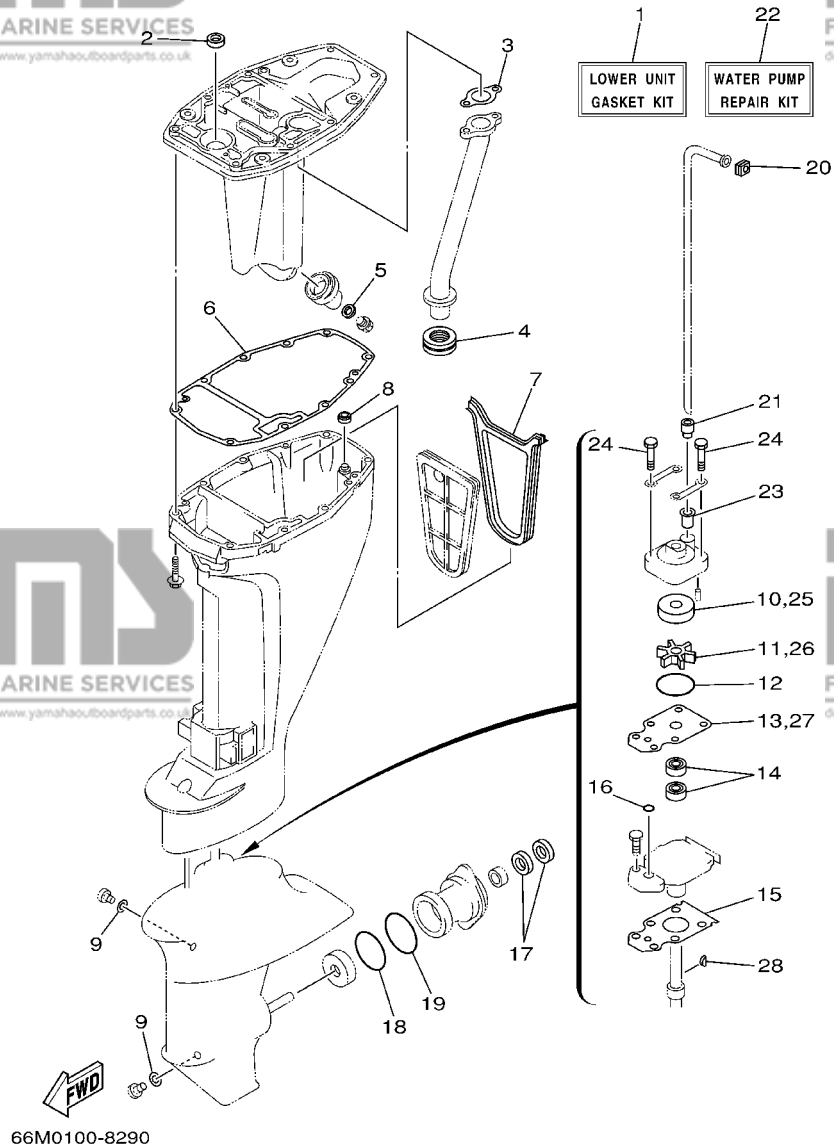


FIG. 32 REPAIR KIT 3

KITS DE PEPARATION 3

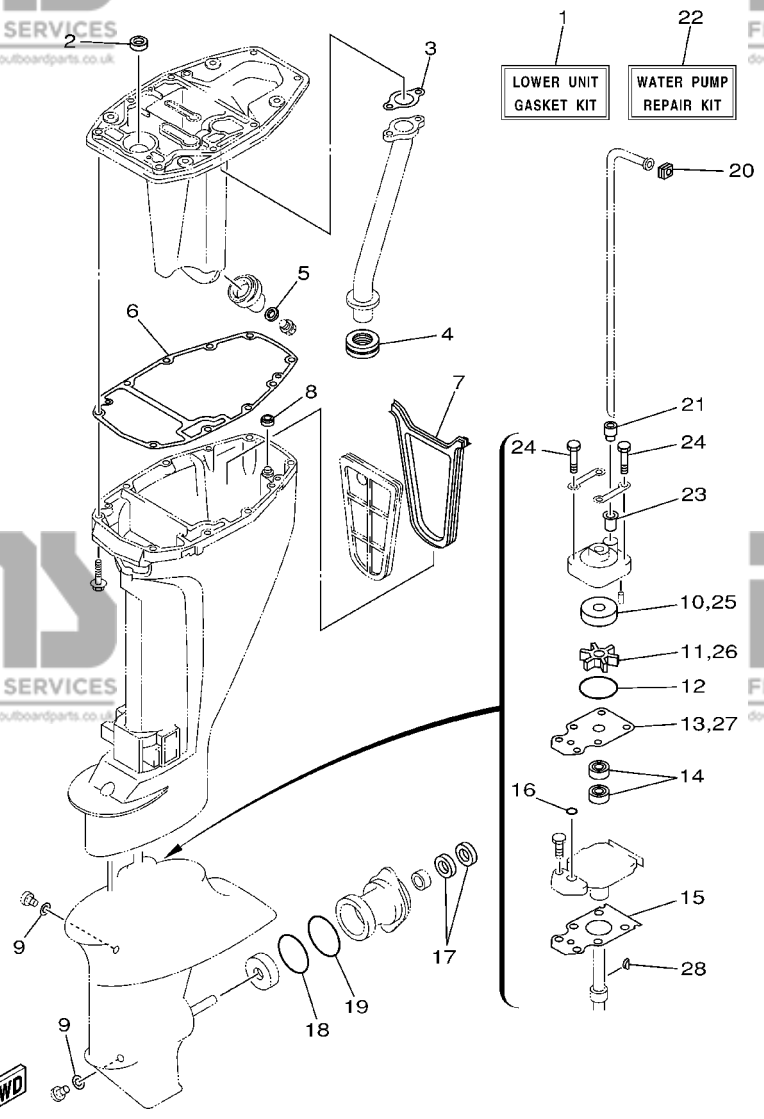
REF. NO.	PART NO. NO. PIECES	DESCRIPTION DESCRIPTION	MH	EH	EU	REMARKS REMARQUES
1	66M-W0001-20	LOWER UNIT GASKET KIT POCHETTE DE JOINTS EMBASE	1	1	1	
2	93101-12M63	.OIL SEAL .JOINT SPY	1	1	1	
3	66M-41133-00	.GASKET, EXHAUST MANIFOLD 1 .JOINT, PIPE D'ECHAPPEMENT	1	1	1	
4	66M-41138-00	.SEAL, EXT. 1 .JOINT DE GROUPE 1	1	1	1	
5	90430-14M09	.GASKET .JOINT	1	1	1	
6	66M-45113-00	.GASKET, UPPER CASING .JOINT, TUBE D'ARBRE	1	1	1	
7	66M-45115-00	.GASKET, UPPER CASING .JOINT, TUBE D'ARBRE	1	1	1	
8	66M-45128-00	.SEAL 2 .JOINT 2	1	1	1	
9	90430-08020	.GASKET .JOINT	2	2	2	
10	63V-44322-00	.INSERT, CARTRIDGE .CUVETTE	1	1	1	
11	63V-44352-01	.IMPELLER .TURBINE	1	1	1	
12	93210-44398	.O-RING .JOINT TORIQUE	1	1	1	
13	63V-44323-00	.OUTER PLATE, CARTRIDGE .PLAQUE EXTERIEURE	1	1	1	
14	93101-20048	.OIL SEAL .JOINT SPY	2	2	2	
15	63V-45315-A0	.PACKING, LOWER CASING .JOINT, BOITIER D'HELICE	1	1	1	
16	93210-06ME6	.O-RING .JOINT TORIQUE	1	1	1	
17	93101-17054	.OIL SEAL .JOINT SPY	2	2	2	
18	93210-57M09	.O-RING .JOINT TORIQUE	1	1	1	
19	93210-56M80	.O-RING .JOINT TORIQUE	1	1	1	
20	63V-44365-10	.DAMPER, WATER SEAL .JOINT, TUBE D'EAU	1	1	1	
21	63V-44368-00	.RUBBER, WATER SEAL 4 .CAOUTCHOUC EAU JUNTA 4	1	1	1	
22	63V-W0078-00	WATER PUMP REPAIR KIT KIT DE REPARATION DE LA POMPE	1	1	1	
23	647-44366-00	.DAMPER, WATER SEAL .JOINT, TUBE D'EAU	1	1	1	
24	97080-08045	.BOLT .BOULON	4	4	4	
25	63V-44322-00	.INSERT, CARTRIDGE .CUVETTE	1	1	1	
26	63V-44352-01	.IMPELLER .TURBINE	1	1	1	
27	63V-44323-00	.OUTER PLATE, CARTRIDGE .PLAQUE EXTERIEURE	1	1	1	

FIG. 32 REPAIR KIT 3

KITS DE PEPARATION 3

REF. NO.	PART NO. NO. PIECES	DESCRIPTION DESCRIPTION	MH	EH	E	REMARKS REMARQUES
----------	---------------------	-------------------------	----	----	---	-------------------

28	664-44338-00	.KEY, WOODRUFF .CLAVETTE, VOLANT	1	1	1	
----	--------------	-------------------------------------	---	---	---	--



66M0100-8290

B6

PART NO. NO. PIECES	REF. NO.
66M-W0001-01	30 - 1
66M-W0001-20	32 - 1
66M-W0070-20	1 - 10
63V-W0078-00	32 - 22
66M-W0084-00-4D16-	1
66M-W009A-02-1S	4 - 1
66M-W009A-12-1S	4 - 1
66M-W009B-11-1S	2 - 1
66M-W0093-01	31 - 1
66M-11111-01-1S	4 - 2
66M-11111-11-1S	4 - 2
66M-11133-10	4 - 3
66M-11168-00-1S	2 - 16
66M-11181-00	4 - 5
	30 - 6
66M-11191-00-1S	4 - 9
66M-11325-00	2 - 8
66M-11327-00-94	2 - 9
66M-11328-00	2 - 10
66M-11351-00	2 - 21
	30 - 3
66M-11355-00	22 - 4
66M-11356-00	4 - 10
	30 - 7
66M-11357-00	2 - 18
	30 - 2
676-11372-00	2 - 26
66M-11411-00	3 - 3
66M-11416-00	3 - 4
66M-11416-10	3 - 4
66M-11416-20	3 - 4
66M-11536-10	8 - 7
66M-11537-00-94	8 - 3
66M-11557-00	8 - 8
6G8-11575-00	22 - 16
66M-11603-00	3 - 9
66M-11604-00	3 - 9
66M-11605-00	3 - 9
66M-11631-00-96	3 - 8
634-11633-00	3 - 10
66M-11635-00	3 - 8
66M-11636-00	3 - 8
66M-11650-00	3 - 5
66M-11654-00	3 - 6
66M-12111-00	5 - 1
66M-12113-00	5 - 4
66M-12116-00	5 - 3
30X-12117-00	5 - 5

NUMERICAL INDEX
INDEX NUMERIQUE

PART NO. NO. PIECES	REF. NO.
30X-12118-00	5 - 6
51Y-12119-00	5 - 7
66M-12121-00	5 - 2
66M-12138-60	4 - 17
66M-12146-00	5 - 8
66M-12151-10	5 - 14
62Y-12158-00	5 - 16
62Y-12159-00	5 - 15
66M-12170-00	8 - 2
66M-12171-10	8 - 2
66M-12411-00	2 - 22
6H3-12413-00-1S	2 - 23
62Y-12414-00	2 - 24
	30 - 4
66M-12481-00	15 - 35
66M-12535-00	2 - 15
69W-12535-00	15 - 32
68T-12572-00	15 - 31
6R3-12580-00	15 - 37
66M-13131-10	9 - 14
66M-13300-10	8 - 15
66M-13329-10	8 - 16
	30 - 16
66M-13416-00	22 - 14
66M-13417-00	22 - 13
66M-13421-00	22 - 12
67F-13434-02	1 - 13
6G8-13437-64	10 - 38
5GH-13440-00	2 - 33
6G8-13444-51	15 - 41
66M-13641-00-94	6 - 1
66M-13645-00	6 - 2
	30 - 11
66M-13646-00	6 - 6
	30 - 12
6L2-14157-00	7 - 19
66M-14157-00	7 - 36
646-14212-01	7 - 31
66M-14225-00	7 - 13
66M-14239-00	7 - 12
66M-14271-00	6 - 7
69V-14271-00	6 - 7
66M-14272-00	7 - 33
6G8-14275-02	7 - 11
66M-14301-00	7 - 1
66M-14301-20	7 - 1
66N-14301-00	7 - 1
62Y-14321-00	7 - 27

PART NO. NO. PIECES	REF. NO.
5H0-14323-00	7 - 25
	31 - 10
62Y-14323-10	7 - 25
6E7-14325-00	9 - 18
66M-14325-00	7 - 7
30X-14334-00	7 - 26
66M-14341-00	7 - 21
66M-14341-10	7 - 21
66N-14341-00	7 - 21
66M-14342-23	7 - 23
66M-14343-51	7 - 22
66M-14343-52	7 - 22
66N-14343-34	7 - 22
62Y-14355-00	7 - 24
66M-14355-00	7 - 24
66M-14368-01	7 - 10
66M-14377-00	7 - 8
	31 - 4
66M-14381-02	7 - 2
66N-14381-00	7 - 2
62Y-14383-00	7 - 3
677-14383-01	7 - 5
66M-14384-00	7 - 14
	31 - 5
6L2-14385-00	7 - 15
	31 - 6
6E5-14386-01	7 - 16
	31 - 7
6L2-14392-00	7 - 17
	31 - 8
6F5-14397-00	7 - 32
	31 - 13
62Y-14397-00	7 - 29
	31 - 12
6L2-14398-00	7 - 6
	31 - 3
66M-14398-00	7 - 4
	31 - 2
62Y-14399-00	7 - 20
	31 - 9
66M-14427-60	10 - 37
66M-14440-00	6 - 8
6G8-14457-00	7 - 38
66M-14477-00	6 - 12
65W-14497-01	17 - 18
66M-14827-00	7 - 34
	31 - 14
66M-14958-00	7 - 9

PART NO. NO. PIECES	REF. NO.
6A0-24421-01	9 - 11
66M-24423-00	9 - 13
66M-24444-00	9 - 16
66M-24454-00	9 - 15
66M-24471-00	9 - 17
6YK-24610-10	26 - 3
6YL-24610-00	25 - 2
6YL-24641-00	25 - 3
	26 - 4
66M-26311-00	16 - 17
65W-26326-10	15 - 22
	18 - 17
66M-26326-00	15 - 22
62Y-28100-00	9 - 29
6A1-28176-00	15 - 39
66M-28199-76-A0	9 - 30
66M-28199-76-B0	9 - 30
69V-28199-86-A0	9 - 31
66M-28199-86-B0	9 - 31
66M-41113-10-1S	2 - 25
66M-41114-00	2 - 27
	30 - 5
66M-41131-01-94	22 - 7
66M-41133-00	22 - 8
	32 - 3
66M-41137-00-5B	22 - 1
66M-41138-00	22 - 11
	32 - 4
66M-41211-00	17 - 17
6R5-41237-00	6 - 23
66M-41252-00	6 - 18
66M-41256-00	6 - 24
661-41262-02	17 - 15
66M-41271-00	6 - 13
689-41273-00	6 - 14
65W-41283-00	17 - 14
66M-41292-00	6 - 15
66M-41298-00	6 - 16
65W-41638-00	17 - 13
6F5-41662-00	17 - 4
65W-42101-01-4D	16 - 2
66M-42119-00	16 - 10
65W-42125-00	16 - 7
6G1-42126-00	16 - 6
66M-42131-01	16 - 24
689-42137-20	16 - 11
65W-42138-00	16 - 4
65W-42159-00	16 - 5

PART NO. NO. PIECES	REF. NO.
66M-42177-00	16 - 9
66M-42511-01-4D	20 - 6
66M-42511-11-4D	20 - 6
63V-42528-00	20 - 2
65F-42537-00	20 - 8
66M-42610-10-4D	1 - 1
66N-42610-10-4D	1 - 1
69V-42610-10-4D	1 - 1
66M-42613-00	1 - 2
66M-42615-00	1 - 8
6E0-42651-02	1 - 4
6E7-42652-00	1 - 6
66M-42677-00	1 - 11
66N-42677-00	1 - 11
69V-42677-00	1 - 11
66M-42678-20	1 - 9
66N-42678-20	1 - 9
69V-42678-20	1 - 9
66M-42710-04-4D	15 - 1
66M-42716-00	15 - 8
682-42724-00	15 - 24
6G1-42725-00	13 - 8
66M-42725-00	15 - 11
66M-42725-10	15 - 11
66M-42725-20	15 - 11
	18 - 15
65W-42726-00	15 - 25
65W-42726-10	15 - 25
	18 - 18
688-42726-10	15 - 30
62Y-42727-00	15 - 12
	18 - 16
65W-42727-00	15 - 12
682-42727-00	15 - 23
66M-42738-00-4D	15 - 9
66M-42743-00	15 - 26
66M-42766-00	15 - 19
66M-42815-00-4D	15 - 13
6L2-42816-00	15 - 17
63V-43111-05-4D	19 - 1
63V-43112-06-4D	19 - 2
66R-43113-00	19 - 14
648-43114-01	19 - 9
6E7-43116-00	19 - 8
6E0-43118-01	19 - 6
63W-43131-10	19 - 10
6E5-43145-01	27 - 8
6L2-43160-00	19 - 20

NUMERICAL INDEX
INDEX NUMERIQUE

PART NO. NO. PIECES	REF. NO.
63V-43181-00	19 - 42
63V-43191-00	19 - 24
63V-43311-03-4D	19 - 21
66M-43311-10-4D	19 - 21
682-43318-01	19 - 23
66M-43350-01	19 - 28
689-43373-01	20 - 3
66R-43611-00	19 - 36
63V-43614-10	19 - 33
66R-43615-00	19 - 35
66R-43617-00	19 - 40
66M-43630-01	19 - 22
63V-43641-01	19 - 30
63V-43656-00	19 - 41
63V-43659-00	19 - 38
66M-44111-01	16 - 27
66R-44114-00	17 - 7
65W-44116-00	17 - 6
65W-44121-00	17 - 1
66M-44122-00	17 - 2
66M-44124-00	16 - 32
65W-44125-00	17 - 28
65W-44142-00	18 - 4
65W-44142-00	17 - 26
66M-44143-00	17 - 9
66M-44143-10	17 - 9
63V-44150-00	23 - 27
66M-44150-10	23 - 27
65W-44173-00	16 - 36
6E0-44191-11	16 - 35
66M-44192-00	17 - 33
63V-44301-00	23 - 11
63V-44322-00	23 - 12
63V-44323-00	32 - 10
63V-44323-00	32 - 25
63V-44323-00	23 - 17
63V-44323-00	32 - 13
63V-44323-00	32 - 27
63V-44328-00	23 - 20
664-44338-00	23 - 15
63V-44352-01	23 - 14
63V-44352-01	32 - 11
63V-44352-01	32 - 26
66M-44361-00	24 - 1
66M-44361-10	24 - 1

PART NO. NO. PIECES	REF. NO.
63V-44365-10	24 - 2
647-44366-00	23 - 13
66M-44366-00	30 - 17
63V-44368-00	24 - 3
6H3-44391-01	15 - 21
66M-44514-00-4D	20 - 14
66M-44526-00	20 - 15
66M-44551-00-4D	20 - 20
682-44555-30	20 - 22
66M-44557-00	20 - 21
66M-45111-00-4D	21 - 1
66M-45111-10-4D	21 - 1
66M-45113-00	21 - 2
66M-45115-00	21 - 6
66M-45126-00	21 - 5
66M-45128-00	21 - 8
66M-45136-00	21 - 7
6G1-45214-00	24 - 7
63V-45215-00	24 - 8
61N-45251-01	24 - 11
66M-45300-01-4D	23 - 1
66M-45300-11-4D	23 - 1
63V-45311-01-4D	23 - 2
66M-45311-00-4D	23 - 2
63V-45315-A0	23 - 24
63V-45331-00-5B	23 - 21
683-45361-02-4D	23 - 41
66M-45371-00	24 - 20
63V-45375-00	24 - 14
63V-45510-01	23 - 28
63V-45510-11	23 - 28
63V-45536-00	23 - 4
63V-45551-00	23 - 29
6E7-45560-01	23 - 31
664-45567-01-10	23 - 8
664-45567-01-12	23 - 8
664-45567-01-15	23 - 8
664-45567-01-18	23 - 8
664-45567-01-30	23 - 8
664-45567-01-40	23 - 8
664-45567-01-50	23 - 8

PART NO. NO. PIECES	REF. NO.
6E7-45571-00	23 - 32
626-45577-00-01	23 - 33
626-45577-00-03	23 - 33
626-45577-00-05	23 - 33
6E8-45587-10-13	23 - 6
6E8-45587-10-20	23 - 6
683-45611-00	23 - 35
682-45631-00	23 - 37
648-45633-00	23 - 39
650-45635-00	23 - 36
683-45941-00-EL	24 - 19
683-45943-00-EL	24 - 19
63V-45945-00-EL	24 - 19
683-45945-00-EL	24 - 19
63V-45947-00-EL	24 - 19
683-45952-00-EL	24 - 19
6E7-45987-01	24 - 15
66M-46241-00	8 - 11
66M-46297-00	8 - 12
703-48152-00	29 - 56
703-48153-00	29 - 3
703-48189-00	29 - 17
703-48198-00	29 - 14
703-48203-15	28 - 1
703-48211-01	29 - 60
703-48212-00	29 - 57
703-48213-00	29 - 58
703-48215-00	29 - 42
703-48219-00	29 - 29
703-48221-00	29 - 55
703-48222-00	29 - 26
703-48223-00	29 - 27
703-48224-00	29 - 54
703-48225-00	29 - 28
703-48226-00	29 - 25
703-48227-00	29 - 24
703-48232-00	29 - 61
703-48234-00	29 - 18
703-48235-00	29 - 4
703-48236-00	29 - 16
703-48238-00	29 - 22
703-48243-00	29 - 15
703-48244-00	29 - 21
703-48245-00	29 - 11
703-48246-00	29 - 23
701-48248-00	29 - 13
703-48252-00	29 - 12

PART NO. NO. PIECES	REF. NO.
703-48261-01	29 - 2
703-48264-00	29 - 6
703-48265-00	29 - 9
703-48268-00	29 - 5
703-48271-00	29 - 59
703-48281-00	29 - 30
703-48282-00	29 - 31
703-48284-00	29 - 51
701-48287-00	29 - 41
703-48291-10	29 - 38
703-48293-10	29 - 40
701-48310-80	28 - 2
701-48310-90	28 - 2
701-48320-00	28 - 2
663-48344-00	17 - 23
703-48345-01	18 - 12
703-48358-00	29 - 19
66M-48501-00	29 - 20
63V-48511-01	18 - 1
6H3-48538-00	18 - 19
63V-61350-00	17 - 25
6E5-61355-00	18 - 14
66M-81800-01	27 - 1
65W-81801-00	14 - 8
65W-81807-00	14 - 5
65W-8182B-00	14 - 8
65W-8182S-00	14 - 5
66M-81820-00	14 - 10
65W-81826-00	14 - 7
66M-81830-00	14 - 2
65W-81840-00	14 - 4
65W-81850-01	14 - 9
65W-81850-01	14 - 6
65W-81857-01	14 - 3
65W-81870-00	14 - 3
6G1-81941-10	13 - 8
6G1-81952-00	13 - 1
6G8-81960-A1	13 - 2
6J8-81960-00	12 - 21
6G1-81970-61	12 - 21
66M-82105-00	13 - 5
66M-82117-00	13 - 3
66M-82127-00	13 - 3
66M-82127-10	20 - 5
66M-82148-00	12 - 10
66M-82148-00	19 - 3
6G8-82150-00	12 - 25

PART NO. NO. PIECES	REF. NO.
6G1-82151-00	12 - 22
663-82151-00	12 - 26
6G5-82152-00	12 - 27
6G8-82370-30	12 - 8
62Y-82377-00	15 - 38
62Y-82504-10	12 - 9
703-82510-33	29 - 43
703-82531-00	29 - 45
6H3-82540-00	13 - 9
703-82540-00	29 - 49
6J8-82554-00	13 - 10
682-82556-00	16 - 39
6E3-8257H-00	29 - 47
689-8257Y-00	15 - 40
65W-82575-01	16 - 40
688-82575-01	16 - 38
703-82577-00	29 - 46
688-82586-21	29 - 44
66M-82590-00	29 - 48
66M-82591-00	13 - 22
703-82592-00	29 - 52
703-83383-02	29 - 53
6H1-83557-00	29 - 50
6A1-83625-41	12 - 12
6A1-83625-51	10 - 35
6E0-83627-41	10 - 36
6E0-83627-51	16 - 41
66M-84342-00	16 - 42
65W-85410-01	10 - 33
66M-85520-00	12 - 11
66M-85533-00	11 - 2
66M-85533-10	11 - 4
66M-85540-01	12 - 1
66M-85540-10	12 - 1
66M-85542-00	12 - 13
66M-85542-10	12 - 13
66M-85550-00	11 - 1
66M-85550-10	11 - 1
66M-85570-00	12 - 4
66M-85580-00	12 - 4
66M-86111-00	11 - 3
66M-86112-00	13 - 12
66M-86116-00	13 - 14
66M-86117-00	13 - 13
66M-86117-00	13 - 13
90101-06M29	13 - 20
90105-06M07	19 - 17
90105-06M08	20 - 4
90105-08M78	4 - 7

PART NO. NO. PIECES	REF. NO.
90109-06M81	17 - 5
90109-06M82	15 - 10
90109-06M84	19 - 43
90109-06M86	10 - 32
	13 - 11
	15 - 20
	15 - 27
	15 - 34
	16 - 3
	17 - 8
90109-08M78	14 - 12
90109-08M85	14 - 13
90116-08M54	20 - 12
90119-06MA3	4 - 8
90119-06MA4	2 - 28
90119-06M14	2 - 5
90119-06M59	10 - 25
90119-06M76	6 - 10
90119-08M39	14 - 11
90119-08M45	20 - 23
90119-08M46	20 - 24
90119-08M66	2 - 4
90149-05M13	16 - 13
90152-05M04	24 - 9
90157-05M16	25 - 5
	26 - 6
	19 - 31
90157-05014	21 - 9
90157-06M06	15 - 33
90167-06002	17 - 10
90170-06015	27 - 4
90170-09M03	8 - 9
90170-28M37	24 - 17
90171-10M01	23 - 30
90179-08M06	20 - 25
90179-08M34	11 - 13
90179-16M05	24 - 10
90185-05002	18 - 21
90185-08057	20 - 29
	27 - 3
90185-09M01	19 - 15
90185-22043	17 - 34
90201-05M06	18 - 9
	10 - 28
90201-06M05	12 - 17
	17 - 19
90201-06M31	17 - 30
	18 - 6

PART NO. NO. PIECES	REF. NO.
90201-06M94	8 - 6
90201-07M01	3 - 7
90201-08M06	20 - 13
90201-10M01	24 - 16
90201-10M20	27 - 2
90201-10M63	27 - 7
90201-13201	8 - 5
90201-16M44	11 - 14
90201-17682	23 - 34
90201-43M00	16 - 20
90202-05M38	1 - 12
90202-05088	6 - 22
90202-07M60	19 - 25
90202-22M54	19 - 11
90202-43M57	16 - 22
90206-05005	6 - 20
90206-10M04	16 - 30
90206-10M24	19 - 44
90206-12052	15 - 16
90206-43M22	16 - 21
90209-40008	20 - 7
90240-05M20	6 - 19
90243-04M01	19 - 7
90250-05010	23 - 38
90254-03M05	16 - 37
	17 - 3
	17 - 27
	18 - 3
90266-04M04	1 - 5
	1 - 7
90269-02M09	16 - 12
90280-03M01	8 - 10
	30 - 15
90280-05013	11 - 12
90340-08002	23 - 9
90340-14M06	22 - 17
90381-14020	23 - 22
90386-07M95	19 - 27
90386-08032	16 - 16
90386-12MA2	15 - 15
90386-12M37	15 - 14
90386-22M94	19 - 12
	19 - 13
90386-30M60	20 - 11
90386-30048	20 - 9
90386-40MA0	16 - 19
90386-40M99	16 - 23
90387-06M05	10 - 3

NUMERICAL INDEX
INDEX NUMERIQUE

PART NO. NO. PIECES	REF. NO.	PART NO. NO. PIECES	REF. NO.
90480-10M16	8 - 13	92995-06600	22 - 6
90480-12072	8 - 14		22 - 10
90480-13M24	12 - 15		23 - 48
90480-15M31	15 - 6		24 - 22
90480-25161	12 - 5	92995-08600	20 - 28
90501-12M40	5 - 12		24 - 6
90501-12M41	5 - 13	93101-12M63	22 - 2
90501-14M06	23 - 40		32 - 2
90501-23215	16 - 15	93101-17054	23 - 44
90507-20M00	19 - 29		32 - 17
90508-18M41	19 - 34	93101-20048	23 - 23
91490-16010	16 - 8		32 - 14
91490-30020	24 - 18	93102-18M21	8 - 1
91690-20016	6 - 21		30 - 14
92903-10600	16 - 14	93102-25M52	3 - 2
92990-05600	12 - 24		30 - 10
	13 - 16	93102-35M51	3 - 1
92990-06100	9 - 22		30 - 9
92990-06200	16 - 33	93210-03261	13 - 21
92990-06300	24 - 13	93210-06M66	23 - 25
92990-06600	9 - 23		32 - 16
92990-08600	13 - 7	93210-16275	27 - 9
	29 - 33	93210-20M65	9 - 24
92995-05600	2 - 14		30 - 17
92995-06100	10 - 27	93210-24M79	4 - 16
	11 - 6		30 - 8
92995-06600	2 - 12	93210-29M94	20 - 10
	2 - 20	93210-35M86	6 - 9
	4 - 12		30 - 13
	6 - 4	93210-44398	23 - 16
	8 - 18		32 - 12
	9 - 3	93210-56M80	23 - 46
	10 - 23		32 - 19
	11 - 7	93210-57M09	23 - 45
	11 - 9		32 - 18
	11 - 11	93306-00501	23 - 42
	12 - 3	93315-314V8	23 - 3
	12 - 7	93315-317U2	23 - 43
	12 - 19	93332-00005	23 - 7
	12 - 24	93341-41414	23 - 5
	13 - 18	93430-04M03	19 - 37
	15 - 3	93430-06024	29 - 10
	15 - 5	93450-09M01	4 - 4
	16 - 29	93450-15023	3 - 11
	17 - 21	93604-12M07	23 - 18
	17 - 32		24 - 4
	19 - 18	93606-12019	6 - 5
	20 - 19		21 - 4

PART NO. NO. PIECES	REF. NO.
93606-12019	22 - 3
93700-06M03	20 - 1
94701-00375	4 - 18
95380-05600	9 - 19
	29 - 7
95380-06600	29 - 39
95380-06700	10 - 29
	17 - 11
	19 - 19
95380-08600	20 - 16
95380-08700	13 - 6
95380-10700	16 - 26
95780-10300	16 - 25
95895-06020	12 - 16
95895-06030	24 - 12
97013-06016	8 - 4
97075-06025	20 - 18
97075-08030	24 - 5
97075-08035	20 - 27
97080-08025	23 - 26
97080-08045	23 - 19
	32 - 24
97095-05012	2 - 13
97095-06010	17 - 22
97095-06012	15 - 18
97095-06016	11 - 8
	12 - 23
	13 - 17
	22 - 9
	24 - 21
97095-06020	2 - 11
	2 - 19
	4 - 11
	9 - 2
	10 - 22
	12 - 2
	12 - 6
	22 - 5
	23 - 47
97095-06025	11 - 5
	12 - 18
	15 - 4
	17 - 31
97095-06030	11 - 10
	16 - 28
97095-06035	8 - 17
	15 - 2
97095-06040	6 - 3

PART NO. NO. PIECES	REF. NO.
97095-06040	11 - 10
97095-06055	17 - 20
97095-06090	10 - 26
97095-08014	4 - 13
97380-05025	29 - 8
97380-08030	29 - 32
97575-08535	18 - 20
97575-08545	21 - 3
97595-06525	18 - 7
97780-50510	6 - 17
97780-60520	1 - 3
97880-05008	13 - 15
97880-05025	12 - 23
97880-06030	9 - 21
97885-06008	19 - 4
97885-08010	19 - 5
97890-04005	7 - 35
97980-04110	7 - 18
97980-04112	7 - 28
	31 - 11
98580-03005	7 - 37
98580-03015	29 - 37
98580-04006	29 - 35
98580-04010	29 - 34
98580-05010	29 - 36
98980-04006	7 - 30
99080-05600	19 - 32
	19 - 39
99510-10114	2 - 3
	4 - 6

F9.9C/F13.5A/F15A
PARTS CATALOGUE
©2002 by Yamaha Motor Co., Ltd.
1st Edition, Jun. 2002
All rights reserved.
Any reprinting or unauthorized use
without the written permission of
Yamaha Motor Co., Ltd.
is expressly prohibited.

F9.9C/F13.5A/F15A
CATALOGUE DE PIECES DETACHEES
©2002 Yamaha Motor Co., Ltd.
1ère Edition, Juin. 2002
Tous droits réservés.
Toute réimpression ou utilisation
sans la permission écrite de la
Yamaha Motor Co., Ltd.
est formellement interdite.