

PARTS CATALOGUE CATALOGUE DE PIÈCES DÉTACHÉES

F20A'02(65W1)
F25A'02(65W1)

2A65W-300F1

YAMAHA
GENUINE
Parts & Accessories

2006/11/22

NEWS NO.	DATE	COMMENT
PE0-OM-060017	Oct./25/2006	MOD:POWER TRIM & TILT ASSY LIST/ILLUSTRATION REVISION

FOREWORD

This Parts Catalogue is related to the parts for the model(s) in the below frame. When you are ordering replacement parts, please refer to this Parts Catalogue and quote both part numbers and part names correctly.

F20A'02(65W1), F25A'02(65W1)

5. Quantity Column Information

NAME for Q'TY COLUMN	APPLICABLE MODEL
MH	F25AMH
EH	F25AEH
E	F20AE, F25AE
ET	F25AET

1. Modifications or additions which have been made after issue of the Parts Catalogue will be announced in the Yamaha Parts News. It is advisable that you make necessary corrections to the Parts Catalogue according to the Yamaha Parts News.

2. Abbreviations

The Following abbreviations are used in this Parts Catalogue.

“UR” Use specified parts number.

“UN” Use as many as needed.

“AP” Alternate Parts

“LM” Local Made

(Parts need to be ordered locally)

“O/S” Over Size

3. Parts, which are to be supplied in an assembly, are listed with a dot(.) in front of the part name as shown below.

EXAMPLE

CARBURETOR ASSY

.JET, PILOT

.NOZZLE, MAIN

4. Number of component for assembly

The numeral appearing to the right of each component part indicates the quantity of parts for each assembly unit.

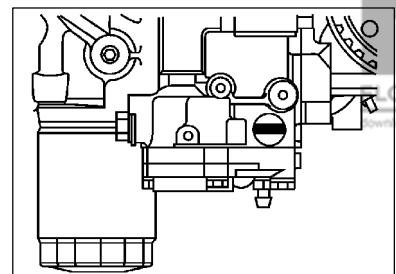
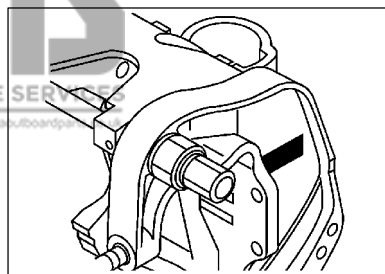
EXAMPLE

PART NO.	DESCRIPTION	u	u	u	REMARKS
6E0-85500-70	C.D.I. MAGNETO ASSY	1			
6E0-85550-70	.ROTOR ASSY	1			
6E0-15723-00-94..	PULLY, STARTER	1			

6. Applicable Starting Serial No. and Color Code

1) Engine Starting Sserial No.

F20AE	65W S : 100707	F25AMH	65W S : 152082
			65W L : 252413
		F25AEH	65W L : 354350
		F25AE	65W S : 000864
			65W L : 303228
		F25AET	65W L : 405908



2) Color Code

Color Code	Color Name	Abbreviation
004D	DARK BLUISH GRAY METALLIC 2	DBNM2

7. Note that the illustrations for reference in finding parts numbers, not to be used for assembling. When assembling, please use the applicable service manual.

8. The asterisk (*) before a reference number indicates modification items after the first edition.

SHEET 1/2

TOP COWLING	A4
CYLINDER. CRANKCASE 1	A5
CRANKSHAFT. PISTON	A7
CYLINDER. CRANKCASE 2	B1
VALVE	B3
INTAKE	B4
CARBURETOR	B5
OIL PUMP	B7
FUEL	C1
STARTER	C3
GENERATOR	C5
ELECTRICAL 1	C7
ELECTRICAL 2	D2
ELECTRICAL 3	D4
STARTING MOTOR	D5
BOTTOM COWLING	D6
STEERING	E1
CONTROL	E3
REMOTE CONTROL ATTACHMENT	E5
BRACKET 1	E6
BRACKET 2	F2
BRACKET 3	F4
POWER TRIM & TILT ASSY	F6

INDEX

NUMERICAL INDEX	G1
-----------------------	----

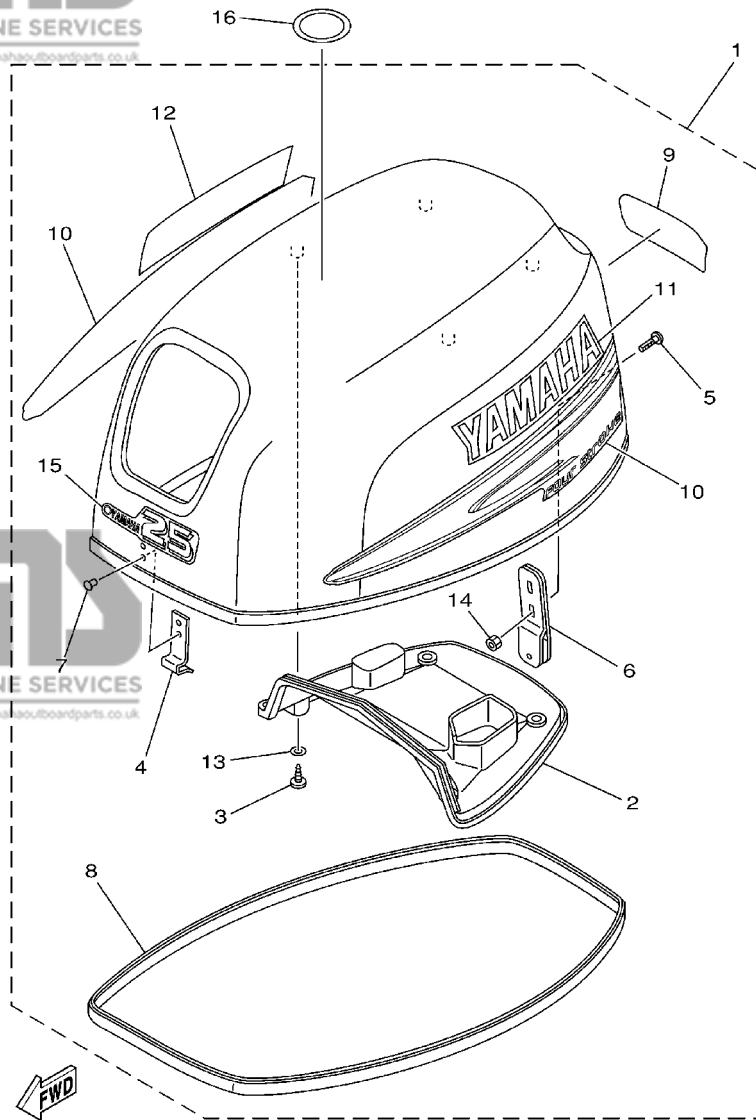
CONTENTS

SHEET 2/2

POWER TRIM & TILT ASSY	A4*
UPPER CASING	A5*
OIL PAN	A6*
LOWER CASING. DRIVE 1	A7*
LOWER CASING. DRIVE 2	B3*
FUEL TANK	B4*
STEERING GUIDE	B5*
REMOTE CONTROL BOX	B6*
REMOTE CONTROL ASSY	B7*
REPAIR KIT 1	C3*
REPAIR KIT 2	C4*
REPAIR KIT 3	C5*

INDEX

NUMERICAL INDEX	G1*
-----------------------	-----

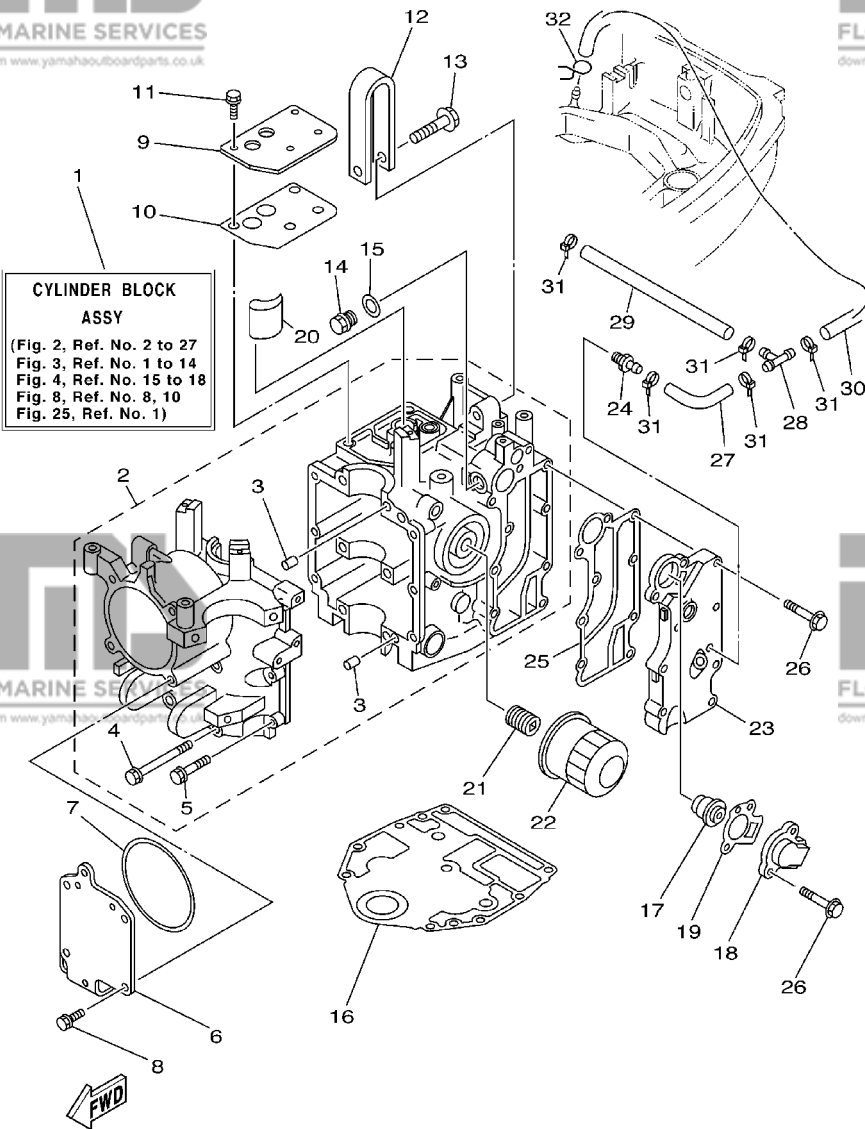


65W1010-2010

FIG. 1 TOP COWLING

CAPOT SUPERIEUR

REF. NO.	PART NO. NO. PIECES	DESCRIPTION DESCRIPTION	MH	EH	E	ET	REMARKS REMARQUES
1	65W-42610-10-4D	TOP COWLING ASSY CAPOT (ENS.)	1	1	1	1	F25A
	65W-42610-40-4D	TOP COWLING ASSY CAPOT (ENS.)				1	F20A
2	65W-42613-00	.MOLDING, AIR DUCT .MANCHON A AIR	1	1	1	1	
3	97780-60520	.SCREW, TAPPING .VIS, TETE FRAISEE	4	4	4	4	
4	65W-42651-00	.HOOK .CROCHET	1	1	1	1	
5	90109-06MA4	.BOLT .BOULON	2	2	2	2	
6	65W-42652-00	.HOOK .CROCHET	1	1	1	1	
7	90266-04M04	.RIVET .RIVET	2	2	2	2	
8	65W-42615-01	.SEAL .JOINT	1	1	1	1	
9	65W-42678-20	.GRAPHIC, REAR .ADHESIF, ARRIERE	1	1	1	1	F25A
	65W-42678-40	.GRAPHIC, REAR .ADHESIF, ARRIERE				1	F20A
10	65W-W0070-20	.GRAPHIC SET .JEU DIEMBLEMES	1	1	1	1	
11	65W-42681-20	.MARK, COWLING .ADHESIF, CAPOT	1	1	1	1	
12	65W-42682-20	.MARK, COWLING .ADHESIF, CAPOT	1	1	1	1	
13	90202-05M38	.WASHER, PLATE .RONDELLE, PLATE	4	4	4	4	
14	95680-06100	.NUT, U .ECROU, U	2	2	2	2	
15	65W-42677-00	.GRAPHIC, FRONT .ADHESIF, AVANT	1	1	1	1	F25A
	65W-42677-10	.GRAPHIC, FRONT .ADHESIF, AVANT				1	F20A
16	67F-13434-02	LABEL, CAUTION ETIQUETTE, ATTENTION	1	1	1	1	



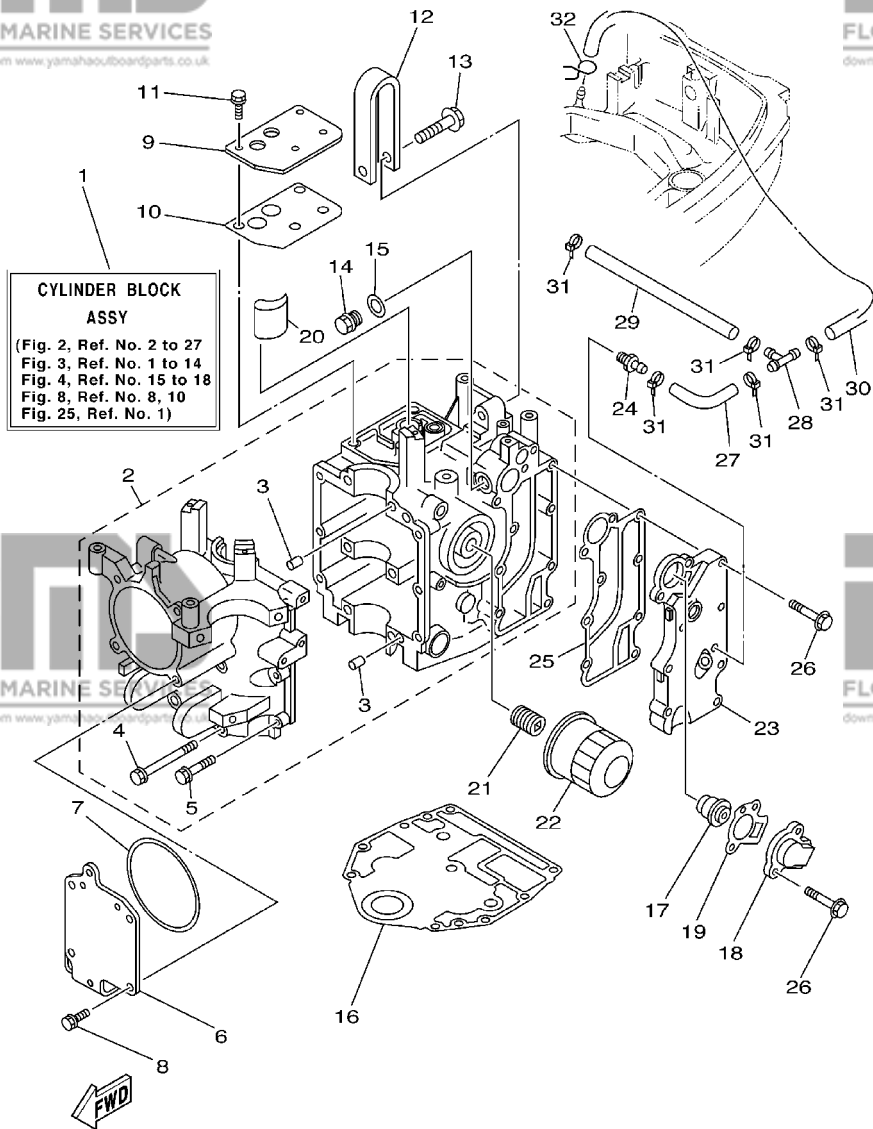
65W1300-2020

FIG. 2 CYLINDER. CRANKCASE 1 CYLINDRE. CARTER 1

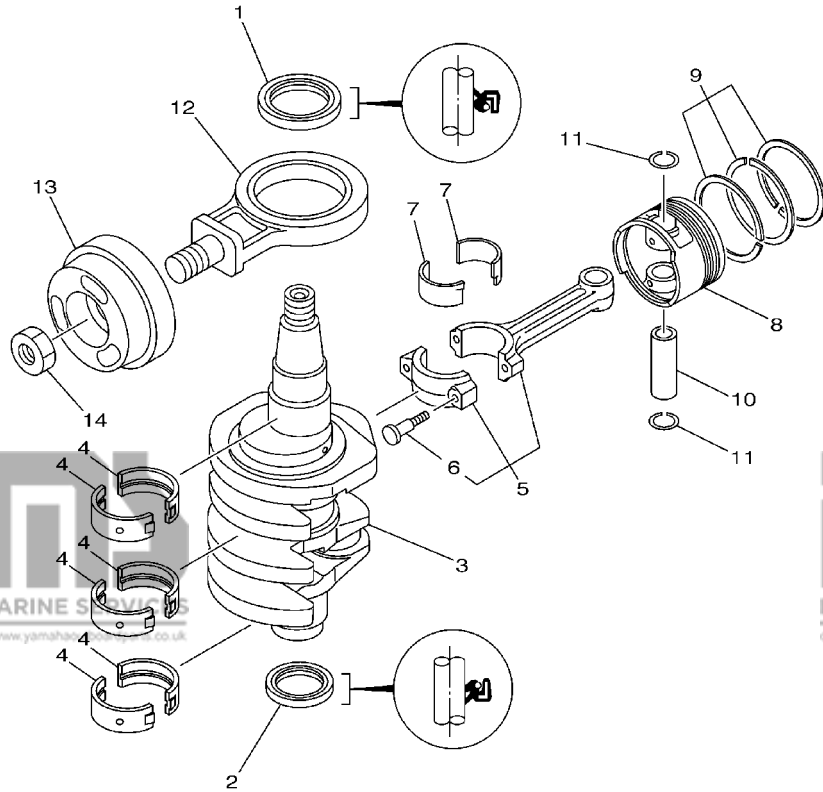
REF. NO.	PART NO. NO. PIECES	DESCRIPTION DESCRIPTION	MH	EH	EU	ET	REMARKS REMARQUES
1	65W-W009B-10-1S	CYLINDER BLOCK ASSY CYLINDRE GROUPE (ENS.)	1	1	1	1	
2	65W-15100-10-1S	CRANKCASE ASSY CARTER DE MOTEUR COMPLET	1	1	1	1	
3	99530-08012	.PIN, DOWEL .GOUJON, D'ASSEMBLAGE	2	2	2	2	
4	90119-08M01	.BOLT, WITH WASHER .BOULON, AVEC RONDELLE	6	6	6	6	
5	90119-06MA5	.BOLT, WITH WASHER .BOULON, AVEC RONDELLE	6	6	6	6	
6	65W-15121-00	CRANKCASE 2 CARTER DE MOTEUR	1	1	1	1	
7	65W-15663-00	SEAL JOINT	1	1	1	1	
8	65W-12228-00	BOLT BOULON	4	4	4	4	
9	65W-11168-01	COVER, BREATHER COUVERCLE, RENIFLARD	1	1	1	1	
10	65W-11169-01	GASKET, BREATHER COVER JOINT, COUVERCLE DE RENIFLARD	1	1	1	1	
11	65W-12228-00	BOLT BOULON	4	4	4	4	
12	65W-11119-00	HANGER, ENGINE ANNEAU, LEVAGE	1	1	1	1	
13	90105-08M87	BOLT, FLANGE BOULON	1	1	1	1	
14	90340-14M06	PLUG, STRAIGHT SCREW PLOT, FILETE DROIT	1	1	1	1	
15	90430-14115	GASKET JOINT	1	1	1	1	
16	65W-11351-00	GASKET, CYLINDER JOINT, D'EMBASE	1	1	1	1	
17	6G8-12411-02	THERMOSTAT THERMOSTAT	1	1	1	1	
18	6H3-12413-00-1S	COVER, THERMOSTAT COUVERCLE, THERMOSTAT	1	1	1	1	
19	62Y-12414-00	GASKET, COVER JOINT, COUVERCLE	1	1	1	1	
20	65W-13286-00	CLEANER FILTRE	1	1	1	1	
21	90401-20M00	BOLT, UNION BOULON, RACCORD	1	1	1	1	
22	5GH-13440-00	ELEMENT ASSY, OIL CLEANER ELEMENT, FILTRE A HUILE	1	1	1	1	
23	65W-41113-10-1S	OUTER COVER, EXHAUST COUVERCLE, ECHAPPEMENT	1	1	1	1	
24	62Y-12481-00	PIPE 1 DURITE 1	1	1	1	1	
25	65W-41114-00	GASKET, EXHAUST OUTER COVER JOINT, COUVERCLE D'ECHAPPEMENT	1	1	1	1	
26	90119-06MA5	BOLT, WITH WASHER BOULON, AVEC RONDELLE	9	9	9	9	
27	90445-09068	HOSE (L110) DURITE (L110)	1	1	1	1	

FIG. 2 CYLINDER. CRANKCASE 1 CYLINDRE. CARTER 1

REF. NO.	PART NO. NO. PIECES	DESCRIPTION DESCRIPTION	MH	EH	E	ET	REMARKS REMARQUES
28	688-24378-00	PIPE, JOINT 4 DURITE RACCORDMENT 4	1	1	1	1	
29	90445-09095	HOSE (L215) DURITE (L215)	1	1	1	1	
30	90445-09105	HOSE (L300) DURITE (L300)	1	1	1	1	
31	90465-11M10	CLAMP BRIDE	5	5	5	5	
32	90467-08004	CLIP JONC	1	1	1	1	



65W1300-2020



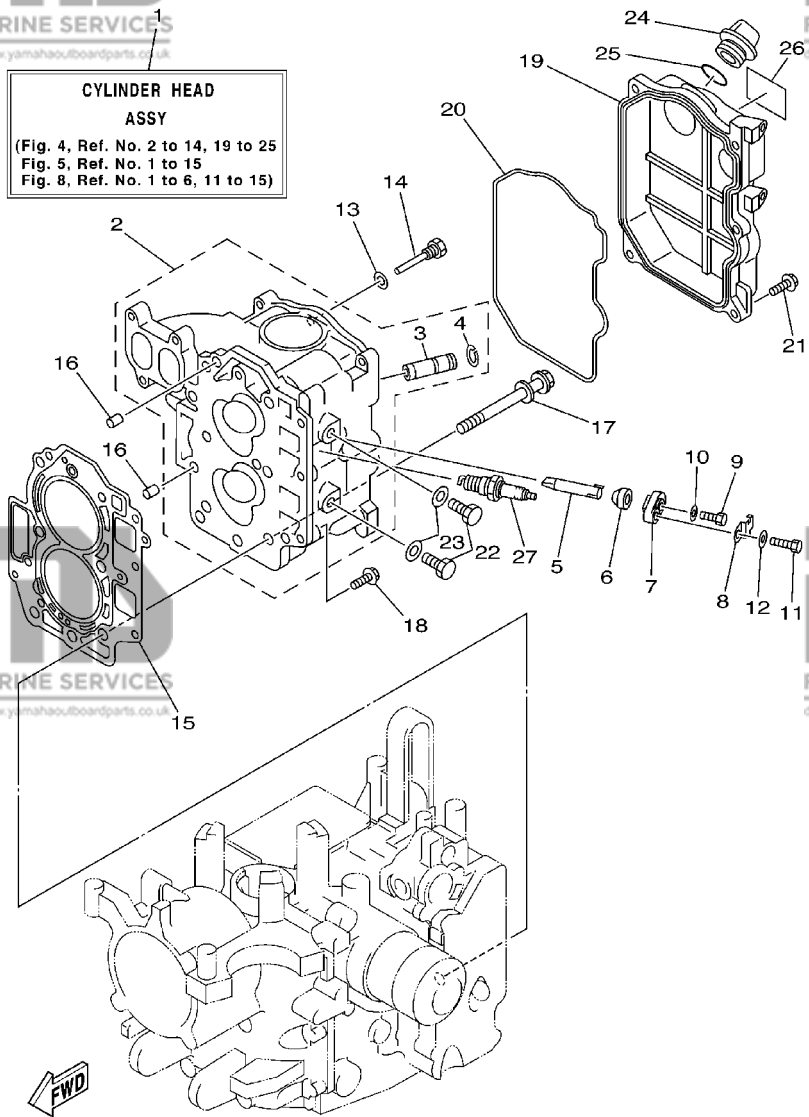
65W0010-0031

FIG. 3 CRANKSHAFT. PISTON

VILEBREQUIN. PISTON

REF. NO.	PART NO. NO. PIECES	DESCRIPTION DESCRIPTION	MH	EH	E	ET	REMARKS REMARQUES
1	93102-43M42	OIL SEAL JOINT SPY	1	1	1	1	
2	93102-35M47	OIL SEAL JOINT SPY	1	1	1	1	
3	65W-11411-01	CRANKSHAFT VILEBREQUIN COMPLET	1	1	1	1	
4	62Y-11416-00	PLANE BEARING, CRANKSHAFT 1 COUSSINET DE VILEBREQUIN	6	6	6	6	UR BROWN
	62Y-11416-10	PLANE BEARING, CRANKSHAFT 1 COUSSINET DE VILEBREQUIN	6	6	6	6	UR BLACK
	62Y-11416-20	PLANE BEARING, CRANKSHAFT 1 COUSSINET DE VILEBREQUIN	6	6	6	6	UR BLUE
5	67C-11650-00	CONNECTING ROD ASSY BIELLE COMPLETE	2	2	2	2	
6	62Y-11654-00	.BOLT, CONNECTING ROD .BOULON, BIELLE	2	2	2	2	
7	62Y-11656-00	PLANE BEARING, CONNECTING ROD ROULEMENT DE BIELLE	4	4	4	4	UR BROWN
	62Y-11656-10	PLANE BEARING, CONNECTING ROD ROULEMENT DE BIELLE	4	4	4	4	UR BLACK
	62Y-11656-20	PLANE BEARING, CONNECTING ROD ROULEMENT DE BIELLE	4	4	4	4	UR BLUE
8	65W-11631-00-96	PISTON (STD) PISTON (STD)	2	2	2	2	
	65W-11635-00	PISTON (0.25MM O/S) PISTON (0.25MM O/S)	2	2	2	2	AP
	65W-11636-00	PISTON (0.50MM O/S) PISTON (0.50MM O/S)	2	2	2	2	AP
9	67C-11603-00	PISTON RING SET (STD) JUE DE SEGMENTS (STD)	2	2	2	2	
	67C-11604-00	PISTON RING SET (0.25MM O/S) JUE DE SEGMENTS (0.25MM O/S)	2	2	2	2	AP
	67C-11605-00	PISTON RING SET (0.50MM O/S) JUE DE SEGMENTS (0.50MM O/S)	2	2	2	2	AP
10	62Y-11633-00	PIN, PISTON AXE, PISTON	2	2	2	2	
11	93450-17129	CIRCLIP CIRCLIP, TYPE S	4	4	4	4	
12	65W-11665-00	CON-ROD ASSY, BALANCE BIELLE COMPLETE, BALANCE	1	1	1	1	
13	65W-11642-11	PISTON, BALANCE PISTON, BALANCE	1	1	1	1	
14	90170-20137	NUT ECROU	1	1	1	1	

CYLINDER HEAD ASSY
(Fig. 4, Ref. No. 2 to 14, 19 to 25
Fig. 5, Ref. No. 1 to 15
Fig. 8, Ref. No. 1 to 6, 11 to 15)



65W1300-2040

FIG. 4 CYLINDER. CRANKCASE 2 CYLINDRE. CARTER 2

REF. NO.	PART NO. NO. PIECES	DESCRIPTION DESCRIPTION	MH	EH	EU	ET	REMARKS REMARQUES
1	65W-W009A-13-1S	CYLINDER HEAD ASSY CULASSE (ENS.)	1	1	1	1	
2	65W-11111-02-1S	HEAD, CYLINDER 1 CULASSE	1	1	1	1	FOR STD
	65W-11111-12-1S	HEAD, CYLINDER 1 CULASSE	1	1	1	1	*ECM-"F25A ONLY"
3	62Y-11133-10	.GUIDE, INTAKE VALVE .GUIDE, SOUP D'ADM	4	4	4	4	
4	93450-09M01	.CIRCLIP .CIRCLIP, TYPE S	4	4	4	4	
5	62Y-11325-00	ANODE ANODE	2	2	2	2	
6	66M-11328-00	GROMMET, ANODE PASSE-FIL	2	2	2	2	
7	66M-11327-00-94	COVER, ANODE COUVERCLE	2	2	2	2	
8	66M-12535-00	PLATE PLAQUE	2	2	2	2	
9	97095-05012	BOLT BOULON	2	2	2	2	
10	92995-05600	WASHER RONDELLE	2	2	2	2	
11	97095-06020	BOLT BOULON	2	2	2	2	
12	92995-06600	WASHER RONDELLE	2	2	2	2	
13	90430-06014	GASKET JOINT	1	1	1	1	
14	90109-06M65	BOLT BOULON	1	1	1	1	
15	65W-11181-11	GASKET, CYLINDER HEAD 1 JOINT, DE CULASSE 1	1	1	1	1	
16	99530-08012	PIN, DOWEL GOUJON, D'ASSEMBLAGE	2	2	2	2	
17	90119-09M00	BOLT, WITH WASHER BOULON, AVEC RONDELLE	6	6	6	6	
18	90119-06MA3	BOLT, WITH WASHER BOULON, AVEC RONDELLE	3	3	3	3	
19	65W-11191-00-1S	COVER, CYLINDER HEAD 1 COUVERCLE, CULASSE 1	1	1	1	1	
20	65W-11356-00	SEAL, CYLINDER 2 JOINT, SPY CYLINDRE	1	1	1	1	
21	90119-06MA2	BOLT, WITH WASHER BOULON, AVEC RONDELLE	5	5	5	5	
22	97095-08014	BOLT BOULON	2	2	2	2	*ECM-"F25A ONLY"
23	90430-08143	GASKET JOINT	2	2	2	2	*ECM-"F25A ONLY"
24	6G8-15363-00	PLUG, OIL PLOT, HUILE	1	1	1	1	

*ECM: FOR EMISSION CONTROL MODEL.
*ECM: POUR MODELE CONTROLE D' EMISSIONS.

B1

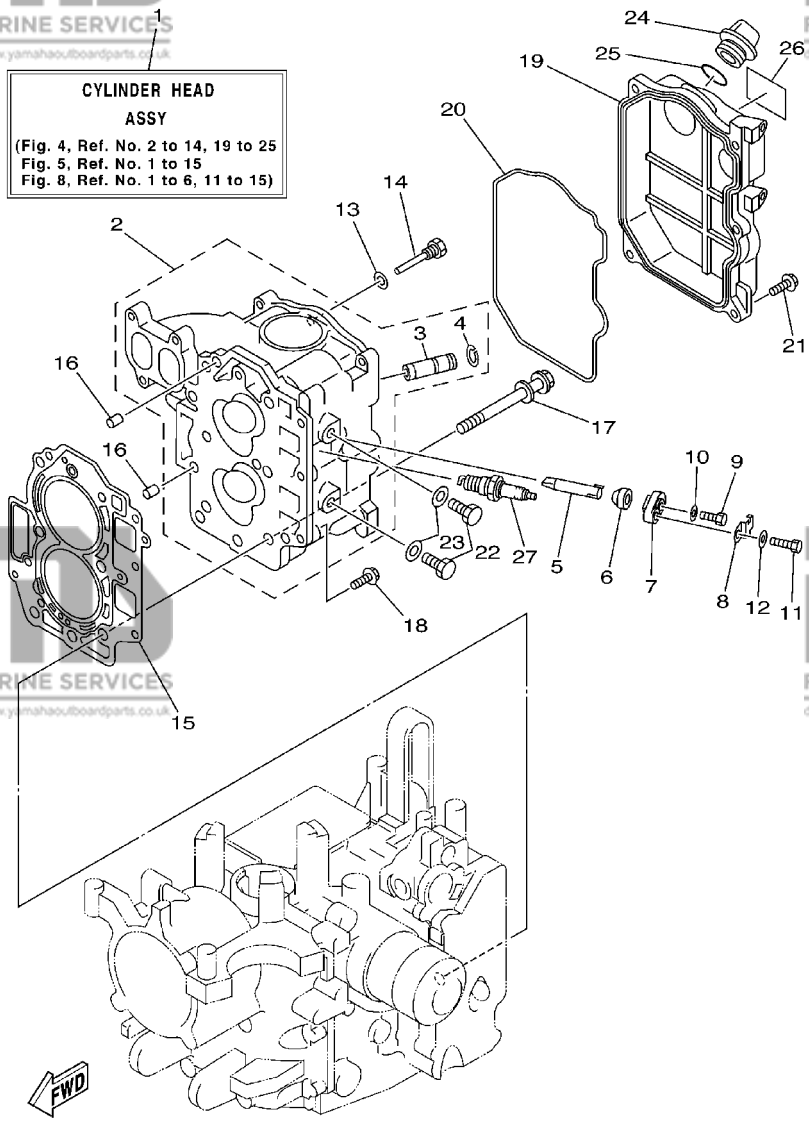
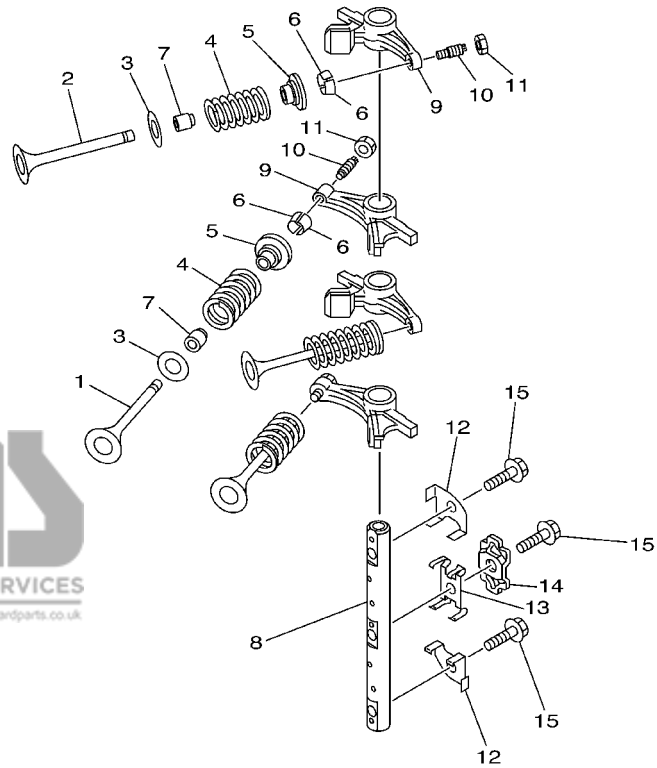


FIG. 4 CYLINDER. CRANKCASE 2 CYLINDRE. CARTER 2

REF. NO.	PART NO. NO. PIECES	DESCRIPTION DESCRIPTION	MH	EH	E	ET	REMARKS REMARQUES
			1	1	1	1	
25	93210-24M79	O-RING JOINT TORIQUE	1	1	1	1	
26	62Y-12138-60	MARK, CAUTION MAKER	1	1	1	1	
27	94701-00375	PLUG, SPARK (NGK DPR6EA-9) BOUGIE D'ALLUMAGE (NGK DPR6EA-9)	2	2	2	2	

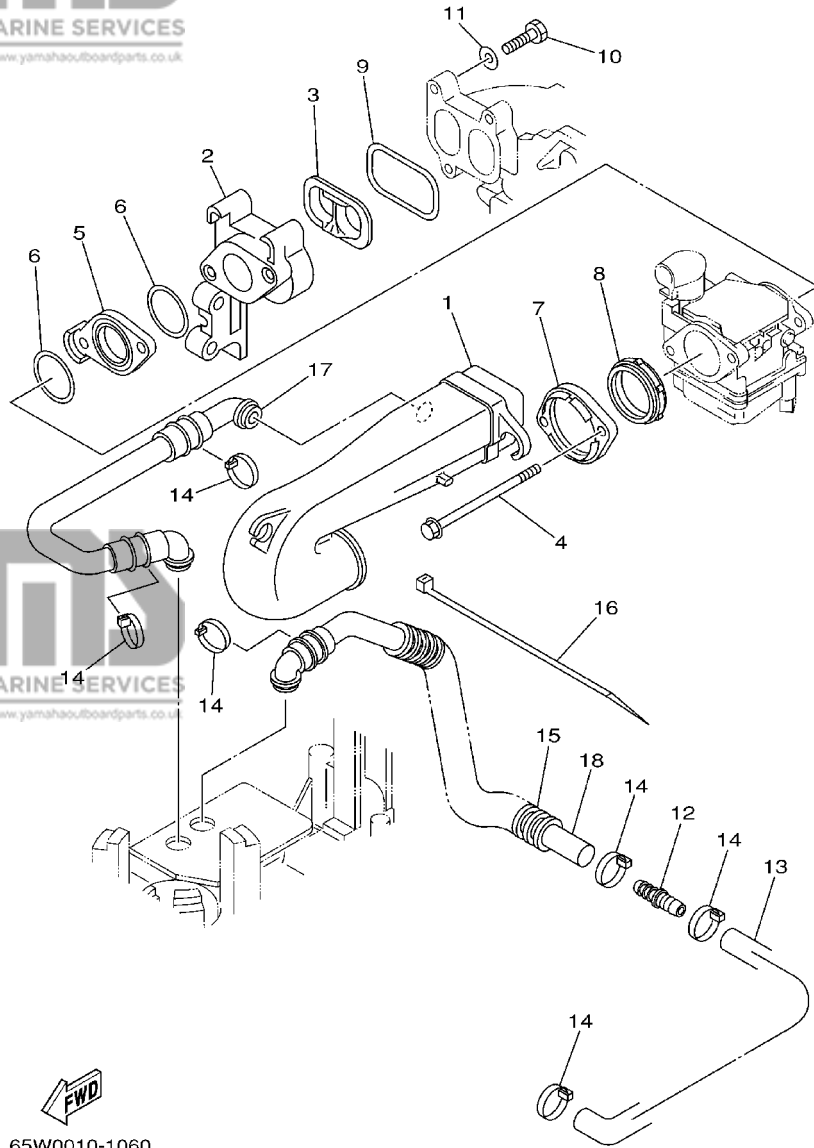


65W1010-2050

FIG. 5 VALVE

SOUPAPE

REF. NO.	PART NO. NO. PIECES	DESCRIPTION DESCRIPTION	MH	EH	EU	ET	REMARKS REMARQUES
1	67C-12111-00	VALVE, INTAKE SOUPAPE, ADMISSION	2	2	2	2	
2	62Y-12121-00	VALVE, EXHAUST SOUPAPE, ECHAPPEMENT	2	2	2	2	
3	62Y-12116-00	SEAT, VALVE SPRING SIEGE, RESSORT DE SOUPAPE	4	4	4	4	
4	51Y-12114-00	SPRING, VALVE OUTER RESSORT DE SOUPAPE, EXTERNE	4	4	4	4	
5	30X-12117-00	RETAINER, VALVE SPRING BUTEE DE RESSORT DE SOUPAPE	4	4	4	4	
6	30X-12118-00	COTTER, VALVE FRAISE, SOUPAPE	8	8	8	8	
7	51Y-12119-00	SEAL, VALVE STEM JOINT, QUEUE DE SOUPAPE	4	4	4	4	
8	65W-12146-00	SHAFT, ROCKER AXE, CULBUTEUR	1	1	1	1	
9	65W-12151-00	ARM, VALVE ROCKER CULBUTEUR	4	4	4	4	
10	62Y-12159-00	SCREW, VALVE ADJUSTING VIS, REGLAGE DE SOUPAPE	4	4	4	4	
11	62Y-12158-00	NUT, LOCK CONTRE-ECROU	4	4	4	4	
12	62Y-12238-00	PLATE, BOLT STOPPER PLAQUE, BUTEE DE BOULON	2	2	2	2	
13	62Y-12216-00	SPRING RESSORT	1	1	1	1	
14	62Y-12231-00	GUIDE, STOPPER 1 GUIDE, BUTEE 1	1	1	1	1	
15	90109-08M63	BOLT BOULON	3	3	3	3	

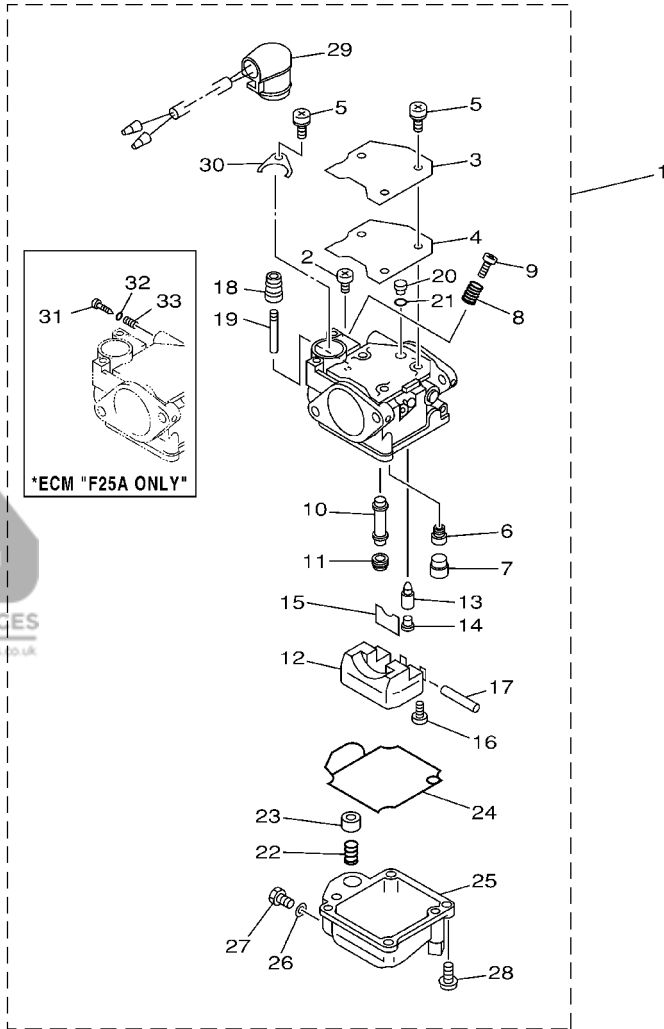


65W0010-1060

FIG. 6 INTAKE

ADMISSION

REF. NO.	PART NO. NO. PIECES	DESCRIPTION DESCRIPTION	MH	EH	E	ET	REMARKS REMARQUES
1	65W-14440-00	SILENCER ASSY, INTAKE SIENCIEUX D'ADMISSION	1	1	1	1	
2	65W-13640-00	MANIFOLD TUBULURE	1	1	1	1	
3	65W-13323-00	INSERT PIECE RAPPORTEE	1	1	1	1	
4	65W-14496-00	BOLT BOULON	2	2	2	2	
5	65W-14271-00	INSULATOR ISOLATEUR	1	1	1	1	
6	65W-14198-00	GASKET JOINT	2	2	2	2	
7	65W-14262-00	FLANGE COLLERETTE	1	1	1	1	
8	65W-14457-10	SEAL JOINT	1	1	1	1	
9	65W-13645-00	GASKET, MANIFOLD 1 JOINT, TUBULURE 1	1	1	1	1	
10	97095-06025	BOLT BOULON	3	3	3	3	
11	92995-06600	WASHER RONDELLE	3	3	3	3	
12	65W-24377-00	PIPE, JOINT 3 DURITE RACCORDEMENT	1	1	1	1	
13	65W-15397-10	HOSE DURITE	1	1	1	1	
14	90465-13M36	CLAMP BRIDE	6	6	6	6	
15	90446-24M54	HOSE DURITE	1	1	1	1	
16	90465-11M52	CLAMP BRIDE	1	1	1	1	
17	65W-15370-00	BREATHER ASSY RESPIRADERO	1	1	1	1	
18	65W-15370-10	BREATHER ASSY RESPIRADERO	1	1	1	1	



FWD
65W0300-0070

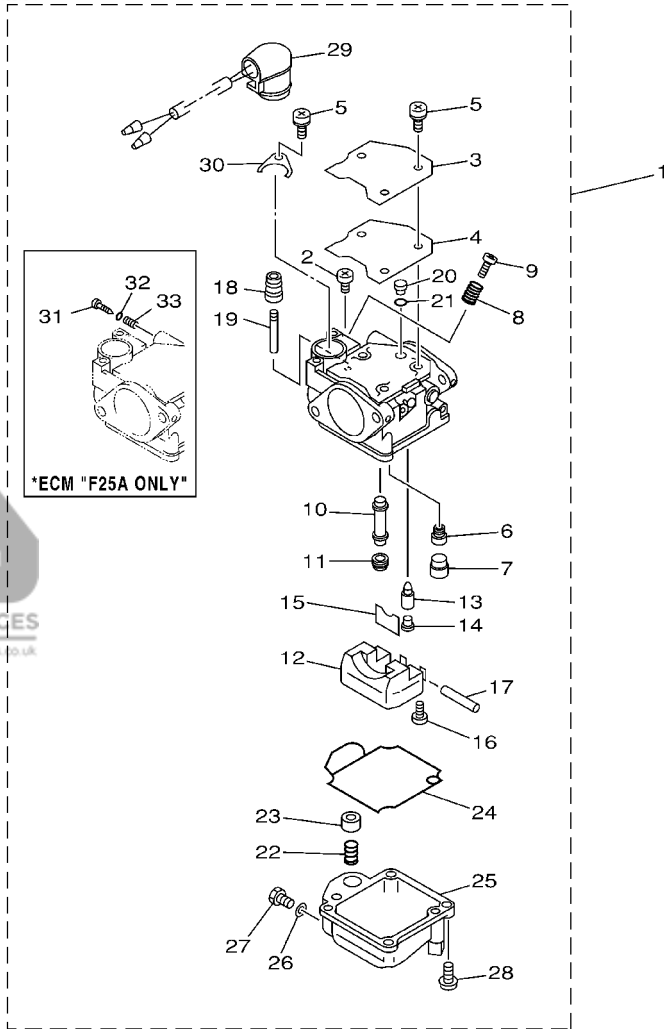
FIG. 7 CARBURETOR

CARBUREATEUR

REF. NO.	PART NO. NO. PIECES	DESCRIPTION DESCRIPTION	MH	EH	E	ET	REMARKS REMARQUES
1	65W-14901-00	CARBURETOR ASSY 1 CARBURATEUR 1 COMPLET		1	1	1	FOR STD
	65W-14901-10	CARBURETOR ASSY 1 CARBURATEUR 1 COMPLET	1				FOR STD
	65W-14901-31	CARBURETOR ASSY 1 CARBURATEUR 1 COMPLET	1	1	1	1	*ECM-"F25A ONLY"
2	98580-04006	.SCREW, PAN HEAD .VIS, TETE TRONCONIQUE	1	1	1	1	
3	65W-14572-00	.PLATE .PLAQUE	1	1	1	1	
4	65W-14126-00	.GASKET .JOINT	1	1	1	1	FOR STD
	65W-14126-10	.GASKET .JOINT	1	1	1	1	*ECM-"F25A ONLY"
5	97803-04010	.SCREW, PAN HEAD .VIS, TETE TRONCONIQUE	4	4	4	4	
6	676-14948-07	.JET (#50) .GICLEUR (#50)	1	1	1	1	FOR STD
	65W-14948-07	.JET (#50) .GICLEUR (#50)	1	1	1	1	*ECM-"F25A ONLY"
7	679-14966-00	.RUBBER CAP .CAOUTCHOUC CASQUILLO	1	1	1	1	
8	90501-10326	.SPRING, COMPRESSION .RESSORT, COMPRESSION	1	1	1	1	
9	63V-14523-00	.SCREW, STOP .VIS, BUTEE	1	1	1	1	
10	65W-14947-00	.JET, NEEDLE .GICLEUR DE STARTER	1	1	1	1	FOR STD
	65W-14947-20	.JET, NEEDLE .GICLEUR DE STARTER	1	1	1	1	*ECM-"F25A ONLY"
11	65W-14943-29	.JET, MAIN (#112) .GICLEUR, PRINCIPAL (#112)	1	1	1	1	FOR STD
	65W-14943-28	.JET, MAIN (#105) .GICLEUR, PRINCIPAL (#105)	1	1	1	1	*ECM-"F25A ONLY"
12	63V-14985-00	.FLOAT .FLOTTEUR	1	1	1	1	
13	6G1-14546-00	.VALVE, NEEDLE .POINTEAU	1	1	1	1	
14	676-14186-00	.PIN, FLOAT .AXE, FLOTTEUR	1	1	1	1	
15	663-14159-00	.CLIP .JONC	1	1	1	1	
16	98580-04008	.SCREW, PAN HEAD .VIS, TETE TRONCONIQUE	1	1	1	1	
17	6H4-14548-00	.PIN, FLOAT ARM .AXE, BRAS DE FLOTTEUR	1	1	1	1	
18	65W-14373-00	.COVER, PLUNGER CAP .COUVERCLE DE PLONGEUR	1	1	1	1	
19	65W-14379-00	.ROD, STARTER .TRINGLE, STARTER	1	1	1	1	

*ECM: FOR EMISSION CONTROL MODEL.
*ECM: POUR MODELE CONTROLE D' EMISSIONS.

B5



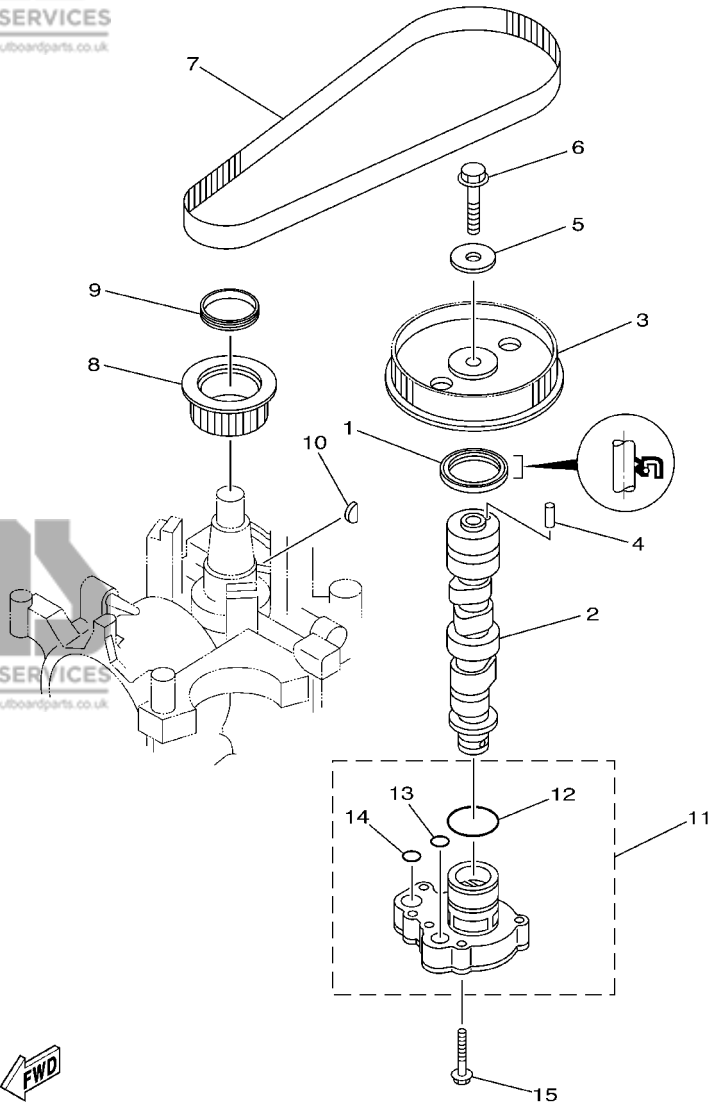
FWD
65W0300-0070

FIG. 7 CARBURETOR

CARBURATEUR

REF. NO.	PART NO. NO. PIECES	DESCRIPTION DESCRIPTION	MH	EH	E	ET	REMARKS REMARQUES
20	65W-1414F-00	.JET, PILOT (#52) .GICLEUR, RALENTI (#52)	1	1	1	1	FOR STD
21	65W-14147-00	.O-RING .JOINT TORIQUE	1	1	1	1	FOR STD
22	65W-14335-00	.SPRING, PLUNGER .RESSORT, PLONGEUR	1	1	1	1	
23	65W-14371-00	.PLUNGER, STARTER .PLONGEUR, STARTER	1	1	1	1	
24	65W-14384-00	.GASKET, FLOAT CHAMBER .JOINT, CUVE DE FLOTTEUR	1	1	1	1	
25	65W-14980-00	.BODY, FLOAT CHAMBER .CORPS, CUVE DE FLOTTEUR	1	1	1	1	FOR STD
	65W-14980-20	.BODY, FLOAT CHAMBER .CORPS, CUVE DE FLOTTEUR	1				FOR STD
	65W-14980-20	.BODY, FLOAT CHAMBER .CORPS, CUVE DE FLOTTEUR	1	1	1	1	*ECM-"F25A ONLY"
26	65W-14398-00	.GASKET .JOINT	1	1	1	1	
27	65W-14992-00	.SCREW, DRAIN .BOUCHON, PURGE	1	1	1	1	
28	97980-04114	.SCREW, WITH WASHER .VIS, AVEC RONDELLE	4	4	4	4	
29	65W-14380-00	.PRIME STARTER ASSY .DEMARREUR D'AMARCAGE ENS.	1	1	1	1	FOR STD
	65W-14380-20	.PRIME STARTER ASSY .DEMARREUR D'AMARCAGE ENS.	1				FOR STD
	65W-14380-20	.PRIME STARTER ASSY .DEMARREUR D'AMARCAGE ENS.	1	1	1	1	*ECM-"F25A ONLY"
30	65W-14346-00	.PLATE .PLAQUE	1	1	1	1	
31	65W-14923-10	.SCREW, PILOT .VIS, RALENTI	1	1	1	1	*ECM-"F25A ONLY"
32	67C-14397-00	.O-RING .JOINT TORIQUE	1	1	1	1	*ECM-"F25A ONLY"
33	67C-14555-00	.SPRING .RESSORT	1	1	1	1	*ECM-"F25A ONLY"

*ECM: FOR EMISSION CONTROL MODEL.
*ECM: POUR MODELE CONTROLE D' EMISSIONS.



FWD
65W1010-2080

FIG. 8 OIL PUMP

POMPE A HUILE

REF. NO.	PART NO. NO. PIECES	DESCRIPTION DESCRIPTION	MH	EH	E	ET	REMARKS REMARQUES
1	93102-37M40	OIL SEAL JOINT SPY	1	1	1	1	
2	65W-12171-00 65W-12170-10	CAMSHAFT 1 ARBRE A CAMES 1 CAMSHAFT ASSY 1 ENS ARBRE A CAMES 1		1	1	1	COMPONENT OF CYL. HEAD ASSY
3	65W-11537-01	GEAR, DRIVEN PIGNON SECONDAIRE	1	1	1	1	
4	93605-14143	PIN, DOWEL GOUJON	1	1	1	1	
5	90201-10M06	WASHER, PLATE RONDELLE, PLATE	1	1	1	1	
6	95895-10040	BOLT, FLANGE BOULON, A COLLERETTE	1	1	1	1	
7	65W-46241-00	V-BELT COURROIE TRAPEZOIDALE	1	1	1	1	
8	65W-11536-10	GEAR, DRIVE ENGRENAGE, MENANT	1	1	1	1	
9	65W-11476-00	SPRING RESSORT	1	1	1	1	
10	90280-04M06	KEY, WOODRUFF CLAVETTE, DEMI-LUNE	1	1	1	1	
11	65W-13300-00	OIL PUMP ASSY POMPE A HUILE COMPLET	1	1	1	1	
12	93210-33MH2	.O-RING JOINT TORIQUE	1	1	1	1	
13	93210-12MG9	.O-RING JOINT TORIQUE	1	1	1	1	
14	93210-14515	.O-RING JOINT TORIQUE	1	1	1	1	
15	90119-06MA6	BOLT, WITH WASHER BOULON, AVEC RONDELLE	4	4	4	4	

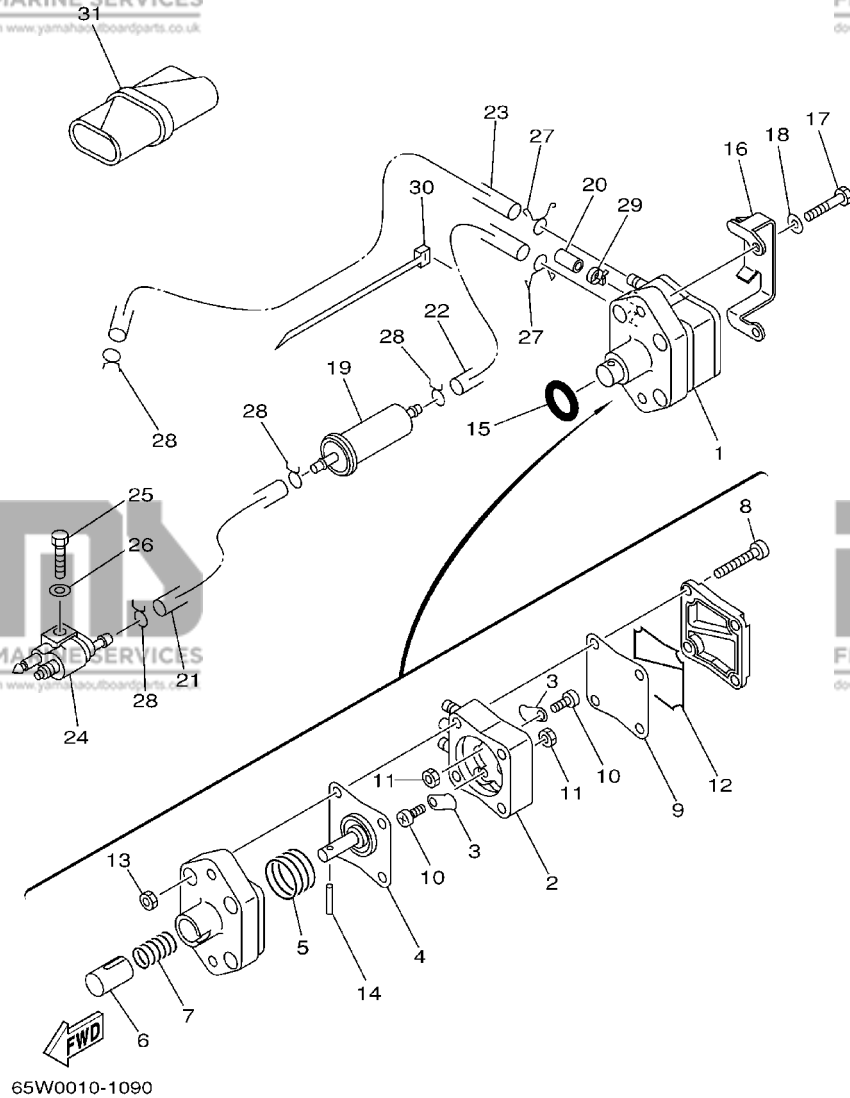


FIG. 9 FUEL

CARBURANT

REF. NO.	PART NO. NO. PIECES	DESCRIPTION DESCRIPTION	MH	EH	EU	ET	REMARKS REMARQUES
1	62Y-24410-02	FUEL PUMP ASSY POMPE A ESSENCE	1	1	1	1	
2	62Y-24413-00	.BODY 2 .CORPS 2	1	1	1	1	
3	62Y-24421-01	.VALVE, CHECK .SOUPAPE, RETENUE	2	2	2	2	
4	62Y-24411-02	.DIAPHRAGM .DIAPHRAGME	1	1	1	1	
5	62Y-24423-00	.SPRING, DIAPHRAGM .RESSORT, DIAPHRAGME	1	1	1	1	
6	62Y-13131-01	.PLUNGER .PLONGEUR	1	1	1	1	
7	62Y-24454-00	.SPRING .RESSORT	1	1	1	1	
8	62Y-24444-00	.SCREW .VIS	4	4	4	4	
9	62Y-24471-00	.DIAPHRAGM .DIAPHRAGME	1	1	1	1	
10	6A0-14325-00	.SCREW, PAN HEAD .VIS TETE CONIQUE	2	2	2	2	
11	95380-03600	.NUT .ECROU	2	2	2	2	
12	62Y-24452-00	.PACKING .JOINT	1	1	1	1	
13	95380-05600	.NUT .ECROU	4	4	4	4	
14	62Y-24374-01	.PIN .PIN	1	1	1	1	
15	93210-24M79	O-RING JOINT TORIQUE	1	1	1	1	
16	65W-24474-00	COVER COUVERCLE	1	1	1	1	
17	97095-06030	BOLT BOULON	2	2	2	2	
18	92995-06600	WASHER RONDELLE	2	2	2	2	
19	65W-24251-00	STRAINER 1 FILTRE 1	1	1	1	1	
20	65W-24481-00	PLUG COUVERCLE	1	1	1	1	
21	90445-10M33	HOSE (L320) DURITE (L320)	1	1	1	1	
22	90445-10M03	HOSE (L240) DURITE (L240)	1	1	1	1	
23	90445-10M43	HOSE (L400) DURITE (L400)	1	1	1	1	
24	6G1-24304-02	FUEL PIPE JOINT COMP. 1 DURITE RACCORDEMT. A ESSENCE	1	1	1	1	
25	97095-06025	BOLT BOULON	1	1	1	1	
26	92995-06600	WASHER RONDELLE	1	1	1	1	
27	90467-10M04	CLIP JONC	2	2	2	2	

C1

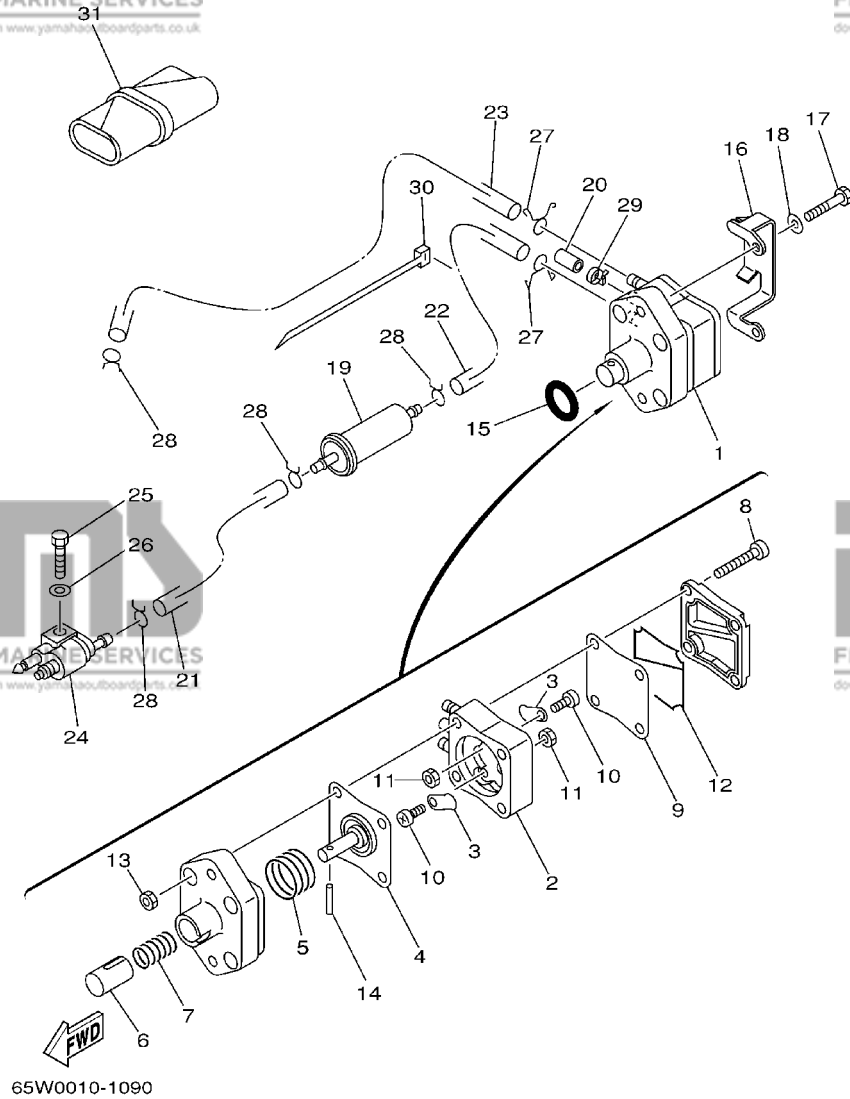


FIG. 9 FUEL

CARBURANT

REF. NO.	PART NO. NO. PIECES	DESCRIPTION DESCRIPTION	MH	EH	E	ET	REMARKS REMARQUES
28	90467-09M03	CLIP JONC	4	4	4	4	
29	90465-11M10	CLAMP BRIDE	1	1	1	1	
30	90465-13M18	CLAMP BRIDE	1	1	1	1	
31	62Y-28100-00	TOOL KIT TROUSSE A OUTILS	1	1	1	1	

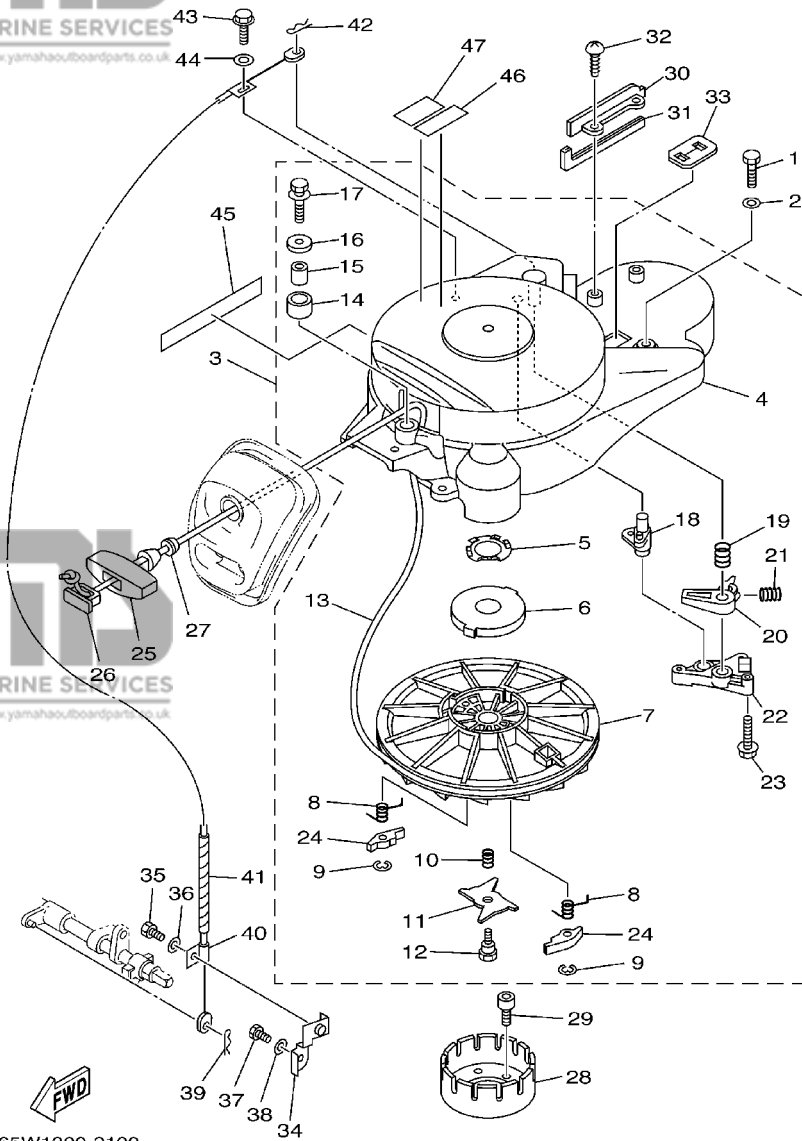


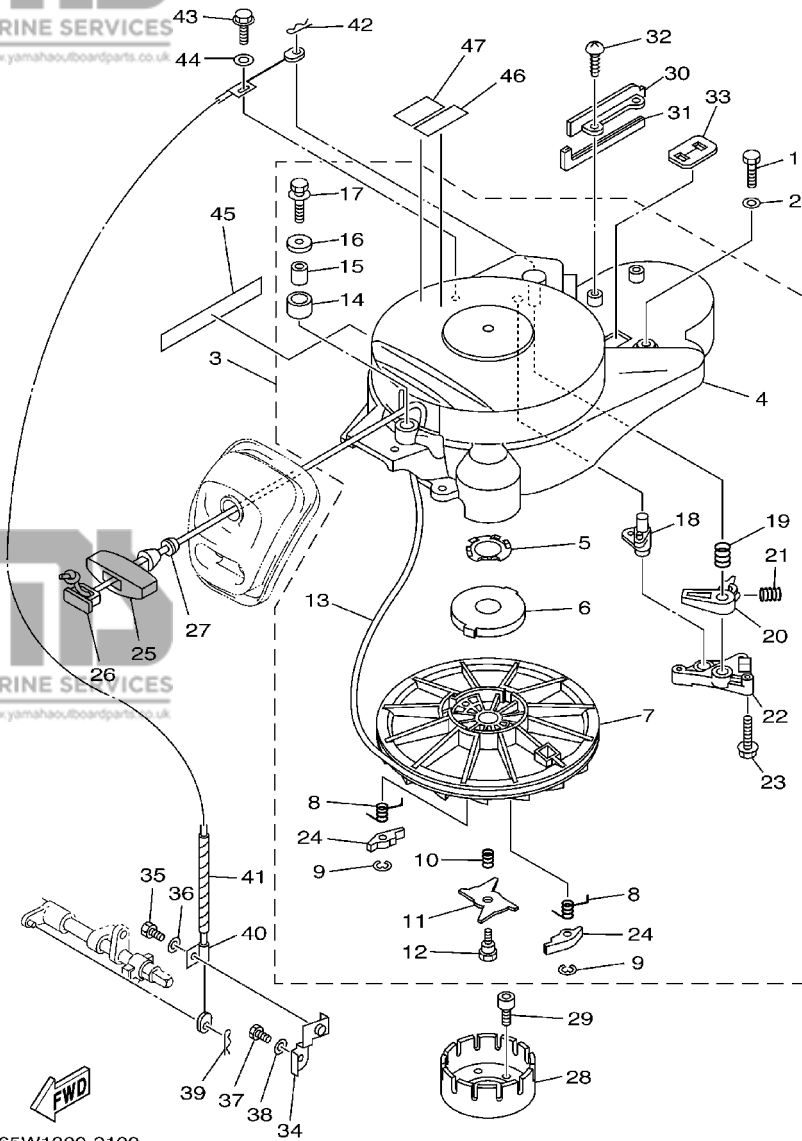
FIG. 10 STARTER

DEMARREUR

REF. NO.	PART NO. NO. PIECES	DESCRIPTION DESCRIPTION	MH	EH	E	ET	REMARKS REMARQUES
1	97095-06025	BOLT BOULON	4				
2	92995-06600	WASHER RONDELLE	4				
3	65W-W1571-01	STARTER ASSY DEMARREUR COMPLET	1				
4	65W-15711-01	.CASE, STARTER .CARTER DE DEMARREUR	1				
5	65W-15732-00	.WASHER, WAVE 1 .RONDELLE ONDULEE 1	1				
6	65W-15713-00	.SPRING, STARTER .RESSORT DE DEMARREUR	1				
7	65W-15714-01	.DRUM, SHEAVE .TAMBOUR, POULIE	1				
8	65W-15734-00	.SPRING, RETURN .RESSORT, RAPPEL	2				
9	65W-15744-00	.CIRCLIP .CIRCLIP	2				
10	65W-15715-00	.SPRING, FRICTION .RESSORT, PLAQUE D'ENTRAINEMT	1				
11	65W-15716-00	.PLATE, DRIVE .PLAQUE, ENTRAINEMENT	1				
12	65W-15793-00	.SCREW .VIS	1				
13	*	.WIRE, STARTER (D:5MM, 1.7M) .CABLE DE DEMARREUR(D:5MM,1.7M)	1				
14	65W-15752-00	.ROLLER, WIRE .GALET, CABLE	1				
15	65W-15753-00	BUSH CHARBON	1				
16	65W-15791-00	.WASHER, LOCK .RONDELLE-FREIN	1				
17	65W-15481-00	.BOLT 1 BOULON 1	1				
18	65W-15735-01	.GUIDE, CAM .COULISSEAU	1				
19	65W-15767-01	.SPRING .RESSORT	1				
20	65W-15794-00	.STOPPER BUTEE	1				
21	65W-15784-00	.SPRING, RETURN .RESSORT, RAPPEL	1				
22	65W-15414-00	.COVER 1 .COUVERCLE 1	1				
23	65W-15768-00	.BOLT BOULON	3				
24	65W-15741-10	.PAWL, DRIVE .CLIQUET, ENTRAINEMENT	2				
25	689-15755-01	HANDLE, STARTER POIGNEE, DE DEMARREUR	1				

* CUT FROM 50M ROLLS, PART NO. 90890-44373, CUTTING LENGTH 1.7M

* A PRELEVER SUR BOBINE 50M , REFERENCE 90890-44373, LONGUEUR DE COUPE 1.7M



65W1300-2100

FIG. 10 STARTER

DEMARREUR

REF. NO.	PART NO. NO. PIECES	DESCRIPTION DESCRIPTION	MH	EH	E	ET	REMARKS REMARQUES
26	6F5-15779-02	COVER COUVERCLE	1				
27	6A0-15789-00	DAMPER AMORTISSEUR	1				
28	65W-15723-10	PULLEY, STARTER POULIE DE DEMARREUR	1				
29	90110-08M03	BOLT, HEXAGON SOCKET HEAD BOULON, TETE HEXAGONALE CREUSE	3				
30	65W-15645-00	SHIM, KICK SHAFT CALE, AXE DE KICK	1				
31	65W-15761-00	SEAL, RUBBER 1 JOINT CAOUTCHOUC 1	1				
32	97780-60520	SCREW, TAPPING VIS, TETE FRAISEE	2				
33	65W-81639-10	PLATE, ARMATURE FITTING PLAQUE, FIXATION D'INDUIT	1				
34	65W-15774-00	STAY 4 SUPPORT 4	1				
35	97095-06012	BOLT BOULON	1				
36	92995-06600	WASHER RONDELLE	1				
37	97095-06012	BOLT BOULON	1				
38	92995-06600	WASHER RONDELLE	1				
39	90468-18008	CLIP JONC	1				
40	65W-15770-00	CABLE COMP., STARTER STOP CABLE, BUTEE DE DEMAR	1				
41	90446-06M90	HOSE DURITE	1				
42	90468-10005	CLIP JONC	1				
43	65W-15482-00	BOLT 2 BOULON 2	1				
44	65W-15726-00	WASHER, FLAT RONDELLE, PLATE	1				
45	65W-13437-60	MARK, CAUTION MAKER	1				
46	6A1-83625-41	MARK 5 ETIQUETTE 5	1				
47	6A1-83625-51	MARK 5 ETIQUETTE 5	1				

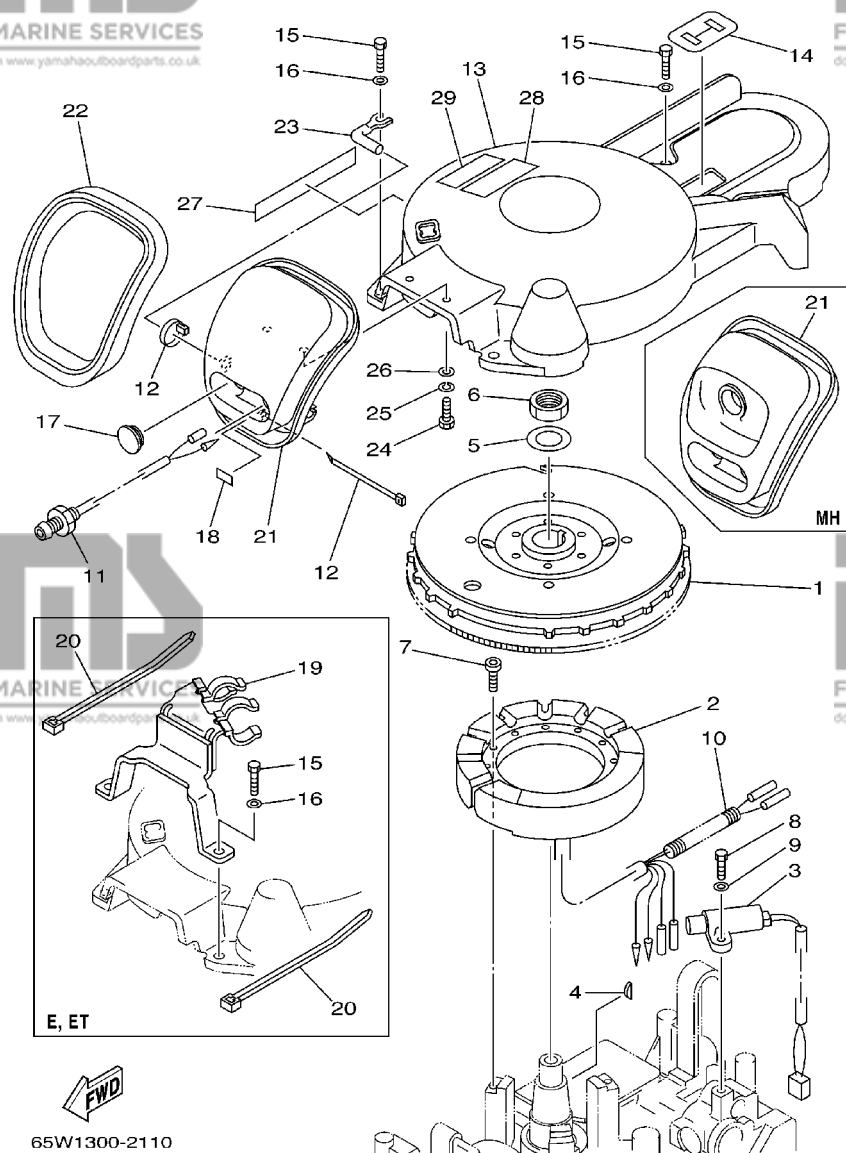


FIG. 11 GENERATOR

GENERATRICE

REF. NO.	PART NO. NO. PIECES	DESCRIPTION DESCRIPTION	MH	EH	E	ET	REMARKS REMARQUES
1	65W-85550-01	ROTOR ASSY		1	1	1	
	65W-85550-11	ROTOR CPLT					
2	65W-85510-10	STATOR ASSY	1			1	
	65W-85510-00	STATOR CPLT	1	1			
3	65W-85580-00	COIL, PULSER	1	1	1	1	
		BOBINE, PULSEUR					
4	65W-11545-00	KEY, WOODRUFF	1	1	1	1	
		CLAVETTE, DEMI-LUNE					
5	90201-21M18	WASHER, PLATE	1	1	1	1	
		RONDELLE, PLATE					
6	90170-20137	NUT	1	1	1	1	
		ECROU					
7	91380-05030	BOLT			3	3	
		BOULON					
	91380-05025	BOLT	3	3			
		BOULON					
8	97095-05016	BOLT	2	2	2	2	
		BOULON					
9	92995-05600	WASHER	2	2	2	2	
		RONDELLE					
10	90446-10M82	HOSE	1	1	1	1	
		DURITE					
11	65W-85410-01	EMERGENCY SIGNAL LIGHT ASSY	1	1	1	1	
		FEU DE DETRESSE					
12	90465-11M10	CLAMP	2	2	2	2	
		BRIDE					
13	65W-81337-00	COVER, FLYWHEEL	1	1	1	1	
		COUVERCLE, VOLANT					
14	65W-81639-00	PLATE, ARMATURE FITTING	1	1	1	1	
		PLAQUE, FIXATION D'INDUIT					
15	97095-06025	BOLT	4	4	4	4	
		BOULON					
16	92995-06600	WASHER	4	4	4	4	
		RONDELLE					
17	6G1-42725-00	GROMMET	1	1	1	1	
		PASSE-FIL					
18	65W-84342-00	SEAT, EMBLEM	1	1	1	1	
		SIEGE, EMBLEME					
19	65W-82594-10	CLAMP			1	1	
		BRIDE					
20	90465-13M18	CLAMP			2	2	
		BRIDE					
21	65W-15758-10	GUIDE, ROPE		1	1	1	
		GUIDE DE CABLE					
	65W-15758-00	GUIDE, ROPE	1				
		GUIDE DE CABLE					
22	65W-15762-00	SEAL, RUBBER 2	1	1	1	1	
		JOINT CAOUTCHOUC 2					
23	65W-15771-00	STAY 1	1	1	1	1	
		SUPPORT 1					

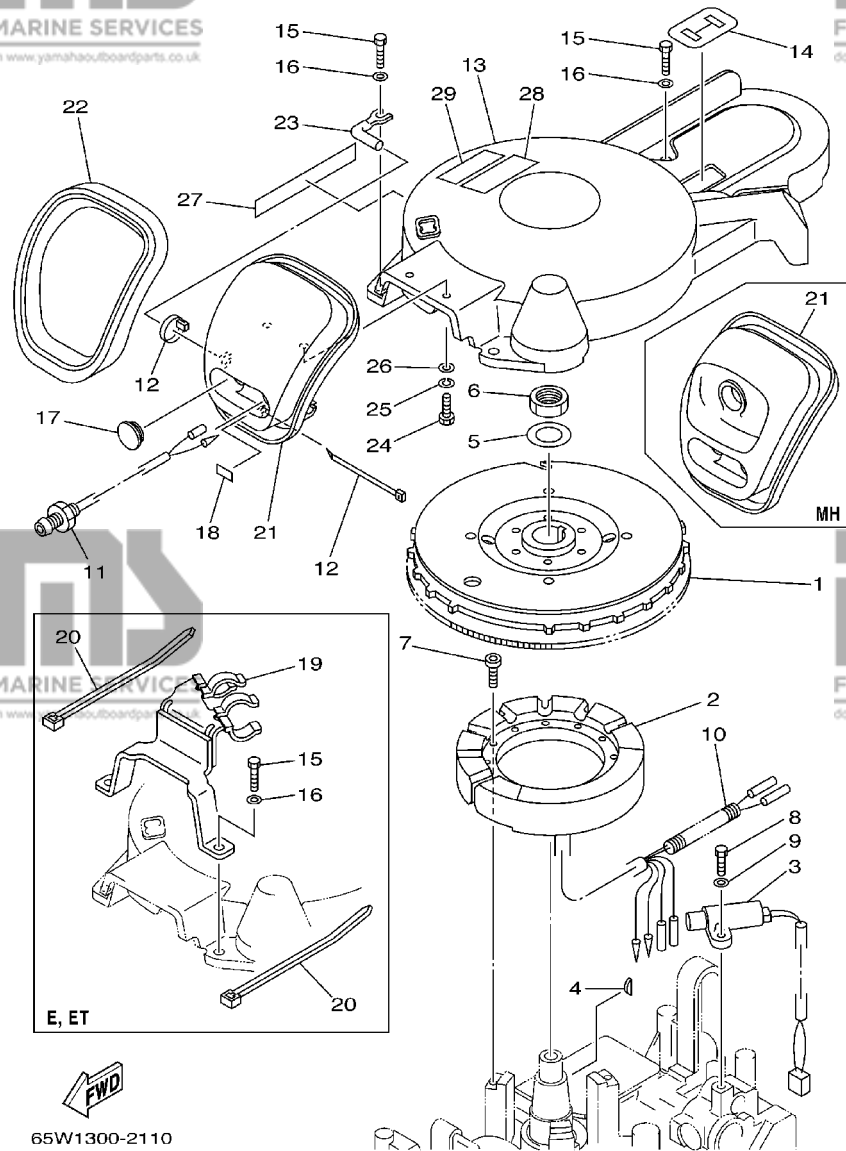


FIG. 11 GENERATOR

GENERATRICE

REF. NO.	PART NO. NO. PIECES	DESCRIPTION DESCRIPTION	MH	EH	E	ET	REMARKS REMARQUES
24	97095-06020	BOLT BOULON	2	2	2	2	
25	92995-06100	WASHER, SPRING RONDELLE, GROWER	2	2	2	2	
26	92995-06600	WASHER RONDELLE	2	2	2	2	
27	65W-13437-60	MARK, CAUTION MAKER		1	1	1	
28	6A1-83625-41	MARK 5 ETIQUETTE 5		1	1	1	
29	6A1-83625-51	MARK 5 ETIQUETTE 5		1	1	1	

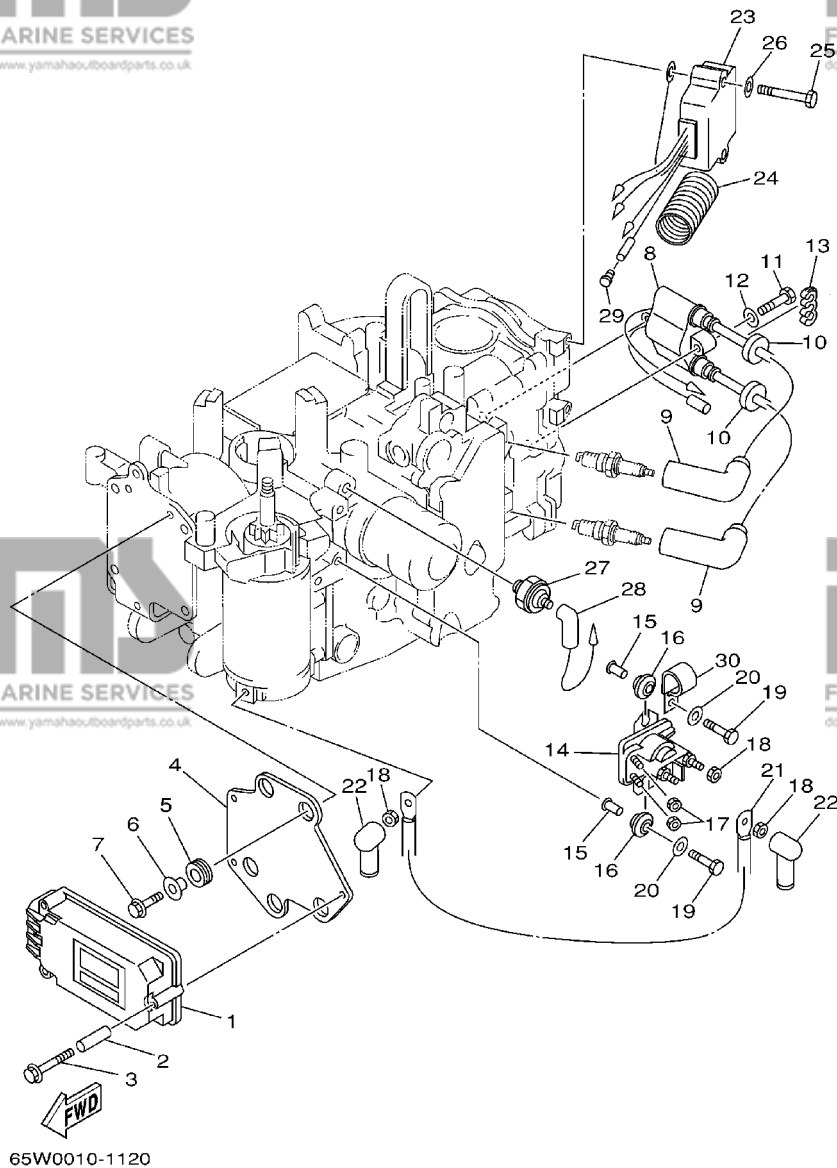


FIG. 12 ELECTRICAL 1

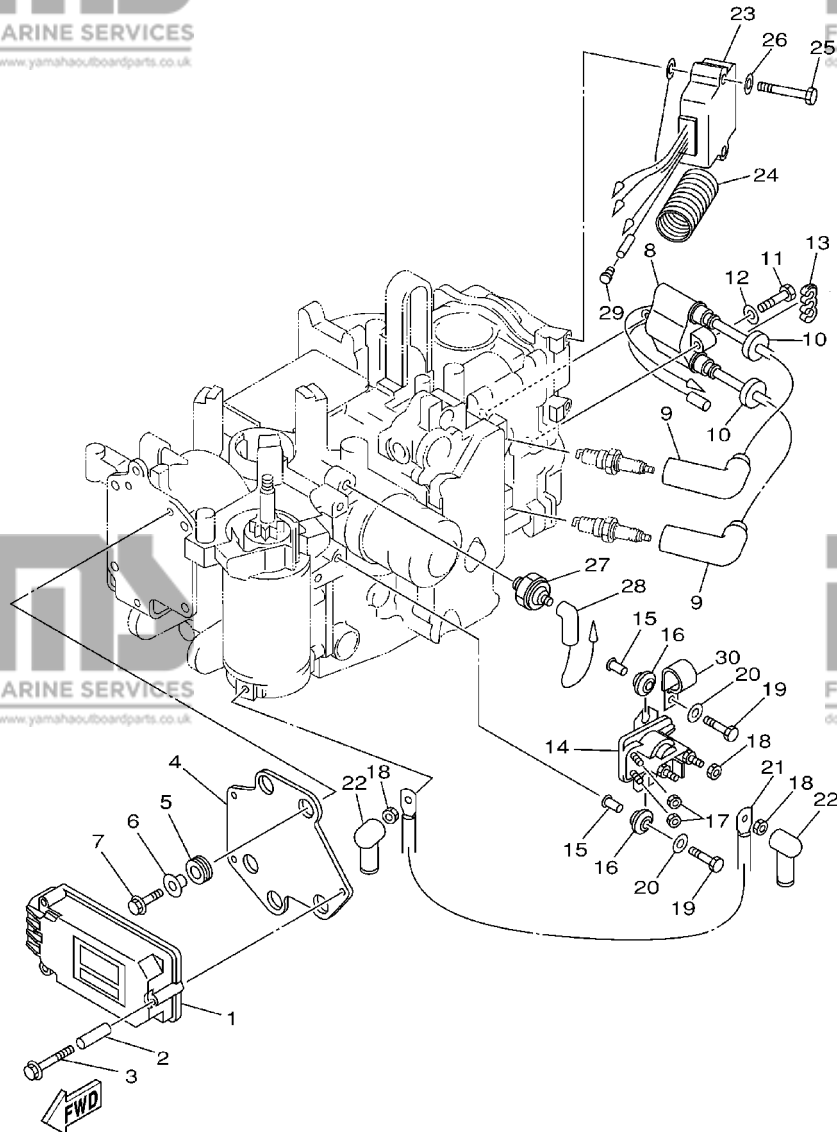
PARTIE ELECTRIQUE 1

REF. NO.	PART NO. NO. PIECES	DESCRIPTION DESCRIPTION	MH	EH	EU	ET	REMARKS REMARQUES
1	65W-85540-12	C.D.I. UNIT ASSY BLOC C.D.I.	1	1	1	1	
2	65W-86129-00	COLLAR COLLERETTE	3	3	3	3	
3	65W-8252V-00	SCREW, SPECIAL VIS, SPECIALE	3	3	3	3	
4	65W-85542-00	BRACKET SUPPORT	1	1	1	1	
5	65W-85547-00	DAMPER AMORTISSEUR	3	3	3	3	
6	65W-86129-10	COLLAR COLLERETTE	3	3	3	3	
7	65W-8252V-10	SCREW, SPECIAL VIS, SPECIALE	3	3	3	3	
8	65W-85570-00	IGNITION COIL ASSY BOBINE D'ALLUMAGE (ENS.)	1	1	1	1	
9	6G8-82370-30	PLUG CAP ASSY ANTIPARASITE	2	2	2	2	
10	90480-25161	GROMMET PASSE-FIL	2	2	2	2	
11	97095-06030	BOLT BOULON	2	2	2	2	
12	92995-06600	WASHER RONDELLE	2	2	2	2	
13	90464-07M05	CLAMP BRIDE	1	1	1	1	
14	65W-81941-00	STARTER RELAY ASSY LANCEUR RELAIS (ENS.)	1	1	1	1	
15	65W-8191C-00	COLLAR COLLERETTE	2	2	2	2	
16	65W-81922-00	GROMMET OEILLET CAOUTCHOUC	2	2	2	2	
17	65W-8182A-00	NUT ECROU	2	2	2	2	
18	65W-8182B-00	NUT, SPECIAL ECROU, SPECIAL	3	3	3	3	
19	97095-06025	BOLT BOULON	2	2	2	2	
	97095-06016	BOLT BOULON	1				
20	92995-06600	WASHER RONDELLE	1				
	92995-06600	WASHER RONDELLE	2	2	2	2	
21	65W-82117-00	WIRE, LEAD FIL	1	1	1	1	
22	6G5-82119-10	COVER, LEAD WIRE GARNITURE, FIL	2	2	2	2	
23	65W-81960-00	RECTIFIER & REGULATOR ASSY REDRESSEUR REGULATEUR CPLT	1	1	1	1	
24	6K3-83557-00	TUBE TUBE	1	1	1	1	
25	97095-06040	BOLT BOULON	2	2	2	2	

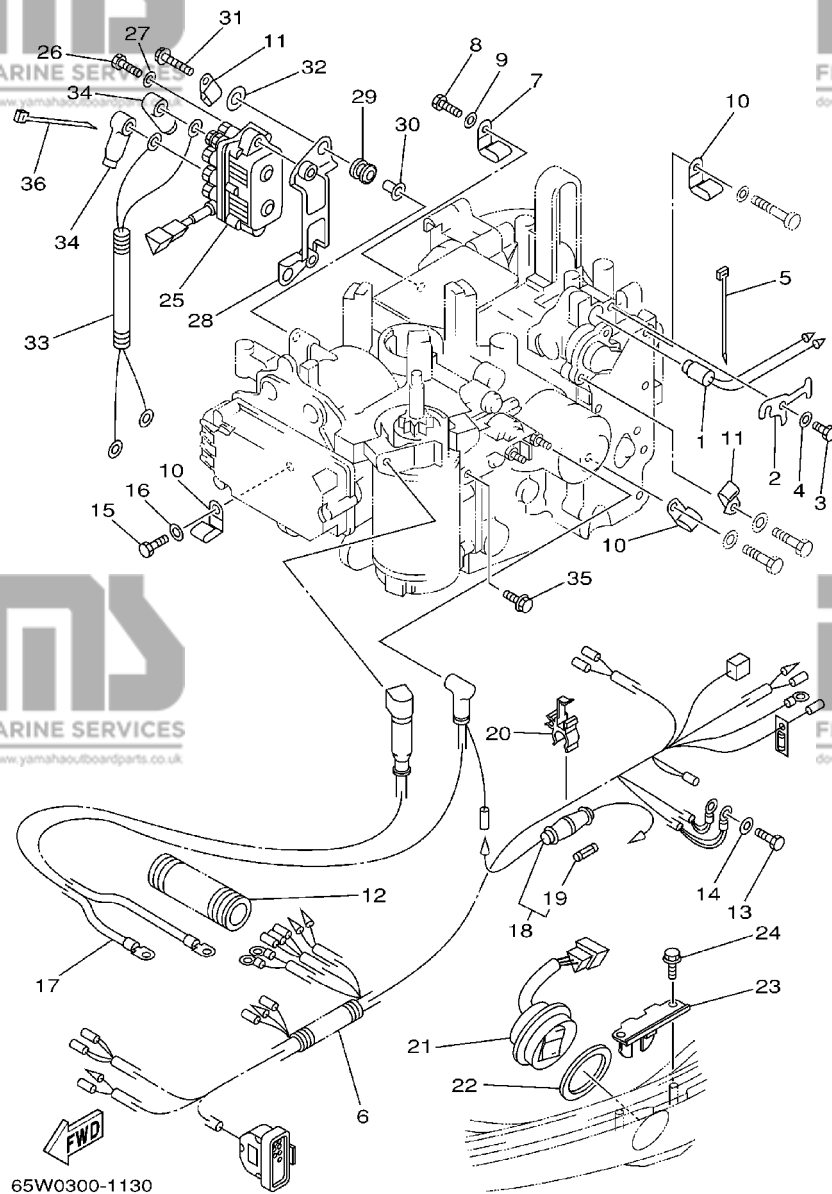
FIG. 12 ELECTRICAL 1

PARTIE ELECTRIQUE 1

REF. NO.	PART NO. NO. PIECES	DESCRIPTION DESCRIPTION	MH	EH	EU	ET	REMARKS REMARQUES
26	92995-06600	WASHER RONDELLE		2	2	2	
27	65W-82504-00	OIL PRESSURE SWITCH ASSY CONTACTEUR DE PRESSION D'HUILE	1	1	1	1	
28	65W-82127-00	WIRE, LEAD 2 FIL 2	1	1	1	1	
29	703-82119-00	COVER, LEAD WIRE GARNITURE, FIL		1		1	
30	65W-8339X-00	CLAMP, CORD COLLIER, CORDON	1	1	1	1	



65W0010-1120



65W0300-1130

FIG. 13 ELECTRICAL 2

PARTIE ELECTRIQUE 2

REF. NO.	PART NO. NO. PIECES	DESCRIPTION DESCRIPTION	MH	EH	EU	ET	REMARKS REMARQUES
1	65W-85790-00	THERMOSENSOR ASSY SENSITOMETRE	1	1	1	1	
2	65W-85757-00	RETAINER ARRETOIR	1	1	1	1	
3	97095-06012	BOLT BOULON	1	1	1	1	
4	92995-06600	WASHER RONDELLE	1	1	1	1	
5	90465-11M10	CLAMP BRIDE	1	1	1	1	
6	65W-82590-00	WIRE HARNESS ASSY FAISCEAU DE FILS COMPLET		1			
	65W-82590-10	WIRE HARNESS ASSY (7P) FAISCEAU DE FILS COMPLET (7P)			1		
	65W-82590-30	WIRE HARNESS ASSY FAISCEAU DE FILS COMPLET				1	
	65W-82590-40	WIRE HARNESS ASSY FAISCEAU DE FILS COMPLET	1				
7	90465-08M08	CLAMP BRIDE				1	
8	97095-06016	BOLT BOULON				1	
9	92995-06600	WASHER RONDELLE				1	
10	90465-08M08	CLAMP BRIDE	3	3	3	3	
11	90465-06M88	CLAMP BRIDE	2	2	2	2	
	90465-06M88	CLAMP BRIDE	1				
12	6N7-83557-00	TUBE TUBE	2	2			I.DIA.: 22MM
	6N7-83557-00	TUBE TUBE			1	1	I.DIA.: 22MM
13	97095-06016	BOLT BOULON	2	2	2	2	
14	92995-06600	WASHER RONDELLE	2	2	2	2	
15	97095-05016	BOLT BOULON	1	1	1	1	
16	92995-05600	WASHER RONDELLE	1	1	1	1	
17	65W-82105-00	WIRE HARNESS FAISCEAU DE FILS	1	1	1	1	
18	6G8-82150-00	FUSE HOLDER ASSY SUPPORT DE FUSIBLE	1	1	1	1	
19	663-82151-00	.FUSE (12V-20A) .FUSIBLE (12V-20A)	1	1	1	1	
20	6G5-82152-00	HOLDER, FUSE SUPPORT, FUSIBLE	1	1	1	1	
21	6H1-82563-10	TRIM & TILT SWITCH ASSY INCLINER ET PARER COMMUTATEUR				1	
22	6E5-82587-00	GASKET JOINT				1	

D2

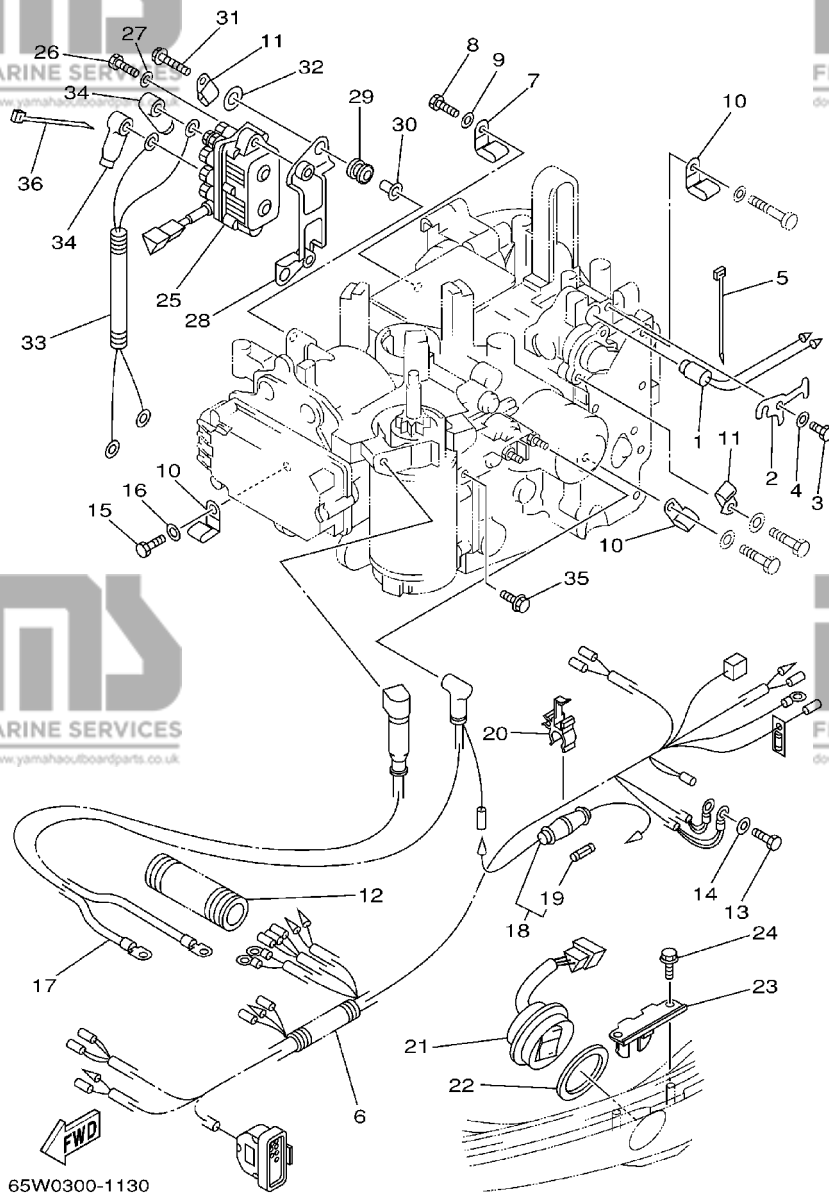


FIG. 13 ELECTRICAL 2

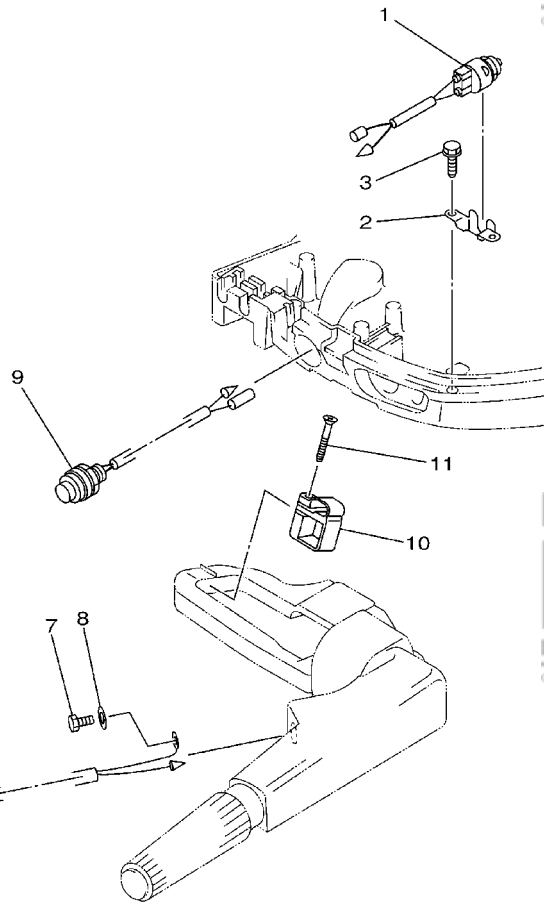
PARTIE ELECTRIQUE 2

REF. NO.	PART NO. NO. PIECES	DESCRIPTION DESCRIPTION	MH	EH	E	ET	REMARKS REMARQUES
23	62Y-83614-00	BRACKET SUPPORT				1	
24	90109-06M86	BOLT BOULON				2	
25	61A-81950-00	RELAY ASSY RELAIS COMPLET				1	
26	97075-06020	BOLT BOULON				2	
27	92995-06600	WASHER RONDELLE				2	
28	65W-81948-00	BRACKET JOINT TORIQUE				1	
29	6A0-82317-00	DAMPER, IGNITION COIL AMORTISSEUR, BOBINE D'ALLUM				2	
30	624-42542-00	PIPE TUYAU				2	
31	95895-06030	BOLT, FLANGE BOULON, A COLLERETTE				2	
32	90201-12M16	WASHER, PLATE RONDELLE, PLATE				2	
33	65W-81949-00	WIRE, LEAD FIL				1	
34	682-82119-01	COVER, LEAD WIRE GARNITURE, FIL				4	
35	97575-06516	BOLT, WITH WASHER VIS HEXAGONAL AVC RONDELLE				1	
36	90465-11M10	CLAMP BRIDE				1	

FIG. 14 ELECTRICAL 3

PARTIE ELECTRIQUE 3

REF. NO.	PART NO. NO. PIECES	DESCRIPTION DESCRIPTION	MH	EH	E	ET	REMARKS REMARQUES
1	6H3-82540-00	NEUTRAL SWITCH ASSY CONTACTEUR DE POINT-MORT		1			
2	6J8-82554-00	STAY, NEUTRAL SWITCH SUPPORT, CONT DE POINT-MORT		1			
3	90109-06M86	BOLT BOULON		2			
4	65W-82575-01	ENGINE STOP SWITCH ASSY COUPE CIRCUIT CPLT	1	1			
5	682-82556-00	.STOPPER .PLAQUETTE	1	1			
6	689-8257Y-00	.CAP .CHAPEAU	1	1			
7	97095-06012	BOLT BOULON	1	1			
8	92995-06600	WASHER RONDELLE	1	1			
9	65W-81870-00	STARTING SWITCH ASSY CONTACT A CLEF		1			
10	65W-82594-00	CLAMP BRIDE		1			
11	90161-06M00	SCREW, TAPPING VIS, TETE FRAISEE		1			



65W0010-1140

D4

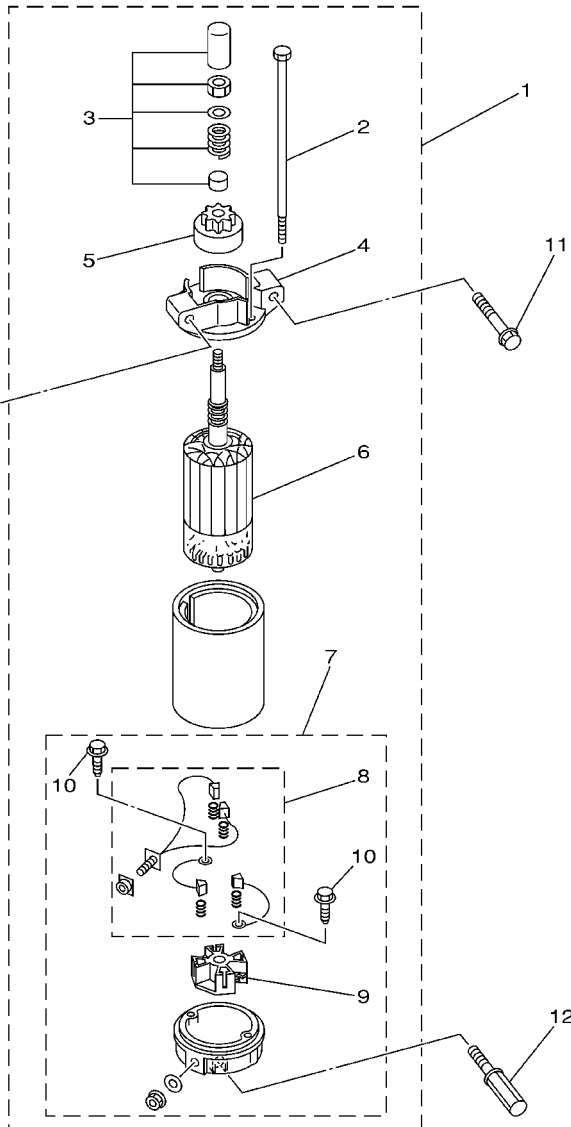
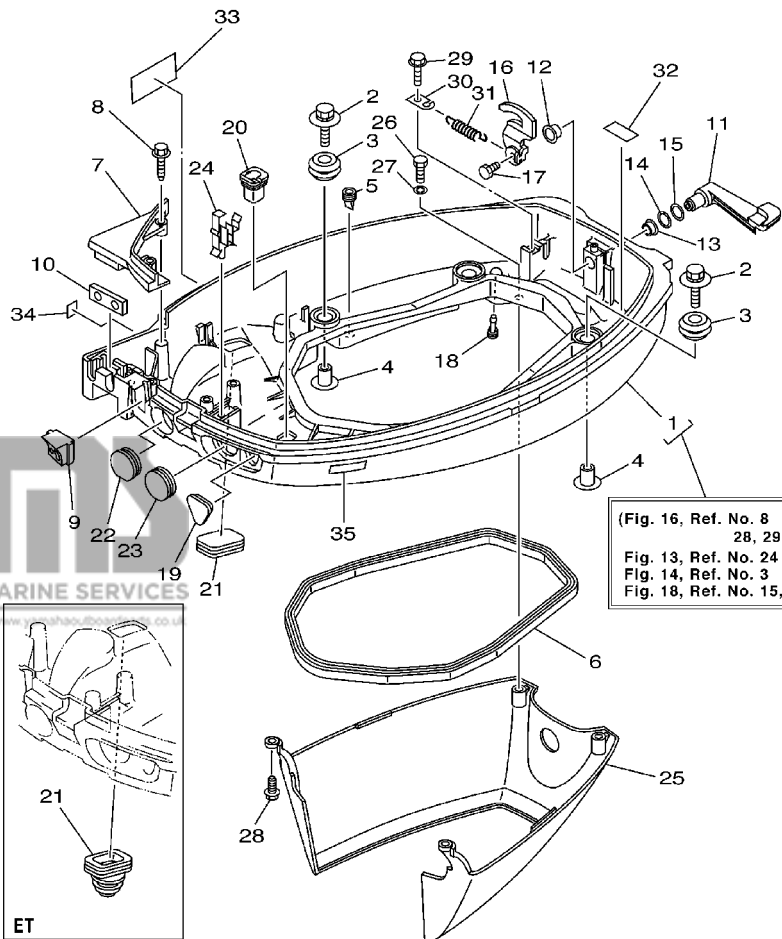


FIG. 15 STARTING MOTOR

DEMARREUR ELECTRIQUE

REF. NO.	PART NO. NO. PIECES	DESCRIPTION DESCRIPTION	MH	EH	E	ET	REMARKS REMARQUES
1	65W-81800-01	STARTING MOTOR ASSY DEMARREUR ELECTRIQUE COMPLET		1	1	1	
2	65W-81826-00	.BOLT .BOULON		2	2	2	
3	65W-81857-01	.RETAINER .ARRETOIR		1	1	1	
4	65W-81830-00	.FRONT BRACKET ASSY .SUPPORT AVANT		1	1	1	
5	65W-81807-00	.GEAR ASSY, STARTING MOTOR .PIGNON, DEMARREUR ELECTRIQUE		1	1	1	
6	65W-81850-01	.ARMATURE ASSY .INDUIT		1	1	1	
7	65W-81820-00	.REAR BRACKET ASSY .SUPPORT ARRIERE COMPLET		1	1	1	
8	65W-81801-00	..BRUSH SET ..CHARBON		1	1	1	
9	65W-81840-00	..BRUSH HOLDER ASSY ..SUPPORT DE CHARBON		1	1	1	
10	65W-8182S-00	..SCREW ..VIS		2	2	2	
11	90119-08M39	BOLT, WITH WASHER BOULON, AVEC RONDELLE		1	1	1	
12	90109-08M77	BOLT BOULON		1	1	1	
13	90109-08M78	BOLT BOULON		1	1	1	
14	95380-08700	NUT ECROU		1	1	1	
15	92990-08600	WASHER, PLATE RONDELLE, PLATE		2	2	2	

D5



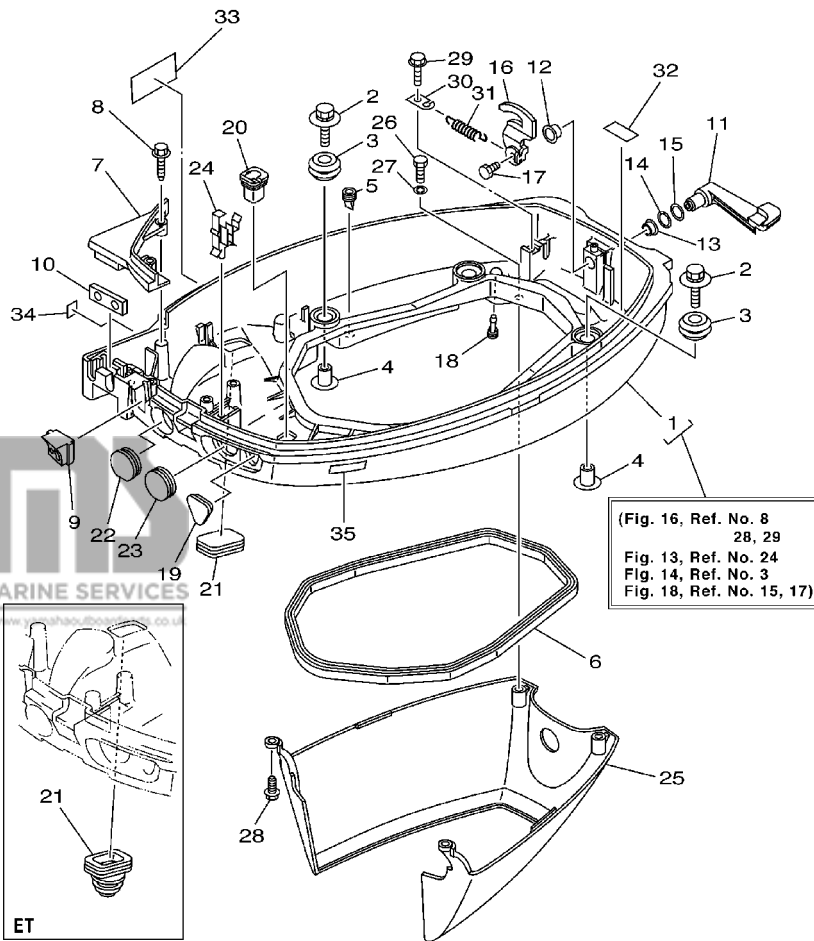
65W1300-2160

FIG. 16 BOTTOM COWLING

CAPOT INFERIEUR

REF. NO.	PART NO. NO. PIECES	DESCRIPTION DESCRIPTION	MH	EH	E	ET	REMARKS REMARQUES
1	65W-42710-04-4D	BOTTOM COWLING ASSY ENS. EMBASE	1	1	1		WITH TAPPING BOLT
	65W-42710-14-4D	BOTTOM COWLING ASSY ENS. EMBASE				1	WITH TAPPING BOLT
2	90119-06M08	BOLT, WITH WASHER BOULON, AVEC RONDELLE	4	4	4	4	
3	90480-09M12	GROMMET PASSE-FIL	4	4	4	4	
4	90387-06M69	COLLAR COLLERETTE	4	4	4	4	
5	65W-42717-00	RUBBER, SEAL 2 JOINT EN CAOUTCHOUC 2	6	6	6	6	
6	62Y-42716-00	RUBBER, SEAL 1 JOINT EN CAOUTCHOUC 1	1	1	1	1	
7	65W-42738-01-4D	PLATE, FITTING ETRIER	1	1	1	1	
8	90109-06M82	BOLT BOULON	2	2	2	2	
9	65W-42725-10	GROMMET PASSE-FIL		1			
	65W-42725-00	GROMMET PASSE-FIL	1				
	65W-42725-21	GROMMET PASSE-FIL			1	1	
10	62Y-42727-00	GROMMET PASSE-FIL		1	1		
	65W-42727-00	GROMMET PASSE-FIL	1	1			
11	65W-42815-01-4D	LEVER, CLAMP LEVIER, PRESSE	1	1	1	1	
12	90386-12M37	BUSH DOUILLE	1	1	1	1	
13	90386-12MA2	BUSH DOUILLE	1	1	1	1	
14	90206-12052	WASHER, WAVE RONDELLE, ONDULEE	1	1	1	1	
15	90201-12M07	WASHER, PLATE RONDELLE, PLATE	1	1	1	1	
16	65W-42816-03	LEVER, CLAMP LEVIER, PRESSE	1	1	1	1	
17	97095-06012	BOLT BOULON	1	1	1	1	
18	6H3-44391-01	NIPPLE, HOSE RACCORD D'ESSENCE	1	1	1	1	
19	65W-26326-00	GROMMET RONDELLE CAOUTCHOUC	1	1			
	65W-26326-10	GROMMET RONDELLE CAOUTCHOUC			1	1	
20	682-42727-00	GROMMET PASSE-FIL	1	1	1	1	
21	6H4-42726-00	GROMMET PASSE-FIL	1	1	1		
	65W-42724-10	GROMMET PASSE-FIL				1	

D6



65W1300-2160

FIG. 16 BOTTOM COWLING

CAPOT INFERIEUR

REF. NO.	PART NO. NO. PIECES	DESCRIPTION DESCRIPTION	MH	EH	E	ET	REMARKS REMARQUES
22	6G1-42725-00	GROMMET PASSE-FIL	1			1	
23	65W-42726-00	GROMMET PASSE-FIL	1	1			
	65W-42726-10	GROMMET PASSE-FIL				1	
24	90465-25M57	CLAMP BRIDE	1	1	1	1	
25	65W-42741-01	APRON CAPOT LATERAL	1	1	1	1	
26	97095-06014	BOLT BOULON	2	2	2	2	
27	92995-06600	WASHER RONDELLE	2	2	2	2	
28	90109-06M81	BOLT BOULON	2	2	2	2	
29	90109-06M86	BOLT BOULON	1	1	1	1	
30	66T-43144-00	HOOK, SPRING CROCHET	1	1	1	1	
31	90506-16M34	SPRING, TENSION RESSORT, TENSION	1	1	1	1	
32	62Y-82377-00	LABEL ETIQUETTE	1	1	1	1	
33	6G8-13444-51	MARK MAKER	1	1	1	1	
34	6A1-28176-00	LABEL, CAUTION ETIQUETTE, RECOMMANDATION	1	1	1	1	
35	6E3-8257H-00	PLATE, MARK PLAQUE, ADHESIF	1	1	1	1	

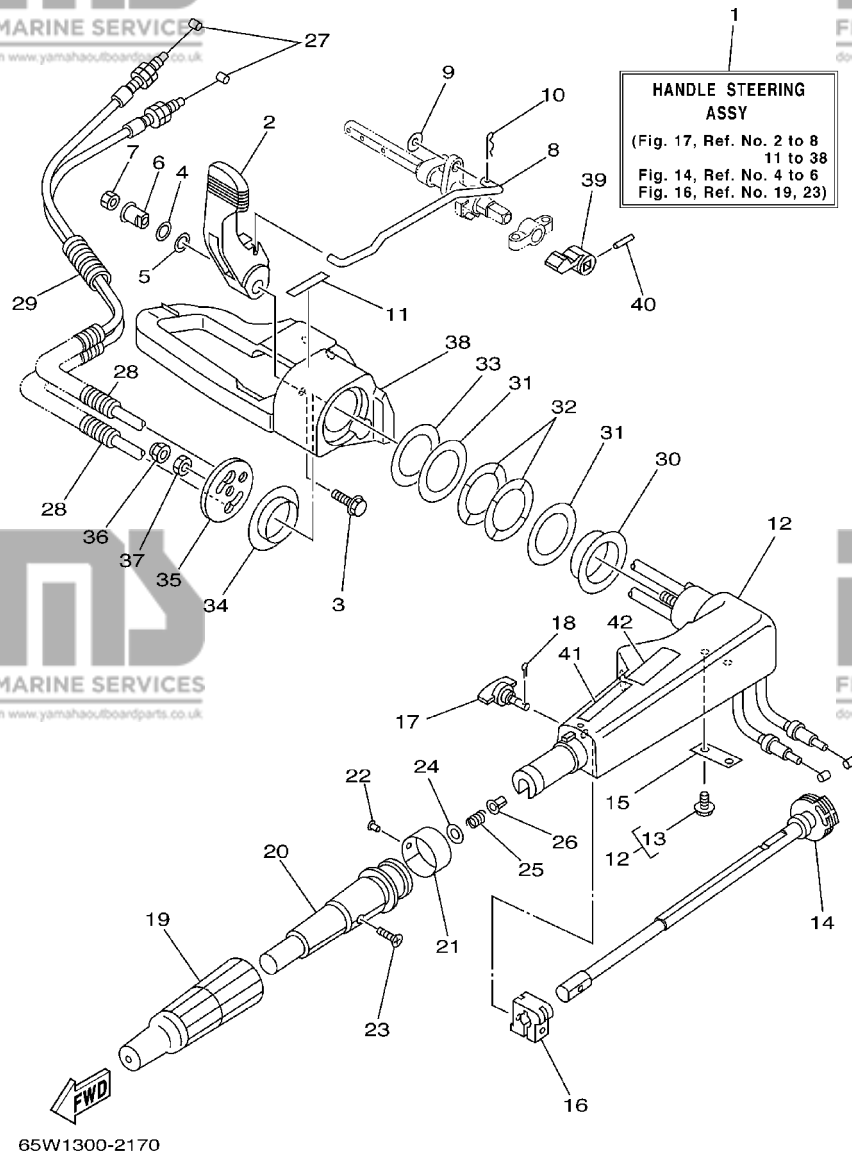


FIG. 17 STEERING

DIRECTION

REF. NO.	PART NO. NO. PIECES	DESCRIPTION DESCRIPTION	MH	EH	E	ET	REMARKS REMARQUES
1	65W-W0084-01-4D	HANDLE STEERING ASSY BARRE FRANCHE (ENS.)	1	1			
2	65W-44111-00	HANDLE, GEAR SHIFT POIGNEE, LEVIER D'EMBRAYAGE	1	1			
3	90119-06M85	BOLT, WITH WASHER BOULON, AVEC RONDELLE	1	1			
4	90206-12M00	WASHER, WAVE RONDELLE, ONDULEE	1	1			
5	90201-12M07	WASHER, PLATE RONDELLE, PLATE	1	1			
6	65W-42123-00	BOLT, HANDLE JOINT BOULON	1	1			
7	95380-06600	NUT, HEXAGON ECROU	1	1			
8	65W-44124-00	LINK, SHIFT ROD BIELLETTTE	1	1			
9	92990-06200	WASHER, PLAIN RONDELLE, PLATE	1	1			
10	90468-18008	CLIP JONC	1	1			
11	6E0-44191-11	INDICATOR, SHIFT ETIQUETTE, EMBRAYAGE	1	1			
12	65W-42101-01-4D	HANDLE, STEERING POIGNEE	1	1			
13	90109-06M86	.BOLT .BOULON	2	2			
14	65W-42138-00	LEVER, THROTTLE LEVIER, ACCELERATEUR	1	1			
15	65W-42159-00	STAY SUPPORT	1	1			
16	6G1-42126-00	FRICITION, STEERING HANDLE GRIP CUVETTE, POIGNEE DE DIRECTION	1	1			
17	65W-42125-00	BOLT, FRICTION ADJUSTING BOULON	1	1			
18	91490-16010	PIN, COTTER GOUPILLE, FENDUE	1	1			
19	66M-42177-00	RUBBER, HANDLE CAOUTCHOUC, POIGNEE	1	1			
20	66M-42119-00	GRIP, STEERING HANDLE POIGNEE, BARRE FRANCHE	1	1			
21	6J0-42137-00	INDICATOR, THROTTLE INDICATEUR, ACCELERATION	1	1			
22	90269-02M09	RIVET RIVET	1	1			
23	90149-05M13	SCREW VIS	1	1			
24	92903-10600	WASHER, PLATE RONDELLE, PLATE	1	1			
25	90501-23215	SPRING, COMPRESSION RESSORT, COMPRESSION	1	1			
26	90386-08032	BUSH DOUILLE	1	1			
27	65W-26311-00	CABLE, THROTTLE 1 CABLE 1, ACCELERATEUR	2	2			

E1

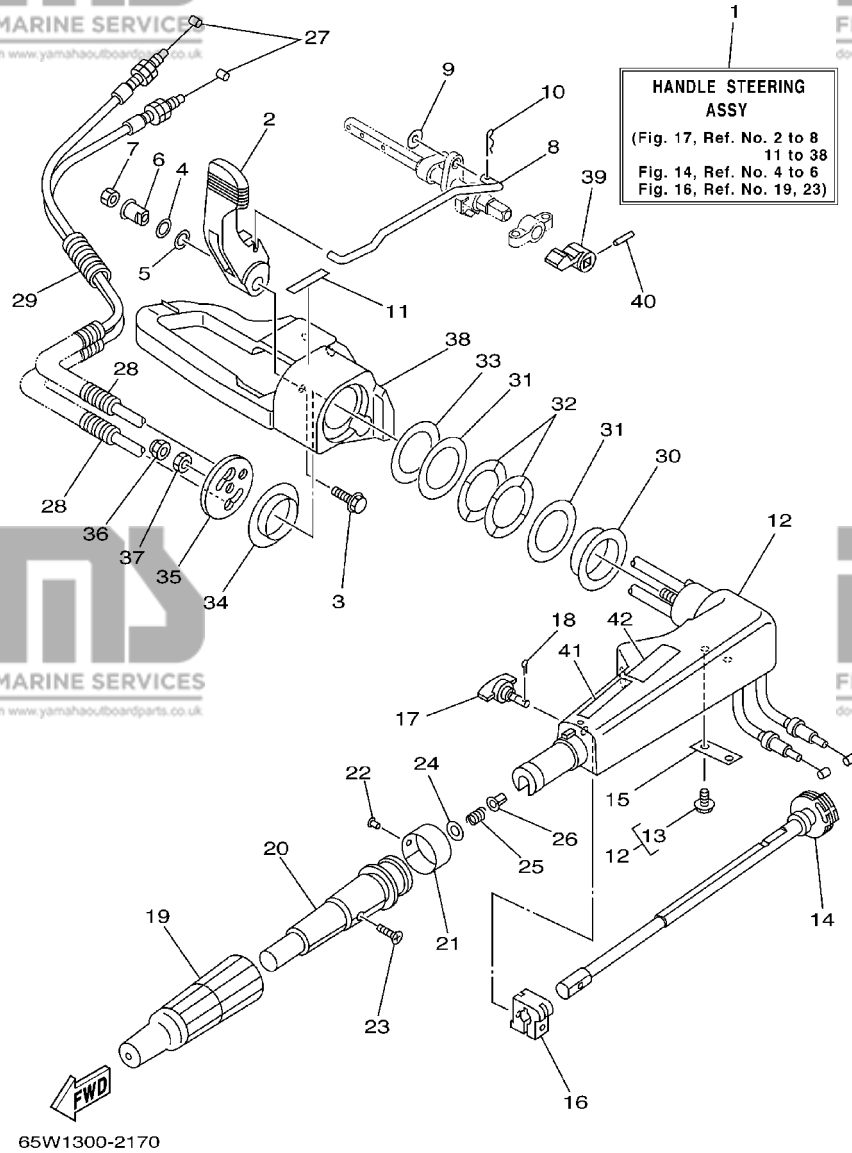
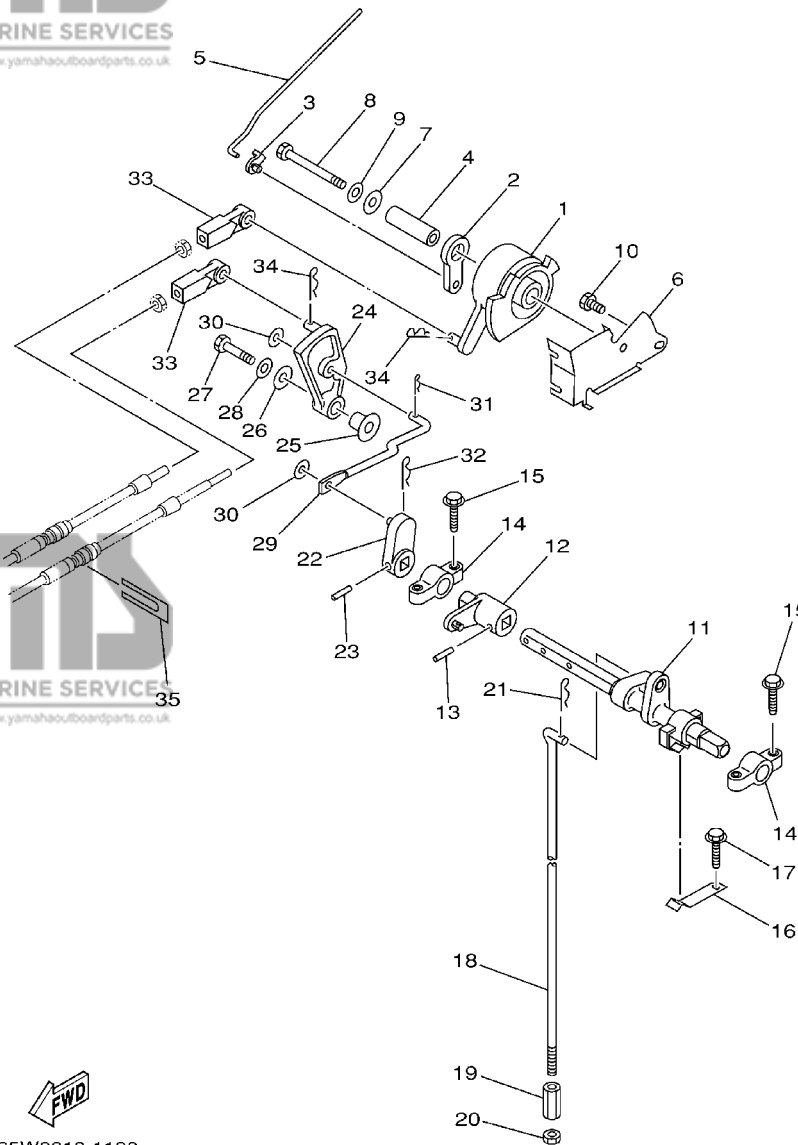


FIG. 17 STEERING

DIRECTION

REF. NO.	PART NO. NO. PIECES	DESCRIPTION DESCRIPTION	DIRECTION				REMARKS REMARQUES
			MH	EH	E	ET	
28	90446-10M86	HOSE DURITE	2	2			
29	90446-14M88	HOSE DURITE	1	1			
30	90386-40MA0	BUSH DOUILLE	1	1			
31	90201-43M00	WASHER, PLATE RONDELLE, PLATE	2	2			
32	90206-43M22	WASHER, WAVE RONDELLE, ONDULEE	2	2			
33	90202-43M57	WASHER, PLATE RONDELLE, PLATE	1	1			
34	90386-40M99	BUSH DOUILLE	1	1			
35	65W-42131-01	COVER, HANDLE STEERING COUVERCLE	1	1			
36	95780-10300	NUT, FLANGE ECROU, A COLLERETTE	1	1			
37	95380-10700	NUT ECROU	1	1			
38	65W-42121-01-4D	BRACKET SUPPORT	1	1			
39	65W-44173-00	LEVER, SHIFT CONTROL POIGNEE, INVERSION	1	1	1		
40	90254-03M05	PIN, SPRING RIVET, TETE TRONCONIQUE	1	1	1		
41	6E0-83627-41	LABEL, CAUTION 7 ETIQUETTE, RECOMMANDATION 7	1	1			
42	6E0-83627-51	LABEL, CAUTION 7 ETIQUETTE, RECOMMANDATION 7	1	1			



65W0010-1190

FIG. 18 CONTROL

COMMANDE

REF. NO.	PART NO. NO. PIECES	DESCRIPTION DESCRIPTION	MH	EH	E	ET	REMARKS REMARQUES
1	65W-41638-00	PULLEY POULIE	1	1	1	1	
2	65W-41283-00	LEVER, FREE ACCEL. LEVIER	1	1	1	1	
3	661-41262-02	JOINT, CHOKE LEVER RACCORD, LEVIER DE STARTER	1	1	1	1	
4	90387-06M08	COLLAR COLLERETTE	1	1	1	1	
5	65W-41211-00	LINK, ACCEL. BIELLETTTE, ACCELERATION	1	1	1	1	
6	65W-14497-01	STAY, THROTTLE WIRE SUPPORT DE BOISSEAU	1	1	1	1	
7	90201-06M31	WASHER, PLATE RONDELLE, PLATE	1	1	1	1	
8	97095-06055	BOLT BOULON	1	1	1	1	
9	92995-06600	WASHER RONDELLE	1	1	1	1	
10	97095-06010	BOLT BOULON	1	1	1	1	
11	65W-44121-00	LEVER, SHIFT ROD LEVIER, TIGE D'INVERSION	1	1	1	1	
12	65W-44122-00	BUSHING, SHIFT ROD LEVER DOUILLE, LEVIER D'EMBRAYAGE	1	1	1	1	
13	90254-03M05	PIN, SPRING RIVET, TETE TRONCONIQUE	1	1	1	1	
14	6F5-41662-00	BRACKET SUPPORT	2	2	2	2	
15	90109-06M81	BOLT BOULON	4	4	4	4	
16	65W-44116-00	SPRING RESSORT	1	1	1	1	
17	90109-06M86	BOLT BOULON	1	1	1	1	
18	65W-44143-00	ROD, SHIFT TIGE D'EMBRAYAGE	1	1			S
	65W-44143-10	ROD, SHIFT TIGE D'EMBRAYAGE	1	1	1	1	L
19	90170-06015	NUT ECROU	1	1	1	1	
20	95380-06700	NUT ECROU	1	1	1	1	
21	90468-18008	CLIP JONC	1	1	1	1	
22	65W-44142-00	JOINT AXE			1	1	
23	90254-03M05	PIN, SPRING RIVET, TETE TRONCONIQUE			1	1	
24	65W-44125-00	LEVER, SHIFT ROD LEVIER, TIGE D'INVERSION			1	1	
25	90387-06M29	COLLAR COLLERETTE			1	1	
26	90201-06M31	WASHER, PLATE RONDELLE, PLATE			1	1	

E3

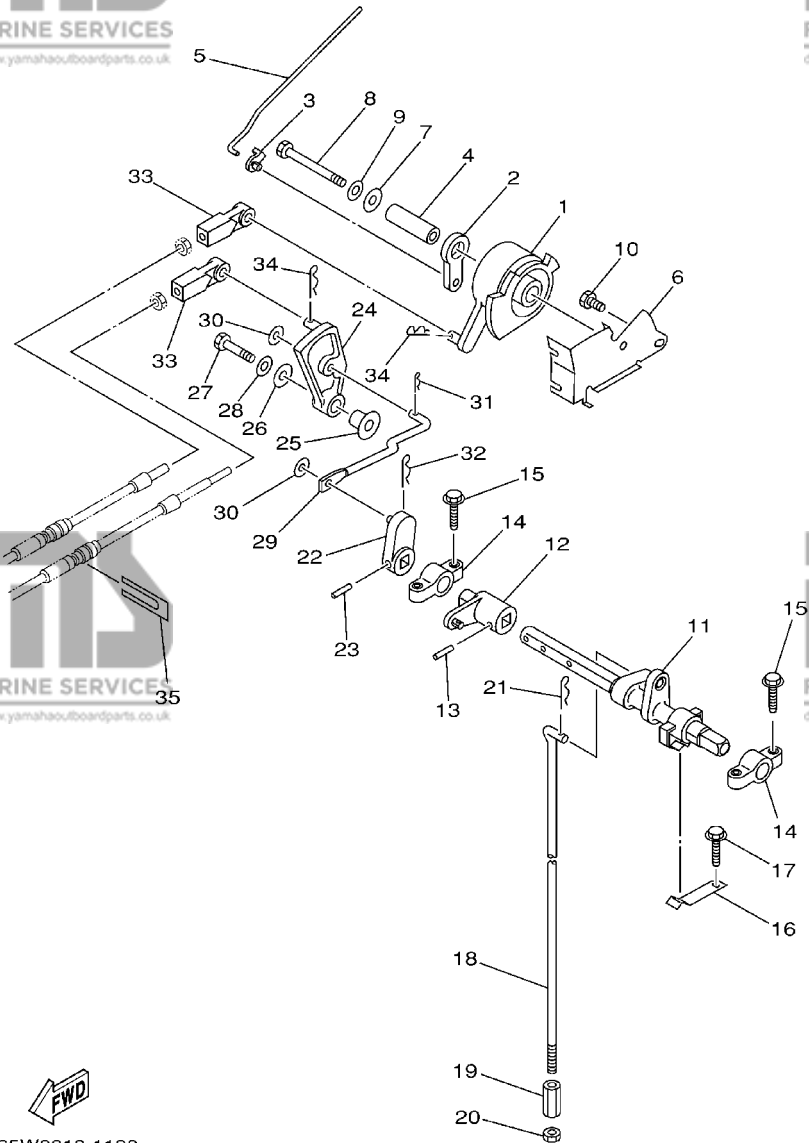


FIG. 18 CONTROL

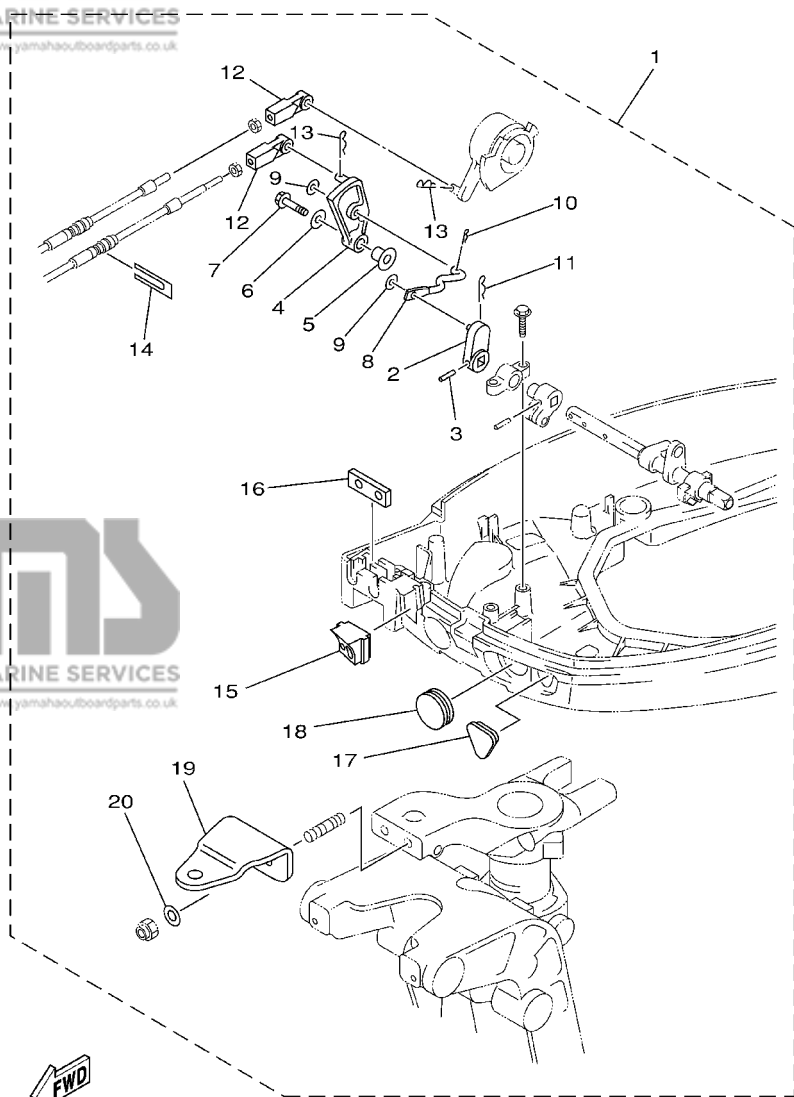
COMMANDE

REF. NO.	PART NO. NO. PIECES	DESCRIPTION DESCRIPTION	MH	EH	E	ET	REMARKS REMARQUES
27	97095-06025	BOLT BOULON			1	1	
28	92995-06600	WASHER RONDELLE			1	1	
29	65W-44192-00	JOINT, ROD 1 RACCORD 1, BIELLETTE			1	1	
30	90201-05M06	WASHER, PLATE RONDELLE, PLATE			2	2	
31	90468-10005	CLIP JONC			1	1	
32	90468-18008	CLIP JONC			1	1	
33	663-48344-00	CABLE END, REMOTE CONTROL CHAPE CABLE			2	2	
34	90468-18008	CLIP JONC			2	2	
35	6H3-48538-00	CLAMP, CABLE 1 COLLIER			1	1	



65W0010-1190

E4



65W0010-9200

FIG. 19 REMOTE CONTROL ATTACHMENT

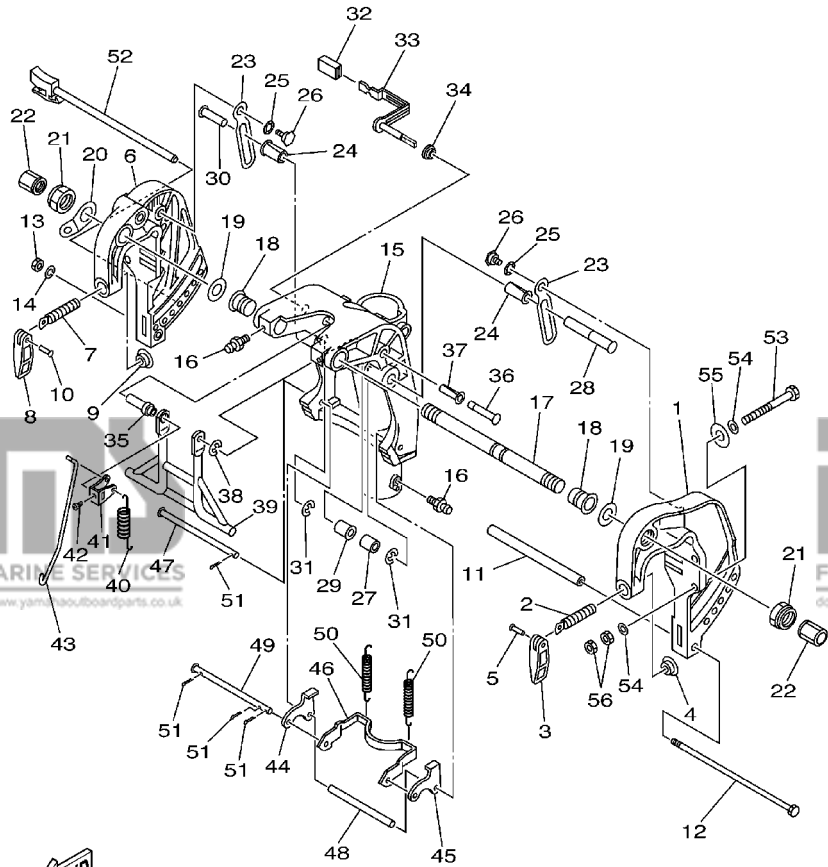
COMMANDE A DISTANCE

REF. NO.	PART NO. NO. PIECES	DESCRIPTION DESCRIPTION	MH	EH	E	ET	REMARKS REMARQUES
1	65W-48501-00	REMOTE CONT. ATTACHMENT ASSY. COMMANDE A DISTANCE (KIT)	1	1			AP
2	65W-44142-00	.JOINT .AXE	1	1			
3	90254-03M05	.PIN, SPRING .RIVET, TETE TRONCONIQUE	1	1			
4	65W-44125-00	.LEVER, SHIFT ROD .LEVIER, TIGE D'INVERSION	1	1			
5	90387-06M29	.COLLAR .COLLERETTE	1	1			
6	90201-06M31	.WASHER, PLATE .RONDELLE, PLATE	1	1			
7	97595-06525	.BOLT, WITH WASHER .VIS HEXAGONAL AVEC RONDELLE	1	1			
8	65W-44192-00	.JOINT, ROD 1 .RACCORD 1, BIELLETTE	1	1			
9	90201-05M06	.WASHER, PLATE .RONDELLE, PLATE	2	2			
10	90468-10005	.CLIP .JONC	1	1			
11	90468-18008	.CLIP .JONC	1	1			
12	663-48344-00	.CABLE END, REMOTE CONTROL .CHAPE CABLE	2	2			
13	90468-18008	.CLIP .JONC	2	2			
14	6H3-48538-00	.CLAMP, CABLE 1 .COLLIER	1	1			
15	65W-42725-20	.GROMMET .PASSE-FIL	1	1			
16	62Y-42727-00	.GROMMET .PASSE-FIL	1	1			
17	65W-26326-10	.GROMMET .RONDELLE CAOUTCHOUC	1	1			
18	65W-42726-10	.GROMMET .PASSE-FIL	1	1			
19	65W-48511-00	.HOOK, STEERING .ATTACHE, DIRECTION	1	1			
20	90201-10120	.WASHER, PLATE .RONDELLE, PLATE	2	2			

FIG. 20 BRACKET 1

SUPPORT 1

REF. NO.	PART NO. NO. PIECES	DESCRIPTION DESCRIPTION	MH	EH	E	ET	REMARKS REMARQUES
1	65W-43111-02-4D	BRACKET, CLAMP PRESSE	1	1	1		
2	90149-14M12	SCREW VIS	1	1	1		
3	663-43118-01-4D	HANDLE, TRANSOM CLAMP POIGNEE DE VIS DE PRESSE	1	1	1		
4	648-43114-01	PAD, TRANSOM CLAMP RONDELLE D'APPUI	1	1	1		
5	90243-04007	PIN GOUPILLE	1	1	1		
6	65W-43112-02-4D	BRACKET, CLAMP PRESSE	1	1	1		
7	90149-14M12	SCREW VIS	1	1	1		
8	663-43118-01-4D	HANDLE, TRANSOM CLAMP POIGNEE DE VIS DE PRESSE	1	1	1		
9	648-43114-01	PAD, TRANSOM CLAMP RONDELLE D'APPUI	1	1	1		
10	90243-04007	PIN GOUPILLE	1	1	1		
11	90387-08M29	COLLAR COLLERETTE	1	1	1		
12	90101-08M76	BOLT BOULON	1	1	1		
13	95380-08600	NUT ECROU	1	1	1		
14	92990-08100	WASHER, SPRING RONDELLE, GROWER	1	1	1		
15	65W-43311-00-4D	BRACKET, SWIVEL 1 SUPPORT, PIVOT 1	1	1	1		S
	65W-43311-10-4D	BRACKET, SWIVEL 1 SUPPORT, PIVOT 1	1	1	1		L
16	93700-06M03	NIPPLE, GREASE GRAISSEUR	3	3	3		
17	63D-43131-01	BOLT, CLAMP BRACKET BOULON, PRESSE	1	1	1		
18	90386-22M15	BUSH DOUILLE	2	2	2		
19	90201-22M03	WASHER, PLATE RONDELLE, PLATE	2	2	2		
20	6J8-43113-01	PLATE, CLAMP BRACKET PLAQUETTE, PRESSE	1	1	1		
21	90185-22M11	NUT, SELF-LOCKING ECROU, AUTO-BLOCANT	2	2	2		
22	6G5-43145-01	CAP, CLAMP BRACKET CAPUCHON, PRESSE	2	2	2		
23	65W-43627-01	STOPPER PLAQUETTE	2	2	2		
24	90386-12M98	BUSH DOUILLE	2	2	2		
25	90206-14M23	WASHER, WAVE RONDELLE, ONDULEE	2	2	2		
26	90109-08M87	BOLT BOULON	2	2	2		

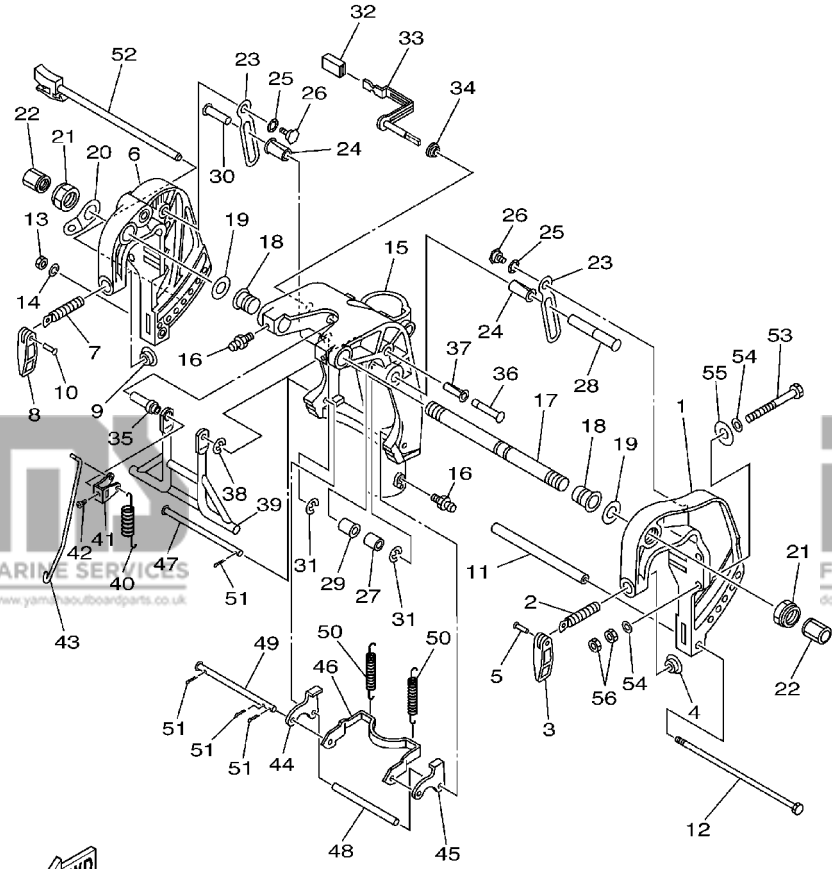


65W1010-2210

FIG. 20 BRACKET 1

SUPPORT 1

REF. NO.	PART NO. NO. PIECES	DESCRIPTION DESCRIPTION	MH	EH	E	ET	REMARKS REMARQUES
27	90387-12M04	COLLAR COLLETERTE	1	1	1		
28	90249-12M39	PIN GOUPILLE	1	1	1		
29	90386-12MA0	BUSH DOUILLE	1	1	1		
30	90249-12M34	PIN GOUPILLE	1	1	1		
31	93430-10M00	CIRCLIP CIRCLIP, TYPE S	2	2	2		
32	682-43318-01	COVER CAPUCHON	1	1	1		
33	65W-43630-11	TILT LEVER ASSY LEVIER D'INCLINAISON	1	1	1		
34	90386-07MA2	BUSH DOUILLE	1	1	1		
35	90387-07M05	COLLAR COLLETERTE	1	1	1		
36	90249-10M31	PIN GOUPILLE	1	1	1		
37	90386-10M99	BUSH DOUILLE	1	1	1		
38	99080-08600	CIRCLIP CIRCLIP	1	1	1		
39	66T-43350-02	RECEIVER ASSY RECEIVER ASSY	1	1	1		
40	90506-20M37	SPRING, TENSION RESSORT, TENSION	1	1	1		
41	66T-43631-11	LEVER, TILT LEVIER, INCLINAISON	1	1	1		
42	90157-05014	SCREW, PAN HEAD VIS, TETE TRONCONIQUE	1	1	1		
43	65W-43616-00	ROD, TILT LOCK TIGE	1	1	1		
44	65W-43614-01	PLATE, TILT LOCK ETRIER, VERROUILLAGE MARCHE AR	1	1	1		
45	65W-43615-01	PLATE, TILT LOCK ETRIER, VERROUILLAGE MARCHE AR	1	1	1		
46	65W-43613-00	ARM, TILT LOCK GUIDE	1	1	1		
47	90249-07M32	PIN GOUPILLE	1	1	1		
48	90387-07M29	COLLAR COLLETERTE	1	1	1		
49	90249-07M33	PIN GOUPILLE	1	1	1		
50	90506-30M00	SPRING, TENSION RESSORT, TENSION	2	2	2		
51	91490-20015	PIN, COTTER GOUPILLE, FENDUE	4	4	4		
52	65W-43160-00	TILT ROD ASSY BROCHE D'INCLINAISON (ENS.)	1	1	1		
53	90101-10M58	BOLT BOULON				4	



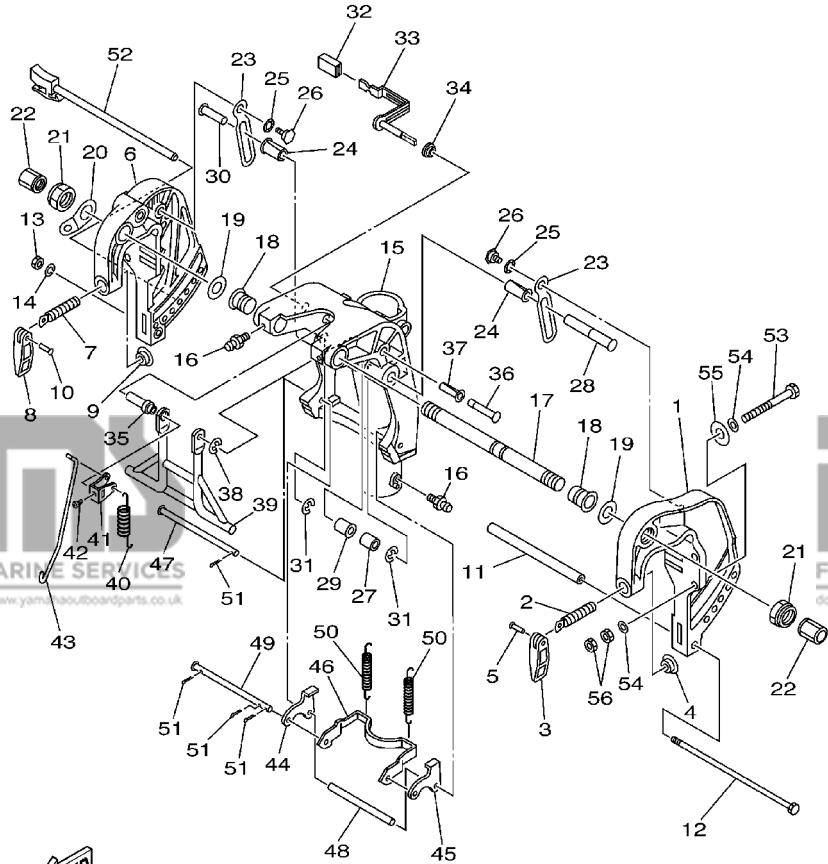
65W1010-2210

E7

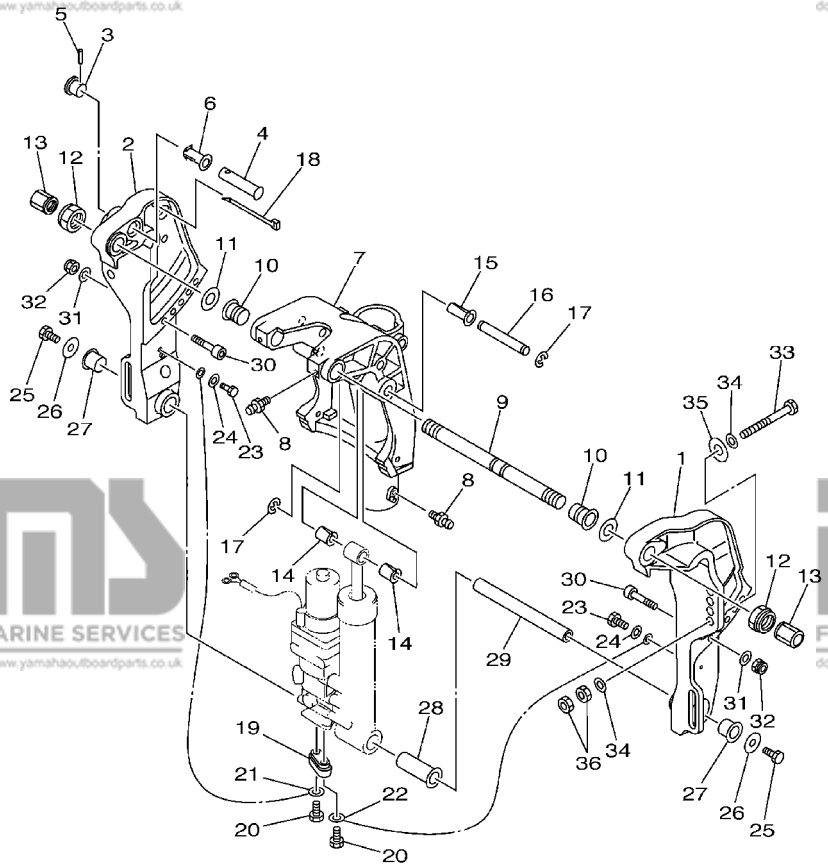
FIG. 20 BRACKET 1

SUPPORT 1

REF. NO.	PART NO. NO. PIECES	DESCRIPTION DESCRIPTION	MH	EH	E	ET	REMARKS REMARQUES
54	92995-10600	WASHER RONDELLE				8	
55	90201-12426	WASHER, PLATE RONDELLE, PLATE				4	
56	95380-10600	NUT ECROU				8	



65W1010-2210

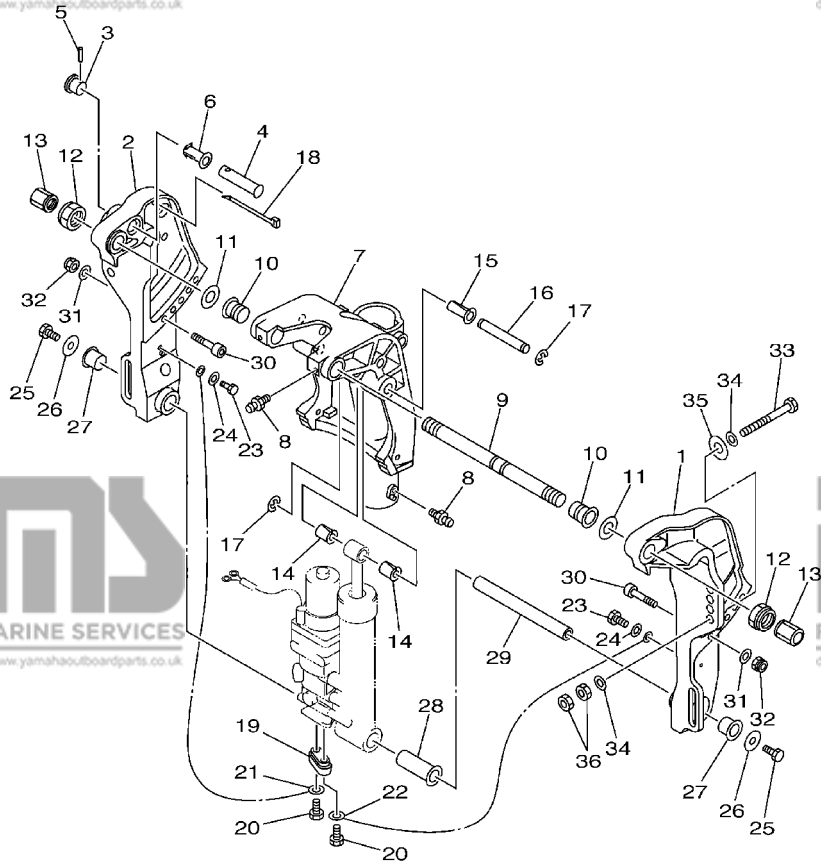


65W1010-2220

FIG. 21 BRACKET 2

SUPPORT 2

REF. NO.	PART NO. NO. PIECES	DESCRIPTION DESCRIPTION	MH	EH	E	ET	REMARKS REMARQUES
1	65W-43111-10-4D	BRACKET, CLAMP PRESSE				1	
2	65W-43112-10-4D	BRACKET, CLAMP PRESSE				1	
3	65W-43192-00	KNOB, STOPPER BOUTON, BUTEE DE RELEVAGE				1	
4	65W-43191-00	SHAFT, STOPPER AXE, BUTEE				1	
5	91690-30018	PIN, SPRING GOUPILLE, ELASTIQUE				1	
6	90386-14MA1	BUSH DOUILLE				1	
7	65W-43311-10-4D	BRACKET, SWIVEL 1 SUPPORT, PIVOT 1				1	L
8	93700-06M03	NIPPLE, GREASE GRAISSEUR				3	
9	63D-43131-01	BOLT, CLAMP BRACKET BOULON, PRESSE				1	
10	90386-22M15	BUSH DOUILLE				2	
11	90201-22M03	WASHER, PLATE RONDELLE, PLATE				2	
12	90185-22M11	NUT, SELF-LOCKING ECROU, AUTO-BLOCANT				2	
13	6G5-43145-01	CAP, CLAMP BRACKET CAPUCHON, PRESSE				2	
14	90386-12MA0	BUSH DOUILLE				2	
15	90386-12M98	BUSH DOUILLE				1	
16	90249-12M38	PIN GOUPILLE				1	
17	93430-10M00	CIRCLIP CIRCLIP, TYPE S				2	
18	90465-13M11	CLAMP BRIDE				2	
19	65W-45251-00	ANODE ANODE				1	
20	90101-06020	BOLT BOULON				2	
21	6H1-82148-00	WIRE, LEAD 4 FIL 4				1	
22	6U0-82127-00	WIRE, LEAD 2 FIL 2				1	
23	97095-06014	BOLT BOULON				2	
24	92995-06600	WASHER RONDELLE				2	
25	97080-08016	BOLT BOULON				2	
26	90201-08M00	WASHER, PLATE RONDELLE, PLATE				2	
27	90386-18M44	BUSH DOUILLE				2	

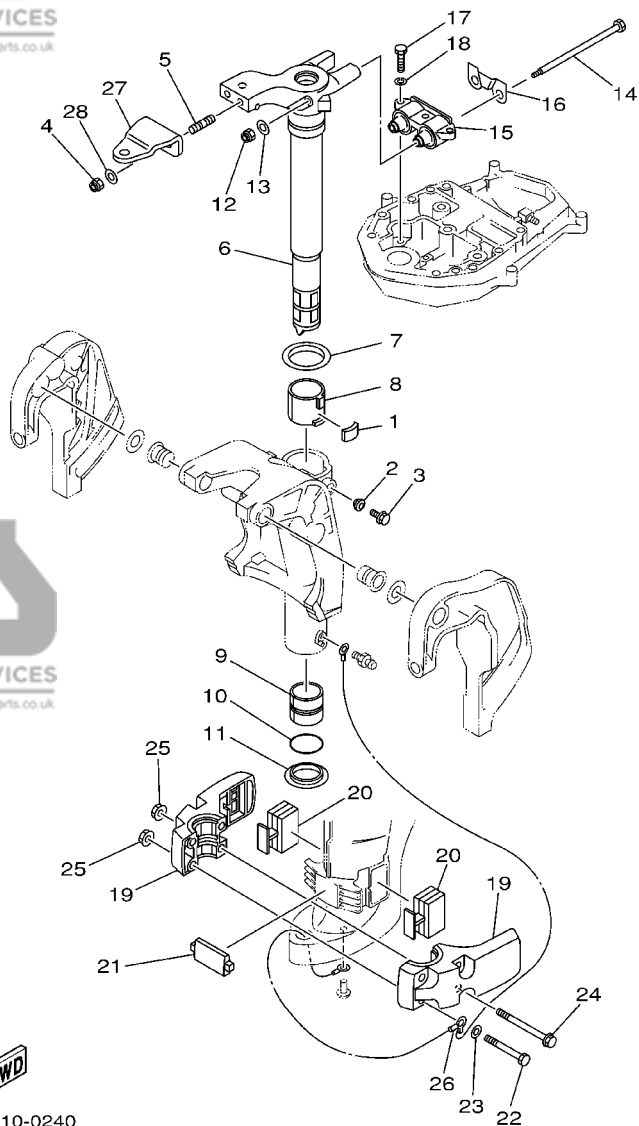


65W1010-2220

FIG. 21 BRACKET 2

SUPPORT 2

REF. NO.	PART NO. NO. PIECES	DESCRIPTION DESCRIPTION	MH	EH	E	ET	REMARKS REMARQUES
28	90386-18MA0	BUSH DOUILLE				1	
29	90249-18M35	PIN GOUILLE				1	
30	90110-10M02	BOLT, HEXAGON SOCKET HEAD BOULON, TETE HEXAGONALE CREUSE				2	
31	92995-10600	WASHER RONDELLE				2	
32	90185-10M13	NUT, SELF-LOCKING ECROU, AUTO-BLOCANT				2	
33	90101-12M65	BOLT BOULON				4	
34	92995-12200	WASHER RONDELLE				8	
35	90201-12426	WASHER, PLATE RONDELLE, PLATE				4	
36	95380-12600	NUT ECROU				8	



65W0010-0240

FIG. 22 BRACKET 3

SUPPORT 3

REF. NO.	PART NO. NO. PIECES	DESCRIPTION DESCRIPTION	MH	EH	EU	ET	REMARKS REMARQUES
1	648-42528-00	PLATE, FRICTION PLAQUE, FRICTION	1	1	1	1	
2	65W-43373-00	SEAL, DAMPER JOINT	1	1	1	1	
3	90105-08M76	BOLT, FLANGE BOULON	1	1	1	1	
4	90185-10051	NUT, SELF-LOCKING ECROU, AUTO-BLOCANT	2	2	2	2	
5	90116-10M28	BOLT, STUD GOUJON	2	2	2	2	
6	65W-42511-00-4D	BRACKET, STEERING CADRE, DIRECTION	1	1			S
	65W-42511-10-4D	BRACKET, STEERING CADRE, DIRECTION	1	1	1	1	L
7	90209-52M00	WASHER RONDELLE	1	1	1	1	
8	90386-52M02	BUSH DOUILLE	1	1	1	1	
9	90386-44M03	BUSH DOUILLE	1	1	1	1	
10	93210-43MJ0	O-RING JOINT TORIQUE	1	1	1	1	
11	90386-44M99	BUSH DOUILLE	1	1	1	1	
12	90185-08045	NUT, SELF-LOCKING ECROU, AUTO-BLOCANT	2	2	2	2	
13	92995-08200	WASHER RONDELLE	2	2	2	2	
14	90101-08M86	BOLT BOULON	2	2	2	2	
15	65W-44514-01-4D	MOUNT DAMPER, UPPER SIDE SILENT-BLOC, SUPERIEUR LATERAL	1	1	1	1	
16	66T-44526-30	PLATE PLAQUE	1	1	1	1	
17	97075-08030	BOLT BOULON	3	3	3	3	
18	92995-08100	WASHER RONDELLE	3	3	3	3	
19	65W-44551-11-4D	HOUSING, LOWER MOUNT RUBBER BOITIER, SILENT-BLOC INFERIEUR	2	2	2	2	
20	65W-44555-00	MOUNT DAMPER, LOWER SIDE SILENT-BLOC, INFERIEUR LATERAL	2	2	2	2	
21	65W-44575-01	DAMPER, LOWER MOUNT RUBBER SILENT-BLOC, INFERIEUR	1	1	1	1	
22	97075-10080	BOLT BOULON	2	2	2	2	
23	92995-10600	WASHER RONDELLE	2	2	2	2	
24	90119-10M14	BOLT, WITH WASHER BOULON, AVEC RONDELLE	2	2	2	2	
25	90179-10M33	NUT ECROU	4	4	4	4	
26	65W-82127-10	WIRE, LEAD 2 FIL 2	1	1	1	1	

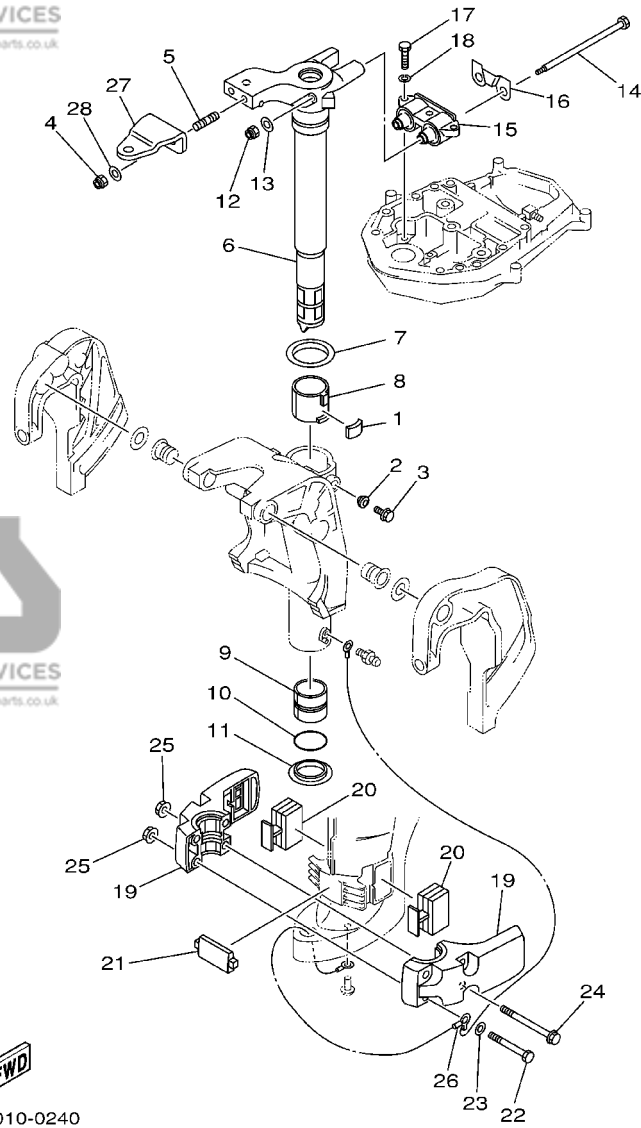
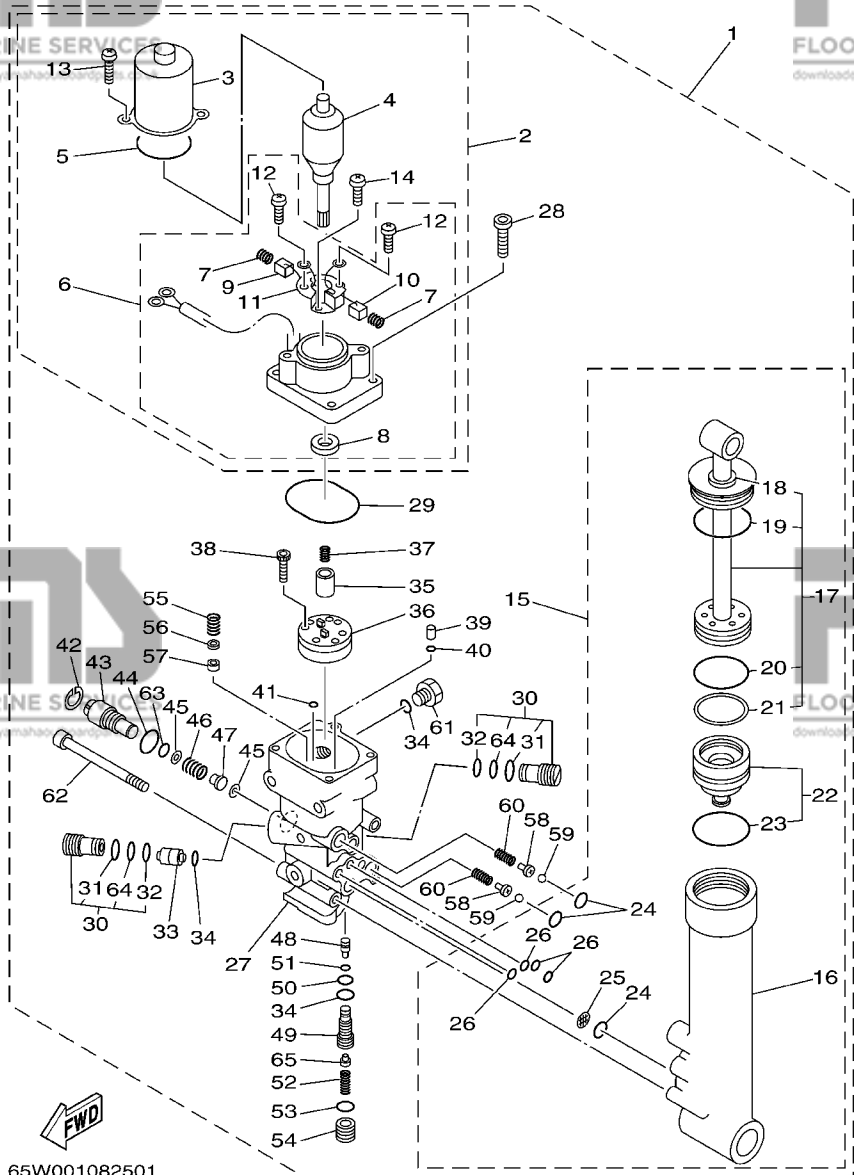


FIG. 22 BRACKET 3

SUPPORT 3

REF. NO.	PART NO. NO. PIECES	DESCRIPTION DESCRIPTION	MH	EH	E	ET	REMARKS REMARQUES
27	65W-48511-00	HOOK, STEERING ATTACHE, DIRECTION			1	1	
28	90201-10120	WASHER, PLATE RONDELLE, PLATE			2	2	

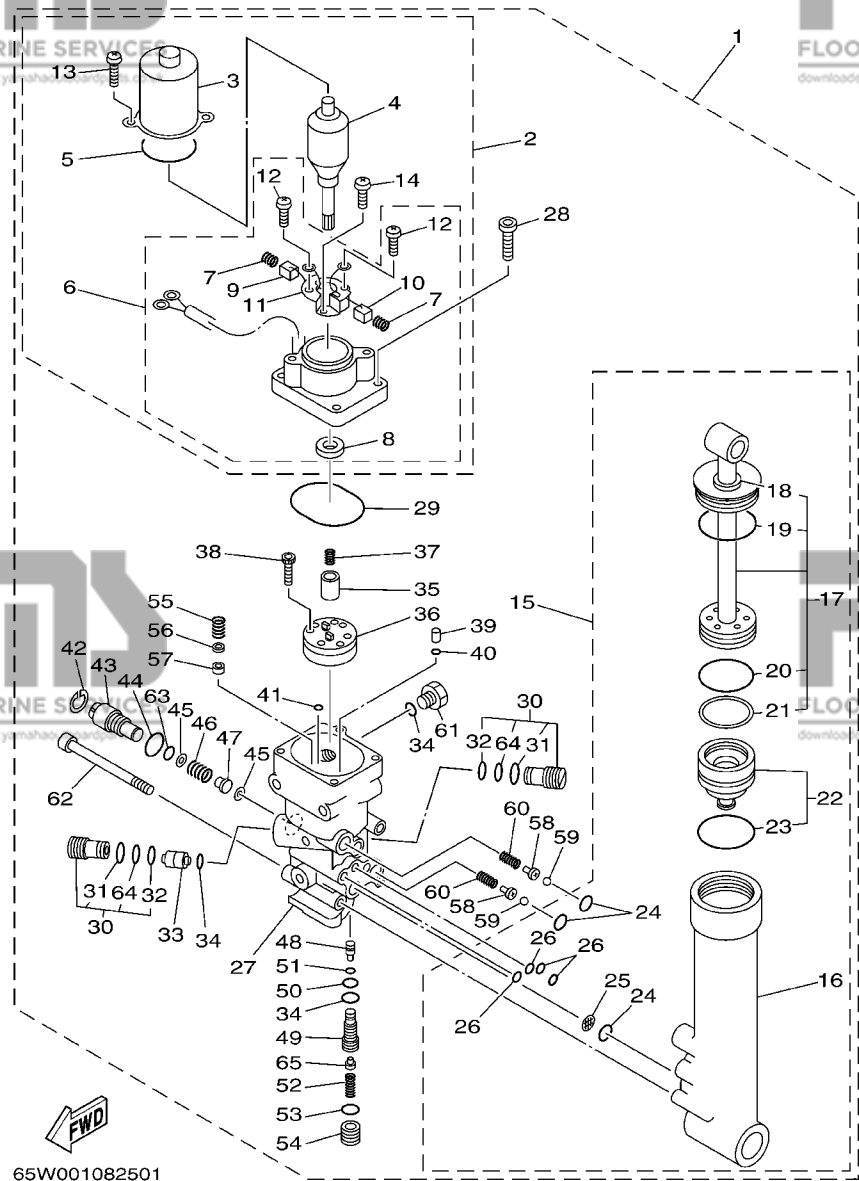


65W001082501

FIG. 23 POWER TRIM & TILT ASSY PUISSANCE PARER ET INCLINER

REF. NO.	PART NO. NO. PIECES	DESCRIPTION DESCRIPTION	MH	EH	E	ET	REMARKS REMARQUES
1	65W-43800-02-4D	POWER TRIM & TILT ASSY PUISSANCE PARER ET INCLINER (ENS.)				1	
2	65W-43880-00	..MOTOR ASSY ..MOTEUR (ENS.)				1	
3	65W-43804-00	..STATOR ASSY ..STATOR (ENS.)				1	
4	65W-43805-00	..ARMATURE ASSY ..INDUIT (ENS.)				1	
5	65W-43869-00	..O-RING ..JOINT TORIQUE				1	
6	65W-43881-00	..FRAME, END ..BATI				1	
7	65W-4386K-00	...SPRING, BRUSH ...RESSORT, BALAI				2	
8	65W-43882-00	...OIL SEAL ...JOINT SPI				1	
9	65W-43892-00	...BRUSH 2 ...BALAI 2				1	
10	65W-43891-00	...BRUSH 1 ...BALAI 1				1	
11	65W-4380F-00	...PLATE, BRUSH HOLDER ...PLAQUE				1	
12	65W-43879-00	...SCREW, WITH WASHER ...VIS, AVEC RONDELLE				2	
13	65W-43887-00	..BOLT, THROUGH ..BOULON				2	
14	65W-4388E-00	..BOLT ..BOULON				1	
15	65W-43840-00	POWER TILT ASSY PUISSANCE INCLINER (ENS.)				1	
16	65W-4380K-00	..CYLINDER, TILT SUB ASSY ..CYLINDRE				1	
17	65W-43810-00	..TILT PISTON SUB ASSY ..INCLINER PISTON AUXILIAIRE(E)				1	
18	65W-43812-00	...SEAL, DUST ...JOINT				1	
19	65W-43865-00	...O-RING ...JOINT TORIQUE				1	
20	6H1-43861-10	...O-RING ...JOINT TORIQUE				1	
21	65W-43871-00	...RING, BACK UP ...SEGMENT				1	
22	65W-4381B-00	..FREE PISTON SUB ASSY ..PISTON AUXILIAIRE (ENS.)				1	
23	6H1-43861-10	...O-RING ...JOINT TORIQUE				1	
24	93210-11368	..O-RING ..JOINT TORIQUE				3	
25	6H1-43816-00	..FILTER 1 ..FILTRE 1				1	
26	93210-064A5	..O-RING ..JOINT TORIQUE				4	
27	65W-4380L-00	..HOUSING, TRIM & TILT SUB ASSY ..CARTER				1	

FIG. 23 POWER TRIM & TILT ASSY PUISSANCE PARER ET INCLINER

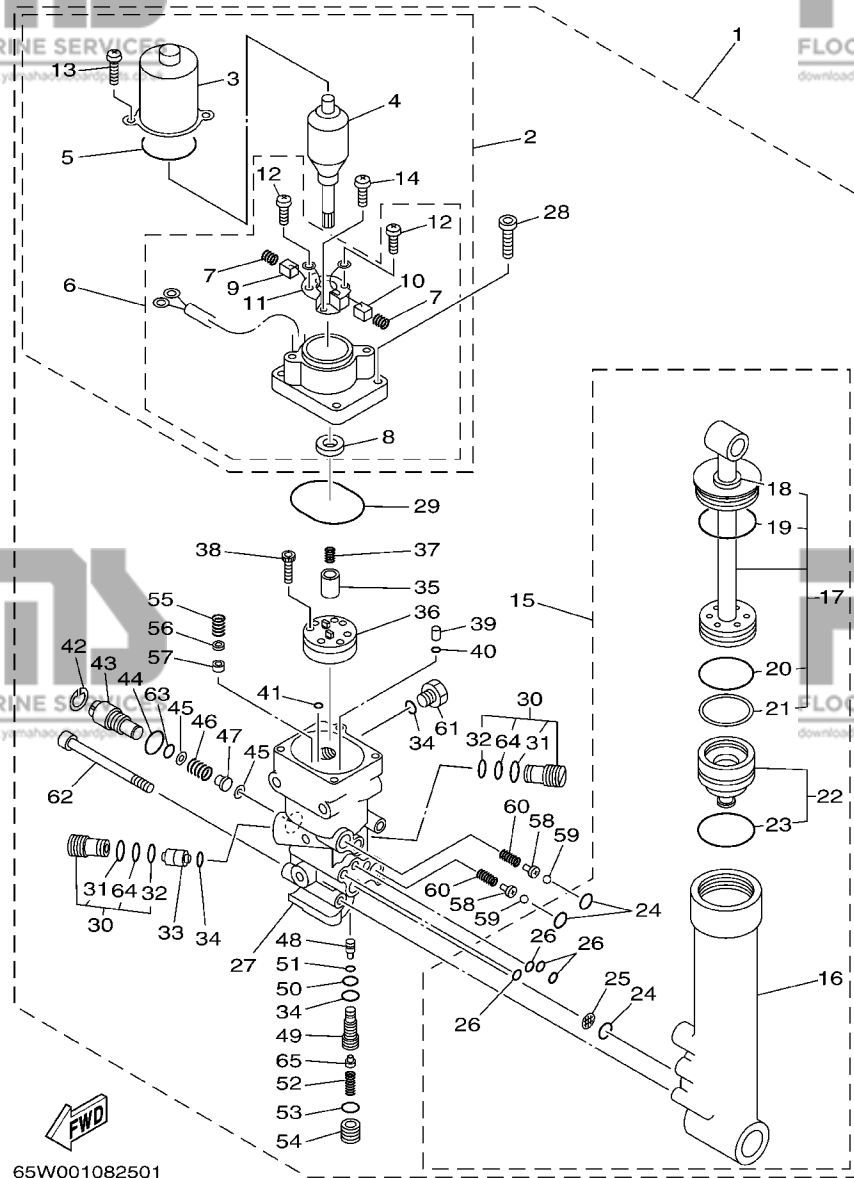


65W001082501

REF. NO.	PART NO. NO. PIECES	DESCRIPTION DESCRIPTION	MH	EH	E	ET	REMARKS REMARQUES
28	65W-43888-00	.BOLT, SOCKET .BOULON				4	
29	93210-50768	.O-RING .JOINT TORIQUE				1	
30	6T4-43802-03	.VALVE SUB ASSY .CLAPET AUXILIAIRE (ENS.)				2	
31	6H1-43866-00	.O-RING .JOINT TORIQUE				1	
32	6H1-43867-00	.O-RING .JOINT TORIQUE				1	
33	62X-43841-00	.PISTON, SHUTTLE .PISTON				1	
34	93210-09165	.O-RING .JOINT TORIQUE				3	
35	65W-43831-00	.CONNECTOR, SHAFT .RACCORD				1	
36	65W-43830-00	.GEAR PUMP ASSY .POMPE A PIGNON (ENS.)				1	
37	6T4-43853-00	.SPRING, MAIN VALVE .RESSORT				1	
38	91318-04025	.BOLT .BOULON				4	
39	65W-43817-00	.FILTER 2 .FILTRE 2				2	
40	65W-43861-00	.O-RING .JOINT TORIQUE				2	
41	65W-43862-00	.O-RING .JOINT TORIQUE				2	
42	6H1-43875-00	.RING, SNAP .RESSORT				1	
43	6H1-43845-00	.SCREW, MANUAL RELEASE .VIS				1	
44	93210-18397	.O-RING .JOINT TORIQUE				1	
45	6H1-43847-00	.SEAT, MANUAL VALVE .SIEGE				2	
46	65W-43854-00	.SPRING, MANUAL RELEASE .RESSORT				1	
47	65W-4382A-00	.ADAPTOR 1 .ADAPTEUR 1				1	
48	65W-43844-00	.PIN, VALVE SUPPORT .GOUILLE				1	
49	65W-43851-00	.SEAT, RELIEF VALVE .SIEGE				1	
50	93210-08006	.O-RING .JOINT TORIQUE				1	
51	93210-03478	.O-RING .JOINT TORIQUE				1	
52	65W-43855-00	.SPRING, UP RELIEF .RESSORT				1	
53	93210-11073	.O-RING .JOINT TORIQUE				1	
54	65W-43843-00	.SCREW, VALVE LOCK .VIS				1	

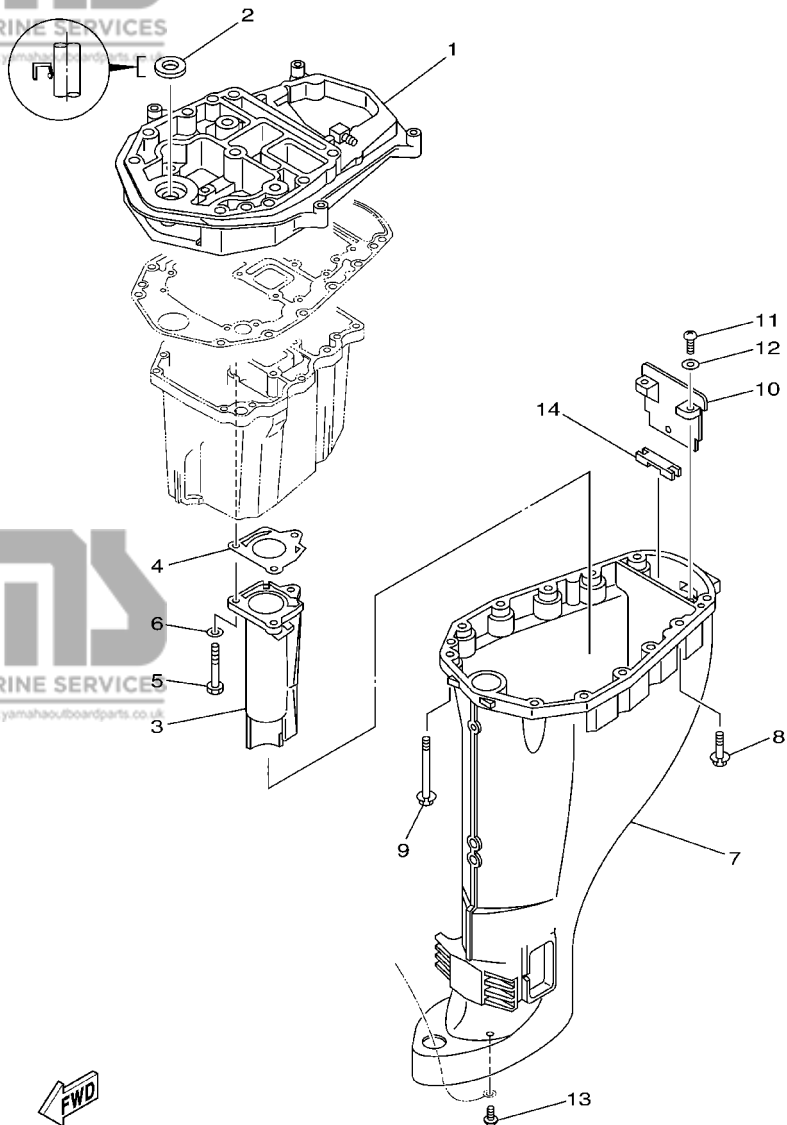
FIG. 23 POWER TRIM & TILT ASSY

PUISSANCE PARER ET INCLINER



65W001082501

REF. NO.	PART NO. NO. PIECES	DESCRIPTION DESCRIPTION	MH	EH	E	ET	REMARKS REMARQUES
55	6H1-43856-10	.SPRING, DOWN RELIEF .RESSORT				1	
56	6H1-43844-10	.PIN, VALVE SUPPORT .GOUPILLE				1	
57	6H1-4384F-10	.SEAL, MAIN VALVE .JOINT				1	
58	65W-4386A-00	.PIN, ABSORBER VALVE .GOUPILLE, SOUPAPE				2	
59	93501-08001	.BALL .BILLE				2	
60	65W-43853-00	.SPRING, MAIN VALVE .RESSORT				2	
61	6H1-43829-00	.PLUG, RESERVOIR .BOUCHON				1	
62	62X-43878-00	.BOLT, SOCKET .BOULON				3	
63	93210-10M74	.O-RING .JOINT TORIQUE				1	
64	93210-10M74	.O-RING .JOINT TORIQUE				1	
65	6T4-43808-00	.SEAT, VALVE COMP. 1 .SIEGE VALVE COMP. 1				1	



65W1100-2260

FIG. 24 UPPER CASING

FOURREAU

REF. NO.	PART NO. NO. PIECES	DESCRIPTION DESCRIPTION	MH	EH	E	ET	REMARKS REMARQUES
1	65W-41137-03-94	GUIDE, EXHAUST COLLECTEUR D'ECHAPPEMENT	1	1	1	1	
2	93104-16M01	OIL SEAL JOINT SPY	1	1	1	1	
3	68U-41131-00-5B	MANIFOLD, EXT. 1 PIPE D'ECHAPPEMENT	1	1	1	1	
4	67C-41133-00	GASKET, EXHAUST MANIFOLD 1 JOINT, PIPE D'ECHAPPEMENT	1	1	1	1	
5	97075-06050	BOLT BOULON	3	3	3	3	
6	92995-06600	WASHER RONDELLE	3	3	3	3	
7	65W-45111-00-4D	CASING, UPPER FOURREAU	1	1			S
	65W-45111-10-4D	CASING, UPPER FOURREAU	1	1	1	1	L
8	90119-08M79	BOLT, WITH WASHER BOULON, AVEC RONDELLE	4	4	4	4	
9	90119-08M82	BOLT, WITH WASHER BOULON, AVEC RONDELLE	8	8	8	8	
10	65W-45151-00	COVER, UPPER CASING CAPUCHON, FOURREAU	1	1	1	1	
11	97880-05016	SCREW, PAN HEAD VIS, TETE TRONCONIQUE	2	2	2	2	
12	92990-05600	WASHER, PLATE RONDELLE, PLATE	2	2	2	2	
13	90157-06M06	SCREW, PAN HEAD VIS, TETE TRONCONIQUE	1	1	1	1	
14	65W-45128-00	SEAL 2 JOINT 2	1	1	1	1	

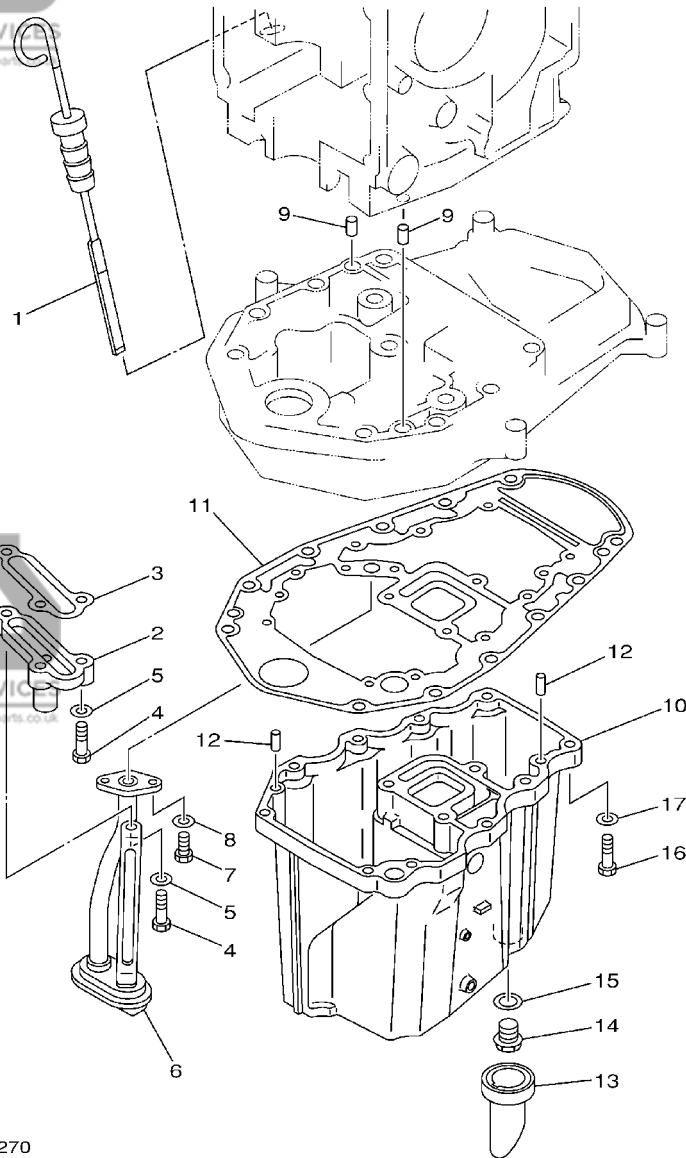


FIG. 25 OIL PAN

VENTILATEUR D'HUILE

REF. NO.	PART NO. NO. PIECES	DESCRIPTION DESCRIPTION	MH	EH	E	ET	REMARKS REMARQUES
1	65W-15362-01	PLUG, OIL LEVEL PLOT, NIVEAU D'HUILE	1	1	1	1	
2	62Y-11575-00	RELIEF VALVE ASSY SOUPAPE DE RENTREE D'AIR	1	1	1	1	
3	62Y-13475-00	GASKET JOINT	1	1	1	1	
4	97013-06025	BOLT BOULON	3	3	3	3	
5	92903-06600	WASHER, PLATE RONDELLE, PLATE	3	3	3	3	
6	65W-13411-00	STRAINER, OIL FILTRE, HUILE	1	1	1	1	
7	97013-06016	BOLT BOULON	2	2	2	2	
8	92903-06600	WASHER, PLATE RONDELLE, PLATE	2	2	2	2	
9	93608-12M05	PIN, DOWEL GOUJON	2	2	2	2	
10	65W-15311-01-5B	OIL PAN VENTILATEUR D'HUILE	1	1	1	1	
11	69W-15312-00	GASKET, OIL PAN JOINT DE VENTILATEUR D'HUILE	1	1	1	1	
12	93606-12019	PIN, DOWEL GOUJON	4	4	4	4	
13	65W-15316-00	DAMPER, ENGINE MOUNT 1 AMORTISSEUR DE SUPPORT	1	1	1	1	
14	90340-14M06	PLUG, STRAIGHT SCREW PLOT, FILETE DROIT	1	1	1	1	
15	90430-14M09	GASKET JOINT	1	1	1	1	
16	97075-06025	BOLT BOULON	10	10	10	10	
17	92995-06600	WASHER RONDELLE	10	10	10	10	



65W1010-2270

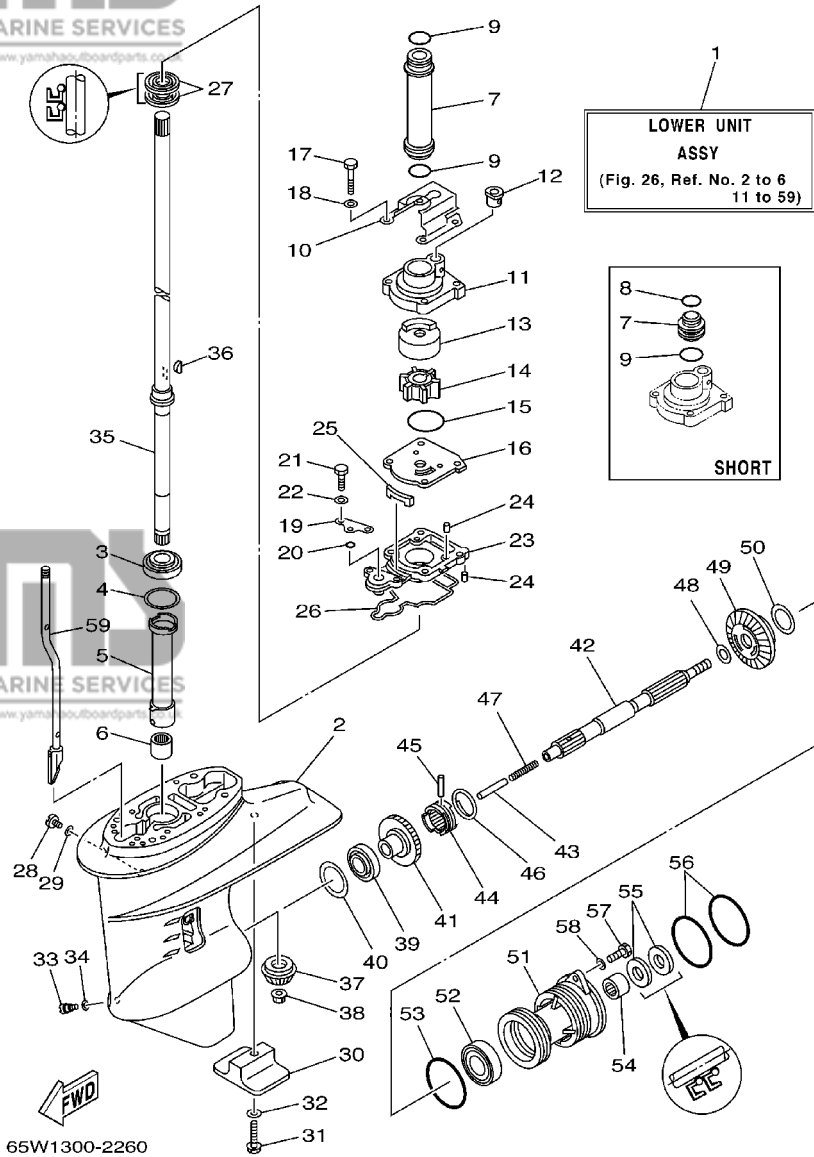


FIG. 26 LOWER CASING. DRIVE 1

BOITIER D'HELICE, TRANSMISSION 1

REF. NO.	PART NO. NO. PIECES	DESCRIPTION DESCRIPTION	MH	EH	EU	ET	REMARKS REMARQUES
1	65W-45300-00-4D	LOWER UNIT ASSY UNITE INFERIEURE (ENS.)	1		1		S
	65W-45300-10-4D	LOWER UNIT ASSY UNITE INFERIEURE (ENS.)	1	1	1	1	L
2	61N-45311-02-4D	CASING, LOWER BOITIER D'HELICE	1	1	1	1	
3	93332-000W5	BEARING ROULEMENT	1	1	1	1	
4	61N-45587-00-07	SHIM (T:0.7MM) CALE (T:0.7MM)	1	1	1	1	UR
	61N-45587-00-10	SHIM (T:1.0MM) CALE (T:1.0MM)	1	1	1	1	UR
	61N-45587-00-11	SHIM (T:1.1MM) CALE (T:1.1MM)	1	1	1	1	UR
	61N-45587-00-12	SHIM (T:1.2MM) CALE (T:1.2MM)	1	1	1	1	UR
	61N-45587-00-13	SHIM (T:1.3MM) CALE (T:1.3MM)	1	1	1	1	UR
	61N-45587-00-14	SHIM (T:1.4MM) CALE (T:1.4MM)	1	1	1	1	UR
	61N-45587-00-15	SHIM (T:1.5MM) CALE (T:1.5MM)	1	1	1	1	UR
	61N-45587-00-16	SHIM (T:1.6MM) CALE (T:1.6MM)	1	1	1	1	UR
5	61N-45536-00	SLEEVE, DRIVE SHAFT MANCHON, ARBRE MOTEUR	1	1	1	1	
6	93315-220V7	BEARING ROULEMENT	1	1	1	1	
7	61N-44362-00	TUBE, WATER TUBE D'EAU	1		1		S
	61N-44362-10	TUBE, WATER TUBE D'EAU	1	1	1	1	L
8	93210-22164	O-RING JOINT TORIQUE	1		1		S
9	93210-26130	O-RING JOINT TORIQUE	1		1		S
	93210-26130	O-RING JOINT TORIQUE	2	2	2	2	L
10	65W-44328-11	PLATE PLAQUETTE	1	1	1	1	L
11	61N-44311-01	HOUSING, WATER PUMP CORPS, POMPE A EAU	1	1	1	1	
12	6L2-44367-00	DAMPER, WATER SEAL JOINT TUBE D'EAU	1	1	1	1	
13	61N-44322-01	INSERT, CARTRIDGE CUVETTE	1	1	1	1	
14	6H4-44352-02	IMPELLER TURBINE	1	1	1	1	
15	93210-45161	O-RING JOINT TORIQUE	1	1	1	1	
16	61N-44323-00	OUTER PLATE, CARTRIDGE PLAQUE EXTERIEURE	1	1	1	1	
17	97095-06040	BOLT BOULON	4	4	4	4	

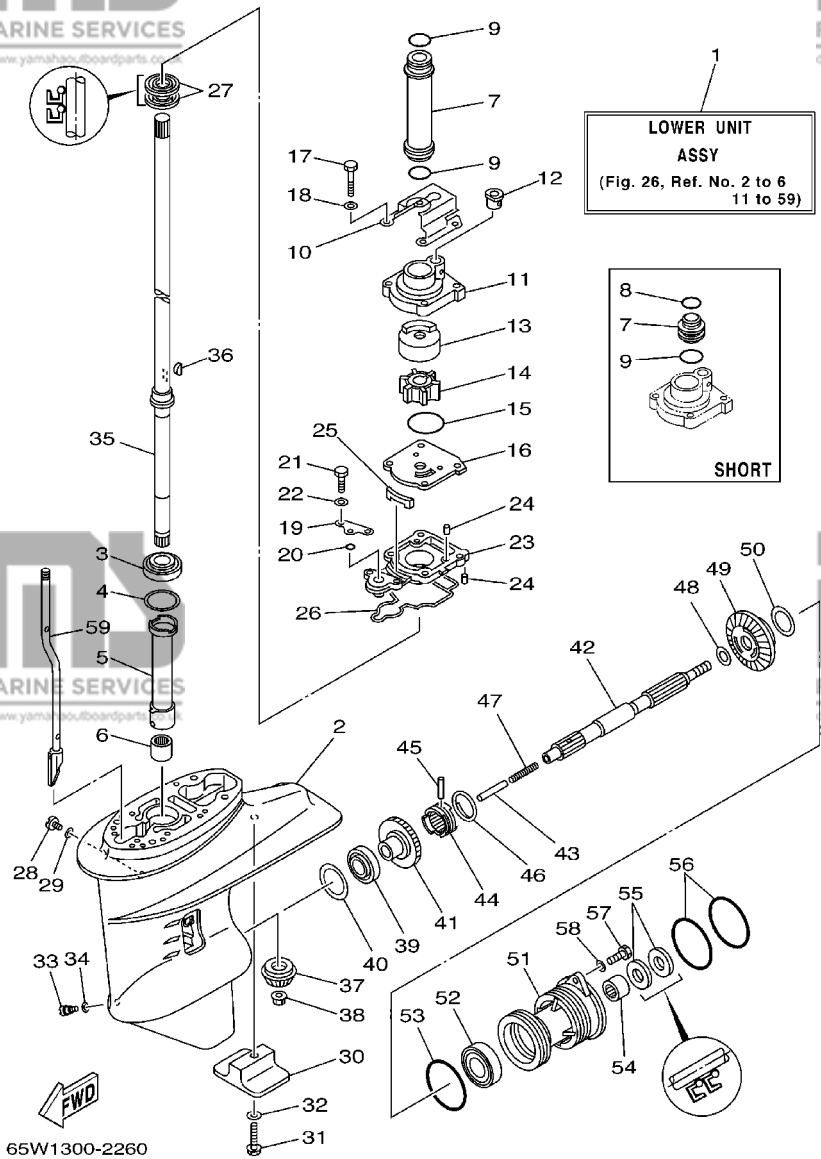
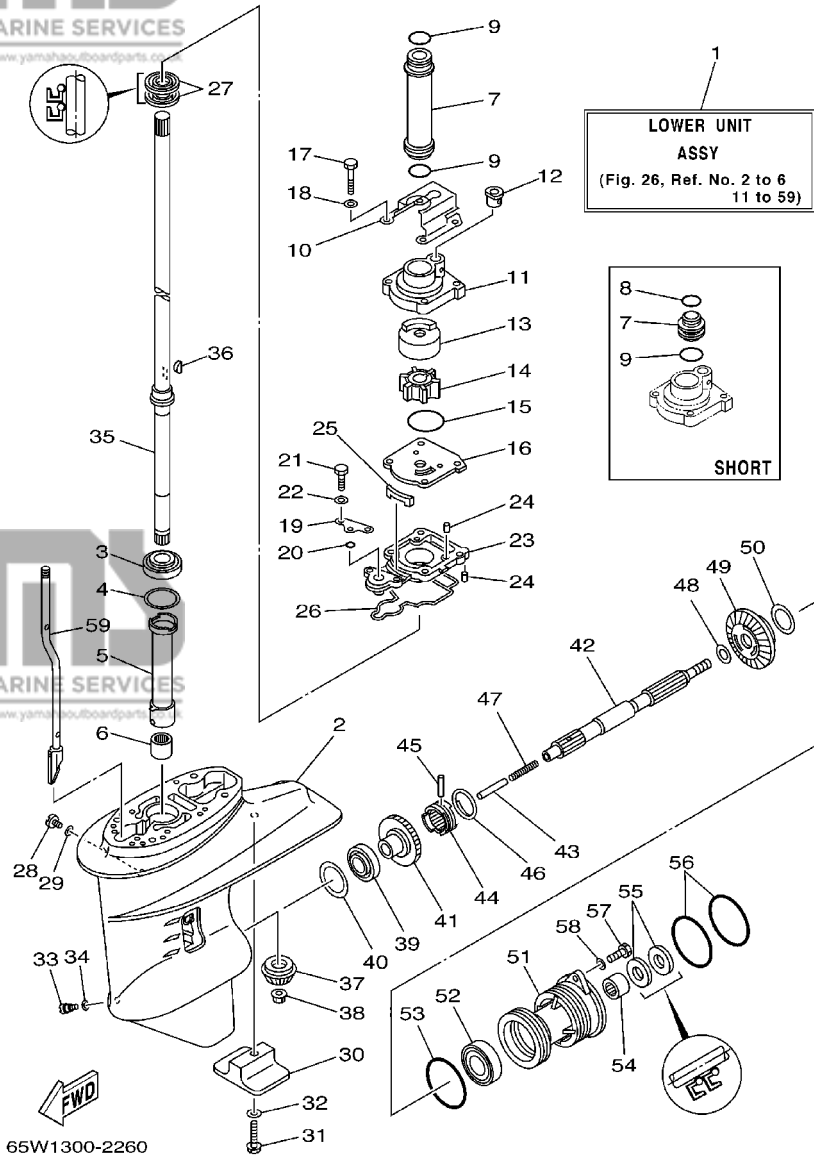


FIG. 26 LOWER CASING. DRIVE 1

BOITIER D'HELICE, TRANSMISSION 1

REF. NO.	PART NO. NO. PIECES	DESCRIPTION DESCRIPTION	MH	EH	U	UL	REMARKS REMARQUES
18	92995-06600	WASHER RONDELLE	4	4	4	4	
19	65W-44176-00	BRACKET SUPPORT	1	1	1	1	
20	93210-06ME6	O-RING JOINT TORIQUE	1	1	1	1	
21	97095-06025	BOLT BOULON	2	2	2	2	
22	92995-06600	WASHER RONDELLE	2	2	2	2	
23	65W-45331-00-5B	HOUSING, BEARING FLASQUE, ROULEMENT	1	1	1	1	
24	93604-10M03	PIN, DOWEL GOUJON	3	3	3	3	
25	61N-45127-00	SEAL JOINT	1	1	1	1	
26	61N-45315-00	PACKING, LOWER CASING JOINT, BOITIER D'HELICE	1	1	1	1	
27	93101-22067	OIL SEAL JOINT SPY	2	2	2	2	
28	90340-08002	PLUG, STRAIGHT SCREW PLOT, FILETE DROIT	1	1	1	1	
29	90430-08020	GASKET JOINT	1	1	1	1	
30	61N-45251-01	ANODE ANODE	1	1	1	1	
31	95895-06035	BOLT, FLANGE BOULON, A COLLERETTE	1	1	1	1	
32	92990-06300	WASHER, INTERNAL TOOTH RONDELLE, DENTURE INTERNE	1	1	1	1	
33	688-45341-10	PLUG, DRAIN BOUCHON DE VIDANGE	1	1	1	1	
34	90430-08020	GASKET JOINT	1	1	1	1	
35	61N-45510-00	DRIVE SHAFT ASSY ARBRE MOTEUR (ENS.)	1				S
	61N-45510-10	DRIVE SHAFT ASSY ARBRE MOTEUR (ENS.)	1	1	1	1	L
36	90280-03024	KEY, WOODRUFF CLAVETTE, DEMI-LUNE	1	1	1	1	
37	61N-45551-00	PIÑÓN PIGNON D'ATTAQUE	1	1	1	1	
38	90179-10M14	NUT ECROU	1	1	1	1	
39	93332-00005	BEARING ROULEMENT	1	1	1	1	
40	6L2-45567-00-10	SHIM (T:1.0MM) CALE (T:1.0MM)	1	1	1	1	UR
	6L2-45567-00-11	SHIM (T:1.1MM) CALE (T:1.1MM)	1	1	1	1	UR
	6L2-45567-00-12	SHIM (T:1.2MM) CALE (T:1.2MM)	1	1	1	1	UR
	6L2-45567-00-13	SHIM (T:1.3MM) CALE (T:1.3MM)	1	1	1	1	UR

B1

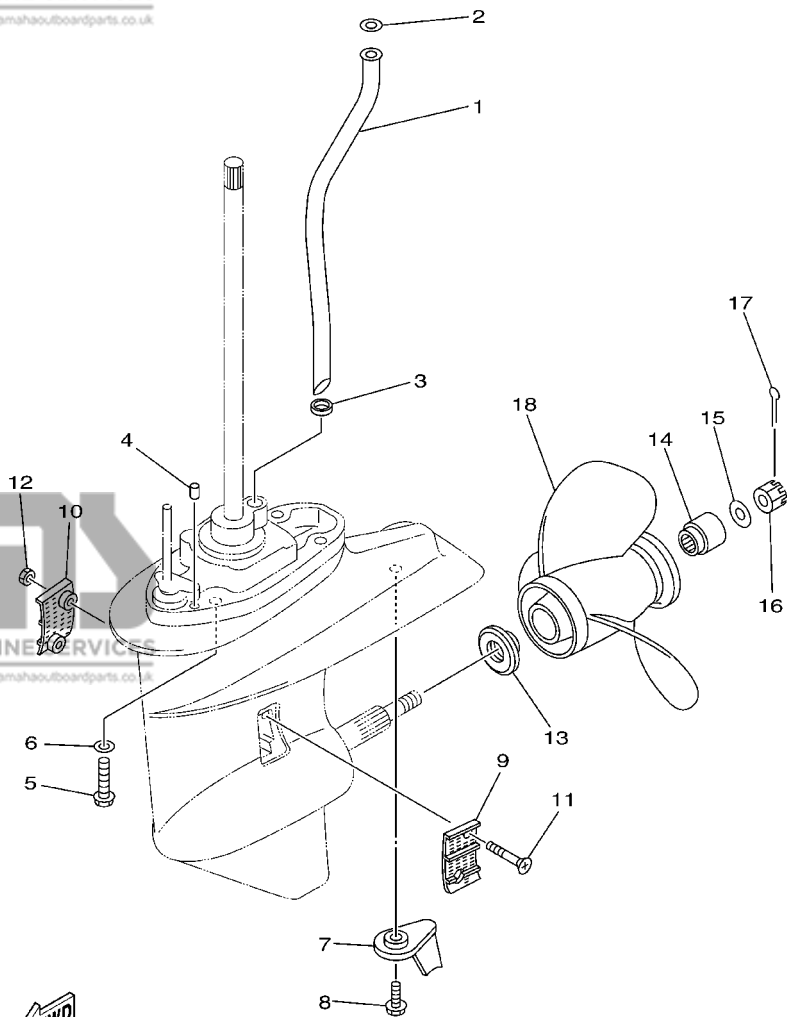


65W1300-2260

FIG. 26 LOWER CASING. DRIVE 1

BOITIER D'HELICE, TRANSMISSION 1

REF. NO.	PART NO. NO. PIECES	DESCRIPTION DESCRIPTION	MH	EH	U	ET	REMARKS REMARQUES
40	6L2-45567-00-14	SHIM (T:1.4MM) CALE (T:1.4MM)	1	1	1	1	UR
41	61N-45560-00	GEAR PIGNON	1	1	1	1	
42	6L2-45611-00	SHAFT, PROPELLER ARBRE, HELICE	1	1	1	1	
43	648-45635-00	PLUNGER, SHIFT POUSSOIR D'EMBRAYAGE	1	1	1	1	
44	664-45631-02	CLUTCH, DOG CRABOT	1	1	1	1	
45	90250-05010	PIN, STRAIGHT GOUPILLE, DROITE	1	1	1	1	
46	648-45633-00	RING, CROSS PIN JONC, GOUPILLE CRABOT	1	1	1	1	
47	90501-10065	SPRING, COMPRESSION RESSORT, COMPRESSION	1	1	1	1	
48	90201-20417	WASHER, PLATE RONDELLE, PLATE	1	1	1	1	
49	61N-45571-00	GEAR PIGNON	1	1	1	1	
50	6L2-45577-00-10	SHIM (T:1.0MM) CALE (T:1.0MM)	1	1	1	1	UR
	6L2-45577-00-11	SHIM (T:1.1MM) CALE (T:1.1MM)	1	1	1	1	UR
	6L2-45577-00-12	SHIM (T:1.2MM) CALE (T:1.2MM)	1	1	1	1	UR
	6L2-45577-00-13	SHIM (T:1.3MM) CALE (T:1.3MM)	1	1	1	1	UR
51	61N-45361-01-4D	CAP, LOWER CASING COUVERCLE, BOITIER D'HELICE	1	1	1	1	
52	93306-00612	BEARING ROULEMENT	1	1	1	1	
53	93210-64ME7	O-RING JOINT TORIQUE	1	1	1	1	
54	93315-22004	BEARING ROULEMENT	1	1	1	1	
55	93101-20M07	OIL SEAL JOINT SPY	2	2	2	2	
56	93210-65M50	O-RING JOINT TORIQUE	2	2	2	2	
57	97075-06020	BOLT BOULON	2	2	2	2	
58	92995-06600	WASHER RONDELLE	2	2	2	2	
59	65W-44150-00	SHIFT CAM ASSY CAME D'INVERSION	1	1			S
	65W-44150-10	SHIFT CAM ASSY CAME D'INVERSION	1	1	1	1	L



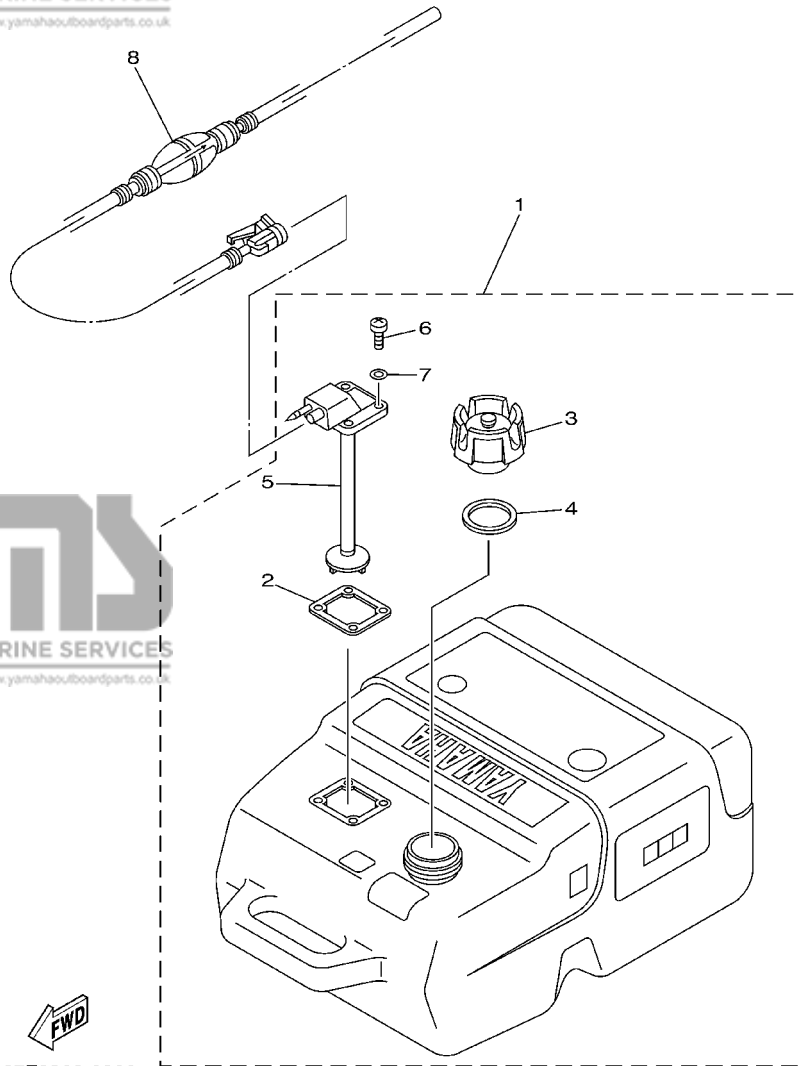
65W1100-2290

FIG. 27 LOWER CASING. DRIVE 2

BOITIER D'HELICE, TRANSMISSION 2

REF. NO.	PART NO. NO. PIECES	DESCRIPTION DESCRIPTION	MH	EH	EU	EL	REMARKS REMARQUES
	1 65W-44361-01	TUBE, WATER TUBE D'EAU	1		1		S
	65W-44361-11	TUBE, WATER TUBE D'EAU	1	1	1	1	L
	2 90202-12060	WASHER, PLATE RONDELLE, PLATE	1	1	1	1	
	3 90430-10002	GASKET JOINT	1	1	1	1	
	4 93606-11M24	PIN, DOWEL GOUJON	2	2	2	2	
	5 90105-10M12	BOLT, FLANGE BOULON	4	4	4	4	
	6 92995-10600	WASHER RONDELLE	4	4	4	4	
	7 61N-45371-00	TAB-TRIM ANODE DERIVE	1	1	1	1	
	8 90119-06M48	BOLT, WITH WASHER BOULON, AVEC RONDELLE	1	1	1	1	
	9 6L2-45214-00	COVER, WATER INLET GRILLE, ENTREE D'EAU	1	1	1	1	
	10 6L2-45215-00	COVER, WATER INLET GRILLE, ENTREE D'EAU	1	1	1	1	
	11 90151-05M05	SCREW, COUNTERSUNK VIS, TETE NOYEE	2	2	2	2	
	12 90185-05002	NUT, SELF-LOCKING ECROU, AUTO-BLOCANT	2	2	2	2	
	13 6L2-45987-01	SPACER ENTRETOISE	1	1	1	1	
	14 689-45997-00	SPACER ENTRETOISE	1	1	1	1	
	15 92990-14200	WASHER, PLAIN RONDELLE, PLATE	1	1	1	1	
	16 90171-14013	NUT, CASTLE ECROU, CRENELE	1	1	1	1	
	17 91490-30022	PIN, COTTER GOUPILLE, FENDUE	1	1	1	1	
	18 664-45941-01-EL	PROPELLER (3X9-7/8"X9"-F) HELICE (3X9-7/8"X9"-F)	1	1	1	1	UR
	664-45943-01-EL	PROPELLER (3X9-7/8"X8"-F) HELICE (3X9-7/8"X8"-F)	1	1	1	1	UR
	664-45945-00-EL	PROPELLER (3X9-7/8"X10-1/2"-F) HELICE (3X9-7/8"X10-1/2"-F)	1	1	1	1	UR
	664-45947-01-EL	PROPELLER (3X9-7/8"X11-1/4"-F) HELICE (3X9-7/8"X11-1/4"-F)	1	1	1	1	UR
	664-45949-02-EL	PROPELLER (3X9-7/8"X13"-F) HELICE (3X9-7/8"X13"-F)	1	1	1	1	UR
	664-45952-00-EL	PROPELLER (3X9-7/8"X14"-F) HELICE (3X9-7/8"X14"-F)	1	1	1	1	UR
	664-45954-00-EL	PROPELLER (3X9-7/8"X12"-F) HELICE (3X9-7/8"X12"-F)	1	1	1	1	UR
	664-45970-00-98	PROPELLER (3X9-1/8"X13"-F) HELICE (3X9-1/8"X13"-F)	1	1	1	1	UR STAINLESS STEEL, WEEDLESS
	664-45972-00-98	PROPELLER (3X9-1/8"X12"-F) HELICE (3X9-1/8"X12"-F)	1	1	1	1	UR STAINLESS STEEL, WEEDLESS

B3



67F0300-9300

FIG. 28 FUEL TANK

RESERVOIR A CARBURANT

REF. NO.	PART NO. NO. PIECES	DESCRIPTION DESCRIPTION	MH	EH	E	ET	REMARKS REMARQUES
1	6YK-24201-01	FUEL TANK ASSY RESERVOIR A ESSENCE (ENS.)	1	1	1	1	AP PLASTIC, 25L "SCEPTER"
	6YK-24201-10	FUEL TANK ASSY (25L) RESERVOIR A ESSENCE (ENS.) 25L	1	1	1	1	AP *ECM- "F25A ONLY"
2	6YL-24268-01	.GASKET, FUEL METER .JOINT, JAUGE A CARBURANT	1	1	1	1	
3	6YK-24610-00	.CAP ASSY .BOUCHON	1	1	1	1	WITH INDICATOR
	6YK-24610-10	.CAP ASSY .BOUCHON	1	1	1	1	*ECM- WITHOUT INDICATOR
4	6YL-24641-00	.GASKET, CAP 1 .JOINT 1, BOUCHON	1	1	1	1	
5	6YK-24260-01	.FUEL METER ASSY .INDICATEUR DE CARBURANT	1	1	1	1	
6	90157-05M16	.SCREW, PAN HEAD .VIS, TETE TRONCONIQUE	4	4	4	4	
7	6YL-24329-00	.SEAL .JOINT	4	4	4	4	
8	6YL-24306-52	FUEL PIPE COMP. 1 DURITE A ESSENCE 1	1	1	1	1	AP

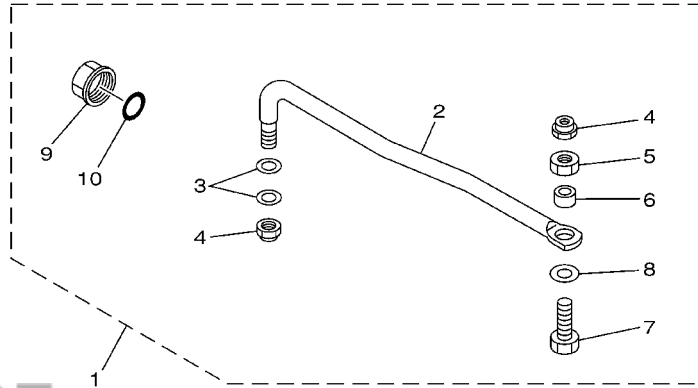
*ECM: FOR EMISSION CONTROL MODEL.

*ECM: POUR MODELE CONTROLE D'EMISSIONS.

FIG. 29 STEERING GUIDE

FIXATION DE DIRECTION

REF. NO.	PART NO. NO. PIECES	DESCRIPTION DESCRIPTION	MH	EH	E	ET	REMARKS REMARQUES
1	65W-61350-00	STEERING GUIDE ATTACHMENT KIT FIXATIONS DE DIRECTION			1	1	AP
2	65W-61351-00	.ROD, STEERING LINK .RENOI DE DIRECTION			1	1	
3	90201-10M20	.WASHER, PLATE .RONDELLE, PLATE			2	2	
4	90185-09M01	.NUT, SELF-LOCKING .ECROU, AUTO-BLOCANT			2	2	
5	90170-09M03	.NUT .ECROU			1	1	
6	90387-10M42	.COLLAR .COLLERETTE			1	1	
7	90101-09M01	.BOLT .BOULON			1	1	
8	90201-10M63	.WASHER, PLATE .RONDELLE, PLATE			1	1	
9	6E5-43145-01	.CAP, CLAMP BRACKET .CAPUCHON, PRESSE			1	1	
10	93210-16275	.O-RING .JOINT TORIQUE			1	1	



65W0010-8210

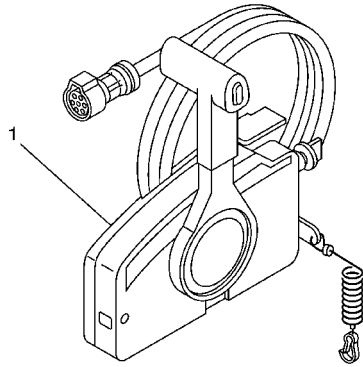
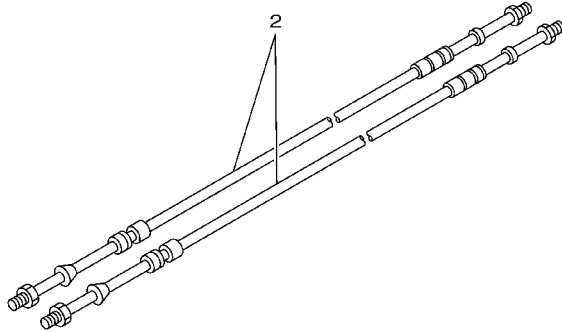


FIG. 30 REMOTE CONTROL BOX

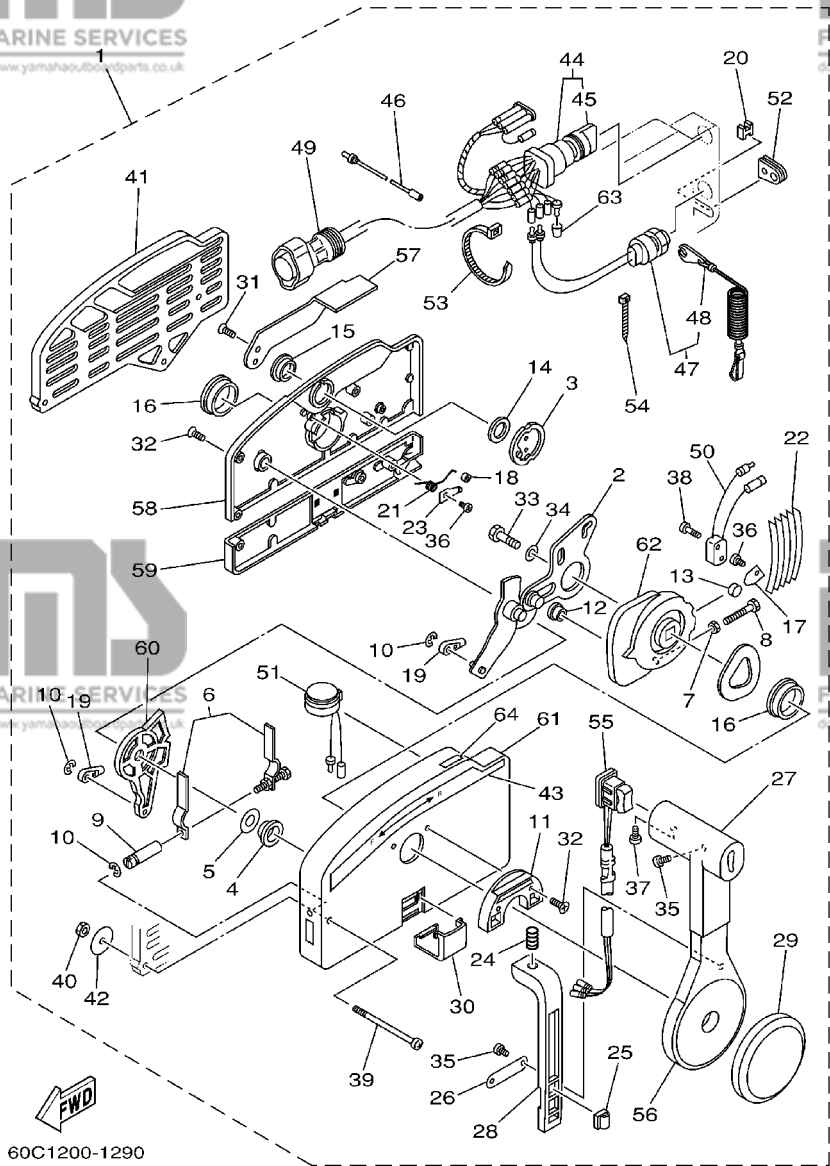
BOITIER DE COMMANDE A DISTANCE

REF. NO.	PART NO. NO. PIECES	DESCRIPTION DESCRIPTION	MH	EH	E	ET	REMARKS REMARQUES
1	703-48205-A4	REMOTE CONTROL ASSY BOITIER DE COMMANDE A DISTANCE				1	AP WITH PT/T SW.
	703-48203-A2	REMOTE CONTROL ASSY BOITIER DE COMMANDE A DISTANCE				1	AP
2	701-48310-90	CABLE, REMOTE CONTROL L=11F				2	UR
	701-48320-00	CABLE, REMOTE CONTROL L=12F				2	UR
	701-48320-20	CABLE, REMOTE CONTROL L=13F				2	UR
	701-48320-50	CABLE, REMOTE CONTROL L=15F				2	UR



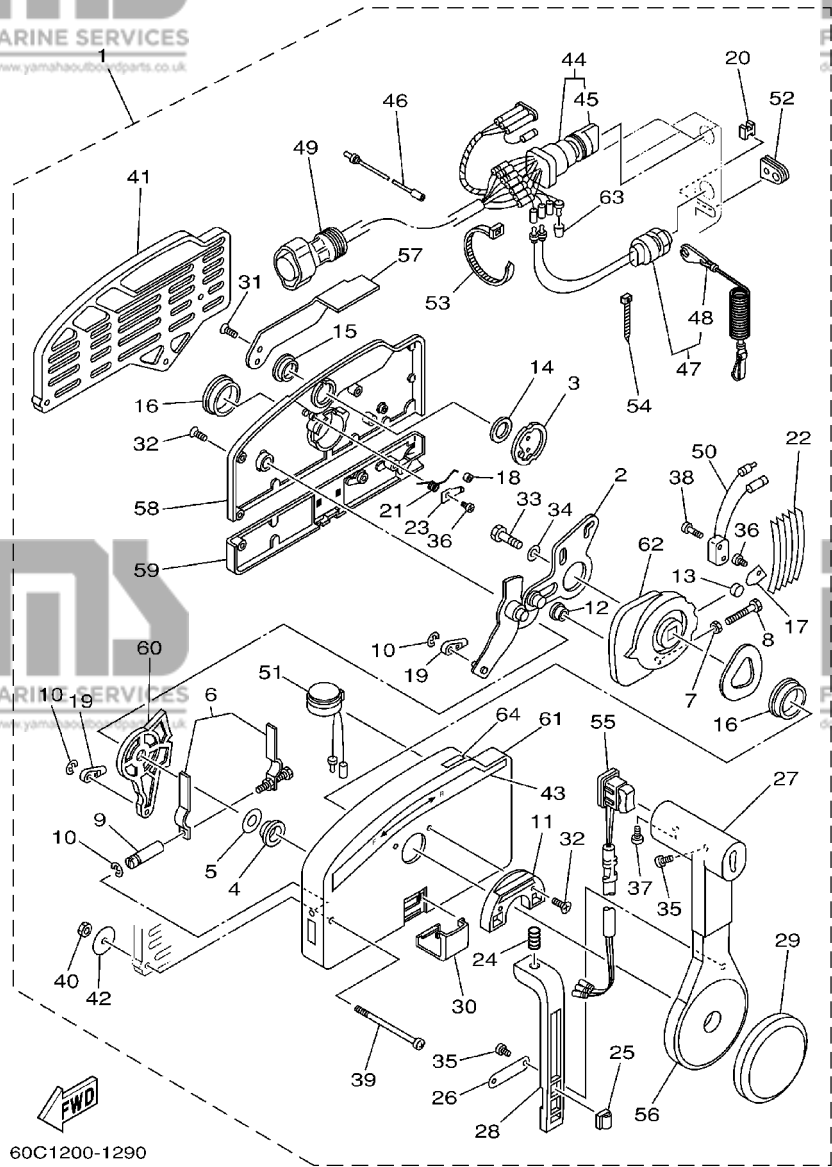
67M0100-8280

FIG. 31 REMOTE CONTROL ASSY BOITIER DE COMMANDE A DISTANCE



REF. NO.	PART NO. NO. PIECES	DESCRIPTION DESCRIPTION	MH	EH	EU	ET	REMARKS REMARQUES
1	703-48205-A4	REMOTE CONTROL ASSY BOITIER DE COMMANDE A DISTANCE				1	AP WITH PT/T SW.
	703-48203-A2	REMOTE CONTROL ASSY BOITIER DE COMMANDE A DISTANCE				1	AP
2	703-48261-01	.ARM, THROTTLE .BRAS, ACCELERATION				1 1	
3	703-48153-00	.SHAFT, FREE ACCEL. .AXE				1 1	
4	703-48235-00	.BUSHING .COUSSINET				1 1	
5	703-48268-00	.SPACER .ENTRETOISE				1 1	
6	703-48264-00	.THROTTLE, FRICTION .ACCELERATION				1 1	
7	95380-05600	.NUT .ECROU				1 1	
8	97380-05025	.BOLT .BOULON				1 1	
9	703-48265-00	.SHAFT, FRICTION .AXE, COPILOTE				1 1	
10	93430-06024	.CIRCLIP .CIRCLIP, TYPE S				3 3	
11	703-48245-00	.PLATE, LOCK .PLAQUE, VERROU				1 1	
12	703-48252-00	.ROLLER, CAM .POULIE				1 1	
13	701-48248-00	.ROLLER, FREE ACCEL. .POULIE				1 1	
14	703-48198-00	.WASHER, WAVE .RONDELLE, ELASTIQUE ONDULEE				1 1	
15	703-48243-00	.BUSHING .COUSSINET				1 1	
16	703-48236-00	.BUSHING 1 .POULIE				2 2	
17	703-48189-00	.RETAINER .FLASQUE				1 1	
18	703-48234-00	.ROLLER, DETENT .POULIE				1 1	
19	703-48345-01	.CABLE END, REMOTE CONTROL 2 .CHAPE CABLE				2 2	
20	703-48358-00	.ANCHOR, CABLE .COLLIER				1 1	
21	703-48244-00	.SPRING, FREE ACCEL. .RESSORT				1 1	
22	703-48238-00	.SPRING, DETENT .RESSORT				5 5	
23	703-48246-00	.SPACER .ENTRETOISE				1 1	
24	703-48227-00	.SPRING, NEUTRAL LOCK .RESSORT				1 1	
25	703-82594-00	.CLAMP .BRIDE				1 1	WITH PT/T SW.
26	703-48226-00	.PLATE, STOPPER .PLAQUETTE				1 1	

FIG. 31 REMOTE CONTROL ASSY BOITIER DE COMMANDE A DISTANCE



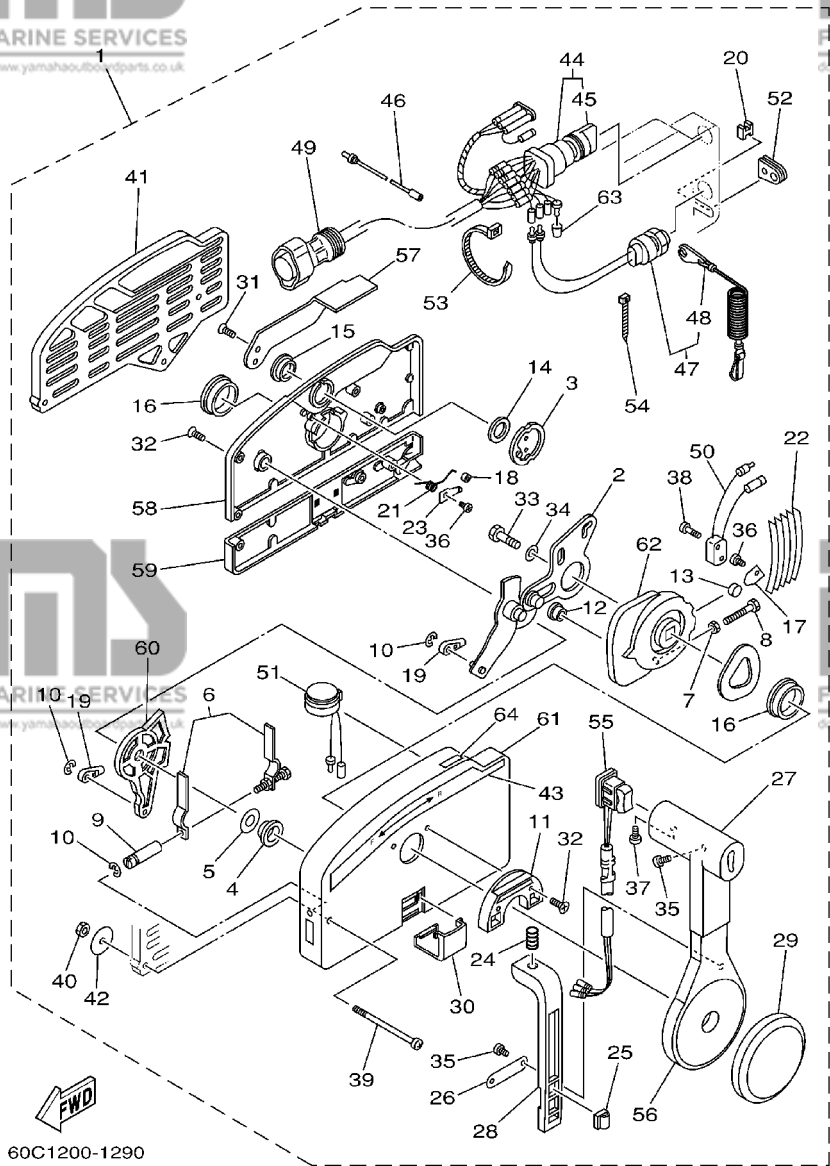
60C1200-1290

REF. NO.	PART NO. NO. PIECES	DESCRIPTION DESCRIPTION	MH	EH	EU	ET	REMARKS REMARQUES
27	703-48222-00	.GRIP, CONTROL LEVER .POIGNEE, COMMANDE LEVIER			1	1	SINGLE
28	703-48223-00	.LOCK, NEUTRAL .VERROU, NEUTRAL			1	1	
29	703-48225-00	.COVER .COUVERCLE			1	1	
30	703-48219-00	.COVER, LEAD .COUVERCLE			1	1	
31	703-48281-00	.SCREW .VIS			2	2	
32	703-48282-00	.SCREW .VIS			7	7	
33	97380-08030	.BOLT .BOULON			1	1	
34	92990-08600	.WASHER, PLATE .RONDELLE, PLATE			1	1	
35	98580-04010	.SCREW, PAN HEAD .VIS, TETE TRONCONIQUE			3	3	
36	98580-04006	.SCREW, PAN HEAD .VIS, TETE TRONCONIQUE			2	2	
37	98580-05010	.SCREW, PAN HEAD .VIS, TETE TRONCONIQUE			1	1	
38	98580-03015	.SCREW, PAN HEAD .VIS, TETE TRONCONIQUE			2	2	
39	703-48291-10	.SCREW (M6) .VIS (M6)			3	3	
40	95380-06600	.NUT, HEXAGON .ECROU			3	3	
41	703-48293-10	.SPACER, REMOTE CONTROL .ENTRETOISE			1	1	SINGLE
42	701-48287-00	.WASHER .RONDELLE			3	3	
43	703-48215-00	.GRAPHIC .ADHESIF			1	1	
44	703-82510-12	.MAIN SWITCH ASSY .CONTACTEUR A CLEF COMPLET			1	1	FOR PRIME START MODEL
	703-82510-03	.MAIN SWITCH ASSY .CONTACTEUR A CLEF COMPLET			1	1	FOR 703-48203-A2
45	676-82577-00	.CAP, KEY .CABOCHON			1	1	
46	703-82531-00	.WIRE, LEAD .FIL			1	1	
47	688-82575-01	.ENGINE STOP SWITCH ASSY .COUPE CIRCUIT CPLT			1	1	
48	682-82556-00	.STOPPER .PLAQUETTE			1	1	
49	688-8258A-20	.EXTENSION, WIRE HARNESS .EXTENSION, FAISCEAU DE FILS			1	1	L:5M (10P)
	688-82586-21	.EXTENSION, WIRE HARNESS .EXTENSION, FAISCEAU DE FILS			1	1	L:5M (7P)
50	703-82540-00	.NEUTRAL SWITCH ASSY .CONTACTEUR DE POINT-MORT			1	1	
51	703-83383-A0	.BUZZER .RONFLEUR			1	1	

C1

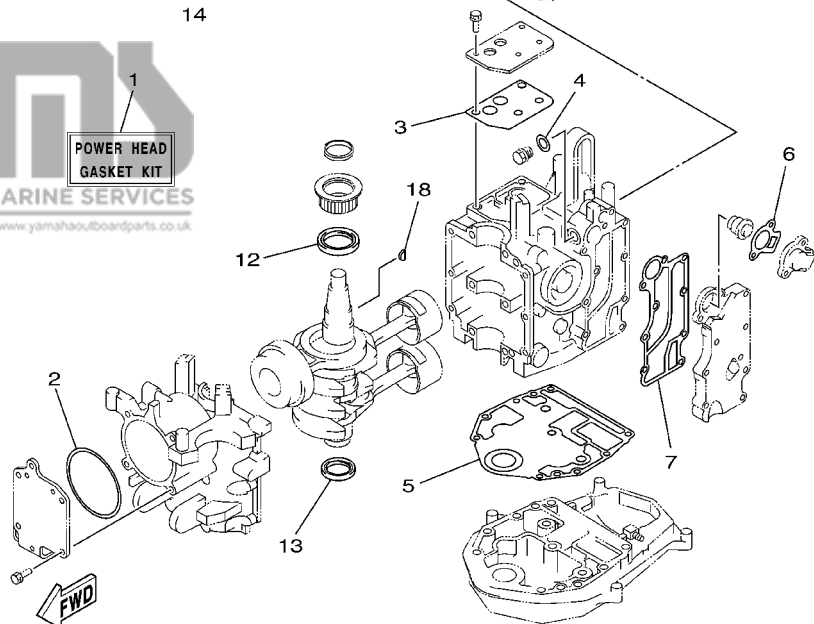
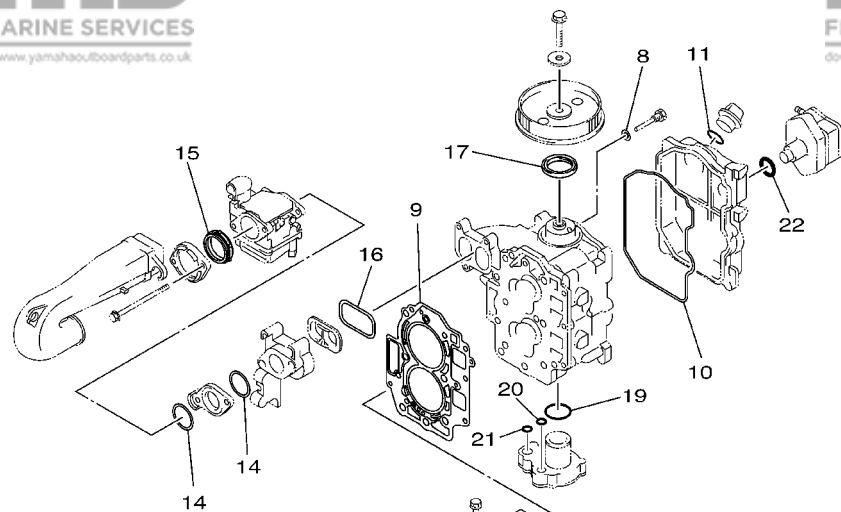
FIG. 31 REMOTE CONTROL ASSY

BOITIER DE COMMANDE A DISTANCE



60C1200-1290

REF. NO.	PART NO. NO. PIECES	DESCRIPTION DESCRIPTION	MH	EH	E	ET	REMARKS REMARQUES
52	703-48284-00	.GROMMET .PASSE-FIL			1	1	
53	703-82591-00	.BAND .COLLIER			1	1	
54	703-82592-00	.BAND .COLLIER			1	1	
55	703-82563-02	.TRIM & TILT SWITCH ASSY .INCLINER ET PARER COMMUTATEUR			1		WITH PT/T SW.
	703-48224-00	.COVER, CONTROL LEVER .COUVERCLE			1		WITHOUT PT/T SW.
56	703-48221-00	.LEVER, CONTROL .LEVIER, COMMANDE			1	1	
57	703-48152-00	.KNOB, FREE ACCEL. .BOUTON			1	1	
58	703-48212-00	.BACK PLATE 1 .PLAQUETTE 1			1	1	
59	703-48213-00	.BACK PLATE 2 .PLAQUETTE 2			1	1	
60	703-48271-00	.ARM, SHIFT .BRAS			1	1	
61	703-48211-01	.HOUSING,1 .CORPS			1	1	
62	703-48232-00	.GEAR .PIGNON			1	1	
63	703-82542-00	.CAP .COUVERCLE			1	1	
64	703-48218-00	.GRAPHIC .ADHESIF			1	1	

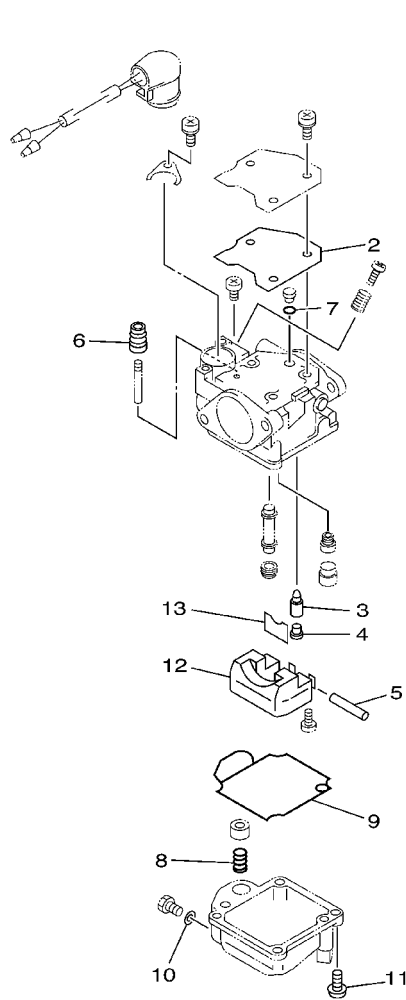


65W1100-2340

FIG. 32 REPAIR KIT 1

KITS DE REPARATION 1

REF. NO.	PART NO. NO. PIECES	DESCRIPTION DESCRIPTION	MH	EH	E	ET	REMARKS REMARQUES
1	65W-W0001-01	POWER HEAD GASKET KIT POCHETTE DE JINTS TETE MOTRICE	1	1	1	1	
2	65W-15663-00	.SEAL .JOINT	1	1	1	1	
3	65W-11169-01	.GASKET, BREATHER COVER .JOINT, COUVERCLE DE RENIFLARD	1	1	1	1	
4	90430-14115	.GASKET .JOINT	1	1	1	1	
5	65W-11351-00	.GASKET, CYLINDER .JOINT, D'EMBASE	1	1	1	1	
6	62Y-12414-00	.GASKET, COVER .JOINT, COUVERCLE	1	1	1	1	
7	65W-41114-00	.GASKET, EXHAUST OUTER COVER .JOINT, COUVERCLE D'ECHAPPEMEN	1	1	1	1	
8	90430-06014	.GASKET .JOINT	1	1	1	1	
9	65W-11181-11	.GASKET, CYLINDER HEAD 1 .JOINT, DE CULASSE 1	1	1	1	1	
10	65W-11356-00	.SEAL, CYLINDER 2 .JOINT, SPY CYLINDRE	1	1	1	1	
11	93210-24M79	.O-RING .JOINT TORIQUE	1	1	1	1	
12	93102-43M42	.OIL SEAL .JOINT SPY	1	1	1	1	
13	93102-35M47	.OIL SEAL .JOINT SPY	1	1	1	1	
14	65W-14198-00	.GASKET .JOINT	2	2	2	2	
15	65W-14457-10	.SEAL .JOINT	1	1	1	1	
16	65W-13645-00	.GASKET, MANIFOLD 1 .JOINT, TUBULURE 1	1	1	1	1	
17	93102-37M40	.OIL SEAL .JOINT SPY	1	1	1	1	
18	90280-04M06	.KEY, WOODRUFF .CLAVETTE, DEMI-LUNE	1	1	1	1	
19	93210-33MH2	.O-RING .JOINT TORIQUE	1	1	1	1	
20	93210-12MG9	.O-RING .JOINT TORIQUE	1	1	1	1	
21	93210-14515	.O-RING .JOINT TORIQUE	1	1	1	1	
22	93210-24M79	.O-RING .JOINT TORIQUE	1	1	1	1	



1
**CARBURETOR
REPAIR KIT**

FIG. 33 REPAIR KIT 2

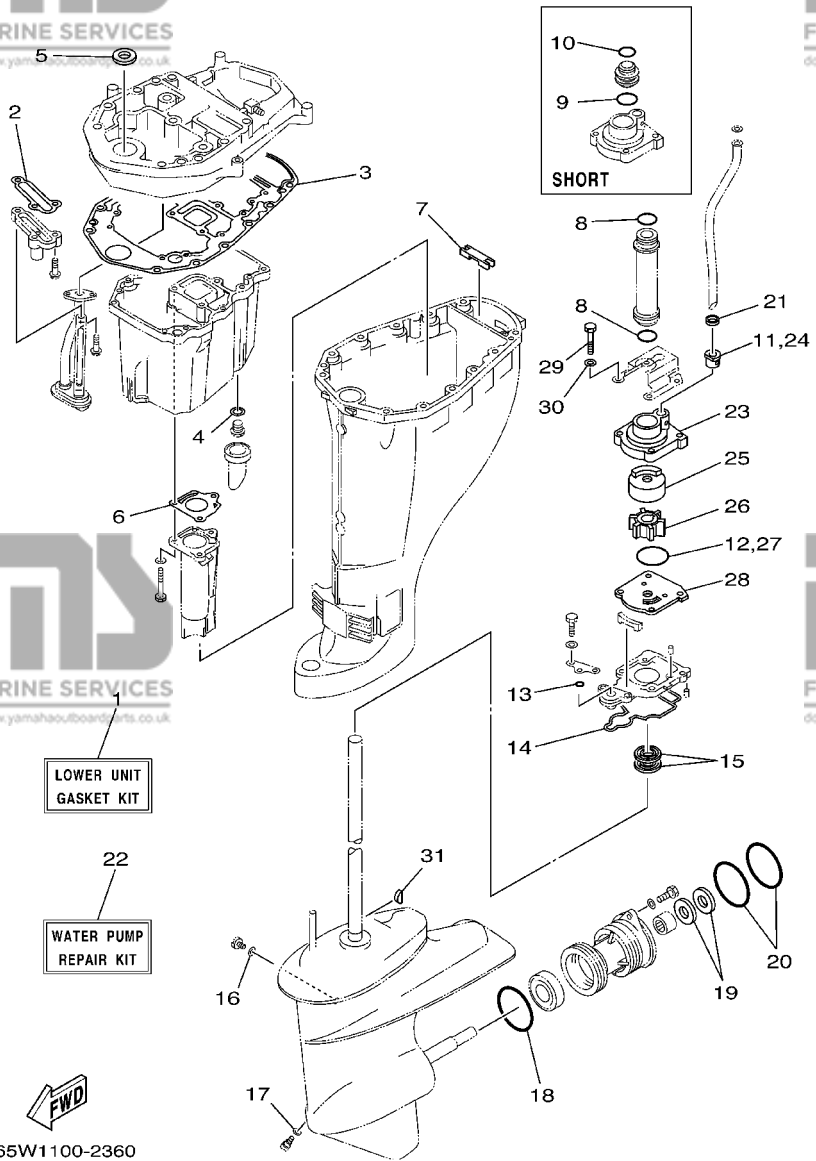
KITS DE REPARATION 2

REF. NO.	PART NO. NO. PIECES	DESCRIPTION DESCRIPTION	MH	EH	E	ET	REMARKS REMARQUES
1	65W-W0093-00	CARBURETOR REPAIR KIT KIT DE REPARATION CARBURATEUR	1	1	1	1	
2	65W-14126-00	.GASKET .JOINT	1	1	1	1	
3	6G1-14546-00	.VALVE, NEEDLE .POINTEAU	1	1	1	1	
4	676-14186-00	.PIN, FLOAT .AXE, FLOTTEUR	1	1	1	1	
5	6H4-14548-00	.PIN, FLOAT ARM .AXE, BRAS DE FLOTTEUR	1	1	1	1	
6	65W-14373-00	.COVER, PLUNGER CAP .COUVERCLE DE PLONGEUR	1	1	1	1	
7	65W-14147-00	.O-RING .JOINT TORIQUE	1	1	1	1	
8	65W-14335-00	.SPRING, PLUNGER .RESSORT, PLONGEUR	1	1	1	1	
9	65W-14384-00	.GASKET, FLOAT CHAMBER .JOINT, CUVE DE FLOTTEUR	1	1	1	1	
10	65W-14398-00	.GASKET .JOINT	1	1	1	1	
11	97980-04114	.SCREW, WITH WASHER .VIS, AVEC RONDELLE	4	4	4	4	
12	63V-14985-00	.FLOAT .FLOTTEUR	1	1	1	1	
13	663-14159-00	.CLIP .JONC	1	1	1	1	



65W0100-8360

C4



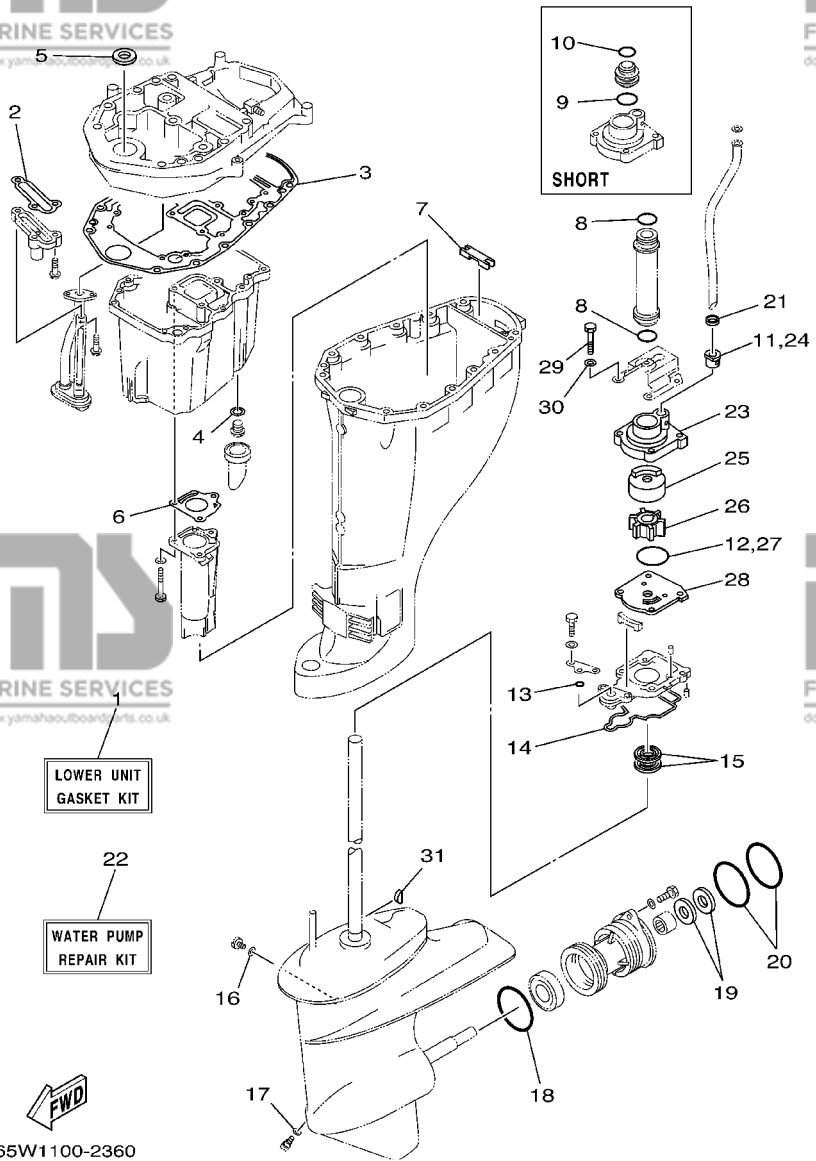
65W1100-2360

FIG. 34 REPAIR KIT 3

KITS DE PEPARATION 3

REF. NO.	PART NO. NO. PIECES	DESCRIPTION DESCRIPTION	MH	EH	E	ET	REMARKS REMARQUES
1	65W-W0001-22	LOWER UNIT GASKET KIT POCHETTE DE JOINTS EMBASE	1	1	1	1	
2	62Y-13475-00	.GASKET .JOINT	1	1	1	1	
3	69W-15312-00	.GASKET, OIL PAN .JOINT DE VENTILATEUR D'HUILE	1	1	1	1	
4	90430-14M09	.GASKET .JOINT	1	1	1	1	
5	93104-16M01	.OIL SEAL .JOINT SPY	1	1	1	1	
6	67C-41133-00	.GASKET, EXHAUST MANIFOLD 1 .JOINT, PIPE D'ECHAPPEMENT	1	1	1	1	
7	65W-45128-00	.SEAL 2 .JOINT 2	1	1	1	1	
8	93210-26130	.O-RING .JOINT TORIQUE	2	2	2	2	L
9	93210-26130	.O-RING .JOINT TORIQUE	1	1	1	1	S
10	93210-22164	.O-RING .JOINT TORIQUE	1	1	1	1	S
11	6L2-44367-00	.DAMPER, WATER SEAL .JOINT TUBE D'EAU	1	1	1	1	
12	93210-45161	.O-RING .JOINT TORIQUE	1	1	1	1	
13	93210-06ME6	.O-RING .JOINT TORIQUE	1	1	1	1	
14	61N-45315-00	.PACKING, LOWER CASING .JOINT, BOITIER D'HELICE	1	1	1	1	
15	93101-22067	.OIL SEAL .JOINT SPY	2	2	2	2	
16	90430-08020	.GASKET .JOINT	1	1	1	1	
17	90430-08020	.GASKET .JOINT	1	1	1	1	
18	93210-64ME7	.O-RING .JOINT TORIQUE	1	1	1	1	
19	93101-20M07	.OIL SEAL .JOINT SPY	2	2	2	2	
20	93210-65M50	.O-RING .JOINT TORIQUE	2	2	2	2	
21	90430-10002	.GASKET .JOINT	1	1	1	1	
22	61N-W0078-11	WATER PUMP REPAIR KIT KIT DE REPARATION DE LA POMPE	1	1	1	1	
23	61N-44311-01	.HOUSING, WATER PUMP .CORPS, POMPE A EAU	1	1	1	1	
24	6L2-44367-00	.DAMPER, WATER SEAL .JOINT TUBE D'EAU	1	1	1	1	
25	61N-44322-01	.INSERT, CARTRIDGE .CUVETTE	1	1	1	1	
26	6H4-44352-02	.IMPELLER .TURBINE	1	1	1	1	
27	93210-45161	.O-RING .JOINT TORIQUE	1	1	1	1	

C5



65W1100-2360

FIG. 34 REPAIR KIT 3

KITS DE PEPARATION 3

REF. NO.	PART NO. NO. PIECES	DESCRIPTION DESCRIPTION	MH	EH	E	ET	REMARKS REMARQUES
28	61N-44323-00	.OUTER PLATE, CARTRIDGE .PLAQUE EXTERIEURE	1	1	1	1	
29	97095-06040	.BOLT .BOULON	4	4	4	4	
30	92995-06600	.WASHER .RONDELLE	4	4	4	4	
31	90280-03024	.KEY, WOODRUFF .CLAVETTE, DEMI-LUNE	1	1	1	1	

PART NO. NO. PIECES	REF. NO.
65W-W0001-01	32 - 1
65W-W0001-22	34 - 1
65W-W0070-20	1 - 10
61N-W0078-11	34 - 22
65W-W0084-01-4D	17 - 1
65W-W009A-13-1S	4 - 1
65W-W009B-10-1S	2 - 1
65W-W0093-00	33 - 1
65W-W1571-01	10 - 3
65W-11111-02-1S	4 - 2
65W-11111-12-1S	4 - 2
65W-11119-00	2 - 12
62Y-11133-10	4 - 3
65W-11168-01	2 - 9
65W-11169-01	2 - 10
	32 - 3
65W-11181-11	4 - 15
	32 - 9
65W-11191-00-1S	4 - 19
62Y-11325-00	4 - 5
66M-11327-00-94	4 - 7
66M-11328-00	4 - 6
65W-11351-00	2 - 16
	32 - 5
65W-11356-00	4 - 20
	32 - 10
65W-11411-01	3 - 3
62Y-11416-00	3 - 4
62Y-11416-10	3 - 4
62Y-11416-20	3 - 4
65W-11476-00	8 - 9
65W-11536-10	8 - 8
65W-11537-01	8 - 3
65W-11545-00	11 - 4
62Y-11575-00	25 - 2
67C-11603-00	3 - 9
67C-11604-00	3 - 9
67C-11605-00	3 - 9
65W-11631-00-96	3 - 8
62Y-11633-00	3 - 10
65W-11635-00	3 - 8
65W-11636-00	3 - 8
65W-11642-11	3 - 13
67C-11650-00	3 - 5
62Y-11654-00	3 - 6
62Y-11656-00	3 - 7
62Y-11656-10	3 - 7
62Y-11656-20	3 - 7

PART NO. NO. PIECES	REF. NO.
65W-11665-00	3 - 12
67C-12111-00	5 - 1
51Y-12114-00	5 - 4
62Y-12116-00	5 - 3
30X-12117-00	5 - 5
30X-12118-00	5 - 6
51Y-12119-00	5 - 7
62Y-12121-00	5 - 2
62Y-12138-60	4 - 26
65W-12146-00	5 - 8
65W-12151-00	5 - 9
62Y-12158-00	5 - 11
62Y-12159-00	5 - 10
65W-12170-10	8 - 2
65W-12171-00	8 - 2
62Y-12216-00	5 - 13
65W-12228-00	2 - 8
	2 - 11
62Y-12231-00	5 - 14
62Y-12238-00	5 - 12
6G8-12411-02	2 - 17
6H3-12413-00-1S	2 - 18
62Y-12414-00	2 - 19
	32 - 6
62Y-12481-00	2 - 24
66M-12535-00	4 - 8
62Y-13131-01	9 - 6
65W-13286-00	2 - 20
65W-13300-00	8 - 11
65W-13323-00	6 - 3
65W-13411-00	25 - 6
67F-13434-02	1 - 16
65W-13437-60	10 - 45
	11 - 27
5GH-13440-00	2 - 22
6G8-13444-51	16 - 33
62Y-13475-00	25 - 3
	34 - 2
65W-13640-00	6 - 2
65W-13645-00	6 - 9
	32 - 16
65W-14126-00	7 - 4
	33 - 2
65W-14126-10	7 - 4
62Y-1414F-00	7 - 20
65W-14147-00	7 - 21
	33 - 7
663-14159-00	7 - 15

PART NO. NO. PIECES	REF. NO.
663-14159-00	33 - 13
676-14186-00	7 - 14
	33 - 4
65W-14198-00	6 - 6
	32 - 14
65W-14262-00	6 - 7
65W-14271-00	6 - 5
6A0-14325-00	9 - 10
65W-14335-00	7 - 22
	33 - 8
65W-14346-00	7 - 30
65W-14371-00	7 - 23
65W-14373-00	7 - 18
	33 - 6
65W-14379-00	7 - 19
65W-14380-00	7 - 29
65W-14380-20	7 - 29
65W-14384-00	7 - 24
	33 - 9
67C-14397-00	7 - 32
65W-14398-00	7 - 26
	33 - 10
65W-14440-00	6 - 1
65W-14457-10	6 - 8
	32 - 15
65W-14496-00	6 - 4
65W-14497-01	18 - 6
63V-14523-00	7 - 9
6G1-14546-00	7 - 13
	33 - 3
6H4-14548-00	7 - 17
	33 - 5
67C-14555-00	7 - 33
65W-14572-00	7 - 3
65W-14901-00	7 - 1
65W-14901-10	7 - 1
65W-14901-31	7 - 1
65W-14923-10	7 - 31
65W-14943-28	7 - 11
65W-14943-29	7 - 11
65W-14947-00	7 - 10
65W-14947-20	7 - 10
65W-14948-07	7 - 6
676-14948-07	7 - 6
679-14966-00	7 - 7
65W-14980-00	7 - 25
65W-14980-20	7 - 25
63V-14985-00	7 - 12

PART NO. NO. PIECES	REF. NO.
63V-14985-00	33 - 12
65W-14992-00	7 - 27
65W-15100-10-1S	2 - 2
65W-15121-00	2 - 6
65W-15311-01-5B	25 - 10
69W-15312-00	25 - 11
	34 - 3
65W-15316-00	25 - 13
65W-15362-01	25 - 1
6G8-15363-00	4 - 24
65W-15370-00	6 - 17
65W-15370-10	6 - 18
65W-15397-10	6 - 13
65W-15414-00	10 - 22
65W-15481-00	10 - 17
65W-15482-00	10 - 43
65W-15645-00	10 - 30
65W-15663-00	2 - 7
	32 - 2
65W-15711-01	10 - 4
65W-15713-00	10 - 6
65W-15714-01	10 - 7
65W-15715-00	10 - 10
65W-15716-00	10 - 11
65W-15723-10	10 - 28
65W-15726-00	10 - 44
65W-15732-00	10 - 5
65W-15734-00	10 - 8
65W-15735-01	10 - 18
65W-15741-10	10 - 24
65W-15744-00	10 - 9
65W-15752-00	10 - 14
65W-15753-00	10 - 15
689-15755-01	10 - 25
65W-15758-00	11 - 21
65W-15758-10	11 - 21
65W-15761-00	10 - 31
65W-15762-00	11 - 22
65W-15767-01	10 - 19
65W-15768-00	10 - 23
65W-15770-00	10 - 40
65W-15771-00	11 - 23
65W-15774-00	10 - 34
6F5-15779-02	10 - 26
65W-15784-00	10 - 21
6A0-15789-00	10 - 27
65W-15791-00	10 - 16
65W-15793-00	10 - 12

PART NO. NO. PIECES	REF. NO.
65W-15794-00	10 - 20
6YK-24201-01	28 - 1
6YK-24201-10	28 - 1
65W-24251-00	9 - 19
6YK-24260-01	28 - 5
6YL-24268-01	28 - 2
6G1-24304-02	9 - 24
6YL-24306-52	28 - 8
6YL-24329-00	28 - 7
62Y-24374-01	9 - 14
65W-24377-00	6 - 12
688-24378-00	2 - 28
62Y-24410-02	9 - 1
62Y-24411-02	9 - 4
62Y-24413-00	9 - 2
62Y-24421-01	9 - 3
62Y-24423-00	9 - 5
62Y-24444-00	9 - 8
62Y-24452-00	9 - 12
62Y-24454-00	9 - 7
62Y-24471-00	9 - 9
65W-24474-00	9 - 16
65W-24481-00	9 - 20
6YK-24610-00	28 - 3
6YK-24610-10	28 - 3
6YL-24641-00	28 - 4
65W-26311-00	17 - 27
65W-26326-00	16 - 19
65W-26326-10	16 - 19
	19 - 17
62Y-28100-00	9 - 31
6A1-28176-00	16 - 34
65W-41113-10-1S	2 - 23
65W-41114-00	2 - 25
	32 - 7
68U-41131-00-5B	24 - 3
67C-41133-00	24 - 4
	34 - 6
65W-41137-03-94	24 - 1
65W-41211-00	18 - 5
661-41262-02	18 - 3
65W-41283-00	18 - 2
65W-41638-00	18 - 1
6F5-41662-00	18 - 14
65W-42101-01-4D	17 - 12
66M-42119-00	17 - 20
65W-42121-01-4D	17 - 38
65W-42123-00	17 - 6

PART NO. NO. PIECES	REF. NO.
65W-42125-00	17 - 17
6G1-42126-00	17 - 16
65W-42131-01	17 - 35
6J0-42137-00	17 - 21
65W-42138-00	17 - 14
65W-42159-00	17 - 15
66M-42177-00	17 - 19
65W-42511-00-4D	22 - 6
65W-42511-10-4D	22 - 6
648-42528-00	22 - 1
624-42542-00	13 - 30
65W-42610-10-4D	1 - 1
65W-42610-40-4D	1 - 1
65W-42613-00	1 - 2
65W-42615-01	1 - 8
65W-42651-00	1 - 4
65W-42652-00	1 - 6
65W-42677-00	1 - 15
65W-42677-10	1 - 15
65W-42678-20	1 - 9
65W-42678-40	1 - 9
65W-42681-20	1 - 11
65W-42682-20	1 - 12
65W-42710-04-4D	16 - 1
65W-42710-14-4D	16 - 1
62Y-42716-00	16 - 6
65W-42717-00	16 - 5
65W-42724-10	16 - 21
6G1-42725-00	11 - 17
	16 - 22
65W-42725-00	16 - 9
65W-42725-10	16 - 9
65W-42725-20	19 - 15
65W-42725-21	16 - 9
6H4-42726-00	16 - 21
65W-42726-00	16 - 23
65W-42726-10	16 - 23
	19 - 18
62Y-42727-00	16 - 10
	19 - 16
65W-42727-00	16 - 10
682-42727-00	16 - 20
65W-42738-01-4D	16 - 7
65W-42741-01	16 - 25
65W-42815-01-4D	16 - 11
65W-42816-03	16 - 16
65W-43111-02-4D	20 - 1
65W-43111-10-4D	21 - 1

PART NO. NO. PIECES	REF. NO.
65W-43112-02-4D	20 - 6
65W-43112-10-4D	21 - 2
6J8-43113-01	20 - 20
648-43114-01	20 - 4
	20 - 9
663-43118-01-4D	20 - 3
	20 - 8
63D-43131-01	20 - 17
	21 - 9
66T-43144-00	16 - 30
6E5-43145-01	29 - 9
6G5-43145-01	20 - 22
	21 - 13
65W-43160-00	20 - 52
65W-43191-00	21 - 4
65W-43192-00	21 - 3
65W-43311-00-4D	20 - 15
65W-43311-10-4D	20 - 15
	21 - 7
682-43318-01	20 - 32
66T-43350-02	20 - 39
65W-43373-00	22 - 2
65W-43613-00	20 - 46
65W-43614-01	20 - 44
65W-43615-01	20 - 45
65W-43616-00	20 - 43
65W-43627-01	20 - 23
65W-43630-11	20 - 33
66T-43631-11	20 - 41
65W-4380F-00	23 - 11
65W-4380K-00	23 - 16
65W-4380L-00	23 - 27
65W-43800-02-4D	23 - 1
6T4-43802-03	23 - 30
65W-43804-00	23 - 3
65W-43805-00	23 - 4
65W-4381B-00	23 - 22
65W-43810-00	23 - 17
65W-43812-00	23 - 18
6H1-43816-00	23 - 25
65W-43817-00	23 - 39
65W-4382A-00	23 - 47
6H1-43829-00	23 - 61
65W-43830-00	23 - 36
65W-43831-00	23 - 35
6H1-4384F-10	23 - 57
65W-43840-00	23 - 15
62X-43841-00	23 - 33

PART NO. NO. PIECES	REF. NO.
65W-43843-00	23 - 54
6H1-43844-10	23 - 56
65W-43844-00	23 - 48
6H1-43845-00	23 - 43
6H1-43847-00	23 - 45
65W-43851-00	23 - 49
6T4-43853-00	23 - 37
65W-43853-00	23 - 60
65W-43854-00	23 - 46
65W-43855-00	23 - 52
6H1-43856-10	23 - 55
65W-4386A-00	23 - 58
65W-4386K-00	23 - 7
6H1-43861-10	23 - 20
	23 - 23
65W-43861-00	23 - 40
65W-43862-00	23 - 41
65W-43865-00	23 - 19
6H1-43866-00	23 - 31
6H1-43867-00	23 - 32
65W-43869-00	23 - 5
65W-43871-00	23 - 21
6H1-43875-00	23 - 42
62X-43878-00	23 - 62
65W-43879-00	23 - 12
65W-4388E-00	23 - 14
65W-43880-00	23 - 2
65W-43881-00	23 - 6
65W-43882-00	23 - 8
65W-43887-00	23 - 13
65W-43888-00	23 - 28
65W-43891-00	23 - 10
65W-43892-00	23 - 9
65W-44111-00	17 - 2
65W-44116-00	18 - 16
65W-44121-00	18 - 11
65W-44122-00	18 - 12
65W-44124-00	17 - 8
65W-44125-00	18 - 24
	19 - 4
65W-44142-00	18 - 22
	19 - 2
65W-44143-00	18 - 18
65W-44143-10	18 - 18
65W-44150-00	26 - 59
65W-44150-10	26 - 59
65W-44173-00	17 - 39
65W-44176-00	26 - 19

NUMERICAL INDEX
INDEX NUMERIQUE

PART NO. NO. PIECES	REF. NO.
6E0-44191-11	17 - 11
65W-44192-00	18 - 29
	19 - 8
61N-44311-01	26 - 11
	34 - 23
61N-44322-01	26 - 13
	34 - 25
61N-44323-00	26 - 16
	34 - 28
65W-44328-11	26 - 10
6H4-44352-02	26 - 14
	34 - 26
65W-44361-01	27 - 1
65W-44361-11	27 - 1
61N-44362-00	26 - 7
61N-44362-10	26 - 7
6L2-44367-00	26 - 12
	34 - 11
	34 - 24
6H3-44391-01	16 - 18
65W-44514-01-4D	22 - 15
66T-44526-30	22 - 16
65W-44551-11-4D	22 - 19
65W-44555-00	22 - 20
65W-44575-01	22 - 21
65W-45111-00-4D	24 - 7
65W-45111-10-4D	24 - 7
61N-45127-00	26 - 25
65W-45128-00	24 - 14
	34 - 7
65W-45151-00	24 - 10
6L2-45214-00	27 - 9
6L2-45215-00	27 - 10
61N-45251-01	26 - 30
65W-45251-00	21 - 19
65W-45300-00-4D	26 - 1
65W-45300-10-4D	26 - 1
61N-45311-02-4D	26 - 2
61N-45315-00	26 - 26
	34 - 14
65W-45331-00-5B	26 - 23
688-45341-10	26 - 33
61N-45361-01-4D	26 - 51
61N-45371-00	27 - 7
61N-45510-00	26 - 35
61N-45510-10	26 - 35
61N-45536-00	26 - 5
61N-45551-00	26 - 37

PART NO. NO. PIECES	REF. NO.
61N-45560-00	26 - 41
6L2-45567-00-10	26 - 40
6L2-45567-00-11	26 - 40
6L2-45567-00-12	26 - 40
6L2-45567-00-13	26 - 40
6L2-45567-00-14	26 - 40
61N-45571-00	26 - 49
6L2-45577-00-10	26 - 50
6L2-45577-00-11	26 - 50
6L2-45577-00-12	26 - 50
6L2-45577-00-13	26 - 50
6L2-45577-00-14	26 - 50
61N-45587-00-07	26 - 4
61N-45587-00-10	26 - 4
61N-45587-00-11	26 - 4
61N-45587-00-12	26 - 4
61N-45587-00-13	26 - 4
61N-45587-00-14	26 - 4
61N-45587-00-15	26 - 4
61N-45587-00-16	26 - 4
6L2-45611-00	26 - 42
664-45631-02	26 - 44
648-45633-00	26 - 46
648-45635-00	26 - 43
664-45941-01-EL	27 - 18
664-45943-01-EL	27 - 18
664-45945-00-EL	27 - 18
664-45947-01-EL	27 - 18
664-45949-02-EL	27 - 18
664-45952-00-EL	27 - 18
664-45954-00-EL	27 - 18
664-45970-00-98	27 - 18
664-45972-00-98	27 - 18
6L2-45987-01	27 - 13
689-45997-00	27 - 14
65W-46241-00	8 - 7
703-48152-00	31 - 57
703-48153-00	31 - 3
703-48189-00	31 - 17
703-48198-00	31 - 14
703-48203-A2	30 - 1
	31 - 1
703-48205-A4	30 - 1
	31 - 1
703-48211-01	31 - 61
703-48212-00	31 - 58
703-48213-00	31 - 59
703-48215-00	31 - 43
703-48218-00	31 - 64

PART NO. NO. PIECES	REF. NO.
703-48219-00	31 - 30
703-48221-00	31 - 56
703-48222-00	31 - 27
703-48223-00	31 - 28
703-48224-00	31 - 55
703-48225-00	31 - 29
703-48226-00	31 - 26
703-48227-00	31 - 24
703-48232-00	31 - 62
703-48234-00	31 - 18
703-48235-00	31 - 4
703-48236-00	31 - 16
703-48238-00	31 - 22
703-48243-00	31 - 15
703-48244-00	31 - 21
703-48245-00	31 - 11
703-48246-00	31 - 23
701-48248-00	31 - 13
703-48252-00	31 - 12
703-48261-01	31 - 2
703-48264-00	31 - 6
703-48265-00	31 - 9
703-48268-00	31 - 5
703-48271-00	31 - 60
703-48281-00	31 - 31
703-48282-00	31 - 32
703-48284-00	31 - 52
701-48287-00	31 - 42
703-48291-10	31 - 39
703-48293-10	31 - 41
701-48310-90	30 - 2
701-48320-00	30 - 2
701-48320-20	30 - 2
701-48320-50	30 - 2
663-48344-00	18 - 33
	19 - 12
703-48345-01	31 - 19
703-48358-00	31 - 20
65W-48501-00	19 - 1
65W-48511-00	19 - 19
	22 - 27
6H3-48538-00	18 - 35
	19 - 14
65W-61350-00	29 - 1
65W-61351-00	29 - 2
65W-81337-00	11 - 13
65W-81639-00	11 - 14
65W-81639-10	10 - 33

PART NO. NO. PIECES	REF. NO.
65W-81800-01	15 - 1
65W-81801-00	15 - 8
65W-81807-00	15 - 5
65W-8182A-00	12 - 17
65W-8182B-00	12 - 18
65W-8182S-00	15 - 10
65W-81820-00	15 - 7
65W-81826-00	15 - 2
65W-81830-00	15 - 4
65W-81840-00	15 - 9
65W-81850-01	15 - 6
65W-81857-01	15 - 3
65W-81870-00	14 - 9
65W-8191C-00	12 - 15
65W-81830-00	12 - 16
65W-81941-00	12 - 14
65W-81948-00	13 - 28
65W-81949-00	13 - 33
61A-81950-00	13 - 25
65W-81960-00	12 - 23
65W-82105-00	13 - 17
65W-82117-00	12 - 21
6G5-82119-10	12 - 22
682-82119-01	13 - 34
703-82119-00	12 - 29
6U0-82127-00	21 - 22
65W-82127-00	12 - 28
65W-82127-10	22 - 26
6H1-82148-00	21 - 21
6G8-82150-00	13 - 18
663-82151-00	13 - 19
6G5-82152-00	13 - 20
6A0-82317-00	13 - 29
6G8-82370-30	12 - 9
62Y-82377-00	16 - 32
65W-82504-00	12 - 27
703-82510-03	31 - 44
703-82510-12	31 - 44
65W-8252V-00	12 - 3
65W-8252V-10	12 - 7
703-82531-00	31 - 46
6H3-82540-00	14 - 1
703-82540-00	31 - 50
703-82542-00	31 - 63
6J8-82554-00	14 - 2
682-82556-00	14 - 5
	31 - 48
6H1-82563-10	13 - 21

PART NO. NO. PIECES	REF. NO.
703-82563-00	31 - 55
6E3-8257H-02	16 - 35
689-8257Y-00	14 - 6
65W-82575-01	14 - 4
688-82575-01	31 - 47
676-82577-00	31 - 45
688-8258A-20	31 - 49
688-82586-21	31 - 49
6E5-82587-00	13 - 22
65W-82590-00	13 - 6
65W-82590-10	13 - 6
65W-82590-30	13 - 6
65W-82590-40	13 - 6
703-82591-00	31 - 53
703-82592-00	31 - 54
65W-82594-00	14 - 10
65W-82594-10	11 - 19
703-82594-00	31 - 25
703-83383-A0	31 - 51
65W-8339X-00	12 - 30
6K3-83557-00	12 - 24
6N7-83557-00	13 - 12
62Y-83614-00	13 - 23
6A1-83625-41	10 - 46
6A1-83625-51	11 - 28
6A1-83625-51	10 - 47
6E0-83627-41	17 - 41
6E0-83627-51	17 - 42
65W-84342-00	11 - 18
65W-85410-01	11 - 11
65W-85510-00	11 - 2
65W-85510-10	11 - 2
65W-85540-12	12 - 1
65W-85542-00	12 - 4
65W-85547-00	12 - 5
65W-85550-01	11 - 1
65W-85550-11	11 - 1
65W-85570-00	12 - 8
65W-85580-00	11 - 3
65W-85757-00	13 - 2
65W-85790-00	13 - 1
65W-86129-00	12 - 2
65W-86129-10	12 - 6
90101-06020	21 - 20
90101-08M76	20 - 12
90101-08M86	22 - 14
90101-09M01	29 - 7

PART NO. NO. PIECES	REF. NO.
90101-10M58	20 - 53
90101-12M65	21 - 33
90105-08M76	22 - 3
90105-08M87	2 - 13
90105-10M12	27 - 5
90109-06MA4	1 - 5
90109-06M65	4 - 14
90109-06M81	16 - 28
	18 - 15
90109-06M82	16 - 8
90109-06M86	13 - 24
	14 - 3
	16 - 29
	17 - 13
	18 - 17
90109-08M63	5 - 15
90109-08M77	15 - 12
90109-08M78	15 - 13
90109-08M87	20 - 26
90110-08M03	10 - 29
90110-10M02	21 - 30
90116-10M28	22 - 5
90119-06MA2	4 - 21
90119-06MA3	4 - 18
90119-06MA5	2 - 5
	2 - 26
90119-06MA6	8 - 15
90119-06M08	16 - 2
90119-06M48	27 - 8
90119-06M85	17 - 3
90119-08M01	2 - 4
90119-08M39	15 - 11
90119-08M79	24 - 8
90119-08M82	24 - 9
90119-09M00	4 - 17
90119-10M14	22 - 24
90149-05M13	17 - 23
90149-14M12	20 - 2
	20 - 7
90151-05M05	27 - 11
90157-05M16	28 - 6
90157-05014	20 - 42
90157-06M06	24 - 13
90161-06M00	14 - 11
90170-06015	18 - 19
90170-09M03	29 - 5
90170-20137	3 - 14
	11 - 6

NUMERICAL INDEX
INDEX NUMERIQUE

PART NO. NO. PIECES	REF. NO.
90171-14013	27 - 16
90179-10M14	26 - 38
90179-10M33	22 - 25
90185-05002	27 - 12
90185-08045	22 - 12
90185-09M01	29 - 4
90185-10M13	21 - 32
90185-10051	22 - 4
90185-22M11	20 - 21
	21 - 12
90201-05M06	18 - 30
	19 - 9
90201-06M31	18 - 7
	18 - 26
	19 - 6
90201-08M00	21 - 26
90201-10M06	8 - 5
90201-10M20	29 - 3
90201-10M63	29 - 8
90201-10120	19 - 20
	22 - 28
90201-12M07	16 - 15
	17 - 5
90201-12M16	13 - 32
90201-12426	20 - 55
	21 - 35
90201-20417	26 - 48
90201-21M18	11 - 5
90201-22M03	20 - 19
	21 - 11
90201-43M00	17 - 31
90202-05M38	1 - 13
90202-12060	27 - 2
90202-43M57	17 - 33
90206-12M00	17 - 4
90206-12052	16 - 14
90206-14M23	20 - 25
90206-43M22	17 - 32
90209-52M00	22 - 7
90243-04007	20 - 5
	20 - 10
90249-07M32	20 - 47
90249-07M33	20 - 49
90249-10M31	20 - 36
90249-12M34	20 - 30
90249-12M38	21 - 16
90249-12M39	20 - 28
90249-18M35	21 - 29

PART NO. NO. PIECES	REF. NO.
90250-05010	26 - 45
90254-03M05	17 - 40
	18 - 13
	18 - 23
	19 - 3
90266-04M04	1 - 7
90269-02M09	17 - 22
90280-03024	26 - 36
	34 - 31
90280-04M06	8 - 10
	32 - 18
90340-08002	26 - 28
90340-14M06	2 - 14
	25 - 14
	20 - 34
90386-07MA2	17 - 26
90386-08032	20 - 37
90386-10M99	20 - 29
90386-12MA0	20 - 29
	21 - 14
90386-12MA2	16 - 13
90386-12M37	16 - 12
90386-12M98	20 - 24
	21 - 15
90386-14MA1	21 - 6
90386-18MA0	21 - 28
90386-18M44	21 - 27
90386-22M15	20 - 18
	21 - 10
90386-40MA0	17 - 30
90386-40M99	17 - 34
90386-44M03	22 - 9
90386-44M99	22 - 11
90386-52M02	22 - 8
90387-06M08	18 - 4
90387-06M29	18 - 25
	19 - 5
90387-06M69	16 - 4
90387-07M05	20 - 35
90387-07M29	20 - 48
90387-08M29	20 - 11
90387-10M42	29 - 6
90387-12M04	20 - 27
90401-20M00	2 - 21
90430-06014	4 - 13
	32 - 8
90430-08020	26 - 29
	26 - 34
	34 - 16

PART NO. NO. PIECES	REF. NO.
90430-08020	34 - 17
90430-08143	4 - 23
90430-10002	27 - 3
	34 - 21
90430-14M09	25 - 15
	34 - 4
90430-14115	2 - 15
	32 - 4
90445-09068	2 - 27
90445-09095	2 - 29
90445-09105	2 - 30
90445-10M03	9 - 22
90445-10M33	9 - 21
90445-10M43	9 - 23
90446-06M90	10 - 41
90446-10M82	11 - 10
90446-10M86	17 - 28
90446-14M88	17 - 29
90446-24M54	6 - 15
90464-07M05	12 - 11
90465-06M88	13 - 13
90465-08M08	13 - 7
	13 - 10
90465-11M10	2 - 31
	9 - 29
	11 - 12
	13 - 5
	13 - 36
90465-11M52	6 - 16
90465-13M11	21 - 18
90465-13M18	9 - 30
	11 - 20
90465-13M36	6 - 14
90465-25M57	16 - 24
90467-08004	2 - 32
90467-09M03	9 - 28
90467-10M04	9 - 27
90468-10005	10 - 42
	18 - 31
	19 - 10
90468-18008	10 - 39
	17 - 10
	18 - 21
	18 - 32
	18 - 34
	19 - 11
	19 - 13
90480-09M12	16 - 3

PART NO. NO. PIECES	REF. NO.
90480-25161	12 - 10
90501-10065	26 - 47
90501-10326	7 - 8
90501-23215	17 - 25
90506-16M34	16 - 31
90506-20M37	20 - 40
90506-30M00	20 - 50
91318-04025	23 - 38
91380-05025	11 - 7
91380-05030	11 - 7
91490-16010	17 - 18
91490-20015	20 - 51
91490-30022	27 - 17
91690-30018	21 - 5
92903-06600	25 - 5
	25 - 8
92903-10600	17 - 24
92990-05600	24 - 12
92990-06200	17 - 9
92990-06300	26 - 32
92990-08100	20 - 14
92990-08600	15 - 15
	31 - 34
92990-14200	27 - 15
92995-05600	4 - 10
	11 - 9
	13 - 16
92995-06100	11 - 25
92995-06600	4 - 12
	6 - 11
	9 - 18
	9 - 26
	10 - 2
	10 - 36
	10 - 38
	11 - 16
	11 - 26
	12 - 12
	12 - 20
	12 - 26
	13 - 4
	13 - 14
	13 - 27
	14 - 8
	16 - 27
	18 - 9
	18 - 28



FLOOD MARINE SERVICES
downloaded from www.yamahaoutboardparts.co.uk

PART NO. NO. PIECES	REF. NO.
92995-06600	21 - 24
	24 - 6
	25 - 17
	26 - 18
	26 - 22
	26 - 58
	34 - 30
92995-08100	22 - 18
92995-08200	22 - 13
92995-10600	20 - 54
	21 - 31
	22 - 23
	27 - 6
92995-12200	21 - 34
93101-20M07	26 - 55
	34 - 19
93101-22067	26 - 27
	34 - 15
93102-35M47	3 - 2
	32 - 13
93102-37M40	8 - 1
	32 - 17
93102-43M42	3 - 1
	32 - 12
93104-16M01	24 - 2
	34 - 5
93210-03478	23 - 51
93210-06ME6	26 - 20
	34 - 13
93210-064A5	23 - 26
93210-08006	23 - 50
93210-09165	23 - 34
93210-10M74	23 - 63
93210-11073	23 - 53
93210-11368	23 - 24
93210-12MG9	8 - 13
	32 - 20
93210-14515	8 - 14
	32 - 21
93210-16275	29 - 10
93210-18397	23 - 44
93210-22164	26 - 8
	34 - 10
93210-24M79	4 - 25
	9 - 15
	32 - 11
	32 - 22
93210-26130	26 - 9

PART NO. NO. PIECES	REF. NO.
93210-26130	34 - 8
	34 - 9
93210-33MH2	8 - 12
	32 - 19
93210-43MJ0	22 - 10
93210-45161	26 - 15
	34 - 12
	34 - 27
93210-50768	23 - 29
93210-64ME7	26 - 53
	34 - 18
93210-65M50	26 - 56
	34 - 20
93306-00612	26 - 52
93315-220V7	26 - 6
93315-22004	26 - 54
93332-000W5	26 - 3
93332-00005	26 - 39
93430-06024	31 - 10
93430-10M00	20 - 31
	21 - 17
93450-09M01	4 - 4
93450-17129	3 - 11
93501-08001	23 - 59
93604-10M03	26 - 24
93605-14143	8 - 4
93606-11M24	27 - 4
93606-12019	25 - 12
93608-12M05	25 - 9
93700-06M03	20 - 16
	21 - 8
94701-00375	4 - 27
95380-03600	9 - 11
95380-05600	9 - 13
95380-06600	31 - 7
	17 - 7
	31 - 40
95380-06700	18 - 20
95380-08600	20 - 13
95380-08700	15 - 14
95380-10600	20 - 56
95380-10700	17 - 37
95380-12600	21 - 36
95680-06100	1 - 14
95780-10300	17 - 36
95895-06030	13 - 31
95895-06035	26 - 31
95895-10040	8 - 6



FLOOD MARINE SERVICES
downloaded from www.yamahaoutboardparts.co.uk

NUMERICAL INDEX
INDEX NUMERIQUE

PART NO. NO. PIECES	REF. NO.
97013-06016	25 - 7
97013-06025	25 - 4
97075-06020	13 - 26
	26 - 57
97075-06025	25 - 16
97075-06050	24 - 5
97075-08030	22 - 17
97075-10080	22 - 22
97080-08016	21 - 25
97095-05012	4 - 9
97095-05016	11 - 8
	13 - 15
97095-06010	18 - 10
97095-06012	10 - 35
	10 - 37
	13 - 3
	14 - 7
	16 - 17
97095-06014	16 - 26
	21 - 23
97095-06016	12 - 19
	13 - 8
	13 - 13
97095-06020	4 - 11
	11 - 24
97095-06025	6 - 10
	9 - 25
	10 - 1
	11 - 15
	12 - 19
	18 - 27
	26 - 21
97095-06030	9 - 17
	12 - 11
97095-06040	12 - 25
	26 - 17
	34 - 29
97095-06055	18 - 8
97095-08014	4 - 22
97380-05025	31 - 8
97380-08030	31 - 33
97575-06516	13 - 35
97595-06525	19 - 7
97780-60520	1 - 3
	10 - 32
97803-04010	7 - 5
97880-05016	24 - 11
97980-04114	7 - 28



FLOOD MARINE SERVICES
downloaded from www.yamahaoutboardparts.co.uk



FLOOD MARINE SERVICES
downloaded from www.yamahaoutboardparts.co.uk

PART NO. NO. PIECES	REF. NO.
97980-04114	33 - 11
98580-03015	31 - 38
98580-04006	7 - 2
	31 - 36
98580-04008	7 - 16
98580-04010	31 - 35
98580-05010	31 - 37
99080-08600	20 - 38
99530-08012	2 - 3
	4 - 16



FLOOD MARINE SERVICES
downloaded from www.yamahaoutboardparts.co.uk



FLOOD MARINE SERVICES
downloaded from www.yamahaoutboardparts.co.uk



FLOOD MARINE SERVICES
downloaded from www.yamahaoutboardparts.co.uk



FLOOD MARINE SERVICES
downloaded from www.yamahaoutboardparts.co.uk

F20A/F25A
PARTS CATALOGUE
E2001 by Yamaha Motor Co., Ltd.
1st Edition, Oct. 2001
All rights reserved.
Any reprinting or unauthorized use
without the written permission of
Yamaha Motor Co., Ltd.
is expressly prohibited.

F20A/F25A
CATALOGUE DE PIECES DETACHEES
E2001 Yamaha Motor Co., Ltd.
1ère Edition, Oct. 2001
Tous droits réservés.
Toute réimpression ou utilisation
sans la permission écrite de la
Yamaha Motor Co., Ltd.
est formellement interdite.