

PARTS CATALOGUE CATALOGUE DE PIÈCES DÉTACHÉES

F200A '02 (60L1)

F225A '02 (69J1)

FL200A '02 (60M1)

FL225A '02 (69K1)

YAMAHA
GENUINE
Parts & Accessories

2A60L-300F1

FOREWORD

This Parts Catalogue is related to the parts for the model(s) in the below frame. When you are ordering replacement parts, please refer to this Parts Catalogue and quote both part numbers and part names correctly.

F200A'02(60L1), F225A'02(69J1),
FL200A'02(60M1), FL225A'02(69K1)

5. Quantity Column Information

| NAME for Q'TY COLUMN | APPLICABLE MODEL |
|----------------------|------------------|
| 69J1 | F225AET |
| 60L1 | F200AET |
| 69K1 | FL225AET |
| 60M1 | FL200AET |

6. Applicable Starting Serial No. and Color Code

1) Engine Starting Sserial No.

| | |
|------------------------|-------------------------|
| F200AET 60L X : 600101 | FL200AET 60M X : 600101 |
| F225AET 69J X : 000101 | FL225AET 69K X : 000101 |

1. Modifications or additions which have been made after issue of the Parts Catalogue will be announced in the Yamaha Parts News.
It is advisable that you make necessary corrections to the Parts Catalogue according to the Yamaha Parts News.

2. Abbreviations

The Following abbreviations are used in this Parts Catalogue.

“UR” Use specified parts number.

“UN” Use as many as needed.

“AP” Alternate Parts

“LM” Local Made

(Parts need to be ordered locally)

“O/S” Over Size

3. Parts, which are to be supplied in an assembly, are listed with a dot(.) in front of the part name as shown below.

EXAMPLE

CARBURETOR ASSY

.JET, PILOT

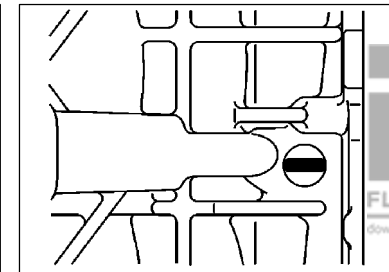
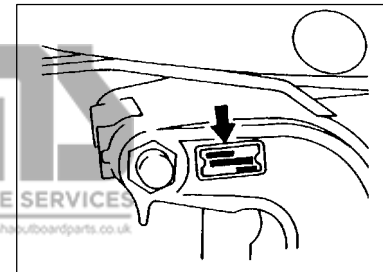
.NOZZLE, MAIN

4. Number of component for assembly

The numeral appearing to the right of each component part indicates the quantity of parts for each assembly unit.

EXAMPLE

| PART NO. | DESCRIPTION | □ | □ | □ | □ | REMARKS |
|------------------|---------------------|---|---|---|---|---------|
| 6E0-85500-70 | C.D.I. MAGNETO ASSY | 1 | | | | |
| 6E0-85550-70 | .ROTOR ASSY | 1 | | | | |
| 6E0-15723-00-94. | .PULLY, STARTER | 1 | | | | |



2) Color Code

| Color Code | Color Name | Abbreviation |
|------------|-----------------------------|--------------|
| 004D | DARK BLUISH GRAY METALLIC 2 | DBNM2 |

7. Note that the illustrations for reference in finding parts numbers, not to be used for assembling. When assembling, please use the applicable service manual.
8. The asterisk (*) before a reference number indicates modification items after the first edition.

SHEET 1/2

| | |
|-----------------------------|----|
| TOP COWLING | A4 |
| CYLINDER. CRANKCASE 1 | A6 |
| CRANKSHAFT. PISTON | B2 |
| CYLINDER. CRANKCASE 2 | B3 |
| CYLINDER. CRANKCASE 3 | B5 |
| VALVE | B6 |
| INTAKE | C2 |
| THROTTLE BODY ASSY 1 | C4 |
| THROTTLE BODY ASSY 2 | C6 |
| THROTTLE BODY ASSY 3 | D1 |
| FUEL INJECTION PUMP 1 | D2 |
| FUEL INJECTION PUMP 2 | D4 |
| FUEL 1 | D5 |
| FUEL 2 | D6 |
| GENERATOR | D7 |
| ELECTRICAL 1 | E2 |
| ELECTRICAL 2 | E4 |
| ELECTRICAL 3 | E6 |
| STARTING MOTOR | E7 |
| BOTTOM COWLING 1 | F2 |
| BOTTOM COWLING 2 | F4 |
| CONTROL 1 | F5 |
| CONTROL 2 | F7 |

INDEX

| | |
|-----------------------|----|
| NUMERICAL INDEX | G1 |
|-----------------------|----|

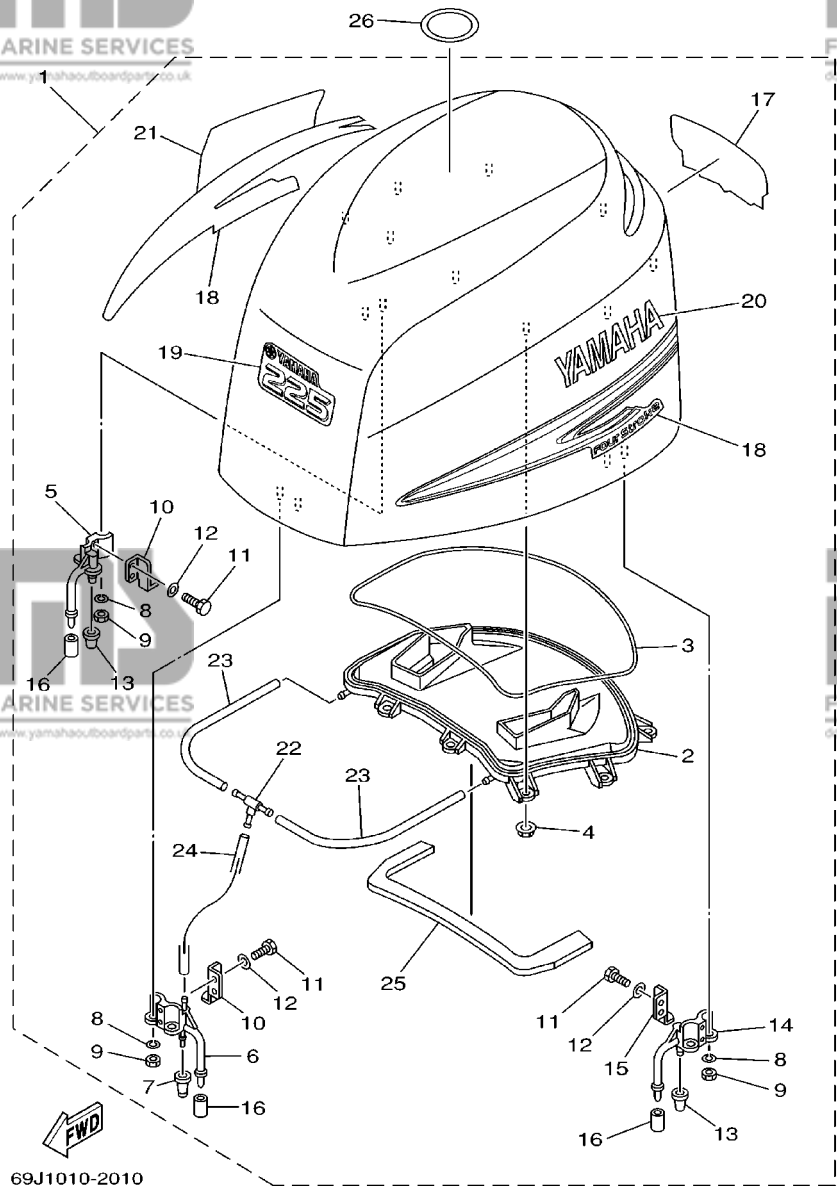
CONTENTS

SHEET 2/2

| | |
|-----------------------------------|-----|
| CONTROL 3 | A4* |
| BRACKET 1 | A5* |
| BRACKET 2 | A7* |
| POWER TRIM & TILT ASSY 1 | B2* |
| POWER TRIM & TILT ASSY 2 | B6* |
| UPPER CASING | B7* |
| OIL PAN | C2* |
| LOWER CASING. DRIVE 1 | C3* |
| LOWER CASING. DRIVE 2 | C7* |
| LOWER CASING. DRIVE 3 | D2* |
| LOWER CASING. DRIVE 4 | D6* |
| STEERING GUIDE ATTACHMENT 1 | E1* |
| STEERING GUIDE ATTACHMENT 2 | E2* |
| REMOTE CONTROL BOX | E3* |
| METER | E4* |
| SWITCH. PANEL | E6* |
| REPAIR KIT 1 | E7* |
| REPAIR KIT 2 | F1* |

INDEX

| | |
|-----------------------|-----|
| NUMERICAL INDEX | G1* |
|-----------------------|-----|

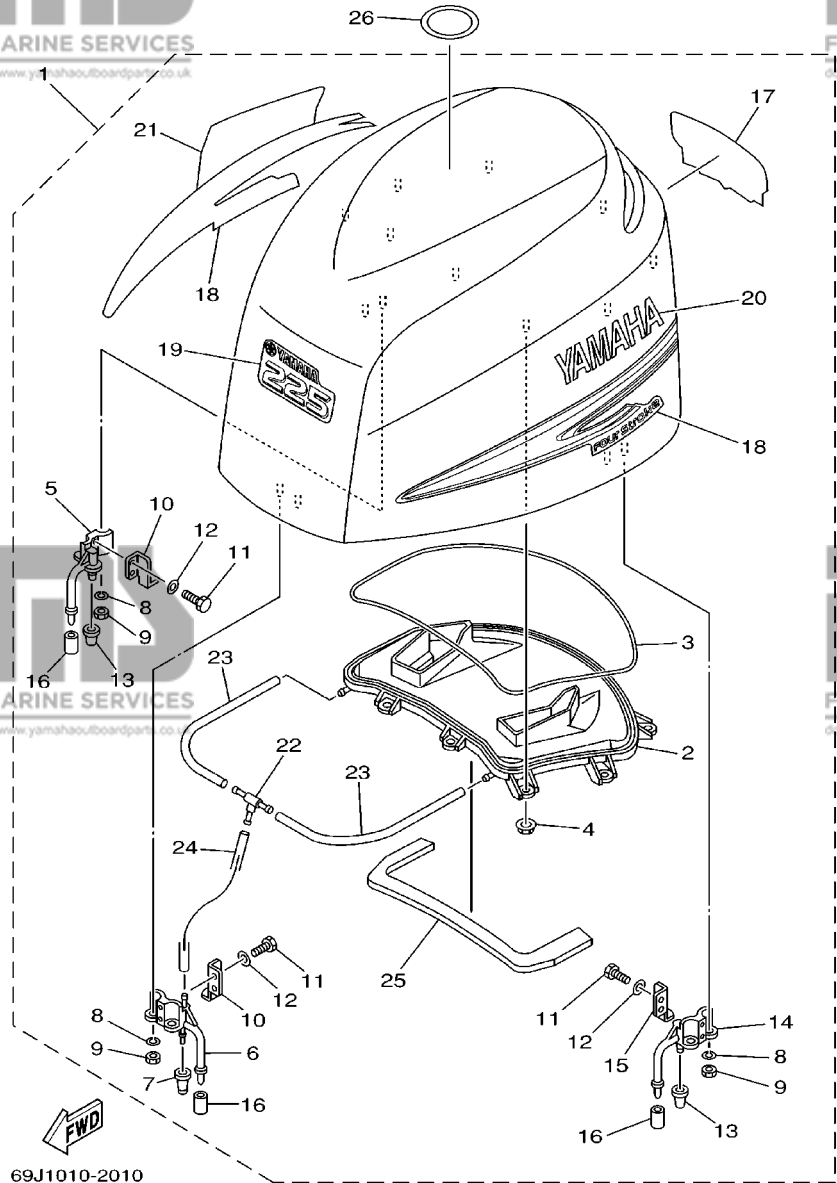


69J1010-2010

FIG. 1 TOP COWLING

CAPOT SUPERIEUR

| REF. NO. | PART NO. NO. PIECES | DESCRIPTION DESCRIPTION | 69J1 | 60L1 | 69K1 | 60M1 | REMARKS REMARQUES |
|----------|---------------------|---|------|------|------|------|-------------------|
| 1 | 69J-42610-00-8D | TOP COWLING ASSY CAPOT (ENS.) | 1 | | 1 | | |
| | 60L-42610-00-8D | TOP COWLING ASSY CAPOT (ENS.) | | 1 | | 1 | |
| 2 | 69J-42613-00 | .MOLDING, AIR DUCT .MANCHON A AIR | 1 | 1 | 1 | 1 | |
| 3 | 69J-42629-00 | .SEAL JOINT | 1 | 1 | 1 | 1 | |
| 4 | 90179-06M28 | .NUT .ECROU | 9 | 9 | 9 | 9 | |
| 5 | 68F-42647-01-94 | .HOLDER, CLAMP BAND .SUPPORT, SANDOW DE SERRAGE | 1 | 1 | 1 | 1 | |
| 6 | 69J-42647-00-94 | .HOLDER, CLAMP BAND .SUPPORT, SANDOW DE SERRAGE | 1 | 1 | 1 | 1 | |
| 7 | 69J-42663-00 | .DAMPER .AMORTISSEUR | 1 | 1 | 1 | 1 | |
| 8 | 92990-06100 | .WASHER, SPRING .RONDELLE, GROWER | 6 | 6 | 6 | 6 | |
| 9 | 95380-06600 | .NUT, HEXAGON .ECROU | 6 | 6 | 6 | 6 | |
| 10 | 68F-42651-00 | .HOOK .CROCHET | 2 | 2 | 2 | 2 | |
| 11 | 97095-06016 | .BOLT .BOULON | 6 | 6 | 6 | 6 | |
| 12 | 92995-06600 | .WASHER .RONDELLE | 6 | 6 | 6 | 6 | |
| 13 | 68F-42663-00 | .DAMPER .AMORTISSEUR | 2 | 2 | 2 | 2 | |
| 14 | 68F-42648-01-94 | .HOLDER, CLAMP BAND .SUPPORT, SANDOW DE SERRAGE | 1 | 1 | 1 | 1 | |
| 15 | 67F-42652-00 | .HOOK .CROCHET | 1 | 1 | 1 | 1 | |
| 16 | 67F-13448-00 | .CAP .CAPUCHON | 3 | 3 | 3 | 3 | |
| 17 | 69J-42678-00 | .GRAPHIC, REAR .ADHESIF, ARRIERE | 1 | | 1 | | |
| | 60L-42678-00 | .GRAPHIC, REAR .ADHESIF, ARRIERE | | 1 | | 1 | |
| 18 | 69J-W0070-00 | .GRAPHIC SET .JEU DIEMBLEMES | 1 | 1 | 1 | 1 | |
| 19 | 69J-42677-00 | .GRAPHIC, FRONT .ADHESIF, AVANT | 1 | | 1 | | |
| | 60L-42677-00 | .GRAPHIC, FRONT .ADHESIF, AVANT | | 1 | | 1 | |
| 20 | 69J-42681-00 | .MARK, COWLING .ADHESIF, CAPOT | 1 | 1 | 1 | 1 | |
| 21 | 69J-42682-00 | .MARK, COWLING .ADHESIF, CAPOT | 1 | 1 | 1 | 1 | |
| 22 | 69J-24378-00 | .PIPE, JOINT 4 .DURITE RACCORDEMENT 4 | 1 | 1 | 1 | 1 | |
| 23 | 90445-11020 | .HOSE .DURITE | 2 | 2 | 2 | 2 | |
| | 90445-11021 | .HOSE .DURITE | 1 | 1 | 1 | 1 | |



69J1010-2010

FIG. 1 TOP COWLING

CAPOT SUPERIEUR

| REF. NO. | PART NO. NO. PIECES | DESCRIPTION DESCRIPTION | 69J1 | 60L1 | 69K1 | 60M1 | REMARKS REMARQUES |
|----------|---------------------|---|------|------|------|------|-------------------|
| 25 | 69J-42617-00 | .DAMPER, FORM .BOURRELET, CAOUTCHOUC | 1 | 1 | 1 | 1 | |
| 26 | 67F-13434-02 | LABEL, CAUTION ETIQUETTE, ATTENTION | 1 | 1 | 1 | 1 | |

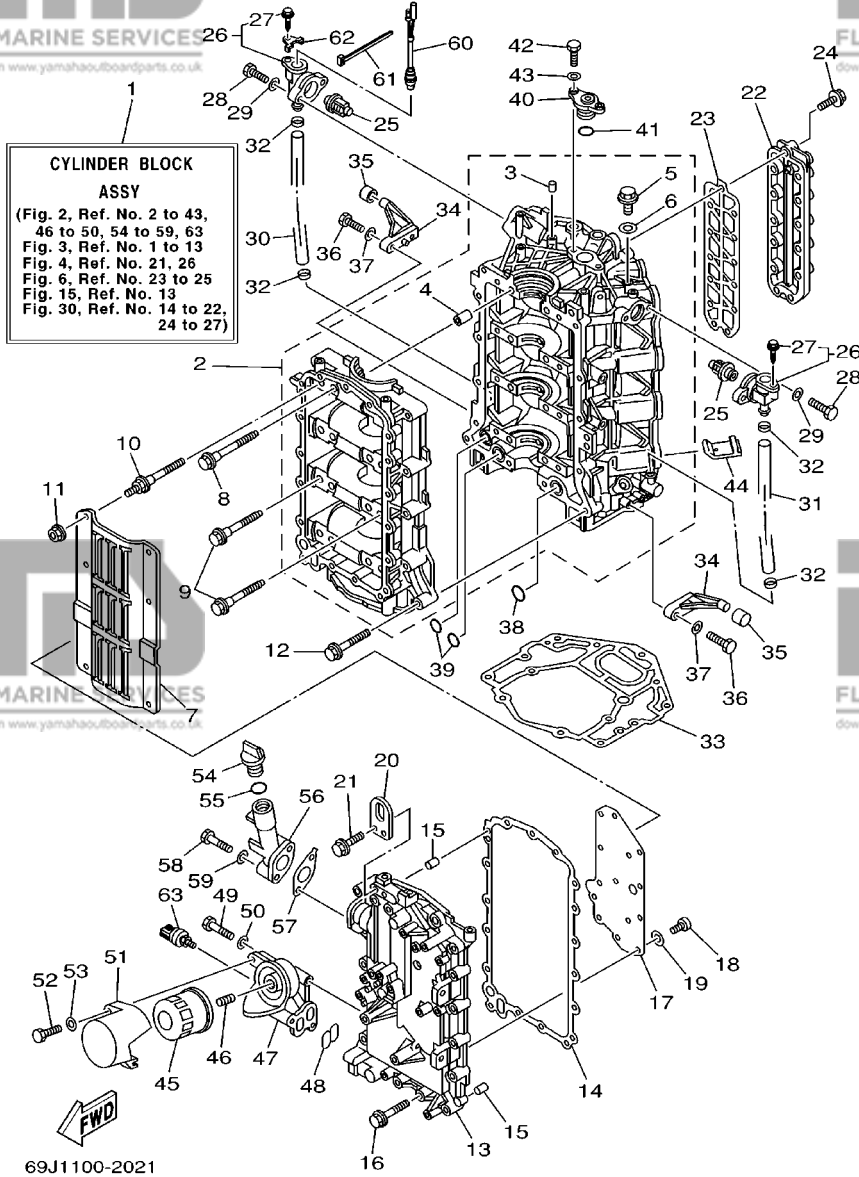
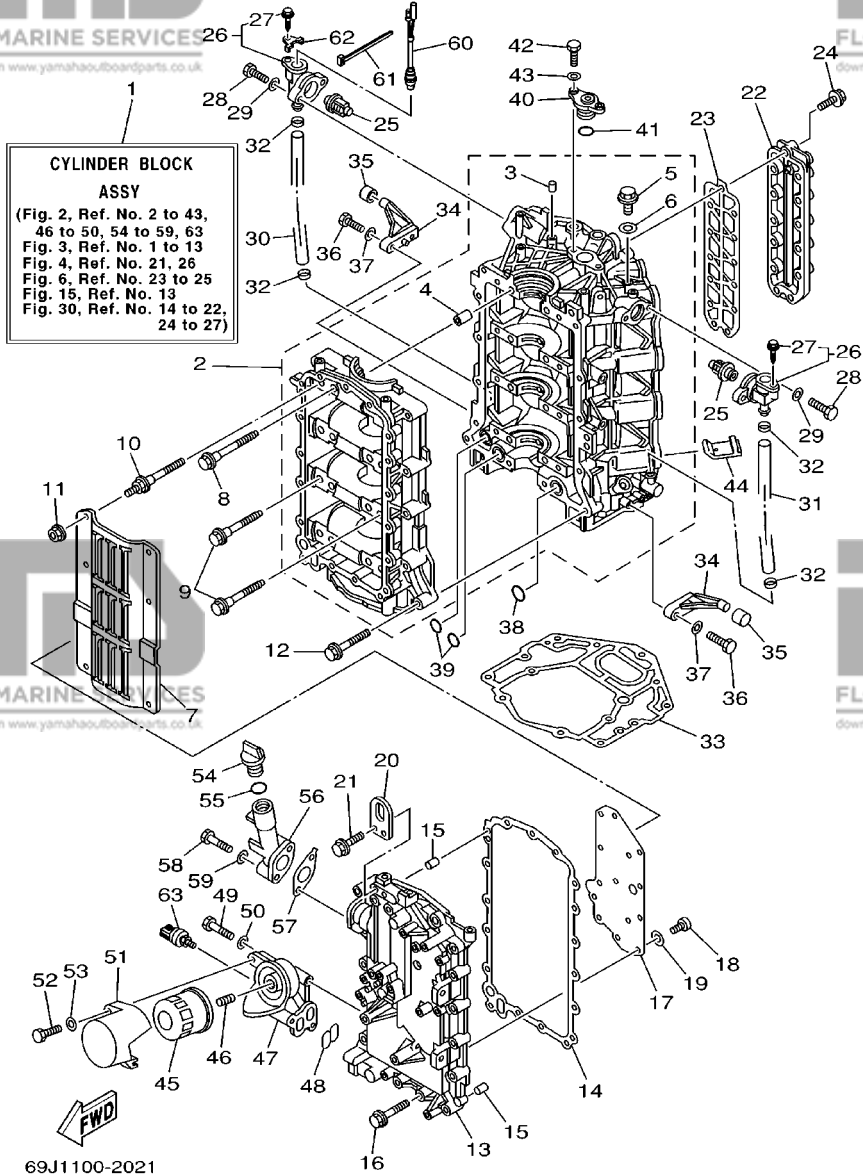


FIG. 2 CYLINDER. CRANKCASE 1 CYLINDRE. CARTER 1

| REF. NO. | PART NO. NO. PIECES | DESCRIPTION DESCRIPTION | 69J1 | 60L1 | 69K1 | 60M1 | REMARKS REMARQUES |
|----------|---------------------|---|------|------|------|------|-------------------|
| 1 | 69J-W009B-01-1S | CYLINDER BLOCK ASSY CYLINDRE GROUPE (ENS.) | 1 | 1 | 1 | 1 | |
| 2 | 69J-15100-00-1S | CRANKCASE ASSY CARTER DE MOTEUR COMPLET | 1 | 1 | 1 | 1 | |
| 3 | 93606-12019 | .PIN, DOWEL .GOUJON | 1 | 1 | 1 | 1 | |
| 4 | 91814-18001 | .PIN, DOWEL .GOUJON, D'ASSEMBLAGE | 8 | 8 | 8 | 8 | |
| 5 | 90340-14M06 | .PLUG, STRAIGHT SCREW .PLOT, FILETE DROIT | 1 | 1 | 1 | 1 | |
| 6 | 90430-14115 | .GASKET .JOINT | 1 | 1 | 1 | 1 | |
| 7 | 69J-15123-00 | PLATE, BUFFLE 1 PLAQUE DE BUTOIR | 1 | 1 | 1 | 1 | |
| 8 | 69J-15187-00 | BOLT BOULON | 8 | 8 | 8 | 8 | |
| 9 | 69J-15481-00 | BOLT 1 BOULON 1 | 2 | 2 | 2 | 2 | |
| 10 | 69J-15482-00 | BOLT 2 BOULON 2 | 6 | 6 | 6 | 6 | |
| 11 | 95707-06500 | NUT, FLANGE ECROU, A COLLERETTE | 6 | 6 | 6 | 6 | |
| 12 | 90119-08M66 | BOLT, WITH WASHER BOULON, AVEC RONDELLE | 13 | 13 | 13 | 13 | |
| 13 | 69J-15411-00-94 | COVER, CRANKCASE 1 COUVERCLE1, CARTER MOTEUR | 1 | 1 | 1 | 1 | |
| 14 | 69J-15451-00 | GASKET, CRANKCASE COVER 1 JOINT, COUVERCLE DE CARTER | 1 | 1 | 1 | 1 | |
| 15 | 93606-12019 | PIN, DOWEL GOUJON | 2 | 2 | 2 | 2 | |
| 16 | 90119-08009 | BOLT, WITH WASHER BOULON, AVEC RONDELLE | 17 | 17 | 17 | 17 | |
| 17 | 69J-11168-00 | COVER, BREATHER COUVERCLE, RENIFLARD | 1 | 1 | 1 | 1 | |
| 18 | 98507-04008 | SCREW, PAN HEAD VIS, TETE TRONCONIQUE | 14 | 14 | 14 | 14 | |
| 19 | 92907-04600 | WASHER RONDELLE | 14 | 14 | 14 | 14 | |
| 20 | 69J-11119-00 | HANGER, ENGINE ANNEAU, LEVAGE | 1 | 1 | 1 | 1 | |
| 21 | 90119-06MA2 | BOLT, WITH WASHER BOULON, AVEC RONDELLE | 2 | 2 | 2 | 2 | |
| 22 | 69J-1131C-00-1S | COVER, JOINT COUVERCLE, RACCORDEMENT | 1 | 1 | 1 | 1 | |
| 23 | 69J-1131B-00 | GASKET, COVER JOINT, COUVERCLE | 1 | 1 | 1 | 1 | |
| 24 | 90119-06MA4 | BOLT, WITH WASHER BOULON, AVEC RONDELLE | 13 | 13 | 13 | 13 | |
| 25 | 67F-12411-00 | THERMOSTAT THERMOSTAT | 2 | 2 | 2 | 2 | |
| 26 | 69J-1240H-00-1S | COVER ASSEMBLY BOITIER DISTRIBUTEUR COMPLET | 2 | 2 | 2 | 2 | |
| 27 | 90109-06M86 | .BOLT .BOULON | 1 | 1 | 1 | 1 | |

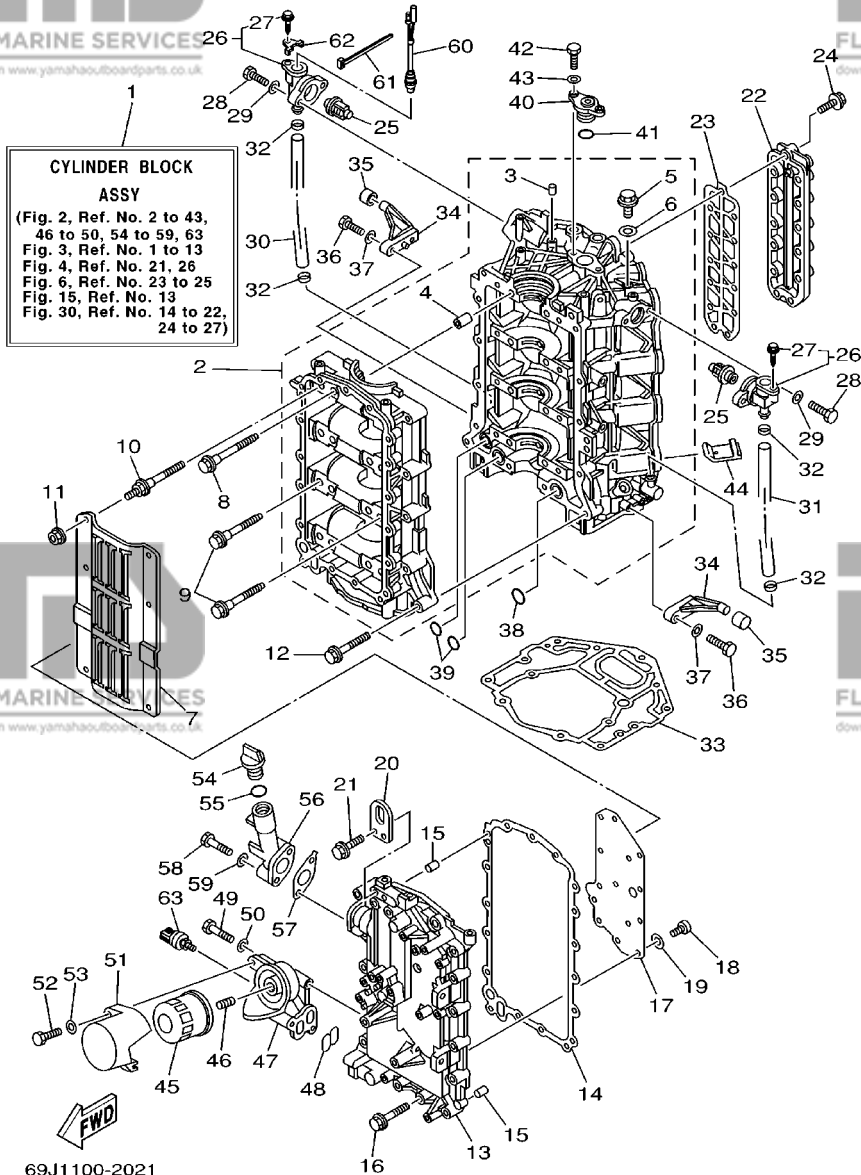


69J1100-2021

FIG. 2 CYLINDER. CRANKCASE 1 CYLINDRE. CARTER 1

| REF. NO. | PART NO. NO. PIECES | DESCRIPTION DESCRIPTION | 69J1 | 60L1 | 69K1 | 60M1 | REMARKS REMARQUES |
|----------|---------------------|---|------|------|------|------|-------------------|
| 28 | 97095-06025 | BOLT BOULON | 4 | 4 | 4 | 4 | |
| 29 | 92995-06600 | WASHER RONDELLE | 4 | 4 | 4 | 4 | |
| 30 | 69J-1243A-00 | HOSE 1 DURITE 1 | 1 | 1 | 1 | 1 | |
| 31 | 69J-1243E-00 | HOSE 2 DURITE 2 | 1 | 1 | 1 | 1 | |
| 32 | 90465-11M10 | CLAMP BRIDE | 4 | 4 | 4 | 4 | |
| 33 | 69J-11351-00 | GASKET, CYLINDER JOINT, D'EMBASE | 1 | 1 | 1 | 1 | |
| 34 | 67F-42761-00-94 | STOPPER PLAQUETTE | 2 | 2 | 2 | 2 | |
| 35 | 68F-44533-00 | DAMPER, UPPER MOUNT RUBBER COUVERCLE, SUSPENSION INFERIEU | 2 | 2 | 2 | 2 | |
| 36 | 97095-06025 | BOLT BOULON | 4 | 4 | 4 | 4 | |
| 37 | 92995-06600 | WASHER RONDELLE | 4 | 4 | 4 | 4 | |
| 38 | 93210-25552 | O-RING JOINT TORIQUE | 1 | 1 | 1 | 1 | |
| 39 | 93210-19MJ1 | O-RING JOINT TORIQUE | 2 | 2 | 2 | 2 | |
| 40 | 69J-11313-00-94 | PLUG, BLIND PLOT, BORGNE | 1 | 1 | 1 | 1 | |
| 41 | 93210-25647 | O-RING JOINT TORIQUE | 1 | 1 | 1 | 1 | |
| 42 | 97095-06020 | BOLT BOULON | 2 | 2 | 2 | 2 | |
| 43 | 92995-06600 | WASHER RONDELLE | 2 | 2 | 2 | 2 | |
| 44 | 69J-14664-00 | GROMMET, WATER SHUT PASSE-FIL | 2 | 2 | 2 | 2 | |
| 45 | 69J-13440-00 | ELEMENT ASSY, OIL CLEANER ELEMENT, FILTRE A HUILE | 1 | 1 | 1 | 1 | |
| 46 | 69J-12858-00 | BOLT, UNION BOULON, RACCORD | 1 | 1 | 1 | 1 | |
| 47 | 69J-13446-00-94 | CONNECTOR CONNECTEUR | 1 | 1 | 1 | 1 | |
| 48 | 69J-13477-00 | GASKET JOINT | 1 | 1 | 1 | 1 | |
| 49 | 97095-06045 | BOLT BOULON | 3 | 3 | 3 | 3 | |
| 50 | 92995-06600 | WASHER RONDELLE | 3 | 3 | 3 | 3 | |
| 51 | 69J-13447-00 | COVER, OIL ELEMENT COUVERCLE, ELEMENT A HUILE | 1 | 1 | 1 | 1 | |
| 52 | 97095-06040 | BOLT BOULON | 1 | 1 | 1 | 1 | |
| 53 | 92995-06600 | WASHER RONDELLE | 1 | 1 | 1 | 1 | |
| 54 | 6G8-15363-00 | PLUG, OIL PLOT, HUILE | 1 | 1 | 1 | 1 | |

FIG. 2 CYLINDER. CRANKCASE 1 CYLINDRE. CARTER 1

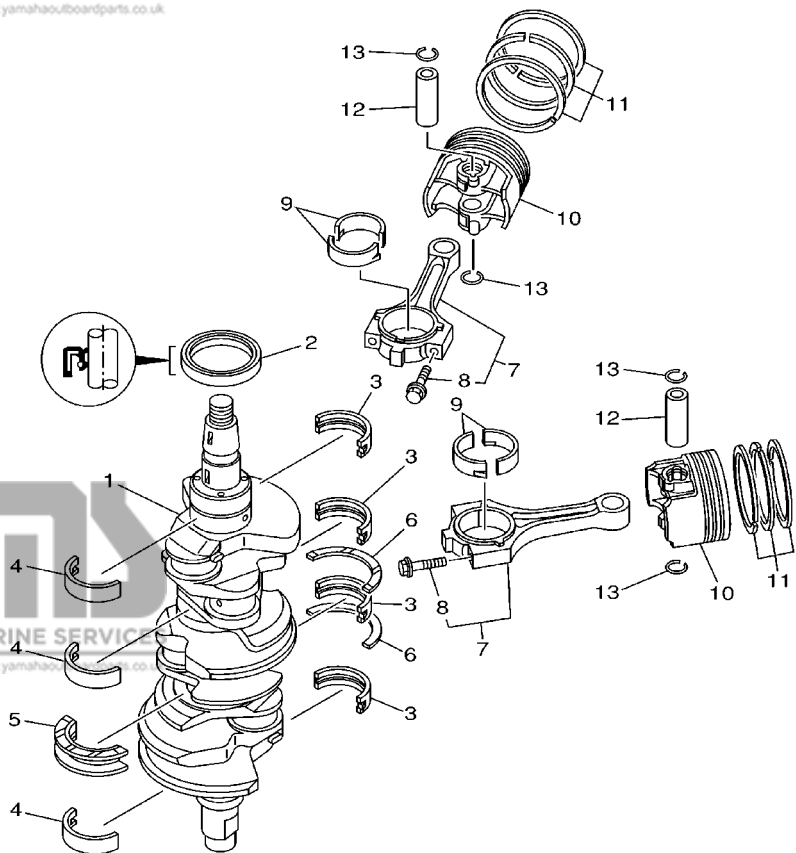


| REF. NO. | PART NO. NO. PIECES | DESCRIPTION DESCRIPTION | 69J1 | 60L1 | 69K1 | 60M1 | REMARKS REMARQUES |
|----------|---------------------|---|------|------|------|------|-------------------|
| 55 | 93210-24M79 | O-RING JOINT TORIQUE | 1 | 1 | 1 | 1 | |
| 56 | 69J-15319-00-1S | JOINT JOINT | 1 | 1 | 1 | 1 | |
| 57 | 69J-15364-A0 | GASKET, OIL PLUG JOINT, PLOT D'HUILE | 1 | 1 | 1 | 1 | |
| 58 | 97095-06045 | BOLT BOULON | 2 | 2 | 2 | 2 | |
| 59 | 92995-06600 | WASHER RONDELLE | 2 | 2 | 2 | 2 | |
| 60 | 69J-82560-00 | THERMO SWITCH ASSY THERMO-CONTACT COMPLET | 2 | 2 | 2 | 2 | |
| 61 | 90465-11M10 | CLAMP BRIDE | 2 | 2 | 2 | 2 | |
| 62 | 6E9-82588-00 | PLATE PLAQUE | 2 | 2 | 2 | 2 | |
| 63 | 69J-83651-00 | SENDER, OIL PRESSURE RACCORD, PRESSION D'HUILE | 1 | 1 | 1 | 1 | |

FIG. 3 CRANKSHAFT. PISTON

VILEBREQUIN. PISTON

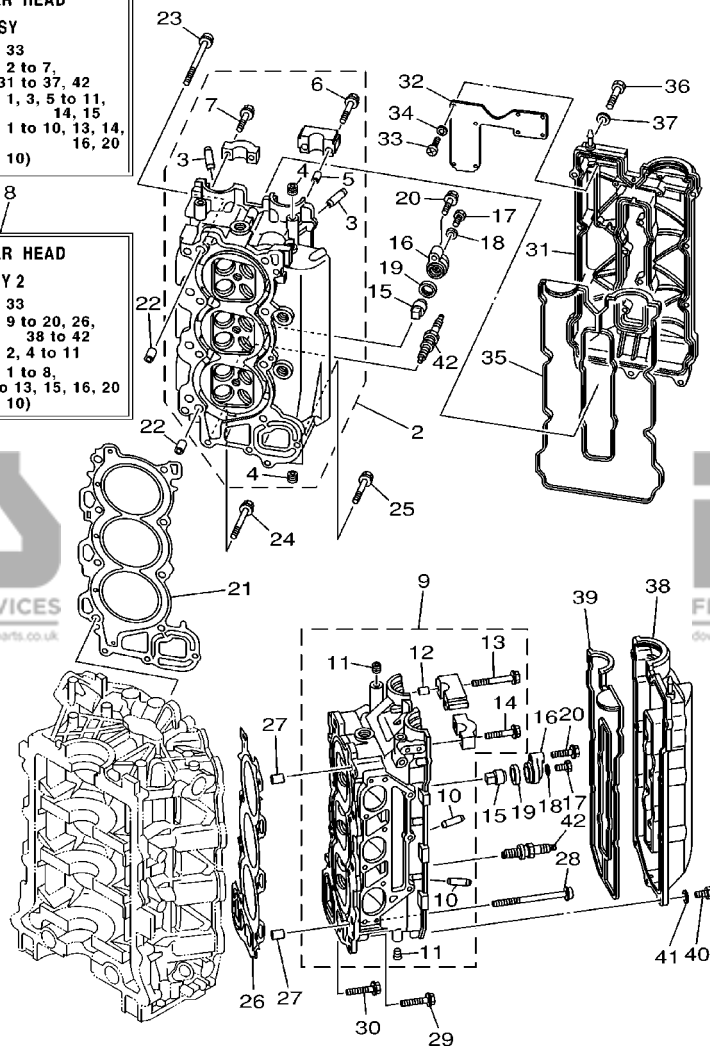
| REF. NO. | PART NO. NO. PIECES | DESCRIPTION DESCRIPTION | 69J1 | 60L1 | 69K1 | 60M1 | REMARKS REMARQUES |
|----------|---------------------|--|------|------|------|------|-------------------|
| 1 | 69J-11411-00 | CRANKSHAFT VILEBREQUIN COMPLET | 1 | 1 | 1 | 1 | |
| 2 | 93102-63004* | OIL SEAL JOINT SPY | 1 | 1 | 1 | 1 | |
| 3 | 69J-11416-00 | PLANE BEARING, CRANKSHAFT 1 COUSSINET DE VILEBREQUIN | 4 | 4 | 4 | 4 | UR #1 |
| | 69J-11416-10 | PLANE BEARING, CRANKSHAFT 1 COUSSINET DE VILEBREQUIN | 4 | 4 | 4 | 4 | UR #2 |
| | 69J-11416-20 | PLANE BEARING, CRANKSHAFT 1 COUSSINET DE VILEBREQUIN | 4 | 4 | 4 | 4 | UR #3 |
| 4 | 69J-11417-00 | PLANE BEARING, CRANKSHAFT 2 COUSSINET DE VILEBREQUIN | 3 | 3 | 3 | 3 | UR #1 |
| | 69J-11417-10 | PLANE BEARING, CRANKSHAFT 2 COUSSINET DE VILEBREQUIN | 3 | 3 | 3 | 3 | UR #2 |
| | 69J-11417-20 | PLANE BEARING, CRANKSHAFT 2 COUSSINET DE VILEBREQUIN | 3 | 3 | 3 | 3 | UR #3 |
| 5 | 69J-11426-00 | PLANE BEARING, CRANKSHAFT 1 COUSSINET, VILEBREQUIN 1 | 1 | 1 | 1 | 1 | UR #1 |
| | 69J-11426-10 | PLANE BEARING, CRANKSHAFT 1 COUSSINET, VILEBREQUIN 1 | 1 | 1 | 1 | 1 | UR #2 |
| | 69J-11426-20 | PLANE BEARING, CRANKSHAFT 1 COUSSINET, VILEBREQUIN 1 | 1 | 1 | 1 | 1 | UR #3 |
| 6 | 69J-11427-00 | PLANE BEARING, CRANKSHAFT 2 COUSSINET, VILEBREQUIN 2 | 2 | 2 | 2 | 2 | |
| 7 | 69J-W1165-00 | CONNECTING ROD ASSY BIELLE COMPLETE | 6 | 6 | 6 | 6 | |
| 8 | 69J-11654-00 | .BOLT, CONNECTING ROD .BOULON, BIELLE | 2 | 2 | 2 | 2 | |
| 9 | 69J-11656-00 | PLANE BEARING, CONNECTING ROD ROULEMENT DE BIELLE | 12 | 12 | 12 | 12 | UR YELLOW |
| | 69J-11656-10 | PLANE BEARING, CONNECTING ROD ROULEMENT DE BIELLE | 12 | 12 | 12 | 12 | UR GREEN |
| | 69J-11656-20 | PLANE BEARING, CONNECTING ROD ROULEMENT DE BIELLE | 12 | 12 | 12 | 12 | UR BLUE |
| 10 | 69J-11631-00-B0 | PISTON (STD) PISTON (STD) | 6 | 6 | 6 | 6 | |
| 11 | 69J-11603-00 | PISTON RING SET (STD) JUE DE SEGMENTS (STD) | 6 | 6 | 6 | 6 | |
| 12 | 69J-11633-00 | PIN, PISTON AXE, PISTON | 6 | 6 | 6 | 6 | |
| 13 | 69J-11634-00 | CLIP, PISTON PIN AGRAFE, AXE DE PISTON | 12 | 12 | 12 | 12 | |



69J1010-2030

**CYLINDER HEAD
ASSY**
(Fig. 2, Ref. No. 33
Fig. 4, Ref. No. 2 to 7,
15 to 21, 31 to 37, 42
Fig. 5, Ref. No. 1, 3, 5 to 11,
14, 15
Fig. 6, Ref. No. 1 to 10, 13, 14,
16, 20
Fig. 7, Ref. No. 10)

**CYLINDER HEAD
ASSY 2**
(Fig. 2, Ref. No. 33
Fig. 4, Ref. No. 9 to 20, 26,
38 to 42
Fig. 5, Ref. No. 2, 4 to 11
Fig. 6, Ref. No. 1 to 8,
11 to 13, 15, 16, 20
Fig. 7, Ref. No. 10)



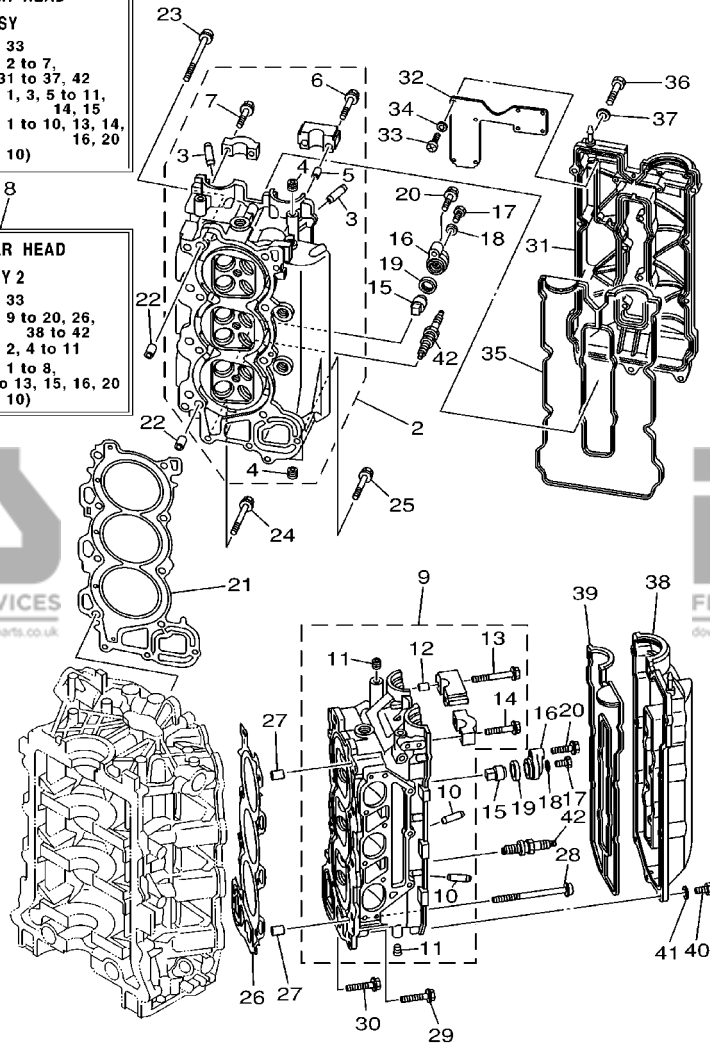
69J1100-2041

FIG. 4 CYLINDER. CRANKCASE 2 CYLINDRE. CARTER 2

| REF. NO. | PART NO. NO. PIECES | DESCRIPTION DESCRIPTION | 69J1 | 60L1 | 69K1 | 60M1 | REMARKS REMARQUES |
|----------|---------------------|--|------|------|------|------|-------------------|
| 1 | 69J-W009A-01-1S | CYLINDER HEAD ASSY CULASSE (ENS.) | 1 | 1 | 1 | 1 | |
| 2 | 69J-11110-00-94 | CYLINDER HEAD ASSY JEU DE CULASSE | 1 | 1 | 1 | 1 | |
| 3 | 69J-11133-10 | .GUIDE, INTAKE VALVE .GUIDE, SOUP D'ADM | 12 | 12 | 12 | 12 | |
| 4 | 90344-51019 | .PLUG, TAPER SCREW .PLOT, FILETE CONIQUE | 5 | 5 | 5 | 5 | |
| 5 | 91809-08006 | .PIN, DOWEL .GOUJON, D'ASSEMBLAGE | 2 | 2 | 2 | 2 | |
| 6 | 90119-07235 | .BOLT, WITH WASHER .BOULON, AVEC RONDELLE | 2 | 2 | 2 | 2 | |
| 7 | 90119-07234 | .BOLT, WITH WASHER .BOULON, AVEC RONDELLE | 18 | 18 | 18 | 18 | |
| 8 | 69J-W009C-01-1S | CYLINDER HEAD ASSY 2 CULASSE 2 | 1 | 1 | 1 | 1 | |
| 9 | 69J-11120-00-94 | CYLINDER HEAD ASSY 2 CULASSE 2 | 1 | 1 | 1 | 1 | |
| 10 | 69J-11133-10 | .GUIDE, INTAKE VALVE .GUIDE, SOUP D'ADM | 12 | 12 | 12 | 12 | |
| 11 | 90344-51019 | .PLUG, TAPER SCREW .PLOT, FILETE CONIQUE | 5 | 5 | 5 | 5 | |
| 12 | 91809-08006 | .PIN, DOWEL .GOUJON, D'ASSEMBLAGE | 2 | 2 | 2 | 2 | |
| 13 | 90119-07235 | .BOLT, WITH WASHER .BOULON, AVEC RONDELLE | 2 | 2 | 2 | 2 | |
| 14 | 90119-07234 | .BOLT, WITH WASHER .BOULON, AVEC RONDELLE | 14 | 14 | 14 | 14 | |
| 15 | 67F-11325-00 | ANODE ANODE | 4 | 4 | 4 | 4 | |
| 16 | 69J-11327-00-94 | COVER, ANODE COUVERCLE | 4 | 4 | 4 | 4 | |
| 17 | 97075-06020 | BOLT BOULON | 4 | 4 | 4 | 4 | |
| 18 | 92995-06600 | WASHER RONDELLE | 4 | 4 | 4 | 4 | |
| 19 | 67F-11328-00 | GROMMET, ANODE PASSE-FIL | 4 | 4 | 4 | 4 | |
| 20 | 97575-08540 | BOLT, WITH WASHER VIS HEXAGONAL AVEC RONDELLE | 4 | 4 | 4 | 4 | |
| 21 | 69J-11181-01 | GASKET, CYLINDER HEAD 1 JOINT, DE CULASSE 1 | 1 | 1 | 1 | 1 | |
| 22 | 90387-10M08 | COLLAR COLLERETTE | 2 | 2 | 2 | 2 | |
| 23 | 90155-10001 | SCREW, FLAT FILLISTER VIS, TETE OVALE PLATE | 8 | 8 | 8 | 8 | |
| 24 | 90119-08M91 | BOLT, WITH WASHER BOULON, AVEC RONDELLE | 2 | 2 | 2 | 2 | |
| 25 | 90119-08021 | BOLT, WITH WASHER BOULON, AVEC RONDELLE | 1 | 1 | 1 | 1 | |
| 26 | 69J-11182-01 | GASKET, CYLINDER HEAD 2 JOINT, CULASSE 2 | 1 | 1 | 1 | 1 | |
| 27 | 90387-10M08 | COLLAR COLLERETTE | 2 | 2 | 2 | 2 | |

**CYLINDER HEAD
ASSY**
(Fig. 2, Ref. No. 33
Fig. 4, Ref. No. 2 to 7,
15 to 21, 31 to 37, 42
Fig. 5, Ref. No. 1, 3, 5 to 11,
14, 15
Fig. 6, Ref. No. 1 to 10, 13, 14,
16, 20
Fig. 7, Ref. No. 10)

**CYLINDER HEAD
ASSY 2**
(Fig. 2, Ref. No. 33
Fig. 4, Ref. No. 9 to 20, 26,
38 to 42
Fig. 5, Ref. No. 2, 4 to 11
Fig. 6, Ref. No. 1 to 8,
11 to 13, 15, 16, 20
Fig. 7, Ref. No. 10)



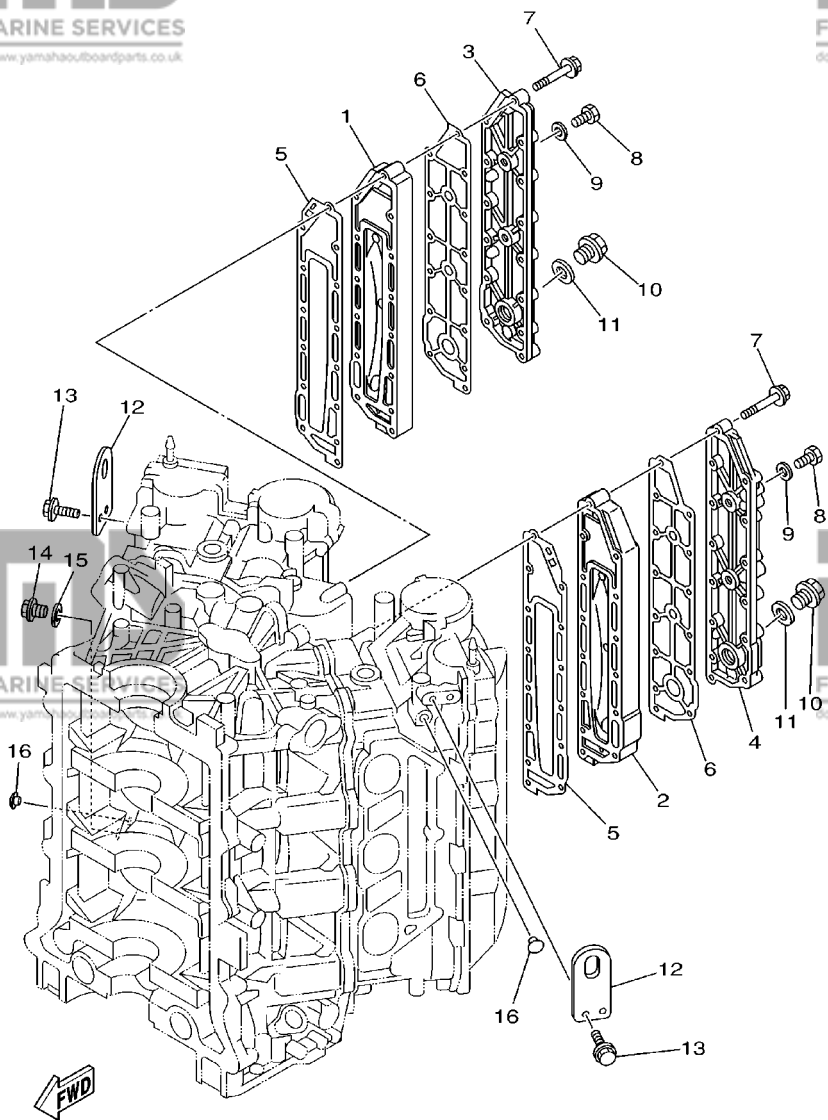
69J1100-2041

FIG. 4 CYLINDER. CRANKCASE 2 CYLINDRE. CARTER 2

| REF. NO. | PART NO. NO. PIECES | DESCRIPTION DESCRIPTION | 69J1 | 60L1 | 69K1 | 60M1 | REMARKS REMARQUES |
|----------|---------------------|---|------|------|------|------|-------------------|
| 28 | 90155-10001 | SCREW, FLAT FILLISTER VIS, TETE OVALE PLATE | 8 | 8 | 8 | 8 | |
| 29 | 90119-08M91 | BOLT, WITH WASHER BOULON, AVEC RONDELLE | 2 | 2 | 2 | 2 | |
| 30 | 90119-08021 | BOLT, WITH WASHER BOULON, AVEC RONDELLE | 1 | 1 | 1 | 1 | |
| 31 | 69J-11191-00-1S | COVER, CYLINDER HEAD 1 COUVERCLE, CULASSE 1 | 1 | 1 | 1 | 1 | |
| 32 | 69J-11135-00 | PLATE, BREATHER 3 PLAQUE, RENIFLARD 3 | 1 | 1 | 1 | 1 | |
| 33 | 98507-04008 | SCREW, PAN HEAD VIS, TETE TRONCONIQUE | 8 | 8 | 8 | 8 | |
| 34 | 92907-04600 | WASHER RONDELLE | 8 | 8 | 8 | 8 | |
| 35 | 69J-11193-00 | GASKET, HEAD COVER 1 JOINT, COUVERCLE DE CULASSE 1 | 1 | 1 | 1 | 1 | |
| 36 | 97095-06030 | BOLT BOULON | 14 | 14 | 14 | 14 | |
| 37 | 92995-06600 | WASHER RONDELLE | 14 | 14 | 14 | 14 | |
| 38 | 69J-11192-00-1S | COVER, CYLINDER HEAD 2 COUVERCLE, CULASSE 2 | 1 | 1 | 1 | 1 | |
| 39 | 69J-11194-00 | GASKET, HEAD COVER 2 JOINT, COUVERCLE DE CULASSE 2 | 1 | 1 | 1 | 1 | |
| 40 | 97095-06030 | BOLT BOULON | 14 | 14 | 14 | 14 | |
| 41 | 92995-06600 | WASHER RONDELLE | 14 | 14 | 14 | 14 | |
| 42 | 94702-00391 | PLUG, SPARK (NGK LFR5A-11) BOUGIE D'ALLUMAGE (NGK LFR5A-11) | 6 | 6 | 6 | 6 | |

FIG. 5 CYLINDER. CRANKCASE 3 CYLINDRE. CARTER 3

| REF. NO. | PART NO. NO. PIECES | DESCRIPTION DESCRIPTION | 69J1 | 60L1 | 69K1 | 60M1 | REMARKS REMARQUES |
|----------|---------------------|--|------|------|------|------|-------------------|
| 1 | 69J-41111-00-1S | INNER COVER, EXHAUST PLAQUE, ECHAPPEMENT | 1 | 1 | 1 | 1 | |
| 2 | 69J-41121-00-1S | INNER COVER, EXHAUST PLAQUE, ECHAPPEMENT | 1 | 1 | 1 | 1 | |
| 3 | 69J-41113-00-1S | OUTER COVER, EXHAUST COUVERCLE, ECHAPPEMENT | 1 | 1 | 1 | 1 | |
| 4 | 69J-41123-00-1S | OUTER COVER, EXHAUST COUVERCLE, ECHAPPEMENT | 1 | 1 | 1 | 1 | |
| 5 | 69J-41112-00 | GASKET, EXHAUST INNER COVER JOINT, PLAQUE D'ECHAPPEMENT | 2 | 2 | 2 | 2 | |
| 6 | 69J-41114-00 | GASKET, EXHAUST OUTER COVER JOINT, COUVERCLE D'ECHAPPEMENT | 2 | 2 | 2 | 2 | |
| 7 | 90119-06027 | BOLT, WITH WASHER BOULON, AVEC RONDELLE | 28 | 28 | 28 | 28 | |
| 8 | 97095-08014 | BOLT BOULON | 4 | 4 | 4 | 4 | |
| 9 | 90430-08143 | GASKET JOINT | 4 | 4 | 4 | 4 | |
| 10 | 90340-18M09 | PLUG, STRAIGHT SCREW PLOT, FILETE DROIT | 2 | 2 | 2 | 2 | |
| 11 | 90430-18130 | GASKET JOINT | 2 | 2 | 2 | 2 | |
| 12 | 69J-1111E-00 | HANGER, ENGINE 2 ANNEAU, LEVAGE 2 | 2 | 2 | 2 | 2 | |
| 13 | 90119-06MA2 | BOLT, WITH WASHER BOULON, AVEC RONDELLE | 4 | 4 | 4 | 4 | |
| 14 | 90340-14M06 | PLUG, STRAIGHT SCREW PLOT, FILETE DROIT | 1 | 1 | 1 | 1 | |
| 15 | 90430-14115 | GASKET JOINT | 1 | 1 | 1 | 1 | |
| 16 | 90338-06162 | PLUG PLOT | 2 | 2 | 2 | 2 | |



69J1010-2051

B5

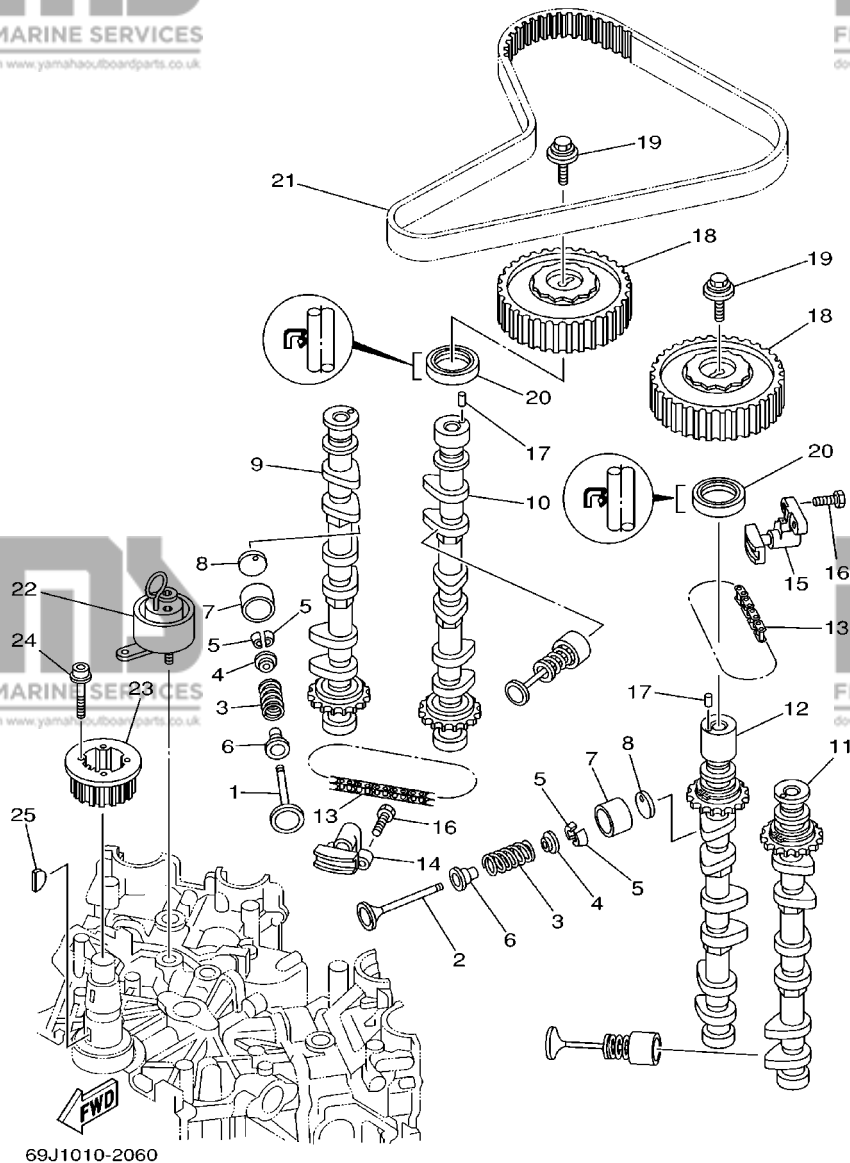


FIG. 6 VALVE

SOUPAPE

| REF. NO. | PART NO. NO. PIECES | DESCRIPTION DESCRIPTION | 69J1 | 60L1 | 69K1 | 60M1 | REMARKS REMARQUES |
|----------|---------------------|--|------|------|------|------|-------------------|
| 1 | 69J-12111-00 | VALVE, INTAKE SOUPAPE, ADMISSION | 12 | 12 | 12 | 12 | |
| 2 | 69J-12121-00 | VALVE, EXHAUST SOUPAPE, ECHAPPEMENT | 12 | 12 | 12 | 12 | |
| 3 | 69J-12113-00 | SPRING, VALVE INNER RESSORT DE SOUPAPE, INTERNE | 24 | 24 | 24 | 24 | |
| 4 | 69J-12117-00 | RETAINER, VALVE SPRING BUTEE DE RESSORT DE SOUPAPA | 24 | 24 | 24 | 24 | |
| 5 | 69J-12118-00 | COTTER, VALVE FRAISE, SOUPAPE | 48 | 48 | 48 | 48 | |
| 6 | 69J-12119-00 | SEAL, VALVE STEM JOINT, QUEUE DE SOUPAPE | 24 | 24 | 24 | 24 | |
| 7 | 69J-12153-00 | LIFTER, VALVE LEVE-SOUPAPE | 24 | 24 | 24 | 24 | |
| 8 | 69J-12168-00 | PAD, ADJUSTING (2.320) PASTILLE, DE REGLAGE (2.320) | 24 | 24 | 24 | 24 | UR |
| | 69J-12168-10 | PAD, ADJUSTING (2.340) PASTILLE, DE REGLAGE (2.340) | 24 | 24 | 24 | 24 | UR |
| | 69J-12168-20 | PAD, ADJUSTING (2.360) PASTILLE, DE REGLAGE (2.360) | 24 | 24 | 24 | 24 | UR |
| | 69J-12168-30 | PAD, ADJUSTING (2.380) PASTILLE, DE REGLAGE (2.380) | 24 | 24 | 24 | 24 | UR |
| | 69J-12168-40 | PAD, ADJUSTING (2.400) PASTILLE, DE REGLAGE (2.400) | 24 | 24 | 24 | 24 | UR |
| | 69J-12168-50 | PAD, ADJUSTING (2.420) PASTILLE, DE REGLAGE (2.420) | 24 | 24 | 24 | 24 | UR |
| | 69J-12168-60 | PAD, ADJUSTING (2.440) PASTILLE, DE REGLAGE (2.440) | 24 | 24 | 24 | 24 | UR |
| | 69J-12168-70 | PAD, ADJUSTING (2.460) PASTILLE, DE REGLAGE (2.460) | 24 | 24 | 24 | 24 | UR |
| | 69J-12168-80 | PAD, ADJUSTING (2.480) PASTILLE, DE REGLAGE (2.480) | 24 | 24 | 24 | 24 | UR |
| | 69J-12168-90 | PAD, ADJUSTING (2.500) PASTILLE, DE REGLAGE (2.500) | 24 | 24 | 24 | 24 | UR |
| | 69J-12168-A0 | PAD, ADJUSTING (2.520) PASTILLE, DE REGLAGE (2.520) | 24 | 24 | 24 | 24 | UR |
| | 69J-12168-B0 | PAD, ADJUSTING (2.540) PASTILLE, DE REGLAGE (2.540) | 24 | 24 | 24 | 24 | UR |
| | 69J-12168-C0 | PAD, ADJUSTING (2.560) PASTILLE, DE REGLAGE (2.560) | 24 | 24 | 24 | 24 | UR |
| | 69J-12168-D0 | PAD, ADJUSTING (2.580) PASTILLE, DE REGLAGE (2.580) | 24 | 24 | 24 | 24 | UR |
| | 69J-12168-E0 | PAD, ADJUSTING (2.600) PASTILLE, DE REGLAGE (2.600) | 24 | 24 | 24 | 24 | UR |
| | 69J-12168-F0 | PAD, ADJUSTING (2.620) PASTILLE, DE REGLAGE (2.620) | 24 | 24 | 24 | 24 | UR |
| | 69J-12168-G0 | PAD, ADJUSTING (2.640) PASTILLE, DE REGLAGE (2.640) | 24 | 24 | 24 | 24 | UR |
| | 69J-12168-H0 | PAD, ADJUSTING (2.660) PASTILLE, DE REGLAGE (2.660) | 24 | 24 | 24 | 24 | UR |
| | 69J-12168-J0 | PAD, ADJUSTING (2.680) PASTILLE, DE REGLAGE (2.680) | 24 | 24 | 24 | 24 | UR |
| | 69J-12168-K0 | PAD, ADJUSTING (2.700) PASTILLE, DE REGLAGE (2.700) | 24 | 24 | 24 | 24 | UR |

B6

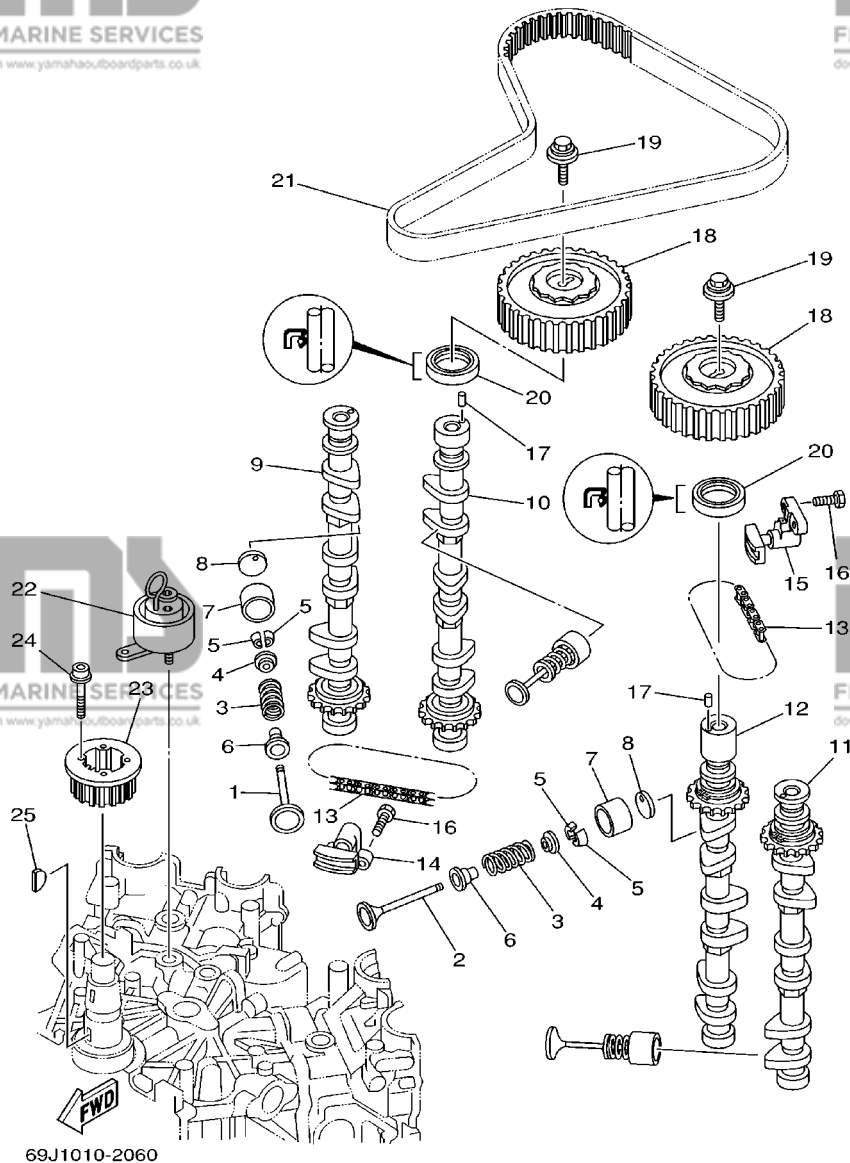


FIG. 6 VALVE

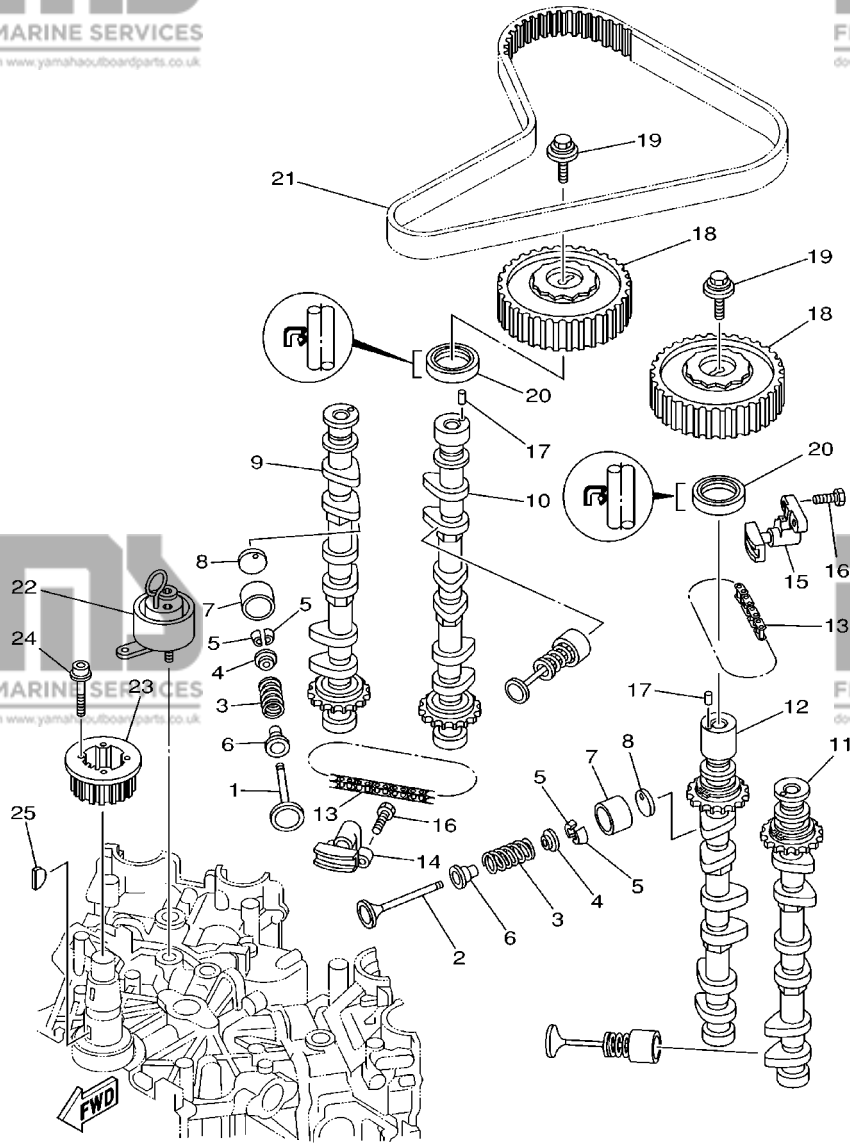
SOUPAPE

| REF. NO. | PART NO. NO. PIECES | DESCRIPTION DESCRIPTION | 69J1 | 60L1 | 69K1 | 60M1 | REMARKS REMARQUES |
|----------|---------------------|---|------|------|------|------|-------------------|
| 8 | 69J-12168-L0 | PAD, ADJUSTING (2.720) PASTILLE, DE REGLAGE (2.720) | 24 | 24 | 24 | 24 | UR |
| | 69J-12168-M0 | PAD, ADJUSTING (2.740) PASTILLE, DE REGLAGE (2.740) | 24 | 24 | 24 | 24 | UR |
| | 69J-12168-N0 | PAD, ADJUSTING (2.760) PASTILLE, DE REGLAGE (2.760) | 24 | 24 | 24 | 24 | UR |
| | 69J-12168-P0 | PAD, ADJUSTING (2.780) PASTILLE, DE REGLAGE (2.780) | 24 | 24 | 24 | 24 | UR |
| | 69J-12168-R0 | PAD, ADJUSTING (2.800) PASTILLE, DE REGLAGE (2.800) | 24 | 24 | 24 | 24 | UR |
| | 69J-12168-S0 | PAD, ADJUSTING (2.820) PASTILLE, DE REGLAGE (2.820) | 24 | 24 | 24 | 24 | UR |
| | 69J-12168-T0 | PAD, ADJUSTING (2.840) PASTILLE, DE REGLAGE (2.840) | 24 | 24 | 24 | 24 | UR |
| | 69J-12168-U0 | PAD, ADJUSTING (2.860) PASTILLE, DE REGLAGE (2.860) | 24 | 24 | 24 | 24 | UR |
| | 69J-12168-V0 | PAD, ADJUSTING (2.880) PASTILLE, DE REGLAGE (2.880) | 24 | 24 | 24 | 24 | UR |
| | 69J-12168-W0 | PAD, ADJUSTING (2.900) PASTILLE, DE REGLAGE (2.900) | 24 | 24 | 24 | 24 | UR |
| | 69J-12168-X0 | PAD, ADJUSTING (2.920) PASTILLE, DE REGLAGE (2.920) | 24 | 24 | 24 | 24 | UR |
| | 69J-12168-Y0 | PAD, ADJUSTING (2.940) PASTILLE, DE REGLAGE (2.940) | 24 | 24 | 24 | 24 | UR |
| | 69J-12169-00 | PAD, ADJUSTING (2.960) PASTILLE, DE REGLAGE (2.960) | 24 | 24 | 24 | 24 | UR |
| 9 | 69J-12171-00 | CAMSHAFT 1 ARBRE A CAMES 1 | 1 | 1 | 1 | 1 | |
| 10 | 69J-12181-00 | CAMSHAFT 2 ARBRE A CAMES 2 | 1 | 1 | 1 | 1 | |
| 11 | 69J-12172-00 | CAMSHAFT 3 ARBRE A CAMES 3 | 1 | 1 | 1 | 1 | |
| 12 | 69J-12182-00 | CAMSHAFT 4 ARBRE A CAMES 4 | 1 | 1 | 1 | 1 | |
| 13 | 94581-99044 | CHAIN CHAINE | 2 | 2 | 2 | 2 | |
| 14 | 69J-12210-00 | TENSIONER ASSY, CAM CHAIN TENDEUR DE CHAINE DISTRIBUTION | 1 | 1 | 1 | 1 | |
| 15 | 69J-12230-00 | TENSIONER ASSY, CAM CHAIN 2 TENDEUR DE CHAINE DISTRIBUTION | 1 | 1 | 1 | 1 | |
| 16 | 97013-06025 | BOLT BOULON | 4 | 4 | 4 | 4 | |
| 17 | 93605-10108 | PIN, DOWEL GOUJON | 2 | 2 | 2 | 2 | |
| 18 | 69J-11537-00 | GEAR, DRIVEN PIGNON SECONDAIRE | 2 | 2 | 2 | 2 | |
| 19 | 90119-10M06 | BOLT, WITH WASHER BOULON, AVEC RONDELLE | 2 | 2 | 2 | 2 | |
| 20 | 93102-38M59 | OIL SEAL JOINT SPY | 2 | 2 | 2 | 2 | |
| 21 | 69J-46241-00 | V-BELT COURROIE TRAPEZOIDALE | 1 | 1 | 1 | 1 | |
| 22 | 69J-11590-00 | TENSIONER ASSY TENDEUR (ENS.) | 1 | 1 | 1 | 1 | |

FIG. 6 VALVE

SOUPAPE

| REF. NO. | PART NO. NO. PIECES | DESCRIPTION DESCRIPTION | 69J1 | 60L1 | 69K1 | 60M1 | REMARKS REMARQUES |
|----------|---------------------|---|------|------|------|------|-------------------|
| 23 | 69J-11536-00 | GEAR, DRIVE ENGRENAGE, MENANT | 1 | 1 | 1 | 1 | |
| 24 | 90110-05010 | BOLT, HEXAGON SOCKET HEAD BOULON, TETE HEXAGONALE CREUSE | 4 | 4 | 4 | 4 | |
| 25 | 90280-04008 | KEY, WOODRUFF CLAVETTE, DEMI-LUNE | 1 | 1 | 1 | 1 | |



69J1010-2060

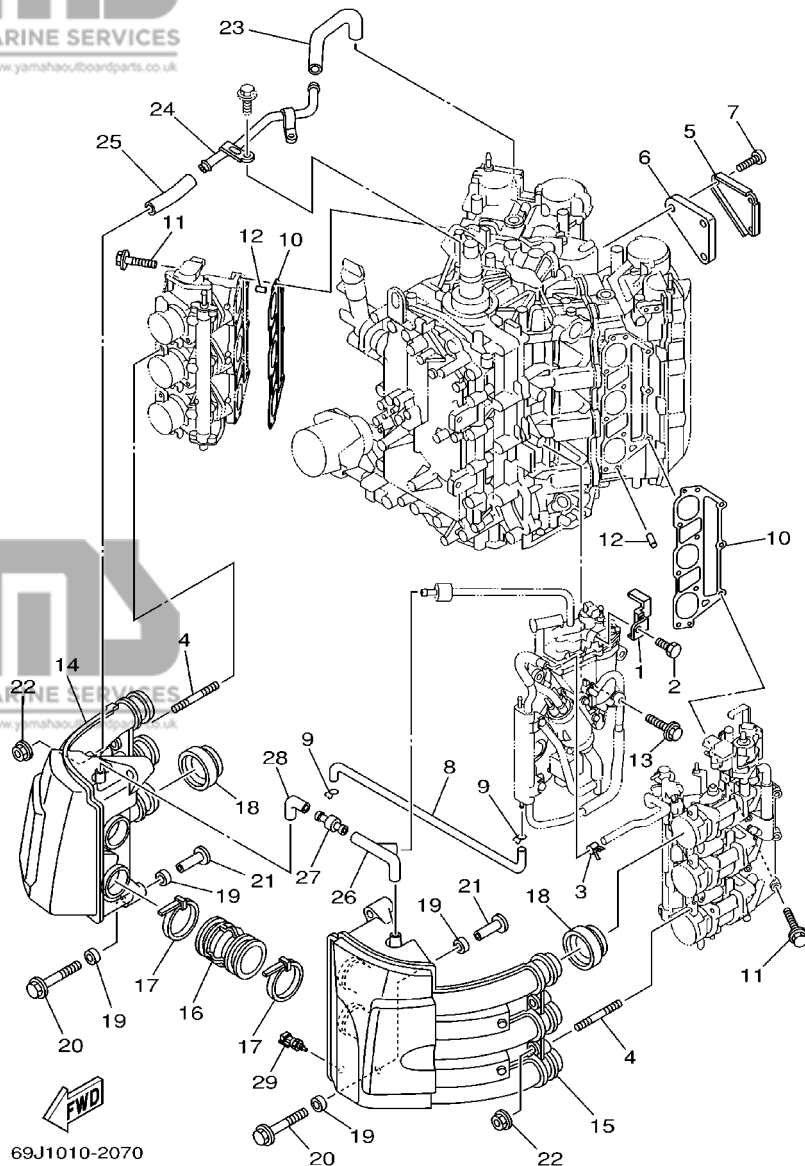


FIG. 7 INTAKE

ADMISSION

| REF. NO. | PART NO. NO. PIECES | DESCRIPTION DESCRIPTION | 69J1 | 60L1 | 69K1 | 60M1 | REMARKS REMARQUES |
|----------|---------------------|---|------|------|------|------|-------------------|
| 1 | 69J-14146-00 | PLATE PLAQUE | 1 | 1 | 1 | 1 | |
| 2 | 69J-14162-00 | BOLT, HOLDING BOULON, FIXATION | 1 | 1 | 1 | 1 | |
| 3 | 68V-24519-00 | CLIP JONC | 1 | 1 | 1 | 1 | |
| 4 | 90116-06032 | BOLT, STUD GOUJON | 4 | 4 | 4 | 4 | |
| 5 | 69J-1442A-00 | COVER, CLEANER CASE 3 COUVERCLE, BOITIER FILTRE 3 | 1 | 1 | 1 | 1 | |
| 6 | 69J-14409-00 | DAMPER AMORTISSEUR | 1 | 1 | 1 | 1 | |
| 7 | 97780-60620 | SCREW, TAPPING VIS, TETE FRAISEE | 3 | 3 | 3 | 3 | |
| 8 | 69J-12483-00 | PIPE 3 DURITE 3 | 1 | 1 | 1 | 1 | |
| 9 | 90467-09M03 | CLIP JONC | 2 | 2 | 2 | 2 | |
| 10 | 69J-13645-00 | GASKET, MANIFOLD 1 JOINT, TUBULURE 1 | 2 | 2 | 2 | 2 | |
| 11 | 90119-08022 | BOLT, WITH WASHER BOULON, AVEC RONDELLE | 18 | 18 | 18 | 18 | |
| 12 | 91690-50014 | PIN, SPRING GOUPILLE, ELASTIQUE | 4 | 4 | 4 | 4 | |
| 13 | 90119-06M24 | BOLT, WITH WASHER BOULON, AVEC RONDELLE | 4 | 4 | 4 | 4 | |
| 14 | 69J-14440-00 | SILENCER ASSY, INTAKE SIENCIEUX D'ADMISSION | 1 | 1 | 1 | 1 | |
| 15 | 69J-1444F-00 | SILENCER ASSY, INTAKE 2 SIENCIEUX D'ADMISSION 2 | 1 | 1 | 1 | 1 | |
| 16 | 69J-14419-00 | PIPE DURITE | 2 | 2 | 2 | 2 | |
| 17 | 90465-11M52 | CLAMP BRIDE | 4 | 4 | 4 | 4 | |
| 18 | 69J-14457-00 | SEAL JOINT | 6 | 6 | 6 | 6 | |
| 19 | 90386-08001 | BUSH DOUILLE | 8 | 8 | 8 | 8 | |
| 20 | 90119-06036 | BOLT, WITH WASHER BOULON, AVEC RONDELLE | 4 | 4 | 4 | 4 | |
| 21 | 90387-06038 | COLLAR COLLERETTE | 4 | 4 | 4 | 4 | |
| 22 | 90179-06M28 | NUT ECROU | 4 | 4 | 4 | 4 | |
| 23 | 69J-15373-00 | PIPE, BREATHER DURITE DE RENIFLARD | 1 | 1 | 1 | 1 | |
| 24 | 69J-15394-00 | PIPE, OIL VENT DURITE | 1 | 1 | 1 | 1 | |
| 25 | 69J-15393-00 | PIPE, BREATHER 2 DURITE, RENIFLARD 2 | 1 | 1 | 1 | 1 | |
| 26 | 69J-15397-00 | PIPE DURITE | 1 | 1 | 1 | 1 | |
| 27 | 5EL-14467-00 | SEAL JOINT SPY | 1 | 1 | 1 | 1 | |

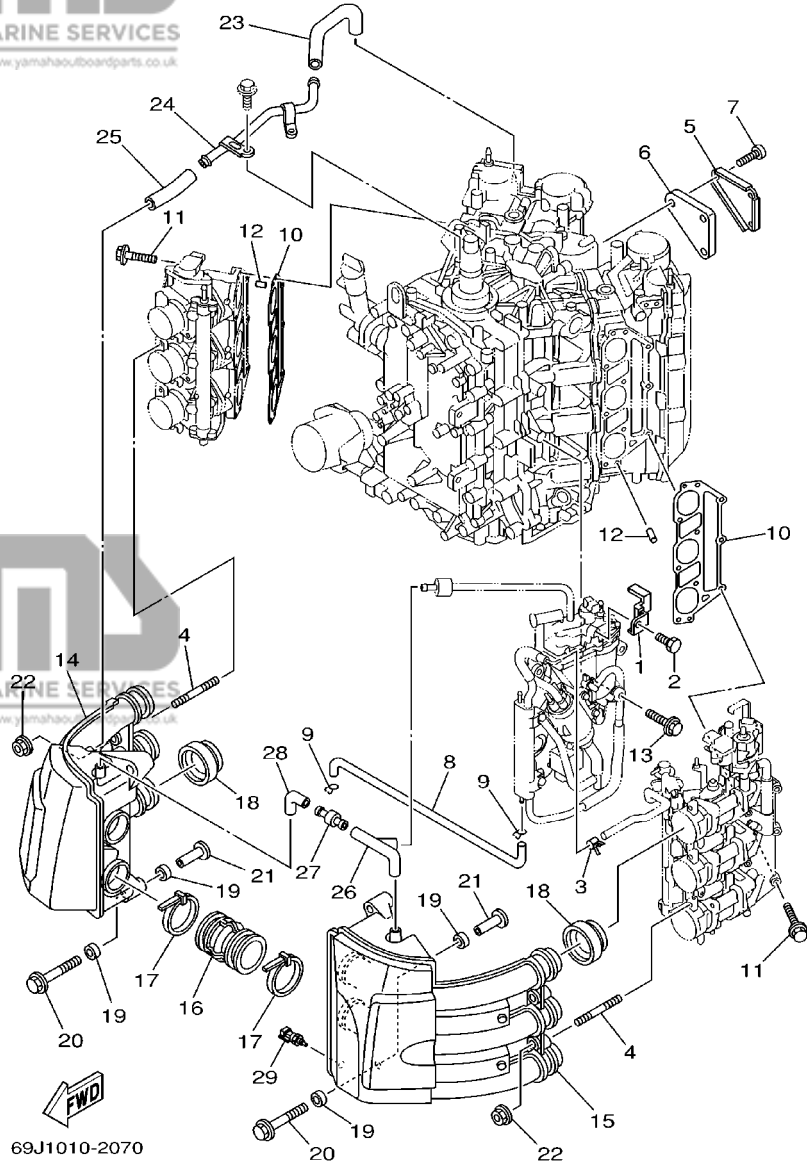
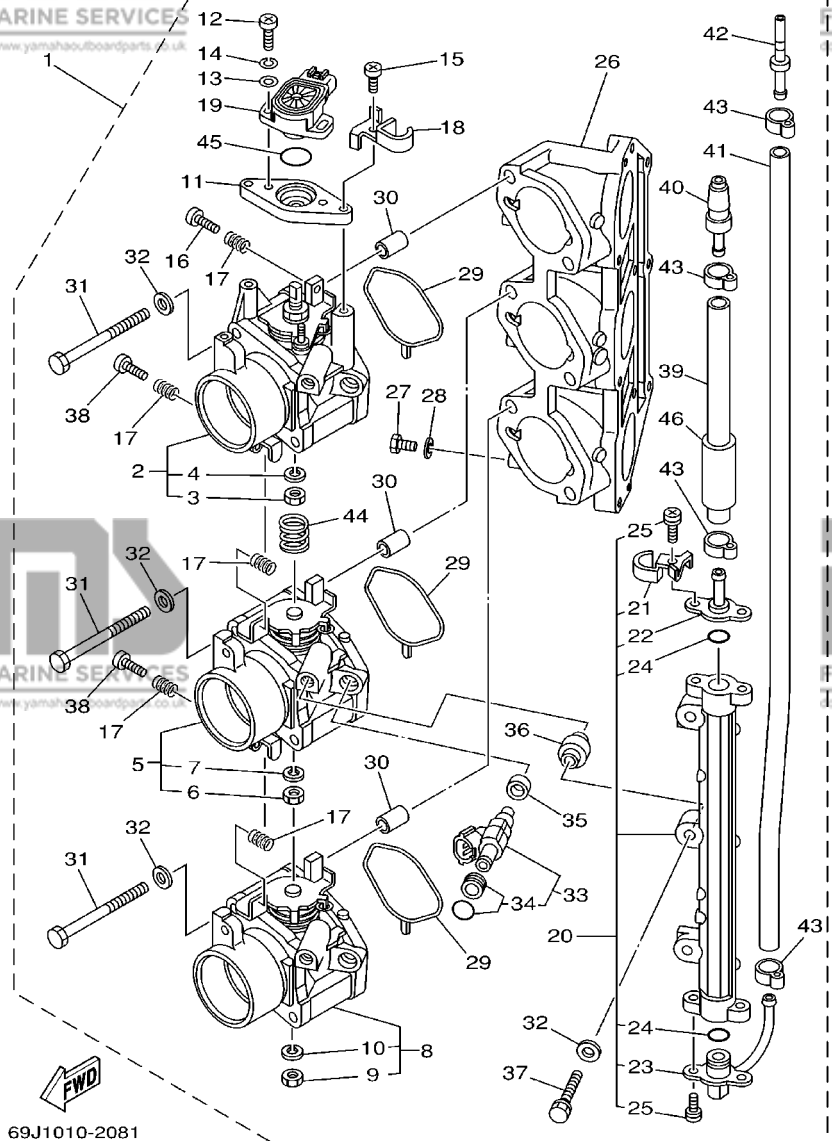


FIG. 7 INTAKE

ADMISSION

| REF. NO. | PART NO. NO. PIECES | DESCRIPTION DESCRIPTION | | | | | REMARKS REMARQUES |
|----------|---------------------|---------------------------|------|------|------|------|-------------------|
| | | | 69J1 | 60L1 | 69K1 | 60M1 | |
| 28 | 69J-14348-00 | PIPE 1 DURITE | 1 | 1 | 1 | 1 | |
| 29 | 65L-85886-00 | THERMOSENSOR SENSITOMETRE | 1 | 1 | 1 | 1 | |

FIG. 8 THROTTLE BODY ASSY 1 CARTER D'ACCELERATEUR 1

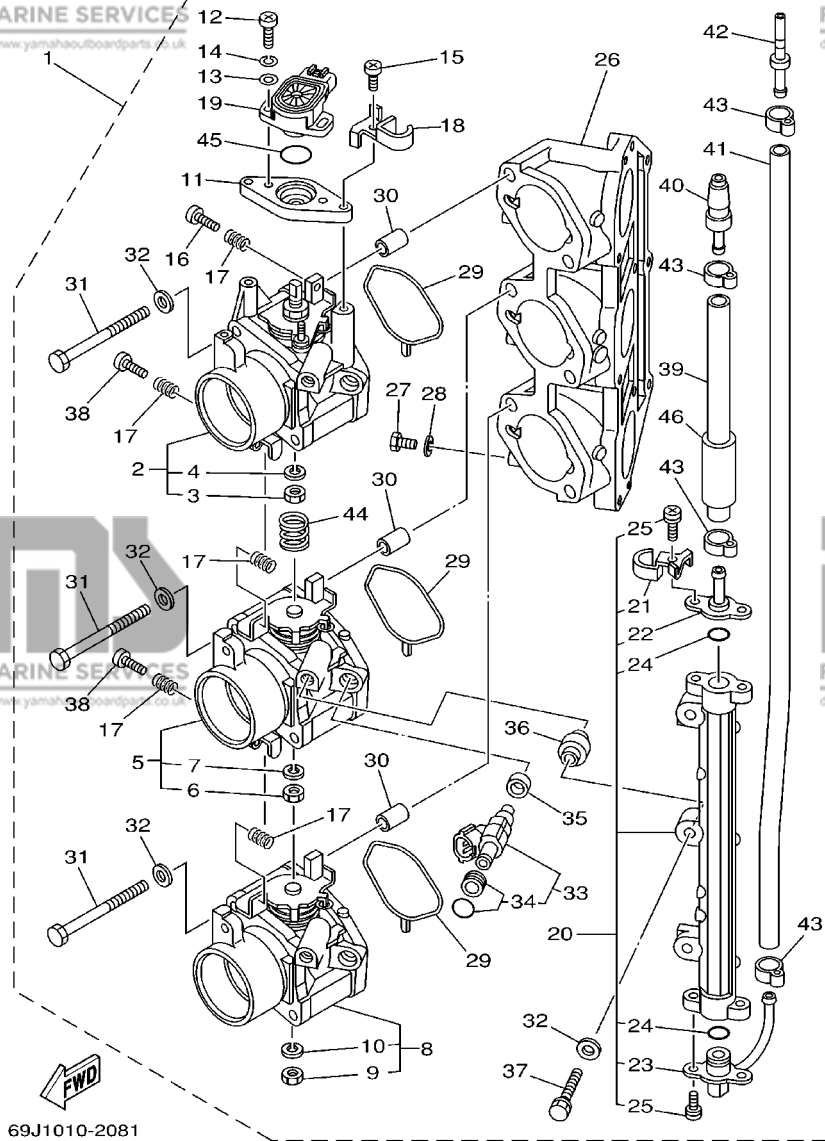


69J1010-2081

| REF. NO. | PART NO. NO. PIECES | DESCRIPTION DESCRIPTION | 69J1 | 60L1 | 69K1 | 60M1 | REMARKS REMARQUES |
|----------|---------------------|--|------|------|------|------|-------------------|
| 1 | 69J-13750-00 | THROTTLE BODY ASSY CARTER D'ACCELERATEUR COMPLET | 1 | | 1 | | |
| | 60L-13750-00 | THROTTLE BODY ASSY CARTER D'ACCELERATEUR COMPLET | | 1 | | 1 | |
| 2 | 69J-13751-00 | .BODY, THROTTLE 1 .CARTER 1 | 1 | | 1 | | |
| | 60L-13751-00 | .BODY, THROTTLE 1 .CARTER 1 | | 1 | | 1 | |
| 3 | 3CF-14594-00 | ..NUT ..ECROU | 1 | 1 | 1 | 1 | |
| 4 | 92990-08100 | ..WASHER, SPRING ..RONDELLE, GROWER | 1 | 1 | 1 | 1 | |
| 5 | 69J-13753-00 | .BODY, THROTTLE 3 .CARTER 3 | 1 | | 1 | | |
| | 60L-13753-00 | .BODY, THROTTLE 3 .CARTER 3 | | 1 | | 1 | |
| 6 | 3CF-14594-00 | ..NUT ..ECROU | 1 | 1 | 1 | 1 | |
| 7 | 92990-08100 | ..WASHER, SPRING ..RONDELLE, GROWER | 1 | 1 | 1 | 1 | |
| 8 | 69J-13755-00 | .BODY, THROTTLE 5 .CARTER 5 | 1 | | 1 | | |
| | 60L-13755-00 | .BODY, THROTTLE 5 .CARTER 5 | | 1 | | 1 | |
| 9 | 3CF-14594-00 | ..NUT ..ECROU | 1 | 1 | 1 | 1 | |
| 10 | 92990-08100 | ..WASHER, SPRING ..RONDELLE, GROWER | 1 | 1 | 1 | 1 | |
| 11 | 69J-13576-00 | SPACER ENTRETOISE | 1 | 1 | 1 | 1 | |
| 12 | 68V-81145-00 | .SCREW 1 .VIS 1 | 2 | 2 | 2 | 2 | |
| 13 | 68V-81162-00 | .WASHER, PLAIN .RONDELLE, PLATE | 2 | 2 | 2 | 2 | |
| 14 | 92990-04100 | .WASHER, SPRING .RONDELLE, GROWER | 2 | 2 | 2 | 2 | |
| 15 | 68V-14565-00 | .SCREW .VIS | 2 | 2 | 2 | 2 | |
| 16 | 68V-14323-00 | .SCREW, AIR ADJUSTING .VIS DE DOSEUR D'AIR | 1 | 1 | 1 | 1 | |
| 17 | 68V-14331-00 | .SPRING, THROTTLE VALVE .RESSORT, BOISSEAU | 5 | 5 | 5 | 5 | |
| 18 | 69J-14261-00 | .HOLDER .SUPPORT | 1 | 1 | 1 | 1 | |
| 19 | 69J-85885-00 | .THROTTLE SENSOR ASSY .SENSITOMETRE (ENS.) | 1 | 1 | 1 | 1 | |
| 20 | 69J-13160-00 | .DELIVERY PIPE ASSY 1 .ENS. TUBE DE REFOULEMENT 1 | 1 | 1 | 1 | 1 | |
| 21 | 69J-14261-00 | ..HOLDER ..SUPPORT | 1 | 1 | 1 | 1 | |
| 22 | 69J-14295-00 | ..PIPE, FUEL ..DURITE A ESSENCE | 1 | 1 | 1 | 1 | |
| 23 | 69J-14251-00 | ..NIPPLE ..RACCORD | 1 | 1 | 1 | 1 | |

C4

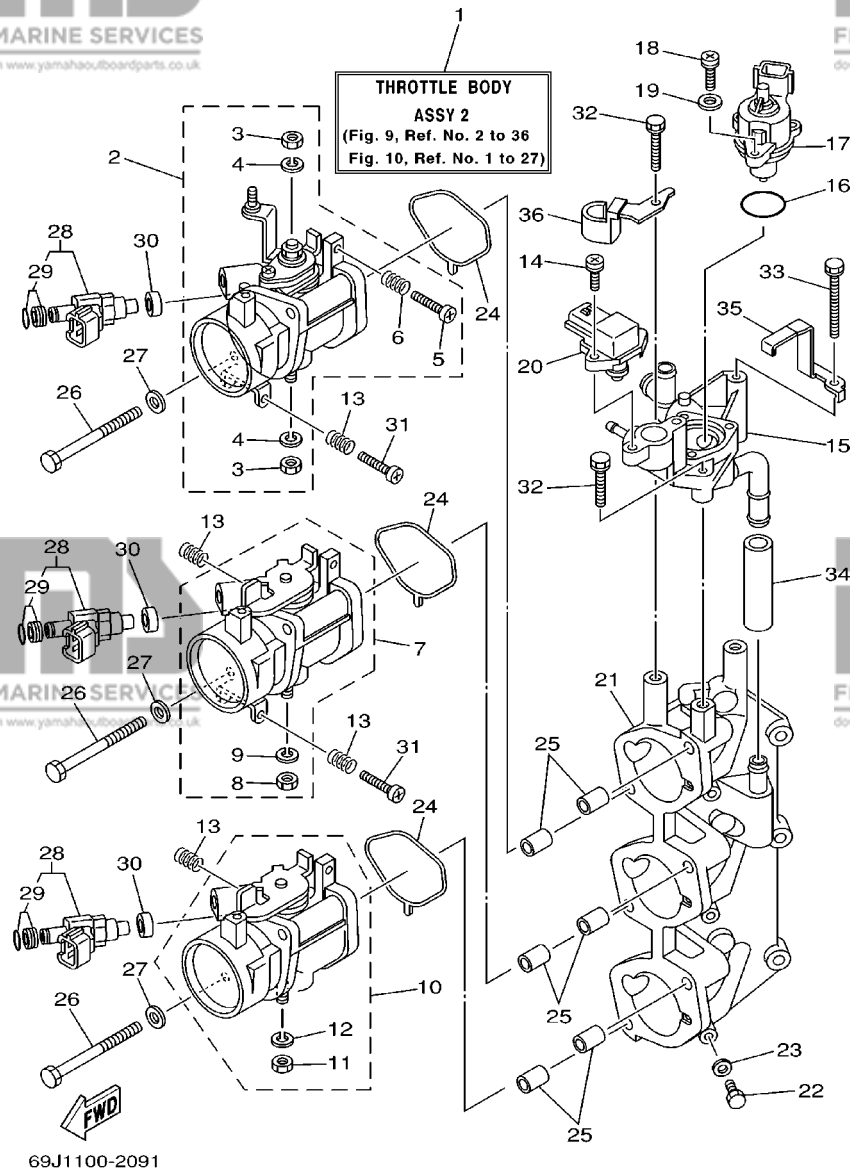
FIG. 8 THROTTLE BODY ASSY 1 CARTER D'ACCELERATEUR 1



69J1010-2081

| REF. NO. | PART NO. NO. PIECES | DESCRIPTION DESCRIPTION | 69J1 | 60L1 | 69K1 | 60M1 | REMARKS REMARQUES |
|----------|---------------------|---|------|------|------|------|-------------------|
| 24 | 68V-14397-00 | ..O-RING ..JOINT TORIQUE | 2 | 2 | 2 | 2 | |
| 25 | 68V-81147-00 | ..SCREW 3 ..VIS 3 | 4 | 4 | 4 | 4 | |
| 26 | 69J-13641-00 | ..MANIFOLD 1 ..TUBULURE 1 | 1 | 1 | 1 | 1 | |
| 27 | 97095-06010 | ..BOLT ..BOULON | 3 | 3 | 3 | 3 | |
| 28 | 90430-06014 | ..GASKET ..JOINT | 3 | 3 | 3 | 3 | |
| 29 | 69J-13557-00 | ..GASKET ..JOINT | 3 | 3 | 3 | 3 | |
| 30 | 99530-10114 | ..PIN, DOWEL ..GOUJON, D'ASSEMBLAGE | 6 | 6 | 6 | 6 | |
| 31 | 69J-14496-00 | ..BOLT ..BOULON | 6 | 6 | 6 | 6 | |
| 32 | 68V-14475-00 | ..WASHER ..RONDELLE | 9 | 9 | 9 | 9 | |
| 33 | 69J-13761-00 | ..INJECTOR ASSY ..INJECTEUR | 3 | 3 | 3 | 3 | |
| 34 | 68V-1410B-00 | ..PACKING KIT ..POCHETTE DE JOINTS | 1 | 1 | 1 | 1 | |
| 35 | 68V-13766-00 | ..RUBBER, INJECTOR ..RONDELLE CAOUTCHOUC | 3 | 3 | 3 | 3 | |
| 36 | 68V-14264-00 | ..COLLAR ..COLLERETTE | 3 | 3 | 3 | 3 | |
| 37 | 68V-14428-00 | ..BOLT ..BOULON | 3 | 3 | 3 | 3 | |
| 38 | 69J-14321-00 | ..SCREW, THROTTLE ..VIS, ACCELERATEUR | 2 | 2 | 2 | 2 | |
| 39 | 69J-13973-00 | ..PIPE, FUEL 3 ..TUBE 3, CARBURANT | 1 | 1 | 1 | 1 | |
| 40 | 68F-24300-00 | ..FUEL PIPE JOINT ..DURITE RACCORDEMT. A ESSENCE | 1 | 1 | 1 | 1 | |
| 41 | 69J-13972-00 | ..PIPE, FUEL 2 ..TUBE 2, CARBURANT | 1 | 1 | 1 | 1 | |
| 42 | 69J-24381-00 | ..SET BAR, FUEL JOINT ..BARRE DE BLOCAGE | 1 | 1 | 1 | 1 | |
| 43 | 68V-24387-00 | ..CLIP ..SANDOW | 4 | 4 | 4 | 4 | |
| 44 | 69J-14286-00 | ..SPRING ..RESSORT | 1 | 1 | 1 | 1 | |
| 45 | 68V-8182L-00 | ..O-RING 1 ..JOINT TORIQUE 1 | 1 | 1 | 1 | 1 | |
| 46 | 69J-14149-00 | ..PIPE ..DURITE | 1 | 1 | 1 | 1 | |

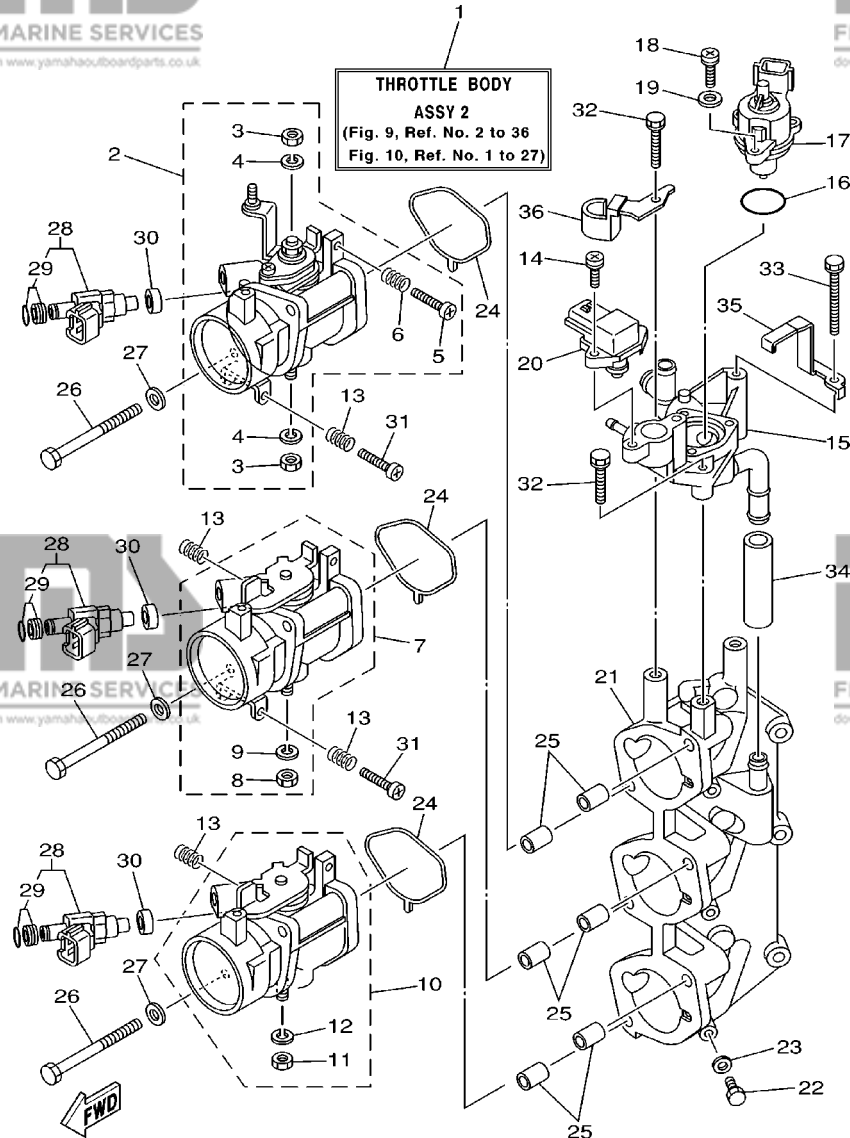
FIG. 9 THROTTLE BODY ASSY 2 CARTER D'ACCELERATEUR 2



69J1100-2091

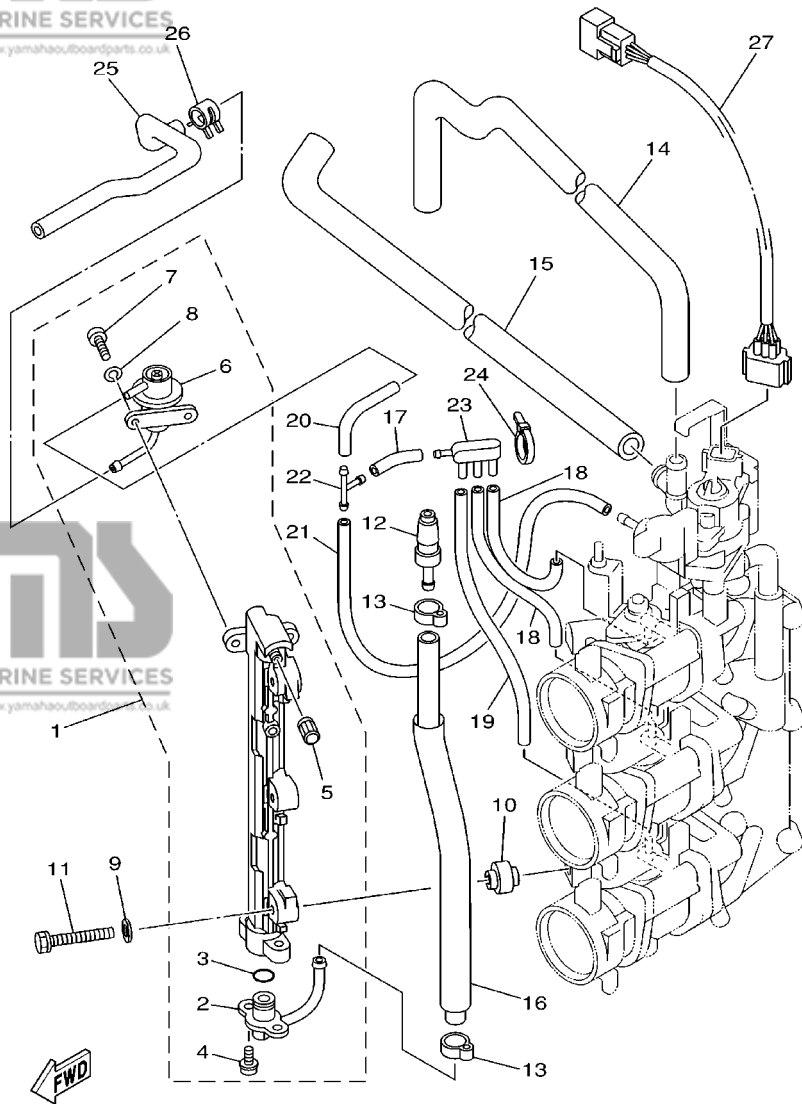
| REF. NO. | PART NO. NO. PIECES | DESCRIPTION DESCRIPTION | 69J1 | 60L1 | 69K1 | 60M1 | REMARKS REMARQUES |
|----------|---------------------|--------------------------------|------|------|------|------|-------------------|
| 1 | 69J-1375A-00 | THROTTLE BODY ASSY 2 | 1 | | 1 | | |
| | 60L-1375A-00 | CARTER D'ACCELERATEUR COMPLET2 | | | | 1 | |
| 2 | 69J-13752-00 | THROTTLE BODY ASSY 2 | 1 | | 1 | | |
| | 60L-13752-00 | CARTER D'ACCELERATEUR COMPLET2 | | | | 1 | |
| | | BODY, THROTTLE 2 | 1 | | 1 | | |
| | | CARTER 2 | | | | 1 | |
| 3 | 3CF-14594-00 | .NUT | 2 | 2 | 2 | 2 | |
| | | .ECROU | | | | | |
| 4 | 92990-08100 | .WASHER, SPRING | 2 | 2 | 2 | 2 | |
| | | .RONDELLE, GROWER | | | | | |
| 5 | 68V-14323-00 | .SCREW, AIR ADJUSTING | 1 | 1 | 1 | 1 | |
| | | .VIS DE DOSEUR D'AIR | | | | | |
| 6 | 68V-14331-00 | .SPRING, THROTTLE VALVE | 1 | 1 | 1 | 1 | |
| | | .RESSORT, BOISSEAU | | | | | |
| 7 | 69J-13754-00 | BODY, THROTTLE 4 | 1 | | 1 | | |
| | 60L-13754-00 | CARTER 4 | | | | 1 | |
| | | BODY, THROTTLE 4 | 1 | | 1 | | |
| | | CARTER 4 | | | | 1 | |
| 8 | 3CF-14594-00 | .NUT | 1 | 1 | 1 | 1 | |
| | | .ECROU | | | | | |
| 9 | 92990-08100 | .WASHER, SPRING | 1 | 1 | 1 | 1 | |
| | | .RONDELLE, GROWER | | | | | |
| 10 | 69J-13756-00 | BODY, THROTTLE 6 | 1 | | 1 | | |
| | 60L-13756-00 | CARTER 6 | | | | 1 | |
| | | BODY, THROTTLE 6 | 1 | | 1 | | |
| | | CARTER 6 | | | | 1 | |
| 11 | 3CF-14594-00 | .NUT | 1 | 1 | 1 | 1 | |
| | | .ECROU | | | | | |
| 12 | 92990-08100 | .WASHER, SPRING | 1 | 1 | 1 | 1 | |
| | | .RONDELLE, GROWER | | | | | |
| 13 | 68V-14331-00 | SPRING, THROTTLE VALVE | 4 | 4 | 4 | 4 | |
| | | RESSORT, BOISSEAU | | | | | |
| 14 | 68V-81147-00 | SCREW 3 | 2 | 2 | 2 | 2 | |
| | | VIS 3 | | | | | |
| 15 | 69J-14960-00 | BODY ASSY | 1 | 1 | 1 | 1 | |
| | | CARTER (ENS.) | | | | | |
| 16 | 68V-13473-00 | O-RING | 1 | 1 | 1 | 1 | |
| | | JOINT TORIQUE | | | | | |
| 17 | 68V-1312A-00 | VALVE, CONTROL | 1 | 1 | 1 | 1 | |
| | | EMBLEME, YAMAHA | | | | | |
| 18 | 68V-81146-00 | SCREW 2 | 3 | 3 | 3 | 3 | |
| | | VIS 2 | | | | | |
| 19 | 68V-81162-00 | WASHER, PLAIN | 3 | 3 | 3 | 3 | |
| | | RONDELLE, PLATE | | | | | |
| 20 | 68V-82380-00 | SENSOR, PRESSURE | 1 | 1 | 1 | 1 | |
| | | SONDE DE PRESSION | | | | | |
| 21 | 69J-13642-00 | MANIFOLD 2 | 1 | 1 | 1 | 1 | |
| | | TUBULURE 2 | | | | | |
| 22 | 97095-06010 | BOLT | 3 | 3 | 3 | 3 | |
| | | BOULON | | | | | |
| 23 | 90430-06014 | GASKET | 3 | 3 | 3 | 3 | |
| | | JOINT | | | | | |

FIG. 9 THROTTLE BODY ASSY 2 CARTER D'ACCELERATEUR 2



69J1100-2091

| REF. NO. | PART NO. NO. PIECES | DESCRIPTION DESCRIPTION | 69J1 | 60L1 | 69K1 | 60M1 | REMARKS REMARQUES |
|----------|---------------------|--------------------------------------|------|------|------|------|-------------------|
| 24 | 69J-13557-00 | GASKET JOINT | 3 | 3 | 3 | 3 | |
| 25 | 99530-10114 | PIN, DOWEL GOUJON, D'ASSEMBLAGE | 6 | 6 | 6 | 6 | |
| 26 | 69J-14496-00 | BOLT BOULON | 6 | 6 | 6 | 6 | |
| 27 | 68V-14475-00 | WASHER RONDELLE | 6 | 6 | 6 | 6 | |
| 28 | 69J-13761-00 | INJECTOR ASSY INJECTEUR | 3 | 3 | 3 | 3 | |
| 29 | 68V-1410B-00 | .PACKING KIT .POCHETTE DE JOINTS | 1 | 1 | 1 | 1 | |
| 30 | 68V-13766-00 | RUBBER, INJECTOR RONDELLE CAOUTCHOUC | 3 | 3 | 3 | 3 | |
| 31 | 69J-14321-00 | SCREW, THROTTLE VIS, ACCELERATEUR | 2 | 2 | 2 | 2 | |
| 32 | 69J-13573-00 | BOLT 1 BOULON 1 | 2 | 2 | 2 | 2 | |
| 33 | 69J-13574-00 | BOLT 2 BOULON 2 | 1 | 1 | 1 | 1 | |
| 34 | 69J-13547-00 | HOSE 3 DURITE 3 | 1 | 1 | 1 | 1 | |
| 35 | 69J-14159-00 | CLIP JONC | 1 | 1 | 1 | 1 | |
| 36 | 69J-14255-00 | PLATE PLAQUE | 1 | 1 | 1 | 1 | |



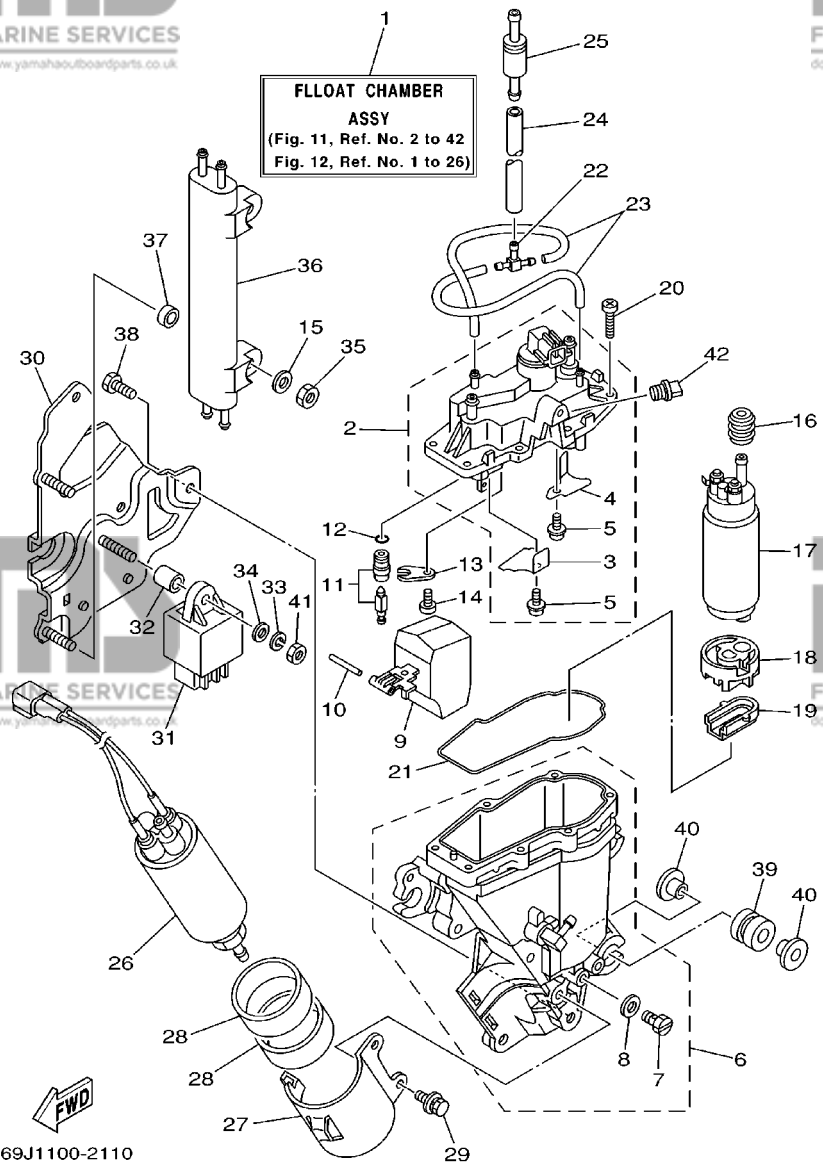
69J1010-2100

FIG. 10 THROTTLE BODY ASSY 3 CARTER D'ACCELERATEUR 3

| REF. NO. | PART NO. NO. PIECES | DESCRIPTION DESCRIPTION | 69J1 | 60L1 | 69K1 | 60M1 | REMARKS REMARQUES |
|----------|---------------------|--|------|------|------|------|-------------------|
| 1 | 69J-13170-00 | DELIVERY PIPE ASSY 2 ENS. TUBE DE REFOULEMENT 2 | 1 | 1 | 1 | 1 | |
| 2 | 69J-13435-00 | .NIPPLE .RACCORD | 1 | 1 | 1 | 1 | |
| 3 | 68V-14397-00 | .O-RING .JOINT TORIQUE | 1 | 1 | 1 | 1 | |
| 4 | 68V-81147-00 | .SCREW 3 .VIS 3 | 2 | 2 | 2 | 2 | |
| 5 | 68V-14225-00 | .CAP .COUVERCLE | 1 | 1 | 1 | 1 | |
| 6 | 69J-13906-00 | .REGULATOR, PRESSURE .REGULATEUR DE PRESSION | 1 | 1 | 1 | 1 | |
| 7 | 68V-14565-00 | .SCREW .VIS | 2 | 2 | 2 | 2 | |
| 8 | 68V-14356-00 | .WASHER, SPRING .RONDELLE | 2 | 2 | 2 | 2 | |
| 9 | 68V-14475-00 | WASHER RONDELLE | 3 | 3 | 3 | 3 | |
| 10 | 68V-14264-00 | COLLAR COLLERETTE | 3 | 3 | 3 | 3 | |
| 11 | 68V-14428-00 | BOLT BOULON | 3 | 3 | 3 | 3 | |
| 12 | 68F-24300-00 | FUEL PIPE JOINT DURITE RACCORDEMT. A ESSENCE | 1 | 1 | 1 | 1 | |
| 13 | 68V-24387-00 | CLIP SANDOW | 2 | 2 | 2 | 2 | |
| 14 | 69J-13546-00 | HOSE 2 DURITE 2 | 1 | 1 | 1 | 1 | |
| 15 | 69J-13545-00 | HOSE 1 DURITE 1 | 1 | 1 | 1 | 1 | |
| 16 | 69J-13974-00 | PIPE, FUEL 4 TUBE 4, CARBURANT | 1 | 1 | 1 | 1 | |
| 17 | 68V-13544-00 | HOSE, VACUUM SENSING 2 DURITE | 1 | 1 | 1 | 1 | |
| 18 | 5JW-14349-00 | PIPE DURITE | 2 | 2 | 2 | 2 | |
| 19 | 69J-13542-00 | HOSE, VACUUM SENSING 1 DURITE | 1 | 1 | 1 | 1 | |
| 20 | 69J-13532-00 | HOSE, VACUUM SENSING 3 DURITE 3 | 1 | 1 | 1 | 1 | |
| 21 | 69J-13533-00 | HOSE, VACUUM SENSING 4 DURITE 4 | 1 | 1 | 1 | 1 | |
| 22 | 68V-24377-00 | PIPE, JOINT 3 DURITE RACCORDEMENT | 1 | 1 | 1 | 1 | |
| 23 | 69J-13595-00 | JOINT RACCORD | 1 | 1 | 1 | 1 | |
| 24 | 69J-14139-00 | CLIP, PIPE JONC DE DURITE | 1 | 1 | 1 | 1 | |
| 25 | 69J-13975-00 | PIPE, FUEL 5 TUBE 5, CARBURANT | 1 | 1 | 1 | 1 | |
| 26 | 68V-24519-00 | CLIP JONC | 1 | 1 | 1 | 1 | |
| 27 | 69J-8259L-00 | WIRE HARNESS ASSY 1 FAISCEAU DE FILS COMPLET 1 | 1 | 1 | 1 | 1 | |

D1

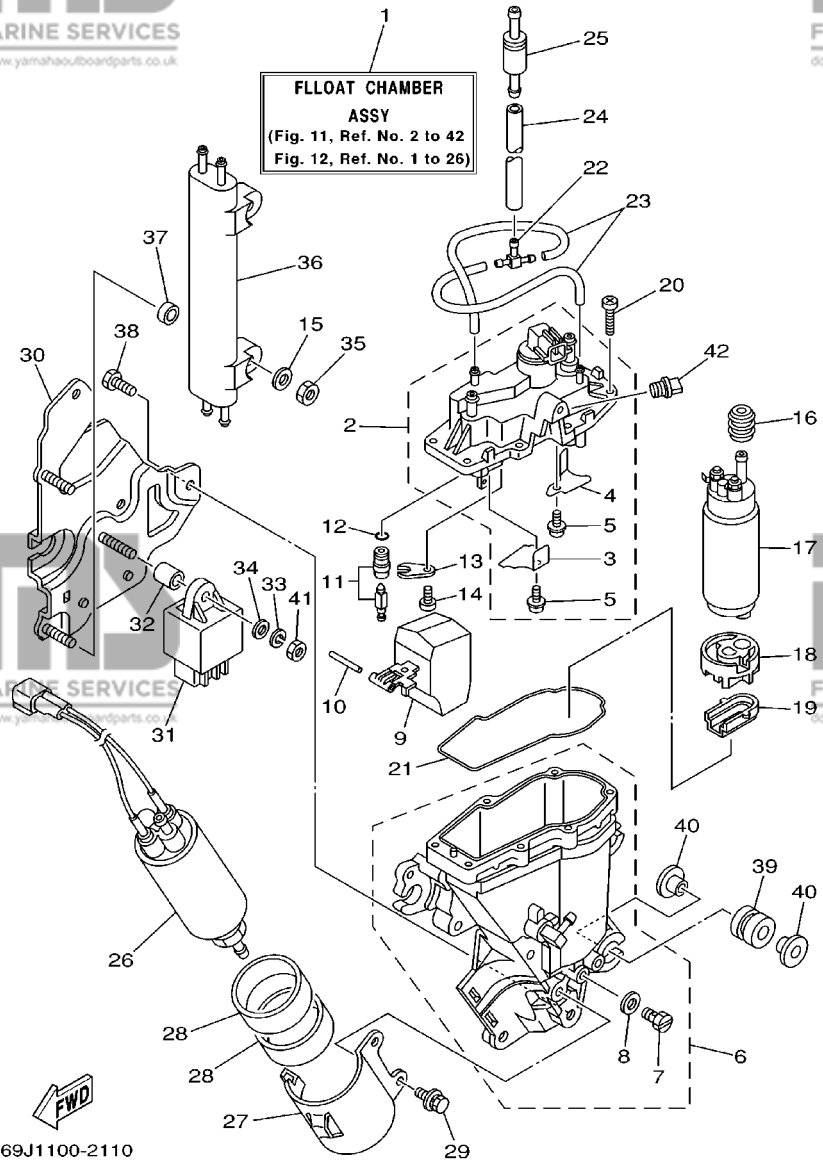
FIG. 11 FUEL INJECTION PUMP 1 POMPE A INJECTEUR 1



| REF. NO. | PART NO. NO. PIECES | DESCRIPTION DESCRIPTION | 69J1 | 60L1 | 69K1 | 60M1 | REMARKS REMARQUES |
|----------|---------------------|---|------|------|------|------|-------------------|
| 1 | 69J-14180-00 | FLOAT CHAMBER ASSY CUVE DE FLOTTEUR | 1 | 1 | 1 | 1 | |
| 2 | 69J-14182-00 | COVER, FLOAT CHAMBER COUVERCLE, CUVE DE FLOTTEUR | 1 | 1 | 1 | 1 | |
| 3 | 69J-2411R-00 | .PLATE 1 .PLAQUE 1 | 1 | 1 | 1 | 1 | |
| 4 | 69J-2411T-00 | .PLATE 2 .PLAQUE 2 | 1 | 1 | 1 | 1 | |
| 5 | 4SV-24453-00 | .SCREW .VIS | 2 | 2 | 2 | 2 | |
| 6 | 69J-14181-00 | BODY, FLOAT CHAMBER 1 CORPS, CUVE DE FLOTTEUR 1 | 1 | 1 | 1 | 1 | |
| 7 | 266-14191-00 | .PLUG, DRAIN .PLOT, VIDANGE | 1 | 1 | 1 | 1 | |
| 8 | 59V-14962-00 | .WASHER .RONDELLE | 1 | 1 | 1 | 1 | |
| 9 | 69J-14985-00 | FLOAT FLOTTEUR | 1 | 1 | 1 | 1 | |
| 10 | 68V-14386-00 | PIN, FLOAT AXE, FLOTTEUR | 1 | 1 | 1 | 1 | |
| 11 | 69J-14546-00 | VALVE, NEEDLE POINTEAU | 1 | 1 | 1 | 1 | |
| 12 | 68V-13769-00 | O-RING JOINT TORIQUE | 1 | 1 | 1 | 1 | |
| 13 | 68V-14255-00 | PLATE PLAQUE | 1 | 1 | 1 | 1 | |
| 14 | 98507-04008 | SCREW, PAN HEAD VIS, TETE TRONCONIQUE | 1 | 1 | 1 | 1 | |
| 15 | 68V-14357-00 | WASHER, PLAIN RONDELLE PLATE | 2 | 2 | 2 | 2 | |
| 16 | 68V-13781-00 | DAMPER, PUMP AMORTISSEUR, POMPE | 1 | 1 | 1 | 1 | |
| 17 | 69J-13907-00 | FUEL PUMP COMP. POMPE A CARBURANT COMP. | 1 | 1 | 1 | 1 | |
| 18 | 68V-13915-00 | FILTER FILTRE | 1 | 1 | 1 | 1 | |
| 19 | 68V-13784-00 | COVER, PUMP COUVERCLE, POMPE | 1 | 1 | 1 | 1 | |
| 20 | 68V-14567-00 | SCREW VIS | 7 | 7 | 7 | 7 | |
| 21 | 68V-14984-00 | GASKET, FLOAT CHAMBER JOINT, CUVE DE FLOTTEUR | 1 | 1 | 1 | 1 | |
| 22 | 69J-24379-00 | PIPE, JOINT 4 DURITE RACCORDEMENT | 1 | 1 | 1 | 1 | |
| 23 | 69J-14148-00 | PIPE DURITE | 2 | 2 | 2 | 2 | |
| 24 | 69J-14197-00 | PIPE DURITE | 1 | 1 | 1 | 1 | |
| 25 | 69J-13490-00 | RELIEF VALVE ASSY SOUPAPE DE SECURITE COMPLET | 1 | 1 | 1 | 1 | |
| 26 | 69J-24410-00 | FUEL PUMP ASSY POMPE A ESSENCE | 1 | 1 | 1 | 1 | |
| 27 | 69J-24491-00 | BRACKET, FUEL PUMP SUPPORT, POMPE A ESSENCE | 1 | 1 | 1 | 1 | |

D2

FIG. 11 FUEL INJECTION PUMP 1 POMPE A INJECTEUR 1

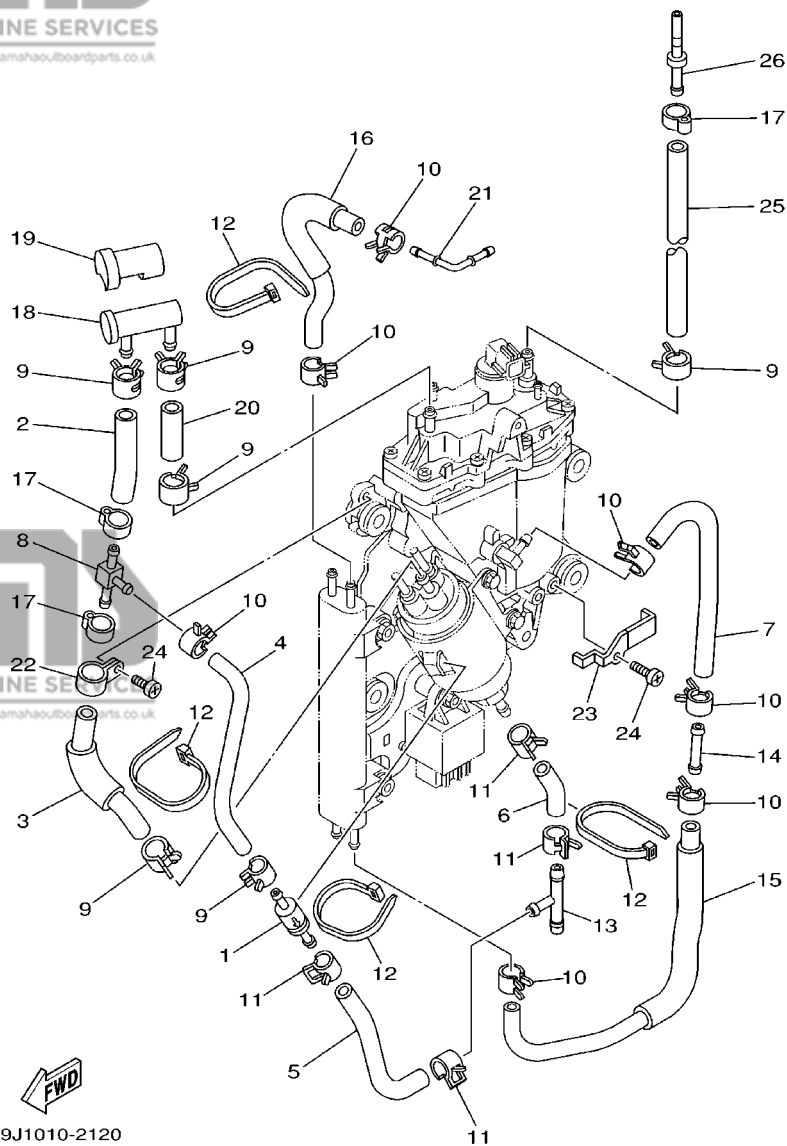


69J1100-2110

| REF. NO. | PART NO. NO. PIECES | DESCRIPTION DESCRIPTION | 69J1 | 60L1 | 69K1 | 60M1 | REMARKS REMARQUES |
|----------|---------------------|---------------------------------|------|------|------|------|-------------------|
| 28 | 69J-24492-00 | BUSH, FUELE PUMP BAGUE | 2 | 2 | 2 | 2 | |
| 29 | 69J-24592-00 | BOLT BOLTE | 2 | 2 | 2 | 2 | |
| 30 | 69J-24422-00 | PLATE PLAQUETTE | 1 | 1 | 1 | 1 | |
| 31 | 68V-81950-00 | RELAY ASSY RELAIS COMPLET | 1 | 1 | 1 | 1 | |
| 32 | 69J-14241-00 | BUSH DOUILLE | 1 | 1 | 1 | 1 | |
| 33 | 68V-14356-00 | WASHER, SPRING RONDELLE | 1 | 1 | 1 | 1 | |
| 34 | 69J-14243-00 | PLATE PLAQUE | 1 | 1 | 1 | 1 | |
| 35 | 69J-14164-00 | NUT, HOLDING ECROU, FIXATION | 2 | 2 | 2 | 2 | |
| 36 | 69J-21841-00 | COOLER RADIATEUR | 1 | 1 | 1 | 1 | |
| 37 | 68V-14265-00 | COLLAR COLLERETTE | 2 | 2 | 2 | 2 | |
| 38 | 69J-14446-00 | BOLT BOULON | 3 | 3 | 3 | 3 | |
| 39 | 69J-13593-00 | DAMPER AMORTISSEUR | 4 | 4 | 4 | 4 | |
| 40 | 69J-13716-00 | COLLAR COLLERETTE | 8 | 8 | 8 | 8 | |
| 41 | 95382-06700 | NUT ECROU | 1 | 1 | 1 | 1 | |
| 42 | 69J-14225-00 | CAP COUVERCLE | 1 | 1 | 1 | 1 | |

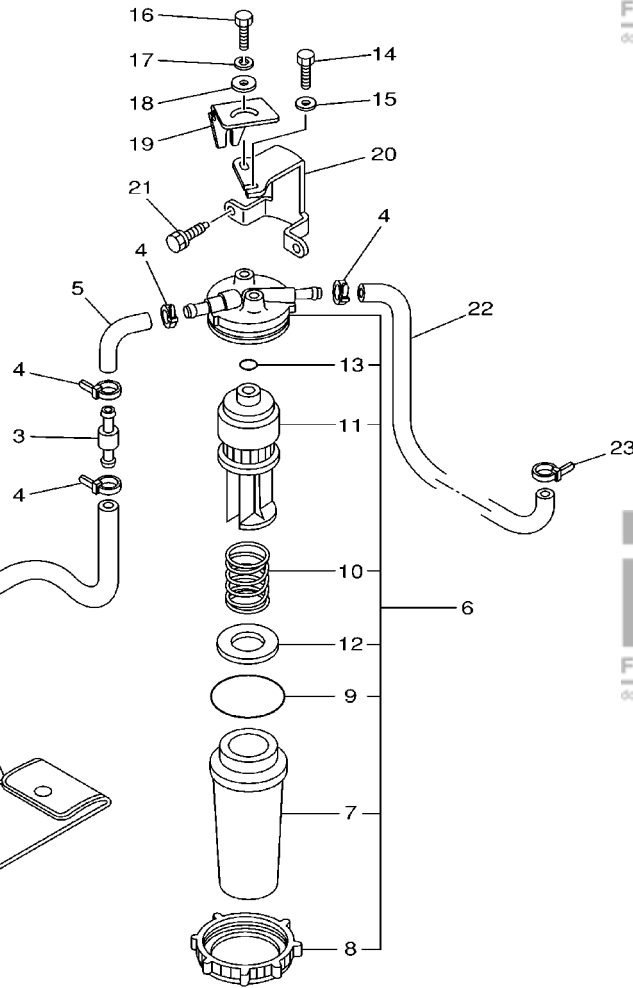
D3

FIG. 12 FUEL INJECTION PUMP 2 POMPE A INJECTEUR 2



| REF. NO. | PART NO. NO. PIECES | DESCRIPTION DESCRIPTION | 69J1 | 60L1 | 69K1 | 60M1 | REMARKS REMARQUES |
|----------|---------------------|---|------|------|------|------|-------------------|
| 1 | 69J-24460-00 | RELIEF VALVE ASSY SOUPAPE DE SECURITE COMPLET | 1 | 1 | 1 | 1 | |
| 2 | 69J-24324-00 | PIPE 13 DURITE | 1 | 1 | 1 | 1 | |
| 3 | 69J-24321-00 | PIPE 10 DURITE | 1 | 1 | 1 | 1 | |
| 4 | 69J-24322-00 | PIPE 11 DURITE | 1 | 1 | 1 | 1 | |
| 5 | 69J-24323-00 | PIPE 12 DURITE | 1 | 1 | 1 | 1 | |
| 6 | 69J-24317-00 | PIPE 7 DURITE 7 | 1 | 1 | 1 | 1 | |
| 7 | 69J-24316-00 | PIPE 6 DURITE 6 | 1 | 1 | 1 | 1 | |
| 8 | 69J-24537-00 | NIPPLE RACCORD | 1 | 1 | 1 | 1 | |
| 9 | 68V-13577-00 | CLIP AGRAFE | 6 | 6 | 6 | 6 | |
| 10 | 68V-24519-00 | CLIP JONC | 7 | 7 | 7 | 7 | |
| 11 | 69J-14137-00 | CLIP JONC | 4 | 4 | 4 | 4 | |
| 12 | 68V-2481H-00 | CLAMP BRIDE | 4 | 4 | 4 | 4 | |
| 13 | 6E5-24378-00 | PIPE, JOINT 3 DURITE, RACCORDEMENT 3 | 1 | 1 | 1 | 1 | |
| 14 | 69J-24461-00 | PIPE, JOINT DURITE, RACCORDEMENT | 1 | 1 | 1 | 1 | |
| 15 | 69J-24315-00 | PIPE 5 DURITE 5 | 1 | 1 | 1 | 1 | |
| 16 | 69J-13976-00 | PIPE, FUEL 6 TUBE 6, CARBURANT | 1 | 1 | 1 | 1 | |
| 17 | 68V-24387-00 | CLIP SANDOW | 3 | 3 | 3 | 3 | |
| 18 | 69J-24501-00 | FILTER, FUEL FILTRE | 1 | 1 | 1 | 1 | |
| 19 | 69J-24599-00 | CAP CAPUCHON | 1 | 1 | 1 | 1 | |
| 20 | 69J-24325-00 | PIPE 14 DURITE | 1 | 1 | 1 | 1 | |
| 21 | 69J-1410F-00 | NIPPLE 1 RACCORD 1 | 1 | 1 | 1 | 1 | |
| 22 | 69J-24366-00 | CLAMP, FUEL PIPE 1 COLLIER DE DURITE A ESSENCE | 1 | 1 | 1 | 1 | |
| 23 | 69J-24367-00 | CLAMP, FUEL PIPE 2 COLLIER DE DURITE A ESSENCE | 1 | 1 | 1 | 1 | |
| 24 | 98582-05008 | SCREW, PAN HEAD VIS, TETE TRONCONIQUE | 2 | 2 | 2 | 2 | |
| 25 | 69J-13974-00 | PIPE, FUEL 4 TUBE 4, CARBURANT | 1 | 1 | 1 | 1 | |
| 26 | 69J-24381-00 | SET BAR, FUEL JOINT BARRE DE BLOCAGE | 1 | 1 | 1 | 1 | |

D4



69J1010-2130

FIG. 13 FUEL 1

CARBURANT 1

| REF. NO. | PART NO. NO. PIECES | DESCRIPTION DESCRIPTION | 69J1 | 60L1 | 69K1 | 60M1 | REMARKS REMARQUES |
|----------|---------------------|---|------|------|------|------|-------------------|
| 1 | 689-85547-00 | DAMPER AMORTISSEUR | 1 | 1 | 1 | 1 | |
| 2 | 90445-13004* | HOSE DURITE | 1 | 1 | 1 | 1 | |
| 3 | 6R3-24377-00 | PIPE, JOINT 3 DURITE RACCORDEMENT | 1 | 1 | 1 | 1 | |
| 4 | 90465-11M10 | CLAMP BRIDE | 4 | 4 | 4 | 4 | |
| 5 | 61A-24311-00 | PIPE, FUEL 1 DURITE A ESSENCE | 1 | 1 | 1 | 1 | |
| 6 | 65L-24560-00 | FILTER ASSY ENS FILTRE | 1 | 1 | 1 | 1 | |
| 7 | 61A-24521-00 | .CUP, FILTER .CUVETTE, FILTRE | 1 | 1 | 1 | 1 | |
| 8 | 65L-24531-01 | .NUT .ECROU | 1 | 1 | 1 | 1 | |
| 9 | 61A-24564-00 | .O-RING .JOINT TORIQUE | 1 | 1 | 1 | 1 | |
| 10 | 65L-24577-00 | .SPRING .RESSORT | 1 | 1 | 1 | 1 | |
| 11 | 65L-24563-00 | .ELEMENT, FILTER .ELEMENT, FILTRE | 1 | 1 | 1 | 1 | |
| 12 | 61A-24469-00 | .FLOAT, WATER LEVEL .FLOTTEUR | 1 | 1 | 1 | 1 | |
| 13 | 65L-24564-00 | .O-RING .JOINT TORIQUE | 1 | 1 | 1 | 1 | |
| 14 | 97095-06014 | BOLT BOULON | 1 | 1 | 1 | 1 | |
| 15 | 92995-06600 | WASHER RONDELLE | 1 | 1 | 1 | 1 | |
| 16 | 97095-06016 | BOLT BOULON | 1 | 1 | 1 | 1 | |
| 17 | 92995-06100 | WASHER, SPRING RONDELLE, GROWER | 1 | 1 | 1 | 1 | |
| 18 | 90201-06068 | WASHER, PLATE RONDELLE, PLATE | 1 | 1 | 1 | 1 | |
| 19 | 65L-24558-00 | HOLDER, FILTER SUPPORT, FILTRE | 1 | 1 | 1 | 1 | |
| 20 | 69J-24566-00 | BRACKET, FILTER SUPPORT, FILTRE | 1 | 1 | 1 | 1 | |
| 21 | 90119-06037 | BOLT, WITH WASHER BOULON, AVEC RONDELLE | 2 | 2 | 2 | 2 | |
| 22 | 69J-24313-00 | PIPE 3 DURITE 3 | 1 | 1 | 1 | 1 | |
| 23 | 90465-11M10 | CLAMP BRIDE | 1 | 1 | 1 | 1 | |
| 24 | 69J-28100-00 | TOOL KIT TROUSSE A OUTILS | 1 | 1 | 1 | 1 | |

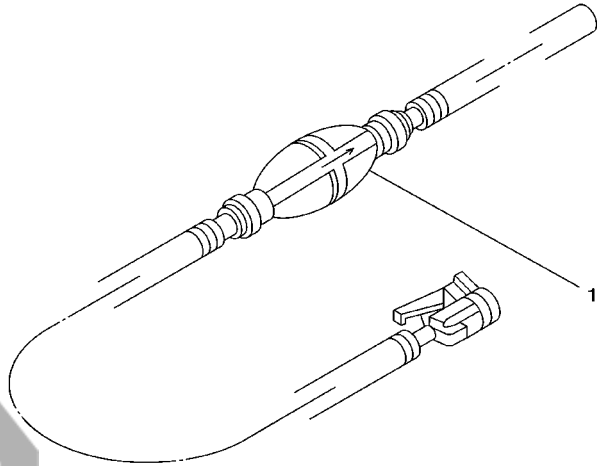
D5

FIG. 14 FUEL 2

CARBURANT 2

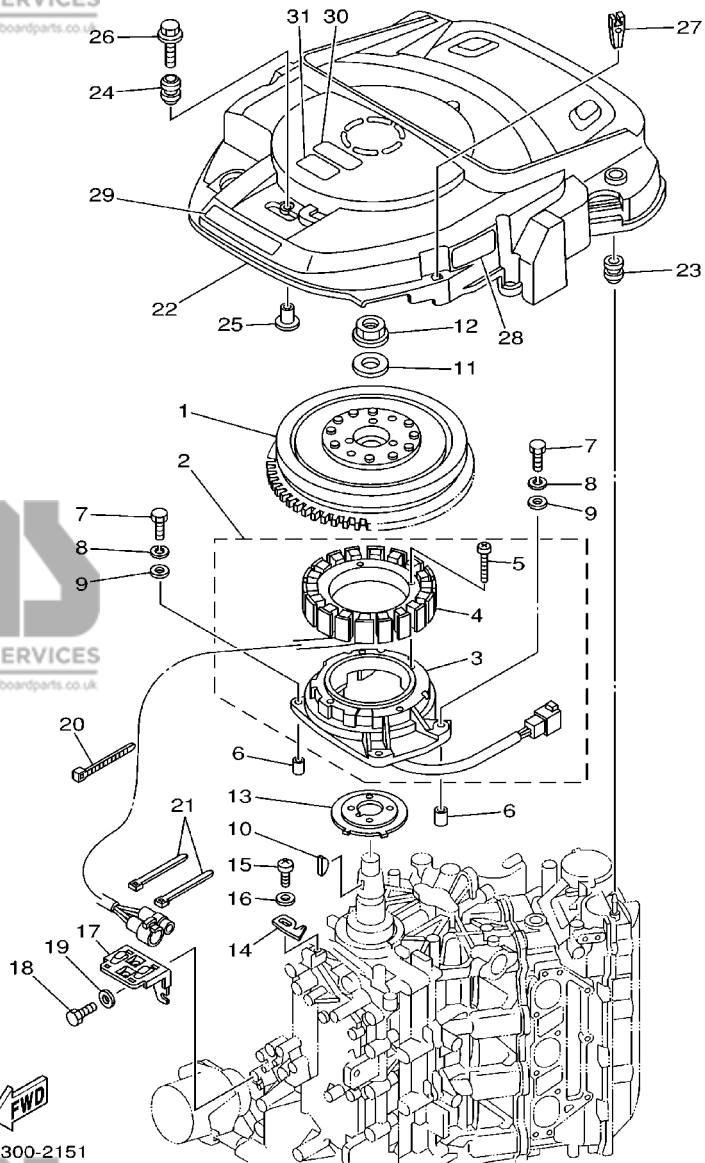
| REF. NO. | PART NO. NO. PIECES | DESCRIPTION DESCRIPTION | 69J1 | 60L1 | 69K1 | 60M1 | REMARKS REMARQUES |
|----------|---------------------|-------------------------|------|------|------|------|-------------------|
|----------|---------------------|-------------------------|------|------|------|------|-------------------|

| | | | | | | | |
|---|--------------|---|---|---|---|---|----|
| 1 | 6YK-24306-42 | FUEL PIPE COMP. 1 DURITE A ESSENCE 1 | 1 | 1 | 1 | 1 | AP |
|---|--------------|---|---|---|---|---|----|



68F0300-0140

D6



69J1300-2151

FIG. 15 GENERATOR

GENERATRICE

| REF. NO. | PART NO. NO. PIECES | DESCRIPTION DESCRIPTION | 69J1 | 60L1 | 69K1 | 60M1 | REMARKS REMARQUES |
|----------|---------------------|--|------|------|------|------|-------------------|
| 1 | 69J-81450-01 | ROTOR ASSY ROTOR COMPLET | 1 | 1 | 1 | 1 | |
| 2 | 69J-81460-00 | BASE ASSY ENS. FLASQUE | 1 | 1 | 1 | 1 | |
| 3 | 69J-85580-00 | .COIL, PULSER .BOBINE, PULSEUR | 1 | 1 | 1 | 1 | |
| 4 | 69J-81410-00 | .STATOR ASSY .STATOR COMPLET | 1 | 1 | 1 | 1 | |
| 5 | 63D-81345-20 | .SCREW, WITH WASHER (M6X30) .VIS, AVEC RONDELLE (M6X30) | 4 | 4 | 4 | 4 | |
| 6 | 99530-08012 | PIN, DOWEL GOUJON, D'ASSEMBLAGE | 2 | 2 | 2 | 2 | |
| 7 | 97095-06035 | BOLT BOULON | 4 | 4 | 4 | 4 | |
| 8 | 92995-06100 | WASHER, SPRING RONDELLE, GROWER | 4 | 4 | 4 | 4 | |
| 9 | 92995-06600 | WASHER RONDELLE | 4 | 4 | 4 | 4 | |
| 10 | 90280-05015 | KEY, WOODRUFF CLAVETTE, DEMI-LUNE | 1 | 1 | 1 | 1 | |
| 11 | 90201-24014 | WASHER, PLATE RONDELLE, PLATE | 1 | 1 | 1 | 1 | |
| 12 | 90179-24002 | NUT ECROU | 1 | 1 | 1 | 1 | |
| 13 | 69J-81673-00 | ROTOR ROTOR | 1 | 1 | 1 | 1 | |
| 14 | 67F-81332-00 | PLATE, TIMING PLATEAU, ALLUMAGE | 1 | 1 | 1 | 1 | |
| 15 | 97885-06010 | SCREW, PAN HEAD VIS, TETE TRONCONIQUE | 1 | 1 | 1 | 1 | |
| 16 | 92995-06600 | WASHER RONDELLE | 1 | 1 | 1 | 1 | |
| 17 | 69J-8132G-00 | PLATE PLAQUE | 1 | 1 | 1 | 1 | |
| 18 | 97095-06016 | BOLT BOULON | 1 | 1 | 1 | 1 | |
| 19 | 92995-06600 | WASHER RONDELLE | 1 | 1 | 1 | 1 | |
| 20 | 90465-13M18 | CLAMP BRIDE | 1 | 1 | 1 | 1 | |
| 21 | 90465-14M66 | CLAMP BRIDE | 2 | 2 | 2 | 2 | |
| 22 | 69J-81337-00 | COVER, FLYWHEEL COUVERCLE, VOLANT | 1 | 1 | 1 | 1 | |
| 23 | 663-82317-01 | DAMPER, IGNITION COIL AMORTISSEUR, BOBINE D'ALLUM | 2 | 2 | 2 | 2 | |
| 24 | 6A0-82317-00 | DAMPER, IGNITION COIL AMORTISSEUR, BOBINE D'ALLUM | 3 | 3 | 3 | 3 | |
| 25 | 624-42542-00 | PIPE TUYAU | 3 | 3 | 3 | 3 | |
| 26 | 90119-06M59 | BOLT, WITH WASHER BOULON, AVEC RONDELLE | 3 | 3 | 3 | 3 | |
| 27 | 67F-2812A-00 | PULLER, FUSE TENDEUR, FUSIBLE | 1 | 1 | 1 | 1 | |

D7

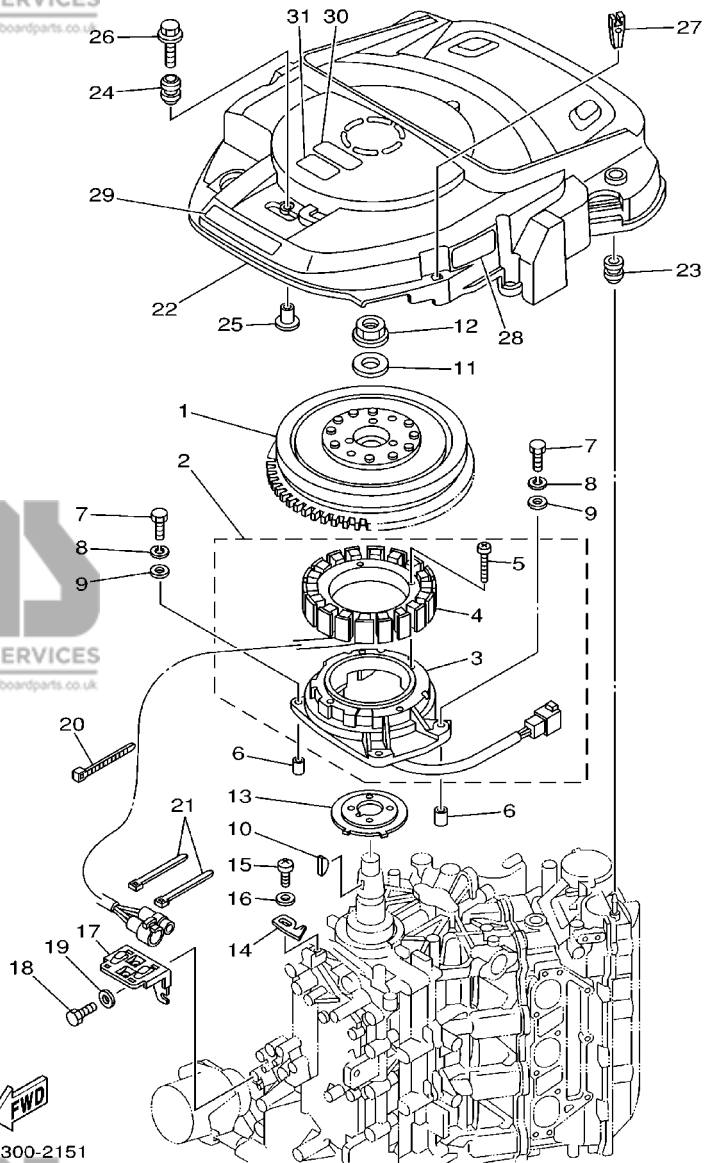


FIG. 15 GENERATOR

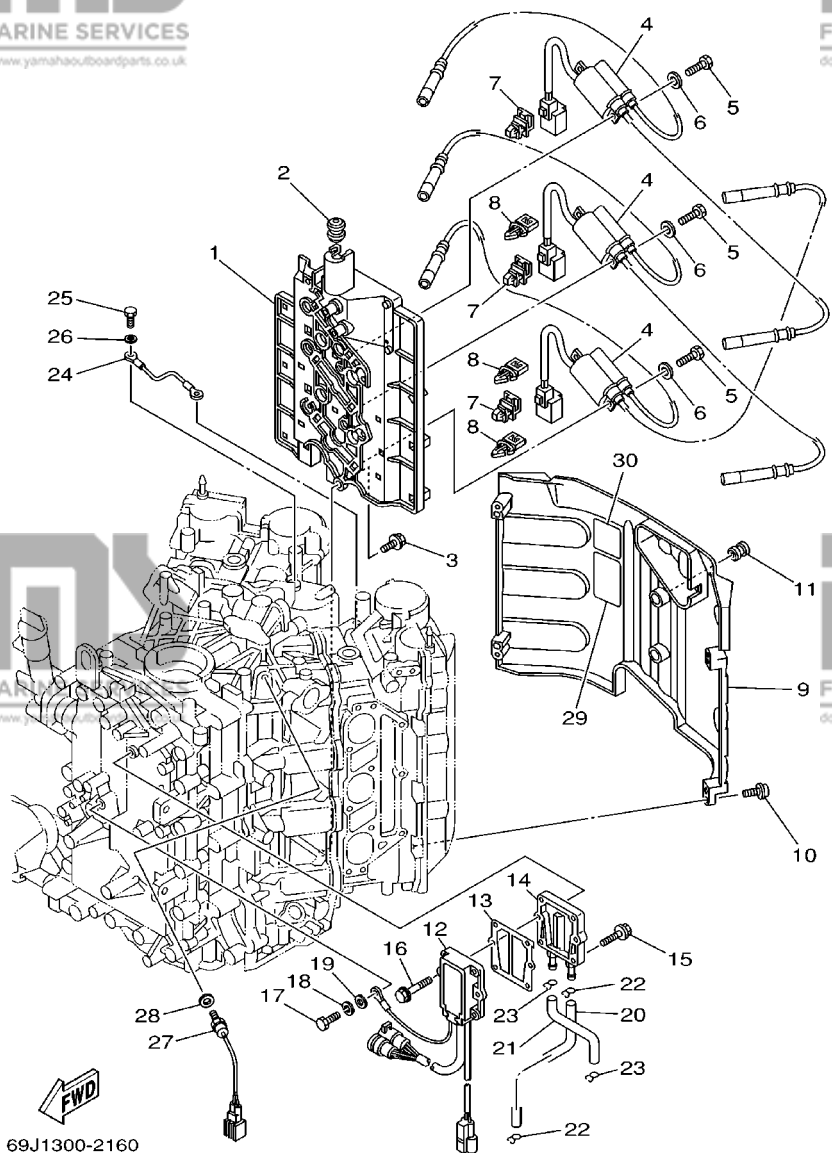
GENERATRICE

| REF. NO. | PART NO. NO. PIECES | DESCRIPTION DESCRIPTION | 69J1 | 60L1 | 69K1 | 60M1 | REMARKS REMARQUES |
|----------|---------------------|---|------|------|------|------|-------------------|
| 28 | 69J-81919-10 | GRAPHIC, REGULATOR ADHESIF, REGULATEUR | 1 | 1 | 1 | 1 | |
| 29 | 69J-13437-60 | MARK, CAUTION MAKER | 1 | 1 | 1 | 1 | |
| 30 | 6A1-83625-41 | MARK 5 ETIQUETTE 5 | 1 | 1 | 1 | 1 | |
| 31 | 6A1-83625-51 | MARK 5 ETIQUETTE 5 | 1 | 1 | 1 | 1 | |

E1

FIG. 16 ELECTRICAL 1

PARTIE ELECTRIQUE 1



| REF. NO. | PART NO. NO. PIECES | DESCRIPTION DESCRIPTION | 69J1 | 60L1 | 69K1 | 60M1 | REMARKS REMARQUES |
|----------|---------------------|---|------|------|------|------|-------------------|
| 1 | 69J-82316-00 | BRACKET, IGNITION COIL SUPPORT, BOBINE D'ALLUMAGE | 1 | 1 | 1 | 1 | |
| 2 | 90480-09M21 | GROMMET PASSE-FIL | 1 | 1 | 1 | 1 | |
| 3 | 90119-06041 | BOLT, WITH WASHER BOULON, AVEC RONDELLE | 6 | 6 | 6 | 6 | |
| 4 | 69J-82310-00 | IGNITION COIL ASSY BOBINE D'ALLUMAGE | 3 | 3 | 3 | 3 | |
| 5 | 97095-06020 | BOLT BOULON | 6 | 6 | 6 | 6 | |
| 6 | 92995-06600 | WASHER RONDELLE | 6 | 6 | 6 | 6 | |
| 7 | 90464-12002 | CLAMP BRIDE | 3 | 3 | 3 | 3 | |
| 8 | 90464-07M56 | CLAMP BRIDE | 3 | 3 | 3 | 3 | |
| 9 | 69J-82314-00 | COVER, IGNITION COIL COUVERCLE, BOBINE D'ALLUMAGE | 1 | 1 | 1 | 1 | |
| 10 | 90110-06038 | BOLT, HEXAGON SOCKET HEAD BOULON, TETE HEXAGONALE CREUSE | 4 | 4 | 4 | 4 | |
| 11 | 663-82317-01 | DAMPER, IGNITION COIL AMORTISSEUR, BOBINE D'ALLUM | 2 | 2 | 2 | 2 | |
| 12 | 69J-81960-01 | RECTIFIER & REGULATOR ASSY REDRESSEUR REGULATEUR CPLT | 1 | 1 | 1 | 1 | |
| 13 | 69J-81975-A0 | PLATE, RECTIFIER FITTING PLAQUE, FIXATION DU REDRESSEUR | 1 | 1 | 1 | 1 | |
| 14 | 69J-81972-01-1S | COVER, RECTIFIER COUVERCLE, REDRESSEUR | 1 | 1 | 1 | 1 | |
| 15 | 90119-06MA3 | BOLT, WITH WASHER BOULON, AVEC RONDELLE | 4 | 4 | 4 | 4 | |
| 16 | 90119-06MA5 | BOLT, WITH WASHER BOULON, AVEC RONDELLE | 2 | 2 | 2 | 2 | |
| 17 | 97095-06020 | BOLT BOULON | 1 | 1 | 1 | 1 | |
| 18 | 92995-06100 | WASHER, SPRING RONDELLE, GROWER | 1 | 1 | 1 | 1 | |
| 19 | 92995-06600 | WASHER RONDELLE | 1 | 1 | 1 | 1 | |
| 20 | 69J-12482-00 | PIPE 2 DURITE 2 | 1 | 1 | 1 | 1 | |
| 21 | 69J-12481-00 | PIPE 1 DURITE 1 | 1 | 1 | 1 | 1 | |
| 22 | 90467-09M03 | CLIP JONC | 2 | 2 | 2 | 2 | |
| 23 | 90467-08M18 | CLIP JONC | 2 | 2 | 2 | 2 | |
| 24 | 69J-82519-00 | WIRE, EARTH LEAD FIL, MASSE | 1 | 1 | 1 | 1 | |
| 25 | 97095-06012 | BOLT BOULON | 2 | 2 | 2 | 2 | |
| 26 | 92995-06600 | WASHER RONDELLE | 2 | 2 | 2 | 2 | |
| 27 | 61A-85790-00 | THERMOSENSOR ASSY SENSITOMETRE | 1 | 1 | 1 | 1 | |

69J1300-2160

FIG. 16 ELECTRICAL 1

PARTIE ELECTRIQUE 1

| REF. NO. | PART NO. NO. PIECES | DESCRIPTION DESCRIPTION | 69J1 | 60L1 | 69K1 | 60M1 | REMARKS REMARQUES |
|----------|---------------------|----------------------------------|------|------|------|------|-------------------|
| 28 | 92990-10600 | WASHER, PLATE RONDELLE, PLATE | 1 | 1 | 1 | 1 | |
| 29 | 69J-83626-00 | MARK 6 MARK 6 | 1 | 1 | 1 | 1 | |
| 30 | 67F-12138-60 | MARK, CAUTION MAKER | 1 | 1 | 1 | 1 | |

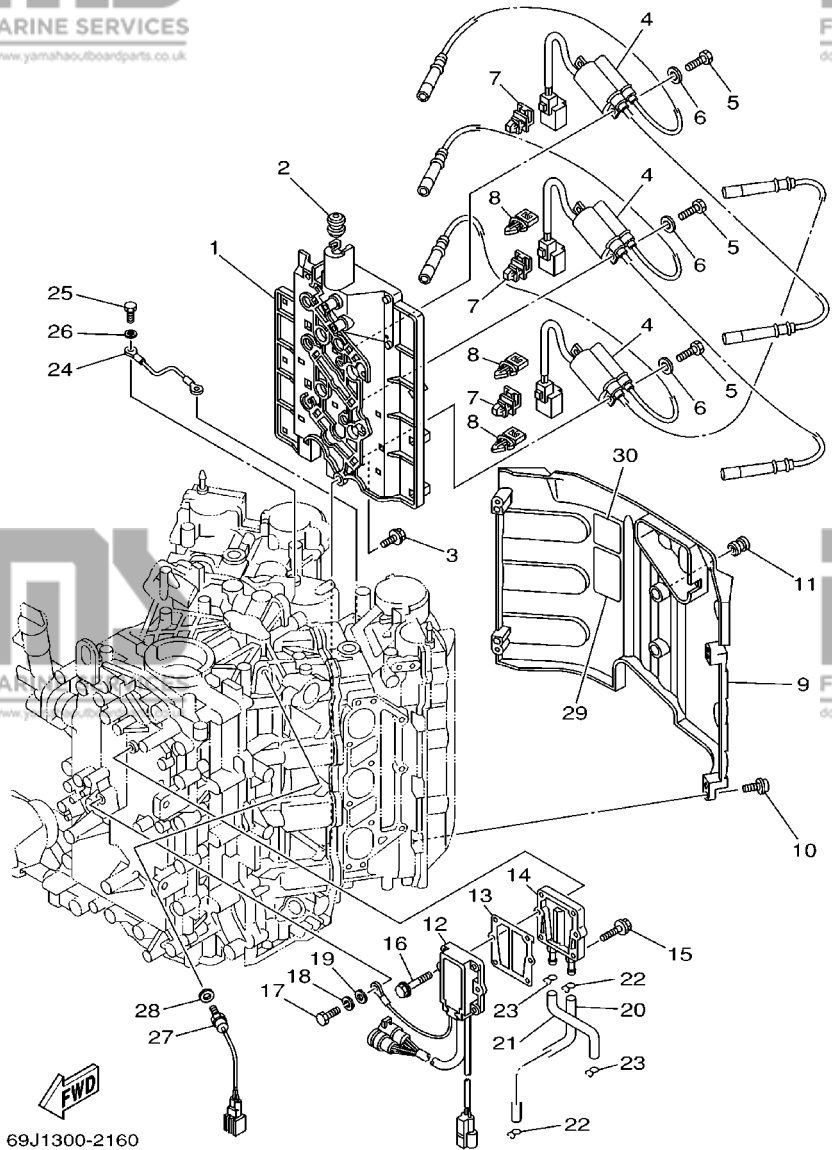
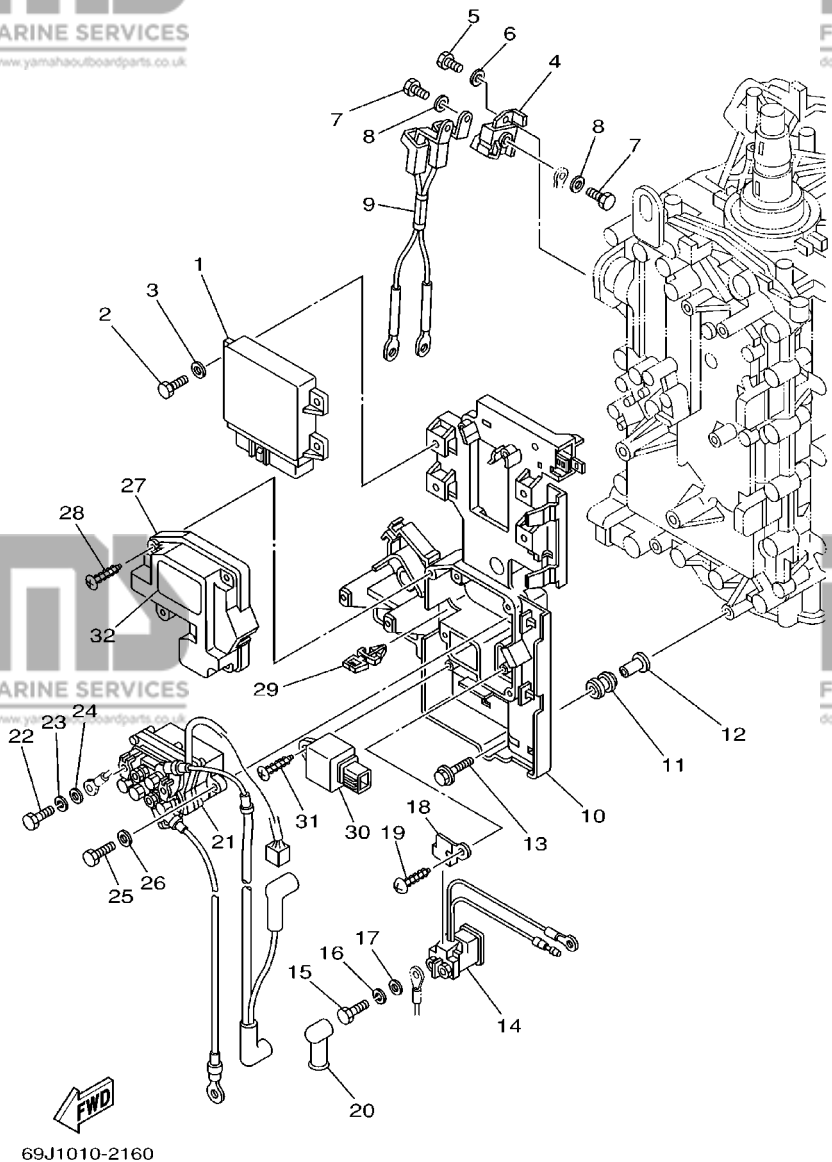


FIG. 17 ELECTRICAL 2

PARTIE ELECTRIQUE 2

| REF. NO. | PART NO. NO. PIECES | DESCRIPTION DESCRIPTION | 69J1 | 60L1 | 69K1 | 60M1 | REMARKS REMARQUES |
|----------|---------------------|--|------|------|------|------|-------------------|
| 1 | 69J-8591A-01 | ENGINE CONTROL UNIT ASSY BLOC DE CONTROL | 1 | | 1 | | |
| | 60L-8591A-00 | ENGINE CONTROL UNIT ASSY BLOC DE CONTROL | | 1 | | 1 | |
| 2 | 97095-06016 | BOLT BOULON | 4 | 4 | 4 | 4 | |
| 3 | 92995-06600 | WASHER RONDELLE | 4 | 4 | 4 | 4 | |
| 4 | 69J-81925-00 | TERMINAL BORNE | 1 | 1 | 1 | 1 | |
| 5 | 97095-08020 | BOLT BOULON | 2 | 2 | 2 | 2 | |
| 6 | 92995-08600 | WASHER RONDELLE | 2 | 2 | 2 | 2 | |
| 7 | 97095-06014 | BOLT BOULON | 2 | 2 | 2 | 2 | |
| 8 | 92995-06600 | WASHER RONDELLE | 2 | 2 | 2 | 2 | |
| 9 | 69J-82105-00 | WIRE HARNESS FAISCEAU DE FILS | 1 | 1 | 1 | 1 | |
| 10 | 69J-81948-00 | BRACKET JOINT TORIQUE | 1 | 1 | 1 | 1 | |
| 11 | 6A0-82317-00 | DAMPER, IGNITION COIL AMORTISSEUR, BOBINE D'ALLUM | 6 | 6 | 6 | 6 | |
| 12 | 624-42542-00 | PIPE TUYAU | 6 | 6 | 6 | 6 | |
| 13 | 90119-06M59 | BOLT, WITH WASHER BOULON, AVEC RONDELLE | 6 | 6 | 6 | 6 | |
| 14 | 68V-8194A-00 | RELAY RELAIS | 1 | 1 | 1 | 1 | |
| 15 | 97095-06010 | BOLT BOULON | 2 | 2 | 2 | 2 | |
| 16 | 92995-06100 | WASHER, SPRING RONDELLE, GROWER | 2 | 2 | 2 | 2 | |
| 17 | 92995-06600 | WASHER RONDELLE | 2 | 2 | 2 | 2 | |
| 18 | 68V-81953-00 | STAY, RELAY SUPPORT, RELAIS | 1 | 1 | 1 | 1 | |
| 19 | 97780-60620 | SCREW, TAPPING VIS, TETE FRAISEE | 1 | 1 | 1 | 1 | |
| 20 | 6G5-82119-00 | COVER, LEAD WIRE GARNITURE, FIL | 1 | 1 | 1 | 1 | |
| 21 | 69J-81950-00 | RELAY ASSY RELAIS COMPLET | 1 | 1 | 1 | 1 | |
| 22 | 97095-06010 | BOLT BOULON | 2 | 2 | 2 | 2 | |
| 23 | 92995-06100 | WASHER, SPRING RONDELLE, GROWER | 2 | 2 | 2 | 2 | |
| 24 | 92995-06600 | WASHER RONDELLE | 2 | 2 | 2 | 2 | |
| 25 | 97013-06025 | BOLT BOULON | 2 | 2 | 2 | 2 | |
| 26 | 92903-06600 | WASHER, PLATE RONDELLE, PLATE | 2 | 2 | 2 | 2 | |

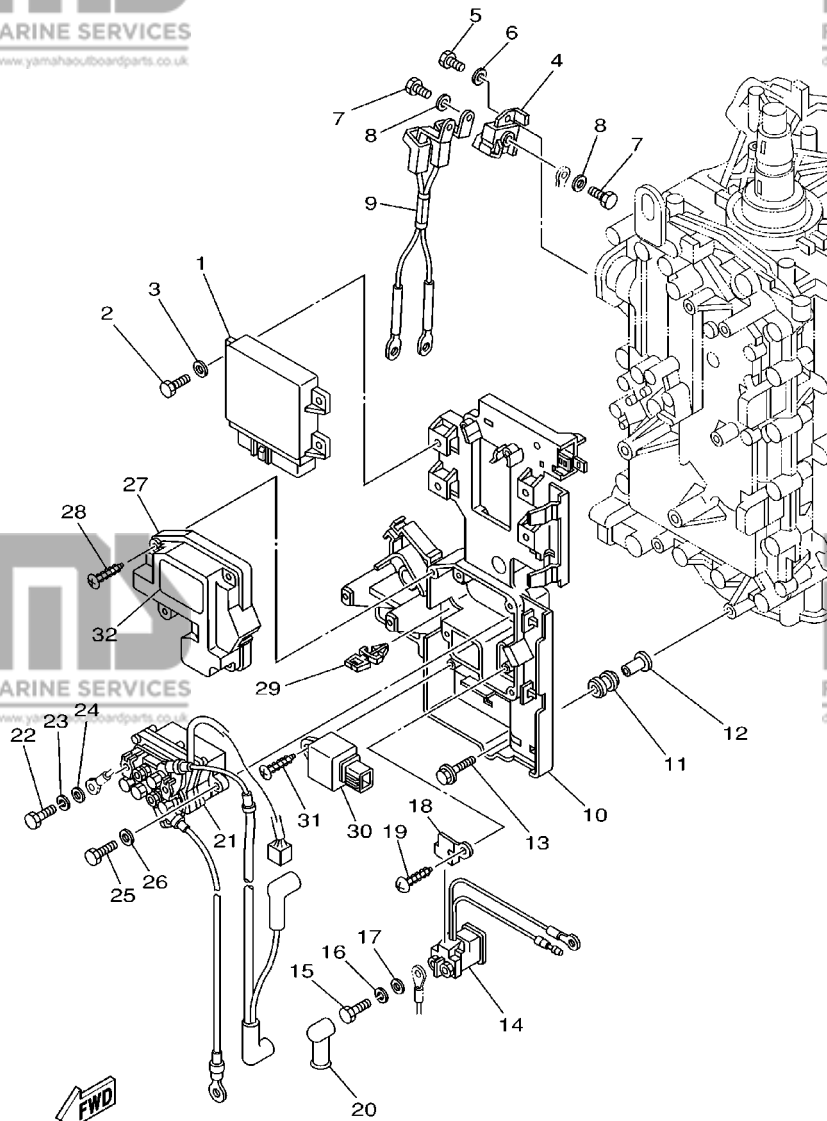


E4

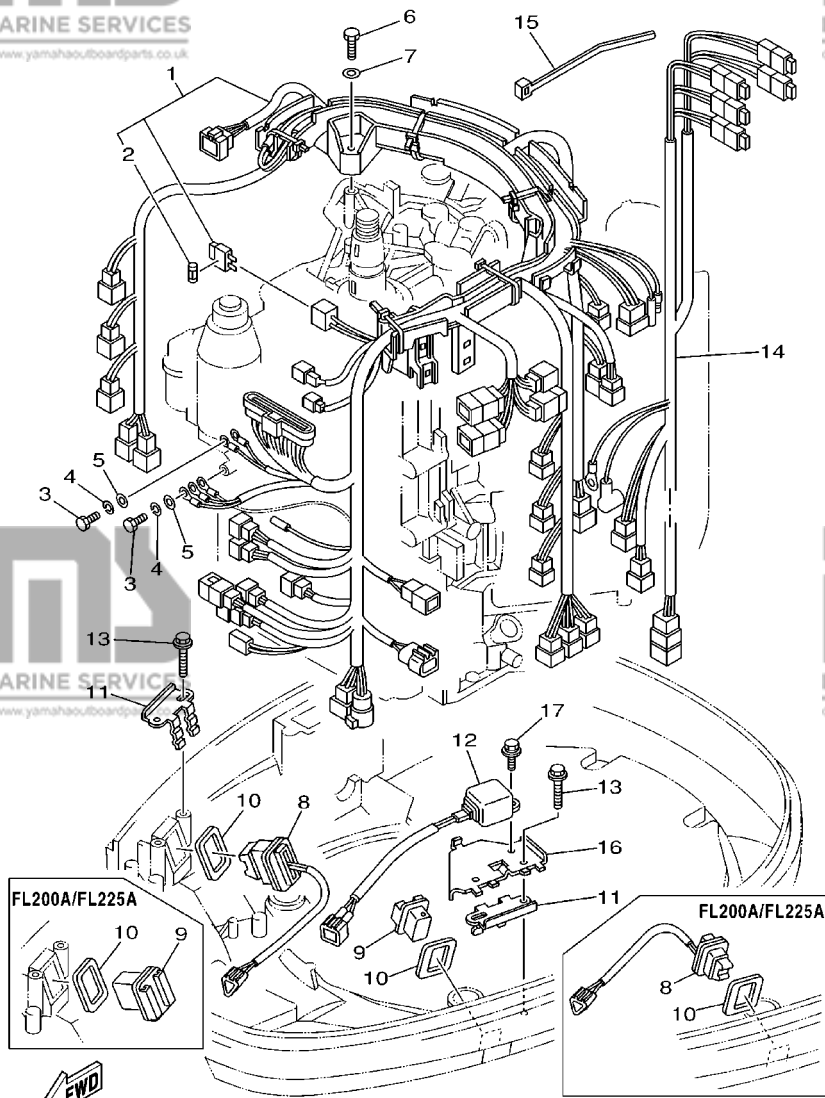
FIG. 17 ELECTRICAL 2

PARTIE ELECTRIQUE 2

| REF. NO. | PART NO. NO. PIECES | DESCRIPTION DESCRIPTION | 69J1 | 60L1 | 69K1 | 60M1 | REMARKS REMARQUES |
|----------|---------------------|--|------|------|------|------|-------------------|
| 27 | 69J-81942-00 | COVER COUVERCLE | 1 | 1 | 1 | 1 | |
| 28 | 90169-05M00 | SCREW, TRUSS HEAD TAPPING VIS, TETE FRAISEE | 4 | 4 | 4 | 4 | |
| 29 | 90464-07M56 | CLAMP BRIDE | 2 | 2 | 2 | 2 | |
| 30 | 68V-81950-00 | RELAY ASSY RELAIS COMPLET | 1 | 1 | 1 | 1 | |
| 31 | 97780-60625 | SCREW, TAPPING VIS, TETE FRAISEE | 1 | 1 | 1 | 1 | |
| 32 | 69J-81919-00 | GRAPHIC, REGULATOR ADHESIF, REGULATEUR | 1 | 1 | 1 | 1 | |



69J1010-2160



69J1100-2181

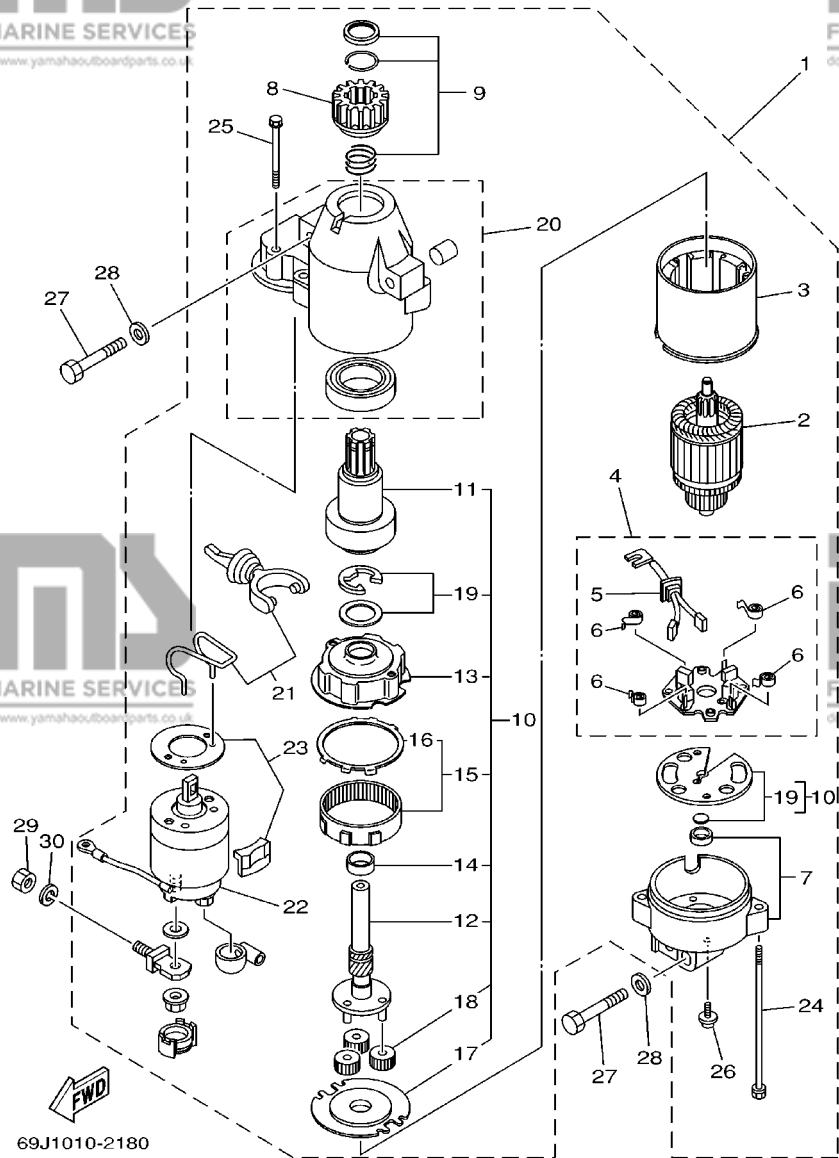
FIG. 18 ELECTRICAL 3

PARTIE ELECTRIQUE 3

| REF. NO. | PART NO. NO. PIECES | DESCRIPTION DESCRIPTION | 69J1 | 60L1 | 69K1 | 60M1 | REMARKS REMARQUES |
|----------|---------------------|--|------|------|------|------|-------------------|
| 1 | 69J-82590-00 | WIRE HARNESS ASSY FAISCEAU DE FILS COMPLET | 1 | 1 | 1 | 1 | |
| 2 | 67F-82151-20 | .FUSE .FUSIBLE | 2 | 2 | 2 | 2 | |
| 3 | 97095-06020 | BOLT BOULON | 2 | 2 | 2 | 2 | |
| 4 | 92995-06100 | WASHER, SPRING RONDELLE, GROWER | 2 | 2 | 2 | 2 | |
| 5 | 92995-06600 | WASHER RONDELLE | 2 | 2 | 2 | 2 | |
| 6 | 97095-06035 | BOLT BOULON | 3 | 3 | 3 | 3 | |
| 7 | 92995-06600 | WASHER RONDELLE | 3 | 3 | 3 | 3 | |
| 8 | 69J-82563-00 | TRIM & TILT SWITCH ASSY INCLINER ET PARER COMMUTATEUR | 1 | 1 | 1 | 1 | |
| 9 | 69J-42723-00-8D | COVER, BOTTOM COUVERCLE | 1 | 1 | 1 | 1 | |
| 10 | 69J-82587-00 | GASKET JOINT | 2 | 2 | 2 | 2 | |
| 11 | 69J-83614-00 | BRACKET SUPPORT | 2 | 2 | 2 | 2 | |
| 12 | 69J-86550-00 | DRIVE ASSY CONDUCTEUR (ENS.) | 1 | 1 | 1 | 1 | |
| 13 | 90109-06M86 | BOLT BOULON | 4 | 4 | 4 | 4 | |
| 14 | 69J-8259N-00 | WIRE HARNESS ASSY 3 FAISCEAU DE FILS | 1 | 1 | 1 | 1 | |
| 15 | 90465-13M18 | CLAMP BRIDE | 6 | 6 | 6 | 6 | |
| 16 | 69J-86552-00 | HOLDER, SWITCH SUPPORT, COMMUTATEUR | 1 | 1 | 1 | 1 | |
| 17 | 90119-06M19 | BOLT, WITH WASHER BOULON, AVEC RONDELLE | 1 | 1 | 1 | 1 | |

FIG. 19 STARTING MOTOR

DEMARREUR ELECTRIQUE



69J1010-2180

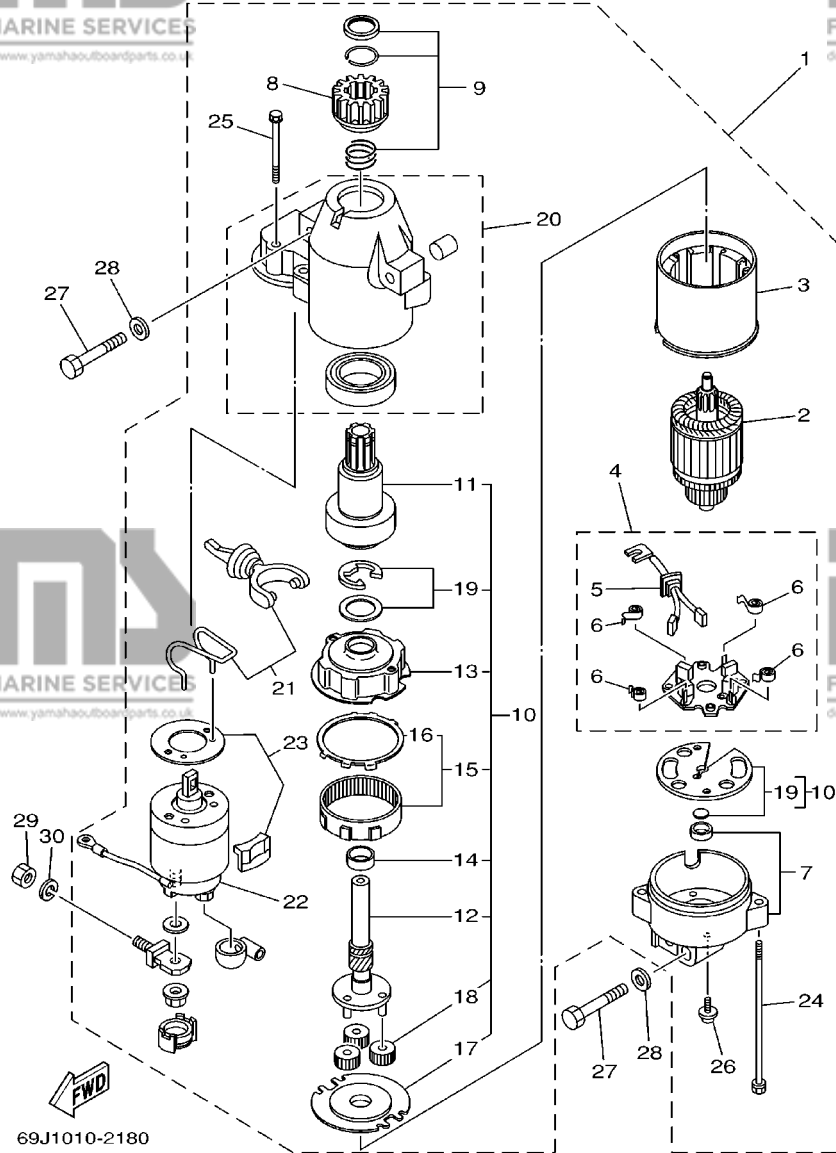
| REF. NO. | PART NO. NO. PIECES | DESCRIPTION DESCRIPTION | 69J1 | 60L1 | 69K1 | 60M1 | REMARKS REMARQUES |
|----------|---------------------|--|------|------|------|------|-------------------|
| 1 | 69J-81800-00 | STARTING MOTOR ASSY DEMARREUR ELECTRIQUE COMPLET | 1 | 1 | 1 | 1 | |
| 2 | 67F-81850-00 | .ARMATURE ASSY .INDUIT | 1 | 1 | 1 | 1 | |
| 3 | 67F-81810-00 | .STATOR ASSY .STATOR COMPLET | 1 | 1 | 1 | 1 | |
| 4 | 69J-81840-00 | .BRUSH HOLDER ASSY .SUPPORT DE CHARBON | 1 | 1 | 1 | 1 | |
| 5 | 69J-81801-00 | ..BRUSH SET ..CHARBON | 1 | 1 | 1 | 1 | |
| 6 | 67F-81813-00 | ..SPRING, BRUSH ..RESSORT, DE CHARBON | 4 | 4 | 4 | 4 | |
| 7 | 68F-81820-00 | .REAR BRACKET ASSY .SUPPORT ARRIERE COMPLET | 1 | 1 | 1 | 1 | |
| 8 | 67F-81808-00 | .PINION ASSY .PIGNON | 1 | 1 | 1 | 1 | |
| 9 | 67F-81857-00 | .PINION STOPPER SET .BUTEE PIGNON | 1 | 1 | 1 | 1 | |
| 10 | 67F-81807-00 | .GEAR ASSY, STARTING MOTOR ..PIGNON, DEMARREUR ELECTRIQUE | 1 | 1 | 1 | 1 | |
| 11 | 67F-81832-00 | ..CLUTCH, OVER RUN ..EMBAYAGE, ROUE LIBRE | 1 | 1 | 1 | 1 | |
| 12 | 67F-81836-00 | ..SHAFT, PINION ..AXE, PIGNON | 1 | 1 | 1 | 1 | |
| 13 | 67F-81821-00 | ..BRACKET, CENTER 1 ..SUPPORT, CENTRE 1 | 1 | 1 | 1 | 1 | |
| 14 | 67F-81841-00 | ..BEARING ..ROULEMENT | 1 | 1 | 1 | 1 | |
| 15 | 67F-81891-00 | ..GEAR, RING ..ROUE DENTEE | 1 | 1 | 1 | 1 | |
| 16 | 67F-8183R-00 | ...GASKET ...JOINT | 1 | 1 | 1 | 1 | |
| 17 | 67F-81830-00 | ..BRACKET, CENTER 2 ..SUPPORT, CENTRE 2 | 1 | 1 | 1 | 1 | |
| 18 | 67F-8183T-00 | ..GEAR, IDLER ..PIGNON, INTERMEDIAIRE | 3 | 3 | 3 | 3 | |
| 19 | 67F-81809-00 | ..WASHER KIT ..JEU DE RONDELLES | 1 | 1 | 1 | 1 | |
| 20 | 69J-81842-00 | .COVER .COUVERCLE | 1 | 1 | 1 | 1 | |
| 21 | 69J-81839-00 | .LEVER ASSY .LEVIER COMPLET | 1 | 1 | 1 | 1 | |
| 22 | 69J-81941-00 | .STARTER RELAY ASSY .LANCEUR RELAIS (ENS.) | 1 | 1 | 1 | 1 | |
| 23 | 69J-81869-00 | .COVER, DUST .COUVERCLE, POUSSIERE | 1 | 1 | 1 | 1 | |
| 24 | 6K7-81826-10 | .BOLT .BOULON | 2 | 2 | 2 | 2 | |
| 25 | 69J-81828-00 | .BOLT 2 .RONDELLE, BUTEE 2 | 2 | 2 | 2 | 2 | |
| 26 | 67F-81846-00 | .SCREW .VIS | 2 | 2 | 2 | 2 | |
| 27 | 97013-08045 | BOLT BOULON | 3 | 3 | 3 | 3 | |

E7

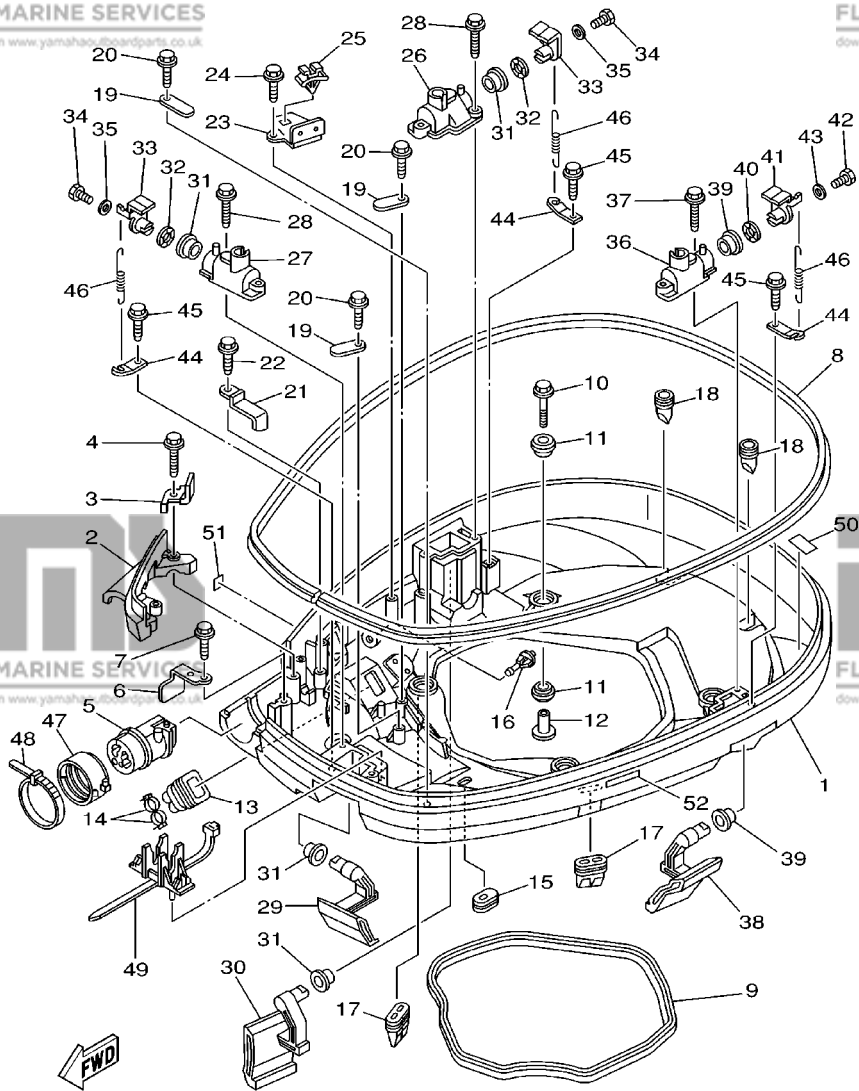
FIG. 19 STARTING MOTOR

DEMARREUR ELECTRIQUE

| REF. NO. | PART NO. NO. PIECES | DESCRIPTION DESCRIPTION | 69J1 | 60L1 | 69K1 | 60M1 | REMARKS REMARQUES |
|----------|---------------------|------------------------------------|------|------|------|------|-------------------|
| 28 | 92903-08600 | WASHER, PLATE RONDELLE, PLATE | 3 | 3 | 3 | 3 | |
| 29 | 95333-08600 | NUT ECROU | 1 | 1 | 1 | 1 | |
| 30 | 92903-08100 | WASHER, SPRING RONDELLE, GROWER | 1 | 1 | 1 | 1 | |



69J1010-2180



69J1100-2200

FIG. 20 BOTTOM COWLING 1

CAPOT INFERIEUR 1

| REF. NO. | PART NO. NO. PIECES | DESCRIPTION DESCRIPTION | 69J1 | 60L1 | 69K1 | 60M1 | REMARKS REMARQUES |
|----------|---------------------|--|------|------|------|------|-------------------|
| 1 | 69J-42711-00-8D | COWLING, BOTTOM CUVETTE | 1 | 1 | 1 | 1 | |
| 2 | 69J-42738-00-5B | PLATE, FITTING ETRIER | 1 | 1 | 1 | 1 | |
| 3 | 69J-42744-00 | STAY SUPPORT | 1 | 1 | 1 | 1 | |
| 4 | 90109-06M82 | BOLT BOULON | 2 | 2 | 2 | 2 | |
| 5 | 69J-42725-00 | GROMMET PASSE-FIL | 1 | 1 | 1 | 1 | |
| 6 | 64D-42738-10-5B | PLATE, FITTING ETRIER | 1 | 1 | 1 | 1 | |
| 7 | 90109-06M86 | BOLT BOULON | 1 | 1 | 1 | 1 | |
| 8 | 69J-42615-00 | SEAL JOINT | 1 | 1 | 1 | 1 | |
| 9 | 69J-42716-00 | RUBBER, SEAL 1 JOINT EN CAOUTCHOUC 1 | 1 | 1 | 1 | 1 | |
| 10 | 90119-08M22 | BOLT, WITH WASHER BOULON, AVEC RONDELLE | 4 | 4 | 4 | 4 | |
| 11 | 90480-22M81 | GROMMET PASSE-FIL | 8 | 8 | 8 | 8 | |
| 12 | 90387-08M37 | COLLAR COLLERETTE | 4 | 4 | 4 | 4 | |
| 13 | 6H1-42726-20 | GROMMET PASSE-FIL | 1 | 1 | 1 | 1 | |
| 14 | 90465-11M10 | CLAMP BRIDE | 2 | 2 | 2 | 2 | |
| 15 | 61A-42727-00 | GROMMET PASSE-FIL | 1 | 1 | 1 | 1 | |
| 16 | 69J-44391-00 | NIPPLE, HOSE RACCORD D'ESSENCE | 1 | 1 | 1 | 1 | |
| 17 | 69J-42717-00 | RUBBER, SEAL 2 JOINT EN CAOUTCHOUC 2 | 2 | 2 | 2 | 2 | |
| 18 | 61A-42717-00 | RUBBER, SEAL 2 JOINT EN CAOUTCHOUC 2 | 2 | 2 | 2 | 2 | |
| 19 | 6E5-82588-00 | PLATE PLAQUE | 3 | 3 | 3 | 3 | |
| 20 | 90109-06M81 | BOLT BOULON | 3 | 3 | 3 | 3 | |
| 21 | 90462-20001 | CLAMP BRIDE | 1 | 1 | 1 | 1 | |
| 22 | 90109-06M86 | BOLT BOULON | 1 | 1 | 1 | 1 | |
| 23 | 69J-82554-00 | STAY, NEUTRAL SWITCH SUPPORT, CONT DE POINT-MORT | 1 | 1 | 1 | 1 | |
| 24 | 90109-06M86 | BOLT BOULON | 1 | 1 | 1 | 1 | |
| 25 | 90464-09M47 | CLAMP BRIDE | 1 | 1 | 1 | 1 | |
| 26 | 68F-42828-00-5B | PLATE, CLAMP PLAQUE, PRESSE | 1 | 1 | 1 | 1 | |
| 27 | 69J-42828-00-5B | PLATE, CLAMP PLAQUE, PRESSE | 1 | 1 | 1 | 1 | |

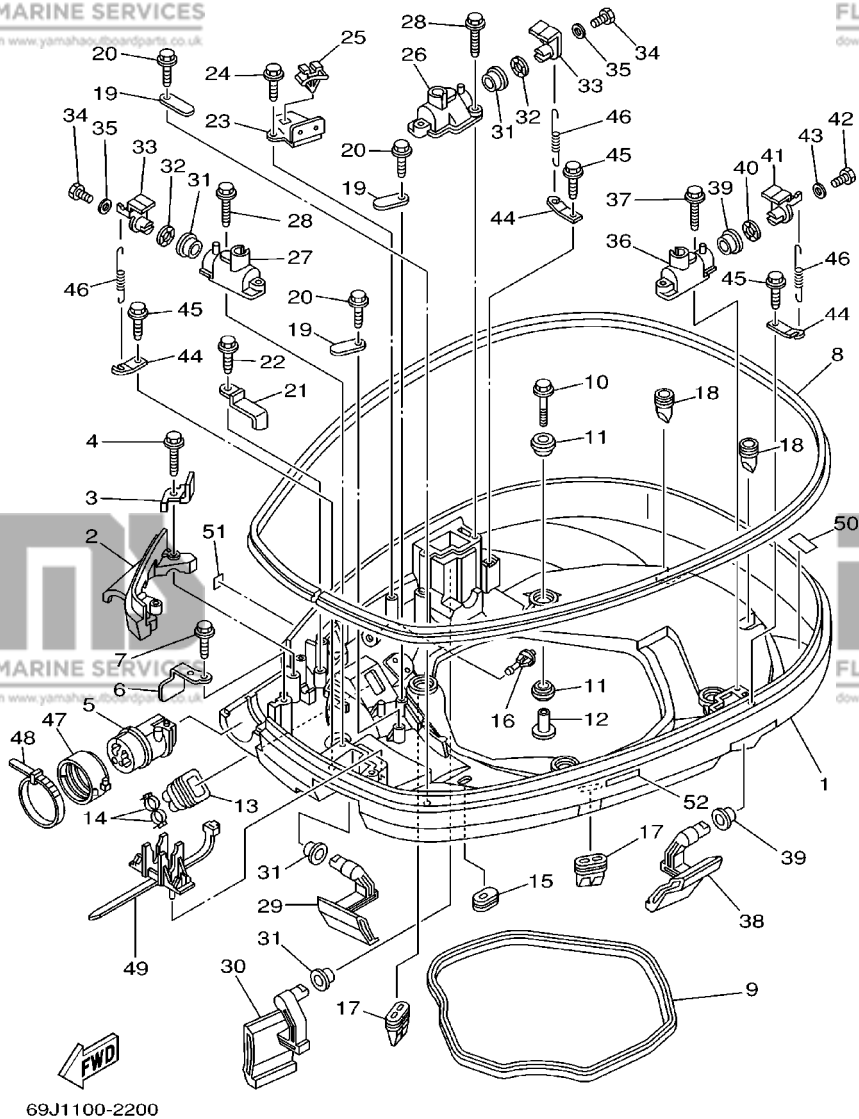


FIG. 20 BOTTOM COWLING 1

CAPOT INFERIEUR 1

| REF. NO. | PART NO. NO. PIECES | DESCRIPTION DESCRIPTION | 69J1 | 60L1 | 69K1 | 60M1 | REMARKS REMARQUES |
|----------|---------------------|--|------|------|------|------|-------------------|
| 28 | 90109-06M82 | BOLT BOULON | 4 | 4 | 4 | 4 | |
| 29 | 69J-42815-00-8D | LEVER, CLAMP LEVIER, PRESSE | 1 | 1 | 1 | 1 | |
| 30 | 69J-42817-00-8D | LEVER, CLAMP LEVIER, PRESSE | 1 | 1 | 1 | 1 | |
| 31 | 90386-15M73 | BUSH DOUILLE | 4 | 4 | 4 | 4 | |
| 32 | 90206-15M18 | WASHER, WAVE RONDELLE, ONDULEE | 2 | 2 | 2 | 2 | |
| 33 | 68F-42818-00 | LEVER, CLAMP LEVIER, PRESSE | 2 | 2 | 2 | 2 | |
| 34 | 97095-06020 | BOLT BOULON | 2 | 2 | 2 | 2 | |
| 35 | 90201-06068 | WASHER, PLATE RONDELLE, PLATE | 2 | 2 | 2 | 2 | |
| 36 | 68F-42828-10-5B | PLATE, CLAMP PLAQUE, PRESSE | 1 | 1 | 1 | 1 | |
| 37 | 90109-06M82 | BOLT BOULON | 2 | 2 | 2 | 2 | |
| 38 | 69J-42816-00-8D | LEVER, CLAMP LEVIER, PRESSE | 1 | 1 | 1 | 1 | |
| 39 | 90386-15M73 | BUSH DOUILLE | 2 | 2 | 2 | 2 | |
| 40 | 90206-15M18 | WASHER, WAVE RONDELLE, ONDULEE | 1 | 1 | 1 | 1 | |
| 41 | 67F-42818-00 | LEVER, CLAMP LEVIER, PRESSE | 1 | 1 | 1 | 1 | |
| 42 | 97095-06020 | BOLT BOULON | 1 | 1 | 1 | 1 | |
| 43 | 90201-06068 | WASHER, PLATE RONDELLE, PLATE | 1 | 1 | 1 | 1 | |
| 44 | 64D-43144-00 | HOOK, SPRING CROCHET | 3 | 3 | 3 | 3 | |
| 45 | 90109-06M86 | BOLT BOULON | 3 | 3 | 3 | 3 | |
| 46 | 90506-16M34 | SPRING, TENSION RESSORT, TENSION | 3 | 3 | 3 | 3 | |
| 47 | 68F-42753-00 | FASTNER ATTACHE | 1 | 1 | 1 | 1 | AP |
| 48 | 90464-20258 | CLAMP BRIDE | 1 | 1 | 1 | 1 | AP |
| 49 | 68V-82594-00 | CLAMP BRIDE | 1 | 1 | 1 | 1 | |
| 50 | 67F-82377-00 | LABEL ETIQUETTE | 1 | 1 | 1 | 1 | |
| 51 | 6A1-28176-00 | LABEL, CAUTION ETIQUETTE, RECOMMANDATION | 1 | 1 | 1 | 1 | |
| 52 | 6E3-8257H-00 | PLATE, MARK PLAQUE, ADHESIF | 1 | 1 | 1 | 1 | |

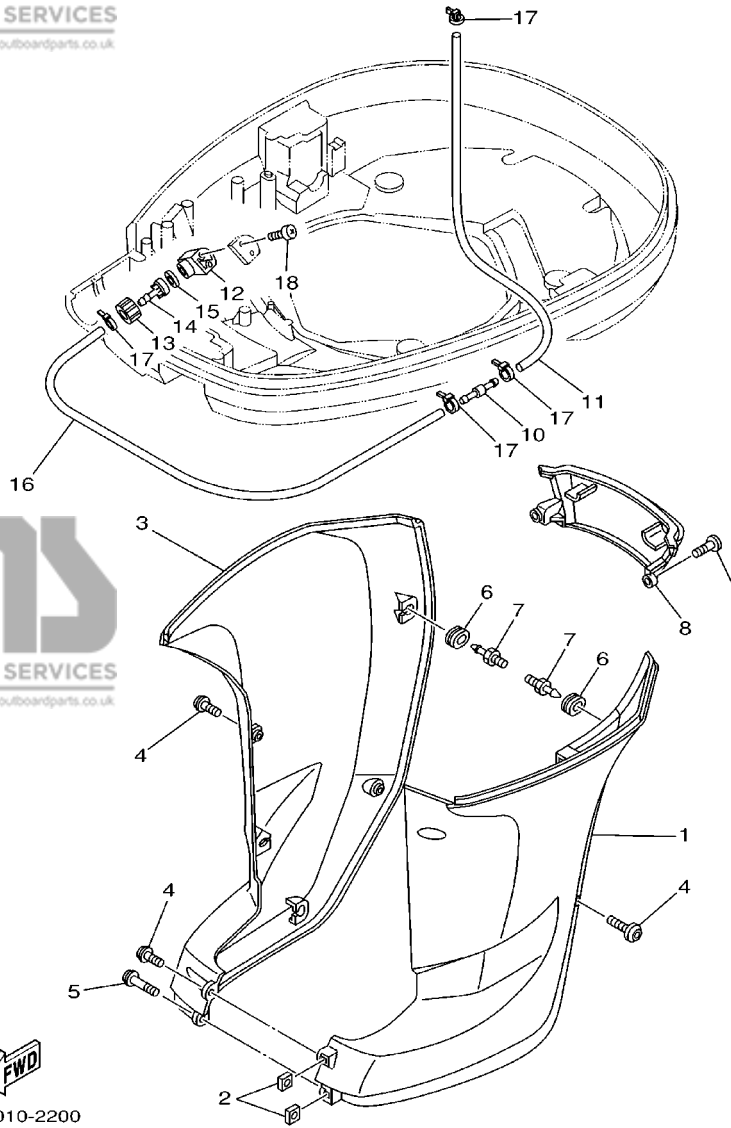


FIG. 21 BOTTOM COWLING 2

CAPOT INFERIEUR 2

| REF. NO. | PART NO. NO. PIECES | DESCRIPTION DESCRIPTION | 69J1 | 60L1 | 69K1 | 60M1 | REMARKS REMARQUES |
|----------|---------------------|---|------|------|------|------|-------------------|
| 1 | 69J-42741-00-8D | APRON CAPOT LATERAL | 1 | 1 | 1 | 1 | |
| 2 | 90173-06001 | NUT, SQUARE ECROU, CARRE | 2 | 2 | 2 | 2 | |
| 3 | 69J-42771-00-8D | APRON CAPOT LATERAL | 1 | 1 | 1 | 1 | |
| 4 | 90111-06025 | BOLT BOULON | 5 | 5 | 5 | 5 | |
| 5 | 90111-06026 | BOLT BOULON | 1 | 1 | 1 | 1 | |
| 6 | 90480-14M17 | GROMMET PASSE-FIL | 6 | 6 | 6 | 6 | |
| 7 | 69J-42774-00 | STAY, APRON 1 COUSSINET | 6 | 6 | 6 | 6 | |
| 8 | 69J-45151-00-8D | COVER, UPPER CASING CAPUCHON, FOURREAU | 1 | 1 | 1 | 1 | |
| 9 | 90111-06025 | BOLT BOULON | 2 | 2 | 2 | 2 | |
| 10 | 6E5-24379-00 | PIPE, JOINT 4 DURITE RACCORDEMENT | 1 | 1 | 1 | 1 | |
| 11 | 90445-11024 | HOSE DURITE | 1 | 1 | 1 | 1 | |
| 12 | 68T-12572-00 | ADAPTER ADAPTATEUR | 1 | 1 | 1 | 1 | |
| 13 | 6R3-12581-00 | JOINT, HOSE 1 JOINT DE TUYAU | 1 | 1 | 1 | 1 | |
| 14 | 6R3-12582-00 | JOINT, HOSE 2 RACCORD DE TUYAU 1 | 1 | 1 | 1 | 1 | |
| 15 | 6R3-12583-00 | GASKET, HOSE JOINT JOINT | 1 | 1 | 1 | 1 | |
| 16 | 90445-11023 | HOSE DURITE | 1 | 1 | 1 | 1 | |
| 17 | 90465-11M10 | CLAMP BRIDE | 4 | 4 | 4 | 4 | |
| 18 | 97780-60520 | SCREW, TAPPING VIS, TETE FRAISEE | 2 | 2 | 2 | 2 | |

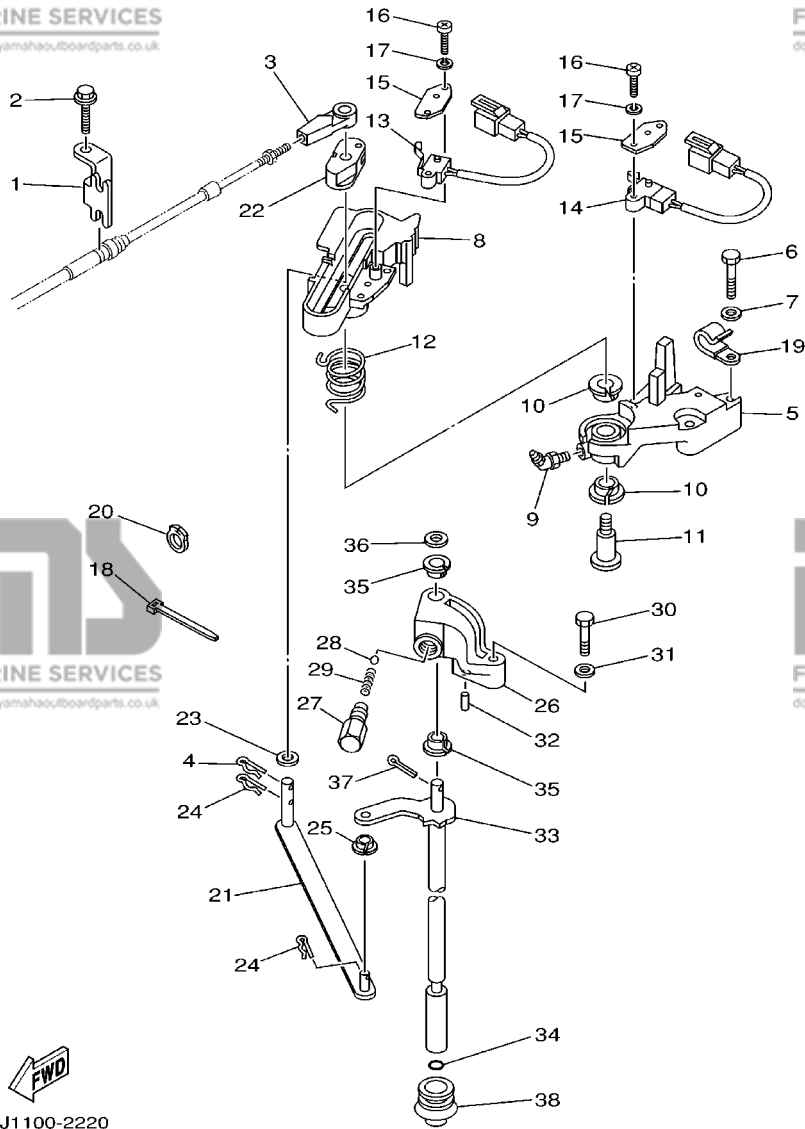
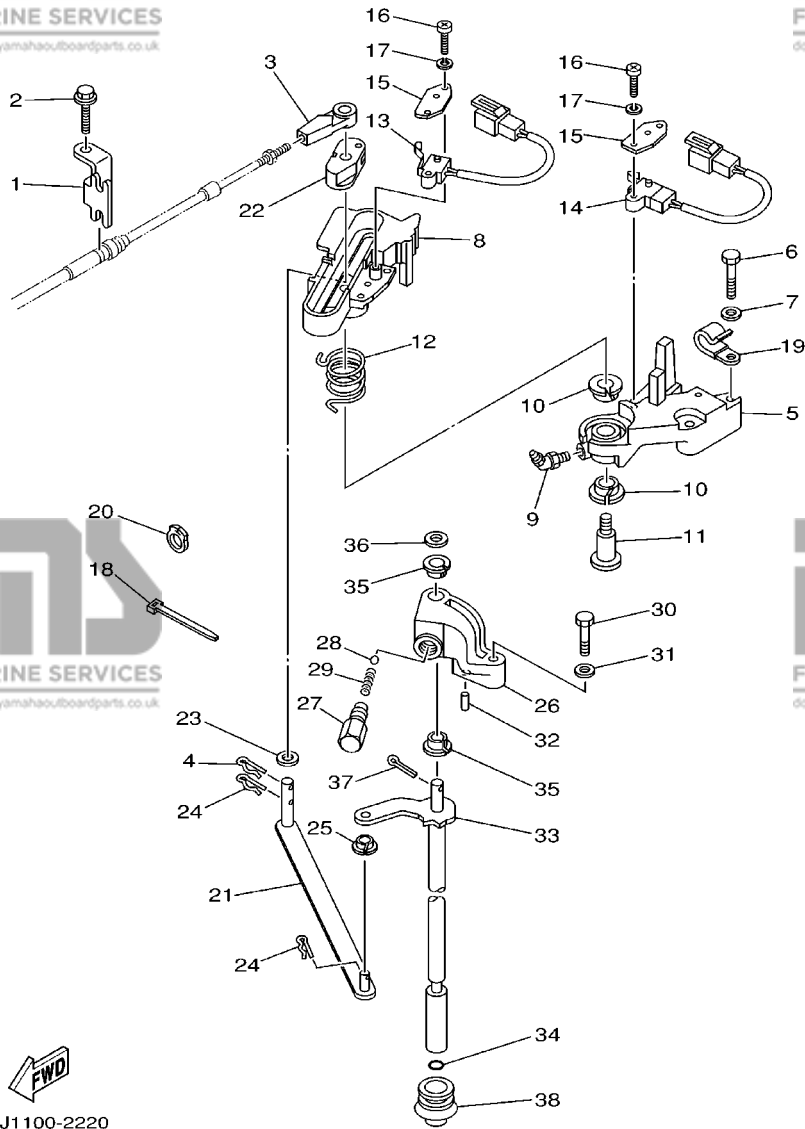


FIG. 22 CONTROL 1

COMMANDE 1

| REF. NO. | PART NO. NO. PIECES | DESCRIPTION DESCRIPTION | 69J1 | 60L1 | 69K1 | 60M1 | REMARKS REMARQUES |
|----------|---------------------|--|------|------|------|------|-------------------|
| 1 | 69J-48531-00 | BRACKET, REMOTE CONTROL 1 ETRIER 1, COMMANDE A DISTANCE | 1 | 1 | 1 | 1 | |
| 2 | 90109-06M86 | BOLT BOULON | 1 | 1 | 1 | 1 | |
| 3 | 6E5-48344-00 | CABLE END, REMOTE CONTROL CHAPE CABLE | 1 | 1 | 1 | 1 | |
| 4 | 90468-18008 | CLIP JONC | 1 | 1 | 1 | 1 | |
| 5 | 69J-44117-00-1S | BRACKET SUPPORT | 1 | 1 | 1 | 1 | |
| 6 | 97095-06035 | BOLT BOULON | 2 | 2 | 2 | 2 | |
| 7 | 92995-06600 | WASHER RONDELLE | 2 | 2 | 2 | 2 | |
| 8 | 69J-44176-00-1S | BRACKET SUPPORT | 1 | 1 | 1 | 1 | |
| 9 | 93700-06M01 | NIPPLE, GREASE GRAISSEUR | 1 | 1 | 1 | 1 | |
| 10 | 90386-12069 | BUSH DOUILLE | 2 | 2 | 2 | 2 | |
| 11 | 90109-08019 | BOLT BOULON | 1 | 1 | 1 | 1 | |
| 12 | 90508-20020 | SPRING, TORSION RESSORT, TORSION | 1 | 1 | 1 | 1 | |
| 13 | 68F-8259F-00 | SWITCH ASSY COMMUTATEUR | 1 | 1 | 1 | 1 | |
| 14 | 69J-8259F-00 | SWITCH ASSY COMMUTATEUR | 1 | 1 | 1 | 1 | |
| 15 | 61A-82588-00 | PLATE PLAQUE | 2 | 2 | 2 | 2 | |
| 16 | 97885-04016 | SCREW, PAN HEAD VIS, TETE TRONCONIQUE | 4 | 4 | 4 | 4 | |
| 17 | 92995-04100 | WASHER RONDELLE | 4 | 4 | 4 | 4 | |
| 18 | 90465-11M10 | CLAMP BRIDE | 1 | 1 | 1 | 1 | |
| 19 | 90465-06M86 | CLAMP BRIDE | 1 | 1 | 1 | 1 | |
| 20 | 90464-09010 | CLAMP BRIDE | 1 | 1 | 1 | 1 | |
| 21 | 69J-44121-00 | LEVER, SHIFT ROD LEVIER, TIGE D'INVERSION | 1 | 1 | 1 | 1 | |
| 22 | 69J-44122-00 | BUSHING, SHIFT ROD LEVER DOUILLE, LEVIER D'EMBRAYAGE | 1 | 1 | 1 | 1 | |
| 23 | 90202-08M20 | WASHER, PLATE RONDELLE, PLATE | 1 | 1 | 1 | 1 | |
| 24 | 90468-18008 | CLIP JONC | 2 | 2 | 2 | 2 | |
| 25 | 90386-06M12 | BUSH DOUILLE | 1 | 1 | 1 | 1 | |
| 26 | 69J-44118-00 | BRACKET SUPPORT | 1 | 1 | 1 | 1 | |
| 27 | 648-42715-00 | BUSHING COUSSINET | 1 | 1 | 1 | 1 | |



69J1100-2220

FIG. 22 CONTROL 1

COMMANDE 1

| REF. NO. | PART NO. NO. PIECES | DESCRIPTION DESCRIPTION | 69J1 | 60L1 | 69K1 | 60M1 | REMARKS REMARQUES |
|----------|---------------------|---|------|------|------|------|-------------------|
| 28 | 93501-04M02 | BALL BILLE | 1 | 1 | 1 | 1 | |
| 29 | 90501-12082 | SPRING, COMPRESSION RESSORT, COMPRESSION | 1 | 1 | 1 | 1 | |
| 30 | 97075-06030 | BOLT BOULON | 1 | 1 | 1 | 1 | |
| 31 | 92995-06600 | WASHER RONDELLE | 1 | 1 | 1 | 1 | |
| 32 | 91690-30010 | PIN, SPRING GOUPILLE, ELASTIQUE | 1 | 1 | 1 | 1 | |
| 33 | 69J-44120-00 | HANDLE GEAR SHIFT ASSY LEVIER D'EMBRAYAGE | 1 | 1 | 1 | 1 | X |
| 34 | 93210-09165 | O-RING JOINT TORIQUE | 1 | 1 | 1 | 1 | |
| 35 | 90386-90M90 | BUSH DOUILLE | 2 | 2 | 2 | 2 | |
| 36 | 90201-09M02 | WASHER, PLATE RONDELLE, PLATE | 1 | 1 | 1 | 1 | |
| 37 | 91490-20015 | PIN, COTTER GOUPILLE, FENDUE | 1 | 1 | 1 | 1 | |
| 38 | 6E5-42724-00 | GROMMET PASSE-FIL | 1 | 1 | 1 | 1 | |



69J1100-2230

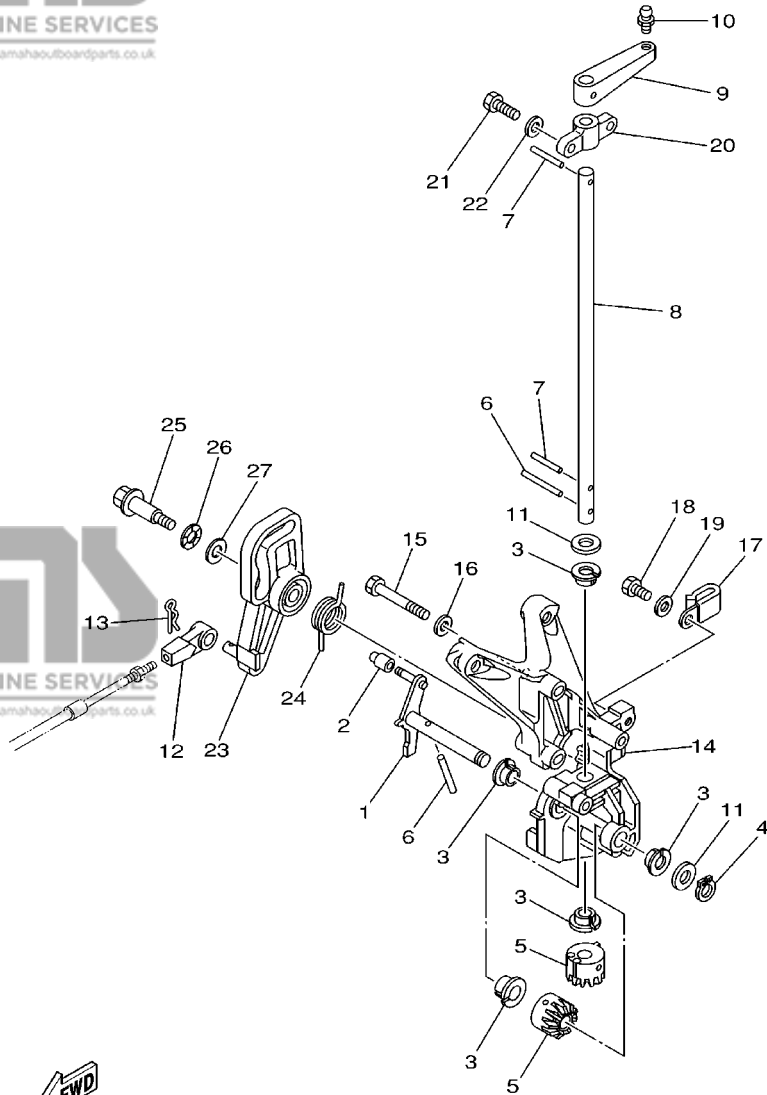


FIG. 23 CONTROL 2

COMMANDE 2

| REF. NO. | PART NO. NO. PIECES | DESCRIPTION DESCRIPTION | 69J1 | 60L1 | 69K1 | 60M1 | REMARKS REMARQUES |
|----------|---------------------|---|------|------|------|------|-------------------|
| 1 | 69J-42154-00 | LEVER, THROTTLE CONTROL LEVIER DE COMMANDE D'AVANCE | 1 | 1 | 1 | 1 | |
| 2 | 68V-42171-00 | BUSHING COUSSINET | 1 | 1 | 1 | 1 | |
| 3 | 90386-10025 | BUSH DOUILLE | 5 | 5 | 5 | 5 | |
| 4 | 93410-10082 | CIRCLIP CIRCLIP, TYPE S | 1 | 1 | 1 | 1 | |
| 5 | 69J-42152-00-94 | GEAR PIGNON | 2 | 2 | 2 | 2 | |
| 6 | 91690-30025 | PIN, SPRING GOUPILLE, ELASTIQUE | 2 | 2 | 2 | 2 | |
| 7 | 91690-30018 | PIN, SPRING GOUPILLE, ELASTIQUE | 2 | 2 | 2 | 2 | |
| 8 | 69J-42153-00 | SHAFT, THROTTLE CONTROL AXE, COMMANDE D'ACCELERATION | 1 | 1 | 1 | 1 | |
| 9 | 69J-41632-00-94 | LEVER, MAGNETO CONTROL LEVIER, COMMANDE D'AVANCE | 1 | 1 | 1 | 1 | |
| 10 | 663-85518-00 | JOINT, BALL JOINT SPHERIQUE | 1 | 1 | 1 | 1 | |
| 11 | 90201-10M02 | WASHER, PLATE RONDELLE, PLATE | 2 | 2 | 2 | 2 | |
| 12 | 6E5-48344-00 | CABLE END, REMOTE CONTROL CHAPE CABLE | 1 | 1 | 1 | 1 | |
| 13 | 90468-18008 | CLIP JONG | 1 | 1 | 1 | 1 | |
| 14 | 69J-41661-00-94 | BRACKET SUPPORT | 1 | 1 | 1 | 1 | |
| 15 | 97095-06045 | BOLT BOULON | 5 | 5 | 5 | 5 | |
| 16 | 92995-06600 | WASHER RONDELLE | 5 | 5 | 5 | 5 | |
| 17 | 90465-06M67 | CLAMP BRIDE | 2 | 2 | 2 | 2 | |
| 18 | 97095-06014 | BOLT BOULON | 2 | 2 | 2 | 2 | |
| 19 | 92995-06600 | WASHER RONDELLE | 2 | 2 | 2 | 2 | |
| 20 | 676-41662-00 | BRACKET SUPPORT | 1 | 1 | 1 | 1 | |
| 21 | 97095-06020 | BOLT BOULON | 2 | 2 | 2 | 2 | |
| 22 | 92995-06600 | WASHER RONDELLE | 2 | 2 | 2 | 2 | |
| 23 | 69J-41213-00 | CAM, ACCEL. CAME, ACCELERATION | 1 | 1 | 1 | 1 | |
| 24 | 69J-44135-00 | SPRING RESSORT | 1 | 1 | 1 | 1 | |
| 25 | 90109-06040 | BOLT BOULON | 1 | 1 | 1 | 1 | |
| 26 | 90206-10M04 | WASHER, WAVE RONDELLE, ONDULEE | 1 | 1 | 1 | 1 | |
| 27 | 90201-10M02 | WASHER, PLATE RONDELLE, PLATE | 1 | 1 | 1 | 1 | |

F7

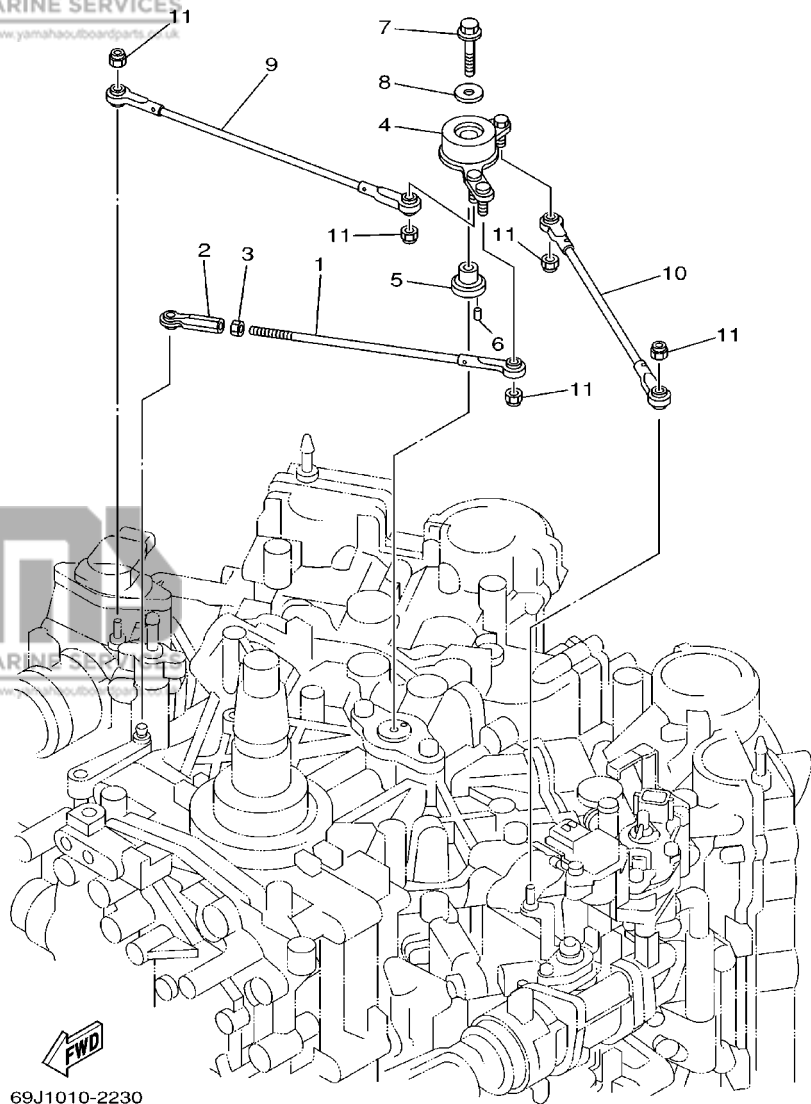


FIG. 24 CONTROL 3

COMMANDE 3

| REF. NO. | PART NO. NO. PIECES | DESCRIPTION DESCRIPTION | 69J1 | 60L1 | 69K1 | 60M1 | REMARKS REMARQUES |
|----------|---------------------|---|------|------|------|------|-------------------|
| 1 | 69J-41241-00 | ROD, LINK BIELLETTTE | 1 | 1 | 1 | 1 | |
| 2 | 682-41237-00 | JOINT, LINK RACCORD | 1 | 1 | 1 | 1 | |
| 3 | 95380-05600 | NUT ECROU | 1 | 1 | 1 | 1 | |
| 4 | 69J-41210-00 | ACCEL. ARM ASSY LEVIER D'ACCELERATION | 1 | 1 | 1 | 1 | |
| 5 | 69J-41635-00 | SHAFT, LINK CONNECTING AXE, RACCORD | 1 | 1 | 1 | 1 | |
| 6 | 91690-30008 | PIN, SPRING GOUPILLE, ELASTIQUE | 1 | 1 | 1 | 1 | |
| 7 | 95895-06030 | BOLT, FLANGE BOULON, A COLLERETTE | 1 | 1 | 1 | 1 | |
| 8 | 90201-06M31 | WASHER, PLATE RONDELLE, PLATE | 1 | 1 | 1 | 1 | |
| 9 | 69J-41211-00 | LINK, ACCEL. BIELLETTTE, ACCELERATION | 1 | 1 | 1 | 1 | |
| 10 | 69J-41636-00 | ROD, MAGNETO CONTROL BIELLETTTE, COMMANDE D'AVANCE | 1 | 1 | 1 | 1 | |
| 11 | 95680-05100 | NUT, U ECROU, U | 5 | 5 | 5 | 5 | |

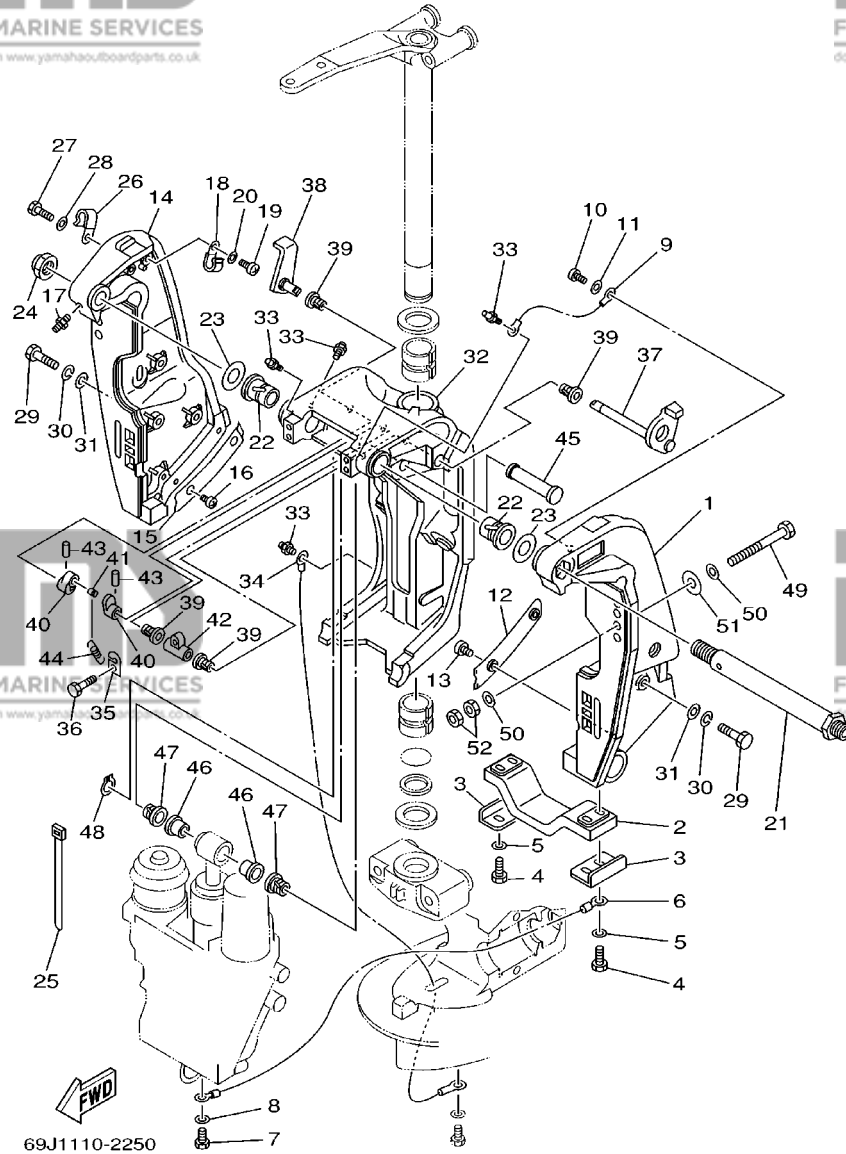


FIG. 25 BRACKET 1

SUPPORT 1

| REF. NO. | PART NO. NO. PIECES | DESCRIPTION DESCRIPTION | 69J1 | 60L1 | 69K1 | 60M1 | REMARKS REMARQUES |
|----------|---------------------|---------------------------------------|------|------|------|------|-------------------|
| 1 | 69J-43111-00-8D | BRACKET, CLAMP PRESSE | 1 | 1 | 1 | 1 | |
| 2 | 6G5-45251-02 | ANODE ANODE | 1 | 1 | 1 | 1 | |
| 3 | 6G5-44526-00 | PLATE PLAQUE | 2 | 2 | 2 | 2 | |
| 4 | 97095-06025 | BOLT BOULON | 4 | 4 | 4 | 4 | |
| 5 | 92995-06600 | WASHER RONDELLE | 4 | 4 | 4 | 4 | |
| 6 | 6H1-82148-00 | WIRE, LEAD 4 FIL 4 | 1 | 1 | 1 | 1 | |
| 7 | 97095-06010 | BOLT BOULON | 1 | 1 | 1 | 1 | |
| 8 | 92995-06600 | WASHER RONDELLE | 1 | 1 | 1 | 1 | |
| 9 | 6E5-82148-00 | WIRE, LEAD 4 FIL 4 | 1 | 1 | 1 | 1 | |
| 10 | 97885-06012 | SCREW, PAN HEAD VIS, TETE TRONCONIQUE | 1 | 1 | 1 | 1 | |
| 11 | 92995-06600 | WASHER RONDELLE | 1 | 1 | 1 | 1 | |
| 12 | 61A-43132-00 | WASHER, FRICTION RONDELLE, FRICTION | 1 | 1 | 1 | 1 | |
| 13 | 97885-06010 | SCREW, PAN HEAD VIS, TETE TRONCONIQUE | 2 | 2 | 2 | 2 | |
| 14 | 69J-43112-00-8D | BRACKET, CLAMP PRESSE | 1 | 1 | 1 | 1 | |
| 15 | 61A-43133-00 | WASHER, FRICTION RONDELLE | 1 | 1 | 1 | 1 | |
| 16 | 97885-06010 | SCREW, PAN HEAD VIS, TETE TRONCONIQUE | 2 | 2 | 2 | 2 | |
| 17 | 93700-06M03 | NIPPLE, GREASE GRAISSEUR | 1 | 1 | 1 | 1 | |
| 18 | 90465-08M83 | CLAMP BRIDE | 1 | 1 | 1 | 1 | |
| 19 | 97885-06012 | SCREW, PAN HEAD VIS, TETE TRONCONIQUE | 1 | 1 | 1 | 1 | |
| 20 | 92995-06600 | WASHER RONDELLE | 1 | 1 | 1 | 1 | |
| 21 | 6R3-43131-00 | BOLT, CLAMP BRACKET BOULON, PRESSE | 1 | 1 | 1 | 1 | |
| 22 | 90386-25M31 | BUSH DOUILLE | 2 | 2 | 2 | 2 | |
| 23 | 90201-26M59 | WASHER, PLATE RONDELLE, PLATE | 2 | 2 | 2 | 2 | |
| 24 | 90185-22M11 | NUT, SELF-LOCKING ECROU, AUTO-BLOCANT | 1 | 1 | 1 | 1 | |
| 25 | 90465-11M10 | CLAMP BRIDE | 4 | 4 | 4 | 4 | |
| 26 | 90465-08M83 | CLAMP BRIDE | 1 | 1 | 1 | 1 | |
| 27 | 97095-06014 | BOLT BOULON | 1 | 1 | 1 | 1 | |

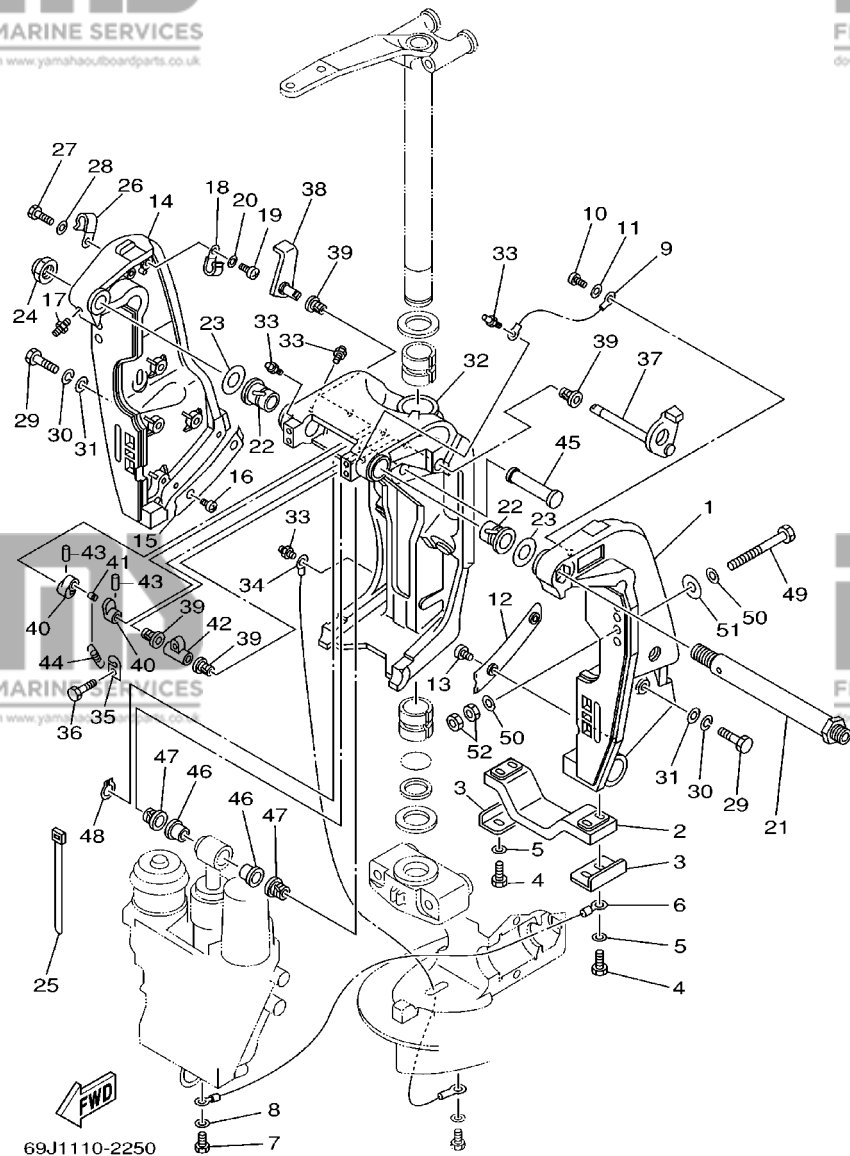


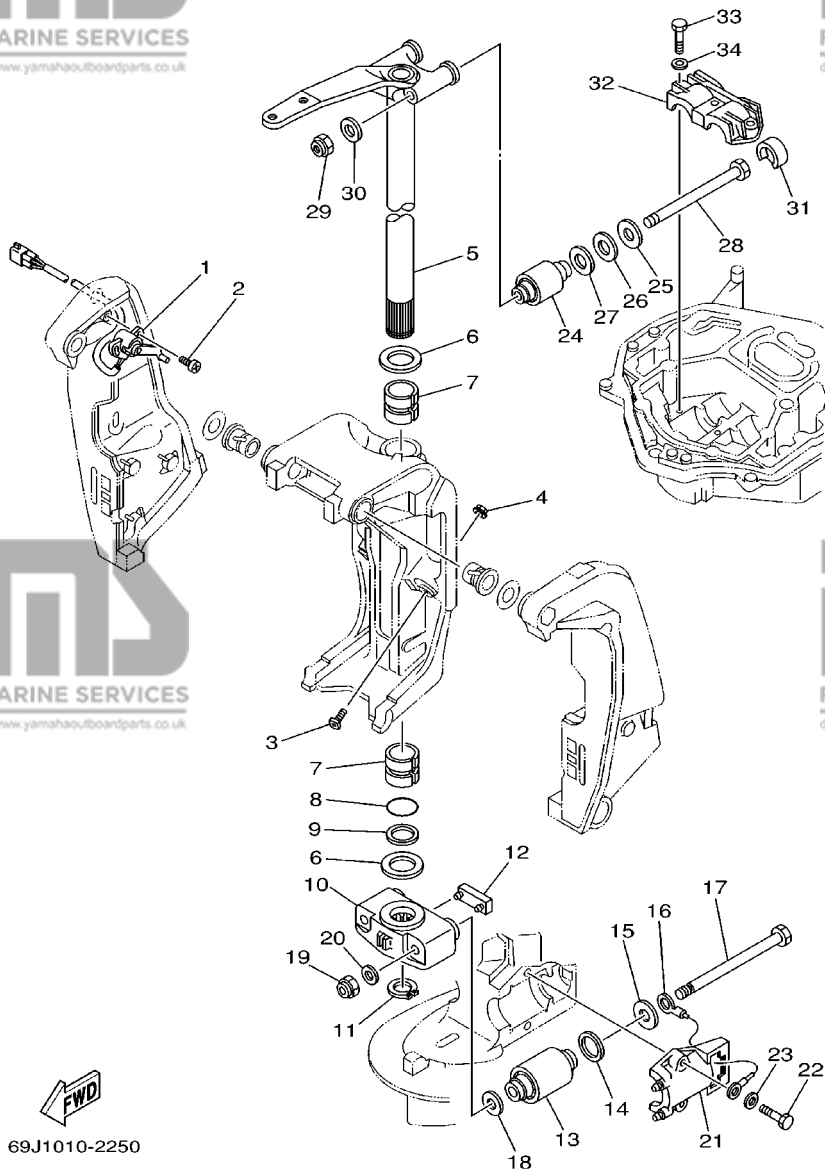
FIG. 25 BRACKET 1

SUPPORT 1

| REF. NO. | PART NO. NO. PIECES | DESCRIPTION DESCRIPTION | 69J1 | 60L1 | 69K1 | 60M1 | REMARKS REMARQUES |
|----------|---------------------|---|------|------|------|------|-------------------|
| 28 | 92995-06600 | WASHER RONDELLE | 1 | 1 | 1 | 1 | |
| 29 | 97095-10045 | BOLT BOULON | 8 | 8 | 8 | 8 | |
| 30 | 92995-10100 | WASHER RONDELLE | 8 | 8 | 8 | 8 | |
| 31 | 92995-10600 | WASHER RONDELLE | 8 | 8 | 8 | 8 | |
| 32 | 61A-43311-21-8D | BRACKET, SWIVEL 1 SUPPORT, PIVOT 1 | 1 | 1 | 1 | 1 | |
| 33 | 93700-06M03 | NIPPLE, GREASE GRAISSEUR | 5 | 5 | 5 | 5 | |
| 34 | 69J-82147-00 | WIRE, LEAD 4 FIL 4 | 1 | 1 | 1 | 1 | |
| 35 | 6G5-43144-00 | HOOK, SPRING CROCHET | 1 | 1 | 1 | 1 | |
| 36 | 97095-06010 | BOLT BOULON | 1 | 1 | 1 | 1 | |
| 37 | 61A-43181-01 | LEVER, TILT STOP LEVIER, VERROUILLAGE RELEVAGE | 1 | 1 | 1 | 1 | |
| 38 | 6G5-43185-02 | LEVER, TILT STOP LEVIER, VERROUILLAGE RELEVAGE | 1 | 1 | 1 | 1 | |
| 39 | 90386-10M16 | BUSH DOUILLE | 4 | 4 | 4 | 4 | |
| 40 | 6G5-43148-00 | COLLAR, DISTANCE ENTRETOISE | 2 | 2 | 2 | 2 | |
| 41 | 90249-06M19 | PIN GOUPILLE | 1 | 1 | 1 | 1 | |
| 42 | 90387-10M02 | COLLAR COLLERETTE | 1 | 1 | 1 | 1 | |
| 43 | 91690-30020 | PIN, SPRING GOUPILLE, ELASTIQUE | 2 | 2 | 2 | 2 | |
| 44 | 90506-16003 | SPRING, TENSION RESSORT, TENSION | 1 | 1 | 1 | 1 | |
| 45 | 6E5-43126-02 | PIN, UPPER SHOCK MOUNT AXE, SUPERIEUR AMORTISSEUR | 1 | 1 | 1 | 1 | |
| 46 | 90386-18M63 | BUSH DOUILLE | 2 | 2 | 2 | 2 | |
| 47 | 90386-18M14 | BUSH DOUILLE | 2 | 2 | 2 | 2 | |
| 48 | 93410-18M02 | CIRCLIP CIRCLIP, TYPE S | 1 | 1 | 1 | 1 | |
| 49 | 90101-12M05 | BOLT (L:130MM) BOULON (L:130MM) | 4 | 4 | 4 | 4 | |
| 50 | 90201-13M01 | WASHER, PLATE RONDELLE, PLATE | 8 | 8 | 8 | 8 | |
| 51 | 90201-12M05 | WASHER, PLATE RONDELLE, PLATE | 4 | 4 | 4 | 4 | |
| 52 | 95380-12600 | NUT ECROU | 8 | 8 | 8 | 8 | |

FIG. 26 BRACKET 2

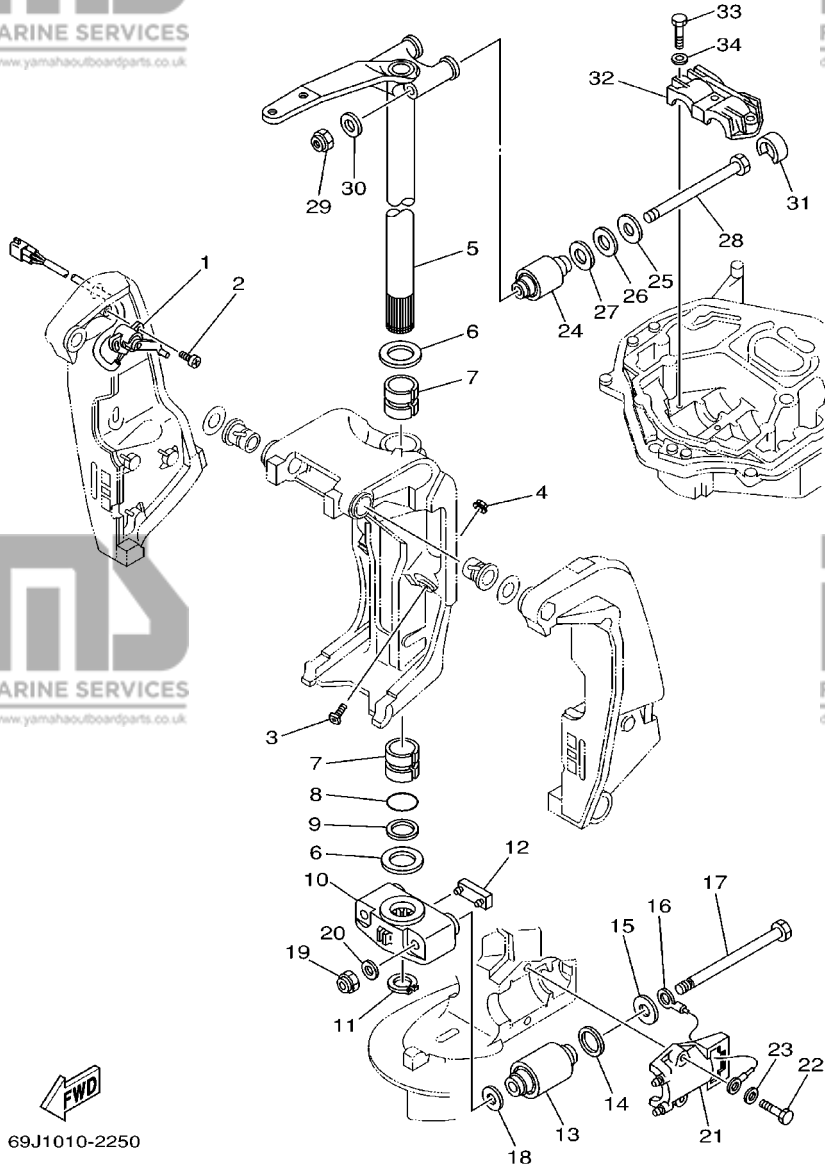
SUPPORT 2



| REF. NO. | PART NO. NO. PIECES | DESCRIPTION DESCRIPTION | 69J1 | 60L1 | 69K1 | 60M1 | REMARKS REMARQUES |
|----------|---------------------|--|------|------|------|------|-------------------|
| 1 | 69J-83672-00 | TRIM SENDER INCLINER RACCORD | 1 | 1 | 1 | 1 | |
| 2 | 97885-06016 | SCREW, PAN HEAD VIS, TETE TRONCONIQUE | 2 | 2 | 2 | 2 | |
| 3 | 61A-43376-00 | BOLT, THRUST RECEIVER BOULON | 2 | 2 | 2 | 2 | |
| 4 | 95780-10300 | NUT, FLANGE ECROU, A COLLERETTE | 2 | 2 | 2 | 2 | |
| 5 | 69J-42510-00-8D | STEERING BRACKET ASSY DIRECTION SUPPORT (ENS.) | 1 | 1 | 1 | 1 | |
| 6 | 90201-40M00 | WASHER, PLATE RONDELLE, PLATE | 2 | 2 | 2 | 2 | |
| 7 | 90386-39M89 | BUSH DOUILLE | 2 | 2 | 2 | 2 | |
| 8 | 93210-35321 | O-RING JOINT TORIQUE | 1 | 1 | 1 | 1 | |
| 9 | 90202-40M47 | WASHER, PLATE RONDELLE, PLATE | 1 | 1 | 1 | 1 | |
| 10 | 69J-44551-00-8D | HOUSING, LOWER MOUNT RUBBER BOITIER, SILENT-BLOC INFERIEUR | 1 | 1 | 1 | 1 | |
| 11 | 93410-37M04 | CIRCLIP CIRCLIP, TYPE S | 1 | 1 | 1 | 1 | |
| 12 | 61A-44575-00 | DAMPER, LOWER MOUNT RUBBER SILENT-BLOC, INFERIEUR | 1 | 1 | 1 | 1 | |
| 13 | 66K-44555-00-94 | MOUNT DAMPER, LOWER SIDE SILENT-BLOC, INFERIEUR LATERAL | 2 | 2 | 2 | 2 | |
| 14 | 90202-32M19 | WASHER, PLATE RONDELLE, PLATE | 2 | 2 | 2 | 2 | |
| 15 | 90201-16M55 | WASHER, PLATE RONDELLE, PLATE | 2 | 2 | 2 | 2 | |
| 16 | 6E5-82149-00 | WIRE, LEAD 3 FIL 3 | 1 | 1 | 1 | 1 | |
| 17 | 90109-14M48 | BOLT BOULON | 2 | 2 | 2 | 2 | |
| 18 | 90201-15M58 | WASHER, PLATE RONDELLE, PLATE | 2 | 2 | 2 | 2 | |
| 19 | 90185-14M00 | NUT, SELF-LOCKING ECROU, AUTO-BLOCANT | 2 | 2 | 2 | 2 | |
| 20 | 92995-14600 | WASHER RONDELLE | 2 | 2 | 2 | 2 | |
| 21 | 61A-44552-01-94 | HOUSING, LOWER MOUNT RUBBER BOITIER, SILENT-BLOC INFERIEUR | 2 | 2 | 2 | 2 | |
| 22 | 97095-10045 | BOLT BOULON | 4 | 4 | 4 | 4 | |
| 23 | 92995-10600 | WASHER RONDELLE | 4 | 4 | 4 | 4 | |
| 24 | 66K-44514-00-94 | MOUNT DAMPER, UPPER SIDE SILENT-BLOC, SUPERIEUR LATERAL | 2 | 2 | 2 | 2 | |
| 25 | 90201-16M01 | WASHER, PLATE RONDELLE, PLATE | 2 | 2 | 2 | 2 | |
| 26 | 90202-28M46 | WASHER, PLATE RONDELLE, PLATE | 2 | 2 | 2 | 2 | |
| 27 | 90201-28M01 | WASHER, PLATE RONDELLE, PLATE | 2 | 2 | 2 | 2 | |

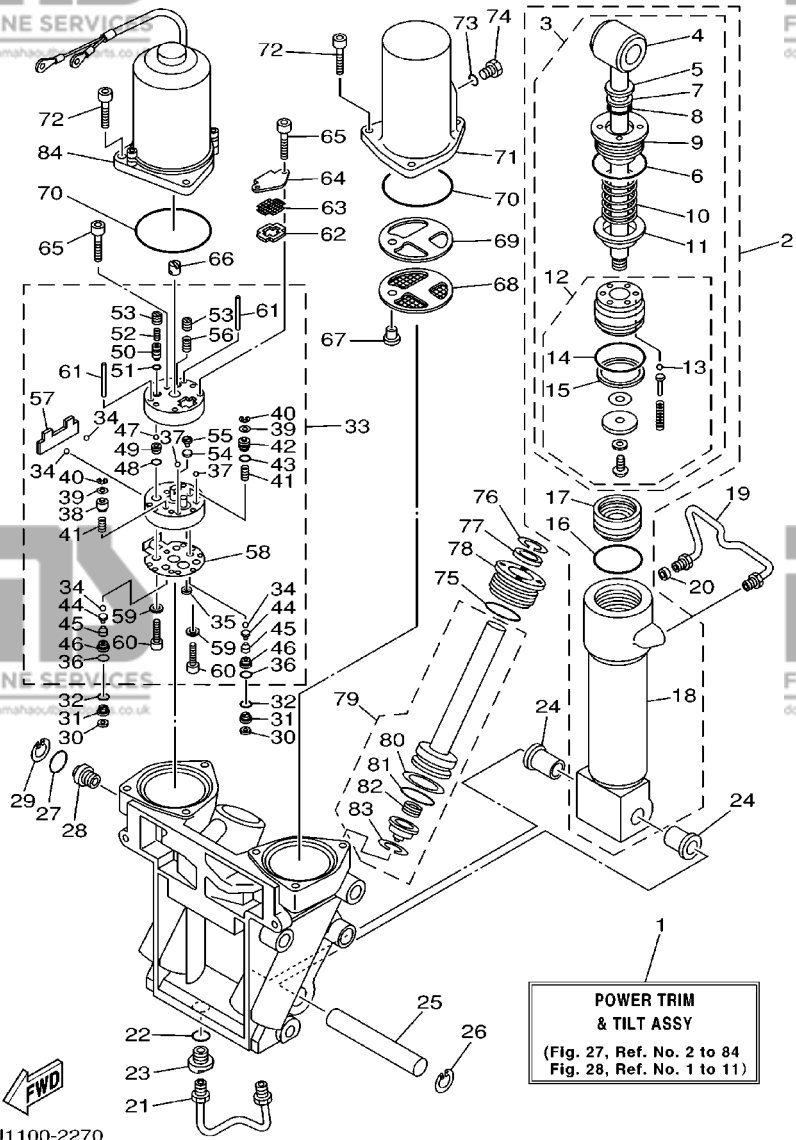
FIG. 26 BRACKET 2

SUPPORT 2



| REF. NO. | PART NO. NO. PIECES | DESCRIPTION DESCRIPTION | 69J1 | 60L1 | 69K1 | 60M1 | REMARKS REMARQUES |
|----------|---------------------|---|------|------|------|------|-------------------|
| 28 | 90109-14M10 | BOLT BOULON | 2 | 2 | 2 | 2 | |
| 29 | 90185-14M00 | NUT, SELF-LOCKING ECROU, AUTO-BLOCANT | 2 | 2 | 2 | 2 | |
| 30 | 92995-14600 | WASHER RONDELLE | 2 | 2 | 2 | 2 | |
| 31 | 69J-44533-00 | DAMPER, UPPER MOUNT RUBBER COUVERCLE, SUSPENSION INFERIEU | 2 | 2 | 2 | 2 | |
| 32 | 61A-44511-00-94 | COVER, UPPER MOUNT COUVERCLE, SUSPENSION SUPERIEU | 1 | 1 | 1 | 1 | |
| 33 | 97095-10045 | BOLT BOULON | 3 | 3 | 3 | 3 | |
| 34 | 92995-10600 | WASHER RONDELLE | 3 | 3 | 3 | 3 | |

B1



69J1100-2270

FIG. 27 POWER TRIM & TILT ASSY 1 PUISSANCE PARER ET INCLINER 1

| REF. NO. | PART NO. NO. PIECES | DESCRIPTION DESCRIPTION | 69J1 | 60L1 | 69K1 | 60M1 | REMARKS REMARQUES |
|----------|---------------------|--|------|------|------|------|-------------------|
| 1 | 69J-43800-00-4D | POWER TRIM & TILT ASSY PUISSANCE PARER ET INCLINER (ENS.) | 1 | 1 | 1 | 1 | |
| 2 | 69J-43840-00 | POWER TILT ASSY PUISSANCE INCLINER (ENS.) | 1 | 1 | 1 | 1 | |
| 3 | 69J-43810-00 | .TILT PISTON SUB ASSY .INCLINER PISTON AUXILIAIRE(ENS.) | 1 | 1 | 1 | 1 | |
| 4 | 69J-43801-00 | ..ROD ..TIGE | 1 | 1 | 1 | 1 | |
| 5 | 93106-19N50 | ..OIL SEAL ..JOINT SPY | 1 | 1 | 1 | 1 | |
| 6 | 6H1-43861-00 | ..O-RING ..JOINT TORIQUE | 1 | 1 | 1 | 1 | |
| 7 | 6H1-43872-00 | ..RING, BACK UP ..RESSORT | 1 | 1 | 1 | 1 | |
| 8 | 61A-4389H-00 | ..O-RING ..JOINT TORIQUE | 1 | 1 | 1 | 1 | |
| 9 | 61A-43811-00 | ..SCREW, CYLINDER END ..VIS, CYLINDRE RACCORD | 1 | 1 | 1 | 1 | |
| 10 | 69J-4384H-00 | ..SPRING ..RESSORT | 1 | 1 | 1 | 1 | |
| 11 | 69J-4382E-00 | ..ADAPTOR 2 ..ADAPTEUR 2 | 1 | 1 | 1 | 1 | |
| 12 | 69J-4380P-00 | ..PISTON SUB ASSY ..PISTON AUXILIAIRE (ENS.) | 1 | 1 | 1 | 1 | |
| 13 | 93505-32038 | ...BALL ...BILLE | 5 | 5 | 5 | 5 | |
| 14 | 61A-43861-00 | ...O-RING ...JOINT TORIQUE | 1 | 1 | 1 | 1 | |
| 15 | 61A-43871-00 | ...RING, BACK UP ...SEGMENT | 1 | 1 | 1 | 1 | |
| 16 | 61A-43861-00 | ..O-RING ..JOINT TORIQUE | 1 | 1 | 1 | 1 | |
| 17 | 6H1-43814-00 | ..PISTON, FREE ..PISTON | 1 | 1 | 1 | 1 | |
| 18 | 61A-43813-01 | ..CYLINDER, TILT ..CYLINDRE | 1 | 1 | 1 | 1 | |
| 19 | 61A-43835-01 | PIPE TUYAU | 1 | 1 | 1 | 1 | |
| 20 | 69J-4388J-00 | PLUG 2 BOUCHON 2 | 1 | 1 | 1 | 1 | |
| 21 | 69J-43833-00 | PIPE TUYAU | 1 | 1 | 1 | 1 | |
| 22 | 93210-17239 | O-RING JOINT TORIQUE | 1 | 1 | 1 | 1 | |
| 23 | 69J-4388E-00 | BOLT ,SCREW VIS | 1 | 1 | 1 | 1 | |
| 24 | 90386-18M14 | BUSH DOUILLE | 2 | 2 | 2 | 2 | |
| 25 | 61A-43818-00 | PIN, LOWER SHOCK MOUNT AXE, INFERIEUR AMORTISSEUR | 1 | 1 | 1 | 1 | |
| 26 | 61A-43876-00 | RING, SNAP RESSORT | 1 | 1 | 1 | 1 | |
| 27 | 93210-18397 | O-RING JOINT TORIQUE | 1 | 1 | 1 | 1 | |

B2

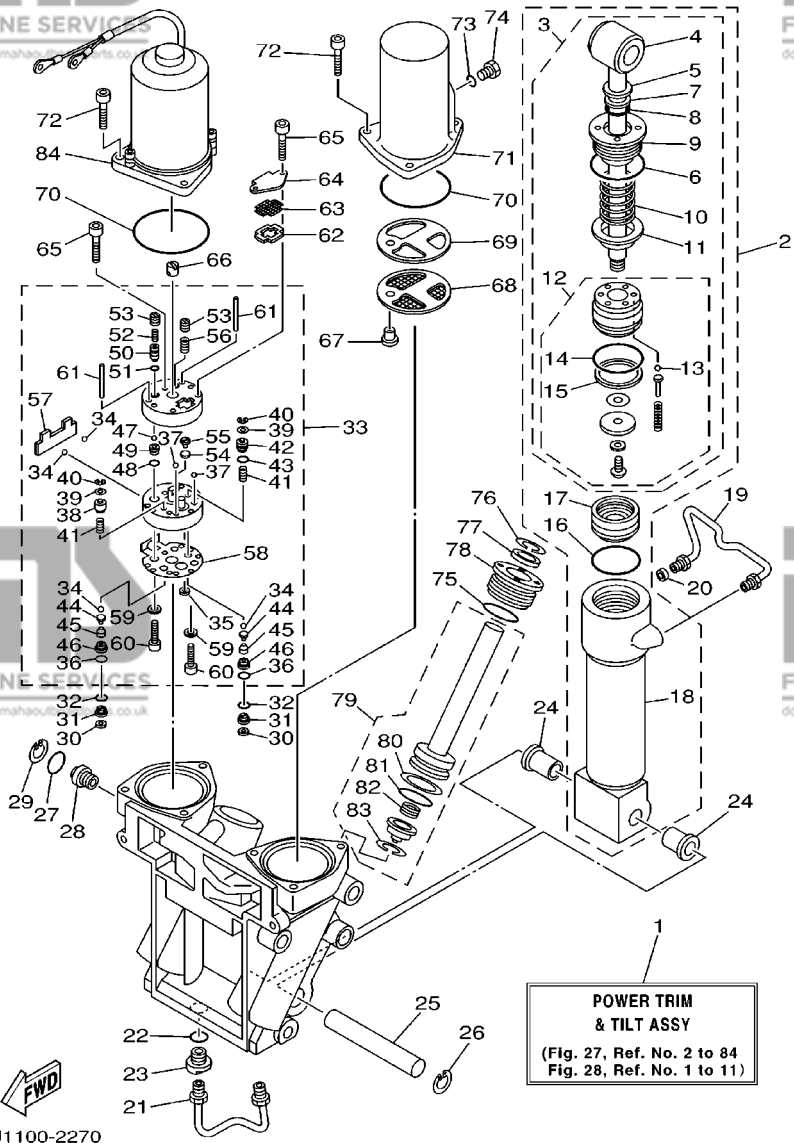


FIG. 27 POWER TRIM & TILT ASSY 1 PUISSANCE PARER ET INCLINER 1

| REF. NO. | PART NO. NO. PIECES | DESCRIPTION DESCRIPTION | 69J1 | 60L1 | 69K1 | 60M1 | REMARKS REMARQUES |
|----------|---------------------|---------------------------------------|------|------|------|------|-------------------|
| 28 | 69J-43845-00 | SCREW, MANUAL RELEASE VIS | 1 | 1 | 1 | 1 | |
| 29 | 6H1-43875-00 | RING, SNAP RESSORT | 1 | 1 | 1 | 1 | |
| 30 | 69J-4381C-00 | FILTER 3 FILTRE 3 | 2 | 2 | 2 | 2 | |
| 31 | 69J-43899-00 | PLATE STOPPER PLAQUETTE | 2 | 2 | 2 | 2 | |
| 32 | 69J-4389J-00 | O-RING JOINT TORIQUE | 2 | 2 | 2 | 2 | |
| 33 | 69J-43830-00 | GEAR PUMP ASSY POMPE A PIGNON (ENS.) | 1 | 1 | 1 | 1 | |
| 34 | 93505-32038 | .BALL .BILLE | 4 | 4 | 4 | 4 | |
| 35 | 69J-4381C-00 | .FILTER 3 .FILTRE 3 | 1 | 1 | 1 | 1 | |
| 36 | 69J-4389J-00 | .O-RING .JOINT TORIQUE | 2 | 2 | 2 | 2 | |
| 37 | 93503-16003 | .BALL .BILLE | 2 | 2 | 2 | 2 | |
| 38 | 69J-4384M-00 | .PISTON, SHUTTLE 2 .PISTON 2 | 1 | 1 | 1 | 1 | |
| 39 | 69A-4384F-00 | .SEAL, MAIN VALVE .JOINT | 2 | 2 | 2 | 2 | |
| 40 | 99001-03600 | .CIRCLIP .CIRCLIP | 2 | 2 | 2 | 2 | |
| 41 | 69J-43894-00 | .SPRING, SHUTTLE RETURN .RESSORT | 2 | 2 | 2 | 2 | |
| 42 | 69J-43841-00 | .PISTON, SHUTTLE .PISTON | 1 | 1 | 1 | 1 | |
| 43 | 6H1-43883-00 | .O-RING .JOINT TORIQUE | 1 | 1 | 1 | 1 | |
| 44 | 65W-4386A-00 | .PIN, ABSORBER VALVE .GOUPILLE, SOUPE | 2 | 2 | 2 | 2 | |
| 45 | 69J-43853-00 | .SPRING, MAIN VALVE .RESSORT | 2 | 2 | 2 | 2 | |
| 46 | 69J-43893-00 | .WASHER .RONDELLE | 2 | 2 | 2 | 2 | |
| 47 | 93501-08001 | .BALL .BILLE | 2 | 2 | 2 | 2 | |
| 48 | 93210-08391 | .O-RING .JOINT TORIQUE | 1 | 1 | 1 | 1 | |
| 49 | 69J-43851-00 | .SEAT, RELIEF VALVE .SIEGE | 1 | 1 | 1 | 1 | |
| 50 | 69J-43844-00 | .PIN, VALVE SUPPORT .GOUPILLE | 1 | 1 | 1 | 1 | |
| 51 | 93210-064A5 | .O-RING .JOINT TORIQUE | 1 | 1 | 1 | 1 | |
| 52 | 69J-43855-00 | .SPRING, UP RELIEF .RESSORT | 1 | 1 | 1 | 1 | |
| 53 | 69J-43843-00 | .SCREW, VALVE LOCK .VIS | 2 | 2 | 2 | 2 | |
| 54 | 6H1-4384G-11 | .SEAL, RELIEF VALVE .JOINT | 1 | 1 | 1 | 1 | |

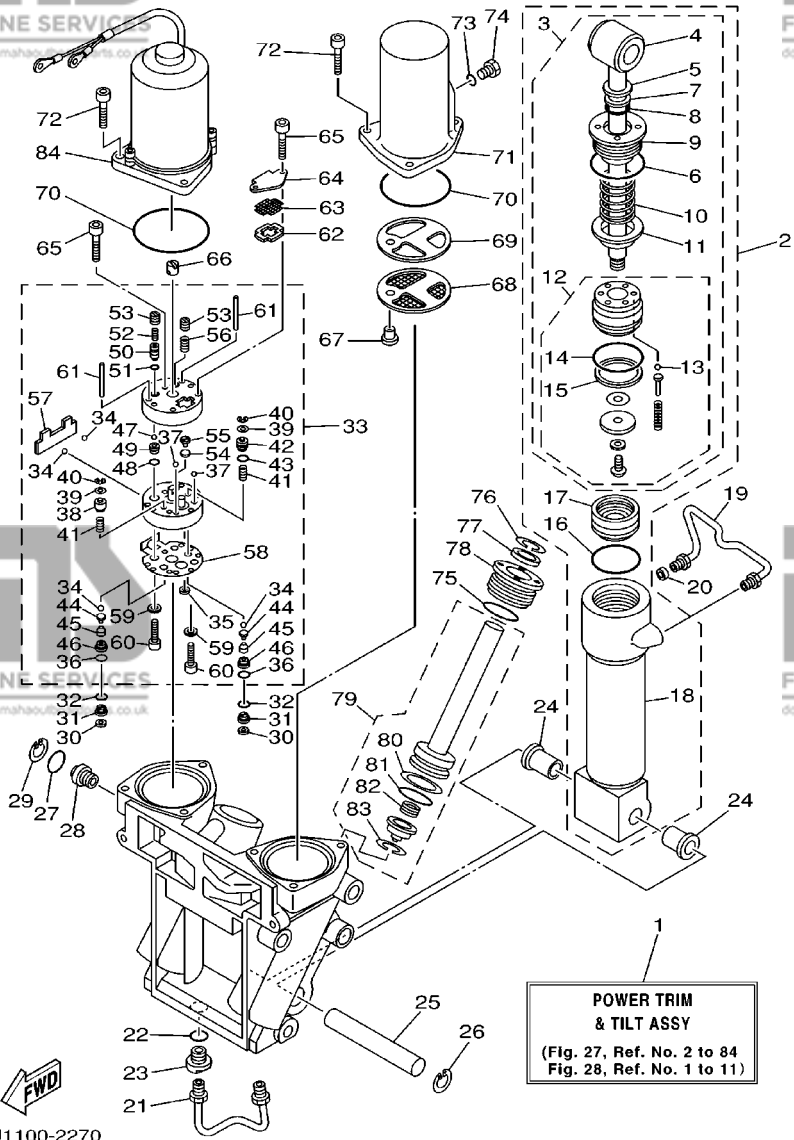
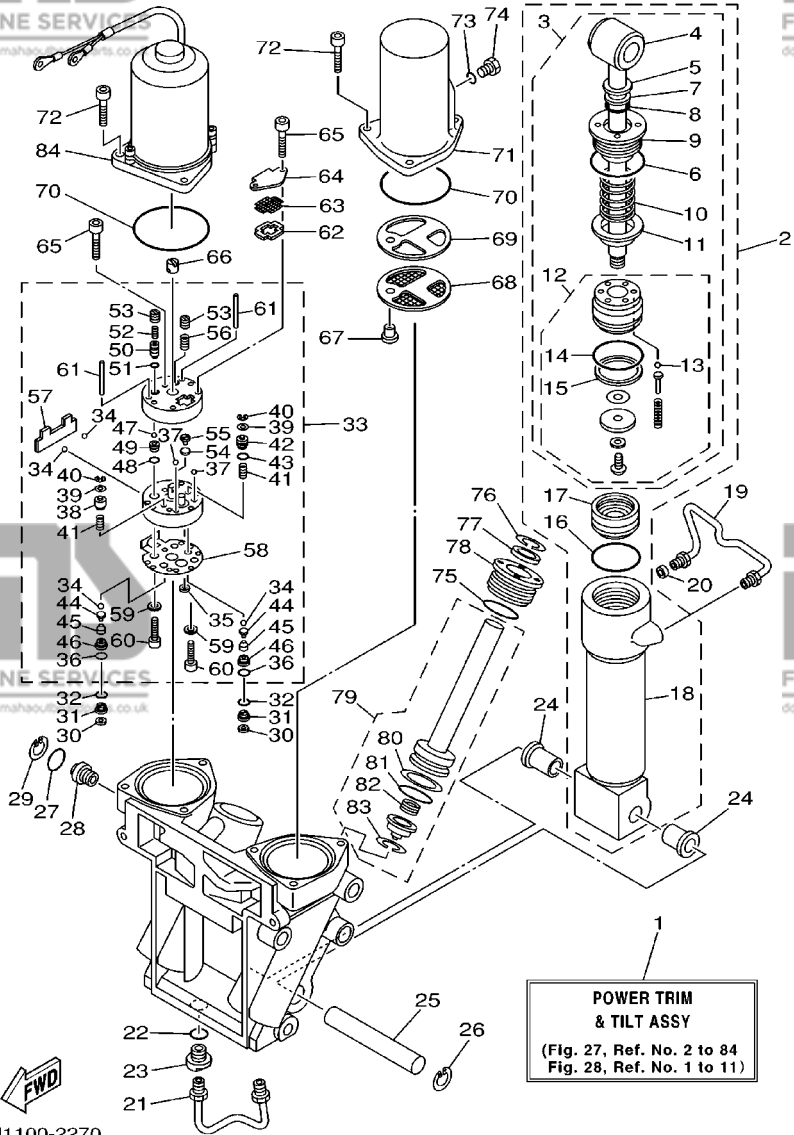


FIG. 27 POWER TRIM & TILT ASSY 1 PUISSANCE PARET ET INCLINER 1

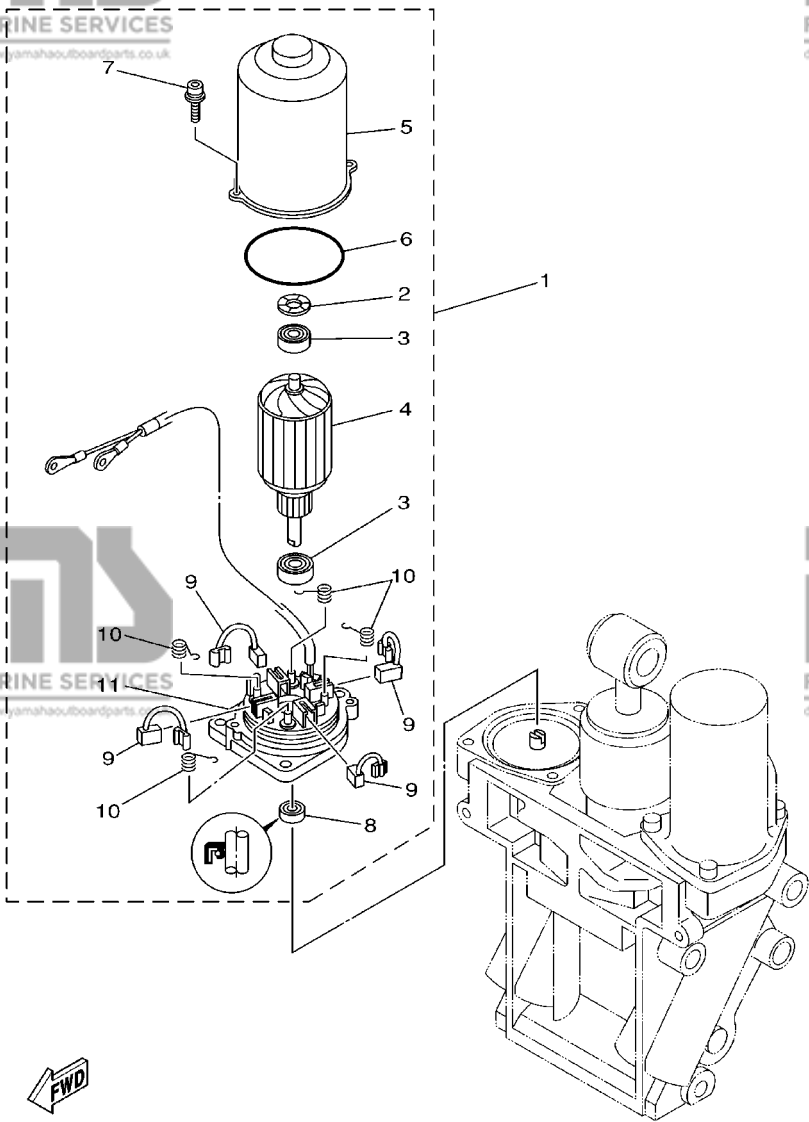
| REF. NO. | PART NO. NO. PIECES | DESCRIPTION DESCRIPTION | 69J1 | 60L1 | 69K1 | 60M1 | REMARKS REMARQUES |
|----------|---------------------|--|------|------|------|------|-------------------|
| 55 | 6H1-43844-10 | .PIN, VALVE SUPPORT .GOUILLE | 1 | 1 | 1 | 1 | |
| 56 | 6H1-43856-10 | .SPRING, DOWN RELIEF .RESSORT | 1 | 1 | 1 | 1 | |
| 57 | 69J-43854-00 | .SPRING, MANUAL RELEASE .RESSORT | 1 | 1 | 1 | 1 | |
| 58 | 69J-4384G-00 | .SEAL, RELIEF VALVE .JOINT | 1 | 1 | 1 | 1 | |
| 59 | CS3-4387G-00 | .WASHER .RONDELLE | 2 | 2 | 2 | 2 | |
| 60 | 91318-05025 | .BOLT .BOULON | 2 | 2 | 2 | 2 | |
| 61 | 93604-35236 | .PIN, DOWEL .GOUJON | 2 | 2 | 2 | 2 | |
| 62 | 69J-43871-00 | RING, BACK UP SEGMENT | 1 | 1 | 1 | 1 | |
| 63 | 69J-43816-00 | FILTER 1 FILTRE 1 | 1 | 1 | 1 | 1 | |
| 64 | 69J-4381J-00 | PLATE PLAQUE | 1 | 1 | 1 | 1 | |
| 65 | 91318-05040 | BOLT BOULON | 3 | 3 | 3 | 3 | |
| 66 | 69J-43831-00 | CONNECTOR, SHAFT RACCORD | 1 | 1 | 1 | 1 | |
| 67 | 69J-4388H-00 | PLUG BOUCHON | 1 | 1 | 1 | 1 | |
| 68 | 69J-43817-00 | FILTER 2 FILTRE 2 | 1 | 1 | 1 | 1 | |
| 69 | 69J-4388F-00 | SPACER ENTRETOISE | 1 | 1 | 1 | 1 | |
| 70 | 6H1-43869-00 | O-RING JOINT TORIQUE | 2 | 2 | 2 | 2 | |
| 71 | 69J-43828-00 | BODY, RESERVOIR CORPS | 1 | 1 | 1 | 1 | |
| 72 | 69J-43888-00 | BOLT, SOCKET BOULON | 6 | 6 | 6 | 6 | |
| 73 | 93210-09165 | O-RING JOINT TORIQUE | 1 | 1 | 1 | 1 | |
| 74 | 6H1-43829-00 | PLUG, RESERVOIR BOUCHON | 1 | 1 | 1 | 1 | |
| 75 | 61A-43861-00 | O-RING JOINT TORIQUE | 2 | 2 | 2 | 2 | |
| 76 | 6T4-43875-00 | RING, SNAP RESSORT | 2 | 2 | 2 | 2 | |
| 77 | 61A-43822-00 | SEAL, TRIM DUST JOINT | 2 | 2 | 2 | 2 | |
| 78 | 61A-43821-00 | SCREW, TRIM CYLINDER END VIS | 2 | 2 | 2 | 2 | |
| 79 | 69J-43820-00 | TRIM PISTON SUB ASSY PARET PISTON AUXILIAIRE (ENS.) | 2 | 2 | 2 | 2 | |
| 80 | 61A-43874-00 | .RING, BACK UP .RESSORT | 1 | 1 | 1 | 1 | |
| 81 | 61A-43864-00 | .O-RING .JOINT TORIQUE | 1 | 1 | 1 | 1 | |



69J1100-2270

FIG. 27 POWER TRIM & TILT ASSY 1 PUISSANCE PARER ET INCLINER 1

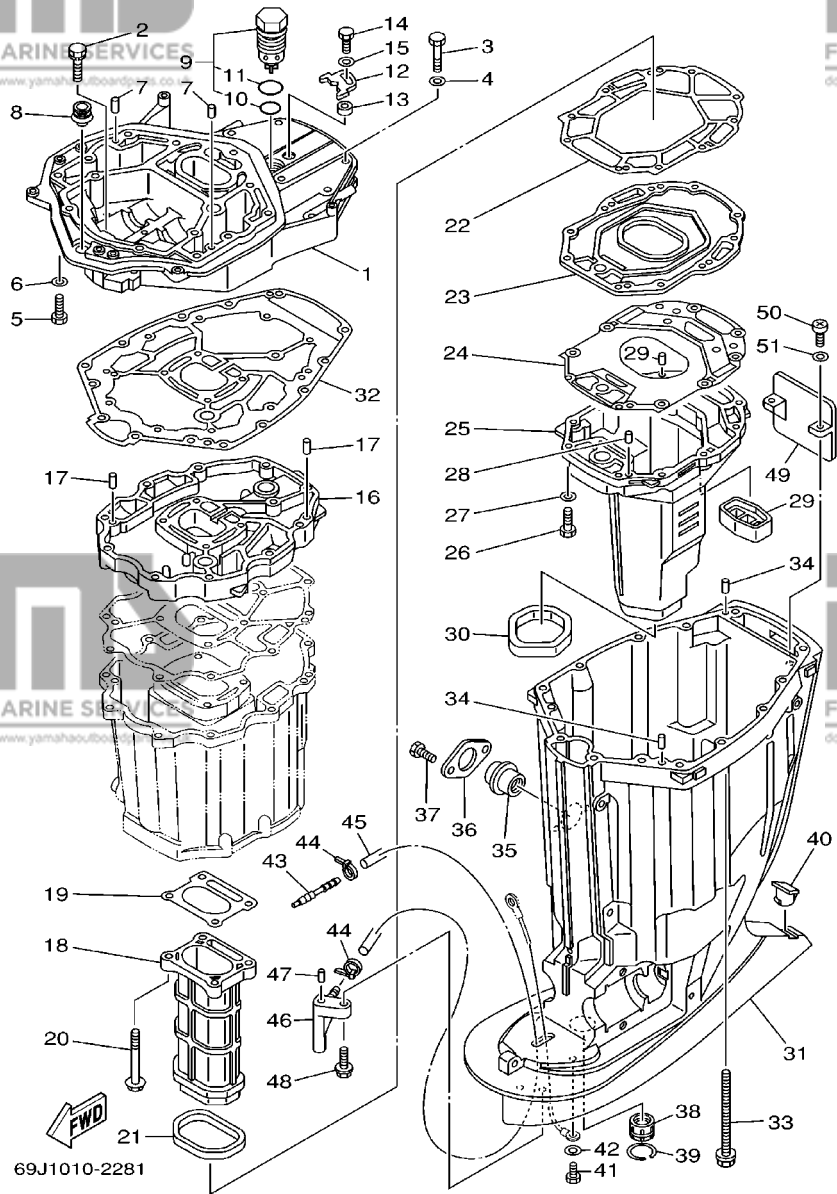
| REF. NO. | PART NO. NO. PIECES | DESCRIPTION DESCRIPTION | 69J1 | 60L1 | 69K1 | 60M1 | REMARKS REMARQUES |
|----------|---------------------|--------------------------|------|------|------|------|---|
| 82 | 61A-4384H-10 | .SPRING .RESSORT | 1 | 1 | 1 | 1 | FLOOD MARINE SERVICES downloaded from www.yamaha-outboardparts.co.uk |
| 83 | 61A-43875-10 | .RING, SNAP .RESSORT | 1 | 1 | 1 | 1 | |
| 84 | 69J-43880-00 | MOTOR ASSY MOTEUR (ENS.) | 1 | 1 | 1 | 1 | |



69J1010-2270

FIG. 28 POWER TRIM & TILT ASSY 2 PUISSANCE PARER ET INCLINER 2

| REF. NO. | PART NO. NO. PIECES | DESCRIPTION DESCRIPTION | 69J1 | 60L1 | 69K1 | 60M1 | REMARKS REMARQUES |
|----------|---------------------|----------------------------------|------|------|------|------|-------------------|
| 1 | 69J-43880-00 | MOTOR ASSY MOTEUR (ENS.) | 1 | 1 | 1 | 1 | |
| 2 | 90206-14N50 | .WASHER, WAVE .RONDELLE, ONDULEE | 1 | 1 | 1 | 1 | |
| 3 | 93399-999T6 | .BEARING .ROULEMENT | 2 | 2 | 2 | 2 | |
| 4 | 69J-43805-00 | .ARMATURE ASSY .INDUIT (ENS.) | 1 | 1 | 1 | 1 | |
| 5 | 69J-43804-00 | .STATOR ASSY .STATOR (ENS.) | 1 | 1 | 1 | 1 | |
| 6 | 69J-43861-00 | .O-RING .JOINT TORIQUE | 1 | 1 | 1 | 1 | |
| 7 | 69J-43886-00 | .BOLT .BOULON | 2 | 2 | 2 | 2 | |
| 8 | 69J-43882-00 | .OIL SEAL .JOINT SPI | 1 | 1 | 1 | 1 | |
| 9 | 69J-43891-00 | .BRUSH 1 .BALAI 1 | 4 | 4 | 4 | 4 | |
| 10 | 69J-4386K-00 | .SPRING, BRUSH .RESSORT, BALAI | 4 | 4 | 4 | 4 | |
| 11 | 69J-43881-00 | .FRAME, END .BATI | 1 | 1 | 1 | 1 | |



69J1010-2281

FIG. 29 UPPER CASING

FOURREAU

| REF. NO. | PART NO. NO. PIECES | DESCRIPTION DESCRIPTION | 69J1 | 60L1 | 69K1 | 60M1 | REMARKS REMARQUES |
|----------|---------------------|--|------|------|------|------|-------------------|
| 1 | 69J-41137-00-94 | GUIDE, EXHAUST COLLECTEUR D'ÉCHAPPEMENT | 1 | 1 | 1 | 1 | |
| 2 | 90119-08M79 | BOLT, WITH WASHER BOULON, AVEC RONDELLE | 2 | 2 | 2 | 2 | |
| 3 | 97075-10045 | BOLT BOULON | 7 | 7 | 7 | 7 | |
| 4 | 92995-10600 | WASHER RONDELLE | 7 | 7 | 7 | 7 | |
| 5 | 97075-10035 | BOLT BOULON | 7 | 7 | 7 | 7 | |
| 6 | 92995-10600 | WASHER RONDELLE | 7 | 7 | 7 | 7 | |
| 7 | 93608-16M16 | PIN, DOWEL GOUJON | 2 | 2 | 2 | 2 | |
| 8 | 6E5-42724-00 | GROMMET PASSE-FIL | 1 | 1 | 1 | 1 | |
| 9 | 69J-11371-00 | COVER COUVERCLE | 1 | 1 | 1 | 1 | |
| 10 | 93210-28543 | .O-RING JOINT TORIQUE | 1 | 1 | 1 | 1 | |
| 11 | 93210-33MG4 | .O-RING JOINT TORIQUE | 1 | 1 | 1 | 1 | |
| 12 | 69J-12233-00 | PLATE, GUIDE STOPPER 1 PLAQUE, GUIDE BUTEE 1 | 1 | 1 | 1 | 1 | |
| 13 | 90387-06037 | COLLAR COLLERETTE | 1 | 1 | 1 | 1 | |
| 14 | 97095-06020 | BOLT BOULON | 1 | 1 | 1 | 1 | |
| 15 | 92995-06600 | WASHER RONDELLE | 1 | 1 | 1 | 1 | |
| 16 | 69J-41131-00-94 | MANIFOLD, EXT. 1 PIPE D'ÉCHAPPEMENT | 1 | 1 | 1 | 1 | |
| 17 | 93608-16M16 | PIN, DOWEL GOUJON | 2 | 2 | 2 | 2 | |
| 18 | 69J-41132-00-5B | MANIFOLD, EXHAUST PIPE D'ÉCHAPPEMENT | 1 | 1 | 1 | 1 | |
| 19 | 69J-41134-A0 | GASKET, EXHAUST MANIFOLD JOINT, PIPE D'ÉCHAPPEMENT | 1 | 1 | 1 | 1 | |
| 20 | 97575-08590 | BOLT, WITH WASHER VIS HEXAGONAL AVEC RONDELLE | 4 | 4 | 4 | 4 | |
| 21 | 69J-41138-00 | SEAL, EXT. 1 JOINT DE GROUPE 1 | 1 | 1 | 1 | 1 | |
| 22 | 69J-41135-A0 | GASKET, EXHAUST MANIFOLD JOINT, PIPE D'ÉCHAPPEMENT | 1 | 1 | 1 | 1 | |
| 23 | 69J-45181-00-5B | PLATE PLAQUETTE | 1 | 1 | 1 | 1 | |
| 24 | 69J-41136-A0 | GASKET, EXHAUST MANIFOLD 4 JOINT, PIPE D'ÉCHAPPEMENT 4 | 1 | 1 | 1 | 1 | |
| 25 | 69J-14711-00-5B | MUFFLER 1 POT D'ÉCHAPPEMENT 1 | 1 | 1 | 1 | 1 | |
| 26 | 97075-08035 | BOLT BOULON | 10 | 10 | 10 | 10 | |
| 27 | 92995-08600 | WASHER RONDELLE | 10 | 10 | 10 | 10 | |

B7

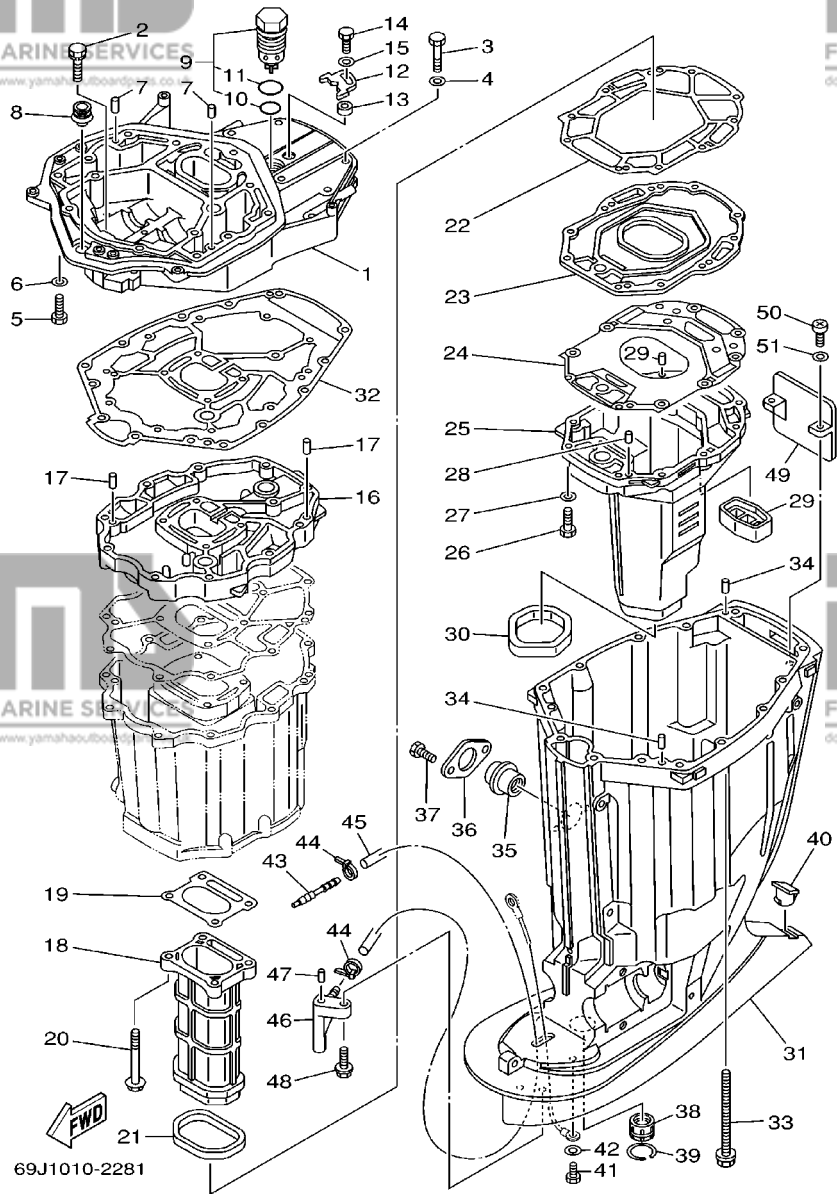
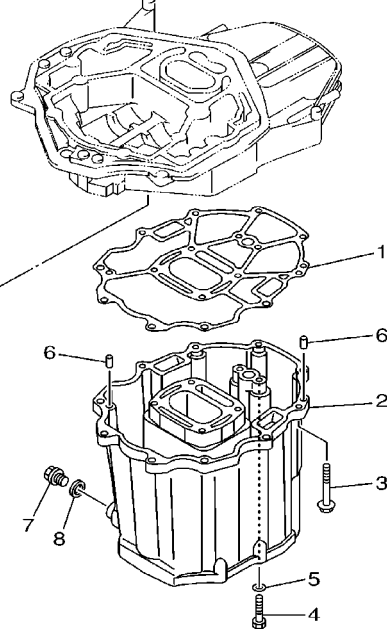
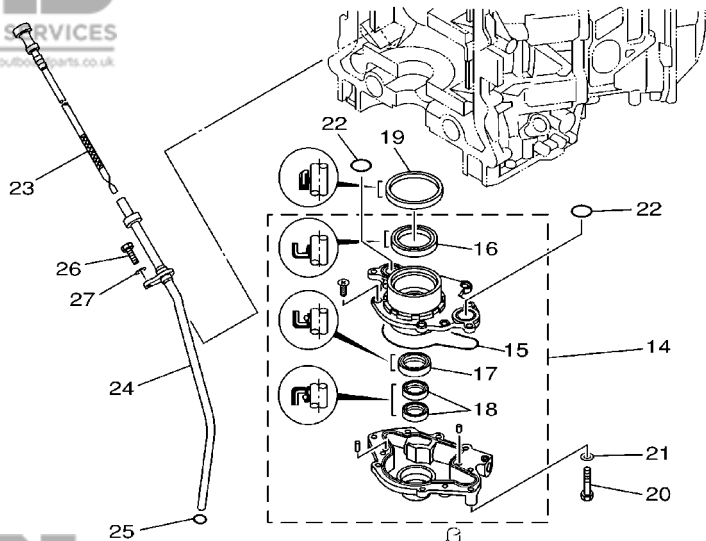


FIG. 29 UPPER CASING

FOURREAU

| REF. NO. | PART NO. NO. PIECES | DESCRIPTION DESCRIPTION | 69J1 | 60L1 | 69K1 | 60M1 | REMARKS REMARQUES |
|----------|---------------------|--|------|------|------|------|-------------------|
| 28 | 93606-19M23 | PIN, DOWEL GOUJON | 2 | 2 | 2 | 2 | |
| 29 | 69J-45127-00 | SEAL JOINT | 1 | 1 | 1 | 1 | |
| 30 | 69J-45123-00 | GASKET, MUFFLER JOINT, POT DE DETENTE | 1 | 1 | 1 | 1 | |
| 31 | 69J-45111-00-8D | CASING, UPPER FOURREAU | 1 | 1 | 1 | 1 | |
| 32 | 69J-45113-00 | GASKET, UPPER CASING JOINT, TUBE D'ARBRE | 1 | 1 | 1 | 1 | |
| 33 | 90119-10007 | BOLT, WITH WASHER BOULON, AVEC RONDELLE | 6 | 6 | 6 | 6 | |
| 34 | 93608-16M16 | PIN, DOWEL GOUJON | 2 | 2 | 2 | 2 | |
| 35 | 69J-15316-00 | DAMPER, ENGINE MOUNT 1 AMORTISSEUR DE SUPPORT | 1 | 1 | 1 | 1 | |
| 36 | 69J-45152-00-8D | COVER, UPPER CASING 2 CAPUCHON FOURREAU | 1 | 1 | 1 | 1 | |
| 37 | 97095-06014 | BOLT BOULON | 2 | 2 | 2 | 2 | |
| 38 | 69J-45318-00 | BUSHING, DRIVE SHAFT DOUILLE, ARBRE MOTEUR | 1 | 1 | 1 | 1 | |
| 39 | 93420-36M01 | CIRCLIP CIRCLIP, TYPE S | 1 | 1 | 1 | 1 | |
| 40 | 61A-45155-00 | CAP CAPUCHON | 1 | 1 | 1 | 1 | |
| 41 | 97095-06010 | BOLT BOULON | 1 | 1 | 1 | 1 | |
| 42 | 92995-06600 | WASHER RONDELLE | 1 | 1 | 1 | 1 | |
| 43 | 6E5-83558-00 | END, NIPPLE RACCORD DE NIPPLE | 1 | 1 | 1 | 1 | |
| 44 | 90465-11M10 | CLAMP BRIDE | 2 | 2 | 2 | 2 | |
| 45 | 90445-07010 | HOSE DURITE | 1 | 1 | 1 | 1 | X |
| 46 | 61A-45378-00 | NIPPLE, HOSE RACCORD, TUYAU | 1 | 1 | 1 | 1 | |
| 47 | 93606-12019 | PIN, DOWEL GOUJON | 1 | 1 | 1 | 1 | |
| 48 | 90119-06M17 | BOLT, WITH WASHER BOULON, AVEC RONDELLE | 1 | 1 | 1 | 1 | |
| 49 | 69J-14624-00 | COVER, EXHAUST CACHE D'ECHAPPEMENT | 1 | 1 | 1 | 1 | |
| 50 | 97880-06016 | SCREW, PAN HEAD VIS, TETE TRONCONIQUE | 2 | 2 | 2 | 2 | |
| 51 | 92990-06600 | WASHER, PLATE RONDELLE, PLATE | 2 | 2 | 2 | 2 | |

C1



69J1010-2291

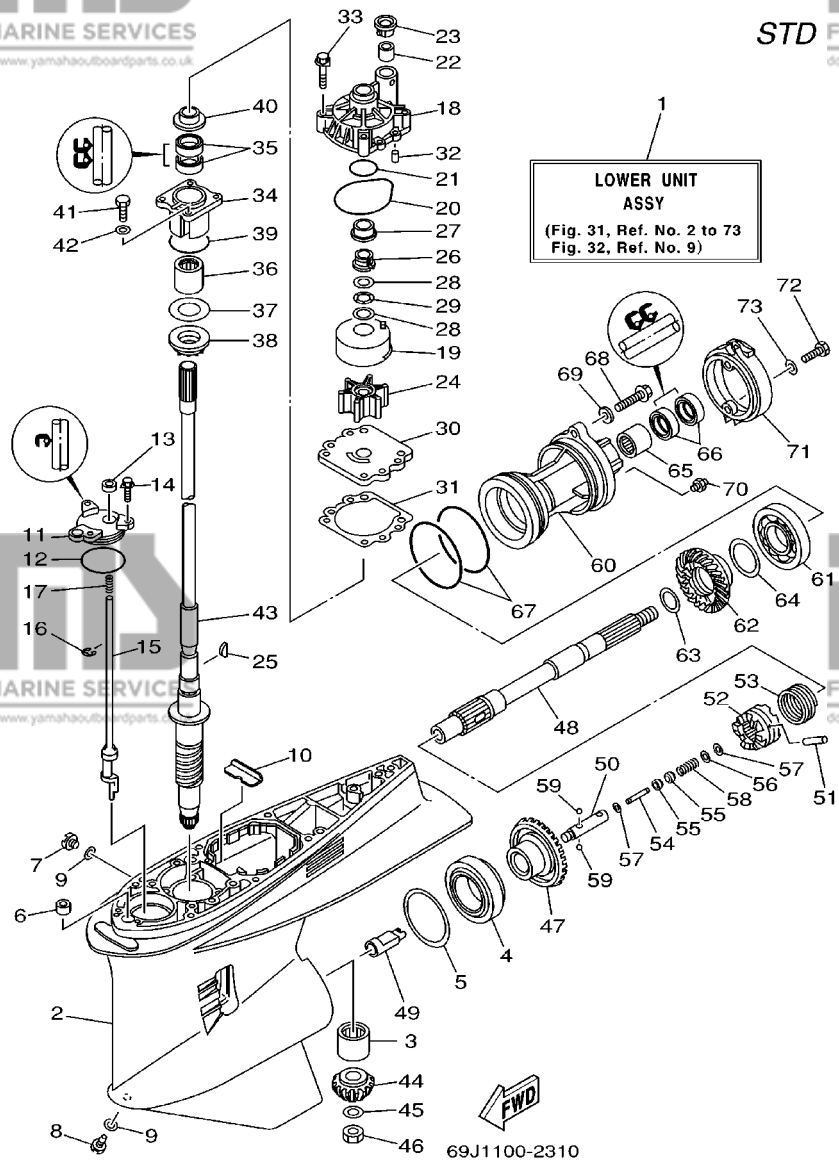
FIG. 30 OIL PAN

VENTILATEUR D'HUILE

| REF. NO. | PART NO. NO. PIECES | DESCRIPTION DESCRIPTION | 69J1 | 60L1 | 69K1 | 60M1 | REMARKS REMARQUES |
|----------|---------------------|---|------|------|------|------|-------------------|
| 1 | 69J-15312-00 | GASKET, OIL PAN JOINT DE VENTILATEUR D'HUILE | 1 | 1 | 1 | 1 | |
| 2 | 69J-15311-00-5B | OIL PAN VENTILATEUR D'HUILE | 1 | 1 | 1 | 1 | |
| 3 | 97575-08560 | BOLT, WITH WASHER VIS HEXAGONAL AVC RONDELLE | 10 | 10 | 10 | 10 | |
| 4 | 97095-08035 | BOLT BOULON | 2 | 2 | 2 | 2 | |
| 5 | 92995-08600 | WASHER RONDELLE | 2 | 2 | 2 | 2 | |
| 6 | 93608-16M16 | PIN, DOWEL GOIJON | 2 | 2 | 2 | 2 | |
| 7 | 90340-14M06 | PLUG, STRAIGHT SCREW PLOT, FILETE DROIT | 1 | 1 | 1 | 1 | |
| 8 | 90430-14M09 | GASKET JOINT | 1 | 1 | 1 | 1 | |
| 9 | 69J-13411-00 | STRAINER, OIL FILTRE, HUILE | 1 | 1 | 1 | 1 | |
| 10 | 90387-06M64 | .COLLAR .COLLERETTE | 3 | 3 | 3 | 3 | |
| 11 | 69J-13415-00 | .SEAL, OIL STRAINER .JOINT, FILTRE A HUILE | 1 | 1 | 1 | 1 | |
| 12 | 97027-06025 | BOLT BOULON | 3 | 3 | 3 | 3 | |
| 13 | 92907-06600 | WASHER, PLATE RONDELLE | 3 | 3 | 3 | 3 | |
| 14 | 69J-13300-00 | OIL PUMP ASSY POMPE A HUILE COMPLET | 1 | 1 | 1 | 1 | |
| 15 | 69J-13329-00 | .GASKET, PUMP COVER .JOINT, COUVERCLE DE POMPE | 1 | 1 | 1 | 1 | |
| 16 | 69J-13338-00 | .OIL SEAL .JOINT SPY | 1 | 1 | 1 | 1 | |
| 17 | 69J-13119-00 | .OIL SEAL .JOINT SPY | 1 | 1 | 1 | 1 | |
| 18 | 69J-13631-00 | .OIL SEAL .JOINT SPY | 2 | 2 | 2 | 2 | |
| 19 | 69J-11355-00 | SEAL, CYLINDER 1 JOINT, SPY CYLINDRE | 1 | 1 | 1 | 1 | |
| 20 | 97095-06040 | BOLT BOULON | 4 | 4 | 4 | 4 | |
| 21 | 92995-06600 | WASHER RONDELLE | 4 | 4 | 4 | 4 | |
| 22 | 93210-25552 | O-RING JOINT TORIQUE | 2 | 2 | 2 | 2 | |
| 23 | 69J-15362-00 | PLUG, OIL LEVEL PLOT, NIVEAU D'HUILE | 1 | 1 | 1 | 1 | |
| 24 | 69J-15377-00 | GUIDE, INLET GUIDE D'ADMISSION | 1 | 1 | 1 | 1 | |
| 25 | 93210-19MJ3 | O-RING JOINT TORIQUE | 1 | 1 | 1 | 1 | |
| 26 | 97095-06020 | BOLT BOULON | 1 | 1 | 1 | 1 | |
| 27 | 92995-06600 | WASHER RONDELLE | 1 | 1 | 1 | 1 | |

FIG. 31 LOWER CASING, DRIVE 1

BOITIER D'HELICE, TRANSMISSION 1



| REF. NO. | PART NO. NO. PIECES | DESCRIPTION DESCRIPTION | 69J1 | 60L1 | 69K1 | 60M1 | REMARKS REMARQUES |
|----------|---------------------|---|------|------|------|------|-------------------|
| 1 | 69J-45300-20-8D | LOWER UNIT ASSY UNITE INFERIEURE (ENS.) | 1 | 1 | | | X |
| 2 | 61A-45301-03-8D | CASING, LOWER BEQUILLE | 1 | 1 | | | |
| 3 | 93311-832V2 | BEARING ROULEMENT | 1 | 1 | | | |
| 4 | 93332-000W1 | BEARING ROULEMENT | 1 | 1 | | | |
| 5 | 61A-45567-00-10 | SHIM (T:0.10MM) CALE (T:0.10MM) | 1 | 1 | | | UR |
| | 61A-45567-00-12 | SHIM (T:0.12MM) CALE (T:0.12MM) | 1 | 1 | | | UR |
| | 61A-45567-00-15 | SHIM (T:0.15MM) CALE (T:0.15MM) | 1 | 1 | | | UR |
| | 61A-45567-00-18 | SHIM (T:0.18MM) CALE (T:0.18MM) | 1 | 1 | | | UR |
| | 61A-45567-00-30 | SHIM (T:0.30MM) CALE (T:0.30MM) | 1 | 1 | | | UR |
| | 61A-45567-00-40 | SHIM (T:0.40MM) CALE (T:0.40MM) | 1 | 1 | | | UR |
| | 61A-45567-00-50 | SHIM (T:0.50MM) CALE (T:0.50MM) | 1 | 1 | | | UR |
| 6 | 663-44366-00 | DAMPER, WATER SEAL JOINT, TUBE D'EAU | 1 | 1 | | | |
| 7 | 90340-08002 | PLUG, STRAIGHT SCREW PLOT, FILETE DROIT | 1 | 1 | | | |
| 8 | 688-45341-10 | PLUG, DRAIN BOUCHON DE VIDANGE | 1 | 1 | | | |
| 9 | 90430-08020 | GASKET JOINT | 2 | 2 | | | |
| 10 | 61A-45376-00-94 | GUIDE, SEAL DAMPER BUTEE, JOINT CAOUTCHOUC | 1 | 1 | | | |
| 11 | 61A-45321-01 | PLATE PLAQUETTE | 1 | 1 | | | |
| 12 | 93210-64488 | O-RING JOINT TORIQUE | 1 | 1 | | | |
| 13 | 93106-09014 | OIL SEAL JOINT SPY | 1 | 1 | | | |
| 14 | 90119-06M10 | BOLT, WITH WASHER BOULON, AVEC RONDELLE | 3 | 3 | | | |
| 15 | 69J-44150-00 | SHIFT CAM ASSY CAME D'INVERSION | 1 | 1 | | | |
| 16 | 99001-08600 | CIRCLIP CIRCLIP | 1 | 1 | | | |
| 17 | 90501-11M10 | SPRING, COMPRESSION RESSORT, COMPRESSION | 1 | 1 | | | |
| 18 | 61A-44311-01 | HOUSING, WATER PUMP CORPS, POMPE A EAU | 1 | 1 | | | |
| 19 | 61A-44322-02 | INSERT, CARTRIDGE CUVETTE | 1 | 1 | | | |
| 20 | 93210-86M38 | O-RING JOINT TORIQUE | 1 | 1 | | | |
| 21 | 93210-37160 | O-RING JOINT TORIQUE | 1 | 1 | | | |

C3

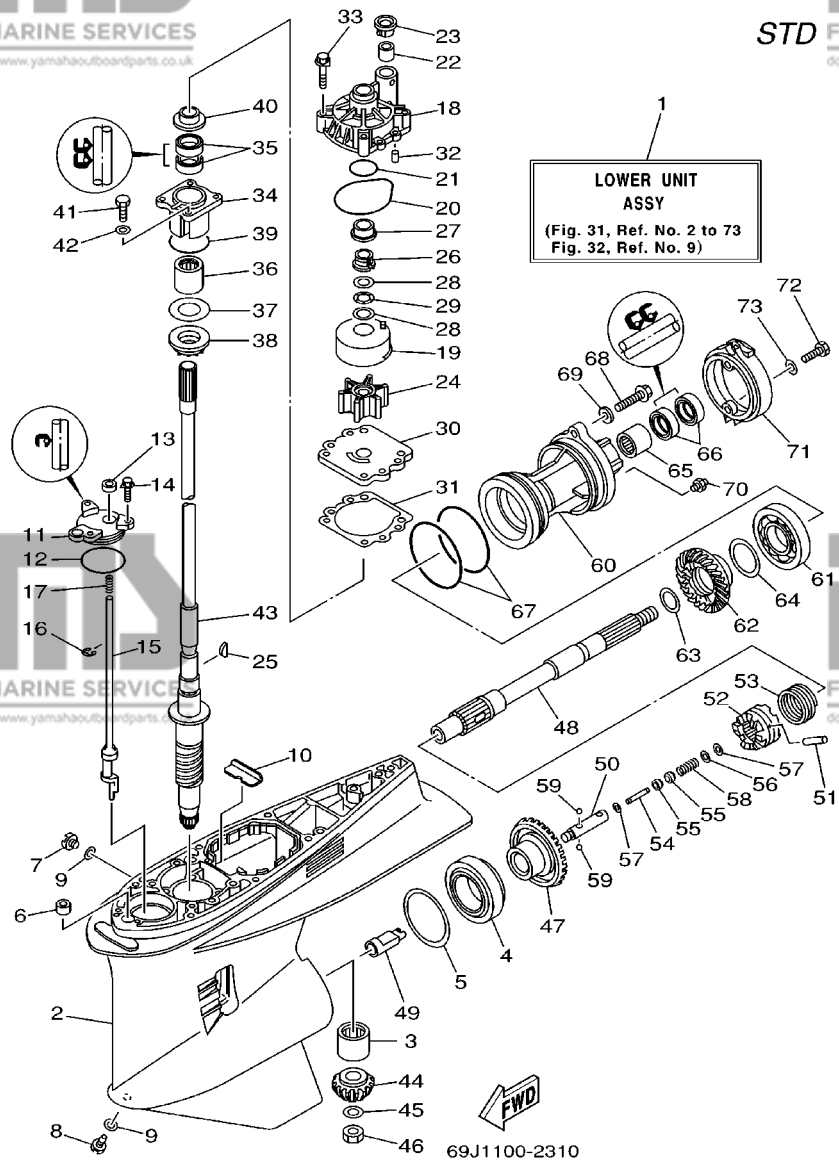


FIG. 31 LOWER CASING, DRIVE 1

BOITIER D'HELICE, TRANSMISSION 1

| REF. NO. | PART NO. NO. PIECES | DESCRIPTION DESCRIPTION | 69J1 | 60L1 | 69K1 | 60M1 | REMARKS REMARQUES |
|----------|---------------------|--|------|------|------|------|-------------------|
| 22 | 6E5-44365-00 | DAMPER, WATER SEAL JOINT, TUBE D'EAU | 1 | 1 | | | |
| 23 | 6E5-44312-00 | COVER, WATER PUMP HOUSING COUVERCLE | 1 | 1 | | | |
| 24 | 6E5-44352-01 | IMPELLER TURBINE | 1 | 1 | | | |
| 25 | 90280-04M05 | KEY, WOODRUFF CLAVETTE, DEMI-LUNE | 1 | 1 | | | |
| 26 | 61A-45538-00 | SPACER 1 ENTRETOISE | 1 | 1 | | | |
| 27 | 61A-45527-00 | COLLAR, DRIVE SHAFT ENTRETOISE | 1 | 1 | | | |
| 28 | 90201-22M01 | WASHER, PLATE RONDELLE, PLATE | 2 | 2 | | | |
| 29 | 90206-22M19 | WASHER, WAVE RONDELLE, ONDULEE | 1 | 1 | | | |
| 30 | 6G5-44323-00 | OUTER PLATE, CARTRIDGE PLAQUE EXTERIEURE | 1 | 1 | | | |
| 31 | 6E5-44315-A0 | GASKET, WATER PUMP JOINT, POMPE A EAU | 1 | 1 | | | |
| 32 | 93806-12019 | PIN, DOWEL GOUJON | 2 | 2 | | | |
| 33 | 90119-08M14 | BOLT, WITH WASHER BOULON, AVEC RONDELLE | 4 | 4 | | | |
| 34 | 61A-45331-00-94 | HOUSING, BEARING FLASQUE, ROULEMENT | 1 | 1 | | | |
| 35 | 93101-28M16 | OIL SEAL JOINT SPY | 2 | 2 | | | |
| 36 | 93317-330U2 | BEARING ROULEMENT | 1 | 1 | | | |
| 37 | 61A-45587-00-10 | SHIM (T:0.10MM) CALE (T:0.10MM) | 1 | 1 | | | UR |
| | 61A-45587-00-12 | SHIM (T:0.12MM) CALE (T:0.12MM) | 1 | 1 | | | UR |
| | 61A-45587-00-15 | SHIM (T:0.15MM) CALE (T:0.15MM) | 1 | 1 | | | UR |
| | 61A-45587-00-18 | SHIM (T:0.18MM) CALE (T:0.18MM) | 1 | 1 | | | UR |
| | 61A-45587-00-30 | SHIM (T:0.30MM) CALE (T:0.30MM) | 1 | 1 | | | UR |
| | 61A-45587-00-40 | SHIM (T:0.40MM) CALE (T:0.40MM) | 1 | 1 | | | UR |
| | 61A-45587-00-50 | SHIM (T:0.50MM) CALE (T:0.50MM) | 1 | 1 | | | UR |
| 38 | 93341-930U9 | BEARING ROULEMENT | 1 | 1 | | | |
| 39 | 93210-55M14 | O-RING JOINT TORIQUE | 1 | 1 | | | |
| 40 | 6E5-45344-00 | COVER, OIL SEAL FLASQUE, JOINT D'HUILE | 1 | 1 | | | |
| 41 | 97095-08025 | BOLT BOULON | 4 | 4 | | | |
| 42 | 92995-08600 | WASHER RONDELLE | 4 | 4 | | | |

C4

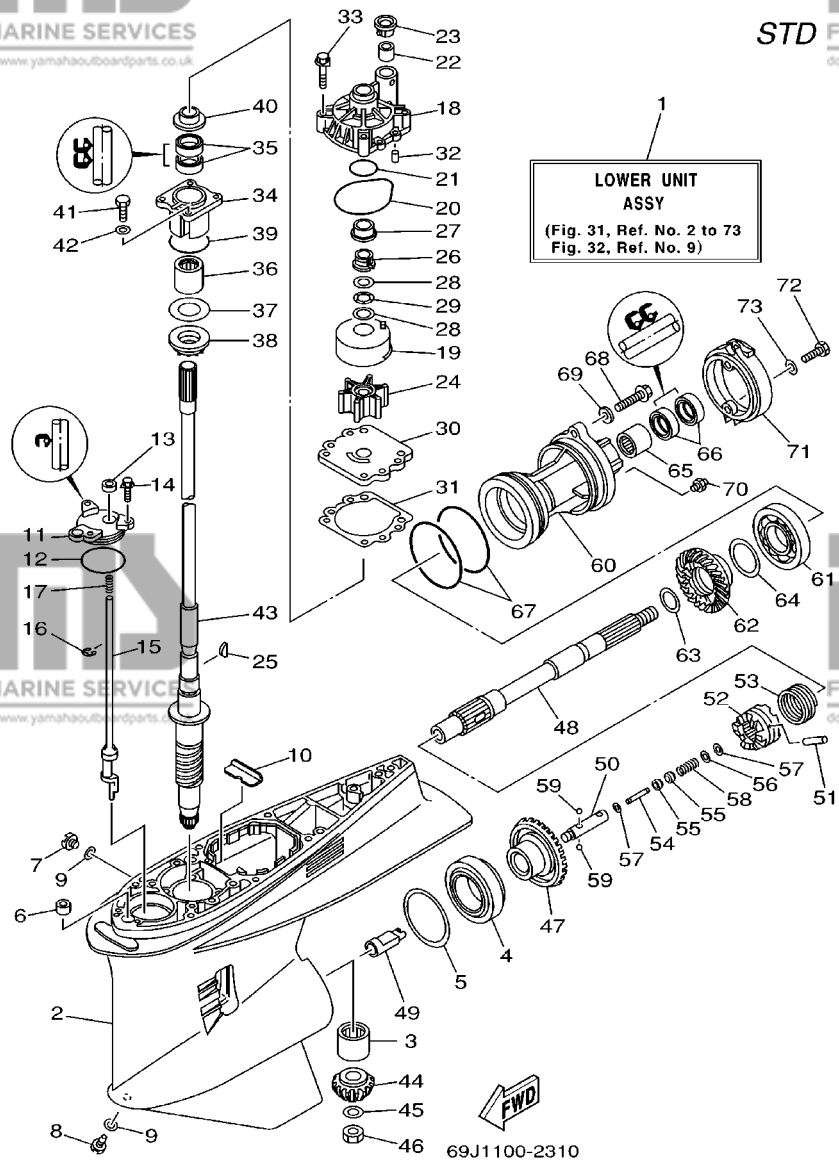


FIG. 31 LOWER CASING, DRIVE 1

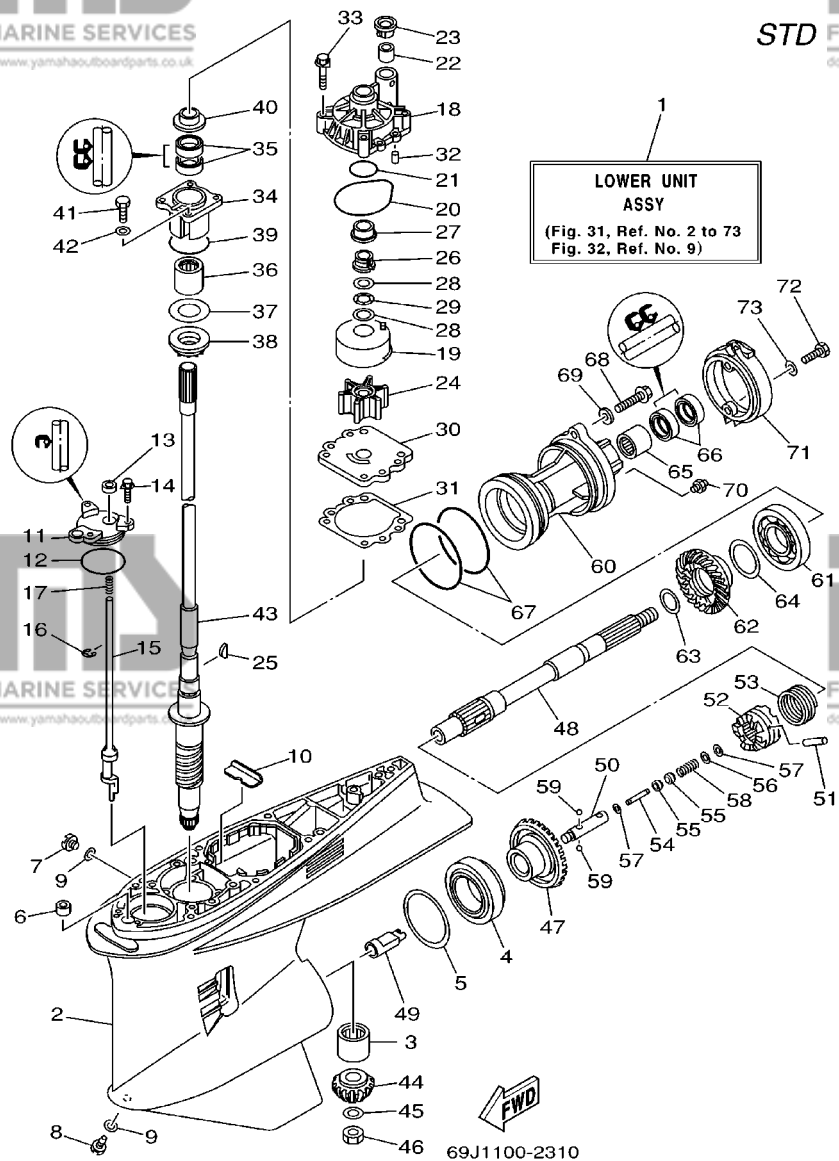
BOITIER D'HELICE, TRANSMISSION 1

| REF. NO. | PART NO. NO. PIECES | DESCRIPTION DESCRIPTION | 69J1 | 60L1 | 69K1 | 60M1 | REMARKS REMARQUES |
|----------|---------------------|--|------|------|------|------|-------------------|
| 43 | 69J-45501-00 | DRIVE SHAFT COMP. ARBRE MOTEUR COMP. | 1 | 1 | | | X |
| 44 | 69J-45551-00 | PINION PIGNON D'ATTAQUE | 1 | 1 | | | |
| 45 | 90201-16M00 | WASHER, PLATE RONDELLE, PLATE | 1 | 1 | | | |
| 46 | 90170-16M19 | NUT ECROU | 1 | 1 | | | |
| 47 | 69J-45560-00 | GEAR PIGNON | 1 | 1 | | | |
| 48 | 69J-45611-00 | SHAFT, PROPELLER ARBRE, HELICE | 1 | 1 | | | |
| 49 | 69J-45641-00 | SHIFTER EMBRAYAGE | 1 | 1 | | | |
| 50 | 61A-45634-01 | SLIDE, SHIFT CONTRE-POUSSOIR | 1 | 1 | | | |
| 51 | 61A-45632-00 | PIN, CROSS GOUPILLE DE CRABOT | 1 | 1 | | | |
| 52 | 69J-45631-00 | CLUTCH, DOG CRABOT | 1 | 1 | | | |
| 53 | 61A-45633-00 | RING, CROSS PIN JONC, GOUPILLE CRABOT | 1 | 1 | | | |
| 54 | 6H1-45668-00 | SHAFT, FREE AXE | 1 | 1 | | | |
| 55 | 61A-45635-00 | PLUNGER, SHIFT POUSSOIR D'EMBRAYAGE | 2 | 2 | | | |
| 56 | 90201-02M00 | WASHER, PLATE RONDELLE, PLATE | 1 | 1 | | | |
| 57 | 90183-02M03 | NUT, SPRING ECROU, RESSORT | 2 | 2 | | | |
| 58 | 90501-10M77 | SPRING, COMPRESSION RESSORT, COMPRESSION | 1 | 1 | | | |
| 59 | 93501-04011 | BALL BILLE | 2 | 2 | | | |
| 60 | 69J-45332-00-94 | HOUSING, BEARING FLASQUE, ROULEMENT | 1 | 1 | | | |
| 61 | 93306-210U0 | BEARING ROULEMENT | 1 | 1 | | | |
| 62 | 69J-45571-00 | GEAR PIGNON | 1 | 1 | | | |
| 63 | 90201-31M00 | WASHER, PLATE RONDELLE, PLATE | 1 | 1 | | | |
| 64 | 61A-45577-00-10 | SHIM (T:0.10MM) CALE (T:0.10MM) | 1 | 1 | | | UR |
| | 61A-45577-00-12 | SHIM (T:0.12MM) CALE (T:0.12MM) | 1 | 1 | | | UR |
| | 61A-45577-00-15 | SHIM (T:0.15MM) CALE (T:0.15MM) | 1 | 1 | | | UR |
| | 61A-45577-00-18 | SHIM (T:0.18MM) CALE (T:0.18MM) | 1 | 1 | | | UR |
| | 61A-45577-00-30 | SHIM (T:0.30MM) CALE (T:0.30MM) | 1 | 1 | | | UR |
| | 61A-45577-00-40 | SHIM (T:0.40MM) CALE (T:0.40MM) | 1 | 1 | | | UR |

C5

FIG. 31 LOWER CASING, DRIVE 1

BOITIER D'HELICE, TRANSMISSION 1

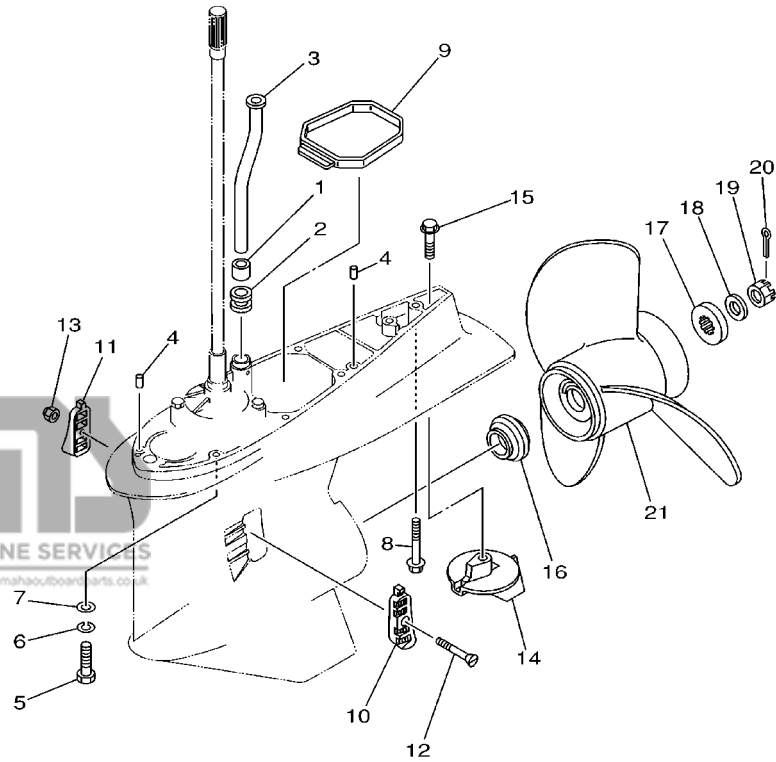


| REF. NO. | PART NO. NO. PIECES | DESCRIPTION DESCRIPTION | 69J1 | 60L1 | 69K1 | 60M1 | REMARKS REMARQUES |
|----------|---------------------|--|------|------|------|------|-------------------|
| 64 | 61A-45577-00-50 | SHIM (T:0.50MM) CALE (T:0.50MM) | 1 | 1 | | | UR |
| 65 | 93315-43061 | BEARING ROULEMENT | 1 | 1 | | | |
| 66 | 93101-30M17 | OIL SEAL JOINT SPY | 2 | 2 | | | |
| 67 | 93211-04384 | O-RING JOINT TORIQUE | 2 | 2 | | | |
| 68 | 90105-08036 | BOLT, FLANGE BOULON | 2 | 2 | | | |
| 69 | 90201-08023 | WASHER, PLATE RONDELLE, PLATE | 2 | 2 | | | |
| 70 | 93700-09M00 | NIPPLE, GREASE GRAISSEUR | 1 | 1 | | | |
| 71 | 69J-45361-00-8D | CAP, LOWER CASING COUVERCLE, BOITIER D'HELICE | 1 | 1 | | | |
| 72 | 97095-08020 | BOLT BOULON | 2 | 2 | | | |
| 73 | 92995-08600 | WASHER RONDELLE | 2 | 2 | | | |

FIG. 32 LOWER CASING, DRIVE 2

BOITIER D'HELICE, TRANSMISSION 2

STD



| REF. NO. | PART NO. NO. PIECES | DESCRIPTION DESCRIPTION | 69J1 | 60L1 | 69K1 | 60M1 | REMARKS REMARQUES |
|----------|---------------------|--|------|------|------|------|-------------------|
| 1 | 6E5-44365-00 | DAMPER, WATER SEAL JOINT, TUBE D'EAU | 1 | 1 | | | |
| 2 | 6E5-44366-00 | DAMPER, WATER SEAL JOINT, TUBE D'EAU | 1 | 1 | | | |
| 3 | 69J-44361-00 | TUBE, WATER TUBE D'EAU | 1 | 1 | | | X |
| 4 | 93608-12M05 | PIN, DOWEL GOUJON | 2 | 2 | | | |
| 5 | 97095-10045 | BOLT BOULON | 7 | 7 | | | X |
| 6 | 92995-10100 | WASHER RONDELLE | 7 | 7 | | | X |
| 7 | 92995-10600 | WASHER RONDELLE | 7 | 7 | | | X |
| 8 | 90119-10MA2 | BOLT, WITH WASHER BOULON, AVEC RONDELLE | 1 | 1 | | | X |
| 9 | 69J-45375-00 | DAMPER, SEAL BOURRELET, CAOUTCHOUC | 1 | 1 | | | |
| 10 | 61A-45214-00 | COVER, WATER INLET GRILLE, ENTREE D'EAU | 1 | 1 | | | |
| 11 | 61A-45215-00 | COVER, WATER INLET GRILLE, ENTREE D'EAU | 1 | 1 | | | |
| 12 | 90152-05M08 | SCREW, COUNTERSUNK VIS, TETE NOYEE | 1 | 1 | | | |
| 13 | 90185-05002 | NUT, SELF-LOCKING ECROU, AUTO-BLOCANT | 1 | 1 | | | |
| 14 | 61A-45371-00 | TAB, TRIM ANODE DERIVE | 1 | 1 | | | |
| 15 | 90105-10M00 | BOLT, FLANGE BOULON | 1 | 1 | | | |
| 16 | 69J-45987-00 | SPACER ENTRETOISE | 1 | 1 | | | |
| 17 | 688-45997-01 | SPACER ENTRETOISE | 1 | 1 | | | |
| 18 | 92990-18200 | WASHER RONDELLE | 1 | 1 | | | |
| 19 | 90171-18M04 | NUT, CASTLE ECROU, CRENELE | 1 | 1 | | | |
| 20 | 91490-40030 | PIN, COTTER GOUPILLE, FENDUE | 1 | 1 | | | |
| 21 | 6G5-45970-02-98 | PROPELLER (3X15-1/4"X15"-M) HELICE (3X15-1/4"X15"-M) | 1 | 1 | | | UR |
| | 6G5-45972-02-98 | PROPELLER (3X13-3/4"X21"-M) HELICE (3X13-3/4"X21"-M) | 1 | 1 | | | UR |
| | 6G5-45974-03-98 | PROPELLER (3X13-3/4"X19"-M2) HELICE (3X13-3/4"X19"-M2) | 1 | 1 | | | UR |
| | 6G5-45978-03-98 | PROPELLER (3X13-3/4"X17"-M2) HELICE (3X13-3/4"X17"-M2) | 1 | 1 | | | UR |
| | 61A-45972-00-98 | PROPELLER (3X14-1/2"X21"-T) HELICE (3X14-1/2"X21"-T) | 1 | 1 | | | UR |
| | 61A-45974-00-98 | PROPELLER (3X14-1/2"X19"-T) HELICE (3X14-1/2"X19"-T) | 1 | 1 | | | UR |
| | 61A-45978-00-98 | PROPELLER (3X15"X17"-T) HELICE (3X15"X17"-T) | 1 | 1 | | | UR |

FWD
69J1100-2320

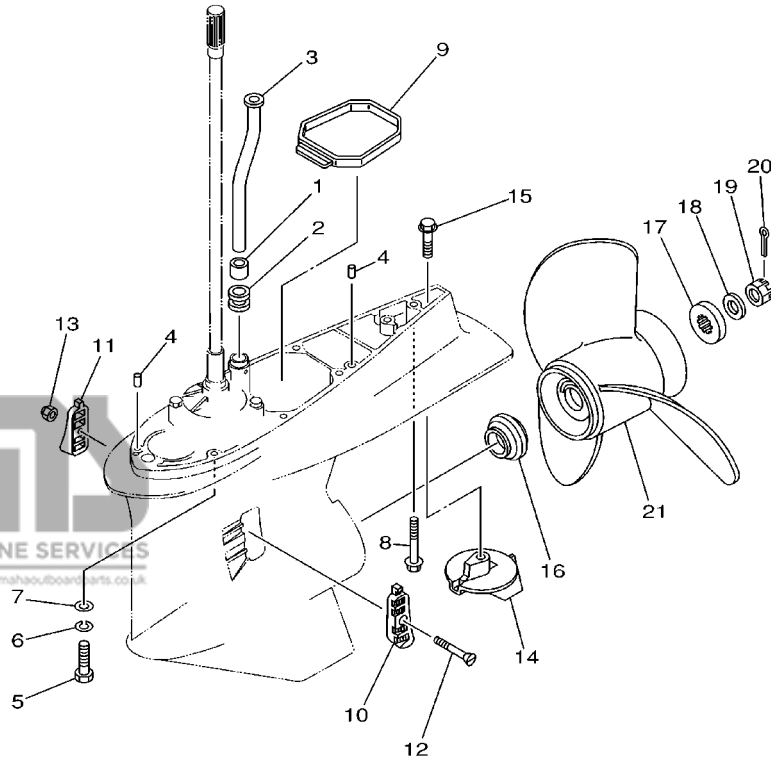
C7

FIG. 32 LOWER CASING, DRIVE 2

BOITIER D'HELICE, TRANSMISSION 2

| REF. NO. | PART NO. NO. PIECES | DESCRIPTION DESCRIPTION | 69J1 | 60L1 | 69K1 | 60M1 | REMARKS REMARQUES |
|----------|---------------------|---|------|------|------|------|-------------------|
| 21 | 6R4-45970-A0 | PROPELLER (3X15-1/4"X19"-M) HELICE (3X15-1/4"X19"-M) | 1 | 1 | | | UR |
| | 6R4-45972-A0 | PROPELLER (3X14-7/8"X21"-M) HELICE (3X14-7/8"X21"-M) | 1 | 1 | | | UR |
| | 6R4-45974-A0 | PROPELLER (3X14-1/2"X23"-M) HELICE (3X14-1/2"X23"-M) | 1 | 1 | | | UR |
| | 6R4-45976-A0 | PROPELLER (3X14-1/2"X15"-M) HELICE (3X14-1/2"X15"-M) | 1 | 1 | | | UR |
| | 6R4-45978-A0 | PROPELLER (3X15-1/4"X17"-M) HELICE (3X15-1/4"X17"-M) | 1 | 1 | | | UR |

STD



69J1100-2320

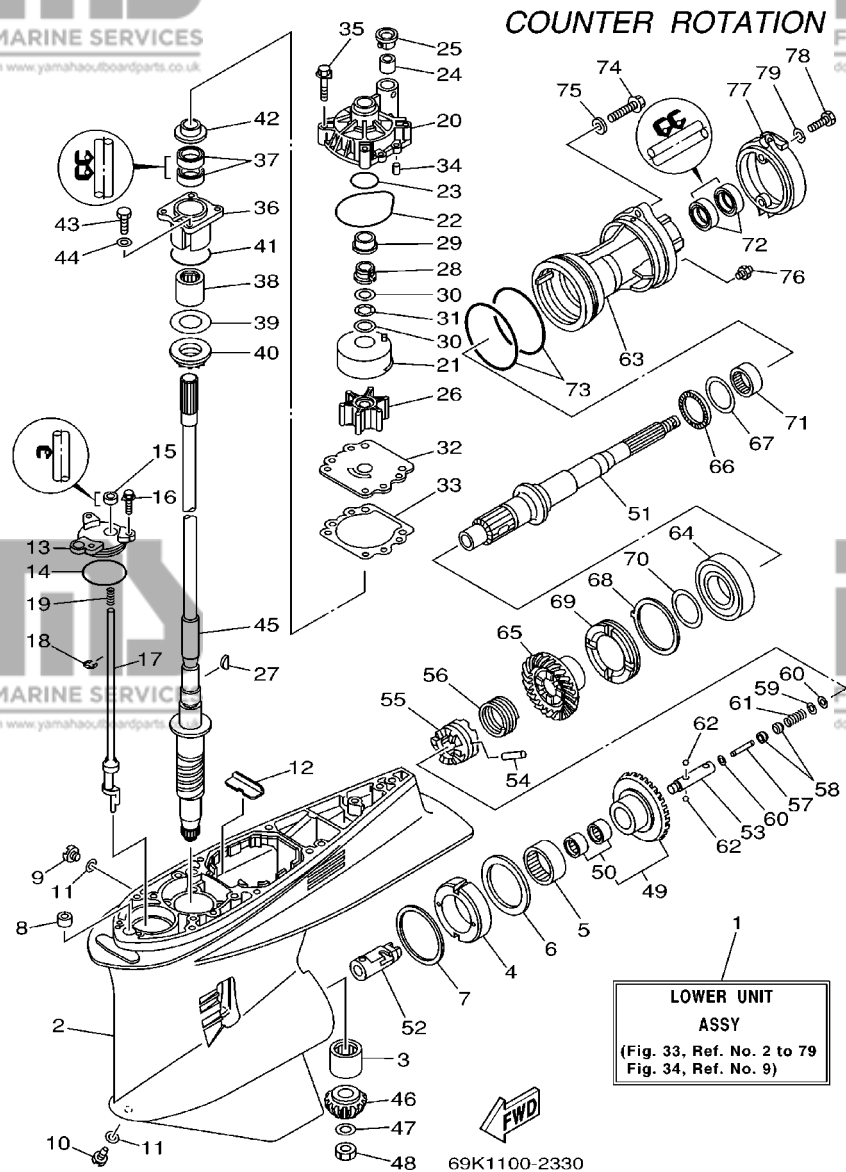


FIG. 33 LOWER CASING, DRIVE 3

BOITIER D'HELICE, TRANSMISSION 3

| REF. NO. | PART NO. NO. PIECES | DESCRIPTION DESCRIPTION | 69J1 | 60L1 | 69K1 | 60M1 | REMARKS REMARQUES |
|----------|---------------------|---|------|------|------|------|-------------------|
| 1 | 69K-45300-20-8D | LOWER UNIT ASSY UNITE INFERIEURE (ENS.) | | | 1 | 1 | X |
| 2 | 61A-45301-03-8D | CASING, LOWER BEQUILLE | | | 1 | 1 | |
| 3 | 93311-832V2 | BEARING ROULEMENT | | | 1 | 1 | |
| 4 | 61B-45538-01 | SPACER 1 ENTRETOISE | | | 1 | 1 | |
| 5 | 93315-660W3 | BEARING ROULEMENT | | | 1 | 1 | |
| 6 | 93341-670V0 | BEARING ROULEMENT | | | 1 | 1 | |
| 7 | 61A-45567-00-10 | SHIM (T:0.10MM) CALE (T:0.10MM) | | | 1 | 1 | UR |
| | 61A-45567-00-12 | SHIM (T:0.12MM) CALE (T:0.12MM) | | | 1 | 1 | UR |
| | 61A-45567-00-15 | SHIM (T:0.15MM) CALE (T:0.15MM) | | | 1 | 1 | UR |
| | 61A-45567-00-18 | SHIM (T:0.18MM) CALE (T:0.18MM) | | | 1 | 1 | UR |
| | 61A-45567-00-30 | SHIM (T:0.30MM) CALE (T:0.30MM) | | | 1 | 1 | UR |
| | 61A-45567-00-40 | SHIM (T:0.40MM) CALE (T:0.40MM) | | | 1 | 1 | UR |
| | 61A-45567-00-50 | SHIM (T:0.50MM) CALE (T:0.50MM) | | | 1 | 1 | UR |
| 8 | 663-44366-00 | DAMPER, WATER SEAL JOINT, TUBE D'EAU | | | 1 | 1 | |
| 9 | 90340-08002 | PLUG, STRAIGHT SCREW PLOT, FILET DROIT | | | 1 | 1 | |
| 10 | 688-45341-10 | PLUG, DRAIN BOUCHON DE VIDANGE | | | 1 | 1 | |
| 11 | 90430-08020 | GASKET JOINT | | | 2 | 2 | |
| 12 | 61A-45376-00-94 | GUIDE, SEAL DAMPER BUTEE, JOINT CAOUTCHOUC | | | 1 | 1 | |
| 13 | 61A-45321-01 | PLATE PLAQUETTE | | | 1 | 1 | |
| 14 | 93210-64488 | O-RING JOINT TORIQUE | | | 1 | 1 | |
| 15 | 93106-09014 | OIL SEAL JOINT SPY | | | 1 | 1 | |
| 16 | 90119-06M10 | BOLT, WITH WASHER BOULON, AVEC RONDELLE | | | 3 | 3 | |
| 17 | 69K-44150-00 | SHIFT CAM ASSY CAME D'INVERSION | | | 1 | 1 | |
| 18 | 99001-08600 | CIRCLIP CIRCLIP | | | 1 | 1 | |
| 19 | 90501-11M10 | SPRING, COMPRESSION RESSORT, COMPRESSION | | | 1 | 1 | |
| 20 | 61A-44311-01 | HOUSING, WATER PUMP CORPS, POMPE A EAU | | | 1 | 1 | |
| 21 | 61A-44322-02 | INSERT, CARTRIDGE CUVETTE | | | 1 | 1 | |

D2

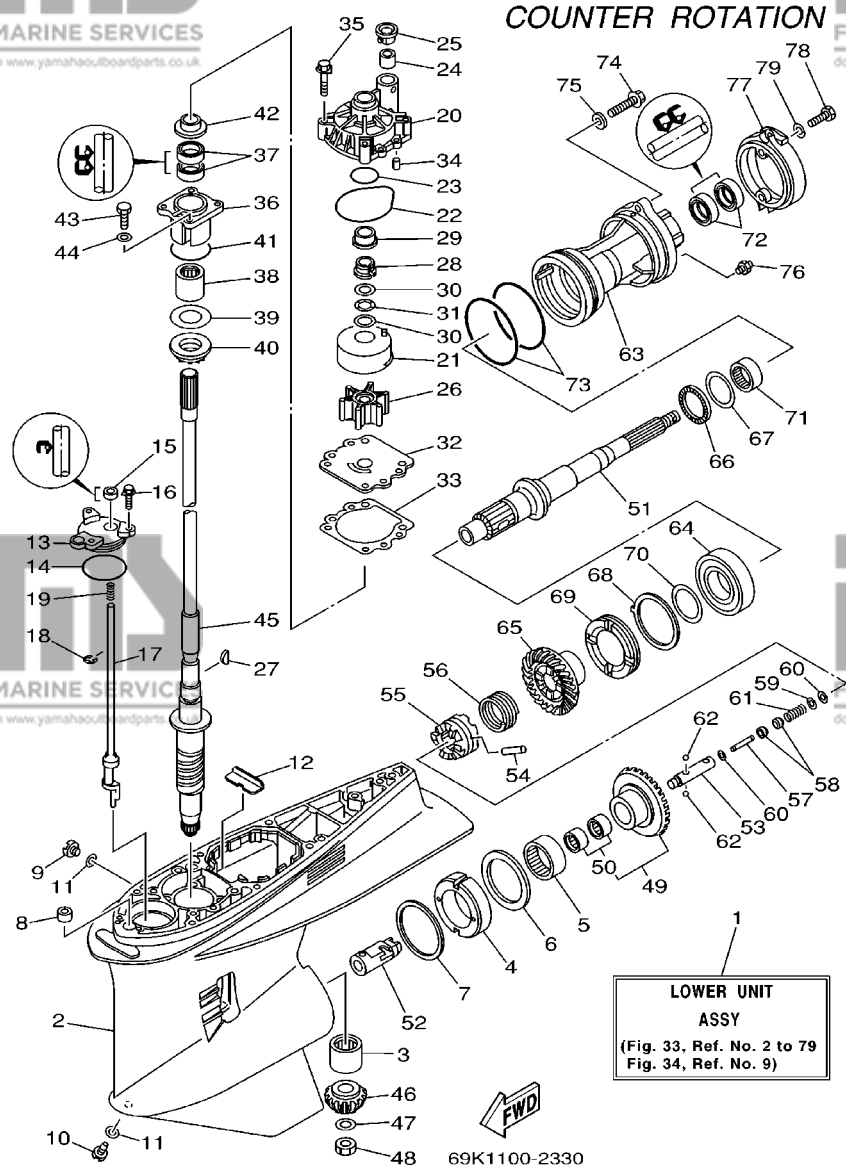


FIG. 33 LOWER CASING, DRIVE 3 BOITIER D'HELICE, TRANSMISSION 3

| REF. NO. | PART NO. NO. PIECES | DESCRIPTION DESCRIPTION | 69J1 | 60L1 | 69K1 | 60M1 | REMARKS REMARQUES |
|----------|---------------------|---|------|------|------|------|-------------------|
| 22 | 93210-86M38 | O-RING JOINT TORIQUE | | | 1 | 1 | |
| 23 | 93210-37160 | O-RING JOINT TORIQUE | | | 1 | 1 | |
| 24 | 6E5-44365-00 | DAMPER, WATER SEAL JOINT, TUBE D'EAU | | | 1 | 1 | |
| 25 | 6E5-44312-00 | COVER, WATER PUMP HOUSING COUVERCLE | | | 1 | 1 | |
| 26 | 6E5-44352-01 | IMPELLER TURBINE | | | 1 | 1 | |
| 27 | 90280-04M05 | KEY, WOODRUFF CLAVETTE, DEMI-LUNE | | | 1 | 1 | |
| 28 | 61A-45538-00 | SPACER 1 ENTRETOISE | | | 1 | 1 | |
| 29 | 61A-45527-00 | COLLAR, DRIVE SHAFT ENTRETOISE | | | 1 | 1 | |
| 30 | 90201-22M01 | WASHER, PLATE RONDELLE, PLATE | | | 2 | 2 | |
| 31 | 90206-22M19 | WASHER, WAVE RONDELLE, ONDULEE | | | 1 | 1 | |
| 32 | 6G5-44323-00 | OUTER PLATE, CARTRIDGE PLAQUE EXTERIEURE | | | 1 | 1 | |
| 33 | 6E5-44315-A0 | GASKET, WATER PUMP JOINT, POMPE A EAU | | | 1 | 1 | |
| 34 | 93606-12019 | PIN, DOWEL GOUJON | | | 2 | 2 | |
| 35 | 90119-08M14 | BOLT, WITH WASHER BOULON, AVEC RONDELLE | | | 4 | 4 | |
| 36 | 61A-45331-00-94 | HOUSING, BEARING FLASQUE, ROULEMENT | | | 1 | 1 | |
| 37 | 93101-28M16 | OIL SEAL JOINT SPY | | | 2 | 2 | |
| 38 | 93317-330U2 | BEARING ROULEMENT | | | 1 | 1 | |
| 39 | 61A-45587-00-10 | SHIM (T:0.10MM) CALE (T:0.10MM) | | | 1 | 1 | UR |
| | 61A-45587-00-12 | SHIM (T:0.12MM) CALE (T:0.12MM) | | | 1 | 1 | UR |
| | 61A-45587-00-15 | SHIM (T:0.15MM) CALE (T:0.15MM) | | | 1 | 1 | UR |
| | 61A-45587-00-18 | SHIM (T:0.18MM) CALE (T:0.18MM) | | | 1 | 1 | UR |
| | 61A-45587-00-30 | SHIM (T:0.30MM) CALE (T:0.30MM) | | | 1 | 1 | UR |
| | 61A-45587-00-40 | SHIM (T:0.40MM) CALE (T:0.40MM) | | | 1 | 1 | UR |
| | 61A-45587-00-50 | SHIM (T:0.50MM) CALE (T:0.50MM) | | | 1 | 1 | UR |
| 40 | 93341-930U9 | BEARING ROULEMENT | | | 1 | 1 | |
| 41 | 93210-55M14 | O-RING JOINT TORIQUE | | | 1 | 1 | |
| 42 | 6E5-45344-00 | COVER, OIL SEAL FLASQUE, JOINT D'HUILE | | | 1 | 1 | |

D3

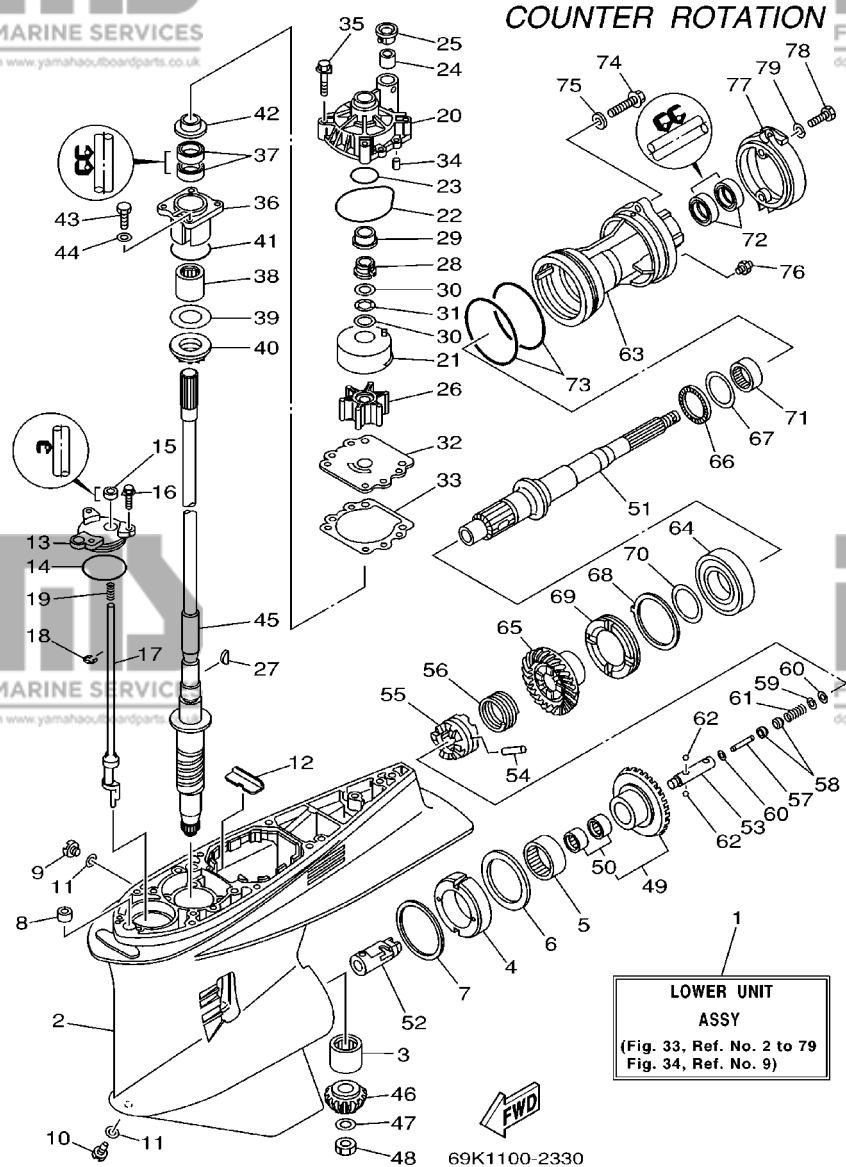


FIG. 33 LOWER CASING, DRIVE 3

BOITIER D'HELICE, TRANSMISSION 3

| REF. NO. | PART NO. NO. PIECES | DESCRIPTION DESCRIPTION | 69J1 | 60L1 | 69K1 | 60M1 | REMARKS REMARQUES |
|----------|---------------------|--|------|------|------|------|-------------------|
| 43 | 97095-08025 | BOLT BOULON | | | 4 | 4 | |
| 44 | 92995-08600 | WASHER RONDELLE | | | 4 | 4 | |
| 45 | 69J-45501-00 | DRIVE SHAFT COMP. ARBRE MOTEUR COMP. | | | 1 | 1 | X |
| 46 | 69J-45551-00 | PINION PIGNON D'ATTAQUE | | | 1 | 1 | |
| 47 | 90201-16M00 | WASHER, PLATE RONDELLE, PLATE | | | 1 | 1 | |
| 48 | 90170-16M19 | NUT ECROU | | | 1 | 1 | |
| 49 | 69K-45560-00 | GEAR PIGNON | | | 1 | 1 | |
| 50 | 93317-428U7 | .BEARING .ROULEMENT | | | 2 | 2 | |
| 51 | 69K-45611-00 | SHAFT, PROPELLER ARBRE, HELICE | | | 1 | 1 | |
| 52 | 69K-45641-00 | SHIFTER EMBRAYAGE | | | 1 | 1 | |
| 53 | 61A-45634-01 | SLIDE, SHIFT CONTRE-POUSSOIR | | | 1 | 1 | |
| 54 | 61A-45632-00 | PIN, CROSS GOUPILLE DE CRABOT | | | 1 | 1 | |
| 55 | 69J-45631-00 | CLUTCH, DOG CRABOT | | | 1 | 1 | |
| 56 | 61A-45633-00 | RING, CROSS PIN JONC, GOUPILLE CRABOT | | | 1 | 1 | |
| 57 | 6H1-45668-00 | SHAFT, FREE AXE | | | 1 | 1 | |
| 58 | 61A-45635-00 | PLUNGER, SHIFT POUSSOIR D'EMBRAYAGE | | | 2 | 2 | |
| 59 | 90201-02M00 | WASHER, PLATE RONDELLE, PLATE | | | 1 | 1 | |
| 60 | 90183-02M03 | NUT, SPRING ECROU, RESSORT | | | 2 | 2 | |
| 61 | 90501-10M77 | SPRING, COMPRESSION RESSORT, COMPRESSION | | | 1 | 1 | |
| 62 | 93501-04011 | BALL BILLE | | | 2 | 2 | |
| 63 | 69K-45332-00-94 | HOUSING, BEARING FLASQUE, ROULEMENT | | | 1 | 1 | |
| 64 | 93332-00048 | BEARING ROULEMENT | | | 1 | 1 | |
| 65 | 69K-45571-00 | GEAR PIGNON | | | 1 | 1 | |
| 66 | 93341-440U5 | BEARING ROULEMENT | | | 1 | 1 | |
| 67 | 6K1-45578-01-10 | SHIM (T:0.10MM) CALE (T:0.10MM) | | | 1 | 1 | UR |
| 68 | 6K1-45578-01-12 | SHIM (T:0.12MM) CALE (T:0.12MM) | | | 1 | 1 | UR |
| 69 | 6K1-45578-01-15 | SHIM (T:0.15MM) CALE (T:0.15MM) | | | 1 | 1 | UR |

D4

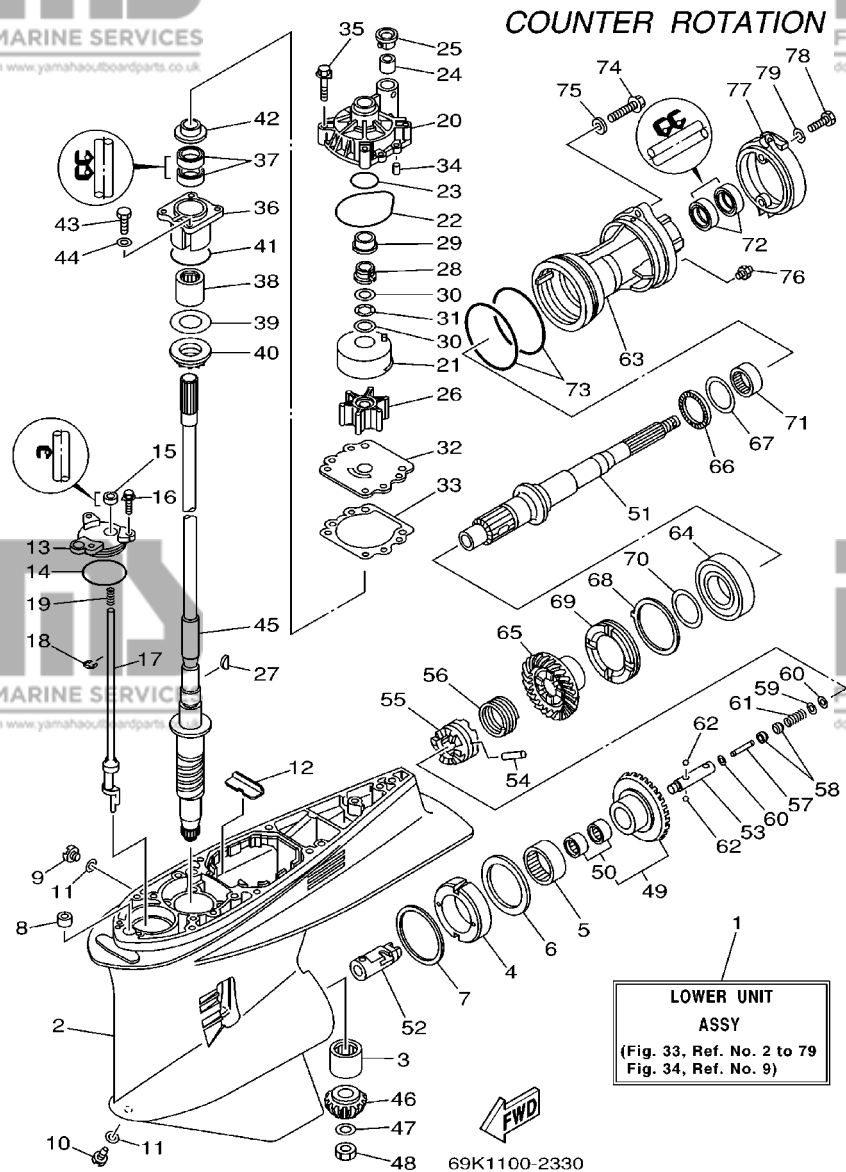
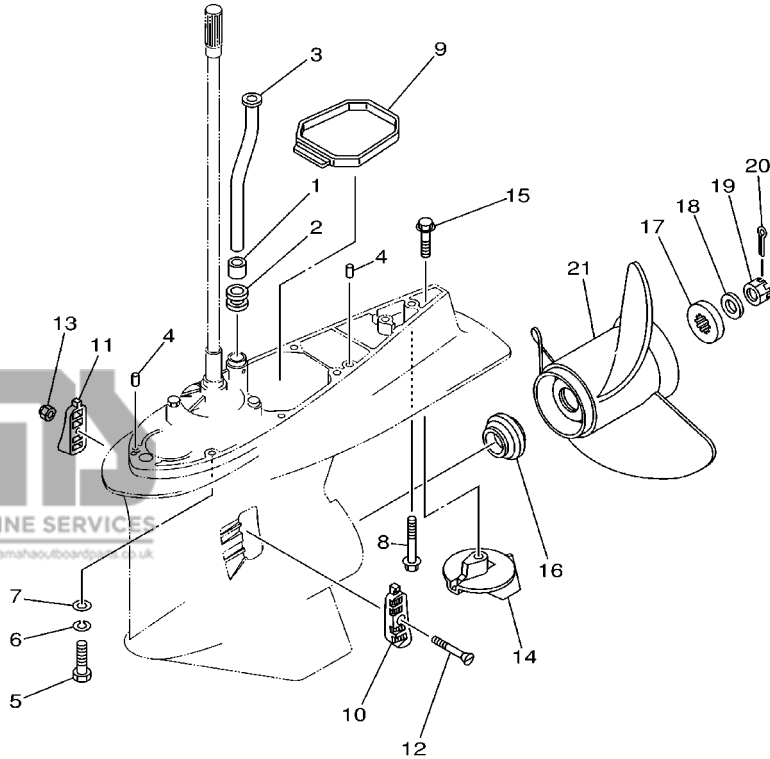


FIG. 33 LOWER CASING, DRIVE 3

BOITIER D'HELICE, TRANSMISSION 3

| REF. NO. | PART NO. NO. PIECES | DESCRIPTION DESCRIPTION | 69J1 | 60L1 | 69K1 | 60M1 | REMARKS REMARQUES |
|----------|---------------------|--|------|------|------|------|-------------------|
| 67 | 6K1-45578-01-18 | SHIM (T:0.18MM) | | | 1 | 1 | UR |
| | | CALE (T:0.18MM) | | | | | |
| | 6K1-45578-01-30 | SHIM (T:0.30MM) | | | 1 | 1 | UR |
| | | CALE (T:0.30MM) | | | | | |
| | 6K1-45578-01-40 | SHIM (T:0.40MM) | | | 1 | 1 | UR |
| | | CALE (T:0.40MM) | | | | | |
| | 6K1-45578-01-50 | SHIM (T:0.50MM) | | | 1 | 1 | UR |
| | | CALE (T:0.50MM) | | | | | |
| 68 | 61B-45383-00 | WASHER, CLAW FREIN D'ECROU | | | 1 | 1 | |
| 69 | 69K-45384-00 | NUT ECROU | | | 1 | 1 | |
| 70 | 69K-45577-00 | SHIM (T:0.10MM) | | | 1 | 1 | UR |
| | | CALE (T:0.10MM) | | | | | |
| | 69K-45577-10 | SHIM (T:0.12MM) | | | 1 | 1 | UR |
| | | CALE (T:0.12MM) | | | | | |
| | 69K-45577-20 | SHIM (T:0.15MM) | | | 1 | 1 | UR |
| | | CALE (T:0.15MM) | | | | | |
| | 69K-45577-30 | SHIM (T:0.18MM) | | | 1 | 1 | UR |
| | | CALE (T:0.18MM) | | | | | |
| | 69K-45577-40 | SHIM (T:0.30MM) | | | 1 | 1 | UR |
| | | CALE (T:0.30MM) | | | | | |
| | 69K-45577-50 | SHIM (T:0.40MM) | | | 1 | 1 | UR |
| | | CALE (T:0.40MM) | | | | | |
| | 69K-45577-60 | SHIM (T:0.50MM) | | | 1 | 1 | UR |
| | | CALE (T:0.50MM) | | | | | |
| 71 | 93315-43061 | BEARING ROULEMENT | | | 1 | 1 | |
| 72 | 93101-30M17 | OIL SEAL JOINT SPY | | | 2 | 2 | |
| 73 | 93211-04384 | O-RING JOINT TORIQUE | | | 2 | 2 | |
| 74 | 90105-08036 | BOLT, FLANGE BOULON | | | 2 | 2 | |
| 75 | 90201-08023 | WASHER, PLATE RONDELLE, PLATE | | | 2 | 2 | |
| 76 | 93700-09M00 | NIPPLE, GREASE GRAISSEUR | | | 1 | 1 | |
| 77 | 69J-45361-00-8D | CAP, LOWER CASING COUVERCLE, BOITIER D'HELICE | | | 1 | 1 | |
| 78 | 97095-08020 | BOLT BOULON | | | 2 | 2 | |
| 79 | 92995-08600 | WASHER RONDELLE | | | 2 | 2 | |

COUNTER ROTATION



FWD
69K1100-2340

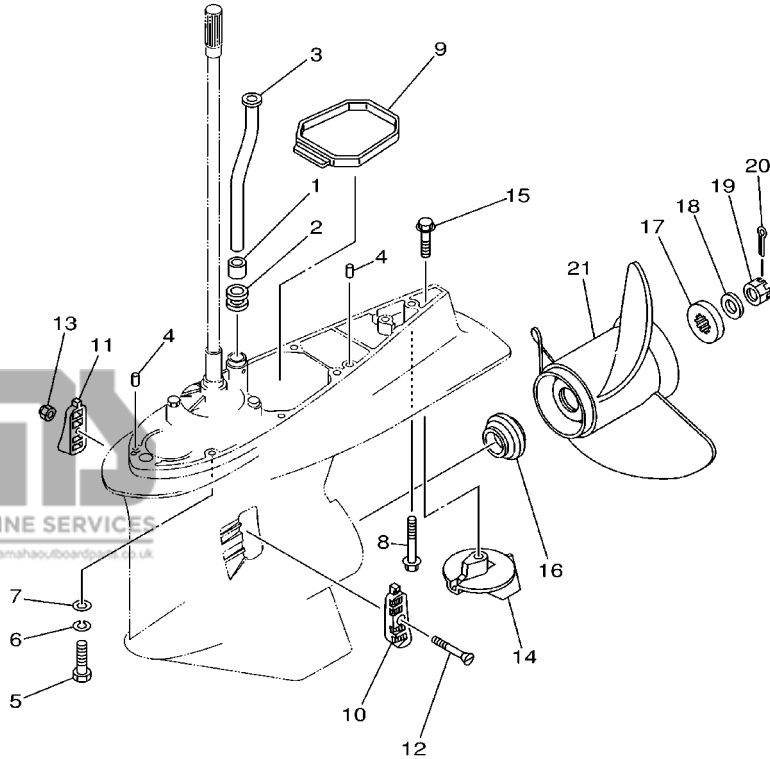
FIG. 34 LOWER CASING, DRIVE 4

BOITIER D'HELICE, TRANSMISSION 4

| REF. NO. | PART NO. NO. PIECES | DESCRIPTION DESCRIPTION | 69J1 | 60L1 | 69K1 | 60M1 | REMARKS REMARQUES |
|----------|---------------------|--|------|------|------|------|-------------------|
| 1 | 6E5-44365-00 | DAMPER, WATER SEAL JOINT, TUBE D'EAU | | | 1 | 1 | |
| 2 | 6E5-44366-00 | DAMPER, WATER SEAL JOINT, TUBE D'EAU | | | 1 | 1 | |
| 3 | 69J-44361-00 | TUBE, WATER TUBE D'EAU | | | 1 | 1 | X |
| 4 | 93608-12M05 | PIN, DOWEL GOUJON | | | 2 | 2 | |
| 5 | 97095-10045 | BOLT BOULON | | | 7 | 7 | X |
| 6 | 92995-10100 | WASHER RONDELLE | | | 7 | 7 | X |
| 7 | 92995-10600 | WASHER RONDELLE | | | 7 | 7 | X |
| 8 | 90119-10MA2 | BOLT, WITH WASHER BOULON, AVEC RONDELLE | | | 1 | 1 | X |
| 9 | 69J-45375-00 | DAMPER, SEAL BOURRELET, CAOUTCHOUC | | | 1 | 1 | |
| 10 | 61A-45214-00 | COVER, WATER INLET GRILLE, ENTREE D'EAU | | | 1 | 1 | |
| 11 | 61A-45215-00 | COVER, WATER INLET GRILLE, ENTREE D'EAU | | | 1 | 1 | |
| 12 | 90152-05M08 | SCREW, COUNTERSUNK VIS, TETE NOYEE | | | 1 | 1 | |
| 13 | 90185-05002 | NUT, SELF-LOCKING ECROU, AUTO-BLOCANT | | | 1 | 1 | |
| 14 | 61A-45371-00 | TAB-TRIM ANODE DERIVE | | | 1 | 1 | |
| 15 | 90105-10M00 | BOLT, FLANGE BOULON | | | 1 | 1 | |
| 16 | 69J-45987-00 | SPACER ENTRETOISE | | | 1 | 1 | |
| 17 | 688-45997-01 | SPACER ENTRETOISE | | | 1 | 1 | |
| 18 | 92990-18200 | WASHER RONDELLE | | | 1 | 1 | |
| 19 | 90171-18M04 | NUT, CASTLE ECROU, CRENELE | | | 1 | 1 | |
| 20 | 91490-40030 | PIN, COTTER GOUPILLE, FENDUE | | | 1 | 1 | |
| 21 | 6K1-45970-01-98 | PROPELLER (3X15-1/4"X15"-ML) HELICE (3X15-1/4"X15"-ML) | | | 1 | 1 | UR |
| | 6K1-45972-01-98 | PROPELLER (3X13-3/4"X21"-ML) HELICE (3X13-3/4"X21"-ML) | | | 1 | 1 | UR |
| | 6K1-45974-02-98 | PROPELLER (3X13-3/4"X19"-ML1) HELICE (3X13-3/4"X19"-ML1) | | | 1 | 1 | UR |
| | 6K1-45978-02-98 | PROPELLER (3X13-3/4"X17"-ML1) HELICE (3X13-3/4"X17"-ML1) | | | 1 | 1 | UR |
| | 61B-45972-00-98 | PROPELLER (3X14-1/2"X21"-TL) HELICE (3X14-1/2"X21"-TL) | | | 1 | 1 | UR |
| | 61B-45974-00-98 | PROPELLER (3X14-1/2"X19"-TL) HELICE (3X14-1/2"X19"-TL) | | | 1 | 1 | UR |
| | 61B-45978-00-98 | PROPELLER (3X15"X17"-TL) HELICE (3X15"X17"-TL) | | | 1 | 1 | UR |

D6

COUNTER ROTATION




69K1100-2340

FIG. 34 LOWER CASING, DRIVE 4

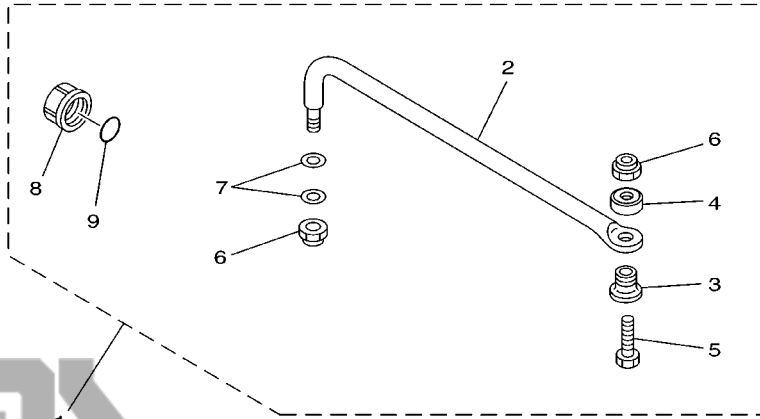
BOITIER D'HELICE, TRANSMISSION 4

| REF. NO. | PART NO. NO. PIECES | DESCRIPTION DESCRIPTION | 69J1 | 60L1 | 69K1 | 60M1 | REMARKS REMARQUES |
|----------|---------------------|---|------|------|------|------|-------------------|
| 21 | 6R1-45970-A0 | PROPELLER (3X15-1/4"X19"-ML) HELICE (3X15-1/4"X19"-ML) | | | 1 | 1 | UR |
| | 6R1-45972-A0 | PROPELLER (3X14-7/8"X21"-ML) HELICE (3X14-7/8"X21"-ML) | | | 1 | 1 | UR |
| | 6R1-45974-A0 | PROPELLER (3X14-1/2"X23"-ML) HELICE (3X14-1/2"X23"-ML) | | | 1 | 1 | UR |
| | 6R1-45976-A0 | PROPELLER (3X15-1/4"X15"-ML) HELICE (3X15-1/4"X15"-ML) | | | 1 | 1 | UR |
| | 6R1-45978-A0 | PROPELLER (3X15-1/4"X17"-ML) HELICE (3X15-1/4"X17"-ML) | | | 1 | 1 | UR |

FIG. 35 STEERING GUIDE ATTACHMENT 1

DIRECTION GUIDE ACCESSOIRE 1

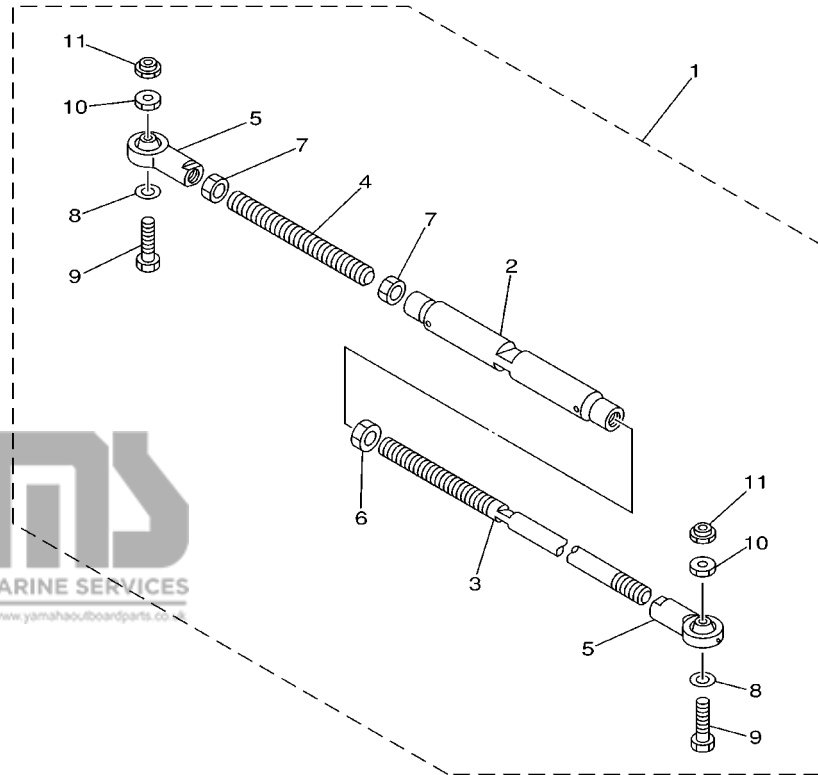
| REF. NO. | PART NO. NO. PIECES | DESCRIPTION DESCRIPTION | 69J1 | 60L1 | 69K1 | 60M1 | REMARKS REMARQUES |
|----------|---------------------|---|------|------|------|------|-------------------|
| 1 | 6E5-61350-02 | STEERING GUIDE ATTACHMENT KIT FIXATIONS DE DIRECTION | 1 | 1 | | | AP |
| 2 | 6E5-61351-01 | .ROD, STEERING LINK .RENOI DE DIRECTION | 1 | 1 | | | |
| 3 | 90387-10M61 | .COLLAR .COLLERETTE | 1 | 1 | | | |
| 4 | 90560-12M01 | .SPACER .ENTRETOISE | 1 | 1 | | | |
| 5 | 6E5-61355-00 | .BOLT .BOULON | 1 | 1 | | | |
| 6 | 90185-09M01 | .NUT, SELF-LOCKING .ECROU, AUTO-BLOCANT | 2 | 2 | | | |
| 7 | 90201-10M20 | .WASHER, PLATE .RONDELLE, PLATE | 2 | 2 | | | |
| 8 | 6E5-43145-01 | .CAP, CLAMP BRACKET .CAPUCHON, PRESSE | 1 | 1 | | | |
| 9 | 93210-16275 | .O-RING .JOINT TORIQUE | 1 | 1 | | | |



67H0100-9290

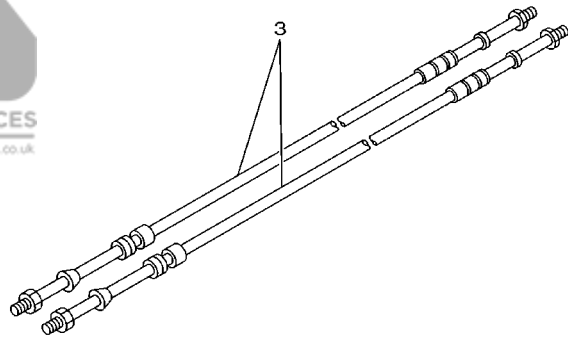
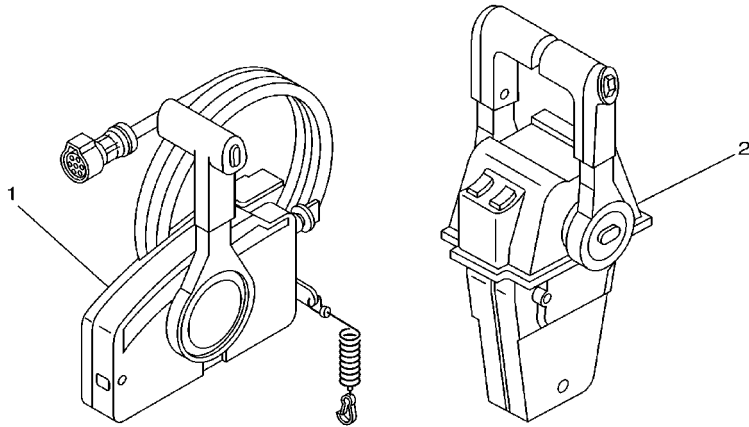
FIG. 36 STEERING GUIDE ATTACHMENT 2

DIRECTION GUIDE ACCESSOIRE 2



| REF. NO. | PART NO. NO. PIECES | DESCRIPTION DESCRIPTION | 69J1 | 60L1 | 69K1 | 60M1 | REMARKS REMARQUES |
|----------|---------------------|--|------|------|------|------|-------------------|
| 1 | 6E5-61301-01 | TWIN KIT (L:600-800MM) JUMELE KIT (L:600-800MM) | | | 1 | 1 | AP |
| 2 | 6E5-61313-00 | .ADJUSTER .TENDEUR | | | 1 | 1 | |
| 3 | 6E5-61311-11 | .TIE BAR .BARRE D'ACCOUPEMENT | | | 1 | 1 | |
| 4 | 6E5-61315-00 | .TIE BAR .BARRE D'ACCOUPEMENT | | | 1 | 1 | |
| 5 | 6E5-61303-00 | .STEERING EYE COMP. .AXE COMP. | | | 2 | 2 | |
| 6 | 90170-14M06 | .NUT .ECROU | | | 1 | 1 | |
| 7 | 95380-14700 | .NUT .ECROU | | | 2 | 2 | |
| 8 | 90201-10M76 | .WASHER, PLATE .RONDELLE, PLATE | | | 2 | 2 | |
| 9 | 90101-09M70 | .BOLT .BOULON | | | 2 | 2 | |
| 10 | 90170-09M05 | .NUT .ECROU | | | 2 | 2 | |
| 11 | 90185-09M01 | .NUT, SELF-LOCKING .ECROU, AUTO-BLOCANT | | | 2 | 2 | |

67H0100-0300



67H0100-9310

FIG. 37 REMOTE CONTROL BOX

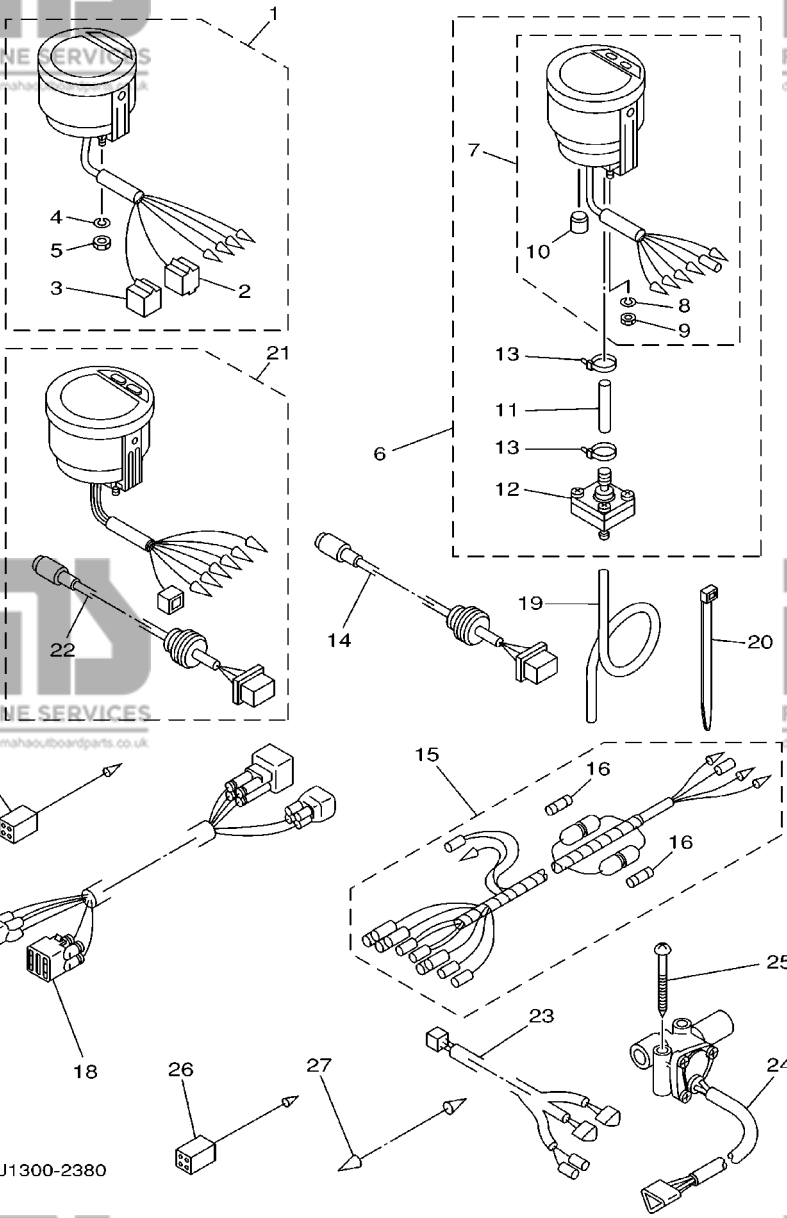
BOITIER DE COMMANDE A DISTANCE

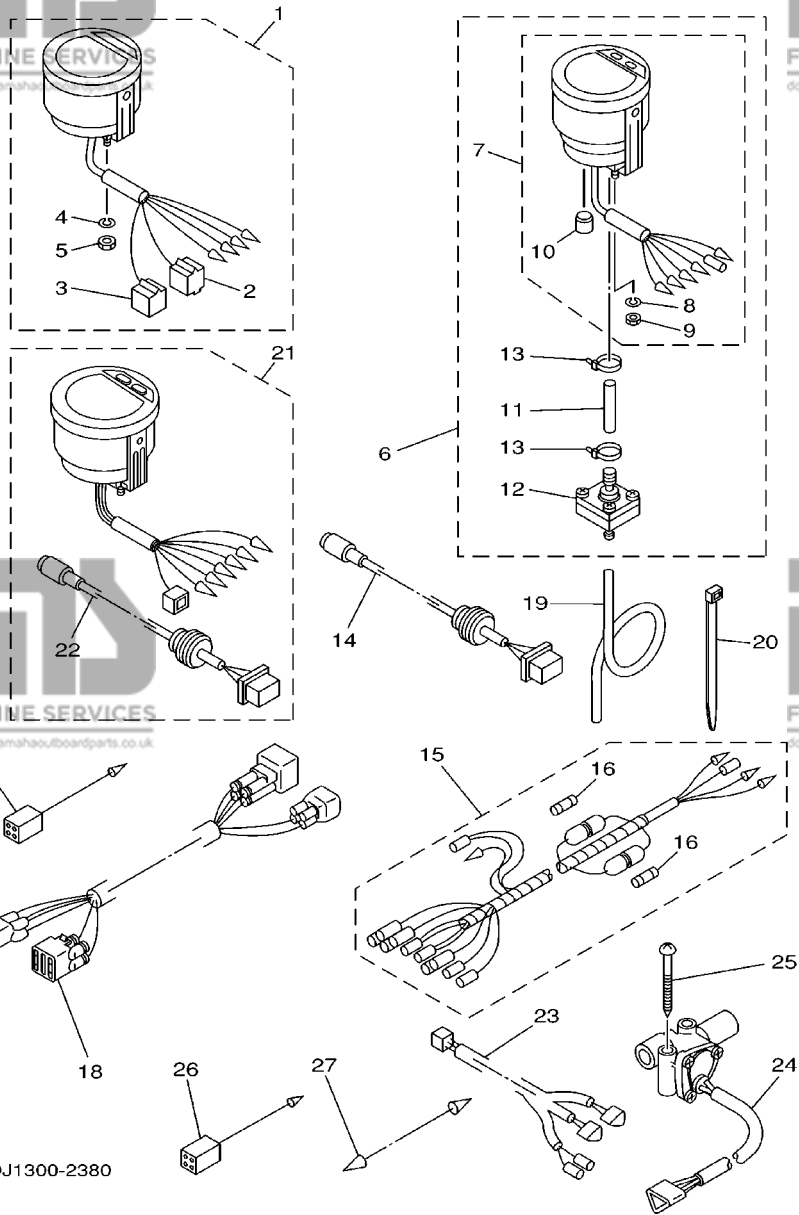
| REF. NO. | PART NO. NO. PIECES | DESCRIPTION DESCRIPTION | 69J1 | 60L1 | 69K1 | 60M1 | REMARKS REMARQUES |
|----------|---------------------|---|------|------|------|------|-------------------|
| 1 | 703-48205-17 | REMOTE CONTROL ASSY BOITIER DE COMMANDE A DISTANCE | 1 | 1 | | | AP WITH PT/T SW. |
| 2 | 704-48207-23 | REMOTE CONTROL ASSY BOITIER DE COMMANDE A DISTANCE | | | 1 | 1 | AP WITH PT/T SW. |
| 3 | 701-48320-50 | CABLE, REMOTE CONTROL L=15F | 2 | 2 | 2 | 2 | UR |
| | 701-48320-60 | CABLE, REMOTE CONTROL L=16F | 2 | 2 | 2 | 2 | UR |
| | 701-48320-80 | CABLE, REMOTE CONTROL L=17F | 2 | 2 | 2 | 2 | UR |
| | 701-48320-40 | CABLE, REMOTE CONTROL L=19F | 2 | 2 | 2 | 2 | UR |
| | 701-48350-00 | CABLE, REMOTE CONTROL L=21F | 2 | 2 | 2 | 2 | UR |

FIG. 38 METER

COMPTEUR

| REF. NO. | PART NO. NO. PIECES | DESCRIPTION DESCRIPTION | 69J1 | 60L1 | 69K1 | 60M1 | REMARKS REMARQUES |
|----------|---------------------|---|------|------|------|------|-------------------|
| 1 | 6Y5-8350T-01 | DIGITAL TACHOMETER ASSY COMPTE-TOURS NUMERIQUE CPLT | 1 | 1 | | | AP |
| 2 | 9E450-04433 | .CONNECTOR .CONNECTEUR | 1 | 1 | | | M-4-W |
| 3 | 9E450-04533 | .CONNECTOR .CONNECTEUR | 1 | 1 | | | F-4-W |
| 4 | 92990-04100 | .WASHER, SPRING .RONDELLE, GROWER | 2 | 2 | | | |
| 5 | 95380-04600 | .NUT .ECROU | 2 | 2 | | | |
| 6 | 6Y5-83500-S5 | DIGITAL SPEEDOMETER ASSY TACHYMETRE NUMERIQUE CPLT. | 1 | 1 | | | AP |
| 7 | 6Y5-83570-S5 | .SPEEDOMETER ASSY .COMPTEUR DE VITESSE CPLT | 1 | 1 | | | |
| 8 | 92990-04100 | .WASHER, SPRING .RONDELLE, GROWER | 2 | 2 | | | |
| 9 | 95380-04600 | .NUT .ECROU | 2 | 2 | | | |
| 10 | 6Y5-83533-T2 | .GROMMET .RONDELLE CAOUTCHOUC | 1 | 1 | | | |
| 11 | 6Y5-83557-31 | .TUBE .TUBE | 1 | 1 | | | |
| 12 | 6Y5-83728-00 | .CONNECTOR ASSY .CONNEXION COMPLET | 1 | 1 | | | |
| 13 | 90465-11M10 | .CLAMP .BRIDE | 2 | 2 | | | |
| 14 | 6Y5-87122-S0 | CORD ASSY 1 COPDON COMPLET | 1 | 1 | | | AP |
| 15 | 6Y5-83553-M0 | WIRE, LEAD FIL | 1 | 1 | | | AP |
| | 6Y5-83553-00 | WIRE, LEAD FIL | | | 1 | 1 | AP |
| 16 | 1E6-82151-00 | .FUSE (10A) .FUSIBLE (10A) | 2 | 2 | | | FOR 6Y5-83553-M0 |
| | 1E6-82151-00 | .FUSE (10A) .FUSIBLE (10A) | | | 1 | 1 | FOR 6Y5-83553-00 |
| 17 | 6Y5-82117-00 | WIRE, LEAD (BLACK) FIL (NOIR) | 1 | 1 | | | AP |
| 18 | 68F-82553-80 | EXTENSION, WIRE LEAD EXTENSION, FAISCEAU | 1 | 1 | | | AP |
| | 68F-82553-90 | EXTENSION, WIRE LEAD EXTENSION, FAISCEAU | | | 1 | 1 | AP |
| 19 | 6Y5-83557-10 | TUBE (8M) TUBE (8M) | 1 | 1 | | | AP |
| 20 | 90465-11M10 | CLAMP BRIDE | 2 | 2 | | | AP |
| 21 | 6Y5-8350F-00 | FUEL MANAGEMENT METER COMPT. DE GESTION DU CARBURANT | | | 1 | 1 | AP |
| 22 | 6Y5-87122-S0 | .CORD ASSY 1 .COPDON COMPLET | | | 1 | 1 | |
| 23 | 6Y5-83553-F1 | WIRE, LEAD FIL | | | 1 | 1 | AP |
| 24 | 6Y5-85752-01 | SENDER UNIT ASSY, FUEL METER PERCEPTION DE JAUGE A ESSENCE | | | 2 | 2 | AP |



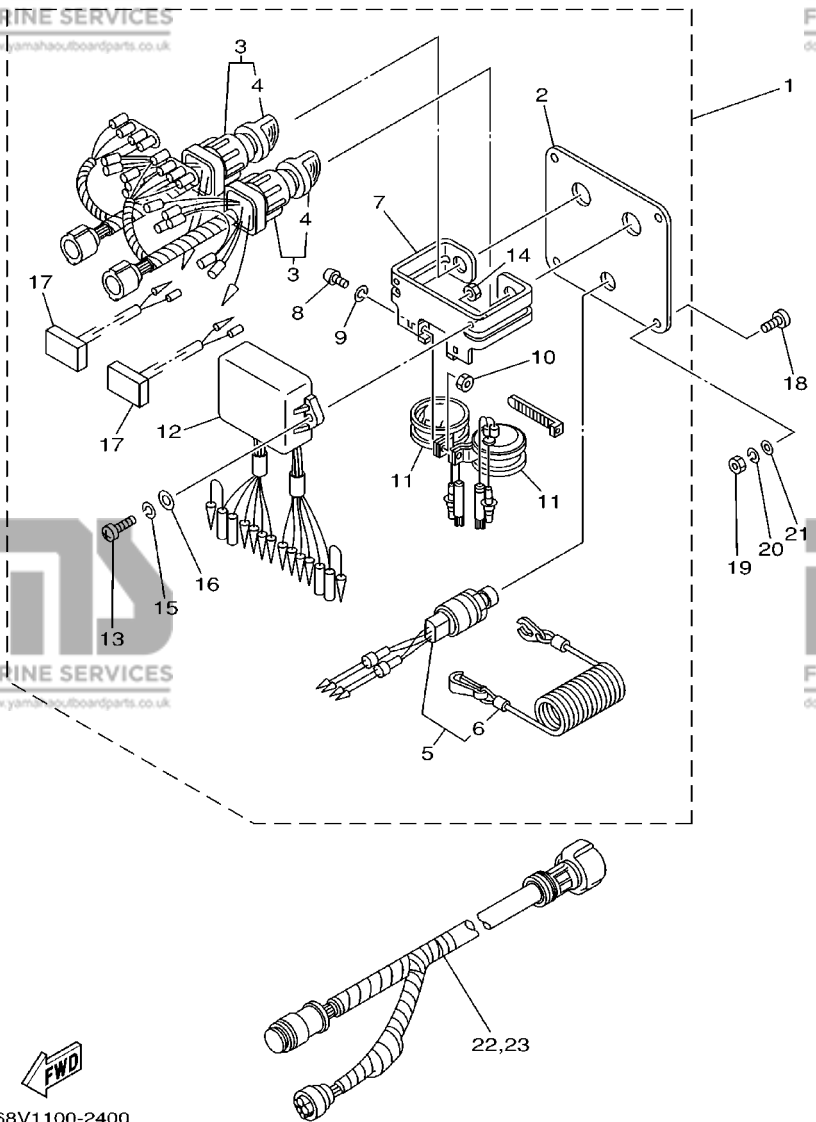


69J1300-2380

FIG. 38 METER

COMPTEUR

| REF. NO. | PART NO. NO. PIECES | DESCRIPTION DESCRIPTION | 69J1 | 60L1 | 69K1 | 60M1 | REMARKS REMARQUES |
|----------|---------------------|----------------------------------|------|------|------|------|-------------------|
| 25 | 90158-06002 | SCREW, WOOD VIS, A BOIS | | | 4 | 4 | AP |
| 26 | 6Y5-82117-00 | WIRE, LEAD (BLACK) FIL (NOIR) | | | 1 | 1 | AP |
| 27 | 703-82531-00 | WIRE, LEAD FIL | | | 1 | 1 | AP |

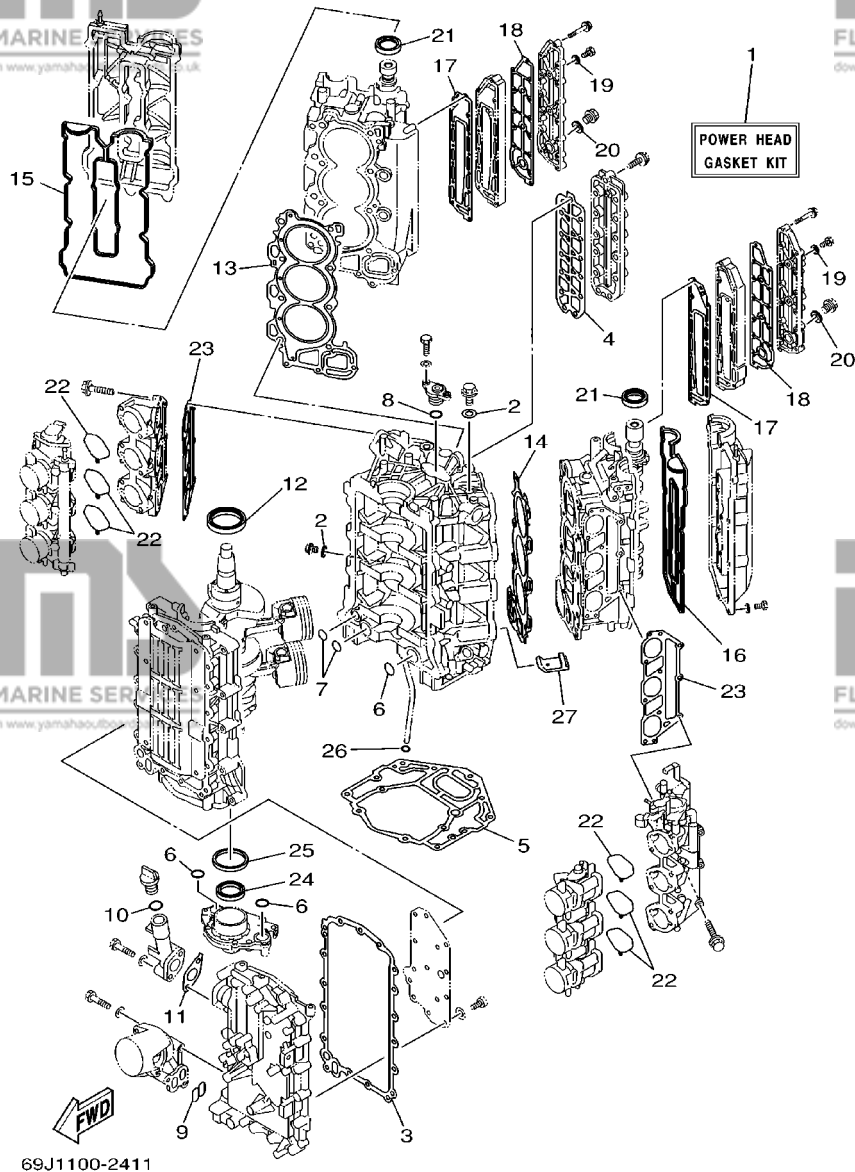


68V1100-2400

FIG. 39 SWITCH. PANEL

TABLEAU DE CONTACTEUR

| REF. NO. | PART NO. NO. PIECES | DESCRIPTION DESCRIPTION | 69J1 | 60L1 | 69K1 | 60M1 | REMARKS REMARQUES |
|----------|---------------------|---|------|------|------|------|-------------------|
| 1 | 6K1-82570-07 | PANEL SWITCH ASSY PLATINE D'INTERRUPEUR CPLT | | | 1 | 1 | AP |
| 2 | 6K1-82571-01 | .PANEL, SWITCH .TABLEAU, CONTACTEUR | | | 1 | 1 | |
| 3 | 6K1-82510-06 | .MAIN SWITCH ASSY .CONTACTEUR A CLEF COMPLET | | | 2 | 2 | |
| 4 | 703-82577-00 | ..CAP, KEY ..CABOCHON | | | 1 | 1 | |
| 5 | 6K1-82575-00 | .ENGINE STOP SWITCH ASSY .COUPE CIRCUIT CPLT | | | 1 | 1 | |
| 6 | 682-82556-00 | ..STOPPER ..PLAQUETTE | | | 1 | 1 | |
| 7 | 6K1-83614-01 | .BRACKET .SUPPORT | | | 1 | 1 | |
| 8 | 98980-05010 | .SCREW, BIND .VIS, DE PRESSION | | | 2 | 2 | |
| 9 | 92990-05100 | .WASHER, SPRING .RONDELLE, GROWER | | | 2 | 2 | |
| 10 | 95380-05600 | .NUT .ECROU | | | 2 | 2 | |
| 11 | 688-83383-11 | .BUZZER .RONFLEUR | | | 2 | 2 | |
| 12 | 6K1-85830-01 | .CONTROL UNIT ASSY .BLOC DE CONTROLE | | | 1 | 1 | |
| 13 | 98980-06020 | .SCREW, BIND .VIS, DE PRESSION | | | 2 | 2 | |
| 14 | 95380-06600 | .NUT, HEXAGON .ECROU | | | 2 | 2 | |
| 15 | 92990-06100 | .WASHER, SPRING .RONDELLE, GROWER | | | 2 | 2 | |
| 16 | 92990-06600 | .WASHER, PLATE .RONDELLE, PLATE | | | 2 | 2 | |
| 17 | 6K1-81980-00 | .DIODE ASSY .REDRESSEUR 2 | | | 2 | 2 | |
| 18 | 90149-05M05 | SCREW VIS | | | 4 | 4 | AP |
| 19 | 95380-05600 | NUT ECROU | | | 4 | 4 | AP |
| 20 | 92990-05100 | WASHER, SPRING RONDELLE, GROWER | | | 4 | 4 | AP |
| 21 | 92990-05600 | WASHER, PLATE RONDELLE, PLATE | | | 4 | 4 | AP |
| 22 | 6K1-8258A-40 | EXTENSION, WIRE HARNESS EXTENSION, FAISCEAU | | | 1 | 1 | AP |
| 23 | 61B-8258A-01 | EXTENSION, WIRE HARNESS EXTENSION, FAISCEAU | | | 1 | 1 | AP |



69J1100-2411

FIG. 40 REPAIR KIT 1

KITS DE REPARATION 1

| REF. NO. | PART NO. NO. PIECES | DESCRIPTION DESCRIPTION | 69J1 | 60L1 | 69K1 | 60M1 | REMARKS REMARQUES |
|----------|---------------------|--|------|------|------|------|-------------------|
| 1 | 69J-W0001-01 | POWER HEAD GASKET KIT POCHETTE DE JINTS TETE MOTRICE | 1 | 1 | 1 | 1 | |
| 2 | 90430-14115 | .GASKET .JOINT | 2 | 2 | 2 | 2 | |
| 3 | 69J-15451-00 | .GASKET, CRANKCASE COVER 1 .JOINT, COUVERCLE DE CARTER | 1 | 1 | 1 | 1 | |
| 4 | 69J-1131B-00 | .GASKET, COVER .JOINT, COUVERCLE | 1 | 1 | 1 | 1 | |
| 5 | 69J-11351-00 | .GASKET, CYLINDER .JOINT, D'EMBASE | 1 | 1 | 1 | 1 | |
| 6 | 93210-25552 | .O-RING .JOINT TORIQUE | 3 | 3 | 3 | 3 | |
| 7 | 93210-19MJ1 | .O-RING .JOINT TORIQUE | 2 | 2 | 2 | 2 | |
| 8 | 93210-25647 | .O-RING .JOINT TORIQUE | 1 | 1 | 1 | 1 | |
| 9 | 69J-13477-00 | .GASKET .JOINT | 1 | 1 | 1 | 1 | |
| 10 | 93210-24M79 | .O-RING .JOINT TORIQUE | 1 | 1 | 1 | 1 | |
| 11 | 69J-15364-A0 | .GASKET, OIL PLUG .JOINT, PLOT D'HUILE | 1 | 1 | 1 | 1 | |
| 12 | 93102-63004 | .OIL SEAL .JOINT SPY | 1 | 1 | 1 | 1 | |
| 13 | 69J-11181-01 | .GASKET, CYLINDER HEAD 1 .JOINT, DE CULASSE 1 | 1 | 1 | 1 | 1 | |
| 14 | 69J-11182-01 | .GASKET, CYLINDER HEAD 2 .JOINT, CULASSE 2 | 1 | 1 | 1 | 1 | |
| 15 | 69J-11193-00 | .GASKET, HEAD COVER 1 .JOINT, COUVERCLE DE CULASSE 1 | 1 | 1 | 1 | 1 | |
| 16 | 69J-11194-00 | .GASKET, HEAD COVER 2 .JOINT, COUVERCLE DE CULASSE 2 | 1 | 1 | 1 | 1 | |
| 17 | 69J-41112-00 | .GASKET, EXHAUST INNER COVER .JOINT, PLAQUE D'ECHAPPEMENT | 2 | 2 | 2 | 2 | |
| 18 | 69J-41114-00 | .GASKET, EXHAUST OUTER COVER .JOINT, COUVERCLE D'ECHAPPEMEN | 2 | 2 | 2 | 2 | |
| 19 | 90430-08143 | .GASKET .JOINT | 4 | 4 | 4 | 4 | |
| 20 | 90430-18130 | .GASKET .JOINT | 2 | 2 | 2 | 2 | |
| 21 | 93102-38M59 | .OIL SEAL .JOINT SPY | 2 | 2 | 2 | 2 | |
| 22 | 69J-13557-00 | .GASKET .JOINT | 6 | 6 | 6 | 6 | |
| 23 | 69J-13645-00 | .GASKET, MANIFOLD 1 .JOINT, TUBULURE 1 | 2 | 2 | 2 | 2 | |
| 24 | 69J-13338-00 | .OIL SEAL .JOINT SPY | 1 | 1 | 1 | 1 | |
| 25 | 69J-11355-00 | .SEAL, CYLINDER 1 .JOINT, SPY CYLINDRE | 1 | 1 | 1 | 1 | |
| 26 | 93210-19MJ3 | .O-RING .JOINT TORIQUE | 1 | 1 | 1 | 1 | |
| 27 | 69J-14664-00 | .GROMMET, WATER SHUT .PASSE-FIL | 2 | 2 | 2 | 2 | |

E7

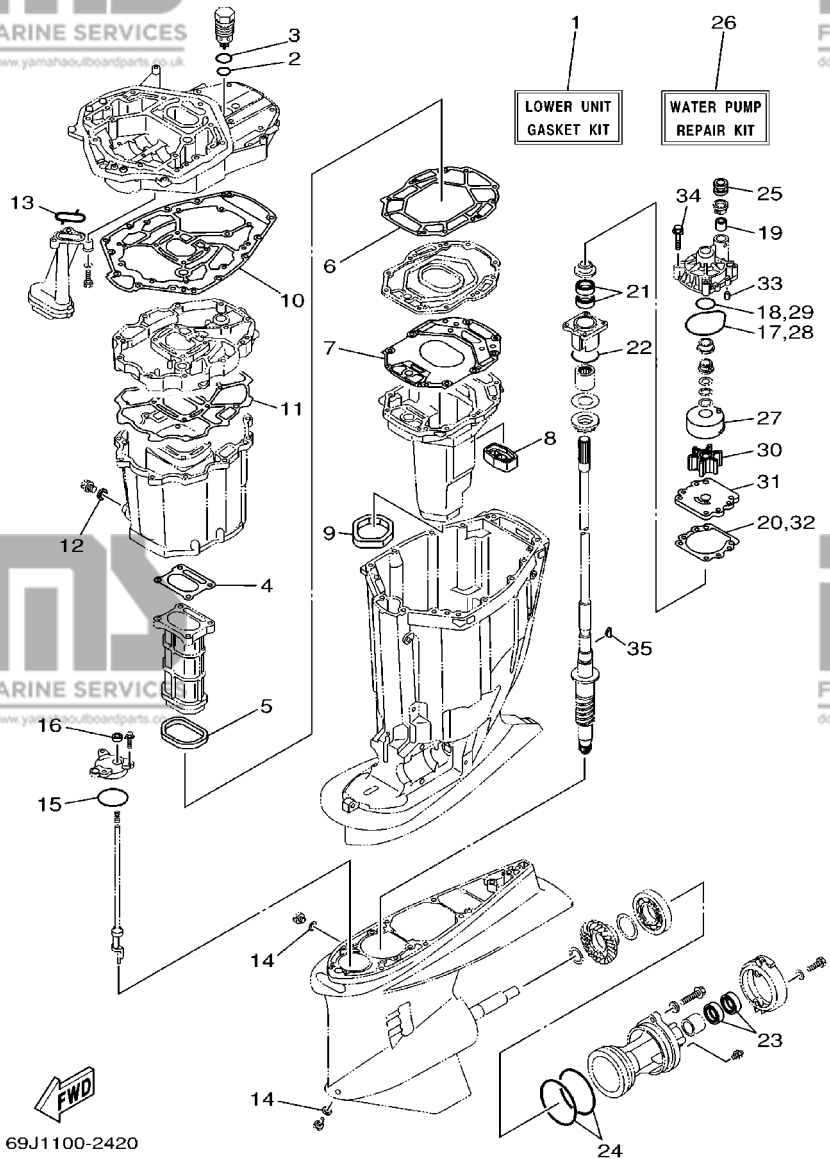


FIG. 41 REPAIR KIT 2

KITS DE REPARATION 2

| REF. NO. | PART NO. NO. PIECES | DESCRIPTION DESCRIPTION | 69J1 | 60L1 | 69K1 | 60M1 | REMARKS REMARQUES |
|----------|---------------------|--|------|------|------|------|-------------------|
| 1 | 69J-W0001-20 | LOWER UNIT GASKET KIT POCHETTE DE JOINTS EMBASE | 1 | 1 | 1 | 1 | |
| 2 | 93210-28543 | .O-RING JOINT TORIQUE | 1 | 1 | 1 | 1 | |
| 3 | 93210-33MG4 | .O-RING JOINT TORIQUE | 1 | 1 | 1 | 1 | |
| 4 | 69J-41134-A0 | .GASKET, EXHAUST MANIFOLD JOINT, PIPE D'ECHAPPEMENT | 1 | 1 | 1 | 1 | |
| 5 | 69J-41138-00 | .SEAL, EXT. 1 JOINT DE GROUPE 1 | 1 | 1 | 1 | 1 | |
| 6 | 69J-41135-A0 | .GASKET, EXHAUST MANIFOLD JOINT, PIPE D'ECHAPPEMENT | 1 | 1 | 1 | 1 | |
| 7 | 69J-41136-A0 | .GASKET, EXHAUST MANIFOLD 4 JOINT, PIPE D'ECHAPPEMENT 4 | 1 | 1 | 1 | 1 | |
| 8 | 69J-45127-00 | .SEAL JOINT | 1 | 1 | 1 | 1 | |
| 9 | 69J-45123-00 | .GASKET, MUFFLER JOINT, POT DE DETENTE | 1 | 1 | 1 | 1 | |
| 10 | 69J-45113-00 | .GASKET, UPPER CASING JOINT, TUBE D'ARBRE | 1 | 1 | 1 | 1 | |
| 11 | 69J-15312-00 | .GASKET, OIL PAN JOINT DE VENTILATEUR D'HUILE | 1 | 1 | 1 | 1 | |
| 12 | 90430-14M09 | .GASKET JOINT | 1 | 1 | 1 | 1 | |
| 13 | 69J-13415-00 | .SEAL, OIL STRAINER JOINT, FILTRE A HUILE | 1 | 1 | 1 | 1 | |
| 14 | 90430-08020 | .GASKET JOINT | 2 | 2 | 2 | 2 | |
| 15 | 93210-64488 | .O-RING JOINT TORIQUE | 1 | 1 | 1 | 1 | |
| 16 | 93106-09014 | .OIL SEAL JOINT SPY | 1 | 1 | 1 | 1 | |
| 17 | 93210-86M38 | .O-RING JOINT TORIQUE | 1 | 1 | 1 | 1 | |
| 18 | 93210-37160 | .O-RING JOINT TORIQUE | 1 | 1 | 1 | 1 | |
| 19 | 6E5-44365-00 | .DAMPER, WATER SEAL JOINT, TUBE D'EAU | 1 | 1 | 1 | 1 | |
| 20 | 6E5-44315-A0 | .GASKET, WATER PUMP JOINT, POMPE A EAU | 1 | 1 | 1 | 1 | |
| 21 | 93101-28M16 | .OIL SEAL JOINT SPY | 2 | 2 | 2 | 2 | |
| 22 | 93210-55M14 | .O-RING JOINT TORIQUE | 1 | 1 | 1 | 1 | |
| 23 | 93101-30M17 | .OIL SEAL JOINT SPY | 2 | 2 | 2 | 2 | |
| 24 | 93211-04384 | .O-RING JOINT TORIQUE | 2 | 2 | 2 | 2 | |
| 25 | 6E5-44366-00 | .DAMPER, WATER SEAL JOINT, TUBE D'EAU | 1 | 1 | 1 | 1 | |
| 26 | 61A-W0078-A3 | WATER PUMP REPAIR KIT KIT DE REPARATION DE LA POMPE | 1 | 1 | 1 | 1 | |
| 27 | 61A-44322-02 | .INSERT, CARTRIDGE .CUVETTE | 1 | 1 | 1 | 1 | |

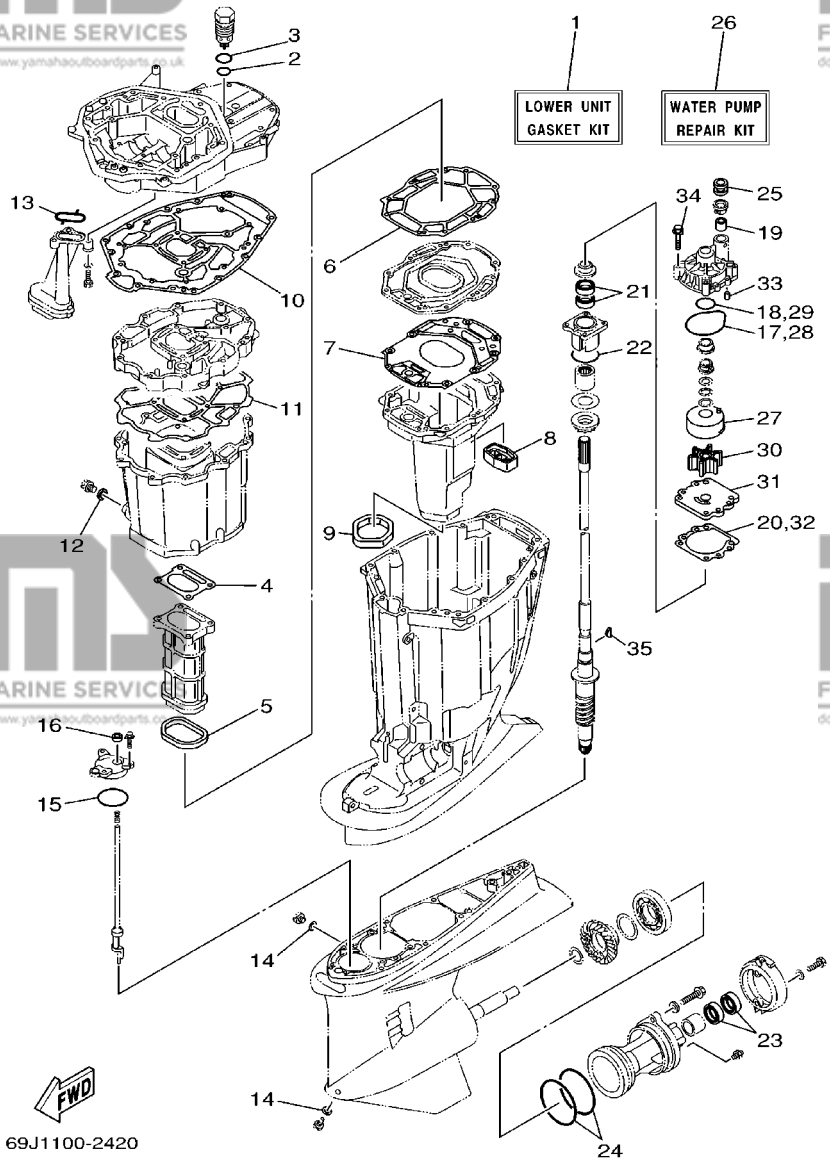


FIG. 41 REPAIR KIT 2

KITS DE REPARATION 2

| REF. NO. | PART NO. NO. PIECES | DESCRIPTION DESCRIPTION | 69J1 | 60L1 | 69K1 | 60M1 | REMARKS REMARQUES |
|----------|---------------------|---|------|------|------|------|-------------------|
| 28 | 93210-86M38 | .O-RING .JOINT TORIQUE | 1 | 1 | 1 | 1 | |
| 29 | 93210-37160 | .O-RING .JOINT TORIQUE | 1 | 1 | 1 | 1 | |
| 30 | 6E5-44352-01 | .IMPELLER .TURBINE | 1 | 1 | 1 | 1 | |
| 31 | 6G5-44323-00 | .OUTER PLATE, CARTRIDGE .PLAQUE EXTERIEURE | 1 | 1 | 1 | 1 | |
| 32 | 6E5-44315-A0 | .GASKET, WATER PUMP .JOINT, POMPE A EAU | 1 | 1 | 1 | 1 | |
| 33 | 93606-12019 | .PIN, DOWEL .GOUJON | 2 | 2 | 2 | 2 | |
| 34 | 90119-08M14 | .BOLT, WITH WASHER .BOULON, AVEC RONDELLE | 4 | 4 | 4 | 4 | |
| 35 | 90280-04M05 | .KEY, WOODRUFF .CLAVETTE, DEMI-LUNE | 1 | 1 | 1 | 1 | |

PART NO.
NO. PIECES

REF.
NO.

69J-W0001-01 40 - 1
69J-W0001-20 41 - 1
69J-W0070-00 1 - 18
61A-W0078-A3 41 - 26
69J-W009A-01-1S 4 - 1
69J-W009B-01-1S 2 - 1
69J-W009C-01-1S 4 - 8
69J-W1165-00 3 - 7
69J-1111E-00 5 - 12
69J-11110-00-94 4 - 2
69J-11119-00 2 - 20
69J-11120-00-94 4 - 9
69J-11133-10 4 - 3
69J-11135-00 4 - 10
69J-11168-00 4 - 32
69J-11168-00 2 - 17
69J-11181-01 4 - 21
69J-11181-01 40 - 13
69J-11182-01 4 - 26
69J-11182-01 40 - 14
69J-11191-00-1S 4 - 31
69J-11192-00-1S 4 - 38
69J-11193-00 4 - 35
69J-11194-00 40 - 15
69J-11194-00 4 - 39
69J-11194-00 40 - 16
69J-1131B-00 2 - 23
69J-1131C-00-1S 40 - 4
69J-11313-00-94 2 - 22
69J-11313-00-94 2 - 40
67F-11325-00 4 - 15
69J-11327-00-94 4 - 16
67F-11328-00 4 - 19
69J-11351-00 2 - 33
69J-11351-00 40 - 5
69J-11355-00 30 - 19
69J-11355-00 40 - 25
69J-11371-00 29 - 9
69J-11411-00 3 - 1
69J-11416-00 3 - 3
69J-11416-10 3 - 3
69J-11416-20 3 - 3
69J-11417-00 3 - 4
69J-11417-10 3 - 4
69J-11417-10 3 - 4
69J-11417-20 3 - 4
69J-11426-00 3 - 5
69J-11426-10 3 - 5
69J-11426-20 3 - 5

PART NO.
NO. PIECES

REF.
NO.

69J-11427-00 3 - 6
69J-11536-00 6 - 23
69J-11537-00 6 - 18
69J-11590-00 6 - 22
69J-11603-00 3 - 11
69J-11631-00-BO 3 - 10
69J-11633-00 3 - 12
69J-11634-00 3 - 13
69J-11654-00 3 - 8
69J-11656-00 3 - 9
69J-11656-10 3 - 9
69J-11656-20 3 - 9
69J-12111-00 6 - 1
69J-12113-00 6 - 3
69J-12117-00 6 - 4
69J-12118-00 6 - 5
69J-12119-00 6 - 6
69J-12121-00 6 - 2
67F-12138-60 16 - 30
69J-12153-00 6 - 7
69J-12168-A0 6 - 8
69J-12168-B0 6 - 8
69J-12168-C0 6 - 8
69J-12168-D0 6 - 8
69J-12168-E0 6 - 8
69J-12168-F0 6 - 8
69J-12168-G0 6 - 8
69J-12168-H0 6 - 8
69J-12168-J0 6 - 8
69J-12168-K0 6 - 8
69J-12168-L0 6 - 8
69J-12168-M0 6 - 8
69J-12168-N0 6 - 8
69J-12168-P0 6 - 8
69J-12168-R0 6 - 8
69J-12168-S0 6 - 8
69J-12168-T0 6 - 8
69J-12168-U0 6 - 8
69J-12168-V0 6 - 8
69J-12168-W0 6 - 8
69J-12168-X0 6 - 8
69J-12168-Y0 6 - 8
69J-12168-00 6 - 8
69J-12168-10 6 - 8
69J-12168-20 6 - 8
69J-12168-30 6 - 8
69J-12168-40 6 - 8
69J-12168-50 6 - 8

PART NO.
NO. PIECES

REF.
NO.

69J-12168-60 6 - 8
69J-12168-70 6 - 8
69J-12168-80 6 - 8
69J-12168-90 6 - 8
69J-12169-00 6 - 8
69J-12171-00 6 - 9
69J-12172-00 6 - 11
69J-12181-00 6 - 10
69J-12182-00 6 - 12
69J-12210-00 6 - 14
69J-12230-00 6 - 15
69J-12233-00 29 - 12
69J-1240H-00-1S 2 - 26
67F-12411-00 2 - 25
69J-1243A-00 2 - 30
69J-1243E-00 2 - 31
69J-12481-00 16 - 21
69J-12482-00 16 - 20
69J-12483-00 7 - 8
68T-12572-00 21 - 12
6R3-12581-00 21 - 13
6R3-12582-00 21 - 14
6R3-12583-00 21 - 15
69J-12858-00 2 - 46
69J-13119-00 30 - 17
68V-1312A-00 9 - 17
69J-13160-00 8 - 20
69J-13170-00 10 - 1
69J-13300-00 30 - 14
69J-13329-00 30 - 15
69J-13338-00 30 - 16
69J-13411-00 40 - 24
69J-13415-00 30 - 9
69J-13415-00 30 - 11
69J-13415-00 41 - 13
67F-13434-02 1 - 26
69J-13435-00 10 - 2
69J-13437-60 15 - 29
69J-13440-00 2 - 45
69J-13446-00-94 2 - 47
69J-13447-00 2 - 51
67F-13448-00 1 - 16
68V-13473-00 9 - 16
69J-13477-00 2 - 48
69J-13477-00 40 - 9
69J-13490-00 11 - 25
69J-13532-00 10 - 20
69J-13533-00 10 - 21

NUMERICAL INDEX
INDEX NUMERIQUE

PART NO.
NO. PIECES

REF.
NO.

69J-13542-00 10 - 19
68V-13544-00 10 - 17
69J-13545-00 10 - 15
69J-13546-00 10 - 14
69J-13547-00 9 - 34
69J-13557-00 8 - 29
69J-13557-00 9 - 24
69J-13573-00 40 - 22
69J-13574-00 9 - 32
69J-13574-00 9 - 33
69J-13576-00 8 - 11
69J-13577-00 12 - 9
69J-13593-00 11 - 39
69J-13595-00 10 - 23
69J-13631-00 30 - 18
69J-13641-00 8 - 26
69J-13642-00 9 - 21
69J-13645-00 7 - 10
69J-13645-00 40 - 23
69J-13716-00 11 - 40
60L-1375A-00 9 - 1
69J-1375A-00 9 - 1
60L-13750-00 8 - 1
69J-13750-00 8 - 1
60L-13751-00 8 - 2
69J-13751-00 8 - 2
60L-13752-00 9 - 2
69J-13752-00 9 - 2
60L-13753-00 8 - 5
69J-13753-00 8 - 5
60L-13754-00 9 - 7
69J-13754-00 9 - 7
69J-13754-00 9 - 7
60L-13755-00 8 - 8
69J-13755-00 8 - 8
60L-13756-00 9 - 10
69J-13756-00 9 - 10
69J-13761-00 8 - 33
69J-13761-00 9 - 28
68V-13766-00 8 - 35
68V-13766-00 9 - 30
68V-13769-00 11 - 12
68V-13781-00 11 - 16
68V-13784-00 11 - 19
69J-13906-00 10 - 6
69J-13907-00 11 - 17
68V-13915-00 11 - 18
69J-13972-00 8 - 41
69J-13973-00 8 - 39

PART NO.
NO. PIECES

REF.
NO.

69J-13974-00 10 - 16
69J-13975-00 12 - 25
69J-13975-00 10 - 25
69J-13976-00 12 - 16
68V-1410B-00 8 - 34
69J-1410F-00 9 - 29
69J-1410F-00 12 - 21
69J-14137-00 12 - 11
69J-14139-00 10 - 24
69J-14146-00 7 - 1
69J-14148-00 11 - 23
69J-14149-00 8 - 46
69J-14159-00 9 - 35
69J-14162-00 7 - 2
69J-14164-00 11 - 35
69J-14180-00 11 - 1
69J-14181-00 11 - 6
69J-14182-00 11 - 2
266-14191-00 11 - 7
69J-14197-00 11 - 24
68V-14225-00 10 - 5
69J-14225-00 11 - 42
69J-14241-00 11 - 32
69J-14243-00 11 - 34
69J-14251-00 8 - 23
68V-14255-00 11 - 13
69J-14255-00 9 - 36
69J-14261-00 8 - 18
69J-14261-00 8 - 21
68V-14264-00 8 - 36
68V-14264-00 10 - 10
68V-14265-00 11 - 37
69J-14286-00 8 - 44
69J-14295-00 8 - 22
69J-14321-00 8 - 38
69J-14321-00 9 - 31
68V-14323-00 8 - 16
68V-14331-00 9 - 5
68V-14331-00 8 - 17
68V-14331-00 9 - 6
68V-14331-00 9 - 13
69J-14348-00 7 - 28
5JW-14349-00 10 - 18
68V-14356-00 10 - 8
68V-14356-00 11 - 33
68V-14357-00 11 - 15
68V-14386-00 11 - 10
68V-14397-00 8 - 24

PART NO.
NO. PIECES

REF.
NO.

68V-14397-00 10 - 3
69J-14409-00 7 - 6
69J-14419-00 7 - 16
69J-1442A-00 7 - 5
68V-14428-00 8 - 37
69J-1444F-00 10 - 11
69J-1444F-00 7 - 15
69J-14440-00 7 - 14
69J-14446-00 11 - 38
69J-14457-00 7 - 18
5EL-14467-00 7 - 27
68V-14475-00 8 - 32
68V-14475-00 9 - 27
68V-14475-00 10 - 9
69J-14496-00 8 - 31
69J-14496-00 9 - 26
69J-14546-00 11 - 11
68V-14565-00 8 - 15
68V-14567-00 10 - 7
68V-14567-00 11 - 20
3CF-14594-00 8 - 3
69J-14624-00 8 - 6
69J-14664-00 8 - 9
69J-14664-00 9 - 3
69J-14664-00 9 - 8
69J-14664-00 9 - 11
69J-14664-00 29 - 49
69J-14664-00 2 - 44
69J-14664-00 40 - 27
69J-14711-00-5B 29 - 25
69J-14960-00 9 - 15
59V-14962-00 11 - 8
68V-14984-00 11 - 21
69J-14985-00 11 - 9
69J-15100-00-1S 2 - 2
69J-15123-00 2 - 7
69J-15187-00 2 - 8
69J-15311-00-5B 30 - 2
69J-15312-00 30 - 1
69J-15316-00 41 - 11
69J-15319-00-1S 29 - 35
69J-15362-00 2 - 56
69J-15362-00 30 - 23
6G8-15363-00 2 - 54
69J-15364-A0 2 - 57
69J-15364-A0 2 - 57
69J-15373-00 7 - 23
69J-15377-00 40 - 11
69J-15377-00 7 - 24
69J-15377-00 30 - 24

**NUMERICAL INDEX
INDEX NUMERIQUE**

| PART NO. NO. PIECES | REF. NO. |
|------------------------|-------------|
| 69J-15393-00 | 7 - 25 |
| 69J-15394-00 | 7 - 24 |
| 69J-15397-00 | 7 - 26 |
| 69J-15411-00-94 | 2 - 13 |
| 69J-15451-00 | 2 - 14 |
| | 40 - 3 |
| 69J-15481-00 | 2 - 9 |
| 69J-15482-00 | 2 - 10 |
| 69J-21841-00 | 11 - 36 |
| 69J-2411R-00 | 11 - 3 |
| 69J-2411T-00 | 11 - 4 |
| 68F-24300-00 | 8 - 40 |
| | 10 - 12 |
| 6YK-24306-42 | 14 - 1 |
| 61A-24311-00 | 13 - 5 |
| 69J-24313-00 | 13 - 22 |
| 69J-24315-00 | 12 - 15 |
| 69J-24316-00 | 12 - 7 |
| 69J-24317-00 | 12 - 6 |
| 69J-24321-00 | 12 - 3 |
| 69J-24322-00 | 12 - 4 |
| 69J-24323-00 | 12 - 5 |
| 69J-24324-00 | 12 - 2 |
| 69J-24325-00 | 12 - 20 |
| 69J-24366-00 | 12 - 22 |
| 69J-24367-00 | 12 - 23 |
| 6R3-24377-00 | 13 - 3 |
| 68V-24377-00 | 10 - 22 |
| 6E5-24378-00 | 12 - 13 |
| 69J-24378-00 | 1 - 22 |
| 6E5-24379-00 | 21 - 10 |
| 69J-24379-00 | 11 - 22 |
| 69J-24381-00 | 8 - 42 |
| | 12 - 26 |
| 68V-24387-00 | 8 - 43 |
| | 10 - 13 |
| | 12 - 17 |
| 69J-24410-00 | 11 - 26 |
| 69J-24422-00 | 11 - 30 |
| 45V-24453-00 | 11 - 5 |
| 69J-24460-00 | 12 - 1 |
| 69J-24461-00 | 12 - 14 |
| 61A-24469-00 | 13 - 12 |
| 69J-24491-00 | 11 - 27 |
| 69J-24492-00 | 11 - 28 |
| 69J-24501-00 | 12 - 18 |
| 68V-24519-00 | 7 - 3 |
| | 10 - 26 |

| PART NO. NO. PIECES | REF. NO. |
|------------------------|-------------|
| 68V-24519-00 | 12 - 10 |
| 61A-24521-00 | 13 - 7 |
| 65L-24531-01 | 13 - 8 |
| 69J-24537-00 | 12 - 8 |
| 65L-24558-00 | 13 - 19 |
| 65L-24560-00 | 13 - 6 |
| 65L-24563-00 | 13 - 11 |
| 61A-24564-00 | 13 - 9 |
| 65L-24564-00 | 13 - 13 |
| 69J-24566-00 | 13 - 20 |
| 65L-24577-00 | 13 - 10 |
| 69J-24592-00 | 11 - 29 |
| 69J-24599-00 | 12 - 19 |
| 68V-2481H-00 | 12 - 12 |
| 69J-28100-00 | 13 - 24 |
| 67F-2812A-00 | 15 - 27 |
| 6A1-28176-00 | 20 - 51 |
| 69J-41111-00-1S | 5 - 1 |
| 69J-41112-00 | 5 - 5 |
| | 40 - 17 |
| 69J-41113-00-1S | 5 - 3 |
| 69J-41114-00 | 5 - 6 |
| | 40 - 18 |
| 69J-41121-00-1S | 5 - 2 |
| 69J-41123-00-1S | 5 - 4 |
| 69J-41131-00-94 | 29 - 16 |
| 69J-41132-00-5B | 29 - 18 |
| 69J-41134-A0 | 29 - 19 |
| | 41 - 4 |
| 69J-41135-A0 | 29 - 22 |
| | 41 - 6 |
| 69J-41136-A0 | 29 - 24 |
| | 41 - 7 |
| 69J-41137-00-94 | 29 - 1 |
| 69J-41138-00 | 29 - 21 |
| | 41 - 5 |
| 69J-41210-00 | 24 - 4 |
| 69J-41211-00 | 24 - 9 |
| 69J-41213-00 | 23 - 23 |
| 682-41237-00 | 24 - 2 |
| 69J-41241-00 | 24 - 1 |
| 69J-41632-00-94 | 23 - 9 |
| 69J-41635-00 | 24 - 5 |
| 69J-41636-00 | 24 - 10 |
| 69J-41661-00-94 | 23 - 14 |
| 676-41662-00 | 23 - 20 |
| 69J-42152-00-94 | 23 - 5 |
| 69J-42153-00 | 23 - 8 |

| PART NO. NO. PIECES | REF. NO. |
|------------------------|-------------|
| 69J-42154-00 | 23 - 1 |
| 68V-42171-00 | 23 - 2 |
| 69J-42510-00-8D | 26 - 5 |
| 624-42542-00 | 15 - 25 |
| | 17 - 12 |
| 60L-42610-00-8D | 1 - 1 |
| 69J-42610-00-8D | 1 - 1 |
| 69J-42613-00 | 1 - 2 |
| 69J-42615-00 | 20 - 8 |
| 69J-42617-00 | 1 - 25 |
| 69J-42629-00 | 1 - 3 |
| 68F-42647-01-94 | 1 - 5 |
| 69J-42647-00-94 | 1 - 6 |
| 68F-42648-01-94 | 1 - 14 |
| 69J-42651-00 | 1 - 10 |
| 67F-42652-00 | 1 - 15 |
| 68F-42663-00 | 1 - 13 |
| 69J-42663-00 | 1 - 7 |
| 60L-42677-00 | 1 - 19 |
| 69J-42677-00 | 1 - 19 |
| 60L-42678-00 | 1 - 17 |
| 69J-42678-00 | 1 - 17 |
| 69J-42681-00 | 1 - 20 |
| 69J-42682-00 | 1 - 21 |
| 69J-42711-00-8D | 20 - 1 |
| 648-42715-00 | 22 - 27 |
| 69J-42716-00 | 20 - 9 |
| 61A-42717-00 | 20 - 18 |
| 69J-42717-00 | 20 - 17 |
| 69J-42723-00-8D | 18 - 9 |
| 6E5-42724-00 | 22 - 38 |
| | 29 - 8 |
| 69J-42725-00 | 20 - 5 |
| 6H1-42726-20 | 20 - 13 |
| 61A-42727-00 | 20 - 15 |
| 64D-42738-10-5B | 20 - 6 |
| 69J-42738-00-5B | 20 - 2 |
| 69J-42741-00-8D | 21 - 1 |
| 69J-42744-00 | 20 - 3 |
| 68F-42753-00 | 20 - 47 |
| 67F-42761-00-94 | 2 - 34 |
| 69J-42771-00-8D | 21 - 3 |
| 69J-42774-00 | 21 - 7 |
| 69J-42815-00-8D | 20 - 29 |
| 69J-42816-00-8D | 20 - 38 |
| 69J-42817-00-8D | 20 - 30 |
| 67F-42818-00 | 20 - 41 |
| 68F-42818-00 | 20 - 33 |

| PART NO. NO. PIECES | REF. NO. |
|------------------------|-------------|
| 68F-42828-00-5B | 20 - 26 |
| 68F-42828-10-5B | 20 - 36 |
| 69J-42828-00-5B | 20 - 27 |
| 69J-43111-00-8D | 25 - 1 |
| 69J-43112-00-8D | 25 - 14 |
| 6E5-43126-02 | 25 - 45 |
| 6R3-43131-00 | 25 - 21 |
| 61A-43132-00 | 25 - 12 |
| 61A-43133-00 | 25 - 15 |
| 6G5-43144-00 | 25 - 35 |
| 64D-43144-00 | 20 - 44 |
| 6E5-43145-01 | 35 - 8 |
| 6G5-43148-00 | 25 - 40 |
| 61A-43181-01 | 25 - 37 |
| 6G5-43185-02 | 25 - 38 |
| 61A-43311-21-8D | 25 - 32 |
| 61A-43376-00 | 26 - 3 |
| 69J-4380P-00 | 27 - 12 |
| 69J-43800-00-4D | 27 - 1 |
| 69J-43801-00 | 27 - 4 |
| 69J-43804-00 | 28 - 5 |
| 69J-43805-00 | 28 - 4 |
| 69J-4381C-00 | 27 - 30 |
| | 27 - 35 |
| 69J-4381J-00 | 27 - 64 |
| 69J-43810-00 | 27 - 3 |
| 61A-43811-00 | 27 - 9 |
| 61A-43813-01 | 27 - 18 |
| 6H1-43814-00 | 27 - 17 |
| 69J-43816-00 | 27 - 63 |
| 69J-43817-00 | 27 - 68 |
| 61A-43818-00 | 27 - 25 |
| 69J-4382E-00 | 27 - 11 |
| 69J-43820-00 | 27 - 79 |
| 61A-43821-00 | 27 - 78 |
| 61A-43822-00 | 27 - 77 |
| 69J-43828-00 | 27 - 71 |
| 6H1-43829-00 | 27 - 74 |
| 69J-43830-00 | 27 - 33 |
| 69J-43831-00 | 27 - 66 |
| 69J-43833-00 | 27 - 21 |
| 61A-43835-01 | 27 - 19 |
| 69A-4384F-00 | 27 - 39 |
| 6H1-4384G-11 | 27 - 54 |
| 69J-4384G-00 | 27 - 58 |
| 61A-4384H-10 | 27 - 82 |
| 69J-4384H-00 | 27 - 10 |
| 69J-4384M-00 | 27 - 38 |

| PART NO. NO. PIECES | REF. NO. |
|------------------------|-------------|
| 69J-43840-00 | 27 - 2 |
| 69J-43841-00 | 27 - 42 |
| 69J-43843-00 | 27 - 53 |
| 6H1-43844-10 | 27 - 55 |
| 69J-43844-00 | 27 - 50 |
| 69J-43845-00 | 27 - 28 |
| 69J-43851-00 | 27 - 49 |
| 69J-43853-00 | 27 - 45 |
| 69J-43854-00 | 27 - 57 |
| 69J-43855-00 | 27 - 52 |
| 6H1-43856-10 | 27 - 56 |
| 65W-4386A-00 | 27 - 44 |
| 69J-4386K-00 | 28 - 10 |
| 6H1-43861-00 | 27 - 6 |
| 61A-43861-00 | 27 - 14 |
| | 27 - 16 |
| | 27 - 75 |
| 69J-43861-00 | 28 - 6 |
| 61A-43864-00 | 27 - 81 |
| 6H1-43869-00 | 27 - 70 |
| CS3-4387G-00 | 27 - 59 |
| 61A-43871-00 | 27 - 15 |
| 69J-43871-00 | 27 - 62 |
| 6H1-43872-00 | 27 - 7 |
| 61A-43874-00 | 27 - 80 |
| 6H1-43875-00 | 27 - 29 |
| 6T4-43875-00 | 27 - 76 |
| 61A-43875-10 | 27 - 83 |
| 61A-43876-00 | 27 - 26 |
| 69J-4388E-00 | 27 - 23 |
| 69J-4388F-00 | 27 - 69 |
| 69J-4388H-00 | 27 - 67 |
| 69J-4388J-00 | 27 - 20 |
| 69J-43880-00 | 27 - 84 |
| | 28 - 1 |
| 69J-43881-00 | 28 - 11 |
| 69J-43882-00 | 28 - 8 |
| 6H1-43883-00 | 27 - 43 |
| 69J-43886-00 | 28 - 7 |
| 69J-43888-00 | 27 - 72 |
| 61A-4389H-00 | 27 - 8 |
| 69J-4389J-00 | 27 - 32 |
| | 27 - 36 |
| 69J-43891-00 | 28 - 9 |
| 69J-43893-00 | 27 - 46 |
| 69J-43894-00 | 27 - 41 |
| 69J-43899-00 | 27 - 31 |
| 69J-44117-00-1S | 22 - 5 |

| PART NO. NO. PIECES | REF. NO. |
|------------------------|-------------|
| 69J-44118-00 | 22 - 26 |
| 69J-44120-00 | 22 - 33 |
| 69J-44121-00 | 22 - 21 |
| 69J-44122-00 | 22 - 22 |
| 69J-44135-00 | 23 - 24 |
| 69J-44150-00 | 31 - 15 |
| 69K-44150-00 | 33 - 17 |
| 69J-44176-00-1S | 22 - 8 |
| 61A-44311-01 | 31 - 18 |
| | 33 - 20 |
| 6E5-44312-00 | 31 - 23 |
| | 33 - 25 |
| 6E5-44315-A0 | 31 - 31 |
| | 33 - 33 |
| | 41 - 20 |
| | 41 - 32 |
| | 31 - 19 |
| | 33 - 21 |
| | 41 - 27 |
| 69J-44322-02 | 31 - 19 |
| | 33 - 21 |
| 6G5-44323-00 | 31 - 30 |
| | 33 - 32 |
| | 41 - 31 |
| 6E5-44352-01 | 31 - 24 |
| | 33 - 26 |
| | 41 - 30 |
| 69J-44361-00 | 32 - 3 |
| | 34 - 3 |
| 6E5-44365-00 | 31 - 22 |
| | 32 - 1 |
| | 33 - 24 |
| | 34 - 1 |
| | 41 - 19 |
| 6E5-44366-00 | 32 - 2 |
| | 34 - 2 |
| | 41 - 25 |
| 663-44366-00 | 31 - 6 |
| | 33 - 8 |
| 69J-44391-00 | 20 - 16 |
| 61A-44511-00-94 | 26 - 32 |
| 66K-44514-00-94 | 26 - 24 |
| 6G5-44526-00 | 25 - 3 |
| 68F-44533-00 | 2 - 35 |
| 69J-44533-00 | 26 - 31 |
| 69J-44551-00-8D | 26 - 10 |
| 61A-44552-01-94 | 26 - 21 |
| 66K-44555-00-94 | 26 - 13 |
| 61A-44575-00 | 26 - 12 |
| 69J-45111-00-8D | 29 - 31 |

PART NO.
NO. PIECES

REF.
NO.

| | |
|-----------------|---------|
| 69J-45113-00 | 29 - 32 |
| | 41 - 10 |
| 69J-45123-00 | 29 - 30 |
| | 41 - 9 |
| 69J-45127-00 | 29 - 29 |
| | 41 - 8 |
| 69J-45151-00-8D | 21 - 8 |
| 69J-45152-00-8D | 29 - 36 |
| 61A-45155-00 | 29 - 40 |
| 69J-45181-00-5B | 29 - 23 |
| 61A-45214-00 | 32 - 10 |
| | 34 - 10 |
| 61A-45215-00 | 32 - 11 |
| | 34 - 11 |
| 6G5-45251-02 | 25 - 2 |
| 69J-45300-20-8D | 31 - 1 |
| 69K-45300-20-8D | 33 - 1 |
| 61A-45301-03-8D | 31 - 2 |
| | 33 - 2 |
| 69J-45318-00 | 29 - 38 |
| 61A-45321-01 | 31 - 11 |
| | 33 - 13 |
| 61A-45331-00-94 | 31 - 34 |
| | 33 - 36 |
| 69J-45332-00-94 | 31 - 60 |
| 69K-45332-00-94 | 33 - 63 |
| 688-45341-10 | 31 - 8 |
| | 33 - 10 |
| 6E5-45344-00 | 31 - 40 |
| | 33 - 42 |
| 69J-45361-00-8D | 31 - 71 |
| | 33 - 77 |
| 61A-45371-00 | 32 - 14 |
| | 34 - 14 |
| 69J-45375-00 | 32 - 9 |
| | 34 - 9 |
| 61A-45376-00-94 | 31 - 10 |
| | 33 - 12 |
| 61A-45378-00 | 29 - 46 |
| 61B-45383-00 | 33 - 68 |
| 69K-45384-00 | 33 - 69 |
| 69J-45501-00 | 31 - 43 |
| | 33 - 45 |
| 61A-45527-00 | 31 - 27 |
| | 33 - 29 |
| 61A-45538-00 | 31 - 26 |
| | 33 - 28 |
| 61B-45538-01 | 33 - 4 |

PART NO.
NO. PIECES

REF.
NO.

| | |
|-----------------|---------|
| 69J-45551-00 | 31 - 44 |
| | 33 - 46 |
| 69J-45560-00 | 31 - 47 |
| 69K-45560-00 | 33 - 49 |
| 61A-45567-00-10 | 31 - 5 |
| | 33 - 7 |
| 61A-45567-00-12 | 31 - 5 |
| | 33 - 7 |
| 61A-45567-00-15 | 31 - 5 |
| | 33 - 7 |
| 61A-45567-00-18 | 31 - 5 |
| | 33 - 7 |
| 61A-45567-00-30 | 31 - 5 |
| | 33 - 7 |
| 61A-45567-00-40 | 31 - 5 |
| | 33 - 7 |
| 61A-45567-00-50 | 31 - 5 |
| | 33 - 7 |
| 69J-45571-00 | 31 - 62 |
| 69K-45571-00 | 33 - 65 |
| 61A-45577-00-10 | 31 - 64 |
| 61A-45577-00-12 | 31 - 64 |
| 61A-45577-00-15 | 31 - 64 |
| 61A-45577-00-18 | 31 - 64 |
| 61A-45577-00-30 | 31 - 64 |
| 61A-45577-00-40 | 31 - 64 |
| 61A-45577-00-50 | 31 - 64 |
| 69K-45577-00 | 33 - 70 |
| 69K-45577-10 | 33 - 70 |
| 69K-45577-20 | 33 - 70 |
| 69K-45577-30 | 33 - 70 |
| 69K-45577-40 | 33 - 70 |
| 69K-45577-50 | 33 - 70 |
| 69K-45577-60 | 33 - 70 |
| 6K1-45578-01-10 | 33 - 67 |
| 6K1-45578-01-12 | 33 - 67 |
| 6K1-45578-01-15 | 33 - 67 |
| 6K1-45578-01-18 | 33 - 67 |
| 6K1-45578-01-30 | 33 - 67 |
| 6K1-45578-01-40 | 33 - 67 |
| 6K1-45578-01-50 | 33 - 67 |
| 61A-45587-00-10 | 31 - 37 |
| | 33 - 39 |
| 61A-45587-00-12 | 31 - 37 |
| | 33 - 39 |
| 61A-45587-00-15 | 31 - 37 |
| | 33 - 39 |
| 61A-45587-00-18 | 31 - 37 |

NUMERICAL INDEX
INDEX NUMERIQUE

PART NO.
NO. PIECES

REF.
NO.

| | |
|-----------------|---------|
| 61A-45587-00-18 | 33 - 39 |
| 61A-45587-00-30 | 31 - 37 |
| | 33 - 39 |
| 61A-45587-00-40 | 31 - 37 |
| | 33 - 39 |
| 61A-45587-00-50 | 31 - 37 |
| | 33 - 39 |
| 69J-45611-00 | 31 - 48 |
| 69K-45611-00 | 33 - 51 |
| 69J-45631-00 | 31 - 52 |
| | 33 - 55 |
| 61A-45632-00 | 31 - 51 |
| | 33 - 54 |
| 61A-45633-00 | 31 - 53 |
| | 33 - 56 |
| 61A-45634-01 | 31 - 50 |
| | 33 - 53 |
| 61A-45635-00 | 31 - 55 |
| | 33 - 58 |
| 69J-45641-00 | 31 - 49 |
| 69K-45641-00 | 33 - 52 |
| 6H1-45668-00 | 31 - 54 |
| | 33 - 57 |
| 6G5-45970-02-98 | 32 - 21 |
| 6K1-45970-01-98 | 34 - 21 |
| 6R1-45970-A0 | 34 - 21 |
| 6R4-45970-A0 | 32 - 21 |
| 6G5-45972-02-98 | 32 - 21 |
| 6K1-45972-01-98 | 34 - 21 |
| 6R1-45972-A0 | 34 - 21 |
| 6R4-45972-A0 | 32 - 21 |
| 61A-45972-00-98 | 32 - 21 |
| 61B-45972-00-98 | 34 - 21 |
| 6G5-45974-03-98 | 32 - 21 |
| 6K1-45974-02-98 | 34 - 21 |
| 6R1-45974-A0 | 34 - 21 |
| 6R4-45974-A0 | 32 - 21 |
| 61A-45974-00-98 | 32 - 21 |
| 61B-45974-00-98 | 34 - 21 |
| 6R1-45976-A0 | 34 - 21 |
| 6R4-45976-A0 | 32 - 21 |
| 6G5-45978-03-98 | 32 - 21 |
| 6K1-45978-02-98 | 34 - 21 |
| 6R1-45978-A0 | 34 - 21 |
| 6R4-45978-A0 | 32 - 21 |
| 61A-45978-00-98 | 32 - 21 |
| 61B-45978-00-98 | 34 - 21 |
| 69J-45987-00 | 32 - 16 |

PART NO.
NO. PIECES

REF.
NO.

| | |
|--------------|---------|
| 69J-45987-00 | 34 - 16 |
| 688-45997-01 | 32 - 17 |
| | 34 - 17 |
| 69J-46241-00 | 6 - 21 |
| 703-48205-17 | 37 - 1 |
| 704-48207-23 | 37 - 2 |
| 701-48320-40 | 37 - 3 |
| 701-48320-50 | 37 - 3 |
| 701-48320-60 | 37 - 3 |
| 701-48320-80 | 37 - 3 |
| 6E5-48344-00 | 22 - 3 |
| | 23 - 12 |
| 701-48350-00 | 37 - 3 |
| 69J-48531-00 | 22 - 1 |
| 6E5-61301-01 | 36 - 1 |
| 6E5-61303-00 | 36 - 5 |
| 6E5-61311-11 | 36 - 3 |
| 6E5-61313-00 | 36 - 2 |
| 6E5-61315-00 | 36 - 4 |
| 6E5-61350-02 | 35 - 1 |
| 6E5-61351-01 | 35 - 2 |
| 6E5-61355-00 | 35 - 5 |
| 68V-81145-00 | 8 - 12 |
| 68V-81146-00 | 9 - 18 |
| 68V-81147-00 | 8 - 25 |
| | 9 - 14 |
| | 10 - 4 |
| 68V-81162-00 | 8 - 13 |
| | 9 - 19 |
| 69J-8132G-00 | 15 - 17 |
| 67F-81332-00 | 15 - 14 |
| 69J-81337-00 | 15 - 22 |
| 63D-81345-20 | 15 - 5 |
| 69J-81410-00 | 15 - 4 |
| 69J-81450-01 | 15 - 1 |
| 69J-81460-00 | 15 - 2 |
| 69J-81673-00 | 15 - 13 |
| 69J-81800-00 | 19 - 1 |
| 69J-81801-00 | 19 - 5 |
| 67F-81807-00 | 19 - 10 |
| 67F-81808-00 | 19 - 8 |
| 67F-81809-00 | 19 - 19 |
| 67F-81810-00 | 19 - 3 |
| 67F-81813-00 | 19 - 6 |
| 68V-8182L-00 | 8 - 45 |
| 68F-81820-00 | 19 - 7 |
| 67F-81821-00 | 19 - 13 |
| 6K7-81826-10 | 19 - 24 |

PART NO.
NO. PIECES

REF.
NO.

| | |
|-----------------|---------|
| 69J-81828-00 | 19 - 25 |
| 67F-8183R-00 | 19 - 16 |
| 67F-8183T-00 | 19 - 18 |
| 67F-81830-00 | 19 - 17 |
| 67F-81832-00 | 19 - 11 |
| 67F-81836-00 | 19 - 12 |
| 69J-81839-00 | 19 - 21 |
| 69J-81840-00 | 19 - 4 |
| 67F-81841-00 | 19 - 14 |
| 69J-81842-00 | 19 - 20 |
| 67F-81846-00 | 19 - 26 |
| 67F-81850-00 | 19 - 2 |
| 67F-81857-00 | 19 - 9 |
| 69J-81869-00 | 19 - 23 |
| 67F-81891-00 | 19 - 15 |
| 69J-81919-00 | 17 - 32 |
| 69J-81919-10 | 15 - 28 |
| 69J-81925-00 | 17 - 4 |
| 68V-8194A-00 | 17 - 14 |
| 69J-81941-00 | 19 - 22 |
| 69J-81942-00 | 17 - 27 |
| 69J-81948-00 | 17 - 10 |
| 68V-81950-00 | 11 - 31 |
| | 17 - 30 |
| 69J-81950-00 | 17 - 21 |
| 68V-81953-00 | 17 - 18 |
| 69J-81960-01 | 16 - 12 |
| 69J-81972-01-1S | 16 - 14 |
| 69J-81975-A0 | 16 - 13 |
| 6K1-81980-00 | 39 - 17 |
| 69J-82105-00 | 17 - 9 |
| 6Y5-82117-00 | 38 - 17 |
| | 38 - 26 |
| 6G5-82119-00 | 17 - 20 |
| 69J-82147-00 | 25 - 34 |
| 6E5-82148-00 | 25 - 9 |
| 6H1-82148-00 | 25 - 6 |
| 6E5-82149-00 | 26 - 16 |
| 1E6-82151-00 | 38 - 16 |
| 6K1-83614-01 | 18 - 2 |
| 69J-82310-00 | 16 - 4 |
| 69J-82314-00 | 16 - 9 |
| 69J-82316-00 | 16 - 1 |
| 6A0-82317-00 | 15 - 24 |
| | 17 - 11 |
| 663-82317-01 | 15 - 23 |
| | 16 - 11 |
| 67F-82377-00 | 20 - 50 |

PART NO.
NO. PIECES

REF.
NO.

| | |
|--------------|---------|
| 68V-82380-00 | 9 - 20 |
| 6K1-82510-06 | 39 - 3 |
| 69J-82519-00 | 16 - 24 |
| 703-82531-00 | 38 - 27 |
| 68F-82553-80 | 38 - 18 |
| 68F-82553-90 | 38 - 18 |
| 69J-82554-00 | 20 - 23 |
| 682-82556-00 | 39 - 6 |
| 69J-82560-00 | 2 - 60 |
| 69J-82563-00 | 18 - 8 |
| 6E3-8257H-00 | 20 - 52 |
| 6K1-82570-07 | 39 - 1 |
| 6K1-82571-01 | 39 - 2 |
| 6K1-82575-00 | 39 - 5 |
| 703-82577-00 | 39 - 4 |
| 6K1-8258A-40 | 39 - 22 |
| 61B-8258A-01 | 39 - 23 |
| 69J-82588-00 | 18 - 10 |
| 6E5-82588-00 | 20 - 19 |
| 6E9-82588-00 | 2 - 62 |
| 61A-82588-00 | 22 - 15 |
| 68F-8259F-00 | 22 - 13 |
| 69J-8259F-00 | 22 - 14 |
| 69J-8259L-00 | 10 - 27 |
| 69J-8259N-00 | 18 - 14 |
| 69J-82590-00 | 18 - 1 |
| 68V-82594-00 | 20 - 49 |
| 688-83383-11 | 39 - 11 |
| 6Y5-8350F-00 | 38 - 21 |
| 6Y5-8350T-01 | 38 - 1 |
| 6Y5-8350S-05 | 38 - 6 |
| 6Y5-83533-T2 | 38 - 10 |
| 6Y5-83553-F1 | 38 - 23 |
| 6Y5-83553-M0 | 38 - 15 |
| 6Y5-83553-00 | 38 - 15 |
| 6Y5-83557-10 | 38 - 19 |
| 6Y5-83557-31 | 38 - 11 |
| 6E5-83558-00 | 29 - 43 |
| 6Y5-83570-S5 | 38 - 7 |
| 6K1-83614-01 | 39 - 7 |
| 69J-83614-00 | 18 - 11 |
| 6A1-83625-41 | 15 - 30 |
| 6A1-83625-51 | 15 - 31 |
| 69J-83626-00 | 16 - 29 |
| 69J-83651-00 | 2 - 63 |
| 69J-83672-00 | 26 - 1 |
| 6Y5-83728-00 | 38 - 12 |
| 663-85518-00 | 23 - 10 |

| PART NO. NO. PIECES | REF. NO. |
|------------------------|-------------|
| 689-85547-00 | 13 - 1 |
| 69J-85580-00 | 15 - 3 |
| 6Y5-85752-01 | 38 - 24 |
| 61A-85790-00 | 16 - 27 |
| 6K1-85830-01 | 39 - 12 |
| 69J-85885-00 | 8 - 19 |
| 65L-85886-00 | 7 - 29 |
| 60L-8591A-00 | 17 - 1 |
| 69J-8591A-01 | 17 - 1 |
| 69J-86550-00 | 18 - 12 |
| 69J-86552-00 | 18 - 16 |
| 6Y5-87122-S0 | 38 - 14 |
| | 38 - 22 |
| 9E450-04433 | 38 - 2 |
| 9E450-04533 | 38 - 3 |
| 90101-09M70 | 36 - 9 |
| 90101-12M05 | 25 - 49 |
| 90105-08036 | 31 - 68 |
| | 33 - 74 |
| 90105-10M00 | 32 - 15 |
| | 34 - 15 |
| 90109-06M81 | 20 - 20 |
| 90109-06M82 | 20 - 4 |
| | 20 - 28 |
| | 20 - 37 |
| 90109-06M86 | 2 - 27 |
| | 18 - 13 |
| | 20 - 7 |
| | 20 - 22 |
| | 20 - 24 |
| | 20 - 45 |
| | 22 - 2 |
| | 23 - 25 |
| 90109-06040 | 23 - 25 |
| 90109-08019 | 22 - 11 |
| 90109-14M10 | 26 - 28 |
| 90109-14M48 | 26 - 17 |
| 90110-05010 | 6 - 24 |
| 90110-06038 | 16 - 10 |
| 90111-06025 | 21 - 4 |
| | 21 - 9 |
| 90111-06026 | 21 - 5 |
| 90116-06032 | 7 - 4 |
| 90119-06MA2 | 2 - 21 |
| | 5 - 13 |
| 90119-06MA3 | 16 - 15 |
| 90119-06MA4 | 2 - 24 |
| 90119-06MA5 | 16 - 16 |
| 90119-06M10 | 31 - 14 |

| PART NO. NO. PIECES | REF. NO. |
|------------------------|-------------|
| 90119-06M10 | 33 - 16 |
| 90119-06M17 | 29 - 48 |
| 90119-06M19 | 18 - 17 |
| 90119-06M24 | 7 - 13 |
| 90119-06M59 | 15 - 26 |
| | 17 - 13 |
| 90119-06027 | 5 - 7 |
| 90119-06036 | 7 - 20 |
| 90119-06037 | 13 - 21 |
| 90119-06041 | 16 - 3 |
| 90119-07234 | 4 - 7 |
| | 4 - 14 |
| 90119-07235 | 4 - 6 |
| | 4 - 13 |
| 90119-08M14 | 31 - 33 |
| | 33 - 35 |
| | 41 - 34 |
| 90119-08M22 | 20 - 10 |
| 90119-08M66 | 2 - 12 |
| 90119-08M79 | 29 - 2 |
| 90119-08M91 | 4 - 24 |
| | 4 - 29 |
| 90119-08009 | 2 - 16 |
| 90119-08021 | 4 - 25 |
| | 4 - 30 |
| 90119-08022 | 7 - 11 |
| 90119-10MA2 | 32 - 8 |
| | 34 - 8 |
| 90119-10M06 | 6 - 19 |
| 90119-10007 | 29 - 33 |
| 90149-05M05 | 39 - 18 |
| 90152-05M08 | 32 - 12 |
| | 34 - 12 |
| 90155-10001 | 4 - 23 |
| | 4 - 28 |
| 90158-06002 | 38 - 25 |
| 90169-05M00 | 17 - 28 |
| 90170-09M05 | 36 - 10 |
| 90170-14M06 | 36 - 6 |
| 90170-16M19 | 31 - 46 |
| | 33 - 48 |
| 90171-18M04 | 32 - 19 |
| | 34 - 19 |
| 90173-06001 | 21 - 2 |
| 90179-06M28 | 1 - 4 |
| | 7 - 22 |
| 90179-24002 | 15 - 12 |
| 90183-02M03 | 31 - 57 |

| PART NO. NO. PIECES | REF. NO. |
|------------------------|-------------|
| 90183-02M03 | 33 - 60 |
| 90185-05002 | 32 - 13 |
| | 34 - 13 |
| 90185-09M01 | 35 - 6 |
| | 36 - 11 |
| 90185-14M00 | 26 - 19 |
| | 26 - 29 |
| 90185-22M11 | 25 - 24 |
| 90201-02M00 | 31 - 56 |
| | 33 - 59 |
| 90201-06M31 | 24 - 8 |
| 90201-06068 | 13 - 18 |
| | 20 - 35 |
| | 20 - 43 |
| 90201-08023 | 31 - 69 |
| | 33 - 75 |
| 90201-09M02 | 22 - 36 |
| 90201-10M02 | 23 - 11 |
| | 23 - 27 |
| 90201-10M20 | 35 - 7 |
| 90201-10M76 | 36 - 8 |
| 90201-12M05 | 25 - 51 |
| 90201-13M01 | 25 - 50 |
| 90201-15M58 | 26 - 18 |
| 90201-16M00 | 31 - 45 |
| | 33 - 47 |
| 90201-16M01 | 26 - 25 |
| 90201-16M55 | 26 - 15 |
| 90201-22M01 | 31 - 28 |
| | 33 - 30 |
| 90201-24014 | 15 - 11 |
| 90201-26M59 | 25 - 23 |
| 90201-28M01 | 26 - 27 |
| 90201-31M00 | 31 - 63 |
| 90201-40M00 | 26 - 6 |
| 90202-08M20 | 22 - 23 |
| 90202-28M46 | 26 - 26 |
| 90202-32M19 | 26 - 14 |
| 90202-40M47 | 26 - 9 |
| 90206-10M04 | 23 - 26 |
| 90206-14N50 | 28 - 2 |
| 90206-15M18 | 20 - 32 |
| | 20 - 40 |
| 90206-22M19 | 31 - 29 |
| | 33 - 31 |
| 90249-06M19 | 25 - 41 |
| 90280-04M05 | 31 - 25 |
| | 33 - 27 |

| PART NO. NO. PIECES | REF. NO. |
|------------------------|-------------|
| 90280-04M05 | 41 - 35 |
| 90280-04008 | 6 - 25 |
| 90280-05015 | 15 - 10 |
| 90338-06162 | 5 - 16 |
| 90340-08002 | 31 - 7 |
| | 33 - 9 |
| 90340-14M06 | 2 - 5 |
| | 5 - 14 |
| 90340-18M09 | 5 - 10 |
| 90344-51019 | 4 - 4 |
| | 4 - 11 |
| 90386-06M12 | 22 - 25 |
| 90386-08001 | 7 - 19 |
| 90386-10M16 | 25 - 39 |
| 90386-10025 | 23 - 3 |
| 90386-12069 | 22 - 10 |
| 90386-15M73 | 20 - 31 |
| | 20 - 39 |
| 90386-18M14 | 25 - 47 |
| | 27 - 24 |
| 90386-18M63 | 25 - 46 |
| 90386-25M31 | 25 - 22 |
| 90386-39M89 | 26 - 7 |
| 90386-90M90 | 22 - 35 |
| 90387-06M64 | 30 - 10 |
| 90387-06037 | 29 - 13 |
| 90387-06038 | 7 - 21 |
| 90387-08M37 | 20 - 12 |
| 90387-10M02 | 25 - 42 |
| 90387-10M08 | 4 - 22 |
| | 4 - 27 |
| 90387-10M61 | 35 - 3 |
| 90430-06014 | 8 - 28 |
| | 9 - 23 |
| 90430-08020 | 31 - 9 |
| | 33 - 11 |
| | 41 - 14 |
| 90430-08143 | 5 - 9 |
| | 40 - 19 |
| 90430-14M09 | 30 - 8 |
| | 41 - 12 |
| 90430-14115 | 2 - 6 |
| | 5 - 15 |
| | 40 - 2 |
| 90430-18130 | 5 - 11 |
| | 40 - 20 |
| 90445-07010 | 29 - 45 |

| PART NO. NO. PIECES | REF. NO. |
|------------------------|-------------|
| 90445-11020 | 1 - 23 |
| 90445-11021 | 1 - 24 |
| 90445-11023 | 21 - 16 |
| 90445-11024 | 21 - 11 |
| 90445-13004 | 13 - 2 |
| 90462-20001 | 20 - 21 |
| 90464-07M56 | 16 - 8 |
| | 17 - 29 |
| 90464-09M47 | 20 - 25 |
| 90464-09010 | 22 - 20 |
| 90464-12002 | 16 - 7 |
| 90464-20258 | 20 - 48 |
| 90465-06M67 | 23 - 17 |
| 90465-06M86 | 22 - 19 |
| 90465-08M83 | 25 - 18 |
| | 25 - 26 |
| 90465-11M10 | 2 - 32 |
| | 2 - 61 |
| | 13 - 4 |
| | 13 - 23 |
| | 20 - 14 |
| | 21 - 17 |
| | 22 - 18 |
| | 25 - 25 |
| | 29 - 44 |
| | 38 - 13 |
| | 38 - 20 |
| 90465-11M52 | 7 - 17 |
| 90465-13M18 | 15 - 20 |
| | 18 - 15 |
| 90465-14M66 | 15 - 21 |
| 90467-08M18 | 16 - 23 |
| 90467-09M03 | 7 - 9 |
| | 16 - 22 |
| 90468-18008 | 22 - 4 |
| | 22 - 24 |
| | 23 - 13 |
| 90480-09M21 | 16 - 2 |
| 90480-14M17 | 21 - 6 |
| 90480-22M81 | 20 - 11 |
| 90501-10M77 | 31 - 58 |
| | 33 - 61 |
| 90501-11M10 | 31 - 17 |
| | 33 - 19 |
| 90501-12082 | 22 - 29 |
| 90506-16M34 | 20 - 46 |
| 90506-16003 | 25 - 44 |
| 90508-20020 | 22 - 12 |

| PART NO. NO. PIECES | REF. NO. |
|------------------------|-------------|
| 90560-12M01 | 35 - 4 |
| 91318-05025 | 27 - 60 |
| 91318-05040 | 27 - 65 |
| 91490-20015 | 22 - 37 |
| 91490-40030 | 32 - 20 |
| | 34 - 20 |
| 91690-30008 | 24 - 6 |
| 91690-30010 | 22 - 32 |
| 91690-30018 | 23 - 7 |
| 91690-30020 | 25 - 43 |
| 91690-30025 | 23 - 6 |
| 91690-50014 | 7 - 12 |
| 91809-08006 | 4 - 5 |
| | 4 - 12 |
| 91814-18001 | 2 - 4 |
| 92903-06600 | 17 - 26 |
| 92903-08100 | 19 - 30 |
| 92903-08600 | 19 - 28 |
| 92907-04600 | 2 - 19 |
| | 4 - 34 |
| 92907-06600 | 30 - 13 |
| 92990-04100 | 8 - 14 |
| | 38 - 4 |
| | 38 - 8 |
| 92990-05100 | 39 - 9 |
| | 39 - 20 |
| | 39 - 21 |
| 92990-05600 | 1 - 8 |
| 92990-06100 | 39 - 15 |
| 92990-06600 | 29 - 51 |
| | 39 - 16 |
| 92990-08100 | 8 - 4 |
| | 8 - 7 |
| | 8 - 10 |
| | 9 - 4 |
| | 9 - 9 |
| | 9 - 12 |
| 92990-10600 | 16 - 28 |
| 92990-18200 | 32 - 18 |
| | 34 - 18 |
| 92995-04100 | 22 - 17 |
| 92995-06100 | 13 - 17 |
| | 15 - 8 |
| | 16 - 18 |
| | 17 - 16 |
| | 17 - 23 |
| | 18 - 4 |
| 92995-06600 | 1 - 12 |

| PART NO. NO. PIECES | REF. NO. |
|------------------------|-------------|
| 92995-06600 | 2 - 29 |
| | 2 - 37 |
| | 2 - 43 |
| | 2 - 50 |
| | 2 - 53 |
| | 2 - 59 |
| | 4 - 18 |
| | 4 - 37 |
| | 4 - 41 |
| | 13 - 15 |
| | 15 - 9 |
| | 15 - 16 |
| | 15 - 19 |
| | 16 - 6 |
| | 16 - 19 |
| | 16 - 26 |
| | 17 - 3 |
| | 17 - 8 |
| | 17 - 17 |
| | 17 - 24 |
| | 18 - 5 |
| | 18 - 7 |
| | 22 - 7 |
| | 22 - 31 |
| | 23 - 16 |
| | 23 - 19 |
| | 23 - 22 |
| | 25 - 5 |
| | 25 - 8 |
| | 25 - 11 |
| | 25 - 20 |
| | 25 - 28 |
| | 29 - 15 |
| | 29 - 42 |
| | 30 - 21 |
| | 30 - 27 |
| 92995-08600 | 17 - 6 |
| | 29 - 27 |
| | 30 - 5 |
| | 31 - 42 |
| | 31 - 73 |
| | 33 - 44 |
| | 33 - 79 |
| 92995-10100 | 25 - 30 |
| | 32 - 6 |
| | 34 - 6 |
| 92995-10600 | 25 - 31 |
| | 26 - 23 |

| PART NO. NO. PIECES | REF. NO. |
|------------------------|-------------|
| 92995-10600 | 26 - 34 |
| | 29 - 4 |
| | 29 - 6 |
| | 32 - 7 |
| | 34 - 7 |
| 92995-14600 | 26 - 20 |
| | 26 - 30 |
| 93101-28M16 | 31 - 35 |
| | 33 - 37 |
| | 41 - 21 |
| 93101-30M17 | 31 - 66 |
| | 33 - 72 |
| | 41 - 23 |
| 93102-38M59 | 6 - 20 |
| | 40 - 21 |
| 93102-63004 | 3 - 2 |
| | 40 - 12 |
| 93106-09014 | 31 - 13 |
| | 33 - 15 |
| | 41 - 16 |
| | 27 - 5 |
| 93106-19N50 | 27 - 51 |
| 93210-064A5 | 27 - 48 |
| 93210-08391 | 22 - 34 |
| 93210-09165 | 27 - 73 |
| | 35 - 9 |
| 93210-16275 | 27 - 22 |
| 93210-17239 | 27 - 27 |
| 93210-18397 | 2 - 39 |
| 93210-19MJ1 | 40 - 7 |
| | 30 - 25 |
| 93210-19MJ3 | 40 - 26 |
| | 2 - 55 |
| 93210-24M79 | 40 - 10 |
| | 2 - 38 |
| 93210-25552 | 30 - 22 |
| | 40 - 6 |
| 93210-25647 | 2 - 41 |
| | 40 - 8 |
| 93210-28543 | 29 - 10 |
| | 41 - 2 |
| 93210-33MG4 | 29 - 11 |
| | 41 - 3 |
| 93210-35321 | 26 - 8 |
| 93210-37160 | 31 - 21 |
| | 33 - 23 |
| | 41 - 18 |
| | 41 - 29 |

| PART NO. NO. PIECES | REF. NO. |
|------------------------|-------------|
| 93210-55M14 | 31 - 39 |
| | 33 - 41 |
| | 41 - 22 |
| 93210-64488 | 31 - 12 |
| | 33 - 14 |
| | 41 - 15 |
| 93210-86M38 | 31 - 20 |
| | 33 - 22 |
| | 41 - 17 |
| | 41 - 28 |
| 93211-04384 | 31 - 67 |
| | 33 - 73 |
| | 41 - 24 |
| 93306-210U0 | 31 - 61 |
| 93311-832V2 | 31 - 3 |
| | 33 - 3 |
| 93315-43061 | 31 - 65 |
| | 33 - 71 |
| 93315-660W3 | 33 - 5 |
| 93317-330U2 | 31 - 36 |
| | 33 - 38 |
| | 33 - 50 |
| 93317-428U7 | 31 - 4 |
| 93332-000W1 | 33 - 64 |
| 93332-00048 | 33 - 66 |
| 93341-440U5 | 33 - 6 |
| 93341-670V0 | 31 - 38 |
| 93341-930U9 | 33 - 40 |
| | 28 - 3 |
| 93399-999T6 | 23 - 4 |
| 93410-10082 | 25 - 48 |
| 93410-18M02 | 26 - 11 |
| 93410-37M04 | 29 - 39 |
| 93420-36M01 | 22 - 28 |
| 93501-04M02 | 31 - 59 |
| 93501-04011 | 33 - 62 |
| | 27 - 47 |
| 93501-08001 | 27 - 37 |
| 93503-16003 | 27 - 13 |
| 93505-32038 | 27 - 34 |
| | 27 - 61 |
| 93604-35236 | 6 - 17 |
| 93605-10108 | 2 - 3 |
| 93606-12019 | 2 - 15 |
| | 29 - 47 |
| | 31 - 32 |
| | 33 - 34 |
| | 41 - 33 |

| PART NO. NO. PIECES | REF. NO. |
|------------------------|-------------|
| 93606-19M23 | 29 - 28 |
| 93608-12M05 | 32 - 4 |
| | 34 - 4 |
| 93608-16M16 | 29 - 7 |
| | 29 - 17 |
| | 29 - 34 |
| | 30 - 6 |
| 93700-06M01 | 22 - 9 |
| 93700-06M03 | 25 - 17 |
| | 25 - 33 |
| 93700-09M00 | 31 - 70 |
| | 33 - 76 |
| 94581-99044 | 6 - 13 |
| 94702-00391 | 4 - 42 |
| 95333-08600 | 19 - 29 |
| 95380-04600 | 38 - 5 |
| | 38 - 9 |
| 95380-05600 | 24 - 3 |
| | 39 - 10 |
| | 39 - 19 |
| 95380-06600 | 1 - 9 |
| | 39 - 14 |
| 95380-12600 | 25 - 52 |
| 95380-14700 | 36 - 7 |
| 95382-06700 | 11 - 41 |
| 95680-05100 | 24 - 11 |
| 95707-06500 | 2 - 11 |
| 95780-10300 | 26 - 4 |
| 95895-06030 | 24 - 7 |
| 97013-06025 | 6 - 16 |
| | 17 - 25 |
| 97013-08045 | 19 - 27 |
| 97027-06025 | 30 - 12 |
| 97075-06020 | 4 - 17 |
| 97075-06030 | 22 - 30 |
| 97075-08035 | 29 - 26 |
| 97075-10035 | 29 - 5 |
| 97075-10045 | 29 - 3 |
| 97095-06010 | 8 - 27 |
| | 9 - 22 |
| | 17 - 15 |
| | 17 - 22 |
| | 25 - 7 |
| | 25 - 36 |
| | 29 - 41 |
| 97095-06012 | 16 - 25 |
| 97095-06014 | 13 - 14 |
| | 17 - 7 |

| PART NO. NO. PIECES | REF. NO. |
|------------------------|-------------|
| 97095-06014 | 23 - 18 |
| | 25 - 27 |
| | 29 - 37 |
| 97095-06016 | 1 - 11 |
| | 13 - 16 |
| | 15 - 18 |
| | 17 - 2 |
| 97095-06020 | 2 - 42 |
| | 16 - 5 |
| | 16 - 17 |
| | 18 - 3 |
| | 20 - 34 |
| | 20 - 42 |
| | 23 - 21 |
| | 29 - 14 |
| | 30 - 26 |
| 97095-06025 | 2 - 28 |
| | 2 - 36 |
| | 25 - 4 |
| 97095-06030 | 4 - 36 |
| | 4 - 40 |
| 97095-06035 | 15 - 7 |
| | 18 - 6 |
| | 22 - 6 |
| 97095-06040 | 2 - 52 |
| | 30 - 20 |
| 97095-06045 | 2 - 49 |
| | 2 - 58 |
| | 23 - 15 |
| 97095-08014 | 5 - 8 |
| 97095-08020 | 17 - 5 |
| | 31 - 72 |
| | 33 - 78 |
| 97095-08025 | 31 - 41 |
| | 33 - 43 |
| 97095-08035 | 30 - 4 |
| 97095-10045 | 25 - 29 |
| | 26 - 22 |
| | 26 - 33 |
| | 32 - 5 |
| | 34 - 5 |
| 97575-08540 | 4 - 20 |
| 97575-08560 | 30 - 3 |
| 97575-08590 | 29 - 20 |
| 97780-60520 | 21 - 18 |
| 97780-60620 | 7 - 7 |
| | 17 - 19 |
| 97780-60625 | 17 - 31 |

| PART NO. NO. PIECES | REF. NO. |
|------------------------|-------------|
| 97880-06016 | 29 - 50 |
| 97885-04016 | 22 - 16 |
| 97885-06010 | 15 - 15 |
| | 25 - 13 |
| | 25 - 16 |
| 97885-06012 | 25 - 10 |
| | 25 - 19 |
| 97885-06016 | 26 - 2 |
| 98507-04008 | 2 - 18 |
| | 4 - 33 |
| | 11 - 14 |
| 98582-05008 | 12 - 24 |
| 98980-05010 | 39 - 8 |
| 98980-06020 | 39 - 13 |
| 99001-03600 | 27 - 40 |
| 99001-08600 | 31 - 16 |
| | 33 - 18 |
| 99530-08012 | 15 - 6 |
| 99530-10114 | 8 - 30 |
| | 9 - 25 |

F200A/F225A/FL200A/FL225A
PARTS CATALOGUE
©2001 by Yamaha Motor Co., Ltd.
1st Edition, Sep. 2001
All rights reserved.
Any reprinting or unauthorized use
without the written permission of
Yamaha Motor Co., Ltd.
is expressly prohibited.

F200A/F225A/FL200A/FL225A
CATALOGUE DE PIECES DETACHEES
©2001 Yamaha Motor Co., Ltd.
1ère Edition, Sept. 2001
Tous droits réservés.
Toute réimpression ou utilisation
sans la permission écrite de la
Yamaha Motor Co., Ltd.
est formellement interdite.