

**PARTS
CATALOGUE
CATALOGUE
DE PIÈCES DÉTACHÉES**

**F115A '02(68V1)
FL115A'02(68W1)**

2A68V-300F1

YAMAHA
GENUINE
Parts & Accessories

2016/4/18

NEWS NO.	DATE	COMMENT
PE0-OM-160009	Apr.,11,2016	MOD:F(L)115A FUEL (1) LIST/ILLUSTRATION REVISION

A1

FOREWORD

This Parts Catalogue is related to the parts for the model(s) in the below frame. When you are ordering replacement parts, please refer to this Parts Catalogue and quote both part numbers and part names correctly.

F115A'02(68V1), FL115A'02(68W1)

5. Quantity Column Information

NAME for Q'TY COLUMN	APPLICABLE MODEL
68V1	F115AET
68W1	FL115AET

6. Applicable Starting Serial No. and Color Code

1) Engine Starting Sserial No.

F115AET 68V L : 308439 68V X : 704621	FL115AET 68W X : 801069
--	-------------------------

1. Modifications or additions which have been made after issue of the Parts Catalogue will be announced in the Yamaha Parts News. It is advisable that you make necessary corrections to the Parts Catalogue according to the Yamaha Parts News.

2. Abbreviations

The Following abbreviations are used in this Parts Catalogue.

“UR” Use specified parts number.

“UN” Use as many as needed.

“AP” Alternate Parts

“LM” Local Made

(Parts need to be ordered locally)

“O/S” Over Size

3. Parts, which are to be supplied in an assembly, are listed with a dot(.) in front of the part name as shown below.

EXAMPLE

CARBURETOR ASSY

.JET, PILOT

.NOZZLE, MAIN

4. Number of component for assembly

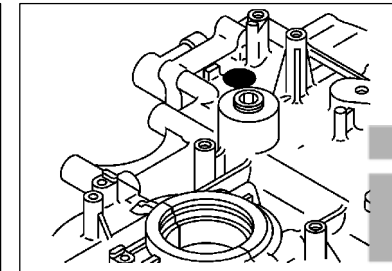
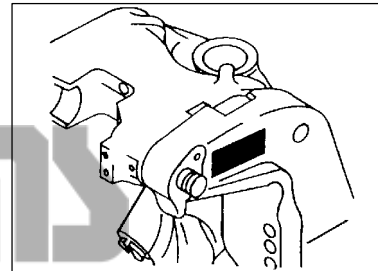
The numeral appearing to the right of each component part indicates the quantity of parts for each assembly unit.

EXAMPLE

PART NO.	DESCRIPTION	□	□	□	□	REMARKS
6E0-85500-70	C.D.I. MAGNETO ASSY	1				
6E0-85550-70	.ROTOR ASSY	1				
6E0-15723-00-94.	.PULLY, STARTER	1				

1) Engine Starting Sserial No.

F115AET 68V L : 308439 68V X : 704621	FL115AET 68W X : 801069
--	-------------------------



2) Color Code

Color Code	Color Name	Abbreviation
004D	DARK BLUISH GRAY METALLIC 2	DBNM2

7. Note that the illustrations for reference in finding parts numbers, not to be used for assembling. When assembling, please use the applicable service manual.

8. The asterisk (*) before a reference number indicates modification items after the first edition.

SHEET 1/2

TOP COWLING	A4
CYLINDER. CRANKCASE 1	A6
CRANKSHAFT. PISTON	B1
CYLINDER. CRANKCASE 2	B2
VALVE	B4
INTAKE 1	B7
INTAKE 2	C1
FUEL INJECTION NOZZLE	C3
FUEL INJECTION PUMP	C5
FUEL 1	C7
FUEL 2	D2
GENERATOR	D3
ELECTRICAL 1	D5
ELECTRICAL 2	D6
ELECTRICAL 3	E1
STARTING MOTOR	E2
BOTTOM COWLING	E4
STEERING 1	E6
STEERING 2	F2
STEERING FRICTION	F4
CONTROL	F5
BRACKET 1	F7

INDEX

NUMERICAL INDEX	G1
-----------------------	----

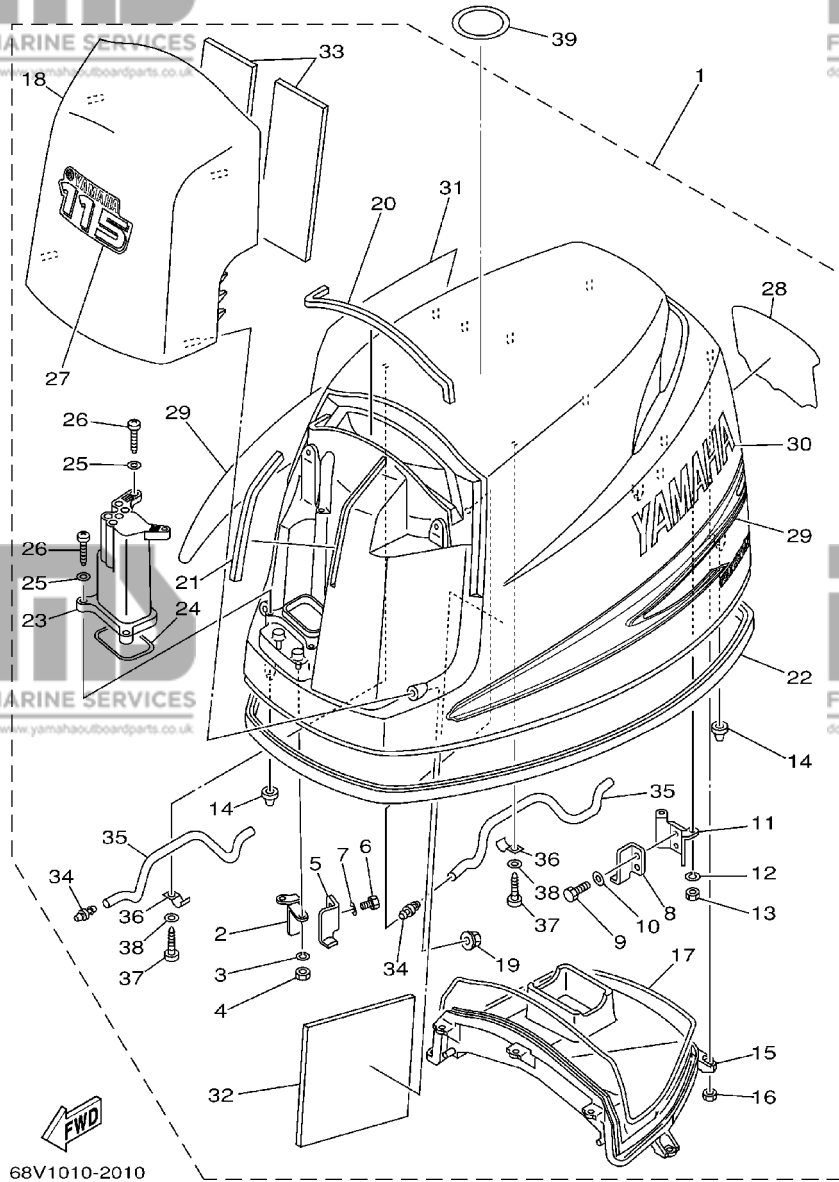
CONTENTS

SHEET 2/2

BRACKET 1	A4*
BRACKET 2	A5*
POWER TRIM & TILT ASSY 1	A7*
POWER TRIM & TILT ASSY 2	B2*
UPPER CASING	B4*
OIL PAN	B6*
LOWER CASING. DRIVE 1	B7*
LOWER CASING. DRIVE 2	C4*
LOWER CASING. DRIVE 3	C6*
LOWER CASING. DRIVE 4	D3*
STEERING GUIDE ATTACHMENT 1	D5*
STEERING GUIDE ATTACHMENT 2	D6*
REMOTE CONTROL BOX	D7*
REMOTE CONTROL ASSY 1	E1*
REMOTE CONTROL ASSY 2	E4*
METER	E7*
SWITCH. PANEL	F2*
REPAIR KIT 1	F3*
REPAIR KIT 2	F4*

INDEX

NUMERICAL INDEX	G1*
-----------------------	-----

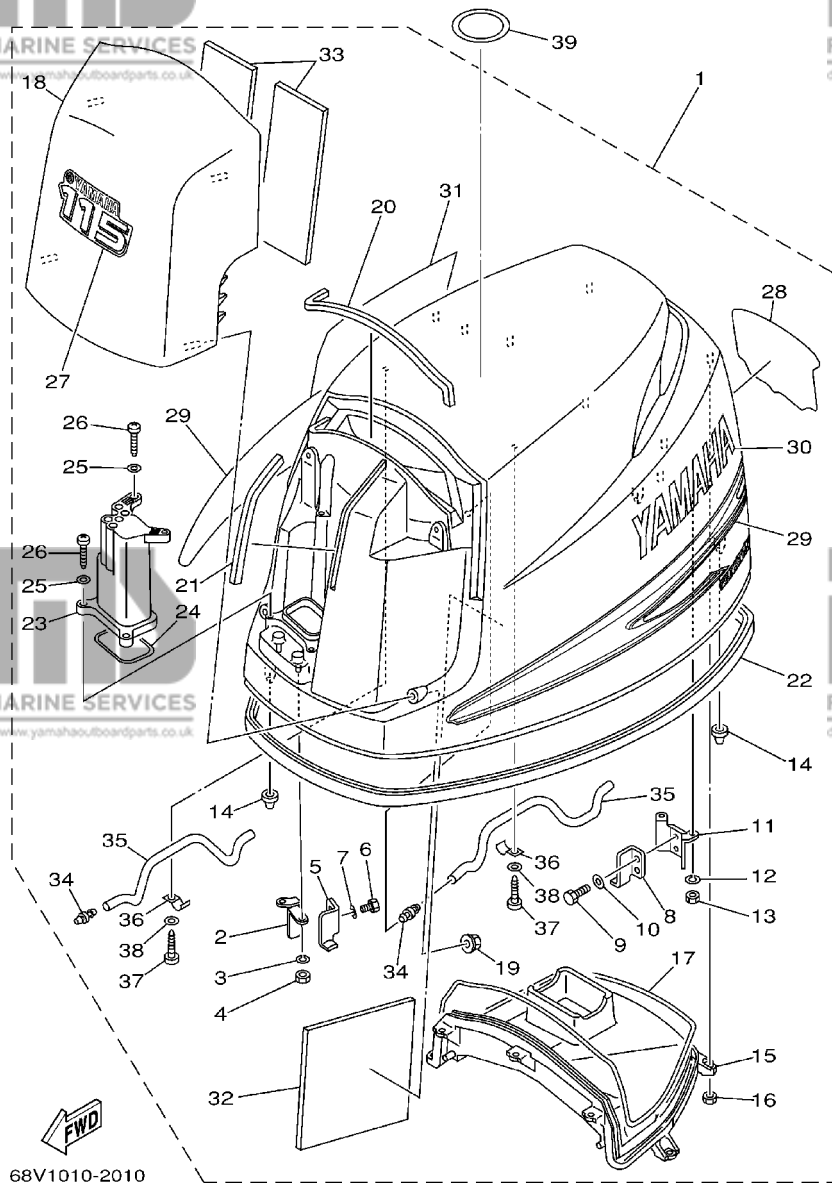


68V1010-2010

FIG. 1 TOP COWLING

CAPOT SUPERIEUR

REF. NO.	PART NO. NO. PIECES	DESCRIPTION DESCRIPTION	68V1	68W1	REMARKS REMARQUES
1	68V-42610-10-8D	TOP COWLING ASSY CAPOT (ENS.)	1	1	
2	68V-42647-00	.HOLDER, CLAMP BAND .SUPPORT, SANDOW DE SERRAGE	1	1	
3	92990-06100	.WASHER, SPRING .RONDELLE, GROWER	2	2	
4	95380-06600	.NUT .ECROU	2	2	
5	68V-42651-00	.HOOK .CROCHET	1	1	
6	97095-06012	.BOLT .BOULON	2	2	
7	92995-06600	.WASHER .RONDELLE	2	2	
8	68V-42652-00	.HOOK .CROCHET	1	1	
9	97095-06012	.BOLT .BOULON	2	2	
10	92995-06600	.WASHER .RONDELLE	2	2	
11	67F-42649-00	.HOLDER, CLAMP BAND .SUPPORT, SANDOW DE SERRAGE	1	1	
12	92990-06100	.WASHER, SPRING .RONDELLE, GROWER	2	2	
13	95380-06600	.NUT .ECROU	2	2	
14	67F-42662-00	.DAMPER .AMORTISSEUR	3	3	
15	68V-42613-00	.MOLDING, AIR DUCT .MANCHON A AIR	1	1	
16	95380-06600	.NUT .ECROU	7	7	
17	68V-42629-00	.SEAL .JOINT	1	1	
18	68V-42612-00-8D	.AIR DUCT, TOP COWLING .FLASQUE, PLATEAU D'AVANCE	1	1	
19	90179-06M28	.NUT .ECROU	4	4	
20	68V-42628-00	.SEAL .JOINT	1	1	
21	68V-42718-00	.RUBBER, SEAL 3 .JOINT	1	1	
22	68V-42615-00	.SEAL .JOINT	1	1	
23	68V-42632-00	.WINDOW .FENETRE	1	1	
24	68V-42634-00	.SEAL, WINDOW .JOINT	1	1	
25	92990-05200	.WASHER, PLAIN .RONDELLE, PLATE	4	4	
26	97780-50825	.SCREW, TAPPING .VIS, TETE FRAISEE	4	4	
27	68V-42677-10	.GRAPHIC, FRONT .ADHESIF, AVANT	1	1	



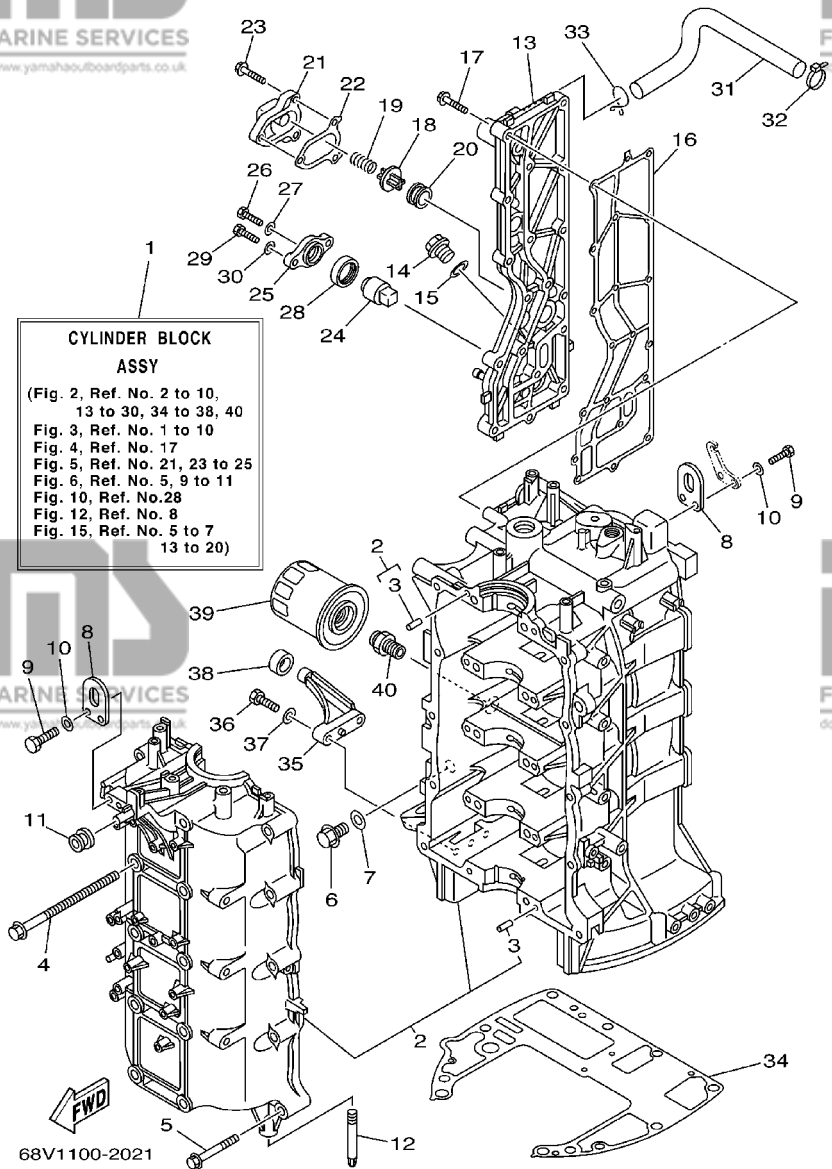
68V1010-2010

FIG. 1 TOP COWLING

CAPOT SUPERIEUR

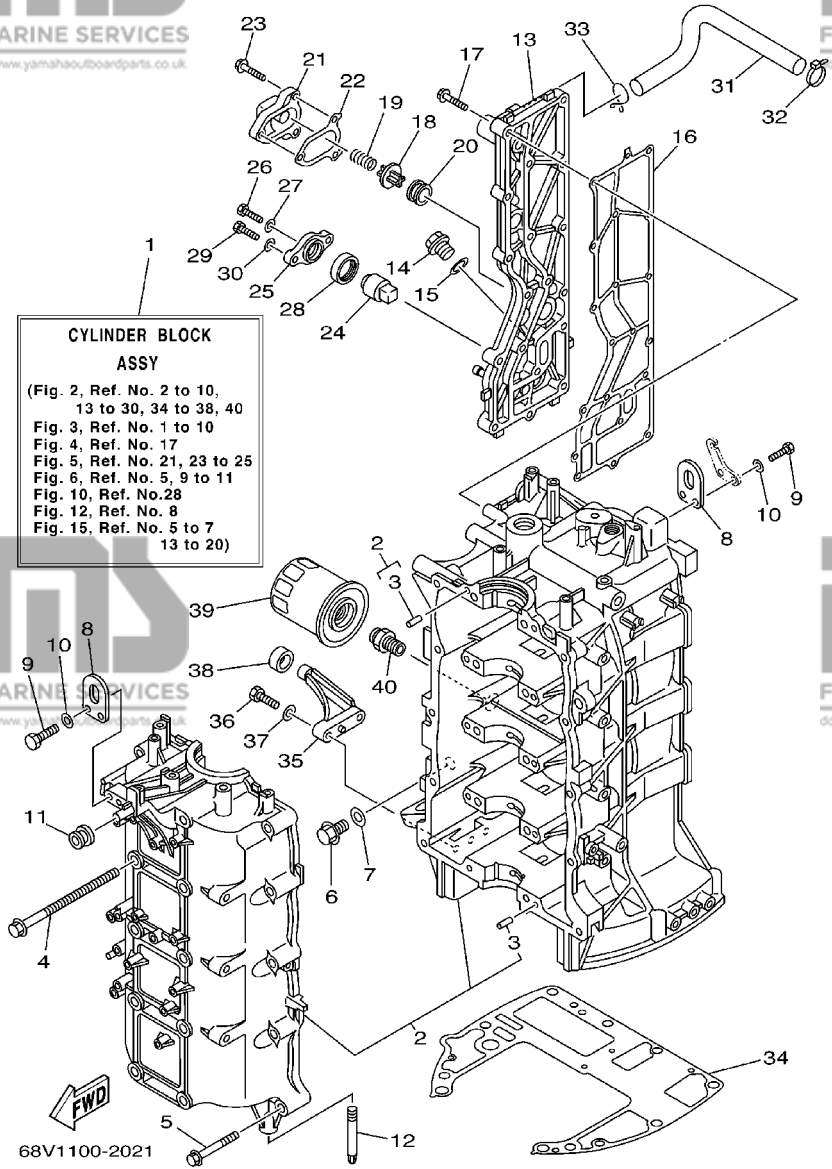
REF. NO.	PART NO. NO. PIECES	DESCRIPTION DESCRIPTION	68V1	68W1	REMARKS REMARQUES
28	68V-42678-10	.GRAPHIC, REAR .ADHESIF, ARRIERE	1	1	
29	68V-W0070-10	.GRAPHIC SET .JEU DIEMBLEMES	1	1	
30	68V-42681-10	.MARK, COWLING .ADHESIF, CAPOT	1	1	
31	68V-42682-10	.MARK, COWLING .ADHESIF, CAPOT	1	1	
32	68V-42617-00	.DAMPER, FORM .BOURRELET, CAOUTCHOUC	1	1	
33	68V-42619-00	.DAMPER, FORM .BOURRELET, CAOUTCHOUC	2	2	
34	6H3-44391-01	.NIPPLE, HOSE .RACCORD D'ESSENCE	2	2	
35	90445-10M18	.HOSE (L295) .DURITE (L295)	2	2	
36	90465-08M63	.CLAMP .BRIDE	2	2	
37	97780-50620	.SCREW, TAPPING .VIS, TETE, FRAISEE	2	2	
38	92990-05200	.WASHER, PLAIN .RONDELLE, PLATE	2	2	
39	67F-13434-02	LABEL, CAUTION ETIQUETTE, ATTENTION	1	1	

FIG. 2 CYLINDER. CRANKCASE 1 CYLINDRE. CARTER 1



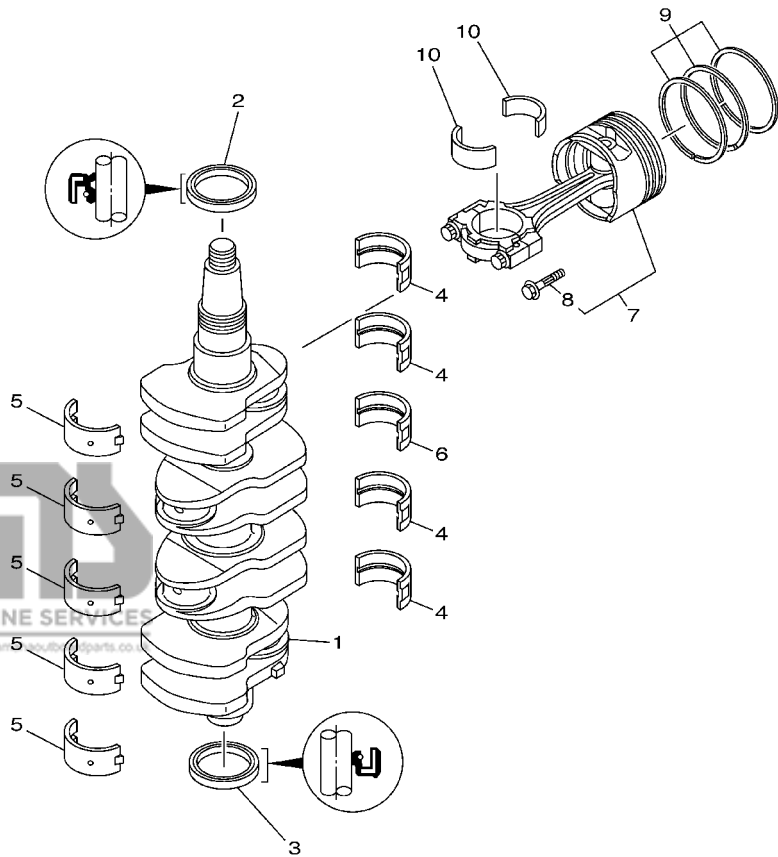
REF. NO.	PART NO. NO. PIECES	DESCRIPTION DESCRIPTION	68V1	68W1	REMARKS REMARQUES
1	68V-W009B-03-1S	CYLINDER BLOCK ASSY CYLINDRE GROUPE (ENS.)	1	1	
2	68V-15100-01-1S	CRANKCASE ASSY CARTER DE MOTEUR COMPLET	1	1	
3	93606-12019	.PIN, DOWEL .GOUJON	10	10	
4	90119-10M88	BOLT, WITH WASHER BOULON, AVEC RONDELLE	10	10	
5	90119-08M66	BOLT, WITH WASHER BOULON, AVEC RONDELLE	10	10	
6	90340-14M06	PLUG, STRAIGHT SCREW PLOT, FILETE DROIT	1	1	
7	90430-14115	GASKET JOINT	1	1	
8	62Y-11119-00	HANGER, ENGINE ANNEAU, LEVAGE	2	2	
9	97095-06020	BOLT BOULON	4	4	
10	92995-06600	WASHER RONDELLE	4	4	
11	90480-12072	GROMMET PASSE-FIL	1	1	
12	67F-15142-00	GUIDE 1 GUIDE 1	2	2	
13	68V-41113-00-1S	OUTER COVER, EXHAUST COUVERCLE, ECHAPPEMENT	1	1	
14	90340-18M09	PLUG, STRAIGHT SCREW PLOT, FILETE DROIT	1	1	
15	90430-18130	GASKET JOINT	1	1	
16	67F-41114-A0	GASKET, EXHAUST OUTER COVER JOINT, COUVERCLE D'ECHAPPEMENT	1	1	
17	90119-06MA4	BOLT, WITH WASHER BOULON, AVEC RONDELLE	18	18	
18	6G5-12416-00	VALVE, PRESSURE CONTROL SOUPAPE DE CONTROLEUR PRESS	1	1	
19	90501-16M11	SPRING, COMPRESSION RESSORT, COMPRESSION	1	1	
20	90480-20M05	GROMMET PASSE-FIL	1	1	
21	67F-1246A-00-1S	COVER 1 COUVERCLE 1	1	1	
22	67F-12435-A0	GASKET JOINT	1	1	
23	90119-06MA2	BOLT, WITH WASHER BOULON, AVEC RONDELLE	3	3	
24	67F-11325-00	ANODE ANODE	1	1	
25	67F-11327-00-94	COVER, ANODE COUVERCLE	1	1	
26	97075-06020	BOLT BOULON	1	1	
27	92995-06600	WASHER RONDELLE	1	1	

FIG. 2 CYLINDER. CRANKCASE 1 CYLINDRE. CARTER 1



CYLINDER BLOCK ASSY
(Fig. 2, Ref. No. 2 to 10, 13 to 30, 34 to 38, 40
Fig. 3, Ref. No. 1 to 10
Fig. 4, Ref. No. 17
Fig. 5, Ref. No. 21, 23 to 25
Fig. 6, Ref. No. 5, 9 to 11
Fig. 10, Ref. No. 28
Fig. 12, Ref. No. 8
Fig. 15, Ref. No. 5 to 7
13 to 20)

REF. NO.	PART NO. NO. PIECES	DESCRIPTION DESCRIPTION	68V1	68W1	REMARKS REMARQUES
28	67F-11328-00	GROMMET, ANODE PASSE-FIL	1	1	
29	97075-08025	BOLT BOULON	2	2	
30	92995-08600	WASHER RONDELLE	2	2	
31	67F-1243A-00	HOSE 1 DURITE 1	1	1	
32	90465-11M10	CLAMP BRIDE	1	1	
33	90467-20M15	CLIP JONC	1	1	
34	67F-11351-01	GASKET, CYLINDER JOINT, D'EMBASE	1	1	
35	67F-42761-00-94	STOPPER PLAQUETTE	2	2	
36	97095-06025	BOLT BOULON	4	4	
37	92995-06600	WASHER RONDELLE	4	4	
38	68F-44533-00	DAMPER, UPPER MOUNT RUBBER COUVERCLE, SUSPENSION INFERIEUR	2	2	
39	5GH-13440-00	ELEMENT ASSY, OIL CLEANER ELEMENT, FILTRE A HUILE	1	1	
40	90401-20145	BOLT, UNION BOULON, RACCORD	1	1	



68V0010-0031

FIG. 3 CRANKSHAFT. PISTON

VILEBREQUIN. PISTON

REF. NO.	PART NO. NO. PIECES	DESCRIPTION DESCRIPTION	68V1	68W1	REMARKS REMARQUES
1	68V-11411-00	CRANKSHAFT VILEBREQUIN COMPLET	1	1	
2	93102-48009	OIL SEAL JOINT SPY	1	1	
3	93101-48002	OIL SEAL JOINT SPY	1	1	
4	67F-11416-00	PLANE BEARING, CRANKSHAFT 1 COUSSINET DE VILEBREQUIN 1	4	4	UR GREEN
	67F-11416-10	PLANE BEARING, CRANKSHAFT 1 COUSSINET DE VILEBREQUIN 1	4	4	UR BLUE
	67F-11416-20	PLANE BEARING, CRANKSHAFT 1 COUSSINET DE VILEBREQUIN 1	4	4	UR RED
5	67F-11417-00	PLANE BEARING, CRANKSHAFT 2 COUSSINET DE VILEBREQUIN 2	5	5	UR YELLOW
	67F-11417-10	PLANE BEARING, CRANKSHAFT 2 COUSSINET DE VILEBREQUIN 2	5	5	UR GREEN
	67F-11417-20	PLANE BEARING, CRANKSHAFT 2 COUSSINET DE VILEBREQUIN 2	5	5	UR BLUE
	67F-11417-30	PLANE BEARING, CRANKSHAFT 2 COUSSINET DE VILEBREQUIN 2	5	5	UR RED
6	67F-11418-00	PLANE BEARING, CRANKSHAFT 3 COUSSINET DE VILEBREQUIN 3	1	1	UR GREEN
	67F-11418-10	PLANE BEARING, CRANKSHAFT 3 COUSSINET DE VILEBREQUIN 3	1	1	UR BLUE
	67F-11418-20	PLANE BEARING, CRANKSHAFT 3 COUSSINET DE VILEBREQUIN 3	1	1	UR RED
7	68V-W1164-00	PISTON/CONNECTING ROD ASSY (STD) PISTON/BIELLE COMPLETE (STD)	4	4	
	68V-W1164-10	PISTON/CON-ROD ASSY (0.25MM O/S) PISTON/BIELLE COMPLETE (0.25MM O/S)	4	4	AP
8	K1C-A3275-00	.BOLT, CONNECTING ROD .BOULON, BIELLE	2	2	
9	67F-11603-01	PISTON RING SET (STD) JUE DE SEGMENTS (STD)	4	4	
	67F-11604-01	PISTON RING SET (0.25MM O/S) JUE DE SEGMENTS (0.25MM O/S)	4	4	AP
10	68V-11656-00	PLANE BEARING, CONNECTING ROD ROULEMENT DE BIELLE	8	8	UR YELLOW
	68V-11656-10	PLANE BEARING, CONNECTING ROD ROULEMENT DE BIELLE	8	8	UR GREEN
	68V-11656-20	PLANE BEARING, CONNECTING ROD ROULEMENT DE BIELLE	8	8	UR BLUE
	68V-11656-30	PLANE BEARING, CONNECTING ROD ROULEMENT DE BIELLE	8	8	UR RED

CYLINDER HEAD ASSY
(Fig. 4, Ref. No. 2 to 17, 21 to 28, 31 to 36, 38 Fig. 5, Ref. No. 1 to 13, 16 Fig. 10, Ref. No. 30 to 36)

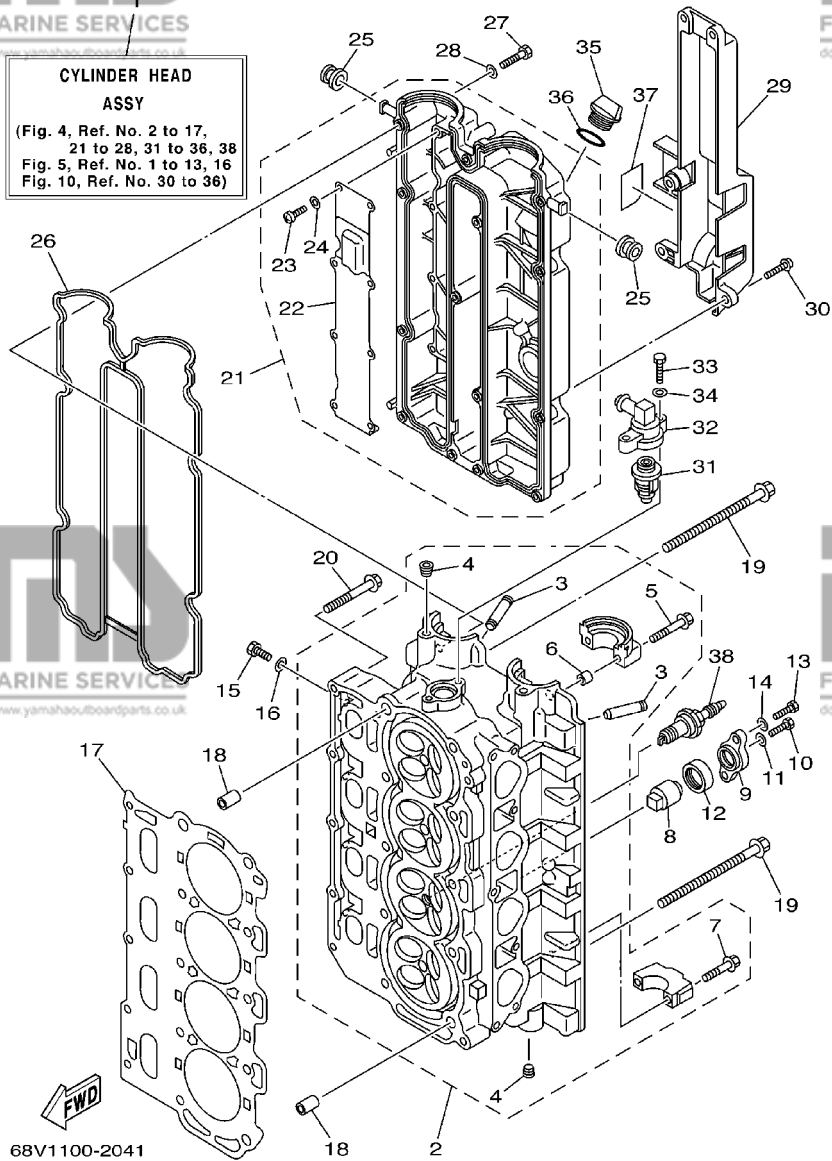
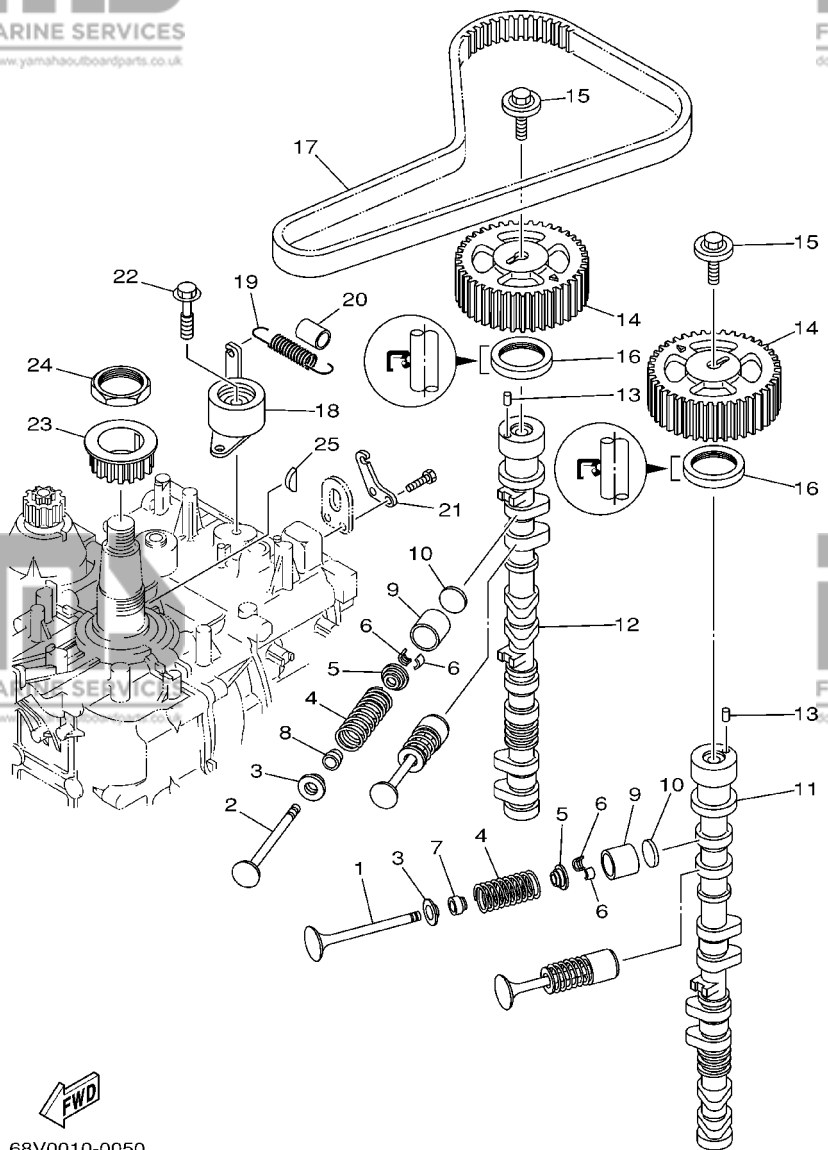


FIG. 4 CYLINDER. CRANKCASE 2 CYLINDRE. CARTER 2

REF. NO.	PART NO. NO. PIECES	DESCRIPTION DESCRIPTION	68V1	68W1	REMARKS REMARQUES
1	68V-W009A-00-1S	CYLINDER HEAD ASSY CULASSE (ENS.)	1	1	
2	68V-11110-00-94	CYLINDER HEAD ASSY JEU DE CULASSE	1	1	
3	67F-11133-10	.GUIDE, INTAKE VALVE .GUIDE, SOUP D'ADM	16	16	
4	90344-51019	.PLUG, TAPER SCREW .PLOT, FILETE CONIQUE	4	4	
5	90119-07235	.BOLT, WITH WASHER .BOULON, AVEC RONDELLE	4	4	
6	91809-08006	.PIN, DOWEL .GOUJON, D'ASSEMBLAGE	4	4	
7	90119-07234	.BOLT, WITH WASHER .BOULON, AVEC RONDELLE	16	16	
8	67F-11325-00	ANODE ANODE	2	2	
9	67F-11327-00-94	COVER, ANODE COUVERCLE	2	2	
10	97075-06020	BOLT BOULON	2	2	
11	92995-06600	WASHER RONDELLE	2	2	
12	67F-11328-00	GROMMET, ANODE PASSE-FIL	2	2	
13	97075-08025	BOLT BOULON	4	4	
14	92995-08600	WASHER RONDELLE	4	4	
15	97095-08014	BOLT BOULON	4	4	
16	90430-08143	GASKET JOINT	4	4	
17	67F-11181-01	GASKET, CYLINDER HEAD 1 JOINT, DE CULASSE 1	1	1	
18	90387-10M08	COLLAR COLLERETTE	2	2	
19	90105-10M89	BOLT, FLANGE BOULON	10	10	
20	90119-08M91	BOLT, WITH WASHER BOULON, AVEC RONDELLE	5	5	
21	68V-11191-00-1S	COVER, CYLINDER HEAD 1 COUVERCLE, CULASSE 1	1	1	
22	67F-11168-00	.COVER, BREATHER .COUVERCLE, RENIFLARD	1	1	
23	98507-04008	.SCREW, PAN HEAD .VIS, TETE TRONCONIQUE	8	8	
24	92907-04600	.WASHER .RONDELLE	8	8	
25	90480-12072	GROMMET PASSE-FIL	2	2	
26	67F-11356-00	SEAL, CYLINDER 2 JOINT, SPY CYLINDRE	1	1	
27	97095-06030	BOLT BOULON	14	14	

B2



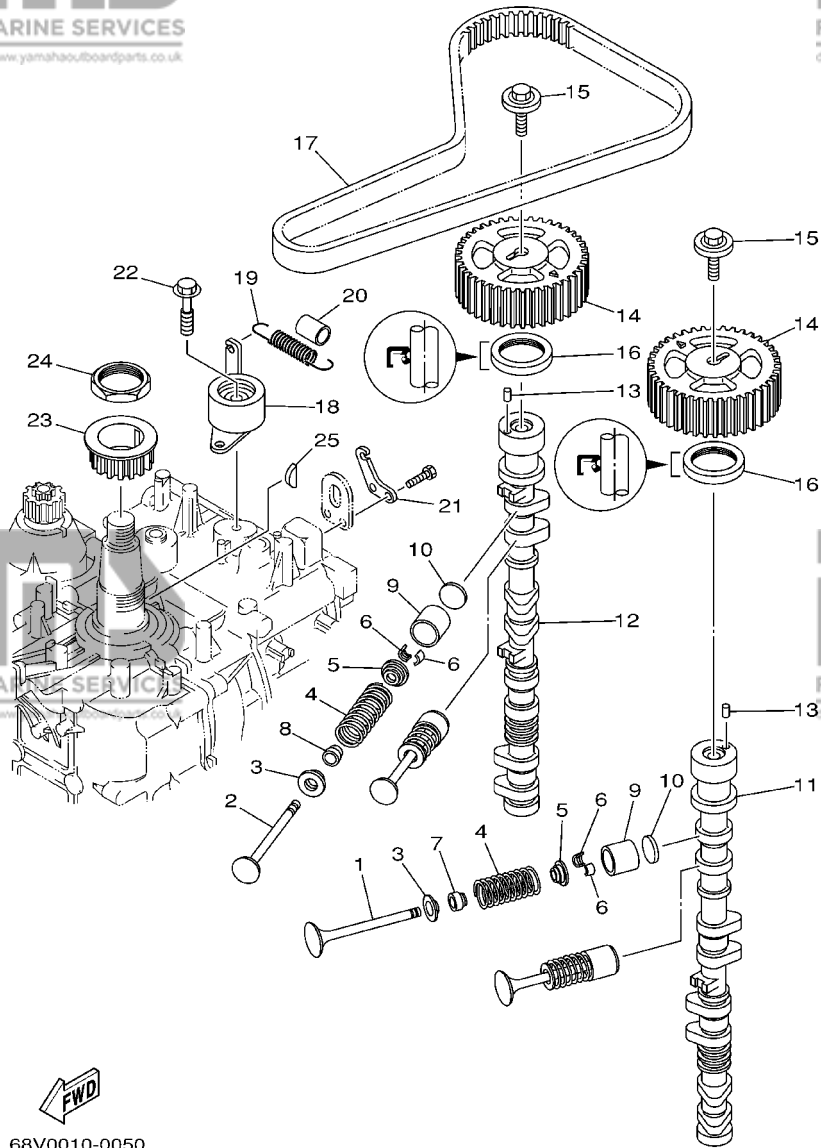
68V0010-0050

FIG. 5 VALVE

SOUPAPE

REF. NO.	PART NO. NO. PIECES	DESCRIPTION DESCRIPTION	68V1	68W1	REMARKS REMARQUES
1	68V-12111-00	VALVE, INTAKE SOUPAPE, ADMISSION	8	8	
2	68V-12121-00	VALVE, EXHAUST SOUPAPE, ECHAPPEMENT	8	8	
3	67F-12116-00	SEAT, VALVE SPRING SIEGE, RESSORT DE SOUPAPE	16	16	
4	67F-12114-00	SPRING, VALVE OUTER RESSORT DE SOUPAPE, EXTERNE	16	16	
5	67F-12117-00	RETAINER, VALVE SPRING BUTEE DE RESSORT DE SOUPAPE	16	16	
6	67F-12118-00	COTTER, VALVE FRAISE, SOUPAPE	32	32	
7	K0A-A3721-00	SEAL, VALVE STEM JOINT, QUEUE DE SOUPAPE	8	8	
8	K0A-A3722-00	SEAL, VALVE STEM 2 JOINT, QUEUE DE SOUPAPE 2	8	8	
9	67F-12153-00	LIFTER, VALVE LEVE-SOUPAPE	16	16	
10	67F-12168-00	PAD, ADJUSTING (2.000) PASTILLE, DE REGLAGE (2.000)	16	16	UR
	67F-12168-10	PAD, ADJUSTING (2.025) PASTILLE, DE REGLAGE (2.025)	16	16	UR
	67F-12168-20	PAD, ADJUSTING (2.050) PASTILLE, DE REGLAGE (2.050)	16	16	UR
	67F-12168-30	PAD, ADJUSTING (2.075) PASTILLE, DE REGLAGE (2.075)	16	16	UR
	67F-12168-40	PAD, ADJUSTING (2.100) PASTILLE, DE REGLAGE (2.100)	16	16	UR
	67F-12168-50	PAD, ADJUSTING (2.125) PASTILLE, DE REGLAGE (2.125)	16	16	UR
	67F-12168-60	PAD, ADJUSTING (2.150) PASTILLE, DE REGLAGE (2.150)	16	16	UR
	67F-12168-70	PAD, ADJUSTING (2.175) PASTILLE, DE REGLAGE (2.175)	16	16	UR
	67F-12168-80	PAD, ADJUSTING (2.200) PASTILLE, DE REGLAGE (2.200)	16	16	UR
	67F-12168-A0	PAD, ADJUSTING (2.225) PASTILLE, DE REGLAGE (2.225)	16	16	UR
	67F-12168-B0	PAD, ADJUSTING (2.250) PASTILLE, DE REGLAGE (2.250)	16	16	UR
	67F-12168-C0	PAD, ADJUSTING (2.275) PASTILLE, DE REGLAGE (2.275)	16	16	UR
	67F-12168-D0	PAD, ADJUSTING (2.300) PASTILLE, DE REGLAGE (2.300)	16	16	UR
	67F-12168-E0	PAD, ADJUSTING (2.325) PASTILLE, DE REGLAGE (2.325)	16	16	UR
	67F-12168-F0	PAD, ADJUSTING (2.350) PASTILLE, DE REGLAGE (2.350)	16	16	UR
	67F-12168-G0	PAD, ADJUSTING (2.375) PASTILLE, DE REGLAGE (2.375)	16	16	UR
	67F-12168-H0	PAD, ADJUSTING (2.400) PASTILLE, DE REGLAGE (2.400)	16	16	UR
	67F-12168-J0	PAD, ADJUSTING (2.425) PASTILLE, DE REGLAGE (2.425)	16	16	UR

B4



68V0010-0050

FIG. 5 VALVE

SOUPAPE

REF. NO.	PART NO. NO. PIECES	DESCRIPTION DESCRIPTION	68V1	68W1	REMARKS REMARQUES
10	67F-12168-K0	PAD, ADJUSTING (2.450) PASTILLE, DE REGLAGE (2.450)	16	16	UR
	67F-12168-L0	PAD, ADJUSTING (2.475) PASTILLE, DE REGLAGE (2.475)	16	16	UR
	67F-12168-M0	PAD, ADJUSTING (2.500) PASTILLE, DE REGLAGE (2.500)	16	16	UR
	67F-12168-N0	PAD, ADJUSTING (2.525) PASTILLE, DE REGLAGE (2.525)	16	16	UR
	67F-12168-P0	PAD, ADJUSTING (2.550) PASTILLE, DE REGLAGE (2.550)	16	16	UR
	67F-12168-R0	PAD, ADJUSTING (2.575) PASTILLE, DE REGLAGE (2.575)	16	16	UR
	67F-12168-S0	PAD, ADJUSTING (2.600) PASTILLE, DE REGLAGE (2.600)	16	16	UR
	67F-12168-T0	PAD, ADJUSTING (2.625) PASTILLE, DE REGLAGE (2.625)	16	16	UR
	67F-12168-U0	PAD, ADJUSTING (2.650) PASTILLE, DE REGLAGE (2.650)	16	16	UR
	67F-12168-V0	PAD, ADJUSTING (2.675) PASTILLE, DE REGLAGE (2.675)	16	16	UR
	67F-12168-W0	PAD, ADJUSTING (2.700) PASTILLE, DE REGLAGE (2.700)	16	16	UR
	67F-12168-X0	PAD, ADJUSTING (2.725) PASTILLE, DE REGLAGE (2.725)	16	16	UR
	67F-12168-Y0	PAD, ADJUSTING (2.750) PASTILLE, DE REGLAGE (2.750)	16	16	UR
	67F-12169-00	PAD, ADJUSTING (2.775) PASTILLE, DE REGLAGE (2.775)	16	16	UR
	67F-12169-10	PAD, ADJUSTING (2.800) PASTILLE, DE REGLAGE (2.800)	16	16	UR
	67F-12169-20	PAD, ADJUSTING (2.825) PASTILLE, DE REGLAGE (2.825)	16	16	UR
	67F-12169-30	PAD, ADJUSTING (2.850) PASTILLE, DE REGLAGE (2.850)	16	16	UR
	67F-12169-40	PAD, ADJUSTING (2.875) PASTILLE, DE REGLAGE (2.875)	16	16	UR
	67F-12169-50	PAD, ADJUSTING (2.900) PASTILLE, DE REGLAGE (2.900)	16	16	UR
	67F-12169-60	PAD, ADJUSTING (2.925) PASTILLE, DE REGLAGE (2.925)	16	16	UR
	67F-12169-70	PAD, ADJUSTING (2.950) PASTILLE, DE REGLAGE (2.950)	16	16	UR
	67F-12169-80	PAD, ADJUSTING (2.975) PASTILLE, DE REGLAGE (2.975)	16	16	UR
	67F-12169-A0	PAD, ADJUSTING (3.000) PASTILLE, DE REGLAGE (3.000)	16	16	UR
	67F-12169-B0	PAD, ADJUSTING (3.025) PASTILLE, DE REGLAGE (3.025)	16	16	UR
	67F-12169-C0	PAD, ADJUSTING (3.050) PASTILLE, DE REGLAGE (3.050)	16	16	UR
	67F-12169-D0	PAD, ADJUSTING (3.075) PASTILLE, DE REGLAGE (3.075)	16	16	UR
	67F-12169-E0	PAD, ADJUSTING (3.100) PASTILLE, DE REGLAGE (3.100)	16	16	UR

B5

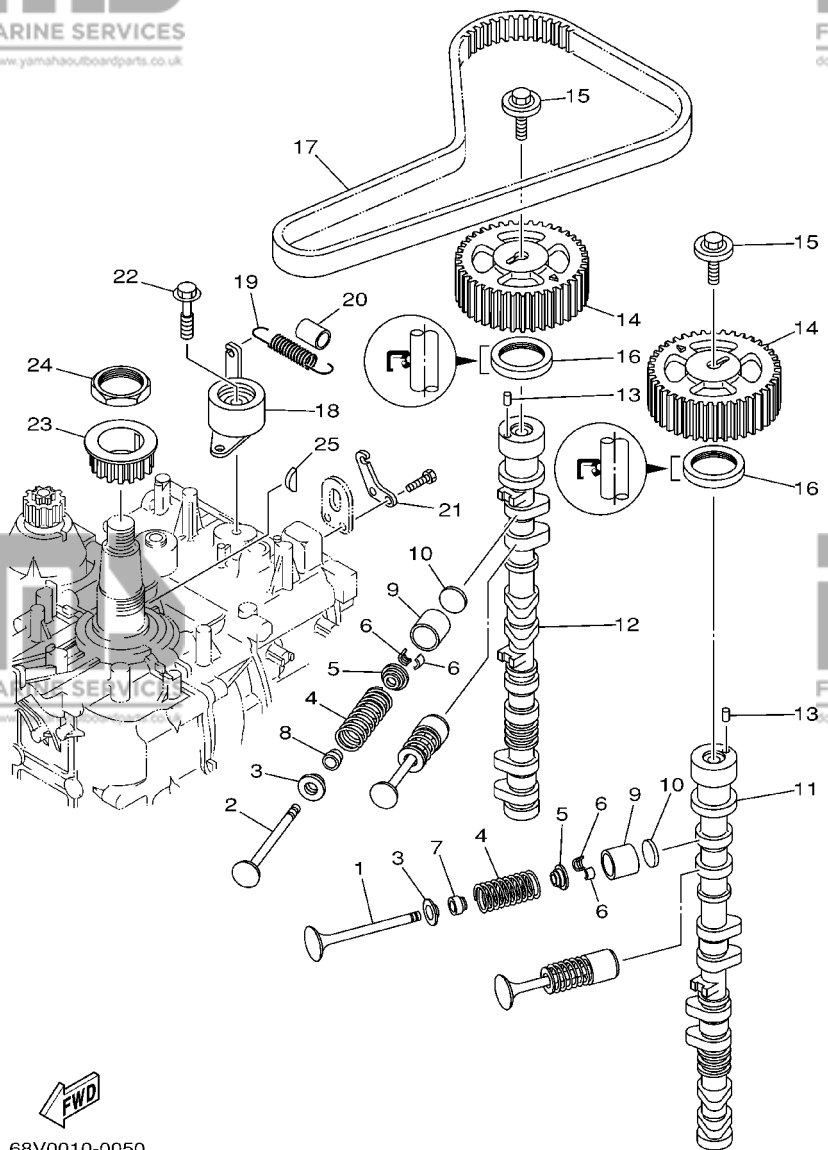


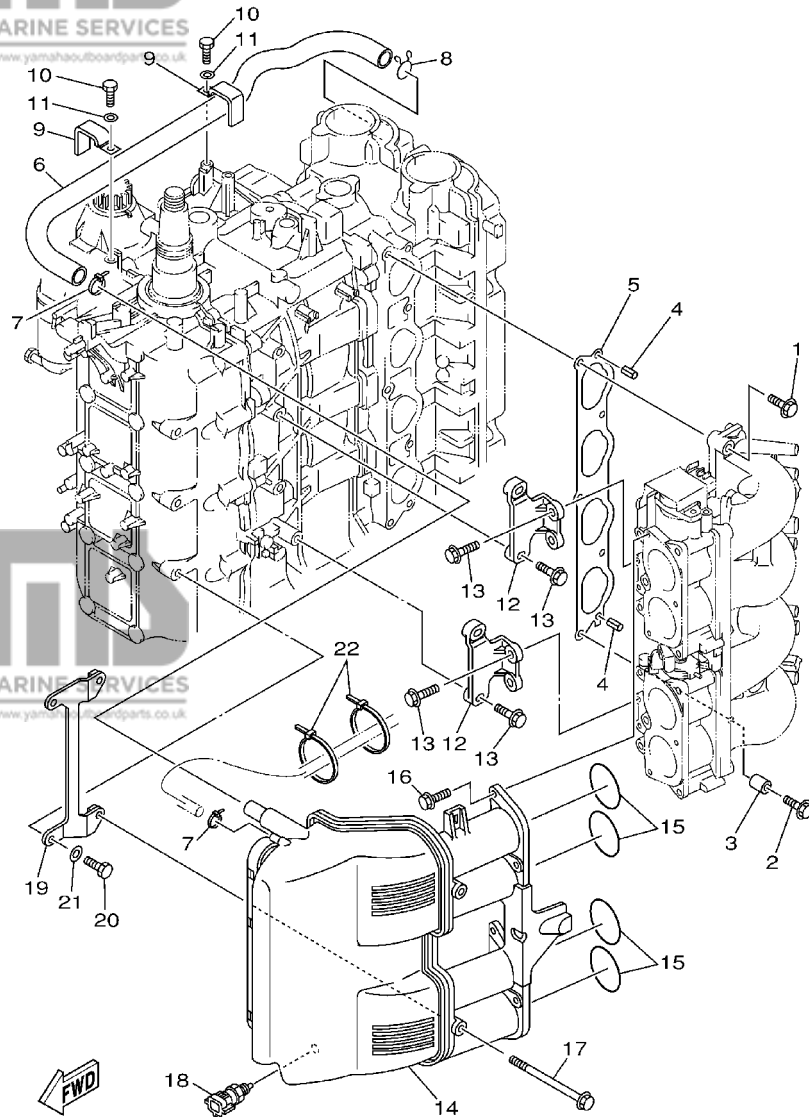
FIG. 5 VALVE

SOUPAPE

REF. NO.	PART NO. NO. PIECES	DESCRIPTION DESCRIPTION	68V1	68W1	REMARKS REMARQUES
10	67F-12169-F0	PAD, ADJUSTING (3.125) PASTILLE, DE REGLAGE (3.125)	16	16	UR
	67F-12169-G0	PAD, ADJUSTING (3.150) PASTILLE, DE REGLAGE (3.150)	16	16	UR
	67F-12169-H0	PAD, ADJUSTING (3.175) PASTILLE, DE REGLAGE (3.175)	16	16	UR
	67F-12169-J0	PAD, ADJUSTING (3.200) PASTILLE, DE REGLAGE (3.200)	16	16	UR
	67F-12169-K0	PAD, ADJUSTING (3.225) PASTILLE, DE REGLAGE (3.225)	16	16	UR
	67F-12169-L0	PAD, ADJUSTING (3.250) PASTILLE, DE REGLAGE (3.250)	16	16	UR
	67F-12169-M0	PAD, ADJUSTING (3.275) PASTILLE, DE REGLAGE (3.275)	16	16	UR
	67F-12169-N0	PAD, ADJUSTING (3.300) PASTILLE, DE REGLAGE (3.300)	16	16	UR
11	67F-12171-00	CAMSHAFT 1 ARBRE A CAMES 1	1	1	
12	67F-12181-00	CAMSHAFT 2 ARBRE A CAMES 2	1	1	
13	93605-10108	PIN, DOWEL GOUJON	2	2	
14	67F-11537-00	GEAR, DRIVEN PIGNON SECONDAIRE	2	2	
15	90119-10M06	BOLT, WITH WASHER BOULON, AVEC RONDELLE	2	2	
16	93102-38M59	OIL SEAL JOINT SPY	2	2	
17	67F-46241-00	BELT COURROIE TRAPEZOIDALE	1	1	
18	67F-11590-00	TENSIONER ASSY TENDEUR (ENS.)	1	1	
19	90506-16M39	SPRING, TENSION RESSORT, TENSION	1	1	
20	90445-15M03	HOSE (L23) DURITE (L23)	1	1	
21	67F-11595-00	PLATE, VALVE PLAQUE DE SOUPAPE	1	1	
22	90119-10M72	BOLT, WITH WASHER BOULON, AVEC RONDELLE	1	1	
23	67F-11536-00	GEAR, DRIVE ENGRENAGE, MENANT	1	1	
24	90170-40003	NUT ECROU	1	1	
25	90280-04008	KEY, WOODRUFF CLAVETTE, DEMI-LUNE	1	1	



68V0010-0050



68V1010-2060

FIG. 6 INTAKE 1

ADMISSION 1

REF. NO.	PART NO. NO. PIECES	DESCRIPTION DESCRIPTION	68V1	68W1	REMARKS REMARQUES
1	97575-08540	BOLT, WITH WASHER VIS HEXAGONAL AVEC RONDELLE	4	4	
2	90119-08M68	BOLT, WITH WASHER BOULON, AVEC RONDELLE	1	1	
3	90387-08M32	COLLAR COLLERETTE	1	1	
4	91690-50014	PIN, SPRING GOUPILLE, ELASTIQUE	2	2	
5	68V-13645-00	GASKET, MANIFOLD 1 JOINT, TUBULURE 1	1	1	
6	67F-15373-00	PIPE, BREATHER DURITE DE RENIFLARD	1	1	
7	90465-11M10	CLAMP BRIDE	2	2	
8	90467-20M15	CLIP JONC	1	1	
9	90465-12M03	CLAMP BRIDE	2	2	
10	97095-06012	BOLT BOULON	2	2	
11	92995-06600	WASHER RONDELLE	2	2	
12	68V-14291-00-94	BRACKET 1 SUPPORT 1	2	2	
13	90119-06M49	BOLT, WITH WASHER BOULON, AVEC RONDELLE	8	8	
14	68V-14440-00	SILENCER ASSY, INTAKE SIENCIEUX D'ADMISSION	1	1	
15	93210-48MJ9	O-RING JOINT TORIQUE	4	4	
16	90119-06M82	BOLT, WITH WASHER BOULON, AVEC RONDELLE	6	6	
17	90119-06ME1	BOLT, WITH WASHER BOULON, AVEC RONDELLE	2	2	
18	65L-85886-00	THERMOSENSOR SENSITOMETRE	1	1	
19	68V-14292-00	BRACKET 2 SUPPORT 2	1	1	
20	97095-08020	BOLT, HEXAGON BOULON	2	2	
21	92995-08600	WASHER RONDELLE	2	2	
22	90465-13M18	CLAMP BRIDE	2	2	

INTAKE ASSY
(Fig. 7, Ref. No. 2 to 38
Fig. 8, Ref. No. 1 to 28
Fig. 9, Ref. No. 1 to 36)

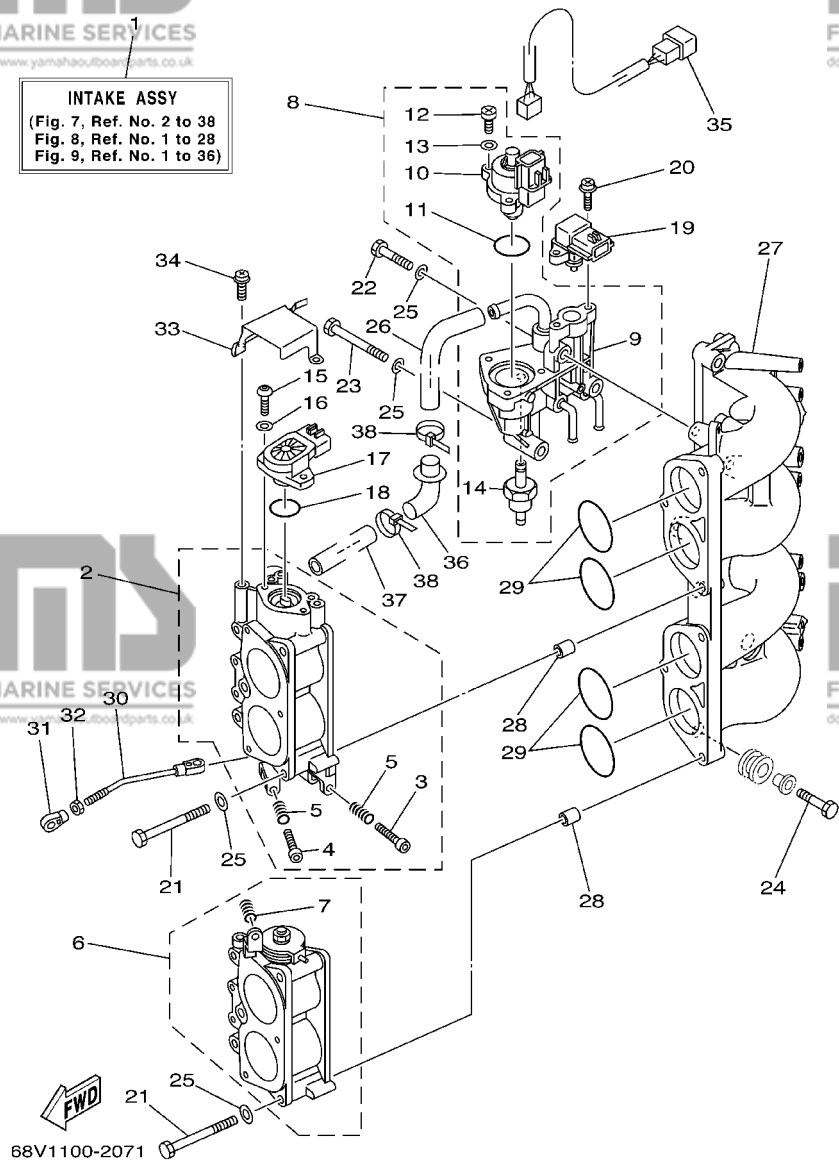


FIG. 7 INTAKE 2

ADMISSION 2

REF. NO.	PART NO. NO. PIECES	DESCRIPTION DESCRIPTION	68V1	68W1	REMARKS REMARQUES
1	68V-14200-02	INTAKE ASSY ADMISSION (ENS.)	1	1	
2	68V-13751-01	BODY, THROTTLE 1 CARTER 1	1	1	
3	68V-14323-00	.SCREW, AIR ADJUSTING .VIS DE DOSEUR D'AIR	1	1	
4	68V-14321-00	.SCREW, THROTTLE .VIS, ACCELERATEUR	1	1	
5	68V-14331-00	.SPRING, THROTTLE VALVE .RESSORT, BOISSEAU	2	2	
6	68V-13752-01	BODY, THROTTLE 2 CARTER 2	1	1	
7	68V-14331-00	.SPRING, THROTTLE VALVE .RESSORT, BOISSEAU	1	1	
8	68V-13105-00	CONTROL VALVE ASSY SOUPAPE DE CONTROLE COMPLET	1	1	
9	68V-14960-00	.BODY ASSY .CARTER (ENS.)	1	1	
10	68V-1312A-00	.VALVE, CONTROL .EMBLEME, YAMAHA	1	1	
11	68V-13473-00	.O-RING .JOINT TORIQUE	1	1	
12	68V-81146-00	.SCREW 2 .VIS 2	3	3	
13	68V-81162-00	.WASHER, PLAIN .RONDELLE, PLATE	3	3	
14	68V-14511-00	.FILTER ASSY .ENS FILTRE	1	1	
15	68V-81145-00	SCREW 1 VIS 1	2	2	
16	68V-81162-00	WASHER, PLAIN RONDELLE, PLATE	2	2	
17	68V-85885-00	THROTTLE SENSOR ASSY SENSITOMETRE (ENS.)	1	1	
18	68V-8182L-00	O-RING 1 JOINT TORIQUE 1	1	1	
19	68V-82380-00	SENSOR, PRESSURE SONDE DE PRESSION	1	1	
20	68V-81147-00	SCREW 3 VIS 3	2	2	
21	68V-14496-00	BOLT BOULON	6	6	
22	68V-13574-00	BOLT 2 BOULON 2	1	1	
23	68V-13573-00	BOLT 1 BOULON 1	2	2	
24	68V-14777-00	BOLT BOULON	3	3	
25	68V-14475-00	WASHER RONDELLE	9	9	
26	68V-14419-10	PIPE DURITE	1	1	
27	68V-13641-00-94	MANIFOLD 1 TUBULURE 1	1	1	

C1

INTAKE ASSY
(Fig. 7, Ref. No. 2 to 38
Fig. 8, Ref. No. 1 to 28
Fig. 9, Ref. No. 1 to 36)

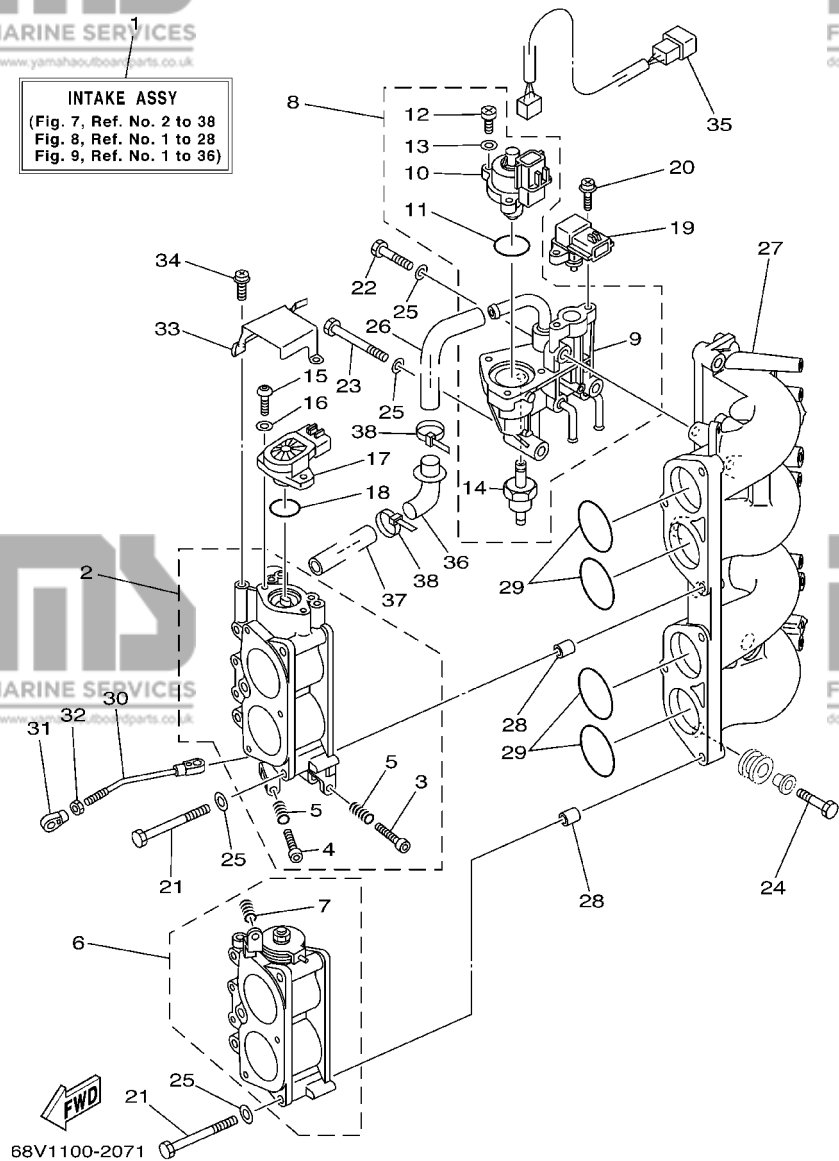
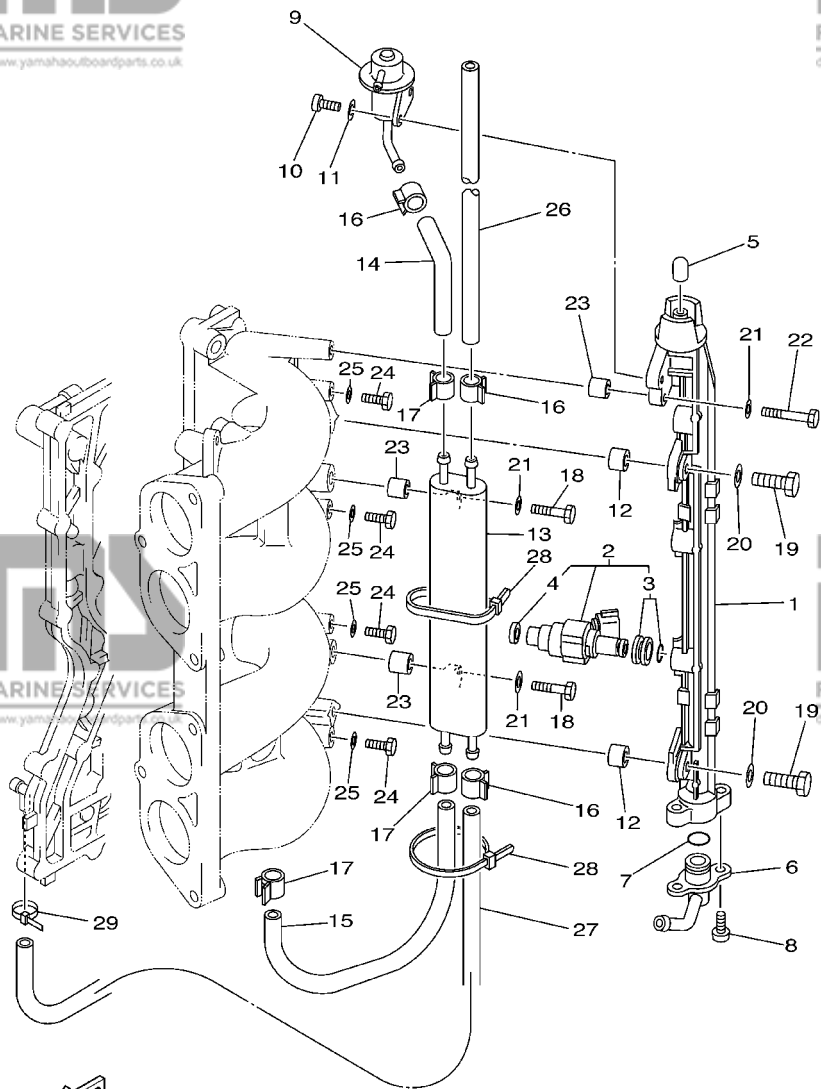


FIG. 7 INTAKE 2

ADMISSION 2

REF. NO.	PART NO. NO. PIECES	DESCRIPTION DESCRIPTION	68V1	68W1	REMARKS REMARQUES
28	99530-10114	PIN, DOWEL GOUJON, D'ASSEMBLAGE	4	4	
29	93210-48MG8	O-RING JOINT TORIQUE	4	4	
30	68V-41237-00	JOINT, LINK RACCORD	1	1	
31	6H4-41237-00	JOINT, LINK RACCORD	1	1	
32	95380-05700	NUT ECROU	1	1	
33	68V-1441L-00	BRACKET 1 SUPPORT 1	1	1	
34	68V-81145-00	SCREW 1 VIS 1	3	3	
35	68V-8259N-00	WIRE HARNESS ASSY 3 FAISCEAU DE FILS	1	1	
36	68V-14453-00	JOINT, AIR CLEANER 1 RACCORD, FILTRE A AIR 1	1	1	
37	68V-1441J-00	PIPE, SILENCER DURITE, DE SILENCIEUX	1	1	
38	68V-2417H-00	CLAMP 1 COLLIER 1	2	2	

FIG. 8 FUEL INJECTION NOZZLE FUEL INJECTION NOZZLE

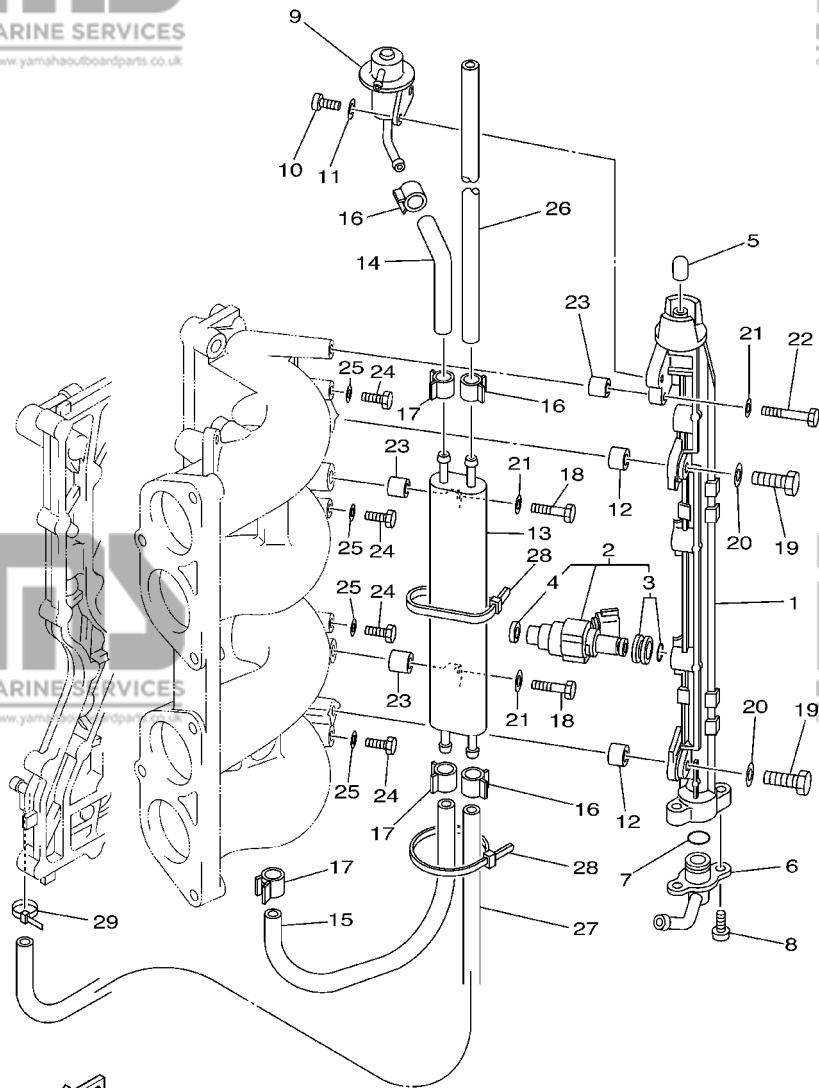


FWD
68V1010-2080

REF. NO.	PART NO. NO. PIECES	DESCRIPTION DESCRIPTION	68V1	68W1	REMARKS REMARQUES
1	68V-13160-00	DELIVERY PIPE ASSY 1 ENS. TUBE DE REFOULEMENT 1	1	1	
2	68V-8A360-00	INJECTOR UNIT INJECTEUR	4	4	
3	68V-1410B-00	.PACKING KIT .POCHETTE DE JOINTS	1	1	
4	68V-13766-00	.RUBBER, INJECTOR .RONDELLE CAOUTCHOUC	1	1	
5	68V-14225-00	CAP COUVERCLE	1	1	
6	68V-13435-00	NIPPLE RACCORD	1	1	
7	68V-14397-00	O-RING JOINT TORIQUE	1	1	
8	68V-81147-00	SCREW 3 VIS 3	2	2	
9	68V-13906-00	REGULATOR, PRESSURE REGULATEUR DE PRESSION	1	1	
10	68V-14565-00	SCREW VIS	2	2	
11	68V-14356-00	WASHER, SPRING RONDELLE	2	2	
12	68V-14264-00	COLLAR COLLERETTE	2	2	
13	68V-21841-00	COOLER RADIATEUR	1	1	
14	68V-13971-00	PIPE, FUEL 1 TUBE 1, CARBURANT	1	1	
15	68V-13972-00	PIPE, FUEL 2 TUBE 2, CARBURANT	1	1	
16	68V-24519-00	CLIP JONC	3	3	
17	68V-2411M-00	CLIP JONC	3	3	
18	68V-14777-00	BOLT BOULON	2	2	
19	68V-14428-00	BOLT BOULON	2	2	
20	68V-14475-00	WASHER RONDELLE	2	2	
21	68V-14357-00	WASHER, PLAIN RONDELLE PLATE	3	3	
22	68V-14446-00	BOLT BOULON	1	1	
23	68V-14265-00	COLLAR COLLERETTE	3	3	
24	97095-06010	BOLT BOULON	4	4	
25	90430-06014	GASKET JOINT	4	4	
26	68V-2247A-00	HOSE 1 DURITE 1	1	1	
27	68V-2247B-00	HOSE 2 DURITE 2	1	1	

FIG. 8 FUEL INJECTION NOZZLE FUEL INJECTION NOZZLE

REF. NO.	PART NO. NO. PIECES	DESCRIPTION DESCRIPTION	68V1	68W1	REMARKS REMARQUES
28	68V-2481H-00	CLAMP BRIDE	2	2	
29	90465-11M10	CLAMP BRIDE	1	1	



68V1010-2080

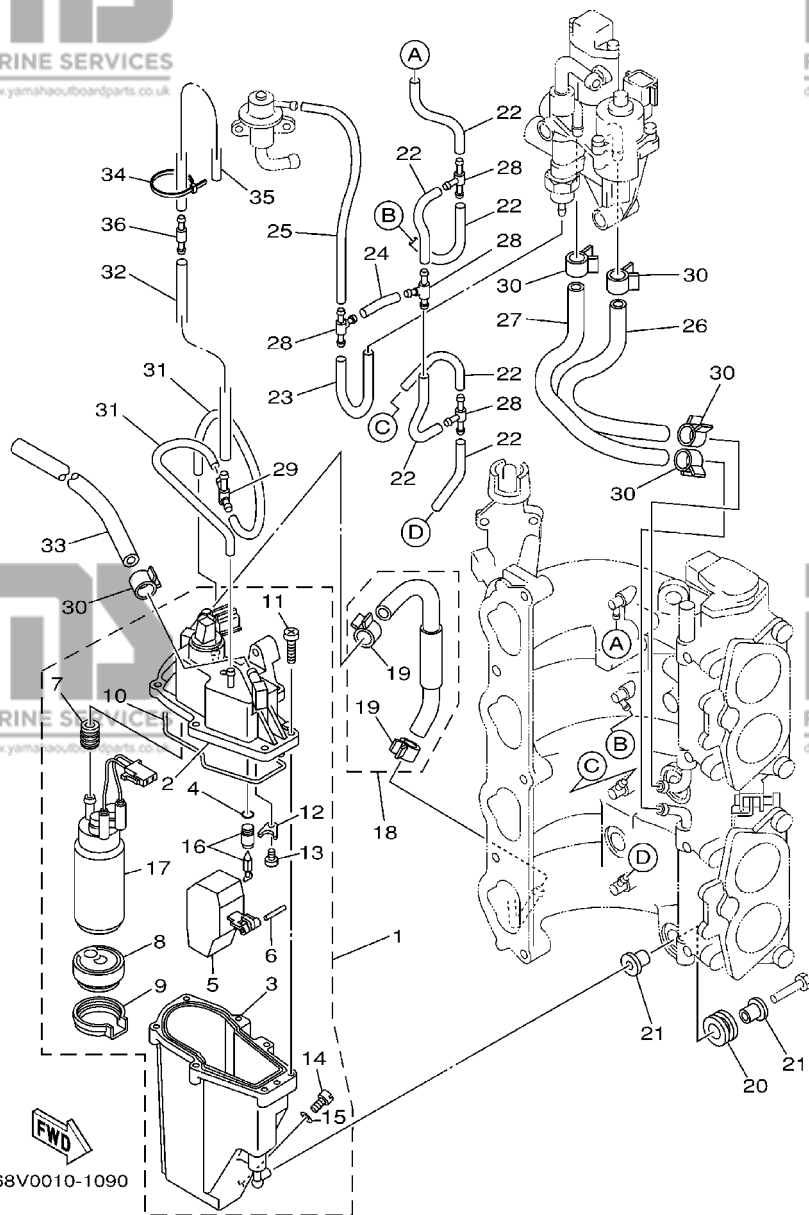


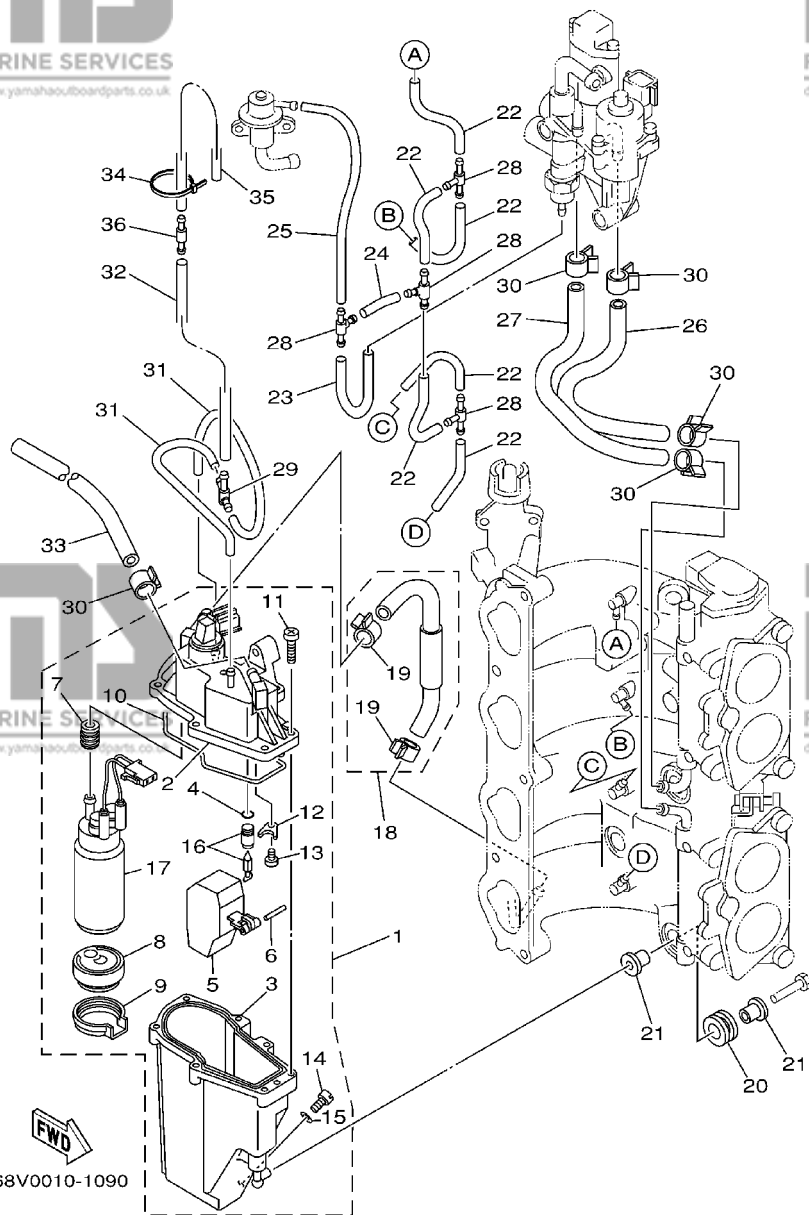
FIG. 9 FUEL INJECTION PUMP FUEL INJECTION PUMP

REF. NO.	PART NO. NO. PIECES	DESCRIPTION DESCRIPTION	68V1	68W1	REMARKS REMARQUES
1	68V-14180-01	FLOAT CHAMBER ASSY CUVE DE FLOTTEUR	1	1	
2	68V-14182-01	.COVER, FLOAT CHAMBER .COUVERCLE, CUVE DE FLOTTEUR	1	1	
3	68V-14181-00	.BODY, FLOAT CHAMBER 1 .CORPS, CUVE DE FLOTTEUR 1	1	1	
4	68V-13769-00	.O-RING .JOINT TORIQUE	1	1	
5	68V-14985-00	.FLOAT .FLOTTEUR	1	1	
6	68V-14386-00	.PIN, FLOAT .AXE, FLOTTEUR	1	1	
7	68V-13781-00	.DAMPER, PUMP .AMORTISSEUR, POMPE	1	1	
8	68V-13915-00	.FILTER .FILTRE	1	1	
9	68V-13784-00	.COVER, PUMP .COUVERCLE, POMPE	1	1	
10	68V-14984-00	.GASKET, FLOAT CHAMBER .JOINT, CUVE DE FLOTTEUR	1	1	
11	68V-14567-00	.SCREW .VIS	7	7	
12	68V-14255-00	.PLATE .PLAQUE	1	1	
13	68V-14592-00	.SCREW .VIS	1	1	
14	68V-14191-00	.PLUG, DRAIN .PLOT, VIDANGE	1	1	
15	68V-14126-00	.GASKET .JOINT	1	1	
16	68V-14546-00	.VALVE, NEEDLE .POINTEAU	1	1	
17	68V-13907-00	.FUEL PUMP COMP. .POMPE A CARBURANT COMP.	1	1	
18	68V-14807-00	HOSE COMP. DURITE (ENS.)	1	1	
19	68V-24387-00	.CLIP .SANDOW	2	2	
20	68V-13593-00	DAMPER AMORTISSEUR	3	3	
21	68V-13716-00	COLLAR COLLERETTE	6	6	
22	68V-13542-00	HOSE, VACUUM SENSING 1 DURITE 1	6	6	
23	68V-13533-00	HOSE, VACUUM SENSING 4 DURITE 4	1	1	
24	68V-13544-00	HOSE, VACUUM SENSING 2 DURITE 2	1	1	
25	68V-13532-00	HOSE, VACUUM SENSING 3 DURITE 3	1	1	
26	68V-13545-00	HOSE 1 DURITE 1	1	1	
27	68V-13546-00	HOSE 2 DURITE 2	1	1	

C5

FIG. 9 FUEL INJECTION PUMP

FUEL INJECTION PUMP



REF. NO.	PART NO. NO. PIECES	DESCRIPTION DESCRIPTION	68V1	68W1	REMARKS REMARQUES
28	68V-24377-00	PIPE, JOINT 3 DURITE RACCORDEMENT 3	4	4	
29	68V-24379-00	PIPE, JOINT 4 DURITE RACCORDEMENT 4	1	1	
30	68V-13577-00	CLIP AGRAFE	5	5	
31	68V-13534-00	HOSE, VACUUM SENSING 5 DURITE 5	2	2	
32	68V-13547-01	HOSE 3 DURITE 3	1	1	
33	68V-14294-00	HOSE DURITE	1	1	
34	68V-2481H-00	CLAMP BRIDE	1	1	
35	68V-13535-00	HOSE, VACUUM SENSING 5 DURITE 5	1	1	
36	68V-13490-01	RELIEF VALVE ASSY SOUPAPE DE SECURITE COMPLET	1	1	

68V0010-1090

C6

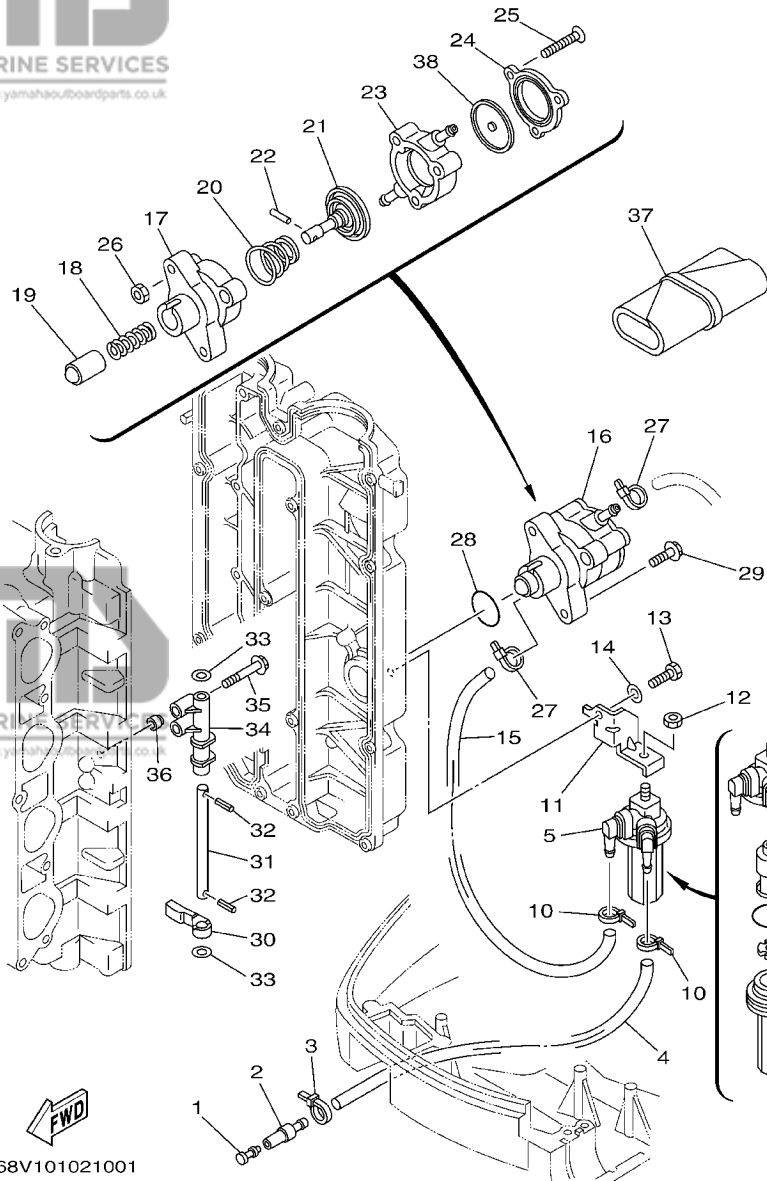
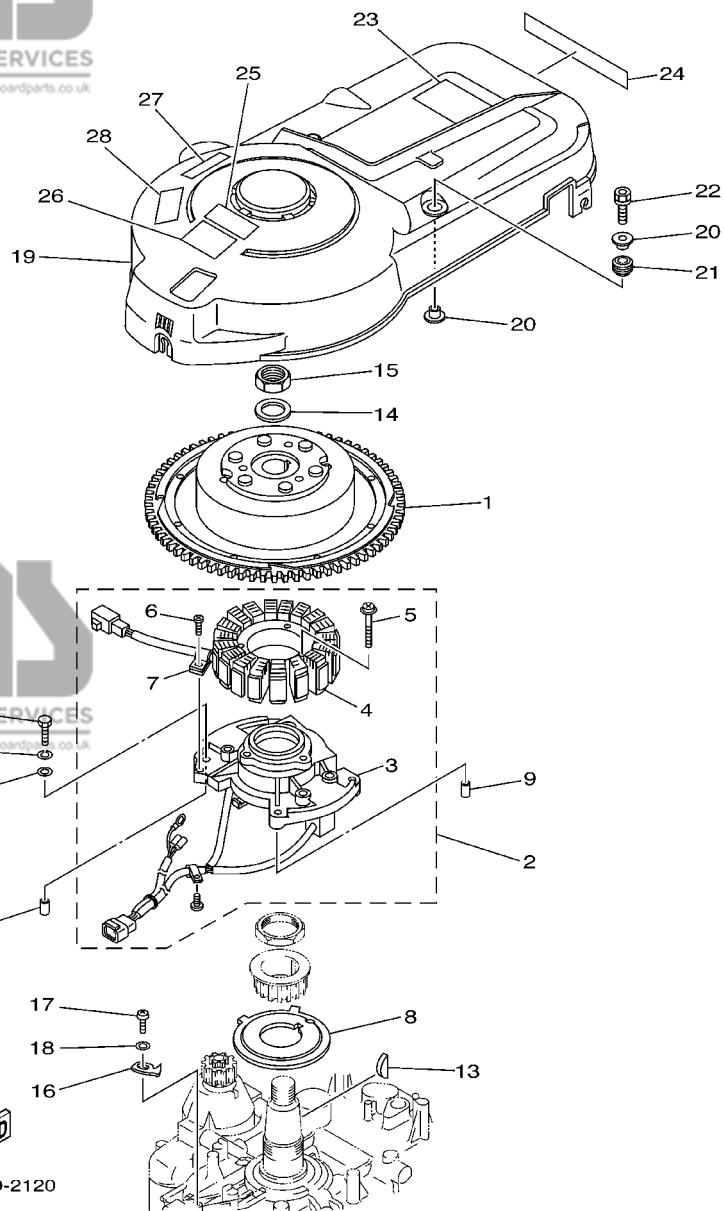


FIG. 10 FUEL 1

CARBURANT 1

REF. NO.	PART NO. NO. PIECES	DESCRIPTION DESCRIPTION			REMARKS REMARQUES
			68V1	68W1	
1	689-85547-00	DAMPER AMORTISSEUR	1	1	
2	6R3-24377-00	PIPE, JOINT 3 DURITE RACCORDEMENT	1	1	
3	90465-11M10	CLAMP BRIDE	1	1	
4	90445-13M27	HOSE (L950) DURITE (L950)	1	1	
5	68V-24560-01	FILTER ASSY ENS FILTRE	1	1	
6	68V-24521-01	.CUP, FILTER .CUVETTE, FILTRE	1	1	
7	68V-24563-00	.ELEMENT, FILTER .ELEMENT, FILTRE	1	1	
8	93210-32738	.O-RING .JOINT TORIQUE	1	1	
9	68V-24469-01	.FLOAT, WATER LEVEL .FLOTTEUR	1	1	
10	90465-11M10	CLAMP BRIDE	2	2	
11	68V-24566-00	BRACKET, FILTER SUPPORT, FILTRE	1	1	
12	95380-08600	NUT ECROU	1	1	
13	97095-06016	BOLT BOULON	1	1	
14	92995-06600	WASHER RONDELLE	1	1	
15	90445-13M11	HOSE (L300) DURITE (L300)	1	1	
16	68V-24410-00	FUEL PUMP ASSY POMPE A ESSENCE	1	1	
17	68V-24412-00	.BODY 1 .CORPS 1	1	1	
18	68V-24454-00	.SPRING .RESSORT	1	1	
19	68V-13131-00	.PLUNGER .PLONGEUR	1	1	
20	68V-24423-00	.SPRING, DIAPHRAGM .RESSORT, DIAPHRAGME	1	1	
21	68V-24411-00	.DIAPHRAGM .DIAPHRAGME	1	1	
22	68V-24374-00	.PIN .GOUILLE	1	1	
23	68V-24413-00	.BODY 2 .CORPS 2	1	1	
24	68V-24414-00	.BODY 3 .CORPS 3	1	1	
25	68V-24444-00	.SCREW .VIS	3	3	
26	68V-24149-00	.NUT .ECROU	3	3	
27	90465-11M10	CLAMP BRIDE	2	2	



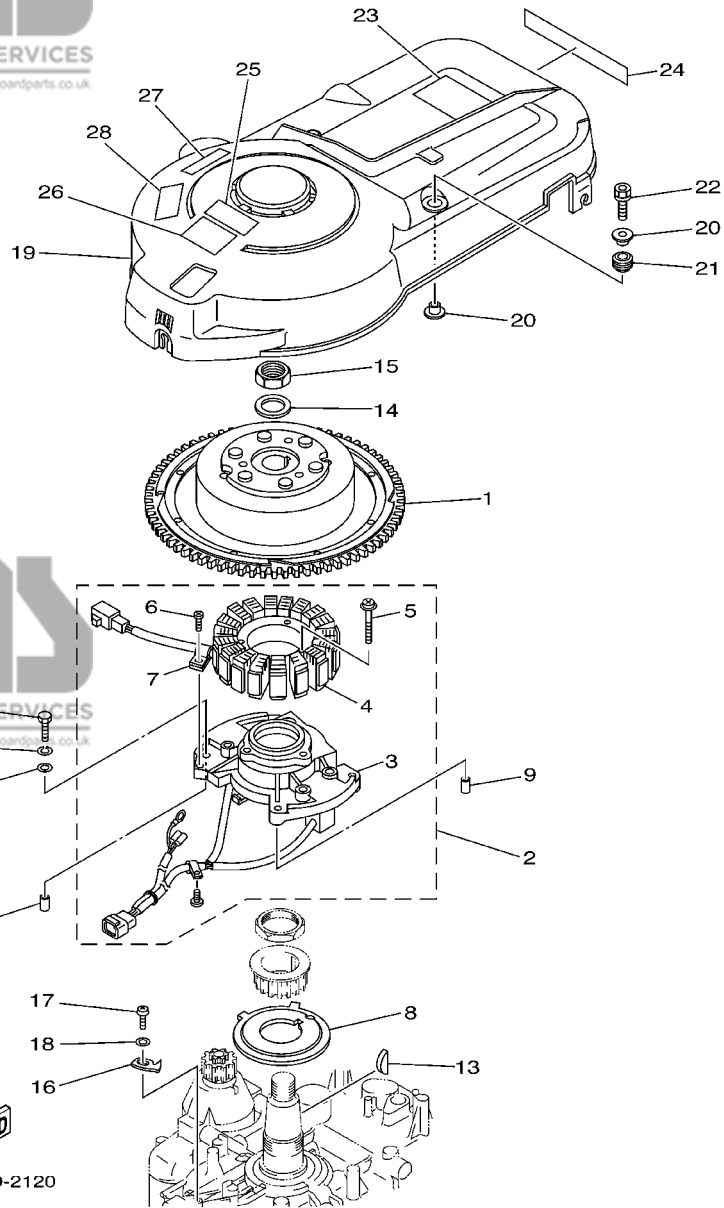
68V1300-2120

FIG. 12 GENERATOR

GENERATRICE

REF. NO.	PART NO. NO. PIECES	DESCRIPTION DESCRIPTION			REMARKS REMARQUES
			68V1	68W1	
1	68V-81450-00	ROTOR ASSY ROTOR COMPLET	1	1	
2	68V-81460-00	BASE ASSY ENS. FLASQUE	1	1	
3	68V-85580-00	.COIL, PULSER .BOBINE, PULSEUR	1	1	
4	68V-81410-00	.STATOR ASSY .STATOR COMPLET	1	1	
5	63D-81345-20	.SCREW, WITH WASHER (M6X30) .VIS, AVEC RONDELLE (M6X30)	3	3	
6	97607-04112	.SCREW, PAN HEAD WITH WASHER .VIS HEXAGONAL	1	1	
7	445-81328-20	.CLAMP .COLLIER	1	1	
8	68V-81673-00	ROTOR ROTOR	1	1	
9	99530-08012	PIN, DOWEL GOUJON, D'ASSEMBLAGE	2	2	
10	97095-06030	BOLT BOULON	4	4	
11	92995-06100	WASHER RONDELLE, GROWER	4	4	
12	92995-06600	WASHER RONDELLE	4	4	
13	90280-04M08	KEY, WOODRUFF CLAVETTE, DEMI-LUNE	1	1	
14	90201-25M02	WASHER, PLATE RONDELLE, PLATE	1	1	
15	90170-24M22	NUT ECROU	1	1	
16	67F-81332-00	PLATE, TIMING PLATEAU, ALLUMAGE	1	1	
17	97885-06010	SCREW, PAN HEAD VIS, TETE TRONCONIQUE	1	1	
18	92995-06600	WASHER RONDELLE	1	1	
19	67F-81337-01	COVER, FLYWHEEL COUVERCLE, VOLANT	1	1	
20	90387-06M71	COLLAR COLLERETTE	4	4	
21	90480-15M31	GROMMET PASSE-FIL	2	2	
22	90119-06M92	BOLT, WITH WASHER BOULON, AVEC RONDELLE	2	2	
23	67F-12138-60	MARK, CAUTION MAKER	1	1	
24	67F-13437-60	MARK, CAUTION MAKER	1	1	
25	6A1-83625-41	MARK 5 ETIQUETTE 5	1	1	
26	6A1-83625-51	MARK 5 ETIQUETTE 5	1	1	
27	6K1-83623-41	MARK 3 ETIQUETTE 3		1	

D3



68V1300-2120

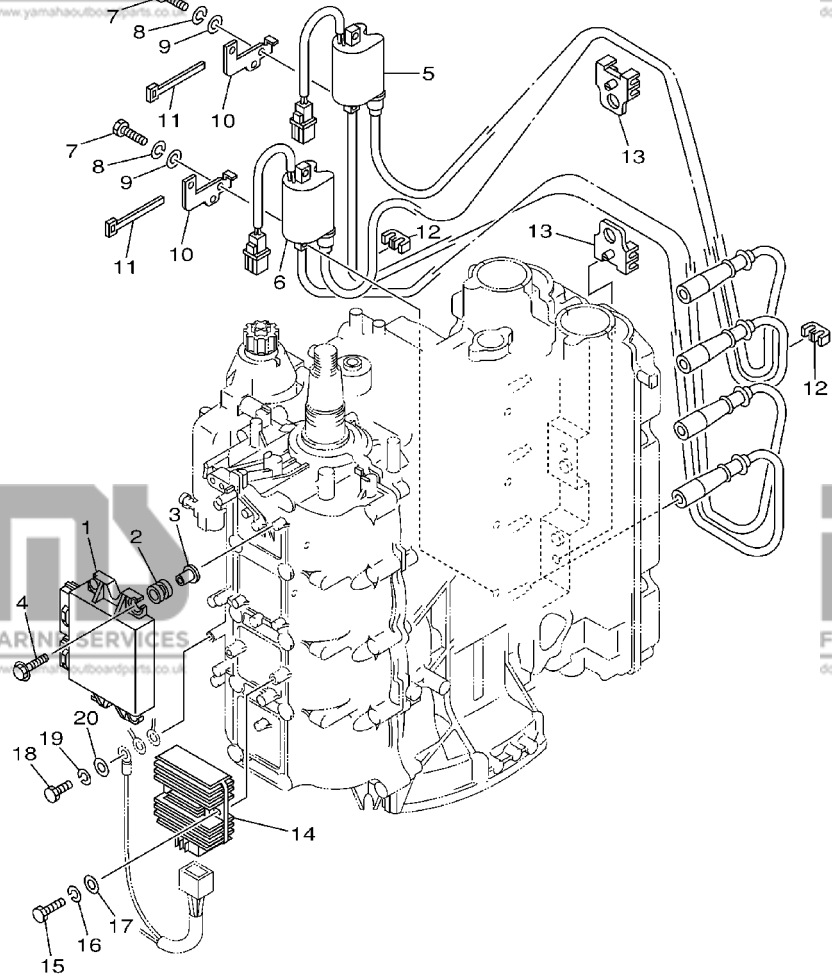
FIG. 12 GENERATOR

GENERATRICE

REF. NO.	PART NO. NO. PIECES	DESCRIPTION DESCRIPTION	68V1	68W1	REMARKS REMARQUES
----------	---------------------	-------------------------	------	------	-------------------

28	6K1-83623-50	MARK 3 ETIQUETTE 3		1	
----	--------------	--------------------	--	---	--

D4



68V0010-1120

FIG. 13 ELECTRICAL 1

PARTIE ELECTRIQUE 1

REF. NO.	PART NO. NO. PIECES	DESCRIPTION DESCRIPTION	68V1	68W1	REMARKS REMARQUES
1	68V-8591A-10	ENGINE CONTROL UNIT ASSY BLOC DE CONTROL	1	1	
2	68V-82317-00	DAMPER, IGNITION COIL AMORTISSEUR, BOBINE D'ALLUM	4	4	
3	624-42542-00	PIPE TUYAU	4	4	
4	90119-06M59	BOLT, WITH WASHER BOULON, AVEC RONDELLE	4	4	
5	68V-82310-00	IGNITION COIL ASSY BOBINE D'ALLUMAGE	1	1	
6	68V-82310-10	IGNITION COIL ASSY BOBINE D'ALLUMAGE	1	1	
7	97095-06025	BOLT BOULON	4	4	
8	92995-06100	WASHER RONDELLE, GROWER	4	4	
9	92995-06600	WASHER RONDELLE	4	4	
10	68V-82388-00	PLATE PLAQUETTE	2	2	
11	90464-06001	CLAMP BRIDE	2	2	
12	67F-82361-00	CLAMP, CORD COLLIER, CORDON	2	2	
13	67F-82362-00	CLAMP, CORD 2 COLLIER, CABLE 2	2	2	
14	68V-81960-00	RECTIFIER & REGULATOR ASSY REDRESSEUR REGULATEUR CPLT	1	1	
15	97095-06025	BOLT BOULON	2	2	
16	92995-06100	WASHER RONDELLE, GROWER	2	2	
17	92995-06600	WASHER RONDELLE	2	2	
18	97095-06020	BOLT BOULON	1	1	
19	92995-06100	WASHER RONDELLE, GROWER	1	1	
20	92995-06600	WASHER RONDELLE	1	1	

D5

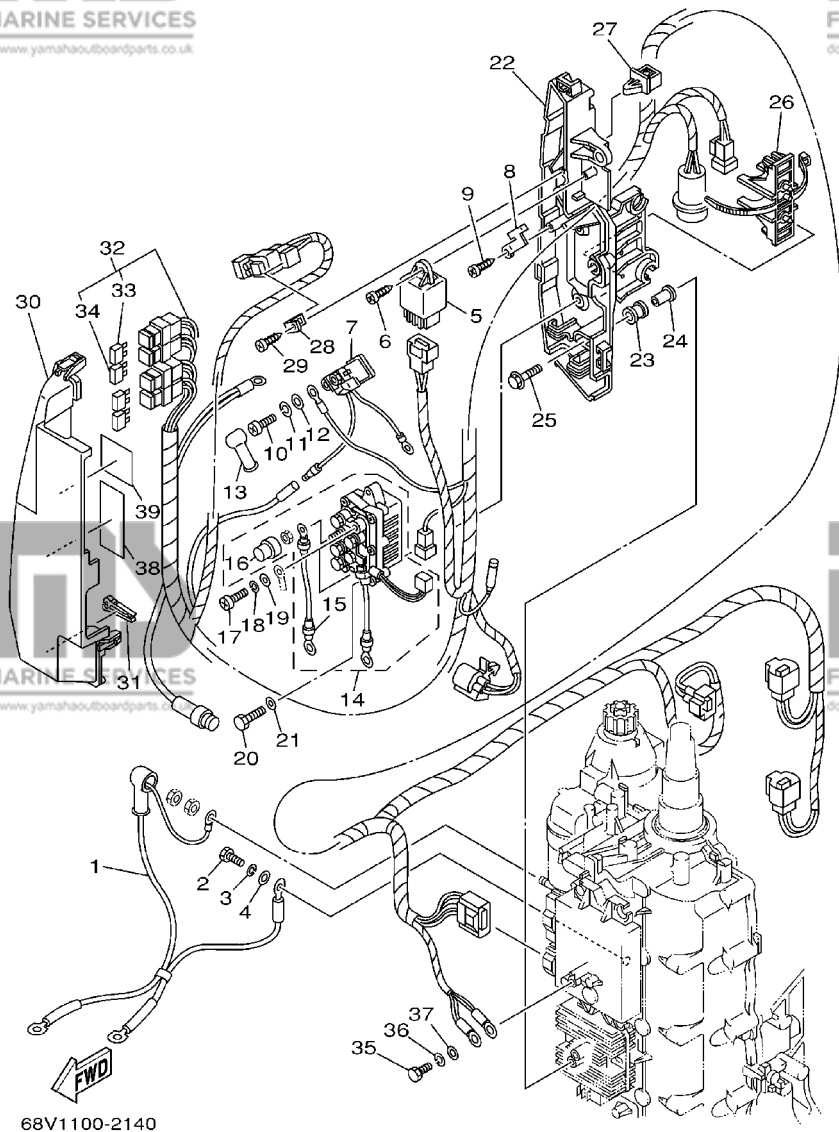


FIG. 14 ELECTRICAL 2

PARTIE ELECTRIQUE 2

REF. NO.	PART NO. NO. PIECES	DESCRIPTION DESCRIPTION	68V1	68W1	REMARKS REMARQUES
1	68V-82105-00	WIRE HARNESS FAISCEAU DE FILS	1	1	
2	97013-06020	BOLT BOULON	1	1	
3	92903-06100	WASHER, SPRING RONDELLE, GROWER	1	1	
4	92903-06600	WASHER, PLATE RONDELLE, PLATE	1	1	
5	68V-81950-00	RELAY ASSY RELAIS COMPLET	1	1	
6	97780-60625	SCREW, TAPPING VIS, TETE FRAISEE	1	1	
7	68V-8194A-00	RELAY RELAIS	1	1	
8	68V-81953-00	STAY, RELAY SUPPORT, RELAIS	1	1	
9	97780-60620	SCREW, TAPPING VIS, TETE FRAISEE	1	1	
10	97880-06010	SCREW, PAN HEAD VIS, TETE TRONCONIQUE	2	2	
11	92990-06100	WASHER, SPRING RONDELLE, GROWER	2	2	
12	92990-06600	WASHER, PLAIN RONDELLE, PLATE	2	2	
13	6G5-82119-00	COVER, LEAD WIRE GARNITURE, FIL	2	2	
14	68V-8195B-00	RELAY ASSY RELAIS COMPLET	1	1	
15	68V-81949-00	WIRE, LEAD FIL	1	1	
16	68V-82532-00	CAP COUVERCLE	1	1	
17	97880-06010	SCREW, PAN HEAD VIS, TETE TRONCONIQUE	2	2	
18	92990-06100	WASHER, SPRING RONDELLE, GROWER	2	2	
19	92990-06600	WASHER, PLAIN RONDELLE, PLATE	2	2	
20	97013-06020	BOLT BOULON	2	2	
21	92903-06600	WASHER, PLATE RONDELLE, PLATE	2	2	
22	68V-81948-00	BRACKET JOINT TORIQUE	1	1	
23	6A0-82317-00	DAMPER, IGNITION COIL AMORTISSEUR, BOBINE D'ALLUM	5	5	
24	624-42542-00	PIPE TUYAU	5	5	
25	90119-06M59	BOLT, WITH WASHER BOULON, AVEC RONDELLE	5	5	
26	68V-82594-00	CLAMP BRIDE	1	1	
27	90464-12M58	CLAMP BRIDE	1	1	

D6

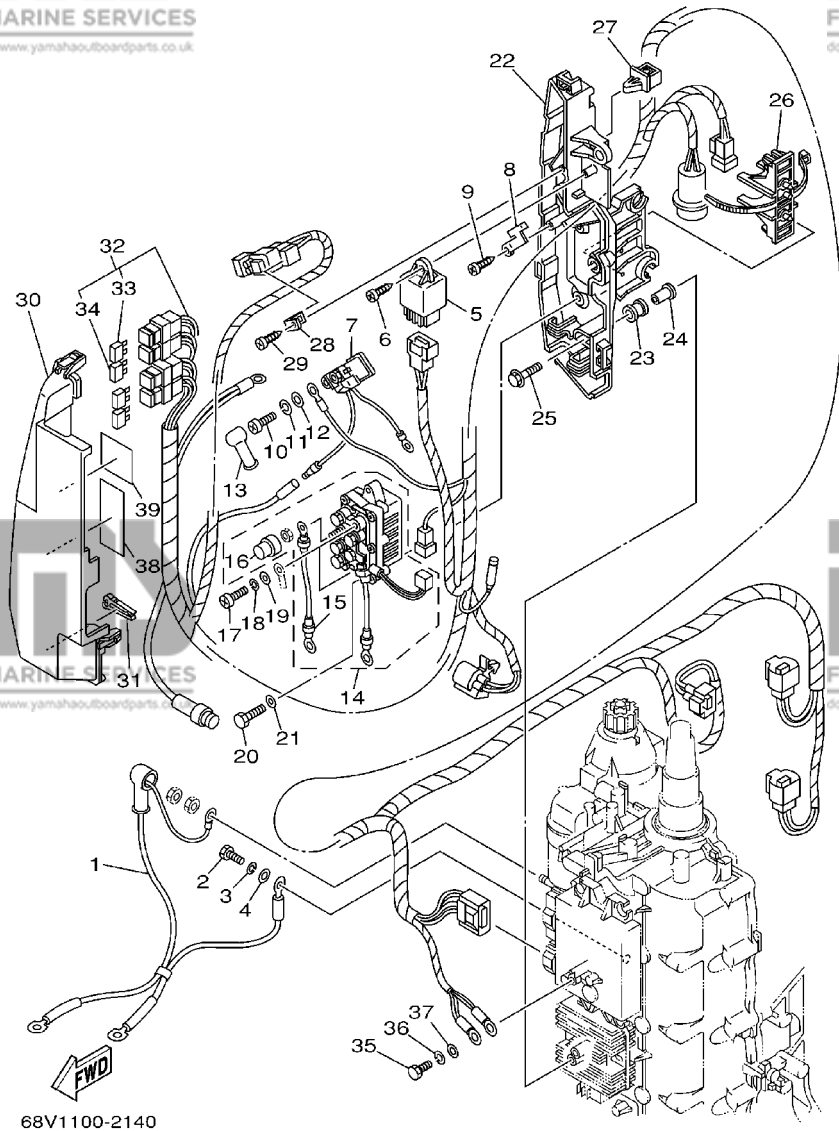


FIG. 14 ELECTRICAL 2

PARTIE ELECTRIQUE 2

REF. NO.	PART NO. NO. PIECES	DESCRIPTION DESCRIPTION	68V1	68W1	REMARKS REMARQUES
28	68V-85548-00	HOLDER SUPPORT	1	1	
29	97780-60620	SCREW, TAPPING VIS, TETE FRAISEE	1	1	
30	68V-81942-00	COVER COUVERCLE	1	1	
31	67F-2812A-00	PULLER, FUSE TENDEUR, FUSIBLE	1	1	
32	68V-82590-10	WIRE HARNESS ASSY FAISCEAU DE FILS COMPLET	1	1	
33	67F-82151-00	.FUSE (20A) .FUSIBLE (20A)	4	4	
34	67F-82151-10	.FUSE (30A) .FUSIBLE (30A)	4	4	
35	97095-06020	BOLT BOULON	1	1	
36	92995-06100	WASHER RONDELLE, GROWER	1	1	
37	92995-06600	WASHER RONDELLE	1	1	
38	68V-81919-00	GRAPHIC, REGULATOR ADHESIF, REGULATEUR	1	1	
39	68V-81919-10	GRAPHIC, REGULATOR ADHESIF, REGULATEUR	1	1	

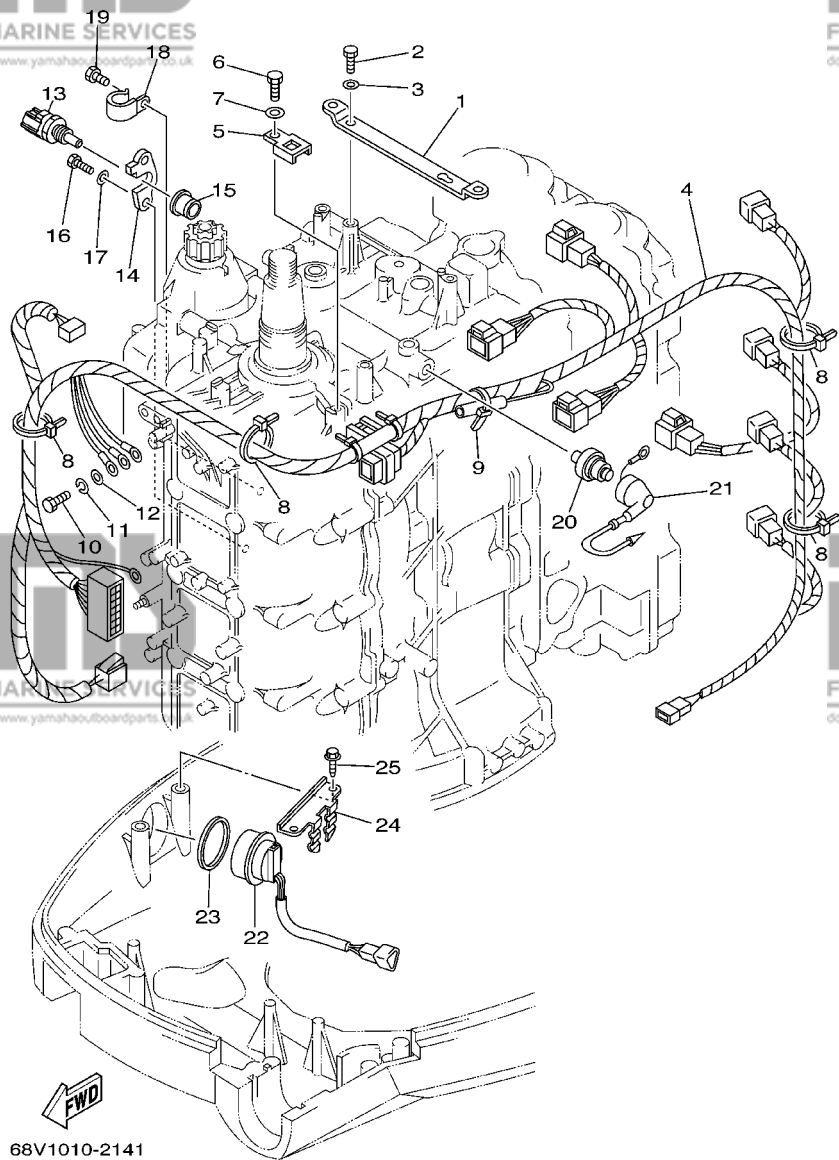


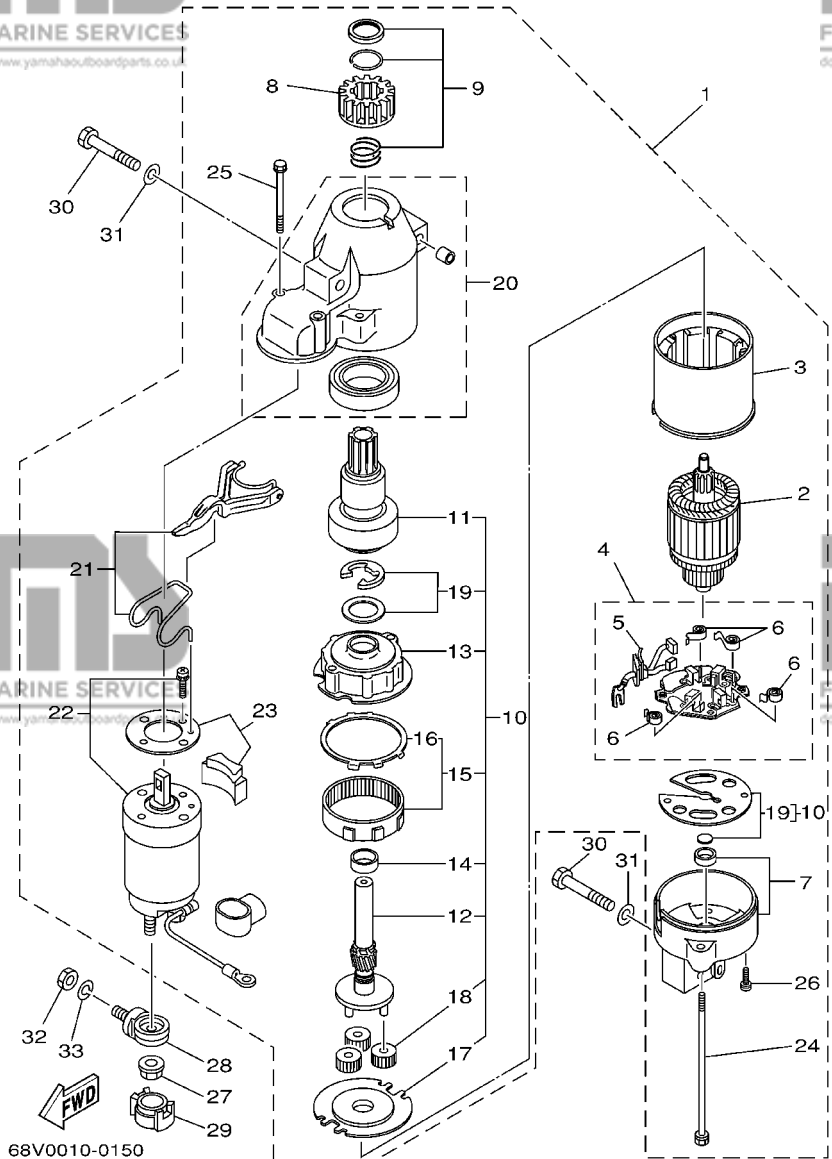
FIG. 15 ELECTRICAL 3

PARTIE ELECTRIQUE 3

REF. NO.	PART NO. NO. PIECES	DESCRIPTION DESCRIPTION	68V1	68W1	REMARKS REMARQUES
1	67F-8132G-01	PLATE PLAQUE	1	1	
2	97095-06016	BOLT BOULON	2	2	
3	92995-06600	WASHER RONDELLE	2	2	
4	68V-8259M-00	WIRE HARNESS ASSY 2 FAISCEAU DE FILS	1	1	
5	68V-82588-00	PLATE PLAQUE	1	1	
6	97095-06012	BOLT BOULON	1	1	
7	92995-06600	WASHER RONDELLE	1	1	
8	90465-13M18	CLAMP BRIDE	5	5	
9	90465-11M10	CLAMP BRIDE	1	1	
10	97095-06020	BOLT BOULON	1	1	
11	92995-06100	WASHER RONDELLE, GROWER	1	1	
12	92995-06600	WASHER RONDELLE	1	1	
13	67F-85790-00	THERMOSENSOR ASSY SENSITOMETRE	1	1	
14	67F-85757-00	RETAINER ARRETOIR	1	1	
15	68V-85753-00	GASKET, SENDER UNIT JOINT, DE PERCEPTION	1	1	
16	97095-06016	BOLT BOULON	2	2	
17	92995-06600	WASHER RONDELLE	2	2	
18	90465-06M86	CLAMP BRIDE	1	1	
19	97095-06010	BOLT BOULON	1	1	
20	68V-82504-00	OIL PRESSURE SWITCH ASSY CONTACTEUR DE PRESSION D'HUILE	1	1	
21	68V-81315-00	LEAD WIRE ASSY FIL	1	1	
22	63D-82563-10	TRIM & TILT SWITCH ASSY INCLINER ET PARER COMMUTATEUR	1	1	
23	6E5-82587-00	GASKET JOINT	1	1	
24	67F-83614-00	BRACKET SUPPORT	1	1	
25	90109-06M86	BOLT BOULON	2	2	

FIG. 16 STARTING MOTOR

DEMARREUR ELECTRIQUE

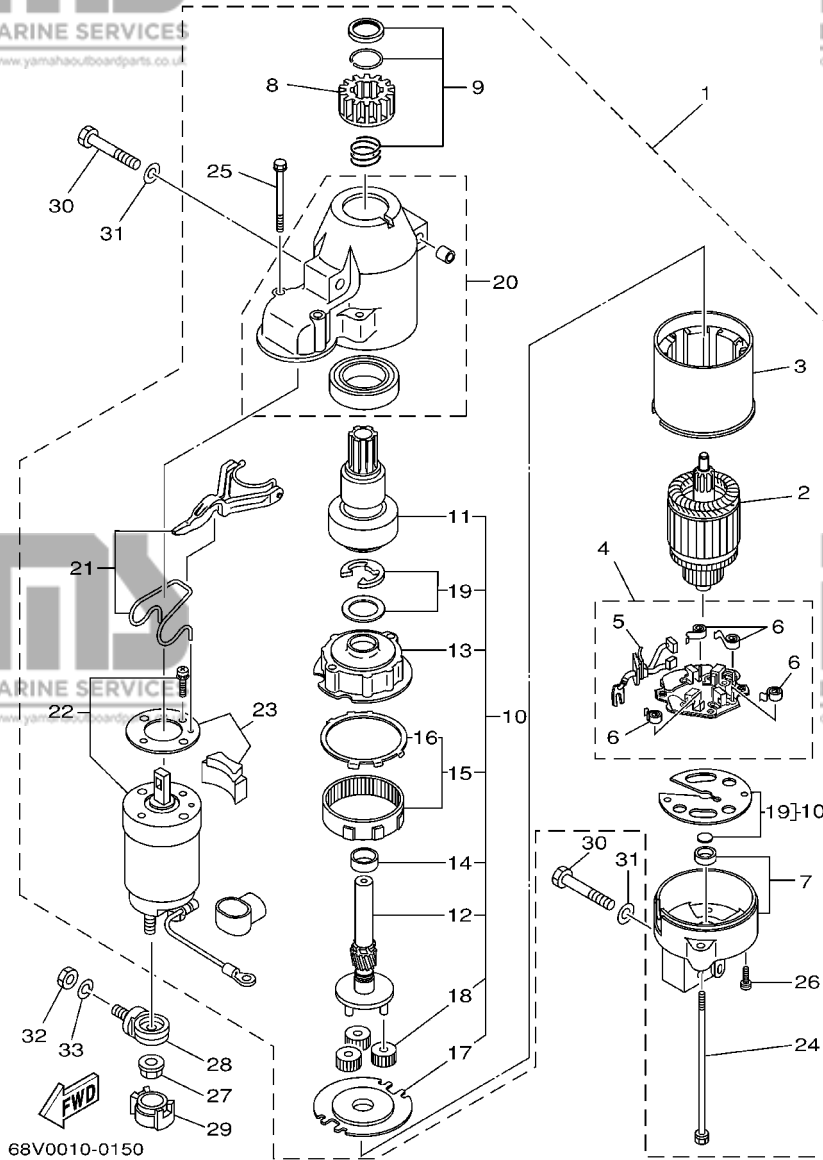


REF. NO.	PART NO. NO. PIECES	DESCRIPTION DESCRIPTION	68V1	68W1	REMARKS REMARQUES
1	68V-81800-01	STARTING MOTOR ASSY DEMARREUR ELECTRIQUE COMPLET	1	1	
2	67F-81850-00	.ARMATURE ASSY .INDUIT	1	1	
3	67F-81810-00	.STATOR ASSY .STATOR COMPLET	1	1	
4	68F-81840-00	.BRUSH HOLDER ASSY .SUPPORT DE CHARBON	1	1	
5	67F-81801-00	..BRUSH SET ..CHARBON	1	1	
6	67F-81813-00	..SPRING, BRUSH ..RESSORT, DE CHARBON	4	4	
7	68F-81820-00	.REAR BRACKET ASSY .SUPPORT ARRIERE COMPLET	1	1	
8	67F-81808-00	.PINION ASSY .PIGNON	1	1	
9	67F-81857-00	.PINION STOPPER SET .BUTEE PIGNON	1	1	
10	67F-81807-00	.GEAR ASSY, STARTING MOTOR ..PIGNON, DEMARREUR ELECTRIQUE	1	1	
11	67F-81832-00	..CLUTCH, OVER RUN ..EMBRAYAGE, ROUE LIBRE	1	1	
12	67F-81836-00	..SHAFT, PINION ..AXE, PIGNON	1	1	
13	67F-81821-00	..BRACKET, CENTER 1 ..SUPPORT, CENTRE 1	1	1	
14	67F-81841-00	..BEARING ..ROULEMENT	1	1	
15	67F-81891-00	..GEAR, RING ..ROUE DENTEE	1	1	
16	67F-8183R-00	...GASKET ...JOINT	1	1	
17	67F-81830-00	..BRACKET, CENTER 2 ..SUPPORT, CENTRE 2	1	1	
18	67F-8183T-00	..GEAR, IDLER ..PIGNON, INTERMEDIAIRE	3	3	
19	67F-81809-00	..WASHER KIT ..JEU DE RONDELLES	1	1	
20	67F-81842-00	.COVER .COUVERCLE	1	1	
21	67F-81839-00	.LEVER ASSY .LEVIER COMPLET	1	1	
22	68V-81941-01	.STARTER RELAY ASSY .LANCEUR RELAIS (ENS.)	1	1	
23	67F-81869-00	.COVER, DUST .COUVERCLE, POUSSIERE	1	1	
24	6K7-81826-10	.BOLT .BOULON	2	2	
25	67F-81828-00	.BOLT 2 ..RONDELLE, BUTEE 2	2	2	
26	67F-81846-00	.SCREW .VIS	2	2	
27	90179-08003	NUT ECROU	1	1	

FIG. 16 STARTING MOTOR

DEMARREUR ELECTRIQUE

REF. NO.	PART NO. NO. PIECES	DESCRIPTION DESCRIPTION	68V1	68W1	REMARKS REMARQUES
28	68F-81925-00	TERMINAL BORNE	1	1	
29	68F-82582-00	COVER, WIRE HARNESS COUVERCLE, FAISCEAU DE FILS	1	1	
30	97013-08045	BOLT BOULON	3	3	
31	92903-08600	WASHER, PLATE RONDELLE, PLATE	3	3	
32	95333-08600	NUT ECROU	1	1	
33	92903-08100	WASHER, SPRING RONDELLE, GROWER	1	1	



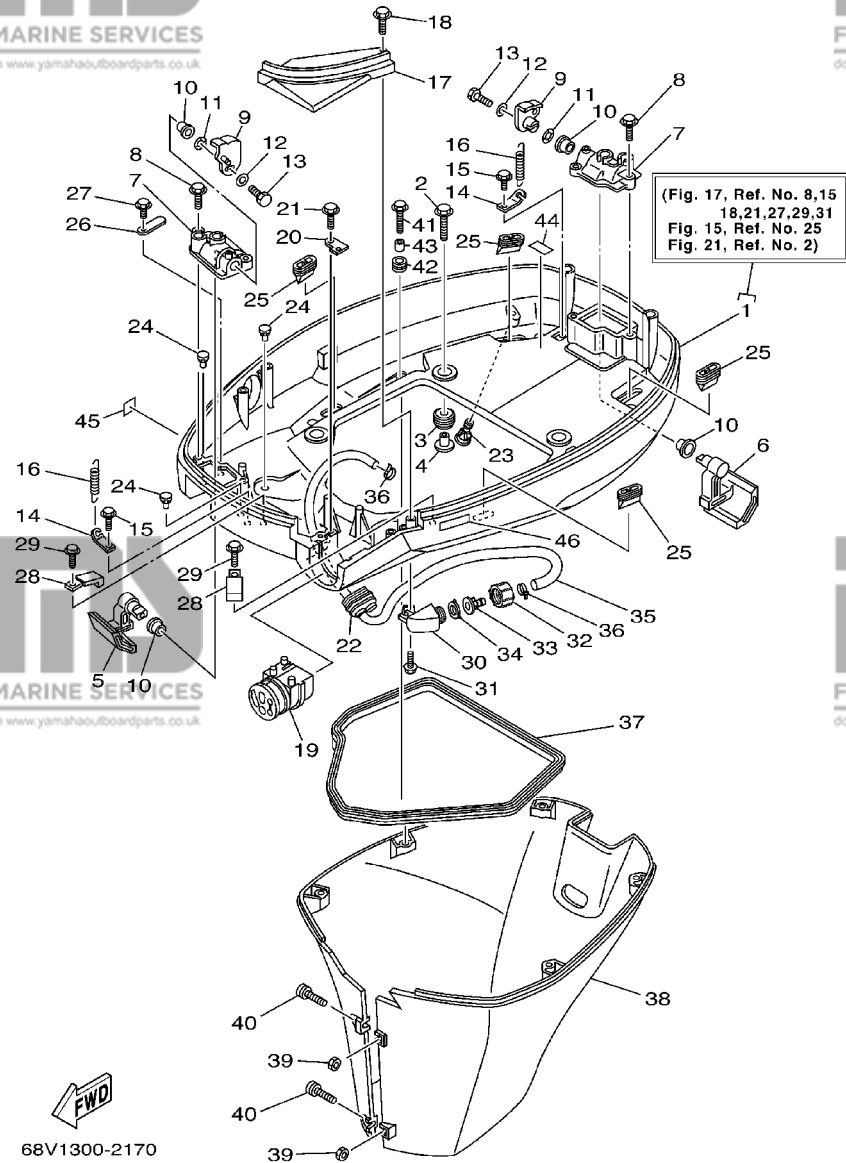


FIG. 17 BOTTOM COWLING

CAPOT INFERIEUR

REF. NO.	PART NO. NO. PIECES	DESCRIPTION DESCRIPTION	68V1	68W1	REMARKS REMARQUES
1	68V-42710-00-8D	BOTTOM COWLING ASSY ENS. EMBASE	1	1	
2	90119-08M22	BOLT, WITH WASHER BOULON, AVEC RONDELLE	4	4	
3	90480-22M15	GROMMET PASSE-FIL	4	4	
4	90387-08M37	COLLAR COLLERETTE	4	4	
5	67F-42815-00-8D	LEVER, CLAMP LEVIER, PRESSE	1	1	
6	67F-42816-00-8D	LEVER, CLAMP LEVIER, PRESSE	1	1	
7	67F-42828-00-5B	PLATE, CLAMP PLAQUE, PRESSE	2	2	
8	90109-06M82	BOLT BOULON	4	4	
9	68V-42818-00	LEVER, CLAMP LEVIER, PRESSE	2	2	
10	90386-15M73	BUSH DOUILLE	4	4	
11	90206-15M18	WASHER, WAVE RONDELLE, ONDULEE	2	2	
12	90201-06068	WASHER, PLATE RONDELLE, PLATE	2	2	
13	97095-06016	BOLT BOULON	2	2	
14	64D-43144-00	HOOK, SPRING CROCHET	2	2	
15	90109-06M80	BOLT BOULON	2	2	
16	90506-16M34	SPRING, TENSION RESSORT, TENSION	2	2	
17	68V-42738-00-5B	PLATE, FITTING ETRIER	1	1	
18	90109-06M82	BOLT BOULON	2	2	
19	68V-42725-00	GROMMET PASSE-FIL	1	1	
20	67F-42756-00	STAY, CLAMP SUPPORT, COLLIER	1	1	
21	90109-06M86	BOLT BOULON	1	1	
22	6H1-42726-20	GROMMET PASSE-FIL	1	1	FLUSHING KIT
23	6H3-44391-01	NIPPLE, HOSE RACCORD D'ESSENCE	1	1	
24	6H4-42748-00	GROMMET PASSE-FIL	3	3	
25	67F-42717-00	RUBBER, SEAL 2 JOINT EN CAOUTCHOUC 2	4	4	
26	6E5-82588-00	PLATE PLAQUE	1	1	
27	90109-06M81	BOLT BOULON	1	1	

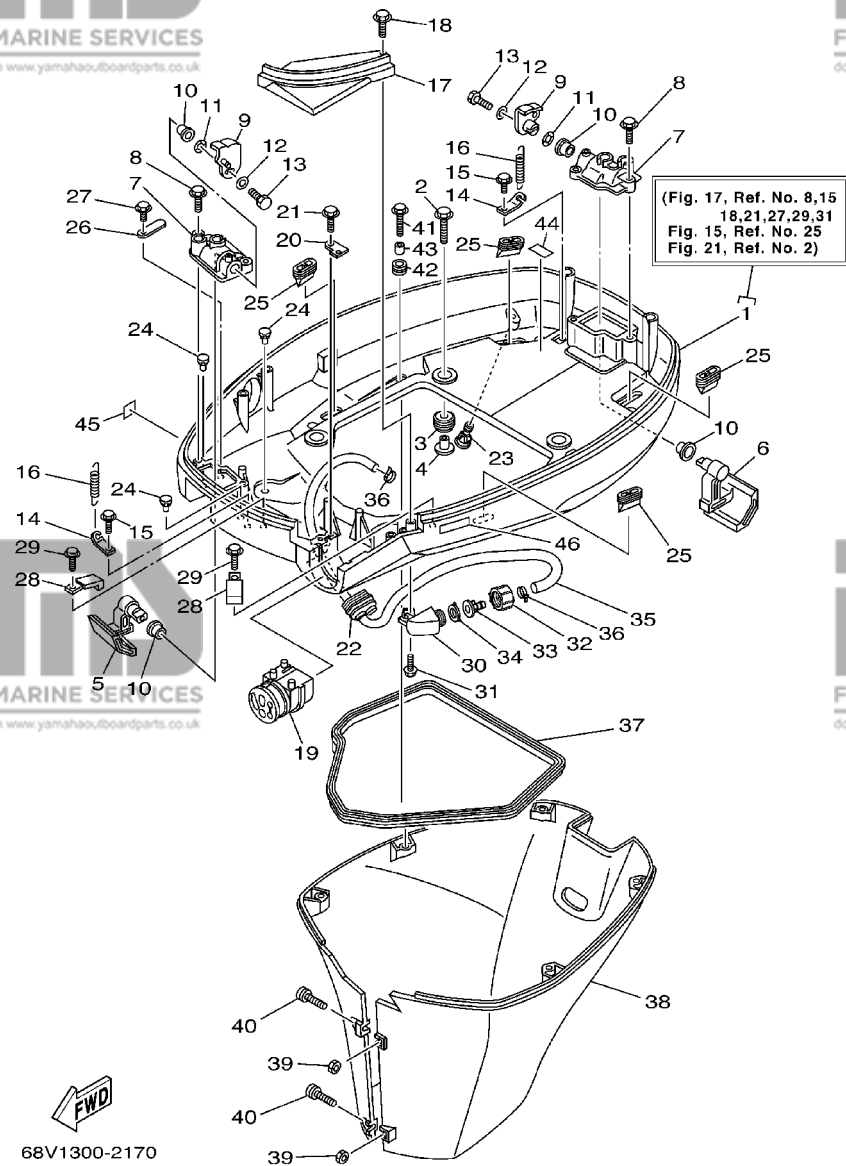


FIG. 17 BOTTOM COWLING

CAPOT INFERIEUR

REF. NO.	PART NO. NO. PIECES	DESCRIPTION DESCRIPTION	68V1	68W1	REMARKS REMARQUES
28	90465-08M23	CLAMP BRIDE	2	2	
29	90109-06M80	BOLT BOULON	2	2	
30	67F-12572-00	ADAPTER ADAPTATEUR	1	1	FLUSHING KIT
31	90109-06M82	BOLT BOULON	1	1	
32	6R3-12581-00	JOINT, HOSE 1 JOINT DE TUYAU	1	1	FLUSHING KIT
33	6R3-12582-00	JOINT, HOSE 2 RACCORD DE TUYAU 1	1	1	FLUSHING KIT
34	6R3-12583-00	GASKET, HOSE JOINT JOINT	1	1	FLUSHING KIT
35	68V-24312-00	PIPE 2 DURITE 2	1	1	FLUSHING KIT
36	90465-11M10	CLAMP BRIDE	2	2	FLUSHING KIT
37	61A-42716-00	RUBBER, SEAL 1 JOINT EN CAOUTCHOUC 1	1	1	
38	67F-42741-00-8D	APRON CAPOT LATERAL	1	1	
39	95380-06600	NUT ECROU	2	2	
40	90159-06M28	SCREW, WITH WASHER VIS, AVEC RONDELLE	2	2	
41	90109-06M80	BOLT BOULON	5	5	
42	90480-13M24	GROMMET PASSE-FIL	5	5	
43	90387-06M43	COLLER COLLERETTE	5	5	
44	68V-82377-00	LABEL ETIQUETTE	1	1	
45	6A1-28176-00	LABEL, CAUTION ETIQUETTE, RECOMMANDATION	1	1	
46	6E3-8257H-00	PLATE, MARK PLAQUE, ADHESIF	1	1	

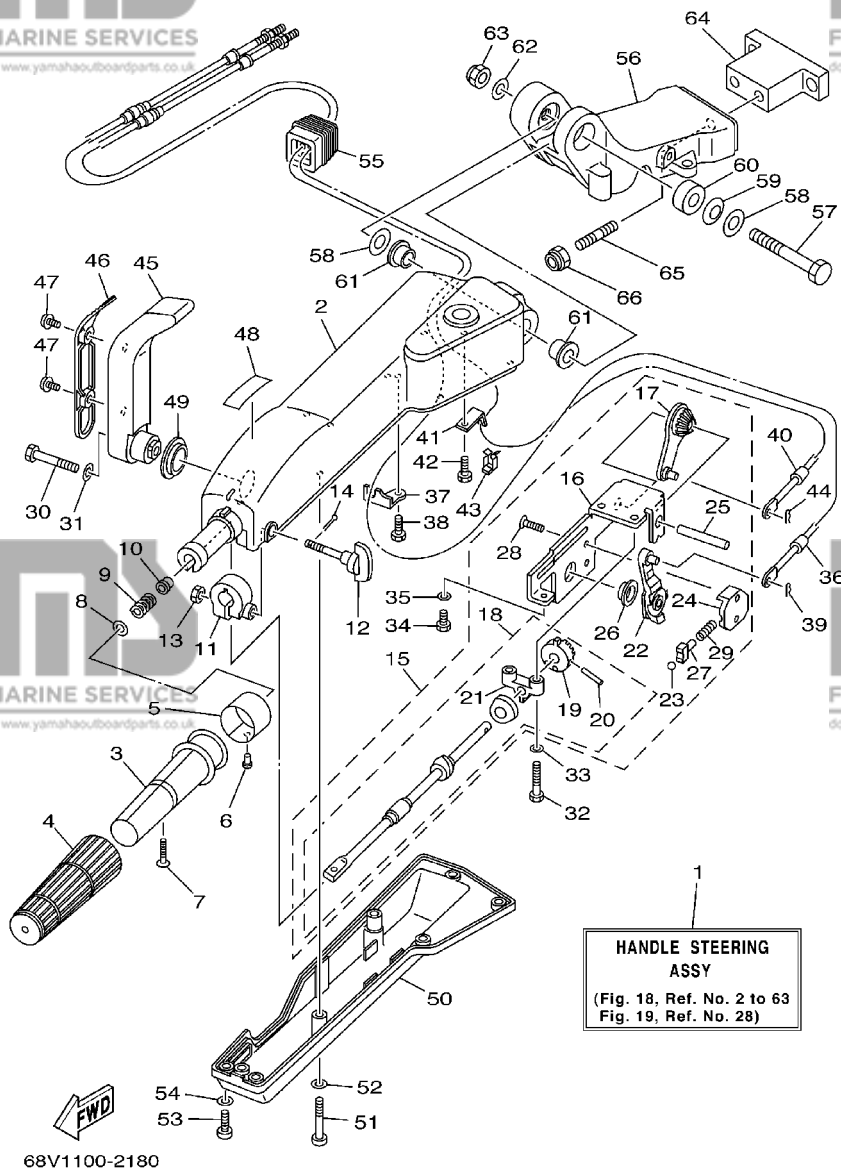


FIG. 18 STEERING 1

DIRECTION 1

REF. NO.	PART NO. NO. PIECES	DESCRIPTION DESCRIPTION	68V1	68W1	REMARKS REMARQUES
1	67G-W0084-11-4D	HANDLE STEERING ASSY BARRE FRANCHE (ENS.)	1		AP
2	67G-42111-00-4D	HANDLE, STEERING POIGNEE	1		
3	664-42119-00	GRIP, STEERING HANDLE POIGNEE, BARRE FRANCHE	1		
4	6G1-42177-00	RUBBER, HANDLE CAOUTCHOUC, POIGNEE	1		
5	6H2-42137-00	INDICATOR, THROTTLE INDICATEUR, ACCELERATION	1		
6	90269-02M09	RIVET RIVET	1		
7	90149-05M13	SCREW VIS	1		
8	92903-10600	WASHER, PLATE RONDELLE, PLATE	1		
9	90501-23215	SPRING, COMPRESSION RESSORT, COMPRESSION	1		
10	90386-08032	BUSHING DOUILLE	1		
11	63D-42126-00	FRICITION, STEERING HANDLE GRIP CUVETTE, POIGNEE DE DIRECTION	1		
12	63D-48154-00	KNOB, THROTTLE BOUTON, ACCELERATEUR	1		
13	95380-06600	NUT ECROU	1		
14	91490-20010	PIN, COTTER GOUPILLE, FENDUE	1		
15	67G-44100-10	SHIFT LINK ASSY MAILLON DE SELECTEUR	1		
16	67G-44104-00	.PLATE COMP. .PLAQUE COMPLET	1		
17	67G-48261-00	.ARM, THROTTLE .BRAS, ACCELERATION	1		
18	67G-42115-10	.SHAFT, STEERING HANDLE .AXE, BARRE FRANCHE	1		
19	650-42152-00-94	..GEAR ..PIGNON	1		
20	91690-30025	..PIN, SPRING ..GOUPILLE, ELASTIQUE	1		
21	67G-42159-00	..STAY ..SUPPORT	1		
22	67G-44113-00	.CAM PLATE, HANDLE .CAME, VERROUILLAGE	1		
23	63D-48236-00	.ROLLER, DETENT .POULIE	1		
24	63D-48119-00	.COVER .COQUILLE	1		
25	67G-42153-00	.SHAFT, THROTTLE CONTROL .AXE, COMMANDE D'ACCELERATION	1		
26	67G-44132-00	.BUSHING .COUSSINET	1		
27	63D-48237-00	.ADAPTOR .ADAPTEUR	1		



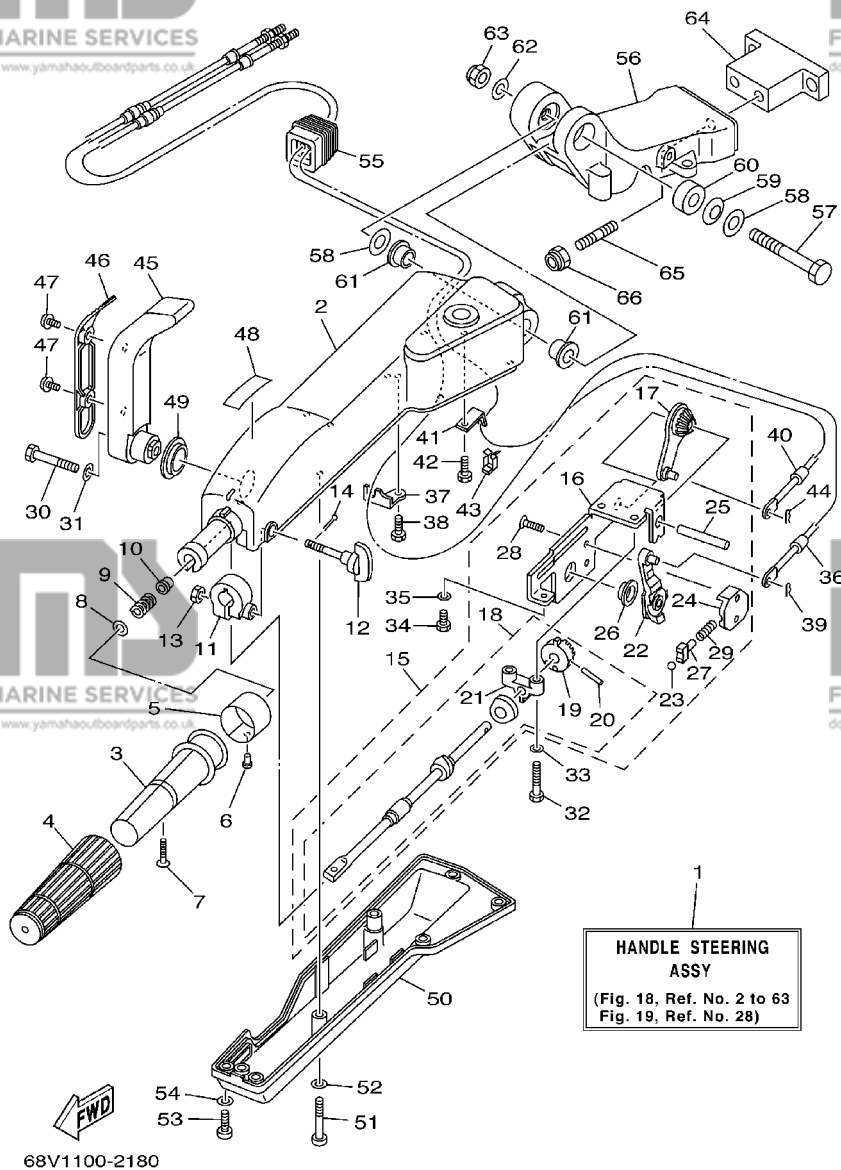


FIG. 18 STEERING 1

DIRECTION 1

REF. NO.	PART NO. NO. PIECES	DESCRIPTION DESCRIPTION	68V1	68W1	REMARKS REMARQUES
28	98785-05014	.SCREW, FLAT HEAD .VIS, TETE PLATE	2		
29	63D-48238-00	.SPRING, DETENT .RESSORT	1		
30	97095-08040	BOLT BOULON	1		
31	92995-08600	WASHER RONDELLE	1		
32	97095-06030	BOLT BOULON	2		
33	92995-06600	WASHER RONDELLE	2		
34	97095-06014	BOLT BOULON	1		
35	92995-06600	WASHER RONDELLE	1		
36	67G-48321-10	CABLE CABLE	1		
37	67G-48531-00	BRACKET, REMOTE CONTROL 1 ETRIER 1, COMMANDE A DISTANCE	1		
38	97095-06014	BOLT BOULON	1		
39	90468-10005	CLIP JONC	1		
40	67G-26301-10	THROTTLE CABLE ASSY CABLE D'ACCELERATEUR	1		
41	66R-48538-00	CLAMP, CABLE 1 COLLIER	1		
42	97095-06014	BOLT BOULON	1		
43	63D-48538-00	CLAMP, CABLE 1 COLLIER	1		
44	90468-10005	CLIP JONC	1		
45	67G-44159-00-4D	HANDLE, GEAR SHIFT POIGNEE, LEVIER D'EMBAYAGE	1		
46	67G-44173-00	LEVER, SHIFT CONTROL POIGNEE, INVERSION	1		
47	90159-06M18	SCREW, WITH WASHER VIS, AVEC RONDELLE	2		
48	6G8-44191-00	INDICATOR, SHIFT ETIQUETTE, EMBRAYAGE	1		
49	90386-26MA3	BUSH DOUILLE	1		
50	67G-42131-00	COVER, HANDLE STEERING COUVERCLE	1		
51	97885-06040	SCREW, PAN HEAD VIS, TETE TRONCONIQUE	2		
52	92995-06600	WASHER RONDELLE	2		
53	97885-06016	SCREW, PAN HEAD VIS, TETE TRONCONIQUE	5		
54	92995-06600	WASHER RONDELLE	5		

HANDLE STEERING ASSY
(Fig. 18, Ref. No. 2 to 63
Fig. 19, Ref. No. 28)

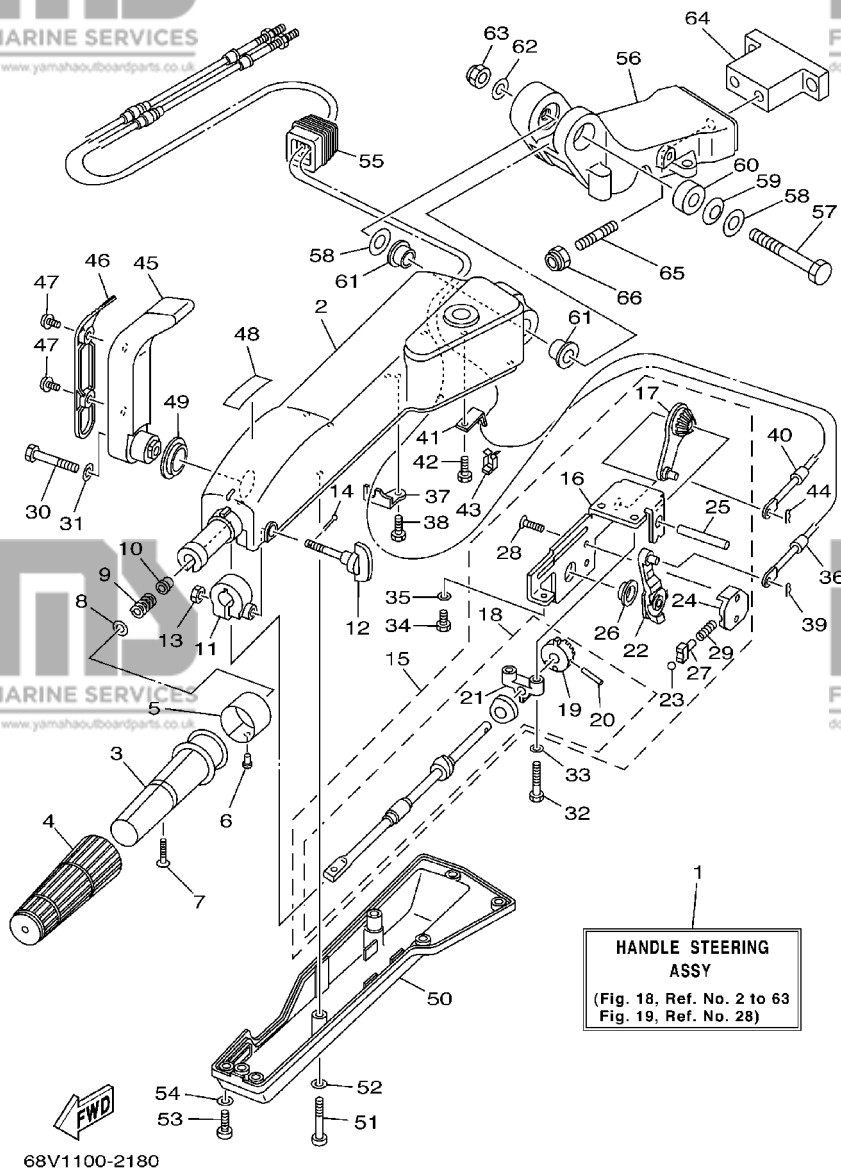
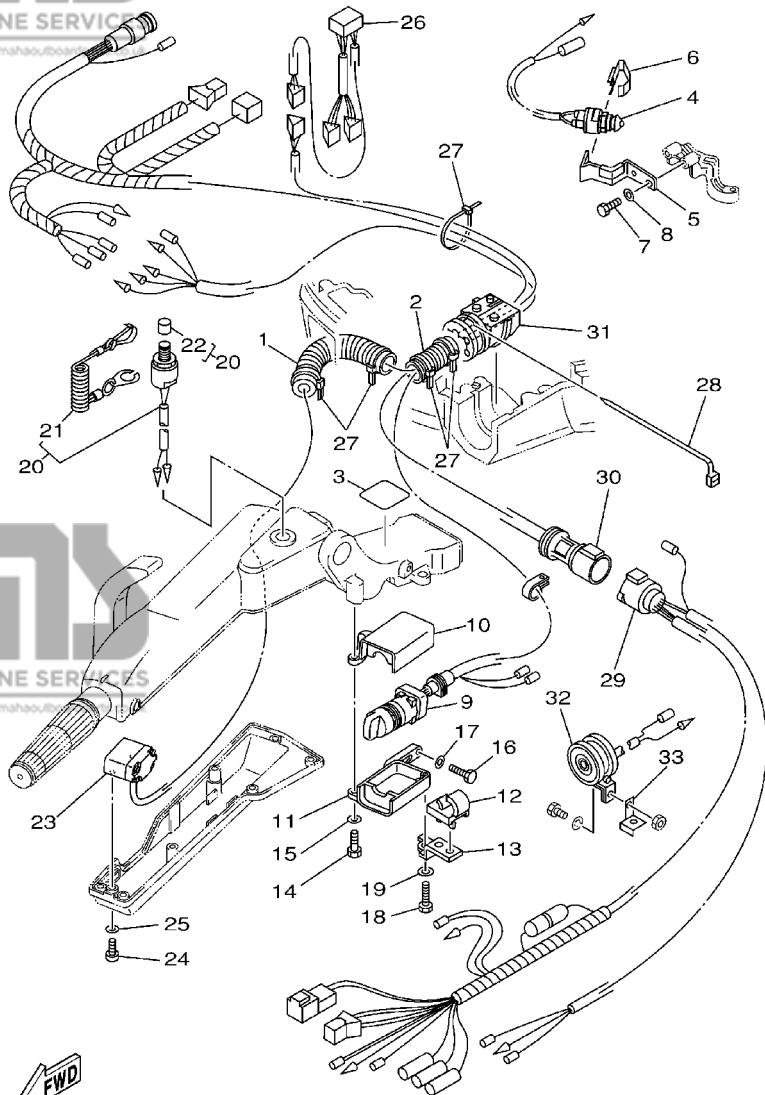


FIG. 18 STEERING 1

DIRECTION 1

REF. NO.	PART NO. NO. PIECES	DESCRIPTION DESCRIPTION	68V1	68W1	REMARKS REMARQUES
55	63D-42725-00	GROMMET PASSE-FIL	1		
56	67G-42121-00-4D	BRACKET SUPPORT	1		
57	90101-12M09	BOLT BOULON	1		
58	92990-12200	WASHER, PLAIN RONDELLE, PLATE	2		
59	90206-12M22	WASHER, WAVE RONDELLE, ONDULEE	1		
60	90387-12M02	COLLAR COLLERETTE	1		
61	90386-12M93	BUSH DOUILLE	2		
62	92990-12600	WASHER, PLATE RONDELLE, PLATE	1		
63	90185-12M12	NUT, SELF-LOCKING ECROU, AUTO-BLOCANT	1		
64	68V-42121-00-4D	BRACKET SUPPORT	1		AP
65	90116-10175	BOLT, STUD GOUJON	2		AP
66	90185-10051	NUT, SELF-LOCKING ECROU, AUTO-BLOCANT	2		AP



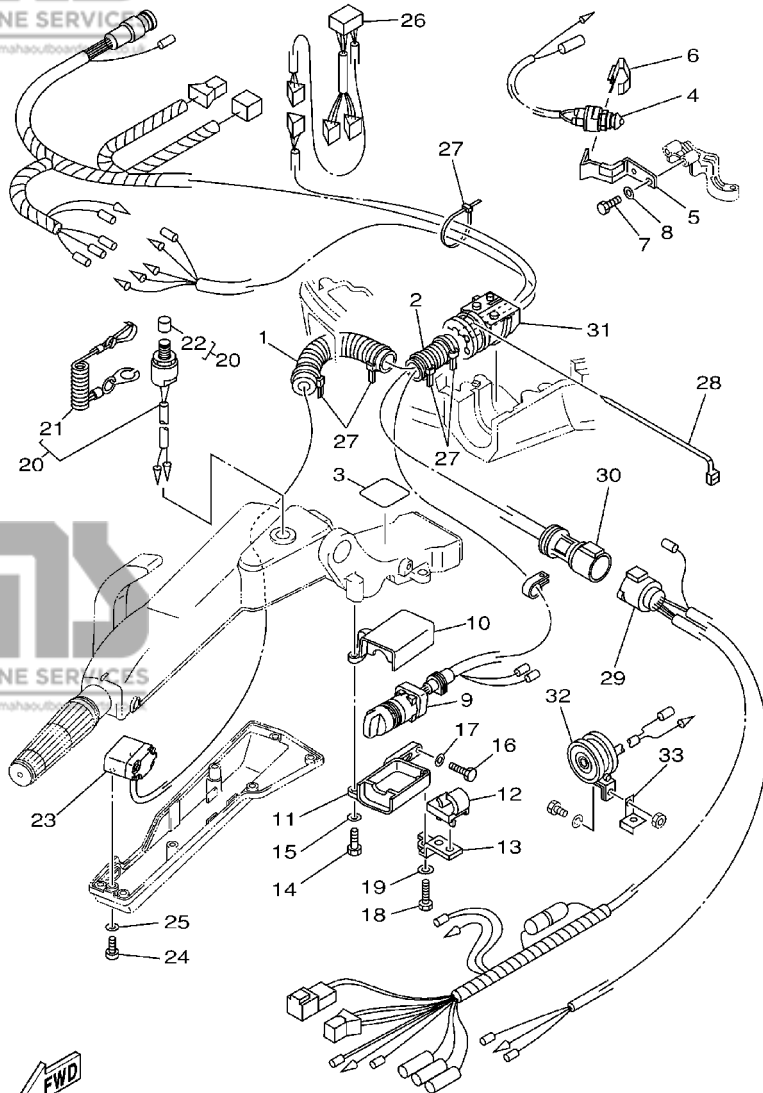
67F1100-2190

FIG. 19 STEERING 2

DIRECTION 2

REF. NO.	PART NO. NO. PIECES	DESCRIPTION DESCRIPTION	68V1	68W1	REMARKS REMARQUES
1	90446-24M79	HOSE DURITE	1		AP
2	6K3-83557-00	TUBE TUBE	1		AP
3	67G-42735-00	PROTECTOR PROTECTEUR	1		AP
4	688-82540-11	NEUTRAL SWITCH ASSY CONTACTEUR DE POINT-MORT	1		AP
5	67G-82554-01	STAY, NEUTRAL SWITCH SUPPORT, CONT DE POINT-MORT	1		AP
6	62Y-82555-00	DAMPER, MAIN SWITCH 1 AMORTISSEUR 1, CONTACT A CLEF	1		AP
7	97095-06014	BOLT BOULON	2		AP
8	92995-06600	WASHER RONDELLE	2		AP
9	67G-82510-30	MAIN SWITCH ASSY CONTACTEUR A CLEF COMPLET	1		AP
10	63D-8252E-01-4D	COVER, MAIN SWITCH COUVERCLE	1		AP
11	63D-8252F-01-4D	COVER, MAIN SWITCH COUVERCLE	1		AP
12	63D-24367-00	CLAMP, FUEL PIPE 2 COLLIER DE DURITE A ESSENCE	1		AP
13	63D-24364-00	STAY SUPPORT	1		AP
14	97095-06025	BOLT BOULON	1		AP
15	92995-06600	WASHER RONDELLE	1		AP
16	97095-06020	BOLT BOULON	1		AP
17	92995-06600	WASHER RONDELLE	1		AP
18	97095-06030	BOLT BOULON	1		AP
19	92995-06600	WASHER RONDELLE	1		AP
20	63D-82575-00	ENGINE STOP SWITCH ASSY COUPE CIRCUIT CPLT	1		AP
21	682-82556-00	.STOPPER .PLAQUETTE	1		
22	689-8257Y-00	.CAP .CHAPEAU	1		
23	67G-82563-00	TRIM & TILT SWITCH ASSY INCLINER ET PARER COMMUTATEUR	1		AP
24	97885-06016	SCREW, PAN HEAD VIS, TETE TRONCONIQUE	2		AP
25	92995-06600	WASHER RONDELLE	2		AP
26	63D-83728-00	CONNECTOR ASSY CONNEXION COMPLET	1		AP
27	90465-13M24	CLAMP BRIDE	5		AP

F2



67F1100-2190

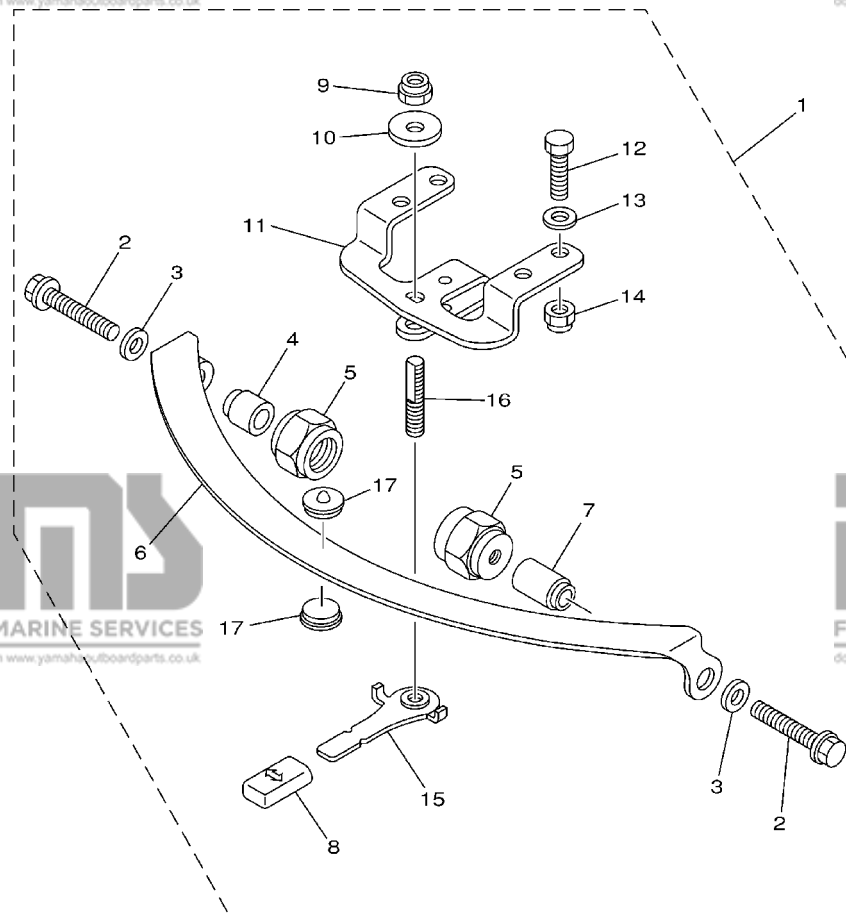
FIG. 19 STEERING 2

DIRECTION 2

REF. NO.	PART NO. NO. PIECES	DESCRIPTION DESCRIPTION	68V1	68W1	REMARKS REMARQUES
28	90465-13M30	CLAMP BRIDE	1		AP
29	6H5-83553-11	WIRE, LEAD FIL	1		AP
30	63D-82586-00	EXTENSION, WIRE HARNESS EXTENSION, FAISCEAU DE FILS	1		AP
31	67G-42725-00	GROMMET PASSE-FIL	1		AP
32	688-83383-11	BUZZER RONFLEUR	1		AP
33	6H5-83386-00	STAY, BUZZER SUPPOR, RONFLEUR	1		AP

FIG. 20 STEERING FRICTION

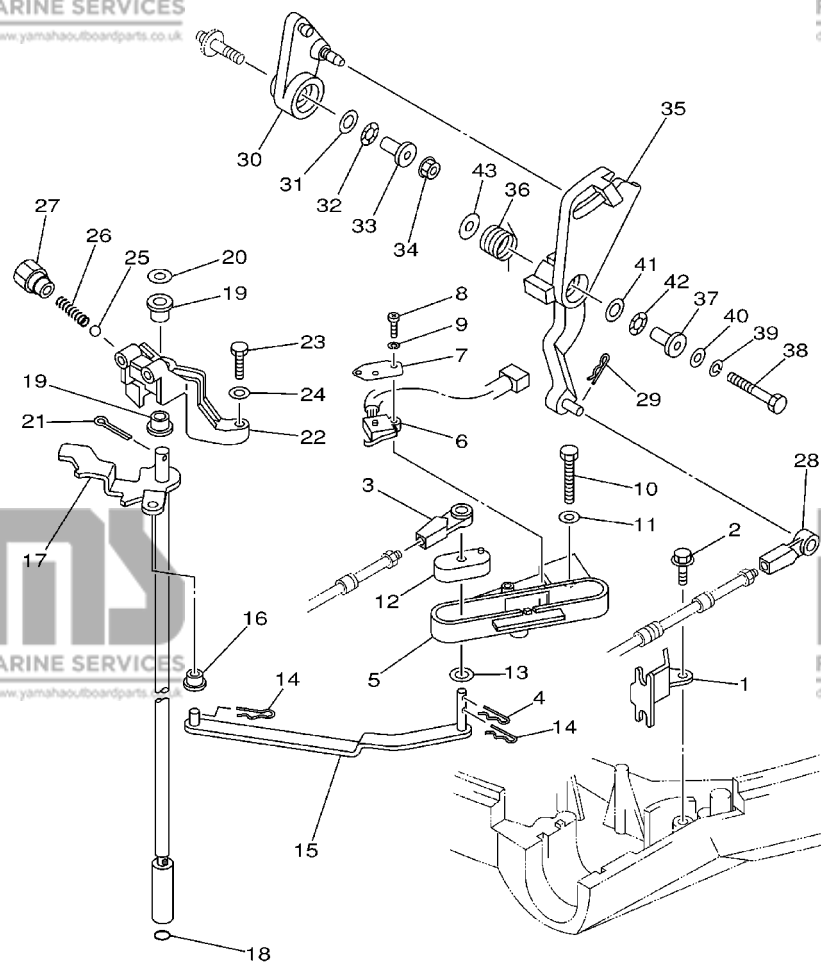
CUVETTE, POIGNEE DE DIRECTION



REF. NO.	PART NO. NO. PIECES	DESCRIPTION DESCRIPTION	68V1	68W1	REMARKS REMARQUES
1	67G-42508-00	STEERING FRICTION ASSY DIRECTION FRICTION (ENS.)	1		AP
2	90119-08M74	.BOLT, WITH WASHER .BOULON, AVEC RONDELLE	2		
3	90201-08M01	.WASHER, PLATE .RONDELLE, PLATE	2		
4	67G-42541-00	.DAMPER .AMORTISSEUR	1		
5	67G-42546-00	.NUT .ECROU	2		
6	63D-42527-00	.PLATE, FRICTION .PLAQUE, FRICTION	1		
7	67G-42541-10	.DAMPER .AMORTISSEUR	1		
8	682-43318-01	.COVER .CAPUCHON	1		
9	90185-10M14	.NUT, SELF-LOCKING .ECROU, AUTO-BLOCANT	1		
10	90201-10M76	.WASHER, PLATE .RONDELLE, PLATE	1		
11	67G-42526-00	.PLATE, FRICTION .PLAQUE, FRICTION	1		
12	97095-08025	.BOLT .BOULON	2		
13	92995-08600	.WASHER .RONDELLE	2		
14	90185-08057	.NUT, SELF-LOCKING .ECROU, AUTO-BLOCANT	2		
15	67G-42561-00	.KNOB, STEERING LOCK .BOUTON	1		
16	67G-42562-00	.SHAFT, STEERING LOCK .ARBRE, ANTIVOL DE DIRECTION	1		
17	63D-42528-00	.PLATE, FRICTION .PLAQUE, FRICTION	2		



67F1100-2200



FWD
68V0010-1200

FIG. 21 CONTROL

COMMANDE

REF. NO.	PART NO. NO. PIECES	DESCRIPTION DESCRIPTION	68V1	68W1	REMARKS REMARQUES
1	67F-48538-00	CLAMP, CABLE 1 COLLIER	1	1	
2	90109-06M86	BOLT BOULON	1	1	
3	663-48344-00	CABLE END, REMOTE CONTROL CHAPE CABLE	1	1	
4	90468-18008	CLIP JONC	1	1	
5	68V-44117-00	BRACKET SUPPORT	1	1	
6	68F-8259F-00	SWITCH ASSY COMMUTATEUR	1	1	
7	61A-82588-00	PLATE PLAQUE	1	1	
8	97885-04016	SCREW, PAN HEAD VIS, TETE TRONCONIQUE	2	2	
9	92995-04100	WASHER RONDELLE	2	2	
10	97095-06040	BOLT BOULON	2	2	
11	92995-06600	WASHER RONDELLE	2	2	
12	68V-44122-01	BUSHING, SHIFT ROD LEVER DOUILLE, LEVIER D'EMBRAYAGE	1	1	
13	90202-07M07	WASHER, PLATE RONDELLE, PLATE	1	1	
14	90468-18008	CLIP JONC	2	2	
15	68V-44121-00	LEVER, SHIFT ROD LEVIER, TIGE D'INVERSION	1	1	
16	90386-06M12	BUSH DOUILLE	1	1	
17	68V-44120-10	HANDLE GEAR SHIFT ASSY LEVIER D'EMBRAYAGE	1		L
	68V-44120-30	HANDLE GEAR SHIFT ASSY LEVIER D'EMBRAYAGE	1	1	X
18	93210-09165	O-RING JOINT TORIQUE	1	1	
19	90386-90M90	BUSH DOUILLE	2	2	
20	90201-09M02	WASHER, PLATE RONDELLE, PLATE	1	1	
21	91490-20015	PIN, COTTER GOUPILLE, FENDUE	1	1	
22	68V-44118-00	BRACKET SUPPORT	1	1	
23	97075-06025	BOLT BOULON	2	2	
24	92995-06600	WASHER RONDELLE	2	2	
25	93501-04M02	BALL BILLE	1	1	
26	90501-12082	SPRING, COMPRESSION RESSORT, COMPRESSION	1	1	

F5

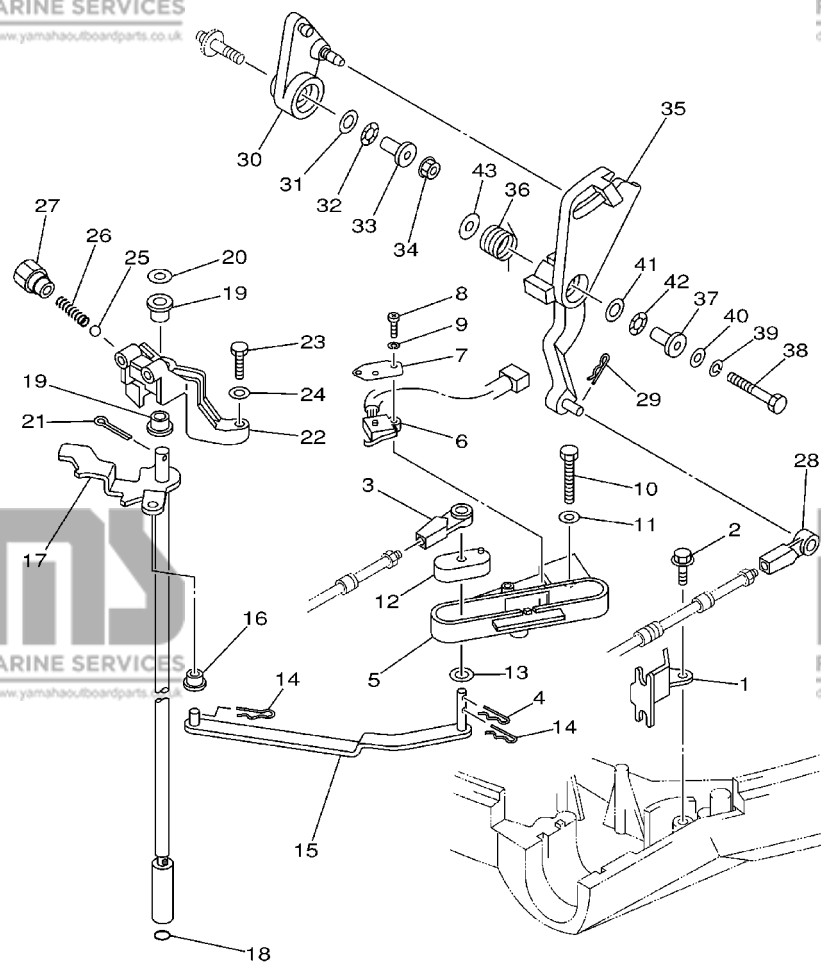
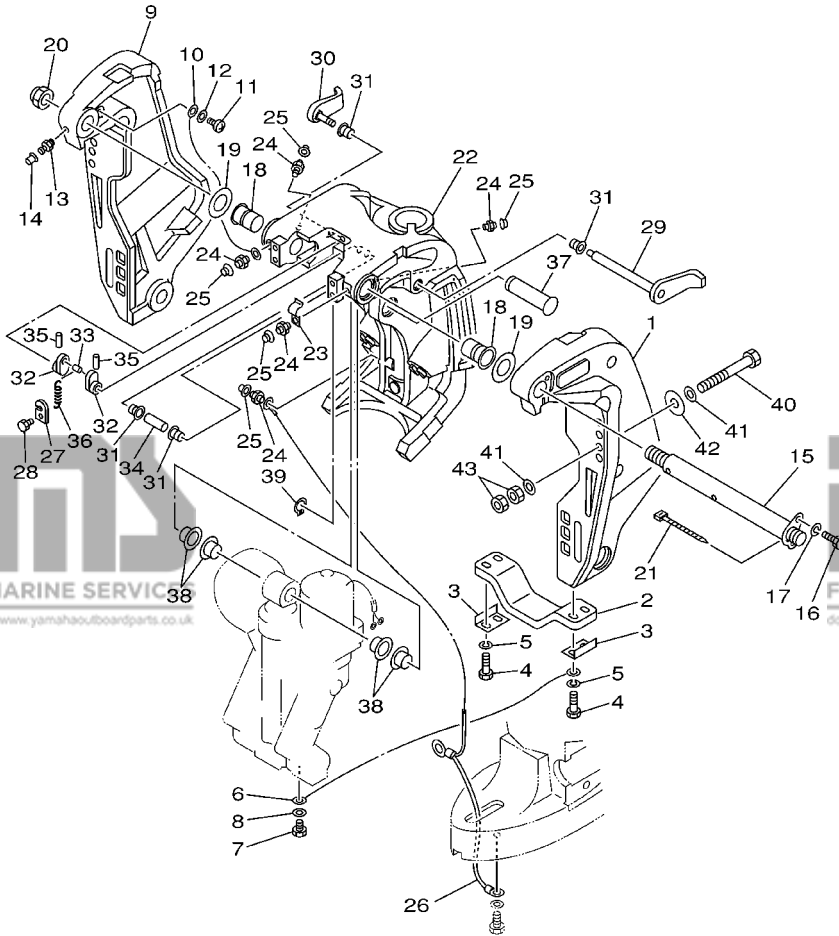


FIG. 21 CONTROL

COMMANDE

REF. NO.	PART NO. NO. PIECES	DESCRIPTION DESCRIPTION	68V1	68W1	REMARKS REMARQUES
27	648-42715-00	BUSHING COUSSINET	1	1	
28	663-48344-00	CABLE END, REMOTE CONTROL CHAPE CABLE	1	1	
29	90468-18008	CLIP JONC	1	1	
30	68V-42157-00	LEVER, THROTTLE LEVIER DE AVANCE	1	1	
31	90201-10M02	WASHER, PLATE RONDELLE, PLATE	1	1	
32	90206-10M04	WASHER, WAVE RONDELLE, ONDULEE	1	1	
33	90387-06M21	COLLAR COLLERETTE	1	1	
34	90179-06M28	NUT ECROU	1	1	
35	68V-42154-00	LEVER, THROTTLE CONTROL LEVIER DE COMMANDE D'AVANCE	1	1	
36	67F-44135-00	SPRING RESSORT	1	1	
37	90387-06M21	COLLAR COLLERETTE	1	1	
38	97095-06035	BOLT BOULON	1	1	
39	92995-06100	WASHER RONDELLE, GROWER	1	1	
40	92995-06600	WASHER RONDELLE	1	1	
41	90201-10M02	WASHER, PLATE RONDELLE, PLATE	1	1	
42	90206-10M04	WASHER, WAVE RONDELLE, ONDULEE	1	1	
43	90201-06M31	WASHER, PLATE RONDELLE, PLATE	1	1	

FWD
68V0010-1200



68V0010-0210

FIG. 22 BRACKET 1

SUPPORT 1

REF. NO.	PART NO. NO. PIECES	DESCRIPTION DESCRIPTION	68V1	68W1	REMARKS REMARQUES
1	68V-43111-01-8D	BRACKET, CLAMP PRESSE	1	1	
2	6G5-45251-01	ANODE ANODE	1	1	
3	6G5-44526-00	PLATE PLAQUE	2	2	
4	97095-06030	BOLT BOULON	4	4	
5	92995-06100	WASHER RONDELLE, GROWER	4	4	
6	6E5-82148-00	WIRE, LEAD 4 FIL 4	1	1	
7	97095-06010	BOLT BOULON	1	1	
8	92995-06600	WASHER RONDELLE	1	1	
9	68V-43112-01-8D	BRACKET, CLAMP PRESSE	1	1	
10	6E5-82148-00	WIRE, LEAD 4 FIL 4	1	1	
11	97880-06012	SCREW, PAN HEAD VIS, TETE TRONCONIQUE	1	1	
12	92990-06600	WASHER, PLAIN RONDELLE, PLATE	1	1	
13	93700-06M03	NIPPLE, GREASE GRAISSEUR	1	1	
14	663-45119-00	CAP, GREASE NIPPLE CAPUCHON, GRAISSEUR	1	1	AP
15	64E-43131-01	BOLT, CLAMP BRACKET BOULON, PRESSE	1	1	
16	97095-08020	BOLT, HEXAGON BOULON	1	1	
17	92995-08100	WASHER RONDELLE	1	1	
18	90386-25M31	BUSH DOUILLE	2	2	
19	90201-26M59	WASHER, PLATE RONDELLE, PLATE	2	2	
20	90185-22M11	NUT, SELF-LOCKING ECROU, AUTO-BLOCANT	1	1	
21	90465-11M10	CLAMP BRIDE	1	1	
22	64E-43311-10-8D	BRACKET, SWIVEL 1 SUPPORT, PIVOT 1	1		L
	64E-43311-20-8D	BRACKET, SWIVEL 1 SUPPORT, PIVOT 1	1	1	X
23	90465-08M63	CLAMP BRIDE	1	1	
24	93700-06M03	NIPPLE, GREASE GRAISSEUR	5	5	
25	663-45119-00	CAP, GREASE NIPPLE CAPUCHON, GRAISSEUR	5	5	AP
26	66K-82149-00	WIRE, LEAD 3 FIL 3	1		L

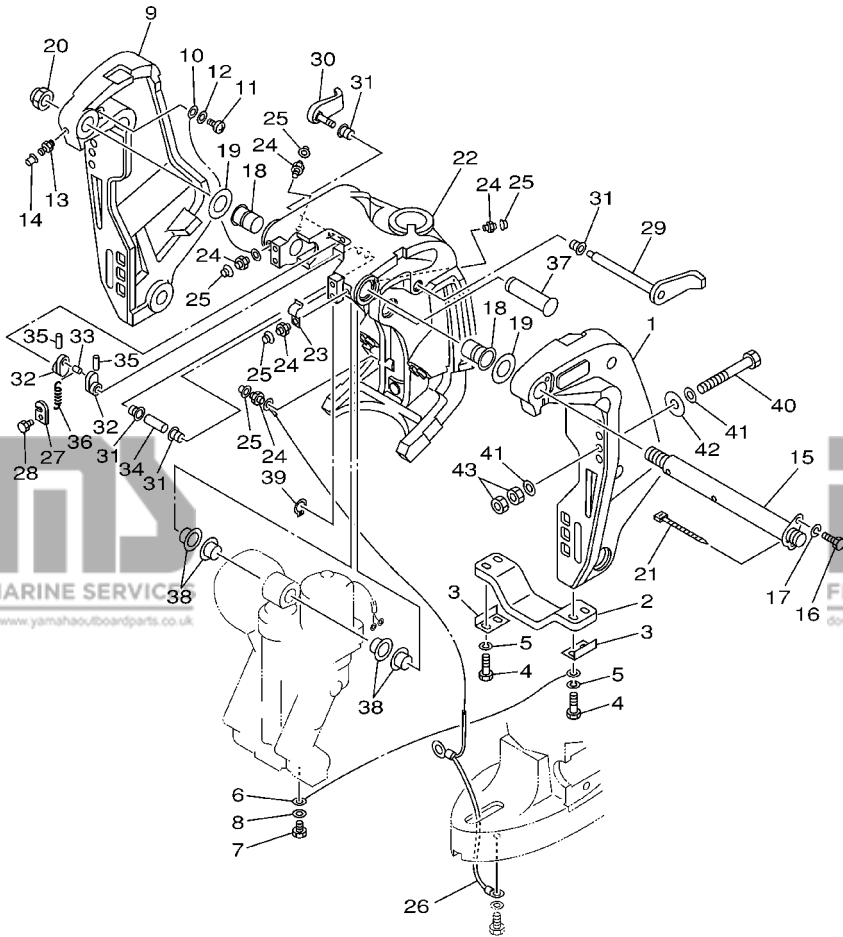


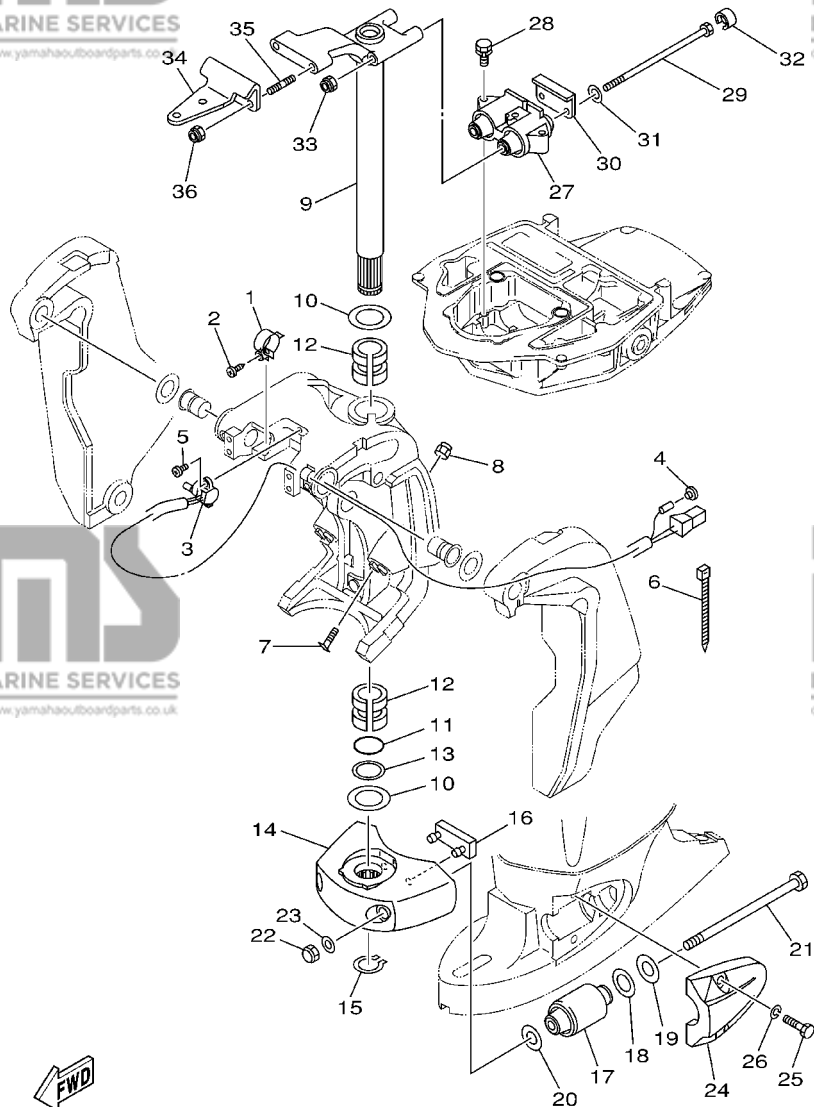
FIG. 22 BRACKET 1

SUPPORT 1

REF. NO.	PART NO. NO. PIECES	DESCRIPTION DESCRIPTION	68V1	68W1	REMARKS REMARQUES
26	68V-82149-30	WIRE, LEAD 3 FIL 3	1	1	X
27	66T-43144-00	HOOK, SPRING CROCHET	1	1	
28	97095-06010	BOLT BOULON	1	1	
29	6G5-43181-02	LEVER, TILT STOP LEVIER, VERROUILLAGE RELEVAGE	1	1	
30	6G5-43185-02	LEVER, TILT STOP LEVIER, VERROUILLAGE RELEVAGE	1	1	
31	90386-10M16	BUSH DOUILLE	4	4	
32	6G5-43148-00	COLLAR, DISTANCE ENTRETOISE	2	2	
33	90249-06M19	PIN GOUPILLE	1	1	
34	90387-10M05	COLLAR COLLERETTE	1	1	
35	91690-30020	PIN, SPRING GOUPILLE, ELASTIQUE	2	2	
36	90506-14M24	SPRING, TENSION RESSORT, TENSION	1	1	
37	64E-43126-00	PIN, UPPER SHOCK MOUNT AXE, SUPERIEUR AMORTISSEUR	1	1	
38	90386-22M98	BUSH DOUILLE	4	4	
39	93410-22M11	CIRCLIP CIRCLIP, TYPE S	1	1	
40	90101-12M05	BOLT (L:130MM) BOULON (L:130MM)	4	4	
41	90201-13M01	WASHER, PLATE RONDELLE, PLATE	8	8	
42	90201-12M05	WASHER, PLATE RONDELLE, PLATE	4	4	
43	95380-12600	NUT ECROU	8	8	



68V0010-0210



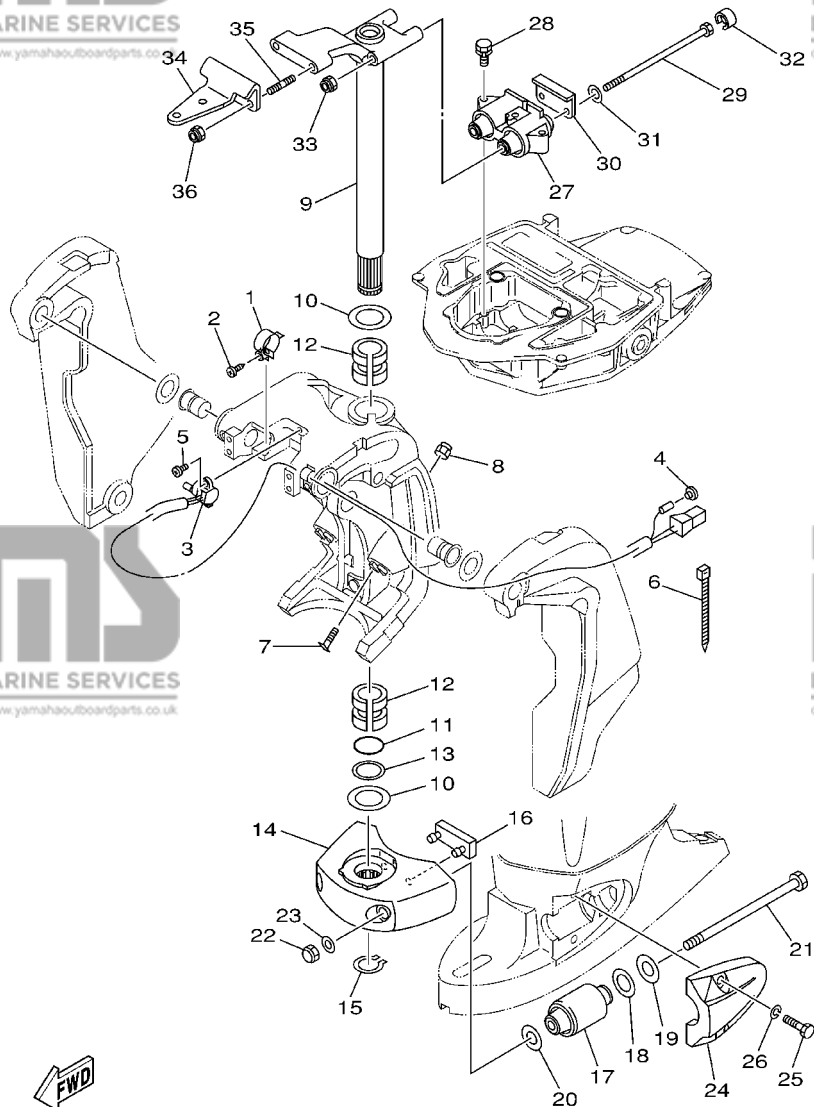
68V0010-0220

FIG. 23 BRACKET 2

SUPPORT 2

REF. NO.	PART NO. NO. PIECES	DESCRIPTION DESCRIPTION	68V1	68W1	REMARKS REMARQUES
1	64E-43139-02	CAM, TRIM SENDER VILEBREQUIN TRUM	1	1	
2	97780-60525	SCREW, TAPPING VIS, TETE FRAISEE	1	1	
3	64E-83672-02	TRIM SENDER INCLINER RACCORD	1	1	
4	703-82119-00	COVER, LEAD WIRE GARNITURE, FIL	1	1	
5	97885-06016	SCREW, PAN HEAD VIS, TETE TRONCONIQUE	2	2	
6	90465-11M10	CLAMP BRIDE	3	3	
7	61A-43376-00	BOLT, THRUST RECEIVER BOULON	2	2	
8	95780-10300	NUT, FLANGE ECROU, A COLLERETTE	2	2	
9	68V-42510-10-8D	STEERING BRACKET ASSY DIRECTION SUPPORT (ENS.)	1		L
	68V-42510-30-8D	STEERING BRACKET ASSY DIRECTION SUPPORT (ENS.)	1	1	X
10	90201-38M60	WASHER, PLATE RONDELLE, PLATE	2	2	
11	93210-37MH7	O-RING JOINT TORIQUE	1	1	
12	90386-38M32	BUSH DOUILLE	2	2	
13	90202-40M47	WASHER, PLATE RONDELLE, PLATE	1	1	
14	68V-44551-00-8D	HOUSING, LOWER MOUNT RUBBER BOITIER, SILENT-BLOC INFERIEUR	1	1	
15	93410-37M04	CIRCLIP CIRCLIP, TYPE S	1	1	
16	61A-44575-00	DAMPER, LOWER MOUNT RUBBER SILENT-BLOC, INFERIEUR	1	1	
17	61A-44555-01-94	MOUNT DAMPER, LOWER SIDE SILENT-BLOC, INFERIEUR LATERAL	2	2	
18	90202-32M19	WASHER, PLATE RONDELLE, PLATE	2	2	
19	90201-16M55	WASHER, PLATE RONDELLE, PLATE	2	2	
20	90201-15M58	WASHER, PLATE RONDELLE, PLATE	2	2	
21	90109-14MA7	BOLT BOULON	2	2	
22	95380-14600	NUT ECROU	2	2	
23	92995-14600	WASHER RONDELLE	2	2	
24	68V-44553-00-8D	COVER, LOWER MOUNT COUVERCLE, SUSPENSION INFERIEUR	2	2	
25	97075-10040	BOLT BOULON	4	4	
26	92995-10100	WASHER, SPRING RONDELLE	4	4	

A5



68V0010-0220

FIG. 23 BRACKET 2

SUPPORT 2

REF. NO.	PART NO. NO. PIECES	DESCRIPTION DESCRIPTION	68V1	68W1	REMARKS REMARQUES
27	67F-44514-00-94	MOUNT DAMPER, UPPER SIDE SILENT-BLOC, SUPERIEUR LATERAL	1	1	
28	97575-08445	BOLT, WITH WASHER VIS HEXAGONAL AVC RONDELLE	3	3	
29	90109-12M37	BOLT BOULON	2	2	
30	67F-44526-00	PLATE PLAQUE	1	1	
31	90201-12M09	WASHER, PLATE RONDELLE, PLATE	2	2	
32	67F-44533-00	DAMPER, UPPER MOUNT RUBBER COUVERCLE, SUSPENSION INFERIEU	2	2	
33	90185-12M12	NUT, SELF-LOCKING ECROU, AUTO-BLOCANT	2	2	
34	68V-48511-00-8D	HOOK, STEERING ATTACHE, DIRECTION	1	1	
35	90116-10175	BOLT, STUD GOUJON	2	2	
36	90185-10051	NUT, SELF-LOCKING ECROU, AUTO-BLOCANT	2	2	

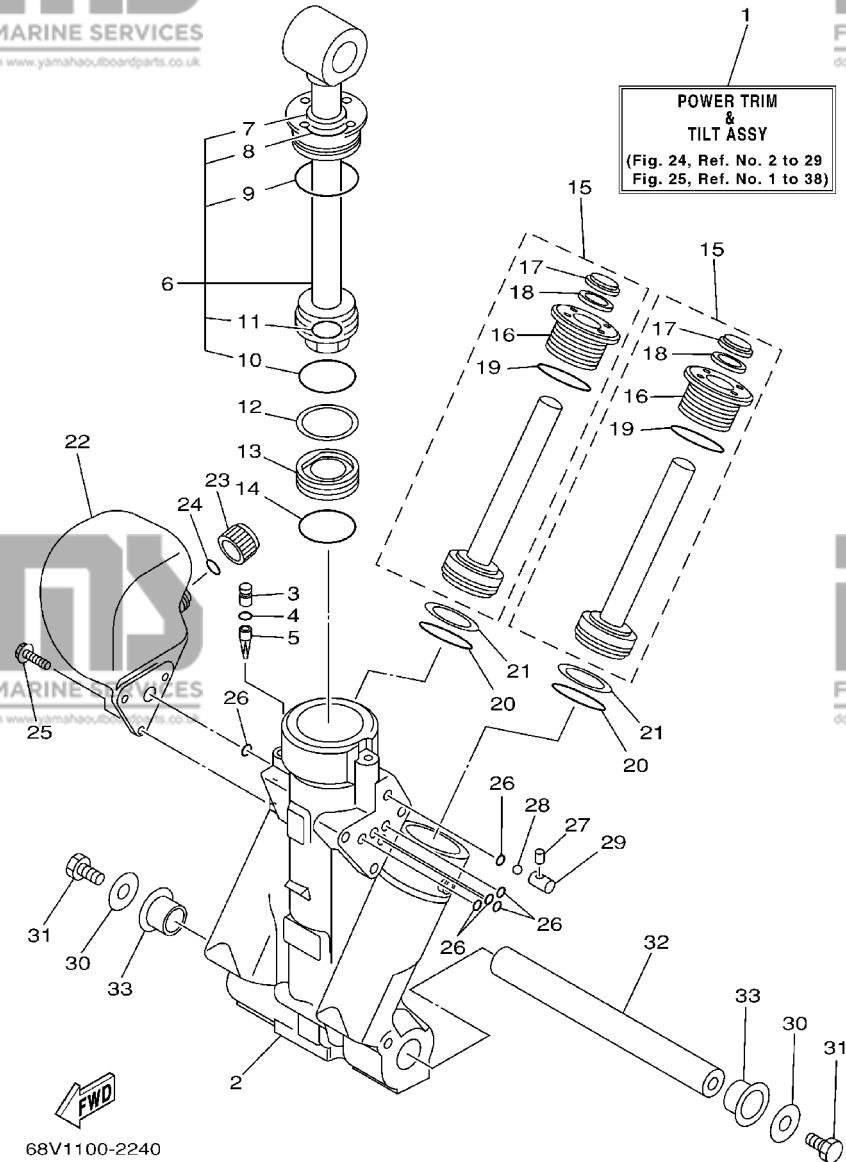
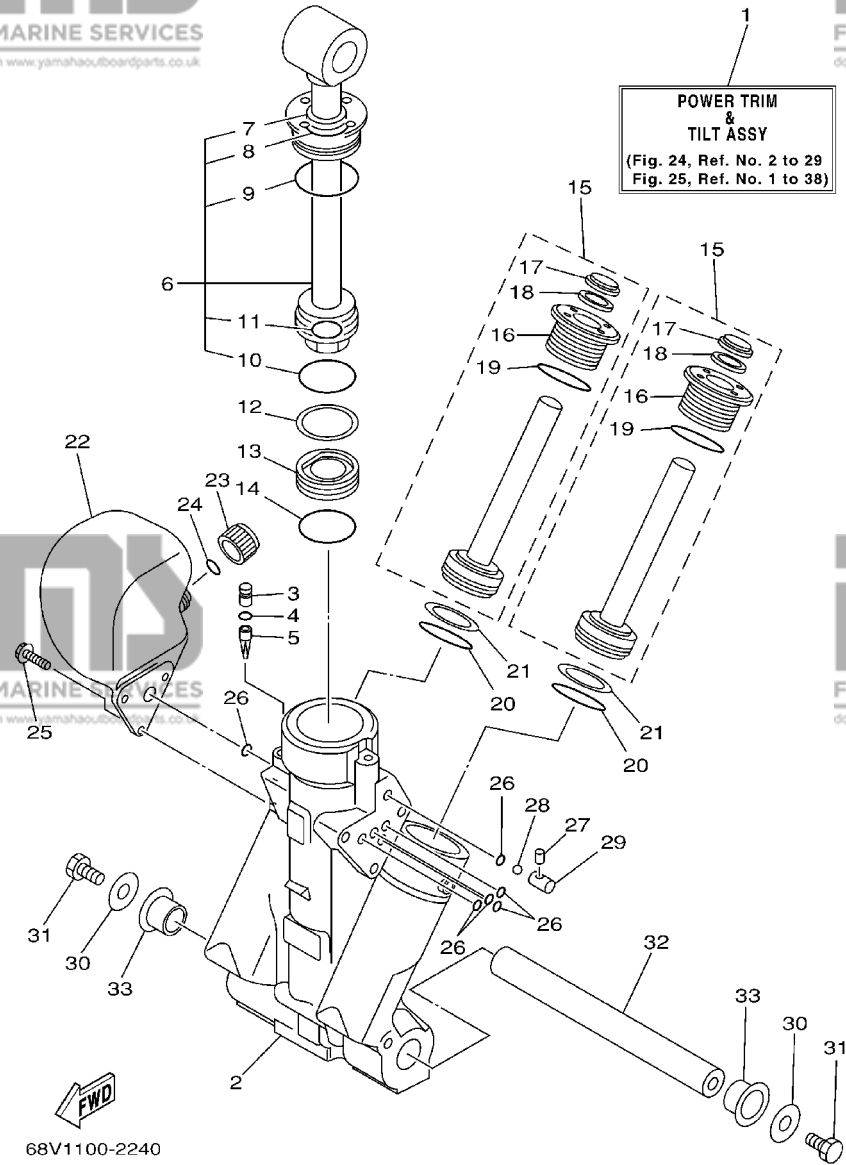


FIG. 24 POWER TRIM & TILT ASSY 1 PUISSANCE PARER ET INCLINER 1

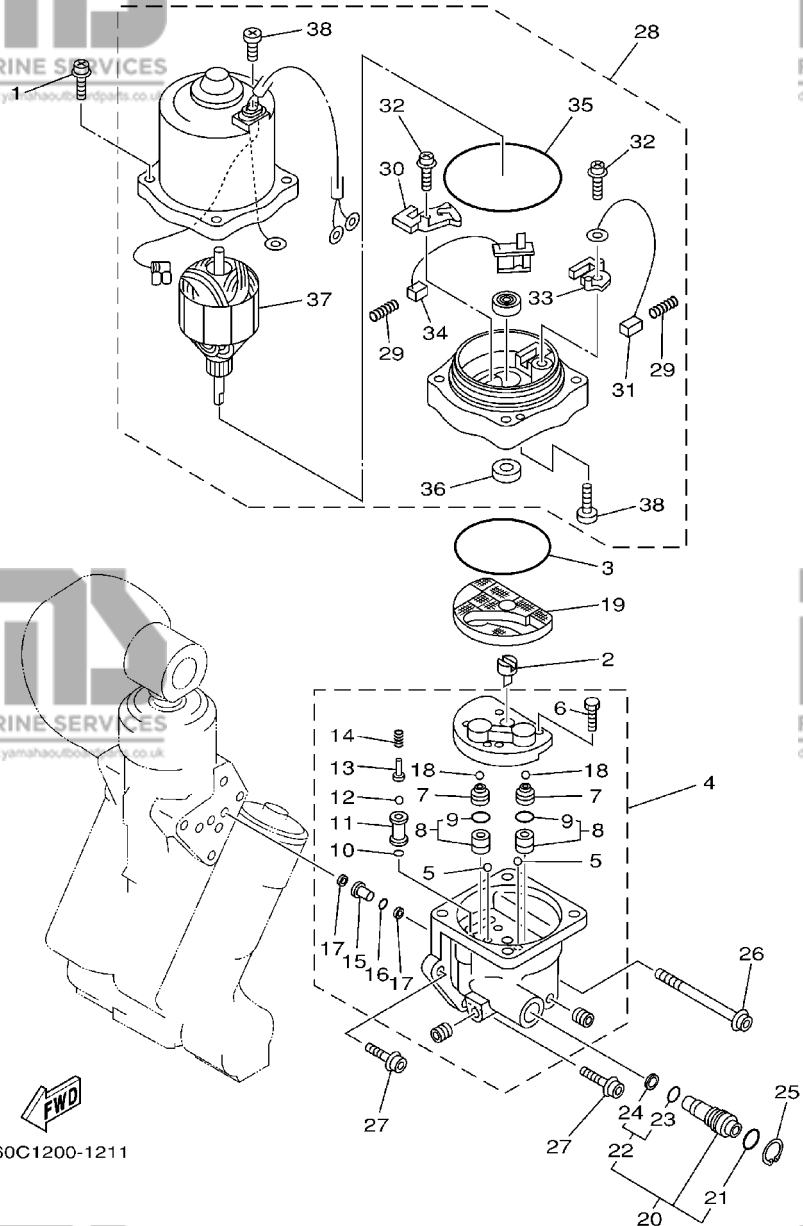
REF. NO.	PART NO. NO. PIECES	DESCRIPTION DESCRIPTION	68V1	68W1	REMARKS REMARQUES
1	68V-43800-01-4D	POWER TRIM & TILT ASSY PUISSANCE PARER ET INCLINER (ENS.)	1	1	
2	64E-43825-01	HOUSING, TRIM & TILT CARTER	1	1	
3	64E-4388J-00	PLUG 2 BOUCHON 2	1	1	
4	93210-10M74	O-RING JOINT TORIQUE	1	1	
5	64E-43817-00	FILTER 2 FILTRE 2	1	1	
6	64E-43810-00	TILT PISTON SUB ASSY INCLINER PISTON AUXILIAIRE(ENS.)	1	1	
7	64E-43898-00	.SEAL ,DUST 2 .JOINT ANTI-PUSSIERE	1	1	
8	64E-43867-00	.O-RING .JOINT TORIQUE	1	1	
9	64E-43866-00	.O-RING .JOINT TORIQUE	1	1	
10	6E5-43862-00	.O-RING .JOINT TORIQUE	1	1	
11	64E-43883-00	.O-RING .JOINT TORIQUE	1	1	
12	6E5-43872-00	RING, BACK UP RESSORT	1	1	
13	6E5-43814-02	PISTON, FREE PISTON	1	1	
14	6E5-43862-00	O-RING JOINT TORIQUE	1	1	
15	64E-43820-00	TRIM PISTON SUB ASSY PARER PISTON AUXILIAIRE (ENS.)	2	2	
16	64E-43821-00	SCREW, TRIM CYLINDER END .VIS	1	1	
17	64E-43822-00	.SEAL, TRIM DUST .JOINT	1	1	
18	64E-4384J-00	.SEAL, TRIM DOWN .JOINT	1	1	
19	6G5-43864-00	.O-RING .JOINT TORIQUE	1	1	
20	6E5-43864-00	O-RING JOINT TORIQUE	2	2	
21	6E5-43874-01	RING, BACK UP RESSORT	2	2	
22	64E-43828-00	BODY, RESERVOIR CORPS	1	1	
23	64E-43829-00	PLUG, RESERVOIR BOUCHON	1	1	
24	64E-43897-00	O-RING JOINT TORIQUE	1	1	
25	64E-4388E-00	BOLT ,SCREW (L:14MM) VIS (L:14MM)	3	3	
26	64E-43869-00	O-RING JOINT TORIQUE	6	6	
27	64E-4381G-00	PIN COUILL	1	1	

FIG. 24 POWER TRIM & TILT ASSY 1 PUISSANCE PARER ET INCLINER 1



REF. NO.	PART NO. NO. PIECES	DESCRIPTION DESCRIPTION	68V1	68W1	REMARKS REMARQUES
28	6E5-43858-00	BALL BILLE	1	1	
29	64E-4382G-00	VALVE, SEAT JEU DE POINTEAUX	1	1	
30	90201-08M14	WASHER, PLATE RONDELLE, PLATE	2	2	
31	97080-08016	BOLT BOULON	2	2	
32	64E-43818-01	PIN, LOWER SHOCK MOUNT AXE, INFERIEUR AMORTISSEUR	1	1	
33	90386-22M98	BUSH DOUILLE	2	2	

68V1100-2240

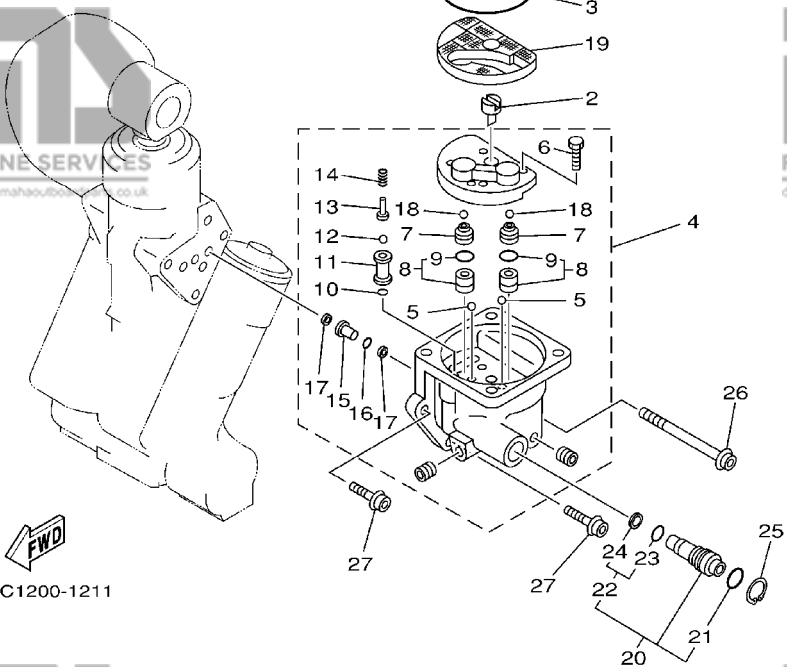
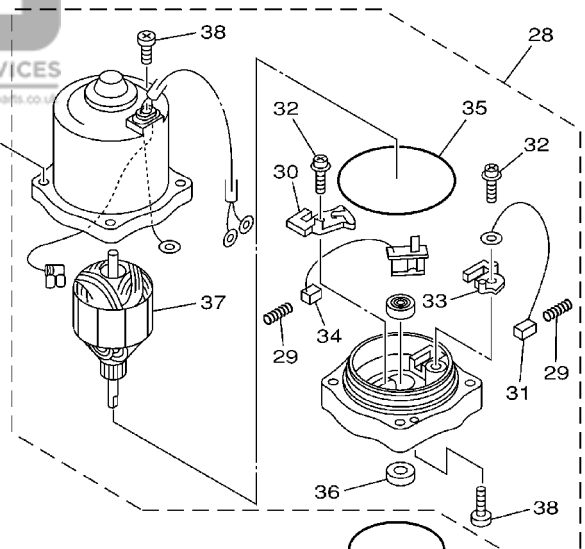


60C1200-1211

FIG. 25 POWER TRIM & TILT ASSY 2 PUISSANCE PARER ET INCLINER 2

REF. NO.	PART NO. NO. PIECES	DESCRIPTION DESCRIPTION	68V1	68W1	REMARKS REMARQUES
1	64E-4388E-10	BOLT ,SCREW (L:34.7MM) VIS (L:34.7MM)	4	4	
2	64E-43831-00	CONNECTOR, SHAFT RACCORD	1	1	
3	64E-43868-00	O-RING JOINT TORIQUE	1	1	
4	68V-43830-00	GEAR PUMP ASSY POMPE A PIGNON (ENS.)	1	1	
5	72X-43858-00	.BALL .BILLE	2	2	
6	64E-43843-00	.SCREW, VALVE LOCK .VIS	4	4	
7	64E-43841-00	.PISTON, SHUTTLE .PISTON	2	2	
8	64E-43802-00	.VALVE SUB ASSY .CLAPET AUXILIAIRE (ENS.)	2	2	
9	6E5-43896-00	..O-RING ..JOINT TORIQUE	1	1	
10	6G5-43863-00	.O-RING JOINT TORIQUE	1	1	
11	66Y-43851-00	.SEAT, RELIEF VALVE .SIEGE	1	1	
12	64E-43858-00	.BALL .BILLE	1	1	
13	64E-43859-00	.PIN, VALVE SUPPORT .GOUPILLE	1	1	
14	68V-43855-00	.SPRING, UP RELIEF .RESSORT	1	1	
15	64E-43850-00	.VALVE SUB ASSY .CLAPET AUXILIAIRE (ENS.)	1	1	
16	64E-43865-00	.O-RING JOINT TORIQUE	1	1	
17	64E-43816-00	.FILTER 1 .FILTRE 1	2	2	
18	64E-43858-00	.BALL .BILLE	2	2	
19	64E-43817-10	FILTER 2 FILTRE 2	1	1	
20	64E-43860-00	MANUAL VALVE SUB-ASSY SOUPAPE, MANUEL (ENS.)	1	1	
21	72X-85075-L0	.O-RING JOINT TORIQUE	1	1	
22	64E-43827-00	.RING SET .BILLE	1	1	
23	64E-4387A-00	..O-RING ..JOINT TORIQUE	1	1	
24	64E-43873-00	..RING, BACK UP ..RESSORT	1	1	
25	64E-43875-00	RING, SNAP RESSORT	1	1	
26	64E-43879-10	SCREW, WITH WASHER VIS, AVEC RONDELLE	1	1	
27	64E-43879-00	SCREW, WITH WASHER VIS, AVEC RONDELLE	2	2	

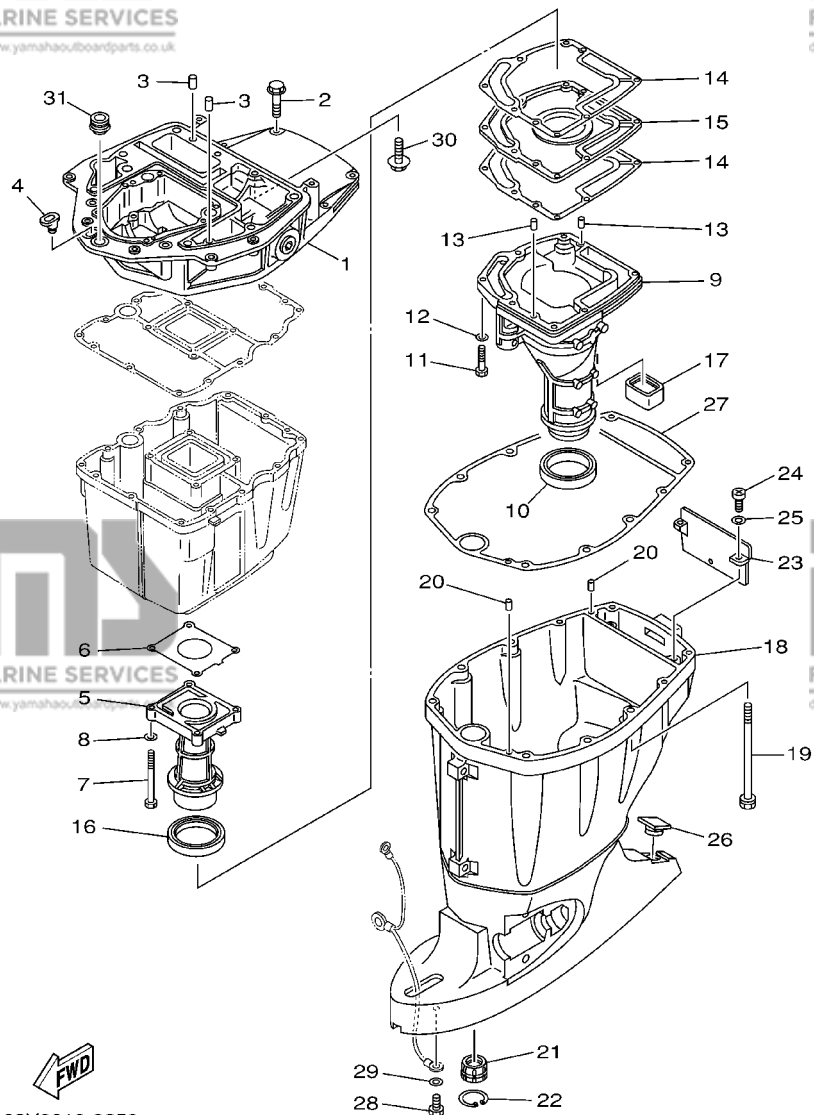
B2



60C1200-1211

FIG. 25 POWER TRIM & TILT ASSY 2 PUISSANCE PARER ET INCLINER 2

REF. NO.	PART NO. NO. PIECES	DESCRIPTION DESCRIPTION	68V1	68W1	REMARKS REMARQUES
28	68V-43880-01	MOTOR ASSY MOTEUR (ENS.)	1	1	
29	6H1-4386K-10	.SPRING, BRUSH .RESSORT, BALAI	2	2	
30	64E-4380J-00	.HOLDER, BRUSH .PORTE-BALAI	1	1	
31	64E-43891-00	.BRUSH 1 .BALAI 1	1	1	
32	97607-04310	.SCREW, PAN HEAD WITH WASHER .VIS HEXAGONAL	2	2	
33	64E-4380F-00	.HOLDER, BRUSH 2 .PORTE-BALAI 2	1	1	
34	64E-43892-00	.BRUSH 2 .BALAI 2	1	1	
35	6G5-43865-00	.O-RING .JOINT TORIQUE	1	1	
36	93102-08M43	.OIL SEAL .JOINT SPY	1	1	
37	64E-43805-00	.ARMATURE ASSY .INDUIT (ENS.)	1	1	
38	64E-43843-10	.SCREW, VALVE LOCK .VIS	3	3	



68V0010-0250

FIG. 26 UPPER CASING

FOURREAU

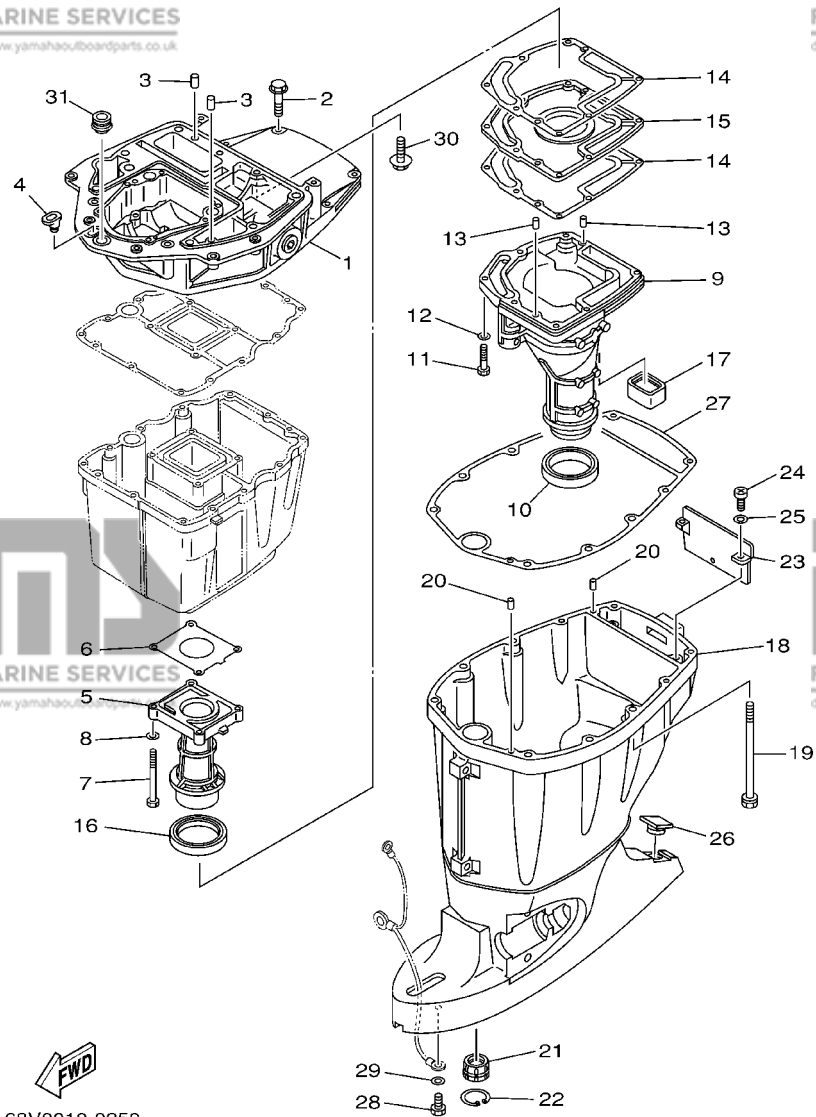
REF. NO.	PART NO. NO. PIECES	DESCRIPTION DESCRIPTION	68V1	68W1	REMARKS REMARQUES
1	67F-41137-01-94	GUIDE, EXHAUST COLLECTEUR D'ÉCHAPPEMENT	1	1	
2	97575-08540	BOLT, WITH WASHER VIS HEXAGONAL AVEC RONDELLE	4	4	
3	93608-16M16	PIN, DOWEL GOUJON	2	2	
4	6G1-42727-00	GROMMET PASSE-FIL	1	1	
5	67F-41131-00-5B	MANIFOLD, EXT. 1 PIPE D'ÉCHAPPEMENT	1	1	
6	67F-41133-A0	GASKET, EXHAUST MANIFOLD 1 JOINT, PIPE D'ÉCHAPPEMENT	1	1	
7	97075-06070	BOLT BOULON	4	4	
8	92995-06600	WASHER RONDELLE	4	4	
9	68V-14711-10-5B	MUFFLER 1 POT D'ÉCHAPPEMENT 1	1		L
	68V-14711-30-5B	MUFFLER 1 POT D'ÉCHAPPEMENT 1	1	1	X
10	68V-45123-00	GASKET, MUFFLER JOINT, POT DE DETENTE	1	1	
11	97075-06030	BOLT BOULON	7	7	
12	92995-06600	WASHER RONDELLE	7	7	
13	93606-19M23	PIN, DOWEL GOUJON	2	2	
14	67F-41134-A0	GASKET, EXHAUST MANIFOLD JOINT, PIPE D'ÉCHAPPEMENT	2	2	
15	67F-45181-00-5B	PLATE PLAQUETTE	1	1	
16	67F-41138-00	SEAL, EXT. 1 JOINT DE GROUPE 1	1	1	
17	67F-45127-00	SEAL JOINT	1	1	
18	68V-45111-10-8D	CASING, UPPER FOURREAU	1		L
	68V-45111-30-8D	CASING, UPPER FOURREAU	1	1	X
19	90119-10M08	BOLT, WITH WASHER BOULON, AVEC RONDELLE	6	6	
20	93608-16M16	PIN, DOWEL GOUJON	2	2	
21	6E5-45318-00	BUSHING, DRIVE SHAFT DOUILLE, ARBRE MOTEUR	1	1	
22	93420-36M01	CIRCLIP CIRCLIP, TYPE S	1	1	
23	67F-45151-00	COVER, UPPER CASING CAPUCHON, FOURREAU	1	1	
24	97880-06016	SCREW, PAN HEAD VIS, TÊTE TRONCONIQUE	2	2	
25	92990-06600	WASHER, PLAIN RONDELLE, PLATE	2	2	

B4

FOURREAU

FIG. 26 UPPER CASING

REF. NO.	PART NO. NO. PIECES	DESCRIPTION DESCRIPTION	68V1	68W1	REMARKS REMARQUES
26	6H3-45155-00	CAP CAPUCHON	1	1	
27	67F-45113-00	GASKET, UPPER CASING JOINT, TUBE D'ARBRE	1	1	
28	97095-06010	BOLT BOULON	1	1	
29	92995-06600	WASHER RONDELLE	1	1	
30	90119-08M58	BOLT, WITH WASHER BOULON, AVEC RONDELLE	2	2	
31	67F-42724-00	GROMMET PASSE-FIL	1	1	



68V0010-0250

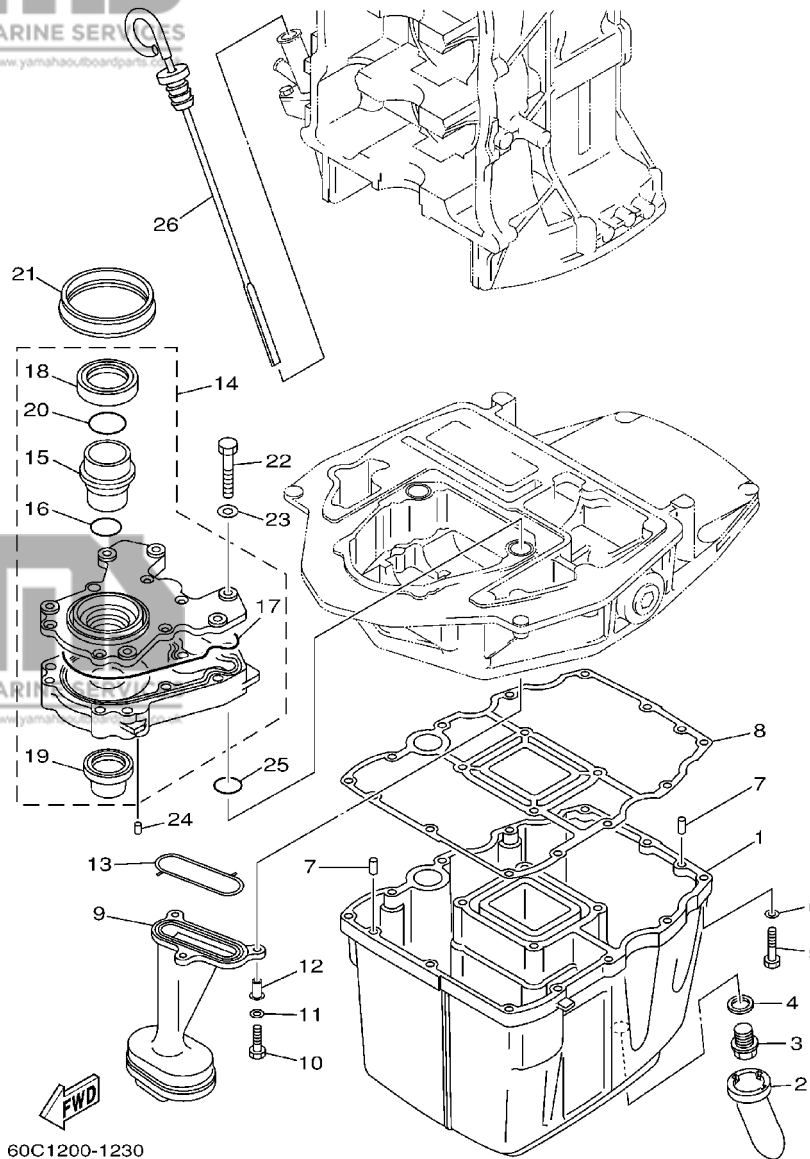
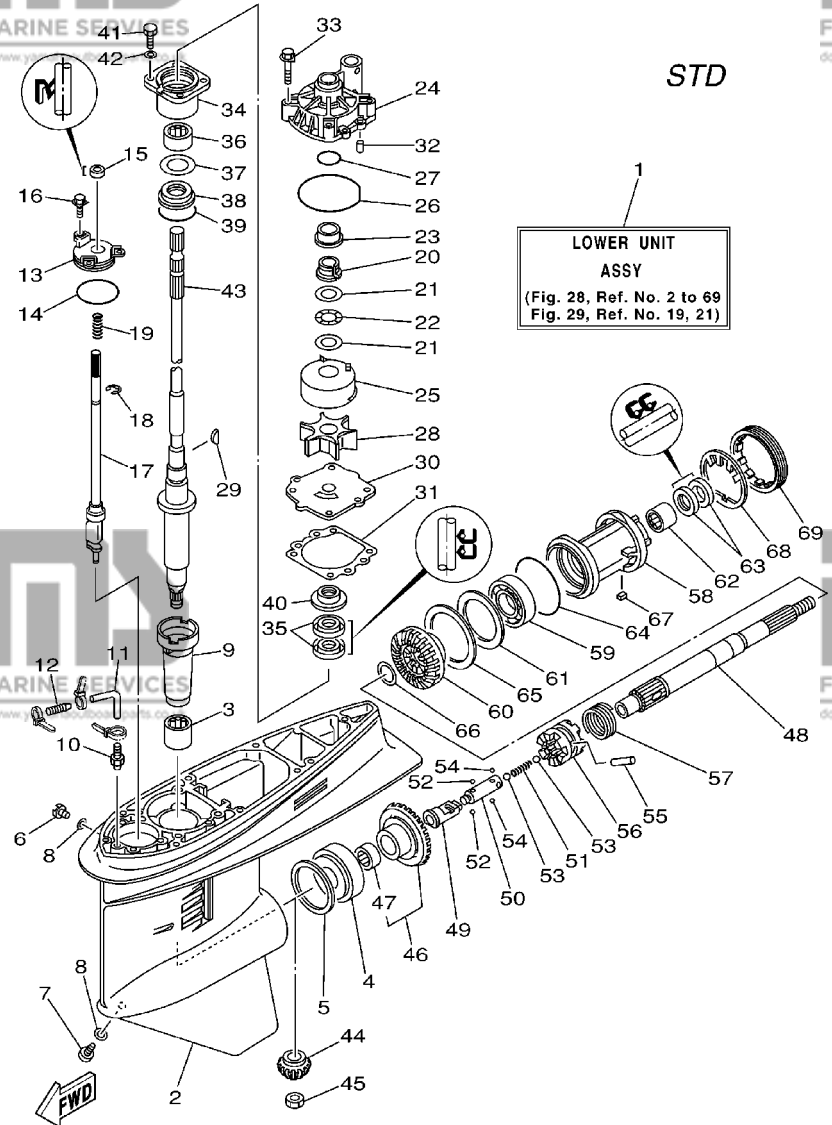


FIG. 27 OIL PAN

VENTILATEUR D'HUILE

REF. NO.	PART NO. NO. PIECES	DESCRIPTION DESCRIPTION	68V1	68W1	REMARKS REMARQUES
1	67F-15311-00-5B	OIL PAN VENTILATEUR D'HUILE	1	1	
2	67F-15316-00	DAMPER 1 AMORTISSEUR 1	1	1	
3	90340-14M06	PLUG, STRAIGHT SCREW PLOT, FILETE DROIT	1	1	
4	90430-14M09	GASKET JOINT	1	1	
5	97075-06025	BOLT BOULON	12	12	
6	92995-06600	WASHER RONDELLE	12	12	
7	93606-12019	PIN, DOWEL GOUJON	2	2	
8	67F-15312-00	GASKET, OIL PAN JOINT DE VENTILATEUR D'HUILE	1	1	
9	67F-13411-00	STRAINER, OIL FILTRE, HUILE	1	1	
10	97027-06025	BOLT BOULON	3	3	
11	92907-06600	WASHER RONDELLE	3	3	
12	90387-06M64	COLLAR COLLERETTE	3	3	
13	67F-13415-00	SEAL, OIL STRAINER JOINT, FILTRE A HUILE	1	1	
14	67F-13300-03	OIL PUMP ASSY POMPE A HUILE COMPLET	1	1	
15	67F-13314-01	SHAFT, PUMP AXE DE POMPE	1	1	
16	67F-13473-01	O-RING JOINT TORIQUE	1	1	
17	67F-13329-00	GASKET, PUMP COVER JOINT, COUVERCLE DE POMPE	1	1	
18	67F-13119-01	OIL SEAL JOINT SPY	1	1	
19	67F-13631-02	SEAL, RUBBER JOINT CAOUTCHOUC	1	1	
20	67F-13769-00	O-RING JOINT TORIQUE	1	1	
21	67F-13338-00	SEAL JOINT	1	1	
22	97095-06045	BOLT BOULON	6	6	
23	92995-06600	WASHER RONDELLE	6	6	
24	93604-12M07	PIN, DOWEL GOUJON	2	2	
25	93210-19MJ1	O-RING JOINT TORIQUE	2	2	
26	68V-15362-00	PLUG, OIL LEVEL PLOT, NIVEAU D'HUILE	1	1	

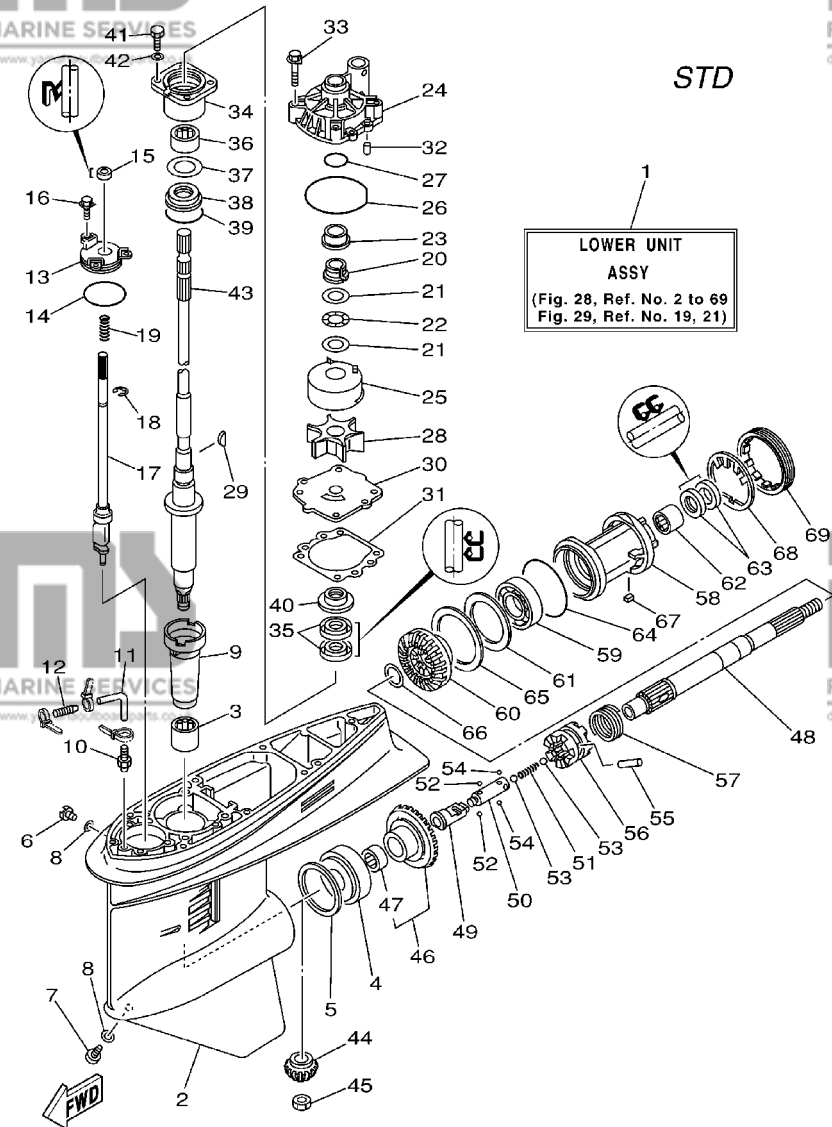


68V1100-2280

FIG. 28 LOWER CASING. DRIVE 1

BOITIER D'HELICE, TRANSMISSION 1

REF. NO.	PART NO. NO. PIECES	DESCRIPTION DESCRIPTION	68V1	68W1	REMARKS REMARQUES
1	68V-45300-11-8D	LOWER UNIT ASSY UNITE INFERIEURE (ENS.)	1		L
	68V-45300-31-8D	LOWER UNIT ASSY UNITE INFERIEURE (ENS.)	1		X
2	6E5-45301-04-8D	CASING, LOWER BEQUILLE	1		
3	93315-628U9	BEARING ROULEMENT	1		
4	93332-000U7	BEARING ROULEMENT	1		
5	6E5-45567-01-10	SHIM (T:0.10MM) CALE (T:0.10MM)	1		UR
	6E5-45567-01-12	SHIM (T:0.12MM) CALE (T:0.12MM)	1		UR
	6E5-45567-01-15	SHIM (T:0.15MM) CALE (T:0.15MM)	1		UR
	6E5-45567-01-18	SHIM (T:0.18MM) CALE (T:0.18MM)	1		UR
	6E5-45567-01-30	SHIM (T:0.30MM) CALE (T:0.30MM)	1		UR
	6E5-45567-01-40	SHIM (T:0.40MM) CALE (T:0.40MM)	1		UR
	6E5-45567-01-50	SHIM (T:0.50MM) CALE (T:0.50MM)	1		UR
6	90340-08002	PLUG, STRAIGHT SCREW PLOT, FILETE DROIT	1		
7	688-45341-10	PLUG, DRAIN BOUCHON DE VIDANGE	1		
8	90430-08020	GASKET JOINT	2		
9	6E5-45536-00	SLEEVE, DRIVE SHAFT MANCHON, ARBRE MOTEUR	1		
10	6E5-45378-00	NIPPLE, HOSE RACCORD, TUYAU	1		
11	90445-07ME8	HOSE (L80) DURITE (L80)	1		L
	90445-07ME9	HOSE (L120) DURITE (L120)	1		X
12	6E5-83558-10	END, NIPPLE RACCORD DE NIPPLE	1		
13	6E5-45321-00	PLATE PLAQUETTE	1		
14	93210-58144	O-RING JOINT TORIQUE	1		
15	93106-09014	OIL SEAL JOINT SPY	1		
16	90119-06M10	BOLT, WITH WASHER BOULON, AVEC RONDELLE	3		
17	6L6-44150-01	SHIFT CAM ASSY CAME D'INVERSION	1		
18	99001-08800	CIRCLIP CIRCLIP	1		
19	90501-11M10	SPRING, COMPRESSION RESSORT, COMPRESSION	1		

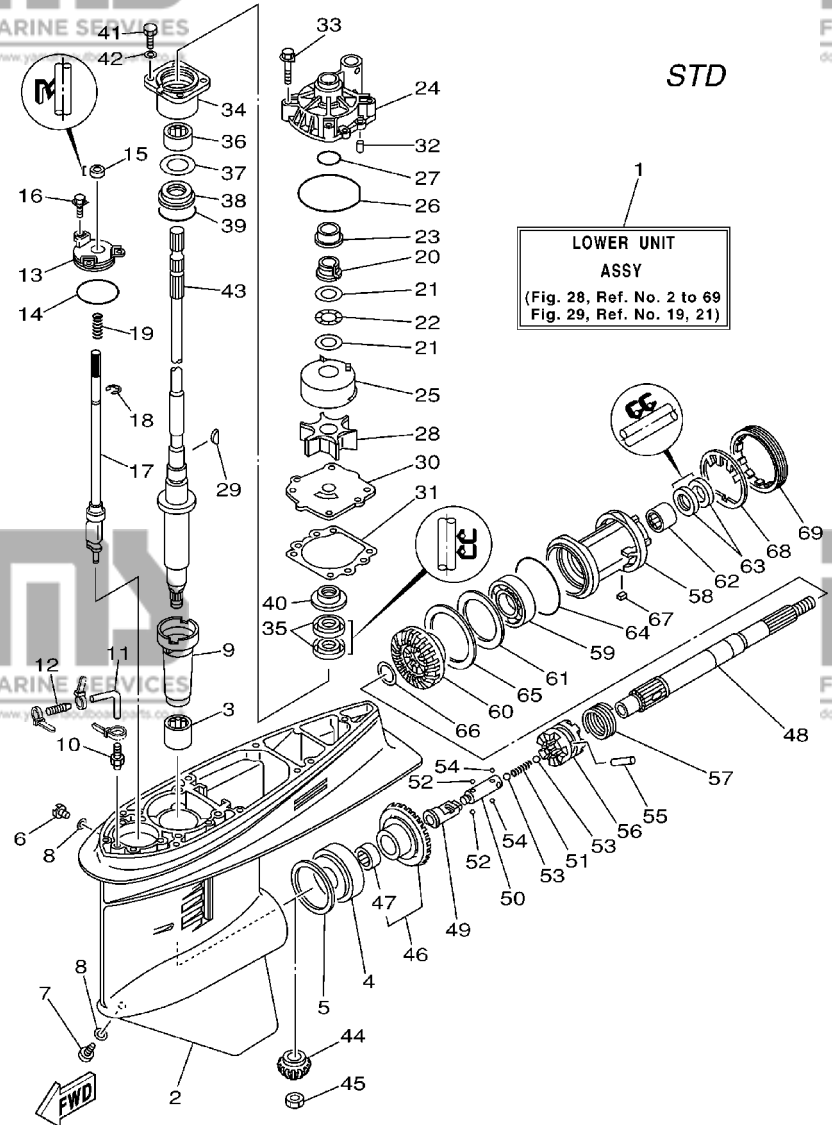


68V1100-2280

FIG. 28 LOWER CASING. DRIVE 1 BOITIER D'HELICE, TRANSMISSION 1

REF. NO.	PART NO. NO. PIECES	DESCRIPTION DESCRIPTION	68V1	68W1	REMARKS REMARQUES
20	61A-45538-00	SPACER 1 ENTRETOISE	1		
21	90201-22M01	WASHER, PLATE RONDELLE, PLATE	2		
22	90206-22M19	WASHER, WAVE RONDELLE, ONDULEE	1		
23	61A-45527-00	COLLAR, DRIVE SHAFT ENTRETOISE	1		
24	61A-44311-01	HOUSING, WATER PUMP CORPS, POMPE A EAU	1		
25	61A-44322-02	INSERT, CARTRIDGE CUVETTE	1		
26	93210-86M38	O-RING JOINT TORIQUE	1		
27	93210-37160	O-RING JOINT TORIQUE	1		
28	6E5-44352-01	IMPELLER TURBINE	1		
29	90280-04M05	KEY, WOODRUFF CLAVETTE, DEMI-LUNE	1		
30	68V-44323-00	OUTER PLATE, CARTRIDGE PLAQUE EXTERIEURE	1		
31	6E5-44315-A0	GASKET, WATER PUMP JOINT, POMPE A EAU	1		
32	93606-12019	PIN, DOWEL GOUJON	2		
33	90119-08M14	BOLT, WITH WASHER BOULON, AVEC RONDELLE	4		
34	6E5-45331-00-94	HOUSING, BEARING FLASQUE, ROULEMENT	1		
35	93101-28M16	OIL SEAL JOINT SPY	2		
36	93317-330U2	BEARING ROULEMENT	1		
37	6E5-45587-01-10	SHIM (T:0.10MM) CALE (T:0.10MM)	1		UR
	6E5-45587-01-12	SHIM (T:0.12MM) CALE (T:0.12MM)	1		UR
	6E5-45587-01-15	SHIM (T:0.15MM) CALE (T:0.15MM)	1		UR
	6E5-45587-01-18	SHIM (T:0.18MM) CALE (T:0.18MM)	1		UR
	6E5-45587-01-30	SHIM (T:0.30MM) CALE (T:0.30MM)	1		UR
	6E5-45587-01-40	SHIM (T:0.40MM) CALE (T:0.40MM)	1		UR
	6E5-45587-01-50	SHIM (T:0.50MM) CALE (T:0.50MM)	1		UR
38	93341-930V2	BEARING ROULEMENT	1		
39	93210-55M14	O-RING JOINT TORIQUE	1		
40	6E5-45344-00	COVER, OIL SEAL FLASQUE, JOINT D'HUILE	1		

C1

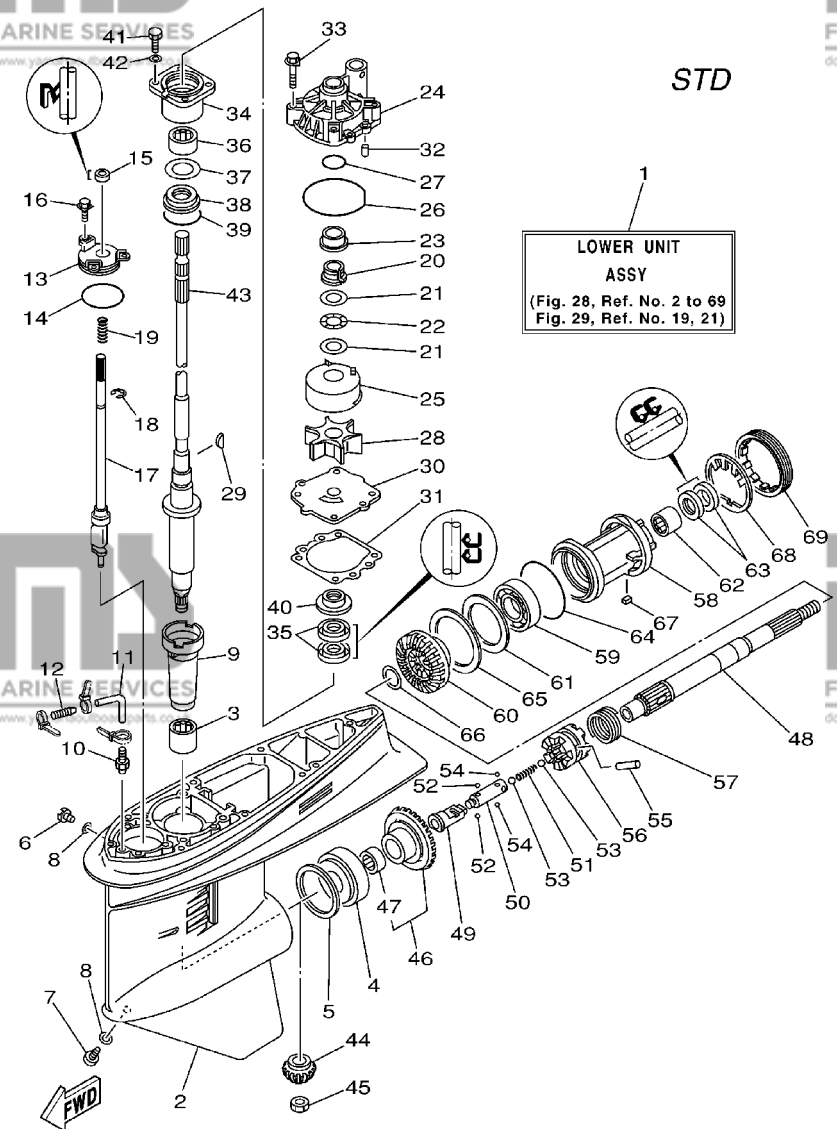


68V1100-2280

FIG. 28 LOWER CASING. DRIVE 1

BOITIER D'HELICE, TRANSMISSION 1

REF. NO.	PART NO. NO. PIECES	DESCRIPTION DESCRIPTION	68V1	68W1	REMARKS REMARQUES
41	97095-08025	BOLT BOULON	4		
42	92995-08600	WASHER RONDELLE	4		
43	68V-45501-10	DRIVE SHAFT COMP. ARBRE MOTEUR COMP.	1		L
	68V-45501-30	DRIVE SHAFT COMP. ARBRE MOTEUR COMP.	1		X
44	68V-45551-00	PINION PIGNON D'ATTAQUE	1		
45	90170-16M01	NUT ECROU	1		
46	68V-45560-00	GEAR PIGNON	1		
47	93315-425U7	BEARING ROULEMENT	1		
48	6E5-45611-01	SHAFT, PROPELLER ARBRE, HELICE	1		
49	6K1-45641-01	SHIFTER EMBRAYAGE	1		
50	6E5-45634-01	SLIDE, SHIFT CONTRE-POUSSOIR	1		
51	90501-16M37	SPRING, COMPRESSION RESSORT, COMPRESSION	1		
52	93507-32009	BALL BILLE	2		
53	93511-32017	BALL BILLE	2		
54	93503-16003	BALL BILLE	2		
55	90250-08M07	PIN, STRAIGHT GOUPILLE, DROITE	1		
56	68V-45631-01	CLUTCH, DOG CRABOT	1		
57	6E5-45633-01	RING, CROSS PIN JONC, GOUPILLE CRABOT	1		
58	6E5-45332-00-94	HOUSING, BEARING FLASQUE, ROULEMENT	1		
59	93306-208U0	BEARING ROULEMENT	1		
60	68V-45571-00	GEAR PIGNON	1		
61	6E5-45576-00	WASHER, THRUST RONDELLE DE CALAGE	1		
62	93315-430U8	BEARING ROULEMENT	1		
63	93101-30M17	OIL SEAL JOINT SPY	2		
64	93210-86M39	O-RING JOINT TORIQUE	1		
65	6L6-45577-00-10	SHIM (T:0.10MM) CALE (T:0.10MM)	1		UR
	6L6-45577-00-12	SHIM (T:0.12MM) CALE (T:0.12MM)	1		UR



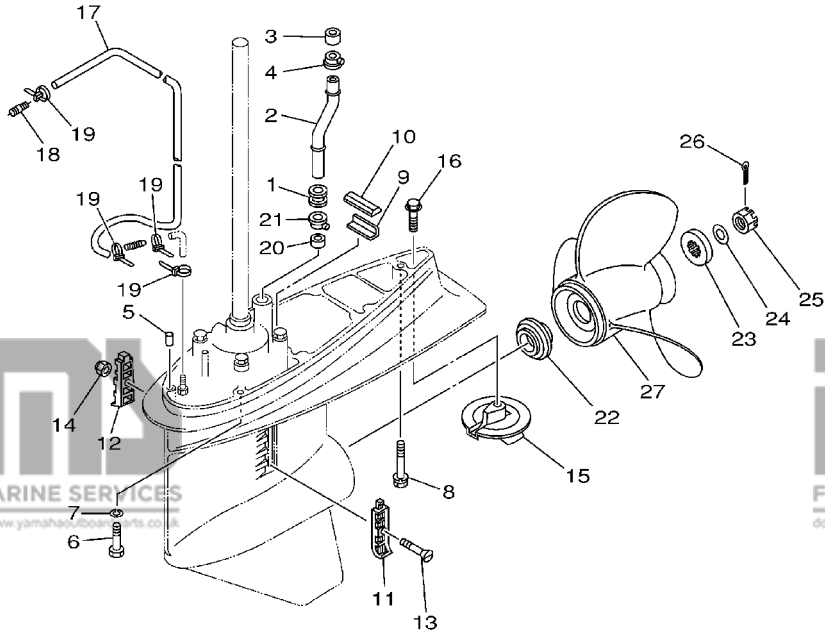
68V1100-2280

FIG. 28 LOWER CASING. DRIVE 1

BOITIER D'HELICE, TRANSMISSION 1

REF. NO.	PART NO. NO. PIECES	DESCRIPTION DESCRIPTION	68V1	68W1	REMARKS REMARQUES
65	6L6-45577-00-15	SHIM (T:0.15MM) CALE (T:0.15MM)	1		UR
	6L6-45577-00-18	SHIM (T:0.18MM) CALE (T:0.18MM)	1		UR
	6L6-45577-00-30	SHIM (T:0.30MM) CALE (T:0.30MM)	1		UR
	6L6-45577-00-40	SHIM (T:0.40MM) CALE (T:0.40MM)	1		UR
	6L6-45577-00-50	SHIM (T:0.50MM) CALE (T:0.50MM)	1		UR
66	90201-30M92	WASHER, PLATE RONDELLE, PLATE	2		
67	90282-04010	KEY, STRAIGHT CLAVETTE, DROITE	1		
68	688-45383-02	WASHER, CLAW FREIN D'ECROU	1		
69	688-45384-00	NUT ECROU	1		

STD



FWD
68V0100-1290

FIG. 29 LOWER CASING. DRIVE 2

BOITIER D'HELICE, TRANSMISSION 2

REF. NO.	PART NO. NO. PIECES	DESCRIPTION DESCRIPTION	68V1	68W1	REMARKS REMARQUES
1	6E5-44366-00	DAMPER, WATER SEAL JOINT, TUBE D'EAU	1		
2	68V-44361-10	TUBE, WATER TUBE D'EAU	1		L
	68V-44361-30	TUBE, WATER TUBE D'EAU	1		X
3	6E5-44365-00	DAMPER, WATER SEAL JOINT, TUBE D'EAU	1		
4	6E5-44312-00	COVER, WATER PUMP HOUSING COUVERCLE	1		
5	93608-12M05	PIN, DOWEL GOUJON	2		
6	97075-10045	BOLT BOULON	6		
7	92995-10100	WASHER, SPRING RONDELLE	6		
8	90119-10M89	BOLT, WITH WASHER BOULON, AVEC RONDELLE	1		
9	663-45376-00-94	GUIDE, SEAL DAMPER BUTEE, JOINT CAOUTCHOUC	1		
10	688-45375-00	DAMPER, SEAL BOURRELET, CAOUTCHOUC	1		
11	688-45214-02	COVER, WATER INLET GRILLE, ENTREE D'EAU	1		
12	688-45215-02	COVER, WATER INLET GRILLE, ENTREE D'EAU	1		
13	90152-05M07	SCREW, COUNTERSUNK VIS, TETE NOYEE	1		
14	90185-05002	NUT, SELF-LOCKING ECROU, AUTO-BLOCANT	1		
15	6E5-45371-01	TAB-TRIM ANODE DERIVE	1		
16	90105-10M00	BOLT, FLANGE BOULON	1		
17	90445-076K2	HOSE (L1550) DURITE (L1550)	1		
18	6E5-83558-00	END, NIPPLE RACCORD DE NIPPLE	1		
19	90465-11M10	CLAMP BRIDE	4		
20	6E5-44365-00	DAMPER, WATER SEAL JOINT, TUBE D'EAU	1		
21	6E5-44312-00	COVER, WATER PUMP HOUSING COUVERCLE	1		
22	6E5-45987-01	SPACER ENTRETOISE	1		
23	688-45997-01	SPACER ENTRETOISE	1		
24	92990-18200	WASHER RONDELLE	1		
25	90171-18M04	NUT, CASTLE ECROU, CRENELE	1		
26	91490-40030	PIN, COTTER GOUPILLE, FENDUE	1		

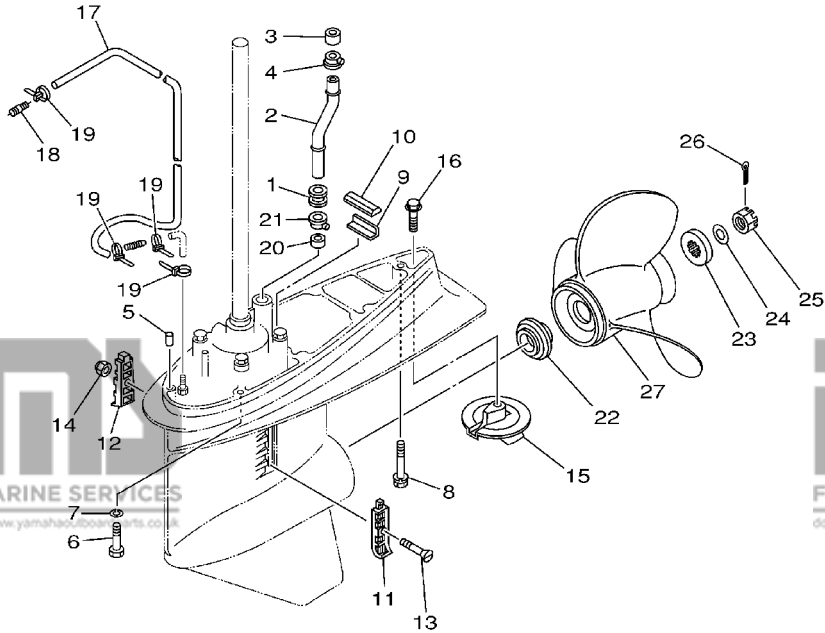
C4

FIG. 29 LOWER CASING. DRIVE 2

BOITIER D'HELICE, TRANSMISSION 2

REF. NO.	PART NO. NO. PIECES	DESCRIPTION DESCRIPTION	68V1	68W1	REMARKS REMARQUES
27	6E5-45941-00-EL	PROPELLER (3X13"X19"-K) HELICE (3X13"X19"-K)	1		UR
	6E5-45943-00-EL	PROPELLER (3X12-5/8"X21"-K) HELICE (3X12-5/8"X21"-K)	1		UR
	6E5-45945-01-EL	PROPELLER (3X13-1/4"X17"-K) HELICE (3X13-1/4"X17"-K)	1		UR
	6E5-45947-00-EL	PROPELLER (3X13-1/2"X15"-K) HELICE (3X13-1/2"X15"-K)	1		UR
	6E5-45949-00-EL	PROPELLER (3X13-5/8"X13"-K) HELICE (3X13-5/8"X13"-K)	1		UR
	6E5-45952-00-EL	PROPELLER (3X13"X23"-K) HELICE (3X13"X23"-K)	1		UR
	6E5-45954-00-EL	PROPELLER (3X14"X11"-K) HELICE (3X14"X11"-K)	1		UR
	6E5-45956-00-EL	PROPELLER (3X13"X25"-K) HELICE (3X13"X25"-K)	1		UR
	688-45930-02-98	STAINLESS STEEL PROPELLER ACIER INOXYDABLE HELICE PROPELLER (3X13"X17"-K) HELICE (3X13"X17"-K)	1		UR
	688-45932-60-98	PROPELLER (3X13-1/2"X14"-K) HELICE (3X13-1/2"X14"-K)	1		UR
	688-45970-03-98	PROPELLER (3X13"X19"-K) HELICE (3X13"X19"-K)	1		UR
	688-45972-02-98	PROPELLER (3X13"X21"-K) HELICE (3X13"X21"-K)	1		UR
	688-45974-02-98	PROPELLER (3X13"X23"-K) HELICE (3X13"X23"-K)	1		UR
	688-45976-01-98	PROPELLER (3X13"X25"-K) HELICE (3X13"X25"-K)	1		UR
	688-45978-60-98	HIGH PERFORMANCE PROPELLER HELICE RENDEMENT DE HAUTEUR PROPELLER (3X13-1/2"X16"-K) HELICE (3X13-1/2"X16"-K)	1		UR
	62A-45970-10	PROPELLER (3X13-1/2"X21"-K) HELICE (3X13-1/2"X21"-K)	1		UR
	62A-45972-10	PROPELLER (3X13-1/2"X23"-K) HELICE (3X13-1/2"X23"-K)	1		UR
	62A-45974-10	PROPELLER (3X13-1/2"X19"-K) HELICE (3X13-1/2"X19"-K)	1		UR

STD



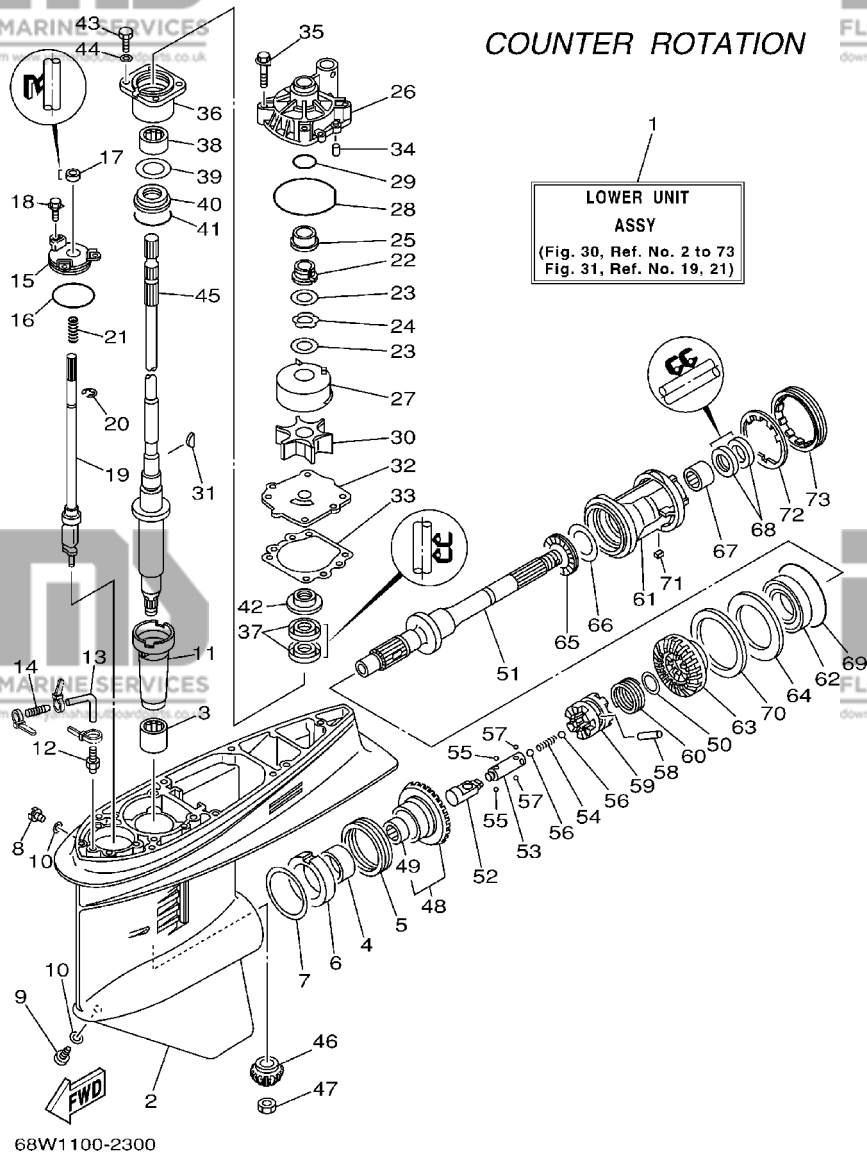
68V0100-1290

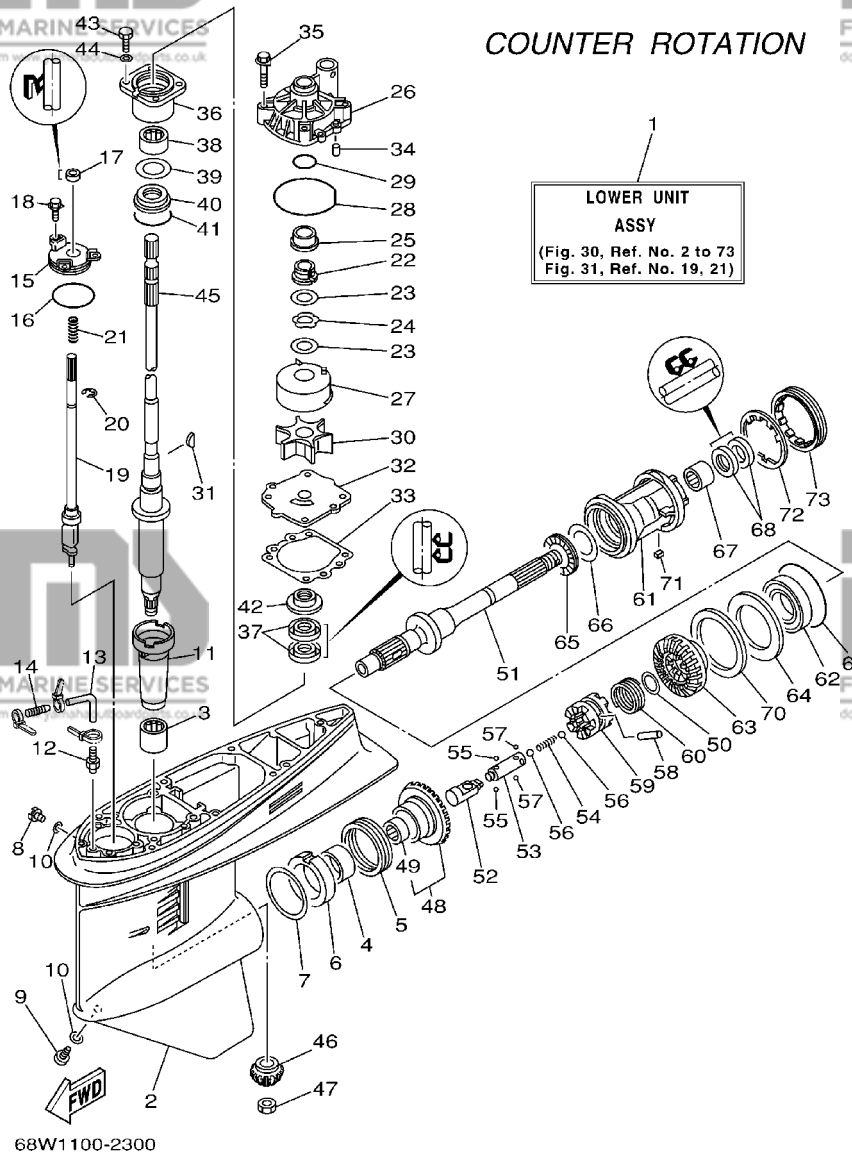
FIG. 30 LOWER CASING. DRIVE 3

BOITIER D'HELICE, TRANSMISSION 3

REF. NO.	PART NO. NO. PIECES	DESCRIPTION DESCRIPTION	68V1	68W1	REMARKS REMARQUES
1	68W-45300-31-8D	LOWER UNIT ASSY UNITE INFERIEURE (ENS.)		1	X
2	6E5-45301-04-8D	CASING, LOWER BEQUILLE		1	
3	93315-628U9	BEARING ROULEMENT		1	
4	93315-345W0	BEARING ROULEMENT		1	
5	93341-360U8	BEARING ROULEMENT		1	
6	6L6-45538-00	SPACER 1 ENTRETOISE		1	
7	6E5-45567-01-10	SHIM (T:0.10MM) CALE (T:0.10MM)		1	UR
	6E5-45567-01-12	SHIM (T:0.12MM) CALE (T:0.12MM)		1	UR
	6E5-45567-01-15	SHIM (T:0.15MM) CALE (T:0.15MM)		1	UR
	6E5-45567-01-18	SHIM (T:0.18MM) CALE (T:0.18MM)		1	UR
	6E5-45567-01-30	SHIM (T:0.30MM) CALE (T:0.30MM)		1	UR
	6E5-45567-01-40	SHIM (T:0.40MM) CALE (T:0.40MM)		1	UR
	6E5-45567-01-50	SHIM (T:0.50MM) CALE (T:0.50MM)		1	UR
8	90340-08002	PLUG, STRAIGHT SCREW PLOT, FILETE DROIT		1	
9	688-45341-10	PLUG, DRAIN BOUCHON DE VIDANGE		1	
10	90430-08020	GASKET JOINT		2	
11	6E5-45536-00	SLEEVE, DRIVE SHAFT MANCHON, ARBRE MOTEUR		1	
12	6E5-45378-00	NIPPLE, HOSE RACCORD, TUYAU		1	
13	90445-07ME9	HOSE (L120) DURITE (L120)		1	X
14	6E5-83558-10	END, NIPPLE RACCORD DE NIPPLE		1	
15	6E5-45321-00	PLATE PLAQUETTE		1	
16	93210-58144	O-RING JOINT TORIQUE		1	
17	93106-09014	OIL SEAL JOINT SPY		1	
18	90119-06M10	BOLT, WITH WASHER BOULON, AVEC RONDELLE		3	
19	6E5-44150-02	SHIFT CAM ASSY CAME D'INVERSION		1	
20	99001-08800	CIRCLIP CIRCLIP		1	
21	90501-11M10	SPRING, COMPRESSION RESSORT, COMPRESSION		1	

COUNTER ROTATION





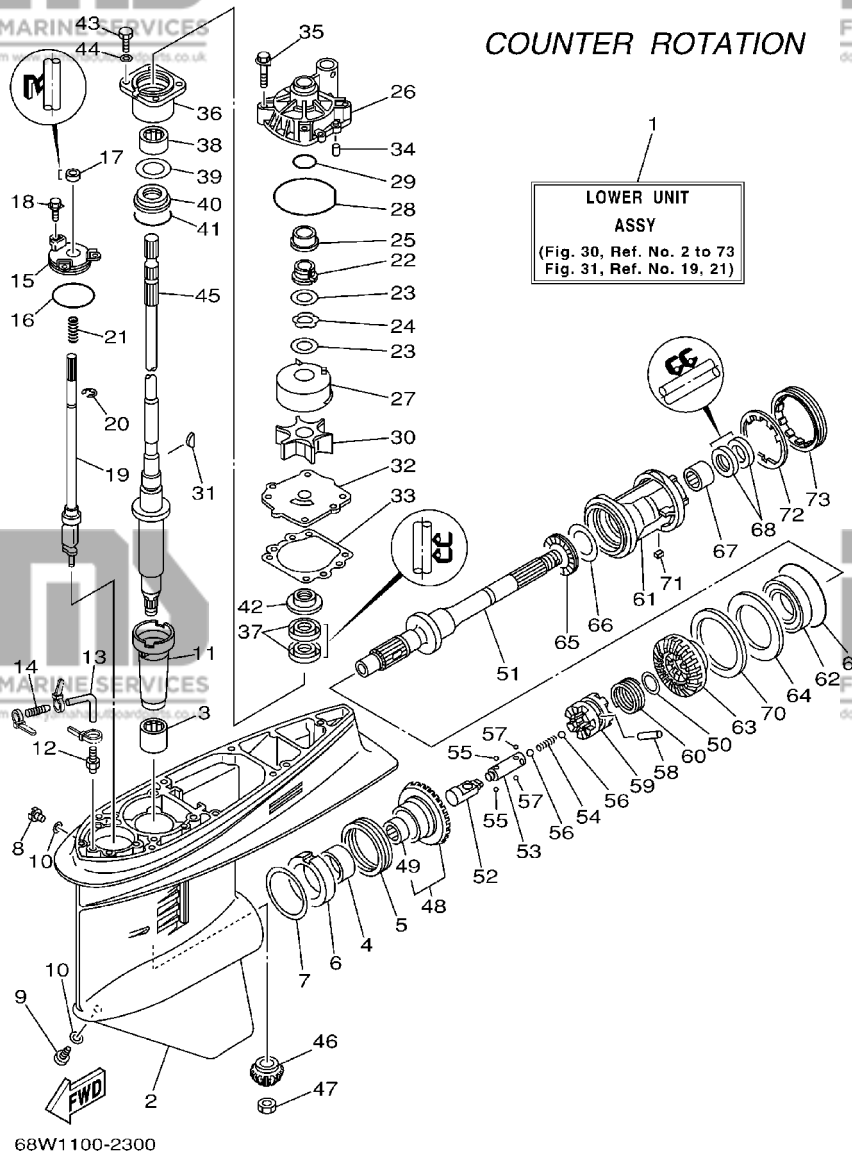
COUNTER ROTATION

LOWER UNIT ASSY
(Fig. 30, Ref. No. 2 to 73
Fig. 31, Ref. No. 19, 21)

FIG. 30 LOWER CASING. DRIVE 3

BOITIER D'HELICE, TRANSMISSION 3

REF. NO.	PART NO. NO. PIECES	DESCRIPTION DESCRIPTION	68V1	68W1	REMARKS REMARQUES
22	61A-45538-00	SPACER 1 ENTRETOISE		1	
23	90201-22M01	WASHER, PLATE RONDELLE, PLATE		2	
24	90206-22M19	WASHER, WAVE RONDELLE, ONDULEE		1	
25	61A-45527-00	COLLAR, DRIVE SHAFT ENTRETOISE		1	
26	61A-44311-01	HOUSING, WATER PUMP CORPS, POMPE A EAU		1	
27	61A-44322-02	INSERT, CARTRIDGE CUVETTE		1	
28	93210-86M38	O-RING JOINT TORIQUE		1	
29	93210-37160	O-RING JOINT TORIQUE		1	
30	6E5-44352-01	IMPELLER TURBINE		1	
31	90280-04M05	KEY, WOODRUFF CLAVETTE, DEMI-LUNE		1	
32	68V-44323-00	OUTER PLATE, CARTRIDGE PLAQUE EXTERIEURE		1	
33	6E5-44315-A0	GASKET, WATER PUMP JOINT, POMPE A EAU		1	
34	93606-12019	PIN, DOWEL GOUJON		2	
35	90119-08M14	BOLT, WITH WASHER BOULON, AVEC RONDELLE		4	
36	6E5-45331-00-94	HOUSING, BEARING FLASQUE, ROULEMENT		1	
37	93101-28M16	OIL SEAL JOINT SPY		2	
38	93317-330U2	BEARING ROULEMENT		1	
39	6E5-45587-01-10	SHIM (T:0.10MM) CALE (T:0.10MM)		1	UR
	6E5-45587-01-12	SHIM (T:0.12MM) CALE (T:0.12MM)		1	UR
	6E5-45587-01-15	SHIM (T:0.15MM) CALE (T:0.15MM)		1	UR
	6E5-45587-01-18	SHIM (T:0.18MM) CALE (T:0.18MM)		1	UR
	6E5-45587-01-30	SHIM (T:0.30MM) CALE (T:0.30MM)		1	UR
	6E5-45587-01-40	SHIM (T:0.40MM) CALE (T:0.40MM)		1	UR
	6E5-45587-01-50	SHIM (T:0.50MM) CALE (T:0.50MM)		1	UR
40	93341-930V2	BEARING ROULEMENT		1	
41	93210-55M14	O-RING JOINT TORIQUE		1	
42	6E5-45344-00	COVER, OIL SEAL FLASQUE, JOINT D'HUILE		1	



COUNTER ROTATION

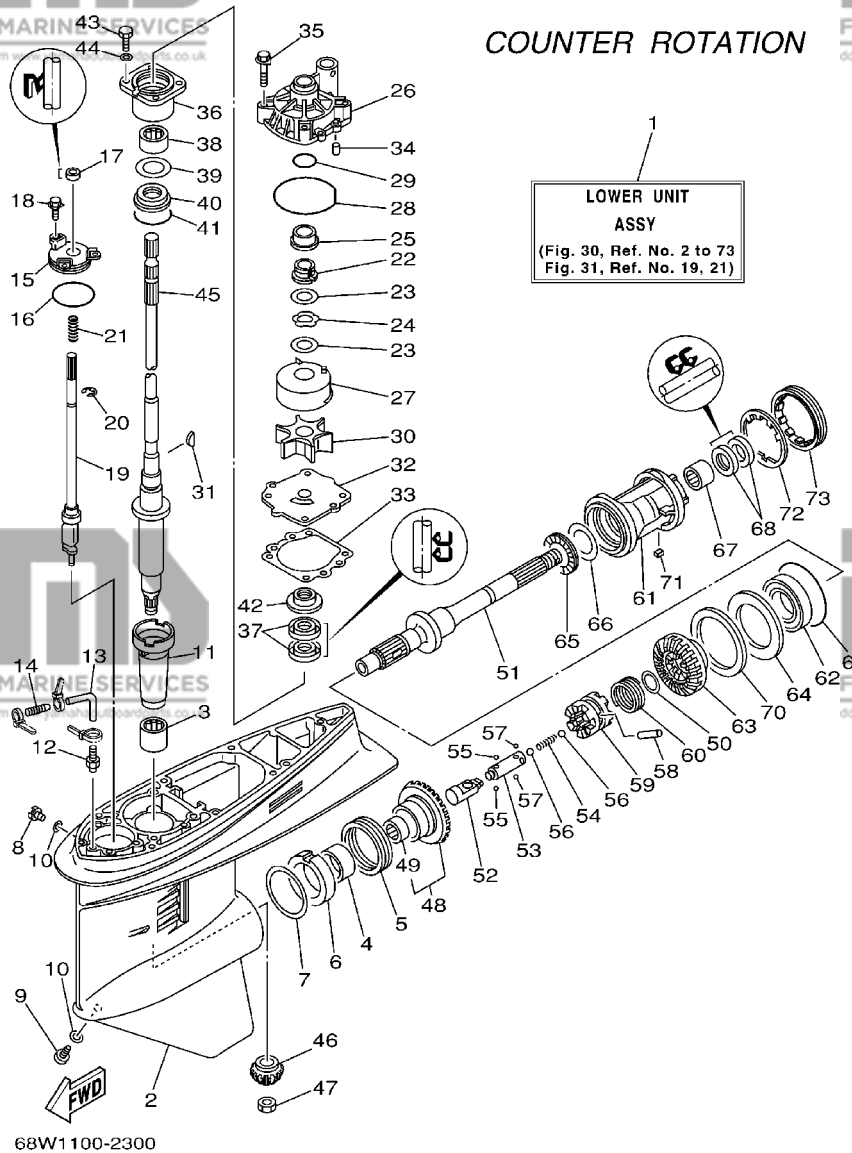
LOWER UNIT
ASSY
(Fig. 30, Ref. No. 2 to 73
Fig. 31, Ref. No. 19, 21)

FIG. 30 LOWER CASING. DRIVE 3

BOITIER D'HELICE, TRANSMISSION 3

REF. NO.	PART NO. NO. PIECES	DESCRIPTION DESCRIPTION	68V1	68W1	REMARKS REMARQUES
43	97095-08025	BOLT BOULON		4	
44	92995-08600	WASHER RONDELLE		4	
45	68V-45501-30	DRIVE SHAFT COMP. ARBRE MOTEUR COMP.		1	X
46	68V-45551-00	PINION PIGNON D'ATTAQUE		1	
47	90170-16M01	NUT ECROU		1	
48	68W-45560-00	GEAR PIGNON		1	
49	93315-425U7	.BEARING .ROULEMENT		1	
50	90201-26M00	WASHER, PLATE RONDELLE, PLATE		1	
51	68W-45611-00	SHAFT, PROPELLER ARBRE, HELICE		1	
52	6E5-45641-02	SHIFTER EMBRAYAGE		1	
53	6E5-45634-01	SLIDE, SHIFT CONTRE-POUSSOIR		1	
54	90501-16M37	SPRING, COMPRESSION RESSORT, COMPRESSION		1	
55	93507-32009	BALL BILLE		2	
56	93511-32017	BALL BILLE		2	
57	93503-16003	BALL BILLE		2	
58	90250-08M07	PIN, STRAIGHT GOUPILLE, DROITE		1	
59	68V-45631-01	CLUTCH, DOG CRABOT		1	
60	6E5-45633-01	RING, CROSS PIN JONC, GOUPILLE CRABOT		1	
61	6L6-45332-00-94	HOUSING, BEARING FLASQUE, ROULEMENT		1	
62	93332-000V7	BEARING ROULEMENT		1	
63	68W-45570-10	GEAR PIGNON		1	
64	6L6-45576-00	WASHER, THRUST RONDELLE DE CALAGE		1	
65	93341-440U5	BEARING ROULEMENT		1	
66	6K1-45578-01-10	SHIM (T:0.10MM) CALE (T:0.10MM)		1	UR
	6K1-45578-01-12	SHIM (T:0.12MM) CALE (T:0.12MM)		1	UR
	6K1-45578-01-15	SHIM (T:0.15MM) CALE (T:0.15MM)		1	UR
	6K1-45578-01-18	SHIM (T:0.18MM) CALE (T:0.18MM)		1	UR

D1



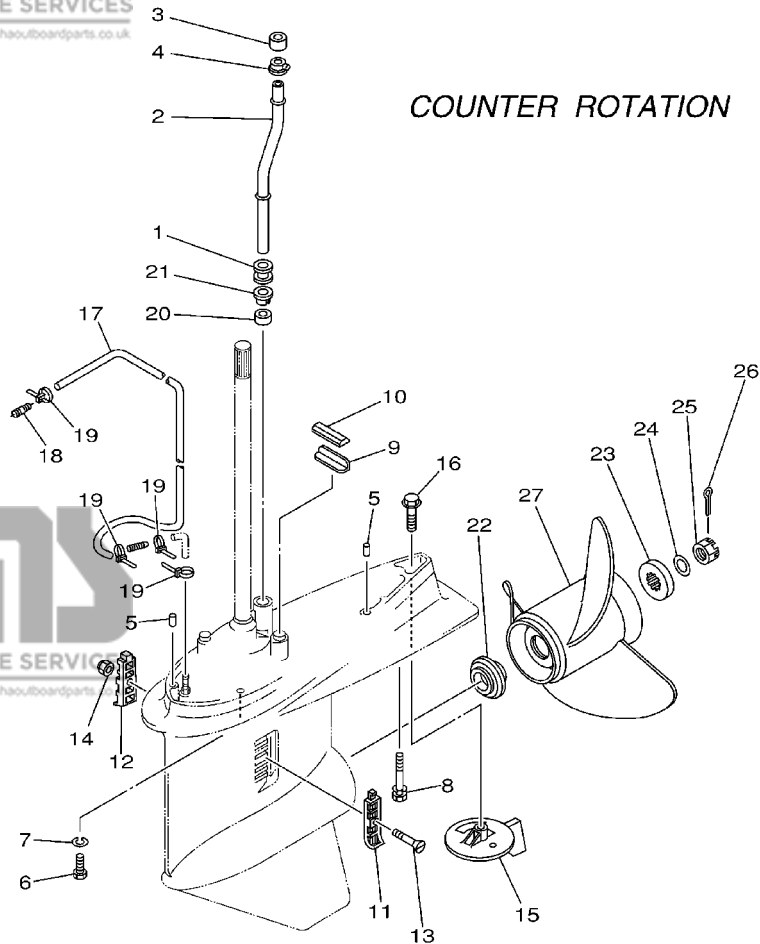
COUNTER ROTATION

1
LOWER UNIT
ASSY
(Fig. 30, Ref. No. 2 to 73
Fig. 31, Ref. No. 19, 21)

FIG. 30 LOWER CASING. DRIVE 3

BOITIER D'HELICE, TRANSMISSION 3

REF. NO.	PART NO. NO. PIECES	DESCRIPTION DESCRIPTION	68V1	68W1	REMARKS REMARQUES
66	6K1-45578-01-30	SHIM (T:0.30MM)		1	UR
		CALE (T:0.30MM)			
	6K1-45578-01-40	SHIM (T:0.40MM)		1	UR
		CALE (T:0.40MM)			
	6K1-45578-01-50	SHIM (T:0.50MM)		1	UR
		CALE (T:0.50MM)			
67	93317-330U5	BEARING ROULEMENT		1	
68	93101-30M17	OIL SEAL JOINT SPY		2	
69	93210-86M39	O-RING JOINT TORIQUE		1	
70	6L6-45577-00-10	SHIM (T:0.10MM)		1	UR
		CALE (T:0.10MM)			
	6L6-45577-00-12	SHIM (T:0.12MM)		1	UR
		CALE (T:0.12MM)			
	6L6-45577-00-15	SHIM (T:0.15MM)		1	UR
		CALE (T:0.15MM)			
	6L6-45577-00-18	SHIM (T:0.18MM)		1	UR
		CALE (T:0.18MM)			
	6L6-45577-00-30	SHIM (T:0.30MM)		1	UR
		CALE (T:0.30MM)			
	6L6-45577-00-40	SHIM (T:0.40MM)		1	UR
		CALE (T:0.40MM)			
	6L6-45577-00-50	SHIM (T:0.50MM)		1	UR
		CALE (T:0.50MM)			
71	90282-04010	KEY, STRAIGHT CLAVETTE, DROITE		1	
72	688-45383-02	WASHER, CLAW FREIN D'ECROU		1	
73	688-45384-00	NUT ECROU		1	



FWD
68W0100-1310

FIG. 31 LOWER CASING. DRIVE 4

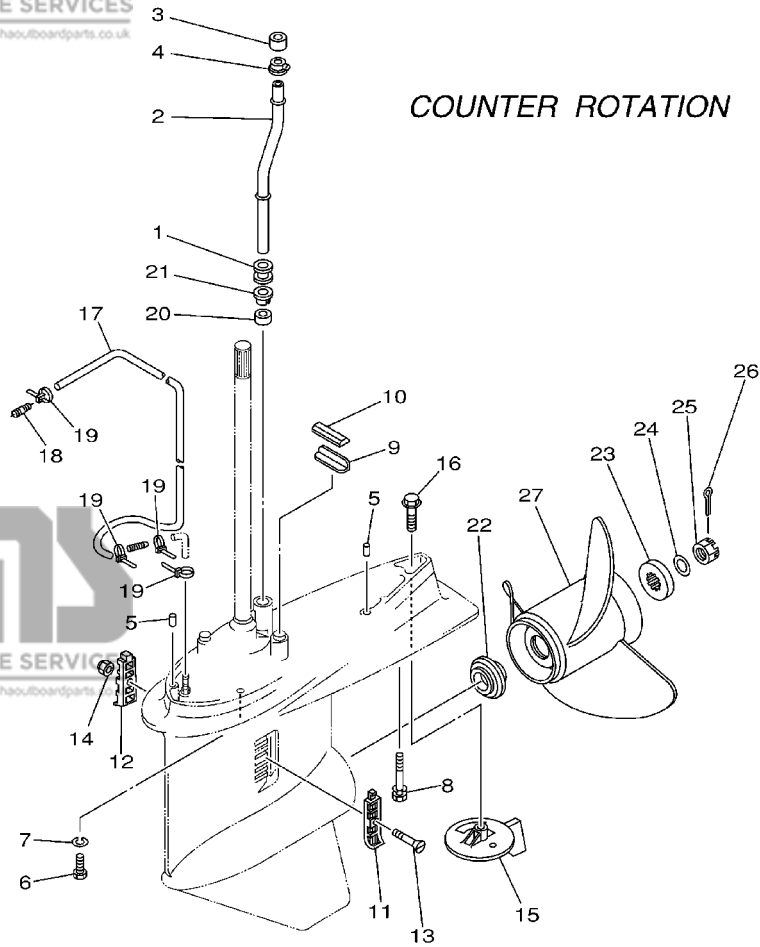
BOITIER D'HELICE, TRANSMISSION 4

REF. NO.	PART NO. NO. PIECES	DESCRIPTION DESCRIPTION	68V1	68W1	REMARKS REMARQUES
1	6E5-44366-00	DAMPER, WATER SEAL JOINT, TUBE D'EAU		1	
2	68V-44361-30	TUBE, WATER TUBE D'EAU		1	X
3	6E5-44365-00	DAMPER, WATER SEAL JOINT, TUBE D'EAU		1	
4	6E5-44312-00	COVER, WATER PUMP HOUSING COUVERCLE		1	
5	93608-12M05	PIN, DOWEL GOUJON		2	
6	97075-10045	BOLT BOULON		6	
7	92995-10100	WASHER, SPRING RONDELLE		6	
8	90119-10M89	BOLT, WITH WASHER BOULON, AVEC RONDELLE		1	
9	663-45376-00-94	GUIDE, SEAL DAMPER BUTEE, JOINT CAOUTCHOUC		1	
10	688-45375-00	DAMPER, SEAL BOURRELET, CAOUTCHOUC		1	
11	688-45214-02	COVER, WATER INLET GRILLE, ENTREE D'EAU		1	
12	688-45215-02	COVER, WATER INLET GRILLE, ENTREE D'EAU		1	
13	90152-05M07	SCREW, COUNTERSUNK VIS, TETE NOYEE		1	
14	90185-05002	NUT, SELF-LOCKING ECROU, AUTO-BLOCANT		1	
15	6L6-45371-00	TAB-TRIM ANODE DERIVE		1	
16	90105-10M00	BOLT, FLANGE BOULON		1	
17	90445-076K2	HOSE (L1550) DURITE (L1550)		1	
18	6E5-83558-00	END, NIPPLE RACCORD DE NIPPLE		1	
19	90465-11M10	CLAMP BRIDE		4	
20	6E5-44365-00	DAMPER, WATER SEAL JOINT, TUBE D'EAU		1	
21	6E5-44312-00	COVER, WATER PUMP HOUSING COUVERCLE		1	
22	6E5-45987-01	SPACER ENTRETOISE		1	
23	688-45997-01	SPACER ENTRETOISE		1	
24	92990-18200	WASHER RONDELLE		1	
25	90171-18M04	NUT, CASTLE ECROU, CRENELE		1	
26	91490-40030	PIN, COTTER GOUPILLE, FENDUE		1	
27	6L6-45930-01-98	PROPELLER (3X13"X17"-KL) HELICE (3X13"X17"-KL)		1	UR

FIG. 31 LOWER CASING. DRIVE 4

BOITIER D'HELICE, TRANSMISSION 4

REF. NO.	PART NO. NO. PIECES	DESCRIPTION DESCRIPTION	68V1	68W1	REMARKS REMARQUES
27	6L6-45970-00-98	PROPELLER (3X13"X19"-KL) HELICE (3X13"X19"-KL)		1	UR
	6L6-45972-00-98	PROPELLER (3X13"X21"-KL) HELICE (3X13"X21"-KL)		1	UR



COUNTER ROTATION



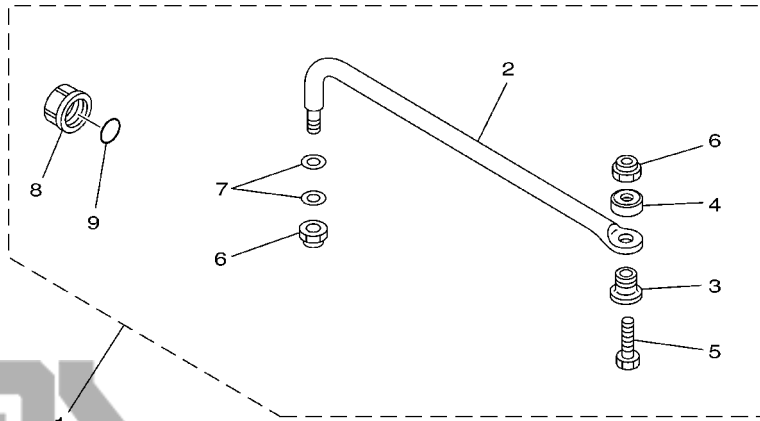
68W0100-1310

D4

FIG. 32 STEERING GUIDE ATTACHMENT 1

DIRECTION GUIDE ACCESSOIRE 1

REF. NO.	PART NO. NO. PIECES	DESCRIPTION DESCRIPTION	68V1	68W1	REMARKS REMARQUES
1	6E5-61350-02	STEERING GUIDE ATTACHMENT KIT FIXATIONS DE DIRECTION	1	1	AP
2	6E5-61351-01	.ROD, STEERING LINK .RENOI DE DIRECTION	1	1	
3	90387-10M61	.COLLAR .COLLERETTE	1	1	
4	90560-12M01	.SPACER .ENTRETOISE	1	1	
5	6E5-61355-00	.BOLT .BOULON	1	1	
6	90185-09M01	.NUT, SELF-LOCKING .ECROU, AUTO-BLOCANT	2	2	
7	90201-10M20	.WASHER, PLATE .RONDELLE, PLATE	2	2	
8	6E5-43145-01	.CAP, CLAMP BRACKET .CAPUCHON, PRESSE	1	1	
9	93210-16275	.O-RING .JOINT TORIQUE	1	1	

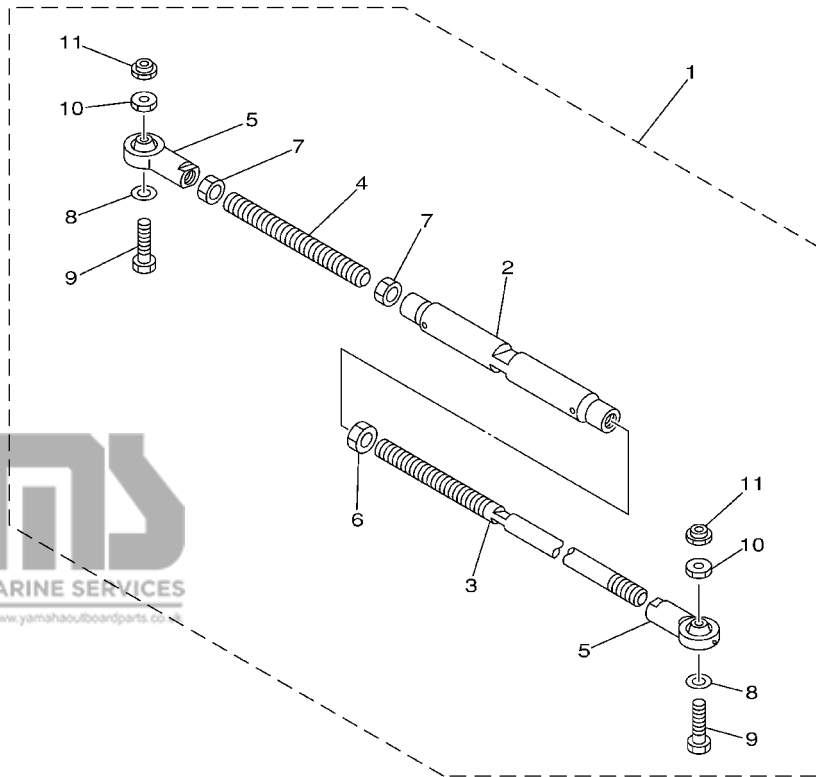


67H0100-9290

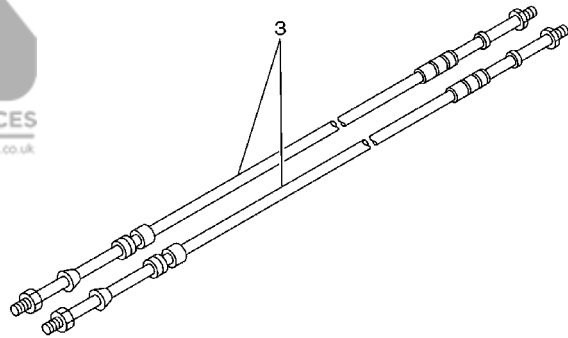
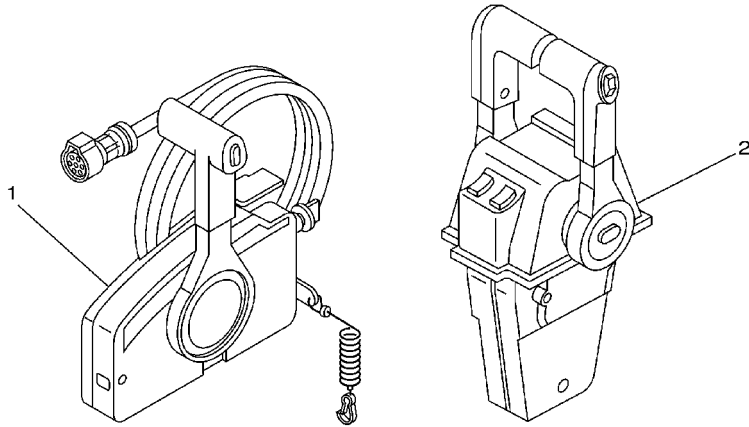
FIG. 33 STEERING GUIDE ATTACHMENT 2

DIRECTION GUIDE ACCESSOIRE 2

REF. NO.	PART NO. NO. PIECES	DESCRIPTION DESCRIPTION	68V1	68W1	REMARKS REMARQUES
1	6E5-61301-01	TWIN KIT (L:600-800MM) JUMELE KIT (L:600-800MM)		1	AP
2	6E5-61313-00	.ADJUSTER .TENDEUR		1	
3	6E5-61311-11	.TIE BAR .BARRE D'ACCOUPEMENT		1	
4	6E5-61315-00	.TIE BAR .BARRE D'ACCOUPEMENT		1	
5	6E5-61303-00	.STEERING EYE COMP. .AXE COMP.		2	
6	90170-14M06	.NUT .ECROU		1	
7	95380-14700	.NUT .ECROU		2	
8	90201-10M76	.WASHER, PLATE .RONDELLE, PLATE		2	
9	90101-09M70	.BOLT .BOULON		2	
10	90170-09M05	.NUT .ECROU		2	
11	90185-09M01	.NUT, SELF-LOCKING .ECROU, AUTO-BLOCANT		2	



67H0100-0300



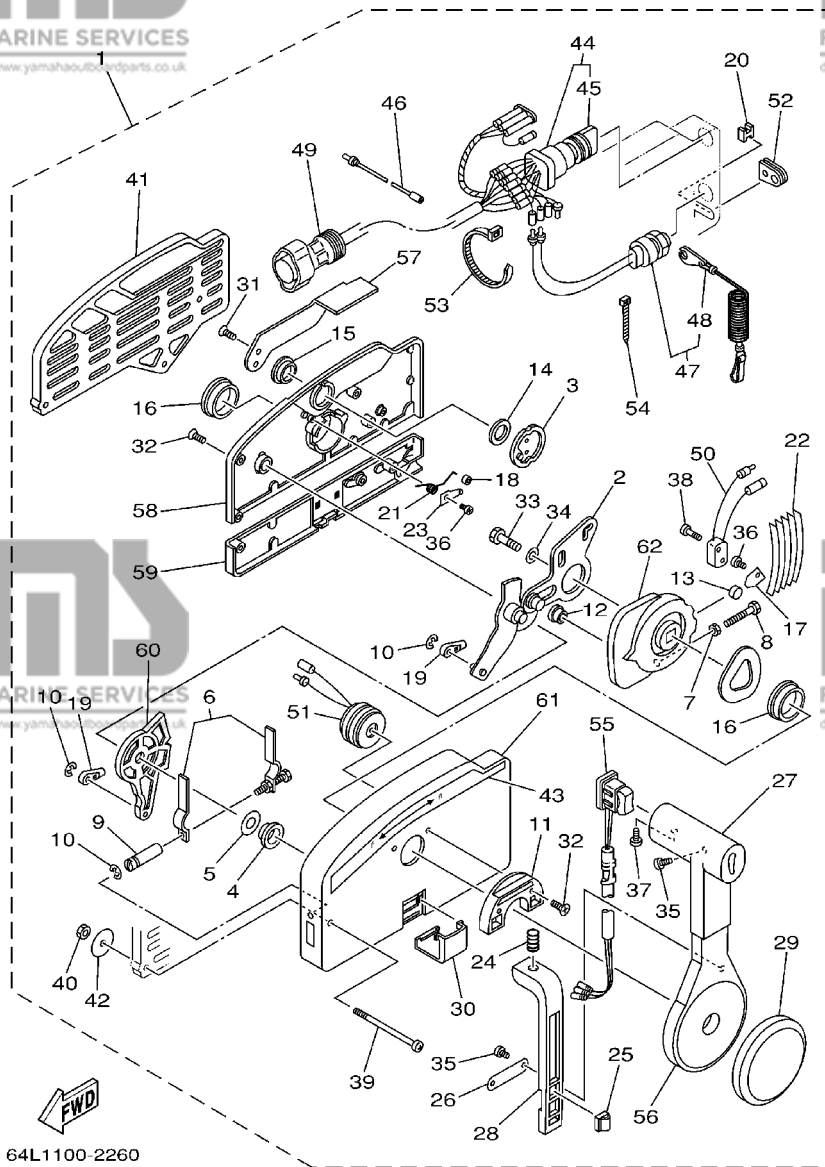
67H0100-9310

FIG. 34 REMOTE CONTROL BOX

BOITIER DE COMMANDE A DISTANCE

REF. NO.	PART NO. NO. PIECES	DESCRIPTION DESCRIPTION	68V1	68W1	REMARKS REMARQUES
1	703-48205-17	REMOTE CONTROL ASSY BOITIER DE COMMANDE A DISTANCE	1		AP WITH PT/T SW.
2	704-48207-23	REMOTE CONTROL ASSY BOITIER DE COMMANDE A DISTANCE		1	AP WITH PT/T SW.
3	701-48320-50	CABLE, REMOTE CONTROL L=15F	2	2	UR
	701-48320-60	CABLE, REMOTE CONTROL L=16F	2	2	UR
	701-48320-80	CABLE, REMOTE CONTROL L=17F	2	2	UR
	701-48350-00	CABLE, REMOTE CONTROL L=21F	2	2	UR
	701-48350-20	CABLE, REMOTE CONTROL L=23F	2	2	UR

FIG. 35 REMOTE CONTROL ASSY 1 BOITIER DE COMMANDE A DISTANCE 1

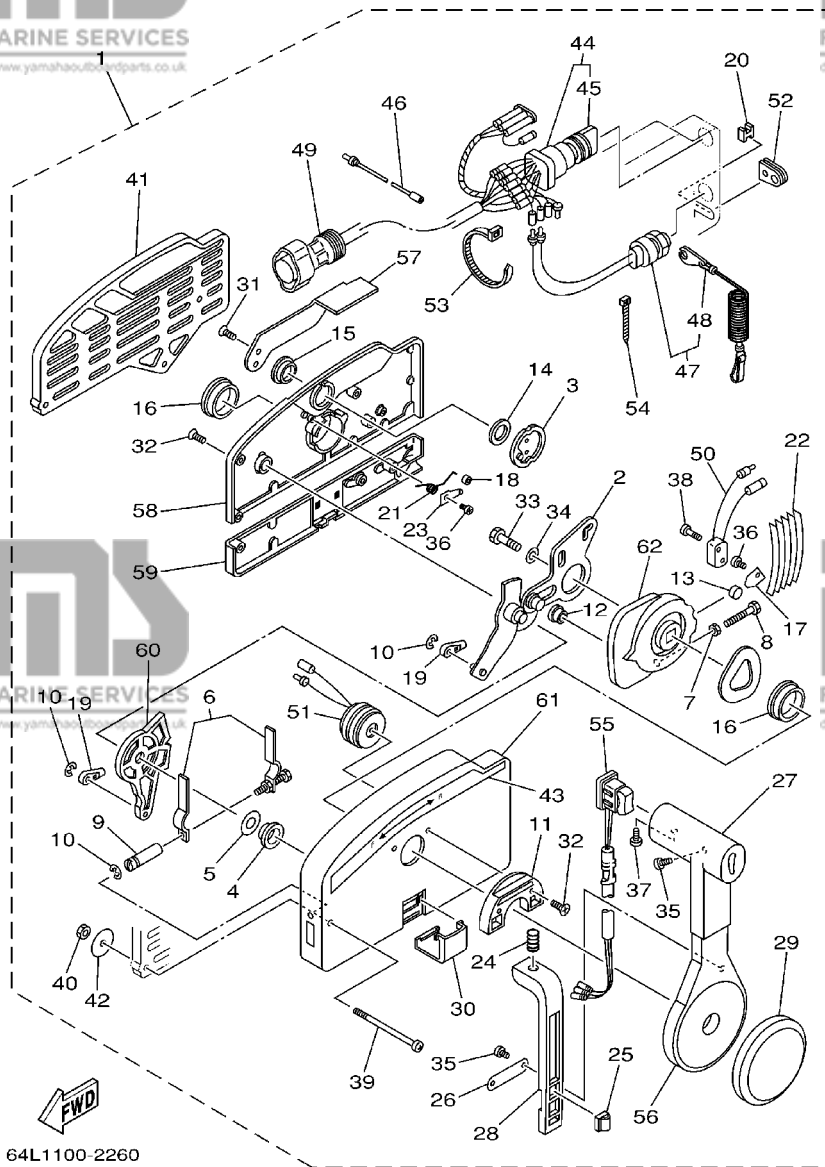


64L1100-2260

REF. NO.	PART NO. NO. PIECES	DESCRIPTION DESCRIPTION	68V1	68W1	REMARKS REMARQUES
1	703-48205-17	REMOTE CONTROL ASSY BOITIER DE COMMANDE A DISTANCE	1		AP WITH PT/T SW.
2	703-48261-01	.ARM, THROTTLE	1		
3	703-48153-00	.BRAS, ACCELERATION	1		
4	703-48235-00	.SHAFT, FREE ACCEL. .AXE	1		
5	703-48268-00	.BUSHING .COUSSINET	1		
6	703-48264-00	.SPACER .ENTRETOISE	1		
7	95380-05600	.THROTTLE, FRICTION ACCELERATION	1		
8	97380-05025	.NUT .ECROU	1		
9	703-48265-00	.BOLT .BOULON	1		
10	703-48265-00	.SHAFT, FRICTION .AXE, COPILOTE	1		
11	93430-06024	.CIRCLIP .CIRCLIP, TYPE S	3		
12	703-48245-00	.PLATE, LOCK .PLAQUE, VERROU	1		
13	703-48252-00	.ROLLER, CAM .POULIE	1		
14	701-48248-00	.ROLLER, FREE ACCEL. .POULIE	1		
15	703-48198-00	.WASHER, WAVE .RONDELLE, ELASTIQUE ONDULEE	1		
16	703-48243-00	.BUSHING .COUSSINET	1		
17	703-48236-00	.BUSHING 1 .POULIE	2		
18	703-48189-00	.RETAINER .FLASQUE	1		
19	703-48234-00	.ROLLER, DETENT .POULIE	1		
20	703-48345-01	.CABLE END, REMOTE CONTROL 2 .CHAPE CABLE	2		
21	703-48358-00	.ANCHOR, CABLE .COLLIER	1		
22	703-48244-00	.SPRING, FREE ACCEL. .RESSORT	1		
23	703-48238-00	.SPRING, DETENT .RESSORT	5		
24	703-48246-00	.SPACER .ENTRETOISE	1		
25	703-48227-00	.SPRING, NEUTRAL LOCK .RESSORT	1		
26	703-82594-00	.CLAMP .BRIDE	1		WITH PT/T SW.
27	703-48226-00	.PLATE, STOPPER .PLAQUETTE	1		
28	703-48222-00	.GRIP, CONTROL LEVER .POIGNEE, COMMANDE LEVIER	1		SINGLE

E1

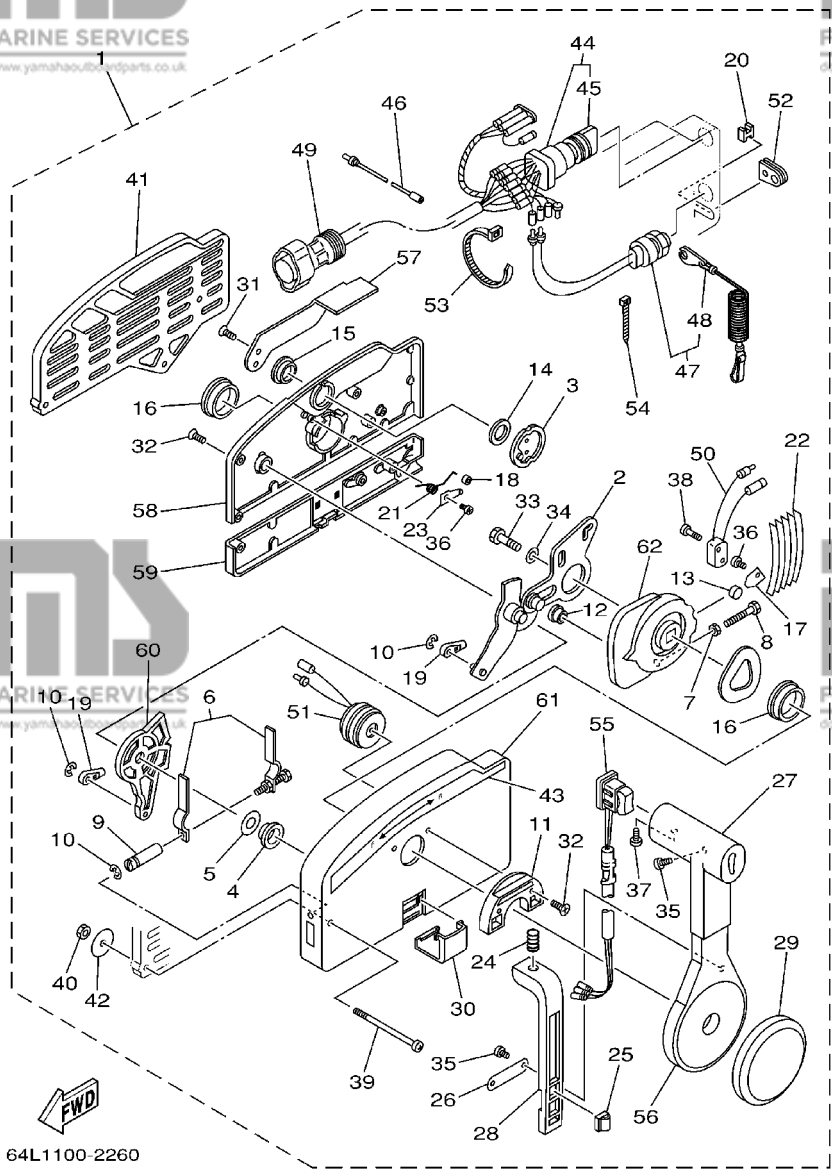
FIG. 35 REMOTE CONTROL ASSY 1 BOITIER DE COMMANDE A DISTANCE 1



64L1100-2260

REF. NO.	PART NO. NO. PIECES	DESCRIPTION DESCRIPTION	68V1	68W1	REMARKS REMARQUES
28	703-48223-00	.LOCK, NEUTRAL .VERROU, NEUTRAL	1		
29	703-48225-00	.COVER .COUVERCLE	1		
30	703-48219-00	.COVER, LEAD .COUVERCLE	1		
31	703-48281-00	.SCREW .VIS	2		
32	703-48282-00	.SCREW .VIS	7		
33	97380-08030	.BOLT .BOULON	1		
34	92990-08600	.WASHER, PLATE .RONDELLE, PLATE	1		
35	98580-04010	.SCREW, PAN HEAD .VIS, TETE TRONCONIQUE	3		
36	98580-04006	.SCREW, PAN HEAD .VIS, TETE TRONCONIQUE	2		
37	98580-05010	.SCREW, PAN HEAD .VIS, TETE TRONCONIQUE	1		
38	98580-03015	.SCREW, PAN HEAD .VIS, TETE TRONCONIQUE	2		
39	703-48291-10	.SCREW (M6) .VIS (M6)	3		
40	95380-06600	.NUT .ECROU	3		
41	703-48293-10	.SPACER, REMOTE CONTROL .ENTRETOISE	1		SINGLE
42	701-48287-00	.WASHER .RONDELLE	3		
43	703-48215-00	.GRAPHIC .ADHESIF	1		
44	703-82510-43	.MAIN SWITCH ASSY .CONTACTEUR A CLEF COMPLET	1		
45	703-82577-00	.CAP, KEY .CABOCHON	1		
46	703-82531-00	.WIRE, LEAD .FIL	1		
47	688-82575-01	.ENGINE STOP SWITCH ASSY .COUPE CIRCUIT CPLT	1		
48	682-82556-00	.STOPPER .PLAQUETTE	1		
49	688-8258A-20	.EXTENSION, WIRE HARNESS .EXTENSION, FAISCEAU DE FILS	1		L:5M (10P)
50	703-82540-00	.NEUTRAL SWITCH ASSY .CONTACTEUR DE POINT-MORT	1		
51	703-83383-02	.BUZZER	1		
52	703-48284-00	.GROMMET .PASSE-FIL	1		
53	703-82591-00	.BAND .COLLIER	1		
54	703-82592-00	.BAND .COLLIER	1		

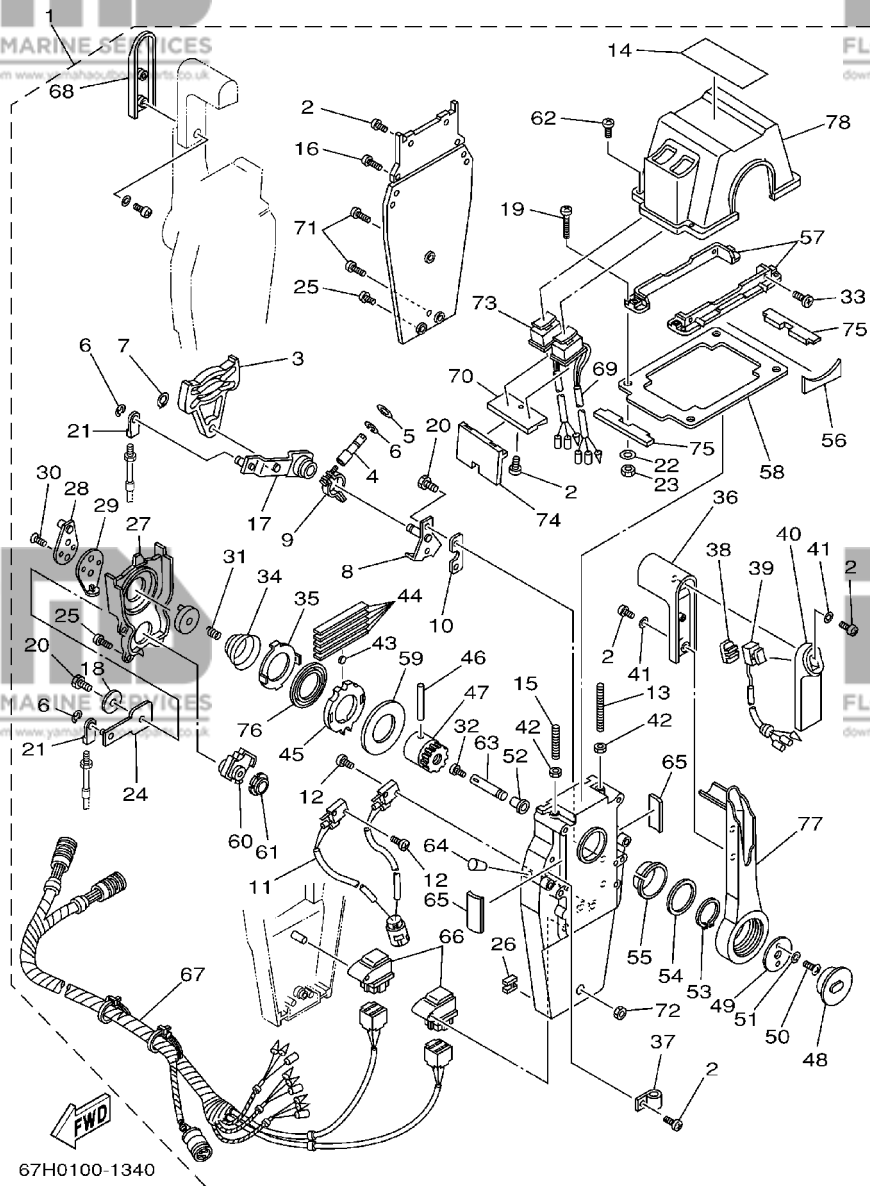
FIG. 35 REMOTE CONTROL ASSY 1 BOITIER DE COMMANDE A DISTANCE 1



64L1100-2260

REF. NO.	PART NO. NO. PIECES	DESCRIPTION DESCRIPTION	68V1	68W1	REMARKS REMARQUES
55	703-82563-02	.TRIM & TILT SWITCH ASSY .INCLINER ET PARER COMMUTEUR	1		
56	703-48221-00	.LEVER, CONTROL .LEVIER, COMMANDE	1		
57	703-48152-00	.KNOB, FREE ACCEL. .BOUTON	1		
58	703-48212-00	.BACK PLATE 1 .PLAQUETTE 1	1		
59	703-48213-00	.BACK PLATE 2 .PLAQUETTE 2	1		
60	703-48271-00	.ARM, SHIFT .BRAS	1		
61	703-48211-01	.HOUSING,1 .CORPS	1		
62	703-48232-00	.GEAR .PIGNON	1		

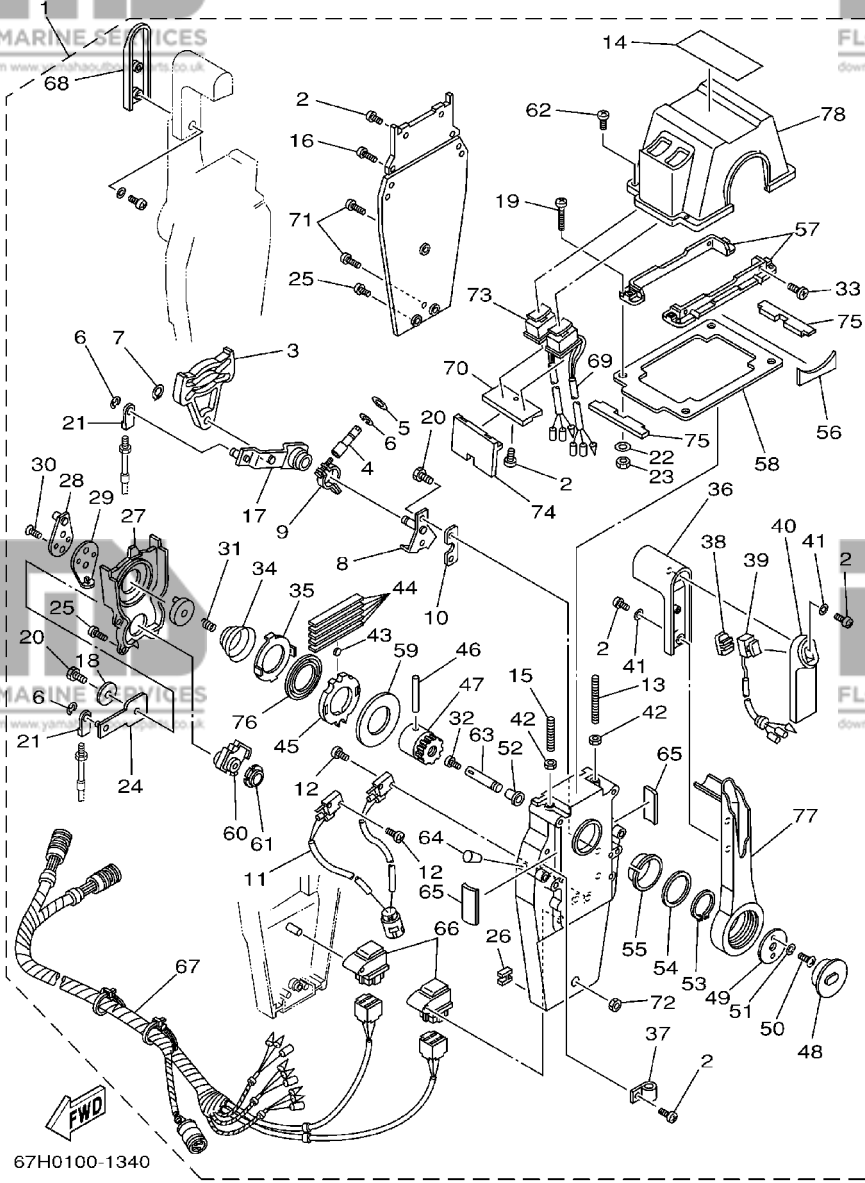
FIG. 36 REMOTE CONTROL ASSY 2 BOITIER DE COMMANDE A DISTANCE 2



REF. NO.	PART NO. NO. PIECES	DESCRIPTION DESCRIPTION	68V1	68W1	REMARKS REMARQUES
1	704-48207-23	REMOTE CONTROL ASSY BOITIER DE COMMANDE A DISTANCE		1	AP WITH PT/T SW.
2	97890-05016	.SCREW, PAN HEAD .VIS, TETE TRONCONIQUE		12	
3	EL8-48251-00	.PLATE, CAM .PLAQUE, CAME		2	
4	704-48265-00	.SHAFT, FRICTION .AXE, COPILOTE		2	
5	701-48246-00	.SPACER .ENTRETOISE		2	
6	93430-06024	.CIRCLIP .CIRCLIP, TYPE S		8	
7	EL8-48259-00	.CIRCLIP 1 .CIRCLIP		2	
8	704-48262-00	.SHAFT, THROTTLE .AXE, ACCELERATION		2	
9	704-48264-00	.THROTTLE, FRICTION .ACCELERATION		2	
10	704-48266-00	.SPACER .ENTRETOISE		2	
11	704-82540-10	.NEUTRAL SWITCH ASSY .CONTACTEUR DE POINT-MORT		1	
12	6A5-48129-10	.SCREW 3 .VIS 3		4	
13	EL8-48281-00	.SCREW .VIS		2	
14	704-48215-10	.GRAPHIC .ADHESIF		1	
15	704-48281-00	.SCREW .VIS		2	
16	97890-05025	.SCREW, PAN HEAD .VIS, TETE TRONCONIQUE		4	
17	704-48261-00	.ARM, THROTTLE .BRAS, ACCELERATION		2	
18	EL8-48191-00	.WASHER 1 .RONDELLE		2	
19	704-48283-00	.SCREW .VIS		4	
20	97380-06018	.BOLT .BOULON		6	
21	703-48345-01	.CABLE END, REMOTE CONTROL 2 .CHAPE CABLE		4	
22	704-48287-00	.WASHER .RONDELLE		4	
23	95380-05600	.NUT .ECROU		4	
24	EL8-48271-00	.ARM, SHIFT .BRAS		2	
25	EL8-48127-00	.SCREW 1 .VIS 1		16	
26	703-48358-00	.ANCHOR, CABLE .COLLIER		2	
27	EL8-48231-00	.HOUSING, GEAR .CARTER, ENGRENAGE		2	

67H0100-1340

FIG. 36 REMOTE CONTROL ASSY 2 BOITIER DE COMMANDE A DISTANCE 2

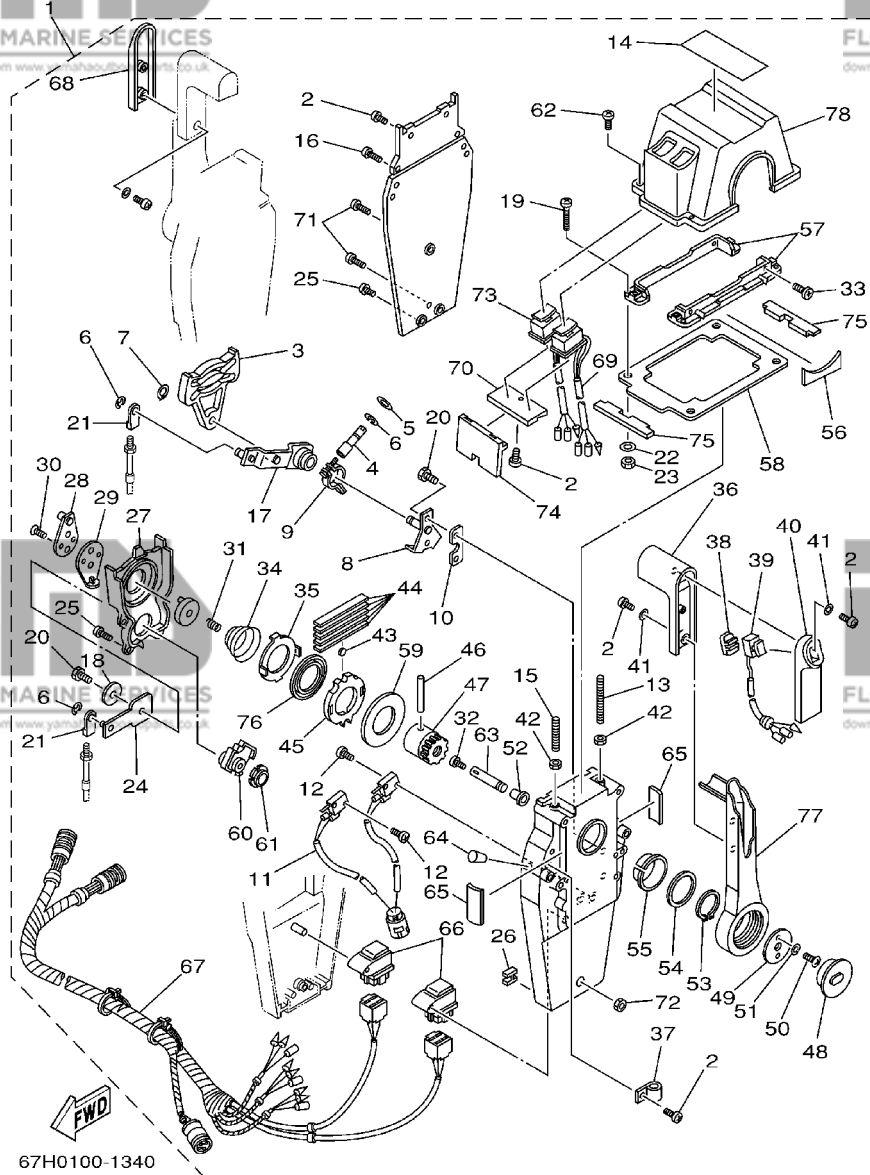


67H0100-1340

REF. NO.	PART NO. NO. PIECES	DESCRIPTION DESCRIPTION	68V1	68W1	REMARKS REMARQUES
28	EL8-48241-00	.ARM, DRIVE .BRAS, COMMANDE		2	
29	EL8-48254-00	.STOPPER, THROTTLE ADJUSTING .BUTEE		2	
30	92780-06020	.SCREW, FLAT HEAD .VIS, TETE PLATE		4	
31	EL8-48158-00	.SPRING 1 .RESSORT 1		2	
32	98580-04006	.SCREW, PAN HEAD .VIS, TETE TRONCONIQUE		2	
33	98780-05018	.SCREW, FLAT HEAD .VIS, TETE PLATE		4	
34	EL8-48244-00	.SPRING, FREE ACCEL. .RESSORT		2	
35	EL8-48245-00	.PLATE, LOCK .PLAQUE, VERROU		2	
36	704-48222-00	.GRIP, CONTROL LEVER .POIGNEE, COMMANDE LEVIER		2	
37	704-82594-00	.CLAMP .BRIDE		1	
38	704-48228-00	.HOLDER, SWITCH .SUPPORT		1	
39	704-82563-31	.TRIM & TILT SWITCH ASSY .INCLINER ET PATER COMMUTEUR		1	
40	704-48229-00	.GRIP, CONTROL LEVER .POIGNEE, COMMANDE LEVIER		1	
41	92990-05300	.WASHER, INTERNAL TOOTH .RONDELLE, DENTURE INTERNE		6	
42	95380-06600	.NUT .ECROU		4	
43	701-48248-00	.ROLLER, FREE ACCEL. .POULIE		2	
44	703-48238-00	.SPRING, DETENT .RESSORT		10	
45	EL8-48232-00	.GEAR 1 .PIGNON		2	
46	EL8-48164-00	.PIN 2 .PION 2		2	
47	704-48242-00	.SHAFT, DRIVE .ARBRE, MOTEUR		2	
48	704-48225-00	.COVER .COUVERCLE		2	
49	704-48192-00	.WASHER 2 .RONDELLE 2		2	
50	97890-06018	.SCREW, PAN HEAD .VIS, TETE TRONCONIQUE		4	
51	92990-06300	.WASHER, TOOTH .RONDELLE, DENTURE INTERNE		4	
52	702-48263-00	.BUSHING .COUSSINET		2	
53	EL8-48279-00	.CIRCLIP 2 .CIRCLIP 2		2	
54	704-48193-00	.WASHER 3 .RONDELLE 3		2	

E5

FIG. 36 REMOTE CONTROL ASSY 2 BOITIER DE COMMANDE A DISTANCE 2



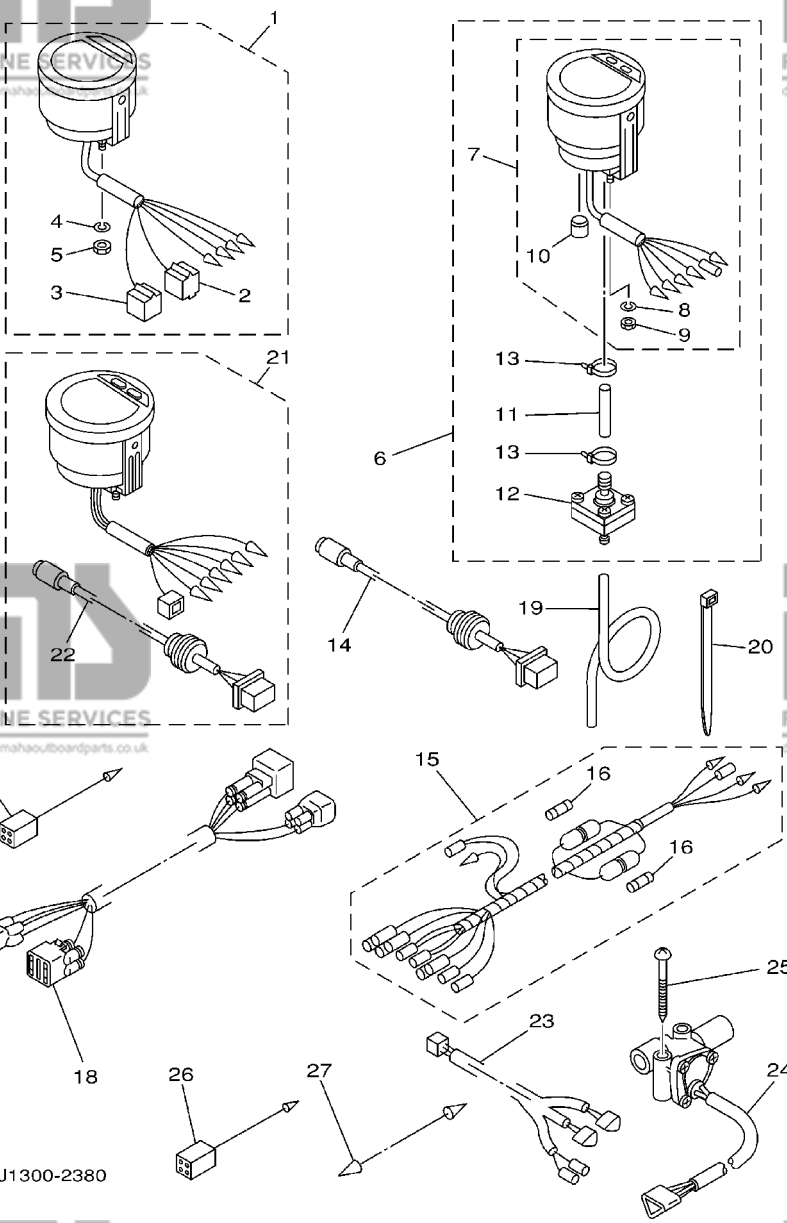
67H0100-1340

REF. NO.	PART NO. NO. PIECES	DESCRIPTION DESCRIPTION	68V1	68W1	REMARKS REMARQUES
55	EL8-48234-00	.BUSHING 1 .POULIE		2	
56	704-48219-00	.COVER, LEAD .COUVERCLE		2	
57	704-48144-00	.PLATE, STOPPER 2 .PLAQUETTE 2		2	
58	704-48176-10	.GROMMET .PASSE-FIL		1	
59	703-48192-00	.WASHER 2 .RONDELLE 2		2	
60	EL8-48233-00	.GEAR 2 .PIGNON 2		2	
61	703-48235-00	.BUSHING .COUSSINET		2	
62	704-48282-00	.SCREW .VIS		4	
63	EL8-48153-10	.SHAFT, FREE ACCEL. .AXE		2	
64	704-48166-00	.PLUG .BOUCHON		2	
65	704-48284-00	.GROMMET .PASSE-FIL		4	
66	704-81950-00	.RELAY ASSY .RELAIS COMPLET		2	
67	704-82590-10	.WIRE HARNESS ASSY .FAISCEAU DE FILS COMPLET		1	
68	704-48229-10	.GRIP, CONTROL LEVER .POIGNEE, COMMANDE LEVIER		1	
69	704-82563-E0	.TRIM & TILT SWITCH ASSY .INCLINER ET PAPER COMMUTEUR		1	
70	704-48228-10	.HOLDER, SWITCH .SUPPORT		1	
71	704-48128-00	.SCREW 2 .VIS 2		3	
72	704-48156-00	.NUT 1 .ECROU 1		1	
73	704-82563-F0	.TRIM & TILT SWITCH ASSY .INCLINER ET PAPER COMMUTEUR		1	
74	704-48285-00	.GROMMET 2 .PASSE-FIL 2		1	
75	704-48286-00	.GROMMET 3 .PASSE-FIL 3		2	
76	704-48178-00	.PLATE, SHIFT .PLAQUETTE		2	
77	704-48221-00	.LEVER, CONTROL .LEVIER, COMMANDE		2	
78	704-48119-20	.COVER .COQUILLE		1	

FIG. 37 METER

COMPTEUR

REF. NO.	PART NO. NO. PIECES	DESCRIPTION DESCRIPTION	68V1	68W1	REMARKS REMARQUES
1	6Y5-8350T-01	DIGITAL TACHOMETER ASSY COMPTE-TOURS NUMERIQUE CPLT	1	1	AP
2	9E450-04433	.CONNECTOR .CONNECTEUR	1	1	M-4-W
3	9E450-04533	.CONNECTOR .CONNECTEUR	1	1	F-4-W
4	92990-04100	.WASHER, SPRING .RONDELLE, GROWER	2	1	
5	95380-04600	.NUT .ECROU	2	1	
6	6Y5-83500-S5	DIGITAL SPEEDOMETER ASSY TACHYMETRE NUMERIQUE CPLT.	1		AP
7	6Y5-83570-S5	.SPEEDOMETER ASSY .COMPTEUR DE VITESSE CPLT	1		
8	92990-04100	.WASHER, SPRING .RONDELLE, GROWER	2		
9	95380-04600	.NUT .ECROU	2		
10	6Y5-83533-T2	.GROMMET .RONDELLE CAOUTCHOUC	1		
11	6Y5-83557-31	.TUBE .TUBE	1		
12	6Y5-83728-00	.CONNECTOR ASSY .CONNEXION COMPLET	1		
13	90465-11M10	.CLAMP .BRIDE	2		
14	6Y5-87122-S0	CORD ASSY 1 COPDON COMPLET	1		AP
15	6Y5-83553-M0	WIRE, LEAD FIL	1		AP
	6Y5-83553-00	WIRE, LEAD FIL	1	1	AP
16	1E6-82151-00	.FUSE (10A) .FUSIBLE (10A)	2		
	1E6-82151-00	.FUSE (10A) .FUSIBLE (10A)		1	
17	6Y5-82117-00	WIRE, LEAD (BLACK) FIL (NOIR)	1		AP
18	68F-82553-80	EXTENSION, WIRE LEAD EXTENSION, FAISCEAU	1		AP
	68F-82553-90	EXTENSION, WIRE LEAD EXTENSION, FAISCEAU		1	AP
19	6Y5-83557-10	TUBE (8M) TUBE (8M)	1		AP
20	90465-11M10	CLAMP BRIDE	2		AP
21	6Y5-8350F-00	FUEL MANAGEMENT METER COMPT. DE GESTION DU CARBURANT	1		AP
22	6Y5-87122-S0	.CORD ASSY 1 .COPDON COMPLET	1		
23	6Y5-83553-F1	WIRE, LEAD FIL	1		AP
24	6Y5-85752-01	SENDER UNIT ASSY, FUEL METER PERCEPTION DE JAUGE A ESSENCE	1		AP



69J1300-2380

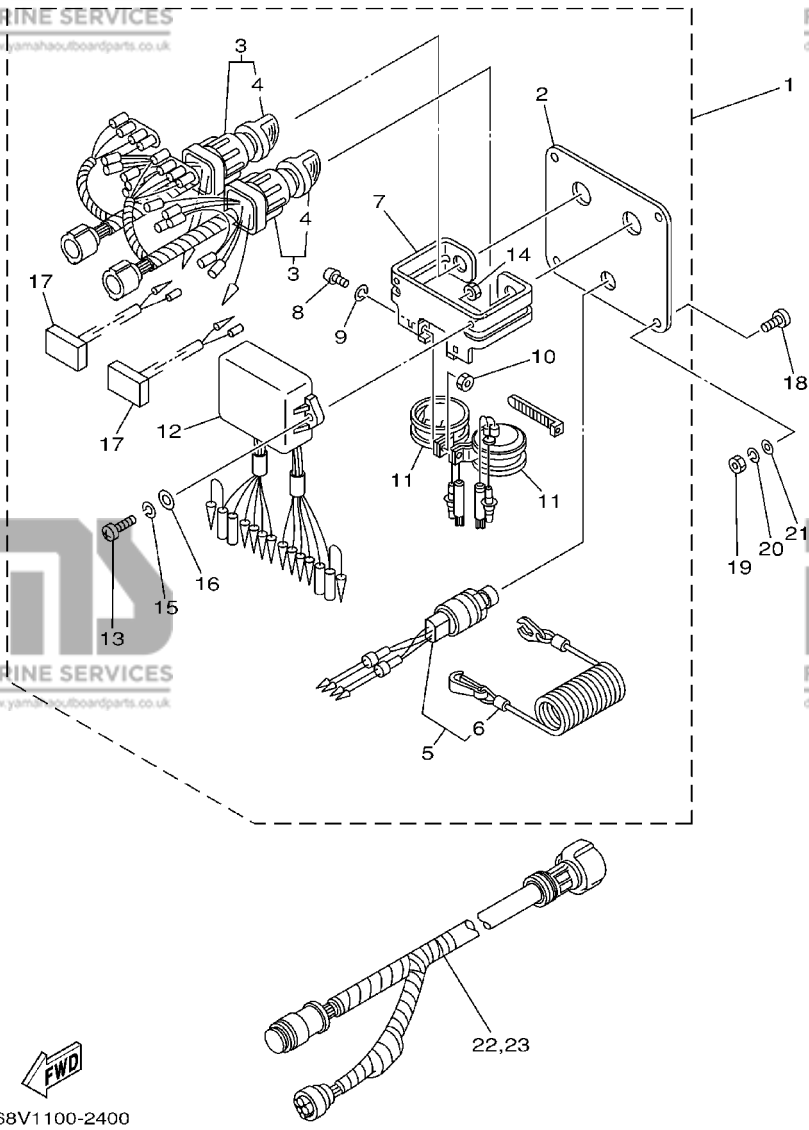


FIG. 38 SWITCH. PANEL

TABLEAU DE CONTACTEUR

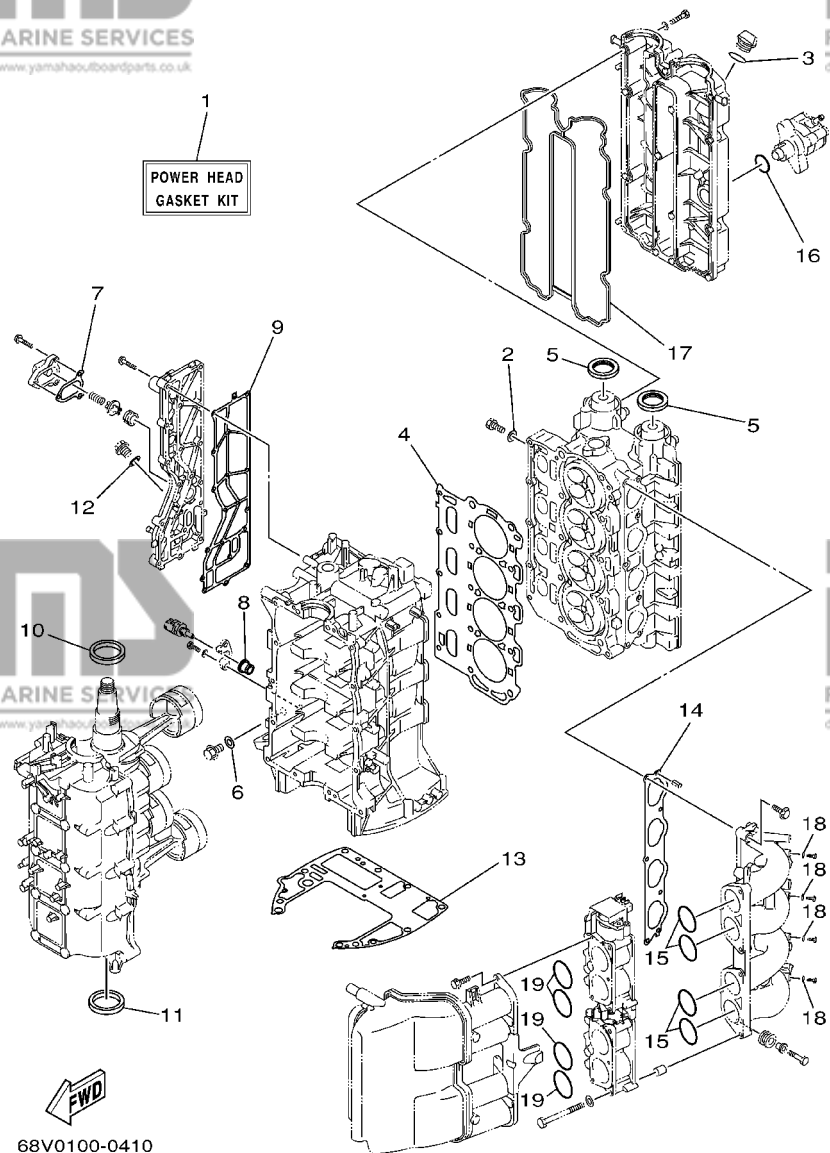
REF. NO.	PART NO. NO. PIECES	DESCRIPTION DESCRIPTION	68V1	68W1	REMARKS REMARQUES
1	6K1-82570-07	PANEL SWITCH ASSY PLATINE D'INTERRUPEUR CPLT		1	AP
2	6K1-82571-01	.PANEL, SWITCH .TABLEAU, CONTACTEUR		1	
3	6K1-82510-06	.MAIN SWITCH ASSY .CONTACTEUR A CLEF COMPLET		2	
4	703-82577-00	..CAP, KEY ..CABOCHON		1	
5	6K1-82575-00	.ENGINE STOP SWITCH ASSY .COUPE CIRCUIT CPLT		1	
6	682-82556-00	..STOPPER ..PLAQUETTE		1	
7	6K1-83614-01	.BRACKET .SUPPORT		1	
8	98980-05010	.SCREW, BIND .VIS, DE PRESSION		2	
9	92990-05100	.WASHER, SPRING .RONDELLE, GROWER		2	
10	95380-05600	.NUT .ECROU		2	
11	688-83383-11	.BUZZER .RONFLEUR		2	
12	6K1-85830-01	.CONTROL UNIT ASSY .BLOC DE CONTROLE		1	
13	98980-06020	.SCREW, BIND .VIS, DE PRESSION		2	
14	95380-06600	.NUT .ECROU		2	
15	92990-06100	.WASHER, SPRING .RONDELLE, GROWER		2	
16	92990-06600	.WASHER, PLAIN .RONDELLE, PLATE		2	
17	6K1-81980-00	.DIODE ASSY .REDRESSEUR 2		2	
18	90149-05M05	SCREW VIS		4	AP
19	95380-05600	NUT ECROU		4	AP
20	92990-05100	WASHER, SPRING RONDELLE, GROWER		4	AP
21	92990-05600	WASHER, PLAIN RONDELLE, PLATE		4	AP
22	6K1-8258A-40	EXTENSION, WIRE HARNESS EXTENSION, FAISCEAU DE FILS		1	AP
23	61B-8258A-01	EXTENSION, WIRE HARNESS EXTENSION, FAISCEAU DE FILS		1	AP



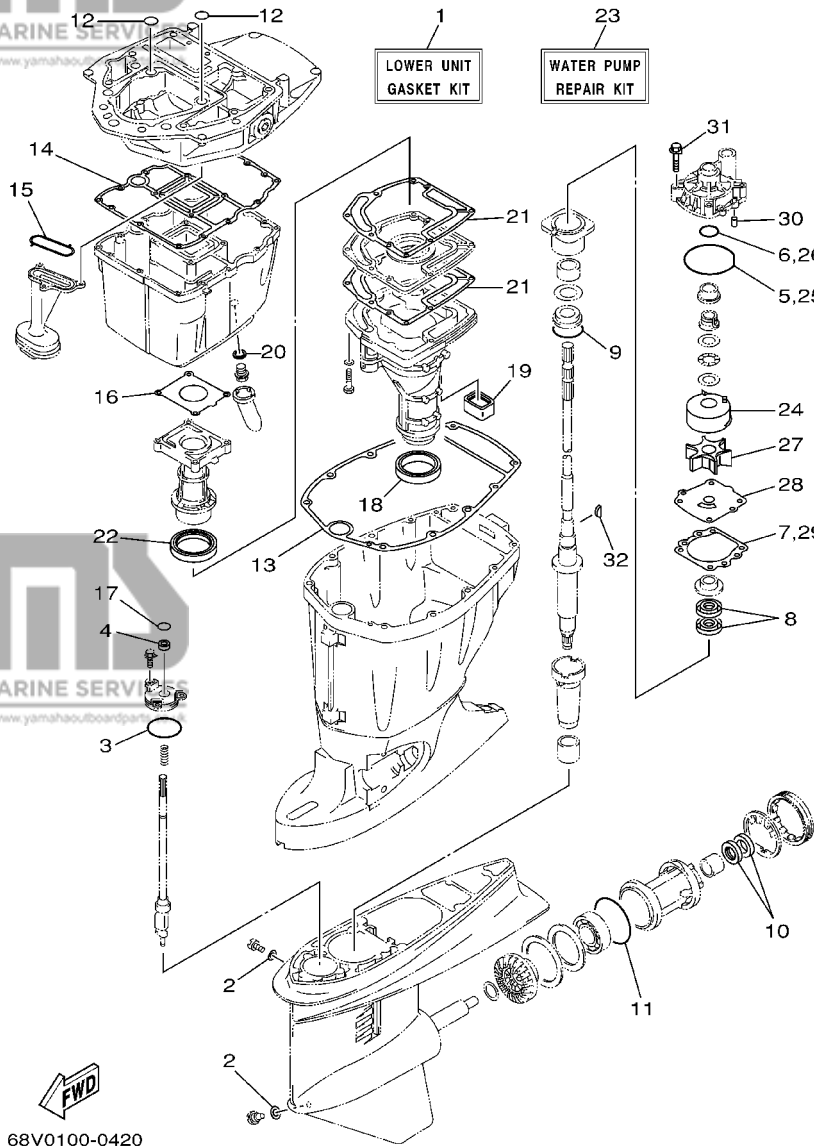
68V1100-2400

FIG. 39 REPAIR KIT 1

KITS DE REPARATION 1



REF. NO.	PART NO. NO. PIECES	DESCRIPTION DESCRIPTION	68V1	68W1	REMARKS REMARQUES
1	68V-W0001-01	POWER HEAD GASKET KIT POCHETTE DE JINTS TETE MOTRICE	1	1	
2	90430-08143	.GASKET .JOINT	4	4	
3	93210-24M79	.O-RING .JOINT TORIQUE	1	1	
4	67F-11181-01	.GASKET, CYLINDER HEAD 1 .JOINT, DE CULASSE 1	1	1	
5	93102-38M59	.OIL SEAL .JOINT SPY	2	2	
6	90430-14115	.GASKET .JOINT	1	1	
7	67F-12435-A0	.GASKET .JOINT	1	1	
8	68V-85753-00	.GASKET, SENDER UNIT .JOINT, DE PERCEPTION	1	1	
9	67F-41114-A0	.GASKET, EXHAUST OUTER COVER .JOINT, COUVERCLE D'ECHAPPEMEN	1	1	
10	93102-48009	.OIL SEAL .JOINT SPY	1	1	
11	93101-48002	.OIL SEAL .JOINT SPY	1	1	
12	90430-18130	.GASKET .JOINT	1	1	
13	67F-11351-01	.GASKET, CYLINDER .JOINT, D'EMBASE	1	1	
14	68V-13645-00	.GASKET, MANIFOLD 1 .JOINT, TUBULURE 1	1	1	
15	93210-48MG8	O-RING .JOINT TORIQUE	4	4	
16	93210-30682	O-RING .JOINT TORIQUE	1	1	
17	67F-11356-00	.SEAL, CYLINDER 2 .JOINT, SPY CYLINDRE	1	1	
18	90430-06014	.GASKET .JOINT	4	4	
19	93210-48MJ9	O-RING .JOINT TORIQUE	4	4	



68V0100-0420

FIG. 40 REPAIR KIT 2

KITS DE REPARATION 2

REF. NO.	PART NO. NO. PIECES	DESCRIPTION DESCRIPTION	68V1	68W1	REMARKS REMARQUES
1	68V-W0001-20	LOWER UNIT GASKET KIT POCHETTE DE JOINTS EMBASE	1	1	
2	90430-08020	.GASKET .JOINT	2	2	
3	93210-58144	.O-RING .JOINT TORIQUE	1	1	
4	93106-09014	.OIL SEAL .JOINT SPY	1	1	
5	93210-86M38	.O-RING .JOINT TORIQUE	1	1	
6	93210-37160	.O-RING .JOINT TORIQUE	1	1	
7	6E5-44315-A0	.GASKET, WATER PUMP .JOINT, POMPE A EAU	1	1	
8	93101-28M16	.OIL SEAL .JOINT SPY	2	2	
9	93210-55M14	.O-RING .JOINT TORIQUE	1	1	
10	93101-30M17	.OIL SEAL .JOINT SPY	2	2	
11	93210-86M39	.O-RING .JOINT TORIQUE	1	1	
12	93210-19MJ1	.O-RING .JOINT TORIQUE	2	2	
13	67F-45113-00	.GASKET, UPPER CASING .JOINT, TUBE D'ARBRE	1	1	
14	67F-15312-00	.GASKET, OIL PAN .JOINT DE VENTILATEUR D'HUILE	1	1	
15	67F-13415-00	.SEAL, OIL STRAINER .JOINT, FILTRE A HUILE	1	1	
16	67F-41133-A0	.GASKET, EXHAUST MANIFOLD 1 .JOINT, PIPE D'ECHAPPEMENT	1	1	
17	93210-09165	.O-RING .JOINT TORIQUE	1	1	
18	68V-45123-00	.GASKET, MUFFLER .JOINT, POT DE DETENTE	1	1	
19	67F-45127-00	.SEAL .JOINT	1	1	
20	90430-14228	.GASKET .JOINT	1	1	
21	67F-41134-A0	.GASKET, EXHAUST MANIFOLD .JOINT, PIPE D'ECHAPPEMENT	2	2	
22	67F-41138-00	.SEAL, EXT. 1 .JOINT DE GROUPE 1	1	1	
23	68V-W0078-00	WATER PUMP REPAIR KIT KIT DE REPARATION DE LA POMPE	1	1	
24	61A-44322-02	.INSERT, CARTRIDGE .CUVETTE	1	1	
25	93210-86M38	.O-RING .JOINT TORIQUE	1	1	
26	93210-37160	.O-RING .JOINT TORIQUE	1	1	
27	6E5-44352-01	.IMPELLER .TURBINE	1	1	

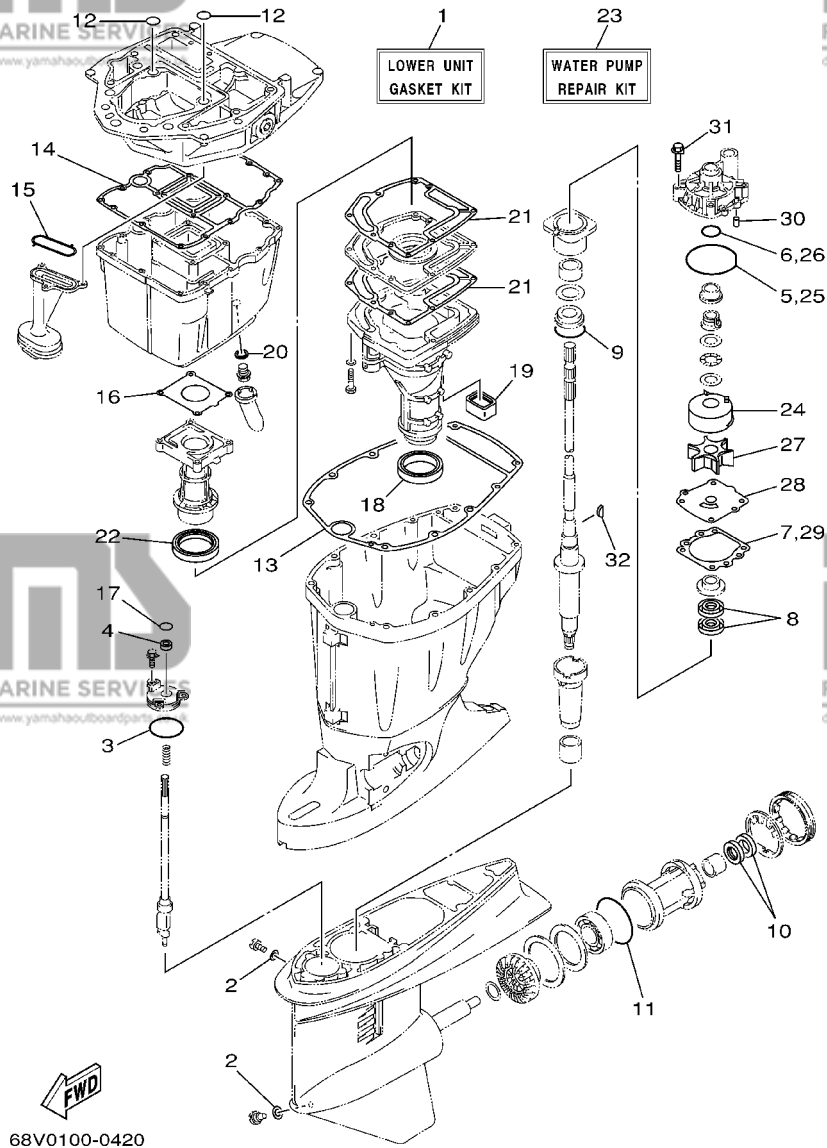


FIG. 40 REPAIR KIT 2

KITS DE REPARATION 2

REF. NO.	PART NO. NO. PIECES	DESCRIPTION DESCRIPTION	68V1	68W1	REMARKS REMARQUES
28	68V-44323-00	.OUTER PLATE, CARTRIDGE .PLAQUE EXTERIEURE	1	1	
29	6E5-44315-A0	.GASKET, WATER PUMP .JOINT, POMPE A EAU	1	1	
30	93606-12019	.PIN, DOWEL .GOUJON	2	2	
31	90119-08M14	.BOLT, WITH WASHER .BOULON, AVEC RONDELLE	4	4	
32	90280-04M05	.KEY, WOODRUFF .CLAVETTE, DEMI-LUNE	1	1	

PART NO. NO. PIECES	REF. NO.
K1C-A3275-00	3 - 8
K0A-A3721-00	5 - 7
K0A-A3722-00	5 - 8
68V-W0001-01	39 - 1
68V-W0001-20	40 - 1
68V-W0070-10	1 - 29
68V-W0078-00	40 - 23
67G-W0084-11-4D18	1 - 1
68V-W009A-00-1S	4 - 1
68V-W009B-03-1S	2 - 1
68V-W1164-00	3 - 7
68V-W1164-10	3 - 7
68V-11110-00-94	4 - 2
62Y-11119-00	2 - 8
67F-11133-10	4 - 3
67F-11168-00	4 - 22
67F-11181-01	4 - 17
	39 - 4
68V-11191-00-1S	4 - 21
67F-11192-00	4 - 29
67F-11325-00	2 - 24
	4 - 8
67F-11327-00-94	2 - 25
	4 - 9
67F-11328-00	2 - 28
	4 - 12
67F-11351-01	2 - 34
	39 - 13
67F-11356-00	4 - 26
	39 - 17
68V-11411-00	3 - 1
67F-11416-00	3 - 4
67F-11416-10	3 - 4
67F-11416-20	3 - 4
67F-11417-00	3 - 5
67F-11417-10	3 - 5
67F-11417-20	3 - 5
67F-11417-30	3 - 5
67F-11418-00	3 - 6
67F-11418-10	3 - 6
67F-11418-20	3 - 6
67F-11536-00	5 - 23
67F-11537-00	5 - 14
67F-11590-00	5 - 18
67F-11595-00	5 - 21
67F-11603-01	3 - 9
67F-11604-01	3 - 9
68V-11656-00	3 - 10

PART NO. NO. PIECES	REF. NO.
68V-11656-10	3 - 10
68V-11656-20	3 - 10
68V-11656-30	3 - 10
68V-12111-00	5 - 1
67F-12114-00	5 - 4
67F-12116-00	5 - 3
67F-12117-00	5 - 5
67F-12118-00	5 - 6
68V-12121-00	5 - 2
67F-12138-60	12 - 23
67F-12153-00	5 - 9
67F-12168-A0	5 - 10
67F-12168-B0	5 - 10
67F-12168-C0	5 - 10
67F-12168-DO	5 - 10
67F-12168-E0	5 - 10
67F-12168-F0	5 - 10
67F-12168-G0	5 - 10
67F-12168-H0	5 - 10
67F-12168-J0	5 - 10
67F-12168-K0	5 - 10
67F-12168-L0	5 - 10
67F-12168-M0	5 - 10
67F-12168-N0	5 - 10
67F-12168-PO	5 - 10
67F-12168-R0	5 - 10
67F-12168-S0	5 - 10
67F-12168-T0	5 - 10
67F-12168-U0	5 - 10
67F-12168-V0	5 - 10
67F-12168-W0	5 - 10
67F-12168-X0	5 - 10
67F-12168-Y0	5 - 10
67F-12168-00	5 - 10
67F-12168-10	5 - 10
67F-12168-20	5 - 10
67F-12168-30	5 - 10
67F-12168-40	5 - 10
67F-12168-50	5 - 10
67F-12168-60	5 - 10
67F-12168-70	5 - 10
67F-12168-80	5 - 10
67F-12169-A0	5 - 10
67F-12169-B0	5 - 10
67F-12169-C0	5 - 10
67F-12169-DO	5 - 10
67F-12169-E0	5 - 10
67F-12169-F0	5 - 10

PART NO. NO. PIECES	REF. NO.
67F-12169-G0	5 - 10
67F-12169-H0	5 - 10
67F-12169-J0	5 - 10
67F-12169-K0	5 - 10
67F-12169-L0	5 - 10
67F-12169-M0	5 - 10
67F-12169-N0	5 - 10
67F-12169-00	5 - 10
68V-12169-10	5 - 10
67F-12169-20	5 - 10
67F-12169-30	5 - 10
67F-12169-40	5 - 10
67F-12169-50	5 - 10
67F-12169-60	5 - 10
67F-12169-70	5 - 10
67F-12169-80	5 - 10
67F-12171-00	5 - 11
67F-12181-00	5 - 12
68V-12411-00	4 - 31
68V-12413-00-1S	4 - 32
6G5-12416-00	2 - 18
67F-1243A-00	2 - 31
67F-12435-A0	2 - 22
	39 - 7
67F-1246A-00-1S	2 - 21
67F-12572-00	17 - 30
6R3-12581-00	17 - 32
6R3-12582-00	17 - 33
6R3-12583-00	17 - 34
68V-13105-00	7 - 8
67F-13119-01	27 - 18
68V-1312A-00	7 - 10
68V-13131-00	10 - 19
68V-13160-00	8 - 1
67F-13300-03	27 - 14
67F-13314-01	27 - 15
67F-13329-00	27 - 17
67F-13338-00	27 - 21
67F-13411-00	27 - 9
67F-13415-00	27 - 13
	40 - 15
67F-13434-02	1 - 39
68V-13435-00	8 - 6
67F-13437-60	12 - 24
5GH-13440-00	2 - 39
67F-13473-01	27 - 16
68V-13473-00	7 - 11
68V-13490-01	9 - 36

PART NO. NO. PIECES	REF. NO.
68V-13532-00	9 - 25
68V-13533-00	9 - 23
68V-13534-00	9 - 31
68V-13535-00	9 - 35
68V-13542-00	9 - 22
68V-13544-00	9 - 24
68V-13545-00	9 - 26
68V-13546-00	9 - 27
68V-13547-01	9 - 32
68V-13573-00	7 - 23
68V-13574-00	7 - 22
68V-13577-00	9 - 30
68V-13593-00	9 - 20
67F-13631-02	27 - 19
68V-13641-00-94	7 - 27
68V-13645-00	6 - 5
	39 - 14
68V-13716-00	9 - 21
68V-13751-01	7 - 2
68V-13752-01	7 - 6
68V-13766-00	8 - 4
67F-13769-00	27 - 20
68V-13769-00	9 - 4
68V-13781-00	9 - 7
68V-13784-00	9 - 9
68V-13906-00	8 - 9
68V-13907-00	9 - 17
68V-13915-00	9 - 8
68V-13971-00	8 - 14
68V-13972-00	8 - 15
68V-1410B-00	8 - 3
68V-14126-00	9 - 15
68V-14180-01	9 - 1
68V-14181-00	9 - 3
68V-14182-01	9 - 2
68V-14191-00	9 - 14
68V-14200-02	7 - 1
68V-14225-00	8 - 5
68V-14255-00	9 - 12
68V-14264-00	8 - 12
68V-14265-00	8 - 23
68V-14291-00-94	6 - 12
68V-14292-00	6 - 19
68V-14294-00	9 - 33
68V-14321-00	7 - 4
68V-14323-00	7 - 3
68V-14331-00	7 - 5
	7 - 7

PART NO. NO. PIECES	REF. NO.
68V-14356-00	8 - 11
68V-14357-00	8 - 21
68V-14386-00	9 - 6
68V-14397-00	8 - 7
68V-1441J-00	7 - 37
68V-1441L-00	7 - 33
68V-14419-10	7 - 26
68V-14428-00	8 - 19
68V-14440-00	6 - 14
68V-14446-00	8 - 22
68V-14453-00	7 - 36
68V-14475-00	7 - 25
	8 - 20
68V-14496-00	7 - 21
68V-14511-00	7 - 14
68V-14546-00	9 - 16
68V-14565-00	8 - 10
68V-14567-00	9 - 11
68V-14592-00	9 - 13
68V-14711-10-5B	26 - 9
68V-14711-30-5B	26 - 9
68V-14777-00	7 - 24
	8 - 18
68V-14807-00	9 - 18
68V-14960-00	7 - 9
68V-14984-00	9 - 10
68V-14985-00	9 - 5
68V-15100-01-1S	2 - 2
67F-15142-00	2 - 12
67F-15311-00-5B	27 - 1
67F-15312-00	27 - 8
	40 - 14
67F-15316-00	27 - 2
68V-15362-00	27 - 26
6G8-15363-00	4 - 35
67F-15373-00	6 - 6
68V-21841-00	8 - 13
68V-2247A-00	8 - 26
68V-2247B-00	8 - 27
68V-2411M-00	8 - 17
68V-24149-00	10 - 26
68V-2417H-00	7 - 38
6YK-24306-42	11 - 1
68V-24312-00	17 - 35
63D-24364-00	19 - 13
63D-24367-00	19 - 12
68V-24374-00	10 - 22
6R3-24377-00	10 - 2

PART NO. NO. PIECES	REF. NO.
68V-24377-00	9 - 28
68V-24379-00	9 - 29
68V-24387-00	9 - 19
68V-24410-00	10 - 16
68V-24411-00	10 - 21
68V-24412-00	10 - 17
68V-24413-00	10 - 23
68V-24414-00	10 - 24
68V-24423-00	10 - 20
68V-24444-00	10 - 25
68V-24454-00	10 - 18
68V-24469-01	10 - 9
67F-24491-00	10 - 34
68V-24495-00	10 - 31
68V-24519-00	8 - 16
68V-24521-01	10 - 6
68V-24560-01	10 - 5
68V-24563-00	10 - 7
68V-24566-00	10 - 11
67F-24575-00	10 - 30
68V-2481H-00	8 - 28
	9 - 34
67G-26301-10	18 - 40
67F-28100-00	10 - 37
67F-2812A-00	14 - 31
6A1-28176-00	17 - 45
68V-41113-00-1S	2 - 13
67F-41114-A0	2 - 16
	39 - 9
67F-41131-00-5B	26 - 5
67F-41133-A0	26 - 6
	40 - 16
67F-41134-A0	26 - 14
	40 - 21
67F-41137-01-94	26 - 1
67F-41138-00	26 - 16
	40 - 22
6H4-41237-00	7 - 31
68V-41237-00	7 - 30
67G-42111-00-4D	18 - 2
67G-42115-10	18 - 18
664-42119-00	18 - 3
67G-42121-00-4D	18 - 56
68V-42121-00-4D	18 - 64
63D-42126-00	18 - 11
67G-42131-00	18 - 50
6H2-42137-00	18 - 5
650-42152-00-94	18 - 19

PART NO. NO. PIECES	REF. NO.
67G-42153-00	18 - 25
68V-42154-00	21 - 35
68V-42157-00	21 - 30
67G-42159-00	18 - 21
6G1-42177-00	18 - 4
67G-42508-00	20 - 1
68V-42510-10-8D	23 - 9
68V-42510-30-8D	23 - 9
67G-42526-00	20 - 11
63D-42527-00	20 - 6
63D-42528-00	20 - 17
67G-42541-00	20 - 4
67G-42541-10	20 - 7
624-42542-00	13 - 3
	14 - 24
67G-42546-00	20 - 5
67G-42561-00	20 - 15
67G-42562-00	20 - 16
68V-42610-10-8D	1 - 1
68V-42612-00-8D	1 - 18
68V-42613-00	1 - 15
68V-42615-00	1 - 22
68V-42617-00	1 - 32
68V-42619-00	1 - 33
68V-42628-00	1 - 20
68V-42629-00	1 - 17
68V-42632-00	1 - 23
68V-42634-00	1 - 24
68V-42647-00	1 - 2
67F-42649-00	1 - 11
68V-42651-00	1 - 5
68V-42652-00	1 - 8
67F-42662-00	1 - 14
68V-42677-10	1 - 27
68V-42678-10	1 - 28
68V-42681-10	1 - 30
68V-42682-10	1 - 31
68V-42710-00-8D	17 - 1
648-42715-00	21 - 27
61A-42716-00	17 - 37
67F-42717-00	17 - 25
68V-42718-00	1 - 21
67F-42724-00	26 - 31
63D-42725-00	18 - 55
67G-42725-00	19 - 31
68V-42725-00	17 - 19
6H1-42726-20	17 - 22
6G1-42727-00	26 - 4

NUMERICAL INDEX
INDEX NUMERIQUE

PART NO. NO. PIECES	REF. NO.
64E-43841-00	25 - 7
64E-43843-00	25 - 6
64E-43843-10	25 - 38
64E-43850-00	25 - 15
66Y-43851-00	25 - 11
68V-43855-00	25 - 14
6E5-43858-00	24 - 28
64E-43858-00	25 - 12
	25 - 18
72X-43858-00	25 - 5
64E-43859-00	25 - 13
6H1-4386K-10	25 - 29
64E-43860-00	25 - 20
6E5-43862-00	24 - 10
	24 - 14
6G5-43863-00	25 - 10
6E5-43864-00	24 - 20
6G5-43864-00	24 - 19
6G5-43865-00	25 - 35
64E-43865-00	25 - 16
64E-43866-00	24 - 9
64E-43867-00	24 - 8
64E-43868-00	25 - 3
64E-43869-00	24 - 26
64E-4387A-00	25 - 23
6E5-43872-00	24 - 12
64E-43873-00	25 - 24
6E5-43874-01	24 - 21
64E-43875-00	25 - 25
64E-43879-00	25 - 27
64E-43879-10	25 - 26
64E-4388E-00	24 - 25
64E-4388E-10	25 - 1
64E-4388J-00	24 - 3
68V-43880-01	25 - 28
64E-43883-00	24 - 11
64E-43891-00	25 - 31
64E-43892-00	25 - 34
6E5-43896-00	25 - 9
64E-43897-00	24 - 24
64E-43898-00	24 - 7
67G-44100-10	18 - 15
67G-44104-00	18 - 16
67G-44113-00	18 - 22
68V-44117-00	21 - 5
68V-44118-00	21 - 22
68V-44120-10	21 - 17
68V-44120-30	21 - 17

PART NO. NO. PIECES	REF. NO.
68V-44121-00	21 - 15
68V-44122-01	21 - 12
67G-44132-00	18 - 26
67F-44135-00	21 - 36
6E5-44150-02	30 - 19
6L6-44150-01	28 - 17
67G-44159-00-4D	18 - 45
67G-44173-00	18 - 46
6G8-44191-00	18 - 48
61A-44311-01	28 - 24
	30 - 26
6E5-44312-00	29 - 4
	29 - 21
	31 - 4
	31 - 21
6E5-44315-A0	28 - 31
	30 - 33
	40 - 7
	40 - 29
61A-44322-02	28 - 25
	30 - 27
	40 - 24
68V-44323-00	28 - 30
	30 - 32
	40 - 28
6E5-44352-01	28 - 28
	30 - 30
	40 - 27
68V-44361-10	29 - 2
68V-44361-30	29 - 2
	31 - 2
6E5-44365-00	29 - 3
	29 - 20
	31 - 3
	31 - 20
6E5-44366-00	29 - 1
	31 - 1
6H3-44391-01	1 - 34
	17 - 23
67F-44514-00-94	23 - 27
6G5-44526-00	22 - 3
67F-44526-00	23 - 30
67F-44533-00	23 - 32
68F-44533-00	2 - 38
68V-44551-00-8D	23 - 14
68V-44553-00-8D	23 - 24
61A-44555-01-94	23 - 17
61A-44575-00	23 - 16

PART NO. NO. PIECES	REF. NO.
68V-45111-10-8D	26 - 18
68V-45111-30-8D	26 - 18
67F-45113-00	26 - 27
	40 - 13
663-45119-00	22 - 14
	22 - 25
68V-45123-00	26 - 10
	40 - 18
67F-45127-00	26 - 17
	40 - 19
67F-45151-00	26 - 23
6H3-45155-00	26 - 26
67F-45181-00-5B	26 - 15
688-45214-02	29 - 11
	31 - 11
688-45215-02	29 - 12
	31 - 12
6G5-45251-01	22 - 2
68V-45300-11-8D	28 - 1
68V-45300-31-8D	28 - 1
68W-45300-31-8D	30 - 1
6E5-45301-04-8D	28 - 2
	30 - 2
6E5-45318-00	26 - 21
6E5-45321-00	28 - 13
	30 - 15
6E5-45331-00-94	28 - 34
	30 - 36
6E5-45332-00-94	28 - 58
6L6-45332-00-94	30 - 61
688-45341-10	28 - 7
	30 - 9
6E5-45344-00	28 - 40
	30 - 42
6E5-45371-01	29 - 15
6L6-45371-00	31 - 15
688-45375-00	29 - 10
	31 - 10
663-45376-00-94	29 - 9
	31 - 9
6E5-45378-00	28 - 10
	30 - 12
688-45383-02	28 - 68
	30 - 72
688-45384-00	28 - 69
	30 - 73
68V-45501-10	28 - 43
68V-45501-30	28 - 43

PART NO. NO. PIECES	REF. NO.
68V-45501-30	30 - 45
61A-45527-00	28 - 23
	30 - 25
6E5-45536-00	28 - 9
	30 - 11
6L6-45538-00	30 - 6
61A-45538-00	28 - 20
	30 - 22
68V-45551-00	28 - 44
	30 - 46
68V-45560-00	28 - 46
68W-45560-00	30 - 48
6E5-45567-01-10	28 - 5
	30 - 7
6E5-45567-01-12	28 - 5
	30 - 7
6E5-45567-01-15	28 - 5
	30 - 7
6E5-45567-01-18	28 - 5
	30 - 7
6E5-45567-01-30	28 - 5
	30 - 7
6E5-45567-01-40	28 - 5
	30 - 7
6E5-45567-01-50	28 - 5
	30 - 7
68W-45570-10	30 - 63
68V-45571-00	28 - 60
6E5-45576-00	28 - 61
6L6-45576-00	30 - 64
6L6-45577-00-10	28 - 65
	30 - 70
6L6-45577-00-12	28 - 65
	30 - 70
6L6-45577-00-15	28 - 65
	30 - 70
6L6-45577-00-18	28 - 65
	30 - 70
6L6-45577-00-30	28 - 65
	30 - 70
6L6-45577-00-40	28 - 65
	30 - 70
6L6-45577-00-50	28 - 65
	30 - 70
6K1-45578-01-10	30 - 66
6K1-45578-01-12	30 - 66
6K1-45578-01-15	30 - 66
6K1-45578-01-18	30 - 66

PART NO. NO. PIECES	REF. NO.
6K1-45578-01-30	30 - 66
6K1-45578-01-40	30 - 66
6K1-45578-01-50	30 - 66
6E5-45587-01-10	28 - 37
	30 - 39
6E5-45587-01-12	28 - 37
	30 - 39
6E5-45587-01-15	28 - 37
	30 - 39
6E5-45587-01-18	28 - 37
	30 - 39
6E5-45587-01-30	28 - 37
	30 - 39
6E5-45587-01-40	28 - 37
	30 - 39
6E5-45587-01-50	28 - 37
	30 - 39
6E5-45611-01	28 - 48
68W-45611-00	30 - 51
68V-45631-01	28 - 56
	30 - 59
6E5-45633-01	28 - 57
	30 - 60
6E5-45634-01	28 - 50
	30 - 53
6E5-45641-02	30 - 52
6K1-45641-01	28 - 49
6L6-45930-01-98	31 - 27
688-45930-02-98	29 - 27
688-45932-60-98	29 - 27
6E5-45941-00-EL	29 - 27
6E5-45943-00-EL	29 - 27
6E5-45945-01-EL	29 - 27
6E5-45947-00-EL	29 - 27
6E5-45949-00-EL	29 - 27
6E5-45952-00-EL	29 - 27
6E5-45954-00-EL	29 - 27
6E5-45956-00-EL	29 - 27
6L6-45970-00-98	31 - 27
62A-45970-10	29 - 27
688-45970-03-98	29 - 27
6L6-45972-00-98	31 - 27
62A-45972-10	29 - 27
688-45972-02-98	29 - 27
62A-45974-10	29 - 27
688-45974-02-98	29 - 27
688-45976-01-98	29 - 27
688-45978-60-98	29 - 27

PART NO. NO. PIECES	REF. NO.
6E5-45987-01	29 - 22
	31 - 22
688-45997-01	29 - 23
	31 - 23
67F-46241-00	5 - 17
63D-48119-00	18 - 24
704-48119-20	36 - 78
EL8-48127-00	36 - 25
704-48128-00	36 - 71
6A5-48129-10	36 - 12
704-48144-00	36 - 57
703-48152-00	35 - 57
EL8-48153-10	36 - 63
703-48153-00	35 - 3
63D-48154-00	18 - 12
704-48156-00	36 - 72
EL8-48158-00	36 - 31
EL8-48164-00	36 - 46
704-48166-00	36 - 64
704-48176-10	36 - 58
704-48178-00	36 - 76
703-48189-00	35 - 17
EL8-48191-00	36 - 18
703-48192-00	36 - 59
704-48192-00	36 - 49
704-48193-00	36 - 54
703-48198-00	35 - 14
703-48205-17	34 - 1
	35 - 1
704-48207-23	34 - 2
	36 - 1
703-48211-01	35 - 61
703-48212-00	35 - 58
703-48213-00	35 - 59
703-48215-00	35 - 43
704-48215-10	36 - 14
703-48219-00	35 - 30
704-48219-00	36 - 56
703-48221-00	35 - 56
704-48221-00	36 - 77
703-48222-00	35 - 27
704-48222-00	36 - 36
703-48223-00	35 - 28
703-48225-00	35 - 29
704-48225-00	36 - 48
703-48226-00	35 - 26
703-48227-00	35 - 24
704-48228-00	36 - 38

PART NO. NO. PIECES	REF. NO.	PART NO. NO. PIECES	REF. NO.
704-48228-10	36 - 70	704-48281-00	36 - 15
704-48229-00	36 - 40	703-48282-00	35 - 32
704-48229-10	36 - 68	704-48282-00	36 - 62
EL8-48231-00	36 - 27	704-48283-00	36 - 19
EL8-48232-00	36 - 45	703-48284-00	35 - 52
703-48232-00	35 - 62	704-48284-00	36 - 65
EL8-48233-00	36 - 60	704-48285-00	36 - 74
EL8-48234-00	36 - 55	704-48286-00	36 - 75
703-48234-00	35 - 18	701-48287-00	35 - 42
703-48235-00	35 - 4	704-48287-00	36 - 22
	36 - 61	703-48291-10	35 - 39
63D-48236-00	18 - 23	703-48293-10	35 - 41
703-48236-00	35 - 16	701-48320-50	34 - 3
63D-48237-00	18 - 27	701-48320-60	34 - 3
63D-48154-00	18 - 29	701-48320-80	34 - 3
703-48238-00	35 - 22	67G-48321-10	18 - 36
	36 - 44	663-48344-00	21 - 3
EL8-48241-00	36 - 28		21 - 28
704-48242-00	36 - 47	703-48345-01	35 - 19
703-48243-00	35 - 15		36 - 21
EL8-48244-00	36 - 34	701-48350-00	34 - 3
703-48244-00	35 - 21	701-48350-20	34 - 3
EL8-48245-00	36 - 35	703-48358-00	35 - 20
703-48245-00	35 - 11		36 - 26
701-48246-00	36 - 5	68V-48511-00-8D	23 - 34
703-48246-00	35 - 23	67G-48531-00	18 - 37
701-48248-00	35 - 13	63D-48538-00	18 - 43
	36 - 43	66R-48538-00	18 - 41
EL8-48251-00	36 - 3	67F-48538-00	21 - 1
703-48252-00	35 - 12	6E5-61301-01	33 - 1
EL8-48254-00	36 - 29	6E5-61303-00	33 - 5
EL8-48259-00	36 - 7	6E5-61311-11	33 - 3
67G-48261-00	18 - 17	6E5-61313-00	33 - 2
703-48261-01	35 - 2	6E5-61315-00	33 - 4
704-48261-00	36 - 17	6E5-61350-02	32 - 1
704-48262-00	36 - 8	6E5-61351-01	32 - 2
702-48263-00	36 - 52	6E5-61355-00	32 - 5
703-48264-00	35 - 6	68V-8A360-00	8 - 2
704-48264-00	36 - 9	68V-81145-00	7 - 15
703-48265-00	35 - 9		7 - 34
704-48265-00	36 - 4	68V-81146-00	7 - 12
704-48266-00	36 - 10	68V-81147-00	7 - 20
703-48268-00	35 - 5		8 - 8
EL8-48271-00	36 - 24	68V-81162-00	7 - 13
703-48271-00	35 - 60		7 - 16
EL8-48279-00	36 - 53	68V-81315-00	15 - 21
EL8-48281-00	36 - 13	67F-8132G-01	15 - 1
703-48281-00	35 - 31	445-81328-20	12 - 7

PART NO. NO. PIECES	REF. NO.
67F-81332-00	12 - 16
67F-81337-01	12 - 19
63D-81345-20	12 - 5
68V-81410-00	12 - 4
68V-81450-00	12 - 1
68V-81460-00	12 - 2
68V-81673-00	12 - 8
68V-81800-01	16 - 1
67F-81801-00	16 - 5
67F-81807-00	16 - 10
67F-81808-00	16 - 8
67F-81809-00	16 - 19
67F-81810-00	16 - 3
67F-81813-00	16 - 6
68V-8182L-00	7 - 18
68F-81820-00	16 - 7
67F-81821-00	16 - 13
6K7-81826-10	16 - 24
67F-81828-00	16 - 25
67F-8183R-00	16 - 16
67F-8183T-00	16 - 18
67F-81830-00	16 - 17
67F-81832-00	16 - 11
67F-81836-00	16 - 12
67F-81839-00	16 - 21
68F-81840-00	16 - 4
67F-81841-00	16 - 14
67F-81842-00	16 - 20
67F-81846-00	16 - 26
67F-81850-00	16 - 2
67F-81857-00	16 - 9
67F-81869-00	16 - 23
67F-81891-00	16 - 15
68V-81919-00	14 - 38
68V-81919-10	14 - 39
68F-81925-00	16 - 28
68V-8194A-00	14 - 7
68V-81941-01	16 - 22
68V-81942-00	14 - 30
68V-81948-00	14 - 22
68V-81949-00	14 - 15
68V-8195B-00	14 - 14
68V-81950-00	14 - 5
704-81950-00	36 - 66
68V-81953-00	14 - 8
68V-81960-00	13 - 14
6K1-81980-00	38 - 17
68V-82105-00	14 - 1

PART NO. NO. PIECES	REF. NO.
6Y5-82117-00	37 - 17
	37 - 26
6G5-82119-00	14 - 13
703-82119-00	23 - 4
6E5-82148-00	22 - 6
	22 - 10
66K-82149-00	22 - 26
68V-82149-30	22 - 26
1E6-82151-00	37 - 16
67F-82151-00	14 - 33
67F-82151-10	14 - 34
68V-82310-00	13 - 5
68V-82310-10	13 - 6
6A0-82317-00	14 - 23
68V-82317-00	13 - 2
67F-82361-00	13 - 12
67F-82362-00	13 - 13
68V-82377-00	17 - 44
68V-82380-00	7 - 19
68V-82388-00	13 - 10
68V-82504-00	15 - 20
6K1-82510-06	38 - 3
67G-82510-30	19 - 9
703-82510-43	35 - 44
63D-8252E-01-4D	19 - 10
63D-8252F-01-4D	19 - 11
703-82531-00	35 - 46
	37 - 27
68V-82532-00	14 - 16
688-82540-11	19 - 4
703-82540-00	35 - 50
704-82540-10	36 - 11
68F-82553-80	37 - 18
68F-82553-90	37 - 18
67G-82554-01	19 - 5
62Y-82555-00	19 - 6
682-82556-00	19 - 21
	35 - 48
	38 - 6
63D-82563-10	15 - 22
67G-82563-00	19 - 23
703-82563-02	35 - 55
704-82563-E0	36 - 69
704-82563-F0	36 - 73
704-82563-31	36 - 39
6E3-8257H-00	17 - 46
689-8257Y-00	19 - 22
6K1-82570-07	38 - 1

PART NO. NO. PIECES	REF. NO.
6K1-82571-01	38 - 2
6K1-82575-00	38 - 5
63D-82575-00	19 - 20
688-82575-01	35 - 47
703-82577-00	35 - 45
	38 - 4
6K1-8258A-40	38 - 22
61B-8258A-01	38 - 23
688-8258A-20	35 - 49
68F-82582-00	16 - 29
63D-82586-00	19 - 30
6E5-82587-00	15 - 23
6E5-82588-00	17 - 26
61A-82588-00	21 - 7
68V-82588-00	15 - 5
68F-8259F-00	21 - 6
68V-8259M-00	15 - 4
68V-8259N-00	7 - 35
68V-82590-10	14 - 32
704-82590-10	36 - 67
703-82591-00	35 - 53
703-82592-00	35 - 54
68V-82594-00	14 - 26
703-82594-00	35 - 25
704-82594-00	36 - 37
688-83383-11	19 - 32
	38 - 11
703-83383-02	35 - 51
6H5-83386-00	19 - 33
6Y5-8350F-00	37 - 21
6Y5-8350T-01	37 - 1
6Y5-83500-S5	37 - 6
6Y5-83533-T2	37 - 10
6H5-83553-11	19 - 29
6Y5-83553-F1	37 - 23
6Y5-83553-M0	37 - 15
6Y5-83553-00	37 - 15
6K3-83557-00	19 - 2
6Y5-83557-10	37 - 19
6Y5-83557-31	37 - 11
6E5-83558-00	29 - 18
	31 - 18
6E5-83558-10	28 - 12
	30 - 14
6Y5-83570-S5	37 - 7
6K1-83614-01	38 - 7
67F-83614-00	15 - 24
6K1-83623-41	12 - 27

PART NO. NO. PIECES	REF. NO.
6K1-83623-50	12 - 28
6A1-83625-41	12 - 25
6A1-83625-51	12 - 26
68V-83626-00	4 - 37
64E-83672-02	23 - 3
6Y5-83728-00	37 - 12
63D-83728-00	19 - 26
72X-85075-L0	25 - 21
689-85547-00	10 - 1
68V-85548-00	14 - 28
68V-85580-00	12 - 3
6Y5-85752-01	37 - 24
68V-85753-00	15 - 15
	39 - 8
67F-85757-00	15 - 14
67F-85790-00	15 - 13
6K1-85830-01	38 - 12
68V-85885-00	7 - 17
65L-85886-00	6 - 18
68V-8591A-10	13 - 1
6Y5-87122-S0	37 - 14
	37 - 22
9E450-04433	37 - 2
9E450-04533	37 - 3
90101-09M70	33 - 9
90101-12M05	22 - 40
90101-12M09	18 - 57
90105-10M00	29 - 16
	31 - 16
90105-10M89	4 - 19
90109-06M80	17 - 15
	17 - 29
	17 - 41
90109-06M81	17 - 27
90109-06M82	17 - 8
	17 - 18
	17 - 31
90109-06M86	15 - 25
	17 - 21
	21 - 2
90109-12M37	23 - 29
90109-14MA7	23 - 21
90116-10175	18 - 65
	23 - 35
90119-06MA2	2 - 23
90119-06MA4	2 - 17
90119-06ME1	6 - 17
90119-06M10	28 - 16

NUMERICAL INDEX
INDEX NUMERIQUE

PART NO. NO. PIECES	REF. NO.	PART NO. NO. PIECES	REF. NO.
90119-06M10	30 - 18	90185-09M01	33 - 11
90119-06M49	6 - 13	90185-10M14	20 - 9
90119-06M59	13 - 4	90185-10051	18 - 66
	14 - 25		23 - 36
90119-06M82	6 - 16	90185-12M12	18 - 63
90119-06M83	10 - 29		23 - 33
90119-06M92	12 - 22	90185-22M11	22 - 20
90119-07234	4 - 7	90201-06M31	21 - 43
90119-07235	4 - 5	90201-06068	17 - 12
	10 - 35	90201-08M01	20 - 3
90119-08M14	28 - 33	90201-08M12	10 - 33
	30 - 35	90201-08M14	24 - 30
	40 - 31	90201-09M02	21 - 20
	17 - 2	90201-10M02	21 - 31
90119-08M22	26 - 30		21 - 41
90119-08M58	2 - 5	90201-10M20	32 - 7
90119-08M66	6 - 2	90201-10M76	20 - 10
90119-08M68	20 - 2		33 - 8
90119-08M74	4 - 20	90201-12M05	22 - 42
90119-08M91	5 - 15	90201-12M09	23 - 31
90119-10M06	26 - 19	90201-13M01	22 - 41
90119-10M08	5 - 22	90201-15M58	23 - 20
90119-10M72	2 - 4	90201-16M55	23 - 19
90119-10M88	29 - 8	90201-22M01	28 - 21
	31 - 8		30 - 23
90149-05M05	38 - 18	90201-25M02	12 - 14
90149-05M13	18 - 7	90201-26M00	30 - 50
90152-05M07	29 - 13	90201-26M59	22 - 19
	31 - 13	90201-30M92	28 - 66
90158-06002	37 - 25	90201-38M60	23 - 10
90159-06M18	18 - 47	90202-07M07	21 - 13
90159-06M28	17 - 40	90202-32M19	23 - 18
90159-06M29	4 - 30	90202-40M47	23 - 13
90170-09M05	33 - 10	90206-10M04	21 - 32
90170-14M06	33 - 6		21 - 42
90170-16M01	28 - 45	90206-12M22	18 - 59
	30 - 47	90206-15M18	17 - 11
	12 - 15	90206-22M19	28 - 22
90170-24M22	5 - 24		30 - 24
90170-40003	29 - 25	90249-06M19	22 - 33
90171-18M04	31 - 25	90250-08M07	28 - 55
	1 - 19		30 - 58
90179-06M28	21 - 34	90269-02M09	18 - 6
	16 - 27	90280-04M05	28 - 29
90179-08003	29 - 14		30 - 31
90185-05002	31 - 14		40 - 32
	20 - 14	90280-04M08	12 - 13
90185-08057	20 - 14	90280-04008	5 - 25
90185-09M01	32 - 6		

PART NO. NO. PIECES	REF. NO.
90282-04010	28 - 67
	30 - 71
90340-08002	28 - 6
	30 - 8
90340-14M06	2 - 6
	27 - 3
90340-18M09	2 - 14
90344-51019	4 - 4
90386-06M12	21 - 16
90386-08032	18 - 10
90386-10M16	22 - 31
90386-12M93	18 - 61
90386-15M73	17 - 10
90386-22M98	22 - 38
	24 - 33
90386-25M31	22 - 18
90386-26MA3	18 - 49
90386-38M32	23 - 12
90386-90M90	21 - 19
90387-06M21	21 - 33
	21 - 37
90387-06M43	17 - 43
90387-06M64	27 - 12
90387-06M71	12 - 20
90387-08M32	6 - 3
90387-08M37	17 - 4
90387-10M05	22 - 34
90387-10M08	4 - 18
90387-10M61	32 - 3
90387-12M02	18 - 60
90401-20145	2 - 40
90430-06014	8 - 25
	39 - 18
90430-08020	28 - 8
	30 - 10
	40 - 2
90430-08143	4 - 16
	39 - 2
90430-14M09	27 - 4
90430-14115	2 - 7
	39 - 6
90430-14228	40 - 20
90430-18130	2 - 15
	39 - 12
90445-07ME8	28 - 11
90445-07ME9	28 - 11
	30 - 13
90445-076K2	29 - 17

PART NO. NO. PIECES	REF. NO.
90445-076K2	31 - 17
90445-10M18	1 - 35
90445-13M11	10 - 15
90445-13M27	10 - 4
90445-15M03	5 - 20
90446-24M79	19 - 1
90464-06001	13 - 11
90464-12M58	14 - 27
90465-06M86	15 - 18
90465-08M23	17 - 28
90465-08M63	1 - 36
	22 - 23
90465-11M10	2 - 32
	6 - 7
	8 - 29
	10 - 3
	10 - 10
	10 - 27
	15 - 9
	17 - 36
	22 - 21
	23 - 6
	29 - 19
	31 - 19
	37 - 13
	37 - 20
90465-12M03	6 - 9
90465-13M18	6 - 22
	15 - 8
90465-13M24	19 - 27
90465-13M30	19 - 28
90467-20M15	2 - 33
	6 - 8
90468-10005	18 - 39
	18 - 44
90468-18008	21 - 4
	21 - 14
	21 - 29
90480-12072	2 - 11
	4 - 25
90480-13M24	17 - 42
90480-15M31	12 - 21
90480-20M05	2 - 20
90480-22M15	17 - 3
90501-11M10	28 - 19
	30 - 21
90501-12082	21 - 26
90501-16M11	2 - 19

PART NO. NO. PIECES	REF. NO.
90501-16M37	28 - 51
	30 - 54
90501-23215	18 - 9
90506-14M24	22 - 36
90506-16M34	17 - 16
90506-16M39	5 - 19
90560-12M01	32 - 4
91490-20010	18 - 14
91490-20015	21 - 21
91490-40030	29 - 26
	31 - 26
91609-25014	10 - 32
91690-30020	22 - 35
91690-30025	18 - 20
91690-50014	6 - 4
91809-08006	4 - 6
	10 - 36
92780-06020	36 - 30
92903-06100	14 - 3
92903-06600	14 - 4
	14 - 21
92903-08100	16 - 33
92903-08600	16 - 31
92903-10600	18 - 8
92907-04600	4 - 24
92907-06600	27 - 11
92990-04100	37 - 4
	37 - 8
92990-05100	38 - 9
	38 - 20
92990-05200	1 - 25
	1 - 38
92990-05300	36 - 41
92990-05600	38 - 21
92990-06100	1 - 3
	1 - 12
	14 - 11
	14 - 18
	38 - 15
92990-06300	36 - 51
92990-06600	14 - 12
	14 - 19
	22 - 12
	26 - 25
	38 - 16
92990-08600	35 - 34
92990-12200	18 - 58
92990-12600	18 - 62

PART NO. NO. PIECES	REF. NO.
92990-18200	29 - 24
	31 - 24
92995-04100	21 - 9
92995-06100	12 - 11
	13 - 8
	13 - 16
	13 - 19
	14 - 36
	15 - 11
	21 - 39
	22 - 5
92995-06600	1 - 7
	1 - 10
	2 - 10
	2 - 27
	2 - 37
	4 - 11
	4 - 28
	4 - 34
	6 - 11
	10 - 14
	12 - 12
	12 - 18
	13 - 9
	13 - 17
	13 - 20
	14 - 37
	15 - 3
	15 - 7
	15 - 12
	15 - 17
	18 - 33
	18 - 35
	18 - 52
	18 - 54
	19 - 8
	19 - 15
	19 - 17
	19 - 19
	19 - 25
	21 - 11
	21 - 24
	21 - 40
	22 - 8
	26 - 8
	26 - 12
	26 - 29
	27 - 6

PART NO. NO. PIECES	REF. NO.
92995-06600	27 - 23
92995-08100	22 - 17
92995-08600	2 - 30
	4 - 14
	6 - 21
	18 - 31
	20 - 13
	28 - 42
	30 - 44
92995-10100	23 - 26
	29 - 7
	31 - 7
92995-14600	23 - 23
93101-28M16	28 - 35
	30 - 37
	40 - 8
93101-30M17	28 - 63
	30 - 68
	40 - 10
93101-48002	3 - 3
	39 - 11
93102-08M43	25 - 36
93102-38M59	5 - 16
	39 - 5
93102-48009	3 - 2
	39 - 10
	28 - 15
93106-09014	30 - 17
	40 - 4
93210-09165	21 - 18
	40 - 17
93210-10M74	24 - 4
93210-16275	32 - 9
93210-19MJ1	27 - 25
	40 - 12
93210-24M79	4 - 36
	39 - 3
93210-30682	10 - 28
	39 - 16
93210-32738	10 - 8
93210-37MH7	23 - 11
93210-37160	28 - 27
	30 - 29
	40 - 6
	40 - 26
93210-48MG8	7 - 29
	39 - 15
93210-48MJ9	6 - 15

PART NO. NO. PIECES	REF. NO.
93210-48MJ9	39 - 19
93210-55M14	28 - 39
	30 - 41
	40 - 9
93210-58144	28 - 14
	30 - 16
	40 - 3
93210-86M38	28 - 26
	30 - 28
	40 - 5
	40 - 25
93210-86M39	28 - 64
	30 - 69
	40 - 11
93306-208U0	28 - 59
93315-345W0	30 - 4
93315-425U7	28 - 47
	30 - 49
93315-430U8	28 - 62
93315-628U9	28 - 3
	30 - 3
93317-330U2	28 - 36
	30 - 38
93317-330U5	30 - 67
93332-000U7	28 - 4
93332-000V7	30 - 62
93341-360U8	30 - 5
93341-440U5	30 - 65
93341-930V2	28 - 38
	30 - 40
93410-22M11	22 - 39
93410-37M04	23 - 15
93420-36M01	26 - 22
93430-06024	35 - 10
	36 - 6
93501-04M02	21 - 25
93503-16003	28 - 54
	30 - 57
93507-32009	28 - 52
	30 - 55
93511-32017	28 - 53
	30 - 56
93604-12M07	27 - 24
93605-10108	5 - 13
93606-12019	2 - 3
	27 - 7
	28 - 32
	30 - 34

PART NO. NO. PIECES	REF. NO.
93606-12019	40 - 30
93606-19M23	26 - 13
93608-12M05	29 - 5
	31 - 5
93608-16M16	26 - 3
	26 - 20
93700-06M03	22 - 13
	22 - 24
94702-00400	4 - 38
95333-08600	16 - 32
95380-04600	37 - 5
	37 - 9
95380-05600	35 - 7
	36 - 23
	38 - 10
	38 - 19
95380-05700	7 - 32
95380-06600	1 - 4
	1 - 13
	1 - 16
	17 - 39
	18 - 13
	35 - 40
	36 - 42
	38 - 14
95380-08600	10 - 12
95380-12600	22 - 43
95380-14600	23 - 22
95380-14700	33 - 7
95780-10300	23 - 8
97013-06020	14 - 2
	14 - 20
97013-08045	16 - 30
97027-06025	27 - 10
97075-06020	2 - 26
	4 - 10
97075-06025	21 - 23
	27 - 5
97075-06030	26 - 11
97075-06070	26 - 7
97075-08025	2 - 29
	4 - 13
97075-10040	23 - 25
97075-10045	29 - 6
	31 - 6
97080-08016	24 - 31
97095-06010	8 - 24
	15 - 19

PART NO. NO. PIECES	REF. NO.
97095-06010	22 - 7
	22 - 28
	26 - 28
97095-06012	1 - 6
	1 - 9
	6 - 10
	15 - 6
97095-06014	18 - 34
	18 - 38
	18 - 42
	19 - 7
97095-06016	10 - 13
	15 - 2
	15 - 16
	17 - 13
97095-06020	2 - 9
	13 - 18
	14 - 35
	15 - 10
	19 - 16
97095-06025	2 - 36
	4 - 33
	13 - 7
	13 - 15
	19 - 14
97095-06030	4 - 27
	12 - 10
	18 - 32
	19 - 18
	22 - 4
97095-06035	21 - 38
97095-06040	21 - 10
97095-06045	27 - 22
97095-08014	4 - 15
97095-08020	6 - 20
	22 - 16
97095-08025	20 - 12
	28 - 41
	30 - 43
97095-08040	18 - 30
97380-05025	35 - 8
97380-06018	36 - 20
97380-08030	35 - 33
97575-08445	23 - 28
97575-08540	6 - 1
	26 - 2
97607-04112	12 - 6
97607-04310	25 - 32

PART NO. NO. PIECES	REF. NO.
97780-50620	1 - 37
97780-50625	1 - 26
97780-60525	23 - 2
97780-60620	14 - 9
	14 - 29
97780-60625	14 - 6
97880-06010	14 - 10
	14 - 17
97880-06012	22 - 11
97880-06016	26 - 24
97885-04016	21 - 8
97885-06010	12 - 17
97885-06016	18 - 53
	19 - 24
	23 - 5
97885-06040	18 - 51
97890-05016	36 - 2
97890-05025	36 - 16
97890-06018	36 - 50
98507-04008	4 - 23
98580-03015	35 - 38
98580-04006	35 - 36
	36 - 32
98580-04010	35 - 35
98580-05010	35 - 37
98780-05018	36 - 33
98785-05014	18 - 28
98980-05010	38 - 8
98980-06020	38 - 13
99001-08600	28 - 18
	30 - 20
99530-08012	12 - 9
99530-10114	7 - 28

PART NO. NO. PIECES	REF. NO.	PART NO. NO. PIECES	REF. NO.
------------------------	-------------	------------------------	-------------

PART NO. NO. PIECES	REF. NO.
------------------------	-------------

F115A/FL115A
PARTS CATALOGUE
E2001 by Yamaha Motor Co., Ltd.
1st Edition, Nov. 2001
All rights reserved.
Any reprinting or unauthorized use
without the written permission of
Yamaha Motor Co., Ltd.
is expressly prohibited.

F115A/FL115A
CATALOGUE DE PIECES DETACHEES
E2001 Yamaha Motor Co., Ltd.
1ère Edition, Nov. 2001
Tous droits réservés.
Toute réimpression ou utilisation
sans la permission écrite de la
Yamaha Motor Co., Ltd.
est formellement interdite.