

**PARTS
CATALOGUE
CATALOGUE
DE PIÈCES DÉTACHÉES**

F80A '02(67G1)

F100A '02(67F1)

2A67G-300F1

YAMAHA
GENUINE
Parts & Accessories

2016/4/18

NEWS NO.	DATE	COMMENT
PE0-OM-060001	Feb.,24,2006	MOD:FIG.13,14 ELECTRICAL LIST/ILLUSTRATION REVISION
PE0-OM-060010	May,9,2006	COR:FIG.7,9 CARBURETOR LIST/ILLUSTRATION CORRECTION
PE0-OM-100035	May,13,2010	COR:FIG.7 CARBURETOR 1 LIST/ILLUSTRATION CORRECTION
PE0-OM-160003	Apr.,11,2016	MOD:F75/F80A/F90/F100A FUEL (1) LIST/ILLUSTRATION REVISION

FOREWORD

This Parts Catalogue is related to the parts for the model(s) in the below frame. When you are ordering replacement parts, please refer to this Parts Catalogue and quote both part numbers and part names correctly.

F80A'02(67G1), F100A'02(67F1)

5. Quantity Column Information

NAME for Q'TY COLUMN	APPLICABLE MODEL
F80	F80AET
F100	F100AET

6. Applicable Starting Serial No. and Color Code

1) Engine Starting Sserial No.

F80AET	67G	L : 307147	F100AET	67F	L : 314787
--------	-----	------------	---------	-----	------------

1. Modifications or additions which have been made after issue of the Parts Catalogue will be announced in the Yamaha Parts News. It is advisable that you make necessary corrections to the Parts Catalogue according to the Yamaha Parts News.

2. Abbreviations

The Following abbreviations are used in this Parts Catalogue.

“UR” Use specified parts number.

“UN” Use as many as needed.

“AP” Alternate Parts

“LM” Local Made

(Parts need to be ordered locally)

“O/S” Over Size

3. Parts, which are to be supplied in an assembly, are listed with a dot(.) in front of the part name as shown below.

EXAMPLE

CARBURETOR ASSY

.JET, PILOT

.NOZZLE, MAIN

4. Number of component for assembly

The numeral appearing to the right of each component part indicates the quantity of parts for each assembly unit.

EXAMPLE

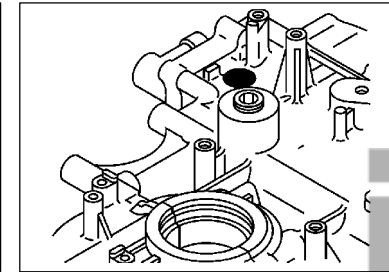
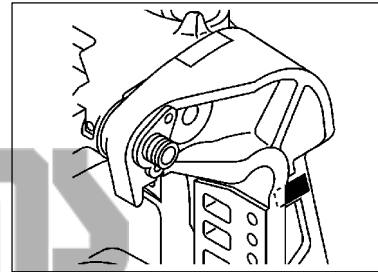
PART NO.	DESCRIPTION	u	u	u	REMARKS
6E0-85500-70	C.D.I. MAGNETO ASSY	1			
6E0-85550-70	.ROTOR ASSY	1			
6E0-15723-00-94.	.PULLY, STARTER	1			

2) Color Code

Color Code	Color Name	Abbreviation
004D	DARK BLUISH GRAY METALLIC 2	DBNM2

7. Note that the illustrations for reference in finding parts numbers, not to be used for assembling. When assembling, please use the applicable service manual.

8. The asterisk (*) before a reference number indicates modification items after the first edition.



SHEET 1/2

TOP COWLING	A4
CYLINDER. CRANKCASE 1	A5
CRANKSHAFT. PISTON	A7
CYLINDER. CRANKCASE 2	B1
VALVE	B3
INTAKE	B6
CARBURETOR 1	B7
CARBURETOR 2	C3
CARBURETOR 3	C4
FUEL 1	C5
FUEL 2	C7
GENERATOR	D1
ELECTRICAL 1	D2
ELECTRICAL 2	D4
ELECTRICAL 3	D6
STARTING MOTOR	E1
BOTTOM COWLING	E3
STEERING 1	E5
STEERING 2	F1
STEERING FRICTION	F3
CONTROL	F4
BRACKET 1	F6

INDEX

NUMERICAL INDEX	G1
-----------------------	----

CONTENTS

SHEET 2/2

BRACKET 2	A4*
OPTIONAL PARTS	A6*
POWER TRIM & TILT ASSY 1	A7*
POWER TRIM & TILT ASSY 2	B4*
UPPER CASING	B5*
OIL PAN	B7*
LOWER CASING. DRIVE 1	C1*
LOWER CASING. DRIVE 2	C4*
FUEL TANK	C6*
STEERING GUIDE	C7*
REMOTE CONTROL BOX	D1*
REMOTE CONTROL ASSY	D2*
METER	D5*
REPAIR KIT 1	D6*
REPAIR KIT 2	D7*
REPAIR KIT 3	E1*

INDEX

NUMERICAL INDEX	G1*
-----------------------	-----

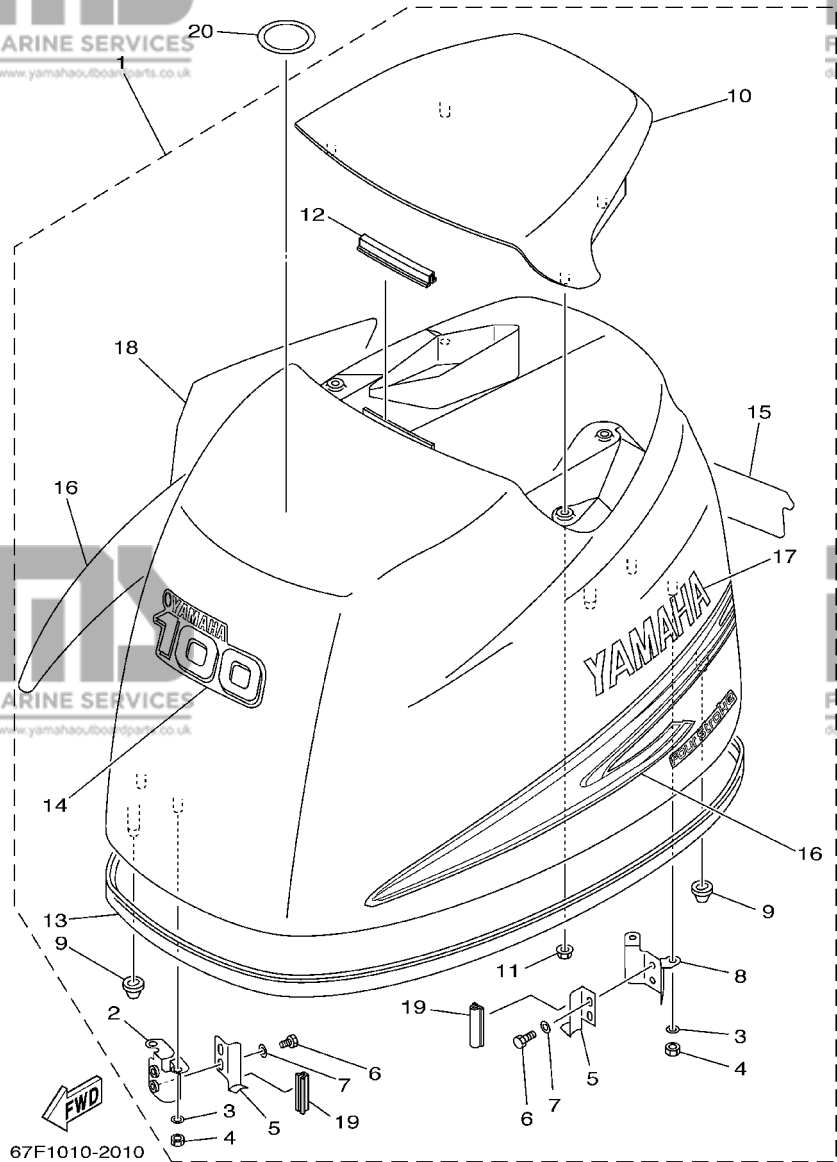


FIG. 1 TOP COWLING

CAPOT SUPERIEUR

REF. NO.	PART NO. NO. PIECES	DESCRIPTION DESCRIPTION	F80	F100	REMARKS REMARQUES
1	67F-42610-10-4D	TOP COWLING ASSY CAPOT (ENS.)		1	
	67G-42610-10-4D	TOP COWLING ASSY CAPOT (ENS.)	1		
2	67F-42647-00	.HOLDER, CLAMP BAND .SUPPORT, SANDOW DE SERRAGE	1	1	
3	92990-06100	.WASHER, SPRING .RONDELLE, GROWER	4	4	
4	95380-06600	.NUT, HEXAGON ECROU	4	4	
5	67F-42652-00	.HOOK .CROCHET	2	2	
6	97095-06012	.BOLT .BOULON	4	4	
7	92995-06600	.WASHER .RONDELLE	4	4	
8	67F-42649-00	.HOLDER, CLAMP BAND .SUPPORT, SANDOW DE SERRAGE	1	1	
9	67F-42662-00	.DAMPER .AMORTISSEUR	3	3	
10	67F-42613-00-4D	.MOLDING, AIR DUCT .MANCHON A AIR	1	1	
11	90179-06M24	.NUT ECROU	4	4	
12	61N-42628-00	.SEAL .JOINT	1	1	
13	67F-42615-00	.SEAL .JOINT	1	1	
14	67F-42677-10	.GRAPHIC, FRONT ADHESIF, AVANT	1		
	67G-42677-10	.GRAPHIC, FRONT ADHESIF, AVANT	1		
15	67F-42678-10	.GRAPHIC, REAR ADHESIF, ARRIERE		1	
	67G-42678-10	.GRAPHIC, REAR ADHESIF, ARRIERE	1		
16	67F-W0070-10	.GRAPHIC SET JEU DIEMBLEMES	1	1	
17	67F-42681-10	.MARK, COWLING ADHESIF, CAPOT	1	1	
18	67F-42682-10	.MARK, COWLING ADHESIF, CAPOT	1	1	
19	67F-42628-00	.SEAL .JOINT	2	2	
20	67F-13434-02	LABEL, CAUTION ETIQUETTE, ATTENTION	1	1	

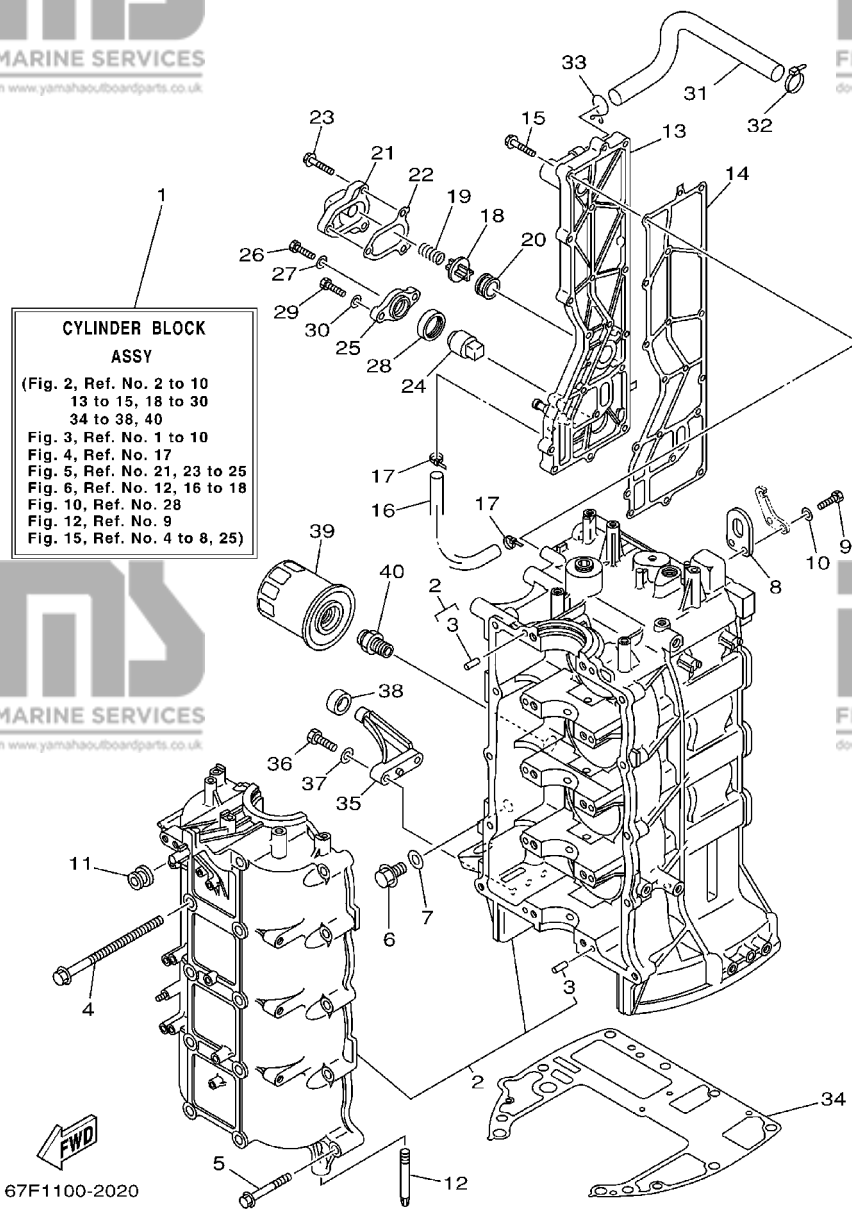
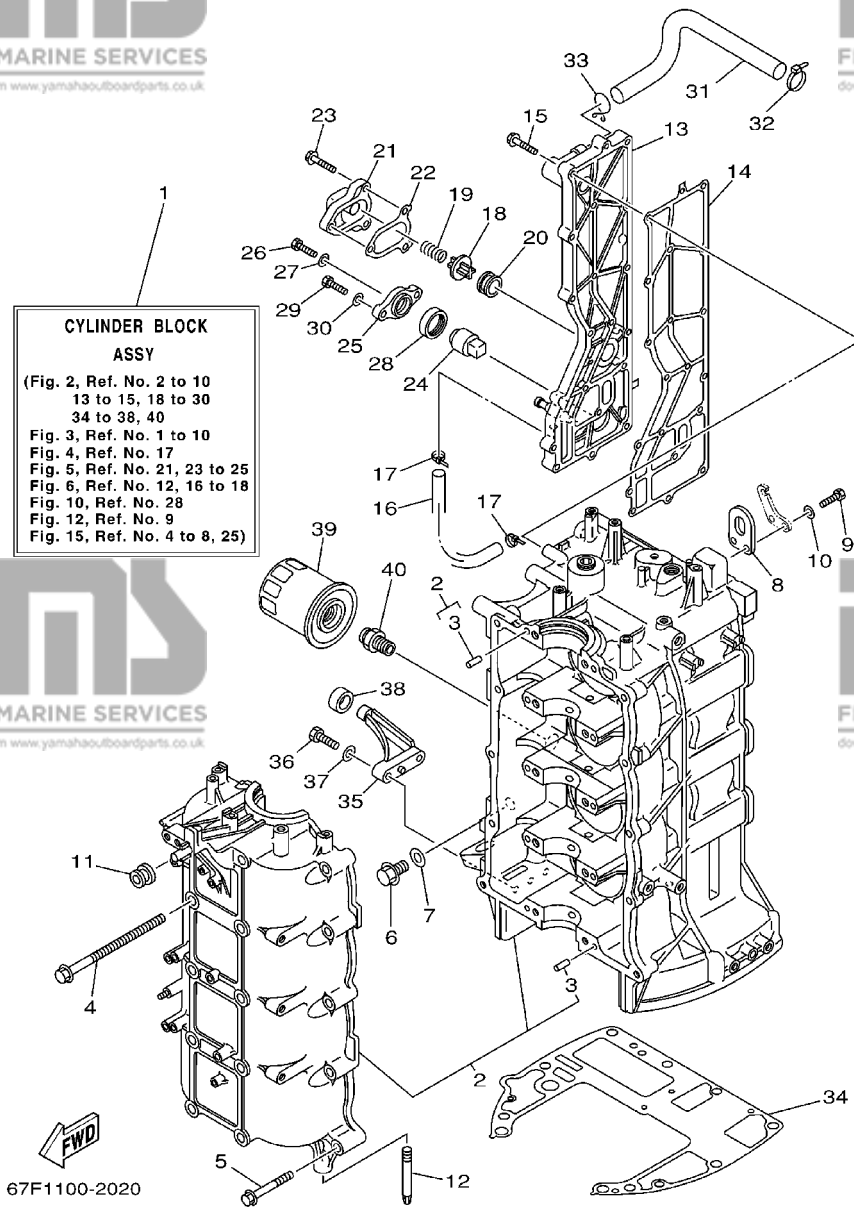


FIG. 2 CYLINDER. CRANKCASE 1 CYLINDRE. CARTER 1

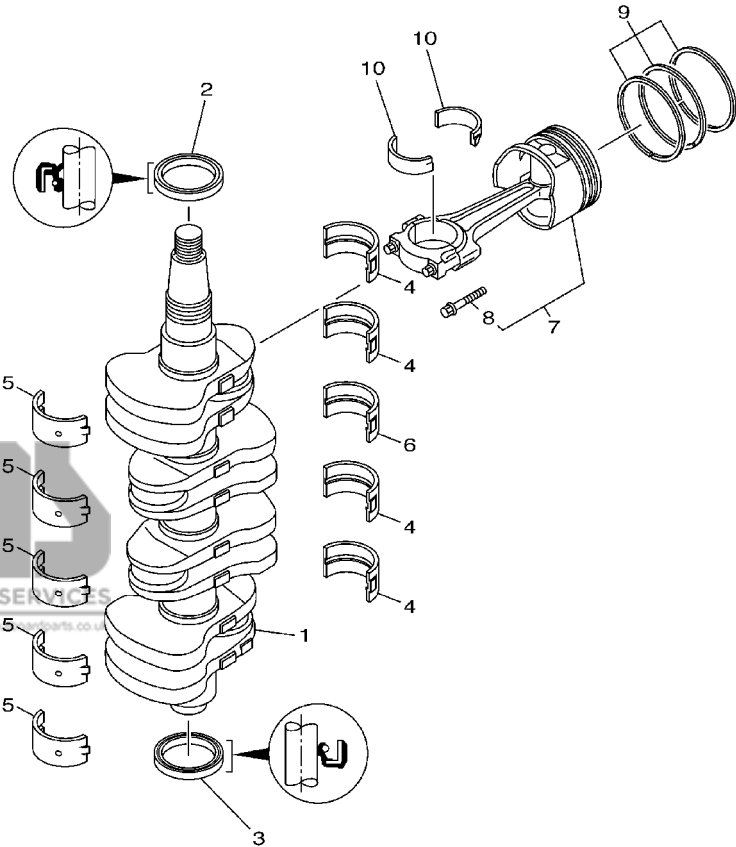
REF. NO.	PART NO. NO. PIECES	DESCRIPTION DESCRIPTION	F80	F100	REMARKS REMARQUES
1	67F-W009B-04-1S	CYLINDER BLOCK ASSY CYLINDRE GROUPE (ENS.)	1	1	
2	67F-15100-03-1S	CRANKCASE ASSY CARTER DE MOTEUR COMPLET	1	1	
3	93606-12019	.PIN, DOWEL .GOUJON	10	10	
4	90119-10M88	BOLT, WITH WASHER BOULON, AVEC RONDELLE	10	10	
5	90119-08M66	BOLT, WITH WASHER BOULON, AVEC RONDELLE	10	10	
6	90340-14M06	PLUG, STRAIGHT SCREW PLOT, FILETE DROIT	1	1	
7	90430-14115	GASKET JOINT	1	1	
8	62Y-11119-00	HANGER, ENGINE ANNEAU, LEVAGE	2	2	
9	97095-06020	BOLT BOULON	4	4	
10	92995-06600	WASHER RONDELLE	4	4	
11	90480-12072	GROMMET PASSE-FIL	1	1	
12	67F-15142-00	GUIDE 1 GUIDE 1	2	2	
13	67F-41113-01-1S	OUTER COVER, EXHAUST COUVERCLE, ECHAPPEMENT	1	1	
14	67F-41114-A0	GASKET, EXHAUST OUTER COVER JOINT, COUVERCLE D'ECHAPPEMENT	1	1	
15	90119-06MA4	BOLT, WITH WASHER BOULON, AVEC RONDELLE	18	18	
16	90445-10M40	HOSE (L330) DURITE (L330)	1	1	
17	90465-11M10	CLAMP BRIDE	2	2	
18	6G5-12416-00	VALVE, PRESSURE CONTROL SOUPE DE CONTROLEUR PRESS	1	1	
19	90501-16M11	SPRING, COMPRESSION RESSORT, COMPRESSION	1	1	
20	90480-20M05	GROMMET PASSE-FIL	1	1	
21	67F-1246A-00-1S	COVER 1 COUVERCLE 1	1	1	
22	67F-12435-A0	GASKET JOINT	1	1	
23	90119-06MA2	BOLT, WITH WASHER BOULON, AVEC RONDELLE	3	3	
24	67F-11325-00	ANODE ANODE	1	1	
25	67F-11327-00-94	COVER, ANODE COUVERCLE	1	1	
26	97075-06020	BOLT BOULON	1	1	
27	92995-06600	WASHER RONDELLE	1	1	

FIG. 2 CYLINDER. CRANKCASE 1 CYLINDRE. CARTER 1

CYLINDER BLOCK ASSY
(Fig. 2, Ref. No. 2 to 10
13 to 15, 18 to 30
34 to 38, 40
Fig. 3, Ref. No. 1 to 10
Fig. 4, Ref. No. 17
Fig. 5, Ref. No. 21, 23 to 25
Fig. 6, Ref. No. 12, 16 to 18
Fig. 10, Ref. No. 28
Fig. 12, Ref. No. 9
Fig. 15, Ref. No. 4 to 8, 25)



REF. NO.	PART NO. NO. PIECES	DESCRIPTION DESCRIPTION	F80	F100	REMARKS REMARQUES
28	67F-11328-00	GROMMET, ANODE PASSE-FIL	1	1	
29	97075-08025	BOLT BOULON	2	2	
30	92995-08600	WASHER RONDELLE	2	2	
31	67F-1243A-00	HOSE 1 DURITE 1	1	1	
32	90465-11M10	CLAMP BRIDE	1	1	
33	90467-20M15	CLIP JONC	1	1	
34	67F-11351-01	GASKET, CYLINDER JOINT, D'EMBASE	1	1	
35	67F-42761-00-94	STOPPER PLAQUETTE	2	2	
36	97095-06025	BOLT BOULON	4	4	
37	92995-06600	WASHER RONDELLE	4	4	
38	68F-44533-00	DAMPER, UPPER MOUNT RUBBER COUVERCLE, SUSPENSION INFERIEU	2	2	
39	5GH-13440-00	ELEMENT ASSY, OIL CLEANER ELEMENT, FILTRE A HUILE	1	1	
40	90401-20145	BOLT, UNION BOULON, RACCORD	1	1	



67F0010-0031

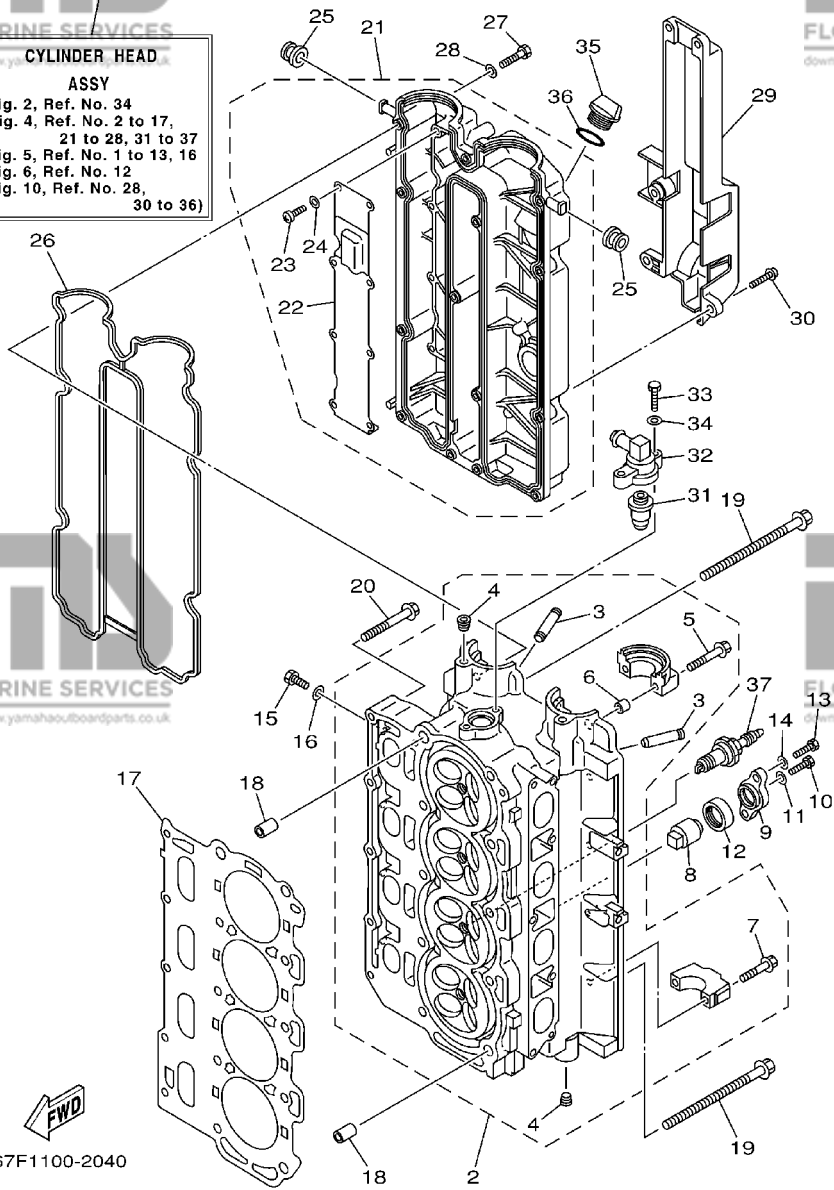
FIG. 3 CRANKSHAFT. PISTON

VILEBREQUIN. PISTON

REF. NO.	PART NO. NO. PIECES	DESCRIPTION DESCRIPTION	F80	F100	REMARKS REMARQUES
1	67F-11411-00	CRANKSHAFT VILEBREQUIN COMPLET	1	1	
2	93102-48009	OIL SEAL JOINT SPY	1	1	
3	93101-48002	OIL SEAL JOINT SPY	1	1	
4	67F-11416-00	PLANE BEARING, CRANKSHAFT 1 COUSSINET DE VILEBREQUIN 1	4	4	UR GREEN
	67F-11416-10	PLANE BEARING, CRANKSHAFT 1 COUSSINET DE VILEBREQUIN 1	4	4	UR BLUE
	67F-11416-20	PLANE BEARING, CRANKSHAFT 1 COUSSINET DE VILEBREQUIN 1	4	4	UR RED
5	67F-11417-00	PLANE BEARING, CRANKSHAFT 2 COUSSINET DE VILEBREQUIN 2	5	5	UR YELLOW
	67F-11417-10	PLANE BEARING, CRANKSHAFT 2 COUSSINET DE VILEBREQUIN 2	5	5	UR GREEN
	67F-11417-20	PLANE BEARING, CRANKSHAFT 2 COUSSINET DE VILEBREQUIN 2	5	5	UR BLUE
	67F-11417-30	PLANE BEARING, CRANKSHAFT 2 COUSSINET DE VILEBREQUIN 2	5	5	UR RED
6	67F-11418-00	PLANE BEARING, CRANKSHAFT 3 COUSSINET DE VILEBREQUIN 3	1	1	UR GREEN
	67F-11418-10	PLANE BEARING, CRANKSHAFT 3 COUSSINET DE VILEBREQUIN 3	1	1	UR BLUE
	67F-11418-20	PLANE BEARING, CRANKSHAFT 3 COUSSINET DE VILEBREQUIN 3	1	1	UR RED
7	67F-11640-00	PISTON/CONNECTING ROD ASSY (STD) PISTON/BIELLE COMPLETE (STD)	4	4	
	67F-11640-10	PISTON/CON-ROD ASSY (0.25MM OS) PISTON/BIELLE COMPLETE (0.25MM OS)	4	4	AP
8	67F-11654-00	.BOLT, CONNECTING ROD .BOULON, BIELLE	2	2	
9	67F-11603-01	PISTON RING SET (STD) JUE DE SEGMENTS (STD)	4	4	
	67F-11604-01	PISTON RING SET (0.25MM O/S) JUE DE SEGMENTS (0.25MM O/S)	4	4	AP
10	67F-11656-00	PLANE BEARING, CONNECTING ROD ROULEMENT DE BIELLE	8	8	UR YELLOW
	67F-11656-10	PLANE BEARING, CONNECTING ROD ROULEMENT DE BIELLE	8	8	UR GREEN
	67F-11656-20	PLANE BEARING, CONNECTING ROD ROULEMENT DE BIELLE	8	8	UR BLUE
	67F-11656-30	PLANE BEARING, CONNECTING ROD ROULEMENT DE BIELLE	8	8	UR RED

FIG. 4 CYLINDER. CRANKCASE 2 CYLINDRE. CARTER 2

CYLINDER HEAD ASSY
(Fig. 2, Ref. No. 34
Fig. 4, Ref. No. 2 to 17,
21 to 28, 31 to 37
Fig. 5, Ref. No. 1 to 13, 16
Fig. 6, Ref. No. 12
Fig. 10, Ref. No. 28,
30 to 36)



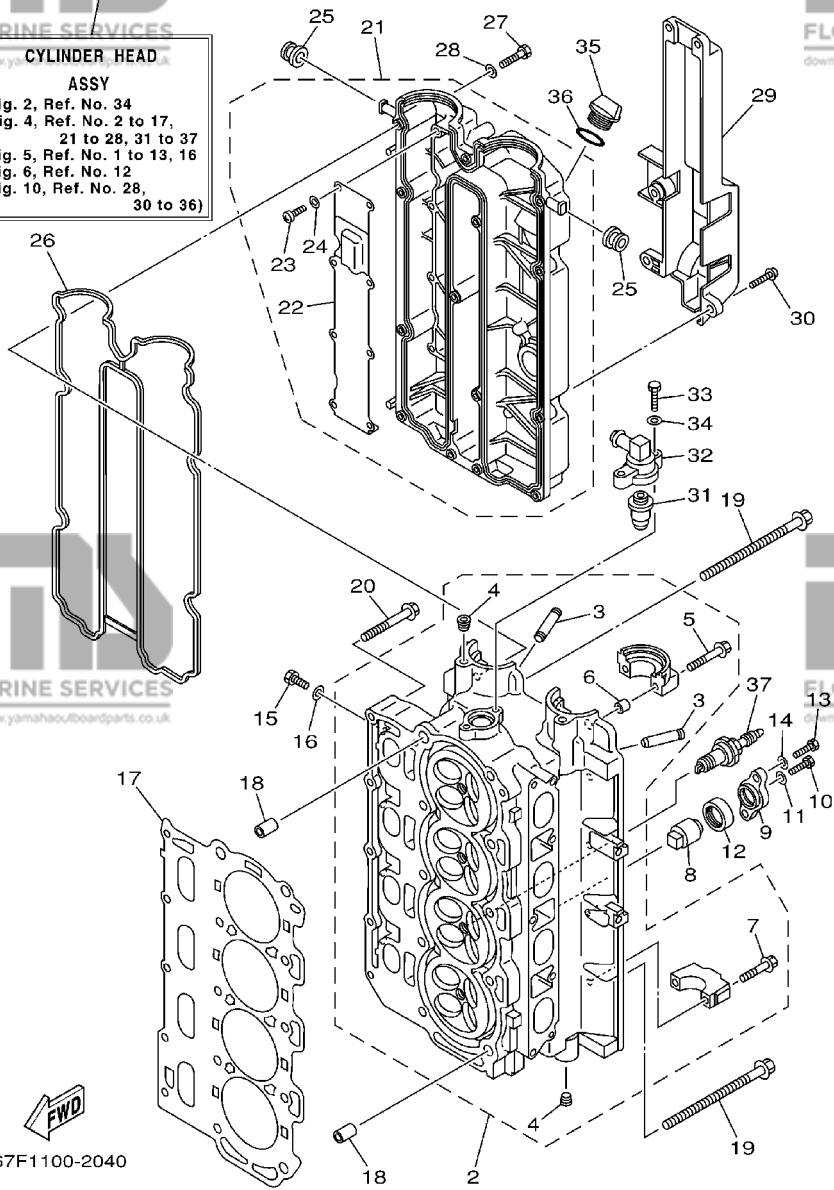
67F1100-2040

REF. NO.	PART NO. NO. PIECES	DESCRIPTION DESCRIPTION	F80	F100	REMARKS REMARQUES
1	60C-W009A-00-1S	CYLINDER HEAD ASSY CULASSE (ENS.)	1	1	
2	67F-11110-10-94	CYLINDER HEAD ASSY JEU DE CULASSE	1	1	
3	67F-11133-10	.GUIDE, INTAKE VALVE .GUIDE, SOUP D'ADM	16	16	
4	90344-51019	.PLUG, TAPER SCREW .PLOT, FILETE CONIQUE	4	4	
5	90119-07235	.BOLT, WITH WASHER BOULON, AVEC RONDELLE	4	4	
6	91809-08006	.PIN, DOWEL .GOUJON, D'ASSEMBLAGE	4	4	
7	90119-07234	.BOLT, WITH WASHER BOULON, AVEC RONDELLE	16	16	
8	67F-11325-00	ANODE ANODE	2	2	
9	67F-11327-00-94	COVER, ANODE COUVERCLE	2	2	
10	97075-06020	BOLT BOULON	2	2	
11	92995-06600	WASHER RONDELLE	2	2	
12	67F-11328-00	GROMMET, ANODE PASSE-FIL	2	2	
13	97075-08025	BOLT BOULON	4	4	
14	92995-08600	WASHER RONDELLE	4	4	
15	97095-08014	BOLT BOULON	4	4	
16	90430-08143	GASKET JOINT	4	4	
17	67F-11181-01	GASKET, CYLINDER HEAD 1 JOINT, DE CULASSE 1	1	1	
18	90387-10M08	COLLAR COLLERETTE	2	2	
19	90105-10M89	BOLT, FLANGE BOULON	10	10	
20	90119-08M91	BOLT, WITH WASHER BOULON, AVEC RONDELLE	5	5	
21	68V-11191-00-1S	COVER, CYLINDER HEAD 1 COUVERCLE, CULASSE 1	1	1	
22	67F-11168-00	.COVER, BREATHER .COUVERCLE, RENIFLARD	1	1	
23	98507-04008	.SCREW, PAN HEAD .VIS, TETE TRONCONIQUE	8	8	
24	92907-04600	.WASHER .RONDELLE	8	8	
25	90480-12072	GROMMET PASSE-FIL	2	2	
26	67F-11356-00	SEAL, CYLINDER 2 JOINT, SPY CYLINDRE	1	1	
27	97095-06030	BOLT BOULON	14	14	

B1

FIG. 4 CYLINDER. CRANKCASE 2 CYLINDRE. CARTER 2

**CYLINDER HEAD
ASSY**
(Fig. 2, Ref. No. 34
Fig. 4, Ref. No. 2 to 17,
21 to 28, 31 to 37
Fig. 5, Ref. No. 1 to 13, 16
Fig. 6, Ref. No. 12
Fig. 10, Ref. No. 28,
30 to 36)



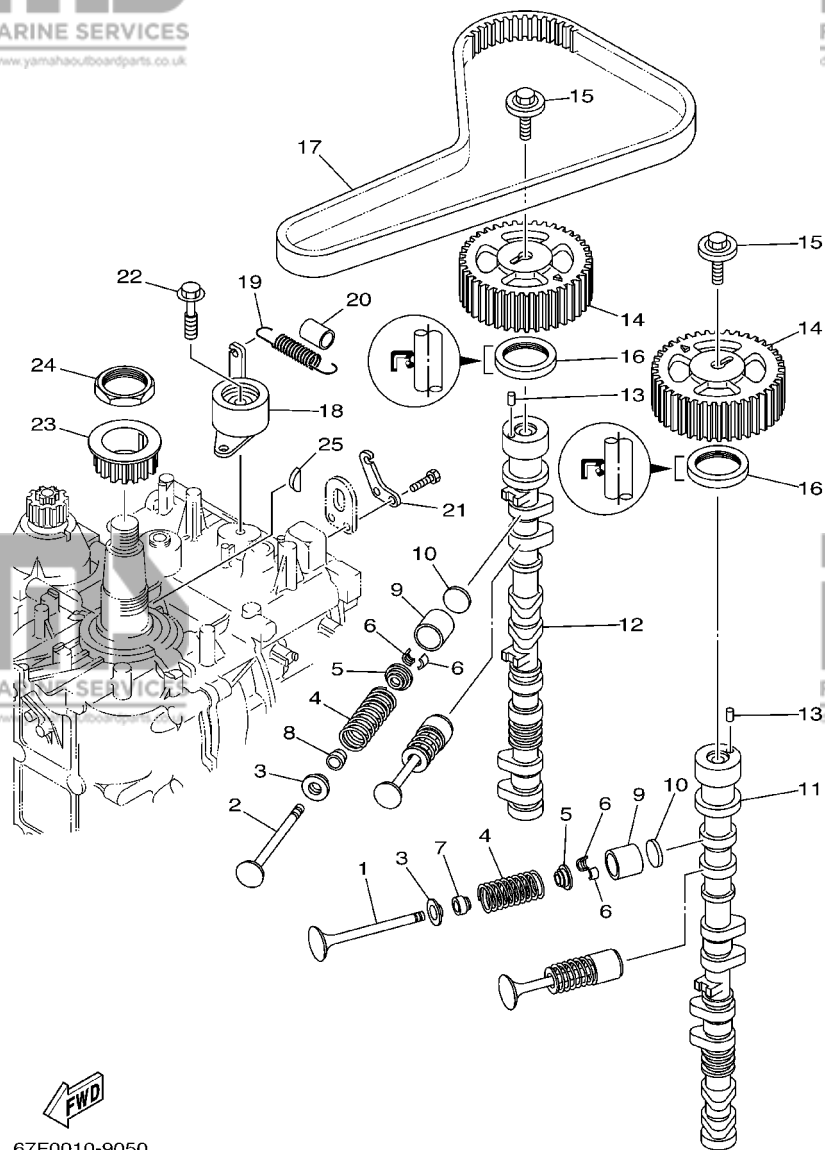
REF. NO.	PART NO. NO. PIECES	DESCRIPTION DESCRIPTION	F80	F100	REMARKS REMARQUES
28	92995-06600	WASHER RONDELLE	14	14	
29	67F-11192-00	COVER, CYLINDER HEAD 2 COUVERCLE, CULASSE 2	1	1	
30	90159-06M29	SCREW, WITH WASHER VIS, AVEC RONDELLE	5	5	
31	67F-12411-00	THERMOSTAT THERMOSTAT	1	1	
32	68V-12413-00-1S	COVER, THERMOSTAT COUVERCLE, THERMOSTAT	1	1	
33	97095-06025	BOLT BOULON	2	2	
34	92995-06600	WASHER RONDELLE	2	2	
35	6G8-15363-00	PLUG, OIL PLOT, HUILE	1	1	
36	93210-24M79	O-RING JOINT TORIQUE	1	1	
37	94702-00391	PLUG, SPARK (NGK LFR5A-11) BOUGIE D'ALLUMAGE (NGK LFR5A-11)	4	4	

FWD
67F1100-2040

FIG. 5 VALVE

SOUPAPE

REF. NO.	PART NO. NO. PIECES	DESCRIPTION DESCRIPTION	F80	F100	REMARKS REMARQUES
1	68V-12111-00	VALVE, INTAKE SOUPAPE, ADMISSION	8	8	
2	68V-12121-00	VALVE, EXHAUST SOUPAPE, ECHAPPEMENT	8	8	
3	67F-12116-00	SEAT, VALVE SPRING SIEGE, RESSORT DE SOUPAPE	16	16	
4	67F-12114-00	SPRING, VALVE OUTER RESSORT DE SOUPAPE, EXTERNE	16	16	
5	67F-12117-00	RETAINER, VALVE SPRING BUTEE DE RESSORT DE SOUPAPE	16	16	
6	67F-12118-00	COTTER, VALVE FRAISE, SOUPAPE	32	32	
7	K0A-A3721-00	SEAL, VALVE STEM JOINT, QUEUE DE SOUPAPE	8	8	
8	K0A-A3722-00	SEAL, VALVE STEM 2 JOINT, QUEUE DE SOUPAPE 2	8	8	
9	67F-12153-00	LIFTER, VALVE LEVE-SOUPAPE	16	16	
10	67F-12168-00	PAD, ADJUSTING (2.000) PASTILLE, DE REGLAGE (2.000)	16	16	UR
	67F-12168-10	PAD, ADJUSTING (2.025) PASTILLE, DE REGLAGE (2.025)	16	16	UR
	67F-12168-20	PAD, ADJUSTING (2.050) PASTILLE, DE REGLAGE (2.050)	16	16	UR
	67F-12168-30	PAD, ADJUSTING (2.075) PASTILLE, DE REGLAGE (2.075)	16	16	UR
	67F-12168-40	PAD, ADJUSTING (2.100) PASTILLE, DE REGLAGE (2.100)	16	16	UR
	67F-12168-50	PAD, ADJUSTING (2.125) PASTILLE, DE REGLAGE (2.125)	16	16	UR
	67F-12168-60	PAD, ADJUSTING (2.150) PASTILLE, DE REGLAGE (2.150)	16	16	UR
	67F-12168-70	PAD, ADJUSTING (2.175) PASTILLE, DE REGLAGE (2.175)	16	16	UR
	67F-12168-80	PAD, ADJUSTING (2.200) PASTILLE, DE REGLAGE (2.200)	16	16	UR
	67F-12168-A0	PAD, ADJUSTING (2.225) PASTILLE, DE REGLAGE (2.225)	16	16	UR
	67F-12168-B0	PAD, ADJUSTING (2.250) PASTILLE, DE REGLAGE (2.250)	16	16	UR
	67F-12168-C0	PAD, ADJUSTING (2.275) PASTILLE, DE REGLAGE (2.275)	16	16	UR
	67F-12168-D0	PAD, ADJUSTING (2.300) PASTILLE, DE REGLAGE (2.300)	16	16	UR
	67F-12168-E0	PAD, ADJUSTING (2.325) PASTILLE, DE REGLAGE (2.325)	16	16	UR
	67F-12168-F0	PAD, ADJUSTING (2.350) PASTILLE, DE REGLAGE (2.350)	16	16	UR
	67F-12168-G0	PAD, ADJUSTING (2.375) PASTILLE, DE REGLAGE (2.375)	16	16	UR
	67F-12168-H0	PAD, ADJUSTING (2.400) PASTILLE, DE REGLAGE (2.400)	16	16	UR
	67F-12168-J0	PAD, ADJUSTING (2.425) PASTILLE, DE REGLAGE (2.425)	16	16	UR



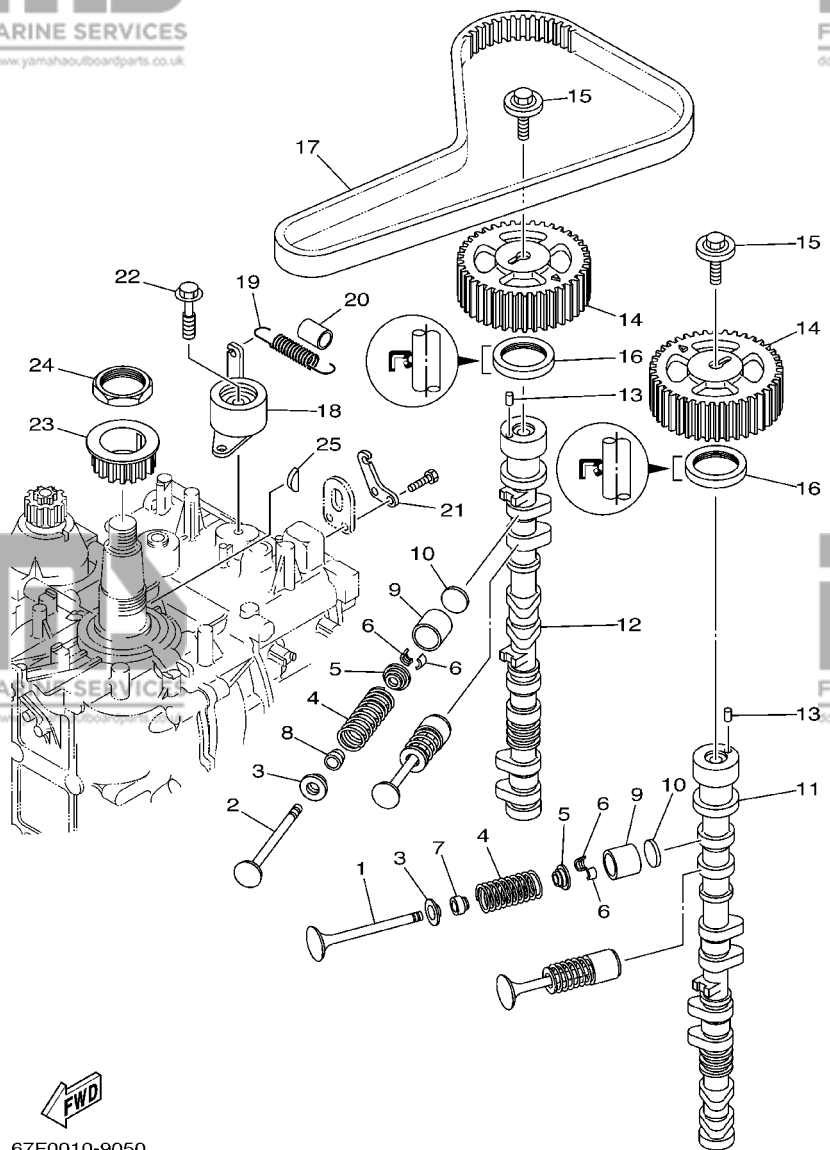
67F0010-9050

B3

FIG. 5 VALVE

SOUPAPE

REF. NO.	PART NO. NO. PIECES	DESCRIPTION DESCRIPTION	F80	F100	REMARKS REMARQUES
10	67F-12168-K0	PAD, ADJUSTING (2.450) PASTILLE, DE REGLAGE (2.450)	16	16	UR
	67F-12168-L0	PAD, ADJUSTING (2.475) PASTILLE, DE REGLAGE (2.475)	16	16	UR
	67F-12168-M0	PAD, ADJUSTING (2.500) PASTILLE, DE REGLAGE (2.500)	16	16	UR
	67F-12168-N0	PAD, ADJUSTING (2.525) PASTILLE, DE REGLAGE (2.525)	16	16	UR
	67F-12168-P0	PAD, ADJUSTING (2.550) PASTILLE, DE REGLAGE (2.550)	16	16	UR
	67F-12168-R0	PAD, ADJUSTING (2.575) PASTILLE, DE REGLAGE (2.575)	16	16	UR
	67F-12168-S0	PAD, ADJUSTING (2.600) PASTILLE, DE REGLAGE (2.600)	16	16	UR
	67F-12168-T0	PAD, ADJUSTING (2.625) PASTILLE, DE REGLAGE (2.625)	16	16	UR
	67F-12168-U0	PAD, ADJUSTING (2.650) PASTILLE, DE REGLAGE (2.650)	16	16	UR
	67F-12168-V0	PAD, ADJUSTING (2.675) PASTILLE, DE REGLAGE (2.675)	16	16	UR
	67F-12168-W0	PAD, ADJUSTING (2.700) PASTILLE, DE REGLAGE (2.700)	16	16	UR
	67F-12168-X0	PAD, ADJUSTING (2.725) PASTILLE, DE REGLAGE (2.725)	16	16	UR
	67F-12168-Y0	PAD, ADJUSTING (2.750) PASTILLE, DE REGLAGE (2.750)	16	16	UR
	67F-12169-00	PAD, ADJUSTING (2.775) PASTILLE, DE REGLAGE (2.775)	16	16	UR
	67F-12169-10	PAD, ADJUSTING (2.800) PASTILLE, DE REGLAGE (2.800)	16	16	UR
	67F-12169-20	PAD, ADJUSTING (2.825) PASTILLE, DE REGLAGE (2.825)	16	16	UR
	67F-12169-30	PAD, ADJUSTING (2.850) PASTILLE, DE REGLAGE (2.850)	16	16	UR
	67F-12169-40	PAD, ADJUSTING (2.875) PASTILLE, DE REGLAGE (2.875)	16	16	UR
	67F-12169-50	PAD, ADJUSTING (2.900) PASTILLE, DE REGLAGE (2.900)	16	16	UR
	67F-12169-60	PAD, ADJUSTING (2.925) PASTILLE, DE REGLAGE (2.925)	16	16	UR
	67F-12169-70	PAD, ADJUSTING (2.950) PASTILLE, DE REGLAGE (2.950)	16	16	UR
	67F-12169-80	PAD, ADJUSTING (2.975) PASTILLE, DE REGLAGE (2.975)	16	16	UR
	67F-12169-A0	PAD, ADJUSTING (3.000) PASTILLE, DE REGLAGE (3.000)	16	16	UR
	67F-12169-B0	PAD, ADJUSTING (3.025) PASTILLE, DE REGLAGE (3.025)	16	16	UR
	67F-12169-C0	PAD, ADJUSTING (3.050) PASTILLE, DE REGLAGE (3.050)	16	16	UR
	67F-12169-D0	PAD, ADJUSTING (3.075) PASTILLE, DE REGLAGE (3.075)	16	16	UR
	67F-12169-E0	PAD, ADJUSTING (3.100) PASTILLE, DE REGLAGE (3.100)	16	16	UR



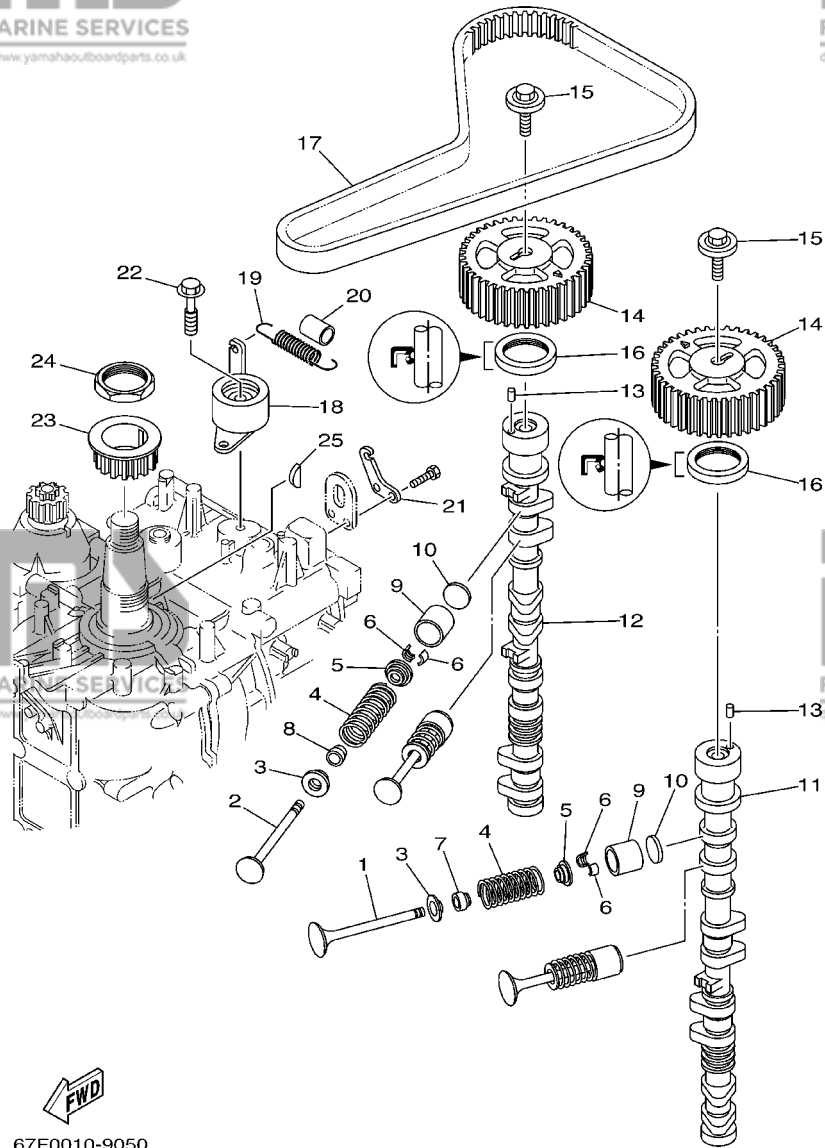
67F0010-9050

B4

FIG. 5 VALVE

SOUPAPE

REF. NO.	PART NO. NO. PIECES	DESCRIPTION DESCRIPTION	F80	F100	REMARKS REMARQUES
10	67F-12169-F0	PAD, ADJUSTING (3.125) PASTILLE, DE REGLAGE (3.125)	16	16	UR
	67F-12169-G0	PAD, ADJUSTING (3.150) PASTILLE, DE REGLAGE (3.150)	16	16	UR
	67F-12169-H0	PAD, ADJUSTING (3.175) PASTILLE, DE REGLAGE (3.175)	16	16	UR
	67F-12169-J0	PAD, ADJUSTING (3.200) PASTILLE, DE REGLAGE (3.200)	16	16	UR
	67F-12169-K0	PAD, ADJUSTING (3.225) PASTILLE, DE REGLAGE (3.225)	16	16	UR
	67F-12169-L0	PAD, ADJUSTING (3.250) PASTILLE, DE REGLAGE (3.250)	16	16	UR
	67F-12169-M0	PAD, ADJUSTING (3.275) PASTILLE, DE REGLAGE (3.275)	16	16	UR
	67F-12169-N0	PAD, ADJUSTING (3.300) PASTILLE, DE REGLAGE (3.300)	16	16	UR
11	67F-12171-00	CAMSHAFT 1 ARBRE A CAMES 1	1	1	
12	67F-12181-00	CAMSHAFT 2 ARBRE A CAMES 2	1	1	
13	93605-10108	PIN, DOWEL GOUJON	2	2	
14	67F-11537-00	GEAR, DRIVEN PIGNON SECONDAIRE	2	2	
15	90119-10M06	BOLT, WITH WASHER BOULON, AVEC RONDELLE	2	2	
16	93102-38M59	OIL SEAL JOINT SPY	2	2	
17	67F-46241-00	BELT COURROIE TRAPEZOIDALE	1	1	
18	67F-11590-00	TENSIONER ASSY TENDEUR (ENS.)	1	1	
19	90506-16M39	SPRING, TENSION RESSORT, TENSION	1	1	
20	90445-15M03	HOSE (L23) DURITE (L23)	1	1	
21	67F-11595-00	PLATE, VALVE PLAQUE DE SOUPAPE	1	1	
22	90119-10M72	BOLT, WITH WASHER BOULON, AVEC RONDELLE	1	1	
23	67F-11536-00	GEAR, DRIVE ENGRENAGE, MENANT	1	1	
24	90170-40003	NUT ECROU	1	1	
25	90280-04008	KEY, WOODRUFF CLAVETTE, DEMI-LUNE	1	1	



67F0010-9050

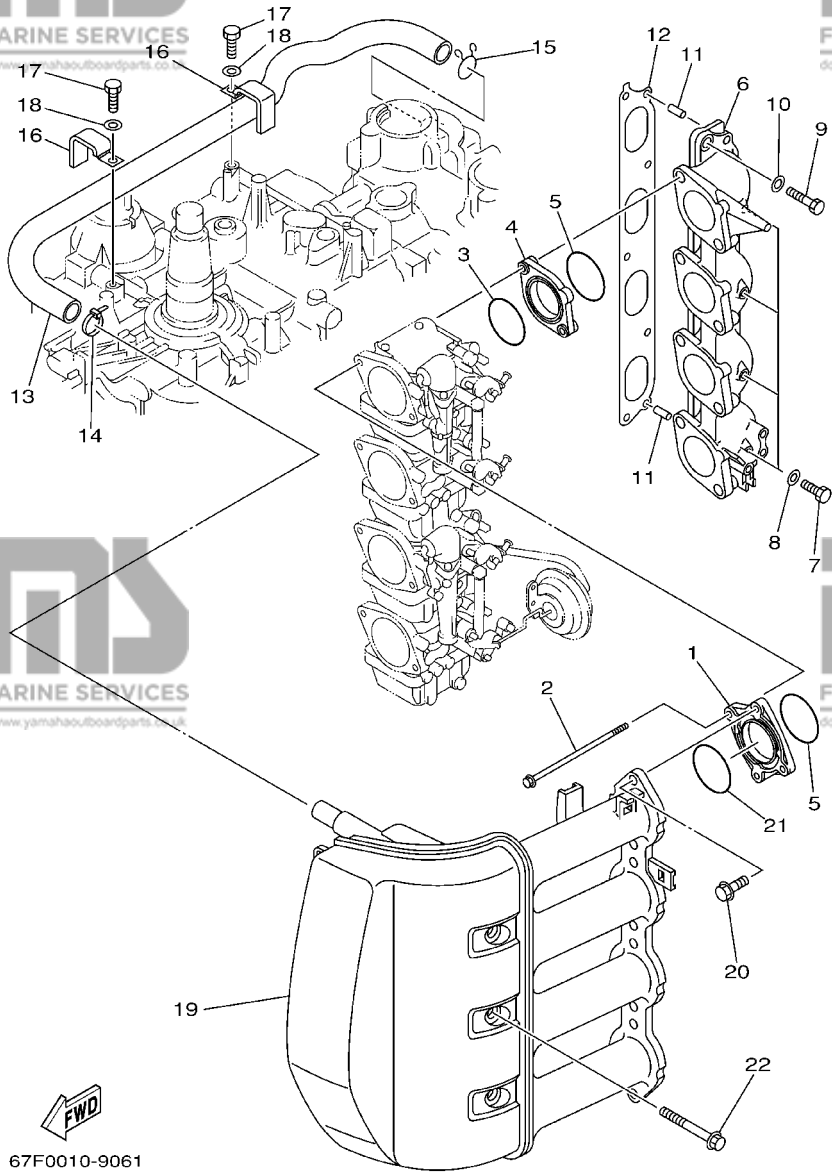


FIG. 6 INTAKE

ADMISSION

REF. NO.	PART NO. NO. PIECES	DESCRIPTION DESCRIPTION	F80	F100	REMARKS REMARQUES
1	67F-14243-00	PLATE PLAQUE	4	4	
2	67F-14216-00	BOLT BOULON	8	8	
3	67F-14239-00	SEAL JOINT	4	4	
4	67F-14271-00	INSULATOR ISOLATEUR	4	4	
5	93210-40M10	O-RING JOINT TORIQUE	8	8	
6	67F-13641-00-94	MANIFOLD 1 TUBULURE 1	1	1	
7	97095-06010	BOLT BOULON	4	4	
8	90430-06014	GASKET JOINT	4	4	
9	97075-08035	BOLT BOULON	5	5	
10	92995-08600	WASHER RONDELLE	5	5	
11	91690-50014	PIN, SPRING GOUPILLE, ELASTIQUE	2	2	
12	67F-13645-00	GASKET, MANIFOLD 1 JOINT, TUBULURE 1	1	1	
13	67F-15373-00	PIPE, BREATHER DURITE DE RENIFLARD	1	1	
14	90465-11M10	CLAMP BRIDE	1	1	
15	90467-20M15	CLIP JONC	1	1	
16	90465-12M03	CLAMP BRIDE	2	2	
17	97095-06012	BOLT BOULON	2	2	
18	92995-06600	WASHER RONDELLE	2	2	
19	67F-14440-00	SILENCER ASSY, INTAKE SIENCIEX D'ADMISSION	1	1	
20	90119-06M82	BOLT, WITH WASHER BOULON, AVEC RONDELLE	8	8	
21	93210-41MJ2	O-RING JOINT TORIQUE	4	4	
22	90119-08M59	BOLT, WITH WASHER BOULON, AVEC RONDELLE	3	3	

67F0010-9061

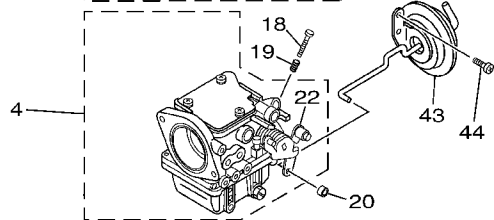
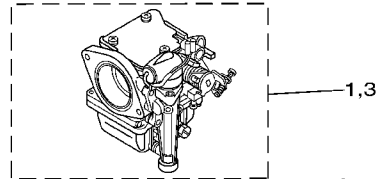
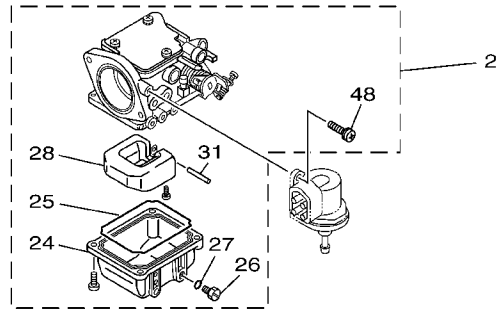
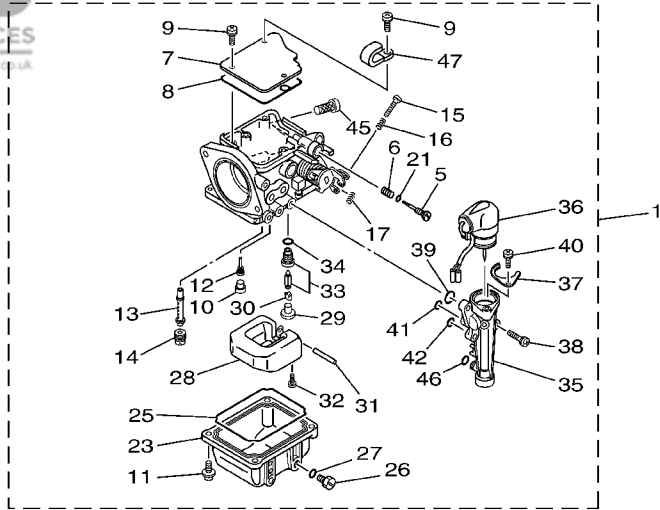


FIG. 7 CARBURETOR 1

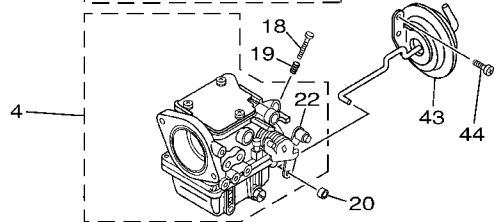
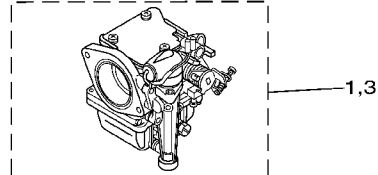
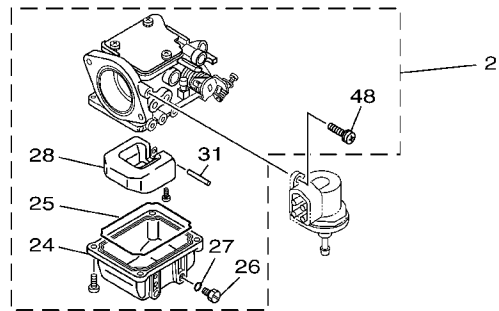
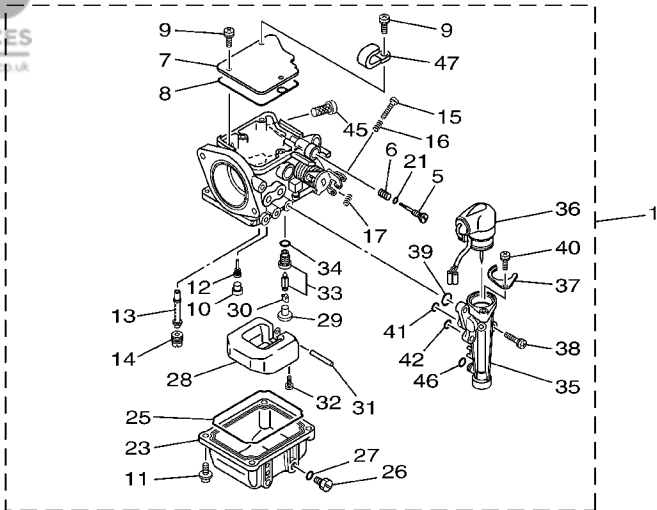
CARBURETEUR 1

REF. NO.	PART NO. NO. PIECES	DESCRIPTION DESCRIPTION	F80	F100	REMARKS REMARQUES
1	67F-14901-20	CARBURETOR ASSY 1		1	#1
	67G-14901-30	CARBURETEUR 1 COMPLET		2	FOR STD-#1,3
	67G-14901-50	CARBURETEUR 1 COMPLET		2	FOR SAV-#1,3
2	67F-14902-20	CARBURETOR ASSY 2		1	#2
	67G-14902-30	CARBURETEUR 2 COMPLET		1	FOR STD-#2
	67G-14902-50	CARBURETEUR 2 COMPLET		1	FOR SAV-#2
3	67F-14903-20	CARBURETOR ASSY 3		1	#3
	67G-14903-30	CARBURETEUR 3 COMPLET		1	FOR STD-#4
	67G-14903-50	CARBURETEUR 3 COMPLET		1	FOR SAV-#4
4	67F-14904-20	CARBURETOR ASSY 4		1	FOR STD-#4
	67G-14904-30	CARBURETEUR 4 COMPLET		1	FOR SAV-#4
	67G-14904-50	CARBURETEUR 4 COMPLET		1	FOR SAV-#4
5	67F-14923-00	.SCREW, PILOT	4	4	FOR STD
	67F-14923-10	.VIS, RALENTI	4	4	FOR SAV
6	697-14555-00	.SPRING	4	4	
7	67F-14146-00	.RESSORT	4	4	
8	67F-14147-00	.PLATE	4	4	
	67F-14147-00	.PLAQUE	4	4	
9	97803-04010	.O-RING	4	4	
	97803-04010	.JOINT TORIQUE	12	12	
10	67G-14966-00	.SCREW, PAN HEAD	4	4	
	67G-14966-00	.VIS, TETE TRONCONIQUE	4	4	
11	97980-04114	.CAP	16	16	
	97980-04114	.CAPUCHON	16	16	
12	67F-1494F-04	.SCREW, WITH WASHER		4	
	67F-1494F-04	.VIS, AVEC RONDELLE		4	
	67G-14948-05	.JET (#42)		4	
	67G-14948-05	.GICLEUR (#42)		4	
	67G-14948-05	.JET (#45)		4	
	67G-14948-05	.GICLEUR (#45)		4	
13	67F-14947-10	.JET, NEEDLE		4	
	67F-14947-10	.GICLEUR DE STARTER		4	
	67G-14947-00	.JET, NEEDLE		4	
	67G-14947-00	.GICLEUR DE STARTER		4	
14	67F-14943-32	.JET, MAIN (#125)		4	
	67F-14943-32	.GICLEUR, PRINCIPAL (#125)		4	FOR STD
	67G-14943-80	.JET, MAIN (#112)		4	
	67G-14943-80	.GICLEUR, PRINCIPAL (#112)		4	FOR SAV
	67G-14943-29	.JET, MAIN (#110)		4	
	67G-14943-29	.GICLEUR, PRINCIPAL (#110)		4	
15	67F-14567-00	.SCREW	3	3	#1,2,3
	67F-14567-00	.VIS	3	3	#1,2,3
16	67F-14555-00	.SPRING	3	3	#1,2,3
	67F-14555-00	.RESSORT	3	3	#1,2,3



67F101020702

B7



FWD
67F101020702

FIG. 7 CARBURETOR 1

CARBURATEUR 1

REF. NO.	PART NO. NO. PIECES	DESCRIPTION DESCRIPTION	F80	F100	REMARKS REMARQUES
17	67F-14556-00	.SPRING .RESSORT	3	3	#1,2,3
18	63V-14523-00	SCREW, STOP VIS, BUTEE	1	1	#4
19	90501-10326	SPRING, COMPRESSION RESSORT, COMPRESSION	1	1	#4
20	67F-14998-00	BUSH BAGUE	1	1	#4
21	67F-14397-00	.O-RING JOINT TORIQUE	4	4	
22	6H2-14578-00	.COLLAR .COLLERETTE	1	1	#4
23	67F-14980-00	.BODY, FLOAT CHAMBER .CORPS, CUVE DE FLOTTEUR	2	2	#1,3
24	67F-14980-10	.BODY, FLOAT CHAMBER .CORPS, CUVE DE FLOTTEUR	2	2	#2,4
25	67F-14984-00	.GASKET, FLOAT CHAMBER JOINT, CUVE DE FLOTTEUR	4	4	
26	6H3-14992-00	.SCREW, DRAIN .BOUCHON, PURGE	4	4	
27	93210-04230	.O-RING JOINT TORIQUE	4	4	
28	6H4-14985-01	.FLOAT .FLOTTEUR	4	4	
29	676-14186-00	.PIN, FLOAT .AXE, FLOTTEUR	4	4	
30	663-14159-00	.CLIP .JONC	4	4	
31	6H4-14548-00	.PIN, FLOAT ARM .AXE, BRAS DE FLOTTEUR	4	4	
32	98580-04008	.SCREW, PAN HEAD .VIS, TETE TRONCONIQUE	4	4	
33	60C-14590-00	.NEEDLE VALVE ASSY .POINTEAU	4	4	
34	93210-04228	.O-RING JOINT TORIQUE	4	4	
35	67F-14378-00	.BODY, STARTER .CORPS, STARTER	2	2	#1,3
36	67F-14380-01	.PRIME STARTER ASSY .DEMARREUR D'AMARCAGE ENS.	2	2	#1,3
37	67F-14178-00	.PLATE, STARTER LEVER .PLAQUE, LEVIER DE STARTER	2	2	#1,3
38	67F-14592-00	.SCREW .VIS	6	6	#1,3
39	67F-14398-00	.O-RING JOINT TORIQUE	2	2	#1,3
40	67F-14565-00	.SCREW .VIS	2	2	#1,3
41	67F-14398-10	.O-RING JOINT TORIQUE	2	2	#1,3
42	67F-14398-20	.O-RING JOINT TORIQUE	2	2	#1,3
43	67F-14369-00	DIAPHRAGM ASSY 2 DIAPHRAGME 2	1	1	#4

C1

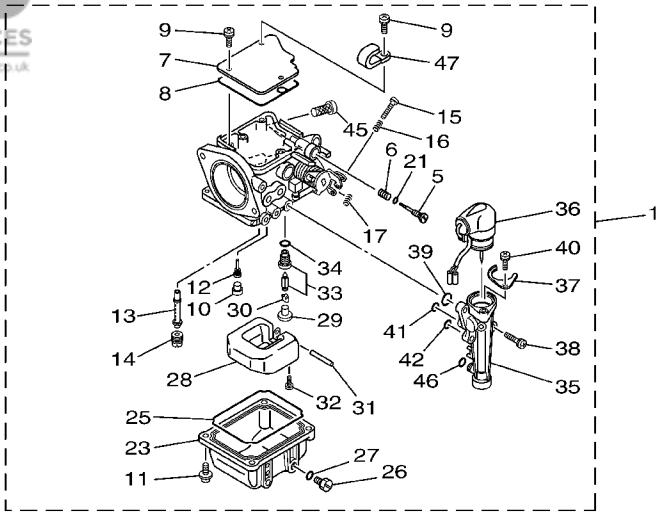
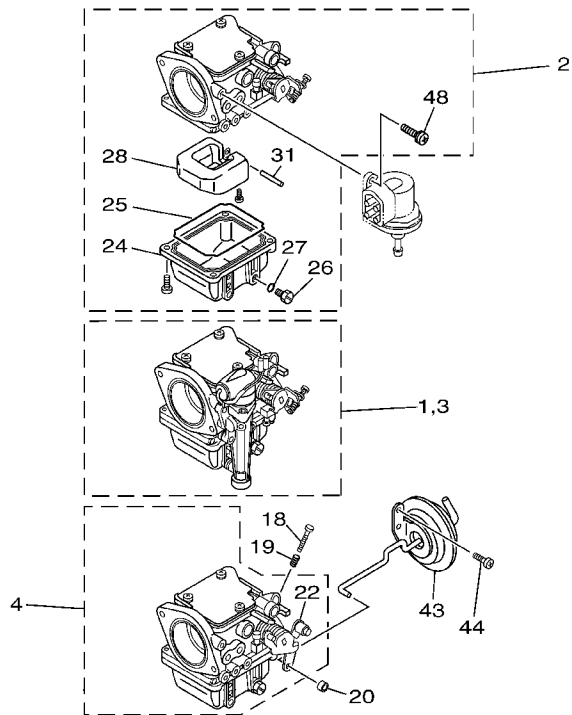


FIG. 7 CARBURETOR 1

CARBURATEUR 1

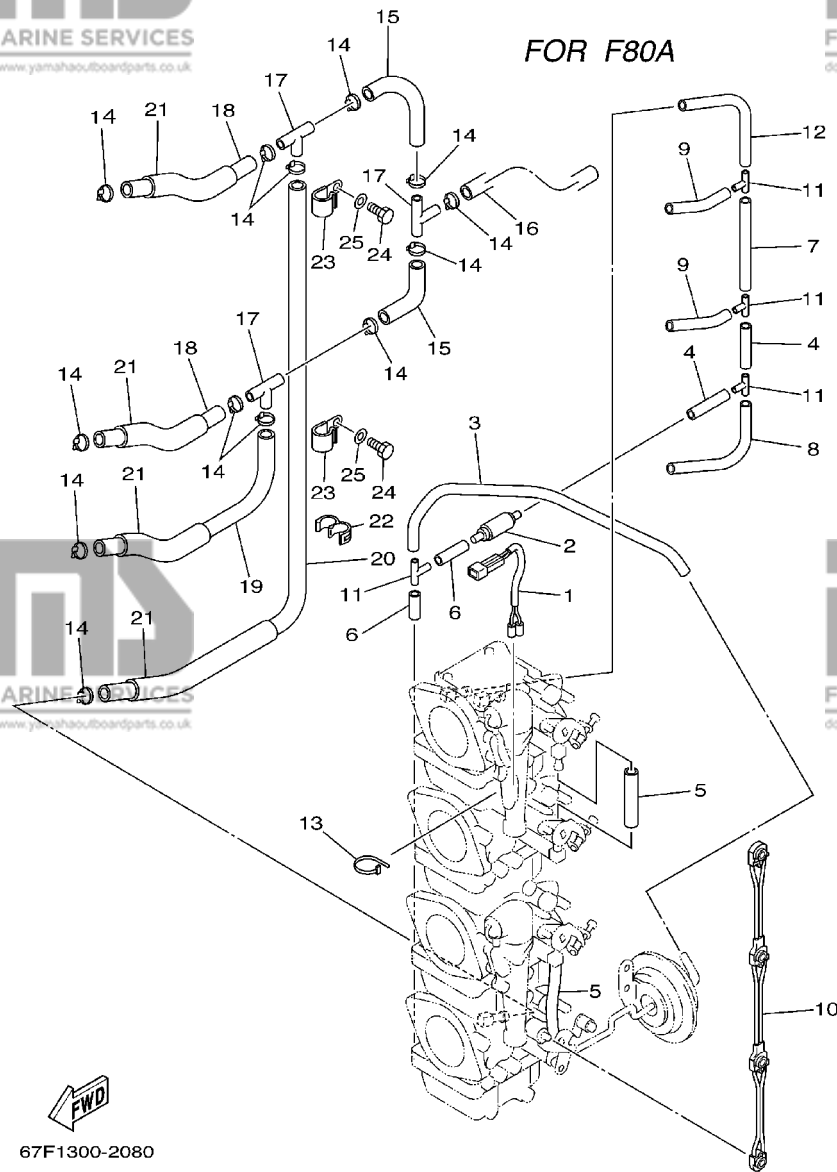
REF. NO.	PART NO. NO. PIECES	DESCRIPTION DESCRIPTION	F80	F100	REMARKS REMARQUES
44	67F-14325-00	SCREW, PAN HEAD VIS TETE CONIQUE	2	2	#4
45	67F-14371-01	.ELEMENT, FILTER .ELEMENT, FILTRE	4	4	
46	67F-14398-30	.O-RING .JOINT TORIQUE	2	2	#1,3
47	67F-14255-00	.PLATE .PLAQUE	1		#1
48	67F-14567-00	.SCREW .VIS	2		#2



67F101020702

C2

FOR F80A



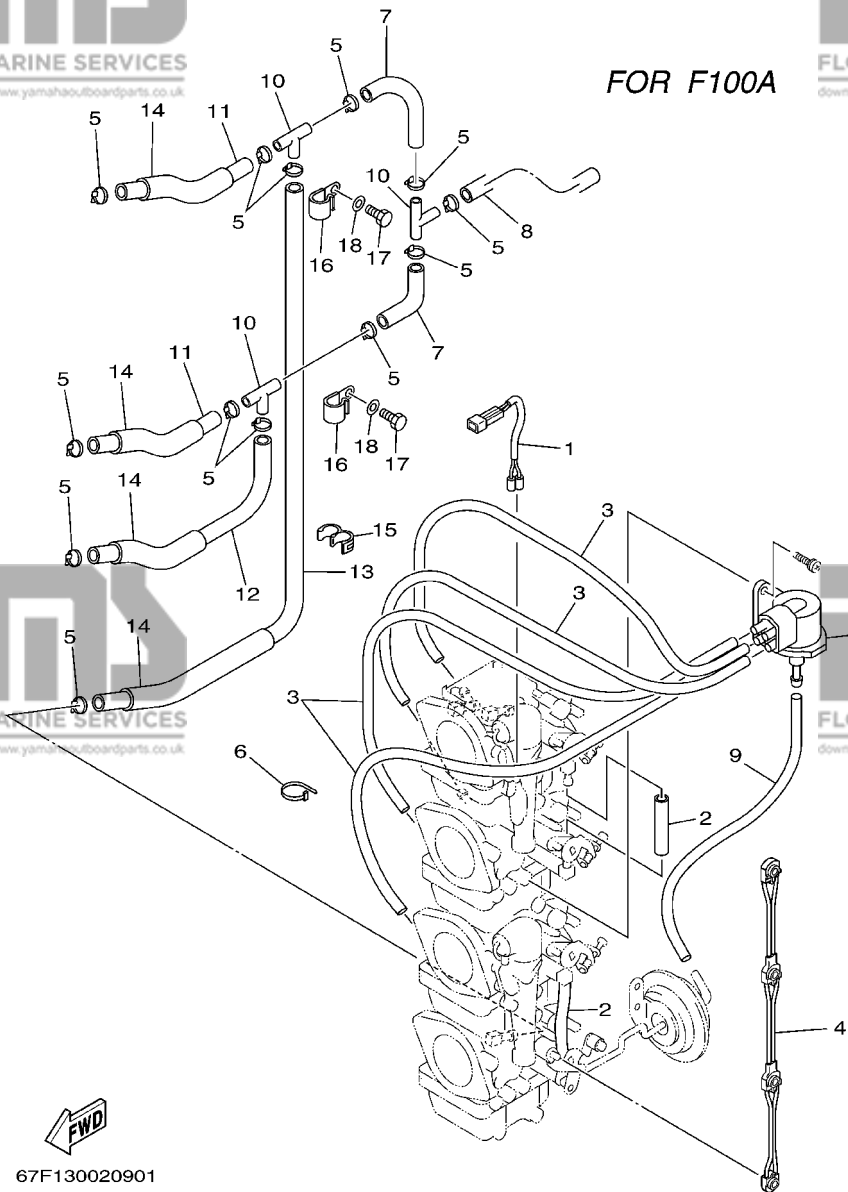
67F1300-2080

FIG. 8 CARBURETOR 2

CARBURETEUR 2

REF. NO.	PART NO. NO. PIECES	DESCRIPTION DESCRIPTION	F80	F100	REMARKS REMARQUES
1	67F-1412A-00	WIRE HARNESS ASSY FAISCEAU DE FILS COMPLET	1		
2	67F-13183-00	VALVE, CHECK S'OUPAPE DE RATANUE	1		
3	67F-14349-00	PIPE DURITE	1		
4	67F-14349-10	PIPE DURITE	2		
5	67F-14349-20	PIPE DURITE	2		
6	67F-14349-30	PIPE DURITE	2		
7	67F-14349-40	PIPE DURITE	1		
8	67F-14349-50	PIPE DURITE	1		
9	67F-14349-60	PIPE DURITE	2		
10	67F-14585-00	ROD, CHOKE TRINGLE, STARTER	1		
11	67F-14189-00	CONNECTOR CONNECTEUR	4		
12	67F-14349-70	PIPE DURITE	1		
13	90465-11M59	CLAMP BRIDE	1		
14	68F-24356-00	CLIP, PIPE 1 JONC, TUBE 1	13		
15	60C-14294-00	HOSE DURITE	2		
16	60C-14298-00	PIPE DURITE	1		
17	688-24378-00	PIPE, JOINT 4 DURITE RACCORDEMENT 4	3		
18	90445-10M16	HOSE (L120) DURITE (L120)	2		
19	90445-10MG6	HOSE (L180) DURITE (L180)	1		
20	90445-10MG7	HOSE (L350) DURITE (L350)	1		
21	90445-16M07	HOSE (L80) DURITE (L80)	4		
22	90464-10M57	CLAMP BRIDE	1		
23	90465-08M83	CLAMP BRIDE	2		
24	97095-06012	BOLT BOULON	2		
25	92995-06600	WASHER RONDELLE	2		

FOR F100A



67F130020901

FIG. 9 CARBURETOR 3

CARBURETEUR 3

REF. NO.	PART NO. NO. PIECES	DESCRIPTION DESCRIPTION	F80	F100	REMARKS REMARQUES
1	67F-1412A-00	WIRE HARNESS ASSY FAISCEAU DE FILS COMPLET		1	
2	67F-14349-20	PIPE DURITE		2	
3	67F-14349-00	PIPE DURITE		4	
4	67F-14585-00	ROD, CHOKE TRINGLE, STARTER		1	
5	68F-24356-00	CLIP, PIPE 1 JONC, TUBE 1		13	
6	90465-11M59	CLAMP BRIDE		3	
7	60C-14294-00	HOSE DURITE		2	
8	60C-14298-00	PIPE DURITE		1	
9	67F-14348-00	PIPE 1 DURITE		1	
10	688-24378-00	PIPE, JOINT 4 DURITE RACCORDEMENT 4		3	
11	90445-10M16	HOSE (L120) DURITE (L120)		2	
12	90445-10MG6	HOSE (L180) DURITE (L180)		1	
13	90445-10MG7	HOSE (L350) DURITE (L350)		1	
14	90445-16M07	HOSE (L80) DURITE (L80)		4	
15	90464-10M57	CLAMP BRIDE		1	
16	90465-08M83	CLAMP BRIDE		2	
17	97095-06012	BOLT BOULON		2	
18	92995-06600	WASHER RONDELLE		2	
19	67F-14860-00	CHECK VALVE BODY ASSY SOUPAPE, RETENUE COMPLET		1	

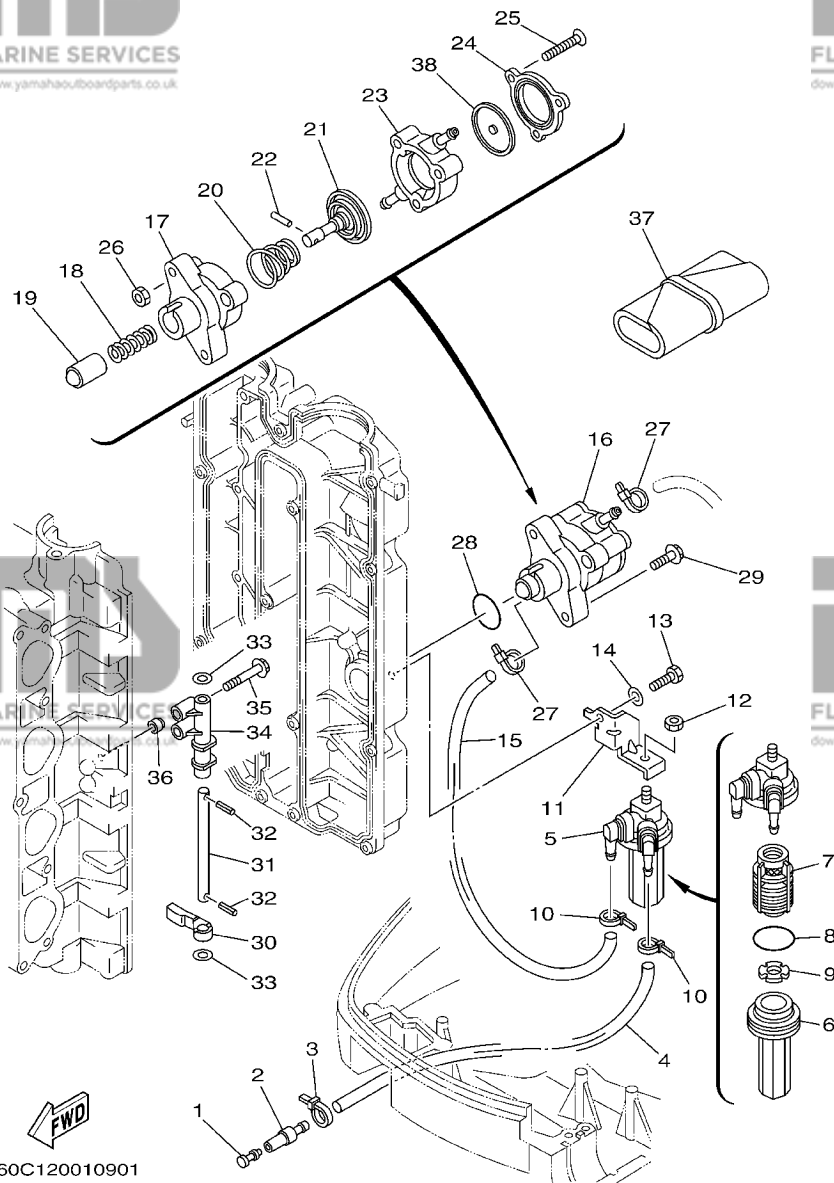


FIG. 10 FUEL 1

CARBURANT 1

REF. NO.	PART NO. NO. PIECES	DESCRIPTION DESCRIPTION	F80	F100	REMARKS REMARQUES
1	689-85547-00	DAMPER AMORTISSEUR	1	1	
2	6R3-24377-00	PIPE, JOINT 3 DURITE RACCORDEMENT	1	1	
3	90465-11M10	CLAMP BRIDE	1	1	
4	90445-13M27	HOSE (L950) DURITE (L950)	1	1	
5	60C-24560-00	FILTER ASSY ENS FILTRE	1	1	
6	68V-24521-01	.CUP, FILTER .CUVETTE, FILTRE	1	1	
7	61N-24563-00	.ELEMENT, FILTER .ELEMENT, FILTRE	1	1	
8	93210-32738	.O-RING .JOINT TORIQUE	1	1	
9	68V-24469-01	.FLOAT, WATER LEVEL .FLOTTEUR	1	1	
10	90465-11M10	CLAMP BRIDE	2	2	
11	68V-24566-00	BRACKET, FILTER SUPPORT, FILTRE	1	1	
12	95380-08600	NUT ECROU	1	1	
13	97095-06016	BOLT BOULON	1	1	
14	92995-06600	WASHER RONDELLE	1	1	
15	90445-13M11	HOSE (L300) DURITE (L300)	1	1	
16	68V-24410-00	FUEL PUMP ASSY POMPE A ESSENCE	1	1	
17	68V-24412-00	.BODY 1 .CORPS 1	1	1	
18	68V-24454-00	.SPRING .RESSORT	1	1	
19	68V-13131-00	.PLUNGER .PLONGEUR	1	1	
20	68V-24423-00	.SPRING, DIAPHRAGM .RESSORT, DIAPHRAGME	1	1	
21	68V-24411-00	.DIAPHRAGM .DIAPHRAGME	1	1	
22	68V-24374-00	.PIN .GOUILLE	1	1	
23	68V-24413-00	.BODY 2 .CORPS 2	1	1	
24	68V-24414-00	.BODY 3 .CORPS 3	1	1	
25	68V-24444-00	.SCREW .VIS	3	3	
26	68V-24149-00	.NUT .ECROU	3	3	
27	90465-11M10	CLAMP BRIDE	2	2	

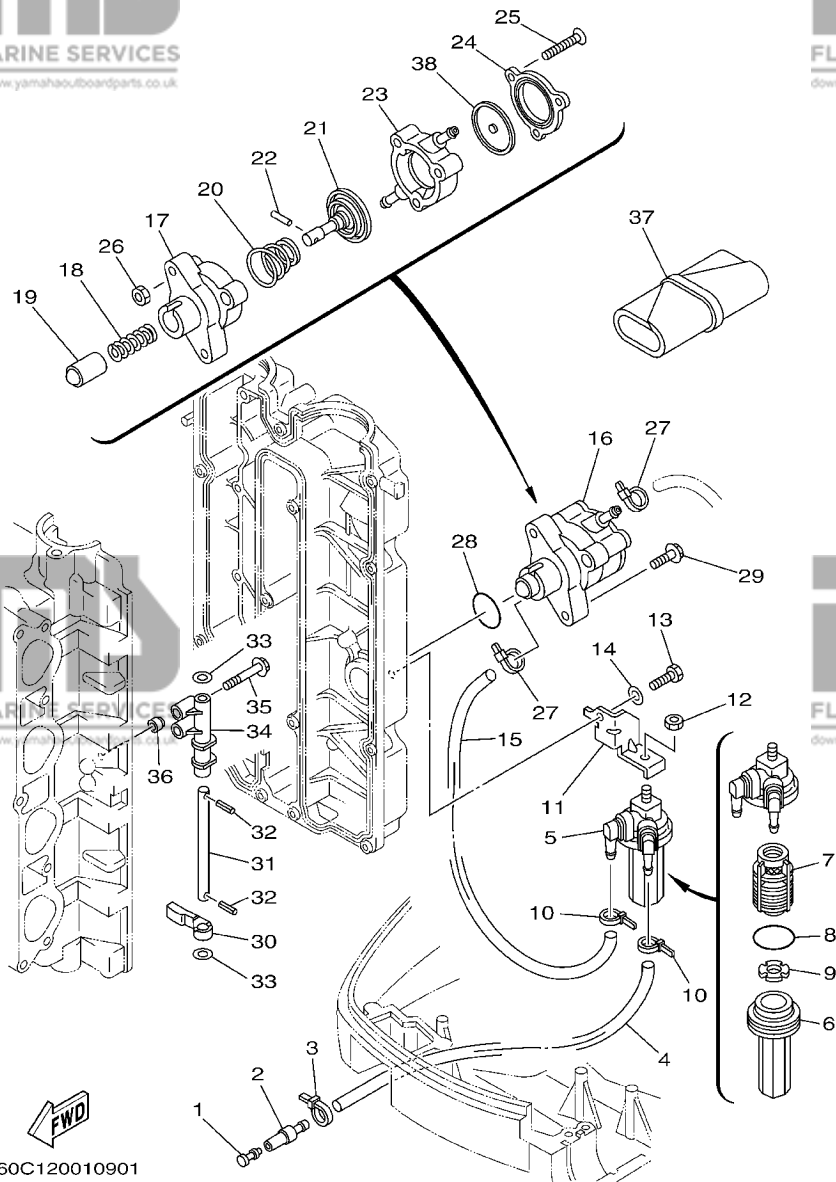
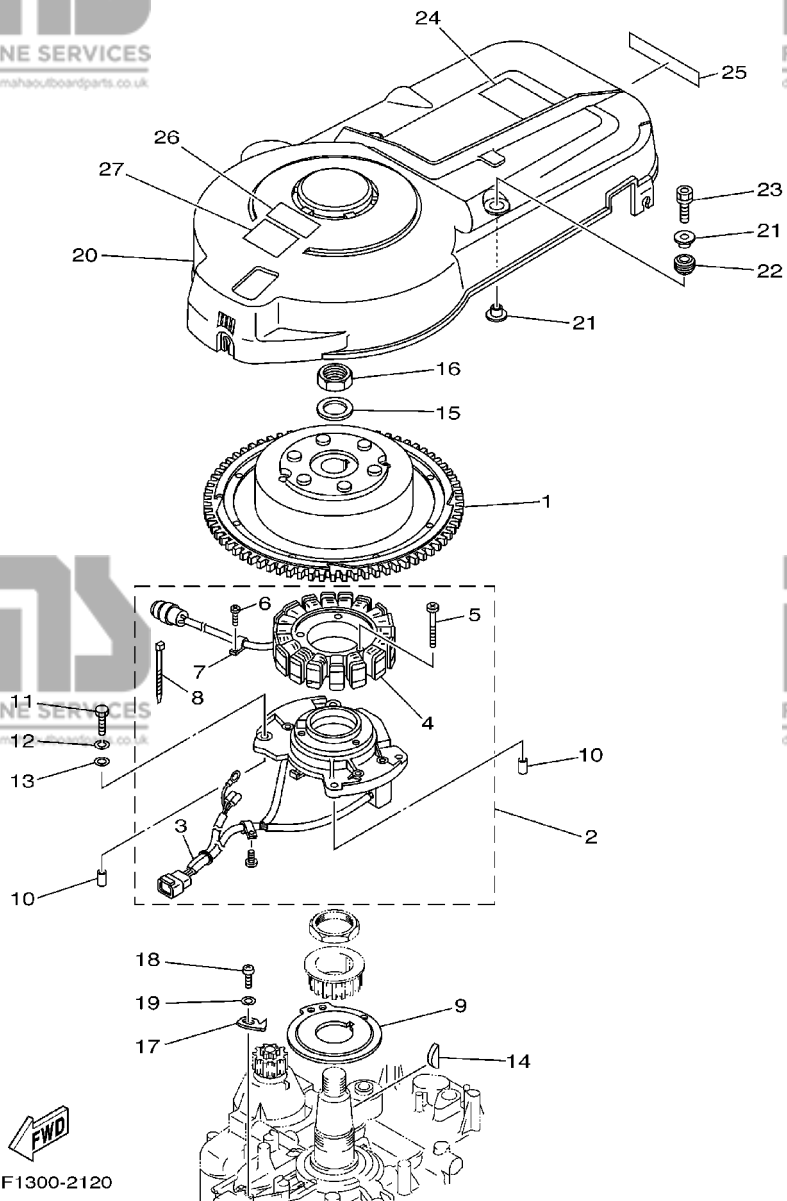


FIG. 10 FUEL 1

CARBURANT 1

REF. NO.	PART NO. NO. PIECES	DESCRIPTION DESCRIPTION	F80	F100	REMARKS REMARQUES
28	93210-30682	O-RING JOINT TORIQUE	1	1	
29	90119-06M83	BOLT, WITH WASHER BOULON, AVEC RONDELLE	2	2	
30	67F-24575-00	LEVER, FUEL CHANGE LEVIER, D'ESSENCE	1	1	
31	68V-24495-00	SHAFT AXE	1	1	
32	91609-25014	PIN, SPRING GOUPILLE, ELASTIQUE	2	2	
33	90201-08M12	WASHER, PLATE RONDELLE, PLATE	2	2	
34	67F-24491-00	BRACKET, FUEL PUMP SUPPORT, POMPE A ESSENCE	1	1	
35	90119-07235	BOLT, WITH WASHER BOULON, AVEC RONDELLE	2	2	
36	91809-08006	PIN, DOWEL GOUJON, D'ASSEMBLAGE	2	2	
37	67F-28100-00	TOOL KIT TROUSSE A OUTILS	1	1	
38	68V-24471-10	.DIAPHRAGM .DIAPHRAGME	1	1	



67F1300-2120

FIG. 12 GENERATOR

GENERATRICE

REF. NO.	PART NO. NO. PIECES	DESCRIPTION DESCRIPTION	F80	F100	REMARKS REMARQUES
1	67F-85550-00	ROTOR ASSY ROTOR CPLT	1	1	
2	67F-85560-01	BASE ASSY ENS. FLASQUE	1	1	
3	67F-85580-00	.COIL, PULSER .BOBINE, PULSEUR	1	1	
4	67F-85510-01	.STATOR ASSY .STATOR CPLT	1	1	
5	63D-81345-20	.SCREW, WITH WASHER (M6X30) .VIS, AVEC RONDELLE (M6X30)	3	3	
6	97607-04110	.SCREW, PAN HEAD WITH WASHER .VIS HEXAGONAL	1	1	
7	445-81328-20	.CLAMP .COLLIER	1	1	
8	66T-81328-00	.CLAMP .COLLIER	1	1	
9	67F-81673-00	ROTOR ROTOR	1	1	
10	99530-08012	PIN, DOWEL GOUJON, D'ASSEMBLAGE	2	2	
11	97095-06030	BOLT BOULON	4	4	
12	92995-06100	WASHER, SPRING RONDELLE, GROWER	4	4	
13	92995-06600	WASHER RONDELLE	4	4	
14	90280-05015	KEY, WOODRUFF CLAVETTE, DEMI-LUNE	1	1	
15	90201-25M02	WASHER, PLATE RONDELLE, PLATE	1	1	
16	90170-24M22	NUT ECROU	1	1	
17	67F-81332-00	PLATE, TIMING PLATEAU, ALLUMAGE	1	1	
18	97885-06010	SCREW, PAN HEAD VIS, TETE TRONCONIQUE	1	1	
19	92995-06600	WASHER RONDELLE	1	1	
20	67F-81337-01	COVER, FLYWHEEL COUVERCLE, VOLANT	1	1	
21	90387-06M71	COLLAR COLLERETTE	4	4	
22	90480-15M31	GROMMET PASSE-FIL	2	2	
23	90119-06M92	BOLT, WITH WASHER BOULON, AVEC RONDELLE	2	2	
24	67F-12138-60	MARK, CAUTION MAKER	1	1	
25	67F-13437-60	MARK, CAUTION MAKER	1	1	
26	6A1-83625-41	MARK 5 ETIQUETTE 5	1	1	
27	6A1-83625-51	MARK 5 ETIQUETTE 5	1	1	

D1

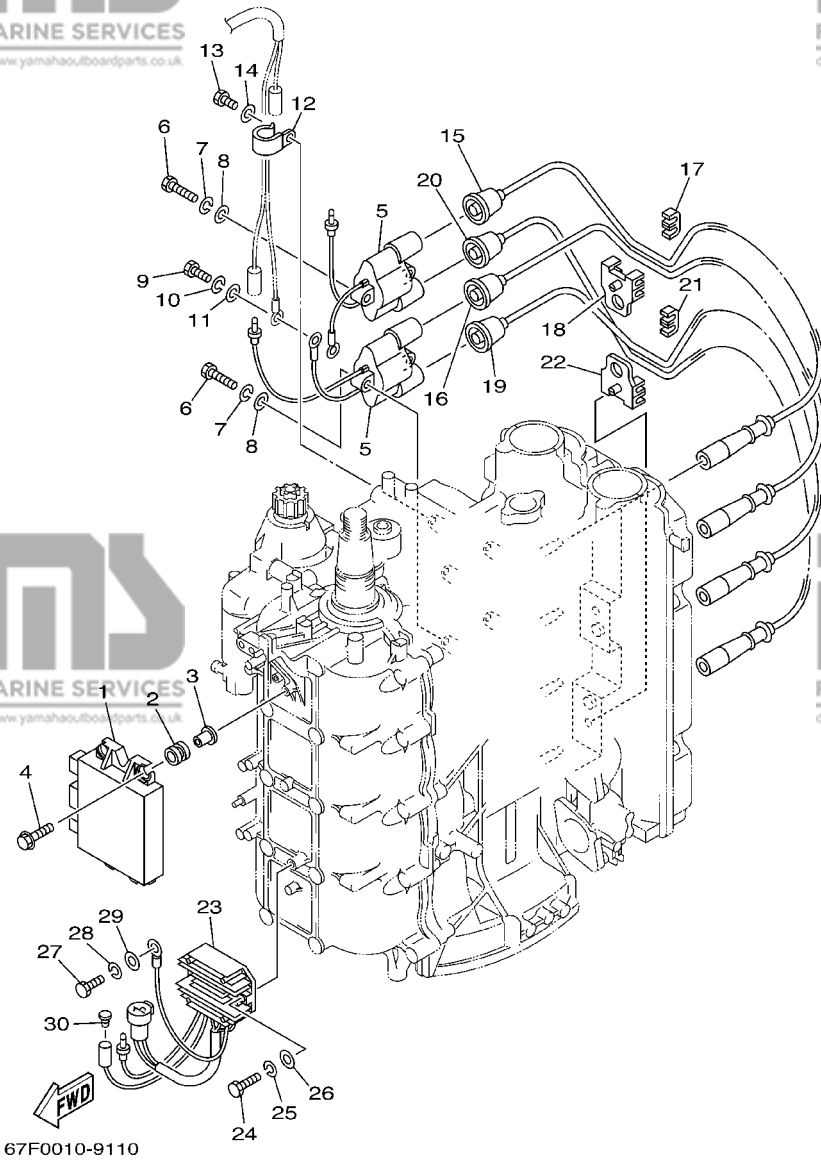


FIG. 13 ELECTRICAL 1

PARTIE ELECTRIQUE 1

REF. NO.	PART NO. NO. PIECES	DESCRIPTION DESCRIPTION	F80	F100	REMARKS REMARQUES
1	67F-85540-01	C.D.I. UNIT ASSY BLOC C.D.I.	1	1	
2	68V-82317-00	DAMPER, IGNITION COIL AMORTISSEUR, BOBINE D'ALLUM	4	4	
3	624-42542-00	PIPE TUYAU	4	4	
4	90119-06M59	BOLT, WITH WASHER BOULON, AVEC RONDELLE	4	4	
5	67F-85570-00	IGNITION COIL ASSY BOBINE D'ALLUMAGE (ENS.)	2	2	
6	97095-06030	BOLT BOULON	4	4	
7	92995-06100	WASHER, SPRING RONDELLE, GROWER	4	4	
8	92995-06600	WASHER RONDELLE	4	4	
9	97095-06020	BOLT BOULON	1	1	
10	92995-06100	WASHER, SPRING RONDELLE, GROWER	1	1	
11	92995-06600	WASHER RONDELLE	1	1	
12	90465-06M86	CLAMP BRIDE	1	1	
13	97095-06012	BOLT BOULON	1	1	
14	92995-06600	WASHER RONDELLE	1	1	
15	67F-82341-00	CORD, HIGH TENSION 1 CORDON, HAUTE-TENSION 1	1	1	#1
16	67F-82342-00	CORD, HIGH TENSION 2 CORDON, HAUTE-TENSION 2	1	1	#2
17	67F-82361-00	CLAMP, CORD COLLIER, CORDON	1	1	
18	67F-82362-00	CLAMP, CORD 2 COLLIER, CABLE 2	1	1	
19	67F-82343-00	CORD, HIGH TENSION 3 CORDON, HAUTE-TENSION 3	1	1	#3
20	67F-82344-00	CORD, HIGH TENSION 4 CABLE, HAUTE TENSION 4	1	1	#4
21	67F-82361-00	CLAMP, CORD COLLIER, CORDON	1	1	
22	67F-82362-00	CLAMP, CORD 2 COLLIER, CABLE 2	1	1	
23	67F-81960-10	RECTIFIER & REGULATOR ASSY REDRESSEUR REGULATEUR CPLT	1	1	Go to P/N : PE0-OM-060001
24	97095-06025	BOLT BOULON	2	2	
25	92995-06100	WASHER, SPRING RONDELLE, GROWER	2	2	
26	92995-06600	WASHER RONDELLE	2	2	
27	97095-06020	BOLT BOULON	1	1	

D2

FIG. 13 ELECTRICAL 1

PARTIE ELECTRIQUE 1

REF. NO.	PART NO. NO. PIECES	DESCRIPTION DESCRIPTION	F80	F100	REMARKS REMARQUES
28	92995-06100	WASHER, SPRING RONDELLE, GROWER	1	1	
29	92995-06600	WASHER RONDELLE	1	1	
30	703-82119-00	COVER, LEAD WIRE GARNITURE, FIL	1	1	Go to P/N : PE0-OM-060001

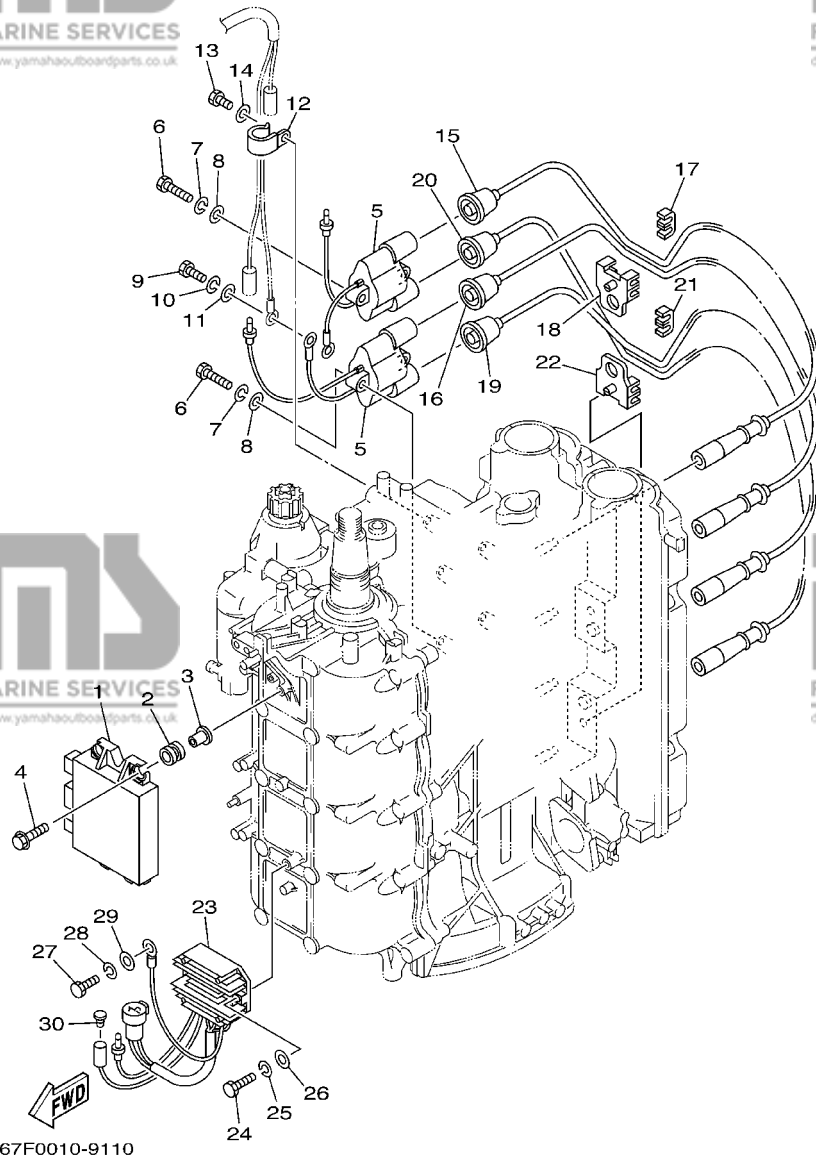
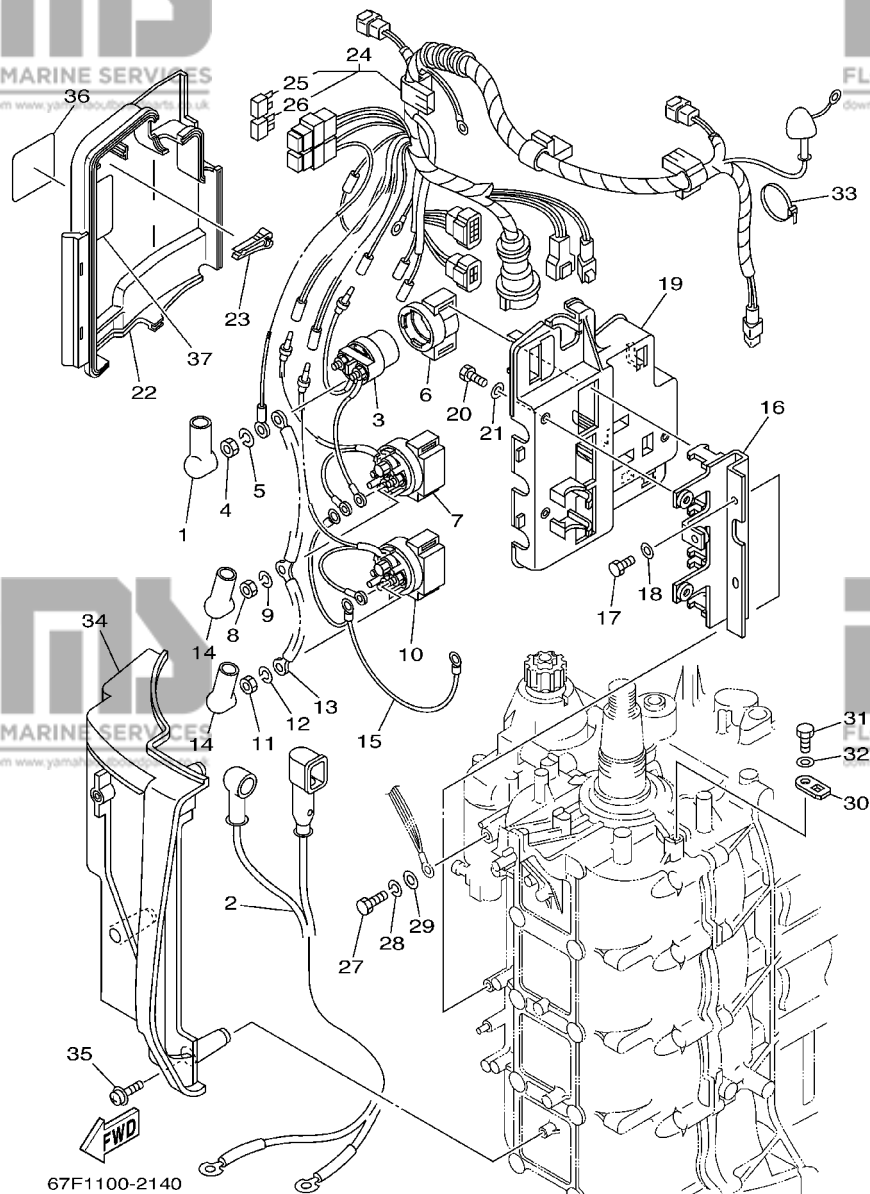


FIG. 14 ELECTRICAL 2

PARTIE ELECTRIQUE 2



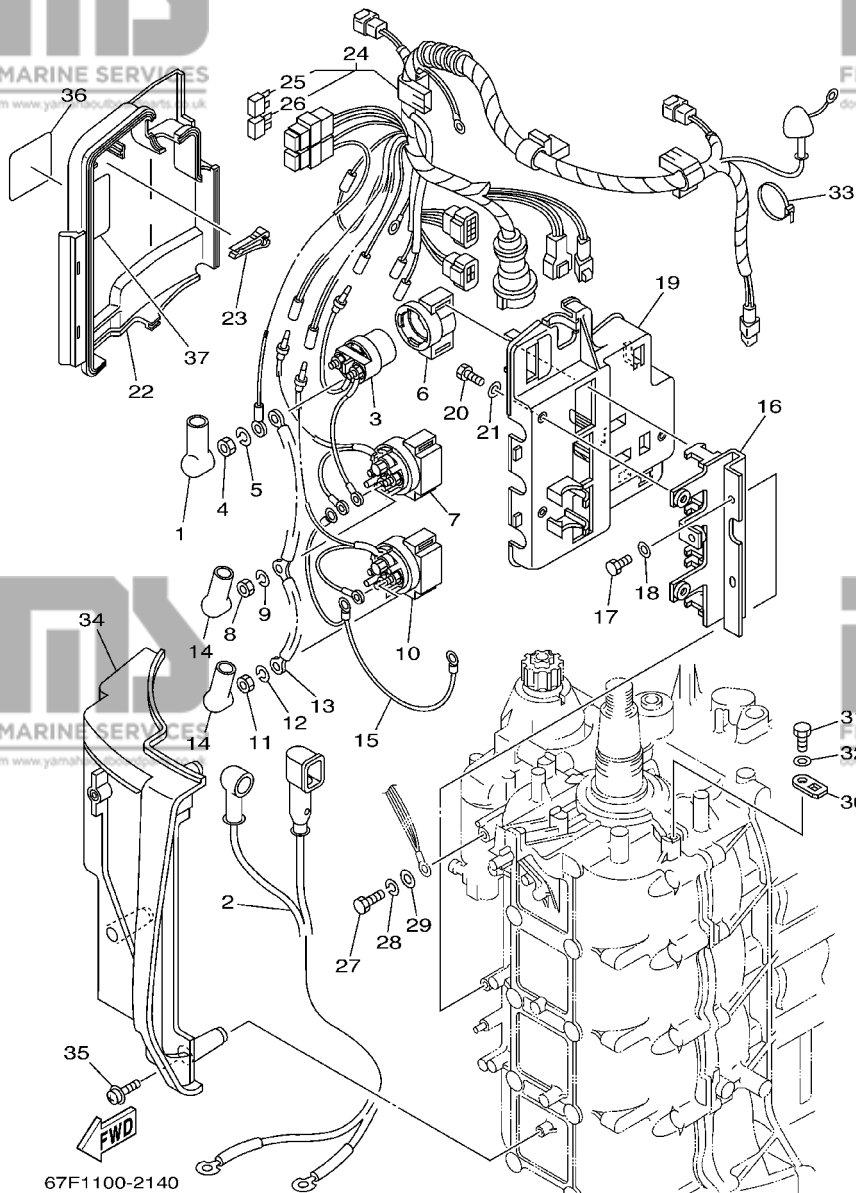
REF. NO.	PART NO. NO. PIECES	DESCRIPTION DESCRIPTION	F80	F100	REMARKS REMARQUES
1	682-82119-01	COVER, LEAD WIRE GARNITURE, FIL	2	2	
2	67F-82105-00	WIRE HARNESS FAISCEAU DE FILS	1	1	
3	6G1-8194A-10	RELAY RELAIS	1	1	
4	90170-06M30	NUT ECROU	2	2	
5	90204-06M00	WASHER, SPRING RONDELLE, GROWER	2	2	
6	6G1-81952-00	HOLDER, RELAY SUPPORT, RELAIS	1	1	
7	6E5-8195B-01	RELAY ASSY RELAIS COMPLET	1	1	
8	90170-06M30	NUT ECROU	3	3	
9	90204-06M00	WASHER, SPRING RONDELLE, GROWER	3	3	
10	6E5-8195C-01	RELAY ASSY RELAIS COMPLET	1	1	
11	90170-06M30	NUT ECROU	3	3	
12	90204-06M00	WASHER, SPRING RONDELLE, GROWER	3	3	
13	66T-87149-00	CONNECTOR RACCORD	1	1	
14	6G5-82119-00	COVER, LEAD WIRE GARNITURE, FIL	2	2	
15	67F-82116-00	WIRE, MINUS LEAD FIL, NEGATIF	1	1	
16	67F-81953-00	STAY, RELAY SUPPORT, RELAIS	1	1	
17	97095-06016	BOLT BOULON	2	2	
18	92995-06600	WASHER RONDELLE	2	2	
19	67F-81948-00	BRACKET JOINT TORIQUE	1	1	
20	97095-06016	BOLT BOULON	3	3	
21	92995-06600	WASHER RONDELLE	3	3	
22	67F-81942-00	COVER COUVERCLE	1	1	
23	67F-2812A-00	PULLER, FUSE TENDEUR, FUSIBLE	1	1	
24	67F-82590-02	WIRE HARNESS ASSY FAISCEAU DE FILS COMPLET	1	1	Go to P/N : PE0-OM-060001
25	67F-82151-00	.FUSE (20A) .FUSIBLE (20A)	2	2	
26	67F-82151-10	.FUSE (30A) .FUSIBLE (30A)	2	2	
27	97095-06020	BOLT BOULON	1	1	

D4

FIG. 14 ELECTRICAL 2

PARTIE ELECTRIQUE 2

REF. NO.	PART NO. NO. PIECES	DESCRIPTION DESCRIPTION	F80	F100	REMARKS REMARQUES
28	92995-06100	WASHER, SPRING RONDELLE, GROWER	1	1	
29	92995-06600	WASHER RONDELLE	1	1	
30	67F-82588-00	PLATE PLAQUE	3	3	
31	97095-06012	BOLT BOULON	3	3	
32	92995-06600	WASHER RONDELLE	3	3	
33	90465-13M11	CLAMP BRIDE	1	1	
34	67F-81916-01	COVER, TERMINAL COUVERCLE, BORNE	1	1	Go to P/N : PE0-OM-060001
35	90159-06M29	SCREW, WITH WASHER VIS, AVEC RONDELLE	3	3	
36	67F-83626-00	MARK 6 MARK 6	1	1	
37	67F-81919-00	GRAPHIC, REGULATOR ADHESIF, REGULATEUR	1	1	



PARTS NEWS

FLOOD MARINE SERVICES
downloaded from www.yamahaoutboardparts.co.uk

FLOOD MARINE SERVICES
downloaded from www.yamahaoutboardparts.co.uk

YAMAHA
YAMAHA MOTOR CO., LTD.
2960 SHINGAI IWATA SHIZUOKA JAPAN
FLOOD MARINE SERVICES
downloaded from www.yamahaoutboardparts.co.uk

News No. PE0-OM-060001 1/3

Date: Feb, 24, 2006

Signature: K. Otsuka

Model	F80TR,F80A/F100TR,F100A '02-'03
Subject	PARTS CATALOGUE CORRECTIONS
CATALOGUE NO.	See the "List of Models and CATALOGUE No's below."

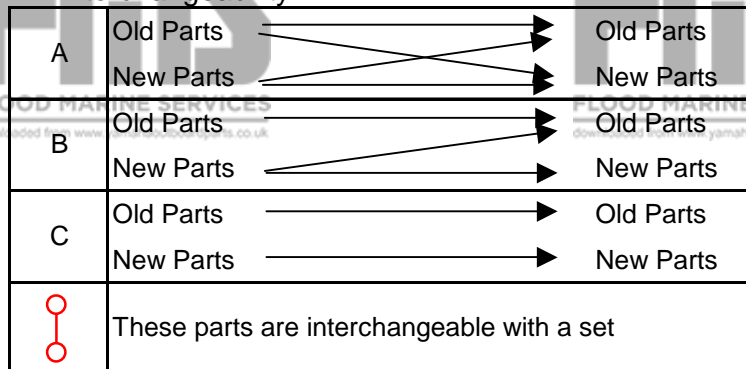
Revised parts catalogue will be issued by PDF and be uploaded to YPEC within one month.
(YPEC=Yamaha Parts Electrical Catalogue = Website parts catalogue)

FIG.13 ELECTRICAL 1

1. LIST CORRECTION

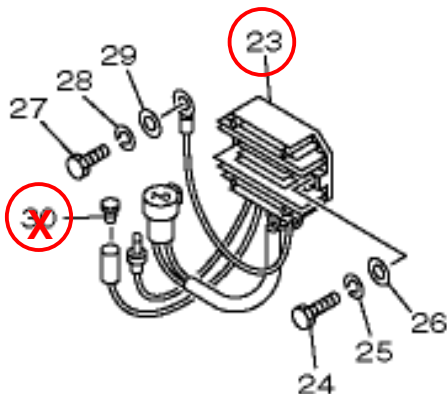
Fig.No-Ref.No.	PART NO.		PART NAME	Q'TY	APPLICABLE SERIAL NO.	*1	REMARKS
13-23	OLD	67F-81960-10 67F-81960-11	RECTIFIER & REGULATOR ASSY	1	-		
	NEW	67F-81960-12			67F:1006741-67G:1006053-	B	*Part number revision
13-30	703-82119-00		COVER, LEAD WIRE	4	67F:1006741-67G:1006053-		*Deleted Parts

*1: Interchangeability

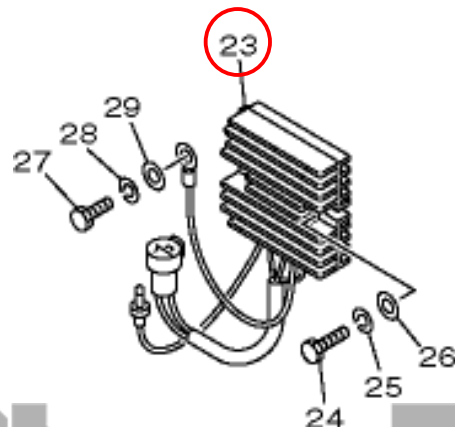


2. ILLUSTRATION CORRECTION

(OLD)



(NEW)



Parts Manager Check
Service Manager Check
Parts Manager File

YAMAHA MOTOR CO.,LTD
2500 Shingai Iwata Shizuoka 438-8501 Japan
Technical Publication Dept.

YAMAHA
GENUINE
PARTS & ACCESSORIES

News No. PE0-OM-060001 2/3

Date: Feb, 24, 2006

Signature: K. Otsuka


Model	F80TR,F80A/F100TR,F100A '02-'03
Subject	PARTS CATALOGUE CORRECTIONS
CATALOGUE NO.	See the "List of Models and CATALOGUE No's below."

FIG.14 ELECTRICAL 2

1. LIST CORRECTION

Fig.No-Ref.No.	PART NO.	PART NAME	Q'TY	APPLICABLE SERIAL NO.	*1	REMARKS
14-24	OLD 67F-82590-02 67F-82590-03	WIRE HARNESS ASSY	1	-		
	NEW 67F-82590-04			67F:1006741-67G:1006053-	B	*Part number revision
14-34	OLD 67F-81916-01	COVER, TERMINAL	1	-		
	NEW 67F-81916-02			67F:1006741-67G:1006053-	B	*Part number revision
14-38	OLD -	CLAMP	2	-		
	NEW 90465-13M97			67F:1006741-67G:1006053-		*Added Parts

*1: Interchangeability

A	Old Parts	→	Old Parts
	New Parts	→	New Parts
B	Old Parts	→	Old Parts
	New Parts	→	New Parts
C	Old Parts	→	Old Parts
	New Parts	→	New Parts
	These parts are interchangeable with a set		

PARTS NEWS

FLOOD MARINE SERVICES

downloaded from www.yamahaoutboardparts.co.uk

FLOOD MARINE SERVICES

downloaded from www.yamahaoutboardparts.co.uk

YAMAHA
YAMAHA MOTOR CO., LTD.
2500 SHINGAI IWATA SHIZUOKA JAPAN
FLOOD MARINE SERVICES

downloaded from www.yamahaoutboardparts.co.uk

News No. PE0-OM-060001 3/3

Date: Feb, 24, 2006

Signature: K. Otsuka

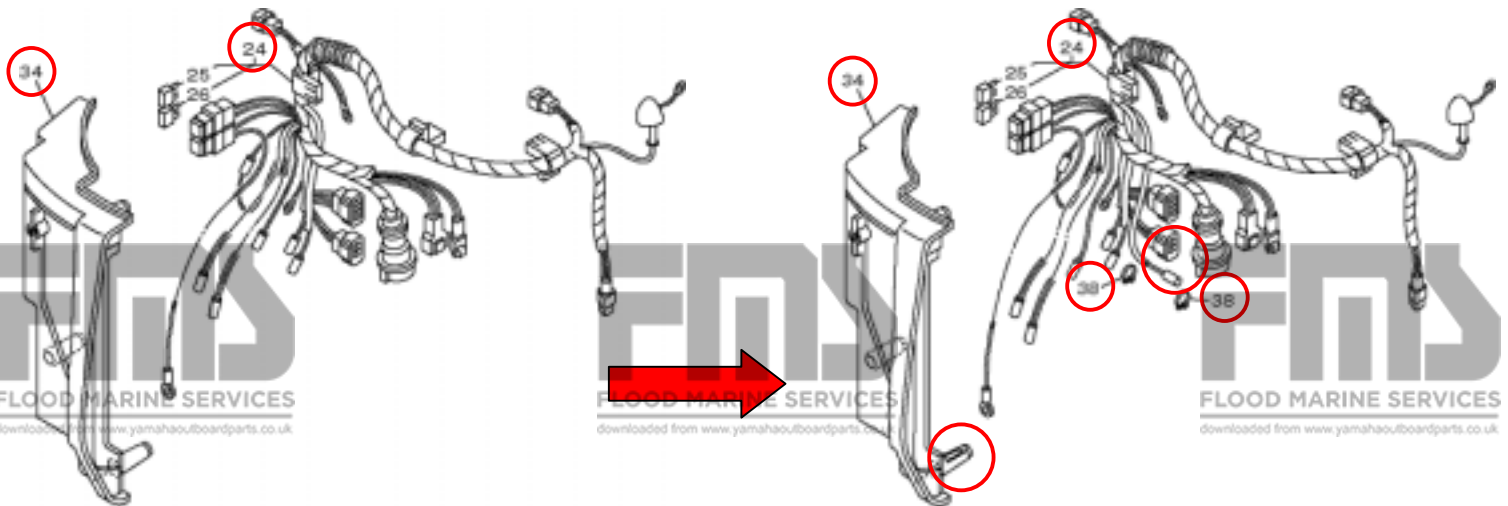
Model	F80TR,F80A/F100TR,F100A '02-'03
Subject	PARTS CATALOGUE CORRECTIONS
CATALOGUE NO.	See the "List of Models and CATALOGUE No's below."

FIG.14 ELECTRICAL 2

2. ILLUSTRATION CORRECTION

(OLD)

(NEW)



3. LIST of Models and CATALOGUE No's.

The applicable MODELS, MODEL CODES, and CATALOGUE No's are as follows.

MODEL NAME	MODEL CODE	MODEL YEAR	CATALOGUE NO.
F80TRA, F80A'02 F100TRA, F100A'02	67G1 67F1	2002	1A67G-100E1
F80A'02 F100A'02	67G1 67F1	2002	1A67G-300F1
F80TRB, F80A'03 F100TRB, F100A'03	67G2 67F2	2003	1B67G-100E1
F80A'03 F100A'03	67G2 67F2	2003	1B67G-300F1

Thank you very much for your cooperation.

Parts
Manager
Check

Service
Manager
Check

Parts
Manager
File

YAMAHA MOTOR CO.,LTD
2500 Shingai Iwata Shizuoka 438-8501.Japan
Technical Publication Dept.

YAMAHA
GENUINE
PARTS & ACCESSORIES

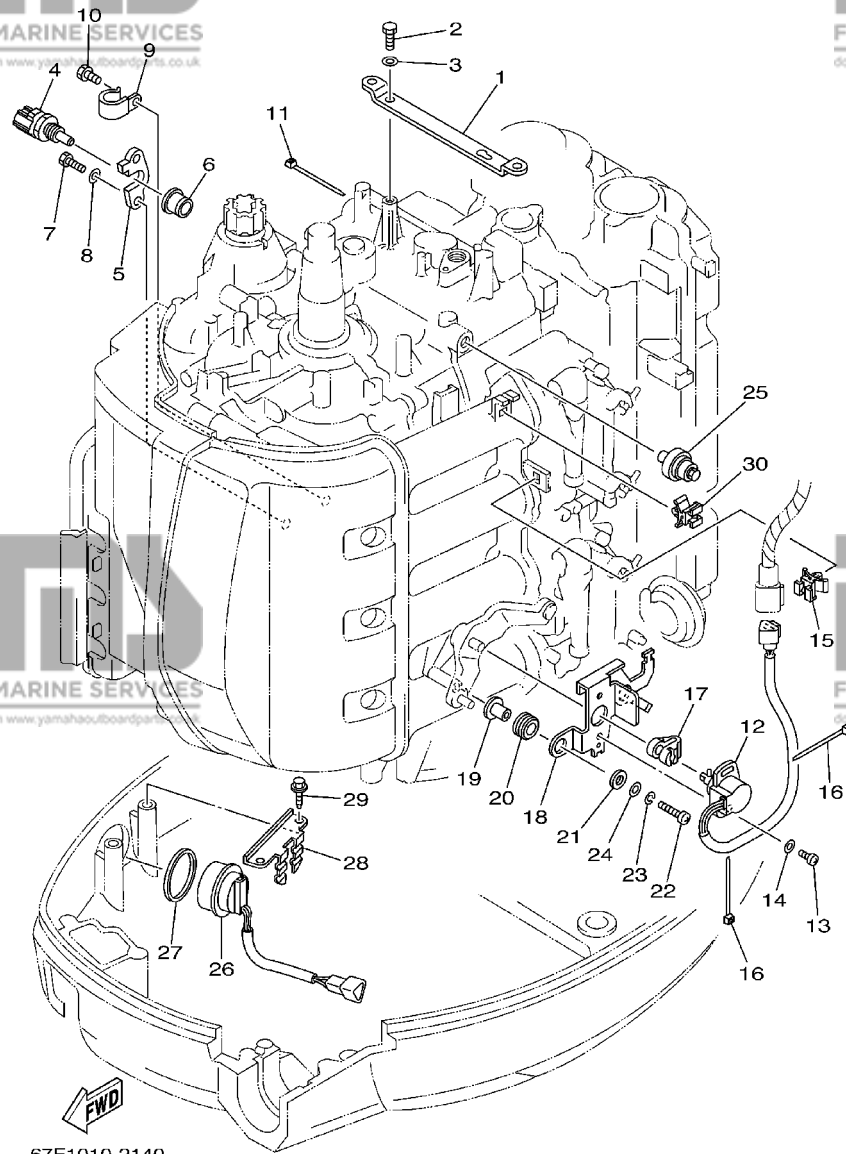


FIG. 15 ELECTRICAL 3

PARTIE ELECTRIQUE 3

REF. NO.	PART NO. NO. PIECES	DESCRIPTION DESCRIPTION	F80	F100	REMARKS REMARQUES
1	67F-8132G-01	PLATE PLAQUE	1	1	
2	97095-06016	BOLT BOULON	2	2	
3	92995-06600	WASHER RONDELLE	2	2	
4	67F-85790-00	THERMOSENSOR ASSY SENSITOMETRE	1	1	
5	67F-85757-00	RETAINER ARRETOIR	1	1	
6	68V-85753-00	GASKET, SENDER UNIT JOINT, DE PERCEPTION	1	1	
7	97095-06016	BOLT BOULON	2	2	
8	92995-06600	WASHER RONDELLE	2	2	
9	90465-06M86	CLAMP BRIDE	1	1	
10	97095-06010	BOLT BOULON	1	1	
11	90465-11M10	CLAMP BRIDE	1	1	
12	61A-85885-00	THROTTLE SENSOR ASSY SENSITOMETRE (ENS.)	1	1	
13	97885-05010	SCREW, PAN HEAD VIS, TETE TRONCONIQUE	2	2	
14	92995-05600	WASHER RONDELLE	2	2	
15	90464-09M47	CLAMP BRIDE	1	1	
16	90465-11M10	CLAMP BRIDE	2	2	
17	6K7-14573-00	LEVER LEVIER	1	1	
18	67F-83635-00	BRACKET SUPPORT	1	1	
19	90387-05M00	COLLAR COLLERETTE	2	2	
20	90480-10M23	GROMMET PASSE-FIL	2	2	
21	90201-05M03	WASHER, PLATE RONDELLE, PLATE	2	2	
22	97885-05025	SCREW, PAN HEAD VIS, TETE TRONCONIQUE	2	2	
23	92995-05100	WASHER RONDELLE	2	2	
24	92995-05600	WASHER RONDELLE	2	2	
25	68V-82504-00	OIL PRESSURE SWITCH ASSY CONTACTEUR DE PRESSION D'HUILE	1	1	
26	63D-82563-10	TRIM & TILT SWITCH ASSY INCLINER ET PARER COMMUTATEUR	1	1	
27	6E5-82587-00	GASKET JOINT	1	1	

D6

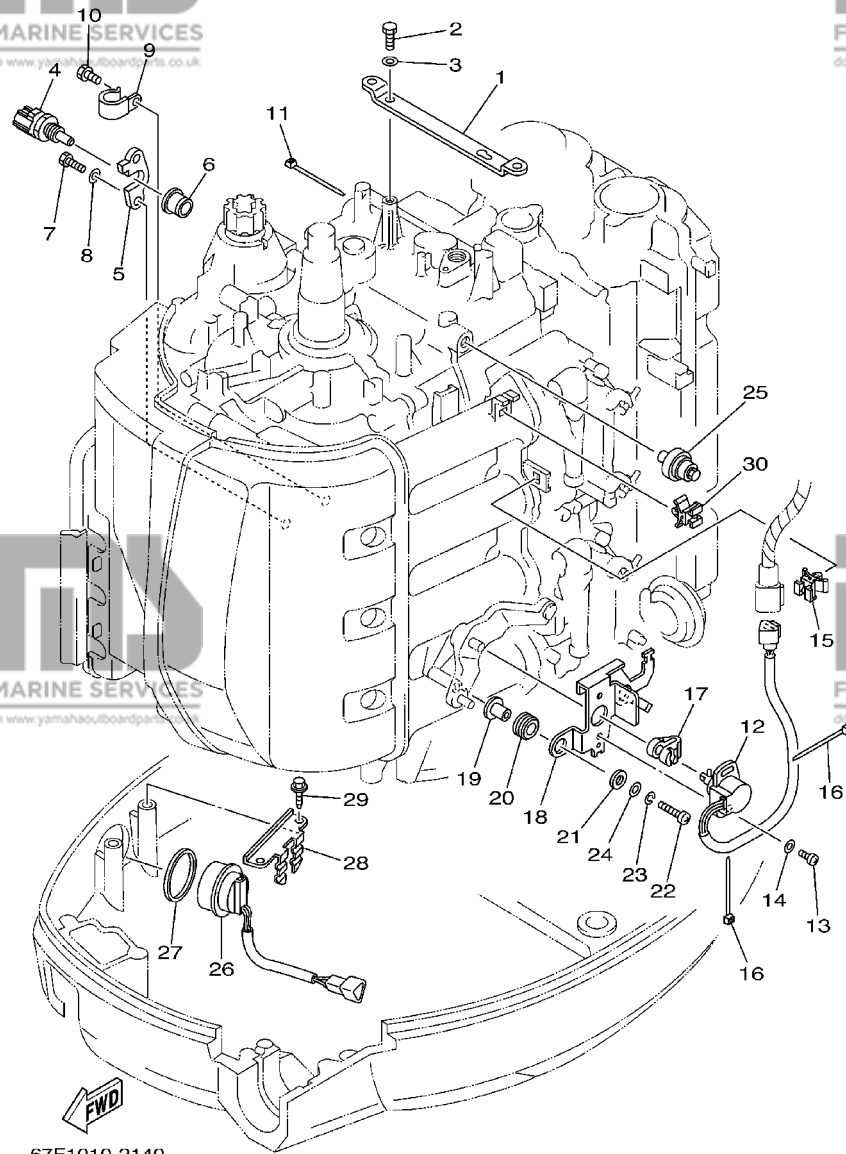


FIG. 15 ELECTRICAL 3

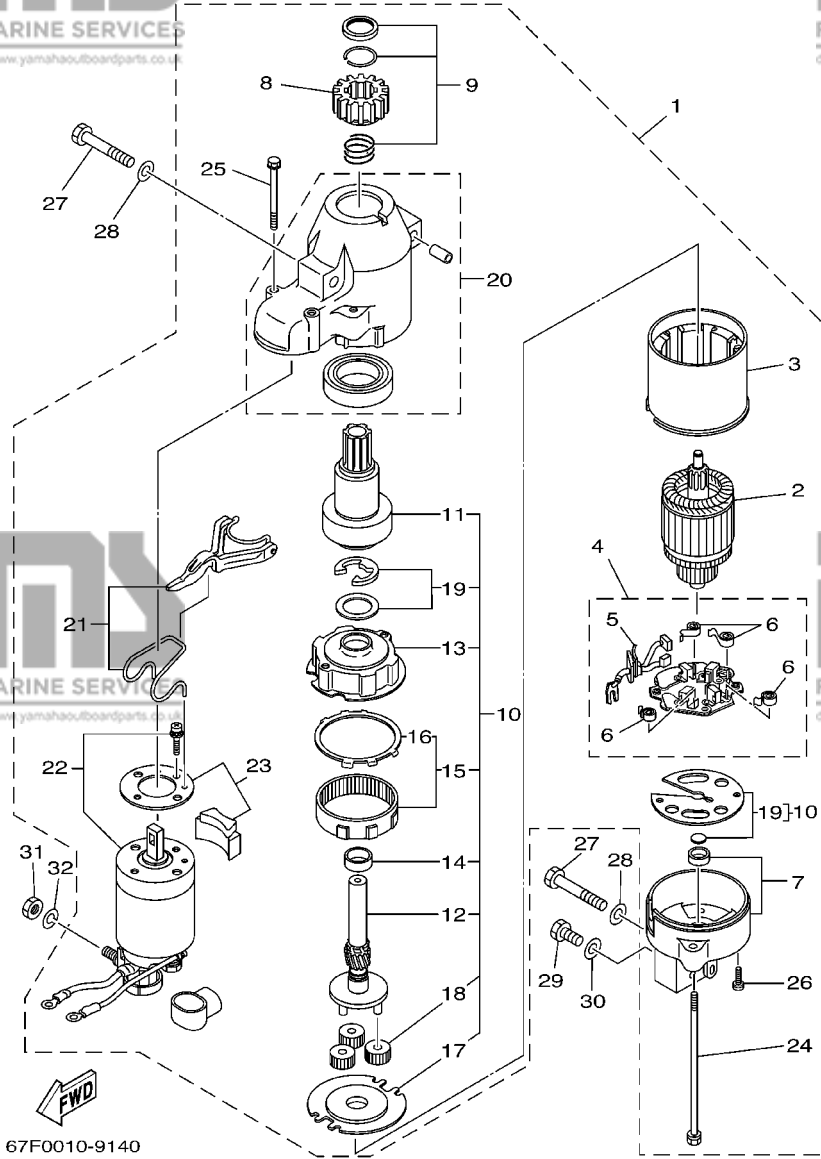
PARTIE ELECTRIQUE 3

REF. NO.	PART NO. NO. PIECES	DESCRIPTION DESCRIPTION	F80	F100	REMARKS REMARQUES
28	67F-83614-00	BRACKET SUPPORT	1	1	
29	90109-06M86	BOLT BOULON	2	2	
30	90464-09M47	CLAMP BRIDE	1	1	

FIG. 16 STARTING MOTOR

DEMARREUR ELECTRIQUE

REF. NO.	PART NO. NO. PIECES	DESCRIPTION DESCRIPTION	F80	F100	REMARKS REMARQUES
1	67F-81800-02	STARTING MOTOR ASSY DEMARREUR ELECTRIQUE COMPLET	1	1	
2	67F-81850-00	.ARMATURE ASSY .INDUIT	1	1	
3	67F-81810-00	.STATOR ASSY .STATOR COMPLET	1	1	
4	67F-81840-00	.BRUSH HOLDER ASSY .SUPPORT DE CHARBON	1	1	
5	67F-81801-00	.BRUSH SET .CHARBON	1	1	
6	67F-81813-00	.SPRING, BRUSH .RESSORT, DE CHARBON	4	4	
7	67F-81820-00	.REAR BRACKET ASSY .SUPPORT ARRIERE COMPLET	1	1	
8	67F-81808-00	.PINION ASSY .PIGNON	1	1	
9	67F-81857-00	.PINION STOPPER SET .BUTEE PIGNON	1	1	
10	67F-81807-00	.GEAR ASSY, STARTING MOTOR .PIGNON, DEMARREUR ELECTRIQUE	1	1	
11	67F-81832-00	.CLUTCH, OVER RUN .EMBRAYAGE, ROUE LIBRE	1	1	
12	67F-81836-00	.SHAFT, PINION .AXE, PIGNON	1	1	
13	67F-81821-00	.BRACKET, CENTER 1 .SUPPORT, CENTRE 1	1	1	
14	67F-81841-00	.BEARING .ROULEMENT	1	1	
15	67F-81891-00	.GEAR, RING .ROUE DENTEE	1	1	
16	67F-8183R-00	.GASKET .JOINT	1	1	
17	67F-81830-00	.BRACKET, CENTER 2 .SUPPORT, CENTRE 2	1	1	
18	67F-8183T-00	.GEAR, IDLER .PIGNON, INTERMEDIAIRE	3	3	
19	67F-81809-00	.WASHER KIT .JEU DE RONDELLES	1	1	
20	67F-81842-00	.COVER .COUVERCLE	1	1	
21	67F-81839-00	.LEVER ASSY .LEVIER COMPLET	1	1	
22	67F-81941-01	.STARTER RELAY ASSY .LANCEUR RELAIS (ENS.)	1	1	
23	67F-81869-00	.COVER, DUST .COUVERCLE, POUSSIERE	1	1	
24	6K7-81826-10	.BOLT .BOULON	2	2	
25	67F-81828-00	.BOLT 2 .RONDELLE, BUTEE 2	2	2	
26	67F-81846-00	.SCREW .VIS	2	2	
27	97013-08045	BOLT BOULON	3	3	

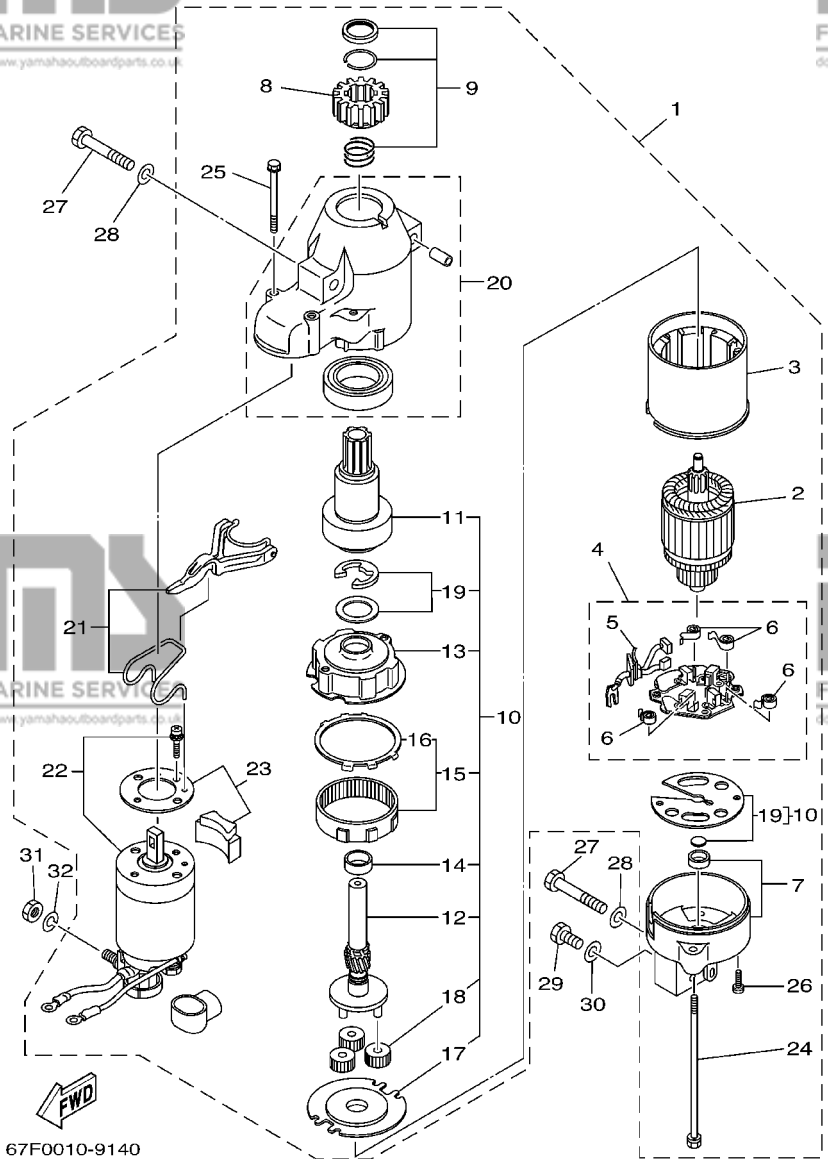


67F0010-9140

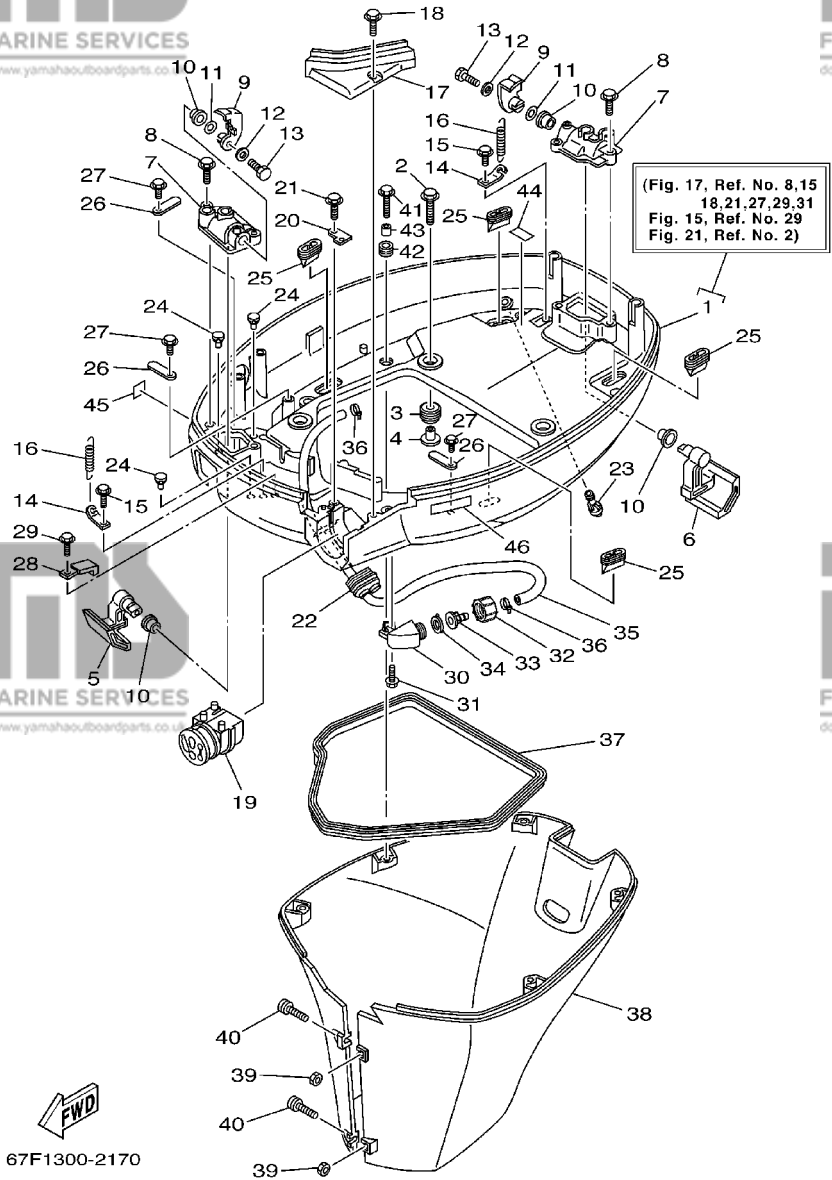
FIG. 16 STARTING MOTOR

DEMARREUR ELECTRIQUE

REF. NO.	PART NO. NO. PIECES	DESCRIPTION DESCRIPTION	F80	F100	REMARKS REMARQUES
28	92903-08600	WASHER, PLATE RONDELLE, PLATE	3	3	
29	97013-08016	BOLT BOULON	1	1	
30	92903-08600	WASHER, PLATE RONDELLE, PLATE	1	1	
31	95333-08600	NUT ECROU	1	1	
32	92903-08100	WASHER, SPRING RONDELLE, GROWER	1	1	



67F0010-9140

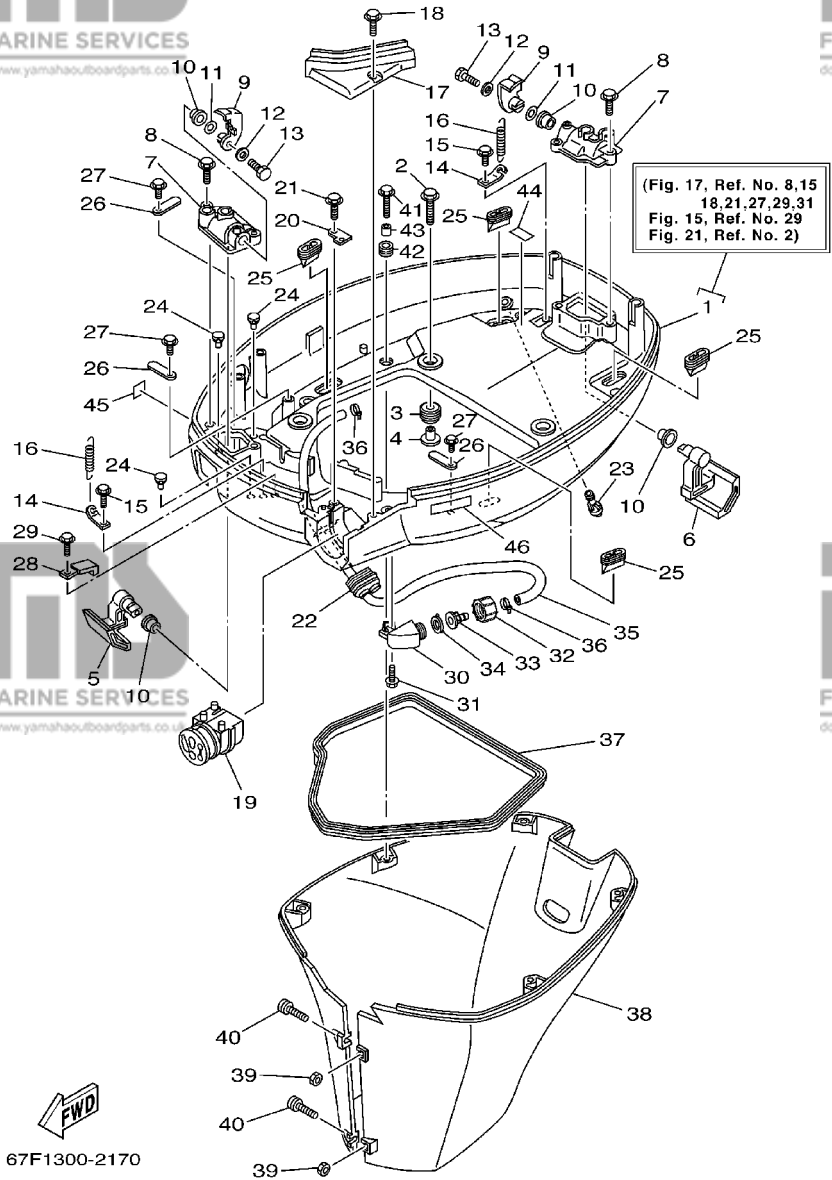


67F1300-2170

FIG. 17 BOTTOM COWLING

CAPOT INFERIEUR

REF. NO.	PART NO. NO. PIECES	DESCRIPTION DESCRIPTION	F80	F100	REMARKS REMARQUES
1	67F-42710-00-4D	BOTTOM COWLING ASSY ENS. EMBASE	1	1	
2	90119-08M22	BOLT, WITH WASHER BOULON, AVEC RONDELLE	4	4	
3	90480-22M15	GROMMET PASSE-FIL	4	4	
4	90387-08M37	COLLAR COLLERETTE	4	4	
5	67F-42815-00-4D	LEVER, CLAMP LEVIER, PRESSE	1	1	
6	67F-42816-00-4D	LEVER, CLAMP LEVIER, PRESSE	1	1	
7	67F-42828-00-5B	PLATE, CLAMP PLAQUE, PRESSE	2	2	
8	90109-06M82	BOLT BOULON	4	4	
9	67F-42818-00	LEVER, CLAMP LEVIER, PRESSE	2	2	
10	90386-15M73	BUSH DOUILLE	4	4	
11	90206-15M18	WASHER, WAVE RONDELLE, ONDULEE	2	2	
12	90201-06068	WASHER, PLATE RONDELLE, PLATE	2	2	
13	97095-06016	BOLT BOULON	2	2	
14	64D-43144-00	HOOK, SPRING CROCHET	2	2	
15	90109-06M86	BOLT BOULON	2	2	
16	90506-16M34	SPRING, TENSION RESSORT, TENSION	2	2	
17	67F-42738-00-5B	PLATE, FITTING ETRIER	1	1	
18	90109-06M96	BOLT BOULON	2	2	
19	68V-42725-00	GROMMET PASSE-FIL	1	1	
20	67F-42756-00	STAY, CLAMP SUPPORT, COLLIER	1	1	
21	90109-06M86	BOLT BOULON	1	1	
22	6H1-42726-20	GROMMET PASSE-FIL	1	1	FOR FLUSHING KIT
23	6H3-44391-01	NIPPLE, HOSE RACCORD D'ESSENCE	1	1	
24	6H4-42748-00	GROMMET PASSE-FIL	3	3	
25	67F-42717-00	RUBBER, SEAL 2 JOINT EN CAOUTCHOUC 2	4	4	
26	6E5-82588-00	PLATE PLAQUE	3	3	
27	90109-06M81	BOLT BOULON	3	3	



67F1300-2170

FIG. 17 BOTTOM COWLING

CAPOT INFERIEUR

REF. NO.	PART NO. NO. PIECES	DESCRIPTION DESCRIPTION			REMARKS REMARQUES
			F80	F100	
28	90465-08M23	CLAMP BRIDE	1	1	
29	90109-06M86	BOLT BOULON	1	1	
30	67F-12572-00	ADAPTER ADAPTATEUR	1	1	FLUSHING KIT
31	90109-06M82	BOLT BOULON	1	1	
32	6R3-12581-00	JOINT, HOSE 1 JOINT DE TUYAU	1	1	FLUSHING KIT
33	6R3-12582-00	JOINT, HOSE 2 RACCORD DE TUYAU 1	1	1	FLUSHING KIT
34	6R3-12583-00	GASKET, HOSE JOINT JOINT	1	1	FLUSHING KIT
35	67F-24312-00	PIPE 2 DURITE 2	1	1	FLUSHING KIT
36	90465-11M10	CLAMP BRIDE	2	2	FLUSHING KIT
37	61A-42716-00	RUBBER, SEAL 1 JOINT EN CAOUTCHOUC 1	1	1	
38	67F-42741-00-4D	APRON CAPOT LATERAL	1	1	
39	95380-06600	NUT, HEXAGON ECROU	2	2	
40	90159-06M28	SCREW, WITH WASHER VIS, AVEC RONDELLE	2	2	
41	90109-06M80	BOLT BOULON	5	5	
42	90480-13M24	GROMMET PASSE-FIL	5	5	
43	90387-06M43	COLLAR COLLERETTE	5	5	
44	67F-82377-00	LABEL ETIQUETTE	1	1	
45	6A1-28176-00	LABEL, CAUTION ETIQUETTE, RECOMMANDATION	1	1	
46	6E3-8257H-00	PLATE, MARK PLAQUE, ADHESIF	1	1	

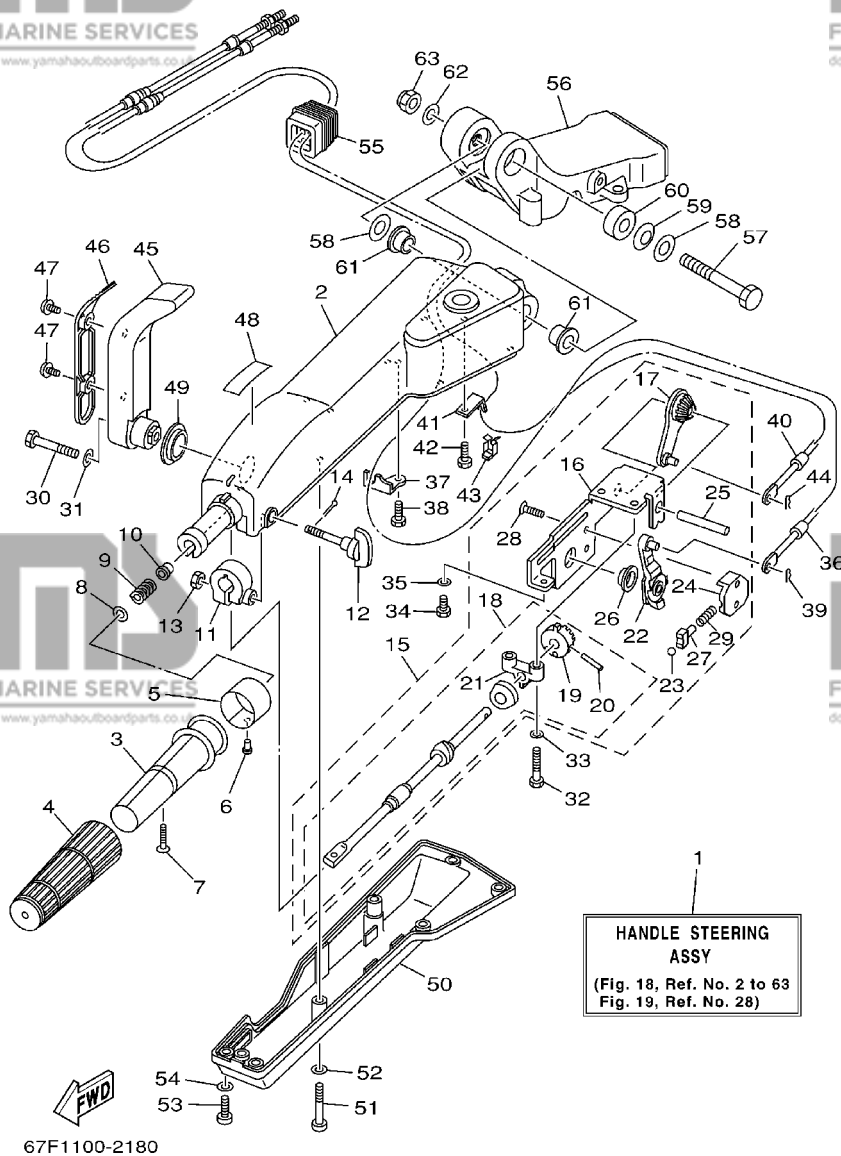


FIG. 18 STEERING 1

DIRECTION 1

REF. NO.	PART NO. NO. PIECES	DESCRIPTION DESCRIPTION	F80	F100	REMARKS REMARQUES
1	67G-W0084-11-4D	HANDLE STEERING ASSY BARRE FRANCHE (ENS.)	1	1	AP
2	67G-42111-00-4D	HANDLE, STEERING POIGNEE	1	1	
3	664-42119-00	GRIP, STEERING HANDLE POIGNEE, BARRE FRANCHE	1	1	
4	6G1-42177-00	RUBBER, HANDLE CAOUTCHOUC, POIGNEE	1	1	
5	6H2-42137-00	INDICATOR, THROTTLE INDICATEUR, ACCELERATION	1	1	
6	90269-02M09	RIVET RIVET	1	1	
7	90149-05M13	SCREW VIS	1	1	
8	92903-10600	WASHER, PLATE RONDELLE, PLATE	1	1	
9	90501-23215	SPRING, COMPRESSION RESSORT, COMPRESSION	1	1	
10	90386-08032	BUSH DOUILLE	1	1	
11	63D-42126-00	FRICITION, STEERING HANDLE GRIP CUVETTE, POIGNEE DE DIRECTION	1	1	
12	63D-48154-00	KNOB, THROTTLE BOUTON, ACCELERATEUR	1	1	
13	95380-06600	NUT, HEXAGON ECROU	1	1	
14	91490-20010	PIN, COTTER GOUPILLE, FENDUE	1	1	
15	67G-44100-10	SHIFT LINK ASSY MAILLON DE SELECTEUR	1	1	
16	67G-44104-00	.PLATE COMP. .PLAQUE COMPLET	1	1	
17	67G-48261-00	.ARM, THROTTLE .BRAS, ACCELERATION	1	1	
18	67G-42115-10	.SHAFT, STEERING HANDLE .AXE, BARRE FRANCHE	1	1	
19	650-42152-00-94	..GEAR ..PIGNON	1	1	
20	91690-30025	..PIN, SPRING ..GOUPILLE, ELASTIQUE	1	1	
21	67G-42159-00	..STAY ..SUPPORT	1	1	
22	67G-44113-00	.CAM PLATE, HANDLE .CAME, VERROUILLAGE	1	1	
23	63D-48236-00	.ROLLER, DETENT .POULIE	1	1	
24	63D-48119-00	.COVER .COQUILLE	1	1	
25	67G-42153-00	.SHAFT, THROTTLE CONTROL .AXE, COMMANDE D'ACCELERATION	1	1	
26	67G-44132-00	.BUSHING .COUSSINET	1	1	
27	63D-48237-00	.ADAPTOR .ADAPTEUR	1	1	

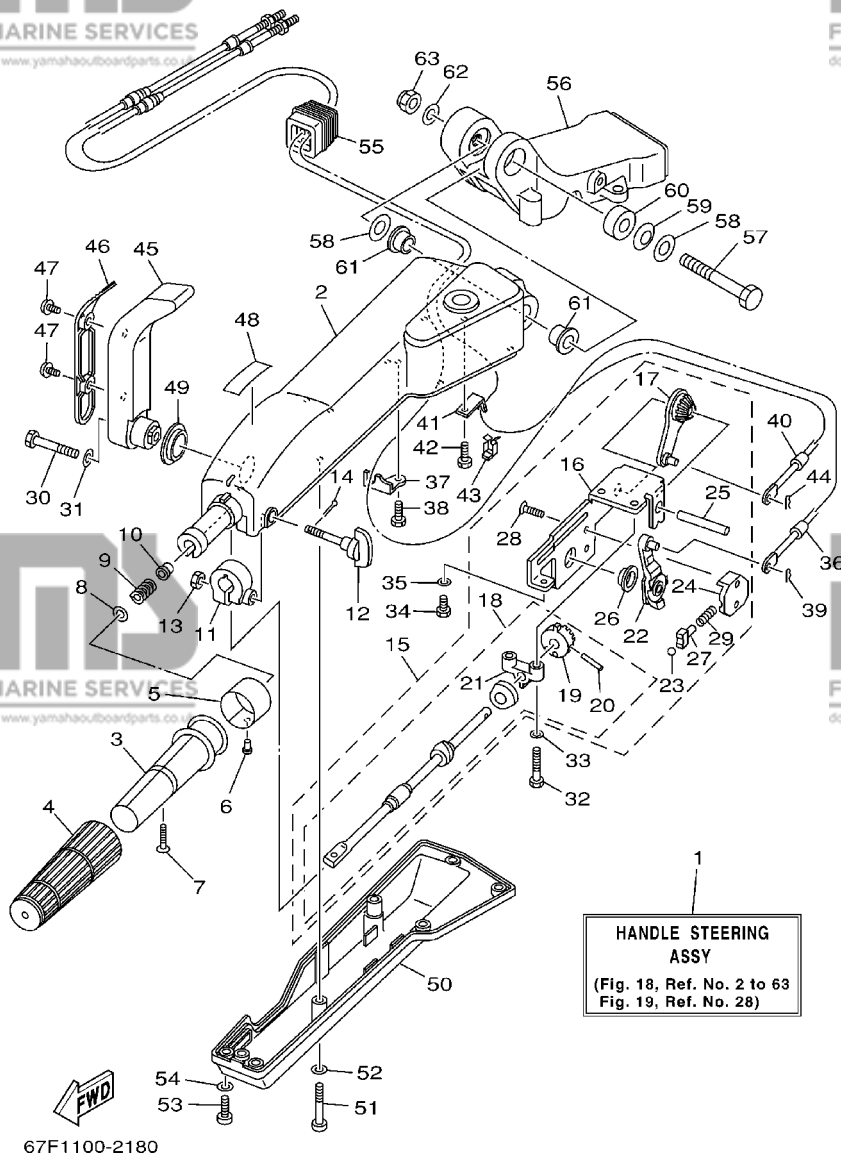
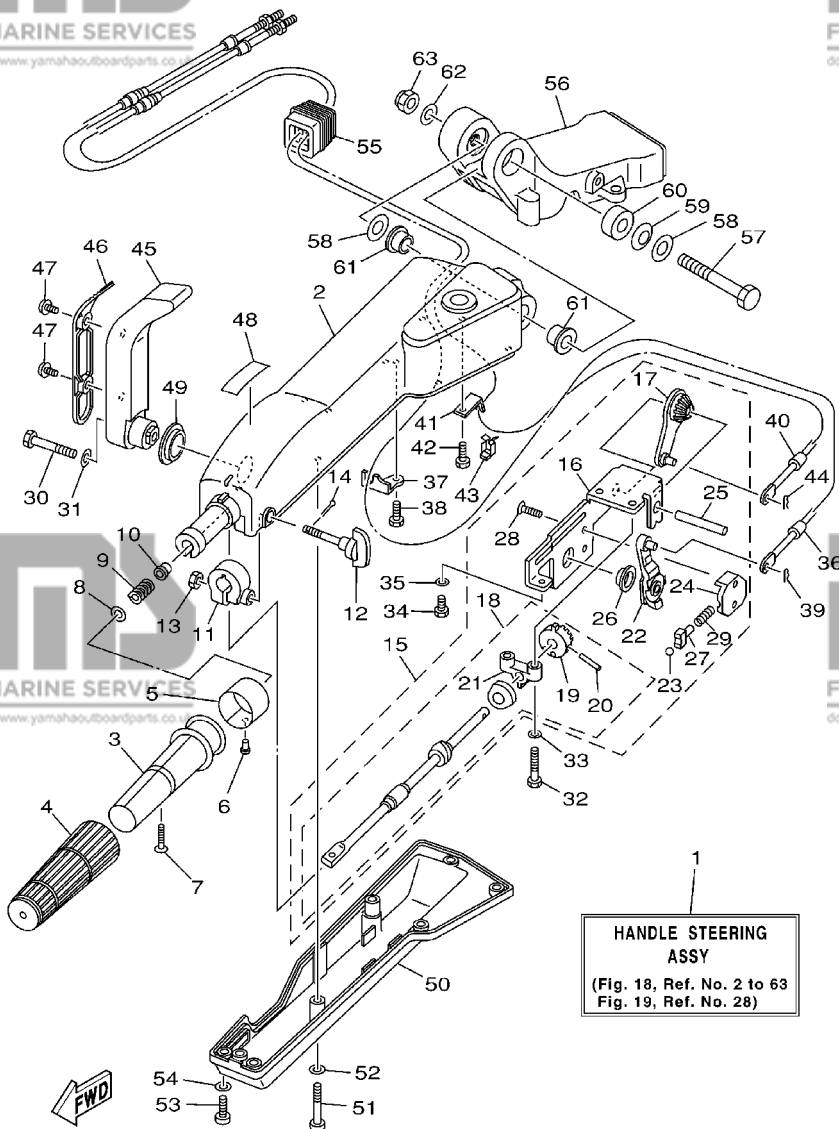


FIG. 18 STEERING 1

DIRECTION 1

REF. NO.	PART NO. NO. PIECES	DESCRIPTION DESCRIPTION	F80	F100	REMARKS REMARQUES
28	98785-05014	.SCREW, FLAT HEAD .VIS, TETE PLATE	2	2	
29	63D-48238-00	.SPRING, DETENT .RESSORT	1	1	
30	97095-08040	BOLT BOULON	1	1	
31	92995-08600	WASHER RONDELLE	1	1	
32	97095-06030	BOLT BOULON	2	2	
33	92995-06600	WASHER RONDELLE	2	2	
34	97095-06014	BOLT BOULON	1	1	
35	92995-06600	WASHER RONDELLE	1	1	
36	67G-48321-10	CABLE CABLE	1	1	
37	67G-48531-00	BRACKET, REMOTE CONTROL 1 ETRIER 1, COMMANDE A DISTANCE	1	1	
38	97095-06014	BOLT BOULON	1	1	
39	90468-10005	CLIP JONC	1	1	
40	67G-26301-10	THROTTLE CABLE ASSY CABLE D'ACCELERATEUR	1	1	
41	66R-48538-00	CLAMP, CABLE 1 COLLIER	1	1	
42	97095-06014	BOLT BOULON	1	1	
43	63D-48538-00	CLAMP, CABLE 1 COLLIER	1	1	
44	90468-10005	CLIP JONC	1	1	
45	67G-44159-00-4D	HANDLE, GEAR SHIFT POIGNEE, LEVIER D'EMBAYAGE	1	1	
46	67G-44173-00	LEVER, SHIFT CONTROL POIGNEE, INVERSION	1	1	
47	90159-06M18	SCREW, WITH WASHER VIS, AVEC RONDELLE	2	2	
48	6G8-44191-00	INDICATOR, SHIFT ETIQUETTE, EMBRAYAGE	1	1	
49	90386-26MA3	BUSH DOUILLE	1	1	
50	67G-42131-00	COVER, HANDLE STEERING COUVERCLE	1	1	
51	97885-06040	SCREW, PAN HEAD VIS, TETE TRONCONIQUE	2	2	
52	92995-06600	WASHER RONDELLE	2	2	
53	97885-06016	SCREW, PAN HEAD VIS, TETE TRONCONIQUE	5	5	
54	92995-06600	WASHER RONDELLE	5	5	

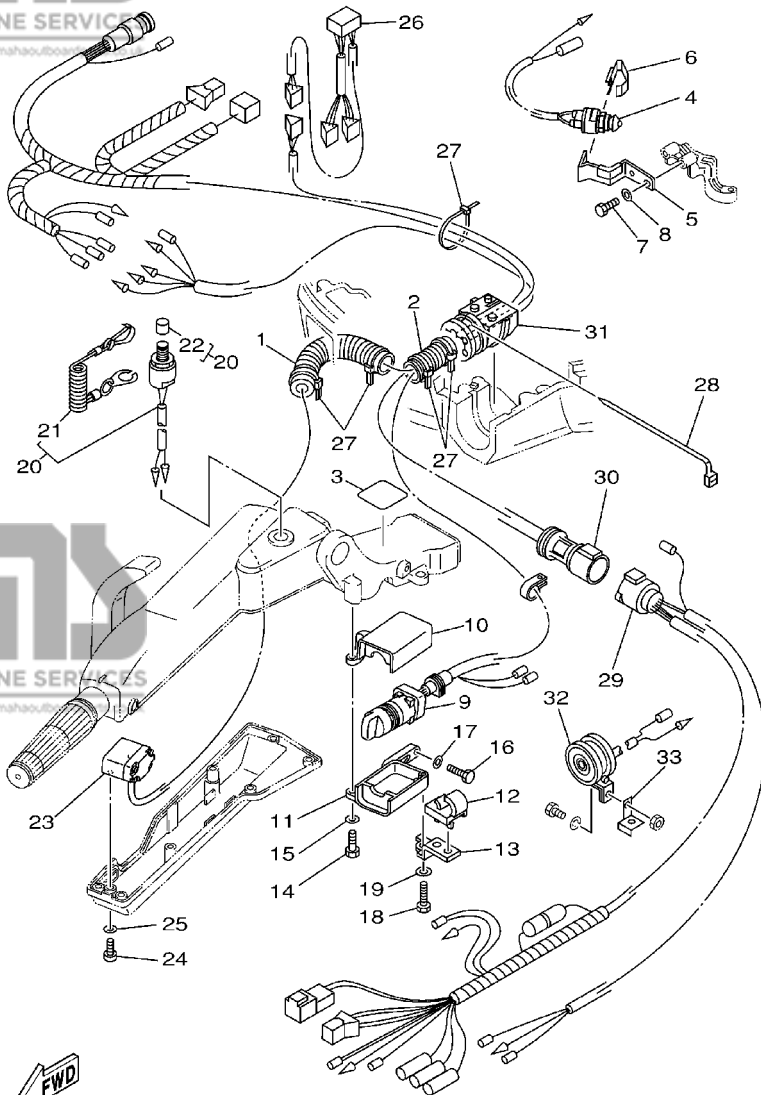


67F1100-2180

FIG. 18 STEERING 1

DIRECTION 1

REF. NO.	PART NO. NO. PIECES	DESCRIPTION DESCRIPTION	F80	F100	REMARKS REMARQUES
55	63D-42725-00	GROMMET PASSE-FIL	1	1	
56	67G-42121-00-4D	BRACKET SUPPORT	1	1	
57	90101-12M09	BOLT BOULON	1	1	
58	92990-12200	WASHER, PLAIN RONDELLE, PLATE	2	2	
59	90206-12M22	WASHER, WAVE RONDELLE, ONDULEE	1	1	
60	90387-12M02	COLLAR COLLERETTE	1	1	
61	90386-12M93	BUSH DOUILLE	2	2	
62	92990-12600	WASHER, PLATE RONDELLE, PLATE	1	1	
63	90185-12M12	NUT, SELF-LOCKING ECROU, AUTO-BLOCANT	1	1	



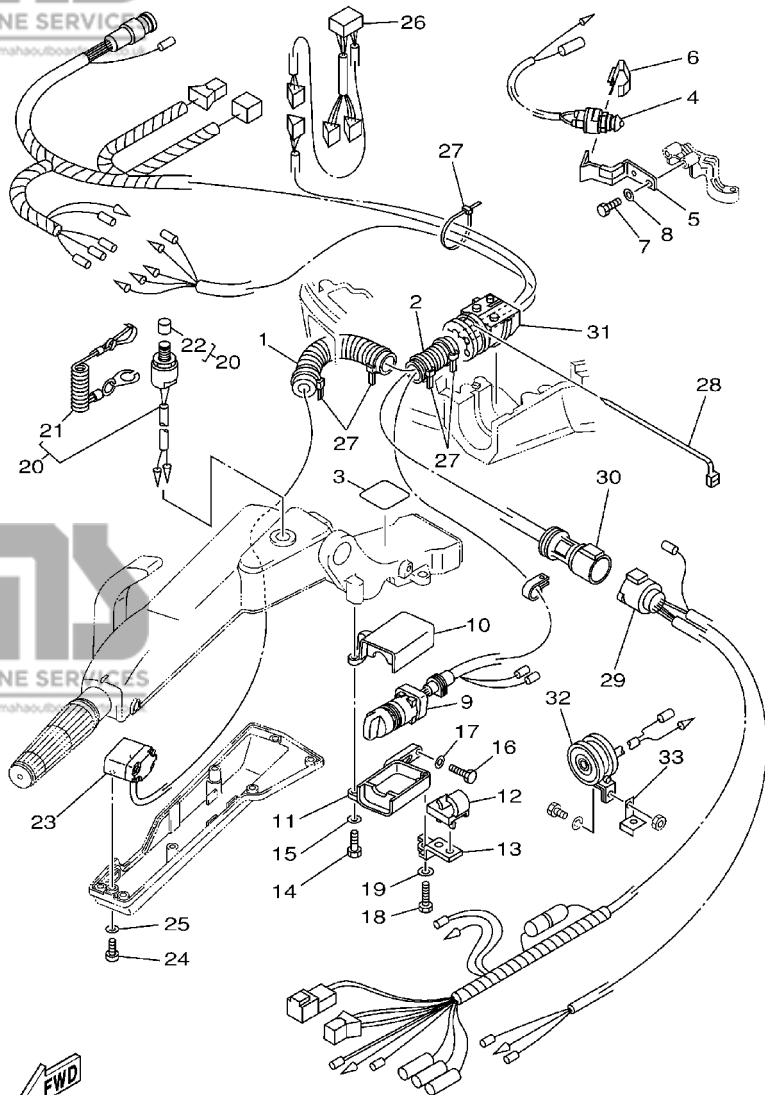
67F1100-2190

FIG. 19 STEERING 2

DIRECTION 2

REF. NO.	PART NO. NO. PIECES	DESCRIPTION DESCRIPTION	F80	F100	REMARKS REMARQUES
1	90446-24M79	HOSE DURITE	1	1	AP
2	6K3-83557-00	TUBE TUBE	1	1	AP
3	67G-42735-00	PROTECTOR PROTECTEUR	1	1	AP
4	688-82540-11	NEUTRAL SWITCH ASSY CONTACTEUR DE POINT-MORT	1	1	AP
5	67G-82554-01	STAY, NEUTRAL SWITCH SUPPORT, CONT DE POINT-MORT	1	1	AP
6	62Y-82555-00	DAMPER, MAIN SWITCH 1 AMORTISSEUR 1, CONTACT A CLEF	1	1	AP
7	97095-06014	BOLT BOULON	2	2	AP
8	92995-06600	WASHER RONDELLE	2	2	AP
9	67G-82510-30	MAIN SWITCH ASSY CONTACTEUR A CLEF COMPLET	1	1	AP
10	63D-8252E-01-4D	COVER, MAIN SWITCH COUVERCLE	1	1	AP
11	63D-8252F-01-4D	COVER, MAIN SWITCH COUVERCLE	1	1	AP
12	63D-24367-00	CLAMP, FUEL PIPE 2 COLLIER DE DURITE A ESSENCE	1	1	AP
13	63D-24364-00	STAY SUPPORT	1	1	AP
14	97095-06025	BOLT BOULON	1	1	AP
15	92995-06600	WASHER RONDELLE	1	1	AP
16	97095-06020	BOLT BOULON	1	1	AP
17	92995-06600	WASHER RONDELLE	1	1	AP
18	97095-06030	BOLT BOULON	1	1	AP
19	92995-06600	WASHER RONDELLE	1	1	AP
20	63D-82575-00	ENGINE STOP SWITCH ASSY COUPE CIRCUIT CPLT	1	1	AP
21	682-82556-00	.STOPPER .PLAQUETTE	1	1	
22	689-8257Y-00	.CAP .CHAPEAU	1	1	
23	67G-82563-00	TRIM & TILT SWITCH ASSY INCLINER ET PARER COMMUTATEUR	1	1	AP
24	97885-06016	SCREW, PAN HEAD VIS, TETE TRONCONIQUE	2	2	AP
25	92995-06600	WASHER RONDELLE	2	2	AP
26	63D-83728-00	CONNECTOR ASSY CONNEXION COMPLET	1	1	AP
27	90465-13M24	CLAMP BRIDE	5	5	AP

F1

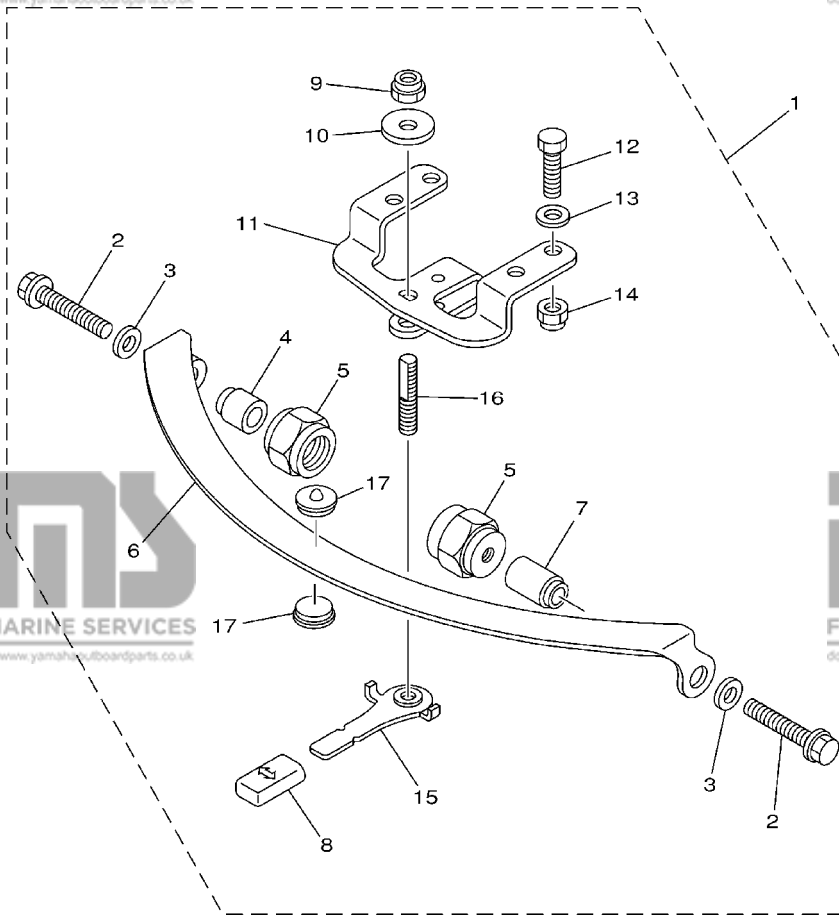


67F1100-2190

FIG. 19 STEERING 2

DIRECTION 2

REF. NO.	PART NO. NO. PIECES	DESCRIPTION DESCRIPTION	F80	F100	REMARKS REMARQUES
28	90465-13M30	CLAMP BRIDE	1	1	AP
29	6H5-83553-11	WIRE, LEAD FIL	1	1	AP
30	63D-82586-00	EXTENSION, WIRE HARNESS EXTENSION, FAISCEAU DE FILS	1	1	AP
31	67G-42725-00	GROMMET PASSE-FIL	1	1	AP
32	688-83383-11	BUZZER RONFLEUR	1	1	AP
33	6H5-83386-00	STAY, BUZZER SUPPOR, RONFLEUR	1	1	AP

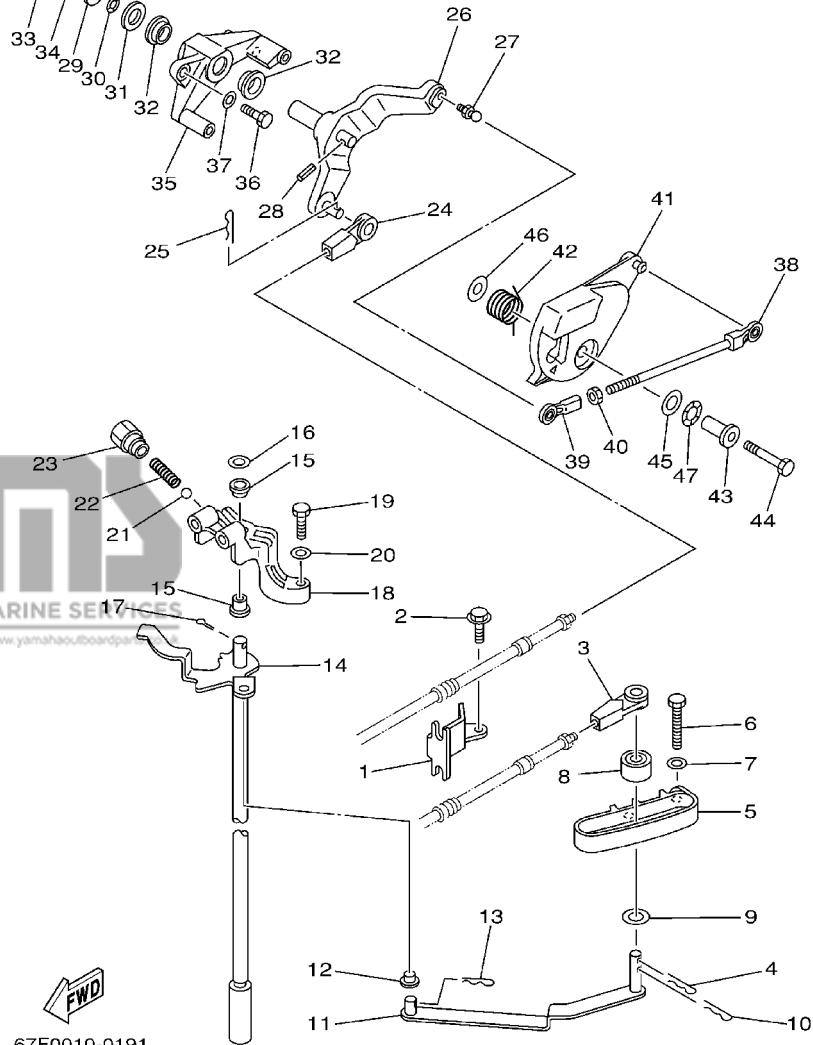


67F1100-2200

FIG. 20 STEERING FRICTION

CUVETTE, POIGNEE DE DIRECTION

REF. NO.	PART NO. NO. PIECES	DESCRIPTION DESCRIPTION	F80	F100	REMARKS REMARQUES
1	67G-42508-00	STEERING FRICTION ASSY DIRECTION FRICTION (ENS.)	1	1	AP
2	90119-08M74	.BOLT, WITH WASHER .BOULON, AVEC RONDELLE	2	2	
3	90201-08M01	.WASHER, PLATE .RONDELLE, PLATE	2	2	
4	67G-42541-00	.DAMPER .AMORTISSEUR	1	1	
5	67G-42546-00	.NUT .ECROU	2	2	
6	63D-42527-00	.PLATE, FRICTION .PLAQUE, FRICTION	1	1	
7	67G-42541-10	.DAMPER .AMORTISSEUR	1	1	
8	682-43318-01	.COVER .CAPUCHON	1	1	
9	90185-10M14	.NUT, SELF-LOCKING .ECROU, AUTO-BLOCANT	1	1	
10	90201-10M76	.WASHER, PLATE .RONDELLE, PLATE	1	1	
11	67G-42526-00	.PLATE, FRICTION .PLAQUE, FRICTION	1	1	
12	97095-08025	.BOLT .BOULON	2	2	
13	92995-08600	.WASHER .RONDELLE	2	2	
14	90185-08057	.NUT, SELF-LOCKING .ECROU, AUTO-BLOCANT	2	2	
15	67G-42561-00	.KNOB, STEERING LOCK .BOUTON	1	1	
16	67G-42562-00	.SHAFT, STEERING LOCK .ARBRE, ANTIVOL DE DIRECTION	1	1	
17	63D-42528-00	.PLATE, FRICTION .PLAQUE, FRICTION	2	2	

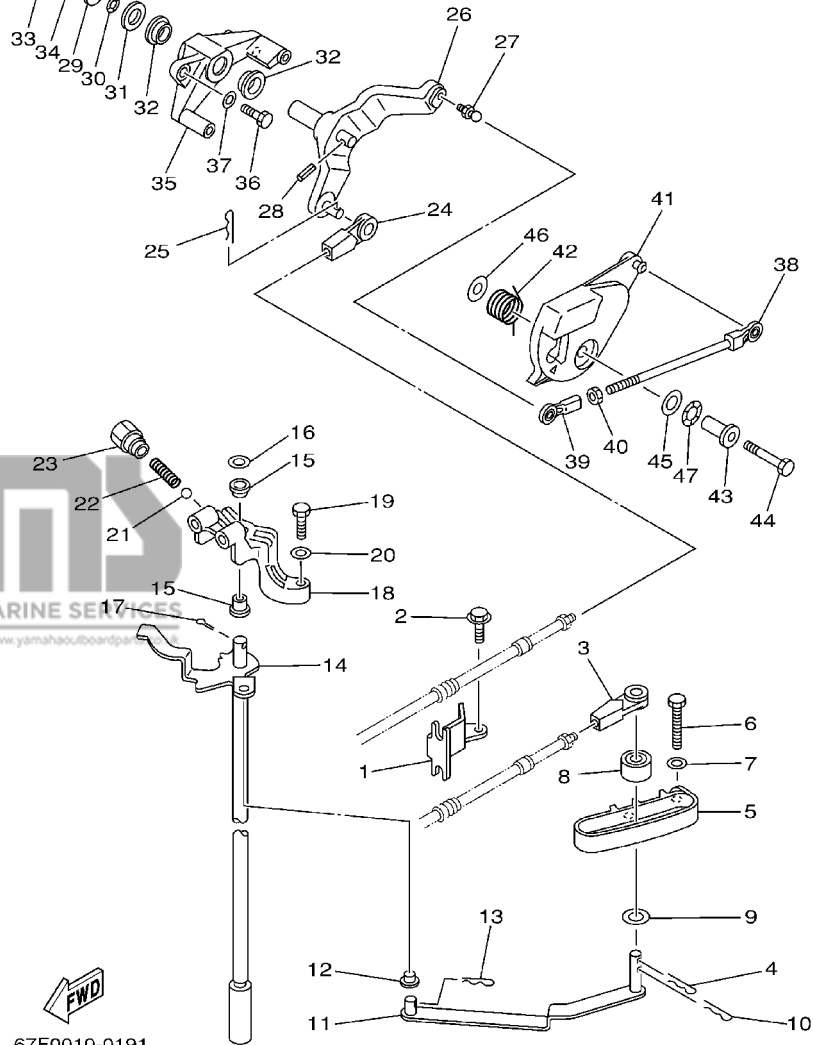


67F0010-0191

FIG. 21 CONTROL

COMMANDE

REF. NO.	PART NO. NO. PIECES	DESCRIPTION DESCRIPTION	F80	F100	REMARKS REMARQUES
1	67F-48538-00	CLAMP, CABLE 1 COLLIER	1	1	
2	90109-06M86	BOLT BOULON	1	1	
3	663-48344-00	CABLE END, REMOTE CONTROL CHAPE CABLE	1	1	
4	90468-18008	CLIP JONC	1	1	
5	67F-44117-00	BRACKET SUPPORT	1	1	
6	97095-06040	BOLT BOULON	2	2	
7	92995-06600	WASHER RONDELLE	2	2	
8	688-44122-00	BUSHING, SHIFT ROD LEVER DOUILLE, LEVIER D'EMBRAYAGE	1	1	
9	90202-07M07	WASHER, PLATE RONDELLE, PLATE	1	1	
10	90468-18008	CLIP JONC	1	1	
11	67F-44121-00	LEVER, SHIFT ROD LEVIER, TIGE D'INVERSION	1	1	
12	90386-06M12	BUSH DOUILLE	1	1	
13	90468-18008	CLIP JONC	1	1	
14	67F-44120-10	HANDLE GEAR SHIFT ASSY LEVIER D'EMBRAYAGE	1	1	L
15	90386-90M90	BUSH DOUILLE	2	2	
16	90201-09M02	WASHER, PLATE RONDELLE, PLATE	1	1	
17	91490-20015	PIN, COTTER GOUPILLE, FENDUE	1	1	
18	67F-44118-00	BRACKET SUPPORT	1	1	
19	97075-06025	BOLT BOULON	2	2	
20	92995-06600	WASHER RONDELLE	2	2	
21	93501-04M02	BALL BILLE	1	1	
22	90501-12082	SPRING, COMPRESSION RESSORT, COMPRESSION	1	1	
23	648-42715-00	BUSHING COUSSINET	1	1	
24	663-48344-00	CABLE END, REMOTE CONTROL CHAPE CABLE	1	1	
25	90468-18008	CLIP JONC	1	1	
26	67F-42154-00-94	LEVER, THROTTLE CONTROL LEVIER DE COMMANDE D'AVANCE	1	1	
27	663-85518-00	JOINT, BALL JOINT SPHERIQUE	1	1	

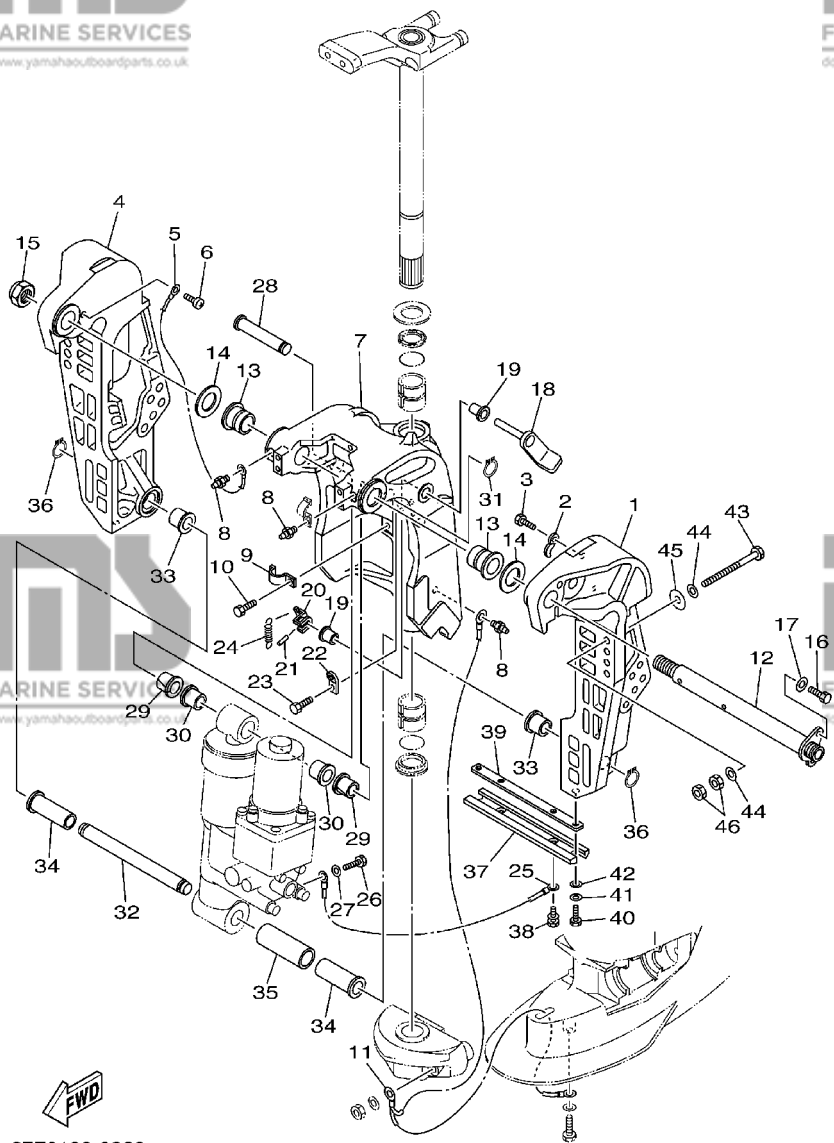


67F0010-0191

FIG. 21 CONTROL

COMMANDE

REF. NO.	PART NO. NO. PIECES	DESCRIPTION DESCRIPTION	F80	F100	REMARKS REMARQUES
28	91690-30018	PIN, SPRING GOUPILLE, ELASTIQUE	1	1	
29	90201-06068	WASHER, PLATE RONDELLE, PLATE	1	1	
30	90206-12M00	WASHER, WAVE RONDELLE, ONDULEE	1	1	
31	92990-12600	WASHER, PLATE RONDELLE, PLATE	1	1	
32	90386-12069	BUSH DOUILLE	2	2	
33	97095-06012	BOLT BOULON	1	1	
34	92995-06600	WASHER RONDELLE	1	1	
35	67F-41661-00-94	BRACKET SUPPORT	1	1	
36	97095-06025	BOLT BOULON	2	2	
37	92995-06600	WASHER RONDELLE	2	2	
38	67F-41237-00	JOINT, LINK RACCORD	1	1	
39	682-41237-00	JOINT, LINK RACCORD	1	1	
40	95380-05600	NUT ECROU	1	1	
41	67F-41213-01	CAM, ACCEL. CAME, ACCELERATION	1	1	
42	67F-44135-00	SPRING RESSORT	1	1	
43	90387-06M82	COLLAR COLLERETTE	1	1	
44	97095-06035	BOLT BOULON	1	1	
45	90201-10M02	WASHER, PLATE RONDELLE, PLATE	1	1	
46	90201-06M31	WASHER, PLATE RONDELLE, PLATE	1	1	
47	90206-10M04	WASHER, WAVE RONDELLE, ONDULEE	1	1	



67F0100-0220

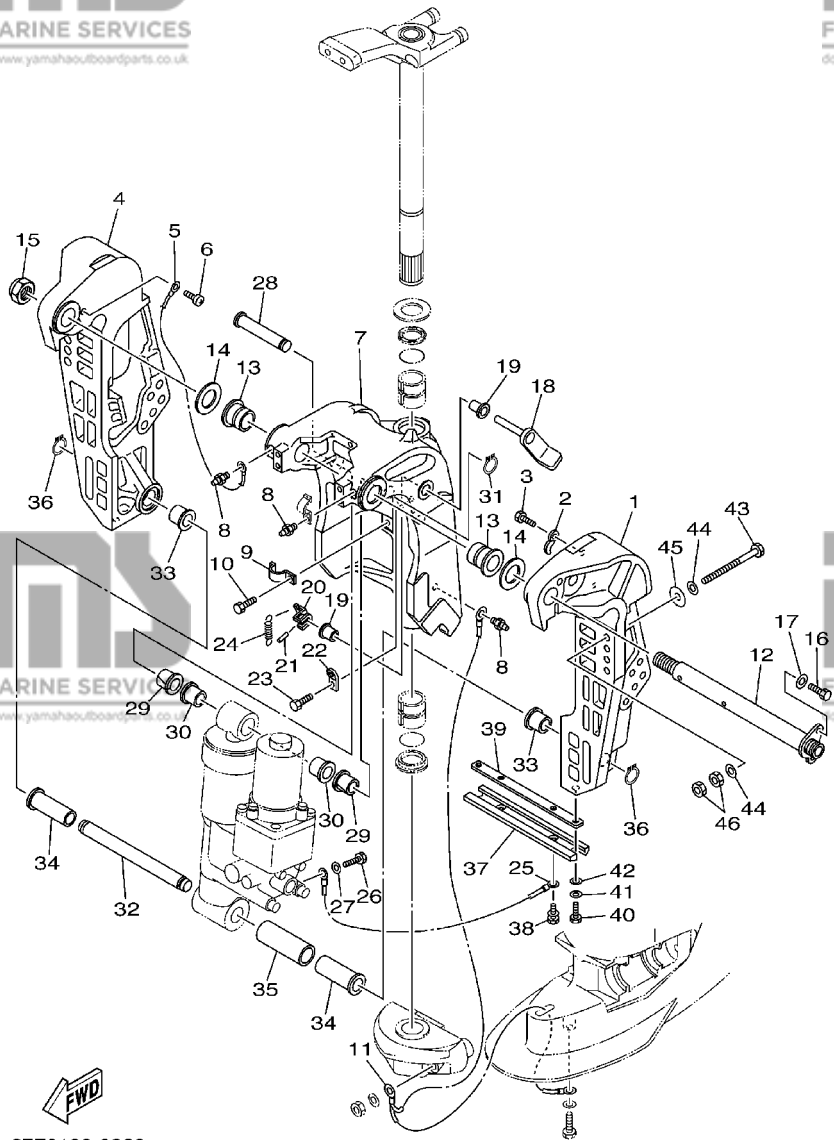
FIG. 22 BRACKET 1

SUPPORT 1

REF. NO.	PART NO. NO. PIECES	DESCRIPTION DESCRIPTION	F80	F100	REMARKS REMARQUES
1	67F-43111-00-4D	BRACKET, CLAMP PRESSE	1	1	
2	90465-10M77	CLAMP BRIDE	2	2	
3	97095-06010	BOLT BOULON	2	2	
4	67F-43112-00-4D	BRACKET, CLAMP PRESSE	1	1	
5	6E5-82148-00	WIRE, LEAD 4 FIL 4	1	1	
6	97880-06012	SCREW, PAN HEAD VIS, TETE TRONCONIQUE	1	1	
7	67F-43311-10-4D	BRACKET, SWIVEL 1 SUPPORT, PIVOT 1	1	1	
8	93700-06M03	NIPPLE, GREASE GRAISSEUR	3	3	
9	90465-08M63	CLAMP BRIDE	1	1	
10	97095-06010	BOLT BOULON	1	1	
11	67F-82127-00	WIRE, LEAD 2 FIL 2	1	1	
12	64E-43131-01	BOLT, CLAMP BRACKET BOULON, PRESSE	1	1	
13	90386-25M31	BUSH DOUILLE	2	2	
14	90201-26M59	WASHER, PLATE RONDELLE, PLATE	2	2	
15	90185-22M11	NUT, SELF-LOCKING ECROU, AUTO-BLOCANT	1	1	
16	97095-08020	BOLT BOULON	1	1	
17	92995-08100	WASHER RONDELLE	1	1	
18	67F-43181-00	LEVER, TILT STOP LEVIER, VERROUILLAGE RELEVAGE	1	1	
19	90386-10M16	BUSH DOUILLE	2	2	
20	67F-43631-00	LEVER, TILT LEVIER, INCLINAISON	1	1	
21	91690-30020	PIN, SPRING GOUPILLE, ELASTIQUE	1	1	
22	66T-43144-00	HOOK, SPRING CROCHET	1	1	
23	97095-06010	BOLT BOULON	1	1	
24	90506-14M24	SPRING, TENSION RESSORT, TENSION	1	1	
25	67F-82148-00	WIRE, LEAD 4 FIL 4	1	1	
26	97095-06010	BOLT BOULON	1	1	
27	92995-06600	WASHER RONDELLE	1	1	

FIG. 22 BRACKET 1

SUPPORT 1



67F0100-0220

REF. NO.	PART NO. NO. PIECES	DESCRIPTION DESCRIPTION	F80	F100	REMARKS REMARQUES
28	67F-43126-00	PIN, UPPER SHOCK MOUNT AXE, SUPERIEUR AMORTISSEUR	1	1	
29	90386-18M35	BUSH DOUILLE	2	2	
30	90386-18M63	BUSH DOUILLE	2	2	
31	93410-18M05	CIRCLIP CIRCLIP, TYPE S	1	1	
32	67F-43818-00	PIN, LOWER SHOCK MOUNT AXE, INFERIEUR AMORTISSEUR	1	1	
33	90387-18M01	COLLAR COLLERETTE	2	2	
34	90386-18MA0	BUSH DOUILLE	2	2	
35	90387-22M01	COLLAR COLLERETTE	1	1	
36	93410-18M05	CIRCLIP CIRCLIP, TYPE S	2	2	
37	6H1-45251-03	ANODE ANODE	1	1	
38	90119-06M81	BOLT, WITH WASHER BOULON, AVEC RONDELLE	2	2	
39	6H1-44526-00	PLATE PLAQUE	1	1	
40	97095-06016	BOLT BOULON	2	2	
41	92995-06100	WASHER, SPRING RONDELLE, GROWER	2	2	
42	92995-06600	WASHER RONDELLE	2	2	
43	90101-12M03	BOLT (L:115MM) BOULON (L:115MM)	4	4	
44	90201-13M01	WASHER, PLATE RONDELLE, PLATE	8	8	
45	90201-12M05	WASHER, PLATE RONDELLE, PLATE	4	4	
46	95380-12600	NUT ECROU	8	8	

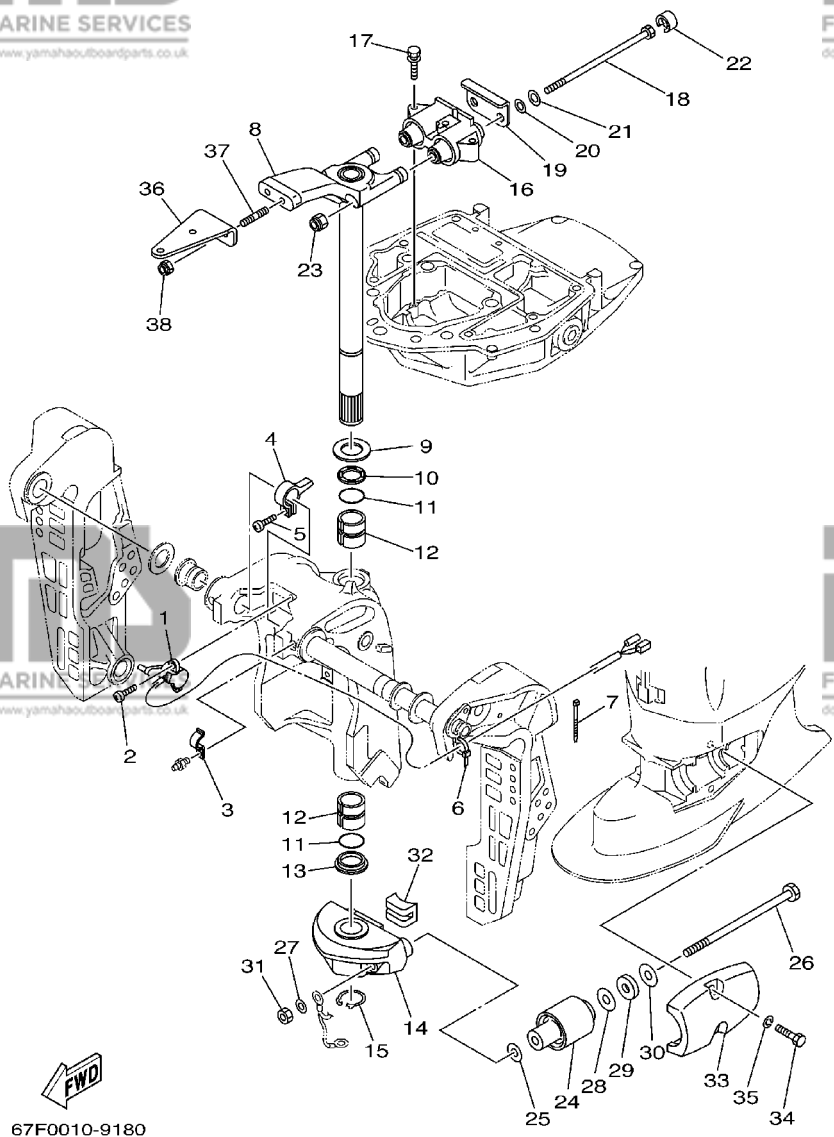


FIG. 23 BRACKET 2

SUPPORT 2

REF. NO.	PART NO. NO. PIECES	DESCRIPTION DESCRIPTION	F80	F100	REMARKS REMARQUES
1	64E-83672-02	TRIM SENDER INCLINER RACCORD	1	1	
2	97885-06016	SCREW, PAN HEAD VIS, TETE TRONCONIQUE	2	2	
3	90465-08M63	CLAMP BRIDE	1	1	
4	64E-43139-02	CAM, TRIM SENDER VILEBREQUIN TRUM	1	1	
5	97780-60525	SCREW, TAPPING VIS, TETE FRAISEE	1	1	
6	90465-11M10	CLAMP BRIDE	1	1	
7	90465-11M10	CLAMP BRIDE	3	3	
8	67F-42510-10-4D	STEERING BRACKET ASSY DIRECTION SUPPORT (ENS.)	1	1	
9	90201-30M00	WASHER, PLATE RONDELLE, PLATE	1	1	
10	90386-30M78	BUSH DOUILLE	1	1	
11	93210-29M94	O-RING JOINT TORIQUE	2	2	
12	90386-30M77	BUSH DOUILLE	2	2	
13	90386-30M60	BUSH DOUILLE	1	1	
14	67F-44551-00-4D	HOUSING, LOWER MOUNT RUBBER BOITIER, SILENT-BLOC INFERIEUR	1	1	
15	93410-28M06	CIRCLIP CIRCLIP, TYPE S	1	1	
16	67F-44514-00-94	MOUNT DAMPER, UPPER SIDE SILENT-BLOC, SUPERIEUR LATERAL	1	1	
17	97575-08445	BOLT, WITH WASHER VIS HEXAGONAL AVC RONDELLE	3	3	
18	90109-12M37	BOLT BOULON	2	2	
19	67F-44526-00	PLATE PLAQUE	1	1	
20	90201-12M16	WASHER, PLATE RONDELLE, PLATE	2	2	
21	90201-13M01	WASHER, PLATE RONDELLE, PLATE	2	2	
22	67F-44533-00	DAMPER, UPPER MOUNT RUBBER COUVERCLE, SUSPENSION INFERIEUR	2	2	
23	95780-12300	NUT, FLANGE ECROU, A COLLERETTE	2	2	
24	67F-44555-00-94	MOUNT DAMPER, LOWER SIDE SILENT-BLOC, INFERIEUR LATERAL	2	2	
25	90201-13M03	WASHER, PLATE RONDELLE, PLATE	2	2	
26	90109-12M97	BOLT BOULON	2	2	
27	90201-12M16	WASHER, PLATE RONDELLE, PLATE	2	2	

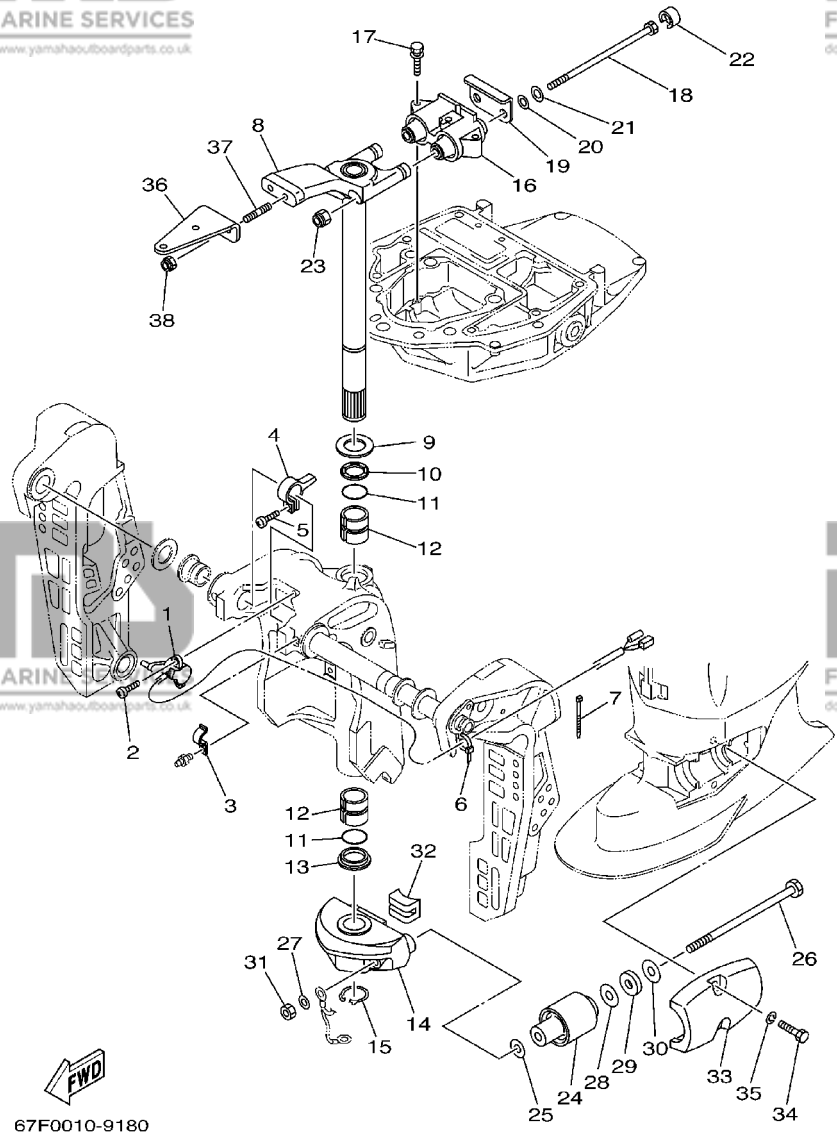


FIG. 23 BRACKET 2

SUPPORT 2

REF. NO.	PART NO. NO. PIECES	DESCRIPTION DESCRIPTION	F80	F100	REMARKS REMARQUES
28	90201-24M02	WASHER, PLATE RONDELLE, PLATE	2	2	
29	90202-25M04	WASHER, PLATE RONDELLE, PLATE	2	2	
30	90201-13M19	WASHER, PLATE RONDELLE, PLATE	2	2	
31	95380-12700	NUT ECROU	2	2	
32	67F-44575-00	DAMPER, LOWER MOUNT RUBBER SILENT-BLOC, INFÉRIEUR	1	1	
33	67F-44553-00-4D	COVER, LOWER MOUNT COUVERCLE, SUSPENSION INFÉRIEUR	2	2	
34	97075-10040	BOLT BOULON	4	4	
35	92995-10100	WASHER RONDELLE	4	4	
36	67F-48511-00-4D	HOOK, STEERING ATTACHE, DIRECTION	1	1	
37	90116-10175	BOLT, STUD GOUJON	2	2	
38	90185-10051	NUT, SELF-LOCKING ECROU, AUTO-BLOCANT	2	2	

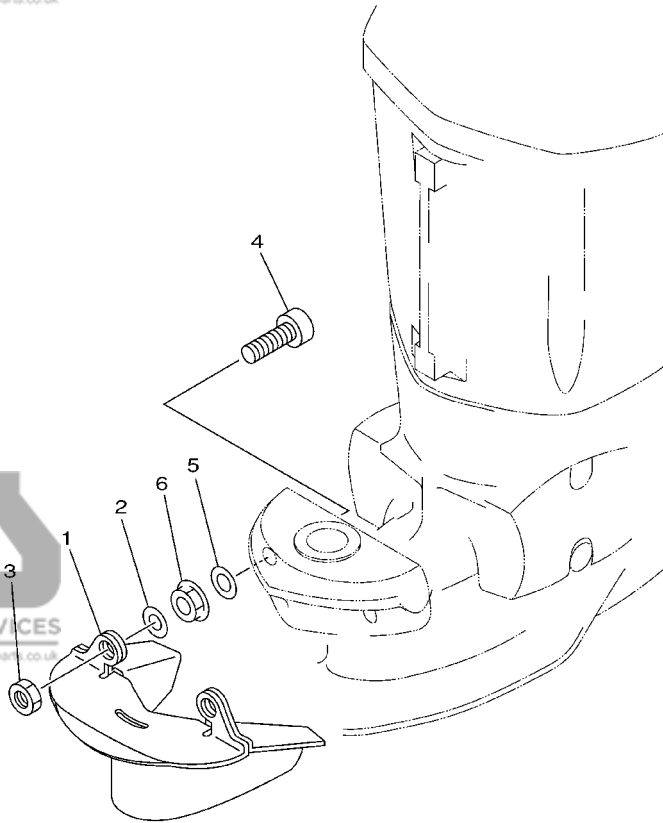


FIG. 24 OPTIONAL PARTS

PIECES OPTIONNELLES

REF. NO.	PART NO. NO. PIECES	DESCRIPTION DESCRIPTION	F80	F100	REMARKS REMARQUES
1	67F-45180-00-4D	PLATE, SPLASH PLAQUE, EAU	1	1	AP
2	90201-12M01	WASHER, PLATE RONDELLE, PLATE	2	2	AP
3	95380-12700	NUT ECROU	2	2	AP
4	90110-12M00	BOLT, HEXAGON SOCKET HEAD BOULON, TETE HEXAGONALE CREUSE	2	2	AP
5	90201-12M16	WASHER, PLATE RONDELLE, PLATE	2	2	AP
6	95780-12300	NUT, FLANGE ECROU, A COLLERETTE	2	2	AP



67F0100-0240

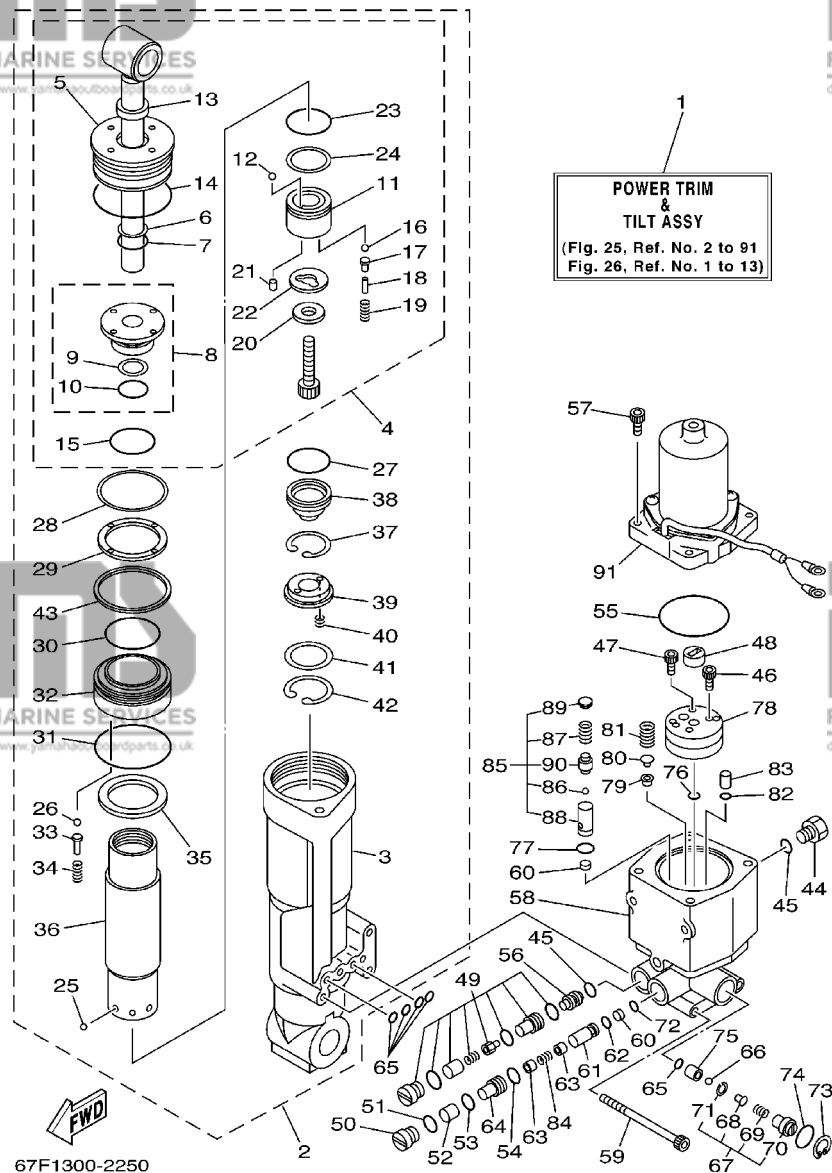


FIG. 25 POWER TRIM & TILT ASSY 1 PUISSANCE PARER ET INCLINER 1

REF. NO.	PART NO. NO. PIECES	DESCRIPTION DESCRIPTION	F80	F100	REMARKS REMARQUES
1	67F-43800-03-4D	POWER TRIM & TILT ASSY PUISSANCE PARER ET INCLINER (ENS.)	1	1	
2	67F-43840-02	POWER TILT ASSY PUISSANCE INCLINER (ENS.)	1	1	
3	67F-4380K-00	..CYLINDER, TILT SUB ASSY ..CYLINDRE	1	1	
4	67F-43810-01	..TILT PISTON SUB ASSY ..INCLINER PISTON AUXILIAIRE(EN	1	1	
5	67F-43821-00	..SCREW, TRIM CYLINDER END ..VIS	1	1	
6	6H1-43872-10	..RING, BACK UP ..RESSORT	1	1	
7	93210-18397	..O-RING ..JOINT TORIQUE	1	1	
8	67F-4380R-00	..CYLINDER END SUB ASSY ..CYLINDRE RACCORD (ENS.)	1	1	
9	6H1-43872-10	..RING, BACK UP ..RESSORT	1	1	
10	93210-18397	..O-RING ..JOINT TORIQUE	1	1	
11	67F-4385A-01	..PISTON, TILT ..PISTON	1	1	
12	93501-08001	..BALL ..BILLE	1	1	
13	6H1-43812-00	..SEAL, DUST ..JOINT	1	1	
14	67F-43861-00	..O-RING ..JOINT TORIQUE	1	1	
15	62X-43862-00	..O-RING ..JOINT TORIQUE	1	1	
16	93501-08001	..BALL ..BILLE	2	2	
17	65W-4386A-00	..PIN, ABSORBER VALVE ..GOUVILLE, SOUPAPE	2	2	
18	688-4386F-00	..PIN, STRAIGHT ..RESSORT	2	2	
19	65W-43853-00	..SPRING, MAIN VALVE ..RESSORT	2	2	
20	67F-43893-00	..WASHER ..RONDELLE	1	1	
21	93602-07244	..PIN, DOWEL ..GOUJON	2	2	
22	67F-22435-00	..PLATE, VALVE 2 ..PLAQUE, CLAPET 2	1	1	
23	93210-29375	..O-RING ..JOINT TORIQUE	1	1	
24	62X-43871-00	..RING, BACK UP ..SEGMENT	1	1	
25	93503-16003	..BALL ..BILLE	6	6	
26	93501-08001	..BALL ..BILLE	5	5	
27	67F-43863-00	..O-RING ..JOINT TORIQUE	1	1	

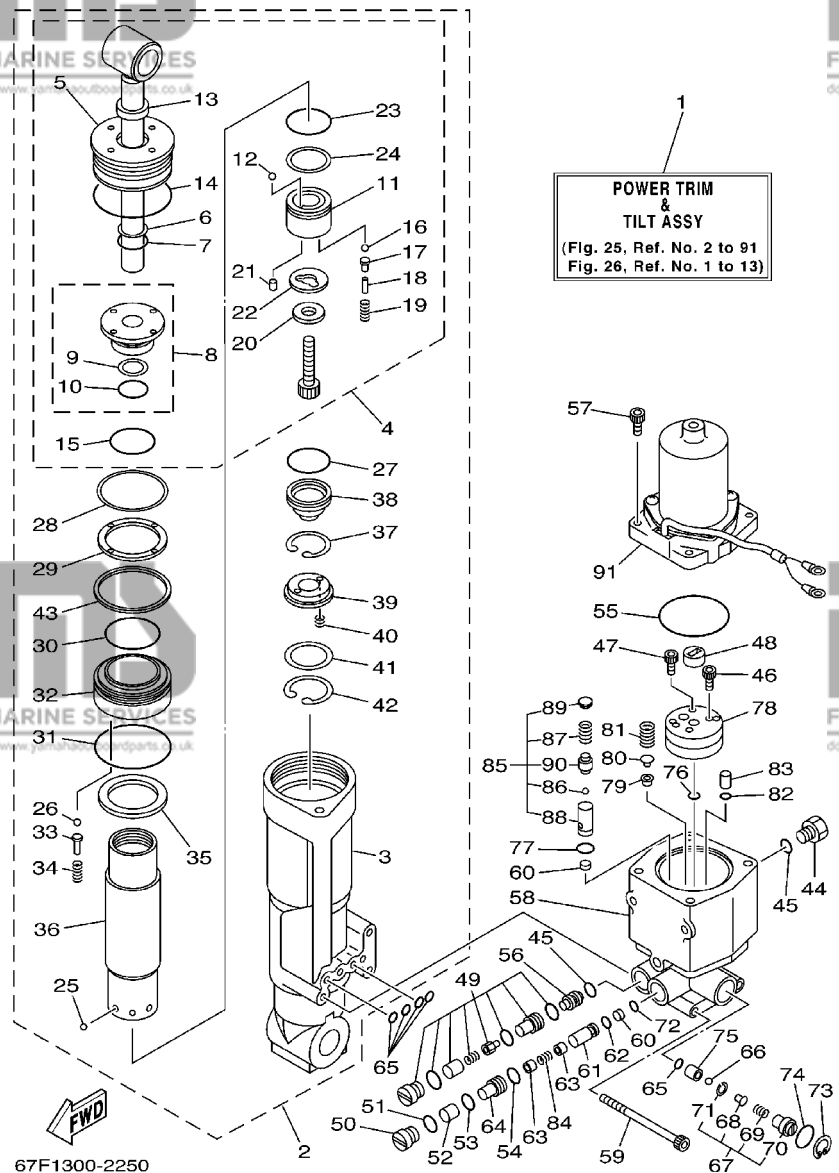


FIG. 25 POWER TRIM & TILT ASSY 1 PUISSANCE PARER ET INCLINER 1

REF. NO.	PART NO. NO. PIECES	DESCRIPTION DESCRIPTION	F80	F100	REMARKS REMARQUES
28	67F-43899-00	.PLATE STOPPER .PLAQUETTE	1	1	
29	67F-43816-00	.FILTER 1 .FILTRE 1	1	1	
30	67F-43862-00	.O-RING .JOINT TORIQUE	1	1	
31	62X-43865-00	.O-RING .JOINT TORIQUE	1	1	
32	67F-4388A-00	.BOLT .BOULON	1	1	
33	6T4-4386A-00	.PIN, ABSORBER VALVE .GOUPILLE, SOUPEPE	5	5	
34	67F-43857-00	.SPRING, ABSORBER VALVE .RESSORT	5	5	
35	67F-4381J-00	.PLATE .PLAQUE	1	1	
36	67F-22471-01	.CYLINDER, SHOCK ABSORBER .CYLINDRE, AMORTISSEUR	1	1	
37	67F-43875-00	.RING, SNAP .RESSORT	1	1	
38	67F-4381B-00	.FREE PISTON SUB ASSY .PISTON AUXILIAIRE (ENS.)	1	1	
39	62X-43899-00	.PLATE STOPPER .PLAQUETTE	1	1	
40	62X-4384H-00	.SPRING .RESSORT	2	2	
41	1UF-22434-00	.PLATE, VALVE 1 .PLATEAU, SOUPEPE 1	1	1	
42	62X-43875-00	.RING, SNAP .RESSORT	1	1	
43	67F-43871-00	.RING, BACK UP .SEGMENT	1	1	
44	6H1-43829-00	PLUG, RESERVOIR BOUCHON	1	1	
45	93210-09165	O-RING JOINT TORIQUE	2	2	
46	91318-06035	BOLT BOULON	3	3	
47	91318-06020	BOLT BOULON	1	1	
48	6H1-43831-10	CONNECTOR, SHAFT RACCORD	1	1	
49	67F-43802-00	VALVE SUB ASSY CLAPET AUXILIAIRE (ENS.)	2	2	
50	67F-4382F-00	ADAPTOR 3 ADAPTEUR 3	1	1	
51	6H1-43866-00	O-RING JOINT TORIQUE	1	1	
52	67F-43817-00	FILTER 2 FILTRE 2	1	1	
53	93210-10M74	O-RING JOINT TORIQUE	1	1	
54	6H1-43867-00	O-RING JOINT TORIQUE	1	1	

B1

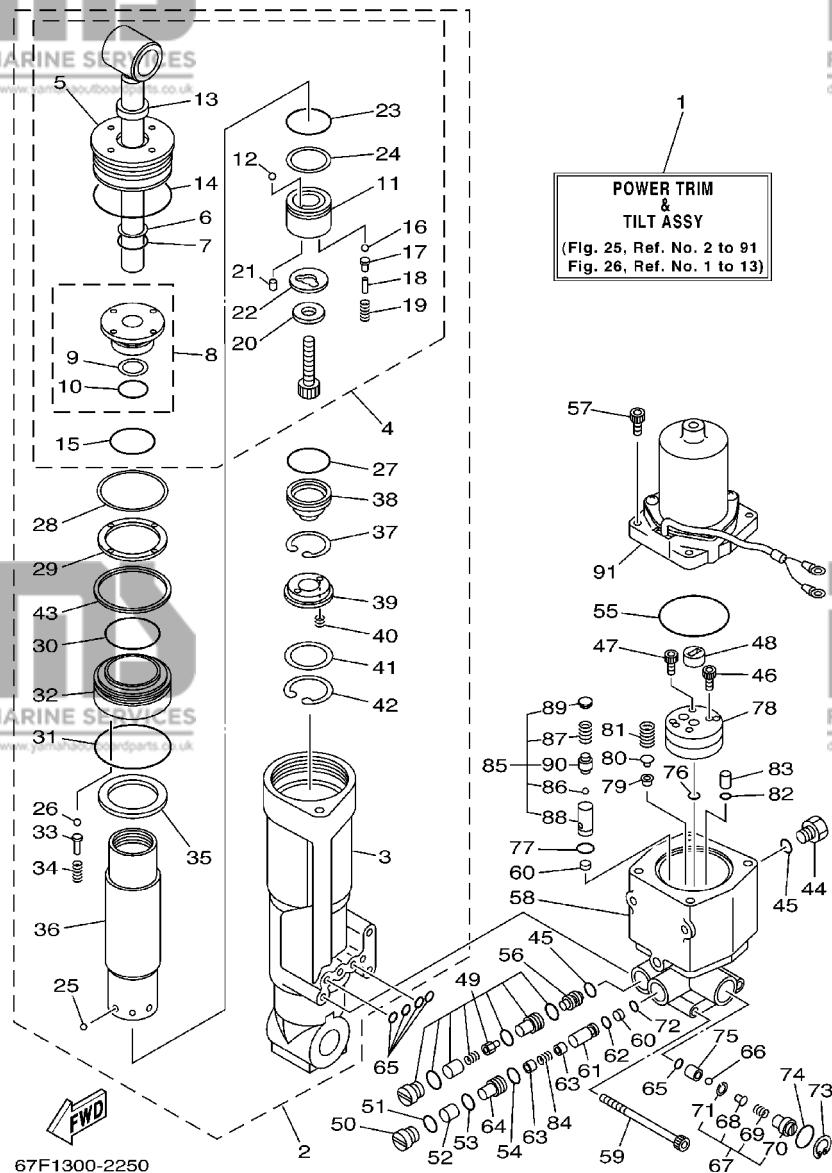


FIG. 25 POWER TRIM & TILT ASSY 1 PUISSANCE PARER ET INCLINER 1

REF. NO.	PART NO. NO. PIECES	DESCRIPTION DESCRIPTION	F80	F100	REMARKS REMARQUES
55	62X-43865-00	O-RING JOINT TORIQUE	1	1	
56	62X-43841-00	PISTON, SHUTTLE PISTON	1	1	
57	65W-43888-00	BOLT, SOCKET BOULON	4	4	
58	67F-43825-03	HOUSING, TRIM & TILT CARTER	1	1	
59	62X-43878-00	BOLT, SOCKET BOULON	3	3	
60	6H1-43816-00	FILTER 1 FILTRE 1	2	2	
61	67F-43851-00	SEAT, RELIEF VALVE SIEGE	1	1	
62	93210-07003	O-RING JOINT TORIQUE	1	1	
63	67F-43808-00	SEAT VALVE COMP. 1 SIEGE VALVE COMP. 1	2	2	
64	67F-4382G-00	SCREW, VALVE SEAT VIS, JEU DE POINTEAUX	1	1	
65	93210-064A5	O-RING JOINT TORIQUE	5	5	
66	93505-32038	BALL BILLE	1	1	
67	61A-43860-20	MANUAL VALVE SUB-ASSY SOUPAPE, MANUEL (ENS.)	1	1	
68	61A-43848-00	.ROD, MANUAL RELEASE .TIGE	1	1	
69	61A-43854-00	.SPRING, MANUAL RELEASE .RESSORT	1	1	
70	61A-43845-00	.SCREW, MANUAL RELEASE .VIS	1	1	
71	61A-43875-00	.RING, SNAP .RESSORT	1	1	
72	93210-06100	O-RING JOINT TORIQUE	1	1	
73	6H1-43875-00	RING, SNAP RESSORT	1	1	
74	93210-18397	O-RING JOINT TORIQUE	1	1	
75	61A-43847-00	SEAT, MANUAL VALVE SIEGE	1	1	
76	65W-43862-00	O-RING JOINT TORIQUE	2	2	
77	93210-11368	O-RING JOINT TORIQUE	1	1	
78	67F-43830-00	GEAR PUMP ASSY POMPE A PIGNON (ENS.)	1	1	
79	6H1-4384F-10	SEAL, MAIN VALVE JOINT	1	1	
80	6H1-43844-10	PIN, VALVE SUPPORT GOUPILLE	1	1	
81	6H1-43856-10	SPRING, DOWN RELIEF RESSORT	1	1	

B2

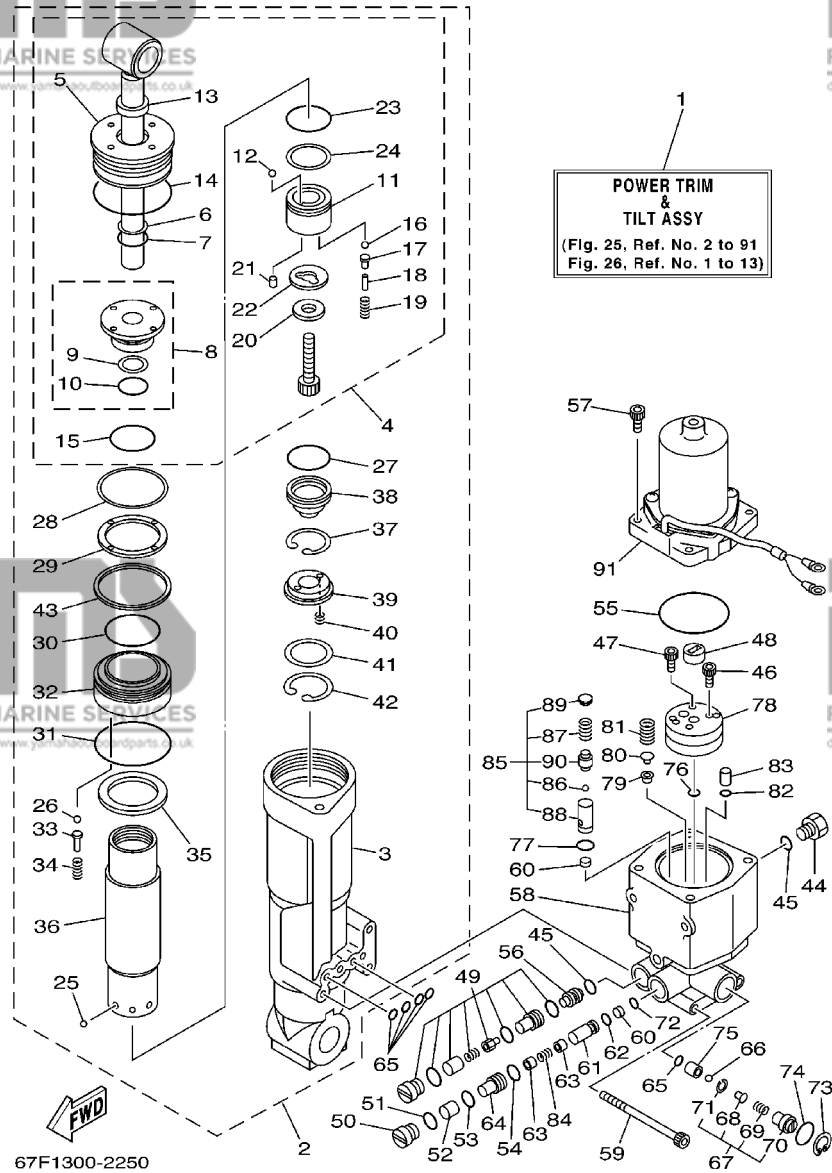
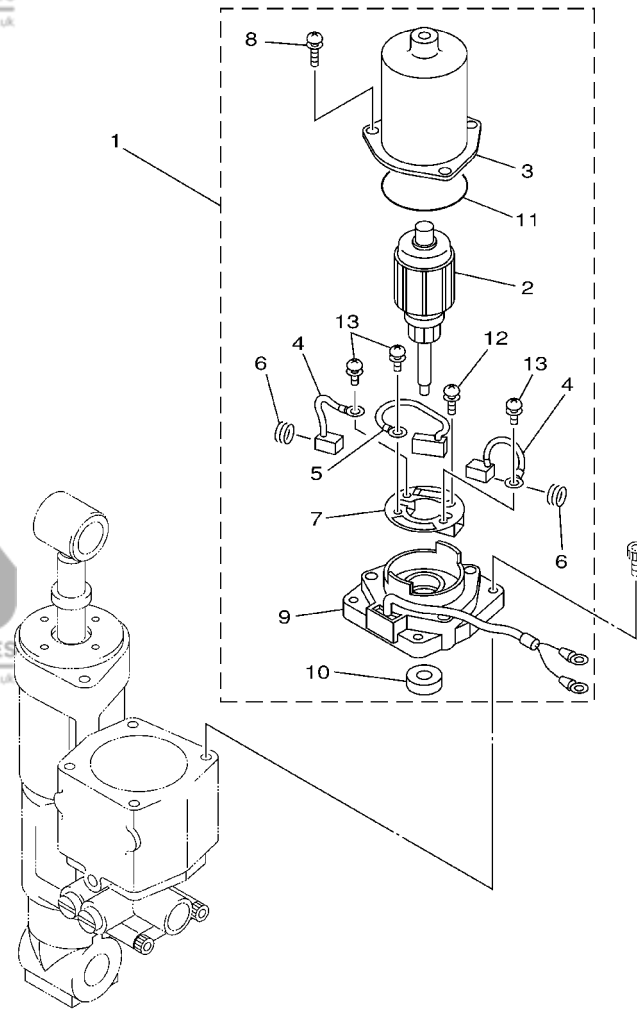


FIG. 25 POWER TRIM & TILT ASSY 1 PUISSANCE PARER ET INCLINER 1

REF. NO.	PART NO. NO. PIECES	DESCRIPTION DESCRIPTION	F80	F100	REMARKS REMARQUES
82	65W-43861-00	O-RING JOINT TORIQUE	2	2	
83	65W-43817-00	FILTER 2 FILTRE 2	2	2	
84	67F-4385H-00	SPRING, SEAL RESSORT	1	1	
85	67F-43850-00	VALVE SUB ASSY CLAPET AUXILIAIRE (ENS.)	1	1	
86	93501-08001	.BALL .BILLE	1	1	
87	6H1-43856-10	.SPRING, DOWN RELIEF .RESSORT	1	1	
88	67F-43895-00	.SEAT, RELIEF VALVE .SIEGE	1	1	
89	67F-43843-00	.SCREW, VALVE LOCK .VIS	1	1	
90	67F-4386A-00	.PIN, ABSORBER VALVE .GOUPILLE, SOUPEPE	1	1	
91	67F-43880-00	MOTOR ASSY MOTEUR (ENS.)	1	1	REFER TO FIG.26

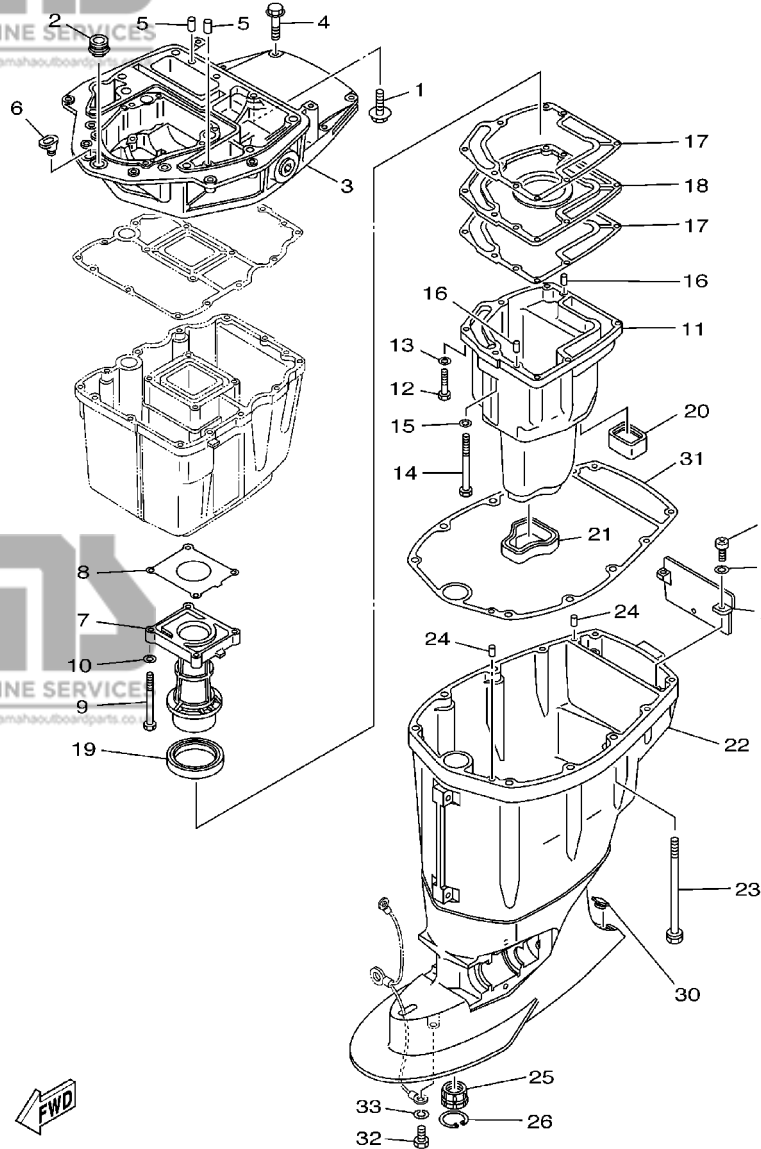
FIG. 26 POWER TRIM & TILT ASSY 2 PUISSANCE PARER ET INCLINER 2



REF. NO.	PART NO. NO. PIECES	DESCRIPTION DESCRIPTION	F80	F100	REMARKS REMARQUES
1	67F-43880-00	MOTOR ASSY MOTEUR (ENS.)	1	1	
2	67F-43805-00	.ARMATURE ASSY .INDUIT (ENS.)	1	1	
3	67F-43804-00	.STATOR ASSY .STATOR (ENS.)	1	1	
4	67F-43891-00	.BRUSH 1 .BALAI 1	2	2	
5	67F-82181-00	.CIRCUIT BREAKER COMP. .RUPTEUR COMPLET	1	1	
6	67F-4386K-00	.SPRING, BRUSH .RESSORT, BALAI	2	2	
7	67F-4380F-00	.PLATE, BRUSH HOLDER .PLAQUE	1	1	
8	67F-43886-00	.BOLT .BOULON	3	3	
9	67F-43881-00	.FRAME, END .BATI	1	1	
10	67F-43882-00	.OIL SEAL .JOINT SPI	1	1	
11	67F-43896-00	.O-RING .JOINT TORIQUE	1	1	
12	67F-43887-00	.BOLT, THROUGH .BOULON	1	1	
13	67F-43879-00	.SCREW, WITH WASHER .VIS, AVEC RONDELLE	3	3	



67G0010-9240



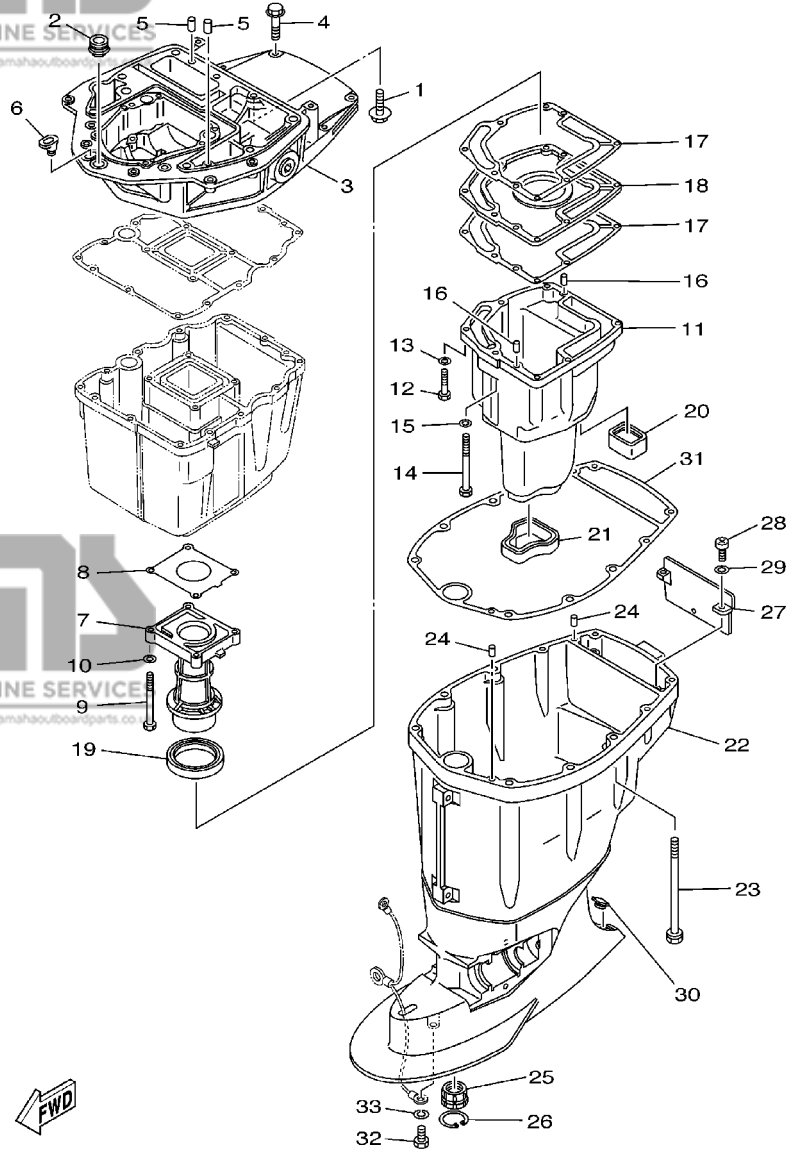
FWD
67F1300-2270

FIG. 27 UPPER CASING

FOURREAU

REF. NO.	PART NO. NO. PIECES	DESCRIPTION DESCRIPTION	F80	F100	REMARKS REMARQUES
1	90119-08M58	BOLT, WITH WASHER BOULON, AVEC RONDELLE	2	2	
2	67F-42724-00	GROMMET PASSE-FIL	1	1	
3	67F-41137-01-94	GUIDE, EXHAUST COLLECTEUR D'ÉCHAPPEMENT	1	1	
4	97575-08540	BOLT, WITH WASHER VIS HEXAGONAL AVEC RONDELLE	4	4	
5	93608-16M16	PIN, DOWEL GOUJON	2	2	
6	6G1-42727-00	GROMMET PASSE-FIL	1	1	
7	67F-41131-00-5B	MANIFOLD, EXT. 1 PIPE D'ÉCHAPPEMENT	1	1	
8	67F-41133-A0	GASKET, EXHAUST MANIFOLD 1 JOINT, PIPE D'ÉCHAPPEMENT	1	1	
9	97075-06070	BOLT BOULON	4	4	
10	92995-06600	WASHER RONDELLE	4	4	
11	67F-14711-00-5B	MUFFLER 1 POT D'ÉCHAPPEMENT 1	1	1	
12	97075-06030	BOLT BOULON	6	6	
13	92995-06600	WASHER RONDELLE	6	6	
14	97075-06050	BOLT BOULON	1	1	
15	92995-06600	WASHER RONDELLE	1	1	
16	93606-19M23	PIN, DOWEL GOUJON	2	2	
17	67F-41134-A0	GASKET, EXHAUST MANIFOLD JOINT, PIPE D'ÉCHAPPEMENT	2	2	
18	67F-45181-00-5B	PLATE PLAQUETTE	1	1	
19	67F-41138-00	SEAL, EXT. 1 JOINT DE GROUPE 1	1	1	
20	67F-45127-00	SEAL JOINT	1	1	
21	67F-45123-00	GASKET, MUFFLER JOINT, POT DE DETENTE	1	1	
22	67F-45111-10-4D	CASING, UPPER FOURREAU	1	1	
23	90119-10M08	BOLT, WITH WASHER BOULON, AVEC RONDELLE	6	6	
24	93608-16M16	PIN, DOWEL GOUJON	2	2	
25	67F-45318-00	BUSHING, DRIVE SHAFT DOUILLE, ARBRE MOTEUR	1	1	
26	93420-36M01	CIRCLIP CIRCLIP, TYPE S	1	1	
27	67F-45151-00	COVER, UPPER CASING CAPUCHON, FOURREAU	1	1	

B5

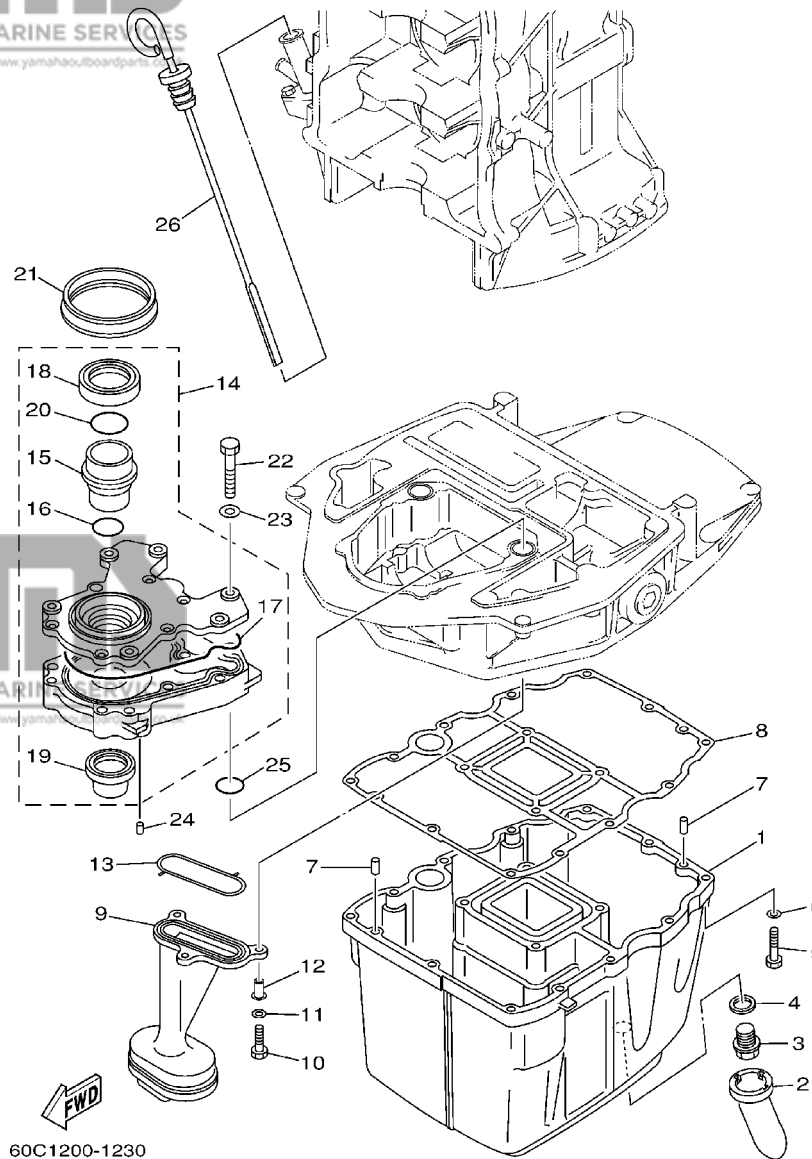


67F1300-2270

FIG. 27 UPPER CASING

FOURREAU

REF. NO.	PART NO. NO. PIECES	DESCRIPTION DESCRIPTION	F80	F100	REMARKS REMARQUES
28	97880-06016	SCREW, PAN HEAD VIS, TÊTE TRONCONIQUE	2	2	
29	92990-06600	WASHER, PLATE RONDELLE, PLATE	2	2	
30	67F-45155-00	CAP CAPUCHON	1	1	
31	67F-45113-00	GASKET, UPPER CASING JOINT, TUBE D'ARBRE	1	1	
32	97095-08016	BOLT BOULON	1	1	
33	92995-08100	WASHER RONDELLE	1	1	



60C1200-1230

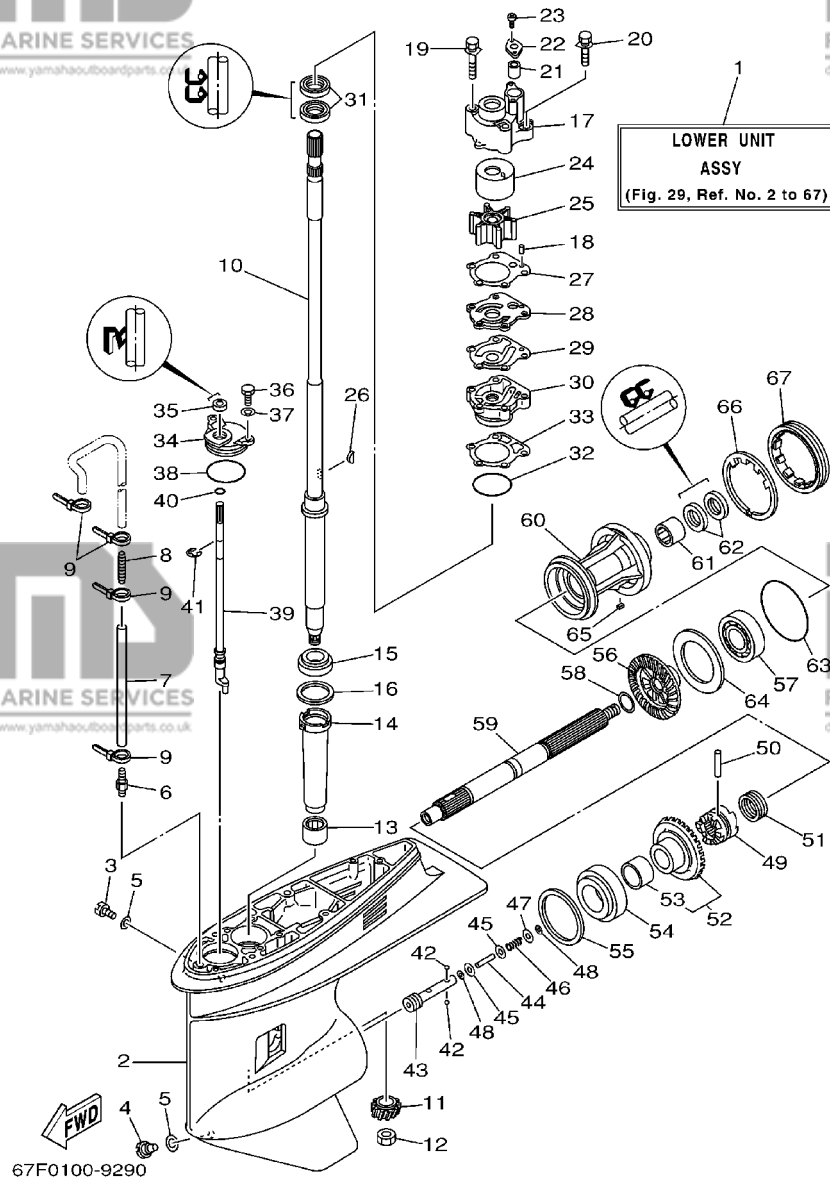
FIG. 28 OIL PAN

VENTILATEUR D'HUILE

REF. NO.	PART NO. NO. PIECES	DESCRIPTION DESCRIPTION	F80	F100	REMARKS REMARQUES
1	67F-15311-00-5B	OIL PAN VENTILATEUR D'HUILE	1	1	
2	67F-15316-00	DAMPER 1 AMORTISSEUR 1	1	1	
3	90340-14M06	PLUG, STRAIGHT SCREW PLOT, FILETE DROIT	1	1	
4	90430-14M09	GASKET JOINT	1	1	
5	97075-06025	BOLT BOULON	12	12	
6	92995-06600	WASHER RONDELLE	12	12	
7	93606-12019	PIN, DOWEL GOUJON	2	2	
8	67F-15312-00	GASKET, OIL PAN JOINT DE VENTILATEUR D'HUILE	1	1	
9	67F-13411-00	STRAINER, OIL FILTRE, HUILE	1	1	
10	97027-06025	BOLT BOULON	3	3	
11	92907-06600	WASHER, PLATE RONDELLE	3	3	
12	90387-06M64	COLLAR COLLERETTE	3	3	
13	67F-13415-00	SEAL, OIL STRAINER JOINT, FILTRE A HUILE	1	1	
14	67F-13300-03	OIL PUMP ASSY POMPE A HUILE COMPLET	1	1	
15	67F-13314-01	SHAFT, PUMP AXE DE POMPE	1	1	
16	67F-13473-01	O-RING JOINT TORIQUE	1	1	
17	67F-13329-00	GASKET, PUMP COVER JOINT, COUVERCLE DE POMPE	1	1	
18	67F-13119-01	OIL SEAL JOINT SPY	1	1	
19	67F-13631-02	SEAL, RUBBER JOINT CAOUTCHOUC	1	1	
20	67F-13769-00	O-RING JOINT TORIQUE	1	1	
21	67F-13338-00	SEAL JOINT	1	1	
22	97095-06045	BOLT BOULON	6	6	
23	92995-06600	WASHER RONDELLE	6	6	
24	93604-12M07	PIN, DOWEL GOUJON	2	2	
25	93210-19MJ1	O-RING JOINT TORIQUE	2	2	
26	68V-15362-00	PLUG, OIL LEVEL PLOT, NIVEAU D'HUILE	1	1	

FIG. 29 LOWER CASING. DRIVE 1

BOITIER D'HELICE, TRANSMISSION 1

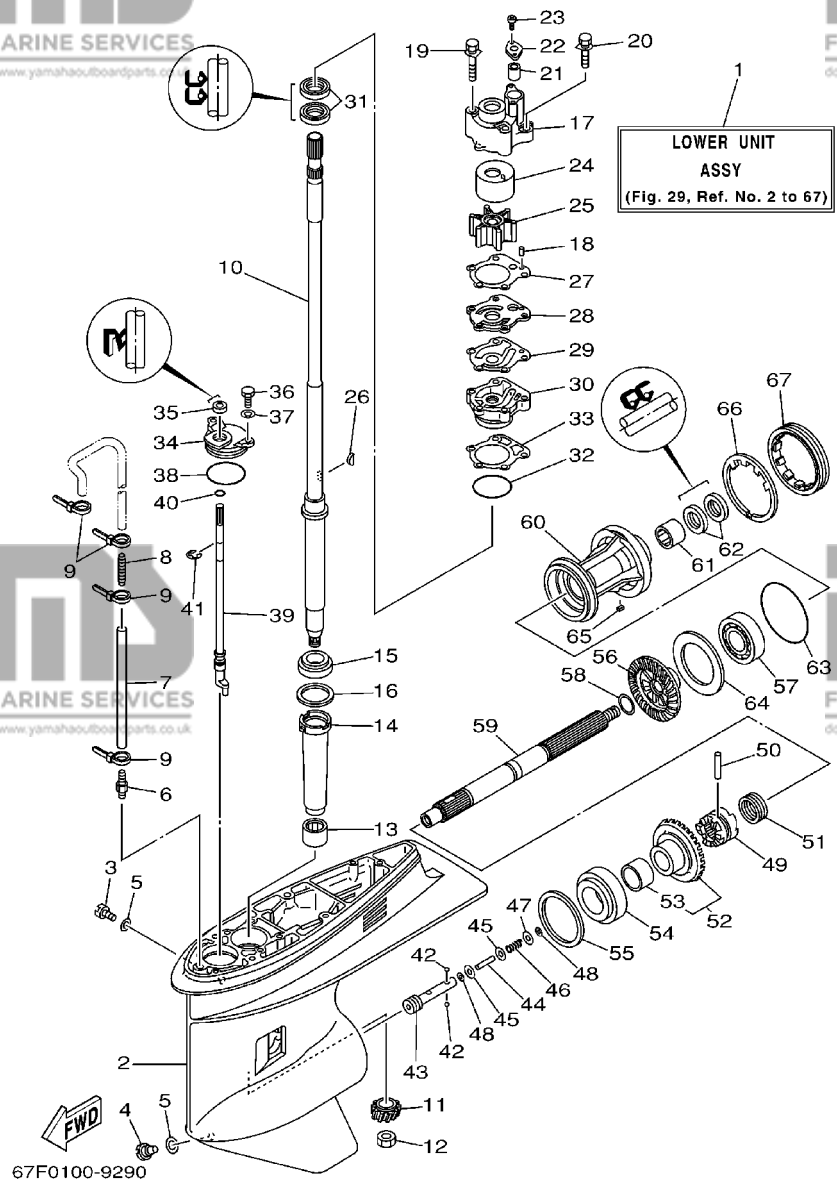


REF. NO.	PART NO. NO. PIECES	DESCRIPTION DESCRIPTION	F80	F100	REMARKS REMARQUES
1	67F-45300-10-4D	LOWER UNIT ASSY UNITE INFERIEURE (ENS.)	1	1	L
2	67F-45301-00-4D	CASING, LOWER BEQUILLE	1	1	
3	90340-08002	PLUG, STRAIGHT SCREW PLOT, FILETE DROIT	1	1	
4	688-45341-10	PLUG, DRAIN BOUCHON DE VIDANGE	1	1	
5	90430-08020	GASKET JOINT	2	2	
6	6E5-45378-00	NIPPLE, HOSE RACCORD, TUYAU	1	1	
7	90445-07M31	HOSE (L200) DURITE (L200)	1	1	L
8	6E5-83558-10	END, NIPPLE RACCORD DE NIPPLE	1	1	
9	90465-11M10	CLAMP BRIDE	4	4	
10	67F-45501-10	DRIVE SHAFT COMP. ARBRE MOTEUR COMP.	1	1	L
11	67F-45551-00	PINION PIGNON D'ATTAQUE	1	1	
12	90170-16M01	NUT ECROU	1	1	
13	93315-325W4	BEARING ROULEMENT	1	1	
14	688-45536-01	SLEEVE, DRIVE SHAFT MANCHON, ARBRE MOTEUR	1	1	
15	93332-000U3	BEARING ROULEMENT	1	1	
16	688-45587-01-10	SHIM (T:0.10MM) CALE (T:0.10MM)	1	1	UR
	688-45587-01-12	SHIM (T:0.12MM) CALE (T:0.12MM)	1	1	UR
	688-45587-01-15	SHIM (T:0.15MM) CALE (T:0.15MM)	1	1	UR
	688-45587-01-18	SHIM (T:0.18MM) CALE (T:0.18MM)	1	1	UR
	688-45587-01-30	SHIM (T:0.30MM) CALE (T:0.30MM)	1	1	UR
	688-45587-01-40	SHIM (T:0.40MM) CALE (T:0.40MM)	1	1	UR
	688-45587-01-50	SHIM (T:0.50MM) CALE (T:0.50MM)	1	1	UR
17	67F-44311-00	HOUSING, WATER PUMP CORPS, POMPE A EAU	1	1	
18	93604-10M03	PIN, DOWEL GOUJON	2	2	
19	90119-08M87	BOLT, WITH WASHER BOULON, AVEC RONDELLE	2	2	
20	90119-08M13	BOLT, WITH WASHER BOULON, AVEC RONDELLE	2	2	
21	663-44366-00	DAMPER, WATER SEAL JOINT, TUBE D'EAU	1	1	

C1

FIG. 29 LOWER CASING. DRIVE 1

BOITIER D'HELICE, TRANSMISSION 1

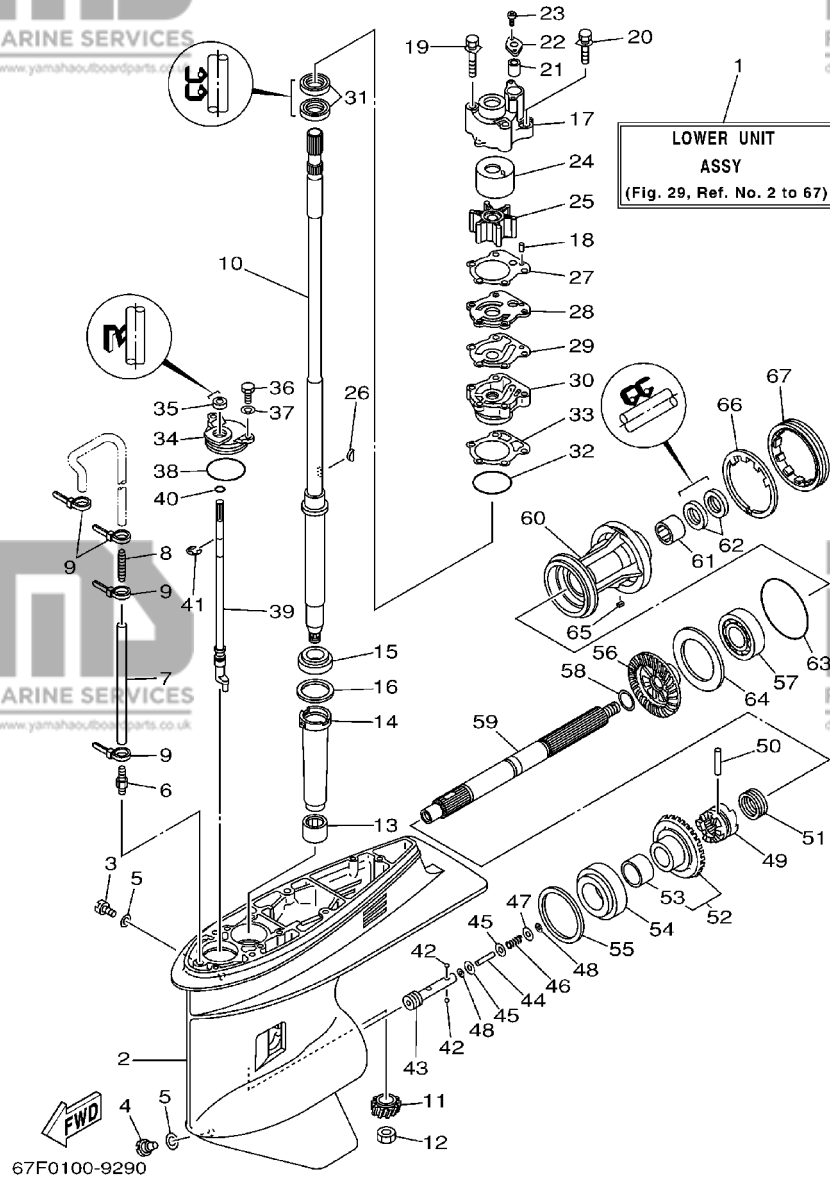


REF. NO.	PART NO. NO. PIECES	DESCRIPTION DESCRIPTION	F80	F100	REMARKS REMARQUES
22	90480-19M06	GROMMET PASSE-FIL	1	1	
23	97780-40512	SCREW, TAPPING VIS, TETE FRAISEE	2	2	
24	67F-44322-00	INSERT, CARTRIDGE CUVETTE	1	1	
25	67F-44352-00	IMPELLER TURBINE	1	1	
26	90280-04M04	KEY, WOODRUFF CLAVETTE, DEMI-LUNE	1	1	
27	688-44315-A0	GASKET, WATER PUMP JOINT, POMPE A EAU	1	1	
28	67F-44323-00	OUTER PLATE, CARTRIDGE PLAQUE EXTERIEURE	1	1	
29	688-44324-A0	GASKET, CARTRIDGE JOINT	1	1	
30	688-44341-01-94	HOUSING, WATER PUMP CORPS, POMPE A EAU	1	1	
31	93101-25M03	OIL SEAL JOINT SPY	2	2	
32	93210-46044	O-RING JOINT TORIQUE	1	1	
33	688-44316-A0	GASKET, WATER PUMP JOINT, POMPE A EAU	1	1	
34	688-45321-00	PLATE PLAQUETTE	1	1	
35	93106-09014	OIL SEAL JOINT SPY	1	1	
36	97095-06016	BOLT BOULON	2	2	
37	92995-06600	WASHER RONDELLE	2	2	
38	93210-49046	O-RING JOINT TORIQUE	1	1	
39	67F-44150-00	SHIFT CAM ASSY CAME D'INVERSION	1	1	
40	93210-07003	O-RING JOINT TORIQUE	1	1	
41	99001-08600	CIRCLIP CIRCLIP	1	1	
42	93503-16003	BALL BILLE	2	2	
43	67F-45634-00	SLIDE, SHIFT CONTRE-POUSSOIR	1	1	
44	6H1-45668-00	SHAFT, FREE AXE	1	1	
45	6H1-45635-00	PLUNGER, SHIFT POUSSOIR D'EMBRAYAGE	2	2	
46	90501-12M48	SPRING, COMPRESSION RESSORT, COMPRESSION	1	1	
47	90201-03313	WASHER, PLATE RONDELLE, PLATE	1	1	
48	90183-02M03	NUT, SPRING ECROU, RESSORT	2	2	

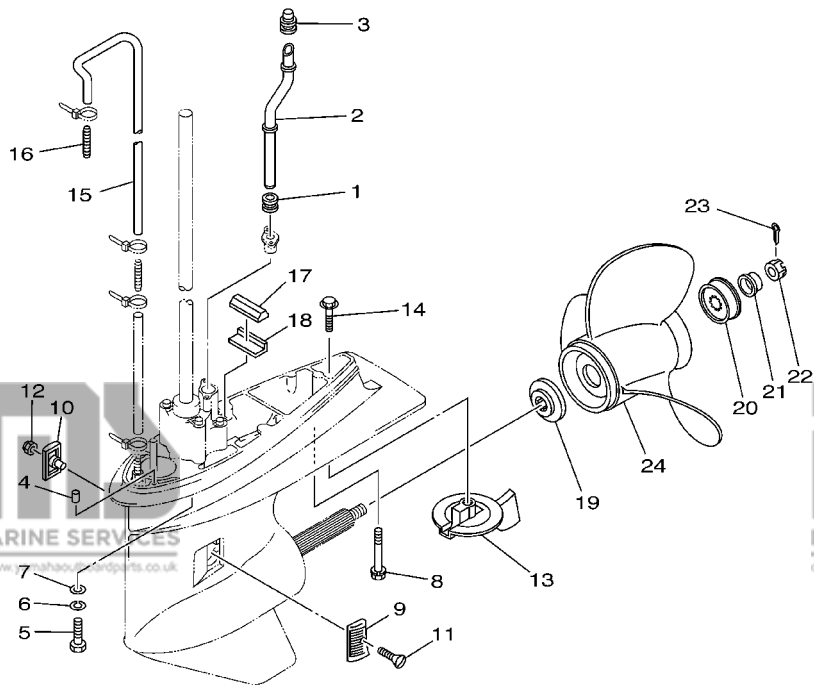
C2

FIG. 29 LOWER CASING. DRIVE 1

BOITIER D'HELICE, TRANSMISSION 1



REF. NO.	PART NO. NO. PIECES	DESCRIPTION DESCRIPTION	F80	F100	REMARKS REMARQUES
49	67F-45631-00	CLUTCH, DOG CRABOT	1	1	
50	90250-07M02	PIN, STRAIGHT GOUPILLE, DROITE	1	1	
51	688-45633-00	RING, CROSS PIN JONC, GOUPILLE CRABOT	1	1	
52	67F-45560-00	GEAR PIGNON	1	1	
53	93317-322V0	BEARING ROULEMENT	1	1	
54	93332-000UD	BEARING ROULEMENT	1	1	
55	688-45567-01-10	SHIM (T:0.10MM) CALE (T:0.10MM)	1	1	UR
	688-45567-01-12	SHIM (T:0.12MM) CALE (T:0.12MM)	1	1	UR
	688-45567-01-15	SHIM (T:0.15MM) CALE (T:0.15MM)	1	1	UR
	688-45567-01-18	SHIM (T:0.18MM) CALE (T:0.18MM)	1	1	UR
	688-45567-01-30	SHIM (T:0.30MM) CALE (T:0.30MM)	1	1	UR
	688-45567-01-40	SHIM (T:0.40MM) CALE (T:0.40MM)	1	1	UR
	688-45567-01-50	SHIM (T:0.50MM) CALE (T:0.50MM)	1	1	UR
56	67F-45571-00	GEAR PIGNON	1	1	
57	93306-207U0	BEARING ROULEMENT	1	1	
58	90201-25M05	WASHER, PLATE RONDELLE, PLATE	1	1	
59	67F-45611-00	SHAFT, PROPELLER ARBRE, HELICE	1	1	
60	67F-45331-00-94	HOUSING, BEARING FLASQUE, ROULEMENT	1	1	
61	93317-325U0	BEARING ROULEMENT	1	1	
62	93101-25M03	OIL SEAL JOINT SPY	2	2	
63	93210-86M39	O-RING JOINT TORIQUE	1	1	
64	67F-45576-00	WASHER, THRUST RONDELLE DE CALAGE	1	1	
65	90282-04010	KEY, STRAIGHT CLAVETTE, DROITE	1	1	
66	688-45383-02	WASHER, CLAW FREIN D'ECROU	1	1	
67	688-45384-00	NUT ECROU	1	1	



67F0010-9230

FIG. 30 LOWER CASING. DRIVE 2

BOITIER D'HELICE, TRANSMISSION 2

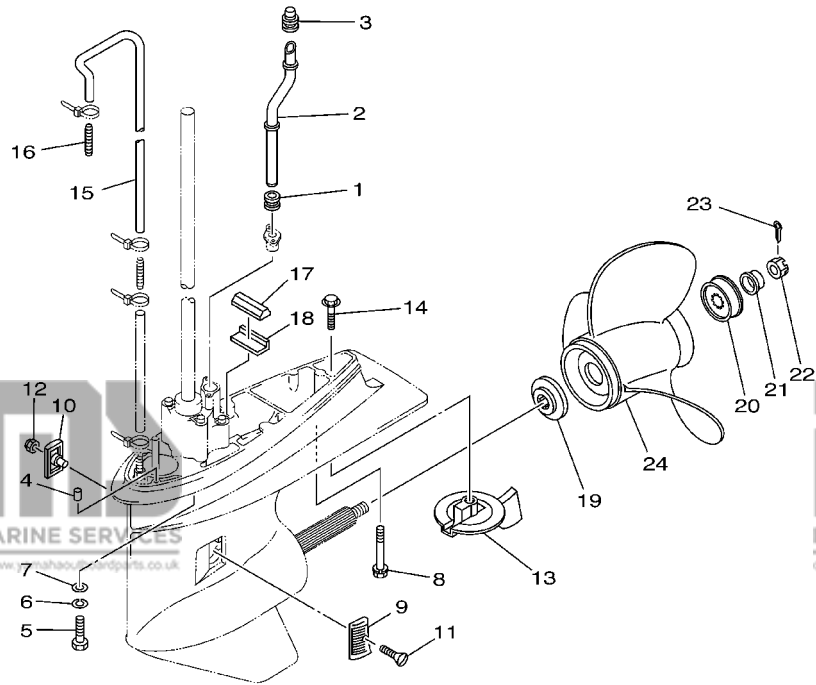
REF. NO.	PART NO. NO. PIECES	DESCRIPTION DESCRIPTION	F80	F100	REMARKS REMARQUES
1	663-44367-00	DAMPER, WATER SEAL JOINT TUBE D'EAU	1	1	
2	67F-44361-10	TUBE, WATER TUBE D'EAU	1	1	
3	67F-44365-00	DAMPER, WATER SEAL JOINT, TUBE D'EAU	1	1	
4	93606-12019	PIN, DOWEL GOUJON	2	2	
5	97075-10040	BOLT BOULON	4	4	
6	92995-10100	WASHER RONDELLE	4	4	
7	92995-10600	WASHER RONDELLE	4	4	
8	90119-08M84	BOLT, WITH WASHER BOULON, AVEC RONDELLE	1	1	
9	6H1-45214-00	COVER, WATER INLET GRILLE, ENTREE D'EAU	1	1	
10	6H1-45215-00	COVER, WATER INLET GRILLE, ENTREE D'EAU	1	1	
11	90151-05M00	SCREW, COUNTERSUNK VIS, TETE NOYEE	1	1	
12	90185-05002	NUT, SELF-LOCKING ECROU, AUTO-BLOCANT	1	1	
13	67F-45371-00	TAB-TRIM ANODE DERIVE	1	1	
14	90105-10M67	BOLT, FLANGE BOULON	1	1	
15	90445-07ME0	HOSE (L1220) DURITE (L1220)	1	1	
16	6E5-83558-00	END, NIPPLE RACCORD DE NIPPLE	1	1	
17	688-45375-00	DAMPER, SEAL BOURRELET, CAOUTCHOUC	1	1	
18	663-45376-00-94	GUIDE, SEAL DAMPER BUTEE, JOINT CAOUTCHOUC	1	1	
19	688-45987-01	SPACER ENTRETOISE	1	1	
20	67F-45997-00	SPACER ENTRETOISE	1	1	
21	90389-25M00	BUSH DOUILLE	1	1	
22	90171-16011	NUT, CASTLE ECROU, CRENELE	1	1	
23	91490-40025	PIN, COTTER GOUPILLE, FENDUE	1	1	
24	6E5-45941-00-EL	PROPELLER (3X13"X19"-K) HELICE (3X13"X19"-K)	1	1	UR
	6E5-45943-00-EL	PROPELLER (3X12-5/8"X21"-K) HELICE (3X12-5/8"X21"-K)	1	1	UR
	6E5-45945-01-EL	PROPELLER (3X13-1/4"X17"-K) HELICE (3X13-1/4"X17"-K)	1	1	UR
	6E5-45947-00-EL	PROPELLER (3X13-1/2"X15"-K) HELICE (3X13-1/2"X15"-K)	1	1	UR

C4

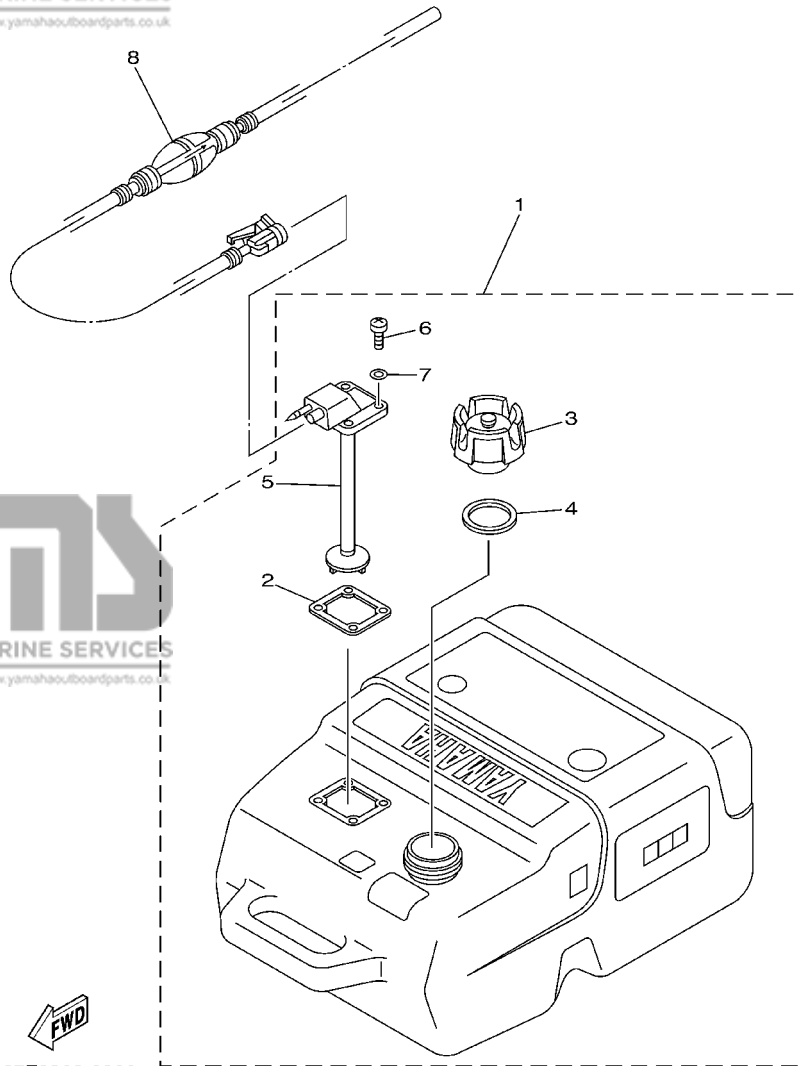
FIG. 30 LOWER CASING. DRIVE 2

BOITIER D'HELICE, TRANSMISSION 2

REF. NO.	PART NO. NO. PIECES	DESCRIPTION DESCRIPTION	F80	F100	REMARKS REMARQUES
24	6E5-45949-00-EL	PROPELLER (3X13-5/8"X13"-K) HELICE (3X13-5/8"X13"-K)	1	1	UR
	6E5-45952-00-EL	PROPELLER (3X13"X23"-K) HELICE (3X13"X23"-K)	1	1	UR
	6E5-45954-00-EL	PROPELLER (3X14"X11"-K) HELICE (3X14"X11"-K)	1	1	UR
	6E5-45956-00-EL	PROPELLER (3X13"X25"-K) HELICE (3X13"X25"-K)	1	1	UR
		STAINLESS STEEL PROPELLER ACIER INOXYDABLE HELICE			
	688-45970-03-98	PROPELLER (3X13"X19"-K) HELICE (3X13"X19"-K)	1	1	UR
	688-45972-02-98	PROPELLER (3X13"X21"-K) HELICE (3X13"X21"-K)	1	1	UR
	688-45974-02-98	PROPELLER (3X13"X23"-K) HELICE (3X13"X23"-K)	1	1	UR
	688-45976-01-98	PROPELLER (3X13"X25"-K) HELICE (3X13"X25"-K)	1	1	UR
	688-45978-60-98	PROPELLER (3X13-1/2"X16"-K) HELICE (3X13-1/2"X16"-K)	1	1	UR
	688-45930-02-98	PROPELLER (3X13"X17"-K) HELICE (3X13"X17"-K)	1	1	UR
	688-45932-60-98	PROPELLER (3X13-1/2"X14"-K) HELICE (3X13-1/2"X14"-K)	1	1	UR



FWD
67F0010-9230



67F0300-9300

FIG. 31 FUEL TANK

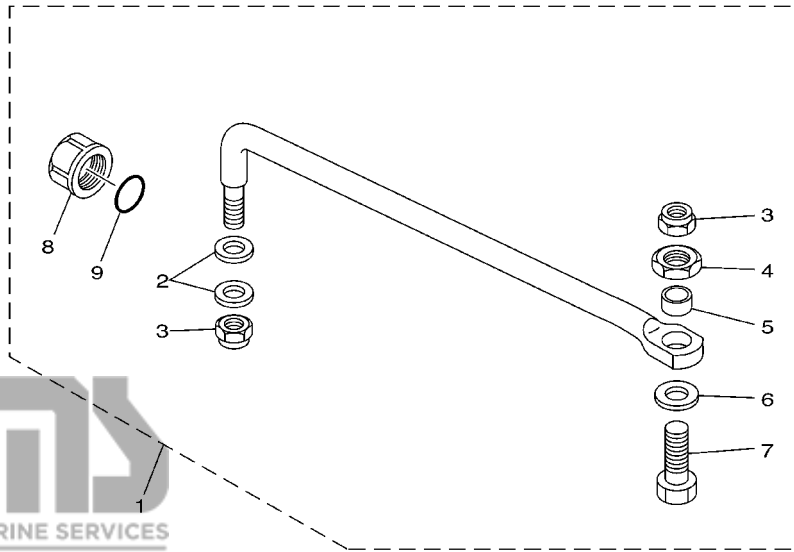
RESERVOIR A CARBURANT

REF. NO.	PART NO. NO. PIECES	DESCRIPTION DESCRIPTION	F80	F100	REMARKS REMARQUES
1	6YK-24201-01	FUEL TANK ASSY RESERVOIR A ESSENCE (ENS.)	1		AP PLASTIC, 25L "SCEPTER"
	6YK-24201-10	FUEL TANK ASSY (25L) RESERVOIR A ESSENCE (ENS.) 25L	1		AP FOR SAV
2	6YL-24268-01	.GASKET, FUEL METER .JOINT, JAUGE A CARBURANT	1		
3	6YK-24610-00	.CAP ASSY .BOUCHON	1		WITH INDICATOR
	6YK-24610-10	.CAP ASSY .BOUCHON	1		FOR SAV- WITHOUT INDICATOR
4	6YL-24641-00	.GASKET, CAP 1 .JOINT 1, BOUCHON	1		
5	6YK-24260-01	.FUEL METER ASSY .INDICATEUR DE CARBURANT	1		
6	90157-05M16	.SCREW, PAN HEAD .VIS, TETE TRONCONIQUE	4		
7	6YL-24329-00	.SEAL .JOINT	4		
8	6YK-24306-42	FUEL PIPE COMP. 1 DURITE A ESSENCE 1	1		AP

FIG. 32 STEERING GUIDE

FIXATION DE DIRECTION

REF. NO.	PART NO. NO. PIECES	DESCRIPTION DESCRIPTION	F80	F100	REMARKS REMARQUES
1	67F-61350-00	STEERING GUIDE ATTACHMENT KIT FIXATIONS DE DIRECTION	1	1	AP
2	90201-10M20	.WASHER, PLATE .RONDELLE, PLATE	2	2	
3	90185-09M01	.NUT, SELF-LOCKING .ECROU, AUTO-BLOCANT	2	2	
4	90170-09M03	.NUT .ECROU	1	1	
5	90387-10M42	.COLLAR .COLLERETTE	1	1	
6	90201-10M63	.WASHER, PLATE .RONDELLE, PLATE	1	1	
7	90101-09M01	.BOLT .BOULON	1	1	
8	6E5-43145-01	.CAP, CLAMP BRACKET .CAPUCHON, PRESSE	1	1	
9	93210-16275	.O-RING .JOINT TORIQUE	1	1	



67F0010-9250

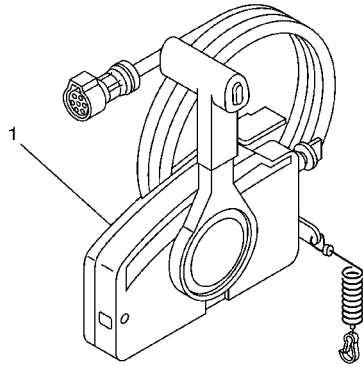
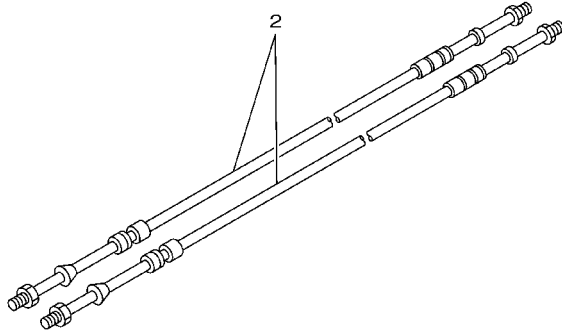


FIG. 33 REMOTE CONTROL BOX

BOITIER DE COMMANDE A DISTANCE

REF. NO.	PART NO. NO. PIECES	DESCRIPTION DESCRIPTION	F80	F100	REMARKS REMARQUES
1	703-48205-17	REMOTE CONTROL ASSY BOITIER DE COMMANDE A DISTANCE	1	1	AP WITH PT/T SW.
2	701-48320-50	CABLE, REMOTE CONTROL L=15F CABLE, COMMANDE A DISTANCE:15F	2	2	UR
	701-48320-60	CABLE, REMOTE CONTROL L=16F CABLE, COMMANDE A DISTANCE:16F	2	2	UR
	701-48320-80	CABLE, REMOTE CONTROL L=17F CABLE, COMMANDE A DISTANCE:17F	2	2	UR
	701-48320-40	CABLE, REMOTE CONTROL L=19F CABLE, COMMANDE A DISTANCE:19F	2	2	UR
	701-48350-00	CABLE, REMOTE CONTROL L=21F CABLE, COMMANDE A DISTANCE:21F	2	2	UR

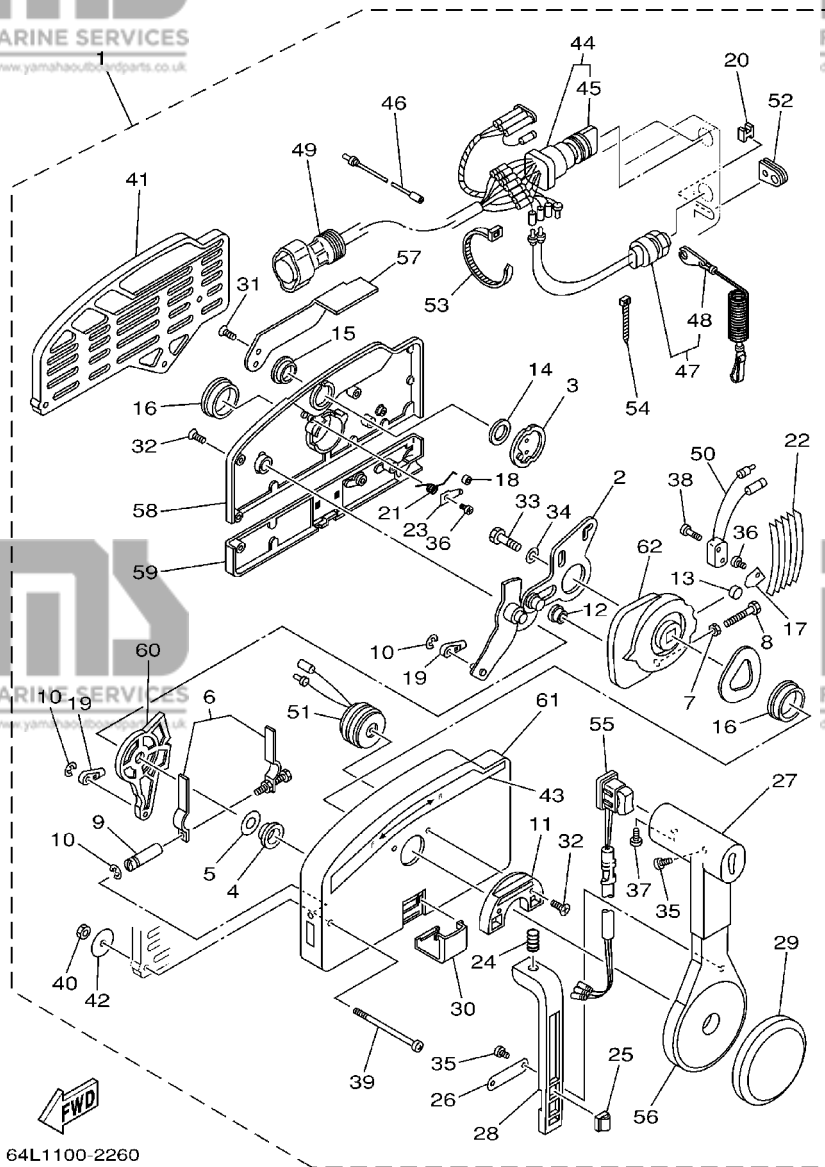


67M0100-8280

D1

FIG. 34 REMOTE CONTROL ASSY

BOITIER DE COMMANDE A DISTANCE

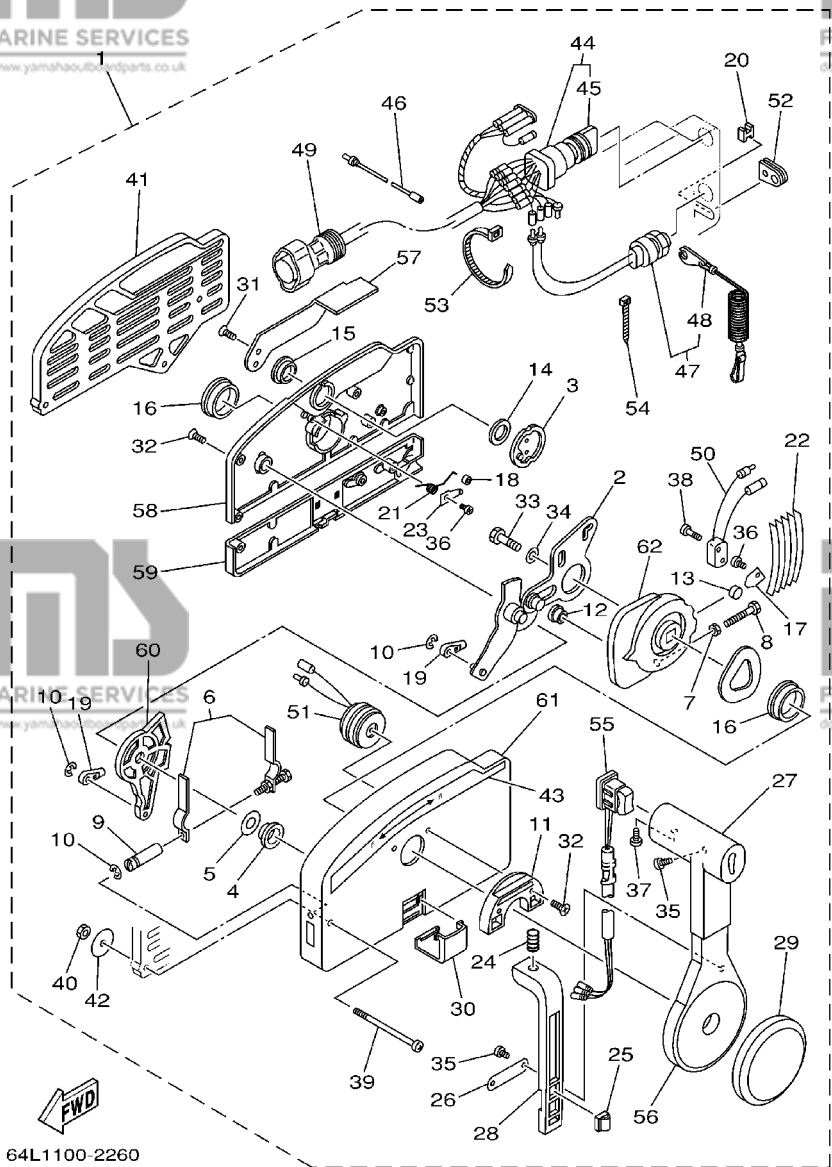


64L1100-2260

REF. NO.	PART NO. NO. PIECES	DESCRIPTION DESCRIPTION	F80	F100	REMARKS REMARQUES
1	703-48205-17	REMOTE CONTROL ASSY BOITIER DE COMMANDE A DISTANCE	1	1	AP WITH PT/T SW.
2	703-48261-01	.ARM, THROTTLE	1	1	
3	703-48153-00	.BRAS, ACCELERATION	1	1	
4	703-48235-00	.SHAFT, FREE ACCEL. .AXE	1	1	
5	703-48268-00	.BUSHING .COUSSINET	1	1	
6	703-48264-00	.SPACER .ENTRETOISE	1	1	
7	95380-05600	.THROTTLE, FRICTION .ACCELERATION	1	1	
8	97380-05025	.NUT .ECROU	1	1	
9	703-48265-00	.BOLT .BOULON	1	1	
10	93430-06024	.SHAFT, FRICTION .AXE, COPILOTE	1	1	
11	703-48245-00	.CIRCLIP .CIRCLIP, TYPE S	3	3	
12	703-48252-00	.PLATE, LOCK .PLAQUE, VERROU	1	1	
13	701-48248-00	.ROLLER, CAM .POULIE	1	1	
14	703-48198-00	.ROLLER, FREE ACCEL. .POULIE	1	1	
15	703-48243-00	.WASHER, WAVE .RONDELLE, ELASTIQUE ONDULEE	1	1	
16	703-48236-00	.BUSHING .COUSSINET	1	1	
17	703-48189-00	.BUSHING 1 .POULIE	2	2	
18	703-48234-00	.RETAINER .FLASQUE	1	1	
19	703-48345-01	.ROLLER, DETENT .POULIE	1	1	
20	703-48358-00	.CABLE END, REMOTE CONTROL 2 .CHAPE CABLE	2	2	
21	703-48244-00	.ANCHOR, CABLE .COLLIER	1	1	
22	703-48238-00	.SPRING, FREE ACCEL. .RESSORT	1	1	
23	703-48246-00	.SPRING, DETENT .RESSORT	5	5	
24	703-48227-00	.SPACER .ENTRETOISE	1	1	
25	703-82594-00	.SPRING, NEUTRAL LOCK .RESSORT	1	1	
26	703-48226-00	.CLAMP .BRIDE	1	1	WITH PT/T SW.
27	703-48222-00	.PLATE, STOPPER .PLAQUETTE	1	1	
		.GRIP, CONTROL LEVER .POIGNEE, COMMANDE LEVIER	1	1	SINGLE

FIG. 34 REMOTE CONTROL ASSY

BOITIER DE COMMANDE A DISTANCE



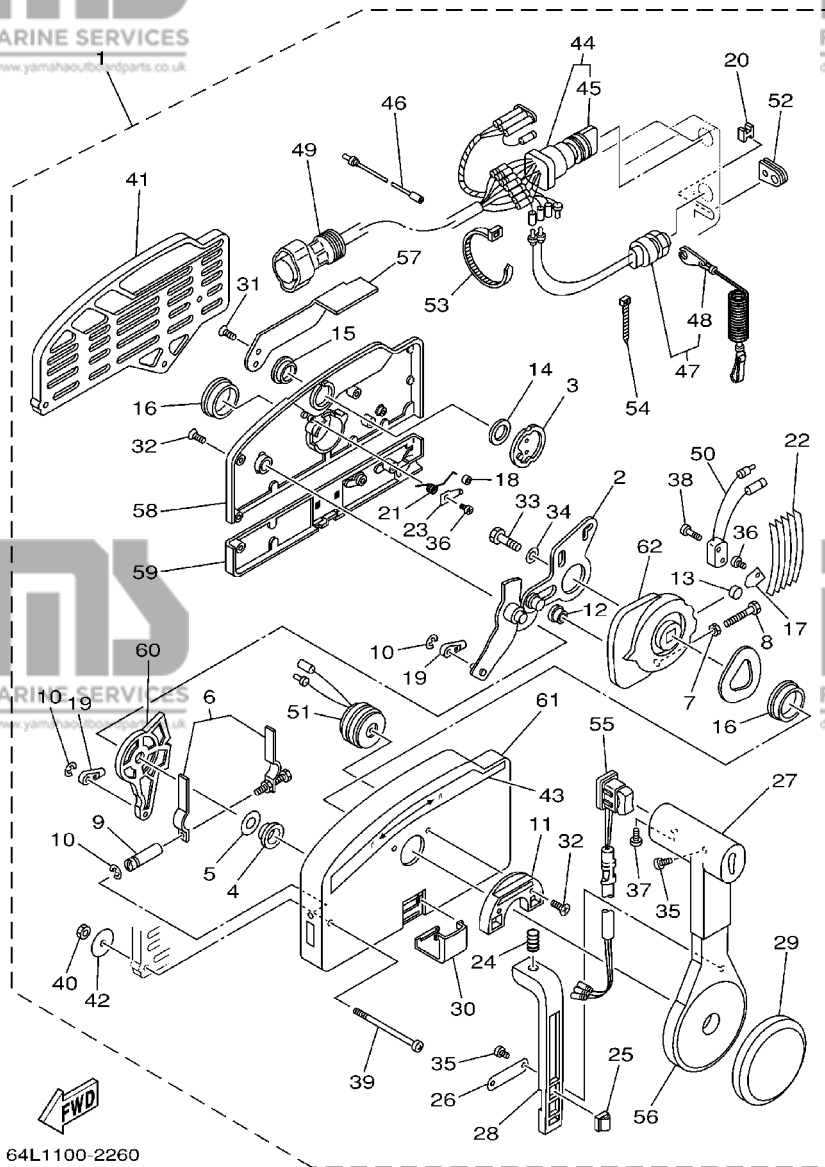
64L1100-2260

REF. NO.	PART NO. NO. PIECES	DESCRIPTION DESCRIPTION	F80	F100	REMARKS REMARQUES
28	703-48223-00	.LOCK, NEUTRAL .VERROU, NEUTRAL	1	1	
29	703-48225-00	.COVER .COUVERCLE	1	1	
30	703-48219-00	.COVER, LEAD .COUVERCLE	1	1	
31	703-48281-00	.SCREW .VIS	2	2	
32	703-48282-00	.SCREW .VIS	7	7	
33	97380-08030	.BOLT .BOULON	1	1	
34	92990-08600	.WASHER, PLATE .RONDELLE, PLATE	1	1	
35	98580-04010	.SCREW, PAN HEAD .VIS, TETE TRONCONIQUE	3	3	
36	98580-04006	.SCREW, PAN HEAD .VIS, TETE TRONCONIQUE	2	2	
37	98580-05010	.SCREW, PAN HEAD .VIS, TETE TRONCONIQUE	1	1	
38	98580-03015	.SCREW, PAN HEAD .VIS, TETE TRONCONIQUE	2	2	
39	703-48291-10	.SCREW (M6) .VIS (M6)	3	3	
40	95380-06600	.NUT, HEXAGON .ECROU	3	3	
41	703-48293-10	.SPACER, REMOTE CONTROL .ENTRETOISE	1	1	SINGLE
42	701-48287-00	.WASHER .RONDELLE	3	3	
43	703-48215-00	.GRAPHIC .ADHESIF	1	1	
44	703-82510-43	.MAIN SWITCH ASSY .CONTACTEUR A CLEF COMPLET	1	1	
45	703-82577-00	.CAP, KEY .CABOCHON	1	1	
46	703-82531-00	.WIRE, LEAD .FIL	1	1	
47	688-82575-01	.ENGINE STOP SWITCH ASSY .COUPE CIRCUIT CPLT	1	1	
48	682-82556-00	.STOPPER .PLAQUETTE	1	1	
49	688-8258A-20	.EXTENSION, WIRE HARNESS .EXTENSION, FAISCEAU DE FILS	1	1	L:5M (10P)
50	703-82540-00	.NEUTRAL SWITCH ASSY .CONTACTEUR DE POINT-MORT	1	1	
51	703-83383-02	.BUZZER .RONFLEUR	1	1	
52	703-48284-00	.GROMMET .PASSE-FIL	1	1	
53	703-82591-00	.BAND .COLLIER	1	1	
54	703-82592-00	.BAND .COLLIER	1	1	

D3

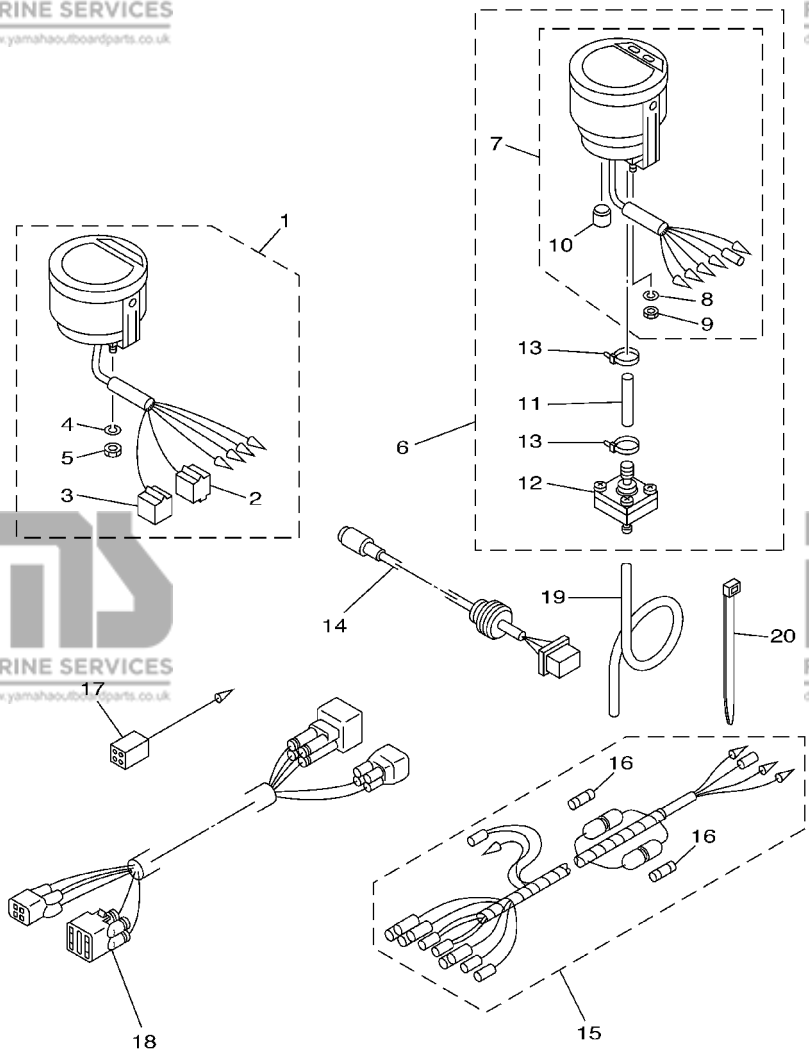
FIG. 34 REMOTE CONTROL ASSY

BOITIER DE COMMANDE A DISTANCE



64L1100-2260

REF. NO.	PART NO. NO. PIECES	DESCRIPTION DESCRIPTION	F80	F100	REMARKS REMARQUES
55	703-82563-02	.TRIM & TILT SWITCH ASSY .INCLINER ET PARER COMMUTEUR	1	1	
56	703-48221-00	.LEVER, CONTROL .LEVIER, COMMANDE	1	1	
57	703-48152-00	.KNOB, FREE ACCEL. .BOUTON	1	1	
58	703-48212-00	.BACK PLATE 1 .PLAQUETTE 1	1	1	
59	703-48213-00	.BACK PLATE 2 .PLAQUETTE 2	1	1	
60	703-48271-00	.ARM, SHIFT .BRAS	1	1	
61	703-48211-01	.HOUSING,1 .CORPS	1	1	
62	703-48232-00	.GEAR .PIGNON	1	1	



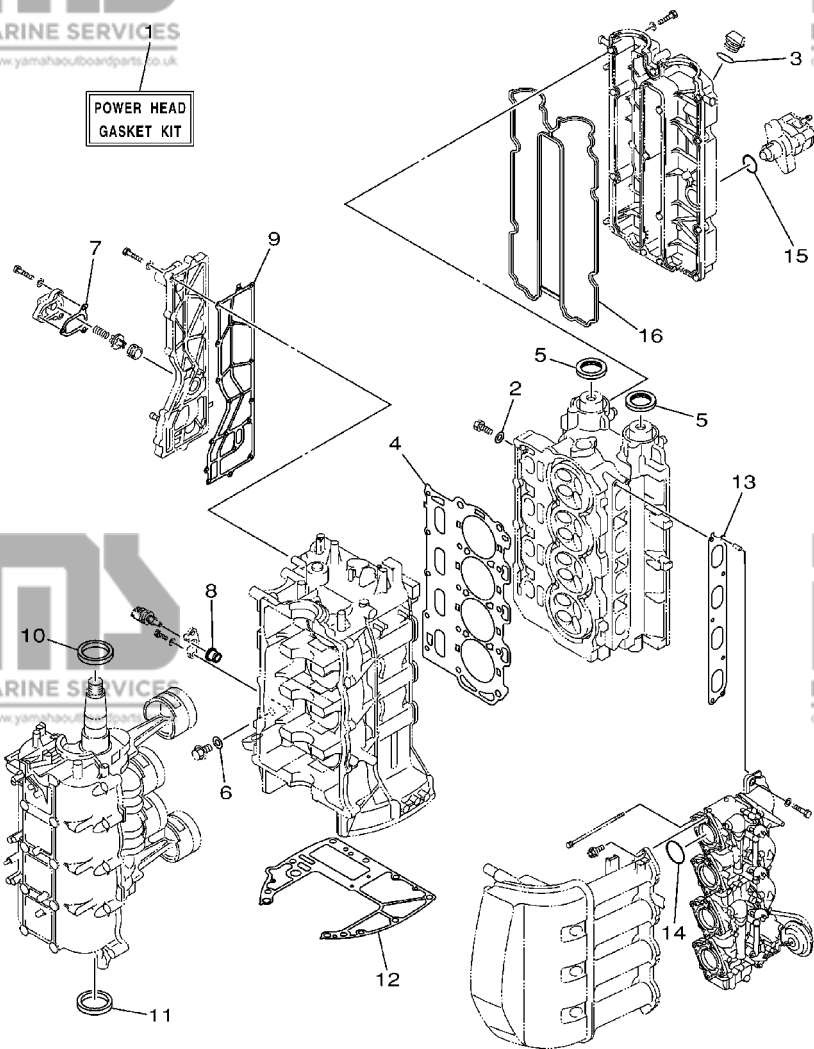
61A1700-2290

FIG. 35 METER COMPTEUR

REF. NO.	PART NO. NO. PIECES	DESCRIPTION DESCRIPTION	F80	F100	REMARKS REMARQUES
1	6Y5-8350T-01	DIGITAL TACHOMETER ASSY COMPTE-TOURS NUMERIQUE CPLT	1	1	AP
2	9E450-04433	.CONNECTOR .CONNECTEUR	1	1	M-4-W
3	9E450-04533	.CONNECTOR .CONNECTEUR	1	1	F-4-W
4	92990-04100	.WASHER, SPRING .RONDELLE, GROWER	2	2	
5	95380-04600	.NUT .ECROU	2	2	
6	6Y5-83500-S5	DIGITAL SPEEDOMETER ASSY TACHYMETRE NUMERIQUE CPLT	1	1	AP
7	6Y5-83570-S5	.SPEEDOMETER ASSY .COMPTEUR DE VITESSE CPLT	1	1	
8	92990-04100	.WASHER, SPRING .RONDELLE, GROWER	2	2	
9	95380-04600	.NUT .ECROU	2	2	
10	6Y5-83533-T2	.GROMMET .RONDELLE CAOUTCHOUC	1	1	
11	6Y5-83557-31	.TUBE .TUBE	1	1	
12	6Y5-83728-00	.CONNECTOR ASSY .CONNEXION COMPLET	1	1	
13	90465-11M10	.CLAMP .BRIDE	2	2	
14	6Y5-87122-S0	CORD ASSY 1 COPDON COMPLET	1	1	AP
15	6Y5-83553-M0	WIRE, LEAD FIL	1	1	AP
16	1E6-82151-00	.FUSE (10A) .FUSIBLE (10A)	2	2	
17	6Y5-82117-00	WIRE, LEAD (BLACK) FIL (NOIR)	1	1	AP
18	68F-82553-80	EXTENSION, WIRE LEAD EXTENSION, FAISCEAU	1	1	AP
19	6Y5-83557-10	TUBE (8M) TUBE (8M)	1	1	AP
20	90465-11M10	CLAMP BRIDE	2	2	AP

D5

POWER HEAD
GASKET KIT



60C1200-1310

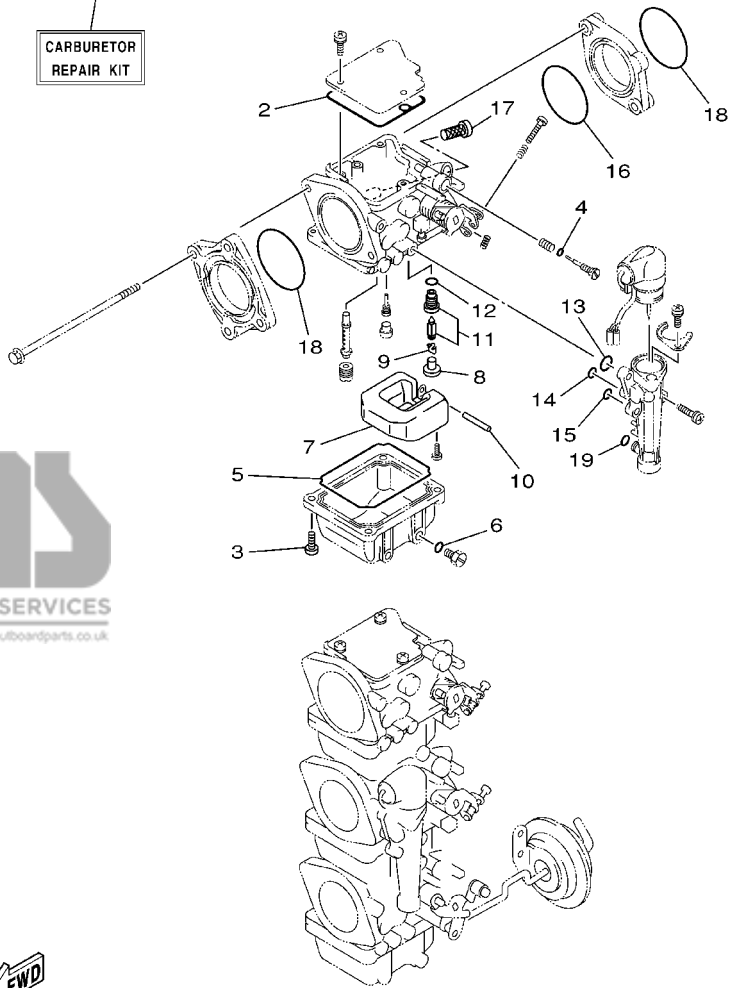
FIG. 36 REPAIR KIT 1

KITS DE REPARATION 1

REF. NO.	PART NO. NO. PIECES	DESCRIPTION DESCRIPTION	F80	F100	REMARKS REMARQUES
1	67F-W0001-01	POWER HEAD GASKET KIT POCHETTE DE JINTS TETE MOTRICE	1	1	
2	90430-08143	.GASKET .JOINT	4	4	
3	93210-24M79	.O-RING .JOINT TORIQUE	1	1	
4	67F-11181-01	.GASKET, CYLINDER HEAD 1 .JOINT, DE CULASSE 1	1	1	
5	93102-38M59	.OIL SEAL .JOINT SPY	2	2	
6	90430-14115	.GASKET .JOINT	1	1	
7	67F-12435-A0	.GASKET .JOINT	1	1	
8	68V-85753-00	.GASKET, SENDER UNIT .JOINT, DE PERCEPTION	1	1	
9	67F-41114-A0	.GASKET, EXHAUST OUTER COVER .JOINT, COUVERCLE D'ECHAPPEMEN	1	1	
10	93102-48009	.OIL SEAL .JOINT SPY	1	1	
11	93101-48002	.OIL SEAL .JOINT SPY	1	1	
12	67F-11351-01	.GASKET, CYLINDER .JOINT, D'EMBASE	1	1	
13	67F-13645-00	.GASKET, MANIFOLD 1 .JOINT, TUBULURE 1	1	1	
14	93210-41MJ2	.O-RING .JOINT TORIQUE	4	4	
15	93210-30682	.O-RING .JOINT TORIQUE	1	1	
16	67F-11356-00	.SEAL, CYLINDER 2 .JOINT, SPY CYLINDRE	1	1	

D6

CARBURETOR
REPAIR KIT



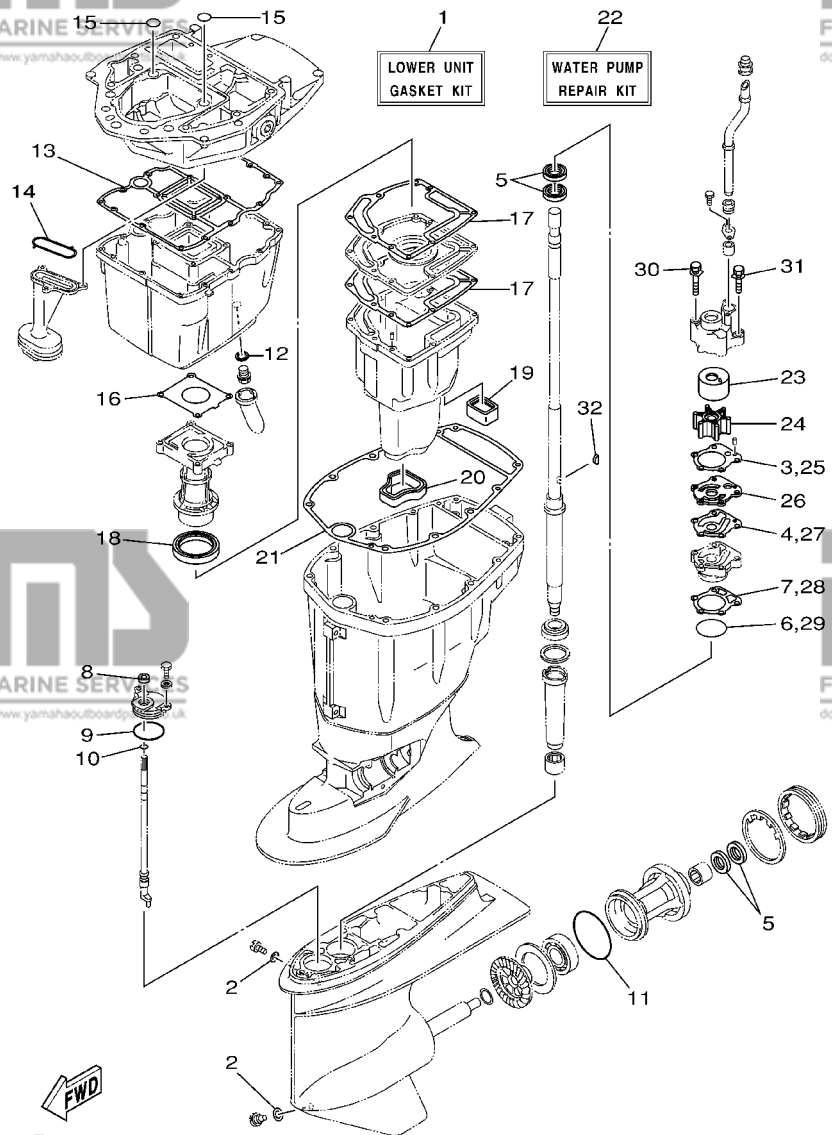
67F0100-9380

FIG. 37 REPAIR KIT 2

KITS DE REPARATION 2

REF. NO.	PART NO. NO. PIECES	DESCRIPTION DESCRIPTION	F80	F100	REMARKS REMARQUES
1	67F-W0093-01	CARBURETOR REPAIR KIT KIT DE REPARATION CARBURATEUR	1	1	
2	67F-14147-00	.O-RING .JOINT TORIQUE	1	1	
3	97980-04114	.SCREW, WITH WASHER .VIS, AVEC RONDELLE	4	4	
4	67F-14397-00	.O-RING .JOINT TORIQUE	1	1	
5	67F-14984-00	.GASKET, FLOAT CHAMBER .JOINT, CUVE DE FLOTTEUR	1	1	
6	93210-04230	.O-RING .JOINT TORIQUE	1	1	
7	6H4-14985-01	.FLOAT .FLOTTEUR	1	1	
8	676-14186-00	.PIN, FLOAT .AXE, FLOTTEUR	1	1	
9	663-14159-00	.CLIP .JONC	1	1	
10	6H4-14548-00	.PIN, FLOAT ARM .AXE, BRAS DE FLOTTEUR	1	1	
11	60C-14590-00	.NEEDLE VALVE ASSY .POINTEAU	1	1	
12	93210-04228	.O-RING .JOINT TORIQUE	1	1	
13	67F-14398-00	.O-RING .JOINT TORIQUE	1	1	
14	67F-14398-10	.O-RING .JOINT TORIQUE	1	1	
15	67F-14398-20	.O-RING .JOINT TORIQUE	1	1	
16	67F-14239-00	.SEAL .JOINT	1	1	
17	67F-14371-01	.ELEMENT, FILTER .ELEMENT, FILTRE	1	1	
18	93210-40M10	.O-RING .JOINT TORIQUE	2	2	
19	67F-14398-30	.O-RING .JOINT TORIQUE	1	1	

D7



67F0100-9390

FIG. 38 REPAIR KIT 3

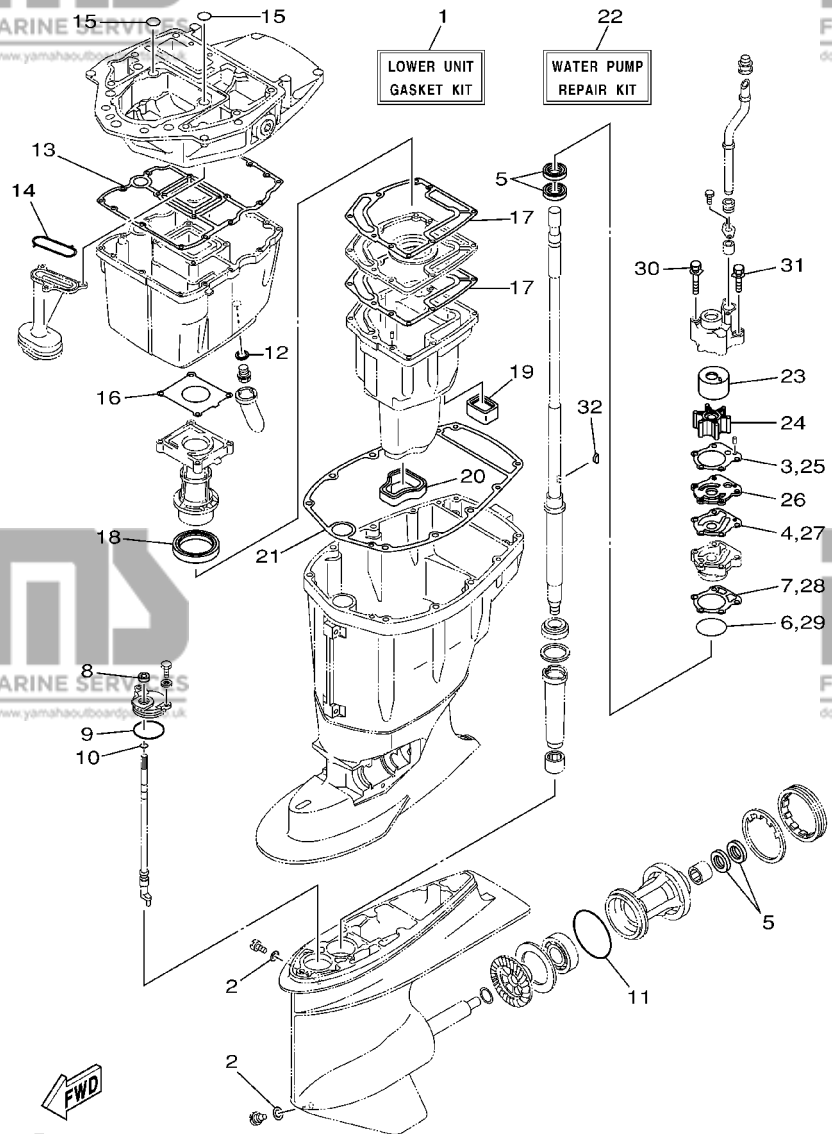
KITS DE PEPARATION 3

REF. NO.	PART NO. NO. PIECES	DESCRIPTION DESCRIPTION	F80	F100	REMARKS REMARQUES
1	67F-W0001-20	LOWER UNIT GASKET KIT POCHETTE DE JOINTS EMBASE	1	1	
2	90430-08020	.GASKET .JOINT	2	2	
3	688-44315-A0	.GASKET, WATER PUMP .JOINT, POMPE A EAU	1	1	
4	688-44324-A0	.GASKET, CARTRIDGE .JOINT	1	1	
5	93101-25M03	.OIL SEAL .JOINT SPY	4	4	
6	93210-46044	.O-RING .JOINT TORIQUE	1	1	
7	688-44316-A0	.GASKET, WATER PUMP .JOINT, POMPE A EAU	1	1	
8	93106-09014	.OIL SEAL .JOINT SPY	1	1	
9	93210-49046	.O-RING .JOINT TORIQUE	1	1	
10	93210-07003	.O-RING .JOINT TORIQUE	1	1	
11	93210-86M39	.O-RING .JOINT TORIQUE	1	1	
12	90430-14M09	.GASKET .JOINT	1	1	
13	67F-15312-00	.GASKET, OIL PAN .JOINT DE VENTILATEUR D'HUILE	1	1	
14	67F-13415-00	.SEAL, OIL STRAINER .JOINT, FILTRE A HUILE	1	1	
15	93210-19MJ1	.O-RING .JOINT TORIQUE	2	2	
16	67F-41133-A0	.GASKET, EXHAUST MANIFOLD 1 .JOINT, PIPE D'ECHAPPEMENT	1	1	
17	67F-41134-A0	.GASKET, EXHAUST MANIFOLD .JOINT, PIPE D'ECHAPPEMENT	2	2	
18	67F-41138-00	.SEAL, EXT. 1 .JOINT DE GROUPE 1	1	1	
19	67F-45127-00	.SEAL .JOINT	1	1	
20	67F-45123-00	.GASKET, MUFFLER .JOINT, POT DE DETENTE	1	1	
21	67F-45113-00	.GASKET, UPPER CASING .JOINT, TUBE D'ARBRE	1	1	
22	67F-W0078-00	WATER PUMP REPAIR KIT KIT DE REPARATION DE LA POMPE	1	1	
23	67F-44322-00	.INSERT, CARTRIDGE .CUVETTE	1	1	
24	67F-44352-00	.IMPELLER .TURBINE	1	1	
25	688-44315-A0	.GASKET, WATER PUMP .JOINT, POMPE A EAU	1	1	
26	67F-44323-00	.OUTER PLATE, CARTRIDGE .PLAQUE EXTERIEURE	1	1	
27	688-44324-A0	.GASKET, CARTRIDGE .JOINT	1	1	

FIG. 38 REPAIR KIT 3

KITS DE PEPARATION 3

REF. NO.	PART NO. NO. PIECES	DESCRIPTION DESCRIPTION	F80	F100	REMARKS REMARQUES
28	688-44316-A0	.GASKET, WATER PUMP .JOINT, POMPE A EAU	1	1	
29	93210-46044	.O-RING .JOINT TORIQUE	1	1	
30	90119-08M87	.BOLT, WITH WASHER .BOULON, AVEC RONDELLE	2	2	
31	90119-08M13	.BOLT, WITH WASHER .BOULON, AVEC RONDELLE	2	2	
32	90280-04M04	.KEY, WOODRUFF .CLAVETTE, DEMI-LUNE	1	1	



PART NO. NO. PIECES	REF. NO.
K0A-A3721-00	5 - 7
K0A-A3722-00	5 - 8
67F-W0001-01	36 - 1
67F-W0001-20	38 - 1
67F-W0070-10	1 - 16
67F-W0078-00	38 - 22
67G-W0084-11-4D	18 - 1
60C-W009A-00-1S	4 - 1
67F-W009B-04-1S	2 - 1
67F-W0093-01	37 - 1
67F-11110-10-94	4 - 2
62Y-11119-00	2 - 8
67F-11133-10	4 - 3
67F-11168-00	4 - 22
67F-11181-01	4 - 17
	36 - 4
68V-11191-00-1S	4 - 21
67F-11192-00	4 - 29
67F-11325-00	2 - 24
	4 - 8
67F-11327-00-94	2 - 25
	4 - 9
67F-11328-00	2 - 28
	4 - 12
67F-11351-01	2 - 34
	36 - 12
67F-11356-00	4 - 26
	36 - 16
67F-11411-00	3 - 1
67F-11416-10	3 - 4
67F-11416-10	3 - 4
67F-11416-20	3 - 4
67F-11417-00	3 - 5
67F-11417-10	3 - 5
67F-11417-20	3 - 5
67F-11417-30	3 - 5
67F-11418-00	3 - 6
67F-11418-10	3 - 6
67F-11418-20	3 - 6
67F-11536-00	5 - 23
67F-11537-00	5 - 14
67F-11590-00	5 - 18
67F-11595-00	5 - 21
67F-11603-01	3 - 9
67F-11604-01	3 - 9
67F-11640-00	3 - 7
67F-11640-10	3 - 7
67F-11654-00	3 - 8

PART NO. NO. PIECES	REF. NO.
67F-11656-00	3 - 10
67F-11656-10	3 - 10
67F-11656-20	3 - 10
67F-11656-30	3 - 10
68V-12111-00	5 - 1
67F-12114-00	5 - 4
67F-12116-00	5 - 3
67F-12117-00	5 - 5
67F-12118-00	5 - 6
68V-12121-00	5 - 2
67F-12138-60	12 - 24
67F-12153-00	5 - 9
67F-12168-A0	5 - 10
67F-12168-B0	5 - 10
67F-12168-C0	5 - 10
67F-12168-D0	5 - 10
67F-12168-E0	5 - 10
67F-12168-F0	5 - 10
67F-12168-G0	5 - 10
67F-12168-H0	5 - 10
67F-12168-J0	5 - 10
67F-12168-K0	5 - 10
67F-12168-L0	5 - 10
67F-12168-M0	5 - 10
67F-12168-N0	5 - 10
67F-12168-P0	5 - 10
67F-12168-R0	5 - 10
67F-12168-S0	5 - 10
67F-12168-T0	5 - 10
67F-12168-U0	5 - 10
67F-12168-V0	5 - 10
67F-12168-W0	5 - 10
67F-12168-X0	5 - 10
67F-12168-Y0	5 - 10
67F-12168-00	5 - 10
67F-12168-10	5 - 10
67F-12168-20	5 - 10
67F-12168-30	5 - 10
67F-12168-40	5 - 10
67F-12168-50	5 - 10
67F-12168-60	5 - 10
67F-12168-70	5 - 10
67F-12168-80	5 - 10
67F-12169-A0	5 - 10
67F-12169-B0	5 - 10
67F-12169-C0	5 - 10
67F-12169-D0	5 - 10
67F-12169-E0	5 - 10

PART NO. NO. PIECES	REF. NO.
67F-12169-F0	5 - 10
67F-12169-G0	5 - 10
67F-12169-H0	5 - 10
67F-12169-J0	5 - 10
67F-12169-K0	5 - 10
67F-12169-L0	5 - 10
67F-12169-M0	5 - 10
67F-12169-N0	5 - 10
67F-12169-00	5 - 10
67F-12169-10	5 - 10
67F-12169-20	5 - 10
67F-12169-30	5 - 10
67F-12169-40	5 - 10
67F-12169-50	5 - 10
67F-12169-60	5 - 10
67F-12169-70	5 - 10
67F-12169-80	5 - 10
67F-12171-00	5 - 11
67F-12181-00	5 - 12
67F-12411-00	4 - 31
68V-12413-00-1S	4 - 32
6G5-12416-00	2 - 18
67F-1243A-00	2 - 31
67F-12435-A0	2 - 22
	36 - 7
67F-1246A-00-1S	2 - 21
67F-12572-00	17 - 30
6R3-12581-00	17 - 32
6R3-12582-00	17 - 33
6R3-12583-00	17 - 34
67F-13119-01	28 - 18
68V-13131-00	10 - 19
67F-13183-00	8 - 2
67F-13300-03	28 - 14
67F-13314-01	28 - 15
67F-13329-00	28 - 17
67F-13338-00	28 - 21
67F-13411-00	28 - 9
67F-13415-00	28 - 13
	38 - 14
67F-13434-02	1 - 20
67F-13437-60	12 - 25
5GH-13440-00	2 - 39
67F-13473-01	28 - 16
67F-13631-02	28 - 19
67F-13641-00-94	6 - 6
67F-13645-00	6 - 12
	36 - 13

PART NO. NO. PIECES	REF. NO.
67F-13769-00	28 - 20
67F-1412A-00	8 - 1
	9 - 1
67F-14146-00	7 - 7
67F-14147-00	7 - 8
	37 - 2
663-14159-00	7 - 30
	37 - 9
67F-14178-00	7 - 37
676-14186-00	7 - 29
	37 - 8
67F-14189-00	8 - 11
67F-14216-00	6 - 2
67F-14239-00	6 - 3
	37 - 16
67F-14243-00	6 - 1
67F-14255-00	7 - 47
67F-14271-00	6 - 4
60C-14294-00	8 - 15
	9 - 7
60C-14298-00	8 - 16
	9 - 8
67F-14325-00	7 - 44
67F-14348-00	9 - 9
67F-14349-00	8 - 3
	9 - 3
67F-14349-10	8 - 4
67F-14349-20	8 - 5
	9 - 2
67F-14349-30	8 - 6
67F-14349-40	8 - 7
67F-14349-50	8 - 8
67F-14349-60	8 - 9
67F-14349-70	8 - 12
67F-14369-00	7 - 43
67F-14371-01	7 - 45
	37 - 17
67F-14378-00	7 - 35
67F-14380-01	7 - 36
67F-14397-00	7 - 21
	37 - 4
67F-14398-00	7 - 39
	37 - 13
67F-14398-10	7 - 41
	37 - 14
67F-14398-20	7 - 42
	37 - 15
67F-14398-30	7 - 46

PART NO. NO. PIECES	REF. NO.
67F-14398-30	37 - 19
67F-14440-00	6 - 19
63V-14523-00	7 - 18
6H4-14548-00	7 - 31
	37 - 10
67F-14555-00	7 - 16
697-14555-00	7 - 6
67F-14556-00	7 - 17
67F-14565-00	7 - 40
67F-14567-00	7 - 15
	7 - 48
6K7-14573-00	15 - 17
6H2-14578-00	7 - 22
67F-14585-00	8 - 10
	9 - 4
60C-14590-00	7 - 33
	37 - 11
67F-14592-00	7 - 38
67F-14711-00-5B	27 - 11
67F-14860-00	7 - 49
67F-14901-20	7 - 1
67G-14901-30	7 - 1
67G-14901-50	7 - 1
67F-14902-20	7 - 2
67G-14902-30	7 - 2
67G-14902-50	7 - 2
67F-14903-20	7 - 3
67F-14904-20	7 - 4
67G-14904-30	7 - 4
67G-14904-50	7 - 4
67F-14923-00	7 - 5
67F-14923-10	7 - 5
67F-1494F-04	7 - 12
67F-14943-32	7 - 14
67G-14943-29	7 - 14
67G-14943-80	7 - 14
67F-14947-10	7 - 13
67G-14947-10	7 - 13
67G-14948-05	7 - 12
676-14966-00	7 - 10
67F-14980-00	7 - 23
67F-14980-10	7 - 24
67F-14984-00	7 - 25
	37 - 5
6H4-14985-01	7 - 28
	37 - 7
6H3-14992-00	7 - 26
67F-14998-00	7 - 20

PART NO. NO. PIECES	REF. NO.
67F-15100-03-1S	2 - 2
67F-15142-00	2 - 12
67F-15311-00-5B	28 - 1
67F-15312-00	28 - 8
	38 - 13
67F-15316-00	28 - 2
68V-15362-00	28 - 26
6G8-15363-00	4 - 35
67F-15373-00	6 - 13
1UF-22434-00	25 - 41
67F-22435-00	25 - 22
67F-22471-01	25 - 36
68V-24149-00	10 - 26
6YK-24201-01	31 - 1
6YK-24201-10	31 - 1
6YK-24260-01	31 - 5
6YL-24268-01	31 - 2
6YK-24306-42	11 - 1
	31 - 8
67F-24312-00	17 - 35
67L-24329-00	31 - 7
68F-24356-00	8 - 14
	9 - 5
63D-24364-00	19 - 13
63D-24367-00	19 - 12
68V-24374-00	10 - 22
6R3-24377-00	10 - 2
688-24378-00	8 - 17
	9 - 10
68V-24410-00	10 - 16
68V-24411-00	10 - 21
68V-24412-00	10 - 17
68V-24413-00	10 - 23
68V-24414-00	10 - 24
68V-24423-00	10 - 20
68V-24444-00	10 - 25
68V-24454-00	10 - 18
68V-24469-01	10 - 9
67F-24491-00	10 - 34
68V-24495-00	10 - 31
68V-24521-01	10 - 6
60C-24560-00	10 - 5
61N-24563-00	10 - 7
68V-24566-00	10 - 11
67F-24575-00	10 - 30
6YK-24610-00	31 - 3
6YK-24610-10	31 - 3
6YL-24641-00	31 - 4

PART NO. NO. PIECES	REF. NO.
67G-26301-10	18 - 40
67F-28100-00	10 - 37
67F-2812A-00	14 - 23
6A1-28176-00	17 - 45
67F-41113-01-1S	2 - 13
67F-41114-A0	2 - 14
	36 - 9
67F-41131-00-5B	27 - 7
67F-41133-A0	27 - 8
	38 - 16
67F-41134-A0	27 - 17
	38 - 17
67F-41137-01-94	27 - 3
67F-41138-00	27 - 19
	38 - 18
67F-41213-01	21 - 41
67F-41237-00	21 - 38
682-41237-00	21 - 39
67F-41661-00-94	21 - 35
67G-42111-00-4D	18 - 2
67G-42115-10	18 - 18
664-42119-00	18 - 3
67G-42121-00-4D	18 - 56
63D-42126-00	18 - 11
67G-42131-00	18 - 50
6H2-42137-00	18 - 5
650-42152-00-94	18 - 19
67G-42153-00	18 - 25
67F-42154-00-94	21 - 26
67G-42159-00	18 - 21
6G1-42177-00	18 - 4
67G-42508-00	20 - 1
67F-42510-10-4D	23 - 8
67G-42526-00	20 - 11
63D-42527-00	20 - 6
63D-42528-00	20 - 17
67G-42541-00	20 - 4
67G-42541-10	20 - 7
624-42542-00	13 - 3
67G-42546-00	20 - 5
67G-42561-00	20 - 15
67G-42562-00	20 - 16
67F-42610-10-4D	1 - 1
67G-42610-10-4D	1 - 1
67F-42613-00-4D	1 - 10
67F-42615-00	1 - 13
61N-42628-00	1 - 12
67F-42628-00	1 - 19

PART NO. NO. PIECES	REF. NO.
67F-42647-00	1 - 2
67F-42649-00	1 - 8
67F-42652-00	1 - 5
67F-42662-00	1 - 9
67F-42677-10	1 - 14
67G-42677-10	1 - 14
67F-42678-10	1 - 15
67G-42678-10	1 - 15
67F-42681-10	1 - 17
67F-42682-10	1 - 18
67F-42710-00-4D	17 - 1
648-42715-00	21 - 23
61A-42716-00	17 - 37
67F-42717-00	17 - 25
67F-42724-00	27 - 2
63D-42725-00	18 - 55
67G-42725-00	19 - 31
68V-42725-00	17 - 19
6H1-42726-20	17 - 22
6G1-42727-00	27 - 6
67G-42735-00	19 - 3
67F-42738-00-5B	17 - 17
67F-42741-00-4D	17 - 38
6H4-42748-00	17 - 24
67F-42756-00	17 - 20
67F-42761-00-94	2 - 35
67F-42815-00-4D	17 - 5
67F-42816-00-4D	17 - 6
67F-42818-00	17 - 9
67F-42828-00-5B	17 - 7
67F-43111-00-4D	22 - 1
67F-43112-00-4D	22 - 4
67F-43126-00	22 - 28
64E-43131-01	22 - 12
64E-43139-02	23 - 4
64D-43144-00	17 - 14
66T-43144-00	22 - 22
6E5-43145-01	32 - 8
67F-43181-00	22 - 18
67F-43311-10-4D	22 - 7
682-43318-01	20 - 8
67F-43631-00	22 - 20
67F-4380F-00	26 - 7
67F-4380K-00	25 - 3
67F-4380R-00	25 - 8
67F-43800-03-4D	25 - 1
67F-43802-00	25 - 49
67F-43804-00	26 - 3

NUMERICAL INDEX
INDEX NUMERIQUE

PART NO. NO. PIECES	REF. NO.
67F-43805-00	26 - 2
67F-43808-00	25 - 63
67F-4381B-00	25 - 38
67F-4381J-00	25 - 35
67F-43810-01	25 - 4
6H1-43812-00	25 - 13
6H1-43816-00	25 - 60
67F-43816-00	25 - 29
65W-43817-00	25 - 83
67F-43817-00	25 - 52
67F-43818-00	22 - 32
67F-4382F-00	25 - 50
67F-4382G-00	25 - 64
67F-43821-00	25 - 5
67F-43825-03	25 - 58
6H1-43829-00	25 - 44
67F-43830-00	25 - 78
6H1-43831-10	25 - 48
6H1-4384F-10	25 - 79
62X-4384H-00	25 - 40
67F-43840-02	25 - 2
62X-43841-00	25 - 56
67F-43843-00	25 - 89
6H1-43844-10	25 - 80
61A-43845-00	25 - 70
61A-43847-00	25 - 75
61A-43848-00	25 - 68
67F-4385A-01	25 - 11
67F-4385H-00	25 - 84
67F-43850-00	25 - 85
67F-43851-00	25 - 61
65W-43853-00	25 - 19
61A-43854-00	25 - 69
6H1-43856-10	25 - 81
	25 - 87
67F-43857-00	25 - 34
6T4-4386A-00	25 - 33
65W-4386A-00	25 - 17
67F-4386A-00	25 - 90
688-4386F-00	25 - 18
67F-4386K-00	26 - 6
61A-43860-20	25 - 67
65W-43861-00	25 - 82
67F-43861-00	25 - 14
62X-43862-00	25 - 15
65W-43862-00	25 - 76
67F-43862-00	25 - 30
67F-43863-00	25 - 27

G2

PART NO. NO. PIECES	REF. NO.
688-44316-A0	38 - 28
67F-44322-00	29 - 24
	38 - 23
67F-44323-00	29 - 28
	38 - 26
688-44324-A0	29 - 29
	38 - 4
	38 - 27
	38 - 29
688-44341-01-94	29 - 30
67F-44352-00	29 - 25
	38 - 24
67F-44361-10	30 - 2
67F-44365-00	30 - 3
663-44366-00	29 - 21
663-44367-00	30 - 1
6H3-44391-01	17 - 23
67F-44514-00-94	23 - 16
6H1-44526-00	22 - 39
67F-44526-00	23 - 19
67F-44533-00	23 - 22
68F-44533-00	2 - 38
67F-44551-00-4D	23 - 14
67F-44553-00-4D	23 - 33
67F-44555-00-94	23 - 24
67F-44575-00	23 - 32
67F-45111-10-4D	27 - 22
67F-45113-00	27 - 31
	38 - 21
67F-45123-00	27 - 21
	38 - 20
67F-45127-00	27 - 20
	38 - 19
67F-45151-00	27 - 27
67F-45155-00	27 - 30
67F-45180-00-4D	24 - 1
67F-45181-00-5B	27 - 18
6H1-45214-00	30 - 9
6H1-45215-00	30 - 10
6H1-45251-03	22 - 37
67F-45300-10-4D	29 - 1
67F-45301-00-4D	29 - 2
67F-45318-00	27 - 25
688-45321-00	29 - 34
67F-45331-00-94	29 - 60
688-45341-10	29 - 4
67F-45371-00	30 - 13
688-45375-00	30 - 17
663-45376-00-94	30 - 18

PART NO. NO. PIECES	REF. NO.
6E5-45378-00	29 - 6
688-45383-02	29 - 66
688-45384-00	29 - 67
67F-45501-10	29 - 10
688-45536-01	29 - 14
67F-45551-00	29 - 11
67F-45560-00	29 - 52
688-45567-01-10	29 - 55
688-45567-01-12	29 - 55
688-45567-01-15	29 - 55
688-45567-01-18	29 - 55
688-45567-01-30	29 - 55
688-45567-01-40	29 - 55
688-45567-01-50	29 - 55
67F-45571-00	29 - 56
67F-45576-00	29 - 64
688-45587-01-10	29 - 16
688-45587-01-12	29 - 16
688-45587-01-15	29 - 16
688-45587-01-18	29 - 16
688-45587-01-30	29 - 16
688-45587-01-40	29 - 16
688-45587-01-50	29 - 16
67F-45611-00	29 - 59
67F-45631-00	29 - 49
688-45633-00	29 - 51
67F-45634-00	29 - 43
6H1-45635-00	29 - 45
6H1-45668-00	29 - 44
688-45930-02-98	30 - 24
688-45932-60-98	30 - 24
6E5-45941-00-EL	30 - 24
6E5-45943-00-EL	30 - 24
6E5-45945-01-EL	30 - 24
6E5-45947-00-EL	30 - 24
6E5-45949-00-EL	30 - 24
6E5-45952-00-EL	30 - 24
6E5-45954-00-EL	30 - 24
6E5-45956-00-EL	30 - 24
688-45970-03-98	30 - 24
688-45972-02-98	30 - 24
688-45974-02-98	30 - 24
688-45976-01-98	30 - 24
688-45978-60-98	30 - 24
688-45987-01	30 - 19
67F-45997-00	30 - 20
67F-46241-00	5 - 17
63D-48119-00	18 - 24

PART NO. NO. PIECES	REF. NO.
703-48152-00	34 - 57
703-48153-00	34 - 3
63D-48154-00	18 - 12
703-48189-00	34 - 17
703-48198-00	34 - 14
703-48205-17	33 - 1
	34 - 1
703-48211-01	34 - 61
703-48212-00	34 - 58
703-48213-00	34 - 59
703-48215-00	34 - 43
703-48219-00	34 - 30
703-48221-00	34 - 56
703-48222-00	34 - 27
703-48223-00	34 - 28
703-48225-00	34 - 29
703-48226-00	34 - 26
703-48227-00	34 - 24
703-48232-00	34 - 62
703-48234-00	34 - 18
703-48235-00	34 - 4
63D-48236-00	18 - 23
703-48236-00	34 - 16
63D-48237-00	18 - 27
63D-48238-00	18 - 29
703-48238-00	34 - 22
703-48243-00	34 - 15
703-48244-00	34 - 21
703-48245-00	34 - 11
703-48246-00	34 - 23
701-48248-00	34 - 13
703-48252-00	34 - 12
67G-48261-00	18 - 17
703-48261-01	34 - 2
703-48264-00	34 - 6
703-48265-00	34 - 9
703-48268-00	34 - 5
703-48271-00	34 - 60
703-48281-00	34 - 31
703-48282-00	34 - 32
703-48284-00	34 - 52
701-48287-00	34 - 42
703-48291-10	34 - 39
703-48293-10	34 - 41
701-48320-40	33 - 2
701-48320-50	33 - 2
701-48320-60	33 - 2
701-48320-80	33 - 2

NUMERICAL INDEX
INDEX NUMERIQUE

PART NO. NO. PIECES	REF. NO.
67F-81942-00	14 - 22
67F-81948-00	14 - 19
6E5-8195B-01	14 - 7
6E5-8195C-01	14 - 10
6G1-81952-00	14 - 6
67F-81953-00	14 - 16
67F-81960-10	13 - 23
67F-82105-00	14 - 2
67F-82116-00	14 - 15
6Y5-82117-00	35 - 17
6G5-82119-00	14 - 14
682-82119-01	14 - 1
703-82119-00	13 - 30
67F-82127-00	22 - 11
6E5-82148-00	22 - 5
67F-82148-00	22 - 25
1E6-82151-00	35 - 16
67F-82151-00	14 - 25
67F-82151-10	14 - 26
67F-82181-00	26 - 5
68V-82317-00	13 - 2
67F-82341-00	13 - 15
67F-82342-00	13 - 16
67F-82343-00	13 - 19
67F-82344-00	13 - 20
67F-82361-00	13 - 17
	13 - 21
67F-82362-00	13 - 18
	13 - 22
67F-82377-00	17 - 44
68V-82504-00	15 - 25
67G-82510-30	19 - 9
703-82510-43	34 - 44
63D-8252E-01-4D	19 - 10
63D-8252F-01-4D	19 - 11
703-82531-00	34 - 46
688-82540-11	19 - 4
703-82540-00	34 - 50
68F-82553-80	35 - 18
67G-82554-01	19 - 5
62Y-82555-00	19 - 6
682-82556-00	19 - 21
	34 - 48
	15 - 26
63D-82563-10	19 - 23
67G-82563-00	19 - 23
703-82563-02	34 - 55
6E3-8257H-00	17 - 46
689-8257Y-00	19 - 22

PART NO. NO. PIECES	REF. NO.
63D-82575-00	19 - 20
688-82575-01	34 - 47
703-82577-00	34 - 45
688-8258A-20	34 - 49
63D-82586-00	19 - 30
6E5-82587-00	15 - 27
6E5-82588-00	17 - 26
67F-82588-00	14 - 30
67F-82590-02	14 - 24
703-82591-00	34 - 53
703-82592-00	34 - 54
703-82594-00	34 - 25
688-83383-11	19 - 32
703-83383-02	34 - 51
6H5-83386-00	19 - 33
6Y5-8350T-01	35 - 1
6Y5-83500-S5	35 - 6
6Y5-83533-T2	35 - 10
6H5-83553-11	19 - 29
6Y5-83553-M0	35 - 15
6K3-83557-00	19 - 2
6Y5-83557-10	35 - 19
6Y5-83557-31	35 - 11
6E5-83558-00	30 - 16
6E5-83558-10	29 - 8
6Y5-83570-S5	35 - 7
67F-83614-00	15 - 28
6A1-83625-41	12 - 26
6A1-83625-51	12 - 27
67F-83626-00	14 - 36
67F-83635-00	15 - 18
64E-83672-02	23 - 1
6Y5-83728-00	35 - 12
63D-83728-00	19 - 26
67F-85510-01	12 - 4
663-85518-00	21 - 27
67F-85540-01	13 - 1
689-85547-00	10 - 1
67F-85550-00	12 - 1
67F-85560-01	12 - 2
67F-85570-00	13 - 5
67F-85580-00	12 - 3
68V-85753-00	15 - 6
	36 - 8
67F-85757-00	15 - 5
67F-85790-00	15 - 4
61A-85885-00	15 - 12
6Y5-87122-S0	35 - 14

PART NO. NO. PIECES	REF. NO.
66T-87149-00	14 - 13
9E450-04433	35 - 2
9E450-04533	35 - 3
90101-09M01	32 - 7
90101-12M03	22 - 43
90101-12M09	18 - 57
90105-10M67	30 - 14
90105-10M89	4 - 19
90109-06M80	17 - 41
90109-06M81	17 - 27
90109-06M82	17 - 8
	17 - 31
90109-06M86	15 - 29
	17 - 15
	17 - 21
	17 - 25
	21 - 2
90109-06M96	17 - 18
90109-12M37	23 - 18
90109-12M97	23 - 26
90110-12M00	24 - 4
90116-10175	23 - 37
90119-06MA2	2 - 23
90119-06MA4	2 - 15
90119-06M59	13 - 4
90119-06M81	22 - 38
90119-06M82	6 - 20
90119-06M83	10 - 29
90119-06M92	12 - 23
90119-07234	4 - 7
90119-07235	4 - 5
	10 - 35
90119-08M13	29 - 20
	38 - 31
90119-08M22	17 - 2
90119-08M58	27 - 1
90119-08M59	6 - 22
90119-08M66	2 - 5
90119-08M74	20 - 2
90119-08M84	30 - 8
90119-08M87	29 - 19
	38 - 30
90119-08M91	4 - 20
90119-10M06	5 - 15
90119-10M08	27 - 23
90119-10M72	5 - 22
90119-10M88	2 - 4
90149-05M13	18 - 7

PART NO. NO. PIECES	REF. NO.
90151-05M00	30 - 11
90157-05M16	31 - 6
90159-06M18	18 - 47
90159-06M28	17 - 40
90159-06M29	4 - 30
	14 - 35
90170-06M30	14 - 4
	14 - 8
	14 - 11
90170-09M03	32 - 4
90170-16M01	29 - 12
90170-24M22	12 - 16
90170-40003	5 - 24
90171-16011	30 - 22
90179-06M24	1 - 11
90183-02M03	29 - 48
90185-05002	30 - 12
90185-08057	20 - 14
90185-09M01	32 - 3
90185-10M14	20 - 9
90185-10051	23 - 38
90185-12M12	18 - 63
90185-22M11	22 - 15
90201-03313	29 - 47
90201-05M03	15 - 21
90201-06M31	21 - 46
90201-06068	17 - 12
	21 - 29
90201-08M01	20 - 3
90201-08M12	10 - 33
90201-09M02	21 - 16
90201-10M02	21 - 45
90201-10M20	32 - 2
90201-10M63	32 - 6
90201-10M76	20 - 10
90201-12M01	24 - 2
90201-12M05	22 - 45
90201-12M16	23 - 20
	23 - 27
	24 - 5
90201-13M01	22 - 44
	23 - 21
90201-13M03	23 - 25
90201-13M19	23 - 30
90201-24M02	23 - 28
90201-25M02	12 - 15
90201-25M05	29 - 58
90201-26M59	22 - 14

PART NO. NO. PIECES	REF. NO.
90201-30M00	23 - 9
90202-07M07	21 - 9
90202-25M04	23 - 29
90204-06M00	14 - 5
	14 - 9
	14 - 12
90206-10M04	21 - 47
90206-12M00	21 - 30
90206-12M22	18 - 59
90206-15M18	17 - 11
90250-07M02	29 - 50
90269-02M09	18 - 6
90280-04M04	29 - 26
	38 - 32
90280-04008	5 - 25
90280-05015	12 - 14
90282-04010	29 - 65
90340-08002	29 - 3
90340-14M06	2 - 6
	28 - 3
90344-51019	4 - 4
90386-06M12	21 - 12
90386-08032	18 - 10
90386-10M16	22 - 19
90386-12M93	18 - 61
90386-12069	21 - 32
90386-15M73	17 - 10
90386-18MA0	22 - 34
90386-18M35	22 - 29
90386-18M63	22 - 30
90386-25M31	22 - 13
90386-26MA3	18 - 49
90386-30M60	23 - 13
90386-30M77	23 - 12
90386-30M78	23 - 10
90386-90M90	21 - 15
90387-05M00	15 - 19
90387-06M43	17 - 43
90387-06M64	28 - 12
90387-06M71	12 - 21
90387-06M82	21 - 43
90387-08M37	17 - 4
90387-10M08	4 - 18
90387-10M42	32 - 5
90387-12M02	18 - 60
90387-18M01	22 - 33
90387-22M01	22 - 35
90389-25M00	30 - 21

PART NO. NO. PIECES	REF. NO.
90401-20145	2 - 40
90430-06014	6 - 8
90430-08020	29 - 5
	38 - 2
90430-08143	4 - 16
	36 - 2
90430-14M09	28 - 4
	38 - 12
90430-14115	2 - 7
	36 - 6
90445-07ME0	30 - 15
90445-07M31	29 - 7
90445-10MG6	8 - 19
	9 - 12
90445-10MG7	8 - 20
	9 - 13
90445-10M16	8 - 18
	9 - 11
90445-10M40	2 - 16
90445-13M11	10 - 15
90445-13M27	10 - 4
90445-15M03	5 - 20
90445-16M07	8 - 21
	9 - 14
90446-24M79	19 - 1
90464-09M47	15 - 15
	15 - 30
90464-10M57	8 - 22
	9 - 15
90465-06M86	13 - 12
	15 - 9
90465-08M23	17 - 28
90465-08M63	22 - 9
	23 - 3
90465-08M83	8 - 23
	9 - 16
90465-10M77	22 - 2
90465-11M10	2 - 17
	2 - 32
	6 - 14
	10 - 3
	10 - 10
	10 - 27
	15 - 11
	15 - 16
	17 - 36
	23 - 6
	23 - 7

PART NO. NO. PIECES	REF. NO.
90465-11M10	29 - 9
	35 - 13
	35 - 20
90465-11M59	8 - 13
	9 - 6
90465-12M03	6 - 16
90465-13M11	14 - 33
90465-13M24	19 - 27
90465-13M30	19 - 28
90467-20M15	2 - 33
	6 - 15
90468-10005	18 - 39
	18 - 44
90468-18008	21 - 4
	21 - 10
	21 - 13
	21 - 25
90480-10M23	15 - 20
90480-12072	2 - 11
	4 - 25
90480-13M24	17 - 42
90480-15M31	12 - 22
90480-19M06	29 - 22
90480-20M05	2 - 20
90480-22M15	17 - 3
90501-10326	7 - 19
90501-12M48	29 - 46
90501-12082	21 - 22
90501-16M11	2 - 19
90501-23215	18 - 9
90506-14M24	22 - 24
90506-16M34	17 - 16
90506-16M39	5 - 19
91318-06020	25 - 47
91318-06035	25 - 46
91490-20010	18 - 14
91490-20015	21 - 17
91490-40025	30 - 23
91609-25014	10 - 32
91690-30018	21 - 28
91690-30020	22 - 21
91690-30025	18 - 20
91690-50014	6 - 11
91809-08006	4 - 6
	10 - 36
92903-08100	16 - 32
92903-08600	16 - 28
	16 - 30

PART NO. NO. PIECES	REF. NO.
92903-10600	18 - 8
92907-04600	4 - 24
92907-06600	28 - 11
92990-04100	35 - 4
	35 - 8
92990-06100	1 - 3
92990-06600	27 - 29
92990-08600	34 - 34
92990-12200	18 - 58
92990-12600	18 - 62
	21 - 31
92995-05100	15 - 23
92995-05600	15 - 14
	15 - 24
92995-06100	12 - 12
	13 - 7
	13 - 10
	13 - 25
	13 - 28
	14 - 28
	22 - 41
92995-06600	1 - 7
	2 - 10
	2 - 27
	2 - 37
	4 - 11
	4 - 28
	4 - 34
	6 - 18
	8 - 25
	9 - 18
	10 - 14
	12 - 13
	12 - 19
	13 - 8
	13 - 11
	13 - 14
	13 - 26
	13 - 29
	14 - 18
	14 - 21
	14 - 29
	14 - 32
	15 - 3
	15 - 8
	18 - 33
	18 - 35
	18 - 52

PART NO. NO. PIECES	REF. NO.
92995-06600	18 - 54
	19 - 8
	19 - 15
	19 - 17
	19 - 19
	19 - 25
	21 - 7
	21 - 20
	21 - 34
	21 - 37
	22 - 27
	22 - 42
	27 - 10
	27 - 13
	27 - 15
	28 - 6
	28 - 23
	29 - 37
92995-08100	22 - 17
	27 - 33
92995-08600	2 - 30
	4 - 14
	6 - 10
	18 - 31
	20 - 13
92995-10100	23 - 35
	30 - 6
92995-10600	30 - 7
93101-25M03	29 - 31
	29 - 62
	38 - 5
93101-48002	3 - 3
	36 - 11
93102-38M59	5 - 16
	36 - 5
93102-48009	3 - 2
	36 - 10
93106-09014	29 - 35
	38 - 8
93210-04228	7 - 34
	37 - 12
93210-04230	7 - 27
	37 - 6
93210-06100	25 - 72
93210-064A5	25 - 65
93210-07003	25 - 62
	29 - 40
	38 - 10

PART NO. NO. PIECES	REF. NO.
93210-09165	25 - 45
93210-10M74	25 - 53
93210-11368	25 - 77
93210-16275	32 - 9
93210-18397	25 - 7
	25 - 10
	25 - 74
93210-19MJ1	28 - 25
	38 - 15
93210-24M79	4 - 36
	36 - 3
93210-29M94	23 - 11
93210-29375	25 - 23
93210-30682	10 - 28
	36 - 15
93210-32738	10 - 8
93210-40M10	6 - 5
	37 - 18
93210-41MJ2	6 - 21
	36 - 14
93210-46044	29 - 32
	38 - 6
	38 - 29
93210-49046	29 - 38
	38 - 9
93210-86M39	29 - 63
	38 - 11
93306-207U0	29 - 57
93315-325W4	29 - 13
93317-322V0	29 - 53
93317-325U0	29 - 61
93332-000UD	29 - 54
93332-000U3	29 - 15
93410-18M05	22 - 31
	22 - 36
93410-28M06	23 - 15
93420-36M01	27 - 26
93430-06024	34 - 10
93501-04M02	21 - 21
93501-08001	25 - 12
	25 - 16
	25 - 26
	25 - 86
93503-16003	25 - 25
	29 - 42
93505-32038	25 - 66
93602-07244	25 - 21
93604-10M03	29 - 18

PART NO. NO. PIECES	REF. NO.
93604-12M07	28 - 24
93605-10108	5 - 13
93606-12019	2 - 3
	28 - 7
	30 - 4
93606-19M23	27 - 16
93608-16M16	27 - 5
	27 - 24
	22 - 8
93700-06M03	4 - 37
94702-00391	16 - 31
95333-08600	35 - 5
95380-04600	35 - 9
95380-05600	21 - 40
	34 - 7
95380-06600	1 - 4
	17 - 39
	18 - 13
	34 - 40
	10 - 12
95380-08600	22 - 46
95380-12600	23 - 31
95380-12700	24 - 3
95780-12300	23 - 23
	24 - 6
97013-08016	16 - 29
97013-08045	16 - 27
97027-06025	28 - 10
97075-06020	2 - 26
	4 - 10
97075-06025	21 - 19
	28 - 5
97075-06030	27 - 12
97075-06050	27 - 14
97075-06070	27 - 9
97075-08025	2 - 29
	4 - 13
97075-08035	6 - 9
97075-10040	23 - 34
	30 - 5
97095-06010	6 - 7
	15 - 10
	22 - 3
	22 - 10
	22 - 23
	22 - 26
97095-06012	1 - 6
	6 - 17

PART NO. NO. PIECES	REF. NO.
97095-06012	8 - 24
	9 - 17
	13 - 13
	14 - 31
	21 - 33
97095-06014	18 - 34
	18 - 38
	18 - 42
	19 - 7
97095-06016	10 - 13
	14 - 17
	14 - 20
	15 - 2
	15 - 7
	17 - 13
	22 - 40
	29 - 36
97095-06020	2 - 9
	13 - 9
	13 - 27
	14 - 27
	19 - 16
97095-06025	2 - 36
	4 - 33
	13 - 24
	19 - 14
	21 - 36
97095-06030	4 - 27
	12 - 11
	13 - 6
	18 - 32
	19 - 18
97095-06035	21 - 44
97095-06040	21 - 6
97095-06045	28 - 22
97095-08014	4 - 15
97095-08016	27 - 32
97095-08020	22 - 16
97095-08025	20 - 12
97095-08040	18 - 30
97380-05025	34 - 8
97380-08030	34 - 33
97575-08445	23 - 17
97575-08540	27 - 4
97607-04110	12 - 6
97780-40512	29 - 23
97780-60525	23 - 5
97803-04010	7 - 9

PART NO. NO. PIECES	REF. NO.	PART NO. NO. PIECES	REF. NO.
97880-06012	22 - 6		
97880-06016	27 - 28		
97885-05010	15 - 13		
97885-05025	15 - 22		
97885-06010	12 - 18		
97885-06016	18 - 53		
	19 - 24		
	23 - 2		
97885-06040	18 - 51		
97980-04114	7 - 11		
	37 - 3		
98507-04008	4 - 23		
98580-03015	34 - 38		
98580-04006	34 - 36		
98580-04008	7 - 32		
98580-04010	34 - 35		
98580-05010	34 - 37		
98785-05014	18 - 28		
99001-08600	29 - 41		
99530-08012	12 - 10		

PART NO. NO. PIECES	REF. NO.

F80A/F100A
PARTS CATALOGUE
E2001 by Yamaha Motor Co., Ltd.
1st Edition, Oct. 2001
All rights reserved.
Any reprinting or unauthorized use
without the written permission of
Yamaha Motor Co., Ltd.
is expressly prohibited.

F80A/F100A
CATALOGUE DE PIECES DETACHEES
E2001 Yamaha Motor Co., Ltd.
1ère Edition, Oct. 2001
Tous droits réservés.
Toute réimpression ou utilisation
sans la permission écrite de la
Yamaha Motor Co., Ltd.
est formellement interdite.