

**PARTS  
CATALOGUE  
CATALOGUE  
DE PIECES DETACHEES**

**F6A'02(68R1)**

**F6B'02(69F1)**

**F8C'02(68T1)**

**YAMAHA**  
**GENUINE**  
Parts & Accessories

2A68R-300F1

# FOREWORD

This Parts Catalogue is related to the parts for the model(s) in the below frame. When you are ordering replacement parts, please refer to this Parts Catalogue and quote both part numbers and part names correctly.

F6A'02(68R1), F6B'02(69F1), F8C'02(68T1)

## 5. Quantity Column Information

NAME for Q'TY COLUMN	APPLICABLE MODEL
F6MH	F6AMH
F8MH	F8CMH
SAV	F6AMH, F6BMH, F8CMH

## 6. Applicable Starting Serial No. and Color Code

### 1) Engine Starting Serial No.

F6AMH	68R S : 002905 68R L : 301764	F8CMH	68T S : 003198 68T L : 302384
F6BMH	68R S : 200848 68R L : 500276		

- Modifications or additions which have been made after issue of the Parts Catalogue will be announced in the Yamaha Parts News. It is advisable that you make necessary corrections to the Parts Catalogue according to the Yamaha Parts News.

### 2. Abbreviations

The Following abbreviations are used in this Parts Catalogue.

“UR” Use specified parts number.

“UN” Use as many as needed.

“AP” Alternate Parts

“LM” Local Made

(Parts need to be ordered locally)

“O/S” Over Size

- Parts, which are to be supplied in an assembly, are listed with a dot(.) in front of the part name as shown below.

#### EXAMPLE

CARBURETOR ASSY

.JET, PILOT

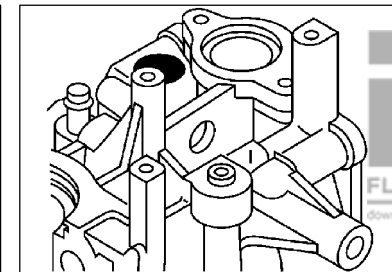
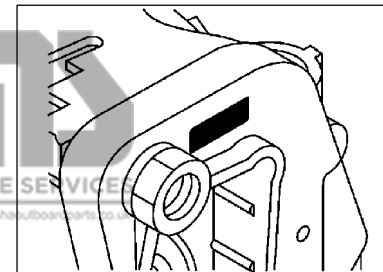
.NOZZLE, MAIN

- Number of component for assembly

The numeral appearing to the right of each component part indicates the quantity of parts for each assembly unit.

#### EXAMPLE

PART NO.	DESCRIPTION	1	2	3	4	REMARKS
6E0-85500-70	C.D.I. MAGNETO ASSY	1				
6E0-85550-70	.ROTOR ASSY	1				
6E0-15723-00-94.	.PULLY, STARTER	1				



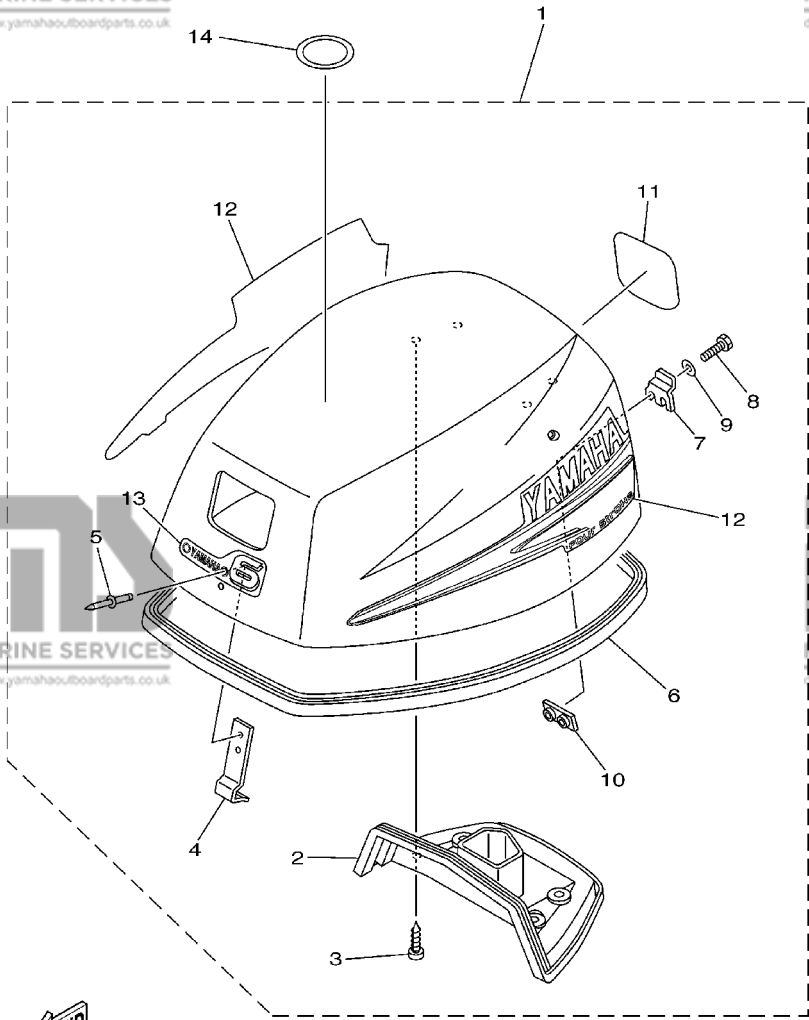
### 2) Color Code

Color Code	Color Name	Abbreviation
004D	DARK BLUISH GRAY METALLIC 2	DBNM2

- Note that the illustrations for reference in finding parts numbers, not to be used for assembling. When assembling, please use the applicable service manual.
- The asterisk (\*) before a reference number indicates modification items after the first edition.

# CONTENTS

TOP COWLING .....	A4
CYLINDER. CRANKCASE 1 .....	A5
CRANKSHAFT. PISTON .....	A6
CYLINDER. CRANKCASE 2 .....	A7
VALVE .....	B1
INTAKE .....	B2
CARBURETOR .....	B3
OIL PUMP .....	B4
FUEL .....	B5
STARTER .....	B7
GENERATOR .....	C2
ELECTRICAL 1 .....	C3
ELECTRICAL 2 .....	C5
BOTTOM COWLING .....	C6
STEERING .....	D1
CONTROL .....	D3
BRACKET 1 .....	D5
BRACKET 2 .....	D7
UPPER CASING .....	E1
OIL PAN .....	E2
LOWER CASING. DRIVE 1 .....	E3
LOWER CASING. DRIVE 2 .....	E6
FUEL TANK 1 .....	E7
FUEL TANK 2 .....	F1
OPTIONAL PARTS .....	F2
REPAIR KIT 1 .....	F4
REPAIR KIT 2 .....	F5
REPAIR KIT 3 .....	F6
<b>INDEX</b>	
NUMERICAL INDEX .....	F7



68R1010-2010

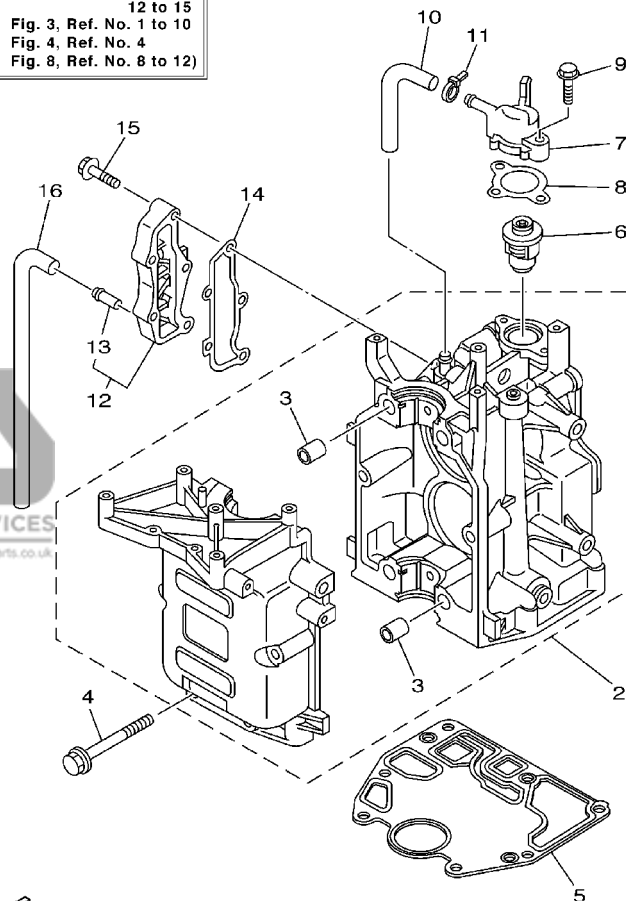
**FIG. 1 TOP COWLING**

**CAPOT SUPERIEUR**

REF. NO.	PART NO. NO. PIECES	DESCRIPTION DESCRIPTION	F6MH	F8MH	SAV	REMARKS REMARQUES
1	68R-42610-60-4D	TOP COWLING ASSY CAPOT (ENS.)	1		1	F6A,F6B
	68T-42610-60-4D	TOP COWLING ASSY CAPOT (ENS.)		1	1	F8C
2	68T-42613-00	.MOLDING, AIR DUCT .MANCHON A AIR	1	1	1	
3	97780-60516	.SCREW, TAPPING .VIS, TETE FRAISEE	4	4	4	
4	6G1-42651-02	.HOOK .CROCHET	1	1	1	
5	90266-04M04	.RIVET .RIVET	2	2	2	
6	68T-42615-00	.SEAL .JOINT	1	1	1	
7	68T-42652-00	.HOOK .CROCHET	1	1	1	
8	97095-05016	.BOLT .BOULON	2	2	2	
9	92995-05600	.WASHER .RONDELLE	2	2	2	
10	68T-42649-00	.HOLDER, CLAMP BAND .SUPPORT, SANDOW DE SERRAGE	1	1	1	
11	68R-42678-20	.GRAPHIC, REAR .ADHESIF, ARRIERE	1		1	F6A,F6B
	68T-42678-20	.GRAPHIC, REAR .ADHESIF, ARRIERE		1	1	F8C
12	68T-W0070-60	.GRAPHIC SET .JEU DIEMBLEMES	1	1	1	
13	68R-42677-00	.GRAPHIC, FRONT .ADHESIF, AVANT	1		1	F6A,F6B
	68T-42677-00	.GRAPHIC, FRONT .ADHESIF, AVANT		1	1	F8C
14	67F-13434-02	LABEL, CAUTION ETIQUETTE, ATTENTION	1	1	1	

**1**

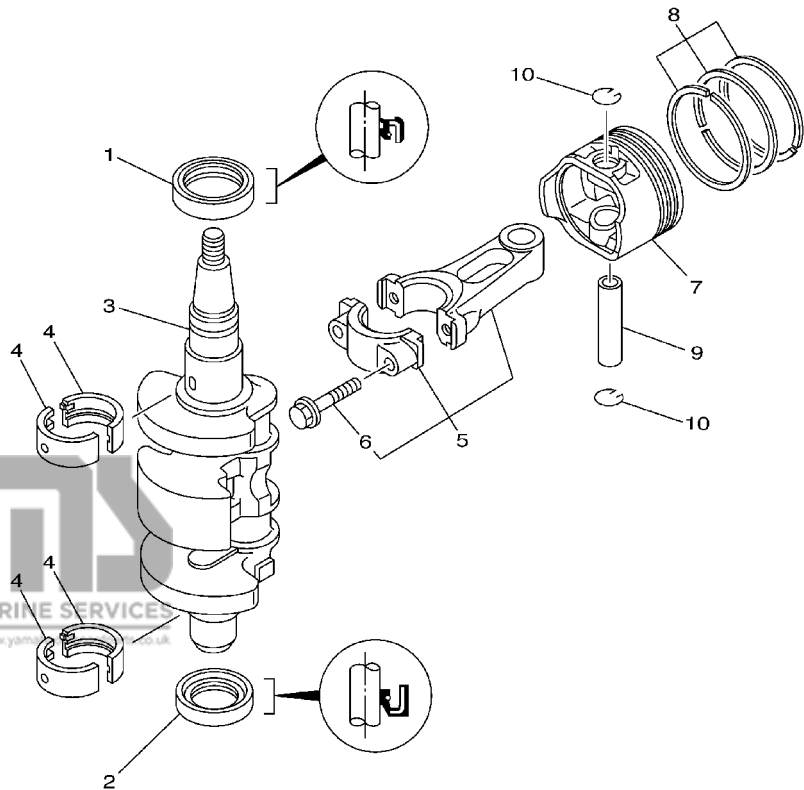
**CYLINDER BLOCK ASSY**  
(Fig. 2, Ref. No. 2 to 9, 12 to 15  
Fig. 3, Ref. No. 1 to 10  
Fig. 4, Ref. No. 4  
Fig. 8, Ref. No. 8 to 12)



68R1300-2020

**FIG. 2 CYLINDER. CRANKCASE 1      CYLINDRE. CARTER 1**

REF. NO.	PART NO. NO. PIECES	DESCRIPTION DESCRIPTION	F6MH	F8MH	SAV	REMARKS REMARQUES
1	68T-W009B-00-1S	CYLINDER BLOCK ASSY CYLINDRE GROUPE (ENS.)	1	1	1	
2	68T-15100-00-1S	CRANKCASE ASSY CARTER DE MOTEUR COMPLET	1	1	1	
3	99530-12016	.PIN, DOWEL .GOUJON, D'ASSEMBLAGE	4	4	4	
4	90119-08M29	BOLT, WITH WASHER BOULON, AVEC RONDELLE	6	6	6	
5	68T-11351-00	GASKET, CYLINDER JOINT, D'EMBASE	1	1	1	
6	66M-12411-00	THERMOSTAT THERMOSTAT	1	1	1	
7	68T-12413-00-1S	COVER, THERMOSTAT COUVERCLE, THERMOSTAT	1	1	1	
8	6G8-12414-A0	GASKET, COVER JOINT, COUVERCLE	1	1	1	
9	90119-06MA2	BOLT, WITH WASHER BOULON, AVEC RONDELLE	2	2	2	
10	68T-12481-00	PIPE 1 DURITE 1	1	1	1	
11	90465-11M10	CLAMP BRIDE	1	1	1	
12	68T-41113-00-1S	OUTER COVER, EXHAUST COUVERCLE, ECHAPPEMENT	1	1	1	
13	6E9-24378-00	.PIPE, JOINT 4 .DURITE RACCORDEMENT 4	1	1	1	
14	68T-41114-A0	GASKET, EXHAUST OUTER COVER JOINT, COUVERCLE D'ECHAPPEMENT	1	1	1	
15	90119-06MA3	BOLT, WITH WASHER BOULON, AVEC RONDELLE	5	5	5	
16	68T-12482-00	PIPE 2 DURITE 2	1	1	1	



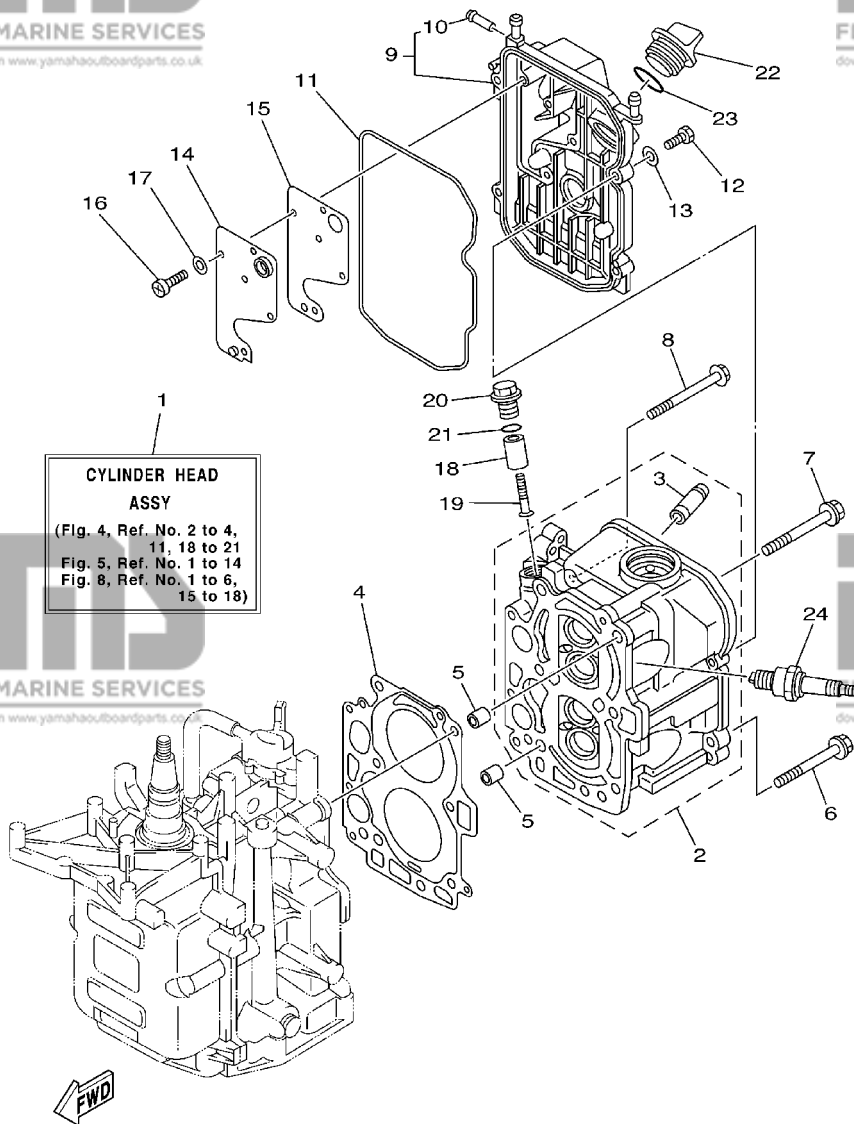
68R0010-0031

**FIG. 3 CRANKSHAFT. PISTON**

**VILEBREQUIN. PISTON**

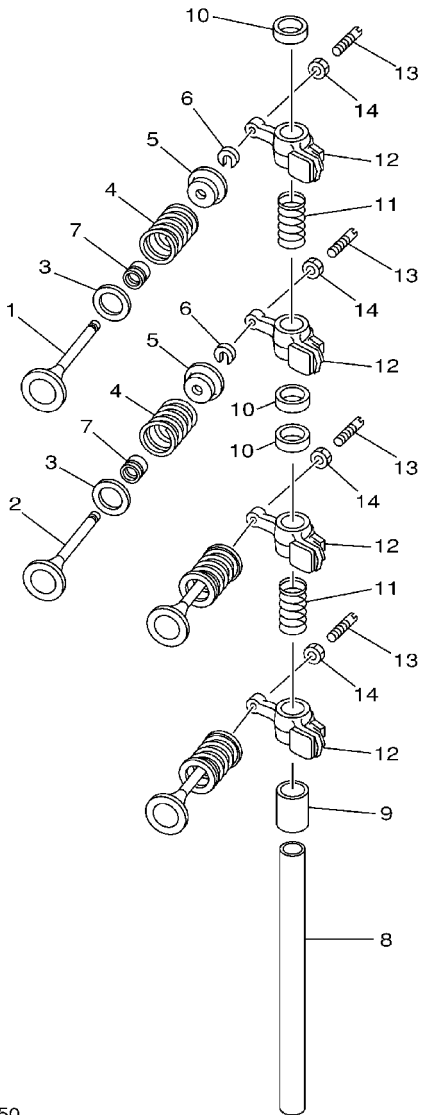
REF. NO.	PART NO. NO. PIECES	DESCRIPTION DESCRIPTION	F6MH	F8MH	SAV	REMARKS REMARQUES
1	93102-30M22	OIL SEAL JOINT SPY	1	1	1	
2	93101-25M69	OIL SEAL JOINT SPY	1	1	1	
3	68T-11411-00	CRANKSHAFT VILEBREQUIN COMPLET	1	1	1	
4	68T-11416-00	PLANE BEARING, CRANKSHAFT 1 COUSSINET DE VILEBREQUIN	4	4	4	UR BROWN
	68T-11416-10	PLANE BEARING, CRANKSHAFT 1 COUSSINET DE VILEBREQUIN	4	4	4	UR BLACK
	68T-11416-20	PLANE BEARING, CRANKSHAFT 1 COUSSINET DE VILEBREQUIN	4	4	4	UR BLUE
5	68T-11650-00	CONNECTING ROD ASSY BIELLE COMPLETE	2	2	2	
6	67D-11654-00	.BOLT, CONNECTING ROD .BOULON, BIELLE	2	2	2	
7	68T-11631-00-96	PISTON (STD) PISTON (STD)	2	2	2	
	68T-11635-00	PISTON (0.25MM O/S) PISTON (0.25MM O/S)	2	2	2	AP
	68T-11636-00	PISTON (0.50MM O/S) PISTON (0.50MM O/S)	2	2	2	AP
8	68T-11603-01	PISTON RING SET (STD) JUE DE SEGMENTS (STD)	2	2	2	
	68T-11604-01	PISTON RING SET (0.25MM O/S) JUE DE SEGMENTS (0.25MM O/S)	2	2	2	AP
	68T-11605-01	PISTON RING SET (0.50MM O/S) JUE DE SEGMENTS (0.50MM O/S)	2	2	2	AP
9	68T-11633-00	PIN, PISTON AXE, PISTON	2	2	2	
10	93450-15023	CIRCLIP CIRCLIP, TYPE S	4	4	4	

**FIG. 4 CYLINDER. CRANKCASE 2 CYLINDRE. CARTER 2**



68R1300-2040

REF. NO.	PART NO. NO. PIECES	DESCRIPTION DESCRIPTION	F6MH	F8MH	SAV	REMARKS REMARQUES
1	68T-W009A-00-1S	CYLINDER HEAD ASSY CULASSE (ENS.)	1	1	1	
2	68T-11111-00-1S	HEAD, CYLINDER 1 CULASSE	1	1	1	
3	67D-11133-10	.GUIDE, INTAKE VALVE .GUIDE, SOUP D'ADM	4	4	4	
4	68T-11181-00	GASKET, CYLINDER HEAD 1 JOINT, DE CULASSE 1	1	1	1	
5	99510-10114	PIN, DOWEL GOUJON, D'ASSEMBLAGE	2	2	2	
6	90105-08M36	BOLT, FLANGE BOULON	2	2	2	
7	90105-08M78	BOLT, FLANGE BOULON	4	4	4	
8	90119-06049	BOLT, WITH WASHER BOULON, AVEC RONDELLE	3	3	3	
9	68T-11191-00-1S	COVER, CYLINDER HEAD 1 COUVERCLE, CULASSE 1	1	1	1	
10	650-24378-00	.PIPE, JOINT 4 .DURITE RACCORDEMENT 4	1	1	1	
11	68T-11356-00	SEAL, CYLINDER 2 JOINT, SPY CYLINDRE	1	1	1	
12	97095-06020	BOLT BOULON	4	4	4	
13	92995-06600	WASHER RONDELLE	4	4	4	
14	68T-11168-00	COVER, BREATHER COUVERCLE, RENIFLARD	1	1	1	
15	68T-11169-A0	GASKET, BREATHER COVER JOINT, COUVERCLE DE RENIFLARD	1	1	1	
16	98507-04010	SCREW, PAN HEAD VIS, TETE TRONCONIQUE	5	5	5	
17	92907-04600	WASHER RONDELLE	5	5	5	
18	68T-11325-00	ANODE ANODE	1	1	1	
19	90151-05M05	SCREW, COUNTERSUNK VIS, TETE NOYEE	1	1	1	
20	6G8-11197-01	PLUG, BLIND PLOT, BORGNE	1	1	1	
21	93210-13M63	O-RING JOINT TORIQUE	1	1	1	
22	6G8-15363-00	PLUG, OIL PLOT, HUILE	1	1	1	
23	93210-24M79	O-RING JOINT TORIQUE	1	1	1	
24	94702-00274	PLUG SPARK (NGK BR6HS-10) BOUGIE D'ALLUMAGE (NGK BR6HS-10)	2	2	2	



68R0010-0050

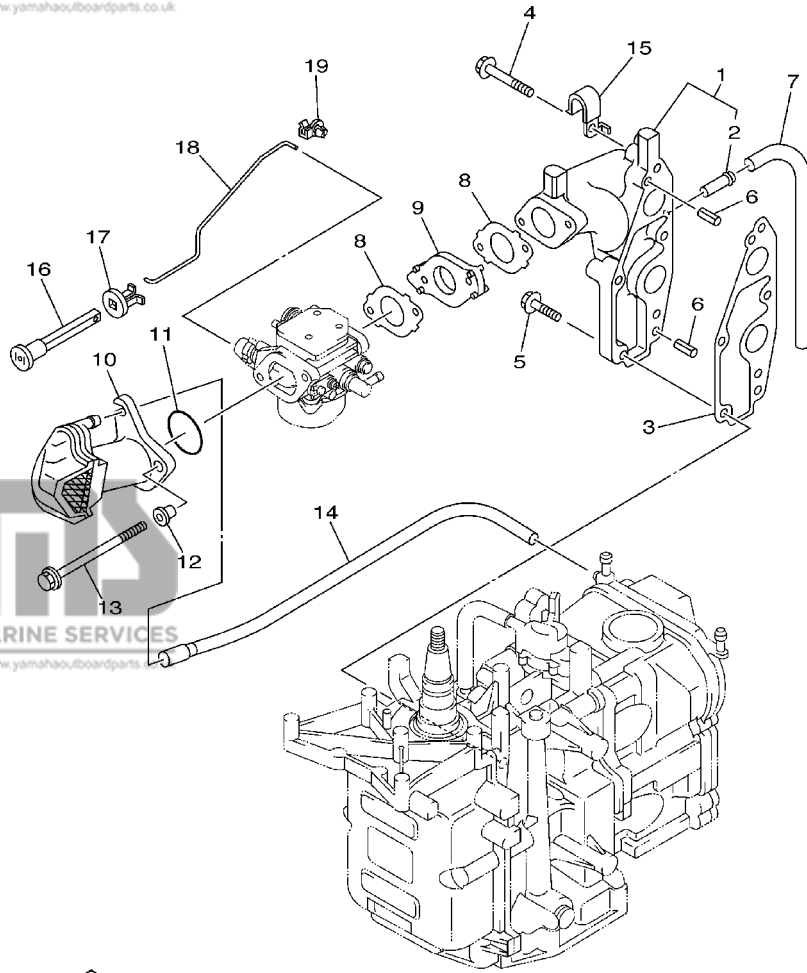
**FIG. 5 VALVE**

**SOUPAPE**

REF. NO.	PART NO. NO. PIECES	DESCRIPTION DESCRIPTION	F6MH	F8MH	SAV	REMARKS REMARQUES
1	67D-12111-00	VALVE, INTAKE SOUPAPE, ADMISSION	2	2	2	
2	67D-12121-00	VALVE, EXHAUST SOUPAPE, ECHAPPEMENT	2	2	2	
3	68T-12116-00	SEAT, VALVE SPRING SIEGE, RESSORT DE SOUPAPE	4	4	4	
4	68T-12113-00	SPRING, VALVE INNER RESSORT DE SOUPAPE, INTERNE	4	4	4	
5	7NJ-12117-00	RETAINER, VALVE SPRING BUTEE DE RESSORT DE SOUPAPE	4	4	4	
6	7NJ-12118-00	COTTER, VALVE FRAISE, SOUPAPE	4	4	4	
7	51Y-12119-00	SEAL, VALVE STEM JOINT, QUEUE DE SOUPAPE	4	4	4	
8	68T-12146-00	SHAFT, ROCKER AXE, CULBUTEUR	1	1	1	
9	90387-13M56	COLLAR COLLERETTE	1	1	1	
10	90387-14M03	COLLAR COLLERETTE	3	3	3	
11	90501-12M40	SPRING, COMPRESSION RESSORT, COMPRESSION	2	2	2	
12	68T-12151-00	ARM, VALVE ROCKER CULBUTEUR	4	4	4	
13	6G8-12159-00	SCREW, VALVE ADJUSTING VIS, REGLAGE DE SOUPAPE	4	4	4	
14	6G8-12158-00	NUT, LOCK CONTRE-ECROU	4	4	4	

**B1**



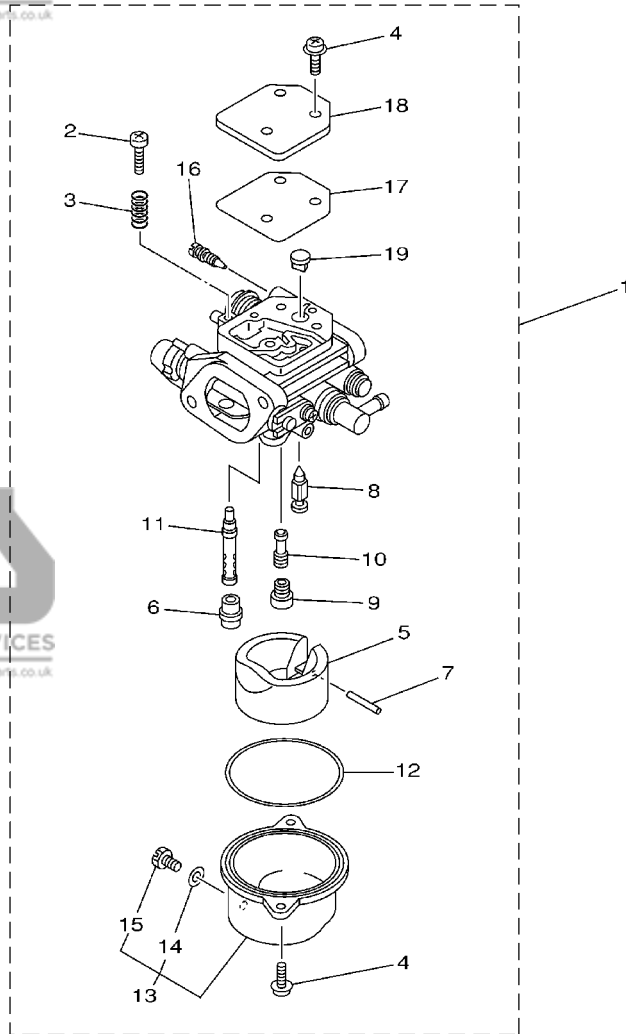


68R1010-2060

**FIG. 6 INTAKE**

**ADMISSION**

REF. NO.	PART NO. NO. PIECES	DESCRIPTION DESCRIPTION	F6MH	F8MH	SAV	REMARKS REMARQUES
1	68T-13641-00-1S	MANIFOLD 1 TUBULURE 1	1	1	1	
2	650-24378-00	.PIPE, JOINT 4 .DURITE RACCORDEMENT 4	1	1	1	
3	68T-13645-00	GASKET, MANIFOLD 1 JOINT, TUBULURE 1	1	1	1	
4	90119-06MA5	BOLT, WITH WASHER BOULON, AVEC RONDELLE	3	3	3	
5	90119-06MA3	BOLT, WITH WASHER BOULON, AVEC RONDELLE	2	2	2	
6	91690-50014	PIN, SPRING GOUPILLE, ELASTIQUE	2	2	2	
7	90445-09074	HOSE (L130) DURITE (L130)	1	1	1	
8	68T-13646-A0	GASKET, MANIFOLD 2 JOINT, TUBULURE 2	2	2	2	
9	68T-14271-00	INSULATOR ISOLATEUR	1	1	1	
10	68T-14440-00	SILENCER ASSY, INTAKE SIENCIEUX D'ADMISSION	1	1	1	
11	93210-31MJ5	O-RING JOINT TORIQUE	1	1	1	
12	90387-06M70	COLLAR COLLERETTE	2	2	2	
13	97595-06585	BOLT, WITH WASHER VIS HEXAGONAL AVC RONDELLE	2	2	2	
14	68T-12483-00	PIPE 3 DURITE 3	1	1	1	
15	90465-08M99	CLAMP BRIDE	1	1	1	
16	6H4-41271-01	KNOB, CHOKE BOUTON DE STARTER	1	1	1	
17	689-41273-00	GROMMET PASSE-FIL	1	1	1	
18	68T-41256-00	ROD, CHOKE 1 TRINGLE 1, STARTER	1	1	1	
19	6J8-41262-00	JOINT, CHOKE LEVER RACCORD, LEVIER DE STARTER	1	1	1	

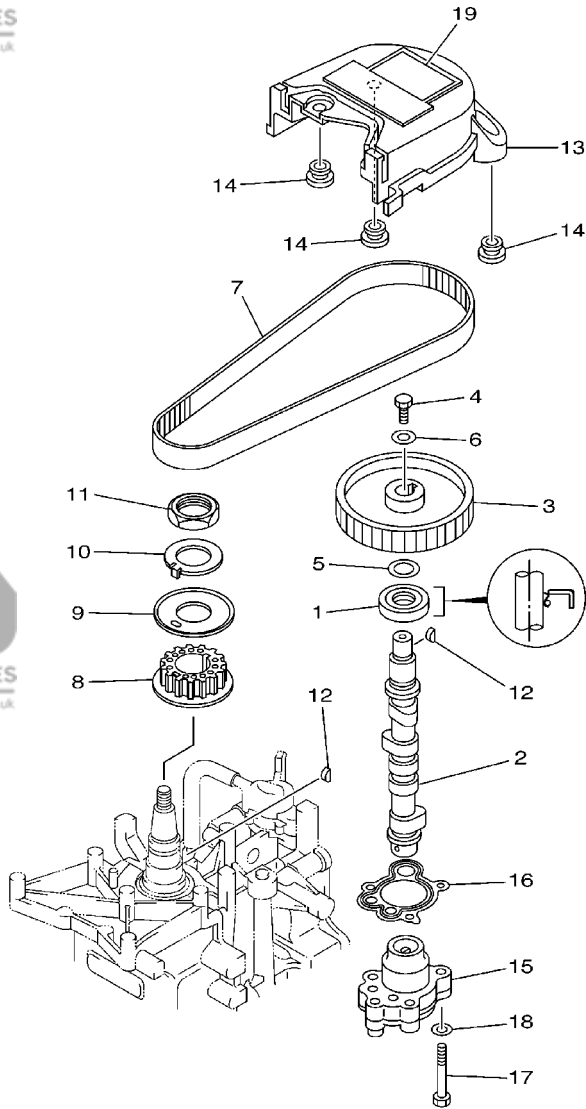


68R0010-0070

**FIG. 7 CARBURETOR**

**CARBURETEUR**

REF. NO.	PART NO. NO. PIECES	DESCRIPTION DESCRIPTION	F6MH	F8MH	SAV	REMARKS REMARQUES
1	68R-14301-00	CARBURETOR ASSY 1 CARBURATEUR COMPLET 1	1			F6A
	68T-14301-00	CARBURETOR ASSY 1 CARBURATEUR COMPLET 1		1		F8C
	68R-14301-20	CARBURETOR ASSY 1 CARBURATEUR COMPLET 1			1	F6A
	69F-14301-20	CARBURETOR ASSY 1 CARBURATEUR COMPLET 1			1	F6B
	68T-14301-20	CARBURETOR ASSY 1 CARBURATEUR COMPLET 1			1	F8C
2	6E5-14321-00	.SCREW, THROTTLE .VIS, ACCELERATEUR	1	1	1	
3	6J8-14334-00	.SPRING, THROTTLE .RESSORT, ACCELERATEUR	1	1	1	
4	97980-04112	.SCREW, WITH WASHER .VIS, AVEC RONDELLE	5	5	5	
5	68T-14385-00	.FLOAT .FLOTTEUR	1	1	1	
6	67D-14966-00	.RUBBER CAP .CAOUTCHOUC CASQUILLO	1	1	1	
7	67D-14386-00	.PIN, FLOAT .AXE, FLOTTEUR	1	1	1	
8	68T-14546-00	.VALVE, NEEDLE .POINTEAU	1	1	1	
9	68T-1492E-37	.JET, MAIN (#74) .GICLEUR, PRINCIPAL (#74)	1	1	1	
10	68T-1492F-1K	.JET, AIR SLOW (#39) .GICLEUR, AIR (#39)	1	1	1	
11	68T-1492A-00	.NOZZLE, MAIN .PUITS D'AIGUILLE	1	1	1	
12	67D-14984-00	.GASKET, FLOAT CHAMBER .JOINT, CUVE DE FLOTTEUR	1	1	1	
13	68T-14981-00	.BODY, FLOAT CHAMBER .CORPS, CUVE DE FLOTTEUR	1	1	1	
14	6J8-14959-00	.GASKET .JOINT	1	1	1	
15	66T-14991-00	.PLUG, DRAIN .BOUCHON DE VIDANGE	1	1	1	
16	67D-14323-00	.SCREW, AIR ADJUSTING .VIS DE DOSEUR D'AIR	1	1		
	68T-14323-20	.SCREW, AIR ADJUSTING .VIS DE DOSEUR D'AIR			1	
17	67D-14536-00	.GASKET .JOINT	1	1	1	
18	67D-14527-00	.PLATE .PLAQUE	1	1	1	
19	68T-14126-00	.PLUG .PLOT	1	1	1	



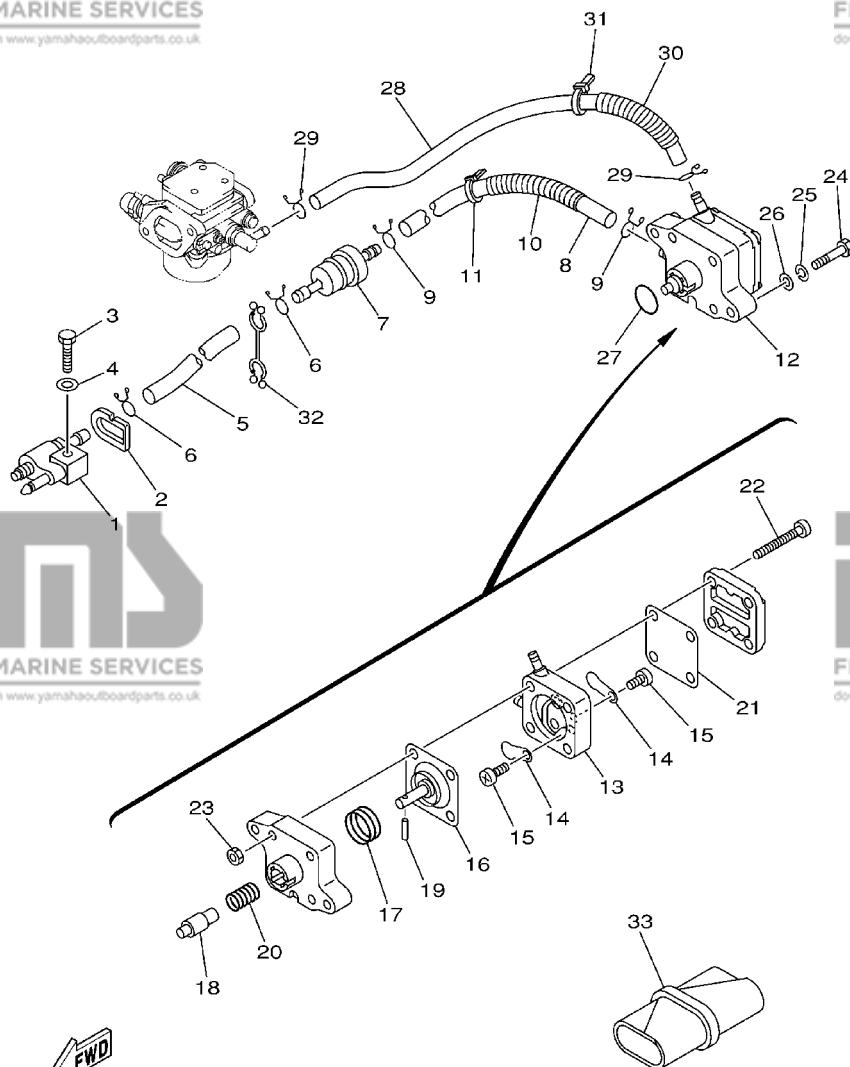
68R1300-2080

**FIG. 8 OIL PUMP**

**POMPE A HUILE**

REF. NO.	PART NO. NO. PIECES	DESCRIPTION DESCRIPTION	F6MH	F8MH	SAV	REMARKS REMARQUES
1	93102-18M21	OIL SEAL JOINT SPY	1	1	1	
2	68T-12171-00	CAMSHAFT 1 ARBRE A CAMES 1	1	1	1	
3	66M-11537-00-94	GEAR, DRIVEN PIGNON SECONDAIRE	1	1	1	
4	97013-06016	BOLT BOULON	1	1	1	
5	90201-13201	WASHER, PLATE RONDELLE, PLATE	1	1	1	
6	90201-06M94	WASHER, PLATE RONDELLE, PLATE	1	1	1	
7	68T-46241-00	V-BELT COURROIE TRAPEZOIDALE	1	1	1	
8	68T-11536-00	GEAR, DRIVE ENGRENAGE, MENANT	1	1	1	
9	68T-11557-00	WASHER 1 RONDELLE 1	1	1	1	
10	6G8-11587-01	WASHER, LOCK RONDELLE, FREIN	1	1	1	
11	90170-24M09	NUT ECROU	1	1	1	
12	90280-03M01	KEY, WOODRUFF CLAVETTE, DEMI-LUNE	2	2	2	
13	68T-46297-00	COVER, DUST COUVERCLE, POUSSIERE	1	1	1	
14	90480-10627	GROMMET PASSE-FIL	3	3	3	
15	68T-13300-00	OIL PUMP ASSY POMPE A HUILE COMPLET	1	1	1	
16	68T-13329-00	GASKET, PUMP COVER JOINT, COUVERCLE DE POMPE	1	1	1	
17	97095-06030	BOLT BOULON	3	3	3	
18	92995-06600	WASHER RONDELLE	3	3	3	
19	6G9-12138-60	MARK, CAUTION MAKER	1	1	1	

**B4**



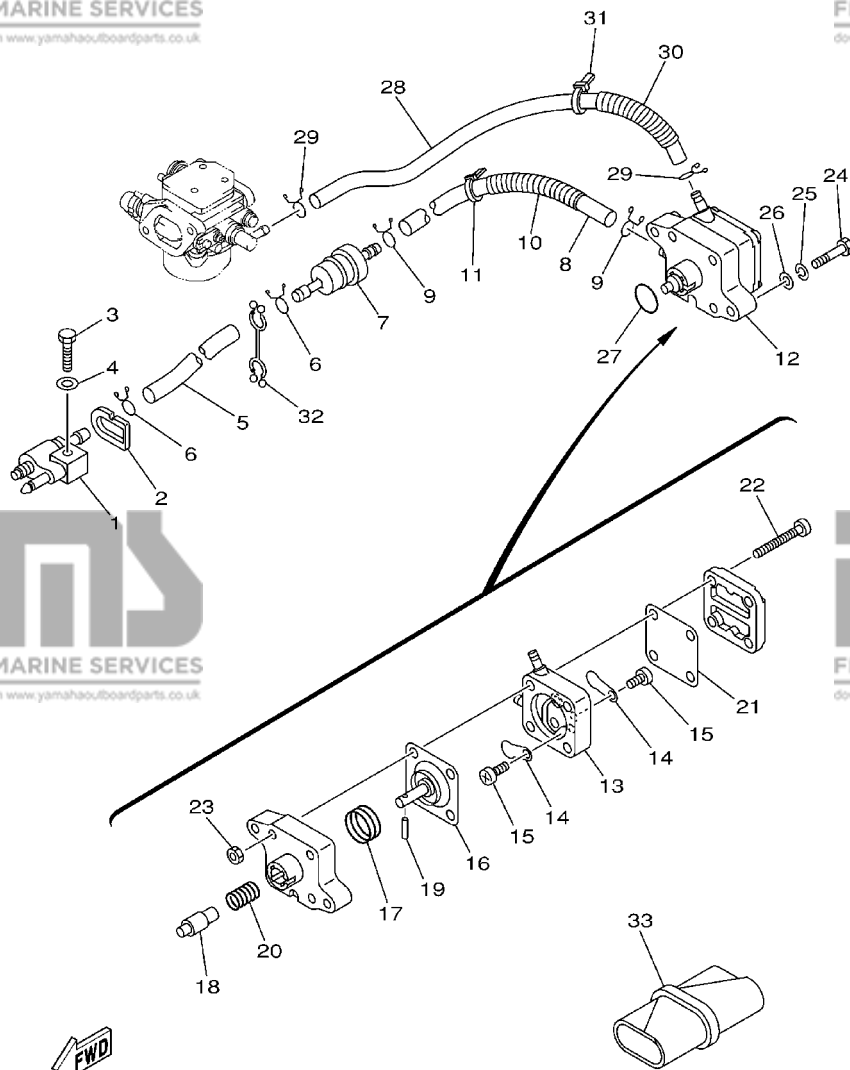
68R0010-0090

**FIG. 9 FUEL**

**CARBURANT**

REF. NO.	PART NO. NO. PIECES	DESCRIPTION DESCRIPTION	F6MH	F8MH	SAV	REMARKS REMARQUES
1	6G1-24304-02	FUEL PIPE JOINT COMP. 1 DURITE RACCORDEMT. A ESSENCE	1	1	1	
2	61N-24329-00	SEAL JOINT	1	1	1	
3	97095-06025	BOLT BOULON	1	1	1	
4	92995-06600	WASHER RONDELLE	1	1	1	
5	90445-10M18	HOSE (L295) DURITE (L295)	1	1	1	
6	90467-09M09	CLIP JONC	2	2	2	
7	68T-24251-00	STRAINER 1 FILTRE 1	1	1	1	
8	90445-10M50	HOSE (L170) DURITE (L170)	1	1	1	
9	90467-09M09	CLIP JONC	2	2	2	
10	90446-14M66	HOSE DURITE	1	1	1	
11	90465-11M10	CLAMP BRIDE	1	1	1	
12	68T-24410-00	FUEL PUMP ASSY POMPE A ESSENCE	1	1	1	
13	66M-24413-01	.BODY 2 .CORPS 2	1	1	1	
14	6A0-24421-01	.VALVE, CHECK .SOUPAPE, RETENUE	2	2	2	
15	6E7-14325-00	.SCREW, PAN HEAD .VIS TETE CONIQUE	2	2	2	
16	66M-24411-00	.DIAPHRAGM .DIAPHRAGME	1	1	1	
17	66M-24423-00	.SPRING, DIAPHRAGM .RESSORT, DIAPHRAGME	1	1	1	
18	66M-13131-00	.PLUNGER .PLONGEUR	1	1	1	
19	66M-24374-00	.PIN .GOUPILLE	1	1	1	
20	66M-24454-00	.SPRING .RESSORT	1	1	1	
21	66M-24471-00	.DIAPHRAGM .DIAPHRAGME	1	1	1	
22	66M-24444-00	.SCREW .VIS	4	4	4	
23	95380-05600	.NUT .ECROU	4	4	4	
24	97095-06030	BOLT BOULON	2	2	2	
25	92995-06100	WASHER, SPRING RONDELLE, GROWER	2	2	2	
26	92995-06600	WASHER RONDELLE	2	2	2	
27	93210-20M65	O-RING JOINT TORIQUE	1	1	1	

**B5**

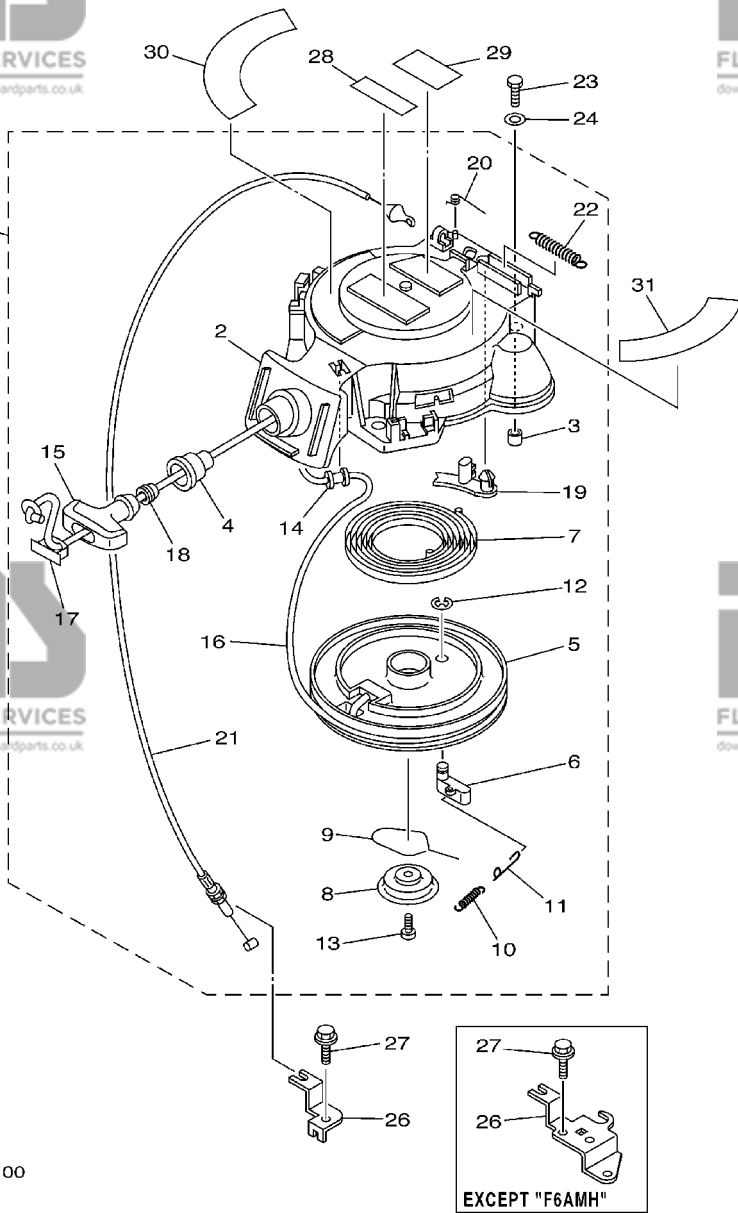


68R0010-0090

**FIG. 9 FUEL**

**CARBURANT**

REF. NO.	PART NO. NO. PIECES	DESCRIPTION DESCRIPTION	F6MH	F8MH	SAV	REMARKS REMARQUES
28	90445-10016	HOSE (L280) DURITE (L280)	1	1	1	
29	90467-09M09	CLIP JONC	2	2	2	
30	90446-14M66	HOSE DURITE	1	1	1	
31	90465-11M10	CLAMP BRIDE	1	1	1	
32	90464-10M53	CLAMP BRIDE	1	1	1	
33	68T-28100-00	TOOL KIT TROUSSE A OUTILS	1	1	1	



**FWD**  
68R1300-2100

**FIG. 10 STARTER**

**DEMARREUR**

REF. NO.	PART NO. NO. PIECES	DESCRIPTION DESCRIPTION	F6MH	F8MH	SAV	REMARKS REMARQUES
1	68T-15710-01	STARTER ASSY DEMARREUR COMPLET	1	1	1	
2	68T-15711-01	.CASE, STARTER .CARTER DE DEMARREUR	1	1	1	
3	67D-15764-00	.COLLAR 1 .COLLERETTE 1	3	3	3	
4	68T-15795-00	.GUIDE, ROPE .GUIDE DE CABLE	1	1	1	
5	63V-15714-00	.DRUM, SHEAVE .TAMBOUR, POULIE	1	1	1	
6	63V-15741-00	.PAWL, DRIVE .CLIQUET, ENTRAINEMENT	1	1	1	
7	63V-15713-00	.SPRING, STARTER .RESSORT DE DEMARREUR	1	1	1	
8	68T-15716-00	.PLATE, DRIVE .PLAQUE, ENTRAINEMENT	1	1	1	
9	63V-15705-01	.SPRING, DRIVE PAWL .RESSORT DE CLIQUET	1	1	1	
10	63V-15767-01	.SPRING .RESSORT	1	1	1	
11	68T-15784-00	.SPRING, RETURN .RESSORT, RAPPEL	1	1	1	
12	63V-15744-00	.CIRCLIP .CIRCLIP	1	1	1	
13	68T-15793-00	.SCREW .VIS	1	1	1	
14	68T-15764-00	.COLLAR 1 .COLLERETTE 1	1	1	1	
15	6G1-15755-00	HANDLE, STARTER POIGNEE, DE DEMARREUR	1	1	1	
16	68R1300-2100*	.WIRE, STARTER (L:1800MM) .CABLE DE DEMARREUR (L:1800MM)	1	1	1	
17	6G1-15779-00	.COVER .COUVERCLE	1	1	1	
18	6A0-15789-00	.DAMPER .AMORTISSEUR	1	1	1	
19	66T-15794-00	.STOPPER .BUTEE	1	1	1	
20	66T-15734-00	.SPRING, RETURN .RESSORT, RAPPEL	1	1	1	
21	68T-15770-00	.CABLE COMP., STARTER STOP .CABLE, BUTEE DE DEMAR	1	1	1	
22	66T-15731-00	.SPRING, RETURN .RESSORT, RAPPEL	1	1	1	
23	97095-06020	BOLT BOULON	3	3	3	
24	92995-06600	WASHER RONDELLE	3	3	3	
25	68T-15762-00	SEAL, RUBBER 2 JOINT CAOUTCHOUC 2	1	1	1	

\* CUT FROM 50M ROLLS, PART NO. 90890-44373,  
CUTTING LENGTH 1.8M

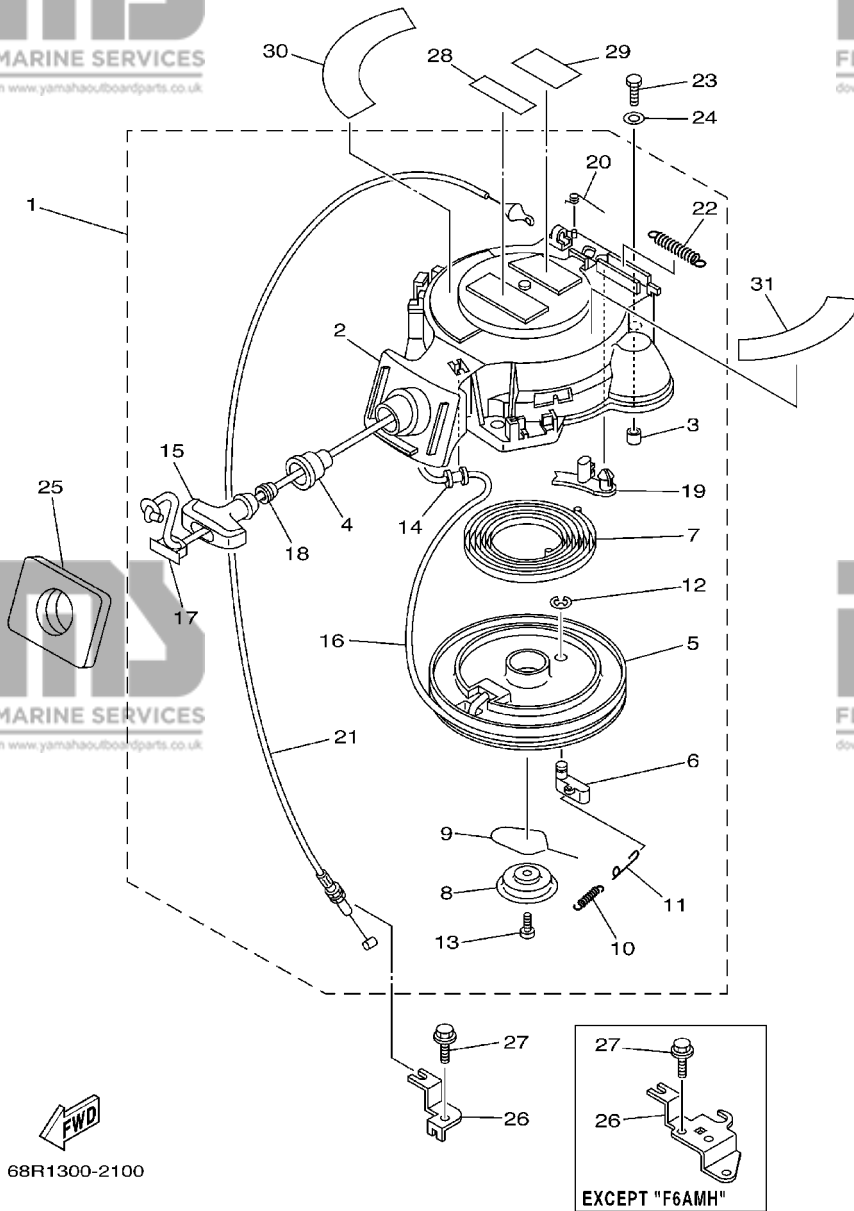
\* A PRELEVER SUR BOBINE 50M , REFERENCE 90890-44373,  
LONGUEUR DE COUPE 1.8M

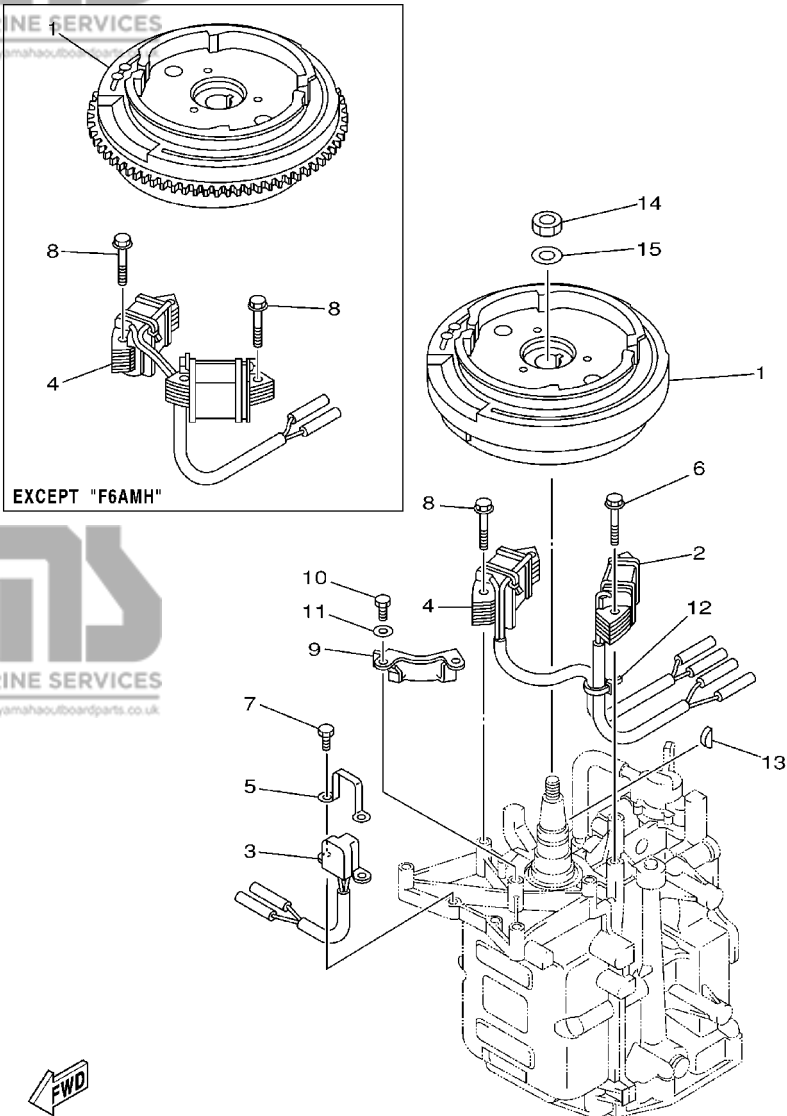
**B7**

**FIG. 10 STARTER**

**DEMARREUR**

REF. NO.	PART NO. NO. PIECES	DESCRIPTION DESCRIPTION	F6MH	F8MH	SAV	REMARKS REMARQUES
26	68T-15774-00	STAY 4 SUPPORT 4	1			
	68T-15774-10	STAY 4 SUPPORT 4		1	1	
27	90109-06M86	BOLT BOULON	1			
	90109-06M86	BOLT BOULON		2	2	
28	6A1-83625-41	MARK 5 ETIQUETTE 5	1	1	1	
29	6A1-83625-51	MARK 5 ETIQUETTE 5	1	1	1	
30	68T-13437-60	MARK, CAUTION MAKER	1	1	1	
31	68T-85711-60	MARK, CAUTION MAKER	1	1	1	





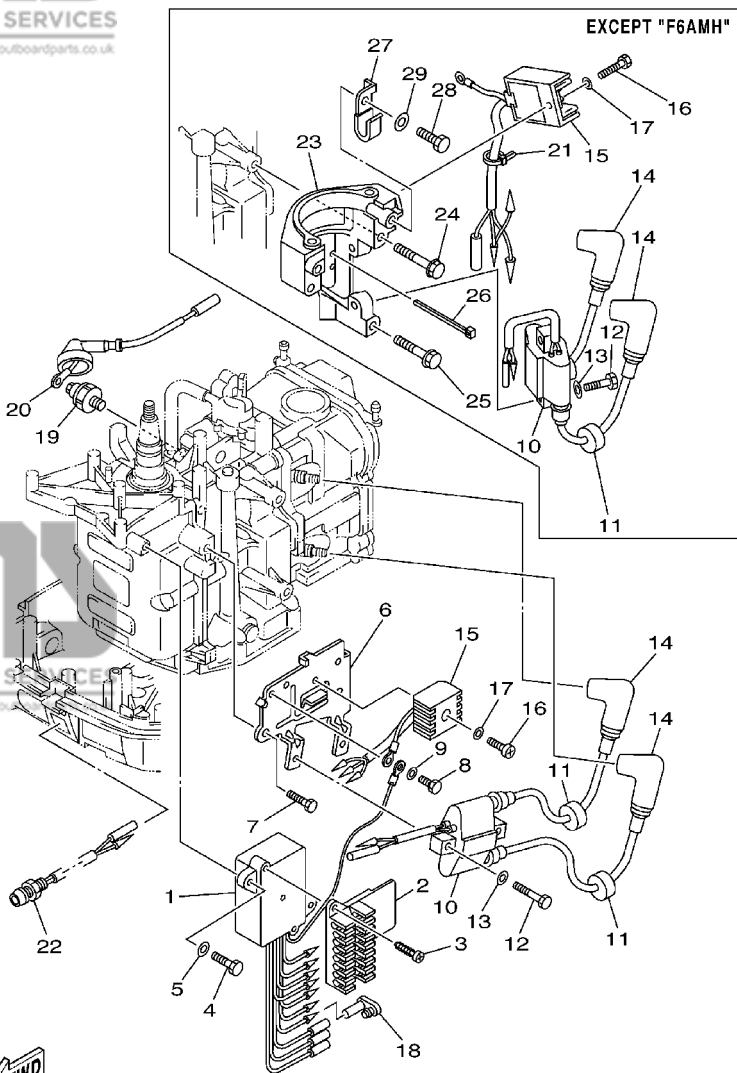
68R0300-1110

FIG. 11 GENERATOR

GENERATRICE

REF. NO.	PART NO. NO. PIECES	DESCRIPTION DESCRIPTION	F6MH	F8MH	SAV	REMARKS REMARQUES
1	68T-85550-01	ROTOR ASSY ROTOR CPLT	1			
	68T-85550-11	ROTOR ASSY ROTOR CPLT		1	1	
2	68T-85520-00	COIL, CHARGE BOBINE, CHARGE	1	1	1	
3	68T-85580-01	COIL, PULSER BOBINE, PULSEUR	1	1	1	
4	68T-85533-00	COIL, LIGHTING BOBINE, ECLAIRAGE	1			
	68T-85533-10	COIL, LIGHTING BOBINE, ECLAIRAGE		1	1	
5	6H2-85582-00	ATTACHMENT, PULSER SUPPORT, PULSEUR	1	1	1	
6	90119-06014	BOLT, WITH WASHER BOULON, AVEC RONDELLE	2	2	2	
7	97095-05010	BOLT BOULON	2	2	2	
8	90119-06MA1	BOLT, WITH WASHER BOULON, AVEC RONDELLE	2			
	90119-06MA1	BOLT, WITH WASHER BOULON, AVEC RONDELLE		4	4	
9	68T-81328-00	CLAMP COLLIER	1			
10	97013-06012	BOLT BOULON	2			
11	92903-06600	WASHER, PLATE RONDELLE, PLATE	2			
12	90465-11M10	CLAMP BRIDE	1	1	1	
13	90280-04M06	KEY, WOODRUFF CLAVETTE, DEMI-LUNE	1	1	1	
14	90170-12066	NUT ECROU	1	1	1	
15	90201-12472	WASHER, PLATE RONDELLE, PLATE	1	1	1	





68R1300-2120

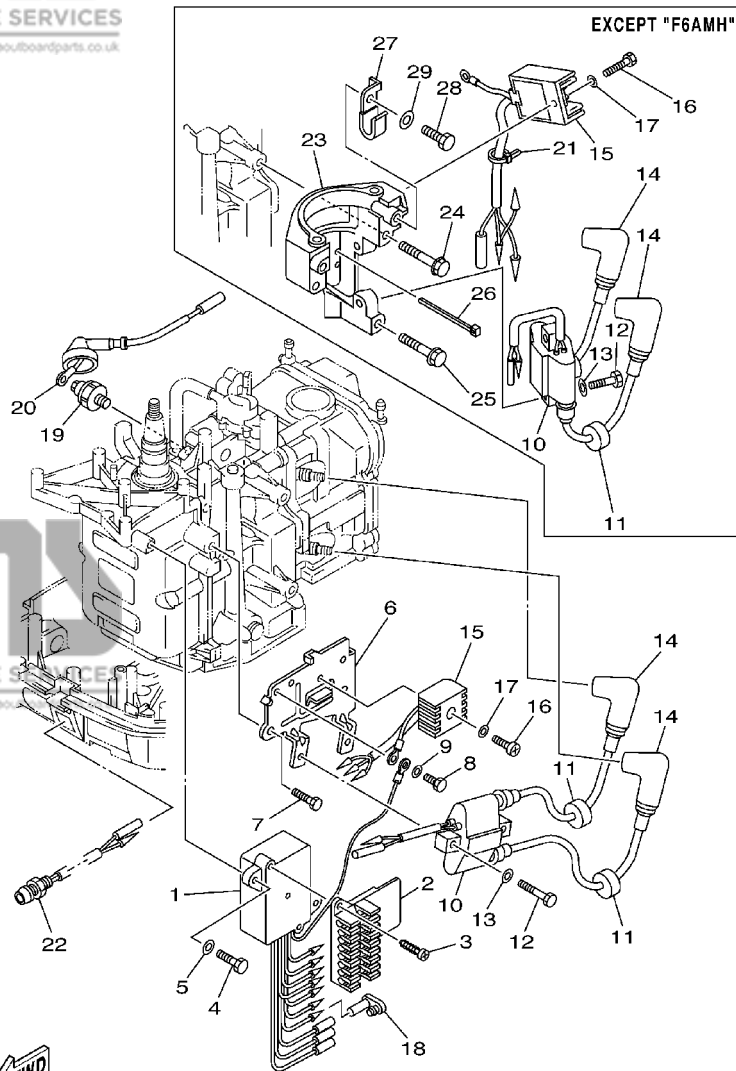
**FIG. 12 ELECTRICAL 1**

**PARTIE ELECTRIQUE 1**

REF. NO.	PART NO. NO. PIECES	DESCRIPTION DESCRIPTION	F6MH	F8MH	SAV	REMARKS REMARQUES
1	68R-85540-00	C.D.I. UNIT ASSY BLOC C.D.I.	1		1	F6A
	69F-85540-00	C.D.I. UNIT ASSY BLOC C.D.I.			1	F6B
	68T-85540-00	C.D.I. UNIT ASSY BLOC C.D.I.		1	1	F8C
2	68T-82522-00	CLAMP, COUPLER BRIDE, DE CONNECTEUR	1	1	1	
3	97780-40512	SCREW, TAPPING VIS, TÊTE FRAISÉE	2	2	2	
4	97095-06020	BOLT BOULON	2	2	2	
5	92995-06600	WASHER RONDELLE	2	2	2	
6	68T-85542-00	BRACKET SUPPORT	1			
7	97095-08012	BOLT BOULON	2			
8	97095-06012	BOLT BOULON	1	1	1	
9	92995-06600	WASHER RONDELLE	1	1	1	
10	680-85570-00	IGNITION COIL ASSY BOBINE D'ALLUMAGE (ENS.)	1	1	1	
11	90480-25161	GROMMET PASSE-FIL	2	2	2	
12	97095-06025	BOLT BOULON	2	2	2	
13	92995-06600	WASHER RONDELLE	2	2	2	
14	6E3-82370-21	PLUG CAP ASSY ANTIPARASITE	2	2	2	
15	664-81970-61	RECTIFIER ASSY REDRESSEUR COMPLET	1			
	68T-81960-00	RECTIFIER & REGULATOR ASSY REDRESSEUR REGULATEUR CPLT		1	1	
16	97880-05025	SCREW, PAN HEAD VIS, TÊTE TRONCONIQUE	1			
	97095-06012	BOLT BOULON		1	1	
17	92990-05600	WASHER, PLATE RONDELLE, PLATE	1			
	92995-06600	WASHER RONDELLE		1	1	
18	6A0-82119-00	COVER, LEAD WIRE GARNITURE, FIL	1			
19	67F-82504-00	OIL PRESSURE SWITCH ASSY CONTACTEUR DE PRESSION D'HUILE	1	1	1	
20	68T-82127-10	WIRE, LEAD 2 FIL 2	1	1	1	
21	90465-11M10	CLAMP BRIDE		1	1	
22	68T-85410-00	EMERGENCY SIGNAL LIGHT ASSY FEU DE DETRESSE	1	1	1	

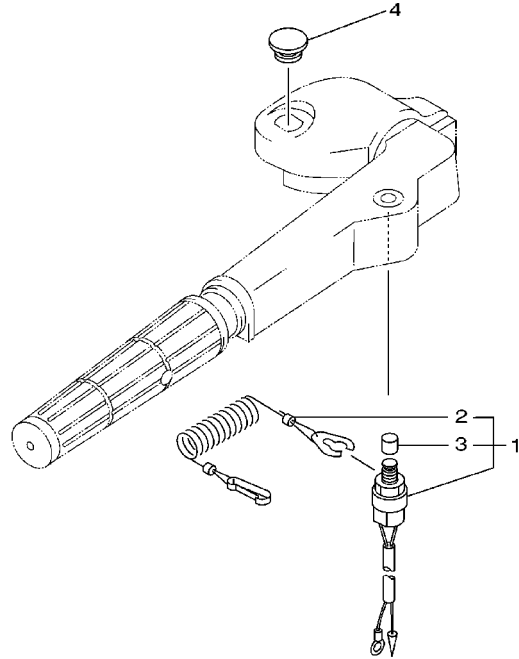
**FIG. 12 ELECTRICAL 1**

**PARTIE ELECTRIQUE 1**



68R1300-2120

REF. NO.	PART NO. NO. PIECES	DESCRIPTION DESCRIPTION	F6MH	F8MH	SAV	REMARKS REMARQUES
23	68T-81822-00-94	BRACKET, STARTING MOTOR SUPPORT, DEMARREUR ELECTRIQUE		1	1	
24	90119-08046	BOLT, WITH WASHER BOULON, AVEC RONDELLE		2	2	
25	90119-08020	BOLT, WITH WASHER BOULON, AVEC RONDELLE		1	1	
26	90465-11M10	CLAMP BRIDE		1	1	
27	90465-08M99	CLAMP BRIDE		1	1	
28	97095-06012	BOLT BOULON		1	1	
29	92995-06600	WASHER RONDELLE		1	1	



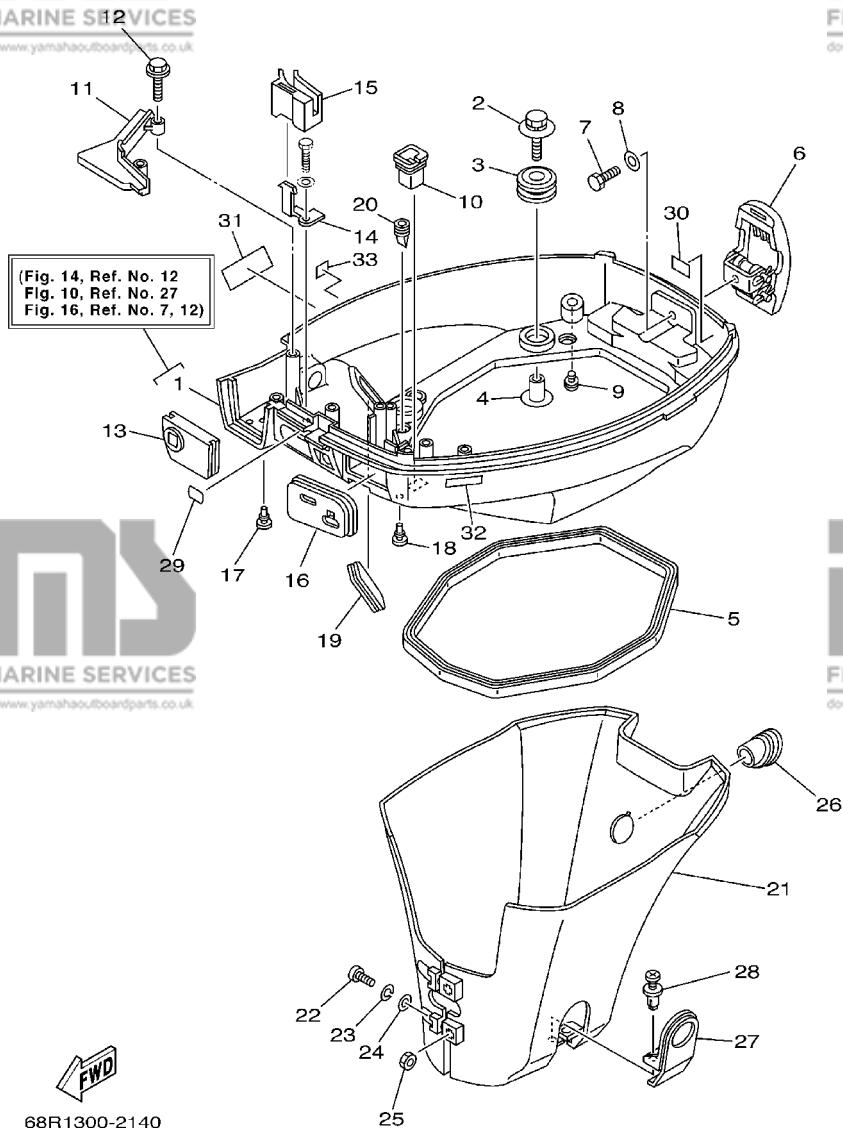
68R0300-0140

**FIG. 13 ELECTRICAL 2**

**PARTIE ELECTRIQUE 2**

REF. NO.	PART NO. NO. PIECES	DESCRIPTION DESCRIPTION	F6MH	F8MH	SAV	REMARKS REMARQUES
1	65W-82575-01	ENGINE STOP SWITCH ASSY COUPE CIRCUIT CPLT	1	1	1	
2	682-82556-00	.STOPPER .PLAQUETTE	1	1	1	
3	689-8257Y-00	.CAP .CHAPEAU	1	1	1	
4	6G1-42725-00	GROMMET PASSE-FIL	1	1	1	

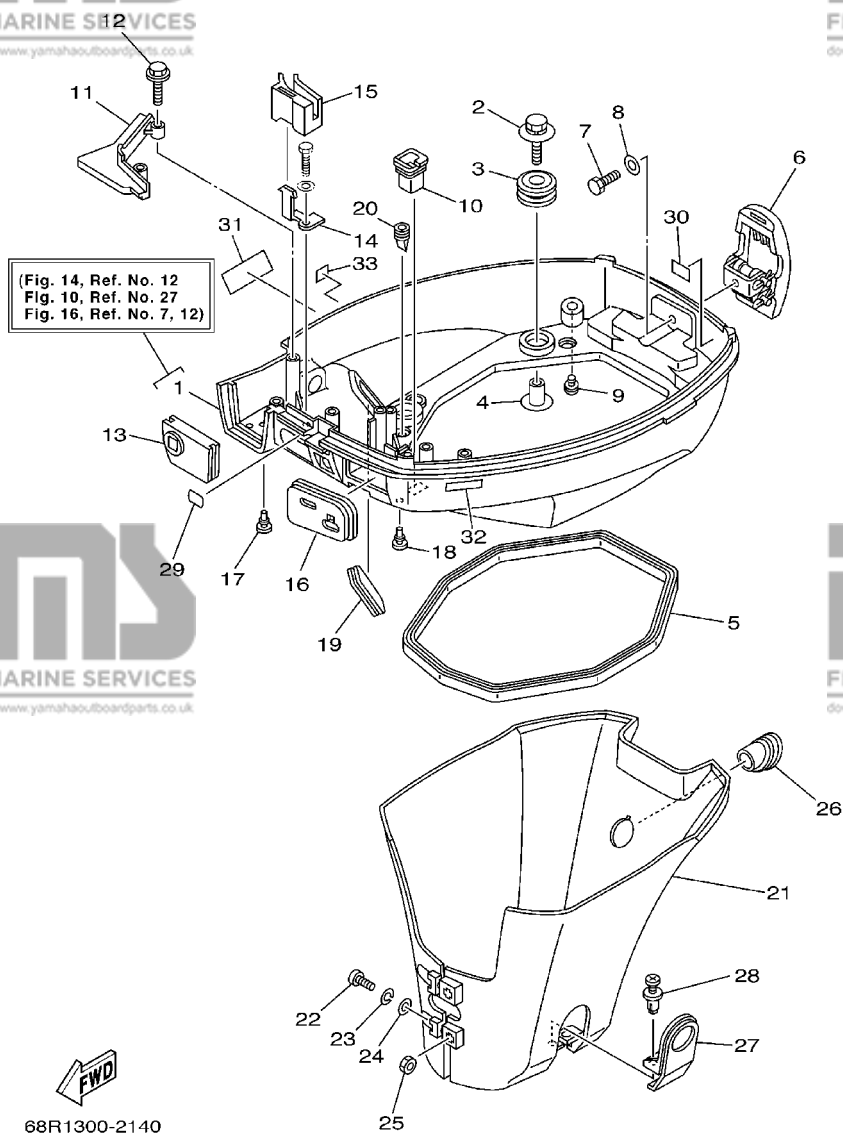
**C5**



**FIG. 14 BOTTOM COWLING**

**CAPOT INFERIEUR**

REF. NO.	PART NO. NO. PIECES	DESCRIPTION DESCRIPTION	F6MH	F8MH	SAV	REMARKS REMARQUES
1	68T-42710-00-4D	BOTTOM COWLING ASSY ENS. EMBASE	1	1	1	
2	68F-85119-00	BOLT BOULON	4	4	4	
3	90480-21M82	GROMMET PASSE-FIL	4	4	4	
4	68F-86129-00	COLLAR COLLERETTE	4	4	4	
5	68T-42716-00	RUBBER, SEAL 1 JOINT EN CAOUTCHOUC 1	1	1	1	
6	68T-42801-00	COWLING CLAMP COMP. BRIDE DE CAPOT COMP.	1	1	1	
7	97095-06012	BOLT BOULON	1	1	1	
8	92995-06600	WASHER RONDELLE	1	1	1	
9	6H3-44391-01	NIPPLE, HOSE RACCORD D'ESSENCE	1	1	1	
10	682-42727-00	GROMMET PASSE-FIL	1	1	1	
11	68T-42738-00-4D	PLATE, FITTING ETRIER	1	1	1	
12	90109-06M81	BOLT BOULON	2	2	2	
13	68T-42725-00	GROMMET PASSE-FIL	1	1	1	
14	68T-26393-00	HOLDER SUPPORT	1	1	1	
15	68T-26367-00	PROTECTOR PROTECTEUR	1	1	1	
16	68T-42724-00	GROMMET PASSE-FIL	1	1	1	
17	90480-06M19	GROMMET PASSE-FIL	2	2	2	
18	90480-06M19	GROMMET PASSE-FIL	1	1	1	
19	6H4-42726-00	GROMMET PASSE-FIL	1	1	1	
20	65W-42717-00	RUBBER, SEAL 2 JOINT EN CAOUTCHOUC 2	2	2	2	
21	68T-42741-00	APRON CAPOT LATERAL	1	1	1	
22	97880-06030	SCREW, PAN HEAD VIS, TETE TRONCONIQUE	2	2	2	
23	92990-06100	WASHER, SPRING RONDELLE, GROWER	2	2	2	
24	92990-06600	WASHER, PLATE RONDELLE, PLATE	2	2	2	
25	95380-06600	NUT, HEXAGON ECROU	2	2	2	
26	68T-42717-00	RUBBER, SEAL 2 JOINT EN CAOUTCHOUC 2	1	1	1	
27	68T-42771-00	APRON CAPOT LATERAL	1	1	1	

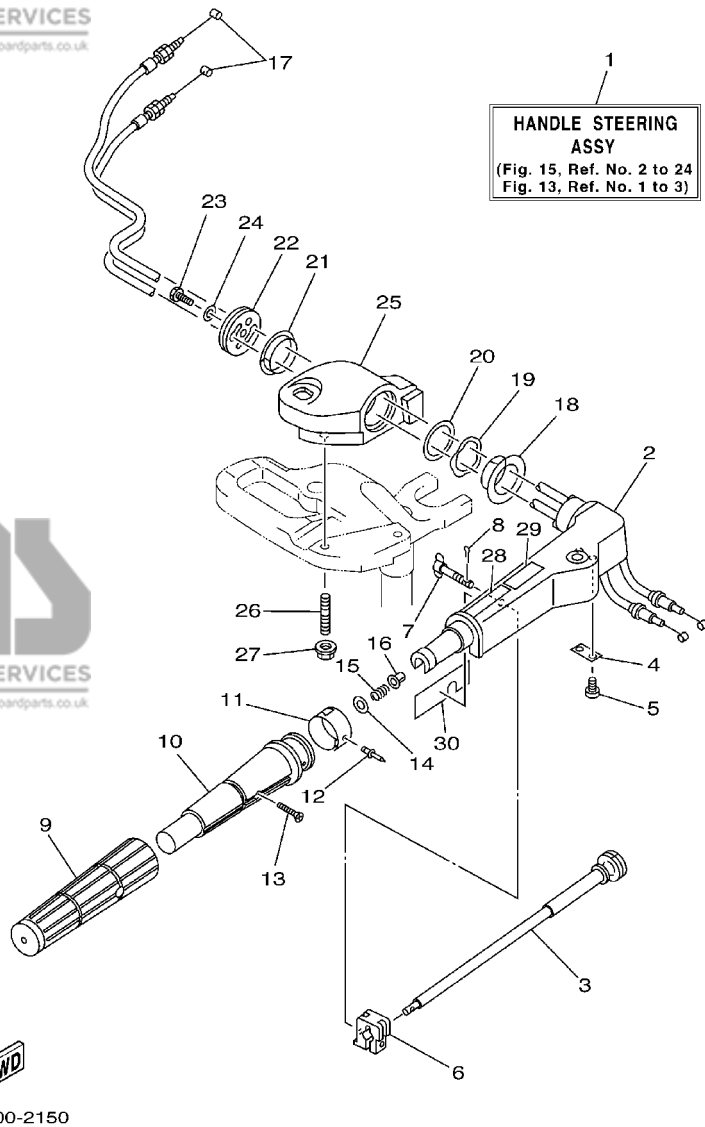


68R1300-2140

**FIG. 14 BOTTOM COWLING**

**CAPOT INFERIEUR**

REF. NO.	PART NO. NO. PIECES	DESCRIPTION DESCRIPTION	F6MH	F8MH	SAV	REMARKS REMARQUES
28	90338-06M20	PLUG PLOT	2	2	2	
29	65W-84342-00	SEAT, EMBLEM SIEGE, EMBLEME	1	1	1	
30	6H8-42791-10	MARK 1 ETIQUETTE 1	1	1	1	
31	62Y-13444-50	MARK MAKER	1	1	1	
32	6E3-8257H-00	PLATE, MARK PLAQUE, ADHESIF	1	1	1	
33	6A1-28176-00	LABEL, CAUTION ETIQUETTE, RECOMMANDATION	1	1	1	

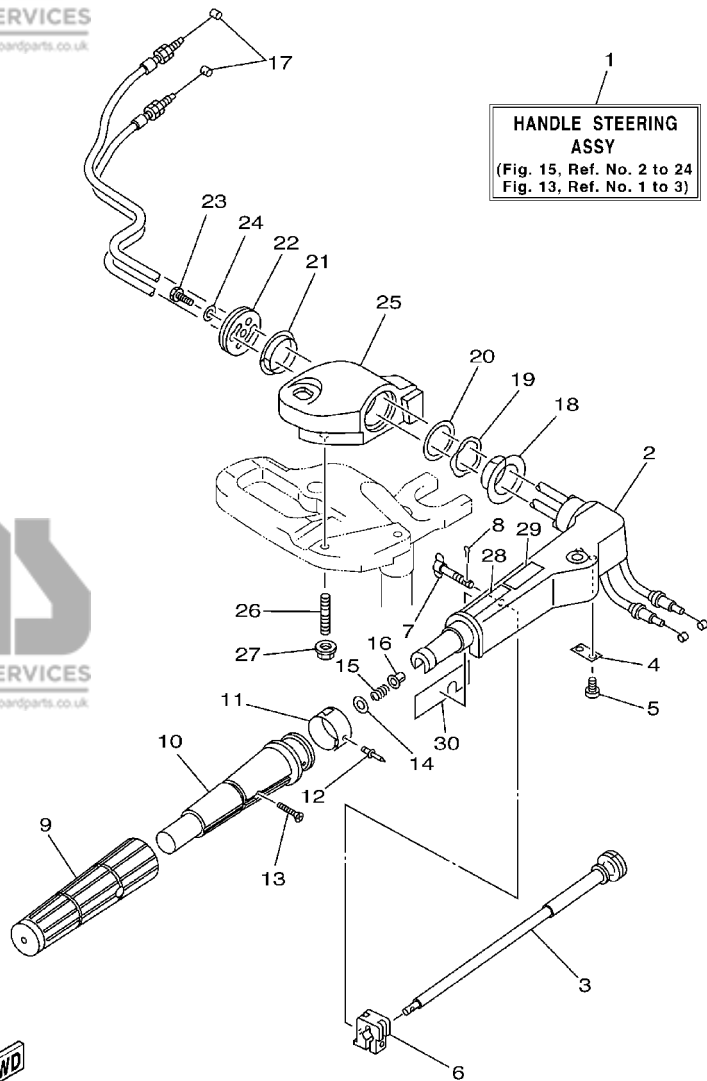


**FIG. 15 STEERING**

**DIRECTION**

REF. NO.	PART NO. NO. PIECES	DESCRIPTION DESCRIPTION	F6MH	F8MH	SAV	REMARKS REMARQUES
1	68T-W0084-00-4D	HANDLE STEERING ASSY BARRE FRANCHE (ENS.)	1	1	1	
2	63V-42111-00-4D	HANDLE, STEERING POIGNEE	1	1	1	
3	6G1-42138-01	LEVER, THROTTLE LEVIER, ACCELERATEUR	1	1	1	
4	6E0-42159-02	STAY SUPPORT	1	1	1	
5	97885-05012	SCREW, PAN HEAD VIS, TETE TRONCONIQUE	2	2	2	
6	6G1-42126-00	FRICITION, STEERING HANDLE GRIP CUVETTE, POIGNEE DE DIRECTION	1	1	1	
7	6G1-42125-01	BOLT, FRICTION ADJUSTING BOULON	1	1	1	
8	91490-16010	PIN, COTTER GOUPILLE, FENDUE	1	1	1	
9	67D-42177-00	RUBBER, HANDLE CAOUTCHOUC, POIGNEE	1	1	1	
10	67D-42119-00	GRIP, STEERING HANDLE POIGNEE, BARRE FRANCHE	1	1	1	
11	68R-42137-00	INDICATOR, THROTTLE INDICATEUR, ACCELERATION	1		1	F6A
	69F-42137-00	INDICATOR, THROTTLE INDICATEUR, ACCELERATION			1	F6B
	68T-42137-00	INDICATOR, THROTTLE INDICATEUR, ACCELERATION		1	1	F8C
12	90269-02M09	RIVET RIVET	1	1	1	
13	90149-05M13	SCREW VIS	1	1	1	
14	92903-10600	WASHER, PLATE RONDELLE, PLATE	1	1	1	
15	90501-23215	SPRING, COMPRESSION RESSORT, COMPRESSION	1	1	1	
16	90386-08032	BUSH DOUILLE	1	1	1	
17	68T-26301-01	THROTTLE CABLE ASSY CABLE D'ACCELERATEUR	2	2	2	
18	90386-34M97	BUSH DOUILLE	1	1	1	
19	90206-36M21	WASHER, WAVE RONDELLE, ONDULEE	1	1	1	
20	90202-36M55	WASHER, PLATE RONDELLE, PLATE	1	1	1	
21	90386-33M96	BUSH DOUILLE	1	1	1	
22	68T-42131-00	COVER, HANDLE STEERING COUVERCLE	1	1	1	
23	97075-06025	BOLT BOULON	1	1	1	
24	92995-06600	WASHER RONDELLE	1	1	1	
25	68T-42121-00-4D	BRACKET SUPPORT	1	1	1	

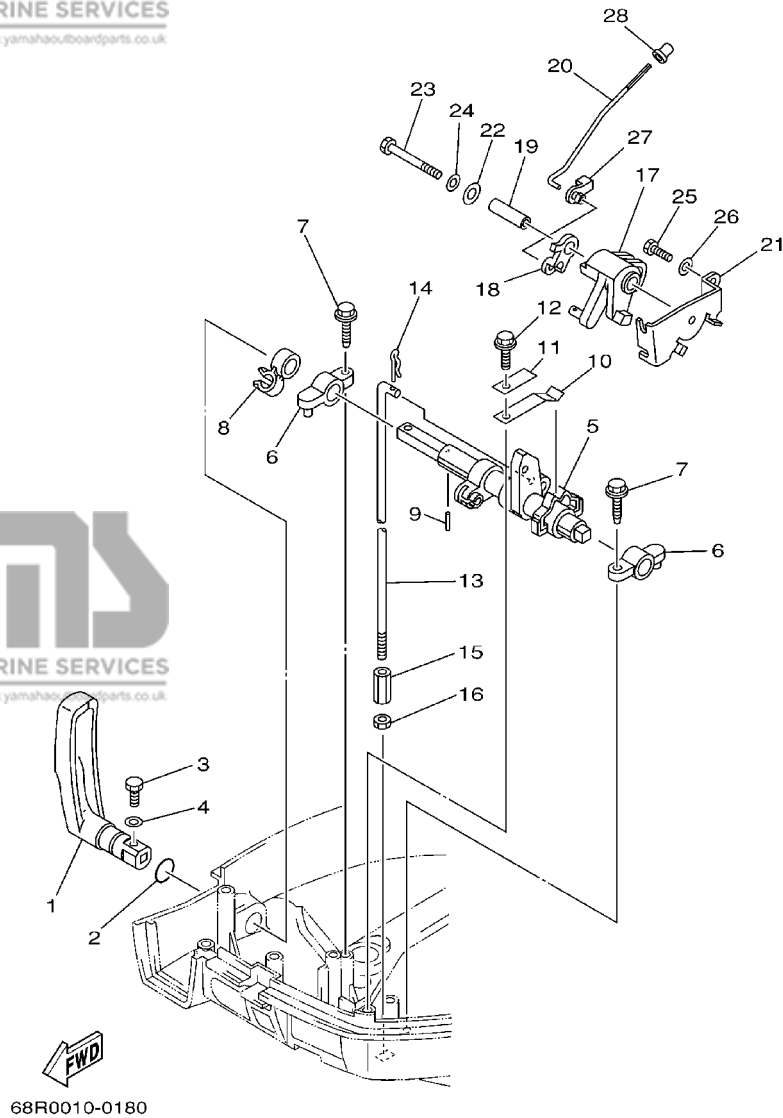
**D1**



68R1300-2150

**FIG. 15 STEERING**

REF. NO.	PART NO. NO. PIECES	DESCRIPTION DESCRIPTION	DIRECTION			REMARKS REMARQUES
			F6MH	F8MH	SAV	
26	90116-10M28	BOLT, STUD GOUJON	2	2	2	
27	90179-10004	NUT ECROU	2	2	2	
28	6E0-83627-41	LABEL, CAUTION 7 ETIQUETTE, RECOMMANDATION 7	1	1	1	
29	6E0-83627-51	LABEL, CAUTION 7 ETIQUETTE, RECOMMANDATION 7	1	1	1	
30	68T-1571Y-60	MARK, CAUTION MARKER	1	1	1	



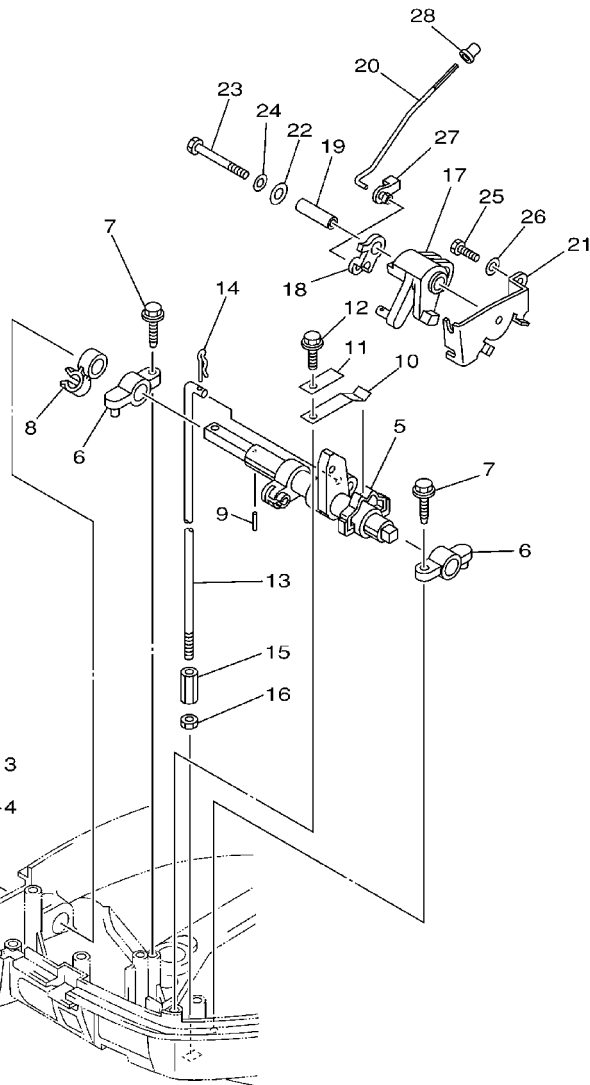
**FIG. 16 CONTROL**

**COMMANDE**

REF. NO.	PART NO. NO. PIECES	DESCRIPTION DESCRIPTION	F6MH	F8MH	SAV	REMARKS REMARQUES
1	68T-44111-00	HANDLE, GEAR SHIFT POIGNEE, LEVIER D'EMBRAYAGE	1	1	1	
2	93210-12327	O-RING JOINT TORIQUE	1	1	1	
3	97095-05016	BOLT BOULON	1	1	1	
4	92995-05600	WASHER RONDELLE	1	1	1	
5	68T-44121-01	LEVER, SHIFT ROD LEVIER, TIGE D'INVERSION	1	1	1	
6	6G1-41662-01-94	BRACKET SUPPORT	2	2	2	
7	90109-06M81	BOLT BOULON	2	2	2	
8	90464-10M60	CLAMP BRIDE	1	1	1	
9	91690-30014	PIN, SPRING GOUPILLE, ELASTIQUE	1	1	1	
10	65W-44116-00	SPRING RESSORT	1	1	1	
11	66R-44114-00	STOPPER PLAQUETTE	1	1	1	
12	90109-06M86	BOLT BOULON	1	1	1	
13	68T-44143-00	ROD, SHIFT TIGE D'EMBRAYAGE	1	1	1	S
	68T-44143-10	ROD, SHIFT TIGE D'EMBRAYAGE	1	1	1	L
14	90468-18001	CLIP JONC	1	1	1	
15	90170-06015	NUT ECROU	1	1	1	
16	95380-06700	NUT ECROU	1	1	1	
17	68T-41638-00	PULLEY POULIE	1	1	1	
18	68R-41283-00	LEVER, FREE ACCEL. LEVIER	1	1		F6A,F6B
	68T-41283-00	LEVER, FREE ACCEL. LEVIER		1	1	F8C
19	90387-06M59	COLLAR COLLERETTE	1	1	1	
20	68T-41211-00	LINK, ACCEL. BIELLETTTE, ACCELERATION	1	1	1	F6A,F8C
	69F-41211-00	LINK, ACCEL. BIELLETTTE, ACCELERATION			1	F6B
21	68T-14497-00	STAY, THROTTLE WIRE SUPPORT DE BOISSEAU	1	1	1	
22	90201-06M62	WASHER, PLATE RONDELLE, PLATE	1	1	1	
23	97095-06045	BOLT BOULON	1	1	1	
24	92995-06600	WASHER RONDELLE	1	1	1	

**D3**





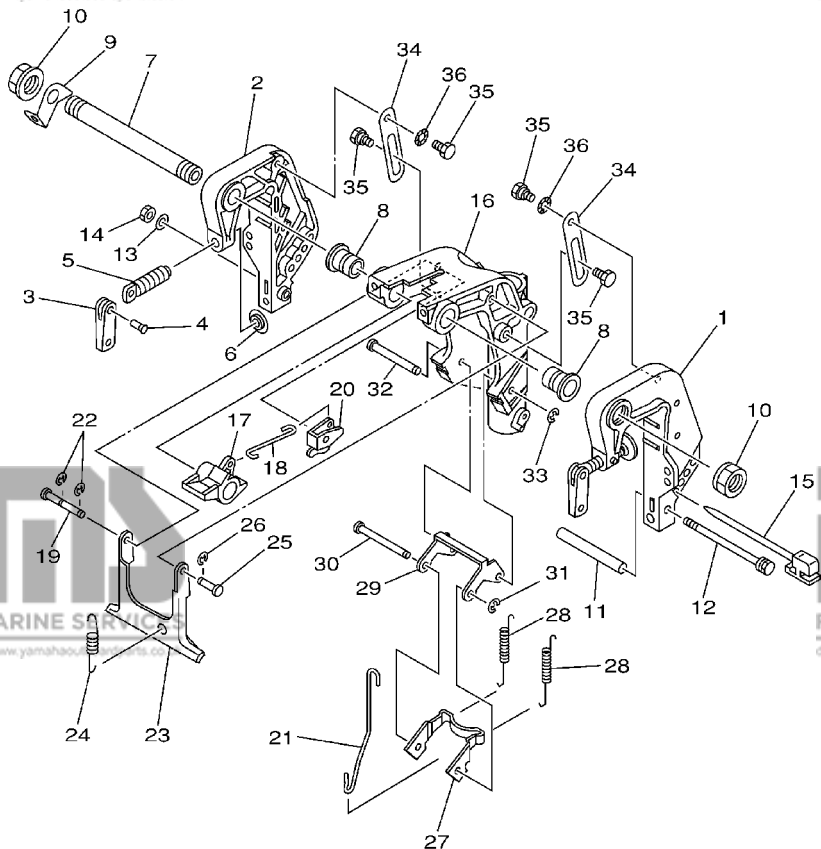
68R0010-0180

**FIG. 16 CONTROL**

**COMMANDE**

REF. NO.	PART NO. NO. PIECES	DESCRIPTION DESCRIPTION	F6MH	F8MH	SAV	REMARKS REMARQUES
25	97095-06012	BOLT BOULON	1	1	1	
26	92995-06600	WASHER RONDELLE	1	1	1	
27	661-41262-02	JOINT, CHOKE LEVER RACCORD, LEVIER DE STARTER	1	1	1	
28	647-14395-60	CAP, OVERFLOW PIPE COUVRE DE DURITE REFOULEMENT	1	1	1	

**D4**



68R0010-0200

**FIG. 17 BRACKET 1**

**SUPPORT 1**

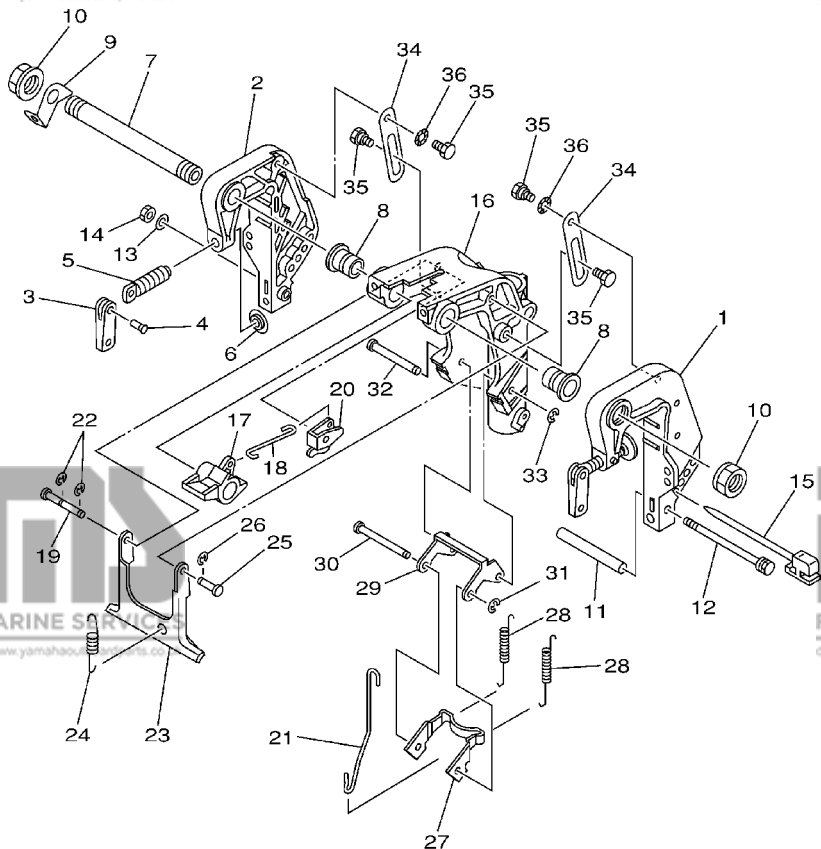
REF. NO.	PART NO. NO. PIECES	DESCRIPTION DESCRIPTION	F6MH	F8MH	SAV	REMARKS REMARQUES
1	68T-43111-01-4D	BRACKET, CLAMP PRESSE	1	1	1	
2	68T-43112-01-4D	BRACKET, CLAMP PRESSE	1	1	1	
3	6E0-43118-01	HANDLE, TRANSOM CLAMP POIGNEE DE VIS DE PRESSE	2	2	2	
4	90243-04M01	PIN GOUPILLE	2	2	2	
5	677-43116-01	SCREW, TRANSOM CLAMP VIS DE PRESSE	2	2	2	
6	648-43114-01	PAD, TRANSOM CLAMP RONDELLE D'APPUI	2	2	2	
7	63V-43131-10	BOLT, CLAMP BRACKET BOULON, PRESSE	1	1	1	FOR RIDE GUIDE (L:283MM)
8	90386-22MA4	BUSH DOUILLE	2	2	2	
9	66R-43113-00	PLATE, CLAMP BRACKET PLAQUETTE, PRESSE	1	1	1	
10	90185-22043	NUT, SELF-LOCKING ECROU, AUTO-BLOCANT	2	2	2	
11	90387-06M13	COLLAR COLLERETTE	1	1	1	
12	90101-06M18	BOLT BOULON	1	1	1	
13	92990-06600	WASHER, PLATE RONDELLE, PLATE	1	1	1	
14	95380-06700	NUT ECROU	1	1	1	
15	6L2-43160-00	TILT ROD ASSY BROCHE D'INCLINAISON (ENS.)	1	1	1	
16	68T-43311-00-4D	BRACKET, SWIVEL 1 SUPPORT, PIVOT 1	1	1	1	S
	68T-43311-10-4D	BRACKET, SWIVEL 1 SUPPORT, PIVOT 1	1	1	1	L
17	68T-43631-00	LEVER, TILT LEVIER, INCLINAISON	1	1	1	
18	68T-43616-00	ROD, TILT LOCK TIGE	1	1	1	
19	68T-43646-00	SHAFT, LEVER AXE, LEIVER	1	1	1	
20	68T-43641-00	LEVER, TILT LEVIER, INCLINAISON	1	1	1	
21	68T-43617-00	ROD, TILT LOCK TIGE	1	1	1	
22	99080-05600	CIRCLIP CIRCLIP	2	2	2	
23	68T-43350-00	RECEIVER ASSY RECEIVER ASSY	1	1	1	
24	90506-18M41	SPRING, TENSION RESSORT, TENSION	1	1	1	S
	90506-20005	SPRING, TENSION RESSORT, TENSION	1	1	1	L
25	63V-43191-00	SHAFT, STOPPER AXE, BUTEE	1	1	1	

**D5**

**FIG. 17 BRACKET 1**

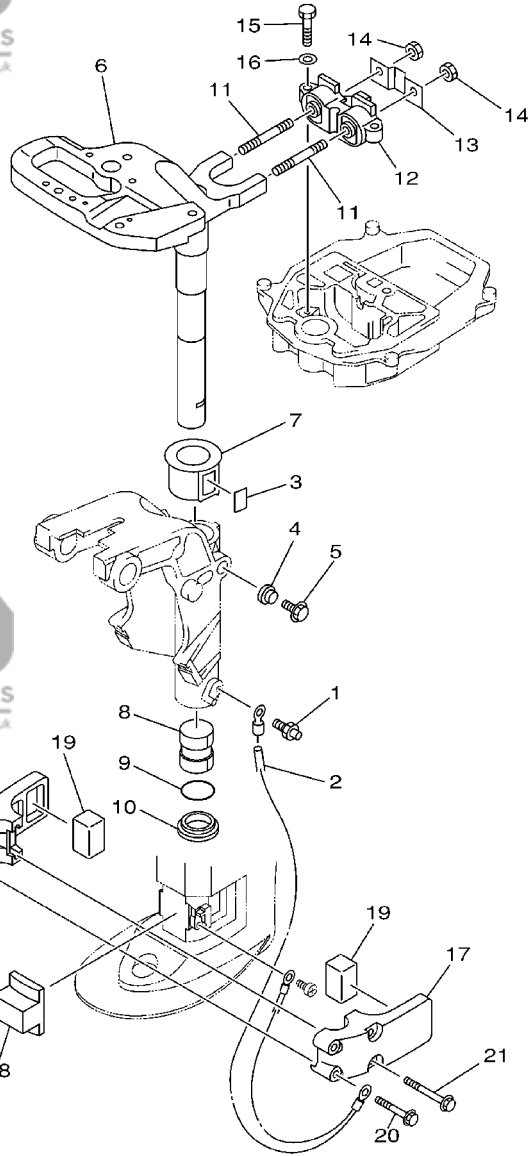
**SUPPORT 1**

REF. NO.	PART NO. NO. PIECES	DESCRIPTION DESCRIPTION	F6MH	F8MH	SAV	REMARKS REMARQUES
26	99080-05600	CIRCLIP CIRCLIP	1	1	1	
27	68T-43614-00	PLATE, TILT LOCK ETRIER, VERROUILLAGE MARCHE AR	1	1	1	
28	90506-20M42	SPRING, TENSION RESSORT, TENSION	2	2	2	S
	90506-23003	SPRING, TENSION RESSORT, TENSION	2	2	2	L
29	68T-43615-00	PLATE, TILT LOCK ETRIER, VERROUILLAGE MARCHE AR	1	1	1	
30	68T-43611-00	SHAFT, TILT LOCK AXE, VERROUILLAGE MARCHE AR	1	1	1	
31	93430-04M03	CIRCLIP CIRCLIP, TYPE S	1	1	1	
32	68T-43659-00	SHAFT, REVERSE LOCK AXE, VERROUILLAGE MARCHE AR	1	1	1	
33	99080-05600	CIRCLIP CIRCLIP	1	1	1	
34	68T-43627-00	STOPPER PLAQUETTE	2	2	2	
35	90109-06M84	BOLT BOULON	4	4	4	
36	90206-10M24	WASHER, WAVE RONDELLE, ONDULEE	2	2	2	



68R0010-0200

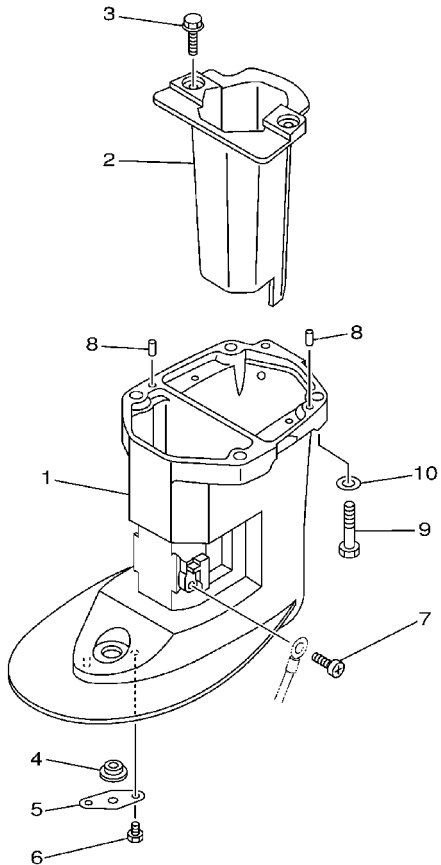
**D6**



**FIG. 18 BRACKET 2**

**SUPPORT 2**

REF. NO.	PART NO. NO. PIECES	DESCRIPTION DESCRIPTION	F6MH	F8MH	SAV	REMARKS REMARQUES
1	93700-06M03	NIPPLE, GREASE GRAISSEUR	1	1	1	
2	68T-82127-00	WIRE, LEAD 2 FIL 2	1	1	1	
3	63V-42528-00	PLATE, FRICTION PLAQUE, FRICTION	1	1	1	
4	689-43373-01	SEAL, DAMPER JOINT	1	1	1	
5	90105-06M07	BOLT, FLANGE BOULON	1	1	1	
6	68T-42511-01-4D	BRACKET, STEERING CADRE, DIRECTION	1	1	1	S
	68T-42511-11-4D	BRACKET, STEERING CADRE, DIRECTION	1	1	1	L
7	63V-42537-00	BUSHING, PIVOT SHAFT COUSSINET	1	1	1	
8	90386-30048	BUSH DOUILLE	1	1	1	
9	93210-29M94	O-RING JOINT TORIQUE	1	1	1	
10	90386-30M60	BUSH DOUILLE	1	1	1	
11	90116-08M54	BOLT, STUD GOUJON	2	2	2	
12	68T-44517-00-94	MOUNT RUBBER SILENT-BLOC	1	1	1	
13	68T-44526-00	PLATE PLAQUE	1	1	1	
14	95380-08600	NUT ECROU	2	2	2	
15	97075-06025	BOLT BOULON	2	2	2	
16	92995-06600	WASHER RONDELLE	2	2	2	
17	68T-44551-00-4D	HOUSING, LOWER MOUNT RUBBER BOITIER, SILENT-BLOC INFERIEUR	2	2	2	
18	68T-44557-00	MOUNT DAMPER, LOWER FRONT SILENT-BLOC, INFERIEUR AVANT	1	1	1	
19	682-44555-00	MOUNT DAMPER, LOWER SIDE SILENT-BLOC, INFERIEUR LATERAL	2	2	2	
20	90119-06012	BOLT, WITH WASHER BOULON, AVEC RONDELLE	2	2	2	
21	90119-06013	BOLT, WITH WASHER BOULON, AVEC RONDELLE	2	2	2	
22	90179-06M28	NUT ECROU	4	4	4	



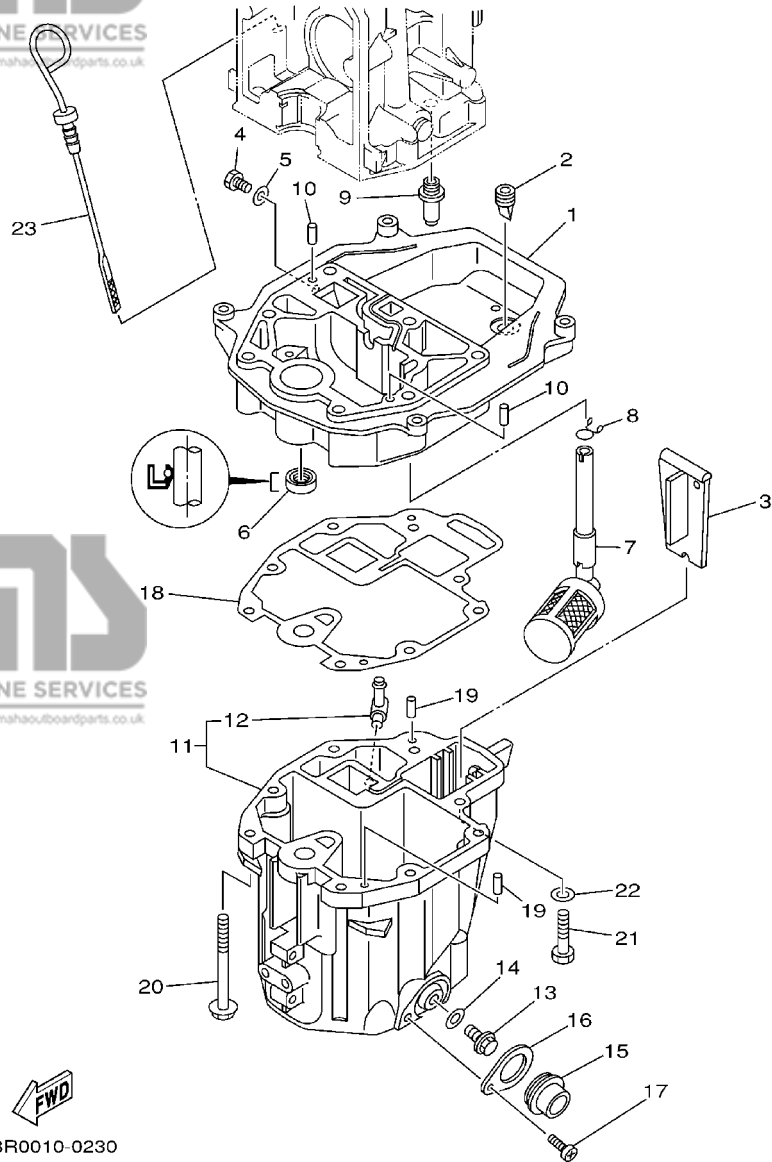
**FWD**  
68R0010-0220

**FIG. 19 UPPER CASING**

**FOURREAU**

REF. NO.	PART NO. NO. PIECES	DESCRIPTION DESCRIPTION	F6MH	F8MH	SAV	REMARKS REMARQUES
1	68T-45111-00-4D	CASING, UPPER FOURREAU	1	1	1	S
	68T-45111-10-4D	CASING, UPPER FOURREAU	1	1	1	L
2	68T-14711-00-5B	MUFFLER 1 POT D'ECHAPPEMENT 1	1	1	1	
3	97575-06514	BOLT, WITH WASHER VIS HEXAGONAL AVC RONDELLE	2	2	2	
4	90480-14M54	GROMMET PASSE-FIL	1	1	1	
5	68T-45321-00	PLATE PLAQUETTE	1	1	1	
6	97095-06008	BOLT BOULON	1	1	1	
7	97885-05008	SCREW, PAN HEAD VIS, TETE TRONCONIQUE	1	1	1	
8	93604-12M07	PIN, DOWEL GOUJON	2	2	2	
9	97075-08035	BOLT BOULON	4	4	4	
10	92995-08600	WASHER RONDELLE	4	4	4	

**E1**



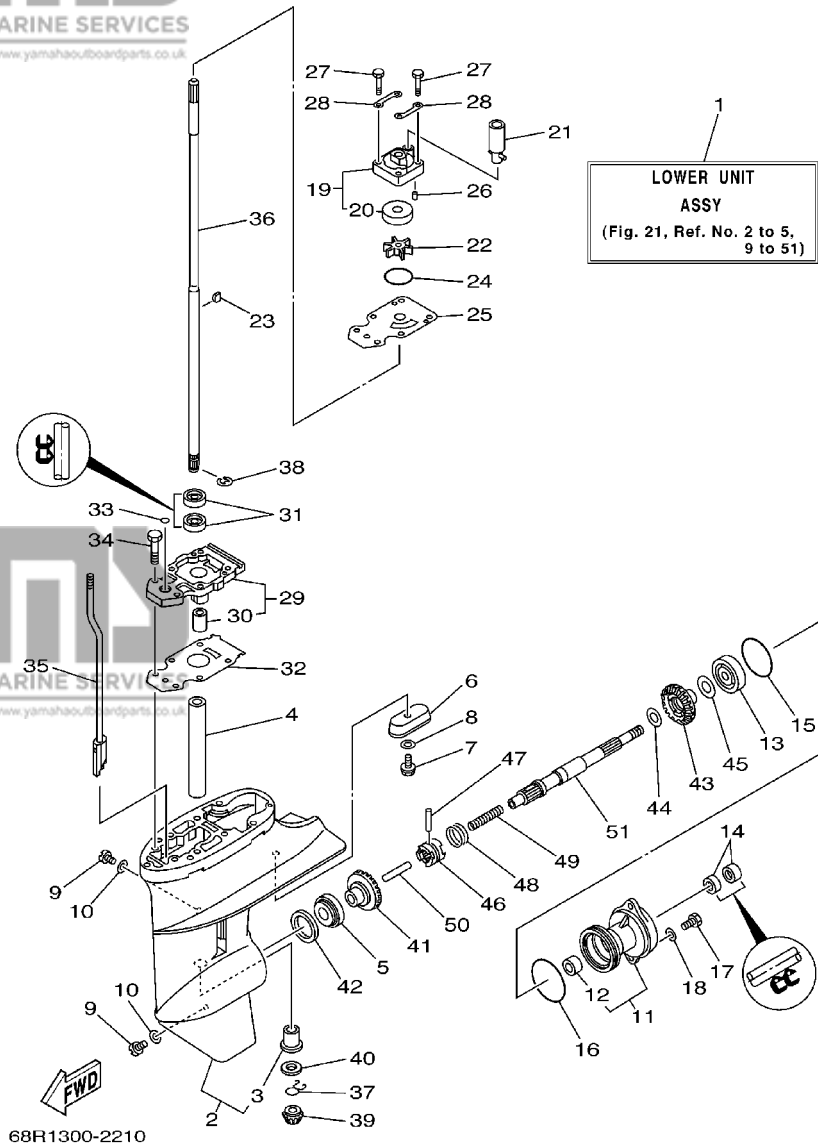
**FIG. 20 OIL PAN**

**VENTILATEUR D'HUILE**

REF. NO.	PART NO. NO. PIECES	DESCRIPTION DESCRIPTION	F6MH	F8MH	SAV	REMARKS REMARQUES
1	68T-41137-00-94	GUIDE, EXHAUST COLLECTEUR D'ÉCHAPPEMENT	1	1	1	
2	65W-42717-00	RUBBER, SEAL 2 JOINT EN CAOUTCHOUC 2	1	1	1	
3	68T-45181-00	PLATE PLAQUETTE	1	1	1	
4	97095-08014	BOLT BOULON	1	1	1	
5	90430-08143	GASKET JOINT	1	1	1	
6	93101-12M70	OIL SEAL JOINT SPY	1	1	1	
7	68T-13421-01	STRAINER 2 FILTRE 2	1	1	1	
8	90467-11M08	CLIP JONC	1	1	1	
9	6G8-11575-00	RELIEF VALVE ASSY SOUPAPE DE RENTREE D'AIR	1	1	1	
10	93606-12019	PIN, DOWEL GOUJON	2	2	2	
11	68T-15311-00-5B	OIL PAN VENTILATEUR D'HUILE	1	1	1	
12	6H1-11372-00	NIPPLE, HOSE .RACCORD, TUYAU	1	1	1	
13	90340-10M10	PLUG, STRAIGHT SCREW PLOT, FILETE DROIT	1	1	1	
14	90430-10M11	GASKET JOINT	1	1	1	
15	68T-15316-00	DAMPER, ENGINE MOUNT 1 AMORTISSEUR DE SUPPORT	1	1	1	
16	68T-15317-00	SPACER, ENGINE MOUNT ENTRETOISE DE SUPPORT	1	1	1	
17	97885-05008	SCREW, PAN HEAD VIS, TÊTE TRONCONIQUE	1	1	1	
18	68T-13475-00	GASKET JOINT	1	1	1	
19	93604-12M07	PIN, DOWEL GOUJON	2	2	2	
20	90119-08005	BOLT, WITH WASHER BOULON, AVEC RONDELLE	6	6	6	
21	97075-08030	BOLT BOULON	2	2	2	
22	92995-08600	WASHER RONDELLE	2	2	2	
23	68T-15362-00	PLUG, OIL LEVEL PLOT, NIVEAU D'HUILE	1	1	1	

**FIG. 21 LOWER CASING. DRIVE 1**

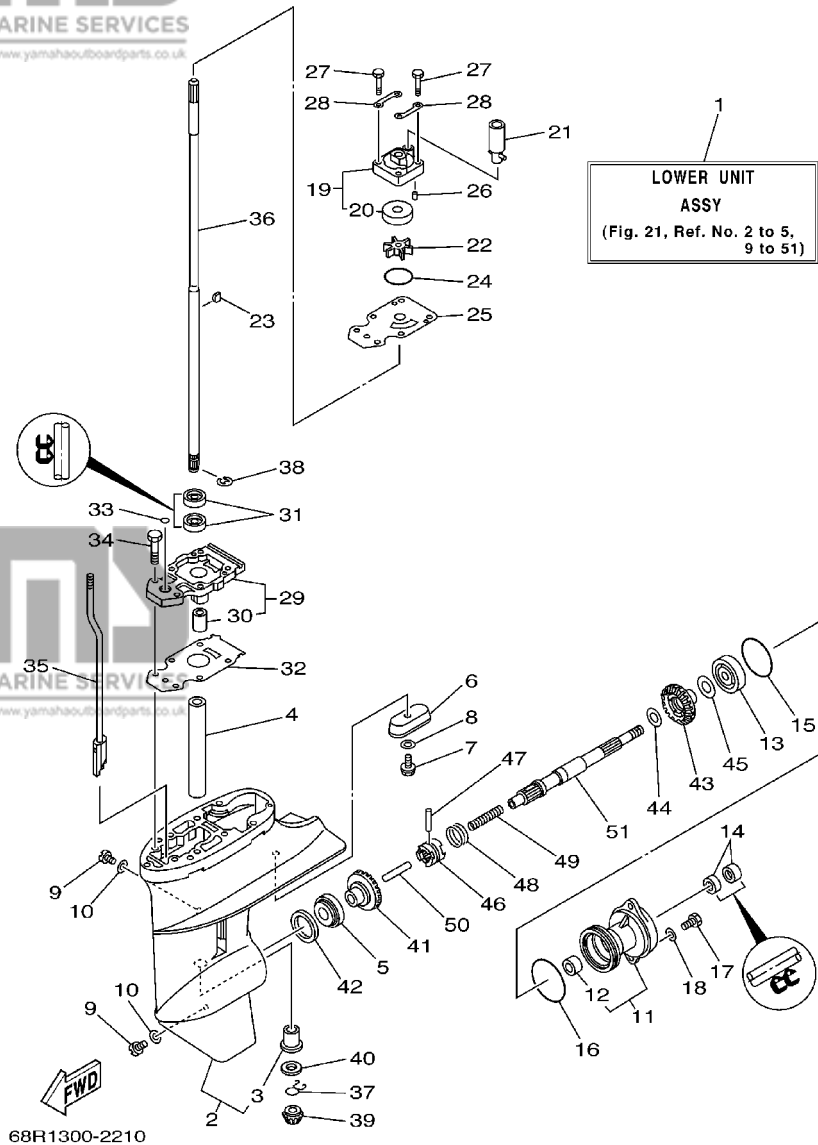
**BOITIER D'HELICE, TRANSMISSION 1**



REF. NO.	PART NO. NO. PIECES	DESCRIPTION DESCRIPTION	F6MH	F8MH	SAV	REMARKS REMARQUES
1	68T-45300-00-4D	LOWER UNIT ASSY UNITE INFERIEURE (ENS.)	1	1	1	S
	68T-45300-10-4D	LOWER UNIT ASSY UNITE INFERIEURE (ENS.)	1	1	1	L
2	68T-45311-00-4D	CASING, LOWER BOITIER D'HELICE	1	1	1	
3	6G1-45317-09	.BUSHING, DRIVE SHAFT .DOUILLE, ARBRE MOTEUR	1	1	1	
4	90387-14M49	COLLAR COLLERETTE	1	1	1	
5	93306-004U0	BEARING ROULEMENT	1	1	1	
6	68T-45251-00	ANODE ANODE	1	1	1	
7	95895-06016	BOLT, FLANGE BOULON, A COLLERETTE	1	1	1	
8	92990-06300	WASHER, INTERNAL TOOTH RONDELLE, DENTURE INTERNE	1	1	1	
9	90340-08002	PLUG, STRAIGHT SCREW PLOT, FILETE DROIT	2	2	2	
10	90430-08020	GASKET JOINT	2	2	2	
11	6G1-45361-01-4D	CAP, LOWER CASING COUVERCLE, BOITIER D'HELICE	1	1	1	
12	6G1-45362-09	.BUSHING .COUSSINET	1	1	1	
13	93306-004U0	BEARING ROULEMENT	1	1	1	
14	93101-15074	OIL SEAL JOINT SPY	2	2	2	
15	93210-49046	O-RING JOINT TORIQUE	1	1	1	
16	93210-53M08	O-RING JOINT TORIQUE	1	1	1	
17	97095-06016	BOLT BOULON	2	2	2	
18	92995-06600	WASHER RONDELLE	2	2	2	
19	63V-44301-00	WATER PUMP HOUSING COMP. CARTER, POMPE A EAU (ENS)	1	1	1	
20	63V-44322-00	.INSERT, CARTRIDGE .CUVETTE	1	1	1	
21	68T-44366-00	DAMPER, WATER SEAL JOINT, TUBE D'EAU	1	1	1	
22	68T-44352-00	IMPELLER TURBINE	1	1	1	
23	664-44338-00	KEY, WOODRUFF CLAVETTE, VOLANT	1	1	1	
24	93210-44398	O-RING JOINT TORIQUE	1	1	1	
25	68T-44323-00	OUTER PLATE, CARTRIDGE PLAQUE EXTERIEURE	1	1	1	
26	93604-12M07	PIN, DOWEL GOUJON	2	2	2	

**FIG. 21 LOWER CASING. DRIVE 1**

**BOITIER D'HELICE, TRANSMISSION 1**



REF. NO.	PART NO. NO. PIECES	DESCRIPTION DESCRIPTION	F6MH	F8MH	SAV	REMARKS REMARQUES
27	97080-08045	BOLT BOULON	4	4	4	
28	63V-44328-00	PLATE PLAQUETTE	2	2	2	
29	68T-45331-00-5B	HOUSING, BEARING FLASQUE, ROULEMENT	1	1	1	
30	6G1-45316-09	.BUSHING, DRIVE SHAFT .DOUILLE, ARBRE MOTEUR	1	1	1	
31	93101-11M23	OIL SEAL JOINT SPY	2	2	2	
32	68T-45315-A0	PACKING, LOWER CASING JOINT, BOITIER D'HELICE	1	1	1	
33	93210-06ME6	O-RING JOINT TORIQUE	1	1	1	
34	97080-08025	BOLT BOULON	2	2	2	
35	68T-44150-00	SHIFT CAM ASSY CAME D'INVERSION	1	1	1	
36	68T-45511-00	SHAFT, DRIVE ARBRE, MOTEUR	1	1	1	S
	68T-45511-10	SHAFT, DRIVE ARBRE, MOTEUR	1	1	1	L
37	90467-09M05	CLIP JONC	1	1	1	
38	99001-07600	CIRCLIP CIRCLIP	1	1	1	
39	68T-45551-00	PINION PIGNON D'ATTAQUE	1	1	1	
40	6G1-45533-00-19	SHIM (T:1.9MM) CALE (T:1.9MM)	1	1	1	UR
	6G1-45533-00-20	SHIM (T:2.0MM) CALE (T:2.0MM)	1	1	1	UR
	6G1-45533-00-21	SHIM (T:2.1MM) CALE (T:2.1MM)	1	1	1	UR
	6G1-45533-00-22	SHIM (T:2.2MM) CALE (T:2.2MM)	1	1	1	UR
41	68T-45560-00	GEAR PIGNON	1	1	1	
42	664-45587-01-10	SHIM (T:0.10MM) CALE (T:0.10MM)	1	1	1	UR
	664-45587-01-12	SHIM (T:0.12MM) CALE (T:0.12MM)	1	1	1	UR
	664-45587-01-15	SHIM (T:0.15MM) CALE (T:0.15MM)	1	1	1	UR
	664-45587-01-18	SHIM (T:0.18MM) CALE (T:0.18MM)	1	1	1	UR
	664-45587-01-30	SHIM (T:0.30MM) CALE (T:0.30MM)	1	1	1	UR
	664-45587-01-40	SHIM (T:0.40MM) CALE (T:0.40MM)	1	1	1	UR
	664-45587-01-50	SHIM (T:0.50MM) CALE (T:0.50MM)	1	1	1	UR
43	68T-45571-00	GEAR PIGNON	1	1	1	

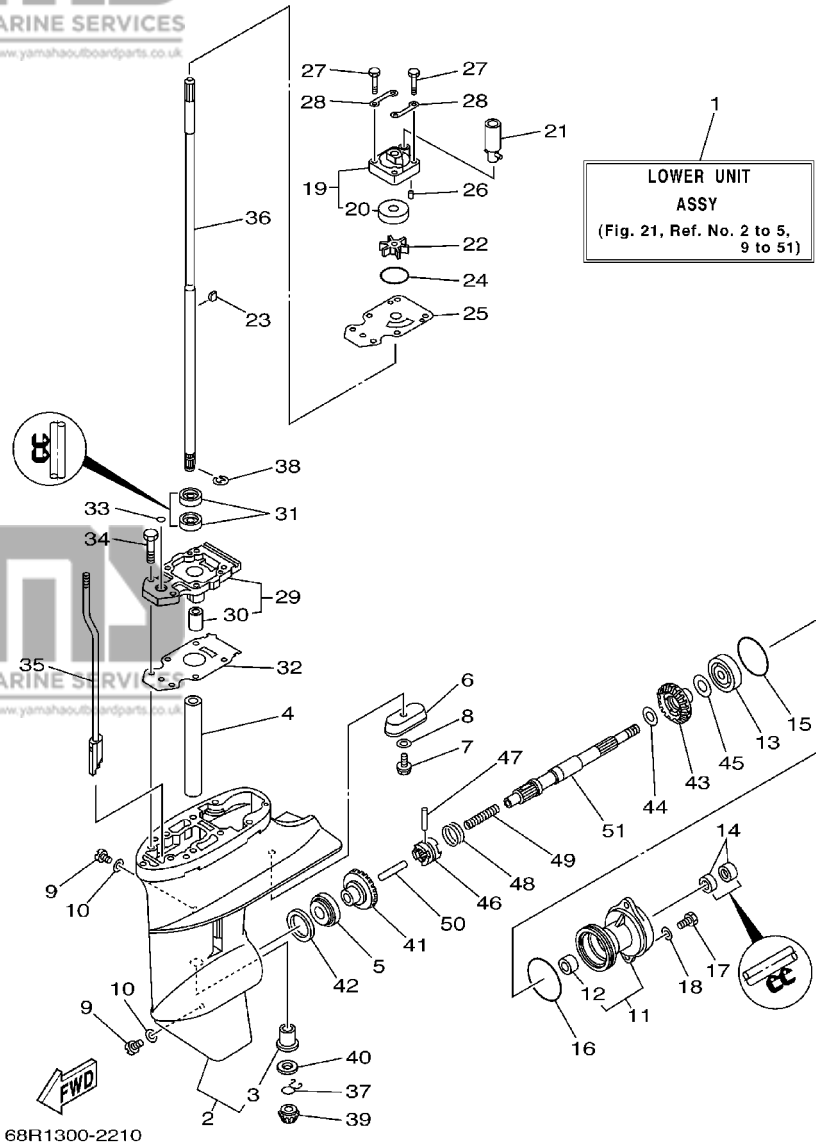
**E4**



**FIG. 21 LOWER CASING. DRIVE 1**

**BOITIER D'HELICE, TRANSMISSION 1**

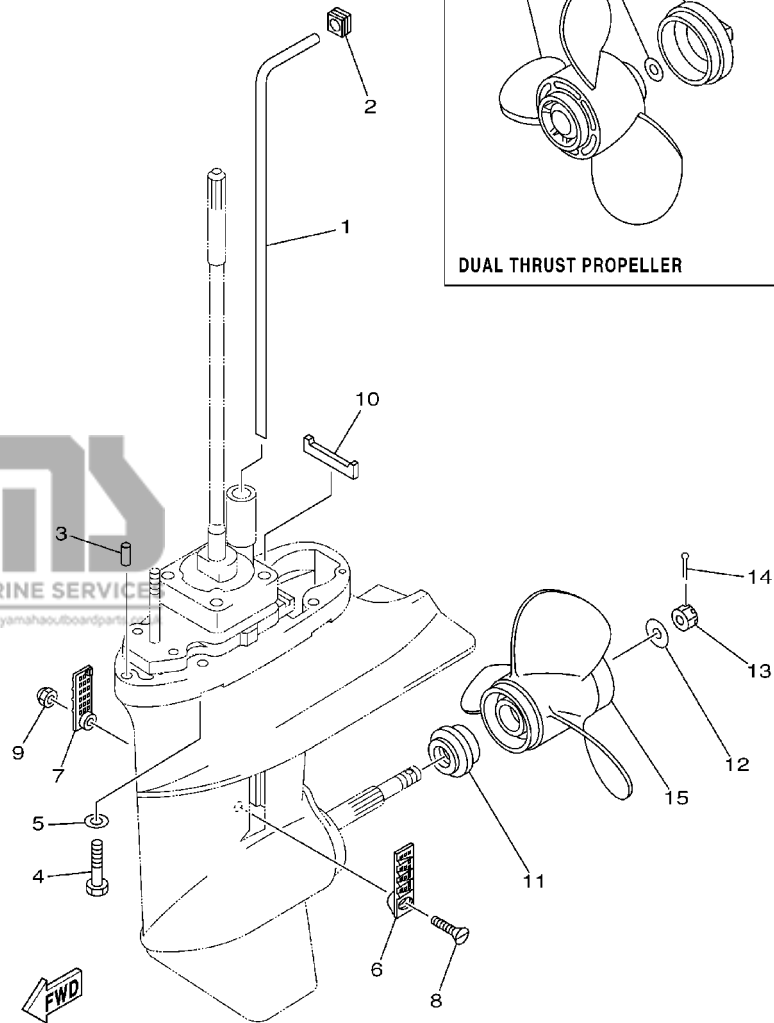
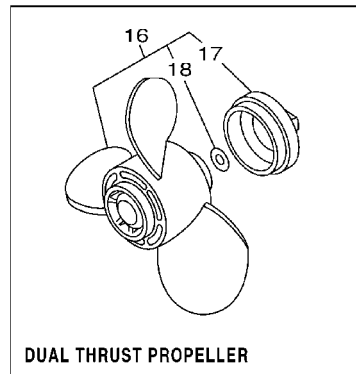
REF. NO.	PART NO. NO. PIECES	DESCRIPTION DESCRIPTION	F6MH	F8MH	SAV	REMARKS REMARQUES
44	90201-15M89	WASHER, PLATE RONDELLE, PLATE	1	1	1	
45	647-45567-00	SHIM (T:0.10MM) CALE (T:0.10MM)	1	1	1	
46	68T-45631-00	CLUTCH, DOG CRABOT	1	1	1	
47	6G1-45632-00	PIN, CROSS GOUPILLE DE CRABOT	1	1	1	
48	654-45633-00	RING, CROSS PIN JONG, GOUPILLE CRABOT	1	1	1	
49	90501-12M05	SPRING, COMPRESSION RESSORT, COMPRESSION	1	1	1	
50	6G1-45635-00	PLUNGER, SHIFT POUSSOIR D'EMBRAYAGE	1	1	1	
51	68T-45611-00	SHAFT, PROPELLER ARBRE, HELICE	1	1	1	



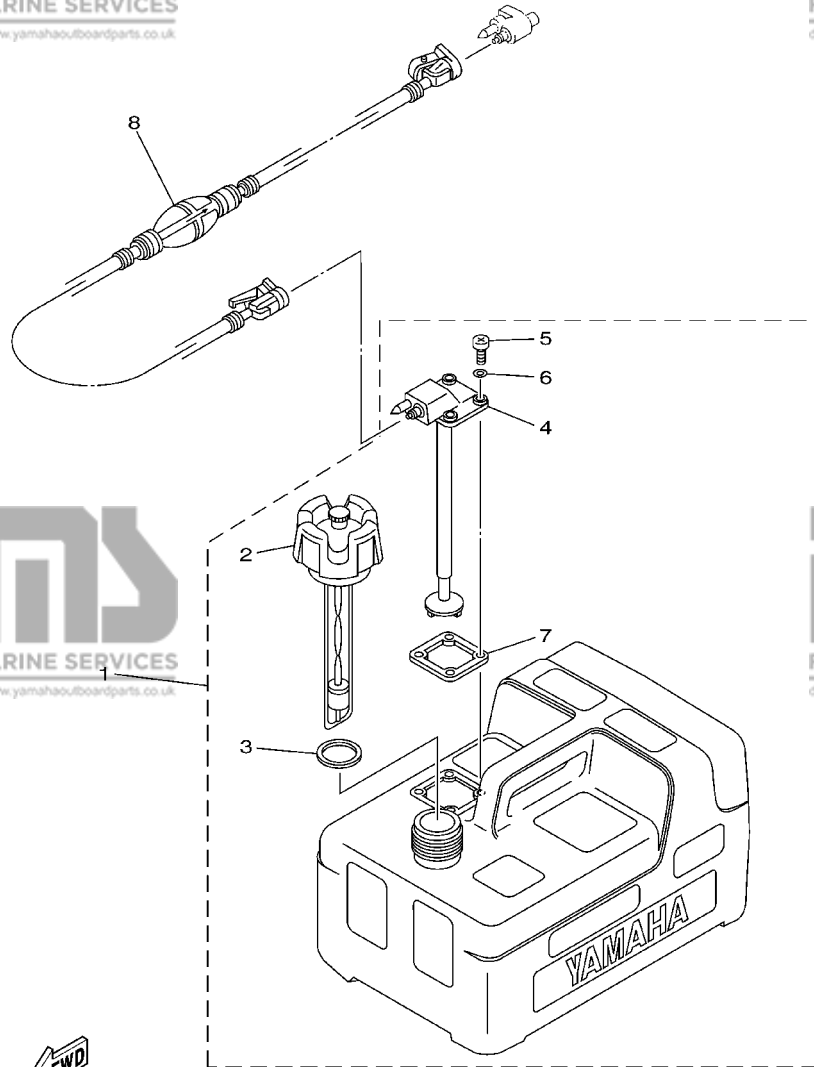
**FIG. 22 LOWER CASING. DRIVE 2**

**BOITIER D'HELICE, TRANSMISSION 2**

REF. NO.	PART NO. NO. PIECES	DESCRIPTION DESCRIPTION	F6MH	F8MH	SAV	REMARKS REMARQUES
1	68T-44361-00	TUBE, WATER TUBE D'EAU	1	1	1	S
	68T-44361-10	TUBE, WATER TUBE D'EAU	1	1	1	L
2	63V-44365-10	DAMPER, WATER SEAL JOINT, TUBE D'EAU	1	1	1	
3	93604-12M07	PIN, DOWEL GOUJON	2	2	2	
4	97075-08035	BOLT BOULON	4	4	4	
5	92995-08600	WASHER RONDELLE	4	4	4	
6	6G1-45214-00	COVER, WATER INLET GRILLE, ENTREE D'EAU	1	1	1	
7	6G1-45215-00	COVER, WATER INLET GRILLE, ENTREE D'EAU	1	1	1	
8	90152-05M03	SCREW, COUNTERSUNK VIS, TETE NOYEE	1	1	1	
9	90185-05002	NUT, SELF-LOCKING ECROU, AUTO-BLOCANT	1	1	1	
10	63V-45375-00	DAMPER, SEAL BOURRELET, CAOUTCHOUC	1	1	1	
11	6G1-45987-02	SPACER ENTRETOISE	1	1	1	
12	90201-10M01	WASHER, PLATE RONDELLE, PLATE	1	1	1	
13	90171-10M01	NUT, CASTLE ECROU, CRENELE	1	1	1	
14	91490-30020	PIN, COTTER GOUPILLE, FENDUE	1	1	1	
15	6G1-45941-00-EL	PROPELLER (3X8-1/2"X8-1/2"-N) HELICE (3X8-1/2"X8-1/2"-N)	1	1	1	UR
	6G1-45943-00-EL	PROPELLER (3X8-1/2"X7-1/2"-N) HELICE (3X8-1/2"X7-1/2"-N)	1	1	1	UR
	6G1-45947-00-EL	PROPELLER (3X8-1/2"X6-1/2"-N) HELICE (3X8-1/2"X6-1/2"-N)	1	1	1	UR
	6G1-45952-00-EL	PROPELLER (3X8-1/2"X8"-N) HELICE (3X8-1/2"X8"-N)	1	1	1	UR
16	6G1-W4591-01-EL	PROPELLER (3X9"X7"-N) HELICE (3X9"X7"-N)	1	1	1	UR DUAL THRUST PROP.
	6G1-W4592-00-EL	PROPELLER (3X9"X5"-N) HELICE (3X9"X5"-N)	1	1	1	UR DUAL THRUST PROP.
17	6G1-45616-01	.NUT, PROPELLER .CONE, HELICE	1	1	1	
18	90201-10M02	.WASHER, PLATE .RONDELLE, PLATE	1	1	1	



68R0100-0230

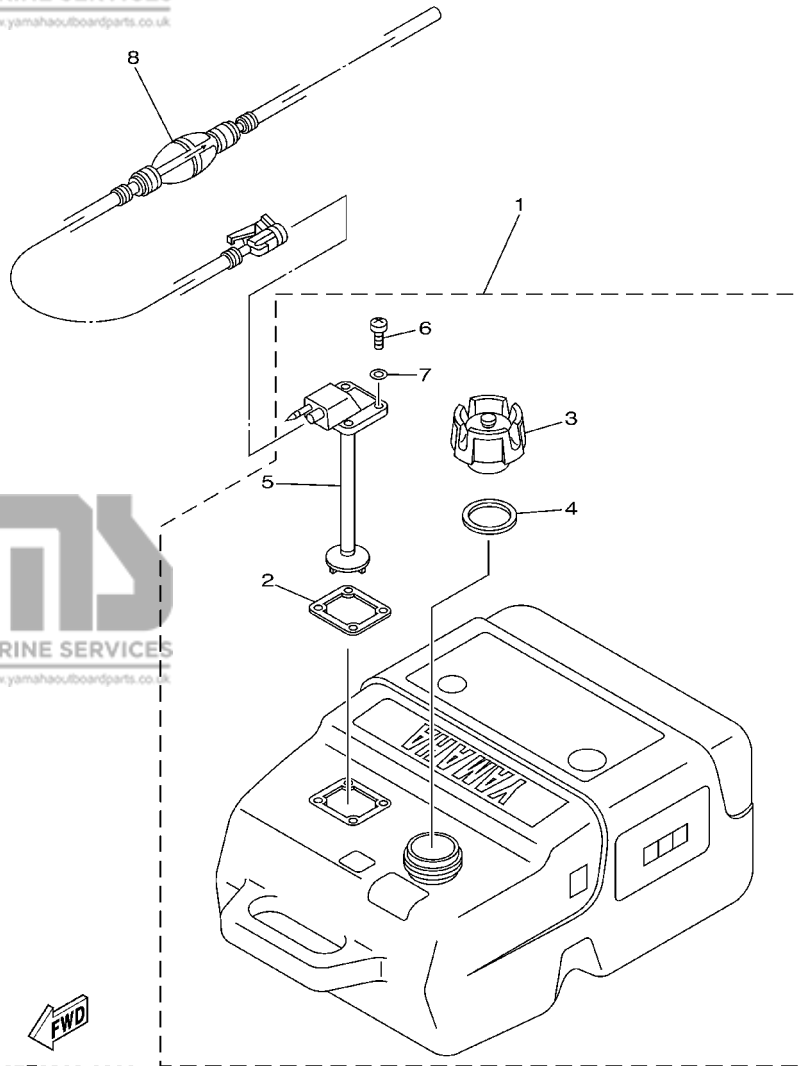


66R0700-9260

**FIG. 23 FUEL TANK 1**

**RESERVOIR A CARBURANT 1**

REF. NO.	PART NO. NO. PIECES	DESCRIPTION DESCRIPTION	F6MH	F8MH	SAV	REMARKS REMARQUES
1	6YL-24201-02	FUEL TANK ASSY RESERVOIR A ESSENCE (ENS.)	1	1		AP
2	6YL-24610-00	.CAP ASSY .BOUCHON	1	1		
3	6YL-24641-00	.GASKET, CAP 1 .JOINT 1, BOUCHON	1	1		
4	6YL-24260-01	.FUEL METER ASSY .INDICATEUR DE CARBURANT	1	1		
5	90157-05M16	.SCREW, PAN HEAD .VIS, TETE TRONCONIQUE	4	4		
6	6YL-24329-00	.SEAL .JOINT	4	4		
7	6YL-24268-01	.GASKET, FUEL METER .JOINT, JAUGE A CARBURANT	1	1		
8	6YL-24306-52	FUEL PIPE COMP. 1 DURITE A ESSENCE 1	1	1		AP

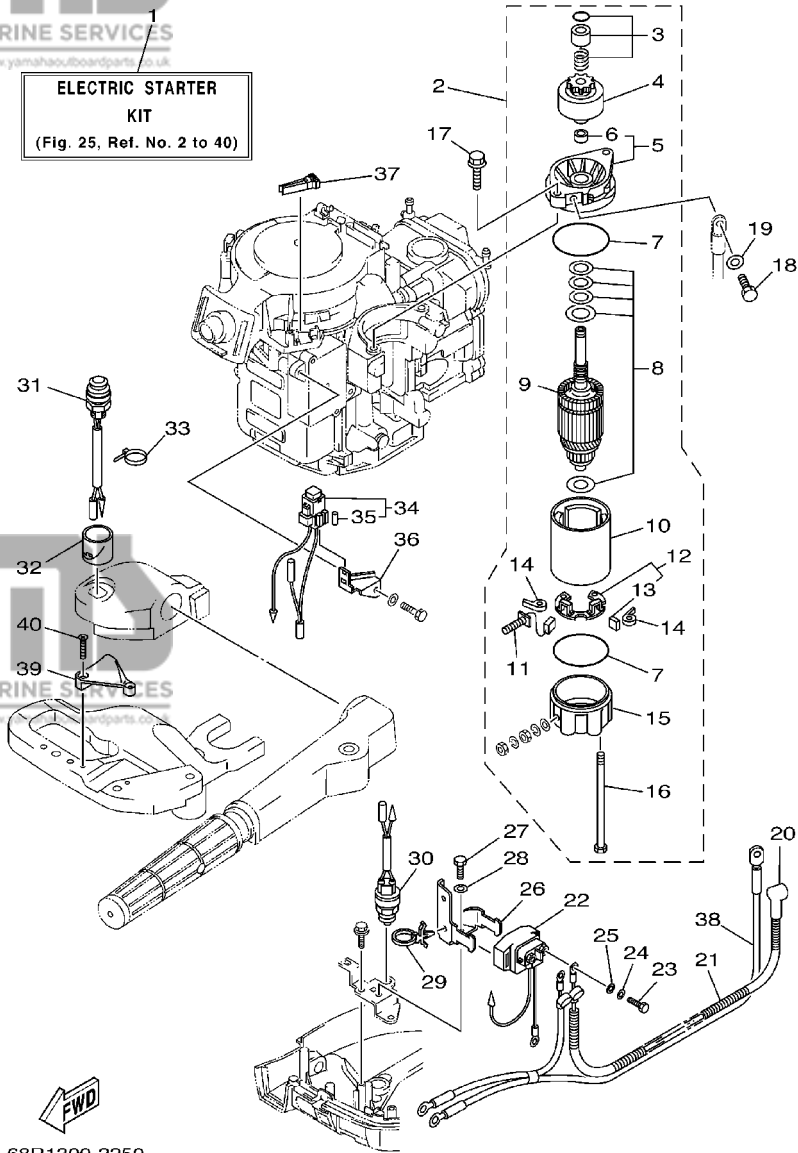


**FIG. 24 FUEL TANK 2**

**RESERVOIR A CARBURANT 2**

REF. NO.	PART NO. NO. PIECES	DESCRIPTION DESCRIPTION	F6MH	F8MH	SAV	REMARKS REMARQUES
1	6YK-24201-10	FUEL TANK ASSY (25L) RESERVOIR A ESSENCE (ENS.) 25L			1	AP
2	6YL-24268-01	.GASKET, FUEL METER .JOINT, JAUGE A CARBURANT			1	
3	6YK-24610-10	.CAP ASSY .BOUCHON			1	WITHOUT INDICATOR
4	6YL-24641-00	.GASKET, CAP 1 .JOINT 1, BOUCHON			1	
5	6YK-24260-01	.FUEL METER ASSY .INDICATEUR DE CARBURANT			1	
6	90157-05M16	.SCREW, PAN HEAD .VIS, TETE TRONCONIQUE			4	
7	6YL-24329-00	.SEAL .JOINT			4	
8	6YL-24306-52	FUEL PIPE COMP. 1 DURITE A ESSENCE 1			1	AP

**ELECTRIC STARTER  
KIT**  
(Fig. 25, Ref. No. 2 to 40)



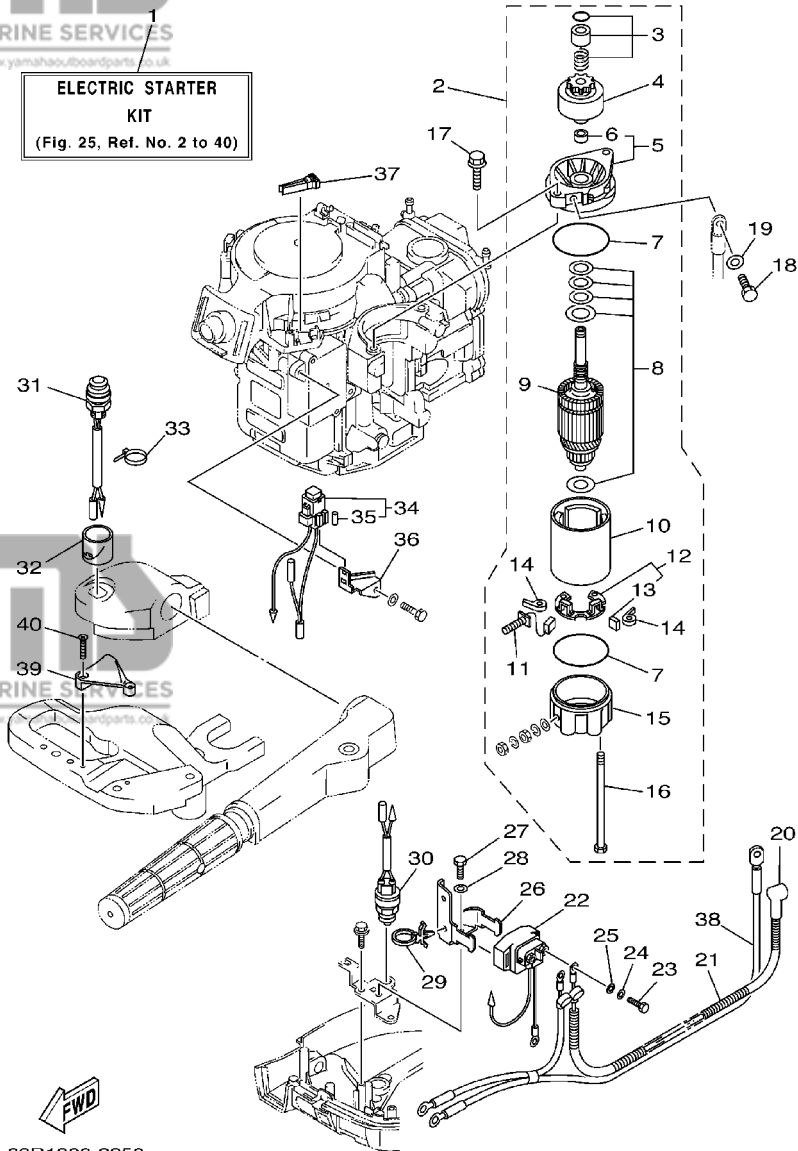
68R1300-2250

**FIG. 25 OPTIONAL PARTS**

**PIECES OPTIONNELLES**

REF. NO.	PART NO. NO. PIECES	DESCRIPTION DESCRIPTION	F6MH	F8MH	SAV	REMARKS REMARQUES
1	68R-W8180-00	ELECTRIC STARTER KIT KIT DEMARREUR ELECTRIQUE		1	1	AP
2	68T-81800-00	STARTING MOTOR ASSY DEMARREUR ELECTRIQUE COMPLET		1	1	
3	68T-81857-00	.RETAINER .ARRETOIR		1	1	
4	689-81807-12	.GEAR ASSY, STARTING MOTOR .PIGNON, DEMARREUR ELECTRIQUE		1	1	
5	6F5-81830-11	.FRONT BRACKET ASSY .SUPPORT_AVANT		1	1	
6	689-81831-00	..METAL, FRONT ..METAL, AVANT		1	1	
7	689-81847-11	.O-RING .JOINT TORIQUE		2	2	
8	689-81809-11	.WASHER KIT .JEU DE RONDELLES		1	1	
9	689-81850-12	.ARMATURE ASSY .INDUIT		1	1	
10	689-81810-11	.STATOR ASSY .STATOR COMPLET		1	1	
11	689-81811-11	.BRUSH 1 .CHARBON 1		1	1	
12	689-81840-11	.BRUSH HOLDER ASSY .SUPPORT DE CHARBON		1	1	
13	689-81812-11	..BRUSH 2 ..CHARBON 2		1	1	
14	689-81813-10	.SPRING, BRUSH .RESSORT, DE CHARBON		2	2	
15	689-81820-11	.REAR BRACKET ASSY .SUPPORT_ARRIERE_COMPLET		1	1	
16	689-81826-10	.BOLT .BOULON		2	2	
17	90119-08M76	BOLT, WITH WASHER BOULON, AVEC RONDELLE		2	2	
18	97095-08016	BOLT BOULON		1	1	
19	92995-08600	WASHER RONDELLE		1	1	
20	6G8-82117-00	WIRE, LEAD FIL		1	1	
21	90446-10M86	HOSE DURITE		1	1	
22	68T-81940-00	STARTER RELAY ASSY LANCEUR RELAIS (ENS.)		1	1	
23	97095-06010	BOLT BOULON		2	2	
24	92995-06100	WASHER, SPRING RONDELLE, GROWER		2	2	
25	92995-06600	WASHER RONDELLE		2	2	
26	68T-81945-00	PLATE, SWITCH FITTING PLAQUE, FIXATION DU RELAIS		1	1	
27	97095-06012	BOLT BOULON		1	1	

**ELECTRIC STARTER  
KIT**  
(Fig. 25, Ref. No. 2 to 40)



68R1300-2250

**FIG. 25 OPTIONAL PARTS**

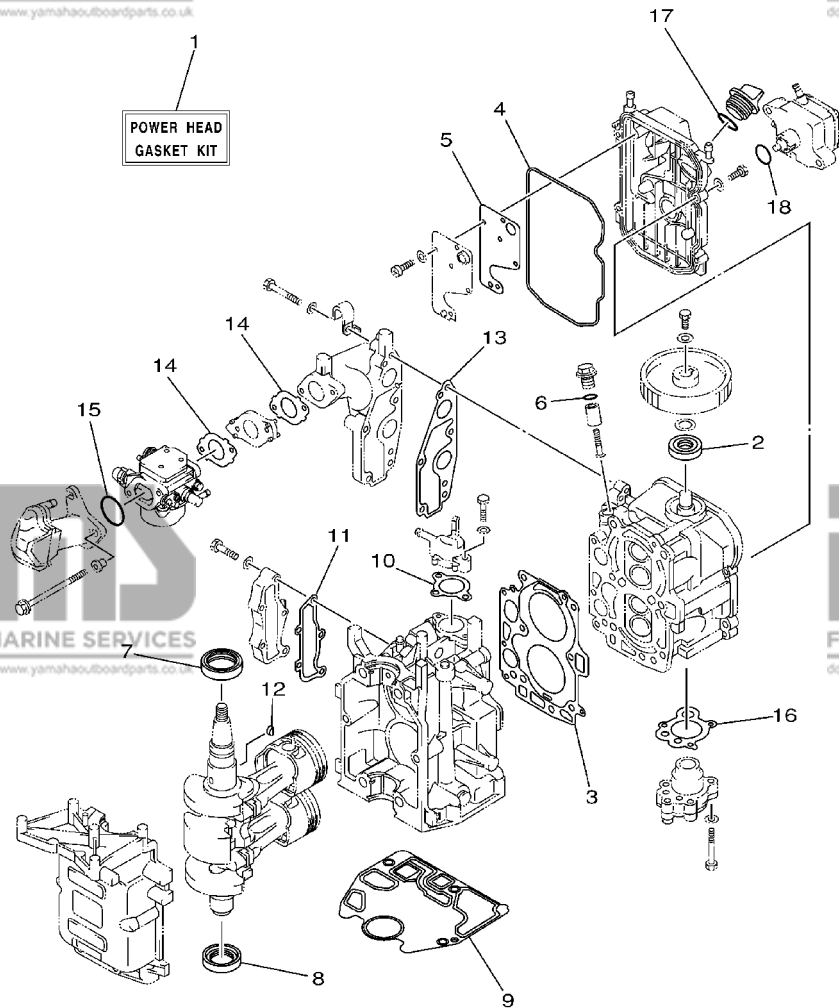
**PIECES OPTIONNELLES**

REF. NO.	PART NO. NO. PIECES	DESCRIPTION DESCRIPTION	F6MH	F8MH	SAV	REMARKS REMARQUES
28	92995-06600	WASHER RONDELLE		1	1	
29	90465-12M56	CLAMP BRIDE		1	1	
30	6F5-82540-00	NEUTRAL SWITCH ASSY CONTACTEUR DE POINT-MORT		1	1	
31	68T-81870-00	STARTING SWITCH ASSY CONTACT A CLEF		1	1	
32	68T-81821-00	COVER, SWITCH COUVERCLE, COMMUTATEUR		1	1	
33	90465-11M10	CLAMP BRIDE		1	1	
34	68T-82150-00	FUSE HOLDER ASSY SUPPORT DE FUSIBLE		1	1	
35	66V-82151-00	.FUSE (10A-BL) .FUSIBLE (10A-BL)		2	2	
36	68T-82171-00	STAY, FUSE BOX SUPPORT, BOITE A FUSIBLES		1	1	
37	67F-2812A-00	PULLER, FUSE TENDEUR, FUSIBLE		1	1	
38	68T-82105-00	WIRE HARNESS FAISCEAU DE FILS		1	1	
39	68T-82594-00	CLAMP BRIDE		1	1	
40	90151-05003	SCREW, COUNTERSUNK VIS, TETE NOYEE		2	2	

FIG. 26 REPAIR KIT 1

KITS DE REPARATION 1

REF. NO.	PART NO. NO. PIECES	DESCRIPTION DESCRIPTION	F6MH	F8MH	SAV	REMARKS REMARQUES
1	68T-W0001-00	POWER HEAD GASKET KIT POCHETTE DE JINTS TETE MOTRICE	1	1	1	
2	93102-18M21	.OIL SEAL .JOINT SPY	1	1	1	
3	68T-11181-00	.GASKET, CYLINDER HEAD 1 .JOINT, DE CULASSE 1	1	1	1	
4	68T-11356-00	.SEAL, CYLINDER 2 .JOINT, SPY CYLINDRE	1	1	1	
5	68T-11169-A0	.GASKET, BREATHER COVER .JOINT, COUVERCLE DE RENIFLARD	1	1	1	
6	93210-13M63	.O-RING .JOINT TORIQUE	1	1	1	
7	93102-30M22	.OIL SEAL .JOINT SPY	1	1	1	
8	93101-25M69	.OIL SEAL .JOINT SPY	1	1	1	
9	68T-11351-00	.GASKET, CYLINDER .JOINT, D'EMBASE	1	1	1	
10	6G8-12414-A0	.GASKET, COVER .JOINT, COUVERCLE	1	1	1	
11	68T-41114-A0	.GASKET, EXHAUST OUTER COVER .JOINT, COUVERCLE D'ECHAPPEMEN	1	1	1	
12	90280-03M01	.KEY, WOODRUFF .CLAVETTE, DEMI-LUNE	1	1	1	
13	68T-13645-00	.GASKET, MANIFOLD 1 .JOINT, TUBULURE 1	1	1	1	
14	68T-13646-A0	.GASKET, MANIFOLD 2 .JOINT, TUBULURE 2	2	2	2	
15	93210-31MJ5	.O-RING .JOINT TORIQUE	1	1	1	
16	68T-13329-00	.GASKET, PUMP COVER .JOINT, COUVERCLE DE POMPE	1	1	1	
17	93210-24M79	.O-RING .JOINT TORIQUE	1	1	1	
18	93210-20M65	.O-RING .JOINT TORIQUE	1	1	1	



68R0100-0250

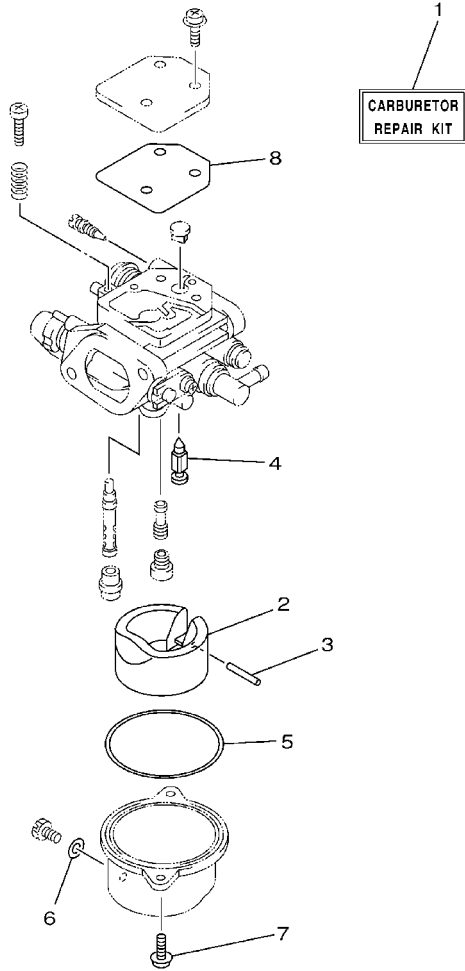


FIG. 27 REPAIR KIT 2

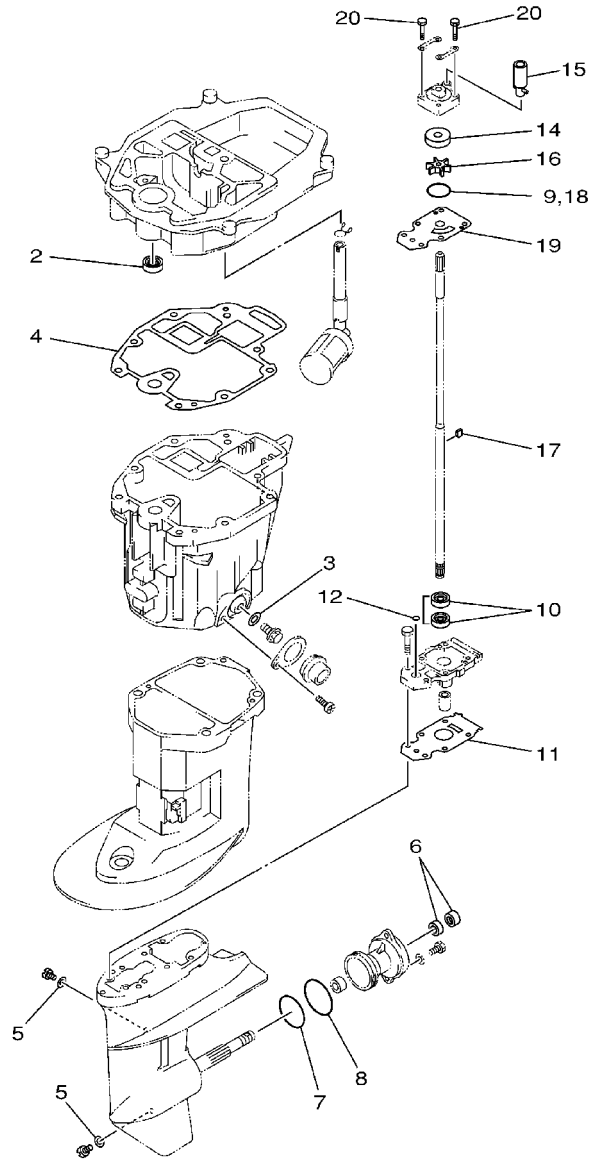
KITS DE REPARATION 2

REF. NO.	PART NO. NO. PIECES	DESCRIPTION DESCRIPTION	F6MH	F8MH	SAV	REMARKS REMARQUES
1	68T-W0093-00	CARBURETOR REPAIR KIT KIT DE REPARATION CARBURATEUR	1	1	1	
2	68T-14385-00	.FLOAT .FLOTTEUR	1	1	1	
3	67D-14386-00	.PIN, FLOAT .AXE, FLOTTEUR	1	1	1	
4	68T-14546-00	.VALVE, NEEDLE .POINTEAU	1	1	1	
5	67D-14984-00	.GASKET, FLOAT CHAMBER JOINT, CUVE DE FLOTTEUR	1	1	1	
6	6J8-14959-00	.GASKET JOINT	1	1	1	
7	97980-04112	.SCREW, WITH WASHER .VIS, AVEC RONDELLE	2	2	2	
8	67D-14536-00	.GASKET JOINT	1	1	1	



68R0100-0260





**FIG. 28 REPAIR KIT 3**

**KITS DE PEPARATION 3**

REF. NO.	PART NO. NO. PIECES	DESCRIPTION DESCRIPTION	F6MH	F8MH	SAV	REMARKS REMARQUES
1	68T-W0001-20	LOWER UNIT GASKET KIT POCHETTE DE JOINTS EMBASE	1	1	1	
2	93101-12M70	.OIL SEAL .JOINT SPY	1	1	1	
3	90430-10M11	.GASKET .JOINT	1	1	1	
4	68T-13475-00	.GASKET .JOINT	1	1	1	
5	90430-08020	.GASKET .JOINT	2	2	2	
6	93101-15074	.OIL SEAL .JOINT SPY	2	2	2	
7	93210-49046	.O-RING .JOINT TORIQUE	1	1	1	
8	93210-53M08	.O-RING .JOINT TORIQUE	1	1	1	
9	93210-44398	.O-RING .JOINT TORIQUE	1	1	1	
10	93101-11M23	.OIL SEAL .JOINT SPY	2	2	2	
11	68T-45315-A0	.PACKING, LOWER CASING .JOINT, BOITIER D'HELICE	1	1	1	
12	93210-06ME6	.O-RING .JOINT TORIQUE	1	1	1	
13	68T-W0078-00	WATER PUMP REPAIR KIT KIT DE REPARATION DE LA POMPE	1	1	1	
14	63V-44322-00	.INSERT, CARTRIDGE .CUVETTE	1	1	1	
15	68T-44366-00	.DAMPER, WATER SEAL .JOINT, TUBE D'EAU	1	1	1	
16	68T-44352-00	.IMPELLER .TURBINE	1	1	1	
17	664-44338-00	.KEY, WOODRUFF .CLAVETTE, VOLANT	1	1	1	
18	93210-44398	.O-RING .JOINT TORIQUE	1	1	1	
19	68T-44323-00	.OUTER PLATE, CARTRIDGE .PLAQUE EXTERIEURE	1	1	1	
20	97080-08045	.BOLT .BOULON	4	4	4	

PART NO. NO. PIECES	REF. NO.
68T-W0001-00	26 - 1
68T-W0001-20	28 - 1
68T-W0070-60	1 - 12
68T-W0078-00	28 - 13
68T-W0084-00-4D	15 - 1
68T-W009A-00-1S	4 - 1
68T-W009B-00-1S	2 - 1
68T-W0093-00	27 - 1
6G1-W4591-01-EL	22 - 16
6G1-W4592-00-EL	22 - 16
68R-W8180-00	25 - 1
68T-11111-00-1S	4 - 2
67D-11133-10	4 - 3
68T-11168-00	4 - 14
68T-11169-A0	4 - 15
	26 - 5
68T-11181-00	4 - 4
	26 - 3
68T-11191-00-1S	4 - 9
6G8-11197-01	4 - 20
68T-11325-00	4 - 18
68T-11351-00	2 - 5
	26 - 9
68T-11356-00	4 - 11
	26 - 4
6H1-11372-00	20 - 12
68T-11411-00	3 - 3
68T-11416-00	3 - 4
68T-11416-10	3 - 4
68T-11416-20	3 - 4
68T-11536-00	8 - 8
66M-11537-00-94	8 - 3
68T-11557-00	8 - 9
6G8-11575-00	20 - 9
6G8-11587-01	8 - 10
68T-11603-01	3 - 8
68T-11604-01	3 - 8
68T-11605-01	3 - 8
68T-11631-00-96	3 - 7
68T-11633-00	3 - 9
68T-11635-00	3 - 7
68T-11636-00	3 - 7
68T-11650-00	3 - 5
67D-11654-00	3 - 6
67D-12111-00	5 - 1
68T-12113-00	5 - 4
68T-12116-00	5 - 3
7NJ-12117-00	5 - 5

PART NO. NO. PIECES	REF. NO.
7NJ-12118-00	5 - 6
51Y-12119-00	5 - 7
67D-12121-00	5 - 2
6G9-12138-60	8 - 19
68T-12146-00	5 - 8
68T-12151-00	5 - 12
6G8-12158-00	5 - 14
6G8-12159-00	5 - 13
68T-12171-00	8 - 2
66M-12411-00	2 - 6
68T-12413-00-1S	2 - 7
6G8-12414-A0	2 - 8
	26 - 10
68T-12481-00	2 - 10
68T-12482-00	2 - 16
68T-12483-00	6 - 14
66M-13131-00	9 - 18
68T-13300-00	8 - 15
68T-13329-00	8 - 16
	26 - 16
68T-13421-01	20 - 7
67F-13434-02	1 - 14
68T-13437-60	10 - 30
62Y-13444-50	14 - 31
68T-13475-00	20 - 18
	28 - 4
68T-13641-00-1S	6 - 1
68T-13645-00	6 - 3
	26 - 13
68T-13646-A0	6 - 8
	26 - 14
68T-14126-00	7 - 19
68T-14271-00	6 - 9
68R-14301-00	7 - 1
68R-14301-20	7 - 1
68T-14301-00	7 - 1
68T-14301-20	7 - 1
69F-14301-20	7 - 1
6E5-14321-00	7 - 2
67D-14323-00	7 - 16
68T-14323-20	7 - 16
6E7-14325-00	9 - 15
6J8-14334-00	7 - 3
68T-14385-00	7 - 5
	27 - 2
67D-14386-00	7 - 7
	27 - 3
647-14395-60	16 - 28

PART NO. NO. PIECES	REF. NO.
68T-14440-00	6 - 10
68T-14497-00	16 - 21
67D-14527-00	7 - 18
67D-14536-00	7 - 17
	27 - 8
68T-14546-00	7 - 8
	27 - 4
68T-14711-00-5B	19 - 2
68T-1492A-00	7 - 11
68T-1492E-37	7 - 9
68T-1492F-1K	7 - 10
6J8-14959-00	7 - 14
	27 - 6
67D-14966-00	7 - 6
68T-14981-00	7 - 13
67D-14984-00	7 - 12
	27 - 5
66T-14991-00	7 - 15
68T-15100-00-1S	2 - 2
68T-15311-00-5B	20 - 11
68T-15316-00	20 - 15
68T-15317-00	20 - 16
68T-15362-00	20 - 23
6G8-15363-00	4 - 22
63V-15705-01	10 - 9
68T-1571Y-60	15 - 30
68T-15710-01	10 - 1
68T-15711-01	10 - 2
63V-15713-00	10 - 7
63V-15714-00	10 - 7
68T-15716-00	10 - 8
66T-15731-00	10 - 22
66T-15734-00	10 - 20
63V-15741-00	10 - 6
63V-15744-00	10 - 12
6G1-15755-00	10 - 15
68T-15762-00	10 - 25
67D-15764-00	10 - 3
68T-15764-00	10 - 14
63V-15767-01	10 - 10
68T-15770-00	10 - 21
68T-15774-00	10 - 26
68T-15774-10	10 - 26
6G1-15779-00	10 - 17
68T-15784-00	10 - 11
6A0-15789-00	10 - 18
68T-15793-00	10 - 13
66T-15794-00	10 - 19

PART NO. NO. PIECES	REF. NO.
68T-15795-00	10 - 4
6YK-24201-01	24 - 1
6YL-24201-02	23 - 1
68T-24251-00	9 - 7
6YK-24260-01	24 - 5
6YL-24260-01	23 - 4
6YL-24268-01	23 - 7
	24 - 2
6G1-24304-02	9 - 1
6YL-24306-52	23 - 8
	24 - 8
6YL-24329-00	23 - 6
	24 - 7
61N-24329-00	9 - 2
66M-24374-00	9 - 19
6E9-24378-00	2 - 13
650-24378-00	4 - 10
	6 - 2
68T-24410-00	9 - 12
66M-24411-00	9 - 16
66M-24413-01	9 - 13
6A0-24421-01	9 - 14
66M-24423-00	9 - 17
66M-24444-00	9 - 22
66M-24454-00	9 - 20
66M-24471-00	9 - 21
6YK-24610-10	24 - 3
6YL-24610-00	23 - 2
6YL-24641-00	23 - 3
	24 - 4
68T-26301-01	15 - 17
68T-26367-00	14 - 15
68T-26393-00	14 - 14
68T-28100-00	9 - 33
67F-2812A-00	25 - 37
6A1-28176-00	14 - 33
68T-41113-00-1S	2 - 12
68T-41114-A0	2 - 14
	26 - 11
68T-41137-00-94	20 - 1
68T-41211-00	16 - 20
69F-41211-00	16 - 20
68T-41256-00	6 - 18
6J8-41262-00	6 - 19
661-41262-02	16 - 27
6H4-41271-01	6 - 16
689-41273-00	6 - 17
68R-41283-00	16 - 18

PART NO. NO. PIECES	REF. NO.
68T-41283-00	16 - 18
68T-41638-00	16 - 17
6G1-41662-01-94	16 - 6
63V-42111-00-4D	15 - 2
67D-42119-00	15 - 10
68T-42121-00-4D	15 - 25
6G1-42125-01	15 - 7
6G1-42126-00	15 - 6
68T-42131-00	15 - 22
68R-42137-00	15 - 11
68T-42137-00	15 - 11
69F-42137-00	15 - 11
6G1-42138-01	15 - 3
6E0-42159-02	15 - 4
67D-42177-00	15 - 9
68T-42511-01-4D	18 - 6
68T-42511-11-4D	18 - 6
63V-42528-00	18 - 3
63V-42537-00	18 - 7
68R-42610-60-4D	1 - 1
68T-42610-60-4D	1 - 1
68T-42613-00	1 - 2
68T-42615-00	1 - 6
68T-42649-00	1 - 10
6G1-42651-02	1 - 4
68T-42652-00	1 - 7
68R-42677-00	1 - 13
68T-42677-00	1 - 13
68R-42678-20	1 - 11
68T-42678-20	1 - 11
68T-42710-00-4D	14 - 1
68T-42716-00	14 - 5
65W-42717-00	14 - 20
	20 - 2
68T-42717-00	14 - 26
68T-42724-00	14 - 16
6G1-42725-00	13 - 4
68T-42725-00	14 - 13
6H4-42726-00	14 - 19
682-42727-00	14 - 10
68T-42738-00-4D	14 - 11
68T-42741-00	14 - 21
68T-42771-00	14 - 27
6H8-42791-10	14 - 30
68T-42801-00	14 - 6
68T-43111-01-4D	17 - 1
68T-43112-01-4D	17 - 2
66R-43113-00	17 - 9

PART NO. NO. PIECES	REF. NO.
648-43114-01	17 - 6
677-43116-01	17 - 5
6E0-43118-01	17 - 3
63V-43131-10	17 - 7
6L2-43160-00	17 - 15
63V-43191-00	17 - 25
68T-43311-00-4D	17 - 16
68T-43311-10-4D	17 - 16
68T-43350-00	17 - 23
689-43373-01	18 - 4
68T-43611-00	17 - 30
68T-43614-00	17 - 27
68T-43615-00	17 - 29
68T-43616-00	17 - 18
68T-43617-00	17 - 21
68T-43627-00	17 - 34
68T-43631-00	17 - 17
68T-43641-00	17 - 20
68T-43646-00	17 - 19
68T-43659-00	17 - 32
68T-44111-00	16 - 1
66R-44114-00	16 - 11
65W-44116-00	16 - 10
68T-44121-01	16 - 5
68T-44143-00	16 - 13
68T-44143-10	16 - 13
68T-44150-00	21 - 35
63V-44301-00	21 - 19
63V-44322-00	21 - 20
	28 - 14
68T-44323-00	21 - 25
	28 - 19
63V-44328-00	21 - 28
664-44338-00	21 - 23
	28 - 17
68T-44352-00	21 - 22
	28 - 16
68T-44361-00	22 - 1
68T-44361-10	22 - 1
63V-44365-10	22 - 2
68T-44366-00	21 - 21
	28 - 15
6H3-44391-01	14 - 9
68T-44517-00-94	18 - 12
68T-44526-00	18 - 13
68T-44551-00-4D	18 - 17
682-44555-00	18 - 19
68T-44557-00	18 - 18

PART NO. NO. PIECES	REF. NO.
68T-45111-00-4D	19 - 1
68T-45111-10-4D	19 - 1
68T-45181-00	20 - 3
6G1-45214-00	22 - 6
6G1-45215-00	22 - 7
68T-45251-00	21 - 6
68T-45300-00-4D	21 - 1
68T-45300-10-4D	21 - 1
68T-45311-00-4D	21 - 2
68T-45315-A0	21 - 32
	28 - 11
6G1-45316-09	21 - 30
6G1-45317-09	21 - 3
68T-45321-00	19 - 5
68T-45331-00-5B	21 - 29
6G1-45361-01-4D	21 - 11
6G1-45362-09	21 - 12
63V-45375-00	22 - 10
68T-45511-00	21 - 36
68T-45511-10	21 - 36
6G1-45533-00-19	21 - 40
6G1-45533-00-20	21 - 40
6G1-45533-00-21	21 - 40
6G1-45533-00-22	21 - 40
68T-45551-00	21 - 39
68T-45560-00	21 - 41
64T-45567-00	21 - 45
68T-45571-00	21 - 43
664-45587-01-10	21 - 42
664-45587-01-12	21 - 42
664-45587-01-15	21 - 42
664-45587-01-18	21 - 42
664-45587-01-30	21 - 42
664-45587-01-40	21 - 42
664-45587-01-50	21 - 42
68T-45611-00	21 - 51
6G1-45616-01	22 - 17
68T-45631-00	21 - 46
6G1-45632-00	21 - 47
654-45633-00	21 - 48
6G1-45635-00	21 - 50
6G1-45941-00-EL	22 - 15
6G1-45943-00-EL	22 - 15
6G1-45947-00-EL	22 - 15
6G1-45952-00-EL	22 - 15
6G1-45987-02	22 - 11
68T-46241-00	8 - 7
68T-46297-00	8 - 13

PART NO. NO. PIECES	REF. NO.
68T-81328-00	11 - 9
68T-81800-00	25 - 2
689-81807-12	25 - 4
689-81809-11	25 - 8
689-81810-11	25 - 10
689-81811-11	25 - 11
689-81812-11	25 - 13
689-81813-10	25 - 14
689-81820-11	25 - 15
68T-81821-00	25 - 32
68T-81822-00-94	12 - 23
689-81826-10	25 - 16
6F5-81830-11	25 - 5
689-81831-00	25 - 6
689-81840-11	25 - 12
689-81847-11	25 - 7
689-81850-12	25 - 9
68T-81857-00	25 - 3
68T-81870-00	25 - 31
68T-81940-00	25 - 22
68T-81945-00	25 - 26
68T-81960-00	12 - 15
664-81970-61	12 - 15
68T-82105-00	25 - 38
6G8-82117-00	25 - 20
6A0-82119-00	12 - 18
68T-82127-00	18 - 2
68T-82127-10	12 - 20
68T-82150-00	25 - 34
66V-82151-00	25 - 35
68T-82171-00	25 - 36
6E3-82370-21	12 - 14
67F-82504-00	12 - 19
68T-82522-00	12 - 2
6F5-82540-00	25 - 30
682-82556-00	13 - 2
6E3-8257H-00	14 - 32
689-8257Y-00	13 - 3
65W-82575-01	13 - 1
68T-82594-00	25 - 39
6A1-83625-41	10 - 28
6A1-83625-51	10 - 29
6E0-83627-41	15 - 28
6E0-83627-51	15 - 29
65W-84342-00	14 - 29
68F-85119-00	14 - 2
68T-85410-00	12 - 22
68T-85520-00	11 - 2

NUMERICAL INDEX  
INDEX NUMERIQUE

PART NO. NO. PIECES	REF. NO.
68T-85533-00	11 - 4
68T-85533-10	11 - 4
68R-85540-00	12 - 1
68T-85540-00	12 - 1
69F-85540-00	12 - 1
68T-85542-00	12 - 6
68T-85550-01	11 - 1
68T-85550-11	11 - 1
680-85570-00	12 - 10
68T-85580-01	11 - 3
6H2-85582-00	11 - 5
68T-85711-60	10 - 31
68F-86129-00	14 - 4
90101-06M18	17 - 12
90105-06M07	18 - 5
90105-08M36	4 - 6
90105-08M78	4 - 7
90109-06M81	14 - 12
	16 - 7
90109-06M84	17 - 35
90109-06M86	10 - 27
	16 - 12
90116-08M54	18 - 11
90116-10M28	15 - 26
90119-06MA1	11 - 8
90119-06MA2	2 - 9
90119-06MA3	2 - 15
	6 - 5
90119-06MA5	6 - 4
90119-06012	18 - 20
90119-06013	18 - 21
90119-06014	11 - 6
90119-06049	4 - 8
90119-08M29	2 - 4
90119-08M76	25 - 17
90119-08005	20 - 20
90119-08020	12 - 25
90119-08046	12 - 24
90149-05M13	15 - 13
90151-05M05	4 - 19
90151-05003	25 - 40
90152-05M03	22 - 8
90157-05M16	23 - 5
	24 - 6
90170-06015	16 - 15
90170-12066	11 - 14
90170-24M09	8 - 11
90171-10M01	22 - 13

PART NO. NO. PIECES	REF. NO.
90179-06M28	18 - 22
90179-10004	15 - 27
90185-05002	22 - 9
90185-22043	17 - 10
90201-06M62	16 - 22
90201-06M94	8 - 6
90201-10M01	22 - 12
90201-10M02	22 - 18
90201-12472	11 - 15
90201-13201	8 - 5
90201-15M89	21 - 44
90202-36M55	15 - 20
90206-10M24	17 - 36
90206-36M21	15 - 19
90243-04M01	17 - 4
90266-04M04	1 - 5
90269-02M09	15 - 12
90280-03M01	8 - 12
	26 - 12
90280-04M06	11 - 13
90338-06M20	14 - 28
90340-08002	21 - 9
90340-10M10	20 - 13
90386-08032	15 - 16
90386-22MA4	17 - 8
90386-30M60	18 - 10
90386-30048	18 - 8
90386-33M96	15 - 21
90386-34M97	15 - 18
90387-06M13	17 - 11
90387-06M59	16 - 19
90387-06M70	6 - 12
90387-13M56	5 - 9
90387-14M03	5 - 10
90387-14M49	21 - 4
90430-08020	21 - 10
	28 - 5
90430-08143	20 - 5
90430-10M11	20 - 14
	28 - 3
90445-09074	6 - 7
90445-10M18	9 - 5
90445-10M50	9 - 8
90445-10016	9 - 28
90446-10M86	25 - 21
90446-14M66	9 - 10
	9 - 30
90464-10M53	9 - 32

PART NO. NO. PIECES	REF. NO.
90464-10M60	16 - 8
90465-08M99	6 - 15
	12 - 27
90465-11M10	2 - 11
	9 - 11
	9 - 31
	11 - 12
	12 - 21
	12 - 26
	25 - 33
90465-12M56	25 - 29
90467-09M05	21 - 37
90467-09M09	9 - 6
	9 - 9
	9 - 29
90467-11M08	20 - 8
90468-18001	16 - 14
90480-06M19	14 - 17
	14 - 18
	8 - 14
90480-10627	8 - 14
90480-14M54	19 - 4
90480-21M82	14 - 3
90480-25161	12 - 11
90501-12M05	21 - 49
90501-12M40	5 - 11
90501-23215	15 - 15
90506-18M41	17 - 24
90506-20M42	17 - 28
90506-20005	17 - 24
90506-23003	17 - 28
91490-16010	15 - 8
91490-30020	22 - 14
91690-30014	16 - 9
91690-50014	6 - 6
92903-06600	11 - 11
92903-10600	15 - 14
92907-04600	4 - 17
92990-05600	12 - 17
92990-06100	14 - 23
92990-06300	21 - 8
92990-06600	14 - 24
	17 - 13
92995-05600	1 - 9
	16 - 4
92995-06100	9 - 25
	25 - 24
92995-06600	4 - 13
	8 - 18

PART NO. NO. PIECES	REF. NO.
92995-06600	9 - 4
	9 - 26
	10 - 24
	12 - 5
	12 - 9
	12 - 13
	12 - 17
	12 - 29
	14 - 8
	15 - 24
	16 - 24
	16 - 26
	18 - 16
	21 - 18
	25 - 25
	25 - 28
92995-08600	19 - 10
	20 - 22
	22 - 5
	25 - 19
93101-11M23	21 - 31
	28 - 10
93101-12M70	20 - 6
	28 - 2
93101-15074	21 - 14
	28 - 6
93101-25M69	3 - 2
	26 - 8
93102-18M21	8 - 1
	26 - 2
93102-30M22	3 - 1
	26 - 7
93210-06ME6	21 - 33
	28 - 12
93210-12327	16 - 2
93210-13M63	4 - 21
	26 - 6
93210-20M65	9 - 27
	26 - 18
93210-24M79	4 - 23
	26 - 17
93210-29M94	18 - 9
93210-31MJ5	6 - 11
	26 - 15
93210-44398	21 - 24
	28 - 9
	28 - 18
93210-49046	21 - 15



FLOOD MARINE SERVICES  
downloaded from www.yamahaoutboardparts.co.uk

PART NO. NO. PIECES	REF. NO.
93210-49046	28 - 7
93210-53M08	21 - 16
	28 - 8
93306-004U0	21 - 5
	21 - 13
93430-04M03	17 - 31
93450-15023	3 - 10
93604-12M07	19 - 8
	20 - 19
	21 - 26
	22 - 3
93606-12019	20 - 10
93700-06M03	18 - 1
94702-00274	4 - 24
95380-05600	9 - 23
95380-06600	14 - 25
95380-06700	16 - 16
	17 - 14
95380-08600	18 - 14
95895-06016	21 - 7
97013-06012	11 - 10
97013-06016	8 - 4
97075-06025	15 - 23
	18 - 15
97075-08030	20 - 21
97075-08035	19 - 9
	22 - 4
97080-08025	21 - 34
97080-08045	21 - 27
	28 - 20
97095-05010	11 - 7
97095-05016	1 - 8
	16 - 3
97095-06008	19 - 6
97095-06010	25 - 23
97095-06012	12 - 8
	12 - 16
	12 - 28
	14 - 7
	16 - 25
	25 - 27
97095-06016	21 - 17
97095-06020	4 - 12
	10 - 23
	12 - 4
97095-06025	9 - 3
	12 - 12
97095-06030	8 - 17



FLOOD MARINE SERVICES  
downloaded from www.yamahaoutboardparts.co.uk

NUMERICAL INDEX  
INDEX NUMERIQUE

PART NO. NO. PIECES	REF. NO.	PART NO. NO. PIECES	REF. NO.
97095-06030	9 - 24		
97095-06045	16 - 23		
97095-08012	12 - 7		
97095-08014	20 - 4		
97095-08016	25 - 18		
97575-06514	19 - 3		
97595-06585	6 - 13		
97780-40512	12 - 3		
97780-60516	1 - 3		
97880-05025	12 - 16		
97880-06030	14 - 22		
97885-05008	19 - 7		
	20 - 17		
97885-05012	15 - 5		
97980-04112	7 - 4		
	27 - 7		
98507-04010	4 - 16		
99001-07600	21 - 38		
99080-05600	17 - 22		
	17 - 26		
	17 - 33		
99510-10114	4 - 5		
99530-12016	2 - 3		



FLOOD MARINE SERVICES  
downloaded from www.yamahaoutboardparts.co.uk



FLOOD MARINE SERVICES  
downloaded from www.yamahaoutboardparts.co.uk

PART NO. NO. PIECES	REF. NO.
------------------------	-------------



FLOOD MARINE SERVICES  
downloaded from www.yamahaoutboardparts.co.uk



FLOOD MARINE SERVICES  
downloaded from www.yamahaoutboardparts.co.uk



FLOOD MARINE SERVICES  
downloaded from www.yamahaoutboardparts.co.uk

G2



FLOOD MARINE SERVICES  
downloaded from www.yamahaoutboardparts.co.uk

F6A/F6B/F8C  
PARTS CATALOGUE  
E2001 by Yamaha Motor Co., Ltd.  
1st Edition, Oct. 2001  
All rights reserved.  
Any reprinting or unauthorized use  
without the written permission of  
Yamaha Motor Co., Ltd.  
is expressly prohibited.

F6A/F6B/F8C  
CATALOGUE DE PIECES DETACHEES  
E2001 Yamaha Motor Co., Ltd.  
1ère Edition, Oct. 2001  
Tous droits réservés.  
Toute réimpression ou utilisation  
sans la permission écrite de la  
Yamaha Motor Co., Ltd.  
est formellement interdite.