

**PARTS
CATALOGUE
CATALOGUE
DE PIÈCES DÉTACHÉES**

F9.9C '01 (66N0)

F13.5A '01 (69V1)

F15A '01 (66M0)

YAMAHA
GENUINE
Parts & Accessories

2Z66M-300F2

FOREWORD

This Parts Catalogue is related to the parts for the model(s) in the below frame. When you are ordering replacement parts, please refer to this Parts Catalogue and quote both part numbers and part names correctly.

F9.9C'01 (66N0), F13.5A'01 (69V1), F15A'01 (66M0)

5. Quantity Column Information

| NAME for Q'TY COLUMN | APPLICABLE MODEL |
|----------------------|---------------------------|
| MH | F9.9CMH, F13.5AMH, F15AMH |
| EH | F15AEH |
| E | F9.9CE, F15AE |

6. Applicable Starting Serial No. and Color Code

1) Engine Starting Sserial No.

| | | | |
|----------|--------------------------|--------|--------------------------|
| F9.9CMH | S : 001141 L : 301198 | F15AMH | S : 004620 L : 303134 |
| F9.9CE | S : 100262 L : 400398 | F15AEH | S : 201837 L : 501974 |
| F13.5AMH | S : 000101 L : 400101 | F15AE | S : 100868 L : 400975 |

- Modifications or additions which have been made after issue of the Parts Catalogue will be announced in the Yamaha Parts News.
It is advisable that you make necessary corrections to the Parts Catalogue according to the Yamaha Parts News.

2. Abbreviations

The Following abbreviations are used in this Parts Catalogue.

“UR” Use specified parts number.

“UN” Use as many as needed.

“AP” Alternate Parts

“LM” Local Made

(Parts need to be ordered locally)

“O/S” Over Size

- Parts, which are to be supplied in an assembly, are listed with a dot(.) in front of the part name as shown below.

EXAMPLE

CARBURETOR ASSY

.JET, PILOT

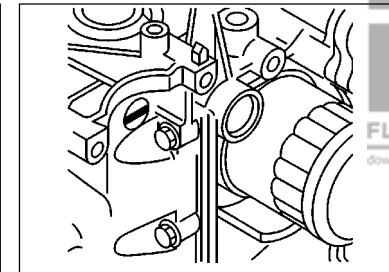
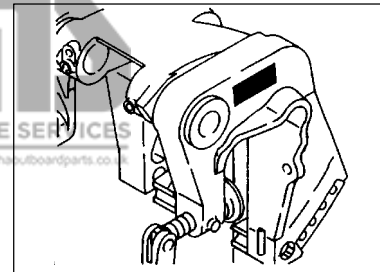
.NOZZLE, MAIN

4. Number of component for assembly

The numeral appearing to the right of each component part indicates the quantity of parts for each assembly unit.

EXAMPLE

| PART NO. | DESCRIPTION | □ | □ | □ | □ | REMARKS |
|------------------|---------------------|---|---|---|---|---------|
| 6E0-85500-70 | C.D.I. MAGNETO ASSY | 1 | | | | |
| 6E0-85550-70 | .ROTOR ASSY | 1 | | | | |
| 6E0-15723-00-94. | .PULLY, STARTER | 1 | | | | |



2) Color Code

| Color Code | Color Name | Abbreviation |
|------------|-----------------------------|--------------|
| 004D | DARK BLUISH GRAY METALLIC 2 | DBNM2 |

- Note that the illustrations for reference in finding parts numbers, not to be used for assembling. When assembling, please use the applicable service manual.
- The asterisk (*) before a reference number indicates modification items after the first edition.

SHEET 1/2

| | |
|---------------------------------|----|
| TOP COWLING | A4 |
| CYLINDER. CRANKCASE 1 | A5 |
| CRANKSHAFT. PISTON | A7 |
| CYLINDER. CRANKCASE 2 | B1 |
| VALVE | B2 |
| INTAKE | B3 |
| CARBURETOR | B5 |
| OIL PUMP | B7 |
| FUEL | C1 |
| STARTER | C3 |
| GENERATOR | C5 |
| ELECTRICAL 1 | C6 |
| ELECTRICAL 2 | D1 |
| STARTING MOTOR | D2 |
| BOTTOM COWLING | D3 |
| STEERING | D5 |
| CONTROL | D7 |
| REMOTE CONTROL ATTACHMENT | E2 |
| BRACKET 1 | E3 |
| BRACKET 2 | E5 |
| UPPER CASING | E7 |
| OIL PAN | F1 |
| LOWER CASING. DRIVE 1 | F2 |
| LOWER CASING. DRIVE 2 | F5 |
| FUEL TANK 1 | F7 |

INDEX

| | |
|-----------------------|----|
| NUMERICAL INDEX | G1 |
|-----------------------|----|

CONTENTS

SHEET 2/2

| | |
|---------------------------|-----|
| FUEL TANK 2 | A4* |
| STEERING GUIDE | A5* |
| REMOTE CONTROL BOX | A6* |
| REMOTE CONTROL ASSY | A7* |
| REPAIR KIT 1 | B3* |
| REPAIR KIT 2 | B4* |
| REPAIR KIT 3 | B5* |

INDEX

| | |
|-----------------------|-----|
| NUMERICAL INDEX | G1* |
|-----------------------|-----|

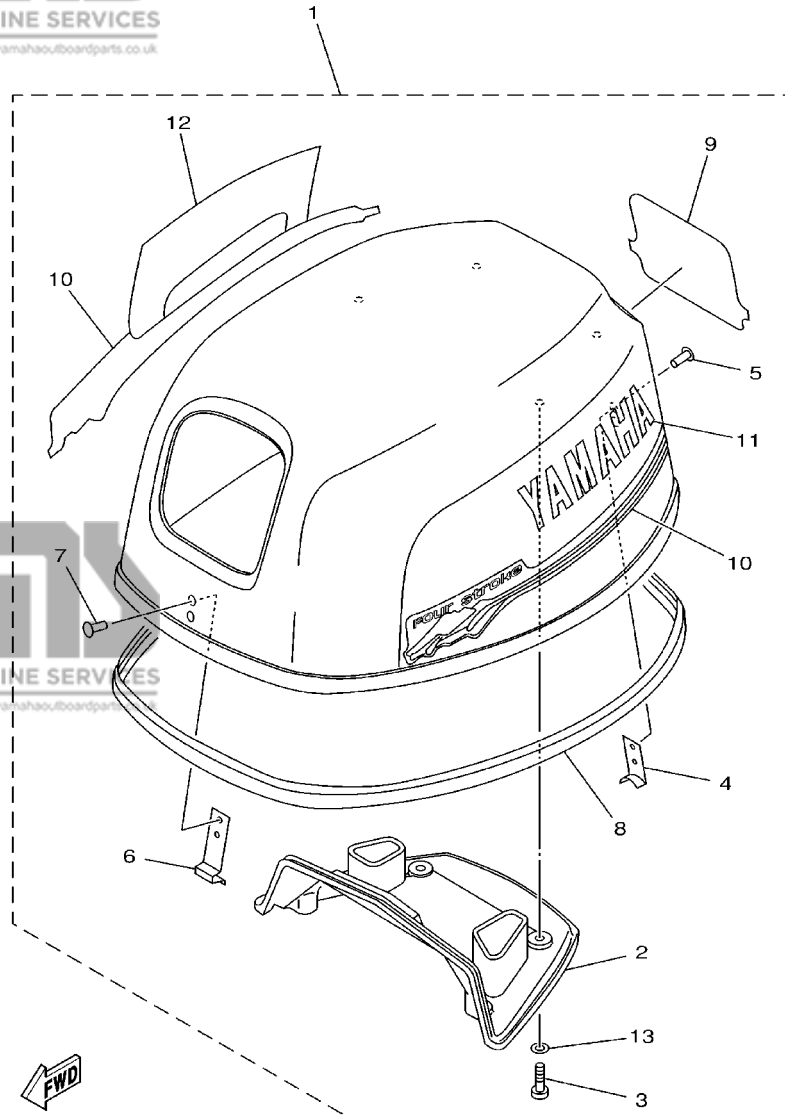
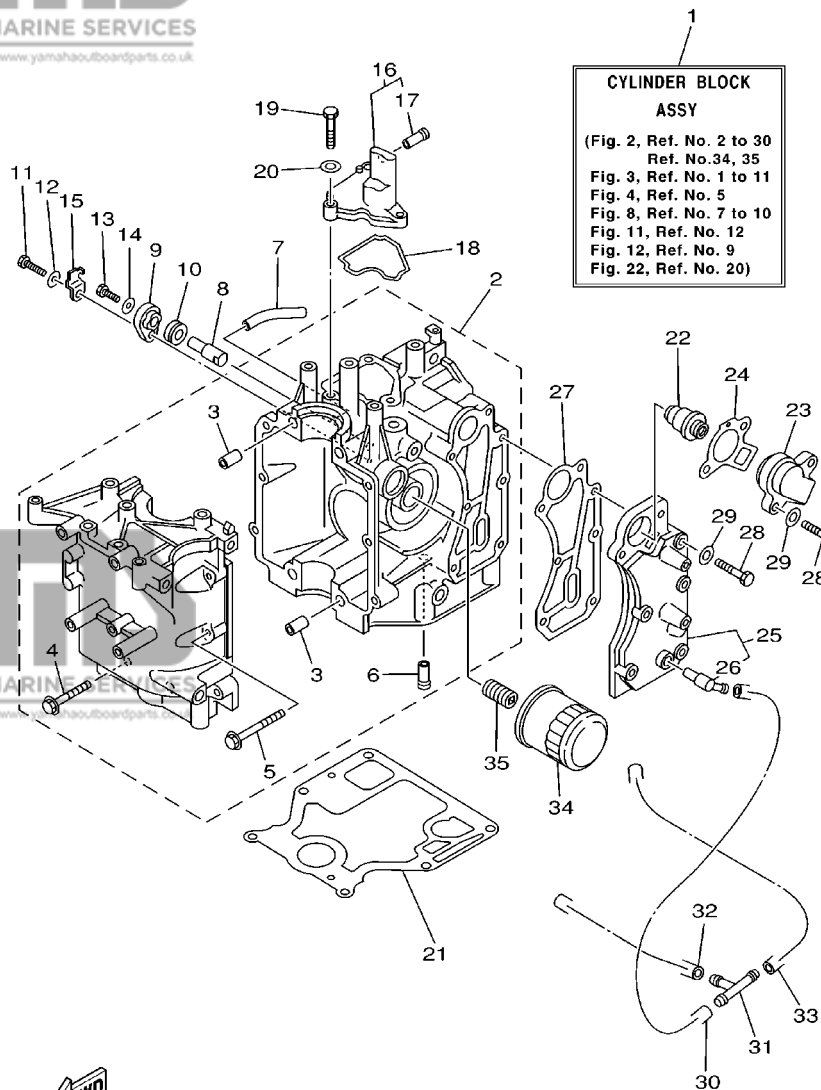


FIG. 1 TOP COWLING

CAPOT SUPERIEUR

| REF. NO. | PART NO. NO. PIECES | DESCRIPTION DESCRIPTION | MH | EH | EU | REMARKS REMARQUES |
|----------|---------------------|---------------------------------------|----|----|----|-------------------|
| 1 | 66M-42610-00-4D | TOP COWLING ASSY CAPOT (ENS.) | 1 | 1 | 1 | F15A |
| | 69V-42610-00-4D | TOP COWLING ASSY CAPOT (ENS.) | 1 | | | F13.5A |
| | 66N-42610-00-4D | TOP COWLING ASSY CAPOT (ENS.) | 1 | | 1 | F9.9C |
| 2 | 66M-42613-00 | .MOLDING, AIR DUCT .MANCHON A AIR | 1 | 1 | 1 | |
| 3 | 97780-60520 | .SCREW, TAPPING .VIS, TETE FRAISEE | 4 | 4 | 4 | |
| 4 | 6E0-42651-02 | .HOOK .CROCHET | 1 | 1 | 1 | |
| 5 | 90266-04M04 | .RIVET .RIVET | 2 | 2 | 2 | |
| 6 | 6E7-42652-00 | .HOOK .CROCHET | 1 | 1 | 1 | |
| 7 | 90266-04M04 | .RIVET .RIVET | 2 | 2 | 2 | |
| 8 | 66M-42615-00 | .SEAL .JOINT | 1 | 1 | 1 | |
| 9 | 66M-42678-10 | .GRAPHIC, REAR .ADHESIF, ARRIERE | 1 | 1 | 1 | F15A |
| | 69V-42678-10 | .GRAPHIC, REAR .ADHESIF, ARRIERE | 1 | | | F13.5A |
| | 66N-42678-10 | .GRAPHIC, REAR .ADHESIF, ARRIERE | 1 | | 1 | F9.9C |
| 10 | 66M-W0070-10 | .GRAPHIC SET .JEU DIEMBLEMES | 1 | 1 | 1 | |
| 11 | 66M-42681-10 | .MARK, COWLING .ADHESIF, CAPOT | 1 | 1 | 1 | |
| 12 | 66M-42682-10 | .MARK, COWLING .ADHESIF, CAPOT | 1 | 1 | 1 | |
| 13 | 90202-05M38 | .WASHER, PLATE .RONDELLE, PLATE | 4 | 4 | 4 | |

FIG. 2 CYLINDER. CRANKCASE 1 CYLINDRE. CARTER 1

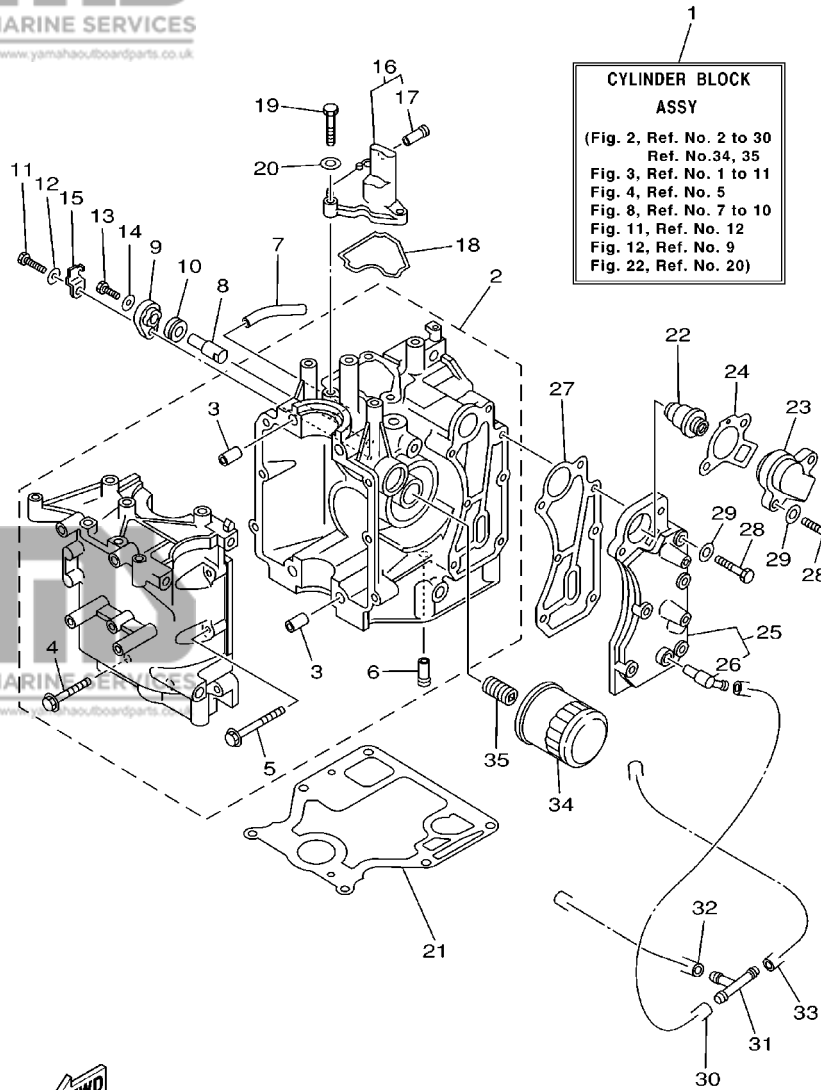


CYLINDER BLOCK ASSY
(Fig. 2, Ref. No. 2 to 30
Ref. No.34, 35
Fig. 3, Ref. No. 1 to 11
Fig. 4, Ref. No. 5
Fig. 8, Ref. No. 7 to 10
Fig. 11, Ref. No. 12
Fig. 12, Ref. No. 9
Fig. 22, Ref. No. 20)

| REF. NO. | PART NO. NO. PIECES | DESCRIPTION DESCRIPTION | MH | EH | U | REMARKS REMARQUES |
|----------|---------------------|---|----|----|---|-------------------|
| 1 | 66M-W009B-02-1S | CYLINDER BLOCK ASSY CYLINDRE GROUPE (ENS.) | 1 | 1 | 1 | |
| 2 | 66M-15100-01-1S | CRANKCASE ASSY CARTER DE MOTEUR COMPLET | 1 | 1 | 1 | |
| 3 | 99510-10114 | .PIN, DOWEL .GOUJON, D'ASSEMBLAGE | 2 | 2 | 2 | |
| 4 | 90119-08M66 | .BOLT, WITH WASHER BOULON, AVEC RONDELLE | 4 | 4 | 4 | |
| 5 | 90119-06M14 | .BOLT, WITH WASHER BOULON, AVEC RONDELLE | 6 | 6 | 6 | |
| 6 | 6E5-24377-00 | .PIPE, JOINT 3 .DURITE RACCORDEMENT | 1 | 1 | 1 | |
| 7 | 90445-10M46 | HOSE (L65) DURITE (L65) | 1 | 1 | 1 | |
| 8 | 66M-11325-00 | ANODE ANODE | 1 | 1 | 1 | |
| 9 | 66M-11327-00-94 | COVER, ANODE COUVERCLE | 1 | 1 | 1 | |
| 10 | 66M-11328-00 | GROMMET, ANODE PASSE-FIL | 1 | 1 | 1 | |
| 11 | 97095-06020 | BOLT BOULON | 1 | 1 | 1 | |
| 12 | 92995-06600 | WASHER RONDELLE | 1 | 1 | 1 | |
| 13 | 97095-05012 | BOLT BOULON | 1 | 1 | 1 | |
| 14 | 92995-05600 | WASHER RONDELLE | 1 | 1 | 1 | |
| 15 | 66M-12535-00 | PLATE PLAQUE | 1 | 1 | 1 | |
| 16 | 66M-11168-00-1S | COVER, BREATHER COUVERCLE, RENIFLARD | 1 | 1 | 1 | |
| 17 | 6E5-24377-00 | .PIPE, JOINT 3 .DURITE RACCORDEMENT | 1 | 1 | 1 | |
| 18 | 66M-11357-00 | SEAL, CYLINDER 3 JOINT, SPY CYLINDRE | 1 | 1 | 1 | |
| 19 | 97095-06020 | BOLT BOULON | 3 | 3 | 3 | |
| 20 | 92995-06600 | WASHER RONDELLE | 3 | 3 | 3 | |
| 21 | 66M-11351-00 | GASKET, CYLINDER JOINT, D'EMBASE | 1 | 1 | 1 | |
| 22 | 66M-12411-00 | THERMOSTAT THERMOSTAT | 1 | 1 | 1 | |
| 23 | 6H3-12413-00-1S | COVER, THERMOSTAT COUVERCLE, THERMOSTAT | 1 | 1 | 1 | |
| 24 | 62Y-12414-00 | GASKET, COVER JOINT, COUVERCLE | 1 | 1 | 1 | |
| 25 | 66M-41113-02-1S | OUTER COVER, EXHAUST COUVERCLE, ECHAPPEMENT | 1 | 1 | 1 | |
| 26 | 676-11372-00 | .NIPPLE, HOSE .RACCORD, TUYAU | 1 | 1 | 1 | |
| 27 | 66M-41114-00 | GASKET, EXHAUST OUTER COVER JOINT, COUVERCLE D'ECHAPPEMENT | 1 | 1 | 1 | |

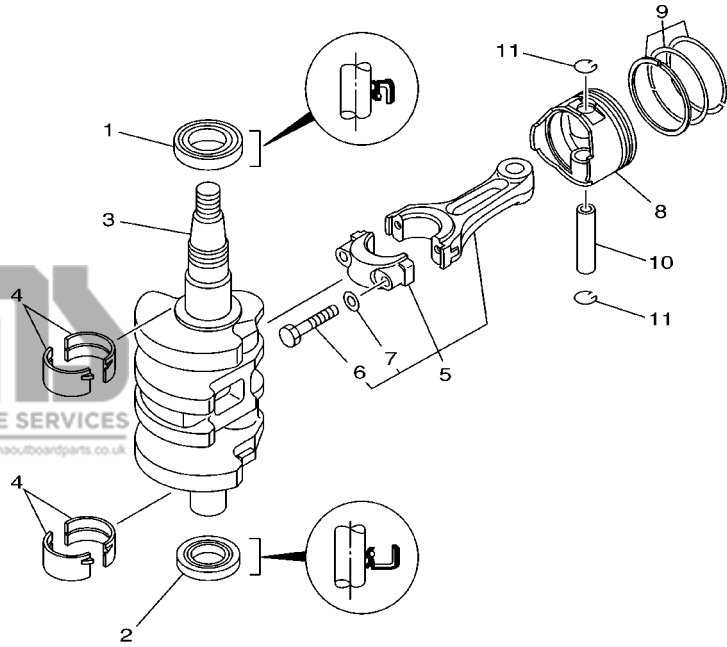
FWD
66M0300-1020

FIG. 2 CYLINDER. CRANKCASE 1 CYLINDRE. CARTER 1



| REF. NO. | PART NO. NO. PIECES | DESCRIPTION DESCRIPTION | MH | EH | U | REMARKS REMARQUES |
|----------|---------------------|---|----|----|---|-------------------|
| 28 | 97013-06030 | BOLT BOULON | 7 | 7 | 7 | |
| 29 | 92903-06600 | WASHER, PLATE RONDELLE, PLATE | 7 | 7 | 7 | |
| 30 | 90445-09061 | HOSE (L65) DURITE (L65) | 1 | 1 | 1 | |
| 31 | 688-24378-00 | PIPE, JOINT 4 DURITE RACCORDEMENT 4 | 1 | 1 | 1 | |
| 32 | 90445-09086 | HOSE (L170) DURITE (L170) | 1 | 1 | 1 | |
| 33 | 90445-09105 | HOSE (L300) DURITE (L300) | 1 | 1 | 1 | |
| 34 | 5GH-13440-00 | ELEMENT ASSY, OIL CLEANER ELEMENT, FILTRE A HUILE | 1 | 1 | 1 | |
| 35 | 90401-20M00 | BOLT, UNION BOULON, RACCORD | 1 | 1 | 1 | |

FWD
66M0300-1020



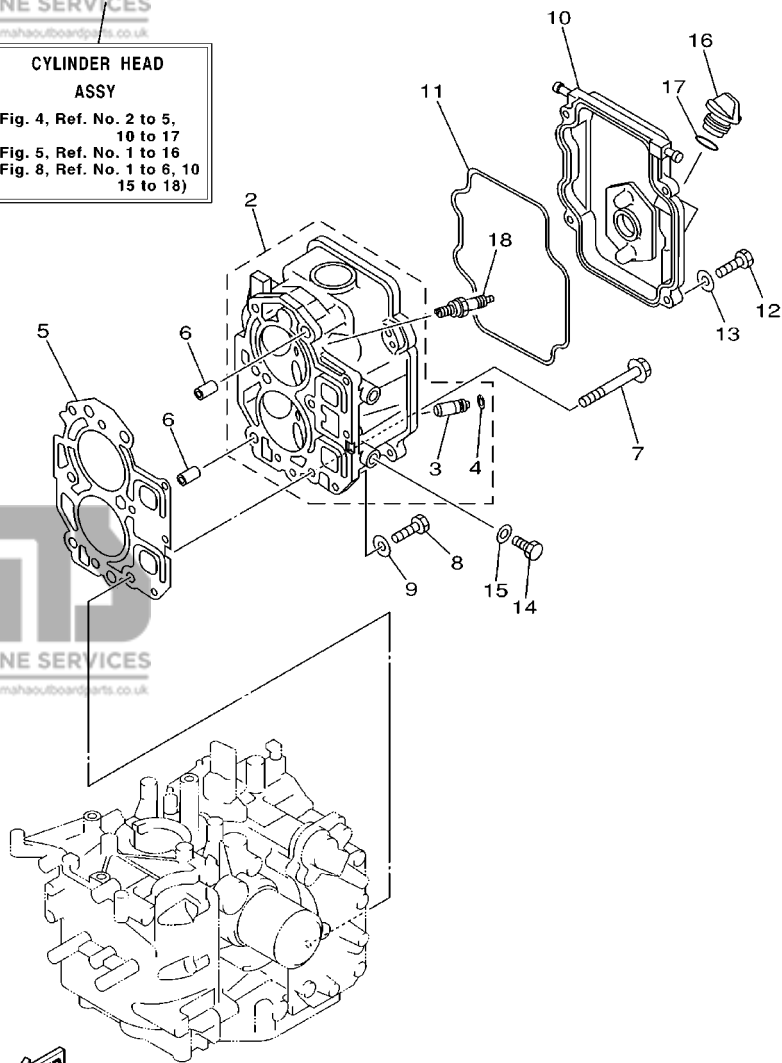
FWD
66M0010-8030

FIG. 3 CRANKSHAFT. PISTON

VILEBREQUIN. PISTON

| REF. NO. | PART NO. NO. PIECES | DESCRIPTION DESCRIPTION | MH | EH | EU | REMARKS REMARQUES |
|----------|---------------------|--|----|----|----|-------------------|
| 1 | 93102-35M51 | OIL SEAL JOINT SPY | 1 | 1 | 1 | |
| 2 | 93102-25M52 | OIL SEAL JOINT SPY | 1 | 1 | 1 | |
| 3 | 66M-11411-00 | CRANKSHAFT VILEBREQUIN COMPLET | 1 | 1 | 1 | |
| 4 | 66M-11416-00 | PLANE BEARING, CRANKSHAFT 1 COUSSINET DE VILEBREQUIN | 4 | 4 | 4 | UR BROWN |
| | 66M-11416-10 | PLANE BEARING, CRANKSHAFT 1 COUSSINET DE VILEBREQUIN | 4 | 4 | 4 | UR BLACK |
| | 66M-11416-20 | PLANE BEARING, CRANKSHAFT 1 COUSSINET DE VILEBREQUIN | 4 | 4 | 4 | UR BLUE |
| 5 | 66M-11650-00 | CONNECTING ROD ASSY BIELLE COMPLETE | 2 | 2 | 2 | |
| 6 | 66M-11654-00 | .BOLT, CONNECTING ROD .BOULON, BIELLE | 2 | 2 | 2 | |
| 7 | 90201-07M01 | .WASHER, PLATE .RONDELLE, PLATE | 2 | 2 | 2 | |
| 8 | 66M-11631-00-96 | PISTON (STD) PISTON (STD) | 2 | 2 | 2 | |
| | 66M-11635-00 | PISTON (0.25MM O/S) PISTON (0.25MM O/S) | 2 | 2 | 2 | AP |
| | 66M-11636-00 | PISTON (0.50MM O/S) PISTON (0.50MM O/S) | 2 | 2 | 2 | AP |
| 9 | 66M-11603-00 | PISTON RING SET (STD) JUE DE SEGMENTS (STD) | 2 | 2 | 2 | |
| | 66M-11604-00 | PISTON RING SET (0.25MM O/S) JUE DE SEGMENTS (0.25MM O/S) | 2 | 2 | 2 | AP |
| | 66M-11605-00 | PISTON RING SET (0.50MM O/S) JUE DE SEGMENTS (0.50MM O/S) | 2 | 2 | 2 | AP |
| 10 | 634-11633-00 | PIN, PISTON AXE, PISTON | 2 | 2 | 2 | |
| 11 | 93450-15023 | CIRCLIP CIRCLIP, TYPE S | 4 | 4 | 4 | |

CYLINDER HEAD ASSY
(Fig. 4, Ref. No. 2 to 5, 10 to 17
Fig. 5, Ref. No. 1 to 16
Fig. 8, Ref. No. 1 to 6, 10 15 to 18)



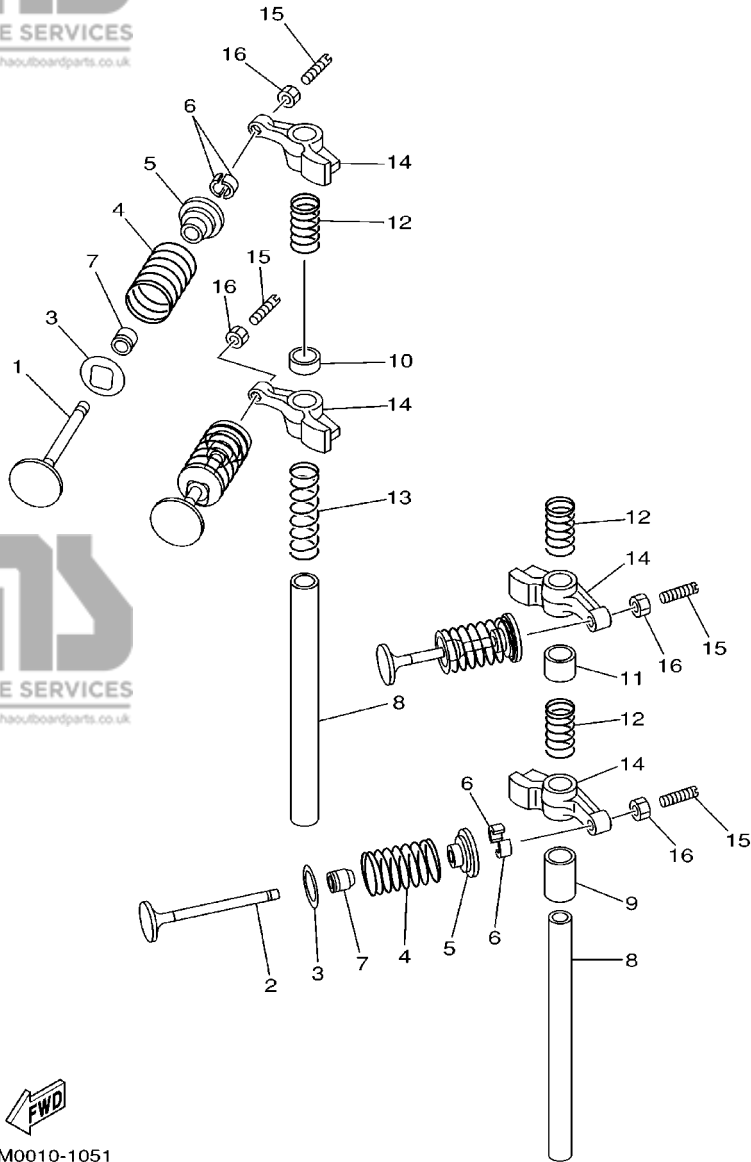
66M0300-1040

FIG. 4 CYLINDER. CRANKCASE 2 CYLINDRE. CARTER 2

| REF. NO. | PART NO. NO. PIECES | DESCRIPTION DESCRIPTION | MH | EH | U | REMARKS REMARQUES |
|----------|---------------------|---|----|----|---|-------------------|
| 1 | 66M-W009A-01-1S | CYLINDER HEAD ASSY CULASSE (ENS.) | 1 | 1 | 1 | FOR STD |
| | 66M-W009A-11-1S | CYLINDER HEAD ASSY CULASSE (ENS.) | 1 | 1 | 1 | F15A FOR *ECM |
| 2 | 66M-11111-01-1S | HEAD, CYLINDER 1 CULASSE | 1 | 1 | 1 | FOR STD |
| | 66M-11111-11-1S | HEAD, CYLINDER 1 CULASSE | 1 | 1 | 1 | F15A FOR *ECM |
| 3 | 66M-11133-10 | .GUIDE, INTAKE VALVE .GUIDE, SOUP D'ADM | 4 | 4 | 4 | |
| 4 | 93450-09M01 | .CIRCLIP .CIRCLIP, TYPE S | 4 | 4 | 4 | |
| 5 | 66M-11181-00 | GASKET, CYLINDER HEAD 1 JOINT, DE CULASSE 1 | 1 | 1 | 1 | |
| 6 | 99510-10114 | PIN, DOWEL GOUJON, D'ASSEMBLAGE | 2 | 2 | 2 | |
| 7 | 90105-08M78 | BOLT, WASHER BASED BOULON, AVEC RONDELLE | 6 | 6 | 6 | |
| 8 | 97013-06025 | BOLT BOULON | 3 | 3 | 3 | |
| 9 | 92903-06600 | WASHER, PLATE RONDELLE, PLATE | 3 | 3 | 3 | |
| 10 | 66M-11191-00-1S | COVER, CYLINDER HEAD 1 COUVERCLE, CULASSE 1 | 1 | 1 | 1 | |
| 11 | 66M-11356-00 | SEAL, CYLINDER 2 JOINT, SPY CYLINDRE | 1 | 1 | 1 | |
| 12 | 97095-06020 | BOLT BOULON | 4 | 4 | 4 | |
| 13 | 92995-06600 | WASHER RONDELLE | 4 | 4 | 4 | |
| 14 | 97095-08014 | BOLT BOULON | 2 | 2 | 2 | F15A FOR *ECM |
| 15 | 90430-08143 | GASKET JOINT | 2 | 2 | 2 | F15A FOR *ECM |
| 16 | 6G8-15363-00 | PLUG, OIL PLOT, HUILE | 1 | 1 | 1 | |
| 17 | 93210-24M79 | O-RING JOINT TORIQUE | 1 | 1 | 1 | |
| 18 | 94701-00375 | PLUG, SPARK (NGK DPR6EA-9) BOUGIE D'ALLUMAGE (NGK DPR6EA-9) | 2 | 2 | 2 | |

*ECM: FOR EMISSION CONTROL MODEL.

*ECM: POUR MODELE CONTROLE D' EMISSIONS.



66M0010-1051

FIG. 5 VALVE

SOUPAPE

| REF. NO. | PART NO. NO. PIECES | DESCRIPTION DESCRIPTION | MH | EH | EU | REMARKS REMARQUES |
|----------|---------------------|---|----|----|----|-------------------|
| 1 | 66M-12111-00 | VALVE, INTAKE SOUPAPE, ADMISSION | 2 | 2 | 2 | |
| 2 | 66M-12121-00 | VALVE, EXHAUST SOUPAPE, ECHAPPEMENT | 2 | 2 | 2 | |
| 3 | 66M-12116-00 | SEAT, VALVE SPRING SIEGE, RESSORT DE SOUPAPE | 4 | 4 | 4 | |
| 4 | 66M-12113-00 | SPRING, VALVE INNER RESSORT DE SOUPAPE, INTERNE | 4 | 4 | 4 | |
| 5 | 30X-12117-00 | RETAINER, VALVE SPRING BUTEE DE RESSORT DE SOUPAPE | 4 | 4 | 4 | |
| 6 | 30X-12118-00 | COTTER, VALVE FRAISE, SOUPAPE | 8 | 8 | 8 | |
| 7 | 51Y-12119-00 | SEAL, VALVE STEM JOINT, QUEUE DE SOUPAPE | 4 | 4 | 4 | |
| 8 | 66M-12146-00 | SHAFT, ROCKER AXE, CULBUTEUR | 2 | 2 | 2 | |
| 9 | 90387-13M56 | COLLAR COLLERETTE | 1 | 1 | 1 | |
| 10 | 90387-13001 | COLLAR COLLERETTE | 1 | 1 | 1 | |
| 11 | 90387-13002 | COLLAR COLLERETTE | 1 | 1 | 1 | |
| 12 | 90501-12M40 | SPRING, COMPRESSION RESSORT, COMPRESSION | 3 | 3 | 3 | |
| 13 | 90501-12M41 | SPRING, COMPRESSION RESSORT, COMPRESSION | 1 | 1 | 1 | |
| 14 | 66M-12151-10 | ARM, VALVE ROCKER CULBUTEUR | 4 | 4 | 4 | |
| 15 | 62Y-12159-00 | SCREW, VALVE ADJUSTING VIS, REGLAGE DE SOUPAPE | 4 | 4 | 4 | |
| 16 | 62Y-12158-00 | NUT, LOCK CONTRE-ECROU | 4 | 4 | 4 | |

B2

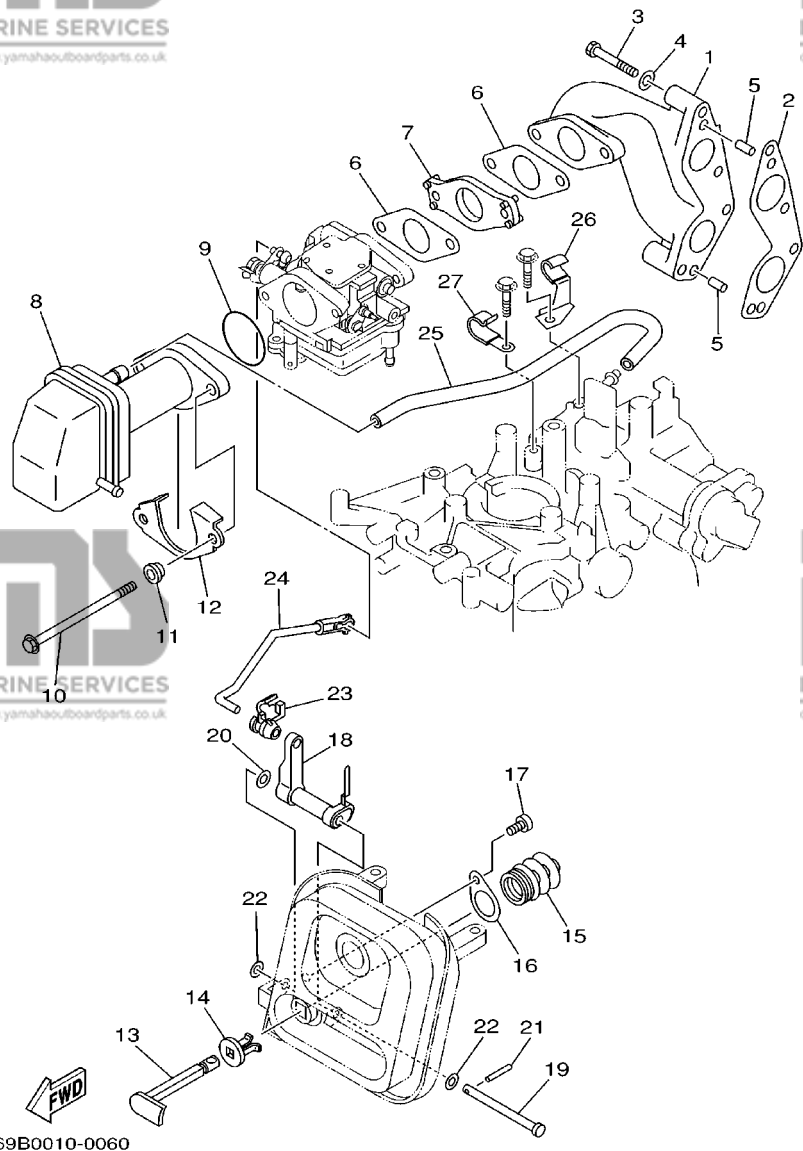
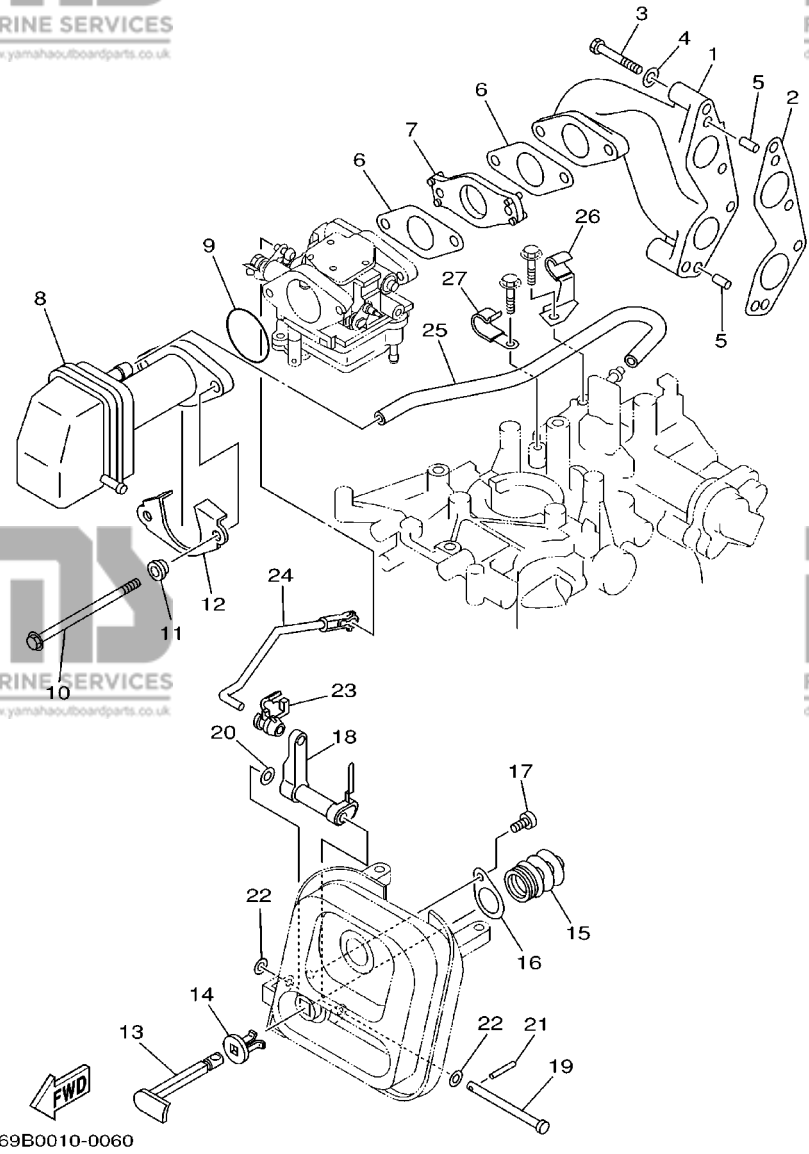


FIG. 6 INTAKE

ADMISSION

| REF. NO. | PART NO. NO. PIECES | DESCRIPTION DESCRIPTION | MH | EH | EU | REMARKS REMARQUES |
|----------|------------------------------|--|--------|--------|--------|----------------------|
| 1 | 66M-13641-00-94 | MANIFOLD 1 TUBULURE 1 | 1 | 1 | 1 | |
| 2 | 66M-13645-00 | GASKET, MANIFOLD 1 JOINT, TUBULURE 1 | 1 | 1 | 1 | |
| 3 | 97095-06040 | BOLT BOULON | 4 | 4 | 4 | |
| 4 | 92995-06600 | WASHER RONDELLE | 4 | 4 | 4 | |
| 5 | 93606-12019 | PIN, DOWEL GOUJON | 2 | 2 | 2 | |
| 6 | 66M-13646-00 | GASKET, MANIFOLD 2 JOINT, TUBULURE 2 | 2 | 2 | 2 | |
| 7 | 66M-14271-00 69V-14271-00 | INSULATOR ISOLATEUR INSULATOR ISOLATEUR | 1 1 | 1 1 | 1 1 | F9.9A/F15A F13.5A |
| 8 | 66M-14440-00 | SILENCER ASSY, INTAKE SIENCIEUX D'ADMISSION | 1 | 1 | 1 | |
| 9 | 93210-35M86 | O-RING JOINT TORIQUE | 1 | 1 | 1 | |
| 10 | 90119-06M76 | BOLT, WITH WASHER BOULON, AVEC RONDELLE | 2 | 2 | 2 | |
| 11 | 90387-06M79 | COLLAR COLLERETTE | 2 | 2 | 2 | |
| 12 | 66M-14477-00 | PLATE PLAQUE | 1 | 1 | 1 | |
| 13 | 66M-41271-00 | KNOB, CHOKE BOUTON DE STARTER | 1 | 1 | 1 | |
| 14 | 689-41273-00 | GROMMET PASSE-FIL | 1 | 1 | 1 | |
| 15 | 66M-41292-00 | BUSH 2 BAGUE 2 | 1 | 1 | 1 | |
| 16 | 66M-41298-00 | WASHER 2 RONDELLE 2 | 1 | 1 | 1 | |
| 17 | 97780-50510 | SCREW, TAPPING VIS, TETE FRAISEE | 1 | 1 | 1 | |
| 18 | 66M-41252-00 | LEVER, CHOKE 1 LEVIER 1 | 1 | 1 | 1 | |
| 19 | 90240-05M20 | PIN, CLEVIS BOULON, A GOUPILLE | 1 | 1 | 1 | |
| 20 | 90206-05005 | WASHER, WAVE RONDELLE, ONDULEE | 1 | 1 | 1 | |
| 21 | 91690-20016 | PIN, SPRING GOUPILLE, ELASTIQUE | 1 | 1 | 1 | |
| 22 | 90202-05088 | WASHER, PLATE RONDELLE, PLATE | 2 | 2 | 2 | |
| 23 | 6R5-41237-00 | JOINT, LINK RACCORD | 1 | 1 | 1 | |
| 24 | 66M-41256-00 | ROD, CHOKE 1 TRINGLE 1, STARTER | 1 | 1 | 1 | |
| 25 | 66M-15373-00 | PIPE, BRÉATHÉR DURITE DE RENIFLARD | 1 | 1 | 1 | |
| 26 | 90465-08M82 | CLAMP BRIDE | 1 | 1 | 1 | |

B3



69B0010-0060

FIG. 6 INTAKE

| REF. NO. | PART NO. NO. PIECES | DESCRIPTION DESCRIPTION | MH | EH | E | REMARKS REMARQUES |
|----------|---------------------|-------------------------|----|----|---|-------------------|
|----------|---------------------|-------------------------|----|----|---|-------------------|

| | | | | | | |
|----|-------------|-------------|---|---|---|--|
| 27 | 90465-08M83 | CLAMP BRIDE | 1 | 1 | 1 | |
|----|-------------|-------------|---|---|---|--|

ADMISSION

B4

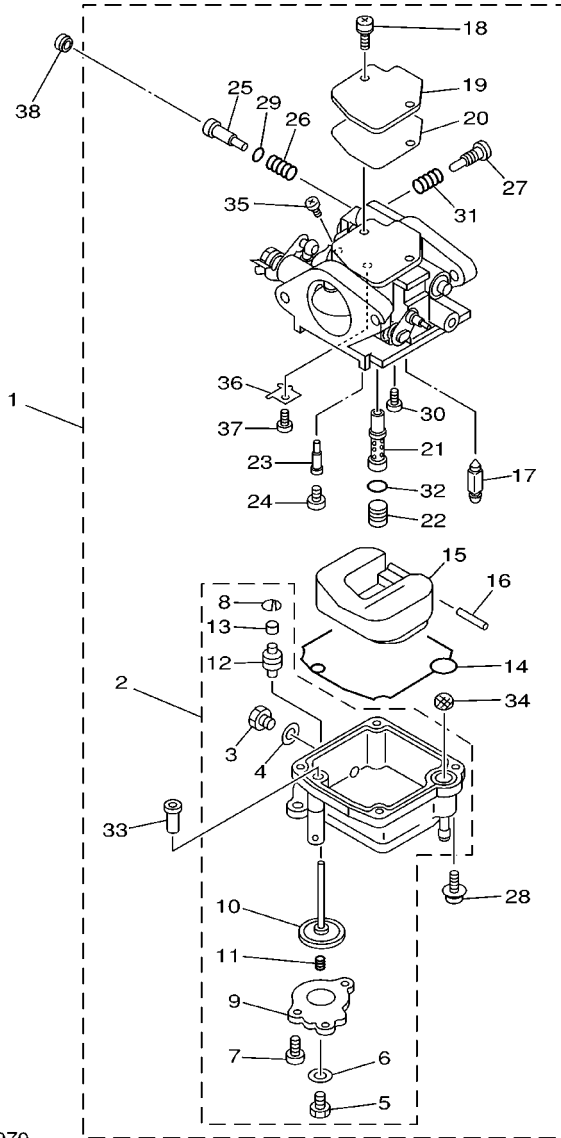


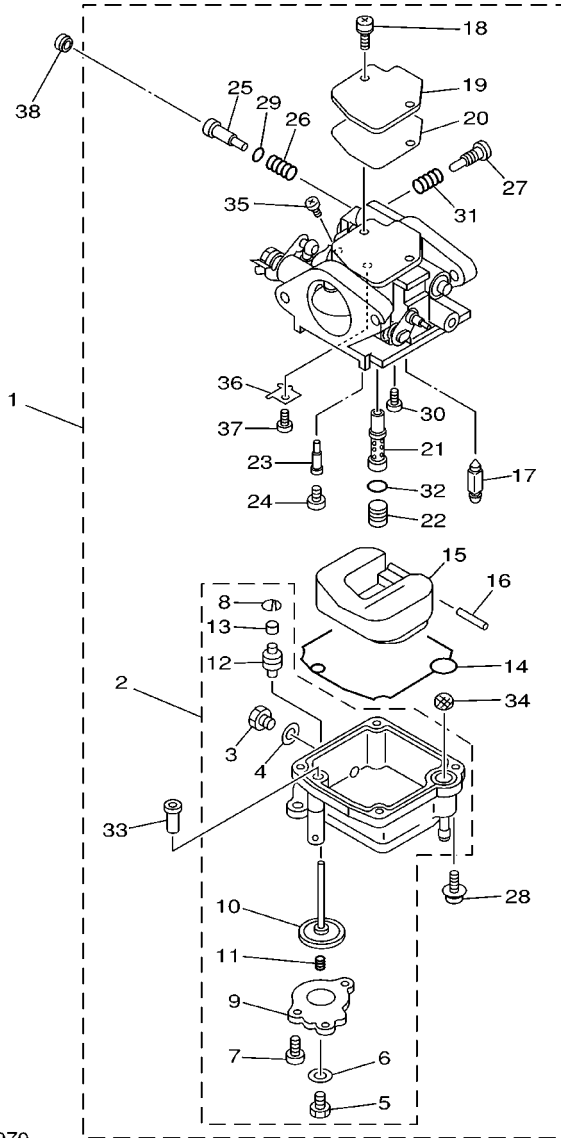
FIG. 7 CARBURETOR

CARBURETEUR

| REF. NO. | PART NO. NO. PIECES | DESCRIPTION DESCRIPTION | MH | EH | EU | REMARKS REMARQUES |
|----------|---------------------|--|----|----|----|---------------------|
| 1 | 66M-14301-00 | CARBURETOR ASSY 1 CARBURATEUR COMPLET | 1 | 1 | 1 | F13.5A/F15A FOR STD |
| | 66M-14301-20 | CARBURETOR ASSY 1 CARBURATEUR COMPLET | 1 | 1 | 1 | F15A FOR *ECM |
| | 66N-14301-00 | CARBURETOR ASSY 1 CARBURATEUR COMPLET | 1 | | 1 | F9.9C |
| 2 | 66M-14381-02 | .BODY, FLOAT CHAMBER .CORPS, CUVE DE FLOTTEUR | 1 | 1 | 1 | F13.5A/F15A |
| | 66N-14381-00 | .BODY, FLOAT CHAMBER .CORPS, CUVE DE FLOTTEUR | 1 | | 1 | F9.9C |
| 3 | 62Y-14383-00 | ..SCREW, DRAIN ..BOUCHON, PURGE | 1 | 1 | 1 | |
| 4 | 66M-14398-00 | ..GASKET ..JOINT | 1 | 1 | 1 | |
| 5 | 677-14383-01 | ..SCREW, DRAIN ..BOUCHON, PURGE | 1 | 1 | 1 | F13.5A/F15A |
| 6 | 6L2-14398-00 | ..GASKET ..JOINT | 1 | 1 | 1 | F13.5A/F15A |
| 7 | 66M-14325-00 | ..SCREW, PAN HEAD ..VIS TETE CONIQUE | 3 | 3 | 3 | F13.5A/F15A |
| 8 | 66M-14377-00 | ..STOPPER ..BUTEE | 1 | 1 | 1 | F13.5A/F15A |
| 9 | 66M-14157-00 | ..PLATE ..PLAQUE | 1 | 1 | 1 | F13.5A/F15A |
| 10 | 66M-14368-01 | ..DIAPHRAGM ASSY 1 ..DIAPHRAGME 1 | 1 | 1 | 1 | F13.5A/F15A |
| 11 | 6G8-14275-02 | ..SPRING ..RESSORT | 1 | 1 | 1 | F13.5A/F15A |
| 12 | 66M-14239-00 | ..SEAL ..JOINT | 1 | 1 | 1 | F13.5A/F15A |
| 13 | 66M-14225-00 | ..CAP ..COUVERCLE | 1 | 1 | 1 | F13.5A/F15A |
| 14 | 66M-14384-00 | ..GASKET, FLOAT CHAMBER ..JOINT, CUVE DE FLOTTEUR | 1 | 1 | 1 | |
| 15 | 6L2-14385-00 | ..FLOAT ..FLOTTEUR | 1 | 1 | 1 | |
| 16 | 6E5-14386-01 | ..PIN, FLOAT ..AXE, FLOTTEUR | 1 | 1 | 1 | |
| 17 | 6L2-14392-00 | ..VALVE, NEEDLE ..POINTEAU | 1 | 1 | 1 | |
| 18 | 97980-04110 | ..SCREW, WITH WASHER ..VIS, AVEC RONDELLE | 2 | 2 | 2 | |
| 19 | 6L2-14157-00 | ..COVER, MIXING ..COUVERCLE DE CHAMBRE | 1 | 1 | 1 | |
| 20 | 62Y-14399-00 | ..GASKET ..JOINT | 1 | 1 | 1 | |
| 21 | 66M-14341-00 | ..NOZZLE, MAIN ..PUITS D'AIGUILLE | 1 | 1 | 1 | F13.5A/F15A FOR STD |
| | 66M-14341-10 | ..NOZZLE, MAIN ..PUITS D'AIGUILLE | 1 | 1 | 1 | F15A FOR *ECM |

*ECM: FOR EMISSION CONTROL MODEL.
*ECM: POUR MODELE CONTROLE D'EMISSIONS.

B5



66M0300-8070

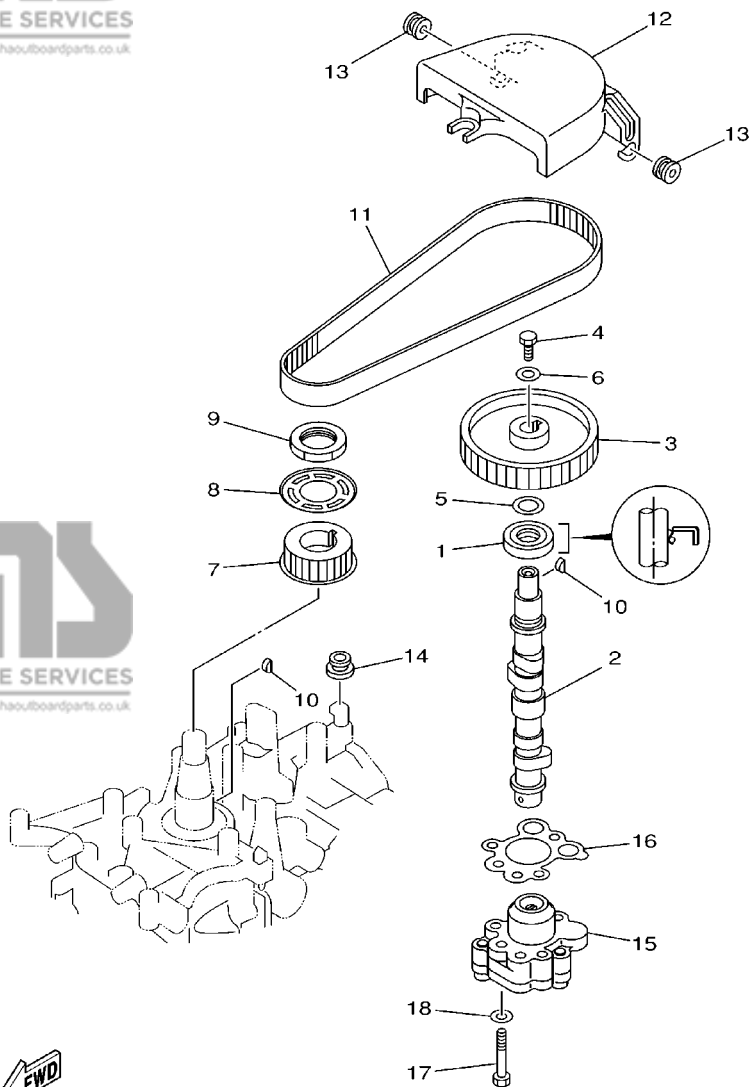
FIG. 7 CARBURETOR

CARBURATEUR

| REF. NO. | PART NO. NO. PIECES | DESCRIPTION DESCRIPTION | MH | EH | EU | REMARKS REMARQUES |
|----------|---------------------|---|----|----|----|---------------------|
| 21 | 66N-14341-00 | .NOZZLE, MAIN .PUITS D'AIGUILLE | 1 | | 1 | F9.9C |
| 22 | 66M-14343-52 | .JET, MAIN (#104) .GICLEUR, PRINCIPAL (#104) | 1 | 1 | 1 | F13.5A/F15A FOR STD |
| | 66M-14343-51 | .JET, MAIN (#102) .GICLEUR, PRINCIPAL (#102) | 1 | 1 | 1 | F15A FOR *ECM |
| | 66N-14343-34 | .JET, MAIN (#68) .GICLEUR, PRINCIPAL (#68) | 1 | | 1 | F9.9C |
| 23 | 66M-14342-23 | .JET, PILOT (#45) .GICLEUR, RALENTI (#45) | 1 | 1 | 1 | |
| 24 | 66M-14355-00 | .PLUG .PLOT | 1 | 1 | 1 | F13.5A/F15A |
| | 62Y-14355-00 | .PLUG .PLOT | 1 | | 1 | F9.9C |
| 25 | 5H0-14323-00 | .SCREW, AIR ADJUSTING .VIS DE DOSEUR D'AIR | 1 | 1 | 1 | FOR STD |
| | 62Y-14323-10 | .SCREW, AIR ADJUSTING .VIS DE DOSEUR D'AIR | 1 | 1 | 1 | FOR *ECM |
| 26 | 30X-14334-00 | .SPRING, AIR ADJUSTING .RESSORT, VIS DE DOSEUR D'AIR | 1 | 1 | 1 | |
| 27 | 62Y-14321-00 | .SCREW, THROTTLE .VIS, ACCELERATEUR | 1 | 1 | 1 | |
| 28 | 97980-04112 | .SCREW, WITH WASHER .VIS, AVEC RONDELLE | 4 | 4 | 4 | |
| 29 | 62Y-14397-00 | .O-RING .JOINT TORIQUE | 1 | 1 | 1 | |
| 30 | 98980-04006 | .SCREW, BIND .VIS, DE PRESSION | 1 | 1 | 1 | |
| 31 | 646-14212-01 | .SPRING, PILOT ADJUSTING .RESSORT, VIS DE RALENTI | 1 | 1 | 1 | |
| 32 | 6F5-14397-00 | .O-RING .JOINT TORIQUE | 1 | 1 | 1 | |
| 33 | 66M-14272-00 | .CHECK VALVE ASSY .CLAPET (ENS.) | 1 | 1 | 1 | F13.5A/F15A |
| 34 | 66M-14827-00 | .FILTER .FILTRE | 1 | 1 | 1 | |
| 35 | 97890-04005 | .SCREW, PAN HEAD .VIS, TETE TRONCONIQUE | 1 | 1 | 1 | |
| 36 | 66M-14157-00 | .PLATE .PLAQUE | 1 | 1 | 1 | |
| 37 | 98580-03005 | .SCREW, PAN HEAD .VIS, TETE TRONCONIQUE | 1 | 1 | 1 | |
| 38 | 6G8-14457-00 | SEAL .JOINT | 1 | 1 | 1 | FOR *ECM |

*ECM: FOR EMISSION CONTROL MODEL.
*ECM: POUR MODELE CONTROLE D'EMISSIONS.

B6

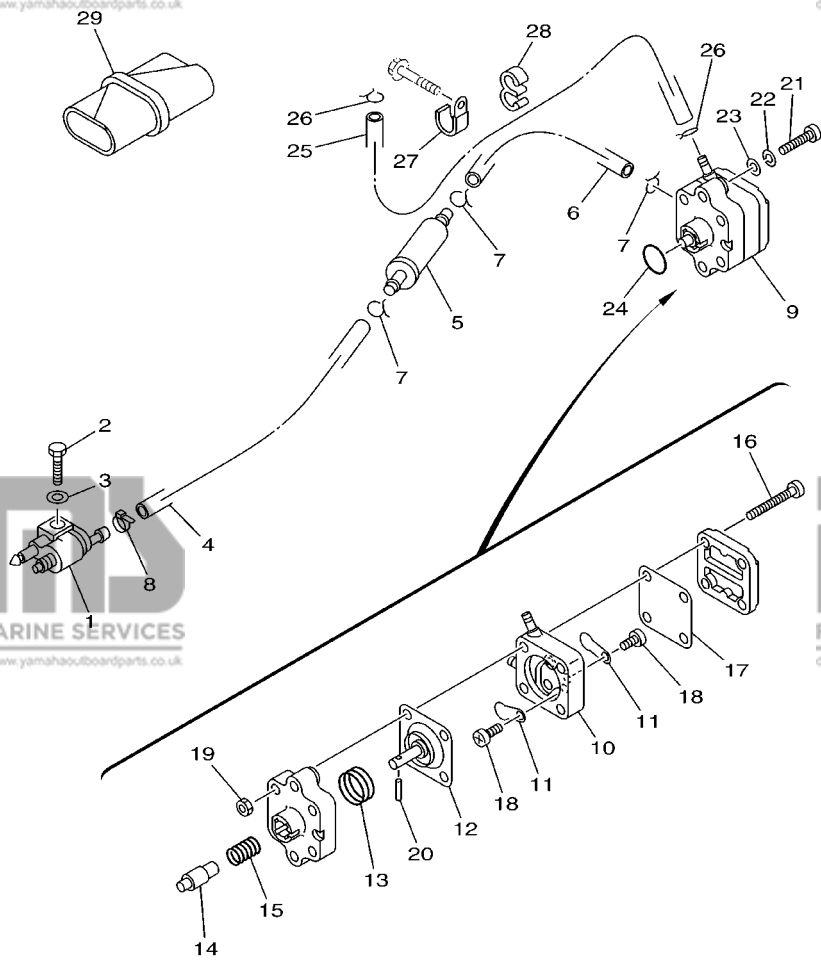


FWD
66M0010-1080

FIG. 8 OIL PUMP

POMPE A HUILE

| REF. NO. | PART NO. NO. PIECES | DESCRIPTION DESCRIPTION | MH | EH | EU | REMARKS REMARQUES |
|----------|---------------------|---|----|----|----|-------------------|
| 1 | 93102-18M21 | OIL SEAL JOINT SPY | 1 | 1 | 1 | |
| 2 | 66M-12170-00 | CAMSHAFT ASSY 1 ENS ARBRE A CAMES 1 | 1 | | | F13.5A/F15A |
| | 66M-12170-10 | CAMSHAFT ASSY 1 ENS ARBRE A CAMES 1 | 1 | | | F9.9C |
| | 66M-12171-10 | CAMSHAFT 1 ARBRE A CAMES 1 | | 1 | 1 | |
| 3 | 66M-11537-00-94 | GEAR, DRIVEN PIGNON SECONDAIRE | 1 | 1 | 1 | |
| 4 | 97013-06016 | BOLT BOULON | 1 | 1 | 1 | |
| 5 | 90201-13201 | WASHER, PLATE RONDELLE, PLATE | 1 | 1 | 1 | |
| 6 | 90201-06M94 | WASHER, PLATE RONDELLE, PLATE | 1 | 1 | 1 | |
| 7 | 66M-11536-10 | GEAR, DRIVE ENGRENAGE, MENANT | 1 | 1 | 1 | |
| 8 | 66M-11557-00 | WASHER 1 RONDELLE 1 | 1 | 1 | 1 | |
| 9 | 90170-28M37 | NUT ECROU | 1 | 1 | 1 | |
| 10 | 90280-03M01 | KEY, WOODRUFF CLAVETTE, DEMI-LUNE | 2 | 2 | 2 | |
| 11 | 66M-46241-00 | V-BELT COURROIE TRAPEZOIDALE | 1 | 1 | 1 | |
| 12 | 66M-46297-00 | COVER, DUST COUVERCLE, POUSSIERE | 1 | 1 | 1 | |
| 13 | 90480-10M16 | GROMMET PASSE-FIL | 2 | 2 | 2 | |
| 14 | 90480-12072 | GROMMET PASSE-FIL | 1 | 1 | 1 | |
| 15 | 66M-13300-10 | OIL PUMP ASSY POMPE A HUILE COMPLET | 1 | 1 | 1 | |
| 16 | 66M-13329-10 | GASKET, PUMP COVER JOINT, COUVERCLE DE POMPE | 1 | 1 | 1 | |
| 17 | 97095-06035 | BOLT BOULON | 3 | 3 | 3 | |
| 18 | 92995-06600 | WASHER RONDELLE | 3 | 3 | 3 | |



66M0010-9090

FIG. 9 FUEL

CARBURANT

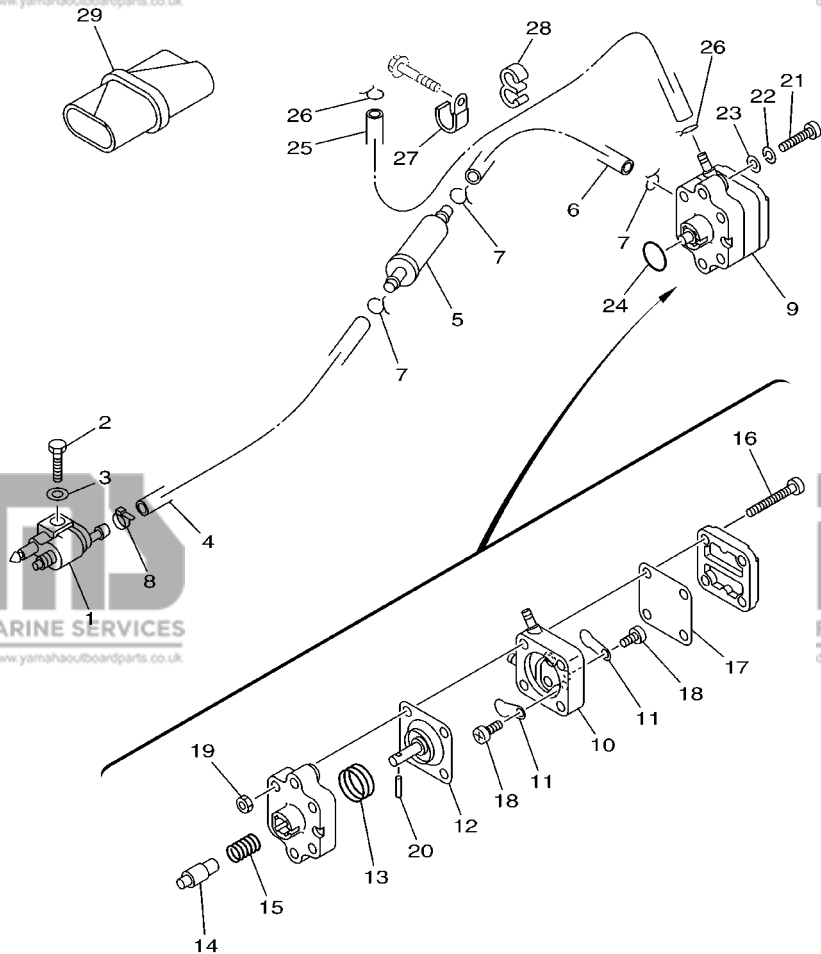
| REF. NO. | PART NO. NO. PIECES | DESCRIPTION DESCRIPTION | MH | EH | EU | REMARKS REMARQUES |
|----------|---------------------|---|----|----|----|-------------------|
| 1 | 6G1-24304-02 | FUEL PIPE JOINT COMP. 1 DURITE RACCORDEMT. A ESSENCE | 1 | 1 | 1 | |
| 2 | 97095-06020 | BOLT BOULON | 1 | 1 | 1 | |
| 3 | 92995-06600 | WASHER RONDELLE | 1 | 1 | 1 | |
| 4 | 90445-10M40 | HOSE (L330) DURITE (L330) | 1 | 1 | 1 | |
| 5 | 65W-24251-00 | STRAINER 1 FILTRE 1 | 1 | 1 | 1 | |
| 6 | 90445-10M20 | HOSE (L150) DURITE (L150) | 1 | 1 | 1 | |
| 7 | 90467-09M03 | CLIP JONC | 3 | 3 | 3 | |
| 8 | 90465-11M10 | CLAMP BRIDE | 1 | 1 | 1 | |
| 9 | 66M-24410-01 | FUEL PUMP ASSY POMPE A ESSENCE | 1 | 1 | 1 | |
| 10 | 66M-24413-01 | .BODY 2 .CORPS 2 | 1 | 1 | 1 | |
| 11 | 6A0-24421-01 | .VALVE, CHECK .SOUPAPE, RETENUE | 2 | 2 | 2 | |
| 12 | 66M-24411-00 | .DIAPHRAGM .DIAPHRAGME | 1 | 1 | 1 | |
| 13 | 66M-24423-00 | .SPRING, DIAPHRAGM .RESSORT, DIAPHRAGME | 1 | 1 | 1 | |
| 14 | 66M-13131-00 | PLUNGER .PLONGEUR | 1 | 1 | 1 | |
| 15 | 66M-24454-00 | SPRING .RESSORT | 1 | 1 | 1 | |
| 16 | 66M-24444-00 | SCREW .VIS | 4 | 4 | 4 | |
| 17 | 66M-24471-00 | .DIAPHRAGM .DIAPHRAGME | 1 | 1 | 1 | |
| 18 | 6E7-14325-00 | SCREW, PAN HEAD .VIS TETE CONIQUE | 2 | 2 | 2 | |
| 19 | 95380-05600 | NUT .ECROU | 4 | 4 | 4 | |
| 20 | 66M-24374-00 | PIN .GOUILLE | 1 | 1 | 1 | |
| 21 | 97880-06030 | SCREW, PAN HEAD VIS, TETE TRONCONIQUE | 2 | 2 | 2 | |
| 22 | 92990-06100 | WASHER, SPRING RONDELLE, GROWER | 2 | 2 | 2 | |
| 23 | 92990-06600 | WASHER, PLATE RONDELLE, PLATE | 2 | 2 | 2 | |
| 24 | 93210-20M65 | O-RING JOINT TORIQUE | 1 | 1 | 1 | |
| 25 | 90445-10M93 | HOSE (L370) DURITE (L370) | 1 | 1 | 1 | |
| 26 | 90467-09M03 | CLIP JONC | 2 | 2 | 2 | |
| 27 | 90465-06M86 | CLAMP BRIDE | 1 | 1 | 1 | |

C1

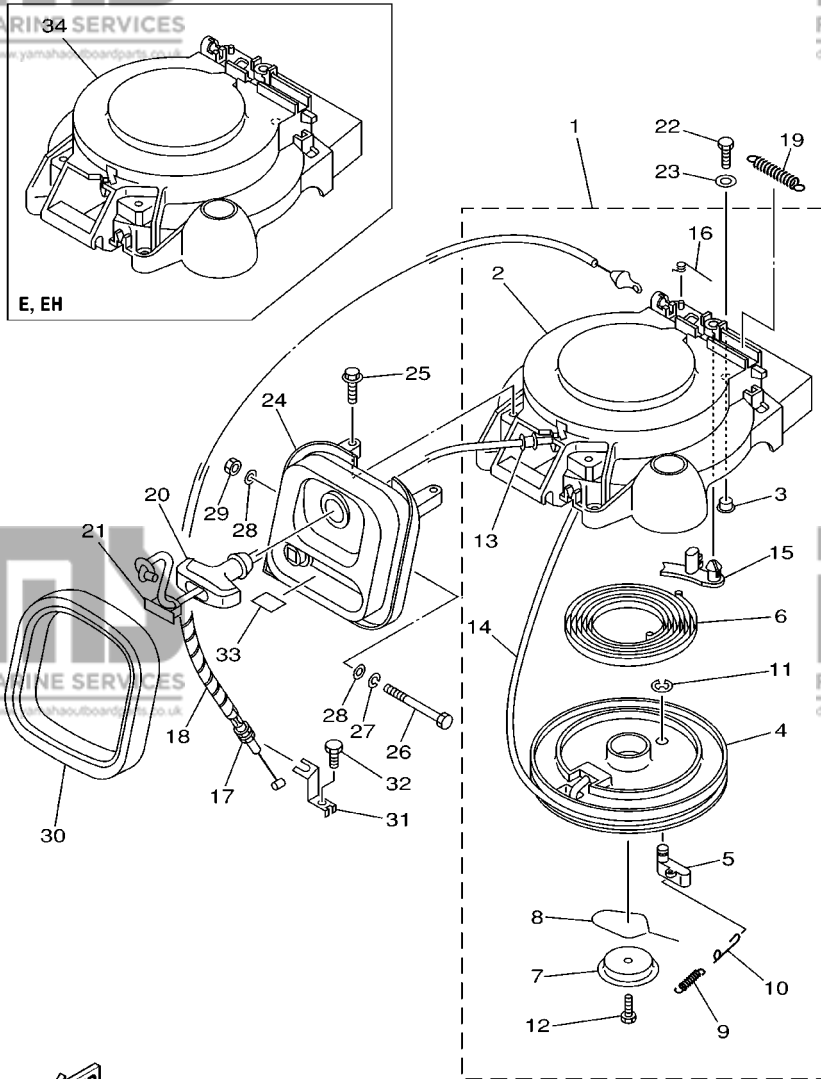
FIG. 9 FUEL

CARBURANT

| REF. NO. | PART NO. NO. PIECES | DESCRIPTION DESCRIPTION | MH | EH | E | REMARKS REMARQUES |
|----------|---------------------|---------------------------|----|----|---|-------------------|
| 28 | 90464-09M31 | CLAMP BRIDE | 1 | 1 | 1 | |
| 29 | 62Y-28100-00 | TOOL KIT TROUSSE A OUTILS | 1 | 1 | 1 | |



66M0010-9090



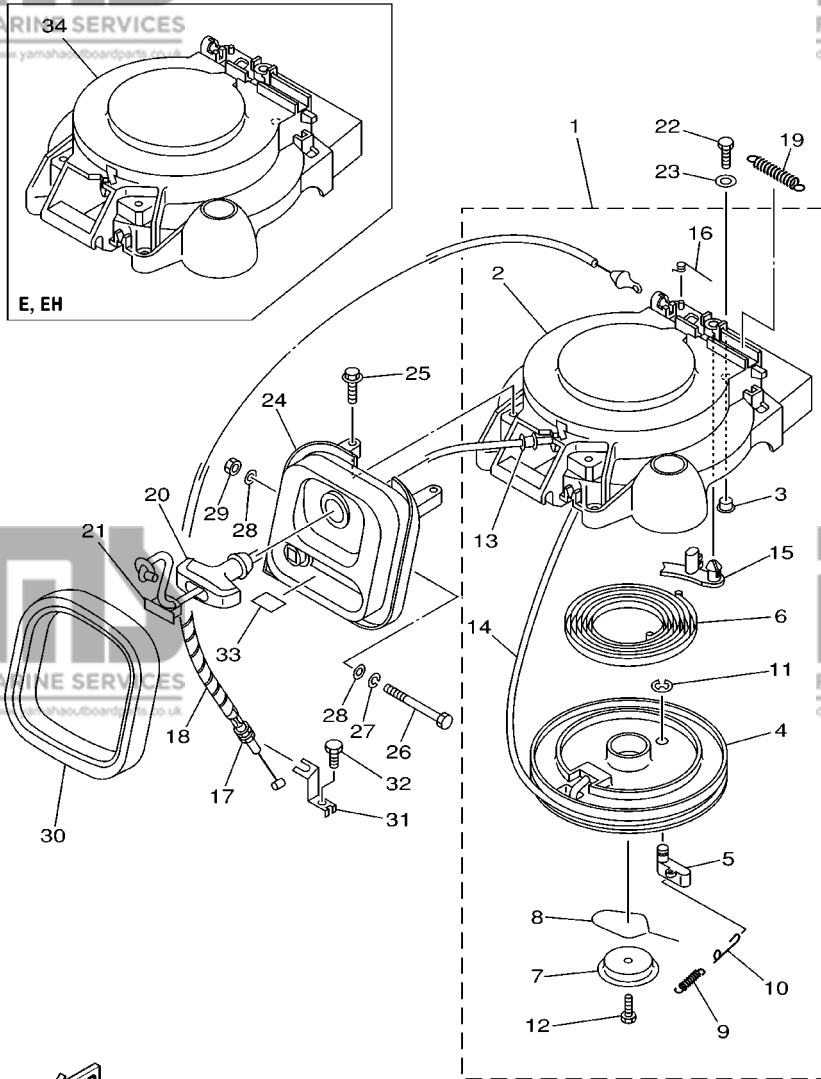
66M0300-8100

FIG. 10 STARTER

DEMARREUR

| REF. NO. | PART NO. NO. PIECES | DESCRIPTION DESCRIPTION | MH | EH | E | REMARKS REMARQUES |
|---|---------------------|---|----|----|---|-------------------|
| 1 | 66M-15710-01 | STARTER ASSY DEMARREUR COMPLET | 1 | | | |
| 2 | 66M-15711-01 | .CASE, STARTER .CARTER DE DEMARREUR | 1 | | | |
| 3 | 90387-06M05 | .COLLAR .COLLERETTE | 3 | | | |
| 4 | 63V-15714-00 | .DRUM, SHEAVE .TAMBOUR, POULIE | 1 | | | |
| 5 | 63V-15741-00 | .PAWL, DRIVE .CLIQUET, ENTRAINEMENT | 1 | | | |
| 6 | 63V-15713-00 | .SPRING, STARTER .RESSORT DE DEMARREUR | 1 | | | |
| 7 | 63V-15716-00 | .PLATE, DRIVE .PLAQUE, ENTRAINEMENT | 1 | | | |
| 8 | 63V-15705-01 | .SPRING, DRIVE PAWL .RESSORT DE CLIQUET | 1 | | | |
| 9 | 63V-15767-01 | .SPRING .RESSORT | 1 | | | |
| 10 | 63V-15784-01 | .SPRING, RETURN .RESSORT, RAPPEL | 1 | | | |
| 11 | 63V-15744-00 | .CIRCLIP .CIRCLIP | 1 | | | |
| 12 | 63V-15768-00 | .BOLT .BOULON | 1 | | | |
| 13 | 63V-15764-00 | .COLLAR 1 .COLLERETTE 1 | 1 | | | |
| 14 | * | .WIRE, STARTER (L:1800MM) .CABLE DE DEMARREUR (L:1800MM) | 1 | | | |
| 15 | 66T-15794-00 | .STOPPER .BUTEE | 1 | | | |
| 16 | 66T-15734-00 | .SPRING, RETURN .RESSORT, RAPPEL | 1 | | | |
| 17 | 66M-15770-00 | CABLE COMP., STARTER STOP CABLE, BUTEE DE DEMAR | 1 | | | |
| 18 | 90446-06M90 | HOSE DURITE | 1 | | | |
| 19 | 66T-15731-00 | SPRING, RETURN RESSORT, RAPPEL | 1 | | | |
| 20 | 6G1-15755-00 | HANDLE, STARTER POIGNEE, DE DEMARREUR | 1 | | | |
| 21 | 6G1-15779-00 | COVER COUVERCLE | 1 | | | |
| 22 | 97095-06020 | BOLT BOULON | 3 | 3 | 3 | |
| 23 | 92995-06600 | WASHER RONDELLE | 3 | 3 | 3 | |
| 24 | 66M-15758-00 | GUIDE, ROPE GUIDE DE CABLE | 1 | | | |
| | 66M-15758-10 | GUIDE, ROPE GUIDE DE CABLE | | 1 | 1 | |
| * CUT FROM 50M ROLLS, PART NO. 90890-44373, CUTTING LENGTH 1.8M | | | | | | |
| * A PRELEVER SUR BOBINE 50M , REFERENCE 90890-44373, LONGUEUR DE COUPE 1.8M | | | | | | |

C3



E, EH

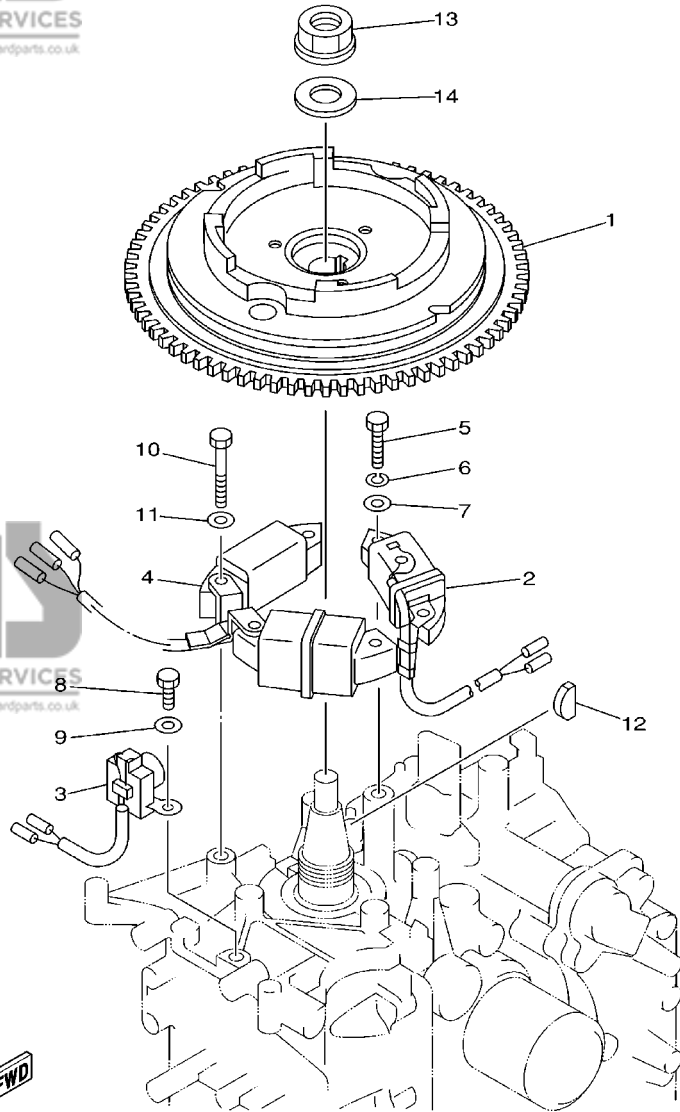
FIG. 10 STARTER

DEMARREUR

| REF. NO. | PART NO. NO. PIECES | DESCRIPTION DESCRIPTION | MH | EH | EU | REMARKS REMARQUES |
|----------|---------------------|---|----|----|----|-------------------|
| 25 | 90119-06M59 | BOLT, WITH WASHER BOULON, AVEC RONDELLE | 2 | 2 | 2 | |
| 26 | 97095-06090 | BOLT BOULON | 1 | 1 | 1 | |
| 27 | 92995-06100 | WASHER, SPRING RONDELLE, GROWER | 1 | 1 | 1 | |
| 28 | 90201-06M05 | WASHER, PLATE RONDELLE, PLATE | 2 | 2 | 2 | |
| 29 | 95380-06700 | NUT ECROU | 1 | 1 | 1 | |
| 30 | 66M-15762-00 | SEAL, RUBBER 2 JOINT CAOUTCHOUC 2 | 1 | 1 | 1 | |
| 31 | 66M-15774-00 | STAY 4 SUPPORT 4 | 1 | | | |
| 32 | 90109-06M86 | BOLT BOULON | 1 | | | |
| 33 | 66M-84342-00 | SEAT, EMBLEM SIEGE, EMBLEME | 1 | 1 | 1 | |
| 34 | 66M-15711-10 | CASE, STARTER CARTER DE DEMARREUR | | 1 | 1 | |



66M0300-8100



69B0010-0110

FIG. 11 GENERATOR

GENERATRICE

| REF. NO. | PART NO. NO. PIECES | DESCRIPTION DESCRIPTION | MH | EH | U | REMARKS REMARQUES |
|----------|---------------------|--------------------------------------|----|----|---|-------------------|
| | | | | | | |
| 1 | 66M-85550-00 | ROTOR ASSY ROTOR CPLT | 1 | | | WITHOUT RING GEAR |
| | 66M-85550-10 | ROTOR ASSY ROTOR CPLT | | 1 | 1 | WITH RING GEAR |
| 2 | 66M-85520-00 | COIL, CHARGE BOBINE, CHARGE | 1 | 1 | 1 | |
| 3 | 66M-85580-00 | COIL, PULSER BOBINE, PULSEUR | 1 | 1 | 1 | |
| 4 | 66M-85533-00 | COIL, LIGHTING BOBINE, ECLAIRAGE | 1 | 1 | | 6A |
| | 66M-85533-10 | COIL, LIGHTING BOBINE, ECLAIRAGE | | | 1 | 10A |
| 5 | 97095-06025 | BOLT BOULON | 2 | 2 | 2 | |
| 6 | 92995-06100 | WASHER, SPRING RONDELLE, GROWER | 2 | 2 | 2 | |
| 7 | 92995-06600 | WASHER RONDELLE | 2 | 2 | 2 | |
| 8 | 97095-06016 | BOLT BOULON | 2 | 2 | 2 | |
| 9 | 92995-06600 | WASHER RONDELLE | 2 | 2 | 2 | |
| 10 | 97095-06030 | BOLT BOULON | 4 | 4 | | |
| | 97095-06040 | BOLT BOULON | | | 4 | |
| 11 | 92995-06600 | WASHER RONDELLE | 4 | 4 | 4 | |
| 12 | 90280-05013 | KEY, WOODRUFF CLAVETTE, DEMI-LUNE | 1 | 1 | 1 | |
| 13 | 90179-16M05 | NUT ECROU | 1 | 1 | 1 | |
| 14 | 90201-16M44 | WASHER, PLATE RONDELLE, PLATE | 1 | 1 | 1 | |

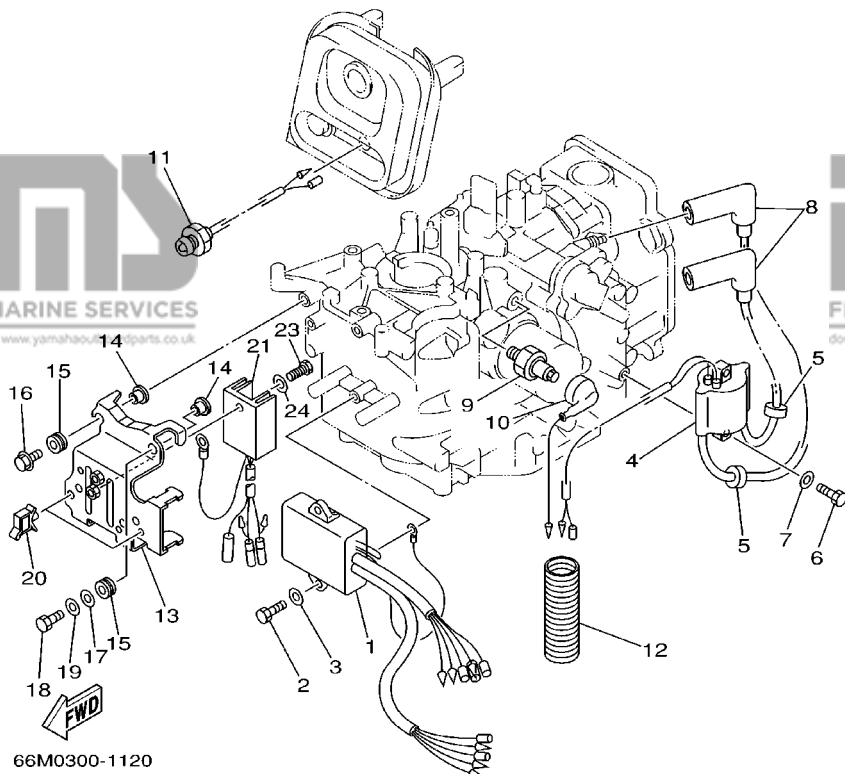
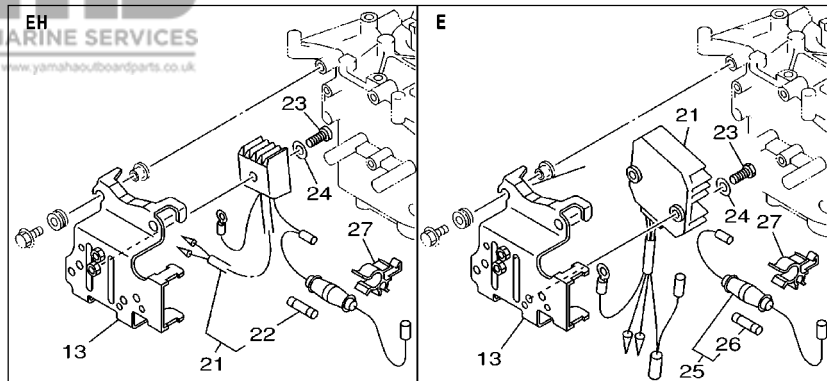


FIG. 12 ELECTRICAL 1

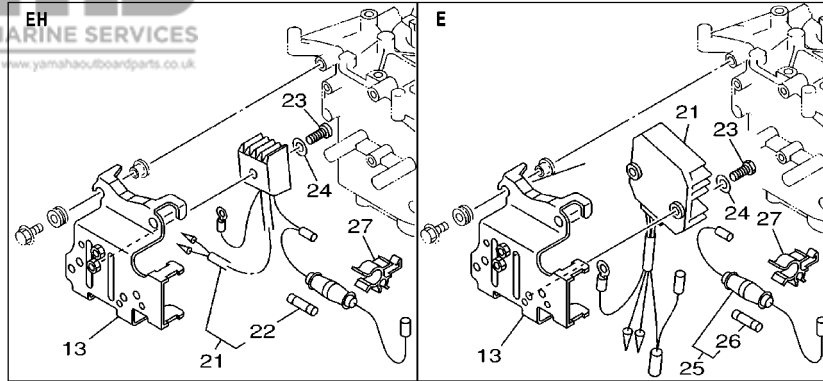
PARTIE ELECTRIQUE 1

| REF. NO. | PART NO. NO. PIECES | DESCRIPTION DESCRIPTION | MH | EH | EU | REMARKS REMARQUES |
|----------|--|--|----|----|----|-------------------|
| 1 | 66M-85540-01 | C.D.I. UNIT ASSY BLOC C.D.I. | 1 | 1 | 1 | |
| 2 | 97095-06020 | BOLT BOULON | 2 | 2 | 2 | |
| 3 | 92995-06600 | WASHER RONDELLE | 2 | 2 | 2 | |
| 4 | 66M-85570-00 | IGNITION COIL ASSY BOBINE D'ALLUMAGE (ENS.) | 1 | 1 | 1 | |
| 5 | 90480-25161 | GROMMET PASSE-FIL | 2 | 2 | 2 | |
| 6 | 97095-06020 | BOLT BOULON | 2 | 2 | 2 | |
| 7 | 92995-06600 | WASHER RONDELLE | 2 | 2 | 2 | |
| 8 | 6G8-82370-30 | PLUG CAP ASSY ANTIPARASITE | 2 | 2 | 2 | |
| 9 | 62Y-82504-10 | OIL PRESSURE SWITCH ASSY CONTACTEUR DE PRESSION D'HUILE | 1 | 1 | 1 | |
| 10 | 66M-82127-10 | WIRE, LEAD 2 FIL 2 | 1 | 1 | 1 | |
| 11 | 65W-85410-01 | EMERGENCY SIGNAL LIGHT ASSY FEU DE DETRESSE | 1 | 1 | 1 | |
| 12 | 6H1-83557-00 | TUBE TUBE | 1 | 1 | 1 | |
| 13 | 66M-85542-00 66M-85542-10 | BRACKET SUPPORT BRACKET SUPPORT | 1 | 1 | 1 | |
| 14 | 90387-06M05 | COLLAR COLLERETTE | 4 | 4 | 4 | |
| 15 | 90480-13M24 | GROMMET PASSE-FIL | 4 | 4 | 4 | |
| 16 | 95895-06020 | BOLT, FLANGE BOULON, A COLLERETTE | 3 | 3 | 3 | |
| 17 | 90201-06M05 | WASHER, PLATE RONDELLE, PLATE | 1 | 1 | 1 | |
| 18 | 97095-06025 | BOLT BOULON | 1 | 1 | 1 | |
| 19 | 92995-06600 | WASHER RONDELLE | 1 | 1 | 1 | |
| 20 | 90464-09M13 | CLAMP BRIDE | 2 | 2 | 2 | |
| 21 | 6J8-81960-00 6G1-81970-61 6G8-81960-A1 | RECTIFIER & REGULATOR ASSY REDRESSEUR REGULATEUR CPLT RECTIFIER ASSY REDRESSEUR COMPLET RECTIFIER & REGULATOR ASSY REDRESSEUR REGULATEUR CPLT | 1 | 1 | 1 | |
| 22 | 6G1-82151-00 | .FUSE .FUSIBLE | 1 | | | |
| 23 | 97095-06016 97880-05025 | BOLT BOULON SCREW, PAN HEAD VIS, TETE TRONCONIQUE | 1 | | 1 | |

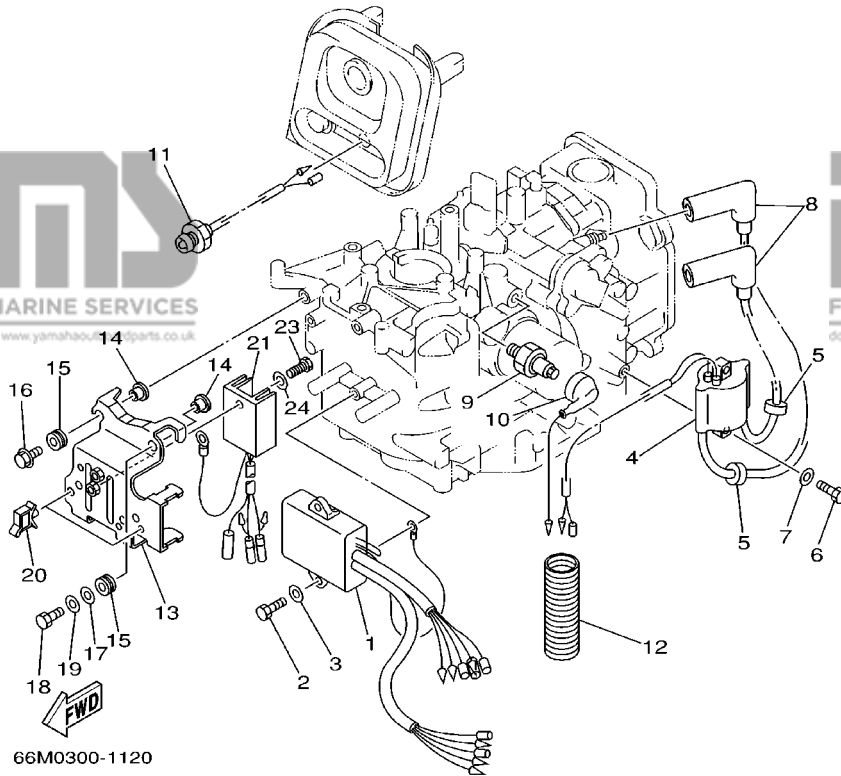
C6

FIG. 12 ELECTRICAL 1

PARTIE ELECTRIQUE 1



| REF. NO. | PART NO. NO. PIECES | DESCRIPTION DESCRIPTION | MH | EH | EU | REMARKS REMARQUES |
|----------|---------------------|-------------------------------------|----|----|----|-------------------|
| 23 | 97095-06016 | BOLT BOULON | | | 2 | |
| 24 | 92995-06600 | WASHER RONDELLE | 1 | | | |
| | 92990-05600 | WASHER, PLATE RONDELLE, PLATE | | 1 | | |
| | 92995-06600 | WASHER RONDELLE | | | 2 | |
| 25 | 6G8-82150-00 | FUSE HOLDER ASSY SUPPORT DE FUSIBLE | | | 1 | |
| 26 | 663-82151-00 | .FUSE (12V-20A) .FUSIBLE (12V-20A) | | | 1 | |
| 27 | 6G5-82152-00 | HOLDER, FUSE SUPPORT, FUSIBLE | | 1 | 1 | |



66M0300-1120

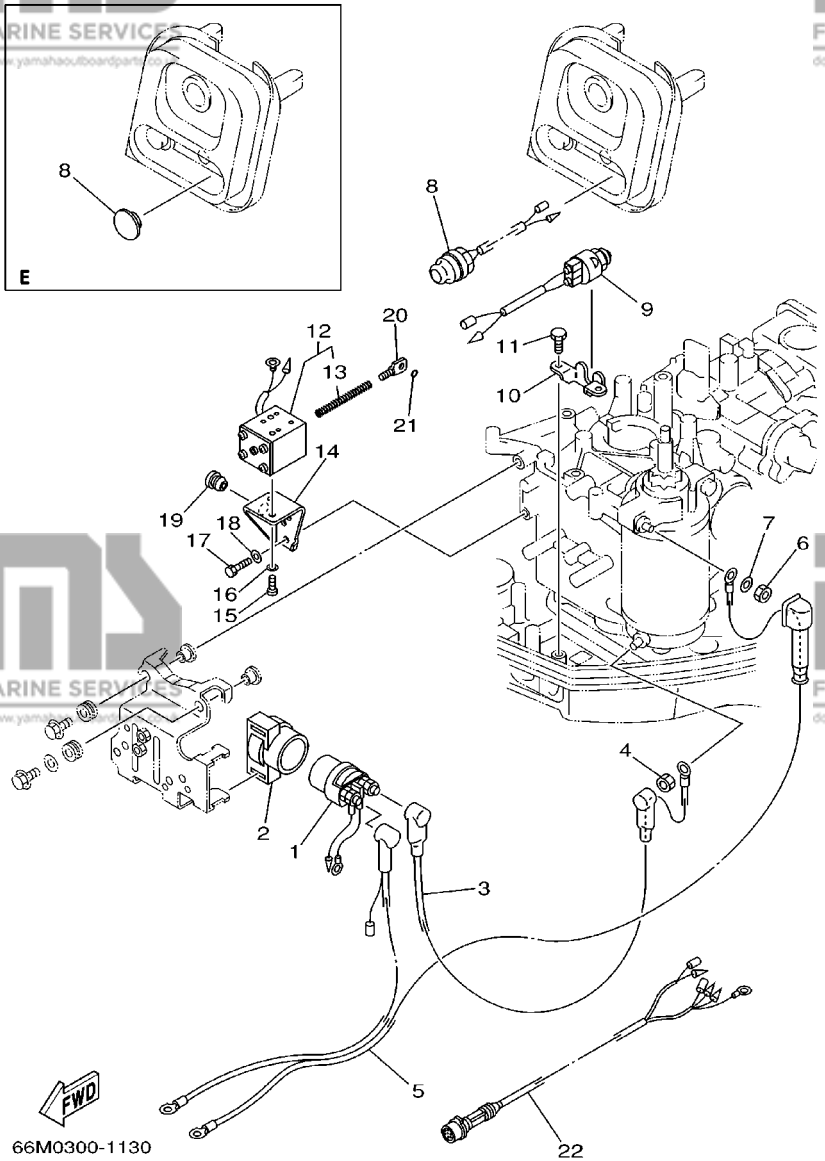
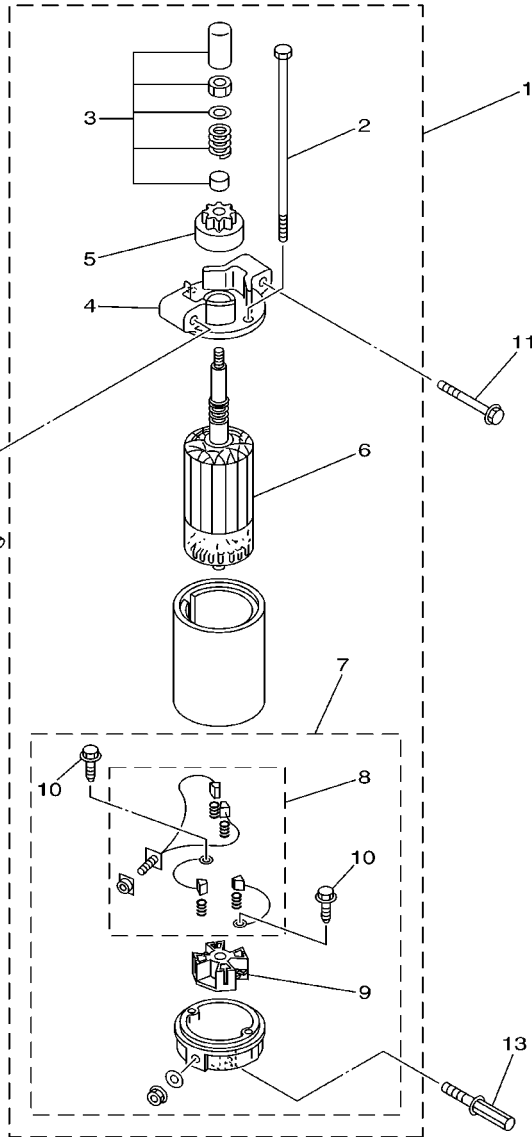


FIG. 13 ELECTRICAL 2

PARTIE ELECTRIQUE 2

| REF. NO. | PART NO. NO. PIECES | DESCRIPTION DESCRIPTION | MH | EH | EU | REMARKS REMARQUES |
|----------|---------------------|--|----|----|----|-------------------|
| 1 | 6G1-81941-10 | STARTER RELAY ASSY LANCEUR RELAIS (ENS.) | | 1 | 1 | |
| 2 | 6G1-81952-00 | HOLDER, RELAY SUPPORT, RELAIS | | 1 | 1 | |
| 3 | 66M-82117-00 | WIRE, LEAD FIL | | 1 | 1 | |
| 4 | 65W-8182B-00 | NUT, SPECIAL ECROU, SPECIAL | | 1 | 1 | |
| 5 | 66M-82105-00 | WIRE HARNESS FAISCEAU DE FILS | | 1 | 1 | |
| 6 | 95380-08700 | NUT ECROU | | 1 | 1 | |
| 7 | 92990-08600 | WASHER, PLATE RONDELLE, PLATE | | 1 | 1 | |
| 8 | 65W-81870-00 | STARTING SWITCH ASSY CONTACT A CLEF | | 1 | | |
| | 6G1-42725-00 | GROMMET PASSE-FIL | | | 1 | |
| 9 | 6H3-82540-00 | NEUTRAL SWITCH ASSY CONTACTEUR DE POINT-MORT | | 1 | | |
| 10 | 6J8-82554-00 | STAY, NEUTRAL SWITCH SUPPORT, CONT DE POINT-MORT | | 1 | | |
| 11 | 90109-06M86 | BOLT BOULON | | 2 | | |
| 12 | 66M-86111-00 | COIL, SOLENOID BOBINE | | | 1 | |
| 13 | 66M-86116-00 | .WIRE, PULL .CABLE, TENSION | | | 1 | |
| 14 | 66M-86112-00 | STAY, SOLENOID SUPPORT, SOLENOIDE | | | 1 | |
| 15 | 97880-05008 | SCREW, PAN HEAD VIS, TETE TRONCONIQUE | | | 2 | |
| 16 | 92990-05600 | WASHER, PLATE RONDELLE, PLATE | | | 2 | |
| 17 | 97095-06016 | BOLT BOULON | | | 2 | |
| 18 | 92995-06600 | WASHER RONDELLE | | | 2 | |
| 19 | 90480-10M13 | GROMMET PASSE-FIL | | | 1 | |
| 20 | 66M-86117-00 | HOOK, WIRE PULL CROCHET, TENSION DE CABLE | | | 1 | |
| 21 | 93210-03261 | O-RING JOINT TORIQUE | | | 1 | |
| 22 | 66M-82590-00 | WIRE HARNESS ASSY FAISCEAU DE FILS COMPLET | | | 1 | |

D1



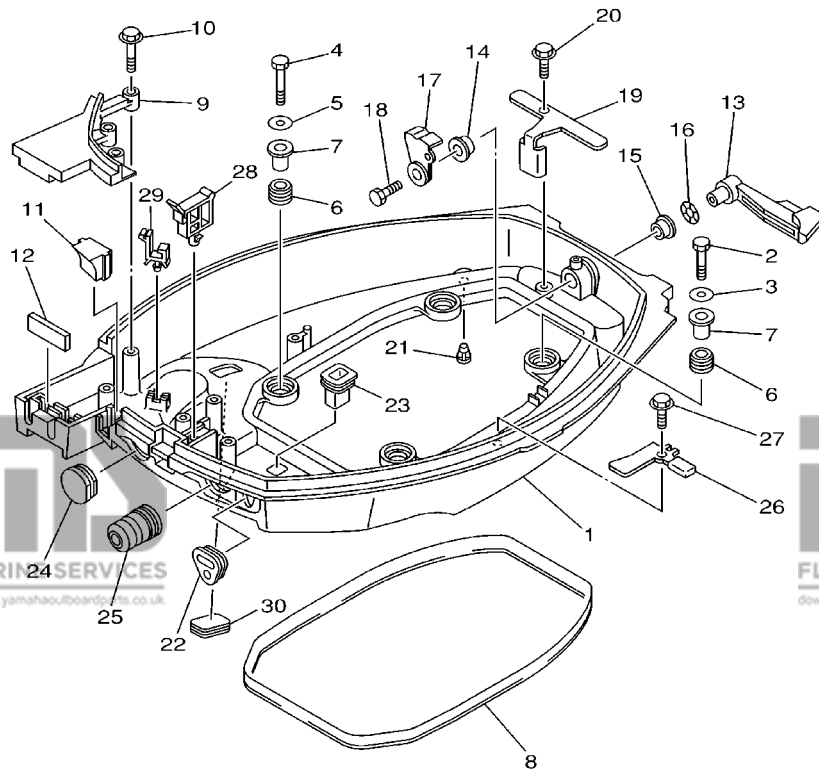
66M0010-0140

FIG. 14 STARTING MOTOR

DEMARREUR ELECTRIQUE

| REF. NO. | PART NO. NO. PIECES | DESCRIPTION DESCRIPTION | MH | EH | U | REMARKS REMARQUES |
|----------|---------------------|---|----|----|---|-------------------|
| 1 | 66M-81800-01 | STARTING MOTOR ASSY DEMARREUR ELECTRIQUE COMPLET | | 1 | 1 | |
| 2 | 65W-81826-00 | .BOLT .BOULON | | 2 | 2 | |
| 3 | 65W-81857-01 | .RETAINER .ARRETOIR | | 1 | 1 | |
| 4 | 66M-81830-00 | .FRONT BRACKET ASSY .SUPPORT AVANT | | 1 | 1 | |
| 5 | 65W-81807-00 | .GEAR ASSY, STARTING MOTOR .PIGNON, DEMARREUR ELECTRIQUE | | 1 | 1 | |
| 6 | 65W-81850-01 | .ARMATURE ASSY .INDUIT | | 1 | 1 | |
| 7 | 66M-81820-00 | .REAR BRACKET ASSY .SUPPORT ARRIERE COMPLET | | 1 | 1 | |
| 8 | 65W-81801-00 | ..BRUSH SET ..CHARBON | | 1 | 1 | |
| 9 | 65W-81840-00 | ..BRUSH HOLDER ASSY ..SUPPORT DE CHARBON | | 1 | 1 | |
| 10 | 65W-8182S-00 | ..SCREW ..VIS | | 2 | 2 | |
| 11 | 90119-08M39 | BOLT, WITH WASHER BOULON, AVEC RONDELLE | | 1 | 1 | |
| 12 | 90109-08M78 | BOLT BOULON | | 1 | 1 | |
| 13 | 90109-08M85 | BOLT BOULON | | 1 | 1 | |

D2



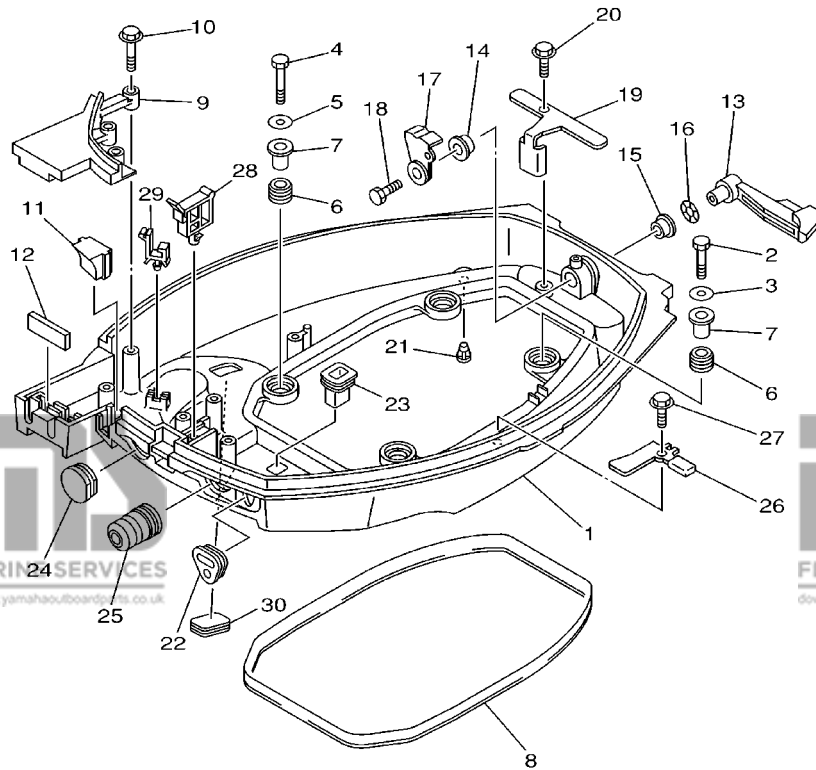
66M0300-1150

FIG. 15 BOTTOM COWLING

CAPOT INFERIEUR

| REF. NO. | PART NO. NO. PIECES | DESCRIPTION DESCRIPTION | MH | EH | EU | REMARKS REMARQUES |
|----------|---------------------|---|----|----|----|-------------------|
| 1 | 66M-42710-03-4D | BOTTOM COWLING ASSY ENS. EMBASE (REF.NO. 10, 20, 27 FIG.10, REF.NO. 32 FIG.13, REF.NO. 11 FIG.17, REF.NO. 5, 8) | 1 | 1 | 1 | |
| 2 | 97095-06035 | BOLT BOULON | 2 | 2 | 2 | |
| 3 | 92995-06600 | WASHER RONDELLE | 2 | 2 | 2 | |
| 4 | 97095-06025 | BOLT BOULON | 2 | 2 | 2 | |
| 5 | 92995-06600 | WASHER RONDELLE | 2 | 2 | 2 | |
| 6 | 90480-15M31 | GROMMET PASSE-FIL | 4 | 4 | 4 | |
| 7 | 90387-06M52 | COLLAR COLLERETTE | 4 | 4 | 4 | |
| 8 | 66M-42716-00 | RUBBER, SEAL 1 JOINT EN CAOUTCHOUC 1 | 1 | 1 | 1 | |
| 9 | 66M-42738-00-4D | PLATE, FITTING ETRIER | 1 | 1 | 1 | |
| 10 | 90109-06M82 | BOLT BOULON | 3 | 3 | 3 | |
| 11 | 66M-42725-00 | GROMMET PASSE-FIL | 1 | | | |
| | 66M-42725-10 | GROMMET PASSE-FIL | | 1 | | |
| | 66M-42725-20 | GROMMET PASSE-FIL | | | 1 | |
| 12 | 65W-42727-00 | GROMMET PASSE-FIL | 1 | 1 | | |
| | 62Y-42727-00 | GROMMET PASSE-FIL | | | 1 | |
| 13 | 66M-42815-00-4D | LEVER, CLAMP LEVIER, PRESSE | 1 | 1 | 1 | |
| 14 | 90386-12M37 | BUSH DOUILLE | 1 | 1 | 1 | |
| 15 | 90386-12MA2 | BUSH DOUILLE | 1 | 1 | 1 | |
| 16 | 90206-12052 | WASHER, WAVE RONDELLE, ONDULEE | 1 | 1 | 1 | |
| 17 | 6L2-42816-00 | LEVER, CLAMP LEVIER, PRESSE | 1 | 1 | 1 | |
| 18 | 97095-06012 | BOLT BOULON | 1 | 1 | 1 | |
| 19 | 66M-42766-00 | BRACKET 2 SUPPORT 2 | 1 | 1 | 1 | |
| 20 | 90109-06M86 | BOLT BOULON | 1 | 1 | 1 | |
| 21 | 6H3-44391-01 | NIPPLE, HOSE RACCORD D'ESSENCE | 1 | 1 | 1 | |
| 22 | 66M-26326-00 | GROMMET RONDELLE CAOUTCHOUC | 1 | 1 | | |

D3

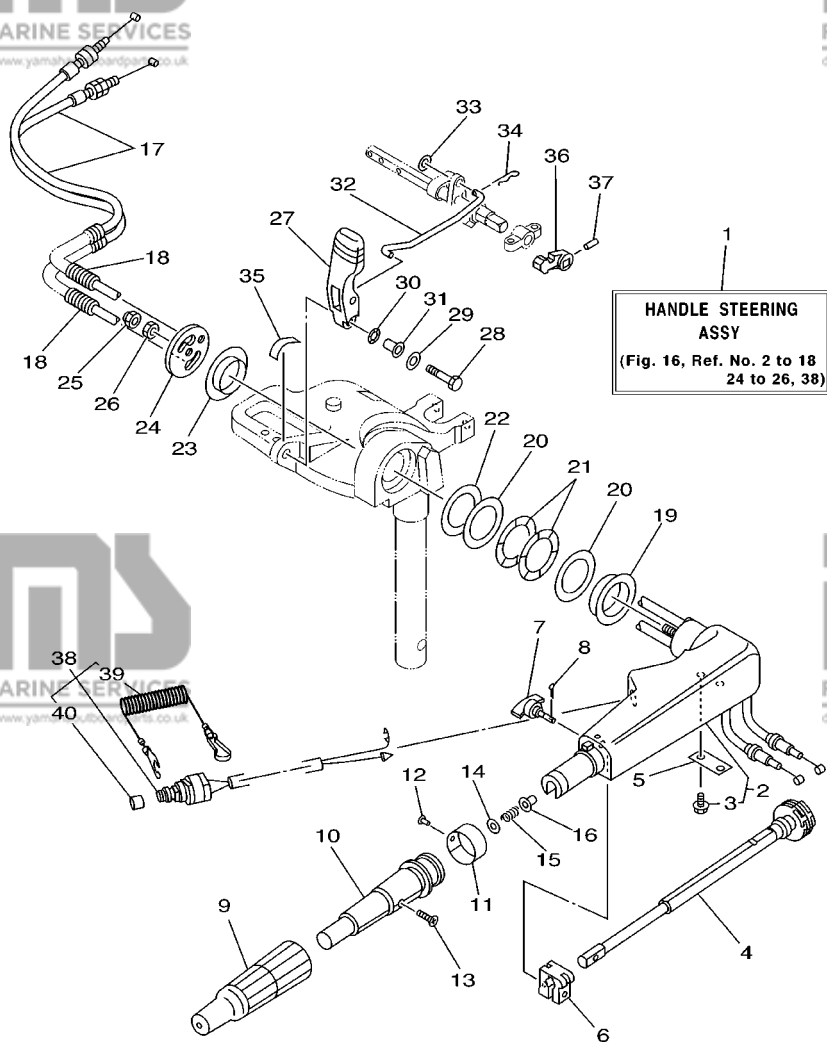


FWD
66M0300-1150

FIG. 15 BOTTOM COWLING

CAPOT INFERIEUR

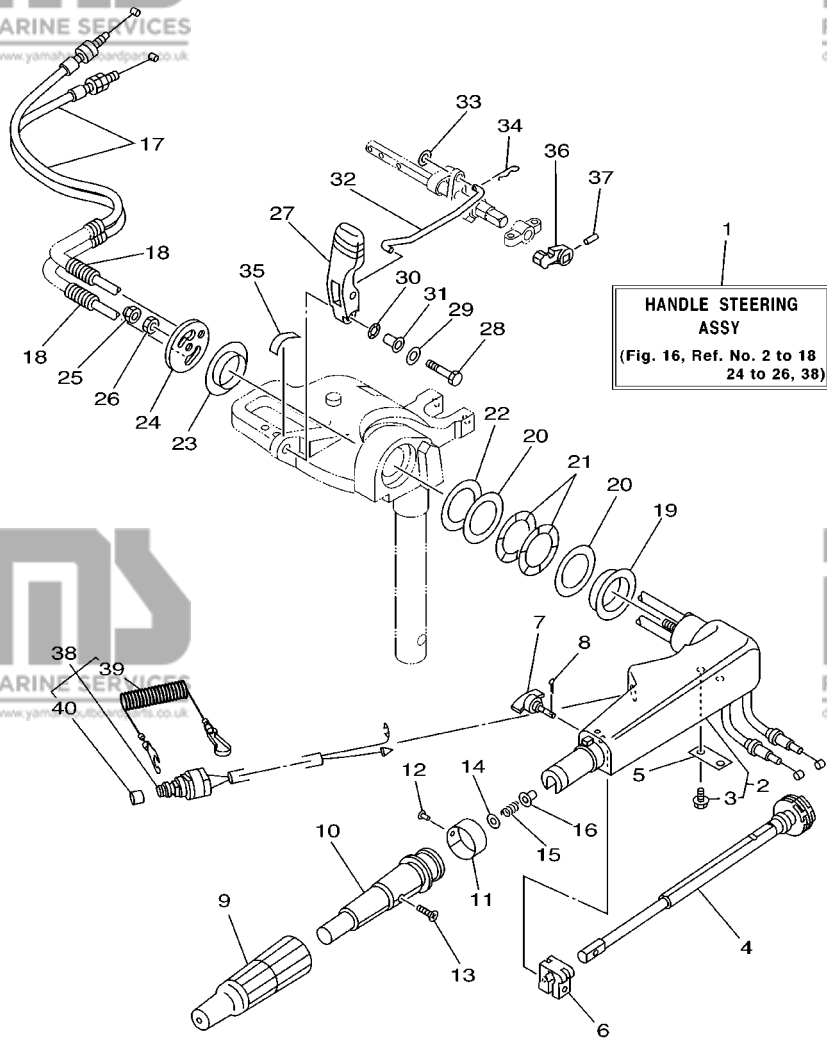
| REF. NO. | PART NO. NO. PIECES | DESCRIPTION DESCRIPTION | MH | EH | E | REMARKS REMARQUES |
|----------|---------------------|-----------------------------|----|----|---|-------------------|
| 22 | 65W-26326-10 | GROMMET RONDELLE CAOUTCHOUC | | | 1 | |
| 23 | 682-42727-00 | GROMMET PASSE-FIL | 1 | 1 | 1 | |
| 24 | 682-42724-00 | GROMMET PASSE-FIL | 1 | 1 | 1 | |
| 25 | 65W-42726-00 | GROMMET PASSE-FIL | 1 | 1 | | |
| | 65W-42726-10 | GROMMET PASSE-FIL | | | 1 | |
| 26 | 66M-42743-00 | BRACKET SUPPORT | 2 | 2 | 2 | |
| 27 | 90109-06M86 | BOLT BOULON | 2 | 2 | 2 | |
| 28 | 90465-25M57 | CLAMP BRIDE | 1 | 1 | 1 | |
| 29 | 90464-09M13 | CLAMP BRIDE | 1 | 1 | 1 | |
| 30 | 6H4-42726-00 | GROMMET PASSE-FIL | 1 | 1 | 1 | |



FWD
66M0300-1160

FIG. 16 STEERING

| REF. NO. | PART NO. NO. PIECES | DESCRIPTION DESCRIPTION | DIRECTION | | | REMARKS REMARQUES |
|----------|---------------------|---|-----------|----|---|-------------------|
| | | | MH | EH | E | |
| 1 | 66M-W0084-00-4D | HANDLE STEERING ASSY BARRE FRANCHE (ENS.) | 1 | 1 | | |
| 2 | 65W-42101-01-4D | HANDLE, STEERING POIGNEE | 1 | 1 | | |
| 3 | 90109-06M86 | .BOLT .BOULON | 2 | 2 | | |
| 4 | 65W-42138-00 | LEVER, THROTTLE LEVIER, ACCELERATEUR | 1 | 1 | | |
| 5 | 65W-42159-00 | STAY SUPPORT | 1 | 1 | | |
| 6 | 6G1-42126-00 | FRICTION, STEERING HANDLE GRIP CUVETTE, POIGNEE DE DIRECTION | 1 | 1 | | |
| 7 | 65W-42125-00 | BOLT, FRICTION ADJUSTING BOULON | 1 | 1 | | |
| 8 | 91490-16010 | PIN, COTTER GOUPILLE, FENDUE | 1 | 1 | | |
| 9 | 66M-42177-00 | RUBBER, HANDLE CAOUTCHOUC, POIGNEE | 1 | 1 | | |
| 10 | 66M-42119-00 | GRIP, STEERING HANDLE POIGNEE, BARRE FRANCHE | 1 | 1 | | |
| 11 | 689-42137-20 | INDICATOR, THROTTLE INDICATEUR, ACCELERATION | 1 | 1 | | |
| 12 | 90269-02M09 | RIVET RIVET | 1 | 1 | | |
| 13 | 90149-05M13 | SCREW VIS | 1 | 1 | | |
| 14 | 92903-10600 | WASHER, PLATE RONDELLE, PLATE | 1 | 1 | | |
| 15 | 90501-23215 | SPRING, COMPRESSION RESSORT, COMPRESSION | 1 | 1 | | |
| 16 | 90386-08032 | BUSH DOUILLE | 1 | 1 | | |
| 17 | 66M-26311-00 | CABLE, THROTTLE 1 CABLE 1, ACCELERATEUR | 2 | 2 | | |
| 18 | 90446-10M87 | HOSE DURITE | 2 | 2 | | |
| 19 | 90386-40MA0 | BUSH DOUILLE | 1 | 1 | | |
| 20 | 90201-43M00 | WASHER, PLATE RONDELLE, PLATE | 2 | 2 | | |
| 21 | 90206-43M22 | WASHER, WAVE RONDELLE, ONDULEE | 2 | 2 | | |
| 22 | 90202-43M57 | WASHER, PLATE RONDELLE, PLATE | 1 | 1 | | |
| 23 | 90386-40M99 | BUSH DOUILLE | 1 | 1 | | |
| 24 | 66M-42131-01 | COVER, HANDLE STEERING COUVERCLE | 1 | 1 | | |
| 25 | 95780-10300 | NUT, FLANGE ECROU, A COLLERETTE | 1 | 1 | | |
| 26 | 95380-10700 | NUT ECROU | 1 | 1 | | |
| 27 | 66M-44111-01 | HANDLE, GEAR SHIFT POIGNEE, LEVIER D'EMBRAYAGE | 1 | 1 | | |

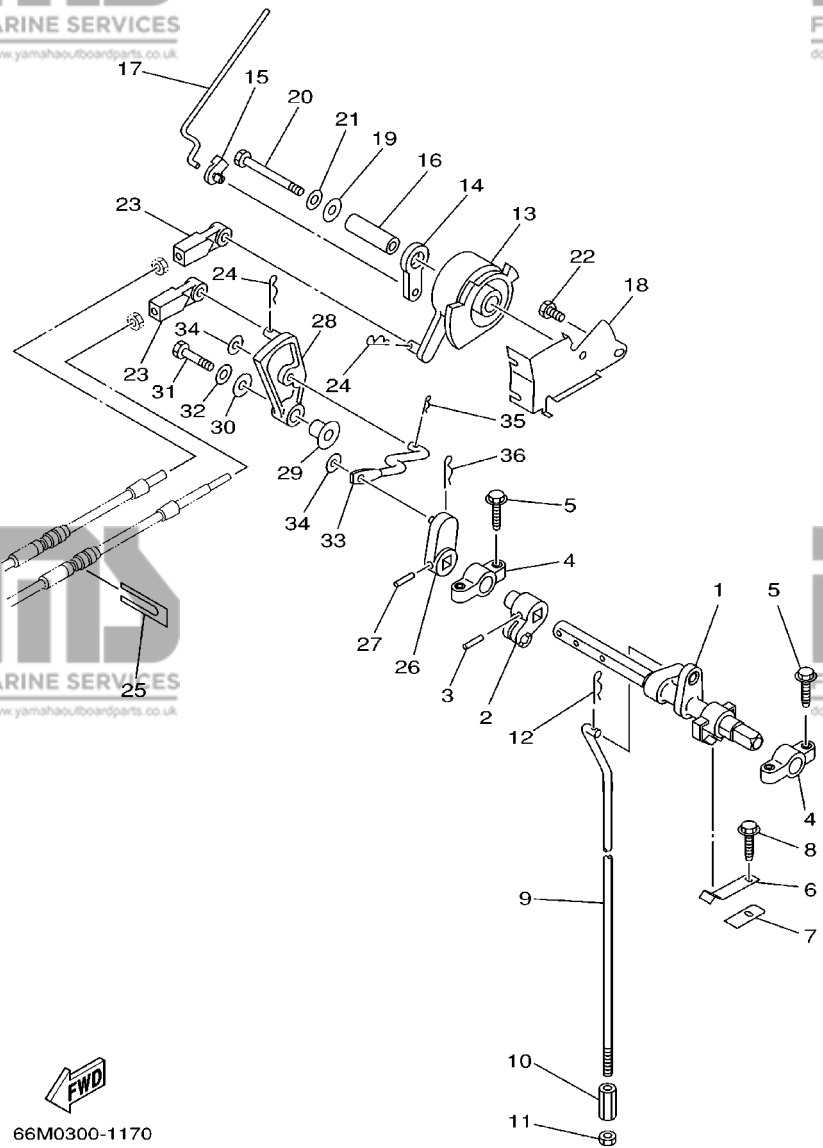


66M0300-1160

FIG. 16 STEERING

DIRECTION

| REF. NO. | PART NO. NO. PIECES | DESCRIPTION DESCRIPTION | DIRECTION | | | REMARKS REMARQUES |
|----------|------------------------|---|-----------|----|---|----------------------|
| | | | MH | EH | E | |
| 28 | 97095-06030 | BOLT BOULON | 1 | 1 | | |
| 29 | 92995-06600 | WASHER RONDELLE | 1 | 1 | | |
| 30 | 90206-10M04 | WASHER, WAVE RONDELLE, ONDULEE | 1 | 1 | | |
| 31 | 90387-06M78 | COLLAR COLLERETTE | 1 | 1 | | |
| 32 | 66M-44124-00 | LINK, SHIFT ROD BIJELLETTE | 1 | 1 | | |
| 33 | 92990-06200 | WASHER, PLAIN RONDELLE, PLATE | 1 | 1 | | |
| 34 | 90468-18008 | CLIP JONC | 1 | 1 | | |
| 35 | 6E0-44191-11 | INDICATOR, SHIFT ETIQUETTE, EMBRAYAGE | 1 | 1 | | |
| 36 | 65W-44173-00 | LEVER, SHIFT CONTROL POIGNEE, INVERSION | | 1 | | FOR NEUTRAL SW. |
| 37 | 90254-03M05 | PIN, SPRING RIVET, TETE TRONCONIQUE | | 1 | | FOR NEUTRAL SW. |
| 38 | 65W-82575-00 | ENGINE STOP SWITCH ASSY COUPE CIRCUIT CPLT | 1 | 1 | | |
| 39 | 682-82556-00 | .STOPPER .PLAQUETTE | 1 | 1 | | |
| 40 | 689-8257Y-00 | .CAP .CHAPEAU | 1 | 1 | | |



66M0300-1170

FIG. 17 CONTROL

COMMANDE

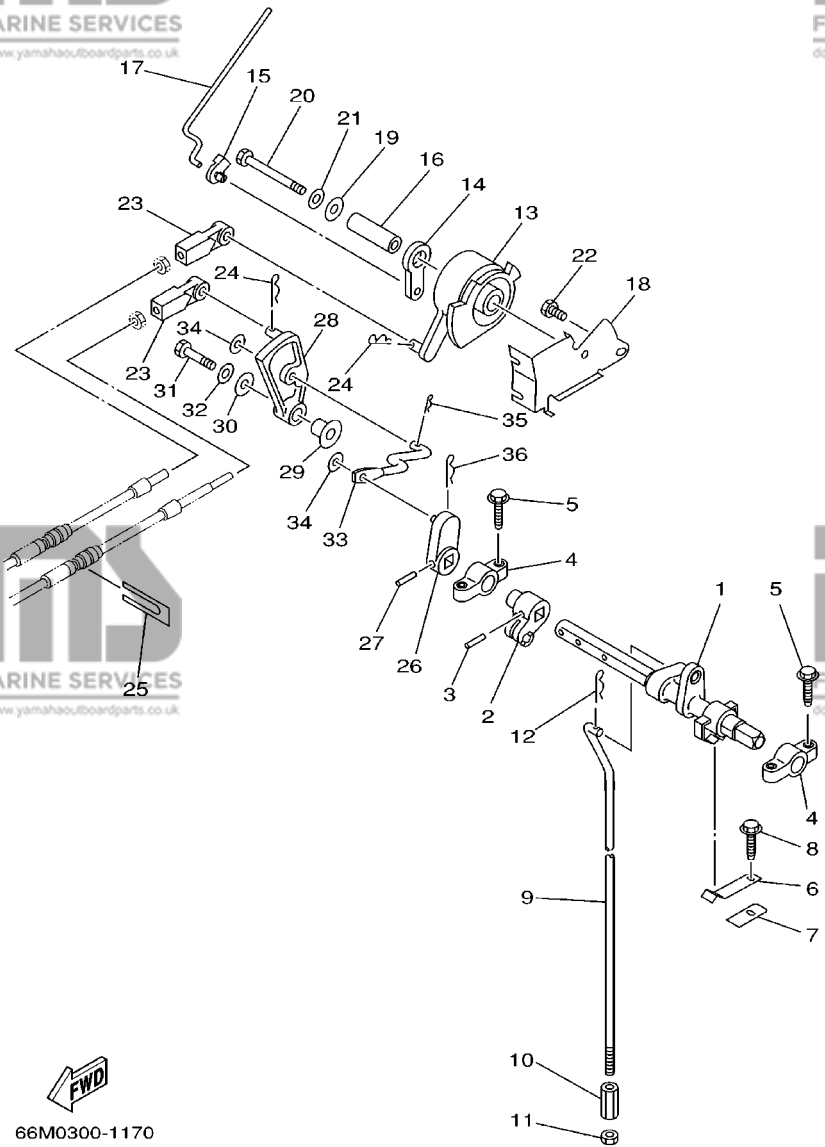
| REF. NO. | PART NO. NO. PIECES | DESCRIPTION DESCRIPTION | MH | EH | EU | REMARKS REMARQUES |
|----------|---------------------|---|----|----|----|-------------------|
| 1 | 65W-44121-00 | LEVER, SHIFT ROD LEVIER, TIGE D'INVERSION | 1 | 1 | 1 | |
| 2 | 66M-44122-00 | BUSHING, SHIFT ROD LEVER DOUILLE, LEVIER D'EMBRAYAGE | 1 | 1 | 1 | |
| 3 | 90254-03M05 | PIN, SPRING RIVET, TETE TRONCONIQUE | 1 | 1 | 1 | |
| 4 | 6F5-41662-00 | BRACKET SUPPORT | 2 | 2 | 2 | |
| 5 | 90109-06M81 | BOLT BOULON | 4 | 4 | 4 | |
| 6 | 65W-44116-00 | SPRING RESSORT | 1 | 1 | 1 | |
| 7 | 66R-44114-00 | STOPPER PLAQUETTE | 1 | 1 | 1 | |
| 8 | 90109-06M86 | BOLT BOULON | 1 | 1 | 1 | |
| 9 | 66M-44143-00 | ROD, SHIFT TIGE D'EMBRAYAGE | 1 | 1 | 1 | S |
| | 66M-44143-10 | ROD, SHIFT TIGE D'EMBRAYAGE | 1 | 1 | 1 | L |
| 10 | 90170-06015 | NUT ECROU | 1 | 1 | 1 | |
| 11 | 95380-06700 | NUT ECROU | 1 | 1 | 1 | |
| 12 | 90468-18008 | CLIP JONC | 1 | 1 | 1 | |
| 13 | 65W-41638-00 | PULLEY POULIE | 1 | 1 | 1 | |
| 14 | 65W-41283-00 | LEVER, FREE ACCEL. LEVIER | 1 | 1 | 1 | |
| 15 | 661-41262-02 | JOINT, CHOKE LEVER RACCORD, LEVIER DE STARTER | 1 | 1 | 1 | |
| 16 | 90387-06M08 | COLLAR COLLERETTE | 1 | 1 | 1 | |
| 17 | 66M-41211-00 | LINK, ACCEL. BIELLE, ACCELERATION | 1 | 1 | 1 | |
| 18 | 65W-14497-01 | STAY, THROTTLE WIRE SUPPORT DE BOISSEAU | 1 | 1 | 1 | |
| 19 | 90201-06M31 | WASHER, PLATE RONDELLE, PLATE | 1 | 1 | 1 | |
| 20 | 97095-06055 | BOLT BOULON | 1 | 1 | 1 | |
| 21 | 92995-06600 | WASHER RONDELLE | 1 | 1 | 1 | |
| 22 | 97095-06010 | BOLT BOULON | 1 | 1 | 1 | |
| 23 | 663-48344-00 | CABLE END, REMOTE CONTROL CHAPE CABLE | | | 2 | |
| 24 | 90468-18008 | CLIP JONC | | | 2 | |
| 25 | 6H3-48538-00 | CLAMP, CABLE 1 COLLIER | | | 1 | |
| 26 | 65W-44142-00 | JOINT AXE | | | 1 | |

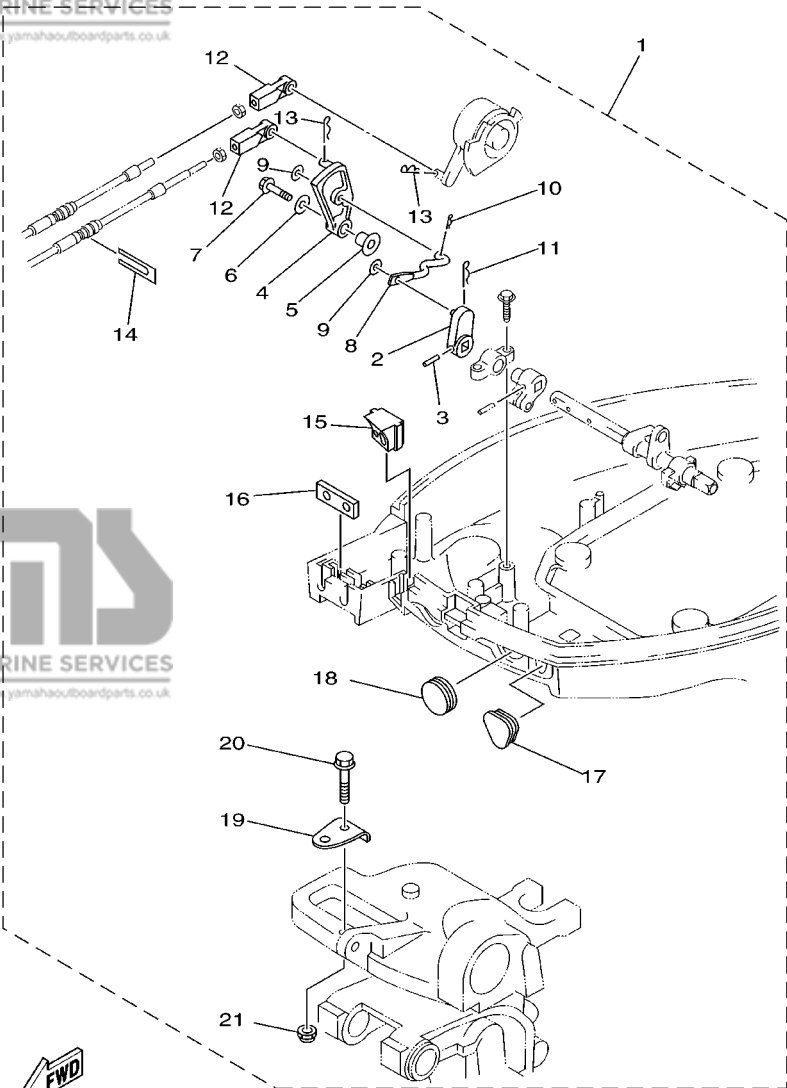
D7

FIG. 17 CONTROL

COMMANDE

| REF. NO. | PART NO. NO. PIECES | DESCRIPTION DESCRIPTION | MH | EH | E | REMARKS REMARQUES |
|----------|---------------------|--|----|----|---|-------------------|
| 27 | 90254-03M05 | PIN, SPRING RIVET, TETE TRONCONIQUE | | | 1 | |
| 28 | 65W-44125-00 | LEVER, SHIFT ROD LEVIER, TIGE D'INVERSION | | | 1 | |
| 29 | 90387-06M29 | COLLAR COLLERETTE | | | 1 | |
| 30 | 90201-06M31 | WASHER, PLATE RONDELLE, PLATE | | | 1 | |
| 31 | 97095-06025 | BOLT BOULON | | | 1 | |
| 32 | 92995-06600 | WASHER RONDELLE | | | 1 | |
| 33 | 66M-44192-00 | JOINT, ROD 1 RACCORD 1, BIELLETTE | | | 1 | |
| 34 | 90201-05M06 | WASHER, PLATE RONDELLE, PLATE | | | 2 | |
| 35 | 90468-10005 | CLIP JONC | | | 1 | |
| 36 | 90468-18008 | CLIP JONC | | | 1 | |





66M0010-9190

FIG. 18 REMOTE CONTROL ATTACHMENT

COMMANDE A DISTANCE

| REF. NO. | PART NO. NO. PIECES | DESCRIPTION DESCRIPTION | MH | EH | U | REMARKS REMARQUES |
|----------|---------------------|---|----|----|---|-------------------|
| 1 | 66M-48501-00 | REMOTE CONT. ATTACHMENT ASSY. COMMANDE A DISTANCE (KIT) | 1 | 1 | 1 | AP |
| 2 | 65W-44142-00 | .JOINT .AXE | 1 | 1 | 1 | |
| 3 | 90254-03M05 | .PIN, SPRING .RIVET, TETE TRONCONIQUE | 1 | 1 | 1 | |
| 4 | 65W-44125-00 | .LEVER, SHIFT ROD .LEVIER, TIGE D'INVERSION | 1 | 1 | 1 | |
| 5 | 90387-06M29 | .COLLAR .COLLERETTE | 1 | 1 | 1 | |
| 6 | 90201-06M31 | .WASHER, PLATE .RONDELLE, PLATE | 1 | 1 | 1 | |
| 7 | 97595-06525 | .BOLT, WITH WASHER .VIS HEXAGONAL AVC RONDELLE | 1 | 1 | 1 | |
| 8 | 66M-44192-00 | .JOINT, ROD 1 .RACCORD 1, BIELLETTE | 1 | 1 | 1 | |
| 9 | 90201-05M06 | .WASHER, PLATE .RONDELLE, PLATE | 2 | 2 | 2 | |
| 10 | 90468-10005 | .CLIP .JONC | 1 | 1 | 1 | |
| 11 | 90468-18008 | .CLIP .JONC | 1 | 1 | 1 | |
| 12 | 663-48344-00 | .CABLE END, REMOTE CONTROL .CHAPE CABLE | 2 | 2 | 2 | |
| 13 | 90468-18008 | .CLIP .JONC | 2 | 2 | 2 | |
| 14 | 6H3-48538-00 | .CLAMP, CABLE 1 .COLLIER | 1 | 1 | 1 | |
| 15 | 66M-42725-20 | .GROMMET .PASSE-FIL | 1 | 1 | 1 | |
| 16 | 62Y-42727-00 | .GROMMET .PASSE-FIL | 1 | 1 | 1 | |
| 17 | 65W-26326-10 | .GROMMET .RONDELLE CAOUTCHOUC | 1 | 1 | 1 | |
| 18 | 65W-42726-10 | .GROMMET .PASSE-FIL | 1 | 1 | 1 | |
| 19 | 63V-48511-01 | .HOOK, STEERING .ATTACHE, DIRECTION | 1 | 1 | 1 | |
| 20 | 97575-08535 | .BOLT, WITH WASHER .VIS HEXAGONAL AVC RONDELLE | 1 | 1 | 1 | |
| 21 | 90185-08057 | .NUT, SELF-LOCKING .ECROU, AUTO-BLOCANT | 1 | 1 | 1 | |

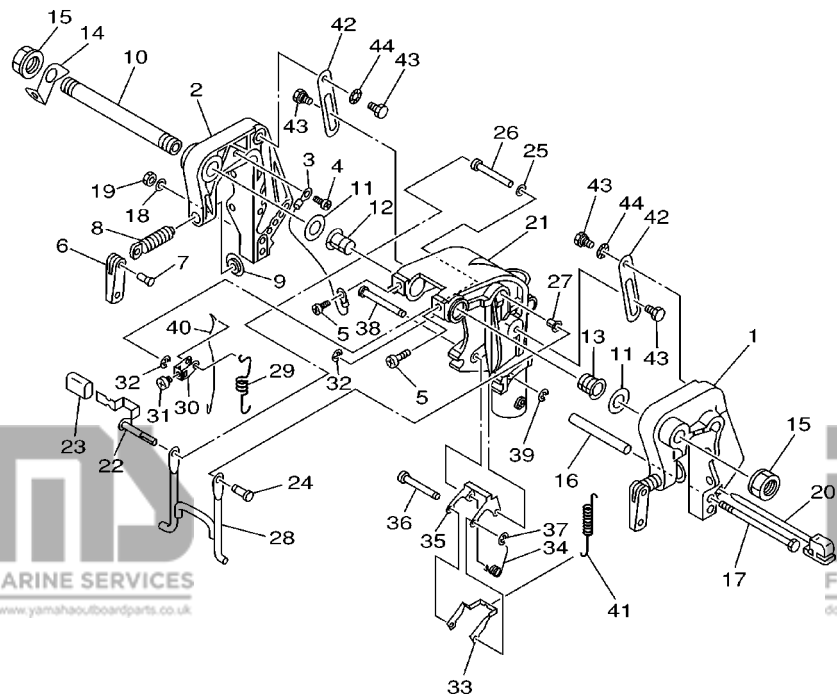


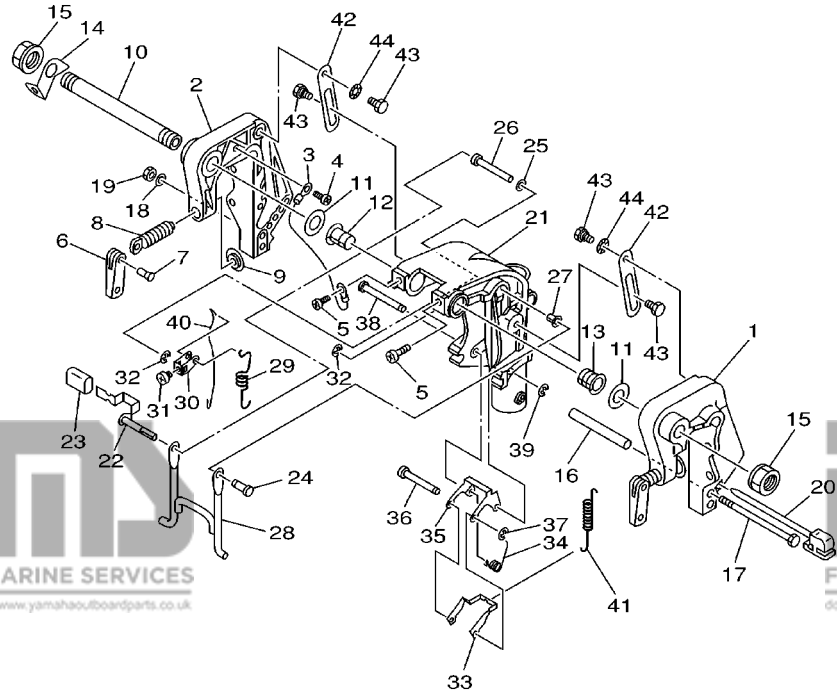
FIG. 19 BRACKET 1 SUPPORT 1

| REF. NO. | PART NO. NO. PIECES | DESCRIPTION DESCRIPTION | MH | EH | EU | REMARKS REMARQUES |
|----------|---------------------|--|----|----|----|-------------------|
| 1 | 63V-43111-05-4D | BRACKET, CLAMP PRESSE | 1 | 1 | 1 | |
| 2 | 63V-43112-06-4D | BRACKET, CLAMP PRESSE | 1 | 1 | 1 | |
| 3 | 66M-82148-00 | WIRE, LEAD 4 FIL 4 | 1 | 1 | 1 | |
| 4 | 97885-06008 | SCREW, PAN HEAD VIS, TETE TRONCONIQUE | 1 | 1 | 1 | |
| 5 | 97885-08010 | SCREW, PAN HEAD VIS, TETE TRONCONIQUE | 2 | 2 | 2 | |
| 6 | 6E0-43118-01 | HANDLE, TRANSOM CLAMP POIGNEE DE VIS DE PRESSE | 2 | 2 | 2 | |
| 7 | 90243-04M01 | PIN GOUPILLE | 2 | 2 | 2 | |
| 8 | 6E7-43116-00 | SCREW, TRANSOM CLAMP VIS DE PRESSE | 2 | 2 | 2 | |
| 9 | 648-43114-01 | PAD, TRANSOM CLAMP RONDELLE D'APPUI | 2 | 2 | 2 | |
| 10 | 63W-43131-10 | BOLT, CLAMP BRACKET BOULON, PRESSE | 1 | 1 | 1 | FOR RIDE GUIDE |
| 11 | 90202-22M54 | WASHER, PLATE RONDELLE, PLATE | 2 | 2 | 2 | |
| 12 | 90386-22M94 | BUSH DOUILLE | 1 | 1 | 1 | |
| 13 | 90386-22M94 | BUSH DOUILLE | 1 | 1 | 1 | |
| 14 | 66R-43113-00 | PLATE, CLAMP BRACKET PLAQUETTE, PRESSE | 1 | 1 | 1 | |
| 15 | 63V-43145-00 | CAP, CLAMP BRACKET CAPUCHON, PRESSE | 2 | 2 | 2 | |
| 16 | 90387-06M13 | COLLAR COLLERETTE | 1 | 1 | 1 | |
| 17 | 90101-06M29 | BOLT BOULON | 1 | 1 | 1 | |
| 18 | 92995-06600 | WASHER RONDELLE | 1 | 1 | 1 | |
| 19 | 95380-06700 | NUT ECROU | 1 | 1 | 1 | |
| 20 | 6L2-43160-00 | TILT ROD ASSY BROCHE D'INCLINAISON (ENS.) | 1 | 1 | 1 | |
| 21 | 63V-43311-03-4D | BRACKET, SWIVEL 1 SUPPORT, PIVOT 1 | 1 | 1 | 1 | S |
| | 66M-43311-10-4D | BRACKET, SWIVEL 1 SUPPORT, PIVOT 1 | 1 | 1 | 1 | L |
| 22 | 66M-43630-01 | TILT LEVER ASSY LEVIER D'INCLINAISON | 1 | 1 | 1 | |
| 23 | 682-43318-01 | COVER CAPUCHON | 1 | 1 | 1 | |
| 24 | 63V-43191-00 | SHAFT, STOPPER AXE, BUTEE | 1 | 1 | 1 | |
| 25 | 90202-07M60 | WASHER, PLATE RONDELLE, PLATE | 1 | 1 | 1 | |
| 26 | 90387-07M07 | COLLAR COLLERETTE | 1 | 1 | 1 | |

FWD
66M0010-1210

FIG. 19 BRACKET 1

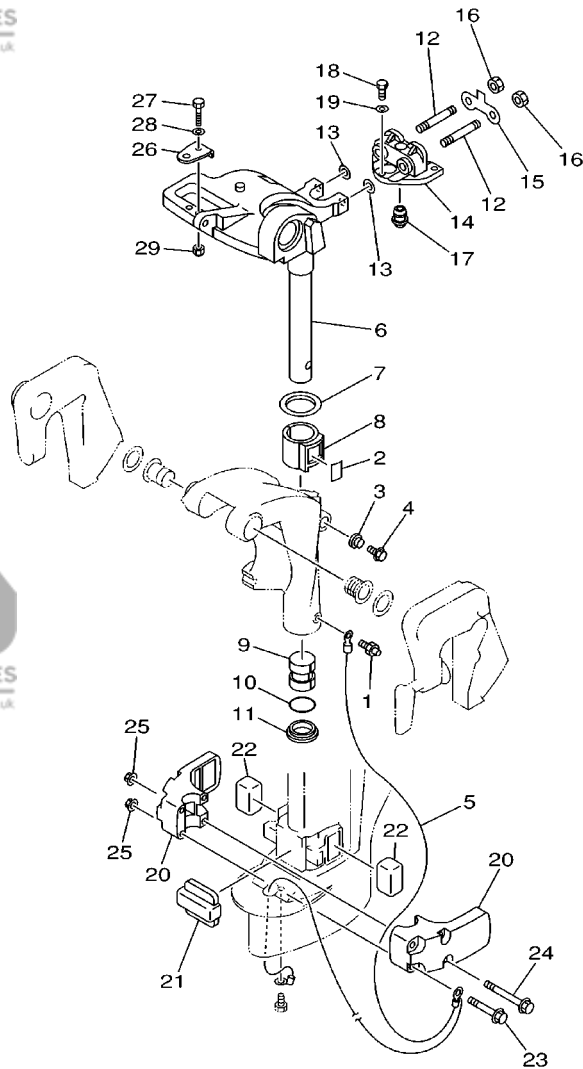
SUPPORT 1



| REF. NO. | PART NO. NO. PIECES | DESCRIPTION DESCRIPTION | MH | EH | EU | REMARKS REMARQUES |
|----------|---------------------|--|----|----|----|-------------------|
| 27 | 90386-07M95 | BUSH DOUILLE | 1 | 1 | 1 | |
| 28 | 66M-43350-01 | RECEIVER ASSY RECEIVER ASSY | 1 | 1 | 1 | |
| 29 | 90507-20M00 | SPRING, TENSION RESSORT, TENSION | 1 | 1 | 1 | |
| 30 | 63V-43641-01 | LEVER, TILT LEVIER, INCLINAISON | 1 | 1 | 1 | |
| 31 | 90149-05M17 | SCREW VIS | 1 | 1 | 1 | |
| 32 | 99080-05600 | CIRCLIP CIRCLIP | 2 | 2 | 2 | |
| 33 | 66R-43614-00 | PLATE, TILT LOCK ETRIER, VERROUILLAGE MARCHE AR | 1 | 1 | 1 | |
| 34 | 90508-18M41 | SPRING, TORSION RESSORT, TORSION | 1 | 1 | 1 | |
| 35 | 66R-43615-00 | PLATE, TILT LOCK ETRIER, VERROUILLAGE MARCHE AR | 1 | 1 | 1 | |
| 36 | 66R-43611-00 | SHAFT, TILT LOCK AXE, VERROUILLAGE MARCHE AR | 1 | 1 | 1 | |
| 37 | 93430-04M03 | CIRCLIP CIRCLIP, TYPE S | 1 | 1 | 1 | |
| 38 | 63V-43659-00 | SHAFT, REVERSE LOCK AXE, VERROUILLAGE MARCHE AR | 1 | 1 | 1 | |
| 39 | 99080-05600 | CIRCLIP CIRCLIP | 1 | 1 | 1 | |
| 40 | 66R-43617-00 | ROD, TILT LOCK TIGE | 1 | 1 | 1 | |
| 41 | 90506-26M38 | SPRING, TENSION RESSORT, TENSION | 1 | 1 | 1 | |
| 42 | 63V-43181-00 | LEVER, TILT STOP LEVIER, VERROUILLAGE RELEVAGE | 2 | 2 | 2 | |
| 43 | 90109-06M84 | BOLT BOULON | 4 | 4 | 4 | |
| 44 | 90206-10M24 | WASHER, WAVE RONDELLE, ONDULEE | 2 | 2 | 2 | |



66M0010-1210



FWD
66M0300-1200

FIG. 20 BRACKET 2

SUPPORT 2

| REF. NO. | PART NO. NO. PIECES | DESCRIPTION DESCRIPTION | MH | EH | EU | REMARKS REMARQUES |
|----------|---------------------|--|----|----|----|-------------------|
| 1 | 93700-06M03 | NIPPLE, GREASE GRAISSEUR | 1 | 1 | 1 | |
| 2 | 63V-42528-00 | PLATE, FRICTION PLAQUE, FRICTION | 1 | 1 | 1 | |
| 3 | 689-43373-01 | SEAL, DAMPER JOINT | 1 | 1 | 1 | |
| 4 | 90105-06M07 | BOLT, WASHER BASED BOULON, AVEC RONDELLE | 1 | 1 | 1 | |
| 5 | 66M-82127-00 | WIRE, LEAD 2 FIL 2 | 1 | 1 | 1 | |
| 6 | 66M-42511-01-4D | BRACKET, STEERING CADRE, DIRECTION | 1 | 1 | 1 | S |
| | 66M-42511-11-4D | BRACKET, STEERING CADRE, DIRECTION | 1 | 1 | 1 | L |
| 7 | 90209-40008 | WASHER RONDELLE | 1 | 1 | 1 | |
| 8 | 65F-42537-00 | BUSHING, PIVOT SHAFT COUSSINET | 1 | 1 | 1 | |
| 9 | 90386-30048 | BUSH DOUILLE | 1 | 1 | 1 | |
| 10 | 93210-29M94 | O-RING JOINT TORIQUE | 1 | 1 | 1 | |
| 11 | 90386-30M60 | BUSH DOUILLE | 1 | 1 | 1 | |
| 12 | 90116-08M54 | BOLT, STUD GOUJON | 2 | 2 | 2 | |
| 13 | 90201-08M06 | WASHER, PLATE RONDELLE, PLATE | 2 | 2 | 2 | |
| 14 | 66M-44514-00-4D | MOUNT DAMPER, UPPER SIDE SILENT-BLOC, SUPERIEUR LATERAL | 1 | 1 | 1 | |
| 15 | 66M-44526-00 | PLATE PLAQUE | 1 | 1 | 1 | |
| 16 | 95380-08600 | NUT ECROU | 2 | 2 | 2 | |
| 17 | 66M-44366-00 | DAMPER, WATER SEAL JOINT, TUBE D'EAU | 1 | 1 | 1 | |
| 18 | 97075-06025 | BOLT BOULON | 3 | 3 | 3 | |
| 19 | 92995-06600 | WASHER RONDELLE | 3 | 3 | 3 | |
| 20 | 66M-44551-00-4D | HOUSING, LOWER MOUNT RUBBER BOITIER, SILENT-BLOC INFERIEUR | 2 | 2 | 2 | |
| 21 | 66M-44557-00 | MOUNT DAMPER, LOWER FRONT SILENT-BLOC, INFERIEUR AVANT | 1 | 1 | 1 | |
| 22 | 682-44555-30 | MOUNT DAMPER, LOWER SIDE SILENT-BLOC, INFERIEUR LATERAL | 2 | 2 | 2 | |
| 23 | 90119-08M45 | BOLT, WITH WASHER BOULON, AVEC RONDELLE | 2 | 2 | 2 | |
| 24 | 90119-08M46 | BOLT, WITH WASHER BOULON, AVEC RONDELLE | 2 | 2 | 2 | |
| 25 | 90179-08M34 | NUT ECROU | 4 | 4 | 4 | |
| 26 | 63V-48511-01 | HOOK, STEERING ATTACHE, DIRECTION | | | 1 | |

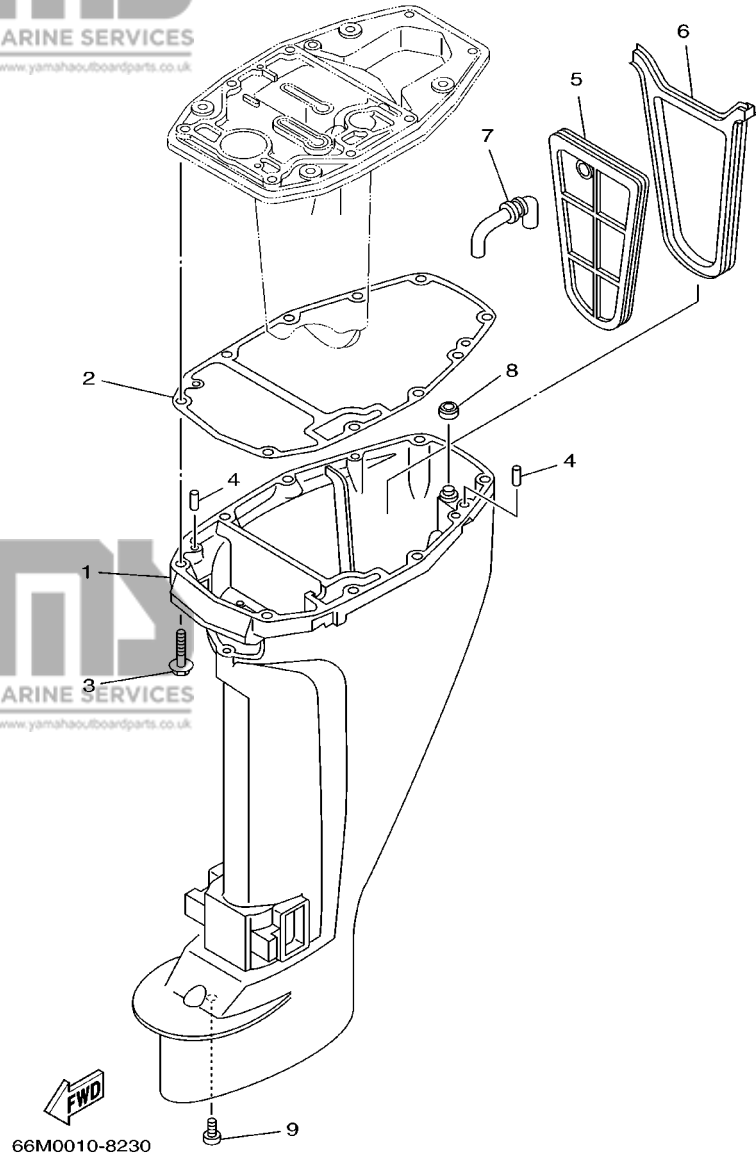
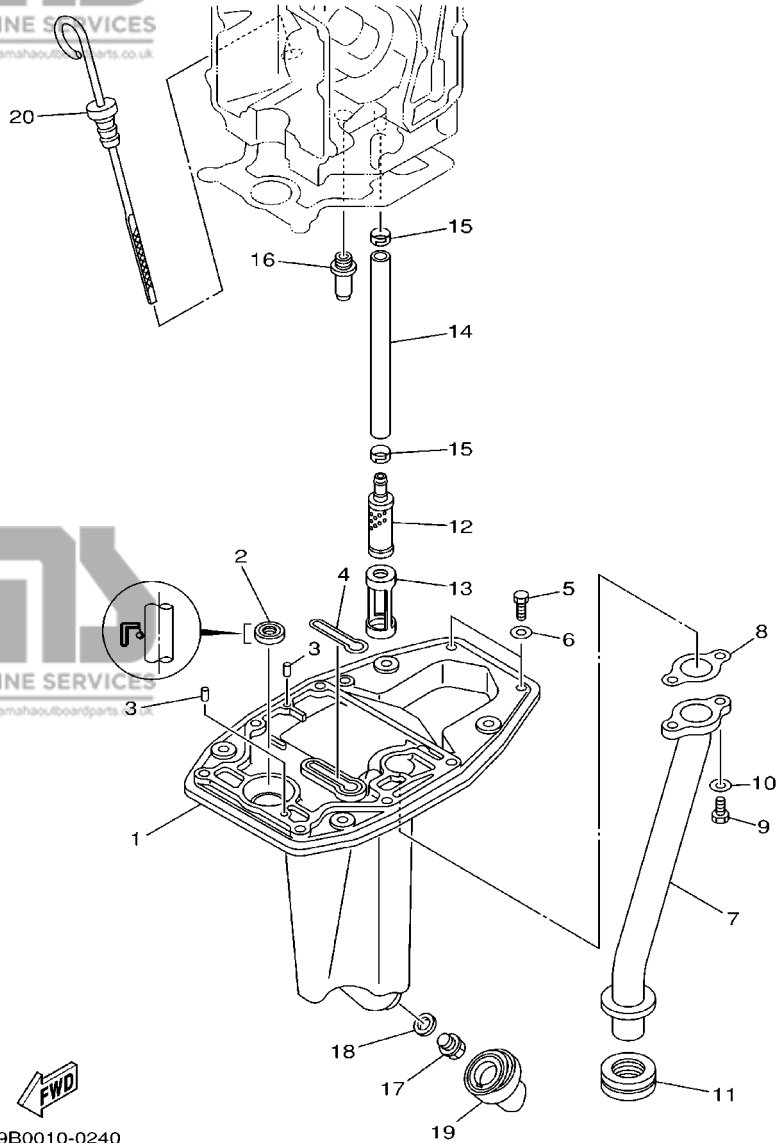


FIG. 21 UPPER CASING

FOURREAU

| REF. NO. | PART NO. NO. PIECES | DESCRIPTION DESCRIPTION | MH | EH | EU | REMARKS REMARQUES |
|----------|---------------------|--|----|----|----|-------------------|
| 1 | 66M-45111-00-4D | CASING, UPPER FOURREAU | 1 | 1 | 1 | S |
| | 66M-45111-10-4D | CASING, UPPER FOURREAU | 1 | 1 | 1 | L |
| 2 | 66M-45113-00 | GASKET, UPPER CASING JOINT, TUBE D'ARBRE | 1 | 1 | 1 | |
| 3 | 97575-08545 | BOLT, WITH WASHER VIS HEXAGONAL AVC RONDELLE | 6 | 6 | 6 | |
| 4 | 93606-12019 | PIN, DOWEL GOUJON | 2 | 2 | 2 | |
| 5 | 66M-45126-00 | PLATE, SEAL DAMPER PLAQUETTE | 1 | 1 | 1 | |
| 6 | 66M-45115-00 | GASKET, UPPER CASING JOINT, TUBE D'ARBRE | 1 | 1 | 1 | |
| 7 | 66M-45136-00 | PIPE DURITE | 1 | 1 | 1 | |
| 8 | 66M-45128-00 | SEAL 2 JOINT 2 | 1 | 1 | 1 | |
| 9 | 90157-06M06 | SCREW, PAN HEAD VIS, TETE TRONCONIQUE | 1 | 1 | 1 | |



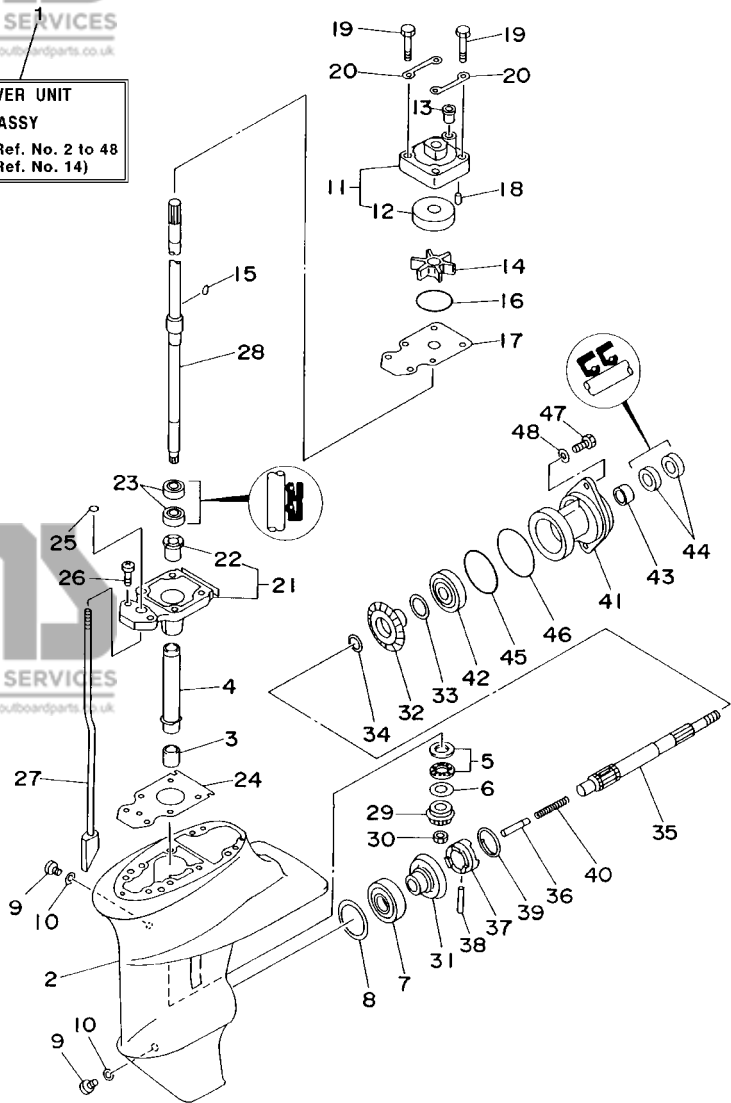
FWD
69B0010-0240

FIG. 22 OIL PAN

VENTILATEUR D'HUILE

| REF. NO. | PART NO. NO. PIECES | DESCRIPTION DESCRIPTION | MH | EH | EU | REMARKS REMARQUES |
|----------|---------------------|--|----|----|----|-------------------|
| 1 | 66M-41137-00-5B | GUIDE, EXHAUST COLLECTEUR D'ECHAPPEMENT | 1 | 1 | 1 | |
| 2 | 93101-12M63 | OIL SEAL JOINT SPY | 1 | 1 | 1 | |
| 3 | 93606-12019 | PIN, DOWEL GOUJON | 2 | 2 | 2 | |
| 4 | 66M-11355-00 | SEAL, CYLINDER 1 JOINT, SPY CYLINDRE | 1 | 1 | 1 | |
| 5 | 97095-06020 | BOLT BOULON | 2 | 2 | 2 | |
| 6 | 92995-06600 | WASHER RONDELLE | 2 | 2 | 2 | |
| 7 | 66M-41131-01-94 | MANIFOLD, EXT. 1 PIPE D'ECHAPPEMENT | 1 | 1 | 1 | |
| 8 | 66M-41133-00 | GASKET, EXHAUST MANIFOLD 1 JOINT, PIPE D'ECHAPPEMENT | 1 | 1 | 1 | |
| 9 | 97095-06016 | BOLT BOULON | 2 | 2 | 2 | |
| 10 | 92995-06600 | WASHER RONDELLE | 2 | 2 | 2 | |
| 11 | 66M-41138-00 | SEAL, EXT. 1 JOINT DE GROUPE 1 | 1 | 1 | 1 | |
| 12 | 66M-13421-00 | STRAINER 2 FILTRE 2 | 1 | 1 | 1 | |
| 13 | 66M-13417-00 | COVER, STRAINER COUVERCLE, FILTRE | 1 | 1 | 1 | |
| 14 | 66M-13416-00 | PIPE, OIL 1 DURITE A HUILE | 1 | 1 | 1 | |
| 15 | 66M-24351-00 | BAND 1 COLLIER 1 | 2 | 2 | 2 | |
| 16 | 6G8-11575-00 | RELIEF VALVE ASSY SOUPEA DE RENTREE D'AIR | 1 | 1 | 1 | |
| 17 | 90340-14M06 | PLUG, STRAIGHT SCREW PLOT, FILETE DROIT | 1 | 1 | 1 | |
| 18 | 90430-14M09 | GASKET JOINT | 1 | 1 | 1 | |
| 19 | 66M-15316-00 | DAMPER, ENGINE MOUNT 1 AMORTISSEUR DE SUPPORT | 1 | 1 | 1 | |
| 20 | 66M-15362-00 | PLUG, OIL LEVEL PLOT, NIVEAU D'HUILE | 1 | 1 | 1 | |

**LOWER UNIT
ASSY**
(Fig. 23, Ref. No. 2 to 48
Fig. 24, Ref. No. 14)



66M0300-1230

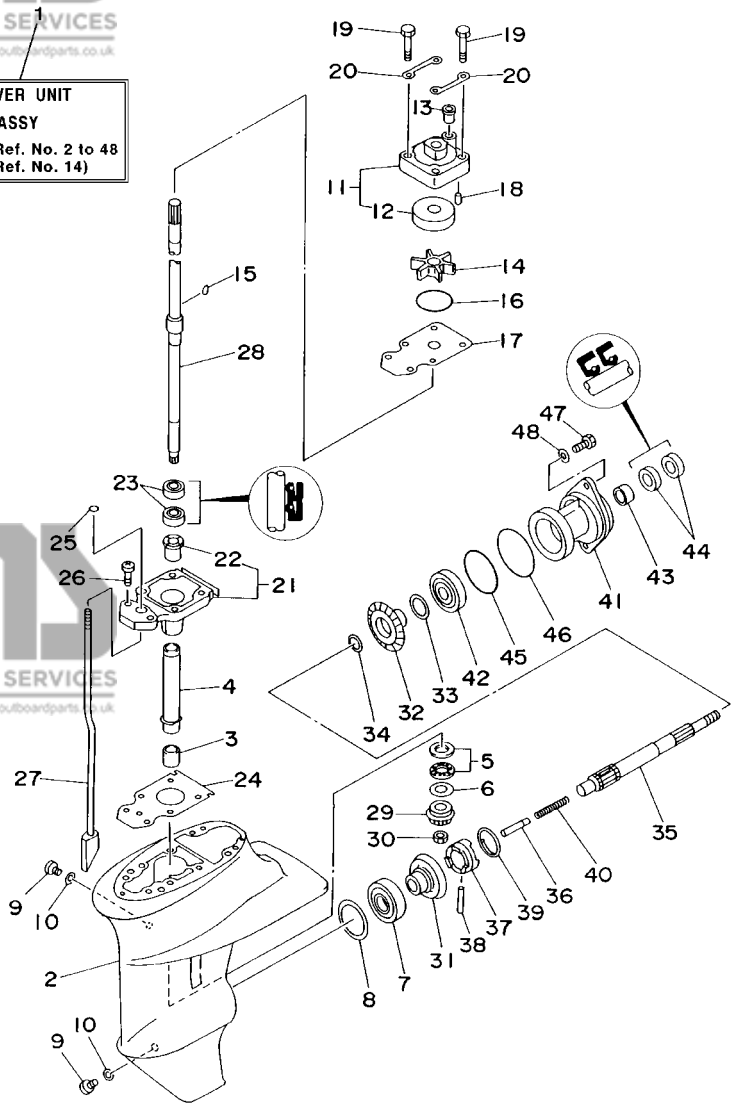
FIG. 23 LOWER CASING, DRIVE 1

BOITIER D'HELICE, TRANSMISSION 1

| REF. NO. | PART NO. NO. PIECES | DESCRIPTION DESCRIPTION | MH | EH | U | REMARKS REMARQUES |
|----------|---------------------|--|----|----|---|-------------------|
| 1 | 66M-45300-01-4D | LOWER UNIT ASSY UNITE INFERIEURE (ENS.) | 1 | 1 | 1 | S |
| | 66M-45300-11-4D | LOWER UNIT ASSY UNITE INFERIEURE (ENS.) | 1 | 1 | 1 | L |
| 2 | 66M-45311-00-4D | CASING, LOWER BOITIER D'HELICE | 1 | 1 | 1 | S |
| | 63V-45311-01-4D | CASING, LOWER BOITIER D'HELICE | 1 | 1 | 1 | L |
| 3 | 93315-314V8 | BEARING ROULEMENT | 1 | 1 | 1 | |
| 4 | 63V-45536-00 | SLEEVE, DRIVE SHAFT MANCHON, ARBRE MOTEUR | 1 | 1 | 1 | |
| 5 | 93341-41414 | BEARING ROULEMENT | 1 | 1 | 1 | |
| 6 | 6E8-45587-10-13 | SHIM (T:1.13MM) CALE (T:1.13MM) | 1 | 1 | 1 | UR |
| | 6E8-45587-10-20 | SHIM (T:1.20MM) CALE (T:1.20MM) | 1 | 1 | 1 | UR |
| 7 | 93332-00005 | BEARING ROULEMENT | 1 | 1 | 1 | |
| 8 | 664-45567-01-10 | SHIM (T:0.10MM) CALE (T:0.10MM) | 1 | 1 | 1 | UR |
| | 664-45567-01-12 | SHIM (T:0.12MM) CALE (T:0.12MM) | 1 | 1 | 1 | UR |
| | 664-45567-01-15 | SHIM (T:0.15MM) CALE (T:0.15MM) | 1 | 1 | 1 | UR |
| | 664-45567-01-18 | SHIM (T:0.18MM) CALE (T:0.18MM) | 1 | 1 | 1 | UR |
| | 664-45567-01-30 | SHIM (T:0.30MM) CALE (T:0.30MM) | 1 | 1 | 1 | UR |
| | 664-45567-01-40 | SHIM (T:0.40MM) CALE (T:0.40MM) | 1 | 1 | 1 | UR |
| | 664-45567-01-50 | SHIM (T:0.50MM) CALE (T:0.50MM) | 1 | 1 | 1 | UR |
| 9 | 90340-08M04 | PLUG, STRAIGHT SCREW PLOT, FILETE DROIT | 2 | 2 | 2 | |
| 10 | 90430-08020 | GASKET JOINT | 2 | 2 | 2 | |
| 11 | 63V-44301-00 | WATER PUMP HOUSING COMP. CARTER, POMPE A EAU (ENS.) | 1 | 1 | 1 | |
| 12 | 63V-44322-00 | INSERT, CARTRIDGE .CUVETTE | 1 | 1 | 1 | |
| 13 | 647-44366-00 | DAMPER, WATER SEAL JOINT, TUBE D'EAU | 1 | 1 | 1 | |
| 14 | 63V-44352-01 | IMPELLER TURBINE | 1 | 1 | 1 | |
| 15 | 664-44338-00 | KEY, WOODRUFF CLAVETTE, VOLANT | 1 | 1 | 1 | |
| 16 | 93210-44398 | O-RING JOINT TORIQUE | 1 | 1 | 1 | |
| 17 | 63V-44323-00 | OUTER PLATE, CARTRIDGE PLAQUE EXTERIEURE | 1 | 1 | 1 | |
| 18 | 93604-12M07 | PIN, DOWEL GOUJON | 2 | 2 | 2 | |

F2

**LOWER UNIT
ASSY**
(Fig. 23, Ref. No. 2 to 48
Fig. 24, Ref. No. 14)



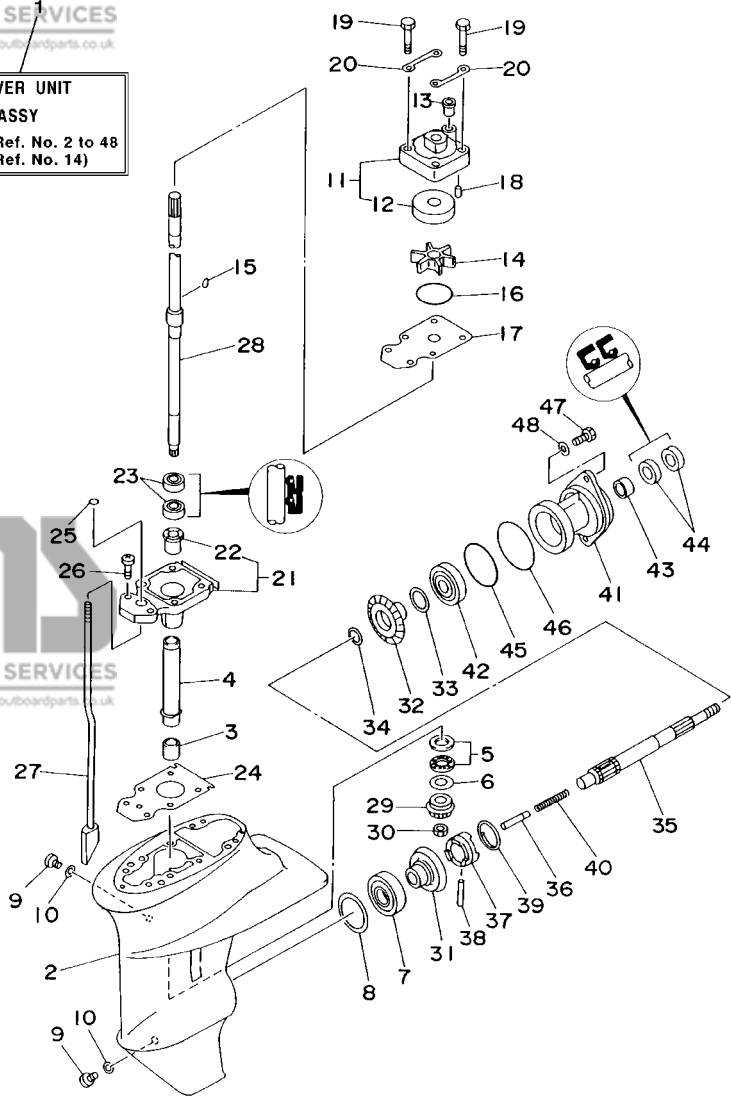
66M0300-1230

FIG. 23 LOWER CASING, DRIVE 1

BOITIER D'HELICE, TRANSMISSION 1

| REF. NO. | PART NO. NO. PIECES | DESCRIPTION DESCRIPTION | MH | EH | U | REMARKS REMARQUES |
|----------|---------------------|---|----|----|---|-------------------|
| 19 | 97080-08045 | BOLT BOULON | 4 | 4 | 4 | |
| 20 | 63V-44328-00 | PLATE PLAQUETTE | 2 | 2 | 2 | |
| 21 | 63V-45331-00-5B | HOUSING, BEARING FLASQUE, ROULEMENT | 1 | 1 | 1 | |
| 22 | 90381-14020 | .BUSH, SOLID .DOUILLE, SOLIDE | 1 | 1 | 1 | |
| 23 | 93101-20048 | OIL SEAL JOINT SPY | 2 | 2 | 2 | |
| 24 | 63V-45315-A0 | PACKING, LOWER CASING JOINT, BOITIER D'HELICE | 1 | 1 | 1 | |
| 25 | 93210-06ME6 | O-RING JOINT TORIQUE | 1 | 1 | 1 | |
| 26 | 97080-08025 | BOLT BOULON | 2 | 2 | 2 | |
| 27 | 63V-44150-00 | SHIFT CAM ASSY CAME D'INVERSION | 1 | 1 | 1 | S |
| | 66M-44150-10 | SHIFT CAM ASSY CAME D'INVERSION | 1 | 1 | 1 | L |
| 28 | 63V-45510-01 | DRIVE SHAFT ASSY ARBRE MOTEUR (ENS.) | 1 | 1 | 1 | S |
| | 63V-45510-11 | DRIVE SHAFT ASSY ARBRE MOTEUR (ENS.) | 1 | 1 | 1 | L |
| 29 | 63V-45551-00 | PINION PIGNON D'ATTAQUE | 1 | 1 | 1 | |
| 30 | 90179-08M06 | NUT ECROU | 1 | 1 | 1 | |
| 31 | 6E7-45560-01 | GEAR PIGNON | 1 | 1 | 1 | |
| 32 | 6E7-45571-00 | GEAR PIGNON | 1 | 1 | 1 | |
| 33 | 626-45577-00-01 | SHIM (T:0.10MM) CALE (T:0.10MM) | 1 | 1 | 1 | UR |
| | 626-45577-00-03 | SHIM (T:0.30MM) CALE (T:0.30MM) | 1 | 1 | 1 | UR |
| | 626-45577-00-05 | SHIM (T:0.50MM) CALE (T:0.50MM) | 1 | 1 | 1 | UR |
| 34 | 90201-17682 | WASHER, PLATE RONDELLE, PLATE | 1 | 1 | 1 | |
| 35 | 683-45611-00 | SHAFT, PROPELLER ARBRE, HELICE | 1 | 1 | 1 | |
| 36 | 650-45635-00 | PLUNGER, SHIFT POUSSOIR D'EMBRAYAGE | 1 | 1 | 1 | |
| 37 | 682-45631-00 | CLUTCH, DOG CRABOT | 1 | 1 | 1 | |
| 38 | 90250-05010 | PIN, STRAIGHT GOUPILLE, DROITE | 1 | 1 | 1 | |
| 39 | 648-45633-00 | RING, CROSS PIN JONC, GOUPILLE CRABOT | 1 | 1 | 1 | |
| 40 | 90501-14M06 | SPRING, COMPRESSION RESSORT, COMPRESSION | 1 | 1 | 1 | |
| 41 | 683-45361-02-4D | CAP, LOWER CASING COUVERCLE, BOITIER D'HELICE | 1 | 1 | 1 | |

**LOWER UNIT
ASSY**
(Fig. 23, Ref. No. 2 to 48
Fig. 24, Ref. No. 14)

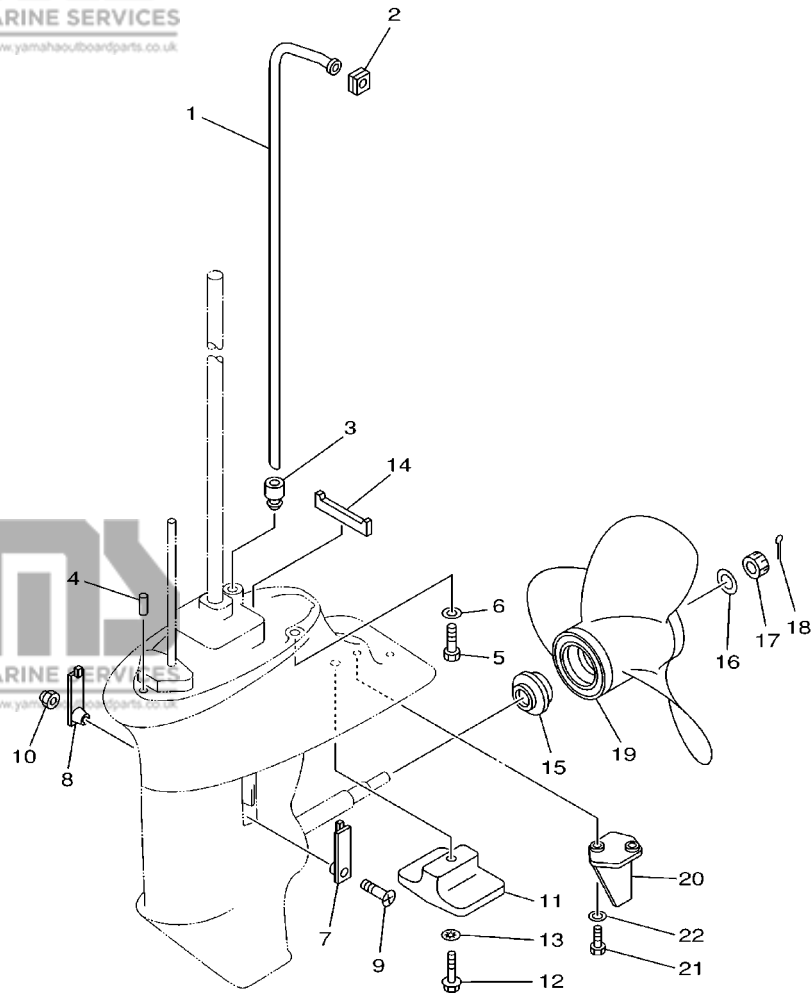


66M0300-1230

FIG. 23 LOWER CASING, DRIVE 1

BOITIER D'HELICE, TRANSMISSION 1

| REF. NO. | PART NO. NO. PIECES | DESCRIPTION DESCRIPTION | MH | EH | U | REMARKS REMARQUES |
|----------|---------------------|--------------------------------------|----|----|---|-------------------|
| 42 | 93306-00501 | BEARING (B6005) ROULEMENT (B6005) | 1 | 1 | 1 | |
| 43 | 93315-317U2 | BEARING ROULEMENT | 1 | 1 | 1 | |
| 44 | 93101-17054 | OIL SEAL JOINT SPY | 2 | 2 | 2 | |
| 45 | 93210-57M09 | O-RING JOINT TORIQUE | 1 | 1 | 1 | |
| 46 | 93210-56M80 | O-RING JOINT TORIQUE | 1 | 1 | 1 | |
| 47 | 97095-06020 | BOLT BOULON | 2 | 2 | 2 | |
| 48 | 92995-06600 | WASHER RONDELLE | 2 | 2 | 2 | |



69A0300-0230

FIG. 24 LOWER CASING, DRIVE 2

BOITIER D'HELICE, TRANSMISSION 2

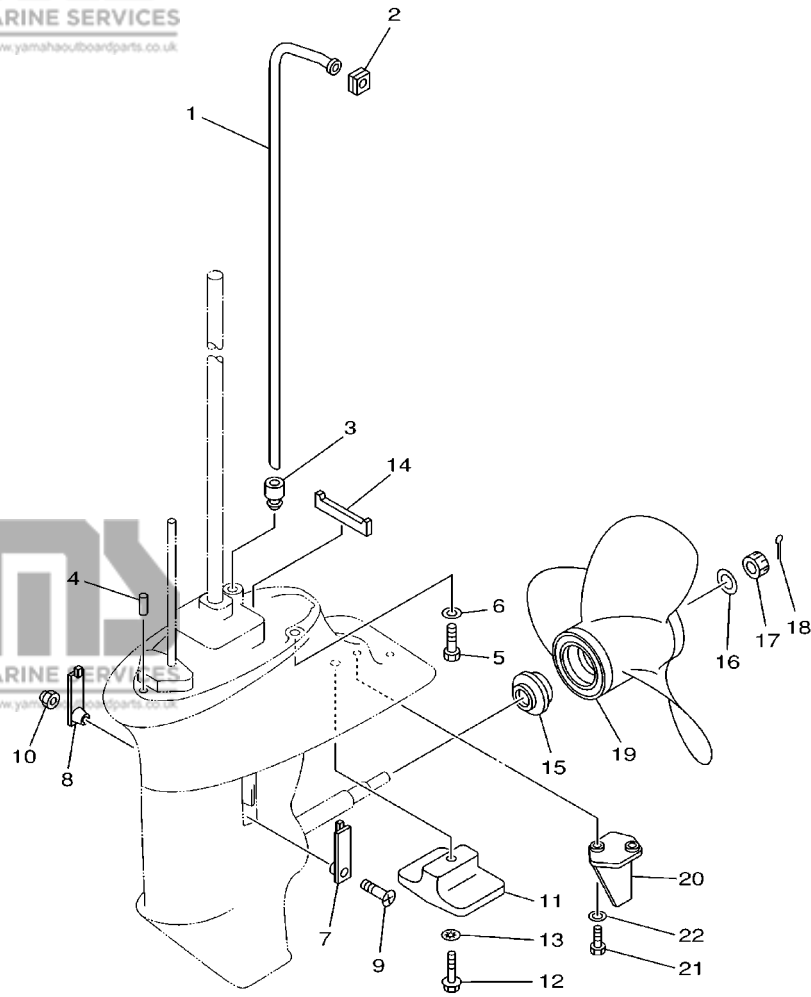
| REF. NO. | PART NO. NO. PIECES | DESCRIPTION DESCRIPTION | MH | EH | U | REMARKS REMARQUES |
|----------|---------------------|---|----|----|---|-------------------|
| 1 | 66M-44361-00 | TUBE, WATER TUBE D'EAU | 1 | 1 | 1 | S |
| | 66M-44361-10 | TUBE, WATER TUBE D'EAU | 1 | 1 | 1 | L |
| 2 | 63V-44365-10 | DAMPER, WATER SEAL JOINT, TUBE D'EAU | 1 | 1 | 1 | |
| 3 | 63V-44368-00 | RUBBER, WATER SEAL 4 CAOUTCHOUC EAU JUNTA 4 | 1 | 1 | 1 | |
| 4 | 93604-12M07 | PIN, DOWEL GOIJON | 2 | 2 | 2 | |
| 5 | 97075-08030 | BOLT BOULON | 4 | 4 | 4 | |
| 6 | 92995-08600 | WASHER RONDELLE | 4 | 4 | 4 | |
| 7 | 6G1-45214-00 | COVER, WATER INLET GRILLE, ENTREE D'EAU | 1 | 1 | 1 | |
| 8 | 63V-45215-00 | COVER, WATER INLET GRILLE, ENTREE D'EAU | 1 | 1 | 1 | |
| 9 | 90152-05M04 | SCREW, COUNTERSUNK VIS, TETE NOYEE | 1 | 1 | 1 | |
| 10 | 90185-05002 | NUT, SELF-LOCKING ECROU, AUTO-BLOCANT | 1 | 1 | 1 | |
| 11 | 61N-45251-00 | ANODE ANODE | 1 | 1 | 1 | |
| 12 | 95895-06030 | BOLT, FLANGE BOULON, A COLLERETTE | 1 | 1 | 1 | |
| 13 | 92990-06300 | WASHER, INTERNAL TOOTH RONDELLE, DENTURE INTERNE | 1 | 1 | 1 | |
| 14 | 63V-45375-00 | DAMPER, SEAL BOURRELET, CAOUTCHOUC | 1 | 1 | 1 | |
| 15 | 6E7-45987-01 | SPACER ENTRETOISE | 1 | 1 | 1 | |
| 16 | 90201-10M01 | WASHER, PLATE RONDELLE, PLATE | 1 | 1 | 1 | |
| 17 | 90171-10M01 | NUT, CASTLE ECROU, CRENELE | 1 | 1 | 1 | |
| 18 | 91490-30020 | PIN, COTTER GOUPILLE, FENDUE | 1 | 1 | 1 | |
| 19 | 63V-45945-00-EL | PROPELLER (3X9-1/4"X9"-J) HELICE (3X9-1/4"X9"-J) | 1 | 1 | 1 | UR |
| | 63V-45947-00-EL | PROPELLER (3X9-1/4"X8"-J) HELICE (3X9-1/4"X8"-J) | 1 | 1 | 1 | UR |
| | 683-45941-00-EL | PROPELLER (3X9-1/4"X12"-J) HELICE (3X9-1/4"X12"-J) | 1 | 1 | 1 | UR |
| | 683-45943-00-EL | PROPELLER (3X9-1/4"X10-1/2"-J) HELICE (3X9-1/4"X10-1/2"-J) | 1 | 1 | 1 | UR |
| | 683-45945-00-EL | PROPELLER (3X9-1/4"X9"-J) HELICE (3X9-1/4"X9"-J) | 1 | 1 | 1 | UR |
| | 683-45952-00-EL | PROPELLER (3X9-1/4"X9-3/4"-J) HELICE (3X9-1/4"X9-3/4"-J) | 1 | 1 | 1 | UR |
| 20 | 66M-45371-00 | TAB, TRIM ANODE DERIVE | 1 | 1 | 1 | S |
| 21 | 97095-06016 | BOLT BOULON | 2 | 2 | 2 | S |

FIG. 24 LOWER CASING, DRIVE 2

BOITIER D'HELICE, TRANSMISSION 2

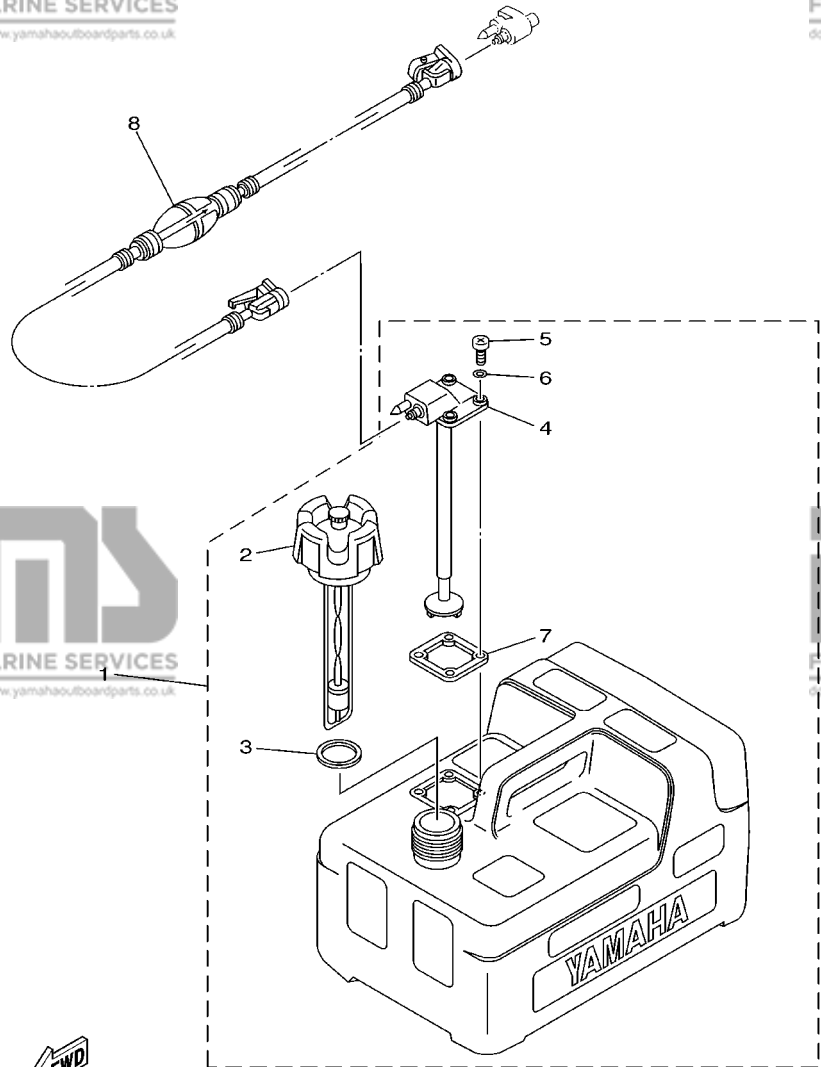
| REF. NO. | PART NO. NO. PIECES | DESCRIPTION DESCRIPTION | MH | EH | E | REMARKS REMARQUES |
|----------|---------------------|-------------------------|----|----|---|-------------------|
|----------|---------------------|-------------------------|----|----|---|-------------------|

| | | | | | | |
|----|-------------|-----------------|---|---|---|---|
| 22 | 92995-06600 | WASHER RONDELLE | 2 | 2 | 2 | S |
|----|-------------|-----------------|---|---|---|---|



69A0300-0230

F6

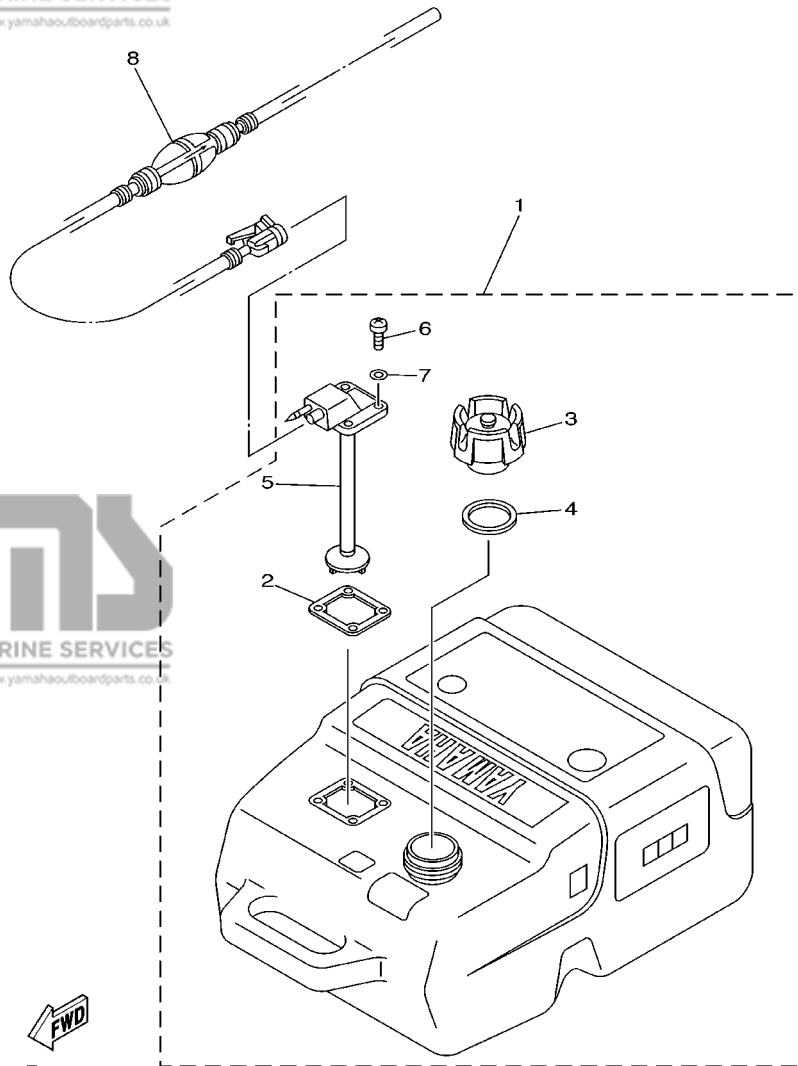


66R0700-9260

FIG. 25 FUEL TANK 1

RESERVOIR A CARBURANT 1

| REF. NO. | PART NO. NO. PIECES | DESCRIPTION DESCRIPTION | MH | EH | EU | REMARKS REMARQUES |
|----------|---------------------|--|----|----|----|-------------------|
| 1 | 6YL-24201-01 | FUEL TANK ASSY (12L) RESERVOIR A ESSENCE (ENS.) (12L) | 1 | 1 | 1 | AP |
| 2 | 6YL-24610-00 | .CAP ASSY .BOUCHON | 1 | 1 | 1 | |
| 3 | 6YL-24641-00 | .GASKET, CAP 1 .JOINT 1, BOUCHON | 1 | 1 | 1 | |
| 4 | 6YL-24260-01 | .FUEL METER ASSY .INDICATEUR DE CARBURANT | 1 | 1 | 1 | |
| 5 | 90157-05M16 | .SCREW, PAN HEAD .VIS, TETE TRONCONIQUE | 4 | 4 | 4 | |
| 6 | 6YL-24329-00 | .SEAL .JOINT | 4 | 4 | 4 | |
| 7 | 6YL-24268-01 | .GASKET, FUEL METER .JOINT, JAUGE A CARBURANT | 1 | 1 | 1 | |
| 8 | 6YL-24306-52 | FUEL PIPE COMP. 1 DURITE A ESSENCE 1 | 1 | 1 | 1 | AP |



67F0300-9300

FIG. 26 FUEL TANK 2

RESERVOIR A CARBURANT 2

| REF. NO. | PART NO. NO. PIECES | DESCRIPTION DESCRIPTION | MH | EH | EU | REMARKS REMARQUES |
|----------|---------------------|--|----|----|----|-------------------|
| 1 | 6YK-24201-10 | FUEL TANK ASSY (25L) RESERVOIR A ESSENCE (ENS.) (25L) | 1 | 1 | 1 | AP F15A FOR *ECM |
| 2 | 6YL-24268-01 | .GASKET, FUEL METER .JOINT, JAUGE A CARBURANT | 1 | 1 | 1 | |
| 3 | 6YK-24610-10 | .CAP ASSY .BOUCHON | 1 | 1 | 1 | WITHOUT INDICATOR |
| 4 | 6YL-24641-00 | .GASKET, CAP 1 .JOINT 1, BOUCHON | 1 | 1 | 1 | |
| 5 | 6YK-24260-01 | .FUEL METER ASSY .INDICATEUR DE CARBURANT | 1 | 1 | 1 | |
| 6 | 90157-05M16 | .SCREW, PAN HEAD .VIS, TETE TRONCONIQUE | 4 | 4 | 4 | |
| 7 | 6YL-24329-00 | .SEAL .JOINT | 4 | 4 | 4 | |
| 8 | 6YL-24306-52 | FUEL PIPE COMP. 1 DURITE A ESSENCE 1 | 1 | 1 | 1 | AP F15A FOR *ECM |

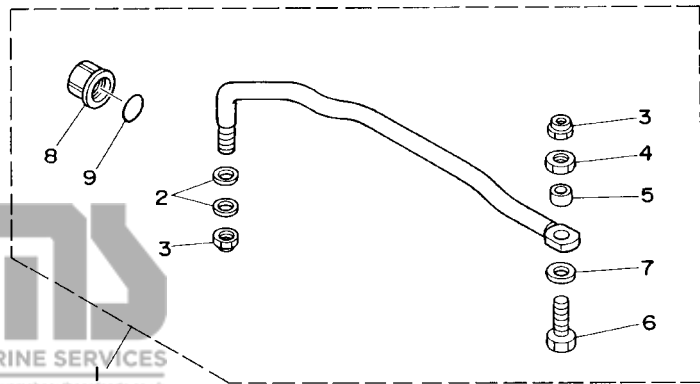
*ECM: FOR EMISSION CONTROL MODEL.

*ECM: POUR MODELE CONTROLE D' EMISSIONS.

FIG. 27 STEERING GUIDE

FIXATION DE DIRECTION

| REF. NO. | PART NO. NO. PIECES | DESCRIPTION DESCRIPTION | MH | EH | U | REMARKS REMARQUES |
|----------|---------------------|---|----|----|---|-------------------|
| 1 | 63V-61350-00 | STEERING GUIDE ATTACHMENT KIT FIXATIONS DE DIRECTION | | | 1 | AP |
| 2 | 90201-10M20 | .WASHER, PLATE .RONDELLE, PLATE | | | 2 | |
| 3 | 90185-09M01 | .NUT, SELF-LOCKING .ECROU, AUTO-BLOCANT | | | 2 | |
| 4 | 90170-09M03 | .NUT .ECROU | | | 1 | |
| 5 | 90387-10M42 | .COLLAR .COLLERETTE | | | 1 | |
| 6 | 6E5-61355-00 | .BOLT .BOULON | | | 1 | |
| 7 | 90201-10M63 | .WASHER, PLATE .RONDELLE, PLATE | | | 1 | |
| 8 | 6E5-43145-01 | .CAP, CLAMP BRACKET .CAPUCHON, PRESSE | | | 1 | |
| 9 | 93210-16275 | .O-RING .JOINT TORIQUE | | | 1 | |



63V0100-5210

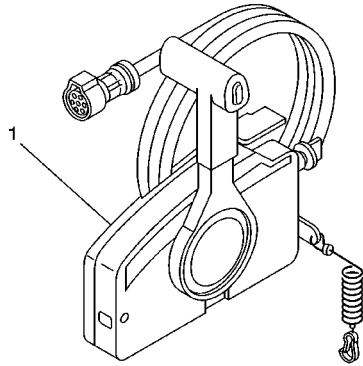
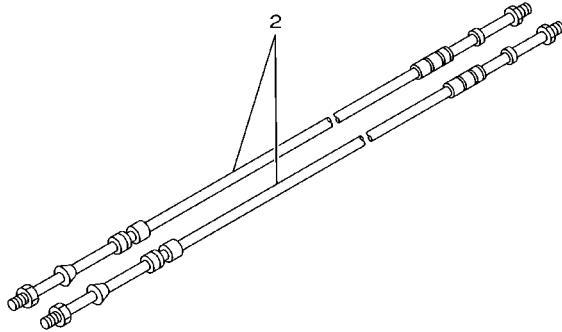


FIG. 28 REMOTE CONTROL BOX

BOITIER DE COMMANDE A DISTANCE

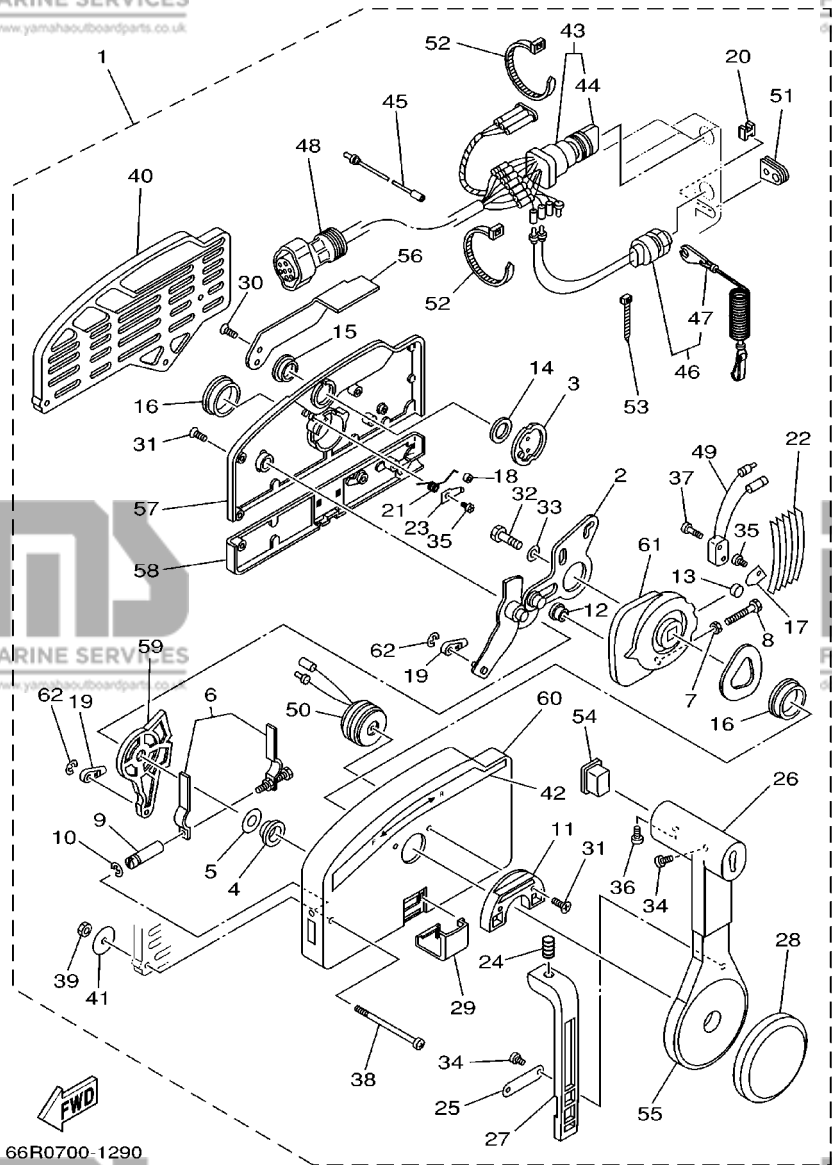
| REF. NO. | PART NO. NO. PIECES | DESCRIPTION DESCRIPTION | MH | EH | E | REMARKS REMARQUES |
|----------|---------------------|---|----|----|---|-------------------|
| 1 | 703-48203-14 | REMOTE CONTROL ASSY (7P) BOITIER DE COMMANDE A DISTANCE | | | 1 | AP |
| 2 | 701-48310-80 | CABLE, REMOTE CONTROL L=10F CABLE, COMMANDE A DISTANCE:10F | | | 2 | UR |
| | 701-48310-90 | CABLE, REMOTE CONTROL L=11F CABLE, COMMANDE A DISTANCE:11F | | | 2 | UR |
| | 701-48320-00 | CABLE, REMOTE CONTROL L=12F CABLE, COMMANDE A DISTANCE:12F | | | 2 | UR |



67M0100-8280

FIG. 29 REMOTE CONTROL ASSY

BOITIER DE COMMANDE A DISTANCE



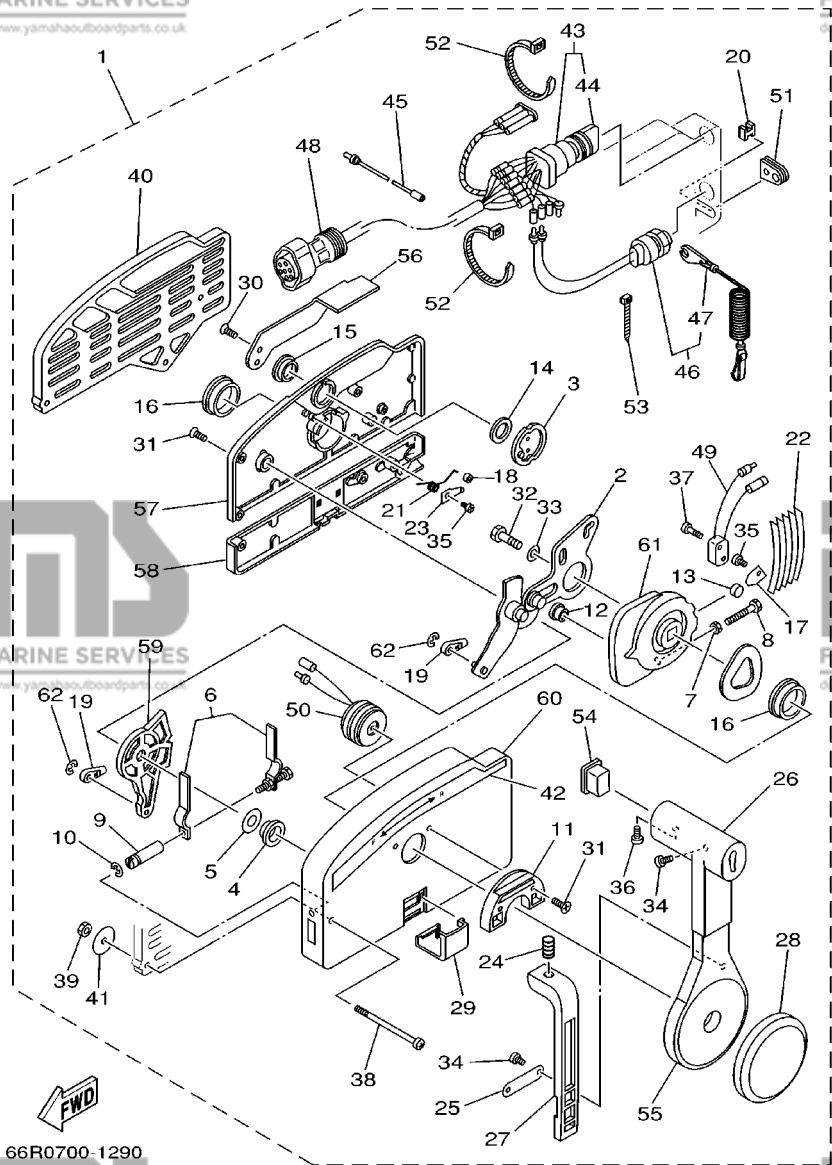
66R0700-1290

| REF. NO. | PART NO. NO. PIECES | DESCRIPTION DESCRIPTION | MH | EH | U | REMARKS REMARQUES |
|----------|---------------------|--|----|----|---|-------------------|
| 1 | 703-48203-14 | REMOTE CONTROL ASSY (7P) BOITIER DE COMMANDE A DISTANCE | | | 1 | AP |
| 2 | 703-48261-01 | .ARM, THROTTLE .BRAS, ACCELERATION | | | 1 | |
| 3 | 703-48153-00 | .SHAFT, FREE ACCEL. .AXE | | | 1 | |
| 4 | 703-48235-00 | .BUSHING .COUSSINET | | | 1 | |
| 5 | 703-48268-00 | .SPACER .ENTRETOISE | | | 1 | |
| 6 | 703-48264-00 | .THROTTLE, FRICTION .ACCELERATION | | | 1 | |
| 7 | 95380-05600 | .NUT .ECROU | | | 1 | |
| 8 | 97380-05025 | .BOLT .BOULON | | | 1 | |
| 9 | 703-48265-00 | .SHAFT, FRICTION .AXE, COPILOTE | | | 1 | |
| 10 | 93430-06024 | .CIRCLIP .CIRCLIP, TYPE S | | | 3 | |
| 11 | 703-48245-00 | .PLATE, LOCK .PLAQUE, VERROU | | | 1 | |
| 12 | 703-48252-00 | .ROLLER, CAM .POULIE | | | 1 | |
| 13 | 701-48248-00 | .ROLLER, FREE ACCEL. .POULIE | | | 1 | |
| 14 | 703-48198-00 | .WASHER, WAVE .RONDELLE, ELASTIQUE ONDULEE | | | 1 | |
| 15 | 703-48243-00 | .BUSHING .COUSSINET | | | 1 | |
| 16 | 703-48236-00 | .BUSHING 1 .POULIE | | | 2 | |
| 17 | 703-48189-00 | .RETAINER .FLASQUE | | | 1 | |
| 18 | 703-48234-00 | .ROLLER, DETENT .POULIE | | | 1 | |
| 19 | 703-48345-01 | .CABLE END, REMOTE CONTROL 2 .CHAPE CABLE | | | 2 | |
| 20 | 703-48358-00 | .ANCHOR, CABLE .COLLIER | | | 1 | |
| 21 | 703-48244-00 | .SPRING, FREE ACCEL. .RESSORT | | | 1 | |
| 22 | 703-48238-00 | .SPRING, DETENT .RESSORT | | | 5 | |
| 23 | 703-48246-00 | .SPACER .ENTRETOISE | | | 1 | |
| 24 | 703-48227-00 | .SPRING, NEUTRAL LOCK .RESSORT | | | 1 | |
| 25 | 703-48226-00 | .PLATE, STOPPER .PLAQUETTE | | | 1 | |
| 26 | 703-48222-00 | .GRIP, CONTROL LEVER .POIGNEE, COMMANDE LEVIER | | | 1 | SINGLE |
| 27 | 703-48223-00 | .LOCK, NEUTRAL .VERROU, NEUTRAL | | | 1 | |

A7

FIG. 29 REMOTE CONTROL ASSY

BOITIER DE COMMANDE A DISTANCE



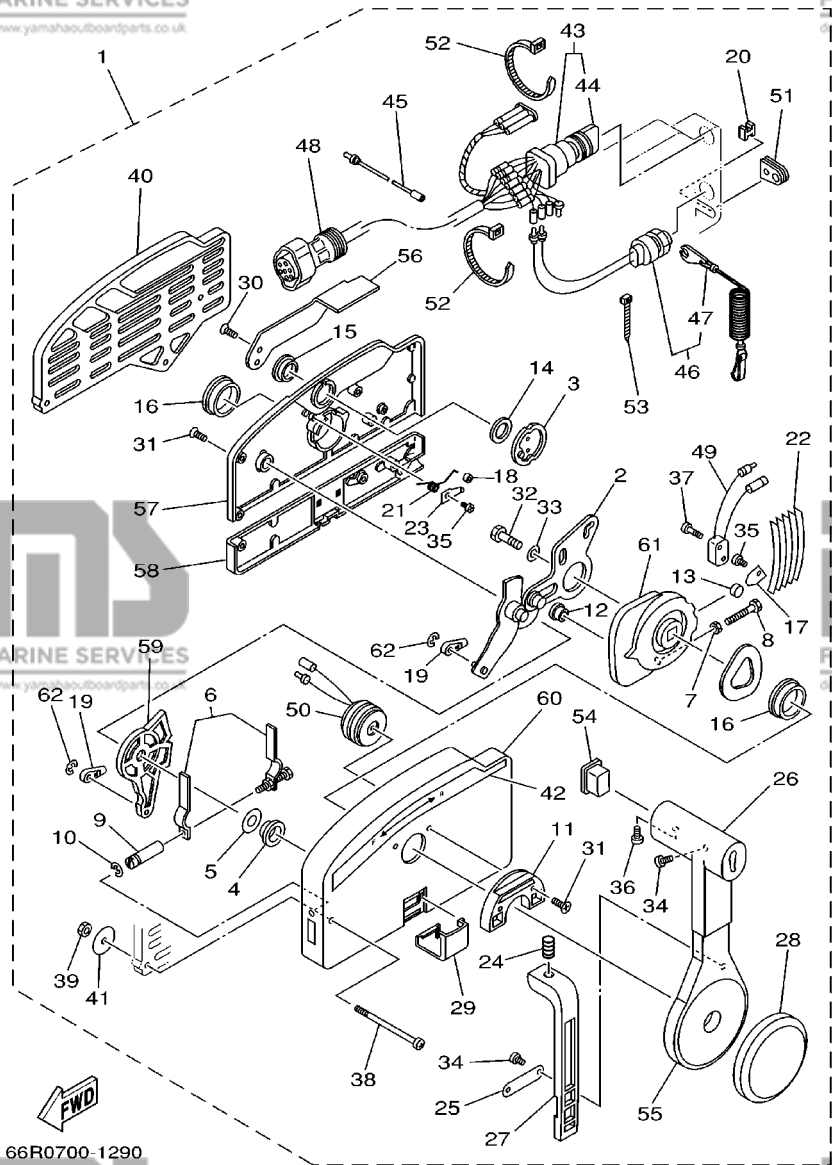
66R0700-1290

| REF. NO. | PART NO. NO. PIECES | DESCRIPTION DESCRIPTION | MH | EH | U | REMARKS REMARQUES |
|----------|---------------------|---|----|----|---|-------------------|
| 28 | 703-48225-00 | .COVER .COUVERCLE | | | 1 | |
| 29 | 703-48219-00 | .COVER, LEAD .COUVERCLE | | | 1 | |
| 30 | 703-48281-00 | .SCREW .VIS | | | 2 | |
| 31 | 703-48282-00 | .SCREW .VIS | | | 7 | |
| 32 | 97095-08030 | .BOLT .BOULON | | | 1 | |
| 33 | 92990-08600 | .WASHER, PLATE .RONDELLE, PLATE | | | 1 | |
| 34 | 98580-04010 | .SCREW, PAN HEAD .VIS, TETE TRONCONIQUE | | | 3 | |
| 35 | 98580-04006 | .SCREW, PAN HEAD .VIS, TETE TRONCONIQUE | | | 2 | |
| 36 | 98580-05010 | .SCREW, PAN HEAD .VIS, TETE TRONCONIQUE | | | 1 | |
| 37 | 98580-03015 | .SCREW, PAN HEAD .VIS, TETE TRONCONIQUE | | | 2 | |
| 38 | 703-48291-10 | .SCREW (M6) .VIS (M6) | | | 3 | |
| 39 | 95380-06600 | .NUT, HEXAGON .ECROU | | | 3 | |
| 40 | 703-48293-10 | .SPACER, REMOTE CONTROL .ENTRETOISE | | | 1 | SINGLE |
| 41 | 701-48287-00 | .WASHER .RONDELLE | | | 3 | |
| 42 | 703-48215-00 | .GRAPHIC .ADHESIF | | | 1 | |
| 43 | 703-82510-31 | .MAIN SWITCH ASSY (7P) .CONTACTEUR A CLEF COMPLET (7P) | | | 1 | |
| 44 | 676-82577-00 | .CAP, KEY .CABOCHON | | | 1 | |
| 45 | 703-82531-00 | .WIRE, LEAD .FIL | | | 1 | |
| 46 | 688-82575-01 | .ENGINE STOP SWITCH ASSY .COUPE CIRCUIT CPLT | | | 1 | |
| 47 | 682-82556-00 | .STOPPER .PLAQUETTE | | | 1 | |
| 48 | 688-82586-21 | .EXTENSION, WIRE HARNESS .EXTENSION, FAISCEAU DE FILS | | | 1 | L:5M (7P) |
| 49 | 703-82540-00 | .NEUTRAL SWITCH ASSY .CONTACTEUR DE POINT-MORT | | | 1 | |
| 50 | 703-83383-02 | .BUZZER .RONFLEUR | | | 1 | |
| 51 | 703-48284-00 | .GROMMET .PASSE-FIL | | | 1 | |
| 52 | 703-82591-00 | .BAND .COLLIER | | | 3 | |
| 53 | 703-82592-00 | .BAND .COLLIER | | | 1 | |
| 54 | 703-48224-00 | .COVER, CONTROL LEVER .COUVERCLE | | | 1 | WITHOUT PT/T SW. |

B1

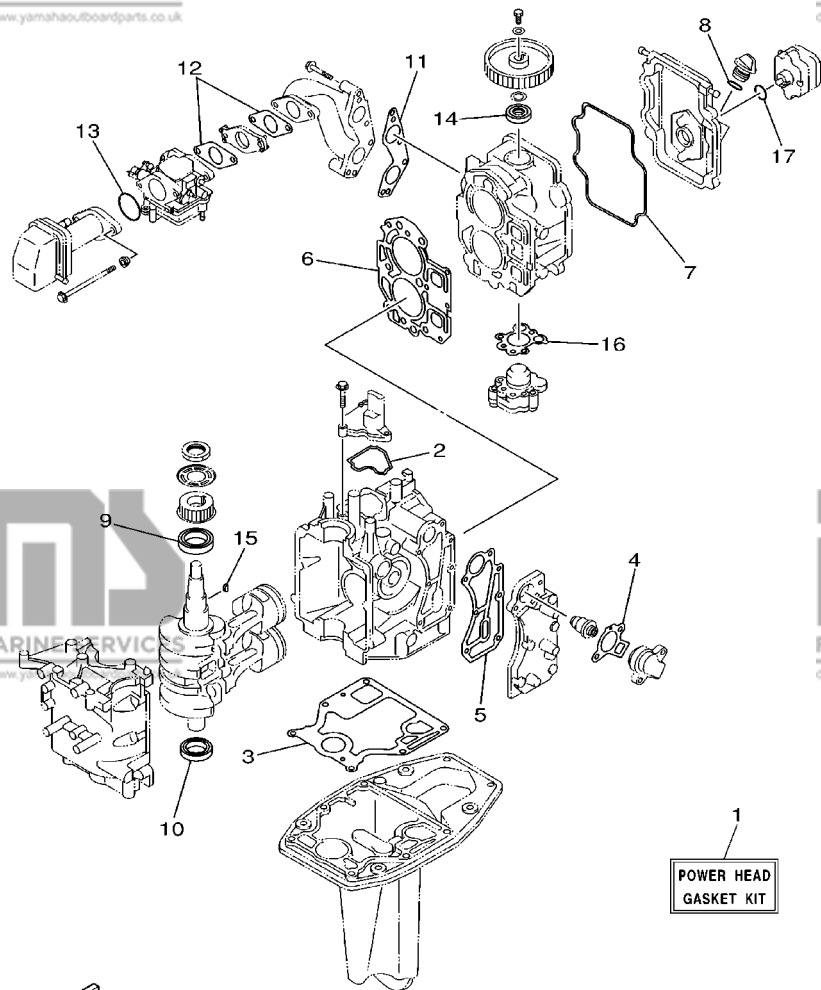
FIG. 29 REMOTE CONTROL ASSY

BOITIER DE COMMANDE A DISTANCE



66R0700-1290

| REF. NO. | PART NO. NO. PIECES | DESCRIPTION DESCRIPTION | MH | EH | EU | REMARKS REMARQUES |
|----------|---------------------|--------------------------------------|----|----|----|-------------------|
| 55 | 703-48221-00 | .LEVER, CONTROL .LEVIER, COMMANDE | | | 1 | |
| 56 | 703-48152-00 | .KNOB, FREE ACCEL. .BOUTON | | | 1 | |
| 57 | 703-48212-00 | .BACK PLATE 1 .PLAQUETTE 1 | | | 1 | |
| 58 | 703-48213-00 | .BACK PLATE 2 .PLAQUETTE 2 | | | 1 | |
| 59 | 703-48271-00 | .ARM, SHIFT .BRAS | | | 1 | |
| 60 | 703-48211-01 | .HOUSING,1 .CORPS | | | 1 | |
| 61 | 703-48232-00 | .GEAR .PIGNON | | | 1 | |
| 62 | 93430-06024 | .CIRCLIP .CIRCLIP, TYPE S | | | 2 | |



FWD
66M0100-1280

FIG. 30 REPAIR KIT 1

KITS DE REPARATION 1

| REF. NO. | PART NO. NO. PIECES | DESCRIPTION DESCRIPTION | MH | EH | EU | REMARKS REMARQUES |
|----------|---------------------|--|----|----|----|-------------------|
| 1 | 66M-W0001-01 | POWER HEAD GASKET KIT POCHETTE DE JINTS TETE MOTRICE | 1 | 1 | 1 | |
| 2 | 66M-11357-00 | .SEAL, CYLINDER 3 .JOINT, SPY CYLINDRE | 1 | 1 | 1 | |
| 3 | 66M-11351-00 | .GASKET, CYLINDER .JOINT, D'EMBASE | 1 | 1 | 1 | |
| 4 | 62Y-12414-00 | .GASKET, COVER .JOINT, COUVERCLE | 1 | 1 | 1 | |
| 5 | 66M-41114-00 | .GASKET, EXHAUST OUTER COVER .JOINT, COUVERCLE D'ECHAPPEMEN | 1 | 1 | 1 | |
| 6 | 66M-11181-00 | .GASKET, CYLINDER HEAD 1 .JOINT, DE CULASSE 1 | 1 | 1 | 1 | |
| 7 | 66M-11356-00 | .SEAL, CYLINDER 2 .JOINT, SPY CYLINDRE | 1 | 1 | 1 | |
| 8 | 93210-24M79 | .O-RING .JOINT TORIQUE | 1 | 1 | 1 | |
| 9 | 93102-35M51 | .OIL SEAL .JOINT SPY | 1 | 1 | 1 | |
| 10 | 93102-25M52 | .OIL SEAL .JOINT SPY | 1 | 1 | 1 | |
| 11 | 66M-13645-00 | .GASKET, MANIFOLD 1 .JOINT, TUBULURE 1 | 1 | 1 | 1 | |
| 12 | 66M-13646-00 | .GASKET, MANIFOLD 2 .JOINT, TUBULURE 2 | 2 | 2 | 2 | |
| 13 | 93210-35M86 | .O-RING .JOINT TORIQUE | 1 | 1 | 1 | |
| 14 | 93102-18M21 | .OIL SEAL .JOINT SPY | 1 | 1 | 1 | |
| 15 | 90280-03M01 | .KEY, WOODRUFF .CLAVETTE, DEMI-LUNE | 1 | 1 | 1 | |
| 16 | 66M-13329-10 | .GASKET, PUMP COVER .JOINT, COUVERCLE DE POMPE | 1 | 1 | 1 | |
| 17 | 93210-20M65 | .O-RING .JOINT TORIQUE | 1 | 1 | 1 | |

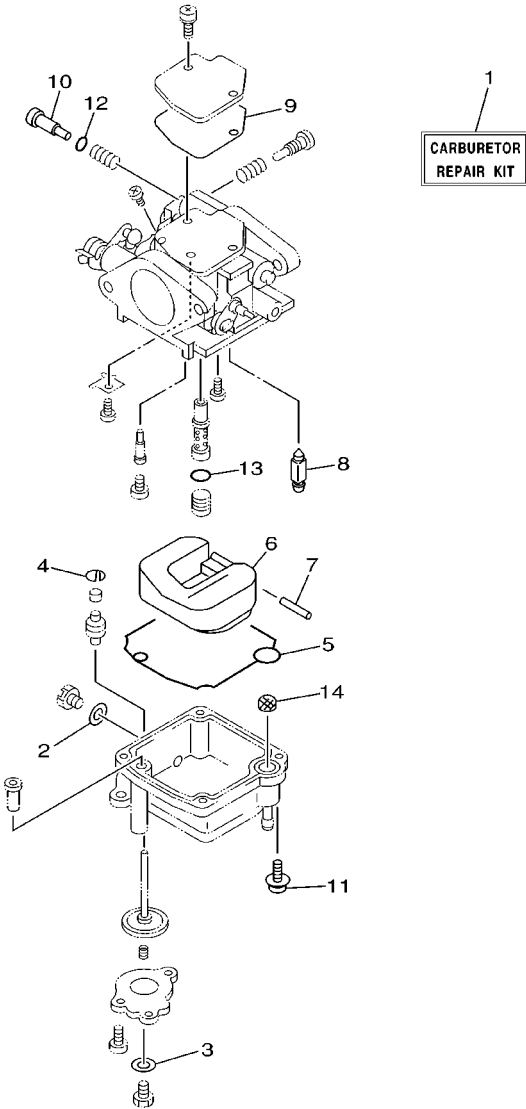


FIG. 31 REPAIR KIT 2

KITS DE REPARATION 2

| REF. NO. | PART NO. NO. PIECES | DESCRIPTION DESCRIPTION | MH | EH | EU | REMARKS REMARQUES |
|----------|---------------------|--|----|----|----|-------------------|
| 1 | 66M-W0093-00 | CARBURETOR REPAIR KIT KIT DE REPARATION CARBURATEUR | 1 | 1 | 1 | |
| 2 | 66M-14398-00 | .GASKET .JOINT | 1 | 1 | 1 | |
| 3 | 6L2-14398-00 | .GASKET .JOINT | 1 | 1 | 1 | |
| 4 | 66M-14377-00 | .STOPPER .BUTEE | 1 | 1 | 1 | |
| 5 | 66M-14384-00 | .GASKET, FLOAT CHAMBER .JOINT, CUVE DE FLOTTEUR | 1 | 1 | 1 | |
| 6 | 6L2-14385-00 | .FLOAT .FLOTTEUR | 1 | 1 | 1 | |
| 7 | 6E5-14386-01 | .PIN, FLOAT .AXE, FLOTTEUR | 1 | 1 | 1 | |
| 8 | 6L2-14392-00 | .VALVE, NEEDLE .POINTEAU | 1 | 1 | 1 | |
| 9 | 62Y-14399-00 | .GASKET .JOINT | 1 | 1 | 1 | |
| 10 | 5H0-14323-00 | .SCREW, AIR ADJUSTING .VIS DE DOSEUR D'AIR | 1 | 1 | 1 | |
| 11 | 97980-04112 | .SCREW, WITH WASHER .VIS, AVEC RONDELLE | 4 | 4 | 4 | |
| 12 | 62Y-14397-00 | .O-RING .JOINT TORIQUE | 1 | 1 | 1 | |
| 13 | 6F5-14397-00 | .O-RING .JOINT TORIQUE | 1 | 1 | 1 | |
| 14 | 66M-14827-00 | .FILTER .FILTRE | 1 | 1 | 1 | |

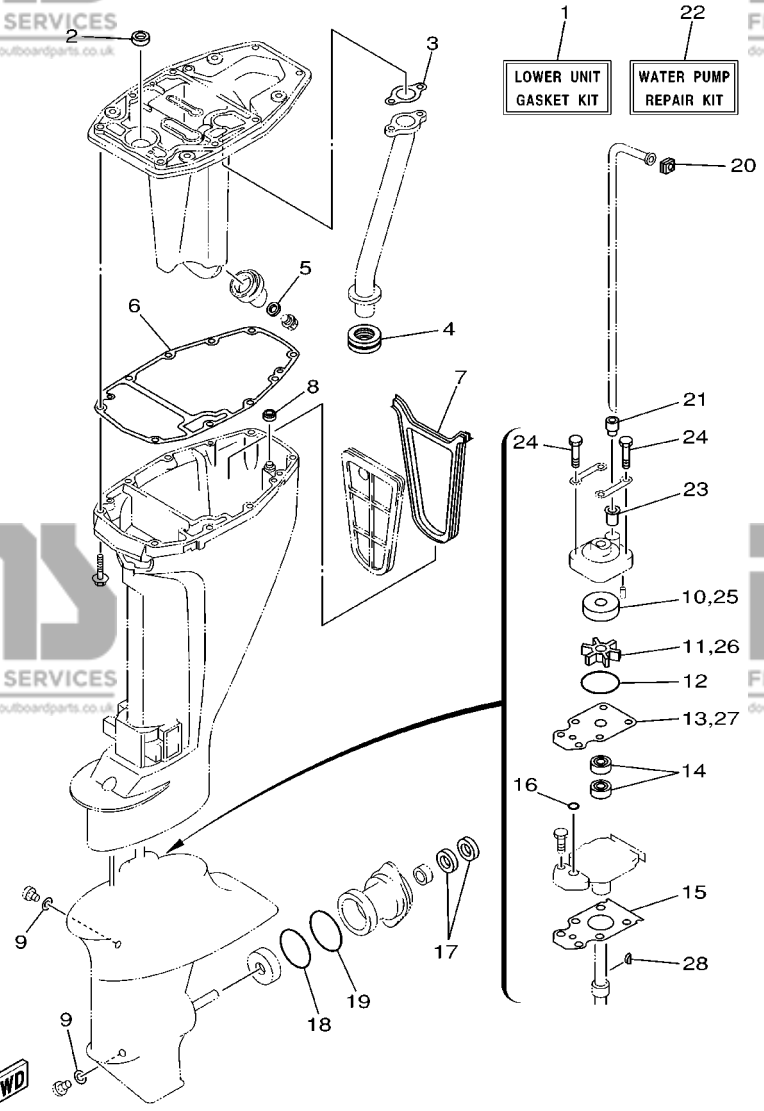


66M0100-8280

FIG. 32 REPAIR KIT 3

KITS DE PEPARATION 3

| REF. NO. | PART NO. NO. PIECES | DESCRIPTION DESCRIPTION | MH | EH | EU | REMARKS REMARQUES |
|----------|---------------------|---|----|----|----|-------------------|
| 1 | 66M-W0001-20 | LOWER UNIT GASKET KIT POCHETTE DE JOINTS EMBASE | 1 | 1 | 1 | |
| 2 | 93101-12M63 | .OIL SEAL .JOINT SPY | 1 | 1 | 1 | |
| 3 | 66M-41133-00 | .GASKET, EXHAUST MANIFOLD 1 .JOINT, PIPE D'ECHAPPEMENT | 1 | 1 | 1 | |
| 4 | 66M-41138-00 | .SEAL, EXT. 1 .JOINT DE GROUPE 1 | 1 | 1 | 1 | |
| 5 | 90430-14M09 | .GASKET .JOINT | 1 | 1 | 1 | |
| 6 | 66M-45113-00 | .GASKET, UPPER CASING .JOINT, TUBE D'ARBRE | 1 | 1 | 1 | |
| 7 | 66M-45115-00 | .GASKET, UPPER CASING .JOINT, TUBE D'ARBRE | 1 | 1 | 1 | |
| 8 | 66M-45128-00 | .SEAL 2 .JOINT 2 | 1 | 1 | 1 | |
| 9 | 90430-08020 | .GASKET .JOINT | 2 | 2 | 2 | |
| 10 | 63V-44322-00 | .INSERT, CARTRIDGE .CUVETTE | 1 | 1 | 1 | |
| 11 | 63V-44352-00 | .IMPELLER .TURBINE | 1 | 1 | 1 | |
| 12 | 93210-44398 | .O-RING .JOINT TORIQUE | 1 | 1 | 1 | |
| 13 | 63V-44323-00 | .OUTER PLATE, CARTRIDGE .PLAQUE EXTERIEURE | 1 | 1 | 1 | |
| 14 | 93101-20048 | .OIL SEAL .JOINT SPY | 2 | 2 | 2 | |
| 15 | 63V-45315-A0 | .PACKING, LOWER CASING .JOINT, BOITIER D'HELICE | 1 | 1 | 1 | |
| 16 | 93210-06ME6 | .O-RING .JOINT TORIQUE | 1 | 1 | 1 | |
| 17 | 93101-17054 | .OIL SEAL .JOINT SPY | 2 | 2 | 2 | |
| 18 | 93210-57M09 | .O-RING .JOINT TORIQUE | 1 | 1 | 1 | |
| 19 | 93210-56M80 | .O-RING .JOINT TORIQUE | 1 | 1 | 1 | |
| 20 | 63V-44365-10 | .DAMPER, WATER SEAL .JOINT, TUBE D'EAU | 1 | 1 | 1 | |
| 21 | 63V-44368-00 | .RUBBER, WATER SEAL 4 .CAOUTCHOUC EAU JUNTA 4 | 1 | 1 | 1 | |
| 22 | 63V-W0078-00 | WATER PUMP REPAIR KIT KIT DE REPARATION DE LA POMPE | 1 | 1 | 1 | |
| 23 | 647-44366-00 | .DAMPER, WATER SEAL .JOINT, TUBE D'EAU | 1 | 1 | 1 | |
| 24 | 97080-08045 | .BOLT .BOULON | 4 | 4 | 4 | |
| 25 | 63V-44322-00 | .INSERT, CARTRIDGE .CUVETTE | 1 | 1 | 1 | |
| 26 | 63V-44352-01 | .IMPELLER .TURBINE | 1 | 1 | 1 | |
| 27 | 63V-44323-00 | .OUTER PLATE, CARTRIDGE .PLAQUE EXTERIEURE | 1 | 1 | 1 | |



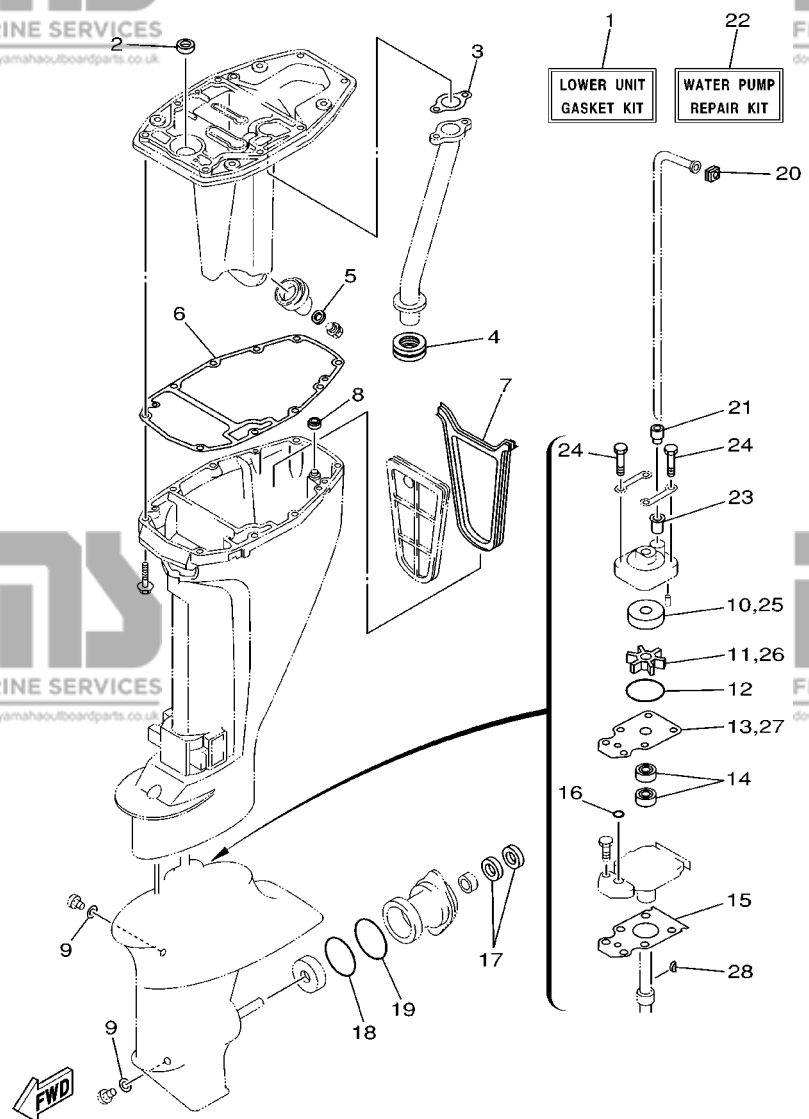
B5

FIG. 32 REPAIR KIT 3

KITS DE PEPAATION 3

| REF. NO. | PART NO. NO. PIECES | DESCRIPTION DESCRIPTION | MH | EH | E | REMARKS REMARQUES |
|----------|---------------------|-------------------------|----|----|---|-------------------|
|----------|---------------------|-------------------------|----|----|---|-------------------|

| | | | | | | |
|----|--------------|-------------------------------------|---|---|---|--|
| 28 | 664-44338-00 | .KEY, WOODRUFF .CLAVETTE, VOLANT | 1 | 1 | 1 | |
|----|--------------|-------------------------------------|---|---|---|--|



B6

| PART NO. NO. PIECES | REF. NO. |
|------------------------|-------------|
| 66M-W0001-01 | 30 - 1 |
| 66M-W0001-20 | 32 - 1 |
| 66M-W0070-10 | 1 - 10 |
| 63V-W0078-00 | 32 - 22 |
| 66M-W0084-00-4D | 16 - 1 |
| 66M-W009A-01-1S | 4 - 1 |
| 66M-W009A-11-1S | 4 - 1 |
| 66M-W009B-02-1S | 2 - 1 |
| 66M-W0093-00 | 31 - 1 |
| 66M-11111-01-1S | 4 - 2 |
| 66M-11111-11-1S | 4 - 2 |
| 66M-11133-10 | 4 - 3 |
| 66M-11168-00-1S | 2 - 16 |
| 66M-11181-00 | 4 - 5 |
| 66M-11191-00-1S | 30 - 6 |
| 66M-11325-00 | 4 - 10 |
| 66M-11327-00-94 | 2 - 8 |
| 66M-11328-00 | 2 - 10 |
| 66M-11351-00 | 2 - 21 |
| 66M-11355-00 | 30 - 3 |
| 66M-11356-00 | 22 - 4 |
| 66M-11357-00 | 4 - 11 |
| 66M-11357-00 | 30 - 7 |
| 66M-11357-00 | 2 - 18 |
| 66M-11357-00 | 30 - 2 |
| 66M-11372-00 | 2 - 26 |
| 66M-11411-00 | 3 - 3 |
| 66M-11416-00 | 3 - 4 |
| 66M-11416-10 | 3 - 4 |
| 66M-11416-20 | 3 - 4 |
| 66M-11536-10 | 8 - 7 |
| 66M-11537-00-94 | 8 - 3 |
| 66M-11557-00 | 8 - 8 |
| 6G8-11575-00 | 22 - 16 |
| 66M-11603-00 | 3 - 9 |
| 66M-11604-00 | 3 - 9 |
| 66M-11605-00 | 3 - 9 |
| 66M-11631-00-96 | 3 - 8 |
| 634-11633-00 | 3 - 10 |
| 66M-11635-00 | 3 - 8 |
| 66M-11636-00 | 3 - 8 |
| 66M-11650-00 | 3 - 5 |
| 66M-11654-00 | 3 - 6 |
| 66M-12111-00 | 5 - 1 |
| 66M-12113-00 | 5 - 4 |
| 66M-12116-00 | 5 - 3 |
| 30X-12117-00 | 5 - 5 |

| PART NO. NO. PIECES | REF. NO. |
|------------------------|-------------|
| 30X-12118-00 | 5 - 6 |
| 51Y-12119-00 | 5 - 7 |
| 66M-12121-00 | 5 - 2 |
| 66M-12146-00 | 5 - 8 |
| 66M-12151-10 | 5 - 14 |
| 62Y-12158-00 | 5 - 16 |
| 62Y-12159-00 | 5 - 15 |
| 66M-12170-00 | 8 - 2 |
| 66M-12170-10 | 8 - 2 |
| 66M-12171-10 | 8 - 2 |
| 66M-12411-00 | 2 - 22 |
| 6H3-12413-00-1S | 2 - 23 |
| 62Y-12414-00 | 2 - 24 |
| 66M-12535-00 | 2 - 15 |
| 66M-13131-00 | 9 - 14 |
| 66M-13300-10 | 8 - 15 |
| 66M-13329-10 | 8 - 16 |
| 66M-13416-00 | 30 - 16 |
| 66M-13417-00 | 22 - 14 |
| 66M-13421-00 | 22 - 13 |
| 5GH-13440-00 | 22 - 12 |
| 66M-13641-00-94 | 2 - 34 |
| 66M-13645-00 | 6 - 1 |
| 66M-13645-00 | 6 - 2 |
| 66M-13646-00 | 30 - 11 |
| 66M-13646-00 | 6 - 6 |
| 66M-13646-00 | 30 - 12 |
| 6L2-14157-00 | 7 - 19 |
| 66M-14157-00 | 7 - 9 |
| 646-14212-01 | 7 - 31 |
| 66M-14225-00 | 7 - 13 |
| 66M-14239-00 | 7 - 12 |
| 66M-14271-00 | 6 - 7 |
| 69V-14271-00 | 6 - 7 |
| 66M-14272-00 | 7 - 33 |
| 6G8-14275-02 | 7 - 11 |
| 66M-14301-00 | 7 - 1 |
| 66M-14301-20 | 7 - 1 |
| 66N-14301-00 | 7 - 1 |
| 62Y-14321-00 | 7 - 27 |
| 5H0-14323-00 | 7 - 25 |
| 62Y-14323-10 | 31 - 10 |
| 62Y-14323-10 | 7 - 25 |
| 6E7-14325-00 | 9 - 18 |
| 66M-14325-00 | 7 - 7 |
| 30X-14334-00 | 7 - 26 |

NUMERICAL INDEX
INDEX NUMERIQUE

| PART NO. NO. PIECES | REF. NO. |
|------------------------|-------------|
| 66M-14341-00 | 7 - 21 |
| 66M-14341-10 | 7 - 21 |
| 66N-14341-00 | 7 - 21 |
| 66M-14342-23 | 7 - 23 |
| 66M-14343-51 | 7 - 22 |
| 66M-14343-52 | 7 - 22 |
| 66N-14343-34 | 7 - 22 |
| 62Y-14355-00 | 7 - 24 |
| 66M-14355-00 | 7 - 24 |
| 66M-14368-01 | 7 - 10 |
| 66M-14377-00 | 7 - 8 |
| 66M-14381-02 | 31 - 4 |
| 66N-14381-00 | 7 - 2 |
| 62Y-14383-00 | 7 - 3 |
| 677-14383-01 | 7 - 5 |
| 66M-14384-00 | 7 - 14 |
| 66M-14384-00 | 31 - 5 |
| 6L2-14385-00 | 7 - 15 |
| 6E5-14386-01 | 31 - 6 |
| 6E5-14386-01 | 7 - 16 |
| 6L2-14392-00 | 31 - 7 |
| 6L2-14392-00 | 7 - 17 |
| 6F5-14397-00 | 31 - 8 |
| 6F5-14397-00 | 7 - 32 |
| 62Y-14397-00 | 31 - 13 |
| 62Y-14397-00 | 7 - 29 |
| 6L2-14398-00 | 31 - 12 |
| 6L2-14398-00 | 7 - 6 |
| 66M-14398-00 | 31 - 3 |
| 66M-14398-00 | 7 - 4 |
| 62Y-14399-00 | 31 - 2 |
| 66M-14440-00 | 7 - 20 |
| 66M-14447-00 | 31 - 9 |
| 65W-14497-01 | 6 - 8 |
| 66M-14827-00 | 7 - 38 |
| 66M-14827-00 | 6 - 12 |
| 66M-15100-01-1S | 17 - 18 |
| 66M-15100-01-1S | 7 - 34 |
| 66M-15316-00 | 31 - 14 |
| 66M-15316-00 | 22 - 19 |
| 66M-15362-00 | 22 - 20 |
| 6G8-15363-00 | 4 - 16 |
| 66M-15373-00 | 6 - 25 |
| 63V-15705-01 | 10 - 8 |
| 66M-15710-01 | 10 - 1 |
| 66M-15711-01 | 10 - 2 |

| PART NO. NO. PIECES | REF. NO. |
|------------------------|-------------|
| 66M-15711-10 | 10 - 34 |
| 63V-15713-00 | 10 - 6 |
| 63V-15714-00 | 10 - 4 |
| 63V-15716-00 | 10 - 7 |
| 66T-15731-00 | 10 - 19 |
| 66T-15734-00 | 10 - 16 |
| 63V-15741-00 | 10 - 5 |
| 63V-15744-00 | 10 - 11 |
| 6G1-15755-00 | 10 - 20 |
| 66M-15758-00 | 10 - 24 |
| 66M-15758-10 | 10 - 24 |
| 66M-15762-00 | 10 - 30 |
| 63V-15764-00 | 10 - 13 |
| 63V-15767-01 | 10 - 9 |
| 63V-15768-00 | 10 - 12 |
| 66M-15770-00 | 10 - 17 |
| 66M-15774-00 | 10 - 31 |
| 6G1-15779-00 | 10 - 21 |
| 63V-15784-01 | 10 - 10 |
| 66T-15794-00 | 10 - 15 |
| 6YK-24201-10 | 26 - 1 |
| 6YL-24201-01 | 25 - 1 |
| 65W-24251-00 | 9 - 5 |
| 6YK-24260-01 | 26 - 5 |
| 6YL-24260-01 | 25 - 4 |
| 6YL-24268-01 | 25 - 7 |
| 6G1-24304-02 | 26 - 2 |
| 6YL-24306-52 | 9 - 1 |
| 6YL-24306-52 | 25 - 8 |
| 6YL-24329-00 | 26 - 8 |
| 6YL-24329-00 | 25 - 6 |
| 66M-24351-00 | 26 - 7 |
| 66M-24374-00 | 22 - 15 |
| 6E5-24377-00 | 9 - 20 |
| 66M-24378-00 | 2 - 6 |
| 66M-24410-01 | 2 - 17 |
| 66M-24411-00 | 2 - 31 |
| 66M-24413-01 | 9 - 9 |
| 6A0-24421-01 | 9 - 12 |
| 66M-24423-00 | 9 - 10 |
| 66M-24444-00 | 9 - 11 |
| 66M-24454-00 | 9 - 13 |
| 66M-24454-00 | 9 - 15 |
| 66M-24471-00 | 9 - 17 |
| 6YK-24610-10 | 26 - 3 |
| 6YL-24610-00 | 25 - 2 |
| 6YL-24641-00 | 25 - 3 |

| PART NO. NO. PIECES | REF. NO. |
|------------------------|-------------|
| 6YL-24641-00 | 26 - 4 |
| 66M-26311-00 | 16 - 17 |
| 65W-26326-10 | 15 - 22 |
| 66M-26326-00 | 18 - 17 |
| 62Y-28100-00 | 15 - 22 |
| 66M-41113-02-1S | 9 - 29 |
| 66M-41114-00 | 2 - 25 |
| 66M-41131-01-94 | 2 - 27 |
| 66M-41133-00 | 30 - 5 |
| 66M-41137-00-5B | 22 - 7 |
| 66M-41138-00 | 22 - 8 |
| 66M-41211-00 | 32 - 3 |
| 66M-41211-00 | 22 - 1 |
| 66M-41211-00 | 22 - 11 |
| 66M-41211-00 | 17 - 17 |
| 6R5-41237-00 | 6 - 23 |
| 66M-41252-00 | 6 - 18 |
| 66M-41256-00 | 6 - 24 |
| 661-41262-02 | 17 - 15 |
| 66M-41271-00 | 6 - 13 |
| 689-41273-00 | 6 - 14 |
| 65W-41283-00 | 17 - 14 |
| 66M-41292-00 | 6 - 15 |
| 66M-41298-00 | 6 - 16 |
| 65W-41638-00 | 17 - 13 |
| 6F5-41662-00 | 17 - 4 |
| 65W-42101-01-4D | 16 - 2 |
| 66M-42119-00 | 16 - 10 |
| 65W-42125-00 | 16 - 7 |
| 6G1-42126-00 | 16 - 6 |
| 66M-42131-01 | 16 - 24 |
| 689-42137-20 | 16 - 11 |
| 65W-42138-00 | 16 - 4 |
| 65W-42159-00 | 16 - 5 |
| 66M-42177-00 | 16 - 9 |
| 66M-42511-01-4D | 20 - 6 |
| 66M-42511-11-4D | 20 - 6 |
| 63V-42528-00 | 20 - 2 |
| 65F-42537-00 | 20 - 8 |
| 66M-42610-00-4D | 1 - 1 |
| 66N-42610-00-4D | 1 - 1 |
| 69V-42610-00-4D | 1 - 1 |
| 66M-42613-00 | 1 - 2 |
| 66M-42615-00 | 1 - 8 |
| 6E0-42651-02 | 1 - 4 |
| 6E7-42652-00 | 1 - 6 |
| 66M-42678-10 | 1 - 9 |

| PART NO. NO. PIECES | REF. NO. |
|------------------------|-------------|
| 66N-42678-10 | 1 - 9 |
| 69V-42678-10 | 1 - 9 |
| 66M-42681-10 | 1 - 11 |
| 66M-42682-10 | 1 - 12 |
| 66M-42710-03-4D | 15 - 1 |
| 66M-42716-00 | 15 - 8 |
| 682-42724-00 | 15 - 24 |
| 6G1-42725-00 | 13 - 8 |
| 66M-42725-00 | 15 - 11 |
| 66M-42725-10 | 15 - 11 |
| 66M-42725-20 | 15 - 11 |
| 6H4-42726-00 | 18 - 15 |
| 65W-42726-00 | 15 - 30 |
| 65W-42726-10 | 15 - 25 |
| 62Y-42727-00 | 18 - 18 |
| 62Y-42727-00 | 15 - 12 |
| 66M-42738-00-4D | 18 - 16 |
| 66M-42743-00 | 15 - 26 |
| 66M-42766-00 | 15 - 19 |
| 66M-42815-00-4D | 15 - 13 |
| 6L2-42816-00 | 15 - 17 |
| 63V-43111-05-4D | 19 - 1 |
| 63V-43112-06-4D | 19 - 2 |
| 66R-43113-00 | 19 - 14 |
| 648-43114-01 | 19 - 9 |
| 6E7-43116-00 | 19 - 8 |
| 6E0-43118-01 | 19 - 6 |
| 63W-43131-10 | 19 - 10 |
| 6E5-43145-01 | 27 - 8 |
| 63V-43145-00 | 19 - 15 |
| 6L2-43160-00 | 19 - 20 |
| 63V-43181-00 | 19 - 42 |
| 63V-43191-00 | 19 - 24 |
| 63V-43311-03-4D | 19 - 21 |
| 66M-43311-10-4D | 19 - 21 |
| 682-43318-01 | 19 - 23 |
| 66M-43350-01 | 19 - 28 |
| 689-43373-01 | 20 - 3 |
| 66R-43611-00 | 19 - 36 |
| 66R-43614-00 | 19 - 33 |
| 66R-43615-00 | 19 - 35 |
| 66R-43617-00 | 19 - 40 |
| 66M-43630-01 | 19 - 22 |
| 63V-43641-01 | 19 - 30 |

| PART NO. NO. PIECES | REF. NO. |
|------------------------|-------------|
| 63V-43659-00 | 19 - 38 |
| 66M-44111-01 | 16 - 27 |
| 66R-44114-00 | 17 - 7 |
| 65W-44116-00 | 17 - 6 |
| 65W-44121-00 | 17 - 1 |
| 66M-44122-00 | 17 - 2 |
| 66M-44124-00 | 16 - 32 |
| 65W-44125-00 | 17 - 28 |
| | 18 - 4 |
| 65W-44142-00 | 17 - 26 |
| | 18 - 2 |
| 66M-44143-00 | 17 - 9 |
| 66M-44143-10 | 17 - 9 |
| 63V-44150-00 | 23 - 27 |
| 66M-44150-10 | 23 - 27 |
| 65W-44173-00 | 16 - 36 |
| 6E0-44191-11 | 16 - 35 |
| 66M-44192-00 | 17 - 33 |
| | 18 - 8 |
| 63V-44301-00 | 23 - 11 |
| 63V-44322-00 | 23 - 12 |
| | 32 - 10 |
| | 32 - 25 |
| 63V-44323-00 | 23 - 17 |
| | 32 - 13 |
| | 32 - 27 |
| 63V-44328-00 | 23 - 20 |
| 664-44338-00 | 23 - 15 |
| | 32 - 28 |
| 63V-44352-00 | 32 - 11 |
| 63V-44352-01 | 23 - 14 |
| | 32 - 26 |
| 66M-44361-00 | 24 - 1 |
| 66M-44361-10 | 24 - 1 |
| 63V-44365-10 | 24 - 2 |
| | 32 - 20 |
| 647-44366-00 | 23 - 13 |
| | 32 - 23 |
| 66M-44366-00 | 20 - 17 |
| 63V-44368-00 | 24 - 3 |
| | 32 - 21 |
| 6H3-44391-01 | 15 - 21 |
| 66M-44514-00-4D | 20 - 14 |
| 66M-44526-00 | 20 - 15 |
| 66M-44551-00-4D | 20 - 20 |
| 682-44555-30 | 20 - 22 |
| 66M-44557-00 | 20 - 21 |
| 66M-45111-00-4D | 21 - 1 |

| PART NO. NO. PIECES | REF. NO. |
|------------------------|-------------|
| 66M-45111-10-4D | 21 - 1 |
| 66M-45113-00 | 21 - 2 |
| | 32 - 6 |
| 66M-45115-00 | 21 - 6 |
| | 32 - 7 |
| 66M-45126-00 | 21 - 5 |
| 66M-45128-00 | 21 - 8 |
| | 32 - 8 |
| 66M-45136-00 | 21 - 7 |
| 6G1-45214-00 | 24 - 7 |
| 63V-45215-00 | 24 - 8 |
| 61N-45251-00 | 24 - 11 |
| 66M-45300-01-4D | 23 - 1 |
| 66M-45300-11-4D | 23 - 1 |
| 63V-45311-01-4D | 23 - 2 |
| 66M-45311-00-4D | 23 - 2 |
| 63V-45315-A0 | 23 - 24 |
| | 32 - 15 |
| 63V-45331-00-5B | 23 - 21 |
| 683-45361-02-4D | 23 - 41 |
| 66M-45371-00 | 24 - 20 |
| 63V-45375-00 | 24 - 14 |
| 63V-45510-01 | 23 - 28 |
| 63V-45510-11 | 23 - 28 |
| 63V-45536-00 | 23 - 4 |
| 63V-45551-00 | 23 - 29 |
| 6E7-45560-01 | 23 - 31 |
| 664-45567-01-10 | 23 - 8 |
| 664-45567-01-12 | 23 - 8 |
| 664-45567-01-15 | 23 - 8 |
| 664-45567-01-18 | 23 - 8 |
| 664-45567-01-30 | 23 - 8 |
| 664-45567-01-40 | 23 - 8 |
| 664-45567-01-50 | 23 - 8 |
| 6E7-45571-00 | 23 - 32 |
| 626-45577-00-01 | 23 - 33 |
| 626-45577-00-03 | 23 - 33 |
| 626-45577-00-05 | 23 - 33 |
| 6E8-45587-10-13 | 23 - 6 |
| 6E8-45587-10-20 | 23 - 6 |
| 683-45611-00 | 23 - 35 |
| 682-45631-00 | 23 - 37 |
| 648-45633-00 | 23 - 39 |
| 650-45635-00 | 23 - 36 |
| 683-45941-00-EL | 24 - 19 |
| 682-45943-00-EL | 24 - 19 |
| 63V-45945-00-EL | 24 - 19 |
| 683-45945-00-EL | 24 - 19 |

| PART NO. NO. PIECES | REF. NO. |
|------------------------|-------------|
| 63V-45947-00-EL | 24 - 19 |
| 683-45952-00-EL | 24 - 19 |
| 6E7-45987-01 | 24 - 15 |
| 66M-46241-00 | 8 - 11 |
| 66M-46297-00 | 8 - 12 |
| 703-48152-00 | 29 - 56 |
| 703-48153-00 | 29 - 3 |
| 703-48189-00 | 29 - 17 |
| 703-48198-00 | 29 - 14 |
| 703-48203-14 | 28 - 1 |
| | 29 - 1 |
| 703-48211-01 | 29 - 60 |
| 703-48212-00 | 29 - 57 |
| 703-48213-00 | 29 - 58 |
| 703-48215-00 | 29 - 42 |
| 703-48219-00 | 29 - 29 |
| 703-48221-00 | 29 - 55 |
| 703-48222-00 | 29 - 26 |
| 703-48223-00 | 29 - 27 |
| 703-48224-00 | 29 - 54 |
| 703-48225-00 | 29 - 28 |
| 703-48226-00 | 29 - 25 |
| 703-48227-00 | 29 - 24 |
| 703-48232-00 | 29 - 61 |
| 703-48234-00 | 29 - 18 |
| 703-48235-00 | 29 - 4 |
| 703-48236-00 | 29 - 16 |
| 703-48238-00 | 29 - 22 |
| 703-48243-00 | 29 - 15 |
| 703-48244-00 | 29 - 21 |
| 703-48245-00 | 29 - 11 |
| 703-48246-00 | 29 - 23 |
| 701-48248-00 | 29 - 13 |
| 703-48252-00 | 29 - 12 |
| 703-48261-01 | 29 - 2 |
| 703-48264-00 | 29 - 6 |
| 703-48265-00 | 29 - 9 |
| 703-48268-00 | 29 - 5 |
| 703-48271-00 | 29 - 59 |
| 703-48281-00 | 29 - 30 |
| 703-48282-00 | 29 - 31 |
| 703-48284-00 | 29 - 51 |
| 701-48287-00 | 29 - 41 |
| 703-48291-10 | 29 - 38 |
| 703-48293-10 | 29 - 40 |
| 701-48310-80 | 28 - 2 |
| 701-48310-90 | 28 - 2 |
| 701-48320-00 | 28 - 2 |

| PART NO. NO. PIECES | REF. NO. |
|------------------------|-------------|
| 663-48344-00 | 17 - 23 |
| | 18 - 12 |
| 703-48345-01 | 29 - 19 |
| 703-48358-00 | 29 - 20 |
| 66M-48501-00 | 18 - 1 |
| 63V-48511-01 | 18 - 19 |
| | 20 - 26 |
| 6H3-48538-00 | 17 - 25 |
| | 18 - 14 |
| 63V-61350-00 | 27 - 1 |
| 6E5-61355-00 | 27 - 6 |
| 66M-81800-01 | 14 - 1 |
| 65W-81801-00 | 14 - 8 |
| 65W-81807-00 | 14 - 5 |
| 65W-8182B-00 | 13 - 4 |
| 65W-8182S-00 | 14 - 10 |
| 66M-81820-00 | 14 - 7 |
| 65W-81826-00 | 14 - 2 |
| 66M-81830-00 | 14 - 4 |
| 65W-81840-00 | 14 - 9 |
| 65W-81850-01 | 14 - 6 |
| 65W-81857-01 | 14 - 3 |
| 65W-81870-00 | 13 - 8 |
| 6G1-81941-10 | 13 - 1 |
| 6G1-81952-00 | 13 - 2 |
| 6G8-81960-A1 | 12 - 21 |
| 6J8-81960-00 | 12 - 21 |
| 6G1-81970-61 | 12 - 21 |
| 66M-82105-00 | 13 - 5 |
| 66M-82117-00 | 13 - 3 |
| 66M-82127-00 | 20 - 5 |
| 66M-82127-10 | 12 - 10 |
| 66M-82148-00 | 19 - 3 |
| 6G8-82150-00 | 12 - 25 |
| 6G1-82151-00 | 12 - 22 |
| 663-82151-00 | 12 - 26 |
| 6G5-82152-00 | 12 - 27 |
| 6G8-82370-30 | 12 - 8 |
| 62Y-82504-10 | 12 - 9 |
| 703-82510-31 | 29 - 43 |
| 703-82531-00 | 29 - 45 |
| 6H3-82540-00 | 13 - 9 |
| 703-82540-00 | 29 - 49 |
| 6J8-82554-00 | 13 - 10 |
| 682-82556-00 | 16 - 39 |
| | 29 - 47 |
| 689-8257Y-00 | 16 - 40 |
| 65W-82575-00 | 16 - 38 |

| PART NO. NO. PIECES | REF. NO. |
|------------------------|-------------|
| 688-82575-01 | 29 - 46 |
| 676-82577-00 | 29 - 44 |
| 688-82586-21 | 29 - 48 |
| 66M-82590-00 | 13 - 22 |
| 703-82591-00 | 29 - 52 |
| 703-82592-00 | 29 - 53 |
| 703-83383-02 | 29 - 50 |
| 6H1-83557-00 | 12 - 12 |
| 66M-84342-00 | 10 - 33 |
| 65W-85410-01 | 12 - 11 |
| 66M-85520-00 | 11 - 2 |
| 66M-85533-00 | 11 - 4 |
| 66M-85533-10 | 11 - 4 |
| 66M-85540-01 | 12 - 1 |
| 66M-85542-00 | 12 - 13 |
| 66M-85542-10 | 12 - 13 |
| 66M-85550-00 | 11 - 1 |
| 66M-85550-10 | 11 - 1 |
| 66M-85570-00 | 12 - 4 |
| 66M-85580-00 | 11 - 3 |
| 66M-86111-00 | 13 - 12 |
| 66M-86112-00 | 13 - 14 |
| 66M-86116-00 | 13 - 13 |
| 66M-86117-00 | 13 - 20 |
| 90101-06M29 | 19 - 17 |
| 90105-06M07 | 20 - 4 |
| 90105-08M78 | 4 - 7 |
| 90109-06M81 | 17 - 5 |
| 90109-06M82 | 15 - 10 |
| 90109-06M84 | 19 - 43 |
| 90109-06M86 | 10 - 32 |
| | 13 - 11 |
| | 15 - 20 |
| | 15 - 27 |
| | 16 - 3 |
| | 17 - 8 |
| 90109-08M78 | 14 - 12 |
| 90109-08M85 | 14 - 13 |
| 90116-08M54 | 20 - 12 |
| 90119-06M14 | 2 - 5 |
| 90119-06M59 | 10 - 25 |
| 90119-06M76 | 6 - 10 |
| 90119-08M39 | 14 - 11 |
| 90119-08M45 | 20 - 23 |
| 90119-08M46 | 20 - 24 |
| 90119-08M66 | 2 - 4 |
| 90149-05M13 | 16 - 13 |
| 90149-05M17 | 19 - 31 |

| PART NO. NO. PIECES | REF. NO. |
|------------------------|-------------|
| 90152-05M04 | 24 - 9 |
| 90157-05M16 | 25 - 5 |
| | 26 - 6 |
| 90157-06M06 | 21 - 9 |
| 90170-06015 | 17 - 10 |
| 90170-09M03 | 27 - 4 |
| 90170-28M37 | 8 - 9 |
| 90171-10M01 | 24 - 17 |
| 90179-08M06 | 23 - 30 |
| 90179-08M34 | 20 - 25 |
| 90179-16M05 | 11 - 13 |
| 90185-05002 | 24 - 10 |
| 90185-08057 | 18 - 21 |
| | 20 - 29 |
| 90185-09M01 | 27 - 3 |
| 90201-05M06 | 17 - 34 |
| | 18 - 9 |
| 90201-06M05 | 10 - 28 |
| | 12 - 17 |
| 90201-06M31 | 17 - 19 |
| | 17 - 30 |
| | 18 - 6 |
| 90201-06M94 | 8 - 6 |
| 90201-07M01 | 3 - 7 |
| 90201-08M06 | 20 - 13 |
| 90201-10M01 | 24 - 16 |
| 90201-10M20 | 27 - 2 |
| 90201-10M63 | 27 - 7 |
| 90201-13201 | 8 - 5 |
| 90201-16M44 | 11 - 14 |
| 90201-17682 | 23 - 34 |
| 90201-43M00 | 16 - 20 |
| 90202-05M38 | 1 - 13 |
| 90202-05088 | 6 - 22 |
| 90202-07M60 | 19 - 25 |
| 90202-22M54 | 19 - 11 |
| 90202-43M57 | 16 - 22 |
| 90206-05005 | 6 - 20 |
| 90206-10M04 | 16 - 30 |
| 90206-10M24 | 19 - 44 |
| 90206-12052 | 15 - 16 |
| 90206-43M22 | 16 - 21 |
| 90209-40008 | 20 - 7 |
| 90240-05M20 | 6 - 19 |
| 90243-04M01 | 19 - 7 |
| 90250-05010 | 23 - 38 |
| 90254-03M05 | 16 - 37 |
| | 17 - 3 |

| PART NO. NO. PIECES | REF. NO. |
|------------------------|-------------|
| 90254-03M05 | 17 - 27 |
| | 18 - 3 |
| 90266-04M04 | 1 - 5 |
| | 1 - 7 |
| 90269-02M09 | 16 - 12 |
| 90280-03M01 | 8 - 10 |
| | 30 - 15 |
| 90280-05013 | 11 - 12 |
| 90340-08M04 | 23 - 9 |
| 90340-14M06 | 22 - 17 |
| 90381-14020 | 23 - 22 |
| 90386-07M95 | 19 - 27 |
| 90386-08032 | 16 - 16 |
| 90386-12MA2 | 15 - 15 |
| 90386-12M37 | 15 - 14 |
| 90386-22M94 | 19 - 12 |
| | 19 - 13 |
| 90386-30M60 | 20 - 11 |
| 90386-30048 | 20 - 9 |
| 90386-40MA0 | 16 - 19 |
| 90386-40M99 | 16 - 23 |
| 90387-06M05 | 10 - 3 |
| | 12 - 14 |
| 90387-06M08 | 17 - 16 |
| 90387-06M13 | 19 - 16 |
| 90387-06M29 | 17 - 29 |
| | 18 - 5 |
| 90387-06M52 | 15 - 7 |
| 90387-06M78 | 16 - 31 |
| 90387-06M79 | 6 - 11 |
| 90387-07M07 | 19 - 26 |
| 90387-10M42 | 27 - 5 |
| 90387-13M56 | 5 - 9 |
| 90387-13001 | 5 - 10 |
| 90387-13002 | 5 - 11 |
| 90401-20M00 | 2 - 35 |
| 90430-08020 | 23 - 10 |
| | 32 - 9 |
| 90430-08143 | 4 - 15 |
| 90430-14M09 | 22 - 18 |
| | 32 - 5 |
| 90445-09061 | 2 - 30 |
| 90445-09086 | 2 - 32 |
| 90445-09105 | 2 - 33 |
| 90445-10M20 | 9 - 6 |
| 90445-10M40 | 9 - 4 |
| 90445-10M46 | 2 - 7 |
| 90445-10M93 | 9 - 25 |

| PART NO. NO. PIECES | REF. NO. |
|------------------------|-------------|
| 90446-06M90 | 10 - 18 |
| 90446-10M87 | 16 - 18 |
| 90464-09M13 | 12 - 20 |
| | 15 - 29 |
| 90464-09M31 | 9 - 28 |
| 90465-06M86 | 9 - 27 |
| 90465-08M82 | 6 - 26 |
| 90465-08M83 | 6 - 27 |
| 90465-11M10 | 9 - 8 |
| 90465-25M57 | 15 - 28 |
| 90467-09M03 | 9 - 7 |
| | 9 - 26 |
| 90468-10005 | 17 - 35 |
| | 18 - 10 |
| 90468-18008 | 16 - 34 |
| | 17 - 12 |
| | 17 - 24 |
| | 17 - 36 |
| | 18 - 11 |
| | 18 - 13 |
| | 13 - 19 |
| 90480-10M13 | 8 - 13 |
| 90480-10M16 | 8 - 14 |
| 90480-12072 | 8 - 14 |
| 90480-13M24 | 12 - 15 |
| 90480-15M31 | 15 - 6 |
| 90480-25161 | 12 - 5 |
| 90501-12M40 | 5 - 12 |
| 90501-12M41 | 5 - 13 |
| 90501-14M06 | 23 - 40 |
| 90501-23215 | 16 - 15 |
| 90506-26M38 | 19 - 41 |
| 90507-20M00 | 19 - 29 |
| 90508-18M41 | 19 - 34 |
| 91490-16010 | 16 - 8 |
| 91490-30020 | 24 - 18 |
| 91690-20016 | 6 - 21 |
| 92903-06600 | 2 - 29 |
| | 4 - 9 |
| 92903-10600 | 16 - 14 |
| 92990-05600 | 12 - 24 |
| | 13 - 16 |
| 92990-06100 | 9 - 22 |
| 92990-06200 | 16 - 33 |
| 92990-06300 | 24 - 13 |
| 92990-06600 | 9 - 23 |
| 92990-08600 | 13 - 7 |
| | 29 - 33 |
| 92995-05600 | 2 - 14 |

NUMERICAL INDEX
INDEX NUMERIQUE

| PART NO. NO. PIECES | REF. NO. |
|------------------------|-------------|
| 92995-06100 | 10 - 27 |
| | 11 - 6 |
| 92995-06600 | 2 - 12 |
| | 2 - 20 |
| | 4 - 13 |
| | 6 - 4 |
| | 8 - 18 |
| | 9 - 3 |
| | 10 - 23 |
| | 11 - 7 |
| | 11 - 9 |
| | 11 - 11 |
| | 12 - 3 |
| | 12 - 7 |
| | 12 - 19 |
| | 12 - 24 |
| | 13 - 18 |
| | 15 - 3 |
| | 15 - 5 |
| | 16 - 29 |
| | 17 - 21 |
| | 17 - 32 |
| | 19 - 18 |
| | 20 - 19 |
| | 22 - 6 |
| | 22 - 10 |
| | 23 - 48 |
| | 24 - 22 |
| | 20 - 28 |
| 92995-08600 | 24 - 6 |
| 93101-12M63 | 22 - 2 |
| | 32 - 2 |
| 93101-17054 | 23 - 44 |
| | 32 - 17 |
| 93101-20048 | 23 - 23 |
| | 32 - 14 |
| 93102-18M21 | 8 - 1 |
| | 30 - 14 |
| 93102-25M52 | 3 - 2 |
| | 30 - 10 |
| 93102-35M51 | 3 - 1 |
| | 30 - 9 |
| 93210-03261 | 13 - 21 |
| 93210-06ME6 | 23 - 25 |
| | 32 - 16 |
| 93210-16275 | 27 - 9 |
| 93210-20M65 | 9 - 24 |
| | 30 - 17 |

| PART NO. NO. PIECES | REF. NO. |
|------------------------|-------------|
| 93210-24M79 | 4 - 17 |
| | 30 - 8 |
| 93210-29M94 | 20 - 10 |
| 93210-35M86 | 6 - 9 |
| | 30 - 13 |
| 93210-44398 | 23 - 16 |
| | 32 - 12 |
| 93210-56M80 | 23 - 46 |
| | 32 - 19 |
| 93210-57M09 | 23 - 45 |
| | 32 - 18 |
| | 23 - 42 |
| 93306-00501 | 23 - 42 |
| 93315-314V8 | 23 - 3 |
| 93315-317U2 | 23 - 43 |
| 93332-00005 | 23 - 7 |
| 93341-41414 | 23 - 5 |
| 93430-04M03 | 19 - 37 |
| 93430-06024 | 29 - 10 |
| | 29 - 62 |
| 93450-09M01 | 4 - 4 |
| 93450-15023 | 3 - 11 |
| 93604-12M07 | 23 - 18 |
| | 24 - 4 |
| 93606-12019 | 6 - 5 |
| | 21 - 4 |
| | 22 - 3 |
| 93700-06M03 | 20 - 1 |
| 94701-00375 | 4 - 18 |
| 95380-05600 | 9 - 19 |
| | 29 - 7 |
| 95380-06600 | 29 - 39 |
| 95380-06700 | 10 - 29 |
| | 17 - 11 |
| | 19 - 19 |
| 95380-08600 | 20 - 16 |
| 95380-08700 | 13 - 6 |
| 95380-10700 | 16 - 26 |
| 95780-10300 | 16 - 25 |
| 95895-06020 | 12 - 16 |
| 95895-06030 | 24 - 12 |
| 97013-06016 | 8 - 4 |
| 97013-06025 | 4 - 8 |
| 97013-06030 | 2 - 28 |
| 97075-06025 | 20 - 18 |
| 97075-08030 | 24 - 5 |
| 97075-08035 | 20 - 27 |
| 97080-08025 | 23 - 26 |
| 97080-08045 | 23 - 19 |

| PART NO. NO. PIECES | REF. NO. |
|------------------------|-------------|
| 97080-08045 | 32 - 24 |
| 97095-05012 | 2 - 13 |
| 97095-06010 | 17 - 22 |
| 97095-06012 | 15 - 18 |
| 97095-06016 | 11 - 8 |
| | 12 - 23 |
| | 13 - 17 |
| | 22 - 9 |
| | 24 - 21 |
| 97095-06020 | 2 - 11 |
| | 2 - 19 |
| | 4 - 12 |
| | 9 - 2 |
| | 10 - 22 |
| | 12 - 2 |
| | 12 - 6 |
| | 22 - 5 |
| | 23 - 47 |
| 97095-06025 | 11 - 5 |
| | 12 - 18 |
| | 15 - 4 |
| | 17 - 31 |
| 97095-06030 | 11 - 10 |
| | 16 - 28 |
| 97095-06035 | 8 - 17 |
| | 15 - 2 |
| 97095-06040 | 6 - 3 |
| | 11 - 10 |
| 97095-06055 | 17 - 20 |
| 97095-06090 | 10 - 26 |
| 97095-08014 | 4 - 14 |
| 97095-08030 | 29 - 32 |
| 97380-05025 | 29 - 8 |
| 97575-08535 | 18 - 20 |
| 97575-08545 | 21 - 3 |
| 97595-06525 | 18 - 7 |
| 97780-50510 | 6 - 17 |
| 97780-60520 | 1 - 3 |
| 97880-05008 | 13 - 15 |
| 97880-05025 | 12 - 23 |
| 97880-06030 | 9 - 21 |
| 97885-06008 | 19 - 4 |
| 97885-08010 | 19 - 5 |
| 97890-04005 | 7 - 35 |
| 97980-04110 | 7 - 18 |
| 97980-04112 | 7 - 28 |
| | 31 - 11 |
| 98580-03005 | 7 - 37 |

F9.9C/F13.5A/F15A
PARTS CATALOGUE
©2001 by Yamaha Motor Co., Ltd.
1st Edition, Apr. 2001
All rights reserved.
Any reprinting or unauthorized use
without the written permission of
Yamaha Motor Co., Ltd.
is expressly prohibited.

F9.9C/F13.5A/F15A
CATALOGUE DE PIÈCES DÉTACHÉES
©2001 Yamaha Motor Co., Ltd.
1ère Edition, Avr. 2001
Tous droits réservés.
Toute réimpression ou utilisation
sans la permission écrite de la
Yamaha Motor Co., Ltd.
est formellement interdite.